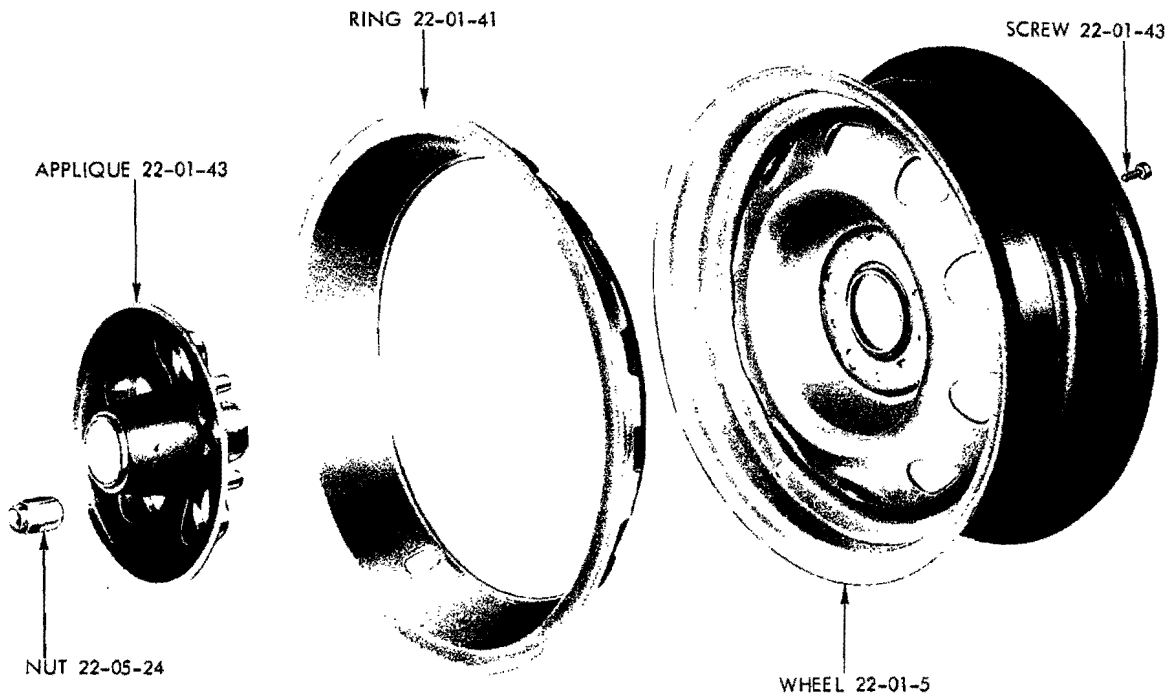
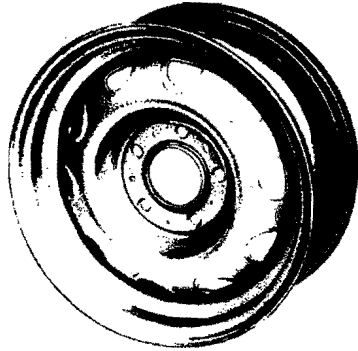


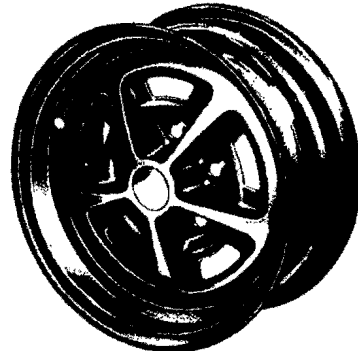
WHEELS



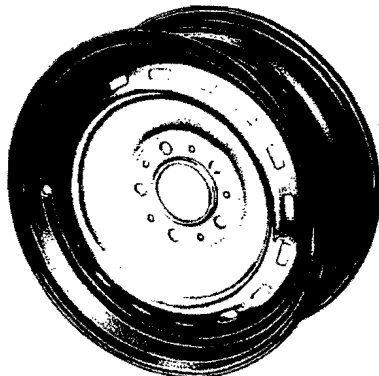
19a3774



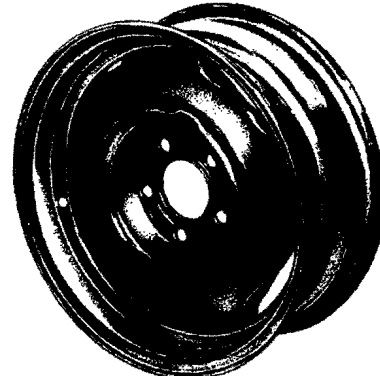
2944 252 (1970) 2944 388 14" (1971)
STYLED ROAD WHEEL 14x5.50
CLASS 1 RALLYE TYPE
2944 390 15" (1971)



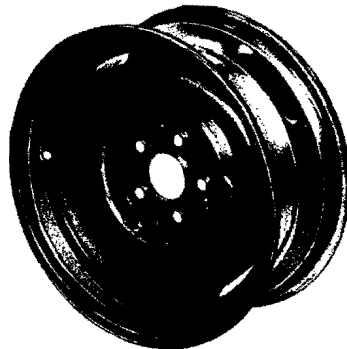
2944 474
STYLED ROAD WHEEL 14x5.50
CLASS 2 - CHROME



2944 394 (1970) 3461 061 (1971)
STYLED ROAD WHEEL 15x6.00
CLASS 2 CHROME PLATE DISC
16 SLOTS

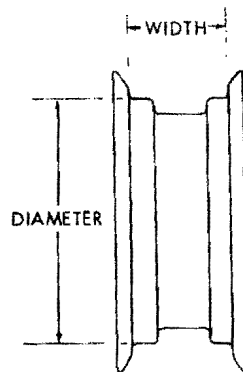


3004 989
WHEEL 15x5.50 PAINTED

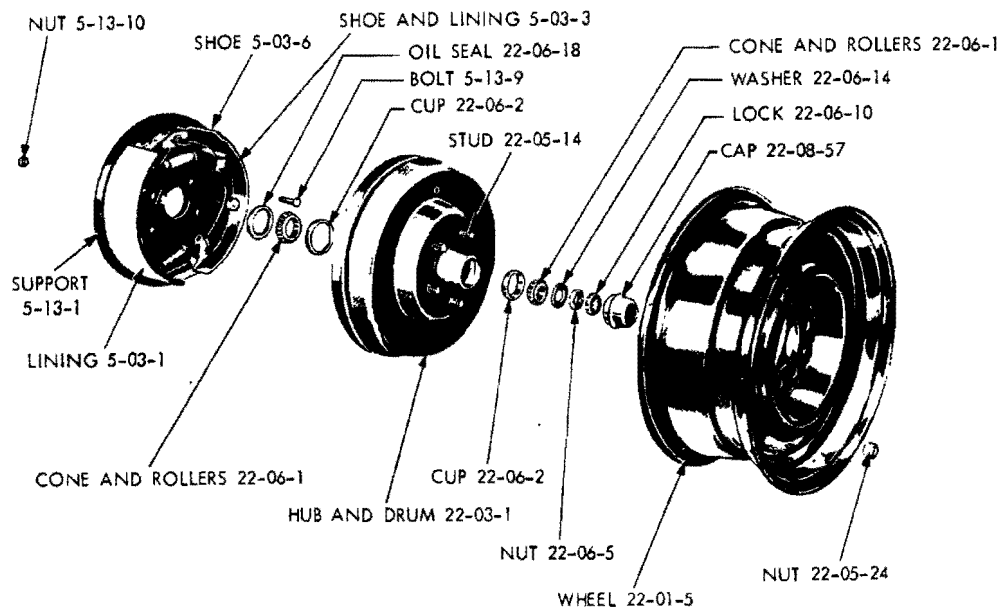


3420 965
WHEEL 14x5.50 NORRIS
THERMADOR TYPE
PAINTED

WHEEL MEASUREMENTS

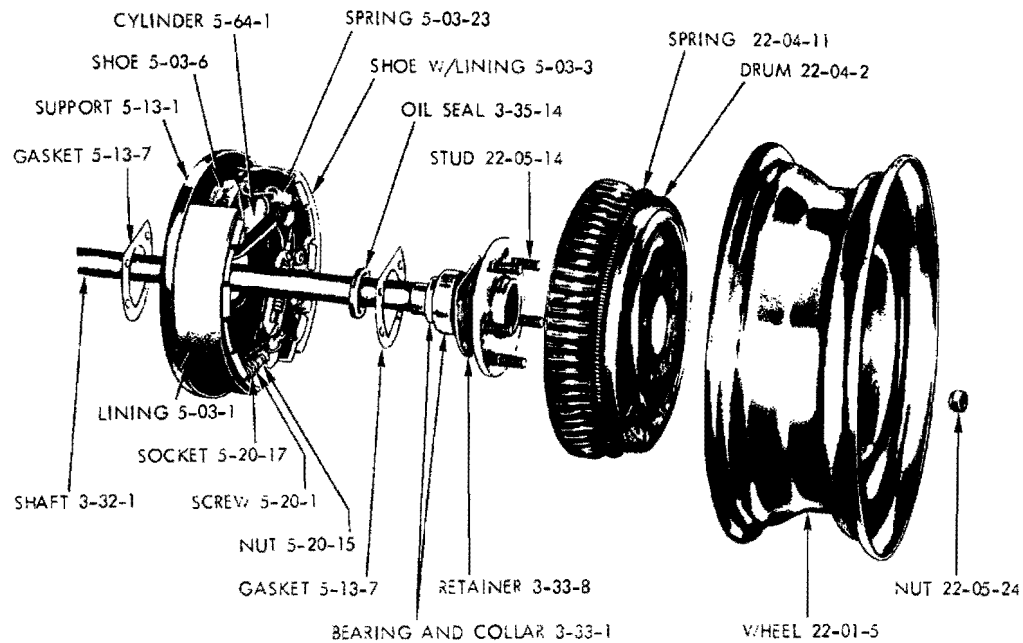


19a3321 A



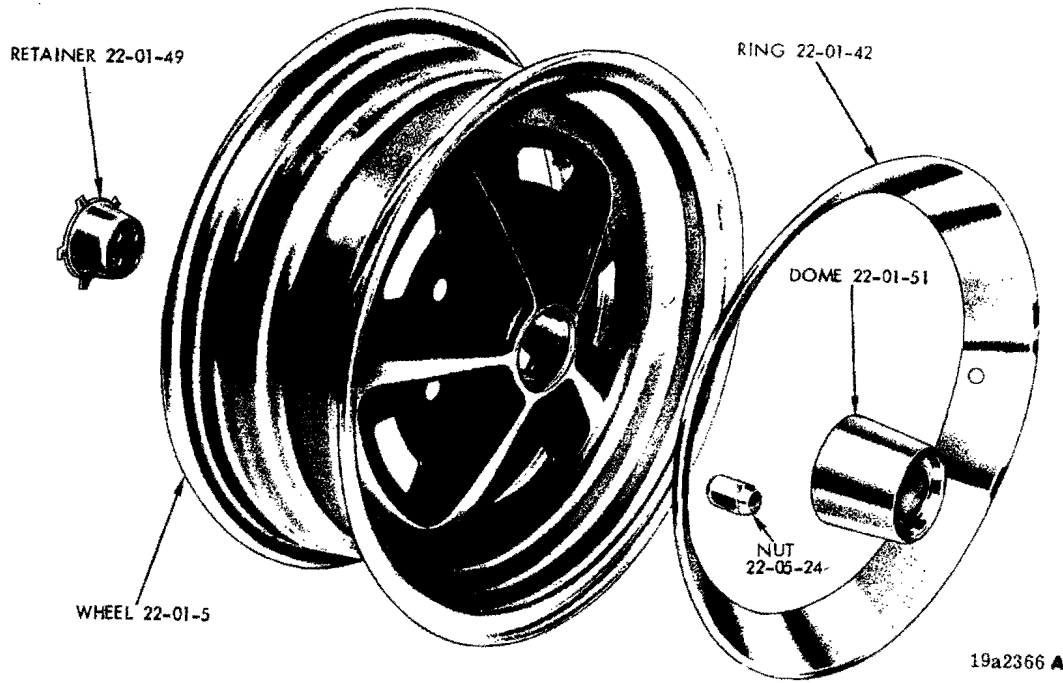
19a3230

FRONT WHEEL



19a3226

REAR WHEEL



19a2366 A

CHROME WHEEL - BARRACUDA, CHALLENGER, BELVEDERE, SATELLITE, CORONET AND CHARGER

NOTES

A series of horizontal lines provided for handwritten notes, spanning the width of the page below the 'NOTES' header.

CODE	PART NAME	ENG. TYPE OR CU.IN.	V	B	L	R	W	P	D	C	C	C	Y	PART NUMBER	
			1-2	1-2	1-2	1-2	1-2	1-2	1	2	3	1			
22-01-0 WHEELS															
22-01-5	WHEELS														
	14 x 4.50 Painted		5	—	5	—	—	—	—	—	—	—	—	2660 308	
	14 x 5.00 Painted		—	5	—	5	5	—	—	—	—	—	—	3420 976	
	14 x 5.50 Painted		5	—	5	—	—	—	—	—	—	—	—	2660 312	
	14 x 5.50 Painted		—	5	—	5	5	—	—	—	—	—	—	3420 977	
	14 x 5.50 Painted - Narris Thermadore		5	—	5	—	—	—	—	—	—	—	—	3420 965	
	14 x 5.50 Spare, w/Decal		—	1	—	1	1	—	—	—	—	—	—	2944 395	
	14 x 5.50 Styled Wheel, Class 1		4	—	4	—	—	—	—	—	—	—	—	2944 388	
	14 x 5.50 Styled Wheel, Class 1		—	4	—	4	4	—	—	—	—	—	—	2944 252	
	14 x 5.50 Styled Wheel, Class 2		—	4	—	4	4	—	—	—	—	—	—	2944 474	
	14 x 6.00 Styled Wheel Class 2		—	—	—	4	4	—	—	—	—	—	—	= 3461 359	
	14 x 6.00 Painted		—	5	—	5	5	—	—	—	—	—	—	3420 978	
	15 x 5.00		—	—	—	—	—	5	—	—	—	—	—	3004 988	
	15 x 5.00 Heavy Duty		—	—	—	—	—	5	—	—	—	—	—	2944 149	
	15 x 5.50 Painted		—	—	—	—	—	5	5	5	5	5	—	3004 989	
	15 x 6.00 Painted		—	—	—	—	—	5	5	5	5	5	—	3004 987	
	15 x 6.00 Painted - Heavy Duty		—	—	—	5	5	5	5	5	5	5	—	2944 169	
	15 x 6.00 Painted - Heavy Duty		—	—	—	—	—	5	5	5	5	5	—	3461 420	
	15 x 6.00 Painted-Extra Heavy Duty		—	—	—	—	—	5	5	5	5	5	—	3461 421	
	15 x 6.00 Chrysler 300 H only		—	—	—	—	—	—	—	5	—	—	—	3571 375	
	15 x 6.00 Painted		—	—	—	—	—	—	—	—	—	—	5	2944 352	
	15 x 6.00 Styled Wheel, Class 1, 16 Slots	70	—	—	—	—	—	5	—	—	—	—	—	3461 061	
	15 x 6.00 Styled Wheel, Class 1, 71		—	—	—	—	—	5	—	—	—	—	—	3461 238	
	15 x 6.00 Styled Wheel, Class 2, 16 Slots		—	—	—	—	—	4	4	4	4	4	—	2944 394	
	15 x 6.50 Painted, exc. Sta. Wagon		—	—	—	—	—	5	5	5	5	5	—	3004 990	
	15 x 6.50 Painted		—	—	—	—	—	5	—	—	—	—	—	3004 990	
	15 x 6.50 Painted, Sta. Wgn.		—	—	—	—	—	—	5	—	—	—	—	3004 990	
	15 x 6.50 Painted, Sta. Wagon		—	—	—	—	—	5	5	5	5	5	—	2944 155	
	15 x 7.00 Painted		—	5	—	5	5	—	—	—	—	—	—	2944 450	
	15 x 7.00 Styled Wheel, Class 1		—	5	—	5	5	—	—	—	—	—	—	2944 390	
22-01-41	RING, Wheel Trim														
	Styled Road Wheel-Class 1-11		4	4	4	4	4	—	—	—	—	—	—	2944 424	
	E60 or F60 15" Tire Chrome	70	—	4	—	4	4	—	—	—	—	—	—	3461 043	
	Brushed Chrome Finish		—	4	—	4	4	—	—	—	—	—	—	3461 222	
			—	—	—	—	—	4	4	4	4	4	—	3461 012	
	Styled Class 1 Use w/Wheel		—	—	—	—	—	4	—	—	—	—	—	3461 234	
	3461238	71	—	—	—	—	—	4	—	—	—	—	—		
	NOTE: For Illustration See Wheel Covers Illustrated at Start of GR. 22.														
22-01-42	COVER, Wheel — For replacement parts, refer to Wheel Cover Illustration Pages.														
22-01-43	APPLIQUE, Wheel Cover, J, W, Only	70	—	4	—	—	4	—	—	—	—	—	—	2944 443	
	D, Only		—	—	—	—	—	—	4	—	—	—	—	2881 751	
	Applique and Decal Assy.	70	4	—	4	—	—	—	—	—	—	—	—	3461 065	
	Applique and Decal Assy.	71	4	—	4	—	—	—	—	—	—	—	—	3461 351	
		71	—	4	—	4	4	—	—	—	—	—	—	3461 352	
	Applique and Decal Assy.	70	—	4	—	4	4	—	—	—	—	—	—	3461 066	
	Applique Styled Wheel	71	—	—	—	—	—	4	—	—	—	—	—	3461 235	
	Applique, Wheel Cover, Canada Only		—	—	—	—	—	—	—	—	—	—	4	2944 446	
	Decal, Wheel	70	—	—	—	—	—	—	—	—	4	—	—	3571 252	
	Screw, Applique to Wheel		AR	AR	AR	AR	AR	AR	AR	AR	AR	AR	—	= 6029 190	
22-01-46	STEM, Valve Coll. Spare														
	1 1/4" Lgh.		—	1	—	1	1	—	—	—	—	—	—	3461 052	
	EXTENSION PACKAGE, Valve Stem														
	1/2" LGH.		1	1	1	1	1	1	1	1	1	1	—	2660 315	
	3/4" LGH, V, R, B, Only		1	1	—	1	—	—	—	—	—	—	—	2401 840	
	1" Lgh.	71	—	—	—	—	—	1	1	—	—	—	—	2530 154	

CARLINES J - Challenger B - Barracuda V - Valiant L - Dart R - Bevedere - Satellite W - Coronet - Charger P - Plymouth D - Dodge C - Chrysler Y - Imperial

AR Indicates use as required. Numerals in parentheses () refer to notes. Printed in U.S.A. January 1972
 = Indicates parts not listed in any previous parts book. * Indicates change or addition.

CODE	PART NAME	ENG. TYPE OR CU.IN.	V	B	L	R	W	P	D	C	C	C	Y	PART NUMBER
			1-2	1-2	1-2	1-2	1-2	1-2	1-2	1	2	3	1	
22-01-0 WHEELS Cont'd.														
22-01-46	STEM Cont'd. 1 1/4" LGH.		—	—	—	—	—	—	—	—	—	—	1	2401 841
	Extension, 1 1/4" LGH.		—	—	—	—	—	—	—	—	—	—	4	2207 519
22-01-48	CAP, Wheel Dome		—	—	—	—	—	4	4	4	4	4	—	3461 042
22-01-49	RETAINER, Wheel Dome Cover Applique		—	4	—	4	4	—	—	—	—	—	—	2823 845
22-01-51	DOME, Wheel		—	—	—	—	—	—	—	—	—	—	4	2944 447
22-01-52	SPACER, Cover Applique, Canada Only		—	4	—	4	4	—	—	—	—	—	—	2823 842
			—	—	—	—	—	—	—	—	—	—	4	2530 343

22-03-0 FRONT HUB AND DRUM

22-03-1	HUB and DRUM													
	9" Brakes	70	1	—	1	—	—	—	—	—	—	—	—	3004 728-9
	9" x 2 1/2" Brakes w/Fins Rt.	70	1	—	1	—	—	—	—	—	—	—	—	3580 532
	w/Fins Lt.	70	1	—	1	—	—	—	—	—	—	—	—	3580 533
	w/Fins	71	2	—	2	—	—	—	—	—	—	—	—	3580 690
	10" x 2 1/4" Brakes	70	1	—	1	—	—	—	—	—	—	—	—	3549 836-7
	10 x 2 1/4 Brakes	71	2	—	2	—	—	—	—	—	—	—	—	3580 534
	10" x 2 1/2" Brakes	70	—	1	—	1	1	—	—	—	—	—	—	3004 732-3
	10 x 2 1/2 Brakes M-W	71	—	2	—	2	2	—	—	—	—	—	—	3580 630
	11" x 3" Brakes	70	—	1	—	1	1	—	—	—	—	—	—	2781 564-5
	11 x 3 Brakes M-W	71	—	2	—	2	2	—	—	—	—	—	—	3580 546
	11 x 3" Brakes K-H	71	—	2	—	2	2	—	—	—	—	—	—	3580 692
	11" x 2 3/4" Brakes Rt. w/Fins	70	—	—	—	—	1	1	1	1	—	—	—	3004 974
	11" x 2 3/4" Brakes Lt. w/Fins	70	—	—	—	—	1	1	1	1	—	—	—	3004 973
	11 x 2 3/4 Brakes	71	—	—	—	—	2	2	2	2	2	—	—	3549 846
	11" x 3" Brakes	70	—	—	—	—	1	1	1	1	1	—	—	2944 822-3
	11 x 3 Brakes	71	—	—	—	—	2	2	—	—	—	—	—	3580 544

NOTE: For Hub w/Disc See Part Type Code 5-05-3.

22-04-0 REAR BRAKE DRUM

22-04-2	DRUM,													
	9" Brakes	70	2	—	2	—	—	—	—	—	—	—	—	3461 885
	9" Brakes	71	2	—	2	—	—	—	—	—	—	—	—	3580 549
	10 x 1 3/4 Brakes	71	2	—	2	—	—	—	—	—	—	—	—	3580 551
	10 x 1 3/4 Brakes W/Heavy Duty or W/Front Disc	70	2	—	2	—	—	—	—	—	—	—	—	3461 685
	10 x 1 3/4" Brakes Budd, K-H	70	—	—	—	2	2	—	—	—	—	—	—	3004 744
	10 x 2 1/2" Brakes	70	—	2	—	2	2	—	—	—	—	—	—	3004 745
	10 x 2 1/2 Brakes	71	—	2	—	2	2	—	—	—	—	—	—	3580 553
	11 x 2" Brakes	70	—	—	—	—	2	2	—	—	—	—	—	3004 932
	11 x 2 Brakes	71	—	—	—	—	2	2	—	—	—	—	—	3549 843
	11 x 2 1/2" Brakes Fin Type	70	—	2	—	2	2	2	2	2	2	—	—	3004 933
	11 x 2 1/2 Brakes	71	—	2	—	2	2	2	2	2	2	—	—	3549 842
	11 x 3" Brakes Budd	70	—	—	—	—	2	2	2	2	2	—	—	2405 758
	11 x 3" Brakes M-W	70	—	—	—	—	—	—	—	—	—	—	2	2534 905
	11 x 3" Brakes Wide Axle	70	—	—	—	—	—	—	—	—	—	—	2	3461 715
	11 x 3 Brakes M-W	71	—	—	—	—	—	—	—	—	—	—	2	3580 567
22-04-11	SPRING, Wheel Brake Drum Damper													
	w/9" Brakes	70	AR	—	AR	—	—	—	—	—	—	—	—	2266 298
	w/10" Brakes	70	AR	AR	AR	AR	AR	—	—	—	—	—	—	1142 316
	w/Heavy Duty Brakes	70	—	AR	—	AR	AR	—	—	—	—	—	—	2266 877
			—	—	—	—	—	AR	AR	AR	AR	AR	AR	1142 259
22-04-14	RETAINER, RR. Brake Drum to Axle Shaft		AR	AR	AR	—	—	—	—	—	—	—	—	6026 647
			—	AR	—	AR	AR	AR	AR	AR	AR	AR	AR	6026 430

CARLINES	J - Challenger B - Barracuda	V - Valiant L - Dart	R - Belvedere - Satellite W - Coronet - Charger	P - Plymouth D - Dodge	C - Chrysler Y - Imperial
----------	---------------------------------	-------------------------	--	---------------------------	------------------------------

AR Indicates use as required.

Indicates parts not listed in any previous parts book.

Numerals in parentheses () refer to notes.

★ Indicates change or addition.

Printed in U.S.A.
January 1972