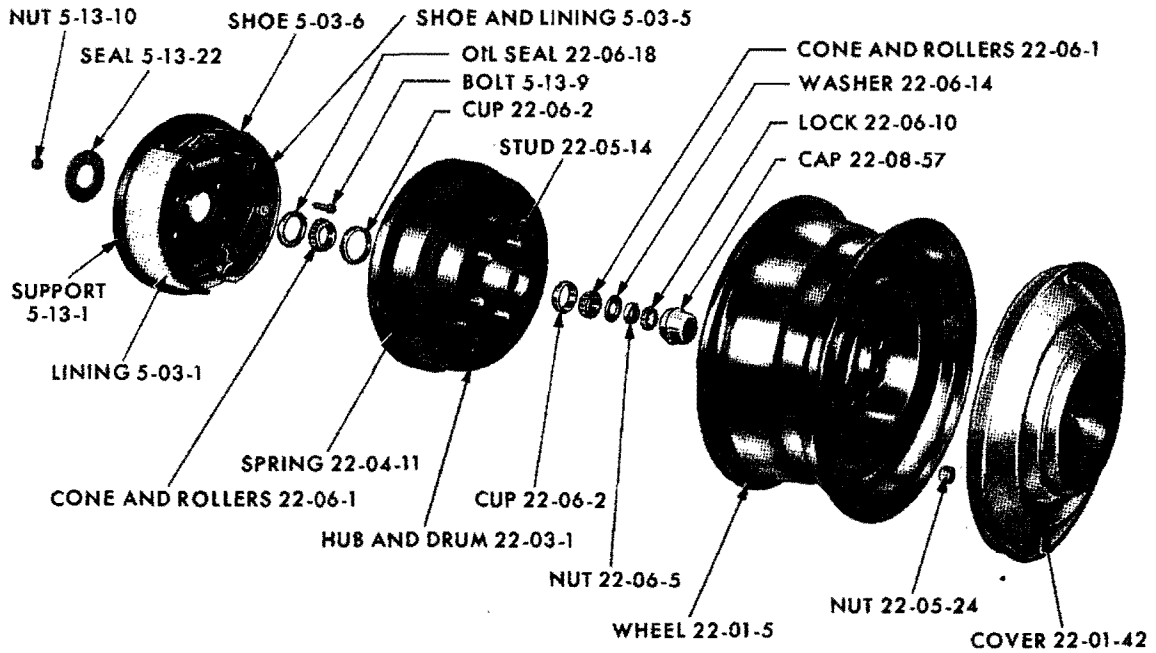
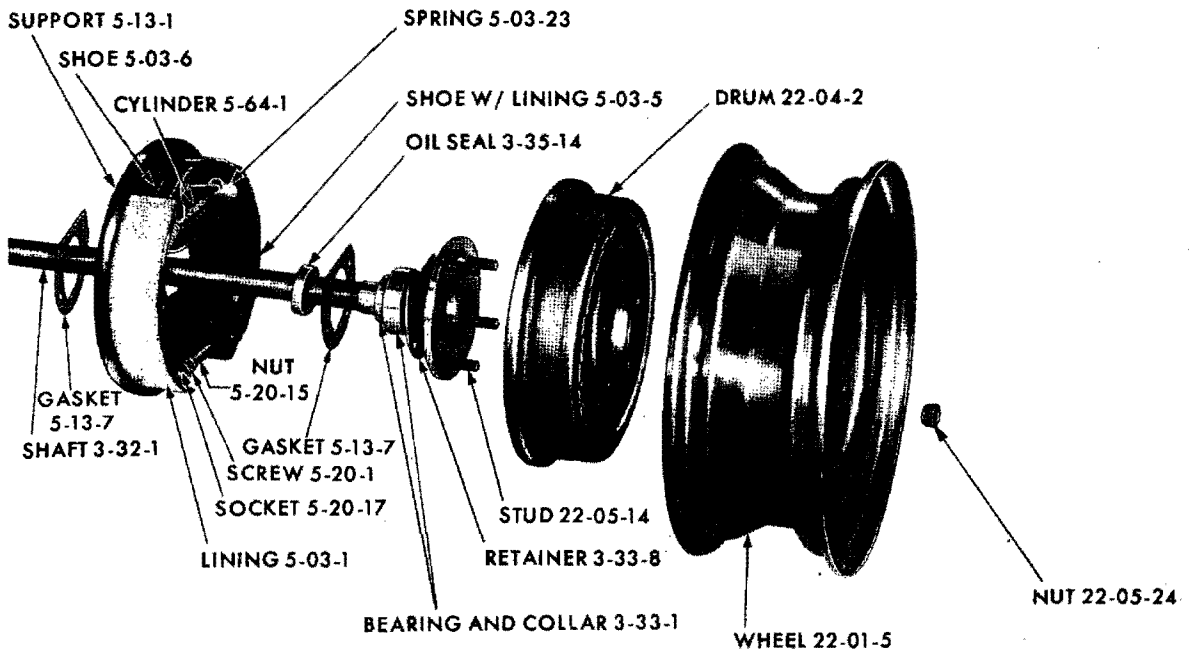


GROUP 22 - WHEELS



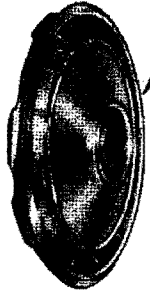
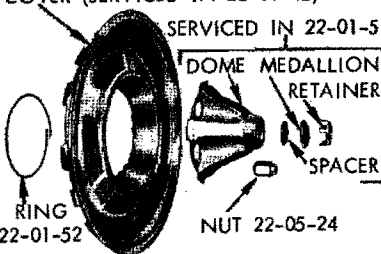

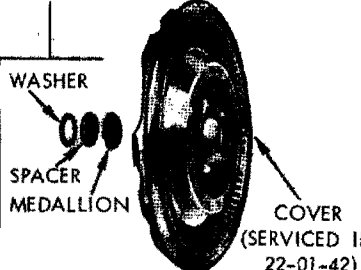
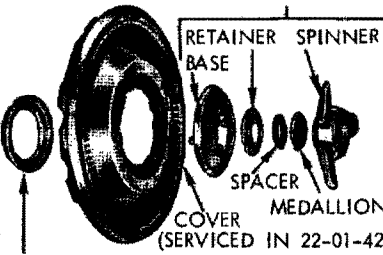
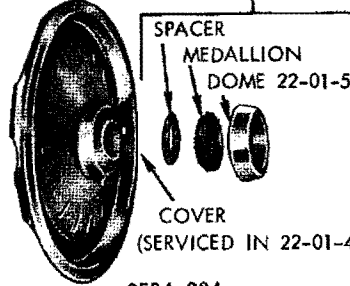
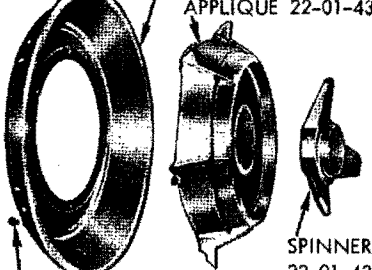
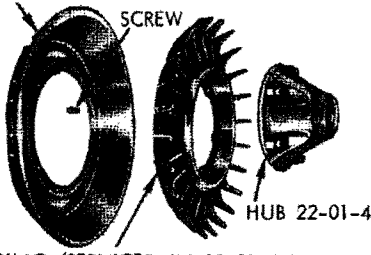
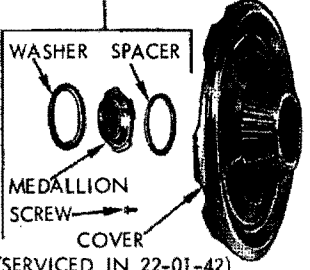
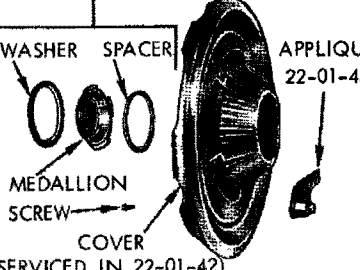
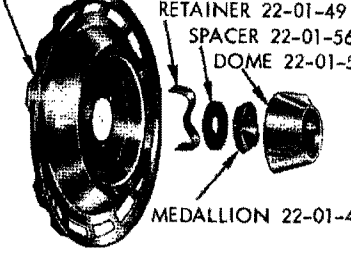
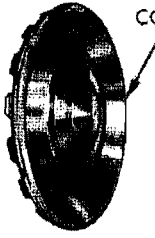
19x9691

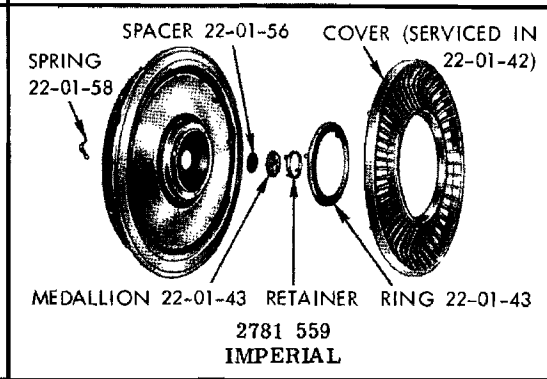
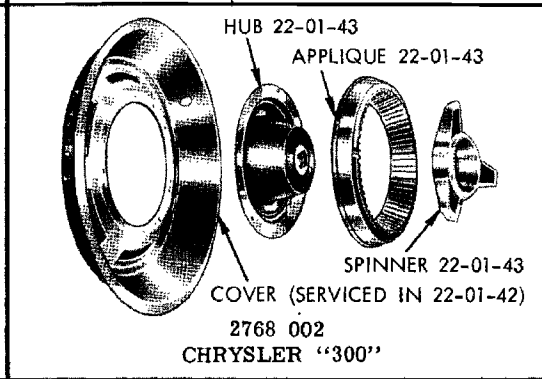
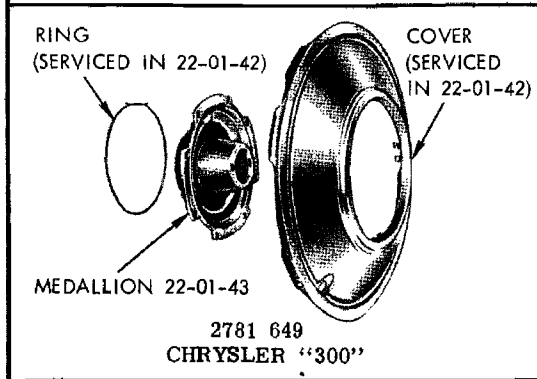
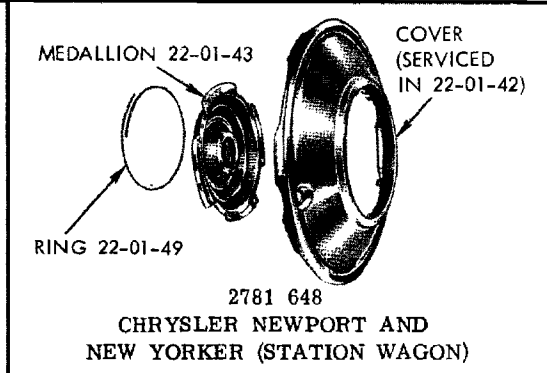
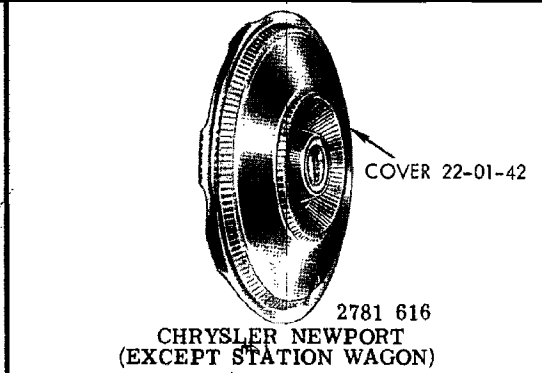
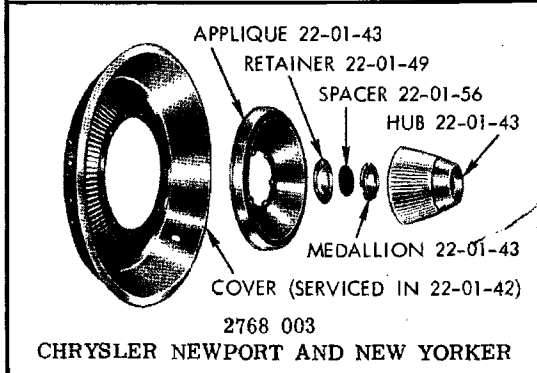
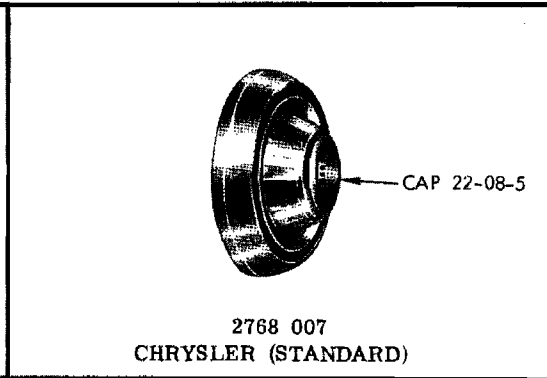
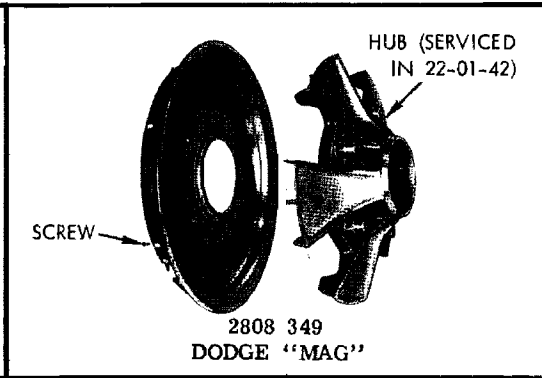
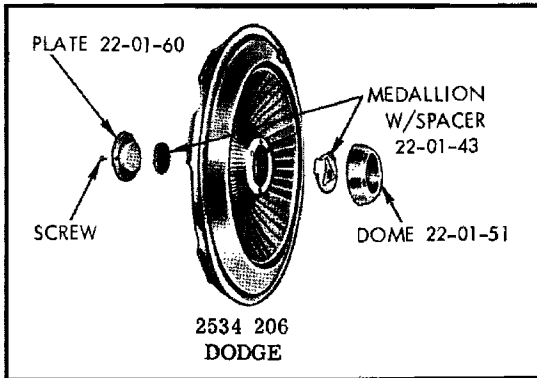
FRONT WHEEL



19x8787 D

REAR WHEEL

 <p>COVER 22-01-42</p> <p>2781 550 VALIANT</p>	 <p>COVER (SERVICED IN 22-01-42) SERVICED IN 22-01-51</p> <p>RING 22-01-52</p> <p>DOVE MEDALLION RETAINER</p> <p>NUT 22-05-24</p> <p>SPACER</p> <p>2781 553 13" WHEEL 2781 554 14" WHEEL VALIANT DELUXE TYPE</p>	 <p>COVER 22-01-42</p> <p>2781 535 DART</p>	 <p>MEDALLION PACKAGE 22-01-43</p> <p>WASHER</p> <p>SPACER</p> <p>MEDALLION</p> <p>COVER (SERVICED IN 22-01-42)</p> <p>2534 194 BELVEDERE</p>
 <p>SPINNER AND BASE ASSEMBLY 22-01-43</p> <p>RETAINER</p> <p>BASE</p> <p>SPINNER</p> <p>SPACER</p> <p>MEDALLION</p> <p>COVER (SERVICED IN 22-01-42)</p> <p>RETAINER (SERVICED IN 22-01-42)</p> <p>2534 910 BELVEDERE SPINNER</p>	 <p>MEDALLION PACKAGE 22-01-43</p> <p>SPACER</p> <p>MEDALLION</p> <p>DOVE 22-01-51</p> <p>COVER (SERVICED IN 22-01-42)</p> <p>2534 224 CORONET</p>	 <p>COVER (SERVICED IN 22-01-42)</p> <p>APPLIQUE 22-01-43</p> <p>SCREW</p> <p>2768 005 CHARGER</p> <p>SPINNER 22-01-43</p>	 <p>COVER (SERVICED IN 22-01-42)</p> <p>SCREW</p> <p>HUB 22-01-43</p> <p>RING (SERVICED IN 22-01-42)</p> <p>2660 971 FURY</p>
 <p>MEDALLION PACKAGE 22-01-43</p> <p>WASHER</p> <p>SPACER</p> <p>MEDALLION</p> <p>SCREW</p> <p>COVER (SERVICED IN 22-01-42)</p> <p>2781 541 FURY</p>	 <p>MEDALLION PACKAGE 22-01-43</p> <p>WASHER</p> <p>SPACER</p> <p>MEDALLION</p> <p>SCREW</p> <p>COVER (SERVICED IN 22-01-42)</p> <p>APPLIQUE 22-01-43</p> <p>2781 540 SPORTS FURY</p>	 <p>COVER (SERVICED IN 22-01-42)</p> <p>RETAINER 22-01-49</p> <p>SPACER 22-01-56</p> <p>DOVE 22-01-51</p> <p>MEDALLION 22-01-43</p> <p>2781 546 DISC BRAKE</p>	 <p>COVER 22-01-42</p> <p>2260 160 15" WHEEL POLICE AND TAXI</p>



19a0705A

WHEEL COVERS

22-01-0 WHEELS

TIRE CHART

Wheel Size	Tire Size
13 x 4.50	6.50 x 13 - 7.00 x 13
14 x 4.50	6.95 x 14
14 x 5.00	6.50 x 14 - 6.95 x 14 - 7.00 x 14 - 7.35 x 14
	7.50 x 14 - 7.75 x 14
14 x 5.50	7.00 x 14 - 7.50 x 14 - 7.75 x 14
	8.00 x 14 - 8.25 x 14
14 x 6.00	8.00 x 14 - 8.25 x 14 - 8.50 x 14 - 8.55 x 14
14 x 6.50	8.85 x 14 - 9.00 x 14
15 x 5.50	6.70 x 15
15 x 6.00	7.60 x 15
15 x 6.00	7.35 x 15 - 7.60 x 15 - 8.00 x 15 - 8.20 x 15 - 8.45 x 15 - 8.85 x 15 - 9.15 x 15

CODE	PART NAME AND DESCRIPTION	CYL	PER CAR	VALIANT	PLYMOUTH BELVEDERE	PLYMOUTH FURY	IMPERIAL	
				DART	DODGE CORONET	DODGE POLARA CHRYSLER		
22-01-5	WHEEL, 13 x 4.50		5	2534 167				
	14 x 4.50		5	2660 308				
	14 x 5.50 Except Sta. Wgn.		5	2660 312				
	14 x 5.50		5	-----	2298 523			
	14 x 5.00, except Sta. Wgn.		5	-----	*2525 075			
	14 x 5.00, P, except Sta. Wgn.		5	-----	-----	2525 075		
	14 x 5.50, Charger, P, D, C1, C2, except Sta. Wgn., Deep Dish		5	-----	2534 702	2534 702		
	14 x 6.00, P, D, C1, C3, Deep Dish		5	-----	-----	2534 706		
	14 x 6.50, C, Deep Dish		5	-----	-----	2530 156		
	15 x 5.50, R, W		5	-----	E2823 858			
	15 x 6.00, P, D, C		5	-----	-----	*2781 585		
	15 x 6.00		5	-----	-----	-----	1948 155	
	22-01-42	COVER, Wheel						
		V		4	2781 550			
L			4	2781 535				
V1-H, V2-P, V2-H, V2-P, 13" Wheel, Chrome Nut Type			4	2781 553				
14" Wheel, Chrome Nut Type			4	2781 554				
V, R, Medallion Type, 14" Wheel			4	2534 194	2534 194			
L, W1, W2-L, W2-H, W2-P, Dome Type, 14" Wheel			4	2534 224	2534 224			
W2-P, Charger			4	-----	2768 005			
R2-P, Spinner Type			4	-----	2534 910			
SCREW and Washer			12	-----	6026 536			
SCREW and Washer			12	-----	6026 537			
P, Spoked Ring and Dome Type, for Deep Dish Wheel			4	-----	-----	2660 971		
P1, P2-L, P2-M, P2-H, Medallion Type			4	-----	-----	2781 541		
P2-P, Medallion Applique Type			4	-----	-----	2781 540		
P1-L, P2-L, D2-L, Police & Taxi, 15" Wheels		4	-----	2260 160	2260 160			
P2, D2, C, use w/Disc Brakes		4	-----	-----	2781 546			
D2, use w/14" Wheel, Simulated Magnesium		4	-----	-----	2808 349			
D2-L, D2-H, Medallion, Dome Type		4	-----	-----	2534 206			
D2-L, D2-H, D2-P, Spinner Type, for Deep Dish Wheel		4	-----	-----	2768 005			
C1, except Sta. Wgn., Medallion Type		4	-----	-----	2781 616			
C1, Sta. Wgn., C3, Medallion Type		4	-----	-----	2781 648			

TYPE LETTERS Indicate: V - Valiant R - Belvedere P - Plymouth C - Chrysler
 L - Dart W - Coronet D - Dodge Y - Imperial

★Indicates use as required. Numerals in parentheses () refer to notes.
 ⊠Indicates parts not listed in any previous parts book.
 • Indicates change or addition.

March 1967 Supersedes May 1966.

1966 PASSENGER CAR PARTS CATALOG

CODE	PART NAME AND DESCRIPTION	CYL	PER CAR	VALIANT	PLYMOUTH BELVEDERE	PLYMOUTH FURY	IMPERIAL
				DART	DODGE CORONET	DODGE POLARA CHRYSLER	
22-01-0 WHEELS - Cont'd							
22-01-42	COVER - Cont'd						
	C1, C3, except Sta. Wgn., Dome and Medallion Applique, for Deep Dish Wheel		4	-----	-----	2768 003	
	C2, Dome Type		4	-----	-----	2781 649	
	C2, Spinner Type, for Deep Dish Wheel		4	-----	-----	2768 002	
	Y		4	-----	-----	-----	2781 559
22-01-43	MEDALLION, Cover V, R1, R2-L, R2-H		4	*2534 196	*2534 196		
	MEDALLION PACKAGE, Cover, w/SPACER, L, W		4	2585 554	2585 554		
	APPLIQUE, Cover, W2-P Charger, D2		4	-----	2660 996	2660 996	
	SPINNER, Cover, W2-P Charger, D2		4	-----	2660 999	2660 999	
	SPINNER, Cover, R2-P		4	-----	2534 909		
	APPLIQUE, Cover, P2-P		20	-----	-----	2534 212	
	HUB, Cover, P		4	-----	-----	2660 991	
	MEDALLION PACKAGE, Cover, w/SPACER, P		4	-----	-----	2585 553	
	MEDALLION PACKAGE, Cover, w/SPACER, D2		4	-----	-----	2585 555	
	MEDALLION, P2, D2, C, w/Disc Brakes	8	4	-----	-----	*2781 591	
	APPLIQUE, Cover, C1, C3, except Sta. Wgn.		4	-----	-----	2660 995	
	APPLIQUE, Cover, C2		4	-----	-----	2660 977	
	HUB, Cover Applique, C1, C3, except Sta. Wgn.		4	-----	-----	2660 981	
	HUB, Cover Applique, C2		4	-----	-----	2768 001	
	MEDALLION, Cover, C1-L, except Sta. Wgn.		4	-----	-----	2534 210	
	MEDALLION, Cover, C1-L, Sta. Wgn., C3		4	-----	-----	*2534 216	
	MEDALLION, Cover, C2-M		4	-----	-----	2534 213	
	MEDALLION, Cover Applique, C1, C3, except Sta. Wgn.		4	-----	-----	2660 983	
	SPINNER, Cover, C2		4	-----	-----	2660 975	
	MEDALLION, Cover, Y3		4	-----	-----	-----	2534 220
	RING, Cover Inner, Y3		4	-----	-----	-----	2534 219
	SCREW, Applique, P2P		20	-----	-----	450 539	
	SCREW, C2		12	-----	-----	172 313	
22-01-46	EXTENSION PACKAGE, Valve Stem						
	1/2" lgh.		1	2660 315	2660 315	2660 315	
	3/4" lgh., V, L, R, P, D, C		1	2401 840	2401 840	2401 840	
	1" lgh., L, C		1	2530 154	-----	2530 154	
	1 1/4" lgh., D, C, Y		1	-----	-----	2401 841	2401 841
	1 1/2" lgh., Y3		1	-----	-----	-----	2530 155
22-01-47	SCREW, Dome Mounting, L, W		12	6025 175	6025 175		
	P, D, C	8	4	-----	-----	6026 364	
	Spinner to Base, R2P		12	-----	6025 448		
22-01-49	RING, Cover Medallion Mtg., C		4	-----	-----	2530 163	
	RETAINER, Medallion, P2, D2, C		4	-----	-----	2781 592	
	RETAINER, Medallion, C1, C3		4	-----	-----	2768 004	
	Y3		4	-----	-----	-----	2534 223
22-01-51	DOME, Wheel Cover, V1-H, V2-H, V1-P, V2-P		4	2781 551			
	L, W		4	2534 784	2534 784		
	P2, D, C		4	-----	-----	1829 824	
	DOME, D2-L, D2-H, use w/2534 206 Cover	8	4	-----	-----	*2534 891	
22-01-52	RING, Wheel Cover Dome Retaining, w/Deluxe Type Cover, V1-H, V2-H, V1-P, V2-P		4	*2530 345			

TYPE LETTERS indicate: V - Valiant R - Belvedere P - Plymouth C - Chrysler
 L - Dart W - Coronet D - Dodge Y - Imperial

*Indicates use as required. Numerals in parentheses () refer to notes. * Indicates change or addition.
 †Indicates parts not listed in any previous parts book.
 March 1967 Supersedes May 1966.

CODE	PART NAME AND DESCRIPTION	CYL	PER CAR	VALIANT	PLYMOUTH BELVEDERE	PLYMOUTH FURY	IMPERIAL
				DART	DODGE CORONET	DODGE POLARA CHRYSLER	
22-01-O WHEELS - Cont'd							
22-01-56	SPACER, Dome Medallion, P2, D2, C		4	-----	-----	2781 593	2781 533
	Applique, C1, C3, Y		4	-----	-----	2781 533	
22-01-58	SPRING, Cover Inner Ring Retention, Y3		12	-----	-----	-----	2409 840 450 539
	SCREW		12	-----	-----	-----	
22-01-60	PLATE, Cover Medallion Support, D2-L, D2-H		4	-----	-----	2534 892	
22-03-O FRONT HUB AND BRAKE DRUM							
Note: EXAMPLE - Brake Size 9" x 2 1/2" First Number (8") refers to diameter of Drum Second Number (2 1/2") refers to width of Brake Lining							
22-03-1	HUB and BRAKE DRUM, 9" x 2 1/2" Brakes, Steel Encased		6	1	*2267 080-1		
	9" x 2 1/2" Brakes, Cast Iron, w/Steel Back		6	1	*2260 534-5		
	10" x 2 1/4" Brakes			1	2534 750-1		
	10" x 2 1/2" Brakes, Kelsey-Hayes Housing stamped KH-E223			1	-----	3004731-3 2409 858-9	
	10" x 2 1/2" Brakes, Budd Housing stamped CB51			1	-----	2460 610-1	
	10" x 2 1/2" Brakes, Motor Wheel Housing stamped 35386			1	-----	3004731-3 2405 828-9	
	11" x 3" Brakes, w/383 and 426 cu. in. Eng. Police and Taxi, Kelsey-Hayes Housing Stamped K923 KH			1	-----	2266 390-1	
	11" x 3" Brakes, w/383 and 426 cu. in. Eng. Police and Taxi Motor Wheel Housing Stamped MWY			1	-----	2781 564-5	
	11" x 2 3/4" Brakes, P Budd Housing Stamped B			1	-----	2530 314-5	
	11" x 2 3/4" Brakes, D2, C1, except Sta. Wgn. Budd Housing Stamped B			1	-----	2530 314-5	
	11" x 2 3/4" Brakes P, Motor Wheel Housing Stamped MWY			1	-----	2460 600-1	
	11" x 2 3/4" Brakes D2, C1, except Sta. Wgn. Motor Wheel Housing Stamped MWY			1	-----	2460 600-1	
	11" x 2 3/4" Brakes P, Motor Wheel Housing Stamped 21MWY4			1	-----	2781 570-1	
	11" x 2 3/4" Brakes D2, C1, except Sta. Wgn. Motor Wheel Housing Stamped 21MWY4			1	-----	2781 570-1	
	11" x 2 3/4" Brakes, P, Kelsey-Hayes Housing Stamped 70591			1	-----	2800 500-1	
	11" x 2 3/4" Brakes D2, C1, except Sta. Wgn. Kelsey-Hayes Housing Stamped 70591			1	-----	2800 500-1	
	11" x 3" D2 Sta. Wgn., C, Motor Wheel Housing Stamped MWY			1	-----	2781 572-3	
	11" x 3" P, D, C, Motor Wheel Housing Stamped 2MWYA30			1	-----	2781 576-7	
	11" x 3" Brakes			1	-----	-----	2530 130-1
	HUB and BRAKE Disc.			1	2660 296-7	2823 284-5	
	P2, D2, C			1	-----	2534 144-5	

TYPE LETTERS Indicate: V - Valiant R - Belvedere P - Plymouth C - Chrysler
 L - Dart W - Coronet D - Dodge Y - Imperial

*Indicates use as required. Numerals in parentheses () refer to notes.
 @Indicates parts not listed in any previous parts book.
 * Indicates change or addition.

March 1967 Supersedes May 1966.