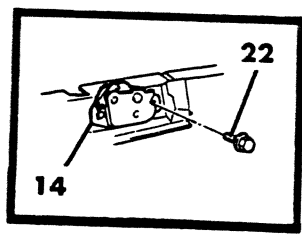
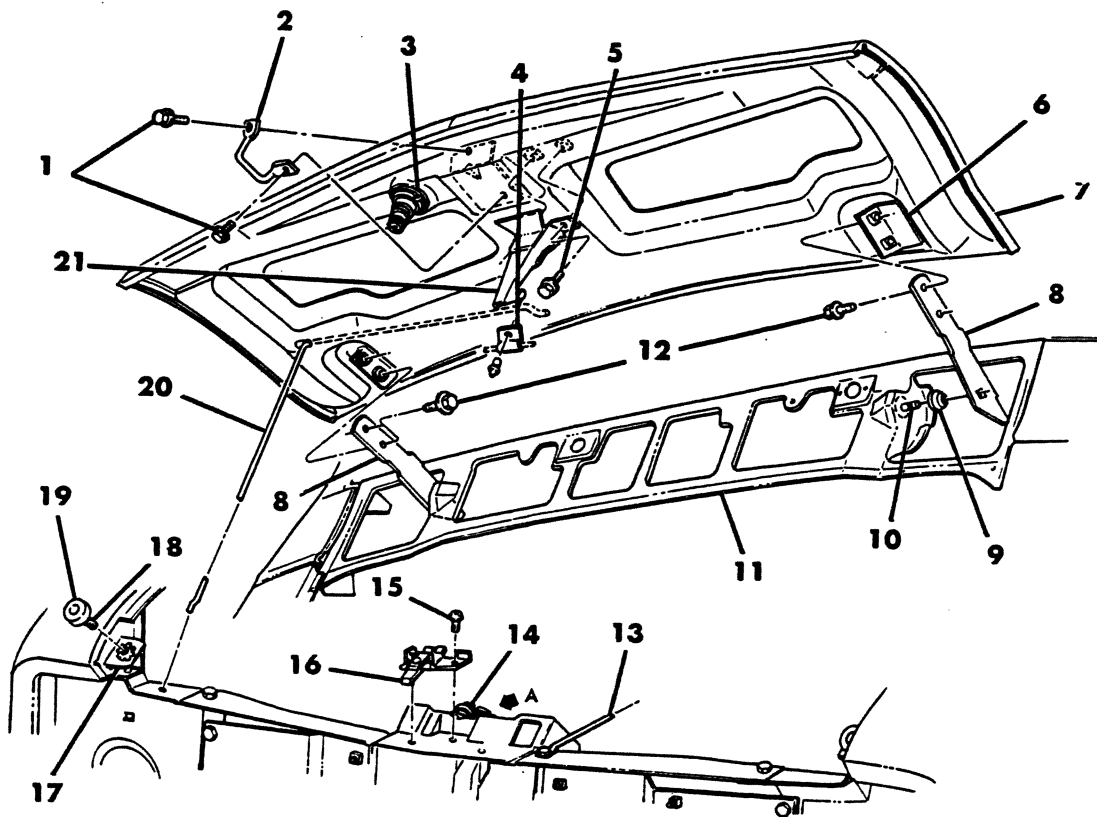


GROUP 15 - HOOD

HOOD AND LOCK B-CB-MB 1978	Fig. 15-100
HOOD AND LOCK ASSEMBLY B-CB-MB 1979-80-81	Fig. 15-180
HOOD ASSEMBLY A-D-W1,2,3,4	Fig. 15-200
HOOD LATCH RELEASE ASSEMBLY-IN CAB B-CB-MB 1978	Fig. 15-175
HOOD LATCH RELEASE ASSEMBLY - IN CAB A-D-W1,2,3,4	Fig. 15-225

8315 100

HOOD AND LOCK B-CB-MB 1978



VIEW IN DIRECTION OF
ARROW A

ITEM	PART NUMBER	QTY	MODEL	DESCRIPTION
HOOD AND LOCK B-CB-MB 1978				
1	6022 202	2		SCREW, Striker
2	2956 148	1		STRIKER, Hood Lock
	3734 677	1		REINFORCEMENT, Hood Lock Striker
3	2802 974	1		SPRING, Hood Release Pop Up
4	3495 003	1		RETAINER, Hood Panel Prop RIVET, 3/16 Diameter x 1/4 (not serviced)
5	181 063	2		SCREW w/WASHER, Catch and Handle
6	3636 628	2		BRACKET, Hood Panel Hinge Mounting
7	3824 285	1		HOOD
8	4083 958	2		ARM, Hood Hinge
9	6029 924	2		BUSHING, Hood Hinge
10				PIN, Service In Reinforcement
11				REINFORCEMENT, (Refer to code 23-34-87)
12	181 086	AR		SCREW w/WASHER, Hood Arm
13				BRACE, (Refer to group 7)
14	3695 860	1		LOCK, Hood
15				SCREW, 10 - 24 x 3/8 (not serviced)
16	2956 550	1		HANDLE, Hood Lock Release Mechanism
17				BRACKET, (Refer to group 12 Illus. 1250)
18	6023 531	2		SCREW, Hood Bumper
19	3788 362	2		BUMPER, Hood Panel
20	4083 957	1		PROP, Hood Panel RETAINER, Hood Prop to Hood Inner (not serviced)
21	3731 523	1		CATCH AND HANDLE, Hood
	3760 623	1		SPRING, Hood Lock Lever (Not Shown)
22	181 086	AR		SCREW w/WASHER, Hood Lock

LIGHT	A = All Sport Utility (Ramcharger).	B = All Compact Models.	D = Conventional Cab.
DUTY	AD = 2 Wheel Drive Only (Ramcharger).	CB-MB = Compact Front Section Only.	W = Conventional Cab 4 Wheel Drive.
CODES:	AW = 4 Wheel Drive Only (Ramcharger).	P = Forward Control Chassis.	M = Motor Home.

MEDIUM-HEAVY CODES: XNT = Low Cab Forward. D = Conventional Cab. S = School Bus. W = 4-Wheel Drive.

AR=Use as Required

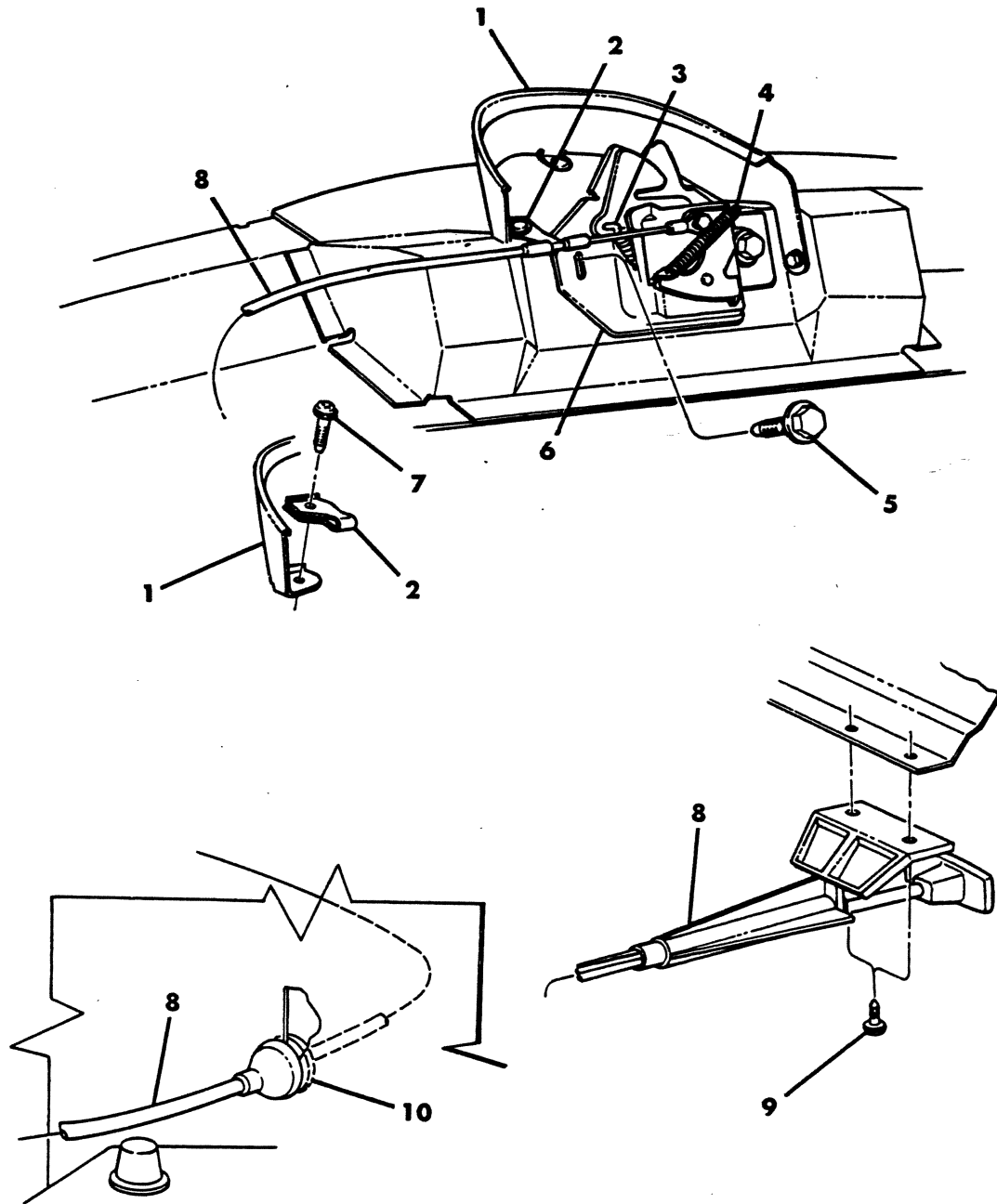
#=New Part Number

Printed in U.S.A.

June, 1982

8315 175A

HOOD LATCH RELEASE ASSEMBLY-IN CAB
B-CB-MB 1978



ITEM	PART NUMBER	QTY	MODEL	DESCRIPTION
HOOD LATCH RELEASE ASSEMBLY-IN CAB B-CB-MB 1978				
1	3729 283	1		SHIELD, Hood Latch Release
2	3729 303	1		CLIP, Release Cable
3	2428 125	1		SPRING, Hood Latch Lock
4	3695 427	1		SPRING, Hood Latch Lever
5		2		SCREW w/WASHER, 5/16 - 18 x 3/4
6	3760 057	1		LATCH, Hood Release
7				SCREW, 10 - 16 x .50 (not serviced)
8	4080 342	1		RELEASE, Hood Latch
9				SCREW, 10 - 16 x .75 (not serviced)
10	3695 100	1		GROMMET, Hood Latch Release Cable

LIGHT	A = All Sport Utility (Ramcharger).	B = All Compact Models.	D = Conventional Cab.
DUTY	AD = 2 Wheel Drive Only (Ramcharger).	CB-MB = Compact Front Section Only.	W = Conventional Cab 4 Wheel Drive.
CODES:	AW = 4 Wheel Drive Only (Ramcharger).	P = Forward Control Chassis.	M = Motor Home.

MEDIUM-HEAVY CODES: XNT = Low Cab Forward. D = Conventional Cab. S = School Bus. W = 4-Wheel Drive.

AR=Use as Required

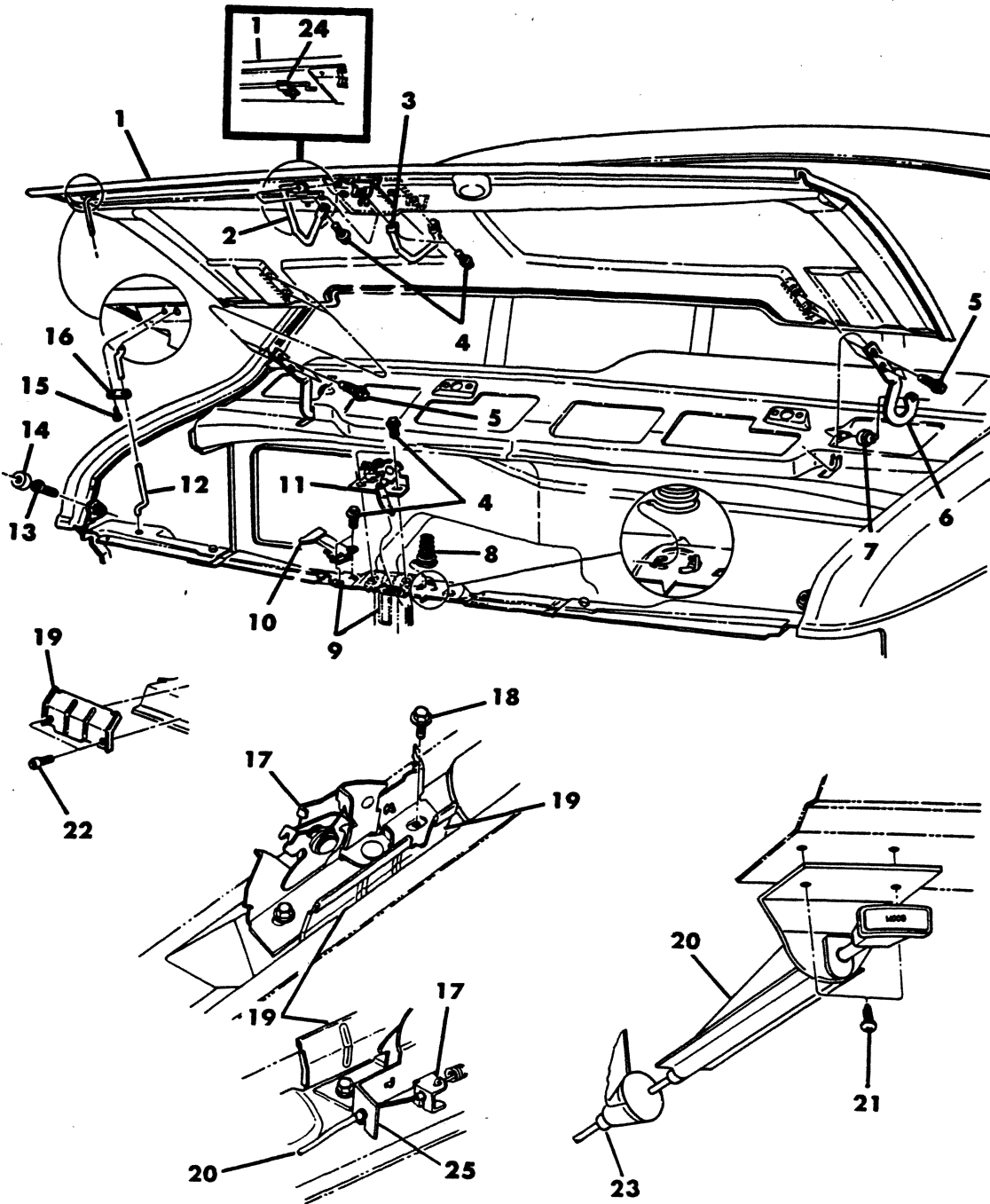
= New Part Number

Printed in U.S.A.

June, 1982

8315 180C

HOOD AND LOCK ASSEMBLY B-CB-MB 1979-80-81



ITEM	PART NUMBER	QTY	MODEL	DESCRIPTION
HOOD AND LOCK ASSEMBLY				
B-CB-MB 1979-80-81				
LATCH PKG., Hood Release				
	4106 521	1		1979
	4106 537	1		1980-81
1	4087 516	1		HOOD
2	4087 801	1		STRIKER, Hood Safety
3	4087 802	1		STRIKER, Hood Lock
	4087 521	1		REINFORCEMENT, Hood Lock Striker
4	181 063	8		SCREW w/WASHER
5	181 088	AR		SCREW
6	4084 636	2		ARM, Hood Hinge
7	6029 924	2		BUSHING, Hood Hinge
8				SPRING, Hood Pop Up
	2802 974	1		Up to 10-16-78
	2935 375	1		After 10-16-78
9				SUPPORT, (refer to group 7)
10	4087 800	1		CATCH, Hood Safety
11				LATCH, Hood
	4166 776	1		1979
	4212 426	1		1980-81
	5207 447	1		SPRING, Outside Release Lever Return
12	4080 322	1		PROP, Hood Panel
13	181 088	2		SCREW
14	3788 362	2		BUMPER, Hood Panel
15				SCREW, 10 - 16 x 3/8 (not serviced)
16		1		RETAINER, Hood Prop (not serviced)
17	5207 088	1		LATCH, Hood w/Inside Release
18	181 063	2		SCREW w/WASHER
19	4087 572	1		SHIELD, Upper Support Latch Release
20				RELEASE, Hood Latch
	4087 533	1		1979
	4160 870	1		1980-81
	4080 342	1		BEZEL, Hood Latch Release
21				SCREW, 10 - 16 x .75 (not serviced)
22				SCREW w/WASHER, 10 - 16 x 1/2 (not serviced)
23	3695 100	1		GROMMET, Hood Latch Release Handle
24	3495 003	1		RETAINER, Hood Panel Prop
25	4114 675	1		BRACE, Hood Latch Release Support 1980-81

LIGHT	A = All Sport Utility (Ramcharger).	B = All Compact Models.	D = Conventional Cab.
DUTY	AD = 2 Wheel Drive Only (Ramcharger).	CB-MB = Compact Front Section Only.	W = Conventional Cab 4 Wheel Drive.
CODES:	AW = 4 Wheel Drive Only (Ramcharger).	P = Forward Control Chassis.	M = Motor Home.

MEDIUM-HEAVY CODES: XNT = Low Cab Forward. D = Conventional Cab. S = School Bus. W = 4-Wheel Drive.

AR=Use as Required

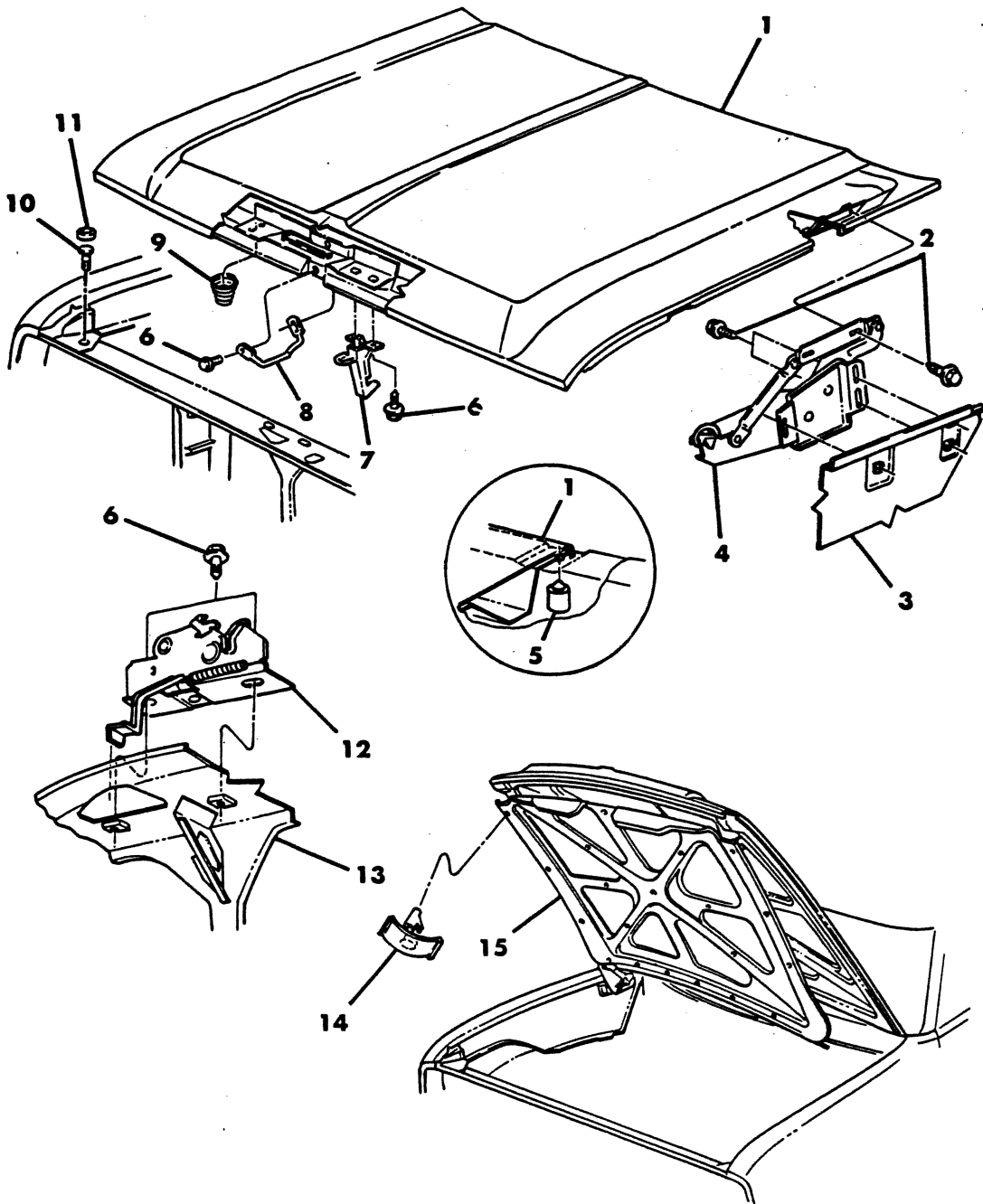
= New Part Number

Printed in U.S.A.

June, 1982

8315 200A

HOOD ASSEMBLY
A-D-W1,2,3,4



HOOD

1978-81 LIGHT DUTY TRUCK PARTS CATALOG

ITEM	PART NUMBER	QTY	MODEL	DESCRIPTION
HOOD ASSEMBLY A-D-W1,2,3,4				
1				HOOD
	4033 631	1		1978
	4113 804	1		1979-80
	4168 962	1		1981
2	181 088	AR		SCREW, Hinge
3				SUPPORT, (Refer to group 12)
4				HINGE, Hood
	3454 154-5	1		1978
	4087 948-9	1		1979-80-81
	3454 937	2		SPRING, Hood Hinge
5				BUMPER
	2842 869	AR		Hood Panel Inner to Cowl
	2898 762	AR		Front Fender Housing to Hood
	2898 762	AR		Cowl Bracket to Hood
	2898 588	AR		Front Fender Housing to Hood Panel
6	181 063	AR		SCREW, Hood Catch
7	3739 874	1		CATCH, Hood Auxiliary Safety
	3636 357	1		SPRING, Auxiliary Safety
8				STRIKER, Hood Lock
	3495 759	1		1978
	4113 808	1		1979-80
	4168 965	1		1981
	2957 481	2		RETAINER, Striker Hood Lock
9	2935 375	1		SPRING, Hood Pop Up
10				SCREW, Bumper Front Fender to Grille
	181 065	AR		1978
	6023 531	AR		1979-80
	3579 671	2		REINFORCEMENT, Hood inner Panel Bumper
11	3788 362	2		BUMPER, Front Fender Housing to Radiator Grille
12				LATCH
	4033 366	1		1978
	4084 631	1		1979 - Up to 3-21-79
	4215 516	1		After 3-21-79
	4168 967	1		1981
	5207 447	1		SPRING, Outside Release Lever Return
13				SUPPORT, (Refer to group 7)
14	6003 351	27		FASTENER, Hood Inner Panel Insulation Pad
15	4049 601	1		PAD, Hood Inner Panel Insulation
	4087 285	1		w/MMC Diesel 1978
	4113 029	1		1979-80
	4215 523	1		1981

LIGHT	A = All Sport Utility (Ramcharger).	B = All Compact Models.	D = Conventional Cab.
DUTY	AD = 2 Wheel Drive Only (Ramcharger).	CB-MB = Compact Front Section Only.	W = Conventional Cab 4 Wheel Drive.
CODES:	AW = 4 Wheel Drive Only (Ramcharger).	P = Forward Control Chassis.	M = Motor Home.

MEDIUM-HEAVY CODES: XNT = Low Cab Forward. D = Conventional Cab. S = School Bus. W = 4-Wheel Drive.

AR=Use as Required

= New Part Number

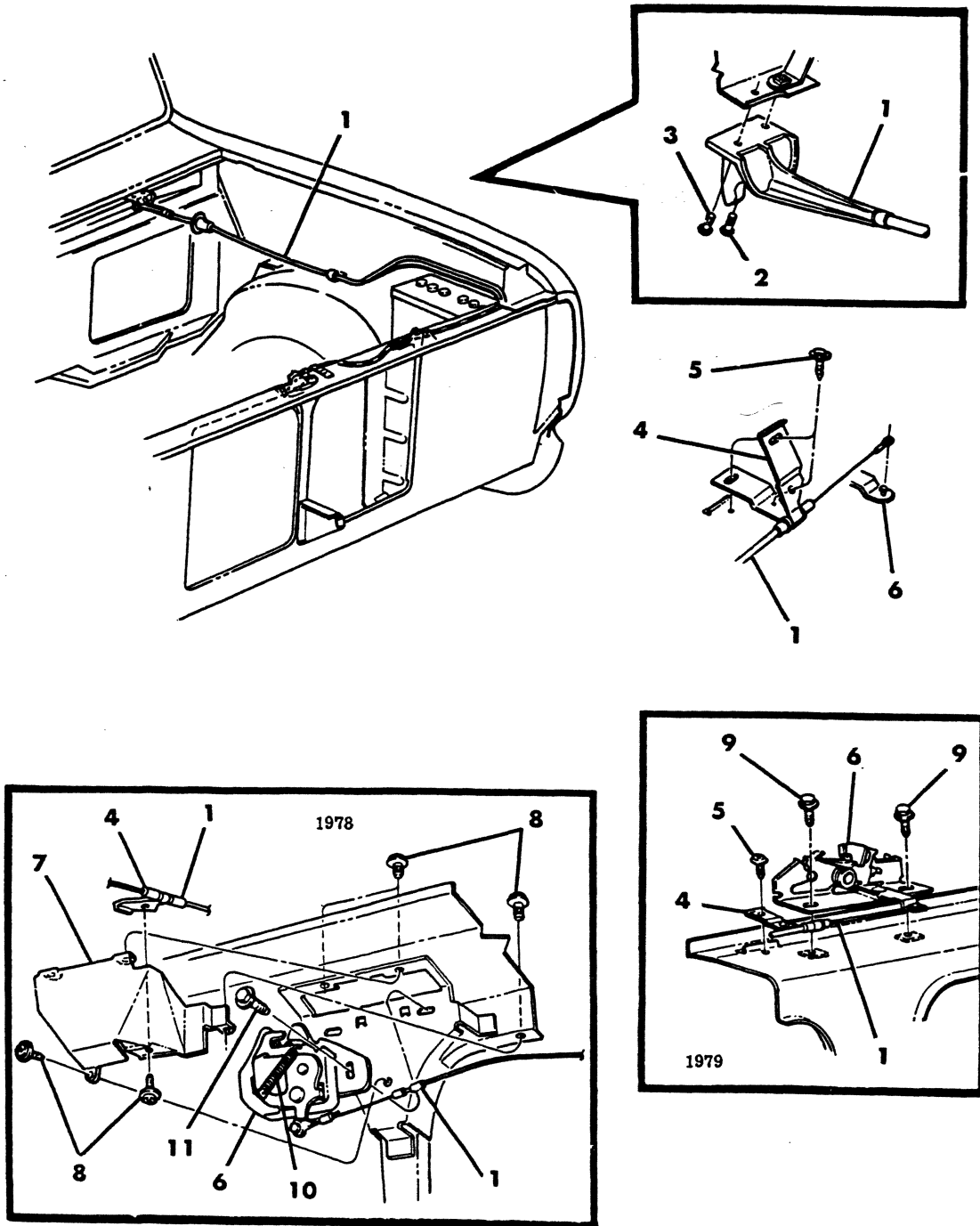
Printed in U.S.A.

June, 1982

8315 225

HOOD LATCH RELEASE ASSEMBLY - IN CAB

A-D-W1,2,3,4



HOOD

1978-81 LIGHT DUTY TRUCK PARTS CATALOG

ITEM	PART NUMBER	QTY	MODEL	DESCRIPTION
HOOD LATCH RELEASE ASSEMBLY - IN CAB A-D-W1,2,3,4				
1	3729 240	1		RELEASE, Hood Latch 69"
	4084 612	1		83", Up to 1-15-79
	4113 905	1		After 1-15-79
	4168 969	1		1981
	3695 100	1		GROMMET, Hood Lock Release
	4166 233	1		SHIELD, Hood Lock Release 1980-81
2	152 767	1		SCREW
3				SCREW, 10 - 16 x 3/4 (not serviced)
4				CLIP, Hood Lock Release to Shield
	3729 303	1		1978
	4084 640	1		1979-80-81
5				SCREW, 10 - 16 x 1/2 (not serviced)
6				LATCH, Hood Lock Release
	3760 630	1		1978
	4084 632	1		1979-80
	5207 088	1		1981
	3495 773	1		PLATE, Radiator Grille Support to Latch
	5207 447	1		SPRING, Inside Release Lever Return
7	3729 239	1		SHIELD, Grille Support Hood Lock 1978
8				SCREW, 10 - 16 x 3/8 (not serviced)
9	181 063	2		SCREW w/WASHER
10	2428 125	1		SPRING, Hood Lock Latch Panel 1978
	3760 623	1		Hood Lock Lever
11	181 088	2		SCREW

LIGHT	A = All Sport Utility (Ramcharger).	B = All Compact Models.	D = Conventional Cab.
DUTY	AD = 2 Wheel Drive Only (Ramcharger).	CB-MB = Compact Front Section Only.	W = Conventional Cab 4 Wheel Drive.
CODES:	AW = 4 Wheel Drive Only (Ramcharger).	P = Forward Control Chassis.	M = Motor Home.

MEDIUM-HEAVY CODES: XNT = Low Cab Forward. D = Conventional Cab. S = School Bus. W = 4-Wheel Drive.

AR=Use as Required

=New Part Number

Printed in U.S.A.

June, 1982

