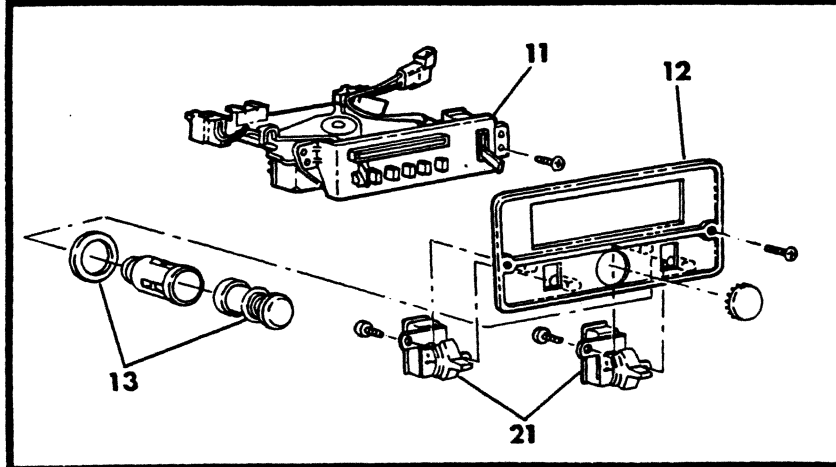
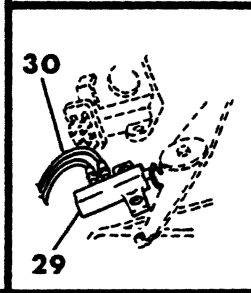
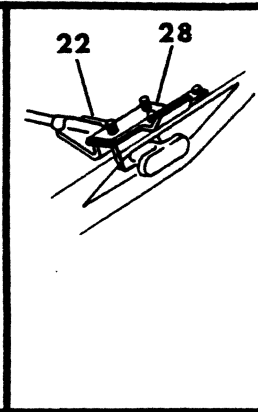
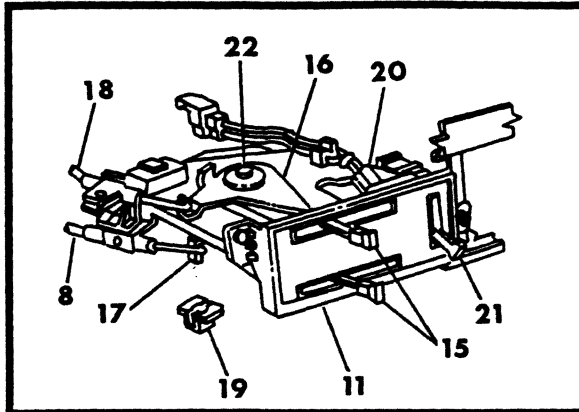
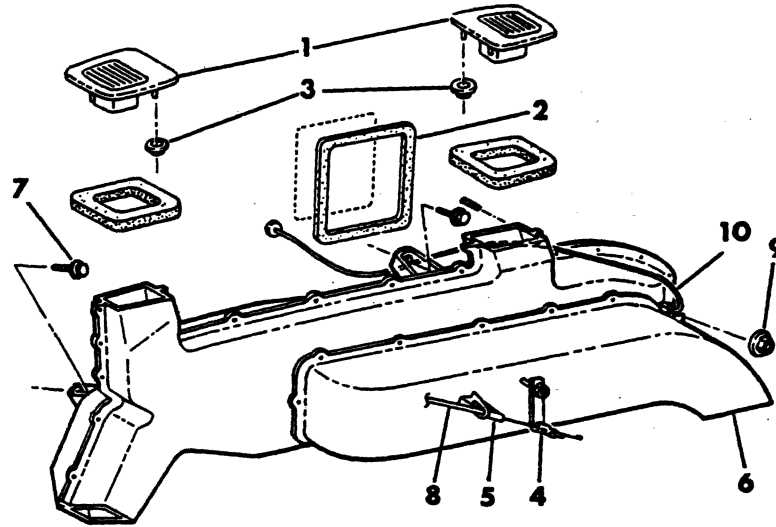


GROUP 1 - ACCESSORIES

FLOOR MATS - FRONT	Fig. 1-2000
HEATER AND COMPONENTS B-CB-MB	Fig. 1-150
HEATER ASSEMBLY AND CONTROLS A-D-W	Fig. 1-300
HEATER DUCTS AND CONTROLS B-CB-MB	Fig. 1-100
HEATER PLUMBING A-D-W	Fig. 1-400
HEATER UNIT A D W RD 1981	Fig. 1-325
HEATER,AUXILIARY - PLUMBING B100-200-300	Fig. 1-200
RADIO AND ANTENNA A-D-W	Fig. 1-550
RADIO, SPEAKER, ANTENNA B-CB-MB	Fig. 1-500
SNOW PLOW - ELECTRO TOUCH CONTROLS	Fig. 1-825
SNOW PLOW - ELECTRO TOUCH AW1-W1,2	Fig. 1-850
SNOW PLOW AND ATTACHING PARTS AW1, W1-2	Fig. 1-600
SNOW PLOW AND ATTACHING SERVICE PARTS AW1, W1-2	Fig. 1-700
SNOW PLOW HYDRAULIC LIFT PUMP AW1, W1-2	Fig. 1-800
SNOW PLOW PULLEYS AND BELTS	Fig. 1-900
VALVE - SNOW PLOW	Fig. 1-1000

8301 100C

HEATER DUCTS AND CONTROLS B-CB-MB



ITEM	PART NUMBER	QTY	MODEL	DESCRIPTION	
HEATER DUCTS AND CONTROLS B-CB-MB					
1	4034 194	1		DEFROSTER, Grille Black	
	4034 195	1		Blue 1978-79	
	4162 431	1		1980-81	
	4034 196	1		Green 1978	
	4034 197	1		Saddle 1978	
	4034 198	1		Red 1978-9	
	4162 432	1		1980-81	
	4119 013	1		Green 1979-80	
	4119 014	1		Cashmere 1979-81	
	2	2911 090	1		SEAL, Defroster Inlet 1978
		4114 135	1		1979-81
3	6023 957	6		Nut	
4	6028 590	1		CLIP, Htr. Duct Cable Spring	
	6031 132	1		1979-81	
5	6003 464	1		CLIP, Cable mtg.	
6	4034 741	1		DUCT, Htr. Dist. 1978	
	4085 836	1		1979-81	
7		3		SCREW, Htr. Duct Mtg. (1/4 - 14 x 3/4) Not Serviced 1978	
	6030 039	2		1/4 - 14 x 5/8 1979-80	
8	4034 399	1		CABLE Assy, Htr. & Defr. Door Control 1978	
	4114 730	1		1979-80-81	
9	118 613	5		Nut (1/4 - 20)	
10	4085 451	1		RESISTOR, Htr, Blwr. Mtr. 1978	
	4085 984	1		Resistor, Htr, Blwr. Mtr. 1979-80-81	
11	3846 340	1		CONTROL Assy, Htr. B-CB-MB 1978	
	3847 131	1		CONTROL Base w/Htr. And Aux. Htr. 1979	
	3847 136	1		w/Air Cond. And Heater 1979-80	
	3847 669	1		w/Air Cond. And Heater Bi Level 1981	
	3847 655	1		Decal Htr. Face	
	3847 658	1		Decal Bi-Level Face	
12	4085 065	1		BEZEL, Heater Control 1978	
	4034 243	1		INSERT, Bezel 1978 (Not Shown)	
	4085 821	1		BEZEL, Heater Control-1979-80-81	
	4085 489	1		PLATE, Htr. Cont. Hole Cover 1979-80-81	
13	4057 995	AR		LIGHTER, cigar	
15	3846 082	2		KNOB, Htr. Cont. 1978-79-80	
	3847 447	2		1981	
16	3846 338	1		LEVER, Temp. Control 1978	
	4114 417	1		1979	
	3847 014	1		1980-81	
17	3846 339	1		LEVER, Control Mode 1978	
	4114 418	1		Heater And Aux Htr. Cont. Mode 1979-80-81	
	4114 418	1		1979-80-81	
18	4085 896	1		CABLE, Temp. Control 1978	
	4114 419	1		1979-80-81	
	3843 386	2		TERMINAL, Htr. Cont. Lamp Cable 1979-80-81	
	4055 018	1		INSULATOR, Htr. Control Lamp Cable Term. 1979-80-81	
19	6003 464	2		CLIP, Contrl. Cable Holding	
	6029 889	1		RETAINER Htr. Temp. Control Cable	

LIGHT A = All Sport Utility (Ramcharger).

B = All Compact Models.

D = Conventional Cab.

DUTY AD = 2 Wheel Drive Only (Ramcharger).

CB-MB = Compact Front Section Only.

W = Conventional Cab 4 Wheel Drive.

CODES: AW = 4 Wheel Drive Only (Ramcharger).

P = Forward Control Chassis.

M = Motor Home.

MEDIUM-HEAVY CODES: XNT = Low Cab Forward. D = Conventional Cab. S = School Bus. W = 4-Wheel Drive.

AR=Use as Required

= New Part Number

Printed in U.S.A.

June, 1982

1978-81 LIGHT DUTY TRUCK PARTS CATALOG

ACCESSORIES

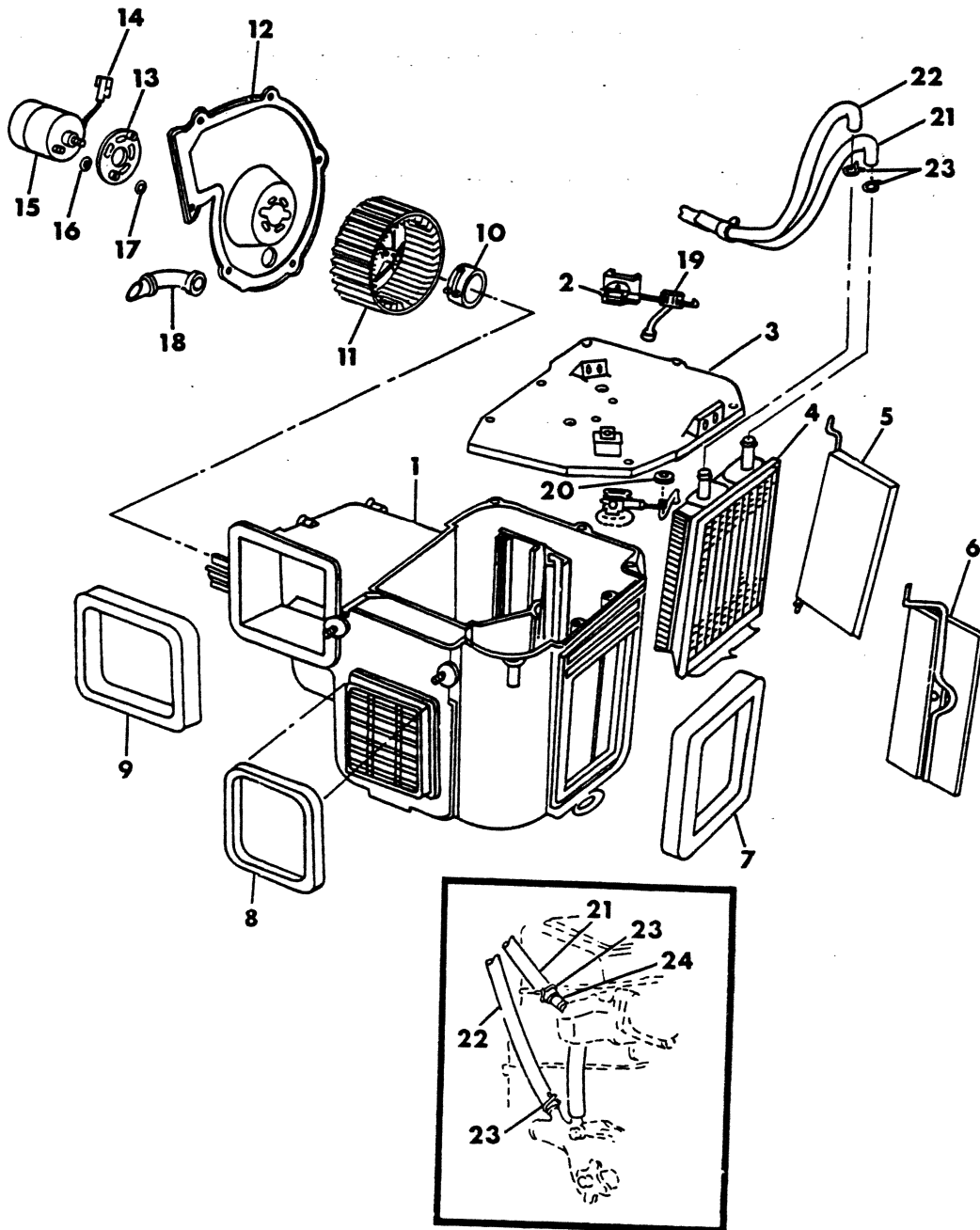
ITEM	PART NUMBER	QTY	MODEL	DESCRIPTION
HEATER DUCTS AND CONTROLS				
B-CB-MB				
20	3502 266	1		SOCKET Assy. Illumination 1978
	4131 388	1		1979-80-81
	9415 969	1		BULB, htr. cont. illum.
21	3846 303	1		SWITCH, Htr. And Aux. Htr. Cont. Blower 1978-79-80
	4176 100	1		1981
	4034 364	1		SWITCH, Aux. A/cond. And Heater Blower
22	2820 453	1		CLIP, Htr. Contrl. lever
	3503 317	2		PIN, A/C And Htr. Cont. Temp. Lever 1980
	3503 326	1		PIN, Htr. Contrl. lever
23	870 469	1		CLAMP Heater Hose
24	1779 258	1		NIPPLE, (5/8 x 2")
25	2936 757	1		NIPPLE, (5/8 x 3")
26	152 284	2		NUT, htr. mtr. mtg.
27	4085 643	1		CABLE, Air Vent Control 1979-80-81
28	4085 645	1		Bracket, Air Vent Cont. Cbl. Mtg. 1979-80
29	4085 514	1		SWITCH Htr. and Aux. Htr. Control Vac. 1978
	3846 895	1		1979-80-81
30	4085 456	1		HOSE and Grommet Assy. Htr. and Aux. Htr.
	3780 794	AR		HOSE Cont. Vac. Switch 1/8 o.d Service Roll Stock
	4085 564	1		VALVE, Htr. Water w/Diesel Eng. 1978-79 (Not Shown)
	6028 201	2		NUT, Htr. And Aux. Htr. Cont. Vac. Switch Mtg.

LIGHT DUTY CODES: A = All Sport Utility (Ramcharger). B = All Compact Models. D = Conventional Cab.
 AD = 2 Wheel Drive Only (Ramcharger). CB-MB = Compact Front Section Only. W = Conventional Cab 4 Wheel Drive.
 AW = 4 Wheel Drive Only (Ramcharger). P = Forward Control Chassis. M = Motor Home.

MEDIUM-HEAVY CODES: XNT = Low Cab Forward. D = Conventional Cab. S = School Bus. W = 4-Wheel Drive.

HEATER AND COMPONENTS
B-CB-MB

8301 150A



ITEM	PART NUMBER	QTY	MODEL	DESCRIPTION
HEATER AND COMPONENTS B-CB-MB				
1	4034 918	1		HOUSING, Heater 1978
1	4114 017	1		1979-80-81
2	6003 464	2		CLIP, Control Cable Holding
3	4034 906	1		COVER, W/Seal Heater Housing 1978
	4114 006	1		1979-80-81
4	4057 939	1		CORE, Heater
	4034 921	1		SEAL, Htr. Core To Hsg. 1980-81
5	4034 924	1		DOOR w/SEAL, w/Shaft Htr, Blend Air
6	4114 019	1		DOOR w/SEAL w/o SHAFT, Htr, Vent 1979-80-81
	4163 697	1		1981
7		1		SEAL, Htr. Housing
8		1		SEAL, Htr. Housing
9		1		SEAL, Htr. Blower Hsg.
10	2837 680	1		CLAMP, Htr. Mtr. Wheel
11	3503 859	1		WHEEL, Htr. Motor
12	4034 999	1		BACK, Plate Htr. 1978
	4114 011	1		1979-80-81
13	2485 429	1		GASKET, Heater Motor Mtg.
14	2298 882	1		TERMINAL, And Insulator Pkg.
15	4131 382	1		MOTOR, Heater Blower
16	6006 065	4		WASHER, Htr. Motor Mtg.
	116 000	2		NUT, Heater Mtr. Mtg.
18	4034 901	1		TUBE, Heater Motor Vent
	4055 018	1		Insulator 1980-81
19	6028 590	1		RETAINER, Heater Temp. Cont. Cable Adj. 1978
	6031 132	1		1979-80
20	2197 878	1		RETAINER, Heater Temp. Cont. Cable
21	1315 466	AR		HOSE, Supply 5/8 Dia.
	2277 425	AR		HOSE, Return 5/8 Dia.
23	870 469	4		CLAMP
	180 022	1		Screw w/Washer
24	1779 258	1		NIPPLE, (3/8 - 18 x 2")

LIGHT	A = All Sport Utility (Ramcharger).	B = All Compact Models.	D = Conventional Cab.
DUTY	AD = 2 Wheel Drive Only (Ramcharger).	CB-MB = Compact Front Section Only.	W = Conventional Cab 4 Wheel Drive.
CODES:	AW = 4 Wheel Drive Only (Ramcharger).	P = Forward Control Chassis.	M = Motor Home.

MEDIUM-HEAVY CODES: XNT = Low Cab Forward. D = Conventional Cab. S = School Bus. W = 4-Wheel Drive.

AR=Use as Required

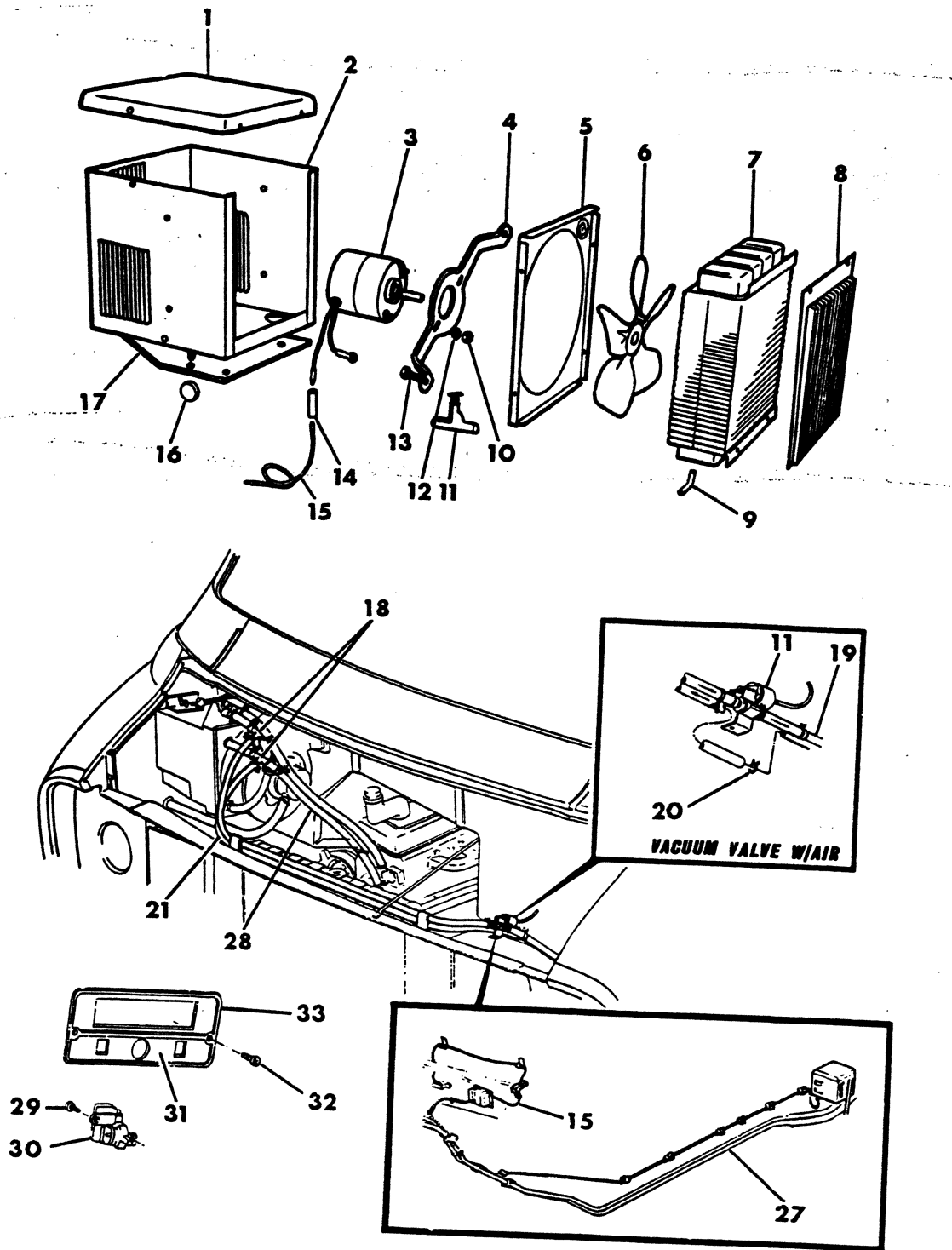
= New Part Number

Printed in U.S.A.

June, 1982

8301 200A

HEATER,AUXILIARY - PLUMBING B100-200-300



ITEM	PART NUMBER	QTY	MODEL	DESCRIPTION
HEATER,AUXILIARY - PLUMBING				
B100-200-300				
	4085 898	1		HEATER ASSY, Auxiliary, Model 92 (Complete)
	4114 739	1		1979-80
	4085 377			(HEATER ONLY)
1				COVER (Serv in Assy)
2				HOUSING (Serv in Assy)
3	3895 460	1		MOTOR, htr. blower aux. B-CB-MB
	3846 851	1		RESISTOR, aux. htr. blwr. mtr.
		1		BRACKET, (servicd on assy.)
5				SHROUD (Serv. in Assy)
6	2511 034	1		FAN, Blower
7	3895 992	1		CORE, Heater Aux. htr. B model
8				LOUVER (Serv. in Assy)
9	1971 061	1		NIPPLE, Water Outlet 5/8"
	2936 298	1		Water Inlet 1/2"
10				NUT (Serv. in Assy)
11	4034 436	1		VALVE, A/C & Htr. Aux. Water Vac. On-Off. 1978-79
	4085 474	1		1980-81
	4085 474	1		A/C & Htr. Aux. Water Vac. On-Off. 1980-81
				Water, Auxiliary Htr. Vacuum on-off w/o Air (See Grp.24-Fig.200)
12				WASHER, (Serv. in Assy)
13				BOLT (Serv. in Assy)
14				CONNECTOR (Serv. in Assy.)
15	4034 774	1		WIRING, Aux. Htr. to Bulkhead B model 1978
	4114 190	1		1979-80
16		1		GROMMET (Serv. in Assy)
17	2911 027	1		SEAL, Mounting Aux. Htr. To Floor
	2958 954	1		Aux. Heater Outlet Tube
18	2506 170	1		TEE, Hose Inlet and Outlet Return Hose w/o A/C
	3489 421	1		Inlet Hose, w/A/C
	3489 896	1		Inlet Hose, w/o A/C
19	3489 417	1		TUBE, Auxiliary Htr. Inlet and Return w/A/C
20	2448 770	1		CLAMP, to Auxiliary Htr. Valve Brkt.
	861 504	1		STRAP, Diverter Valve to Check Valve Hose
21	1315 466	1		HOSE, 5/8" I.D., 50ft. Roll
	2936 388	1		1/2" I.D., 50ft. Roll
27	3489 929	1		TUBE Assy. Aux. Heater Rear 1978
	4114 172	1		Rear 1979-80-81
	4085 857	1		FRONT 1978
	4114 755	1		FRONT 1979-80
	4114 756	1		TUBE, Aux. Htr. Intern. 1979-80
28	1315 466	AR		HOSE, Htr to Water Pump 5/8" 225 eng.
29	9414 712	AR		SCREW, (8-18x1/2)
30	4034 364	1		SWITCH, Blwr. aux htr.
31	4034 243	1		INSERT, w/ cigar Lighter 1978
32		AR		SCREW, (8-32x1/2)
33	4085 067	1		BEZEL, Htr. cont. 1978
	4085 827	1		1979-80-81
FOLLOWING ITEMS NOT SHOWN				
	3441 609	1		CHECK VALVE, Htr. and Aux. Htr. Cont.

LIGHT A = All Sport Utility (Ramcharger).

B = All Compact Models.

D = Conventional Cab.

DUTY AD = 2 Wheel Drive Only (Ramcharger).

CB-MB = Compact Front Section Only.

W = Conventional Cab 4 Wheel Drive.

CODES: AW = 4 Wheel Drive Only (Ramcharger).

P = Forward Control Chassis.

M = Motor Home.

MEDIUM-HEAVY CODES: XNT = Low Cab Forward. D = Conventional Cab. S = School Bus. W = 4-Wheel Drive.

AR=Use as Required

#=New Part Number

Printed in U.S.A.

June, 1982

1978-81 LIGHT DUTY TRUCK PARTS CATALOG

ACCESSORIES

ITEM	PART NUMBER	QTY	MODEL	DESCRIPTION
------	-------------	-----	-------	-------------

HEATER,AUXILIARY - PLUMBING
B100-200-300

	4085 456	1		HOSE and GROMMET,Htr. & Aux Htr. 1979-80-81
	4114 419	1		CABLE,Heater Temp.Cont.1979-80-81
	4114 730	1		CABLE,Htr. And Def. Door Control

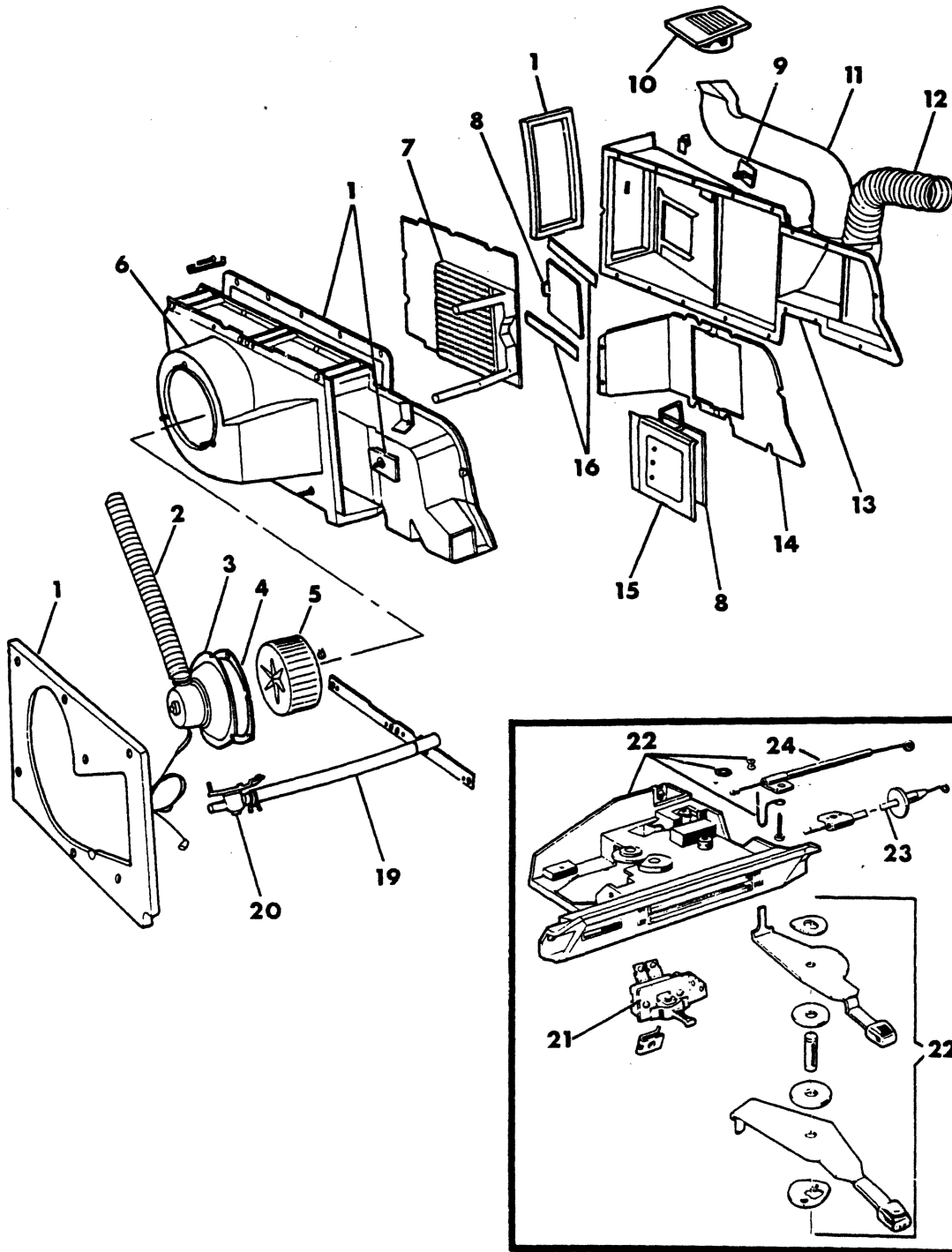
LIGHT	A = All Sport Utility (Ramcharger).	B = All Compact Models.	D = Conventional Cab.
DUTY	AD = 2 Wheel Drive Only (Ramcharger).	CB-MB = Compact Front Section Only.	W = Conventional Cab 4 Wheel Drive.
CODES:	AW = 4 Wheel Drive Only (Ramcharger).	P = Forward Control Chassis.	M = Motor Home.

MEDIUM-HEAVY CODES: XNT = Low Cab Forward. D = Conventional Cab. S = School Bus. W = 4-Wheel Drive.

AR=Use as Required # =New Part Number Printed in U.S.A. June, 1982

HEATER ASSEMBLY AND CONTROLS A-D-W

8301 300A



ITEM	PART NUMBER	QTY	MODEL	DESCRIPTION
HEATER ASSEMBLY AND CONTROLS A-D-W				
		1		HEATER assy. deluxe A-D-W models
1	3556 788	1		SEAL, heater unit to dash
	3556 787	1		Left, unit to dash
	3556 795	1		Front housing to rear housing
	3556 671	1		Air inlet to side cowl
2	3635 582	1		TUBE, blwr. mtr. cooling
	870 469	1		Clamp, blower motor tube retaining
	2911 048	1		Grommet, vent to cowl
3				MOTOR, Blower Heater
	3620 822	1		Standard (stamped 3610865 or 866)
	4094 016	1		Deluxe (stamped 3773389 or 390)
4	2911 081	1		SEAL, Blwr. Mtr. Housing
5	2837 695	1		WHEEL, Blower Motor 1978-79-80
6	3773 425	1		HOUSING, front htr. housing
7	3522 696	1		CORE, Heater 1978-79-80
8	3556 800	1		DOOR, fresh air
	6031 147	1		RETAINER, shut-off door shaft
9	3522 697	1		RESISTOR, blower moter 1978
	4085 982	1		1979-80
10	3730 844	1		GRILLE, defroster, black
	3730 845	1		Blue
	3730 846	1		Green
	3738 127	1		Gold
11	3489 846	1		DUCT, Defroster, Right (Flexible)
	3489 739	1		Left (Formed)
12		1		TUBE, outlet (service in group 24)
13	3704 503	1		HOUSING, htr. rear
14		1		PANEL (service in assy)
15	3556 778	1		DOOR, Htr. And Def. Shut Off
16		1		SEAL (service in assy)
19	1315 466	1		HOSE, Eng. to Water Valve 5/8" Dia. 50Ft. Roll
	1779 886	1		heater core to pump
	1343 689	1		5/8" I.D. 15" long
	2936 388	1		1/2" I.D. 50 ft. roll
	861 504	1		STRAP, diverter valve to check valve hose
20	3489 847	1		VALVE, water
	4085 564	1		VALVE, Water w/ Diesel Eng. 1978-79
	3579 173	1		water auxiliary heater vacuum
21	3489 677	1		SWITCH, Heater Blower Control 1978-79-80
22	3635 787	1		CONTROL, Heater Temp. (Complete)
23	3635 277	1		CABLE, Temperature Control (Up TO 4-1-1978)
	4114 232	1		(AFTER 4-1-1978)
	6003 464	1		CLIP, Control Cable Mtg.
	6029 889	1		RETAINER, Htr. Temp. and Defr. Control Cable
	3635 789	1		BEZEL, Heater Control Omission (Not Shown)
24	3738 219	1		CABLE, Heater and Defroster
	9414 764	2		SCREW, Htr. Control Mtg.
	6013 082	3		NUT, Htr. Control Mtg.
	2820 453	1		CLIP, Htr. Control Arm Pivot Pin

LIGHT A = All Sport Utility (Ramcharger).

B = All Compact Models.

D = Conventional Cab.

DUTY AD = 2 Wheel Drive Only (Ramcharger).

CB-MB = Compact Front Section Only.

W = Conventional Cab 4 Wheel Drive.

CODES: AW = 4 Wheel Drive Only (Ramcharger).

P = Forward Control Chassis.

M = Motor Home.

MEDIUM-HEAVY CODES: XNT = Low Cab Forward. D = Conventional Cab. S = *School Bus. W = 4-Wheel Drive.

AR=Use as Required

= New Part Number

Printed in U.S.A.

June, 1982

1978-81 LIGHT DUTY TRUCK PARTS CATALOG

ACCESSORIES

ITEM	PART NUMBER	QTY	MODEL	DESCRIPTION
------	-------------	-----	-------	-------------

HEATER ASSEMBLY AND CONTROLS A-D-W

	6031 132	1		CLIP, Htr. Temp. Control Cable, Self Adj.
	3489 773	1	A,D,W	PLATE Dash Htr. Opening Cover (Not Shown)

LIGHT	A = All Sport Utility (Ramcharger).	B = All Compact Models.	D = Conventional Cab.
DUTY	AD = 2 Wheel Drive Only (Ramcharger).	CB-MB = Compact Front Section Only.	W = Conventional Cab 4 Wheel Drive.
CODES:	AW = 4 Wheel Drive Only (Ramcharger).	P = Forward Control Chassis.	M = Motor Home.

MEDIUM-HEAVY CODES: XNT = Low Cab Forward. D = Conventional Cab. S = School Bus. W = 4-Wheel Drive.

AR=Use as Required

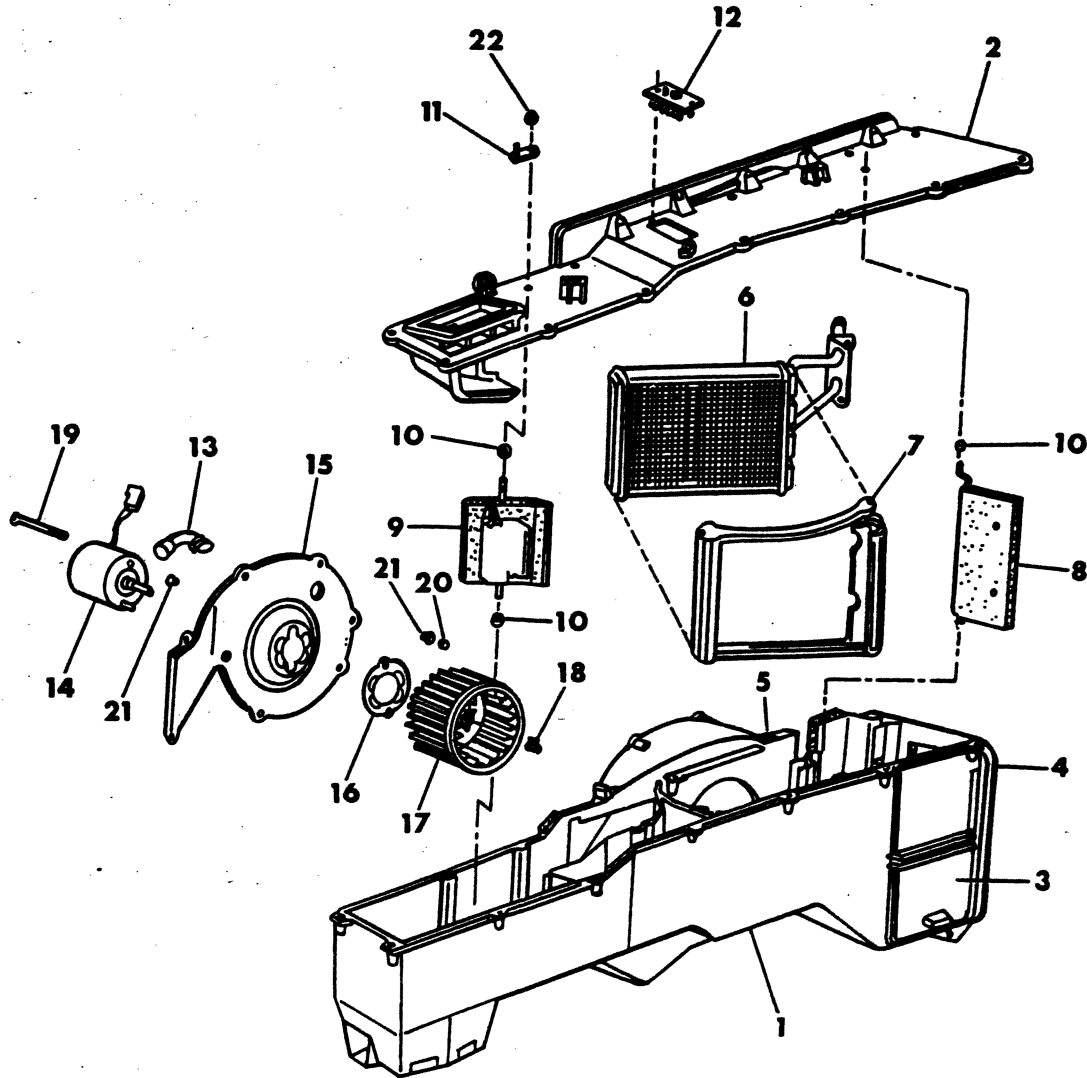
= New Part Number

Printed in U.S.A.

June, 1982

8301 325

HEATER UNIT
A D W RD
1981



ITEM	PART NUMBER	QTY	MODEL	DESCRIPTION
HEATER UNIT				
A D W RD				
1981				
1	4163 665	1		Housing w/stud
2	4163 654	1		Cover w/seal
3	4163 686	1		Door
3	4163 687	1		SEAL
4	4163 653	1		Seal,Housing to side cowl
5	4163 652	1		Seal,Housing to side dash
6	4205 833	1		Heater Core
7	4163 671	1		Seal, Heater core
8	4163 673	1		Door w/seal,air blend
9	4163 681	1		Door w/seal,Heater
	4163 680	1		DEFLECTER
10	4163 257	1		Seal ,Mode + blend door
11	4114 087	1		Lever w/pin,mode door
12	4163 688	1		Resister,heater
13	4034 901	1		Tube, motor vent
14	4131 382	1		Motor,blower
15	4163 663	1		Plate,blower mounting
16	2485 429	1		Adapter,blower motor
17	3503 859	1		Wheel,blower motor
18	2837 680	1		Clip,motor shaft
19		2		Bolt,motor mounting
20	152 284	2		Nut,motor mounting
21	4055 018	1		Gommet,motor mounting
22	120 375	1		Nut,lever

LIGHT	A = All Sport Utility (Ramcharger).	B = All Compact Models.	D = Conventional Cab.
DUTY	AD = 2 Wheel Drive Only (Ramcharger).	CB-MB = Compact Front Section Only.	W = Conventional Cab 4 Wheel Drive.
CODES:	AW = 4 Wheel Drive Only (Ramcharger).	P = Forward Control Chassis.	M = Motor Home.

MEDIUM-HEAVY CODES: XNT = Low Cab Forward. D = Conventional Cab. S = School Bus. W = 4-Wheel Drive.

AR=Use as Required

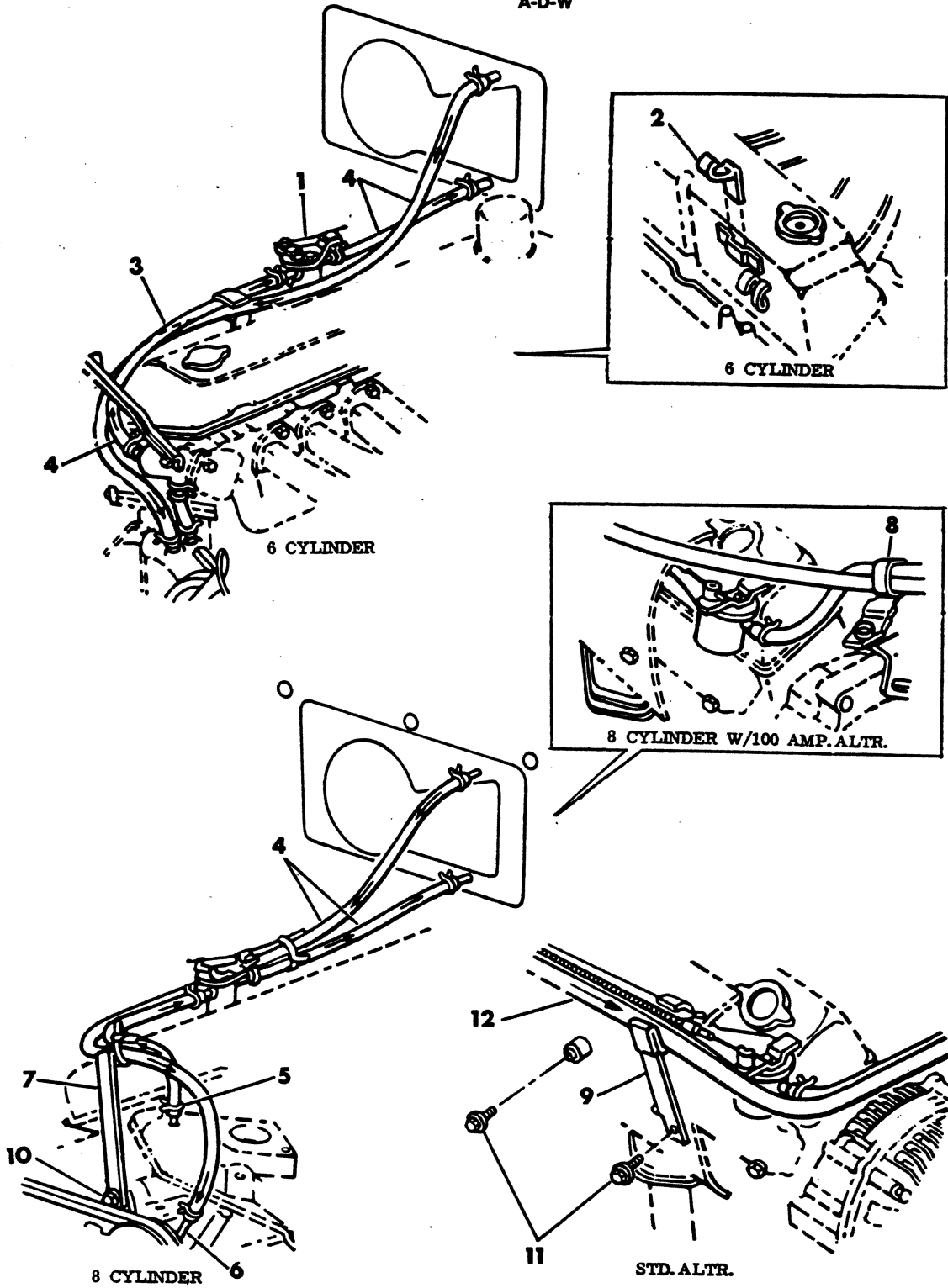
=New Part Number

Printed in U.S.A.

June, 1982

8301 400A

HEATER PLUMBING
A-D-W



ITEM	PART NUMBER	QTY	MODEL	DESCRIPTION
HEATER PLUMBING				
A-D-W				
1	3489 847	1		VALVE, Water
	4085 564	1		VALVE, Water w/Diesel Eng 1978-79
	3579 173	1		VALVE, Water Aux. Htr. Vacuum
2	3441 036	1		CLAMP, Htr. Hose To Valve Cover
3	2936 388	AR		HOSE, 1/2" Dia. 50 Ft Roll
4	1315 466	AR		HOSE, 5/8" Dia. 50 Ft. Roll
	1315 466	AR		HOSE, Water Valve To Htr. Core w/Diesel Eng.
	272 848	AR		CLAMP, Heater Hose 1/2"
	870 469	AR		5/8"
5	2936 298	1		NIPPLE, Inlet Htr. Hose To Engine
	3502 123	1		NIPPLE, Screened Htr. Hose To Eng.
	5210 322	1		SLEEVE, Tube w/ Air. Cond. Or Snow Plow w/ Pwr. Strg.
	2911 034	1		NIPPLE 1/4 - 18 x 5/8 Dia.
	2936 757	1		3/8 - 18 x 3" Dia. w/400-440 Eng. 1978
	444 028	1		ADAPTER, Heater Hose Nipple w/225 Eng.
6	2936 757	1		NIPPLE, Return 1978-79
	1779 258	1	D,W	NIPPLE, Supply Hose To Eng. w/Diesel 1978-79 (Not Shown)
	1779 258	1		ALL Eng. 1981
7	3441 058	1		BRACKET
8	2936 706	1		BRACKET
9	4085 590	1		BRACKET 1978
10	6022 250	1		SCREW 3/8 - 16 x 3/4
11	6027 407	2		SCREW 1/4 - 20 x 5/8
12	3730 590	1		SHIELD 1978

LIGHT	A = All Sport Utility (Ramcharger).	B = All Compact Models.	D = Conventional Cab.
DUTY	AD = 2 Wheel Drive Only (Ramcharger).	CB-MB = Compact Front Section Only.	W = Conventional Cab 4 Wheel Drive.
CODES:	AW = 4 Wheel Drive Only (Ramcharger).	P = Forward Control Chassis.	M = Motor Home.

MEDIUM-HEAVY CODES: XNT = Low Cab Forward. D = Conventional Cab. S = School Bus. W = 4-Wheel Drive.

AR=Use as Required

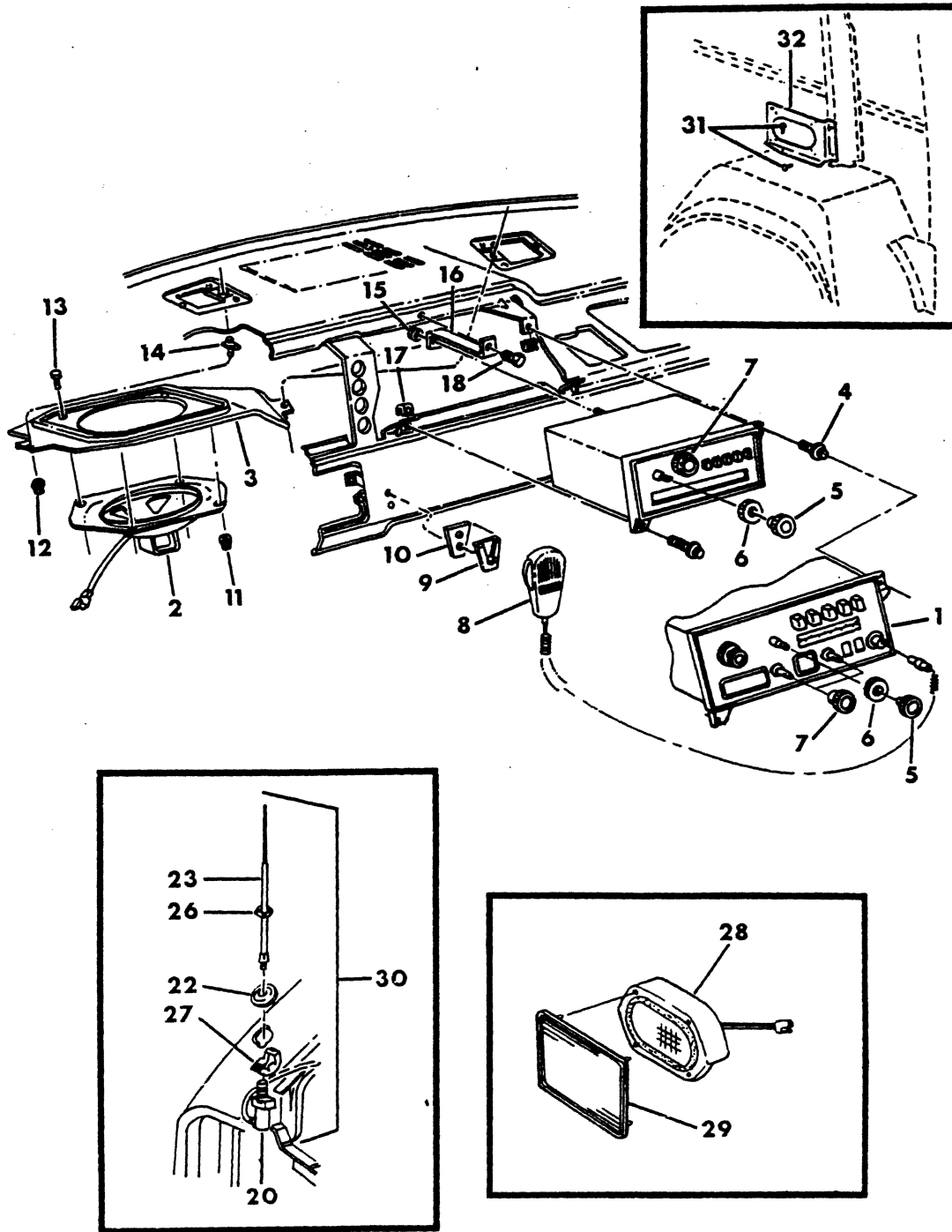
= New Part Number

Printed in U.S.A.

June, 1982

8301 500C

RADIO, SPEAKER, ANTENNA B-CB-MB



ITEM	PART NUMBER	QTY	MODEL	DESCRIPTION
RADIO, SPEAKER, ANTENNA				
B-CB-MB				
1	3837 190	1		RADIO, AM (Chassis only) 1978
	4048 363	1		1979
	4048 552	1		1980
	3501 655	1		AM-FM w/ Fader 1978-79
	4048 554	1		1980
	4048 862	1		1981
	3501 376	1		AM-FM Multiplex w/ Fader 1978
	4048 370	1		1979 (After 7-24-78)
	4048 568	1		1980
	4048 865	1		1981
	3501 458	1		AM-FM Multiplex w/ Fader w/ Tape 1978
	4048 367	1		1979
	4048 567	1		1980
	4048 867	1		1981
	4048 076	1		AM-CB w/Fader 1978
	4048 262	1		AM/FM/MX/CB w/ Fader 1978
	4048 411	1		1979
	4048 612	1		1980-81
	4048 501	1		AM/FM/Mx/Cassette 1980-81
	4048 413	1		AM/FM/Mx/S/Tuner 1978-79
	4048 613	1		1980-81
2	3895 155	1		SPEAKER, Radio w/AM 1978-79
	4162 794	1		1980-81
	4085 929	1	B,CB-MB	SPEAKER PACKAGE Single Frt. Consist of: 3895155 Speaker (1) 4114428 Plate and Gskt. Spkr Mtg. (1) 152442 Nut and Washer (4) 6000700 Retainer and Stud (2) 6023201 Nut and Washer Mtg. Plate (2)
	4085 927	1	CB,MB	SPEAKER, Pkg. Two Frt. Compact Conv. And Spt. Utl. w/AM.FM 1979-80-81 Consist of; 4085440 Grille Speaker (2) 9420278 NUT Spkr. Grille Mtg. (8) 4085463 SPEAKER, And Shield Stereo Rdo. (2) 9428271 SCREW, Stereo Spkr. And Shield Mtg. (8) 4034426 WIRING, Assy Stereo Rdo. 1 Pnl. (1) 4085408 WIRING, Assy Dr. Spkr. And Courtesy Lp. Compact (2) 4085392 WIRING, Assy. Dr. Spkr. Conv. (2) 2504770 FASTENER, Rdo. Spkr. Grl. Mtg. w/o Dr. Trim Pnl (8)
	4085 928	1	B1-2-3	SPEAKER PACKAGE Four (Compact) 1979-80-81 CONSIST of; 4085440 GRille, Rdo. Spkr. (4) 9420278 NUT, Rdo. Spkr. Grl. Mtg. (16) 4085463 SPEAKER, And Shield Stereo Rdo. (4) 9428271 SCREW Stereo Rdo. Spkr. And Shield Mtg. (16) 4085897 BRACKET Rdo. Rr Spkr. Mtg. (2) 9414712 SCREW Rdo. Rr Spkr. Mtg. Brkt. (6)
LIGHT	A = All Sport Utility (Ramcharger).		B = All Compact Models.	D = Conventional Cab.
DUTY	AD = 2 Wheel Drive Only (Ramcharger).		CB-MB = Compact Front Section Only.	W = Conventional Cab 4 Wheel Drive.
CODES:	AW = 4 Wheel Drive Only (Ramcharger).		P = Forward Control Chassis.	M = Motor Home.
MEDIUM-HEAVY CODES: XNT = Low Cab Forward. D = Conventional Cab. S = School Bus. W = 4-Wheel Drive.				
AR=Use as Required		# = New Part Number		Printed in U.S.A.
				June, 1982

1978-81 LIGHT DUTY TRUCK PARTS CATALOG

ITEM	PART NUMBER	QTY	MODEL	DESCRIPTION
RADIO, SPEAKER, ANTENNA				
B-CB-MB				
				4085408 WIRING Assy Dr. Spkr. And Courtesy Lp. (2)
				4034780 WIRING Assy Rr Stereo Spkr. Body (1)
				4085386 WIRING Assy Stereo Rdo. I Pnl. (1)
				6015508 CLIP Spkr. Wiring Rt Rr (6)
				9431626 SCREW Rr Spkr. Grd. Term. (2)
	4085 926	1	B1-2-3	SPEAKER Pkg. Single Rr Rdo. (Compact)
				CONSIST of:
				4085440 GRILLE Rdo. Spkr. (1)
				9420278 NUT Rdo. Spkr. Grl. Mtg. (4)
				4085463 SPEAKER And Shield Assy Stereo Rdo. (1)
				9428271 SCREW Stereo Rdo. Spkr. And Shield Assy. Mtg. (4)
				4085897 BRACKET Rdo. Rr Spkr. Mtg. (1)
				9414712 SCREW Rdo. Rr Spkr. Mtg. Brkt. (3)
				4114437 WIRING Assy. Rr Rdo. Spkr. I Pnl. (1)
				4114436 WIRING Assy. Rr Rdo. Spkr. Body (1)
				6015508 CLIP Spkr. Wiring Rt Rr (6)
				9431626 SCREW Rr Spkr. Grd. Term. (1)
3	4085 192	1		PLATE Assy. radio mtg. 1978
	4114 428	1		PLATE and GASKET 1979-80-81
4		2		SCREW (10 - 16 x 5/8)
5	3501 489	2		KNOB, Primary 1978-79-80
	4048 120	2		1981
6	3501 490	2		KNOB, Secondary 1978-79-80
	4048 541	2		1981
7	4048 120	2		KNOB Assy. CB
8	4048 419	1		MICROPHONE, CB Radio 1978-79
	4048 542	1		1980
	4048 289	1		BRACKET Microphone Mtg. 1979-80-81 (Not Shown)
9	4048 136	1		CLIP 1978
	4048 288	1		1979-80-81
10	4085 596	1		SPACER (not serviced)
11	6025 001	4		NUT & Wa (10 - 24)
12	6023 201	2		Nut & Wa (10 - 24)
13		4		SCREW (10 - 16 x 5/8)
14	6000 700	2		RETAINER & Stud (10 - 24) 1978-79-80
	6030 204	2		1981
15	6030 820	1		NUT & Wa (1/4 - 20)
16	4085 532	1		BRACKET
	4085 533	1		BRACKET, w/am-fm or cb radio
17		2		NUT "L" type (not serviced)
18		1		SCREW (10 - 16 x 5/8)
20	3738 961	1		BODY & Cable w/o CB 1978
	4085 869	1		1979-80-81
	4106 675	1		ADAPTER, load coil
	4085 870	1		LOAD COIL, w/ cb
22	3738 215	1		ADAPTER & Gasket w/o CB 1978
	4114 374	1		Base w/AM-FM Also Tri Band
	4085 466	1		ADAPTER w/ CB 1978
	4085 524	1		GASKET w/ CB 1978

LIGHT	A = All Sport Utility (Ramcharger).	B = All Compact Models.	D = Conventional Cab.
DUTY	AD = 2 Wheel Drive Only (Ramcharger).	CB-MB = Compact Front Section Only.	W = Conventional Cab 4 Wheel Drive.
CODES:	AW = 4 Wheel Drive Only (Ramcharger).	P = Forward Control Chassis.	M = Motor Home.
MEDIUM-HEAVY CODES:	XNT = Low Cab Forward.	D = Conventional Cab.	S = School Bus. W = 4-Wheel Drive.

AR=Use as Required

=New Part Number

Printed in U.S.A.

June, 1982

ITEM	PART NUMBER	QTY	MODEL	DESCRIPTION
RADIO, SPEAKER, ANTENNA B-CB-MB				
23	2889 934	1		MAST w/o CB 76"
	4048 357	1		w/AM/FM/MX/Cassette 31"
	4085 543	1		MAST w/ CB 40" 1978-79-80
	4048 472	1		1981
	3513 745	1	B-BF	MAST 60"
26	2983 875	1		NUT w/o CB 1978
	3501 287	1		1979-80-81
27	2983 242	1		COLLAR & Clip w/o CB 1978
	4085 534	1		CAP w/ CB 1978 (Not Shown)
28	4085 926	AR		SPEAKER, Single Rear
	4085 927	1		SPEAKER, Two, Frt. Dr. w/Stereo
	4085 928	1		SPEAKER, Four Frt. & Rr. w/Stereo
	4085 450	1		SHIELD Stereo Radio Spkr. (not shown)
29	4085 440	AR		GRILLE, Spkr.
	3501 321	AR		WASHER, Rdo. Ant. Load Coil (not shown)
	3501 320	AR		LAMP Assy. Rdo. Illum. 1978 (not shown)
	4048 418	AR		1979-80
	4085 541	AR		SPACER, Rdo. Ant. Collar 1978 (Not Shown)
	4085 897	2		BRACKET Rr. Speaker Mtg.
	9414 712	2		SCREW, (8 - 18 x .50)
	4085 386	1		WIRING, Stereo Rdo. 1/pnl 4 speakers
	4085 462	1		SPEAKER, Door
	4114 434	1		WIRING, Rr. Stereo Spkr. (Body 4 spkrs) 1979-80-81
30	4114 243	1	CB-MB	ANTENNA Pkg. CB Radio
31		1		SCREWS
32	4085 897	1		BRACKET, rr. spkr. mtg.
FOLLOWING Items Not Shown				
	4114 375	1	B	SPACER, Radio Antenna w/AM-FM Also w/Tri Band 1979-80-81
	4114 376	1	CB,MB	1979-80-81
	4114 378	1	B	PLATE, Radio Antenna 1979-80-81
	9415 969	1	B,CB,MB	Bulb, radio illum.
	4085 408	1		WIRING, Door Spkr. and Courtesy Lamp 1978
	4114 329	1		1979
	4162 493	1		1980-81
	4124 327	1	B-CB-MB	JUMPER Radio Feed and Illum, Lamp 1979
	3501 317	1		CLIP, Radio Cont. Knob AM/CB
	4048 348	1		CARTRIDGE, Stereo. Tape Demo. w/AM-Fm-MX8 8 Track 1978-79
	4048 487	1		1980
	4222 036	1		1981
	4048 518	1		CARTRIDGE, Demo. w/AM-FM Cassette 1980
	4222 037	1		1981

LIGHT	A = All Sport Utility (Ramcharger).	B = All Compact Models.	D = Conventional Cab.
DUTY	AD = 2 Wheel Drive Only (Ramcharger).	CB-MB = Compact Front Section Only.	W = Conventional Cab 4 Wheel Drive.
CODES:	AW = 4 Wheel Drive Only (Ramcharger).	P = Forward Control Chassis.	M = Motor Home.

MEDIUM-HEAVY CODES: XNT = Low Cab Forward. D = Conventional Cab. S = School Bus. W = 4-Wheel Drive.

AR=Use as Required

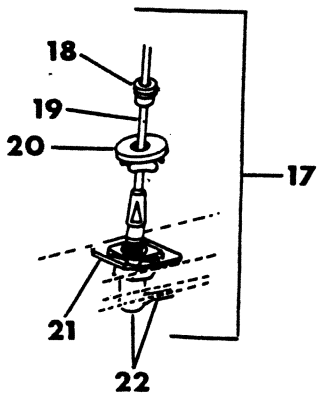
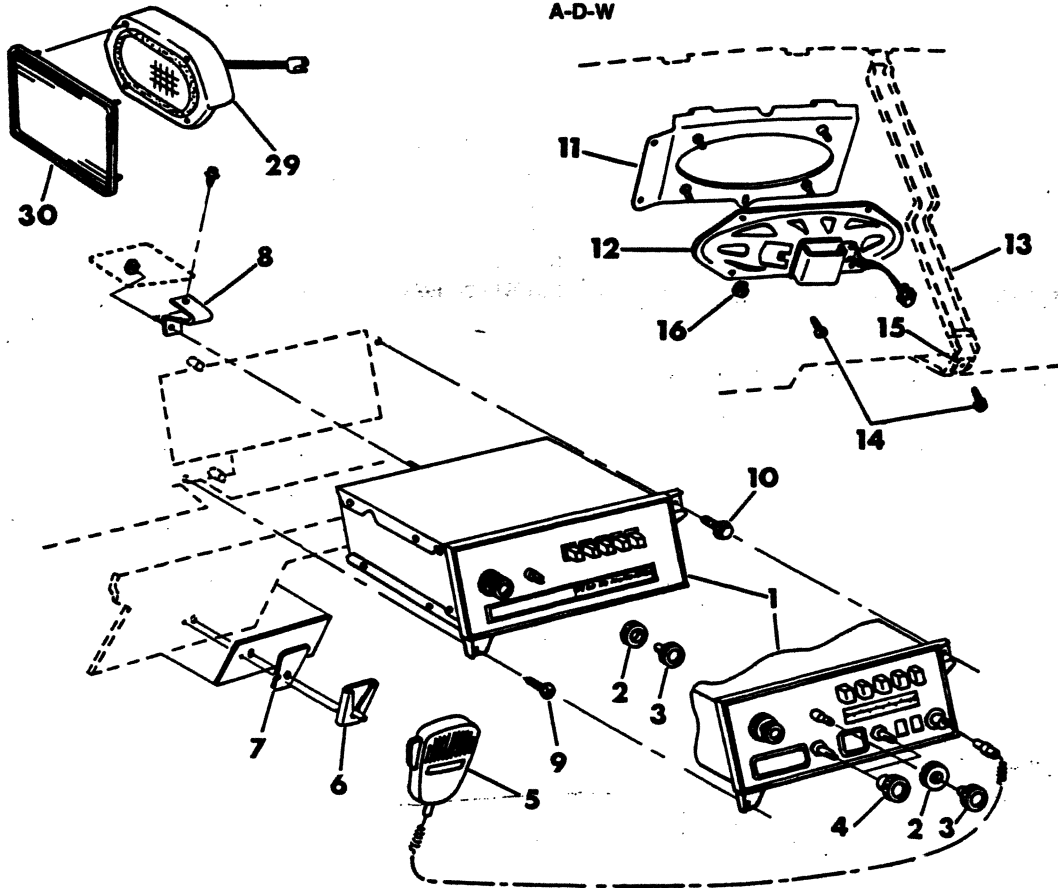
= New Part Number

Printed in U.S.A.

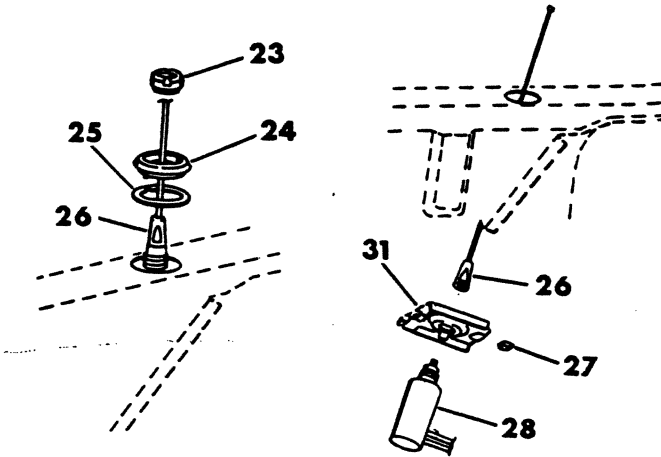
June, 1982

8301 550B

RADIO AND ANTENNA A-D-W



STD. ANTENNA



CB ANTENNA

ITEM	PART NUMBER	QTY	MODEL	DESCRIPTION
RADIO AND ANTENNA				
A-D-W				
1	3837 190	1		Radio, AM 1978
	4048 363	1		1979
	4048 552	1		1980
	3501 655	1		AM/FM w/Fader 1978-79
	4048 554	1		1980
	3501 376	1		AM-FM Multiplex - w/Fader 1978
	4048 370	1		1979
	4048 568	1		1980
	4048 865	1		1981
	3501 458	1		AM-FM Multiplex - w/Fader, w/Tape-1978
	4048 367	1		1979
	4048 567	1		1980
	4048 867	1		1981
	4048 261	1		AM-CB w/Fader 1978-79
	4048 077	1		AM-CB Multiplex CB - w/Fader
	4048 262	1		AM/FM/MX/CB - w/Fader 1978
	4048 411	1		1979
	4048 612	1		1980-81
	4048 501	1		AM/FM/Mx//Cassette 1980-81
	4048 413	1		AM/FM/Mx/S/Tuner 1978-79
	4048 613	1		1980
2	3501 490	2		KNOB, secondary 1978-79-80
	4048 541	2		1981
3	3501 489	2		KNOB, primary 1978-79-80
	4048 537	2		1981
4	4048 120	2		KNOB, CB
	3501 317	AR		CLIP, CB Radio cont knob
5	4048 419	1		MICROPHONE 1978-79
	4048 542	1		1980
	4048 289	1		BRACKET, Microphone Mtg. 1979-80 (Not Shown)
6	4048 136	1		CLIP 1978
	4048 288	1		1979-80-1
7	4085 596	1		SPACER
8		1		BRACKET (not serviced 1978-79-80)
	4216 510	1		1981
9		1		SCREW (10 - 16 x 1.00)
10	181 063	1		SCREW (1/4 - 20 x 5/8)
11	3489 647	1		PLATE assy.
12	3895 155	1		SPEAKER w/AM 1978-79
	4162 794	1		1980
	4085 930	1		SPEAKER PACKAGE Single Frt. Rdo. Conv. And Spt. Utl. 1978-79-80
				Consist Of:
				3895155 Speaker (1)
				3489647 Plate Spkr. Mtg. (1)
				6023215 Nut and Washer (4)
				Screw (1)
	4085 927	1		SPEAKER Package Two Frt. Compact Conv. And Spt. Utl. w/Am/Fm 1979-80-81
				CONSIST of:

LIGHT A = All Sport Utility (Ramcharger).

B = All Compact Models.

D = Conventional Cab.

DUTY AD = 2 Wheel Drive Only (Ramcharger).

CB-MB = Compact Front Section Only.

W = Conventional Cab 4 Wheel Drive.

CODES: AW = 4 Wheel Drive Only (Ramcharger).

P = Forward Control Chassis.

M = Motor Home.

MEDIUM-HEAVY CODES: XNT = Low Cab Forward. D = Conventional Cab. S = School Bus. W = 4-Wheel Drive.

AR=Use as Required

=New Part Number

Printed in U.S.A.

June, 1982

1978-81 LIGHT DUTY TRUCK PARTS CATALOG

ACCESSORIES

ITEM	PART NUMBER	QTY	MODEL	DESCRIPTION
RADIO AND ANTENNA A-D-W				
				4085440 GRILLE Rdo. Spkr. (2)
				9420278 NUT Spkr. Grille Mtg. (8)
				4085463 SPEAKER And Shield Stereo Rdo. (2)
				9428271 SCREW Stereo Spkr And Shield Mtg. (2)
				4034426 WIRING Assy Stereo Rdo. I Pnl. (1)
				4085408 WIRING Assy Dr. Spkr. And Courtesy Lp. Compact (2)
				4085392 WIRING Assy Dr. Spkr. Conv. (2)
				2504770 FASTNER Rdo. Spkr. Grl. Mtg. w/o Dr. Trim Pnl. (8)
13	3489 948	1		BRACKET
	4216 510	1		BRACKET, Rdo. Mtg. w/AM/FM (Not Shown) 1981
14		1		SCREW (10 - 16 x 1/2)
15	445 359	1		J - Nut
16	6023 215	1		NUT Assy. (8 - 32)
17		1		ANTENNA Pkg. (not serviced)
18	2983 875	1		NUT, antenna mtg. cap 1978
	3501 287	1		1979-80-81
19	3513 745	1		MAST 60"
	4048 357	1		31" w/AM/FM/MX/Cassette
20	2889 925	1		ADAPTOR w/AM 1978-79
	5211 170	1		ADAPTOR And Gasket w/Am/Fm/Mx/Cb
21	3635 372	1		REINFORCEMENT 1978-79
22	3738 961	1		BODY and Cable Assy. 1978-79
	3501 294	1		1980-81
	2889 935	1		GASKET, Adaptor 1978-79
23	3501 287	1		CAP, nut
24	4085 482	1		ADAPTOR w/CB 1978-79
	5211 170	1		ADAPTOR And Gasket 1980-81
25	4085 483	1		GASKET 1978-79
26	4085 543	1		MAST 40" Whip w/AM/Fm/Mx/Cb 1978-79-80
	4048 472	1		1981
27		2		CLIP, mtg. reinforcement guard
28	4085 870	1		LOAD, Coil
	4106 675	1		ADAPTER, load coil
	4048 471	1		CABLE, And Body Fix Lgth. 1981 (Not Shown)
	3501 321	1		WASHER, load coil
29	4085 927	1		SPEAKER, Two Frt. Dr. w/Stereo
30	4085 440	AR		GRILLE, Speaker Black
	4162 030	AR		Black 1981
	4162 031	AR		Blue 1981
	4162 033	AR		Cashmere 1981
	4162 034	AR		Red 1981
	9414 598	AR		SCREW
	4085 450	AR		SHIELD, door spkr. (not shown)
	4085 462	AR		SPEAKER, Stereo Radio
	2504 770	AR		FASTNER, Radio Spk. Grille Mtg. 1978-79-80
31	4085 484	1		REINFORCEMENT, Antenna 1978-79

FOLLOWING ITEMS NOT SHOWN

3501 320	1	LAMP, Radio Illum. 1978
----------	---	-------------------------

LIGHT	A = All Sport Utility (Ramcharger).	B = All Compact Models.	D = Conventional Cab.
DUTY	AD = 2 Wheel Drive Only (Ramcharger).	CB-MB = Compact Front Section Only.	W = Conventional Cab 4 Wheel Drive.
CODES:	AW = 4 Wheel Drive Only (Ramcharger).	P = Forward Control Chassis.	M = Motor Home.

MEDIUM-HEAVY CODES: XNT = Low Cab Forward. D = Conventional Cab. S = School Bus. W = 4-Wheel Drive.

AR = Use as Required

= New Part Number

Printed in U.S.A.

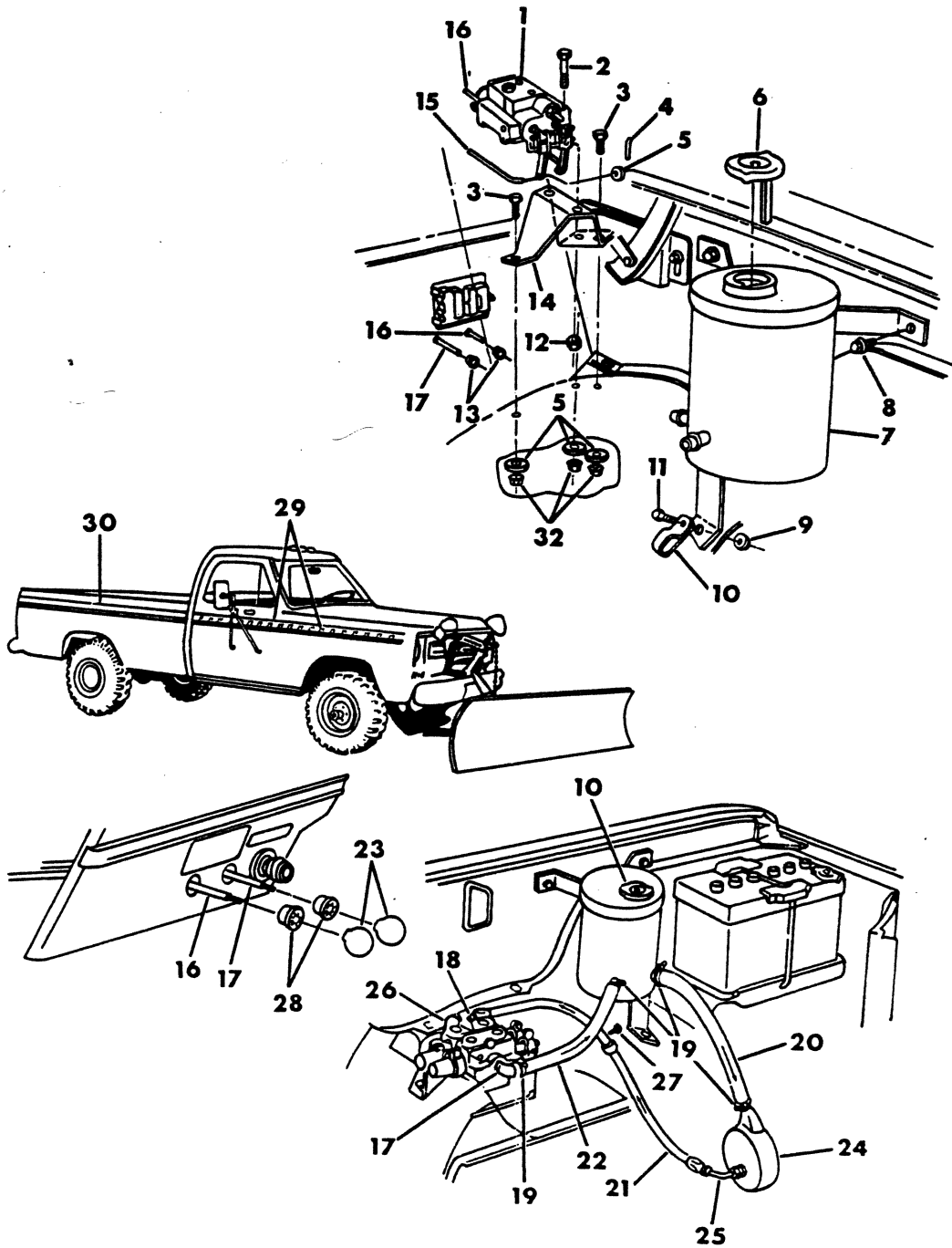
June, 1982

ITEM	PART NUMBER	QTY	MODEL	DESCRIPTION
RADIO AND ANTENNA A-D-W				
	4048 418	1		1979-80
	9415 969	1		Bulb, radio illum.
	4124 327	1		JUMPER, Radio Feed and Illum, Lamp 1979
	3501 317	2		CLIP, Radio Cont. Knob AM/CB
	3501 331	1		PLUG, Ant. Hole (Fender) 1980-81
	2860 332	1		PLUG, Ant. Hole Side Pillar 1980
	4048 348	1		CARTRIDGE, Stereo. TApe Demo. w/AM-FM MX8-8 Track 1978-79
	4048 487	1		1980
	4048 518	1		CARTRIDGE, Demo. w/AM-FM Cassette 1980
	4222 037	1		1981

LIGHT	A = All Sport Utility (Ramcharger).	B = All Compact Models.	D = Conventional Cab.
DUTY	AD = 2 Wheel Drive Only (Ramcharger).	CB-MB = Compact Front Section Only.	W = Conventional Cab 4 Wheel Drive.
CODES:	AW = 4 Wheel Drive Only (Ramcharger).	P = Forward Control Chassis.	M = Motor Home.
MEDIUM-HEAVY CODES: XNT = Low Cab Forward. D = Conventional Cab. S = School Bus. W = 4-Wheel Drive.			
AR=Use as Required	# =New Part Number	Printed in U.S.A.	June, 1982

SNOW PLOW AND ATTACHING PARTS AW1, W1-2

8301 600B



ITEM	PART NUMBER	QTY	MODEL	DESCRIPTION
SNOW PLOW AND ATTACHING PARTS AW1, W1-2				
1	4037 124	1		VALVE 7 Way 1977
2	181 101	2		BOLT, (5/16 - 18 x 3.00) 1978
	181 097	2		(5/16 -18x2.25) 1979
3		3		BOLT, (5/16 - 18 x 1.00)
4		2		PIN, Cotter
5		AR		WASHER, Plain
6	3633 625	1		CAP, Filler
7	3633 624	1		RESERVOIR 1978
	4115 072	1		RESERVOIR 1979-80
8	6022 834	2		SCREW (1/4 - 20 x .75)
9	6025 004	1		NUT (1/4 - 20)
10		1		CLIP
11	181 059	1		BOLT (1/4 - 20 x .50)
12	152 342	1		NUT, Lock (5/16 - 18)
13	3633 619	2		GROMMET, Dash
14	4088 955	1		BRACKET, Valve Mtg.
15	3633 626	1		ROD, Control
16	3633 627	1		ROD, Control
	120 367	1		NUT, Control Rod
17		1		ELBOW, (Not Serviced)
18	3894 463	1		CONNECTOR, hyd. pump to c/val hose
	2236 978	1		SWIVEL
19	2448 770	1		CLAMP, C/val. to oil resvr. return
20	3633 764	1		HOSE, Revr.to pump, 25" Long
21	3633 763	1		HOSE, Pump to Valve Body 225 Eng. 1978-79
	3633 760	1		318,360,400,440 Eng. 1978-79
	4167 636	1		ALL Eng. 1980
22	2127 512	1		HOSE, Valve Body to Reservoir Return 14-1/2" long.
23	3632 705	1		BALL, control rod
24	3893 221	1		PUMP, Hyd. 1978-79
25	2973 671	1		ELBOW Pump to c/val hose
26		1		ELBOW
27		1		SCREW, (1/4 - 14 x 1/2)
28	3632 706	1		GROMMET, Instr. Panel
29	4057 704	1		TAPE Pkg. Front cab (sweptline and utiline) Right
	4057 705	1		Left
30	2977 953	1		TAPE Pkg. Side Panel (sweptline) w/Snow Fiter, Left 1978
	2977 954	1		Right 1978
	4038 841	1		w/o Snow Fiter, Left 1978
	4038 842	1		Right 1978
	4084 710-1	1		w/ Snow Commander 1978
	4113 872	2		DECAL, Sno-Commander Rear Panel 1979-80-81 (Not Shown)
31	3633 619	1		GROMMET, Dash
32	118 614	AR		NUT, (5/16-18)

LIGHT	A = All Sport Utility (Ramcharger).	B = All Compact Models.	D = Conventional Cab.
DUTY	AD = 2 Wheel Drive Only (Ramcharger).	CB-MB = Compact Front Section Only.	W = Conventional Cab 4 Wheel Drive.
CODES:	AW = 4 Wheel Drive Only (Ramcharger).	P = Forward Control Chassis.	M = Motor Home.

MEDIUM-HEAVY CODES: XNT = Low Cab Forward. D = Conventional Cab. S = School Bus. W = 4-Wheel Drive.

AR=Use as Required

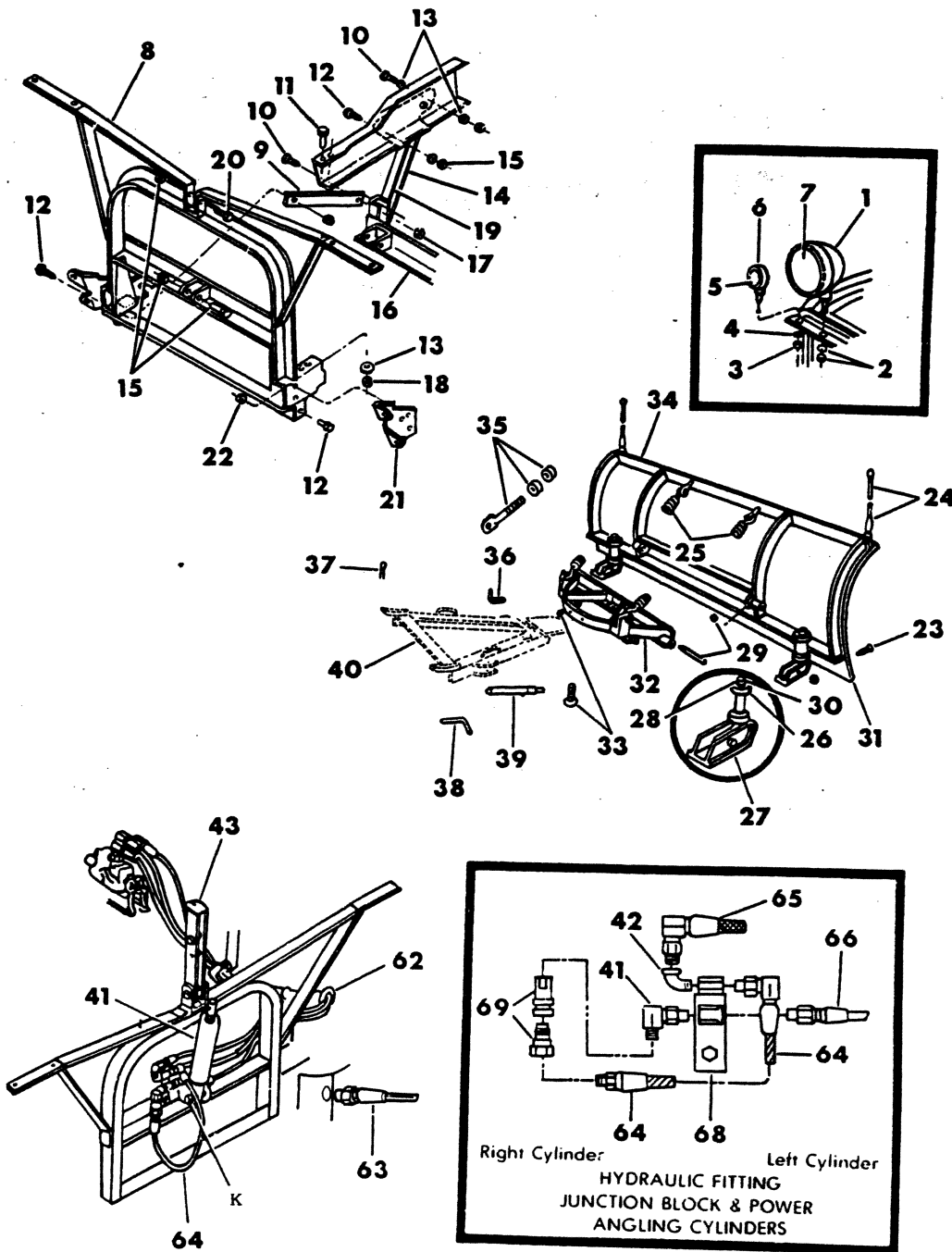
= New Part Number

Printed in U.S.A.

June, 1982

SNOW PLOW AND ATTACHING SERVICE PARTS AW1, W1-2

8301 700A



ITEM	PART NUMBER	QTY	MODEL	DESCRIPTION
SNOW PLOW AND ATTACHING SERVICE PARTS AW1, W1-2				
1	3489 427	2		HEADLAMP, Auxiliary snow plow
2				Standard parts (service in lamp assy.)
3	120 371	2		NUT, Turn Signal mounting pad
4	6027 515	2		WASHER, lock
5	3620 889	2		LENS, Turn Signal Lamp, Amber
6	3635 538	2		LAMP, Turn Signal
	3635 542	1		GASKET, Turn Signal lamp
7	152 704	2		SEALED BEAM, Auxiliary Headlamp
	2958 089	1		SWITCH, Auxiliary Headlamp (not shown)
	3489 744	2		BEZEL Aux. Headlamp Switch (not shown)
	3489 815	1		KNOB, Aux Headlamp Switch (not shown)
	3895 477	1		WIRING, Switch to Bulkhead (not shown)
	4034 145	1		WIRING, Bulkhead to Aux. Lamps (not Shown)
	3635 520	1		REINFORCEMENT, Aux. Headlamp switch Mtg. (not shown)
8	4037 130	1		FRAME, Snow Plow Lift
9	4088 842	1		STRAP, Mtg.
10	9426 931	1		BOLT (3/4 - 10 x 2.00)
11		4		BOLT (7/16 - 14 x 2.00)
12	271 876	4		BOLT (5/8 - 11 x 1.50)
13		4		WASHER, Flat
14	4088 840	1		BRACE, Right
15	152 352	6		NUT, (5/8 - 11)
16	4088 839	1		BRACKET, Pivot w/Light and Heavy Duty Plow
	4164 045	1		PIVOT, Brkt. and Brace Kit
17	152 354	2		NUT (3/4 - 10)
18	152 346	8		NUT, (7/16 - 14)
19	4088 841	1		BRACE, Left
20		6		BOLT, (7/16 - 20 x 1.25)
21	3492 482	1		BRACKET, Mtg.
22		6		NUT (7/16 - 20)
23	3632 819	2		BOLT & Nut Pkg. Cutting edge
24	3879 746	1		MARKER Kit
25	3632 593	2		SPRING, Sector
26		10		WASHER
27	3632 591	2		RUNNER (w/6ft and 8ft Plow)
28		2		PIN, Cotter (not serviced)
29	3632 596	2		PIVOT Pin and Cotter Pkg. sector to moldboard
30	3632 592	2		SPINDLE
31	3632 590	1		CUTTING EDGE, Moldboard w/7 1/2 ft Plow
	4031 966	1		w/8ft, Plow
32	3632 594	1		SECTOR Assy
33	3632 598	1		KING BOLT and nut Pkg. Sector to "A" Frame
34	3497 280	1	W1-2,AW1	BLADE, w/o Hvy Dty. Pkg. 80"
	4031 866	1	W2	w/ Hvy Dty. Pkg.96"
35	3632 597	2		EYE BOLT & Nut Pkg. Sprg to Mld Board
36	3632 599	1		PIN, Sector Shear
37	3632 701	2		CLIP "A" Frame Hinge pin
38	3632 600	2		PIN & Clip Pkg. "A" Frame Hinge
39	3632 703	2		RAM, Power Angle

LIGHT	A = All Sport Utility (Ramcharger).	B = All Compact Models.	D = Conventional Cab.
DUTY	AD = 2 Wheel Drive Only (Ramcharger).	CB-MB = Compact Front Section Only.	W = Conventional Cab 4 Wheel Drive.
CODES:	AW = 4 Wheel Drive Only (Ramcharger).	P = Forward Control Chassis.	M = Motor Home.

MEDIUM-HEAVY CODES: XNT = Low Cab Forward. D = Conventional Cab. S = School Bus. W = 4-Wheel Drive.

AR=Use as Required

= New Part Number

Printed in U.S.A.

June, 1982

1978-81 LIGHT DUTY TRUCK PARTS CATALOG

ACCESSORIES

ITEM	PART NUMBER	QTY	MODEL	DESCRIPTION
------	-------------	-----	-------	-------------

SNOW PLOW AND ATTACHING SERVICE PARTS AW1, W1-2

40	3632 595	1		"A" Frame
	4237 652	1	W1-2,AW1	PACKAGE, Sector And A Frame w/90" Blade 1981 Consist Of; Instruction Packet (1) 3632593 Plow Trip Spring (2) CARTON, Cardboard 42 X 29 X 8 (1) BAG, Hardware Plow 11" (1) 3879746 CARTON Plow Marker Kit (1) 3632584 SECTOR Weld 11" (1) 3632595 A Frame 11 x 38 x 23.5 (1) w/96" Blade 1981
	4237 653	1	W2	w/96" Blade 1981
41	3497 296	1		CYLINDER, snow plow lift
42	2237 396	4		ELBOW, (90 Degree x 1/4)
43	3497 294	1		ARM, Snow Plow Lift Frm.
	4237 650	1	W1-2,AW1	PACKAGE, Lift And Angeling w/90" Blade 1981 CONSIST OF; INSTRUCTION Packet (1) CARTON Cardboard 23.5 x 14.88 x 7.75 (1) RAM R.H. 1.50 x 10 w/Fittings (1) RAM L.H. 1.50 x 10 w/Fittings And Hose (1) BAG Hardware P.A. 11" E-47 (1) KIT Press. Release Valve w/Red. Bush. (1) BOLT 5/16-18 x 1/2 (1) E-47 Lift And P.A. Assy. Pump And Mtr. Comp. (1) WASHER-Int/Ext. Tooth 5/16 I.D. (1) 3497294 ARM-Lift Weld (1) BOLT 5/8-11 X 2.75 (1) LOCKNUT 5/8-11 (1) w/96" Blade 1979-80
	2977 944	1	W2	CONSIST OF; INSTRUCTION Packet (1) INSTRUCTION Packet (1) 3897531 RAM 1 1/2 x 12 (2) 3632593 SPRING Plow St. (4) CTN. Cardboard 51 x 32 x 10 (1) BAG Hyd. And Hardware (1) BAG Plow Hardware 15 (1) 3897532 SECTOR 15 HST PA Weld (1) 3897533 A Frame 39 (15 x 23.5) (1) 3733622 HOSE Assy. 1 1/4 x 43 lg. (1) w/96" Blade 1981
	4237 651	1	W2	CONSIST OF; INSTRUCTION (1) CARTON Cardboard 28.62 x 17 x 8.38 (1) RAM L.H. 1.50 x 12 w/Fittings And Hose (1) RAM R.H. 1.50 x 12 w/Fittings (1) BAG Hardware (1) KIT Press. Release Valve w/Red. Bush. (1) BOLT 5/16-18 x 1/2 (1)

LIGHT	A = All Sport Utility (Ramcharger).	B = All Compact Models.	D = Conventional Cab.
DUTY	AD = 2 Wheel Drive Only (Ramcharger).	CB-MB = Compact Front Section Only.	W = Conventional Cab 4 Wheel Drive.
CODES:	AW = 4 Wheel Drive Only (Ramcharger).	P = Forward Control Chassis.	M = Motor Home.

MEDIUM-HEAVY CODES: XNT = Low Cab Forward. D = Conventional Cab. S = School Bus. W = 4-Wheel Drive.

AR=Use as Required

= New Part Number

Printed in U.S.A.

June, 1982

ITEM	PART NUMBER	QTY	MODEL	DESCRIPTION
SNOW PLOW AND ATTACHING SERVICE PARTS AW1, W1-2				
				E-47 Lift And P.A. Assy Pump And Mtr. Comp. (1)
				WASHER Int/Ext. Tooth 5/16 I.D. (1)
				3497294 ARM Lift Weld (1)
				BOLT 5/8-11 x 2.75 (1)
				LOCKNUT 5/8-11 (1)
62	2911 048	1		GROMMET
63	3733 623	1		HOSE, 58" 7 way system
64	3733 622	1		HOSE, 46" 7 way system
65	3733 624	2		HOSE, swivel, 1 end 70"
66	3733 625	2		HOSE, swivel, both ends, 70"
67	3733 621	1		ELBOW, Swivel, 1/4 x 90 male to male
68	3632 708	1		BLOCK, Junction
69	3632 704	2		COUPLER, hydraulic

FOLLOWING ITEMS NOT SHOWN

3828 440	1	GROMMET, c/val. to J block & lift cyl. hose
----------	---	---

LIGHT	A = All Sport Utility (Ramcharger).	B = All Compact Models.	D = Conventional Cab.
DUTY	AD = 2 Wheel Drive Only (Ramcharger).	CB-MB = Compact Front Section Only.	W = Conventional Cab 4 Wheel Drive.
CODES:	AW = 4 Wheel Drive Only (Ramcharger).	P = Forward Control Chassis.	M = Motor Home.
MEDIUM-HEAVY CODES:	XNT = Low Cab Forward.	D = Conventional Cab.	S = School Bus. W = 4-Wheel Drive.

AR=Use as Required

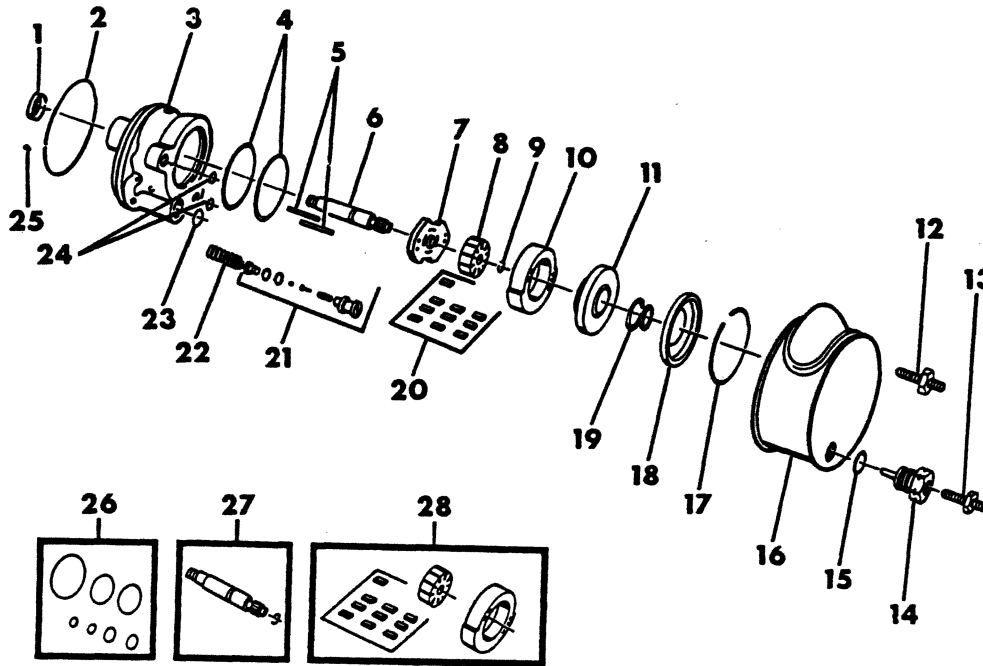
= New Part Number

Printed in U.S.A.

June, 1982

8301 800

SNOW PLOW HYDRAULIC LIFT PUMP
 AW1, W1-2



ITEM	PART NUMBER	QTY	MODEL	DESCRIPTION
	3893 221			PUMP, Snow Plow Lift 1978-79
	4164 907			1980
1	2537 899	1		SEAL, Drive Shaft
2	2537 828	1		SEAL, Reservoir O' ring
3		1		HOUSING (serviced in 3497357)
4	4115 052	2		SEAL, End and Pressure plate
5	2537 819	2		PIN, Pump Ring Dowel
6				SHAFT, Drive (Serviced in 2891168)
7	3736 336	1		PLATE, Thrust
8		1		ROTOR (serviced in 2537837)
9	2891 166	1		RING, Drive Shaft Retaining
10		1		RING (serviced in 2537837)
11	2537 821	1		PLATE, Pressure
12	2537 835	1		STUD, Reservoir and Pump Mounting 1978-79
13	2537 835	1		STUD, Reservoir and Pump Mounting
14	3497 792	1		FITTING, Discharge
15	2537 838	1		SEAL, Discharge Fitting
16	4036 549	1		RESERVOIR
17	2537 823	1		RING, Retainer
18	2537 820	1		PLATE, End
19	2537 834	1		SPRING, Pressure Plate
20	4031 303	1		VANE Kit
21	3497 794	1		VALVE, Flow control

LIGHT A = All Sport Utility (Ramcharger). B = All Compact Models. d = Conventional Cab.
DUTY AD = 2 Wheel Drive Only (Ramcharger). CB-MB = Compact Front Section Only. W = Conventional Cab 4 Wheel Drive.
CODES: AW = 4 Wheel Drive Only (Ramcharger). P = Forward Control Chassis. M = Motor Home.

MEDIUM-HEAVY CODES: XNT = Low Cab Forward. D = Conventional Cab. S = School Bus. W = 4-Wheel Drive.

AR=Use as Required

=New Part Number

Printed in U.S.A.

June, 1982

ITEM	PART NUMBER	QTY	MODEL	DESCRIPTION
SNOW PLOW HYDRAULIC LIFT PUMP AW1, W1-2				
22	2537 833	1		SPRING, Flow Control Valve
23	2537 838	1		SEAL, Rectangular Section
24	2537 838	2		SEAL, Reservoir Rectangular Section
25	2537 818	1		KEY, w/ 3633248 Pump
26	2537 838	1		SERVICE Kit, Seal includes items 2,4,15,23 and 24
27				Service Kit, Drive Shaft and Retaining Ring, Includes Items 6 and 9 w/ 3633248 Pump
	2891 168	1		w/ 3893221 Pump 1978-79
	3893 551	1		
28	4031 303	1		Service Kit Rotor, Vane, and Ring, Includes 8,10 and 20

LIGHT	A = All Sport Utility (Ramcharger).	B = All Compact Models.	D = Conventional Cab.
DUTY	AD = 2 Wheel Drive Only (Ramcharger).	CB-MB = Compact Front Section Only.	W = Conventional Cab 4 Wheel Drive.
CODES:	AW = 4 Wheel Drive Only (Ramcharger).	P = Forward Control Chassis.	M = Motor Home.
MEDIUM-HEAVY CODES: XNT = Low Cab Forward. D = Conventional Cab. S = School Bus. W = 4-Wheel Drive.			

AR=Use as Required

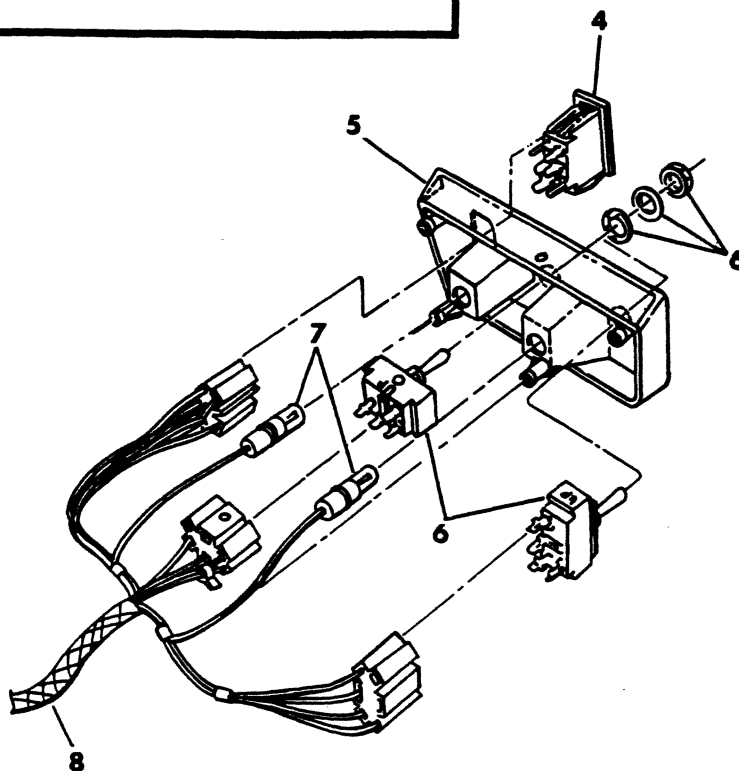
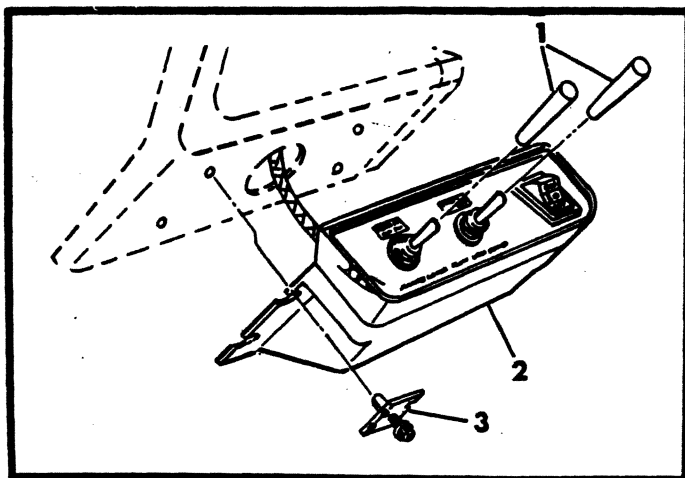
= New Part Number

Printed in U.S.A.

June, 1982

8301 825

SNOW PLOW - ELECTRO TOUCH CONTROLS



ITEM	PART NUMBER	QTY	MODEL	DESCRIPTION
------	-------------	-----	-------	-------------

SNOW PLOW - ELECTRO TOUCH CONTROLS

1	4162 863	2		KNOBS
2	4162 522	1		HOUSING
3	4216 535	4		RETAINERS
4	4162 865	1		SWITCH ,HEADLAMPS
5	4216 508	1		BEZEL
6	4162 742	2		SWITCHS ,BLADE CONTROL
7	9415 969	2		BULBS
8	4162 988	1		WIRING

LIGHT	A = All Sport Utility (Ramcharger).	B = All Compact Models.	D = Conventional Cab.
DUTY	AD = 2 Wheel Drive Only (Ramcharger).	CB-MB = Compact Front Section Only.	W = Conventional Cab 4 Wheel Drive.
CODES:	AW = 4 Wheel Drive Only (Ramcharger).	P = Forward Control Chassis.	M = Motor Home.

MEDIUM-HEAVY CODES: XNT = Low Cab Forward. D = Conventional Cab. S = School Bus. W = 4-Wheel Drive.

AR=Use as Required

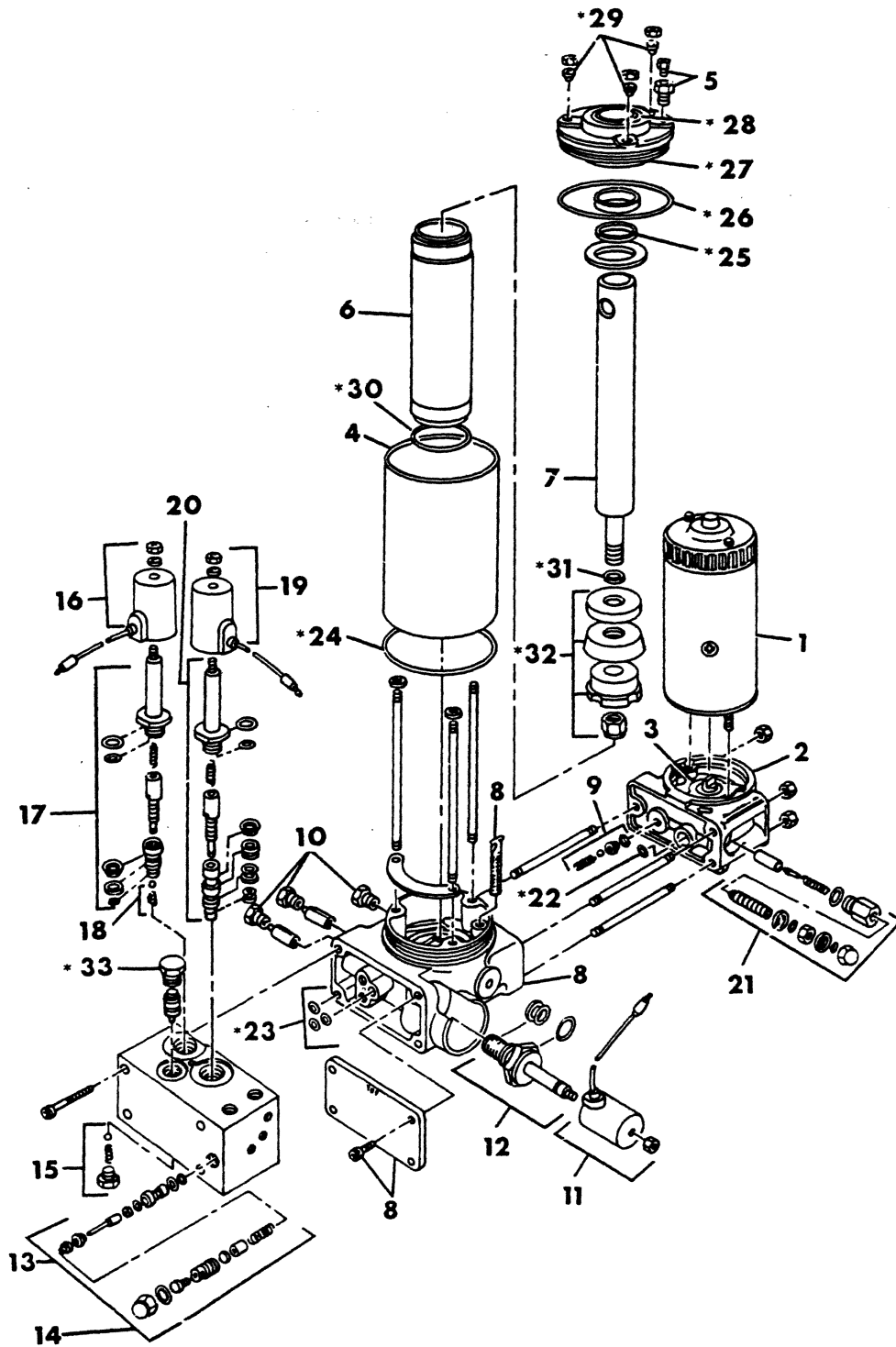
#=New Part Number

Printed in U.S.A.

June, 1982

SNOW PLOW - ELECTRO TOUCH AW1-W1,2

8301 850

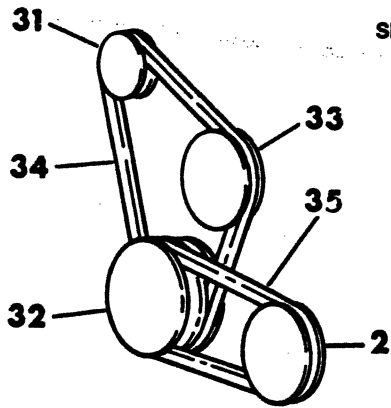


ITEM	PART NUMBER	QTY	MODEL	DESCRIPTION
SNOW PLOW - ELECTRO TOUCH AW1-W1,2				
1	4026 163	1		MOTOR, Pump
2	4026 164	1		PUMP, ASSY.
3	4026 165	1		SHAFT, SEAL
4	4026 166	1		CYLINDER, TANK
5	4026 167	1		KIT, Pressure Relief Valve w/Bushing
6	4026 168	1		CYLINDER
7	4026 169	1		RAM, ASSY.
8	4026 170	1		BASE And Strainer
9	4026 171	1		KIT, Check Valve Pump
10	4026 172	1		KIT, FILTER
11	4026 173	1		"A" COIL
12	4026 174	1		"A" CARTRIDGE Valve
13	4026 175	1		KIT, Crossover Valve
14	4026 176	1		KIT, Seal Crossover Valve
15	4026 177	1		KIT, Pilot Check Valve
16	4026 178	1		"B" COIL
17	4026 179	1		"B" CARTRIDGE Valve
18	4026 182	1		KIT, "B" Solinoid Check Valve
19	4026 180	1		"C" COIL
20	4026 181	1		"C" CARTRIDGE Valve
21	4026 186	1		KIT, Pump Relief Valve
22-33	4026 187	1		KIT, Master Seal (Contains Items 22 Thru 32)
	4026 187	1		KIT, Master Seal
				Also Contains
				4026174 Seal Kit "A" Cartridge (1)
				4026176 Seal Kit Crossover Valve (1)
				—— Seal Kit "B" Cartridge (1)
				—— Seal Kit "C" Cartridge (1)
	4026 194			FLUID, Hydraulic (Quart) 1980-81

LIGHT A = All Sport Utility (Ramcharger). B = All Compact Models. D = Conventional Cab.
DUTY AD = 2 Wheel Drive Only (Ramcharger). CB-MB = Compact Front Section Only. W = Conventional Cab 4 Wheel Drive.
CODES: AW = 4 Wheel Drive Only (Ramcharger). P = Forward Control Chassis. M = Motor Home.

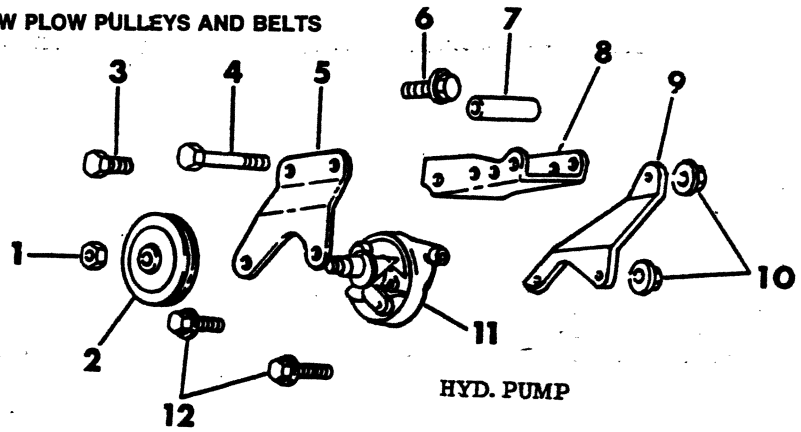
MEDIUM-HEAVY CODES: XNT = Low Cab Forward. D = Conventional Cab. S = School Bus. W = 4-Wheel Drive.

AR=Use as Required # = New Part Number Printed in U.S.A. June, 1982

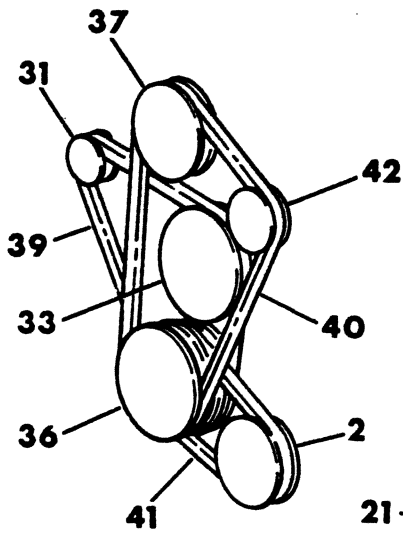


225 ENGINE

SNOW PLOW PULLEYS AND BELTS

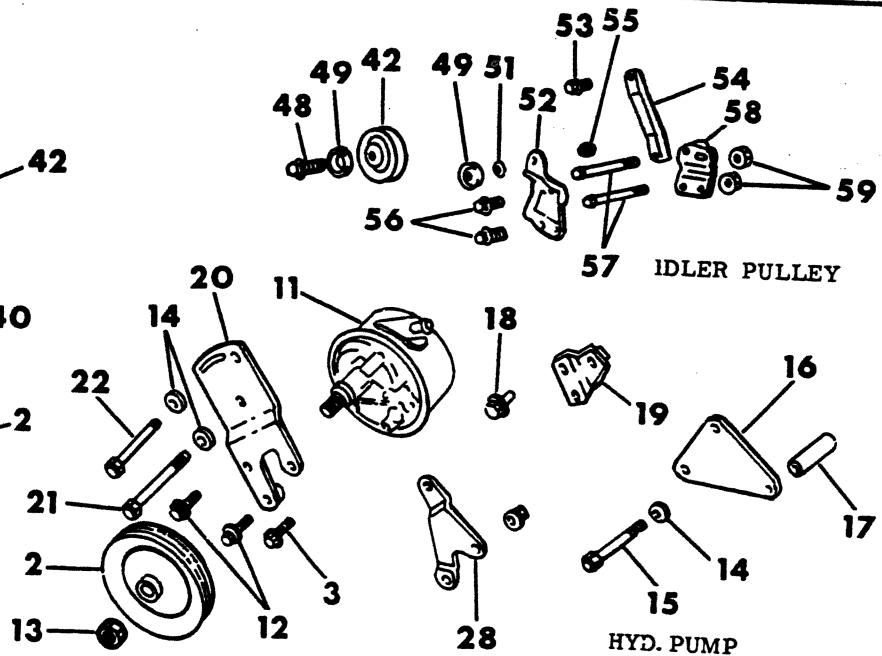


HYD. PUMP



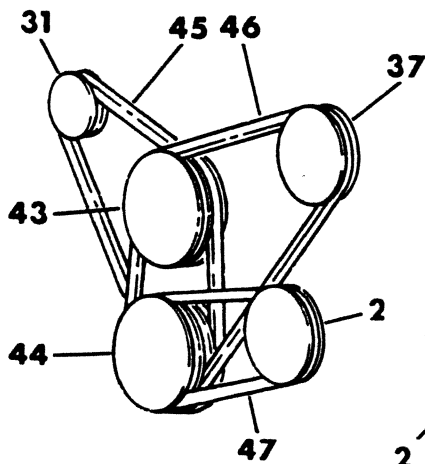
WITH PWR. STRG.

318-360 ENGINE

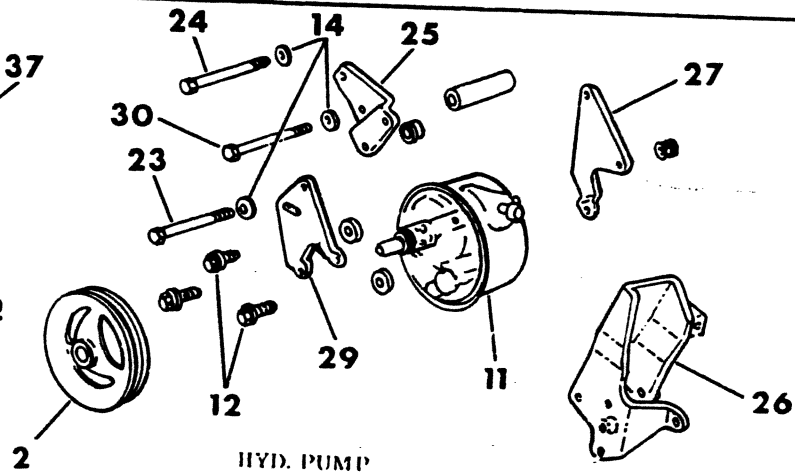


IDLER PULLEY

HYD. PUMP



400-440 ENGINE



HYD. PUMP

ITEM	PART NUMBER	QTY	MODEL	DESCRIPTION
SNOW PLOW PULLEYS AND BELTS				
1		3		SCREW, 5/16-18 x .75
2	3830 967	1		PULLEY, Pump 225 1978-79
	3870 089	1		PULLEY, Pump 318,360 eng.
	3893 251	1		400,440 Eng. 1978-79
3		3		SCREW, 3/8-16 x .88
4	9414 183	1		BOLT, 3/8-16 x 5.25
5	3751 277	1		BRACKET, Pump Mtg. Frt. 1978-79
	4179 684	1		1980
6	6024 023	1		SCREW, 7/16-14 x 1.00
7	3751 279	1		SPACER
8	4032 788	1		BRACKET, Engine Mtg. Pump 1978
	4088 468	1		1979-80
9	3671 102	1		BRACKET, Pump Mtg. Rear 1978-79
10	6025 020	3		NUT, 3/8-16
11	3893 221	1		PUMP 1978-79
	4164 907	1		1980
12	6025 063	1		SCREW, 3/8-16 x 1.12
13	6030 435	AR		NUT, 9/16-18
14	6022 190	AR		WASHER, Coned
15	2129 379	1		SCREW
16	2951 747	1		BRACKET, Front, 318,360 eng.
17	6029 507	1		SPACER
18	2121 588	1		SCREW
19	2951 852	1		BRACKET, Rear Eng.
20	3751 273	1		BRACKET, Front 318,360 Eng. 1978-79
	4179 736	1		1980
21	9422 840	1		SCREW, Pump Bracket
22	6028 166	1		SCREW, Pump Bracket Adjusting
23		AR		BOLT, 3/8-16 x 4.00
24		AR		BOLT, 3/8-16 x 3.50
25	3894 259	1		BRACKET Assy. 1978
26	3894 258	1		BRACKET Assy.w/Pwr.Strg. 1978
	3828 329	1		w/o Pwr. Strg. 1978
27	3828 937	1		BRACKET, Rear 1978
28	3751 275	1		BRACKET, Hyd. Pump Rr. 1978-79
	4179 738	1		1980
29	3732 559	1		BRACKET Assy. Front 1978
30		1		BOLT, 3/7-16 x 3.75
31		1		PULLEY, Alternator, (refer to group 8)
32	2205 518	1		PULLEY, Drive
33	2202 666	1		PULLEY, Fan
34	4106 241	1		BELT, Fan and Alternator 1978-79
35	4027 319	1		BELT, Snow Plow Pump 39" 1978
	4027 318	1		40" 1978
	4104 352	1		(3/8 x 39 1/2) 1979-80
	4106 212	1		BELT, Air Pump p/S and Snow Plow 318-360 4bbl.(3/8x 55 1/2) 1980
	4178 755	1		BELT, Air Pump w/Sno Plow 318-360-4 Eng. (3/8 x 54.76) 1979
36	3640 852	1		PULLEY, Drive Three Groove
	3614 375	1		PULLEY, Drive Single Groove

LIGHT A = All Sport Utility (Ramcharger).

B = All Compact Models.

D = Conventional Cab.

DUTY AD = 2 Wheel Drive Only (Ramcharger).

CB-MB = Compact Front Section Only.

W = Conventional Cab 4 Wheel Drive.

CODES: AW = 4 Wheel Drive Only (Ramcharger).

P = Forward Control Chassis.

M = Motor Home.

MEDIUM-HEAVY CODES: XNT = Low Cab Forward. D = Conventional Cab. S = School Bus. W = 4-Wheel Drive.

AR=Use as Required

=New Part Number

Printed in U.S.A.

June, 1982

1978-81 LIGHT DUTY TRUCK PARTS CATALOG

ACCESSORIES

ITEM	PART NUMBER	QTY	MODEL	DESCRIPTION
SNOW PLOW PULLEYS AND BELTS				
37		1		PULLEY, Pwr. Strg. Pump, (refer to group 19)
38	2951 836	1		PULLEY, Fan Single Groove 1978-79
	3769 130	1		1980
39	4027 303	1		BELT, Fan and Alternator 1979-80
40	3870 247	1		BELT, Pwr. Strg. 1979
	2806 203	1		1980
41	3870 244	1		BELT, Snow Plow Pump
42	3830 196	1		PULLEY, Idler
	3820 228	1		PULLEY, Idler & brkt.
43	4023 815	1		PULLEY, Fan and Alternator 1978
44	3870 069	1		PULLEY, Drive Three groove
45	4106 206	1		BELT, Fan and Alternator 1978
46	4106 212	1		BELT, Power Steering 1978
47	4027 318	1		BELT, Snow Plow Pump 1978
48		1		BOLT, (7/16 - 14 x 1.50)
49	5214 065	2		SHIELD, Bearing 1979-80
51		1		WASHER, Flat
52	3830 226	1		BRACKET Assy.
53	6022 250	1		SCREW (3/8 - 16 x .75)
54	3640 856	1		SUPPORT, Front
55	271 502	1		NUT (7/16 - 14)
56	6022 266	2		BOLT (3/8 - 16 x 1.50)
57		2		SCREW (3/8 - 16 x 5.75)
58	3640 859	1		BRACKET, Idler
	6029 584	1		SPACER, P/Strg. Pump I/Pulley Brkt. 1979-80
59	6025 020	3		NUT (3/8 - 16)

LIGHT	A = All Sport Utility (Ramcharger).	B = All Compact Models.	D = Conventional Cab.
DUTY	AD = 2 Wheel Drive Only (Ramcharger).	CB-MB = Compact Front Section Only.	W = Conventional Cab 4 Wheel Drive.
CODES:	AW = 4 Wheel Drive Only (Ramcharger).	P = Forward Control Chassis.	M = Motor Home.

MEDIUM-HEAVY CODES: XNT = Low Cab Forward. D = Conventional Cab. S = School Bus. W = 4-Wheel Drive.

AR=Use as Required

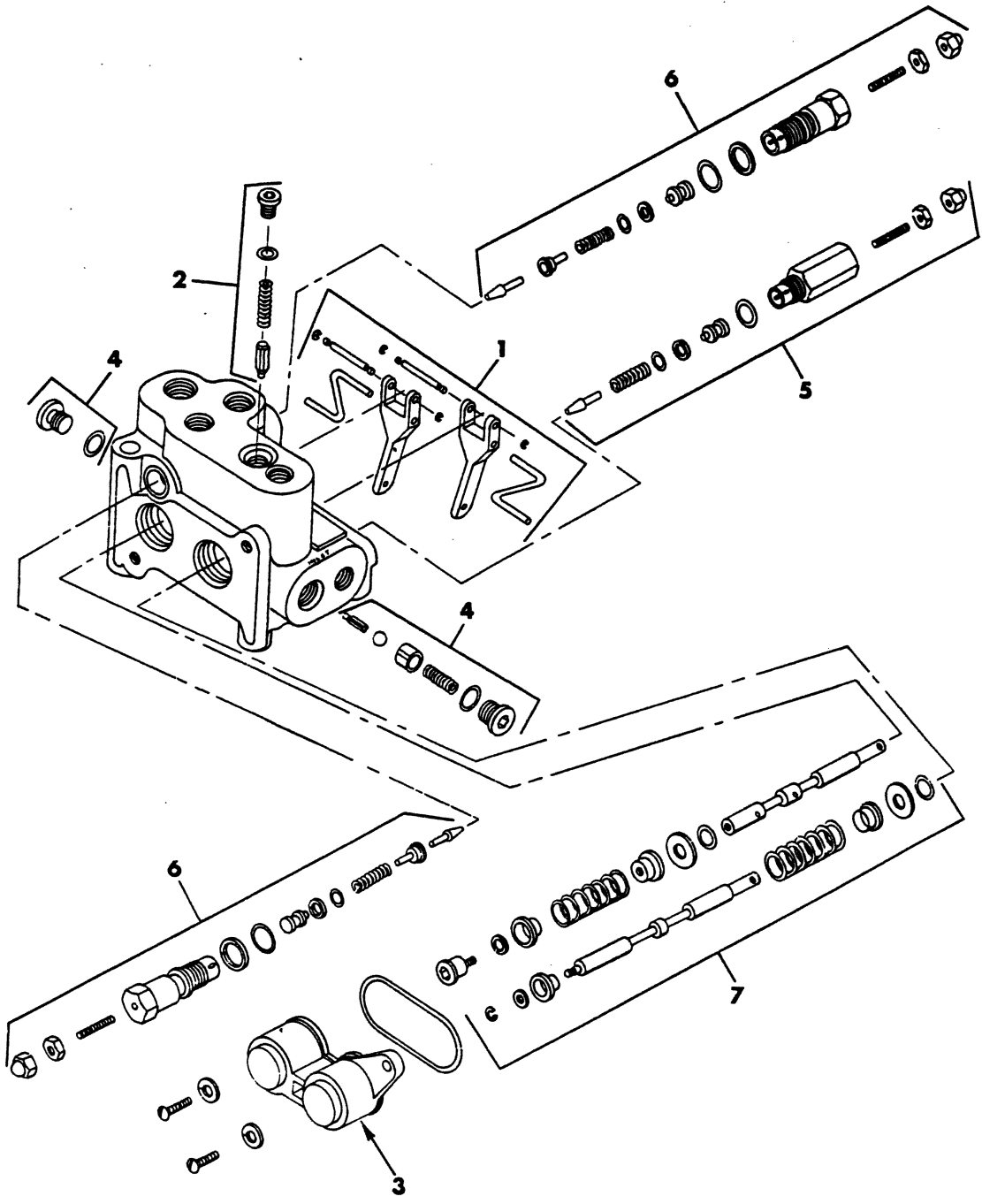
=New Part Number

Printed in U.S.A.

June, 1982

VALVE - SNOW PLOW

8301 1000A



ITEM	PART NUMBER	QTY	MODEL	DESCRIPTION
------	-------------	-----	-------	-------------

VALVE - SNOW PLOW

	4088 933	1		VALVE ASSY., 7 Way Control 1978
	4026 158	1		VALVE ASSY., 7 Way Control 1979-80
	4026 159	1		VALVE ASSY., 7 Way Control 1979-80
For The Control Valve Assy's Listed Above, For Component Parts Use Service Kits Listed Below.				
1	4037 125	1		CONTROL, Lever Kit
2	4116 557	1		DETENT, Kit
3	4116 558	1		CAP, Spool End Kit
4	4116 553	1		CHECK, Valve Load Kit
5	4116 556	1		VALVE, Relief Kit
6	4116 554	1		VALVE, Crossover Kit
7	4116 555	1		SPOOL, Centering Kit
	4116 559	1		SEAL, Kit (Not Shown)
	4117 121	1		VALVE ASSY., 7 Way Control 1979-80
1	4164 193	1		CONTROL, Lever Kit
2	4164 196	1		DENTENT, Kit
3	4164 199	1		CAP, SPOOL End Cap Kit
4	4164 194	1		CHECK, Valve Load Kit
5	4164 197	1		VALVE, Relief Kit
6	4164 195	1		VALVE, Crossover Kit
7	4164 198	1		SPRING, Center O and T Kit
	4164 200	1		SEAL, Kit (Not Shown) 1979-80

LIGHT	A = All Sport Utility (Ramcharger).	B = All Compact Models.	D = Conventional Cab.
DUTY	AD = 2 Wheel Drive Only (Ramcharger).	CB-MB = Compact Front Section Only.	W = Conventional Cab 4 Wheel Drive.
CODES:	AW = 4 Wheel Drive Only (Ramcharger).	P = Forward Control Chassis.	M = Motor Home.
MEDIUM-HEAVY CODES: XNT = Low Cab Forward. D = Conventional Cab. S = School Bus. W = 4-Wheel Drive.			

AR=Use as Required

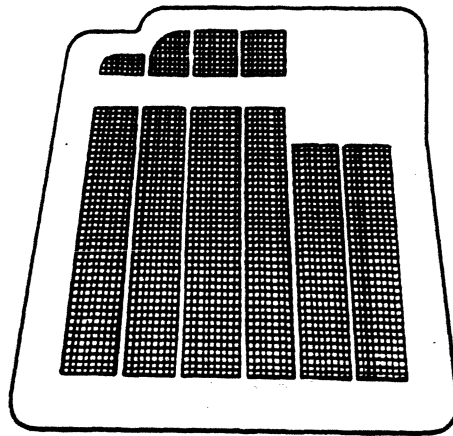
=New Part Number

Printed in U.S.A.

June, 1982

FLOOR MATS - FRONT

8301 2000



ITEM	PART NUMBER	QTY	MODEL	DESCRIPTION
FLOOR MATS - FRONT				
--	4205 316	1	B1-2-3	MAT, Front Floor (Set) Black 1980
--	4211 109	1		1981
--	4205 317	1		BLUE 1980
--	4211 110	1		1981
--	4205 319	1		Cashmere 1980
--	4211 112	1		1981
--	4205 320	1		Red 1980
--	4211 113	1		1981
--	4205 318	1		Green 1980
--	4211 111	1		1981
--	4211 121	1	A,D,W,RD	MAT, Front Floor (Set) Black) 1980-81
--	4211 122	1		Blue 1980-81
--	4211 123	1		Green 1980
--	4211 124	1		Cashmere 1980-81
--	4211 125	1		Red 1980-81

LIGHT	A = All Sport Utility (Ramcharger).	B = All Compact Models.	D = Conventional Cab.
DUTY	AD = 2 Wheel Drive Only (Ramcharger).	CB-MB = Compact Front Section Only.	W = Conventional Cab 4 Wheel Drive.
CODES:	AW = 4 Wheel Drive Only (Ramcharger).	P = Forward Control Chassis.	M = Motor Home.

MEDIUM-HEAVY CODES: XNT = Low Cab Forward. D = Conventional Cab. S = School Bus. W = 4-Wheel Drive.

AR=Use as Required

= New Part Number

Printed in U.S.A.

June, 1982

