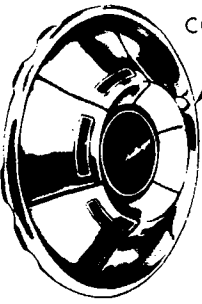
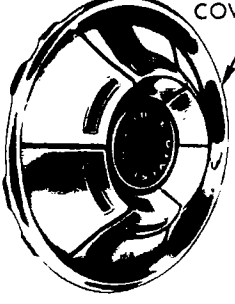
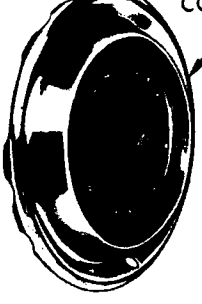

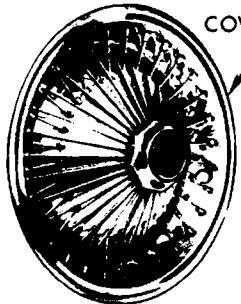
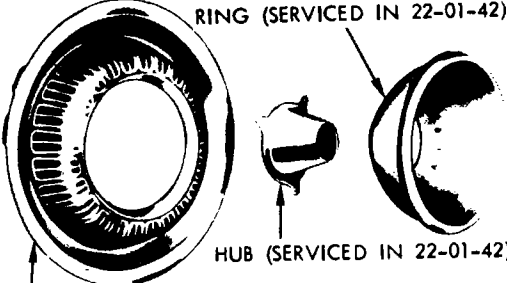
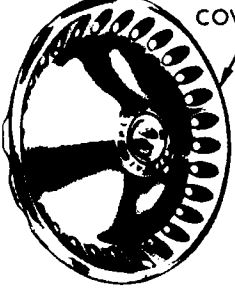
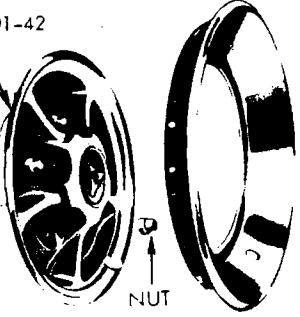


GROUP 22 - WHEELS

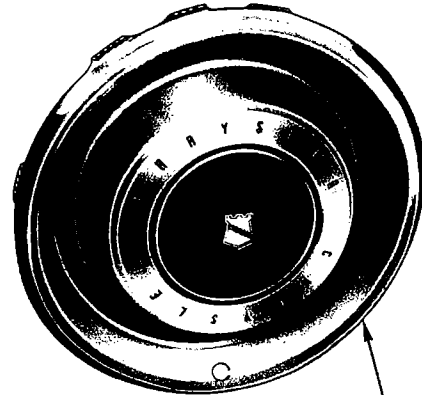
 <p>COVER 22-01-42</p> <p>2944 433 CHALLENGER</p>	 <p>COVER 22-01-42</p> <p>2944 435 CORONET AND DART</p>	 <p>COVER 22-01-42</p> <p>2944 431 PLYMOUTH</p>
 <p>COVER 22-01-42</p> <p>APPLIQUE 22-01-43</p> <p>2944 441 CORONET AND CHALLENGER</p>	<p>3461 419 (15") PLYMOUTH AND DODGE</p>  <p>COVER 22-01-42</p> <p>2944 400 (14") VALIANT, DART, BELVEDERE, CORONET, BARRACUDA AND CHALLENGER</p>	
 <p>RING (SERVICED IN 22-01-42)</p> <p>HUB (SERVICED IN 22-01-42)</p> <p>COVER (SERVICED IN 22-01-42)</p> <p>2881 775 PLYMOUTH</p>	 <p>COVER 22-01-42</p> <p>2944 432 BELVEDERE AND BARRACUDA</p>	
 <p>COVER 22-01-42</p> <p>SCREW</p> <p>NUT</p> <p>2944 092 DART</p>		

<p>APPLIQUE (SERVICED IN 22-01-42)</p> <p>RING (SERVICED IN 22-01-42)</p> <p>COVER (SERVICED IN 22-01-42)</p> <p>SCREW</p> <p>2944 080 15" DODGE</p>	<p>ALUMINUM LJW</p> <p>2944 454</p>	<p>COVER 22-01-42</p> <p>2944 444 IMPERIAL</p>
<p>COVER 22-01-42</p> <p>2944 411 CHRYSLER</p>	<p>STAINLESS STEEL LJWD</p> <p>2944 089</p>	<p>COVER 22-01-42</p> <p>2944 428 CHRYSLER "300"</p>
<p>COVER 22-01-42</p> <p>APPLIQUE 22-01-43</p> <p>2881 782 DODGE</p>	<p>VBRP</p> <p>2944 088</p>	<p>COVER 22-01-42</p> <p>2944 429 CHRYSLER</p>
<p>COVER 22-01-42</p> <p>2944 427 PLYMOUTH AND CHRYSLER 3461 223 CHRYSLER (GOLD TYPE)</p>	<p>VLBJRV.</p> <p>2944 424</p>	<p>COVER 22-01-42</p> <p>2944 426 VALIANT AND BELVEDERE</p>



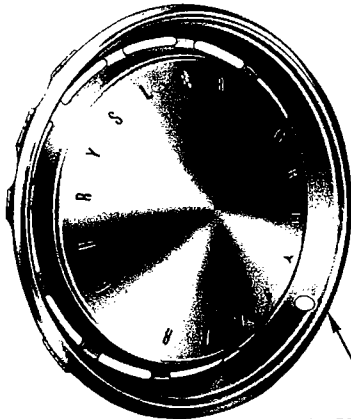
COVER 22-01-42

3461 410  
CHRYSLER NEWPORT



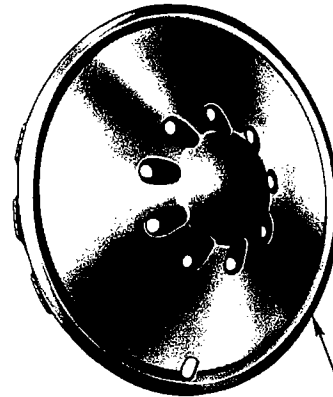
COVER 22-01-42

3461 413  
CHRYSLER "300"



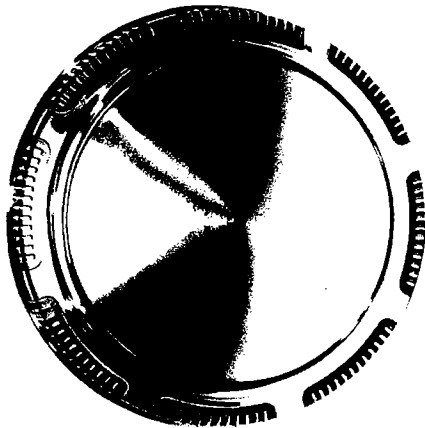
COVER 22-01-42

3461 416  
CHRYSLER NEW YORKER AND STATION WAGON

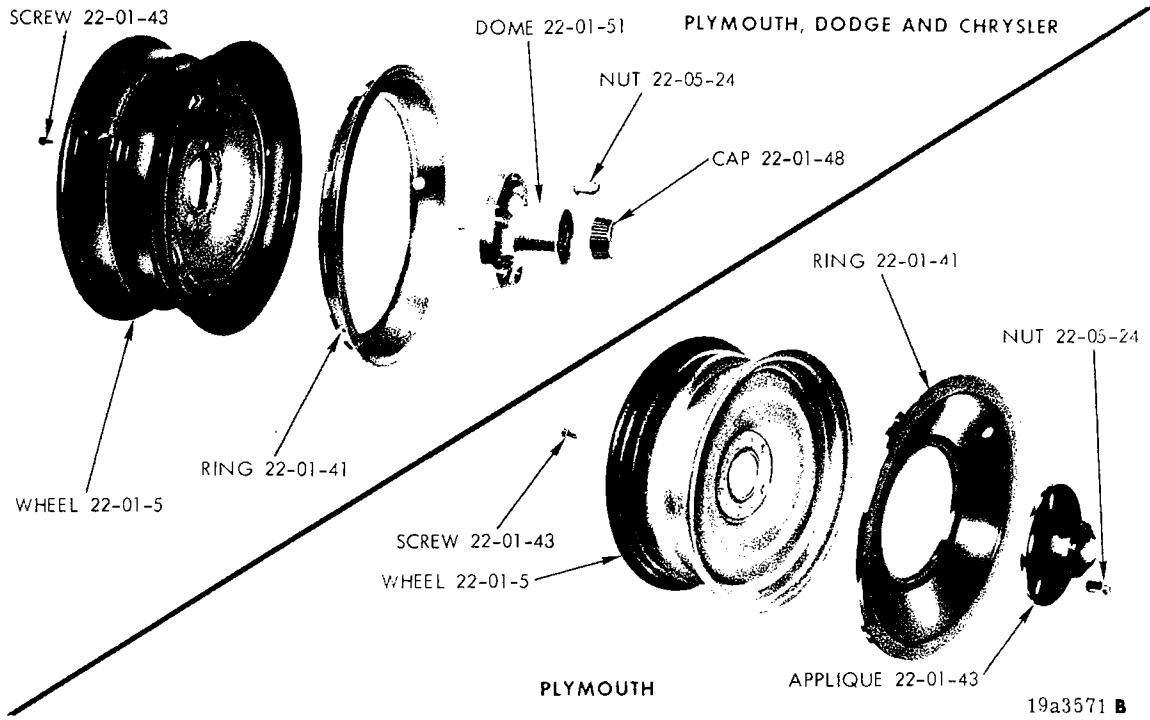


COVER 22-01-42

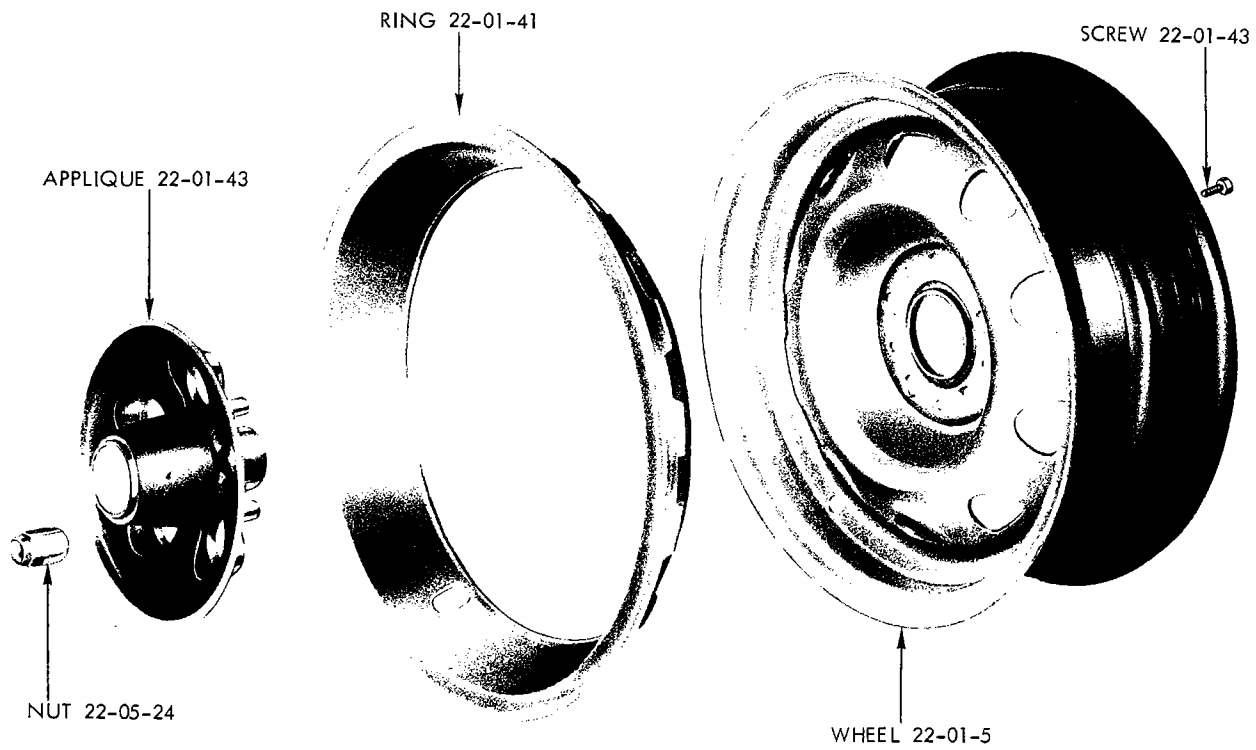
3461 401  
VALIANT, BARRACUDA AND SATELLITE



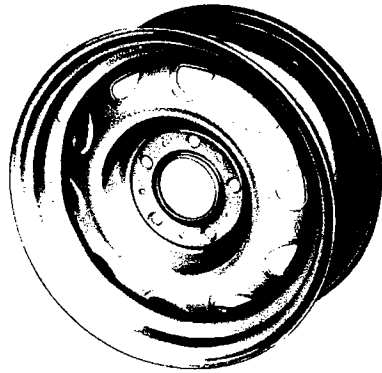
3461 450 V-B-R-P



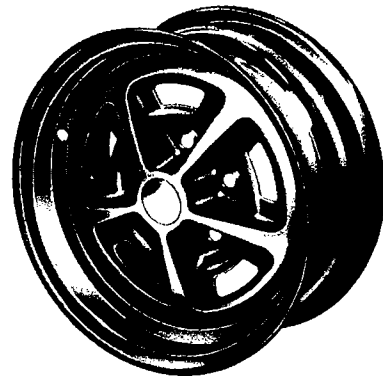
WHEELS



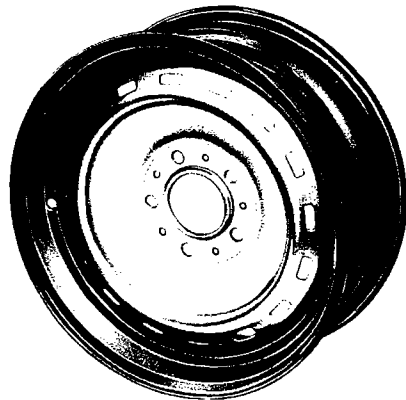
RALLYE WHEEL - VALIANT, DART, BARRACUDA, CHALLENGER, SATELLITE AND CORONET



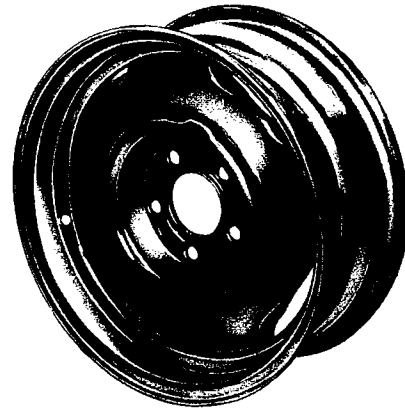
2944 252 (1970)      2944 388 14" (1971)  
STYLED ROAD WHEEL 14x5.50  
CLASS 1 RALLYE TYPE  
2944 390 15" (1971)



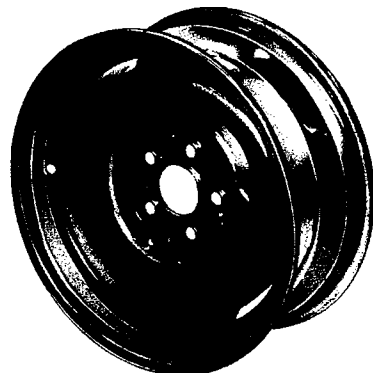
2944 474  
STYLED ROAD WHEEL 14x5.50  
CLASS 2 - CHROME



2944 394 (1970)      3461 061 (1971)  
STYLED ROAD WHEEL 15x6.00  
CLASS 2 CHROME PLATE DISC  
16 SLOTS

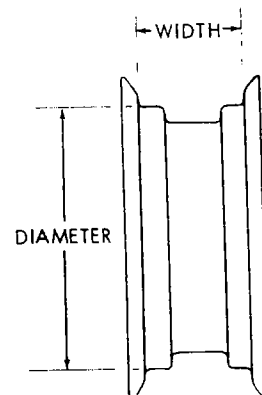


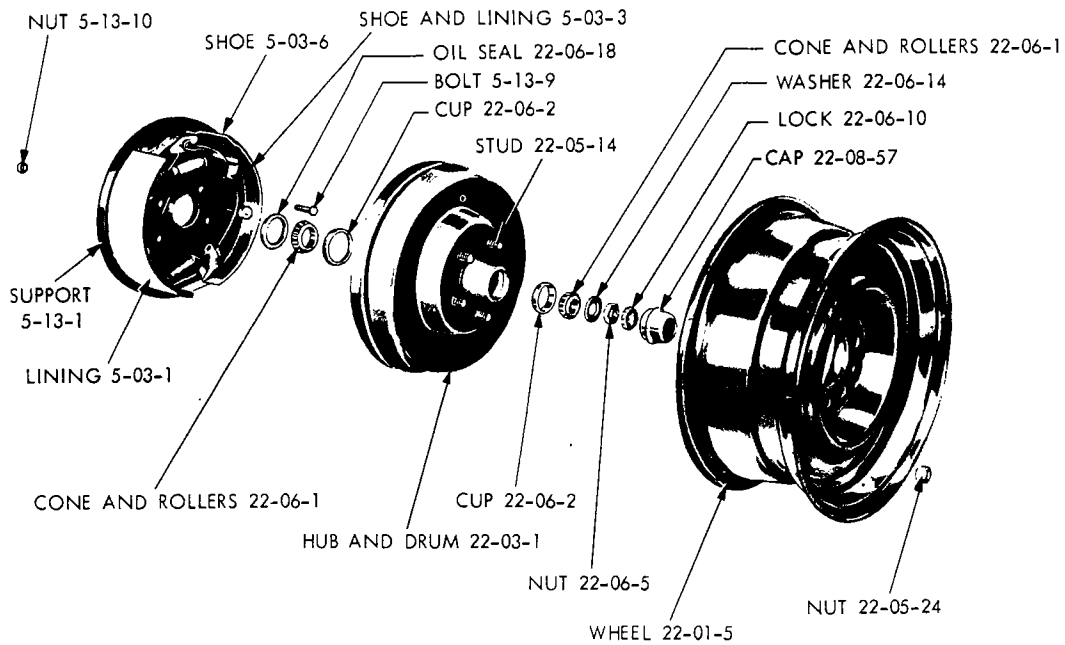
3004 989  
WHEEL 15x5.50 PAINTED



3420 965  
WHEEL 14x5.50 NORRIS  
THERMADOR TYPE  
PAINTED

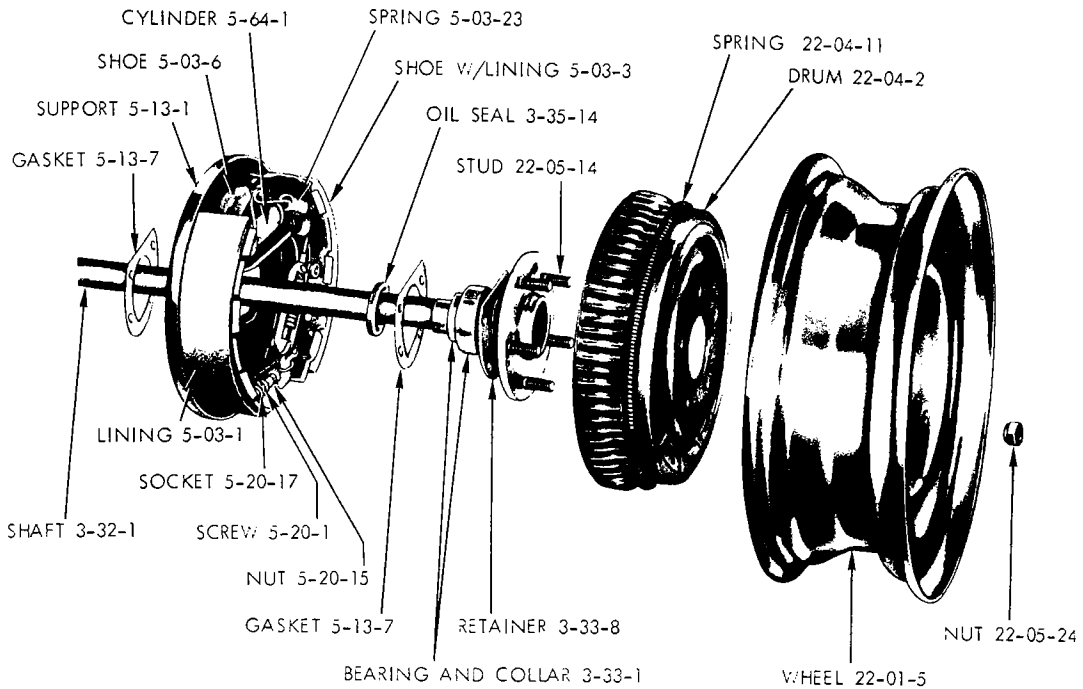
WHEEL MEASUREMENTS





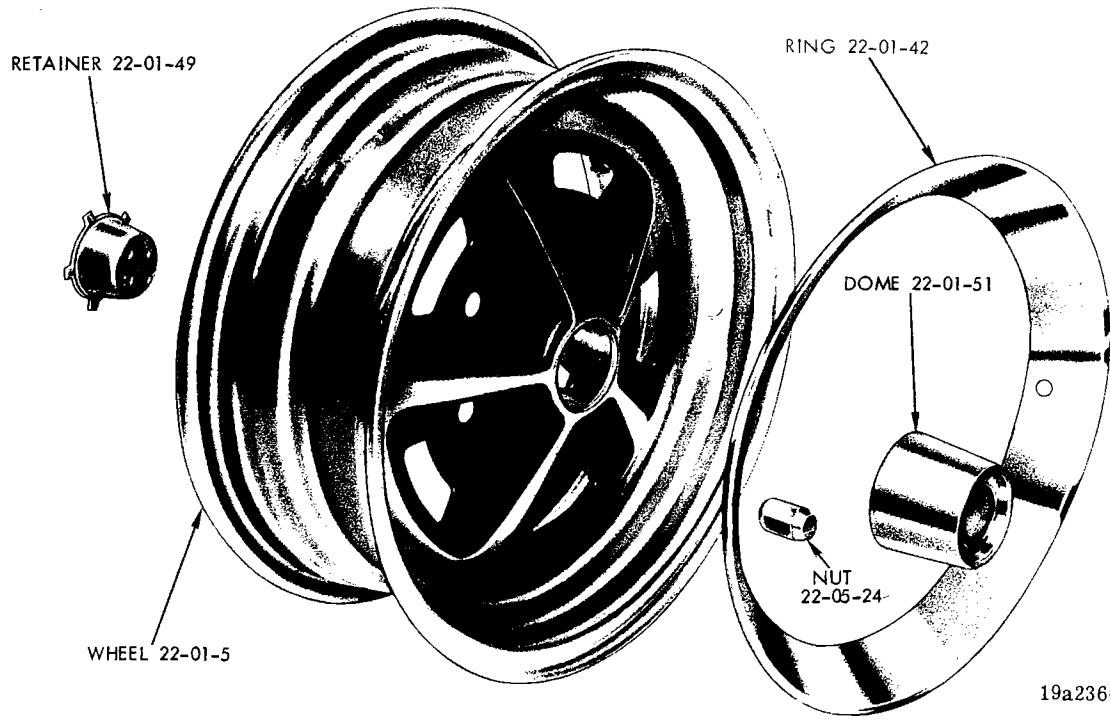
19a3230

FRONT WHEEL



19a3226

REAR WHEEL



19a2366 A

CHROME WHEEL - BARRACUDA, CHALLENGER, BELVEDERE, SATELLITE, CORONET AND CHARGER

**NOTES**

A series of horizontal lines provided for handwritten notes.

CODE	PART NAME	ENG. TYPE OR CU.IN.	V	B	L	R	W	P	D	C	C	C	Y	PART NUMBER
			1-2	1-2	1-2	1-2	1-2	1-2	1-2	1	2	3	1	
<b>22-01-0 WHEELS</b>														
22-01-5	WHEELS													
	14 x 4.50 Painted		5	—	5	—	—	—	—	—	—	—	—	2660 308
	14 x 5.00 Painted		—	5	—	5	5	—	—	—	—	—	—	3420 976
	14 x 5.50 Painted		5	—	5	—	—	—	—	—	—	—	—	2660 312
	14 x 5.50 Painted		—	5	—	5	5	—	—	—	—	—	—	3420 977
	14 x 5.50 Painted - Norris Thermadore		5	—	5	—	—	—	—	—	—	—	—	3420 965
	14 x 5.50 Spare, w/Decal		—	1	—	1	1	—	—	—	—	—	—	2944 395
	14 x 5.50 Styled Wheel, Class 1		4	—	4	—	—	—	—	—	—	—	—	2944 388
	14 x 5.50 Styled Wheel, Class 1		—	4	—	4	4	—	—	—	—	—	—	2944 252
	14 x 5.50 Styled Wheel, Class 2		—	4	—	4	4	—	—	—	—	—	—	2944 474
	14 x 6.00 Styled Wheel Class 2		—	—	—	4	4	—	—	—	—	—	—	= 3461 359
	14 x 6.00 Painted		—	5	—	5	5	—	—	—	—	—	—	3420 978
	15 x 5.00		—	—	—	—	—	5	—	—	—	—	—	3004 988
	15 x 5.00 Heavy Duty		—	—	—	—	—	5	—	—	—	—	—	2944 149
	15 x 5.50 Painted		—	—	—	—	—	5	5	5	5	5	—	3004 989
	15 x 6.00 Painted		—	—	—	—	—	5	5	5	5	5	—	3004 987
	15 x 6.00 Painted - Heavy Duty		—	—	—	5	5	5	5	5	5	5	—	2944 169
	15 x 6.00 Painted - Heavy Duty		—	—	—	—	—	5	5	5	5	5	—	3461 420
	15 x 6.00 Painted-Extra Heavy Duty		—	—	—	—	—	5	5	5	5	5	—	3461 421
	15 x 6.00 Chrysler 300 H only		—	—	—	—	—	—	—	5	—	—	—	3571 375
	15 x 6.00 Painted		—	—	—	—	—	—	—	—	—	—	5	2944 352
	15 x 6.00 Styled Wheel, Class 1, 16 Slots	70	—	—	—	—	—	5	—	—	—	—	—	3461 061
	15 x 6.00 Styled Wheel, Class 1, 71		—	—	—	—	—	5	—	—	—	—	—	3461 238
	15 x 6.00 Styled Wheel, Class 2, 16 Slots		—	—	—	—	—	4	4	4	4	4	—	2944 394
	15 x 6.50 Painted, exc. Sta. Wagon		—	—	—	—	—	5	5	5	5	5	—	3004 990
	15 x 6.50 Painted		—	—	—	—	—	5	—	—	—	—	—	3004 990
	15 x 6.50 Painted, Sta. Wgn.		—	—	—	—	—	—	5	—	—	—	—	3004 990
	15 x 6.50 Painted, Sta. Wagon		—	—	—	—	—	5	5	5	5	5	—	2944 155
	15 x 7.00 Painted		—	5	—	5	5	—	—	—	—	—	—	2944 450
	15 x 7.00 Styled Wheel, Class 1		—	5	—	5	5	—	—	—	—	—	—	2944 390
22-01-41	RING, Wheel Trim													
	Styled Road Wheel-Class 1-11		4	4	4	4	4	—	—	—	—	—	—	2944 424
	E60 or F60 15" Tire Chrome	70	—	4	—	4	4	—	—	—	—	—	—	3461 043
	Brushed Chrome Finish		—	4	—	4	4	—	—	—	—	—	—	3461 222
			—	—	—	—	—	4	4	4	4	4	—	3461 012
	Styled Class 1 Use w/Wheel													
	3461238	71	—	—	—	—	—	4	—	—	—	—	—	3461 234
	NOTE: For Illustration See Wheel Covers Illustrated at Start of GR. 22.													
22-01-42	COVER, Wheel — For replacement parts, refer to Wheel Cover Illustration Pages.													
22-01-43	APPLIQUE, Wheel Cover, J, W, Only	70	—	4	—	—	4	—	—	—	—	—	—	2944 443
	D, Only		—	—	—	—	—	—	4	—	—	—	—	2881 751
	Applique and Decal Assy.	70	4	—	4	—	—	—	—	—	—	—	—	3461 065
	Applique and Decal Assy.	71	4	—	4	—	—	—	—	—	—	—	—	3461 351
		71	—	4	—	4	4	—	—	—	—	—	—	3461 352
	Applique and Decal Assy.	70	—	4	—	4	4	—	—	—	—	—	—	3461 066
	Applique Styled Wheel	71	—	—	—	—	—	4	—	—	—	—	—	3461 235
	Applique, Wheel Cover, Canada Only		—	—	—	—	—	—	—	—	—	—	4	2944 446
	Decal, Wheel	70	—	—	—	—	—	—	—	—	4	—	—	3571 252
	Screw, Applique to Wheel		AR	AR	AR	AR	AR	AR	AR	AR	AR	AR	—	= 6029 190
22-01-46	STEM, Valve Coll. Spare													
	1 1/4" Lgh.		—	1	—	1	1	—	—	—	—	—	—	3461 052
	EXTENSION PACKAGE, Valve Stem													
	1/2" LGH.		1	1	1	1	1	1	1	1	1	1	—	2660 315
	3/4" LGH, V, R, B, Only		1	1	—	1	—	—	—	—	—	—	—	2401 840
	1" Lgh.	71	—	—	—	—	—	1	1	—	—	—	—	2530 154

CARLINES J - Challenger V - Valiant R - Bevedere - Satellite P - Plymouth C - Chrysler  
 B - Barracuda L - Dart W - Coronet - Charger D - Dodge Y - Imperial

AR Indicates use as required.

Numerals in parentheses ( ) refer to notes.

Printed in U.S.A.  
 January 1972

≠ Indicates parts not listed in any previous parts book.

★ Indicates change or addition.



CODE	PART NAME	ENG. TYPE OR CU.IN.	V	B	L	R	W	P	D	C	C	C	Y	PART NUMBER
			1-2	1-2	1-2	1-2	1-2	1-2	1-2	1	2	3	1	
<b>22-01-0</b>	<b>WHEELS Cont'd.</b>													
22-01-46	STEM Cont'd. 1 1/4" LGH.		—	—	—	—	—	—	—	—	—	—	1	2401 841
	Extension, 1 1/4" LGH.		—	—	—	—	—	—	—	—	—	—	4	2207 519
22-01-48	CAP, Wheel Dome		—	—	—	—	—	4	4	4	4	4	—	3461 042
22-01-49	RETAINER, Wheel Dome Cover Applique		—	4	—	4	4	—	—	—	—	—	—	2823 845
			—	—	—	—	—	—	—	—	—	—	4	2944 447
22-01-51	DOME, Wheel		—	4	—	4	4	—	—	—	—	—	—	2823 842
22-01-52	SPACER, Cover Applique, Canada Only		—	—	—	—	—	—	—	—	—	—	4	2530 343

**22-03-0 FRONT HUB AND DRUM**

22-03-1	HUB and DRUM													
	9" Brakes	70	1	—	1	—	—	—	—	—	—	—	—	3004 728-9
	9" x 2 1/2" Brakes w/Fins Rt.	70	1	—	1	—	—	—	—	—	—	—	—	3580 532
	w/Fins Lt.	70	1	—	1	—	—	—	—	—	—	—	—	3580 533
	w/Fins	71	2	—	2	—	—	—	—	—	—	—	—	3580 690
	10" x 2 1/4" Brakes	70	1	—	1	—	—	—	—	—	—	—	—	3549 836-7
	10 x 2 1/4 Brakes	71	2	—	2	—	—	—	—	—	—	—	—	3580 534
	10" x 2 1/2" Brakes	70	—	1	—	1	1	—	—	—	—	—	—	3004 732-3
	10 x 2 1/2 Brakes M-W	71	—	2	—	2	2	—	—	—	—	—	—	3580 630
	11" x 3" Brakes	70	—	1	—	1	1	—	—	—	—	—	—	2781 564-5
	11 x 3 Brakes M-W	71	—	2	—	2	2	—	—	—	—	—	—	3580 546
	11 x 3" Brakes K-H	71	—	2	—	2	2	—	—	—	—	—	—	= 3580 692
	11" x 2 3/4" Brakes Rt. w/Fins	70	—	—	—	—	—	1	1	1	1	—	—	3004 974
	11" x 2 3/4" Brakes Lt. w/Fins	70	—	—	—	—	—	1	1	1	1	—	—	3004 973
	11 x 2 3/4 Brakes	71	—	—	—	—	—	2	2	2	2	2	—	3549 846
	11" x 3" Brakes	70	—	—	—	—	—	1	1	1	1	1	—	2944 822-3
	11 x 3 Brakes	71	—	—	—	—	—	2	2	—	—	—	—	3580 544

NOTE: For Hub w/Disc See Part Type Code 5-05-3.

**22-04-0 REAR BRAKE DRUM**

22-04-2	DRUM,													
	9" Brakes	70	2	—	2	—	—	—	—	—	—	—	—	3461 885
	9" Brakes	71	2	—	2	—	—	—	—	—	—	—	—	3580 549
	10 x 1 3/4 Brakes	71	2	—	2	—	—	—	—	—	—	—	—	3580 551
	10 x 1 3/4 Brakes W/Heavy Duty or W/Front Disc	70	2	—	2	—	—	—	—	—	—	—	—	3461 685
	10 x 1 3/4" Brakes Budd, K-H	70	—	—	—	2	2	—	—	—	—	—	—	3004 744
	10 x 2 1/2" Brakes	70	—	2	—	2	2	—	—	—	—	—	—	3004 745
	10 x 2 1/2 Brakes	71	—	2	—	2	2	—	—	—	—	—	—	3580 553
	11 x 2" Brakes	70	—	—	—	—	—	2	2	—	—	—	—	3004 932
	11 x 2 Brakes	71	—	—	—	—	—	2	2	—	—	—	—	3549 843
	11 x 2 1/2" Brakes Fin Type	70	—	2	—	2	2	2	2	2	2	2	—	3004 933
	11 x 2 1/2 Brakes	71	—	2	—	2	2	2	2	2	2	2	—	3549 842
	11 x 3" Brakes Budd	70	—	—	—	—	—	2	2	2	2	2	—	2405 758
	11 x 3" Brakes M-W	70	—	—	—	—	—	—	—	—	—	—	2	2534 905
	11 x 3" Brakes Wide Axle	70	—	—	—	—	—	—	—	—	—	—	2	3461 715
	11 x 3 Brakes M-W	71	—	—	—	—	—	—	—	—	—	—	2	3580 567
22-04-11	SPRING, Wheel Brake Drum Damper													
	w/9" Brakes	70	AR	—	AR	—	—	—	—	—	—	—	—	2266 298
	w/10" Brakes	70	AR	AR	AR	AR	—	—	—	—	—	—	—	1142 316
	w/Heavy Duty Brakes	70	—	AR	—	AR	AR	—	—	—	—	—	—	2266 877
			—	—	—	—	—	AR	AR	AR	AR	AR	AR	1142 259
22-04-14	RETAINER, RR. Brake Drum to Axle Shaft		AR	AR	AR	—	—	—	—	—	—	—	—	6026 647
			—	AR	—	AR	AR	AR	AR	AR	AR	AR	AR	6026 430

CARLINES

J - Challenger  
B - BarracudaV - Valiant  
L - DartR - Belvedere - Satellite  
W - Coronet - ChargerP - Plymouth  
D - DodgeC - Chrysler  
Y - Imperial

AR Indicates use as required.

Numerals in parentheses ( ) refer to notes.

Printed in U.S.A.

# Indicates parts not listed in any previous parts book.

★ Indicates change or addition.

January 1972

CODE	PART NAME	ENG. TYPE OR CU.IN.	V	B	L	R	W	P	D	C	C	C	Y	PART NUMBER
			1-2	1-2	1-2	1-2	1-2	1-2	1-2	1	2	3	1	
<b>22-05-0 WHEEL DRIVING STUD AND NUT</b>														
22-05-14	STUD, Front Wheel													
	w/9" Brakes, Cast Iron, w/Steel Back													
	Drum	70	5	—	5	—	—	—	—	—	—	—	—	2409 808-9
	w/9" Brakes	71	10	—	10	—	—	—	—	—	—	—	—	2409 808
	w/10" Brakes	70	5	—	5	—	—	—	—	—	—	—	—	2534 754-5
	w/10" Brakes	71	10	—	10	—	—	—	—	—	—	—	—	2534 754
	w/Disc. Brakes	70	5	—	5	—	—	—	—	—	—	—	—	2768 028-9
		71	10	—	10	—	—	—	—	—	—	—	—	2768 028
	Rear Wheel	70	5	—	5	—	—	—	—	—	—	—	—	2070 158-9
	Rear Wheel	71	10	—	10	—	—	—	—	—	—	—	—	2070 158
	w/Motor Wheel Drum	70	—	5	—	5	5	—	—	—	—	—	—	2405 144-5
	w/Budd Drum	70	—	5	—	5	5	—	—	—	—	—	—	2460 614-5
	w/11" Brakes and Motor Wheel													
	Drum	70	—	5	—	5	5	5	5	5	5	5	—	2781 566-7
	w/11" Brakes and Motor Wheel													
	Drum	71	—	10	—	10	10	10	10	10	10	10	—	2781 566
	w/11" Brakes and Kelsey Hayes	71	—	10	—	10	10	—	—	—	—	—	—	= 2800 504
	w/Disc. Brakes	70	—	5	—	5	5	—	—	—	—	—	—	2944 702-3
	w/Disc. Brakes up to Jan. 1, 1971	71	—	10	—	10	10	—	—	—	—	—	—	2944 702
	w/Disc Brakes After Jan. 1, 1971	71	—	10	—	10	10	—	—	—	—	—	—	= 3580 598
	Rear Wheel 1.46 Lgh.	70	5	—	5	5	5	5	5	5	5	5	—	2404 435-6
		71	10	—	10	10	10	10	10	10	10	10	—	2404 435
	1.51 Lgh.	70	—	5	—	5	5	5	5	5	5	5	5	3432 698-9
		71	—	10	—	10	10	10	10	10	10	10	10	3432 698
	Front Wheel													
	w/11" Brakes and Kelsey Hayes													
	Drum	70	—	—	—	—	—	5	5	5	5	5	—	2800 504-5
	w/Disc. Brakes 3/16" Thick Head	70	—	—	—	—	—	5	5	5	5	5	5	2925 170-1
	w/Disc. Brakes 3/16" Thick Head	71	—	—	—	—	—	10	10	10	10	10	10	2925 170
	1/4" Thick Head	70	—	5	—	5	5	5	5	5	5	5	—	3461 816-7
	1/4" Thick Head	71	—	10	—	10	10	10	10	10	10	10	—	3461 816
22-5-24	NUT, Wheel Mtg. Standard	70	10	—	10	—	—	—	—	—	—	—	—	2409 824-5
	Standard	71	20	—	20	—	—	—	—	—	—	—	—	2409 824
	Chrome	71	10	—	10	—	—	—	—	—	—	—	—	2530 346-7
	Cap Style		20	—	20	—	—	—	—	—	—	—	—	2530 346
	Standard 1/2 Thd.	70	—	10	—	10	10	10	10	10	10	10	10	2409 826-7
		71	—	20	—	20	20	20	20	20	20	20	20	2409 826
	w/Cast Alum. Style Wheel 1/2 Thd.	71	—	20	—	20	20	—	—	—	—	—	—	2823 848
		70	—	10	—	10	10	10	10	10	10	—	—	2823 848-9
		71	—	—	—	—	—	20	20	20	20	20	—	3461 218

**22-06-0 FRONT WHEEL BEARING**

22-06-1	CONE and ROLLER, Frt. Wheel Bearing													
	Inner, w/9" Brakes		2	—	2	—	—	—	—	—	—	—	—	2203 352
	Outer, w/9" Brakes		2	—	2	—	—	—	—	—	—	—	—	2203 350
	Inner		2	2	2	2	2	2	2	2	2	2	—	1619 701
	Outer		2	2	2	2	2	2	2	2	2	2	—	1619 703
	Inner		—	—	—	—	—	—	—	—	—	—	2	1789 755
	Outer		—	—	—	—	—	—	—	—	—	—	2	1790 241
22-06-2	CUP, Frt. Wheel Bearing													
	Inner, w/9" Brakes		2	—	2	—	—	—	—	—	—	—	—	2203 353
	Outer, w/9" Brakes		2	—	2	—	—	—	—	—	—	—	—	2203 351
	Inner		2	2	2	2	2	2	2	2	2	2	—	1619 700
	Outer		2	2	2	2	2	2	2	2	2	2	—	1619 702
	Inner		—	—	—	—	—	—	—	—	—	—	2	1789 754
	Outer		—	—	—	—	—	—	—	—	—	—	2	1790 244
22-06-5	NUT, Frt. Wheel Bearing													
	w/9" Brakes		2	—	2	—	—	—	—	—	—	—	—	2072 731
	Except 9" Brakes		2	2	2	2	2	2	2	2	2	2	2	1732 300

CARLINES J - Challenger B - Barracuda V - Valiant L - Dart R - Belvedere - Satellite W - Coronet - Charger P - Plymouth D - Dodge C - Chrysler Y - Imperial

AR Indicates use as required.

# Indicates parts not listed in any previous parts book.

Numerals in parentheses ( ) refer to notes.

★ Indicates change or addition.

Printed in U.S.A.  
January 1972

CODE	PART NAME	ENG. TYPE OR CU.IN.	V	B	L	R	W	P	D	C	C	C	Y	PART NUMBER
			1-2	1-2	1-2	1-2	1-2	1-2	1-2	1	2	3	1	
<b>22-06-0 FRONT WHEEL BEARING Cont'd.</b>														
22-06-10	LOCK, Frt. Wheel Bearing Nut		2	2	2	2	2	2	2	2	2	2	2	1673 324
22-06-14	WASHER, Thrust,		2	2	2	2	2	2	2	2	2	2	2	600 194
22-06-18	SEAL, Frt. Wheel Hub Dust													
	w/9" Brake		2	—	2	—	—	—	—	—	—	—	—	2525 063
	w/10" Brake		2	2	2	2	2	—	—	—	—	—	—	2808 267
	w/11" Brake		—	2	—	2	2	2	2	2	2	2	—	2808 269
	Up to 5-1-70		—	—	—	—	—	—	—	—	—	—	2	2808 268
	After 5-1-70	70	—	—	—	—	—	—	—	—	—	—	2	3461 895
<b>22-08-0</b>	<b>WHEEL HUB CAPS</b>													
	<i>w/ Disc BR.</i>												2	<i>P. 507 P. 2 47</i>
22-08-5	CAP, Wheel Hub, for replacement refer To Illustrated Covers in front of Wheel Group 22.													
22-08-57	CAP, Frt. Wheel Grease													
	W/9" Brake	70	2	—	2	—	—	—	—	—	—	—	—	2072 718
	Except 9" Brake		2	2	2	2	2	2	2	2	2	2	—	1613 416
			—	—	—	—	—	—	—	—	—	—	2	1671 341
<b>22-09-0 WHEEL BALANCE WEIGHT</b>														
22-09-1	WEIGHT	1/2 OZ.	AR	AR	AR	AR	AR	AR	AR	AR	AR	AR	AR	1615 349
		1 OZ.	AR	AR	AR	AR	AR	AR	AR	AR	AR	AR	AR	1615 350
		1 1/2 OZ.	AR	AR	AR	AR	AR	AR	AR	AR	AR	AR	AR	1615 351
		2 OZ.	AR	AR	AR	AR	AR	AR	AR	AR	AR	AR	AR	1615 352
		2 1/2 OZ.	AR	AR	AR	AR	AR	AR	AR	AR	AR	AR	AR	1615 353
		3 OZ.	AR	AR	AR	AR	AR	AR	AR	AR	AR	AR	AR	1615 354
<b>22-20-0 SPARE WHEEL CARRIER</b>														
22-20-29	BRACKET, Spare Whl. Anchor Bolt	70	1	—	1	—	—	—	—	—	—	—	—	2841 154
22-20-87	ROD, Spare Wheel Anchor w/D 78 x 14 Tires	70	1	—	1	—	—	—	—	—	—	—	—	2527 196
		71	—	—	—	—	—	—	—	—	—	—	—	6029 264
	w/E 70 x 14 Tires	70	1	—	1	—	—	—	—	—	—	—	—	3505 363
	w/E70 x 14 Tires	71	1	—	1	—	—	—	—	—	—	—	—	# 6027 740
	Except CV. CP.	70	—	1	—	1	1	—	—	—	—	—	—	2964 744
	W/Collapsible Spare Tire Cv. Cp., B		—	1	—	—	—	—	—	—	—	—	—	3444 581
	W/Collapsible Spare Tire J All		—	1	—	—	—	—	—	—	—	—	—	3444 581
	W/Collapsible Spare Tire B except Cv. Cp.,		—	1	—	—	—	—	—	—	—	—	—	2964 999
	w/o, Collapsible Spare Tire	71	—	1	—	—	—	—	—	—	—	—	—	2964 744
	Sta. Wgn. Only	70	—	—	—	1	1	—	—	—	—	—	—	2664 275
	CV. CP. and Fastback	70	—	—	—	1	1	—	—	—	—	—	—	2965 021
	Sta. Wgn.	71	—	—	—	1	1	—	—	—	—	—	—	3440 134
	Except CV. CP., Fastback and Sta. Wgn.	70	—	—	—	1	1	—	—	—	—	—	—	2965 020
	2 D.H.T., 4 D.	71	—	—	—	1	—	—	—	—	—	—	—	3445 046
	2 D.H.T., Fast Back, 4 D.	71	—	—	—	—	1	—	—	—	—	—	—	3445 046
	Except Sta. Wgn.		—	—	—	—	—	1	1	1	1	1	1	2965 020
	2 D., 2 D.H.T., Fast Back, 4 D., 4 D.H.T.	71	—	—	—	—	—	1	—	—	—	—	—	3505 392
	Sta. Wgn. Only		—	—	—	—	—	1	1	1	1	1	—	2573 028
	NUT, Spare Wheel Anchor and Spacer	70	—	—	—	—	2	—	—	—	—	—	—	2409 826
22-20-96	WING NUT, Spare Wheel Anchor Stud		AR	AR	AR	AR	AR	AR	AR	AR	AR	AR	AR	2842 961
	Sta. Wgn. Only	71	—	—	—	1	1	—	—	—	—	—	—	# 3499 878

CARLINES

J - Challenger  
B - BarracudaV - Valiant  
L - DartR - Belvedere - Satellite  
W - Coronet - ChargerP - Plymouth  
D - DodgeC - Chrysler  
Y - Imperial

AR Indicates use as required.

# Indicates parts not listed in any previous parts book.

Numerals in parentheses ( ) refer to notes.

★ Indicates change or addition.

Printed in U.S.A.  
January 1972