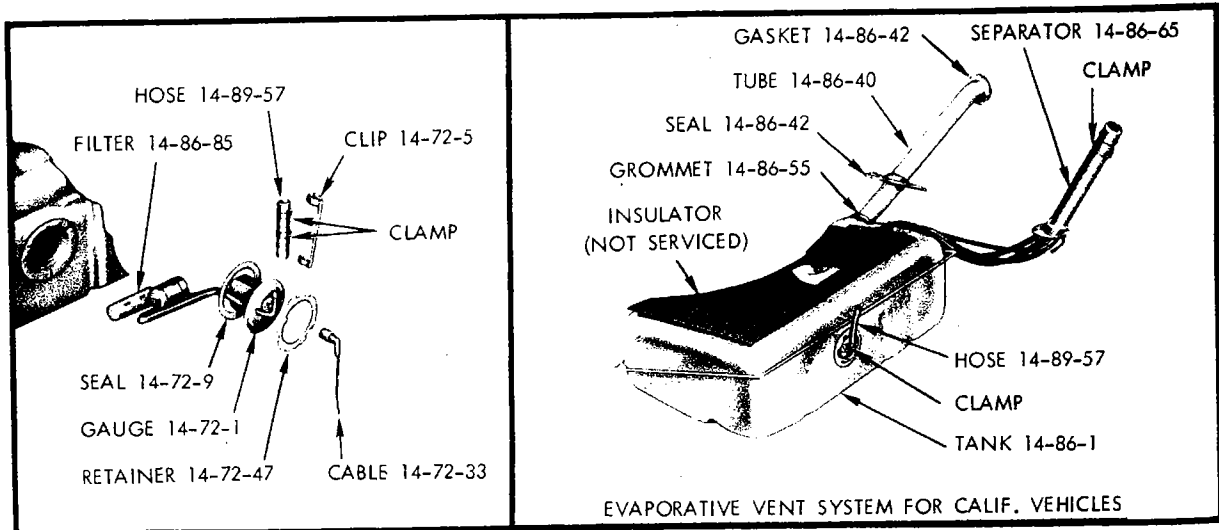
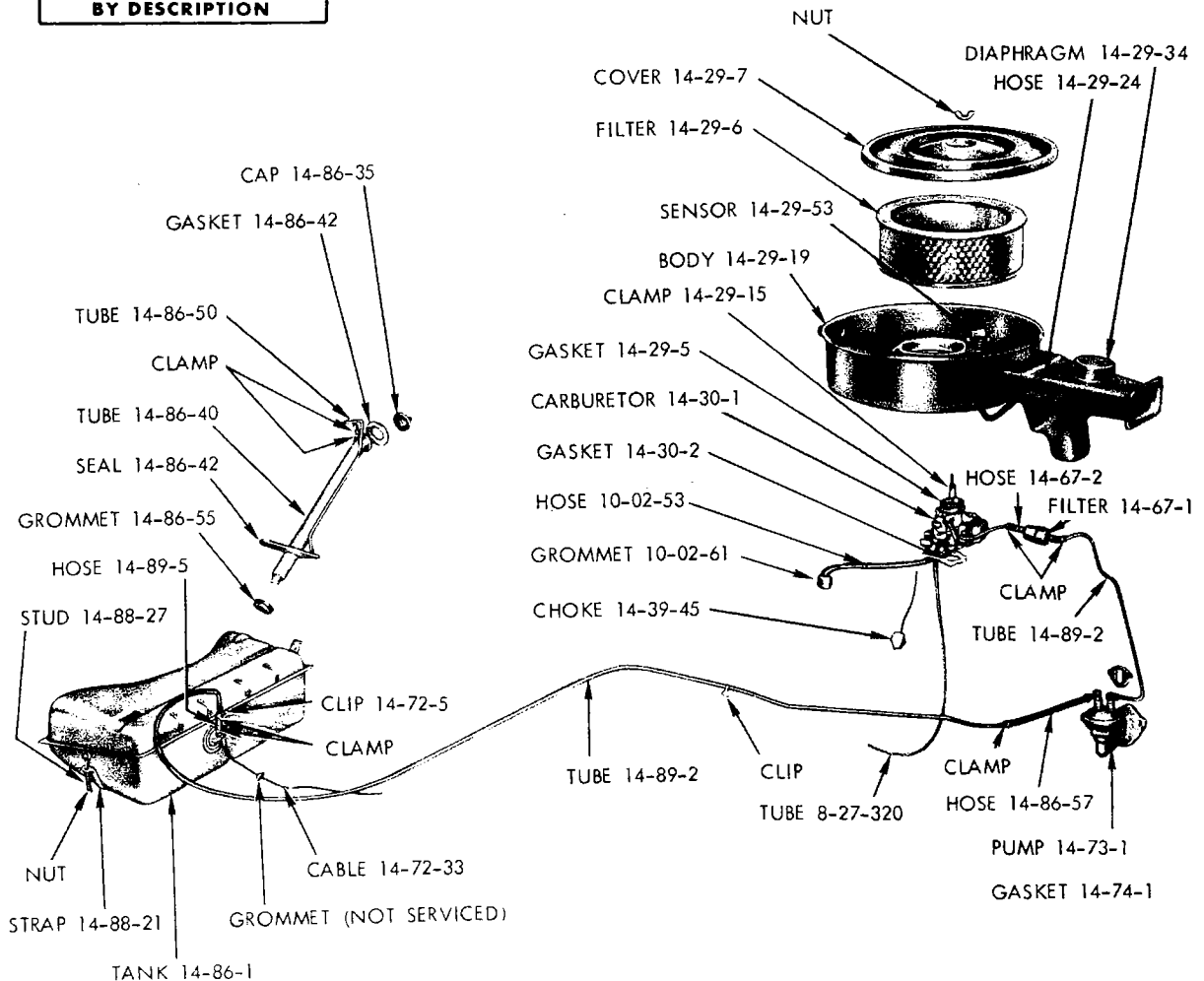


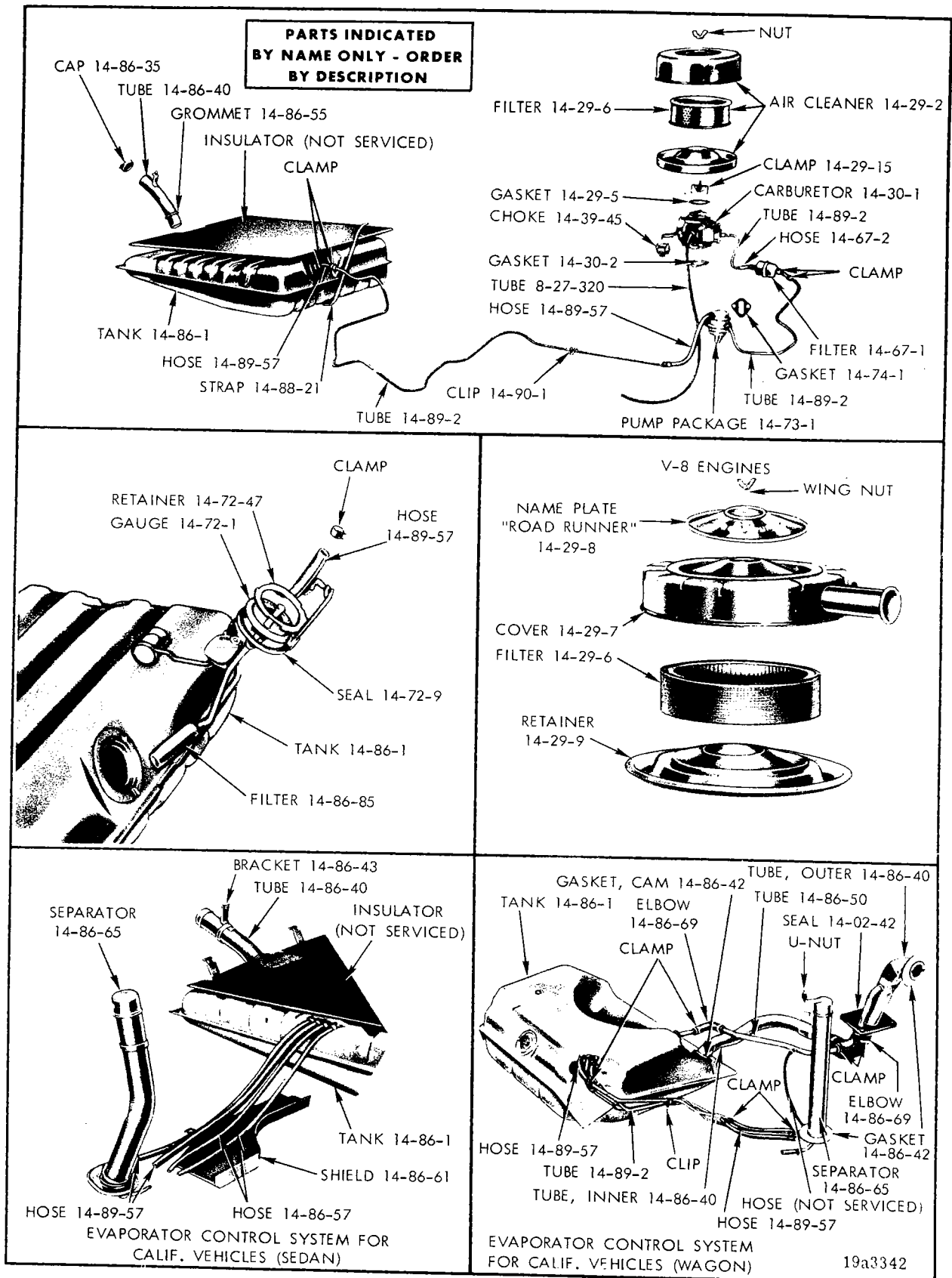
GROUP 14 - FUEL



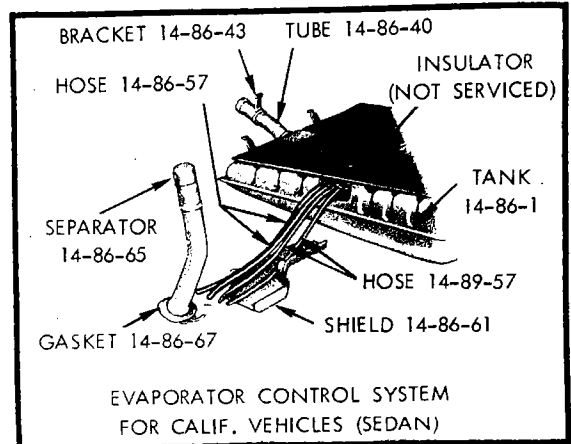
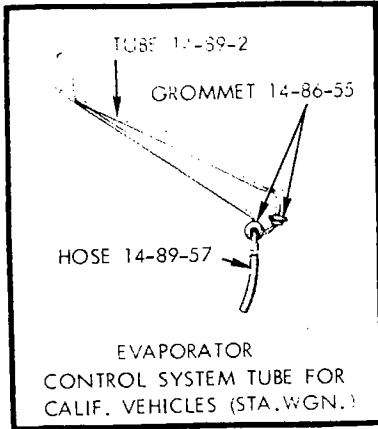
**PARTS INDICATED
 BY NAME ONLY - ORDER
 BY DESCRIPTION**



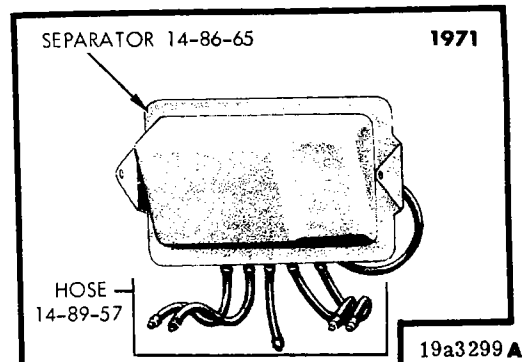
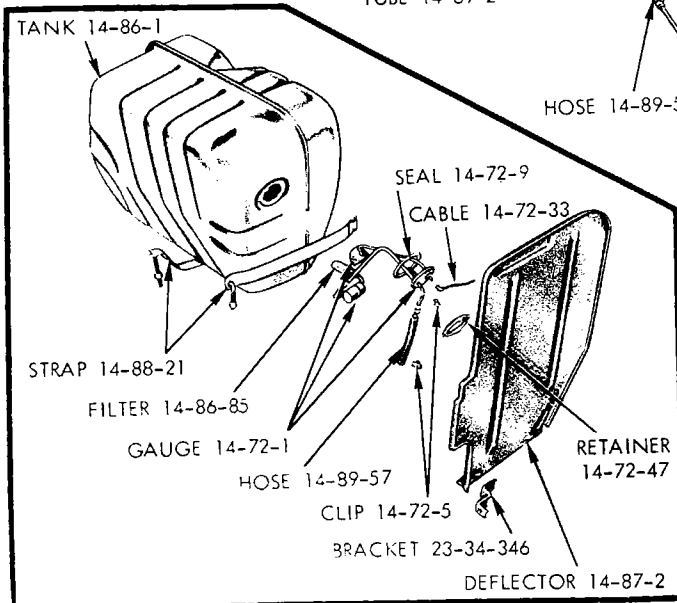
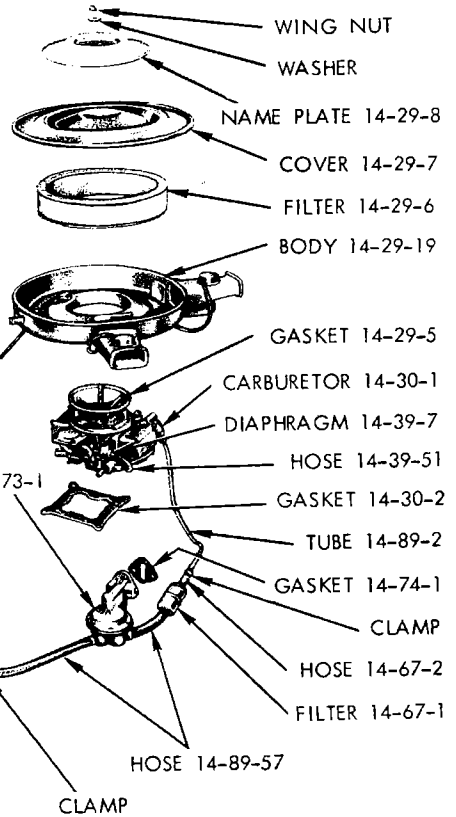
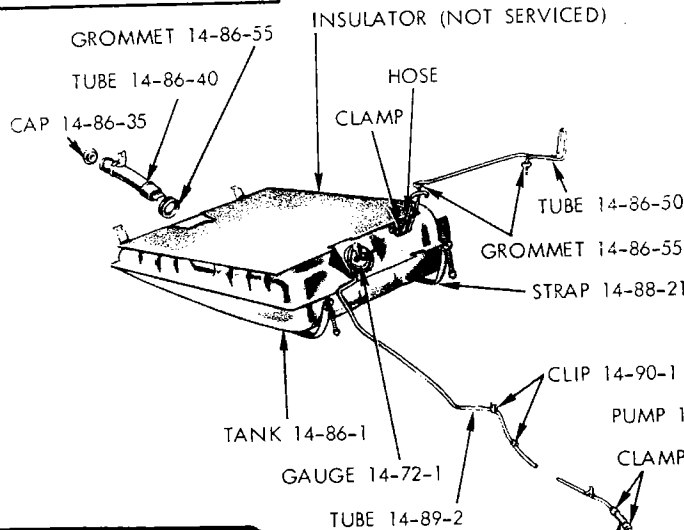
19a3341A

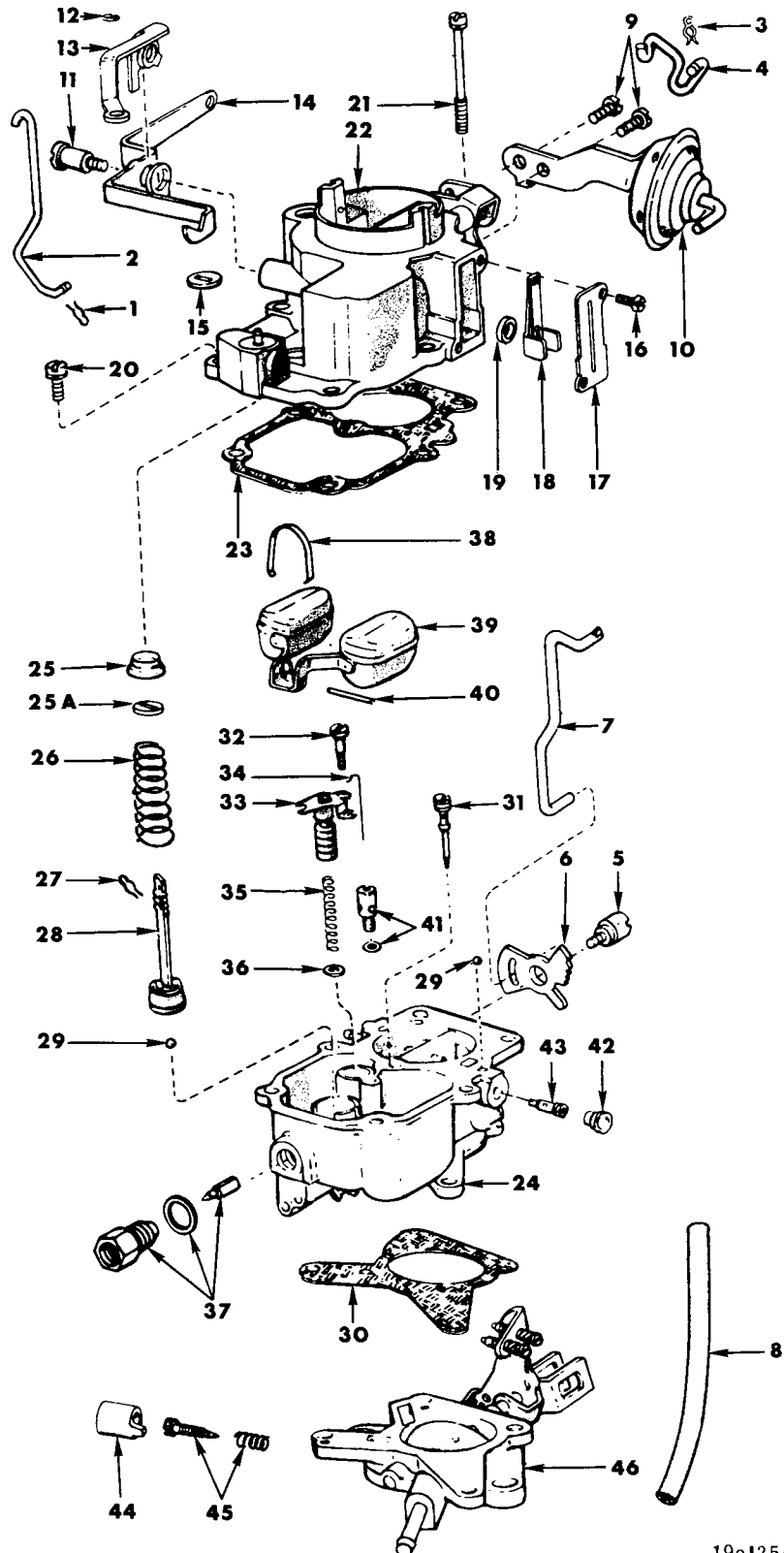
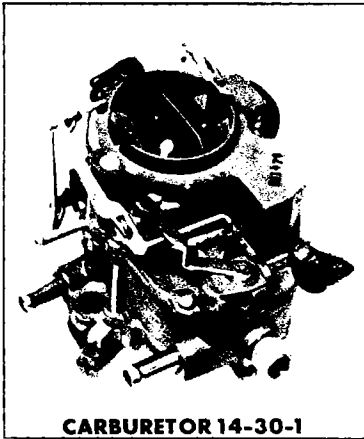
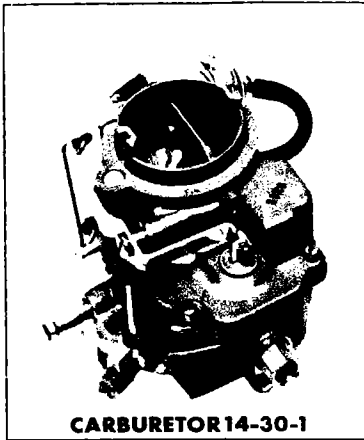


19a3342



PARTS INDICATED BY NAME ONLY - ORDER BY DESCRIPTION



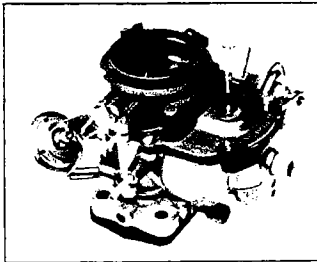
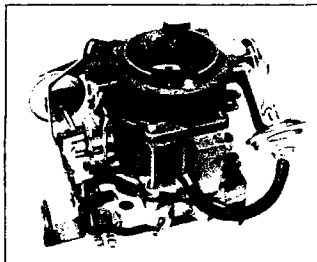


19a!2548

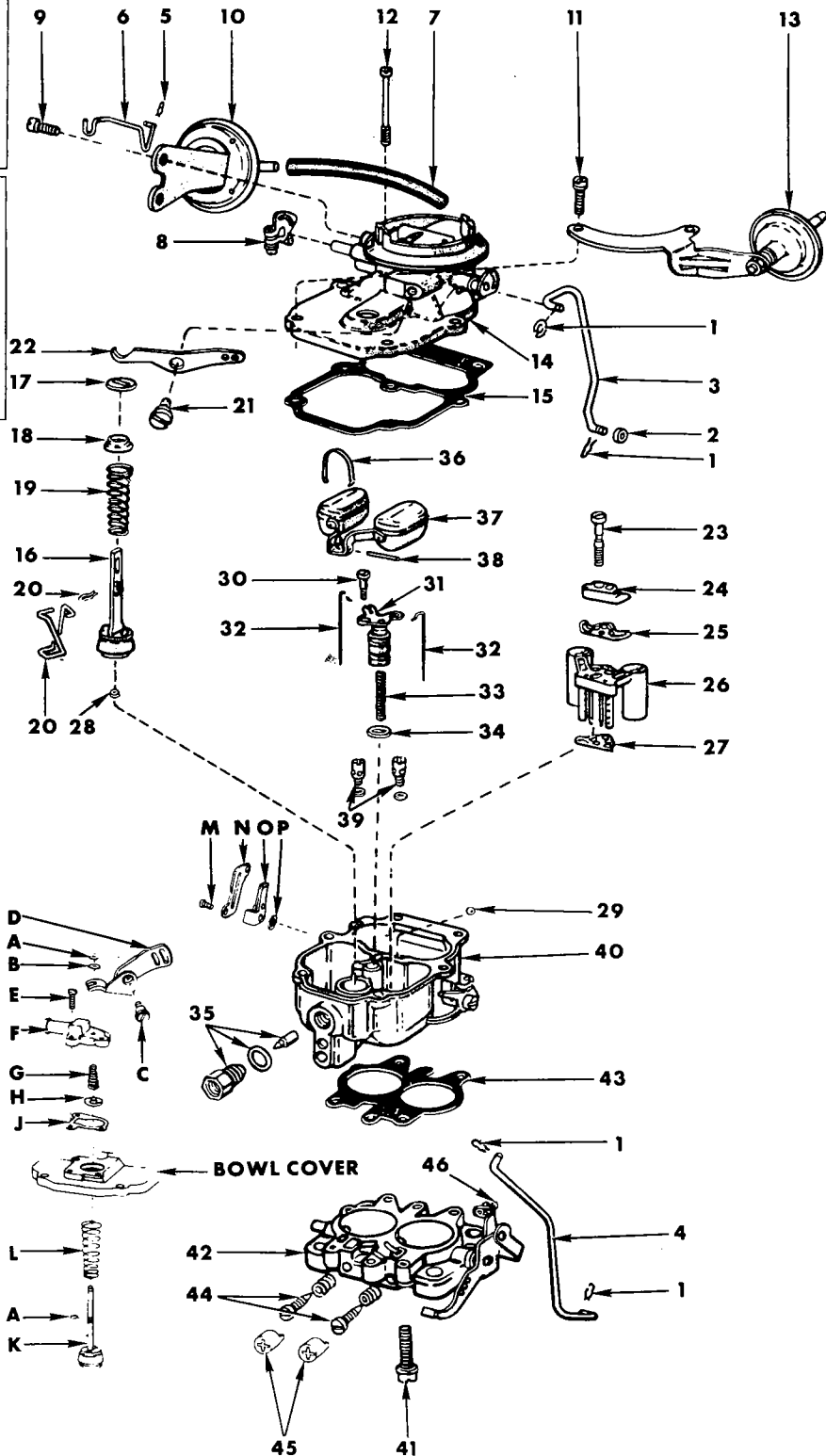
TYPICAL 1 BARREL CARBURETOR - CARTER
(MODEL SERIES BBS)

Ref. No.	Name	Part Type Code	Ref. No.	Name	Part Type Code
1	Spring (Large)	14-38-20	25	Bushing	14-41-12
2	Rod	14-38-28	25A	Washer	14-54-42
3	Spring (Small)	14-39-57	26	Spring	14-41-11
4	Rod	14-39-28	27	Spring (Small)	14-41-11
5	Screw	14-45-25	28	Plunger Assembly	14-41-3
6	Cam	14-45-4	29	Ball (2)	14-37-29
7	Rod	14-39-28	30	Gasket	14-30-7
8	Hose	14-39-51	31	Jet	14-35-1
9	Screw (2)	14-39-9	32	Screw	14-54-148
10	Diaphragm and Bracket	14-39-7	33	Plate	14-43-4
11	Screw	14-54-47	34	Rod	14-43-5
12	Retainer	14-46-4	35	Spring	14-43-10
13	Lever	14-46-14	36	Gasket	
14	Lever	14-41-22	37	Needle and Seat Assembly	14-30-8
15	Valve	14-46-1	38	Retainer	14-40-5
16	Screw (2)	14-45-25	39	Float	14-40-1
17	Cover	14-45-15	40	Pin	14-40-4
18	Valve	14-45-17	41	Gasket	14-30-7
19	Gasket	14-45-19	42	Plug	14-37-15
20	Screw (2) Short	14-54-72	43	Jet	14-35-3
21	Screw (4) Long	14-54-72	44	Screw and Spring	14-36-1
22	Horn, Air	14-47-1	45	Cap	14-45-12
23	Gasket	14-47-13	46	Flange Assembly	14-33-1
24	Body	14-30-1			

PARTS INDICATED BY NAME ONLY - ORDER BY DESCRIPTION



CARBURETOR 14-30-1

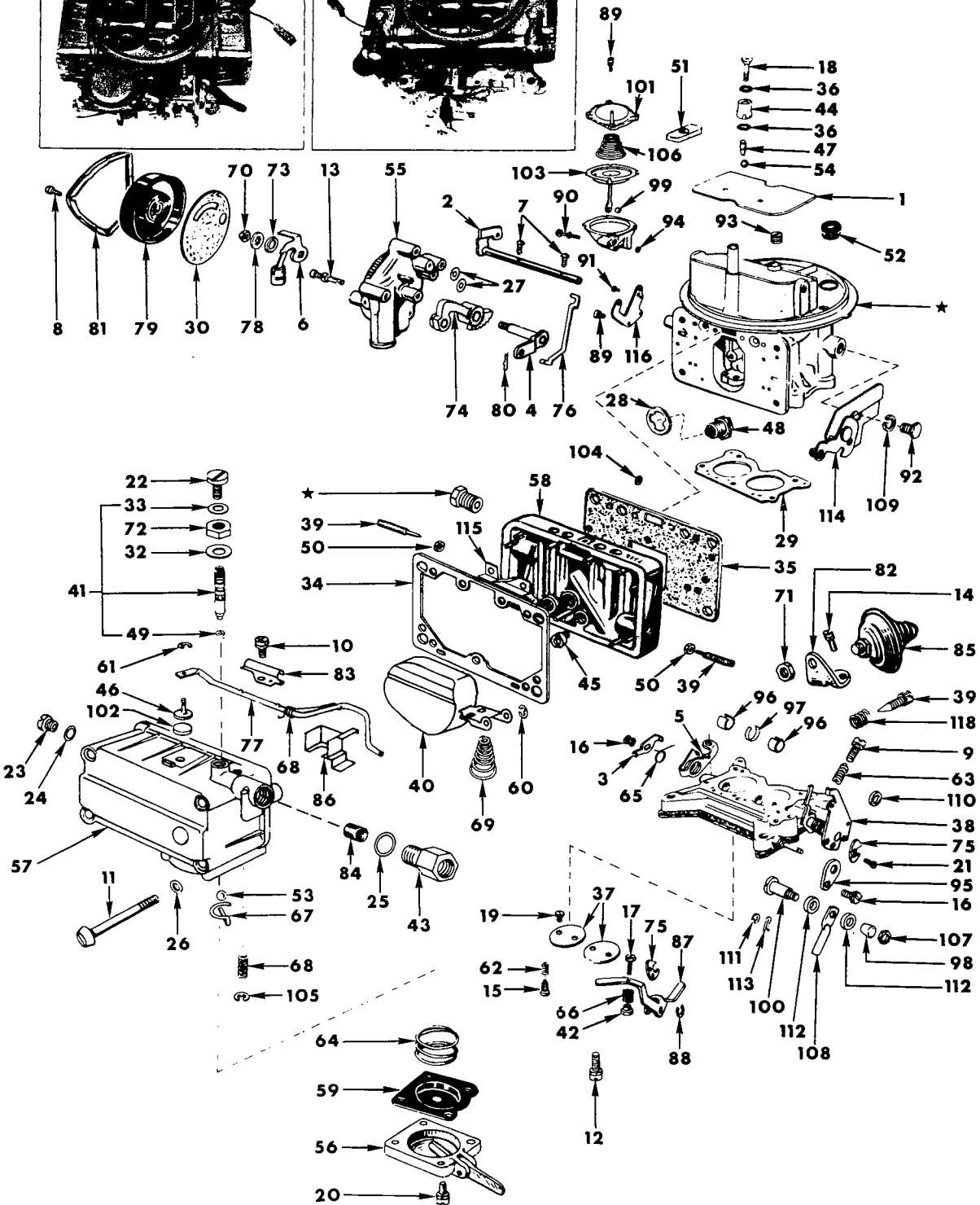
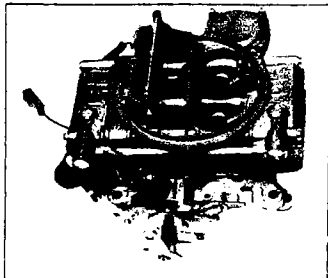
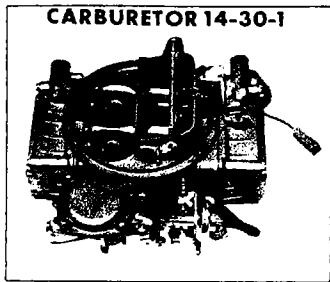


19a13549

TYPICAL 2 BARREL CARBURETOR - CARTER
(MODEL SERIES BBD)

Ref. No.	Name	Part Type Code	Ref. No.	Name	Part Type Code
1	Spring	14-39-56	31	Plate	14-43-4
2	Spacer	14-39-31	32	Rod	14-43-5
3	Rod	14-39-28	33	Spring	14-43-10
4	Rod	14-38-28	34	Gasket	
5	Spring (Small)	14-39-56	35	Needle and Seat Assembly	14-30-8
6	Link	14-41-8	36	Retainer	14-40-5
7	Hose	14-39-51	37	Float and Lever Assembly	14-40-1
8	Lever	14-39-10	38	Pin	14-40-4
9	Screw		39	Jets	14-35-1
10	Diaphragm Assembly	14-39-7	40	Casting	14-35-3
11	Screw (Short)	14-54-72	41	Screw	14-54-72
12	Screw (Long)	14-54-72	42	Flange	14-33-1
13	Pot and Bracket Assembly, Dash		43	Gasket	
14	Horn	14-47-1	44	Screw and Spring	14-36-1
15	Gasket	14-47-13	45	Screw	14-45-25
16	Plunger Assembly	14-41-3	46	Retainer	14-39-27
17	Washer	14-54-42	A	Retainer (2)	
18	Bushing	14-41-12	B	Washer	
19	Spring	14-41-11	C	Screw	14-54-47
20	Spring (Plunger Rod)	14-39-57	D	Arm	14-41-9
21	Screw	14-54-47	E	Screw	14-54-148
22	Arm	14-41-9	F	Plate	
23	Screw	14-54-152	G	Spring	14-36-50
24	Cover	14-35-42	H	Valve	14-46-1
25	Gasket		J	Gasket	
26	Cluster Assembly	14-35-41	K	Plunger	14-41-03
27	Gasket		L	Spring	14-36-15
28	Ball	14-37-29	M	Screw (2)	
29	Ball	14-37-30	N	Cover	14-45-15
30	Screw	14-54-148	O	Valve	14-45-17
			P	Gasket	14-45-19

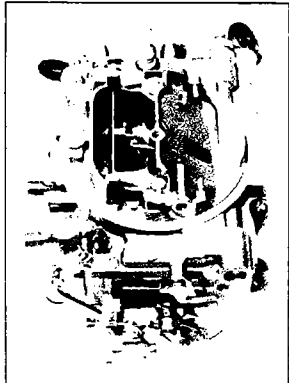
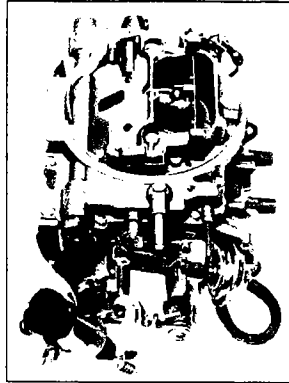
PARTS INDICATED BY NAME ONLY - ORDER BY DESCRIPTION



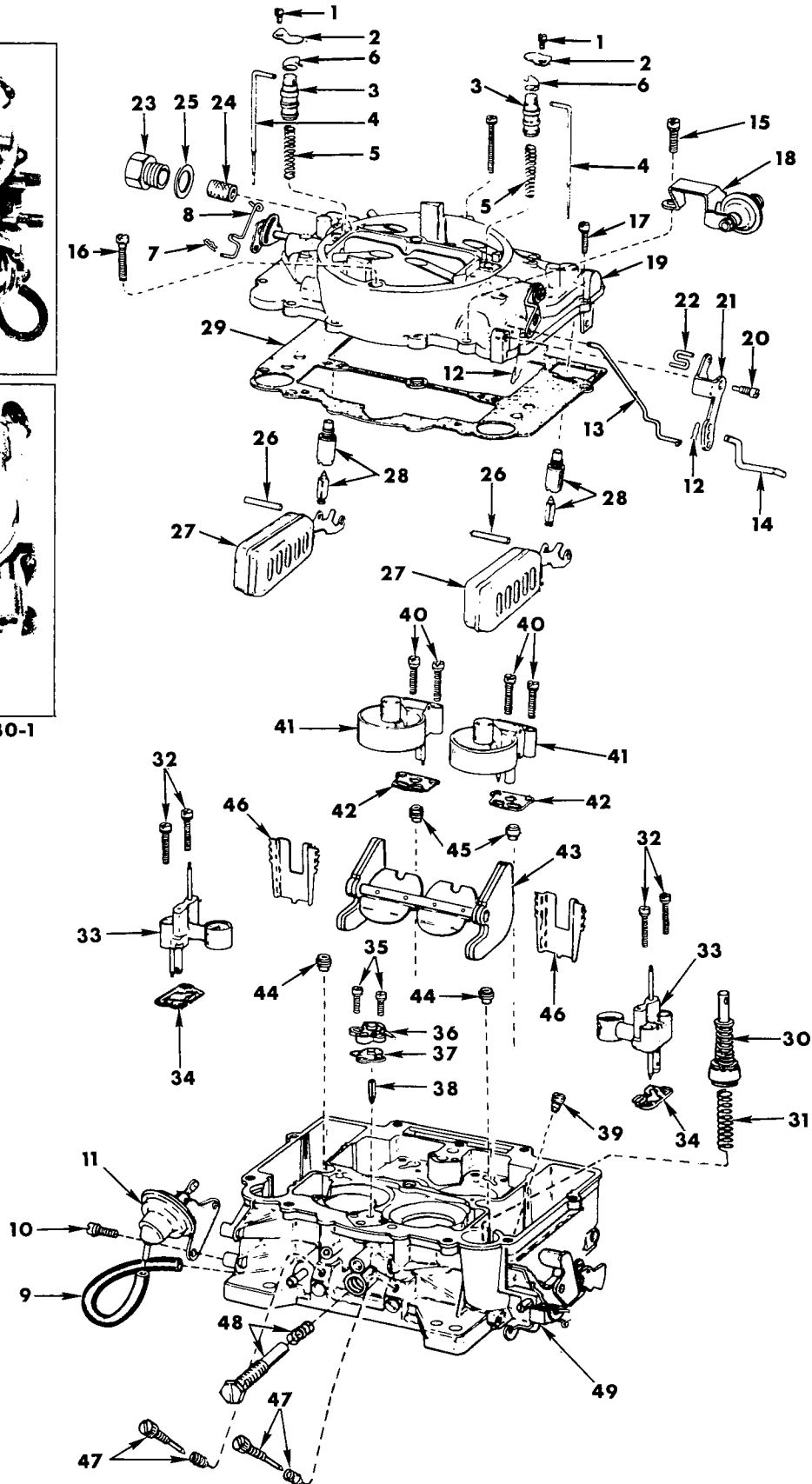
19a13553

TYPICAL 2 BARREL CARBURETOR - HOLLEY (MODEL SERIES 2300)

Ref. No.		Ref. No.	
1	Choke Plate	66	Pump Oper. Lev. Adj. Spring
2	Choke Shaft Assembly	67	Pump Inlet Check Ball Retainer
3	Fast Idle Pick-Up Lever	68	Air Vent Rod Spring
4	Choke Hsg. Shaft and Lev. Assy.	69	Float Spring
5	Fast Idle Cam Lever	70	Choke Thermostat Shaft Nut
6	Choke Therm. Lev., Link & Piston Assembly	71	Dash Pot Screw Nut
7	Choke Plate Screw	72	Fuel Valve Seat Adj. Nut
8	Therm. Hsg. Clamp Screw	73	Choke Therm. Lever Spacer
9	Throttle Stop Screw	74	Fast Idle Cam Assembly
10	Air Vent Rod Clamp Scr. & L.W.	75	Pump Cam
11	Fuel Bowl to Main Body Screw	76	Choke Rod
12	Throttle Body Scr. & L.W.	77	Air Vent Rod
13	Choke Hsg. Scr. & L.W.	78	Choke Therm. Shaft Nut L.W.
14	Dashpot Brkt. Scr. & L.W.	79	Thermostat Housing Assembly
15	Fast Idle Cam Lever Screw	80	Choke Rod Retainer
16	Fast Idle Cam Lev. & Throt. Lev. Screw & L.W.	81	Thermostat Housing Clamp
17	Pump Oper. Lev. Adj. Screw	82	Dashpot Bracket
18	Pump Discharge Nozzle Screw	83	Air Vent Rod Clamp
19	Throttle Plate Screw	84	Filter Screen Assembly
20	Fuel Pump Cov. Assy. Scr. & L.W.	85	Dashpot Assembly
21	Pump Cam Lock Scr. & L.W.	86	Baffle Plate
22	Fuel Valve Seat Lock Screw	87	Pump Operating Lever
23	Fuel Level Check Plug	88	Pump Operating Lever Retainer
24	Fuel Level Check Plug Gasket	89	Adapter Mounting & Diaphragm Cover Assy. Screw
25	Fuel Inlet Fitting Gasket	90	Throt. Diaphragm Hsg. Scr.
26	Fuel Bowl Screw Gasket	91	Adapter Passage Screw
27	Choke Housing Gasket	92	Choke Bracket Screw
28	Power Valve Body Gasket	93	Air Adapter Hole Plug
29	Throttle Body Gasket	94	Throt. Diaphragm Hsg. Gasket
30	Choke Therm. Housing Gasket	95	Throttle Lever
31	Flange Gasket	96	Throttle Shaft Bearing
32	Fuel Valve Seat Adj. Nut Gasket	97	Throttle Shaft Bearing (Center)
33	Fuel Valve Seat Lock Scr. Gasket	98	Throttle Connector Pin Bushing
34	Fuel Bowl Gasket	99	Diaphragm Check Ball
35	Metering Body Gasket	100	Throttle Connector Pin
36	Pump Discharge Nozzle Gasket	101	Diaphragm Housing Cover
37	Throttle Plate	102	Air Vent Cap
38	Throt. Body and Shaft Assy.	103	Diaphragm Housing Assembly
39	Idle Adjusting Needle	104	Diaphragm Link Retainer
40	Float and Hinge Assy.	105	Air Vent Rod Spg. Retainer
41	Fuel Inlet Valve and Seat Assy.	106	Diaphragm Spring
42	Pump Oper. Lev. Adj. Scr. Fitting	107	Throttle Link Connector Pin Nut
43	Fuel Inlet Fitting	108	Throttle Connector Bar
44	Pump Discharge Nozzle	109	Choke Brkt. Scr. Lockwasher
45	Main Jet	110	Throt. Link Connector Pin Washer
46	Air Vent Valve	111	Throt. Connector Pin Washer
47	Pump Discharge Needle Valve or Check Ball Weight	112	Throttle Connector Pin Spacer
48	Power Valve Assembly	113	Throttle Connector Pin Retainer
49	Fuel Valve Seat O'Ring Seat or Gasket	114	Choke Control Lever Bracket
50	Idle Needle Seal	115	Metering Body Vent Baffle
51	Choke Rod Seal	116	Throt. Diaphragm Adapter
52	Choke Cold Air Tube Grommet	117	Diaphragm Housing
53	Pump Inlet Check Ball	118	Idle Adj. Needle Spring
54	Pump Discharge Check Ball	--	Vent Tube (Not Shown)
55	Choke Hsg. and Plugs Assy.	--	Heat Tube Nut (Not Shown)
56	Fuel Pump Cover Assy.	--	Heat Tube Ferrule (Not Shown)
57	Fuel Bowl and Plugs Assy.	--	Fuel Tube Hose Clamp (Not Shown)
58	Main Metering Body and Plugs Assy.	--	Retainer (Not Shown)
59	Pump Diaphragm Assembly	--	Air Cleaner Stud (Long) (Not Shown)
60	Float Spring Retainer	--	Air Cleaner Stud (Short) (Not Shown)
61	Air Vent Retainer	--	Choke Heat Tube (Not Shown)
62	Fast Idle Cam Lev. Scr. Spring	--	Fuel Line Hose (Not Shown)
63	Throttle Stop Screw Spring	--	Fresh Air Hose (Not Shown)
64	Pump Diaphragm Return Spring		
65	Fast Idle Cam Lev. Spring		



CARBURETOR 14-30-1

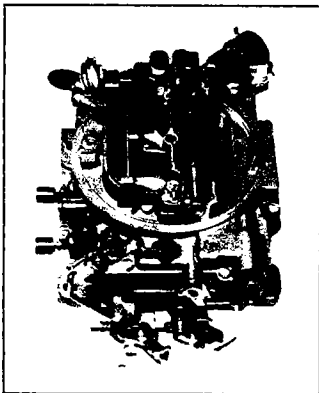
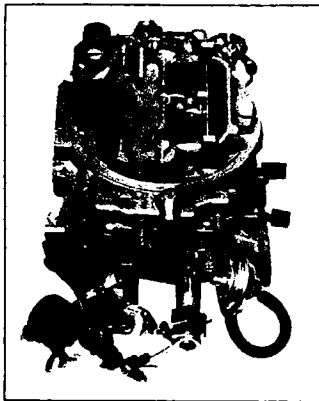


19a13550A

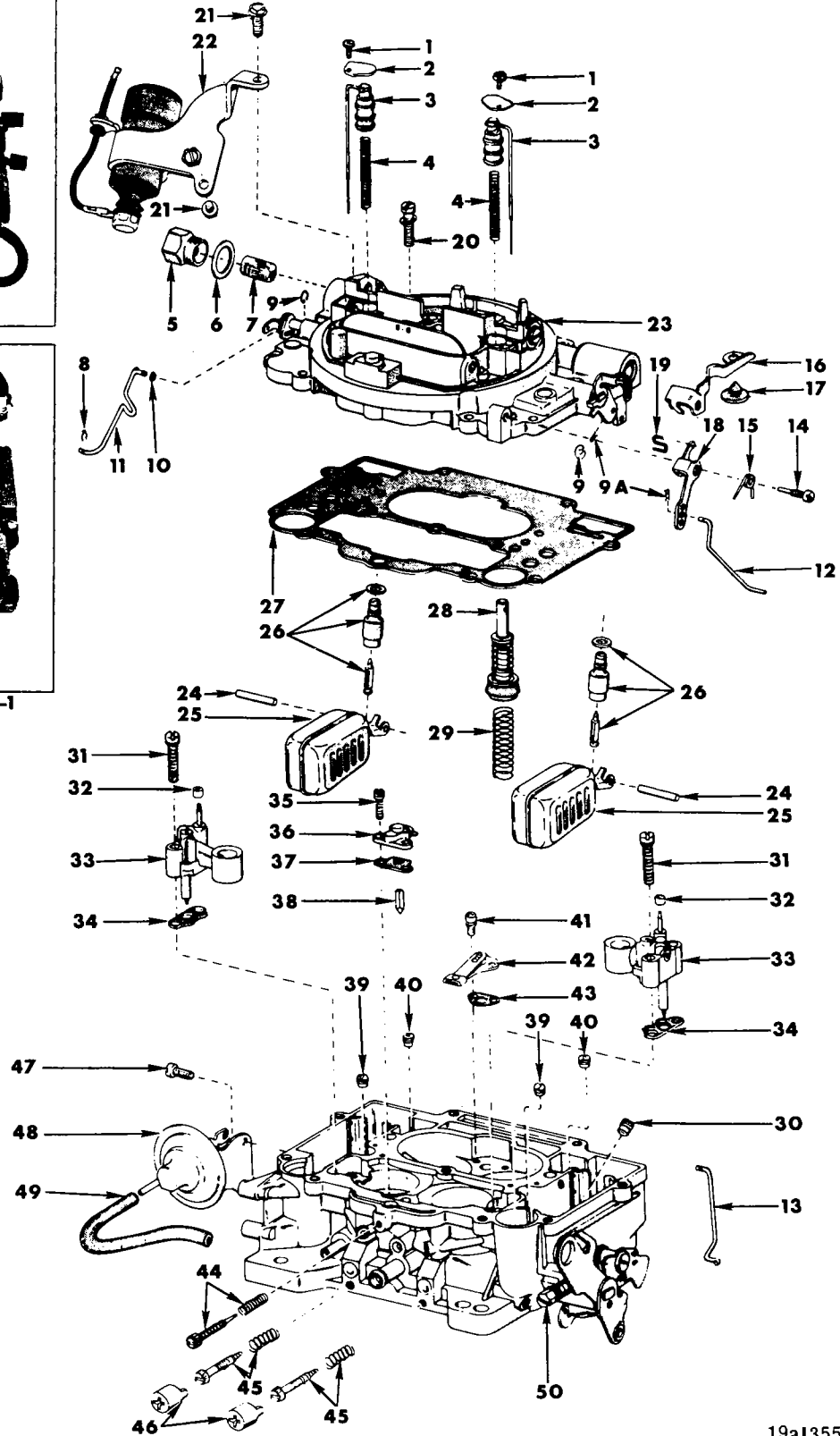
TYPICAL 4 BARREL CARBURETOR - CARTER
(MODEL SERIES AFB)

Ref. No.	Name	Part Type Code	Ref. No.	Name	Part Type Code
1	Screw (2)	14-54-148	26	Pin (2)	14-40-4
2	Plate	14-43-4	27	Float and Lever Assembly (2) . . .	14-40-1
3	Piston	14-43-3	28	Needle and Seat Assembly (2) . . .	14-30-8
4	Rods	14-43-5	29	Gasket	14-47-13
5	Springs	14-43-10	30	Rod and Spring Assembly	14-41-3
6	Spring	14-43-10	31	Spring	14-36-15
7	Spring (Small)	14-41-11	32	Screws (4)	14-54-152
8	Rod	14-39-28	33	Clusters	14-35-41
9	Hose	14-39-51	34	Gasket (2)	
10	Screws (2)	14-54-28	35	Screw	14-35-10
11	Diaphragm and Bracket Assembly .	14-39-7	36	Housing	14-35-3
12	Spring (4)	14-39-57	37	Gasket	
13	Rod	14-39-28	38	Needle	14-35-6
14	Rod	14-38-28	39	Check.	
15	Screw	14-54-34	40	Screw (4)	14-54-152
16	Screw	14-54-34	41	Cluster (2)	14-54-152
17	Screw (8)	14-54-34	42	Gasket (2)	
18	Dash Pot and Bracket Assembly . .		43	Valves and Weights	
19	Horn Assembly	14-47-1	44	Jets (2)	14-35-1
20	Screw	14-54-47	45	Jets (2)	14-35-1
21	Arm	14-41-9	46	Plates (2)	14-39-50
22	Link	14-41-8	47	Screw and Spring (2)	14-36-1
23	Fitting	14-30-30	48	Screw	14-54-15
24	Strainer	14-30-27	49	Screw	14-45-25
25	Gasket				

PARTS INDICATED BY NAME ONLY - ORDER BY DESCRIPTION



CARBURETOR 14-30-1

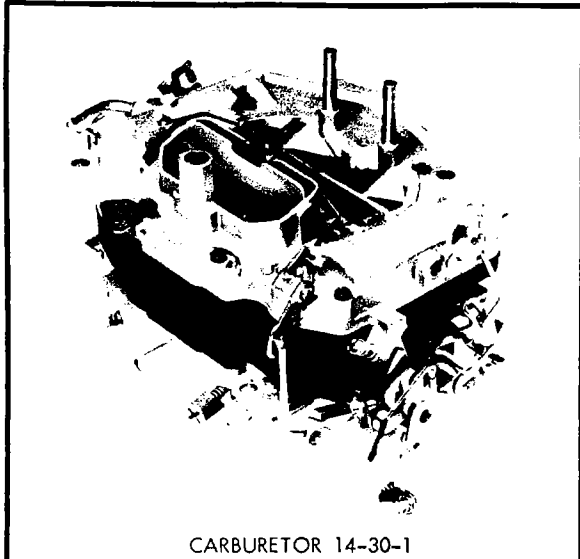


19a13551

TYPICAL 4 BARREL CARBURETOR - CARTER
(MODEL SERIES AVS)

Ref. No.	Name	Part Type Code	Ref. No.	Name	Part Type Code
1	Screw (2)	14-54-148	26	Needle and Seat Assembly (2)	14-30-8
2	Plate (2)	14-43-4	27	Gasket	14-47-13
3	Piston and Rod Assembly (2)	14-43-5	28	Plunger	14-41-3
4	Spring (2)	14-35-38	29	Spring	14-36-15
5	Fitting	14-30-30	30	Ball	14-37-29
6	Gasket	14-30-29	31	Screws (4)	14-54-152
7	Screen	14-30-27	32	Venturis (2)	14-30-3
8	Spring (Small)	14-41-11	33	Seal (2)	14-34-63
9	Retainer	14-41-23	34	Gaskets (2)	
9A	Spring (Large)	14-39-57	35	Screws (2)	14-35-10
10	Washer		36	Housing	14-35-3
11	Link	14-39-8	37	Gasket	
12	Rod	14-38-28	38	Needle	14-35-6
13	Rod	14-45-5	39	Jets (Large Hole) (2)	14-35-1
14	Screw	14-54-47	40	Jets (Small Hole) (2)	14-35-1
15	Spring	14-36-50	41	Screw (2)	
16	Arm	14-40-23	42	Valve	14-45-17
17	Valve	14-46-1	43	Gasket	14-45-19
18	Arm	14-41-9	44	Screw and Spring (1968 Early 1969)	14-36-1
19	Link	14-41-7	45	Screw and Spring (2)	14-36-1
20	Screw (8)	14-54-72	46	Cap (2)	14-45-12
21	Screw	14-54-140	47	Screws (2)	14-39-9
22	Solenoid and Bracket (2)	14-38-24	48	Diaphragm and Bracket	14-39-7
23	Horn Assembly	14-47-1	49	Hose	14-39-51
24	Pin (2)	14-40-4	50	Screw	14-45-25
25	Float (2)	14-40-1			

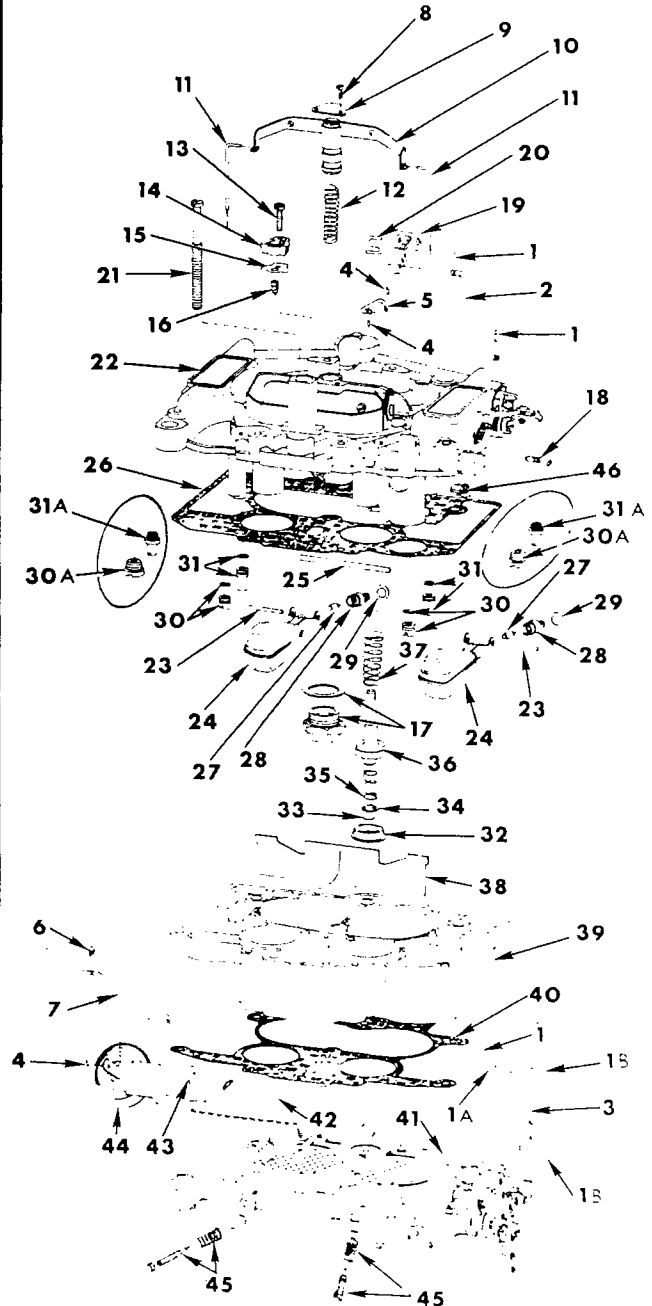
PARTS INDICATED BY NAME ONLY - ORDER BY DESCRIPTION



CARBURETOR 14-30-1



CARBURETOR 14-30-1

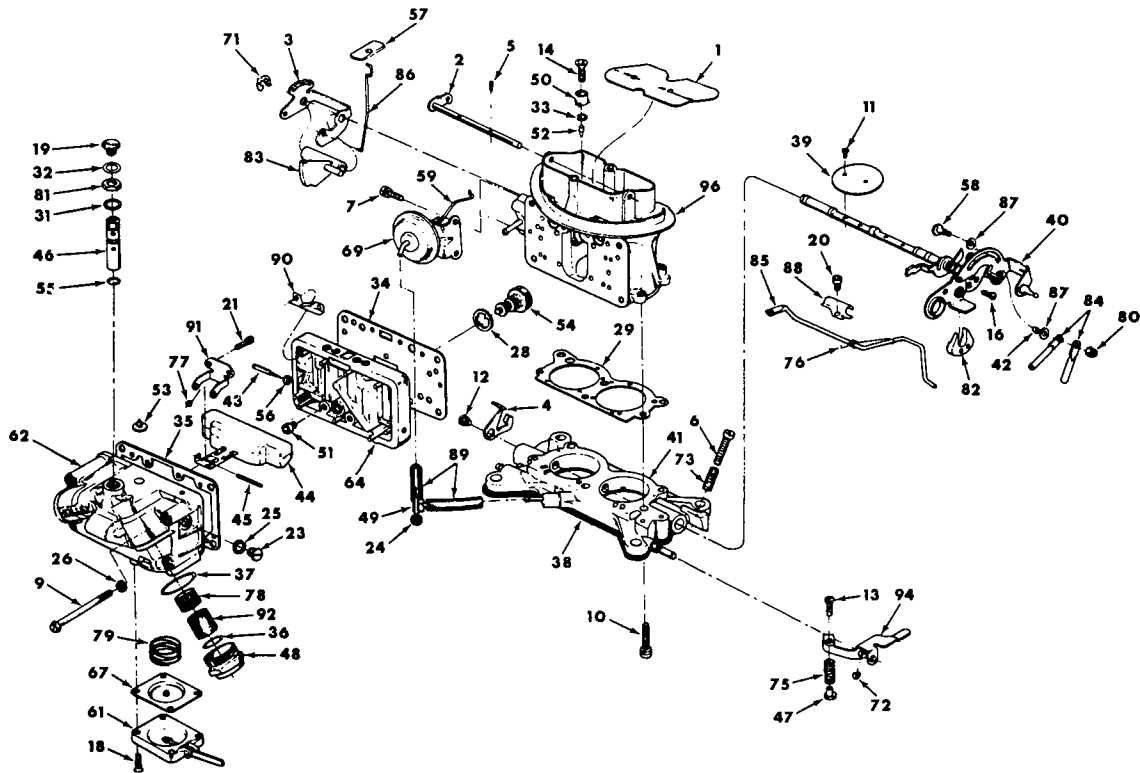


19a13899

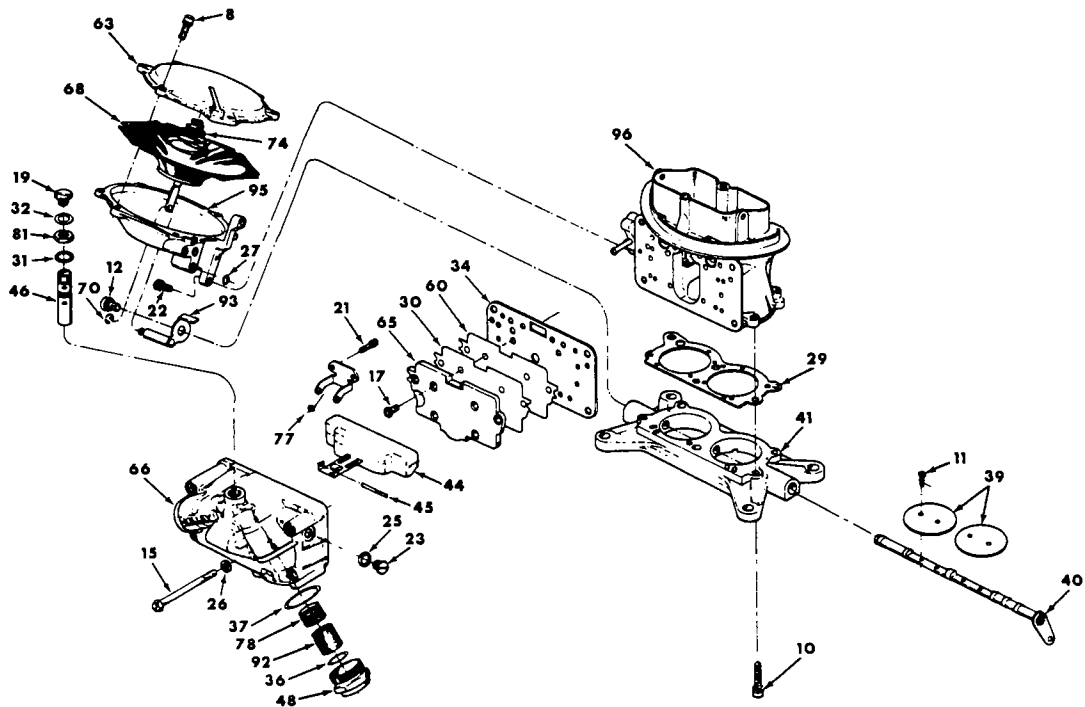
4 BARREL CARBURETOR - CARTER
(THERMO-QUAD - 340 CU. IN. ENGINE)

Ref. No.	Name	Part Type Code	Ref. No.	Name	Part Type Code
1	Spring (Large) (4)	14-39-56	26	Gasket	
1A	Washer		27	Needle (2)	14-30-8
1B	Pin (2)	14-40-4	28	Needle - Seat (2)	14-30-8
2	Rod	14-38-28	29	Needle - Seat Gasket (2)	
3	Link	14-36-1	30	Jet and "O" Ring (Early) (2)	14-35-1
4	Spring (Small) (3)	14-39-56	30A	Jet and "O" Ring (Late) (2)	14-35-1
5	Rod	14-39-28	31	Jet and "O" Ring (Early) (2)	14-35-1
6	Retainer	14-39-27	31A	Jet and "O" Ring (Late) (2)	14-35-1
7	Rod	14-39-28	32	Seat	
8	Screw	14-54-148	33	Disc	
9	Cover	14-43-4	34	Retainer	
10	Piston and Link Assembly	14-43-3	35	Spring (Lower)	14-36-1
11	Rod (2)	14-43-5	36	Plunger	14-41-3
12	Spring	14-43-10	37	Spring (Upper)	14-36-1
13	Screw	14-35-10	38	Plate	14-39-50
14	Jet	14-35-3	39	Bowl	14-40-7
15	Gasket		40	Gasket	
16	Needle	14-35-6	41	Body	14-33-1
17	Fitting and Gasket	14-30-29	42	Hose	14-39-51
18	Screw	14-54-47	43	Screw	14-39-9
19	Arm	14-41-9	44	Diaphragm and Bracket	14-39-25
20	"S" Link	14-41-8	45	Screw and Spring (2)	14-45-20
21	Screw (10)	14-54-34	46	Screw	14-45-25
22	Cover	14-41-34			
23	Pin	14-40-4			
24	Float	14-40-1			
25	Tube	14-44-10			

PARTS INDICATED BY NAME ONLY - ORDER BY DESCRIPTION



CENTER UNIT

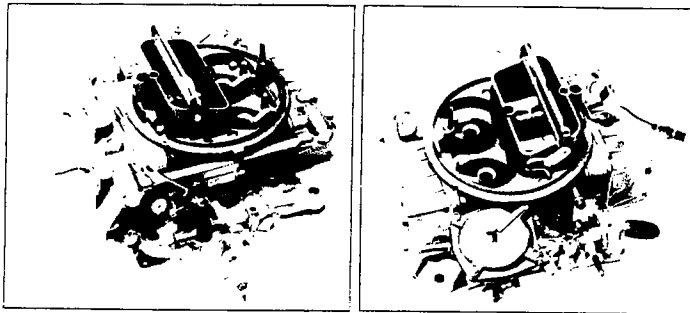


FRONT AND REAR UNIT

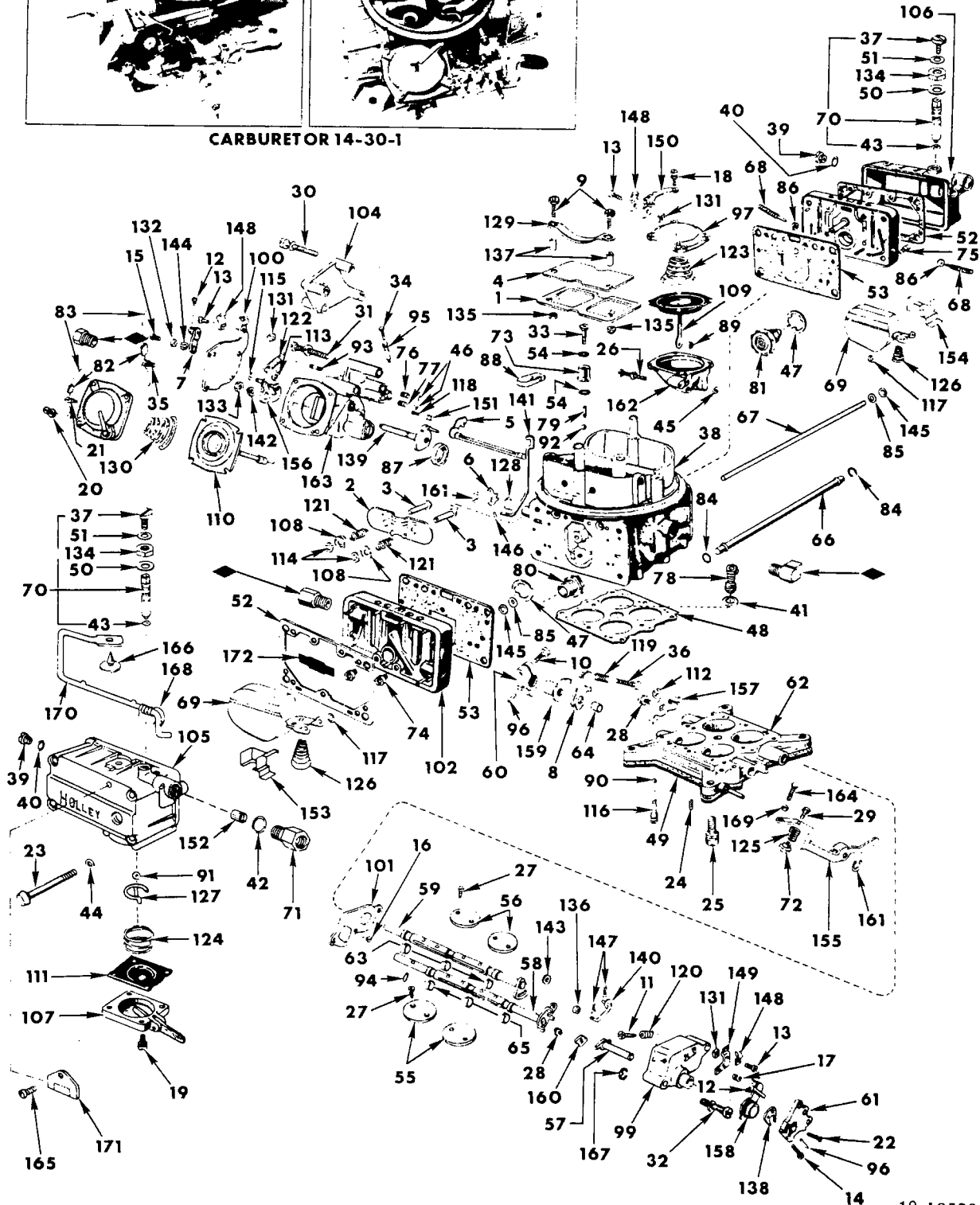
19a3704

TYPICAL TRI-CARBURETOR - HOLLEY
(MODEL SERIES 2300-C)

Ref. No.	Name	Ref. No.	Name
1	Choke Plate	48	Fuel Inlet Fitting
2	Choke Shaft & Lever Assembly	49	Tee Connector
3	Choke Control Lever	50	Pump Discharge Nozzle
4	Fast Idle Cam Lever	51	Main Metering Jet
5	Choke Plate Screw	52	Pump Discharge Needle Valve
6	Throttle Stop Screw	53	Air Vent Valve
7	Choke Diaphragm Assy. Bracket Screw & Lock Washer	54	Power Valve Assy.
8	Diaph. Cover Assy. Scr. & L.W.	55	Fuel Valve Seat "O" Ring
9	Fuel Bowl to Main Body Screw	56	Idle Adjusting Needle Seal
10	Throttle Body Screw & L.W.	57	Choke Rod Seal
11	Throttle Plate Screw	58	Throttle Connector Pin
12	Fast Idle Cam Lever Screw & L.W.	59	Choke Diaphragm Assy. Link
13	Pump Operating Lever Adj. Screw	60	Metering Body Plate
14	Pump Discharge Nozzle Screw	61	Fuel Pump Diaphragm Cover Assy.
15	Fuel Bowl to Main Body Scr. Sec.	62	Fuel Bowl & Plugs Assy.
16	Pump Cam Lock Screw	63	Diaphragm Housing Cover Sec.
17	Metering Body Screw Sec.	64	Metering Body & Plugs Assy.
18	Fuel Pump Cover Screw	65	Sec. Metering Body
19	Fuel Valve Seat Lock Screw	66	Sec. Fuel Bowl
20	Air Vent Rod Clamp Screw	67	Pump Diaphragm Assy.
21	Float Shaft Bracket Scr. & L.W.	68	Sec. Diaphragm Assy.
22	Diaphragm Mounting Scr. & L.W.	69	Choke Diaphragm Assy. Complete
23	Fuel Lever Check Plug	70	Sec. Diaphragm Link Retainer
24	Tee Connector Plug	71	Choke Control Lever Retainer
25	Fuel Lever Check Plug Gasket	72	Pump Operating Lever Retainer
26	Fuel Bowl Screw Gasket	73	Throttle Stop Screw Spring
27	Diaphragm Housing Gasket Sec.	74	Diaphragm Spring Sec.
28	Power Valve Body Gasket	75	Pump Operating Lever Adj. Spring
29	Throttle Body Gasket	76	Air Vent Rod Spring
30	Metering Body Plate Gasket Sec.	77	Float Spring
31	Fuel Inlet Adjusting Nut Gasket	78	Fuel Inlet Filter Spring
32	Fuel Valve Seat Screw Gasket	79	Diaphragm Return Spring
33	Pump Discharge Nozzle Gasket	80	Throttle Connector Pin Nut
34	Metering Body Gasket	81	Fuel Valve Seat Adj. Lock Nut
35	Fuel Bowl Gasket	82	Pump Cam
36	Fuel Inlet Filter Gasket	83	Fast Idle Cam
37	Fuel Inlet Fitting Gasket	84	Throttle Connector Bar
38	Flange Gasket	85	Air Vent Rod
39	Throttle Plate	86	Choke Rod
40	Throttle Lever & Shaft Assy.	87	Throttle Connector Pin Spacer
41	Throttle Body & Shaft Assy.	88	Air Vent Rod Clamp
42	Throttle Connector Pin Bushing	89	Choke Vacuum Hose
43	Idle Adjusting Needle	90	Metering Body Vent Baffle
44	Float & Hinge Assy.	91	Float Shaft Retaining Bracket
45	Float Lever Shaft	92	Fuel Inlet Filter
46	Fuel Inlet Valve & Seat Assy.	93	Diaphragm Lever & Pin Assy.
47	Pump Operating Lever Adj. Screw Fitting	94	Pump Operating Lever
		95	Sec. Diaphragm Housing
		96	Main Body



CARBURETOR 14-30-1



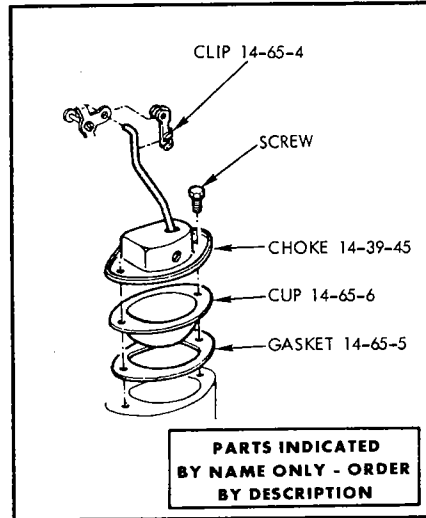
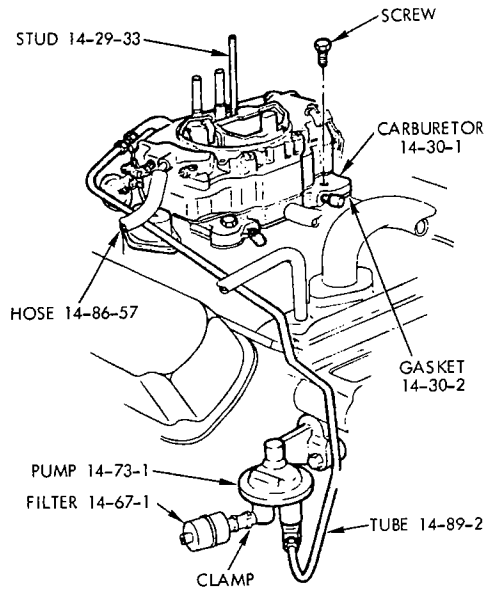
19a13552

TYPICAL 4 BARREL CARBURETOR - HOLLEY (MODEL SERIES 4000)

Ref. No.		Ref. No.	
1	Choke Plate	51	Fuel Valve Seat Adj. Lock Scr. Gasket
2	Valve Plate	52	Fuel Bowl Gasket
3	Valve Stem	53	Metering Body Gasket
4	Choke Plate Cover	54	Pump Discharge Nozzle Gasket
5	Choke Shaft	55	Throttle Plate - Primary
6	Choke Rod Lev. & Bushing	56	Throttle Plate - Secondary
7	Choke Control Lev. & Swivel	57	Throt. Oper. Shaft & Driver Assy.
8	Fast Idle Cam Lever	58	Throt. Clutch & Shaft Assy.
9	Choke Plate Screw	59	Secondary Throt. Lev. & Shaft
10	Governor Throttle Lev. Scr.	60	Gov. Throt. Lev. & Ball Assy.
11	Throttle Stop Screw	61	Throt. Lev. or Lev. & Shaft
12	Pick-Up Lev. & Choke Control Swivel Screw	62	Throt. Body & Shaft Assy.
13	Pick-Up Lev., Choke Control & Gov. Body Cov. Brkt. Clamp Scr.	63	Throt. Shaft Bushing - Primary & Secondary
14	Throttle Lever Screw	64	Throt. Shaft Bearing - Primary
15	Governor Body Cov. Scr. & L.W.	65	Throt. Shaft Bushing - Primary
16	Back-Up Plate Scr. & L.W.	66	Fuel Line Tube
17	Pick-Up Lev. Brkt. Scr. & L.W.	67	Balance Tube
18	Secondary Diaphragm Cover Screw & Lockwasher	68	Idle Adjusting Needle
19	Fuel Pump Cov. Assy. Scr. & L.W.	69	Float & Hinge Assembly
20	Gov. Diaph. Cov. Assy. Scr. & L.W.	70	Fuel Inlet Valve & Seat Assy.
21	Gov. Diaph. Cov. Assy. Scr. & L.W. (Drilled)	71	Fuel Inlet Fitting
22	Pump Cam Lock Scr. & L.W.	72	Pump Oper. Lev. Fitting or Nut
23	Fuel Bowl to Main Body Screw	73	Pump Discharge Nozzle
24	Diaph. Lev. Adj. Screw	74	Main Jet - Primary
25	Throt. Body Screw & L.W.	75	Main Jet - Secondary
26	Secondary Diaph. Hsg. Screw & Lockwasher	76	Governor By-Pass Jet
27	Throt. Plate Scr.-Primary & Secondary	77	Governor By-Pass Jet
28	Diaph. Lev. & Driver Screw & Lockwasher	78	Anti-Backfire Valve Assembly
29	Pump Oper. Lev. Adj. Screw	79	Pump Discharge Needle Valve or Check Ball Weight.
30	Fast Idle Cam Plate Screw & Lockwasher	80	Power Valve Assy.-Primary
31	Gov. Hsg. Scr. & L.W.	81	Overrun Control Valve Assy.-Sec.
32	Shaft Hsg. Screw & L.W.	82	Governor Cover Wire Seal
33	Pump Discharge Nozzle Screw	83	Governor Cover Safety Wire
34	Fast Idle Adj. Screw	84	Fuel Line Tube "O" Ring Seal
35	Gov. Body Cov. Scr. & L.W.	85	Balance Tube "O" Ring Seal
36	Fast Idle Cam Lever Screw	86	Idle Needle Seal
37	Fuel Valve Seat Lock Screw	87	Governor Body Seal
38	Main Body & Plugs Assy.	88	Choke Rod Seal
39	Fuel Level Check Plug	89	Sec. Diaph. Hsg. Check Ball
40	Fuel Level Check Plug Gasket	90	Check Valve Ball
41	Anti-Backfire Valve Gasket	91	Pump Inlet Check Ball
42	Fuel Inlet Fitting Gasket	92	Pump Discharge Check Ball
43	Fuel Valve Seat Gasket or "O" Ring Seal	93	Gov. Spring Pin (Long)
44	Fuel Bowl Screw Gasket	94	Throt. Shaft Pin
45	Secondary Diaph. Hsg. Gasket	95	Fast Idle Pin
46	Governor Body Gasket	96	Throt. Lev. Pin, Gov. Lev. Pin
47	Power & Control Valve Body Gasket	97	Sec. Diaph. Assy. Cover
48	Throttle Body Gasket	98	Gov. Diaph. Assy. Cover
49	Flange Gasket	99	Throt. Oper. Shaft Hsg. Assy.
50	Fuel Valve Seat Adj. Nut Gasket	100	Gov. Body Cover & Bracket

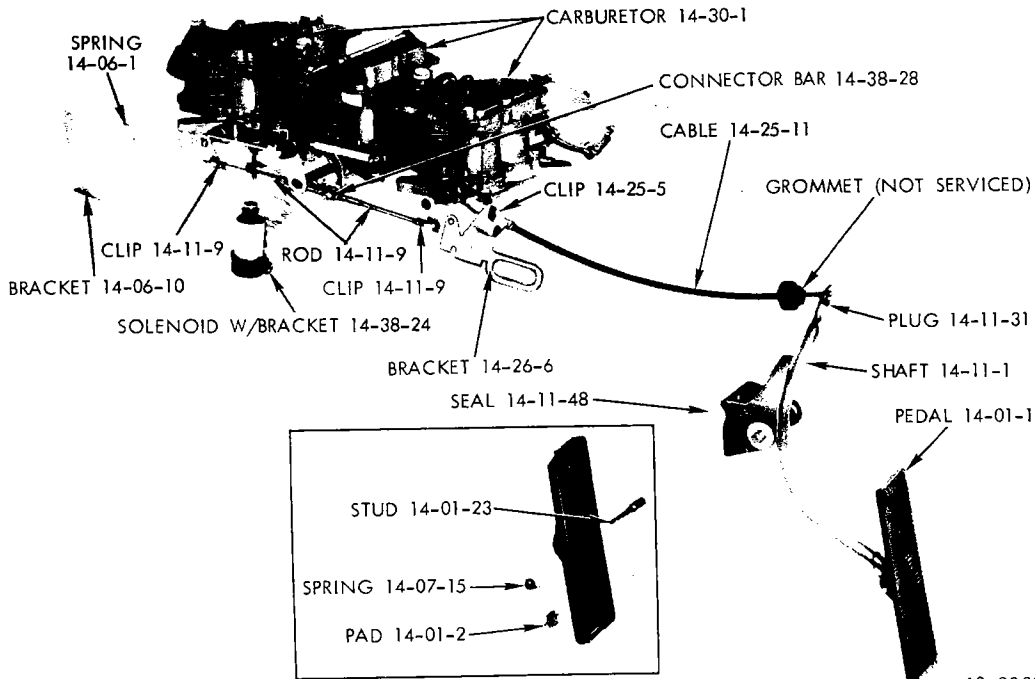
TYPICAL 4 BARREL CARBURETOR - HOLLEY (MODEL SERIES 4000) - Cont'd

Ref. No.		Ref. No.	
101	Throt. Oper. Shaft Hsg. Back-Up Plate	137	Choke Plate Screw Spacer
102	Main Metering Body & Plugs - Primary	138	Pump Cam
103	Main Metering Body & Plugs - Secondary	139	Fast Idle Cam & Shaft Assy.
104	Fast Idle Cam Plate	140	Throt. Connecting Rod or Assy.
105	Fuel Bowl & Plugs - Primary	141	Choke Rod
106	Fuel Bowl & Plugs - Secondary	142	Gov. Lev. Nut Lockwasher
107	Fuel Pump Cover Assembly	143	Throt. Connecting Rod Washer
108	Valve Plate Retainer Cover	144	Choke Control Lev. Lockwasher
109	Diaph. Assy. - Secondary	145	Balance Tube Washer
110	Governor Diaphragm	146	Choke Rod Retainer
111	Pump Diaphragm	147	Throt. Connecting Rod Cotter Pin
112	Secondary Diaph. Link Retainer	148	Pick-Up Lev., Choke Control Brkt. & Gov. Brkt. Assy. Clamp
113	Governor Diaph. Link Retainer	149	Pick-Up Lever Bracket
114	Valve Plate Retainer	150	Choke Control Bracket
115	Cam Shaft Retainer	151	Fast Idle Cam Plunger
116	Check Valve Ball Retainer or Channel Plug	152	Filter Screen or Assembly
117	Float Retainer	153	Baffle Plate R.H.
118	Fast Idle Cam Plunger Spring	154	Baffle Plate L.H.
119	Fast Idle Cam Lever Spring	155	Pump Operating Lever
120	Throt. Stop Screw Spring	156	Governor Lever Assembly
121	Valve Spring	157	Diaphragm Lever Assembly
122	Governor Spring	158	Pick-Up Lever & Swivel Assembly
123	Diaphragm Spring - Secondary	159	Cam Pick-Up Lever & Bushing Assy.
124	Diaphragm Return Spring	160	Throttle Shaft Driver
125	Pump Operating Adj. Scr. Spring	161	Choke Rod & Pump Operating Lever Retainer
126	Float Spring	162	Diaphragm Housing - Secondary
127	Pump Inlet Check Ball Retainer	163	Governor Hsg. & Plugs Assy.
128	Choke Lever Spring	164	Vent Pick-Up Screw
129	Choke Plate Cover Spring	165	Air Vent Rod Clamp Screw
130	Governor Diaphragm Spring	166	Air Vent Valve
131	Pick-Up Lev., Choke Control Brkt. & Gov. Brkt. Assy. Clamp Nut	167	Throt. Oper. Shaft Retainer
132	Choke Control Lever Nut	168	Air Vent Rod Spring
133	Governor Lever Nut	169	Vent Pick-Up Screw Nut
134	Fuel Valve Seat Adj. Nut	170	Air Vent Rod
135	Choke Plate Screw Lock Nut	171	Air Vent Rod Clamp
136	Throt. Connecting Rod Spacer	172	Bleed Screen

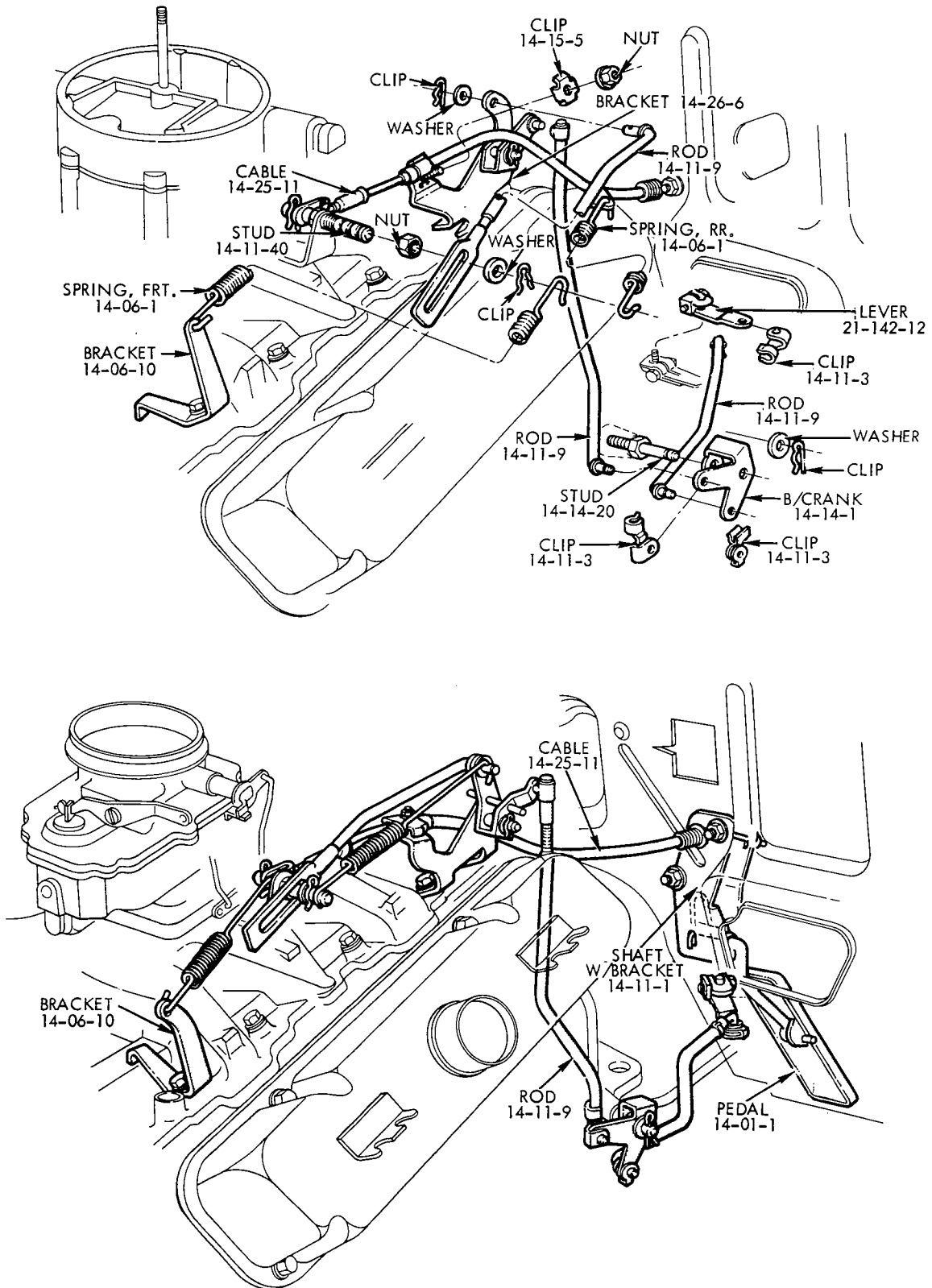


19a4095

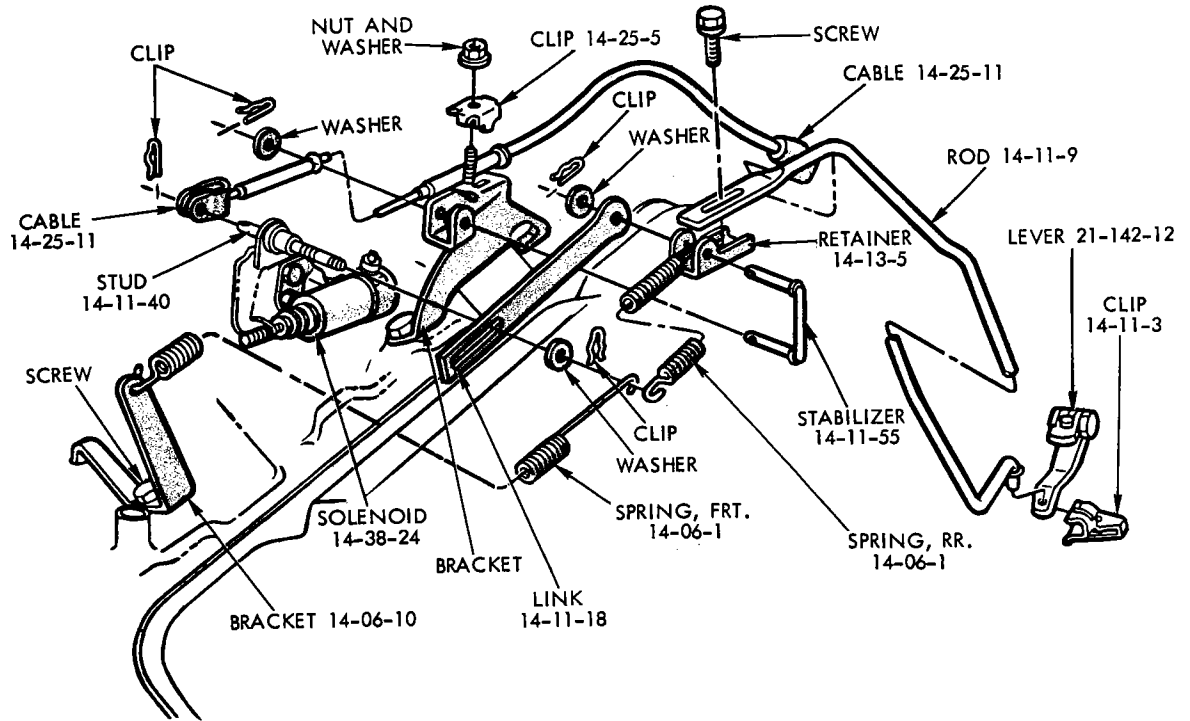
CARBURETOR, CHOKE ASSEMBLY AND FUEL LINES (340 ENGINE) - V, L, B, J, R, W



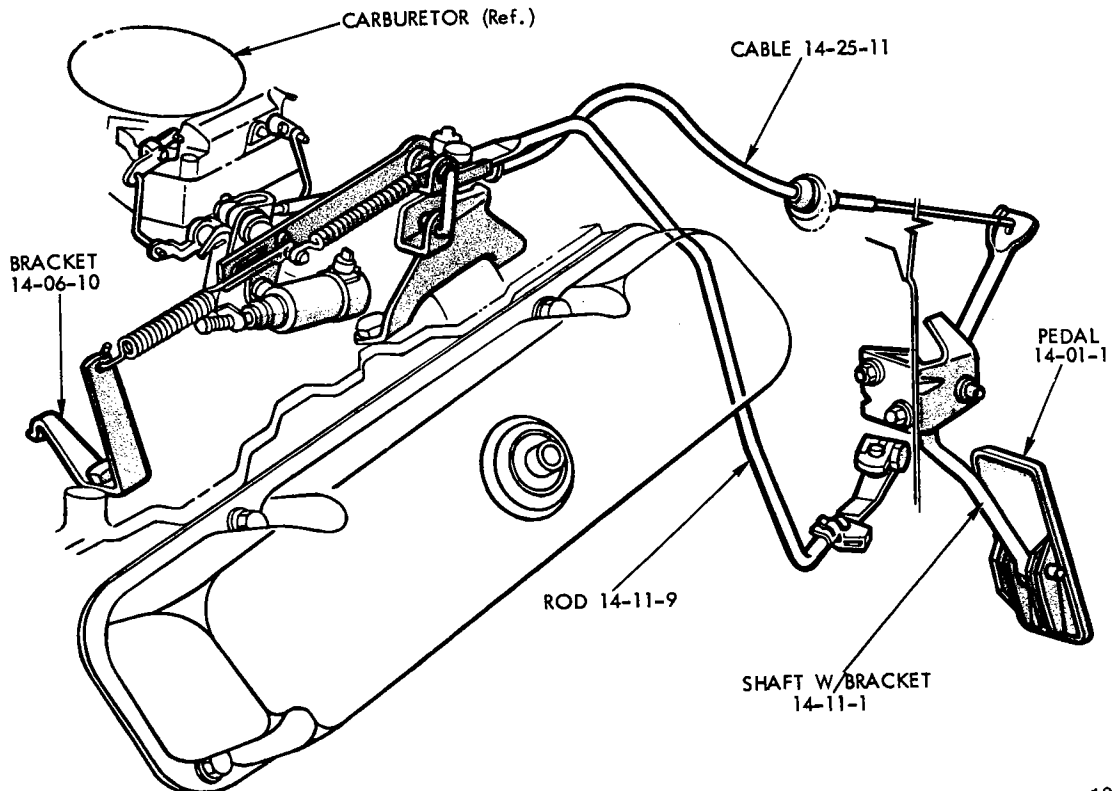
19a3362 B



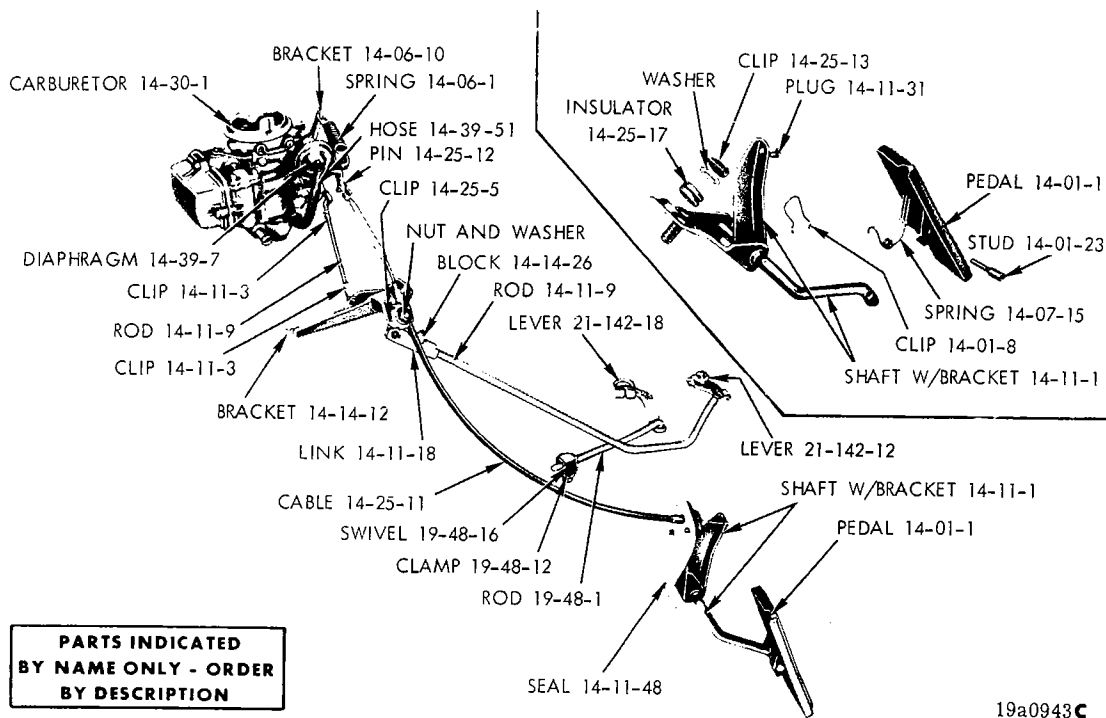
19a4094



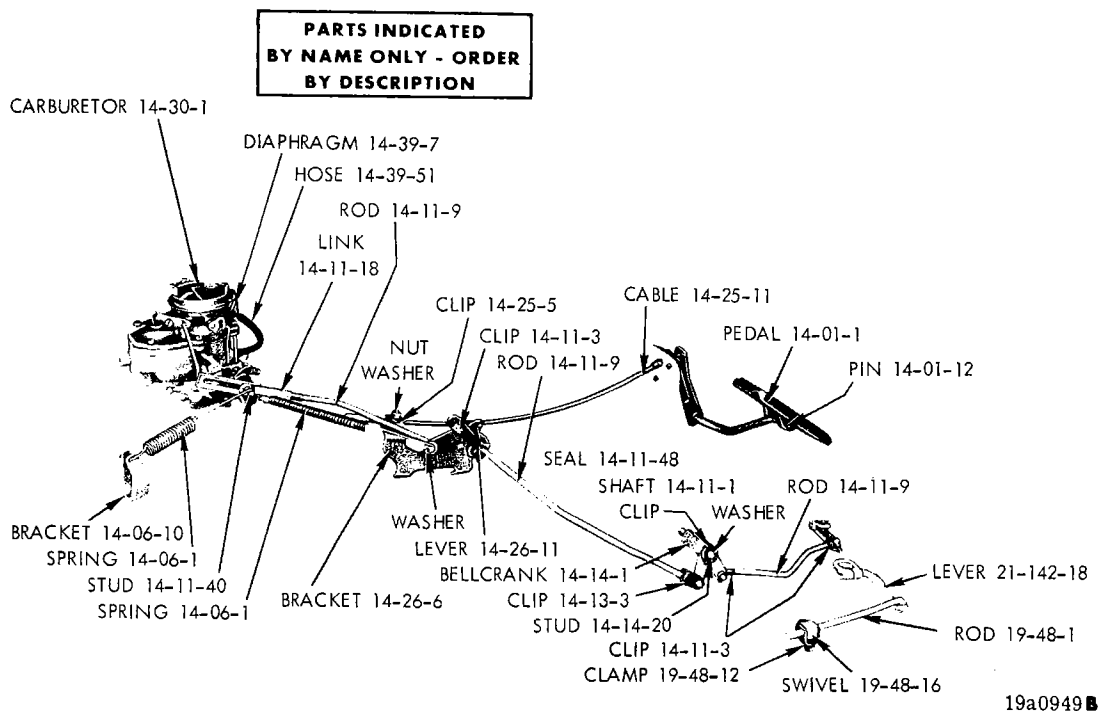
**PARTS INDICATED
BY NAME ONLY - ORDER
BY DESCRIPTION**



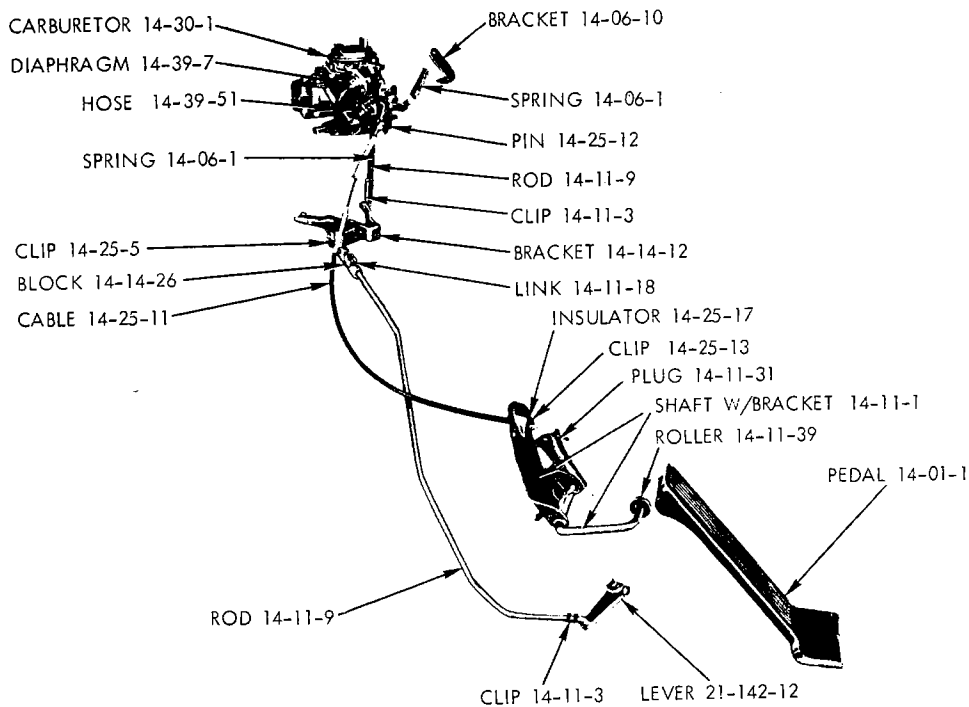
19a3727



THROTTLE LINKAGE (AUTOMATIC TRANSMISSION) - VALIANT AND DART (6 CYLINDER)

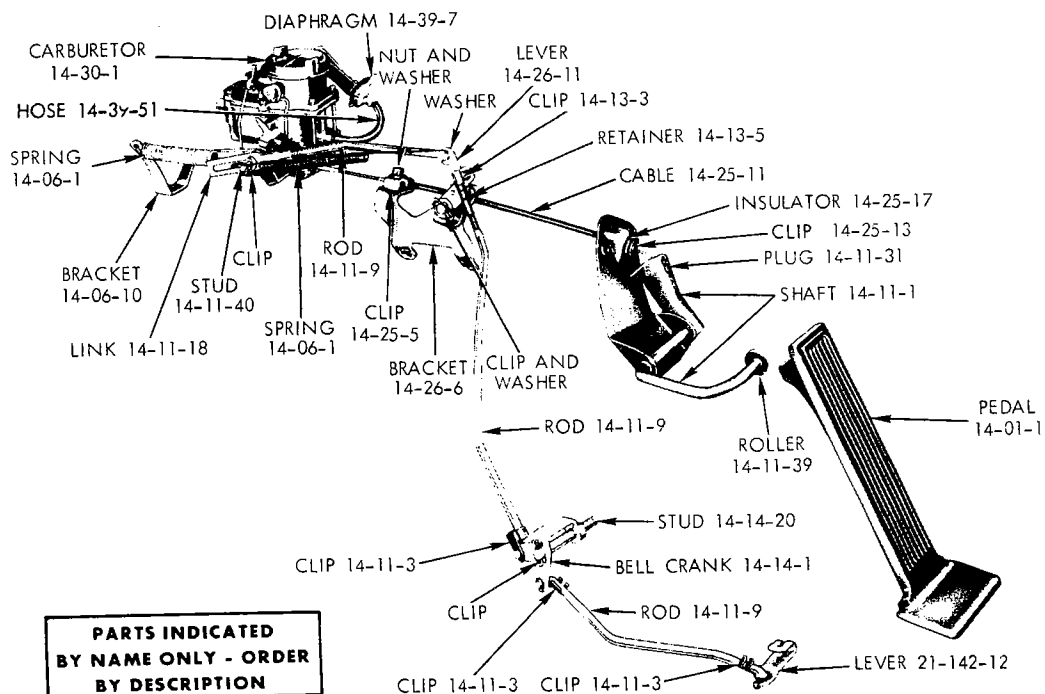


THROTTLE LINKAGE (WITH 318 ENGINE) - WITH AUTOMATIC TRANSMISSION - VALIANT AND DART



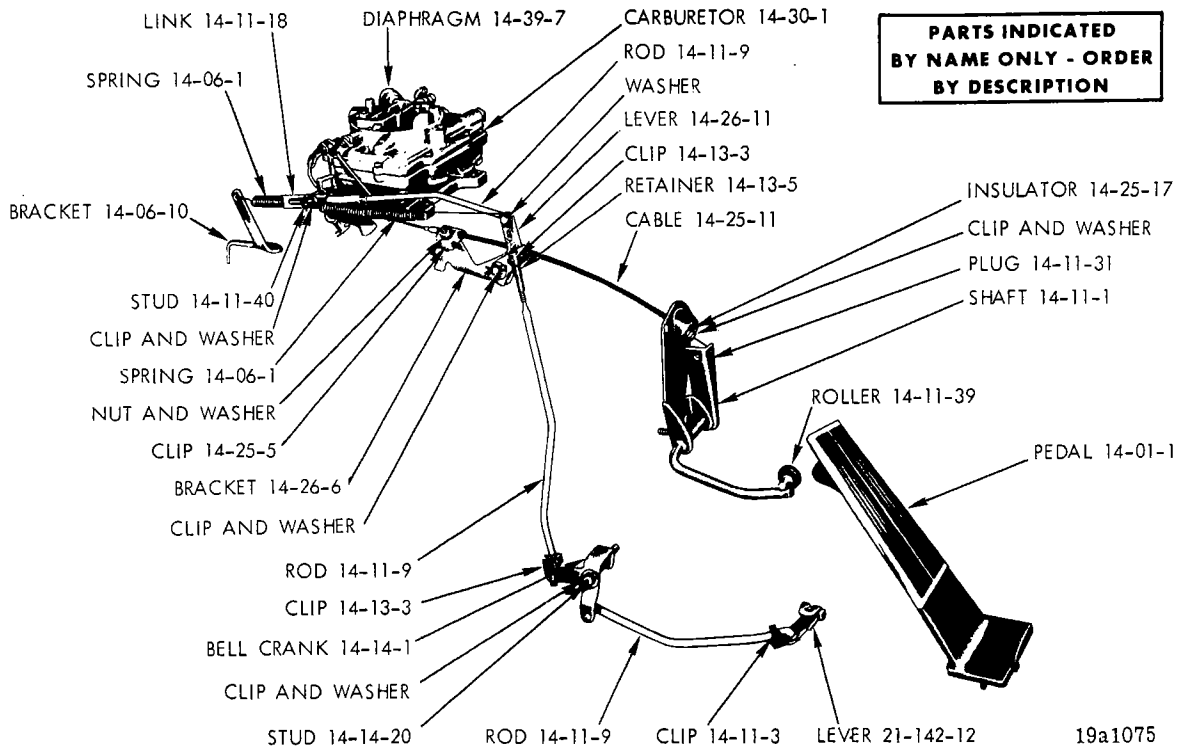
19a0633D

THROTTLE LINKAGE (AUTOMATIC TRANSMISSION) - BELVEDERE, CORONET AND CHARGER (6 CYLINDER)

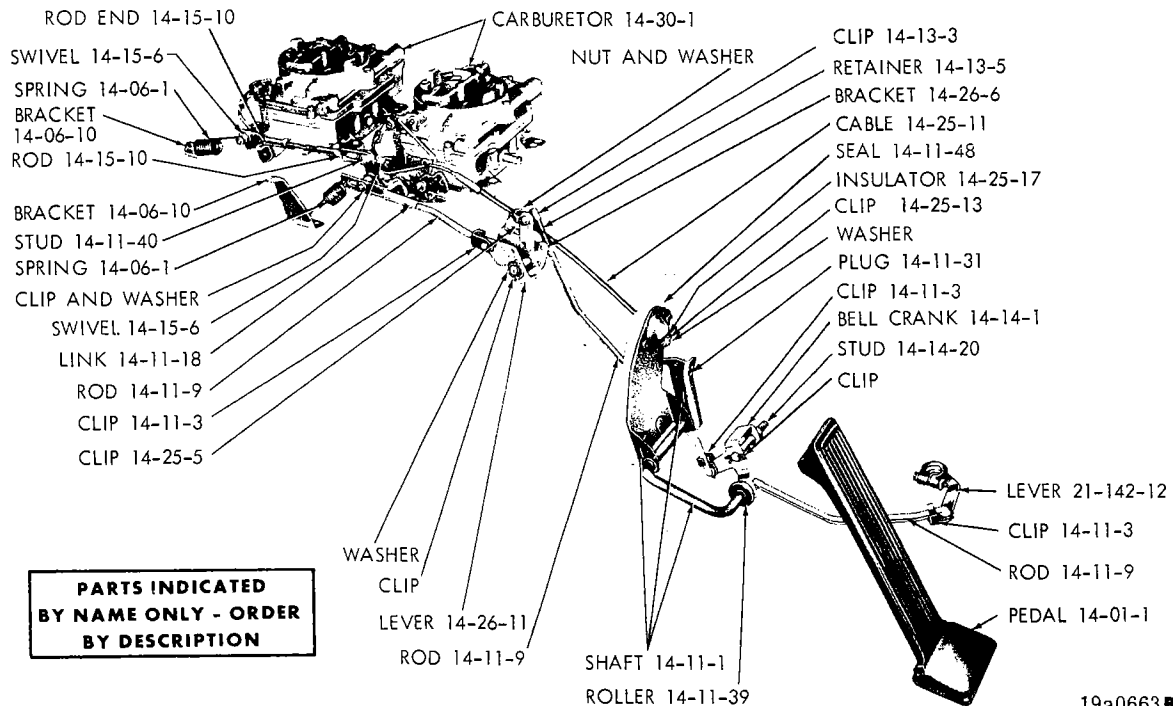


PARTS INDICATED BY NAME ONLY - ORDER BY DESCRIPTION

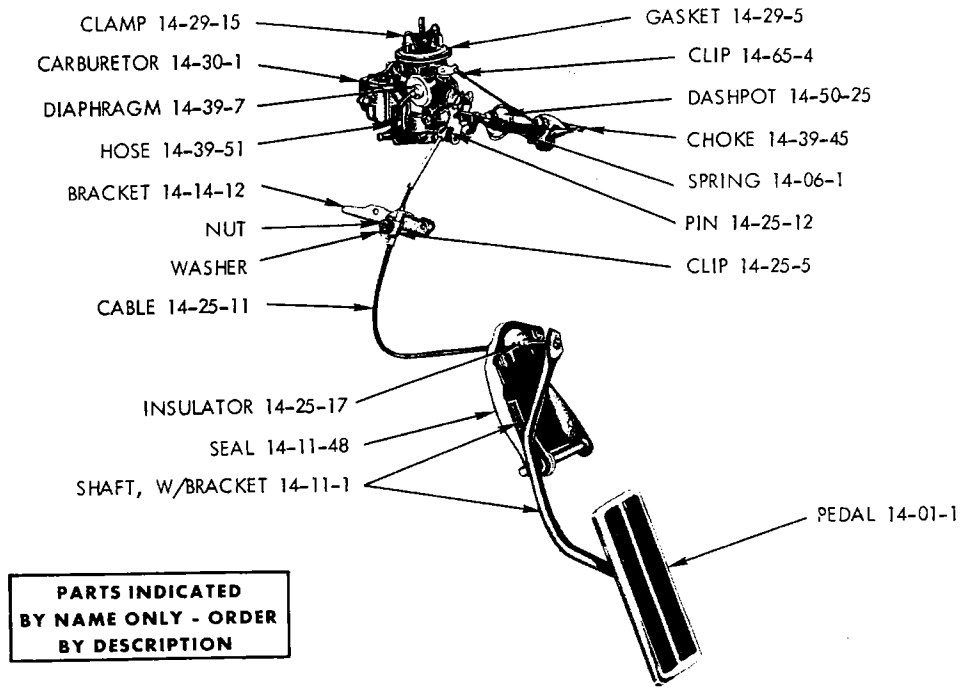
19a1061B



THROTTLE LINKAGE (AUTOMATIC TRANSMISSION-383 AND 440 ENGINE) - BELVEDERE, CORONET AND CHARGER

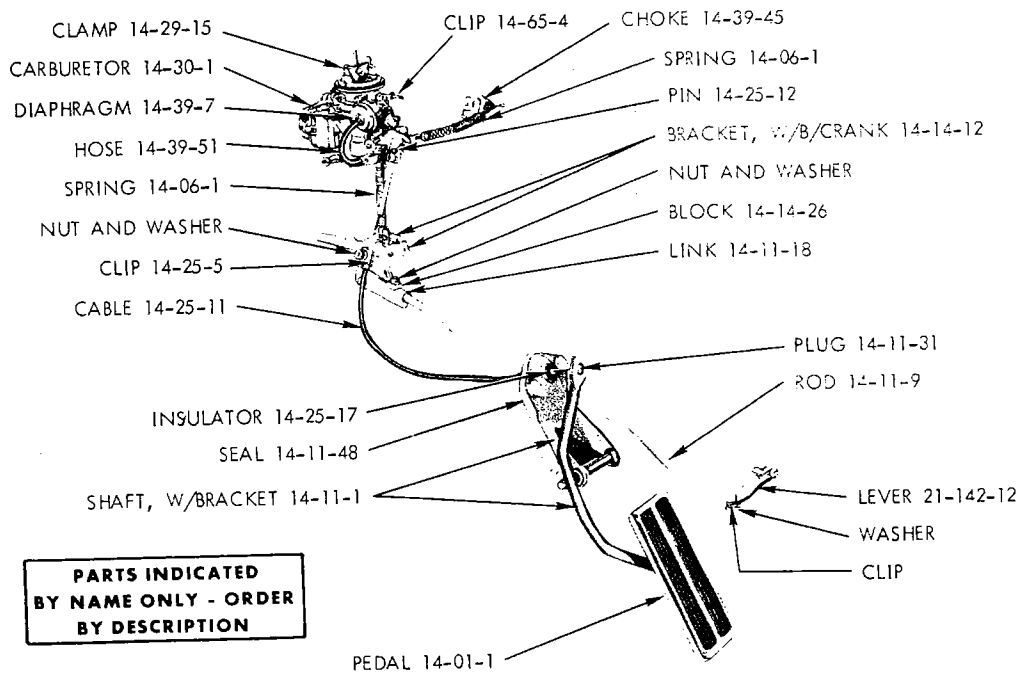


THROTTLE LINKAGE (AUTOMATIC TRANSMISSION-426 ENGINE) - BELVEDERE, CORONET AND CHARGER

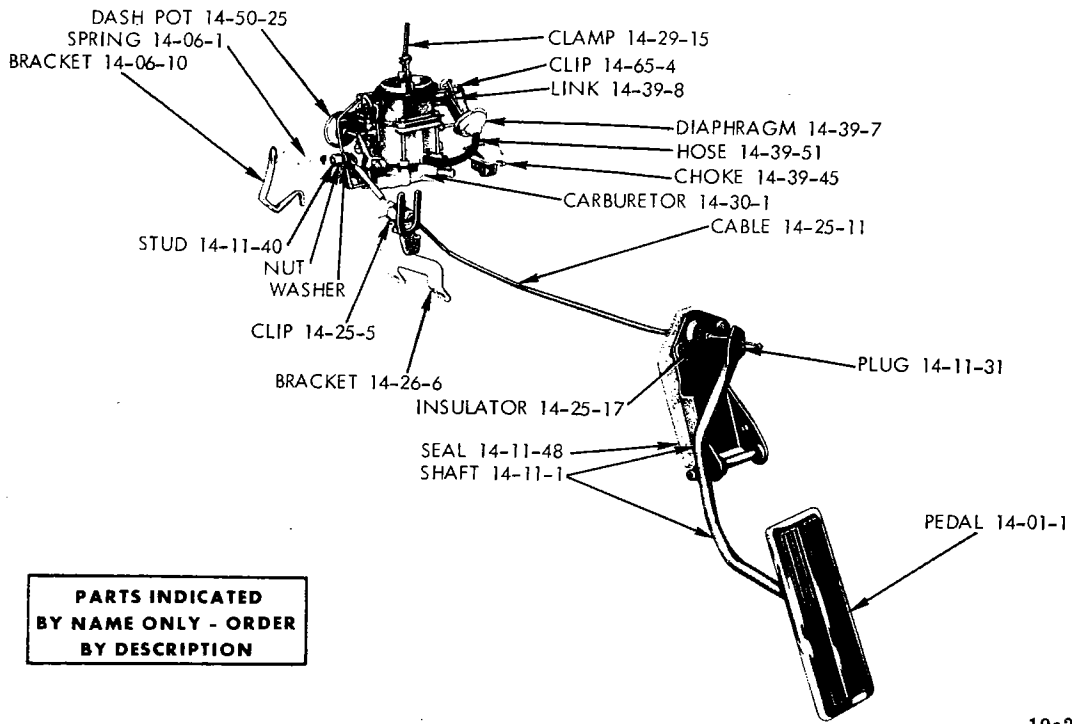


19a2797

THROTTLE LINKAGE (STANDARD TRANSMISSION) - PLYMOUTH 6 CYLINDER



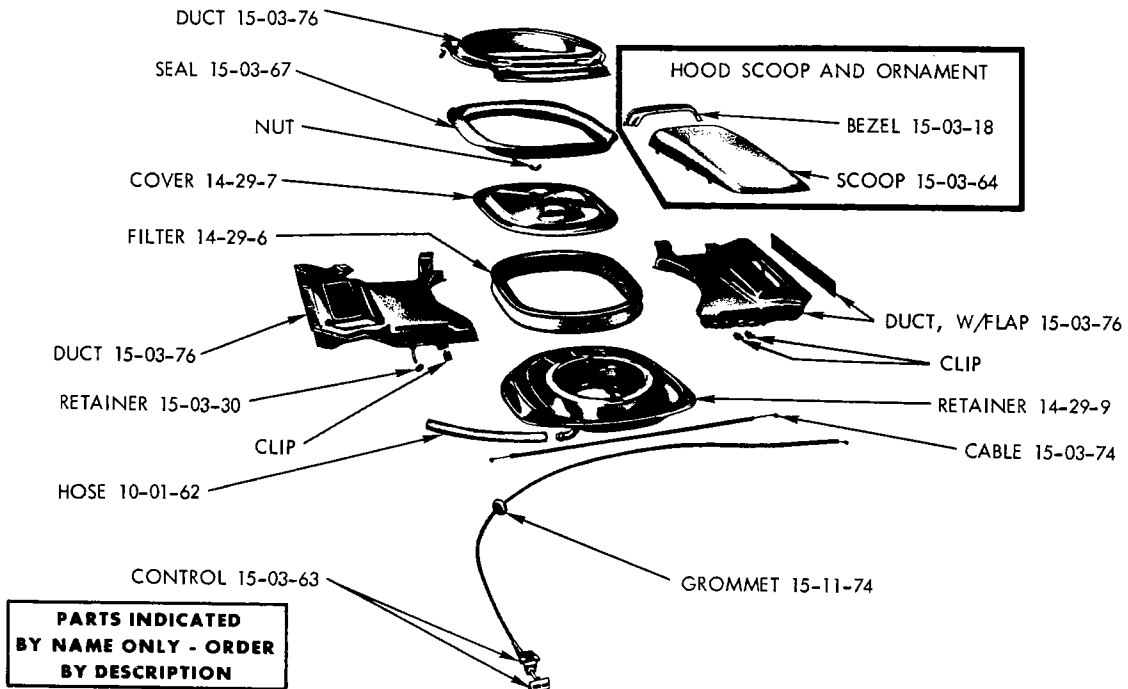
19a2793



**PARTS INDICATED
BY NAME ONLY - ORDER
BY DESCRIPTION**

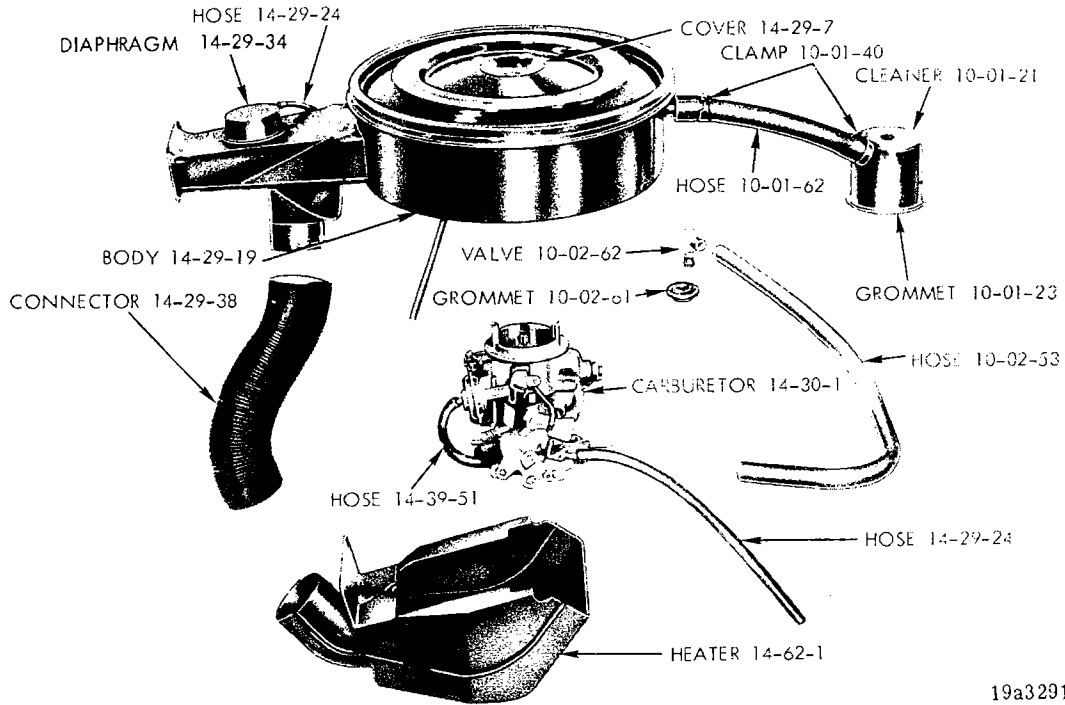
19a2792

THROTTLE LINKAGE (MANUAL TRANSMISSION) - PLYMOUTH AND DODGE, WITH 318 ENGINE



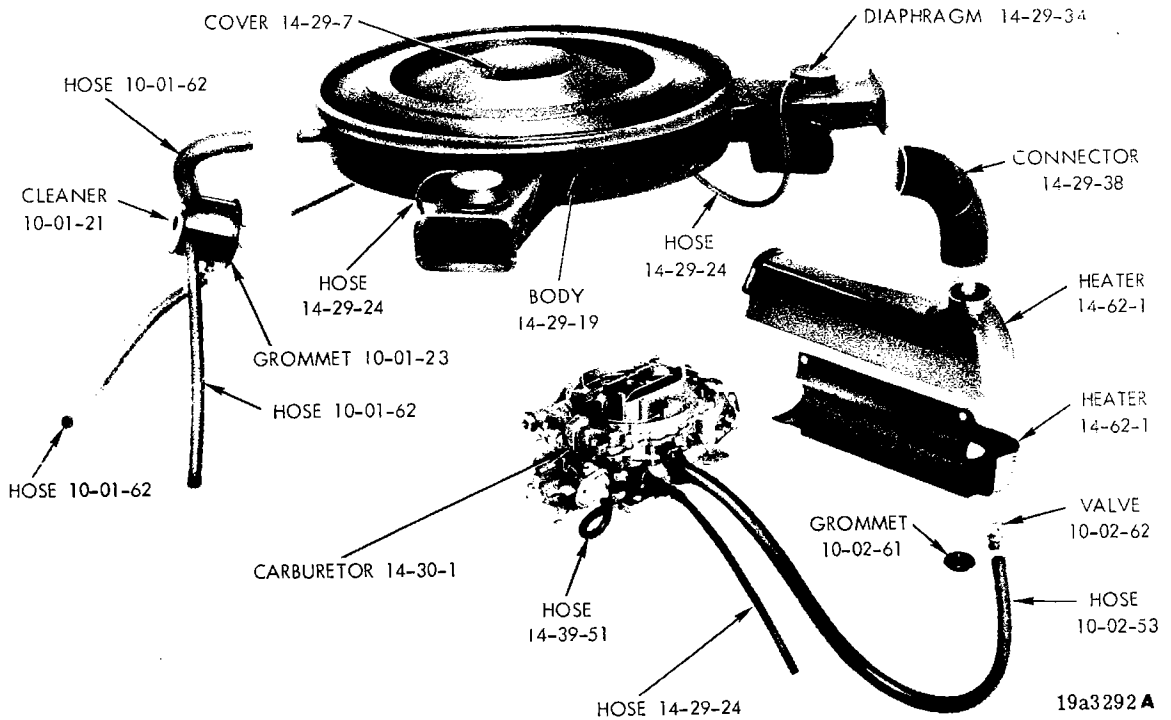
**PARTS INDICATED
BY NAME ONLY - ORDER
BY DESCRIPTION**

19a2688

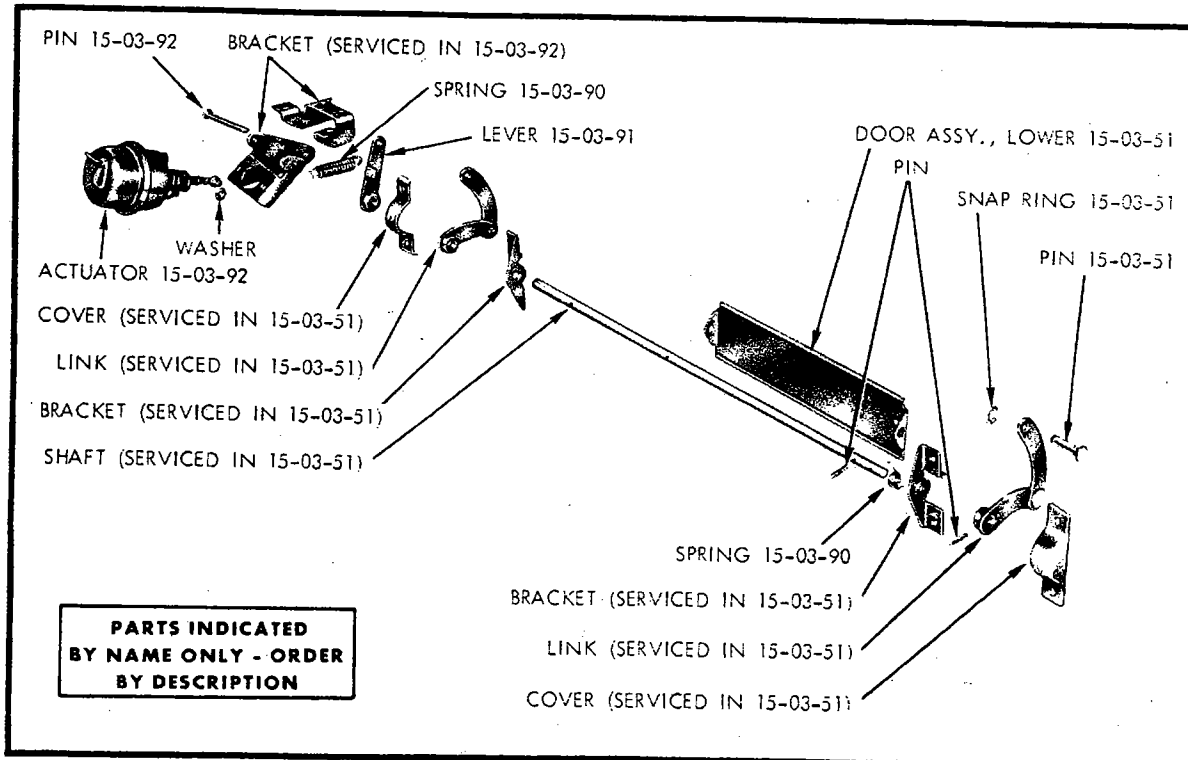
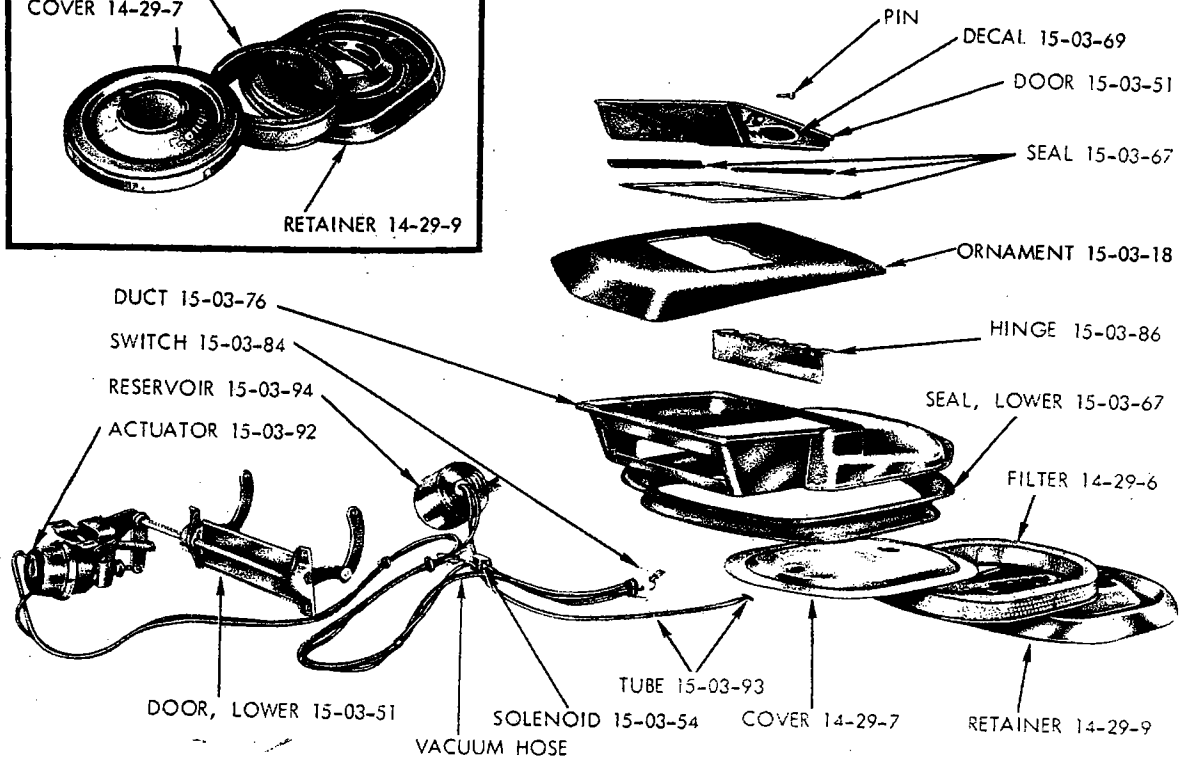
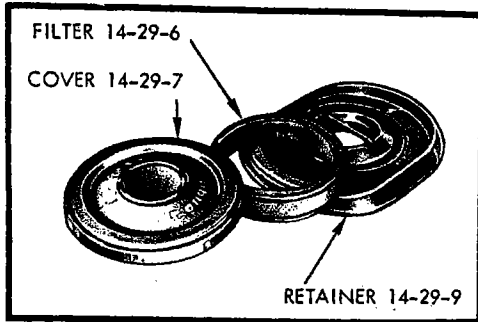


19a3291 A

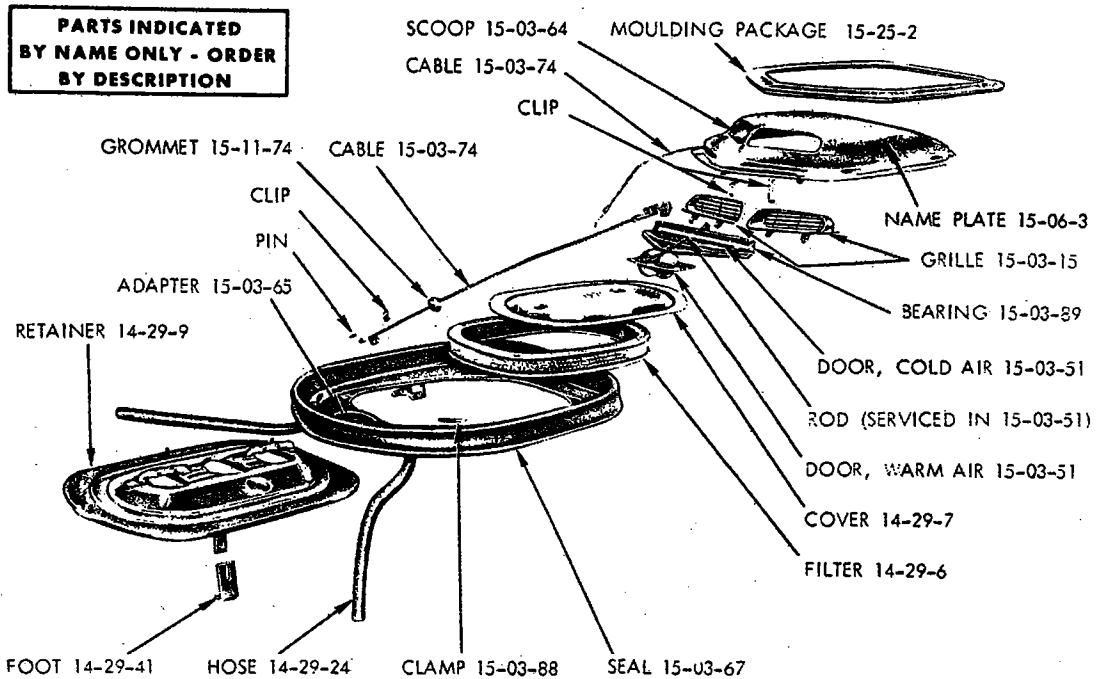
CARBURETOR AIR HEATER - 6 CYLINDER



19a3292 A

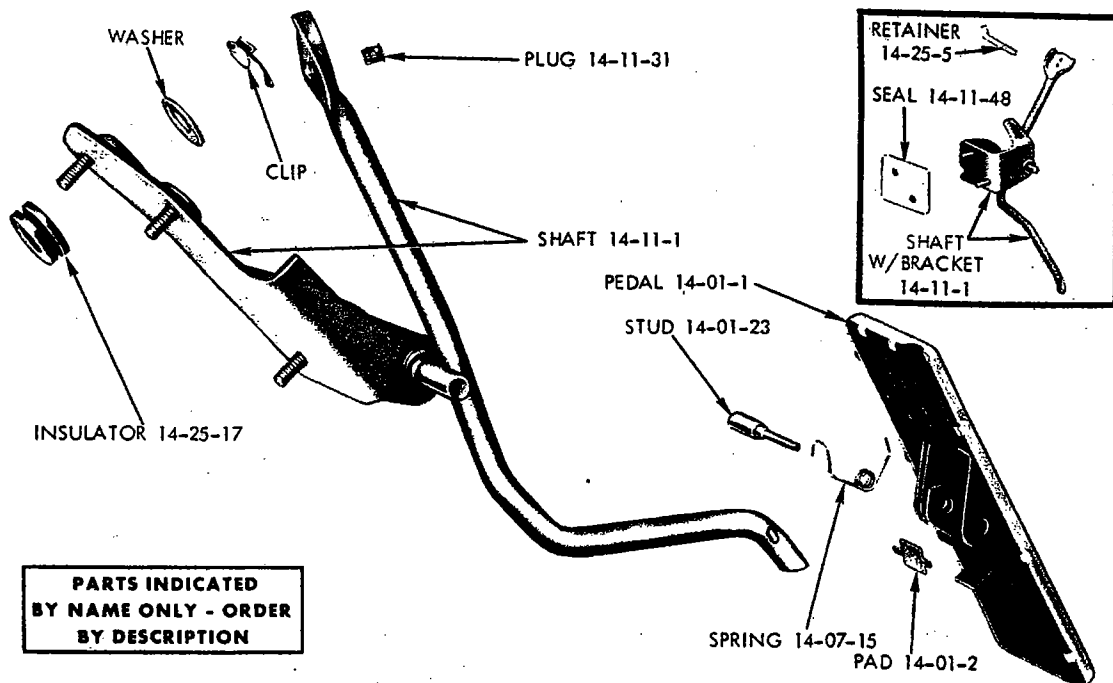


**PARTS INDICATED
BY NAME ONLY - ORDER
BY DESCRIPTION**

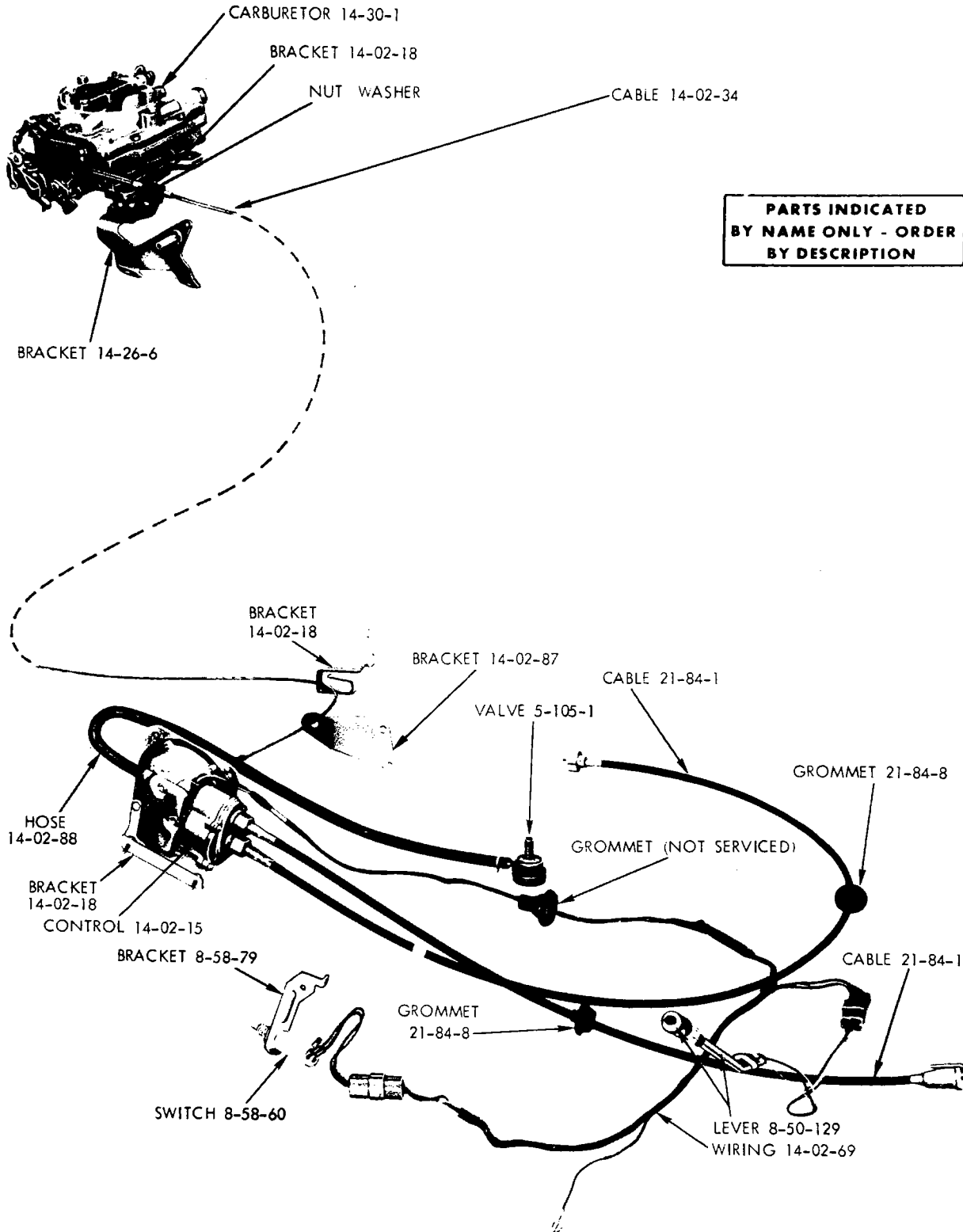


19a3359 A

CARBURETOR FRESH AIR PACKAGE - 'CUDA 6 PACK (SHAKER)



19a2798 A



CODE	PART NAME	ENG. TYPE OR CU.IN.	V	B	L	R	W	P	D	C	C	C	Y	PART NUMBER
			1-2	1-2	1-2	1-2	1-2	1-2	1-2	1	2	3	1	
14-01-0 ACCELERATOR PEDAL														
14-01-1	PEDAL, w/BEZEL, Stainless Steel	70	1	—	1	—	—	—	—	—	—	—	—	2946 676
	w/o BEZEL	70	1	—	1	—	—	—	—	—	—	—	—	3577 527
	w/BEZEL, Stainless Steel	70	—	1	—	—	—	—	—	—	—	—	—	3418 801
	w/o BEZEL	70	—	1	—	—	—	—	—	—	—	—	—	3577 527
	w/BEZEL, Stainless Steel	70	—	—	—	1	1	—	—	—	—	—	—	2658 703
	w/o BEZEL	70	—	—	—	1	1	—	—	—	—	—	—	2658 704
	w/BEZEL, Stainless Steel	70	—	—	—	—	1	1	1	1	1	1	1	2899 387
	w/o BEZEL	71	1	1	1	1	1	1	1	1	1	1	1	3577 527
14-01-2	PAD, Pedal	70	1	1	1	—	—	1	1	1	1	1	1	2899 342
		71	1	1	1	1	1	1	1	1	1	1	1	2899 342
14-01-6	BEZEL, Pedal		1	1	1	1	1	1	1	1	1	1	1	# 3577 528
14-01-8	CLIP, Pedal		1	—	1	—	—	—	—	—	—	—	—	2863 055
	Pedal Bracket		1	—	1	—	—	—	—	—	—	—	—	2863 056
14-01-23	SCREW, Pedal		—	—	—	2	2	—	—	—	—	—	—	2202 583
	NUT	70	—	—	—	2	2	—	—	—	—	—	—	120 367
	STUD or PIN	70	1	1	1	—	—	1	1	1	1	1	1	2899 352
		71	1	1	1	1	1	1	1	1	1	1	1	2899 352
14-01-30	BUSHING, Pedal	70	—	—	—	2	2	—	—	—	—	—	—	2406 334
14-01-38	SWIVEL, Pedal Lever	70	—	—	—	1	1	—	—	—	—	—	—	2536 846

14-02-0 AUTOMATIC SPEED CONTROL

14-02-1	ADAPTER Pkg. Speed Control w/318 Eng.		—	—	—	1	1	—	—	—	—	—	—	= 3420 941
	w/383-440 Eng.		—	—	—	1	1	—	—	—	—	—	—	= 3420 942
			—	—	—	—	—	1	1	1	1	1	1	= 3420 939
14-02-15	SERVO, Control		—	1	—	1	1	1	1	1	1	1	1	2946 550
	BASIC Pkg. Speed Control		—	—	—	—	—	1	1	1	1	1	1	= 3420 935
14-02-18	BRACKET, Cable Routing Brake		—	—	—	—	—	—	—	—	—	—	—	
	Plate Mtg., w/318 Eng.	70	—	1	—	—	—	—	—	—	—	—	—	3418 566
	Cable Routing Dash Mtg.	70	—	—	—	1	1	—	—	—	—	—	—	2899 295
	Speed Control Cable Mtg., w/318 Eng.	70	—	1	—	1	1	1	1	—	—	—	—	2899 376
	Speed Control Cable Mtg., w/383 Eng., w/4 Bbl. Carb.	70	—	1	—	1	1	—	—	—	—	—	—	2899 378
	Speed Control Cable Mtg., w/383 Eng., w/2 Bbl. Carb.	70	—	1	—	1	1	1	1	—	—	—	—	2899 374
	Speed Control Cable Mtg., w/440 Eng.	70	—	1	—	1	1	1	1	1	1	1	1	2899 374
	Speed Control Servo Mtg.	70	—	1	—	—	—	—	—	—	—	—	—	2946 547
		70	—	—	—	1	1	—	—	—	—	—	—	2863 585
	Speed Control Cable Mtg., w/318 or 360 Eng.	71	—	—	—	1	1	1	1	—	—	—	—	2899 376
	Speed Control Cable Mtg., w/383 or 440 Eng.	71	—	—	—	1	1	1	1	1	1	1	1	2899 374
	Cable Routing Brake Plate Mtg., w/318 Eng.	71	—	—	—	1	1	—	—	—	—	—	—	3418 566
	Speed Control Servo Mtg.	71	—	—	—	1	1	—	—	—	—	—	—	2946 546
			—	—	—	—	—	1	1	1	1	1	1	2863 587
14-02-34	CABLE, Speed Control, w/318 Eng.	70	—	1	—	—	—	—	—	—	—	—	—	3462 370
	w/383 or 440 Eng.	70	—	1	—	—	—	—	—	—	—	—	—	3462 371
	w/318 Eng.	70	—	—	—	1	1	—	—	—	—	—	—	3462 369
	w/318 Eng.	70	—	—	—	—	—	1	1	—	—	—	—	3462 368
	w/383 or 440 Eng.	70	—	—	—	1	1	1	1	1	1	1	1	3462 367
	w/318 Eng.	71	—	—	—	1	1	—	—	—	—	—	—	3462 370
	w/340 Eng.	71	—	1	—	—	—	—	—	—	—	—	—	3512 806
	w/318 or 360 Eng.	71	—	—	—	—	—	1	1	1	1	—	—	3462 368
	w/383 or 440 Eng.	71	—	—	—	1	1	—	—	—	—	—	—	3462 371
	w/383 or 440 Eng.	71	—	—	—	—	—	1	1	1	1	1	1	3462 367

CARLINES J - Challenger B - Barracuda V - Valiant L - Dart R - Belvedere - Satellite W - Coronet - Charger P - Plymouth D - Dodge C - Chrysler Y - Imperial

AR Indicates use as required.

Indicates parts not listed in any previous parts book.

Numerals in parentheses () refer to notes.

★ Indicates change or addition.

Printed in U.S.A. January 1972

CODE	PART NAME	ENG. TYPE OR CU.IN.	V	B	L	R	W	P	D	C	C	C	Y	PART NUMBER
			1-2	1-2	1-2	1-2	1-2	1-2	1-2	1	2	3	1	
14-02-0 AUTOMATIC SPEED CONTROL Cont'd.														
14-02-69	WIRING, Instrument Panel	70	—	—	—	1	1	—	—	—	—	—	—	2983 394
		71	—	—	—	1	1	—	—	—	—	—	—	3513 098
		71	—	—	—	—	—	1	1	—	—	—	—	2983 439
			—	—	—	—	—	—	—	1	1	1	—	2983 310
14-02-85	LINK, Speed Control Lost Motion, w/318 Eng.	70	—	—	—	—	—	1	1	—	—	—	—	3418 572
	P, D, w/383 or 440 Eng.	70	—	1	—	1	1	1	1	1	1	1	1	3418 571
		71	—	—	—	1	1	1	1	1	1	1	1	3418 571
14-02-86	PIN, Lost Motion Link Clevis	70	—	1	—	1	1	1	1	1	1	1	1	2863 598
14-02-86	RETAINER RING, Link		—	—	—	—	—	1	1	1	1	1	1	6026 098
14-02-87	BRACKET, Cable Routing Brake Mtg.	70	—	1	—	1	1	—	—	—	—	—	—	3418 574
			—	—	—	—	—	1	1	1	1	1	1	2899 540
		71	—	—	—	1	1	1	1	1	1	1	1	3418 574
14-02-88	HOSE, Servo to Eng. Manifold		—	1	—	1	1	—	—	—	—	—	—	2899 539
	Vacuum Tee, w/318 Eng.	70	—	1	—	1	1	—	—	—	—	—	—	2899 539
	Servo to Power Brake Vacuum Fitting	70	—	1	—	1	1	1	1	1	1	1	1	2899 539
14-02-93	CLIP, Servo to Vacuum Source		—	—	—	1	1	—	—	—	—	—	—	2765 032
	Hose Routing		—	—	—	1	1	—	—	—	—	—	—	2765 032

14-06-0 ACCELERATOR PEDAL OR TRANSMISSION ROD RETURN SPRING

14-06-1	SPRING													
	PEDAL RETURN													
	16 Coils, Painted Orange	70	—	1	—	1	1	—	—	—	—	—	—	3462 704
	33 Coils, Painted Red	70	1	—	1	1	1	—	—	—	—	—	—	2946 696
	34 Coils, Painted Green, EXPORT	70	1	1	1	—	—	—	—	—	—	—	—	2951 471
	33 Coils, Painted Red	70	—	1	—	—	—	1	1	1	1	1	1	3462 753
	45 Coils, Painted Gray	70	—	1	—	1	1	1	1	—	—	—	—	3462 752
	38 Coils, Painted Yellow	70	1	1	1	1	1	1	1	—	—	—	—	2946 694
	34 Coils, Painted Blue	70	1	1	1	1	1	1	1	—	—	—	—	3418 815
	22 Coils, Painted Green, w/Blue Stripe, Front	70	426	—	1	—	1	1	—	—	—	—	—	2863 722
	18 Coils, Painted Red, w/White Stripe, Rear	70	426	—	1	—	1	1	—	—	—	—	—	2946 617
	Export w/225 Eng.			1	—	1	1	1	—	—	—	—	—	2806 499
	34 Coils, Painted Blue			1	1	1	1	1	1	—	—	—	—	3462 754
	34 Coils, Painted Green	71		1	1	1	—	—	—	—	—	—	—	2951 471
	38 Coils, Painted Yellow	71		1	—	1	—	—	—	—	—	—	—	3462 750
	33 Coils, Painted Red	71		1	1	1	1	1	1	—	—	—	—	3462 751
	45 Coils, w/318 Eng.	71		—	1	—	1	1	1	—	—	—	—	3462 752
	w/340 Eng.	71		1	1	1	1	—	—	—	—	—	—	= 3462 735
	w/360 Eng.	71		—	—	—	—	1	1	1	1	1	—	= 3577 522
	33 Coils, Painted Green	71		—	1	—	1	1	1	1	1	1	1	3462 753
	16 Coils, Painted Orange			—	1	—	1	1	1	—	—	—	—	3462 755
	Front	71	426	—	1	—	1	1	—	—	—	—	—	3462 748
	Rear	71	426	—	1	—	1	1	—	—	—	—	—	3462 749
	TRANSMISSION ROD RETURN													
	75 Coils, Painted Red, w/Black Stripe	70		1	—	1	1	1	—	—	—	—	—	2806 463
	75 Coils, Painted Yellow, w/Red Stripe	70		—	1	—	1	1	—	—	—	—	—	2806 464
	75 Coils, Painted White	70		—	1	—	1	1	—	—	—	—	—	2951 450
	20 Coils, Painted Green	70		—	1	—	—	—	1	1	1	1	1	3418 817
	36 Coils, Painted Green	70		1	1	1	1	1	1	—	—	—	—	2946 637
	75 Coils, Painted Black, w/Red Stripe	71		1	—	1	—	—	—	—	—	—	—	2806 463
	19 Coils, Painted Black			—	1	—	1	1	—	—	—	—	—	2536 453
	36 Coils, Painted Green	71		1	1	1	1	1	1	1	1	1	1	2946 637

CARLINES J - Challenger V - Voltant R - Belvedere - Satellite P - Plymouth C - Chrysler
 B - Barracuda L - Dart W - Coronet - Charger D - Dodge Y - Imperial

AR Indicates use as required.

Numerals in parentheses () refer to notes.

Printed in U.S.A.
January 1972

Indicates parts not listed in any previous parts book.

★ Indicates change or addition.

CODE	PART NAME	ENG. TYPE OR CU.IN.	V	B	L	R	W	P	D	C	C	C	Y	PART NUMBER
14-06-0 ACCELERATOR PEDAL OR TRANSMISSION ROD RETURN SPRING Cont'd.														
14-06-10	BRACKET, Pedal Return Spring	70	6	1	1	1	1	1	1	—	—	—	—	3418 816
	w/318 Eng.	70		1	1	1	1	1	1	—	—	—	2806 465	
	w/383 Eng., w/2 bbl. Carb.	70		—	1	—	1	1	1	1	1	—	2806 445	
	w/440 Eng., w/3-2 bbl. Carb.	70		—	1	—	1	1	—	—	—	—	2951 484	
	w/426 Eng., w/2-4 bbl. Carb.	70		—	1	—	1	1	—	—	—	—	2780 586	
	w/383 or 440 Eng., w/A/Cond.	70		—	1	—	1	1	1	1	1	1	2899 962	
	w/426 Eng., Trans. Rod Return Spring	70		—	1	—	1	1	—	—	—	—	2780 587	
		71	6	1	1	1	1	1	1	—	—	—	3418 816	
	w/225 Eng., Export	71	6	1	—	—	—	—	—	—	—	—	2946 638	
	w/318 or 360 Eng.	71		1	1	1	1	1	1	—	—	—	2806 465	
	w/340 Eng. Pedal Return Spring	71		1	1	1	1	1	—	—	—	—	= 3462 736	
	w/340 Eng. Cable Mtg.	71		1	1	1	—	—	—	—	—	—	= 3462 748	
	w/340 Eng., 3-2 bbl. Carb.	71		—	1	—	—	—	—	—	—	—	3577 508	
	w/383 Eng., w/2 bbl. Carb.	71		—	1	—	1	1	1	1	1	—	2806 445	
	w/383 or 440 Eng., w/4 bbl. Carb.	71		—	1	—	1	1	1	1	1	1	3418 835	
	w/440 Eng., w/3-2 bbl. Carb.	71		—	1	—	1	1	—	—	—	—	2951 484	
	w/426 Eng., w/2-4 bbl. Carb.	71		—	1	—	1	1	—	—	—	—	2780 586	
	w/426 Eng., Trans. Rod Return Spring	71		—	1	—	1	1	—	—	—	—	2780 587	

14-07-0 ACCELERATOR PEDAL TO ACCELERATOR SHAFT ROD SPRING

14-07-15	SPRING			1	1	1	—	—	1	1	1	1	1	2899 354
----------	--------	--	--	---	---	---	---	---	---	---	---	---	---	----------

14-11-0 ACCELERATOR SHAFT

14-11-1	SHAFT, w/BRACKET			1	—	1	—	—	—	—	—	—	—	2946 684
		70		—	1	—	—	—	—	—	—	—	—	2951 477
		70		—	—	1	1	—	—	—	—	—	—	2780 843
		71		—	1	—	1	—	—	—	—	—	—	3577 532
				—	—	—	—	1	1	1	1	1	1	2946 688
14-11-3	CLIP, B/Crank to Carb. Rod			1	1	1	1	1	1	—	—	—	—	2946 640
	Carb. Lever to Trans. Rod			1	—	1	1	—	—	—	—	—	—	2899 360
	B/Crank to Trans. Rod	71	340	1	1	1	1	—	—	—	—	—	—	2899 360
			426	—	1	—	1	—	—	—	—	—	—	2899 360
	Lever to B/Crank Rod	71	426	—	1	—	1	—	—	—	—	—	—	2899 361
	Rod End, w/318 & 340 Eng.	71		1	1	1	1	—	—	—	—	—	—	2899 361
	B/Crank to Trans. Rod		318	—	—	1	1	—	—	—	—	—	—	2899 360
	Carb. Lever to B/Crank Rod		426	—	1	—	1	—	—	—	—	—	—	2899 361
	Carb. to Cable Mtg. Brkt. Lever Rod		426	—	1	—	1	—	—	—	—	—	—	2899 360
	Trans. B/Crank to Trans. Rod, w/383, 426, 440, Eng.			—	1	—	1	—	—	—	—	—	—	2899 360
14-11-9	ROD, Eng. B/Crank to Carb.		6	1	1	1	1	1	1	—	—	—	—	3418 828
	Eng. B/Crank to Carb., EXPORT	71	6	1	1	1	—	—	—	—	—	—	—	2946 639
	ROD, Carb. Front, w/3-2 bbl. Carb.		340, 440	—	1	—	1	—	—	—	—	—	—	2951 486
	Rear, w/3-2 bbl. Carb.		340, 440	—	1	—	1	—	—	—	—	—	—	2951 487
	CLIP, Rod Front			—	1	—	1	—	—	—	—	—	—	6008 145
	CLIP, Rod Rear			—	1	—	1	—	—	—	—	—	—	6008 144
	Carb. to Trans., w/3-2 bbl. Carb., Carb. to Trans. w/340 Eng.			—	1	1	1	—	—	—	—	—	—	3577 529
	ENGINE BELL CRANK TO TRANSMISSION ROD													
	w/198 or 225 Eng., w/A904 Trans.		6	1	—	1	—	—	—	—	—	—	—	2946 663
	w/170 Eng., w/A904 Trans., EXPORT	70	6	—	1	—	—	—	—	—	—	—	—	3462 712

CARLINES

J - Challenger
B - Barracuda

V - Valiant
L - Dart

R - Belvedere - Satellite
W - Coronet - Charger

P - Plymouth
D - Dodge

C - Chrysler
Y - Imperial

AR Indicates use as required.

Indicates parts not listed in any previous parts book.

Numerals in parentheses () refer to notes.

★ Indicates change or addition.

Printed in U.S.A.
January 1972

CODE	PART NAME	ENG. TYPE OR CU.IN.	V	B	L	R	W	P	D	C	C	C	Y	PART NUMBER
14-11-0 ACCELERATOR SHAFT Cont'd.														
14-11-9	ROD Cont'd.													
	w/225 Eng., w/A904 Trans., EXPORT	71		1	—	1	—	—	—	—	—	—	—	2946 661
	w/225 Eng., w/A904 Trans., EXPORT	71		—	1	—	—	—	—	—	—	—	—	3462 712
	w/225 Eng., w/A904 Trans.	70	6	—	1	—	—	—	—	—	—	—	—	3418 814
	w/198 or 225 Eng., w/A904 Trans.	71		—	1	—	1	1	—	—	—	—	—	3418 814
	w/225 Eng., w/A904 Trans.	70	6	—	—	—	1	1	—	—	—	—	—	2946 665
	w/225 Eng., w/A727 Trans.	6		—	—	—	1	1	—	—	—	—	—	2946 667
	w/225 Eng., w/A904 Trans.	6		—	—	—	—	—	1	1	—	—	—	2946 669
	w/318 Eng., w/A904 Trans.	71	8	1	—	1	—	—	—	—	—	—	—	2806 467
	TRANSMISSION BELL CRANK TO TRANSMISSION ROD													
	w/318 Eng., w/A727 Trans.	70	8	—	—	—	1	1	—	—	—	—	—	2946 624
	w/318 Eng., w/A904 Trans.	70	8	1	—	1	1	1	—	—	—	—	—	2806 467
	w/340 Eng. w/Auto.	8		1	1	1	1	1	—	—	—	—	—	2863 719
	w/383 Eng., w/727 Trans., w/2 or 4 bbl. Carb.	70	8	—	1	—	1	1	—	—	—	—	—	2899 330
	w/440 Eng., w/A727 Trans.	70	8	—	1	—	1	1	—	—	—	—	—	2899 330
	w/426 Eng.	8		—	1	—	1	1	—	—	—	—	—	2899 330
	CARBURETOR TO TRANSMISSION ROD													
	w/318 Eng., w/A904 Trans.	8		—	1	—	1	1	—	—	—	—	—	3462 760
	w/383 Eng., w/2 bbl. Carb., w/A727 Trans.	8		—	1	—	1	1	—	—	—	—	—	3462 760
	w/318 Eng., w/727 or 904 Trans.	8		—	—	—	—	—	1	1	—	—	—	3462 759
	w/383 Eng., w/2bbl. Carb., w/A727 Trans.	8		—	—	—	—	—	1	1	1	1	1	3462 759
	w/383 Eng., w/4 bbl. Carb., w/A727 Trans.	8		—	—	—	—	—	1	1	1	1	1	3462 763
	CLIP, Rod Carb. to Trans. (Order w/3462 763)													6029 009
	w/440 Eng. w/Auto. Trans.	71	8	—	1	—	1	1	—	—	—	—	—	= 3462 758
	w/360 Eng.	71	8	—	—	—	—	—	1	1	1	1	1	= 3462 764
	w/440 Eng., w/3-2 bbl. Carb., w/A727 Trans.			—	1	—	1	1	—	—	—	—	—	3577 529
	w/440 Eng., Sta. Wgn. and Y, All	8		—	—	—	—	—	—	—	—	1	1	3462 761
	CARBURETOR TO CABLE MOUNTING BRACKET LEVER ROD													
	w/318 Eng., w/A904 Trans.	8		1	—	1	—	—	—	—	—	—	—	2806 459
	w/318 Eng., w/A727, A904 Trans.	8		—	—	—	1	1	—	—	—	—	—	2806 459
	w/383 Eng., w/2 bbl. Carb., w/A727 Trans.	8		—	—	—	1	1	—	—	—	—	—	2899 356
	w/383 or 440 Eng., w/4 bbl. Carb., w/A727 Trans.	8		—	1	—	1	1	—	—	—	—	—	2899 358
	w/426 Eng., w/A727 Trans.	8		—	1	—	1	1	—	—	—	—	—	2780 599
	w/440 Eng., w/3-2 bbl. Carb., w/A727 Trans.	8		—	1	—	1	1	—	—	—	—	—	2951 493
	CABLE MOUNTING BRACKET TO TRANSMISSION BELL CRANK													
	w/318 Eng., w/A904 Trans.	8		1	—	1	—	—	—	—	—	—	—	2780 838
	w/318 Eng., w/A727 Trans.	8		—	—	—	1	1	—	—	—	—	—	2863 744
	w/318 Eng., w/A904 Trans.	8		—	—	—	1	1	—	—	—	—	—	2843 740
	w/340 Eng., w/Auto. Trans.	8		1	1	1	1	1	—	—	—	—	—	= 3462 738
	w/383 Eng., w/4 bbl. Carb., w/A727 Trans.	8		—	1	—	—	—	—	—	—	—	—	2843 797
	w/383 Eng., w/2 or 4 bbl. Carb., w/A727 Trans.	8		—	—	—	1	1	—	—	—	—	—	2843 797
	w/426 Eng., All Trans.	8		—	1	—	1	1	—	—	—	—	—	2899 332

CARLINES

J - Challenger
B - BarracudaV - Valiant
L - DartR - Belvedere - Satellite
W - Coronet - ChargerP - Plymouth
D - DodgeC - Chrysler
Y - Imperial

AR Indicates use as required.

Indicates parts not listed in any previous parts book.

Numerals in parentheses () refer to notes.

★ Indicates change or addition.

Printed in U.S.A.
January 1972

CODE	PART NAME	ENG. TYPE OR CU.IN.	V	B	L	R	W	P	D	C	C	C	Y	PART NUMBER
			1-2	1-2	1-2	1-2	1-2	1-2	1-2	1	2	3	1	
14-11-0 ACCELERATOR SHAFT Cont'd.														
14-11-9	ROD Cont'd. w/440 Eng., w/4 bbl. Carb., w/Auto. Trans.	8	—	1	—	1	1	—	—	—	—	—	—	2843 793
	w/440 Eng., w/3-2 bbl. Carb., w/Auto. Trans.	8	—	1	—	1	1	—	—	—	—	—	—	2951 495
14-11-18	LINK, Eng. B/Crank to Carb. Rod Adjusting Carb. to Cable Mtg. Brkt. Lever Rod Adjusting, Except 426 Eng.	6	1	1	1	1	1	1	1	—	—	—	—	2946 648
	Carb. to Cable Mtg. Brkt. Lever Rod Adjusting, w/318 or 340 Eng.	71	1	1	1	1	1	—	—	—	—	—	—	2806 442
	Carb. to Cable Mtg. Brkt. Lever Rod Adjusting, w/426 Eng.	8	—	1	—	1	1	—	—	—	—	—	—	2843 776
	Carb. to Trans. Rod Adjusting, Except 426 Eng.	70	8	—	1	—	—	1	1	1	1	1	1	2468 744
		71	—	1	—	1	1	1	1	1	1	1	1	3418 809
														= 3512 695
14-11-20	BRACKET, Accelerator Shaft	70	—	1	—	—	—	—	—	—	—	—	—	2951 477
		71	—	1	—	1	1	—	—	—	—	—	—	2951 477
	Solenoid Mtg. w/426		—	1	—	1	1	—	—	—	—	—	—	3418 804
14-11-29	BUSHING, Shaft Brkt.	70	—	2	—	—	—	2	2	2	2	2	2	2899 351
		71	—	2	—	2	2	2	2	2	2	2	2	2899 351
14-11-31	PLUG, Shaft		1	1	1	1	1	1	1	1	1	1	1	3418 847
14-11-39	ROLLER, Shaft	70	—	—	—	1	1	—	—	—	—	—	—	2780 808
	CLIP	70	—	—	—	1	1	—	—	—	—	—	—	6023 285
	WASHER	70	—	—	—	1	1	—	—	—	—	—	—	120 392
14-11-40	STUD, Carb. Lever, w/3-2 bbl. Carb. w/340 Eng.	440	—	1	—	1	1	1	—	—	—	—	—	2951 485
		71	1	1	1	1	1	1	—	—	—	—	—	2951 485
	CLIP	440	—	1	—	1	1	1	—	—	—	—	—	6023 285
	NUT	440	—	1	—	1	1	1	—	—	—	—	—	6028 699
	WASHER	440	—	1	—	1	1	1	—	—	—	—	—	6025 050
	STUD, Carb. Lever	426	—	1	—	1	1	—	—	—	—	—	—	3462 701
	CLIP	426	—	2	—	2	2	—	—	—	—	—	—	6023 285
	NUT	426	—	1	—	1	1	—	—	—	—	—	—	6028 699
	WASHER	426	—	1	—	1	1	—	—	—	—	—	—	6025 050
	STUD, CARB. Lever, w/Man. Trans., Except 426 Eng.	8	1	1	1	1	1	1	1	1	1	1	—	3418 899
	STUD, Carb. Lever, w/Auto Trans., Except 426 Eng.	8	1	1	1	1	1	1	1	1	1	1	1	3418 900
	CLIP	8	1	1	1	1	1	1	1	1	1	1	1	6023 285
	NUT	8	1	1	1	1	1	1	1	1	1	1	1	6028 699
	WASHER	8	1	1	1	1	1	1	1	1	1	1	1	6025 050
14-11-48	SEAL, Shaft Bracket		1	—	1	—	—	—	—	—	—	—	—	2806 408
		70	—	AR	—	—	—	—	—	—	—	—	—	1242 974
			—	—	—	1	1	—	—	—	—	—	—	2780 849
			—	—	—	—	—	1	1	1	1	1	1	2899 353
			—	1	—	1	1	1	1	1	1	1	1	3418 807

14-13-0 THROTTLE LINKAGE BALL STUD

14-13-1	BALL STUD, Carb. Lever	6	1	—	1	1	1	—	—	—	—	—	—	2268 420
14-13-3	CLIP, Throttle Linkage Rod		AR	AR	AR	AR	AR	—	—	—	—	—	—	2121 571
14-13-5	RETAINER, Throttle Linkage B/Joint Carb. to Trans. Rod	8	1	1	1	1	1	—	—	—	—	—	—	1945 197
			—	1	—	1	1	1	1	1	1	1	1	3418 808

14-14-0 THROTTLE CONTROL BELL CRANK

14-14-1	BELL CRANK, w/318 Eng., w/A904 Trans.	8	1	—	1	—	—	—	—	—	—	—	—	2806 466
	w/318 Eng., w/A727 or A904 Trans.	70	8	—	—	1	1	—	—	—	—	—	—	2806 466
	w/340 Eng.		1	1	1	—	—	—	—	—	—	—	—	2863 718
	w/383 Eng., w/4 bbl. Carb., w/A727 Trans.	8	—	1	—	—	—	—	—	—	—	—	—	2951 496

CARLINES J - Challenger V - Valiant
B - Barracuda L - Dart

R - Belvedere - Satellite
W - Coronet - Charger

P - Plymouth
D - Dodge

C - Chrysler
Y - Imperial

AR Indicates use as required.

Indicates parts not listed in any previous parts book.

Numerals in parentheses () refer to notes.

★ Indicates change or addition.

Printed in U.S.A.
January 1972

CODE	PART NAME	ENG. TYPE OR CU.IN.	V	B J	L	R	W	P	D	C	C	C	Y	PART NUMBER
14-14-0 THROTTLE CONTROL BELL CRANK Cont'd.														
14-14-1	BELL CRANK Cont'd.													
	w/440 Eng., w/3-2 bbl. Carb., w/Auto. Trans.	8	—	1	—	—	—	—	—	—	—	—	—	2951 496
	w/383 or 440 Eng., w/A727 Trans.	8	—	—	—	1	1	—	—	—	—	—	—	2843 794
	w/426 Eng., w/A727 Trans.	70	8	—	—	1	1	—	—	—	—	—	—	2536 266
	w/426 Eng.	71	—	1	—	1	1	—	—	—	—	—	—	2536 266
14-14-12	BRACKET, w/B/Crank	Partial	6	1	1	1	1	1	1	1	—	—	—	3418 843
		Complete	6	1	1	1	1	1	1	1	—	—	—	3418 842
14-14-20	STUD, Trans. B/Crank	70	8	1	1	1	1	1	—	—	—	—	—	2658 286
	B/Crank	71	—	1	1	1	1	—	—	—	—	—	—	= 3462 745
	CLIP	70	8	1	1	1	1	—	—	—	—	—	—	6027 983
	WASHER	70	8	1	1	1	1	—	—	—	—	—	—	120 394
14-14-26	BLOCK, Eng. B/Crank to Trans. Rod Adjusting Link Retainer		6	1	1	1	1	1	1	—	—	—	—	2899 316
14-15-0 CARBURETOR INTERCONNECTING ROD														
14-15-3	ROD, w/426 Eng.	8	—	1	—	1	1	—	—	—	—	—	—	1825 924
	NUT	8	—	1	—	1	1	—	—	—	—	—	—	120 367
14-15-6	SWIVEL, Front	8	—	1	—	1	1	—	—	—	—	—	—	2899 396
	Rear	8	—	1	—	1	1	—	—	—	—	—	—	3418 806
	NUT	8	—	1	—	1	1	—	—	—	—	—	—	120 375
14-15-10	ROD END, Front	8	—	1	—	1	1	—	—	—	—	—	—	1634 876
	Rear	8	—	1	—	1	1	—	—	—	—	—	—	3418 848
14-24-0 FAST IDLE CABLE														
14-24-1	CABLE	71	—	—	—	1	1	—	—	—	—	—	—	3577 516
		70	—	—	—	1	1	—	—	—	—	—	—	2899 393
			—	—	—	—	—	1	1	—	—	—	—	2946 621
	NUT		—	—	—	1	1	1	1	—	—	—	—	124 930
	WASHER		—	—	—	1	1	1	1	—	—	—	—	138 498
14-24-4	COLLAR, Cable		—	—	—	1	1	1	1	—	—	—	—	2536 847
14-24-6	BRACKET, Cable Mtg.	71	—	—	—	1	1	—	—	—	—	—	—	3577 518
		70	—	—	—	1	1	—	—	—	—	—	—	2899 395
			—	—	—	—	—	1	1	—	—	—	—	2946 619
	SCREW		—	—	—	2	2	2	2	—	—	—	—	9414 598
14-24-13	CABLE Assy. & Stop	70	—	1	—	1	1	1	1	1	1	—	—	= 3549 321
14-24-17	LEVER, Fast Idle Adjusting		—	—	—	—	—	1	1	—	—	—	—	2946 620
			—	—	—	1	1	—	—	—	—	—	—	3577 517
14-25-0 THROTTLE CONTROL CABLE														
14-25-5	CLIP, Cable Mtg., on Mtg. Brkt. at Fire Wall		1	1	1	1	1	1	1	1	1	1	1	2402 210
	NUT		—	1	—	1	1	—	—	—	—	—	—	3462 725
			1	1	1	1	1	1	1	1	1	1	1	120 375
14-25-11	CABLE, w/198 or 225 Eng.	6	1	—	1	—	—	—	—	—	—	—	—	2899 335
	w/225 Eng.	6	—	1	—	1	1	—	—	—	—	—	—	3418 836
	w/225 Eng.	6	—	—	—	1	1	—	—	—	—	—	—	2843 748
	w/225 Eng., EXPORT	6	—	—	—	1	1	—	—	—	—	—	—	2843 771
	w/225 Eng.	6	—	—	—	—	—	1	1	—	—	—	—	2946 700
	w/318, 340 Eng.	8	1	—	1	—	—	—	—	—	—	—	—	2899 336
	w/225 & 318 Eng.	71	1	—	1	—	—	—	—	—	—	—	—	2899 336
	w/318 Eng.	70	8	—	1	—	—	—	—	—	—	—	—	3418 837
	w/318 Eng., 225	71	—	1	—	1	1	—	—	—	—	—	—	3418 837
	w/318 Eng.	70	8	—	—	1	1	—	—	—	—	—	—	2843 749
	w/318 Eng.	8	—	—	—	—	—	1	1	—	—	—	—	2951 455
	w/340 Eng.		—	1	—	—	—	—	—	—	—	—	—	3462 719
	w/340 or 440 Eng., w/6 Pack		—	1	—	—	—	—	—	—	—	—	—	3418 840
	w/340 Eng.	71	1	—	1	—	—	—	—	—	—	—	—	3577 523
	w/340 Eng.	71	—	1	—	1	1	—	—	—	—	—	—	3577 525

CARLINES J - Challenger
B - Barracuda

V - Valiant
L - Dart

R - Belvedere - Satellite
W - Coronet - Charger

P - Plymouth
D - Dodge

C - Chrysler
Y - Imperial

AR Indicates use as required.

≠ Indicates parts not listed in any previous parts book.

Numerals in parentheses () refer to notes.

★ Indicates change or addition.

Printed in U.S.A.
January 1972

CODE	PART NAME	ENG. TYPE OR CU.IN.	V	B	L	R	W	P	D	C	C	C	Y	PART NUMBER
14-25-0 THROTTLE CONTROL CABLE Cont'd.														
14-25-11	CABLE Cont'd.													
	w/383 Eng., w/2 or 4 bbl. Carb.	70	8	—	1	—	—	—	—	—	—	—	—	3418 839
	w/383 or 440 Eng.			—	1	—	1	1	—	—	—	—	—	3418 839
	w/440 Eng., w/3-2 bbl. Carb.	70	8	—	1	—	—	—	—	—	—	—	—	3418 840
	w/426 Eng., w/2-4 bbl. Carb.	70	8	—	1	—	—	—	—	—	—	—	—	3418 841
	w/383 Eng., w/2 bbl. Carb.	70	8	—	—	—	1	1	—	—	—	—	—	2899 338
	w/383 or 440 Eng., w/4 bbl. Carb.	70	8	—	—	—	1	1	—	—	—	—	—	2899 339
	w/440 Eng., w/3-2 bbl. Carb.	70	8	—	—	—	1	1	—	—	—	—	—	3418 846
	w/340 or 440 Eng., w/3-2 bbl. Carb.	71		—	1	—	1	1	—	—	—	—	—	3418 840
	w/360 Eng.	71		—	—	—	—	1	1	—	—	—	—	3577 524
	w/426 Eng., w/2-4 bbl. Carb.	70	8	—	—	—	1	1	—	—	—	—	—	2843 751
	w/426 Eng., w/2-4 bbl. Carb.	71		—	1	—	1	1	—	—	—	—	—	3418 841
	w/383 Eng., w/2 or 4 Bbl. Carb.		8	—	—	—	—	1	1	1	1	1	—	2951 459
	w/440 Eng., w/4 bbl. Carb.		8	—	—	—	—	1	1	1	1	1	1	2951 459
14-25-12	PIN, Cable		6	1	1	1	1	1	1	1	—	—	—	2264 706
	WASHER, Throttle Ctrl. Cable			1	—	1	1	1	1	1	1	1	1	1551 030
14-25-13	CLIP, Cable Retainer			1	1	1	1	1	1	1	1	1	1	6027 155
14-25-17	INSULATOR, Cable Sound			1	—	1	1	1	1	1	1	1	1	2465 486

14-26-0 THROTTLE CONTROL CABLE MOUNTING BRACKET

14-26-6	BRACKET, w/318 Eng.			1	—	1	—	—	—	—	—	—	—	3462 770
	w/318 Eng., w/Man. Trans.	70		—	—	—	1	1	—	—	—	—	—	3418 829
	w/318 Eng., w/Man. or Auto. Trans.	71		—	1	—	1	1	1	1	—	—	—	3418 829
	w/318 Eng., w/Auto. Trans.	70		—	—	—	1	1	—	—	—	—	—	2780 832
	w/318 Eng., w/Man. or Auto. Trans.	70		—	1	—	—	1	1	—	—	—	—	3418 829
	w/340 Eng., All Trans.			1	1	1	1	1	—	—	—	—	—	# 3462 741
	w/360 Eng., All Trans.			—	—	—	—	1	1	1	—	—	—	3462 766
	w/340 Eng., w/3-2 bbl. Carb.	71		—	1	—	—	—	—	—	—	—	—	3577 506
	w/383 Eng., w/2 bbl. Carb., w/Man. or Auto. Trans.			—	1	—	1	1	1	1	1	1	—	3418 810
	w/383 Eng., w/2 bbl. Carb., w/Auto. Trans.	70		—	—	—	1	1	—	—	—	—	—	3418 820
	w/383 Eng., w/4 bbl. Carb., w/Man. Trans.	70		—	1	—	1	1	—	—	—	—	—	2863 704
	w/383 Eng., w/4 bbl. Carb., w/Auto. Trans.	70		—	1	—	1	1	—	—	—	—	—	2863 703
	w/440 Eng., w, 4 bbl. Carb., w/Man. or Auto. Trans.	70		—	1	—	1	1	—	—	—	—	—	2780 876
	w/440 Eng., w/4 bbl. Carb., w/Auto. Trans.	71		—	—	—	1	1	1	1	1	1	1	3418 826
	w/440 Eng., w/3-2 bbl. Carb.	71		—	1	—	1	1	—	—	—	—	—	3462 705
	w/440 Eng., w/3-2 bbl. Carb., w/Auto. Trans.			—	1	—	1	1	—	—	—	—	—	2951 489
	w/426 Eng., w/Man. or Auto. Trans.			—	1	—	1	1	—	—	—	—	—	3577 514
	Cable Mtg. w/426 Eng.			—	1	—	1	1	—	—	—	—	—	2780 589
	w/440 Eng., w/3-2 bbl. Carb., w/Auto. Trans.	70		—	—	—	—	1	—	—	—	—	—	3462 705
	w/383 Eng., w/4 bbl. Carb., w/Auto. Trans.			—	1	—	1	1	1	1	1	1	—	3418 824
	w/440 Eng., w/4 bbl. Carb., w/Auto. Trans.	70		—	—	—	—	1	1	1	1	1	1	3418 826
14-26-11	LEVER, Cable Mtg. Brkt., w/318 Eng.	70		1	—	1	—	—	—	—	—	—	—	2780 835
	w/318 or 340 Eng.	71		1	1	1	1	1	—	—	—	—	—	2780 835
	w/318, 383, 440, Eng.			—	1	—	1	1	—	—	—	—	—	2465 413
	w/426 Eng.			—	1	—	1	1	—	—	—	—	—	2899 334

CARLINES J - Challenger B - Barracuda V - Valiant L - Dart

R - Belvedere - Satellite W - Coronet - Charger

P - Plymouth D - Dodge

C - Chrysler f - Imperial

AR Indicates use as required.

Indicates parts not listed in any previous parts book.

Numerals in parentheses () refer to notes.

★ Indicates change or addition.

Printed in U.S.A. January 1972

CODE	PART NAME	ENG. TYPE OR CU.IN.	V	B	L	R	W	P	D	C	C	C	Y	PART NUMBER
			1-2	1-2	1-2	1-2	1-2	1-2	1-2	1	2	3	1	
14-29-0 CARBURETOR AIR CLEANER														
14-29-2	AIR CLEANER, Dry Type, Domestic	318	1	1	1	1	1	1	1	—	—	—	—	2951 675
	Dry Type, Export	318	1	—	1	—	—	—	—	—	—	—	—	2951 391
	Oil Bath, Export	318	—	—	—	1	1	1	1	—	—	—	—	2946 104
	Oil Bath, Export	225	1	—	1	1	1	1	—	—	—	—	—	2658 375
	440 Eng. w/F/Air		—	—	—	1	1	—	—	—	—	—	—	3418 722
	383 Eng. w/F/Air		—	—	—	1	1	—	—	—	—	—	—	3418 723
14-29-4	GASKET, A/Cleaner Cover, w/198													
	or 225 Eng.	6	1	1	1	1	1	1	1	—	—	—	—	2951 790
	w/318 Eng.	8	1	1	1	1	1	1	1	—	—	—	—	2402 129
	w/383 or 440 Eng.	70	8	—	1	—	1	1	1	1	1	1	1	2536 016
	w/340, 360, 383, 440 Eng.	71	1	1	1	1	1	1	1	1	1	1	1	2536 016
14-29-5	GASKET, A/Cleaner to Carb.	6	1	1	1	1	1	1	1	—	—	—	—	1947 797
	w/318 or 340 Eng.	70	8	1	1	1	1	1	1	—	—	—	—	2536 626
	w/318 Eng.	71	1	1	1	1	1	1	1	—	—	—	—	2536 626
	w/360, 383 Eng., w/2 bbl. Carb.	71	—	1	—	1	1	1	1	1	1	1	—	1821 170
	w/383 Eng., w/2 bbl. Carb.	70	8	—	1	—	1	1	1	1	1	1	—	1821 170
	w/383 or 440 Eng. w/4 bbl. Carb.	70	8	—	1	—	1	1	1	1	1	1	1	2843 071
	w/340, 383, 440 Eng., w/4 bbl. Carb.	71	1	1	1	1	1	1	1	1	1	1	1	2843 071
	w/426 Eng.	8	—	1	—	1	1	—	—	—	—	—	—	1821 170
	w/440 Eng., w/3-2 bbl. Carb.	70	8	—	1	—	1	1	—	—	—	—	1	3462 205
	w/340 or 440 Eng., w/3-2 bbl. Carb.	71	—	1	—	1	1	1	—	—	—	—	—	3462 205
14-29-6	FILTER	6	1	1	1	1	1	1	1	—	—	—	—	2206 376
	w/198, 225 Eng., Export	6	—	—	1	—	—	—	—	—	—	—	—	1851 493
	w/318 Eng.	8	1	1	1	1	1	1	1	—	—	—	—	1739 547
	w/340 Eng. w/6 bbl. Carb.		—	1	—	1	1	—	—	—	—	—	—	2946 186
	w/4 bbl. Carb.		—	1	—	1	1	—	—	—	—	—	—	2863 349
	w/383 & 360 Eng.		—	1	—	1	1	1	1	1	1	1	—	2863 349
	w/426 Eng.		—	1	—	1	1	—	—	—	—	—	—	2946 186
	w/440 Eng. w/S/Snorkel		—	—	—	—	—	1	1	1	1	1	1	2402 677
	w/D/Snorkel		—	—	—	1	1	1	1	1	1	1	1	2863 349
	w/6 bbl. Carb.		—	1	—	1	1	—	—	—	—	—	—	2946 186
14-29-7	COVER, Air Cleaner, Domestic	6	1	1	1	1	1	1	1	—	—	—	—	2951 789
	Export	6	1	1	—	1	1	1	—	—	—	—	—	2463 932
	Export	71	6	—	—	1	—	—	—	—	—	—	—	2843 088
	w/340, 383 Eng., w/2 or 4 bbl. Carb.	70	8	1	1	1	1	1	1	—	—	—	—	2951 757
	w/340, 360, 383, 440 Eng., w/2 or 4 bbl. Carb.	71	1	1	1	1	1	1	1	1	1	1	1	2951 757
	w/426 Eng.	8	—	1	—	1	1	—	—	—	—	—	—	2946 188
	w/440 Eng., w/3-2 bbl. Carb.	70	8	—	1	—	1	—	—	—	—	—	—	2946 393
	w/340 or 440 Eng., w/3-2 bbl. Carb.	71	—	1	—	1	1	1	—	—	—	—	—	2946 393
	w/340, 383, 440 Eng., w/4 bbl. Carb., w/Fresh Air	70	8	1	—	1	1	—	—	—	—	—	—	3418 707
	w/3-2 Bbl. Carb., w/340 or 440 Eng.	70	—	1	—	1	1	1	—	—	—	—	—	2946 393
	w/340, 383, 440 Eng., w/4 bbl. Carb.	71	—	1	—	1	1	—	—	—	—	—	—	3418 707
	w/440 Eng.	70	8	—	—	—	—	—	—	1	1	1	1	2951 757
	Chrome w/426 Eng., Decal		—	1	—	1	1	—	—	—	—	—	—	2658 852
	w/Fiber Glass Hood, J	71	—	1	—	—	—	—	—	—	—	—	—	3577 396
	w/340 or 440 Eng., w/3-2-bbl. Carb., w/Fiber Glass Hood	71	—	1	—	—	—	—	—	—	—	—	—	3577 395
14-29-8	NAMEPLATE, A/Cleaner, 383 Road Runner		—	—	—	1	—	—	—	—	—	—	—	2946 174
	383 - 4 Barrel	70	—	1	—	1	1	1	1	1	1	1	—	2863 346
	440 Super-Commando, w/Flags		—	1	—	1	—	1	—	—	—	—	—	2843 768

CARLINES

J - Challenger
B - BarracudaV - Valiant
L - DartR - Belvedere - Satellite
W - Coronet - ChargerP - Plymouth
D - DodgeC - Chrysler
Y - Imperial

AR Indicates use as required.

Indicates parts not listed in any previous parts book.

Numerals in parentheses () refer to notes.

★ Indicates change or addition.

Printed in U.S.A.
January 1972

CODE	PART NAME	ENG. TYPE OR CU.IN.	V	B	L	R	W	P	D	C	C	C	Y	PART NUMBER
14-29-0 CARBURETOR AIR CLEANER Cont'd.														
14-29-8	NAME PLATE Cont'd.													
	440 - Magnum			1			1		1					2843 767
	Imperial	70											1	2843 769
	340 - 4 Barrel		1	1	1	1	1							2863 339
	383 Super Commando													2863 343
	Chrysler 440 TNT									1	1	1		2899 091
	383 Magnum			1		1	1	1	1	1	1	1		2951 767
	DECAL, A/Cleaner Instruction, 383, 426, 440, Eng.	8		1		1	1	1						2951 355
14-29-9	RETAINER, B	70	426		1									3418 652
	w/Non-Functional Air Scoop, J	70	426		1			1						3418 715
	w/Functional Air Scoop	70	426				1	1						3418 686
	w/Non-Functional Air Scoop, w/3-2 bbl. Carb.	70	440		1		1	1						3418 717
	w/Functional Air Scoop, w/3-2 bbl. Carb., B	70	440		1									2946 394
	w/Functional Air Scoop, w/3-2 bbl. Carb.	70	440				1							2946 389
	w/3-2 Bbl. Carb., w/340 or 440 Eng.	70			1		1	1						3418 717
	4 Bbl. Carb. w/F/Air	70			1		1							3512 765
	w/E.C.S.	71	340		1									3512 764
	w/3-2 bbl. Carb., w/340 or 440 Eng., w/Fiber Glass Hood, J	71			1									3577 385
	w/4 bbl. Carb., w/Fresh Air	71	383		1									3462 485
	w/2-4 bbl. Carb., w/o Fiber Glass Hood	71	426		1									3577 354
	w/2-4 bbl. Carb., w/Non-Functional, Air Scoop, J	426			1									3577 464
	w/2-4 bbl. Carb., w/Fiber Glass Hood, J	71	426		1									3577 394
	w/4 bbl. Carb., w/o Fiber Glass Hood	71	440		1									3462 484
	w/3-2 Carb., w/o Fiber Glass Hood, w/Functional Air Scoop	71	440		1									2946 394
	w/2-4 bbl. Carb.	71	426				1	1						3577 357
	w/4 bbl. Carb., w/Fresh Air	71	440				1	1						3418 709
	w/3-2 bbl. Carb., w/Functional Air Scoop	71	440				1	1						2946 389
	w/3-2 bbl. Carb., w/Non-Functional Air Scoop, w/340 or 440 Eng., J	71			1									3418 717
	w/3-2 bbl. Carb., w/Non-Functional Air Scoop, B	71	440		1		1	1						3418 717
14-29-11	CAP, A/Cleaner Nipple, w/225 or 318 Eng. Export			1		1	1	1						2465 764
14-29-12	SUPPORT, Filter Retainer, w/Fresh Air	71	383		1									3512 788
		71	440		1									3512 789
14-29-15	CLAMP, w/198 or 225 Eng. w/318 Eng.			1	1	1	1	1	1					2951 394
	w/198 or 225 Eng., Export			1		1		1						2264 116
	w/318 Eng., Export	70		1	1	1	1	1	1					2658 387
14-29-19	BODY, A/Cleaner, w/198 or 225 Eng.	71		1	1	1	1	1	1					3512 796
	NOTE: For Field Instal. Pwr. Br. Booster 6 cyl., use A/Clnr. Body 3614 932 Val. & Dart all models.													
	Body w/Sensor	6		1	1	1	1	1	1					2951 786
	w/383 Eng., w/2 bbl. Carb., Export	70			1		1	1	1	1	1	1		2951 390
	w/383 Eng., w/2 bbl. Carb.	70			1		1	1	1	1	1	1		2951 761
	w/383 or 440 Eng., w/4 bbl. Carb.	70			1		1	1	1					2951 765
	w/440 Eng., Except Sta. Wgn.	70								1	1	1	1	2951 755

CARLINES J - Challenger B - Barracuda V - Valiant L - Dart R - Belvedere - Satellite W - Coronet - Charger P - Plymouth D - Dodge C - Chrysler Y - Imperial

AR Indicates use as required. Numerals in parentheses () refer to notes. Printed in U.S.A. January 1972
 # Indicates parts not listed in any previous parts book. ★ Indicates change or addition.

CODE	PART NAME	ENG. TYPE OR CU.IN.	V	B	L	R	W	P	D	C	C	C	Y	PART NUMBER
			1-2	1-2	1-2	1-2	1-2	1-2	1-2	1	2	3	1	
14-29-0 CARBURETOR AIR CLEANER Cont'd.														
14-29-19	BODY Cont'd.													
	w/383 or 440 Eng., w/4 bbl. Carb. Sta. Wgn.	70	—	—	—	—	—	—	—	—	—	—	1	2951 765
	w/198 or 225 Eng. (w/out Sensor)	71	1	1	1	1	1	1	1	—	—	—	—	3512 774
	w/340 Eng., w/340 Eng. w/F/Glass Hood J		1	1	1	1	1	—	—	—	—	—	—	3462 467
	w/383 Eng. w/F/Glass Hood J		—	1	—	—	—	—	—	—	—	—	—	3577 457
	w/360, 383 Eng., w/2 bbl. Carb.	71	—	1	—	1	1	1	1	1	1	1	—	3577 470
	w/383 Eng., w/2 bbl. Carb., Export	71	—	1	—	1	1	1	1	1	1	1	—	3512 792
	w/383 or 440 Eng., w/4 bbl. Carb.	71	—	1	—	1	1	1	1	1	1	1	—	3577 467
	w/440 Eng., w/4 bbl. Carb., w/Std. Cam	71	—	—	—	—	—	—	—	1	1	1	1	3577 376
14-29-24	HOSE, Filter Retainer Drain, w/Fresh Air, w/383 or 440 Eng. Crankcase Vent to A/Clnr.	9" lg. Export 6	1	—	1	—	1	—	—	—	—	—	—	2825 417
	HOSE, Temp. Sensor or Vacuum Tee		AR	AR	AR	AR	AR	AR	AR	AR	AR	AR	AR	2951 800
14-29-26	CLIP, A/Cleaner to Exhaust Manifold Heat Tube	426	—	1	—	1	1	—	—	—	—	—	—	2780 653
	Vacuum Hose Routing		—	1	—	1	1	1	1	1	1	1	1	2951 371
14-29-28	PLATE, Filter Support, w/225 & 198 Eng., Export	6	1	—	1	—	1	—	—	—	—	—	—	2264 115
14-29-33	STUD, A/Cleaner to Carb.	8	1	1	1	1	1	1	1	1	1	1	1	1826 286
14-29-34	DIAPHRAGM, A/Cleaner Snorkel Vacuum		1	1	1	1	1	1	1	1	1	1	1	2951 781
14-29-38	CONNECTOR, Carb. Air Heater to A/Cleaner Snorkel	6&8	1	1	1	1	1	1	1	1	1	1	1	3462 462
	w/6 cyl. Eng., w/Pwr. Brakes	71	6	1	—	1	—	—	—	—	—	—	—	= 3577 808
	w/6 cyl. Eng., w/Pwr. Brakes w/Std. Trans.	71	6	—	—	—	—	1	1	—	—	—	—	= 3577 808
	CLIP, A/Clnr. to Exh. Manif. Heat Tube (Canada)		—	—	1	—	—	—	—	—	—	—	—	2658 238
14-29-41	STRAP, A/Cleaner Retainer to Carb. Ground, w/426 or 440 Eng., w/Fresh Air	71	8	—	1	—	—	—	—	—	—	—	—	3512 531
	Warm Air Door Mtg. Plate to Adapter Ground, w/Fresh Air	71	8	—	1	—	—	—	—	—	—	—	—	3512 532
	Fresh Air Door Mtg. Plate to Warm Air Door Mtg. Plate Ground, w/Fresh Air	71	8	—	1	—	—	—	—	—	—	—	—	3512 533
14-29-42	FOOT, A/Clnr. Filter Ret. Supt. Brkt.	3" lg. 1 1/2" lg.	—	1	—	—	—	—	—	—	—	—	—	3418 693
	Filter Retainer to Cyl. Hd.	340	—	1	—	—	—	—	—	—	—	—	—	3418 694
14-29-43	TEE, Vacuum	8	—	1	—	1	1	1	1	1	1	1	—	3512 756
14-29-46	NUT, A/Cleaner Temp. Sensor		2	2	2	2	2	2	2	2	2	2	2	2857 908
14-29-47	SEAL, A/Clnr. to Hood J. w/F/A w/3-2 bbl. Carb.		—	1	—	—	—	—	—	—	—	—	—	2197 678
			—	1	—	—	—	—	—	—	—	—	—	= 3577 461
14-29-53	SENSOR, A/Cleaner Temp.		1	1	1	1	1	1	1	1	1	1	1	= 3577 462
14-29-64	PLATE, Cover w/F/Air J		—	1	—	—	—	—	—	—	—	—	—	3514 168
	PLATE ASSY., Cover w/F/Air		—	1	—	—	—	—	—	—	—	—	—	3577 459
			—	1	—	—	—	—	—	—	—	—	—	3577 387

CARLINES

J - Challenger
B - BarracudaV - Voliant
L - DartR - Belvedere - Satellite
W - Coronet - ChargerP - Plymouth
D - DodgeC - Chrysler
Y - Imperial

AR Indicates use as required.

Indicates parts not listed in any previous parts book.

Numerals in parentheses () refer to notes.

★ Indicates change or addition.

Printed in U.S.A.
January 1972

14-30-0 CARBURETOR

NOTE: The entire line of carburetors for 1970 Chrysler Corporation passenger vehicles is listed on the following chart by vendor number.

Complete replacement assemblies for each vendor identified carburetor are listed in the "Chrysler Carburetor" Column. Components of carburetors, which are available for service are charted on the following pages, beginning with Code 14-30-2.

For quick reference, both the carburetor assemblies and their component listings are identified with the same "Component Chart Reference Number". (see below and on the following pages).

1970 MODELS

14-30-1 CARBURETOR ASSEMBLIES				Carburetor Type		Comp. Chart	
Models	Eng. (cu. in.)	Trans.	Bbl.	Mfg.	Mfg. No.	Ref. No.	Service Carburetor No.
V, L, w/o E. C. S.	198	Man.	1	Carter	4715 S	1	3418 503
V, L, w/o E. C. S.	198	Auto.	1	Carter	4716 S	2	3418 504
V, L, w/E. C. S.	198	Man.	1	Carter	4717 S	3	3418 505
V, L, w/E. C. S.	198	Auto.	1	Carter	4718 S	4	3418 506
V, L, Export	198	Man.	1	Carter	4719 S	5	3418 507
V, L, Export	198	Auto.	1	Carter	4720 S	6	3418 508
V, L, B, J, R, W, P, D, w/o E. C. S.	225	Man.	1	Holley	R4351A	7	3418 511
V, L, B, J, R, W, P, D, w/o E. C. S.	225	Auto.	1	Holley	R4352A	8	3418 512
V, L, B, J, R, W, P, w/E. C. S.	225	Man.	1	Holley	R4353A	9	3418 513
V, L, B, J, R, W, P, w/E. C. S.	225	Auto.	1	Holley	R4354A	10	3418 514
V, L, B, J, R, W, P, Export	225	Man.	1	Holley	R4361A	11	3418 521
V, L, B, J, R, W, P, Export	225	Auto.	1	Holley	R4362A	12	3418 522
R, W, P, Taxi, w/o E. C. S.	225	All	1	Holley	R4355A	13	3418 509
R, W, P, Taxi, w/E. C. S.	225	All	1	Holley	R4363A	14	3418 510
V, L, R, W, Export	225	Man.	2	Carter	4300S	15	2843 101
V, L, R, W, Export	225	Auto.	2	Carter	4301S	16	2843 102
V, L, B, J, R, W, P, D, w/o E. C. S.	318	Man.	2	Carter	4721S	17	3418 515
V, L, B, J, R, W, P, D, w/o E. C. S.	318	Auto.	2	Carter	4722S	18	3418 516
V, L, B, J, R, W, P, D, w/E. C. S.	318	Man.	2	Carter	4723S	19	3418 517
V, L, B, J, R, W, P, D, w/E. C. S.	318	Auto.	2	Carter	4724S	20	3418 518
V, L, B, J, R, W, P, D, Export	318	Man.	2	Carter	4749S	21	3418 539
V, L, B, J, R, W, P, D, Export	318	Auto.	2	Carter	4750S	22	3418 556
V, L, B, J, w/o E. C. S.	340	Man.	4	Carter	4933S	23	3462 968
V, L, B, J, w/o E. C. S.	340	Auto.	4	Carter	4934S	24	3462 969
V, L, B, J, w/o E. C. S., w/A/Cond.	340	Auto.	4	Carter	4935S	25	3462 970
V, L, B, J, w/E. C. S.	340	Man.	4	Carter	4936S	26	3462 971
V, L, B, J, w/E. C. S.	340	Auto.	4	Carter	4937S	27	3462 972
B, J, Front	340	All	2	Holley	R4789A	64	3577 184
B, J, Center	340	Man.	2	Holley	R4791A	65	3577 182
B, J, Center	340	Auto.	2	Holley	4792A	66	3577 183
B, J, Rear	340	All	2	Holley	R4790A	67	3577 185
B, J, R, W, w/o E. C. S., w/Fresh Air	383	Man.	4	Holley	R4736-1A	68	3512 964
B, J, R, W, w/E. C. S., w/Fresh Air	383	Man.	4	Holley	R4738-1A	69	3512 974
B, J, R, W, w/E. C. S., w/Fresh Air	383	Auto.	4	Holley	R4739-1A	70	3512 975
V, L, B, J, R, W, P, D, w/o E. C. S., w/A/COND.	318	Auto.	2	Carter	4895S	71	3462 834
B, J, R, W, P, D, C w/o E. C. S., w/A/Cond.	383	Auto.	2	Carter	4894S	72	3462 835
P, D, C, w/o E. C. S.	383	Man.	2	Carter	4726S	31	3418 527
P, D, C, w/o E. C. S.	383	Man.	2	Carter	4725S	29	3418 526
P, D, C, w/E. C. S.	383	Man.	2	Holley	R4372A	32	3418 532
P, D, C, w/E. C. S.	383	Man.	2	Carter	4727S	33	3418 528
P, D, C, w/E. C. S.	383	Auto.	2	Holley	R4371A	34	3418 531
B, J, R, W, P, D, C, w/o E. C. S., w/o A/Cond.	383	Auto.	2	Carter	4728S	35	3418 529
B, J, R, W, P, D, C, w/A/Cond., w/or w/o E. C. S.	383	Man.	2	Carter	4729S	36	3549 532
P, D, C	383	Man.	2	Carter	4730S	37	3418 560
B, J, R, W, P, D, C, Export	383	Auto.	2	Carter	4730S	37	3418 560
B, J, R, W, w/o E. C. S.	383	Man.	4	Holley	R4367A	38	3418 536
B, J, R, W, w/E. C. S.	383	Man.	4	Holley	R4217A	39	3418 537
B, J, R, W, P, D, C, w/o A/Cond., w/o E. C. S.	383	Auto.	4	Carter	4736S	40	3418 538
B, J, R, W, P, D, C, w/A/Cond., w/o E. C. S.	383	Auto.	4	Carter	4732S	41	3418 540
B, J, R, W, P, D, C, w/E. C. S.	383	Auto.	4	Carter	4734S	42	3418 541
B, J, R, W, w/o A/Cond., w/o E. C. S.	383	Auto.	4	Holley	R4368A	43	3418 542

CARLINES

J - Challenger
B - BarracudaV - Valiant
L - DartR - Belvedere - Satellite
W - Coronet - ChargerP - Plymouth
D - DodgeC - Chrysler
Y - Imperial

AR Indicates use as required.

Indicates parts not listed in any previous parts book.

Numerals in parentheses () refer to notes.

* Indicates change or addition.

Printed in U.S.
January 1970

14-30-0 CARBURETOR Cont'd.

1970 MODELS Cont'd.

Models	Eng. (cu. in.)	Carburetor Type			Mfg. No.	Comp. Chart Ref. No.	Service Carburetor No.
		Trans.	Bbl.	Mfg.			
B,J,R,W, w/o E.C.S., w/o A/Cond. w/F/Air	383	Auto.	4	Holley	R4737-1A	30	3512 965
B, J, R, W, w/E. C. S.	383	Auto.	4	Holley	R4218A	44	3418 543
B, J, R, W, w/A/Cond., w/o E. C. S.	383	Auto.	4	Holley	R4369A	45	3418 562
B, J, R, W, w/o E. C. S.	440	Man.	4	Carter	4737S	46	3418 553
B, J, R, W, w/E. C. S.	440	Man.	4	Carter	4739S	47	3418 555
B, J, R, W, P, Front, w/o E. C. S.	440	All	2	Holley	R4382A	48	3462 845
B, J, R, W, P, Front, w/E. C. S.	440	All	2	Holley	R4175A	49	3418 544
B, J, R, W, P, Center, w/o E. C. S.	440	Man.	2	Holley	R4375A	50	3418 547
B, J, R, W, P, Center, w/E. C. S.	440	Man.	2	Holley	R4374A	51	3418 549
B, J, R, W, P, Center, w/o E. C. S.	440	Auto.	2	Holley	R4376A	52	3418 548
B, J, R, W, P, Center, w/E. C. S.	440	Auto.	2	Holley	R4144A	53	3418 550
B, J, R, W, P, Rear, w/o E. C. S.	440	All	2	Holley	R4383A	54	3462 846
B, J, R, W, P, Rear, w/E. C. S.	440	All	2	Holley	R4365A	55	3462 373
B, J, R, W, Front	426	All	4	Carter	4742S	56	3418 525
B, J, R, W, Rear, w/E. C. S.	426	Man.	4	Carter	4745S	57	3418 523
B, J, R, W, Rear, w/E. C. S.	426	Auto.	4	Carter	4746S	58	3418 524
B, J, R, W, P, D, C, w/o A/Cond., w/o E. C. S.	440	Auto.	4	Carter	4738S	59	3418 554
B, J, R, W, P, D, C, w/A/Cond., w/o E. C. S.	440	Auto.	4	Carter	4741S	60	3418 557
B, J, R, W, P, D, C, w/E. C. S.	440	Auto.	4	Carter	4740S	61	3418 558
P, D, C, Y, w/o E. C. S.	440	Auto.	4	Holley	R4366A	62	3418 551
P, , C, Y, w/E. C. S.	440	Auto.	4	Holley	R4360A	63	3418 552
P,D,C w/o/E.C.S., w/out/A/Cond.	383	Man.	2	Holley	R4370	115	3418 530

1971 MODELS

V, L, B, J	198	Man.	1	Carter	4955S	73	3512 803
V, L, B, J	198	Auto.	1	Carter	4956S	74	3512 804
V,L,B,J,R,W,P,D	225	Man.	1	Holley	R4655A	75	3512 805
V,L,B,J,R,W,P,D	225	Auto.	1	Holley	R4656A	76	3512 807
V,L,B,J,R,W, Export	225	Man.	1	Holley	R4657A	77	3512 811
V,L,B,J,R,W, Export	225	Auto.	1	Holley	R4658A	78	3512 812
R, W, P, D, Taxi	225	All	1	Holley	R4659A	79	3512 813
V Export	225	Man.	1	Carter	4929S	80	3462 977
V Export	225	Auto.	1	Carter	4930S	81	3462 978
V,L,B,J,R,W,P,D	318	Man.	2	Carter	4957S	82	3512 816
V,L,W, Export - Exc. Spain	225	Man.	2	Carter	4992S	112	3462 776
V, L, W	225	Auto.	2	Carter	4993S	113	3462 779
V,L,B,J,R,W,P,D	318	Auto.	2	Carter	4958S	83	3512 817
V,L,B,J,R,W,P,D, Export	318	Man.	2	Carter	4959S	84	3512 818
V, L, W, D, Export	318	Auto.	2	Carter	4960S	85	3512 819
V, L, W, D	318	Auto.	2	Roch.	7041180	86	3512 815
V, L, B, J, R, W	340	Man.	4	Carter	4972S	87	3512 820
V, L, B, J, R, W	340	Auto.	4	Carter	4973S	88	3512 821
P,D	360	Man.	2	Holley	R4665A	89	3549 566
P, D, C	360	Auto.	2	Holley	R4666A	90	3512 823
B,J, Front	340	All	2	Holley	R4789A	91	3577 185
B,J, Center	340	Man.	2	Holley	R4791A	92	3577 182
B,J, Center	340	Auto.	2	Holley	R4792A	93	3577 183
B,J, Rear	340	All	2	Holley	R4790A	94	3577 185
P,D	383	Man.	2	Carter	4961S	95	3549 568
B,J,R,W,P,D,C	383	Auto.	2	Carter	4962S	96	3512 825
D, Export	383	Auto.	2	Carter	4964S	97	3512 827
B,J,R,W, w/o Fresh Air	383	Man.	4	Holley	R4667A	98	3512 848
B,J,R,W, w/o Fresh Air	383	Auto.	4	Holley	R4668A	99	3512 830
B,J,R,W, w/Fresh Air	383	Man.	4	Holley	R4734A	100	3512 849
B,J,R,W, w/Fresh Air	383	Auto.	4	Holley	R4735A	101	3512 842

CARLINES

J - Challenger
B - BarracudaV - Valiant
L - DartR - Belvedere - Satalite
W - Coronet - ChargerP - Plymouth
D - DodgeC - Chrysler
Y - Imperial

AR Indicates use as required.

Indicates parts not listed in any previous parts book.

Numerals in parentheses () refer to notes.

★ Indicates change or addition.

Printed in U.S.A.
January 1972

1970-71 PASSENGER CAR PARTS CATALOG

FUEL

COMPONENT CHART REFERENCE NO. MFG. NO.		1	2	3	4	5	6	7
CODE		4715S	4716S	4717S	4718S	4719S	4720S	R4351A
14-30-2	GASKET, Flange	2946 542	2946 542	2946 542	2946 542	2951 889	2951 889	2946 542
14-30-4	ZIP KIT	3621 401	3621 401	3621 401	3621 401	3514 464	3514 464	-----
	MINOR REPAIR KIT	-----	-----	-----	-----	-----	-----	3481 677
14-30-7	GASKET KIT	3514 475	3514 475	3514 475	3514 475	3514 475	3514 475	3481 678
14-30-8	NEEDLE, w/Seat, Float	2809 395	2809 395	2809 395	2809 395	2809 395	2809 395	2299 042
14-30-29	GASKET, Needle Seat	-----	-----	-----	-----	-----	-----	3419 663
14-30-31	BAFFLE, Fuel Inlet	-----	-----	-----	-----	-----	-----	3419 688
14-34-10	GASKET, Economiser Body	-----	-----	-----	-----	-----	-----	3419 662
14-35-1	JET, Main Metering	3419 616	3514 490	3514 490	3514 490	3514 490	3514 490	2299 245
14-35-3	JET, Pump	3481 233	3481 233	3481 233	3481 233	3481 233	3481 233	-----
14-35-33	STEM, Economiser	-----	-----	-----	-----	-----	-----	3419 623
14-35-39	WELL, Main	-----	-----	-----	-----	-----	-----	3481 676
14-35-43	SCREW, Economizer Body	-----	-----	-----	-----	-----	-----	3419 657
	SCREW, Main Well, Long	-----	-----	-----	-----	-----	-----	3419 652
	Short	-----	-----	-----	-----	-----	-----	3419 651
14-35-45	COVER, Economiser Body	-----	-----	-----	-----	-----	-----	3419 670
14-36-1	SPRING, Idle Speed Screw	3481 205	3481 205	3481 205	3481 205	3481 205	3481 205	-----
	SPRING, Fast Idle Speed Screw	3481 205	3481 205	3481 205	3481 205	3481 205	3481 205	-----
	SPRING, Idle Mixture Screw	3481 558	3481 558	3481 558	3481 558	3418 558	3418 558	-----
	SPRING, Idle Adjustment Screw	-----	-----	-----	-----	-----	-----	3419 674
	SPRING, Fast Idle Screw	-----	-----	-----	-----	-----	-----	3419 677
14-36-2	SPRING, Step-Up Piston	3514 477	3481 234	3514 477	3514 477	3514 477	3514 477	-----
14-36-15	SPRING, Pump	3481 235	3481 235	3481 235	3481 235	3481 235	3481 235	3419 679
	PIN SPRING, Pump Plunger	3481 227	3481 227	-----	-----	3481 227	3481 227	-----
14-36-29	SPRING, Throttle Stop Screw	-----	-----	-----	-----	-----	-----	3419 675
14-36-50	SPRING, Mechanical Vent	-----	-----	-----	-----	-----	-----	3481 675
14-37-6	PLUG, Pump Jet	3481 193	3481 193	3481 193	3481 193	3481 193	3481 193	-----
14-37-15	PLUG, Rivet	3481 155	3481 155	3481 155	3481 155	3481 155	3481 155	-----
	PLUG, Rivet	3420 404	3420 404	3420 404	3420 404	3420 404	3420 404	-----
	PLUG, Rivet	3481 195	3481 195	3481 195	3481 195	3481 195	3481 195	-----
14-37-25	PLUG, High Speed Passage	3481 194	3481 194	3481 194	3481 194	3481 194	3481 194	-----
14-37-29	BALL, Pump Intake Check	3481 220	3481 220	3481 220	3481 220	3481 220	3481 220	-----
14-37-30	BALL, Pump Discharge Check	3481 220	3481 220	3481 220	3481 220	3481 220	3481 220	-----
14-38-4	VALVE or PLATE, Throttle	3481 232	3481 232	3481 232	3481 232	3481 232	3481 232	3419 665
14-38-5	SCREW, Throttle Valve or Plate	3420 450	3420 450	3420 450	3420 450	3420 450	3420 450	3419 654
14-38-12	SHAFT, w/Lever, Throttle	3481 191	3481 191	3481 191	3481 191	3481 191	3481 191	3419 666
14-38-20	PIN SPRING, Throttle Connector	-----	-----	-----	-----	-----	-----	-----
	Rod	3420 476	3420 476	3420 476	3420 476	3420 476	3420 476	-----
14-38-28	ROD, Throttle Connector	3481 231	3481 231	3481 231	3481 231	3481 231	3481 231	-----
14-39-1	VALVE or PLATE, Choke	3481 192	3481 192	3481 192	3481 192	3481 192	3481 192	3419 649
14-39-6	SHAFT, w/Lever, Choke	3514 476	3514 476	3514 476	3514 476	3514 476	3514 476	3419 650
14-39-7	DIAPHRAGM, Choke	2933 182	2933 182	2933 182	2933 182	2933 182	2933 182	3419 508
14-39-8	LINK, Choke Diaphragm	-----	-----	-----	-----	-----	-----	3481 674
14-39-28	ROD, Choke Connector	3481 218	3481 218	3481 218	3481 218	3481 218	3481 218	-----
	ROD, Choke Diaphragm	-----	-----	-----	-----	-----	-----	-----
	Connector	3481 219	3481 219	3481 219	3481 219	3481 219	3481 219	-----
14-39-45	CHOKE	2946 548	2946 548	2946 548	2946 548	3418 501	3418 501	2946 549
	SCREW	6024 560	6024 560	6024 560	6024 560	6024 560	6024 560	6024 560
14-39-51	HOSE, Choke Diaphragm	3481 226	3481 226	3481 226	3481 226	3481 226	3481 226	3419 687
14-39-57	PIN SPRING, Choke Diaphragm	-----	-----	-----	-----	-----	-----	-----
	Connector Rod	3420 477	3420 477	3420 477	3420 477	3420 477	3420 477	-----
14-40-1	FLOAT, w/Lever	3481 200	3481 200	3481 200	3481 200	3481 200	3481 200	3419 668
14-40-4	PIN, Float Lever	3481 201	3481 201	3481 201	3481 201	3481 201	3481 201	-----
14-40-5	RETAINER, Float Lever Pin	3481 209	3481 209	3481 209	3481 209	3481 209	3481 209	-----
	RETAINER, Float	-----	-----	-----	-----	-----	-----	3419 673
14-40-7	BOWL, Float	-----	-----	-----	-----	-----	-----	3419 672
14-40-8	GASKET, Float Bowl	-----	-----	-----	-----	-----	-----	3419 664
14-40-18	SPRING, Float	-----	-----	-----	-----	-----	-----	3419 676
14-40-23	ARM, Bowl Vent	-----	-----	3514 478	3514 478	-----	-----	-----
14-41-3	PLUNGER, w/Rod, Pump	2196 214	2196 214	3514 479	3514 479	2196 214	2196 214	2525 782
14-41-7	LINK, Pump Operating	-----	-----	-----	-----	-----	-----	2808 062
14-41-9	ARM, Pump	3481 204	3481 204	3481 204	3481 204	3481 204	3481 204	-----

CARLINES

J - Challenger
B - BarracudaV - Valiant
L - DartR - Belvedere - Satellite
W - Coronet - ChargerP - Plymouth
D - DodgeC - Chrysler
Y - Imperial

AR Indicates use as required.

Indicates parts not listed in any previous parts book.

Numerals in parentheses () refer to notes.

★ Indicates change or addition.

Printed in U.S.A.
January 1972

COMPONENT CHART		1	2	3	4	5	6	7
CODE	REFERENCE NO. MFG. NO.	4715S	4716S	4717S	4718S	4719S	4720S	R4351A
14-41-12	BUSHING, Pump Plunger	3481 202	3481 202	-----	-----	-----	3481 202	-----
14-41-14	PLATE, Cover	-----	-----	3514 488	3514 488	-----	-----	-----
14-41-16	RETAINER, Pump Spring	-----	-----	3514 487	3514 487	-----	-----	-----
14-41-22	LEVER, Pump Operating	-----	-----	-----	-----	-----	-----	2808 061
14-41-23	RETAINER, Pump Operating Lever	-----	-----	-----	-----	-----	-----	2808 059
14-43-3	PISTON, w/Plate, Step-Up	3481 228	3481 228	3481 228	3481 228	3481 228	3481 228	-----
14-43-5	ROD, Step-Up	3514 489	3419 615	3514 489	3514 480	3514 489	3514 480	-----
14-44-1	TUBE, Idle	3514 491	3481 237	3514 491	3514 483	3514 491	3514 483	-----
14-44-3	TUBE, Main Vent	3481 238	3481 238	3481 238	3481 238	3481 238	3481 238	-----
14-45-1	SCREW, Fast Idle Cam	3481 216	3481 216	3481 216	3481 216	3481 216	3481 216	3419 658
	SCREW, Fast Idle	-----	-----	-----	-----	-----	-----	3419 655
	NEEDLE, Idle Adjustment	-----	-----	-----	-----	-----	-----	3419 667
14-45-4	CAM, Fast Idle	3514 485	3514 485	3514 485	3514 485	3514 485	3514 485	3419 681
14-45-5	ROD, Fast Idle	-----	-----	-----	-----	-----	-----	3419 682
14-45-12	LIMITER, Idle Mixture Screw	3420 436	3420 436	3420 436	3420 436	-----	-----	3419 689
14-45-20	SCREW, Idle Mixture	3481 643	3481 643	3481 643	3481 643	3481 643	3481 643	-----
14-45-25	SCREW, Idle Speed	3481 210	3481 210	3481 210	3481 210	3481 210	3481 210	-----
	SCREW, Fast Idle Speed	3481 215	3481 215	3481 215	3481 215	3481 215	3481 215	-----
14-46-1	VALVE, Mechanical Vent	-----	-----	-----	-----	-----	-----	3419 669
14-46-2	ROD, Mechanical Vent	-----	-----	-----	-----	-----	-----	3419 683
14-46-13	CLAMP, Bowl Vent Tube	-----	-----	3514 492	-----	-----	-----	-----
14-46-15	HOSE, Bowl Vent	-----	-----	3514 484	3514 484	-----	-----	-----
14-46-16	RETAINER, Bowl Vent Valve	-----	-----	3414 486	3414 486	-----	-----	-----
14-50-6	SCREW, Dashpot Bracket	-----	-----	-----	-----	-----	-----	3419 660
14-50-8	NUT, Dashpot Lock	3420 455	-----	3420 455	-----	-----	-----	3419 680
14-50-13	BRACKET, Dashpot	2933 183	-----	2933 183	-----	-----	-----	3481 673
14-50-25	DASHPOT	2585 784	-----	2585 784	-----	-----	-----	2809 243
14-54-3	SCREW, Throttle Stop	-----	-----	-----	-----	-----	-----	3418 511
14-54-15	SCREW, Choke Valve or Plate	3420 450	3420 450	3420 450	3420 450	3420 450	3420 450	3419 654
14-54-28	SCREW, Choke Bracket	3481 217	3481 217	3481 217	3481 217	3481 217	3481 217	-----
14-54-34	SCREW, Bowl Cover	3481 211	3481 211	3481 211	3481 211	3481 211	3481 211	-----
14-54-37	WASHER, Mechanical Vent	-----	-----	-----	-----	-----	-----	3419 685
14-54-42	WASHER, Pump Plunger	3481 224	3481 224	3481 224	3481 224	3481 224	3481 224	-----
14-54-47	SCREW, Pump Arm	3481 212	3481 212	3481 212	3481 212	3481 212	3481 212	-----
14-54-72	SCREW, Air Horn	3481 213	3481 213	3481 213	3481 213	3481 213	3481 213	-----
14-54-78	SCREW, Float Bowl	-----	-----	-----	-----	-----	-----	3419 653
14-54-140	SCREW, Dashpot Bracket	3481 230	-----	-----	-----	-----	-----	3419 659
14-54-148	SCREW, Step-Up Piston Plate Guide	3481 214	3481 214	3481 214	3481 214	3481 214	3481 214	-----
	SCREW, Step-Up Piston Cover Plate	-----	-----	3420 451	3420 451	-----	-----	-----
COMPONENT CHART		8	9	10	11	12	13	14
CODE	REFERENCE NO. MFG. NO.	R4352A	R4353A	R4354A	R4361A	R4362A	R4355A	R4363A
14-30-2	GASKET, Flange	2946 542	2946 542	2946 549	2951 889	2951 889	2946 542	2946 542
14-30-4	REPAIR KIT	3481 677	3481 670	3481 670	3481 681	3481 677	3481 685	3481 685
14-30-7	GASKET KIT	3481 678	3481 671	3481 671	2585 463	2585 463	3481 678	3481 671
14-30-8	NEEDLE, w/Seat, Float	2299 042	2299 042	2299 042	2299 042	2299 042	2299 042	2299 042
14-30-29	GASKET, Needle Seat	3419 663	3419 663	3419 663	3419 663	3419 663	3419 663	3419 663
14-30-31	BAFFLE, Fuel Inlet	3419 688	3419 688	3419 688	3419 688	3419 688	3419 688	3419 688
14-34-10	GASKET, Economiser Body	3419 662	3419 662	3419 662	3419 662	3419 662	3419 662	3419 662
14-35-1	JET, Main Metering	2299 248	2299 245	2299 248	2299 245	2299 245	2809 224	2809 224
14-35-33	STEM, Economiser	3419 623	3419 623	3419 623	3419 623	3419 623	2299 040	2299 040
14-35-39	WELL, Main	3481 679	3419 507	3419 510	3481 680	3481 682	3514 832	3514 832
14-35-43	SCREW, Economiser Body	3419 657	3419 657	3419 657	3419 657	3419 657	3419 657	3419 657
	SCREW, Main Well, Long	3419 652	3419 652	3419 652	3419 652	3419 652	3419 652	3419 652
	Short	3419 651	3419 651	3419 651	3419 651	3419 651	3419 651	3419 651
14-35-45	COVER, Economiser Body	3419 670	3419 670	3419 670	3419 670	3419 670	3419 670	3419 670

CARLINES

J - Challenger
B - BarracudaV - Valiant
L - DartR - Belvedere - Satellite
W - Coronet - ChargerP - Plymouth
D - DodgeC - Chrysler
Y - Imperial

AR Indicates use as required.

≠ Indicates parts not listed in any previous parts book.

Numerals in parentheses () refer to notes.

★ Indicates change or addition.

Printed in U.S.A.
January 1972

COMPONENT CHART REFERENCE NO.		8	9	10	11	12	13	14
CODE	MFG. NO.	R4352A	R4353A	R4354A	R4361A	R4362A	R4355A	R4363A
14-36-1	SPRING, Idle Adjusting Needle	3419 674	3419 674	3419 674	3419 674	3419 674	3419 674	3419 674
	SPRING, Fast Idle Screw	3419 677	3419 677	3419 677	3419 677	3419 677	3419 677	3419 677
14-36-15	SPRING, Pump	3419 679	3419 679	3419 679	3419 679	3419 679	3419 679	3419 679
14-36-29	SPRING, Throttle Stop Screw	3419 675	3419 675	3419 675	3419 675	3419 675	3419 675	3419 675
14-36-50	SPRING, Mechanical Vent	3481 675	3481 665	3481 665	3419 678	3419 678	3419 678	3481 665
14-38-4	VALVE or PLATE, Throttle	3419 665	3419 665	3419 665	3419 665	3419 665	3419 693	3419 693
14-38-5	SCREW, Throttle Plate	3419 654	3419 654	3419 654	3419 654	3419 654	3419 654	3419 654
14-38-12	SHAFT, w/Lever, Throttle	3419 666	3419 666	3419 666	3419 666	3419 666	3419 666	3419 666
14-39-1	PLATE, Choke	3419 649	3419 649	3419 649	3419 649	3419 649	3419 649	3419 649
14-39-6	SHAFT, Choke	3419 650	3419 650	3419 650	3419 650	3419 650	3419 650	3419 650
14-39-7	DIAPHRAGM, Choke	3419 511	3419 508	3419 511	3419 508	3419 511	3419 508	3419 508
14-39-8	LINK, Choke Diaphragm	3419 671	3419 671	3419 671	3419 671	3419 671	3419 671	3419 671
14-39-11	PIN, Choke Diaphragm Link	-----	-----	-----	3481 674	-----	-----	-----
14-39-45	CHOKE SCREW	2946 549 6024 560	2946 549 6024 560	2946 549 6024 560	3418 502 6024 560	----- 6024 560	2946 549 6024 560	2946 549 6024 560
14-39-51	HOSE, Choke Vacuum	3419 687	3419 687	3419 687	3419 687	3419 687	3419 687	3419 687
14-40-1	FLOAT, w/Lever	3419 668	3419 668	3419 668	3419 668	3419 668	3419 668	3419 668
14-40-5	RETAINER, Float	3419 673	3419 673	3419 673	3419 673	3419 673	3419 673	3419 673
14-40-7	BOWL, Float	3419 672	3419 672	3419 672	3419 672	3419 672	3419 672	3419 672
14-40-8	GASKET, Float Bowl	3419 664	3419 664	3419 664	3419 664	3419 664	3419 664	3419 664
14-40-18	SPRING, Float	3419 676	3419 676	3419 676	3419 676	3419 676	3419 676	3419 676
14-41-3	PLUNGER, w/Rod, Pump	2525 782	2525 782	2525 782	2525 782	2525 782	3514 833	3514 833
14-41-7	LINK, Pump Operating	2808 062	2808 062	2808 062	2808 062	2808 062	2808 062	2808 062
14-41-22	LEVER, Pump Operating	2808 061	2808 161	2808 061	2808 061	2808 061	2808 061	2808 061
14-41-23	RETAINER, Pump Operating Lever	2808 059	2808 059	2808 059	2808 059	2808 059	2808 059	2808 059
14-41-40	RETAINER, Pump Operating Link	3481 338	3481 338	3481 338	3481 338	3481 338	3481 338	3481 338
14-45-1	FAST, Idle Adjusting Cam Screw SCREW, Fast Idle	3419 658 3419 656	3419 658 3419 655	3419 658 3419 656	3419 658 3419 655	3419 658 3419 655	3419 658 3419 655	3419 658 3419 655
14-45-4	CAM, Fast Idle	3419 681	3419 681	3419 681	3419 681	3419 681	3419 681	3419 681
14-45-5	ROD, Fast Idle	3419 682	3419 682	3419 682	3419 682	3419 682	3419 682	3419 682
14-45-8	SCREW, Fast Idle Cam	3419 658	3419 658	3419 658	3419 658	3419 658	3419 658	3419 658
14-45-12	LIMITER, Idle Adjusting Screw	3419 689	3419 689	3419 689	3419 689	3419 689	3419 689	3419 689
14-46-1	VALVE, Mechanical Vent	3419 669	3481 660	3481 660	3419 669	3419 669	3419 669	3481 660
14-46-2	ROD, Mechanical Vent	3419 683	3481 672	3481 672	3419 683	3419 683	3419 683	3481 672
14-46-8	SEAL, Vent Valve	-----	3481 659	-----	-----	-----	-----	-----
14-50-6	SCREW, Dashpot Bracket	-----	3419 660	-----	-----	-----	-----	-----
14-50-8	NUT, Dashpot Lock	-----	3419 680	-----	-----	-----	-----	-----
14-50-13	BRACKET, Dashpot	-----	3481 673	-----	-----	-----	-----	-----
14-50-25	DASHPOT	-----	2809 243	-----	-----	-----	-----	-----
14-54-3	SCREW, Throttle Stop	3419 661	3419 661	3419 661	3419 661	3419 661	3419 661	3419 661
14-54-15	SCREW, Choke Plate	3419 654	3419 654	3419 654	3419 654	3419 654	3419 654	3419 654
14-54-37	WASHER, Mechanical Vent Pick-Up	3419 685	3419 685	3419 685	3419 685	3419 685	3419 685	3419 685
14-54-78	SCREW, Float Bowl	3419 653	3419 653	3419 653	3419 653	3419 653	3419 653	3419 653
14-54-140	SCREW, Dashpot Bracket	-----	3419 659	-----	-----	-----	-----	-----
COMPONENT CHART REFERENCE NO.		15	16	17	18	19	20	21
CODE	MFG. NO.	4300S	4301S	4721S	4722S	4723S	4724S	4749S
14-30-2	GASKET, Flange	2468 818	2468 818	2946 541	2946 541	2946 541	2946 541	2468 818
14-30-4	ZIP KIT	2933 043	2933 043	3514 466	3514 466	3514 467	3514 467	3514 466
14-30-7	GASKET PACKAGE	2808 023	2808 023	3549 295	3549 295	3549 295	3549 295	3549 294
14-30-8	NEEDLE, w/Seat	2933 042	2933 042	2933 042	2933 042	2933 042	2933 042	2933 042
14-34-4	GASKET, Body	1631 520	1631 520	-----	-----	-----	-----	-----
14-34-55	GASKET, Choke Housing	-----	1330 873	-----	-----	-----	-----	-----
CARLINES	J - Challenger B - Barracuda	V - Valiant L - Dart	R - Belvedere - Satellite W - Coronet - Charger	P - Plymouth D - Dodge	C - Chrysler Y - Imperial			

AR Indicates use as required.

Indicates parts not listed in any previous parts book.

Numerals in parentheses () refer to notes.

★ Indicates change or addition.

Printed in U.S.A.
January 1972

1970-71 PASSENGER CAR PARTS CATALOG

FUEL

Text Page 14-17

COMPONENT CHART REFERENCE NO.		15	16	17	18	19	20	21
CODE	MFG. NO.	4300S	4301S	4721S	4722S	4723S	4724S	4749S
14-35-1	JET, Main Metering	2585 787	2585 787	2585 408	2585 408	2585 408	2585 792	2585 792
14-35-42	COVER, Venturi	3481 540	3481 540	3481 290	3481 290	3481 290	3481 290	3481 290
14-36-1	SPRING, Idle Speed Screw	3481 205	3481 205	3481 205	3481 205	3481 205	3481 205	3481 205
	SPRING, Idle Mixture Screw	3481 535	3481 535	-----	-----	3481 558	3481 558	-----
14-36-2	SPRING, Step-Up Piston	3481 234	3481 234	3481 234	3481 234	3481 234	3481 234	3481 234
14-36-15	SPRING, Pump	3481 207	3481 207	3481 207	3481 207	3481 207	3481 207	3481 207
14-36-50	SPRING, Bowl Vent	-----	-----	-----	-----	3514 548	3514 548	-----
14-37-27	LEAD SHOT	3481 284	3481 284	3481 284	3481 284	3481 284	3481 284	3481 284
	LEAD SHOT	3481 538	3481 538	3481 538	3481 538	3481 538	3481 538	3481 538
	LEAD SHOT	3420 453	3420 453	3420 453	3420 453	3420 453	3420 453	3420 453
14-37-29	BALL, Pump Intake Check	3481 289	3481 289	3481 289	3481 289	3481 289	3481 289	3481 289
14-37-30	BALL, Pump Discharge	-----	-----	-----	-----	-----	-----	-----
	Check	3481 220	3481 220	3481 220	3481 220	3481 220	3481 220	3481 220
14-38-4	VALVE, Throttle	3481 529	3481 529	3481 269	3481 269	3481 269	3481 269	3481 269
14-38-5	SCREW, Throttle Valve	3420 445	3420 445	3420 445	3420 445	3420 445	3420 445	3420 445
14-38-12	SHAFT, w/Lever, Throttle	3481 530	3481 530	3481 301	3481 304	3481 301	3481 304	3481 304
14-38-28	ROD, Throttle Connector	3481 299	3481 299	3481 299	3481 299	3514 550	3514 550	3481 299
14-39-1	VALVE, Choke	3481 271	3481 271	3481 271	3481 271	3481 271	3481 271	3481 271
14-39-3	LINK, w/Shaft, Choke Piston	-----	-----	-----	-----	-----	-----	-----
	Lever	3481 533	3481 545	-----	-----	-----	-----	-----
14-39-6	SHAFT, Choke	-----	-----	3481 272	3481 272	3481 272	3481 272	3481 272
	LEVER, Choke Loose	-----	-----	-----	-----	3481 273	3481 273	-----
14-39-7	DIAPHRAGM, Choke	-----	-----	2933 185	2933 185	2933 185	2933 185	2933 185
14-39-9	SCREW, Choke Diaphragm	-----	-----	3420 447	3420 447	3420 447	3420 447	3420 447
14-39-10	LEVER, Choke	3481 532	-----	3481 273	3481 273	-----	-----	3481 273
	LEVER, w/Collar, Choke	3481 531	3481 531	-----	-----	-----	-----	-----
14-39-27	RETAINER, Choke Connector	-----	-----	-----	-----	-----	-----	-----
	Rod	-----	-----	3420 433	-----	-----	3420 433	3420 433
14-39-28	ROD, Choke Connector	3481 539	3481 539	3481 288	-----	-----	-----	3481 288
	ROD, Choke Diaphragm	-----	-----	3481 287	3481 287	3481 287	3481 287	3481 287
	Connector	-----	-----	-----	-----	-----	-----	-----
14-39-31	SPACER, Choke Connector	-----	-----	3481 285	3481 285	-----	3481 285	3481 285
	Rod	-----	-----	-----	-----	-----	-----	-----
14-39-45	CHOKE	2809 826	2809 826	2951 651	2951 651	2951 651	2951 651	2946 535
	SCREW	6024 560	6024 560	6024 560	6024 560	6024 560	6024 560	6024 560
14-39-47	RETAINER, Coil Housing	-----	3481 171	-----	-----	-----	-----	-----
14-39-50	PLATE, Choke Baffle	3481 544	3481 544	-----	-----	-----	-----	-----
14-39-51	HOSE, Choke Diaphragm	-----	-----	3481 294	3481 294	3481 294	3481 294	3481 294
14-39-56	PIN SPRING	3420 476	3420 476	3420 476	3420 476	3420 476	3420 476	3420 476
14-39-57	PIN SPRING, Diaphragm	-----	-----	3420 477	3420 477	3420 477	3420 477	3420 477
	Connector Rod	-----	-----	-----	-----	-----	-----	-----
14-39-84	CAP, Choke Heat Tube	3481 187	3481 187	-----	-----	-----	-----	-----
14-40-1	FLOAT, w/Lever	3481 534	3481 534	3481 274	3481 274	3481 274	3481 274	3481 274
14-40-4	PIN, Float Lever	3481 201	3481 201	3481 201	3481 201	3481 201	3418 201	3418 201
14-40-5	RETAINER, Float Lever	-----	-----	-----	-----	-----	-----	-----
	Pin	3481 209	3481 209	3514 541	3514 541	3514 541	3514 541	3514 541
14-40-35	BAFFLE, Fuel Bowl	-----	-----	-----	-----	3481 610	3481 610	3481 610
14-41-3	PLUNGER, w/Rod Pump	2299 217	2299 217	2933 001	2933 001	3549 257	3549 257	2933 001
14-41-9	ARM, Pump	3481 275	3481 275	3481 275	3481 275	3514 547	3514 547	3481 275
14-41-13	RETAINER, Pump Plunger	-----	-----	3481 278	3481 278	3514 486	3514 486	3481 278
14-41-14	PLATE, Cover	-----	-----	-----	-----	3514 488	3514 488	-----
14-43-3	PISTON, w/Plate, Step-Up	3481 295	3481 295	3514 542	3514 542	3514 542	3514 542	3514 542
14-43-5	ROD, Step-Up	2809 273	2585 702	2585 790	3514 549	2585 790	3514 549	2585 790
14-45-4	CAM, Fast Idle	3481 541	3481 541	3481 296	3481 300	3481 296	3481 300	3481 296
14-45-5	ROD, Fast Idle Connector	-----	-----	-----	3481 288	3481 288	-----	-----
14-45-8	SCREW, Fast Idle Cam	3481 537	3481 537	3481 282	3481 282	3481 282	3481 282	3481 282
14-45-12	LIMITER, Idle Adjusting	-----	-----	-----	-----	-----	-----	-----
	Screw	-----	-----	3420 436	3420 436	3420 436	3420 436	-----
14-45-20	SCREW, Idle Mixture	-----	-----	3481 630	3481 630	3481 630	3481 630	3481 630
14-45-25	SCREW, Idle Speed	3481 210	3481 210	3514 495	3514 495	3514 495	3514 495	3514 495
	SCREW, Fast Idle	-----	-----	-----	-----	-----	-----	-----
	Speed	3481 536	3481 536	3481 281	3481 281	3481 281	3481 281	3481 281

CARLINES

J - Challenger
B - Barracuda

V - Valiant
L - Dart

R - Belvedere - Satallite
W - Coronet - Charger

P - Plymouth
D - Dodge

C - Chrysler
Y - Imperial

AR Indicates use as required.

= Indicates parts not listed in any previous parts book.

Numerals in parentheses () refer to notes.

★ Indicates change or addition.

Printed in U.S.A.
January 1972

1970-71 PASSENGER CAR PARTS CATALOG

COMPONENT CHART REFERENCE NO.		15	16	17	18	19	20	21
CODE	MFG. NO.	4300S	4301S	4721S	4722S	4723S	4724S	4749S
14-46-18	PLATE, Bowl Vent Cover	-----	-----	-----	-----	-----	3549 256	-----
14-46-19	VALVE, Bowl Vent	-----	-----	-----	-----	-----	3549 258	-----
14-50-8	NUT, Dashpot Lock	-----	-----	3420 455	-----	3420 455	-----	-----
14-50-13	BRACKET, Dashpot	-----	-----	2933 186	-----	2933 186	-----	-----
14-50-25	DASHPOT	-----	-----	2808 101	-----	2808 101	-----	-----
14-54-15	SCREW, Choke Valve	3420 450	3420 450	3420 450	3420 450	3420 450	3420 450	3420 450
14-54-19	WASHER, Choke Shaft	3481 542	3481 542	-----	-----	-----	-----	-----
14-54-34	SCREW, Bowl Vent Cover Plate	-----	-----	-----	-----	3549 259	3514 259	-----
14-54-42	WASHER, Pump Plunger	3481 224	3481 224	3481 224	3481 224	3549 255	3549 255	3481 224
14-54-47	SCREW, Pump Arm	3481 279	3481 279	3481 279	3481 279	3481 212	3481 212	3481 279
14-54-72	SCREW, Air Horn	3481 211	3481 211	3481 211	3481 211	3481 211	3481 211	3481 211
		-----	-----	3420 443	-----	3420 443	-----	-----
14-54-78	SCREW, Body Flange	3481 280	3481 280	3481 280	3481 280	3481 280	3481 280	3481 280
		-----	-----	3481 230	-----	3481 230	3481 230	3481 230
14-54-148	SCREW, Step-Up Piston Plate Guide	3481 214	3481 214	3481 214	3481 214	3481 214	3481 214	3481 214
14-54-152	SCREW, Venturi Cluster	-----	-----	3481 302	-----	3481 298	3481 298	3481 302
COMPONENT CHART REFERENCE NO.		22	23	24	25	26	27	
CODE	MFG. NO.	4750S	4933S	4934S	4935S	4936S	4937S	
14-30-2	GASKET, Flange	2468 818	3462 833	3462 833	3462 833	3462 833	3462 833	
14-30-3	VENTURI, Primary Pump Side	-----	3514 891	3514 889	3514 889	3514 891	3514 889	
	Opposite Pump	-----	3514 890	3514 888	3514 889	3514 890	3514 888	
14-30-4	ZIP KIT	3514 466	3621 400	3621 400	3621 400	3621 400	3621 400	
14-30-7	GASKET KIT	3549 294	2933 197	2933 197	2933 197	2933 197	2933 197	
14-30-8	NEEDLE, w/Seat	2933 042	2933 105	2933 105	2933 105	2933 105	2933 105	
14-30-27	STRAINER, Fuel Inlet	-----	1826 864	1826 864	1826 864	1826 864	1826 864	
14-30-28	NUT, Strainer	-----	1826 863	1826 863	1826 863	1826 863	1826 863	
14-30-29	GASKET, Strainer Nut	-----	3420 413	3420 413	3420 413	3420 413	3420 413	
14-30-35	PLATE, Baffle	3481 610	-----	-----	-----	-----	-----	
14-32-15	SCREW, Venturi	-----	3420 448	3420 448	3420 448	3420 448	3420 448	
14-34-2	GASKET, Body Flange	-----	-----	3420 414	3420 414	3420 414	3420 414	
14-34-5	GASKET, Body	-----	-----	3420 480	3420 480	3420 480	3420 480	
14-34-21	GASKET, Needle Seat	-----	-----	3420 414	3420 414	3420 414	3420 414	
14-34-63	SEAL, Grommet	-----	3420 480	3420 480	3420 480	3420 480	3420 480	
14-34-71	GASKET, Venturi Cover	-----	-----	-----	-----	-----	-----	
14-35-1	JET, Main Metering Primary	2585 792	-----	-----	-----	-----	-----	
	Secondary	-----	2809 254	2809 254	2809 254	2809 254	2809 254	
14-35-3	JET, Pump	-----	2933 195	3481 652	3481 652	2933 195	3481 652	
14-35-10	SCREW, Pump Jet	-----	3420 418	3420 418	3420 418	3420 418	3420 418	
14-35-38	SPRING, Vacuum Piston	-----	3420 440	3420 440	3420 440	3420 440	3420 440	
14-35-42	COVER, Venturi	3481 290	3420 428	3420 428	3420 428	3420 428	3420 428	
14-36-1	SPRING, Idle Speed Screw	3481 205	3420 425	3420 425	3420 425	3420 425	3420 425	
	SPRING, Fast Idle Screw	-----	-----	-----	-----	3481 558	-----	
	SPRING, Idle Mixture Screw	-----	-----	-----	-----	3481 558	-----	
14-36-2	SPRING, Step-Up Piston	3481 234	-----	-----	-----	-----	-----	
14-36-15	SPRING, Pump	3481 207	3420 424	3420 424	3420 424	3420 424	3420 424	
14-36-22	SPRING, Secondary Throttle Return	-----	3420 432	3420 432	3420 432	3420 432	3420 432	
14-36-50	SPRING, Air Valve	-----	3420 430	3420 430	3420 430	3420 430	3420 430	
	SPRING, Bowl Vent Arm	-----	-----	3420 431	3420 431	3514 525	3514 525	
14-37-4	PLUG, Passage	-----	3420 405	3420 405	3420 405	3420 405	3420 405	
14-37-15	PLUG, Idle Port Rivet	-----	3481 553	3481 553	3481 553	3481 553	3481 553	
	PLUG, Rivet	-----	3420 404	3420 404	3420 404	3420 404	3420 404	
14-37-25	PLUG, Bowl Vent	-----	-----	-----	-----	-----	-----	
14-37-27	LEAD SHOT (.180)	3420 453	3420 453	3420 453	3420 453	3420 453	3420 453	
	LEAD SHOT (.200)	3481 284	3420 454	3420 454	3420 454	3420 454	3420 454	
	LEAD SHOT	3481 238	-----	-----	-----	-----	-----	
14-37-29	BALL, Pump Intake Check	3481 289	3420 470	3420 470	3420 470	3420 470	3420 470	

CARLINES

J - Challenger
B - Barracuda

V - Valiant
L - Dart

R - Belvedere - Satellite
W - Coronet - Charger

P - Plymouth
D - Dodge

C - Chrysler
Y - Imperial

AR Indicates use as required.

Indicates parts not listed in any previous parts book.

Numerals in parentheses () refer to notes.

★ Indicates change or addition.

Printed in U.S.A.
January 1972

1970-71 PASSENGER CAR PARTS CATALOG

FUEL

Text Page 14-19

COMPONENT CHART REFERENCE NO.		22	23	24	25	26	27
CODE	MFG. NO.	4750S	4933S	4934S	4935S	4936S	4937S
14-37-30	BALL, Pump Discharge Check	3481 220	-----	-----	-----	-----	-----
14-38-4	VALVE, Throttle	3481 269	-----	-----	-----	-----	-----
	Primary	-----	3420 398	3420 398	3420 398	3420 398	3420 398
	Secondary	-----	3420 397	3420 397	3420 397	3420 397	3420 397
	VALVE, Air	-----	3514 507	3514 507	3514 507	3514 507	3514 507
14-38-5	SCREWS, Throttle Valve	3420 445	-----	-----	-----	-----	-----
	Primary	-----	3420 446	3420 446	3420 446	3420 446	3420 446
	Secondary	-----	3420 445	3420 445	3420 445	3420 445	3420 445
14-38-12	SHAFT, w/Lever, Throttle	3481 304	-----	-----	-----	-----	-----
	Primary	-----	3481 559	3481 559	3481 559	3481 559	3481 559
	Secondary	-----	3420 399	3420 399	3420 399	3420 399	3420 399
14-38-13	ARM, Primary Throttle Shaft,						
	Inner	-----	3420 460	3420 460	3420 460	3420 460	3420 460
	Outer	-----	3420 458	3420 458	3420 458	3420 458	3420 458
14-38-14	DOG, Throttle Shaft	-----	3420 401	3420 401	3420 401	3514 524	3514 524
	DOG, Lockout	-----	3420 421	3420 421	3420 421	3420 421	3420 421
14-38-20	SPRING, Throttle Lever	-----	3420 429	3420 429	3420 429	3420 429	3420 429
14-38-23	LEVER, Idle Solenoid	-----	-----	-----	-----	3514 518	3514 518
14-38-24	Solenoid, Idle	-----	-----	-----	-----	3514 892	3514 892
14-38-27	BEARING, Air Valve Shaft	-----	3481 648	3481 648	3481 648	3481 648	3481 648
14-38-28	ROD, Throttle Connector	3481 299	3420 462	3420 462	3420 642	3420 462	3420 462
14-38-29	BRACKET, Idle Solenoid	-----	-----	-----	-----	3549 317	3549 317
14-38-50	ROD, Throttle Operating	-----	3420 461	3420 461	3420 461	3420 461	3420 461
14-38-53	LEVER, Secondary Throttle						
	Operating	-----	3420 420	3420 420	3420 420	3420 420	3420 420
14-39-1	VALVE, Choke	3481 271	3420 402	3420 402	3420 402	3420 402	3420 402
	VALVE, Counter Shaft Lever to						
	Choke	-----	3420 410	3420 410	3420 410	3420 410	3420 410
14-39-6	SHAFT, w/Lever, Choke	3481 657	-----	3481 657	3481 657	3481 657	3481 657
	LEVER, Choke Loose						
14-39-7	DIAPHRAGM, Choke	2933 185	2933 199	2933 199	2933 199	2933 199	2933 199
14-39-8	LINK, Choke Valve	-----	3420 466	3420 466	3420 466	3420 466	3420 466
14-39-9	SCREW, Diaphragm Bracket	3420 447	3420 447	3420 447	3420 447	3420 447	3420 447
14-39-10	LEVER, Choke	3481 273	3481 656	3481 656	3481 656	3481 656	3481 656
	LEVER, Choke Shaft	-----	3420 409	3420 409	3420 409	3420 409	3420 409
14-39-15	SCREW, Choke Shaft LEVER	-----	3420 437	3420 437	3420 437	3420 437	3420 437
	SCREW, Countershaft Lever	-----	3420 442	3420 442	3420 442	3420 442	3420 442
14-39-27	RETAINER, Choke Connector Rod	3420 433	3420 433	3420 433	3420 433	3420 433	3420 433
14-39-28	ROD, Choke Diaphragm						
	Connector	3481 287	3420 463	3420 463	3420 463	3420 463	3420 463
	ROD, Choke Connector	3481 288	-----	-----	-----	-----	-----
14-39-30	SHAFT, Choke	3481 272	3420 408	3420 408	3420 408	3420 408	3420 408
14-39-31	SPACER, Choke Connector Rod	3481 285	-----	-----	-----	-----	-----
	WASHER, Diaphragm Connector						
	Rod	-----	-----	3420 471	3420 471	3420 471	3420 471
14-39-45	CHOKE	2946 535	3462 927	3462 927	3462 927	3462 927	3462 927
	SCREW	6024 560	6024 560	6024 560	6024 560	6024 560	6024 560
14-39-51	HOSE, Choke Diaphragm	3481 294	3420 475	3420 475	3420 475	3420 475	3420 475
14-39-56	PIN SPRING	3420 476	-----	651 222	-----	651 222	-----
14-39-57	PIN SPRING, Diaphragm						
	Connector Rod	3420 477	3420 477	3420 477	3420 477	3420 477	3420 477
14-39-60	SCREW, Thermostatic Valve	-----	-----	-----	3481 052	3481 052	3481 052
14-40-1	FLOAT, w/Lever	3481 274	3420 415	3420 415	3420 415	3420 415	3420 415
14-40-4	PIN, Float Lever	3481 201	3420 416	3420 416	3420 416	3420 416	3420 416
14-40-5	RETAINER, Float Lever Pin	3514 541	-----	-----	-----	-----	-----
14-40-23	ARM, Bowl, Vent	-----	3420 419	3420 419	3420 419	3514 509	3514 509
14-40-35	BAFFLE, Fuel Bowl	-----	3420 482	3420 482	3420 482	3420 482	3420 482
14-41-3	PLUNGER, w/Rod, Pump	2933 001	2933 193	2933 193	2933 193	2933 193	2933 193
14-41-5	ARM, w/Countershaft, Pump						
14-41-8	LINK, Pump Connector	-----	3420 465	3420 465	3420 465	3420 465	3420 465
14-41-9	ARM, Pump	3481 275	3420 456	3420 456	3420 456	3420 456	3420 456
	ARM, Loose Lever						

CARLINES

J - Challenger
B - Barracuda

V - Valiant
L - Dart

R - Belvedere - Satallite
W - Coronet - Charger

P - Plymouth
D - Dodge

C - Chrysler
Y - Imperial

AR Indicates use as required.

≡ Indicates parts not listed in any previous parts book.

Numerals in parentheses () refer to notes.

★ Indicates change or addition.

Printed in U.S.A.
January 1972

COMPONENT CHART REFERENCE NO.		22	23	24	25	26	27	
CODE	MFG. NO.	4750S	4933S	4934S	4935S	4936S	4937S	
14-41-13	RETAINER, Pump Plunger	3481 278	-----	-----	-----	-----	-----	
14-41-40	NEEDLE, Pump Discharge Check	-----	-----	3420 412	3420 412	3420 412	3420 412	
14-43-3	PISTON, Step-Up	3514 542	3420 478	3420 478	3420 478	3420 478	3420 478	
14-43-4	PLATE, Step-Up Piston Cover, Pump Side	-----	3420 435	3420 435	3420 435	3420 435	3420 435	
	Opposite Pump	-----	3420 434	3420 434	3420 434	3420 434	3420 434	
14-43-5	ROD, Step-Up	2585 790	2933 017	2933 017	2933 017	2933 017	2933 017	
14-43-10	SPRING, Step-Up Rod Retaining	-----	3420 427	3420 427	3420 427	3420 427	3420 427	
14-45-4	CAM, Fast Idle	3481 300	3481 069	3514 522	3514 522	3481 069	3514 522	
14-45-5	ROD, Fast Idle Connector	-----	-----	3420 464	3420 464	3420 464	3420 464	
14-45-8	SCREW, Fast Idle Cam	3481 282	3420 441	3420 441	3420 441	3420 441	3420 441	
14-45-12	LIMITER, Idle Screw	-----	-----	-----	-----	3420 436	3420 436	
14-45-20	SCREW, Idle Mixture	3481 630	-----	3481 554	3481 554	3481 554	3481 554	
14-45-25	SCREW, Fast Idle Speed	3514 495	3481 555	3481 555	3481 555	3481 555	3481 555	
	SCREW, Idle Speed	3481 281	3420 449	3420 449	3420 449	3420 449	3420 449	
14-45-27	WASHER, Idle Speed Screw	-----	3420 473	3420 473	3420 473	3420 473	3420 473	
14-46-17	ROD, Bowl Vent Connector	-----	-----	-----	-----	-----	3514 527	
14-48-2	VALVE, Thermostatic	-----	-----	3514 881	3514 881	3514 881	3514 881	
14-54-5	SCREW, Throttle Shaft Lever	-----	3420 438	3420 438	3420 438	3420 438	3420 438	
14-54-6	WASHER, Secondary Throttle Shaft	-----	3420 472	3420 472	3420 472	3420 472	-----	
	WASHER, Primary Throttle Shaft	-----	-----	3481 051	-----	3481 051	-----	
14-54-11	NUT, Solenoid Clamp	-----	-----	-----	-----	3514 316	3514 316	
14-54-15	SCREW, Choke Valve	3420 450	3420 450	3420 450	3420 450	3420 450	3420 450	
	SCREW, Air Valve	-----	-----	3420 450	3420 450	3420 450	3420 450	
14-54-42	WASHER, Pump Plunger	3481 224	-----	-----	-----	-----	-----	
14-54-47	SCREW, Pump Arm	3481 279	3420 452	3420 452	3420 452	3481 093	3481 093	
14-54-51	WASHER, Choke Lever Retainer	-----	3420 474	3420 474	3420 474	3420 474	3420 474	
14-54-72	SCREW, Air Horn	3481 211	3420 443	3420 443	3420 443	3420 443	3420 443	
14-54-78	SCREW, Body Flange	3481 280	-----	-----	-----	-----	-----	
14-54-98	WASHER, Solenoid Lock	-----	-----	-----	-----	3549 314	-----	
14-54-140	SCREW, Idle Solenoid Bracket	-----	-----	-----	-----	3514 517	-----	
14-54-148	SCREW, Step-Up Piston Plate	3481 214	-----	-----	-----	-----	-----	
	SCREW, Step-Up Piston Cover Plate	-----	3420 451	3420 451	3420 451	3420 451	3420 451	
	SCREW, Air Valve Retainer	-----	-----	3420 451	3420 451	3420 451	3420 451	
14-54-152	SCREW, Venturi Cluster	3481 302	-----	-----	-----	-----	-----	
COMPONENT CHART REFERENCE NO.		29		31	32	33	34	35
CODE	MFG. NO.	4725S		4726S	R4372A	4727S	R4371A	4728S
14-30-2	GASKET, Flange	2946 540	-----	2946 540	3514 722	2946 540	3514 722	2946 540
14-30-4	ZIP KIT	3621 286	-----	-----	3621 286	3514 468	-----	3514 468
	REPAIR KIT	-----	-----	3514 711	-----	-----	3514 756	-----
14-30-7	GASKET KIT	3549 296	-----	3549 296	3514 710	3549 296	3514 755	2933 191
14-30-8	NEEDLE, w/Seat	2933 042	-----	2933 042	3514 730	2933 042	3514 730	2933 042
14-30-15	CLIP, Cable	-----	-----	3549 267	3420 318	-----	3420 318	-----
14-30-30	FITTING, Fuel Inlet	-----	-----	-----	3514 731	-----	3514 731	-----
14-33-1	BODY, w/Shaft, Throttle	-----	-----	-----	-----	-----	3514 727	-----
14-34-63	SEAL, Grommet	-----	-----	3481 331	-----	-----	-----	-----
14-35-1	JET, Main Metering	3419 619	-----	3549 303	2809 253	3419 619	2809 253	3419 619
	JET, Main Metering (Throttle Side)	-----	-----	-----	-----	-----	-----	-----
	(Choke Side)	-----	-----	-----	-----	-----	-----	-----
14-35-6	VALVE, Power	-----	-----	-----	3419 647	-----	3549 436	-----
	VALVE, w/Stem, Power	-----	-----	-----	-----	-----	-----	-----
	PUMP CUP	-----	-----	-----	3419 639	-----	3419 639	-----
14-35-35	RETAINER, Pwr. Valve Piston	-----	-----	-----	-----	-----	3549 435	-----
14-35-42	COVER, Venturi	3481 318	-----	3481 318	-----	3481 318	-----	3481 318
14-36-1	SPRING, Idle Speed Screw	3481 205	-----	3481 205	-----	3481 205	-----	3481 205
	SPRING, Idle Mixture Screw	3481 558	-----	3481 558	-----	3481 558	-----	3481 558
	SPRING, Idle Needle	-----	-----	-----	3481 395	-----	3481 395	-----
CARLINES	J - Challenger B - Barracuda	V - Valiant L - Dart		R - Belvedere - Satellite W - Coronet - Charger		P - Plymouth D - Dodge	C - Chrysler Y - Imperial	

AR Indicates use as required.

Indicates parts not listed in any previous parts book.

Numerals in parentheses () refer to notes.

* Indicates change or addition.

Printed in U.S.A.

January 1972

COMPONENT CHART REFERENCE NO.		29	31	32	33	34	35
CODE	MFG. NO.	4725S	4726S	R4372A	4727S	R4371A	4728S
14-36-2	SPRING, Step-Up Piston	3481 248	3481 248	---	3481 248	---	3481 248
14-36-15	SPRING, Pump	3481 313	3481 313	3549 415	3481 313	3514 742	3481 313
14-36-29	SPRING, Throttle Stop Screw	---	---	3419 675	---	3419 675	---
14-36-50	SPRING, Vent Valve Lever SPRING, Vent Valve	---	---	3514 743 3481 665	---	3514 743	---
14-37-27	LEAD SHOT (.180) LEAD SHOT LEAD SHOT	3420 453 3481 538 ---	3420 453 3481 538 3481 284	---	3420 453 3481 538 3481 284	---	3420 453 3481 538 3481 284
14-37-29	BALL, Pump Intake Check	3481 289	3481 289	---	3481 289	---	3481 289
14-37-30	BALL, Pump Discharge Check	3481 220	3481 220	---	3481 220	---	3481 220
14-38-4	VALVE or PLATE, Throttle	3481 307	3481 307	3514 726	3481 307	3514 726	3481 307
14-38-5	SCREW, Throttle Valve or PLATE	3420 445	3420 445	3514 834	3420 445	3514 834	3420 445
14-38-12	SHAFT, w/Lever, Throttle	3549 260	3549 260	3419 666	3549 260	3419 666	3549 260
14-38-20	SPRING, Throttle Lever	---	---	3514 744	---	3514 744	---
14-38-28	ROD, Throttle Connector	3481 316	3481 316	---	3481 316	---	3481 316
14-39-1	VALVE or PLATE, Choke	3481 309	3481 309	3549 323	3481 309	3514 712	3481 309
14-39-6	SHAFT, w/Lever, Choke PLATE, w/Lever, Choke	3549 261 ---	3549 261 ---	3549 324 3549 419	3549 261 ---	3549 324 3514 713	3549 261 ---
14-39-7	DIAPHRAGM, Choke	2933 190	2933 190	3419 508	2933 190	3419 621	2933 190
14-39-8	LINK, Choke Diaphragm PIN, Choke Diaphragm	---	---	3514 739 3481 674	---	3514 739 3481 674	---
14-39-9	SCREW, Diaphragm Bracket	3420 447	3420 447	---	3420 447	---	3420 447
14-39-10	LEVER, Choke	3481 273	3481 273	---	3481 273	---	3481 273
14-39-11	PIN, Diaphragm Link	---	---	---	---	---	---
14-39-27	RETAINER, Choke Diaphragm Connector Rod	3420 433 3481 317	3420 433 3481 317	---	3420 433 3481 317	---	3420 433 3481 317
14-39-28	ROD, Diaphragm Connector	---	---	---	---	---	---
14-39-45	CHOKE SCREW	2951 652 6024 560	2951 652 6024 560	2951 652 ---	2951 652 6024 560	2951 652 ---	2951 652 6024 560
14-39-46	GSKT. Cup Choke	---	---	2951 545	---	2951 545	---
14-39-48	CUP, Choke SCREW	---	---	2951 544 6024 560	---	2951 544 ---	---
14-39-51	HOSE, Diaphragm	3481 294	3481 294	3419 687	3481 294	3419 687	3481 294
14-39-56	PIN SPRING, Choke	3420 476	3420 476	---	3420 476	---	3420 476
14-39-57	PIN SPRING, Diaphragm Connector Rod	3420 477	3420 477	---	3420 477	---	3420 477
14-40-1	FLOAT, w/Lever	3481 311	3481 311	3514 707	3481 311	3514 707	3481 311
14-40-4	PIN, Float Lever PIN, Float Hinge	3481 201 ---	3481 201 ---	3514 734 3514 735	3481 201 ---	3514 734 3514 735	3481 201 ---
14-40-5	RETAINER, Float Lever Pin	3481 277	3481 277	---	3481 277	---	3481 277
14-40-35	BAFFLE, Fuel Bowl	---	---	3514 749	---	3514 749	---
14-41-3	PLUNGER, w/Rod, Pump	3621 446	3621 446	3514 736 3514 733 3514 737	3621 446 ---	3549 413 3514 733 3549 414	3621 446 ---
14-41-5	PISTON, Power Valve STEM, Pump ARM, w/Countershaft Pump	---	---	---	---	3514 733 3514 737	---
14-41-8	LINK, Pump	3481 326	3481 326	---	3549 270	---	3549 270
14-41-9	ARM, Pump ARM, Loose Lever	3481 312 3481 328	3481 312 3481 328	3514 738 ---	3481 312 3549 269	3514 738 ---	3481 312 3549 269
14-41-14	PLATE, Cover PLATE, Cover	---	---	---	3514 488 3549 271	---	3514 488 3549 271
14-41-18	VALVE, Pump Discharge	---	---	3514 732	---	3514 732	---
14-41-21	SHAFT, Pump Lever	---	---	3514 751	---	3514 751	---
14-41-22	LEVER, Pump	---	---	3514 750	---	3514 750	---
14-43-3	PISTON, w/Plate, Step-Up	3481 323	3481 323	---	3481 323	---	3481 323
14-43-5	ROD, Step-Up	2585 422	2808 016	---	2585 458	---	2808 016
14-45-1	NEEDLE, Idle Adjusting	---	---	3514 728	---	3514 728	---

CARLINES

J - Challenger
B - BarracudaV - Valiant
L - DartR - Belvedere - Satellite
W - Coronet - ChargerP - Plymouth
D - DodgeC - Chrysler
Y - Imperial

AR Indicates use as required.

= Indicates parts not listed in any previous parts book.

Numerals in parentheses () refer to notes.

★ Indicates change or addition.

Printed in U.S.A.
January 1972

1970-71 PASSENGER CAR PARTS CATALOG

FUEL

COMPONENT CHART REFERENCE NO.		29	31	32	33	34	35	
CODE	MFG. NO.	4725S	4726S	R4372A	4727S	R4371A	4728S	
14-45-4	CAM, Fast Idle	3549 265	3549 265	3549 322	3549 265	3549 322	3549 265	
14-45-5	ROD, Fast Idle Connector	3549 266	3549 266	3514 746	3549 266	3514 746	3549 266	
14-45-7	LEVER, Fast Idle	-----	-----	3514 714	-----	3514 714	-----	
14-45-8	SCREW, Fast Idle Cam	3481 282	3481 282	3514 715	3481 282	3514 715	3481 282	
14-45-9	NUT, Fast Idle Lever	-----	-----	3481 397	-----	3418 397	-----	
14-45-10	RETAINER, Fast Idle Cam	-----	-----	3514 741	-----	3514 741	-----	
14-45-12	LIMITER, Idle Mixture Screw	3481 644	3420 436	3514 740	-----	3514 740	-----	
	LIMITER, Idle Adjusting Needle	-----	-----	-----	-----	-----	-----	
	LIMITER, Idle Screw	-----	-----	-----	3420 436	-----	3420 436	
14-45-15	COVER, Hot Idle	-----	-----	3481 663	-----	-----	-----	
14-45-17	COMPENSATOR, Hot Idle	-----	-----	3481 666	-----	-----	-----	
14-45-19	SEAL, Hot Idle Compensator	-----	-----	3481 661	-----	-----	-----	
14-45-20	SCREW, Idle Mixture	3549 262	3549 262	-----	3549 262	-----	3549 262	
14-45-25	SCREW, Fast Idle Speed	3481 281	3481 281	-----	3481 281	-----	3481 281	
	SCREW, Idle Speed	3481 210	3481 210	-----	3481 210	-----	3481 210	
14-46-1	VALVE, Air Vent	-----	-----	-----	-----	3549 417	-----	
14-46-6	CLAMP, Vent Valve	-----	-----	3418 667	-----	-----	-----	
14-46-7	SCREW, Cover	-----	-----	-----	-----	-----	-----	
14-46-8	SEAL, Vent Valve	-----	-----	3481 659	-----	-----	-----	
14-46-9	BODY, Vent Valve	-----	-----	3514 661	-----	-----	-----	
14-46-10	CLAMP, Vent Valve	-----	-----	-----	-----	3514 708	-----	
14-46-14	LEVER, Vent Valve	-----	-----	-----	-----	-----	-----	
14-47-1	AIR HORN PKG. (For Air Leak)	3579 031	3579 031	-----	3579 031	-----	3579 031	
14-49-1	BODY, w/Plugs, Main	-----	-----	3514 706	-----	-----	-----	
14-54-6	WASHER, Throttle Shaft	3549 272	3549 272	-----	3549 272	-----	3549 272	
14-54-14	WIRE and CONNECTOR	-----	-----	3549 321	-----	3549 321	-----	
14-54-15	SCREW, Choke Valve or Plate	3420 450	3420 450	3420 255	3420 450	-----	3420 450	
	SCREW	-----	-----	3514 716	-----	3514 716	-----	
14-54-16	SCREW & WASHER, Cover	-----	-----	3481 658	-----	-----	-----	
14-54-19	L/WASHER	-----	-----	3481 601	-----	3481 601	-----	
14-54-42	L/WASHER	-----	-----	3481 507	-----	-----	-----	
14-54-45	WASHER	-----	-----	3549 416	-----	-----	-----	
14-54-47	SCREW, Pump Arm	3481 314	3481 314	-----	3481 314	-----	3481 314	
14-54-51	WASHER, Pump Spring Retainer	3481 330	3481 330	-----	3481 330	-----	3481 330	
14-54-72	SCREW, Air Horn	(1) (7) 3481 211	3481 211	3514 719	3481 211	3514 719	3481 211	
				3514 720	-----	3514 720	-----	
14-54-78	SCREW, Body Flange	3420 443	3420 443	3514 717	3420 443	3514 717	3420 443	
	SCREW, Throttle Body	-----	-----	3514 718	-----	3514 718	-----	
	SCREW, Fuel Bowl Baffle	-----	-----	-----	-----	-----	-----	
14-54-148	SCREW, Step-Up Piston	-----	3481 315	-----	3481 315	-----	3481 315	
	SCREW, Step-Up Piston Cover Plate	-----	-----	-----	3420 451	-----	3420 451	
14-54-152	SCREW, Venturi Cluster	3481 298	3481 633	-----	3481 298	-----	-----	
COMPONENT CHART REFERENCE NO.		36	37	38	39	40	41	42
CODE	MFG. NO.	4729S	4730S	R4367A	R4217A	4736S	4732S	4734S
14-30-2	GASKET, Flange	2264 193	2264 193	2946 543	2946 543	2946 543	2964 543	2946 543
14-30-3	VENTURI, Primary (Pump Side) (Opposite Pump)	-----	-----	-----	-----	3514 523	3514 523	3514 521
		-----	-----	-----	-----	3514 521	3514 521	3514 523
14-30-4	ZIP KIT	3621 286	3621 286	3514 816	3514 824	3514 469	3514 469	3514 469
14-30-7	GASKET KIT	3549 296	3549 296	3514 817	3514 825	3549 297	3549 297	3549 297
14-30-8	NEEDLE, w/Seat	2933 042	2933 042	2809 335	2809 335	2933 106	2933 106	2933 106
14-30-16	PLATE, Fuel Bowl Baffle	-----	-----	3420 324	3420 324	-----	-----	-----
14-30-27	STRAINER, Fuel Inlet	-----	-----	-----	-----	1826 864	1826 864	1826 864
14-30-28	NUT, Strainer	-----	-----	-----	-----	1826 863	1826 863	1826 863
14-30-29	GASKET, Strainer Nut	-----	-----	-----	-----	3420 413	3420 413	3420 413
14-30-30	FITTING, Fuel Inlet	-----	-----	2809 248	3514 830	-----	-----	-----
14-30-31	BAFFLE, Fuel Inlet	-----	-----	3420 389	3420 389	-----	-----	-----
14-32-15	SCREW, Venturi	-----	-----	-----	-----	3420 448	3420 448	3420 448
CARLINES	J - Challenger B - Barracuda	V - Valiant L - Dart	R - Belvedere - Satellite W - Coronet - Charger	P - Plymouth D - Dodge	C - Chrysler Y - Imperial			

AR Indicates use as required.

Indicates parts not listed in any previous parts book.

Numerals in parentheses () refer to notes.

★ Indicates change or addition.

Printed in U.S.A.
January 1972

COMPONENT CHART REFERENCE NO.		36	37	38	39	40	41	42
CODE	MFG. NO.	4729S	4730S	R4367A	R4217A	4736S	4732S	4734S
14-33-1	BODY, w/Shaft, Throttle	-----	-----	3514 812	3514 812	-----	-----	-----
14-34-10	GASKET, Secondary Metering Body	-----	-----	3514 851	-----	-----	-----	-----
14-34-21	GASKET, Needle Seat	-----	3481 199	-----	-----	3420 414	3420 414	3420 414
14-34-63	SEAL, Grommet	-----	-----	-----	-----	3420 480	3420 480	3549 406
14-35-1	JET, Main Metering Primary	3419 619	3419 619	2196 240	2196 240	-----	-----	-----
	Secondary	-----	-----	-----	-----	2809 254	2809 254	2809 254
14-35-3	NOZZLE, Pump Discharge	-----	-----	3420 366	3420 366	-----	-----	-----
	JET, Pump	-----	-----	-----	-----	3420 418	3420 418	3420 418
14-35-6	VALVE, Power	-----	-----	2084 715	2084 715	-----	-----	-----
	VALVE, Pump Discharge Needle	-----	-----	3514 684	3514 684	-----	-----	-----
14-35-9	DIAPHRAGM, Secondary	-----	-----	2809 252	2809 252	-----	-----	-----
14-35-10	SCREW, Pump Jet	-----	-----	-----	-----	3420 440	3420 440	3420 440
14-35-18	SCREW, Secondary Diaphragm Housing	-----	-----	3420 343	3420 343	-----	-----	-----
14-35-19	SCREW, Pump Discharge Nozzle	-----	-----	3420 346	3420 346	-----	-----	-----
14-35-25	HOUSING, Diaphragm	-----	-----	3420 392	3420 392	-----	-----	-----
14-35-26	LEVER, Diaphragm	-----	-----	3420 391	3420 391	-----	-----	-----
14-35-38	SPRING, Vacuum Piston	-----	-----	-----	-----	3420 428	3420 428	3420 428
14-35-39	BODY, w/Plugs, Primary Metering	-----	-----	3514 813	3514 813	-----	-----	-----
	BODY, Secondary Metering	-----	-----	3514 854	3514 854	-----	-----	-----
14-35-42	COVER, Venturi	3481 318	3481 318	-----	-----	-----	-----	-----
14-35-43	SCREW, Secondary Metering Body	-----	-----	3420 349	3420 349	-----	-----	-----
14-36-1	SPRING, Fast Idle Screw	3481 205	3481 205	-----	-----	-----	-----	-----
	SPRING, Idle Speed Screw	3481 205	3481 205	-----	-----	3420 425	3420 425	3420 425
	SPRING, Idle Mixture Screw	3481 558	3481 558	-----	-----	3481 558	3481 558	3481 558
	SPRING, Pump Lever Adjusting Screw	-----	-----	3420 378	3420 378	-----	-----	-----
14-36-2	SPRING, Step-Up Piston	3481 248	3481 248	-----	-----	3420 427	3420 427	-----
14-36-15	SPRING, Pump	3481 313	3481 313	-----	-----	3420 424	3420 424	3420 424
14-36-22	SPRING, Secondary Throttle Return	-----	-----	-----	-----	3420 432	3420 432	3420 432
14-36-29	SPRING, Throttle Stop Screw	-----	-----	3419 675	3419 675	-----	-----	-----
14-36-50	SPRING, Vent Rod	-----	-----	-----	3514 699	-----	-----	-----
	SPRING, Air Vent Valve	-----	-----	-----	3481 665	-----	-----	-----
	SPRING, Air Valve	-----	-----	-----	-----	3420 430	3420 430	3420 430
	SPRING, Bowl Vent Arm	-----	-----	-----	-----	3420 431	3420 431	3514 525
	SPRING, Throttle Lever	-----	-----	-----	-----	-----	3420 429	-----
14-36-53	SPRING, Diaphragm Return	-----	-----	3420 376	3420 376	-----	-----	-----
	SPRING, Secondary Diaphragm	-----	-----	3514 806	3514 806	-----	-----	-----
14-37-4	PLUG, Passage	-----	-----	-----	-----	3420 405	3420 405	3420 405
14-37-15	PLUG, Rivet	-----	-----	-----	-----	3420 404	3420 404	3420 404
	PLUG, Idle Port Rivet	-----	-----	-----	-----	3481 553	3481 553	3481 553
14-37-27	LEAD SHOT	3481 538	3481 538	-----	-----	-----	-----	-----
	LEAD SHOT	3481 284	3481 284	-----	-----	-----	-----	-----
	LEAD SHOT	3420 453	3420 453	-----	-----	3420 453	3420 453	3420 453
	LEAD SHOT	-----	-----	-----	-----	3420 454	3420 454	3420 454
14-37-29	BALL, Pump Intake Check	3481 289	3481 289	-----	-----	3420 470	3420 470	3420 470
14-37-30	BALL, Pump Discharge Check	3481 220	3481 220	-----	-----	-----	-----	-----
14-38-3	SCREW, Throttle Body	-----	-----	-----	3420 342	-----	-----	-----
14-38-30	TERM. & INSUL. PKG., Idle Sol.	-----	-----	-----	-----	-----	-----	3685 656
14-38-4	VALVE, Throttle Primary	3481 307	3481 307	-----	-----	-----	-----	-----
	Secondary	-----	-----	3420 353	3420 353	3420 398	3420 398	3420 398
	VALVE, Air	-----	-----	3481 691	3481 691	3420 397	3420 397	3420 397
		-----	-----	-----	-----	3514 507	3514 507	3514 507

CARLINES

J - Challenger
B - Barracuda

V - Valiant
L - Dart

R - Belvedere - Satellite
W - Coronet - Charger

P - Plymouth
D - Dodge

C - Chrysler
Y - Imperial

AR Indicates use as required.

Indicates parts not listed in any previous parts book.

Numerals in parentheses () refer to notes.

* Indicates change or addition.

Printed in U.S.A.
January 1972

1970-71 PASSENGER CAR PARTS CATALOG

FUEL

COMPONENT CHART REFERENCE NO.		36	37	38	39	40	41	42
CODE	MFG. NO.	4729S	4730S	R4367A	R4217A	4736S	4732S	4734S
14-38-5	SCREW, Throttle Valve Primary Valve Secondary Valve	3420 445 ----- -----	3420 445 ----- -----	----- 3420 261 3420 347	----- 3420 261 3420 347	----- 3420 446 3420 445	----- 3420 446 3420 445	----- 3420 446 3420 445
14-38-12	SHAFT, w/Lever, Throttle SHAFT, w/Lever and Dog, Primary SHAFT, w/Dog, Secondary SHAFT, Air Valve	3549 260 ----- ----- ----- -----	3549 260 ----- ----- ----- -----	----- ----- ----- ----- -----	----- ----- ----- ----- -----	----- 3481 552 3420 399 3420 407 3420 460	----- 3481 552 3420 399 3420 407 3420 460	----- 3481 552 3420 399 3420 407 3420 460
14-38-13	ARM, Primary Throttle Shaft, Inner Outer	----- -----	----- -----	----- -----	----- -----	----- 3420 458 3420 458	----- 3420 458 3420 458	----- 3420 458 3420 458
14-38-14	DOG, Throttle Shaft DOG, Lockout	----- -----	----- -----	----- -----	----- -----	----- 3420 401 3420 421	----- 3420 401 3420 421	----- 3514 524 3420 421
14-38-20	SPRING, Throttle Lever	-----	-----	-----	-----	3420 429	3420 429	3420 429
14-38-27	BEARING, Air Valve, to Adjust Spring Tension	-----	-----	-----	-----	3481 648	3481 648	3481 648
14-38-28	ROD, Throttle Connector	3481 316	3481 316	3420 384	3420 384	3420 462	3420 462	3420 462
14-38-30	TERM. & INSUL. PKG., Idle Sol.	3685 656	-----	-----	-----	-----	-----	3685 657
14-38-36	RETAINER, Throttle Connector ROD	----- -----	----- -----	3420 386 -----	3420 386 -----	----- 3420 461	----- 3420 461	----- 3420 461
14-38-50	ROD, Throttle Operating	-----	-----	-----	-----	3420 461	3420 461	3420 461
14-38-53	LEVER, Secondary Throttle Operating	-----	-----	-----	-----	3420 420	3420 420	3420 420
14-39-1	VALVE or PLATE, Choke CHOKE, Valve Assy.	3481 309 -----	3481 309 -----	3420 336 -----	3420 336 -----	3420 410 -----	3420 410 -----	3420 410 3420 402
14-39-6	SHAFT, w/Lever, Choke	3549 261	3549 261	-----	-----	3481 657	3481 657	3481 657
14-39-7	DIAPHRAGM, Choke	2933 190	3419 584	3419 515	3419 515	2933 199	2933 199	2933 199
14-39-8	LINK, Choke Diaphragm LINK, Choke Valve	----- -----	----- -----	3514 804 -----	3514 804 -----	----- 3420 466	----- 3420 466	----- 3420 466
14-39-9	SCREW, Diaphragm Bracket	3420 447	3420 447	3420 339	3420 339	3420 447	3420 447	3420 447
14-39-10	LEVER, Choke LEVER, Choke Shaft	3481 273 -----	3481 273 -----	3514 797 -----	3514 797 -----	3481 656 -----	3481 656 3420 409	3481 656 3420 409
14-39-15	SCREW, Choke Shaft Lever SCREW, Countershaft Lever	----- -----	----- -----	----- -----	----- -----	3420 437 3420 442	3420 437 3420 442	3420 437 3420 442
14-39-27	RETAINER, Diaphragm Connector Rod	----- -----	----- -----	----- -----	----- -----	3420 443	3420 443	3420 443
14-39-28	ROD, Choke Diaphragm Connector	3481 317	3481 317	-----	-----	3420 463	3420 463	3420 463
14-39-29	ROD, Choke Connector	-----	-----	3420 383	3420 383	-----	-----	-----
14-39-29	SEAL, Choke Rod	-----	-----	3420 301	3420 301	-----	-----	-----
14-39-30	SHAFT, Choke	-----	-----	3420 311	3420 311	3420 408	3420 408	3420 408
14-39-31	WASHER, Diaphragm Connector Rod	----- -----	----- -----	----- -----	----- -----	3420 471	3420 471	3420 471
14-39-45	CHOKE	2946 536	2946 536	2946 539	2946 539	2951 653	2951 653	2951 653
14-39-51	HOSE, Diaphragm	3481 294	3481 294	3419 c 37	3419.687	3420 475	3420 475	3420 475
14-39-56	PIN SPRING	3420 476	3420 476	3420 368	3420 368	3420 433	3420 433	3420 433
14-39-57	PIN, Spring PIN SPRING, Diaphragm Connector Rod	----- 3420 477 -----	----- 3420 477 -----	----- ----- -----	----- ----- -----	----- 3420 477	----- 3420 477	----- 3420 477 3481 052
14-39-60	SCREW ASSY. Thermostatic Valve	-----	-----	-----	-----	3549 307	3549 307	3549 307
14-40-1	FLOAT, w/Lever	3481 311	3481 311	3420 364	3420 364	3549 307	3549 307	3549 307
14-40-4	PIN, Float Lever	3481 201	3481 201	-----	-----	3420 416	3420 416	3420 416
14-40-5	RETAINER, Float Lever Pin RETAINER, Float	3481 277 -----	3481 277 -----	----- 3419 673	----- 3419 673	----- -----	----- -----	----- -----
14-40-7	BOWL, w/Plugs, Fuel, Primary Secondary	----- -----	----- -----	3420 372 3420 373	3514 831 3420 373	----- -----	----- -----	----- -----
14-40-18	SPRING, Float	-----	-----	3420 317	3420 317	-----	-----	-----
14-40-23	ARM, Bowl Vent	-----	-----	-----	-----	3420 419	3420 419	3514 509
14-40-35	BAFFLE, Bowl Vent	-----	-----	-----	-----	3420 482	3420 482	3420 482
14-41-3	PLUNGER, w/Rod, Pump	3621 446	3621 446	2196 234	2196 234	2933 193	2933 193	2933 193
14-41-5	ARM, w/Countershaft, Pump	3481 326	3481 326	-----	-----	-----	-----	-----
14-41-8	LINK, Pump Connector	-----	-----	-----	-----	3420 465	3420 465	3420 465
14-41-9	ARM, Pump	3481 312	3481 312	-----	-----	3420 456	3420 456	3420 456

CARLINES

J - Challenger
B - BarracudaV - Valiant
L - DartR - Belvedere - Satellite
W - Coronet - ChargerP - Plymouth
D - DodgeC - Chrysler
Y - Imperial

AR Indicates use as required.

Indicates parts not listed in any previous parts book.

Numerals in parentheses () refer to notes.

★ Indicates change or addition.

Printed in U.S.A.
January 1972

COMPONENT CHART REFERENCE NO.		36	37	38	39	40	41	42
CODE	MFG. NO.	4729S	4730S	R4367A	R4217A	4736S	4732S	4734S
14-41-10	CAM, Pump	-----	-----	3420 321	3420 321	-----	-----	-----
14-41-22	LEVER, Pump Operating	-----	-----	3514 680	3514 680	-----	-----	-----
14-41-23	RETAINER, Pump Operating Lever	-----	-----	3514 681	3514 681	-----	-----	-----
14-41-25	FITTING, Pump Lever Adjusting Screw	-----	-----	3420 365	3420 365	-----	-----	-----
14-41-35	SCREW, Pump and Diaphragm Cover	-----	-----	-----	3420 259	-----	-----	-----
14-41-40	NEEDLE, Pump Discharge Check	-----	-----	-----	-----	3420 412	3420 412	3420 412
14-43-3	PISTON, Step-Up	3481 323	3481 323	-----	-----	3420 478	3420 478	3420 478
14-43-4	PLATE, Step-Up Piston Cover, Pump Side	-----	-----	-----	-----	3420 435	3420 435	3420 435
	Opposite Pump	-----	-----	-----	-----	3420 434	3420 434	3420 434
14-43-5	ROD, Step-Up	2585 458	2585 458	-----	-----	2933 017	2933 017	2933 158
14-43-10	SPRING, Step-Up Rod Retaining	-----	-----	-----	-----	3420 427	3420 427	3420 427
14-44-10	TUBE, Balance	-----	-----	3420 361	3420 361	-----	-----	-----
14-44-11	WASHER, Balance Tube	-----	-----	3420 385	3420 385	-----	-----	-----
14-44-12	"O"RING, Balance Tube	-----	-----	3420 367	3420 367	-----	-----	-----
14-45-1	NEEDLE, Idle Adjusting	-----	-----	3514 799	3514 799	-----	-----	-----
14-45-3	LEVER, Fast Idle Cam	-----	-----	3420 338	3420 338	-----	-----	-----
14-45-4	CAM, Fast Idle	3549 265	3549 265	3514 689	3514 689	3514 522	3514 522	3514 522
14-45-5	ROD, Fast Idle Connector	3549 266	3549 266	-----	-----	3420 454	3420 454	3420 454
14-45-8	SCREW, Fast Idle Cam	3481 282	3481 282	3420 344	3420 344	3420 411	3420 441	3420 441
14-45-12	LIMITER, Idle Needle	-----	-----	3420 393	3420 393	3481 644	3481 644	3481 644
14-45-15	COVER, Hot Idle Compensator	-----	-----	-----	3481 663	-----	-----	-----
14-45-17	COMPENSATOR, Hot Idle	-----	-----	-----	3481 666	-----	-----	-----
14-45-19	SEAL, Hot Idle Compensator	-----	-----	-----	3481 661	-----	-----	-----
14-45-20	SCREW, Idle Mixture	3549 262	3549 262	-----	-----	3481 554	3481 554	3481 554
14-45-25	SCREW, Fast Idle Speed	3481 281	3481 281	-----	-----	3481 555	3481 555	-----
	SCREW, Idle Speed	3481 210	3481 210	-----	-----	3514 526	3514 526	3514 526
14-45-27	WASHER, Idle Speed Screw	-----	-----	-----	-----	3420 473	3420 473	3420 473
14-45-32	BRACKET, Retard Wire	-----	-----	-----	3514 809	-----	-----	-----
14-45-33	CABLE, Retard	-----	-----	-----	3514 810	-----	-----	-----
14-46-1	VALVE, Air Vent	-----	-----	3419 669	-----	-----	-----	-----
14-46-3	PLATE, Secondary Metering Body	-----	-----	3420 370	3420 370	-----	-----	-----
14-46-4	RETAINER, "E" Ring	-----	-----	3420 375	3420 375	-----	-----	-----
14-46-5	ROD, Air Vent	-----	-----	3514 807	3514 700	-----	-----	-----
14-46-6	CLAMP, Air Vent Rod	-----	-----	3420 387	3420 387	-----	-----	-----
14-46-7	BAFFLE, Metering Body Vent	-----	-----	3420 388	3420 388	-----	-----	-----
14-46-8	SEAL, Vent Valve	-----	-----	-----	3481 659	-----	-----	-----
14-46-9	BODY, Vent Valve	-----	-----	-----	3481 660	-----	-----	-----
14-46-10	CLAMP, Vent Valve	-----	-----	-----	3481 667	-----	-----	-----
14-46-17	VENT, Bowl Connector Rod	-----	-----	-----	-----	-----	-----	3514 527
14-47-1	AIR HORN PKG. (For Air Leak)	3579 031	3579 031	-----	-----	-----	-----	-----
14-48-2	VALVE, Thermostatic	-----	-----	-----	-----	-----	2933 165	3514 881
14-54-3	SCREW, Throttle Stop	-----	-----	3420 256	3420 256	-----	-----	-----
14-54-5	SCREW, Throttle Shaft Lever	-----	-----	-----	-----	3420 438	3420 438	3420 438
14-54-6	WASHER, Primary Throttle Shaft	-----	-----	-----	-----	3481 051	3481 051	3481 051
	WASHER, Secondary Throttle Shaft	-----	-----	-----	-----	3420 472	3420 472	3420 472
	WASHER, Throttle Shaft Spring	-----	-----	-----	-----	-----	-----	3514 519
14-54-15	SCREW, Choke Valve	3420 450	3420 450	3420 255	3420 255	3420 450	3420 450	3420 450
	SCREW, Air Valve	-----	-----	-----	-----	3420 450	3420 450	3420 450
14-54-16	SCREW, Vent Valve	-----	-----	-----	3481 658	-----	-----	-----
14-54-36	SCREW, Air Vent Rod Clamp	-----	-----	3420 340	3420 340	-----	-----	-----
14-54-42	WASHER, Pump Spring Retainer	3481 330	3481 330	-----	-----	-----	-----	-----
14-54-43	SCREW, Pump Lever Adjusting	-----	-----	3420 345	3420 345	-----	-----	-----
14-54-47	SCREW, Pump Arm	3481 314	3481 314	-----	-----	3420 452	3420 452	3481 093
14-54-50	SCREW, Pump Cam Lock	-----	-----	3420 265	3420 265	-----	-----	-----
14-54-51	WASHER, Choke Lever Retainer	-----	-----	-----	-----	3420 474	3420 474	3420 474
14-54-72	SCREW, Air Horn	3481 211	3481 211	-----	-----	3420 443	3420 443	3420 443
14-54-78	SCREW, Body Flange	3420 443	3420 443	-----	-----	-----	-----	-----
	SCREW, Fuel Bowl	-----	-----	3420 341	3420 341	-----	-----	-----
	SCREW, Secondary Fuel Bowl	-----	-----	3420 348	3420 348	-----	-----	-----
CARLINES	J - Challenger B - Barracuda	V - Valiant L - Dart	R - Belvedere - Satellite W - Coronet - Charger	P - Plymouth D - Dodge	C - Chrysler Y - Imperial			

AR Indicates use as required.

= Indicates parts not listed in any previous parts book.

Numerals in parentheses () refer to notes.

★ Indicates change or addition.

Printed in U.S.A.
January 1972

1970-71 PASSENGER CAR PARTS CATALOG

FUEL

COMPONENT CHART REFERENCE NO.		36	37	38	39	40	41	42
CODE	MFG. NO.	47295	47305	R4367A	R4217A	4736S	4732S	4734S
14-54-148	SCREW, Step-Up Piston Plate	3481 315	3481 315	-----	-----	3420 451	3420 451	-----
	SCREW, Air Valve Retainer	-----	-----	-----	-----	3420 451	3420 451	3420 451
14-54-152	SCREW, Venturi Cluster	3481 298	3481 298	-----	-----	-----	-----	-----
COMPONENT CHART REFERENCE NO.		43	44	45	46	47	48	49
CODE	MFG. NO.	R4368A	R4218A	R4369A	4737S	4739S	R4382A	R4175A
14-30-2	GASKET, Flange	2946 543	2946 543	2946 543	2946 543	2946 543	2946 531	2946 531
14-30-3	VENTURI, Primary (Pump Side)	-----	-----	-----	3514 515	3514 515	-----	-----
14-30-4	REPAIR Kit	3514 816	3514 824	3514 819	3549 274	3549 274	3514 651	3514 651
14-30-7	GASKET KIT	3514 817	3514 825	3514 818	3549 273	3549 273	3514 652	3514 652
14-30-8	NEEDLE, w/Seat	2809 335	2809 335	2809 335	2933 106	2933 106	3514 669	3514 669
14-30-14	NUT, Fuel Valve Seat Adjusting	-----	-----	-----	-----	-----	3420 318	-----
14-30-16	PLATE, Fuel Bowl Baffle	3420 324	3420 324	3420 324	-----	-----	-----	-----
14-30-27	STRAINER, Fuel Inlet	-----	-----	-----	1826 864	1826 864	-----	-----
14-30-28	NUT, Strainer	-----	-----	-----	1826 863	1826 863	-----	-----
14-30-29	GASKET, Strainer Nut	-----	-----	-----	3420 413	3420 413	-----	-----
14-30-30	FITTING, Fuel Inlet	2809 248	3514 731	2809 248	-----	2808 248	2809 248	-----
14-30-31	BAFFLE, Fuel Inlet	3420 389	3420 389	3420 389	-----	-----	-----	-----
14-32-15	SCREW, Venturi	-----	-----	-----	3420 448	3420 448	-----	-----
14-33-1	BODY, w/Shaft, Throttle	3514 812	3514 812	3514 812	-----	-----	3514 792	3514 792
14-34-10	GASKET, Secondary Metering Body	3514 851	-----	3514 851	-----	-----	-----	-----
14-34-17	GASKET, Diaphragm Housing	-----	-----	-----	-----	-----	3420 350	-----
14-34-21	GASKET, Needle Seat	3420 353	-----	-----	3420 414	-----	-----	-----
14-34-63	SEAL, Grommet	-----	-----	-----	3420 480	3420 480	-----	-----
	SEAL, Venturi Vent	-----	-----	-----	3420 479	-----	-----	-----
14-35-1	JET, Main Metering PRIMARY	2196 240	2196 240	2196 240	-----	-----	-----	-----
	SECONDARY	-----	-----	-----	2933 020	2933 020	-----	-----
		-----	-----	-----	2933 195	2933 195	-----	-----
14-35-3	NOZZLE, Pump Discharge JET, Pump	3420 366	3420 366	3420 366	-----	-----	-----	-----
		-----	-----	-----	3420 418	3420 418	-----	-----
14-35-6	VALVE, Power VALVE, Pump Discharge Needle	2084 715 3514 684	2084 715 3514 684	2084 715 3514 684	-----	-----	3420 299	-----
14-35-9	DIAPHRAGM, Secondary	2809 252	2809 252	2809 252	-----	-----	3514 794	3514 794
14-35-10	SCREW, Pump Jet	-----	-----	-----	3420 440	3420 440	-----	-----
14-35-18	SCREW, Secondary Diaphragm Housing	3420 343	3420 343	3420 343	-----	-----	-----	-----
14-35-19	SCREW, Pump Discharge Nozzle	3420 346	3420 346	3420 346	-----	-----	-----	-----
14-35-25	HOUSING, Diaphragm	3420 392	3420 392	3420 392	-----	-----	3514 657	3514 657
14-35-26	LEVER, Diaphragm	3420 391	3420 391	3420 391	-----	-----	3514 655	3514 655
14-35-38	SPRING, Vacuum Piston	-----	-----	-----	3420 428	3420 428	-----	-----
14-35-39	BODY, w/Plugs, Primary Metering BODY, w/Plugs, Metering	3549 309	3514 813	3549 309	-----	-----	3514 846	3514 846
14-35-43	SCREW, Secondary Metering Body	3420 349	3420 349	3420 349	-----	-----	3420 349	3420 349
14-35-45	COVER, Diaphragm	-----	-----	-----	-----	-----	3514 653	3514 653
14-36-1	SPRING, Pump Lever Adjusting SPRING, Idle Speed Screw	3420 378	3420 378	3420 378	-----	3420 425	3420 425	-----
	SPRING, Idle Mixture Screw	-----	-----	-----	3514 516	-----	-----	-----
14-36-15	SPRING, Pump	-----	-----	-----	3420 424	3420 424	-----	-----
14-36-22	SPRING, Secondary Throttle Return	-----	-----	-----	3420 432	3420 432	-----	-----
14-36-29	SPRING, Throttle Stop Screw	3419 675	3419 675	3419 675	-----	-----	-----	-----
14-36-50	SPRING, Air Vent Valve SPRING, Vent Rod	3420 377	3481 665 3514 699	3420 377	-----	-----	-----	-----
	SPRING, Air Valve	-----	-----	-----	3420 430	3420 430	-----	-----
	SPRING, Throttle Lever	-----	-----	-----	3420 429	3420 429	-----	-----
	SPRING, Bowl Vent Arm	-----	-----	-----	3420 431	3420 431	-----	-----
14-36-53	SPRING, Secondary Diaphragm SPRING, Diaphragm Return	3514 808 3420 376	3514 806 3420 376	3514 806 3420 376	-----	-----	3514 806	3514 806
14-37-4	PLUG, Passage	-----	-----	-----	3420 405	3420 405	-----	-----
14-37-14	PLUG, Fuel Level Check	-----	-----	-----	-----	-----	3420 275	3420 275

CARLINES

J - Challenger
B - BarracudaV - Valiant
L - DartR - Belvedere - Satalite
W - Coronet - ChargerP - Plymouth
D - DodgeC - Chrysler
Y - Imperial

AR Indicates use as required.

Indicates parts not listed in any previous parts book.

Numerals in parentheses () refer to notes.

★ Indicates change or addition.

Printed in U.S.A.
January 1972

1970-71 PASSENGER CAR PARTS CATALOG

FUEL

Text Page 14-27

COMPONENT CHART		43	44	45	46	47	48	49
CODE	REFERENCE NO. MFG. NO.	R4368A	R4218A	R4369A	4737S	4739S	R4382A	R4175A
14-37-15	RIVET, Plug	-----	-----	-----	3420 404	3420 404	-----	-----
	RIVET PLUG, Idle Port	-----	-----	-----	3514 508	3514 508	-----	-----
14-37-24	PLUG, Idle Limiter Needle	-----	-----	-----	-----	-----	3481 697	3481 697
14-37-27	LEAD SHOT (.180)	-----	-----	-----	3420 453	3420 453	-----	-----
	LEAD SHOT (.200)	-----	-----	-----	3420 454	3420 454	-----	-----
14-37-29	BALL, Pump Intake Check	-----	-----	-----	3420 470	3420 470	-----	-----
14-38-3	SCREW, Throttle Body	3420 342	3420 342	3420 342	-----	-----	3420 342	3420 342
14-38-4	VALVE or PLATE, Throttle	-----	-----	-----	-----	-----	3514 791	3514 791
	Primary	3420 353	3420 353	3420 353	3481 062	3514 528	-----	-----
	Secondary	3481 691	3481 691	3481 691	-----	3420 397	3420 397	-----
	VALVE, Air	-----	-----	-----	3514 507	3514 507	-----	-----
14-38-5	PLATE or VALVE, Throttle	-----	-----	-----	-----	-----	3420 261	3420 261
	Primary	3420 261	3420 261	3420 261	3420 446	3420 446	-----	-----
	Secondary	3420 347	3420 347	3420 347	3420 445	3420 445	-----	-----
14-38-12	SHAFT, w/Lever and Dog,	-----	-----	-----	-----	-----	-----	-----
	Primary Throttle	-----	-----	-----	3481 552	3481 552	-----	-----
	SHAFT, w/Dog, Secondary	-----	-----	-----	-----	-----	-----	-----
	Throttle	-----	-----	-----	3420 399	3420 399	-----	-----
	SHAFT, Air Valve	-----	-----	-----	3420 407	3420 407	-----	-----
14-38-13	ARM, Primary Throttle Shaft, Inner	-----	-----	-----	3420 460	3420 460	-----	-----
	Outer	-----	-----	3420 458	3420 458	-----	-----	-----
14-38-14	DOG, Throttle Shaft	-----	-----	-----	3420 401	3514 524	-----	-----
	DOG, Lockout	-----	-----	-----	3420 421	3420 421	-----	-----
14-38-20	SPRING, Throttle Lever	-----	-----	-----	3420 429	3420 429	-----	-----
14-38-24	SOLENOID, Idle	-----	-----	-----	3549 318	3549 318	2875 975	2875 975
14-38-25	WIRE, Solenoid Lead	-----	-----	-----	3549 313	3549 313	-----	-----
14-38-26	JUMPER, Idle Stop	-----	-----	-----	-----	-----	3438 371	3438 371
14-38-27	BEARING, Air Valve Shaft	-----	-----	-----	3481 648	3481 648	-----	-----
14-38-28	ROD, Throttle Connector	3420 384	3420 384	3420 384	3420 462	3420 462	-----	-----
14-38-36	RETAINER, Throttle Connector	-----	-----	-----	-----	-----	-----	-----
	Rod	3420 386	3420 386	3420 386	-----	-----	-----	-----
14-38-50	ROD, Throttle Operating	-----	-----	-----	3420 461	3420 461	-----	-----
14-38-53	LEVER, Secondary Throttle	-----	-----	-----	-----	-----	-----	-----
	Operating	-----	-----	-----	3420 420	3420 420	-----	-----
14-39-1	VALVE or PLATE, Choke	3420 336	3420 336	3420 336	3420 402	3420 402	-----	-----
	VALVE, Countershaft Lever to	-----	-----	-----	-----	-----	-----	-----
	Choke	-----	-----	-----	3420 410	-----	-----	-----
14-39-6	SHAFT, w/Lever, Choke	-----	-----	-----	3481 657	3481 657	-----	-----
14-39-7	DIAPHRAGM, Choke	3419 620	3419 620	3419 620	2933 196	2933 196	3514 654	3514 654
14-39-8	LINK, Choke Diaphragm	3514 804	-----	3514 804	-----	-----	3481 662	3481 662
	LINK, Choke Valve	-----	-----	-----	-----	3420 466	-----	-----
14-39-9	SCREW, Choke Diaphragm	-----	-----	-----	-----	-----	-----	-----
	Bracket	3420 339	342 339	3420 339	3420 447	3420 447	3481 700	3481 700
14-39-10	LEVER, Choke Control	3514 797	3514 797	3514 797	3481 656	3481 656	-----	-----
	LEVER, Choke Shaft	-----	-----	-----	3420 409	3420 409	-----	-----
14-39-15	SCREW, Choke Shaft Lever	-----	-----	-----	3420 437	3420 437	-----	-----
	SCREW, Counter Shaft Lever	-----	-----	-----	3420 442	3420 442	-----	-----
14-39-27	RETAINER, Diaphragm	-----	-----	-----	-----	-----	-----	-----
	Connector Rod	-----	-----	-----	3420 433	3420 433	-----	-----
14-39-28	ROD, Choke Connector	3420 383	3420 383	3420 383	3420 463	3420 463	-----	-----
14-39-29	SEAL, Choke Rod	3420 301	3420 301	3420 301	-----	-----	-----	-----
14-39-30	SHAFT, Choke	3420 311	3420 311	3420 311	-----	3420 408	3420 408	-----
14-39-31	WASHER, Choke Diaphragm	-----	-----	-----	-----	-----	-----	-----
	Connector Rod	-----	-----	-----	3420 471	3420 471	-----	-----
14-39-45	CHOKE	2946 539	2946 539	2946 539	2951 653	2951 653	2946 532	2946 532
14-39-51	HOSE, Choke Diaphragm	3419 687	3419 687	3419 687	3420 475	3420 475	-----	-----
14-39-56	PIN, Choke Clevis	3420 368	3420 368	3420 368	-----	-----	-----	-----
	PIN SPRING, Choke	-----	-----	-----	-----	3420 476	-----	-----
14-39-57	PIN SPRING, Choke Diaphragm	-----	-----	-----	-----	-----	-----	-----
	Connector Rod	-----	-----	-----	3420 477	3420 477	-----	-----
14-39-60	SCREW, Thermostatic Valve	-----	-----	-----	3481 052	-----	-----	-----
14-40-1	FLOAT, w/Lever	3420 364	3420 364	3420 364	3420 415	3420 415	3481 693	3481 693

CARLINES

J - Challenger
B - Barracuda

V - Valiant
L - Dart

R - Belvedere - Satellite
W - Coronet - Charger

P - Plymouth
D - Dodge

C - Chrysler
Y - Imperial

AR Indicates use as required.

= Indicates parts not listed in any previous parts book.

Numerals in parentheses () refer to notes.

★ Indicates change or addition.

Printed in U.S.A.
January 1972

COMPONENT CHART REFERENCE NO.		43	44	45	46	47	48	49
CODE	MFG. NO.	R4368A	R4218A	R4369A	4737S	4739S	R4382A	R4175A
14-40-4	PIN, Float Lever	-----	-----	-----	3420 416	3420 416	-----	-----
14-40-5	RETAINER, Float	3419 673	3419 673	3419 673	-----	-----	-----	-----
14-40-6	SHAFT, Float	-----	-----	-----	-----	-----	3481 683	3481 683
14-40-7	BOWL, w/Plugs, Fuel, Primary	3420 372	3514 831	3420 372	-----	-----	-----	-----
	Secondary	3420 373	3420 373	3420 373	-----	-----	-----	-----
	BOWL, w/Plugs, Fuel	-----	-----	-----	-----	-----	3481 695	3481 695
14-40-18	SPRING, Float	3420 317	3420 317	3420 317	-----	-----	3481 698	3481 698
14-40-23	ARM, Bowl Vent	-----	-----	-----	3514 509	3514 509	-----	-----
14-40-35	BAFFLE, Fuel Bowl	-----	-----	-----	3420 482	3420 482	-----	-----
14-41-3	PLUNGER or Diaphragm, w/Rod, Pump	2196 234	2196 234	2196 234	2933 193	2933 193	-----	-----
14-41-8	LINK, Pump Connector	-----	-----	-----	3420 465	3420 465	-----	-----
14-41-9	ARM, Pump	-----	-----	-----	3420 456	3420 456	-----	-----
14-41-10	CAM, Pump	3420 321	3420 321	3420 321	-----	-----	-----	-----
14-41-22	LEVER, Pump Operating	3514 680	3514 680	3514 680	-----	-----	-----	-----
14-41-23	RETAINER, Pump Operating Lever	3514 681	3514 681	3514 681	-----	-----	-----	-----
14-41-25	FITTING, Pump Lever Adjusting Screw	3420 365	3420 365	3420 365	-----	-----	-----	-----
14-41-30	NEEDLE, Pump Discharge Check	-----	-----	-----	3420 412	3420 412	-----	-----
14-41-34	COVER, Pump	3420 306	3420 306	3420 306	-----	-----	-----	-----
	NOTE: 3420 306; Also use 4 of 3420 258.							
14-41-35	SCREW, Pump Cover	3420 259	3420 259	3420 259	-----	-----	-----	-----
	SCREW, Diaphragm Cover	-----	-----	3420 259	-----	-----	-----	-----
14-43-3	PISTON, Step-Up	-----	-----	-----	3514 512	3514 512	-----	-----
14-43-4	PLATE, Step-Up Piston Cover, Opposite Pump	-----	-----	-----	3420 434	3420 434	-----	-----
	Pump Side	-----	-----	-----	3420 435	3420 435	-----	-----
14-43-5	ROD, Step-Up	-----	-----	-----	3514 513	3514 530	-----	-----
14-43-10	SPRING, Step-Up Rod Retaining	-----	-----	-----	3420 427	3420 427	-----	-----
14-44-10	TUBE, Balance	3420 361	3420 361	3420 361	-----	-----	-----	-----
14-44-11	WASHER, Balance Tube	3420 385	3420 385	3420 385	-----	-----	-----	-----
14-44-12	"O"RING, Balance Tube	3420 367	3420 367	3420 367	-----	-----	-----	-----
14-45-1	NEEDLE, Idle Adjusting	3514 799	3514 799	3514 799	-----	-----	-----	-----
	NEEDLE, Idle Limiter	-----	-----	-----	-----	-----	3420 363	3420 363
14-45-3	LEVER, Fast Idle Cam	3420 338	3420 338	3420 338	-----	-----	-----	-----
14-45-4	CAM, Fast Idle	3514 689	3514 689	3514 689	3481 069	3418 069	-----	-----
14-45-5	ROD, Fast Idle Connector	-----	-----	-----	3420 454	3420 454	-----	-----
14-45-8	SCREW, Fast Idle Cam	3420 344	3420 344	3420 344	3420 441	3420 441	-----	-----
14-45-12	LIMITER, Idle Needle	3420 393	3420 393	3420 393	3481 644	3420 436	-----	-----
14-45-15	COVER, Hot Idle Compensator	-----	3481 663	3481 663	-----	-----	-----	-----
14-45-17	COMPENSATOR, Hot Idle	-----	3481 666	3481 666	-----	-----	-----	-----
14-45-19	SEAL, Hot Idle Compensator	-----	3481 661	3481 661	-----	-----	-----	-----
14-45-20	SCREW, Idle Mixture	-----	-----	-----	-----	3514 529	-----	-----
14-45-25	SCREW, Fast Idle Speed	-----	-----	-----	3481 555	3481 555	-----	-----
	SCREW, Idle Speed	-----	-----	-----	3420 449	3420 449	-----	-----
14-45-27	WASHER, Idle Speed Screw	-----	-----	-----	3420 473	3420 473	-----	-----
14-45-32	BRACKET, Retard Wire	-----	3514 809	3514 809	-----	-----	-----	-----
14-45-33	CABLE, Compensator	-----	3514 810	3514 810	-----	-----	-----	-----
14-46-1	VALVE, Air Vent	3419 669	-----	3419 669	-----	-----	-----	-----
14-46-3	PLATE, Metering Body	3420 370	3420 370	3420 370	-----	-----	-----	3420 370
14-46-4	RETAINER, "E" Ring	3420 375	3420 375	3420 375	-----	-----	-----	-----
14-46-5	ROD, Air Vent	3549 326	3514 700	3514 807	-----	-----	-----	-----
14-46-6	CLAMP, Air Vent Rod	3420 387	3420 387	3420 387	-----	-----	-----	-----
	CLAMP, Vent Valve	-----	3481 667	-----	-----	-----	-----	-----
14-46-7	BAFFLE, Metering Body Vent	3420 388	3420 388	3420 388	-----	-----	-----	-----
14-46-8	SEAL, Vent Valve	-----	3481 659	-----	-----	-----	-----	-----
14-46-9	BODY, Vent Valve	-----	3481 660	-----	-----	-----	-----	-----
14-46-17	ROD, Bowl Vent Connector	-----	-----	-----	-----	3514 527	-----	-----
14-48-2	VALVE, Thermostatic	-----	-----	-----	-----	2933 165	-----	-----
14-54-3	SCREW, Throttle Stop	3549 325	3420 256	3420 256	-----	-----	-----	-----
14-54-4	SCREW, Fuel Valve Seat Lock	-----	-----	-----	-----	-----	3420 273	3420 273
14-54-5	SCREW, Throttle Shaft Lever	-----	-----	-----	3420 438	3420 438	-----	-----

CARLINES

J - Challenger
B - BarracudaV - Valiant
L - DartR - Belvedere - Satellite
W - Coronet - ChargerP - Plymouth
D - DodgeC - Chrysler
Y - Imperial

AR Indicates use as required.

Indicates parts not listed in any previous parts book.

Numerals in parentheses () refer to notes.

★ Indicates change or addition.

Printed in U.S.A.

January 1972

1970-71 PASSENGER CAR PARTS CATALOG

FUEL

Text Page 14-29

COMPONENT CHART REFERENCE NO.		43	44	45	46	47	48	49
CODE	MFG. NO.	R4368A	R4218A	R4369A	4737S	4739S	R4382A	R4175A
14-54-6	WASHER, Throttle Shaft	-----	-----	-----	3514 519	3514 519	-----	-----
	WASHER, Secondary Throttle Shaft	-----	-----	-----	3420 472	3420 472	-----	-----
14-54-15	SCREW, Choke Valve or Plate	3420 255	3420 255	3420 255	3420 450	3420 450	-----	-----
	SCREW, Air Valve	-----	-----	-----	3420 450	3420 450	-----	-----
14-54-29	SCREW, Float Shaft Bracket	-----	-----	-----	-----	-----	3481 699	3481 699
14-54-36	SCREW, Air Vent Rod Clamp	3420 340	3420 340	3420 340	-----	-----	-----	-----
14-54-43	SCREW, Pump Lever Adjusting	3420 345	3420 345	3420 345	-----	-----	-----	-----
14-54-47	SCREW, Pump Arm	-----	-----	-----	3420 452	3481 093	-----	-----
14-54-50	SCREW, Pump Cam Lock	3420 265	3420 265	3420 265	-----	-----	-----	-----
14-54-51	WASHER, Choke Lever Retainer	-----	-----	-----	3420 474	3420 474	-----	-----
14-54-72	SCREW, Air Horn	-----	-----	-----	3420 443	3420 443	-----	-----
14-54-78	SCREW, Fuel Bowl	3420 341	3420 341	3420 341	-----	-----	-----	-----
	SCREW, Secondary Fuel Bowl	3420 348	3420 348	3420 348	-----	-----	-----	-----
	SCREW, Diaphragm Mounting	-----	-----	-----	-----	-----	3419 653	-----
	SCREW, Fuel Bowl to Main Bowl	-----	-----	-----	-----	-----	-----	3420 348
14-54-148	SCREW, Step-Up Piston Cover Plate	-----	-----	-----	3420 451	3420 451	-----	-----
	SCREW, Air Valve Retainer	-----	-----	-----	3420 451	3420 451	-----	-----
COMPONENT CHART REFERENCE NO.		50	51	52	53	54	55	56
CODE	MFG. NO.	R4375A	R4374A	R4376A	R4144A	R4383A	R4365A	4742S
14-30-2	GASKET, Flange	2946 531	2946 531	2946 531	2946 531	2946 531	2946 531	2780 629
14-30-3	VENTURI, Primary, Opposite Pump	-----	-----	-----	-----	-----	-----	3549 276
	Pump Side	-----	-----	-----	-----	-----	-----	3549 275
	VENTURI, Secondary, Opposite Pump	-----	-----	-----	-----	-----	-----	3481 087
	Pump Side	-----	-----	-----	-----	-----	-----	3481 086
14-30-4	MINOR REPAIR KIT	3514 671	3514 695	3514 671	3514 695	3514 651	3514 651	-----
	ZIP KIT	-----	-----	-----	-----	-----	-----	3419 503
14-30-7	GASKET KIT	3514 672	3514 696	3514 672	3514 696	3514 652	3514 652	-----
14-30-8	VALVE, w/Seat	3514 669	3514 669	3514 669	3514 669	3514 669	3481 694	2809 397
14-30-14	NUT, Fuel Valve Seat Adjusting	3420 319	3420 319	3420 319	3420 319	3420 319	3420 319	-----
14-30-27	STRAINER, Fuel Inlet	-----	-----	-----	-----	-----	-----	1826 864
14-30-28	NUT, Strainer	-----	-----	-----	-----	-----	-----	1826 863
14-30-29	GASKET, Strainer Nut	-----	-----	-----	-----	-----	-----	3420 413
14-30-30	FITTING, Fuel Inlet	3514 820	2809 248	3514 820	3514 820	3514 820	3514 820	-----
14-32-15	SCREW, Venturi, Primary	-----	-----	-----	-----	-----	-----	3420 448
	Secondary	-----	-----	-----	-----	-----	-----	3481 092
14-33-1	BODY, w, Shaft, Throttle	3514 667	3514 667	3514 667	3514 667	3514 792	3481 692	-----
14-34-5	GASKET, Air Horn	-----	-----	-----	-----	-----	-----	2299 140
14-34-15	GASKET, Power Valve	-----	-----	-----	-----	-----	-----	-----
14-34-17	GASKET, Diaphragm Housing	-----	-----	-----	-----	3420 350	3420 350	-----
14-34-21	"O" RING, Fuel Valve Seat	3420 299	3420 299	3420 299	3420 299	-----	-----	-----
14-35-1	JET, Main Metering	2809 377	2809 377	3420 332	3420 332	-----	-----	-----
	Primary	-----	-----	-----	-----	-----	-----	2809 305
	Secondary	-----	-----	-----	-----	-----	-----	2809 305
14-35-3	NOZZLE, Pump Discharge	3420 295	3420 295	3420 295	3420 295	-----	-----	-----
	JET, Pump	-----	-----	-----	-----	-----	-----	3481 082
14-35-6	VALVE, Pump Discharge	3420 296	3420 296	3420 296	3420 296	-----	-----	-----
	VALVE, Power	2084 715	2084 715	2084 715	2084 715	3420 299	-----	-----
14-35-9	DIAPHRAGM, Secondary	-----	-----	-----	-----	3514 857	3514 857	-----
14-35-10	SCREW, Pump Jet Housing	-----	-----	-----	-----	-----	-----	3420 440
14-35-19	SCREW, Pump Discharge Nozzle	3420 346	3420 346	3420 346	3420 346	-----	-----	-----
14-35-25	HOUSING, Diaphragm	-----	-----	-----	-----	3514 657	3514 657	-----
14-35-26	LEVER, Diaphragm	-----	-----	-----	-----	3514 655	3514 655	-----
14-35-38	SPRING, Vacuum Piston	-----	-----	-----	-----	-----	-----	3420 428
14-35-39	BODY, w/Plugs Metering	3514 702	3514 702	3514 702	3514 702	3514 845	3514 845	-----
	BODY, w/Plugs, Main	-----	-----	3514 704	-----	-----	-----	-----
14-35-43	SCREW, Pump Cover	3420 349	3420 349	3420 349	3420 349	3420 349	3420 349	-----
14-35-45	COVER, Diaphragm	-----	-----	-----	-----	3514 653	3514 653	-----

CARLINES

J - Challenger
B - Barracuda

V - Valiant
L - Dart

R - Belvedere - Satellite
W - Coronet - Charger

P - Plymouth
D - Dodge

C - Chrysler
Y - Imperial

AR Indicates use as required.

= Indicates parts not listed in any previous parts book.

Numerals in parentheses () refer to notes.

★ Indicates change or addition.

Printed in U.S.A.
January 1972

1970-71 PASSENGER CAR PARTS CATALOG

FUEL

COMPONENT CHART REFERENCE NO.		50	51	52	53	54	55	56
CODE	MFG. NO.	R4375A	R4374A	R4376A	R4144A	R4383A	R4365A	4742S
14-36-1	SPRING, Pump Operating Adjusting Screw	3420 378	3420 378	3420 378	3420 378	-----	-----	-----
14-36-15	SPRING, Idle Speed Screw	-----	-----	-----	-----	-----	-----	3420 425
14-36-22	SPRING, Pump	-----	-----	-----	-----	-----	-----	3481 088
14-36-29	SPRING, Secondary Throttle Return	-----	-----	-----	-----	-----	-----	3481 089
14-36-29	SPRING, Throttle Stop Screw	3419 675	3419 675	3419 675	3419 675	-----	-----	-----
14-36-50	SPRING, Air Vent Valve	3420 377	3481 665	3420 377	3481 665	-----	-----	-----
14-36-53	SPRING, Bowl Vent Lever	-----	-----	-----	-----	-----	-----	3514 525
14-36-53	SPRING, Diaphragm Return	-----	-----	-----	-----	3514 806	3514 806	-----
14-37-4	PLUG, Bowl Vent Passage	-----	-----	-----	-----	-----	-----	3549 287
14-37-9	PLUG, Secondary Passage	-----	-----	-----	-----	-----	-----	3481 077
14-37-9	PLUG, Primary Venturi	-----	-----	-----	-----	-----	-----	3481 078
14-37-14	PLUG, Fuel Level Check	3420 275	3420 275	3420 275	3420 275	3420 275	3420 275	-----
14-37-15	PLUG, Idle Port Rivet	-----	-----	-----	-----	-----	-----	3481 075
14-37-15	PLUG, Idle Needle Limiter	-----	-----	-----	-----	3481 697	3481 697	-----
14-37-21	RIVET PLUG	-----	-----	-----	-----	-----	-----	3420 404
14-37-21	RIVET PLUG	-----	-----	-----	-----	-----	-----	3481 155
14-37-21	PLUG, Nozzle Well	-----	-----	-----	-----	-----	-----	3481 076
14-37-27	LEAD SHOT (.180)	-----	-----	-----	-----	-----	-----	3420 453
14-37-27	LEAD SHOT (.200)	-----	-----	-----	-----	-----	-----	3420 454
14-37-29	BALL, Pump Intake Check	-----	-----	-----	-----	-----	-----	3481 100
14-37-30	BALL, Pump Check	-----	3418 485	3418 485	-----	-----	-----	-----
14-37-49	PLUG, Venturi Welsh	-----	-----	-----	-----	-----	-----	3481 081
14-37-49	PLUG, Spark Port Welsh	-----	-----	-----	-----	-----	-----	3481 080
14-38-3	SCREW, Throttle Body	3420 342	3420 342	3420 342	3420 342	3420 342	3420 342	-----
14-38-4	PLATE or Valve, Throttle Primary	3514 665	3514 665	3514 665	3514 665	3514 791	3481 691	-----
14-38-4	Secondary	-----	-----	-----	-----	-----	-----	3420 398
14-38-5	SCREW, Throttle Plate or Valve Primary Valve	3420 347	3420 347	3420 347	3420 347	3420 261	3420 261	3420 397
14-38-5	Secondary Valve	-----	-----	-----	-----	-----	-----	3420 446
14-38-12	SHAFT, w/Lever Primary Throttle	-----	-----	-----	-----	-----	-----	3420 445
14-38-12	SHAFT, Secondary Throttle	-----	-----	-----	-----	-----	-----	3481 072
14-38-12	SHAFT, w/Valve and Weight, Auxiliary Throttle	-----	-----	-----	-----	-----	-----	3481 070
14-38-13	ARM, Primary Throttle Shaft, Inner	-----	-----	-----	-----	-----	-----	3481 071
14-38-13	Outer	-----	-----	-----	-----	-----	-----	3481 097
14-38-14	DOG, Primary Throttle Shaft	-----	-----	-----	-----	-----	-----	3481 096
14-38-20	SPRING, Throttle Lever	-----	-----	-----	-----	-----	-----	3481 073
14-38-28	ROD, Throttle Connector	-----	-----	-----	-----	-----	-----	3420 429
14-38-39	BAR, Throttle Connector	-----	3514 840	3514 840	3514 840	-----	-----	3420 462
14-38-39	SLEEVE, Throttle Connector	3514 841	3514 841	3514 841	3514 841	-----	-----	-----
14-38-40	PIN, Throttle Connector	3514 843	3514 843	3514 843	3514 843	-----	-----	-----
14-38-50	ROD, Throttle Operating	-----	-----	-----	-----	-----	-----	3420 461
14-38-24	SOLENOID, Idle	2875 975	2875 975	3438 338	3438 338	3438 338	3438 338	3438 338
14-38-26	JUMPER, Idle Stop	3438 371	3438 371	3438 371	3438 371	3438 371	3438 371	3438 371
14-38-53	LEVER, Secondary Throttle Operating	-----	-----	-----	-----	-----	-----	3481 083
14-39-1	VALVE or PLATE, Choke	3514 658	3514 658	3514 658	3514 658	-----	-----	-----
14-39-7	DIAPHRAGM, Choke	3419 515	3419 515	3419 620	3419 620	3514 654	3514 654	-----
14-39-8	LINK, Choke Diaphragm	3420 369	3420 369	3420 369	3420 369	3481 662	3481 662	-----
14-39-9	SCREW, Diaphragm Bracket	3420 339	3420 339	3420 339	3420 339	3481 700	3481 700	-----
14-39-10	LEVER, Choke Control	3514 659	3514 659	3514 659	3514 659	-----	-----	-----
14-39-25	BRACKET, Diaphragm	3514 693	-----	3514 693	-----	-----	-----	-----
14-39-28	ROD, Choke	3514 677	3514 677	3514 677	3514 677	-----	-----	-----
14-39-29	SEAL, Choke Rod	3420 301	3420 301	3420 301	3420 301	-----	-----	-----
14-39-30	SHAFT, Choke	3420 311	3420 311	3420 311	3420 311	-----	-----	-----
14-39-45	CHOKE	2946 532	2946 532	2946 532	2946 532	2946 532	-----	-----
14-39-51	HOSE, Choke Vacuum	3419 687	3419 687	3419 687	3419 687	-----	-----	-----
14-40-1	FLOAT, w/Hinge or Lever	3514 668	3514 668	3514 668	3514 668	3481 693	2481 693	3481 079
14-40-4	PIN, Float Lever	-----	-----	-----	-----	-----	-----	3420 416

CARLINES

J - Challenger
B - BarracudaV - Valiant
L - DartR - Belvedere - Satellite
W - Coronet - ChargerP - Plymouth
D - DodgeC - Chrysler
Y - Imperial

AR Indicates use as required.

Indicates parts not listed in any previous parts book.

Numerals in parentheses () refer to notes.

★ Indicates change or addition.

Printed in U.S.A.
January 1972

COMPONENT CHART REFERENCE NO.		50	51	52	53	54	55	56
CODE	MFG. NO.	R4375A	R4374A	R4376A	R4144A	R4383A	R4365A	4742S
14-40-5	RETAINER, Float	3549 331	-----	-----	3549 331	-----	-----	-----
14-40-6	SHAFT, Float	3481 683	3481 683	3481 683	3481 683	3481 683	3481 683	-----
14-40-7	BOWL, w Plugs, Fuel	3514 837	3514 697	3514 837	3514 697	3481 695	3481 695	-----
14-40-18	SPRING, Float	3481 698	-----	3481 698	-----	3481 698	3481 698	-----
14-40-35	BAFFLE, Fuel Bowl	-----	-----	-----	-----	-----	-----	3420 482
14-41-3	DIAPHRAGM or PLUNGER, Pump	2196 234	2196 234	2196 234	2196 234	-----	-----	1826 369
14-41-8	LINK, Pump Connector	-----	-----	-----	-----	-----	-----	3420 465
14-41-9	ARM, Pump	-----	-----	-----	-----	-----	-----	3420 456
14-41-10	CAM, Pump	3420 321	3420 321	3420 321	3420 321	-----	-----	-----
14-41-13	RETAINER, Pump Check Valve	-----	-----	3514 686	-----	-----	-----	-----
14-41-22	LEVER, Pump Operating	3514 680	3514 680	3514 680	3514 679	-----	-----	-----
14-41-23	RETAINER, Pump Operating Lever	3514 681	3514 681	3514 681	3514 681	-----	-----	-----
14-41-34	COVER, Pump	3514 673	3514 673	3514 673	3514 673	-----	-----	-----
14-41-40	NEEDLE, Pump Discharge Check	-----	-----	-----	-----	-----	-----	3420 412
14-43-3	PISTON, Step-Up	-----	-----	-----	-----	-----	-----	3420 478
14-43-4	PLATE, Step-Up Piston Cover	-----	-----	-----	-----	-----	-----	3481 090
14-43-5	ROD, Step-Up	-----	-----	-----	-----	-----	-----	3419 588
14-43-10	SPRING, Step-Up Rod Retaining	-----	-----	-----	-----	-----	-----	3420 427
14-45-1	NEEDLE, Idle Adjusting	3420 362	3420 362	3420 362	3420 362	-----	-----	-----
	NEEDLE, Idle Limiter	-----	-----	-----	-----	3420 363	3420 363	-----
14-45-2	SEAL, Adjusting Needle	-----	-----	-----	-----	2084 719	2084 719	-----
14-45-3	LEVER, Fast Idle Cam	3420 338	3420 338	3420 338	3420 338	-----	-----	-----
14-45-4	CAM, Fast Idle	3514 689	3514 689	3514 689	3514 689	-----	-----	-----
14-45-8	SCREW, Fast Idle Cam Lever	3420 344	3420 344	2320 344	3420 344	-----	-----	-----
14-45-12	LIMITER, Idle Needle	3420 393	3420 393	3420 393	-----	-----	-----	-----
14-45-15	COVER, Hot Idle Compensator	-----	3481 663	-----	3481 663	-----	-----	-----
14-45-17	COMPENSATOR, Hot Idle	-----	3481 666	-----	3481 666	-----	-----	-----
14-45-19	SEAL, Hot Idle Compensator	-----	3481 661	-----	3481 661	-----	-----	-----
14-45-20	SCREW, Idle Adjusting	3514 683	3514 683	3514 683	3514 683	-----	-----	-----
14-45-25	SCREW, Idle Speed	-----	-----	-----	-----	-----	-----	3420 449
14-45-27	WASHER, Idle Speed Screw	-----	-----	-----	-----	-----	-----	3420 473
14-46-1	VALVE, Air Vent	3419 669	-----	3419 669	-----	-----	-----	-----
14-46-2	ROD, Vent Valve	-----	-----	-----	3549 335	-----	-----	-----
14-46-3	PLATE, Metering Body	-----	-----	-----	-----	3420 370	3420 370	-----
14-46-4	RETAINER, "E" Ring	3420 375	3420 375	3420 375	3420 375	-----	-----	-----
14-46-5	ROD, Air Vent	3549 333	-----	3514 691	-----	-----	-----	-----
14-46-6	CLAMP, Air Vent Rod	3420 387	-----	3420 387	-----	-----	-----	-----
14-46-7	BAFFLE, Metering Body Vent	3420 388	3420 388	3420 388	3420 388	-----	-----	-----
14-46-8	SEAL, Vent Valve	-----	3481 659	-----	3481 659	-----	-----	-----
14-46-9	BODY, Vent Valve	-----	3481 660	-----	3514 661	-----	-----	-----
14-46-10	CLAMP, Vent Valve	-----	3481 667	-----	3481 667	-----	-----	-----
14-46-11	ROD, Vent Valve	-----	3514 700	-----	3514 700	-----	-----	-----
14-46-12	CLIP, Screw Lock	3514 688	3514 688	3514 688	3514 688	-----	-----	-----
14-46-13	HOSE, Clamp	-----	3481 668	-----	3481 668	-----	-----	-----
14-54-3	SCREW, Throttle Stop	3420 256	3420 256	3420 256	3420 256	-----	-----	-----
14-54-4	SCREW, Fuel Valve Seat Lock	3420 273	3420 273	3420 273	3420 273	3420 273	3420 273	-----
14-54-5	SCREW, Throttle Shaft Lever	-----	-----	-----	-----	-----	-----	3420 438
14-54-6	WASHER, Primary Throttle Shaft	-----	-----	-----	-----	-----	-----	3481 051
	WASHER, Secondary Throttle Shaft	-----	-----	-----	-----	-----	-----	3420 472
	SPACER, Secondary Throttle Shaft	-----	-----	-----	-----	-----	-----	3481 095
14-54-15	SCREW, Choke Plate	3420 255	3420 255	3420 255	3420 255	-----	-----	-----
14-54-29	SCREW, Float Shaft Bracket	3481 699	3481 699	3481 699	3481 699	3481 699	3481 699	-----
14-54-36	SCREW, Air Vent Rod Clamp	3514 682	3514 682	3514 682	3514 682	-----	-----	-----
14-54-43	SCREW, Pump Lever Adjusting	3420 345	3420 345	3420 345	3420 345	-----	-----	-----
14-54-47	SCREW, Pump Arm	-----	-----	-----	-----	-----	-----	3481 093
14-54-72	SCREW, Air Horn	-----	-----	-----	-----	-----	-----	3481 091
	SCREW, Air Horn	-----	-----	-----	-----	-----	-----	3481 094
	SCREW, Air Horn	-----	-----	-----	-----	-----	-----	3420 443
14-54-78	SCREW, Fuel Bowl	3420 341	3420 341	3420 341	3420 341	3420 348	3420 348	-----
14-54-148	SCREW, Step-Up Piston Cover Plate	-----	-----	-----	-----	-----	-----	3420 451

CARLINES J - Challenger V - Valiant R - Belvedere - Satellite P - Plymouth C - Chrysler
 B - Barracuda L - Dart W - Coronet - Charger D - Dodge Y - Imperial

AR Indicates use as required.

Indicates parts not listed in any previous parts book.

Numerals in parentheses () refer to notes.

* Indicates change or addition.

Printed in U.S.A.

January 1972

COMPONENT CHART REFERENCE NO.		57	58	59	60	61	62	63
CODE	MFG. NO.	4745S	4746S	4738S	4741S	4740S	R4366A	R4360A
14-30-2	GASKET, Flange	2780 629	2780 629	2780 629	2946 543	2946 543	2946 543	2946 543
14-30-3	VENTURI, Primary, Pump Side	3549 283	3549 283	3514 511	3514 511	3514 511	-----	-----
	Opposite Pump	3549 284	3549 284	3514 510	3514 510	3514 510	-----	-----
	VENTURI, Secondary Pump Side	3481 167	3481 167	-----	-----	-----	-----	-----
	Opposite Pump	3549 285	3549 285	-----	-----	-----	-----	-----
14-30-4	ZIP KIT	3419 503	3419 503	3549 274	3621 400	3549 274	-----	-----
	MINOR REPAIR KIT	-----	-----	-----	-----	-----	3514 801	3514 822
14-30-7	GASKET KIT	3549 343	3549 343	3549 273	3549 297	3549 273	3514 802	3514 823
14-30-8	NEEDLE, w/Seat	2809 397	2809 397	2933 106	2933 106	2933 106	2809 335	2809 335
14-30-16	PLATE, Fuel Bowl Baffle	-----	-----	-----	-----	-----	3420 324	3420 324
14-30-27	STRAINER, Fuel Inlet	1826 864	1826 864	1826 864	1826 864	1826 864	-----	-----
14-30-28	NUT, Strainer	1826 863	1826 863	1826 863	1826 863	1826 863	-----	-----
14-30-29	GASKET, Strainer Nut	3420 413	3420 413	3420 413	3420 413	3420 413	-----	-----
14-30-30	FITTING, Fuel Inlet	2495 953	2495 953	-----	-----	-----	2809 248	3514 830
14-30-31	BAFFLE, Fuel Inlet	-----	-----	-----	-----	-----	3420 389	3420 389
14-32-15	SCREW, Venturi	-----	-----	3420 448	3420 448	3420 448	-----	-----
	Primary	3420 448	3420 448	-----	-----	-----	-----	-----
	Secondary	3481 092	3481 092	-----	-----	-----	-----	-----
14-33-1	BODY, w/Shaft, Throttle	-----	-----	-----	-----	-----	3514 798	3514 798
14-34-5	GASKET, Air Horn	2299 140	2299 140	-----	-----	-----	-----	-----
14-34-15	GASKET, Power Valve	-----	-----	-----	-----	-----	-----	-----
14-34-17	GASKET, Secondary Diaphragm	-----	-----	-----	-----	-----	-----	-----
	Housing	-----	-----	-----	-----	-----	3420 350	3420 350
14-34-55	GASKET, Coil Housing	1330 873	1330 873	-----	-----	-----	-----	-----
14-34-63	SEAL, Venturi Vent	-----	-----	3420 479	3420 479	3420 479	-----	-----
	SEAL, Grommet	3420 480	3420 480	3420 480	3420 480	3420 480	-----	-----
14-35-1	JET, Main Metering	-----	-----	-----	-----	-----	3420 332	2196 240
	Primary	2809 305	2809 305	2933 020	2933 020	2933 020	-----	-----
	Secondary (Pump Side)	2933 023	2933 023	-----	-----	-----	-----	-----
	Secondary (Opposite Pump)	2809 283	2809 283	-----	-----	-----	-----	-----
	Secondary	-----	-----	2933 195	2933 195	2933 195	-----	-----
14-35-3	JET, Pump	3481 162	3481 162	3420 418	3420 418	3420 418	-----	-----
	NOZZLE, Pump Discharge	-----	-----	-----	-----	-----	3420 366	3420 366
14-35-6	VALVE, Power	-----	-----	-----	-----	-----	2084 715	2084 715
14-35-9	DIAPHRAGM, Secondary	-----	-----	-----	-----	-----	2809 252	2809 252
14-35-10	SCREW, Pump Jet	3420 440	3420 440	3420 440	3420 440	3420 440	-----	-----
14-35-18	SCREW, Secondary Diaphragm	-----	-----	-----	-----	-----	-----	-----
	Housing	-----	-----	-----	-----	-----	3420 343	3420 343
14-35-19	SCREW, Pump Discharge Nozzle	-----	-----	-----	-----	-----	3420 346	3420 346
14-35-25	HOUSING, Diaphragm	-----	-----	-----	-----	-----	3420 392	3420 392
14-35-26	LEVER, Diaphragm	-----	-----	-----	-----	-----	3420 391	3420 391
14-35-38	SPRING, Vacuum Piston	3420 428	3420 428	3420 428	3420 428	3420 428	-----	-----
14-35-39	BODY, w/Plugs, Primary Metering	-----	-----	-----	-----	-----	3514 805	3514 805
	BODY, Secondary Metering	-----	-----	-----	-----	-----	3514 855	3514 855
14-35-43	SCREW, Secondary Metering	-----	-----	-----	-----	-----	-----	-----
	Body	-----	-----	-----	-----	-----	3420 349	3420 349
14-36-1	SPRING, Idle Speed Screw	3420 425	3420 425	3420 425	3420 425	3420 425	-----	-----
	SPRING, Idle Mixture Screw	3514 516	3514 516	-----	-----	3481 558	-----	-----
	SPRING, Pump Lever Adjusting	-----	-----	-----	-----	-----	-----	-----
	Screw	-----	-----	-----	-----	-----	3420 378	3420 378
14-36-15	SPRING, Pump	3481 088	3481 088	3420 424	3420 424	3420 424	-----	-----
14-36-22	SPRING, Secondary Throttle	-----	-----	-----	-----	-----	-----	-----
	Return	3481 089	3481 089	3420 432	3420 432	3420 432	-----	-----
14-36-29	SPRING, Throttle Stop Screw	-----	-----	-----	-----	-----	3419 675	3419 675
14-36-50	SPRING, Bowl Vent Lever	3514 525	3514 525	-----	-----	-----	-----	-----
	SPRING, Bowl Vent Arm	-----	-----	3420 431	3420 431	3514 425	-----	-----
	SPRING, Air Valve	-----	-----	3420 430	3420 430	3420 430	-----	-----
	SPRING, Air Vent Valve	-----	-----	-----	-----	-----	3420 377	3481 665
	SPRING, Vent Rod	-----	-----	-----	-----	-----	-----	3514 699
14-36-53	SPRING, Diaphragm	-----	-----	-----	-----	-----	-----	-----
	Return	-----	-----	-----	-----	-----	3420 376	3420 376
	SPRING, Secondary Diaphragm	-----	-----	-----	-----	-----	3514 806	3514 806

CARLINES

J - Challenger
B - BarracudaV - Valiant
L - DartR - Belvedere - Satellite
W - Coronet - ChargerP - Plymouth
D - DodgeC - Chrysler
Y - Imperial

AR Indicates use as required.

Indicates parts not listed in any previous parts book.

Numerals in parentheses () refer to notes.

★ Indicates change or addition.

Printed in U.S.A.
January 1972

1970-71 PASSENGER CAR PARTS CATALOG

FUEL

Text Page 14-33

COMPONENT CHART REFERENCE NO.		57	58	59	60	61	62	63
CODE	MFG. NO.	4745S	4746S	4738S	4741S	4740S	4366A	R4360A
	SPRING, Secondary Diaphragm							
	Return	-----	-----	-----	-----	-----	-----	3420 394
14-37-4	PLUG, Bowl Vent Passage	3549 287	3549 287	-----	-----	-----	-----	-----
	PLUG, Secondary Passage	3481 077	3481 077	-----	-----	-----	-----	-----
	PLUG, Passage	-----	-----	3420 405	3420 405	3420 405	-----	-----
	PLUG, Primary Venturi	3481 078	3481 078	-----	-----	-----	-----	-----
14-37-15	PLUG, Idle Port Rivet	3481 075	3481 075	3514 508	3514 508	3514 508	-----	-----
	PLUG, Rivet	3481 074	3481 074	-----	-----	-----	-----	-----
	PLUG, Rivet	3420 404	3420 404	3420 404	3420 404	3420 404	-----	-----
14-37-19	PLUG, Venturi Welsh	3481 081	3481 081	-----	-----	-----	-----	-----
14-37-21	PLUG, Nozzle Well	3481 076	3481 076	-----	-----	-----	-----	-----
14-37-25	PLUG, Bowl Vent Passage	3481 194	3481 194	-----	-----	-----	-----	-----
14-37-27	LEAD SHOT (.180)	3420 453	3420 453	3420 453	3420 453	3420 453	-----	-----
	LEAD SHOT (.200)	3420 454	3420 454	3420 454	3420 454	3420 454	-----	-----
14-37-29	BALL, Pump Intake Check	3481 100	3481 100	3420 470	3420 470	3420 470	-----	-----
14-37-49	PLUG, Spark Port Welsh	3481 080	3481 080	-----	-----	-----	-----	-----
	PLUG, Piston Housing Welsh	3481 161	3481 161	-----	-----	-----	-----	-----
14-38-3	SCREW, Throttle Body	-----	-----	-----	-----	-----	3420 342	3420 342
14-38-4	VALVE, Primary Throttle	3420 398	3420 398	3481 062	3481 062	3481 062	3420 358	3420 358
	VALVE, Secondary Throttle	3420 397	3420 397	3420 397	3420 397	3420 397	3420 357	3420 357
	VALVE, Air	-----	-----	3514 507	3514 507	3514 507	-----	-----
14-38-5	SCREW, Throttle Valve, Primary	3420 446	3420 446	3420 446	3420 446	3420 446	3420 261	3420 261
	Secondary	3420 445	3420 445	3420 445	3420 445	3420 445	3420 347	3420 347
14-38-8	SCREW, Solenoid Clamp	-----	-----	-----	3549 315	3549 315	-----	-----
14-38-12	SHAFT, w/Lever Primary Throttle	3481 153	3481 153	3481 552	3481 552	3481 552	-----	-----
	SHAFT, w/Dog, Secondary	3481 151	3481 151	3420 399	3420 399	3420 399	-----	-----
	SHAFT, w/Weight, Auxiliary	3481 152	3481 152	-----	-----	-----	-----	-----
	SHAFT, Air Valve	-----	-----	3420 407	3420 407	3420 407	-----	-----
14-38-13	ARM, Primary Throttle Shaft, Inner	3481 097	3481 097	3420 460	3420 460	3420 460	-----	-----
	Outer	3481 096	3481 096	3481 458	3481 458	3481 458	-----	-----
	ARM, w/Collar, Lockout	3481 163	3481 163	-----	-----	-----	-----	-----
14-38-14	DOG, Throttle Shaft	-----	-----	3420 401	3420 401	3514 524	-----	-----
	DOG, Primary Shaft	3549 280	3549 280	-----	-----	-----	-----	-----
	DOG, Lockout	-----	-----	3420 421	3420 421	3420 421	-----	-----
14-38-20	SPRING, Throttle Lever	3420 429	3420 429	3420 429	3420 429	3420 429	-----	-----
14-38-23	LEVER, Solenoid	-----	-----	-----	-----	3514 518	-----	-----
14-38-24	SOLENOID, Idle	-----	-----	3438 303	3549 318	3549 318	-----	-----
14-38-25	WIRE, Solenoid Lead	-----	-----	-----	3549 313	3549 313	-----	-----
14-38-27	BEARING, Air Valve Shaft	-----	-----	3481 648	3481 648	3481 648	-----	-----
14-38-28	ROD, Throttle Connector	3420 462	3420 462	3420 462	3420 462	3420 462	3420 384	3420 384
14-38-29	BRACKET, Solenoid	-----	-----	-----	3549 317	3549 317	-----	-----
14-38-36	RETAINER, Throttle Connector	-----	-----	-----	-----	-----	3420 386	3420 386
	Rod	-----	-----	-----	-----	-----	-----	-----
14-38-50	ROD, Throttle Operating	3420 461	3420 461	3420 461	3420 461	3420 461	-----	-----
14-38-53	LEVER, Secondary Throttle	-----	-----	-----	-----	-----	-----	-----
	Operating	3481 083	3481 083	3420 420	3420 420	3420 420	-----	-----
14-39-1	VALVE, Choke	3481 154	3481 154	3420 402	3420 402	3420 402	3420 336	3420 336
	VALVE, Counter Shaft Lever to	-----	-----	-----	-----	-----	-----	-----
	Choke	-----	-----	3420 410	3420 410	3420 410	-----	-----
14-39-6	SHAFT, w/Lever, Choke	3549 282	3549 282	3481 657	3481 657	3481 657	-----	-----
	SHAFT, w/Lever, Piston Housing	-----	-----	-----	-----	-----	-----	-----
	Choke	3549 281	3549 281	-----	-----	-----	-----	-----
14-39-7	DIAPHRAGM, Choke	-----	-----	2933 196	3514 865	3514 865	3419 515	3419 515
14-39-8	LINK, Choke Valve	-----	-----	3420 466	3420 466	3420 466	-----	-----
	LINK, Choke, Diaphragm	-----	-----	-----	-----	-----	3514 804	3514 804
14-39-9	SCREW, Diaphragm Bracket	-----	-----	3420 447	3420 447	3420 447	3420 339	3420 339
14-39-10	LEVER, Choke	-----	-----	3481 656	3481 656	3481 656	-----	-----
	LEVER, Choke Control	-----	-----	-----	-----	-----	3514 797	3514 797
	LEVER, Choke Shaft	-----	-----	3420 409	3420 409	-----	-----	-----
	LEVER, Choke Shaft, Inner	3481 157	3481 157	-----	-----	-----	-----	-----
	Outer	3481 156	3481 156	-----	-----	-----	-----	-----

CARLINES

J - Challenger
B - Barracuda

V - Valiant
L - Dart

R - Belvedere - Satalite
W - Coronet - Charger

P - Plymouth
D - Dodge

C - Chrysler
Y - Imperial

AR Indicates use as required.

≠ Indicates parts not listed in any previous parts book.

Numerals in parentheses () refer to notes.

★ Indicates change or addition.

Printed in U.S.A.
January 1972

COMPONENT CHART REFERENCE NO.		57	58	59	60	61	62	63
CODE	MFG. NO.	4745S	4746S	4738S	4741S	4740S	R4366A	R4360A
14-39-15	SCREW, Choke Shaft Lever	3420 437	3420 437	3420 437	3420 437	3420 437	-----	-----
	SCREW, Countershaft Lever	-----	-----	3420 442	3420 442	3420 442	-----	-----
14-39-27	RETAINER, Diaphragm Connector Rod	-----	-----	3420 453	3420 433	3420 433	-----	-----
14-39-28	ROD, Choke Connector	3549 289	3549 289	-----	-----	-----	3420 383	3420 385
	ROD, Diaphragm Connector	-----	-----	3420 463	3420 463	3520 463	-----	-----
14-39-29	SEAL, Choke Rod	-----	-----	-----	-----	-----	3420 301	3420 301
14-39-30	SHAFT, Choke	-----	-----	3420 408	3420 408	3420 408	3420 311	3420 311
14-39-31	WASHER, Diaphragm Connector Rod	-----	-----	3420 471	3420 471	3420 471	-----	-----
14-39-45	CHOKE	1826 847	1826 847	2951 653	2951 653	2951 653	2946 539	2946 539
14-39-47	RETAINER, Choke	3481 171	3481 171	-----	-----	-----	-----	-----
14-39-50	PLATE, Choke Baffle	3481 188	3481 188	-----	-----	-----	-----	-----
14-39-51	HOSE, Diaphragm	-----	-----	3420 475	3420 475	3420 475	3419 687	3419 687
14-39-52	RING, Delayer Plate Retainer	3481 170	3481 170	-----	-----	-----	-----	-----
14-39-54	PISTON, Choke	3549 291	3549 293	-----	-----	-----	-----	-----
14-39-56	PIN, Choke Piston	3481 183	3481 183	-----	-----	-----	-----	-----
	PIN, Choke Clevis	-----	-----	-----	-----	-----	3420 368	3420 368
14-39-57	Pin, Diaphragm Connector Rod Spring	-----	-----	3420 477	3420 477	3420 477	-----	-----
14-39-58	HOUSING, w/Plug, Piston	3549 292	3549 292	-----	-----	-----	-----	-----
14-39-60	SCREW, Thermostatic Valve	3481 052	3481 052	3481 052	3481 052	3481 052	-----	-----
	SCREW, Piston Housing	3481 173	3481 173	-----	-----	-----	-----	-----
	SCREW, Coil Housing	3481 172	3481 172	-----	-----	-----	-----	-----
14-39-68	LEVER, w/Link Choke Piston	3481 158	3481 158	-----	-----	-----	-----	-----
14-39-84	CAP, Choke Heat Tube	3481 187	3481 187	-----	-----	-----	-----	-----
14-40-1	FLOAT, w/Lever	3481 079	3481 079	3420 415	3420 415	3420 415	3420 364	3420 369
14-40-4	PIN, Float Lever	3420 416	3420 416	3420 416	3420 416	3420 416	-----	-----
14-40-5	RETAINER, Float	-----	-----	-----	-----	-----	3419 673	3420 673
14-40-7	BOWL, w/Plugs, Fuel, Primary Secondary	-----	-----	-----	-----	-----	3420 372	3514 831
		-----	-----	-----	-----	-----	3420 373	3420 373
		-----	-----	-----	-----	-----	3420 317	3420 317
14-40-18	SPRING, Float	-----	-----	-----	-----	-----	-----	-----
14-40-23	ARM, Bowl Vent	3514 509	3514 509	-----	3514 509	-----	-----	-----
14-40-34	WASHER, Insulator	-----	-----	-----	-----	-----	3514 808	3514 808
14-40-35	BAFFLE, Fuel Bowl	3420 482	3420 482	3420 482	3420 482	3420 482	-----	-----
14-41-3	PLUNGER, w/Rod, Pump	1826 369	1826 369	2933 193	2933 193	2933 193	2196 234	2196 234
14-41-8	LINK, Pump Connector	3420 465	3420 465	3420 465	3420 465	3420 465	-----	-----
14-41-9	ARM, Pump	3420 456	3420 456	3420 456	3420 456	3420 456	-----	-----
14-41-10	CAM, Pump	-----	-----	-----	-----	-----	3420 321	3420 321
14-41-22	LEVER, Pump Operating	-----	-----	-----	-----	-----	3514 680	3514 680
14-41-23	RETAINER, Pump Operating Lever	-----	-----	-----	-----	-----	3514 681	3514 681
14-41-25	FITTING, Pump Lever Adjusting Screw	-----	-----	-----	-----	-----	3420 365	3420 365
14-41-30	NOZZLE, Pump Discharge Check VALVE, Pump Discharge Needle	3420 412	3420 412	3420 412	3420 412	3420 412	3514 684	3514 684
14-43-3	PISTON, Step-Up	3420 478	3420 478	3514 512	3420 478	3420 478	-----	-----
14-43-4	PLATE, Step-Up Piston Cover Pump Side	3481 090	3481 090	-----	-----	-----	-----	-----
	Opposite Pump	-----	-----	3420 435	3420 435	3420 435	-----	-----
		-----	-----	3420 434	3420 434	3420 434	-----	-----
14-43-5	ROD, Step-Up Pump Side	2933 022	2933 022	-----	-----	-----	-----	-----
	Opposite Pump	3419 504	3419 504	-----	-----	-----	-----	-----
14-43-10	SPRING, Step-Up Rod Retaining	3420 427	3420 427	3420 427	3420 427	3420 427	-----	-----
14-44-10	TUBE, Balance	-----	-----	-----	-----	-----	3420 361	3420 361
14-44-11	WASHER, Balance Tube	-----	-----	-----	-----	-----	3420 385	3420 385
14-44-12	"O" RING, Balance Tube	-----	-----	-----	-----	-----	3420 367	3420 367
14-45-1	NEEDLE, Curb Idle Adjusting	-----	-----	-----	-----	-----	3514 799	3514 799
14-45-3	LEVER, Fast Idle Cam	-----	-----	-----	-----	-----	3420 338	3420 338
14-45-4	CAM, Fast Idle	3621 444	3621 444	3481 069	3481 069	3481 069	3514 689	3514 689
14-45-5	ROD, Fast Idle Connector	3481 179	3481 179	3420 454	3420 454	3420 454	-----	-----
14-45-8	SCREW, Fast Idle Cam	3420 441	3420 441	3420 441	3420 441	3420 441	-----	-----
	SCREW, Fast Idle Cam Lever	-----	-----	-----	-----	-----	3420 344	3420 344

CARLINES

J - Challenger
B - BarracudaV - Valiant
L - DartR - Belvedere - Satellite
W - Coronet - ChargerP - Plymouth
D - DodgeC - Chrysler
Y - Imperial

AR Indicates use as required.

Indicates parts not listed in any previous parts book.

Numerals in parentheses () refer to notes.

★ Indicates change or addition.

Printed in U.S.A.
January 1972

1970-71 PASSENGER CAR PARTS CATALOG

FUEL

Text Page 14-35

COMPONENT CHART		57	58	59	60	61	62	63
CODE	REFERENCE NO.	4745S	4746S	4738S	4741S	4740S	R4366A	R4360A
CODE	MFG. NO.							
14-45-12	LIMITER, Idle Screw	3420 436	3420 436	3420 436	3420 436	3420 436	3420 393	3420 393
14-45-15	COVER, Hot Idle Compensator	-----	-----	-----	-----	-----	3481 663	3481 663
14-45-17	COMPENSATOR, Hot Idle	-----	-----	-----	-----	-----	3481 666	3481 666
14-45-19	SEAL, Hot Idle Compensator	-----	-----	-----	-----	-----	3514 800	3481 661
14-45-20	SCREW, Idle Mixture	3549 288	3549 288	-----	-----	3514 529	-----	-----
14-45-25	SCREW, Fast Idle Speed	3481 175	3481 175	3481 555	3481 555	3481 555	-----	-----
	SCREW, Idle Speed	3420 449	3420 449	3420 449	3420 449	3420 449	-----	-----
14-45-27	WASHER, Idle Speed Screw	3420 473	3420 473	3420 473	3420 473	3420 473	-----	-----
14-45-32	BRACKET, Retard Wire	-----	-----	-----	-----	-----	3514 809	3514 809
14-45-33	CABLE, Compensator	-----	-----	-----	-----	-----	3514 810	3514 810
14-46-1	VALVE, Air Vent	-----	-----	-----	-----	-----	3419 669	-----
14-46-3	PLATE, Secondary Metering Body	-----	-----	-----	-----	-----	3420 370	3420 370
14-46-4	RETAINER, "E" Ring	-----	-----	-----	-----	-----	3420 375	3420 375
14-46-5	ROD, Air Vent	-----	-----	-----	-----	3514 807	3514 700	-----
14-46-6	CLAMP, Air Vent Rod	-----	-----	-----	-----	-----	3420 387	3420 387
14-46-7	BAFFLE, Metering Body Vent	-----	-----	-----	-----	-----	3420 388	3420 388
14-46-8	SEAL, Vent Valve	-----	-----	-----	-----	-----	-----	3481 659
14-46-9	BODY, Vent Valve	-----	-----	-----	-----	-----	-----	3481 660
14-46-10	CLAMP, Vent Valve	-----	-----	-----	-----	-----	-----	3481 667
14-46-11	ROD, Air Vent	-----	-----	-----	-----	-----	-----	3514 700
14-48-2	VALVE, Thermostatic	2933 165	2933 165	-----	2933 165	-----	-----	-----
14-54-3	SCREW, Throttle Stop	-----	-----	-----	-----	-----	3420 256	3420 256
14-54-5	SCREW, Throttle Shaft Lever	3420 438	3420 438	3420 438	3420 438	3420 438	-----	-----
14-54-6	WASHER, Primary Throttle Shaft	3481 051	3481 051	-----	-----	-----	-----	-----
	WASHER, Secondary Throttle Shaft	3420 472	3420 472	3420 472	3420 472	3420 472	-----	-----
	WASHER, Throttle Shaft Spring	-----	-----	-----	-----	3514 519	-----	-----
	SPACER, Secondary Throttle Shaft	3481 095	3481 095	-----	-----	-----	-----	-----
	SCREW, Solenoid Clamp	-----	-----	-----	3549 315	-----	-----	-----
14-54-11	NUT, Solenoid Clamp	-----	-----	-----	3549 316	3549 316	-----	-----
14-54-15	SCREW, Choke Valve	3420 450	3420 450	3420 450	3420 450	3420 450	3420 255	3420 255
14-54-36	SCREW, Air Vent Rod Clamp	-----	-----	-----	-----	-----	3420 340	3420 340
	SCREW, Pump Lever Adjusting	-----	-----	-----	-----	-----	3420 345	3420 345
14-54-47	SCREW, Pump Arm	3481 093	3481 093	3420 452	3420 452	3481 093	-----	-----
14-54-50	SCREW, Pump Cam Lock	-----	-----	-----	-----	-----	3420 265	3420 265
14-54-51	WASHER, Pump Lever Retaining	3481 182	3481 182	3420 474	3420 474	3420 474	-----	-----
14-54-72	SCREW, Air Horn	3420 443	3420 443	3420 443	3420 443	3420 443	-----	-----
	SCREW, Air Horn	3481 091	3481 091	-----	-----	-----	-----	-----
	SCREW, Air Horn	3481 094	3481 094	-----	-----	-----	-----	-----
14-54-78	SCREW, Fuel Bowl	-----	-----	-----	-----	-----	3420 341	3420 341
	SCREW, Secondary Fuel Bowl	-----	-----	-----	-----	-----	3420 348	3420 348
14-54-98	WASHER, Solenoid Lock	-----	-----	-----	3549 314	3549 314	-----	-----
	NUT, Solenoid Clamp	-----	-----	-----	3549 316	-----	-----	-----
14-54-140	SCREW, Solenoid Bracket	-----	-----	-----	3514 517	3514 517	-----	-----
14-54-148	SCREW, Step-Up Piston Cover Plate	3420 451	3420 451	3420 451	3420 451	3420 451	-----	-----
	SCREW, Air Valve Retainer	-----	-----	3420 451	3420 451	3420 451	-----	-----
COMPONENT CHART		64	65	66	67	68	69	70
CODE	REFERENCE NO.	R4789A	R4791A	R4792A	R4790A	R4736-1A	R4738-1A	R4739-1A
CODE	MFG. NO.							
14-30-2	GASKET, Flange	2946 531	2946 531	2946 531	2946 531	3462 833	3462 833	3462 833
14-30-4	REPAIR KIT, Minor	3514 651	3514 695	3514 695	3514 651	3514 816	3514 824	3514 824
14-30-7	GASKET KIT	3514 652	3514 696	3514 696	3514 652	3514 817	3514 825	3514 825
14-30-8	NEEDLE, w/Seat	3514 669	3514 669	3514 669	3481 694	2809 335	2809 335	2809 335
14-30-14	NUT, Valve Seat Adjusting	3420 319	-----	3420 319	3420 319	-----	-----	-----
14-30-16	PLATE, Fuel Bowl Baffle	-----	-----	-----	-----	3420 324	-----	3420 324
14-30-30	FITTING, Fuel Inlet	2809 248	2809 248	3514 820	3514 820	2809 248	3514 731	3514 731
14-30-31	BAFFLE, Fuel Inlet	-----	-----	-----	-----	3420 389	-----	3420 389
14-33-1	BODY, w/Shaft, Throttle	3514 792	3514 667	3514 667	3481 692	3514 873	3514 873	3514 873
14-34-15	GASKET, Power Valve	-----	-----	-----	-----	-----	-----	-----

CARLINES

J - Challenger
B - Barracuda

V - Valiant
L - Dart

R - Belvedere - Satallite
W - Coronet - Charger

P - Plymouth
D - Dodge

C - Chrysler
Y - Imperial

AR Indicates use as required.

≠ Indicates parts not listed in any previous parts book.

Numerals in parentheses () refer to notes.

★ Indicates change or addition.

Printed in U.S.A.

January 1972

1970-71 PASSENGER CAR PARTS CATALOG

FUEL

COMPONENT CHART REFERENCE NO		64	65	66	67	68	69	70
CODE	MFG. NO.	R4789A	R4791A	R4792A	R4790A	R4736-1A	R4738-1A	R4739-1A
14-34-17	GASKET, Secondary Diaphragm Housing						3420 350	3420 315
14-34-21	"O" RING, Fuel Valve Seat	3420 299	3420 299	3420 299				
14-35-1	JET, Main Metering		2809 377	3420 332		2196 240	2196 240	2196 240
14-35-3	NOZZLE, Pump Discharge		3420 295	3420 295		3420 366	3420 366	3420 366
14-35-6	VALVE, Power		2084 715	2084 715		2084 715	2084 715	2084 715
	VALVE, Pump Discharge Needle						3514 686	3514 686
	NEDDLE, Pump Check		3514 684	3420 296				
14-35-9	DIAPHRAGM, Secondary	3514 876			3514 857	3514 900	3514 876	3514 900
14-35-18	SCREW, Secondary Housing					3420 343	3420 343	3420 343
14-35-19	SCREW, Pump Discharge Nozzle		3420 346	3420 346		3420 346	3420 346	3420 346
14-35-25	HOUSING, Diaphragm	3514 657			3514 657	3420 392	3420 392	3420 392
14-35-26	LEVER, Diaphragm	3514 655			3514 655	3514 875	3514 875	3514 875
14-35-39	BODY, w/Plugs, Metering	3514 846	3514 702	3514 702	3514 845			
	Primary					3514 899	3514 899	3514 899
	Secondary					3549 360	3549 360	3514 898
14-35-43	SCREW, Metering Body	3420 349	3420 349	3420 349	3420 349	3420 349	3420 349	3420 349
14-35-45	COVER, Diaphragm	3514 653			3514 653			
14-36-1	SPRING, Pump Lever Adjusting		3420 378	3420 378		3420 378		3420 378
14-36-29	SPRING, Throttle Stop Screw			3419 675		3419 675	3419 675	3419 675
14-36-50	SPRING, Vent Valve		3481 665			3549 365	3481 665	3481 665
	SPRING, Vent Rod						3514 699	3514 699
14-36-53	SPRING, Diaphragm Return	3514 806			3514 806	3420 376	3420 376	3420 376
	SPRING, Secondary Diaphragm					3514 806	3514 806	3514 806
14-37-14	PLUG, Fuel Level Check	3420 275	3420 275		3420 275			
14-38-3	SCREW, Throttle Body	3420 342	3420 342	3420 342	3420 342	3420 342	3420 342	3420 342
14-38-4	PLATE, Throttle	3514 791	3514 665	3514 665	3481 691			
	Primary					3420 358	3420 358	3420 358
	Secondary					3481 691	3481 691	3481 691
14-38-5	SCREW, Throttle Plate	3420 261	3420 347	3420 347	3420 261			
	Primary					3420 261	3420 261	3420 261
	Secondary					3420 347	3420 347	3420 347
14-38-27	BUSHING, Throttle Connector Pin		3514 678	3514 678				
14-38-28	BAR or ROD, Throttle Connector		3514 840	3514 840		3420 384	3420 384	3420 384
14-38-36	RETAINER, Throttle Connector Rod					3420 386	3420 386	3420 386
14-38-40	PIN, Throttle Connector		3514 843	3514 843				
14-39-1	PLATE, Choke		3514 658	3514 658		3420 336	3420 336	3420 336
14-39-7	DIAPHRAGM, Choke	3514 654	3419 515	3419 620	3514 654	3419 515	3419 515	3419 620
14-39-8	LINK, Choke Diaphragm			3420 369	3481 662	3514 804	3514 804	3514 804
14-39-9	SCREW, Diaphragm Bracket	3481 700	3420 339	3420 339	3481 700	3420 339	3420 339	3420 339
14-39-10	LEVER, Choke Control		3514 659	3514 659		3514 797	3514 797	3514 797
14-39-27	RETAINER, Diaphragm Link					3481 337	3481 337	3481 337
14-39-28	ROD, Choke		3514 677	3514 677		3420 383	3420 383	3420 383
14-39-29	SEAL, Choke Rod		3420 301	3420 301		3420 301	3420 301	3420 301
14-39-30	SHAFT, Choke		3420 311	3420 311		3420 311	3420 311	3420 311
14-39-45	CHOKE		3512 843	3512 843	3512 843	3512 869	3512 867	3512 867
14-39-51	HOSE, Choke Vacuum		3419 687	3419 687		3419 687	3419 687	3419 687
14-39-56	PIN, Choke Clevis					3420 368	3420 368	3420 368
14-40-1	FLOAT, w/Lever	3481 693	3514 668	3514 668	3481 693	3420 364	3420 364	3420 364
14-40-5	RETAINER, Float	3549 331	3549 331	3549 331	3549 331	3419 673	3419 673	3419 673
14-40-6	SHAFT, Float	3481 683		3481 683	3481 683			
14-40-7	BODY, w/Plugs, Fuel	3481 695						
	Primary					3420 372	3514 831	3514 831
	Secondary					3420 373	3420 373	3420 373
14-40-18	SPRING, Float	3481 698			3481 698	3420 317	3420 317	3420 317
14-41-3	PLUNGER, w/Rod, Pump		2196 234	2196 234		2196 234	2196 234	2196 234
14-41-10	CAM, Pump		3420 321	3420 321		3420 321	3420 321	3420 321
14-41-13	VALVE, Pump Discharge Needle					3514 686		
14-41-22	LEVER, Pump Operating		3514 680	3514 680		3514 680	3514 680	3514 680
14-41-23	RETAINER, Pump Operating Lever		3514 681	3514 681		3514 681	3514 681	3514 681

CARLINES

J - Challenger
B - BarracudaV - Valiant
L - DartR - Belvedere - Satallite
W - Coronet - ChargerP - Plymouth
D - DodgeC - Chrysler
Y - Imperial

AR Indicates use as required.

Indicates parts not listed in any previous parts book.

Numerals in parentheses () refer to notes.

★ Indicates change or addition.

Printed in U.S.A.
January 1972

1970-71 PASSENGER CAR PARTS CATALOG

FUEL

Text Page 14-37

COMPONENT CHART		64	65	66	67	68	69	70
CODE	REFERENCE NO.	R4789A	R4791A	R4792A	R4790A	R4736-1A	R4738-1A	R4739-1A
14-41-25	FITTING, Pump Lever Adjusting Screw	-----	-----	-----	-----	3420 365	3420 365	3420 365
14-41-34	COVER, Pump	-----	3514 673	3514 673	-----	3420 306	3420 306	3420 306
14-41-35	SCREW, Pump and Diaphragm Cover	-----	-----	-----	-----	3420 259	3420 259	3420 259
14-44-10	TUBE, Balance	-----	-----	-----	-----	3420 361	3420 361	3420 361
14-44-11	WASHER, Balance Tube	-----	-----	-----	-----	3420 385	3420 385	3420 385
14-44-12	"O" RING, Balance Tube	-----	-----	-----	-----	3420 367	3420 367	3420 367
14-45-1	NEEDLE, Idle Limiter	3420 363	-----	-----	3420 363	-----	-----	-----
	NEEDLE, Idle Adjusting	-----	3420 362	3420 362	-----	3514 799	3514 799	3514 799
14-45-3	LEVER, Fast Idle Cam	-----	3420 338	3420 338	-----	3420 338	3420 338	3420 338
14-45-4	CAM, Fast Idle	-----	3514 689	3514 689	-----	3514 689	3514 689	3514 689
14-45-8	SCREW, Fast Idle Cam	-----	3420 344	3420 344	-----	3420 344	3420 344	3420 344
14-45-12	LIMITER, Idle Needle	-----	3420 393	-----	3481 697	3420 393	3420 393	3420 393
14-45-15	COVER, Hot Idle Compensator	-----	3481 663	3481 663	-----	-----	3481 663	3481 663
14-45-17	COMPENSATOR, Hot Idle	-----	3581 666	3581 666	-----	-----	3549 329	3549 329
14-45-19	SEAL, Compensator	-----	3481 661	3481 661	-----	-----	3514 897	3514 897
14-45-20	SCREW, Idle Adjusting	-----	-----	3514 683	-----	-----	-----	-----
14-45-21	INSULATOR, Idle Screw	-----	-----	-----	-----	3549 327	3549 327	3549 327
14-45-32	BRACKET, Retard Wire	-----	-----	-----	-----	3514 809	3514 809	3514 809
14-45-33	CABLE, Retard	-----	-----	-----	-----	3514 810	3514 810	3514 810
14-46-1	VALVE, Vent	-----	-----	-----	-----	3419 669	-----	-----
14-46-2	ROD, Vent Valve	-----	3549 335	3549 335	-----	3549 335	-----	-----
14-46-3	PLATE, Metering Body	3420 370	-----	-----	3420 370	3420 370	3420 370	3420 370
14-46-4	RETAINER, "E" Ring	-----	-----	-----	-----	3420 375	3420 375	3420 375
14-46-5	ROD, Air Vent	-----	-----	-----	-----	3549 326	3514 700	3514 700
14-46-6	CLAMP, Vent Rod	-----	3549 328	-----	-----	3420 387	3420 387	3420 387
14-46-7	BAFFLE, Metering Body Vent	-----	-----	-----	-----	3420 388	3420 388	3420 388
14-46-8	SEAL, Vent Valve	-----	3481 659	3481 659	-----	-----	3481 659	3481 659
14-46-9	BODY, Vent Valve	-----	3481 660	3514 661	-----	-----	3481 660	3481 660
14-46-10	CLAMP, Vent Valve	-----	3481 667	3481 667	-----	-----	3481 667	3481 667
14-49-1	BOWL, w/Plugs, Fuel	-----	3549 334	3549 334	3481 695	-----	-----	-----
14-54-3	SCREW, Throttle Stop	-----	3420 256	3420 256	-----	3549 325	-----	3549 325
14-54-4	SCREW, Fuel Valve Seat Lock	-----	3420 273	3420 273	3420 273	-----	-----	-----
14-54-15	SCREW, Choke Plate	-----	3420 255	3420 255	-----	3420 255	3420 255	3420 255
14-54-16	SCREW, Vent Valve Cover	-----	3481 658	3481 658	-----	-----	-----	3481 658
14-54-29	SCREW, Float Shaft Bracket	3481 699	3481 699	3481 699	3481 699	-----	-----	-----
14-54-36	SCREW, Vent Rod Clamp	-----	-----	3414 682	-----	3420 340	3420 340	3420 340
14-54-43	SCREW, Pump Lever Adjusting	-----	3420 345	3420 345	-----	3420 345	3420 345	3420 345
14-54-50	SCREW, Pump Cam Lock	-----	-----	-----	-----	3420 265	3420 265	3420 265
14-54-78	SCREW, Fuel Bowl to Main Body	-----	3420 341	-----	3420 348	3420 341	3420 341	3420 341
	SCREW, Secondary Fuel Bowl	-----	-----	-----	-----	3420 348	3420 348	3420 348
COMPONENT CHART								
REFERENCE NO.		71	72					
CODE	MFG. NO.	48955	48945					
14-30-2	GASKET, Flange	2946 541	2946 540					
14-30-4	ZIP KIT	3514 466	3621 286					
14-30-7	GASKET KIT	3549 295	3549 296					
14-30-8	NEEDLE, w/Seat	2933 042	2933 042					
14-35-1	JET, Main Metering	2585 792	3549 303					
14-35-42	COVER, Venturi	3481 290	3481 318					
14-36-1	SPRING, Idle Speed Screw	3481 205	3481 205					
	SPRING, Fast Idle Speed Screw	-----	3481 205					
	SPRING, Idle Mixture Screw	-----	3481 558					
14-36-2	SPRING, Step-Up Piston	3481 234	3481 248					
14-36-15	SPRING, Pump	3481 207	3481 313					
14-37-27	LEAD SHOT	3481 284	3481 538					
	LEAD SHOT	3481 238	3420 453					
14-37-29	BALL, Pump Intake Check	3481 289	3481 289					
14-37-30	BALL, Pump Discharge Check	3481 220	3481 220					
14-38-4	VALVE, Throttle	3481 269	3481 307					
14-38-5	SCREW, Throttle Valve	3420 445	3420 445					

CARLINES

J - Challenger
B - Barracuda

V - Valiant
L - Dart

R - Belvedere - Satellite
W - Coronet - Charger

P - Plymouth
D - Dodge

C - Chrysler
Y - Imperial

AR Indicates use as required.

= Indicates parts not listed in any previous parts book.

Numerals in parentheses () refer to notes.

★ Indicates change or addition.

Printed in U.S.A.
January 1972

1970-71 PASSENGER CAR PARTS CATALOG

FUEL

COMPONENT CHART REFERENCE NO.		71	72					
CODE	MFG. NO.	4895S	4894S					
14-38-12	SHAFT, w/Lever, Throttle	3481 304	3549 260					
14-38-28	ROD, Throttle Connector	3481 299	3481 316					
14-39-1	VALVE, Choke	3481 271	3481 309					
14-39-6	SHAFT, Choke	3481 272	3549 261					
14-39-7	DIAPHRAGM, Choke	2933 185	2933 190					
14-39-9	SCREW, Diaphragm Bracket	3420 447	3420 447					
14-39-10	LEVER, Choke	3481 273	3481 273					
14-39-28	ROD, Choke Diaphragm Connector	3481 287	3481 317					
14-39-31	SPACER, Choke Connector Rod	3481 285	-----					
14-39-45	CHOKE	2951 651	2951 652					
14-39-51	HOSE, Choke Diaphragm	3481 294	3481 294					
14-39-57	PIN SPRING, Diaphragm Connector Rod	3420 477	3420 477					
14-40-1	FLOAT, w/Lever	3481 274	3481 311					
14-40-4	PIN, Float Lever	3481 201	3481 201					
14-40-5	RETAINER, Float Lever Pin	3514 541	3481 277					
14-41-3	PLUNGER, w/Rod, Pump	2933 001	1826 607					
14-41-5	ARM, w/Countershaft, Pump	-----	3481 326					
14-41-9	ARM, Pump	3481 275	3481 312					
	ARM, Loose Lever	-----	3481 328					
14-43-3	PISTON, w/PLATE, Step-Up	3514 542	3481 323					
14-43-5	ROD, Step-Up	3514 549	2808 016					
14-45-4	CAM, Fast Idle	3514 880	3549 265					
14-45-5	ROD, Fast Idle Connector	-----	3549 266					
14-45-8	SCREW, Fast Idle Cam	3481 282	3481 282					
14-45-20	SCREW, Idle Mixture	3481 630	3549 262					
14-45-25	SCREW, Fast Idle Speed	3481 281	3481 281					
	SCREW, Idle Speed	3514 495	3481 210					
14-48-8	VALVE, Thermostatic	3549 407	3549 407					
14-54-6	WASHER, Throttle Shaft	-----	3549 272					
14-54-15	SCREW, Choke Valve	3420 450	3420 450					
14-54-42	WASHER, Pump Plunger	3481 224	-----					
14-54-47	SCREW, Pump Arm	3481 279	3481 314					
14-54-51	WASHER, Pump Spring RETAINER	-----	3481 330					
14-54-72	SCREW, Air Horn	3481 211	3481 211					
14-54-78	SCREW, Body Flange	3481 280	3420 443					
14-54-148	SCREW, Step-Up Piston Plate	3481 214	3481 315					
	SCREW, Step-Up Piston Cover Plate	-----	3420 451					
14-54-152	SCREW, Venturi Cluster	3481 302	3481 633					
COMPONENT CHART REFERENCE NO.		73	74	75	76	77	78	79
CODE	MFG. NO.	4955S	4956S	R4655A	R4656A	R4657A	R4658A	R4659A
14-30-2	GASKET, Flange	2946 542	2946 542	2946 542	2946 542	2951 889	2951 889	2946 542
14-30-4	ZIP KIT or REPAIR KIT	3514 465	3514 465	3481 670	3481 670	3481 688	3481 688	3481 687
14-30-7	GASKET KIT	3514 475	3514 475	3481 671	3481 671	2585 463	2585 463	3418 671
14-30-8	NEEDLE, w/Seat	2809 395	2809 395	2299 042	2299 042	2299 042	2299 042	2299 042
14-30-29	GASKET, Needle Seat	-----	-----	3419 663	3419 663	3419 663	3419 663	3419 663
14-30-31	BAFFLE, Fuel Inlet	-----	-----	3419 688	3419 688	3419 688	3419 688	3419 688
14-35-1	JET, Main Metering	3514 490	3514 490	2299 245	2299 248	2299 248	2299 248	2809 387
14-35-3	JET, Pump	3481 233	3481 233	-----	-----	-----	-----	-----
14-35-33	STEM, Economiser	-----	-----	3419 623	3419 623	3419 623	3419 623	2299 040
14-35-39	WELL, Main	-----	-----	3481 679	3419 510	3549 320	3549 319	3514 832
14-35-43	SCREW, Economiser Body	-----	-----	3419 657	3419 657	3419 657	3419 657	3419 657
	SCREW, Main Well, Long	-----	-----	3419 652	3419 652	3419 652	3419 652	3419 652
	Short	-----	-----	3419 651	3419 651	3419 651	3419 651	3419 651
14-35-45	COVER, Economiser Body	-----	-----	3419 670	3419 670	3419 670	3419 670	3419 670
CARLINES	J - Challenger B - Barracuda	V - Valiant L - Dart	R - Belvedere - Satalite W - Coronet - Charger	P - Plymouth D - Dodge	C - Chrysler Y - Imperial			

AR Indicates use as required.

Indicates parts not listed in any previous parts book.

Numerals in parentheses () refer to notes.

★ Indicates change or addition.

Printed in U.S.A.
January 1972

1970-71 PASSENGER CAR PARTS CATALOG

FUEL

Text Page 14-39

FUEL	COMPONENT CHART REFERENCE NO.	73	74	75	76	77	78	79
CODE	MFG. NO.	4935S	4956S	R4655A	4656A	R4657A	R4658A	R4659A
14-36-1	SPRING, Idle Speed Screw	3481 205	3481 205	-----	-----	-----	-----	-----
	SPRING, Fast Idle Speed Screw	3481 205	3481 205	-----	-----	-----	-----	-----
	SPRING, Idle Mixture Screw	3481 558	3481 558	-----	-----	-----	-----	-----
	SPRING, Idle Adjusting Screw	-----	-----	3419 674	3419 674	3419 674	3419 674	3419 674
	SPRING, Fast Idle Screw	-----	-----	3419 677	3419 677	3419 677	3419 677	3419 677
14-36-2	SPRING, Step-Up Piston	3549 534	3514 477	-----	-----	-----	-----	-----
14-36-15	SPRING, Pump	3481 235	3481 235	3419 679	3419 679	3419 679	3419 679	3419 679
14-36-29	SPRING, Throttle Stop Screw	-----	-----	3419 675	3419 675	3419 675	3419 675	3419 675
14-36-36	SPRING, Vent Rod	-----	-----	-----	-----	-----	-----	3481 664
14-36-50	SPRING, Mechanical Vent	-----	-----	3481 665	3481 665	3419 678	3419 678	3481 665
	SPRING, Vent Rod	-----	-----	3481 664	3481 664	-----	-----	3481 664
14-37-6	PLUG, Pump Jet	3481 193	3481 193	-----	-----	-----	-----	-----
14-37-15	PLUG, Rivet	3481 155	3481 155	-----	-----	-----	-----	-----
	PLUG, Rivet	3420 404	3420 404	-----	-----	-----	-----	-----
14-37-25	PLUG, High Speed Passage	3481 194	3481 194	-----	-----	-----	-----	-----
14-37-29	BALL, Pump Intake Check	3481 220	3481 220	-----	-----	-----	-----	-----
14-37-30	BALL, Pump Discharge Check	3481 220	3481 220	-----	-----	-----	-----	-----
14-38-4	VALVE or PLATE, Throttle	3481 232	3481 232	3419 665	3419 665	3419 699	3419 699	3419 695
14-38-5	SCREW, Throttle Valve or Plate	3549 456	3549 456	3419 654	3419 654	3419 654	3419 654	3419 654
14-38-12	SHAFT, w/Lever, Throttle	3481 191	3481 191	3419 666	3419 666	3419 666	3419 666	3419 666
14-38-20	PIN SPRING, Throttle Connector Rod	3420 476	3420 476	-----	-----	-----	-----	-----
14-38-28	ROD, Throttle Connector	3481 231	3481 231	-----	-----	-----	-----	-----
14-39-1	VALVE or PLATE, Choke	3481 192	3481 192	3419 649	3419 649	3419 649	3419 649	3419 649
14-39-6	SHAFT, Choke	3514 476	3514 476	3419 650	3419 650	3419 650	3419 650	3419 650
14-39-7	DIAPHRAGM, Choke	2933 182	2933 182	3419 508	3419 511	3419 508	3419 621	3419 508
14-39-8	LINK, Choke Diaphragm	-----	-----	3419 671	3419 671	3419 671	3419 671	3419 671
14-39-11	PIN, Choke Diaphragm Link	-----	-----	3481 674	3481 674	3481 674	3481 674	3481 674
14-39-28	ROD, Choke Connector	3481 218	3481 218	-----	-----	-----	-----	-----
	ROD, Choke Diaphragm Connector	3481 219	3481 219	-----	-----	-----	-----	-----
14-39-45	CHOKE SCREW	2946 548 6024 560	2946 548 6024 560	2946 549 6024 560	2946 549 6024 560	3418 502 6024 560	3418 502 6024 560	2946 549 6024 560
14-39-51	HOSE, Choke Diaphragm	3481 226	3481 226	3419 687	3419 687	3419 687	3419 687	3419 687
14-39-57	PIN SPRING, Choke Diaphragm Connector Rod	3420 477	3420 477	-----	-----	-----	-----	-----
14-40-1	FLOAT, w/Lever	3481 200	3481 200	3419 668	3419 668	3419 668	3419 668	3419 668
14-40-4	PIN, Float Lever	3481 201	3481 201	-----	-----	-----	-----	-----
14-40-5	RETAINER, Float	3481 209	3481 209	3419 673	3419 673	3419 673	3419 673	3419 673
14-40-7	BOWL, Float	-----	-----	3419 672	3419 672	3419 672	3419 672	3419 672
14-40-8	GASKET, Float Bowl	-----	-----	3419 664	3419 664	3419 664	3419 664	3419 664
14-40-18	SPRING, Float	-----	-----	3419 676	3419 676	3419 676	3419 676	3419 676
14-40-23	ARM, Bowl Vent	3514 478	3514 478	-----	-----	-----	-----	-----
14-41-3	PLUNGER, w/Rod, Pump	3514 479	3514 479	2525 782	2525 782	2525 782	2525 782	3514 833
14-41-7	LINK, Pump Operating	-----	-----	2808 062	2808 062	2808 062	2808 062	2808 062
14-41-9	ARM, Pump	3481 204	3481 204	-----	-----	-----	-----	-----
14-41-14	PLATE, Pump Cover	3514 488	3514 488	-----	-----	-----	-----	-----
14-41-16	RETAINER, Pump Spring	3514 487	3514 487	-----	-----	-----	-----	-----
14-41-22	LEVER, Pump Operating	-----	-----	2808 061	2808 061	2808 061	2808 061	2808 061
14-41-23	RETAINER, Pump Operating Lever	-----	-----	2808 059	2808 059	2808 059	2808 059	2808 059
14-41-40	RETAINER, Pump Operating Link	-----	-----	3481 338	3481 338	3481 338	3481 338	3481 338
14-43-3	PISTON, w/Plate, Step-Up	3481 228	3481 228	-----	-----	-----	-----	-----
14-43-5	ROD, Step-Up	3514 489	3549 302	-----	-----	-----	-----	-----
14-44-1	TUBE, Idle	3514 491	3514 483	-----	-----	-----	-----	-----
14-44-3	TUBE, Main Vent	3481 238	3481 238	-----	-----	-----	-----	-----

CARLINES

J - Challenger
B - Barracuda

V - Valiant
L - Dart

R - Belvedere - Satellite
W - Coronet - Charger

P - Plymouth
D - Dodge

C - Chrysler
Y - Imperial

AR Indicates use as required.

≡ Indicates parts not listed in any previous parts book.

Numerals in parentheses () refer to notes.

★ Indicates change or addition.

Printed in U.S.A.
January 1972

1970-71 PASSENGER CAR PARTS CATALOG

FUEL

COMPONENT CHART REFERENCE NO.		73	74	75	76	77	78	79
CODE	MFG. NO.	4955S	4956S	R4655A	R4656A	R4657A	R4658A	R4659A
14-45-1	SCREW, Fast Idle Cam	3481 216	3481 216	-----	-----	-----	-----	3419 658
	SCREW, Fast Idle	-----	-----	3419 656	3419 656	3419 656	3419 656	3419 656
	NEEDLE, Idle Adjusting	-----	-----	3419 667	3419 667	3419 667	3419 667	3419 667
14-45-4	CAM, Fast Idle	3514 485	3514 485	3419 681	3419 655	3419 681	3419 655	3419 655
14-45-5	ROD, Fast Idle	-----	-----	3419 682	3419 682	3419 682	3419 682	3419 682
14-45-12	LIMITER, Idle Adjusting	-----	-----	-----	-----	-----	-----	-----
	Screw	-----	-----	3419 689	3419 689	3419 689	3419 689	3419 689
14-45-15	COVER, Hot Idle	-----	-----	-----	-----	-----	-----	-----
	Compensator	-----	-----	3481 663	3481 663	-----	-----	3481 663
14-45-17	COMPENSATOR, Hot Idle	-----	-----	3481 666	3481 666	-----	-----	3481 666
14-45-19	SEAL, Compensator	-----	-----	3481 661	3481 661	-----	-----	3481 661
14-45-20	SCREW, Idle Mixture	3481 643	3481 643	-----	-----	-----	-----	-----
14-45-25	SCREW, Idle Speed	3481 210	3481 210	-----	-----	-----	-----	-----
	SCREW, Fast Idle Speed	3514 495	3514 495	-----	-----	-----	-----	-----
14-46-1	VALVE, Mechanical Vent	-----	-----	3481 660	3481 660	3419 669	3419 669	3481 660
14-46-2	ROD, Mechanical Vent	-----	-----	3481 672	3481 672	3419 683	3419 683	3481 672
14-46-8	SEAL, Vent Valve	-----	-----	3481 659	3481 659	-----	-----	3481 659
14-46-10	CLAMP, Vent Valve	-----	-----	3481 667	3481 667	-----	-----	3481 667
14-46-13	CLAMP, Bowl Vent Tube	3514 492	3514 492	-----	-----	-----	-----	-----
14-46-15	HOSE, Bowl Vent	3514 484	3514 484	-----	-----	-----	-----	-----
14-46-16	RETAINER, Bowl Vent Valve	3514 486	3514 486	-----	-----	-----	-----	-----
14-48-2	VALVE, Thermostatic	3549 407	3549 407	-----	-----	-----	-----	-----
14-54-3	SCREW, Throttle Stop	-----	-----	3419 661	3419 661	3419 661	3419 661	3419 661
14-54-15	SCREW, Choke Valve or Plate	3420 450	3481 217	3419 654	3419 654	3419 654	3419 654	3419 654
14-54-28	SCREW, Choke Bracket	3418 217	3418 217	-----	-----	-----	-----	-----
14-54-34	SCREW, Bowl Cover	3481 211	3481 211	-----	-----	-----	-----	-----
14-54-37	WASHER, Mechanical	-----	-----	-----	-----	-----	-----	-----
	Vent Pick-Up	-----	-----	3419 685	3419 685	3419 685	3419 685	3419 685
14-54-47	SCREW, Pump Arm	3481 212	3481 212	-----	-----	-----	-----	-----
14-54-72	SCREW, Air Horn	3481 213	3481 213	-----	-----	-----	-----	-----
14-54-78	SCREW, Float Bowl	-----	-----	3419 653	3419 653	3419 653	3419 653	3419 653
14-54-148	SCREW, Step-Up Piston	-----	-----	-----	-----	-----	-----	-----
	Plate Guide	3481 214	3481 214	-----	-----	-----	-----	-----
	SCREW, Step-Up Piston	-----	-----	-----	-----	-----	-----	-----
	Cover Plate	3420 451	3420 451	-----	-----	-----	-----	-----
14-82-2	VALVE, Thermostatic	3549 407	3549 407	-----	-----	-----	-----	-----
COMPONENT CHART REFERENCE NO.		80	81	82	83	84	85	86
CODE	MFG. NO.	4929S	4930S	4957S	4958S	4959S	4960S	7041180
14-30-2	GASKET, Flange	2951 889	2951 889	2946 541	2946 541	2468 818	2468 818	2946 541
14-30-4	ZIP KIT	3514 464	3514 464	3514 467	3514 467	3621 260	3621 260	-----
	POWER KIT	-----	-----	-----	-----	-----	-----	3549 461
14-30-7	GASKET KIT	2933 179	2933 179	3549 295	3549 295	3621 245	3621 245	3549 462
14-30-8	NEEDLE, w/Seat	2809 395	2809 395	2930 042	2933 042	2933 042	2933 042	3549 480
14-30-27	STRAINER, Fuel	-----	-----	-----	-----	-----	-----	3549 482
14-30-28	NUT, Fuel Inlet	-----	-----	-----	-----	-----	-----	3621 043
14-30-29	GASKET, Needle Seat	3481 199	3481 199	-----	-----	-----	-----	-----
14-33-1	BODY, Throttle	-----	-----	-----	-----	-----	-----	3549 524
14-34-4	GASKET, Body	3481 222	3481 222	-----	-----	-----	-----	-----
14-35-1	JET, Main Metering	2585 792	3419 616	2585 792	2585 792	2585 792	2585 792	3579 036
14-35-3	JET, Pump	3481 203	3481 233	-----	-----	-----	-----	-----
14-35-6	VALVE, Power	-----	-----	-----	-----	-----	-----	3549 511
14-35-41	CLUSTER, Venturi	-----	-----	-----	-----	-----	-----	3549 504
14-35-42	COVER, Venturi	-----	-----	3481 290	3481 290	3481 290	3481 290	-----
14-35-46	INSERT, Main Well	-----	-----	-----	-----	-----	-----	3549 509
14-36-1	SPRING, Idle Speed Screw	3481 205	3481 205	3481 205	3481 205	3481 205	3481 205	-----
	SPRING, Fast Idle Speed	-----	-----	-----	-----	-----	-----	-----
	Screw	3481 205	3481 205	-----	-----	3481 205	3481 205	-----
	SPRING, Idle Mixture Screw	3514 516	3514 516	3481 558	3481 558	3481 558	3481 551	-----
	SPRING, Idle Stop Screw	-----	-----	-----	-----	-----	-----	3549 519
14-36-2	SPRING, Step-Up Piston	3481 206	3481 234	3481 234	3481 234	3481 234	3481 234	-----
CARLINES	J - Challenger B - Barracuda	V - Valiant L - Dart	R - Belvedere - Satellite W - Coronet - Charger	P - Plymouth D - Dodge	C - Chrysler Y - Imperial			

AR Indicates use as required.

Indicates parts not listed in any previous parts book.

Numerals in parentheses () refer to notes.

★ Indicates change or addition.

Printed in U.S.A.
January 1972

COMPONENT CHART REFERENCE NO.		80	81	82	83	84	85	86
CODE	MFG. NO.	49295	49305	49575	49585	49595	49605	7041180
14-36-15	SPRING, Pump	3481 207	3481 235	3481 207	3481 207	3481 207	3481 207	3549 498
	SPRING, Pump Discharge	-----	-----	-----	-----	-----	-----	3549 500
14-36-50	SPRING, Bowl Vent	-----	-----	3514 548	3514 548	-----	-----	-----
	SPRING, Vent Valve	-----	-----	-----	-----	-----	-----	3549 476
14-37-6	PLUG, Pump Jet	-----	3481 193	-----	-----	-----	-----	-----
14-37-15	PLUG, Rivet	3420 404	3420 404	-----	-----	-----	-----	-----
	PLUG, Rivet	3481 155	3481 155	-----	-----	-----	-----	-----
	PLUG, Rivet	3481 195	3481 195	-----	-----	-----	-----	-----
14-37-25	PLUG, High Speed Passage	3481 194	3481 194	-----	-----	-----	-----	-----
14-37-27	LEAD SHOT	-----	-----	3481 284	3481 284	3481 284	3481 284	-----
	LEAD SHOT	-----	-----	3481 238	3481 238	3481 238	3481 238	-----
	LEAD SHOT	-----	-----	3420 453	3420 453	3420 453	342 453	-----
14-37-29	BALL, Pump Intake Check	3481 220	3481 220	3481 289	3481 289	3481 289	3481 289	3549 496
14-37-30	BALL, Pump Discharge Check	3481 220	3481 220	3481 220	3481 220	3481 220	3481 220	3549 501
14-38-4	VALVE, Throttle	3481 190	3481 232	3481 269	3481 269	3481 269	3481 269	-----
14-38-5	SCREW, Throttle Valve	3549 456	3549 456	3420 445	3420 445	3420 445	3420 445	-----
14-38-12	SHAFT, Lever, Throttle	3481 191	3481 191	3481 301	3481 304	3481 304	3481 304	-----
14-38-20	PIN SPRING, Throttle Connector Rod	3420 476	3420 476	-----	-----	-----	-----	-----
14-38-28	ROD, Throttle Connector	3481 231	3481 231	3481 286	3481 286	3481 299	3481 299	-----
14-39-1	VALVE, Choke	3481 192	3481 192	3481 271	3481 271	3481 271	3481 271	3549 493
14-39-6	SHAFT, w/Lever, Choke	3514 476	3514 476	3481 272	3481 272	3481 272	3481 272	3549 495
	LEVER, Choke Loose	-----	-----	3481 273	3481 273	3481 273	3481 273	-----
14-39-7	DIAPHRAGM, Choke	2933 182	3419 617	2933 185	2933 185	2933 185	2933 185	-----
14-39-9	SCREW, Choke Diaphragm	-----	-----	3420 447	3420 447	3420 447	3420 447	-----
14-39-10	LEVER, Choke	-----	-----	-----	-----	-----	3481 273	3549 491
14-39-27	RETAINER, Choke Connector Rod	-----	-----	-----	-----	-----	3420 433	-----
14-39-28	ROD, Choke Connector	3481 218	3481 218	-----	-----	-----	-----	3549 512
	ROD, Choke Diaphragm Connector	3481 219	3481 219	3481 287	3481 287	3481 287	3481 287	-----
14-39-31	SPACER, Choke Connector Rod	-----	-----	3481 285	3481 285	3481 285	3481 285	-----
14-39-45	CHOKE	2946 522	2946 522	2951 651	2951 651	2946 535	2946 535	3512 871
14-39-51	HOSE, Choke Diaphragm	3481 226	3481 226	3481 294	3481 294	3481 294	3481 294	-----
	HOSE, Choke Vacuum	-----	-----	-----	-----	-----	-----	3549 488
14-39-56	PIN SPRING	-----	-----	3420 476	3420 476	3420 476	3420 476	-----
14-39-57	PIN SPRING, Diaphragm Connector Rod	3420 477	3420 477	3420 477	3420 477	3420 477	3420 477	-----
14-40-1	FLOAT, w/Lever	3481 200	3481 200	3481 274	3481 274	3481 274	3481 274	3549 478
14-40-4	PIN, Float Lever	3481 201	3481 201	3481 201	3481 201	3481 201	3481 201	3549 479
14-40-5	RETAINER, Float Lever Pin	3481 209	3481 209	3514 541	3514 541	3514 541	3514 541	-----
	PULL CLIP, Float	-----	-----	-----	-----	-----	-----	3549 483
14-40-7	BOWL, Float	-----	-----	-----	-----	-----	-----	3549 502
14-40-35	BAFFLE, Fuel Bowl	-----	3481 610	3481 610	3481 610	3481 610	-----	-----
14-41-3	PLUNGER, w/Rod, Pump	2196 214	2196 214	3549 257	3549 257	2933 001	2933 001	-----
	PUMP	-----	-----	-----	-----	-----	-----	3549 470
	PISTON, Power	-----	-----	-----	-----	-----	-----	3549 484
14-41-8	ROD, Pump	-----	-----	-----	-----	-----	-----	3549 523
14-41-9	ARM, Pump	3481 204	3481 204	3514 547	3514 547	3481 275	3481 275	-----
	LEVER, Pump	-----	-----	-----	-----	-----	-----	3549 466
14-41-12	BUSHING, Pump Plunger	-----	3481 202	-----	-----	-----	-----	-----
14-41-13	RETAINER, Pump Plunger	-----	-----	3514 486	3514 486	3481 278	3481 278	-----
14-41-14	PLATE, Cover	-----	-----	3514 488	3514 488	-----	-----	-----
14-41-19	GUIDE, Pump Discharge	-----	-----	-----	-----	-----	-----	3549 499
14-41-20	STRAINER, Pump Inlet	-----	-----	-----	-----	-----	-----	3549 497
14-41-21	SHAFT, w/Lever, Pump	-----	-----	-----	-----	-----	-----	3549 467
14-41-31	CONTROL, w/Bracket, Vacuum Break Choke	-----	-----	-----	-----	-----	-----	3549 485
	CONTROL, Vacuum Break Choke	-----	-----	-----	-----	-----	-----	3549 486
14-41-32	LINK, Vacuum Break	-----	-----	-----	-----	-----	-----	3549 487

CARLINES

J - Challenger
B - BarracudaV - Valiant
L - DartR - Belvedere - Satellite
W - Coronet - ChargerP - Plymouth
D - DodgeC - Chrysler
Y - Imperial

AR Indicates use as required.

≠ Indicates parts not listed in any previous parts book.

Numerals in parentheses () refer to notes.

★ Indicates change or addition.

Printed in U.S.A.
January 1972

COMPONENT CHART REFERENCE NO.		80	81	82	83	84	85	86
CODE	MFG. NO.	4929S	4930S	4957S	4958S	4959S	4960S	7041180
14-41-45	CLIP, Pump Rod	-----	-----	-----	-----	-----	-----	3549 533
14-43-3	PISTON, Step-Up	3481 228	3481 228	3514 542	3514 542	3514 542	3514 542	-----
14-43-5	ROD, Step-Up	2933 157	3419 615	3514 549	3549 460	2585 790	2585 790	-----
14-44-1	TUBE, Idle	-----	3481 237	-----	-----	-----	-----	-----
14-44-3	TUBE, Main Vent	-----	3481 238	-----	-----	-----	-----	-----
14-45-1	NEEDLE, Idle Adjusting	-----	-----	-----	-----	-----	-----	3549 525
14-45-4	CAM, Fast Idle	3481 229	3481 229	3481 296	3514 880	3481 296	3514 880	3549 513
14-45-5	ROD, Fast Idle Connector	-----	-----	3481 288	3481 288	3481 288	3481 288	-----
14-45-8	SCREW, Fast Idle Cam	3481 216	3481 216	3481 282	3481 282	3481 282	3481 282	3549 514
14-45-11	SPRING, Idle Needle	-----	-----	-----	-----	-----	-----	3549 526
14-45-12	LIMITER, Idle Needle	-----	-----	-----	-----	-----	-----	3549 527
14-45-15	COVER, Idle Compensator	-----	-----	-----	-----	-----	-----	3549 516
14-45-17	COMPENSATOR, Idle	-----	-----	-----	-----	-----	-----	3549 515
14-45-19	GASKET, Idle Compensator	-----	-----	-----	-----	-----	-----	3549 518
14-45-20	SCREW, Idle Mixture	3481 643	3481 643	3481 630	3481 630	3481 630	3481 630	-----
14-45-22	SCREW, Idle Compensator	-----	-----	-----	-----	-----	-----	3549 517
14-45-25	SCREW, Fast Idle Speed	3514 495	3514 492	3481 210	3481 210	3481 210	3481 210	-----
14-46-7	SCREW, Vent Valve Cover	-----	-----	-----	-----	-----	-----	3549 475
14-46-8	GASKET, Vent Valve	-----	-----	-----	-----	-----	-----	3549 473
14-46-18	PLATE, Bowl Vent Cover	-----	-----	3549 256	3549 256	-----	-----	-----
14-46-19	VALVE, Bowl Vent	-----	-----	3549 258	3549 258	-----	-----	-----
	VALVE, Idle Vent	-----	-----	-----	-----	-----	-----	3549 472
14-46-20	COVER, Vent Valve	-----	-----	-----	-----	-----	-----	3549 474
14-47-1	AIR HORN	-----	-----	-----	-----	-----	-----	3549 477
14-47-13	GASKET, Air Horn	-----	-----	-----	-----	-----	-----	3549 463
14-48-2	VALVE, Thermostatic	-----	-----	-----	3514 882	-----	-----	-----
14-50-8	NUT, Dashpot Lock	-----	-----	3420 455	-----	-----	-----	-----
14-50-13	BRACKET, Dashpot	-----	-----	2933 186	-----	-----	-----	-----
14-50-25	DASHPOT	-----	-----	2808 101	-----	-----	-----	-----
14-54-12	SCREW, Choke Lever	-----	-----	-----	-----	-----	-----	3549 490
14-54-15	SCREW, Choke Valve	3420 450	3420 450	3420 450	3420 450	3420 450	3420 450	3549 494
14-54-28	SCREW, Choke Brkt.	-----	3481 217	-----	-----	-----	-----	-----
14-54-34	SCREW, Bowl Cover	-----	3481 211	3549 259	-----	-----	-----	-----
	SCREW, Bowl Vent Cover Plate	-----	-----	-----	3549 259	-----	-----	-----
14-54-42	WASHER, Pump Plunger	3481 224	3481 224	3549 455	3549 455	3481 224	3481 224	-----
	WASHER, Pump Lever	-----	-----	-----	-----	-----	-----	3549 469
14-54-47	SCREW, Pump Arm	3481 212	3481 212	3481 212	3481 212	3481 279	3481 279	-----
	SCREW, Pump Lever	-----	-----	-----	-----	-----	-----	3549 468
14-54-72	SCREW, Air Horn	3481 213	3481 213	3481 211	3481 211	3481 211	3481 211	-----
	Long	-----	-----	-----	-----	-----	-----	3549 464
	Short	-----	-----	-----	-----	-----	-----	3549 465
14-54-78	SCREW, Body Flange	-----	3481 230	3481 280	3481 280	3481 280	3481 280	-----
		-----	-----	-----	348 123	-----	-----	-----
14-54-98	SCREW, Throttle Body	-----	-----	-----	-----	-----	-----	3549 522
14-54-148	SCREW, Step-Up Piston Guide Plate	3481 214	3481 214	3481 214	3481 214	3481 214	3481 214	-----
14-54-152	SCREW, Venturi Cluster	-----	-----	3481 302	3481 302	3418 779	3481 779	-----
	Outer	-----	-----	-----	-----	-----	-----	3549 505
	Center	-----	-----	-----	-----	-----	-----	3549 506
14-82-2	VALVE, Thermostatic	-----	-----	3514 882	-----	-----	-----	-----
COMPONENT CHART REFERENCE NO.		87	88	89	90	91	92	93
CODE	MFG. NO.	4972S	4973S	R4665A	R4666A	R4789A	R4791A	R4792A
14-30-2	GASKET, Flange	3512 868	3512 868	2946 540	2946 540	2946 531	2946 531	2946 531
14-30-2	GSKT., Flange (Asbestos)	3512 869	3512 869	-----	-----	-----	-----	-----
	SPACER, Flange (Aluminum)	3512 870	3512 870	-----	-----	-----	-----	-----
14-30-4	ZIP KIT or REPAIR KIT	3621 225	3621 225	3514 711	3514 711	3514 651	3514 695	3514 695
14-30-7	GASKET KIT	3621 246	3621 246	3514 199	3514 199	3514 652	3514 696	3514 696
14-30-8	NEEDLE, w/Seat	3621 161	3621 161	3514 730	3514 730	3514 669	3514 669	3514 669
14-30-14	NUT, Fuel Valve Seat	-----	-----	-----	-----	-----	3420 319	3420 319
14-30-30	FITTING, Fuel Inlet	3621 152	3621 152	3514 731	3514 731	2809 248	3514 820	3514 820
CARLINES	J - Challenger B - Barracuda	V - Valiant L - Dart	R - Belvedere - Satellite W - Coronet - Charger	P - Plymouth D - Dodge	C - Chrysler Y - Imperial			

AR Indicates use as required.

Indicates parts not listed in any previous parts book.

Numerals in parentheses () refer to notes.

★ Indicates change or addition.

Printed in U.S.A.

January 1972

1970-71 PASSENGER CAR PARTS CATALOG

FUEL

Text Page 14-43

COMPONENT CHART REFERENCE NO.		87	88	89	90	91	92	93
CODE	MFG. NO.	49725	49735	R4665A	R4666A	R4789A	R4791A	R4792A
14-33-1	BODY, w Shaft, Throttle	-----	-----	3549 449	3549 449	3514 792	3514 667	3514 667
14-34-15	GASKET, Power Valve	-----	-----	-----	-----	-----	3420 299	3420 299
14-34-21	"O" RING, Fuel Valve Seat	-----	-----	-----	-----	-----	-----	-----
14-34-63	GROMMET SEAL	3549 406	3549 406	-----	-----	-----	-----	-----
14-35-1	JET, Main Metering	-----	-----	2196 240	3420 332	-----	3420 332	3420 332
	Primary	3621 197	3621 197	-----	-----	-----	-----	-----
	Secondary	3621 198	3621 198	-----	-----	-----	-----	-----
14-35-3	JET, w Housing, Pump	3621 163	3621 163	-----	-----	-----	-----	-----
	NOZZLE, Pump Discharge	-----	-----	-----	-----	-----	3420 295	3420 295
14-35-6	VALVE, Power	-----	-----	3514 796	3514 796	-----	2084 715	2084 715
	NEEDLE, Pump Check	-----	-----	-----	-----	-----	3514 684	3514 684
14-35-9	DIAPHRAGM, Secondary	-----	-----	-----	-----	3514 857	-----	-----
14-35-10	SCREW, Pump Jet Housing	3621 183	3621 183	-----	-----	-----	-----	-----
14-35-19	SCREW, Pump Discharge Nozzle	-----	-----	-----	-----	-----	3420 346	3420 346
14-35-25	HOUSING, Diaphragm	-----	-----	-----	-----	3514 657	-----	-----
14-35-26	LEVER, Diaphragm	-----	-----	-----	-----	3514 655	-----	-----
14-35-39	BODY, w/Plugs, Metering	-----	-----	-----	-----	3514 846	3514 702	3514 702
14-35-43	SCREW, Metering Body	-----	-----	-----	-----	3420 349	-----	-----
14-35-45	COVER, Diaphragm	-----	-----	-----	-----	3514 653	-----	-----
14-36-1	SPRING, Fast Idle	-----	-----	-----	-----	-----	-----	-----
	Speed Screw	3481 535	3481 535	-----	-----	-----	-----	-----
	SPRING, Idle Speed Screw	3481 535	3481 535	-----	-----	-----	-----	-----
	SPRING, Idle Mixture Screw	3481 558	3481 558	-----	-----	-----	-----	-----
	SPRING, Solenoid Speed Screw	3481 558	3481 558	-----	-----	-----	-----	-----
	SPRING, Idle Needle	-----	-----	3481 395	3481 395	-----	-----	-----
	SPRING, Pump Lever	-----	-----	-----	-----	-----	3420 378	3420 378
	Adjusting	-----	-----	-----	-----	-----	-----	-----
14-36-15	SPRING, Pump Upper	3481 235	3481 235	-----	-----	-----	-----	-----
	Lower	3621 436	3621 436	-----	-----	-----	-----	-----
	SPRING, Pump	-----	-----	3549 415	3549 415	-----	-----	-----
14-36-19	SPRING, Choke Lever	3481 208	3481 208	-----	-----	-----	-----	-----
14-36-29	SPRING, Throttle Stop Screw	-----	-----	3419 675	-----	-----	3419 675	3419 675
14-36-37	SPRING, Vacuum Piston	3621 172	3621 172	-----	-----	-----	-----	-----
14-36-50	SPRING, Air Valve	3621 169	3621 169	-----	-----	-----	-----	-----
	SPRING, Bowl Vent Arm	3621 171	3621 171	-----	-----	-----	-----	-----
	SPRING, Vent Valve Lever	-----	-----	3514 743	3514 743	-----	-----	-----
	SPRING, Vent Valve	-----	-----	3481 665	3481 665	-----	3481 665	3481 665
	SPRING, Vent Rod	-----	-----	-----	-----	-----	3514 699	3514 699
14-36-53	SPRING, Diaphragm Return	-----	-----	-----	-----	3514 806	-----	3420 376
14-37-14	PLUG, Fuel Level Check	-----	-----	-----	-----	-----	3420 275	3420 275
14-38-3	SCREW, Throttle Body	-----	-----	-----	-----	3420 342	3420 342	3420 342
14-38-4	VALVE or PLATE, Throttle	-----	-----	3514 726	3514 726	3514 791	3514 665	3514 665
	Primary	3549 541	3549 541	-----	-----	-----	-----	-----
	Secondary	3549 542	3549 542	-----	-----	-----	-----	-----
	VALVE, Air	3549 546	3549 546	-----	-----	-----	-----	-----
14-38-5	SCREW, Throttle Valve or Plate	-----	-----	3514 834	3514 834	3420 261	3420 347	3420 347
	Primary	3549 456	3549 456	-----	-----	-----	-----	-----
	Secondary	3621 188	3621 188	-----	-----	-----	-----	-----
14-38-12	SHAFT, w Lever and Dog, Primary Throttle	3621 433	3621 433	-----	-----	-----	-----	-----
	SHAFT, w Dog, Secondary Throttle	3549 544	3549 544	-----	-----	-----	-----	-----
	SHAFT, w Lever, Air Valve	3549 550	3549 550	-----	-----	-----	-----	-----
14-38-24	SOLENOID, Idle	3438 333	3438 333	-----	-----	2875 975	2875 975	2875 975
14-38-26	CABLE, Sol.	3438 779	-----	-----	-----	-----	-----	-----
14-38-27	BUSHING, Throttle Connector Pin	-----	-----	-----	-----	-----	3514 678	3514 678
14-38-28	ROD or BAR, Throttle Connector	3621 195	3621 195	-----	-----	-----	3514 840	3514 840

CARLINES

J - Challenger
B - Barracuda

V - Valiant
L - Dart

R - Belvedere - Satellite
W - Coronet - Charger

P - Plymouth
D - Dodge

C - Chrysler
Y - Imperial

AR Indicates use as required.

⊖ Indicates parts not listed in any previous parts book.

Numerals in parentheses () refer to notes.

★ Indicates change or addition.

Printed in U.S.A.
January 1972

COMPONENT CHART REFERENCE NO.		87	88	89	90	91	92	93
CODE	MFG. NO.	4972S	4973S	R4665A	R4666A	R4789A	R4791A	R4792A
14-38-29	BRACKET, Solenoid	-----	-----	-----	-----	3577 536	3577 536	3577 536
14-38-40	PIN, Throttle Connector	-----	-----	-----	-----	-----	3514 843	3514 843
14-38-50	ROD, Throttle Operating	3621 192	3621 192	-----	-----	-----	-----	-----
14-39-1	VALVE or PLATE, Choke	3549 545	3549 545	3549 318	3549 418	-----	3514 658	3514 658
14-39-6	SHAFT, w/Lever, Choke	3549 549	3549 549	3549 419	3549 419	-----	-----	-----
14-39-7	DIAPHRAGM, Choke	3621 209	3621 210	3549 450	3549 450	3514 654	3419 515	3419 620
14-39-8	LINK, Diaphragm	-----	-----	3514 739	3514 739	-----	3420 369	3420 369
14-39-9	SCREW, Diaphragm Bracket	3621 179	3621 179	-----	-----	-----	3420 339	3420 339
14-39-10	LEVER, Choke Adjusting	3621 150	3621 150	-----	-----	-----	-----	-----
	LEVER, Choke Countershaft	3621 151	3621 151	-----	-----	-----	-----	-----
	LEVER, Choke Control	-----	-----	-----	-----	-----	3514 659	3514 659
14-39-11	PIN, Choke Diaphragm Link	-----	-----	3481 764	3481 764	-----	-----	-----
14-39-27	RETAINER, Choke Connector Rod	3420 443	3420 433	-----	-----	-----	-----	-----
14-39-28	ROD, Choke Connector	3621 193	3621 193	-----	-----	-----	-----	-----
	ROD, Choke Diaphragm Connector	3621 435	3621 435	-----	-----	-----	-----	-----
	ROD, Choke	-----	-----	-----	-----	-----	3514 677	3514 677
14-39-29	SEAL, Choke Rod	-----	-----	-----	-----	-----	3420 301	3420 301
14-39-30	SHAFT, Choke	-----	-----	-----	-----	-----	3420 311	3420 311
14-39-31	WASHER, Choke Diaphragm Connector Rod	3621 202	3621 202	-----	-----	-----	-----	-----
14-39-45	CHOKE SCREW	3512 875 6024 560	3512 875 6024 560	3512 872 6024 560	3512 872 6024 560	3512 843 6024 560	3512 843 6024 560	3512 843 6024 560
14-39-50	PLATE, Choke Baffle	3621 208	3621 208	-----	-----	-----	-----	-----
14-39-51	HOSE, Choke Diaphragm	3420 475	3420 475	3419 687	3419 687	-----	3419 687	3419 687
14-39-57	PIN SPRING	3420 477	3420 477	-----	-----	-----	-----	-----
14-40-1	FLOAT, w/Lever	3621 159	3621 159	3514 707	3514 707	3481 693	3514 668	3514 668
14-40-4	PIN, Float Lever	3621 160	3621 160	3514 735	3514 735	-----	-----	-----
14-40-5	RETAINER, Float	-----	-----	-----	-----	3549 331	3549 331	3549 331
14-40-6	SHAFT, Choke	-----	-----	-----	-----	3481 683	3481 683	3481 683
14-40-18	SPRING, Float	-----	-----	-----	-----	3481 698	3481 698	3481 698
14-40-23	ARM, Bowl Vent Operating	3621 168	3621 168	-----	-----	-----	-----	-----
	ARM, Bowl Vent	3621 166	3621 166	-----	-----	-----	-----	-----
	LEVER, Bowl Vent Operating	3621 167	3621 167	-----	-----	-----	-----	-----
14-40-35	BAFFLE, Fuel Bowl	-----	-----	3514 749	3514 749	-----	-----	-----
14-41-3	PLUNGER, w/Rod, Pump	3621 175	3621 175	3549 413	3549 413	-----	2196 234	2196 234
	PISTON, Power Valve	-----	-----	3514 733	3514 733	-----	-----	-----
14-41-8	LINK, Pump	-----	-----	3514 738	3514 738	-----	-----	-----
14-41-9	ARM, Pump	3420 456	3420 456	-----	-----	-----	-----	-----
14-41-10	CAM, Pump	-----	-----	-----	-----	-----	3420 321	3420 321
14-41-18	VALVE, Pump Intake Check	3621 205	3621 205	-----	-----	-----	-----	-----
	VALVE, Pump Discharge	-----	-----	3514 732	3514 732	-----	-----	-----
14-41-21	SHAFT, Pump Lever	-----	-----	-----	3514 751	-----	-----	-----
14-41-22	LEVER, Pump	3621 164	3621 164	3514 750	3514 750	-----	3514 680	3514 679
14-41-23	RETAINER, Pump Lever	-----	-----	-----	-----	-----	3514 681	3514 681
14-41-25	FITTING, Pump Lever Screw	-----	-----	-----	-----	-----	-----	3420 365
14-41-34	COVER, Pump	-----	-----	-----	-----	-----	3514 673	3514 673
14-41-35	SCREW, Pump Cover	-----	-----	-----	-----	-----	3420 349	3420 349
14-41-40	NEEDLE, Pump Discharge Check	3621 155	3621 155	-----	-----	-----	-----	-----
14-43-3	PISTON, w/Link, Step-Up	3621 204	3621 204	-----	-----	-----	-----	-----
14-43-4	PLATE, Step-Up Piston Cover	3621 176	3621 176	-----	-----	-----	-----	-----
14-43-5	ROD, Step-Up	3621 154	3621 153	-----	-----	-----	-----	-----
14-45-1	NEEDLE, Idle Adjusting	-----	-----	3514 728	3514 728	-----	3420 362	3420 362
	NEEDLE, Idle Limiter	-----	-----	-----	-----	3420 363	-----	-----
14-45-3	LEVER, Fast Idle Cam	-----	-----	-----	-----	-----	3420 338	3420 338
14-45-4	CAM, Fast Idle	-----	-----	3549 322	3549 322	-----	3420 381	3420 381
14-45-5	ROD, Fast Idle Connector	3621 196	3621 196	3514 746	3514 746	-----	-----	-----
14-45-7	LEVER, Fast Idle	3621 165	3621 165	3514 714	3514 714	-----	-----	-----
14-45-8	SCREW, Fast Idle Cam	3621 178	-----	-----	3514 715	-----	3420 344	3420 344

CARLINES

J - Challenger
B - BarracudaV - Valiant
L - DartR - Belvedere - Satellite
W - Coronet - ChargerP - Plymouth
D - DodgeC - Chrysler
Y - Imperial

AR Indicates use as required.

Indicates parts not listed in any previous parts book.

Numerals in parentheses () refer to notes.

★ Indicates change or addition.

Printed in U.S.A.
January 1972

1970-71 PASSENGER CAR PARTS CATALOG

COMPONENT CHART		87	88	89	90	91	92	93
CODE	REFERENCE NO.	4972S	4973S	R4665A	R4666A	R4789A	R4791A	R4792A
14-45-9	NUT, Fast Idle Lever	-----	-----	-----	3481 397	-----	-----	-----
14-45-10	RETAINER, Fast Idle Cam	-----	-----	3514 741	3514 741	-----	-----	-----
14-45-12	LIMITER, Idle Mixture Screw	-----	3420 436	-----	-----	-----	-----	-----
	LIMITER, Idle Adjusting Needle	-----	-----	3514 740	3514 740	-----	3420 393	3420 393
14-45-15	COVER, Hot Idle Compensator	-----	-----	3481 663	3481 663	-----	3481 663	3481 663
14-45-17	COMPENSATOR, Hot Idle	-----	-----	3549 329	3549 329	-----	3481 666	3481 666
14-45-19	SEAL, Hot Idle Compensator	-----	-----	3514 897	3514 897	-----	3481 661	3481 661
14-45-20	SCREW, Idle Mixture	3621 162	3621 162	-----	-----	-----	-----	-----
	SCREW, Idle Adjusting	-----	-----	-----	-----	-----	3514 683	3514 683
14-45-25	SCREW, Idle Speed	3621 177	3621 177	-----	-----	-----	-----	-----
14-46-1	VALVE, Vent	-----	-----	-----	-----	-----	3481 665	3481 665
14-46-2	ROD, Vent Valve	-----	-----	-----	-----	-----	3549 335	3549 335
14-46-3	PLATE, Metering Body	-----	-----	-----	-----	3420 370	-----	-----
14-46-4	RETAINER, "E" Ring	-----	-----	-----	-----	-----	3420 375	3420 375
14-46-6	CLAMP, Vent Rod	-----	-----	-----	-----	-----	3549 328	3549 328
14-46-7	BAFFLE, Metering Body Vent	-----	-----	-----	-----	-----	3420 388	3420 388
14-46-8	SEAL, Vent Valve	-----	-----	3481 659	3481 659	-----	3481 659	3481 659
14-46-9	BODY, Vent Valve	-----	-----	3481 660	3481 660	-----	3481 660	3514 661
14-46-10	CLAMP, Vent Valve	-----	-----	3481 667	3481 667	-----	3481 667	3481 667
14-46-14	LEVER, Vent Valve	-----	-----	3514 709	3514 709	-----	-----	-----
14-46-17	ROD, Bowl Vent Connector	3621 194	3621 194	-----	-----	-----	-----	-----
14-48-2	VALVE, Thermostatic	3621 206	3621 206	-----	-----	-----	-----	-----
14-49-1	BODY, w/Plugs, Fuel	-----	-----	-----	-----	3481 695	3549 334	3549 334
14-54-3	SCREW, Throttle Stop	-----	-----	-----	-----	-----	3420 256	3420 256
14-54-4	SCREW, Fuel Valve Seat	-----	-----	-----	-----	3420 273	3420 273	3420 273
14-54-6	WASHER, Throttle Shaft Spring	3514 519	3514 519	-----	-----	-----	-----	-----
14-54-15	SCREW, Choke Valve or Plate	3621 180	3621 180	3549 418	3420 255	-----	3420 255	3420 255
	SCREW, Air Valve	3621 180	3621 180	-----	-----	-----	-----	-----
14-54-16	SCREW, Vent Valve Cover	-----	-----	-----	-----	-----	3481 658	3481 658
14-54-29	SCREW, Float Shaft Bracket	-----	-----	-----	-----	-----	3481 699	3481 699
14-54-34	SCREW, Bowl Cover	3621 181	3621 181	-----	-----	-----	-----	-----
14-54-36	SCREW, Vent Rod Clamp	-----	-----	-----	-----	-----	3514 682	3514 682
14-54-43	SCREW, Pump Lever Adjusting	-----	-----	-----	-----	-----	3420 345	3420 345
14-54-45	WASHER, Pump	-----	-----	-----	3549 416	-----	-----	-----
14-54-47	SCREW, Pump Arm	3481 093	3481 093	-----	-----	-----	-----	-----
14-54-50	SCREW, Pump Cam	-----	-----	-----	-----	-----	3420 682	3420 682
14-54-72	SCREW, Air Horn	-----	-----	3514 719	3514 719	-----	-----	-----
		-----	-----	3514 720	3514 720	-----	-----	-----
14-54-78	SCREW, Throttle Body	-----	-----	3514 718	3514 718	-----	-----	-----
	SCREW, Fuel Bowl	-----	-----	-----	-----	3420 348	3420 341	3420 341
	SCREW, Fuel Bowl Baffle	-----	-----	3514 717	3514 717	-----	-----	-----
14-54-148	SCREW, Step-Up Piston Cover Plate	3621 182	3621 182	-----	-----	-----	-----	-----
COMPONENT CHART		94	95	96	97	98	99	100
CODE	REFERENCE NO.	R4790A	4961S	4962S	4964S	R4667A	R4668A	R4734A
14-30-2	GASKET, Flange	2946 531	2946 540	2946 540	2264 193	2946 543	2946 543	3462 831
14-30-4	REPAIR KIT or ZIP KIT	3514 651	3621 286	3621 286	3621 286	3514 824	3514 824	3514 824
14-30-7	GASKET KIT	3514 652	3549 296	3549 296	3549 296	3514 825	3514 825	3514 825
14-30-8	NEEDLE, w/Seat	3481 694	2933 042	2933 042	2933 042	2809 335	2809 335	2809 335
14-30-14	NUT, Valve Seat Adjusting	3420 319	-----	-----	-----	-----	-----	3621 282
14-30-16	PLATE, Fuel Bowl Baffle	-----	-----	-----	-----	3420 389	3420 324	3420 324
14-30-30	FITTING, Fuel Inlet	3514 820	-----	-----	-----	3514 731	3514 731	3514 731
14-30-31	BAFFLE, Fuel Inlet	-----	-----	-----	-----	-----	3420 389	3420 389

CARLINES

J - Challenger
B - Barracuda

V - Valiant
L - Dart

R - Belvedere - Satellite
W - Coronet - Charger

P - Plymouth
D - Dodge

C - Chrysler
Y - Imperial

AR Indicates use as required.

≠ Indicates parts not listed in any previous parts book.

Numerals in parentheses () refer to notes.

★ Indicates change or addition.

Printed in U.S.A.
January 1972

1970-71 PASSENGER CAR PARTS CATALOG

FUEL

COMPONENT CHART REFERENCE NO.		94	95	96	97	98	99	100
CODE	MFG. NO.	R4790A	4961S	4962S	4964S	R4667A	R4668A	R4734A
14-31-27	CLAMP, Cable	-----	-----	-----	-----	3621 385	-----	-----
14-32-15	SCREW, Venturi Cover Plate	-----	3420 448	3520 448	-----	-----	-----	-----
14-33-1	BODY, w/Shaft, Throttle	3481 692	-----	-----	-----	3514 812	3514 812	3514 873
14-34-10	GASKET, Secondary Metering Body	-----	-----	-----	-----	3514 851	3514 851	3514 851
14-34-21	GASKET, Fuel Valve	-----	-----	-----	-----	-----	3420 354	-----
14-34-63	GROMMET SEAL	-----	3481 331	3481 331	3481 331	-----	-----	-----
14-35-1	JET, Main Metering	-----	3549 303	3549 303	3549 303	2196 240	2196 240	2196 240
14-35-3	NOZZLE, Pump Discharge	-----	-----	-----	-----	3420 366	3420 366	3420 366
14-35-6	VALVE, Pump Discharge Needle	-----	-----	-----	-----	3514 684	3514 684	3514 686
	VALVE, Power	-----	-----	-----	-----	2084 715	2084 715	2084 715
14-35-9	DIAPHRAGM, Secondary	3514 857	-----	-----	-----	2809 252	2809 252	3514 876
14-35-18	SCREW, Secondary Diaphragm Housing	-----	-----	-----	-----	3420 343	3420 343	3420 343
14-35-19	SCREW, Pump Discharge Nozzle	-----	-----	-----	-----	3420 346	3420 346	3420 346
14-35-25	HOUSING, Diaphragm	3514 657	-----	-----	-----	3420 392	3420 392	3420 392
14-35-26	LEVER, Diaphragm	3514 655	-----	-----	-----	3420 391	3514 875	3514 875
14-35-39	BODY, w/Plugs, Metering Primary	3514 845	-----	-----	-----	3549 309	3549 309	3514 899
	Secondary	-----	-----	-----	-----	3514 898	3514 898	3549 360
14-35-42	COVER, Venturi	-----	3481 318	3481 318	3481 318	-----	-----	-----
14-35-43	SCREW, Metering Body	3420 349	-----	-----	-----	3420 349	3420 349	3420 349
14-35-45	COVER, Diaphragm	3514 653	-----	-----	-----	3420 305	3420 305	3420 305
14-36-1	SPRING, Fast Idle Speed Screw	-----	3481 205	3481 205	3481 205	-----	-----	-----
	SPRING, Idle Speed Screw	-----	-----	-----	3481 335	-----	-----	-----
	SPRING, Pump Lever Adjusting Screw	-----	-----	-----	-----	3420 378	3420 378	-----
14-36-2	SPRING, Step-Up Piston	-----	3549 534	3481 248	3549 534	-----	-----	-----
14-36-15	SPRING, Pump	-----	3481 313	3481 313	3481 313	-----	-----	-----
14-36-29	SPRING, Idle Mixture Screw	-----	3481 558	3481 558	3481 558	-----	-----	-----
	SPRING, Throttle Stop Screw	-----	-----	-----	-----	3419 675	3419 675	3419 675
14-36-50	SPRING, Air Vent Valve	-----	-----	-----	-----	3481 665	3481 665	3481 665
	SPRING, Vent Rod	-----	-----	-----	-----	-----	3514 699	3514 699
14-36-53	SPRING, Diaphragm Return	3514 806	-----	-----	-----	3420 376	3420 376	3420 376
	SPRING, Secondary Diaphragm	-----	-----	-----	-----	3514 806	3514 806	3514 806
14-37-14	PLUG, Fuel Level Check	3420 275	-----	-----	-----	-----	-----	-----
14-37-27	LEAD SHOT	-----	3481 284	3481 284	3481 284	-----	-----	-----
	LEAD SHOT	-----	3481 538	3481 538	3481 538	-----	-----	-----
	LEAD SHOT	-----	3420 453	3420 453	3420 453	-----	-----	-----
14-37-29	BALL, Pump Intake Check	-----	3481 289	3481 289	3481 289	-----	-----	-----
14-37-30	BALL, Pump Discharge Check	-----	3481 220	3481 220	3481 220	-----	-----	-----
14-38-3	SCREW, Throttle Body	3420 342	-----	-----	-----	3420 342	3420 342	3420 342
14-38-4	VALVE or PLATE, Throttle Primary	3481 691	3481 307	3481 307	3481 307	-----	-----	-----
	Secondary	-----	-----	-----	-----	3420 353	3420 353	3420 358
14-38-5	SCREW, Throttle Valve or Plate	3420 261	3420 445	3420 445	3420 445	-----	-----	-----
	Primary	-----	-----	-----	-----	3420 261	3420 261	3420 261
	Secondary	-----	-----	-----	-----	3420 347	3420 347	3420 347
14-38-12	SHAFT, w/Lever, Throttle	-----	3549 260	3549 260	3549 540	-----	-----	-----
14-38-24	SOLENOID, Idle	2875 975	-----	-----	-----	3438 777	-----	3438 777
		-----	-----	-----	-----	-----	-----	3438 777
14-38-25	CABLE, Idle Throttle	-----	-----	-----	-----	3438 778	-----	3438 778
	WIRING, Idle Solenoid	-----	-----	-----	-----	3513 685	-----	3513 685
14-38-28	ROD, Throttle Connector	-----	-----	3481 316	3481 316	3420 384	3420 384	3420 384
14-38-36	RETAINER, Throttle	-----	-----	-----	-----	-----	-----	-----

CARLINES

J - Challenger
B - BarracudaV - Valiant
L - DartR - Belvedere - Satellite
W - Coronet - ChargerP - Plymouth
D - DodgeC - Chrysler
Y - Imperial

AR Indicates use as required.

Indicates parts not listed in any previous parts book.

Numerals in parentheses () refer to notes.

★ Indicates change or addition.

Printed in U.S.A.
January 1972

COMPONENT CHART REFERENCE NO.		94	95	96	97	98	99	100	
CODE	MFG. NO.	R4790A	4961S	4962S	4964S	R4667A	R4668A	R4734A	
14-38-29	BRACKET, Solenoid Connector Rod	3577 536	-----	-----	-----	-----	3420 386	3420 386	3621 283 3420 386
14-38-30	TERM. & INSUL. PKG., Idle Sol.	-----	3585 656	3585 656	-----	-----	-----	-----	-----
14-39-1	VALVE or PLATE, Choke	-----	3481 309	3481 309	3481 309	3420 336	3420 336	3420 336	3420 336
14-39-6	SHAFT, w/Lever, Choke LEVER, Choke	-----	3549 261	3549 261	3549 261	-----	-----	-----	-----
14-39-7	DIAPHRAGM, Choke	3514 654	2933 190	2933 190	2933 190	3419 515	3419 620	3419 515	3419 515
14-39-8	LINK, Choke Diaphragm	3481 662	-----	-----	-----	3514 804	3514 804	-----	-----
14-39-9	SCREW, Diaphragm Bracket	3481 700	3420 447	3420 447	3420 447	3420 339	3420 339	3420 339	3420 339
14-39-10	LEVER, Choke Control	-----	-----	-----	-----	3514 797	3514 797	3514 797	3514 797
14-39-27	RETAINER, Fast Idle Connector Rod	-----	3420 433	3420 433	3420 433	-----	-----	-----	-----
14-39-28	ROD, Diaphragm Connector ROD, Choke Connector	-----	3481 317	3481 317	3481 317	-----	-----	-----	-----
14-39-29	SEAL, Choke Rod	-----	-----	-----	-----	3420 383	3420 383	3420 383	3420 383
14-39-30	SHAFT, Choke	-----	-----	-----	-----	3420 301	3420 301	3420 301	3420 301
14-39-30	SHAFT, Choke	-----	-----	-----	-----	3420 311	3420 311	3420 311	3420 311
14-39-45	CHOKE	2946 532	2951 652	2951 652	2946 536	3512 867	3512 867	3512 867	3512 867
14-39-51	HOSE, Choke Diaphragm	-----	3481 294	3481 294	3481 294	3419 687	3419 687	3419 687	3419 687
14-39-57	PIN SPRING, Diaphragm Connector Rod	-----	3420 477	3420 477	3420 477	-----	-----	-----	-----
14-40-1	FLOAT, w/Lever	3481 693	3481 311	3481 311	3481 311	3420 364	3420 364	3420 364	3420 364
14-40-4	PIN, Float Lever	-----	3481 201	3481 201	3481 201	-----	-----	-----	-----
14-40-5	RETAINER, Float	3549 331	3481 277	3481 277	3481 277	3419 673	3419 673	3419 673	3419 673
14-40-6	SHAFT, Float	3481 683	-----	-----	-----	-----	-----	-----	-----
14-40-7	BOWL, w/Plugs, Fuel Primary Secondary	-----	-----	-----	-----	3549 330	3549 330	3514 831	3514 831
14-40-18	SPRING, Float	3481 698	-----	-----	-----	3420 373	3420 373	3420 373	3420 373
14-41-3	PLUNGER, w/Rod, Pump	-----	3621 446	3621 446	3621 446	3420 317	3420 317	3420 317	3420 317
14-41-5	ARM, w/Countershaft, Pump	-----	-----	-----	-----	2196 234	2196 234	2196 234	2196 234
14-41-9	ARM, Pump	-----	-----	-----	3481 326	-----	-----	-----	-----
14-41-10	ARM, Loose Lever	-----	-----	-----	3481 312	-----	-----	-----	-----
14-41-10	CAM, Pump	-----	-----	-----	3481 328	3420 321	3420 321	3420 321	3420 321
14-41-22	LEVER, Pump Operating	-----	-----	-----	-----	3514 680	3514 680	3514 680	3514 680
14-41-23	RETAINER, Pump Operating Lever	-----	-----	-----	-----	3514 681	3514 681	3514 681	3514 681
14-41-25	FITTING, Pump Lever Adjusting Screw	-----	-----	-----	-----	3420 365	3420 365	3420 365	3420 365
14-41-34	COVER, Pump	-----	-----	-----	-----	3420 305	3420 306	3420 306	3420 306
14-41-35	NOTE: 3420 306; Also use 4 of 3420 258. SCREW, Pump Cover SCREW, Secondary Diaphragm Cover	-----	-----	-----	-----	3420 259	3420 259	3420 259	3420 259
14-43-3	PISTON, w/PLATE, Step-Up	-----	3481 323	3481 323	3481 323	-----	-----	-----	-----
14-43-5	ROD, Step-Up	-----	3514 480	3549 302	3514 480	-----	-----	-----	-----
14-44-10	TUBE, Balance	-----	-----	-----	-----	3420 361	3420 361	3420 361	3420 361
14-44-11	WASHER, Balance Tube	-----	-----	-----	-----	3420 385	3420 385	3420 385	3420 385
14-44-12	"O" RING, Balance Tube	-----	-----	-----	-----	3420 367	3420 367	3420 367	3420 367
14-45-1	NEEDLE, Idle Limiter	3420 363	-----	-----	-----	-----	-----	-----	-----
14-45-3	NEEDLE, Idle Adjusting	-----	-----	-----	-----	3514 799	3514 799	3514 799	3514 799
14-45-3	LEVER, Fast Idle Cam	-----	-----	-----	-----	3420 338	3420 338	3420 338	3420 338
14-45-4	CAM, Fast Idle	-----	3549 265	3549 265	3549 265	3514 689	3514 689	3514 689	3514 689
14-45-5	ROD, Fast Idle Connector	-----	3549 266	3549 266	3549 266	-----	-----	-----	-----
14-45-8	SCREW, Fast Idle Cam	-----	3481 282	3481 282	3481 282	3420 344	3420 344	3420 344	3420 344
14-45-12	LIMITER, Idle Needle	3481 697	3481 644	3481 644	3481 644	3420 393	3420 393	3420 393	3420 393
14-45-15	COVER, Hot Idle Compensator	-----	-----	-----	-----	3481 663	3481 663	3481 663	3481 663
14-45-17	COMPENSATOR, Hot Idle	-----	-----	-----	-----	3549 329	3549 329	3549 329	3549 329
14-45-19	SEAL, Hot Idle Compensator	-----	-----	-----	-----	3514 897	3514 897	3514 897	3514 897
14-45-20	SCREW, Idle Mixture	-----	3549 262	3549 262	3549 262	-----	-----	-----	-----

CARLINES

J - Challenger
B - BarracudaV - Valiant
L - DartR - Belvedere - Satellite
W - Coronet - ChargerP - Plymouth
D - DodgeC - Chrysler
Y - Imperial

AR Indicates use as required.

≠ Indicates parts not listed in any previous parts book.

Numerals in parentheses () refer to notes.

★ Indicates change or addition.

Printed in U.S.A.
January 1972

COMPONENT CHART REFERENCE NO.		94	95	96	97	98	99	100
CODE	MFG. NO.	R4790A	4961S	4962S	4964S	R4667A	R4668A	R4734A
14-45-25	SCREW, Idle Speed	-----	3481 281	3481 281	3481 281	-----	-----	-----
	SCREW, Fast Idle Speed	-----	3481 210	3481 210	3481 210	-----	-----	-----
14-45-32	BRACKET, Retard Wire	-----	-----	-----	-----	3514 809	3514 809	3514 809
14-45-33	CABLE, Compensator	-----	-----	-----	-----	3514 810	3514 810	3514 810
14-46-3	PLATE, Metering Body	3420 370	-----	-----	-----	3420 370	3420 370	3420 370
14-46-4	RETAINER, "E" Ring	-----	-----	-----	-----	3420 375	3420 375	3420 375
14-46-5	ROD, Air Vent	-----	-----	-----	-----	3549 335	3549 335	3514 700
14-46-6	CLAMP, Air Vent Rod	-----	-----	-----	-----	3549 328	3549 328	3420 387
	CLAMP, Vent Valve	-----	-----	-----	-----	3481 667	3481 667	3481 667
14-46-7	BAFFLE, Metering Body Vent	-----	-----	-----	-----	3420 388	3420 388	3420 388
14-46-8	SEAL, Vent Valve	-----	-----	-----	-----	3481 659	3481 659	3481 659
14-46-9	BODY, Vent Valve	-----	-----	-----	-----	3481 660	3481 660	3481 660
14-47-1	HGRN Pkg., AIR	-----	3579 031	3579 031	3579 031	-----	-----	-----
14-48-2	VALVE, Thermostatic	-----	3514 882	3514 882	-----	-----	-----	-----
14-49-1	BOWL, w/Plugs, Fuel	3481 695	-----	-----	-----	-----	-----	-----
14-54-2	SCREW & L/WASHER	-----	-----	-----	-----	3621 278	-----	-----
14-54-3	SCREW, Throttle Stop	-----	-----	-----	-----	3549 325	3549 325	-----
14-54-4	SCREW, Fuel Valve Seat Lock	3420 273	-----	-----	-----	-----	-----	-----
14-54-6	WASHER, Throttle Shaft Spring	-----	3549 272	3549 272	-----	-----	-----	-----
14-54-15	SCREW, Choke Valve	-----	3420 450	3420 450	3420 450	3420 255	3420 255	3420 255
14-54-29	SCREW, Float Shaft Bracket	3481 699	-----	-----	-----	-----	-----	-----
14-54-34	SCREW, Air Horn	-----	3481 211	3481 211	3481 211	-----	-----	-----
14-54-36	SCREW, Air Vent Rod Clamp	-----	-----	-----	-----	3420 340	3420 340	3420 340
14-54-43	SCREW, Pump Lever Adjusting	-----	-----	-----	-----	3420 345	3420 345	3420 345
14-54-47	SCREW, Pump Arm	-----	-----	-----	3481 314	-----	-----	-----
14-54-50	SCREW, Pump Cam Lock	-----	-----	-----	-----	3420 265	3420 265	3420 265
14-54-72	SCREW, Body Flange	-----	3420 443	3420 443	3420 443	-----	-----	-----
14-54-78	SCREW, Fuel Bowl to Main Body	3420 348	-----	-----	-----	3420 341	3420 341	3420 341
	SCREW, Secondary Fuel Bowl	-----	-----	-----	-----	3420 348	3420 348	3420 348
14-54-148	SCREW, Step-Up Piston Plate	-----	3481 315	3481 315	3481 315	-----	-----	-----
	SCREW, Step-Up Piston Cover Plate	-----	3420 451	3420 451	3420 451	-----	-----	-----
14-54-152	SCREW, Venturi Cluster	-----	3481 298	3481 283	3481 298	-----	-----	-----
COMPONENT CHART REFERENCE NO.		101	102	103	104	105	106	107
CODE	MFG. NO.	R4735A	4966S	4967S	4968S	4971S	4969S	4970S
14-30-2	GASKET, Flange	3462 833	2946 543	2964 543	3462 831	2780 929	2780 929	2780 929
14-30-3	VENTURI, Primary Pump Side	-----	3621 438	3514 515	3514 511	3549 275	3549 283	3549 283
	Opposite Pump	-----	3621 437	3514 514	3514 510	3549 276	3549 284	3549 284
	VENTURI, Secondary Pump Side	-----	-----	-----	-----	3481 086	3481 167	3481 167
	Opposite Pump	-----	-----	-----	-----	3481 087	3549 285	3549 285
14-30-4	ZIP KIT	3514 824	3621 224	3621 224	3621 224	3419 503	3419 503	3419 503
14-30-7	GASKET KIT	3514 825	3621 244	3621 244	3621 244	3549 343	3549 343	3549 343
14-30-8	NEEDLE, w/Seat	2809 335	2933 106	2933 106	2933 106	2809 397	2809 397	2809 397
14-30-16	PLATE, Fuel Bowl Baffle	3420 324	-----	-----	-----	-----	-----	-----
14-30-27	STRAINER, Fuel Inlet	-----	1826 864	1826 864	1826 864	1826 864	1826 864	1826 864
14-30-28	NUT, Strainer	-----	-----	-----	-----	3621 152	3621 218	3621 218
14-30-29	GASKET, Strainer Nut	-----	-----	-----	-----	3621 157	3621 157	3621 157
14-30-30	FITTING, Fuel Inlet	3514 731	3621 152	3621 152	3621 152	-----	-----	-----
14-30-31	BAFFLE, Fuel Inlet	3420 389	-----	-----	-----	-----	-----	-----

CARLINES

J - Challenger
B - BarracudaV - Valiant
L - DartR - Belvedere - Satellite
W - Coronet - ChargerP - Plymouth
D - DodgeC - Chrysler
Y - Imperial

AR Indicates use as required.

Indicates parts not listed in any previous parts book.

Numerals in parentheses () refer to notes.

★ Indicates change or addition.

Printed in U.S.A.

January 1972

CODE	COMPONENT CHART REFERENCE NO.	101	102	103	104	105	106	107
	MFG. NO.	R4735A	4966S	4967S	4968S	4971S	4969S	4970S
14-32-15	SCREW, Venturi	-----	3420 448	3420 448	3420 448	-----	-----	-----
	Primary	-----	-----	-----	-----	3420 448	3420 448	3420 448
	Secondary	-----	-----	-----	-----	3481 092	3481 092	3481 092
14-33-1	BODY, w/Shaft, Throttle	3514 873	-----	-----	-----	-----	-----	-----
14-34-10	GASKET, Secondary Metering Body	-----	-----	-----	-----	-----	-----	-----
14-34-15	GASKET, Power Valve	-----	-----	-----	-----	-----	-----	-----
14-34-17	GASKET, Secondary Diaphragm Housing	3420 350	-----	-----	-----	-----	-----	-----
14-34-63	SEAL, Venturi Vent	-----	-----	3420 479	3420 479	-----	-----	-----
	SEAL, Grommet	-----	3549 406	3549 406	3549 406	-----	-----	-----
14-35-1	JET, Main Metering	2196 240	-----	-----	-----	-----	-----	-----
	Primary	-----	2809 254	2933 020	2933 020	2809 305	2809 305	2809 305
	Secondary	-----	2933 195	2933 195	2933 195	2809 305	-----	-----
	Secondary, Pump Side	-----	-----	-----	-----	-----	2933 023	2933 023
	Opposite Pump	-----	-----	-----	-----	-----	2809 283	2809 283
14-35-3	NOZZLE, Pump Discharge	3420 366	-----	-----	-----	-----	-----	-----
	JET, Pump	-----	3420 418	3420 418	3420 418	3481 082	3481 162	3481 162
14-35-6	VALVE, Power	2084 715	-----	-----	-----	-----	-----	-----
	VALVE, Pump Discharge Needle	3514 686	-----	-----	-----	-----	-----	-----
14-35-10	SCREW, Pump Jet	-----	3420 440	3420 440	3420 440	3420 440	3420 440	3420 440
14-35-19	SCREW, Pump Discharge Nozzle	3420 346	-----	-----	-----	-----	-----	-----
14-35-25	HOUSING, Diaphragm	3420 392	-----	-----	-----	-----	-----	-----
14-35-26	LEVER, Diaphragm	3514 875	-----	-----	-----	-----	-----	-----
14-35-38	SPRING, Vacuum Piston	-----	3420 428	3420 428	3420 428	3420 428	3420 428	3420 428
14-35-39	BODY, w/Plugs, Primary Metering	3514 899	-----	-----	-----	-----	-----	-----
	BODY, Secondary Metering	3514 898	-----	-----	-----	-----	-----	-----
14-35-43	SCREW, Secondary Metering Body	3420 349	-----	-----	-----	-----	-----	-----
14-36-1	SPRING, Pump Lever Adjusting	3420 378	-----	-----	-----	-----	-----	-----
	SPRING, Idle Speed Screw	-----	3420 425	3420 425	3420 425	3420 425	3420 425	3420 425
	SPRING, Idle Mixture Screw	-----	3481 558	-----	3481 558	-----	-----	3481 558
14-36-15	SPRING, Pump	-----	3420 424	3420 424	3420 424	3481 088	3481 088	3481 088
14-36-22	SPRING, Secondary Throttle Return	-----	3420 432	3420 432	3420 432	3481 089	3481 089	3481 089
14-36-29	SPRING, Throttle Stop Screw	3419 675	-----	-----	-----	-----	-----	-----
14-36-50	SPRING, Vent Rod	3514 699	-----	-----	-----	-----	-----	-----
	SPRING, Air Vent Rod	3481 665	-----	-----	-----	-----	-----	-----
	SPRING, Bowl Vent Arm	-----	3514 525	3514 525	3514 525	3514 525	3514 525	3514 525
	SPRING, Air Valve	-----	3420 430	3420 430	3420 430	-----	-----	-----
14-36-53	SPRING, Secondary Diaphragm	3514 806	-----	-----	-----	-----	-----	-----
	SPRING, Diaphragm Return	3420 376	-----	-----	-----	-----	-----	-----
14-37-4	PLUG, Passage Passage	-----	3420 405	3420 405	3420 405	-----	-----	-----
	PLUG, Secondary Passage	-----	-----	-----	-----	3481 077	3481 077	3481 077
14-37-9	PLUG, Primary Venturi	-----	-----	-----	-----	3481 078	3481 078	3481 078
14-37-15	PLUG, Idle Port Rivet	-----	3481 553	3514 508	3514 508	3481 075	3481 075	3481 075
	PLUG, Rivet	-----	3420 404	3420 404	3420 404	3481 074	3420 404	3420 404
14-37-21	PLUG, Nozzle Well	-----	-----	-----	-----	3481 076	3481 076	3481 076
14-37-27	LEAD SHOT (.180)	-----	3420 453	3420 453	3420 453	3420 453	3420 453	3420 453
	LEAD SHOT (.200)	-----	3420 454	3420 454	3420 454	3420 454	3420 454	3420 454
14-37-29	BALL, Pump Intake Check	-----	3420 470	3420 470	3420 470	3481 100	3481 100	3481 100
14-37-49	PLUG, Spark Port Welsh	-----	-----	-----	-----	3481 080	3481 080	3481 080
	PLUG, Venturi Welsh	-----	-----	-----	-----	3481 081	3481 081	3481 081

CARLINES J - Challenger V - Valiant R - Belvedere - Satellite P - Plymouth C - Chrysler
 B - Barracuda L - Dart W - Coronet - Charger D - Dodge Y - Imperial

AR Indicates use as required. Numerals in parentheses () refer to notes. Printed in U.S.A.
 * Indicates parts not listed in any previous parts book. * Indicates change or addition. January 1972

COMPONENT CHART REFERENCE NO.		101	102	103	104	105	106	107
CODE	MFG. NO.	R4735A	4966S	4967S	4968S	4971S	4969S	4970S
14-38-3	SCREW, Throttle Body	3420 342	-----	-----	-----	-----	-----	-----
14-38-4	VALVE or PLATE, Throttle							
	Primary	3420 358	3420 398	3481 062	3481 062	3420 398	3420 398	3420 398
	Secondary	3481 691	3420 397	3420 397	3420 397	3420 397	3420 397	3420 397
	VALVE, Air	-----	3420 403	3420 403	3420 403	-----	-----	-----
14-38-5	SCREW, Throttle Valve							
	Primary	3420 261	3420 446	3420 446	3420 446	3420 446	3420 446	3420 446
	Secondary	3420 347	3420 445	3420 445	3420 445	3420 445	3420 445	3420 445
14-38-8	SCREW, Solenoid Clamp	-----	-----	3549 315	3549 315	-----	-----	-----
14-38-12	SHAFT, w/Lever, Primary	-----	3481 552	3481 552	3481 552	3481 072	3481 153	3481 153
	Throttle	-----	3420 399	3420 399	3420 399	3481 070	3481 151	3481 151
	SHAFT, w/Dog, Secondary	-----	-----	-----	-----	3481 071	3481 152	3481 152
	Throttle	-----	3420 407	3420 407	3420 407	-----	-----	-----
14-38-13	SHAFT, Air Valve	-----	-----	-----	-----	-----	-----	-----
	ARM, Primary Throttle Shaft,							
	Inner	-----	3420 460	3420 460	3420 460	3481 097	3481 097	3481 097
	Outer	-----	3621 216	3612 216	3612 216	3621 221	3621 221	3621 221
	ARM, w/Collar, Lockout	-----	-----	-----	-----	3481 163	3481 163	-----
14-38-14	DOG, Throttle Shaft	-----	3514 524	3514 524	3514 524	-----	-----	-----
	DOG, Primary Shaft	-----	-----	-----	-----	3481 073	3549 280	3549 280
	DOG, Lockout	-----	3420 421	3420 421	3420 421	-----	-----	-----
14-38-20	SPRING, Throttle Lever	-----	3420 429	3420 429	3420 429	3420 429	3420 429	3420 429
14-38-23	LEVER, Solenoid	-----	-----	3514 518	3514 518	-----	-----	-----
14-38-24	SOLENOID, Idle	-----	-----	3549 318	3438 303	2875 975	2875 975	2875 975
14-38-25	WIRE, Solenoid	-----	-----	3549 313	3549 313	-----	-----	-----
14-38-27	BEARING, Air Valve	-----	-----	-----	-----	-----	-----	-----
	Shaft	-----	3481 648	3481 648	3481 648	-----	-----	-----
14-38-28	ROD, Throttle Connector	3420 384	3420 462	3420 462	3420 462	3420 462	3420 462	3420 462
14-38-29	BRACKET, Solenoid	-----	-----	3549 317	3549 317	-----	-----	-----
14-38-30	TERM. & INSUL. PKG., Idle Sol.	-----	3685 657	3685 657	-----	-----	-----	-----
14-38-36	RETAINER, Throttle	-----	-----	-----	-----	-----	-----	-----
	Connector Rod	3420 386	-----	-----	-----	-----	-----	-----
14-38-50	ROD, Throttle Operating	-----	3420 461	3420 461	3420 461	3420 461	3420 461	3420 461
14-38-53	LEVER, Secondary Throttle	-----	-----	-----	-----	-----	-----	-----
	Operating	-----	3420 420	3420 420	3420 420	3481 083	3481 083	3481 083
14-39-1	VALVE or PLATE, Choke	3420 336	3420 402	3420 402	3420 402	-----	3481 154	3481 154
	VALVE, Counter Shaft	-----	-----	-----	-----	-----	-----	-----
	Lever to Choke	-----	3420 410	3420 410	3420 410	-----	-----	-----
14-39-6	SHAFT, w/Lever, Choke	-----	3481 657	3481 657	3481 657	-----	3549 282	3549 282
14-39-7	DIAPHRAGM, Choke	3419 620	2933 196	3514 865	3514 865	-----	-----	-----
14-39-8	LINK, Choke Diaphragm	3514 804	3420 466	3420 466	3420 466	-----	-----	-----
14-39-9	SCREW, Diaphragm Brkt.	3420 339	3420 447	3420 447	3420 447	-----	-----	-----
14-39-10	LEVER, Choke	3514 797	3481 656	3481 656	3481 656	-----	-----	-----
	LEVER, Choke Shaft	-----	3420 409	3420 409	3420 409	-----	-----	-----
	Inner	-----	-----	-----	-----	-----	3481 157	3481 157
	Outer	-----	-----	-----	-----	-----	3481 156	3481 156
14-39-15	SCREW, Choke Shaft Lever	-----	3420 437	3420 437	3420 437	3420 437	-----	3420 437
	SCREW, Counter Shaft Lever	-----	3420 442	3420 442	3420 442	-----	-----	-----
14-39-27	RETAINER, Diaphragm	-----	-----	-----	-----	-----	-----	-----
	Connector Rod	-----	3420 433	3420 433	3420 433	-----	-----	-----
14-39-28	ROD, Choke Connector	3420 383	-----	-----	-----	-----	3549 289	3549 289
	ROD, Diaphragm Connector	-----	3420 463	3420 463	3420 463	-----	-----	-----
14-39-29	SEAL, Choke Rod	3420 301	-----	-----	-----	-----	-----	-----
14-39-30	SHAFT, Choke	3420 311	3420 408	3420 408	3420 408	-----	-----	-----
14-39-31	WASHER, Diaphragm	-----	-----	-----	-----	-----	-----	-----
	Connector Rod	-----	3420 471	3420 471	3420 471	-----	-----	-----
14-39-45	CHOKE	3512 867	2951 653	2951 653	2951 653	-----	-----	-----
14-39-51	HOSE, Diaphragm	3419 687	3420 475	3420 475	3420 475	-----	-----	-----
14-39-57	PIN SPRING, Diaphragm	-----	-----	-----	-----	-----	-----	-----
	Connector Rod	-----	3420 477	3420 477	3420 477	-----	-----	-----

CARLINES

J - Challenger
B - BarracudaV - Valiant
L - DartR - Belvedere - Satellite
W - Coronet - ChargerP - Plymouth
D - DodgeC - Chrysler
Y - Imperial

AR Indicates use as required.

Indicates parts not listed in any previous parts book.

Numerals in parentheses () refer to notes.

★ Indicates change or addition.

Printed in U.S.A.
January 1972

COMPONENT CHART REFERENCE NO.		101	102	103	104	105	106	107
CODE	MFG. NO.	R4735A	49665	49675	49685	49715	49695	49705
14-39-60	SCREW, Thermostatic Valve	-----	3481 052	3481 052	3481 052	-----	-----	-----
14-40-1	FLOAT, w/Lever	3420 364	3420 415	3420 415	3420 415	3481 079	3481 079	3481 079
14-40-4	PIN, Float Lever	-----	3420 416	3420 416	3420 416	3420 416	3420 416	3420 416
14-40-5	RETAINER, Float	3419 673	-----	-----	-----	-----	-----	-----
14-40-7	BOWL, w/Plugs, Fuel, Primary	3514 831	-----	-----	-----	-----	-----	-----
	Secondary	3420 373	-----	-----	-----	-----	-----	-----
14-40-18	SPRING, Float	3420 317	-----	-----	-----	-----	-----	-----
14-40-23	ARM, Bowl Vent	-----	3514 509	3514 509	3420 420	-----	-----	3514 509
14-40-35	BAFFLE, Fuel Bowl	-----	3420 482	3420 482	3420 482	3420 482	3420 482	3420 482
14-41-3	PLUNGER, w/Rod, Pump	2196 234	3621 214	3621 214	3621 214	1826 369	1826 369	1826 369
14-41-8	LINK, Pump Connector	-----	3420 465	3420 465	3420 465	3420 465	3420 465	3420 465
14-41-9	ARM, Pump	-----	3420 456	3420 456	3420 456	3420 456	3420 456	3420 456
14-41-10	CAM, Pump	3420 321	-----	-----	-----	-----	-----	-----
14-41-22	LEVER, Pump Operating	3514 680	-----	-----	-----	-----	-----	-----
14-41-23	RETAINER, Pump Operating Lever	3514 681	-----	-----	-----	-----	-----	-----
14-41-25	FITTING, Pump Lever Adjusting Screw	3420 365	-----	-----	-----	-----	-----	-----
14-41-30	NOZZLE, Pump Discharge Check	-----	3420 412	3420 412	3420 412	3420 412	3420 412	3420 412
14-41-35	SCREW, Secondary Diaphragm Cover	3420 259	-----	-----	-----	-----	-----	-----
	SCREW, Pump Cover	3420 259	-----	-----	-----	-----	-----	-----
14-43-3	PISTON, Step-Up	-----	3420 478	3514 502	3514 512	3420 478	3420 478	3420 478
14-43-4	PLATE, Step-Up Piston Cover Pump Side	-----	3420 435	3420 435	3420 435	3481 090	3481 090	3481 090
	Opposite Pump	-----	3420 434	3420 434	3420 434	-----	-----	-----
14-43-5	ROD, Step-Up Pump Side	-----	2585 404	3514 513	2933 017	3419 588	-----	-----
	Opposite Pump	-----	-----	-----	-----	-----	2933 022	2933 022
14-43-10	SPRING, Step-Up Rod Retaining	-----	3420 427	3420 427	3420 427	3420 427	3549 285	3420 427
14-44-10	TUBE, Balance	3420 361	-----	-----	-----	-----	-----	-----
14-44-11	WASHER, Balance Tube	3420 385	-----	-----	-----	-----	-----	-----
14-44-12	"O" RING, Balance Tube	3420 367	-----	-----	-----	-----	-----	-----
14-45-1	NEEDLE, Idle Adjusting	3514 799	-----	-----	-----	-----	-----	-----
14-45-3	LEVER, Fast Idle Cam	3420 338	-----	-----	-----	-----	-----	-----
14-45-4	CAM, Fast Idle	3514 689	3514 522	3481 069	3481 069	-----	3621 223	3621 223
14-45-5	ROD, Fast Idle Connector	-----	3420 464	3420 464	3420 464	-----	3481 179	3481 179
14-45-8	SCREW, Fast Idle Cam	3420 344	3420 441	3420 441	3420 441	-----	3420 441	3420 441
14-45-12	LIMITER, Idle Screw	3420 393	3420 436	3420 436	3420 436	-----	3420 436	3420 436
14-45-15	COVER, Hot Idle Compensator	3481 663	-----	-----	-----	-----	-----	-----
14-45-17	COMPENSATOR, Hot Idle	3549 329	-----	-----	-----	-----	-----	-----
14-45-19	SEAL, Hot Idle Compensator	3514 897	-----	-----	-----	-----	-----	-----
14-45-20	SCREW, Idle Mixture	-----	3481 554	3514 529	3514 529	-----	3549 288	3549 288
14-45-25	SCREW, Fast Idle Speed	-----	3481 555	3481 555	3481 555	-----	3481 175	-----
	SCREW, Idle Speed	-----	3514 526	3621 215	3621 215	3420 449	3420 449	3420 449
14-45-27	WASHER, Idle Speed Screw	-----	3420 473	3420 473	3420 473	3420 473	3420 473	3420 473
14-45-32	BRACKET, Retard Wire	3514 809	-----	-----	-----	-----	-----	-----
14-45-33	CABLE, Retard	3514 810	-----	-----	-----	-----	-----	-----
14-46-3	PLATE, Secondary Metering Body	3420 370	-----	-----	-----	-----	-----	-----
14-46-4	RETAINER, "E" Ring	3420 375	-----	-----	-----	-----	-----	-----
14-46-5	ROD, Vent Valve	3514 700	-----	-----	-----	-----	-----	-----
14-46-6	CLAMP, Vent Rod	3420 387	-----	-----	-----	-----	-----	-----
14-46-7	BAFFLE, Metering Body Vent	3420 388	-----	-----	-----	-----	-----	-----
14-46-8	SEAL, Vent Valve	3481 659	-----	-----	-----	-----	-----	-----
14-46-9	BODY, Vent Valve	3481 660	-----	-----	-----	-----	-----	-----
14-46-10	CLAMP, Vent Valve	3481 667	-----	-----	-----	-----	-----	-----
14-48-2	VALVE, Thermostatic	-----	3514 881	-----	3514 881	-----	2933 165	2933 165

CARLINES

J - Challenger
B - BarracudaV - Valiant
L - DartR - Belvedere - Satellite
W - Coronet - ChargerP - Plymouth
D - DodgeC - Chrysler
Y - Imperial

AR Indicates use as required.

= Indicates parts not listed in any previous parts book.

Numerals in parentheses () refer to notes.

★ Indicates change or addition.

Printed in U.S.A.
January 1972

1970-71 PASSENGER CAR PARTS CATALOG

FUEL

COMPONENT CHART REFERENCE NO.		101	102	103	104	105	106	107
CODE	MFG. NO.	R4735A	4966S	4967S	4968S	4971S	4969S	4970S
14-54-3	SCREW, Throttle Stop	3549 525	-----	-----	-----	-----	-----	-----
14-54-5	SCREW, Throttle Shaft Lever	-----	3420 438	3420 438	3420 438	3420 438	3420 438	3420 438
14-54-6	WASHER, Throttle Shaft Primary	-----	3481 051	-----	-----	3481 051	3481 051	3481 051
	Secondary	-----	3420 472	3420 472	3420 472	3420 472	3420 472	3420 472
	WASHER, Throttle Shaft Spring	-----	3514 519	-----	3514 519	-----	-----	-----
	SPACER, Secondary Throttle Shaft	-----	-----	-----	-----	3481 095	3481 095	3481 095
14-54-11	NUT, Solenoid Clamp	-----	-----	3549 316	3549 316	-----	-----	-----
14-54-15	SCREW, Choke Valve	3420 255	3420 450	3420 450	3420 450	-----	3420 450	3420 450
	SCREW, Air Valve	-----	3420 450	-----	-----	-----	-----	-----
14-54-16	SCREW, Vent Valve	3481 658	-----	-----	-----	-----	-----	-----
14-54-36	SCREW, Air Vent Rod Clamp	3420 340	-----	-----	-----	-----	-----	-----
14-54-47	SCREW, Pump Arm	-----	3481 093	3481 093	3481 093	3481 093	3481 093	3481 093
14-54-50	SCREW, Pump Cam Lock	3420 265	-----	-----	-----	-----	-----	-----
14-54-72	SCREW, Air Horn	-----	3420 443	3420 443	3420 443	3420 443	3420 443	3420 443
	SCREW, Air Horn	-----	-----	-----	-----	3481 094	3481 094	3481 094
	SCREW, Air Horn	-----	-----	-----	-----	3481 091	3481 091	3481 091
14-54-78	SCREW, Fuel Bowl	3420 341	-----	-----	-----	-----	-----	-----
	SCREW, Secondary Fuel Bowl	3420 348	-----	-----	-----	-----	-----	-----
14-54-98	WASHER, Solenoid Lock	-----	-----	3549 314	3549 314	-----	-----	-----
14-54-140	SCREW, Solenoid Bracket	-----	-----	3514 517	3514 517	-----	-----	-----
14-54-148	SCREW, Step-Up Piston Cover Plate	-----	3420 451	3420 451	3420 451	3420 451	3420 451	3420 451
	SCREW, Air Valve Retainer	-----	-----	3420 451	3420 451	-----	-----	-----
COMPONENT CHART REFERENCE NO.		108	109	110	111	112	113	114
CODE	MFG. NO.	R4671A	R4669A	R4670A	R4672A	4992S	4993S	6125S
14-30-2	GASKET, Flange	2946 531	2946 531	2946 531	2946 531	-----	-----	-----
14-30-3	VENTURI, Primary (Pump Side)	-----	-----	-----	-----	-----	-----	3621 288
	VENTURI, Primary (Opposite Pump)	-----	-----	-----	-----	-----	-----	3621 287
14-30-4	REPAIR KIT	3514 651	3514 695	3514 695	3514 651	2933 043	2933 043	3621 224
14-30-7	GASKET KIT	3514 652	3514 696	3514 696	3514 652	2808 023	2808 023	3621 244
14-30-8	VALVE, w/Seat	3514 669	3514 669	3514 669	3481 694	2933 042	2933 042	2933 106
14-30-14	NUT, Fuel Valve	3420 319	3420 319	3420 319	3420 319	-----	-----	-----
14-30-27	STRAINER, Fuel Inlet	-----	-----	-----	-----	-----	-----	1826 864
14-30-30	FITTING, Fuel Inlet	2809 248	2809 248	3514 820	3514 820	-----	-----	3621 152
14-32-15	SCREW ASSY. Venturi	-----	-----	-----	-----	-----	-----	3420 448
14-33-1	BODY, w/Shaft, Throttle	3514 792	3514 667	3514 667	3481 692	-----	-----	-----
14-34-5	GASKET, Body	-----	-----	-----	-----	1631 520	1631 520	-----
14-34-15	GASKET, Power Valve	-----	-----	-----	-----	-----	-----	-----
14-34-17	GASKET, Diaphragm Housing	-----	-----	-----	3420 350	-----	-----	-----
14-34-21	"O" RING, Fuel Valve Seat	3420 299	3420 299	3420 299	3420 299	-----	-----	-----
14-34-55	GASKET, Coil Hsg.	-----	-----	-----	-----	1330 873	1330 873	-----
14-34-63	SEAL, Grommet	-----	-----	-----	-----	-----	-----	3549 406
14-35-1	JET, Main Metering	-----	2809 377	3420 332	-----	2585 787	2585 787	-----
	JET, Metering Primary	-----	-----	-----	-----	-----	-----	2809 254
	JET, Metering Secondary	-----	-----	-----	-----	-----	-----	2809 305
14-35-3	NOZZLE, Pump Discharge	-----	3420 295	3420 295	-----	-----	-----	3420 418
14-35-6	VALVE, Power	-----	-----	2084 715	-----	-----	-----	-----
14-35-9	DIAPHRAGM, Secondary	3514 857	-----	-----	3549 308	-----	-----	-----
14-35-10	SCREW ASSY. Pump Jet Nozzle	-----	-----	-----	-----	-----	-----	3420 440
14-35-19	SCREW, Pump Discharge	-----	3420 346	3420 346	-----	-----	-----	-----

CARLINES

J - Challenger
B - BarracudaV - Valiant
L - DartR - Belvedere - Satellite
W - Coronet - ChargerP - Plymouth
D - DodgeC - Chrysler
Y - Imperial

AR Indicates use as required.

Indicates parts not listed in any previous parts book.

Numerals in parentheses () refer to notes.

★ Indicates change or addition.

Printed in U.S.A.
January 1972

1970-71 PASSENGER CAR PARTS CATALOG

FUEL

Text Page 14-53

COMPONENT CHART		108	109	110	111	112	113	114
CODE	REFERENCE NO.	R4671A	R4669A	R4670A	R4672A	4992S	4993S	6125S
CODE	MFG. NO.							
14-35-25	HOUSING, Diaphragm	3514 657	-----	-----	3514 657	-----	-----	-----
14-35-26	LEVER, Diaphragm	3514 655	-----	-----	3514 655	-----	-----	-----
14-35-38	SPRING, Vacuum Piston	-----	-----	-----	-----	-----	-----	3420 428
14-35-39	BODY, w/Plugs, Metering	3514 846	3514 702	3514 702	3514 845	-----	-----	-----
14-35-42	JET ASSY. Main Metering	-----	-----	-----	-----	3481 540	3481 540	-----
14-35-43	SCREW, Pump Cover	-----	-----	3420 349	-----	-----	-----	-----
14-35-45	COVER, Diaphragm	3514 653	-----	-----	3514 653	-----	-----	-----
14-36-1	SPRING, Pump Operating	-----	-----	-----	-----	-----	-----	-----
	Adjusting Screw	-----	3420 378	3420 378	-----	-----	-----	-----
	SPRING, Idle Mixture Screw	-----	-----	-----	-----	3418 535	3481 535	3420 425
		-----	-----	-----	-----	3481 205	3481 205	-----
14-36-2	SPRING, Piston Step Up	-----	-----	-----	-----	3481 234	3481 234	-----
14-36-15	SPRING, Pump	-----	-----	-----	-----	3481 207	3481 207	3420 424
14-36-22	SPRING, Return Secondary	-----	-----	-----	-----	-----	-----	-----
	Throttle	-----	-----	-----	-----	-----	-----	3420 432
14-36-29	SPRING, Throttle Stop	-----	-----	-----	-----	-----	-----	3481 558
	Screw	-----	3419 675	3419 675	-----	-----	-----	-----
14-36-50	SPRING, Vent Valve	-----	3481 665	3481 665	-----	-----	-----	3420 430
	SPRING, Bowl Vent Arm	-----	-----	-----	-----	-----	-----	3514 525
14-36-53	SPRING, Diaphragm	-----	-----	-----	-----	-----	-----	-----
	Return	3514 806	-----	-----	3514 806	-----	-----	-----
14-37-4	PLUG, Passage	-----	-----	-----	-----	-----	-----	3420 405
14-37-14	PLUG, Fuel Level Check	3420 275	3420 275	3420 275	3420 275	-----	-----	-----
14-37-15	PLUG, Rivet	-----	-----	-----	-----	-----	-----	3420 404
	PLUG, Rivet Idle Port	-----	-----	-----	-----	-----	-----	3481 553
14-37-27	LEAD SHOT	-----	-----	-----	-----	3481 284	3481 284	-----
	LEAD SHOT	-----	-----	-----	-----	3481 538	3481 538	-----
	LEAD SHOT, (.108")	-----	-----	-----	-----	3420 453	3420 453	3420 453
	LEAD SHOT, (.200")	-----	-----	-----	-----	-----	-----	3420 454
14-37-29	BALL, Check Pump Intake	-----	-----	-----	-----	3481 289	3481 289	3420 470
14-37-30	BALL, Check Pump Discharge	-----	-----	-----	-----	3481 220	3481 220	-----
14-37-49	PLUG, Welsh Choke	-----	-----	-----	-----	3481 161	3481 161	-----
14-38-3	SCREW, Throttle Body	3420 342	3420 342	3420 342	3420 342	-----	-----	-----
14-38-4	PLATE, Throttle	3514 791	3514 665	3514 665	3481 691	-----	-----	-----
	VALVE, Throttle	-----	-----	-----	-----	3481 529	3481 529	-----
	VALVE, Air	-----	-----	-----	-----	-----	-----	3514 507
	VALVE, Throttle Primary	-----	-----	-----	-----	-----	-----	3420 398
	VALVE, Throttle Secondary	-----	-----	-----	-----	-----	-----	3420 397
14-38-5	SCREW, Throttle Plate	3420 261	3420 347	3420 347	3420 261	-----	-----	-----
	SCREW, Throttle Valve Primary	-----	-----	-----	-----	-----	-----	3420 446
	SCREW, Throttle Valve Secondary	-----	-----	-----	-----	3420 445	3420 445	3420 445
14-38-12	SHAFT & LEVER Assy. Throttle	-----	-----	-----	-----	3481 530	3481 530	-----
	DOG, Throttle Shaft	-----	-----	-----	-----	-----	-----	3514 524
	LEVER & DOG, Throttle Shaft	-----	-----	-----	-----	-----	-----	-----
	Primary	-----	-----	-----	-----	-----	-----	3481 552
	LEVER & DOG, Throttle Shaft	-----	-----	-----	-----	-----	-----	-----
	Secondary	-----	-----	-----	-----	-----	-----	3420 399
14-38-13	ARM, Shaft Throttle Primary	-----	-----	-----	-----	-----	-----	-----
	(inner)	-----	-----	-----	-----	-----	-----	3420 460
	ARM, Shaft Throttle Primary	-----	-----	-----	-----	-----	-----	-----
	(outer)	-----	-----	-----	-----	-----	-----	3621 216
14-38-14	DOG, Lockout	-----	-----	-----	-----	-----	-----	3420 421
14-38-20	SPRING, Throttle Lever	-----	-----	-----	-----	-----	-----	3420 429
14-38-24	SOLENOID, Idle	3438 338	3438 338	3438 338	3438 338	-----	-----	-----
14-38-26	JUMPER, Idle Solenoid	3438 371	3438 371	3438 371	3438 371	-----	-----	-----
14-38-27	BEARING, Air Valve Shaft (For	-----	-----	-----	-----	-----	-----	-----
	Adjusting Spring Tension)	-----	-----	-----	-----	-----	-----	3481 648
14-38-28	BAR, Throttle Connector	-----	3514 840	3514 840	-----	-----	-----	-----
	ROD, Connector Throttle	-----	-----	-----	-----	3481 299	3481 299	3420 462
14-38-39	SLEEVE, Throttle Connector	-----	3514 841	3514 841	-----	-----	-----	-----
14-38-40	PIN, Throttle Connector	-----	3514 843	3514 843	-----	-----	-----	-----
14-38-50	ROD, Operating Throttle	-----	-----	-----	-----	-----	-----	3420 461

CARLINES

J - Challenger
B - Barracuda

V - Valiant
L - Dart

R - Belvedere - Satallite
W - Coronet - Charger

P - Plymouth
D - Dodge

C - Chrysler
Y - Imperial

AR Indicates use as required.

≠ Indicates parts not listed in any previous parts book.

Numerals in parentheses () refer to notes.

★ Indicates change or addition.

Printed in U.S.A.
January 1972

COMPONENT CHART REFERENCE NO.		108	109	110	111	112	113	114
CODE	MFG. NO.	R4671A	R4669A	R4670A	R4672A	4992S	4993S	6125S
14-38-53	LEVER, Operating Throttle Secondary	-----	-----	-----	-----	-----	-----	3420 420
14-39-1	PLATE, Choke	-----	3514 658	3514 658	-----	3481 271	3481 271	3420 402
	PLATE, Choke Baffle	-----	-----	-----	-----	3481 544	3481 544	-----
	LEVER, Countershaft Choke Valve	-----	-----	-----	-----	-----	-----	3420 410
14-39-3	LINK & SHAFT, Piston Choke Lever	-----	-----	-----	-----	3481 544	3481 545	-----
14-39-6	SHAFT & LEVER, Choke	-----	-----	-----	-----	-----	-----	3481 657
14-39-7	DIAPHRAGM, Choke	3514 654	3621 274	3621 274	3514 654	-----	-----	2933 196
14-39-8	LINK, Choke Diaphragm	-----	3420 369	3420 369	3481 662	-----	-----	-----
14-39-9	SCREW, Diaphragm Brkt.	3481 700	3420 339	3420 339	3481 700	-----	-----	3420 447
14-39-10	LEVER, Choke Control	-----	3549 659	3549 659	-----	-----	-----	3481 656
	LEVER & COLLAR, Choke	-----	-----	-----	-----	3481 531	3481 531	3420 409
	LEVER, Shaft Choke	-----	-----	-----	-----	3481 532	3481 532	-----
14-39-15	SCREW, Countershaft Lever	-----	-----	-----	-----	-----	-----	3420 437
	SCREW, Choke Shaft Lever	-----	-----	-----	-----	-----	-----	3420 442
14-39-27	RETAINER, Choke Diaphragm Connector Rod	-----	-----	-----	-----	-----	-----	3420 433
14-39-28	ROD, Choke	-----	3514 677	3514 677	-----	3481 539	3481 539	3420 463
14-39-29	SEAL, Choke Rod	-----	3420 301	3420 301	-----	-----	-----	-----
14-39-30	SHAFT, Choke	-----	3420 311	3420 311	-----	-----	-----	3420 408
	WASHER, Throttle Shaft Primary	-----	-----	-----	-----	-----	-----	3420 471
14-39-45	CHOKER	-----	3420 255	2946 532	-----	2809 286	2809 286	2951 653
14-39-47	RETAINER, Coil Housing	-----	-----	-----	-----	3481 533	3481 171	-----
14-39-51	HOSE, Choke Vacuum	-----	3419 687	3621 273	-----	-----	-----	3420 475
14-39-56	SPRING, Pin	-----	-----	-----	-----	3420 476	3420 476	-----
14-39-57	SPRING, Pin Choke Diaphragm Connector Rod	-----	-----	-----	-----	-----	-----	3420 477
14-39-60	SCREW ASSY, Thermostatic Valve	-----	-----	-----	-----	3481 172	3481 172	3481 052
14-39-84	CAP, Heat Tube	-----	-----	-----	-----	3481 187	3481 187	-----
14-40-1	FLOAT, w/Hinge	3481 693	3514 668	3514 668	3481 693	3481 534	3481 534	3481 068
	PIN, Float Lever	-----	-----	-----	-----	3481 201	3481 201	3420 416
14-40-5	RETAINER, Float	3549 331	3549 331	3549 331	3549 331	3481 209	3481 209	-----
14-40-6	SHAFT, Float	3481 683	3481 683	3481 683	3481 683	-----	-----	-----
14-40-7	BOWL, w/Plugs, Fuel	3481 695	3549 334	3549 334	3481 695	-----	-----	-----
14-40-18	SPRING, Float	3481 698	-----	-----	3481 698	-----	-----	-----
14-40-23	ARM, Bowl Vent	-----	-----	-----	-----	-----	-----	3514 509
14-40-35	BAFFLE, Fuel Bowl	-----	-----	-----	-----	-----	-----	3420 482
14-41-3	PLUNGER, w/Rod, Pump	-----	2196 234	2196 234	-----	3481 635	3481 635	3621 214
14-41-8	LINK, Pump Connector	-----	-----	-----	-----	-----	-----	3420 465
14-41-9	ARM, Pump	-----	-----	-----	-----	3481 275	3481 275	3420 456
14-41-10	CAM, Pump	-----	3420 321	3420 321	-----	-----	-----	-----
14-41-12	BUSHING, Pump Plunger	-----	-----	-----	-----	3481 202	3481 202	-----
14-41-22	LEVER, Pump Operating	-----	3549 680	3514 679	-----	-----	-----	-----
14-41-23	RETAINER, Pump Operating Lever	-----	3514 681	3514 681	-----	-----	-----	-----
14-41-30	NEEDLE, Check Pump Discharge	-----	-----	-----	-----	-----	-----	3420 412
14-41-34	COVER, Pump	-----	3514 673	3514 673	-----	-----	-----	-----
14-43-3	PISTON, Step-Up	-----	-----	-----	-----	3481 295	3481 295	3420 478
14-43-4	COVER PLATE, Step-Up Piston (Pump Side)	-----	-----	-----	-----	-----	-----	3420 435
	COVER PLATE, Step-Up Piston Opposite Side	-----	-----	-----	-----	-----	-----	3420 434
14-43-5	ROD, Step-Up	-----	-----	-----	-----	2809 273	2585 702	3685 663
14-43-10	SPRING, Step-Up Rod Retaining	-----	-----	-----	-----	-----	-----	3420 427
14-45-1	NEEDLE, Idle Limiter	3420 363	-----	-----	3420 363	-----	-----	-----
	NEEDLE, Idle Adjusting	-----	3420 362	3620 362	-----	-----	-----	-----
14-45-2	SEAL, Adjusting Needle	2084 719	-----	-----	2084 719	-----	-----	-----
14-45-3	LEVER, Fast Idle Cam	-----	3420 338	3420 338	-----	-----	-----	-----
14-45-4	CAM, Fast Idle	-----	3514 689	3514 689	3481 541	3481 541	3514 522	-----
14-45-8	SCREW, Fast Idle Cam Lever	-----	3420 344	3420 344	-----	-----	-----	3420 441

CARLINES

J - Challenger
B - BarracudaV - Valiant
L - DartR - Belvedere - Satellite
W - Coronet - ChargerP - Plymouth
D - DodgeC - Chrysler
Y - Imperial

AR Indicates use as required.

Indicates parts not listed in any previous parts book.

Numerals in parentheses () refer to notes.

★ Indicates change or addition.

Printed in U.S.A.
January 1972

COMPONENT CHART REFERENCE NO.		108	109	110	111	112	113	114
CODE	MFG. NO.	R4671A	R4669A	R4670A	R4672A	4992S	4993S	6125S
14-45-12	LIMITER, Idle Needle	-----	3420 393	-----	-----	-----	-----	3685 661
14-45-15	COVER, Hot Idle Compensator	-----	3481 663	3481 663	-----	-----	-----	-----
14-45-17	COMPENSATOR, Hot Idle	-----	3481 666	3481 666	-----	-----	-----	-----
14-45-19	SEAL, Hot Idle Compensator	-----	3481 661	3481 661	-----	-----	-----	-----
14-45-20	SCREW, Idle Adjusting	-----	3514 683	3514 683	-----	3481 536	3481 536	3481 554
	SCREW, Idle Cam	-----	-----	-----	-----	3481 537	3481 537	-----
	SCREW, Idle Mixture	-----	-----	-----	-----	3481 634	-----	-----
14-45-25	SCREW, Idle Speed	-----	-----	-----	-----	3481 210	3481 210	3481 555
14-46-2	ROD, Vent Valve	-----	3549 335	3549 335	-----	-----	-----	-----
14-46-3	PLATE, Metering Body	3420 370	-----	-----	3420 370	-----	-----	-----
14-46-4	RETAINER, "E" Ring	3481 337	3420 375	3420 375	3481 337	-----	-----	-----
14-46-7	BAFFLE, Metering Body Vent	-----	3420 388	3420 388	-----	-----	-----	-----
14-46-8	SEAL, Vent Valve	-----	3481 659	3481 659	-----	-----	-----	-----
14-46-9	BODY, Vent Valve	-----	3514 661	3514 661	-----	-----	-----	-----
14-46-10	CLAMP, Vent Valve	-----	3481 667	3481 667	-----	-----	-----	-----
14-46-11	ROD, Vent Valve	-----	3549 335	3549 335	-----	-----	-----	-----
14-46-12	CLIP, Screw Lock	-----	3514 688	3514 688	-----	-----	-----	-----
14-46-13	HOSE, Clamp	-----	3481 668	3481 668	-----	-----	-----	-----
14-46-17	ROD, Connector Bowl Vent	-----	-----	-----	-----	-----	-----	3514 527
14-48-2	VALVE ASSY. Thermostatic	-----	-----	-----	-----	-----	-----	3514 881
14-54-3	SCREW, Throttle Stop	-----	3420 256	3420 256	-----	-----	-----	-----
14-54-4	SCREW, Fuel Valve Seat Lock	3420 273	3420 273	3420 273	3420 273	-----	-----	-----
14-54-5	SCREW Lever Throttle Shaft	-----	-----	-----	-----	-----	-----	3420 438
14-54-6	WASHER, Spring Throttle Shaft	-----	-----	-----	-----	-----	-----	3514 519
	WASHER, Throttle Shaft-Primary	-----	-----	-----	-----	-----	-----	3481 051
	WASHER, Throttle Shaft-Secondary	-----	-----	-----	-----	-----	-----	3420 472
14-54-15	SCREW, Choke Plate	-----	3420 255	3420 255	-----	3420 450	3420 450	3420 450
	SCREW, Choke Valve (Use w/ Brass Shaft)	-----	-----	-----	-----	3481 525	3481 525	-----
14-54-19	WASHER, Choke Shaft	-----	-----	-----	-----	3481 542	3481 542	-----
14-54-29	SCREW, Float Shaft Bracket	3481 699	3481 699	3481 699	3481 699	-----	-----	-----
14-54-34	SCREW ASSY. Air Horn	-----	-----	-----	-----	3481 211	3481 211	-----
14-54-36	SCREW, Air Vent Rod Clamp	-----	3514 682	3514 682	-----	-----	-----	-----
14-54-42	WASHER, Pump Plunger	-----	-----	-----	-----	3481 224	3481 224	-----
14-54-43	SCREW, Pump Lever Adjusting	-----	3420 345	3420 345	-----	-----	-----	-----
14-54-47	SCREW, Pump Arm	-----	-----	-----	-----	3481 279	3481 279	3481 093
14-54-51	WASHER, Retainer Choke Lever	-----	-----	-----	-----	-----	-----	3420 474
14-54-72	SCREW ASSY. Air Horn	-----	-----	-----	-----	-----	-----	3420 443
14-54-78	SCREW, Fuel Bowl	3420 348	3420 341	3420 341	3420 348	3481 280	3481 280	-----
	SCREW, Step-Up Piston Plate	-----	-----	-----	-----	3481 214	3481 214	3420 451
14-54-140	SCREW ASSY. Body	-----	-----	-----	-----	3481 230	3481 230	3420 451
COMPONENT CHART REFERENCE NO.			115					
CODE	MFG. NO.		R4370					
14-30-2	GASKET, Flange Main Body Gasket		2946 540 3514 722					
14-30-4	ZIP KIT		3514 756					
14-30-7	GASKET KIT		3514 755					
14-30-8	NEEDLE & SEAT		3514 730					
14-30-14	PUMP LEVER NUT		3420 318					
14-30-30	FITTING - Fuel Inlet		3514 731					
14-33-1	THROTTLE BODY - w/Shaft		3514 727					
14-35-1	MAIN METERING JET - Throttle Side		2809 253					
	Choke Side		2809 377					
CARLINES	J - Challenger B - Barracuda	V - Valiant L - Dart	R - Belvedere - Satallite W - Coronet - Charger	P - Plymouth D - Dodge	C - Chrysler Y - Imperial			

AR Indicates use as required.

= Indicates parts not listed in any previous parts book.

Numerals in parentheses () refer to notes.

★ Indicates change or addition.

Printed in U.S.A.
January 1972

COMPONENT CHART		115			
CODE	REFERENCE NO.	R4370			
14-35-6	POWER VALVE	3549 436			
	Pump Cup	3419 639			
14-35-35	POWER VALVE PISTON				
	RETAINER	3549 435			
14-36-1	IDLE NEEDLE SPRING	3481 395			
14-36-15	PUMP DRIVE SPRING	3549 415			
14-36-29	SPRING	3419 675			
14-36-50	VENT VALVE LEVER SPRING	3514 743			
14-38-4	THROTTLE PLATE	3514 726			
14-38-5	THROTTLE PLATE SCREW & WA.	3514 834			
14-38-20	VENT VALVE LEVER SPRING	3514 743			
	Throttle Lever Spring	3514 744			
14-39-1	CHOKE PLATE	3549 418			
14-39-6	CHOKE SHAFT & LEVER	3549 419			
14-39-7	CHOKE DIAPHRAGM - Complete	3419 621			
14-39-8	CHOKE DIAPHRAGM LINK	3514 739			
14-39-11	CHOKE DIAPHRAGM LINK PIN	3481 674			
14-39-45	CHOKE	2946 537			
	Choke Screw	6024 560			
14-39-51	CHOKE DIAPHRAGM HOSE	3419 687			
14-40-1	FLOAT & LEVER	3514 707			
14-40-4	FLOAT LEVER PIN	3514 735			
	Hair Pin	3514 734			
14-40-35	FUEL BOWL BAFFLE	3514 749			
14-41-3	PUMP PLUNGER	3549 413			
	Power Valve Piston	3514 733			
	Pump Stem	3549 414			
14-41-8	PUMP LINK	3514 738			
14-41-18	PUMP DISCHARGE VALVE	3514 732			
14-41-21	PUMP LEVER SHAFT	3514 751			
14-41-22	PUMP LEVER	3514 750			
14-45-1	IDLE ADJ. NEEDLE	3514 728			
14-45-4	FAST IDLE CAM	3549 322			
14-45-5	FAST IDLE ROD	3514 746			
14-45-7	FAST IDLE LEVER	3514 714			
14-45-8	SCREW	3514 715			
14-45-9	FAST IDLE LEVER NUT	3481 397			
14-45-10	FAST IDLE CAM RETAINER	3514 741			
14-45-12	IDLE ADJ. NEEDLE LIMITER	3514 740			
14-46-1	AIR VENT VALVE	3549 417			
14-46-14	VENT VALVE LEVER	3514 708			
14-54-15	CHOKE PLATE SCREW	3420 255			
14-54-72	AIR HORN TO MAIN BODY				
	SCREW (1)	3514 719			
	(7)	3514 720			
14-54-78	THROTTLE BODY TO MAIN				
	BODY SCREW	3514 718			
	GASKET, Retainer Screw	3419 666			
COMPONENT CHART		30			
CODE	REFERENCE NO.	R-4737-1A			
14-30-2	GSKT., Flange	3462 833			
14-30-4	ZIP KIT	3514 816			
14-30-7	GSKT. KIT	3514 817			
14-30-8	NEEDLE & SEAT	2809 335			
14-30-12	"O" RING, Fuel Line Tubing	2084 718			
14-30-16	PLATE, Baffle	3420 324			
14-30-30	FITTING, Fuel Inlet	2809 248			
14-30-31	BAFFLE	3420 389			
14-33-1	BODY, w/Shaft Assy.	3514 873			
14-34-15	GSKT., Pwr. Valve	3420 351			
14-35-1	JET, (Primary) Std.	2196 240			
14-35-3	NOZZLE, (Machine) Pump Disch.	3420 366			
CARLINES	J - Challenger B - Barracuda	V - Valiant L - Dart	R - Belvedere - Satallite W - Coronet - Charger	P - Plymouth D - Dodge	C - Chrysler Y - Imperial

AR Indicates use as required.

Indicates parts not listed in any previous parts book.

Numerals in parentheses () refer to notes.

★ Indicates change or addition.

Printed in U.S.A.
January 1972

1970-71 PASSENGER CAR PARTS CATALOG

Text Page 14-57

FUEL

	COMPONENT CHART				
	REFERENCE NO.		30		
CODE	MFG. NO.		R-4737-1A		
14-35-6	NEEDLE VALVE, Pump Disch.		3420 296		
14-35-6	PWR. VALVE ASSY.		2084 715		
14-35-9	DIAPHRAGM ASSY. (Secondary)		2585 471		
14-35-18	SCREW, Sec. Diaph.		3420 343		
14-35-19	SCREW, Pump Disch. Nozzle		3420 346		
14-35-25	HSG. DIAPHRAGM (Machine)		3420 392		
14-35-26	DIAPHRAGM LEVER ASSY.		3514 875		
14-35-39	BODY, Metering (Sec.) Mach.		3549 360		
14-35-39	BODY & PLUGS ASSY.				
	Primary Metering		3514 899		
14-35-43	SCREW, Sec. Metering Body		3420 349		
14-36-1	SPRG. Pump Lvr. Adj. Sc.		3420 378		
14-36-29	SPRG. Throt. Stop Sc.		3419 675		
14-36-50	SPRG. Air Vent Valve		3420 377		
14-36-53	SPRG. Return Diaph.		3420 376		
14-36-53	SPRG. Sec. Diaph.		3514 806		
14-38-3	SC. & WA. Throt. Body		3420 342		
14-38-4	PLATE, Throttle (Primary)		3420 358		
14-38-4	PLATE, Throttle (Secondary)		3481 691		
14-38-5	SCREW, Throttle Plate (Prim.)		3420 261		
14-38-5	SCREW, Throttle Plate (Sec.)		3420 347		
14-38-28	ROD, Throttle Conn.		3420 384		
14-38-36	RETAINER, Throt. Rod Conn.		3420 386		
14-39-1	PLATE, Choke		3420 336		
14-39-7	CHOKE DIAPHRAGM ASSY.		3419 620		
14-39-8	PIN, Choke Diaph.		3514 804		
14-39-9	SCREW, Choke Diaph. Brkt.		3420 339		
14-39-10	LEVER, Choke Control		3514 797		
14-39-27	RETAINER, Link Sec. Diaph.		3481 337		
14-39-28	ROD, Choke		3420 383		
14-39-29	SEAL, Choke Rod		3420 301		
14-39-30	SHAFT ASSY., Choke		3420 311		
14-39-51	HOSE, Choke Vacuum		3419 687		
14-39-56	PIN, Choke Clevis		3420 368		
14-40-1	FLOAT & HGE. ASSY.		3420 364		
14-40-5	RETAINER, Float		3419 673		
14-40-7	FUEL BOWL & PLUGS ASSY.				
	(Prim.)		3420 372		
14-40-7	FUEL BOWL & PLUGS ASSY.				
	(Sec.)		3420 373		
14-40-18	SPRG., Float		3420 317		
14-40-34	WASHER, Insulator		3514 808		
14-41-3	DIAPHRAGM ASSY.		2196 234		
14-41-10	CAM, Pump		3420 321		
14-41-22	LEVER, Pump Oper.		3514 680		
14-41-23	RETAINER, Lvr. Pump Oper.		3514 681		
14-41-25	FITTING, Sc. Adj. Pump Lvr.		3420 365		
14-41-34	COVER ASSY., Fuel Pump		3420 306		
14-41-35	SC. & WA., Cvr. Fuel Pump		3420 259		
	SC. & WA., Cvr. Assy. Sec. Diaph.		3420 259		
14-44-10	BALANCE TUBE		3420 361		
14-44-11	WASHER, Balance Tube		3420 385		
14-44-12	"O" RING, Balance Tube		3420 367		
14-45-1	NEEDLE, Idle Adj.		3514 799		
14-45-3	LEVER, Fast Idle Cam		3420 338		
14-45-4	CAM, Fast Idle		3514 689		
14-45-8	SC. & WA., Lvr. Fast Idle Cam		3420 344		
	SC. & WA., Lever Diaph.		3420 344		
14-45-14	NEEDLE, Idle Limiter		3420 393		
14-45-19	SEAL, Hot Idle Comp.		3514 897		
14-45-21	INSULATOR, Idle Screw		3549 327		
14-45-32	BRKT., Retard Wire		3514 809		
CARLINES	J - Challenger B - Barracuda	V - Valiant L - Dart	R - Belvedere - Satellite W - Coronet - Charger	P - Plymouth D - Dodge	C - Chrysler Y - Imperial

AR Indicates use as required.

Indicates parts not listed in any previous parts book.

Numerals in parentheses () refer to notes.

★ Indicates change or addition.

Printed in U.S.A.
January 1972

COMPONENT CHART		
REFERENCE NO.		30
CODE	MFG. NO.	R-4737-1A
14-45-33	CABLE ASSY., Sol.	3514 810
14-46-1	VALVE, Air Vent	3419 669
14-46-2	ROD, Air Vent	3549 326
14-46-3	BODY PLATE, Metering Sec.	3420 370
14-46-4	"E" RING, Retainer	3420 375
14-46-6	CLAMP, Air Vent Rod	3420 387
14-46-7	BAFFLE, Metering Body Vent	3420 388
14-54-3	SCREW, Throttle Stop	3549 325
14-54-15	SCREW, Choke Plate	3420 255
14-54-36	SC. & WA., Air Vent Rod Clamp	3420 340
14-54-43	SCREW, Pump Lvr. Adj.	3420 345
14-54-50	SCREW, Pump Cam Lock	3420 265
14-54-78	SCREW, Fuel Bowl	3420 341
14-54-78	SCREW, Sec. Fuel Bowl	3420 348
14-68-36	COVER, Diaph. (Machine)	3420 305
14-89-57	TUBING, Fuel Line	3420 360

NOTES

CARLINES

J - Challenger
B - Barracuda

V - Valiant
L - Dart

R - Belvedere - Satellite
W - Coronet - Charger

P - Plymouth
D - Dodge

C - Chrysler
Y - Imperial

AR Indicates use as required.

Indicates parts not listed in any previous parts book.

Numerals in parentheses () refer to notes.

★ Indicates change or addition.

Printed in U.S.A.
January 1972

CODE	PART NAME	ENG. TYPE OR CU.IN.	V	B	L	R	W	P	D	C	C	C	Y	PART NUMBER
14-62-0 CARBURETOR AIR HEATER														
14-62-1	Heater, w/198 or 225 Eng.													3671 589
	w/318 Eng.	70	1	—	1	—	—	—	—	—	—	—	—	3418 462
	w/318, 340, Eng.	71	1	—	1	—	—	—	—	—	—	—	—	3418 462
	w/318, 340, 360 Eng.		—	1	—	1	1	1	—	—	—	—	—	3418 626
	w/383 or 440 Eng., Upper		—	1	—	1	1	—	—	—	—	—	—	2951 914
	w/383 or 440 Eng., Lower		—	1	—	1	1	—	—	—	—	—	—	2951 913
	w/383 or 440 Eng., Upper		—	—	—	—	1	1	1	1	1	1	1	2951 873
	w/383 or 440 Eng., Lower		—	—	—	—	1	1	1	1	1	1	1	2951 871
	w/383 or 440 Eng., w/4 bbl. Carb.		—	—	—	—	1	1	1	1	1	1	—	2951 242
	Connector		1	1	1	1	1	1	1	1	1	1	—	3462 452
14-63-0 MANUAL CHOKE														
14-63-01	CABLE, Hand Choke w/Knob	426	—	1	—	1	1	—	—	—	—	—	—	= 3577 519
14-63-02	KNOB & WIRE PKG., Control Cable		AR	AR	AR	AR	AR	AR	AR	AR	AR	AR	AR	= 3621 621
14-63-10	PLATE, Cable Hand Choke w/Knob	426	—	1	—	1	1	—	—	—	—	—	—	= 3577 521
14-63-11	GROMMET, Choke Cable	426	—	1	—	1	1	—	—	—	—	—	—	2216 552
14-65-0 AUTOMATIC CHOKE TO CARBURETOR ROD CLIP														
14-65-4	CLIP, Stamped D-R, Rt.		1	1	1	1	1	1	1	1	1	1	1	2465 560
	Stamped D-L, Lt.		1	1	1	1	1	1	1	1	1	1	1	2465 561
14-65-5	GASKET, Choke Well, w/198, 225 Eng.		1	1	1	1	1	1	1	—	—	—	—	2946 530
	except 198, 225, Eng.		1	1	1	1	1	1	1	1	1	1	1	2951 545
14-65-6	CUP, Choke Well, w/198, 225 Eng.		1	1	1	1	1	1	1	—	—	—	—	2946 529
	except 198, 225 Eng.		1	1	1	1	1	1	1	1	1	1	1	2951 544
14-67-0 FUEL FILTER														
14-67-1	FILTER		1	1	1	1	1	1	1	1	1	1	1	2525 254
14-67-2	HOSE, Filter		AR	AR	AR	AR	AR	AR	AR	AR	AR	AR	AR	1739 230
14-67-29	TUBE, Filter Hose to Tee	340	—	1	—	—	—	—	—	—	—	—	—	3577 160
14-72-0 FUEL TANK GAUGE														
14-72-1	GAUGE		1	—	1	—	—	—	—	—	—	—	—	2932 960
	Except 426 or 440 Eng.		—	1	—	—	—	—	—	—	—	—	—	3420 844
	w/426 or 440 Eng.		—	1	—	—	—	—	—	—	—	—	—	3420 845
	Except 426, 440 Eng. and Sta. Wgn.70		—	—	—	1	1	—	—	—	—	—	—	3420 848
	Except 426, 440 Eng. and Sta. Wgn.71		—	—	—	1	1	—	—	—	—	—	—	3514 446
	w/426 or 440 Eng., Except Sta. Wgn.	70	—	—	—	1	1	—	—	—	—	—	—	3420 847
	w/426 or 440 Eng., except Sta. Wgn.	71	—	—	—	1	1	—	—	—	—	—	—	3514 443
	Sta. Wgn.	70	—	—	—	1	1	—	—	—	—	—	—	3420 846
	Sta. Wgn.	71	—	—	—	1	1	—	—	—	—	—	—	3514 447
	Except Sta. Wgn.		—	—	—	—	1	1	1	1	1	1	1	3420 849
	Sta. Wgn.		—	—	—	—	1	1	1	—	—	—	—	3420 850
14-72-5	CLIP, Gauge Grounding		1	1	1	1	1	1	1	1	1	1	1	2258 862
14-72-9	SEAL, Gauge		1	1	1	1	1	1	1	1	1	1	1	1948 757
14-72-33	CABLE, w/Terminal and Insulator, Gauge		1	1	1	1	1	1	1	1	1	1	1	2257 444
14-72-47	RETAINER, Gauge		1	1	1	1	1	1	1	1	1	1	1	1730 095
14-73-0 FUEL PUMP														
14-73-1	PUMP PACKAGE, w/198 or 225 Eng.	70	6	1	1	1	1	1	1	1	—	—	—	2932 798
	w/190 or 225 Eng., w/E.C.S.	70	6	1	1	1	1	1	1	—	—	—	—	3420 834
	w/198 or 225 Eng.	71		1	1	1	1	1	1	—	—	—	—	3420 834
	w/225 Eng., Export	71		1	1	1	1	1	—	—	—	—	—	2932 798

CARLINES J - Challenger B - Barracuda V - Valiant L - Dart R - Belvedere - Satellite W - Coronet - Charger P - Plymouth D - Dodge C - Chrysler Y - Imperial

AR Indicates use as required. # Indicates parts not listed in any previous parts book. Numerals in parentheses () refer to notes. ★ Indicates change or addition. Printed in U.S.A. January 1972

CODE	PART NAME	ENG. TYPE OR CU.IN.	V	B	L	R	W	P	D	C	C	C	Y	PART NUMBER
14-73-0 FUEL PUMP Cont'd.														
14-73-1	PUMP PACKAGE Cont'd.													
	w/318, 340, 360 Eng.	71	1	1	1	1	1	1	1	1	1	1	1	3620 795
	w/383 or 440 Eng.	71	—	1	—	1	1	1	1	1	1	1	1	# 3621 675
	w/383 or 440 Eng.		8	—	1	—	1	1	1	1	1	1	1	2932 799
	w/426 Eng.		8	—	1	—	1	—	—	—	—	—	—	2585 118
	w/440 Eng.		8	—	1	—	1	—	—	—	—	—	—	3420 835
	PUMP, Fuel Electric	70	AR	AR	AR	AR	AR	AR	AR	AR	AR	AR	AR	3549 873
14-73-2	SEPARATOR, Fuel Vapor, w/426, 440 Eng. (Optional w/3577 867)		—	1	—	1	1	—	—	—	—	—	—	2951 192
14-73-11	HOSE, Carburetor Vapor Hose													
	3/8" I.D. & 5/8" O.D. 24 1/2" lg.		AR	AR	AR	AR	AR	AR	AR	AR	AR	AR	AR	3404 646
	26 1/2" lg.		AR	AR	AR	AR	AR	AR	AR	AR	AR	AR	AR	3466 403
	5/16" I.D. & 9/16 O.D. 12" lg.		AR	AR	AR	AR	AR	AR	AR	AR	AR	AR	AR	1739 230
	24" lg.		AR	AR	AR	AR	AR	AR	AR	AR	AR	AR	AR	1739 243
14-74-0 FUEL PUMP MOUNTING GASKET														
14-74-1	GASKET (Optional w/3577 870)		1	1	1	1	1	1	1	1	1	1	1	2843 770
14-77-0 FUEL PUMP PUSH ROD														
14-77-17	ROD, w/383 or 440 Eng.		—	1	—	1	1	1	1	1	1	1	1	1737 745
	w/426 Eng.		—	1	—	1	1	—	—	—	—	—	—	2463 921
14-86-0 FUEL TANK														
14-86-1	TANK, w/o E.C.S.		1	—	1	—	—	—	—	—	—	—	—	3404 474
	w/E.C.S. (Optional w/3583 522)		1	—	1	—	—	—	—	—	—	—	—	3404 220
	w/o E.C.S., B	70	—	1	—	—	—	—	—	—	—	—	—	3404 509
	w/E.C.S., B (Optional w/3583 569)		—	1	—	—	—	—	—	—	—	—	—	3404 493
	w/o E.C.S., J	70	—	1	—	—	—	—	—	—	—	—	—	3404 510
	w/E.C.S., J (Optional w/3583 569)		—	1	—	—	—	—	—	—	—	—	—	3404 494
	w/o E.C.S., Except Charger and Sta. Wgn.	70	—	—	—	1	1	—	—	—	—	—	—	3404 491
	w/E.C.S., Except Charger and Sta. Wgn.	70	—	—	—	1	1	—	—	—	—	—	—	3404 392
	w/o E.C.S., Charger	70	—	—	—	—	1	—	—	—	—	—	—	3404 492
	w/E.C.S., Charger	70	—	—	—	—	1	—	—	—	—	—	—	3404 393
	Export	71	—	—	—	—	1	—	—	—	—	—	—	3466 801
	w/o E.C.S., Sta. Wgn.	70	—	—	—	1	1	—	—	—	—	—	—	3404 497
	w/E.C.S., Sta. Wgn.	70	—	—	—	1	1	—	—	—	—	—	—	3404 394
	R,W, except Sta. Wgn.	71	—	—	—	1	1	—	—	—	—	—	—	3404 951
	R,W, Sta. Wgn.	71	—	—	—	1	1	—	—	—	—	—	—	3466 153
	w/E.C.S., except Sta. Wgn.	70	—	—	—	—	—	1	1	1	1	1	1	3404 219
	w/o E.C.S., except Sta. Wgn.	70	—	—	—	—	—	1	1	1	1	1	1	3404 475
	w/o E.C.S., Sta. Wgn.	70	—	—	—	—	—	1	1	1	—	—	—	2925 748
	All, except Sta. Wgn.	71	—	—	—	—	—	1	1	1	1	1	1	3466 887
	Sta. Wgn.	71	—	—	—	—	—	1	1	1	1	1	—	3404 225
	V,L, Export	71	1	—	1	—	—	—	—	—	—	—	—	3404 474
	B, Export	71	—	1	—	—	—	—	—	—	—	—	—	3404 509
	D, except Sta. Wgn., Export	71	—	—	—	—	—	—	1	—	—	—	—	3404 475
	P,D, Sta. Wgn., Export	71	—	—	—	—	—	1	1	—	—	—	—	2925 748
14-86-13	PLUG, Fuel Tank		1	1	1	1	1	1	1	1	1	1	1	3404 496
14-86-27	BRACKET, Fuel Tank Side Restraint, Charger		—	—	—	—	1	—	—	—	—	—	—	3404 697
14-86-32	BEZEL, Filler Tube Cap, R-P, W-P, Sta. Wgn.	70	—	—	—	1	1	—	—	—	—	—	—	3406 408
	BEZEL, (After May '71) Qtr. Pnl. Fuel Filter Opng. Vinyl in white - sta. Wgn.	71	—	—	—	—	1	—	—	—	—	—	—	# 3674 155
14-86-38	RING, F/Tank Filler Cap Ornament, Charger	70	—	—	—	—	1	—	—	—	—	—	—	2880 430
	J		—	1	—	—	—	—	—	—	—	—	—	3404 666
CARLINES	J - Challenger B - Barracuda	V - Valiant L - Dart	R - Belvedere - Satellite W - Coronet - Charger	P - Plymouth D - Dodge	C - Chrysler Y - Imperial									

AR Indicates use as required.

Indicates parts not listed in any previous parts book.

Numerals in parentheses () refer to notes.

★ Indicates change or addition.

Printed in U.S.A.
January 1972

CODE	PART NAME	ENG. TYPE OR CU.IN.	V	B	L	R	W	P	D	C	C	C	Y	PART NUMBER
			1-2	1-2	1-2	1-2	1-2	1-2	1-2	1	2	3	1	
14-86-0 FUEL TANK Cont'd.														
14-86-40	TUBE, F/Tank Filler, w/o E.C.S., V, 4 D., L,													
	All	70	1	—	1	—	—	—	—	—	—	—	—	3404 478
	w/E.C.S., V, 4 D., L, All	70	1	—	1	—	—	—	—	—	—	—	—	3404 180
	Up to May '71	71	1	—	1	—	—	—	—	—	—	—	—	3404 180
	After May '71	71	1	—	1	—	—	—	—	—	—	—	—	= 3642 004
	Fastback, Up to May '71	71	1	—	1	—	—	—	—	—	—	—	—	3404 529
	Fastback, After May '71	71	1	—	1	—	—	—	—	—	—	—	—	= 3642 007
	w/o E.C.S., Fastback	70	1	—	—	—	—	—	—	—	—	—	—	3404 534
	w/E.C.S., Fastback	70	1	—	—	—	—	—	—	—	—	—	—	3404 529
	B		—	1	—	—	—	—	—	—	—	—	—	2962 213
	After June '71 B	71	—	1	—	—	—	—	—	—	—	—	—	= 3583 573
	w/o E.C.S., J	70	—	1	—	—	—	—	—	—	—	—	—	3404 677
	w/E. C. S., J		—	1	—	—	—	—	—	—	—	—	—	3404 531
	After June '71 J	71	—	1	—	—	—	—	—	—	—	—	—	= 3583 575
	w/o E.C.S., except Charger and Sta. Wgn.	70	—	—	—	1	1	—	—	—	—	—	—	2856 332
	w/E.C.S., except Charger and Sta. Wgn.	70	—	—	—	1	1	—	—	—	—	—	—	3404 382
	w/o E.C.S., Charger	70	—	—	—	—	1	—	—	—	—	—	—	2925 689
	w/E.C.S., Charger	70	—	—	—	—	1	—	—	—	—	—	—	3404 202
	w/or w/o E.C.S., Inner, Sta. Wgn.	70	—	—	—	1	1	—	—	—	—	—	—	3404 162
	w/o E.C.S., Outer, Sta. Wgn.	70	—	—	—	1	1	—	—	—	—	—	—	2880 454
	w/E.C.S., Outer, Sta. Wgn.	70	—	—	—	1	1	—	—	—	—	—	—	3404 231
	2 D.H.T.	71	—	—	—	—	1	—	—	—	—	—	—	3466 330
	2 D.H.T.	71	—	—	—	1	1	—	—	—	—	—	—	3466 426
	4 D.	71	—	—	—	1	1	—	—	—	—	—	—	3404 958
	w/o E.C.S., except Sta. Wgn.	70	—	—	—	—	—	1	—	—	—	—	—	2925 826
	w/E.C.S., except Sta. Wgn.	70	—	—	—	—	—	1	—	—	—	—	—	3404 363
	except Sta. Wgn.	71	—	—	—	—	—	1	—	—	—	—	—	3466 856
	After June '71	71	—	—	—	—	—	1	—	—	—	—	—	= 3583 524
	w/o E.C.S., except Sta. Wgn.	70	—	—	—	—	—	—	1	—	—	—	—	3404 469
	w/E.C.S., except Sta. Wgn.	70	—	—	—	—	—	—	1	—	—	—	—	3404 386
	except Sta. Wgn.	71	—	—	—	—	—	—	1	—	—	—	—	3466 449
	w/o E.C.S., except Sta. Wgn.	70	—	—	—	—	—	—	1	1	1	—	—	3404 468
	w/E. C. S., except Sta. Wgn.	70	—	—	—	—	—	—	1	1	1	—	—	3404 378
	After June '71	71	—	—	—	—	—	—	1	1	1	—	—	= 3583 530
	w/o E.C.S.	70	—	—	—	—	—	—	—	—	—	—	1	2925 838
	w/E. C. S.		—	—	—	—	—	—	—	—	—	—	1	3404 250
	After June '71	71	—	—	—	—	—	—	—	—	—	—	1	= 3583 533
	V, 4 D., L, 2 D.H.T. and 4 D.,													
	Export	71	1	—	1	—	—	—	—	—	—	—	—	3404 478
	V, Duster, L, Swinger	71	1	—	1	—	—	—	—	—	—	—	—	3404 534
	J, Export	71	—	1	—	—	—	—	—	—	—	—	—	3404 677
14-86-42	GASKET, Filler Tube Cam, B (Optional w/3642 075)		1	1	1	—	—	—	—	—	—	—	—	2643 956
	J		—	1	—	—	—	—	—	—	—	—	—	3404 524
	R, Sta. Wgn., W, Charger and Sta. Wgn.		—	—	—	1	1	—	—	—	—	—	—	2643 956
	GASKET, Fuel Vapor Separator, Sta. Wgn.		—	—	—	1	1	—	—	—	—	—	—	2643 956
	SEAL, Filler Tube to Floor Pan, w/o E.C.S.	70	1	—	1	—	—	—	—	—	—	—	—	3404 470
	w/E.C.S.	70	1	—	1	—	—	—	—	—	—	—	—	3404 179
		71	1	—	1	—	—	—	—	—	—	—	—	3466 307
		70	—	1	—	—	—	—	—	—	—	—	—	3404 385
		71	—	1	—	—	—	—	—	—	—	—	—	3466 151
	Export	71	1	—	1	—	—	—	—	—	—	—	—	3466 158
	Charger	70	—	—	—	—	1	—	—	—	—	—	—	3404 539
	Sta. Wgn., w/o E.C.S.	70	—	—	—	1	1	—	—	—	—	—	—	2660 843
	Sta. Wgn., w/E.C.S.	70	—	—	—	1	1	—	—	—	—	—	—	3404 239

CARLINES J - Challenger V - Valiant R - Belvedere - Satellite P - Plymouth C - Chrysler
 B - Barracuda L - Dart W - Coronet - Charger D - Dodge Y - Imperial

AR Indicates use as required. Numerals in parentheses () refer to notes. Printed in U.S.A. January 1972
 # Indicates parts not listed in any previous parts book. ★ Indicates change or addition.

CODE	PART NAME	ENG. TYPE OR CU. IN.	V	B	L	R	W	P	D	C	C	C	Y	PART NUMBER
			1-2	1-2	1-2	1-2	1-2	1-2	1-2	1	2	3	1	
14-86-0 FUEL TANK Cont'd.														
14-86-43	BRACKET, Filler Tube		—	1	—	—	—	—	—	—	—	—	—	3404 075
	Except Charger and Sta. Wgn.	70	—	—	—	1	1	—	—	—	—	—	—	2856 334
	Exc. Sta. Wgn.	71	—	—	—	1	1	—	—	—	—	—	—	3642 058
	Retainer, Rt.	71	—	—	—	1	1	—	—	—	—	—	—	= 3466 385
	except Sta. Wgn.	70	—	—	—	—	—	1	—	—	—	—	—	3404 364
	Exc. Sta. Wgn.	71	—	—	—	—	—	1	—	—	—	—	—	= 3466 859
	Exc. Sta. Wgn.	71	—	—	—	—	—	—	1	—	—	—	—	= 3466 444
	Except Sta. Wgn.	70	—	—	—	—	—	—	1	—	—	—	—	3404 388
	Except Sta. Wgn.	71	—	—	—	—	—	—	—	1	1	1	—	3404 381
		71	—	—	—	—	—	—	—	—	—	—	1	= 3466 805
14-86-47	COVER, Filler Tube Cap, w/Locking Cap, w/o E.C.S., J	70	—	1	—	—	—	—	—	—	—	—	—	3404 670
	w/Locking Cap, w/E.C.S., J		—	1	—	—	—	—	—	—	—	—	—	3404 667
14-86-49	CLAMP, Fuel Line Hose		AR	AR	AR	AR	AR	AR	AR	AR	AR	AR	AR	2448 761
	Fuel Tank Vapor Sep.		—	1	—	—	—	1	1	1	1	1	1	2448 764
14-86-50	TUBE, Filler Vent Inter., w/o E. C. S., Sta. Wgn.	70	—	—	—	1	1	—	—	—	—	—	—	2643 858
	w/E.C.S., Sta. Wgn.	70	—	—	—	1	1	—	—	—	—	—	—	3404 240
	Filler Vent Extension, B	71	—	1	—	—	—	—	—	—	—	—	—	3404 501
14-86-55	GROMMET, Vent Tube		—	AR	—	AR	AR	AR	AR	AR	AR	AR	—	2216 552
	Fuel Tank Filler Tube, R, W, except Sta. Wgn.	70	—	1	—	1	1	—	—	—	—	—	—	3404 182
	B	71	—	1	—	1	1	—	—	—	—	—	—	3404 182
	R, W, Sta. Wgn.	70	—	—	—	1	1	—	—	—	—	—	—	2880 481
	P, D, C, except Sta. Wgn.	70	1	—	1	—	—	1	1	1	1	1	1	2880 481
	except Sta. Wgn.	71	1	—	1	1	1	1	1	1	1	1	1	2880 481
14-86-57	HOSE, Filler Vent Tube, Charger		1	1	1	—	1	—	—	—	—	—	—	1828 456
	Filler Vent Tube, except Charger and Sta. Wgn.		—	—	—	1	1	1	1	1	1	1	1	2600 702
	Fuel Tank to Vapor Separator		1	1	1	1	1	1	1	1	1	1	1	2600 702
	Fuel Vapor Tube Front		1	1	1	1	1	1	1	1	1	1	1	1739 230
	After May '71		1	—	1	—	—	—	—	—	—	—	—	3583 539
14-86-58	CLIP, Vent Tube Extension, B	71	—	1	—	—	—	—	—	—	—	—	—	3404 519
14-86-59	BUMPER, Filler Tube Cap Cover, w/Locking Cap, w/o E.C.S., J	70	—	1	—	—	—	—	—	—	—	—	—	3404 671
	w/E.C.S., J	70	—	1	—	—	—	—	—	—	—	—	—	3404 669
14-86-61	SHIELD, Vapor Separator Tube		1	—	1	—	—	—	—	—	—	—	—	3466 126
		70	—	1	—	—	—	—	—	—	—	—	—	3466 130
	except Sta. Wgn.	70	—	—	—	1	1	—	—	—	—	—	—	3466 127
	except Sta. Wgn.	70	—	—	—	—	—	1	1	1	1	1	1	3466 128
		71	—	1	—	—	—	—	—	—	—	—	—	3466 822
		71	—	—	—	1	1	—	—	—	—	—	—	3466 430
		71	—	—	—	—	—	1	1	1	1	1	1	3466 170
	SHIELD, Vapor Separator	71	—	—	—	1	1	—	—	—	—	—	—	3466 391
	SHIELD, Vapor Separator Hose	70	—	1	—	—	—	—	—	—	—	—	—	3466 129
14-86-65	SEPARATOR, Fuel Vapor		1	—	1	—	—	—	—	—	—	—	—	3404 351
			—	1	—	—	—	—	—	—	—	—	—	3404 183
	except Charger and Sta. Wgn.	70	—	—	—	1	1	—	—	—	—	—	—	3404 373
	Charger	70	—	—	—	—	1	—	—	—	—	—	—	3404 365
	Sta. Wgn.	70	—	—	—	1	1	—	—	—	—	—	—	3404 164
	except Sta. Wgn.	71	—	—	—	1	1	—	—	—	—	—	—	3466 389
	After Jan. 1, 1971	71	—	—	—	1	1	—	—	—	—	—	—	= 3466 835
	except Sta. Wgn.		—	—	—	—	—	1	1	1	1	1	1	3466 836
14-86-67	GASKET, Vapor Separator		1	1	1	1	1	1	1	1	1	1	1	3404 191
14-86-69	ELBOW, Filler Tube, Sta. Wgn.		—	—	—	1	1	—	—	—	—	—	—	2643 859
	Vent Tube, Sta. Wgn.		—	—	—	2	2	—	—	—	—	—	—	2643 860
14-86-71	BRACKET, Belt Bar Reinforcement F/Tank Vapor Separator, CV. Cp.		—	1	—	—	—	—	—	—	—	—	—	3444 496

CARLINES J - Challenger V - Valiant R - Belvedere - Satellite P - Plymouth C - Chrysler
 B - Barracuda L - Darr W - Coronet - Charger D - Dodge Y - Imperial

AR Indicates use as required. Numerals in parentheses () refer to notes. Printed in U.S.A.
 # Indicates parts not listed in any previous parts book. ★ Indicates change or addition. January 1972

CODE	PART NAME	ENG. TYPE OR CU.IN.	V	B	L	R	W	P	D	C	C	C	Y	PART NUMBER
			1-2	1-2	1-2	1-2	1-2	1-2	1-2	1	2	3	1	
14-86-0 FUEL TANK Cont'd.														
14-86-71	BRACKET Cont'd.													
	BRACKET, W/House Inner Emission Tank Support, except Sta. Wgn.	71	—	—	—	1	1	—	—	—	—	—	—	3504 850
	W/House Outer Emission Tank Support, except Sta. Wgn.	71	—	—	—	1	1	—	—	—	—	—	—	3504 851
14-86-85	FILTER, Inside of Tank, w/426 and 440 Eng.		—	1	—	1	1	—	—	—	—	—	—	2534 111
	All others		1	1	1	1	1	1	1	1	1	1	1	1670 694
14-87-0 FUEL TANK STONE DEFLECTOR														
14-87-2	DEFLECTOR, Sta. Wgn.		—	—	—	—	—	1	1	1	—	—	—	2894 903
	SHIELD, Sta. Wgn.	71	—	—	—	1	1	—	—	—	—	—	—	3499 626
14-88-0 FUEL TANK SUPPORT														
14-88-8	BRACKET, Recovery Tank Supt.	71	—	—	—	—	—	1	1	1	1	1	—	= 3412 884
14-88-21	STRAP		2	—	2	—	—	—	—	—	—	—	—	3404 679
		70	—	2	—	—	—	—	—	—	—	—	—	3462 431
		71	—	2	—	—	—	—	—	—	—	—	—	3466 431
	except Sta. Wgn.	70	—	—	—	2	2	—	—	—	—	—	—	2856 349
	except Sta. Wgn.	71	—	—	—	2	2	—	—	—	—	—	—	3466 333
	except Sta. Wgn.		—	—	—	—	—	2	2	2	2	2	2	2880 429
	Sta. Wgn.	70	—	—	—	2	2	—	—	—	—	—	—	2880 474
	Sta. Wgn., Front	71	—	—	—	1	1	—	—	—	—	—	—	3404 973
	Sta. Wgn., Rear	71	—	—	—	1	1	—	—	—	—	—	—	3404 972
	Sta. Wgn., Front		—	—	—	—	—	1	1	1	—	—	—	3404 681
	Sta. Wgn., Rear		—	—	—	—	—	1	1	1	—	—	—	2925 750
14-88-27	STUD, Support Strap except, P, D, C, Sta. Wgn.	70	—	2	—	—	—	—	—	—	—	—	—	2962 212
	Front, Sta. Wgn.		2	2	2	2	2	2	2	2	2	2	2	2643 824
	Rear, Sta. Wgn.		—	—	—	—	—	1	1	1	—	—	—	1671 610
			—	—	—	—	—	1	1	1	—	—	—	2643 824
14-88-28	BRACKET, w/Nut, Rr. Flr. Pan F/Tank Support Strap, Front	70	—	—	—	1	1	—	—	—	—	—	—	3439 328-9
	Rear, Sta. Wgn.	70	—	—	—	2	2	—	—	—	—	—	—	2860 786
	w/Hse. Supt.	71	—	—	—	1	1	—	—	—	—	—	—	3504 850
	Floor Pan Ret.	71	—	—	—	—	—	1	1	1	1	1	1	= 3615 086
14-88-32	STRAINER, Flr. Pan Fuel Tank, except Sta. Wgn.	71	—	—	—	2	2	—	—	—	—	—	—	3445 039
	STRAINER, Rear Flr. Pan Fuel Tank, except Sta. Wgn.	71	—	—	—	1	1	—	—	—	—	—	—	3482 256
	STRAINER, w/Reinforcement, Rr. Flr. Pan	71	—	1	—	—	—	—	—	—	—	—	—	2934 840
14-88-36	REINFORCEMENT, Rr. Flr. Pan Fuel Tank Frt. or Rear, Except Sta. Wgn.		—	—	—	—	—	1	1	1	1	1	1	2481 381
	REINFORCEMENT, Fuel Tank Strap Rr., except Sta. Wgn.	71	—	2	—	2	2	—	—	—	—	—	—	3506 065
14-88-42	BRACE, F/Tank Protector and Bumper Guard Rt., Charger	70	—	—	—	—	1	—	—	—	—	—	—	2883 962
	Lt., Charger	70	—	—	—	—	1	—	—	—	—	—	—	2883 961
14-89-0 FUEL LINE TUBE														
14-89-2	TUBING, 25 Ft. Roll, 5/16" O. D.		AR	AR	AR	AR	AR	AR	AR	AR	AR	AR	AR	1843 253
	Tee, Inlet Fuel to Carb. 3/2 Bbl.		AR	AR	AR	AR	AR	AR	AR	AR	AR	AR	AR	173 182
14-89-57	HOSE, Fuel Line Tubes, 3/8" I.D. & 5/8" O.D.		AR	AR	AR	AR	AR	AR	AR	AR	AR	AR	AR	3404 646
	24 1/2 lg.		AR	AR	AR	AR	AR	AR	AR	AR	AR	AR	AR	3466 403
	26 1/2" lg.		AR	AR	AR	AR	AR	AR	AR	AR	AR	AR	AR	1739 230
	5/16" I.D. & 9/16" O.D. 12" lg.		AR	AR	AR	AR	AR	AR	AR	AR	AR	AR	AR	1739 243
	24" lg.		AR	AR	AR	AR	AR	AR	AR	AR	AR	AR	AR	2532 191
14-89-58	STEM, Fuel Pump Hose, w/426 Eng.		—	1	—	1	1	—	—	—	—	—	—	
CARLINES	J - Challenger B - Barracuda	V - Valiant L - Dart	R - Belvedere - Satellite W - Coronet - Charger				P - Plymouth D - Dodge				C - Chrysler Y - Imperial			

AR Indicates use as required.

Indicates parts not listed in any previous parts book.

Numerals in parentheses () refer to notes.

★ Indicates change or addition.

Printed in U.S.A.
January 1972

CODE	PART NAME	ENG. TYPE OR CU.IN.	V	B	L	R	W	P	D	C	C	C	Y	PART NUMBER
			1-2	1-2	1-2	1-2	1-2	1-2	1-2	1	2	3	1	
14-90-0 FUEL LINE TUBE CLIP														
14-90-1	CLIP,		AR	AR	AR	AR	AR	AR	AR	AR	AR	AR	AR	2123 341
	At Sill		—	—	—	—	—	AR	AR	AR	AR	AR	AR	= 3583 599
	At Sill		AR	—	AR	—	—	—	—	—	—	—	—	2207 933
	Tube Flange		—	—	—	—	—	AR	AR	AR	AR	AR	AR	2781 518
	At Sill		—	—	—	AR	AR	—	—	AR	AR	AR	—	3404 625
	w/426 or 440, Eng.	70	—	AR	—	AR	AR	—	—	—	—	—	—	2534 113
	w/426 & 440 Eng.	71	—	AR	—	AR	AR	—	—	—	—	—	—	= 3583 483
	Tube Front		AR	—	AR	—	—	—	—	—	—	—	—	2883 929
	"S" Type		AR	AR	AR	AR	AR	—	—	—	—	—	—	2925 705
	Fuel Return Tube, w/426 or 440 Eng.		—	AR	—	AR	AR	—	—	—	—	—	—	2530 700
	Fuel Vapor Tube		AR	AR	AR	AR	AR	—	—	—	—	—	—	2123 341
	Fuel Vapor Tube		—	—	—	—	—	AR	AR	AR	AR	AR	AR	2883 929
14-90-4	BRACKET, Tube Retainer, Lt.		1	—	—	—	—	—	—	—	—	—	—	3404 074
	Fuel Line Support, w/426 Eng.		—	1	—	1	1	—	—	—	—	—	—	2780 535

CARLINES	J - Challenger B - Barracuda	V - Valiant L - Dart	R - Belvedere - Satellite W - Coronet - Charger	P - Plymouth D - Dodge	C - Chrysler Y - Imperial
----------	---------------------------------	-------------------------	--	---------------------------	------------------------------

AR Indicates use as required. Numerals in parentheses () refer to notes. Printed in U.S.A. January 1972

Indicates parts not listed in any previous parts book. ★ Indicates change or addition.