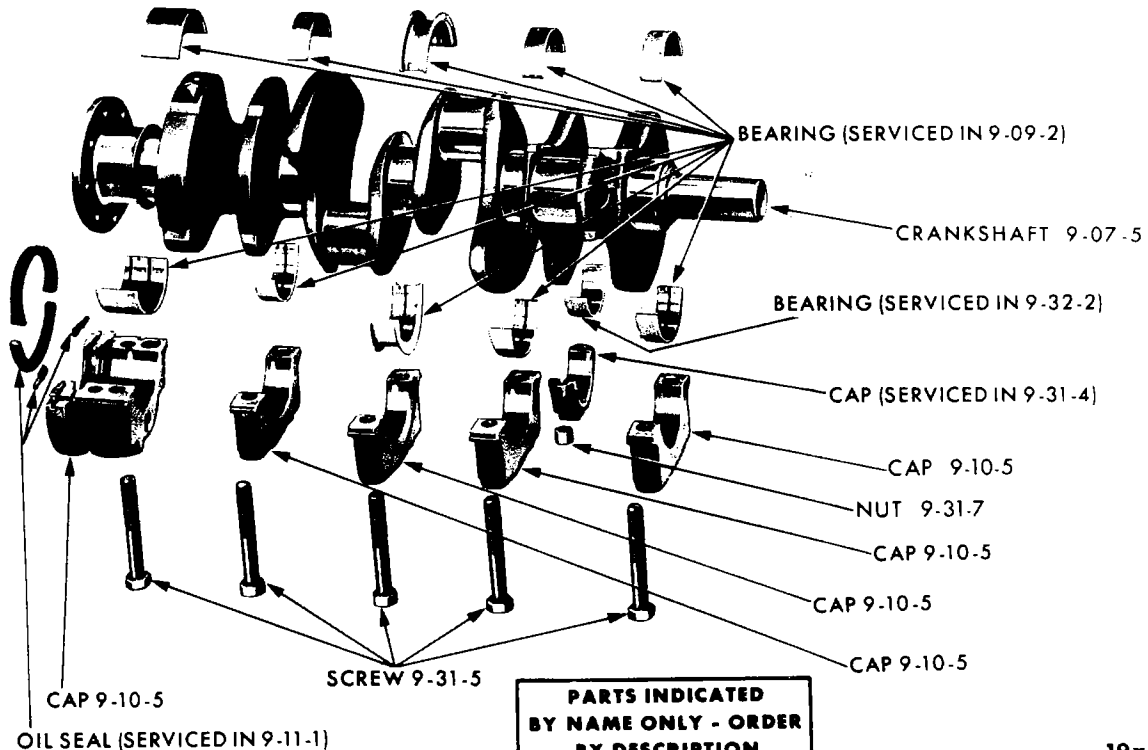
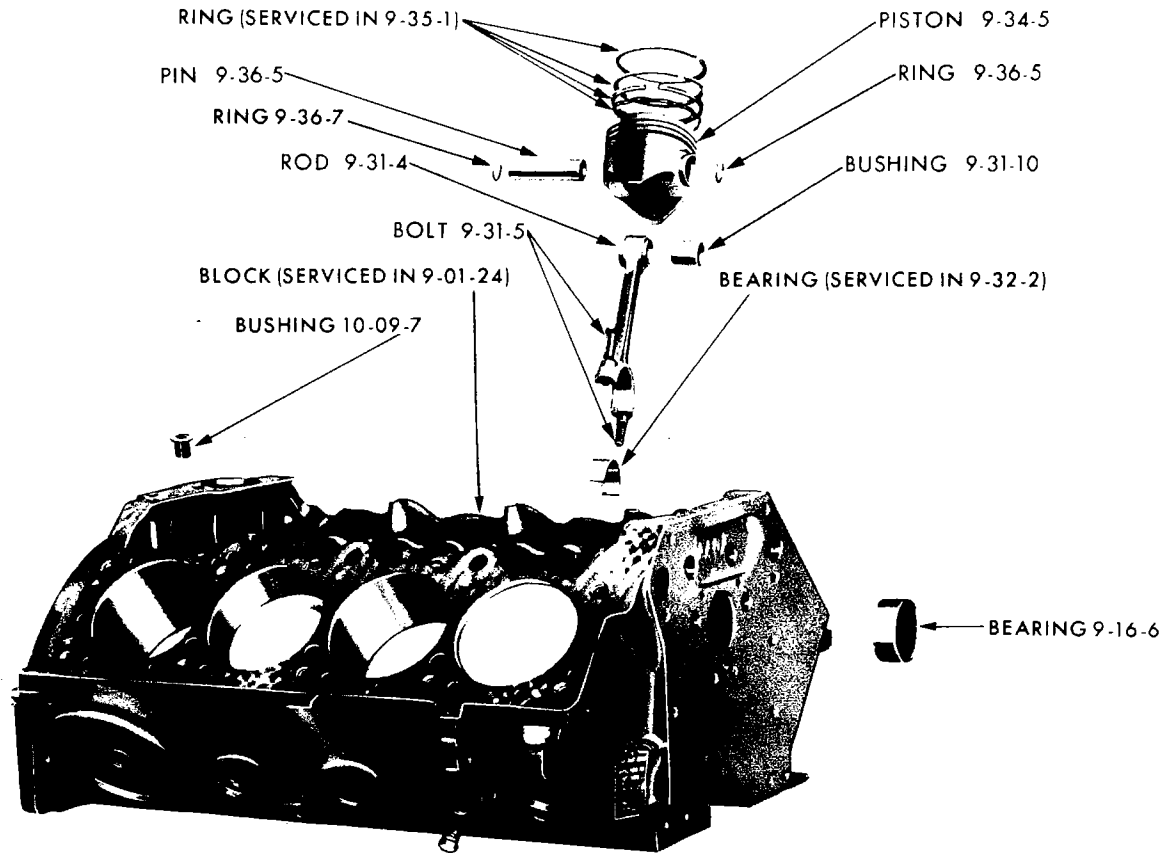
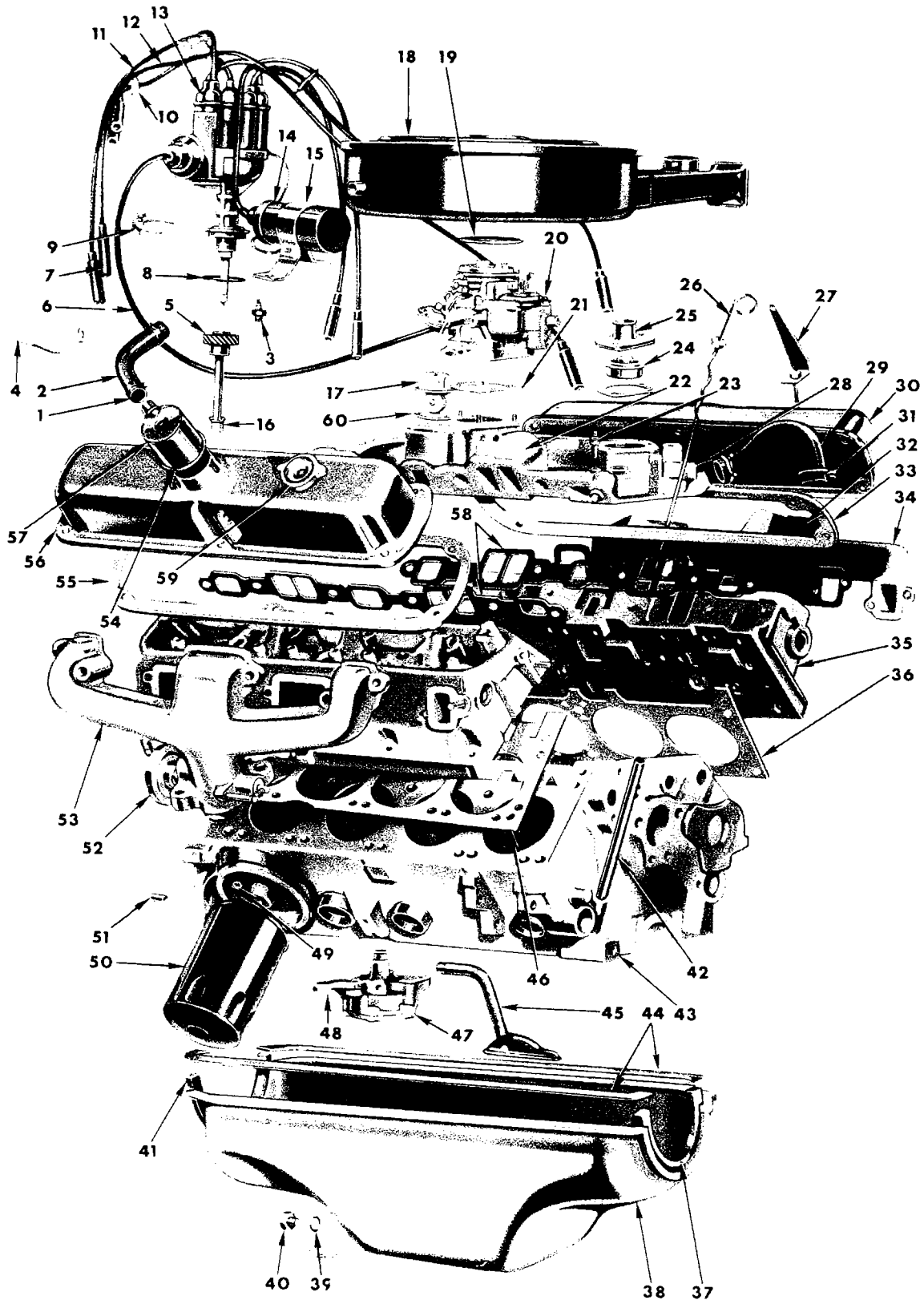


GROUP 9 - ENGINE EIGHT CYLINDER



**PARTS INDICATED
BY NAME ONLY - ORDER
BY DESCRIPTION**

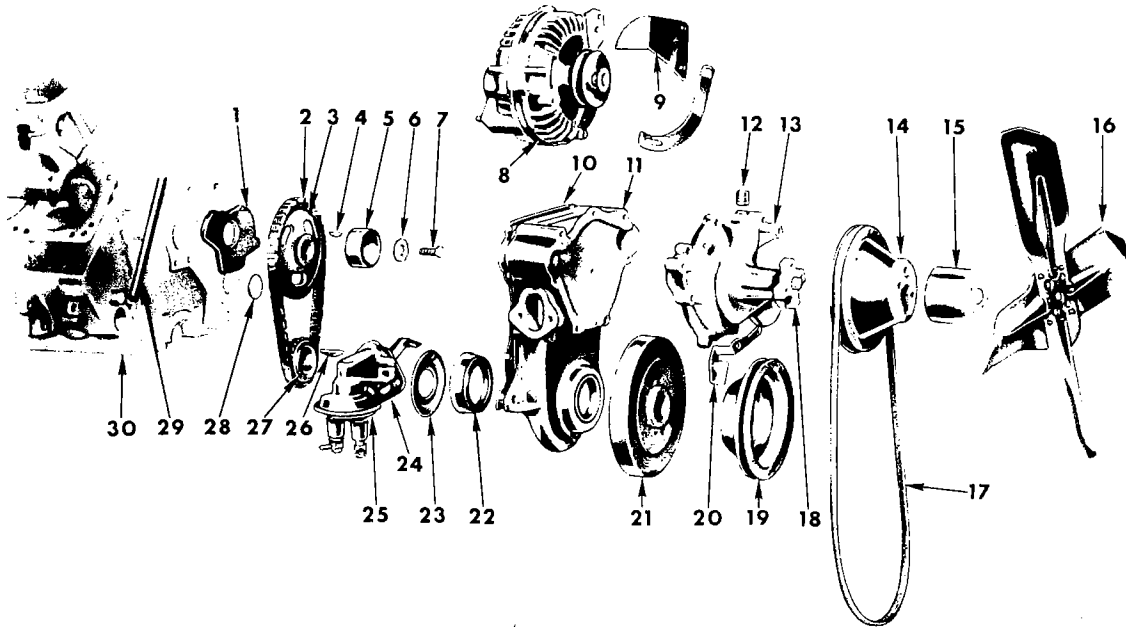


19a13306A

EXTERNAL PARTS - 318, 340 AND 360 8 CYLINDER ENGINE

Ref. No.	Name	Part Type Code	Ref. No.	Name	Part Type Code
1	Clamp	10-01-40	31	Clamp	
2	Hose	10-02-53	32	Gasket	9-50-5
3	Valve	10-02-62	33	Gasket	9-03-29
4	Cable	Not Serviced	34	Manifold	9-48-6
5	Shaft	10-09-1	35	Head	9-03-4
6	Tube	8-37-320	36	Gasket	9-03-5
7	Nipple	8-36-96	37	Gasket	10-24-1
8	Gasket	8-27-4	38	Pan	10-24-4
9	Clamp	8-27-26	39	Gasket	10-24-38
10	Grommet	8-36-92	40	Plug	10-24-37
11	Cable Set	8-36-1	41	Gasket	10-24-1
12	Bracket	8-36-4	42	Tube	10-03-7
13	Distributor	8-27-1	43	Block (Serviced in 9-01-24)	
14	Coil	8-35-4	44	Gasket	10-24-1
15	Bracket	8-35-41	45	Strainer w/Pipe	10-23-7
16	Bushing	10-09-7	46	Gasket	9-03-5
17	Choke	14-39-45	47	Cover	10-07-7
18	Air Cleaner	14-29-2	48	Pump	10-07-6
19	Gasket	14-29-5	49	Plug	9-02-17
20	Carburetor	14-30-1	50	Filter	10-26-6
21	Gasket	14-30-2	51	Dowel	9-02-7
22	Manifold	9-48-7	52	Counterweight	9-58-12
23	Sending Unit	8-37-155	53	Manifold	9-48-6
24		54	Grommet	10-01-23
25	Elbow	9-05-5	55	Gasket	9-03-29
26	Indicator	10-03-4	56	Cover	9-03-28
27	Bracket	14-06-10	57	Air Cleaner	10-01-21
28	Nipple	7-48-22	58	Gasket (Serviced in 9-50-1)	
29	By-Pass Hose	7-14-9	59	Cap	10-01-54
30	Cover	9-03-28	60	Gasket, Choke Well	14-65-5

PARTS INDICATED BY NAME ONLY - ORDER BY DESCRIPTION

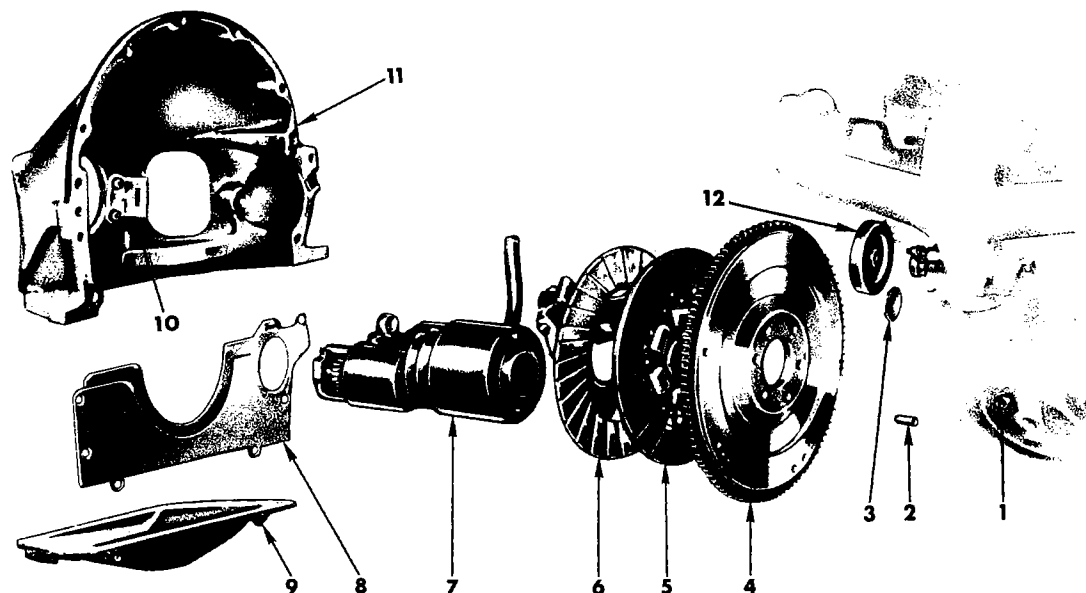


19a13307

EXTERNAL PARTS - FRONT - 318, 340 AND 360 8 CYLINDER ENGINE

Ref. No.	Name	Part Type Code	Ref. No.	Name	Part Type Code
1	Block (Serviced in 9-01-24)		16	Fan	7-02-1
2	Chain	9-20-1	17	Belt	7-03-1
3	Sprocket	9-17-5	18	Hub	7-05-1
4	Key	9-17-5	19	Pulley	7-06-1
5	Eccentric	9-15-2	20	Indicator	9-23-40
6	Washer	9-15-10	21	Damper	9-13-5
7	Screw		22	Oil Seal	9-23-18
8	Alternator	8-28-3	23	Oil Slinger	9-07-17
9			24	Gasket	14-74-1
10	Gasket	9-23-17	25	Pump	14-73-1
11	Cover	9-23-5	26	Key	9-08-5
12	Nipple	7-48-22	27	Sprocket	9-08-5
13	Pump	7-42-1	28	Plug	9-02-16
14	Pulley	7-06-14	29	Tube	10-03-7
15	Spacer	7-02-16	30	Block (Serviced in 9-01-24)	

PARTS INDICATED BY NAME ONLY - ORDER BY DESCRIPTION

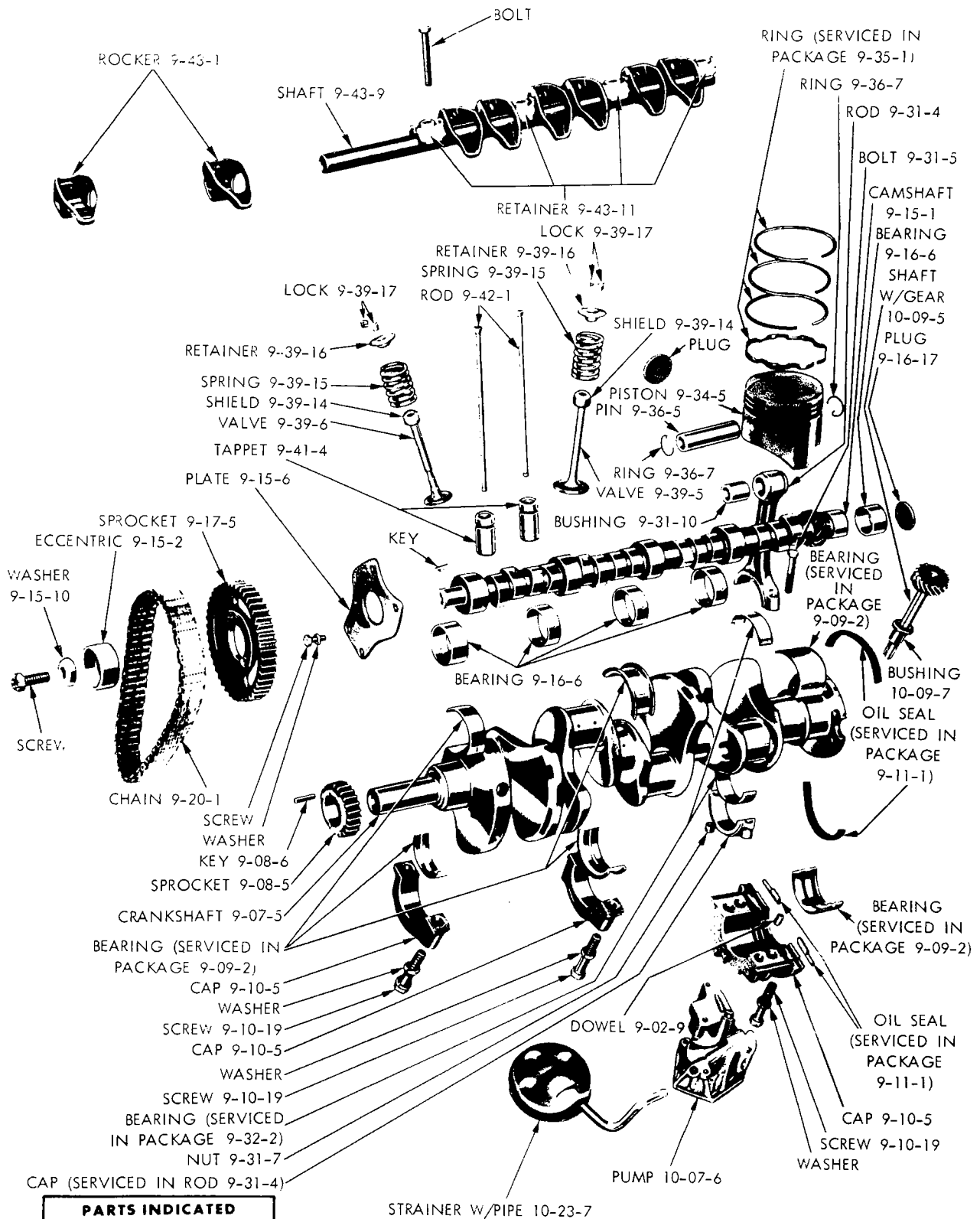


19a13308

EXTERNAL PARTS - REAR - 318, 340 AND 360 8 CYLINDER ENGINE
 WITH MANUAL TRANSMISSION

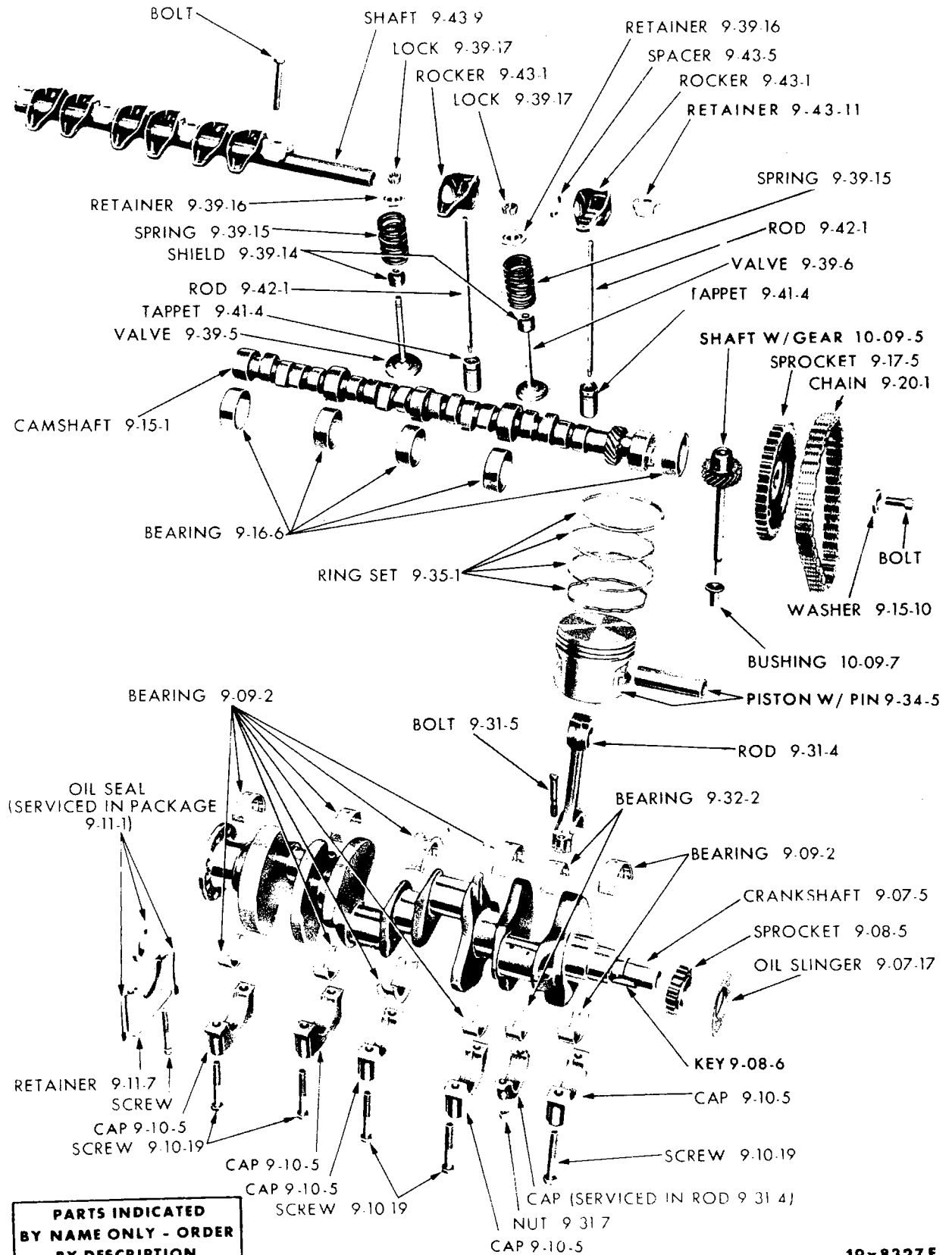
Ref. No.	Name	Part Type Code	Ref. No.	Name	Part Type Code
1	Plug	9-02-17	7	Starting Motor	8-52-4
2	Dowel	9-02-7	8	Seal	6-10-10
3	Plug	9-16-17	9	Pan	6-10-2
4	Flywheel.	9-45-1	10	Pivot	6-22-15
5	Disc	6-13-1	11	Housing	6-09-1
6	Plate	6-14-1	12	Counterweight (Serviced in Valve Pkg. 9-58-1)	

PARTS INDICATED BY NAME ONLY - ORDER BY DESCRIPTION



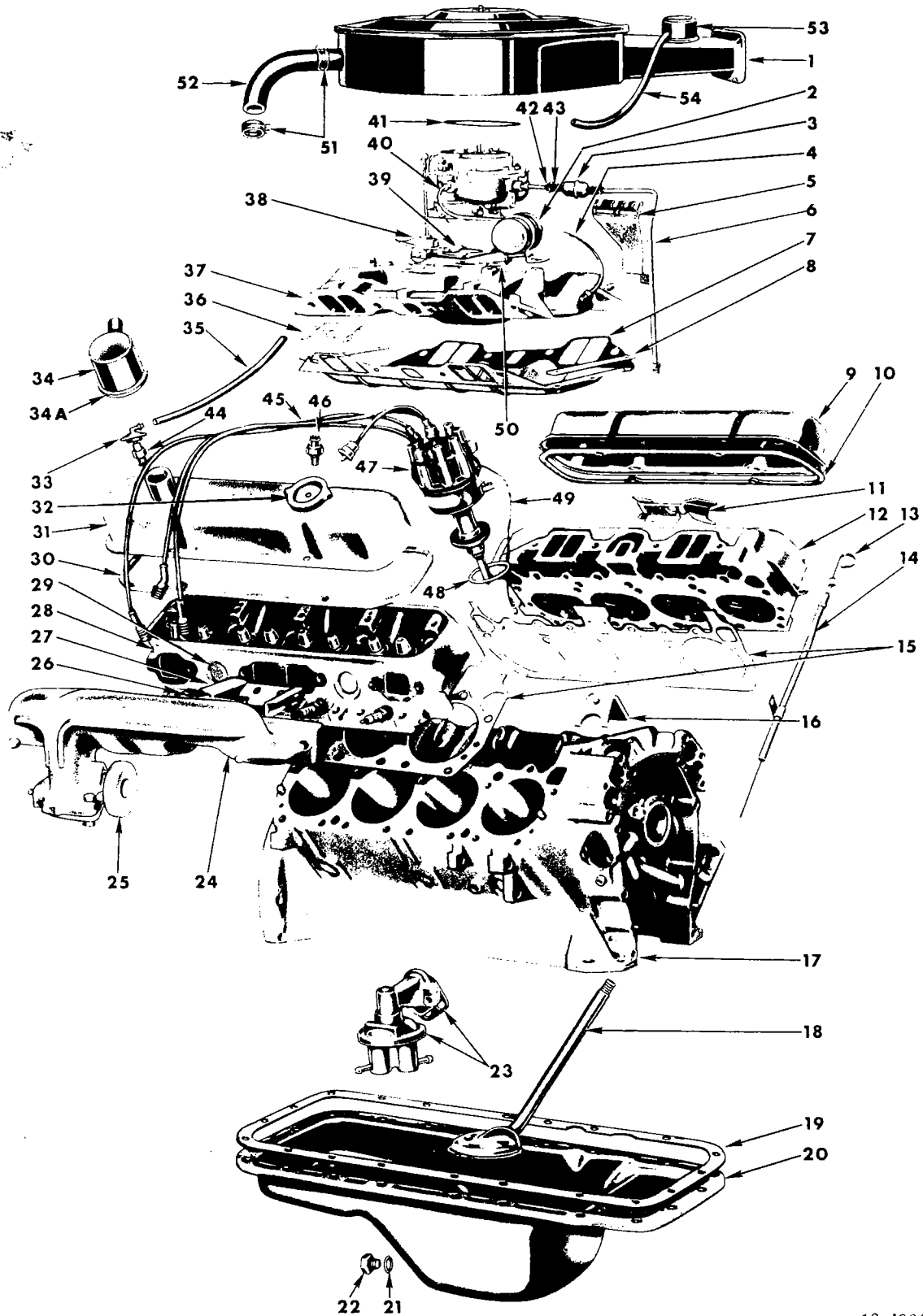
**PARTS INDICATED
 BY NAME ONLY - ORDER
 BY DESCRIPTION**

19a0694



**PARTS INDICATED
BY NAME ONLY - ORDER
BY DESCRIPTION**

19x8327 F

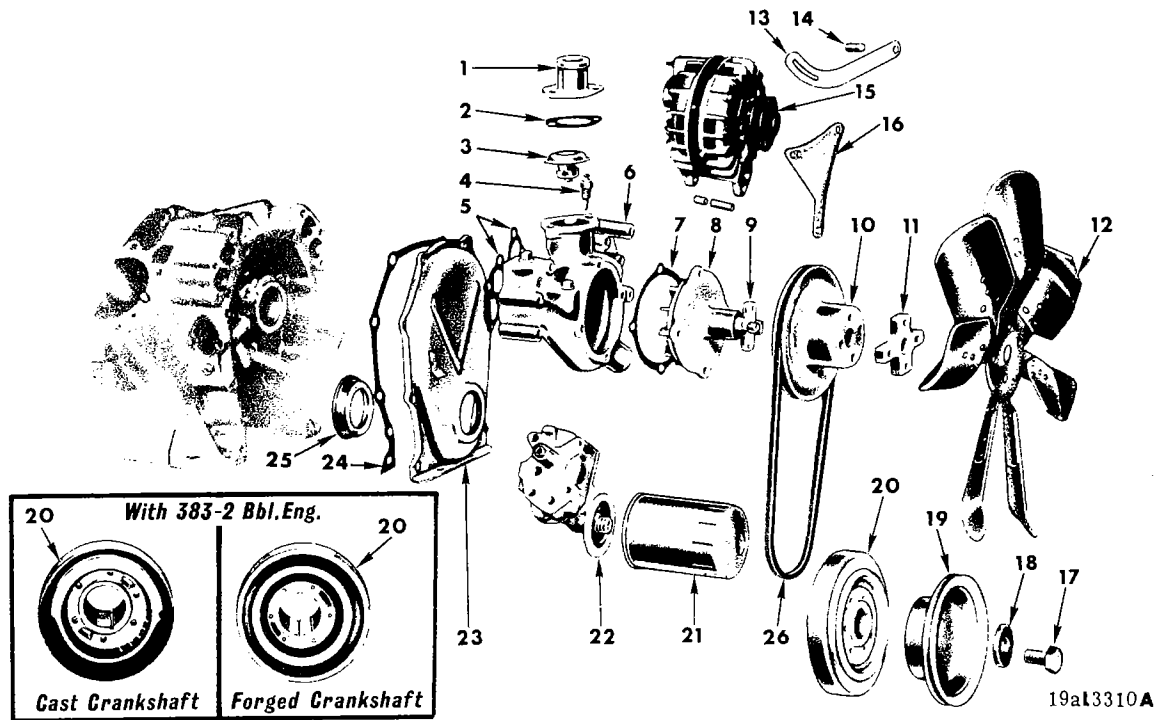


19a13309

EXTERNAL PARTS - 383 AND 440 8 CYLINDER ENGINE

Ref. No.	Name	Part Type Code	Ref. No.	Name	Part Type Code
1	Air Cleaner (Also see Codes 14-29-7 and 14-29-9)	14-29-2	28	Head	9-03-4
2	Coil	8-35-4	29	Plug	9-03-18
3	Filter	14-67-1	30	Gasket	9-03-29
4	Cable	8-36-49	31	Cover	9-03-28
5	Bracket	8-36-4	32	Cap	10-01-54
6	Tube	14-89-2	33	Grommet	10-02-61
7	Gasket	9-50-6	34	Cleaner	10-01-21
8	Reinforcement	9-48-27	34A	Grommet	10-01-23
9	Cover	9-03-28	35	Hose	10-02-53
10	Gasket	9-03-29	36	Silencer Package	9-41-1
11	Shield	8-36-124	37	Manifold	9-48-7
12	Head	9-03-4	38	Choke	14-39-45
13	Indicator	10-03-4	39	Gasket	14-30-2
14	Tube	10-03-7	40	Carburetor	14-30-1
15	Gasket	9-03-5	41	Gasket	14-29-5
16	Clamp	8-27-26	42	Clamp	
17	Block (Serviced in Short Engine 9-01-24)		43	Hose	14-67-2
18	Strainer w/Pipe	10-23-7	44	Valve	10-02-62
19	Gasket	10-24-8	45	Cable Set	8-36-1
20	Pan	10-24-4	46	Switch	8-53-327
21	Gasket	10-24-38	47	Distributor	8-27-1
22	Plug	10-24-37	48	Gasket	8-27-4
23	Pump Package, Fuel	14-73-1	49	Lead	8-27-205
24	Manifold	9-48-6	50	Bracket	8-35-41
25	Valve Package	9-58-1	51	Clamp	10-01-40
26	Spark Plug	8-36-114	52	Hose	10-01-62
27	Shield	8-36-124	53	Sensor	14-29-53
			54	Hose	14-29-24

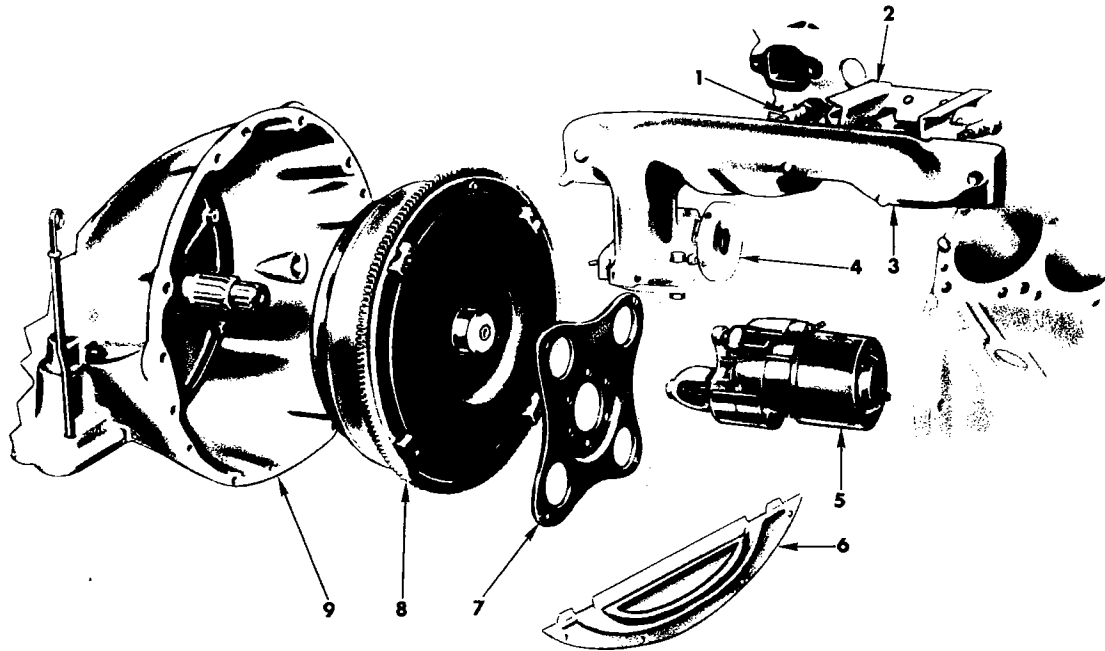
PARTS INDICATED BY NAME ONLY - ORDER BY DESCRIPTION



EXTERNAL PARTS - FRONT - 383 AND 440 8 CYLINDER ENGINES

Ref. No.	Name	Part Type Code	Ref. No.	Name	Part Type Code
1	Connector	9-05-5	14	Spacer	8-28-292
2	Gasket	9-05-6	15	Alternator	8-28-3
3	Thermostat	7-41-4	16	Bracket	
4	Sending Unit	8-37-155	17	Screw	9-07-8
5	Gasket	7-44-4	18	Washer	9-07-22
6	Housing	7-43-1	19	Pulley	7-06-1
7	Gasket	7-44-3	20	Damper	9-13-5
8	Pump	7-42-1	21	Filter	10-26-6
9	Hub	7-05-1	22	Pump	10-07-6
10	Pulley	7-06-14	23	Cover	9-23-5
11	Hub	7-05-1	24	Gasket	9-23-17
12	Fan	7-02-1	25	Oil Seal	9-23-18
13	Strap	8-28-15	26	Belt	7-03-1

PARTS INDICATED BY NAME ONLY -ORDER BY DESCRIPTION

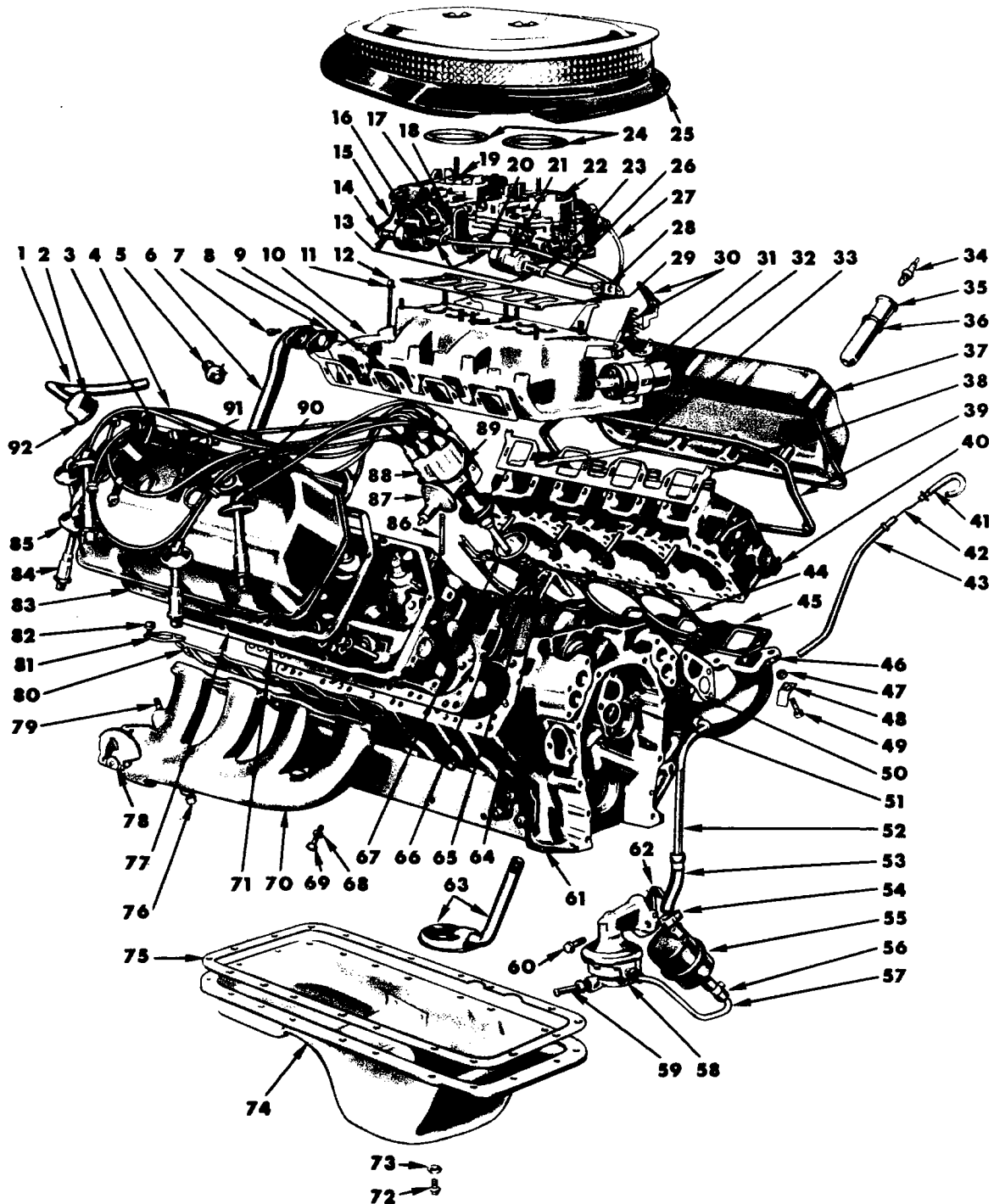


19a13311

EXTERNAL PARTS - REAR - 383 AND 440 8 CYLINDER ENGINE

Ref. No.	Name	Part Type Code	Ref. No.	Name	Part Type Code
1	Spark Plug	8-36-114	6	Cover	21-03-6
2	Shield	8-36-124	7	Plate	9-46-8
3	Manifold	9-48-6	8	Torque Converter	9-46-4
4			9	Case, Transmission	21-03-1
5	Starter	8-52-4			

PARTS INDICATED BY NAME ONLY - ORDER BY DESCRIPTION

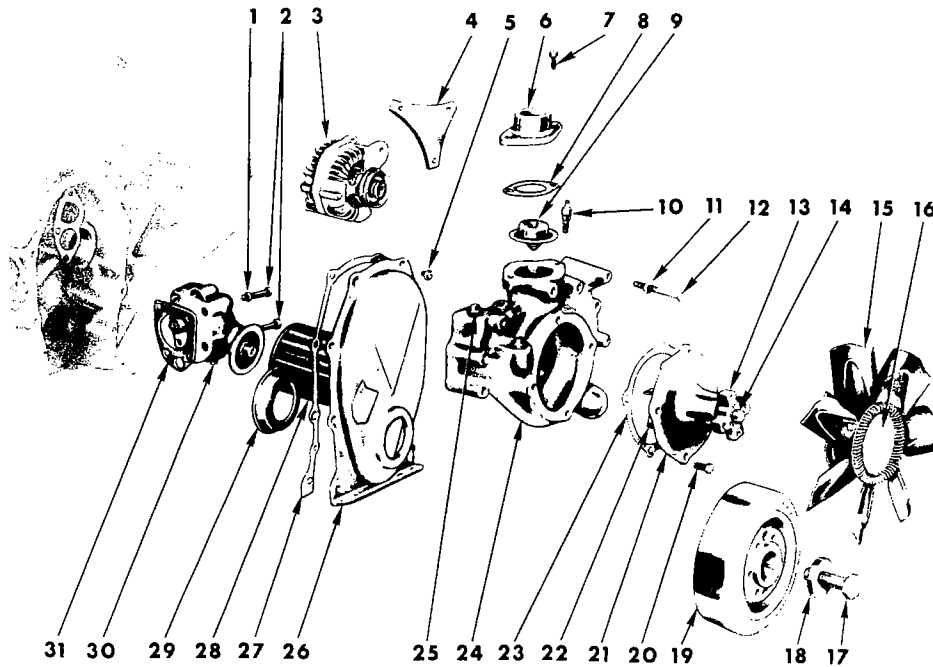


19a13312

EXTERNAL ENGINE - 426

Ref. No.	Name	Part Type Code	Ref. No.	Name	Part Type Code
1	Hose	10-02-53	47	Washer	9-48-45
2	Cleaner	10-01-21	48	Clip	9-48-140
3	Cover	9-03-28	49	Bolt	
4	Cable Set	8-36-1	50	Gasket	7-44-4
5	Valve	8-27-335	51	Gasket	7-44-4
6	Tube	9-48-26	52		
7	Screw, w/Washer		53		
8	Gasket	9-50-18	54	Clamp	
9	Gasket	9-50-1	55	Filter	14-67-1
10	Manifold	9-48-7	56	Hose	14-67-2
11	Washer		57	Tube	14-89-2
12	Bolt		58	Pump	14-73-1
13	Hose	14-67-2	59	Stem	14-89-58
14	Tube	14-89-2	60	Bolt	
15	Elbow		61	Block (Serviced in 9-01-24)	
16	Choke	14-39-45	62	Gasket	14-74-1
17	Gasket	14-30-2	63	Strainer w/Pipe	10-23-7
18	Tube	14-89-2	64	Clamp	8-27-26
19	Carburetor	14-30-1	65	Screw	
20	Fitting		66	Washer	
21	Filter	14-67-1	67	Gasket	8-27-4
22	Carburetor	14-30-1	68	Washer	9-48-45
23	Gasket	14-30-2	69	Bolt	9-48-6
24	Gasket		70	Manifold	9-48-6
25	Air Cleaner		71	Gasket	9-03-5
26	Tube	14-89-2	72	Plug	10-24-37
27	Spring	14-06-01	73	Gasket	10-24-38
28	Tee	14-85-31	74	Pan	10-24-4
29	Bracket	14-06-10	75	Gasket	10-24-8
30	Bracket	8-36-4	76	Connector	
31	Bracket	8-35-41	77	Head	9-03-4
32	Coil	8-35-4	78	Counterweight	9-58-12
33	Gasket	9-50-1	79	Tube	9-48-126
34	Plug	8-36-114	80	Gasket	9-50-5
35	Tube	8-36-136	81	Gasket	9-50-18
36	Seal	8-36-137	82	Bolt	
37	Cover	9-03-28	83	Gasket	9-03-29
38	Gasket	9-50-1	84	Nipple	8-36-96
39	Gasket	9-03-29	85	Grommet	8-36-92
40	Head	9-03-4	86	Stud	
41	Insulator	10-03-14	87	Control	8-27-308
42	Indicator	10-03-4	88	Distributor	8-27-1
43	Tube	10-03-7	89	Tube	8-27-320
44	Gasket	9-03-5	90	Cap	10-01-54
45	Gasket	9-50-5	91	Grommet	8-36-92
46	Manifold	9-48-6	92	Grommet	10-01-23

PARTS INDICATED BY NAME ONLY - ORDER BY DESCRIPTION

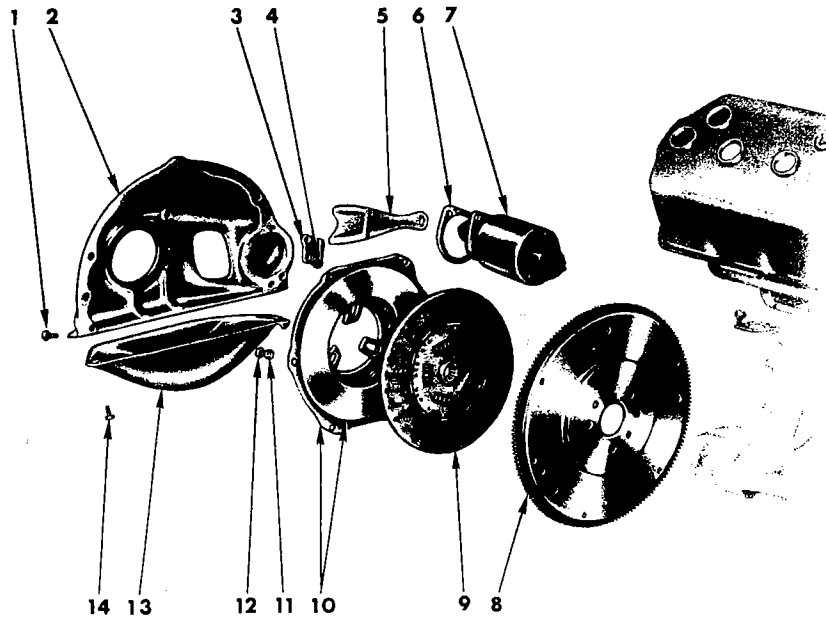


19a13313

EXTERNAL ENGINE - FRONT - 426

Ref. No.	Name	Part Type Code	Ref. No.	Name	Part Type Code
1	Washer		16	Screw	9-07-8
2	Bolt		17	Washer	9-07-22
3	Alternator		18	Damper	9-13-5
4	Bracket		20	Bolt	
5	Screw, w/Washer		21	Body (Serviced in 7-42-1)	
6	Connector	9-05-5	22	Impeller	7-45-31
7	Screw		23	Gasket	7-44-3
8	Gasket	9-05-6	24	Housing	7-43-1
9	Thermostat	7-41-4	25	Plug	
10	Sending Unit	8-37-155	26	Cover	9-23-5
11	Washer		27	Gasket	9-23-17
12	Bolt		28	Filter	10-26-6
13	Hub	7-05-1	29	Oil Seal	9-23-18
14	Shaft and Bearing (Serviced in 7-42-4)		30	Pump	10-07-6
15			31	Gasket	10-07-8

PARTS INDICATED BY NAME ONLY - ORDER BY DESCRIPTION

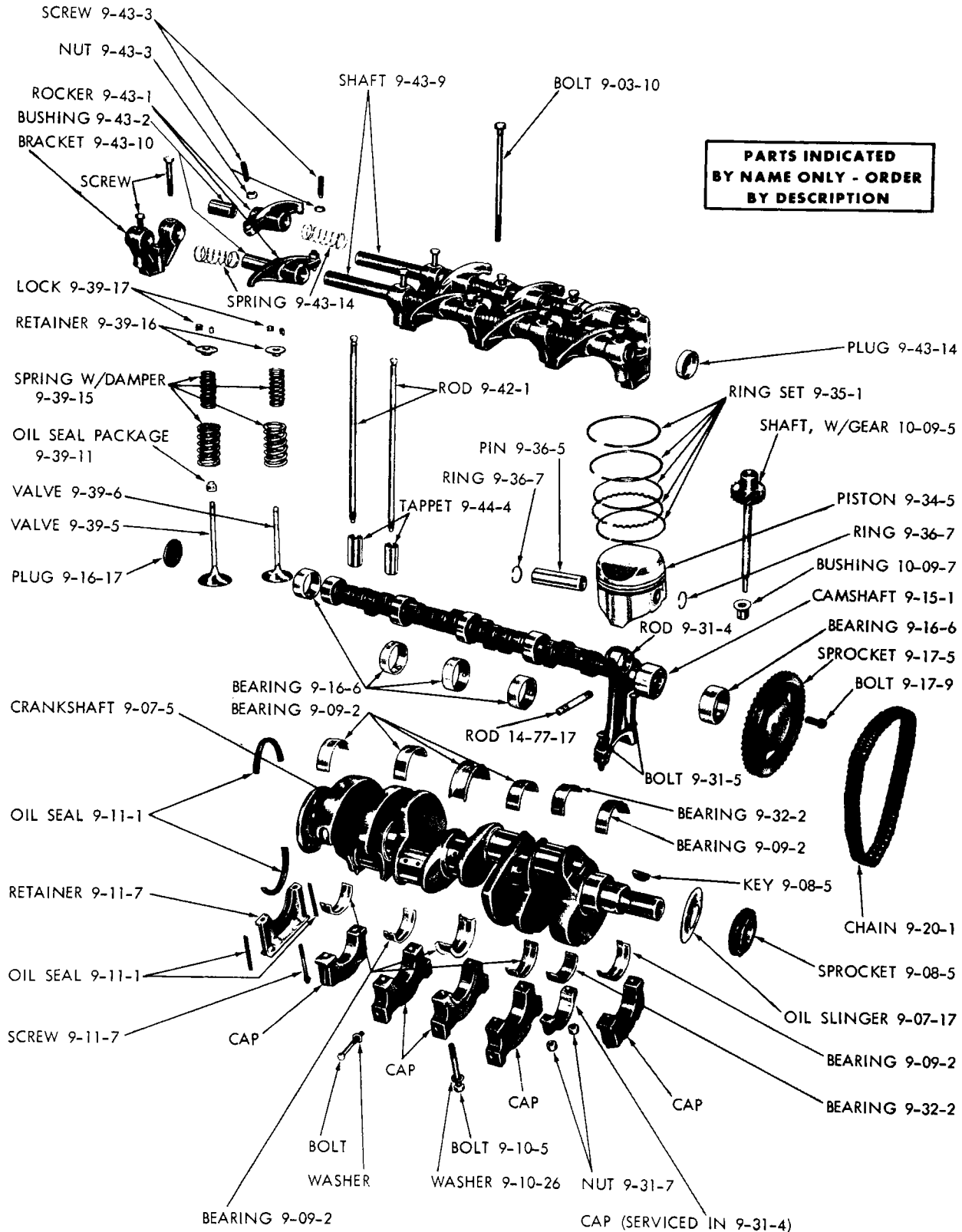


19a13314

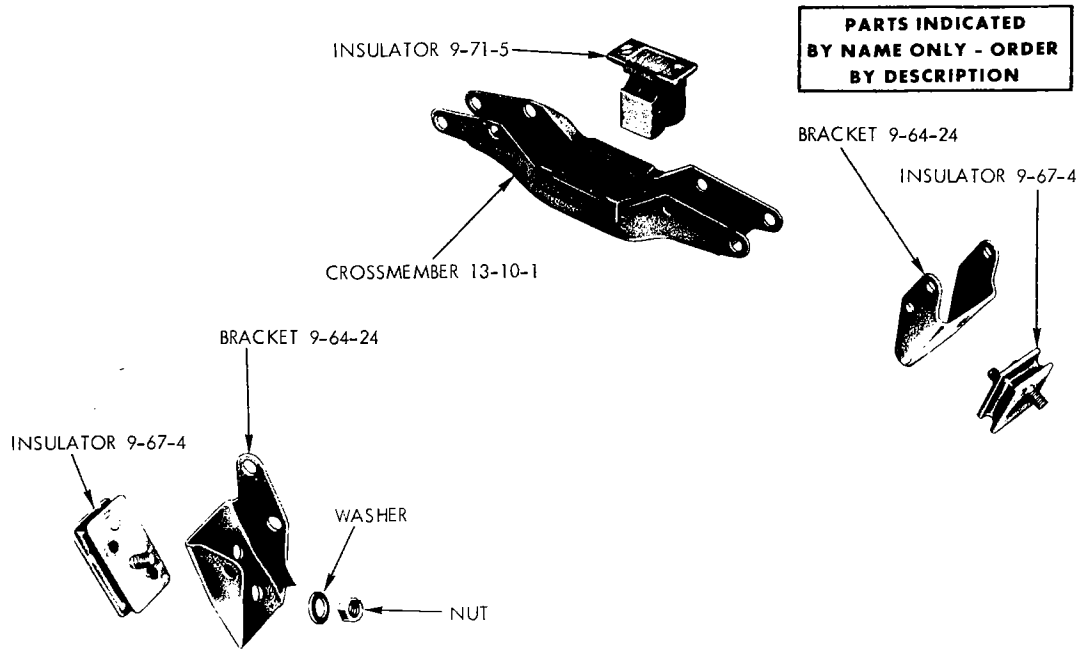
EXTERNAL ENGINE - REAR - 426

Ref. No.	Name	Part Type Code	Ref. No.	Name	Part Type Code
1	Bolt		8	Flywheel	9-45-1
2	Housing	6-09-1	9	Disc	6-13-1
3	Pivot	6-22-15	10	Cover and Plate	6-14-1
4	Bolt		11	Washer	
5	Fork	6-22-1	12	Bolt	
6	Seal	8-52-39	13	Pan	6-10-2
7	Starter	8-52-4	14	Screw w/Washer	6-10-3

PARTS INDICATED BY NAME ONLY - ORDER BY DESCRIPTION

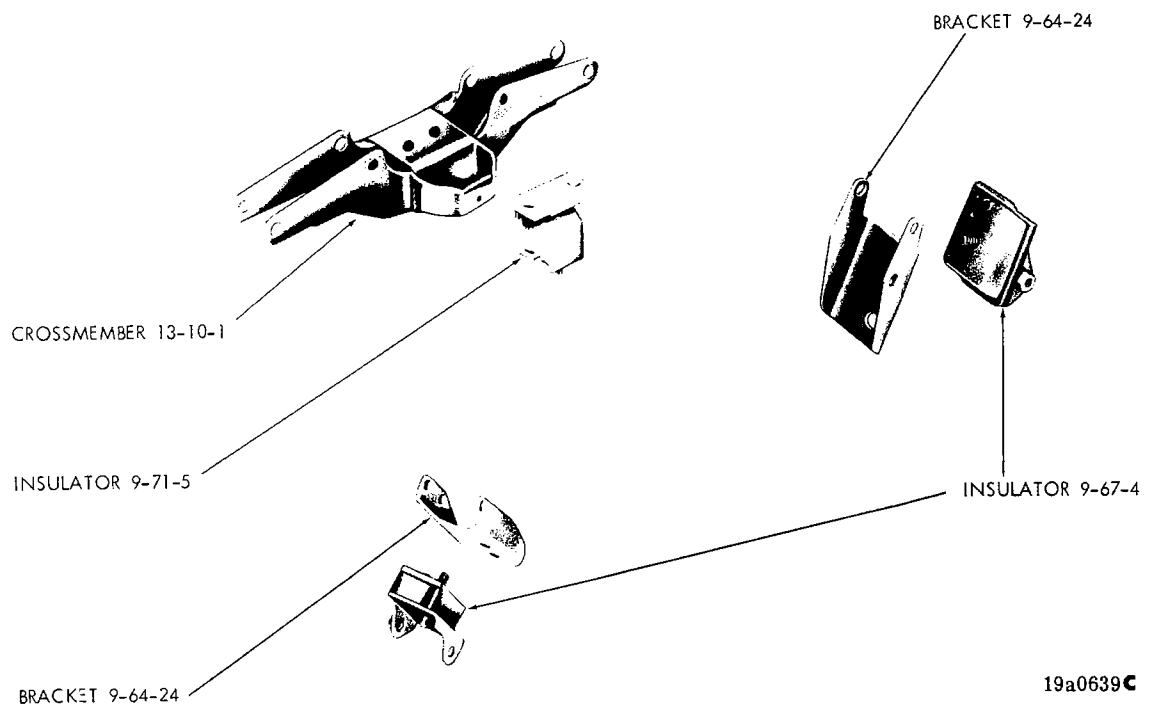


19a0651

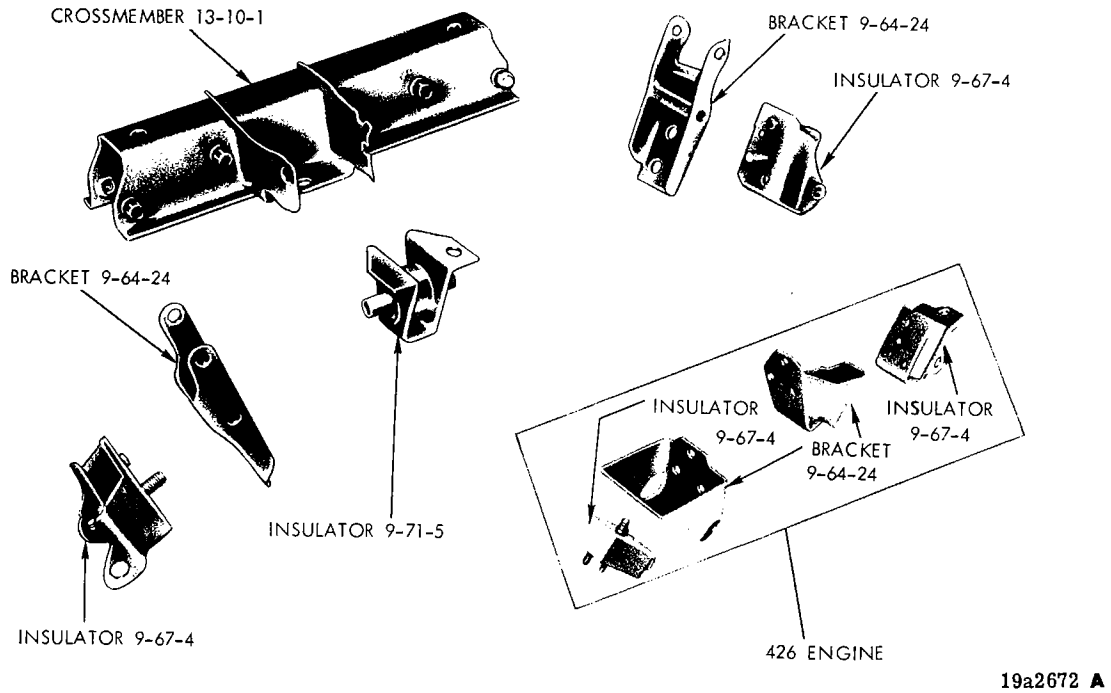


19a0797A

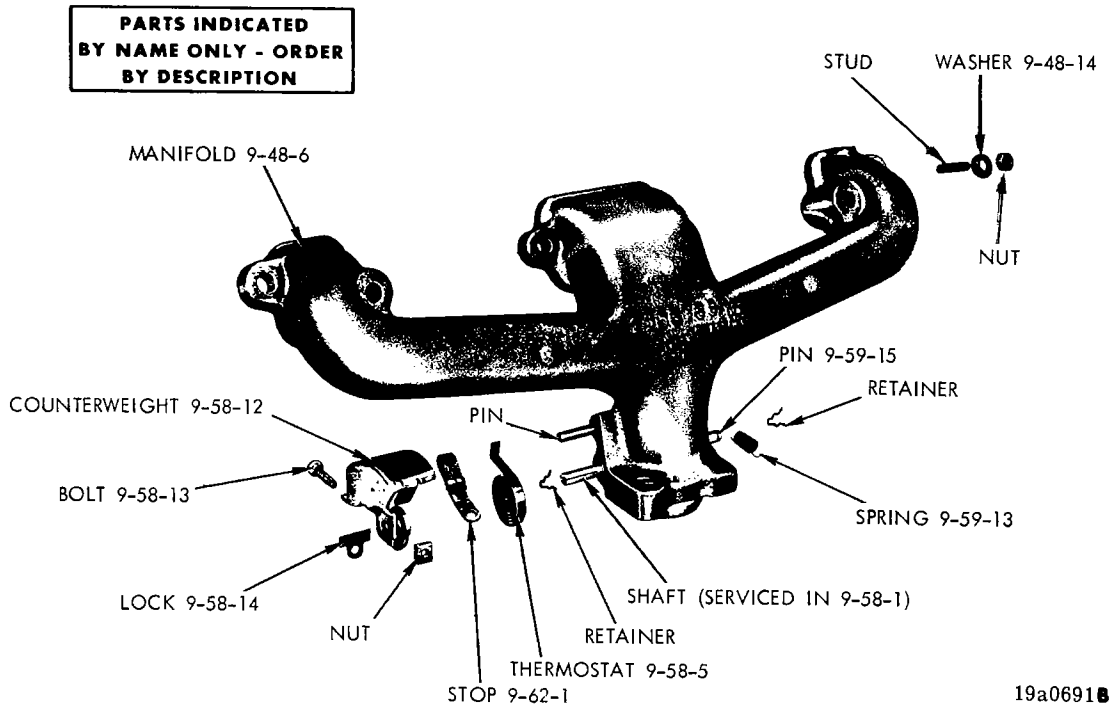
ENGINE MOUNTINGS - VALIANT AND DART (8 CYLINDER ENGINES)

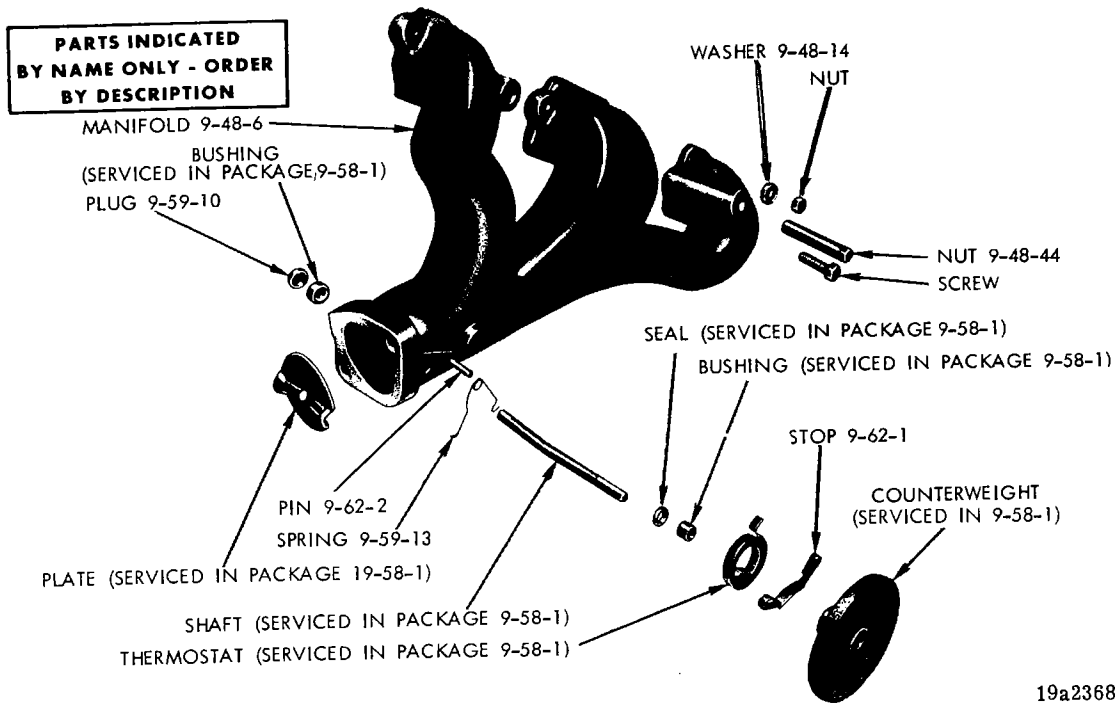


19a0639C

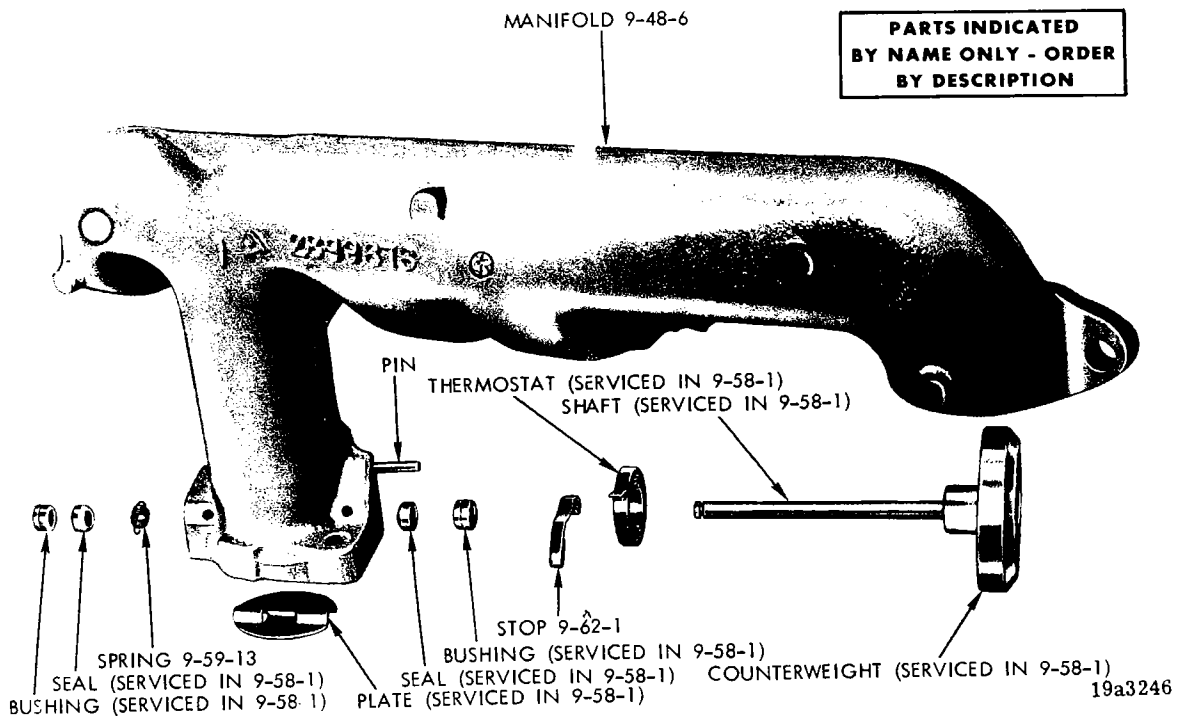


ENGINE MOUNTINGS - 383, 426 AND 440 8 CYLINDER ENGINES





EXHAUST MANIFOLD AND HEAT CONTROLS - FOR 340 ENGINE



EIGHT CYLINDER ENGINES

NOTE: The following symbols are used in connection with engine numbers:

ENGINE numbers without symbols indicate "Standard Cylinders and Crankshaft Bearings". The Letter "A" immediately following the engine number indicates Bore .020" (.508 MM.) Larger than Standard.

The Letter "B" immediately following the engine identification number indicates Main and Connecting Rod Bearings .010" (.245 MM.) Smaller than Standard.

The Letters "AB" immediately following the engine identification number indicates Cylinder Bore .020" (.508 MM.) Larger than Standard. Main and Connecting Rod Bearings .010" (.245 MM.) Smaller than Standard.

The Letters in the circular pads at either end of the engine number are for the use of factory inspectors only and should not be connected with the engine number. Always mention Serial Numbers when ordering major assemblies.

CODE	PART NAME AND DESCRIPTION	PER CAR	CU. IN. DISPLACEMENT & PISTON BORE SIZE					
			318	340	360	383	426	440
			3.91	4.04	4.00	4.25	4.26	4.32

EIGHT CYLINDER ENGINES

9-01-0 ENGINE ASSEMBLY

9-01-5	GASKET SET, Engine								
	W/Oil Pan Stamped 394,								
	V,L,B,	70	3420 241	-----	-----	-----	-----	-----	-----
	J,R,W,P,D,	70	3420 029	-----	-----	-----	-----	-----	-----
	W/Oil Pan Stamped 294,								
	V,L,B,	70	3514 158	-----	-----	-----	-----	-----	-----
	J,R,W,P,D,	70	3514 159	-----	-----	-----	-----	-----	-----
		71	3549 592	-----	-----	-----	-----	-----	-----
		70	-----	3514 160	-----	-----	-----	-----	-----
		71	-----	3549 594	3549 596	-----	-----	-----	-----
		1	-----	-----	-----	3420 231	3004 615	3514 166	-----

NOTE 1: Short Engine Assemblies Consist of the Cylinder Block with Pistons and Rings, Crankshaft and Bearings, Connecting Rods and Bearings.

NOTE 2: A383 Cubic inch engine with a two barrel carburetor may be built with a cast or forged crankshaft. The cast crankshaft type is identified by a stamped letter E located on a pad on the upper right side of the front of the cylinder block. The vibration damper has an elliptical weight in front of the main member also a cut slot in the weight. Identification must be conformed before ordering a replacement SHORT ENGINE, CRANKSHAFT, DAMPER or TORQUE CONVERTER.

9-01-24	SHORT ENGINE								
	w/Std. Compn.	1	3462 609	-----	-----	-----	-----	-----	-----
	w/Low Compn. Export	1	3462 611	-----	-----	-----	-----	-----	-----
	w/4 Bbl. Carb.	1	-----	2951 521	-----	-----	-----	-----	-----
		70	-----	-----	-----	3462 621	-----	-----	-----
		71	-----	-----	-----	3614 209	-----	-----	-----
	w/3-2 Bbl. Carbs.	1	-----	3577 613	-----	-----	-----	-----	-----
		71	-----	-----	3577 615	-----	-----	-----	-----
	w/2 Bbl. Carb., w/Std. Compn.,								
	w/o Cast Crankshaft	1	-----	-----	-----	3462 613	-----	-----	-----
	w/2 Bbl. Carb., w/Std. Compn.,								
	w/Cast Crankshaft (See Note 2)	1	-----	-----	-----	3577 617	-----	-----	-----
	w/2 Bbl. Carb., w/Low Compn.,								
	Export	1	-----	-----	-----	2951 526	-----	-----	-----
		1	-----	-----	-----	-----	2951 623	-----	-----
	w/4 Bbl. Carb. w/O. H/Perf. P,D,C,Y	70	-----	-----	-----	-----	-----	-----	3462 615
		71	-----	-----	-----	-----	-----	-----	3614 208
	w/4 Bbl. Carb., w/H/Perf. B,J,R,W,P,D,C	1	-----	-----	-----	-----	-----	-----	3462 617
	w/3-2 Bbl. Carbs.	1	-----	-----	-----	-----	-----	-----	3462 619
	w/4 Bbl. Carb., w/Low Compn.,								
	Export, C, Y	1	-----	-----	-----	-----	-----	-----	3418 289

CARLINES J - Challenger
B - Barracuda

V - Valiant
L - Dart

R - Belvedere - Satellite
W - Coronet - Charger

P - Plymouth
D - Dodge

C - Chrysler
Y - Imperial

1970-71 PASSENGER CAR PARTS CATALOG

ENGINE

CODE	PART NAME AND DESCRIPTION	PER CAR	CU. IN. DISPLACEMENT & PISTON BORE SIZE					
			318	340	360	383	426	440
			3.91	4.04	4.00	4.25	4.26	4.32

EIGHT CYLINDER ENGINES

9-02-0 CYLINDER BLOCK

9-02-7	DOWEL, Cylinder Block to Clutch Housing or Torque Converter Eccentric	2	1122 532	1122 532	1122 532	1122 532	1122 532	1122 532
	.007" Over Center	AR	1736 347	1736 347	1736 347	1736 347	1736 347	1736 347
	.014" Over Center	AR	1736 348	1736 348	1736 348	1736 348	1736 348	1736 348
	.021" Over Center	AR	1736 353	1736 353	1736 353	1736 353	1736 353	1736 353
9-02-16	PLUG, Cylinder Block Core Hole, 1.635"	AR	2406 356	2406 356	2406 356	2406 356	2406 356	2406 356
	1.695"	AR	2406 575	2406 575	2406 575	2406 575	2406 575	2406 575
	1.2585"	1	2406 387	2406 387	2406 387	-----	-----	-----
9-02-17	PLUG, Cylinder Block Oil Line	70 71	1 1	1324 464 3462 871	1324 464 3462 871	----- 3462 871	----- -----	----- -----
	Plug, 3/8 Pipe		2	-----	-----	6028 668	6025 726	6028 668
9-02-50	HEATER, Engine Jacket SEAL, "O" Ring	2 AR	2863 477 6027 513	2863 477 6027 513	2863 477 6027 513	2863 477 6027 513	2863 477 6027 513	2863 477 6027 513
9-02-62	CORD, Engine Jacket Heater, Used until Jan. 1971	2	2951 303	2951 303	2951 303	2951 303	2951 303	2951 303
	Used after Jan. 1971	2	3614 314	3614 314	3614 314	3614 314	3614 314	3614 314
	CORD, Extension	1	3418 403	3418 403	3418 403	3418 403	3418 403	3418 403

9-03-0 CYLINDER HEAD

9-03-4	HEAD, Cylinder w/4 Bbl. Carb.	2	2843 674	-----	-----	-----	-----	-----
	w/3-2 Bbl. Carb's.	2	-----	2531 902	-----	-----	-----	-----
		2	-----	3577 053	-----	-----	-----	-----
	71	2	-----	-----	3418 432	-----	-----	-----
	70	2	-----	-----	-----	2843 904	-----	2843 904
	71	2	-----	-----	-----	3462 344	-----	3462 344
		2	-----	-----	-----	-----	2780 557	-----
9-03-5	GASKET, Cylinder Head	2 71	2806 984	2863 493	-----	-----	-----	-----
		2	-----	-----	3512 520	-----	-----	-----
		2	-----	-----	-----	2863 225	-----	-----
		2	-----	-----	-----	-----	2468 010	-----
		2	-----	-----	-----	-----	-----	3512 260
9-03-10	BOLT, Cylinder Head							
	1/2" x 1 7/8"	10	2463 258	2463 258	2463 258	-----	-----	-----
	1/2" x 3 5/8"	8	2463 259	2463 259	2463 259	-----	-----	-----
	1/2" x 4 5/8"	2	2463 260	2463 260	2463 260	-----	-----	-----
	7/16" x 1 27/32"	24	-----	-----	-----	1739 605	-----	1739 605
	7/16" x 3 7/8	10	-----	-----	-----	1739 606	-----	1739 606
	7/16" x 4 5/8"	16	-----	-----	-----	-----	1851 613	-----
	7/16" x 6 1/8"	10	-----	-----	-----	-----	6026 798	-----
	STUD, Cylinder Head	8	-----	-----	-----	-----	6026 794	-----
	Washer, Stud	8	-----	-----	-----	-----	6026 141	-----
	Washer, Bolt	16	-----	-----	-----	-----	6026 140	-----
	Washer, Bolt	10	-----	-----	-----	-----	6026 141	-----
9-03-11	NUT, Cylinder Head Stud	8	-----	-----	-----	-----	2658 882	-----
9-03-18	PLUG, Cylinder Head Core Hole, 1.2605"	4	2406 387	2406 387	2406 387	2406 387	2406 387	2406 387
	1.3280"	AR	-----	-----	-----	2463 042	2463 042	2463 042
	1.012"	AR	-----	-----	-----	2806 018	-----	2806 018
	1.074"	AR	-----	-----	-----	2899 097	-----	2899 097
9-03-28	COVER, Cylinder Head							
	Right	70	1	2946 008	-----	-----	-----	-----
	Right	71	1	3577 636	-----	3577 636	-----	-----
	Left		1	2946 011	-----	2946 011	-----	-----

CARLINES	J - Challenger B - Barracuda	V - Valiant L - Dart	R - Belvedere - Satellite W - Coronet - Charger	P - Plymouth D - Dodge	C - Chrysler Y - Imperial
----------	---------------------------------	-------------------------	--	---------------------------	------------------------------

AR Indicates use as required.
Indicates parts not listed in any previous parts book.

Numerals in parentheses () refer to notes.
★ Indicates change or addition.

Printed in U.S.A.
January 1972

CODE	PART NAME AND DESCRIPTION	PER CAR	CU. IN. DISPLACEMENT & PISTON BORE SIZE					
			318	340	360	383	426	440
			3.91	4.04	4.00	4.25	4.26	4.32

EIGHT CYLINDER ENGINES

9-03-0 CYLINDER HEAD Cont'd.

9-03-28	COVER Cont'd.							
	Right, w/4 Bbl. Carb	70	1	-----	3462 684	-----	-----	-----
	Right, w/4 Bbl. Carb	71	1	-----	3577 636	-----	-----	-----
	Left, w/4 Bbl. Carb	70	1	-----	3462 913	-----	-----	-----
	Left, w/4 Bbl. Carb	71	1	-----	3577 807	-----	-----	-----
	Right, w/3-2 Bbl.							
	Carb's.	70	1	-----	3577 222	-----	-----	-----
	Left, w/3-2 Bbl. Carb's.	70	1	-----	3577 223	-----	-----	-----
	Carb's	71		-----	3577 253	-----	-----	-----
	Left, w/3-2 Bbl. Carbs	71		-----	3577 807	-----	-----	-----
	Right		1	-----	-----	-----	2946 057	2946 072
	Left		1	-----	-----	-----	2946 070	2946 075
	Left Complete, P,D,C,Y		1	-----	-----	-----	2946 063	-----
	Bolt		10	180 021	180 021	180 021	-----	-----
	Stud		4	-----	-----	-----	6024 845	-----
	Stud		20	-----	-----	-----	-----	6024 845
	Nut, w/Washer		AR	-----	-----	-----	6022 582	6022 582
9-03-29	GASKET, Cylinder Head							
	Cover	70	2	2463 290	2463 290	-----	-----	-----
		71	2	2951 267	2951 267	2951 267	-----	-----
			2	-----	-----	-----	2658 646	2658 646
			2	-----	-----	-----	-----	2780 566

9-05-0 CYLINDER HEAD WATER OUTLET ELBOW OR CONNECTOR

9-05-5	CONNECTOR, Cylinder Water							
	Outlet		1	2780 970	2780 970	2780 970	-----	2780 970
	All except C, w/Auto.							
	Trans. W/O Air Cond.		1	-----	-----	-----	2780 970	-----
	C W/Auto. Trans. W/O							
	Air Cond.		1	-----	-----	-----	3614 013	-----
9-05-6	GASKET, Cylinder Water							
	Outlet Connector		1	50 082	50 082	50 082	50 082	50 082

9-07-0 CRANKSHAFT

9-07-5	CRANKSHAFT							
	Canada Built		1	2843 699	2843 868	-----	-----	2780 533
			1	2532 198	-----	-----	-----	-----
		71	1	-----	-----	3418 995	-----	-----
	Except Cast Type		1	-----	-----	-----	2268 114	-----
	w/Cast Type, w/Auto.							
	Trans.							
	w/2 Bbl. Carb. (See							
	Note 2: Page 1)		1	-----	-----	-----	3462 922	-----
	w/4 Bbl. Carb.		1	-----	-----	-----	-----	2536 983
	w/3-2 Bbl. Carb's.		1	-----	-----	-----	-----	3512 036
9-07-8	SCREW, Crankshaft		1	1821 414	1821 414	1821 414	1731 525	1821 414
9-07-12	BUSHING, Crankshaft Trans.							
	Drive Pinion Pilot		1	53 298	53 298	53 298	53 298	53 298
9-07-17	OIL SLINGER, Crankshaft		1	2899 530	2899 530	2899 530	2899 530	2899 530
9-07-22	WASHER, Crankshaft Screw		1	1855 561	1855 561	1855 561	1855 561	2463 649

9-08-0 CRANKSHAFT SPROCKET

9-08-5	SPROCKET, Crankshaft							
	Except 3-2 Bbl. Carb's.		1	2463 385	1637 657	2463 385	2532 491	2205 568
	w/3-2 Bbl. Carb's.		1	-----	-----	-----	-----	2532 491
			1	-----	-----	-----	-----	2205 568

CARLINES

J - Challenger
B - BarracudaV - Valiant
L - DartR - Belvedere - Satellite
W - Coronet - ChargerP - Plymouth
D - DodgeC - Chrysler
Y - Imperial

AR Indicates use as required.

* Indicates parts not listed in any previous parts book

Numerals in parentheses () refer to notes.

★ Indicates change or addition.

Printed in U.S.A.
January 1972

CODE	PART NAME AND DESCRIPTION	PER CAR	CU. IN. DISPLACEMENT & PISTON BORE SIZE					
			318	340	360	383	426	440
			3.91	4.04	4.00	4.25	4.26	4.32

EIGHT CYLINDER ENGINES

9-09-0 CRANKSHAFT BEARING PACKAGE

NOTE: When .001 thicker wall Crankshaft Main Bearings are used for Engines in Production, a Maltese Cross is stamped on the model pad of the Cylinder Block

NOTE: Crankshaft Bearing Packages Consists of one upper and one lower Bearing

9-09-2	BEARING PACKAGE, Nos. 1, 2, 4							
	Std.	3	2084 005	3004 665	3549 370	-----	-----	-----
	.001 U/S.	3	2084 006	3004 666	3549 371	-----	-----	-----
	.002 U/S.	3	2084 007	3004 667	3549 372	-----	-----	-----
	.003 U/S.	3	2275 387	3004 668	3549 373	-----	-----	-----
	.010 U/S.	3	2084 008	3004 669	3549 374	-----	-----	-----
	.012 U/S.	3	2275 388	3004 670	3549 375	-----	-----	-----
	BEARING PACKAGE, No. 1 Std.	1	-----	-----	-----	2084 810	2448 379	-----
	.001 U/S.	1	-----	-----	-----	2084 811	2808 235	-----
	.002 U/S.	1	-----	-----	-----	2084 812	2808 236	-----
	.003 U/S.	1	-----	-----	-----	2275 391	2808 237	-----
	.010 U/S.	1	-----	-----	-----	2084 813	2808 238	-----
	.011 U/S.	1	-----	-----	-----	-----	2808 343	-----
	.012 U/S.	1	-----	-----	-----	2275 392	2808 239	-----
	BEARING PACKAGE, No. 1							
	4 Bbl. Carb. w/O. H/Perf.							
	Std.		-----	-----	-----	-----	-----	2084 814
	.001 U/S.	1	-----	-----	-----	-----	-----	2084 815
	.002 U/S.	1	-----	-----	-----	-----	-----	2084 816
	.003 U/S.	1	-----	-----	-----	-----	-----	2275 395
	.010 U/S.	1	-----	-----	-----	-----	-----	2084 817
	.012 U/S.	1	-----	-----	-----	-----	-----	2275 396
	BEARING PACKAGE, No. 1							
	4 Bbl. and 3-2 Bbl. Carb's.							
	w/H/Perf. Eng. Painted							
	Orange Std.	1	-----	-----	-----	-----	-----	3420 003
	.001 U/S.	1	-----	-----	-----	-----	-----	3420 004
	.002 U/S.	1	-----	-----	-----	-----	-----	3420 005
	.003 U/S.	1	-----	-----	-----	-----	-----	3420 006
	.010 U/S.	1	-----	-----	-----	-----	-----	3420 007
	.012 U/S.	1	-----	-----	-----	-----	-----	3420 008
	BEARING PACKAGE, Nos. 2, 4, 5							
	Std.	3	-----	-----	-----	2084 833	2448 380	-----
	.001 U/S.	3	-----	-----	-----	2084 834	2808 240	-----
	.002 U/S.	3	-----	-----	-----	2084 835	2808 241	-----
	.003 U/S.	3	-----	-----	-----	2275 393	2808 242	-----
	.010 U/S.	3	-----	-----	-----	2084 836	2808 243	-----
	.011 U/S.	3	-----	-----	-----	-----	2808 344	-----
	.012 U/S.	3	-----	-----	-----	2276 394	2808 244	-----
	BEARING PACKAGE, Nos. 2,4,5							
	4 Bbl. Carb.							
	w/O/H/Perf. Std.	3	-----	-----	-----	-----	-----	2084 829
	.001 U/S.	3	-----	-----	-----	-----	-----	2084 830
	.002 U/S.	3	-----	-----	-----	-----	-----	2084 831
	.003 U/S.	3	-----	-----	-----	-----	-----	2275 397
	.010 U/S.	3	-----	-----	-----	-----	-----	2084 832
	.012 U/S.	3	-----	-----	-----	-----	-----	2275 398
	BEARING PACKAGE, Nos. 2, 4, 5							
	4 Bbl. and 3-2 Bbl.							
	Carb's. w/H/Perf. Eng.							
	Painted Orange Std.	3	-----	-----	-----	-----	-----	3420 009
	.001 U/S.	3	-----	-----	-----	-----	-----	3420 010
	.002 U/S.	3	-----	-----	-----	-----	-----	3420 011
	.003 U/S.	3	-----	-----	-----	-----	-----	3420 012
	.010 U/S.	3	-----	-----	-----	-----	-----	3420 013

CARLINES	J - Challenger B - Barracuda	V - Valiant L - Dart	R - Belvedere - Satellite W - Coronet - Charger	P - Plymouth D - Dodge	C - Chrysler Y - Imperial
----------	---------------------------------	-------------------------	--	---------------------------	------------------------------

AR Indicates use as required.

Indicates parts not listed in any previous parts book.

Numerals in parentheses () refer to notes.

★ Indicates change or addition.

Printed in U.S.A.
January 1972

CODE	PART NAME AND DESCRIPTION	PER CAR	CU. IN. DISPLACEMENT & PISTON BORE SIZE					
			318	340	360	383	426	440
			3.91	4.04	4.00	4.25	4.26	4.32

EIGHT CYLINDER ENGINES

9-09-0 CRANKSHAFT BEARING PACKAGE Cont'd.									
9-09-2	BEARING PACKAGE Cont'd.								
	.012 U/S.	3	-----	-----	-----	-----	-----	-----	3420 014
	BEARING PACKAGE No. 3 Std.	1	1879 627	3004 894	3549 376	1818 524	2448 381	3004 944	
	.001 U/S.	1	1879 628	3004 895	3549 377	1818 525	2808 245	3004 945	
	.002 U/S.	1	1879 629	3004 896	3549 378	1818 526	2808 246	3004 946	
	.003 U/S.	1	2275 389	3004 897	3549 379	1818 527	2808 247	3004 947	
	.010 U/S.	1	1879 630	3004 898	3549 380	1818 528	2808 248	3004 948	
	.011 U/S.		-----	-----	-----	-----	2808 345	-----	
	.012 U/S.	1	2275 390	3004 899	3549 381	1818 529	2808 249	3004 949	
	BEARING PACKAGE No. 5 Std.	1	3514 151	3514 151	3549 382	-----	-----	-----	
	.001 U/S.	1	3514 152	3514 152	3549 383	-----	-----	-----	
	.002 U/S.	1	3514 153	3514 153	3549 384	-----	-----	-----	
	.003 U/S.	1	3514 154	3514 154	3549 385	-----	-----	-----	
	.010 U/S.	1	3514 155	3514 155	3549 386	-----	-----	-----	
	.012 U/S.	1	3514 156	3514 156	3549 387	-----	-----	-----	
9-10-0 CRANKSHAFT BEARING CAP									
9-10-2	OIL SEAL PACKAGE, Crankshaft Bearing Cap No. 5	1	1326 091	1326 091	1326 091	-----	-----	-----	
9-10-5	CAP, Crankshaft Bearing Nos. 1, 2 and 4	3	2863 854	2863 854	3614 232	2206 315	-----	1852 910	
	No. 3	1	2463 582	2863 855	3614 233	1852 915	-----	1852 911	
	No. 5	1	3004 639	3004 639	3614 234	2206 315	-----	2206 316	
9-10-19	SCREW, Crankshaft Bearing Cap Nos. 1, 3, 5	10	1618 695	-----	-----	1408 867	-----	1408 867	
	Nos. 2, 4	6	-----	6027 264	-----	-----	-----	-----	
		4	-----	6027 335	-----	-----	-----	-----	
		71	-----	-----	6027 264	1408 867	-----	1408 867	
		6	-----	-----	-----	-----	9423 811	-----	
		4	-----	-----	-----	-----	454 993	-----	
	Cap Side	6	-----	-----	-----	-----	9420 892	-----	
9-10-26	WASHER, Crank Shaft Bearing Cap Bolt	10	-----	-----	-----	-----	-----	2468 135	-----
	Cap Bolt Side	6	-----	-----	-----	-----	-----	1536 242	-----
9-11-0 CRANKSHAFT REAR BEARING OIL SEAL									
9-11-1	OIL SEAL PACKAGE	70	1326 093	1326 093	-----	2275 365	2275 365	2275 365	
		71	3549 392	3549 392	3549 395	3549 394	3549 394	3549 394	
9-11-7	RETAINER, Crankshaft Bearing Oil Seal	1	-----	-----	-----	1945 473	1945 473	1945 473	
	Screw	2	-----	-----	-----	9418 005	9418 005	9418 005	
9-13-0 CRANKSHAFT VIBRATION DAMPER									
9-13-5	DAMPER, Vibration	1	2951 673	2951 673	-----	-----	2658 871	-----	
		71	-----	-----	3512 972	-----	-----	-----	
	Except Cast Type Crankshaft	1	-----	-----	-----	2658 457	-----	-----	
	w/Cast Type Crankshaft w/Auto. Trans., w/2 Bbl. Carb. (See Note 2: Page 1)	1	-----	-----	-----	3577 180	-----	-----	
	w/O. H/Perf. Eng. Painted Blue	1	-----	-----	-----	-----	-----	2658 457	
	w/H/Perf. Eng. Painted Orange	1	-----	-----	-----	-----	-----	3512 017	

CARLINES J - Challenger V - Valiant R - Belvedere - Satellite P - Plymouth C - Chrysler
B - Barracuda L - Dart W - Coronet - Charger D - Dodge Y - Imperial

AR Indicates use as required.

Numerals in parentheses () refer to notes.

Printed in U.S.A.

January 1972

CODE	PART NAME AND DESCRIPTION	PER CAR	CU. IN. DISPLACEMENT & PISTON BORE SIZE					
			318	340	360	383	426	440
			3.91	4.04	4.00	4.25	4.26	4.32

EIGHT CYLINDER ENGINES

9-15-0 CAMSHAFT

9-15-1	CAMSHAFT	70	1	2899 144	-----	-----	-----	-----	-----
		71	1	3512 635	-----	-----	-----	-----	-----
			1	-----	2899 206	-----	-----	3462 355	-----
		71	1	-----	-----	3512 589	-----	-----	-----
	w/2 Bbl. Carb.	70		-----	-----	-----	2532 190	-----	-----
	w/4 Bbl. Carb. w/.05			-----	-----	-----	-----	-----	-----
	Raised Ring	70	1	-----	-----	-----	2532 190	-----	-----
	w/4 Bbl. Carb. w/O.			-----	-----	-----	-----	-----	-----
	Raised Ring	70	1	-----	-----	-----	2843 564	-----	-----
	w/2 Bbl. Carb.	71	1	-----	-----	-----	3577 181	-----	-----
	w/4 Bbl. Carb.	71	1	-----	-----	-----	3512 907	-----	-----
	w/4 Bbl. Carb. w/O.			-----	-----	-----	-----	-----	-----
	H/Perf.	70	1	-----	-----	-----	-----	-----	2532 190
	w/4 Bbl. Carb.,			-----	-----	-----	-----	-----	-----
	w/H/Perf.	70	1	-----	-----	-----	-----	-----	2843 564
	w/3-2 Bbl. Carb's.	70	1	-----	-----	-----	-----	-----	3512 033
	w/4 Bbl. Carb., w/O.			-----	-----	-----	-----	-----	-----
	H/Perf.	71	1	-----	-----	-----	-----	-----	3577 181
	w/H/Perf.		1	-----	-----	-----	-----	-----	3512 907
	w/3-2 Bbl. Carb's.	71	1	-----	-----	-----	-----	-----	3512 903
9-15-2	ECCENTRIC, Camshaft		1	2843 661	2843 661	2843 661	-----	-----	-----
9-15-6	PLATE, Camshaft Sprocket Thrust		1	1618 670	1618 670	1618 670	-----	-----	-----
	"OILER BOLT" Screw, Upper Right		1	6028 098	6028 098	6028 098	-----	-----	-----
9-15-10	WASHER, Camshaft Sprocket Retainer Screw		1	1618 732	1618 732	1618 732	6023 053	-----	-----
	Except 3-2 Bbl. Carb.		1	-----	-----	-----	-----	-----	6023 053

9-16-0 CAMSHAFT BEARING

9-16-6	BEARING, Camshaft No. 1		1	1632 522	1632 522	1632 522	1821 771	1821 771	1821 771
	No. 2		1	1632 523	1632 523	1632 523	1821 772	1821 772	1821 772
	No. 3		1	1632 524	1632 524	1632 524	1821 773	1821 773	1821 773
	No. 4		1	1632 525	1632 525	1632 525	1821 774	1821 774	1821 774
	No. 5		1	1632 526	1632 526	1632 526	1821 775	1821 775	1821 775
9-16-17	PLUG, Camshaft Rear Bearing		1	1821 722	1821 722	1821 722	2402 905	2402 905	2402 905
	Oversize		AR	-----	-----	-----	2463 041	2463 041	2463 041

9-17-0 CAMSHAFT SPROCKET

9-17-5	SPROCKET, Camshaft		1	2843 610	2899 556	2843 610	2532 490	2780 572	-----
	w/4 Bbl. Carb.		1	-----	-----	-----	-----	-----	2532 490
	w/3-2 Bbl. Carb's.		1	-----	-----	-----	-----	-----	2780 572
9-17-9	SCREW, Camshaft Sprocket Retainer		1	180 147	180 147	180 147	-----	-----	-----
			3	-----	-----	-----	-----	2120 930	-----
	w/3-2 Bbl. Carb's.		3	-----	-----	-----	-----	-----	2120 930

9-20-0 TIMING CHAIN

9-20-1	CHAIN, Timing		1	2463 384	1327 319	2463 384	2532 492	2205 569	-----
	w/4 Bbl. Carb.		1	-----	-----	-----	-----	-----	2532 492
	w/3-2 Bbl. Carb's.		1	-----	-----	-----	-----	-----	2205 569

9-23-0 CHAIN CASE COVER

9-23-5	COVER, Chain Case		1	2951 671	2951 671	2951 671	2658 454	2658 454	2658 454
9-23-10	BOLT, Chain Case Cover			-----	-----	-----	-----	-----	-----
	w/Engine Jacket Heater			-----	-----	-----	-----	-----	-----
	Canada Built		2	-----	-----	-----	2121 588	2121 588	2121 588

CARLINES	J - Challenger B - Barracuda	V - Valiant L - Dart	R - Belvedere - Satellite W - Coronet - Charger	P - Plymouth D - Dodge	C - Chrysler Y - Imperial
----------	---------------------------------	-------------------------	--	---------------------------	------------------------------

AR Indicates use as required.
Indicates parts not listed in any previous parts book.

Numerals in parentheses () refer to notes.
★ Indicates change or addition.

Printed in U.S.A.
January 1972

1970-71 PASSENGER CAR PARTS CATALOG

8 Cyl.
Text Page 9-7

ENGINE

CODE	PART NAME AND DESCRIPTION	PER CAR	CU. IN. DISPLACEMENT & PISTON BORE SIZE					
			318	340	360	383	426	440
			3.91	4.04	4.00	4.25	4.26	4.32

EIGHT CYLINDER ENGINES

9-23-0 CHAIN CASE COVER Cont'd.

9-23-17	GASKET, Chain Case Cover Also use 2 of 1737761 Water Pump Housing Gasket	1	2129 012	2129 012	2129 012	-----	-----	-----
9-23-18	OIL SEAL, Chain Case Cover	1	2899 532	2899 532	2899 532	2264 794	2264 794	2264 794
						2536 481	2536 481	2536 481

9-31-0 CONNECTING ROD

NOTE: Connecting Rod includes Bearing Cap, Bolt, Nut, Lockwasher and Bushing But does not include Bearing.

9-31-4	ROD, Connecting	8	2406 785	2899 495	-----	-----	-----	-----
	71	8	-----	-----	2899 061	-----	-----	-----
	w/O. H/Perf. Eng. Painted Blue	8	-----	-----	-----	2406 766	2780 531	-----
	w/H/Perf. Eng. Painted Orange	8	-----	-----	-----	-----	-----	2406 770
9-31-5	BOLT, Connecting Rod Bearing Cap	16	1944 865	1944 865	1944 865	1737 694	2468 005	1737 694
9-31-7	NUT, Connecting Rod Bearing Cap	16	1737 695	1737 695	1737 695	1737 695	2468 006	1737 695
9-31-10	BUSHING, Connecting Rod	8	1618 701	1618 701	-----	-----	-----	-----

9-32-0 CONNECTING ROD BEARING PACKAGES

NOTE: When .001 thicker wall Connecting Rod Bearings are used for Engines in Production, A Maltese Cross is stamped on the model Pad of the Cylinder Block.

NOTE: Connecting Rod Bearing Packages Consists of one upper and one lower Bearing.

9-32-2	BEARING PACKAGE, Std.	8	1879 617	2421 305	1879 617	-----	2525 484	1881 794
	.001 U/S.	8	1879 618	2421 306	1879 618	-----	2808 219	1881 795
	.002 U/S.	8	1879 619	2421 307	1879 619	-----	2808 220	1881 796
	.003 U/S.	8	1879 620	2421 308	1879 620	-----	2808 221	2275 413
	.010 U/S.	8	1879 621	2421 309	1879 621	-----	2808 222	1881 797
	.011 U/S.	8	-----	-----	-----	-----	2808 324	-----
	.012 U/S.	8	1879 622	2421 310	1879 622	-----	2808 223	2275 414
	w/2 Bbl. Carb. Std.	8	-----	-----	-----	1818 698	-----	-----
	.001 U/S.	8	-----	-----	-----	1818 699	-----	-----
	.002 U/S.	8	-----	-----	-----	1818 700	-----	-----
	.003 U/S.	8	-----	-----	-----	1818 701	-----	-----
	.010 U/S.	8	-----	-----	-----	1818 702	-----	-----
	.012 U/S.	8	-----	-----	-----	1818 703	-----	-----
	w/4 Bbl. Carb. Std.	8	-----	-----	-----	1881 794	-----	-----
	.001 U/S.	8	-----	-----	-----	1881 795	-----	-----
	.002 U/S.	8	-----	-----	-----	1881 796	-----	-----
	.003 U/S.	8	-----	-----	-----	2275 413	-----	-----
	.010 U/S.	8	-----	-----	-----	1881 797	-----	-----
	.012 U/S.	8	-----	-----	-----	2275 414	-----	-----

9-34-0 PISTON, W/PIN

NOTE: The following Pistons include Pins and Pin Retaining Rings.

9-34-5	PISTON, Std.	8	3420 222	-----	-----	-----	-----	-----
	.020 O/S	8	3420 220	-----	-----	-----	-----	-----
	Std. w/2 Bbl. Carb.	70	-----	-----	-----	3420 206	-----	-----
	.020 O/S	70	-----	-----	-----	3420 204	-----	-----
	Std. w/4 Bbl. Carb.	70	-----	-----	-----	3420 210	-----	-----
	Std.	71	-----	-----	3549 366	-----	-----	-----
	.020 O/S	71	-----	-----	3549 368	-----	-----	-----
	Std.	71	-----	-----	-----	3420 206	-----	-----
	.020 O/S	71	-----	-----	-----	3420 204	-----	-----

CARLINES	J - Challenger B - Barracuda	V - Valiant L - Dart	R - Belvedere - Satellite W - Coronet - Charger	P - Plymouth D - Dodge	C - Chrysler Y - Imperial
----------	---------------------------------	-------------------------	--	---------------------------	------------------------------

AR Indicates use as required.
Indicates parts not listed in any previous parts book.

Numerals in parentheses () refer to notes.
★ Indicates change or addition.

Printed in U.S.A.
January 1972

1970-71 PASSENGER CAR PARTS CATALOG

ENGINE

CODE	PART NAME AND DESCRIPTION	PER CAR	CU. IN. DISPLACEMENT & PISTON BORE SIZE					
			318	340	360	383	426	440
			3.91	4.04	4.00	4.25	4.26	4.32

EIGHT CYLINDER ENGINES

9-34-0 PISTON, W/PIN Cont'd.								
9-34-5	PISTON Cont'd.							
	Piston, Nos. 1, 3, 5, 7 Std.	4	-----	3004 516	-----	-----	2808 227	-----
	.005 O/S.	4	-----	3004 518	-----	-----	2808 229	-----
	.020 O/S.	4	-----	3004 520	-----	-----	2808 231	-----
	.040 O/S.	4	-----	3004 522	-----	-----	2808 233	-----
	Piston, Nos. 2, 4, 6, 8 Std.	4	-----	3004 517	-----	-----	2808 228	-----
	.005 O/S.	4	-----	3004 519	-----	-----	2808 230	-----
	.020 O/S.	4	-----	3004 521	-----	-----	2808 232	-----
	.040 O/S.	4	-----	3004 523	-----	-----	2808 234	-----
	Piston, w/4 Bbl. Carb., w/O.							
	H/Perf. Std. 70	8	-----	-----	-----	-----	-----	3420 214
	.020 O/S 70	8	-----	-----	-----	-----	-----	3420 212
	Piston, w/4 Bbl. Carb. w/H/Perf.							
	Std. 70	8	-----	-----	-----	-----	-----	3549 426
	.020 O/S 70	8	-----	-----	-----	-----	-----	3549 424
	Piston, w/3-2 Bbl. Carb's. Std.	8	-----	-----	-----	-----	-----	3420 218
	.020 O/S	8	-----	-----	-----	-----	-----	3420 216
	Piston, w/4 Bbl. Carb., w/O.							
	H/Perf., Std. 71	8	-----	-----	-----	-----	-----	3549 528
	.020 O/S 71	8	-----	-----	-----	-----	-----	3549 530
	Piston, w/4 Bbl. Carb., w/H/Perf.							
	Std. 71	8	-----	-----	-----	-----	-----	3420 214
	.020 O/S 71	8	-----	-----	-----	-----	-----	3420 212
	Piston, w/Low Compression,							
	Export Std.	8	3004 513	-----	-----	3004 528	-----	3004 539
	.005 O/S.	8	3004 514	-----	-----	3004 529	-----	3004 540
	.020 O/S.	8	3004 515	-----	-----	3004 530	-----	3004 541
9-35-0 PISTON RING SET								
9-35-1	RING SET, Piston Std. to .009 O/S.	1	2808 550	3004 571	-----	2808 453	2808 477	-----
	.020 to .029 O/S.	1	2808 551	3004 572	-----	2808 454	2808 478	-----
	.040 to .049 O/S.	1	2808 552	3004 573	-----	2808 455	2808 479	-----
	Std. to .009 O/S. 71	1	-----	-----	3549 588	-----	-----	-----
	.020 to .029 O/S. 71	1	-----	-----	3549 589	-----	-----	-----
	.040 to .049 O/S. 71	1	-----	-----	3549 590	-----	-----	-----
	w/4 Bbl. Carb. Std. to .009 O/S.	1	-----	-----	-----	-----	-----	2808 474
	.020 to .029 O/S.	1	-----	-----	-----	-----	-----	2808 475
	.040 to .049 O/S.	1	-----	-----	-----	-----	-----	2808 476
	w/3-2 Bbl. Carb's Std. to .009 O/S.	1	-----	-----	-----	-----	-----	3420 228
	.020 to .029 O/S.	1	-----	-----	-----	-----	-----	3420 229
	.040 to .049 O/S.	1	-----	-----	-----	-----	-----	3420 230
9-36-0 PISTON PIN								
9-36-5	PIN, Piston Std.	8	2658 878	2658 878	-----	-----	2780 524	-----
	.003 O/S.	8	2658 879	2658 879	-----	-----	2780 525	-----
	.008 O/S.	8	2658 880	2658 880	-----	-----	2780 526	-----
9-36-7	RING, Piston Pin Retaining	16	1324 470	6027 336	-----	-----	6025 031	-----
9-39-0 VALVE								
9-39-1	GASKET SET, Engine Valve							
	Grinding, V,L,B 70	1	3420 242	-----	-----	-----	-----	-----
	J,R,W,P,D 70	1	3420 030	-----	-----	-----	-----	-----
	71	1	3549 593	-----	-----	-----	-----	-----

CARLINES J - Challenger V - Valiant R - Belvedere - Satellite P - Plymouth C - Chrysler
 B - Barracuda L - Dart W - Coronet - Charger D - Dodge Y - Imperial

CODE	PART NAME AND DESCRIPTION	PER CAR	CU. IN. DISPLACEMENT & PISTON BORE SIZE					
			318	340	360	383	426	440
			3.91	4.04	4.00	4.25	4.26	4.32

EIGHT CYLINDER ENGINES

9-39-0 VALVE Cont'd.

9-39-1 VALVE Cont'd.

	70	1	-----	3004 726	-----	-----	-----	-----
	71	1	-----	3549 595	3549 597	-----	-----	-----
		1	-----	-----	-----	3420 232	3004 616	3514 167
9-39-5	VALVE, Intake Std.	8	2465 335	2863 520	-----	-----	2468 096	-----
	.005 O/S.	8	2465 336	2863 530	-----	-----	2468 097	-----
	.015 O/S.	8	2465 337	2863 531	-----	-----	2468 098	-----
	.030 O/S.	8	2465 338	2863 532	-----	-----	2468 099	-----
	Std. with single Grove Lock	71	8	-----	3418 688	-----	-----	-----
	.005 O/S with single Grove Lock	71	8	-----	3418 689	-----	-----	-----
	VALVE PACKAGE, Intake, w/Lock w/Double Grove							
	Std.	71	8	-----	= 3549 971	-----	-----	-----
	.005 O/S.	71	8	-----	= 3549 972	-----	-----	-----
	.015 O/S	71	8	-----	= 3549 973	-----	-----	-----
	.030 O/S	71	8	-----	= 3549 974	-----	-----	-----
	w/2 Bbl. Carb., B,J,R,W							
	Std.	70	8	-----	-----	3418 469	-----	-----
	.005 O/S.	70	8	-----	-----	3418 470	-----	-----
	.015 O/S.	70	8	-----	-----	3418 471	-----	-----
	.030 O/S.	70	8	-----	-----	3418 472	-----	-----
	w/4 Bbl. Carb., B,J,R,W							
	Std.	70	8	-----	-----	3512 090	-----	-----
	.005 O/S.	70	8	-----	-----	3512 091	-----	-----
	.015 O/S	70	8	-----	-----	3512 092	-----	-----
	.030 O/S.	70	8	-----	-----	3512 093	-----	-----
	w/2 and 4 Bbl. Carb. P,D, C Std.	70	8	-----	-----	3418 469	-----	-----
	.005 O/S	70	8	-----	-----	3418 470	-----	-----
	.015 O/S.	70	8	-----	-----	3418 471	-----	-----
	.030 O/S.	70	8	-----	-----	3418 472	-----	-----
	w/2 Bbl. Carb. With single Grove Lock Std.	71	8	-----	-----	3418 469	-----	-----
	.005 O/S.	71	8	-----	-----	3418 470	-----	-----
	.015 O/S	71	8	-----	-----	3418 471	-----	-----
	.030 o/s.	71	8	-----	-----	3418 472	-----	-----
	VALVE PACKAGE, Intake, w/Double Grove Lock, w/2 Bbl. Carb.							
	Std.	71	8	-----	-----	= 3549 979	-----	-----
	.005 o/s	71	8	-----	-----	= 3549 980	-----	-----
	.015 o/s	71	8	-----	-----	= 3549 981	-----	-----
	.030 o/s	71	8	-----	-----	= 3549 982	-----	-----
	w/4 Bbl. Carb. With single Grove Lock Std.	71	8	-----	-----	3512 090	-----	-----
	.005 o/s	71	8	-----	-----	3512 091	-----	-----
	.015 o/s	71	8	-----	-----	3512 092	-----	-----
	.030 o/s	71	8	-----	-----	3512 093	-----	-----
	VALVE PACKAGE, Intake w/Double Grove Lock, w/4 Bbl. Carb.							
	Std.	71	8	-----	-----	= 3549 975	-----	-----
	.005 o/s	71	8	-----	-----	= 3549 976	-----	-----
	.015 o/s	71	8	-----	-----	= 3549 977	-----	-----

CARLINES

J - Challenger
B - BarracudaV - Valiant
L - DartR - Belvedere - Satellite
W - Coronet - ChargerP - Plymouth
D - DodgeC - Chrysler
Y - Imperial

AR Indicates use as required.

Indicates parts not listed in any previous parts book.

Numerals in parentheses () refer to notes.

★ Indicates change or addition.

Printed in U.S.A.
January 1972

1970-71 PASSENGER CAR PARTS CATALOG

ENGINE

CODE	PART NAME AND DESCRIPTION	PER CAR	CU. IN. DISPLACEMENT & PISTON BORE SIZE					
			318	340	360	383	426	440
			3.91	4.04	4.00	4.25	4.26	4.32

EIGHT CYLINDER ENGINES

9-39-0 VALVE Cont'd.

9-39-5 VALVE Cont'd.

.030 o/s	71	8	-----	-----	-----	= 3549 978	-----	-----
w/4 Bbl. Carb. w/o H/Perf. w/Single Grove Lock P,D,C, Y								
Std.		8	-----	-----	-----	-----	-----	3418 469
.005 o/s		8	-----	-----	-----	-----	-----	3418 470
.015 o/s		8	-----	-----	-----	-----	-----	3418 471
.030 o/s		8	-----	-----	-----	-----	-----	3418 472
VALVE PACKAGE, Intake w/o H/Perf., w/Double Grove Lock								
P,D,C,Y Std.	71	8	-----	-----	-----	-----	-----	= 3549 979
.005 O/S	71	8	-----	-----	-----	-----	-----	= 3549 980
.015 o/s	71	8	-----	-----	-----	-----	-----	= 3549 981
.030 o/s	71	8	-----	-----	-----	-----	-----	= 3549 982
w/4 Bbl. Carb. w/H/Perf. w/Single Grove Lock B, J, R, W, P, D,C								
Std.		8	-----	-----	-----	-----	-----	3512 090
.005 o/s		8	-----	-----	-----	-----	-----	3512 091
.015 o/s		8	-----	-----	-----	-----	-----	3512 092
.030 o/s		8	-----	-----	-----	-----	-----	3512 093
VALVE PACKAGE, Intake, w/H/Perf. w/Double Grove Lock B,J,R, W								
P,D,C Std.	71	8	-----	-----	-----	-----	-----	= 3549 975
.005 o/s	71	8	-----	-----	-----	-----	-----	= 3549 976
.015 o/s	71	8	-----	-----	-----	-----	-----	= 3549 977
.030 o/s	71	8	-----	-----	-----	-----	-----	= 3549 978
w/3-2 Bbl. Carb's. w/Single Grove Lock Std.		8	-----	-----	-----	-----	-----	3418 475
.005 o/s		8	-----	-----	-----	-----	-----	3418 476
.015 O/S		8	-----	-----	-----	-----	-----	3418 477
.030 o/s		8	-----	-----	-----	-----	-----	3418 478
VALVE PACKAGE, Intake, w/3-2 Bbl. Carb's. w/Double Grove Lock								
Std.	71	8	-----	-----	-----	-----	-----	= 3549 983
.005 o/s	71	8	-----	-----	-----	-----	-----	= 3549 984
.015 o/s	71	8	-----	-----	-----	-----	-----	= 3549 985
.030 o/s	71	8	-----	-----	-----	-----	-----	= 3549 986
9-39-6 VALVE, Exhaust Std.								
.005 O/S.		8	2465 339	2863 521	2863 521	-----	2468 146	-----
.015 O/S.		8	2465 340	2863 533	2863 533	-----	2468 147	-----
.030 O/S.		8	2465 341	2863 534	2863 534	-----	2468 148	-----
w/2 Bbl. Carb., B,J,R,W		8	2465 342	2863 535	2863 535	-----	2468 149	-----
Std.	70	8	-----	-----	-----	2899 036	-----	-----
.005 O/S.	70	8	-----	-----	-----	3512 096	-----	-----
.015 O/S.	70	8	-----	-----	-----	2899 038	-----	-----
.030 O/S.	70	8	-----	-----	-----	2899 039	-----	-----
w/4 Bbl. Carb. B,J,R,W								
Std.	70	8	-----	-----	-----	3512 095	-----	-----
.005 O/S.	70	8	-----	-----	-----	3512 096	-----	-----
.015 O/S.	70	8	-----	-----	-----	3512 097	-----	-----
.030 O/S.	70	8	-----	-----	-----	3512 098	-----	-----
w/2 and 4 Bbl. Carb., P, D,C Std.	70	8	-----	-----	-----	2899 036	-----	-----

CARLINES J - Challenger V - Valiant R - Belvedere - Satellite P - Plymouth C - Chrysler
B - Barracuda L - Dart W - Coronet - Charger D - Dodge Y - Imperial

AR Indicates use as required.

Indicates parts not listed in any previous parts book.

Numerals in parentheses () refer to notes.

★ Indicates change or addition.

Printed in U.S.A.
January 1972

1970-71 PASSENGER CAR PARTS CATALOG

ENGINE

CODE	PART NAME AND DESCRIPTION	PER CAR	CU. IN. DISPLACEMENT & PISTON BORE SIZE					
			318	340	360	383	426	440
			3.91	4.04	4.00	4.25	4.26	4.32

EIGHT CYLINDER ENGINES

9-39-0 VALVE Cont'd.								
9-39-21	SPACER, Valve Spring	AR	1859 144	1859 144	1859 144	1859 144	1859 144	1859 144
9-41-0 VALVE TAPPET								
9-41-1	SILENCER PACKAGE, Tappet Chamber	1	-----	-----	-----	1879 747	-----	-----
	w/4 Bbl. Carb. w/O. H/Perf.	1	-----	-----	-----	-----	-----	1879 747
9-41-4	TAPPET, Valve	AR	-----	-----	-----	-----	3418 238	-----
	.0005 U/S.	16	3004 643	-----	3004 643	3004 647	3418 239	-----
	Std.	16	3004 644	-----	3004 644	3004 648	3418 240	-----
	.001 O/S.	16	3004 645	-----	3004 645	3004 649	3418 241	-----
	.008 O/S.	16	3004 646	-----	3004 646	3004 650	3418 242	-----
	.030 O/S.	16	-----	-----	-----	-----	-----	-----
	w/4 Bbl. Carb. Std.	16	-----	3004 643	-----	-----	-----	3004 647
	.001 O/S.	16	-----	3004 644	-----	-----	-----	3004 648
	.008 O/S.	16	-----	3004 645	-----	-----	-----	3004 649
	.030 O/S.	16	-----	3004 646	-----	-----	-----	3004 650
	w/3-2 Bbl. Carb's. Std.	16	-----	3577 092	-----	-----	-----	3420 039
	.0005 O/S	16	-----	3577 093	-----	-----	-----	-----
	.001 O/S.	16	-----	3577 094	-----	-----	-----	3420 040
	.008 O/S.	16	-----	3577 095	-----	-----	-----	3420 041
	.030 O/S.	16	-----	3477 096	-----	-----	-----	3420 042
9-42-0 VALVE PUSH ROD								
9-42-1	ROD, Valve Push	16	2899 561	-----	-----	2899 594	-----	2899 595
	w/4 Bbl. Carb.	16	-----	2899 567	-----	-----	-----	-----
	w/3-2 Bbl. Carb's.	16	-----	3577 121	-----	-----	-----	-----
		71	-----	-----	2899 567	-----	-----	-----
	Intake Valve	8	-----	-----	-----	-----	3418 359	-----
	Exhaust Valve	8	-----	-----	-----	-----	3418 360	-----
9-43-0 VALVE ROCKER								
9-43-1	ROCKER, Valve Right	8	3004 716	-----	3004 716	3004 718	-----	3004 718
	Left	8	3004 717	-----	3004 717	3004 719	-----	3004 719
	w/4 Bbl. Carb., Rt.	8	-----	3418 425	-----	-----	-----	-----
	w/4 Bbl. Carb., Lt.	8	-----	3418 424	-----	-----	-----	-----
	w/3-2 Bbl. Carb's. Intake,							
	w/3-2 Bbl. Carb's. Intake,	4	-----	3577 076	-----	-----	-----	-----
	Rt.	4	-----	3577 077	-----	-----	-----	-----
	w/3-2 Bbl. Carb's. Intake Lt.	4	-----	3577 078	-----	-----	-----	-----
	w/3-2 Bbl. Carb's. Exhaust	8	-----	-----	-----	-----	-----	-----
	Intake Valve	8	-----	-----	-----	-----	2468 173	-----
	Exhaust Valve	8	-----	-----	-----	-----	2468 174	-----
9-43-2	BUSHING, Intake Valve Rocker	8	-----	-----	-----	-----	2468 898	-----
	Exhaust Valve Rocker	8	-----	-----	-----	-----	2468 132	-----
9-43-3	SCREW, Valve Rocker Adjusting,							
	w/3-2 Bbl. Carb's.	70	16	-----	2402 525	-----	-----	-----
			16	-----	-----	-----	2402 525	-----
	Nut		16	-----	6023 587	-----	6023 587	-----
9-43-5	SPACER, Valve Rocker					1737 756	-----	1737 756
9-43-9	SHAFT, Valve Rocker	2	2532 149	-----	2532 149	2465 850	-----	2465 850
	w/4 Bbl. Carb.	2	-----	2532 149	-----	-----	-----	-----
	w/3-2 Bbl. Carb's.	2	-----	3577 086	-----	-----	-----	-----
	Intake Valve Rocker	2	-----	-----	-----	-----	2468 124	-----
	Exhaust Valve Rocker	2	-----	-----	-----	-----	2468 126	-----

CARLINES J - Challenger V - Valiant R - Belvedere - Satellite P - Plymouth C - Chrysler
B - Barracuda L - Dart W - Coronet - Charger D - Dodge Y - Imperial

AR Indicates use as required.
Indicates parts not listed in any previous parts book.

Numerals in parentheses () refer to notes.
★ Indicates change or addition.

Printed in U.S.A.
January 1972

1970-71 PASSENGER CAR PARTS CATALOG

8 Cyl.

Text Page 9-13

ENGINE

CODE	PART NAME AND DESCRIPTION	PER CAR	CU. IN. DISPLACEMENT & PISTON BORE SIZE					
			318	340	360	383	426	440
			3.91	4.04	4.00	4.25	4.26	4.32

EIGHT CYLINDER ENGINES

9-43-0 VALVE ROCKER Cont'd.

9-43-10	BRACKET, Valve Rocker Shaft Support	4	-----	-----	-----	-----	2468 089	-----
	Intermediate	4	-----	-----	-----	-----	2468 088	-----
	Right Front and Left Rear Offset	2	-----	-----	-----	-----	2468 091	-----
9-43-11	RETAINER, Valve Rocker Shaft, End and Center	6	2463 322	2463 322	2463 322	2463 282	-----	2463 282
	Intermediate	4	2463 323	2463 323	2463 323	2463 283	-----	2463 283
9-43-14	SPRING, Valve Rocker Shaft	14	-----	-----	-----	-----	2468 128	-----
		2	-----	-----	-----	-----	1632 106	-----
9-43-19	PLUG, Valve Rocker Shaft	AR	1324 268	1324 268	1324 268	1324 268	1324 268	1324 268

9-45-0 FLYWHEEL

9-45-1	FLYWHEEL, w/Ring Gear	1	2264 597	2264 597	-----	2264 597	-----	-----
	71	1	-----	-----	3410 916	-----	-----	-----
	w/4 Speed Man. Trans.	1	-----	-----	-----	-----	3410 258	3410 837
	Bolt	6	192 356	192 356	192 356	192 356	-----	192 356
		8	-----	-----	-----	-----	9411 259	-----
9-45-2	GEAR, Flywheel Ring	1	1941 648	1941 648	1941 648	1941 648	1941 648	1941 648
	GEAR, Torque Converter Starter							
	Ring w/A904 Auto. Trans.	1	2121 196	-----	-----	-----	-----	-----
	w/A727 Auto. Trans.	1	1941 648	1941 648	3515 203	1941 648	1941 648	1941 648

9-46-0 TORQUE CONVERTER

9-46-4	TORQUE CONVERTER w/A904 Trans.	1	2801 762	-----	-----	-----	-----	-----
	w/A727 Trans.	1	2801 764	-----	-----	-----	-----	-----
	w/A727 H/Duty Trans.	1	2843 586	-----	-----	-----	-----	-----
	71	1	-----	2801 764	-----	-----	2801 766	-----
	w/2 Bbl. Carb., w/O. Cast Crankshaft	1	-----	-----	3410 918	-----	-----	-----
	w/2 Bbl. Carb., w/Cast Crankshaft (See Note 2 Page 1)	1	-----	-----	-----	2843 586	-----	-----
	w/4 Bbl. Carb.	1	-----	-----	-----	3515 282	-----	-----
	w/O. H/Perf. P,D,C,Y	1	-----	-----	-----	2801 764	-----	-----
	w/H/Perf. w/4 Bbl. and 3-2 Bbl. Carb's.	1	-----	-----	-----	-----	-----	2843 586
		1	-----	-----	-----	-----	-----	3410 839
9-46-8	PLATE, Torque Converter Drive w/Heavy Duty A727 Trans.	1	2400 885	2400 885	2400 885	-----	2466 715	2204 768
	w/2 Bbl. Carb.	1	2204 768	-----	-----	-----	-----	-----
	w/4 Bbl. Carb.	1	-----	-----	-----	2204 768	-----	-----
		1	-----	-----	-----	2400 885	-----	-----
9-46-21	SCREW, Torque Converter Drive Plate to Crankshaft	6	1949 424	1949 424	1949 424	1949 424	-----	1949 424
		8	-----	-----	-----	-----	6025 528	-----
	SCREW, Drive Plate to Torque Converter	4	1949 765	1949 765	1949 765	1949 765	6024 318	1949 765
9-46-31	COOLER, Radiator Core Oil Lgh. Wide							
	7.37" x 1.00"	AR	2998 999	2998 999	2998 999	2998 999	2998 999	2998 999
	7.37" x 1.25"	AR	2998 998	2998 998	2998 998	2998 998	2998 998	2998 998
	11.37 x 1.00"	AR	2998 997	2998 997	2998 997	2998 997	2998 997	2998 997
	13.37 x 1.25"	AR	2998 996	2998 996	2998 996	2998 996	2998 996	2998 996
	16.37 x 1.25"	AR	2998 995	2998 995	2998 995	2998 995	2998 995	2998 995
	13.37 x 1.50"	AR	2998 994	2998 994	2998 994	2998 994	2998 994	2998 994
	11.37 x 1.50"	AR	2998 993	2998 993	2998 993	2998 993	2998 993	2998 993

CARLINES J - Challenger V - Valiant R - Belvedere - Satellite P - Plymouth C - Chrysler
 B - Barracuda L - Dart W - Coronet - Charger D - Dodge Y - Imperial

1970-71 PASSENGER CAR PARTS CATALOG

ENGINE

CODE	PART NAME AND DESCRIPTION	PER CAR	CU. IN. DISPLACEMENT & PISTON BORE SIZE					
			318	340	360	383	426	440
			3.91	4.04	4.00	4.25	4.26	4.32

EIGHT CYLINDER ENGINES

9-46-0 TORQUE CONVERTER Cont'd.

9-46-31	COOLER Cont'd.								
	COOLER, Trans. Oil Auxiliary B,								
	J 70	1	-----	-----	-----	-----	3410 307	-----	-----
	R,W 70	1	-----	-----	-----	-----	3410 531	-----	-----
	B,J,R,W 71	1	-----	-----	-----	-----	3410 307	-----	-----
	P,D,C	1	-----	-----	2892 470	2892 470	-----	-----	2892 470
	Y	1	-----	-----	-----	-----	-----	-----	2801 854
9-46-33	BRACKET, Trans. Oil Cooler								
	Tube, V,L,B,J,R,W 70	1	1949 176	1949 176	-----	1949 176	-----	-----	1949 176
	P,D 70	1	1949 176	-----	-----	-----	-----	-----	-----
	P,D,C,Y 70	1	-----	-----	-----	2951 334	-----	-----	2951 334
	R,W 70	1	-----	-----	-----	-----	3410 532	-----	-----
	w/O. Heavy Duty A727								
	Trans. 71	1	3577 172	-----	-----	-----	-----	-----	-----
	w/Heavy Duty A727								
	Trans. 71		3577 306	-----	-----	-----	-----	-----	-----
	V,L 71	1	-----	3577 172	-----	-----	-----	-----	-----
	B,J,R,W, 71	1	-----	3577 306	-----	-----	-----	-----	-----
	71	1	-----	-----	3577 306	-----	-----	-----	-----
	71	1	-----	-----	-----	3577 171	3577 171	3577 171	3577 171
	J-Nut, Bracket	AR	-----	-----	6023 168	6023 168	6023 168	6023 168	6023 168
	Screw, Tube Clip, P,D,C,Y	2	-----	-----	9415 910	9415 910	-----	-----	9415 910
9-46-43	NUT, Trans. Oil Cooler Tube,								
	Trans. End	2	1941 667	1941 667	1941 667	1941 667	1941 667	1941 667	1941 667
	Radiator End	2	1941 667	1941 667	1941 667	1941 667	1941 667	1941 667	1941 667
9-46-44	CONNECTOR, Trans. Oil Cooler								
	Radiator End	2	118 749	118 749	118 749	118 749	118 749	118 749	118 749
	w/Auxiliary Cooler	2	-----	-----	2801 853	2801 853	2801 853	2801 853	2801 853
9-46-130	SEAL, Trans. Torque Converter								
	Impeller Hub, w/A904								
	Trans. 1	1	2124 705	-----	-----	-----	-----	-----	-----
	w/Heavy Duty A727 Trans. 1	1	1942 020	1942 020	1942 020	1942 020	1942 020	1942 020	1942 020
9-46-228	ROLLER, Torque Converter								
	Overrunning Clutch	8	670 776	670 776	670 776	670 776	670 776	670 776	670 776
9-46-229	SPRING, Torque Converter								
	Overrunning Clutch Roller	8	1942 187	1942 187	1942 187	1942 187	1942 187	1942 187	1942 187

9-48-0 MANIFOLD

9-48-6	MANIFOLD, Exhaust Right	1	2946 084	-----	-----	-----	-----	-----	-----
	Left V,L	1	2951 124	-----	-----	-----	-----	-----	-----
	Left, B,J,R,W,P,D 70	1	2951 915	-----	-----	-----	-----	-----	-----
	Left, B,J,R,W,P,D 71	1	3512 076	-----	-----	-----	-----	-----	-----
	Right 70	1	-----	2863 545	-----	-----	-----	-----	-----
	Right 71	1	-----	3418 624	-----	-----	-----	-----	-----
	Left 70	1	-----	2863 552	-----	-----	-----	-----	-----
	Left, V,L 71	1	-----	2863 552	-----	-----	-----	-----	-----
	Left, B,J,R,W 71	1	-----	3418 620	-----	-----	-----	-----	-----
	Right 71	1	-----	-----	3418 624	-----	-----	-----	-----
	Left 71	1	-----	-----	3418 620	-----	-----	-----	-----
	Right, w/2 Bbl. Carb. 1	1	-----	-----	-----	2899 954	-----	-----	-----
	Left, w/2 Bbl. Carb. B, J,R,W 1	1	-----	-----	-----	2951 864	-----	-----	-----
	Left, w/2 Bbl. Carb. P, D,C 1	1	-----	-----	-----	2951 860	-----	-----	-----
	Right, w/4 Bbl. Carb. 1	1	-----	-----	-----	2899 968	-----	-----	-----
	Left, w/4 Bbl. Carb., B, J,R,W 1	1	-----	-----	-----	2951 864	-----	-----	-----

CARLINES J - Challenger V - Valiant R - Belvedere - Satellite P - Plymouth C - Chrysler
B - Barracuda L - Dart W - Coronet - Charger D - Dodge Y - Imperial

AR Indicates use as required.
Indicates parts not listed in any previous parts book.

Numerals in parentheses () refer to notes.
★ Indicates change or addition.

Printed in U.S.A.
January 1972

CODE	PART NAME AND DESCRIPTION	PER CAR	CU. IN. DISPLACEMENT & PISTON BORE SIZE					
			318	340	360	383	426	440
			3.91	4.04	4.00	4.25	4.26	4.32

EIGHT CYLINDER ENGINES

9-48-0 MANIFOLD Cont'd.

9-48-6	MANIFOLD Cont'd.								
	Left, w/4 Bbl. Carb., P, D,C	1	-----	-----	-----	2951 217	-----	-----	-----
	Right 70	1	-----	-----	-----	-----	2780 506	-----	-----
	Right 71	1	-----	-----	-----	-----	3577 282	-----	-----
	Left	1	-----	-----	-----	-----	3418 452	-----	-----
	Right, w/4 Bbl. Carb. w/O. H/Perf., P,D,C,Y	1	-----	-----	-----	-----	-----	-----	2899 954
	Left, w/4 Bbl. Carb. w/O. H/Perf., P,D,C,Y	1	-----	-----	-----	-----	-----	-----	2951 860
	Right, w/4 Bbl. Carb. w/H/Perf., B,J,R,W,P,D,C	1	-----	-----	-----	-----	-----	-----	2899 968
	Left, w/4 Bbl. Carb. w/H/Perf., B,J,R,W	1	-----	-----	-----	-----	-----	-----	2951 864
	Left, w/4 Bbl. Carb. w/H/Perf., P,D,C	1	-----	-----	-----	-----	-----	-----	3418 352
	Right, w/3-2 Bbl. Carb's.,B,J,R,W	1	-----	-----	-----	-----	-----	-----	2899 968
	Left, w/3-2 Bbl. Carb's., B,J,R,W	1	-----	-----	-----	-----	-----	-----	2951 864
	Screw, Exhaust Manifold Long 5/18" x 2 1/8"	AR	9421 360	9421 360	9421 360	-----	-----	-----	-----
	Stud, Exhaust Manifold	12	-----	-----	-----	6028 023	6028 023	6028 023	6028 023
	Screw, Exhaust Manifold Left, V, L	1	6028 356	-----	-----	-----	-----	-----	-----
	Stud, Exhaust Manifold, Left, B, J, R, W, P, D P, D, C	1	6028 355	-----	-----	-----	-----	-----	-----
		1	-----	-----	6028 355	-----	-----	-----	-----
9-48-7	MANIFOLD, Intake	1	2951 184	-----	-----	-----	-----	2780 542	-----
	w/4 Bbl. Carb. 70	1	-----	3462 847	-----	-----	-----	-----	-----
	w/4 Bbl. Carb. 71	1	-----	3512 099	-----	-----	-----	-----	-----
	w/3-2 Bbl. Carb's.	1	-----	3418 681	-----	-----	-----	-----	-----
	except, C 71	1	-----	-----	3418 434	-----	-----	-----	-----
	C 71	1	-----	-----	= 3614 344	-----	-----	-----	-----
	w/2 Bbl. Carb.	1	-----	-----	-----	2951 669	-----	-----	-----
	w/4 Bbl. Carb.	1	-----	-----	-----	2951 665	-----	-----	-----
	w/4 Bbl. Carb. 70	1	-----	-----	-----	-----	-----	-----	2951 737
	w/4 Bbl. Carb. except Y 71	1	-----	-----	-----	-----	-----	-----	3512 502
	w/4 Bbl. Carb., Y 71	1	-----	-----	-----	-----	-----	-----	3577 164
	w/3-2 Bbl. Carb's.	1	-----	-----	-----	-----	-----	-----	2946 275
	Bolt, 3/8" x 1 5/8"	8	9417 050	9417 050	-----	-----	-----	-----	-----
	Bolt, 3/8" x 1 1/2"	AR	-----	9421 218	-----	9421 218	-----	-----	9421 218
	Washer, Ground Cable	1	-----	-----	-----	6026 273	-----	-----	6026 273
	Screw, w/Washer 1/4 x 2.44	7	-----	-----	-----	-----	6025 700	-----	-----
	Screw, w/Washer 1/4" x 3.00"	3	-----	-----	-----	-----	6025 701	-----	-----
	Stud, Left Rear 1/4" x 3.75"	1	-----	-----	-----	-----	6026 429	-----	-----
	Stud, Right, Front, Rear	2	-----	-----	-----	-----	6027 207	-----	-----
	Stud, Left, Front	1	-----	-----	-----	-----	6026 994	-----	-----
	Nut, w/Washer Stud	6	-----	-----	-----	-----	6023 118	-----	-----
	Stud, Center, Right, Left	2	-----	-----	-----	-----	6026 994	-----	-----
9-48-8	CONNECTOR, Intake Manifold Vacuum Control O.D.								
	.127" Tube	AR	1858 955	1858 955	1858 955	1858 955	1858 955	1858 955	1858 955
	O.D. .125" Tube	AR	2863 486	2863 486	-----	2863 486	2863 486	2863 486	2863 486
	O.D. .252" Tube	AR	2658 625	-----	-----	-----	-----	-----	-----
	O.D. 1875 Side Tube	AR	-----	-----	-----	3614 059	-----	-----	3614 059

CARLINES

J - Challenger
B - BarracudaV - Valiant
L - DartR - Belvedere - Satellite
W - Coronet - ChargerP - Plymouth
D - DodgeC - Chrysler
Y - Imperial

AR Indicates use as required.

Indicates parts not listed in any previous parts book.

Numerals in parentheses () refer to notes.

★ Indicates change or addition.

Printed in U.S.A.

January 1972

1970-71 PASSENGER CAR PARTS CATALOG

ENGINE

CODE	PART NAME AND DESCRIPTION	PER CAR	CU. IN. DISPLACEMENT & PISTON BORE SIZE					
			318	340	360	383	426	440
			3.91	4.04	4.00	4.25	4.26	4.32

EIGHT CYLINDER ENGINES

9-48-0 MANIFOLD Cont'd.

9-48-8	CONNECTOR Cont'd. O.D. .125 and .1875 Side Tube	AR	-----	-----	-----	3614 063	-----	3614 063
9-48-9	PLUG, Intake Manifold Vacuum Control Hole	1	1859 127	1859 127	1859 127	1859 127	1859 127	1859 127
	Plug, Intake Manifold	1	-----	-----	-----	-----	1392 371	-----
9-48-14	WASHER, Exhaust Manifold End Stud Nut	4	2121 223	2121 223	2121 223	-----	-----	-----
	Exhaust Manifold Left Long Screw 70	AR	2121 223	2121 223	-----	-----	-----	-----
9-48-26	TUBE, Exhaust Manifold To Intake Manifold Heat	1	-----	-----	-----	-----	2780 613	-----
9-48-27	REINFORCEMENT, Intake Manifold Gasket End	2	-----	-----	-----	1859 332	-----	1851 665
9-48-44	NUT, Exhaust Manifold Stud Long 70	AR	-----	-----	-----	2268 282	-----	2268 282
	71	AR	-----	-----	-----	3614 292	-----	3614 292
	Stud Medium	AR	-----	-----	-----	2806 982	-----	2806 982
9-48-45	WASHER, Exhaust Manifold Attaching Bolt	11	-----	-----	-----	-----	2780 643	-----
9-48-56	SHIELD, Intake Manifold Heat w/4 Bbl. Carb.	1	3418 917	-----	-----	-----	2468 218	-----
	w/3-2 Bbl. Carb's.	1	-----	3418 916	-----	-----	-----	-----
	71	1	-----	3577 199	-----	-----	-----	-----
9-48-125	COVER, Exhaust Manifold Heat Tube To Carburetor Tube	AR	-----	-----	3418 916	-----	-----	-----
9-48-126	TUBE, Exhaust Manifold Heat 70	1	-----	-----	-----	-----	1484 356	-----
9-48-140	CLIP, Exhaust Manifold Heat Tube to Carb. Tube 70	1	-----	-----	-----	-----	1325 850	-----
		1	-----	-----	-----	-----	2780 654	-----

9-50-0 MANIFOLD GASKETS

9-50-1	GASKET SET, Intake Manifold w/4 Bbl. Carb.	1	3420 027	-----	-----	-----	-----	-----
	w/3-2 Bbl. Carb's.	1	-----	2808 689	-----	-----	-----	-----
	71	1	-----	3514 187	-----	-----	-----	-----
		1	-----	-----	2808 689	-----	-----	-----
	w/3-2 Bbl. Carb's.	1	-----	-----	-----	-----	2808 306	-----
9-50-5	GASKET, Exhaust Manifold Left, w/Heat, V,L	1	2951 285	-----	-----	-----	-----	3514 186
		1	-----	2946 105	-----	-----	-----	-----
	GASKET, Exhaust Manifold	2	-----	-----	-----	-----	2780 534	-----
9-50-6	GASKET, Intake Manifold	1	-----	-----	-----	2899 299	-----	1851 664
	GASKET, Intake Manifold Plug	1	-----	-----	-----	-----	2780 680	-----
9-50-18	GASKET, Heat Tube	2	-----	-----	-----	-----	2780 614	-----

9-58-0 MANIFOLD HEAT CONTROL VALVE THERMOSTAT

9-58-1	HEAT CONTROL VALVE PACKAGE, Manifold Canada 70	1	3004 709	-----	-----	-----	2808 393	-----
	70	1	3420 227	-----	-----	-----	-----	-----
	71	1	-----	3004 574	-----	-----	-----	-----
	w/2 Bbl. Carb.	1	-----	3549 398	3549 398	-----	-----	-----
	w/4 Bbl. Carb.	1	-----	-----	-----	3420 045	-----	-----
	w/4 Bbl. Carb. w/O.	1	-----	-----	-----	3420 046	-----	-----
	H/Perf.	1	-----	-----	-----	-----	-----	3420 045
	w/4 Bbl. Carb. and 3-2 Bbl. Carb's., w/H/Perf.	1	-----	-----	-----	-----	-----	3420 046

CARLINES J - Challenger V - Valiant R - Belvedere - Satellite P - Plymouth C - Chrysler
B - Barracuda L - Dart W - Coronet - Charger D - Dodge Y - Imperial

AR Indicates use as required.

Indicates parts not listed in any previous parts book.

Numerals in parentheses () refer to notes.

★ Indicates change or addition.

Printed in U.S.A.
January 1972

CODE	PART NAME AND DESCRIPTION	PER CAR	CU. IN. DISPLACEMENT & PISTON BORE SIZE					
			318	340	360	383	426	440
			3.91	4.04	4.00	4.25	4.26	4.32

EIGHT CYLINDER ENGINES

9-58-0 MANIFOLD HEAT CONTROL VALVE THERMOSTAT Cont'd.

9-58-5	THERMOSTAT, Exhaust Manifold Heat Control	1	-----	-----	-----	-----	2843 685	-----
9-58-12	COUNTERWEIGHT, Exhaust Manifold Heat Control Valve	1	-----	-----	-----	-----	2780 615	-----
9-58-14	LOCK, Exhaust Manifold Heat Control Valve Counterweight	1	-----	-----	-----	-----	2806 151	-----

9-59-0 MANIFOLD HEAT CONTROL VALVE

9-59-10	PLUG, Exhaust Manifold Heat Control Valve Shaft Hole 70	1	-----	2843 957	-----	-----	-----	-----
9-59-13	SPRING, Exhaust Manifold Heat Control Valve Shaft	1	2951 626	-----	-----	-----	-----	-----
	70	1	-----	2863 388	-----	-----	-----	-----
	71	1	-----	2951 626	2951 626	-----	-----	-----
	Anti-Rattle	1	-----	-----	-----	2951 870	-----	2951 870
		2	-----	-----	-----	-----	2806 387	-----
9-59-15	PIN, Exhaust Manifold Heat Control Valve Shaft Spring	1	2951 627	2951 627	2951 627	1639 597	2806 150	1639 597

9-62-0 MANIFOLD HEAT CONTROL VALVE STOP

9-62-1	STOP, Exhaust Manifold Heat Control Valve Counterweight	1	2946 083	2946 083	2946 083	2946 083	-----	2946 083
		2	-----	-----	-----	-----	2465 203	-----
9-62-2	PIN, Exhaust Manifold Heat Control Valve Stop	1	-----	-----	-----	-----	2843 022	-----

9-64-0 ENGINE FRONT SUPPORT

9-64-18	WASHER, Engine Front Support Insulator To Frame Bolt V, L	70	2	2128 774	2128 774	-----	-----	-----	-----
9-64-24	BRACKET, ENGINE FRONT SUPPORT Insulator								
	Right, V,L		1	2863 443	2863 443	-----	-----	-----	-----
	Left, V,L		1	2843 223	2863 445	-----	-----	-----	-----
	Right, B,J,R,W,P,D	70	1	2536 125	-----	-----	-----	-----	-----
	Left, B,J,R,W,P,D	70	1	2806 025	-----	-----	-----	-----	-----
	Right, B,J,R,W		1	-----	3418 394	-----	-----	-----	-----
	Left, B,J		1	-----	3418 400	-----	-----	-----	-----
	Right, except V,L	71	1	3418 394	-----	3418 394	-----	-----	-----
	Left, except V,L	71	1	2806 025	-----	-----	-----	-----	-----
	Left, P,D	71	1	-----	-----	3418 400	-----	-----	-----
	Right		1	-----	-----	-----	2536 132	-----	2536 132
	Left		1	-----	-----	-----	2863 751	-----	2863 751
	Right, B,J	70	1	-----	-----	-----	-----	2951 601	-----
	Right, R,W	70	1	-----	-----	-----	-----	2780 672	-----
	Left, B,J	70	1	-----	-----	-----	-----	3418 305	-----
	Left, R,W	70	1	-----	-----	-----	-----	2780 673	-----
	Right, B,J,R,W	71	1	-----	-----	-----	-----	2951 601	-----
	Left, B,J,R,W	71	1	-----	-----	-----	-----	3418 305	-----
	Bolt, Bracket to Block, B,J,R,W		1	-----	-----	-----	9427 473	-----	9427 473
	P,D,C,Y		1	-----	-----	-----	433 146	-----	433 146
	Nut, Bracket To Block								
	Bolt		6	6026 750	6026 750	6026 750	6026 750	-----	6026 750

CARLINES

J - Challenger
B - BarracudaV - Valiant
L - DartR - Belvedere - Satellite
W - Coronet - ChargerP - Plymouth
D - DodgeC - Chrysler
Y - Imperial

AR Indicates use as required.

Indicates parts not listed in any previous parts book

Numerals in parentheses () refer to notes.

★ Indicates change or addition

Printed in U.S.A.

January 1972

1970-71 PASSENGER CAR PARTS CATALOG

ENGINE

CODE	PART NAME AND DESCRIPTION	PER CAR	CU. IN. DISPLACEMENT & PISTON BORE SIZE					
			318	340	360	383	426	440
			3.91	4.04	4.00	4.25	4.26	4.32

9-67-0 ENGINE FRONT SUPPORT INSULATOR

9-67-4	INSULATOR, Engine Front							
	Support, V,L	2	2806 779	2806 779	-----	-----	-----	-----
	B,J	2	2536 121	2536 121	-----	2863 735	-----	2863 735
	P,D,C,Y	2	2536 121	-----	2536 121	2536 121	-----	2536 121
	Except Station Wag., R,W	2	2536 121	-----	-----	2536 121	-----	2536 121
	w/Station Wag., R,W	2	2863 735	-----	-----	2863 735	-----	-----
	Right	1	-----	-----	-----	-----	2532 708	-----
	Left, B,J 70	1	-----	-----	-----	-----	2951 599	-----
	Left, R,W 70	1	-----	-----	-----	-----	2468 184	-----
	Left 71	1	-----	-----	-----	-----	2951 599	-----
	Bolt, Insulator to Frame Bolt, B,J,R,W 71	1	-----	-----	-----	-----	6026 968	-----
	Nut, Insulator To Frame Bolt, V,L	2	6023 353	-----	-----	-----	-----	-----
	Washer, Insulator To Frame	AR	6025 705	6025 705	6025 705	6025 705	6025 705	6025 705
	Washer, Insulator To Bracket	2	6023 054	6023 054	6023 054	6023 054	-----	6023 054

9-69-0 ENGINE REAR SUPPORT INSULATOR BRACKET

9-69-12	SPACER, Engine Rear Support Insulator Bracket							
	B,J,P,D,C,Y 70	2	3410 700	3410 700	-----	3410 700	3410 700	3410 700
	B,J,R,W,P,D,C,Y 71	2	3410 700	3410 700	3410 700	3410 700	3410 700	3410 700

9-71-0 ENGINE REAR SUPPORT INSULATOR

9-71-5	INSULATOR, Engine Rear							
	Support, V,L,R,W 70	1	2533 145	-----	-----	2533 145	-----	2533 145
	B,J,P,D,C,Y 70	1	2892 471	2892 471	-----	2892 471	-----	2892 471
	B,J 70	1	-----	-----	-----	-----	3410 310	-----
	R,W 70	1	-----	-----	-----	-----	2660 673	-----
	V,L 71	1	2533 145	2533 145	-----	-----	-----	-----
	Except V,L 71	1	2892 471	2892 471	2892 471	2892 471	-----	2892 471
	B,J,R,W 71	1	-----	-----	-----	-----	3410 310	-----
	Screw, V,L,B,J,R,W 70	2	9417 471	9417 471	-----	9417 471	9417 471	9417 471
	Nut, Plate Bolt, V,L,R,W	1	6025 804	-----	-----	6025 804	6025 804	6025 804
	Nut, Insulator To Crossmember Mounting Bolt, B,J,P,D,C,Y	1	6023 353	6023 353	6023 353	6023 353	6023 353	6023 353
	Bolt, Insulator To Crossmember B,J,P,D,C,Y	1	6028 237	6028 237	6028 237	6028 237	-----	6028 237
	Stud, Insulator to Extension, P,D,C,Y	2	6028 262	-----	6028 262	6028 262	-----	6028 262
	Nut, Insulator to Extension Stud P,D,C,Y	2	6026 789	-----	6026 789	6026 789	-----	6026 789

NOTES

CARLINES

J - Challenger
B - Barracuda

V - Valiant
L - Dart

R - Belvedere - Satellite
W - Coronet - Charger

P - Plymouth
D - Dodge

C - Chrysler
Y - Imperial

AR Indicates use as required.

Indicates parts not listed in any previous parts book.

Numerals in parentheses () refer to notes.

★ Indicates change or addition.

Printed in U.S.A.
January 1972