

GROUP 8 INDEX

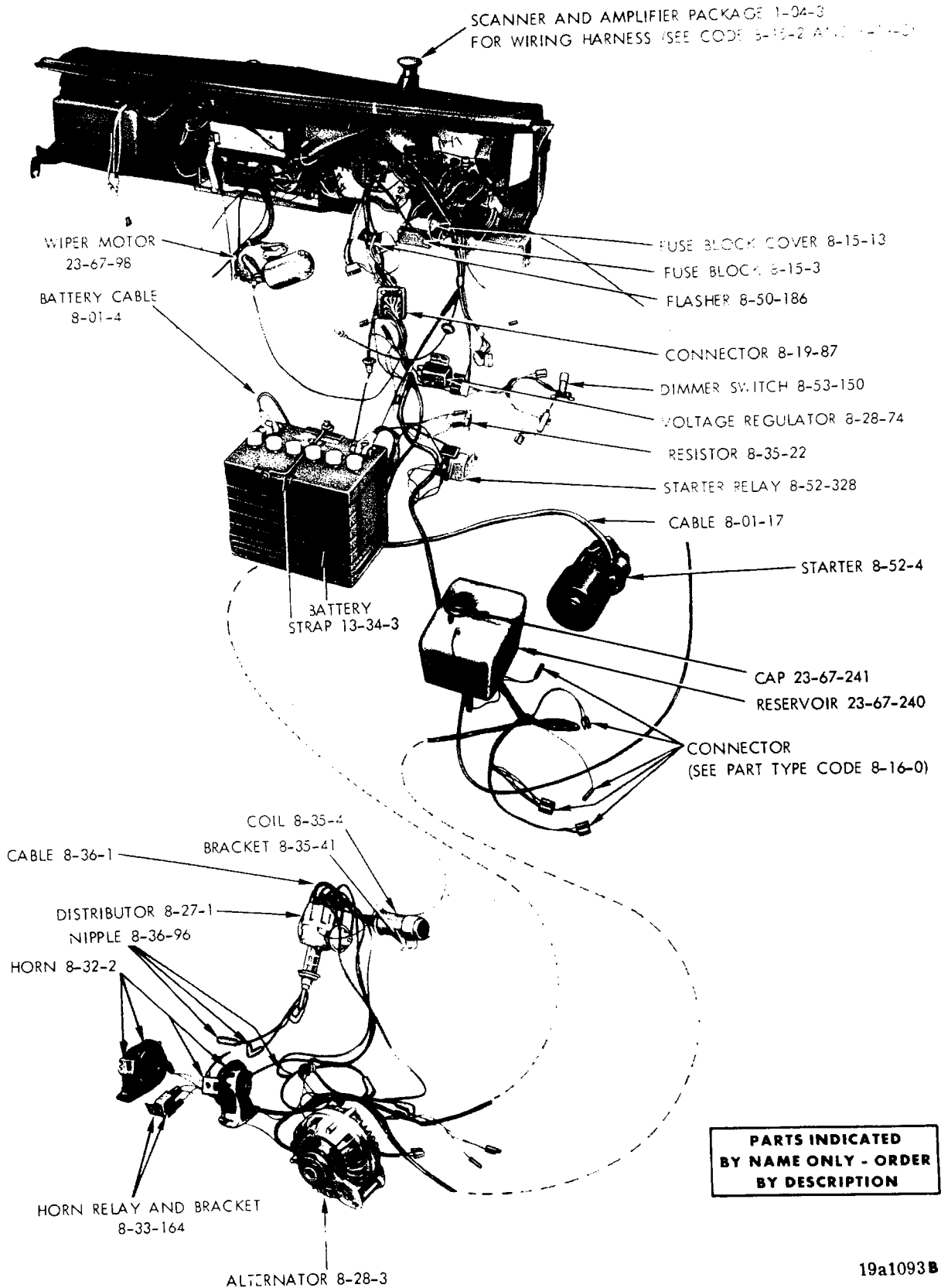
	PAGE NOS.			PAGE NOS.	
	1970	1971		1970	1971
ALTERNATOR, DISTRIBUTOR & STARTER					
Alternator	8-7	8-7			
Distributor - 6 Cylinder	8-2	8-2			
Distributor - 8 Cylinder (Chrysler Built)	8-3	8-3			
Distributor - 8 Cylinder (Prestolite)	8-4	8-4			
Starter - 1889 100	8-5	8-5			
Starter - 2875 560	8-6	8-6			
BACK-UP LAMPS					
Valiant 4 Door Sedan	8-48	8-48			
Valiant Duster	8-36	8-36			
Valiant 2 Door Hardtop	----	8-40			
Dart	8-40	8-92			
Dart Demon	----	8-93			
Barracuda	8-37	8-95			
Challenger	8-49	8-92			
Belvedere except Station Wagon .	8-48	----			
Satellite 4 Door	----	8-96			
Coronet and Satellite Sta. Wgn. .	----	8-101			
Coronet	8-41	----			
Coronet 4 Door	----	8-93			
Satellite 2 Door	----	8-96			
Charger and All Station Wagons .	8-49	8-91			
Plymouth	8-39	----			
Plymouth Fury I & II	----	8-97			
Plymouth Fury III & Sports . . .	8-39	8-98			
Dodge Polara	8-44	8-94			
Chrysler Newport	8-45	8-45			
Chrysler 300	8-45	8-45			
Chrysler New Yorker	8-46	8-98			
Imperial	8-50	8-50			
Dodge Monaco	8-50	8-95			
CORNERING LAMP					
Dodge, Chrysler and Imperial . .	8-31	8-31			
ELECTRICAL SYSTEM					
System	8-1	8-1			
HEADLAMP					
Valiant	8-85	8-85			
Dart	8-9	8-103			
Barracuda	8-7	8-103			
Challenger	8-10	8-103			
Belvedere and Satellite	8-8	8-103			
Coronet	8-10	8-103			
Charger	8-11	8-85			
Plymouth	8-8	8-102			
Plymouth Sport Fury	8-9	8-86			
Dodge	8-11	8-103			
Chrysler	8-12	8-103			
Imperial	8-12	8-87			
Super Bird	8-84	----			
Bezel Chart	8-103	8-103			
INSTRUMENT CLUSTER					
Valiant (Except Duster 340) . . .	8-60	8-60			
Valiant Duster 340 and Swinger 340	8-61	8-61			
Dart	8-65	8-65			
Barracuda and Challenger (2-2)	8-69	8-69			
INSTRUMENT CLUSTER - Continued					
Challenger and Barracuda	8-63	8-63			
Belvedere and Coronet	8-64	----			
Charger and Charger R/T	8-67	----			
Satellite and Coronet (Rallye) . .	8-69	8-69			
Satellite and Coronet (Without Rallye)	8-68	8-68			
Plymouth	8-65	8-65			
Dodge	8-66	8-66			
Chrysler	8-72	8-72			
				and	
				8-74	
Imperial	8-73	8-73			
				and	
				8-76	
Switches and A/C Controls					
Chrysler	8-70	----			
Imperial	8-71	----			
LAMP - BULB TYPES					
Chart	----			8-80	
LICENSE LAMP					
Valiant	8-51	8-51			
Dart, Challenger, Coronet	8-52	8-52			
Barracuda	8-51	8-51			
Belvedere except Station Wagon .	8-53	8-53			
Satellite, Coronet, Plymouth, Dodge	----	8-101			
Coronet and Charger	8-52	----			
Plymouth, Dodge, Chrysler, Imperial Except Sta. Wgn. . . .	8-53	8-53			
Plymouth and Dodge (Except Station Wagon)	----	8-101			
Station Wagon	8-53	----			
Satellite and Coronet Sta. Wgn. .	----	8-101			
PARKING AND TURN SIGNAL LAMP					
Valiant	8-25	8-88			
Dart	8-27	8-27			
Barracuda	8-26	8-88			
Challenger and Charger	8-28	8-28			
Coronet	8-28	8-90			
Belvedere	8-26	----			
Satellite	----	8-89			
Plymouth	8-27	8-27			
Dodge	8-29	8-29			
Chrysler (Except 300)	8-29	8-29			
Chrysler 300	8-30	8-30			
Imperial	8-30	8-30			
ROAD LAMP AND X-PRESS SUPERLITE					
Barracuda	8-24	8-24			
Dodge	8-25	----			
SIDE MARKER LAMP AND REFLECTOR					
Valiant Front	8-13	8-13			
Valiant Rear	8-14	8-14			
Dart Front	8-16	8-16			
Dart Rear	8-17	8-17			
Barracuda Front	8-21	8-21			
Barracuda Rear	8-14	8-14			
Challenger Front	8-22	8-22			
Challenger Rear	8-17	8-17			

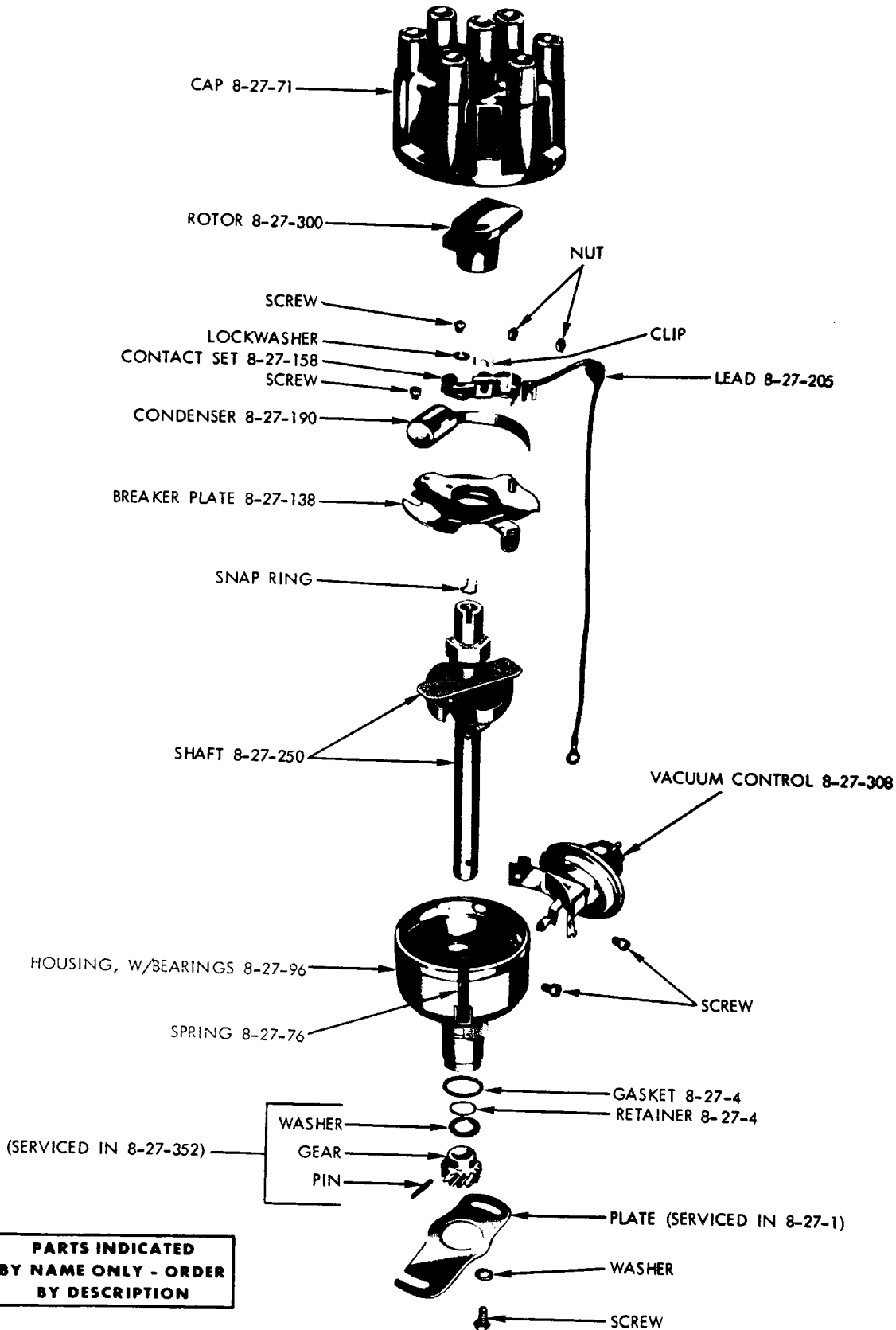
GROUP 8 INDEX - Continued

	PAGE NOS.	
	1970	1971
SIDE MARKER LAMP AND REFLECTOR - Continued		
Belvedere Front and Rear	8-15	----
Satellite Front	----	8-99
Coronet Front	8-23	8-99
Coronet Rear	8-18	8-100
Charger Front	8-23	8-99
Charger Rear	8-18	8-100
Plymouth Sport Fury Front	8-22	8-22
Plymouth Rear	8-16	8-16
Plymouth Front	----	8-21
Dodge Front	8-19	8-19
Dodge Rear	8-19	8-100
Chrysler Front and Rear	8-20	8-20
Station Wagons Rear	8-24	8-24
Imperial Front	8-31	8-31
Imperial Rear	8-21	8-21
TAILGATE TAIL, STOP & TURN SIGNAL LAMP		
Plymouth	8-47	8-47
Dodge	8-47	8-47
TAIL, STOP, TURN SIGNAL & BACK-UP LAMP		
Valiant 4 Door Sedan	8-36	8-91
Valiant Duster and Duster 340	8-36	8-36
Dart	8-40	8-92
Dart Demon	----	8-93
Barracuda	8-37	8-95
Challenger	8-43	8-92
Belvedere and Satellite	8-37	8-88
	and	
	8-38	
Belvedere Station Wagon	8-38	8-38
Coronet, Deluxe, 440 and Super Bee	8-41	8-83
Coronet 500 and R/T	8-41	----
Charger and Charger R/T	8-42	8-91
Coronet 4 Door	----	8-93
Coronet Station Wagon	8-42	8-94
Satellite	----	8-96
Satellite Station Wagon	----	8-97
Plymouth Fury I & II	8-39	8-97
Plymouth Fury III & Sports Fury	8-39	8-98
Plymouth Station Wagon	8-40	8-40

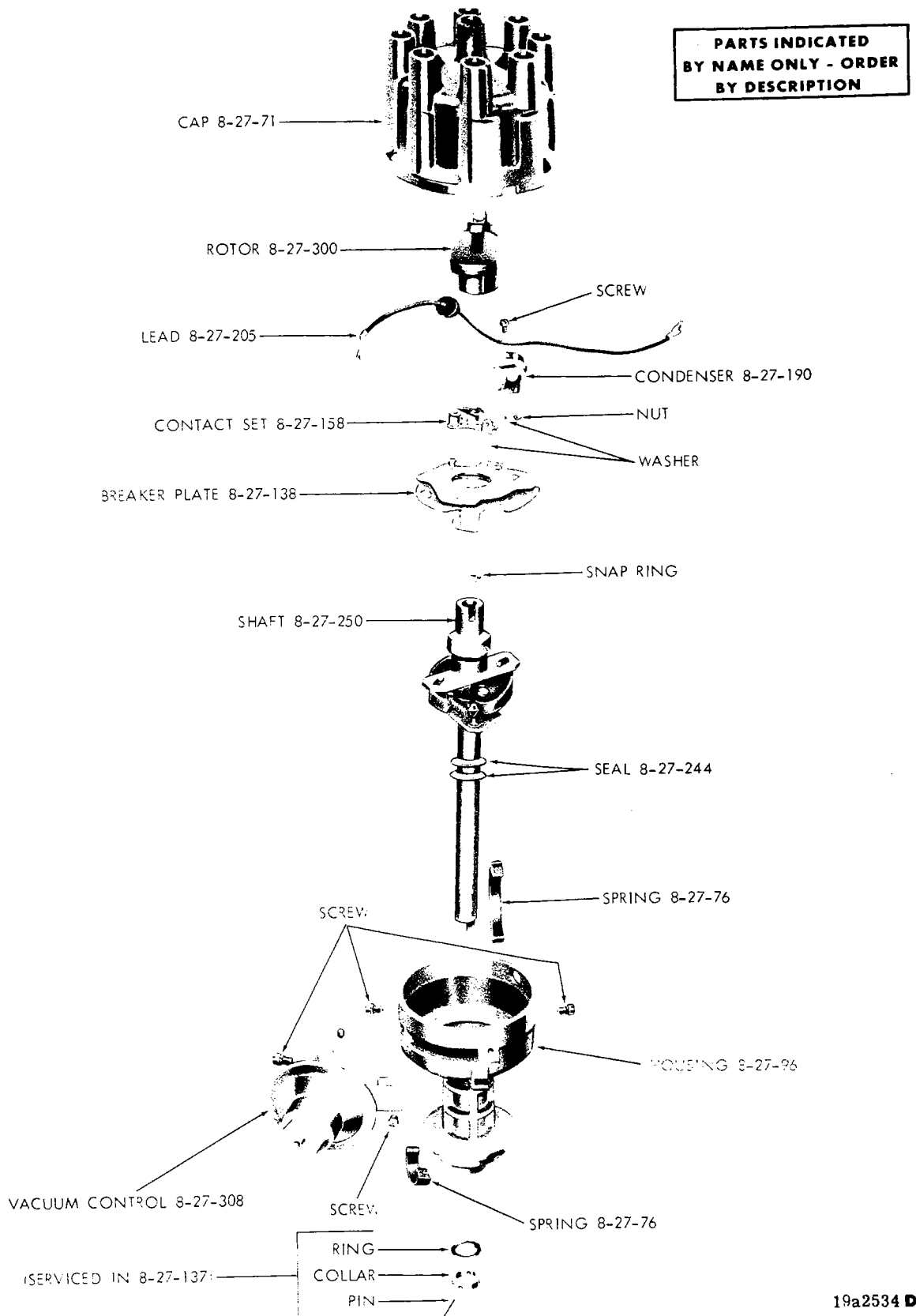
	PART NOS.	
	1970	1971
TAIL, STOP, TURN SIGNAL & BACK-UP LAMP - Continued		
Dodge Polara	8-44	8-94
Dodge Monaco	8-44	8-95
Dodge Station Wagon	8-43	8-43
Chrysler Newport	8-45	8-45
Chrysler 300	8-45	8-45
Chrysler New Yorker	8-46	8-98
Chrysler Station Wagon	8-35	8-35
Imperial	8-46	8-46
TURN SIGNAL INDICATOR LAMP		
Valiant, Challenger, Dart, Belvedere, Coronet and Chrysler Wagon	8-32	8-32
Charger	8-32	----
Belvedere	8-33	----
Barracuda	8-34	8-34
Plymouth	8-33	----
Chrysler (Except Station Wagon). Imperial	8-34	8-34
V, B, R, P	8-35	8-35
	----	8-102
TERMINALS		
Chart	8-77	8-77
Chart	8-78	8-78
Chart	8-79	8-79
HORN AND TURN SIGNAL CONTROLS		
Barracuda and Challenger	8-54	8-54
Plymouth & Dodge w/Tilt Strg.	8-58	----
Chrysler & Imperial w/Tilt Strg. Plymouth, Dodge, Chrysler, Imperial	8-60	----
	8-55	8-55
NOX SYSTEM		
	----	8-105
STEERING WHEEL		
Soft Rim - V, L, R, W.	8-56	8-56
w/3 Spoke Horn Buttons	----	8-57
Plymouth and Dodge	8-58	----
Chrysler and Imperial	8-58	----
Chart	8-104	8-104

GROUP 8 - ELECTRICAL

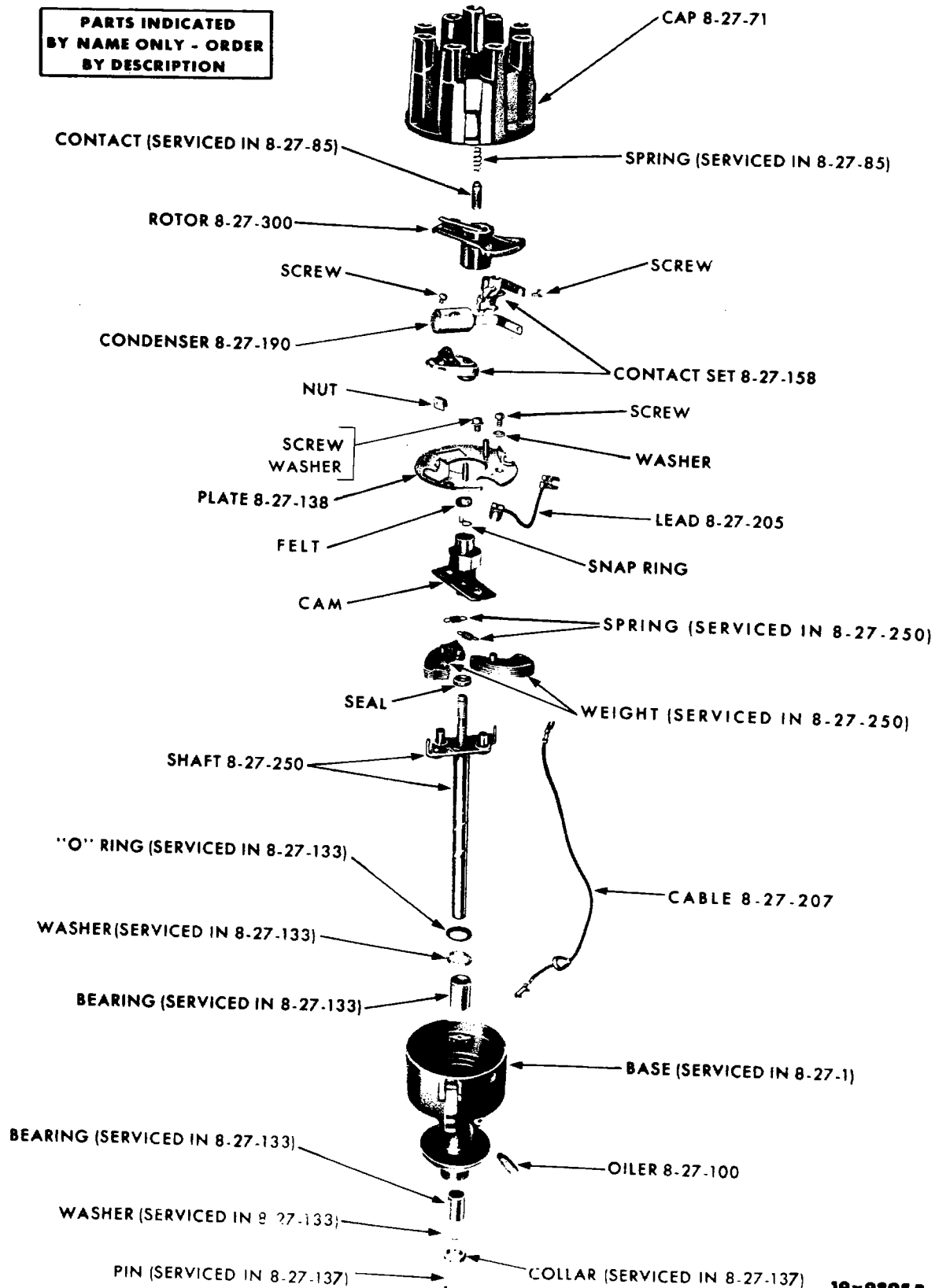




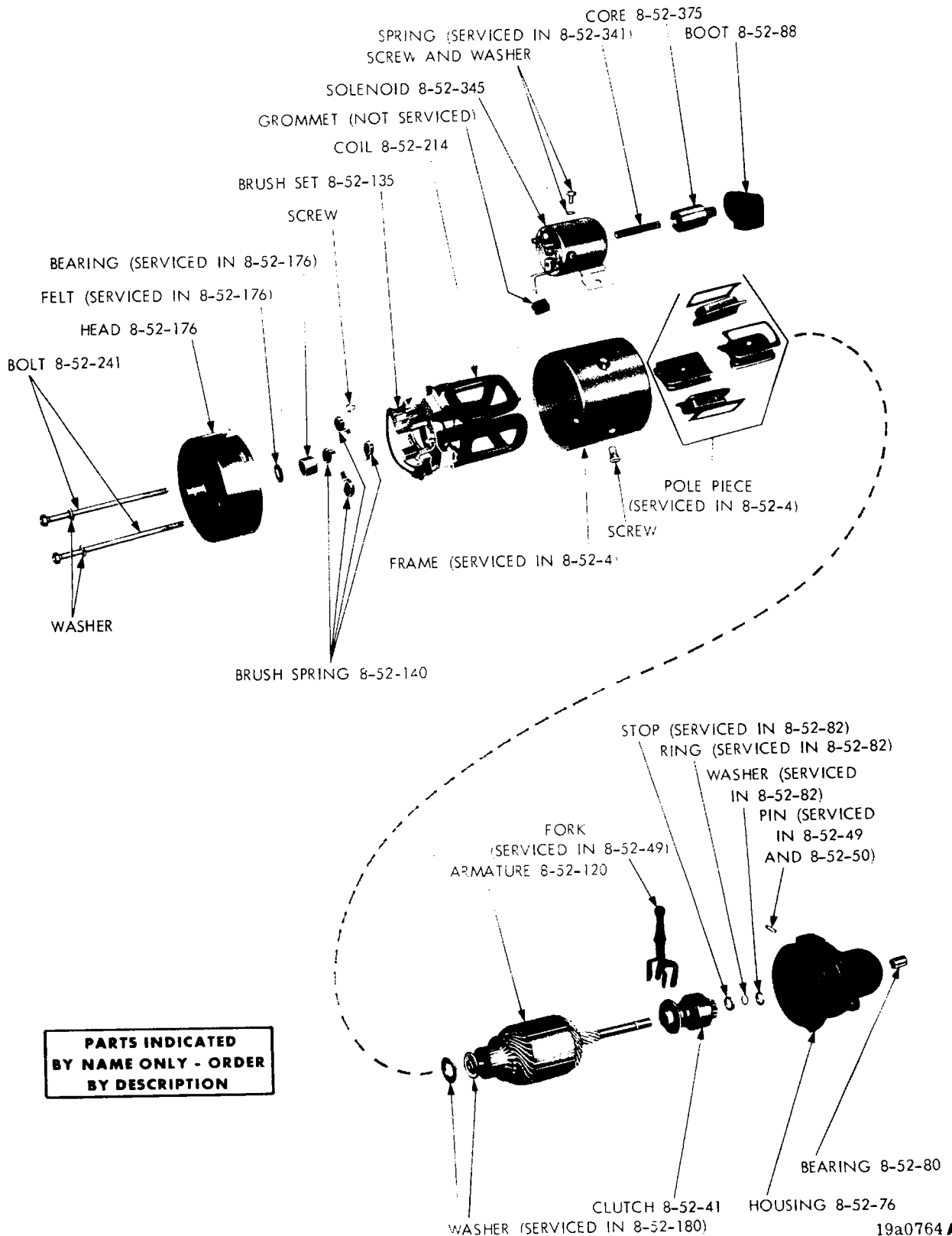
19a2519 A



**PARTS INDICATED
BY NAME ONLY - ORDER
BY DESCRIPTION**

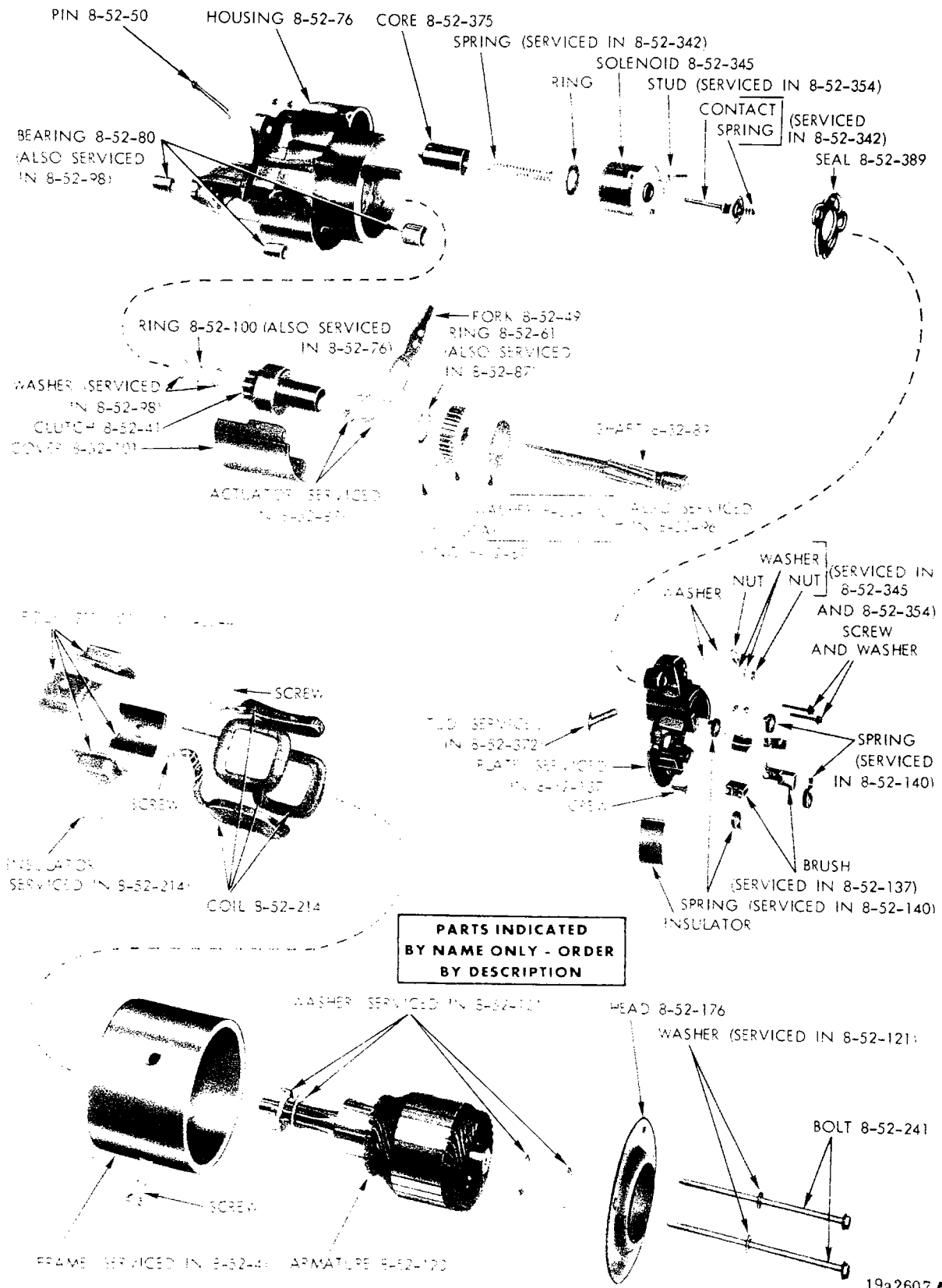


19x9895 B



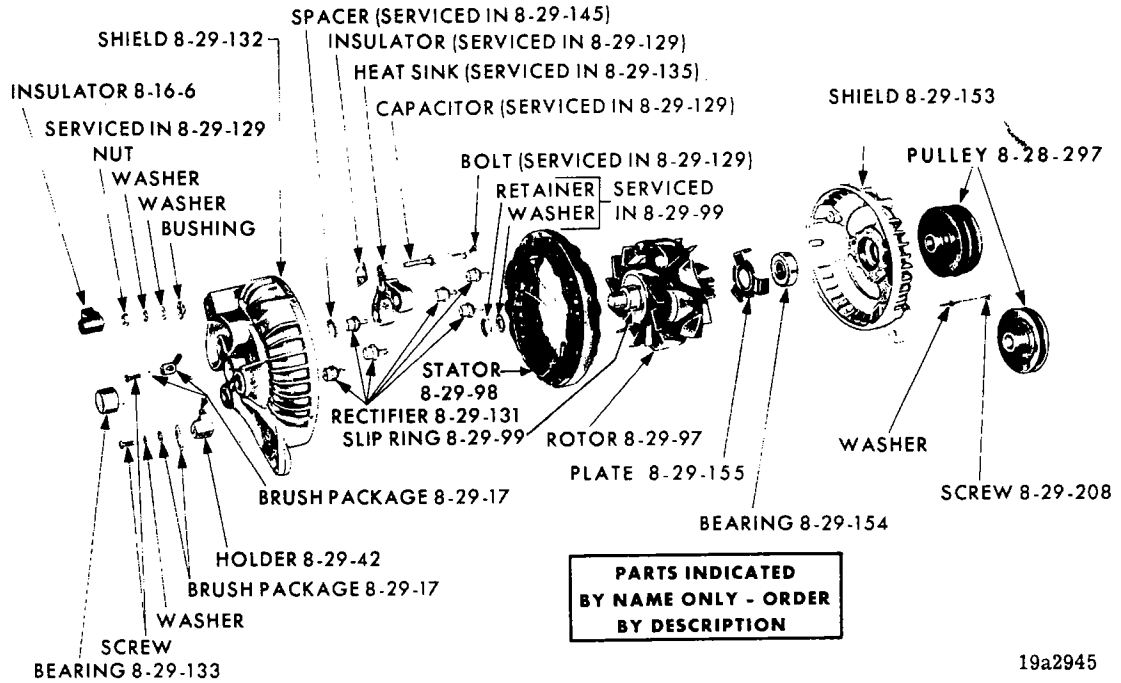
**PARTS INDICATED
BY NAME ONLY - ORDER
BY DESCRIPTION**

19a0764 A

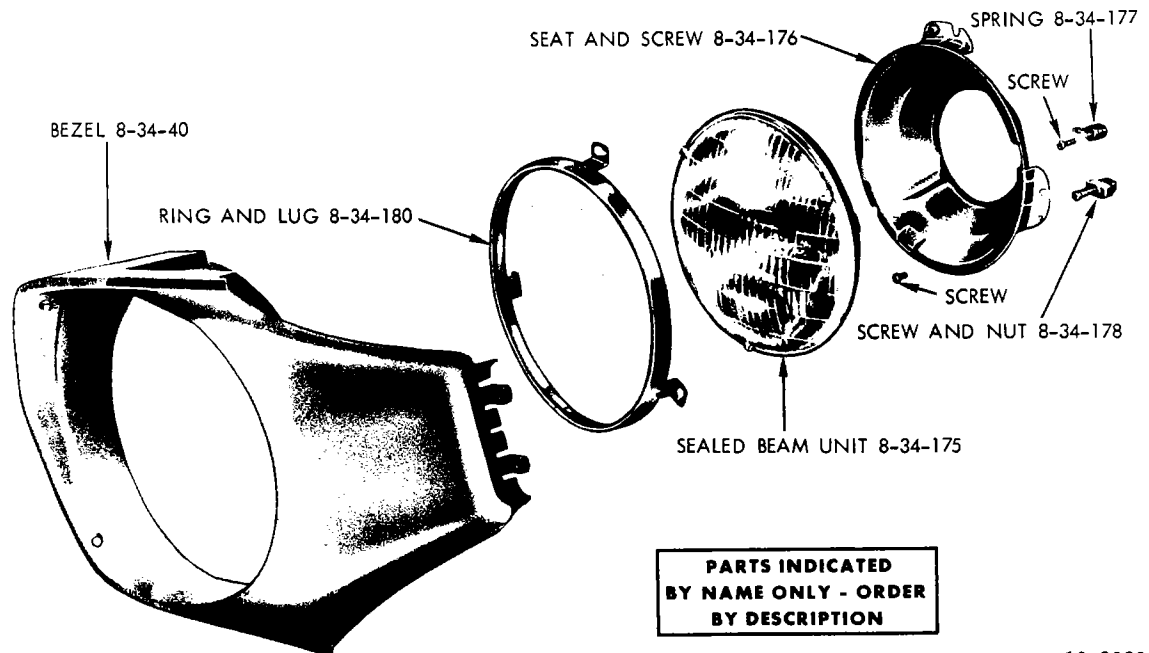


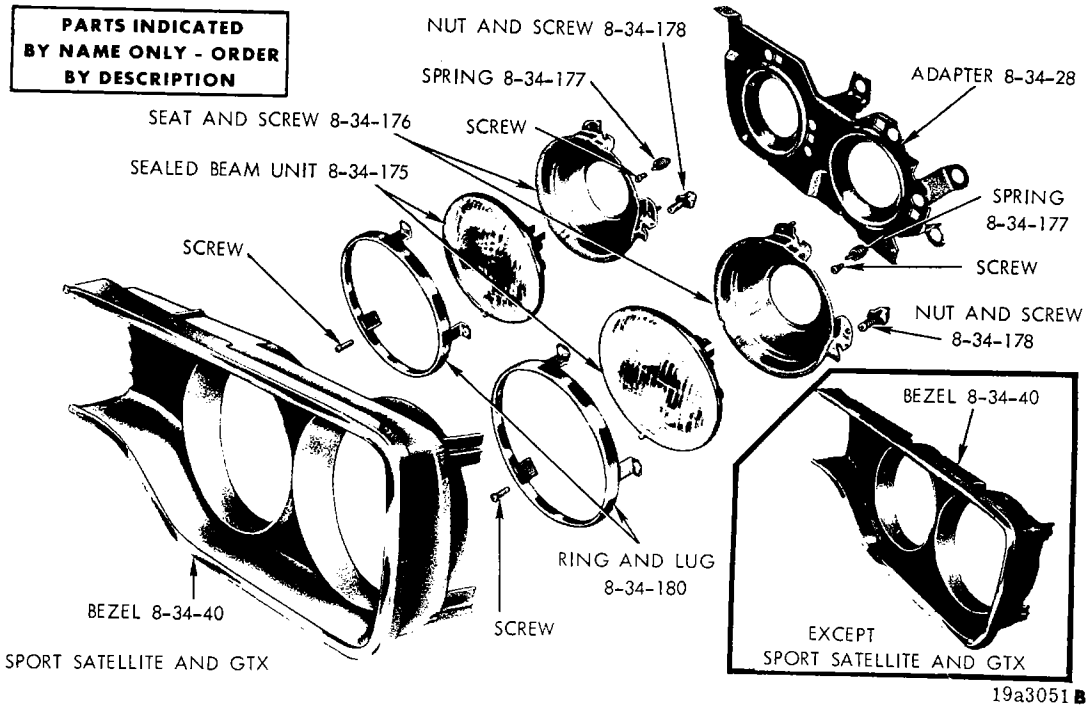
**PARTS INDICATED
BY NAME ONLY - ORDER
BY DESCRIPTION**

19a2607 A

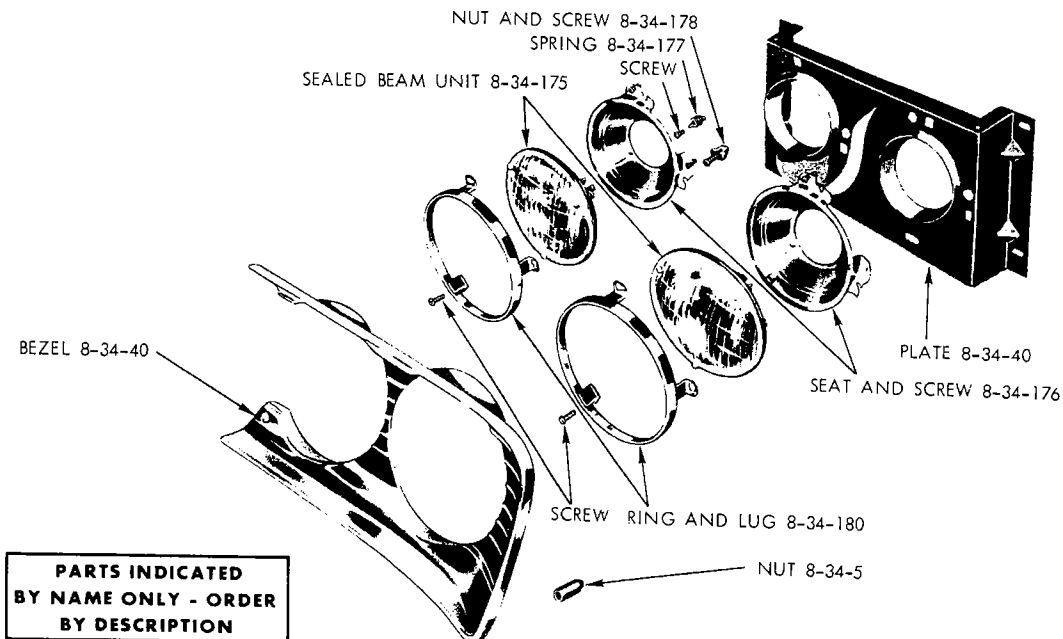


ALTERNATOR

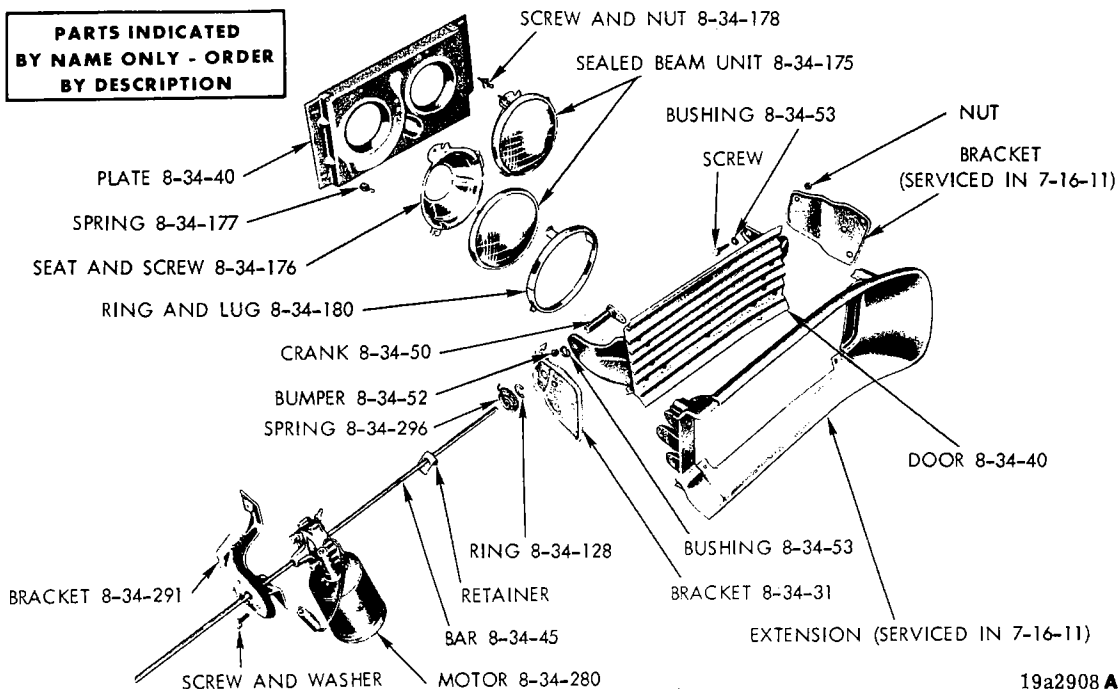




HEADLAMP - BELVEDERE

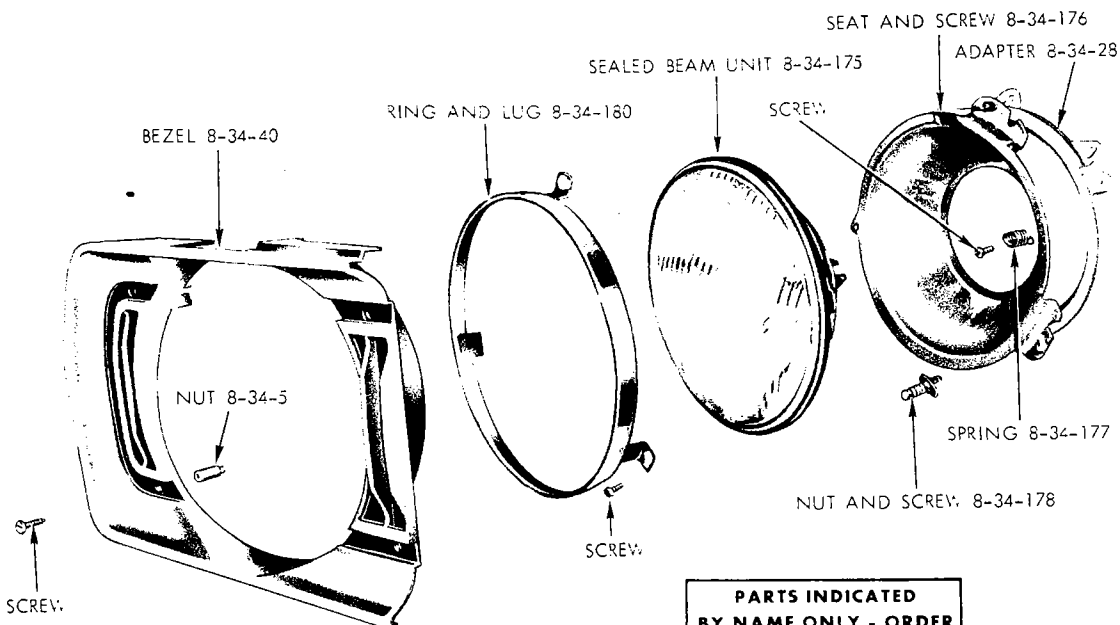


**PARTS INDICATED
BY NAME ONLY - ORDER
BY DESCRIPTION**



19a2908 A

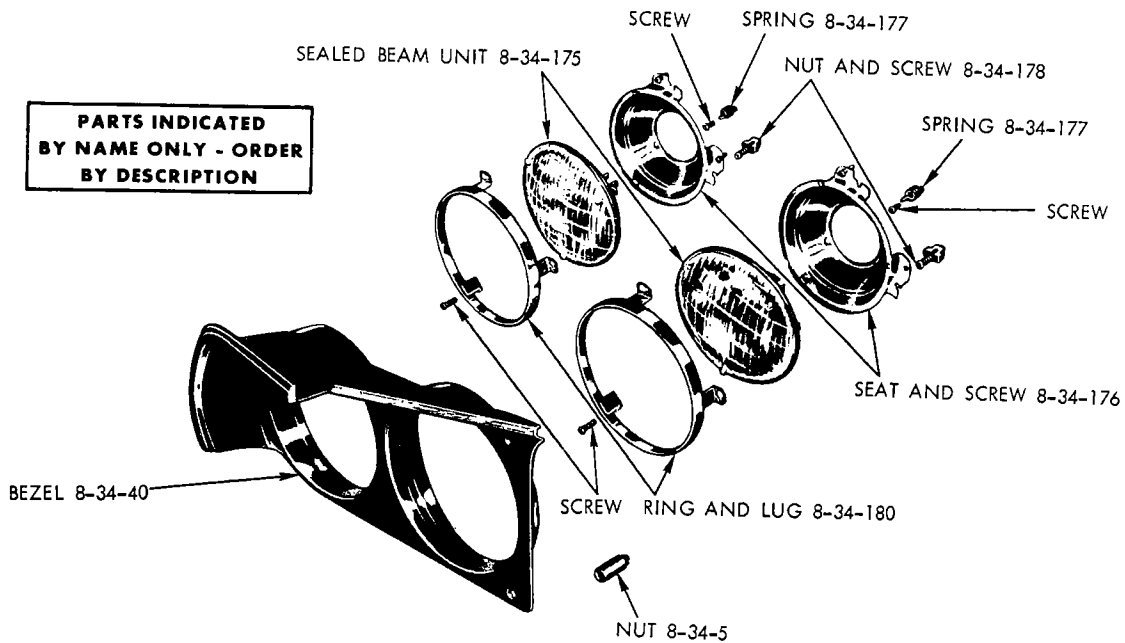
HEADLAMP - PLYMOUTH SPORT FURY



**PARTS INDICATED
BY NAME ONLY - ORDER
BY DESCRIPTION**

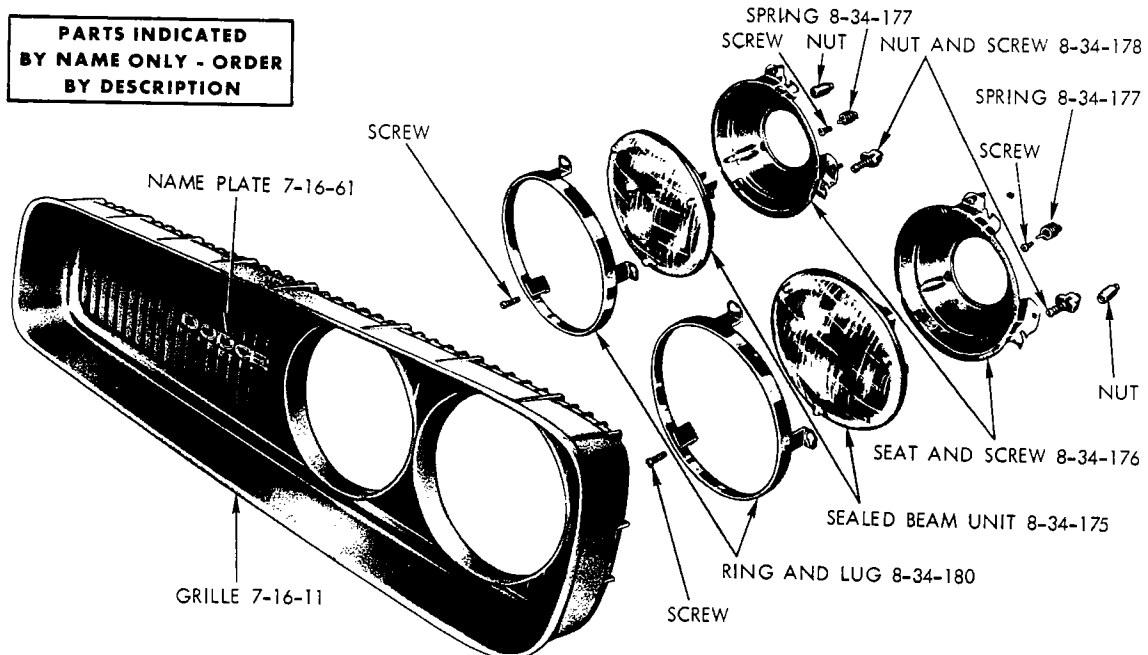
19a2940 A

HEADLAMP - DART



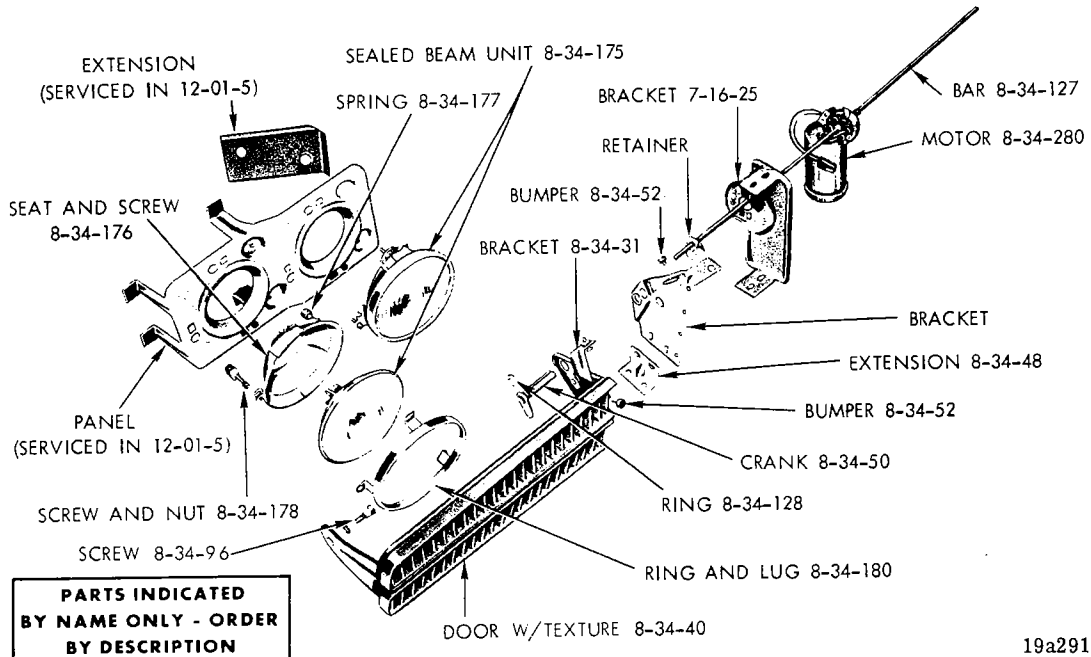
19a2942

HEADLAMP - CHALLENGER



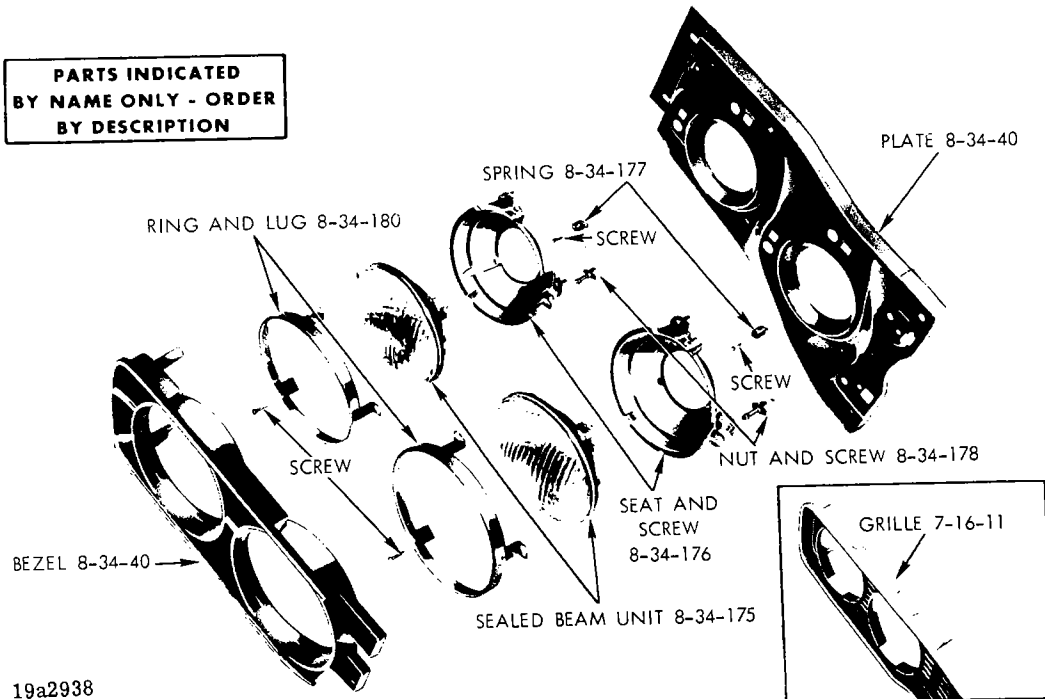
19a2941

HEADLAMP - CORONET EXCEPT CHARGER AND CHARGER R/T

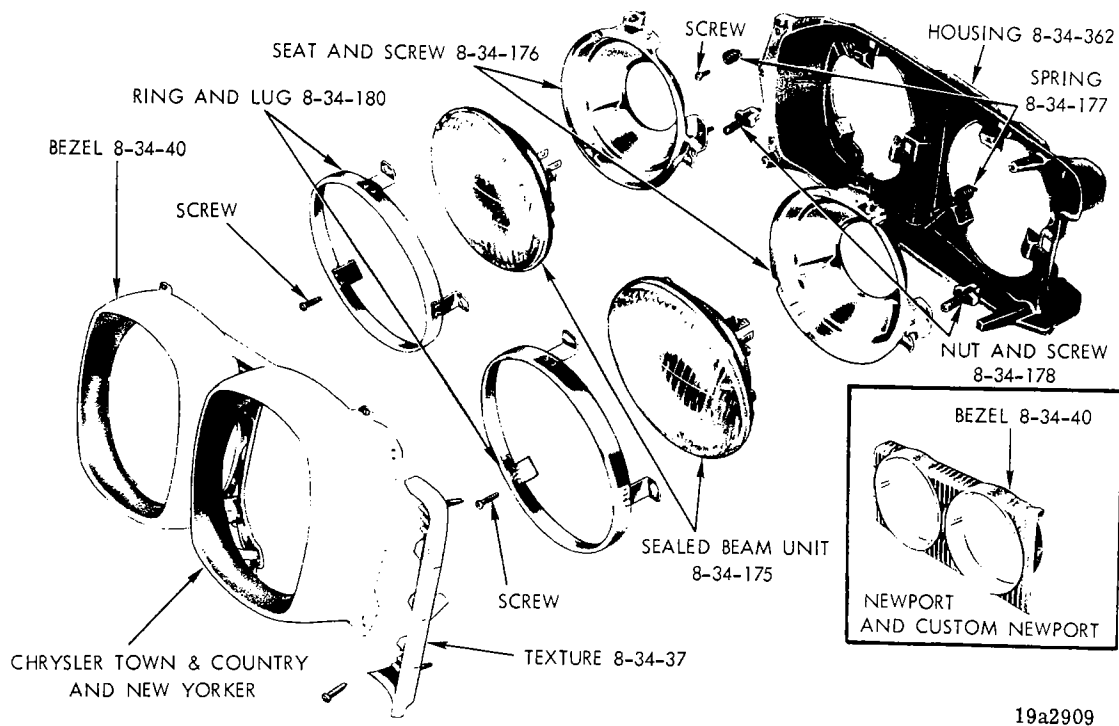


19a2911C

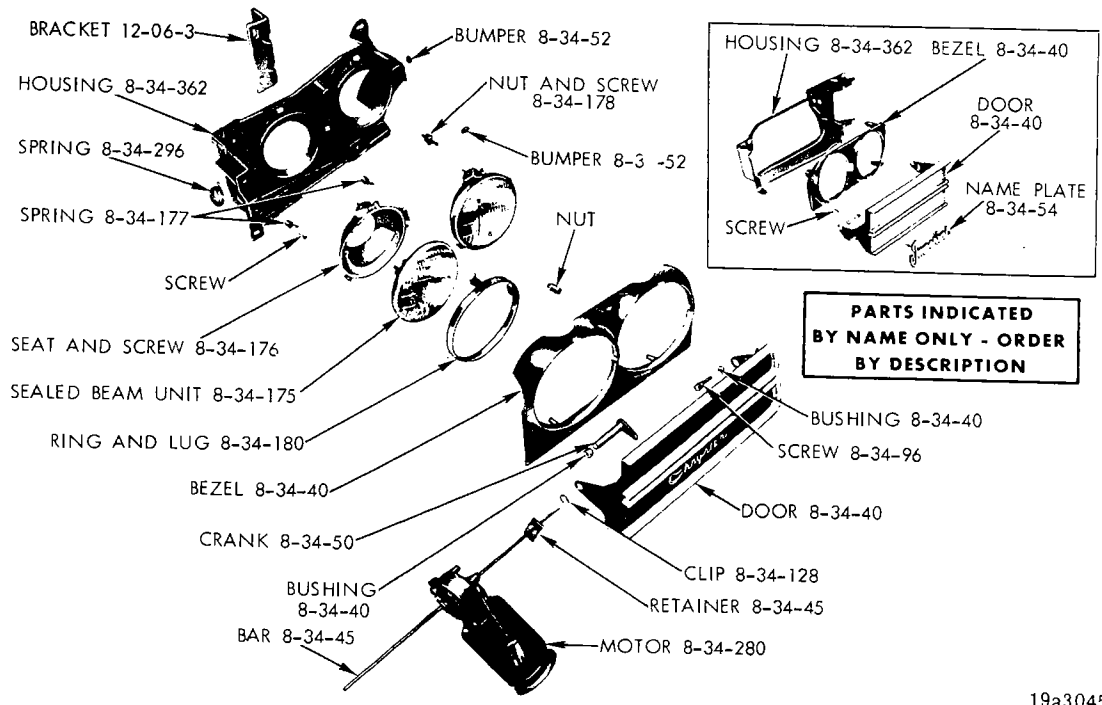
HEADLAMP - CHARGER AND CHARGER R/T



19a2938

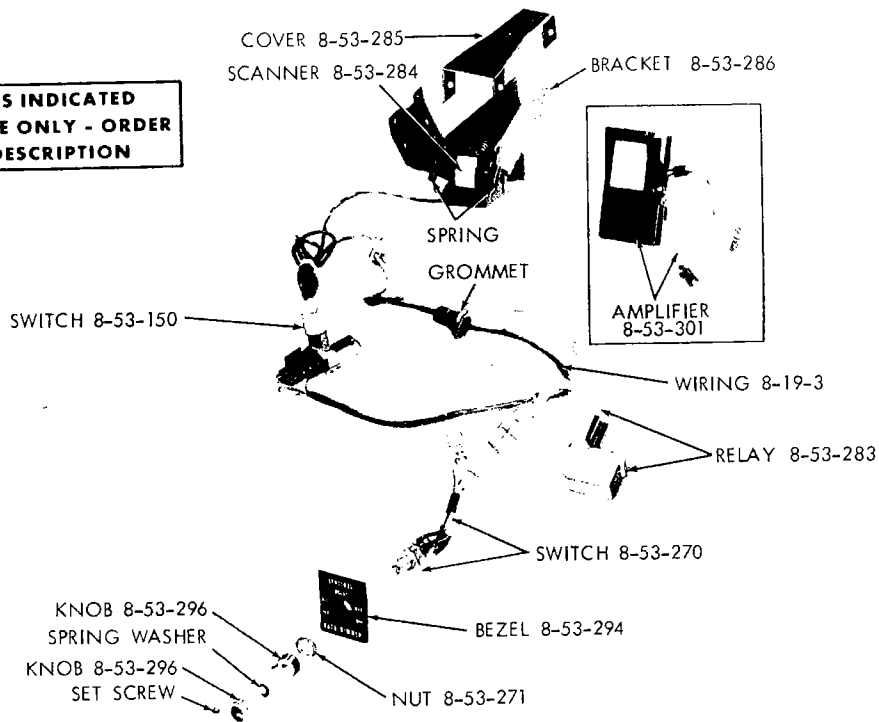


HEADLAMP - CHRYSLER EXCEPT CHRYSLER 300



HEADLAMP - CHRYSLER 300 (WITH IMPERIAL INSERT)

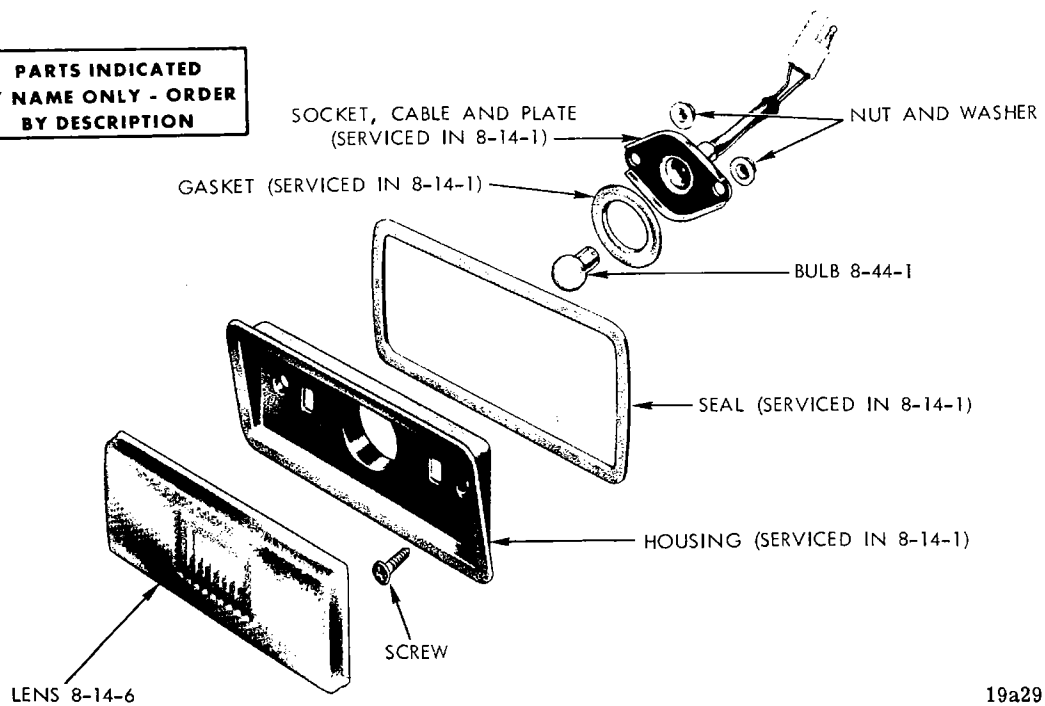
**PARTS INDICATED
BY NAME ONLY - ORDER
BY DESCRIPTION**



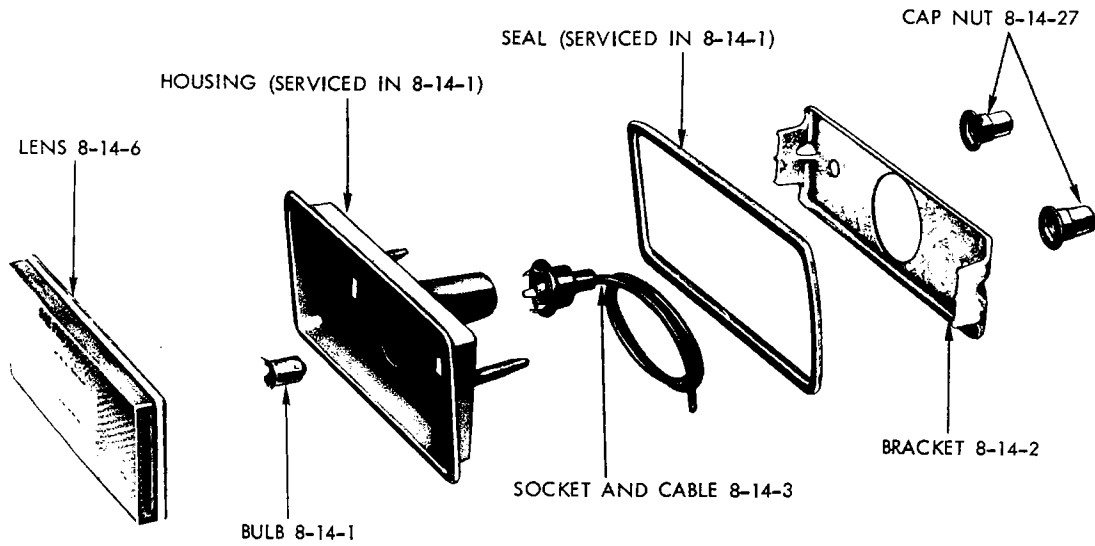
19a2638 B

HEADLAMP SENTINEL DIMMER SYSTEM - CHRYSLER AND IMPERIAL

**PARTS INDICATED
BY NAME ONLY - ORDER
BY DESCRIPTION**

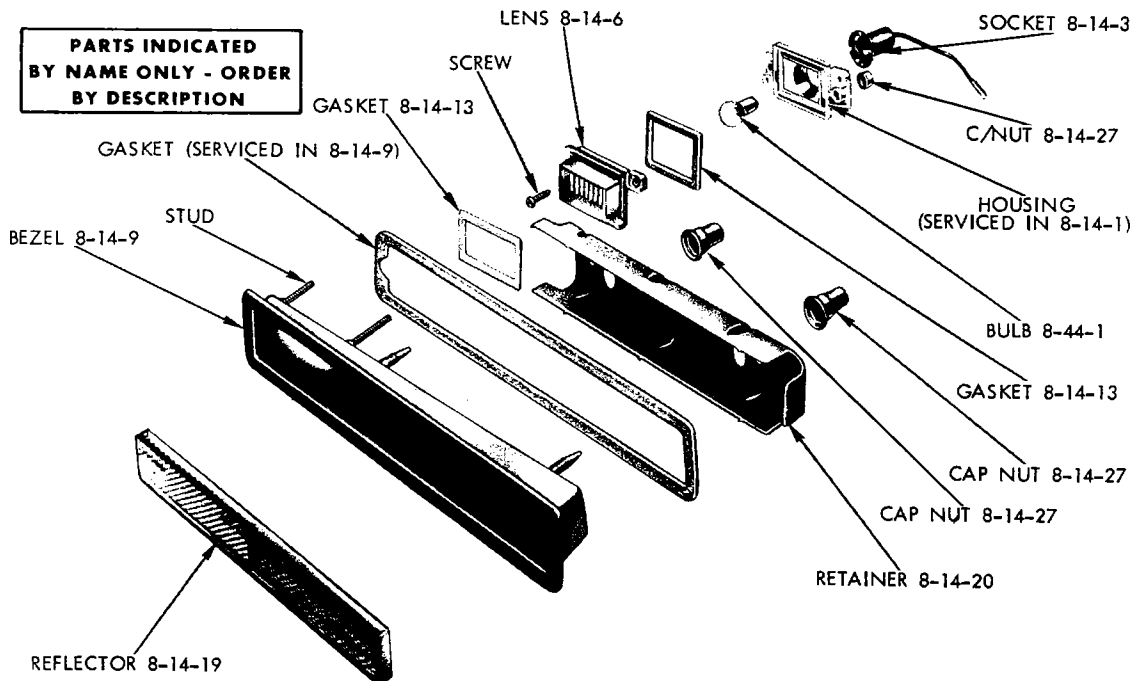


19a2964



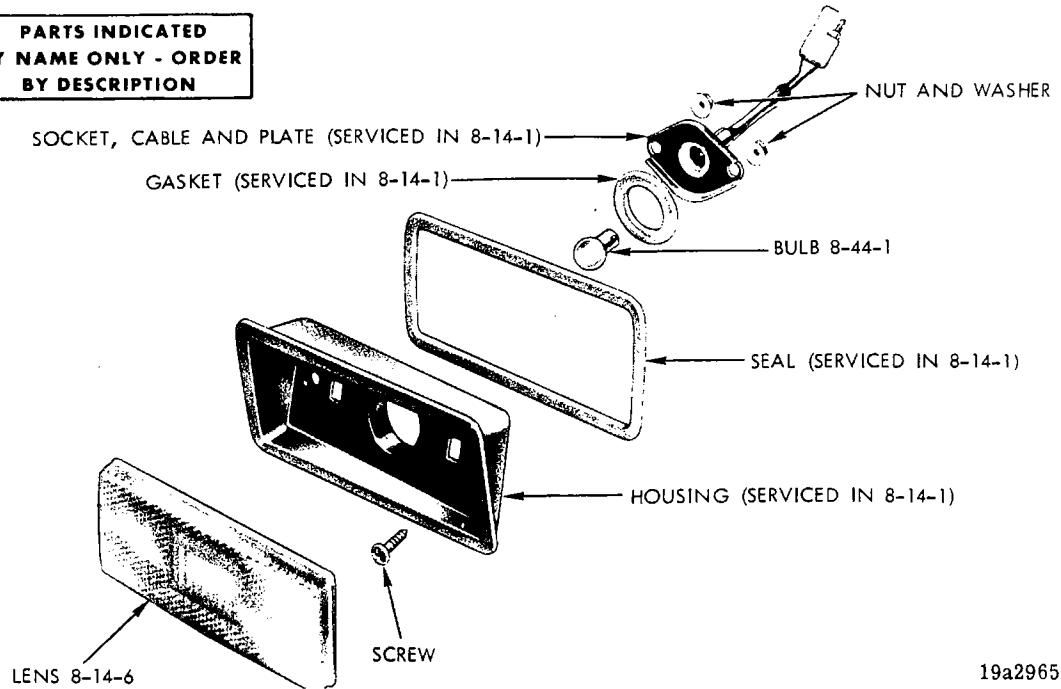
19a3006

SIDE MARKER LAMP AND REFLECTOR (REAR) - VALIANT

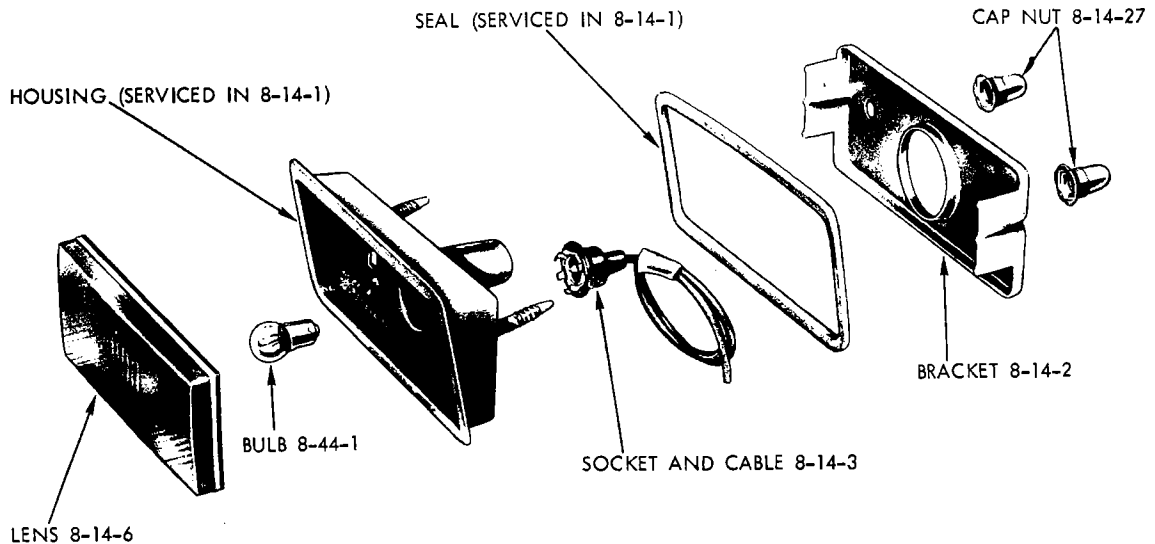


19a2906

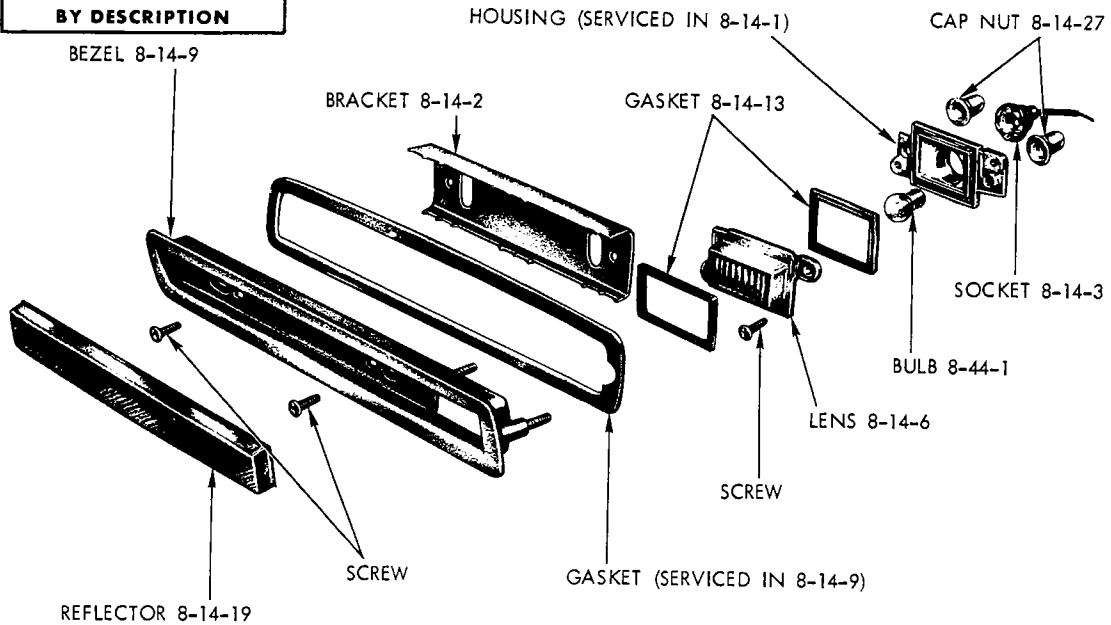
**PARTS INDICATED
BY NAME ONLY - ORDER
BY DESCRIPTION**



SIDE MARKER LAMP AND REFLECTOR (FRONT) - BELVEDERE



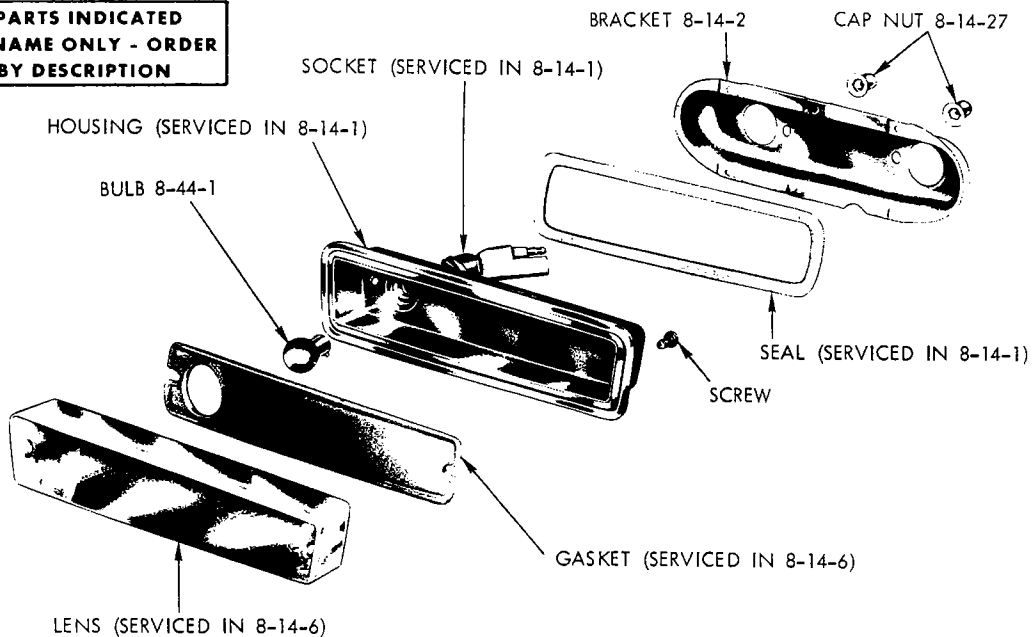
**PARTS INDICATED
BY NAME ONLY - ORDER
BY DESCRIPTION**



19a3061

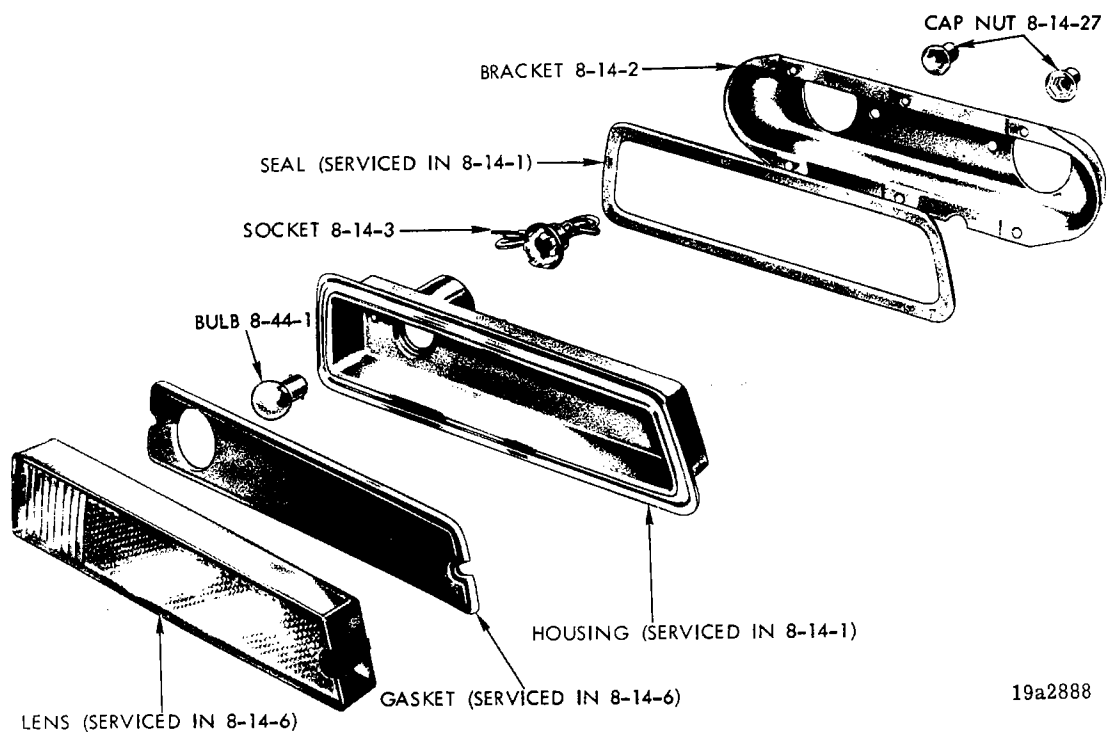
SIDE MARKER LAMP (REAR) - PLYMOUTH EXCEPT STATION WAGON

**PARTS INDICATED
BY NAME ONLY - ORDER
BY DESCRIPTION**

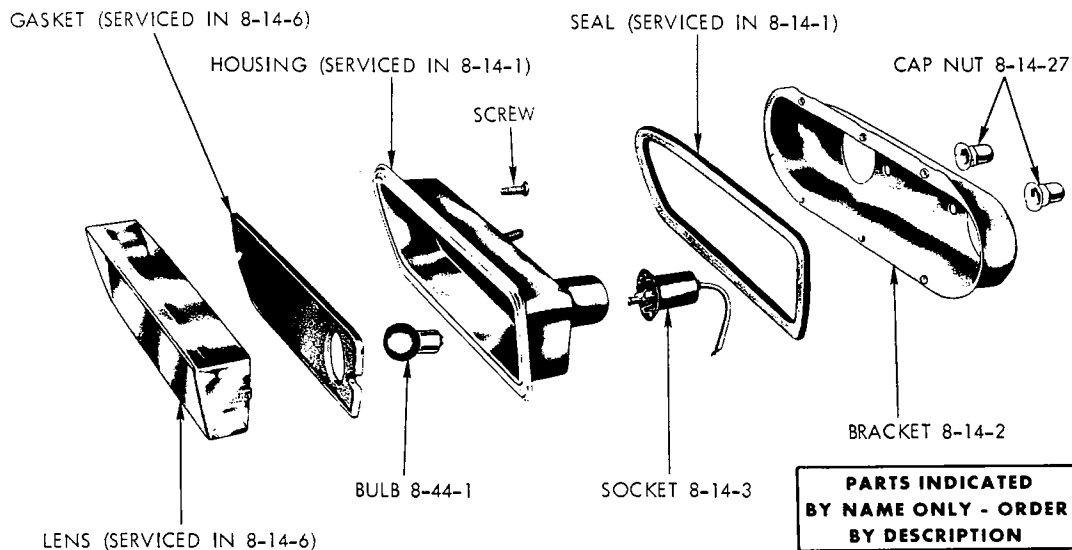


19a3010

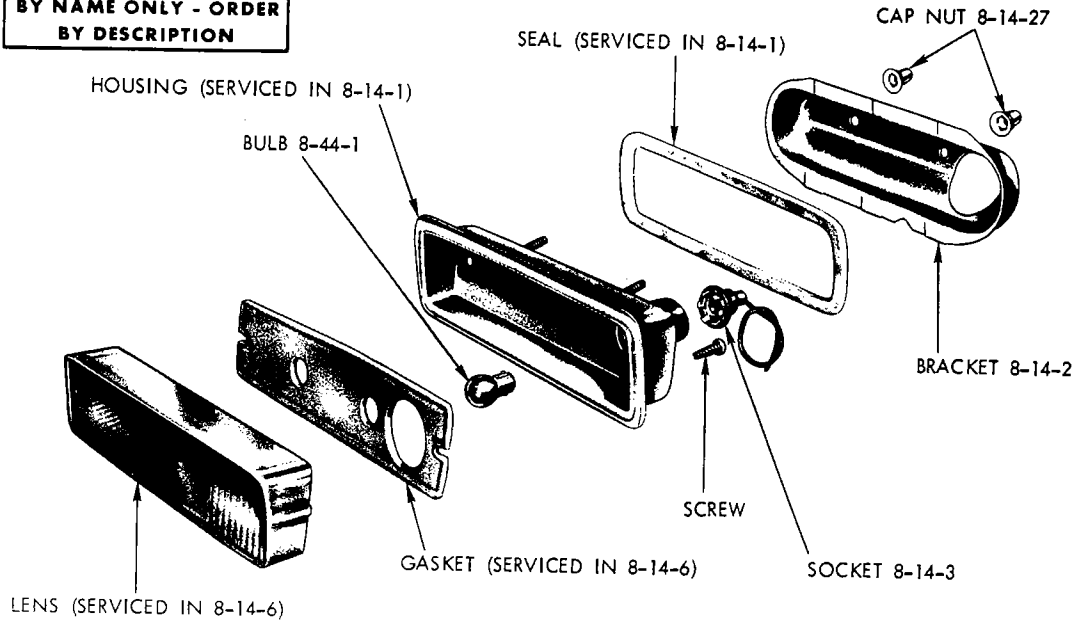
SIDE MARKER LAMP (FRONT) - DART



SIDE MARKER LAMP (REAR) - DART

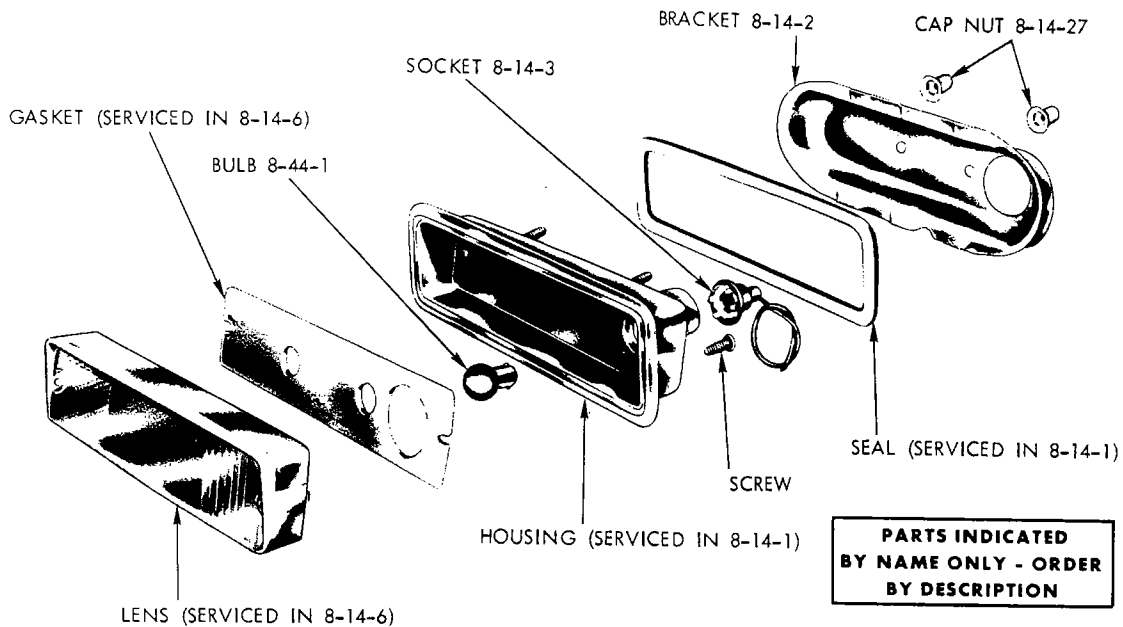


**PARTS INDICATED
BY NAME ONLY - ORDER
BY DESCRIPTION**



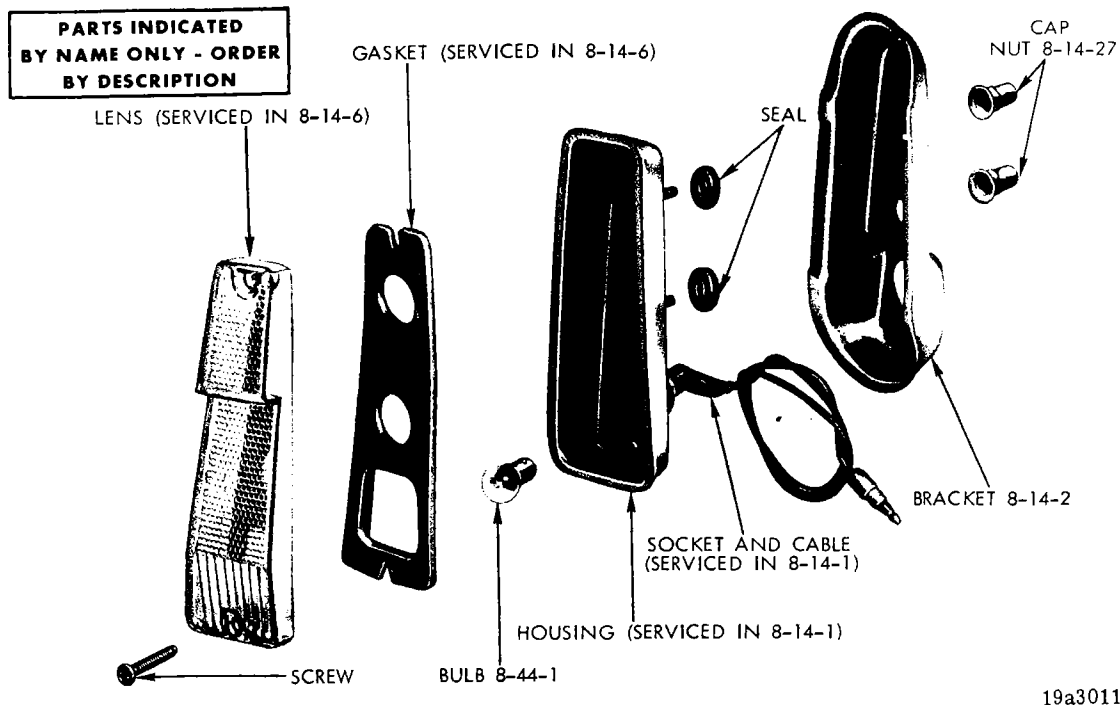
19a3008

SIDE MARKER LAMP (REAR) - CHARGER AND CHARGER R/T

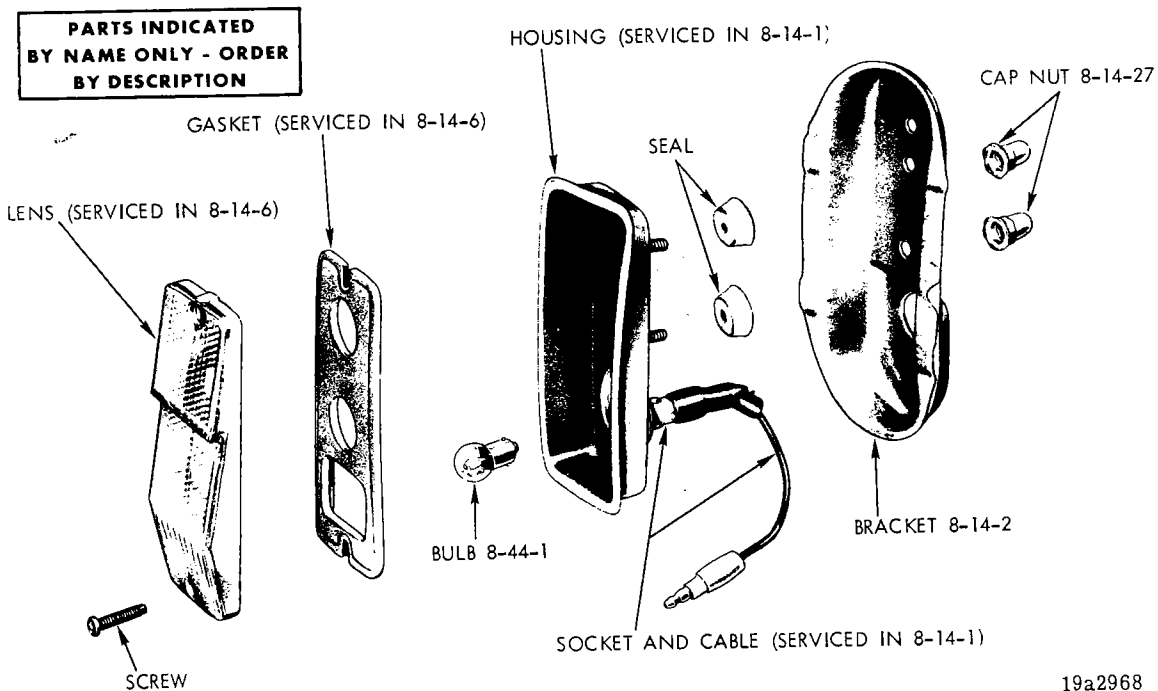


19a3007

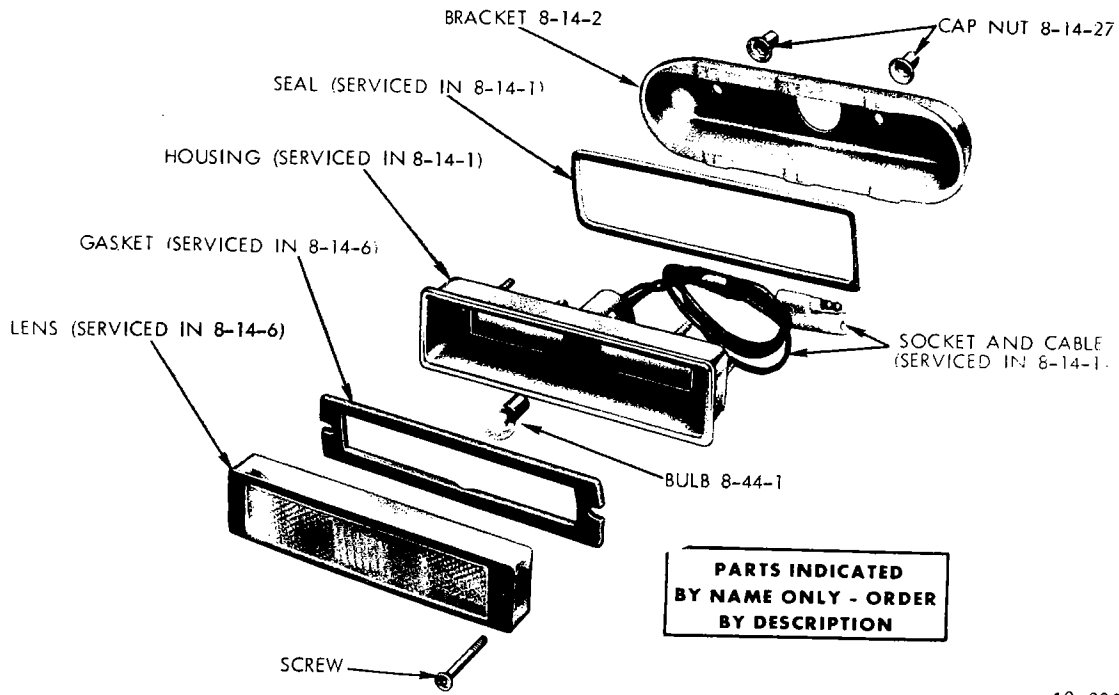
SIDE MARKER LAMP (REAR) - CORONET 2 DOOR SEDAN, 2 DOOR HARDTOP,
CONVERTIBLE COUPE AND 4 DOOR SEDAN



SIDE MARKER LAMP (FRONT) - DODGE

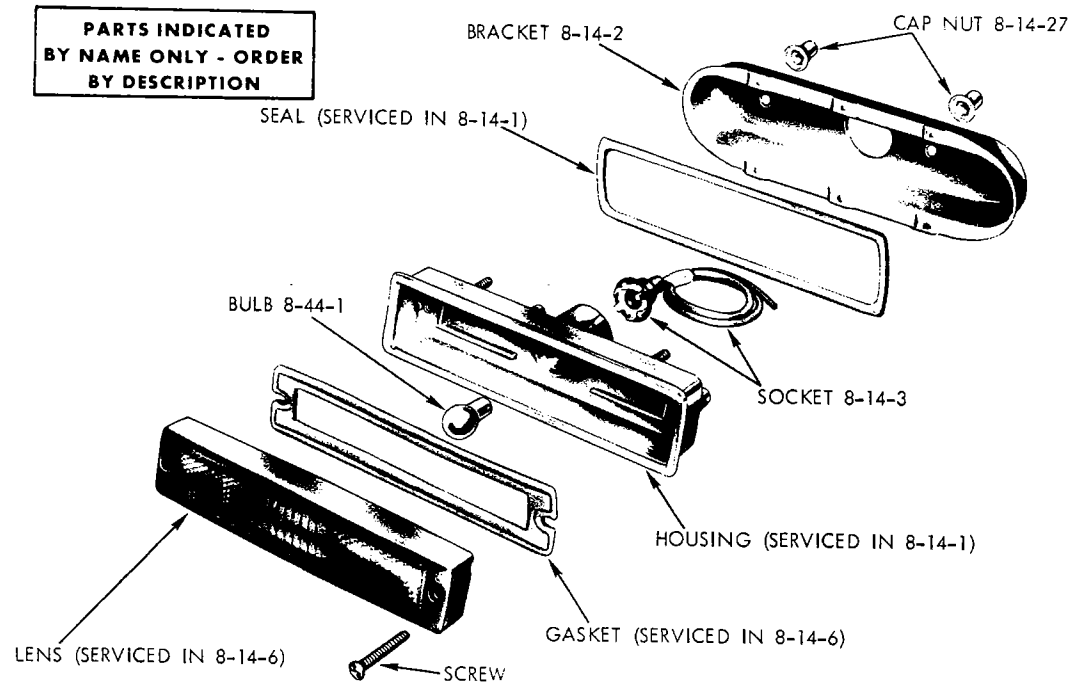


SIDE MARKER LAMP AND REFLECTOR (REAR) - DODGE EXCEPT CORONET



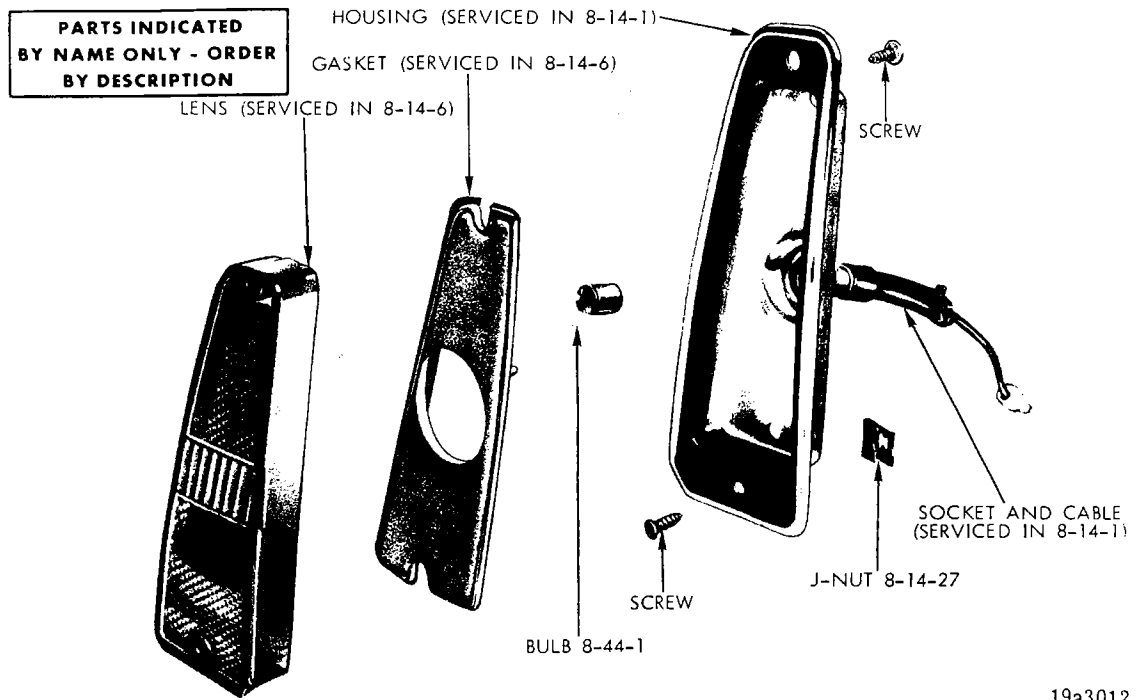
19a2966

SIDE MARKER LAMP AND REFLECTOR (FRONT) - CHRYSLER

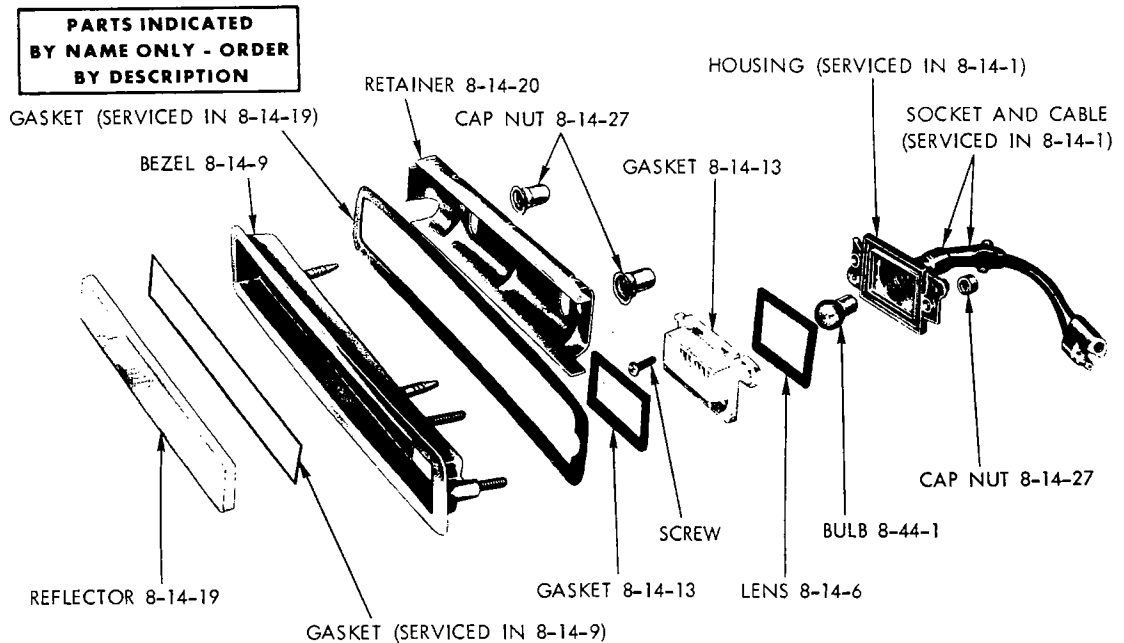


19a2967

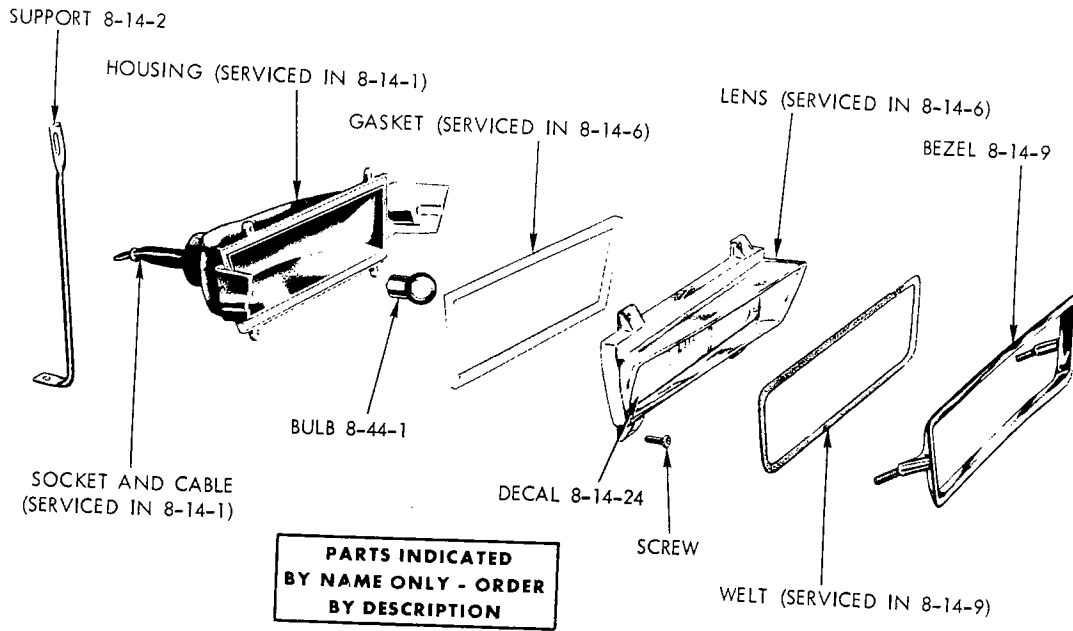
SIDE MARKER LAMP AND REFLECTOR (REAR) - CHRYSLER EXCEPT STATION WAGON



SIDE MARKER LAMP (REAR) - IMPERIAL

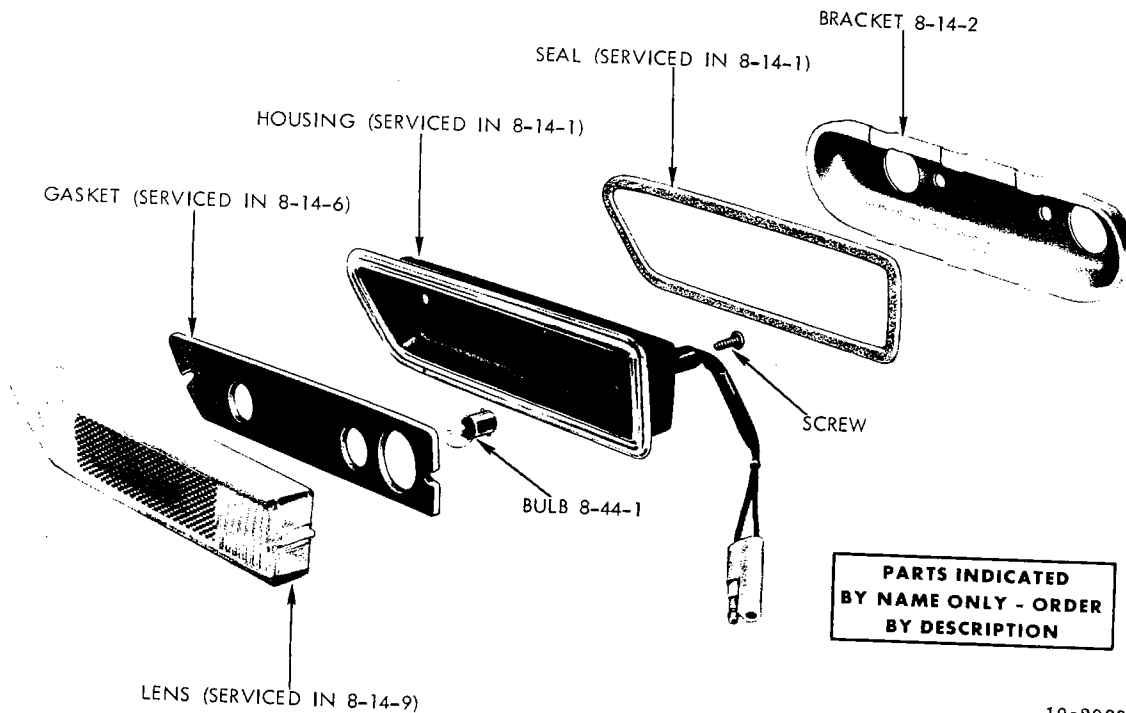


SIDE MARKER LAMP (FRONT) - BARRACUDA AND PLYMOUTH



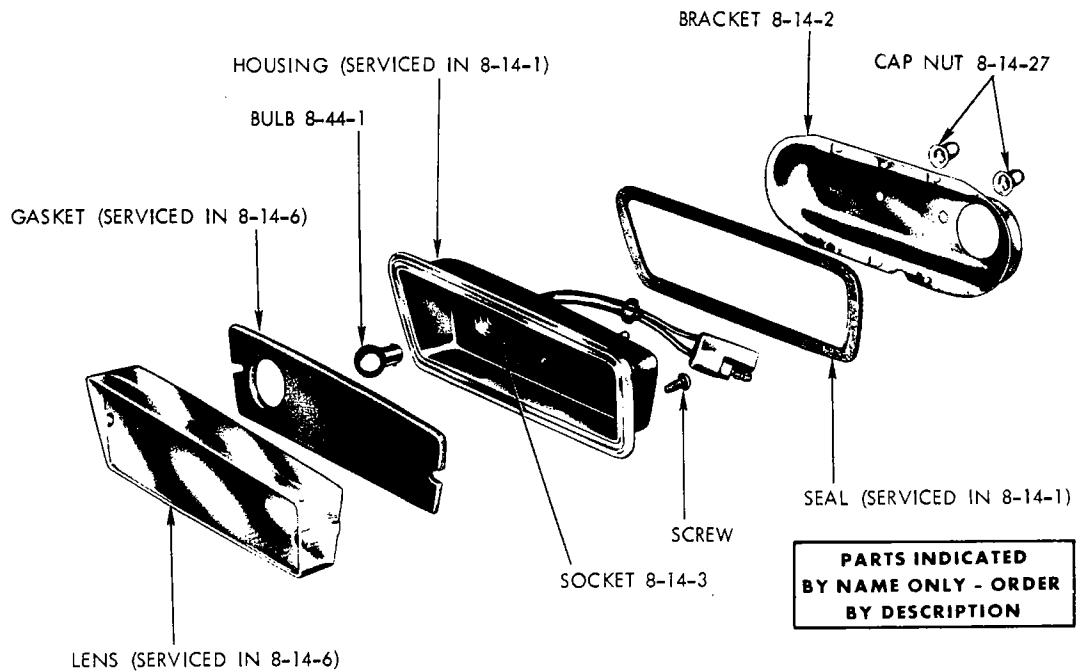
19a2868

FRONT FENDER SIDE MARKER LAMP - PLYMOUTH SPORT FURY
2 DOOR HARDTOP AND SPECIAL 2 DOOR HARDTOP



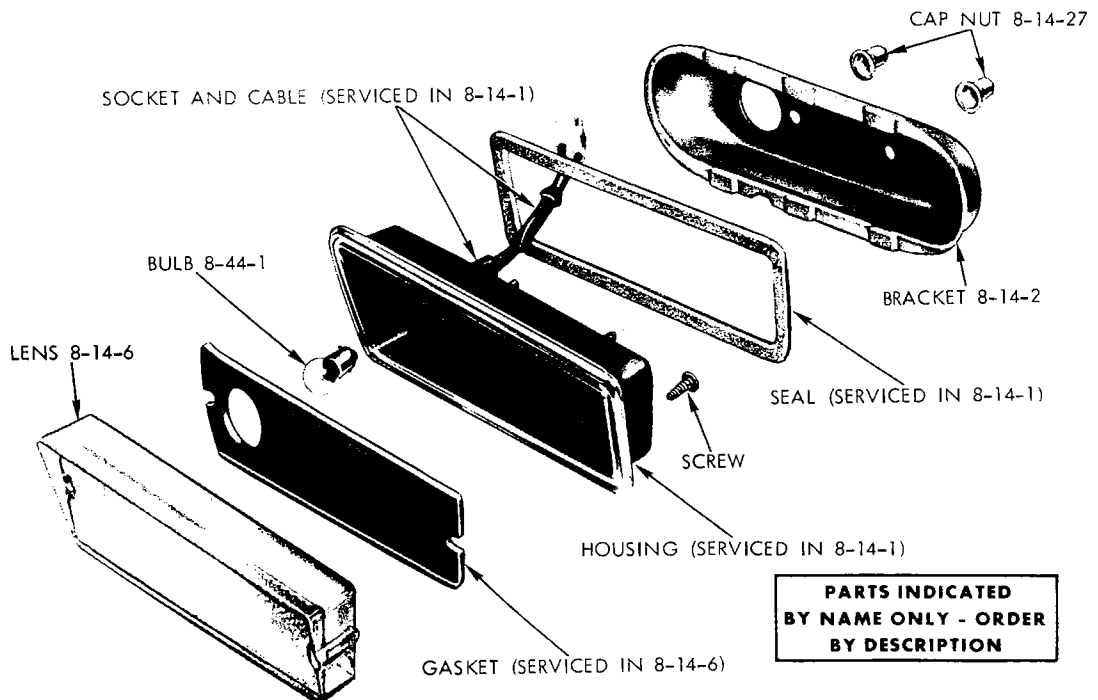
19a2933

FRONT SIDE MARKER LAMP - CHALLENGER



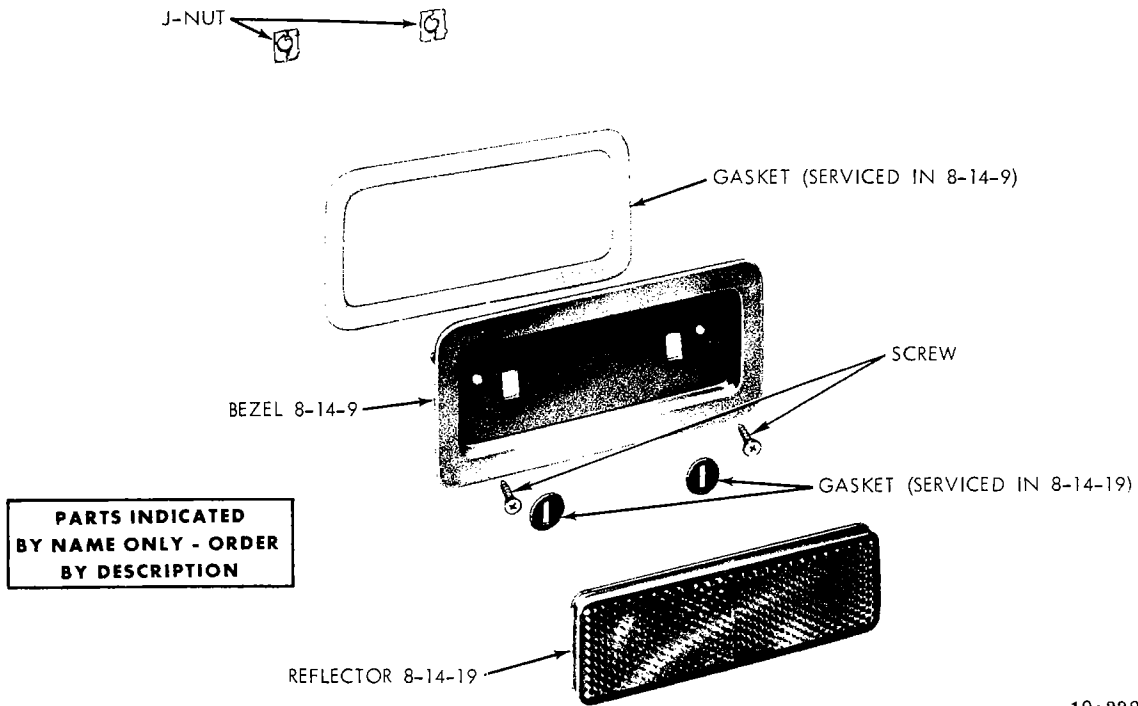
19a3009

FENDER SIDE MARKER LAMP - CHARGER AND CHARGER R/T



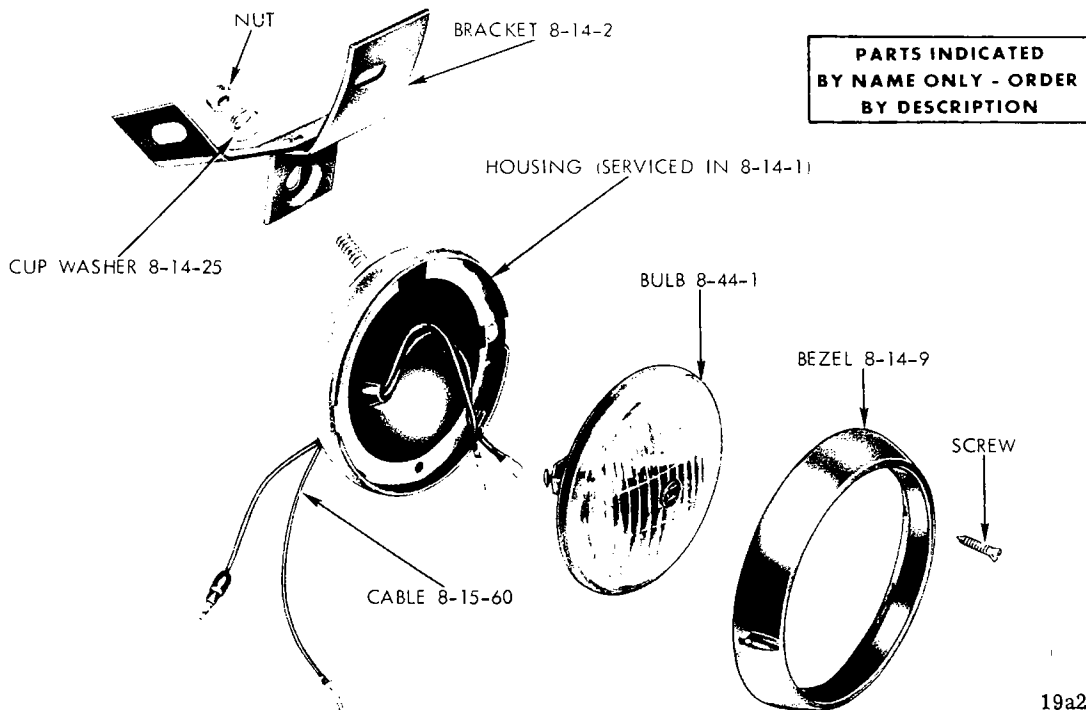
19a2887

FRONT FENDER SIDE MARKER LAMP - CORONET EXCEPT



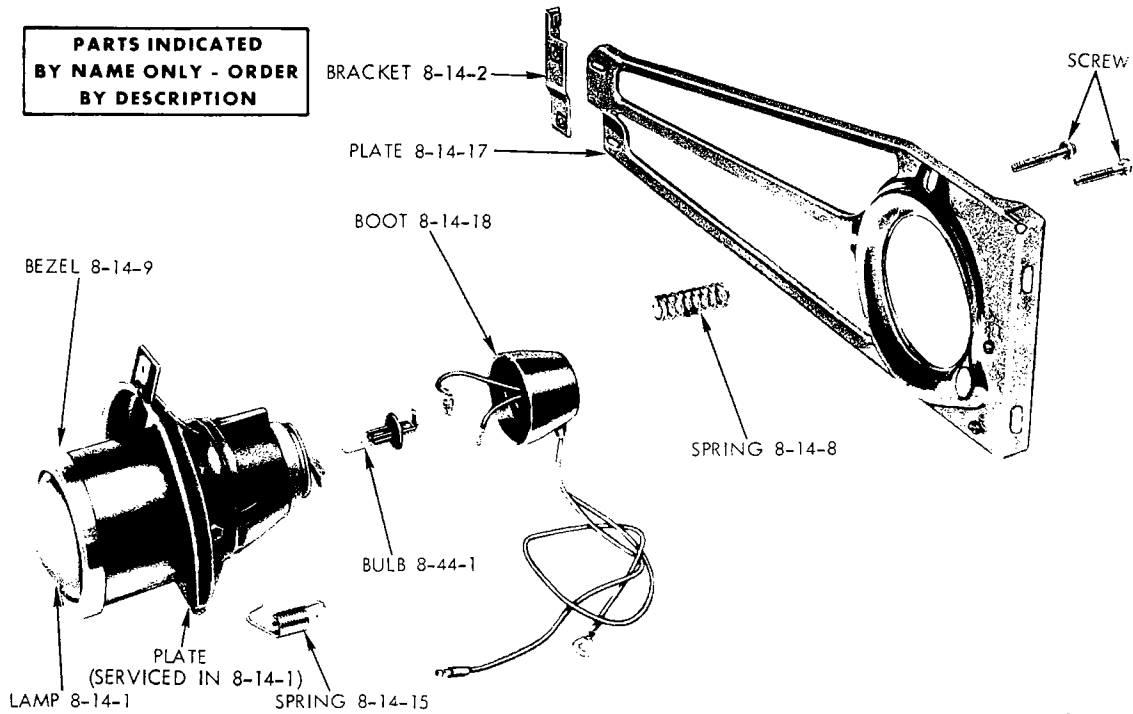
19a2380A

REAR QUARTER PANEL SIDE MARKER REFLECTOR - PLYMOUTH, DODGE AND CHRYSLER STATION WAGONS



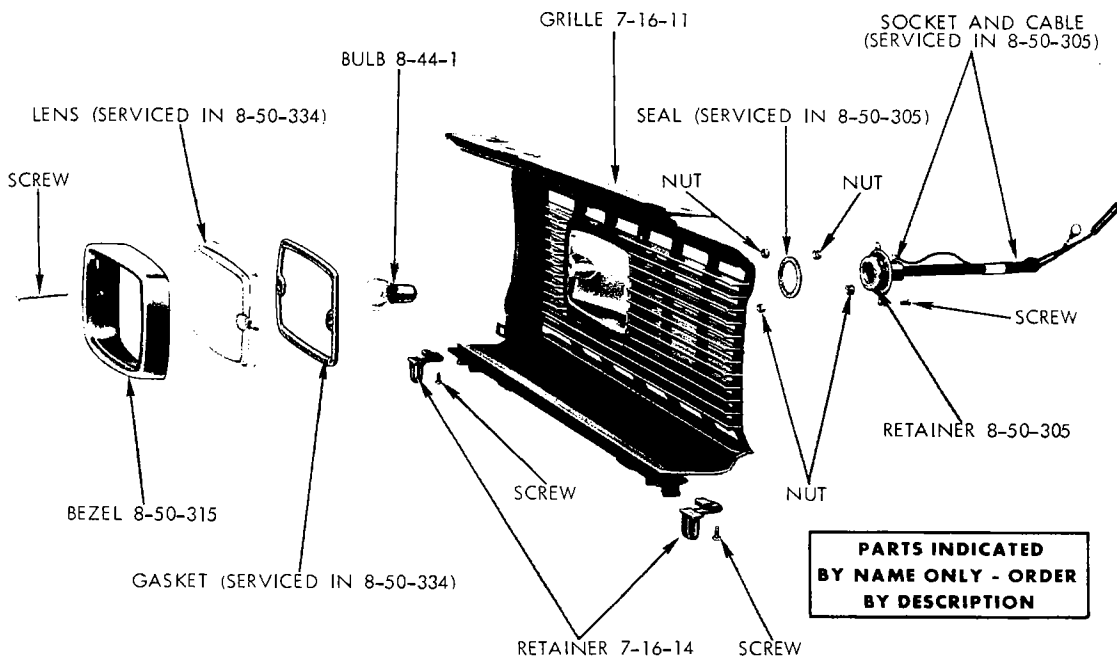
19a2869

ROAD LAMP - BARRACUDA

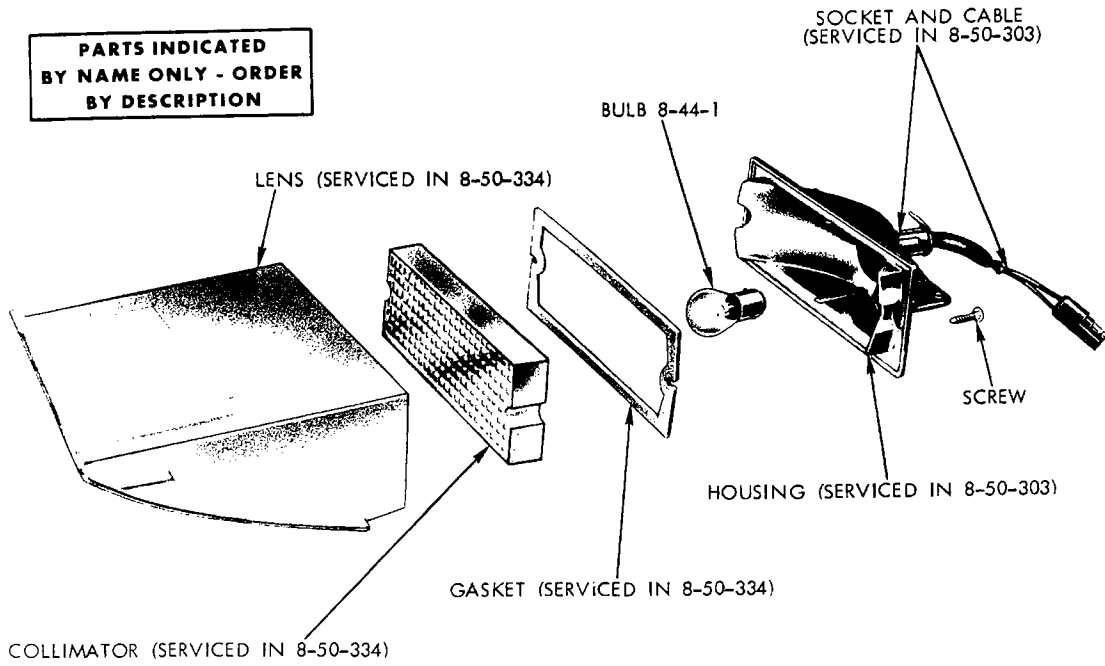


19a2526 A

X-PRESS SUPERLITE - DODGE

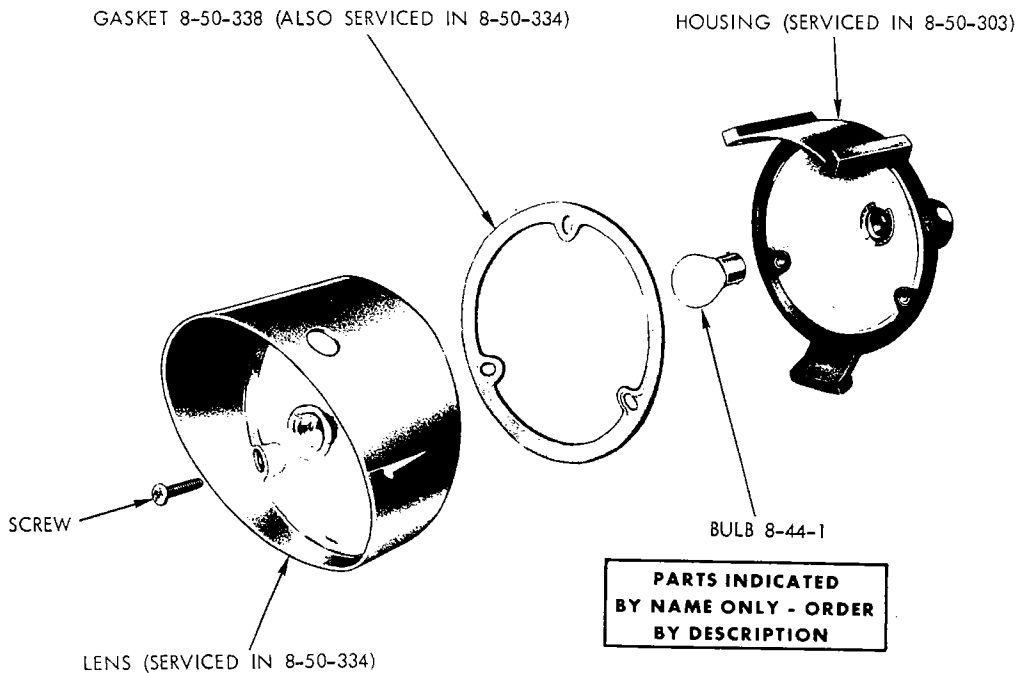


19a3055



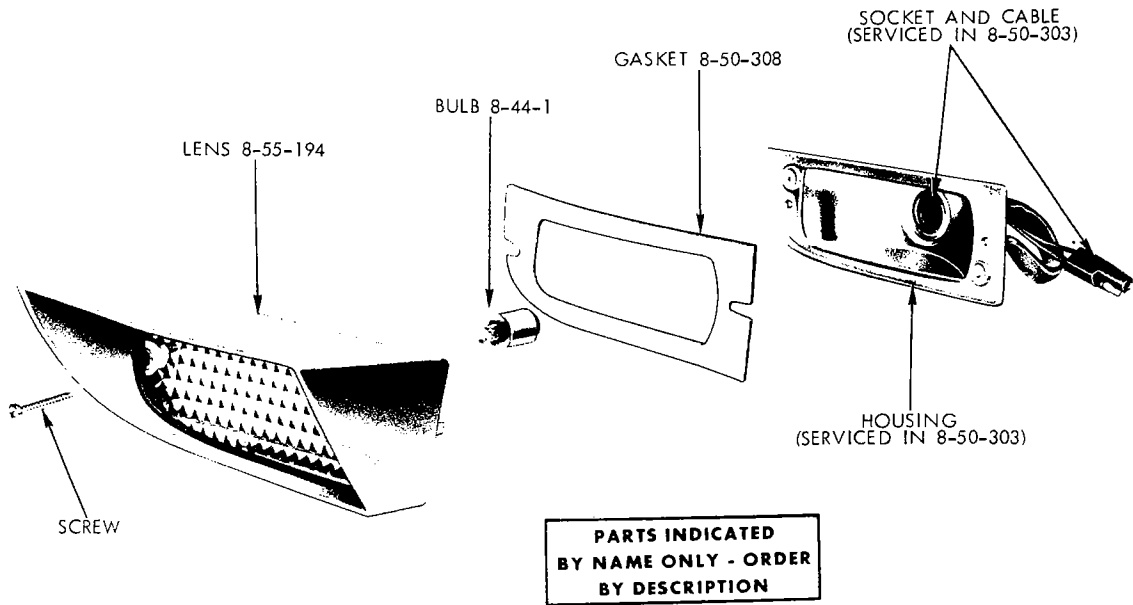
19a2861

PARKING AND TURN SIGNAL LAMP - BARRACUDA



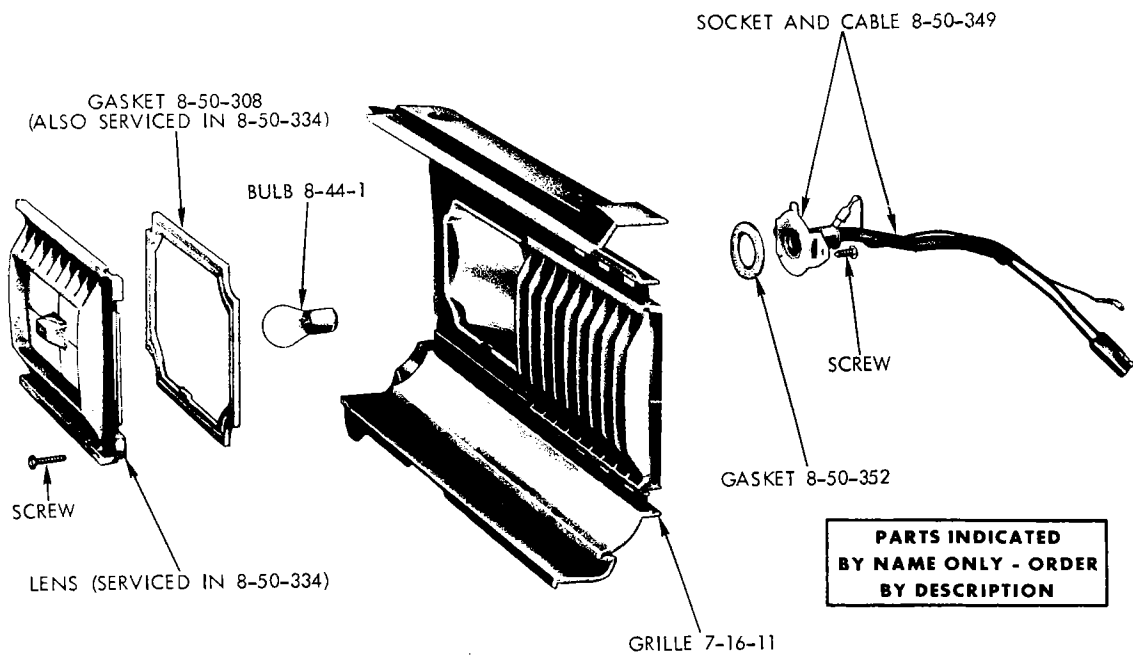
19a2833

PARKING AND TURN SIGNAL LAMP - BELVEDERE

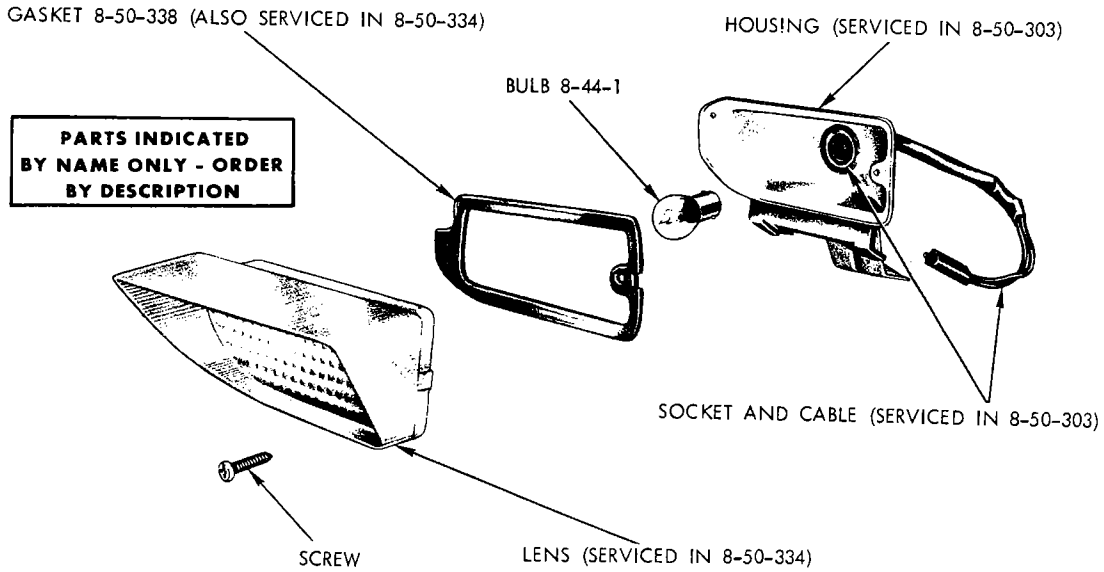


19a2862

PARKING AND TURN SIGNAL LAMP - PLYMOUTH FURY

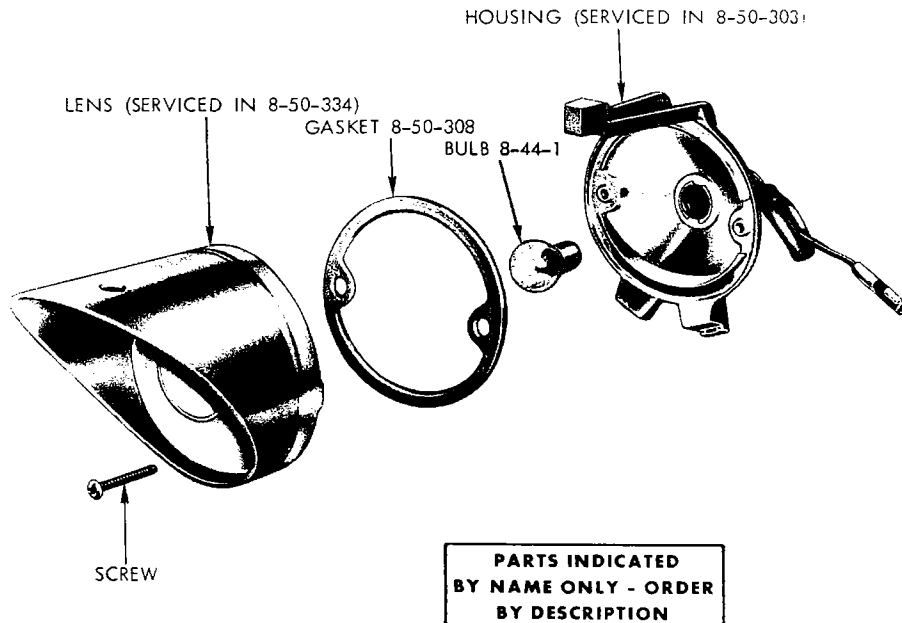


19a3046



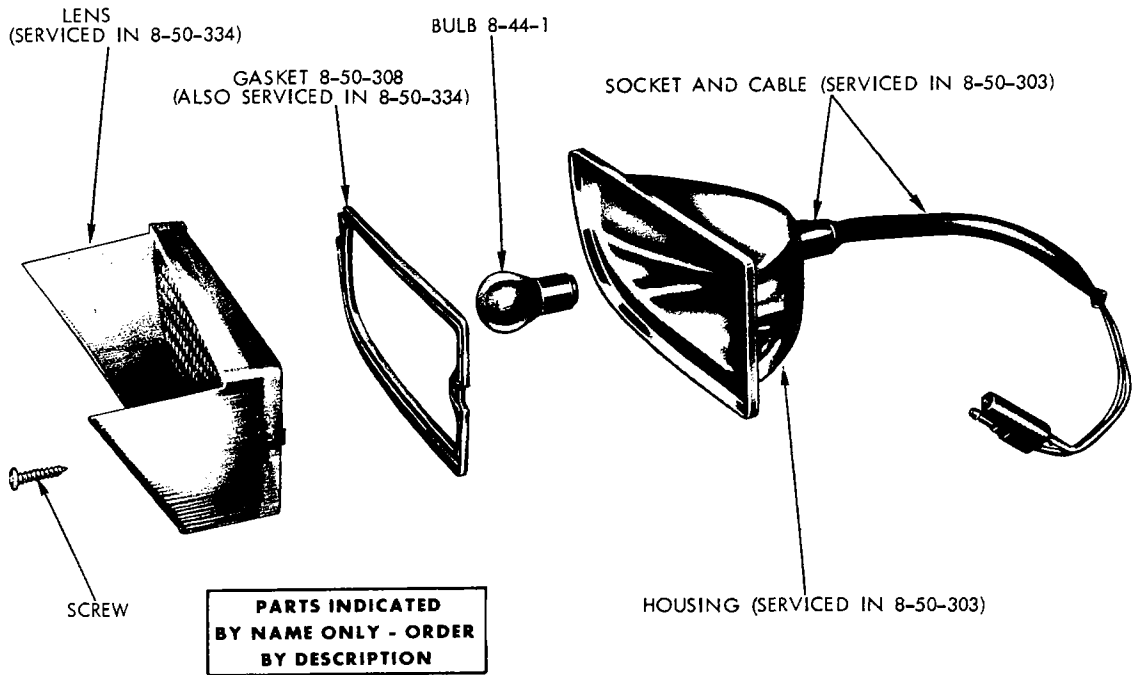
19a2817

PARKING AND TURN SIGNAL LAMP - CORONET EXCEPT CHARGER AND CHARGER R/T



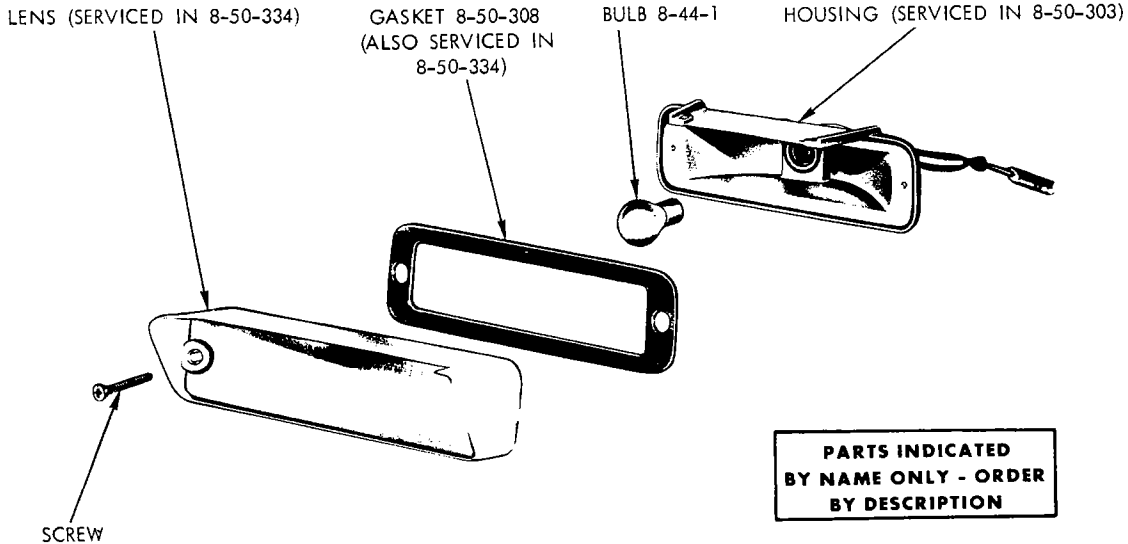
19a2832

PARKING AND TURN SIGNAL LAMP - CHALLENGER AND CORONET CHARGER AND CHARGER R/T

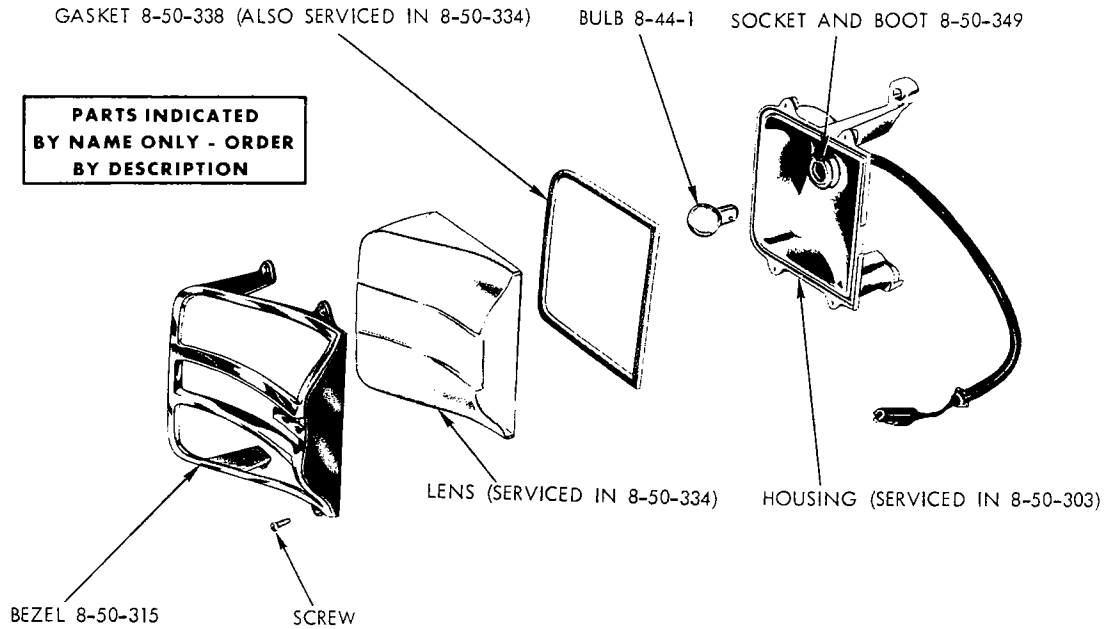


19a2907

PARKING AND TURN SIGNAL LAMP - DODGE

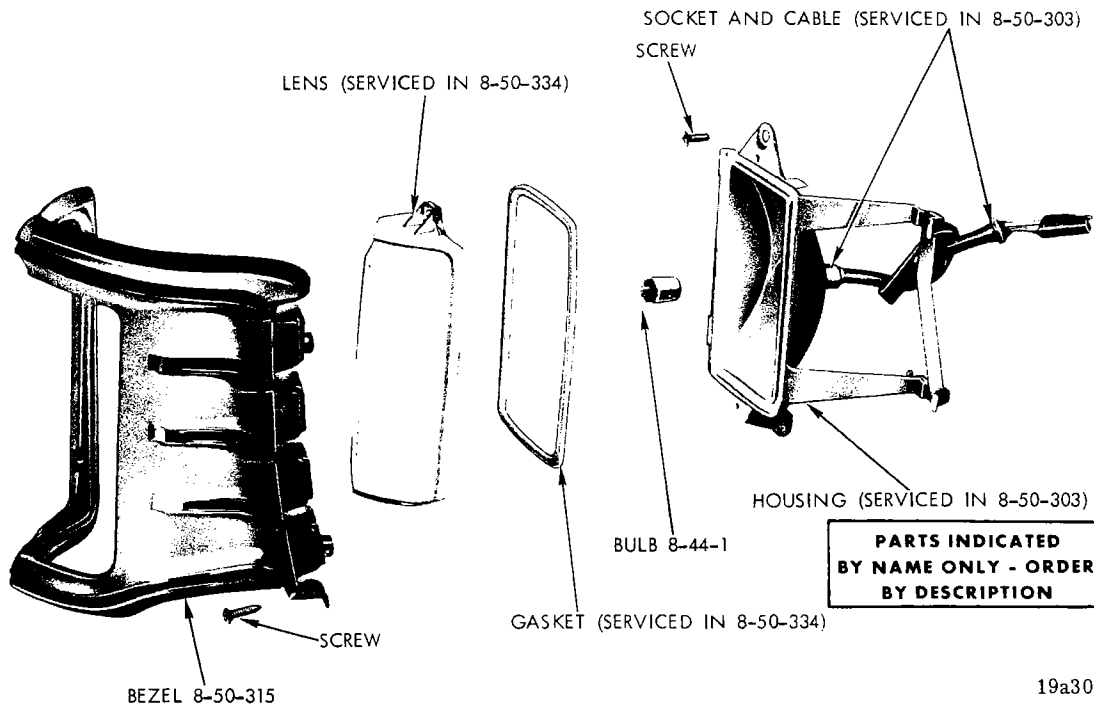


19a2813



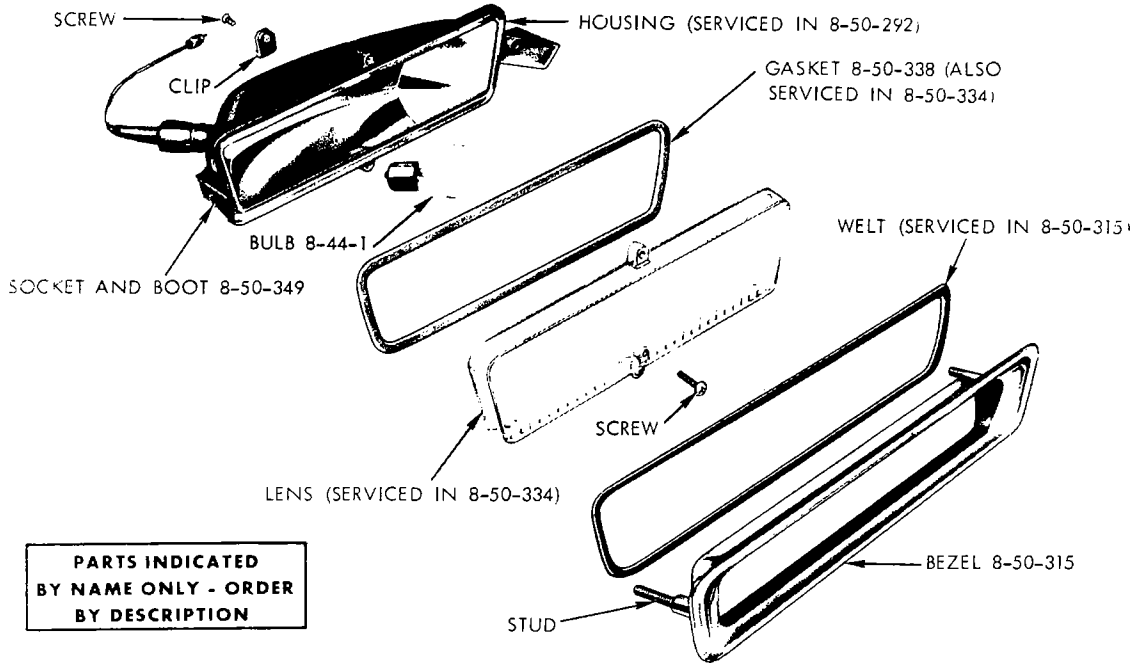
19a2825

PARKING AND TURN SIGNAL LAMP - CHRYSLER 300



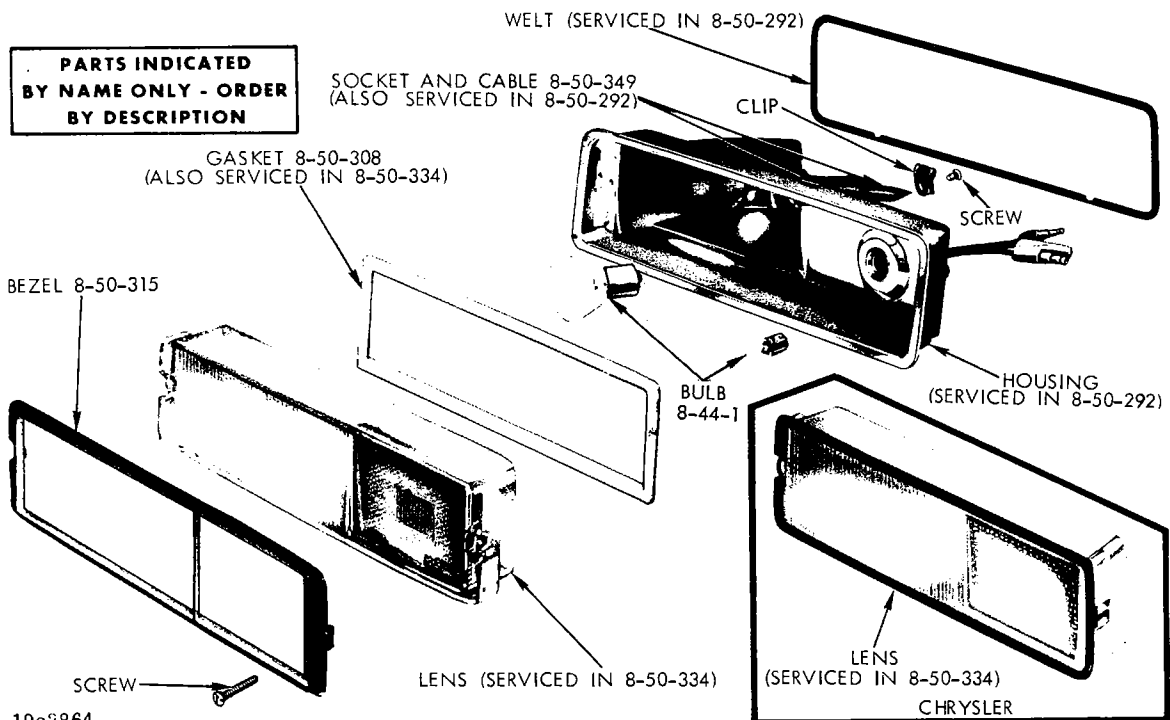
19a3052 A

PARKING AND TURN SIGNAL LAMP - IMPERIAL

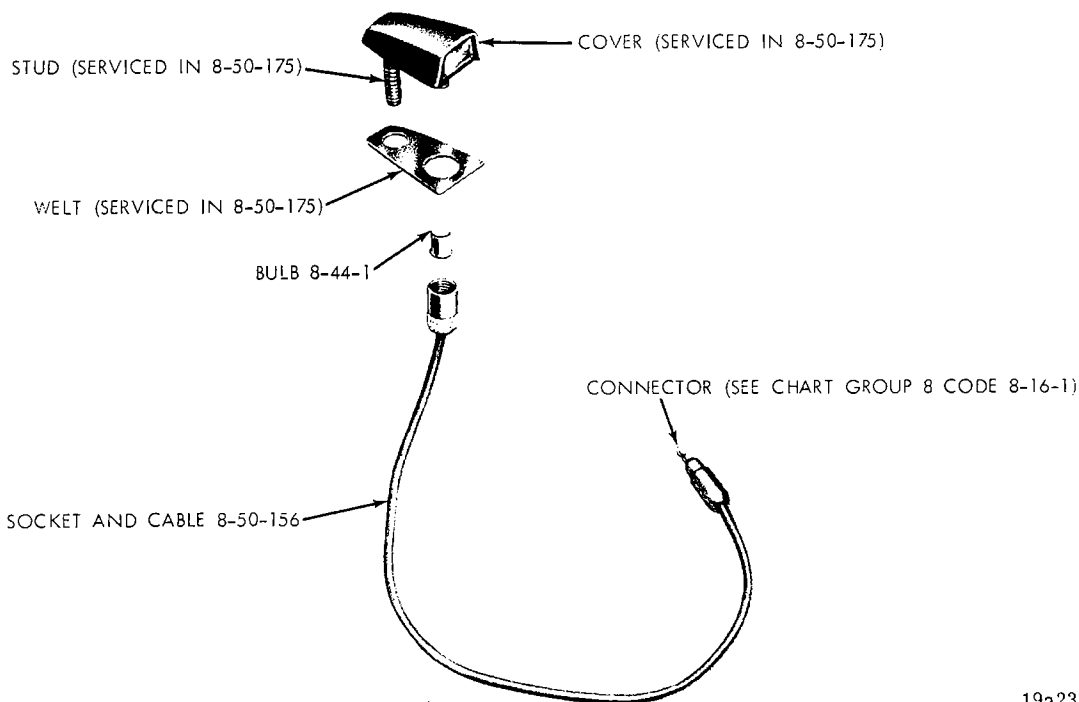


19a2830

CORNERING LAMP - DODGE EXCEPT CORONET (1970 ONLY)



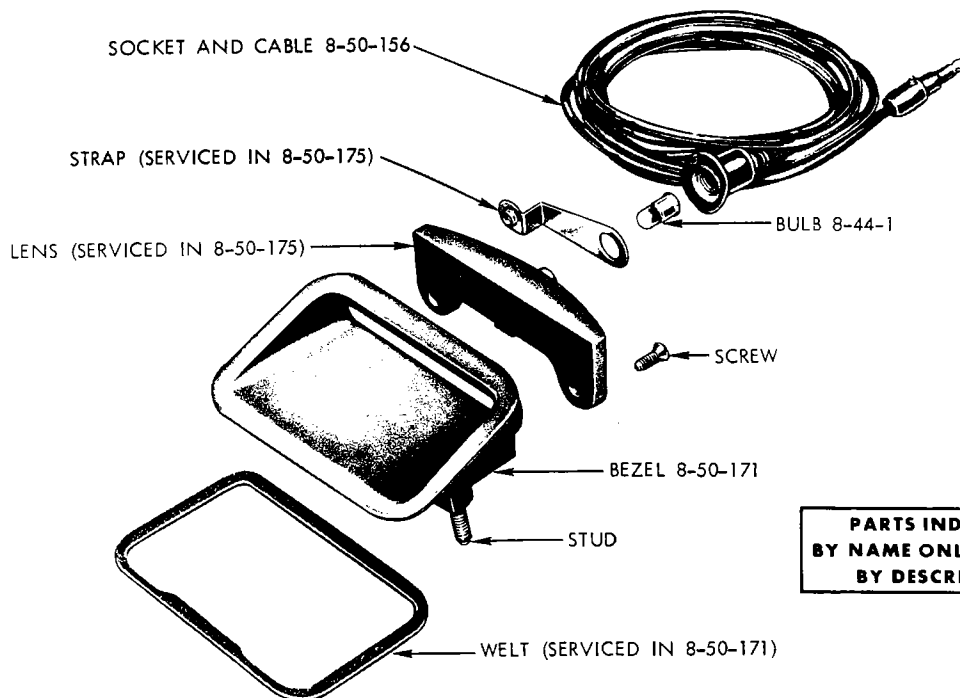
19a2864



19a2374

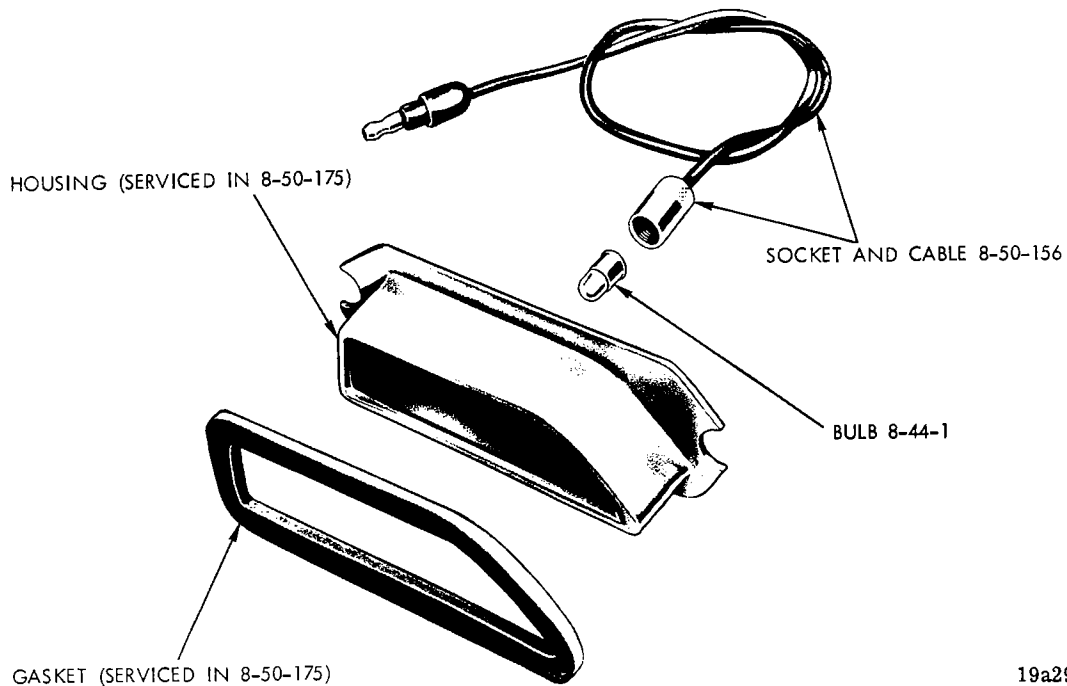
1970 ONLY

TURN SIGNAL INDICATOR LAMP - VALIANT, CHALLENGER, DART, BELVEDERE EXCEPT ROAD RUNNER AND GTX, CORONET EXCEPT CHARGER AND CHARGER R/T AND CHRYSLER STATION WAGON

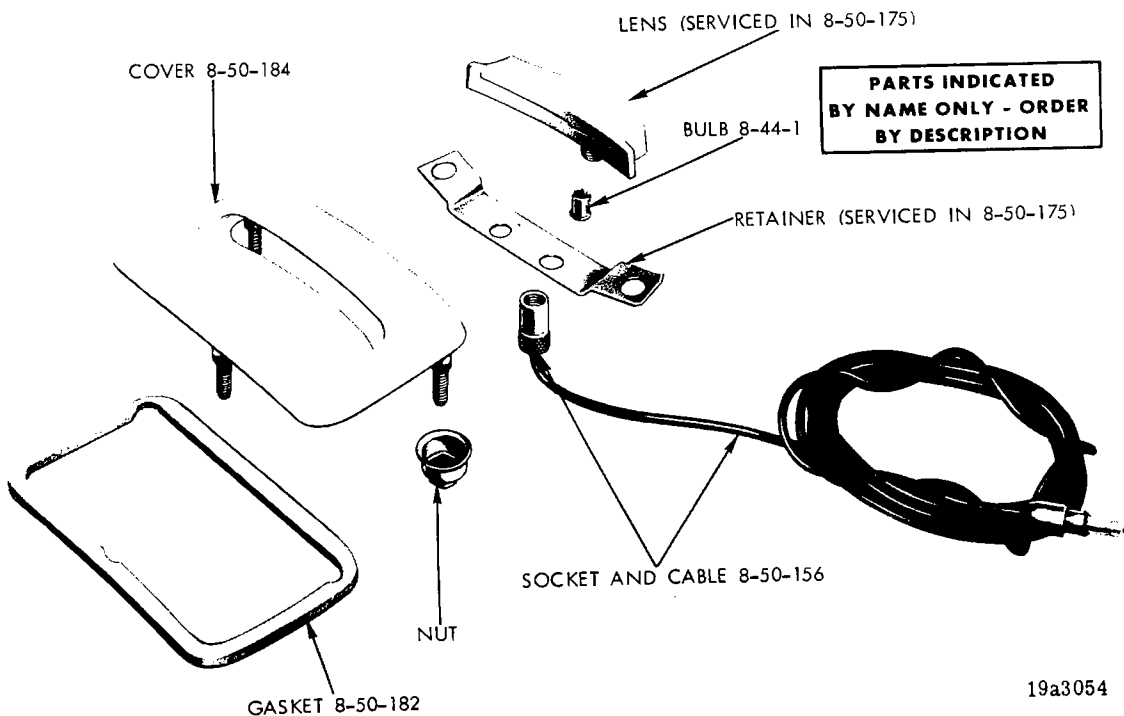


**PARTS INDICATED
BY NAME ONLY - ORDER
BY DESCRIPTION**

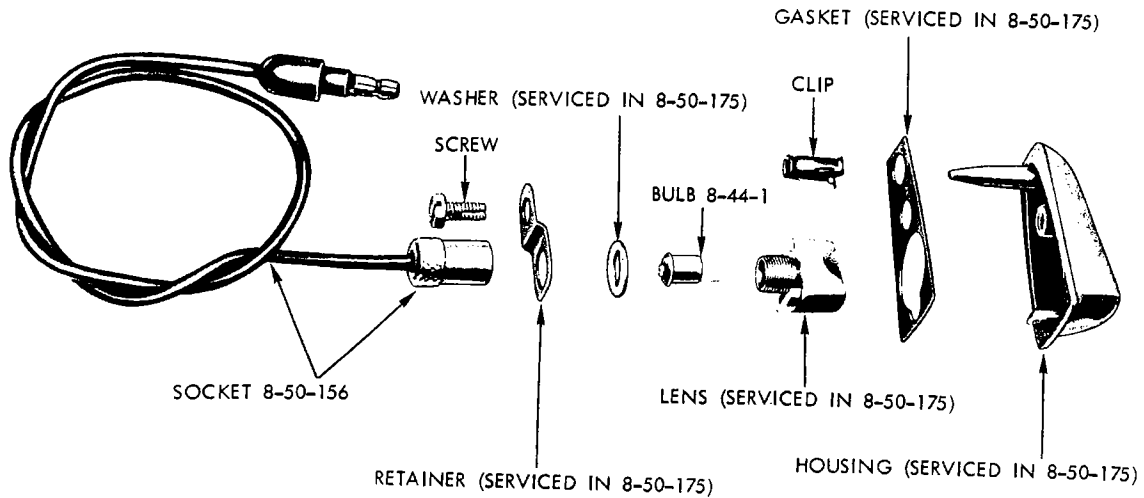
19a2961



HOOD TURN SIGNAL INDICATOR LAMP - BELVEDERE ROAD RUNNER AND GTX

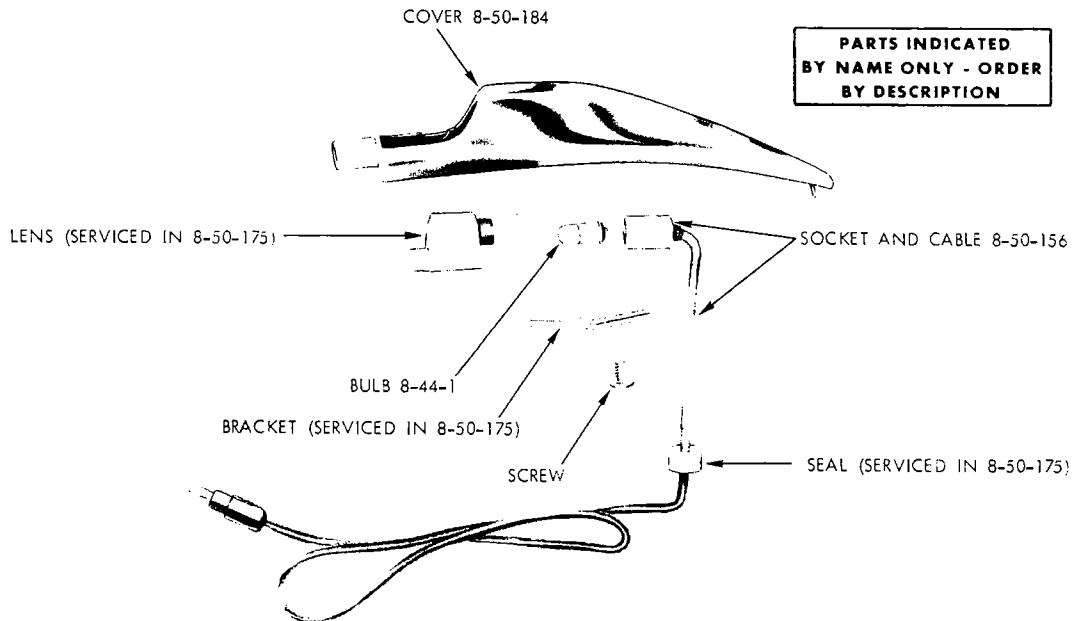


PARTS INDICATED BY NAME ONLY - ORDER BY DESCRIPTION



19a2962

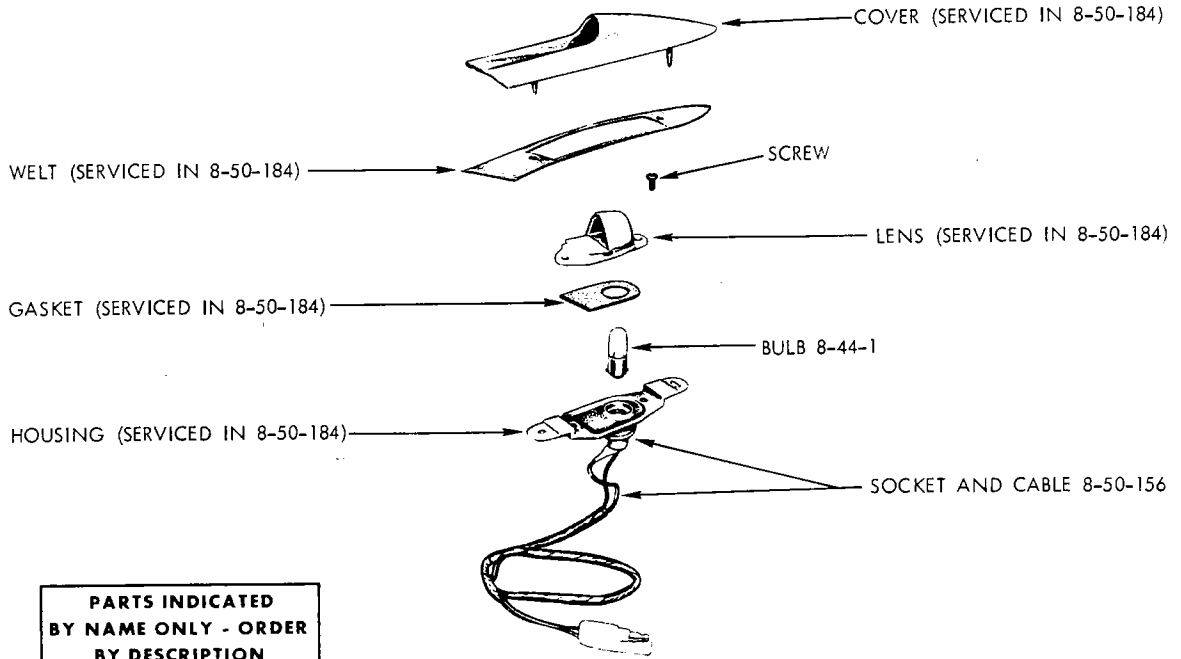
FENDER TURN SIGNAL INDICATOR LAMP - BARRACUDA



PARTS INDICATED BY NAME ONLY - ORDER BY DESCRIPTION

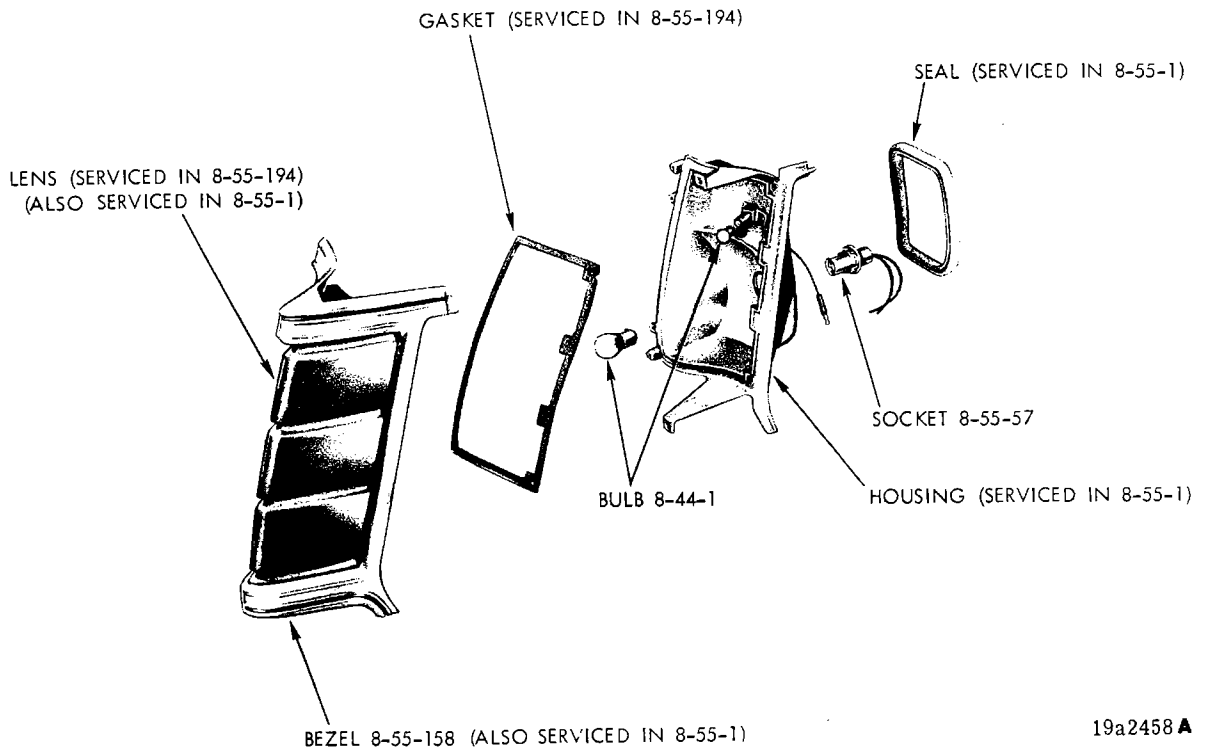
19a2444 A

FENDER TURN SIGNAL INDICATOR LAMP - CHRYSLER (EXCEPT STATION WAGON)

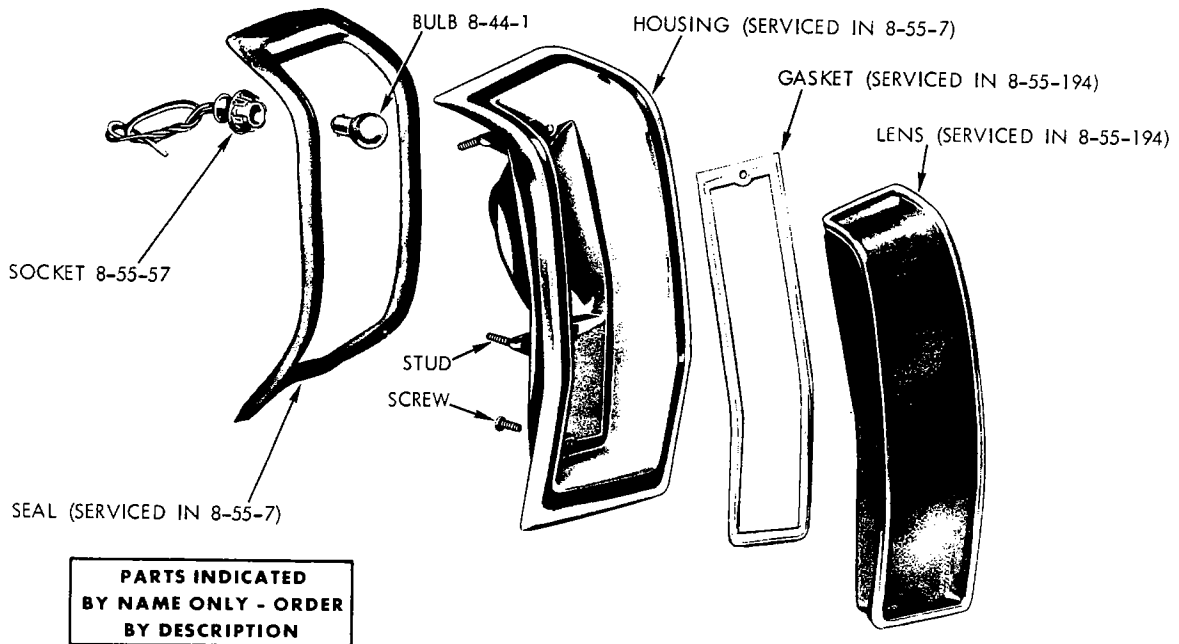


19a2455

FRONT FENDER TURN SIGNAL INDICATOR LAMP - IMPERIAL

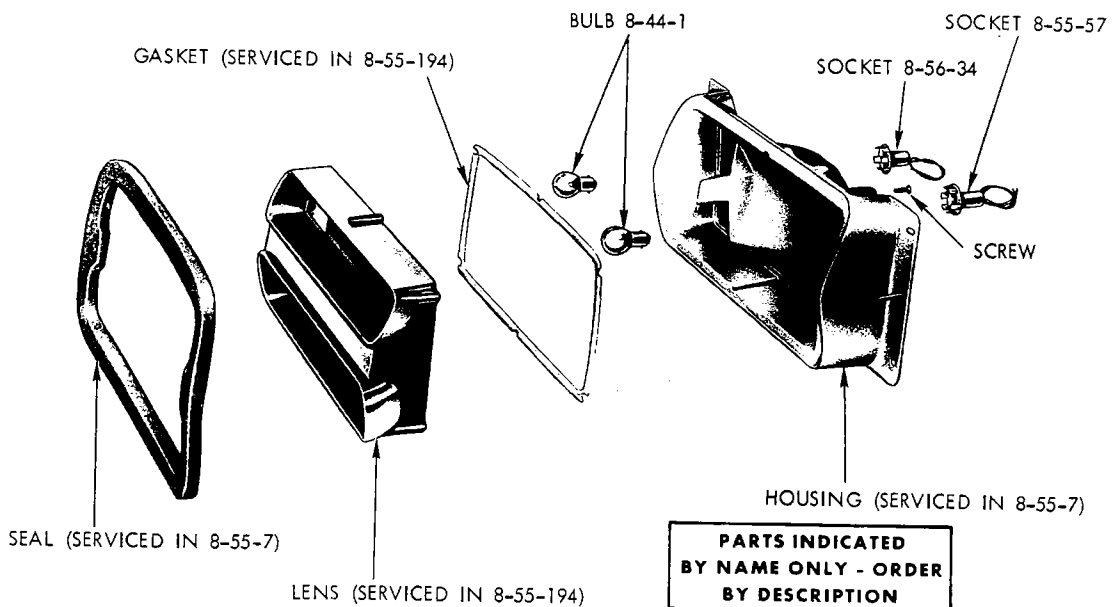


19a2458 A



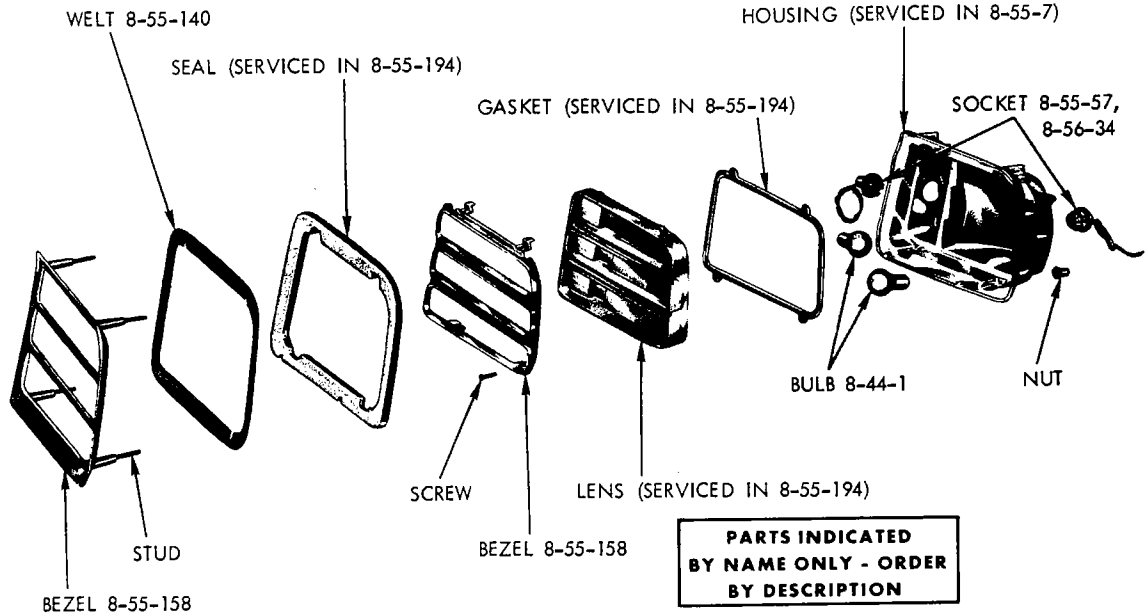
19a2960

TAIL, STOP AND TURN-SIGNAL LAMP - VALIANT 4 DOOR SEDAN (1970)



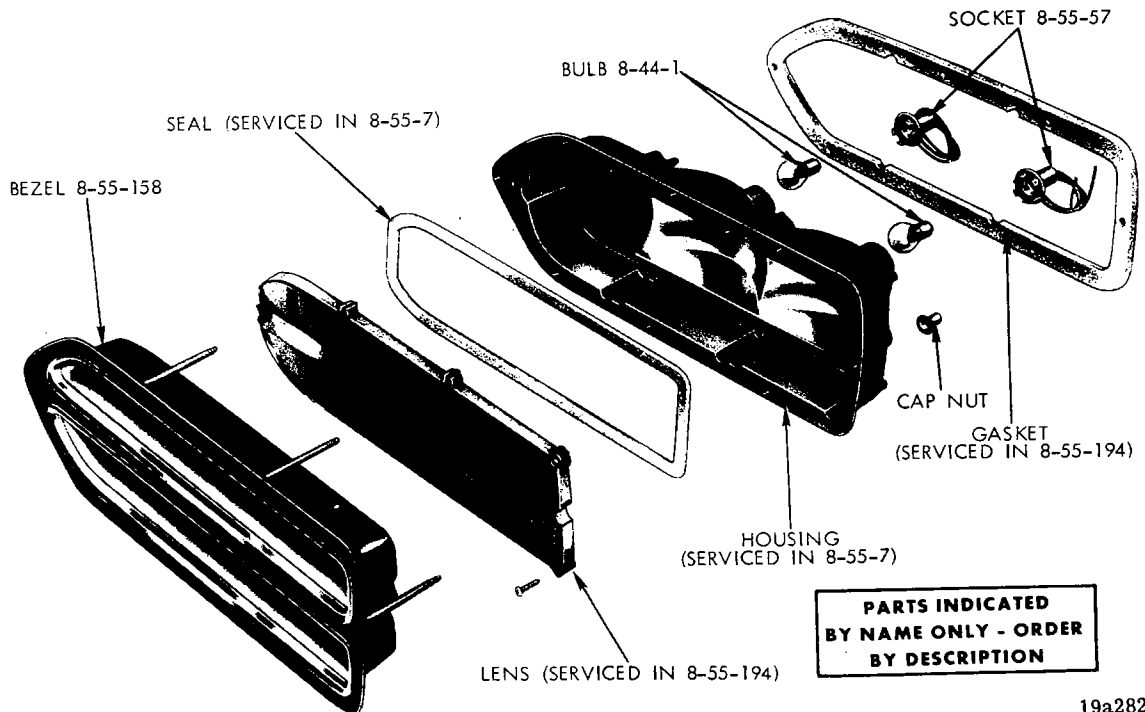
19a3062

TAIL, STOP, TURN SIGNAL AND BACK-UP LAMP - VALIANT DUSTER AND DUSTER 340



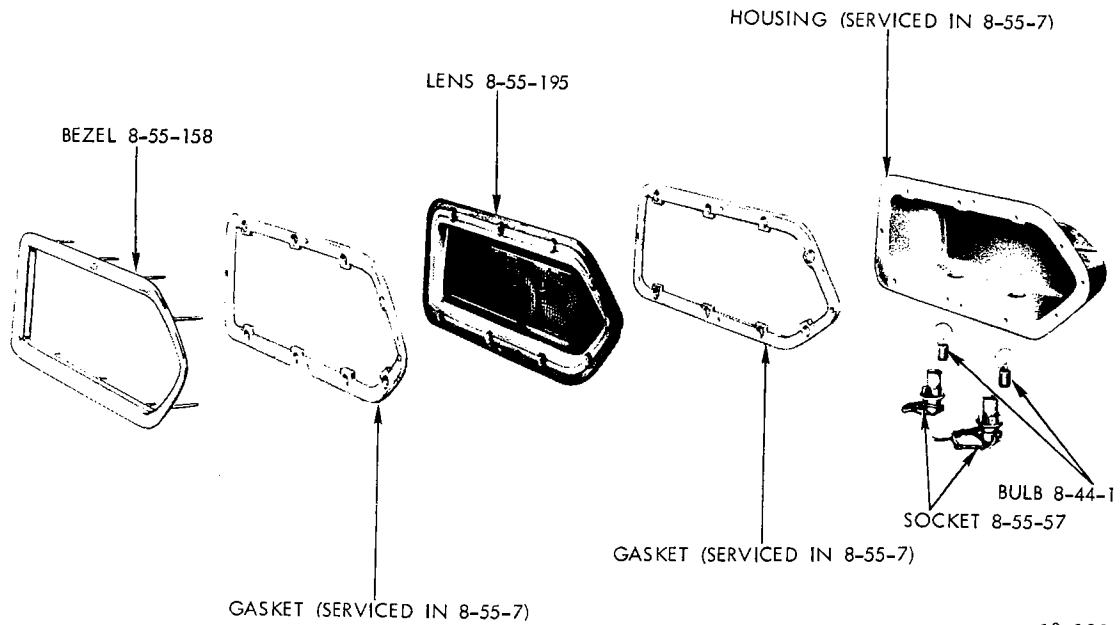
19a2878

TAIL, STOP, TURN SIGNAL AND BACK-UP LAMP - BARRACUDA



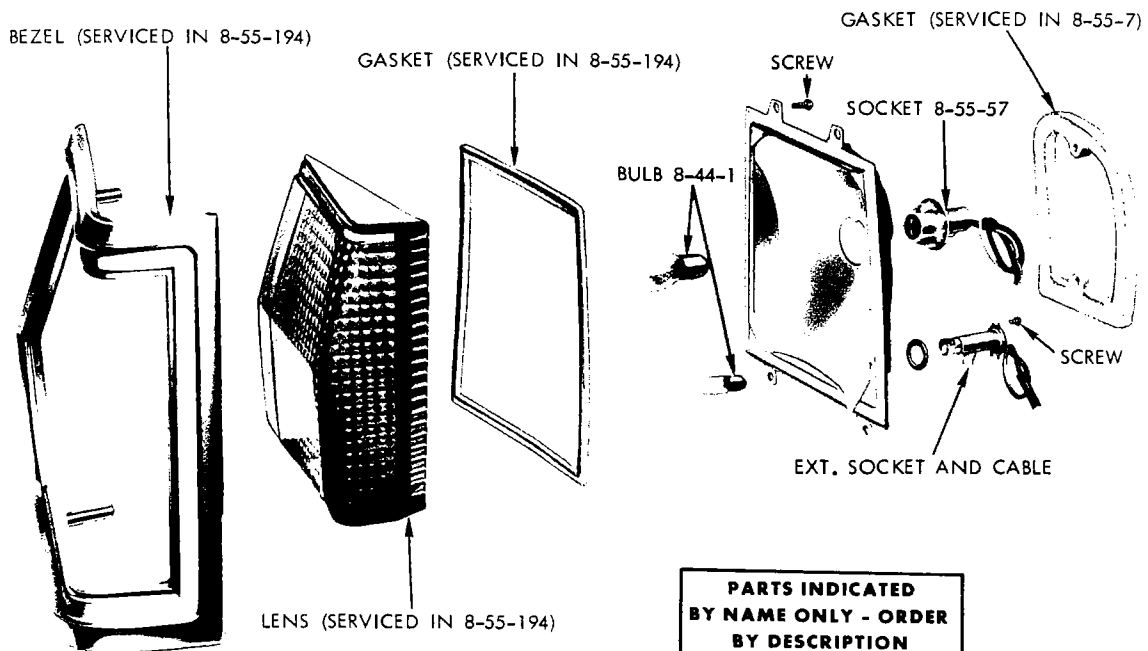
19a2826

TAIL, STOP AND TURN SIGNAL LAMP - BELVEDERE 2 DOOR HARDTOP



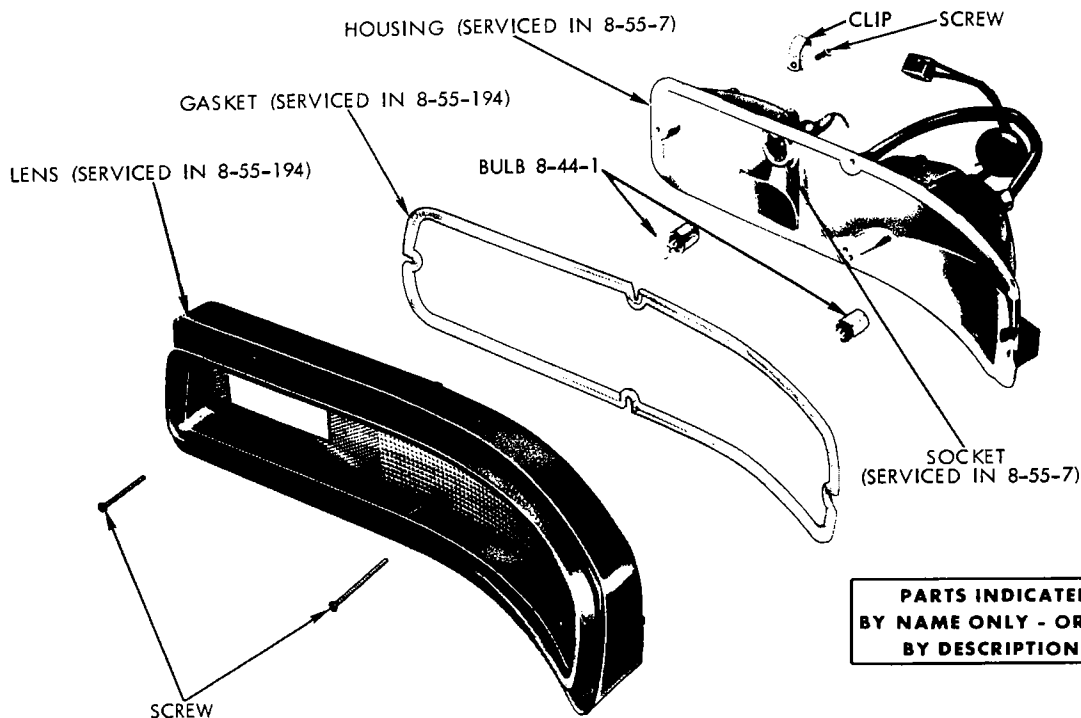
19a3060

TAIL, STOP AND TURN SIGNAL LAMP - BELVEDERE EXCEPT ROAD RUNNER, SPORT SATELLITE AND GTX



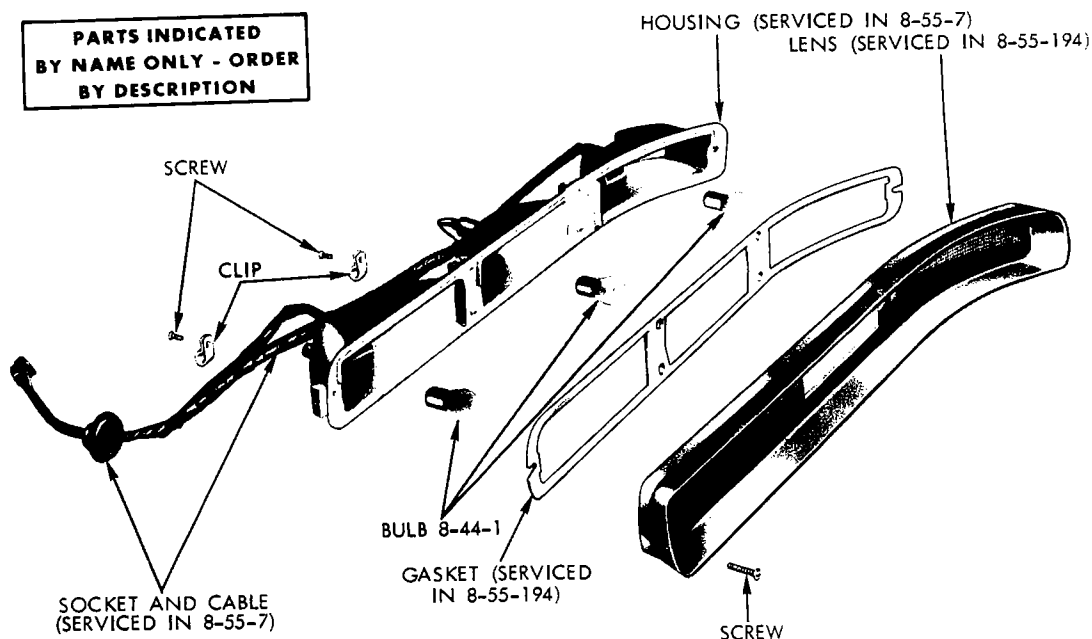
**PARTS INDICATED
BY NAME ONLY - ORDER
BY DESCRIPTION**

19a2969



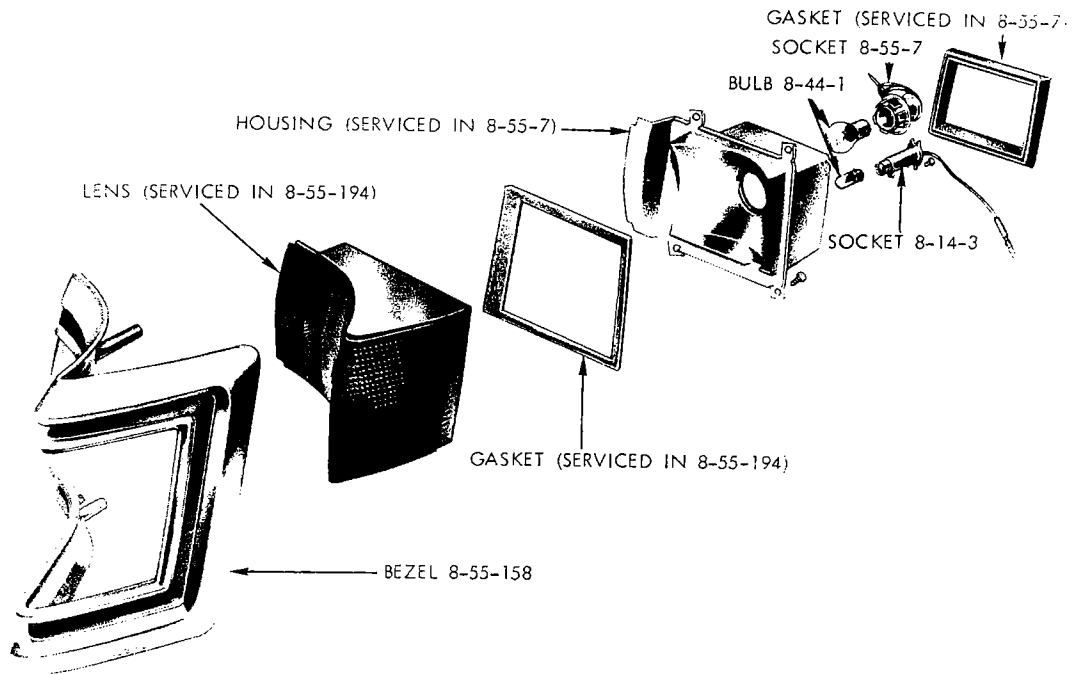
19a2828

TAIL, STOP, TURN SIGNAL AND BACK-UP LAMP - PLYMOUTH FURY I AND II
2 DOOR SEDAN, 2 DOOR HARDTOP AND 4 DOOR SEDAN



19a2824

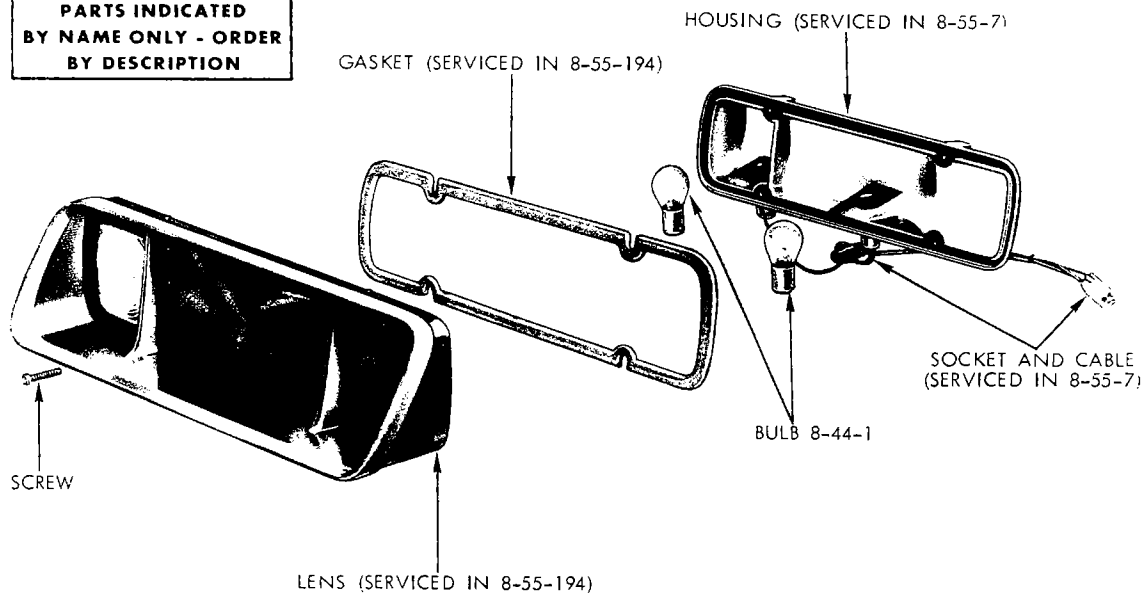
TAIL, STOP, TURN SIGNAL AND BACK-UP LAMP - PLYMOUTH FURY III



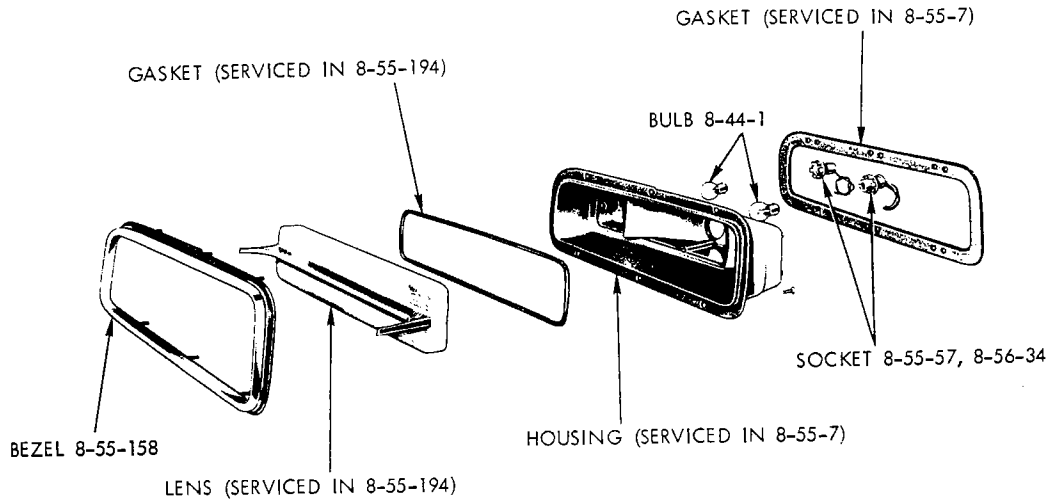
19a2921

TAIL, STOP, TURN SIGNAL AND SIDE MARKER LAMP - PLYMOUTH FURY (STATION WAGON)

**PARTS INDICATED
BY NAME ONLY - ORDER
BY DESCRIPTION**

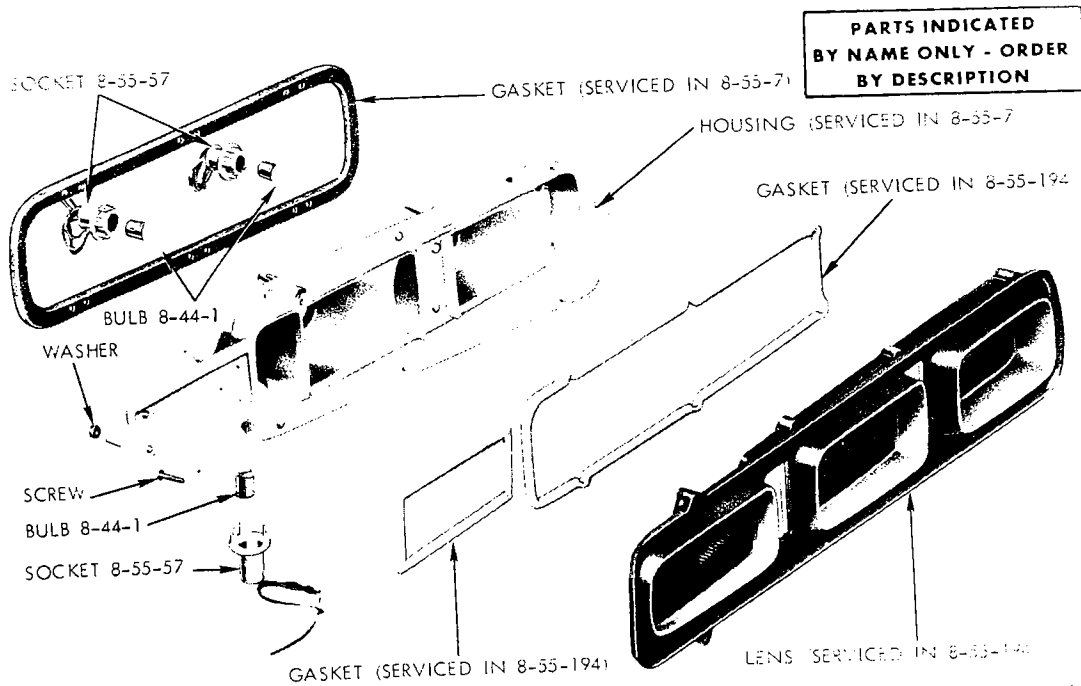


19a2921



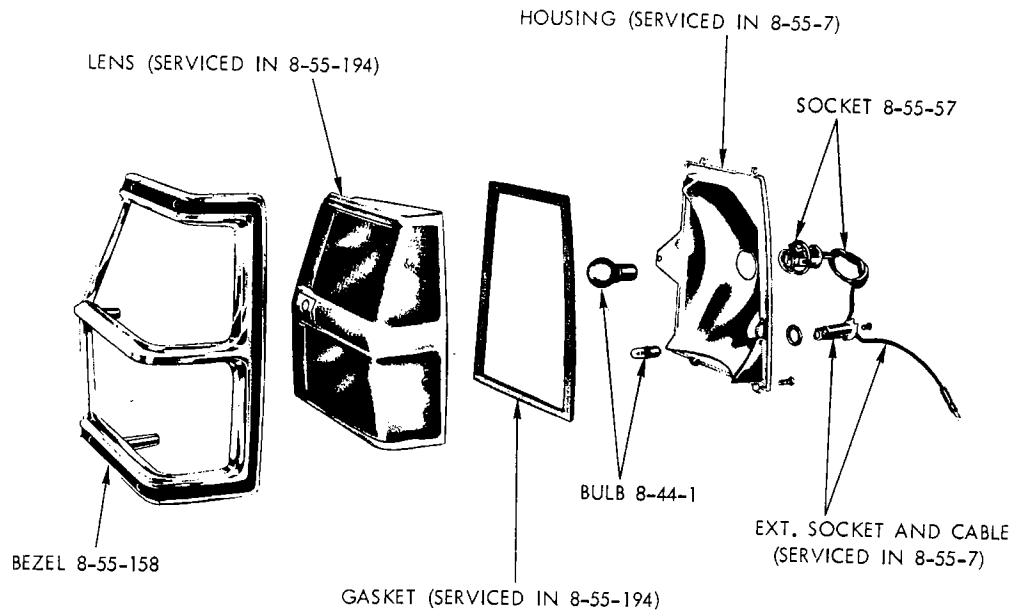
19a2823

TAIL, STOP, TURN SIGNAL AND BACK-UP LAMP - CORONET EXCEPT STATION WAGON, CORONET DELUXE, SUPER BEE AND CORONET 440



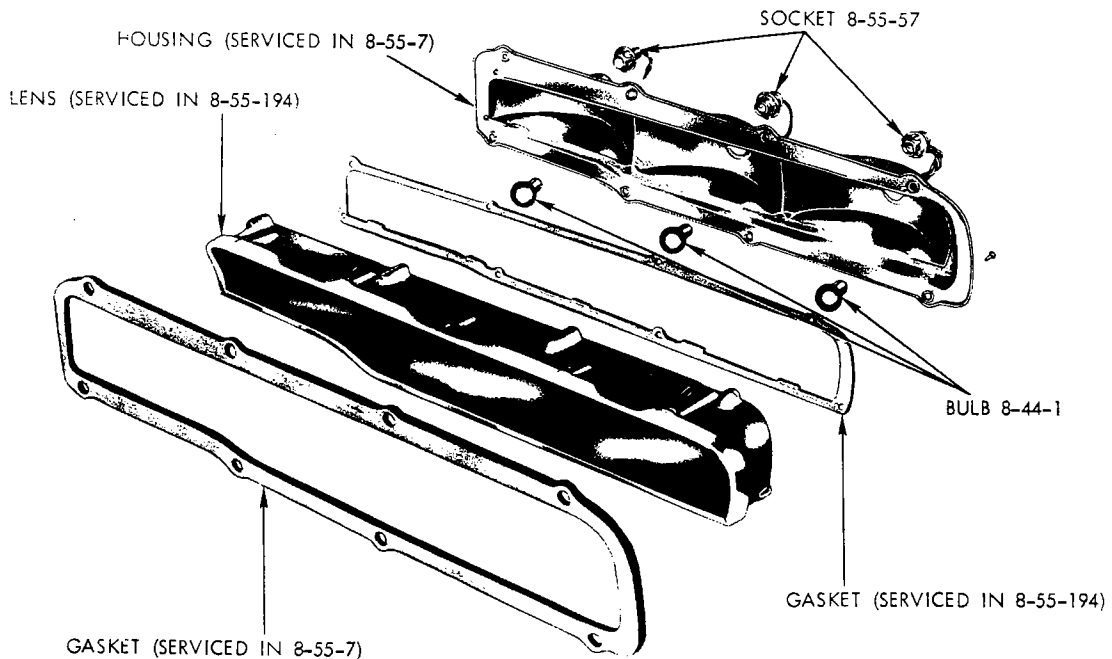
19a2824

TAIL, STOP, TURN SIGNAL AND BACK-UP LAMP - CORONET 500 AND CORONET R/T



19a2904

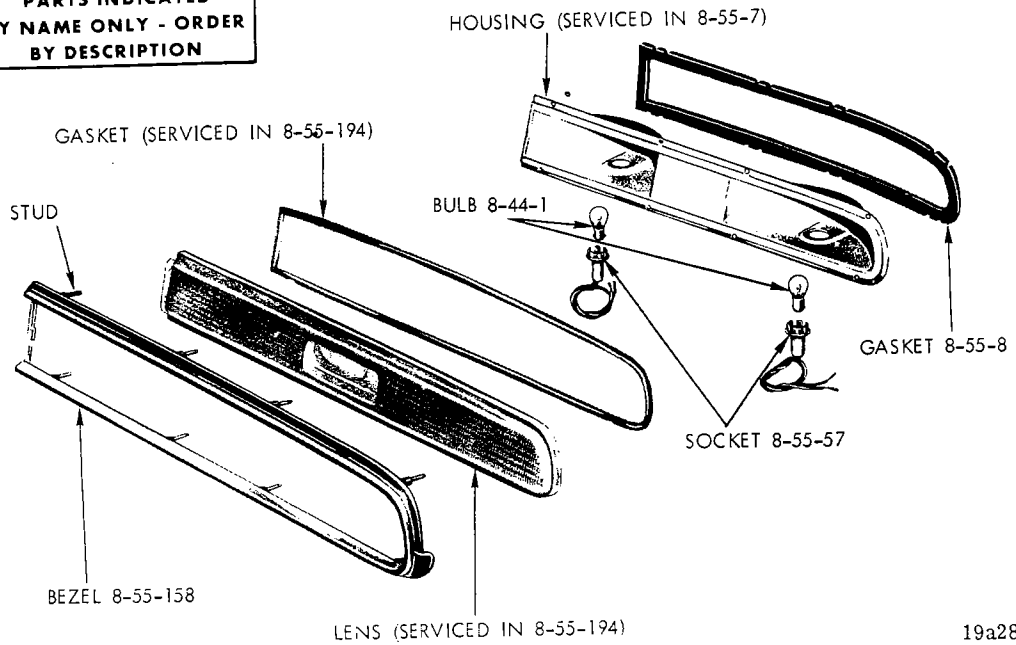
TAIL, STOP, TURN SIGNAL AND SIDE MARKER LAMP - CORONET STATION WAGON



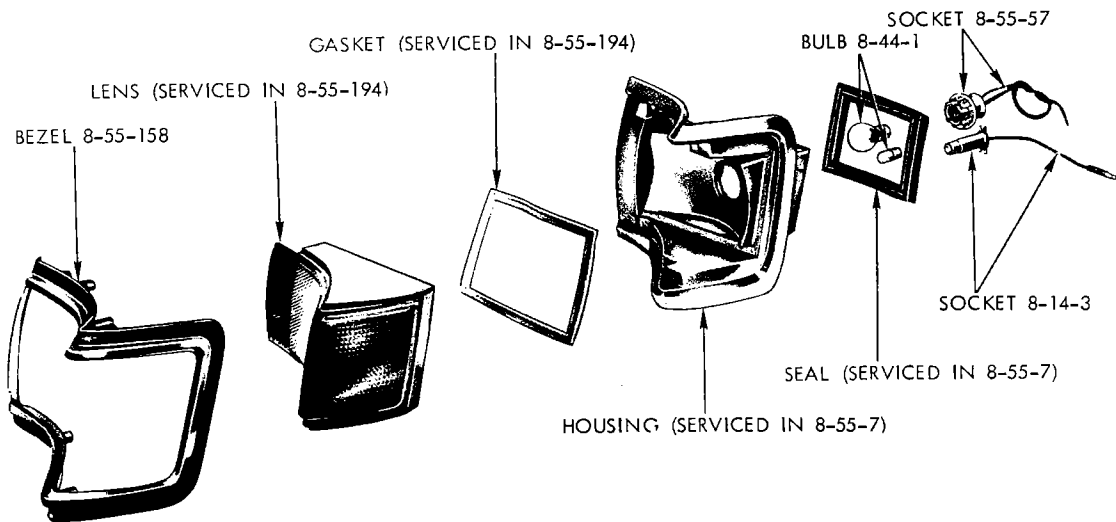
19a2959

TAIL, STOP AND TURN SIGNAL LAMP - CHARGER AND CHARGER R/T

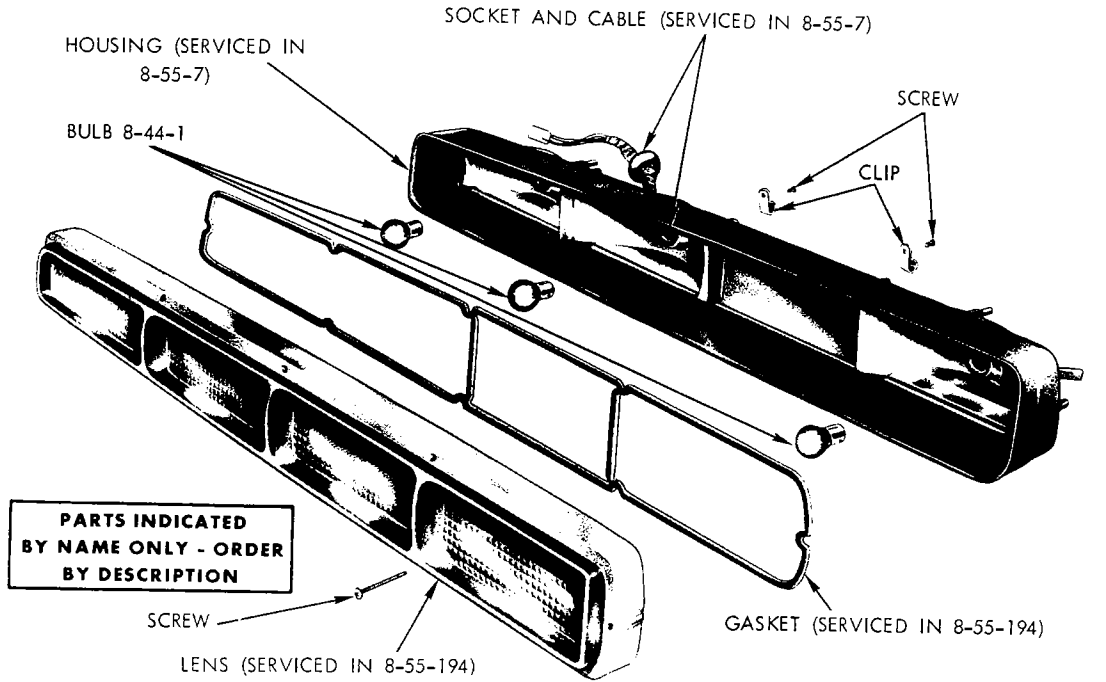
PARTS INDICATED
BY NAME ONLY - ORDER
BY DESCRIPTION



TAIL, STOP AND TURN SIGNAL LAMP - CHALLENGER

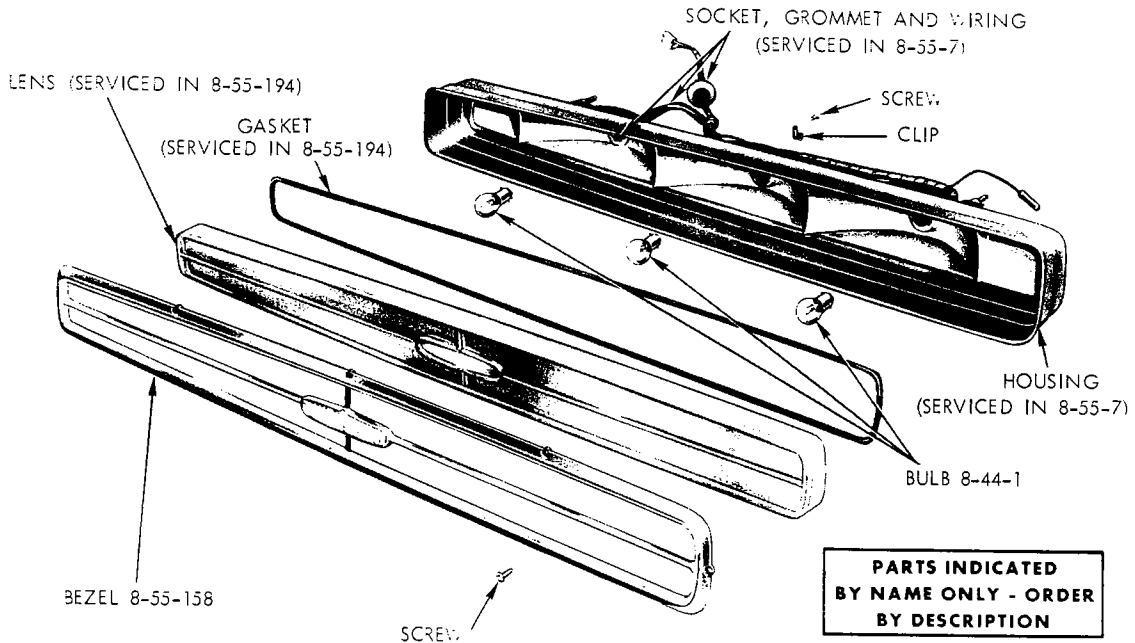


TAIL, STOP, TURN SIGNAL AND SIDE MARKER LAMP -



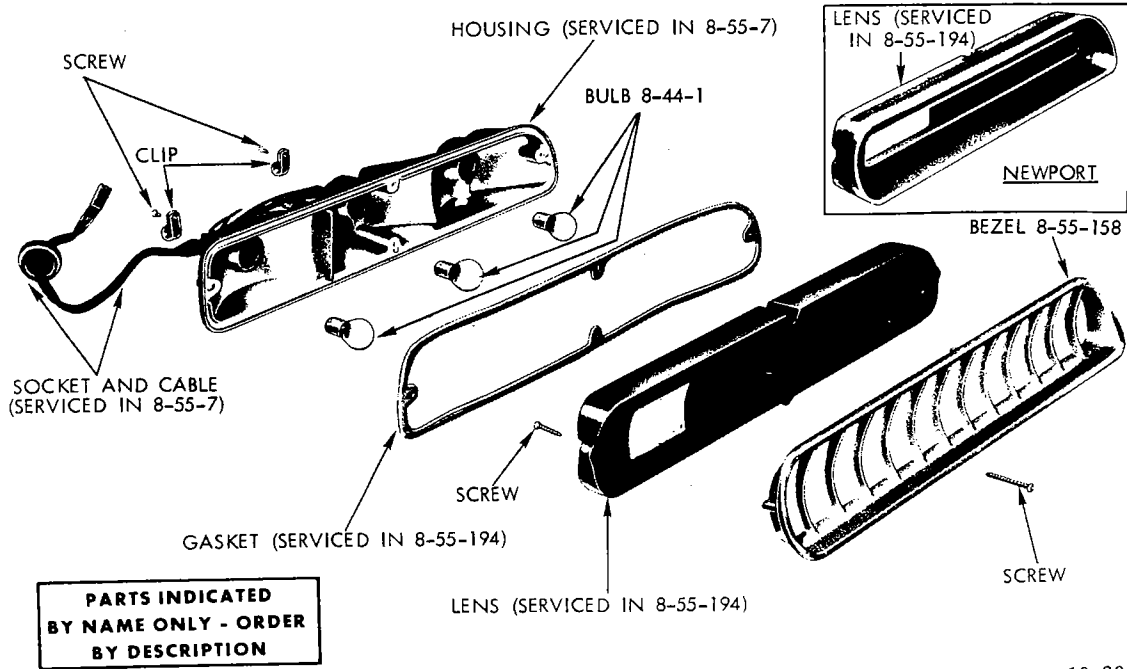
19a2886

TAIL, STOP, TURN SIGNAL AND BACK-UP LAMP - DODGE POLARA AND DODGE POLARA CUSTOM (EXCEPT STATION WAGON)



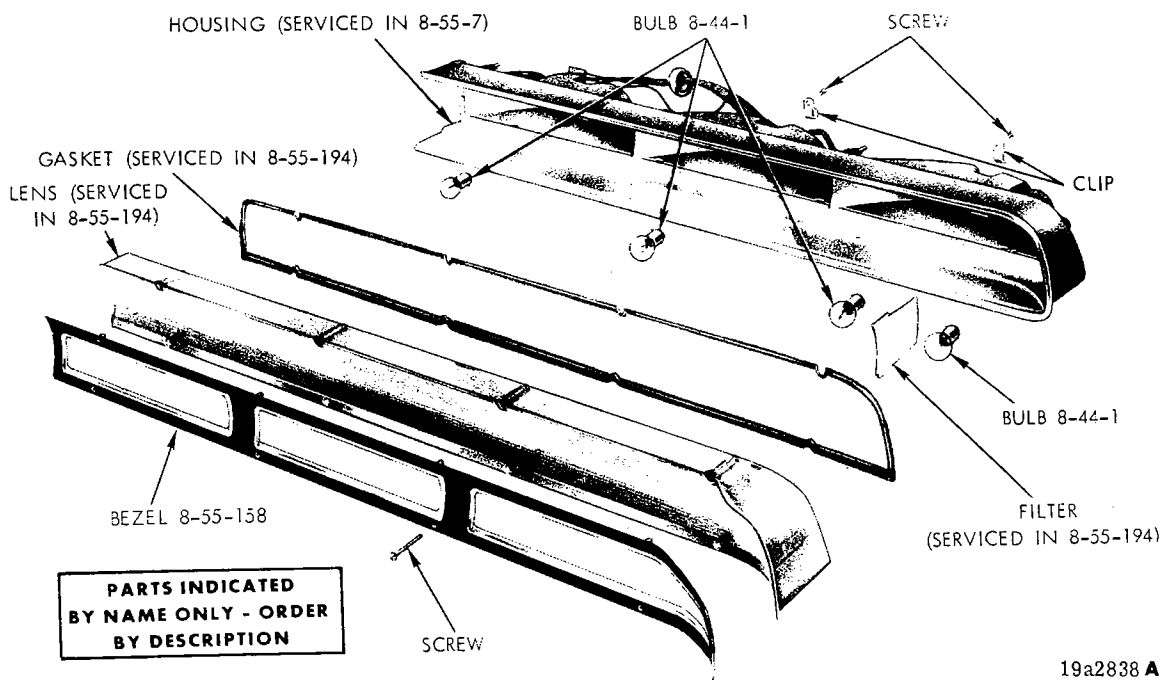
19a2831

TAIL, STOP AND TURN SIGNAL LAMP - DODGE MONACO AND MONACO 500 (EXCEPT STATION WAGON)

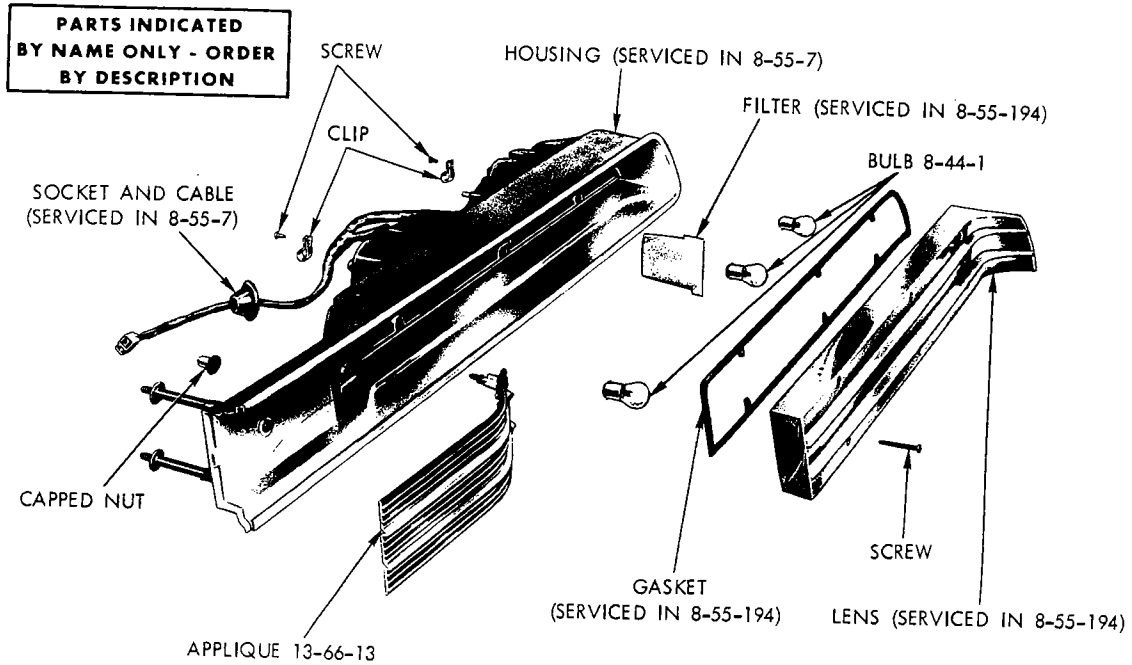


19a2822

TAIL, STOP, TURN SIGNAL AND BACK-UP LAMP - CHRYSLER NEWPORT AND CUSTOM NEWPORT

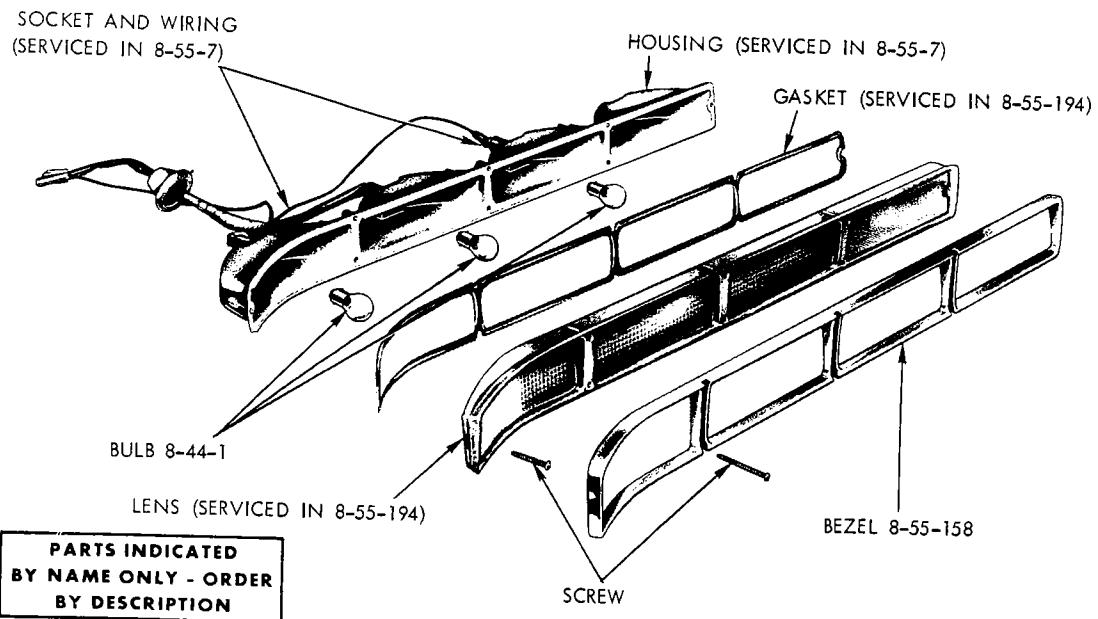


19a2838 A



19a2821

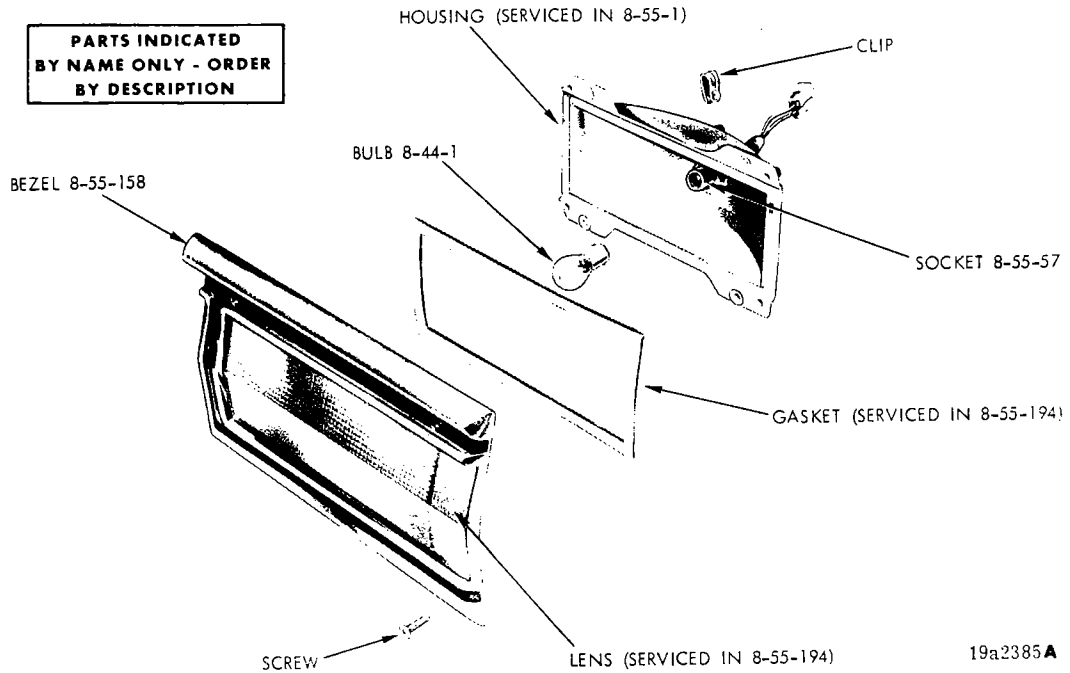
TAIL, STOP, TURN SIGNAL AND BACK-UP LAMP - CHRYSLER NEW YORKER



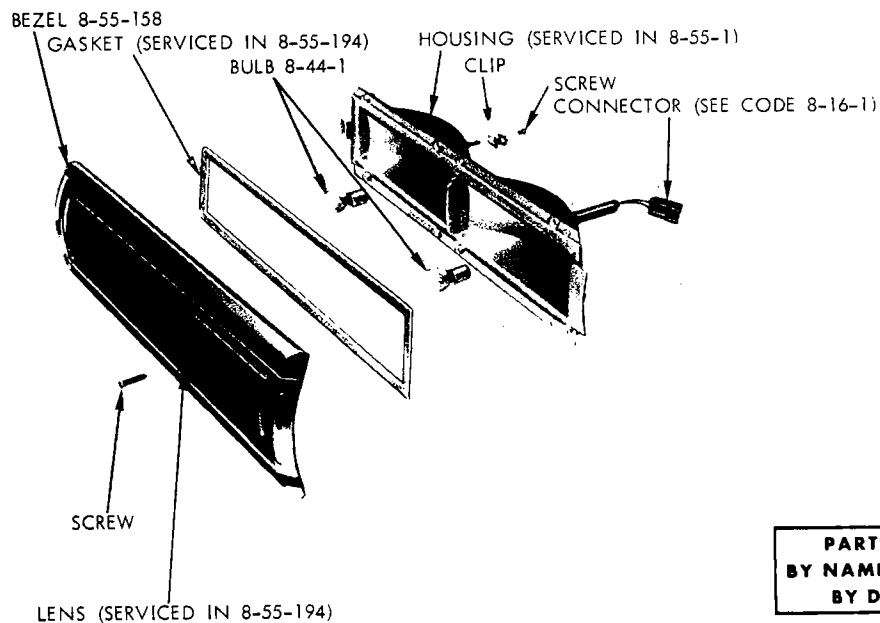
19a2829

TAIL, STOP AND TURN SIGNAL LAMP - IMPERIAL

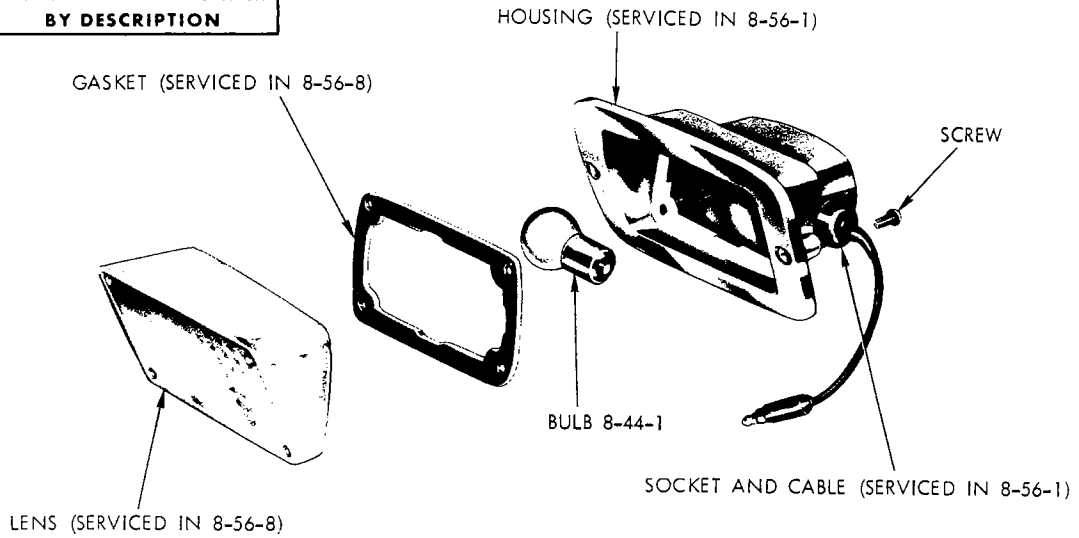
**PARTS INDICATED
BY NAME ONLY - ORDER
BY DESCRIPTION**



TAILGATE TAIL, STOP AND TURN SIGNAL LAMP - PLYMOUTH (STATION WAGON)

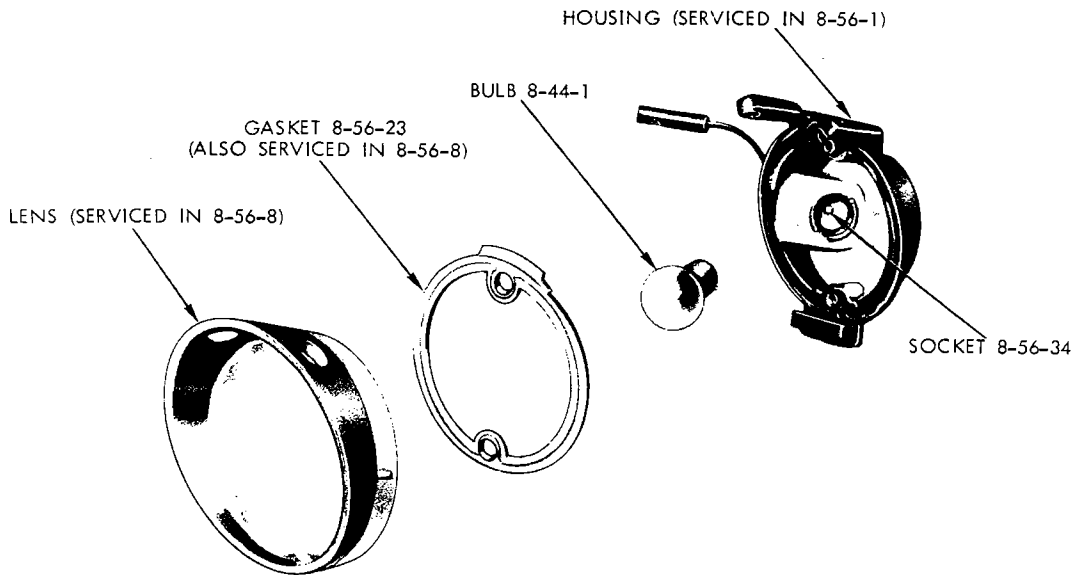


**PARTS INDICATED
BY NAME ONLY - ORDER
BY DESCRIPTION**



19a2863

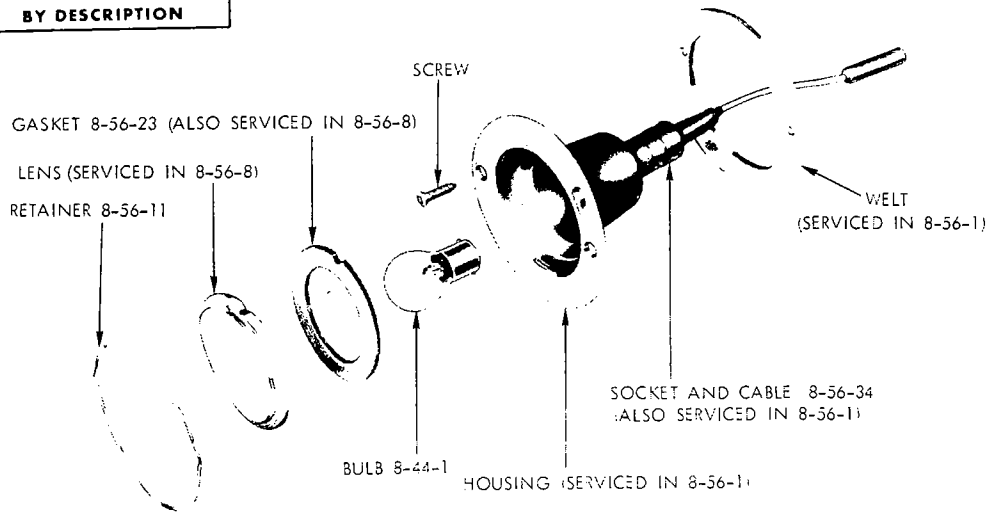
BACK-UP LAMP - VALIANT 4 DOORS



19a2814

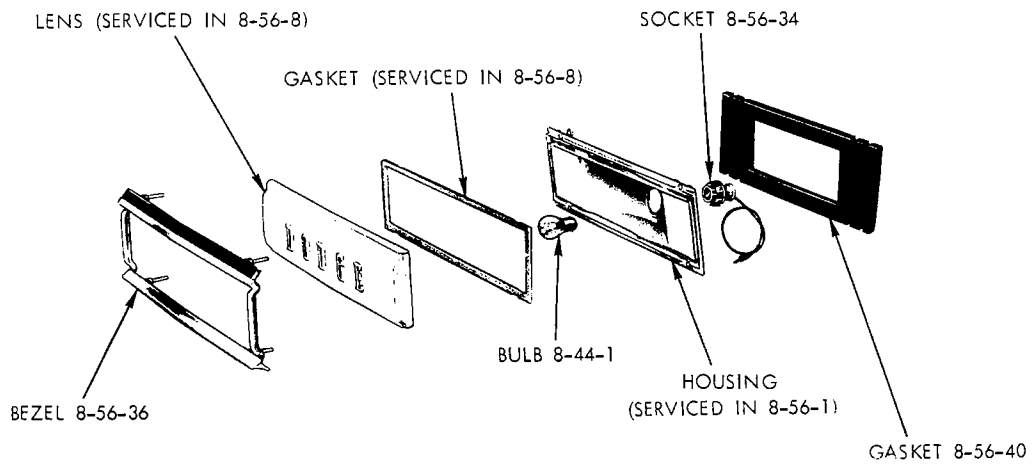
BACK-UP LAMP - BELVEDERE EXCEPT STATION WAGON

PARTS INDICATED
BY NAME ONLY - ORDER
BY DESCRIPTION

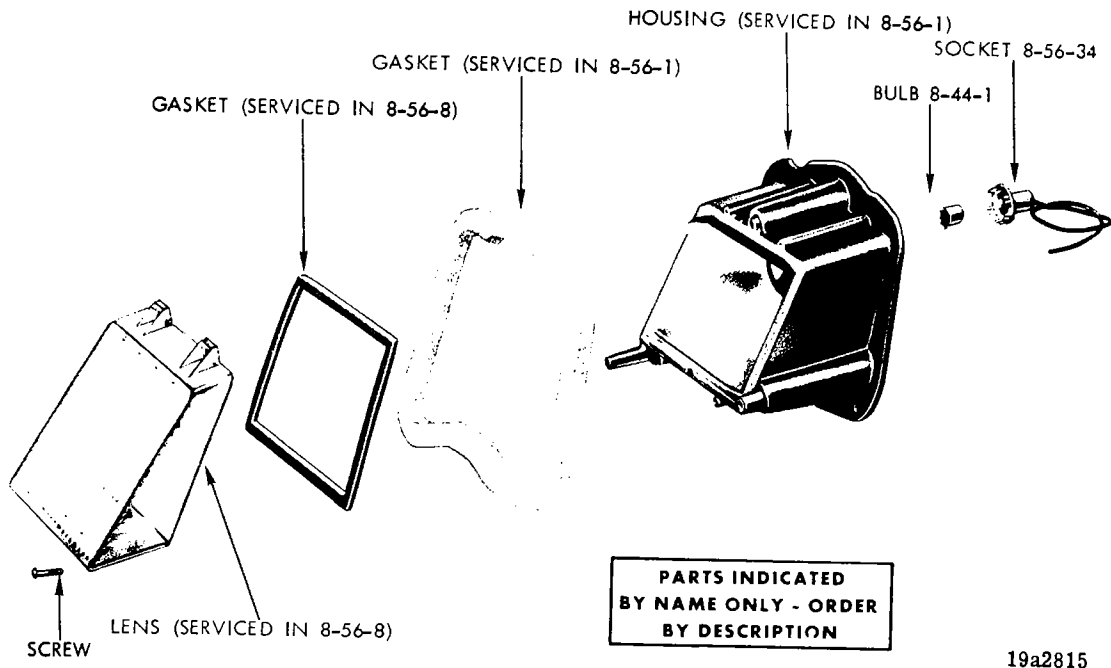


19a2090 C

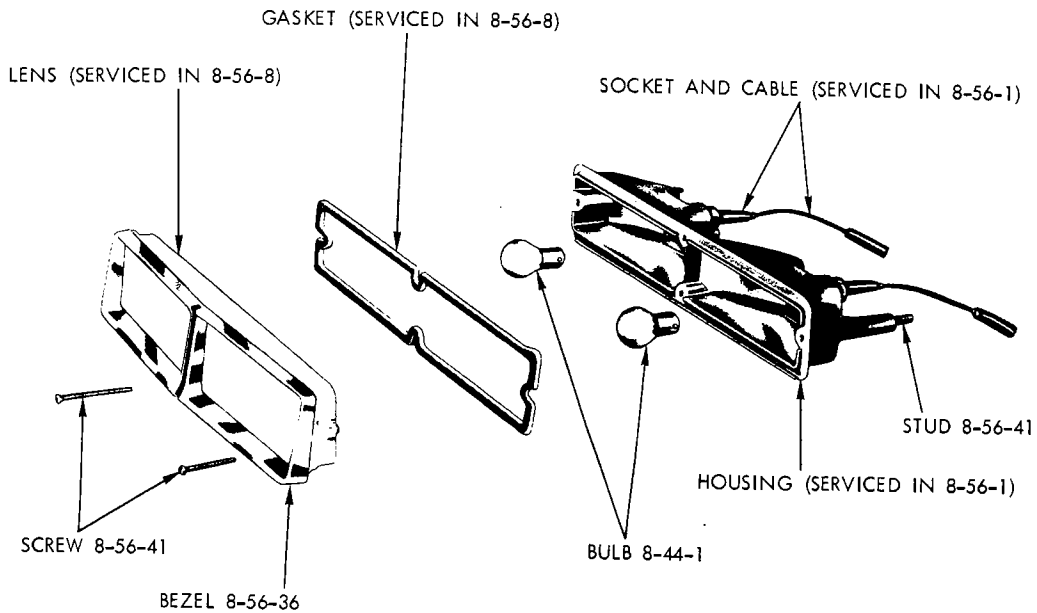
BACK-UP LAMP - CHARGER AND CHARGER R/T AND ALL STATION WAGONS



19a2818

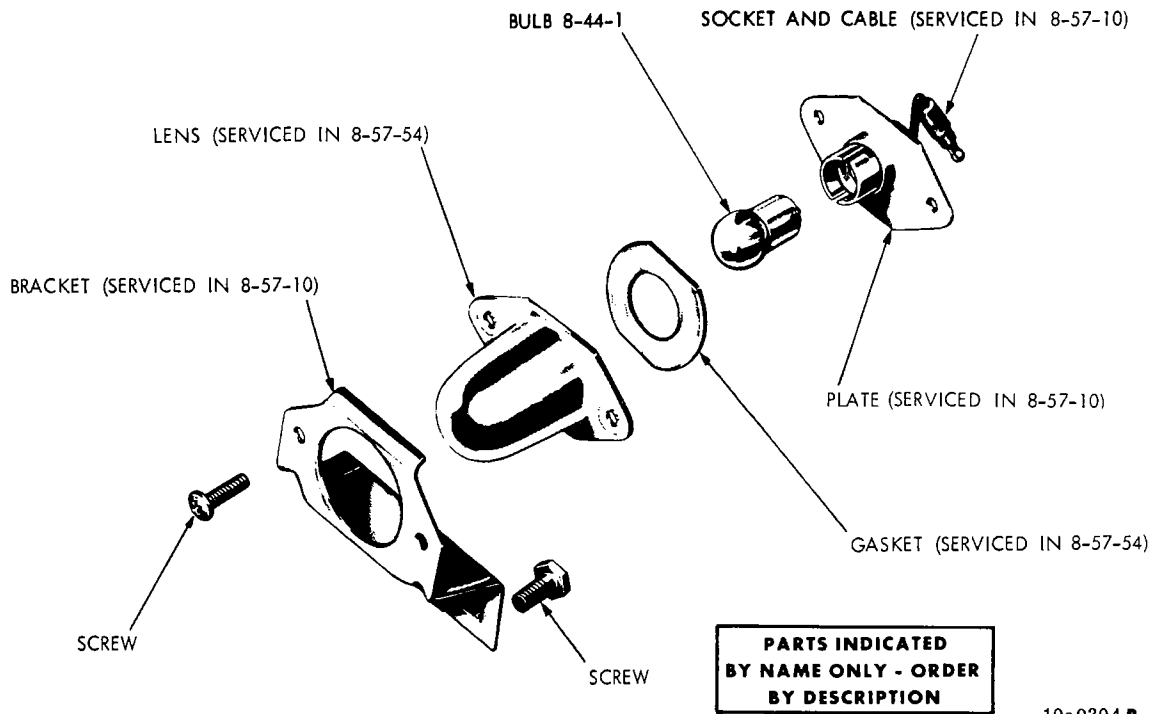


BACK-UP LAMP - DODGE MONACO AND MONACO 500 (EXCEPT STATION WAGON)



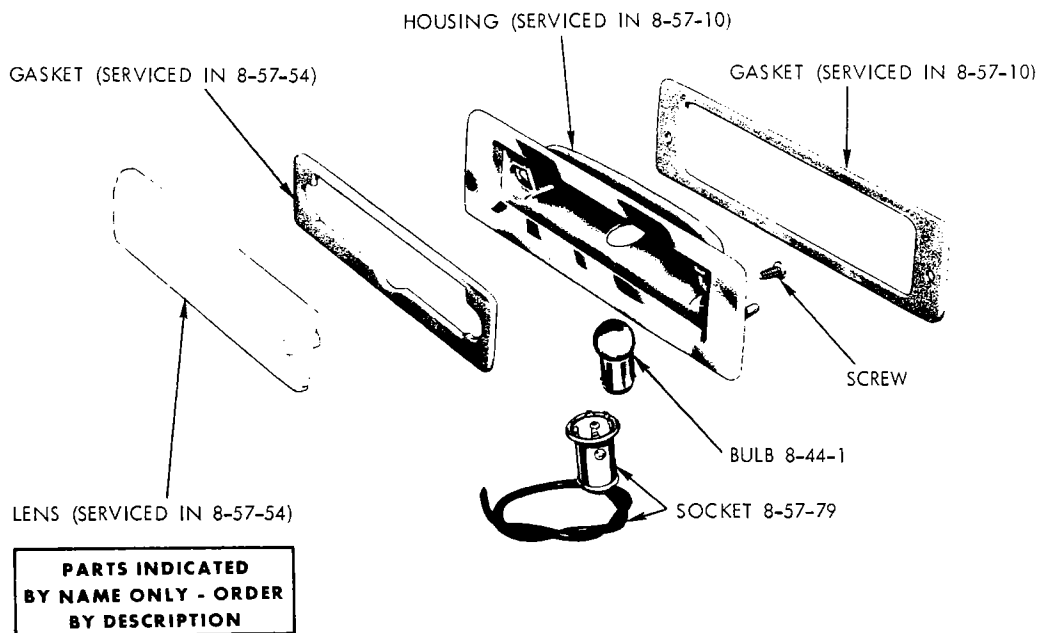
19a2819

BACK-UP LAMP - IMPERIAL

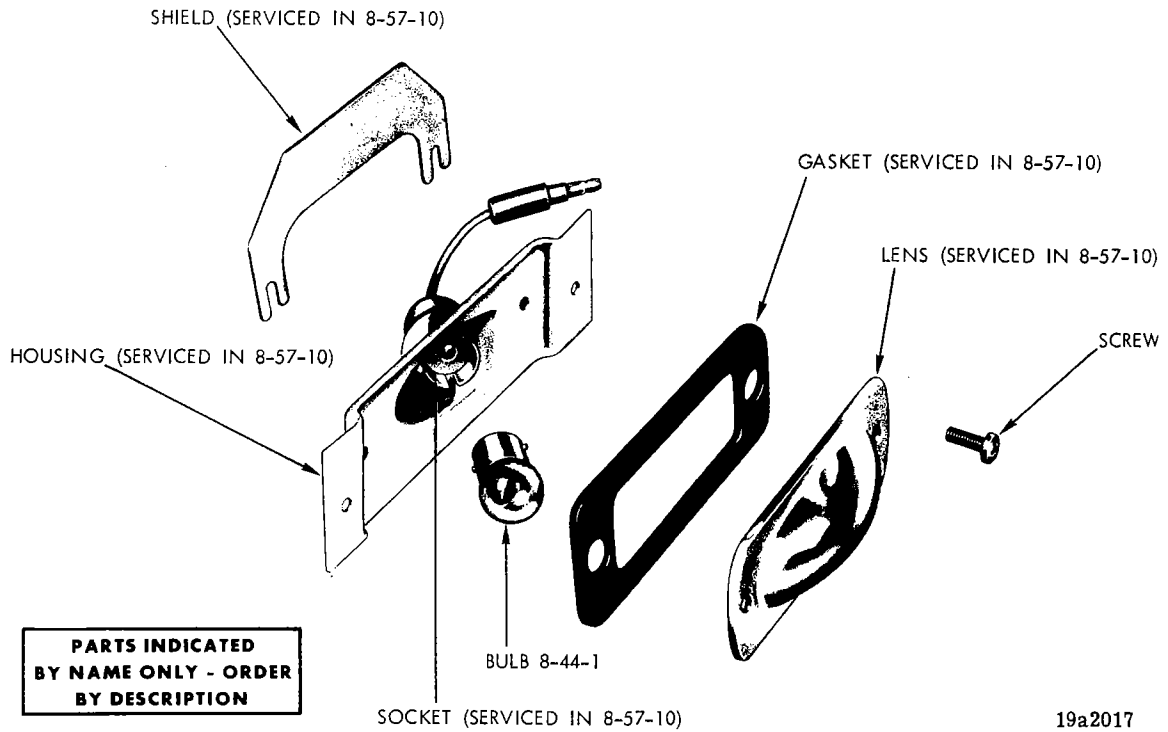


19a0394 B

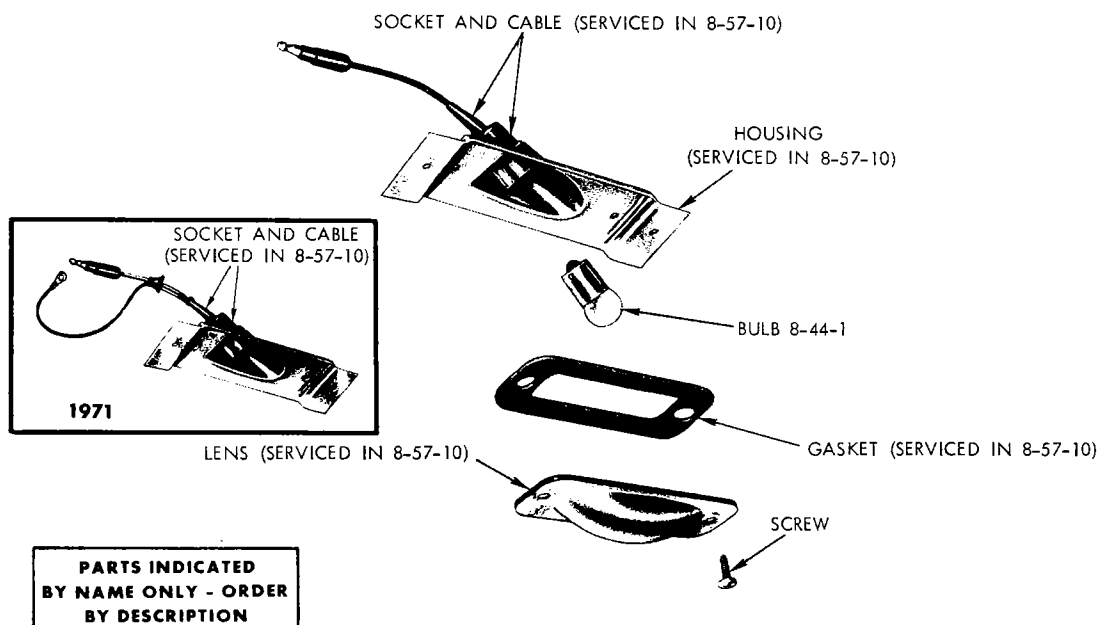
LICENSE LAMP - VALIANT



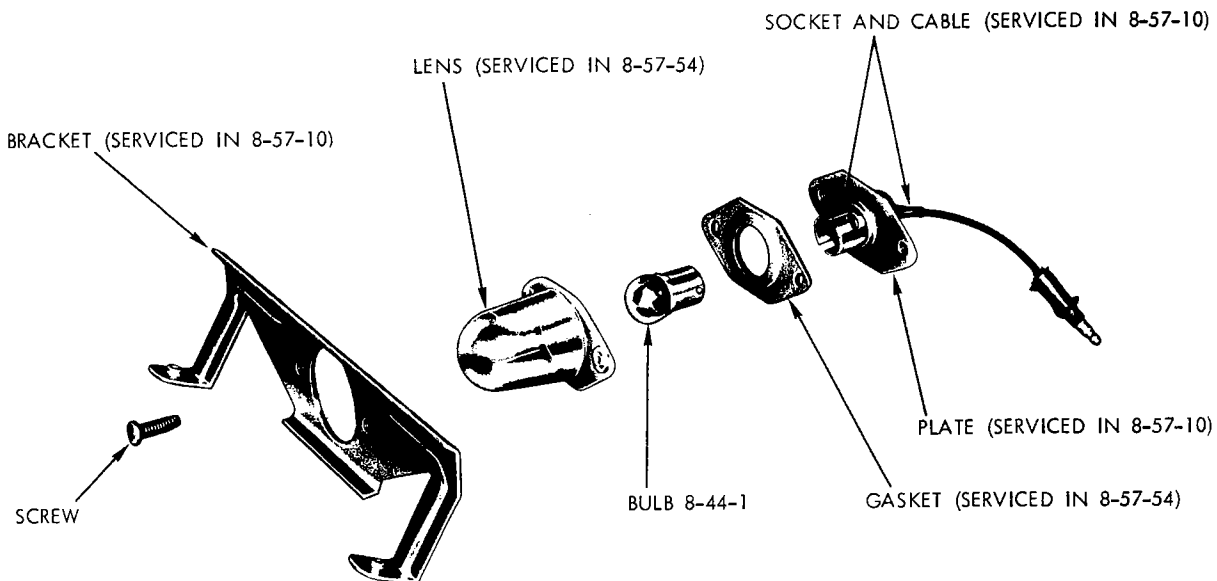
19a2839



LICENSE LAMP - CHARGER AND CHARGER R/T



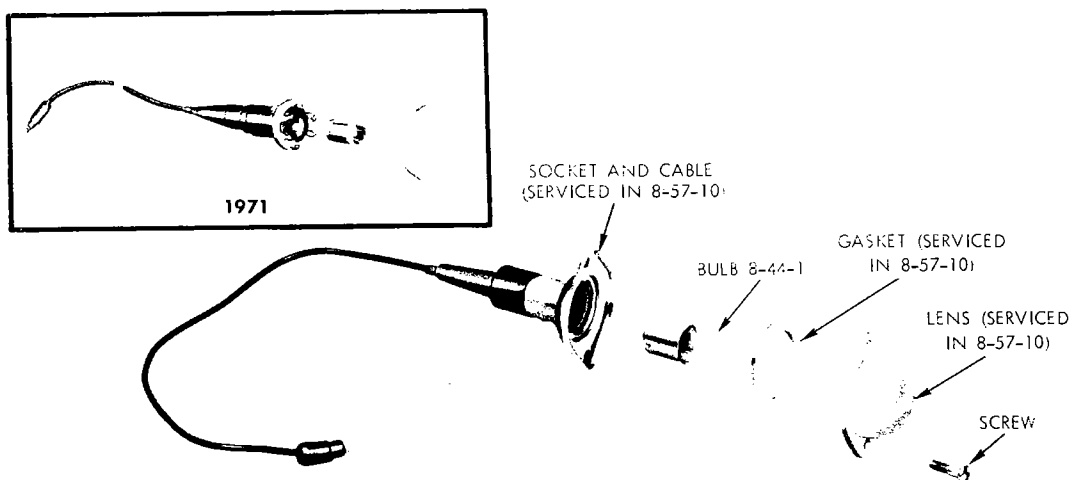
LICENSE LAMP - CHALLENGER, DART AND CORONET 2 DOOR SEDAN, 2 DOOR HARDTOP, CONVERTIBLE COUPE AND 4 DOOR SEDAN (1970-71)



**PARTS INDICATED
BY NAME ONLY - ORDER
BY DESCRIPTION**

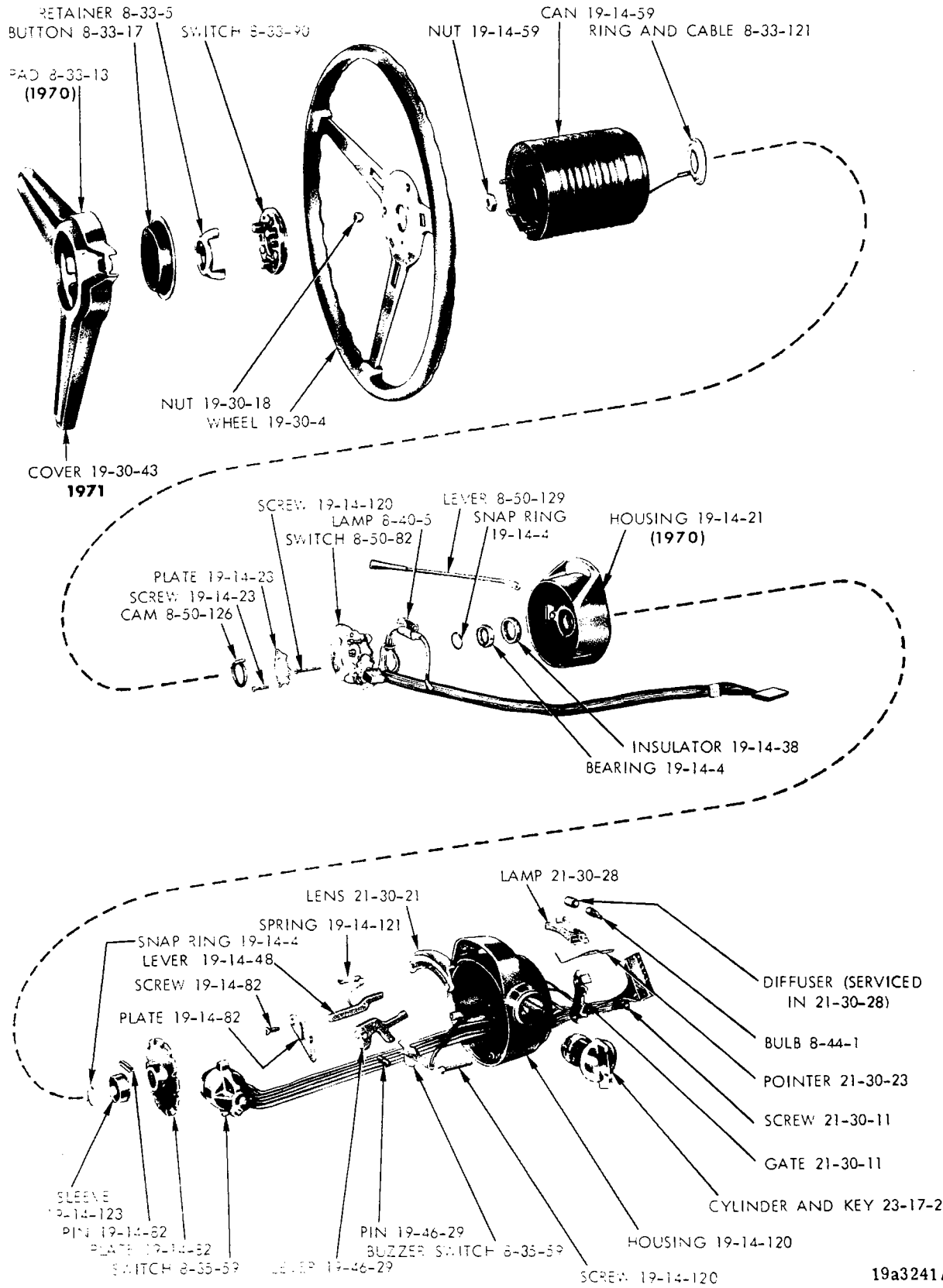
19a2010 A

LICENSE LAMP - BELVEDERE, PLYMOUTH, DODGE, CHRYSLER
AND IMPERIAL (EXCEPT STATION WAGON)

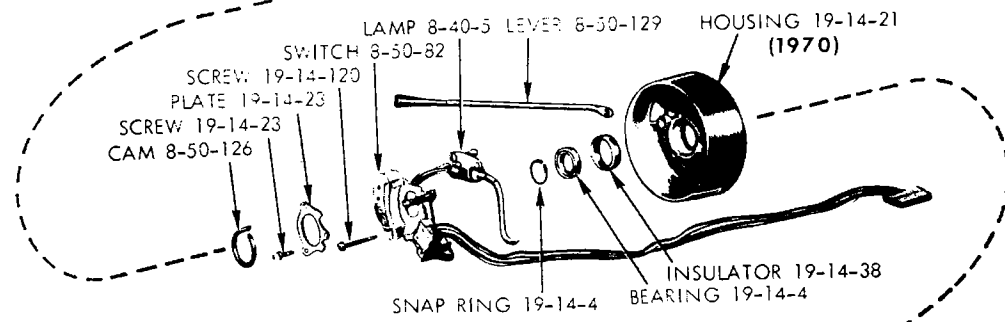
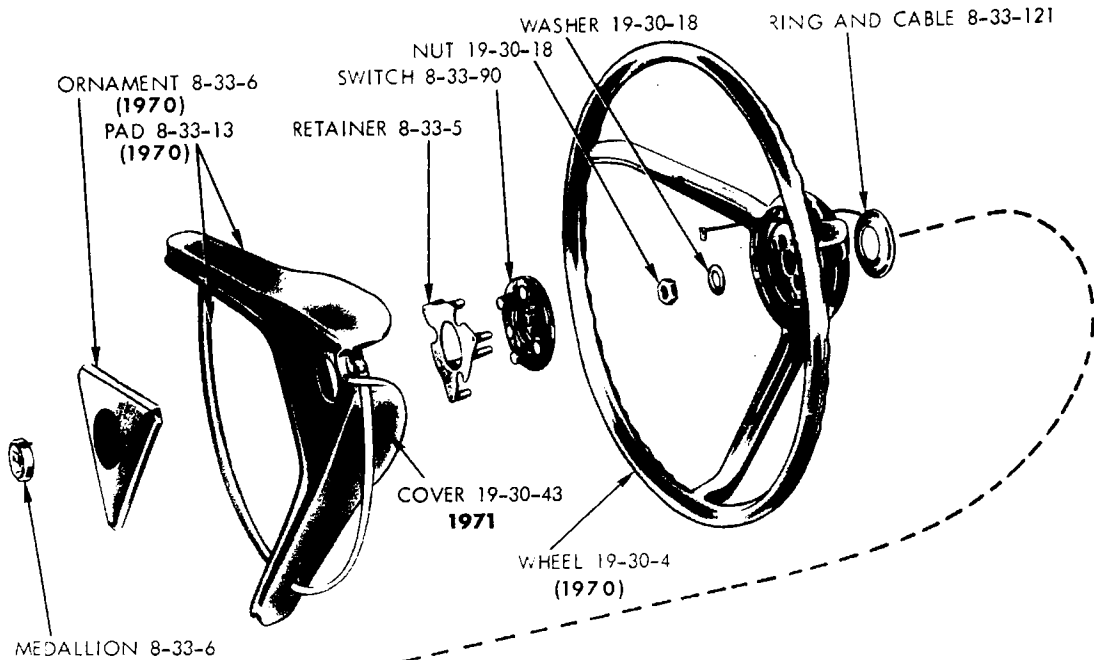


**PARTS INDICATED
BY NAME ONLY - ORDER
BY DESCRIPTION**

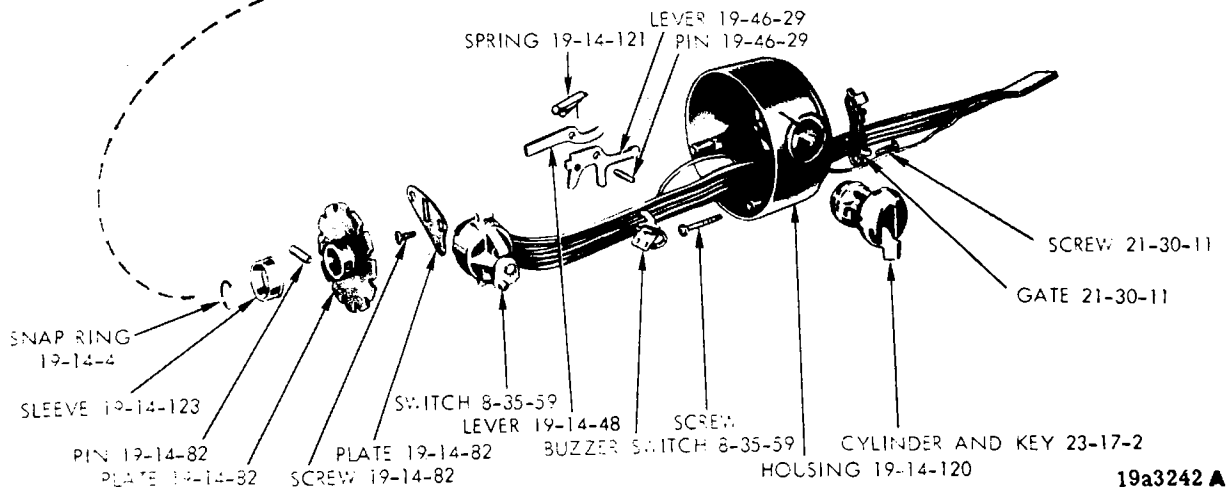
19a3155 A



19a3241 A

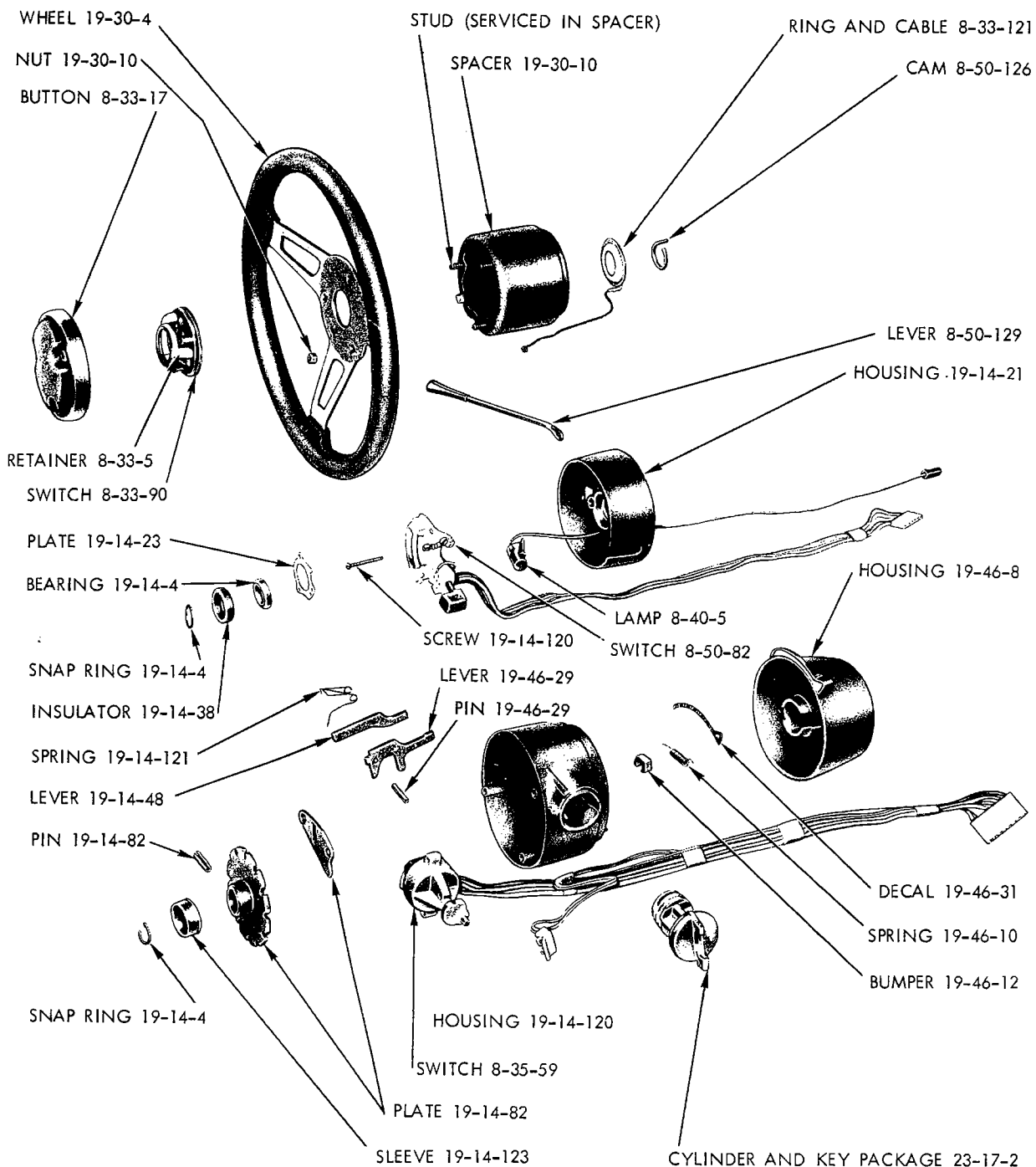


**PARTS INDICATED
 BY NAME ONLY - ORDER
 BY DESCRIPTION**



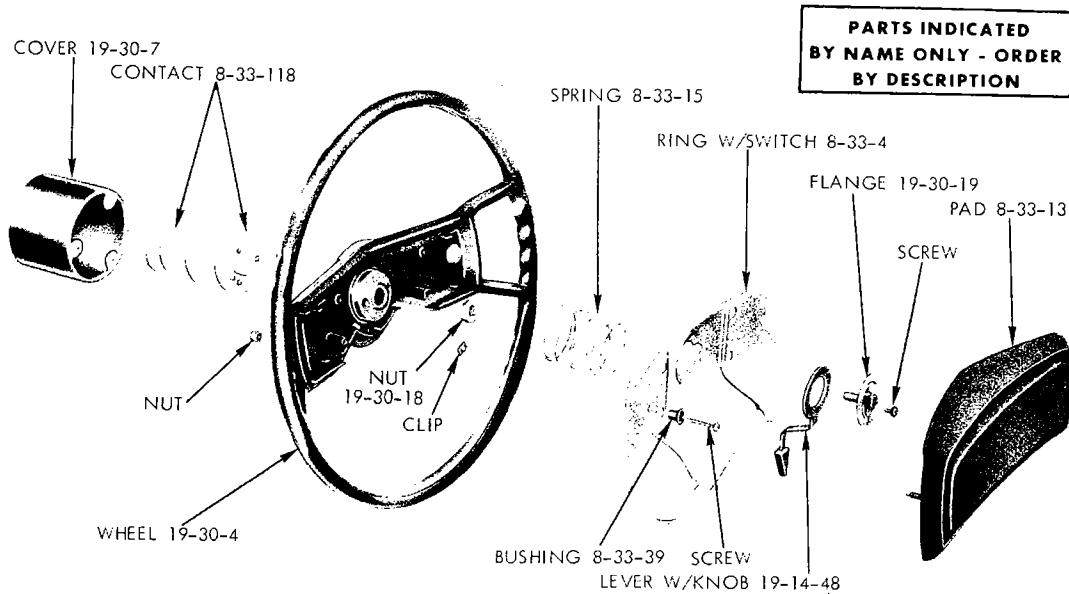
19a3242 A

**HORN AND TURN SIGNAL CONTROLS - WITHOUT TILT AND TILT-TELESCOPIC STEERING
 WHEEL - PLYMOUTH, DODGE, CHRYSLER AND IMPERIAL**



19a3779

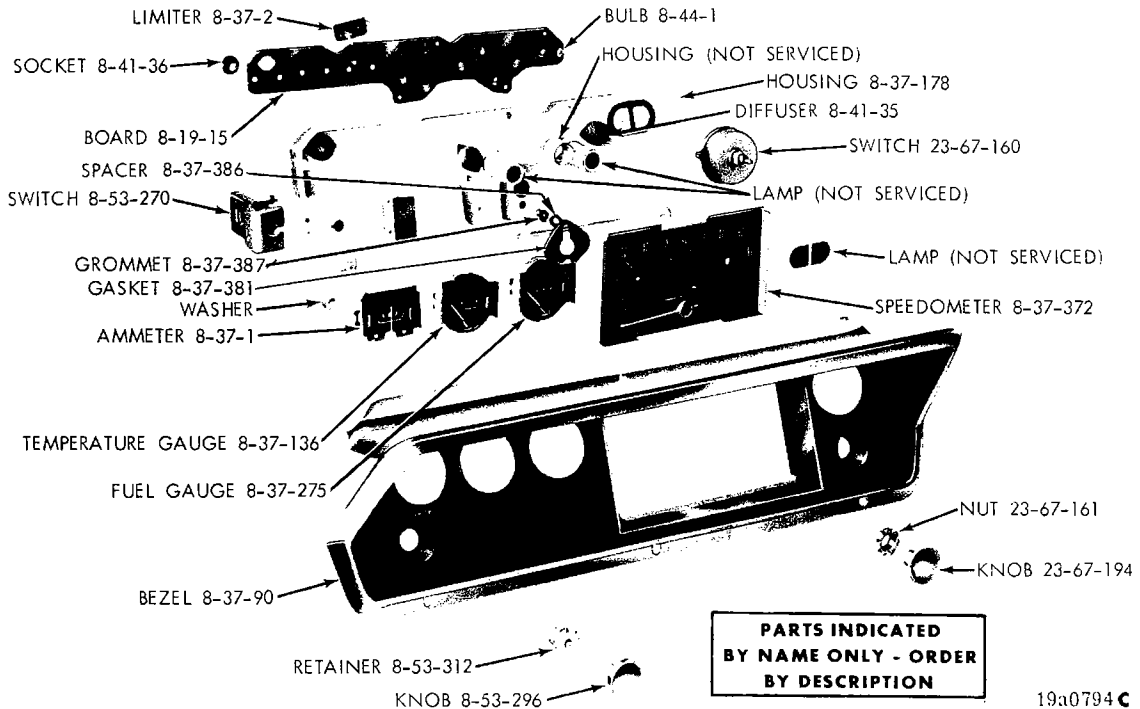
SOFT RIM STEERING WHEEL AND ATTACHING PARTS
 WITH FLOOR SHIFT - V, L, R AND W MODELS



**PARTS INDICATED
BY NAME ONLY - ORDER
BY DESCRIPTION**

19a2694A

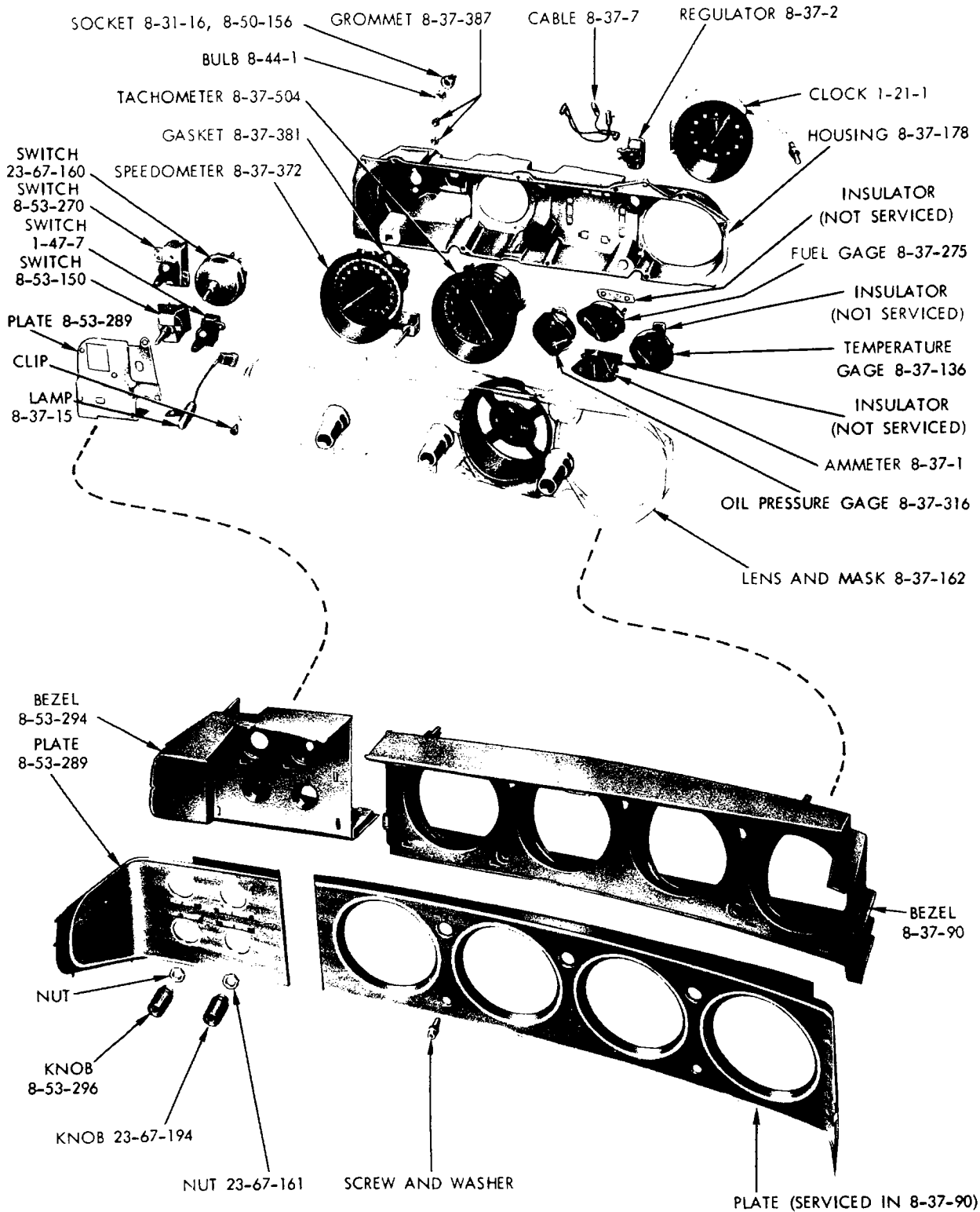
STEERING WHEEL, HORN AND TURN SIGNAL CONTROLS (WITHOUT HORN RIM SWITCH-WITH TILT-TELESCOPIC STEERING) - CHRYSLER AND IMPERIAL



**PARTS INDICATED
BY NAME ONLY - ORDER
BY DESCRIPTION**

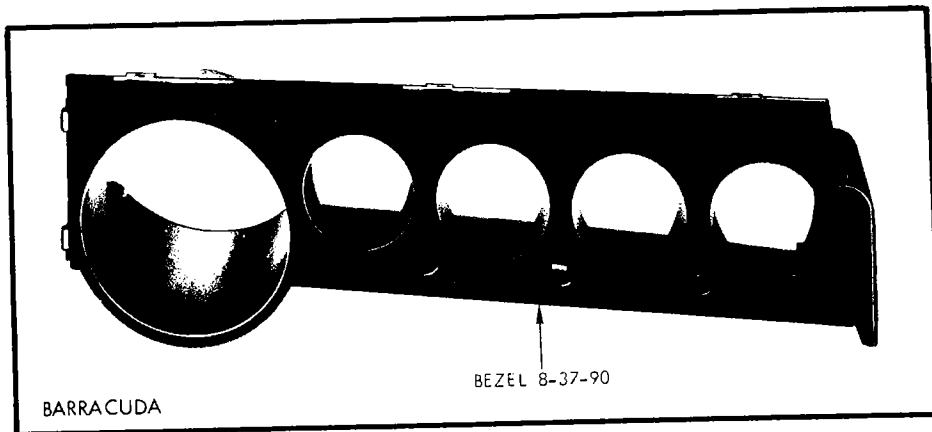
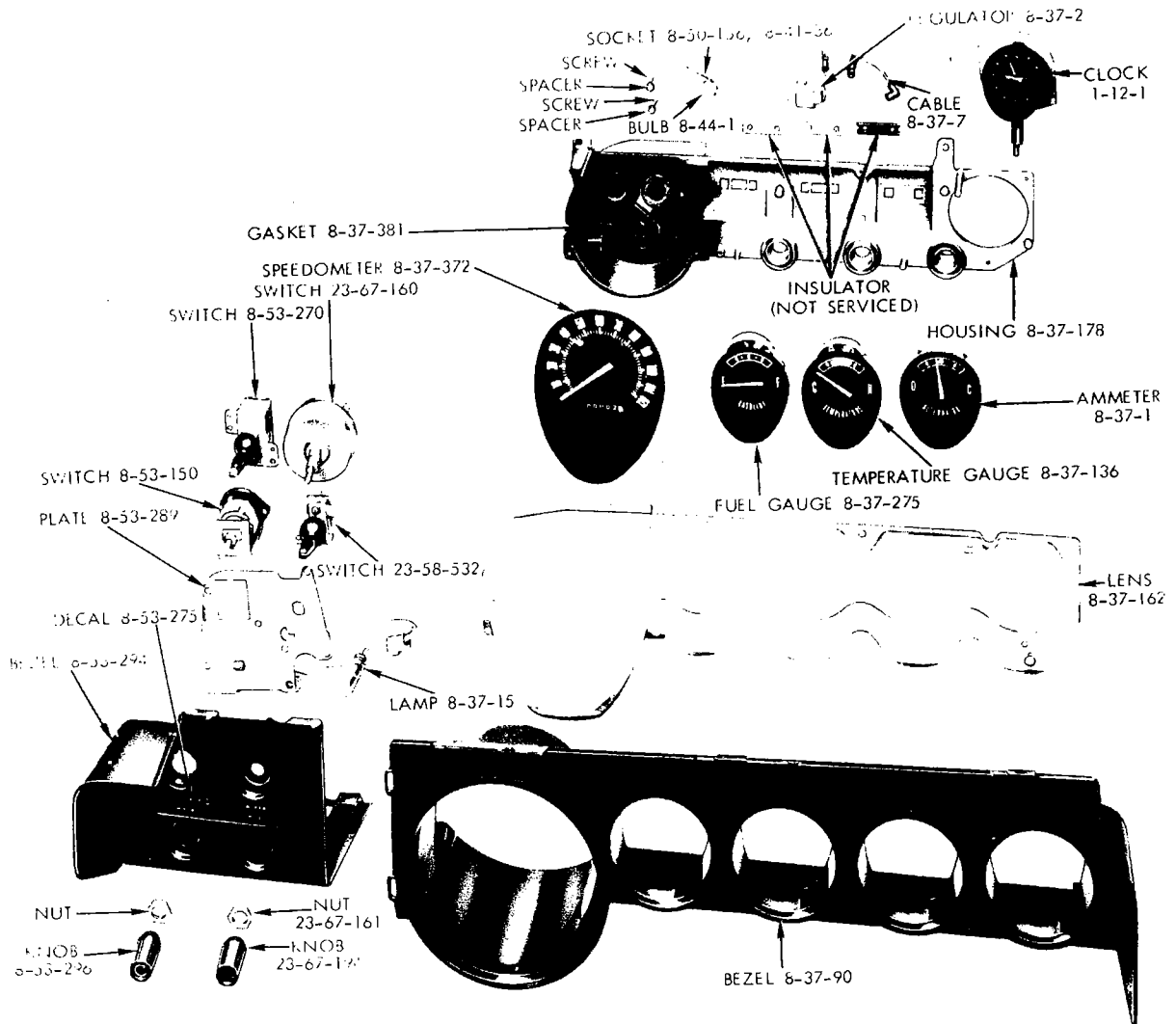
19a0794C

SPEEDOMETER AND INSTRUMENT CLUSTER - VALIANT EXCEPT DUSTER 340

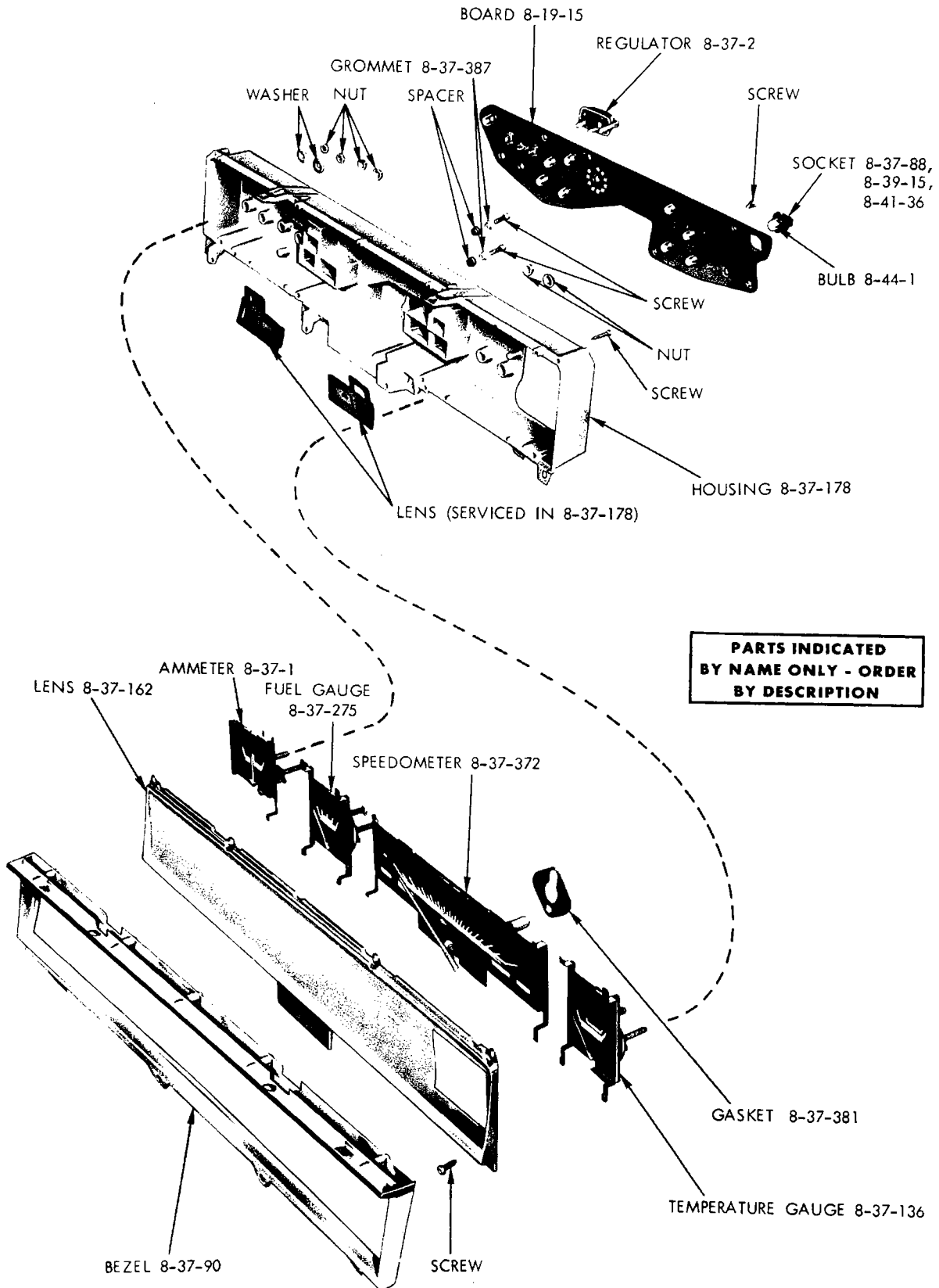


**PARTS INDICATED
BY NAME ONLY - ORDER
BY DESCRIPTION**

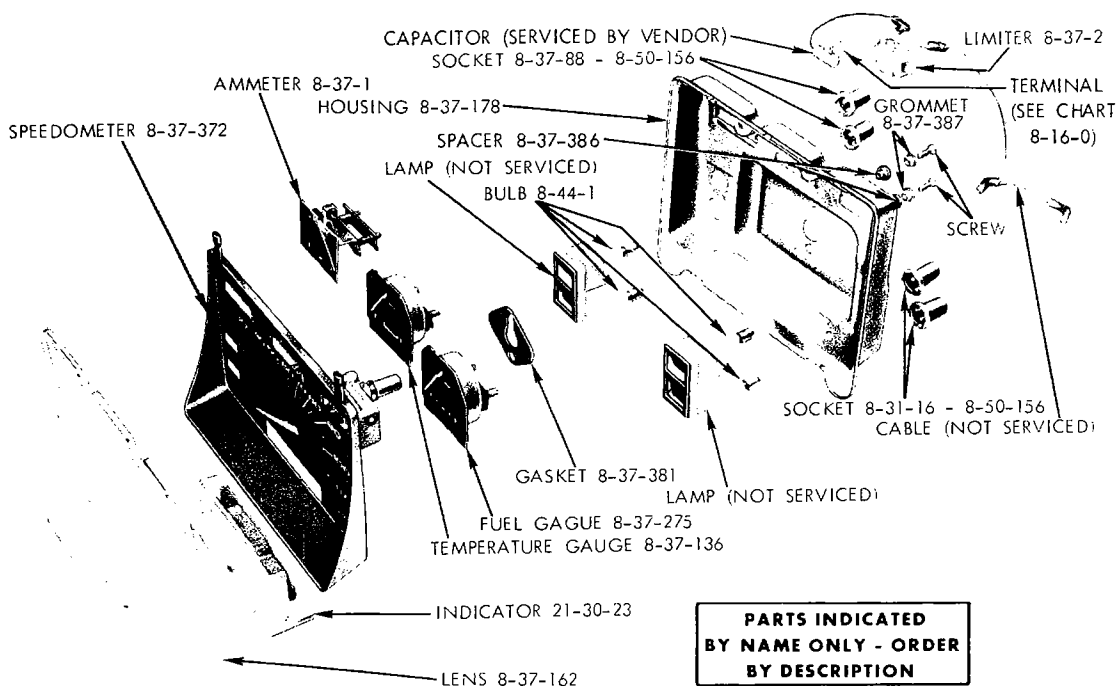
19a2872



**PARTS INDICATED
BY NAME ONLY - ORDER
BY DESCRIPTION**

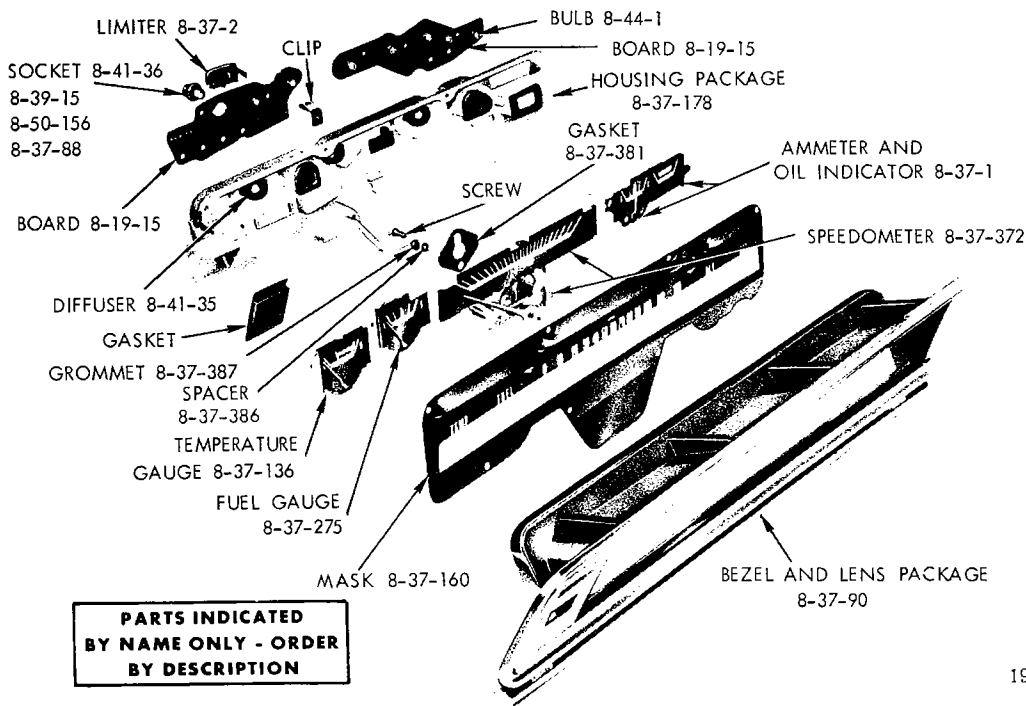


19a2011B

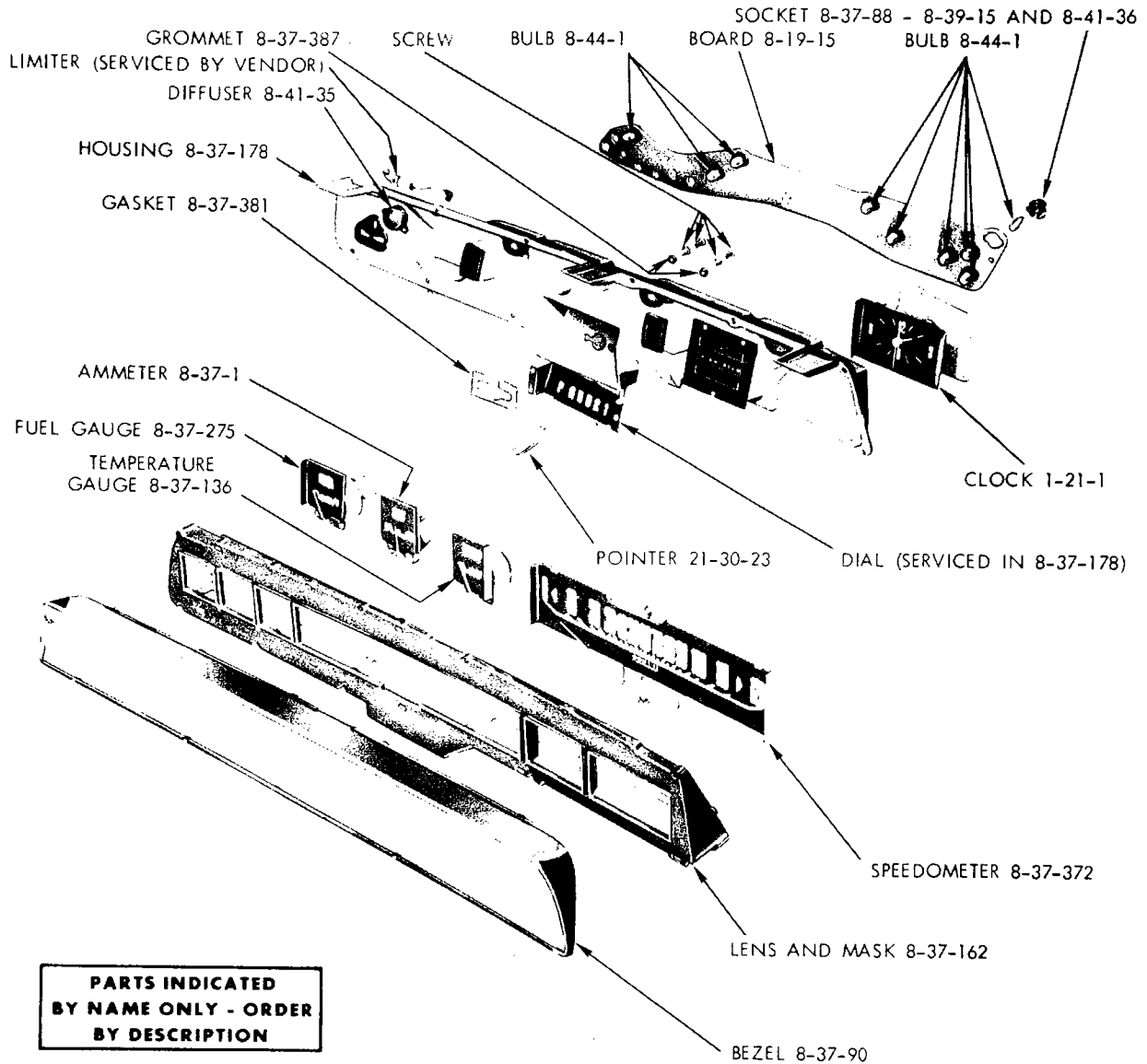


19a2391B

SPEEDOMETER AND INSTRUMENT CLUSTER - PLYMOUTH FURY

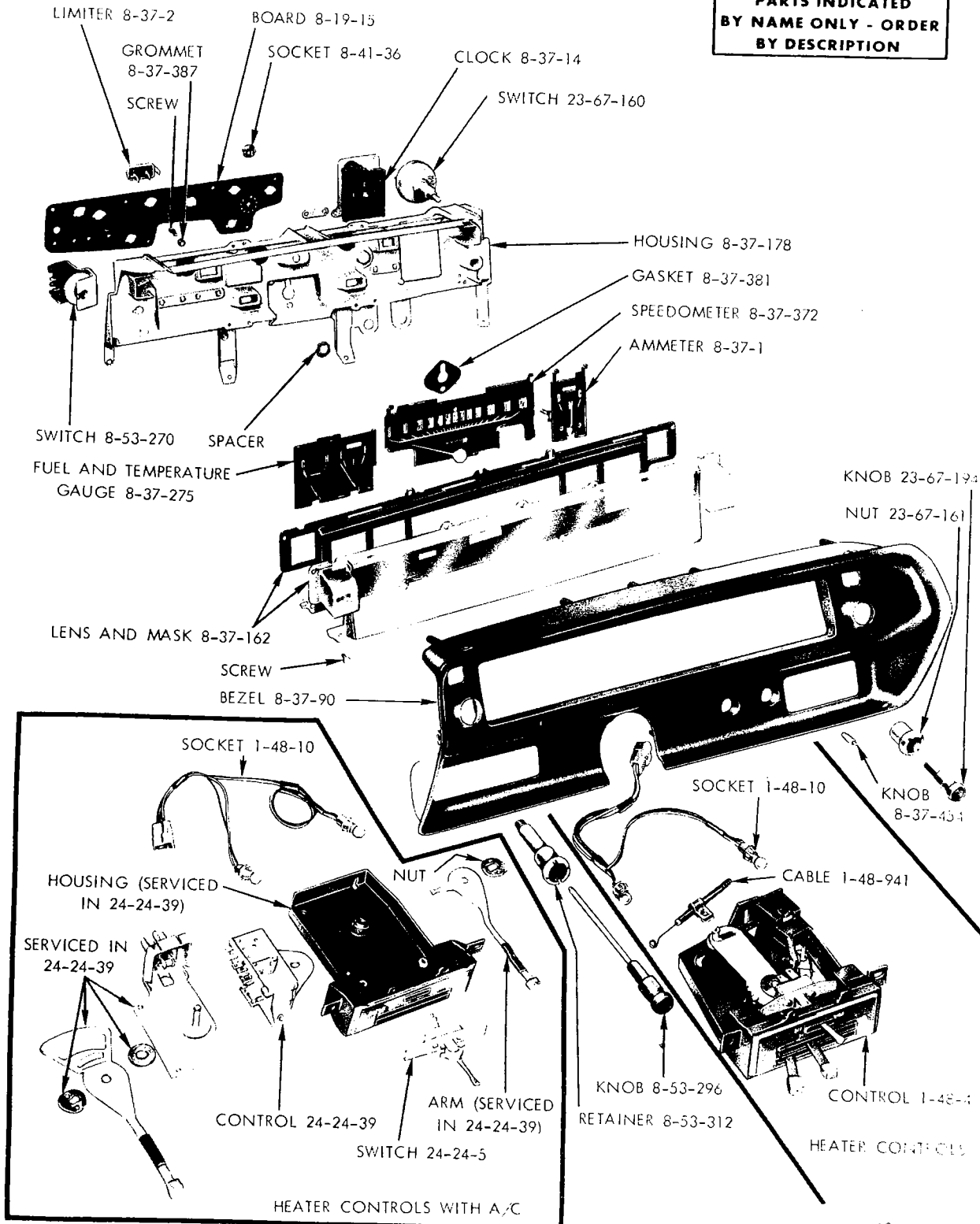


19a0781C

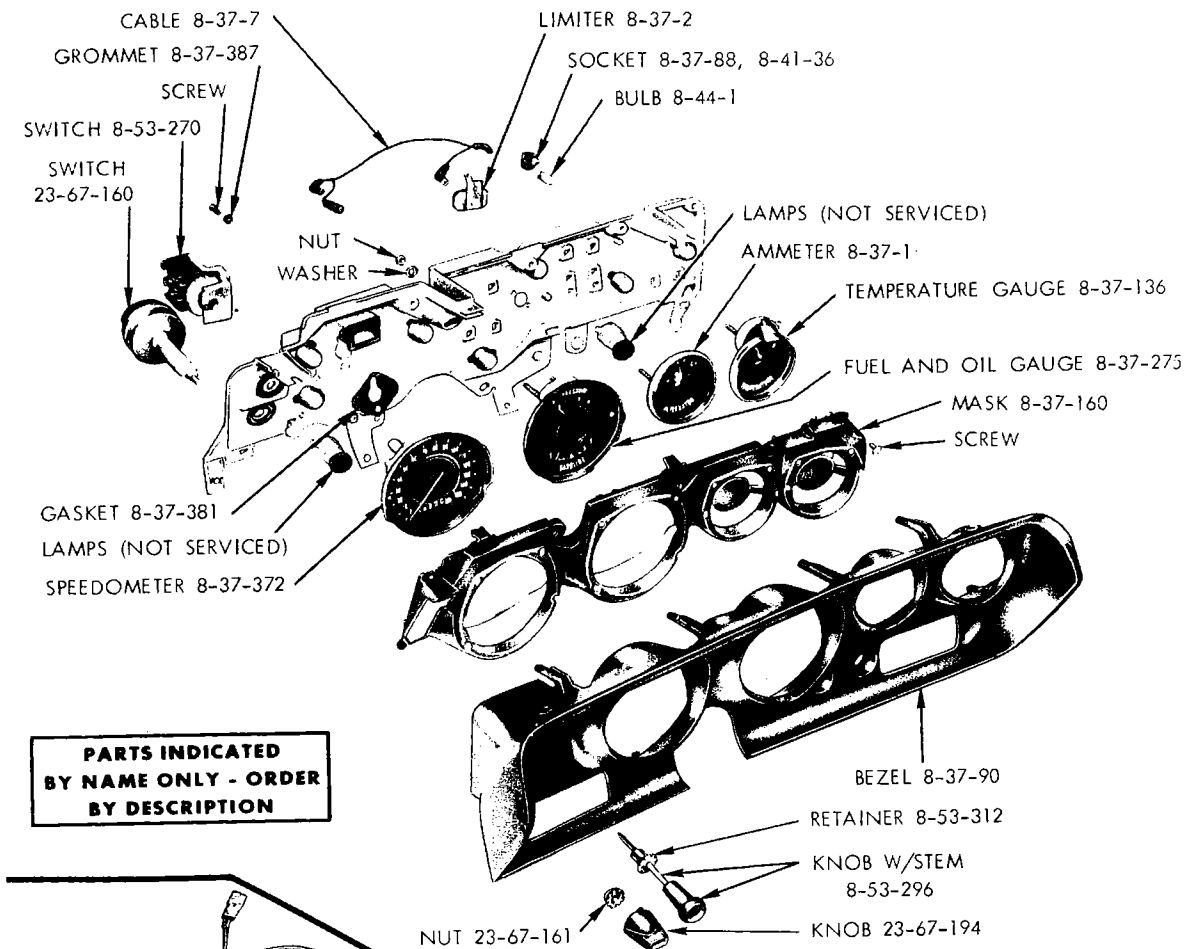


**PARTS INDICATED
BY NAME ONLY - ORDER
BY DESCRIPTION**

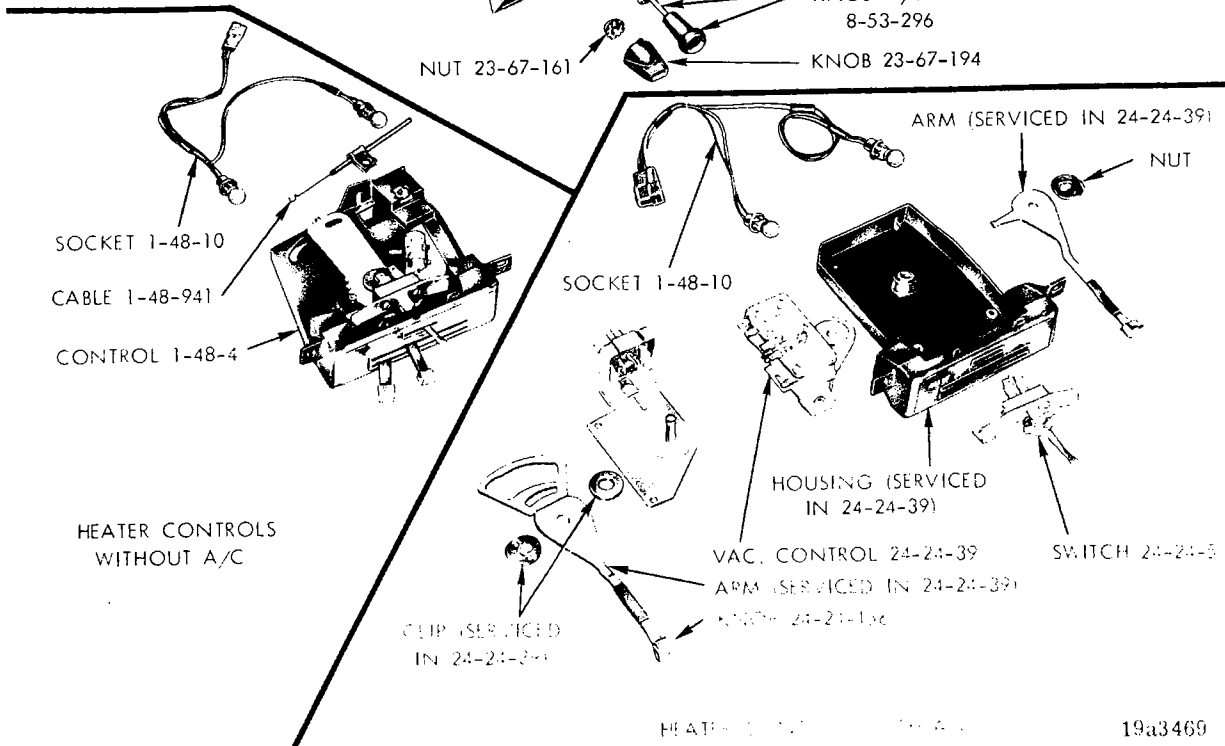
**PARTS INDICATED
BY NAME ONLY - ORDER
BY DESCRIPTION**



19a3468

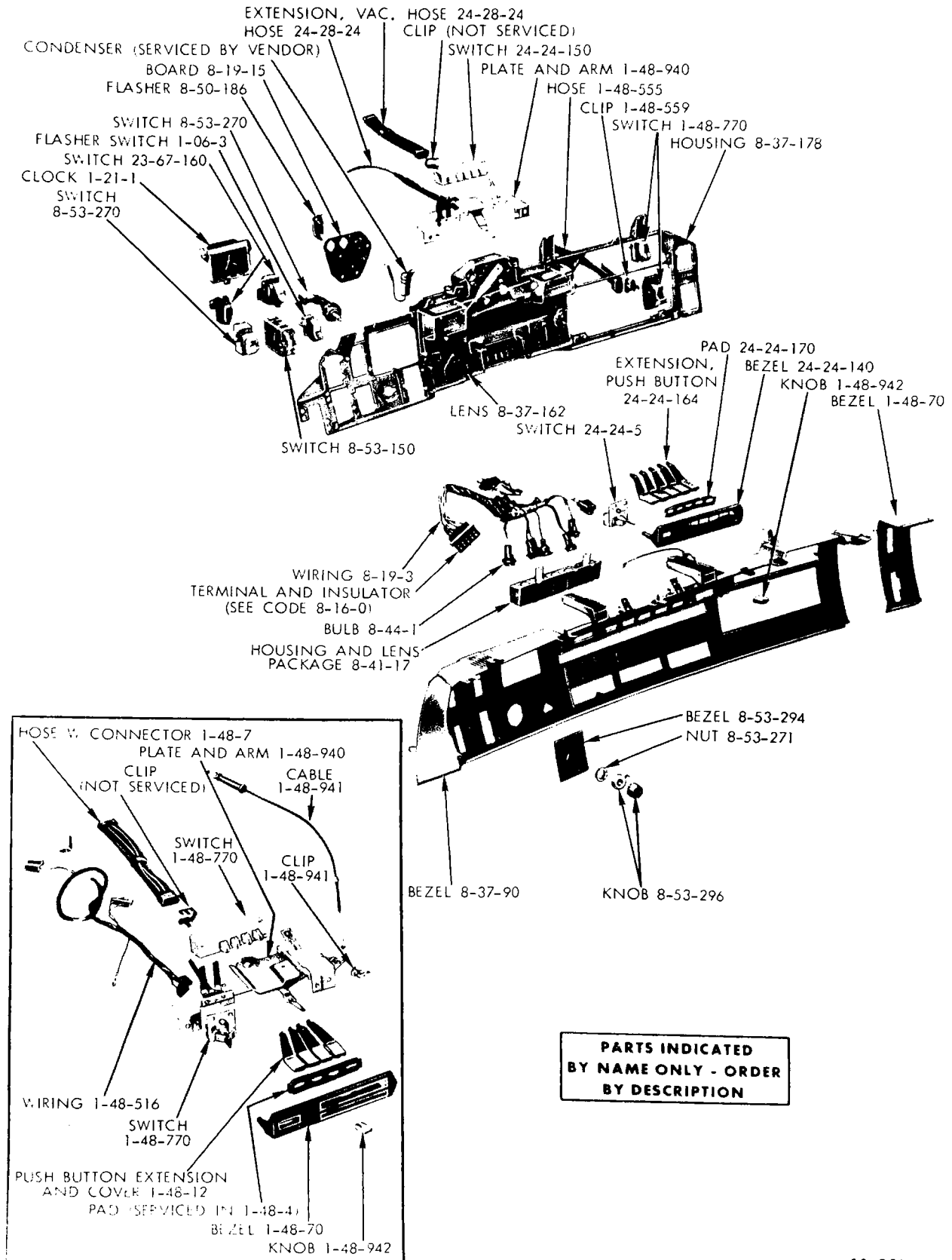


**PARTS INDICATED
BY NAME ONLY - ORDER
BY DESCRIPTION**



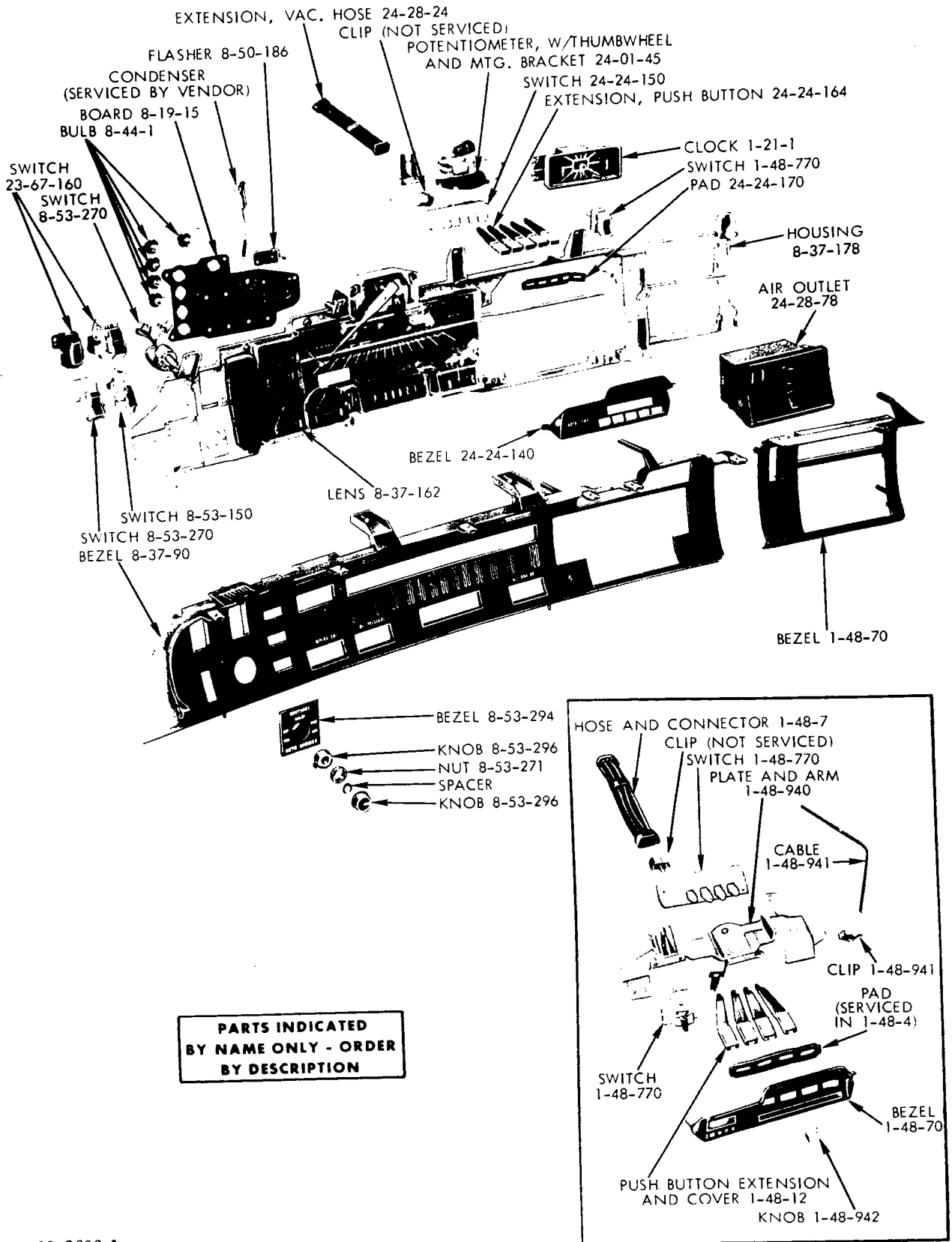
HEATER CONTROLS WITHOUT A/C

19a3469



19a2695

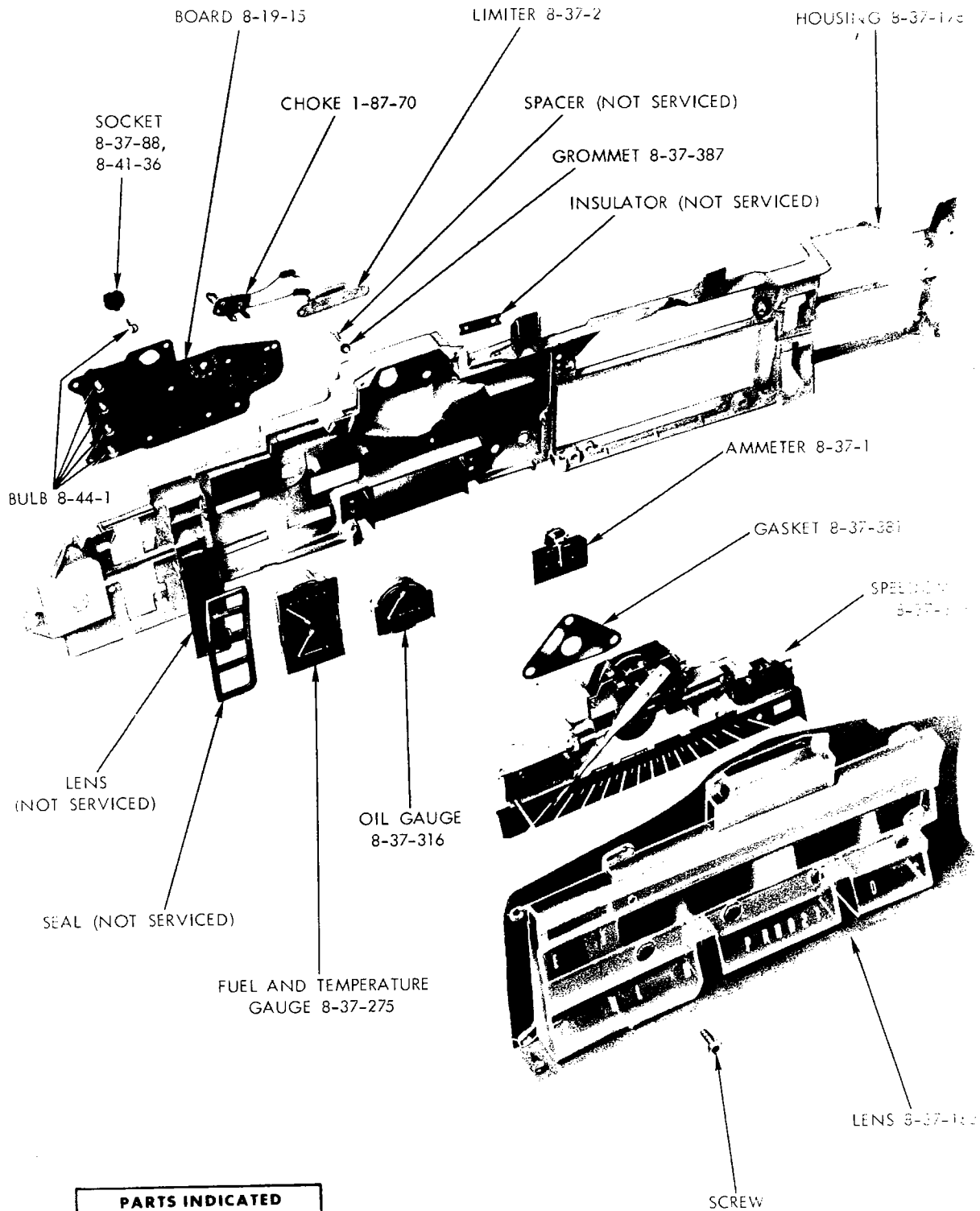
(1970)



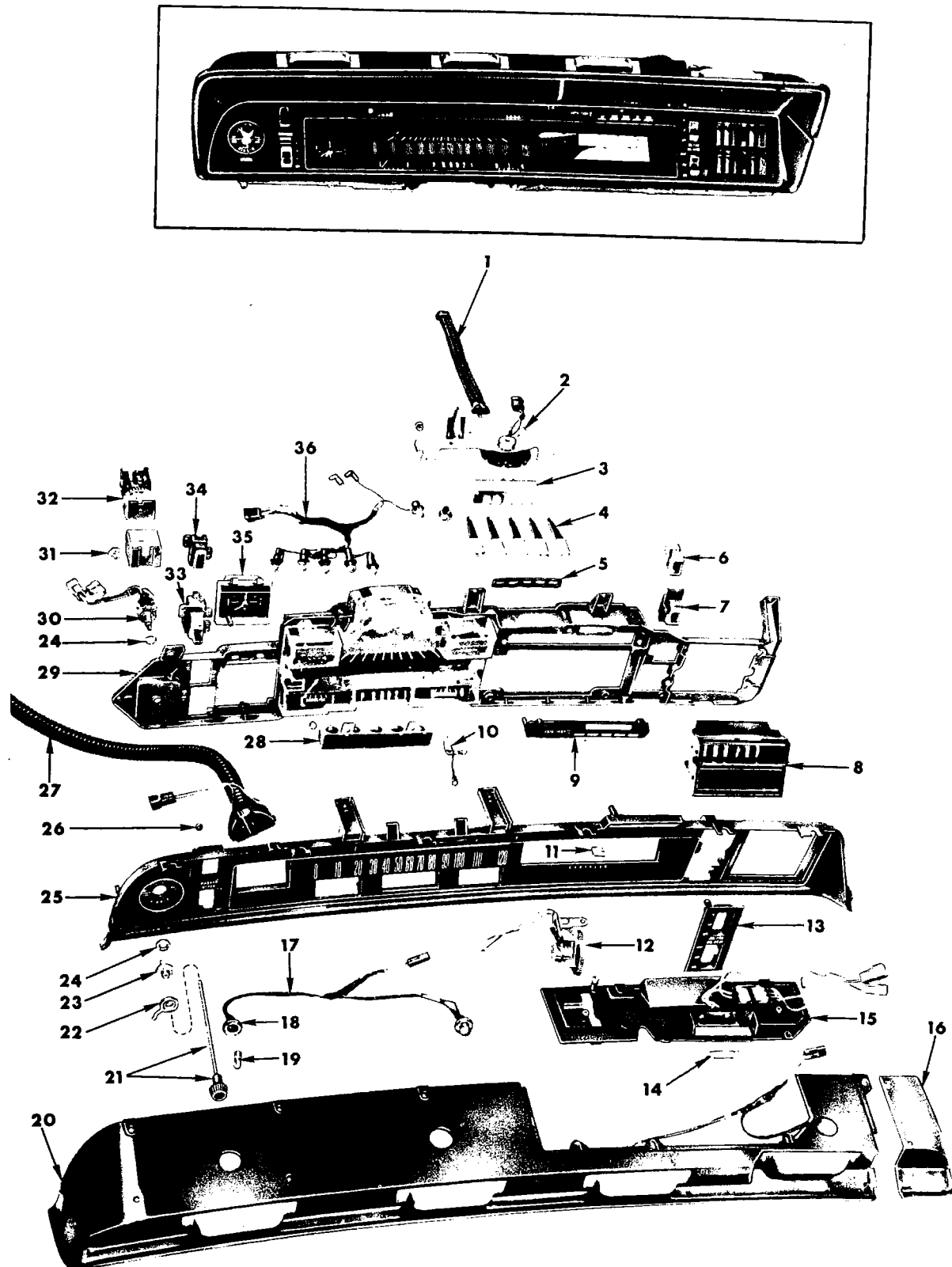
**PARTS INDICATED
 BY NAME ONLY - ORDER
 BY DESCRIPTION**

19a2692 A

(1970)



**PARTS INDICATED
BY NAME ONLY - ORDER
BY DESCRIPTION**



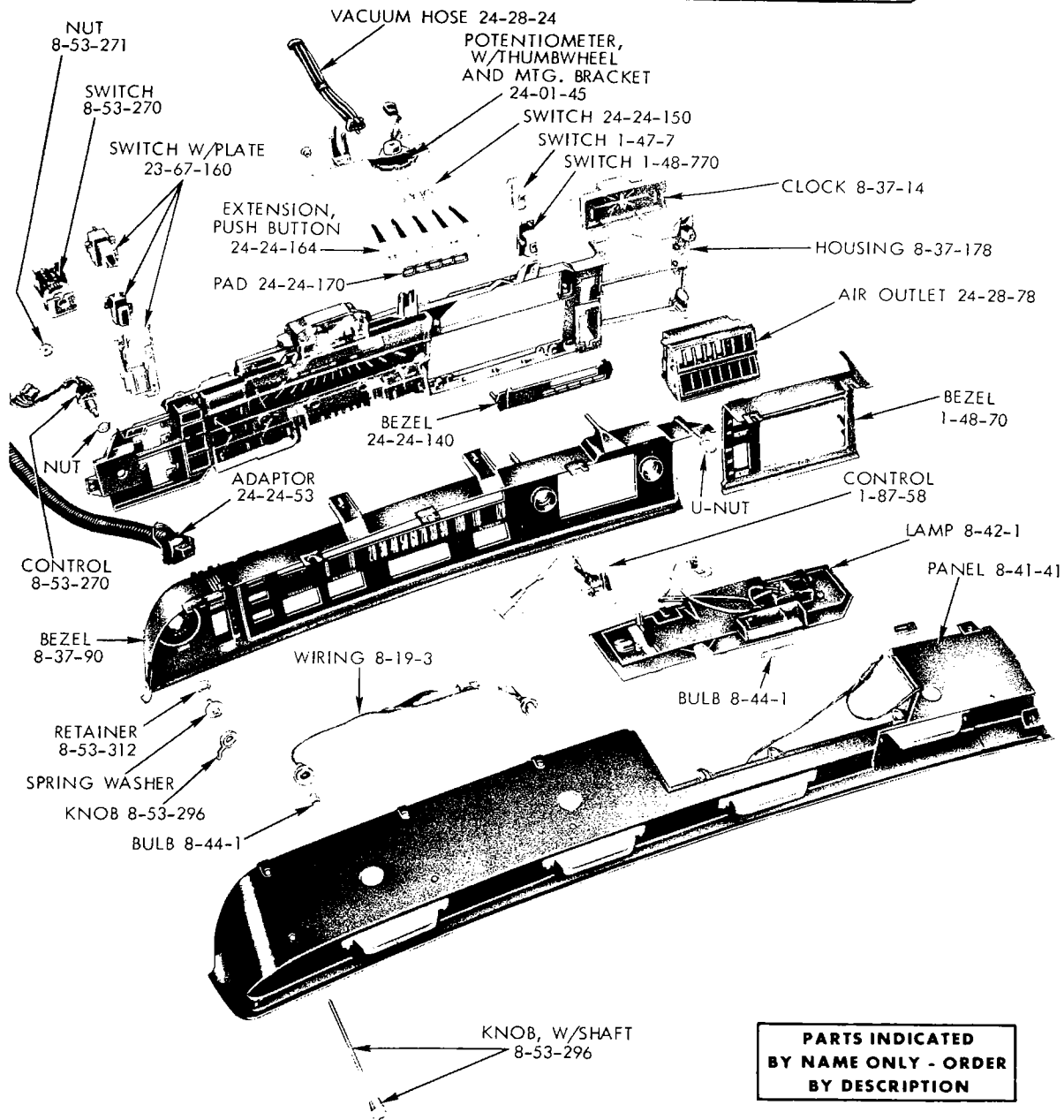
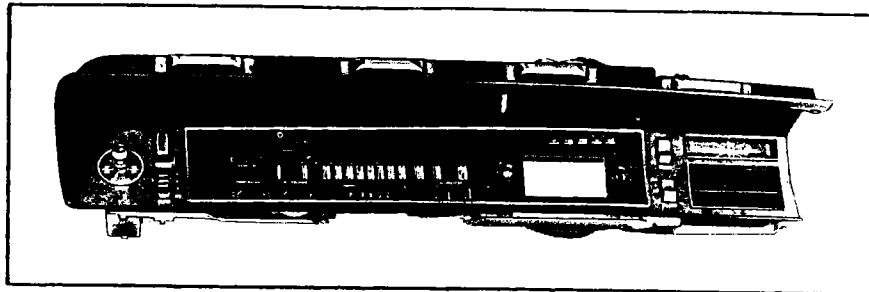
19a13751

INSTRUMENT CLUSTER - CHRYSLER (1971)


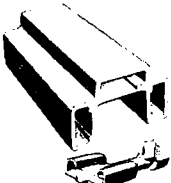
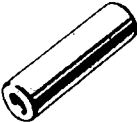




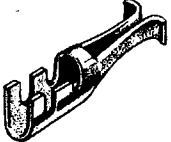
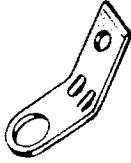


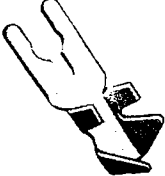




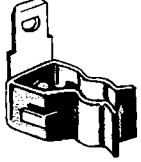


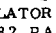




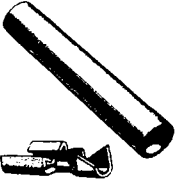


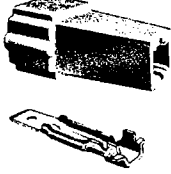

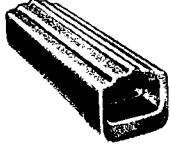

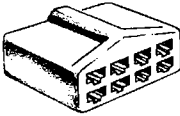

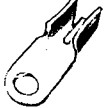
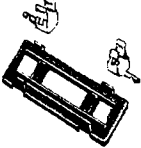
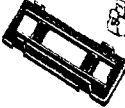






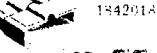







INSTRUMENT CLUSTER - CHRYSLER (1971)

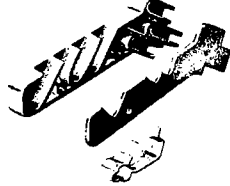


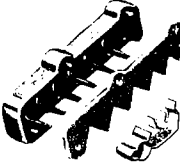

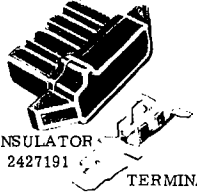
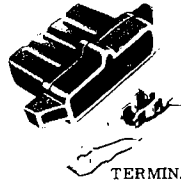
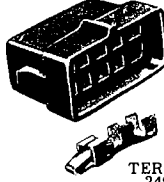
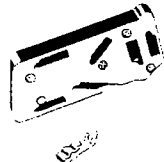
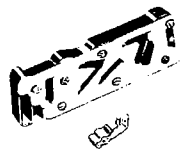
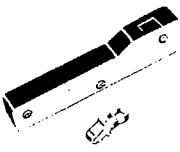
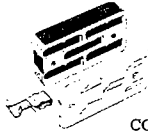














Ref. No.	Name	Part Type Code	Ref. No.	Name	Part Type Code
1	Vacuum Hose	24-28-24	19	Bulb	8-44-1
2	Potentiometer, w/Thumbwheel and Mounting Bracket	24-01-45	20	Panel	8-41-41
3	Switch	24-24-150	21	Knob, w/Stem	8-53-296
4	Extension, Push Button	24-24-164	22	Knob	8-53-296
5	Pad	24-24-170	23	Decal	8-53-275
6	Switch	1-47-7	24	Nut	8-53-271
7	Switch	1-48-770	25	Bezel	8-37-90
8	Air Outlet	24-28-78	26	Spring Washer	24-24-53
9	Bezel	24-24-140	27	Adapter	8-41-17
10	Wire	Not Serviced	28	Housing and Lens Package	8-37-178
11	Nut		29	Housing	8-53-270
12	Control	1-87-2	30	Switch	8-53-312
13	Bezel	1-48-70	31	Retainer	8-53-270
14	Bulb	8-44-1	32	Switch	23-67-160
15	Lamp	8-42-1	33	Switch	23-67-160
16	Panel	8-41-41	34	Switch	8-37-14
17	Wiring	8-19-3	35	Clock	8-19-3
18	Socket	8-41-36	36	Wiring	

PARTS INDICATED BY NAME ONLY - ORDER BY DESCRIPTION

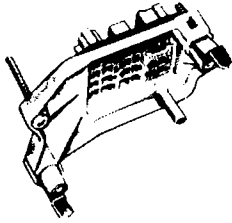










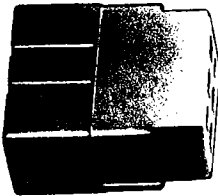
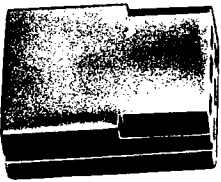


**PARTS INDICATED
BY NAME ONLY - ORDER
BY DESCRIPTION**

CONNECTOR 1842003 	CONNECTOR  TERMINAL 1879609 PACKAGE	CONNECTOR 611896 	TERMINAL 1842009 	TERMINAL 2427736 	TERMINAL 870821 
TERMINAL 2291588 	TERMINAL 2291259 	TERMINAL 1770660 	TERMINAL 903893 	TERMINAL 1819836 (SILVER PLATED) 	
TERMINAL 2258591 	TERMINAL 2258118 	TERMINAL 2290069 	TERMINAL 2258590 	TERMINAL 2290207 	TERMINAL 2291838 
TERMINAL (FEMALE) 1842026  INSULATOR (FEMALE) TERMINAL (MALE) 1842012  INSULATOR (MALE) 2298882 PACKAGE 	INSULATOR 2291093 	TERMINAL 2427545 	INSULATOR 2258651 	INSULATOR 2258102 	INSULATOR  TERMINAL 2240264 PACKAGE 
TERMINAL 2197947 	INSULATOR  TERMINAL 2240536 PACKAGE 	INSULATOR  TERMINAL 2084421 PACKAGE 	INSULATOR 1972881  TERMINAL 1842026 2084424 PACKAGE 	TERMINAL 2197945 	TERMINAL 2822565  BASE 2822561 
TERMINAL 2427725 	TERMINAL 2427848  CONNECTOR (10)  TERMINAL (20) 1790322 1443444 PACKAGE 	INSULATOR 1842019  TERMINAL 1842018  TERMINAL 1442639 2448822 PACKAGE 	TERMINAL 2257443-4  TERMINAL 2427528 	INSULATOR  TERMINAL 2495239 PACKAGE 	TERMINAL 2496541  2231118  2231028  PLUG AND WIRE

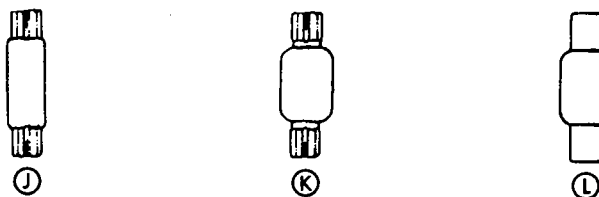
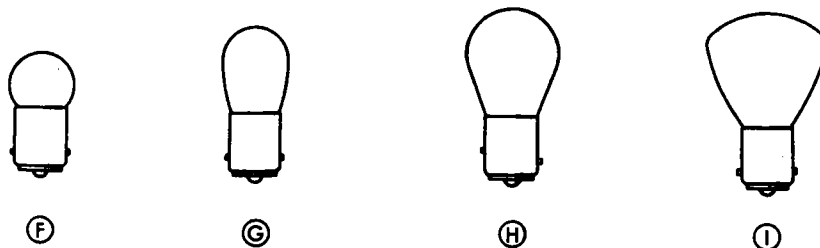
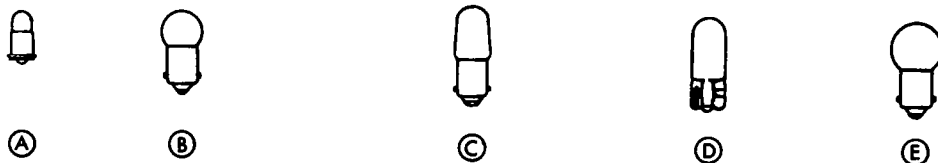
<p>CONNECTOR 2427523 COVER 2427646 TERMINAL 2427529</p>  <p>2495237 PACKAGE</p>	<p>CONNECTOR 2427502 COVER 2427567 TERMINAL 2427529</p>  <p>2495235 PACKAGE</p>	<p>CONNECTOR 2427506 COVER 2427560</p>  <p>TERMINAL 2427529</p> <p>2495234 PACKAGE</p>	<p>CONNECTOR 2427499 COVER 2427498</p>  <p>TERMINAL 2427529</p> <p>2495236 PACKAGE</p>	<p>CONNECTOR 2496346</p>  <p>TERMINAL 2258118</p> <p>2495517 PACKAGE</p>
	<p>INSULATOR 2427191</p>  <p>TERMINAL 1842012</p> <p>2495223 PACKAGE</p>	<p>INSULATOR</p>  <p>TERMINAL 1842012</p> <p>2495224 PACKAGE</p>	<p>INSULATOR 2496533</p>  <p>TERMINAL 2496532</p> <p>2495541 PACKAGE</p>	<p>INSULATOR 2580288</p>  <p>TERMINAL 2427529</p> <p>2584842 PACKAGE</p>
<p>INSULATOR</p>  <p>TERMINAL 2427529</p> <p>2584843 PACKAGE</p>	<p>INSULATOR 2497982</p>  <p>TERMINAL 2427848</p> <p>2584953 PACKAGE</p>	<p>INSULATOR 2497892</p>  <p>COVER 2497954</p> <p>TERMINAL 2427529</p> <p>2584954 PACKAGE</p>		
<p>WIRING, WITH 3 WAY CONNECTOR</p>  <p>2926502</p>	<p>INSULATOR 2291258</p> 	<p>TERMINAL</p>  <p>2584841 PACKAGE</p>	<p>INSULATOR 2497701</p> 	<p>PLUG 2497346</p> 
<p>MOLD AND CABLE 2580267</p> 	<p>MOLD AND CABLE 2580064</p> 	<p>MOLD AND CABLE 2580065</p> 	<p>CONNECTOR 2631340</p> 	<p>TERMINAL 2496532</p> 
<p>TERMINAL, INSULATOR AND CABLE</p>  <p>2230985</p>	<p>SLEEVE 930304</p> 			
<p>PLUG 665151</p> 	<p>SLEEVE 1264933</p> 			

19a0632C

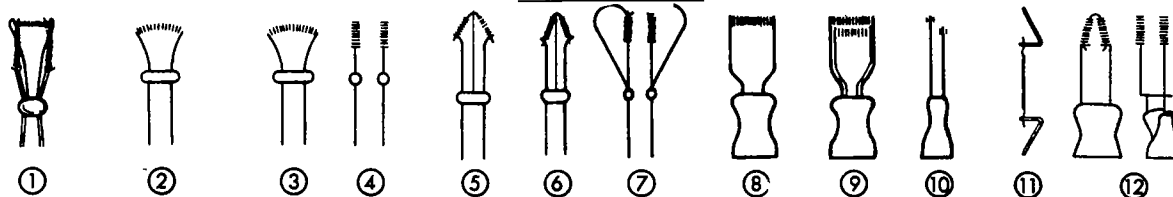
 <p>2983217</p>	 <p>2257839</p>	 <p>3513637</p>	 <p>2291663</p>
 <p>3513150</p>	 <p>3513155</p>	 <p>3513156</p>	 <p>2889427 (TYPICAL OF 3513349)</p>
 <p>2889428 (TYPICAL OF 3513350)</p>	 <p>2889542</p>	 <p>2889543</p>	 <p>2983239</p>
 <p>3513347 (TYPICAL OF 2983237)</p>			

LAMP CHART

BULB TYPES



FILAMENT TYPES



BASE TYPES



MINIATURE BAYONET
SINGLE CONTACT

BAYONET
SINGLE CONTACT

BAYONET
DOUBLE CONTACT



TYPE - INDEXING BAYONET
DOUBLE CONTACT



TYPE - END CONTACT DOUBLE WEDGE

19a13770

LAMP - BULB TYPES CHART

TYPE	BASE CONTACT	FILAMENT	C-POWER	TRADE NO.	VOLTS	PART NUMBER
A	Single	1	.5	330	14.0	9423 277
B	Single	5	1.	53	14.5	131 282
	Single	1	1.	53x	14.4	152 280
	Single	5	.7	1445	14.4	274 004
	Single	2	1.	51	7.5	115 273
C	Single	5	.85	1813	14.4	274 148
	Single	5	1.4	1815	14.0	193 065
	Single	5	3.	1816	13.0	152 240
	Single	1	2.	1891	14.0	152 244
	Single	1	.75	1892	14.4	274 020
	Single	1	2.	1893	14.0	9416 927
D	Wedge	5	2.	158	14.0	9415 969
	Single Wedge	1	1.	161	14.0	9417 561
	Single Wedge	5	3.	168	14.0	9425 542
	Single Wedge	1	2.	194	14.0	9421 330
	Single	2	1.6	256	14.0	9420 536
E	Single	5	2.	57	14.0	127 934
	Single	2	1.6	257	14.0	9412 348
	Single	1	2.	1895	14.0	9417 863
	Single	1	2.	1895A	14.0	9427 794
	Single	2	2.	55	7.0	125 588
F	Single	2	4.	67	13.5	142 450
	Double	2	4.	68	13.5	142 451
	Single	2	6.	89	13.0	142 452
	Double	2	6.	90	13.0	142 453
	Single	5	--	97A	13.5	9427 795
	Single	3-4	4.	1155	13.5	9417 865
	Single	2	4.	67AF	13.5	9420 830
	Double	2	4.	64	6.0	142 311
	Double	2	6.	82	6.5	142 312
	Single	2	6.	81	6.0	142 306
	Single	2	3.	63	6.0	142 303
	G	Single	8	15.	1003	12.8
Double		8	15.	1004	12.8	151 578
Double		2	15.	210	6.2	151 559
Single		2	15.	209	6.5	151 579
H	Single	2	15.	93	12.8	142 454
	Double	2	15.	94	12.8	142 455
	Double	8	32.	1034	12.8	151 567
	Double	8	16.32	1034A	12.0	9418 772
	Double	8	19.	1034NA	12.8	9422 798
	Single	10	21.	1129	6.0	142 308
	Double	10	21.	1130	6.0	142 449
	Single	8	32.	1073	12.8	151 576
	Single	8	4.	1095	14.0	9418 903
	Single	8	21.	1141	12.8	142 456
	Double	8	21.	1142	12.8	142 457

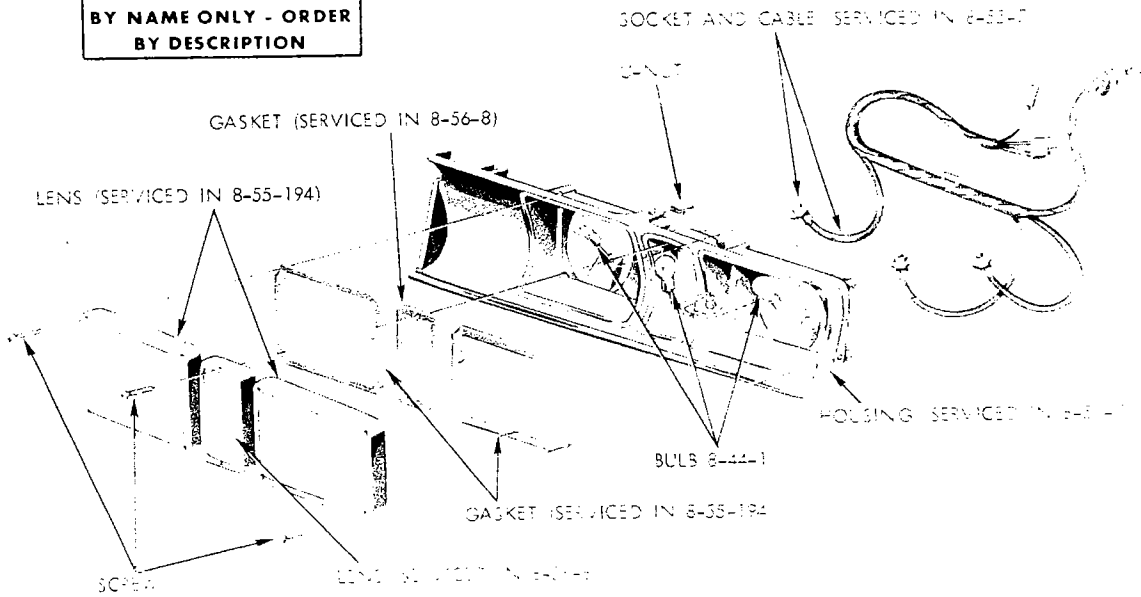
CONTINUED ON NEXT PAGE

LAMP - BULB TYPES CHART - CONTINUED

TYPE	BASE CONTACT	FILAMENT	C-POWER	TRADE NO.	VOLTS	PART NUMBER
H	Double	8	--	1142IF	12.8	147 680
Cont'd	Single	8	32.	1156	12.8	9417 866
	Double	8	32.	1157	12.8	9417 867
	Double	8	32.	1157A	12.8	9419 780
	Double	8	32.	1157NA	12.8	9423 295
	Double	2	10.	91	13.0	113 238
	Single	2	15.	87	6.0	142 304
	Double	2	21.	1130	6.0	142 447
	Double	9-10	21.3	1154	6.0	145 416
	Double	2	15.	88	6.75	142 446
I	Single	5	50.	1195	12.5	193 096
	Single	2	50.	1293	12.5	9427 336
	Double	12	32.	1000	62.	142 307
J	End Contact	11	6.	562	13.5	9427 943
	Double Wedge	11	4.	704	13.5	9428 704
K	Double Wedge	11	6.	550	13.5	9423 841
	Double Wedge	11	12.	551	12.8	9428 310
L	Festoon Cap	11	12.	211-1	12.8	9422 525
	Festoon Cap-Double	11	12.	211-2	12.8	9431 808

REFER TO TEXT CODE 8-44-1 FOR LOCATION CHART

**PARTS INDICATED
BY NAME ONLY - ORDER
BY DESCRIPTION**

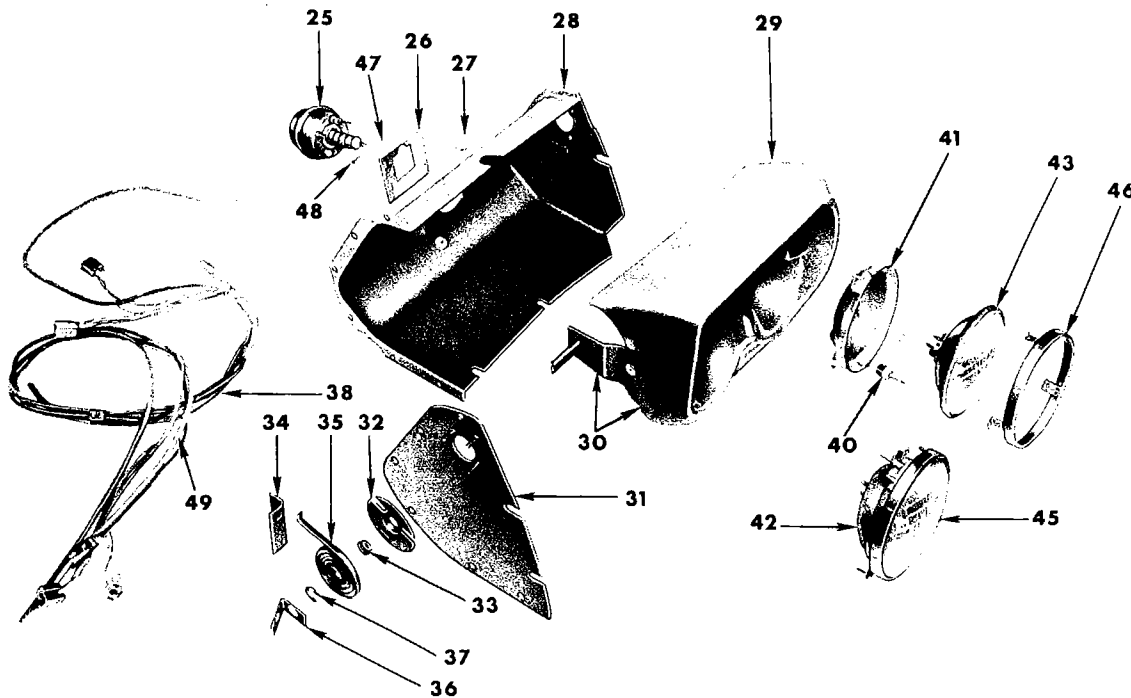


1971

1971
TAIL, STOP, TURN SIGNAL AND BACK-UP LAMP - CHARGER, SUPER BEE AND SE

NOTES

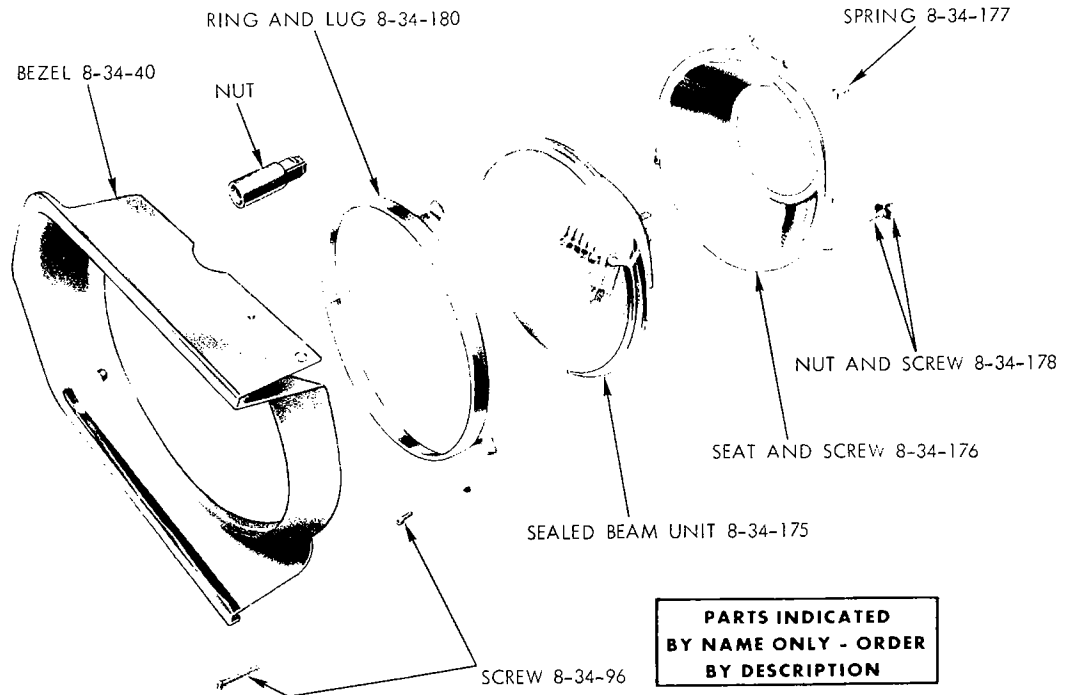
Series of horizontal lines for writing notes.



19a3080 A

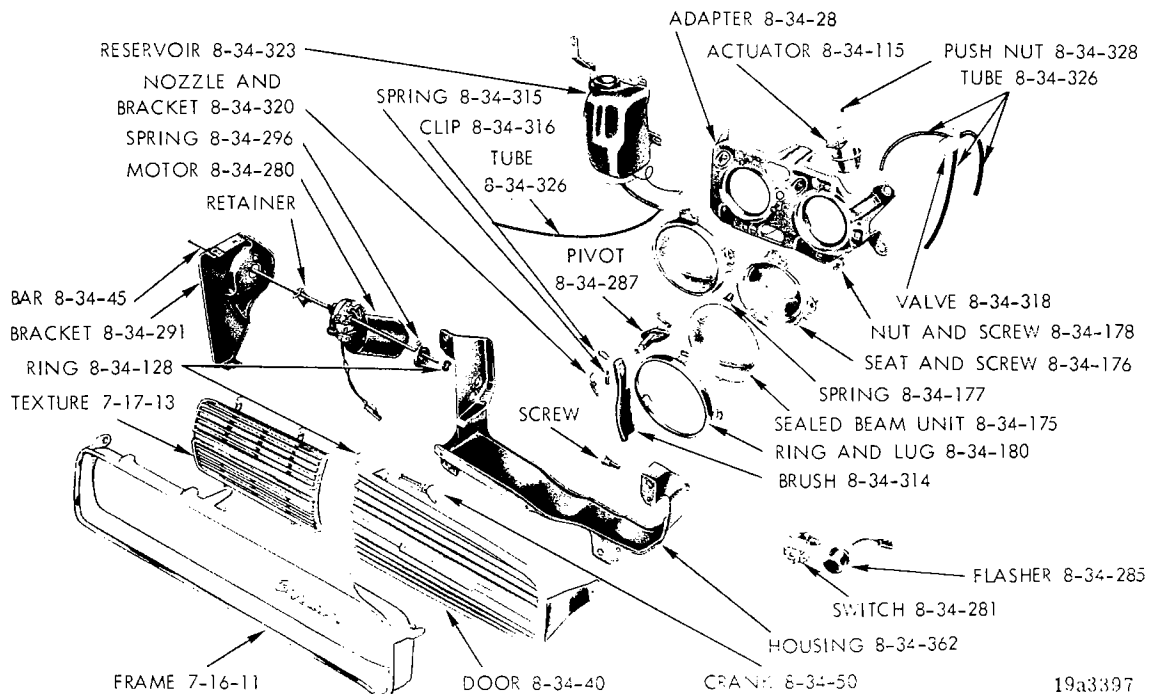
HEADLAMP - SUPERBIRD (1970)

REF. NO.	PART NUMBER	DESCRIPTION
25	2926 961	ACTUATOR
26	3412 636	PLATE
27	144 229	GROMMET
28	3412 766-7	COMPARTMENT
29	3412 620-1	HEADLAMP HOUSING ONLY
30	3412 764-5	HEADLAMP DOOR ASSEMBLY
31	3412 666-7	PLATE
32	3412 631	CAP
33	6027 280	BUSHING
34	3412 694	BRACKET
35	3412 630	SPRING
36	6027 292	CLIP
37	1922 183	"C" CLIP
38	3571 160	WIRING
40	2785 842	ADJ. SCREW AND NUT
41	2786 882-3	HIGH HEADLAMP SEAT
42	2786 884-5	LOW HEADLAMP SEAT
43	152 286	SEAL BEAM LOW
45	152 285	SEAL BEAM HIGH
46	2449 525	"J" RING
47	2857 976	SHAFT, CLIP
48	9416 049	SCREW
49	3412 675	VAC. HOSE 22" BLACK
49	3412 676	VAC. HOSE 22" YELLOW
49	3412 677	VAC. HOSE 16" BLACK
49	3412 678	VAC. HOSE 16" YELLOW
49	2926 337	TUBE AND CONNECTOR HEADLAMP DOOR VAC. CONTROL

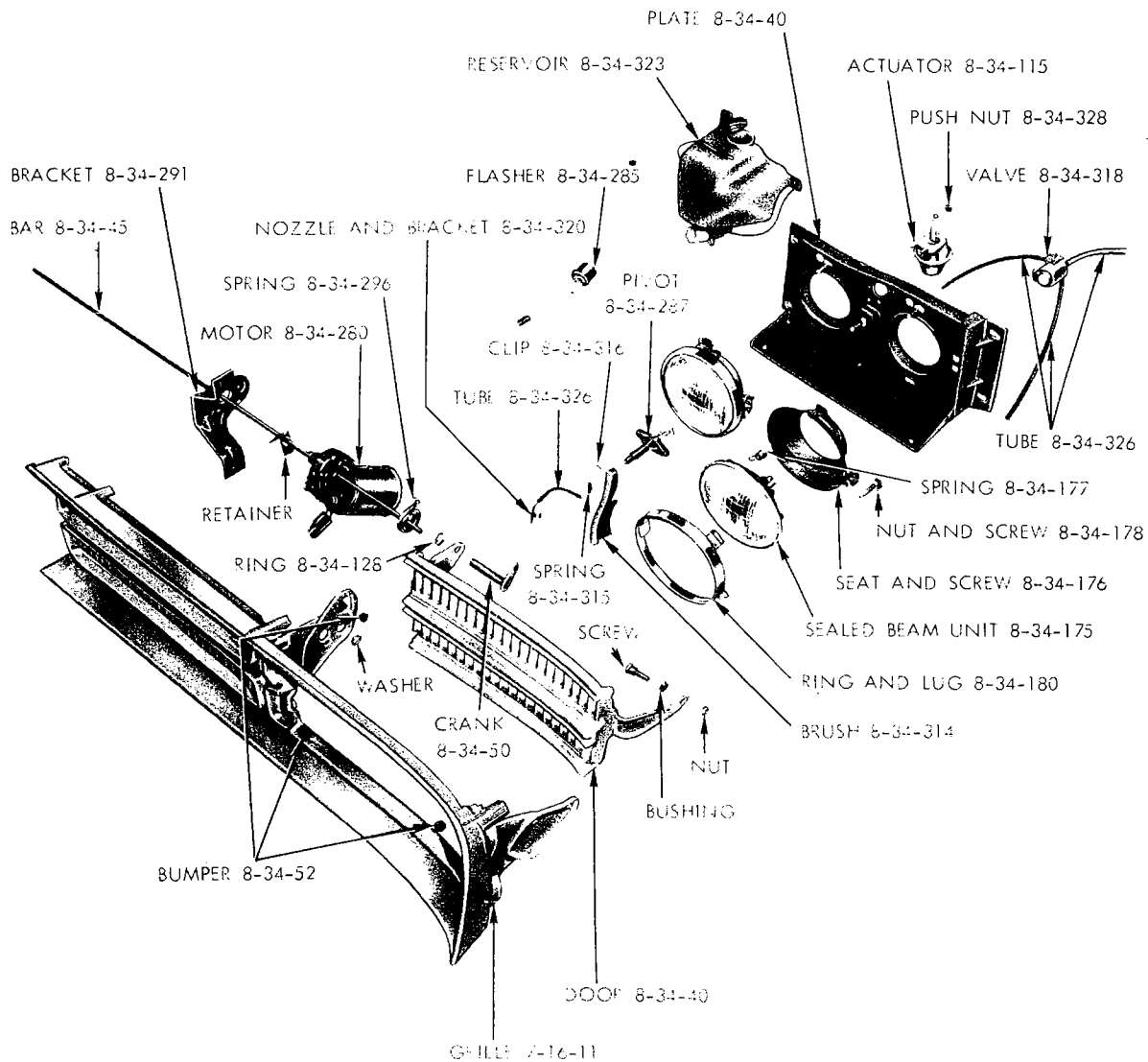


19a2066 A

HEADLAMP - VALIANT



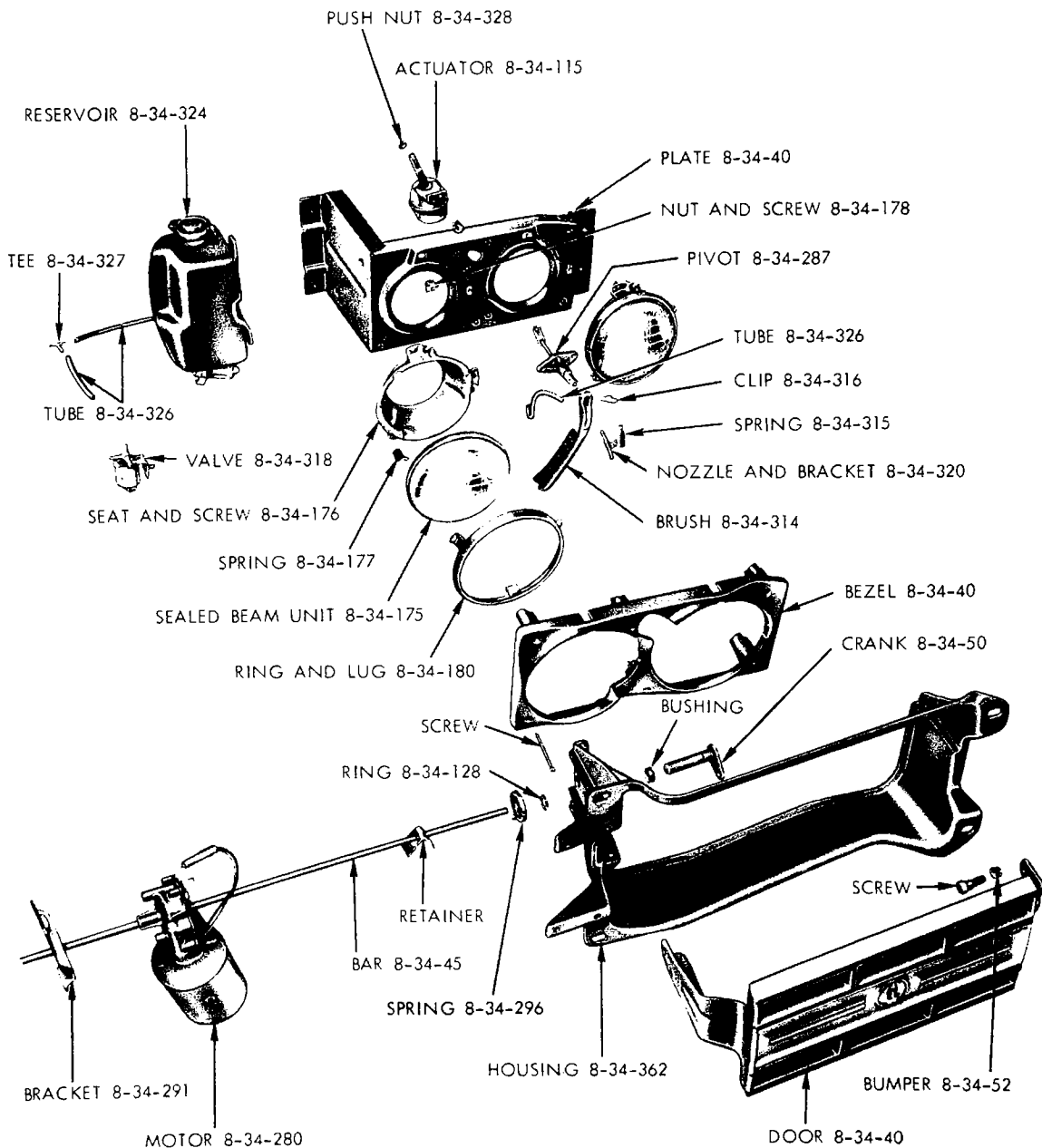
19a3397



**PARTS INDICATED
BY NAME ONLY - ORDER
BY DESCRIPTION**

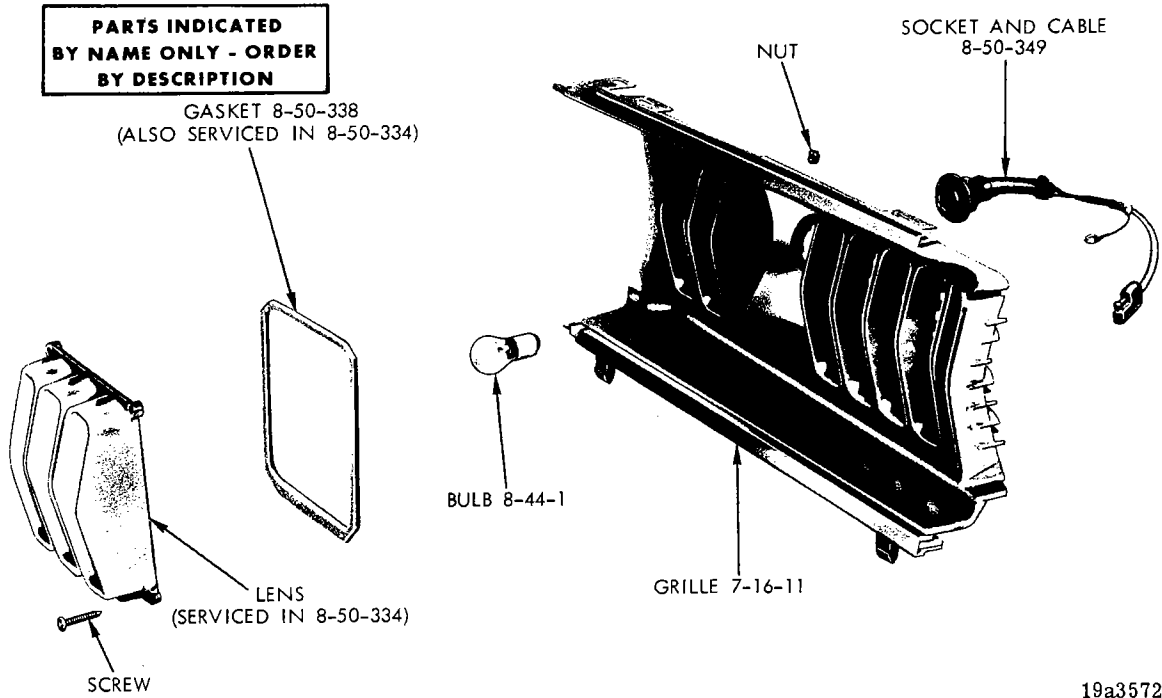
19a3592 A

HIDEAWAY HEADLAMP AND WASHER SYSTEM -
SPORT FURY AND SPORT FURY GT



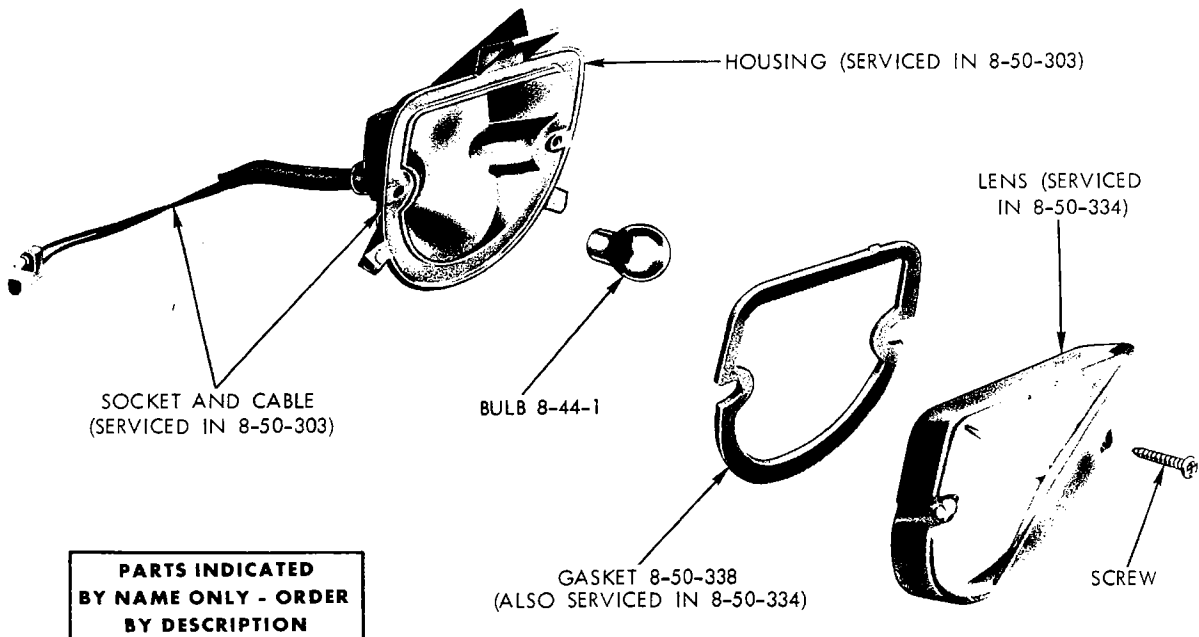
**PARTS INDICATED
 BY NAME ONLY - ORDER
 BY DESCRIPTION**

**PARTS INDICATED
BY NAME ONLY - ORDER
BY DESCRIPTION**



19a3572

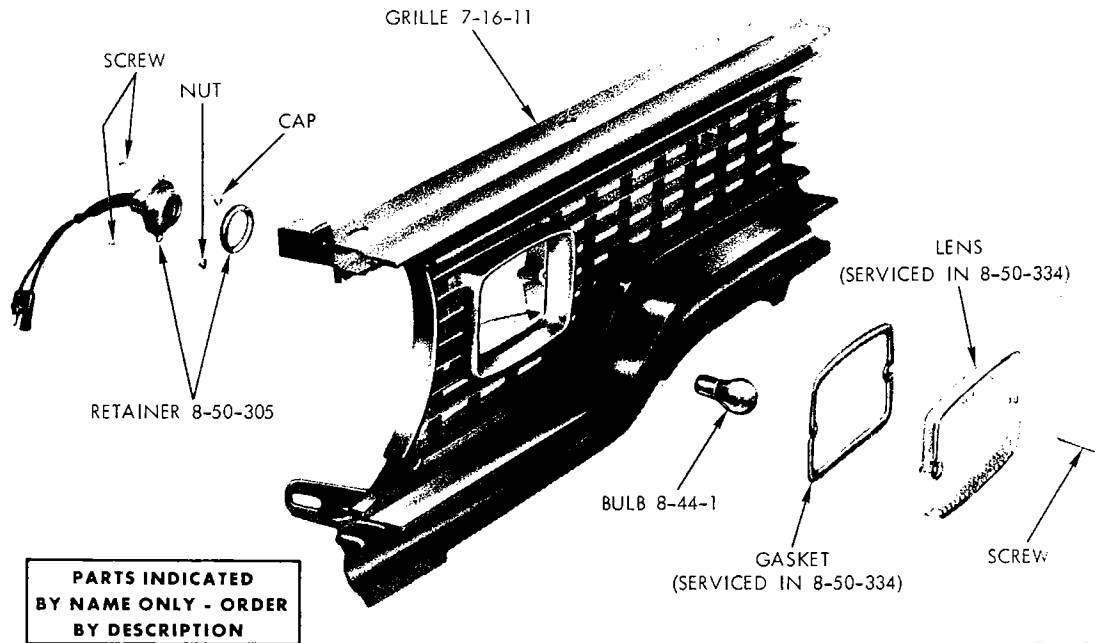
PARKING AND TURN SIGNAL LAMP - VALIANT



**PARTS INDICATED
BY NAME ONLY - ORDER
BY DESCRIPTION**

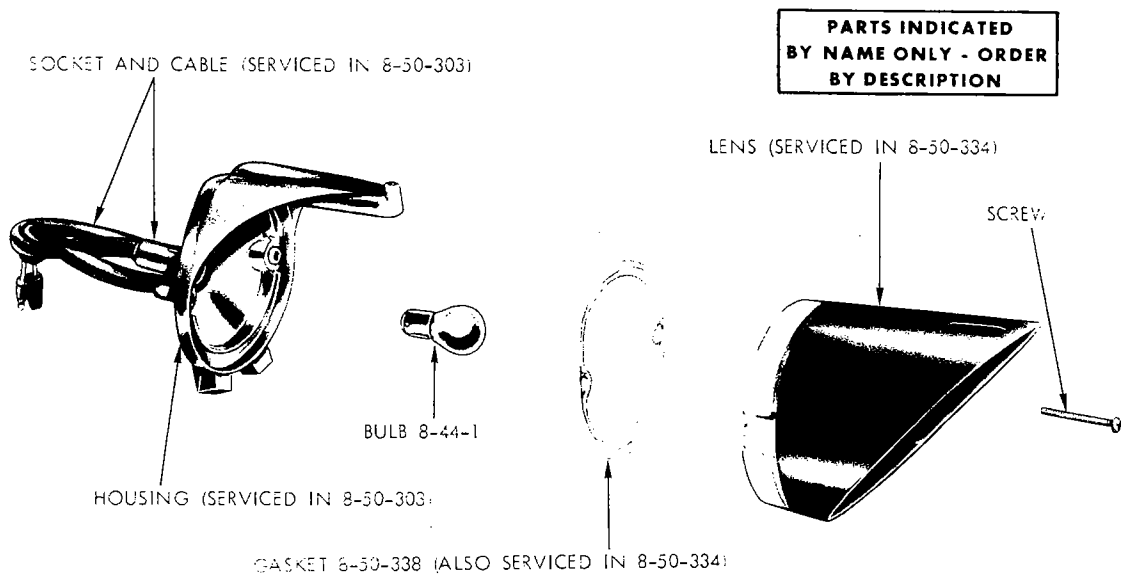
19a3569

PARKING AND TURN SIGNAL LAMP - BARRACUDA



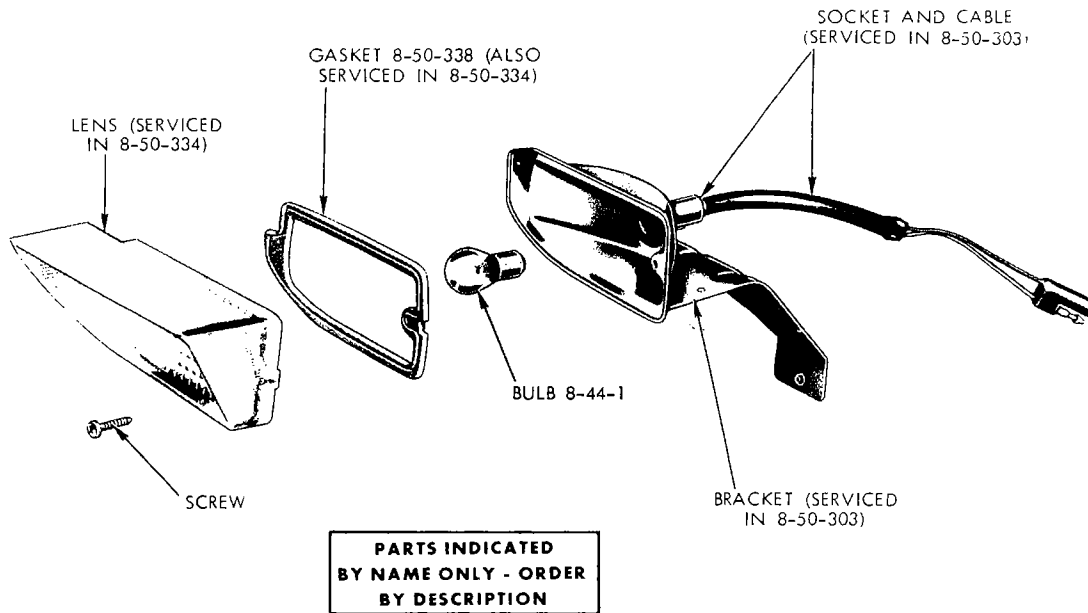
19a3480

PARKING AND TURN SIGNAL LAMP - SATELLITE 4 D. AND STATION WAGON



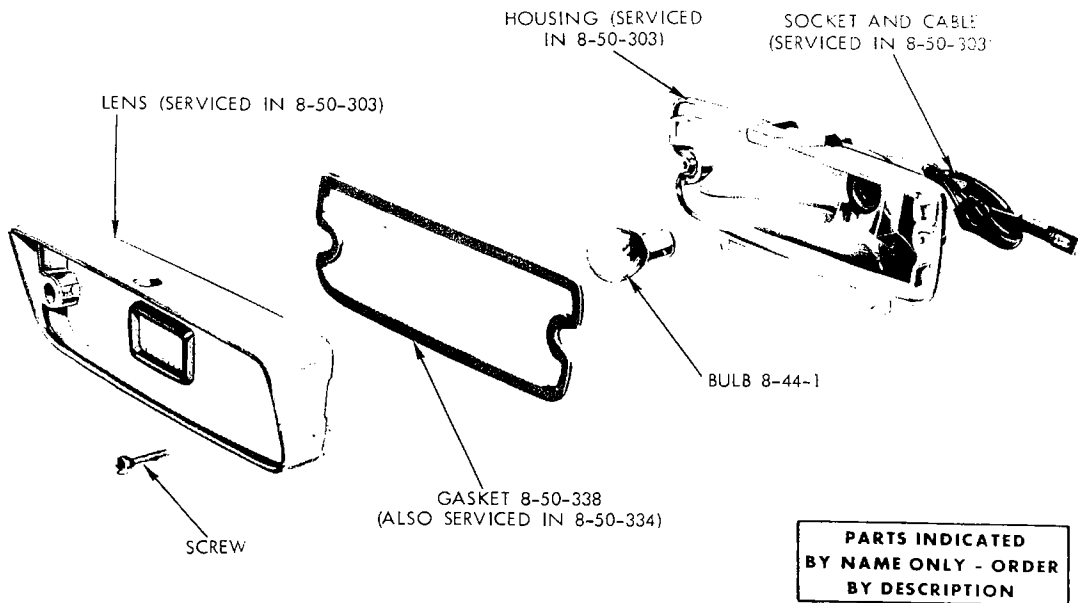
19a3392

PARKING AND TURN SIGNAL LAMP - SATELLITE ROAD RUNNER AND CHEVY ROCK HUNTER



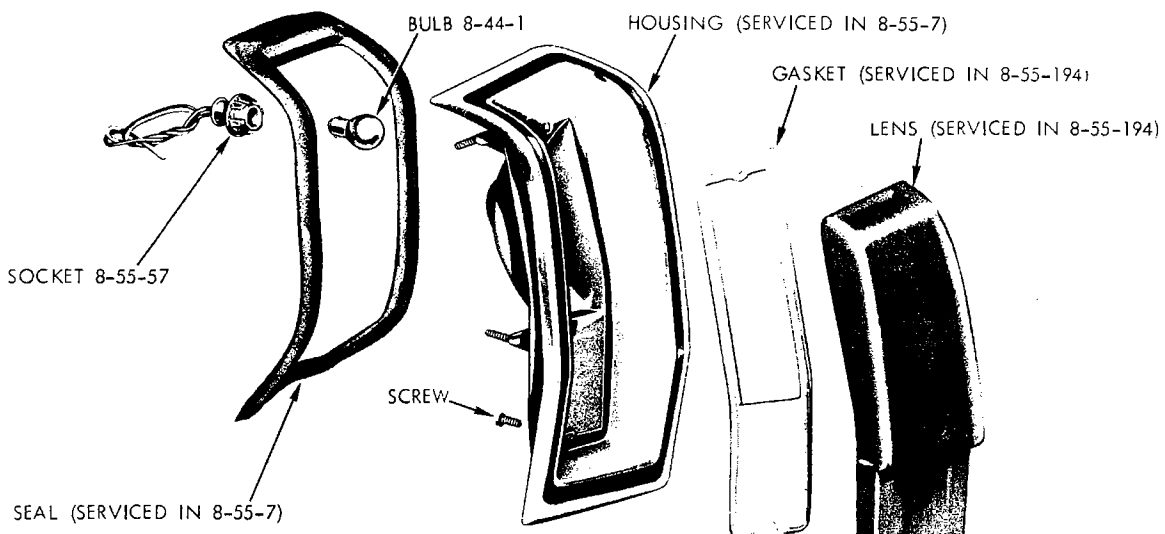
19a3390

PARKING AND TURN SIGNAL LAMP - CORONET 4 D. AND STATION WAGON



19a3390

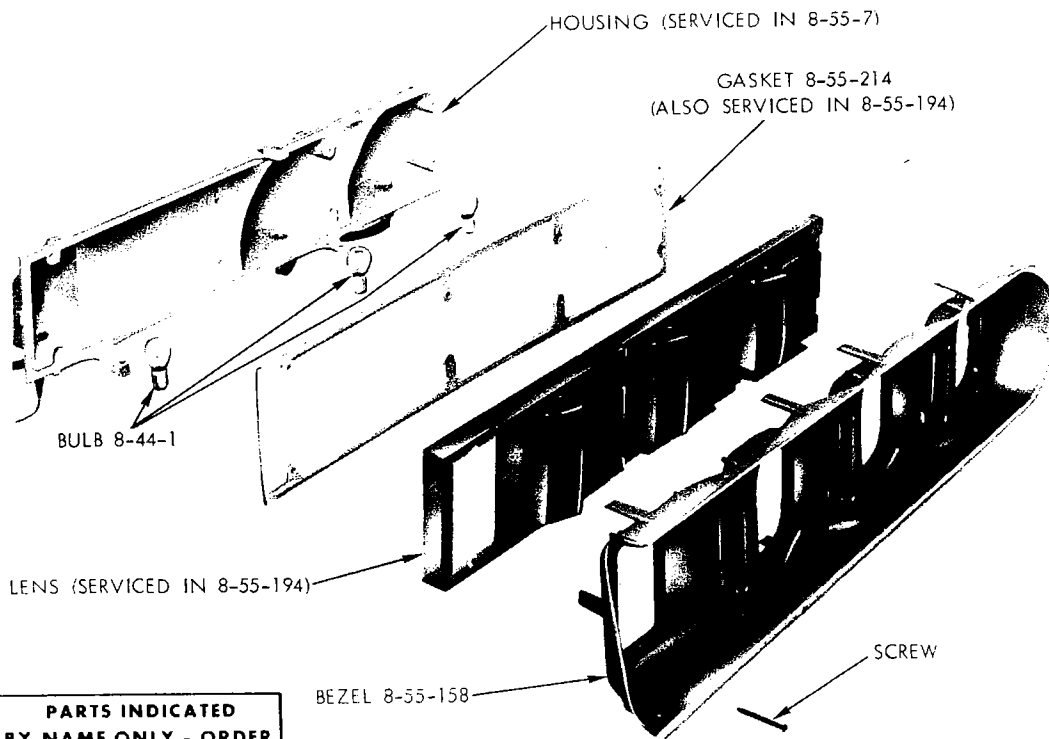
PARKING AND TURN SIGNAL LAMP - CORONET 2 DOOR HARDTOP



**PARTS INDICATED
BY NAME ONLY - ORDER
BY DESCRIPTION**

19a2960A

TAIL, STOP AND TURN SIGNAL LAMP - VALIANT 4 DOOR SEDAN (1971)

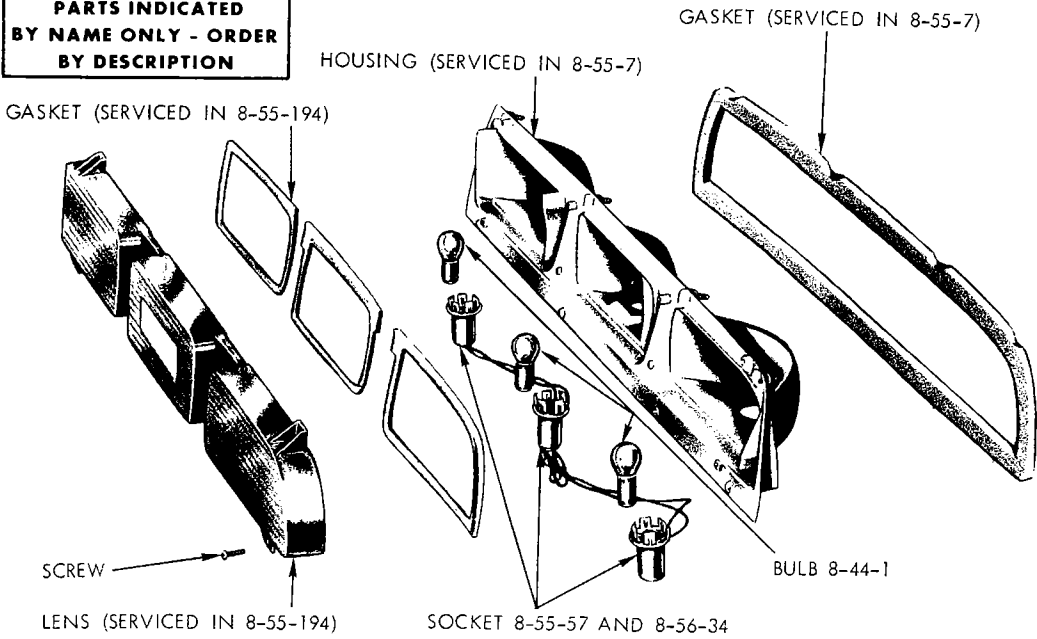


**PARTS INDICATED
BY NAME ONLY - ORDER
BY DESCRIPTION**

19a3574

TAIL, STOP, TURN SIGNAL AND BACK-UP LAMP -

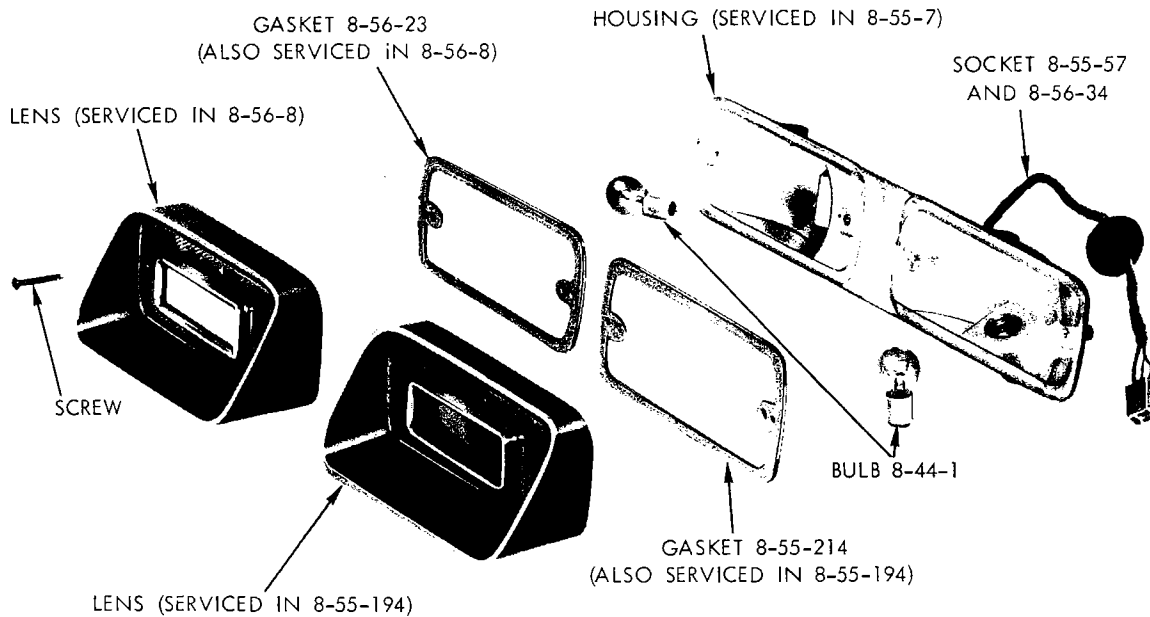
**PARTS INDICATED
BY NAME ONLY - ORDER
BY DESCRIPTION**



19a3434

TAIL, STOP, TURN SIGNAL AND BACK-UP LAMP -
CHALLENGER

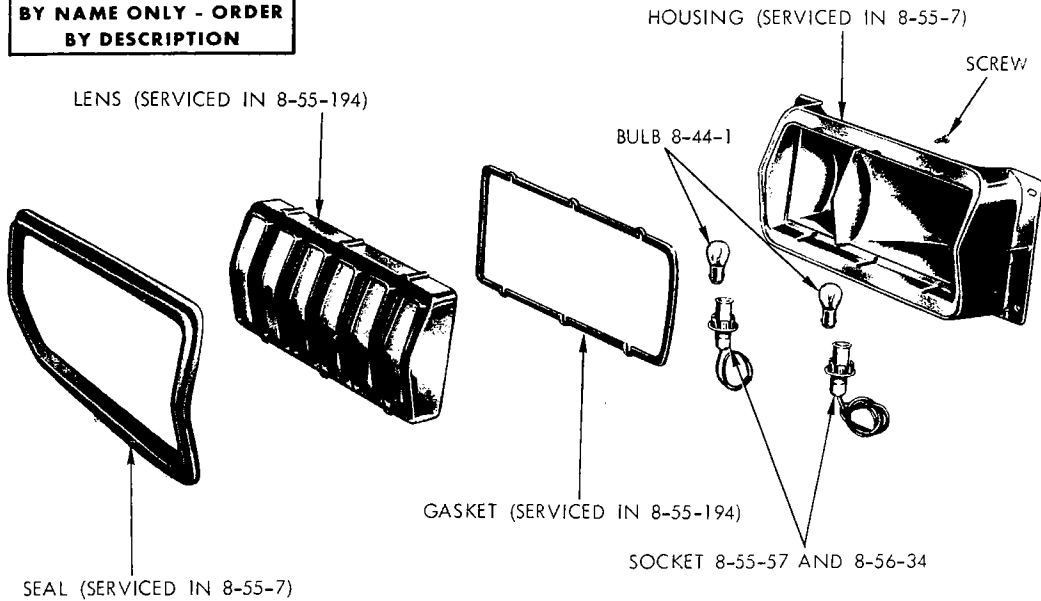
**PARTS INDICATED
BY NAME ONLY - ORDER
BY DESCRIPTION**



19a3401

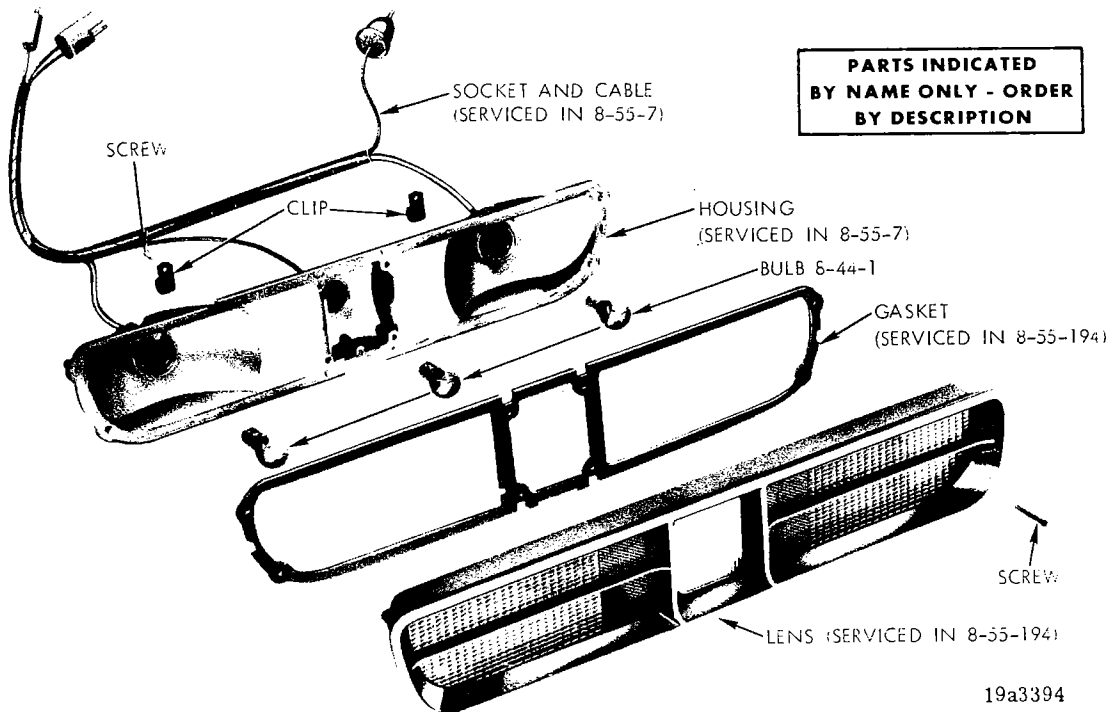
TAIL, STOP, TURN SIGNAL AND BACK-UP LAMP -
DART EXCEPT DEMON

**PARTS INDICATED
BY NAME ONLY - ORDER
BY DESCRIPTION**



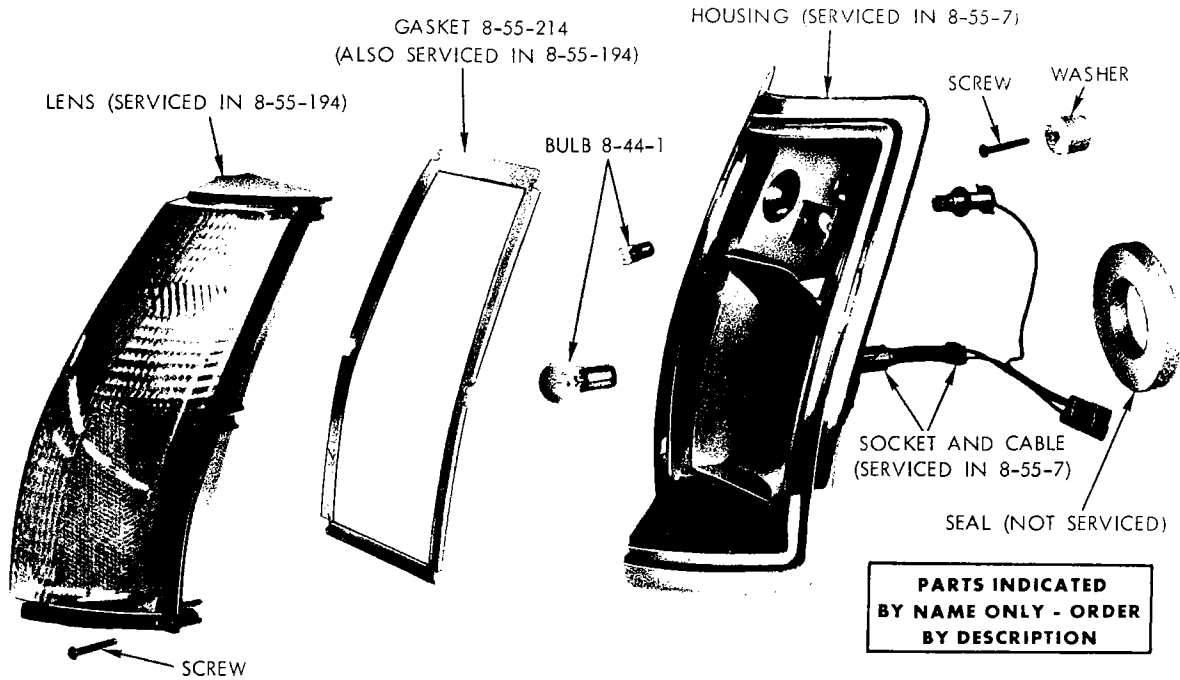
19a3466

TAIL, STOP, TURN SIGNAL AND BACK-UP LAMP - DEMON



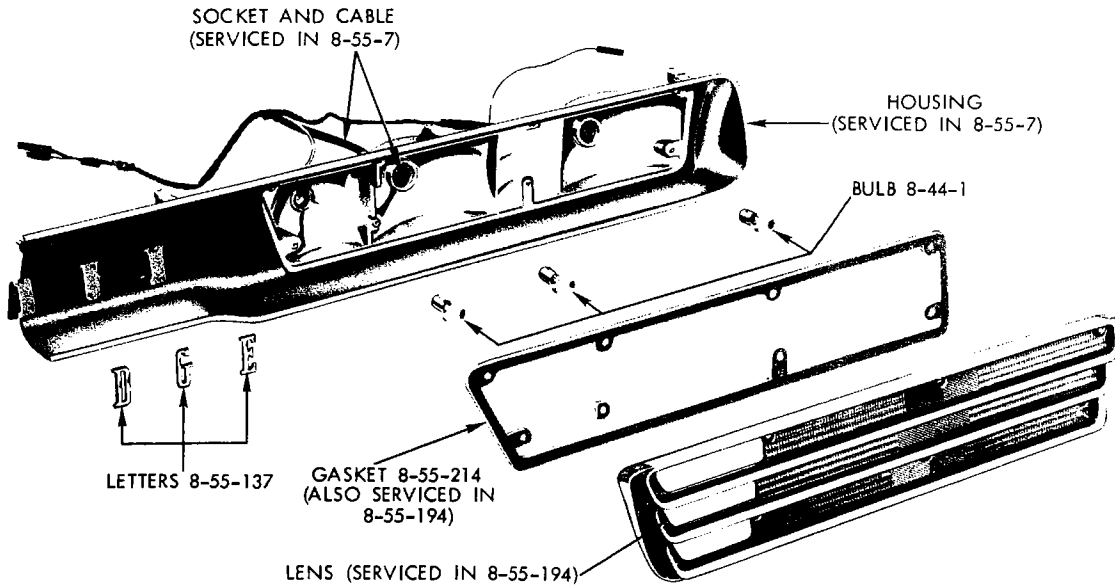
**PARTS INDICATED
BY NAME ONLY - ORDER
BY DESCRIPTION**

19a3394



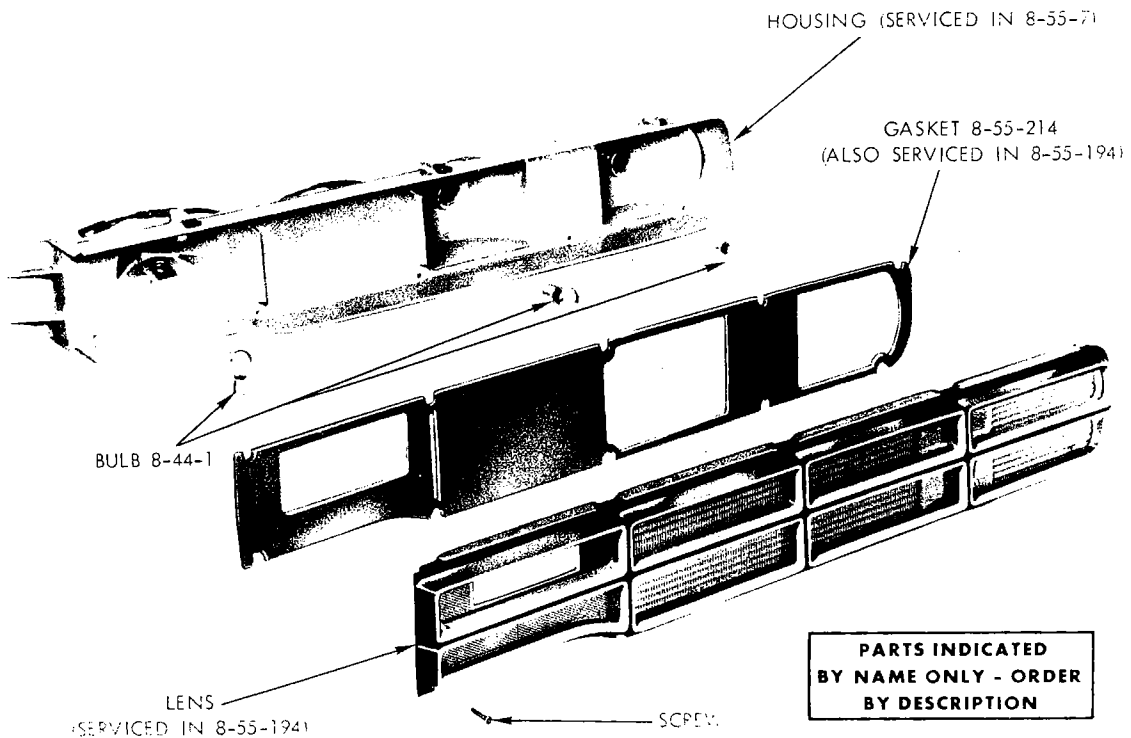
19a3435

TAIL, STOP, TURN SIGNAL AND SIDE MARKER LAMP - CORONET STATION WAGON



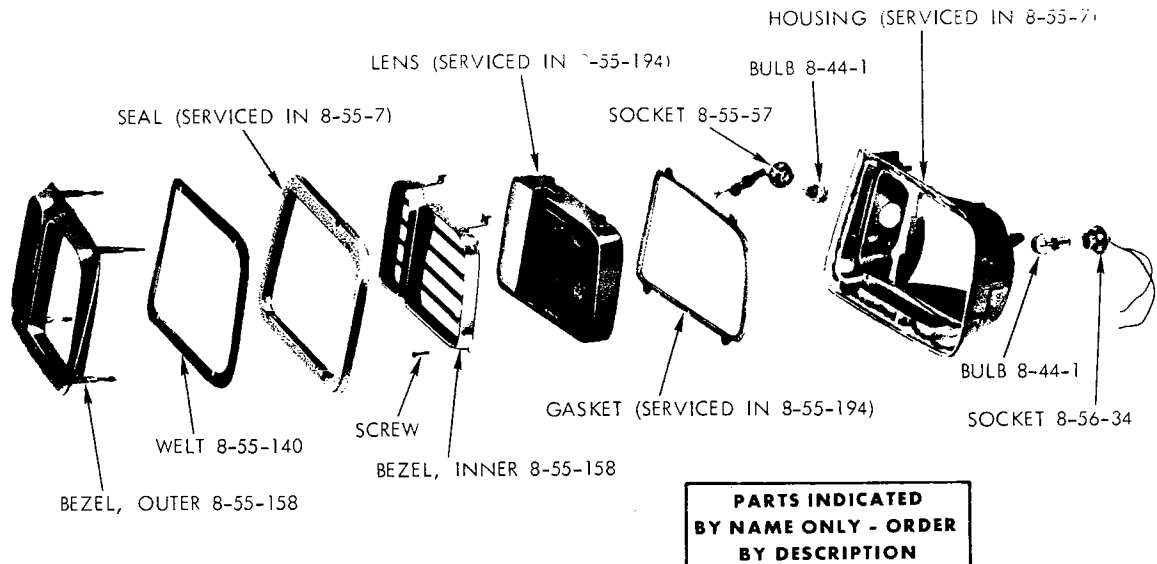
19a3504

TAIL, STOP, TURN SIGNAL AND BACK-UP LAMP - DODGE POLARA



19a3570

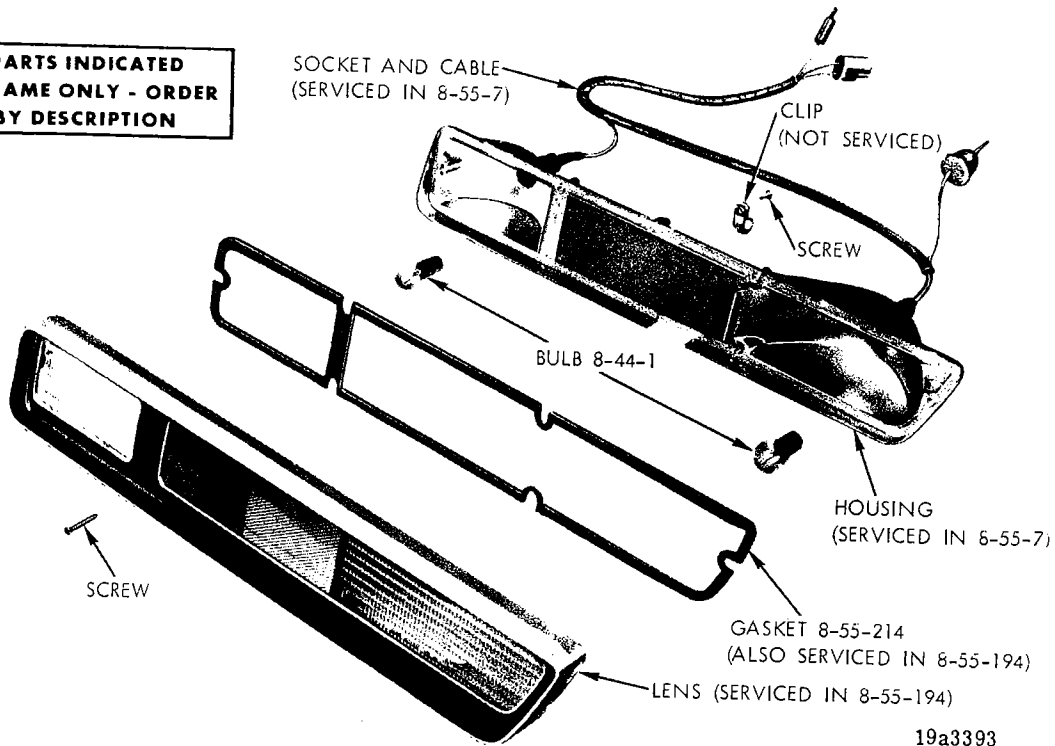
TAIL, STOP, TURN SIGNAL AND BACK-UP LAMP - DODGE MONACO



19a3421

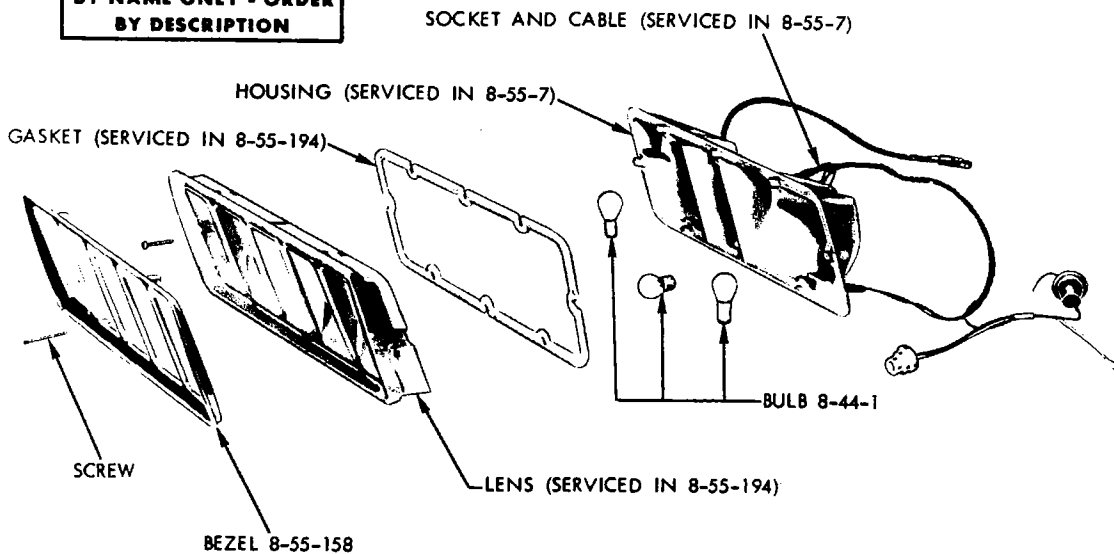
TAIL, STOP, TURN SIGNAL AND BACK-UP LAMP - BARRACUDA

**PARTS INDICATED
BY NAME ONLY - ORDER
BY DESCRIPTION**



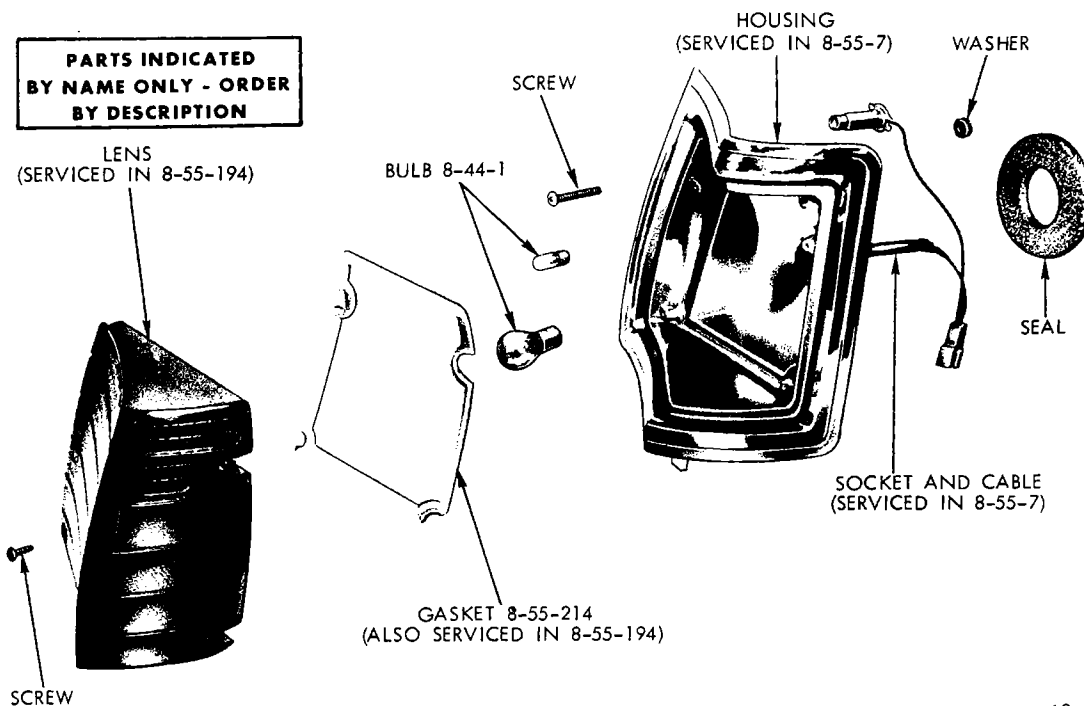
TAIL, STOP, TURN SIGNAL AND BACK-UP LAMP - SATELLITE 4 D.

**PARTS INDICATED
BY NAME ONLY - ORDER
BY DESCRIPTION**



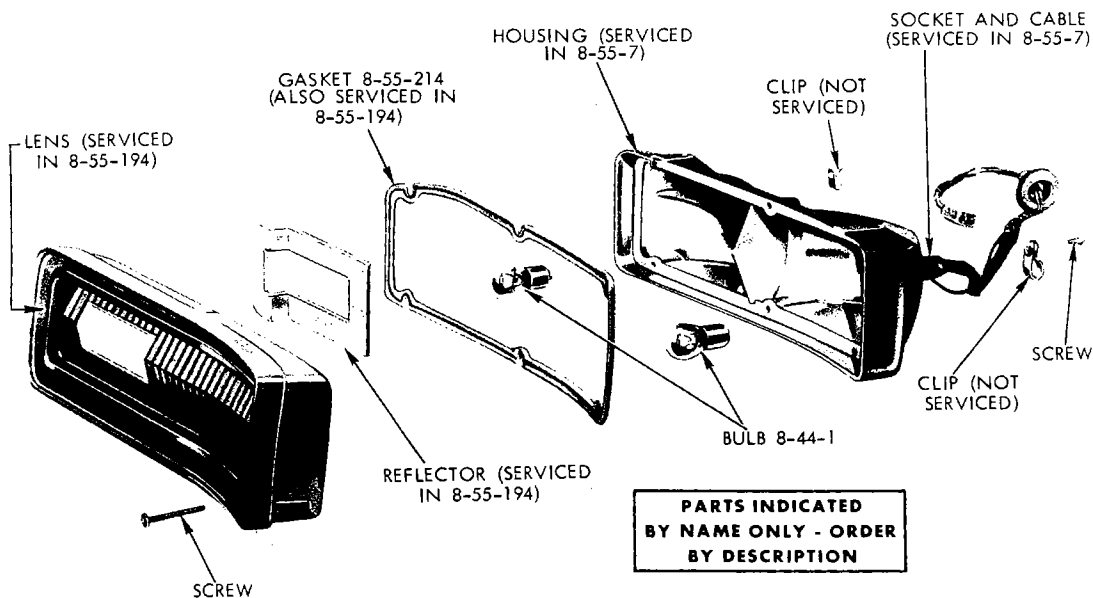
19a3522

TAIL, STOP, TURN SIGNAL AND BACK-UP LAMP - SATELLITE 2 DOOR HARDTOP



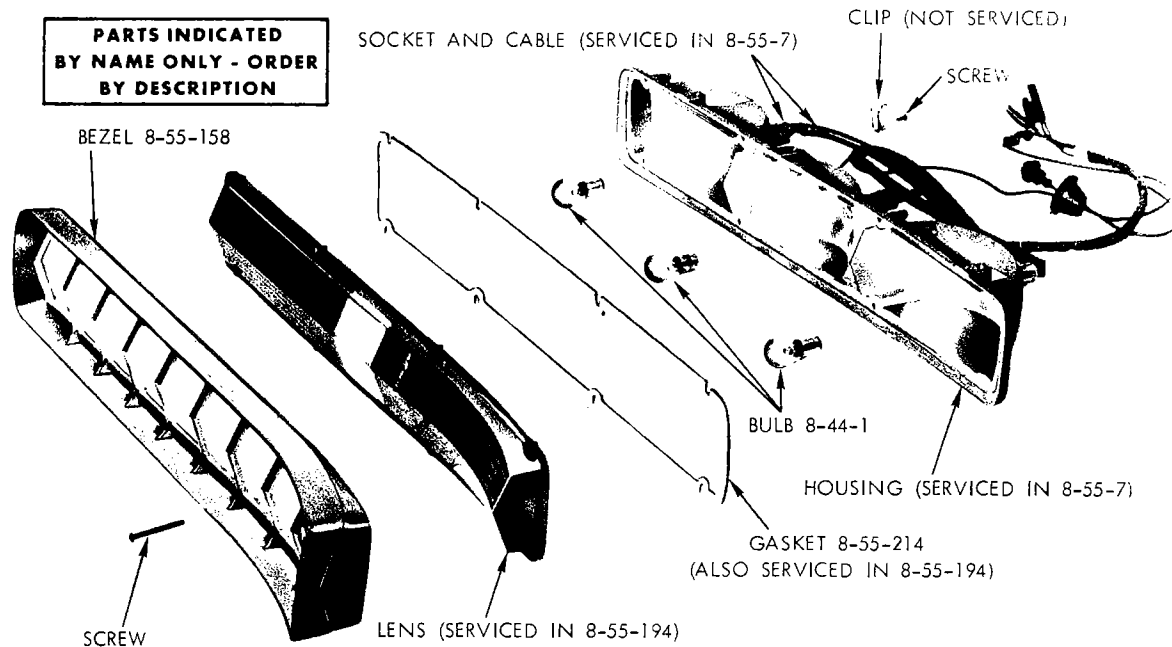
19a3573

TAIL, STOP, TURN SIGNAL AND SIDE MARKER LAMP - SATELLITE STATION WAGON



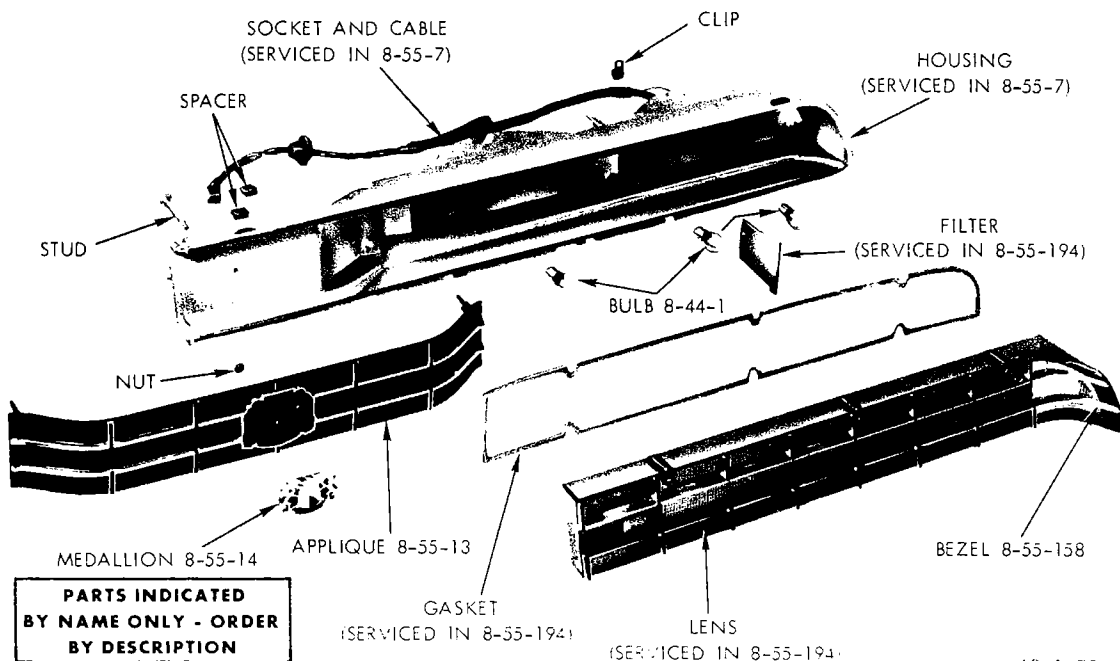
19a3467

TAIL, STOP, TURN SIGNAL AND BACK-UP LAMP - PLYMOUTH FURY I AND II EXCEPT STATION WAGON



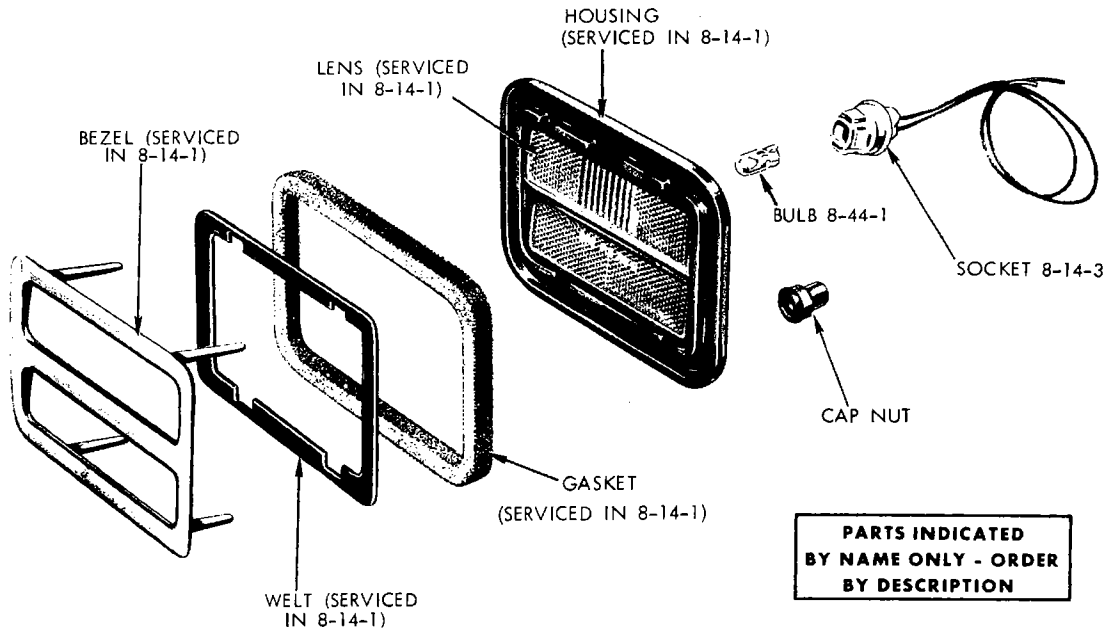
19a3403

TAIL, STOP, TURN SIGNAL AND BACK-UP LAMP - FURY III, SPORT FURY AND SPORT FURY GT EXCEPT STATION WAGON



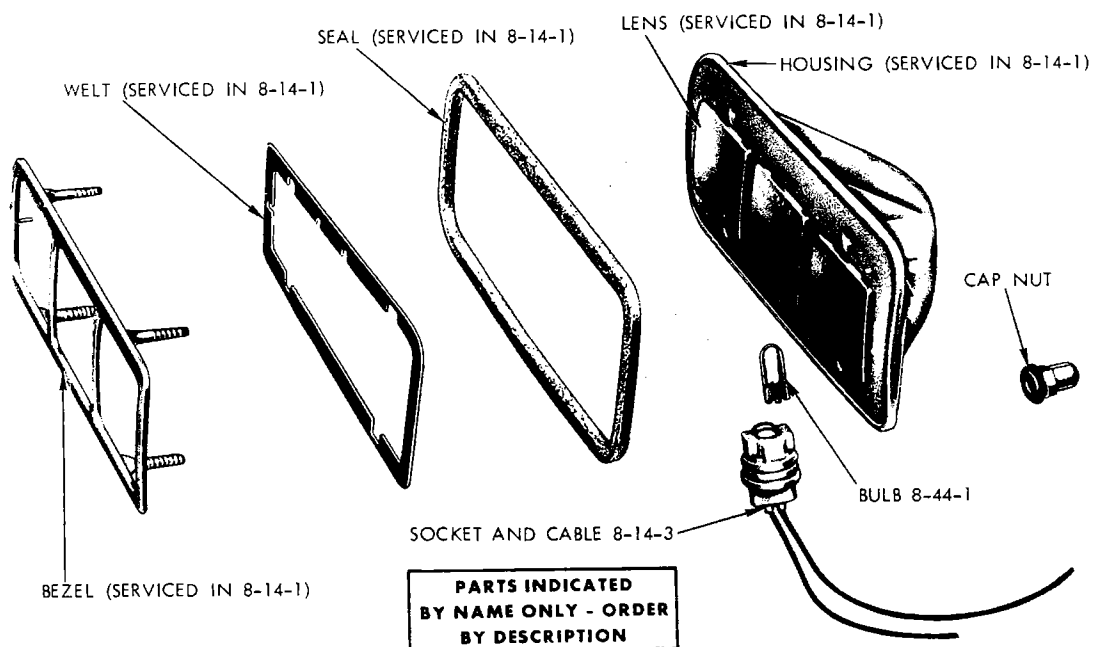
19a3479

TAIL, STOP, TURN SIGNAL AND BACK-UP LAMP - CHRYSLER NEW YORKER

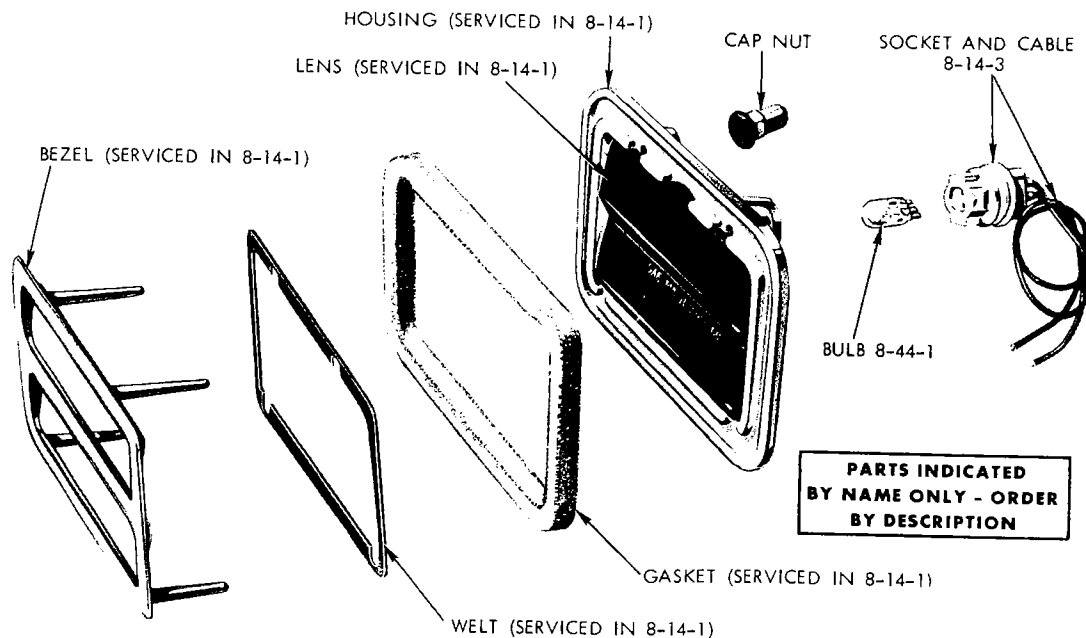


19a3420 A

FRONT FENDER SIDE MARKER LAMP - CORONET 4 D. AND STATION WAGON

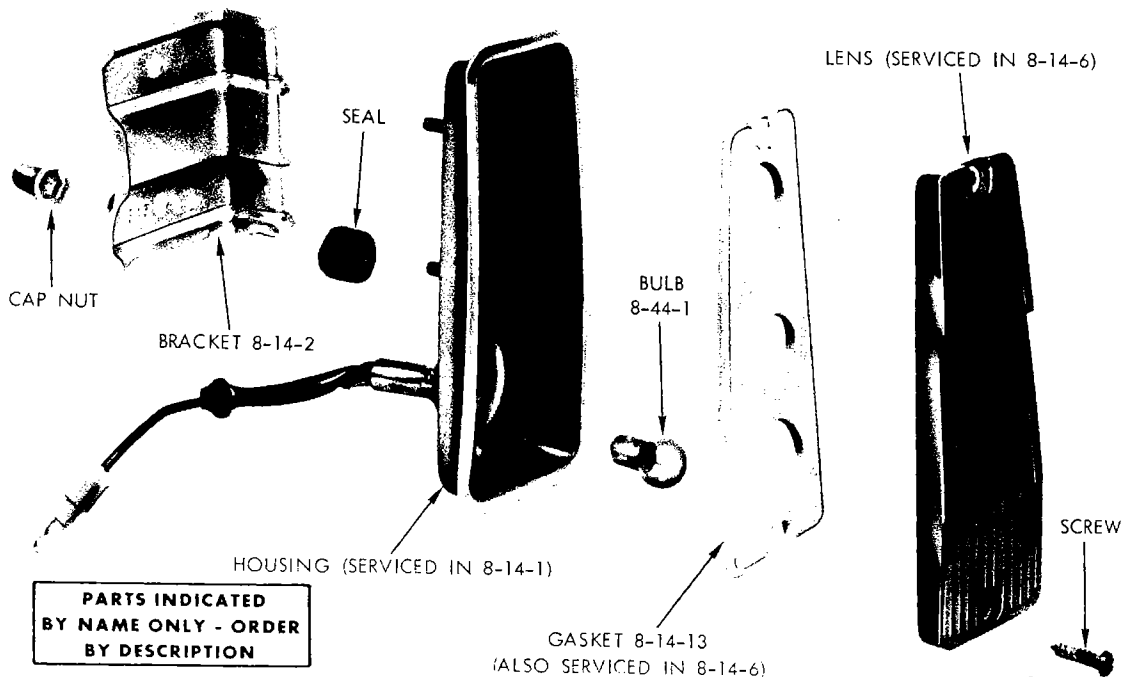


19a3395



19a3396

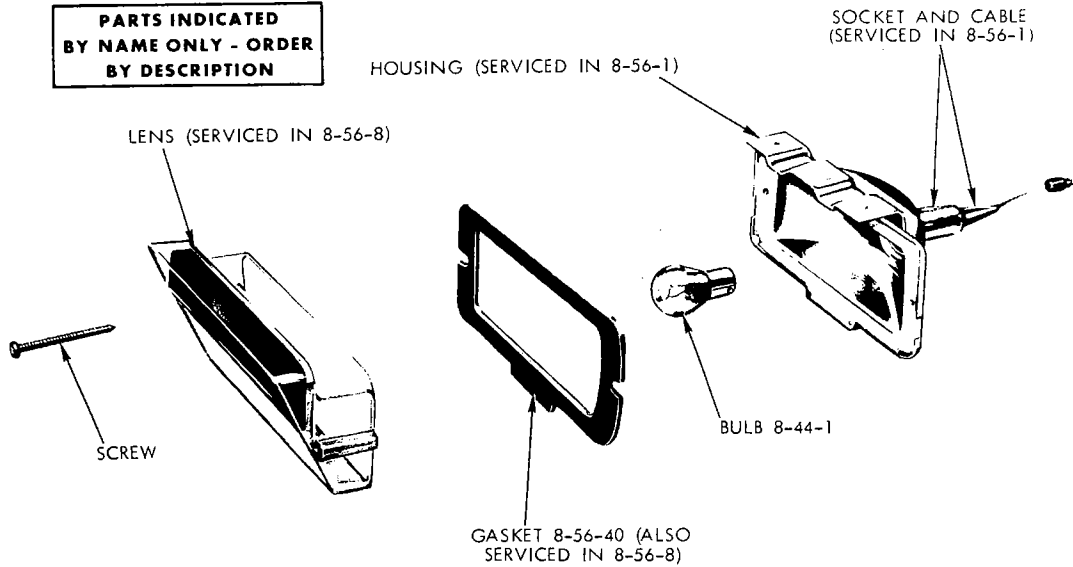
QUARTER PANEL SIDE MARKER LAMP - CORONET EXCEPT STATION WAGON



19a3505

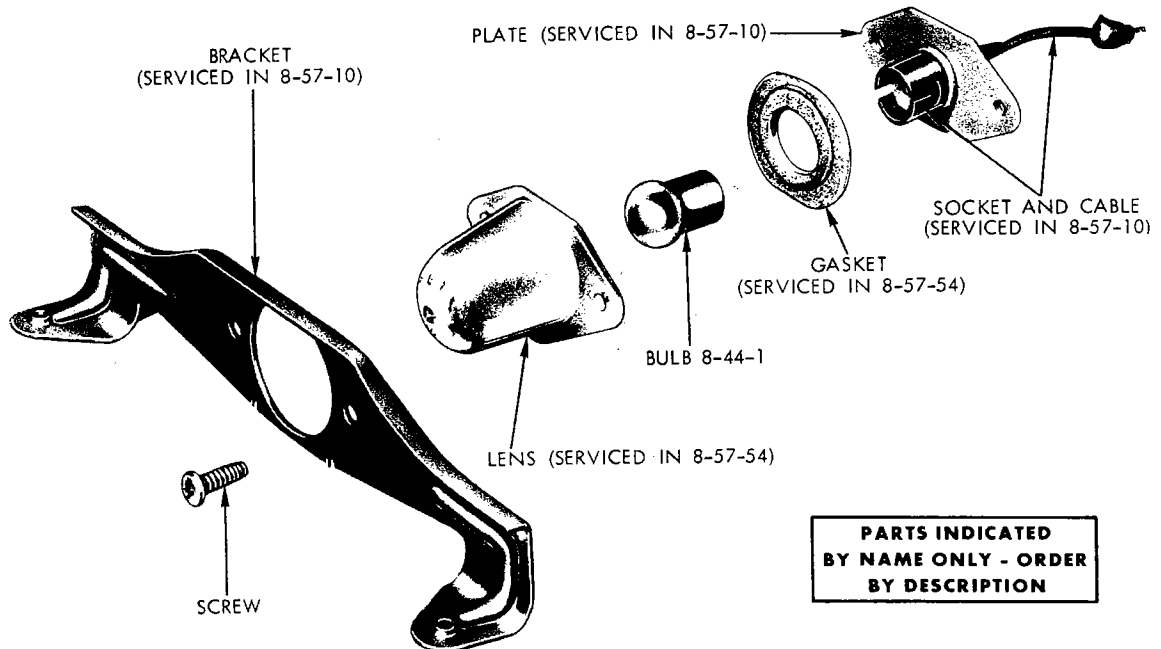
REAR SIDE MARKER LAMP - DODGE POLARA AND MONACO (EXCEPT STATION WAGON)

**PARTS INDICATED
BY NAME ONLY - ORDER
BY DESCRIPTION**



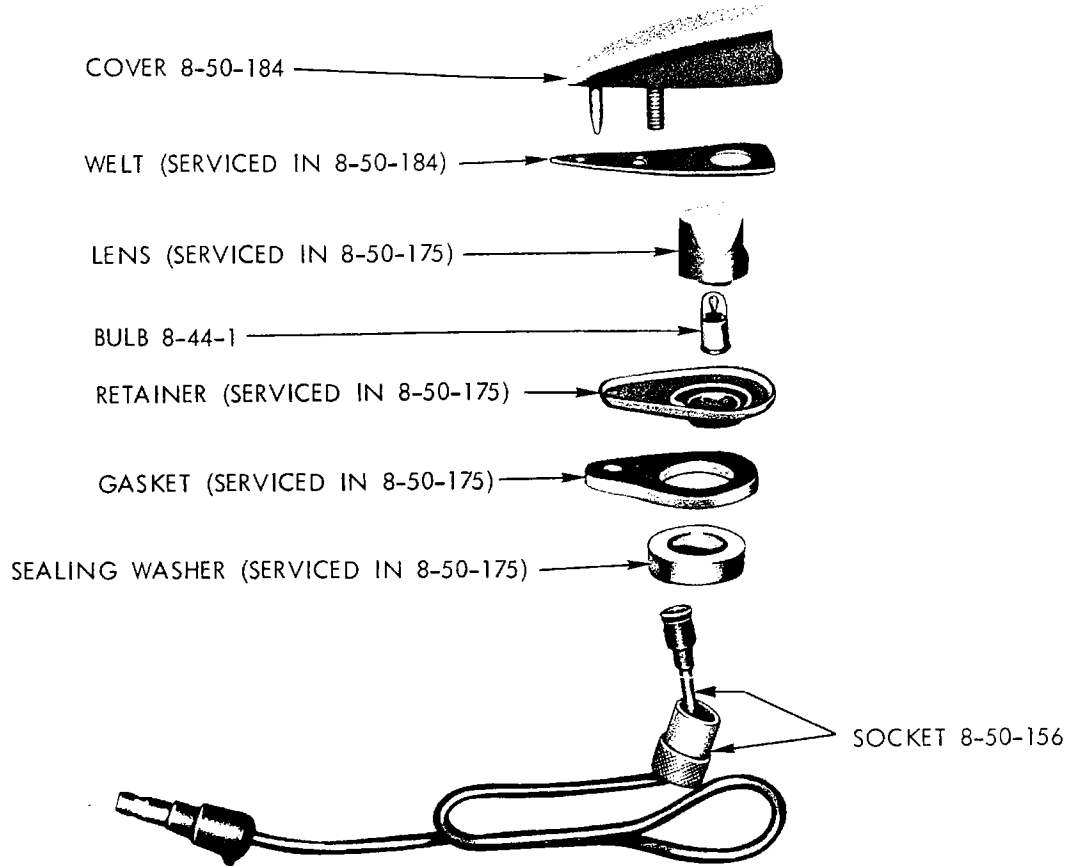
19a3400

BACK-UP LAMP - SATELLITE AND CORONET STATION WAGON



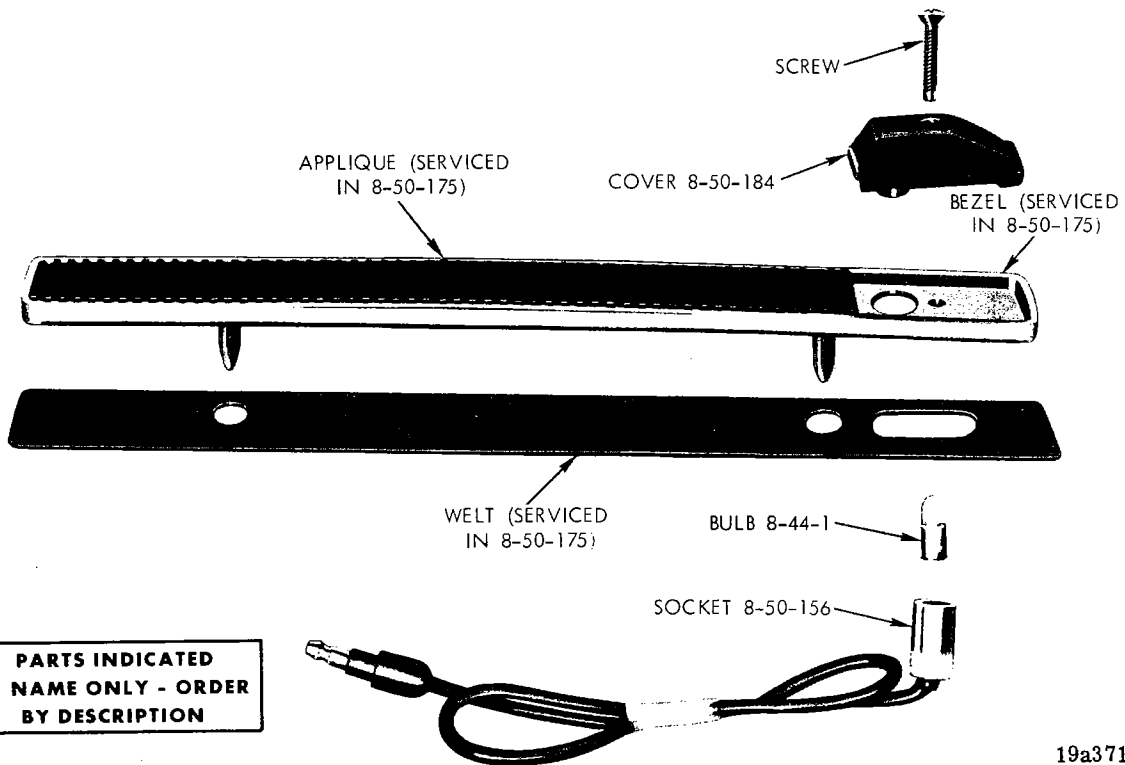
**PARTS INDICATED
BY NAME ONLY - ORDER
BY DESCRIPTION**

19a3568



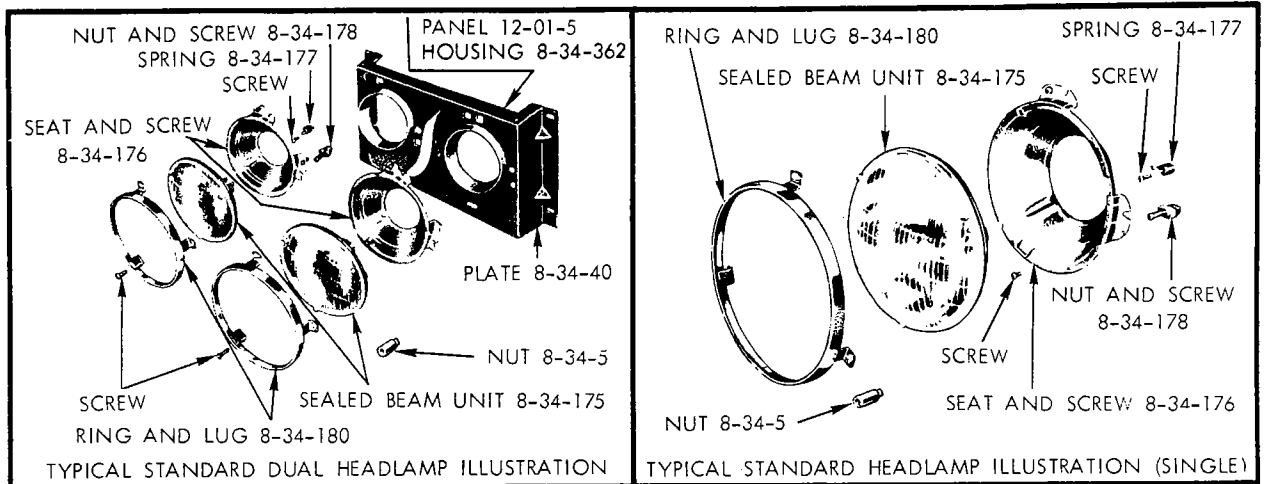
19a3715

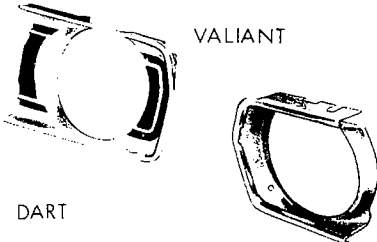
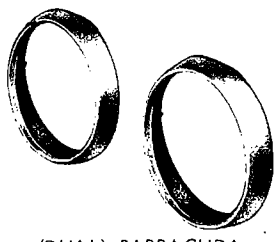
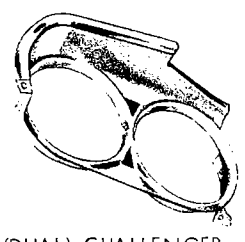
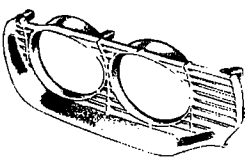
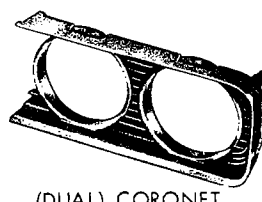
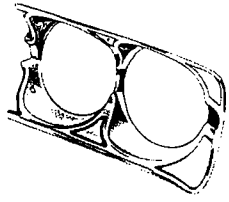
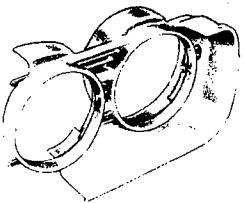
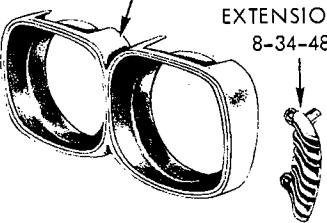
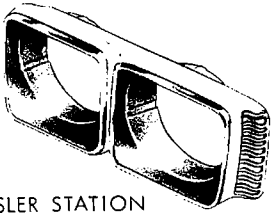
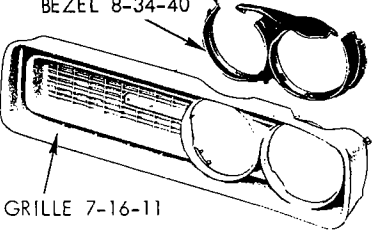
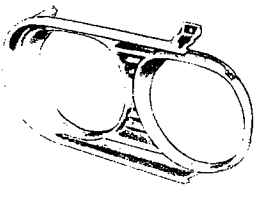

TURN SIGNAL INDICATOR LAMP - V, B, F, P EXCEPT SPORT FURY GT (1971)

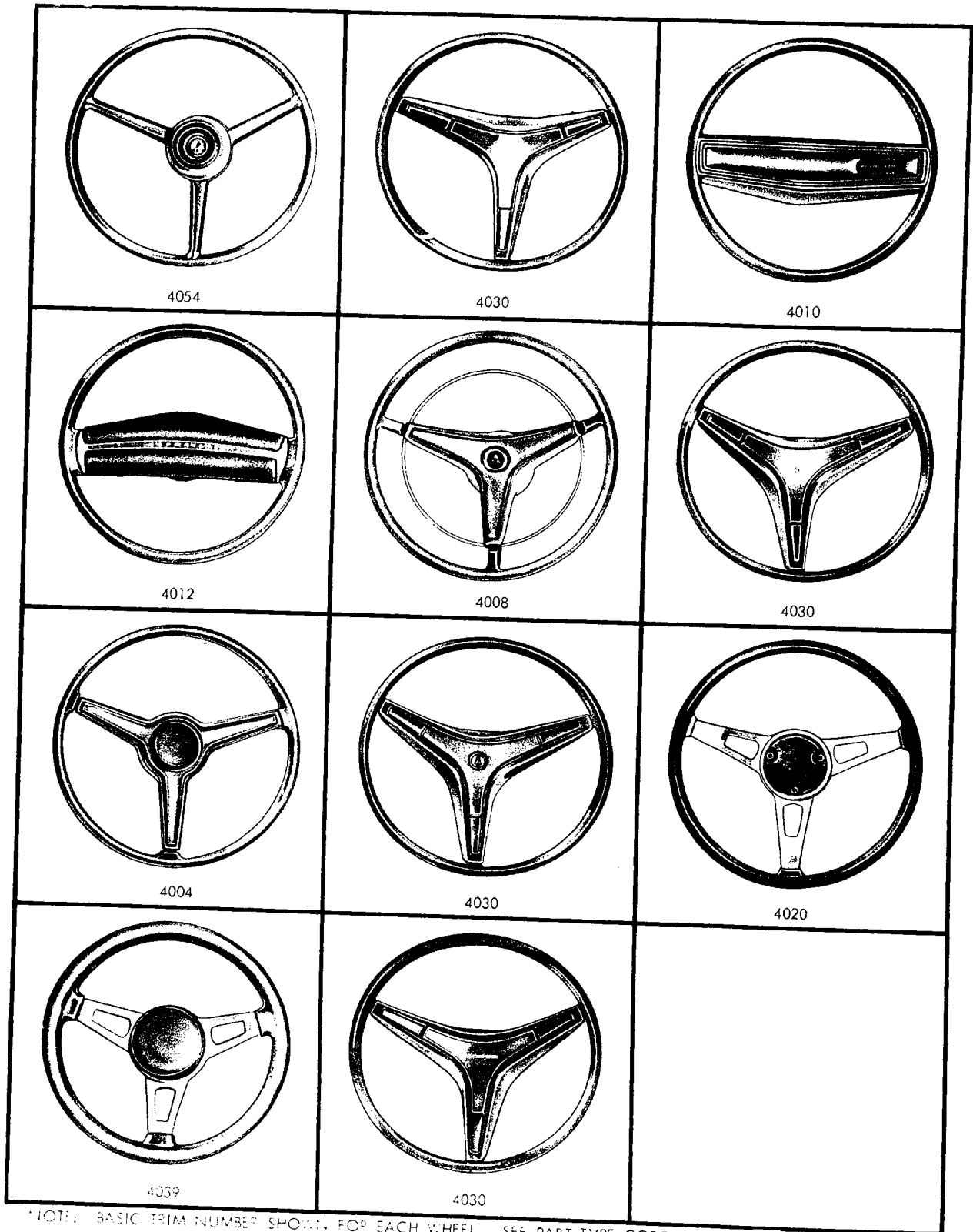


19a3714

FENDER TURN SIGNAL INDICATOR LAMP - SPORT FURY GT (1971)

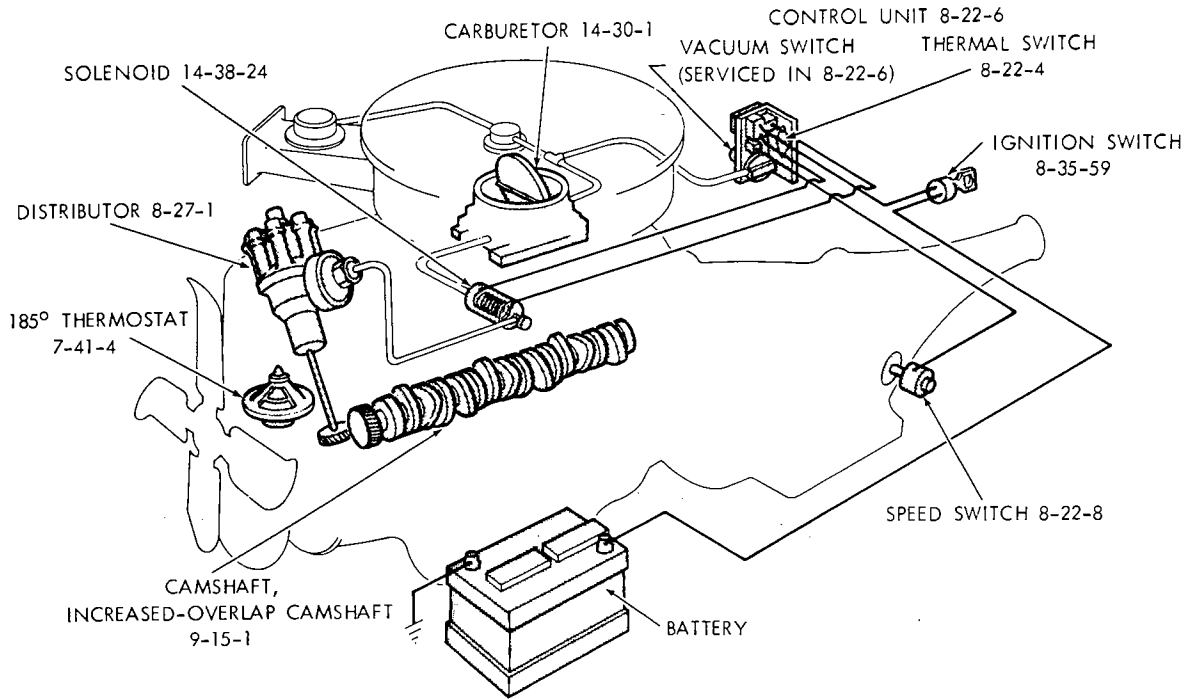


<p>BEZEL 8-34-40</p> <p>VALIANT</p>  <p>DART</p>	<p>BEZEL 8-34-40</p>  <p>(DUAL) BARRACUDA</p>	<p>BEZEL 8-34-40</p>  <p>(DUAL) CHALLENGER</p>
<p>BEZEL 8-34-40</p>  <p>(DUAL) SATELLITE 2 D.H.T.</p>	<p>BEZEL 8-34-40</p>  <p>(DUAL) CORONET 4 D. AND STATION WAGON</p>	<p>BEZEL 8-34-40</p>  <p>(DUAL) PLYMOUTH FURY</p>
<p>BEZEL 8-34-40</p>  <p>(DUAL) DODGE D-E, D-L, D-M, D-S</p>	<p>BEZEL 8-34-40</p> <p>EXTENSION 8-34-48</p>  <p>(DUAL) DODGE D-H MONACO</p>	<p>BEZEL 8-34-40</p>  <p>CHRYSLER STATION WAGON AND NEW YORKER (DUAL)</p>
<p>BEZEL 8-34-40</p>  <p>GRILLE 7-16-11</p> <p>(DUAL) CORONET</p>	<p>BEZEL 8-34-40</p>  <p>(DUAL) SATELLITE 2 D.H.T.</p>	<p>BEZEL 8-34-40</p>  <p>(DUAL) CHRYSLER NEWPORT AND NEWPORT CUSTOM</p>

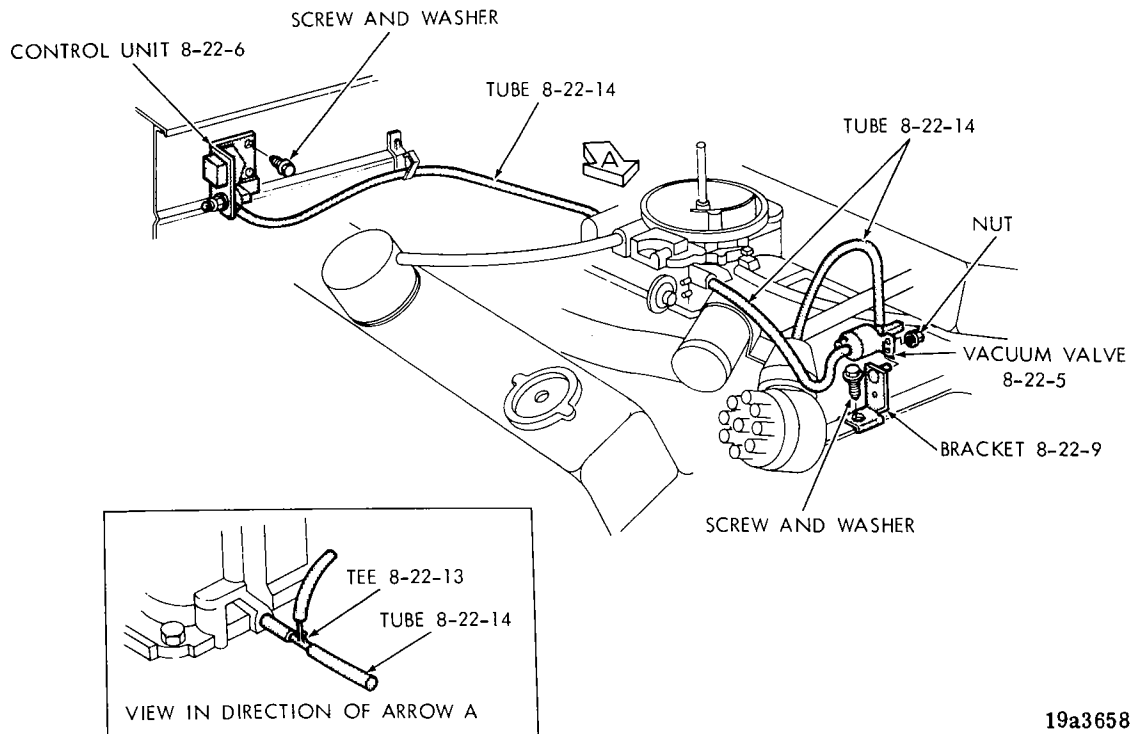


NOTE: BASIC TRIM NUMBER SHOWN FOR EACH WHEEL. SEE PART TYPE CODE 19-30-4 FOR PART NUMBER. ALSO SEE 8-33-13 AND 8-33-6 FOR PAD AND ORNAMENT. ALSO SEE 19-30-43 FOR CENTER AND SPOKE COVERS.

19a3545A



NO_x CONTROL SYSTEM - AUTOMATIC TRANSMISSION



19a3658

NO_x SPARK ADVANCE CONTROL DASH AND ENGINE ROUTING

CODE	PART NAME	ENG. TYPE OR CU.IN.	V	B	L	R	W	P	D	C	C	C	Y	PART NUMBER
			1-2	1-2	1-2	1-2	1-2	1-2	1-2	1	2	3	1	
8-01-0 BATTERY AND STARTER CABLE														
8-01-4	CABLE, Ground, Battery and Eng., No. 6 Gauge 27 1/2" Long	6	1	1	1	1	1	—	—	—	—	—	—	2983 771
	No. 4 Gauge, 23" Long	8	1	—	1	—	—	—	—	—	—	—	—	2983 778
	No. 4 Gauge, 23" Long, except 426 Eng.	8	—	1	—	1	1	—	—	—	—	—	—	2983 778
	No. 2 Gauge, 18" Long, w. 426 Eng.	8	—	1	—	1	1	—	—	—	—	—	—	2983 776
	No. 4 Gauge, 23" Long		—	—	—	—	—	1	1	1	1	1	—	2983 778
	No. 2 Gauge, 28" Long	70	—	—	—	—	—	—	—	—	—	—	1	2983 780
	No. 8 Gauge, 15" Long	71	—	—	—	—	—	—	—	—	—	—	1	3513 509
8-01-5	PLUG, Battery Vent	71	AR	AR	AR	AR	AR	AR	AR	AR	AR	AR	AR	3438 684
8-01-7	STRAP, Battery Ground Cable Battery	6	1	—	1	1	1	—	—	—	—	—	—	6015 149
	CLIP, Battery Wiring Starter Motor Mtg.	8	—	—	—	—	—	1	1	1	1	1	1	6015 636
8-01-11	BOLT, Battery Cable Clamp		2	2	2	2	2	2	2	2	2	2	2	1622 535
8-01-12	NUT, Battery Cable Clamp Bolt		2	2	2	2	2	2	2	2	2	2	2	1622 536
8-01-17	CABLE, Positive, Battery to Starter													
	Motor to Starter Relay	70	6	1	—	1	—	—	—	—	—	—	—	2983 731
		71	6	1	—	1	—	—	—	—	—	—	—	2983 649
			8	1	—	1	—	—	—	—	—	—	—	2770 662
			6	—	1	—	—	—	—	—	—	—	—	2983 649
	w 318 and 340 Eng.		8	—	1	—	—	—	—	—	—	—	—	2983 648
	w 383 and 440 Eng.		8	—	1	—	—	—	—	—	—	—	—	2983 649
	Std.	70	6	—	—	—	1	1	—	—	—	—	—	2983 594
	Heavy Duty, w Auto. Trans.	70	6	—	—	—	1	1	—	—	—	—	—	2983 594
	Heavy Duty, w Manual Trans.	70	6	—	—	—	1	1	—	—	—	—	—	2983 593
	Std.	71	6	—	—	—	1	1	—	—	—	—	—	2983 649
	Heavy Duty, w Auto. Trans.	71	6	—	—	—	1	1	—	—	—	—	—	2983 649
	Heavy Duty, w 3 Speed Manual Trans., Column Shift Exp.	71	6	—	—	—	1	1	—	—	—	—	—	2983 649
	Heavy Duty, w Manual Trans.	71	6	—	—	—	1	1	—	—	—	—	—	3513 513
	Heavy Duty, w 3 Speed Manual Trans., Floor Shift, Exp.	71	6	—	—	—	1	1	—	—	—	—	—	3513 513
	w 318 Eng.	70	8	—	—	—	1	1	—	—	—	—	—	2926 083
	w 318 and 340 Eng.	71	8	—	—	—	1	1	—	—	—	—	—	2983 648
	w 383 and 440 Eng.	70	8	—	—	—	1	1	—	—	—	—	—	2926 085
	w 383 and 440 Eng.	71	8	—	—	—	1	1	—	—	—	—	—	2983 649
	w Auto. Trans.	70	6	—	—	—	—	1	1	—	—	—	—	2983 547
	Std., w 3 Speed Manual Trans., P except Sta. Wgn.	70	6	—	—	—	—	1	1	—	—	—	—	2983 821
	Heavy Duty, w 3 Speed Manual Trans., P except Sta. Wgn.	70	6	—	—	—	—	1	1	—	—	—	—	2983 822
	Std.	71	6	—	—	—	—	1	1	—	—	—	—	3513 266
	Heavy Duty, w Auto. Trans.	71	6	—	—	—	—	1	1	—	—	—	—	3513 266
	Heavy Duty, w 3 Speed Manual Trans.	71	6	—	—	—	—	1	1	—	—	—	—	3513 268
	w 60 Amp. Alternator	70		—	—	—	—	1	1	1	1	1	1	2983 636
		71	8	—	—	—	—	1	1	1	1	1	1	3513 196
		70	8	—	—	—	—	1	1	1	1	1	1	2983 499
	Battery and Manual Trans. Switch and Low Oil Switch, w 426 Eng.	70	8	—	1	—	—	—	—	—	—	—	—	2983 718
	Battery and Manual Trans. Switch and Low Oil Switch, w 426 Eng.	71	8	—	1	—	—	—	—	—	—	—	—	3513 303
	Battery and Auto. Trans. Switch and Low Oil Switch, w 426 Eng.	70	8	—	1	—	—	—	—	—	—	—	—	2983 719
	Battery and Auto. Trans. Switch and Low Oil Switch, w 426 Eng.	71	8	—	1	—	—	—	—	—	—	—	—	3513 304
	Oil and B Up Lamp Switch, w Manual Trans., w 426 Eng.	70	8	—	—	—	1	1	—	—	—	—	—	2983 702
	Oil and B Up Lamp Switch, w Manual Trans., w 426 Eng.	71	8	—	—	—	1	1	—	—	—	—	—	3513 303
	Oil and Neutral Safety Switch, w Auto. Trans., w 426 Eng.	70	8	—	—	—	1	1	—	—	—	—	—	2983 160

CARLINES

J - Challenger
B - BarracudaV - Valiant
L - DartR - Belvedere - Satellite
W - Coronet - ChargerP - Plymouth
D - DodgeC - Chrysler
Y - Imperial

AR Indicates use as required.

≠ Indicates parts not listed in any previous parts book.

Numerals in parentheses () refer to notes.

★ Indicates change or addition.

Printed in U.S.A.
January 1972

CODE	PART NAME	ENG. TYPE OR CU.IN.	V	B	L	R	W	P	D	C	C	C	Y	PART NUMBER
			1-2	1-2	1-2	1-2	1-2	1-2	1-2	1	2	3	1	
8-01-0 BATTERY AND STARTER CABLE Cont'd.														
8-01-17	CABLE Cont'd. Oil and Neutral Safety Switch, w/Auto. Trans., w/426 Eng.	71	8	—	—	—	1	1	—	—	—	—	—	3513 304
8-01-23	SCREW and WASHER, Battery Ground Cable, w/318 and 340 Eng.		8	1	1	1	—	—	—	—	—	—	—	6026 919
	SCREW and WASHER, w/426 Eng.		8	—	1	—	1	1	—	—	—	—	—	6025 393
	SCREW and WASHER, w/318 Eng.		8	—	—	—	1	1	1	1	—	—	—	6026 919
	BOLT, to Body			1	1	1	1	1	2	2	2	2	2	6028 505
8-05-0 DOME LAMP AND SWITCH														
8-05-2	LAMP, Dome and Reading, B 2D.H.T., J Sp. 2D.H.T.	70		—	1	—	—	—	1	1	—	—	—	2947 912
	B-P 2 D.H.T.	71		—	1	—	—	—	1	1	—	—	—	3488 441
	2 D.H.T., w/Formal Roof Pkg., J	71		—	1	—	—	—	—	—	—	—	—	3488 441
	LAMP, Dome, D-L, D-M, C-E, C-L, Y-L D except D-M, D-H, up to approx. Nov. 15, 1970	70		—	—	—	—	—	1	1	1	1	1	2947 928
	after approx. Nov. 15, 1970	71		—	—	—	—	—	1	1	1	1	1	3488 440
8-05-6	HOUSING, Dome Lamp 2 D.H.T.			1	—	1	1	1	—	—	—	—	—	2292 994
	w/Relocating Dome Lamp, 2D. and 4D., P-E Canada			—	1	—	—	—	1	—	—	—	—	2292 994
	w/Relocating Dome Lamp, 4D., D-E, D-L, D-S Canada			—	—	—	—	—	1	—	—	—	—	2292 994
	w/o Relocating Dome Lamp 70 Canada			—	—	—	—	—	1	1	—	—	—	2822 520
	HOUSING, CLIP and TERMINAL, Dome Lamp, Rr. Sta. Wgn.	70		—	—	—	1	1	—	—	—	—	—	2926 129
	HOUSING and SWITCH, Dome Lamp, Rr., Sta. Wgn.			—	—	—	1	1	1	1	1	—	—	2161 308
8-05-8	BEZEL and LENS, Dome Lamp, Rr., Sta. Wgn.			—	—	—	1	1	1	1	1	—	—	2161 307
8-05-10	GASKET, Dome Lamp, Rr., Sta. Wgn.			—	—	—	1	1	1	1	1	—	—	2589 097
8-05-12	SOCKET, Dome Lamp 2 D.H.T.			1	—	1	1	1	—	—	—	—	—	1704 875
	w/Relocating Dome Lamp, 2D. and 4D., P-E Canada			—	1	—	—	—	1	—	—	—	—	1704 875
	w/Relocating Dome Lamp, 4D., D-E, D-L, D-S Canada			—	—	—	—	—	1	—	—	—	—	1704 875
8-05-23	LENS, Dome Lamp 2 D.H.T.			1	—	1	1	1	—	—	—	—	—	2292 995
	w/Relocating Dome Lamp, 2D. and 4D., P-E Canada			—	1	—	—	—	1	—	—	—	—	2292 995
	w/Relocating Dome Lamp, 4D., D-E, D-L, D-S Canada			—	—	—	—	—	1	—	—	—	—	2292 995
8-05-28	BRACKET, Dome Lamp, Rr., Sta. Wgn. Dome Lamp Mtg., except Sta. Wgn.	71		—	—	—	1	1	—	—	—	—	—	2086 597
	Sta. Wgn.	71		—	—	—	1	1	—	—	—	—	—	3488 492
	Dome Lamp Mtg. to Roof Bow, 2D.H.T., Y-L	70		—	—	—	—	—	1	1	1	1	1	3488 197
	P 2D. and 2D.H.T., D 2D.H.T., C 2D.H.T.	71		—	—	—	—	—	1	1	1	1	1	2947 534
	except Cv. Cp. and Sta. Wgn.	70		—	—	—	—	—	1	—	—	—	—	2947 535
	2D., 4D. and 4D.H.T.	70		—	—	—	—	—	1	1	1	1	1	2947 535
	Fastback, 4D. and 4D.H.T.	71		—	—	—	—	—	1	1	1	1	1	2947 535
8-05-31	CONTACT, Dome Lamp Socket			AR	AR	AR	AR	AR	AR	AR	AR	AR	AR	2256 966
8-05-32	CORE, Dome Lamp Socket, Rr., Sta. Wgn.			—	—	—	1	1	1	1	—	—	—	2161 316

CARLINES

J - Challenger
B - BarracudaV - Valiant
L - DartR - Belvedere - Satellite
W - Coronet - ChargerP - Plymouth
D - DodgeC - Chrysler
Y - Imperial

AR Indicates use as required.

Indicates parts not listed in any previous parts book.

Numerals in parentheses () refer to notes.

★ Indicates change or addition.

Printed in U.S.A.
January 1972

CODE	PART NAME	ENG. TYPE OR CU.IN.	V	B	L	R	W	P	D	C	C	C	Y	PART NUMBER
			1-2	1-2	1-2	1-2	1-2	1-2	1-2	1	2	3	1	
8-10-0 UNDERHOOD LAMP														
8-10-1	LAMP PACKAGE		1	1	1	1	1	1	1	1	1	1	1	2580 612
8-10-2	SWITCH		1	1	1	1	1	1	1	1	1	1	1	2580 611
8-10-3	SLEEVE		1	1	1	1	1	1	1	1	1	1	1	1264 933
8-11-0 QUARTER OR COURTESY LAMP														
8-11-2	LAMP, Courtesy, Cv. Cp.	70	—	—	—	—	—	1	—	—	—	—	—	2947 493
		70	—	—	—	—	—	—	1	—	—	—	—	2947 493
	Arm Rest Switch, Lt. Door		—	—	—	—	—	—	—	—	—	—	1	2926 574
	Backlite Courtesy	71	—	—	—	—	—	—	—	—	—	—	2	3488 439
8-11-6	SWITCH and COVER, Arm Rest Courtesy Lamp		—	—	—	—	—	—	—	—	—	—	2	2926 601
8-11-8	SOCKET, Pocket Panel Lamp, Cv. Cp.	70	—	2	—	2	2	—	—	—	—	—	—	2926 848
	Cv. Cp.	71	—	2	—	—	—	—	—	—	—	—	—	2926 848
	W-M, W-H 2 D.H.T., W-P except Sta. Wgn., W-S	70	—	—	—	2	2	—	—	—	—	—	—	2426 141
	P-H, 2 D.H.T. and Sp. 2 D.H.T., D-L 2 D.H.T. and Cv. Cp., D-H 2 D.H.T., C-E 2 D.H.T. and Cv. Cp., C-H 2 D.H.T.	70	—	—	—	—	—	2	2	2	2	2	—	2426 141
	P-M 2 D.H.T. and Fastback, P-H 2 D.H.T., Fastback and 4 D.H.T., P-P, C-E, 2 D.H.T., C-H 2 D.H.T.	71	—	—	—	—	—	2	—	2	2	2	—	2426 141
	C-E 2 D.H.T. and Cv. Cp., C-H 2 D.H.T.	70	—	—	—	—	—	—	1	1	1	—	—	1314 619
	2 D.H.T., C-E	71	—	—	—	—	—	—	1	—	1	—	—	1314 619
		71	—	—	—	—	—	—	—	1	—	—	—	1314 619
	w/BRKT., Courtesy Lamp	71	—	—	—	—	—	2	2	—	—	—	—	3513 600
	Arm Rest Switch Lamp, Lt. Door		—	—	—	—	—	—	—	—	—	—	1	2584 971
8-11-11	NUT, Console Courtesy Lp. Mtg.	70	—	—	—	4	4	4	4	4	4	4	—	6027 630
	NUT, Courtesy Lp. Mtg.	70	—	—	—	—	—	—	2	—	—	—	—	1839 995
	U/NUT, Arm Rest Switch Lp. Mtg. Brkt. Mtg., Lt. Door	70	—	—	—	—	—	—	—	—	—	—	2	6025 502
8-11-12	LENS, Qtr. Arm Rest Courtesy Lp. Ret., Cv. Cp.	70	—	—	—	—	—	1	1	1	1	—	—	2879 246-7
	Rr. Console Lamp, C-E 2D.H.T. and Cv. Cp., C-H 2D.H.T.	70	—	—	—	—	—	—	—	1	1	1	—	2631 727
	C-E 2D.H.T., C-S 2D.H.T., C-H 2D.H.T. and 4D.H.T.	71	—	—	—	—	—	—	—	1	1	1	—	2631 727
	Backlite Courtesy Lamp		—	—	—	—	—	—	—	—	—	—	2	2947 716
	Arm Rest Switch Lamp, Black, Lt. Door	70	—	—	—	—	—	—	—	—	—	—	1	2927 358
8-11-15	HOUSING, Rr. Console Lamp, C-E 2D.H.T. and Cv. Cp., C-H 2D.H.T.	70	—	—	—	—	—	—	—	1	1	1	—	2631 728
	C-E 2D.H.T., C-S 2D.H.T., C-H 2D.H.T. and 4D.H.T.	71	—	—	—	—	—	—	—	1	1	1	—	2631 728
	Door Courtesy Lamp		—	—	—	—	—	—	—	—	—	—	2	2572 774
	Door Arm Rest Switch Plate and Remote Handle, w/o Light	Fr. Rt.	—	—	—	—	—	—	—	—	—	—	1	2878 344
	w/Light	Fr. Lt.	—	—	—	—	—	—	—	—	—	—	1	2878 347
	w/o Light	Rr.	—	—	—	—	—	—	—	—	—	—	1	2878 344-5
8-11-16	BEZEL, Console Courtesy Lamp, R-M, R-P, R-S, W-M, W-H 2D.H.T., W-P except Sta. Wgn., W-S, P-H 2D.H.T. and Sp. 2D.H.T., P-M except Sta. Wgn., D 2D.H.T. and Cv. Cp., C-E 2D.H.T. and Cv. Cp., C-H 2D.H.T.	70	—	—	—	2	2	2	2	2	2	2	—	2572 521
	2D.H.T., P-M, P-H, P-P, C-E	71	—	—	—	—	—	2	—	2	2	2	—	2572 521
CARLINES	J - Challenger B - Barracuda	V - Valiant L - Dart	R - Belvedere - Satellite W - Coronet - Charger						P - Plymouth D - Dodge			C - Chrysler I - Imperial		
AR Indicates use as required.			Numerals in parentheses () refer to notes.						Printed in U.S.A. January 1972					
# Indicates parts not listed in any previous parts book.			★ Indicates change or addition.											

CODE	PART NAME	ENG. TYPE OR CU.IN.	V	B	L	R	W	P	D	C	C	C	Y	PART NUMBER
			1-2	1-2	1-2	1-2	1-2	1-2	1	2	3	1		
8-11-0 QUARTER OR COURTESY LAMP Cont'd.														
8-11-16	BEZEL Cont'd.													
	P Fastback, C-H 4D.H.T.	71	—	—	—	—	—	2	—	—	—	2	—	2572 521
	GRILLE, Arm Rest Courtesy Lp. Lens, Cv. Cp.	70	—	—	—	—	—	2	2	2	2	—	—	2879 258
	BEZEL, LENS, RETAINER and SEAL, Courtesy Lamp, Cv. Cp.	70	—	—	—	—	—	1	—	—	—	—	—	2947 845
		70	—	—	—	—	—	—	1	—	—	—	—	2947 845
	BEZEL, Door Courtesy Lamp Backlite Courtesy Lamp		—	—	—	—	—	—	—	—	—	—	2	2572 776
			—	—	—	—	—	—	—	—	—	—	2	2572 776
8-11-18	CONTACT, Socket		AR	AR	AR	AR	AR	AR	AR	AR	AR	AR	AR	2256 966
8-11-21	SCREW, Arm Rest Switch Lamp Mtg. SCREW and WASHER, Arm Rest Switch Lamp Mtg. Brkt. Mtg.	70 70	—	—	—	—	—	—	—	—	—	—	2	6027 962
8-11-24	RETAINER and STUD, Roof Console Courtesy Lamp, B 2D.H.T., J Sp. 2D.H.T.	70	—	1	—	—	—	—	—	—	—	—	—	3415 613
	2 D.H.T., B-P, J w/Formal Roof Pkg.	71	—	1	—	—	—	—	—	—	—	—	—	3415 613
8-11-25	BRACKET, Qtr. Arm Rest Courtesy Lamp Ret., Cv. Cp.	70	—	—	—	—	—	1	1	1	1	—	—	2877 432-3
8-11-28	CORE, Backlite Courtesy Lamp Socket Door Courtesy Lamp Socket	70	—	—	—	—	—	—	—	—	—	—	2	2161 316
			—	—	—	—	—	—	—	—	—	—	2	2161 316
8-11-29	CONTACT, INSULATOR and SPRING PACKAGE, Pocket Panel Lamp, Cv. Cp.		—	2	—	—	—	—	—	—	—	—	—	2983 167
	Courtesy Lamp	71	—	—	—	—	—	2	2	—	—	—	—	2983 168
8-12-0 AUTOMATIC DOOR LAMP SWITCH														
8-12-2	SWITCH, 2 Terminal	Frnt.	2	—	2	2	2	—	—	—	—	—	—	2947 844
	2 Terminal	Frnt.	—	2	—	—	—	2	2	2	2	2	2	2889 084
	3 Terminal	Frnt. 71	2	—	2	2	2	—	—	—	—	—	—	3488 435
	3 Terminal	Frnt. 71	—	2	—	—	—	2	2	2	2	2	2	3488 442
		Rr.	—	—	—	2	2	2	2	2	2	2	2	2822 592
	Door Ajar, B 2 D.H.T., J Fastback	70	—	2	—	—	—	—	—	—	—	—	—	2947 560
	2 D.H.T., B-P, J w/Formal Roof Pkg.	71	—	1	—	—	—	—	—	—	—	—	—	2947 560
8-12-4	SHIELD, Door Ajar Switch, B 2D.H.T., J Fastback	70	—	2	—	—	—	—	—	—	—	—	—	2947 562
	2D.H.T., B-P, J w/Formal Roof Pkg.	71	—	2	—	—	—	—	—	—	—	—	—	2947 562
8-12-6	BRACKET, Rr. Door Auto. Lamp Switch Mtg.	70	—	—	—	1	1	—	—	—	—	—	—	2631 718-9
8-12-13	SOCKET, O/Hd. Console Door Ajar Warning Lamp, B 2D.H.T., J Fastback	70	—	1	—	—	—	—	—	—	—	—	—	2983 581
	2D.H.T., B-P, J	71	—	1	—	—	—	—	—	—	—	—	—	2983 581
8-13-0 TRUNK LAMP														
8-13-1	LAMP PACKAGE	70	1	1	1	1	1	1	1	1	1	1	1	2580 612
	V, L except Fastback	71	1	—	1	—	—	—	—	—	—	—	—	2580 612
	LAMP and SWITCH	70	—	1	—	—	—	—	—	—	—	—	—	2947 516
		71	—	1	—	—	—	—	—	—	—	—	—	3488 436
	except Sta. Wgn.		—	—	—	—	—	—	1	—	—	—	—	2947 517
8-13-2	SWITCH		1	—	1	—	—	—	—	—	—	—	—	2580 611
	except Sta. Wgn.	70	—	—	—	1	1	—	—	—	—	—	—	2580 611
	except Sta. Wgn.	71	—	—	—	1	1	—	—	—	—	—	—	2947 286
	except Sta. Wgn.		—	—	—	—	—	1	—	1	1	1	1	2947 286
8-13-3	SOCKET, w/BRKT.	70	1	—	1	—	—	—	—	—	—	—	—	2096 857
	V, L except Fastback	71	1	—	1	—	—	—	—	—	—	—	—	2096 857
	except Sta. Wgn.	70	—	—	—	1	1	—	—	—	—	—	—	2096 857
CARLINES	J - Challenger B - Barracuda	V - Valiant L - Dart	R - Belvedere - Satellite W - Coronet - Charger				P - Plymouth D - Dodge			C - Chrysler Y - Imperial				

AR Indicates use as required.

Indicates parts not listed in any previous parts book.

Numerals in parentheses () refer to notes.

★ Indicates change or addition.

Printed in U.S.A.
January 1972

CODE	PART NAME	ENG. TYPE OR CU.IN.	V	B	L	R	W	P	D	C	C	C	Y	PART NUMBER	
			1-2	1-2	1-2	1-2	1-2	1-2	1-2	1	2	3	1		
8-13-0 TRUNK LAMP Cont'd.															
8-13-4	CONTACT, INSULATOR and SPRING PACKAGE, Socket except Sta. Wgn.		1	—	1	—	—	—	—	—	—	—	—	2584 972	
			—	—	—	1	1	—	—	—	—	—	—	2584 972	
8-13-5	INSULATOR, Socket except Sta. Wgn.	70	1	—	1	—	—	—	—	—	—	—	—	1345 803	
			—	—	—	1	1	—	—	—	—	—	—	1345 803	
8-13-6	CONTACT, Socket except Sta. Wgn.	70	2	—	2	—	—	—	—	—	—	—	—	2256 966	
			—	—	—	2	2	—	—	—	—	—	—	2256 966	
8-14-0 SIDE MARKER LAMP, ROAD LAMP AND X-PRESS SUPER LITE															
8-14-1	LAMP and REFLECTOR PACKAGE, Side Marker except 2D.H.T. 2D.H.T. Rr. 70 2D.H.T. except 2D.H.T. Rr. 71 Amber, 2 D.H.T. Rr. 71 LAMP, B, P-K, P-T, P-E, P-L, P-M, P-H Sta. Wgn. Fr. 70 B Fr. 71 LAMP, REFLECTOR and BEZEL PACKAGE, B Fr. 70 LAMP, REFLECTOR and BEZEL PACKAGE, B Rr. 70 Rr. 71 LAMP, B Rr. 70 B, up to approx. Sept., 1970 Rr. 71 B, after approx. Sept., 1970 Rr. 71 J Fr. 70 J Rr. 70 Fr. 70 except Fastback Rr. 71 Amber, except Fastback, Fr. 70 Fastback Rr. 71 LAMP and REFLECTOR PACKAGE Fr. 70 LAMP and REFLECTOR PACKAGE, except Sta. Wgn. Rr. 70 LAMP, 2D.H.T. Fr. 71 4D. and Sta. Wgn. Fr. 71 4D. Rr. 71 2D.H.T. Rr. 71 except Charger and Charger R/T Fr. 70 Charger and Charger R/T Fr. 70 4 D., Up to May 1, 1971 Fr. 71 Sta. Wgn., Up to May 1, 1971, W-K, W-L, W-H Fr. 71 After May 1, 1971 Fr. 71 Sta. Wgn., Up to May 1, 1971, W-P Fr. 71 After May 1, 1971 Fr. 71 2D.H.T. and Fastback Fr. 71 except Charger and Charger R/T Rr. 70 Charger and Charger R/T Rr. 70 4D. Rr. 71 2D.H.T. and Fastback Rr. 71 except Sta. Wgn., P-H Fr. 70 LAMP, REFLECTOR and BEZEL PACKAGE, except Sta. Wgn. Rr. 70			2	—	—	—	—	—	—	—	—	—	—	3420 790
			2	—	—	—	—	—	—	—	—	—	—	3420 790	
			2	—	—	—	—	—	—	—	—	—	—	3620 764	
			2	—	—	—	—	—	—	—	—	—	—	3420 823	
			2	—	—	—	—	—	—	—	—	—	—	3403 684-5	
			2	—	—	—	—	—	—	—	—	—	—	3420 823	
			1	—	—	—	—	—	—	—	—	—	—	3479 404-5	
			—	2	—	—	—	2	—	—	—	—	—	3403 618	
			—	2	—	—	—	2	—	—	—	—	—	3403 618	
			—	1	—	—	—	—	—	—	—	—	—	3420 646-7	
			—	1	—	—	—	—	—	—	—	—	—	3420 714-5	
			—	1	—	—	—	—	—	—	—	—	—	= 3621 622-3	
			—	2	—	—	—	—	—	—	—	—	—	3403 637	
			—	2	—	—	—	—	—	—	—	—	—	3403 637	
			—	2	—	—	—	—	—	—	—	—	—	3479 424	
			—	1	—	—	—	—	—	—	—	—	—	3403 454-5	
			—	1	—	—	—	—	—	—	—	—	—	3403 472-3	
			—	—	1	—	—	—	—	—	—	—	—	3403 674-5	
			—	—	1	—	—	—	—	—	—	—	—	3403 684-5	
			—	—	1	—	—	—	—	—	—	—	—	3403 684-5	
			—	—	1	—	—	—	—	—	—	—	—	3479 404-5	
			—	—	2	—	—	—	—	—	—	—	—	3620 718	
			—	—	—	1	—	—	—	—	—	—	—	3420 788-9	
			—	—	—	1	—	—	—	—	—	—	—	3420 828-9	
			—	—	—	2	—	—	—	—	—	—	—	3514 401	
			—	—	—	2	—	—	—	—	—	—	—	3514 412	
			—	—	—	2	—	—	—	—	—	—	—	3514 414	
			—	—	—	2	—	—	—	—	—	—	—	3514 416	
			—	—	—	—	1	—	—	—	—	—	—	3403 774-5	
			—	—	—	—	1	—	—	—	—	—	—	3403 738-9	
			—	—	—	—	1	—	—	—	—	—	—	3514 422-3	
			—	—	—	—	1	—	—	—	—	—	—	3514 422-3	
			—	—	—	—	2	—	—	—	—	—	—	= 3621 800	
			—	—	—	—	1	—	—	—	—	—	—	3514 424-5	
			—	—	—	—	2	—	—	—	—	—	—	= 3621 801	
			—	—	—	—	2	—	—	—	—	—	—	3579 152	
			—	—	—	—	1	—	—	—	—	—	—	3403 570-1	
			—	—	—	—	1	—	—	—	—	—	—	3403 748-9	
			—	—	—	—	2	—	—	—	—	—	—	3579 151	
			—	—	—	—	2	—	—	—	—	—	—	3579 153	
			—	—	—	—	—	1	—	—	—	—	—	3403 718-9	
			—	—	—	—	—	—	1	—	—	—	—	3420 854-5	
CARLINES	J - Challenger B - Barracuda	V - Valiant L - Dart	R - Belvedere - Satellite W - Coronet - Charger	P - Plymouth D - Dodge	C - Chrysler Y - Imperial										

AR Indicates use as required.

Indicates parts not listed in any previous parts book.

Numerals in parentheses () refer to notes.

★ Indicates change or addition.

Printed in U.S.A.
January 1972

CODE	PART NAME	ENG. TYPE OR CU.IN.	V	B	L	R	W	P	D	C	C	C	Y	PART NUMBER
			1-2	1-2	1-2	1-2	1-2	1-2	1-2	1	2	3	1	
8-14-0 SIDE MARKER LAMP, ROAD LAMP AND X-PRESS SUPER LITE Cont'd.														
8-14-1	LAMP and REFLECTOR PACKAGE Cont'd.													
	LAMP, except Sta. Wgn.	Rr.	—	—	—	—	—	2	—	—	—	—	—	3403 637
		Frnt.	—	—	—	—	—	—	1	—	—	—	—	3403 438-9
	except Sta. Wgn.	Rr. 70	—	—	—	—	—	—	1	—	—	—	—	3403 448-9
	except Sta. Wgn.	Rr. 71	—	—	—	—	—	—	1	—	—	—	—	3479 008-9
	C-E, C-L	Rr.	—	—	—	—	—	—	—	1	1	1	—	3403 496-7
		Frnt.	—	—	—	—	—	—	—	1	1	1	—	3403 508-9
		Rr.	—	—	—	—	—	—	—	—	—	—	1	3403 430-1
	LAMP, Road Lamp, B		—	2	—	—	—	—	—	—	—	—	—	3403 840
	LAMP, X-Press Super Lite, w/PLATE Complete	70	—	—	—	—	—	—	1	—	—	—	—	2998 608
		70	—	—	—	—	—	—	1	—	—	—	—	2998 400
8-14-2	BRACKET, Side Marker Lamp, Mtg.	Rr.70	2	—	—	—	—	—	—	—	—	—	—	3403 736
	except 2 D.H.T.	Rr. 71	2	—	—	—	—	—	—	—	—	—	—	3403 736
	2 D.H.T.	Rr. 71	2	—	—	—	—	—	—	—	—	—	—	3403 692
	Road Lamp, B	70	—	1	—	—	—	—	—	—	—	—	—	3403 838-9
	Road Lamp, B	71	—	1	—	—	—	—	—	—	—	—	—	3479 316-7
	J	Frnt.	—	2	—	—	—	—	—	—	—	—	—	3403 468
	J	Rr.	—	2	—	—	—	—	—	—	—	—	—	3403 486
		Frnt.	—	—	2	—	—	—	—	—	—	—	—	3403 682
		Rr. 70	—	—	2	—	—	—	—	—	—	—	—	3403 692
	except Fastback	Rr. 71	—	—	2	—	—	—	—	—	—	—	—	3403 692
	Fastback	Rr. 71	—	—	2	—	—	—	—	—	—	—	—	3403 736
	except Sta. Wgn.	Rr. 70	—	—	—	1	—	—	—	—	—	—	—	3403 828-9
	except Charger and Charger R/T	Frnt. 70	—	—	—	—	1	—	—	—	—	—	—	3403 784-5
	except Charger, Charger R/T and Sta. Wgn.	Rr. 70	—	—	—	—	1	—	—	—	—	—	—	3403 580-1
	Charger, Charger R/T	Frnt. 70	—	—	—	—	1	—	—	—	—	—	—	3403 746-7
	Charger, Charger R/T	Rr. 70	—	—	—	—	1	—	—	—	—	—	—	3403 756-7
	SUPPORT, Side Marker Lamp Mtg., except Sta. Wgn., P-H	Frnt. 70	—	—	—	—	—	2	—	—	—	—	—	2930 703
	BRACKET, except Sta. Wgn.	Rr.	—	—	—	—	—	2	—	—	—	—	—	3403 770
	X-Press Super Lite Mtg. Panel	Inner 70	—	—	—	—	—	—	1	—	—	—	—	2949 362
	Side Marker Lamp	Frnt.	—	—	—	—	—	—	1	—	—	—	—	3403 446-7
	except Sta. Wgn.	Rr. 70	—	—	—	—	—	—	1	—	—	—	—	3403 794-5
	except Sta. Wgn.	Rr. 71	—	—	—	—	—	—	1	—	—	—	—	3479 346
	w/o Cornering Lamp	Frnt.	—	—	—	—	—	—	—	2	2	2	—	3403 506
	C-E, C-L	Rr.	—	—	—	—	—	—	—	2	2	2	—	3403 506
8-14-3	SOCKET, Side Marker Lamp	Rr.	2	2	2	—	—	—	—	—	—	—	—	2983 545
	except Sta. Wgn., C-E, C-L	Rr. 70	—	—	—	2	2	2	2	2	2	2	2	2983 545
	except Sta. Wgn.	71	—	—	—	2	2	—	—	—	—	—	—	3513 314
	except Sta. Wgn.	Rr. 71	—	—	—	—	—	2	—	2	2	2	—	2983 545
		Frnt. 71	2	2	2	—	—	2	—	2	2	2	2	2097 003
	SOCKET, CABLE and EXTENSION, Sta. Wgn.	Rr.	—	—	—	—	—	2	2	—	—	—	—	3403 790
	SOCKET and BOOT, w/ Cornering Lamp	Frnt. 70	—	—	—	—	—	—	2	2	2	2	—	2983 279
		Frnt. 70	—	—	—	—	—	—	—	—	—	—	2	2983 279
8-14-4	CONTACT, Fender Side Marker Lamp Socket		AR	AR	AR	AR	AR	AR	AR	AR	AR	AR	AR	2256 966
8-14-6	LENS, Side Marker Lamp, Amber	Frnt. 70	2	—	—	2	—	—	—	—	—	—	—	3403 765
	Amber	Frnt. 71	2	—	—	—	—	—	—	—	—	—	—	3403 765
	R except Sta. Wgn.	Rr. 70	2	—	—	2	—	—	—	—	—	—	—	3403 737
	V except 2 D.H.T., L Fastback	Rr. 71	2	—	2	—	—	—	—	—	—	—	—	3403 737
	Amber, V except 2 D.H.T., L Fastback	Rr. 71	2	—	2	—	—	—	—	—	—	—	—	3403 765
	Amber, R 4D.	Rr. 70	2	—	—	2	—	—	—	—	—	—	—	3403 765
	Amber, B, P-K, P-T, P-E, P-L, P-M, P-H		—	2	—	—	—	2	—	—	—	—	—	3403 622
	Sta. Wgn.	Frnt. 70	—	2	—	—	—	2	—	—	—	—	—	3403 622
	Amber, B	Frnt. 71	—	2	—	—	—	2	—	—	—	—	—	3403 622
	Amber, B	Rr.	—	2	—	—	—	—	—	—	—	—	—	3403 622

CARLINES J - Challenger B - Barracuda V - Valiant L - Dart

R - Belvedere - Satellite W - Coronet - Charger P - Plymouth D - Dodge

C - Chrysler Y - Imperial

AR Indicates use as required.

Numerals in parentheses () refer to notes.

Printed in U.S.A. January 1972

Indicates parts not listed in any previous parts book.

★ Indicates change or addition.

CODE	PART NAME	ENG. TYPE OR CU.IN.	V	B	L	R	W	P	D	C	C	C	Y	PART NUMBER
			1-2	1-2	1-2	1-2	1-2	1-2	1-2	1	2	3	1	
8-14-0 SIDE MARKER LAMP, ROAD LAMP AND X-PRESS SUPER LITE Cont'd.														
8-14-6	LENS Cont'd.													
	Red, B, P except Sta. Wgn.	Rr.	—	2	—	—	—	2	—	—	—	—	—	3403 638
	LENS and GASKET PACKAGE, J	Frnt.	—	1	—	—	—	—	—	—	—	—	—	3420 794-5
	J	Rr.	—	1	—	—	—	—	—	—	—	—	—	3420 820-1
	Amber, J, Exp.	Rr.	—	1	—	—	—	—	—	—	—	—	—	3420 928-9
		Frnt.	—	—	1	—	—	—	—	—	—	—	—	3420 730-1
		Rr. 70	—	—	1	—	—	—	—	—	—	—	—	3420 782-3
	V 2 D.H.T., L except Fastback	Rr. 71	1	—	1	—	—	—	—	—	—	—	—	3420 782-3
	Amber	Rr. 70	—	—	1	—	—	—	—	—	—	—	—	3420 926-7
	Amber, V 2 D.H.T., L except													
	Fastback	Rr. 71	1	—	1	—	—	—	—	—	—	—	—	3420 926-7
		Frnt. 70	—	—	—	—	1	—	—	—	—	—	—	3420 792-3
	except Charger, Charger R/T and Sta.													
	Wgn.	Rr. 70	—	—	—	—	1	—	—	—	—	—	—	3420 830-1
	except Sta. Wgn., P-H	Frnt. 70	—	—	—	—	—	1	—	—	—	—	—	3420 842-3
		Frnt.	—	—	—	—	—	—	1	—	—	—	—	3420 866-7
	except Sta. Wgn.	Rr. 70	—	—	—	—	—	—	1	—	—	—	—	3420 868-9
	except Sta. Wgn.	Rr. 71	—	—	—	—	—	—	1	—	—	—	—	3514 376-7
	Amber, Exp., 4 D.	Rr. 71	—	—	—	—	—	—	1	—	—	—	—	3620 700-1
	w/o Cornering Lamp	Frnt.	—	—	—	—	—	—	—	1	1	1	—	3420 862-3
	except Sta. Wgn.	Rr.	—	—	—	—	—	—	—	1	1	1	—	3420 852-3
		Rr.	—	—	—	—	—	—	—	—	—	—	1	3420 796-7
8-14-8	CONTACT, INSULATOR and SPRING													
	PACKAGE, Socket		AR	AR	AR	AR	AR	AR	AR	AR	AR	AR	AR	2584 972
			AR	AR	AR	AR	AR	AR	AR	AR	AR	AR	AR	2983 322
8-14-9	BEZEL, Road Lamp, B		—	2	—	—	—	—	—	—	—	—	—	3403 845
	Side Marker Lamp, up to approx. June													
	1, 1970, B	Frnt. 70	—	1	—	—	—	—	—	—	—	—	—	3403 630-1
	after approx. June 1, 1970	Frnt. 70	—	1	—	—	—	—	—	—	—	—	—	3479 380-1
	B	Frnt. 71	—	1	—	—	—	—	—	—	—	—	—	3479 380-1
	up to approx. June 1, 1970, B	Rr. 70	—	1	—	—	—	—	—	—	—	—	—	3403 640-1
	after approx. June 1, 1970, B	Rr. 70	—	1	—	—	—	—	—	—	—	—	—	3479 386-7
	B	Rr. 71	—	1	—	—	—	—	—	—	—	—	—	3479 386-7
	Sta. Wgn., W-K, W-L, W-H, P-K, P-L,													
	P-M, D-L, D-M, C w/Ornament													
	Pkg.	Rr. 70	—	—	—	2	2	2	2	2	—	—	—	2932 932
	BEZEL and REFLECTOR PACKAGE, Sta.													
	Wgn., W-P	Rr. 70	—	—	—	—	2	—	—	—	—	—	—	3514 385
	P-K, P-T, P-E, P-L, P-M, P-H Sta.													
	Wgn.	Frnt. 70	—	—	—	—	—	1	—	—	—	—	—	3479 382-3
		Frnt. 71	—	—	—	—	—	1	—	—	—	—	—	3479 382-3
	except Sta. Wgn., P-H	Frnt. 70	—	—	—	—	—	1	—	—	—	—	—	3403 728-9
	except Sta. Wgn., up to approx. June 1,													
	1970	Rr. 70	—	—	—	—	—	1	—	—	—	—	—	3403 766-7
	except Sta. Wgn., after approx. June 1,													
	1970	Rr. 70	—	—	—	—	—	1	—	—	—	—	—	3479 384-5
	except Sta. Wgn.	Rr. 71	—	—	—	—	—	1	—	—	—	—	—	3479 384-5
	Sta. Wgn., P-H	Rr. 70	—	—	—	—	—	2	—	—	—	—	—	3514 334
	Sta. Wgn., P-K, P-L, P-M, D-E, D-L,													
	D-H, D-S, C w/Ornament Pkg.	Rr. 71	—	—	—	—	—	2	2	2	—	—	—	2932 932
	Sta. Wgn., P-H, C w/o Ornament													
	Pkg.	Rr. 71	—	—	—	—	—	2	—	2	—	—	—	3620 759
	X-Press Super Lite, D-H, D-P	70	—	—	—	—	—	—	1	—	—	—	—	2998 548
	Sta. Wgn., D-H	Rr. 70	—	—	—	—	—	—	2	—	—	—	—	3514 383
	Sta. Wgn., w/o Ornament Pkg.	Rr. 70	—	—	—	—	—	—	—	2	—	—	—	3514 383
8-14-13	GASKET, Frnt. Side Marker Lp. Bezel, B, P-K,													
	P-T, P-E, P-L, P-M, P-H Sta. Wgn.	70	—	2	—	—	—	2	—	—	—	—	—	3403 624
	Frnt. Side Marker Lp. Bezel, B	71	—	2	—	—	—	2	—	—	—	—	—	3403 624
	Rr. Side Marker Lp. Bezel, B, P except													
	Sta. Wgn.		—	2	—	—	—	2	—	—	—	—	—	3403 624
CARLINES	J - Challenger B - Barracuda	V - Valiant L - Dart	R - Belvedere - Satellite W - Coronet - Charger	P - Plymouth D - Dodge	C - Chrysler Y - Imperial									

AR Indicates use as required.

Indicates parts not listed in any previous parts book.

Numerals in parentheses () refer to notes.

★ Indicates change or addition.

Printed in U.S.A.
January 1972

CODE	PART NAME	ENG. TYPE OR CU.IN.	V	B	L	R	W	P	D	C	C	C	Y	PART NUMBER
			1-2	1-2	1-2	1-2	1-2	1-2	1-2	1	2	3	1	
8-14-0 SIDE MARKER LAMP, ROAD LAMP AND X-PRESS SUPER LITE Cont'd.														
8-14-13	GASKET Cont'd.													
	Frnt. Side Marker Lp. Lens, B, P-K, P-T, P-E, P-L, P-M, P-H Sta. Wgn.	70	—	2	—	—	—	2	—	—	—	—	—	3403 621
	B	71	—	2	—	—	—	2	—	—	—	—	—	3403 621
	Rr. Side Marker Lp. Lens, B, P except Sta. Wgn.		—	2	—	—	—	2	—	—	—	—	—	3403 621
	Rr. Side Marker Lp. Lens, except Sta. Wgn.	71	—	—	—	—	—	—	2	—	—	—	—	3479 018
8-14-15	SPRING, X-Press Super Lite Adj.	70	—	—	—	—	—	—	1	—	—	—	—	2949 173
		70	—	—	—	—	—	—	1	—	—	—	—	2998 628
8-14-17	PANEL, X-Press Super Lite Mtg.	70	—	—	—	—	—	—	1	—	—	—	—	2949 361
8-14-18	BOOT, X-Press Super Lite	70	—	—	—	—	—	—	1	—	—	—	—	2949 254
8-14-19	REFLECTOR, Frnt. Side Marker Lp., B, P-K, P-T, P-E, P-L, P-M, P-H Sta. Wgn., up to approx. April 1, 1970	Amber 70	—	2	—	—	—	2	—	—	—	—	—	3403 627
	after approx. April 1, 1970	Amber 70	—	2	—	—	—	2	—	—	—	—	—	3620 708
	B, Exp.	Amber 71	—	2	—	—	—	—	—	—	—	—	—	3403 627
	Rr. Side Marker Lp., B, P except Sta. Wgn.	Red 70	—	2	—	—	—	2	—	—	—	—	—	3403 646
	Rr. Side Marker Lp., Sta. Wgn.	70	—	—	—	2	2	2	2	2	—	—	—	2930 963
	Rr. Side Marker Lp., B, P except Sta. Wgn., up to approx. April 1, 1970	Amber 70	—	2	—	—	—	2	—	—	—	—	—	3403 627
	after approx. April 1, 1970	Amber 70	—	2	—	—	—	2	—	—	—	—	—	3620 709
	Frnt. Side Marker Lp., B	Amber 71	—	2	—	—	—	2	—	—	—	—	—	3620 708
	Rr. Side Marker Lp., B, P except Sta. Wgn.	Amber 71	—	2	—	—	—	2	—	—	—	—	—	3620 709
8-14-20	RETAINER, Rr. Side Marker Lp. and Reflector Bezel, B		—	2	—	—	—	—	—	—	—	—	—	3403 635
	Frnt. Side Marker Lp. and Reflector Bezel, B		—	2	—	—	—	—	—	—	—	—	—	3403 635
	Frnt. Side Marker Lp. and Reflector Bezel, P-K, P-T, P-E, P-L, P-M, P-H Sta. Wgn.	70	—	—	—	—	—	2	—	—	—	—	—	3403 635
	Frnt. Side Marker Lp. and Reflector Bezel	71	—	—	—	—	—	2	—	—	—	—	—	3403 635
	Rr. Side Marker Lp. and Reflector Mtg., except Sta. Wgn.	70	—	—	—	1	—	—	—	—	—	—	—	3403 828-9
	X-Press Superlite Bezel, D-H, D-P	70	—	—	—	—	—	—	1	—	—	—	—	2949 424
8-14-23	SWITCH, Road Lamp, B	70	—	1	—	—	—	—	—	—	—	—	—	2947 772
	B	71	—	1	—	—	—	—	—	—	—	—	—	3488 447
		70	—	—	—	—	—	—	1	—	—	—	—	2947 764
	CAP, Switch Mtg.		—	—	—	—	—	—	AR	—	—	—	—	6027 455
8-14-24	DECAL PACKAGE, Side Marker Lamp	Fury Frnt.	—	—	—	—	—	2	—	—	—	—	—	= 3685 270
		Fury I Frnt.	—	—	—	—	—	2	—	—	—	—	—	= 3685 272
		Fury II Frnt.	—	—	—	—	—	2	—	—	—	—	—	= 3685 274
		Fury III Frnt.	—	—	—	—	—	2	—	—	—	—	—	= 3685 276
		Sport Fury Frnt.	—	—	—	—	—	2	—	—	—	—	—	= 3685 278
			—	2	—	—	—	—	—	—	—	—	—	3403 886
8-14-25	CUP WASHER, Road Lamp, B		—	2	—	—	—	—	—	—	—	—	—	
8-14-27	NUT and WASHER, Frnt. Fender Side Marker Lp. and Reflector Socket and Plate Att.	70	4	—	—	4	—	—	—	—	—	—	—	6023 214
	C/NUT, Qtr. Panel Side Marker Lp. Mtg.	70	4	—	—	—	—	—	—	—	—	—	—	6027 639
	C/NUT, Frnt. Fender Side Marker Lp. and Reflector Bezel Mtg., B, P-K, P-T, P-E, P-L, P-M, P-H Sta. Wgn.	70	—	4	—	—	—	4	—	—	—	—	—	6027 639
	C/NUT, Frnt. Fender Side Marker Lp. Mtg., B, P-K, P-T, P-E, P-L, P-M, P-H Sta. Wgn.	70	—	4	—	—	—	4	—	—	—	—	—	6028 399

CARLINES J - Challenger V - Valiant
B - Barracuda L - Dart

R - Belvedere - Satellite P - Plymouth
W - Coronet - Charger D - Dodge

C - Chrysler
Y - Imperial

AR Indicates use as required.

Indicates parts not listed in any previous parts book.

Numerals in parentheses () refer to notes.

★ Indicates change or addition.

Printed in U.S.A.
January 1972

CODE	PART NAME	ENG. TYPE OR CU.IN.	V	B	L	R	W	P	D	C	C	C	Y	PART NUMBER
8-14-0 SIDE MARKER LAMP, ROAD LAMP AND X-PRESS SUPER LITE Cont'd.														
8-14-27	NUT and WASHER Cont'd.													
	C/NUT, Qtr. Panel Side Marker Lp. Mtg., B, P except Sta. Wgn.	70	—	4	—	—	—	4	—	—	—	—	—	6028 399
	C/NUT, Qtr. Panel Side Marker Lp. and Reflector Bezel Mtg., B	70	—	4	—	—	—	—	—	—	—	—	—	6027 639
	C/NUT, Frt. Fender Side Marker Lp. and Reflector Mtg., J, C w/o Cornering Lp.	70	—	4	4	—	4	—	—	4	4	4	—	6027 625
	C/NUT, Qtr. Panel Side Marker Lp. Reflector Mtg., J, W except Sta. Wgn., C-E, C-L	70	—	4	4	—	4	—	—	4	4	4	—	6027 625
	C/NUT, Qtr. Panel Side Marker Lp. and Reflector Mtg., except Sta. Wgn.	70	—	—	—	4	—	—	—	—	—	—	—	6027 639
	J/NUT, Side Marker Lp. Reflector Bezel Mtg., Sta. Wgn.	70	—	—	—	4	4	4	4	4	—	—	—	6023 481
	NUT and WASHER, Frt. Fender Side Marker Lamp Mtg.	70	—	—	—	—	—	6	—	—	—	—	—	6023 201
	NUT, X-Press Super Lite Att. Snap Collar	70	—	—	—	—	—	—	2	—	—	—	—	6027 948
	NUT, X-Press Super Lite Att. Plate	70	—	—	—	—	—	—	2	—	—	—	—	6027 944
	U/NUT, X-Press Super Lite Att.	70	—	—	—	—	—	—	2	—	—	—	—	6025 506
	C/NUT, Rr. Bumper Side Marker Lp. and Reflector Mtg., except Sta. Wgn.	70	—	—	—	—	—	—	4	—	—	—	—	6027 625
	NUT, X-Press Super Lite Sw. Mtg.	70	—	—	—	—	—	—	1	—	—	—	—	2427 119
	J/NUT, Rr. Bumper Side Marker Lp. and Reflector	70	—	—	—	—	—	—	—	—	—	—	4	6024 214
8-14-29	RELAY and BRACKET, Road Lamp, B	70	—	1	—	—	—	—	—	—	—	—	—	3004 186
	B	71	—	1	—	—	—	—	—	—	—	—	—	3513 557
8-15-0 CHASSIS AND BODY WIRING														
8-15-2	WIRING, H/Lamp and Eng. Comp't.	70	6	1	—	1	—	—	—	—	—	—	—	2983 423
		71		1	—	1	—	—	—	—	—	—	—	3513 577
	w/318 and 340 Eng.	70	8	1	—	1	—	—	—	—	—	—	—	2983 424
		70		—	—	—	—	—	—	—	—	—	—	2983 812
		71		—	—	—	—	—	—	—	—	—	1	3513 623
	Eng. Comp't.	71	6	1	—	1	—	—	—	—	—	—	—	3513 578
	w/318 and 340 Eng.	71	8	1	—	1	—	—	—	—	—	—	—	3513 579
	w/340 Eng., w/Elect. Ignition Control	71		1	—	1	—	—	—	—	—	—	—	= 3513 746
		70	6	—	1	—	—	—	—	—	—	—	—	2983 435
		71	6	—	1	—	—	—	—	—	—	—	—	3513 551
	w/318 and 340 Eng.	70	8	—	1	—	—	—	—	—	—	—	—	2983 437
	w/318 and 340 w/1-4 Bbl. Carb., Eng.	71	8	—	1	—	—	—	—	—	—	—	—	3513 251
	2D.H.T., w/340 Eng., w/3-2 Bbl. Carb.	70	8	—	1	—	—	—	—	—	—	—	—	2983 886
	w/383 and 440 w/1-4 Bbl. Carb., Eng.	70	8	—	1	—	—	—	—	—	—	—	—	2983 809
	w/383 Eng.	71	8	—	1	—	—	—	—	—	—	—	—	3513 252
	Eng., w/426 Eng. From Altr. to Eng. Idle Solenoid to Ignition Coil to Temp. Gauge	8		—	1	—	1	1	—	—	—	—	—	2983 490
	Eng. Comp't., From Altr. Regulator to Ignition Ballast to Bulkhead Connector	8		—	1	—	1	1	—	—	—	—	—	2983 491
	w/426 Eng.	71	8	—	1	—	—	—	—	—	—	—	—	3513 294
	w/440 Eng., w/3-2 Bbl. Carb.	70	8	—	1	—	—	—	—	—	—	—	—	2983 734
	w/440 Eng., w/3-2 Bbl. Carb.	71	8	—	1	—	—	—	—	—	—	—	—	3513 253
		70	6	—	—	—	1	1	—	—	—	—	—	2983 462
		71	6	—	—	—	1	1	—	—	—	—	—	3513 551
	w/60 Amp. Alternator	70		—	—	—	1	1	—	—	—	—	—	2983 726

CARLINES

J - Challenger
B - BarracudaV - Valiant
L - DartR - Belvedere - Satellite
W - Coronet - ChargerP - Plymouth
D - DodgeC - Chrysler
Y - Imperial

AR Indicates use as required.

Indicates parts not listed in any previous parts book

Numerals in parentheses () refer to notes.

★ Indicates change or addition

Printed in U.S.A.
January 1972

CODE	PART NAME	ENG. TYPE OR CU.IN.	V	B	L	R	W	P	D	C	C	C	Y	PART NUMBER
			1-2	1-2	1-2	1-2	1-2	1-2	1-2	1	2	3	1	
8-15-2	WIRING Cont'd.													
	w/60 Amp. Alternator	71	—	—	—	1	1	—	—	—	—	—	—	3513 514
	w/65 Amp. Compact L/N Altr.	70	—	—	—	1	1	—	—	—	—	—	—	2926 789
	w/65 Amp. Compact L/N Altr.	71	—	—	—	1	1	—	—	—	—	—	—	3513 515
	w/318 Eng.	70	8	—	—	1	1	—	—	—	—	—	—	2983 464
	w/318 and 340 Eng.	71	8	—	—	1	1	—	—	—	—	—	—	3513 251
	w/340 Eng., w/Elect. Ignition Control	71		—	1	—	1	1	—	—	—	—	—	= 3513 747
	w/383 and 440 w/1-4 Bbl. Carb., Eng.	70	8	—	—	—	1	1	—	—	—	—	—	2983 808
	w/383 and 440 w/1-4 Bbl. Carb., Eng.	71	8	—	—	—	1	1	—	—	—	—	—	3513 252
	w/426 Eng.	71	8	—	—	—	1	1	—	—	—	—	—	3513 294
	w/440 Eng., w/3-2 Bbl. Carb.	70	8	—	—	—	1	1	—	—	—	—	—	2983 591
	w/440 Eng., w/3-2 Bbl. Carb.	71	8	—	—	—	1	1	—	—	—	—	—	3513 253
		70	6	—	—	—	—	1	1	—	—	—	—	2983 373
		71	6	—	—	—	—	1	1	—	—	—	—	3513 261
	w/60 Amp. Altr.	71	6	—	—	—	—	1	1	—	—	—	—	3513 520
	w/65 Amp. Compact L/N Altr.	70		—	—	—	—	1	1	—	—	—	—	2983 376
	w/65 Amp. Compact L/N Altr.	71		—	—	—	—	1	1	—	—	—	—	3513 603
	w/318 Eng.	70	8	—	—	—	—	1	1	—	—	—	—	2983 374
	w/318 and 360 Eng.	71	8	—	—	—	—	1	1	—	—	—	—	3513 262
	w/60 Amp. Altr., w/318 and 360 Eng.	71	8	—	—	—	—	1	1	—	—	—	—	3513 523
	w/383 and 440 w/1-4 Bbl. Carb., Eng.	70	8	—	—	—	—	1	1	—	—	—	—	2983 811
	w/383 and 440 Eng.	71	8	—	—	—	—	1	1	—	—	—	—	3513 263
	w/60 Amp. Altr., w/383 and 440 Eng.	71	8	—	—	—	—	1	1	—	—	—	—	3513 522
	w/440 Eng., w/3-2 Bbl. Carb.	70	8	—	—	—	—	1	—	—	—	—	—	2983 807
		70	8	—	—	—	—	—	—	1	1	1	—	2983 810
	w/360 Eng.	71	8	—	—	—	—	—	—	1	—	—	—	= 3513 693
	w/360 Eng., w/60 Amp. Altr., w/A/Cond., w/Auto. Temp. Control	71	8	—	—	—	—	—	—	1	—	—	—	= 3513 694
	w/383 and 440 Eng.	71	8	—	—	—	—	—	—	1	1	1	—	3513 195
	w/60 Amp. Altr., w/383 and 440 Eng.	71	8	—	—	—	—	—	—	1	1	1	—	3513 521
	Road Lamp, B	70		—	1	—	—	—	—	—	—	—	—	2983 711
	B	71		—	1	—	—	—	—	—	—	—	—	3513 573
	H/Lamp to Bulkhead, B	70		—	1	—	—	—	—	—	—	—	—	2983 492
	J	71		—	1	—	—	—	—	—	—	—	—	3513 512
	J	70		—	1	—	—	—	—	—	—	—	—	2983 432
	W Charger and Charger R/T	70		—	—	—	1	1	—	—	—	—	—	2983 519
	4D. and Sta. Wgn.	71		—	—	—	1	—	—	—	—	—	—	3513 248
	w/426 Eng.	71	8	—	—	—	1	—	—	—	—	—	—	3513 247
	w/340, 383, w/1-4 Bbl. Carb. and 440 Eng. w/Carb. Fresh Air Pkg., R-M			—	—	—	—	—	—	—	—	—	—	
	R-S	71	8	—	—	—	1	—	—	—	—	—	—	3513 247
	R-H, R-P, 2D.H.T., W except Fastback	71	8	—	—	—	1	1	—	—	—	—	—	3513 247
	w/340, 383 w/1-4 Bbl. Carb. and 440 Eng., w/o Carb. Fresh Air Pkg., R-M, R-S	71	8	—	—	—	1	—	—	—	—	—	—	3513 250
	w/Turn Ind. Fender Hd. Mtd., W except Charger and Charger R/T	70		—	—	—	—	1	—	—	—	—	—	2983 468
	w/o Turn Ind. Fender Hd. Mtd., W except Charger and Charger R/T	70		—	—	—	—	1	—	—	—	—	—	2983 761
	w/Concealed H/Lamp, w/383 w/1-4 Bbl. Carb. and 440 Eng., W-M, W-S	71	8	—	—	—	—	1	—	—	—	—	—	3513 249
	Fastback	71		—	—	—	—	1	—	—	—	—	—	3513 249
	w/o Turn Ind. Fender Hd. Mtd., P-K, P-T, P-E, P-L, P-M	70		—	—	—	—	—	1	—	—	—	—	2983 367
	w/o Turn Ind. Fender Hd. Mtd., P-K, P-T, P-E, P-L, P-M, D w/o Cornering Lamp	71		—	—	—	—	—	1	1	—	—	—	3513 617

CARLINES

J - Challenger
B - BarracudaV - Valiant
L - DartR - Belvedere - Satellite
W - Coronet - ChargerP - Plymouth
D - DodgeC - Chrysler
Y - Imperial

AR Indicates use as required.

Indicates parts not listed in any previous parts book.

Numerals in parentheses () refer to notes.

★ Indicates change or addition.

Printed in U.S.A.
January 1972

CODE	PART NAME	ENG. TYPE OR CU.IN.	V	B	L	R	W	P	D	C	C	C	Y	PART NUMBER
			1-2	1-2	1-2	1-2	1-2	1-2	1-2	1	2	3	1	
8-15-0 CHASSIS AND BODY WIRING Cont'd.														
8-15-2	WIRING Cont'd.													
	w/Turn Ind. Fender Hd. Mtd.	70						1						2983 379
	w/Turn Ind. Fender Hd. Mtd., P-K, P-T, P-E, P-L, P-M, D w/o Cornering Lamp	71						1	1					3513 618
	P-M w/Grand Coupe Pkg., P-H, P-P	71						1						3513 619
	w/o Cornering Lamp	70							1					2983 367
	w/Cornering Lamp	70							1					2983 369
	w/Cornering Lamp	71							1					3513 620
	w/o Cornering Lamp	70								1		1		2983 460
	w/o Cornering Lamp	71								1	1	1		3513 621
	w/Cornering Lamp	70								1		1		2983 368
	w/Cornering Lamp	71								1	1	1		3513 622
	w/Cornering Lamp	70									1			2983 461
	Manual Trans. Switch, w/Nox Exhaust Emission Control	71		1		1								3513 605
	Manual Trans. Switch, w/340 Eng., w/Nox Exhaust Emission Control	71	8		1		1	1						3513 607
	Manual Trans. Switch, w/Nox Exhaust Emission Control	71						1	1	1				3513 374
	Auto. Trans. Switch	70						1	1	1	1	1	1	2983 800
	Auto. Trans. Switch, w/Nox Exhaust Emission Control	71						1	1	1	1	1	1	3513 203
	Auto. Trans. Switch, w/o Nox Exhaust Emission Control	71						1	1	1	1	1	1	3513 376
	Auto. Trans., w/3 Way Connector on End			1	1	1	1	1	1	1	1	1	1	2926 502
8-15-3	FUSE BLOCK			1		1								2983 640
		70			1				1	1	1	1	1	3420 880
		71			1				1	1				3513 318
		70				1	1							2983 640
	w/o H/Lamp Sentinel	71								1	1	1		3513 318
	w/H/Lamp Sentinel	71								1	1	1		3513 495
		71											1	3513 320
	SCREW, Mtg.	70		1		1	1							6026 394
8-15-4	WIRING, Body, 4D.	70		1										2983 294
	Sp. 2D.H.T.	70		1										2983 476
	4D.	71		1										3513 148
	Fastback	71		1										3513 606
	2D.H.T.	71		1										2983 347
	2D.H.T., B	70			1									2983 454
	2D.H.T., B	71			1									3513 181
	except Cv. Cp., J	70			1									2983 455
	2D.H.T., J	71			1									3513 077
		70				1								2983 347
	Fastback	71				1								3513 018
	except Fastback	71				1								2983 347
	except Cv. Cp. and Sta. Wgn.	70					1							2983 359
	except Sta. Wgn.	71					1	1						3513 338
	Sta. Wgn., w/o Power Tailgate Window	70					1	1						2983 317
	Sta. Wgn., w/Power T/Gate Window	70					1	1						2983 318
	Sta. Wgn., w/Power Tailgate Window and Door Gate Release	71					1	1						3513 311
	2 D., 2 D.H.T. and 4 D., W-K, W-T, W-L W-M, W-H	70						1						2983 340
	2D.H.T. and 4D., W-P, W-S	70						1						2983 337
	Charger and Charger R/T	70						1						2983 344
CARLINES	J - Challenger B - Barracuda	V - Valiant L - Dart					R - Belvedere - Satellite W - Coronet - Charger					P - Plymouth D - Dodge		C - Chrysler Y - Imperial

AR Indicates use as required.

Indicates parts not listed in any previous parts book.

Numerals in parentheses () refer to notes.

★ Indicates change or addition.

Printed in U.S.A.
January 1972

CODE	PART NAME	ENG. TYPE OR CU.IN.	V	B	L	R	W	P	D	C	C	C	Y	PART NUMBER
			1-2	1-2	1-2	1-2	1-2	1-2	1-2	1	2	3	1	
8-15-0 CHASSIS AND BODY WIRING Cont'd.														
8-15-4	WIRING Cont'd.													
	Cv. Cp.	70	—	—	—	—	—	1	—	—	—	—	—	2926 897
	except Cv. Cp. and Sta. Wgn.	70	—	—	—	—	—	1	—	—	—	—	—	2926 893
	Sta. Wgn.	70	—	—	—	—	—	1	1	—	—	—	—	2926 705
	except Sta. Wgn.	71	—	—	—	—	—	1	—	—	—	—	—	3513 022
	Sta. Wgn.	71	—	—	—	—	—	1	1	—	—	—	—	3513 563
	Cv. Cp.	70	—	—	—	—	—	—	1	—	—	—	—	2983 128
	2D.H.T., 4D. and 4D.H.T., D-K, D-T, D-L, D-M	70	—	—	—	—	—	—	1	—	—	—	—	2926 892
	except Sta. Wgn., D-H, D-P	70	—	—	—	—	—	—	1	—	—	—	—	2926 899
	except Sta. Wgn.	71	—	—	—	—	—	—	1	—	—	—	—	3513 271
	Cv. Cp.	70	—	—	—	—	—	—	—	1	1	—	—	2983 112
	2D.H.T., 4D. and 4D.H.T.	70	—	—	—	—	—	—	—	1	1	1	—	2983 113
	Sta. Wgn.	70	—	—	—	—	—	—	—	1	—	—	—	2983 304
	except Sta. Wgn.	71	—	—	—	—	—	—	—	1	1	1	—	3513 554
	Sta. Wgn.	71	—	—	—	—	—	—	—	1	—	—	—	3513 562
		70	—	—	—	—	—	—	—	—	—	—	1	2983 145
		71	—	—	—	—	—	—	—	—	—	—	1	3513 125
	Folding Top Courtesy Lamp and Body, Cv. Cp., B	70	—	1	—	—	—	—	—	—	—	—	—	2983 562
	Cv. Cp., B	71	—	1	—	—	—	—	—	—	—	—	—	3513 182
	Cv. Cp., J	70	—	1	—	—	—	—	—	—	—	—	—	2983 556
	Cv. Cp., J	71	—	1	—	—	—	—	—	—	—	—	—	3513 160
	Cv. Cp., R-M	70	—	—	—	1	—	—	—	—	—	—	—	2983 358
		71	—	—	—	1	—	—	—	—	—	—	—	2983 328
	Cv. Cp.	70	—	—	—	—	1	—	—	—	—	—	—	2983 349
	Overhead Console, B 2D.H.T., J Sp.													
	2D.H.T.	70	—	1	—	—	—	—	—	—	—	—	—	2983 789
	2D.H.T., B-P, J	71	—	1	—	—	—	—	—	—	—	—	—	3513 412
	Console, w/Auto. Trans., R-M, R-P, R-S, W-M, W-H 2 D.H.T., W-P 2 D.H.T., Cv. Cp. and Charger	70	—	—	—	1	1	—	—	—	—	—	—	2926 365
	Console, P-M except Sta. Wgn., P-H 2 D.H.T., Fastback and 4 D.H.T.	70	—	—	—	—	—	1	—	—	—	—	—	2926 365
	Console, except Sta. Wgn., P-M, P-H, P-P	71	—	—	—	—	—	1	—	—	—	—	—	2926 365
	Console, 2D.H.T. and Cv. Cp., D- H	70 Canada	—	—	—	—	—	—	1	—	—	—	—	2926 365
	Console, D-L 2D.H.T. and Cv. Cp., D-H 2D.H.T.	70	—	—	—	—	—	—	1	—	—	—	—	2983 352
	Console, C-E 2D.H.T. and Cv. Cp., C-H 2D.H.T.	70	—	—	—	—	—	—	—	1	1	1	—	2983 447
	Console, C-E 2D.H.T., C-H 2D.H.T.	71	—	—	—	—	—	—	—	1	1	1	—	2983 447
	Rr. Qtr. and Dome Lamp, 2D.H.T., Y-L, up to approx. Jan. 1, 1970	70	—	—	—	—	—	—	—	—	—	—	1	2983 507
	after approx. Jan. 1, 1970	70	—	—	—	—	—	—	—	—	—	—	1	2983 881
	Rr. Qtr. and Courtesy Lamp, 2D.H.T.	70	—	—	—	—	—	—	—	—	—	—	1	2983 532
8-15-13	COVER, Fuse Block Base		1	—	1	1	1	—	—	—	—	—	—	2291 846
	WATER SHIELD, Bulkhead	70	—	—	—	—	—	1	1	1	1	1	1	2926 891
		71	—	—	—	—	—	1	1	1	1	1	1	3513 593
8-15-15	WIRING, H/Lamp Delay Relay	70	1	—	1	—	—	—	—	—	—	—	—	2983 470
	H/Lamp Washer Relay, P-M, P-H P-P	71	—	—	—	—	—	1	—	—	—	—	—	3513 449
8-15-17	WIRING, Brake System Warning Lamp Switch		1	1	1	1	1	1	1	1	1	1	1	2822 623
	CABLE, Brake System Warning Lamp	71	1	—	1	—	—	1	1	1	1	1	1	3513 655
8-15-23	WIRING, Time Delay Relay and Lamp	70	—	—	—	—	—	1	—	—	—	—	—	2983 631
		71	—	—	—	—	—	1	1	—	—	—	—	3513 171
		70	—	—	—	—	—	—	1	—	—	—	—	2983 576
CARLINES	J - Challenger B - Barracuda	V - Valiant L - Dart	R - Belvedere - Satellite W - Coronet - Charger	P - Plymouth D - Dodge	C - Chrysler Y - Imperial									

AR Indicates use as required.

Indicates parts not listed in any previous parts book.

Numerals in parentheses () refer to notes.

★ Indicates change or addition.

Printed in U.S.A.
January 1972

CODE	PART NAME	ENG. TYPE OR CU.IN.	V	B	L	R	W	P	D	C	C	C	Y	PART NUMBER
			1-2	1-2	1-2	1-2	1-2	1-2	1-2	1	2	3	1	
8-15-0 CHASSIS AND BODY WIRING Cont'd.														
8-15-23	WIRING Cont'd.													
	Ignition and Seat Belt Lamp	71	—	—	—	1	1	—	—	—	—	—	—	3513 141
8-15-25	RETAINER, Cowl Side Wiring Conduit													
	Att.	70	—	—	—	2	2	—	—	—	—	—	—	6001 419
	Door Lock Wiring Locator Clip, 4D.H.T.71		—	—	—	—	—	—	—	—	—	—	2	3513 561
8-15-26	WIRING, Ammeter, w/60 Amp.													
	Alternator	71	—	—	—	1	1	—	—	—	—	—	—	3513 591
8-15-27	CABLE, Fusible Link		1	—	1	—	—	—	—	—	—	—	—	2822 229
			—	1	—	—	—	—	—	—	—	—	—	2983 706
	w/60 Amp. Alternator		—	—	—	1	1	—	—	—	—	—	—	2822 692
		70	—	—	—	1	1	—	—	—	—	—	—	2631 828
		71	—	—	—	1	1	—	—	—	—	—	—	2983 706
		70	—	—	—	—	—	1	1	1	1	1	1	2889 419
		71	—	—	—	—	—	1	1	1	1	1	1	3513 537
	CABLE PACKAGE	70	—	—	—	—	—	—	—	—	—	—	1	2983 798
		71	—	—	—	—	—	—	—	—	—	—	1	3513 360
	WIRING, Turn Signal Fuse Cable	70	1	1	1	1	1	1	1	1	1	1	1	2983 883
8-15-32	CLIP and BUSS BAR, Fuse Block Fuse, 2 Way		AR	—	AR	—	—	—	—	—	—	—	—	2291 842
	CLIP and BUSS BAR, Fuse Block Fuse, 3 Way		1	—	1	1	1	—	—	—	—	—	—	2291 841
	CLIP, Fuse Block Ret.		—	2	—	2	2	2	2	2	2	2	2	2983 634
	CLIP and BUSS BAR, Fuse Block		—	2	—	2	2	2	2	2	2	2	1	2926 247
	CLIP, Eng. Comp't Wiring Locator		—	AR	—	—	—	AR	AR	AR	AR	AR	AR	6015 238
	STRAP, Eng. Harness Locator		1	1	—	—	—	—	—	—	—	—	—	2765 032
	CLIP, Eng. Comp't. Wiring Locator		—	—	—	AR	AR	—	—	AR	AR	AR	AR	6015 288
	CLIP, Altr. Wiring Fuel Line		—	—	—	1	1	1	1	—	—	—	—	2765 032
	CLIP and BUSS BAR, Fuse Block, 2 Way		—	—	—	—	—	—	—	—	—	—	1	2926 649
8-15-35	WIRING, Transistor Regulator		1	1	1	1	1	1	1	1	1	1	1	2926 896
8-15-40	WIRING, Auto. H/Lamp Sentinel and Dimmer		—	—	—	—	—	—	—	1	1	1	1	2983 604
			—	—	—	—	—	—	—	1	1	1	—	2983 728
8-15-52	WIRING, Rr. Lamp, Sta. Wgn.		—	—	—	—	—	—	—	1	1	1	—	2983 862
8-15-53	WIRING, Accessory Lamp, V-L	70	1	—	—	—	—	—	—	—	—	—	—	3513 126
	V-L, V-H, L Fastback	71	1	—	1	—	—	—	—	—	—	—	—	2983 646
	V-S	70	1	—	1	—	—	—	—	—	—	—	—	2983 646
	V-S, L-L except Fastback, L-M, L-H	71	1	—	1	—	—	—	—	—	—	—	—	3513 127
	Map, Ignition Switch and Title Lamp	70	—	1	—	—	—	—	—	—	—	—	—	2983 713
		71	—	1	—	—	—	—	—	—	—	—	—	3513 427
	Map Lamp Switch and Socket	70	—	—	—	1	1	—	—	—	—	—	—	2983 589
	Strg. Column Switch Jumper, w/Tilt Strg. Wheel	71	—	—	—	1	1	—	—	—	—	—	—	3513 510
	Dome and Rr. Lamp, Sta. Wgn.	71	—	—	—	1	1	—	—	—	—	—	—	3513 572
	Strg. Column Switch Jumper, w/Tilt and Tilt-Telescopic Strg. Wheel		—	—	—	—	—	1	1	1	1	1	1	2983 684
	Cornering Lamp Jumper, w/Tilt and Tilt-Telescopic Strg. Wheel		—	—	—	—	—	—	1	1	1	1	1	2983 686
	Dome Lamp, except Sta. Wgn.	70	—	—	—	—	—	1	1	1	1	1	—	2983 877
	Sta. Wgn.	70	—	—	—	—	—	1	1	1	—	—	—	2983 878
	except Sta. Wgn., up to approx. Nov. 15, 1970	71	—	—	—	—	—	1	1	1	1	1	—	= 3513 394
	Sta. Wgn., up to approx. Nov. 15, 1970	71	—	—	—	—	—	1	1	1	—	—	—	= 3513 393
	Dome and Rr. Lamp, Sta. Wgn. up to approx. Jan. 1, 1970	70	—	—	—	—	—	1	1	1	—	—	—	2926 407
	after approx. Jan. 1, 1970	70	—	—	—	—	—	1	1	1	—	—	—	2983 879
	Courtesy Lamp	71	—	—	—	—	—	1	1	—	—	—	—	3513 589
	Dome Lamp, 4D.H.T., up to approx. Jan. 1, 1970, Y-L	70	—	—	—	—	—	—	—	—	—	—	1	2983 533
	after approx. Jan. 1, 1970	70	—	—	—	—	—	—	—	—	—	—	1	2983 880
	Rr. Courtesy Lamp, 4D.H.T., Y-M	70	—	—	—	—	—	—	—	—	—	—	1	2983 487
	4D.H.T.	71	—	—	—	—	—	—	—	—	—	—	1	3513 367
CARLINES	J - Challenger B - Barracuda	V - Valiant L - Dart	R - Belvedere - Satellite W - Coronet - Charger	P - Plymouth D - Dodge	C - Chrysler Y - Imperial									

AR Indicates use as required.

Indicates parts not listed in any previous parts book.

Numerals in parentheses () refer to notes.

★ Indicates change or addition.

Printed in U.S.A.
January 1972

8-16-0 CABLE AND CONNECTIONS

CODE

PART NO.

NOTE: For a More Practical and Economical Method of Servicing only the More Complicated Assemblies Will Be Stocked For Service. These Will Be Found in Their Respective Groups.

On the More Simple Assemblies, the Required Length and Size of Cables, Terminals, etc. Should be Specified. For Visual Chart of Insulator and Terminal Packages see Front of Group.

8-16-1	CONNECTOR and TERMINAL PACKAGE, Headlamp Cable	1879 609
	TERMINAL and INSULATOR PACKAGE	
	8 Pole, Male and Female	2448 822
	8 Pole, Male, Upper, Bulkhead Disconnect	2495 223
	8 Pole, Male, Lower, Bulkhead Disconnect	2495 224
	8 Pole, Female	2084 424
	Male and Female	2298 882
	Female, Miniature	2084 421
	Female, Miniature	2240 264
	Male, Miniature	2240 536
	Electric Vent-Wing Motor Wiring	2495 239
	Window Lift Switch, 3 Way	2495 234
	Window Lift Switch, 5 Way, Imperial	2495 235
	Window Lift Switch, 5 Way, P, D, C	2584 954
	Window Lift Switch, 6 Way, w/Lockout Switch	2495 236
	Window Lift Switch, 6 Way, w/o Lockout Switch	2495 237
	Window Lift Switch, 10 Way	2584 843
	Power Vent Switch, 5 Way	2584 953
	Turn Signal Switch Wiring, Female	2495 541
	Turn Signal Switch, Male	2585 030
	Printed Circuit Board	2495 517
	Single Cable, Bullet Type	1843 444
	Seat Adj. Switch, 6 Way	2584 842
	A/Cond. Vac. Switch	2584 841
	Window Lift Switch, 5 Way	2809 016
	Frnt. Door Window Lift Switch, Left, 7 Way	2809 017
	Frnt. Door Window Lift Switch, Right, 10 Way	2809 018
	Frnt. Door Window Lift Switch, Left, 10 Way	2809 019
	Windshield Wiper Switch, Female	2809 039
	Headlamp Switch, 5 Way, Female	2809 038
	Fusible Link, Female	2809 037
	Map Lamp Take-Off Wiring	2809 036
	Auto. Pilot, 4 Way	2809 035
	Windshield Wiper Switch, 4 Way	2809 034
	w/CABLE, Fuel Gage Tank Unit	2230 985
8-16-3	CABLE, No. 8 Brown, 100 Ft. Spool	2275 220
	No. 16 Blue, w/Stripe, 100 Ft. Spool	2421 455
	No. 12 Red, 100 Ft. Spool	1752 491
	No. 14 Green, 100 Ft. Spool	1752 490
	No. 16 Blue, 100 Ft. Spool	1752 489
	No. 18 Yellow, 100 Ft. Spool	1752 488
	No. 10 Black, 100 Ft. Spool	1752 492
	WIRE and Spool Triple CONDUCTOR, No. 14 Gage, Red, Green and Black, 100 Ft. Spool	2298 769
	WIRE and Spool Double CONDUCTOR, No. 14 Gage, Green and Black, 100 Ft. Spool	2298 770
8-16-4	TERMINAL, Female Side	1842 009
	Printed Circuit Board Wiring, Female	2291 259
	Cold Crimp, Female	2291 588
	Printed Circuit Wiring, Female	2258 118
	K-Type, Female	1819 836
	Miniature Blade Wiring, Female	2580 061
	Fuse Block, w/CLIP, Male	2291 838
	Wiring, 1.025" Long, 203 Hole Eyelet, No. 12 Wire	2290 069
	Wiring, .910" Long, Snap-On No. 8 Stud Spade, No. 12 Wire	2258 591
	Wiring, .77" Long, Female K-Type	1704 562
	Wiring, 1.36" Long, No. 6 Eyelet, No. 8 Wire	2258 590
	Wiring, .553" Long, EWL Term. Block, No. 14 Wire	2427 529

CARLINES

J - Challenger
B - BarracudaV - Valiant
L - DartR - Belvedere - Satellite
W - Coronet - ChargerP - Plymouth
D - DodgeC - Chrysler
I - Imperial

AR Indicates use as required.

= Indicates parts not listed in any previous parts book.

Numerals in parentheses () refer to notes.

★ Indicates change or addition.

Printed in U.S.A.
January 1972

8-16-0 CABLE AND CONNECTIONS Cont'd.

CODE

PART NO.

8-16-4 TERMINAL Cont'd.

	Wiring, .570" Long, for Nail Hd. Term. Sending Unit, No. 18 Wire	2427 736
	Wiring, 1.625" Long, 47 Hole Eyelet, No. 6 Wire	2197 947
	Wiring, .697" Long, Female Hair Pin, No. 12 Wire	2427 848
	Wiring, Fuse Clip	2290 207
	Wiring, .083" Pin Female Type	2926 174
	w/INSULATOR and CABLE, Glove Box Lamp, No. 16 Red	2257 443
	w/INSULATOR and CABLE, Glove Box Lamp, No. 14 Brown	2257 444
	Cable Connector	870 821
	Electric Window Lift Safety Switch Wiring	903 895
	Printed Circuit Board Clip	2427 725
	Turn Signal Switch and Horn Wiring	2496 532
	Battery to Starter Cable	2197 945
	Ignition Coil Feed Cable	2496 541
	Block, Single Post	2771 917
	Qtr. Courtesy Lamp Bulb	2822 565
	Dome Lamp Wiring, Female	2889 434
	Dome Lamp Wiring, Male	2889 435
	Circuit Breaker Feed and Rr. Dome Lamp Hsg. Ground	2926 050
	A/Cond. and Heater Control Lamp and Socket	1842 012
	Cluster Wiring Ground	2926 594
	Reading Lamp Ground Wire	2926 607
	Cluster Lamp Wiring	2926 617
	Wiring Fuse Clip	2926 722
	Body Wiring, 6 Way Male, Imperial	2983 237
	Body Wiring, 6 Way Female, Imperial	2983 239
	Wiring, .093 Pin Male	2983 409
	Wiring, .093 Pin Female	2983 410
	Wiring, .125 Pin Male	2983 411
	Wiring, .125 Pin Female	2983 412
	Alternator Wiring	2983 508
	Strg. Wheel Horn Wire	2996 872
	Frnt. Fender Side Marker Lamp	2983 754
	Horn Button Switch	2257 839
	Dr. Switch Wiring Insulator	2983 513
	Frnt. Fender Side Marker Lamp Socket	2983 882
	Nox Emission Switch Wiring	3513 482
	Park and T/Signal Socket Ground	3513 307
	Side Marker Socket Wiring	3513 586
	Concealed H/Lamp Relay Wiring	3513 637
	Wiring, .156 Dia., Male	3513 543
	Wiring, .156 Dia., Female	3513 544
8-16-5	SLEEVE, Wiring Terminal, Black	1264 933
	Starting Motor Terminal	930 304
	Starting Motor Terminal	1188 502
8-16-6	INSULATOR, Alternator Battery Terminal	2291 093
	Printed Circuit Board Wiring Terminal, 5 Pole, Female	2291 258
	Printed Circuit Wiring Terminal	2258 651
	Headlamp Switch, 7 Pole, Female	2258 102
	Neutral Safety Cable Terminal	2497 701
	Back-Up Lamp Switch Wiring	2770 859
	A/Cond. and Heater Vac. Control Switch Wiring, 3 Way	2857 754
	Terminal Wiring, 2 Way	2857 761
	Starter and Ignition Switch Wiring	2889 597
	Dome Lamp Wiring Terminal, 2 Way, Female	2889 427
	Dome Lamp Wiring Terminal, 2 Way, Male	2889 428
	Ignition Lamp Time Delay Relay	2889 650
	Dome Lamp Wiring Terminal, Female	2889 542
	Dome Lamp Wiring Terminal, Male	2889 543
	Qtr. Courtesy Lamp	2926 051
	Bulkhead Disconnect, 8 Pole, Upper	2427 191
	Bulkhead Disconnect, 8 Pole, Lower	2427 192
	Terminal Wiring, 8 Pole, Male, w/Center Ridge	2631 318
	Terminal Wiring, 8 Pole, Male, w/Upper Ridge	2631 319

CARLINES

J - Challenger
B - BarracudaV - Valiant
L - DartR - Belvedere - Satellite
W - Coronet - ChargerP - Plymouth
D - DodgeC - Chrysler
Y - Imperial

AR Indicates use as required.

Numerals in parentheses () refer to notes.

Printed in U.S.A.

Indicates parts not listed in any previous parts book.

★ Indicates change or addition.

January 1972

8-16-0 CABLE AND CONNECTIONS Cont'd.

CODE		PART NO.
8-16-6	INSULATOR Cont'd.	
	Terminal Wiring, 8 Pole, Male, w/Lower Ridge	2631 317
	Bulkhead Connector Wiring Terminal, 4 Pole, Male, w/Lower Ridge on Lt. Side	2926 254
	Bulkhead Connector Wiring Terminal, 4 Pole, Male, w/Lower Ridge on Rt. Side	2926 255
	Bulkhead Connector Wiring Terminal, 8 Pole, Male, w/Upper Ridge	2926 256
	Bulkhead Connector Wiring Terminal, 8 Pole, Male, w/Center Ridge	2926 257
	Bulkhead Connector Wiring Terminal, 8 Pole, Male, w/Upper and Lower Ridge	2926 258
	Seat Adj. Wiring Terminal, 8 Way	2926 374
	w/Lift Switch Wiring Terminal, 5 Way	2926 172
	w/Lift Switch Wiring Terminal, 10 Way	2926 171
	Power Vent Switch Terminal, 5 Way, Lt. Frt. Door	2926 204
	Cornering Lamp Switch Wiring Terminal, 3 Way, Male	2983 407
	Wiring Terminal, 6 Way Male	2983 237
	Wiring Terminal, 6 Way Female	2983 239
	Ignition Switch Wiring Terminal, 8 Way, Male	2983 401
	Ignition Switch Wiring Terminal, 8 Way, Female	2983 402
	Speed Control Switch Wiring Terminal, 4 Way, Male	2983 405
	Speed Control Switch Wiring Terminal, 4 Way, Female	2983 406
	Turn Signal Switch Wiring Terminal, 8 Way, Male	2983 403
	Wiring Terminal, 8 Way, Female	2983 404
	Wiring Terminal, 3 Way, Female	2983 408
	Low Fuel Relay, 4 Way, Female	2983 335
	Turn Signal Fuse Cable Wiring Terminal	2983 884
	Concealed H/Lamp Relay	2291 663
	Ammeter and Oil Ind. Dial	2809 009
	Dr. Switch Wiring	2983 514
	Inst. Cluster Lamp Socket	1838 911
	Tailgate Switch Wiring, Female	3513 150
	ATC Control Wiring, 8 Way	3513 154
	ATC Control Wiring, 5 Way, 1.360" Length	3513 155
	ATC Control Wiring, 5 Way, 1.249" Length	3513 156
	Inst. Panel Wiring, 6 Way Female	3513 347
	Body Wiring, 6 Way Male	3513 348
	A/Cond. and Heater Switch	3513 477
	Nox Emission Thermal Switch Wiring	3513 507
	Wiring Terminal, 2 Way Male	3513 350
	Road Lamp Relay Wiring Terminal, 4 Way	3513 550
	Bulkhead	3513 632
	Wiring Terminal, .156 Dia., Male	3513 545
	Wiring Terminal, .156 Dia., Female	3513 546
8-16-8	CONNECTOR, 2 Way Polarized, Female	1842 003
	Single Cable	611 898
	Back-Up Lamp Switch Wiring, w/Manual Trans. Self Stripping	2631 340
		2926 651
		665 151
8-16-10	PLUG, Cable Connector, No. 12 Cable	2233 028
	w/WIRING, Molded 2 Pole, Male and Female	2497 346
	w/WIRING, Molded 4 Pole, 2 Male and 2 Female	2231 119
	w/WIRING, Molded 2 Pole, Male and Female	2580 064
8-16-16	MOLD and CABLE, Single Female	2580 065
	Single Male	2580 267
	Dual Female	2926 861
8-16-19	RETAINER, Transistor Regulator Conn.	

NOTES

CARLINES

J - Challenger
B - BarracudaV - Valiant
L - DartR - Belvedere - Satellite
W - Coronet - ChargerP - Plymouth
D - DodgeC - Chrysler
Y - Imperial

AR Indicates use as required.

≠ Indicates parts not listed in any previous parts book.

Numerals in parentheses () refer to notes.

★ Indicates change or addition.

Printed in U.S.A.

January 1972

8-17-0 FUSES

8-17-2	FUSES	AMP.	SIZE	PART NO.
	All Models	1	5/8	149 559
	All Models	2	5/8	148 086
	All Models	2	1-1/4	145 511
	All Models	3	5/8	445 635
	All Models	3	1-1/4	106 652
	All Models	4	1-1/4	148 511
	All Models	5	5/8	126 049
	All Models	5	1-1/4	142 630
	All Models	6	3/4	147 683
	All Models	7-1/2	7/8	150 866
	All Models	7-1/2	1-1/4	455 107
	All Models	9	7/8	147 684
	All Models	10	5/8	142 864
	All Models	10	1-1/4	117 142
	All Models	14	1-1/16	147 685
	All Models	15	1-1/4	120 151
	All Models	20	5/8	106 650
	All Models	20	1-1/4	106 653
	All Models	30	1-1/4	120 114
	All Models	30	1-7/16	147 686
	All Models	60	43/50	2258 284

NOTES

CARLINES

J - Challenger
B - BarracudaV - Valiant
L - DartR - Belvedere - Satellite
W - Coronet - ChargerP - Plymouth
D - DodgeC - Chrysler
Y - Imperial

AR Indicates use as required.

Indicates parts not listed in any previous parts book.

Numerals in parentheses () refer to notes.

★ Indicates change or addition.

Printed in U.S.A.
January 1972

CODE	PART NAME	ENG. TYPE OR CU.IN.	V	B	L	R	W	P	D	C	C	C	Y	PART NUMBER	
			1-2	1-2	1-2	1-2	1-2	1-2	1-2	1	2	3	1		
8-17-0 FUSES Cont'd.															
8-17-23	FUSE HOLDER, H/Lamp Delay Relay	70	1	—	1	—	—	1	1	1	1	1	—	1885 608	
		71	—	—	—	—	—	1	1	1	1	1	—	1885 608	
	Auto. H/Lamp Sentinel and Dimmer		—	—	—	—	—	—	—	1	1	1	1	2257 682	
	Rr. Blower Switch	70	—	—	—	—	—	—	—	—	—	—	1	1885 608	
	Rr. Blower Switch and H/Lamp Washer Relay, P-H, P-P	71	—	—	—	—	—	1	—	—	—	—	1	1885 608	
8-17-30	CIRCUIT BREAKER, w/BRKT., 30 Amp.	70	—	—	—	1	1	—	—	—	—	—	—	3004 122	
	30 Amp.	71	—	1	—	—	—	1	1	1	1	1	1	2926 324	
	30 Amp.	71	—	—	—	1	1	—	—	—	—	—	—	2926 324	
	15 Amp., w/Power Door Lock	70	—	—	—	1	1	1	1	1	1	1	1	2926 325	
	15 Amp., Sta. Wgn., w/Power Door T/Gate Release, up to approx. Jan. 1971	71	—	—	—	1	1	—	—	—	—	—	—	2926 325	
	15 Amp., Sta. Wgn., w/Power Door T/Gate Release, after approx. Jan. 1971	71	—	—	—	1	1	—	—	—	—	—	—	# 3513 738	
	15 Amp., w/Power Door Lock, Up to approx. Jan. 1971	71	—	—	—	—	—	1	1	1	1	1	1	2926 325	
	15 Amp. w/Power Door Lock, after approx. Jan. 1971	71	—	—	—	—	—	1	1	1	1	1	1	# 3513 738	
	5 Amp.			—	—	—	—	1	1	—	1	1	1	1	2983 415
	A/Cond.	71	1	1	1	1	1	1	1	1	1	1	1	1	3450 248
	8-19-0 INSTRUMENT PANEL WIRING														
	8-19-3	WIRING, Inst. Panel, V-L	70	1	—	—	—	—	—	—	—	—	—	—	2983 271
V-L, V-H, L-L Fastback		71	1	—	1	—	—	—	—	—	—	—	—	3513 118	
	V-S, L-M	70	1	—	1	—	—	—	—	—	—	—	—	2983 846	
	V-S, L-M	71	1	—	1	—	—	—	—	—	—	—	—	3513 122	
	w/o Rallye Inst. Panel	70	—	1	—	—	—	—	—	—	—	—	—	2983 829	
	w/o Rallye Inst. Panel	71	—	1	—	—	—	—	—	—	—	—	—	3513 109	
	w/Rallye Inst. Panel	70	—	1	—	—	—	—	—	—	—	—	—	2983 830	
	w/Rallye Inst. Panel	71	—	1	—	—	—	—	—	—	—	—	—	3513 110	
	w/426 Eng.	71	—	1	—	1	1	—	—	—	—	—	—	3513 498	
	w/426, Eng., w/Elect. Ignition Control	71	—	1	—	—	—	—	—	—	—	—	—	# 3513 749	
	w/Auto. Speed Control, except 426 Eng.	70	8	—	1	—	—	—	—	—	—	—	—	2983 249	
	w/o Rr. Seat Speaker, w/AM Radio-Stereo Player, w/AM-FM Multiplex Radio		—	1	—	—	—	—	—	—	—	—	—	2983 246	
	L-L, L-H	70	—	—	1	—	—	—	—	—	—	—	—	2983 534	
	L-L except Fastback, L-H	71	—	—	1	—	—	—	—	—	—	—	—	3513 136	
	R-K, R-T, R-L, R-H, R-P, W-K, W-T, W-L, W-H, W-P except Charger, W-S 2D.H.T. and Cv. Cp. w/o Rallye Inst. Panel	70	—	—	—	1	1	—	—	—	—	—	—	2983 392	
	R-K, R-T, R-L, R-H, W-K, W-T, W-L, W-H71		—	—	—	1	1	—	—	—	—	—	—	3513 083	
	R-M, R-S, W-M, W-S 2D.H.T. and Cv. Cp. w/Rallye Inst. Panel	70	—	—	—	1	1	—	—	—	—	—	—	2983 550	
	R-M, R-P, R-S, W-M, W-P, W-S	71	—	—	—	1	1	—	—	—	—	—	—	3513 085	
	w/426 Eng.	70	8	—	—	1	1	—	—	—	—	—	—	2983 496	
	Charger and Charger R/T	70	—	—	—	—	1	—	—	—	—	—	—	2983 550	
		70	—	—	—	—	—	1	—	—	—	—	—	2983 371	
		71	—	—	—	—	—	—	1	1	—	—	—	3513 167	
	Indicator Lamp	71	—	—	—	1	1	—	—	—	—	—	—	3513 646	
	Low Fuel and Lock Door Ind. Lamp	71	—	—	—	—	—	1	1	—	—	—	—	3513 321	
	w/Aux. Driving Lamp	70	—	—	—	—	—	—	1	—	—	—	—	2983 300	
	w/o Aux. Driving Lamp	70	—	—	—	—	—	—	1	—	—	—	—	2983 301	
	w/o H/Lamp Sentinel	70	—	—	—	—	—	—	—	1	1	1	—	2983 267	
CARLINES	J - Challenger B - Barracuda	V - Valiant L - Dart	R - Belvedere - Satellite W - Coronet - Charger	P - Plymouth D - Dodge	C - Chrysler Y - Imperial										

AR Indicates use as required.

Indicates parts not listed in any previous parts book.

Numerals in parentheses () refer to notes.

★ Indicates change or addition.

Printed in U.S.A.
January 1972

CODE	PART NAME	ENG. TYPE OR CU.IN.	V	B	L	R	W	P	D	C	C	C	Y	PART NUMBER
			1-2	1-2	1-2	1-2	1-2	1-2	1-2	1	2	3	1	
8-19-0 INSTRUMENT PANEL WIRING Cont'd.														
8-19-3	WIRING Cont'd.													
	w/o H/Lamp Sentinel	71	—	—	—	—	—	—	—	1	1	1	—	3513 594
	w/H/Lamp Sentinel	70	—	—	—	—	—	—	—	1	1	1	—	2983 265
	w/H/Lamp Sentinel	71	—	—	—	—	—	—	—	1	1	1	—	3513 339
		70	—	—	—	—	—	—	—	—	—	—	1	2983 541
	w/H/Lamp Sentinel, up to approx. Oct. 1970	71	—	—	—	—	—	—	—	—	—	—	1	3513 402
	From Oct. 1970 to Jan. 1971	71	—	—	—	—	—	—	—	—	—	—	1	3513 690
	after approx. Jan. 1971	71	—	—	—	—	—	—	—	—	—	—	1	= 3513 716
	w/o H/Lamp Sentinel	71	—	—	—	—	—	—	—	—	—	—	1	= 3513 716
	Lamp on Reminder Buzzer Diode	70	1	1	1	1	1	1	1	1	1	1	1	2983 595
	Inst. Warning Lamp and Ammeter	70	—	—	—	—	—	—	—	1	1	1	—	2926 134
		71	—	—	—	—	—	—	—	1	1	1	—	3513 361
	Cluster Lamp	70	—	—	—	—	—	—	—	1	1	1	—	2926 133
	Cluster Lamp	70	—	—	—	—	—	—	—	—	—	—	1	2926 603
	Cluster Lamp	71	—	—	—	—	—	—	—	2	2	2	2	3513 455
8-19-7	WIRING EXTENSION, H/Lamp Switch, 3 Way		—	—	—	—	—	AR	AR	AR	AR	AR	—	2231 105
8-19-10	RETAINER, Inst. Panel Wiring Harness	71	—	—	—	1	1	—	—	—	—	—	—	3513 189
8-19-15	PRINTED CIRCUIT BOARD, V-L		1	—	—	—	—	—	—	—	—	—	—	2771 222
	V-S, L-M		1	—	1	—	—	—	—	—	—	—	—	2771 651-2
	V-H, L-L Fastback	71	1	—	1	—	—	—	—	—	—	—	—	2771 222
	L-L, L-H	Rt. 70	—	—	1	—	—	—	—	—	—	—	—	2771 151
		Lt. 70	—	—	1	—	—	—	—	—	—	—	—	2771 147
	L-L except Fastback, L-H	Rt. 71	—	—	1	—	—	—	—	—	—	—	—	2771 151
		Lt. 71	—	—	1	—	—	—	—	—	—	—	—	2771 147
	R-K, R-T, R-L, R-H, R-P, W-K, W-T, W-L, W-H, W-P except Charger, W-S 2D.H.T. and Cv. Cp. w/o Rallye Inst. Panel	70	—	—	—	1	1	—	—	—	—	—	—	2857 014
	R-M, R-S, W-M, W-P Charger, W-S Charger R/T, W-S 2D.H.T. and Cv. Cp. w/Rallye Inst. Panel	70	—	—	—	1	1	—	—	—	—	—	—	2857 161
	R-K, R-T, R-L, R-H, W-K, W-T, W-L, W-H	71	—	—	—	—	—	—	—	1	—	—	—	2985 415
		70	—	—	—	—	—	—	—	1	—	—	—	2984 922
			—	—	—	—	—	—	—	1	1	1	—	2927 259
			—	—	—	—	—	—	—	—	—	—	1	2984 630
8-19-18	SCREW, Printed Circuit Board Mtg. SCREW and WASHER, to Hsg.		4	—	4	—	—	—	—	—	—	—	—	451 322
8-19-83	LAMP, Ash Receiver		AR	AR	AR	AR	AR	AR	AR	AR	AR	AR	AR	6027 175
			1	—	1	—	—	—	—	—	—	—	—	2947 245
			—	1	—	—	—	—	—	—	—	—	—	2947 389
		70	—	—	—	1	1	—	—	—	—	—	—	2947 154
		71	—	—	—	1	1	—	—	—	—	—	—	3488 071
			—	—	—	—	—	1	1	—	—	—	—	2947 073
		70	—	—	—	—	—	—	—	2	2	2	2	2947 007
		71	—	—	—	—	—	—	—	1	1	1	2	3488 446
8-19-87	INSULATOR, GASKET, and CLIP, Bulkhead Connector		AR	AR	AR	AR	AR	—	—	—	—	—	—	2631 315
			—	—	—	—	—	1	1	1	1	1	1	2983 666
8-19-88	SPACER, Bulkhead Insulator		—	1	—	1	1	—	—	—	—	—	—	2983 216
8-20-0 CIGAR LIGHTER														
8-20-1	CIGAR LIGHTER PACKAGE, V-L, V-H 2 D.H.T., L-L Fastback	71	1	—	1	—	—	—	—	—	—	—	—	2947 219
		70	—	—	1	—	—	—	—	—	—	—	—	2947 219
8-20-3	CIRCUIT BREAKER, Rr. Comp't. Cigar Lighter, w/Console, D-L 2D.H.T. and Cv. Cp., D-H 2D.H.T., D-P, C-E 2D.H.T. and Cv. Cp., C-H 2D.H.T.	70	—	—	—	—	—	—	—	1	1	1	1	1887 222
CARLINES	J - Challenger B - Barracuda	V - Valiant L - Dart	R - Belvedere - Satellite W - Coronet - Charger				P - Plymouth D - Dodge			C - Chrysler Y - Imperial				

AR Indicates use as required.

Indicates parts not listed in any previous parts book.

Numerals in parentheses () refer to notes.

★ Indicates change or addition.

Printed in U.S.A.
January 1972

CODE	PART NAME	ENG. TYPE OR CU.IN.	V	B	L	R	W	P	D	C	C	C	Y	PART NUMBER
			1-2	1-2	1-2	1-2	1-2	1-2	1-2	1	2	3	1	
8-20-0 CIGAR LIGHTER Cont'd.														
8-20-3	CIRCUIT BREAKER Cont'd.													
	2D.H.T., C-E	71	—	—	—	—	—	—	—	1	—	1	—	1887 222
		71	—	—	—	—	—	—	—	—	1	—	—	1887 222
	Rr. Comp't. Cigar Lighter, Rr. of Seat Ctr. Section, w/o Console, C-E													
	2D.H.T. and Cv. Cp., C-H 2D.H.T.	70	—	—	—	—	—	—	—	1	1	1	—	1887 222
	2D.H.T., C-E	71	—	—	—	—	—	—	—	1	—	1	—	1887 222
		71	—	—	—	—	—	—	—	—	1	—	—	1887 222
	"B" PILLAR Cigar Lighter, 4D. and 4D.H.T.											2	—	1887 222
	Rr. Qtr. Panel Arm Rest Cigar Lighter, 2D. H.T.												2	1887 222
	Frnt. Dr. Arm Rest Cigar Lighter Rt.												1	1887 222
	Rr. Door Arm Rest Cigar Lighter, 4D.H.T.												2	1887 222
8-20-5	HOUSING, B Pillar Cigar Lighter, 4D. and 4D.H.T.											2	—	2864 250
8-20-8	KNOB, Inst. Panel Cigar Lighter		1	1	1	1	1	1	1	1	1	1	1	2290 188
	Rr. Comp't. Cigar Lighter, w/Console, D- L 2D.H.T. and Cv. Cp., D-H 2D.H.T., D-P, C-E 2D.H.T. and Cv. Cp., C-H 2D.H.T.	70	—	—	—	—	—	—	—	1	1	1	—	2631 665
	2D.H.T., C-E	71	—	—	—	—	—	—	—	—	1	—	—	2631 665
		71	—	—	—	—	—	—	—	—	—	1	—	2631 665
	Rr. Comp't. Cigar Lighter, Rr. of Seat Ctr., w/o Console, C-E 2D.H.T. and Cv. Cp., C-H 2D.H.T.	70	—	—	—	—	—	—	—	1	1	1	—	2631 665
	2D.H.T., C-E	71	—	—	—	—	—	—	—	1	—	1	—	2631 665
		71	—	—	—	—	—	—	—	—	1	—	—	2631 665
	B Pillar Cigar Lighter, 4D. and 4D.H.T.											2	—	2631 665
	Rr. Qtr. Panel Arm Rest Cigar Lighter, 2D.H.T.												2	2631 665
	Frnt. Dr. Arm Rest Cigar Lighter Rt.												1	2631 665
	Rr. Dr. Arm Rest Cigar Lighter, 4D.H.T.												2	2631 665
8-20-9	ELEMENT, Inst. Panel Cigar Lighter		1	1	1	1	1	1	1	1	1	1	1	3004 190
	Rr. Comp't. Cigar Lighter, w/Console, D- L 2D.H.T. and Cv. Cp., D-H 2D.H.T., D-P, C-E 2D.H.T. and Cv. Cp., C-H 2D.H.T.	70	—	—	—	—	—	—	—	1	1	1	—	3004 190
	2D.H.T., C-E	71	—	—	—	—	—	—	—	—	1	—	—	3004 190
		71	—	—	—	—	—	—	—	—	—	1	—	3004 190
	Rr. Comp't. Cigar Lighter, Rr. of Seat Ctr., w/o Console, C-E 2D.H.T. and Cv. Cp., C-H 2D.H.T.	70	—	—	—	—	—	—	—	1	1	1	—	3004 190
	2D.H. T., C-E	71	—	—	—	—	—	—	—	1	—	1	—	3004 190
		71	—	—	—	—	—	—	—	—	1	—	—	3004 190
	B Pillar Cigar Lighter, 4D. and 4D.H.T.											2	—	3004 190
	Rr. Qtr. Panel Arm Rest Cigar Lighter, 2D.H.T.												2	3004 190
	Frnt. Dr. Arm Rest Cigar Lighter Rt.												1	3004 190
	Rr. Dr. Arm Rest Cigar Lighter, 4D.H.T.												2	3004 190
8-20-10	SHELL and CLAMP, Inst. Panel Cigar Lighter		1	1	1	1	1	1	1	1	1	1	1	2932 727
	Rr. Comp't. Cigar Lighter, w/Console, D-L 2 D.H.T. and Cv. Cp., D-H 2 D.H.T., D-P, C-E 2 D.H.T. and Cv. Cp., C-H 2 D.H.T.	70	—	—	—	—	—	—	—	1	1	1	—	2932 727
	2D.H.T., C-E	71	—	—	—	—	—	—	—	—	1	—	—	2932 727
		71	—	—	—	—	—	—	—	—	—	1	—	2932 727
	Rr. Comp't. Cigar Lighter, Rr. of Seat Ctr., w/o Console, C-E 2D.H.T. and Cv. Cp., C-H 2D.H.T.	70	—	—	—	—	—	—	—	—	1	1	—	2932 727

CARLINES

J - Challenger
B - BarracudaV - Valiant
L - DartR - Belvedere - Satellite
W - Coronet - ChargerP - Plymouth
D - DodgeC - Chrysler
Y - Imperial

AR Indicates use as required.

Indicates parts not listed in any previous parts book.

Numerals in parentheses () refer to notes.

★ Indicates change or addition.

Printed in U.S.A.
January 1972

CODE	PART NAME	ENG. TYPE OR CU.IN.	V	B	L	R	W	P	D	C	C	C	Y	PART NUMBER
			1-2	1-2	1-2	1-2	1-2	1-2	1-2	1	2	3	1	
8-20-0 CIGAR LIGHTER Cont'd.														
8-20-10	SHELL and CLAMP Cont'd.													
	2D.H.T., C-E	71	—	—	—	—	—	—	—	1	—	1	—	2932 727
		71	—	—	—	—	—	—	—	—	1	—	—	2932 727
	B Pillar Cigar Lighter, 4D. and 4D.H.T.		—	—	—	—	—	—	—	—	—	2	—	2932 727
	Rr. Qtr. Panel Arm Rest Cigar Lighter, 2D.H.T.		—	—	—	—	—	—	—	—	—	—	2	2932 727
	Frt. Dr. Arm Rest Cigar Lighter	Rt.	—	—	—	—	—	—	—	—	—	—	1	2932 727
	Rr. Dr. Arm Rest Cigar Lighter, 4D.H.T.		—	—	—	—	—	—	—	—	—	—	2	2932 727
8-20-16	BEZEL, Frt. Seat Cigar Lighter, w/o Console, C-E 2 D.H.T. and Cv. Cp., C-H 2 D.H.T.	70	—	—	—	—	—	—	—	1	1	1	—	2080 996
	2D.H.T., C-E	71	—	—	—	—	—	—	—	1	—	1	—	2080 996
		71	—	—	—	—	—	—	—	—	1	—	—	2080 996
8-20-22	BRACKET, B Pillar Cigar Lighter, 4D. and 4D.H.T.		—	—	—	—	—	—	—	—	—	2	—	2864 251
8-21-0 TERMINAL BLOCK														
8-21-1	TERMINAL BLOCK, Ammeter Wiring	70	—	—	—	1	1	—	—	—	—	—	—	1842 267
8-22-0 NOX EXHAUST EMISSION CONTROL														
8-22-3	WIRING, Nox Control, w/Auto. Trans.	71	1	—	1	—	—	—	—	—	—	—	—	3513 549
	w/Manual Trans.	71	1	—	1	—	—	—	—	—	—	—	—	3513 373
	Auto. Trans. Switch and Nox	71	—	1	—	—	—	—	—	—	—	—	—	3513 257
	Manual Trans. Switch and Nox	71	—	1	—	—	—	—	—	—	—	—	—	3513 255
	Manual Trans. Switch and Nox, Manual Trans. Switch and Nox, w/318 and 340 Eng.	71	6	—	—	—	1	1	—	—	—	—	—	3513 255
	Auto. Trans. Switch and Nox	71	8	—	—	—	1	1	—	—	—	—	—	3513 255
	Auto. Trans. Switch and Nox	71	—	—	—	—	1	1	—	—	—	—	—	3513 257
	Speed Sensor Switch Jumper, w/Manual Trans.	71	1	—	1	—	—	1	1	1	—	—	—	3513 548
	Manual Trans. Switch and Nox Jumper	71	—	1	—	1	1	—	—	—	—	—	—	3513 548
	Manual Trans. Nox Switch and Jumper, w/340 Eng.	71	8	—	1	—	—	—	—	—	—	—	—	3513 548
8-22-4	SWITCH, Nox Thermal, w/Manual Trans.	71	1	1	1	1	1	1	1	1	—	—	—	3438 465
8-22-5	VACUUM VALVE, Nox	71	1	1	1	1	1	1	1	1	1	1	1	3438 474
8-22-6	CONTROL UNIT, Nox, w/Auto. Trans.	71	6	1	1	1	1	1	1	—	—	—	—	3438 481
	w/Auto. Trans., w/318 and 340 Eng.	71	8	1	1	1	1	1	—	—	—	—	—	3438 482
	w/Auto. Trans., w/318 and 360 Eng.	71	8	—	—	—	—	1	1	1	—	—	—	3438 482
	w/Auto. Trans., w/383 Eng.	71	8	—	1	—	1	1	1	1	—	—	—	3438 483
		71	—	—	—	—	—	—	—	—	—	—	1	3438 483
8-22-8	SPEED SWITCH, Nox, w/Auto. Trans.	71	1	1	1	1	1	1	1	1	1	1	1	3438 494
8-22-9	BRACKET, Nox Speed Switch, w/Auto. Trans.	71	1	—	1	—	—	—	—	—	—	—	—	3438 533
	Nox Control Valve	71	6	1	1	1	1	1	1	—	—	—	—	3512 669
	w/318 and 340 Eng.	71	8	1	1	1	1	—	—	—	—	—	—	3512 671
	w/318 and 360 Eng.	71	8	—	—	—	—	1	1	1	—	—	—	3512 671
	w/383 Eng.	71	8	—	1	—	1	1	1	1	—	—	—	3512 673
	w/440 Eng., Std., C-P	71	8	—	—	—	—	1	1	1	1	1	—	3512 673
8-22-11	SWITCH, Nox Trans., w/Manual Trans.	71	1	1	1	1	1	1	1	—	—	—	—	3438 472
8-22-12	GASKET, Nox Trans. Switch, w/Manual Trans.	71	1	1	1	1	1	1	1	1	—	—	—	3515 027
	Trans. Emission Control Switch Hole Plug, w/Manual Trans.	71	1	1	1	1	1	1	1	1	—	—	—	3515 027
8-22-13	TEE, Nox Vacuum Control, w/Auto. Trans.	71	1	1	1	1	1	1	1	1	1	1	1	2857 908
8-22-14	TUBE, Nox Tee to Vacuum Switch	71	AR	AR	AR	AR	AR	AR	AR	AR	AR	AR	AR	2448 621
	Nox Control Valve to Dist	71	AR	AR	AR	AR	AR	AR	AR	AR	AR	AR	AR	2448 621
	Carb. to Nox Control Valve	71	AR	AR	AR	AR	AR	AR	AR	AR	AR	AR	AR	2448 621

CARLINES

J - Challenger
B - BarracudaV - Valiant
L - DartR - Belvedere - Satellite
W - Coronet - ChargerP - Plymouth
D - DodgeC - Chrysler
Y - Imperial

AR Indicates use as required.

Indicates parts not listed in any previous parts book.

Numerals in parentheses () refer to notes.

★ Indicates change or addition.

Printed in U.S.A.
January 1972

8-27-0 IGNITION DISTRIBUTOR

8-27-1 DISTRIBUTOR ASSEMBLY

Models	Cyl.	Eng. (cu. in.)	Trans.	Breaker Points	Distributor Identification Stamped Complete	Replace- ment Assy's (Partial) (Less Cap & Rotor)	
V,B,J,L	70	6	198	Manual	S	3438 237	3438 238
V,B,J,L	70	6	198	Auto.	S	2875 826	2875 827
V,B,J,L	71	6	198	All	S	3438 509	3438 510
V,B,J,L, w/Nox Exh. Emission Control	71	6	198	All	S	3438 524	3438 525
V,B,J,L,R,W,P,D	6	225	Manual	S	2875 822	2875 823	
V,B,J,L,R,W,P,D	6	225	Auto.	S	2875 826	2875 827	
V,B,J,L, w/170 Eng. Conversion, Exp.	6	225	Manual	S	3438 306	3438 307	
V,B,J,L, w/170 Eng. Conversion, Exp.	6	225	Auto.	S	3438 309	3438 310	
V,L,R,W, w/225 Eng. 2 Bbl. Carb. Conversion, Exp.	6	225	Manual	S	2875 830	2875 831	
V,L,R,W, w/225 Eng. 2 Bbl. Carb. Conversion, Exp.	6	225	Auto.	S	2875 833	2875 834	
V,B,J,L,R,W,P,D, w/Nox Exh. Emission Control	71	6	225	Manual	S	3438 440	3438 441
V,B,J,L,R,W,P,D, w/Nox Exh. Emission Control	71	6	225	Auto.	S	3438 442	3438 443
V,B,J,L,R,W,P,D	8	318	Manual	S	3438 255	3438 256	
V,B,J,L,R,W,P,D	8	318	Auto.	S	3438 225	3438 226	
V,B,J,L,R,W,P,D, w/Nox Exh. Emission Control	71	8	318	All	S	3438 453	3438 454
V,B,J,L	70	8	340	Manual	D	3438 317	3438 318
V,B,J,L	70	8	340	Auto.	S	3438 325	3438 326
B,J, w/3-2 Bbl. Carb.	70	8	340	Manual	D	3438 521	3438 530
B,J, w/3-2 Bbl. Carb.	70	8	340	Auto.	D	3438 523	3438 532
B,J, w/3-2 Bbl. Carb.	71	8	340	Manual	D	3438 615	3438 616
B,J, w/3-2 Bbl. Carb.	71	8	340	Auto.	D	3438 617	3438 618
V, B, J, L, R, W	71	8	340	Manual	D	3438 522	3438 530
V,B,J,L,R,W	71	8	340	Auto.	S	3438 517	3438 520
V,B,J,L,R,W w/Elect. Ignition System	8	340	Manual	S	# 3656 151	# 3656 153	
V,B,J,L,R,W w/Elect. Ignition System	8	341	Auto.	S	# 3438 896	# 3438 897	
P,D,C-E, w/Nox Exh. Emission Control	71	8	360	All	S	3438 453	3438 454
P,D,C-E	71	8	360	All	S	3438 422	3438 423
B,J,R,W,P,D,C, w/2 Bbl. Carb.	70	8	383	All	S	3438 231	3438 232
B,J,R,W,P,D,C, w/2 Bbl. Carb.	71	8	383	All	S	3438 534	3438 535
B,J,R,W,P,D,C, w/2 Bbl. Carb., w/Nox Exhaust Emission Control	71	8	383	All	S	3438 544	3438 545
B,J,R,W,P,D,C, w/1-4 Bbl. Carb. Interchangeable w/Dist. No. 3438 433	70	8	383	All	S	3438 233	3438 234
B,J,R,W,P,D,C, w/1-4 Bbl. Carb.	71	8	383	All	S	3438 690	3438 691
B,J,R,W	8	426	Manual	D	2875 987	2875 988	
B,J,R,W	70	8	426	Auto.	D	2875 989	2875 990
B,J,R,W	71	8	426	Auto.	S	3438 579	3438 580
B,J,R,W w/Elect. Ignition System	8	426	Manual	S	# 3438 891	# 3438 892	
B,J,R,W w/Elect. Ignition System	8	426	Auto.	S	# 3438 893	# 3438 894	
P,D,C,Y, Std.	70	8	440	All	S	3438 219	3438 221
P,D,C,Y, Std.	71	8	440	All	S	3438 559	3438 560
B,J,R,W,P,D,C, w/H/Perf., w/1-4 Bbl. Carb.	70	8	440	All	S	3438 222	3438 224
R,W,P,D,C, w/H/Perf., w/1-4 Bbl. Carb.	71	8	440	All	S	3438 694	3438 695
B,J,R,W,P, w/3-2 Bbl. Carb., up to approx. Jan. 1, 1970	70	8	440	Manual	D	3438 314	3438 316
B,J,R,W,P, w/3-2 Bbl. Carb., after approx. Jan. 1, 1970	70	8	440	Manual	D	3438 348	3438 355

CARLINES

J - Challenger
B - BarracudaV - Valiant
L - DartR - Belvedere - Satellite
W - Coronet - ChargerP - Plymouth
D - DodgeC - Chrysler
Y - Imperial

AR Indicates use as required.

Indicates parts not listed in any previous parts book.

Numerals in parentheses () refer to notes.

★ Indicates change or addition.

Printed in U.S.A.
January 1972

1970-71 PASSENGER CAR PARTS CATALOG

ELECTRICAL

CODE	PART NAME	ENG. TYPE OR CU.IN.	VEHICLE MODEL YEARS											PART NUMBER	
			V	B	L	R	W	P	D	C	C	C	Y		
			1-2	1-2	1-2	1-2	1-2	1-2	1-2	1	2	3	1		
8-27-0 IGNITION DISTRIBUTOR Cont.															
8-27-96	HOUSING and BEARING, Dist.		6	1	1	1	1	1	1	1	—	—	—	—	2875 516
	w/318 and 340 Eng.		8	1	1	1	1	1	—	—	—	—	—	—	2875 481
	w/340 Eng., w/3-2 Bbl. Carb.	70	8	—	1	—	—	—	—	—	—	—	—	—	3579 218
	w/383 and 440 w/1-4 Bbl. Carb., Eng.		8	—	1	—	1	1	1	1	1	1	1	1	2875 501
	w/440 Eng., w/3-2 Bbl. Carb., B	71	8	—	1	—	—	—	—	—	—	—	—	—	3620 722
	w/318 Eng.		8	—	—	—	1	1	1	1	—	—	—	—	2875 481
	w/360 Eng., C-E	71	8	—	—	—	—	—	1	1	1	—	—	—	2875 481
8-27-121	"O" RING, Dist. Hsg.		8	1	1	1	1	1	1	1	1	1	1	1	2875 923
8-27-244	SEAL, Dist. Hsg.			1	—	1	—	—	—	1	1	1	1	1	2875 028
	except 440 3-2 Bbl. Carb. Eng.			—	1	—	1	1	1	—	—	—	—	—	2875 028
8-27-259	SPACER, Dist. Cam			1	—	1	—	—	—	1	1	1	1	1	2642 988
	except 440 3-2 Bbl. Carb. Eng.			—	1	—	1	1	1	—	—	—	—	—	2642 988
8-27-320	TUBE, Carb. to Dist. Vac. Control			AR	AR	AR	AR	AR	AR	AR	AR	AR	AR	AR	2448 621
8-27-335	VALVE, Dist. Vacuum Control														
	w/383 Eng., w/2 Bbl. Carb.	71	8	—	1	—	1	1	—	—	—	—	—	—	3614 024
	w/440 Eng., w/1-4 Bbl. Carb.	71	8	—	—	—	1	1	—	—	—	—	—	—	3614 024
	w/383 Eng., w/2 Bbl. Carb., w/Auto. Trans.	71	8	—	—	—	—	—	1	1	—	—	—	—	3614 024
	w/383 Eng., w/2 Bbl. Carb., w/Auto. Trans.	71	8	—	—	—	—	—	—	—	1	—	—	—	3614 023

NOTES

CARLINES	J - Challenger B - Barracuda	V - Valiant L - Dart	R - Belvedere - Satellite W - Coronet - Charger	P - Plymouth D - Dodge	C - Chrysler Y - Imperial
----------	---------------------------------	-------------------------	--	---------------------------	------------------------------

AR Indicates use as required.
Indicates parts not listed in any previous parts book.

Numerals in parentheses () refer to notes.
★ Indicates change or addition.

Printed in U.S.A.
January 1972

8-27-0 IGNITION DISTRIBUTOR COMPONENT PARTS

For Model Application See Code 8-27-1

DISTRIBUTOR ASSEMBLIES

Distributor Identification Stamped	2875 822	2875 826	2875 830	2875 833	2875 982	
Replacement Assy's (Partial) (Less Cap and Rotor)	2875 823	2875 827	2875 831	2875 834	2875 983	
CODE	REMARKS					
8-27-4	GASKET, Dist. Mtg. Oil Ret.	2095 630	2095 630	2095 630	2095 630	1326 836
	GASKET, Dist. Mtg. to Cyl. Block	2095 740	2095 740	2095 740	2095 740	-----
8-27-26	CLAMP	-----	-----	-----	-----	1947 613
8-27-71	CAP	2642 986	2642 986	2642 986	2642 986	2585 000
8-27-76	SPRING, Cap Att.	1838 508	1838 508	1838 508	1838 508	-----
8-27-77	SPRING and HINGE PACKAGE, Cap Clamp	-----	-----	-----	-----	1879 606
8-27-85	CONTACT and SPRING PACKAGE, Cap Plunger	-----	-----	-----	-----	2084 655
8-27-100	OILER	-----	-----	-----	-----	953 717
8-27-133	BEARING and THRUST WASHER PACKAGE, Shaft	-----	-----	-----	-----	2585 021
8-27-137	COLLAR and PIN PACKAGE, Shaft	-----	-----	-----	-----	2585 022
8-27-138	PLATE, Breaker	2875 861	2875 861	2875 861	2875 861	2585 162
8-27-158	CONTACT SET	2098 244	2098 244	2098 244	2098 244	-----
	CONTACT SET (2 req.)	-----	-----	-----	-----	2421 173
8-27-190	CONDENSER	2098 058	2098 058	2098 058	3420 600	-----
8-27-205	LEAD, Primary	2444 249	2444 249	2444 249	2444 249	3420 895
8-27-207	GROUND LEAD	-----	-----	-----	-----	1527 974
8-27-250	SHAFT, GOVERNOR and CAM, Drive	2875 821	2875 821	2875 829	2875 829	3420 921
8-27-300	ROTOR	1838 516	1838 516	1838 516	1838 516	1658 535
8-27-308	CONTROL VACUUM	2875 818	2875 825	2875 828	2875 832	3420 919
8-27-352	GEAR and PIN PACKAGE Shaft	2084 653	2084 653	2084 653	2084 653	-----
	For Model Application See Code 8-27-1					

DISTRIBUTOR ASSEMBLIES

Distributor Identification Stamped	2875 987	2875 989	3438 219	3438 222	3438 225
Replacement Assy's (Partial) (Less Cap and Rotor)	1BS-4014E	1BS-4014F	3438 221	3438 224	3438 226
	2875 988	2875 990			
CODE	REMARKS				
8-27-4	GASKET, Dist. Mtg. Oil Ret.	1326 836	1326 836	1326 836	1326 836
8-27-26	CLAMP	1947 613	1947 613	1947 613	1947 612
8-27-71	CAP	2585 000	2585 000	2444 507	2444 507
8-27-76	SPRING, Cap Att.	-----	-----	1838 508	1838 508
8-27-77	SPRING and HINGE PACKAGE, Cap Clamp	1879 606	1879 606	-----	-----
8-27-100	OILER	953 717	953 717	-----	-----
8-27-133	BEARING and THRUST WASHER PACKAGE, Shaft	2585 021	2585 021	-----	-----
8-27-137	COLLAR and PIN PACKAGE Shaft	2585 022	2585 022	2932 988	2932 988
8-27-138	PLATE, Breaker	2585 162	2585 162	2875 861	2875 861
8-27-158	CONTACT SET	-----	-----	2098 244	2098 244
	CONTACT SET (2 req.)	2421 173	2421 173	-----	-----
8-27-190	CONDENSER	3420 600	3420 600	3420 600	3420 600
8-27-205	LEAD, Primary	3420 895	3420 895	2444 282	2444 282
8-27-207	GROUND LEAD	1527 974	1527 974	-----	-----
8-27-250	SHAFT, GOVERNOR and CAM, Drive	3514 278	3514 280	3438 220	3438 223
8-27-300	ROTOR	1658 535	1658 535	1838 516	1838 516
8-27-308	CONTROL VACUUM	3514 279	3514 279	3514 329	3514 330

NOTES

CARLINES

J - Challenger
B - BarracudaV - Valiant
L - DartR - Belvedere - Satellite
W - Coronet - ChargerP - Plymouth
D - DodgeC - Chrysler
Y - Imperial

AR Indicates use as required.

= Indicates parts not listed in any previous parts book.

Numerals in parentheses () refer to notes.

★ Indicates change or addition.

Printed in U.S.A.

January 1972

8-27-0 IGNITION DISTRIBUTOR COMPONENT PARTS Cont'd.

For Model Application See Code 8-27-1

DISTRIBUTOR ASSEMBLIES

Distributor Identification Stamped	3438 231	3438 233 3438 433	3438 237	3438 255	3438 306
Replacement Assy's (Partial) (Less Cap and Rotor)	3438 232	3438 234 3438 434	3438 238	3438 256	3438 307
CODE	REMARKS				
8-27-4	GASKET, Dist. Mtg. to Cyl. Clock				
8-27-26	CLAMP				
8-27-71	CAP				
8-27-76	SPRING, Cap Att.				
8-27-137	COLAR and PIN PACKAGE, Shaft				
8-27-138	PLATE, Breaker				
8-27-158	CONTACT SET				
8-27-190	CONDENSER				
8-27-205	LEAD, Primary				
8-27-250	SHAFT, GOVERNOR and CAM, Drive				
8-27-300	ROTOR				
8-27-308	CONTROL VACUUM				
8-27-352	GEAR and PIN PACKAGE, Shaft				
For Model Application See Code 8-27-1					

DISTRIBUTOR ASSEMBLIES

Distributor Identification Stamped	3438 309	3438 314	3438 317	3438 325	3438 348
Replacement Assy's (Partial) (Less Cap and Rotor)	3438 310	3438 316	3438 318	3438 326	3438 355
CODE	REMARKS				
8-27-4	GASKET, Dist. Mtg. Oil Ret.				
	GASKET, Dist. Mtg. to Cyl. Block				
8-27-26	CLAMP				
8-27-71	CAP				
8-27-76	SPRING, Cap Att.				
8-27-77	SPRING and HINGE PACKAGE, Cap Clamp				
8-27-100	OILER				
8-27-133	BEARING and THRUST WASHER PACKAGE, Shaft				
	COLLAR and PIN PACKAGE, Shaft				
8-27-138	PLATE, Breaker				
8-27-158	CONTACT SET				
	CONTACT SET (2 req.)				
8-27-190	CONDENSER				
8-27-205	LEAD, Primary				
8-27-207	GROUND LEAD				
8-27-250	SHAFT, Governor and Cam, Drive				
8-27-300	ROTOR				
8-27-308	CONTROL, Vacuum				
8-27-352	GEAR and PIN PACKAGE, Shaft				

NOTES

CARLINES

J - Challenger
B - BarracudaV - Valiant
L - DartR - Belvedere - Satellite
W - Coronet - ChargerP - Plymouth
D - DodgeC - Chrysler
Y - Imperial

AR Indicates use as required.

Indicates parts not listed in any previous parts book.

Numerals in parentheses () refer to notes.

★ Indicates change or addition.

Printed in U.S.A.

January 1972

8-27-0 IGNITION DISTRIBUTOR COMPONENT PARTS Cont'd.

For Model Application See Code 8-27-1

DISTRIBUTOR ASSEMBLIES

Distributor Identification Stamped		3438 349	3438 422	3438 440	3438 442	3438 453
Replacement Assy's (Partial) (Less Cap and Rotor)		3438 356	3438 423	3438 441	3438 443	3438 454
CODE	REMARKS					
8-27-4	GASKET, Dist. Mtg. Oil Ret.	1326 836	1326 836	2095 630	2095 630	1326 836
	GASKET, Dist. Mtg. to Cyl. Block	-----	-----	2095 740	2095 740	-----
8-27-71	CAP	2585 000	2444 507	2642 986	2642 986	2444 507
8-27-76	SPRING, Cap Att.	-----	1838 508	1838 508	1838 508	1838 508
8-27-77	SPRING and HINGE PACKAGE, Cap Clamp	1879 606	-----	-----	-----	-----
8-27-100	OILER	953 717	-----	-----	-----	-----
8-27-133	BEARING and THRUST WASHER PACKAGE, Shaft	2585 021	-----	-----	-----	-----
8-27-137	COLLAR and PIN PACKAGE, Shaft	2585 022	2932 988	-----	-----	2932 988
8-27-138	PLATE, Breaker	3514 333	2875 861	2875 861	2875 861	2875 861
8-27-158	CONTACT SET	-----	2098 244	2098 244	2098 244	2098 244
	CONTACT SET (2 req.)	2421 173	-----	-----	-----	-----
8-27-190	CONDENSER	3420 600	3420 600	3420 600	3420 600	3420 600
8-27-205	LEAD, Primary	3514 335	2444 282	2444 249	2444 249	2444 282
8-27-250	SHAFT, GOVERNOR and CAM, Drive	3514 345	3438 209	3438 444	3438 444	3438 455
8-27-300	ROTOR	1658 535	1838 516	1838 516	1838 516	1838 516
8-27-308	CONTROL, Vacuum	3514 332	3438 424	2875 818	2875 825	3438 424
8-27-352	GEAR and PIN PACKAGE, Shaft	-----	-----	2084 653	2084 653	-----
For Model Application See Code 8-27-1						

DISTRIBUTOR ASSEMBLIES

Distributor Identification Stamped		3438 509	3438 517	3438 521	3438 522	3438 523
Replacement Assy's (Partial) (Less Cap and Rotor)		3438 510	3438 520	3438 530	3438 530	3438 532
CODE	REMARKS					
8-27-4	GASKET, Dist. Mtg. Oil Ret.	2095 630	1326 836	1326 836	1326 836	1326 836
	GASKET, Dist. Mtg. to Cyl. Block	2095 740	-----	-----	-----	-----
8-27-71	CAP	2642 986	2444 507	2585 000	2585 000	2585 000
8-27-76	SPRING, Cap Att.	1838 508	1838 508	-----	-----	-----
8-27-77	SPRING and HINGE PACKAGE, Cap Clamp	-----	-----	1879 606	1879 606	1879 606
8-27-100	OILER	-----	-----	953 717	953 717	953 717
8-27-137	COLLAR and PIN PACKAGE, Shaft	-----	2932 988	3579 219	3579 219	3579 219
8-27-138	PLATE, Breaker	2875 861	2875 861	2585 017	2585 017	2585 017
8-27-158	CONTACT SET	2098 244	2098 244	-----	-----	-----
	CONTACT SET (2 req.)	-----	-----	2421 175	2421 175	2421 175
8-27-190	CONDENSER	3420 600	3420 600	3420 600	3420 600	3420 600
8-27-205	LEAD, Primary	2444 249	2444 282	3579 217	3579 217	3579 217
8-27-207	GROUND LEAD	-----	-----	1527 974	1527 974	1527 974
8-27-250	SHAFT, GOVERNOR and CAM, Drive	3438 511	3438 518	3579 216	3579 216	3579 215
8-27-300	ROTOR	1838 516	1838 516	1658 535	1658 535	1658 535
8-27-308	CONTROL, Vacuum	3438 514	3438 229	3514 265	3514 265	3620 704
8-27-352	GEAR and PIN PACKAGE, Shaft	2084 653	-----	-----	-----	-----

NOTES

CARLINES

J - Challenger
B - BarracudaV - Valiant
L - DartR - Belvedere - Satellite
W - Coronet - ChargerP - Plymouth
D - DodgeC - Chrysler
Y - Imperial

AR Indicates use as required.

≠ Indicates parts not listed in any previous parts book.

Numerals in parentheses () refer to notes.

★ Indicates change or addition.

Printed in U.S.A.

January 1972

8-27-0 IGNITION DISTRIBUTOR COMPONENT PARTS Cont'd.

For Model Application See Code 8-27-1

DISTRIBUTOR ASSEMBLIES

Distributor Identification Stamped	3438 524	3438 534	3438 544	3438 559	3438 577
Replacement Assy's (Partial) (Less Cap and Rotor)	3438 525	3438 535	3438 545	3438 560	3438 578
CODE	REMARKS				
8-27-4	GASKET, Dist. Mtg. Oil Ret.	2095 630	1326 836	1326 836	1326 836
	GASKET, Dist. Mtg. to Cyl. Block	2095 740	-----	-----	-----
8-27-71	CAP	2642 986	2444 507	2444 507	2585 000
8-27-76	SPRING, Cap Att.	1838 508	1838 508	1838 508	-----
8-27-77	SPRING and HINGE PACKAGE, Cap Clamp	-----	-----	-----	1879 606
8-27-100	OILER	-----	-----	-----	953 717
8-27-137	COLLAR and PIN PACKAGE, Shaft	-----	2932 988	2932 988	2932 988
8-27-138	PLATE, Breaker	2875 861	2875 861	2875 861	3514 333
8-27-158	CONTACT SET	2098 244	2098 244	2098 244	-----
	CONTACT SET (2 req.)	-----	-----	-----	2421 173
8-27-190	CONDENSER	3420 600	3420 600	3420 600	3420 600
8-27-205	LEAD, Primary	2444 249	2444 282	2444 282	3514 335
8-27-207	GROUND LEAD	-----	-----	-----	1527 974
8-27-250	SHAFT, GOVERNOR and CAM, Drive	3438 529	3438 540	3438 546	3438 565
8-27-300	ROTOR	1838 516	1838 516	1838 516	1658 535
8-27-308	CONTROL, Vacuum	2875 825	3579 239	3579 239	3579 241
8-27-352	GEAR and PIN PACKAGE, Shaft	2084 653	-----	-----	-----
	For Model Application See Code 8-27-1				

DISTRIBUTOR ASSEMBLIES

Distributor Identification Stamped	3438 579	3438 615	3438 617	3438 690	3438 694
Replacement Assy's (Partial) (Less Cap and Rotor)	3438 580	3438 616	3438 618	3438 691	3438 695
CODE	REMARKS				
8-27-4	GASKET, Dist. Mtg. Oil Ret.	1326 836	1326 836	1326 836	1326 836
8-27-71	CAP	2585 000	2585 000	2444 507	2444 507
8-27-76	SPRING, Cap Att.	-----	-----	1838 508	1838 508
8-27-77	SPRING and HINGE PACKAGE, Cap Clamp	1879 606	1879 606	-----	-----
8-27-100	OILER	953 717	953 717	-----	-----
8-27-137	COLLAR and PIN PACKAGE, Shaft	3579 219	3579 219	3579 219	2932 988
8-27-138	PLATE, Breaker	2585 162	2585 017	2585 017	2875 861
8-27-158	CONTACT SET	-----	-----	2098 244	2098 244
	CONTACT SET (2 req.)	2421 173	2421 175	2421 175	-----
8-27-190	CONDENSER	3420 600	3420 600	3420 600	3420 600
8-27-205	LEAD, Primary	2525 639	3579 217	3579 217	2444 282
8-27-207	GROUND LEAD	1527 974	1527 974	1527 974	-----
8-27-250	SHAFT, GOVERNOR and CAM, Drive	3620 723	3620 705	3620 705	3438 693
8-27-300	ROTOR	1658 535	1658 535	1658 535	1838 516
8-27-308	CONTROL, Vacuum	2808 897	3514 265	3620 704	3579 240

NOTES

CARLINES

J - Challenger
B - BarracudaV - Valiant
i - DartR - Belvedere - Satellite
W - Coronet - ChargerP - Plymouth
D - DodgeC - Chrysler
Y - Imperial

AR Indicates use as required.

Indicates parts not listed in any previous parts book.

Numerals in parentheses () refer to notes.

★ Indicates change or addition.

Printed in U.S.A.

January 1972

CODE	PART NAME	ENG. TYPE OR CU.IN.	V	B	L	R	W	P	D	C	C	C	Y	PART NUMBER
			1-2	1-2	1-2	1-2	1-2	1-2	1-2	1	2	3	1	

8-28-0 ALTERNATOR

NOTE: Service Alternators consist of an Alternator and Pulley. In most cases a double grooved Pulley type may be used as a service replacement of the single groove type. If not desirable, the Pulley may be transferred from the original unit. All Alternators are stamped with a production assembly number which may or may not be the serviced Alternator. Part Type Code 8-28-3 below lists information relative to the Alternator stamped number cross-referenced to the applicable service number. The serviced part number must be ordered in all cases. For component parts of Alternators refer to part type code 8-29-0 in which component parts are charted in code sequence in columns for the Alternator number appearing at the top of each column. Leece-Neville Alternators and Regulators and components are not stocked in Chrysler Parts Depots. Order replacement parts for these units by description from your nearest Leece-Neville Distributor or Leece-Neville, 1374 E. 51st. Street, Cleveland, Ohio 44103.

8-28-3	ALTERNATOR STAMPED NO.	PULLEY	GROVES	AMP. NO.	V	B	L	R	W	P	D	C	C	C	Y	PART NUMBER
	3438 171	2444 478	S	30	1	1	1	1	1	1	1	1	1	1	1	3438 173
	3438 172	2444 478	S	37	1	1	1	1	1	1	1	1	1	1	1	3438 173
	3438 173	2444 478	S	50	1	1	1	1	1	1	1	1	1	1	1	3438 173
	3438 174	2444 478	S	60	1	1	1	1	1	1	1	1	1	1	1	3438 174
	3438 176	2095 059	D	37	1	1	1	1	1	1	1	1	1	1	1	3438 177
	3438 177	2095 059	D	50	1	1	1	1	1	1	1	1	1	1	1	3438 177
	3438 178	2875 711	D	50	1	1	1	1	1	1	1	1	1	1	1	3438 178
	3438 179	2875 709	D	60	1	1	1	1	1	1	1	1	1	1	1	3438 179
	3438 180	2875 711	D	60	1	1	1	1	1	1	1	1	1	1	1	3438 180
	3438 378	2444 478	S	34	1	1	1	1	1	1	1	1	1	1	1	3438 173
	3438 780	2095 005	S	37	1	1	1	1	1	1	1	1	1	1	1	3438 782
	3438 782	2095 005	S	50	1	1	1	1	1	1	1	1	1	1	1	3438 782
	2642 610	2642 609	D	60	—	—	—	1	1	1	1	—	—	—	—	2642 411
	2642 229	2444 576	D	60	—	—	—	1	1	1	1	—	—	—	—	2642 411
	2642 228	2444 578	S	60	—	—	—	—	—	—	—	1	—	—	—	2642 412

NOTE: Altr. Nos. 2642 411 and 2642 412 are Leece-Neville Altrs.

BOLT, Altr. Mtg., 3/8-16-4 1/4	AR	AR	AR	AR	AR	AR	AR	AR	AR	AR	AR	AR	AR	AR	AR	433 116
BOLT, Altr. Mtg., 3/8-16-4 1/2	AR	AR	AR	AR	AR	AR	AR	AR	AR	AR	AR	AR	AR	AR	AR	433 119
BOLT, Altr. Mtg., 3/8-16-6	AR	AR	AR	AR	AR	AR	AR	AR	AR	AR	AR	AR	AR	AR	AR	9417 928
BOLT, Altr. Mtg., 3/8-16-5 1/2	AR	AR	AR	AR	AR	AR	AR	AR	AR	AR	AR	AR	AR	AR	AR	9423 789
BOLT, Altr. Mtg., 3/8-16-4 7/8	AR	AR	AR	AR	AR	AR	AR	AR	AR	AR	AR	AR	AR	AR	AR	9428 486
BOLT, Altr. Mtg., 3/8-16-5 1/4	AR	AR	AR	AR	AR	AR	AR	AR	AR	AR	AR	AR	AR	AR	AR	9422 790
NUT, 3/8-16 9/16	AR	AR	AR	AR	AR	AR	AR	AR	AR	AR	AR	AR	AR	AR	AR	9417 668

8-28-14	SPACER, Altr. Adj. Strap to Water Pump Hsg., w/383, 426 and 440 Eng., w/o A/Cond.	8	—	1	—	—	—	—	—	—	—	—	—	—	—	2206 450
	w/o A/Cond., except 318 Eng.	8	—	—	—	1	1	1	1	—	—	—	—	—	—	2206 450
	w/o A/Cond.	8	—	—	—	—	—	—	—	1	1	1	1	—	—	2206 450
8-28-15	STRAP, Altr. Adj., w/Heater Hose Shield	70	6	1	1	1	1	1	1	—	—	—	—	—	—	2899 108
	w/Heater Hose Shield	71	6	1	1	1	1	1	1	—	—	—	—	—	—	3512 553
	w/o A/Cond., w/318 and 340 Eng.	8	8	1	1	1	1	—	—	—	—	—	—	—	—	2951 835
	w/o A/Cond., w/383 and 440 Eng.	8	8	—	1	—	1	—	—	—	—	—	—	—	—	2951 018
	w/426 Eng.	8	8	—	1	—	1	—	—	—	—	—	—	—	—	2780 630
	w/o A/Cond., w/o 65 Amp. Compact L/N Altr., w/318 Eng.	8	8	—	—	—	1	1	1	1	—	—	—	—	—	2951 835
	w/o A/Cond., w/o 65 Amp. Compact L/N Altr., w/360 Eng.	71	8	—	—	—	—	—	1	1	1	—	—	—	—	2951 835
	w/60 Amp. Altr., w/Spec. Double Groove Pulley, w/383 Eng.	8	8	—	—	—	1	1	—	—	—	—	—	—	—	2951 299
	w/65 Amp. Compact L/N Altr., w/318 Eng.	8	8	—	—	—	1	1	1	1	—	—	—	—	—	3418 610
	w/65 Amp. Compact L/N Altr., w/360 Eng., C-E	71	8	—	—	—	—	—	1	1	1	—	—	—	—	3418 610
	w/65 Amp. Compact L/N Altr., w/A/Cond., w/383 Eng.	8	8	—	—	—	1	1	—	—	—	—	—	—	—	3462 881

CARLINES	J - Challenger B - Barracuda	V - Valiant L - Dart	R - Belvedere - Satellite W - Coronet - Charger	P - Plymouth D - Dodge	C - Chrysler Y - Imperial
----------	---------------------------------	-------------------------	--	---------------------------	------------------------------

AR Indicates use as required.

Indicates parts not listed in any previous parts book.

Numerals in parentheses () refer to notes.

★ Indicates change or addition.

Printed in U.S.A.
January 1972

CODE	PART NAME	ENG. TYPE OR CU.IN.	V	B	L	R	W	P	D	C	C	C	Y	PART NUMBER
			1-2	1-2	1-2	1-2	1-2	1-2	1-2	1	2	3	1	
8-28-0 ALTERNATOR Cont'd.														
8-28-15	STRAP Cont'd.													
	w/65 Amp. Compact L/N Altr., w/o A/Cond., w/383 Eng.	8	—	—	—	1	1	1	1	—	—	—	—	2843 218
	w/o A/Cond., w/383 and 440 Eng.	8	—	—	—	—	—	1	1	—	—	—	—	2951 299
	w/A/Cond., w/o 65 Amp. Compact L/N Altr., w/383 and 440 Eng.	8	—	—	—	—	—	1	1	—	—	—	—	2951 299
	w/Heater Hose Shield, w/65 Amp. Compact L/N Altr., w/A/Cond., w/383 and 440 w/1-4 Bbl. Carb., Eng.	8	—	—	—	—	—	1	1	—	—	—	—	2951 154
	w/65 Amp. Compact L/N Altr., w/A/Cond., w/440 Eng., w/1-4 Bbl. Carb.	8	—	—	—	—	—	1	1	—	—	—	—	2843 219
	w/o A/Cond.	8	—	—	—	—	—	—	—	1	1	1	—	2951 299
	w/Heater Hose Shield	8	—	—	—	—	—	—	—	—	—	—	1	2899 110
	w/o A/Cond.	8	—	—	—	—	—	—	—	—	—	—	1	2206 447
	Altr. to Fan Belt Idler Pulley Brkt.	8	—	—	—	—	—	—	—	—	—	—	1	2863 057
8-28-32	SUPPORT, Altr. Adj. Strap, w/65 Amp. Compact L/N Altr., w/318 Eng.	8	—	—	—	1	1	1	1	—	—	—	—	3418 611
	w/360 Eng., C-E 71	8	—	—	—	—	—	1	1	1	—	—	—	3418 611
	to Intake Manifold, w/383 Eng., w/65 Amp. Compact L/N Altr.	8	—	—	—	1	1	1	1	—	—	—	—	3462 876
	to Intake Manifold, w/440 Eng., w/1-4 Bbl. Carb., w/65 Amp. Compact L/N Altr.	8	—	—	—	—	—	1	1	—	—	—	—	3462 876
8-28-35	BLOCK, Altr. Mtg., w/383 Eng.	8	—	1	—	1	1	1	1	—	—	—	—	2951 296
8-28-36	BRACKET, Altr. and Coil Mt.	6	1	1	1	1	1	1	1	—	—	—	—	2465 166
	Altr. Adj., w/A/Cond., w/318 and 340 Eng.	8	1	1	1	1	1	—	—	—	—	—	—	2951 868
	Altr. Mtg., w/o A/Cond., w/318 and 340 Eng.	8	1	1	1	1	1	—	—	—	—	—	—	2951 834
	Altr. Adj., w/A/Cond., w/383 and 440 w/1-4 Bbl. Carb., Eng.	8	—	1	—	1	1	—	—	—	—	—	—	2951 746
	Altr. Mtg., w/A/Cond., w/383 and 440 w/1-4 Bbl. Carb., Eng.	8	—	1	—	1	1	1	1	1	1	—	—	2951 015
	Altr. Mtg., w/o A/Cond., w/383, 426 and 440 Eng.	8	—	1	—	1	1	—	—	—	—	—	—	2951 640
	Altr. Mtg., w/65 Amp. Compact L/N Altr.	6	—	—	—	1	1	1	1	—	—	—	—	2465 558
	Altr. Adj., w/A/Cond., w/318 Eng.	8	—	—	—	—	—	1	1	—	—	—	—	2951 868
	Altr. Adj., w/A/Cond., w/360 Eng. 71	8	—	—	—	—	—	1	1	1	—	—	—	2951 868
	Altr. Mtg., w/o A/Cond., w/318 Eng.	8	—	—	—	—	—	1	1	—	—	—	—	2951 834
	Altr. Mtg., w/o A/Cond., w/360 Eng. 71	8	—	—	—	—	—	1	1	1	—	—	—	2951 834
	w/60 Amp. Altr., w/Spec. Double Groove Pulley, w/383 Eng.	8	—	—	—	1	1	—	—	—	—	—	—	3512 516
	Altr. Mtg., w/o A/Cond., w/65 Amp. Compact L/N Altr., w/383 Eng.	8	—	—	—	1	1	—	—	—	—	—	—	2843 217
	Altr. Mtg., w/A/Cond., w/65 Amp. Compact L/N Altr., w/383 Eng.	8	—	—	—	1	1	—	—	—	—	—	—	2951 155
	w/60 Amp. Altr., w/Spec. Double Groove Pulley, w/383 and 440 Eng.	8	—	—	—	—	—	1	1	—	—	—	—	3512 516
	Altr. Adj., w/A/Cond., w/383 and 440 w/1-4 Bbl. Carb., Eng.	8	—	—	—	—	—	1	1	1	1	1	—	2951 749
	Altr. Mtg., w/o A/Cond., w/383 and 440 w/1-4 Bbl. Carb., Eng.	8	—	—	—	—	—	1	1	1	1	1	1	2951 640
	Altr. Mtg., w/o A/Cond., w/65 Amp. Compact L/N Altr., w/383 and 440 w/1-4 Bbl. Carb., Eng.	8	—	—	—	—	—	1	1	—	—	—	—	2843 217

CARLINES

J - Challenger
B - BarracudaV - Valiant
L - DartR - Belvedere - Satellite
W - Coronet - ChargerP - Plymouth
D - DodgeC - Chrysler
Y - Imperial

AR Indicates use as required.

Indicates parts not listed in any previous parts book

Numerals in parentheses () refer to notes.

★ Indicates change or addition.

Printed in U.S.A.
January 1972

8-29-0 ALTERNATOR COMPONENT PARTS

For Model Application See Code 8-28-3

ALTERNATOR ASSEMBLIES

CODE	REMARKS	30	37	50	60	37
8-29-17	BRUSH and WASHER PACKAGE	3420 893	3420 893	3420 893	3420 893	3420 893
8-29-42	HOLDER, Brush (Axial)	2095 038	2095 038	2095 038	2095 038	2095 038
	HOLDER, Brush (Radial)	3438 159	3438 159	3438 159	3438 159	3438 159
8-29-97	ROTOR	2585 175	2585 175	2585 175	2585 175	2585 175
8-29-98	STATOR	2642 633	2642 633	2095 427	3000 008	2642 633
8-29-99	RETAINER, WASHER and SLIP RING PACKAGE, Rotor Grease	2586 512	2586 512	2586 512	2586 512	2586 512
8-29-129	CAPACITOR and INSULATOR PACKAGE	2421 137	2421 137	2421 137	2421 137	2421 137
8-29-131	RECTIFIER, Positive (3 req.)	2098 288	2098 288	2098 288	3000 046	2098 288
	RECTIFIER, Negative (3 req.)	2098 287	2098 287	2098 287	3000 047	2098 287
8-29-132	SHIELD, Rectifier End	3438 204	3438 204	3438 204	3438 204	3438 204
8-29-133	BEARING, Rectifier End Shield	2098 512	2098 512	2098 512	2098 512	2098 512
8-29-135	HEAT SINK, Rectifier	2095 925	2095 925	2095 925	2095 925	2095 925
8-29-145	SPACER, Rectifier Heat Sink	2095 760	2095 760	2095 760	2095 760	2095 760
8-29-153	SHIELD, Drive End	2095 945	2095 945	2095 945	2095 945	2095 945
8-29-154	BEARING, Drive End Shield	2098 478	2098 478	2098 478	2098 478	2098 478
8-29-155	PLATE, Drive End Shield Brg. Retainer	2095 012	2095 012	2095 012	2095 012	2095 012
8-29-208	SCREW, Frame (3 req.)	2098 633	2098 633	2098 633	2098 633	2098 633

For Model Application See Code 8-28-3

ALTERNATOR ASSEMBLIES

CODE	REMARKS	50	50	60	60	34
8-29-17	BRUSH and WASHER PACKAGE	3420 893	3420 893	3420 893	3420 893	3420 893
8-29-42	HOLDER, Brush (Axial)	2095 038	2095 038	2095 038	2095 038	2095 038
	HOLDER, Brush (Radial)	3438 159	3438 159	3438 159	3438 159	3438 159
8-29-97	ROTOR	2585 175	2585 175	2585 175	2585 175	3438 757
8-29-98	STATOR	2095 427	2095 427	3000 008	3000 008	2642 633
8-29-99	RETAINER, WASHER and SLIP RING PACKAGE, Rotor Grease	2586 512	2586 512	2586 512	2586 512	2586 512
8-29-129	CAPACITOR and INSULATOR PACKAGE	2421 137	2421 137	2421 137	2421 137	2421 137
8-29-131	RECTIFIER, Positive (3 req.)	2098 288	2098 288	3000 046	3000 046	2098 288
	RECTIFIER, Negative (3 req.)	2098 287	2098 287	3000 047	3000 047	2098 287
8-29-132	SHIELD, Rectifier End	3438 204	3438 204	3438 204	3438 204	3438 204
8-29-133	BEARING, Rectifier End Shield	2098 512	2098 512	2098 512	2098 512	2098 512
8-29-135	HEAT SINK, Rectifier	2095 925	2095 925	2095 925	2095 925	2095 925
8-29-145	SPACER, Rectifier Heat Sink	2095 760	2095 760	2095 760	2095 760	2095 760
8-29-153	SHIELD, Drive End	2095 945	2095 945	2095 945	2095 945	2095 945
8-29-154	BEARING, Drive End Shield	2098 478	2098 478	2098 478	2098 478	2098 478
8-29-155	PLATE, Drive End Shield Brg. Ret.	2095 012	2095 012	2095 012	2095 012	2095 012
8-29-208	SCREW, Frame (3 req.)	2098 633	2098 633	2098 633	2098 633	2098 633

For Model Application See Code 8-28-3

ALTERNATOR ASSEMBLIES

CODE	REMARKS	37	50			
8-29-17	BRUSH and WASHER PACKAGE	3420 893	3420 893			
8-29-42	HOLDER, Brush (Axial)	2095 038	2095 038			
	HOLDER, Brush (Radial)	3438 159	3438 159			
8-29-97	ROTOR	3438 785	3438 785			
8-29-98	STATOR	2642 633	2642 633			
8-29-99	RETAINER, WASHER and SLIP RING PACKAGE, Rotor Grease	2586 512	2586 512			
8-29-129	CAPACITOR and INSULATOR PACKAGE	2421 137	2421 137			
8-29-131	RECTIFIER, Positive (3 req.)	2098 288	2098 288			
	RECTIFIER, Negative (3 req.)	2098 287	2098 287			
8-29-132	SHIELD, Rectifier End	3438 204	3438 204			
8-29-133	BEARING, Rectifier End Shield	2098 512	2098 512			
8-29-135	HEAT SINK, Rectifier	2095 925	2095 925			

CARLINES

J - Challenger
B - BarracudaV - Valiant
L - DartR - Belvedere - Satalite
W - Coronet - ChargerP - Plymouth
D - DodgeC - Chrysler
Y - Imperial

AR Indicates use as required.

Indicates parts not listed in any previous parts book.

Numerals in parentheses () refer to notes.

★ Indicates change or addition.

Printed in U.S.A.
January 1972

8-29-0 ALTERNATOR COMPONENT PARTS Cont'd.

For Model Application See Code 8-28-3

ALTERNATOR ASSEMBLIES

CODE	REMARKS	3438 780	3438 782
8-29-145	SPACER, Rectifier Heat Sink	2095 760	2095 760
8-29-153	SHIELD, Drive End	2095 945	2095 945
8-29-154	BEARING, Drive End Shield	2098 478	2098 478
8-29-155	PLATE, Drive End Shield Brg. Ret.	2095 012	2095 012
8-29-208	SCREW, Frame (3 req.)	2098 633	2098 633

ALTERNATOR ASSEMBLIES

For Model Application See Code 8-28-3

CODE	REMARKS	2642 411	2642 412
8-29-41	BRUSH and SPRING	Canada 2644 303	2644 303
	BLOCK, Terminal	Canada 2644 305	2644 305
	JUMPER, Brush Terminal	Canada 2644 302	2644 302
8-29-97	ROTOR	Canada 2649 425	2649 425
8-29-98	STATOR and TERMINAL	Canada 2649 486	2649 486
8-29-99	SLIP RING, Rotor	Canada 2644 292	2644 292
8-29-110	BEARING, Slip Ring End	Canada 2644 291	2644 291
8-29-130	CAPACITOR	Canada 2649 446	2649 446
	CLAMP, Capacitor Ret.	Canada 2649 445	2649 445
8-29-131	RECTIFIER, Negative	Canada 2649 442	2649 442
	RECTIFIER and LEAD, Orange	Canada 2649 443	2649 443
	RECTIFIER, Positive	Canada 2649 437	2649 437
	RECTIFIER and LEAD, Black	Canada 2649 438	2649 438
8-29-153	HOUSING, Brush Holder	Canada 2644 300	2644 300
	SEALING RING, Holder Hsg.	Canada 2644 299	2644 299
	GASKET, Holder Hsg.	Canada 2649 447	2649 447
8-29-154	BEARING, DRIVE END	Canada 2649 435	2649 935
8-29-160	FAN	Canada 2649 434	2649 434
8-29-164	MOUNT, Rectifier	Canada 2644 296	2644 296
	REG. RECTIFIER	Canada 2644 312	2644 312
8-29-179	BUSHING, Brg. Rect. Term. Insul	Canada 2644 309	2644 309
	RECT. MOUNT, Insul	Canada 2649 439	2649 439
	TERMINAL SCREW	Canada 2644 307	2644 307
	INSULATION	Canada 2649 441	2649 441
8-29-181	WASHER, Rectifier Mount	Canada 2649 440	2649 440
	TERM, Insulator	Canada 2649 440	2649 440
8-29-184	INSULATOR, Term, Black	Canada 2644 306	2644 306
	SCREW, Neg. Rect. Term	Canada 2644 313	2644 313
	TERMINAL	Canada 2649 444	2649 444
	TERMINAL	Canada 2644 308	2644 308
	STUD, Terminal	Canada 2644 301	2644 301

NOTES

CARLINES

J - Challenger
B - BarracudaV - Valiant
L - DartR - Belvedere - Scallite
W - Coronet - ChargerP - Plymouth
D - DodgeC - Chrysler
Y - Imperial

AR Indicates use as required.

Indicates parts not listed in any previous parts book.

Numerals in parentheses () refer to notes.

★ Indicates change or addition.

Printed in U.S.A.

January 1972

CODE	PART NAME	ENG. TYPE OR CU.IN.	V	B	L	R	W	P	D	C	C	C	Y	PART NUMBER
			1-2	1-2	1-2	1-2	1-2	1-2	1-2	1	2	3	1	
8-31-0 PARKING BRAKE SIGNAL LAMP														
8-31-8	HOUSING, Brake Warning Ind. Lamp, w/Rallye Inst. Panel		—	1	—	—	—	—	—	—	—	—	—	2984 207
8-31-10	SWITCH, Brake System Ind. Lamp	70	1	1	1	1	1	1	1	1	1	1	1	2822 023
		71	1	1	1	1	1	—	—	—	—	—	—	2822 023
	w/Disc Brakes	71	—	—	—	—	—	1	1	1	1	1	1	3488 449
	w/o Disc Brakes	71	—	—	—	—	—	1	1	1	1	1	1	3488 515
	Parking Brake Ind. Lamp	70	1	—	1	1	1	—	—	—	—	—	—	2889 053
		71	1	—	1	—	—	—	—	—	—	—	—	2889 053
		70	—	1	—	—	—	1	1	1	1	1	1	2291 852
		71	—	1	—	1	1	1	1	1	1	1	—	2291 852
		70	—	—	—	1	1	—	—	—	—	—	—	2661 763
		w/BRKT.	70	1	—	1	—	—	—	—	—	—	—	—
8-31-11	BRACKET, Brake Ind. Lamp Switch Mtg. NUT and WASHER, Mtg.		1	—	1	—	—	—	—	—	—	—	—	6023 215
8-31-16	SOCKET, Brake Warning Ind. Lamp, on Printed Circuit Board, R-K, R-T, R-L, R-H, W-K, W-T, W-L, W-H		1	—	1	1	1	—	—	—	—	—	—	2496 279
	R-P, W-P except Charger, W-S 2D.H.T. and Cv. Cp. w/o Rallye Inst. Panel	70	—	—	—	1	1	—	1	—	—	—	—	2496 279
	Dual Brake Warning Lamp, R-M, R-S, W-M, W-P Charger, W-S Charger R/T, W-S 2 D.H.T. and Cv. Cp.		—	—	1	1	1	1	—	1	1	1	—	1753 632
	w/Rallye Inst. Panel	70	—	1	1	1	1	1	1	1	1	1	1	1753 632
	R-M, R-P, R-S, W-M, W-P, W-S	71	—	1	1	1	1	1	1	1	1	1	1	1753 632
				—	1	1	1	1	1	1	1	1	1	2256 966
8-31-18	CONTACT, Dual Brake Warning Lamp Socket		—	1	1	1	1	1	1	1	1	1	1	2256 966
8-32-0 HORN														
8-32-2	HORNS PACKAGE, High Note		1	1	1	1	1	1	1	1	1	1	1	2808 869
	Low Note		1	1	1	1	1	1	1	1	1	1	1	2808 868
	w/BRKT., R-M		—	—	—	1	—	—	—	—	—	—	—	2926 233
8-32-18	SCREW and WASHER, Horn to Yoke Mtg.		AR	AR	AR	AR	AR	AR	AR	AR	AR	AR	AR	6023 253
8-33-0 HORN CONTROLS														
8-33-4	HORN RING, Partial, J	70	—	1	—	—	—	—	—	—	—	—	—	2950 781
	w/Switch, w/Tilt-Tel. Strg. Wheel, w/o Rim Horn Switch	70	—	—	—	—	—	—	—	1	1	1	1	2950 189
8-33-5	RETAINER, Horn Button, L-L, R-T, R-L, R-M, W-T, W-L	70	1	—	1	1	1	—	—	—	—	—	—	2996 704
	Horn Button, w/Soft Rim Strg. Wheel		1	1	1	1	1	—	—	—	—	—	—	3467 836
	w/Partial Horn Ring, L-L, L-H	70	1	—	1	—	—	—	—	—	—	—	—	2996 884
	Horn Ring, Export		1	—	1	1	1	1	1	—	—	—	—	2996 884
	Horn Button	70	—	1	—	—	—	—	—	—	—	—	—	2950 780
	w/Partial Horn Ring, J	70	—	1	—	—	—	—	—	—	—	—	—	2950 779
	Strg. Wheel Opening Cap, w/Wood Grain Wheel	70	—	—	—	1	1	1	1	—	—	—	—	2996 720
	Horn Ring, w/o Tilt Strg. Wheel	70	—	—	—	—	—	1	1	—	—	—	—	2925 556
	Horn Ring, w/o Tilt-Tel. Strg. Wheel	70	—	—	—	—	—	—	—	1	1	1	1	2925 556
	8-33-6	ORNAMENT, Strg. Wheel, w/Rim Horn Switch	70	1	—	—	1	—	1	—	—	—	—	—
w/o Rim Horn Switch, R except R-M		70	1	—	—	1	—	1	—	—	—	—	—	3467 492
w/o Rim Horn Switch, R-M		70	—	—	—	1	—	—	—	—	—	—	—	3467 499
w/o Rim Horn Switch		70	—	—	1	—	1	—	1	—	—	—	—	3467 493
w/Rim Horn Switch		70	—	—	1	—	1	—	1	—	—	—	—	2996 889
w/o Tilt Strg. Wheel, w/o Rim Horn Switch		70	—	—	—	—	—	1	1	—	—	—	—	4077 FB7
Dark Blue		70	—	—	—	—	—	1	1	—	—	—	—	4077 FF8
Dark Green	70	—	—	—	—	—	1	1	—	—	—	—	4077 FK5	
Burnt Orange	70	—	—	—	—	—	1	1	—	—	—	—	4077 FT4	
Tan	70	—	—	—	—	—	1	1	—	—	—	—	4077 FT4	
CARLINES	J - Challenger B - Barracuda	V - Valiant L - Dart	R - Belvedere - Satellite W - Coronet - Charger	P - Plymouth D - Dodge	C - Chrysler Y - Imperial									

AR Indicates use as required.

Indicates parts not listed in any previous parts book.

Numerals in parentheses () refer to notes.

★ Indicates change or addition.

Printed in U.S.A.
January 1972

CODE	PART NAME	ENG. TYPE OR CU.IN.	V	B	L	R	W	P	D	C	C	C	Y	PART NUMBER
			1-2	1-2	1-2	1-2	1-2	1-2	1-2	1	2	3	1	
8-33-0 HORN CONTROLS Cont'd.														
8-33-6	ORNAMENT Cont'd.													
		Black 70	—	—	—	—	—	—	1	1	—	—	—	4077 FX9
		Gold 70	—	—	—	—	—	—	1	1	—	—	—	4077 FY4
	w/Tilt-Tel. Strg. Wheel, w/Rim Horn Switch		—	—	—	—	—	—	—	1	1	1	—	2996 890
	MEDALLION, Strg. Wheel, w/o Tilt-Tel. Strg. Wheel, w/o Rim Horn Switch	70	—	—	—	—	—	—	—	1	1	1	—	2925 554
	ORNAMENT, Strg. Wheel, w/o Tilt-Tel. Strg. Wheel, w/o Rim Horn Switch	Black 70	—	—	—	—	—	—	—	1	1	1	1	4069 EX9
	w/o Tilt-Tel. Strg. Wheel, w/Rim Horn Switch	70	—	—	—	—	—	—	—	—	—	—	1	2996 891
	w/o Tilt-Tel. Strg. Wheel	71	—	—	—	—	—	—	—	—	—	—	1	2996 891
	MEDALLION, Strg. Wheel, w/o Tilt-Tel. Strg. Wheel, w/o Rim Horn Switch	70	—	—	—	—	—	—	—	—	—	—	1	2996 916
	Export	71	1	—	—	—	—	—	—	—	—	—	—	3467 492
	w/Decal, w/3 Spoke Horn Button, R-T, R-L	71	1	—	—	1	—	—	—	—	—	—	—	3467 461
	w/o Decal, w/3 Spoke Horn Button, L-L, L-M, R-T, R-L, R-M	71	1	—	1	1	—	—	—	—	—	—	—	3467 859
	w/Decal, w/3 Spoke Horn Button, L-L L-M	71	—	—	1	—	—	—	—	—	—	—	—	3467 462
	Export	71	—	—	1	—	1	—	—	—	—	—	—	3467 493
	w/o Decal, w/o Rim Horn Switch, w/o Soft Rim Wheel, L-H	71	—	—	1	—	—	—	—	—	—	—	—	3467 859
	w/Decal, w/o Rim Horn Switch, w/o Soft Rim Wheel, L-H	71	—	—	1	—	—	—	—	—	—	—	—	3467 462
	w/Decal, w/o Rim Horn Switch, w/o Tilt Strg. Wheel, w/o Soft Rim Wheel, w/o Coupe Pkg., R-H	71	—	—	—	1	—	—	—	—	—	—	—	3467 461
	w/o Decal, w/o Rim Horn Switch, w/o Tilt Strg. Wheel w/o Soft Rim Wheel, w/o Coupe Pkg., R-H		—	—	—	1	—	—	—	—	—	—	—	3467 859
	w/Tilt Strg. Wheel, P w/Rim Horn Switch	71	—	—	—	1	—	1	—	—	—	—	—	2996 888
	w/3 Spoke Horn Button, R-M	71	—	—	—	1	—	—	—	—	—	—	—	3467 464
	w/o 3 Spoke Horn Button, w/o Tilt Strg. Wheel, w/o Rim Horn Switch, w/o Soft Rim Wheel, R-M	71	—	—	—	1	—	—	—	—	—	—	—	3467 487
	w/o 3 Spoke Horn Button, w/o Tilt Strg. Wheel, w/o Rim Horn Switch, w/o Soft Rim Wheel, R-T, R-L	71	1	—	—	1	—	—	—	—	—	—	—	3467 485
	w/o 3 Spoke Horn Button w/o Tilt Strg. Wheel, w/o Rim Horn Switch, w/o Soft Rim Wheel, R-T, R-L, R-H 2 D.H.T. w/Coupe Pkg.	71	1	—	—	1	—	—	—	—	—	—	—	3467 485
	w/o 3 Spoke Horn Button, w/o Rim Horn Switch, w/o Tilt Strg. Wheel, W-T, W-L, W-H 2 D.H.T. w/Coupe Pkg.		—	—	—	—	—	1	—	—	—	—	—	3467 486
	w/Tilt Strg. Wheel, D w/Rim Horn Switch	71	—	—	—	—	1	—	1	—	—	—	—	2996 889
	w/Decal, w/o Tilt Strg. Wheel, w/o Rim Horn Switch, P-T, P-E, P-L	71	—	—	—	—	—	1	—	—	—	—	—	3467 461
	w/o Decal, w/o Tilt Strg. Wheel, w/o Rim Horn Switch, P-T, P-E, P-L, D-T, D-E, D-S	71	—	—	—	—	—	1	1	—	—	—	—	3467 859
	w/Decal, w/o Tilt Strg. Wheel, w/o Rim Horn Switch, D-T, D-E, D-S	71	—	—	—	—	—	—	1	—	—	—	—	3467 462
CARLINES	J - Challenger B - Barracuda	V - Valiant L - Dart	R - Belvedere - Satellite W - Coronet - Charger	P - Plymouth D - Dodge	C - Chrysler Y - Imperial									

AR Indicates use as required.

Indicates parts not listed in any previous parts book.

Numerals in parentheses () refer to notes.

★ Indicates change or addition.

Printed in U.S.A.
January 1972

CODE	PART NAME	ENG. TYPE OR CU.IN.	V	B	L	R	W	P	D	C	C	C	Y	PART NUMBER		
			1-2	1-2	1-2	1-2	1-2	1-2	1-2	1	2	3	1			
8-33-0 HORN CONTROLS Cont'd.																
8-33-6	ORNAMENT Cont'd. w/o Rim Horn Switch, w/o Tilt-Tel. Strg. Wheel	71	—	—	—	—	—	—	—	—	1	1	1	—	3575 058	
8-33-13	PAD and RING, Horn, Partial	Dark Blue 70	1	—	1	1	1	—	—	—	—	—	—	—	4042 FB7	
		Red 70	1	—	—	—	—	—	—	—	—	—	—	—	4042 FE5	
		Dark Green 70	1	—	1	1	1	—	—	—	—	—	—	—	4042 FF8	
		Tan 70	1	—	1	1	1	—	—	—	—	—	—	—	4042 FT4	
		Black 70	1	—	1	1	1	—	—	—	—	—	—	—	4042 FX9	
		Burnt Orange 70	—	—	—	1	1	—	—	—	—	—	—	—	—	4042 FK5
		Gold 70	—	—	—	1	1	—	—	—	—	—	—	—	—	4042 FY4
		PAD, Strg. Wheel, w/Rim Horn Switch	Dark Blue 70	1	—	1	1	1	1	1	1	1	1	1	1	4011 FB7
		Red 70	1	—	—	—	—	—	—	—	—	—	—	—	—	4011 FE4
		Dark Green 70	1	—	1	1	1	1	1	1	1	1	1	1	1	4011 FF8
Tan 70	1	—	1	1	1	1	1	1	1	1	1	1	1	4011 FT5		
Black 70	1	—	1	1	1	1	1	1	1	1	1	1	1	4011 FX9		
Gold 70	—	—	—	1	1	1	1	1	1	1	1	1	1	4011 FY4		
Burnt Orange 70	—	—	—	1	1	1	1	—	—	—	—	—	—	4011 FK4		
Dark Gold 70	—	—	—	—	—	—	—	—	1	1	1	1	1	4011 FY8		
Teal 70	—	—	—	—	—	—	—	—	1	1	1	1	1	4011 FP6		
Burgundy 70	—	—	—	—	—	—	—	—	—	—	—	—	1	4011 FM9		
Oxblood 70	—	—	—	—	—	—	—	—	1	1	1	—	—	4011 FR9		
Tan 70	—	—	—	—	—	—	—	—	—	—	—	—	1	4011 FT8		
PAD, Strg. Wheel Ornament, w/Soft Rim Wheel	Black 70	1	—	1	1	1	—	—	—	—	—	—	—	4005 FX9		
PAD, Strg. Wheel Spoke, w/o Rim Horn Switch	Brite Blue 70	—	1	—	—	—	—	—	—	—	—	—	—	4002 FB5		
	Red 70	—	1	—	—	—	—	—	—	—	—	—	—	4002 FE5		
	Dark Green 70	—	1	—	—	—	—	—	—	—	—	—	—	4002 FF8		
	Burnt Orange 70	—	1	—	—	—	—	—	—	—	—	—	—	4002 FK5		
	Tan 70	—	1	—	—	—	—	—	—	—	—	—	—	4002 FT4		
	Black 70	—	1	—	—	—	—	—	—	—	—	—	—	4002 FX9		
PAD, Strg. Wheel Spoke, w/Rim Horn Switch, B	Brite Blue 70	—	1	—	—	—	—	—	—	—	—	—	—	4022 FB5		
	Red 70	—	1	—	—	—	—	—	—	—	—	—	—	4022 FE5		
	Dark Green 70	—	1	—	—	—	—	—	—	—	—	—	—	4022 FF8		
	Burnt Orange 70	—	1	—	—	—	—	—	—	—	—	—	—	4022 FK5		
	Tan 70	—	1	—	—	—	—	—	—	—	—	—	—	4022 FT4		
	Black 70	—	1	—	—	—	—	—	—	—	—	—	—	4022 FX9		
PAD, Strg. Wheel Spoke, w/Rim Horn Switch, J	Brite Blue 70	—	1	—	—	—	—	—	—	—	—	—	—	4021 FB5		
	Red 70	—	1	—	—	—	—	—	—	—	—	—	—	4021 FE5		
	Dark Green 70	—	1	—	—	—	—	—	—	—	—	—	—	4021 FF8		
	Burnt Orange 70	—	1	—	—	—	—	—	—	—	—	—	—	4021 FK5		
	Tan 70	—	1	—	—	—	—	—	—	—	—	—	—	4021 FT4		
	Black 70	—	1	—	—	—	—	—	—	—	—	—	—	4021 FX9		
PAD and RING, Horn, Full Horn Ring-Fleet, w/o Rim Horn Switch	Dark Blue 70	—	—	—	1	1	—	—	—	—	—	—	—	4044 FB7		
	Dark Green 70	—	—	—	1	1	—	—	—	—	—	—	—	4044 FF8		
	Burnt Orange 70	—	—	—	1	1	—	—	—	—	—	—	—	4044 FK5		
	Tan 70	—	—	—	1	1	—	—	—	—	—	—	—	4044 FT4		
	Black 70	—	—	—	1	1	—	—	—	—	—	—	—	4044 FX9		
	Gold 70	—	—	—	1	1	—	—	—	—	—	—	—	4044 FY4		
	PAD, Horn, Full Horn Ring-Fleet, w/o Tilt Strg. Wheel, w/o Rim Horn Switch	Dark Blue 70	—	—	—	—	—	—	1	1	—	—	—	—	4068 EB7	
Dark Green 70		—	—	—	—	—	—	1	1	—	—	—	—	4068 EF8		
Tan 70		—	—	—	—	—	—	1	1	—	—	—	—	4068 FT4		
Black 70		—	—	—	—	—	—	1	1	—	—	—	—	4068 EX9		
Gold 70		—	—	—	—	—	—	1	1	—	—	—	—	4068 FY4		

CARLINES

J - Challenger
B - BarracudaV - Valiant
L - DartR - Belvedere - Satellite
W - Coronet - ChargerP - Plymouth
D - DodgeC - Chrysler
Y - Imperial

AR Indicates use as required.

Indicates parts not listed in any previous parts book.

Numerals in parentheses () refer to notes.

★ Indicates change or addition.

Printed in U.S.A.
January 1972

CODE	PART NAME	ENG. TYPE OR CU.IN.	V	B	L	R	W	P	D	C	C	C	Y	PART NUMBER
			1-2	1-2	1-2	1-2	1-2	1-2	1-2	1	2	3	1	
8-33-0 HORN CONTROLS Cont'd.														
8-33-13	PAD and RING Cont'd.													
	PAD, Strg. Wheel Horn, Partial, w/o Tilt													
	Strg. Wheel, w/o Rim Horn													
	Switch	Dark Blue 70	—	—	—	—	—	—	1	1	—	—	—	4067 FB7
		Burnt Orange 70	—	—	—	—	—	—	1	1	—	—	—	4067 FK5
		Dark Green 70	—	—	—	—	—	—	1	1	—	—	—	4066 EF8
		Tan 70	—	—	—	—	—	—	1	1	—	—	—	4066 FT4
		Black 70	—	—	—	—	—	—	1	1	—	—	—	4066 EX9
		Gold 70	—	—	—	—	—	—	1	1	—	—	—	4066 FY4
	PAD, Strg. Wheel, w/Tilt Strg.													
	Wheel	Dark Blue 70	—	—	—	—	—	—	1	1	—	—	—	4013 FB7
		Dark Green 70	—	—	—	—	—	—	1	1	—	—	—	4013 FF8
		Burnt Orange 70	—	—	—	—	—	—	1	1	—	—	—	4013 FK4
		Tan 70	—	—	—	—	—	—	1	1	—	—	—	4013 FT5
		Black 70	—	—	—	—	—	—	1	1	—	—	—	4013 FX9
		Gold 70	—	—	—	—	—	—	1	1	—	—	—	4013 FY4
	PAD, Strg. Wheel, w/Tilt-Tel. Strg.													
	Wheel	Dark Blue 70	—	—	—	—	—	—	—	1	1	1	—	4013 FB7
		Dark Green 70	—	—	—	—	—	—	—	1	1	1	—	4013 FF3
		Teal 70	—	—	—	—	—	—	—	1	1	1	1	4013 FP6
		Oxblood 70	—	—	—	—	—	—	—	1	1	1	1	4013 FR9
		Tan 70	—	—	—	—	—	—	—	1	1	1	1	4013 FT5
		Black 70	—	—	—	—	—	—	—	1	1	1	1	4013 FX9
		Gold 70	—	—	—	—	—	—	—	1	1	1	1	4013 FY4
		Beige 70	—	—	—	—	—	—	—	1	1	1	—	4013 FY8
	PAD, Strg. Wheel, w/o Tilt-Tel. Strg. Wheel,													
	w/o Rim Horn Switch	Dark Blue 70	—	—	—	—	—	—	—	1	1	1	1	4066 FB7
		Dark Green 70	—	—	—	—	—	—	—	1	1	1	1	4066 EF8
		Beige 70	—	—	—	—	—	—	—	1	1	1	—	4066 EY8
		Teal 70	—	—	—	—	—	—	—	1	—	1	1	4066 FP6
		Oxblood 70	—	—	—	—	—	—	—	1	1	1	1	4066 FR9
		Black 70	—	—	—	—	—	—	—	1	1	1	1	4066 EX9
		Tan 70	—	—	—	—	—	—	—	1	1	1	1	4066 FT4
		Gold 70	—	—	—	—	—	—	—	1	1	1	1	4066 FY4
		Burgundy 70	—	—	—	—	—	—	—	—	—	—	1	4066 FM9
		Walnut and Beige 70	—	—	—	—	—	—	—	—	—	—	1	4066 FT8
	PAD, Strg. Wheel, w/Tilt-Tel. Strg. Wheel													
	w/o Rim Horn Switch	Dark Blue 70	—	—	—	—	—	—	—	1	1	1	1	4028 EB7
		Dark Green 70	—	—	—	—	—	—	—	1	1	1	1	4028 EF8
		Burgundy 70	—	—	—	—	—	—	—	—	—	—	1	4028 EM9
		Black 70	—	—	—	—	—	—	—	1	1	1	1	4028 EX9
		Beige 70	—	—	—	—	—	—	—	1	1	1	1	4028 EY8
		Teal 70	—	—	—	—	—	—	—	1	1	1	1	4028 FP6
		Red 70	—	—	—	—	—	—	—	1	1	1	1	4028 FR8
		Tan 70	—	—	—	—	—	—	—	1	1	1	1	4028 FT4
	PAD, Strg. Wheel, w/Tilt-Tel. Strg.													
	Wheel	Dark Blue 70	—	—	—	—	—	—	—	—	—	—	1	4014 FB7
		Dark Green 70	—	—	—	—	—	—	—	—	—	—	1	4014 FF8
		Burgundy 70	—	—	—	—	—	—	—	—	—	—	1	4014 FM9
		Teal 70	—	—	—	—	—	—	—	—	—	—	1	4014 FP6
		Oxblood 70	—	—	—	—	—	—	—	—	—	—	1	4014 FR9
		Tan 70	—	—	—	—	—	—	—	—	—	—	1	4014 FT5
		Walnut and Beige 70	—	—	—	—	—	—	—	—	—	—	1	4014 FT8
		Black 70	—	—	—	—	—	—	—	—	—	—	1	4014 FX9
		Gold 70	—	—	—	—	—	—	—	—	—	—	1	4014 FY4
	PAD, Strg. Wheel Ornament, w/Rim Horn													
	Switch	Black 71	1	1	1	1	1	—	—	—	—	—	—	4006 GX9
	PAD, Strg. Wheel Ornament, w/Soft Rim													
	Wheel	Black 71	1	—	1	1	1	—	—	—	—	—	—	4005 FX9

CARLINES

J - Challenger
B - BarracudaV - Valiant
L - DartR - Belvedere - Satellite
W - Coronet - ChargerP - Plymouth
D - DodgeC - Chrysler
Y - Imperial

AR Indicates use as required.

Indicates parts not listed in any previous parts book.

Numerals in parentheses () refer to notes.

★ Indicates change or addition.

Printed in U.S.A.
January 1972

CODE	PART NAME	ENG. TYPE OR CU.IN.	V	B	L	R	W	P	D	C	C	C	Y	PART NUMBER
			1-2	1-2	1-2	1-2	1-2	1-2	1-2	1	2	3	1	
8-33-0 HORN CONTROLS Cont'd.														
8-33-13	PAD and RING Cont'd.													
	PAD and Ring, Strg. Wheel Horn, Export	Black 71	1	—	1	—	1	—	—	—	—	—	—	4044 FX9
		Dark Blue 71	1	—	1	—	1	—	—	—	—	—	—	4044 FB7
		Tan 71	1	—	1	—	1	—	—	—	—	—	—	4044 GT6
	PAD, Strg. Wheel Spoke, w/o Rim Horn Switch	Black 71	—	1	—	—	—	—	—	—	—	—	—	4002 GX9
	PAD, Strg. Wheel, w/Tilt and Tilt-Tel. Strg. Wheel	Dark Blue 71	—	—	—	1	1	1	1	1	1	1	—	4013 GB7
		Dark Saddle 71	—	—	—	1	1	1	1	1	1	1	—	4013 GT7
		Black 71	—	—	—	1	1	1	1	1	1	1	—	4013 FX9
		Gold 71	—	—	—	1	1	—	—	—	—	—	—	4013 GY3
		Dark Green 71	—	—	—	1	1	1	1	1	1	1	—	4013 GF7
		Russet 71	—	—	—	—	—	1	1	1	1	1	—	4013 GE8
		Gold 71	—	—	—	—	—	1	1	1	1	1	—	4013 GY5
	D-H, C-E	Gun Metal 71	—	—	—	—	—	—	1	1	—	1	—	4013 GA6
		Dark Blue 71	—	—	—	—	—	—	—	—	—	—	1	4014 GB7
		Gun Metal 71	—	—	—	—	—	—	—	—	—	—	1	4014 GA6
		Burgundy 71	—	—	—	—	—	—	—	—	—	—	1	4014 GM9
		Blue 71	—	—	—	—	—	—	—	—	—	—	1	4014 GB9
		Russet 71	—	—	—	—	—	—	—	—	—	—	1	4014 GE8
		Dark Green 71	—	—	—	—	—	—	—	—	—	—	1	4014 GF7
		Dark Saddle 71	—	—	—	—	—	—	—	—	—	—	1	4014 GT7
		Black 71	—	—	—	—	—	—	—	—	—	—	1	4014 FX9
		Gold 71	—	—	—	—	—	—	—	—	—	—	1	4014 GY5
	PAD, Strg. Wheel, w/Rim Horn Switch	Dark Blue 71	—	—	—	—	—	1	1	1	1	1	1	4011 GB7
		Russet 71	—	—	—	—	—	1	1	1	1	1	1	4011 GE8
		Dark Green 71	—	—	—	—	—	1	1	1	1	1	1	4011 GF7
		Dark Saddle 71	—	—	—	—	—	1	1	1	1	1	1	4011 GT7
		Black 71	—	—	—	—	—	1	1	1	1	1	1	4011 FX9
		Gold 71	—	—	—	—	—	1	1	1	1	1	1	4011 GY5
	D-H, C-E	Gun Metal 71	—	—	—	—	—	—	1	1	—	1	1	4011 GA6
		Dark Blue 71	—	—	—	—	—	—	—	—	—	—	1	4011 GB9
		Burgundy 71	—	—	—	—	—	—	—	—	—	—	1	4011 GM9
8-33-15	SPRING, Horn Ring, w/Tilt-Tel. Strg. Wheel, w/o Rim Horn Switch	70	—	—	—	—	—	—	—	1	1	1	1	2925 561
8-33-17	BUTTON, Horn, w/o Rim Horn Switch	Dark Blue 70	1	—	1	—	—	—	—	—	—	—	—	4000 FB7
		Red 70	1	—	—	—	—	—	—	—	—	—	—	4000 FE5
		Green 70	1	—	1	—	—	—	—	—	—	—	—	4000 FF8
		Tan 70	1	—	1	—	—	—	—	—	—	—	—	4000 FT4
		Black 70	1	—	1	—	—	—	—	—	—	—	—	4000 FX9
	BUTTON, Horn, w/o Rim Horn Switch	Brite Blue 70	—	1	—	—	—	—	—	—	—	—	—	4003 FB5
		Red 70	—	1	—	—	—	—	—	—	—	—	—	4003 FE5
		Green 70	—	1	—	—	—	—	—	—	—	—	—	4003 FF8
		Burnt Orange 70	—	1	—	—	—	—	—	—	—	—	—	4003 FK5
		Tan 70	—	1	—	—	—	—	—	—	—	—	—	4003 FT4
		Black 70	—	1	—	—	—	—	—	—	—	—	—	4003 FX9
	CAP, Strg. Wheel Spoke, w/Rim Horn Switch	70	—	1	—	—	—	—	—	—	—	—	—	2996 936
	w/Rim Horn Switch	71	1	1	1	1	1	—	—	—	—	—	—	2996 936
	CAP, Strg. Wheel Ornament, Partial, w/Wood Grain Wheel	Blue 70	—	—	—	1	1	1	1	—	—	—	—	4047 EB7
		Green 70	—	—	—	1	1	1	1	—	—	—	—	4047 EF8
		Burnt Orange 70	—	—	—	1	1	1	1	—	—	—	—	4047 FK5
		Tan 70	—	—	—	1	1	1	1	—	—	—	—	4047 FT4
		Black 70	—	—	—	1	1	1	1	—	—	—	—	4047 DX9
		Gold 70	—	—	—	1	1	1	1	—	—	—	—	4047 FY4

CARLINES

J - Challenger
B - BarracudaV - Valiant
L - DartR - Belvedere - Satellite
W - Coronet - ChargerP - Plymouth
D - DodgeC - Chrysler
Y - Imperial

AR Indicates use as required.

Indicates parts not listed in any previous parts book.

Numerals in parentheses () refer to notes.

★ Indicates change or addition.

Printed in U.S.A.
January 1972

CODE	PART NAME	ENG. TYPE OR CU.IN.	V	B	L	R	W	P	D	C	C	C	Y	PART NUMBER
			1-2	1-2	1-2	1-2	1-2	1-2	1-2	1	2	3	1	
8-33-0 HORN CONTROLS Cont'd.														
8-33-17	BUTTON Cont'd.													
	CAP, Strg. Wheel Ornament, w/o 3 Spoke													
	Horn Button, w/o Rim Horn Switch,													
	w/o Soft Rim Wheel	Dark Blue 71	1	—	1	—	—	—	—	—	—	—	—	4055 GB7
		Green 71	1	—	1	—	—	—	—	—	—	—	—	4055 GF7
		Tan 71	1	—	1	—	—	—	—	—	—	—	—	4055 GT6
		Black 71	1	—	1	—	—	—	—	—	—	—	—	4055 GX9
		Gold 71	1	—	1	—	—	—	—	—	—	—	—	4055 GY6
	BUTTON, Horn, w/o Rim Horn													
	Switch, up to April 1971	Black 71	—	1	—	—	—	—	—	—	—	—	—	4003 GX9
	after April 1971	71	—	1	—	—	—	—	—	—	—	—	—	3575 564
	CAP, Strg. Wheel Ornament, w/o 3 Spoke													
	Horn Button, w/o Soft Rim Wheel,													
	w/o Rim Horn Switch, w/o Tilt Strg.													
	Wheel	Dark Blue 71	—	—	—	1	1	—	—	—	—	—	—	4055 GB7
		Tan 71	—	—	—	1	1	—	—	—	—	—	—	4055 GT6
		Black 71	—	—	—	1	1	—	—	—	—	—	—	4055 GX9
8-33-20	PLATE, Strg. Wheel and Horn Ring Mtg.,													
	w/Partial Horn Ring, w/o Rim Horn													
	Switch	70	1	—	1	—	—	—	—	—	—	—	—	3467 500
	Export	71	1	—	1	—	1	—	—	—	—	—	—	3467 500
	w/Full Horn Ring-Fleet, w/o Rim Horn													
	Switch	70	—	—	—	1	1	—	—	—	—	—	—	3467 500
8-33-39	BUSHING, Horn Ring, w/Tilt-Tel. Strg.													
	Wheel, w/o Rim Horn Switch	70	8	—	—	—	—	—	—	4	4	4	4	2950 182
8-33-46	TERMINAL, Strg. Wheel Horn Wire, w/Rim													
	Horn Switch	71	1	1	1	1	1	—	—	—	—	—	—	3467 806
8-33-90	SWITCH, Horn, w/o Horn Ring, w/o Horn													
	Rim Switch		1	1	1	1	1	—	—	—	—	—	—	2822 126
	w/o Horn Rim Switch, w/Horn Ring		1	1	1	1	1	1	1	1	1	1	1	2771 534
	SWITCH PACKAGE, Horn, w/3 Spoke													
	Steering Button Wheel	71	1	—	1	1	1	1	1	1	1	1	—	= 3620 872
	SWITCH, Horn Rim		1	1	1	1	1	—	—	—	—	—	—	3467 180
	w/o Tilt and Tilt-Telescopic Strg. Wheel		—	—	—	—	—	1	1	1	1	1	1	3467 179
	w/Tilt and Tilt-Telescopic Strg. Wheel		—	—	—	1	1	1	1	1	1	1	1	3467 181
	SCREW, w/o Rim Horn Switch		3	3	3	3	3	3	3	3	3	3	3	6028 281
8-33-114	CABLE, Horn Ground		1	—	1	1	1	1	1	1	1	1	1	2857 741
	WIRE, Strg. Wheel Horn, w/Rim Horn													
	Switch		1	1	1	1	1	—	—	—	—	—	—	3467 182
	NUT, to Strg. Column	70	1	—	1	1	1	1	1	1	1	1	1	6027 403
8-33-118	CONTACT, Horn Ring and Feed Cable		—	1	—	—	—	—	—	—	—	—	—	2984 051
	Strg. Wheel Horn, w/Tilt-Tel. Strg. Wheel		—	—	—	—	—	—	—	1	1	1	1	2996 892
8-33-119	SPRING, Horn Contact Eyelet,													
	w/Tilt and Tilt-Tel. Strg.													
	Wheel		—	—	—	—	—	1	1	1	1	1	1	2996 897
8-33-121	RING and FEED CABLE, Horn Contact		1	—	1	1	1	1	1	1	1	1	—	2822 187
	RING, Horn Switch Contact, w/Rim Horn													
	Switch		1	1	1	1	1	1	1	1	1	1	1	2947 874
8-33-122	EYELET, Horn Contact, w/Tilt													
	Strg. Wheel		—	—	—	1	1	1	1	—	—	—	—	2996 896
8-33-128	RETAINER, Horn Contact Eyelet, w/Tilt													
	Strg. Wheel		—	—	—	—	—	1	1	—	—	—	—	2996 898
8-33-164	RELAY and BRACKET, Horn, 12 Volt	70	1	—	1	—	—	—	—	—	—	—	—	2822 461
		70	—	1	—	—	—	1	1	1	1	1	1	2926 327
		70	—	—	—	1	1	—	—	—	—	—	—	2983 607

CARLINES

J - Challenger
B - BarracudaV - Valiant
L - DartR - Belvedere - Satellite
W - Coronet - ChargerP - Plymouth
D - DodgeC - Chrysler
Y - Imperial

AR Indicates use as required.

Numerals in parentheses () refer to notes.

Printed in U.S.A.

Indicates parts not listed in any previous parts book.

★ Indicates change or addition.

January 1972

CODE	PART NAME	ENG. TYPE OR CU.IN.	V	B	L	R	W	P	D	C	C	C	Y	PART NUMBER
			1-2	1-2	1-2	1-2	1-2	1-2	1-2	1	2	3	1	
NOTE: For 1971 Models See Part Type Code 8-35-66														
8-34-0 HEADLAMP														
8-34-1	HEADLAMP, Single, Complete, B	70	1	1	1	—	—	—	—	—	—	—	—	2898 560-1
		71	1	—	1	—	—	—	—	—	—	—	—	2898 560-1
	Single, Complete, Exp., B	70	1	1	1	—	—	—	—	—	—	—	—	2898 562-3
		71	1	—	1	—	—	—	—	—	—	—	—	2898 562-3
	High Beam, J, W Charger and Charger R/T, P-H	70	—	1	—	1	1	1	1	1	1	1	1	2786 872-3
	High Beam, W except Charger and Charger R/T, P-K, P-T, P-E, P-L, P-M70	70	—	—	—	—	1	1	—	—	—	—	—	2998 808-9
	High and Low Beam, J, W Charger and Charger R/T, P-H	70	—	1	—	1	1	1	1	1	1	1	1	2786 876-7
	High and Low Beam, Exp., J, W Charger and Charger R/T, P-H	70	—	1	—	1	1	1	1	1	1	1	1	2786 972-3
	High and Low Beam, W except Charger and Charger R/T, P-K, P-T, P-E, P-L, P-M	70	—	—	—	—	1	1	—	—	—	—	—	2998 810-1
	High and Low Beam, Exp., W except Charger and Charger R/T, P-K, P-T, P-E, P-L, P-M	70	—	—	—	—	1	1	—	—	—	—	—	2998 812-3
	High Beam, R 4D. and Sta. Wgn., W 2D.H.T. and Fastback, P-H, P-P	71	—	1	—	1	1	1	1	1	1	1	1	3443 176-7
	High Beam, R 2D.H.T., W 4D. and Sta. Wgn., P-K, P-T, P-E, P-L, P-M, D-S	71	—	—	—	1	1	1	1	—	—	—	—	3443 302-3
	High and Low Beam, R 4D. and Sta. Wgn., W 2D.H.T. and Fastback, P-H, P-P	71	—	1	—	1	1	—	—	—	—	—	—	3443 172-3
	High and Low Beam, R 2D.H.T., W 4D. and Sta. Wgn.	71	—	—	—	1	1	—	—	—	—	—	—	3443 298-9
	P-K, P-T, P-E, P-L, P-M	71	—	—	—	—	—	1	—	—	—	—	—	3573 786-7
	High and Low Beam, Exp., R 4D. and Sta. Wgn., W 2D.H.T. and Fastback, P-H, P-P	71	—	1	—	1	1	1	—	1	1	1	1	3443 174-5
	High and Low Beam, Exp., R 2D.H.T., W 4D. and Sta. Wgn., P-K, P-T, P-E, P-L, P-M	71	—	—	—	1	1	1	—	—	—	—	—	3443 300-1
8-34-5	NUT, H/Lamp Bezel to Ext.	70	4	—	—	—	—	—	—	—	—	—	—	6027 012
	U/NUT, H/Lamp Bezel to Grille Lwr. Frame, J	70	—	AR	—	—	—	—	—	—	—	—	—	6026 634
	U/NUT, H/Lamp Bezel to Fender Side Panel, J	70	—	6	—	—	—	—	—	—	—	—	—	6026 634
	U/NUT, H/Lamp Bezel to H/Lamp Adapter	70	—	—	2	—	—	—	—	—	—	—	—	6024 695
	U/NUT, H/Lamp Bezel to H/Lamp Panel	70	—	—	—	4	—	—	—	—	—	—	—	6026 634
	U/NUT, H/Lamp Bezel Brkt., P-K, P-T, P-E, P-L, P-M	70	—	—	—	—	—	4	—	—	—	—	—	6026 636
	U/NUT, H/Lamp Bezel End Tie Plate, P-K, P-T, P-E, P-L, P-M	70	—	—	—	—	—	4	—	—	—	—	—	6026 634
	U/NUT, H/Lamp Bezel Outer Att., D-H D-P	70	—	—	—	—	—	—	4	—	—	—	—	6026 634
	U/NUT, H/Lamp Bezel Att., D-H, D-P	70	—	—	—	—	—	—	4	—	—	—	—	6027 567
	U/NUT, H/Lamp Hsg. to Grille Mtg. Panel	70	—	—	—	—	—	—	—	4	—	4	—	6025 507
	U/NUT, H/Lamp Hsg. to Grille Mtg. Brkt.	70	—	—	—	—	—	—	—	—	4	—	—	6025 507
8-34-8	BUZZER and BRACKET, H/Lamp on Warning	71	1	1	1	—	—	—	—	1	1	1	1	3579 201
		71	—	—	—	1	1	—	—	—	—	—	—	3579 202
		71	—	—	—	—	—	1	1	—	—	—	—	3579 203
8-34-28	ADAPTER, H/Lamp, B	71	—	1	—	—	—	—	—	—	—	—	—	3442 638-9
			—	—	1	—	—	—	—	—	—	—	—	2998 304-5
CARLINES	J - Challenger B - Barracuda	V - Valiant L - Dart	R - Belvedere - Satellite W - Coronet - Charger	P - Plymouth D - Dodge	C - Chrysler Y - Imperial									

AR Indicates use as required.

Indicates parts not listed in any previous parts book

Numerals in parentheses () refer to notes.

★ Indicates change or addition

Printed in U.S.A.

January 1972

CODE	PART NAME	ENG. TYPE OR CU.IN.	V	B	L	R	W	P	D	C	C	C	Y	PART NUMBER
			1-2	1-2	1-2	1-2	1-2	1-2	1-2	1	2	3	1	
8-34-0 HEADLAMP Cont'd.														
8-34-28	ADAPTER Cont'd.													
	2D.H.T.	71	—	—	—	2	—	—	—	—	—	—	—	3442 280
	4D. and Sta. Wgn.	71	—	—	—	2	2	—	—	—	—	—	—	3442 140
	2D.H.T., w/o Concealed H/Lamp	71	—	—	—	—	2	—	—	—	—	—	—	3442 358
	w/Concealed H/Lamp, W-M, W-S, 2D.H.T., W Fastback	71	—	—	—	—	2	—	—	—	—	—	—	3443 192
8-34-31	BRACKET, H/Lamp Panel, B	71	—	2	—	—	—	—	—	—	—	—	—	3442 991
	R 4D. and Sta. Wgn.	71	—	—	2	2	—	—	—	—	—	—	—	2949 368
	H/Lamp Bezel Bumper Mtg., 2 D.H.T.	Upper 71	—	—	—	2	—	—	—	—	—	—	—	3443 238
	2 D.H.T.	Lwr. 71	—	—	—	2	—	—	—	—	—	—	—	3443 241
	4 D. and Sta. Wgn.	71	—	—	—	—	1	—	—	—	—	—	—	3573 838-9
	H/Lamp Door, Charger and Charger R/T	Inner 70	—	—	—	—	1	—	—	—	—	—	—	2998 716-7
	P-L 2D. w/Fury Spec. Spring, P-H	Inner 70	—	—	—	—	—	1	—	—	—	—	—	2998 664-5
		Outer 70	—	—	—	—	—	1	—	—	—	—	—	# 2998 414-5
	H/Lamp Bezel Bumper Mtg., P-K, P-T, P-E, P-L, P-M	Outer 71	—	—	—	—	—	2	—	—	—	—	—	3442 712
	except D-H	Upper 71	—	—	—	—	—	—	1	—	—	—	—	3443 462-3
		Lwr. 71	—	—	—	—	—	—	2	—	—	—	—	3443 460
	H/Lamp Door Hsg. Bumper		—	—	—	—	—	—	—	—	—	—	2	2898 882
8-34-32	BRACE, H/Lamp Adapter Yoke, J	70	—	1	—	—	—	—	—	—	—	—	—	2998 112-3
	H/Lamp Plate Yoke Brkt.	70	—	—	—	—	—	1	—	—	—	—	—	2949 942-3
		71	—	—	—	—	—	1	—	—	—	—	—	3443 432-3
		70	—	—	—	—	—	—	1	—	—	—	—	2949 806-7
		71	—	—	—	—	—	—	2	—	—	—	—	3442 668
		70	—	—	—	—	—	—	—	1	—	1	—	2998 600-1
	C-E, C-L	71	—	—	—	—	—	—	—	1	—	—	—	2998 600-1
			—	—	—	—	—	—	—	—	1	—	—	2998 590-1
	H/Lamp Hsg. Yoke Brkt., C-P	71	—	—	—	—	—	—	—	1	—	1	—	3443 774-5
8-34-37	TEXTURE, H/Lamp Bezel, C-P	Outer 70	—	—	—	—	—	—	—	1	—	1	—	2949 724-5
8-34-40	BEZEL, H/Lamp	70	1	—	—	—	—	—	—	—	—	—	—	2998 028-9
	V-L 4 D., V-L Fastback w/o Spring Spec. Duster Pkg., V-H	71	1	—	—	—	—	—	—	—	—	—	—	3573 718-9
	V-L Fastback, w/Spring Spec. Duster Pkg., V-S	71	1	—	—	—	—	—	—	—	—	—	—	3443 222-3
	B	70	—	1	—	—	—	—	—	—	—	—	—	2998 156-7
	B-P, B-S	71	—	4	—	—	—	—	—	—	—	—	—	3442 939
	B-H	71	—	4	—	—	—	—	—	—	—	—	—	3442 008
	J-H	70	—	1	—	—	—	—	—	—	—	—	—	2949 646-7
	J-S	70	—	1	—	—	—	—	—	—	—	—	—	2998 146-7
	J-H	71	—	1	—	—	—	—	—	—	—	—	—	3442 012-3
	J-H w/Trans. AM, J-S	71	—	1	—	—	—	—	—	—	—	—	—	3443 430-1
		70	—	—	1	—	—	—	—	—	—	—	—	2949 550-1
		71	—	—	1	—	—	—	—	—	—	—	—	3573 670-1
	R-L, R-H	70	—	—	—	1	—	—	—	—	—	—	—	2998 010-1
	R-M	70	—	—	—	1	—	—	—	—	—	—	—	2998 012-3
	R-P, R-S	70	—	—	—	1	—	—	—	—	—	—	—	2998 014-5
	4 D. and Sta. Wgn., R-K, R-T, R-L	71	—	—	—	1	—	—	—	—	—	—	—	# 3442 014-5
	2D.H.T., R-M, R-P, R-S	71	—	—	—	1	—	—	—	—	—	—	—	3442 018-9
	4D. and Sta. Wgn., R-H, R-P	71	—	—	—	1	—	—	—	—	—	—	—	3442 156-7
	2D.H.T., R-H	71	—	—	—	1	—	—	—	—	—	—	—	3443 076-7
	4 D. and Sta. Wgn., W-K, W-T, W-L, W-H, W-P	71	—	—	—	—	1	—	—	—	—	—	—	3442 030-1
	P-K, P-T, P-E, P-L, P-M	70	—	—	—	—	—	1	—	—	—	—	—	3443 226-7
	P-K, P-T, P-E, P-L, P-M	71	—	—	—	—	—	1	—	—	—	—	—	3573 852-3
	D-H, D-P	70	—	—	—	—	—	—	1	—	—	—	—	2949 770-1
	D-K, D-T, D-E, D-L, D-M, D-S	71	—	—	—	—	—	—	1	—	—	—	—	3443 266-7
	D-H	71	—	—	—	—	—	—	1	—	—	—	—	3442 920-1
CARLINES	J - Challenger B - Barracuda	V - Valiant L - Dart	R - Belvedere - Satellite W - Coronet - Charger	P - Plymouth D - Dodge	C - Chrysler Y - Imperial									

AR Indicates use as required.

Indicates parts not listed in any previous parts book.

Numerals in parentheses () refer to notes.

★ Indicates change or addition.

Printed in U.S.A.
January 1972

CODE	PART NAME	ENG. TYPE OR CU.IN.	V	B	L	R	W	P	D	C	C	C	Y	PART NUMBER
			1-2	1-2	1-2	1-2	1-2	1-2	1-2	1	2	3	1	
8-34-0 HEADLAMP Cont'd.														
8-34-40	BEZEL Cont'd.													
	C-E, C-L	70	—	—	—	—	—	—	—	1	—	—	—	2949 688-9
	C-E, C-L	71	—	—	—	—	—	—	—	1	—	—	—	3443 716-7
	C-P	70	—	—	—	—	—	—	—	1	—	1	—	2949 348-9
	C-P	71	—	—	—	—	—	—	—	1	—	1	—	3443 722-3
			—	—	—	—	—	—	—	—	1	—	—	2949 710-1
		70	—	—	—	—	—	—	—	—	—	—	1	2898 168-9
		71	—	—	—	—	—	—	—	—	—	—	1	3443 580-1
	DOOR and TEXTURE, H/Lamp, Charger and Charger R/T	70	—	—	—	—	1	—	—	—	—	—	—	2998 550-1
	W-M 2D.H.T., W-P Fastback, W-S 2D.H.T.	71	—	—	—	—	1	—	—	—	—	—	—	3442 868-9
	P-H	70	—	—	—	—	—	1	—	—	—	—	—	2998 538-9
	P-M 4 D.H.T. and Fastback, P-H, P-P	71	—	—	—	—	—	1	—	—	—	—	—	3442 840-1
		70	—	—	—	—	—	—	—	—	1	—	—	2998 148-9
		71	—	—	—	—	—	—	—	—	1	—	—	3443 710-1
		70	—	—	—	—	—	—	—	—	—	—	1	2949 964-5
		71	—	—	—	—	—	—	—	—	—	—	1	3443 730-1
	PANEL, H/Lamp	70	—	—	—	1	—	—	—	—	—	—	—	2998 348-9
	except Charger and Charger R/T Mtg., D-H	70	—	—	—	—	2	—	—	—	—	—	—	3443 162
		71	—	—	—	—	—	—	2	—	—	—	—	3442 772
	PLATE, H/Lamp Mtg. Panel, P-K, P-T, P-E, P-L, P-M	70	—	—	—	—	—	1	—	—	—	—	—	2998 298-9
	P-K, P-T, P-E, P-L, P-M	71	—	—	—	—	—	1	—	—	—	—	—	3442 854-5
	P-L 2D. w/Fury Spec. Spring, P-H	70	—	—	—	—	—	1	—	—	—	—	—	2998 780-1
	P-H, P-P	71	—	—	—	—	—	1	—	—	—	—	—	3443 294-5
		70	—	—	—	—	—	—	1	—	—	—	—	2998 270-1
	D-K, D-T, D-E, D-L, D-M, D-S	71	—	—	—	—	—	—	2	—	—	—	—	3442 660
		70	—	—	—	—	—	—	—	—	—	—	1	2949 306-7
		71	—	—	—	—	—	—	—	—	—	—	1	3443 736-7
	BUSHING, Door Hsg. Drive End		—	—	—	—	—	—	—	—	2	—	2	6027 280
	BUSHING, Door Idler End		—	—	—	—	—	—	—	—	2	—	—	6027 280
	BUSHING, Door Idler End		—	—	—	—	—	—	—	—	—	—	2	6027 279
8-34-42	MOULDING, H/Lamp Bezel, B	70	—	1	—	—	—	—	—	—	—	—	—	3443 214-5
8-34-44	APPLIQUE, H/Lamp Bezel Outer Lower, P-K, P-T, P-E, P-L, P-M	71	—	—	—	—	—	1	—	—	—	—	—	3442 722-3
8-34-45	BAR, H/Lamp Door Torsion, P-L 2D. w/Fury Spring Spec., P-H	70	—	—	—	—	—	1	—	—	—	—	—	2998 888
	W-M 2D.H.T., W-P Fastback, W-S 2D.H.T.	71	—	—	—	—	—	1	—	—	—	—	—	2998 895
	P-M 4 D.H.T. and Fastback, P-H, P-P	71	—	—	—	—	—	—	1	—	—	—	—	2998 888
			—	—	—	—	—	—	—	—	1	—	—	2998 892
			—	—	—	—	—	—	—	—	—	—	1	2998 895
	RETAINER	70	—	—	—	—	—	—	2	—	—	2	—	6027 292
8-34-48	EXTENSION, H/Lamp Door Inner Brkt. Charger and Charger R/T	70	—	—	—	—	2	—	—	—	—	—	—	2998 606
	H/Lamp Bezel, D-H	71	—	—	—	—	—	—	1	—	—	—	—	3442 770-1
	H/Lamp Door	71	—	—	—	—	—	—	—	—	1	—	—	3443 712-3
8-34-50	CRANK, H/Lamp Door, W Charger and Charger R/T, P-H	70	—	—	—	—	—	2	2	—	—	—	—	2998 884
	W-M 2 D.H.T., W-P Fastback, W-S 2 D.H.T., P-M 4 D.H.T. and Fastback, P-H, P-P	71	—	—	—	—	—	2	2	—	—	—	—	2998 890
			—	—	—	—	—	—	—	—	—	2	—	2998 890
			—	—	—	—	—	—	—	—	—	—	2	2998 894
8-34-52	BUMPER, H/Lamp Door Stop, Charger and Charger R/T	70	—	—	—	—	—	4	—	—	—	—	—	2785 824
	W-M 2D.H.T., W-P Fastback, W-S 2D.H.T.	71	—	—	—	—	—	4	—	—	—	4	—	2785 824
CARLINES	J - Challenger B - Barracuda	V - Valiant L - Dart	R - Belvedere - Satellite W - Coronet - Charger				P - Plymouth D - Dodge			C - Chrysler Y - Imperial				

AR Indicates use as required.

Indicates parts not listed in any previous parts book.

Numerals in parentheses () refer to notes.

★ Indicates change or addition.

Printed in U.S.A.
January 1972

CODE	PART NAME	ENG. TYPE OR CU.IN.	V	B	L	R	W	P	D	C	C	C	Y	PART NUMBER
			1-2	1-2	1-2	1-2	1-2	1-2	1-2	1	2	3	1	
8-34-0 HEADLAMP Cont'd.														
8-34-52	BUMPER Cont'd.													
	H/Lamp Door, P-H, P-P		—	—	—	—	—	6	—	—	—	—	—	2785 824
	Rotating H/Lamp Motor		—	—	—	—	—	—	—	—	2	—	—	2842 869
	H/Lamp Door Hsg.	70	—	—	—	—	—	—	—	—	4	—	—	2785 824
			—	—	—	—	—	—	—	—	—	—	4	2785 824
8-34-53	BUSHING, H/Lamp Door, Charger and													
	Charger R/T		—	—	—	—	2	—	—	—	—	—	—	2998 554
	Inboard 70		—	—	—	—	2	—	—	—	—	—	—	2998 553
	Outboard 70		—	—	—	—	2	—	—	—	—	—	—	2998 553
	H/Lamp Door Arm, W Charger and													
	Charger R/T, P-H		—	—	—	—	2	2	—	—	—	—	—	2998 554
	Inner 70		—	—	—	—	2	2	—	—	—	—	—	2998 553
	Outer 70		—	—	—	—	2	2	—	—	—	—	—	2998 553
	P-M 4 D.H.T. and Fastback, P-H,													
	P-P		—	—	—	—	—	2	—	—	—	—	—	2998 554
	Inner 71		—	—	—	—	—	2	—	—	—	—	—	2998 554
8-34-54	MEDALLION, H/Lamp Door, Charger	70	—	—	—	—	1	—	—	—	—	—	—	2998 279
	NAME PLATE, H/Lamp Door Charger R/T70		—	—	—	—	1	—	—	—	—	—	—	2998 510
	NAME PLATE, H/Lamp Door, 500, W-P		—	—	—	—	1	—	—	—	—	—	—	2998 510
	CHARGER	Lt. 70	—	—	—	—	1	—	—	—	—	—	—	3443 093
	NAME PLATE, H/Lamp Door, Imperial	Lt. 70	—	—	—	—	—	—	—	—	—	—	1	2949 735
	NUT	70	—	—	—	—	—	—	—	—	—	—	2	6026 898
8-34-58	DECAL, Rotating H/Lamp Door, P-M													
	4 D.H.T. and Fastback, P-H, P-P	71	—	—	—	—	1	—	—	—	—	—	—	2998 799
	Hood Lock V/Support Yoke Plate													
	Rotating H/Lamp Door	70	—	—	—	—	—	—	—	—	1	—	—	2998 799
	Hood Lock Plate Rotating H/Lamp													
	Door	70	—	—	—	—	—	—	—	—	—	—	1	2998 799
8-34-60	SHIELD, H/Lamp Bezel, 2 D.H.T.	71	—	—	—	1	—	—	—	—	—	—	—	3443 052-3
	2 D.H.T.	71	—	—	—	—	1	—	—	—	—	—	—	3442 618-9
	4 D. and Sta. Wgn.	71	—	—	—	—	1	—	—	—	—	—	—	3442 622-3
	H/Lamp, except Charger and													
	Charger R/T	70	—	—	—	—	1	—	—	—	—	—	—	2998 872-3
	Bezel to Tab., P-K, P-T, P-E, P-L, P-M	70	—	—	—	—	—	1	—	—	—	—	—	2998 668-9
	H/Lamp Bezel, P-K, P-T, P-E, P-L													
	P-M	71	—	—	—	—	—	1	—	—	—	—	—	3443 346-7
8-34-63	RETAINER, H/Lamp Bezel			4	—	—	—	—	—	—	—	—	—	2998 734
	H/Lamp Mtg. Plate Shield Ext., P-H	70	—	—	—	—	—	6	—	—	—	—	—	2898 909
	TAPE, H/Lamp Bezel, J	71	—	1	—	—	—	—	—	—	—	—	—	3443 428-9
8-34-96	SCREW, H/Lamp Bezel to Ext.	70	4	—	—	—	—	—	—	—	—	—	—	6027 176
	Bezel to Grille, J-S, D-H, D-P	70	2	2	—	—	—	—	4	—	—	—	—	6025 974
	H/Lamp Bezel, B	70	—	4	—	—	—	—	—	—	—	—	—	6028 326
	H/Lamp Bezel, B	70	—	4	—	—	—	—	—	—	—	—	—	6028 327
	Bezel to Grille Lwr. Frame, J	70	—	AR	—	—	—	—	—	—	—	—	—	6028 754
	H/Lamp Bezel to Grille	70	—	—	—	6	4	—	—	—	—	—	—	6028 597
	H/Lamp Panel to Fender H/Lamp Panel	70	—	—	2	—	—	—	—	—	—	—	—	6025 312
	H/Lamp Dr. to Grille, Charger and													
	Charger R/T	Outboard	—	—	—	—	2	—	—	—	—	—	—	2785 728
	Bezel Shield Att., W except Charger and													
	Charger R/T, P-K, P-T, P-E, P-L, P-M70		—	—	—	—	8	8	—	—	—	—	—	6026 501
	Bezel to Brkt., P-K, P-T, P-E, P-L, P-M	70	—	—	—	—	—	4	—	—	—	—	—	6028 690
	H/Lamp Door Arm Outer Brkt.,													
	P-M 4 D.H.T. and Fastback, P-H													
	P-P	71	—	—	—	—	—	2	—	—	—	—	—	2785 728
	H/Lamp Bezel to H/Lamp Hsg.		—	—	—	—	—	—	—	—	6	—	—	6025 909
	H/Lamp Bezel to Grille		—	—	—	—	—	—	—	—	—	—	10	6027 213
	H/Lamp Dr. Outer Brkt., P-H		—	—	—	—	—	2	—	—	—	—	—	2785 728
	H/Lamp Dr. Adj.		—	—	—	—	—	—	—	—	2	—	2	6027 382
	H/Lamp Dr. to Hsg.		—	—	—	—	—	—	—	—	—	—	2	2785 728
	H/Lamp Sealed Beam Unit Seat to Ret.													
	Ring Mtg., B	70	6	6	6	—	—	—	—	—	—	—	—	6027 435
	Sealed Beam Unit Ret. Ring Mtg., J	70	—	AR	—	AR	AR	AR	AR	AR	AR	AR	AR	6027 435
	Sealed Beam Unit Seat Adj. Spring Mtg.,													

CARLINES

J - Challenger
B - BarracudaV - Valiant
L - DartR - Belvedere - Satellite
W - Coronet - ChargerP - Plymouth
D - DodgeC - Chrysler
Y - Imperial

AR Indicates use as required.

Numerals in parentheses () refer to notes.

Printed in U.S.A.

Indicates parts not listed in any previous parts book.

★ Indicates change or addition.

January 1972

CODE	PART NAME	ENG. TYPE OR CU.IN.	V	B	L	R	W	P	D	C	C	C	Y	PART NUMBER
			1-2	1-2	1-2	1-2	1-2	1-2	1-2	1	2	3	1	
8-34-0 HEADLAMP Cont'd.														
8-34-96	SCREW Cont'd.													
	B	70	2	2	2	—	—	—	—	—	—	—	—	6027 517
	J		—	4	—	4	4	4	4	—	—	—	4	6027 517
	STUD, H/Lamp Hsg. to Grille Mtg. Panel Brkt.	70	—	—	—	—	—	—	—	4	4	4	—	6027 516
	SCREW and WASHER, Hsg. Yoke Brkt. Brace to Hsg.	70	—	—	—	—	—	—	—	4	—	—	—	6025 772
	Hsg. Yoke Brkt. Brace to Brkt.	70	—	—	—	—	—	—	—	4	4	4	—	6025 329
	STUD, H/Lamp Hsg. to Grille Mtg. Panel	70	—	—	—	—	—	—	—	4	—	4	—	6025 772
8-34-115	ACTUATOR, H/Lamp Washer Vacuum, W-M, W-S, 2D.H.T., W-P Fastback, P-M 4D.H.T. and Fastback, P-H P-P	71	—	—	—	—	2	2	—	—	—	—	2	3514 449
8-34-127	BAR, Dr. Actuator, Charger and Charger R/T	70	—	—	—	—	2	—	—	—	—	—	—	2998 886
8-34-128	RETAINER, H/Lamp Door Crank, Charger and Charger R/T	70	—	—	—	—	2	—	—	—	—	—	—	1922 183
	RING, H/Lamp Door Actuator Pin Ret., P-L 2D. w/Fury Spring Spec., P-H	70	—	—	—	—	—	2	—	—	2	—	2	1922 183
	W-M 2 D.H.T., W-P Fastback, W-S 2 D.H.T., P-M 4 D.H.T. and Fastback, P-H, P-P	71	—	—	—	—	2	2	—	—	2	—	2	1922 183
8-34-175	SEALED BEAM UNIT, H/Lamp, B	70	2	2	2	—	—	—	—	—	—	—	—	152 291
		71	2	—	2	—	—	—	—	—	—	—	—	152 291
	Exp., B	70	2	2	2	—	—	—	—	—	—	—	—	152 293
	Exp., High Beam	71	2	—	2	—	—	—	—	—	—	—	—	152 293
	High and Low Beam		—	2	—	2	2	2	2	2	2	2	2	152 285
	High and Low Beam		—	—	—	—	—	—	—	—	—	—	—	152 286
	High and Low Beam, Exp.		—	2	—	2	2	2	2	2	2	2	2	= 152 600
			—	2	—	2	2	2	2	2	2	2	2	152 287
8-34-176	SEAT and SCREW, H/Lamp Sealed Beam Unit, B	70	1	1	1	—	—	—	—	—	—	—	—	2898 568-9
		71	1	—	1	—	—	—	—	—	—	—	—	2898 568-9
	High Beam, J	70	—	1	—	1	1	1	1	1	1	1	1	2786 882-3
		71	—	1	—	1	1	1	1	1	1	1	1	3443 120-1
	High and Low Beam, J	70	—	1	—	1	1	1	1	1	1	1	1	2786 884-5
		71	—	1	—	1	1	1	1	1	1	1	1	3443 124-5
			2	—	2	—	—	—	—	—	—	—	—	2445 845
8-34-177	SPRING, Sealed Beam Unit Mtg. Seat Adj.		2	—	2	—	—	—	—	—	—	—	—	2445 845
	B	70	—	2	—	—	—	—	—	—	—	—	—	2445 845
	B	71	—	4	—	—	—	—	—	—	—	—	—	2445 845
	J		—	4	—	4	4	4	4	4	4	4	4	2445 845
8-34-178	SCREW and NUT, H/Lamp Adj.		4	—	4	—	—	—	—	—	—	—	—	2785 842
	B	70	—	4	—	—	—	—	—	—	—	—	—	2785 842
	B	71	—	8	—	—	—	—	—	—	—	—	—	2785 842
	J		—	8	—	8	8	8	8	—	—	—	—	2785 842
		70	—	—	—	—	—	—	—	8	8	8	8	2785 842
		71	—	—	—	—	—	—	—	8	8	8	8	3573 797
8-34-180	RING and LUG, Sealed Beam Unit Ret.	3 Tabs	2	—	2	—	—	—	—	—	—	—	—	2426 312
	B	3 Tabs 70	—	2	—	—	—	—	—	—	—	—	—	2426 312
	B	3 Tabs 71	—	4	—	—	—	—	—	—	—	—	—	2449 525
	J	3 Tabs	—	4	—	4	4	4	4	4	4	4	4	2449 525
	W except Charger and Charger R/T, P-K, P-T, P-E, P-L, P-M	5 Tabs 70	—	—	—	—	4	4	—	—	—	—	—	2998 682
	R 2 D.H.T., W 4 D. and Sta. Wgn., P-K, P-T, P-E, P-L, P-M, D-S	5 Tabs 71	—	—	—	4	4	4	4	—	—	—	—	2998 682
8-34-241	TERMINAL, Rotating H/Lamp Wiring, W Charger and Charger R/T, P-H	70	—	—	—	—	1	1	—	—	1	—	—	2926 594

CARLINES

J - Challenger
B - BarracudaV - Valiant
L - DartR - Belvedere - Satellite
W - Coronet - ChargerP - Plymouth
D - DodgeC - Chrysler
Y - Imperial

AR Indicates use as required.

Indicates parts not listed in any previous parts book.

Numerals in parentheses () refer to notes.

★ Indicates change or addition.

Printed in U.S.A.
January 1972

CODE	PART NAME	ENG. TYPE OR CU.IN.	V	B	L	R	W	P	D	C	C	C	Y	PART NUMBER
			1-2	1-2	1-2	1-2	1-2	1-2	1-2	1	2	3	1	
8-34-0 HEADLAMP Cont'd.														
8-34-278	GEAR and GASKET PACKAGE, Rotating H/Lamp, W Charger and Charger R/T	70	—	—	—	—	1	—	—	—	1	—	1	3420 922
	P-H	70	—	—	—	—	—	1	—	—	—	—	—	3420 910
8-34-280	MOTOR, Rotating H/Lamp, W Charger and Charger R/T	70	—	—	—	—	1	—	—	—	1	—	1	3431 438
	P-L 2D. w/Fury Spring Spec., P-H	70	—	—	—	—	—	1	—	—	—	—	—	3431 437
	W-M 2 D.H.T., W-P Fastback, W-S 2 D.H.T., P-M 4 D.H.T. and Fastback, P-H, P-P	71	—	—	—	—	1	1	—	—	—	—	—	3431 437
		71	—	—	—	—	—	—	—	—	1	—	1	3431 438
	SCREW, Mtg.	70	—	—	—	—	3	3	—	—	3	—	3	6028 654
8-34-281	SWITCH, H/Lamp Washer, W-M 2D.H.T., W-P Fastback, W-S 2D.H.T.	71	—	—	—	—	1	—	—	—	—	—	—	3488 516
8-34-282	RELAY and BRACKET, Concealed H/Lamp, W Charger and Charger R/T, P-H	70	—	—	—	—	1	1	—	—	—	—	—	2983 605
	H/Lamp Door Cover, W-P 2D.H.T., W Fastback, W-S 2D.H.T.	71	—	—	—	—	1	—	—	—	—	—	—	3513 489
	RELAY, Rotating H/Lamp	70	—	—	—	—	—	—	—	—	1	—	1	2983 414
	RELAY and BRACKET, Concealed H/Lamp, P-M 4 D.H.T. and Fastback, P-H, P-P	71	—	—	—	—	—	1	—	—	—	—	—	2983 605
	H/Lamp Washer, P-M 4D.H.T. and Fastback, P-H, P-P	71	—	—	—	—	—	1	—	—	—	—	—	3513 491
	H/Lamp Door Cover	71	—	—	—	—	—	—	—	—	1	—	1	3513 487
	H/Lamp Washer	71	—	—	—	—	—	—	—	—	—	—	1	3513 379
8-34-285	FLASHER, H/Lamp Washer System, W-M 2 D.H.T., W-P Fastback, W-S 2 D.H.T., P-M 4 D.H.T. and Fastback, P-H, P-P	71	—	—	—	—	1	1	—	—	—	—	1	3488 269
8-34-287	PIVOT, H/Lamp Washer, W-M 2D.H.T., W- P Fastback, W-S 2D.H.T.	71	—	—	—	—	1	—	—	—	—	—	—	3431 302-3
	P-M 4D.H.T. and Fastback, P-H, P-P	71	—	—	—	—	—	1	—	—	—	—	—	3431 300-1
		71	—	—	—	—	—	—	—	—	—	—	1	3431 304-5
8-34-289	BEZEL, H/Lamp Washer Switch, W-M 2D.H.T., W-P Fastback, W-S 2D.H.T.	71	—	—	—	—	1	—	—	—	—	—	—	3488 525
8-34-291	BRACKET, H/Lamp Door Motor Mtg., P-H	70	—	—	—	—	—	1	—	—	—	—	—	2998 509
	W-M, W-S, 2D.H.T., W-P Fastback	71	—	—	—	—	1	—	—	—	—	—	—	3442 876
	P-M 4D.H.T. and Fastback, P-H, P-P, up to approx. Sept., 1970	71	—	—	—	—	—	1	—	—	—	—	—	2998 509
	after approx. Sept., 1970	71	—	—	—	—	—	1	—	—	—	—	—	3573 794
	H/Lamp Door Actuator Mtg. Mtg.	70	—	—	—	—	—	—	—	—	—	—	1	2949 204
8-34-296	SPRING, H/Lamp Door Ret. W-M 2 D.H.T., W-P Fastback, W-S 2 D.H.T., P-M 4 D.H.T. and Fastback, P-H, P-P	71	—	—	—	—	—	—	—	—	1	—	1	2785 892-3
			—	—	—	—	2	2	—	—	—	—	2	3443 144
8-34-314	BRUSH, H/Lamp Washer Pivot, W-M 2 D.H.T., W-P Fastback, W-S 2 D.H.T., P-M 4 D.H.T. and Fastback, P-H, P-P	71	—	—	—	—	2	2	—	—	—	—	2	3431 308-9
8-34-315	SPRING, H/Lamp Washer Brush Mtg., W-M 2 D.H.T., W-P Fastback, W-S 2 D.H.T., P-M 4 D.H.T. and Fastback, P-H, P-P	71	—	—	—	—	2	2	—	—	—	—	2	3431 321
8-34-316	CLIP, H/Lamp Washer Brush Mtg., W-M 2 D.H.T., W-P Fastback, W-S 2 D.H.T., P-M 4 D.H.T. and Fastback, P-H, P-P	71	—	—	—	—	2	2	—	—	—	—	2	3431 325

CARLINES J - Challenger V - Valiant
B - Barracuda L - Dart

R - Belvedere - Satellite
W - Coronet - Charger

P - Plymouth
D - Dodge

C - Chrysler
Y - Imperial

AR Indicates use as required.

Numerals in parentheses () refer to notes.

Printed in U.S.A.
January 1972

Indicates parts not listed in any previous parts book.

★ Indicates change or addition.

CODE	PART NAME	ENG. TYPE OR CU.IN.	V	B	L	R	W	P	D	C	C	C	Y	PART NUMBER
			1-2	1-2	1-2	1-2	1-2	1-2	1-2	1	2	3	1	
8-34-0 HEADLAMP Cont'd.														
8-34-317	PUMP, H/Lamp Washer, W-M, W-S, 2D.H.T., W-P Fastback, P-M 4D.H.T. and Fastback, P-H, P-P	71	—	—	—	—	1	1	—	—	—	—	1	2809 013
8-34-318	VALVE, H/Lamp Washer Solenoid, W-M, W-S, 2D.H.T., W-P Fastback, P-M 4D.H.T. and Fastback, P-H, P-P	71	—	—	—	—	1	1	—	—	—	—	1	3514 450
8-34-320	NOZZLE and BRACKET, H/Lamp Washer, W-M 2 D.H.T., W-P Fastback, W-S 2 D.H.T., P-M 4 D.H.T. and Fastback, P-H, P-P	71	—	—	—	—	2	2	—	—	—	—	2	3431 316-7
8-34-323	RESERVOIR, w/Seal Cap and Brkt., H/Lamp Washer, W-M, W-S, 4D.H.T., W-P Fastback	71	—	—	—	—	1	—	—	—	—	—	—	3431 410
	P-M 4 D.H.T. and Fastback, P-H, P-P	71	—	—	—	—	—	1	—	—	—	—	—	3431 416
		71	—	—	—	—	—	—	—	—	—	—	1	3431 411
8-34-324	CAP, H/Lamp Washer Reservoir, W-M 2 D.H.T., W-P Fastback, W-S 2 D.H.T., P-M 4 D.H.T. and Fastback, P-H, P-P	71	—	—	—	—	1	1	—	—	—	—	1	2497 500
8-34-325	FILTER, H/Lamp Washer, W-M, W-S, 2D.H.T., W-P Fastback, P-M 4D.H.T. and Fastback, P-H, P-P	71	—	—	—	—	1	1	—	—	—	—	1	2771 976
8-34-326	TUBING, H/Lamp Washer Reservoir to Tee, W-M 2D.H.T., W-P Fastback, W-S 2D.H.T.	71	—	—	—	—	1	—	—	—	—	—	1	3431 093
	P-M 4D.H.T. and Fastback, P-H, P-P	71	—	—	—	—	—	1	—	—	—	—	—	2197 650
	H/Lamp Washer Solenoid to Rt. Actuator, W-M 2 D.H.T., W-P Fastback, W-S 2 D.H.T., P-M 4 D.H.T. and Fastback, P-H, P-P	71	—	—	—	—	AR	AR	—	—	—	—	AR	3431 451
	Val. Manf. to Solenoid H/Lamp Washer, W-M 2 D.H.T., W-P Fastback, W-S 2 D.H.T., P-M 4 D.H.T. and Fastback, P-H, P-P	71	—	—	—	—	AR	AR	—	—	—	—	AR	2448 620
8-34-327	TEE, H/Lamp Washer Tubing, W-M 2 D.H.T., W-P Fastback, W-S 2 D.H.T., P-M 4 D.H.T. and Fastback, P-H, P-P	71	—	—	—	—	1	1	—	—	—	—	1	1523 160
8-34-328	PUSH NUT, H/Lamp Washer Shaft Mtg., W-M, W-S, 2D.H.T., W-P Fastback, P-M 4D.H.T. and Fastback, P-H, P-P	71	—	—	—	—	2	2	—	—	—	—	2	2197 678
	H/Lamp Washer Actuator and Crank Mtg., W-M 2 D.H.T., W-P Fastback, W-S 2 D.H.T., P-M 4 D.H.T. and Fastback, P-H, P-P	71	—	—	—	—	2	2	—	—	—	—	2	2076 405
8-34-362	HOUSING, H/Lamp Door, W-M 2D.H.T., W-P Fastback, W-S 2D.H.T.	71	—	—	—	—	1	—	—	—	—	—	—	3442 870-1
	H/Lamp, C-E, C-L	70	—	—	—	—	—	—	—	1	—	—	—	2949 690-1
	C-E, C-L	71	—	—	—	—	—	—	—	1	—	—	—	3443 718-9
	C-P	70	—	—	—	—	—	—	—	1	—	1	—	2949 726-7
	C-P	71	—	—	—	—	—	—	—	1	—	1	—	3443 724-5
			—	—	—	—	—	—	—	—	1	—	—	2949 712-3
	H/Lamp Door Ext.	71	—	—	—	—	—	—	—	—	1	—	—	3443 714-5
	H/Lamp Door	Rt.	—	—	—	—	—	—	—	—	—	—	1	2898 512
		Lt.	—	—	—	—	—	—	—	—	—	—	1	2949 621
CARLINES	J - Challenger B - Barracuda	V - Valiant L - Dart	R - Belvedere - Satellite W - Coronet - Charger							P - Plymouth D - Dodge			C - Chrysler Y - Imperial	

AR Indicates use as required.

Indicates parts not listed in any previous parts book.

Numerals in parentheses () refer to notes.

★ Indicates change or addition.

Printed in U.S.A.
January 1972

CODE	PART NAME	ENG. TYPE OR CU.IN.	V	B	L	R	W	P	D	C	C	C	Y	PART NUMBER
			1-2	1-2	1-2	1-2	1-2	1-2	1-2	1	2	3	1	
8-35-0 IGNITION COIL AND SWITCH														
8-35-4	COIL, Ignition		1	1	1	1	1	1	1	1	1	1	1	2495 531
	C/WASHER, Mtg., w/426 Eng.	8	—	1	—	1	1	—	—	—	—	—	—	6022 185
	C/WASHER, w/340 Eng., w/3-2 Bbl. Carb.	8	—	2	—	—	—	—	—	—	—	—	—	6022 181
	C/WASHER, Mtg., w/440 Eng., w/3-2 Bbl. Carb.	8	—	2	—	2	2	2	—	—	—	—	—	6022 181
8-35-22	RESISTOR, Ignition Coil Primary w/340 Eng., w/Elect. Ignition Control	8	1	1	1	1	1	1	1	1	1	1	1	2275 590
	w/426 Eng., w/Elect Ignition Control	8	1	1	1	1	1	—	—	—	—	—	—	= 3656 199
		8	—	1	—	1	1	—	—	—	—	—	—	= 3656 199
8-35-41	BRACKET, Ignition Coil Mtg., on Coil Mtg., on Coil, w/318 and 340 Eng.	6	1	1	1	1	1	1	1	—	—	—	—	1688 207
	Mtg., on Coil, w/383, 426 and 440 Eng.	8	1	1	1	1	1	—	—	—	—	—	—	2642 670
	Mtg., w/440 Eng., w/3-2 Bbl. Carb.	8	—	1	—	1	1	—	—	—	—	—	—	1688 207
	Mtg., w/318 Eng.	8	—	—	—	1	1	—	—	—	—	—	—	3418 406
	Mtg., on Coil, w/318 Eng.	70	8	—	—	—	1	1	—	—	—	—	—	2806 823
	Mtg., on Coil, w/360 Eng., C-E	71	8	—	—	—	—	1	1	1	—	—	—	2642 670
	Mtg., on Coil, w/383 and 440 Eng.	8	—	—	—	—	—	1	1	1	1	1	1	1688 207
8-35-52	SCREW and WASHER, Ignition Coil Primary Resistor Mtg.		1	1	1	1	1	1	1	1	1	1	1	6028 142
	SCREW and WASHER, Ignition Coil Mtg.,													
	SCREW and WASHER, Ignition Coil Mtg., w/318 and 340 Eng.	8	1	1	1	—	—	—	—	—	—	—	—	6026 919
	SCREW and WASHER, Ignition Coil Mtg., w/318 Eng.	8	—	—	—	1	1	1	1	—	—	—	—	6026 919
	SCREW, Coil Mtg., w/A/Cond., w/318 Eng.	70	8	—	—	—	1	1	—	—	—	—	—	6026 912
	SCREW and WASHER, Ignition Coil Mtg., w/360 Eng.	71	8	—	—	—	—	1	1	1	—	—	—	6026 919
8-35-59	SWITCH, Ignition and Starter	70	1	1	1	1	1	—	—	—	—	—	—	2947 486
		71	1	1	1	—	—	—	—	—	—	—	—	2947 486
	w/o Tilt Strg. Wheel	71	—	—	—	1	1	1	1	—	—	—	—	2947 486
	w/Tilt Strg. Wheel	71	—	—	—	1	1	—	—	—	—	—	—	3488 398
	w/o Tilt Strg. Wheel	70	—	—	—	—	—	1	1	—	—	—	—	2947 486
	w/Tilt Strg. Wheel		—	—	—	—	—	1	1	—	—	—	—	2947 719
	w/o Tilt-Telescopic Strg. Wheel		—	—	—	—	—	—	—	1	1	1	1	2947 486
	w/Tilt-Telescopic Strg. Wheel		—	—	—	—	—	—	—	1	1	1	1	2947 719
	SWITCH, Buzzer, w/Tilt-Tel. Strg. Wheel	70	—	—	—	—	—	—	—	1	1	1	1	2947 720
	SWITCH, Ignition Key Buzzer	70	1	1	1	1	1	—	—	—	—	—	—	2947 488
		71	1	1	1	—	—	—	—	—	—	—	—	2947 488
	w/o Tilt Strg. Wheel	71	—	—	—	1	1	—	—	—	—	—	—	2947 488
	w/Tilt Strg. Wheel	71	—	—	—	1	1	—	—	—	—	—	—	3488 432
	w/o Tilt Strg. Wheel		—	—	—	—	—	1	1	—	—	—	—	2947 488
	w/Tilt Strg. Wheel		—	—	—	—	—	1	1	—	—	—	—	3488 432
	w/o Tilt-Tel. Strg. Wheel		—	—	—	—	—	—	—	1	1	1	1	2947 488
	w/Tilt-Tel. Strg. Wheel		—	—	—	—	—	—	—	1	1	1	1	3488 431
8-35-66	BUZZER, w/BRACKET, Key Warning	70	1	1	1	—	—	—	—	1	1	1	1	3420 884
		70	—	—	—	1	1	1	1	—	—	—	—	3420 885
	BUZZER, w/RELAY, Horn and Key Warning	71	1	—	1	—	—	—	—	—	—	—	—	3579 205
		71	—	1	—	1	1	1	1	1	1	1	1	3579 204
8-35-67	CLIP, Switch Ret., w/Tilt Strg. Wheel	71	—	—	—	1	1	—	—	—	—	—	—	3467 368
	w/Tilt Strg. Wheel		—	—	—	—	—	1	1	—	—	—	—	3467 368
	w/Tilt-Tel. Strg. Wheel		—	—	—	—	—	—	—	1	1	1	1	3467 367

CARLINES J - Challenger V - Valiant R - Belvedere - Satellite P - Plymouth C - Chrysler
 B - Barracuda L - Dart W - Coronet - Charger D - Dodge Y - Imperial

AR Indicates use as required.

Indicates parts not listed in any previous parts book.

Numerals in parentheses () refer to notes.

★ Indicates change or addition.

Printed in U.S.A.
 January 1972

CODE	PART NAME	ENG. TYPE OR CU.IN.	V	B	L	R	W	P	D	C	C	C	Y	PART NUMBER
			1-2	1-2	1-2	1-2	1-2	1-2	1-2	1	2	3	1	
8-36-0 IGNITION														
8-36-1	CABLE SET, Ignition, Resistor Type	6	1	1	1	1	1	1	1	—	—	—	—	2495 510
	Resistor Type, w/318 Eng.	8	1	1	1	1	1	1	1	—	—	—	3004 192	
	Resistor Type, w/340 Eng. 70	8	1	—	1	—	—	—	—	—	—	—	3004 192	
	Resistor Type, w/340 Eng. 71	8	1	—	1	—	—	—	—	—	—	—	3579 221	
	Resistor Type, w/340 Eng., w/o 3-2 Bbl. Carb.	8	—	1	—	—	—	—	—	—	—	—	3004 192	
	Resistor Type, w/340 Eng., w/3-2 Bbl. Carb.	8	—	1	—	—	—	—	—	—	—	—	3579 221	
	Resistor Type, w/383 and 440 Eng.	8	—	1	—	1	1	—	—	—	—	—	3420 917	
	Resistor Type, w/426 Eng.	8	—	1	—	1	1	—	—	—	—	—	3420 881	
	Resistor Type, w/360 Eng., C-E	8	—	—	—	—	—	1	1	1	—	—	3004 192	
	Resistor Type, w/383 and 440 Eng.	8	—	—	—	—	—	1	1	1	1	1	3420 915	
	CABLE PACKAGE, Resistor Type, w/318 and 340 Eng.	8	8	8	8	8	8	—	—	—	—	—	2525 534	
	Resistor Type, w/318 Eng.	8	—	—	—	8	8	8	8	—	—	—	2525 534	
	Resistor Type, w/360 Eng., C-E 71	8	—	—	—	—	—	8	8	8	—	—	2525 534	
	Resistor Type, w/426 Eng., except No. 5 and 7 Cable	8	—	6	—	6	6	—	—	—	—	—	2586 993	
	Resistor Type, w/426 Eng., No. 5 and 7 Cable	8	—	2	—	2	2	—	—	—	—	—	2809 090	
	Resistor Type, w/383 and 440 Eng., except No. 7 and 8 Cable	8	—	6	—	6	6	6	6	6	6	6	2808 771	
	Resistor Type, w/383 and 440 Eng., No. 7 Cable	8	—	1	—	1	1	—	—	—	—	—	2808 771	
	Resistor Type, w/383 and 440 Eng., No. 8 Cable	8	—	1	—	1	1	—	—	—	—	—	3420 886	
	Resistor Type, w/383 and 440 Eng., No. 7 and 8 Cable	8	—	—	—	—	—	2	2	2	2	2	3420 886	
8-36-4	BRACKET, Spark Plug Wire, w/383 and 440 Eng. Frt. Rt. 70	—	1	—	1	1	1	1	1	1	1	1	2951 535	
	w/383 and 440 Eng. Frt. Rt. 71	—	1	—	1	1	1	1	1	1	1	1	3512 724	
	w/383 and 440 Eng. Frt. Lt.	—	1	—	1	1	1	1	1	1	1	1	2951 534	
	w/383 and 440 Eng. Frt. Ctr.	—	1	—	1	1	1	1	1	1	1	1	2951 536	
	w/383 and 440 Eng. Frt. Lt. Inter.	—	1	—	1	1	1	1	1	1	1	1	2946 443	
	w/426 Eng. Frt.	—	1	—	1	1	—	—	—	—	—	—	2951 546	
8-36-14	SEPARATOR, Spark Plug Cable, w/318 and 340 Eng.	8	1	1	1	1	1	—	—	—	—	—	1841 499	
	w/318 and 340 Eng., Four Wire Rr.	8	2	2	2	2	2	—	—	—	—	—	2875 604	
	w/318 and 340 Eng., Two Wire Rr.	8	2	2	2	2	2	—	—	—	—	—	2875 605	
	w/340 Eng., w/3-2 Bbl. Carb. 71	8	—	2	—	—	—	—	—	—	—	—	3438 597	
	w/383 and 440 Eng.	8	—	1	—	1	1	1	1	1	1	1	1841 499	
	w/383 and 440 Eng., Four Wire	8	—	3	—	3	3	3	3	3	3	3	2875 719	
	w/426 Eng.	8	—	2	—	2	2	—	—	—	—	—	1841 499	
	w/318 Eng.	8	—	—	—	—	—	1	1	—	—	—	1841 499	
	w/318 Eng., Four Wire Rr.	8	—	—	—	—	—	2	2	—	—	—	2875 604	
	w/360 Eng., Four Wire Rr. 71	8	—	—	—	—	—	2	2	2	—	—	2875 604	
	w/318 Eng., Two Wire Rr.	8	—	—	—	—	—	2	2	—	—	—	2875 605	
	w/360 Eng., Two Wire Rr. 71	8	—	—	—	—	—	2	2	2	—	—	2875 605	
8-36-49	CABLE, Ignition Coil Secondary	6	1	1	1	1	1	1	1	—	—	—	2095 773	
	w/318 Eng.	8	1	1	1	1	1	1	1	—	—	—	2444 469	
	w/340 Eng.	8	1	1	1	1	1	—	—	—	—	—	2095 776	
	w/383 Eng.	8	—	1	—	1	1	1	1	—	—	—	2095 772	
	w/426 Eng.	8	—	1	—	1	1	—	—	—	—	—	2095 776	
	w/440 Eng., w/1-4 Bbl. Carb.	8	—	1	—	1	1	1	1	1	1	1	2095 772	
	w/440 Eng., w/3-2 Bbl. Carb.	8	—	1	—	1	1	1	—	—	—	—	2095 777	
	w/360 Eng., C-E 71	8	—	—	—	—	—	1	1	1	—	—	2444 469	
8-36-83	CABLE, Spark Plug, No. 1 and 6 Cable	6	2	2	2	2	2	2	2	—	—	—	2444 024	
	No. 2 and 5 Cable	6	2	2	2	2	2	2	2	—	—	—	2444 025	
	No. 3 and 4 Cable	6	2	2	2	2	2	2	2	—	—	—	2444 031	

CARLINES

J - Challenger
B - BarracudaV - Valiant
L - DartR - Belvedere - Satellite
W - Coronet - ChargerP - Plymouth
D - DodgeC - Chrysler
Y - Imperial

AR Indicates use as required.

Indicates parts not listed in any previous parts book.

Numerals in parentheses () refer to notes.

★ Indicates change or addition.

Printed in U.S.A.
January 1972

CODE	PART NAME	ENG. TYPE OR CU.IN.	V	B	L	R	W	P	D	C	C	C	Y	PART NUMBER
			1-2	1-2	1-2	1-2	1-2	1-2	1-2	1	2	3	1	
8-36-0 IGNITION Cont'd.														
8-36-92	GROMMET, Spark Plug Cable Positioning, w/383 and 440 Eng.	8	—	1	—	1	1	2	2	2	2	2	2	2098 980
	w/426 Eng.	8	—	4	—	4	4	—	—	—	—	—	—	2098 980
8-36-96	NIPPLE, Coil Secondary Cable, Coil End Dist. End	1	1	1	1	1	1	1	1	1	1	1	1	2095 768
	Spark Plug Cable, Dist. End	1	1	1	1	1	1	1	1	1	1	1	1	2095 766
8-36-114	SPARK PLUG, Champion N-14Y	6	AR	AR	AR	AR	AR	AR	AR	AR	AR	AR	AR	2095 766
	Chrysler Parts Brand No. 66P	6	6	6	6	6	6	6	6	—	—	—	—	2098 381
	Champion N-14Y, w/318 Eng.	8	8	8	8	8	8	—	—	—	—	—	—	2098 381
	Chrysler Parts Brand No. 66P	8	8	8	8	8	8	—	—	—	—	—	—	3420 751
	Champion N-9Y, w/340 Eng.	8	8	8	8	8	8	—	—	—	—	—	—	2642 493
	Chrysler Parts Brand No. 62P	8	8	8	8	—	—	—	—	—	—	—	—	3420 755
	Champion J-14Y, w/383 Eng., w/2 Bbl. Carb.	8	—	8	—	8	8	8	8	8	—	—	—	2444 870
	Chrysler Parts Brand No. 35P	8	—	8	—	8	8	8	8	8	—	—	—	3420 750
	Champion J-11Y, w/383 Eng., w/1-4 Bbl. Carb.	8	—	8	—	8	8	8	8	8	—	—	—	2642 913
	Chrysler Parts Brand No. 34P	8	—	8	—	8	8	8	8	8	—	—	—	3420 752
	Champion N-10Y, w/426 Eng.	8	—	8	—	8	8	—	—	—	—	—	—	2642 618
	Chrysler Parts Brand No. 62P	8	—	8	—	8	8	—	—	—	—	—	—	3420 755
	Champion J-11Y, w/440 Eng.	8	—	8	—	8	8	8	8	8	8	8	—	2642 913
	Chrysler Parts Brand No. 34P	8	—	8	—	8	8	8	8	8	8	8	—	3420 752
	Champion N-14Y, w/318 Eng.	70	8	—	—	—	—	8	8	—	—	—	—	2098 381
	Chrysler Parts Brand No. 66P	70	8	—	—	—	—	8	8	—	—	—	—	3420 751
	Champion N-13Y, w/318 and 360 Eng.	71	8	—	—	—	—	8	8	8	—	—	—	3438 413
	Champion RJ-13Y	8	—	—	—	—	—	—	—	—	—	—	8	3438 334
8-36-124	HEAT SHIELD, Spark Plug, w/383 and 440 Eng.	Rt. Lt.	8	—	1	—	1	1	—	—	—	—	—	2951 347
			8	—	1	—	1	1	—	—	—	—	—	3462 682
	w/383 and 440 Eng.		8	—	—	—	—	2	2	2	2	2	2	2951 347
8-36-136	TUBE, Spark Plug w/426 Eng.	6	6	6	6	6	6	6	6	—	—	—	—	2121 245
		8	—	8	—	8	8	—	—	—	—	—	—	2780 567
8-36-137	SEAL, Spark Plug Tube w/426 Eng.	6	6	6	6	6	6	6	6	—	—	—	—	1947 708
		8	—	8	—	8	8	—	—	—	—	—	—	2468 196

8-37-0 INSTRUMENT PANEL INSTRUMENTS

8-37-1	AMMETER, V-L		1	—	—	—	—	—	—	—	—	—	—	2984 405
	2D.H.T., V-H	71	1	—	—	—	—	—	—	—	—	—	—	2984 405
	V-S, L-M		1	—	1	—	—	—	—	—	—	—	—	2771 641
	w/Rallye Inst. Panel		—	1	—	—	—	—	—	—	—	—	—	2984 179
	w/o Rallye Inst. Panel, B	70	—	1	—	—	—	—	—	—	—	—	—	2984 121
	w/o Rallye Inst. Panel, J	70	—	1	—	—	—	—	—	—	—	—	—	2984 161
	w/o Rallye Inst. Panel	71	—	1	—	—	—	—	—	—	—	—	—	2984 121
	w/OIL INDICATOR, L-L, L-H	70	—	—	1	—	—	—	—	—	—	—	—	2771 169
	w/OIL INDICATOR, L-L except Fastback, L-H	71	—	—	1	—	—	—	—	—	—	—	—	2771 169
	Fastback, L-L	71	—	—	1	—	—	—	—	—	—	—	—	2984 405
	40 Amp., R-K, R-T, R-L, R-H, R-P, W-K, W-T, W-L, W-H, W-P except Charger, W-S 2 D.H.T. and Cv. Cp. w/o Rallye Inst. Panel	70	—	—	—	1	1	—	—	—	—	—	—	2857 004
	60 Amp., R-K, R-T, R-L, W-K, W-T, W-L 70 R-M, R-S, W-M, W-P Charger, W-S Charger R/T, W-S 2D.H.T. and Cv. Cp. w/Rallye Inst. Panel	70	—	—	—	1	1	—	—	—	—	—	—	2857 005
	40 Amp., R-K, R-T, R-L, R-H, W-K, W-T, W-L, W-H	71	—	—	—	1	1	—	—	—	—	—	—	2857 169
		71	—	—	—	1	1	—	—	—	—	—	—	2985 396
CARLINES	J - Challenger B - Barracuda	V - Valiant L - Dart	R - Belvedere W - Coronet - Charger	S - Satellite	P - Plymouth D - Dodge	C - Chrysler Y - Imperial								

AR Indicates use as required.

Indicates parts not listed in any previous parts book.

Numerals in parentheses () refer to notes.

★ Indicates change or addition.

Printed in U.S.A.
January 1972

CODE	PART NAME	ENG. TYPE OR CU.IN.	V	B	L	R	W	P	D	C	C	C	Y	PART NUMBER
			1-2	1-2	1-2	1-2	1-2	1-2	1-2	1	2	3	1	
8-37-0 INSTRUMENT PANEL INSTRUMENTS Cont'd.														
8-37-1	AMMETER Cont'd.													
	60 Amp., R-K, R-T, R-L, W-K, W-T, W-L	71	—	—	—	1	1	—	—	—	—	—	—	2985 397
	w/o Tach, w/o Clock, R-M, R-P, W-M, W-P except Fastback, W-S	71	—	—	—	1	1	—	—	—	—	—	—	2985 219
	w/Clock, w/Tach., R-M, R-P, R-S, W-M, W-P, W-S	71	—	—	—	1	1	—	—	—	—	—	—	2985 221
	40 Amp.	70	—	—	—	—	—	1	—	—	—	—	—	2927 047
		71	—	—	—	—	—	1	1	—	—	—	—	2985 676
	60 Amp.	70	—	—	—	—	—	1	—	—	—	—	—	2927 048
	40 Amp.	70	—	—	—	—	—	—	1	—	—	—	—	2984 931
	60 Amp.	70	—	—	—	—	—	—	—	1	—	—	—	2984 932
		70	—	—	—	—	—	—	—	1	1	1	—	2927 223
		71	—	—	—	—	—	—	—	1	1	1	—	2985 674
		70	—	—	—	—	—	—	—	—	—	—	1	2984 887
		71	—	—	—	—	—	—	—	—	—	—	1	2985 517
8-37-2	REGULATOR or LIMITER, Inst.													
	Voltage	70	1	—	1	1	1	—	1	1	1	1	—	2258 413
	V-L, V-H 2 D.H.T., L-L, L-H, R-K, R-T, R-L R-H, W-K, W-T, W-L, W-H	71	1	—	1	1	1	—	—	1	1	1	—	2258 413
			—	1	—	—	—	—	1	—	—	—	—	2209 216
	R-M, R-P, R-S, W-M, W-P, W-S	71	—	—	—	1	1	—	—	—	—	—	—	2985 707
		71	—	—	—	—	—	—	—	1	—	—	—	2209 216
			—	—	—	—	—	—	—	—	—	—	1	2985 168
8-37-7	CABLE, Voltage Regulator to Fuel and Temp. Gage, w/o Rallye Inst. Panel	70	—	1	—	—	—	—	—	—	—	—	—	2822 012
	w/o Clock, w/o Tach., R-M, R-P, R-P, R-S, W-M, W-P except Fastback, W-S	71	—	—	—	1	1	—	—	—	—	—	—	3513 283
			—	—	—	—	—	1	—	—	—	—	—	2822 012
8-37-14	CLOCK PACKAGE, V-S, L-M													
	w/Rallye Inst. Panel	70	1	—	1	—	—	—	—	—	—	—	—	2857 678
	w/o Rallye Inst. Panel, w/Inst. Panel Wood Grain		—	1	—	—	—	—	—	—	—	—	—	2984 182
	w/o Rallye3 Inst. Panel, w/o Inst. Panel Wood Grain	70	—	1	—	—	—	—	—	—	—	—	—	2984 952
	w/Rallye Inst. Panel	71	—	1	—	—	—	—	—	—	—	—	—	2985 947
	R-K, R-T, R-L, R-H, R-P, W-K, W-T, W-L, W-H, W-P except Charger, W-S 2D.H.T. and Cv. Cp. w/o Rallye Inst. Panel	70	—	—	—	1	1	—	—	—	—	—	—	2889 620
	w/Electric Clock, R-K, R-T, R-L, R-H, W-K, W-T, W-L, W-H	71	—	—	—	1	1	—	—	—	—	—	—	2985 416
	R-M, R-S, W-M, W-P Charger, W-S Charger R/T, W-S 2D.H.T. and Cv. Cp. w/Rallye Inst. Panel	70	—	—	—	1	1	—	—	—	—	—	—	2857 182
	w/Electric Clock, R-M, R-P, R-S, W-M, W-P, W-S	71	—	—	—	1	1	—	—	—	—	—	—	2985 226
		70	—	—	—	—	—	1	—	—	—	—	—	2927 972
		71	—	—	—	—	—	—	1	1	—	—	—	2985 837
		70	—	—	—	—	—	—	—	1	—	—	—	2984 959
		70	—	—	—	—	—	—	—	1	1	1	—	2927 999
	up to Approx. July 1, 1971	71	—	—	—	—	—	—	—	1	1	1	—	2985 850
	after approx. July 1, 1971	71	—	—	—	—	—	—	—	1	1	1	—	3592 151
		70	—	—	—	—	—	—	—	—	—	—	1	2927 337
		71	—	—	—	—	—	—	—	—	—	—	1	2985 555
8-37-15	LAMP, Aux. Switch Title Lamp, w/Time Delay													
	w/Mtg. Brkt., w/Power Driver Door T/Gate Release, Sta. Wgn.	71	—	1	—	—	—	—	—	—	—	—	—	2947 390
			—	—	—	1	1	—	—	—	—	—	—	3488 235

CARLINES

J - Challenger
B - BarracudaV - Valiant
L - DartR - Belvedere - Satellite
W - Coronet - ChargerP - Plymouth
D - DodgeC - Chrysler
Y - Imperial

AR Indicates use as required.

Indicates parts not listed in any previous parts book.

Numerals in parentheses () refer to notes.

★ Indicates change or addition.

Printed in U.S.A.
January 1972

CODE	PART NAME	ENG. TYPE OR CU.IN.	V	B	L	R	W	P	D	C	C	C	Y	PART NUMBER
			1-2	1-2	1-2	1-2	1-2	1-2	1-2	1	2	3	1	
8-37-0 INSTRUMENT PANEL INSTRUMENTS Cont'd.														
8-37-15	LAMP Cont'd.													
	w/Mtg. Brkt., w/Carb. Fresh Air Pkg., except 318 Eng., R-M, R-S, W-M, W-S	71	8	—	—	—	1	1	—	—	—	—	—	3488 235
	w/Mtg. Brkt., w/Rr. Window Defogger, except Sta. Wgn.	71		—	—	—	1	1	—	—	—	—	—	3488 235
	w/Mtg. Brkt., w/Power T/Gate Window, Sta. Wgn.	71		—	—	—	1	1	—	—	—	—	—	3488 235
	w/Mtg. Brkt., H/Lamp Washer, 2D.H.T., W-M, W-S	71		—	—	—	—	1	—	—	—	—	—	3488 235
	w/Mtg. Brkt., H/Lamp Washer, Fastback	71		—	—	—	—	1	—	—	—	—	—	3488 235
	Aux. Switch Title Lamp, w/Time Delay	70		—	—	—	—	—	1	—	—	—	—	2947 298
	Aux. Switch Title Lamp, w/Time Delay	71		—	—	—	—	—	1	1	—	—	—	2947 298
	H/Lamp Washer Indicator, P-M 4 D.H.T. and Fastback, P-H, P-P	71		—	—	—	—	—	1	—	—	—	—	3488 420
	Aux. Switch Title Lamp, w/Time Delay	70		—	—	—	—	—	—	1	—	—	—	2947 296
	Switch Title	70		—	—	—	—	—	—	1	—	—	—	2864 375
	SCREW, Switch Title Lamp Mtg.	70		—	—	—	—	—	—	2	—	—	—	9424 048
8-37-16	LENS, Switch Title Lamp	70		—	—	—	—	—	—	1	—	—	—	2864 376
8-37-70	RELAY and BRACKET, Low Fuel, B 2D.H.T. Sp. 2D.H.T., J	70		—	1	—	—	—	—	1	1	1	1	2983 828
	2 D.H.T., w/Formal Roof Pkg., J	71		—	1	—	—	—	—	—	—	—	—	2983 828
		71		—	—	—	1	1	—	—	—	—	—	3513 565
8-37-75	LAMP, Rev. Ind., w/4 Speed Manual Trans. w/4 Speed Manual Trans.	70		1	—	1	—	—	—	—	—	—	—	2947 202
	w/4 Speed Manual Trans.	71		—	1	—	1	1	—	—	—	—	—	2947 445
	w/4 Speed Manual Trans., except 318 Eng.	70	8	—	—	—	1	1	—	—	—	—	—	3488 497
	Overhead Console Wiring, 2D.H.T., B Sp. 2D.H.T., J	70		—	1	—	—	—	—	—	—	—	—	2947 840
	2D.H.T., w/Formal Roof Pkg., J	71		—	1	—	—	—	—	—	—	—	—	2947 591
	Seat Belt Warning			1	—	1	—	—	—	—	—	—	—	2947 591
	B Cv. Cp., J 2D.H.T. and Cv. Cp.	70		—	1	—	—	—	—	—	—	—	—	2947 931
		71		—	1	—	—	—	—	—	—	—	—	2947 933
	SCREW, Overhead Console Warning Lamp Mtg.	70		—	—	—	—	—	—	1	1	—	—	2947 893
	SCREW, Seat Belt Warning Lamp Ground	70		—	—	—	—	—	—	—	—	—	—	2947 893
	SCREW, Rev. Ind. Lamp Grounding	70		—	—	—	1	1	—	—	—	—	—	6028 638
8-37-88	SOCKET, Low Oil Pressure Ind. Lamp, on Printed Circuit Board, V-L, L-L, L-H, R-K, R-T, R-L, R-H, R-P, W-K W-T, W-L, W-H, W-P except Charger, W-S 2D.H.T. and Cv. Cp. w/o Rallye Inst. Panel	70		1	—	1	1	1	—	1	—	—	—	6026 092
	V-L, V-H, L-L, L-H, R-K, R-T, R-L, R-H, W-K, W-T, W-L, W-H	71		1	—	1	1	1	—	—	—	—	—	6026 092
	Overhead Console Seat Belt Warning Lamp, 2D.H.T., B	70		—	1	—	—	—	—	—	—	—	—	2983 579
	2D.H.T., B-P, J	71		—	1	—	—	—	—	—	—	—	—	2983 579
	Sp. 2D.H.T., J	70		—	1	—	—	—	—	—	—	—	—	2983 579
	Overhead Console Low Fuel Warning Lamp, 2D.H.T., B	70		—	1	—	—	—	—	—	—	—	—	2983 816
	2D.H.T., B-P, J	71		—	1	—	—	—	—	—	—	—	—	2983 816
	Sp. 2D.H.T., J	70		—	1	—	—	—	—	—	—	—	—	2983 816
	Oil Warning Lamp, w/o Rallye Inst. Panel	71		—	1	—	—	—	—	—	—	—	—	1753 632

CARLINES J - Challenger V - Valiant
B - Barracuda L - Dart

R - Belvedere - Satellite
W - Coronet - Charger

P - Plymouth
D - Dodge

C - Chrysler
Y - Imperial

AR Indicates use as required.

Indicates parts not listed in any previous parts book.

Numerals in parentheses () refer to notes.

★ Indicates change or addition.

Printed in U.S.A.
January 1972

CODE	PART NAME	ENG. TYPE OR CU.IN.	V	B	L	R	W	P	D	C	C	C	Y	PART NUMBER
			1-2	1-2	1-2	1-2	1-2	1-2	1	2	3	1		
8-37-0 INSTRUMENT PANEL INSTRUMENTS Cont'd.														
8-37-88	SOCKET Cont'd.													
		70	—	—	—	—	—	1	—	1	1	1	—	1753 632
		71	—	—	—	—	—	1	1	1	1	1	—	1753 632
	Rev. Ind. Lamp	71	—	—	—	1	1	—	—	—	—	—	—	2983 580
	Temp. Ind. Lamp		—	—	—	—	—	—	—	1	1	1	—	1753 632
	Seat Belt Warning Lamp		—	—	—	—	—	—	—	1	1	1	—	2096 374
	Low Fuel Warning Lamp		—	—	—	—	—	—	—	1	1	1	—	2496 279
	Warning Lamp, on Printed Circuit Board	70	—	—	—	—	—	—	—	—	—	—	5	2496 279
8-37-90	BEZEL, Speed and Inst. Cluster, V-L	70	1	—	—	—	—	—	—	—	—	—	—	2984 397
	V-L, V-H 2 D.H.T., L-L Fastback	71	1	—	1	—	—	—	—	—	—	—	—	2984 397
	w/o A/Cond., V-S, L-M	70	1	—	1	—	—	—	—	—	—	—	—	2985 436
	w/o A/Cond., V-S, L-M	71	1	—	1	—	—	—	—	—	—	—	—	2985 715
	w/A/Cond., V-S, L-M	70	1	—	1	—	—	—	—	—	—	—	—	2985 437
	w/A/Cond., V-S, L-M	71	1	—	1	—	—	—	—	—	—	—	—	2985 716
	w/o Rallye Inst. Panel, B	70	—	1	—	—	—	—	—	—	—	—	—	2985 801
	w/Rallye Inst. Panel	70	—	1	—	—	—	—	—	—	—	—	—	2984 192
	w/o Rallye Inst. Panel, J	70	—	1	—	—	—	—	—	—	—	—	—	2984 146
	w/Rallye Inst. Panel, up to approx. Feb. 1971, American Walnut	71	—	1	—	—	—	—	—	—	—	—	—	2985 807
	w/Rallye Inst. Panel, after approx. Feb. 1971, Kashmerr Walnut	71	—	1	—	—	—	—	—	—	—	—	—	2985 944
	w/o Rallye Inst. Panel	71	—	1	—	—	—	—	—	—	—	—	—	2985 801
	BEZEL and LENS PACKAGE, except Fastback, L-L	71	—	—	1	—	—	—	—	—	—	—	—	2984 490
	BEZEL and LENS PACKAGE, L-L Mile	70	—	—	1	—	—	—	—	—	—	—	—	2984 490
	BEZEL and LENS PACKAGE, L-H Mile		—	—	1	—	—	—	—	—	—	—	—	2984 491
	R-K, R-T, R-L, R-H, R-P, W-K, W-T, W-L, W-H, W-P except Charger, W-S 2D.H.T. and Cv. Cp. w/o Rallye Inst. Panel	70	—	—	—	1	1	—	—	—	—	—	—	2822 880
	R-M, R-S, W-M, W-P Charger, W-S Charger R/T, W-S 2D.H.T. and Cv. Cp. w/Rallye Inst. Panel	70	—	—	—	1	1	—	—	—	—	—	—	2984 775
	w/RADIO, R-K, R-T, R-L, R-H 2D.H.T. w/Spec. Coupe Pkg., W-K, W-T, W-L, W-H 2D.H.T. w/Spec. Coupe Pkg.	71	—	—	—	1	1	—	—	—	—	—	—	2985 364
	w/o RADIO, R-K, R-T, R-L, R-H 2D.H.T. w/Spec. Coupe Pkg. W-K, W-T, W-L, W-H 2D.H.T. w/Spec. Coupe Pkg.	71	—	—	—	1	1	—	—	—	—	—	—	2985 362
	w/RADIO, R-H 2D.H.T. w/o Spec. Coupe Pkg., 4D. and Sta. Wgn., W-H 2D.H.T. w/o Spec. Coupe Pkg., 4D. and Sta. Wgn.	71	—	—	—	1	1	—	—	—	—	—	—	2985 370
	w/o Radio, R-H 2 D.H.T. w/o Spec. Coupe Pkg., 4 D. and Sta. Wgn., W-H 2 D.H.T. w/o Spec. Coupe Pkg. 4 D. and Sta. Wgn.	71	—	—	—	1	1	—	—	—	—	—	—	2985 368
	w/o Radio, R-M, R-P, R-S, W-M, W-P, W-S	71	—	—	—	1	1	—	—	—	—	—	—	2985 157
	w/Radio, R-M, R-P, R-S, W-M, W-P, W-S	71	—	—	—	1	1	—	—	—	—	—	—	2985 158
	w/o Lock Door Lamp, w/o Seat Belt Lamp, w/o Low Fuel Warning Lamp, w/o Map and Courtesy Lamp, R-K, R-T, R-L, R-H, W-K, W-T, W-L, W-H	71	—	—	—	1	1	—	—	—	—	—	—	3488 330

CARLINES J - Challenger V - Valiant
B - Barracuda L - Dart

R - Belvedere - Satellite
W - Coronet - Charger

P - Plymouth
D - Dodge

C - Chrysler
Y - Imperial

AR Indicates use as required.

Indicates parts not listed in any previous parts book.

Numerals in parentheses () refer to notes.

★ Indicates change or addition.

Printed in U.S.A.
January 1972

CODE	PART NAME	ENG. TYPE OR CU.IN.	V	B	L	R	W	P	D	C	C	C	Y	PART NUMBER
			1-2	1-2	1-2	1-2	1-2	1-2	1	2	3	1		
8-37-0 INSTRUMENT PANEL INSTRUMENTS Cont'd.														
8-37-90	BEZEL Cont'd.													
	w/o Accessory Switch, except Cv. Cp. and Sta. Wgn.	70	—	—	—	—	—	1	—	—	—	—	—	2984 557
	w/Accessory Switch	70	—	—	—	—	—	1	—	—	—	—	—	2984 558
	w/o Rr. Window Defogger, except Sta. Wgn., P-K, P-T, P-E, P-L, D-K, D-T, D-E, D-S	71	—	—	—	—	—	1	1	—	—	—	—	2985 002
	w/rR. Window Defogger, P-K, P-T, P-E, P-L, D-K, D-T, D-E, D-S	71	—	—	—	—	1	1	—	—	—	—	—	2985 003
	w/o Rr. Window Defogger, except Sta. Wgn., P-M, P-H, D-L, D-M, D-H	71	—	—	—	—	—	1	1	—	—	—	—	2985 008
	w/Rr. Window Defogger, P-M, P-H, D-E, D-L, D-M, D-H	71	—	—	—	—	—	1	1	—	—	—	—	2985 009
		70	—	—	—	—	—	—	1	—	—	—	—	2927 419
	w/Multiplex Radio or Tape Player	70	—	—	—	—	—	—	—	1	1	1	—	2984 908
	w/AM Radio, w/Stereo Tape, 8 Track	71	—	—	—	—	—	—	—	1	1	1	—	2985 565
	w/AM-FM Radio Search Tuner	70	—	—	—	—	—	—	—	1	1	1	—	2984 907
	w/AM-FM Radio Search Tuner	71	—	—	—	—	—	—	—	1	1	1	—	2985 566
	w/AM Radio	70	—	—	—	—	—	—	—	1	1	1	—	2984 906
	w/AM-FM Radio, w/Multiplex Radio	71	—	—	—	—	—	—	—	1	1	1	—	2985 564
	w/o Radio	70	—	—	—	—	—	—	—	1	1	1	—	2984 909
	w/o Radio	71	—	—	—	—	—	—	—	1	1	1	—	2985 567
	w/o Radio	70	—	—	—	—	—	—	—	—	—	—	1	2984 746
	w/o Radio	Mile 71	—	—	—	—	—	—	—	—	—	—	1	2985 549
	w/Radio Search Tuner AM-FM	Mile 70	—	—	—	—	—	—	—	—	—	—	1	2984 744
		Kilo 70	—	—	—	—	—	—	—	—	—	—	1	2984 745
	w/Radio Search Tuner AM-FM	71	—	—	—	—	—	—	—	—	—	—	1	2985 546
	w/AM-FM Multiplex, w/Stereo Tape	Mile 70	—	—	—	—	—	—	—	—	—	—	1	2984 747
		Kilo 70	—	—	—	—	—	—	—	—	—	—	1	2984 748
	w/AM-FM Multiplex, w/Stereo Tape, 8 Track	71	—	—	—	—	—	—	—	—	—	—	1	2985 547
	w/AM-FM Multiplex, w/Stereo Tape, Cassette	71	—	—	—	—	—	—	—	—	—	—	1	2985 548
8-37-91	TRIM PLATE, Cluster Bezel, V-S, L-M	Ctr.	1	—	1	—	—	—	—	—	—	—	—	2927 714
	V-S, L-M	Rt.	1	—	1	—	—	—	—	—	—	—	—	2927 712
	V-S, L-M	Lt.	1	—	1	—	—	—	—	—	—	—	—	2985 442
	w/Inst. Panel Wood Grain		—	1	—	—	—	—	—	—	—	—	—	2984 759
8-37-93	CONTACT, Oil Warning Ind. Lamp Socket		—	—	—	—	—	1	1	1	1	1	—	2256 966
	Temp. Ind. Lamp Socket		—	—	—	—	—	—	—	2	2	2	—	2256 966
	Seat Belt Warning Lamp Socket		—	—	—	—	—	—	—	1	1	1	—	2256 966
8-37-101	COVER, Cluster, w/o A/Cond. Outlet	70	—	—	—	—	—	—	—	—	—	—	1	2927 408
8-37-112	REINFORCEMENT, Inst. Cluster Bezel, R-M, R-P, R-S, W-M, W-P, W-S	71	—	—	—	1	1	—	—	—	—	—	—	2985 239
8-37-136	TEMPERATURE GAUGE, V-L		1	—	—	—	—	—	—	—	—	—	—	2984 404
	2D.H.T., V-H	71	1	—	—	—	—	—	—	—	—	—	—	2984 404
	V-S, L-M		1	—	1	—	—	—	—	—	—	—	—	2771 639
	w/o Rallye Inst. Panel, B		—	1	—	—	—	—	—	—	—	—	—	2984 120
	w/Rallye Inst. Panel		—	1	—	—	—	—	—	—	—	—	—	2984 180
	w/o Rallye Inst. Panel, J	70	—	1	—	—	—	—	—	—	—	—	—	2984 160
	w/o Rallye Inst. Panel, J	71	—	1	—	—	—	—	—	—	—	—	—	2984 120
	L-L, L-H	70	—	—	1	—	—	—	—	—	—	—	—	2984 243
	L-L except Fastback, L-H	71	—	—	1	—	—	—	—	—	—	—	—	2984 243
	Fastback, L-L	71	—	—	1	—	—	—	—	—	—	—	—	2984 404
	R-K, R-T, R-L, R-H, R-P, W-K, W-T, W-L, W-H, W-P except Charger, W-S		—	—	—	—	—	—	—	—	—	—	—	
	2D.H.T. and Cv. Cp. w/o Rallye Inst. Panel	70	—	—	—	1	1	—	—	—	—	—	—	2984 236
CARLINES	J - Challenger B - Barracuda	V - Valiant L - Dart	R - Belvedere - Satellite W - Coronet - Charger	P - Plymouth D - Dodge	C - Chrysler Y - Imperial									

AR Indicates use as required.

Indicates parts not listed in any previous parts book.

Numerals in parentheses () refer to notes.

★ Indicates change or addition.

Printed in U.S.A.
January 1972

CODE	PART NAME	ENG. TYPE OR CU.IN.	V	B	L	R	W	P	D	C	C	C	Y	PART NUMBER
			1-2	1-2	1-2	1-2	1-2	1-2	1	2	3	1		
8-37-0 INSTRUMENT PANEL INSTRUMENTS Cont'd.														
8-37-136	TEMPERATURE GAUGE Cont'd.													
	R-M, R-S, W-M, W-P Charger, W-S													
	Charger R/T, W-S 2D.H.T. and Cv.													
	Cp. w/Rallye Inst. Panel 70					1	1							2984 241
	w/o Clock or Tach., R-M, R-P, R-S, W-M,													
	W-P except Fastback, W-S 71					1	1							2985 217
	w/Clock and Tach., R-M, R-P, R-S, W-M,													
	W-P, W-S 71					1	1							2985 223
		70						1						2984 238
		71							1					2984 930
										1				2984 238
8-37-141	SPINNER, Inst. Gage Pointer, w/o Clock,													
	w/o Tach., R-M, R-P, R-S, W-M, W-P													
	except Fastback, W-S 71					1	1							2985 198
8-37-142	SPACER, Inst. Gage Mtg., Fuel and Temp.													
	Gage 71		4		4									2984 084
	Ammeter 71		2		2									2984 084
8-37-155	SENDING UNIT, Temp. Gage													
	SWITCH, Temp. Sending Unit		1	1	1	1	1	1					1	2426 458
										1	1	1	1	2857 562
8-37-160	MASK, Cluster, L-L, L-H Mile 70				1									2771 149
	L-L, L-H Kilo 70				1									2771 150
	L-L except Fastback, L-H Mile 71				1									2771 149
	L-L except Fastback, L-H Kilo 71				1									2771 150
	w/o Clock or Tach., R-M, R-P, R-S, W-M,													
	W-P except Fastback, W-S 71					1	1							2985 185
	w/Clock and Tach., R-M, R-P, R-S,													
	W-M, W-P, W-S 71					1	1							2985 234
8-37-162	LENS, Cluster, w/o Rallye Inst. Panel													
	w/MASK, w/Rallye Inst. Panel 70				1									2984 110
	w/Mask, w/Rallye Inst. Panel 71				1									2984 867
	R-K, R-T, R-L, R-H, R-P, W-K, W-T, W-L,													
	W-H, W-P except													
	Charger 120 Mile 70					1	1							2984 503
	R-K, R-T, R-L, R-H, R-P, W-K, W-T, W-L,													
	W-H, W-P except Charger, W-S													
	2D.H.T. and Cv. Cp. w/o Rallye Inst.													
	Panel Kilo 70					1	1							2984 505
	w/MASK, R-K, R-T, R-L, R-H, W-K, W-T,													
	W-L, W-H 71					1	1							3514 398
	R-M, R-S, W-M, W-P Charger, W-S													
	Charger R/T, W-S 2D.H.T. and Cv.													
	Cp. w/Rallye Inst. Panel 70					1	1							2889 693
	W-S 2D.H.T. and Cv. Cp. w/o Rallye Inst.													
	Panel 150 Mile 70							1						2984 504
									1					2927 037
		70								1				2984 954
		71									1			2927 7
		70										1	1	2927 234
		71											1	2985 569
		70												2927 336
		71												2985 523
8-37-170	CLIP, Speed and Inst. Cluster Lens to Hsg.			AR		AR	AR			AR	AR	AR	AR	2889 588
8-37-178	HOUSING, Speed and Inst. Cluster, V-L		1											2771 201
	V-S, L-M		1		1									2857 671
	B w/o Rallye Inst. Panel, J-H w/Inst.													
	Panel Wood Grain			1										2984 111
	w/Rallye Inst. Panel			1										2984 866
	w/o Rallye Inst. Panel, w/o Inst. Panel													
	Wood Grain, J-H			1										2984 151

CARLINES

J - Challenger
B - BarracudaV - Valiant
L - DartR - Belvedere - Satellite
W - Coronet - ChargerP - Plymouth
D - DodgeC - Chrysler
Y - Imperial

AR Indicates use as required.

Indicates parts not listed in any previous parts book.

Numerals in parentheses () refer to notes.

★ Indicates change or addition.

Printed in U.S.A.
January 1972

CODE	PART NAME	ENG. TYPE OR CU.IN.	V	B	L	R	W	P	D	C	C	C	Y	PART NUMBER
			1-2	1-2	1-2	1-2	1-2	1-2	1-2	1	2	3	1	
8-37-0 INSTRUMENT PANEL INSTRUMENTS Cont'd.														
8-37-178	HOUSING Cont'd.													
	HOUSING PACKAGE, L-L, L-H	70	—	—	1	—	—	—	—	—	—	—	—	3420 741
	L-L except Fastback, L-H	71	—	—	1	—	—	—	—	—	—	—	—	3420 741
	V-H 2 D.H.T., L-L Fastback	71	1	—	1	—	—	—	—	—	—	—	—	2771 201
	R-K, R-T, R-L, R-H, R-P, W-K, W-T, W-L, W-H, W-P except Charger, W-S 2D.H.T. and Cv. Cp. w/o Rallye Inst. Panel	70	—	—	—	1	1	—	—	—	—	—	—	2857 011
	R-M, R-S, W-M, W-P Charger, W-S Charger R/T, W-S 2D.H.T. and Cv. Cp. w/Rallye Inst. Panel	70	—	—	—	1	1	—	—	—	—	—	—	2984 654
	R-K, R-T, R-L, R-H, W-K, W-T, W-L, W-H71 w/o Tach. or Clock, R-M, R-P, R-S, W-M, W-P except Fastback, W-S	71	—	—	—	1	1	—	—	—	—	—	—	2985 401
	w/Tach. or Clock, R-M, R-P, R-S, W-M, W-P, W-S	71	—	—	—	1	1	—	—	—	—	—	—	2985 833
		70	—	—	—	—	—	1	—	—	—	—	—	2985 834
		70	—	—	—	—	—	—	1	—	—	—	—	2927 665
	w/Acc. Ind.	71	—	—	—	—	—	—	1	1	—	—	—	3514 434
		70	—	—	—	—	—	—	—	1	—	—	—	2984 943
	HOUSING PACKAGE	70	—	—	—	—	—	—	—	1	1	1	—	3420 858
		71	—	—	—	—	—	—	—	1	1	1	—	2985 588
	HOUSING PACKAGE	70	—	—	—	—	—	—	—	—	—	—	1	3420 838
		71	—	—	—	—	—	—	—	—	—	—	1	2985 585
8-37-188	SCREW, Speed and Inst. Cluster Hsg. to Bezel, V-S, L-M		8	—	8	—	—	—	—	—	—	—	—	2291 327
	SCREW, Tach. Hole Cover or Tach. Mtg. V-S, L-M		3	—	3	—	—	—	—	—	—	—	—	2291 327
8-37-190	PLATE and BRACKET, Inst. Panel Cluster, R- K, R-T, R-L, R-H, R-P, W-K, W-T, W-L, W-H, W-P except Charger, W-S 2D.H.T. and Cv. Cp. w/o Rallye Inst. Panel	70	—	—	—	1	1	—	—	—	—	—	—	2984 751
8-37-275	FUEL GAUGE, V-L		1	—	—	—	—	—	—	—	—	—	—	2984 403
	2D.H.T., V-H	71	1	—	—	—	—	—	—	—	—	—	—	2984 403
	V-S, L-M		1	—	1	—	—	—	—	—	—	—	—	2771 638
	w/Rallye Inst. Panel		—	1	—	—	—	—	—	—	—	—	—	2984 178
	w/o Rallye Inst. Panel, B	70	—	1	—	—	—	—	—	—	—	—	—	2984 119
	w/o Rallye Inst. Panel	71	—	1	—	—	—	—	—	—	—	—	—	2984 119
	w/o Rallye Inst. Panel, J-H	70	—	1	—	—	—	—	—	—	—	—	—	2984 159
	L-L, L-H	70	—	—	1	—	—	—	—	—	—	—	—	2771 167
	L-L except Fastback, L-H	71	—	—	—	—	—	—	—	—	—	—	—	2771 167
	L-L Fastback	71	—	—	1	—	—	—	—	—	—	—	—	2984 403
	R-K, R-T, R-L, R-H, R-P, W-K, W-T, W-L, W-H, W-P except Charger, W-S 2D.H.T. and Cv. Cp. w/o Rallye Inst. Panel	70	—	—	—	1	1	—	—	—	—	—	—	2857 002
	w/TEMPERATURE GAGE, R-K, R-T, R-L, R-H, W-K, W-T, W-L, W-H	71	—	—	—	1	1	—	—	—	—	—	—	2985 393
	R-M, R-S, W-M, W-P Charger, W-S Charger R/T, W-S 2D.H.T. and Cv. Cp. w/Rallye Inst. Panel	70	—	—	—	1	1	—	—	—	—	—	—	2857 172
	w/OIL GAGE, w/Electric Clock R-M, R-P, R-S, W-M, W-P, W-S	71	—	—	—	1	1	—	—	—	—	—	—	2985 214
	w/OIL GAGE, w/o Electric Clock, R-M, R-P, R-S, W-M, W-P W-S	71	—	—	—	1	1	—	—	—	—	—	—	2985 211
			—	—	—	—	—	1	—	—	—	—	—	2927 045
		70	—	—	—	—	—	—	1	—	—	—	—	2984 929
		71	—	—	—	—	—	—	—	1	—	—	—	2927 045
CARLINES	J - Challenger B - Barracuda	V - Valiant L - Dart	R - Belvedere - Satellite W - Coronet - Charger	P - Plymouth D - Dodge	C - Chrysler Y - Imperial									

AR Indicates use as required.

Indicates parts not listed in any previous parts book.

Numerals in parentheses () refer to notes.

★ Indicates change or addition.

Printed in U.S.A.
January 1972

CODE	PART NAME	ENG. TYPE OR CU.IN.	V	B	L	R	W	P	D	C	C	C	Y	PART NUMBER
			1-2	1-2	1-2	1-2	1-2	1-2	1	2	3	1		
8-37-0 INSTRUMENT PANEL INSTRUMENTS Cont'd.														
8-37-275	FUEL GAUGE Cont'd. w/TEMP. GAGE		—	—	—	—	—	—	—	1	1	1	—	2927 225
		70	—	—	—	—	—	—	—	—	—	—	1	2984 896
	w/TEMP. GAGE	71	—	—	—	—	—	—	—	—	—	—	1	2985 513
8-37-313	ADAPTER, Oil Pressure Sending Unit	71	6	—	—	—	—	1	1	—	—	—	—	2661 429
8-37-316	OIL GAGE, V-S, L-M		1	—	1	—	—	—	—	—	—	—	—	2771 640
	w/Rallye Inst. Panel		—	1	—	—	—	—	—	—	—	—	—	2984 181
	R-K, R-T, R-L, R-H, R-P, W-K, W-T, W-L, W-H, W-P except Charger, W-S 2D.H.T. and Cv. Cp. w/o Rallye Inst. Panel	70	—	—	—	1	1	—	—	—	—	—	—	2984 487
	R-M, R-S, W-M, W-P Charger, W-S Charger R/T, W-S 2D.H.T. and Cv. Cp. w/Rallye Inst. Panel	70	—	—	—	1	1	—	—	—	—	—	—	2857 171
	P-K, P-T, P-E, P-L		—	—	—	—	—	1	—	—	—	—	—	2984 068
	D-K, D-T, D-E, D-L, D-S	71	—	—	—	—	—	—	1	—	—	—	—	2984 068
		70	—	—	—	—	—	—	—	—	—	—	1	2984 888
		71	—	—	—	—	—	—	—	—	—	—	1	2985 515
8-37-322	HEAT SHIELD, Oil Sending Unit, w/426 Eng.		—	1	—	1	1	—	—	—	—	—	—	2781 298
8-37-372	SPEEDOMETER, V-L	Mile 70	1	—	—	—	—	—	—	—	—	—	—	2984 960
	V-L, V-H, L-L Fastback	Mile 71	1	—	1	—	—	—	—	—	—	—	—	3620 728
	V-S, L-M	150 Mile	1	—	1	—	—	—	—	—	—	—	—	2985 476
		Kilo 70	6	1	—	—	—	—	—	—	—	—	—	2984 961
	w/318 and 340 Eng.	Kilo 70	8	1	—	—	—	—	—	—	—	—	—	2984 998
	L-L Fastback	200 Kilo 71	6	1	—	1	—	—	—	—	—	—	—	3620 729
	w/318 Eng., L-L Fastback	240 Kilo 71	8	1	—	1	—	—	—	—	—	—	—	3620 730
	V-S, L-M	240 Kilo 70	1	—	1	—	—	—	—	—	—	—	—	2985 477
	V-S, L-M	240 Kilo 71	1	—	1	—	—	—	—	—	—	—	—	2889 426
	w/o Rallye Inst. Panel, w/Wood Grain	Mile	—	1	—	—	—	—	—	—	—	—	—	2984 964
		Kilo	—	1	—	—	—	—	—	—	—	—	—	2984 965
	w/o Rallye Inst. Panel, w/o Wood Grain	Mile	—	1	—	—	—	—	—	—	—	—	—	2984 966
		Kilo	—	1	—	—	—	—	—	—	—	—	—	2984 967
	w/Rallye Inst. Panel	Mile 70	—	1	—	—	—	—	—	—	—	—	—	2984 968
		Mile 71	—	1	—	—	—	—	—	—	—	—	—	2985 954
		Kilo 70	—	1	—	—	—	—	—	—	—	—	—	2984 969
		Kilo 71	—	1	—	—	—	—	—	—	—	—	—	2985 955
	L-L, L-H	Mile 70	—	—	1	—	—	—	—	—	—	—	—	2984 962
	L-L except Fastback, L-H	Mile 71	—	—	1	—	—	—	—	—	—	—	—	2984 962
	L-L, L-H	Kilo 70	—	—	1	—	—	—	—	—	—	—	—	2984 963
	L-L except Fastback, L-H	Kilo 71	—	—	1	—	—	—	—	—	—	—	—	2984 963
	R-T, R-L, R-H, R-P, W-T, W-L, W-H, W-P except Charger	120 Mile 70	—	—	—	1	1	—	—	—	—	—	—	2984 970
	R-T, R-L, R-H, W-T, W-L, W-H	Mile 71	—	—	—	1	1	—	—	—	—	—	—	2985 446
	R-T, R-L, R-H, R-P, W-T, W-L, W-H, W-P except Charger, W-S, 2D.H.T. and Cv. Cp. w/o Rallye Inst. Panel	Kilo	—	—	—	1	1	—	—	—	—	—	—	2984 971
	R-K, R-T, R-L, R-H, W-K, W-T, W-L W-H	Kilo 71	—	—	—	1	1	—	—	—	—	—	—	2985 447
	Certified, R-K, R-T, R-L, W-K, W-T, W-L	Mile 70	—	—	—	1	1	—	—	—	—	—	—	2984 972
	Certified, R-K, R-T, R-L, W-K, W-T, W-L	Mile 71	—	—	—	1	1	—	—	—	—	—	—	2985 448
	R-M, R-S, W-M, W-P Charger, W-S Charger R/T, W-S 2D.H.T. and Cv. Cp. w/Rallye Inst. Panel	Mile 70	—	—	—	1	1	—	—	—	—	—	—	2984 974
	R-M, R-P, R-S, W-M, W-P, W-S	Mile 71	—	—	—	1	1	—	—	—	—	—	—	2985 895
		Kilo 70	—	—	—	1	1	—	—	—	—	—	—	2984 975
		Kilo 71	—	—	—	1	1	—	—	—	—	—	—	2985 896

CARLINES

J - Challenger
B - BarracudaV - Valiant
L - DartR - Belvedere - Satellite
W - Coronet - ChargerP - Plymouth
D - DodgeC - Chrysler
Y - Imperial

AR Indicates use as required.

Indicates parts not listed in any previous parts book.

Numerals in parentheses () refer to notes.

★ Indicates change or addition.

Printed in U.S.A.
January 1972

CODE	PART NAME	ENG. TYPE OR CU.IN.	V	B	L	R	W	P	D	C	C	C	Y	PART NUMBER
			1-2	1-2	1-2	1-2	1-2	1-2	1-2	1	2	3	1	
8-37-0 INSTRUMENT PANEL INSTRUMENTS Cont'd.														
8-37-372	SPEEDOMETER Cont'd.													
	W-S 2D.H.T. and Cv. Cp., w/o Rallye													
	Inst. Panel	150 Mile 70	—	—	—	—	—	1	—	—	—	—	—	2984 973
		Mile	—	—	—	—	—	—	1	—	—	—	—	2984 976
		Kilo	—	—	—	—	—	—	1	—	—	—	—	2984 977
	Certified	Mile	—	—	—	—	—	—	1	—	—	—	—	2984 978
		Mile 70	—	—	—	—	—	—	—	1	—	—	—	2984 979
		Mile 71	—	—	—	—	—	—	—	1	—	—	—	2984 976
		Kilo 70	—	—	—	—	—	—	—	1	—	—	—	2984 980
		Kilo 71	—	—	—	—	—	—	—	1	—	—	—	2984 977
	Certified	Mile 70	—	—	—	—	—	—	—	1	—	—	—	2984 981
	Certified	Mile 71	—	—	—	—	—	—	—	1	—	—	—	2984 978
	Certified	Mile 70	—	—	—	—	—	—	—	1	1	1	—	3412 798
	Certified	Mile 71	—	—	—	—	—	—	—	1	1	1	—	2985 967
		Mile 70	—	—	—	—	—	—	—	1	1	1	—	2984 982
		Mile 71	—	—	—	—	—	—	—	1	1	1	—	2985 599
		Kilo 70	—	—	—	—	—	—	—	1	1	1	—	2984 983
		Kilo 71	—	—	—	—	—	—	—	1	1	1	—	2985 600
		Mile 70	—	—	—	—	—	—	—	—	—	—	1	2984 984
		Mile 71	—	—	—	—	—	—	—	—	—	—	1	2985 590
		Kilo 70	—	—	—	—	—	—	—	—	—	—	1	2984 985
		Kilo 71	—	—	—	—	—	—	—	—	—	—	1	2985 591
8-37-381	GASKET, Speed to Hsg. Mtg.		1	1	1	1	1	1	1	—	—	—	—	2209 213
	Speed Mtg.		—	—	—	—	—	—	—	1	1	1	1	2927 253
8-37-386	SPACER, Speed to Hsg. Mtg. Screw		2	—	2	—	—	2	2	—	—	—	—	2984 633
8-37-387	GROMMET, Speed Hsg. Mtg. Screw		2	2	2	2	2	2	2	3	3	3	3	2209 214
8-37-440	PLATE, Speed Numerals	Kilo 70	—	—	—	—	—	—	—	1	1	1	—	2927 403
		Kilo 71	—	—	—	—	—	—	—	1	1	1	—	2985 570
		Kilo 71	—	—	—	—	—	—	—	—	—	—	1	2985 532
8-37-452	RESET, Clock, w/o Rallye Inst. Panel		—	1	—	—	—	—	—	—	—	—	—	2984 139
8-37-454	KNOB, Odometer Reset, V-S, L-M		1	—	1	—	—	—	—	1	1	1	1	2290 654
	Clock Reset and Odometer Reset	70	—	1	—	—	—	—	—	—	—	—	—	2984 219
	Clock Reset, up to approx.													
	June 1971	71	—	1	—	—	—	—	—	—	—	—	—	2984 219
	after approx. June 1971	71	—	1	—	—	—	—	—	—	—	—	—	2985 949
	Odometer Reset, w/Rallye Inst. Panel	71	—	1	—	—	—	—	—	—	—	—	—	2985 943
	Clock Reset	70	—	—	—	1	1	—	—	—	—	—	—	2290 592
	Clock Reset	71	—	—	—	1	1	—	—	—	—	—	—	2985 356
			—	—	—	—	—	1	1	1	1	1	1	2857 543
8-37-455	PLUG, Clock Reset Stem Hole		—	—	—	1	—	—	—	—	—	—	—	2290 666
8-37-458	CABLE, Clock Reset, V-S, L-M	70	1	—	1	—	—	—	—	—	—	—	—	2857 739
	w/Rallye Inst. Panel	70	—	1	—	—	—	—	—	—	—	—	—	2984 220
		70	—	—	—	—	—	—	1	—	—	—	—	2927 119
8-37-459	NUT, Clock Reset Knob Mtg.		—	1	—	1	1	1	1	1	1	1	1	2257 804
	Clock Reset Cable Mtg., w/Rallye Inst.													
	Panel	70	—	1	—	—	—	—	—	—	—	—	—	2820 116
	Odometer Reset Knob Mtg. w/Rallye													
	Inst. Panel	70	—	1	—	—	—	—	—	—	—	—	—	2257 804
8-37-463	BEZEL, Clock and A/Cond.	70	—	—	—	—	—	—	—	—	—	—	1	2984 741
		71	—	—	—	—	—	—	—	—	—	—	1	2985 586
8-37-504	TACHOMETER, Inst. Panel, V-S, L-M		1	—	1	—	—	—	—	—	—	—	—	2857 729
	w/Rallye Inst. Panel		—	1	—	—	—	—	—	—	—	—	—	2984 185
	R-L, R-H, R-P, W-L, W-H, W-P except													
	Charger, W-S 2D.H.T. and Cv. Cp.													
	w/o Rallye Inst. Panel	70	—	—	—	1	1	—	—	—	—	—	—	2889 151
	w/CLOCK, R-M, R-S, W-M, W-P													
	Charger, W-S Charger R/T, W-S													
	2D.H.T. and Cv. Cp. w/Rallye Inst.													
	Panel	70	—	—	—	1	1	—	—	—	—	—	—	2857 178
	R-M, R-P, R-S, W-M, W-P, W-S	71	—	—	—	1	1	—	—	—	—	—	—	2985 170
CARLINES	J - Challenger B - Barracuda	V - Valiant L - Dart	R - Belvedere - Satellite W - Coronet - Charger						P - Plymouth D - Dodge			C - Chrysler Y - Imperial		

AR Indicates use as required.

Indicates parts not listed in any previous parts book.

Numerals in parentheses () refer to notes.

★ Indicates change or addition.

Printed in U.S.A.
January 1972

CODE	PART NAME	ENG. TYPE OR CU.IN.	V	B	L	R	W	P	D	C	C	C	Y	PART NUMBER
			1-2	1-2	1-2	1-2	1-2	1-2	1-2	1	2	3	1	
8-37-0 INSTRUMENT PANEL INSTRUMENTS Cont'd.														
8-37-505	PLATE, Tach. Mtg., R-L, R-H, R-P, W-L, W-H, W-P except Charger, W-S 2D.H.T. and Cv. Cp. w/o Rallye Inst. Panel 70		—	—	—	1	1	—	—	—	—	—	—	2889 180
8-37-545	WIRING, Tach., R-L, R-H, R-P, W-L, W-H, W-P except Charger, W-S 2D.H.T. and Cv. Cp. w/o Rallye Inst. Panel 70		—	—	—	1	1	—	—	—	—	—	—	2889 394
8-38-0 GLOVE COMPARTMENT LAMP														
8-38-3	LENS, Lamp		1	1	1	1	1	1	1	1	1	1	1	2822 583
8-38-23	LAMP PACKAGE		1	1	1	1	1	—	—	—	—	—	—	2864 325
		70	—	—	—	—	—	1	1	—	—	—	—	2947 285
		71	—	—	—	—	—	—	1	1	1	—	—	2947 218
	LAMP and SWITCH		1	—	1	—	—	—	—	—	—	—	—	2864 315
		70	—	—	1	1	1	1	—	—	—	—	—	2291 781
		71	—	—	—	—	—	—	1	1	1	1	—	2864 405
		71	—	—	—	—	—	—	1	1	1	1	—	3488 443
8-38-24	SWITCH		—	1	—	—	—	—	—	—	—	—	—	2947 924
8-39-0 HIGH BEAM INDICATOR LAMP														
8-39-9	LAMP, X-Press Super Light Switch Positioning Indicator 70		—	—	—	—	—	—	1	—	—	—	—	2947 180
8-39-15	SOCKET, on Printed Circuit Board, R except R-M and R-S, W-K, W-T, W-L, W-H, W-P except Charger, W-S 2D.H.T. and Cv. Cp. w/o Rallye Inst. Panel 70		1	—	1	1	1	—	1	—	—	—	—	2496 279
	R-K, R-T, R-L, R-H, W-K, W-T, W-L, W-H71		1	—	1	1	1	—	—	—	—	—	—	2496 279
			—	1	—	—	—	—	—	—	—	—	—	2097 003
	R-M, R-S, W-M, W-P Charger, W-S Charger R/T, W-S 2D.H.T. and Cv. Cp. w/Rallye Inst. Panel 70		—	—	—	1	1	—	1	1	1	1	—	2097 003
	R-M, R-P, R-S, W-M, W-P, W-S 71		—	—	—	1	1	1	—	1	1	1	—	2097 003
			—	—	—	—	—	1	—	—	—	—	—	2584 971
		71	—	—	—	—	—	—	1	—	—	—	—	2584 971
8-39-17	CONTACT, Socket		—	—	—	—	—	1	1	—	—	—	—	2256 966
8-40-0 IGNITION LAMP														
8-40-5	LAMP, Ignition and Starter Switch, w/Time Delay, Std. Column 70		1	1	1	1	1	—	—	—	—	—	—	2947 751
	w/Time Delay, Std. Column 71		1	1	1	1	1	—	—	—	—	—	—	3488 479
	w/Time Delay, Std. Column, w/o Tilt Strg. Wheel 70		—	—	—	—	—	1	1	—	—	—	—	2947 751
	Std. Column, w/Time Delay w/o Tilt-Tilt-Tel. Strg., Wheel 71		—	—	—	—	—	1	1	1	1	1	1	3488 479
	w/Tilt Column, w/Tilt Strg. Wheel 70		—	—	—	—	—	1	1	—	—	—	—	2947 754
	Std. Column, w/o Tilt-Tel. Strg. Wheel 70		—	—	—	—	—	—	1	1	1	—	—	2947 915
	w/Tilt Column, w/Tilt-Tel. Strg. Wheel 70		—	—	—	—	—	—	1	1	1	1	—	2947 753
	w/Time Delay, w/Tilt-Tel. Strg. Wheel 71		—	—	—	—	—	—	1	1	1	1	—	3488 169
	SCREW, Mtg. 70		2	2	2	2	2	2	2	2	2	2	2	6023 088
8-40-10	RELAY, Ignition Lamp Thermal Time Delay		1	1	1	1	1	1	1	1	1	1	1	2889 565
8-40-21	PLUG, Ignition Switch Lamp Opening, w/o Ignition Switch Time Delay Black 71		1	1	1	1	1	—	—	—	—	—	—	4243 GX9
	w/o Ignition Switch Time Delay, w/o Tilt and Tilt-Tel. Strg. Wheel, C-E, C-L Black 71		—	—	—	—	—	1	1	1	1	—	—	4243 GX9

CARLINES

J - Challenger
B - BarracudaV - Valiant
L - DartR - Belvedere - Satellite
W - Coronet - ChargerP - Plymouth
D - DodgeC - Chrysler
Y - Imperial

AR Indicates use as required.

Indicates parts not listed in any previous parts book.

Numerals in parentheses () refer to notes.

★ Indicates change or addition.

Printed in U.S.A.
January 1972

CODE	PART NAME	ENG. TYPE OR CU.IN.	V	B	L	R	W	P	D	C	C	C	Y	PART NUMBER
			1-2	1-2	1-2	1-2	1-2	1-2	1-2	1	2	3	1	
8-41-0 INSTRUMENT PANEL LAMP														
8-41-17	HOUSING and LENS PACKAGE, Warning Lamp		—	—	—	—	—	—	—	1	1	1	—	2932 818
8-41-35	DIFFUSER, Console Gear Selector Lamp		1	—	1	1	1	1	1	1	1	1	—	2427 533
	Clock or Tach. Ind. Lamp, R-M, R-S, W-M, W-P Charger, W-S Charger R/T, W-S 2 D.H.T. and Cv. Cp. w/Rallye Inst. Panel	70	—	—	—	1	1	—	—	—	—	—	—	2427 533
	A/Cond. and Heater Control Lamp		1	—	1	—	—	—	—	—	—	—	—	2580 381
	Clock or Clock Hole Cover Lamp, W-K, W-T, W-L, W-H	71	—	—	—	—	1	—	—	—	—	—	—	2426 216
	Auto. Temp. Control Lamp	70	—	—	—	—	—	—	1	—	—	—	—	2580 381
8-41-36	SOCKET, Inst. Lamp, V-L, R except R-M and R-S, W-K, W-T, W-H, W-P except Charger, W-S 2D.H.T. and Cv. Cp. w/o Rallye Inst. Panel	70	3	—	4	4	4	—	4	—	—	—	—	2496 279
	V-S, R-M, R-S, W-M, W-P Charger, W-S Charger R/T, W-S 2D.H.T. and Cv. Cp. w/Rallye Inst. Panel	70	4	—	—	3	3	—	—	—	—	—	—	2496 279
	V-L, R-K, R-T, R-L, R-H, W-K, W-T, W-L, W-H	71	3	—	4	3	3	—	—	—	—	—	5	2496 279
	V-S	71	4	—	—	—	—	—	—	—	—	—	—	2496 279
	w/o Rallye Inst. Panel	71	—	3	—	—	—	—	—	—	—	—	—	2771 134
	w/Rallye Inst. Panel	71	—	4	—	—	—	—	—	—	—	—	—	2771 134
	Speed and Inst. Lamp, R-K, R-T, R-L, R-H, W-K, W-T, W-L, W-H	71	—	—	—	1	1	—	—	—	—	—	—	2097 003
	R-M, R-P, R-S, W-M, W-P, W-S	71	—	—	—	7	7	—	—	—	—	—	—	2097 003
	R-M, R-S, W-M, W-P Charger, W-S Charger R/T, W-S 2D.H.T. and Cv. Cp. w/Rallye Inst. Panel	70	—	—	—	3	3	—	—	—	—	—	—	2097 003
	Cluster Lamp, w/o Rallye Inst. Panel		—	3	—	—	—	—	—	—	—	—	—	2983 876
	w/Rallye Inst. Panel		—	4	—	—	—	—	—	—	—	—	—	2983 876
	w/INSERT	71	—	—	—	—	—	3	3	—	—	—	—	3513 609
8-41-37	SPRING, Socket		—	—	—	—	—	3	3	—	—	—	—	2771 134
8-41-39	CONTACT, Socket		AR	AR	AR	—	—	AR	AR	AR	AR	AR	AR	1838 939
8-41-41	PANEL, Inst. Cluster Lamp, w/o Rallye Inst. Panel, B	70	—	1	—	—	—	—	—	—	—	—	—	2256 966
	w/Rallye Inst. Panel, B	70	—	1	—	—	—	—	—	—	—	—	—	2984 126
	w/o Rallye Inst. Panel, J	70	—	1	—	—	—	—	—	—	—	—	—	2984 187
	w/Rallye Inst. Panel, J	70	—	1	—	—	—	—	—	—	—	—	—	2984 166
	w/o Rallye Inst. Panel	71	—	1	—	—	—	—	—	—	—	—	—	2984 081
	w/Rallye Inst. Panel	71	—	1	—	—	—	—	—	—	—	—	—	2984 126
			—	—	—	—	—	1	1	—	—	—	—	2984 187
		70	—	—	—	—	—	—	—	1	1	1	—	2927 068
		71	—	—	—	—	—	—	—	1	1	1	—	2984 904
	Inst. Cluster Lamp End	71	—	—	—	—	—	—	—	1	1	1	—	2985 578
		70	—	—	—	—	—	—	—	—	—	—	1	2927 351
		71	—	—	—	—	—	—	—	—	—	—	1	2985 551
	S/NUT, Mtg.		—	—	—	—	—	AR	AR	—	—	—	—	6028 012
8-41-43	PLATE, Inst. Cluster Lamp Panel End	70	—	—	—	—	—	—	—	—	—	—	1	2927 615
8-42-0 MAP AND COURTESY LAMP														
8-42-1	LAMP, Map and Courtesy		1	1	1	—	—	—	—	—	—	—	—	2864 016
	Cv. Cp.	70	—	—	—	1	1	—	—	—	—	—	—	2864 016
	w/Switch	70	—	—	—	1	1	—	—	—	—	—	—	2820 034
		71	—	—	—	1	1	—	—	—	—	—	—	3488 334
	w/Indicator Lamp	71	—	—	—	1	1	—	—	—	—	—	—	3488 336

CARLINES

J - Challenger
B - BarracudaV - Valiant
L - DartR - Belvedere - Satellite
W - Coronet - ChargerP - Plymouth
D - DodgeC - Chrysler
Y - Imperial

AR Indicates use as required.

Numerals in parentheses () refer to notes.

Printed in U.S.A.
January 1972

Indicates parts not listed in any previous parts book.

★ Indicates change or addition.

8-44-0 BULBS

CODE	REMARKS	CARLINE	V-L	B-J	R-W	P-D-C	Y	SERVICE NO.
8-44-1	BULB LOCATIONS							
	Beam Indicator		158		158		158	9415 969
	H/Lamp	-----	-----	-----	-----	-----	-----	127 934
		D,C	-----	57	-----	57	-----	127 934
	Rallye Type	W	-----	-----	57	-----	-----	274 020
		P	-----	-----	-----	1892	-----	9415 969
	Brake System Warning	V	158	-----	158	-----	-----	127 934
		L	57	57	-----	57	57	127 934
	Rallye Type	-----	-----	-----	57	-----	-----	142 452
	Portable Reading Lamp	-----	-----	-----	-----	-----	89	9415 969
	Oil Indicator	-----	158	-----	158	-----	-----	127 934
		-----	-----	57	-----	57	-----	151 578
	Trunk Lamp	-----	1004	-----	-----	-----	-----	151 577
		-----	-----	1003	1003	1003	1003	151 577
	Underhood Lamp	-----	1004	-----	-----	-----	-----	9415 969
		-----	-----	1003	1003	1003	1003	9417 866
	Sentry Signal	-----	-----	-----	-----	-----	158	1424 452
	Back-Up Lamp	-----	1156	1156	1156	1156	1156	142 453
	Courtesy Lamp	V,B	89	89	-----	-----	-----	274 004
		-----	-----	-----	-----	90	-----	152 244
	Ignition Lamp	-----	1445	1445	1445	1445	1445	127 934
	Glove Compartment	-----	1891	1891	1891	1891	1891	151 578
	Fuel Indicator	P	-----	-----	-----	57	-----	9431 808
	Dome Lamp	-----	1004	1004	1004	-----	-----	9417 561
	Gearshift Indicator	-----	-----	-----	-----	211-2	-----	127 934
	(Col.)	-----	161	161	161	161	161	274 020
	Gearshift Indicator	-----	-----	-----	-----	-----	-----	127 934
	(Console)	L	57	57	57	57	-----	9415 969
	Low Fuel Indicator	-----	-----	1892	1892	-----	-----	127 934
		D	-----	-----	-----	57	-----	9415 969
		C	-----	-----	-----	158	-----	
	Door and Pocket Panel							
	Reading	-----	-----	90	90	90	90	142 453
	Ash Receiver	C	1892	-----	-----	1892	1892	274 020
		P,D	-----	1445	1445	1445	-----	274 004
	Arm Rest Lamp	-----	-----	-----	-----	-----	1445	274 004
	A/Cond. Control and	-----	1445	-----	-----	1445	1445	274 004
	A.T.C	-----	-----	1815	-----	-----	-----	193 065
		-----	-----	-----	53	-----	-----	131 282
	Tail, Stop and Turn	-----	-----	-----	-----	-----	-----	9417 867
	Signal Lamp	-----	1157	1157	1157	1157	1157	142 452
	Map and Courtesy Lamp	-----	89	89	-----	-----	-----	9427 943
		C	-----	-----	562	562	562	142 450
	License Lamp	-----	67	67	67	67	67	142 451
		J	-----	68	-----	-----	-----	274 004
	H/Lamp Washer Indicator	W,P	-----	-----	1445	1445	1445	152 240
	Radio AM-FM	-----	-----	-----	-----	-----	-----	193 065
	w/Tape	R	1816	1816	1816	-----	-----	152 240
		W	-----	-----	1815	-----	-----	152 240
	Rallye Type	W	-----	-----	1816	-----	-----	= 273 987
	Map and Indicator Lamp	R,W	-----	-----	363	-----	-----	152 240
	Radio AM-FM	-----	-----	-----	-----	-----	-----	193 065
	Stereo	L	1816	-----	-----	-----	-----	131 282
	Reverse 4 Speed	-----	-----	1815	1815	-----	-----	9427 336
	Trans. Indicator	D	53	53	53	53	-----	3403 848
	Clock	-----	-----	■	■	■	■	274 020
	Cornering Lamp	-----	-----	-----	-----	1293	1293	127 934
	Road Lamp	B	-----	4415	-----	-----	-----	
	Door Ajar	-----	-----	1892	1892	-----	-----	
		-----	-----	-----	-----	57	-----	

CARLINES

J - Challenger
B - BarracudaV - Valiant
L - DartR - Belvedere - Satellite
W - Coronet - ChargerP - Plymouth
D - DodgeC - Chrysler
Y - Imperial

AR Indicates use as required.

Indicates parts not listed in any previous parts book.

Numerals in parentheses () refer to notes.

★ Indicates change or addition.

Printed in U.S.A.

January 1972

8-44-0 BULBS Cont'd.

CODE	REMARKS	CARLINE	V-L	B-J	R-W	P-D-C	Y	SERVICE NO.
8-44-1	BULB LOCATIONS Cont'd.							
	Tachometer	J,D	---	■	■	■	---	---
	Turn Signal Indicator Lamp	---	158	---	158	---	---	9415 969
		---	---	57	---	57	---	127 934
	Rallye Type	---	---	---	57	---	---	127 934
	Switch Lighting	V,J,C	■	■	---	■	■	---
		L,B	1445	1445	---	---	---	274 004
		P,D	---	---	1892	1892	---	274 020
	Stereo Indicator	---	---	1445	---	1445	1445	274 004
		R	---	---	1892	---	---	274 020
	Side Marker Rr.	---	---	---	1893	---	---	9416 927
	Sta. Wgn.	---	---	---	---	---	---	9417 863
	Side Marker	---	1895	1895	---	1895	1895	9421 330
		---	---	---	194	---	---	9421 330
	Sealed Beam, Single "7"	---	6012	---	---	---	---	152 291
	Sealed Beam, Hi Beam = 1"	---	---	4001	4001	4001	4001	152 285
	Sealed Beam Low Beam = 2	---	---	4000	4000	4000	4000	152 286
	Fasten Belt Indicator	P,D	53	---	---	53	---	131 282
		---	---	1892	1892	---	---	274 020
		C	---	---	---	57	---	127 934
		---	---	---	---	---	158	9415 969
	Fender Mtg. Turn Signal Indicator	---	330	330	330	330	330	9423 277
	Frnt. Park and Turn Signal	B	1157NA	1157NA	---	---	1157NA	9423 295
		J,W	---	1157	1157	1157	---	9417 867
		R	---	---	1157A	---	---	9419 780
	Instrument Cluster and Speedometer	---	158	---	158	---	---	9415 969
		C	---	1816	---	1816	1816	152 240
	Rallye Type	---	---	1893	---	---	---	9416 927
	Rallye Type	---	---	---	57	---	---	127 934
	X-Press Super Light	P,D	---	---	---	1893	---	9416 927
	NOTE: ■ Included in Inst. Cluster Lighting	D	---	---	---	C41-163054	---	2949 241
	NOTE: Refer to Bulb Illustration for Bulb Identification							

NOTES

CARLINES J - Challenger B - Barracuda V - Valiant L - Dart R - Belvedere - Satellite W - Coronet - Charger P - Plymouth D - Dodge C - Chrysler Y - Imperial

AR Indicates use as required.

= Indicates parts not listed in any previous parts book.

Numerals in parentheses () refer to notes.

★ Indicates change or addition.

Printed in U.S.A.
January 1972

CODE	PART NAME	ENG. TYPE OR CU.IN.	V	B	L	R	W	P	D	C	C	C	Y	PART NUMBER
			1-2	1-2	1-2	1-2	1-2	1-2	1-2	1	2	3	1	
8-47-0 LICENSE MOUNTING PARTS														
8-47-2	LICENSE FRAME ATTACHING PARTS PACKAGE		1	1	1	1	1	1	1	1	1	1	1	2768 643
8-47-8	Bracket, License Plate 70		1	—	—	—	—	—	—	—	—	—	—	2768 624
	Except 2 D.H.T. 71		1	—	—	—	—	—	—	—	—	—	—	2768 624
	B		—	1	—	—	—	—	—	—	—	—	—	2856 666
	J		—	1	—	—	—	—	—	—	—	—	—	2962 336
	Fastback 71		—	—	1	—	—	—	—	—	—	—	—	2768 624
	2 D.H.T. 71		—	—	—	1	—	—	—	—	—	—	—	3464 125
	2D., 2D.H.T., Cv. Cp. and 4D. 70		—	—	—	—	1	—	—	—	—	—	—	2962 532
	Charger and Charger R/T 70		—	—	—	—	1	—	—	—	—	—	—	2962 598
	2 D.H.T. and Fastback Frt. 71		—	—	—	—	1	—	—	—	—	—	—	3464 344
	2 D.H.T. and Fastback Rr. 71		—	—	—	—	1	—	—	—	—	—	—	3464 434
	4 D. and Sta. Wgn. 71		—	—	—	—	1	—	—	—	—	—	—	3464 320
	70		—	—	—	—	—	1	—	—	—	—	—	2962 666
	71		—	—	—	—	—	—	1	1	1	—	—	2931 323
	71		—	—	—	—	—	—	—	—	—	1	—	3464 773
	U/NUT, B		—	2	—	—	—	—	—	—	—	—	—	6025 507
	NUT and WASHER, J		—	4	—	—	AR	4	—	2	2	2	—	6023 204
8-47-14	SCREW and WASHER, License Plate Fastening		AR	AR	AR	AR	AR	AR	AR	AR	AR	AR	AR	6024 179
8-47-15	NUT, License Plate Fastening		AR	AR	AR	AR	AR	AR	AR	AR	AR	AR	AR	6023 925
8-47-67	SPRING, License Plate Mtg. Panel, B		—	1	—	—	—	—	—	—	—	—	—	1960 131
	except Sta. Wgn. 70		—	—	—	1	—	1	—	—	—	—	—	1960 131
	except Sta. Wgn. 71		—	—	—	1	—	1	—	—	—	—	—	3464 216-7
	except Charger, Charger R/T and Sta. Wgn., C-E, C-L 70		—	—	—	—	1	—	—	1	1	1	1	1960 131
	except Sta. Wgn. 71		—	—	—	—	1	—	—	1	1	1	1	1960 131
8-47-68	PANEL, License Plate Mtg., B		—	1	—	—	—	—	—	—	—	—	—	3445 763
	B 71		—	1	—	—	—	—	—	—	—	—	—	3615 134
	to Rr. Bumper Mtg., 2D., 2D.H.T., Cv. Cp. and 4D. 70		—	—	—	1	1	—	—	—	—	—	—	2931 030
	to Rr. Bumper Mtg., except Sta. Wgn. 71		—	—	—	1	—	1	—	—	—	—	—	3464 234
	except Sta. Wgn. 71		—	—	—	—	1	—	1	1	1	1	1	3464 244
	except Sta. Wgn. 70		—	—	—	—	1	1	1	1	1	1	1	2931 030
	NUT and WASHER 70		—	—	—	2	2	2	2	2	2	2	2	6023 204
8-47-76	PIN, License Plate Mtg. Panel, B		—	1	—	—	—	—	—	—	—	—	—	1960 127
	except Sta. Wgn. 70		—	—	—	1	—	1	1	1	1	1	1	1960 127
	except Sta. Wgn. 71		—	—	—	1	—	1	—	—	—	—	—	3464 215
	except Charger, Charger R/T and Sta. Wgn. 70		—	—	—	—	1	—	—	—	—	—	—	1960 127
	except Sta. Wgn. 71		—	—	—	—	1	—	1	1	1	1	1	1960 127
8-47-77	SPRING NUT, License Plate Mtg. Panel Hinge, B,W except Charger, Charger R/T and Sta. Wgn., C-E, C-L 70		—	1	—	—	1	—	—	1	1	1	1	6006 324
	except Sta. Wgn. 70		—	—	—	1	—	1	1	—	—	—	—	6006 324
8-47-126	BUTTON, License Plate, .62" Length		AR	AR	AR	AR	AR	AR	AR	AR	AR	AR	AR	2094 618
	.95" Length		AR	AR	AR	AR	AR	AR	AR	AR	AR	AR	AR	1943 547

8-50-0 PARKING AND TURN SIGNAL LAMP

8-50-64	HOUSING, Turn Signal Indicator Lamp, w/Rallye Inst. Panel	Rt.	—	1	—	—	—	—	—	—	—	—	—	2984 696
		Lt.	—	1	—	—	—	—	—	—	—	—	—	2984 695
8-50-82	SWITCH, w/KNOB, Turn Signal	70	1	—	1	1	1	1	1	—	—	—	—	2947 503
		71	1	1	1	—	—	—	—	—	—	—	—	3488 477
	w/KNOB	70	—	1	—	—	—	—	—	—	—	—	—	2947 905
	w/o Tilt Strg. Wheel	71	—	—	—	1	1	1	1	1	1	1	1	3488 477
	w/Tilt Strg. Wheel	71	—	—	—	1	1	—	—	—	—	—	—	3575 247
	w/Tilt Strg. Wheel		—	—	—	—	—	1	1	—	—	—	—	3467 406

CARLINES J - Challenger V - Valiant
B - Barracuda L - Dart

R - Belvedere - Satellite
W - Coronet - Charger

P - Plymouth
D - Dodge

C - Chrysler
Y - Imperial

AR Indicates use as required.

Indicates parts not listed in any previous parts book.

Numerals in parentheses () refer to notes.

★ Indicates change or addition.

Printed in U.S.A.
January 1972

CODE	PART NAME	ENG. TYPE OR CU.IN.	V	B	L	R	W	P	D	C	C	C	Y	PART NUMBER
			1-2	1-2	1-2	1-2	1-2	1-2	1-2	1	2	3	1	
8-50-0 PARKING AND TURN SIGNAL LAMP Cont'd.														
8-50-82	SWITCH w/KNOB Cont'd.													
	w/Tilt-Telescopic Strg. Wheel	70	—	—	—	—	—	—	—	1	1	1	1	3467 407
	w/o Tilt-Telescopic Strg. Wheel	70	—	—	—	—	—	—	—	1	1	1	1	2947 536
	w/Tilt-Tel. Strg. Wheel	71	—	—	—	—	—	—	—	1	1	1	1	3575 246
	Emergency Flasher	70	—	—	—	—	—	—	—	1	1	1	—	2864 485
		70	—	—	—	—	—	—	—	—	—	—	1	2947 089
8-50-84	SCREW, Pan Head Cross Recess, w/Tilt Strg. Wheel	71	—	—	—	3	3	—	—	—	—	—	—	3467 417
	w/Tilt Strg. Wheel	71	—	—	—	1	1	—	—	—	—	—	—	3467 416
	w/Tilt and Tilt-Telescopic Strg. Wheel		—	—	—	—	—	3	3	3	3	3	3	3467 417
	w/Tilt and Tilt-Telescopic Strg. Wheel		—	—	—	—	—	1	1	1	1	1	1	3467 416
	SCREW, Oval Head Cross Recess, w/Tilt Strg. Wheel	71	—	—	—	2	2	—	—	—	—	—	—	3467 402
	w/Tilt and Tilt-Telescopic Strg. Wheel		—	—	—	—	—	2	2	2	2	2	2	3467 402
	SCREW, Truss Head Cross Recess, w/Tilt Strg. Wheel	71	—	—	—	1	1	—	—	—	—	—	—	3467 385
	w/Tilt and Tilt-Telescopic Strg. Wheel		—	—	—	—	—	1	1	1	1	1	1	3467 385
	SCREW and L/WASHER, w/Tilt Strg. Wheel	71	—	—	—	2	2	—	—	—	—	—	—	3467 431
	w/Tilt and Tilt-Telescopic Strg. Wheel		—	—	—	—	—	2	2	2	2	2	2	3467 431
	SCREW, Binding Head Cross Recess, w/Tilt and Tilt-Telescopic Strg. Wheel	71	—	—	—	2	2	2	2	2	2	2	2	3467 814
8-50-95	KNOB, Hazard Warning, w/Tilt Strg. Wheel		—	—	—	1	1	1	1	—	—	—	—	3467 813
	w/Tilt-Tel. Strg. Wheel	71	—	—	—	—	—	—	—	1	1	1	1	3575 253
8-50-126	CAM, Turn Signal Switch Cancelling		1	1	1	—	—	—	—	—	—	—	—	2258 704
		70	—	—	—	1	1	—	—	—	—	—	—	2258 704
	w/Tilt Strg. Wheel	71	—	—	—	1	1	—	—	—	—	—	—	3467 371
	w/o Tilt Strg.	71	—	—	—	1	1	—	—	—	—	—	—	2258 704
	w/o Tilt and Tilt-Telescopic Strg. Wheel		—	—	—	—	—	1	1	1	1	1	1	2258 704
	w/Tilt Strg.		—	—	—	—	—	1	1	—	—	—	—	3467 371
8-50-128	SPRING, Cancelling Cam, w/Tilt Strg. Wheel	70	—	—	—	—	—	1	1	—	—	—	—	3467 427
8-50-129	LEVER and KNOB, Turn Signal	70	1	—	1	—	—	—	—	—	—	—	—	2889 093
		71	1	—	1	—	—	—	—	—	—	—	—	2947 963
			—	1	—	—	—	—	—	—	—	—	—	= 2947 953
	w/o Auto. Speed Control	70	—	—	—	1	1	—	—	—	—	—	—	2889 093
	w/o Auto. Speed Control	71	—	—	—	1	1	—	—	—	—	—	—	2947 963
	w/o Tilt Strg. Wheel, w/Auto. Speed Control, up to approx. Feb., 1971	71	—	—	—	1	1	1	1	—	—	—	—	2947 954
	after approx. Feb., 1971	71	—	—	—	1	1	1	1	—	—	—	—	3488 538
	w/Tilt Strg. Wheel, w/Auto. Speed Control, up to approx. Feb., 1971	71	—	—	—	1	1	1	1	—	—	—	—	2947 956
	after approx. Feb., 1971	71	—	—	—	1	1	1	1	—	—	—	—	3488 540
	w/Tilt Strg. Wheel, w/o Auto. Speed Control	71	—	—	—	1	1	1	1	—	—	—	—	2947 952
	w/Tilt Strg. Wheel, w/o Auto. Speed Control	70	—	—	—	—	—	1	1	—	—	—	—	2926 586
	w/o Tilt Strg. Wheel, w/o Auto. Speed Control	70	—	—	—	—	—	1	1	—	—	—	—	2947 950
	w/o Tilt and Tilt-Telescopic Strg. Wheel, w/o Auto. Speed Control	71	—	—	—	—	—	1	1	1	1	1	1	2947 950
	w/o Tilt-Telescopic Strg. Wheel, w/o Auto. Speed Control	70	—	—	—	—	—	—	—	1	1	1	1	2947 950
	w/Tilt-Telescopic Strg. Wheel, w/o Auto. Speed Control	70	—	—	—	—	—	—	—	1	1	1	1	2947 839
	w/Tilt-Telescopic Strg. Wheel, w/o Auto. Speed Control	71	—	—	—	—	—	—	—	1	1	1	1	2947 951
CARLINES	J - Challenger B - Barracuda	V - Valiant L - Dart	R - Belvedere - Satellite W - Coronet - Charger				P - Plymouth D - Dodge				C - Chrysler Y - Imperial			

AR Indicates use as required.

Indicates parts not listed in any previous parts book.

Numerals in parentheses () refer to notes.

★ Indicates change or addition.

Printed in U.S.A.
January 1972

CODE	PART NAME	ENG. TYPE OR CU.IN.	V	B	L	R	W	P	D	C	C	C	Y	PART NUMBER
			1-2	1-2	1-2	1-2	1-2	1-2	1-2	1	2	3	1	
8-50-0 PARKING AND TURN SIGNAL LAMP Cont'd.														
8-50-129	LEVER and KNOB Cont'd.													
	LEVER, w/Auto. Speed Control	70	—	1	—	—	—	—	—	—	—	—	—	2984 055
	w/Auto. Speed Control	70	—	—	—	1	1	—	—	—	—	—	—	2947 500
	w/Tilt Strg. Wheel, w/Auto. Speed Control	70	—	—	—	—	—	1	1	—	—	—	—	2947 524
	w/o Tilt Strg. Wheel, w/Auto. Speed Control	70	—	—	—	—	—	1	1	—	—	—	—	2947 500
	w/Tilt-Telescopic Strg. Wheel, w/Auto. Speed Control	70	—	—	—	—	—	—	—	1	1	1	1	2947 501
	w/Tilt-Tel Strg. Wheel, w/Auto. Speed Control, up to approx. Feb. 1971	71	—	—	—	—	—	—	—	1	1	1	1	2947 955
	after approx. Feb. 1971	71	—	—	—	—	—	—	—	1	1	1	1	3488 539
	w/o Tilt-Telescopic Strg. Wheel, w/Auto. Speed Control	70	—	—	—	—	—	—	—	1	1	1	1	2947 500
	w/o Tilt-Tel. Strg. Wheel, w/Auto. Speed Control, up to approx. Feb. 1971	71	—	—	—	—	—	—	—	1	1	1	1	2947 954
	after approx. Feb. 1971	71	—	—	—	—	—	—	—	1	1	1	1	3488 538
	Hazard Warning Switch, w/Tilt-Tel. Strg. Wheel	71	—	—	—	—	—	—	—	1	1	1	1	3575 254
	SCREW, Mtg.		1	1	1	1	1	1	1	1	1	1	1	6028 283
8-50-156	SOCKET, Turn Signal Lamp, on Printed Circuit Board, R except R-M, R-S, W-K, W-T, W-L, W-H, W-P except Charger, W-S 2 D.H.T. and Cv. Cp. w/o Rallye Inst. Panel	70	2	—	2	2	2	—	2	—	—	—	—	2496 279
	R-K, R-T, R-L, R-H, W-K, W-T, W-L, W-H71		2	—	2	2	—	—	—	—	—	—	—	2496 279
			—	2	—	—	—	—	—	—	—	—	—	2097 003
	R-M, R-S, W-M, W-P Charger, W-S Charger R/T, W-S 2D.H.T. and Cv. Cp. w/Rallye Inst. Panel	70	—	—	—	2	2	2	—	—	—	—	—	2097 003
	R-M, R-P, R-S, W-M, W-P, W-S	71	—	—	—	2	2	2	—	—	—	—	—	2097 003
	Rt.		—	—	—	—	—	—	—	1	1	1	—	2096 374
	Lt.		—	—	—	—	—	—	—	1	1	1	—	2496 279
	SOCKET and CABLE, Fender Turn Signal Ind. Lamp, J-H w/340 Eng., W except Charger and Charger R/T	70	2	2	2	—	2	—	2	2	2	2	—	2930 801
		71	—	—	2	—	2	2	2	2	2	2	—	2930 801
	B, J-H except 340, 426 and 440 Eng., R 4D. and Sta. Wgn., P-K, P-T, P-E, P-L P-M, P-H	71	2	2	—	2	—	2	—	—	—	—	—	2983 815
	2D.H.T., R-H, R-P	71	—	—	—	2	—	—	—	—	—	—	—	3513 636
	w/426 Eng.	71	8	—	—	2	—	—	—	—	—	—	—	3513 636
	w/440 Eng., R-M, R-S	71	8	—	—	—	—	—	—	2	2	2	—	2926 462
	C-E, C-L	71	8	—	—	—	—	—	—	—	—	—	2	2930 720
		71	8	—	—	—	—	—	—	—	—	—	—	2983 815
	B, J-H except 340 Eng.	70	—	2	—	—	—	—	—	—	—	—	—	2606 175
	R-K, R-T, R-L, R-H, R-P	70	—	—	—	2	—	—	—	—	—	—	—	2930 801
	R-M, R-S	70	—	—	—	2	—	—	—	—	—	—	—	2853 712
	Charger and Charger R/T	70	—	—	—	—	2	—	—	—	—	—	—	2983 856
		70	—	—	—	—	—	2	—	—	—	—	—	2256 966
8-50-159	CONTACT, Socket		AR	AR	AR	AR	AR	AR	AR	AR	AR	AR	AR	
8-50-171	BEZEL, Turn Signal Ind. Lamp, Charger and Charger R/T	70	—	—	—	—	1	—	—	—	—	—	—	3403 648-9
8-50-173	NUT, Turn Signal Ind. Lamp Mtg., W except Charger and Charger R/T, C-P	70	2	2	2	—	2	—	2	2	—	—	—	6028 273

CARLINES J - Challenger B - Barracuda V - Valiant L - Dart

R - Belvedere - Satellite W - Coronet - Charger P - Plymouth D - Dodge

C - Chrysler Y - Imperial

AR Indicates use as required. Numerals in parentheses () refer to notes. Printed in U.S.A. January 1972
 # Indicates parts not listed in any previous parts book. ★ Indicates change or addition.

CODE	PART NAME	ENG. TYPE OR CU.IN.	V	B	L	R	W	P	D	C	C	C	Y	PART NUMBER
			1-2	1-2	1-2	1-2	1-2	1-2	1-2	1	2	3	1	
8-50-0 PARKING AND TURN SIGNAL LAMP Cont'd.														
8-50-173	NUT Cont'd.													
	NUT, Lamp Mtg., R-K, R-T, R-L, R-H, R-P	70	—	—	—	2	—	—	—	—	—	—	—	6028 273
	NUT, Lamp Mtg., R-M, R-S	70	—	—	—	4	—	—	—	—	—	—	—	6023 215
	NUT and WASHER, Lamp Bezel Att., Charger and Charger R/T	70	—	—	—	—	4	—	—	—	—	—	—	6023 202
	NUT, Lamp Mtg.	70	—	—	—	—	—	—	—	—	—	—	4	1839 995
8-50-175	LAMP, Turn Signal Ind., J-H w/340 Eng.	70	2	2	—	—	—	—	—	—	—	—	—	2930 781
		71	2	—	—	—	—	—	—	—	—	—	—	3479 261
	B, Partial	70	—	2	—	—	—	—	—	—	—	—	—	3403 140
	B	71	—	2	—	—	—	—	—	—	—	—	—	3479 261
	J-H except 340 Eng., Partial		—	2	—	—	—	—	—	—	—	—	—	3403 140
	LAMP PACKAGE, Complete, B	70	—	2	—	—	—	—	—	—	—	—	—	3420 727
	Complete, J-H except 340 Eng.		—	2	—	—	—	—	—	—	—	—	—	3420 727
			—	—	2	—	—	—	2	—	—	—	—	2930 781
	R-K, R-T, R-L, R-H, R-P	70	—	—	—	2	—	—	—	—	—	—	—	3403 505
	R-M, R-S	70	—	—	—	1	—	—	—	—	—	—	—	3403 658-9
		71	—	—	—	2	—	—	—	—	—	—	—	3479 378
	Charger and Charger R/T	70	—	—	—	—	2	—	—	—	—	—	—	3403 654
	W except Charger and Charger R/T, C-P	70	—	—	—	—	2	—	—	2	—	—	—	2930 781
	C-E w/Grand Coupe Pkg., C-P	71	—	—	—	—	2	—	—	2	—	—	—	2930 781
		70	—	—	—	—	—	1	—	—	—	—	—	3403 918-9
	P-P	71	—	—	—	—	—	2	—	—	—	—	—	3479 187
	P-K, P-T, P-E, P-L, P-M, P-H	71	—	—	—	—	—	2	—	—	—	—	—	3479 378
	C-E, C-L		—	—	—	—	—	—	—	1	1	1	—	2930 578-9
	SCREW, Mtg., C-E, C-L	70	—	—	—	—	—	—	—	2	2	2	—	6026 540
8-50-184	COVER, Turn Signal Ind. Lamp, B	71	2	2	—	2	—	2	—	—	—	—	—	3479 246
	Charger and Charger R/T	70	—	—	—	—	2	—	—	—	—	—	—	3403 853
		70	—	—	—	—	—	2	—	—	—	—	—	3403 932
	C-E, C-L		—	—	—	—	—	—	—	1	1	1	—	2930 580-1
	COVER and Welt Package		—	—	—	—	—	—	—	—	—	—	1	2932 844-5
	HOUSING and LENS	70	—	—	—	—	—	—	—	—	—	—	2	3478 005
	STUD, Mtg.	70	—	—	—	—	—	6	—	—	—	—	—	6024 576
8-50-186	FLASHER, Turn Signal, Hazard Warning and Vari-Load		1	1	1	1	1	1	1	1	1	1	1	2932 877
	2 Lamp, B, P-K, P-T, P-E, P-L		—	1	—	—	—	1	—	—	—	—	—	2932 875
	2 Lamp, R except 2D.H.T., W Sta. Wgn.	71	1	—	1	1	1	—	—	—	—	—	—	2932 875
	2 Lamp, W-K, W-T, W-L, W-M, W-H	70	—	—	—	—	1	—	—	—	—	—	—	2932 875
	2 Lamp, Sta. Wgn.	70	—	—	—	—	1	1	—	—	—	—	—	2932 875
	2 Lamp, Sta. Wgn.		—	—	—	—	—	—	—	1	—	—	—	2932 875
	3 Lamp, J, C-E, C-L		—	1	—	—	—	—	—	1	1	1	1	2932 876
	3 Lamp, R except Sta. Wgn., W-P, W-S, P-M, P-H	70	—	—	—	1	1	1	—	—	—	—	—	2932 876
	3 Lamp, R 2D.H.T., W except Sta. Wgn., P-M, P-H, P-P	71	—	—	—	1	1	1	—	—	—	—	—	2932 876
8-50-191	CLIP, Flasher Mtg.		1	1	1	1	1	1	1	1	1	1	1	2947 896
8-50-292	LAMP, Cornering w/Side Marker Lamp		—	—	—	—	—	—	—	1	—	—	—	3403 550-1
			—	—	—	—	—	—	—	1	1	1	—	3403 392-3
			—	—	—	—	—	—	—	—	—	—	1	3403 592-3
	STUD, Hsg.		—	—	—	—	—	—	—	4	4	4	4	6024 588
	SCREW, Lens and Bezel Mtg.		—	—	—	—	—	—	—	—	—	—	—	6028 334
	NUT and WASHER, Bezel to Hsg.		—	—	—	—	—	—	—	4	—	—	—	6023 202
	NUT and WASHER, Att.		—	—	—	—	—	—	—	4	4	4	4	6023 205
8-50-294	BRACKET, Cornering and Side Marker Lamp Mtg.		—	—	—	—	—	—	—	2	2	2	2	3403 406
8-50-303	LAMP, Parking and Turn Signal, B	70	—	1	—	—	—	—	—	—	—	—	—	3403 076-7
	B	71	—	1	—	—	—	—	—	—	—	—	—	3479 136-7
	J		—	1	—	—	—	—	—	—	—	—	—	3403 002-3
		70	—	—	—	1	—	—	—	—	—	—	—	3403 160-1
CARLINES	J - Challenger B - Barracuda	V - Valiant L - Dart	R - Belvedere - Satellite W - Coronet - Charger	P - Plymouth D - Dodge	C - Chrysler Y - Imperial									

AR Indicates use as required.

Indicates parts not listed in any previous parts book.

Numerals in parentheses () refer to notes.

★ Indicates change or addition.

Printed in U.S.A.
January 1972

CODE	PART NAME	71	ENG.	V	B	L	R	W	P	D	C	C	C	Y	PART NUMBER
			TYPE OR CU.IN.	1-2	1-2	1-2	1-2	1-2	1-2	1-2	1	2	3	1	
8-50-0 PARKING AND TURN SIGNAL LAMP Cont'd.															
8-50-303	LAMP Cont'd.														
	2 D.H.T., up to Feb. 1971	71					2								3478 510
	2 D.H.T., after Feb. 1971	71					2								3479 426
	Charger and Charger R/T	70						1							3403 002-3
	except Charger and Charger R/T	70						1							3403 250-1
	2D.H.T. and Fastback	71						1							3478 594-5
	4D. and Sta. Wgn.	71						1							3478 834-5
		70							1						3403 092-3
		71								1					3479 310-1
											1				3403 414-5
		70							1		1				3403 212-3
		71									1	1	1		3403 212-3
		70										1			3403 262-3
														1	3403 530-1
	NUT, B	70		4											6025 505
	NUT, Att.	70							4						6025 002
	WASHER, Mtg.	70										6			6028 996
8-50-305	RETAINER, Parking and Turn Signal														
	Lamp	70		2											3403 809
	2D.H.T.	71		2											3403 809
	4D. and Sta. Wgn., R-K, R-T, R-L, R-H,														
	R-P	71				2									3479 157
8-50-306	SCREW, Parking and Turn Signal Lamp														
	Att., B	70			4										6025 148
	SCREW, Mtg., Lwr., J, W Charger and														
	Charger R/T	70			4			4							6027 169
	SCREW, Mtg., W except Charger and														
	Charger R/T	70						AR		4					6025 148
	SCREW and WASHER	70									4	4	4		6028 141
	SCREW, Mtg.	70										6			6028 997
8-50-308	GASKET, Parking and Turn Signal Lamp,														
	Fastback	71		1											3479 416-7
		70				2									3403 568
									1						3403 091
		70								2					3403 423
		70									2		2		3403 200
		71									2	2	2	2	3403 200
	Parking and Turn Signal Lamp Hsg.				2										3403 010
	Charger and Charger R/T	70						2							3403 010
	Hood Panel Turn Signal Ind.														
	Lamp	70							2						3403 518
	Cornering and Side Marker Lamp										2	2	2	2	3403 398
8-50-315	BEZEL, Parking and Turn Signal Lamp	70		1											3403 410-1
	2 D.H.T.	71		1											3403 410-1
		70										1			3403 270-1
	up to approx. Oct. 1, 1969	70												1	3403 538-9
	after approx. Oct. 1, 1969													1	3403 954-5
	Cornering Lamp									1					3403 556-7
	Cornering Lamp and Side Marker Lamp													1	3403 600-1
8-50-334	LENS and GASKET PACKAGE, Parking and														
	Turn Signal Lamp	70		1											3420 742-3
	Fastback	71		1											3514 336-7
	V-L, V-H 2 D.H.T.	71		1											3420 742-3
	B	70			1										3420 618-9
	B	71			1										3579 174-5
	Clear, J				1										3420 554-5
	Amber, J				1										3420 552-3
		70				1									3420 710-1
		71				1									3620 744-5
		70					1								3420 584-5

CARLINES J - Challenger V - Valiant
B - Baracuda L - Dart

R - Belvedere - Satellite
W - Coronet - Charger
P - Plymouth
D - Dodge

C - Chrysler
Y - Imperial

AR Indicates use as required.

Indicates parts not listed in any previous parts book.

Numerals in parentheses () refer to notes.

★ Indicates change or addition.

Printed in U.S.A.
January 1972

CODE	PART NAME	ENG. TYPE OR CU.IN.	V	B	L	R	W	P	D	C	C	C	Y	PART NUMBER
			1-2	1-2	1-2	1-2	1-2	1-2	1-2	1	2	3	1	
8-50-0 PARKING AND TURN SIGNAL LAMP Cont'd.														
8-50-334	LENS and GASKET PACKAGE Cont'd.													
	4D. and Sta. Wgn.	71	—	—	—	1	—	—	—	—	—	—	—	3514 324-5
	2D.H.T.	71	—	—	—	2	—	—	—	—	—	—	—	3514 306
	2 D.H.T., up to approx. Feb. 1971	71	—	—	—	2	—	—	—	—	—	—	—	3514 306
	2 D.H.T., after approx. Feb. 1971	71	—	—	—	2	—	—	—	—	—	—	—	= 3621 673
	Clear, Charger and Charger R/T	70	—	—	—	—	1	—	—	—	—	—	—	3420 554-5
	Amber, Charger and Charger R/T	70	—	—	—	—	1	—	—	—	—	—	—	3420 552-3
	Clear, except Charger and Charger R/T	70	—	—	—	—	1	—	—	—	—	—	—	3420 702-3
	Amber, except Charger and Charger R/T	70	—	—	—	—	1	—	—	—	—	—	—	3420 648-9
	2D.H.T. and Fastback	71	—	—	—	—	1	—	—	—	—	—	—	3514 272-3
	Clear, 4D. and Sta. Wgn.	71	—	—	—	—	1	—	—	—	—	—	—	3420 702-3
	Amber, 4D. and Sta. Wgn.	71	—	—	—	—	1	—	—	—	—	—	—	3420 648-9
	Clear		—	—	—	—	—	1	—	—	—	—	—	3514 302-3
	Amber	71	—	—	—	—	—	1	—	—	—	—	—	3420 624-5
	Clear		—	—	—	—	—	—	1	—	—	—	—	3420 636-7
	Amber	70	—	—	—	—	—	—	—	1	—	1	—	3420 638-9
	Clear	70	—	—	—	—	—	—	—	1	—	1	—	3420 628-9
	Amber	71	—	—	—	—	—	—	—	1	1	1	—	3420 630-1
	Clear	71	—	—	—	—	—	—	—	1	1	1	—	3420 628-9
	Amber	71	—	—	—	—	—	—	—	1	1	1	—	3420 630-1
	Clear	70	—	—	—	—	—	—	—	—	1	—	—	3420 632-3
	Cornering Lamp		—	—	—	—	—	—	—	—	—	—	1	3420 640-1
	Cornering and Side Marker Lamp		—	—	—	—	—	—	—	—	—	—	—	3420 704-5
			—	—	—	—	—	—	—	—	—	—	—	3420 708-9
			—	—	—	—	—	—	—	—	—	—	—	3420 644-5
8-50-337	SCREW, Bezel Att.	70	—	—	—	—	—	—	—	—	8	—	—	6027 444
	SCREW, Bezel Mtg., Outboard	70	—	—	—	—	—	—	—	—	—	—	4	6025 974
8-50-338	GASKET, Parking and Turn Signal Lamp													
	Lens	71	2	—	—	—	—	—	—	—	—	—	—	3478 549
	B	71	—	2	—	—	—	—	—	—	—	—	—	3479 142
		71	—	—	2	—	—	—	—	—	—	—	—	3403 568
		70	—	—	—	2	—	—	—	—	—	—	—	3403 164
	2D.H.T.	71	—	—	—	2	—	—	—	—	—	—	—	3478 513
	except Charger and Charger R/T	70	—	—	—	—	2	—	—	—	—	—	—	3403 260
	4D. and Sta. Wgn.	71	—	—	—	—	2	—	—	—	—	—	—	3403 260
	2D.H.T. and Fastback	71	—	—	—	—	2	—	—	—	—	—	—	3478 600
		71	—	—	—	—	—	—	2	—	—	—	—	3403 423
		70	—	—	—	—	—	—	—	2	—	—	—	3403 261
	Cornering Lamp Lens		—	—	—	—	—	—	2	—	—	—	—	3403 563
8-50-349	SOCKET, Parking and Turn Signal Lamp, except Fastback	71	2	—	—	—	—	—	—	—	—	—	—	3513 558
	w/CABLE, Fastback	71	2	—	—	—	—	—	—	—	—	—	—	3513 307
	SOCKET, CABLE, PLATE and GASKET PACKAGE		—	—	2	—	—	—	—	—	—	—	—	3420 712
	SOCKET and BOOT	70	—	—	—	—	—	—	—	—	2	—	—	2983 262
	SOCKET and BOOT, Cornering Lamp	70	—	—	—	—	—	—	2	2	2	2	2	2983 279
8-50-352	GASKET, Parking and Turn Signal Lamp Socket	70	—	—	2	—	—	—	—	—	—	—	—	3403 799
8-50-354	CONTACT, INSULATOR and SPRING PACKAGE, Socket		AR	AR	AR	AR	AR	AR	AR	AR	AR	AR	AR	2983 167
	Cornering Lamp		—	—	—	—	—	—	AR	AR	AR	AR	AR	2584 972
			AR	AR	AR	AR	AR	AR	AR	AR	AR	AR	AR	2983 169

8-52-0 STARTING MOTOR

8-52-4	STARTING MOTOR		1	1	1	—	—	—	—	—	—	—	—	2875 560
	Std.	6	—	—	—	1	1	1	1	—	—	—	—	2875 560
	Heavy Duty, w/Manual Trans.	6	—	—	—	1	1	1	1	—	—	—	—	1889 100

CARLINES J - Challenger
B - Barracuda

V - Valiant
L - Dart

R - Belvedere - Satellite
W - Coronet - Charger

P - Plymouth
D - Dodge

C - Chrysler
Y - Imperial

AR Indicates use as required.

Indicates parts not listed in any previous parts book.

Numerals in parentheses () refer to notes.

★ Indicates change or addition.

Printed in U.S.A.
January 1972

CODE	PART NAME	ENG. TYPE OR CU.IN.	V	B	L	R	W	P	D	C	C	C	Y	PART NUMBER
			1-2	1-2	1-2	1-2	1-2	1-2	1-2	1	2	3	1	
8-52-0 STARTING MOTOR Cont'd.														
8-52-4	STARTING MOTOR Cont'd.													
	Heavy Duty, w/Auto. Trans.	6	—	—	—	1	1	1	1	—	—	—	—	2875 560
		8	—	—	—	1	1	1	1	1	1	1	1	2875 560
8-52-39	SEAL, Cyl. Block to Starter Motor, except 318 and 340 Eng.		1	1	1	—	—	—	—	—	—	—	—	2892 915
	Std.	6	—	—	—	1	1	1	1	—	—	—	—	2892 915
	Heavy Duty, w/Auto. Trans.	6	—	—	—	1	1	1	1	—	—	—	—	2892 914
	except 318 Eng.	8	—	—	—	1	1	1	1	—	—	—	—	2892 915
		8	—	—	—	—	—	—	—	1	1	1	1	2892 915
8-52-42	SWITCH, Clutch Starter, w/Manual Trans.	70	1	—	1	—	—	—	—	—	—	—	—	2947 856
	w/Manual Trans.	71	1	—	1	—	—	—	—	—	—	—	—	3514 431
	w/Manual Trans.	70	—	1	—	—	—	—	—	—	—	—	—	2947 858
	w/Manual Trans.	71	—	1	—	1	—	—	—	—	—	—	—	3514 432
	w/Manual Trans.	70	—	—	—	1	1	—	—	—	—	—	—	2947 857
	w/Manual Trans., C-E, C-L	70	—	—	—	—	—	1	1	1	—	—	—	2947 859
	w/Manual Trans., C-E, C-L	71	—	—	—	—	—	1	1	1	—	—	—	3514 433
8-52-86	LINK PACKAGE, Clutch Starter Switch Actuator, w/Manual Trans., C-E, C-L		1	1	1	1	1	1	1	1	—	—	—	3514 257
8-52-328	RELAY, Starter		1	1	1	1	1	—	—	—	—	—	—	2444 442
			—	—	—	—	—	1	1	1	1	1	1	2875 618
	SCREW and WASHER, Mtg.		2	2	2	2	2	2	2	2	2	2	2	6028 142
8-52-369	GROMMET, Starter Solenoid, Heavy Duty, w/Manual Trans.	6	—	—	—	1	1	1	1	—	—	—	—	1889 362
8-52-389	SEAL, Starter Solenoid		1	1	1	1	1	1	1	1	1	1	1	2875 558

NOTES

CARLINES

J - Challenger
B - BarracudaV - Valiant
L - DartR - Belvedere - Satellite
W - Coronet - ChargerP - Plymouth
D - DodgeC - Chrysler
Y - Imperial

AR Indicates use as required.

Indicates parts not listed in any previous parts book.

Numerals in parentheses () refer to notes.

★ Indicates change or addition.

Printed in U.S.A.
January 1972

8-52-0 STARTING MOTOR COMPONENT PARTS

For Model Application See Code 8-52-4

STARTER ASSEMBLIES

CODE	REMARKS	1889 100	2875 660
8-52-5	SCREW and WASHER, Mtg.	-----	6023 899
	STUD, Mtg.	-----	2095 875
8-52-41	CLUTCH	2642 506	2444 658
8-52-49	FORK and PIN PACKAGE, Shifting	2084 093	-----
8-52-50	PIN, Shifting Fork Pivot	456 098	2095 133
8-52-61	RING, Clutch Actuator Ret.	-----	2095 130
8-52-67	SNAP RING, Pinion Shaft Gear Ret.	-----	2095 117
8-52-76	HOUSING, Pinion	1889 066	-----
	GEAR HOUSING and GEAR HOUSING COVER PACKAGE	-----	= 3620 890
8-52-80	BEARING, Pinion Hsg. (2 req.)	2098 986	= 3656382
	BEARING, Gear Hsg.	-----	= 3656 383
8-52-82	STOP, SNAP RING and STOP WASHER PACKAGE, Pinion	2448 804	-----
8-52-87	ACTUATOR and RETAINING RING PACKAGE, Clutch Shifting	-----	2275 556
8-52-88	BOOT, Shifting Fork	1889 147	-----
8-52-89	SHAFT, Pinion	-----	2095 118
8-52-96	GEAR and SNAP RING PACKAGE, Pinion Shaft	-----	2275 557
8-52-98	THRUST WASHER and RETAINING RING PACKAGE, Pinion Shaft	-----	2275 558
8-52-100	RING, Pinion Shaft Ret.	-----	6022 006
8-52-101	COVER, Gear Hsg.	-----	2095 116
8-52-102	WASHER, Pinion Shaft Gear	-----	2095 114
8-52-120	ARMATURE	1889 079	2095 094
8-52-121	THRUST WASHER PACKAGE, Armature	-----	2275 555
8-52-135	BRUSH PACKAGE	2525 529	-----
8-52-137	PLATE and BRUSH PACKAGE, Brush Holder	-----	2932 812
8-52-140	SPRING PACKAGE, Brush	2084 666	2084 666
8-52-150	HOLDER, Brush	1889 044	-----
8-52-176	HEAD, Commutator End	1889 363	2095 076
8-52-180	THRUST WASHER PACKAGE, Commutator End	2240 529	-----
8-52-214	FIELD SERIES COIL PACKAGE	2084 088	2275 248
8-52-241	SCREW, Thru (2 req.)	1889 080	2095 105
8-52-341	CONTACT and COVER GASKET PACKAGE, Solenoid	2084 091	-----
8-52-342	CONTACT and SPRING PACKAGE, Solenoid Switch	-----	2932 814
8-52-344	COVER and GASKET PACKAGE, Solenoid	2084 090	-----
8-52-345	SOLENOID PACKAGE	2642 961	2932 813
8-52-354	STUD PACKAGE, Terminal Relay	2084 094	= 3579 193
8-52-375	CORE, Solenoid Moving CORE and SHIFTING FORK PACKAGE	1889 151	----- = 3620 733

NOTES

CARLINES

J - Challenger
B - BarracudaV - Valiant
L - DartR - Belvedere - Satellite
W - Coronet - ChargerP - Plymouth
D - DodgeC - Chrysler
Y - Imperial

AR Indicates use as required.

= Indicates parts not listed in any previous parts book.

Numerals in parentheses () refer to notes.

★ Indicates change or addition.

Printed in U.S.A.

January 1972

CODE	PART NAME	ENG. TYPE OR CU.IN.	V	B	L	R	W	P	D	C	C	C	Y	PART NUMBER
			1-2	1-2	1-2	1-2	1-2	1-2	1-2	1	2	3	1	
8-53-0 SWITCHES														
8-53-150	SWITCH, Foot Dimmer		1	1	1	1	1	1	1	—	—	—	—	1881 938
	w/o Auto. H/Lamp Dimmer		—	—	—	—	—	—	—	1	1	1	1	1881 938
	w/Auto. H/Lamp Dimmer		—	—	—	—	—	—	—	1	1	1	1	2661 835
	Panel Lamp Dimmer		—	1	—	—	—	—	—	—	—	—	—	3420 865
	R except R-M, R-S, W-K, W-T, W-L, W-H, W-P except Charger, W-S 2D.H.T. and Cv. Cp. w/o Rallye Inst. Panel 70		—	—	—	1	1	—	—	—	—	—	—	3420 925
	R-M, R-S, W-M, W-P Charger, W-S Charger R/T, W-S 2D.H.T. and Cv. Cp. w/Rallye Inst. Panel 70		—	—	—	1	1	—	1	—	—	—	—	2809 047
	70		—	—	—	—	—	1	—	1	1	1	—	2932 873
	71		—	—	—	—	—	1	1	—	—	—	—	2932 873
	SCREW, Foot Dimmer Switch Mtg.	70	2	2	2	2	2	2	2	2	2	2	2	6024 699
	SCREW, Panel Lamp Dimmer Switch Mtg. 70		—	—	—	—	—	2	2	2	2	2	2	6024 654
8-53-270	SWITCH, H/Lamp Inst. Lamp and Dome Lamp 71		1	—	1	—	—	—	—	—	—	—	—	2809 087
	SWITCH, H/Lamp R-K, R-T, R-L, R-H, R-P, W-K, W-T, W-L, W-H, W-P except Charger, W-S 2D.H.T. and Cv. Cp. w/o Rallye Inst. Panel 70		—	1	—	—	—	—	—	1	1	1	1	3514 427
	71		—	1	—	—	—	—	—	—	—	—	—	2947 305
	R-M, R-S, W-M, W-P Charger, W-S Charger R/T, W-S 2D.H.T. and Cv. Cp. w/Rallye Inst. Panel 70		—	—	—	1	1	1	1	1	1	1	—	2947 763
	71		—	—	—	—	—	1	1	—	—	—	—	3004 092
	71		—	—	—	—	—	1	1	—	—	—	—	2947 763
	H/Lamp Sentinel 70		—	—	—	—	—	—	—	1	1	1	1	2864 425
	H/Lamp Sentinel 71		—	—	—	—	—	—	—	1	1	1	1	3514 396
	H/Lamp Sentinel and Dimmer 70		—	—	—	—	—	—	—	1	1	1	1	2864 423
	H/Lamp Sentinel and Dimmer 71		—	—	—	—	—	—	—	1	1	1	1	3514 397
	H/Lamp Rocker 70		—	—	—	—	—	—	—	—	—	—	1	2947 449
	CONTROL, Auto. H/Lamp Dimmer and H/Lamp Sentinel 71		—	—	—	—	—	—	—	1	1	1	1	3488 104
	H/Lamp Sentinel 71		—	—	—	—	—	—	—	1	1	1	1	3488 121
	SCREW, H/Lamp Switch Mtg. 70		—	—	—	—	—	2	2	2	2	2	2	6024 654
8-53-271	U-NUT, Switch Mtg. Bezel Mtg. 70		—	4	—	—	—	—	—	—	—	—	—	6028 012
	NUT, Switch to Bezel Mtg. 71		—	—	—	—	—	—	—	1	1	1	1	2820 116
	NUT, H/Lamp Switch Mtg. 71		—	—	—	—	—	—	—	1	1	1	1	3488 122
8-53-275	DECAL, Switch Nomenclature, J-H Auto. H/Lamp Dimmer and Sentinel Control 71		—	1	—	—	—	—	—	—	—	—	—	2947 664
	H/Lamp Sentinel Control 71		—	—	—	—	—	—	—	1	1	1	1	3488 108
8-53-279	BRACKET, H/Lamp Switch, w/Auto. H/Lamp Dimmer and H/Lamp Sentinel 70		—	—	—	—	—	—	—	1	1	1	1	3488 103
8-53-283	RELAY, H/Lamp Delay 70		1	—	1	—	—	—	—	—	—	—	—	2947 393
	w/BRKT. 70		—	1	—	—	—	—	—	—	—	—	—	2947 392
	71		—	1	—	—	—	—	—	—	—	—	—	3488 389
	w/BRKT. 70		—	—	—	1	1	—	—	—	—	—	—	2947 394
	71		—	—	—	1	1	—	—	—	—	—	—	3488 076
	w/BRKT. 70		—	—	—	—	—	1	1	1	1	1	1	2947 395
	71		—	—	—	—	—	1	1	—	—	—	—	3488 391
	Highway Beam 70		—	—	—	—	—	—	1	—	—	—	—	2926 759
	H/Lamp 70		—	—	—	—	—	—	1	—	—	—	—	2926 760
	Auto. H/Lamp Dimmer and H/Lamp Sentinel 70		—	—	—	—	—	—	—	1	1	1	1	2947 696
8-53-284	SCANNER		—	—	—	—	—	—	—	1	1	1	1	2947 065
8-53-285	COVER, Scanner		—	—	—	—	—	—	—	—	—	—	1	2947 866

CARLINES

J - Challenger
B - BarracudaV - Valiant
L - DartR - Belvedere - Satellite
W - Coronet - ChargerP - Plymouth
D - DodgeC - Chrysler
Y - Imperial

AR Indicates use as required.

Indicates parts not listed in any previous parts book.

Numerals in parentheses () refer to notes.

★ Indicates change or addition.

Printed in U.S.A.
January 1972

CODE	PART NAME	ENG. TYPE OR CU.IN.	V	B	L	R	W	P	D	C	C	C	Y	PART NUMBER
			1-2	1-2	1-2	1-2	1-2	1-2	1-2	1	2	3	1	
8-53-0 SWITCHES Cont'd.														
8-53-286	BRACKET, Scanner	70	—	—	—	—	—	—	—	1	1	1	—	2947 520
		71	—	—	—	—	—	—	—	1	1	1	—	2947 868
8-53-287	SPRING, Scanner Mtg.	70	—	—	—	—	—	—	—	—	—	—	1	2947 868
		71	—	—	—	—	—	—	—	1	1	1	1	2947 066
8-53-289	TRIM PLATE, Switch Mtg. Bezel, w/o Rallye Inst. Panel, B	70	—	1	—	—	—	—	—	—	—	—	—	2947 785
		71	—	1	—	—	—	—	—	—	—	—	—	3488 408
	PLATE, Switch Mtg. Reinf., w/o Rallye Inst. Panel, up to approx. July, 1971	70	—	1	—	—	—	—	—	—	—	—	—	2947 789
		71	—	1	—	—	—	—	—	—	—	—	—	= 3488 783
	PLATE, Switch Mtg. Reinf., w/Rallye Inst. Panel, up to approx. July, 1971	70	—	1	—	—	—	—	—	—	—	—	—	2947 790
		71	—	1	—	—	—	—	—	—	—	—	—	= 3488 784
	PLATE, TRIM PLATE and REINFORCEMENT, except Cv. Cp., w/Rr. Window Defogger, w/Rallye Inst. Panel	70	—	1	—	—	—	—	—	—	—	—	—	2947 820
		71	—	1	—	—	—	—	—	—	—	—	—	3488 384
	PLATE, TRIM PLATE and REINFORCEMENT, except Cv. Cp., w/Rr. Window Defogger, w/Rallye Inst. Panel, 2D.H.T.	70	—	—	—	—	—	1	—	—	—	—	—	2864 358
		70	—	—	—	—	—	—	1	—	—	—	—	2864 357
	PLATE, Switch Mtg. Reinf.	70	—	—	—	—	—	—	1	1	—	—	—	= 3488 002
		71	—	—	—	—	—	—	—	—	—	—	—	2947 773
8-53-294	BEZEL, Road Lamp Switch, B w/TRIM PLATE, Switch Mtg., Cv. Cp., w/Cv. Power Top Lift, w/Rallye Inst. Panel	70	—	1	—	—	—	—	—	—	—	—	—	2947 823
		71	—	1	—	—	—	—	—	—	—	—	—	3488 380
	w/TRIM PLATE, Switch Mtg. Cv. Cp., w/Cv. Power Top Lift, w/Rallye Inst. Panel, B, J-H	70	—	1	—	—	—	—	—	—	—	—	—	2947 822
		71	—	1	—	—	—	—	—	—	—	—	—	3488 379
	w/TRIM PLATE, Switch Mtg., except Cv. Cp., w/o Rr. Window Defogger, w/o Cv. Power Top Lift, w/Rallye Inst. Panel	70	—	1	—	—	—	—	—	—	—	—	—	2947 822
		71	—	1	—	—	—	—	—	—	—	—	—	3488 379
	w/TRIM PLATE, Switch Mtg., 2D.H.T., w/o Rr. Window Defogger, w/Rallye Inst. Panel	70	—	1	—	—	—	—	—	—	—	—	—	2947 824
		71	—	1	—	—	—	—	—	—	—	—	—	3488 381
	w/TRIM PLATE, Switch Mtg., 2D.H.T., w/Rr. Window Defogger, w/Rallye Inst. Panel	70	—	1	—	—	—	—	—	—	—	—	—	2947 783
		70	—	1	—	—	—	—	—	—	—	—	—	3488 392
	Switch Mtg., w/o Rallye Inst. Panel, B, up to approx. Feb. 1, 1970	70	—	1	—	—	—	—	—	—	—	—	—	3488 392
		70	—	1	—	—	—	—	—	—	—	—	—	2947 791
	after approx. Feb. 1, 1970	70	—	1	—	—	—	—	—	—	—	—	—	2947 791
		71	—	1	—	—	—	—	—	—	—	—	—	2580 772
	w/o Rallye Inst. Panel	70	—	1	—	—	—	—	—	—	—	—	—	2580 772
		71	—	1	—	—	—	—	—	—	—	—	—	2947 181
	Switch Mtg., w/o Rallye Inst. Panel, J-H70 H/Lamp, Inst. Lamp and Dome Lamp Switch	70	—	—	1	—	—	—	—	—	—	—	—	2580 772
		70	—	—	1	—	—	—	—	—	—	—	—	2947 181
	L-L except Fastback, L-H	70	—	—	1	—	—	—	—	—	—	—	—	2947 181
		70	—	—	—	—	—	—	—	1	—	—	—	2947 768
	X-Press Super Light Switch Mtg.	70	—	—	—	—	—	—	—	—	—	—	—	2947 768
		70	—	—	—	—	—	—	—	—	1	—	—	2947 769
	w/TRIM PLATE, Switch Mtg., Cv. Cp., w/Cv. Power Top Lift	70	—	—	—	—	—	—	—	—	—	—	—	2947 768
		70	—	—	—	—	—	—	—	—	—	—	—	2947 769
	w/TRIM PLATE, Switch Mtg., Sta. Wgn., wPower Tailgate Window	70	—	—	—	—	—	—	—	—	—	—	—	2947 769
		70	—	—	—	—	—	—	—	—	—	—	—	2947 769

CARLINES

J - Challenger
B - BarracudaV - Valiant
L - DartR - Belvedere - Satellite
W - Coronet - ChargerP - Plymouth
D - DodgeC - Chrysler
Y - Imperial

AR Indicates use as required.

≠ Indicates parts not listed in any previous parts book.

Numerals in parentheses () refer to notes.

★ Indicates change or addition.

Printed in U.S.A.
January 1972

CODE	PART NAME	ENG. TYPE OR CU.IN.	V	B	L	R	W	P	D	C	C	C	Y	PART NUMBER
			1-2	1-2	1-2	1-2	1-2	1-2	1-2	1	2	3	1	
8-53-0 SWITCHES Cont'd.														
8-53-294	BEZEL Cont'd.													
	w/TRIM PLATE, Switch Mtg., except Cv. Cp. and Sta. Wgn., w/o Rr. Window Defogger	70	—	—	—	—	—	—	—	1	—	—	—	2947 767
	w/TRIM PLATE, Switch Mtg., except Cv. Cp. and Sta. Wgn., w/Rr. Window Defogger	70	—	—	—	—	—	—	—	1	—	—	—	2947 770
	w/TRIM PLATE, Switch Mtg., except Cv. Cp. and Sta. Wgn., w/X-Press Super Light Switch, w/Rr. Window Defogger	70	—	—	—	—	—	—	—	1	—	—	—	2947 771
	Auto. H/Lamp Sentinel	70	—	—	—	—	—	—	—	1	1	1	—	2864 401
	Auto. H/Lamp Sentinel and Dimmer Control	70	—	—	—	—	—	—	—	1	1	1	—	2864 400
	Auto. H/Lamp Sentinel	70	—	—	—	—	—	—	—	—	—	—	1	2947 679
	Auto. H/Lamp Sentinel and Dimmer Control	70	—	—	—	—	—	—	—	—	—	—	1	2947 678
8-53-296	KNOB, H/Lamp, Inst. Lamp and Dome Lamp Switch, L-M		1	—	1	—	—	—	—	—	—	—	—	2820 135
	Panel Lamp Dimmer Switch		—	1	—	—	—	—	—	—	—	—	—	2947 380
	H/Lamp Switch	70	—	—	1	—	—	—	—	—	—	—	—	2947 588
	except Fastback, L-L, L-H	71	—	—	1	—	—	—	—	—	—	—	—	2947 588
	Fastback, L-L	71	—	—	1	—	—	—	—	—	—	—	—	2820 135
	w/STEM, H/Lamp, Inst. Lamp and Dome Lamp Switch, R-K, R-T, R-L, R-H, W-K, W-T, W-L, W-H	71	—	—	—	1	1	—	—	—	—	—	—	3488 031
	w/STEM, H/Lamp, Inst. Lamp and Dome Lamp, Switch, R-M, R-P, R-S, W-M, W-P, W-S	71	—	—	—	1	1	—	—	—	—	—	—	3488 267
	Auto. H/Lamp Sentinel and Dimmer Switch	70	—	—	—	—	—	—	—	1	1	1	1	2864 420
	w/SET SCREW, Auto. H/Lamp Sentinel Control	70	—	—	—	—	—	—	—	1	1	1	1	2947 084
	w/SHAFT, H/Lamp Switch, w/Auto. H/Lamp Sentinel and Dimmer Switch	71	—	—	—	—	—	—	—	1	1	1	—	3488 114
	w/SHAFT, H/Lamp Switch, w/o Auto. H/Lamp Sentinel and Dimmer Switch	71	—	—	—	—	—	—	—	1	1	1	—	3488 115
	Auto. H/Lamp Sentinel and Dimmer Switch	71	—	—	—	—	—	—	—	1	1	1	1	3488 120
	Auto. H/Lamp Sentinel Control	71	—	—	—	—	—	—	—	1	1	1	1	3488 118
	w/INLAY, Auto. H/Lamp Sentinel	70	—	—	—	—	—	—	—	—	—	—	1	2947 249
	w/SHAFT, H/Lamp Switch, w/Auto. H/Lamp Dimmer and Sentinel	71	—	—	—	—	—	—	—	—	—	—	1	3488 116
	w/SHAFT, H/Lamp Switch, w/o Auto. H/Lamp Dimmer and Sentinel	71	—	—	—	—	—	—	—	—	—	—	1	3488 117
8-53-301	AMPLIFIER, Auto. H/Lamp Sentinel		—	—	—	—	—	—	—	1	1	1	1	2820 546
8-53-303	BRACKET, Auto. H/Lamp Sentinel Amplifier Mtg.		—	—	—	—	—	—	—	1	1	1	1	2864 448
8-53-304	PHOTOCELL, Auto. H/Lamp Sentinel		—	—	—	—	—	—	—	1	1	1	1	2586 764
8-53-308	SPACER, Auto. H/Lamp Sentinel Photocell Mtg.		—	—	—	—	—	—	—	1	1	1	1	2820 409
8-53-312	RETAINER, H/Lamp, Inst. Lamp and Dome Lamp Switch Mtg., L-M		1	—	1	—	—	—	—	—	—	—	—	1887 604
	Fastback, L-L	71	—	—	1	—	—	—	—	—	—	—	—	1887 604
	R-K, R-T, R-L, R-H, W-K, W-T, W-L, W-H	71	—	—	—	1	1	—	—	—	—	—	—	3488 040
	R-M, R-P, R-S, W-M, W-P, W-S	71	—	—	—	1	1	—	—	1	1	1	1	1887 604

CARLINES

J - Challenger
B - BarracudaV - Valiant
L - DartR - Belvedere - Satellite
W - Coronet - ChargerP - Plymouth
D - DodgeC - Chrysler
Y - Imperial

AR Indicates use as required.

Indicates parts not listed in any previous parts book.

Numerals in parentheses () refer to notes.

★ Indicates change or addition.

Printed in U.S.A.
January 1972

CODE	PART NAME	ENG. TYPE OR CU.IN.	V	B	L	R	W	P	D	C	C	C	Y	PART NUMBER
			1-2	1-2	1-2	1-2	1-2	1-2	1-2	1	2	3	1	
8-53-0 SWITCHES Cont'd.														
8-53-237	SWITCH, Oil Pressure, used with													
327	Ind. Light	6	1	1	1	1	1	1	1	—	—	—	—	3004 105
	used w/Ind. Light	8	1	1	1	1	1	1	1	1	1	—	3004 106	
	used w/Ind. Light	8	—	—	—	—	—	—	—	—	—	1	2889 300	
	SENDING UNIT, used with Oil													
	Gauge, up to March 1971		1	1	1	1	1	1	1	—	—	—	1	2495 222
	used with Oil Gauge, after													
	March, 1971	71	1	1	1	1	1	1	1	—	—	—	1	3488 609
8-53-331	CABLE, Oil Pressure Sending Unit,													
	w/426 and 440 w/3-2 Bbl. Carb.													
	W-M, W Charger and Charger R/T,													
	W-S 2D.H.T. and Cv.Cp. w/Rallye													
	Inst. Panel	70	8	—	—	1	1	—	—	—	—	—	—	2983 848
	w/426 and 440 w/3-2 Bbl.													
	Carb., w/Rallye Inst. Panel,													
	B, J-S, R-M, R-P, R-S, W-M, W-P,													
	W-S	71	—	1	—	1	1	—	—	—	—	—	—	2983 848
8-55-0 TAIL, STOP AND TURN SIGNAL LAMP														
8-55-1	LAMP PACKAGE, Tailgate Tail, Stop and													
	Turn Signal, Sta. Wgn., P-K							1	—	—	—	—	—	2932 740-1
	w/Ornamentation Pkg., P-M							1	—	—	—	—	—	3420 840-1
	Sta. Wgn., P-H							1	—	—	—	—	—	2932 750-1
	Sta. Wgn.							1	—	—	—	—	—	2932 750-1
	Qtr. Panel Tail, Stop, Turn Signal and									1	—	—	—	3420 824-5
	Side Marker, Sta. Wgn.									1	—	—	—	3420 824-5
8-55-6	CAP, Qtr. Panel Tail, Stop, Turn Signal and													
	B/Up Lamp Upper Inboard Mtg.													
	Stud, B		—	2	—	—	—	—	—	—	—	—	—	2423 737
8-55-7	LAMP, 4 D.	70	1	—	—	—	—	—	—	—	—	—	—	3403 376-7
	4D.	71	1	—	—	—	—	—	—	—	—	—	—	3478 616-7
	2 D.H.T.	71	1	—	—	—	—	—	—	—	—	—	—	3403 582-3
	w/B/Up Lamp, Fastback		1	—	—	—	—	—	—	—	—	—	—	3403 944-5
	w/B/Up Lamp, B	70	—	1	—	—	—	—	—	—	—	—	—	3403 050-1
	w/B/Up Lamp, B	71	—	1	—	—	—	—	—	—	—	—	—	3478 628-9
	w/B/Up Lamp, J	70	—	1	—	—	—	—	—	—	—	—	—	3403 028-9
	w/B/Up Lamp, J	71	—	1	—	—	—	—	—	—	—	—	—	3478 844-5
	w/B/Up Lamp	70	—	—	1	—	—	—	—	—	—	—	—	3403 582-3
	w/B/Up Lamp, Fastback	71	—	—	1	—	—	—	—	—	—	—	—	3478 534-5
	w/B/Up Lamp, except Fastback	71	—	—	1	—	—	—	—	—	—	—	—	3478 738-9
	except Sta. Wgn., R-K, R-T, R-L, R-H	70	—	—	—	1	—	—	—	—	—	—	—	3403 240-1
	w/B/Up Lamp, 4D., R-K, R-T, R-L	71	—	—	—	1	—	—	—	—	—	—	—	3478 502-3
	except Sta. Wgn., R-M, R-P, R-S	70	—	—	—	1	—	—	—	—	—	—	—	3403 334-5
	w/B/Up Lamp, 2 D.H.T., R-M, R-H	71	—	—	—	1	—	—	—	—	—	—	—	3478 564-5
	w/B/Up Lamp, 4 D., R-H, R-P	71	—	—	—	1	—	—	—	—	—	—	—	3478 574-5
	w/B/Up Lamp, 2D. H.T., R-P, R-S	71	—	—	—	1	—	—	—	—	—	—	—	3478 560-1
	w/Side Marker Lamp, Sta. Wgn., up to													
	approx. Jan. 1, 1970	70	—	—	—	1	—	—	—	—	—	—	—	3403 346-7
	after approx. Jan. 1, 1970	70	—	—	—	1	—	—	—	—	—	—	—	3403 934-5
	w/Side Marker Lamp, Sta. Wgn.	71	—	—	—	1	—	—	—	—	—	—	—	3514 408-9
	W-P Charger, w/Argent Paint,													
	up to approx. Jan. 1, 1970	70	—	—	—	—	1	—	—	—	—	—	—	2930 988-9
	after approx. Jan. 1, 1970	70	—	—	—	—	1	—	—	—	—	—	—	3403 910-1
	W-P Charger, w/o Argent Paint,													
	W-S Charger R/T, up to													
	approx. Jan. 1, 1970	70	—	—	—	—	1	—	—	—	—	—	—	3403 424-5
	after approx. Jan. 1, 1970	70	—	—	—	—	1	—	—	—	—	—	—	3403 902-3
	w/B/Up Lamp, except Sta. Wgn., W-K,													
	W-T, W-L, W-M, W-H	70	—	—	—	—	1	—	—	—	—	—	—	3403 188-9
CARLINES	J - Challenger	V - Valiant	R - Belvedere - Satellite						P - Plymouth			C - Chrysler		
	B - Barracuda	L - Dart	W - Coronet - Charger						D - Dodge			Y - Imperial		

AR Indicates use as required.

Indicates parts not listed in any previous parts book.

Numerals in parentheses () refer to notes.

★ Indicates change or addition.

Printed in U.S.A.
January 1972

CODE	PART NAME	ENG. TYPE OR CU.IN.	V	B	L	R	W	P	D	C	C	C	Y	PART NUMBER
			1-2	1-2	1-2	1-2	1-2	1-2	1-2	1	2	3	1	
8-55-0 TAIL, STOP AND TURN SIGNAL LAMP Cont'd.														
8-55-7	LAMP Cont'd.													
	w/B/Up Lp., 2D.H.T., Cv. Cp. and 4D., W-P, W-S	70	—	—	—	—	—	1	—	—	—	—	—	3403 272-3
	w/Side Marker Lp., Sta. Wgn.	70	—	—	—	—	—	1	—	—	—	—	—	3403 362-3
	w/B/Up Lp., 4D.	71	—	—	—	—	—	1	—	—	—	—	—	3478 686-7
	w/B/Up Lp., W-M, W-H, 2 D.H.T., W-P Fastback and 2 D.H.T.	71	—	—	—	—	—	1	—	—	—	—	—	3478 748-9
	w/B/Up Lp., w/Charger Colored Bumper, 2D.H.T., W-M, W-H, W-P, W-S	71	—	—	—	—	—	1	—	—	—	—	—	3478 854-5
	w/Side Marker Lamp, Sta. Wgn., W-K, W-L	71	—	—	—	—	—	1	—	—	—	—	—	3514 418-9
	w/Side Marker Lamp, Sta. Wgn., W-H, up to approx. Sept. 1, 1970	71	—	—	—	—	—	1	—	—	—	—	—	3579 198-9
	w/Side Marker Lamp, Sta. Wgn., W-H, after approx. Sept. 1, 1970	71	—	—	—	—	—	1	—	—	—	—	—	3514 418-9
	w/Side Marker Lamp, Sta. Wgn., W-P	71	—	—	—	—	—	1	—	—	—	—	—	3579 198-9
	w/Side Marker Lamp, Sta. Wgn. up to approx. Dec. 1, 1969	70	—	—	—	—	—	1	—	—	—	—	—	3403 694-5
	after approx. Dec. 1, 1969		—	—	—	—	—	1	—	—	—	—	—	3403 986-7
	2D.H.T. and 4D., P-K, P-T, P-E, P-L	70	—	—	—	—	—	1	—	—	—	—	—	3403 062-3
	except Sta. Wgn., P-M, P-H	70	—	—	—	—	—	1	—	—	—	—	—	3403 324-5
	w/B/Up Lamp, except Sta. Wgn., P-K, P-T, P-E, P-L	71	—	—	—	—	—	1	—	—	—	—	—	3478 516-7
	w/B/Up Lamp, except Sta. Wgn., P-M, P-H, P-P	71	—	—	—	—	—	1	—	—	—	—	—	3478 728-9
	w/Side Marker Lp., Sta. Wgn.		—	—	—	—	—	1	—	—	—	—	—	3403 700-1
	except Sta. Wgn., D-K, D-T, D-L, D-M	70	—	—	—	—	—	1	—	—	—	—	—	3403 282-3
	except Sta. Wgn., D-H, D-P	70	—	—	—	—	—	1	—	—	—	—	—	3403 292-3
	w/B/Up Lp., except Sta. Wgn., D-K, D-T, D-E, D-L, D-M, D-S	71	—	—	—	—	—	1	—	—	—	—	—	3478 776-7
	w/B/Up Lamp, except Sta. Wgn., D-H	71	—	—	—	—	—	1	—	—	—	—	—	3478 820-1
	C-E		—	—	—	—	—	—	1	—	—	—	—	3403 114-5
	C-L, up to approx. May, 1970	70	—	—	—	—	—	—	1	—	—	—	—	3403 102-3
	C-L, after approx. May, 1970		—	—	—	—	—	—	1	—	—	—	—	3403 980-1
		70	—	—	—	—	—	—	—	1	—	—	—	3403 128-9
		71	—	—	—	—	—	—	—	—	1	—	—	3479 328-9
		70	—	—	—	—	—	—	—	—	—	1	—	3403 012-3
		71	—	—	—	—	—	—	—	—	—	—	1	3479 318-9
			—	—	—	—	—	—	—	—	—	—	—	3403 146-7
	WASHER, 2D.H.T., Cv. Cp. and 4D., W-P, W-S	70	—	—	—	—	—	2	—	—	—	—	—	6024 173
8-55-8	GASKET, Lamp, J	70	—	2	—	—	—	—	—	—	—	—	—	3403 037
8-55-9	NUT, Lamp Mtg., 4D.	70	8	—	—	—	—	—	—	—	—	—	—	6027 639
	NUT, Lamp Mtg., Sp. 2D.H.T.	70	8	—	—	—	—	—	—	—	—	—	—	6027 625
	NUT, Lamp Att., J	70	—	16	—	—	—	—	—	—	—	—	—	6025 001
	P/NUT, except Sta. Wgn., R-K, R-T, R-L, R-H	70	—	—	—	8	—	—	—	—	—	—	—	2197 678
	NUT and WASHER, Att., Charger and Charger R/T	70	—	—	—	—	16	—	—	—	—	—	—	6023 202
	NUT and WASHER, Mtg., D-K, D-T, D-L, D-M, D-H except Sta. Wgn., D-P, C-E, C-L	70	—	—	—	—	—	—	8	6	8	8	—	6023 205
8-55-10	STUD, Lamp Mtg., 4D.	70	8	—	—	—	—	—	—	—	—	—	—	6024 579
	STUD, Mtg., J	70	—	16	—	—	—	—	—	—	—	—	—	6024 579
	SCREW, Mtg., Sta. Wgn.	70	—	—	—	8	—	—	—	—	—	—	—	6028 344
	SCREW, Att., Sta. Wgn.	70	—	—	—	—	8	—	—	—	—	—	—	6026 097
	SCREW, Mtg., Upper, Sta. Wgn.	70	—	—	—	—	—	4	4	—	—	—	—	6027 357
	SCREW, Mtg., Lwr., Sta. Wgn.	70	—	—	—	—	—	4	4	—	—	—	—	6027 475
CARLINES	J - Challenger B - Barracuda	V - Valiant L - Dart	R - Belvedere - Satellite W - Coronet - Charger	P - Plymouth D - Dodge	C - Chrysler Y - Imperial									

AR Indicates use as required.

Indicates parts not listed in any previous parts book.

Numerals in parentheses () refer to notes.

★ Indicates change or addition.

Printed in U.S.A.
January 1972

CODE	PART NAME	ENG. TYPE OR CU.IN.	V	B	L	R	W	P	D	C	C	C	Y	PART NUMBER
			1-2	1-2	1-2	1-2	1-2	1-2	1-2	1	2	3	1	
8-55-0 TAIL, STOP AND TURN SIGNAL LAMP Cont'd.														
8-55-10	STUD Cont'd.													
	STUD, Mtg., except Sta. Wgn.	70	—	—	—	—	—	8	—	8	—	—	—	6024 962
	STUD, Mtg., C-E, C-L	70	—	—	—	—	—	—	—	6	—	—	6	6024 588
8-55-11	COVER, Lamp Hsg., Fastback	70	1	—	—	—	—	—	—	—	—	—	—	3403 880-1
	R-M, R-P except Sta. Wgn., R-S except Charger, Charger R/T and Sta. Wgn.	70	—	—	—	1	—	—	—	—	—	—	—	3403 882-3
		70	—	—	—	—	1	—	—	—	—	—	—	3403 884-5
8-55-13	APPLIQUE, Rr. Bumper Tail, Stop, Turn Signal and B/Up Lamp	70	—	—	—	—	—	—	—	—	—	1	—	3403 026
	C-E	71	—	—	—	—	—	—	—	1	—	—	—	3479 336
	C-L	71	—	—	—	—	—	—	—	1	—	—	—	3479 334
		71	—	—	—	—	—	—	—	—	—	1	—	3479 327
8-55-14	MEDALLION, Rr. Bumper Tail, Stop, Turn Signal and B/Up Lamp Applique	71	—	—	—	—	—	—	—	—	—	1	—	2964 806
8-55-23	REINFORCEMENT, Tail Lamp Mtg., Upper, 4D.	70	1	—	—	—	—	—	—	—	—	—	—	2901 980-1
	4D., Upper Mtg.	71	1	—	—	—	—	—	—	—	—	—	—	3506 220-1
	Tail Lamp Opening, 4D.	70	1	—	—	—	—	—	—	—	—	—	—	2902 708-9
	4D.	71	1	—	—	—	—	—	—	—	—	—	—	3506 056-7
	w/P/NUT, Tail Lamp Opening, Fastback Tail Lamp Opening, 2D., 2D.H.T., Cv. Cp. and 4D.	70	—	—	—	1	—	—	—	—	—	—	—	2900 898-9
	w/SCREW, Upper, Charger and Charger R/T	70	—	—	—	—	1	—	—	—	—	—	—	2902 560-1
	w/SCREW, Lower, Charger and Charger R/T	70	—	—	—	—	1	—	—	—	—	—	—	2902 526-7
	Upper, Rr., Sta. Wgn.		—	—	—	—	—	1	—	—	—	—	—	2894 556-7
	Upper, Frt., Sta. Wgn.		—	—	—	—	—	1	1	—	—	—	—	2894 480-1
	Upper, Rr., Sta. Wgn.		—	—	—	—	—	—	1	—	—	—	—	2894 558-9
	Upper, Frt., Sta. Wgn.		—	—	—	—	—	—	—	1	—	—	—	2894 484-5
	Upper, Rr., Sta. Wgn.		—	—	—	—	—	—	—	1	—	—	—	2894 560-1
8-55-57	SOCKET, 4D.	70	2	—	—	—	—	—	—	—	—	—	—	2822 196
	Sp. 2D.H.T.	70	2	—	—	—	—	—	—	—	—	—	—	2926 370
	except 2 D.H.T.	71	2	—	—	—	—	—	—	—	—	—	—	2926 370
	B, W Charger and Charger R/T	70	—	2	—	—	4	—	—	—	—	—	—	2983 478
	B	71	—	2	—	—	—	—	—	—	—	—	—	2983 478
	J		—	4	—	—	—	—	—	—	—	—	—	2926 370
	Fastback	71	—	—	2	—	—	—	—	—	—	—	—	2587 284
	except Sta. Wgn., R-K, R-T, R-L, R-H	70	—	—	—	4	—	—	—	—	—	—	—	2587 284
	R-M, R-P except Sta. Wgn., R-S	70	—	—	—	4	—	—	—	—	—	—	—	2926 370
	2D.H.T., R-M, R-H, R-P, R-S	71	—	—	—	2	—	—	—	—	—	—	—	3513 011
	2 D., 2 D.H.T. and 4 D., W except W-P and W-S	70	—	—	—	—	2	—	—	—	—	—	—	1841 893
	Sta. Wgn.	70	—	—	—	2	2	—	—	—	—	—	—	1841 893
	Charger and Charger R/T	70	—	—	—	—	2	—	—	—	—	—	—	2983 538
	Cv. Cp.	70	—	—	—	—	4	—	—	—	—	—	—	2822 196
	2D.H.T. and 4D., W-P, W-S	70	—	—	—	—	4	—	—	—	—	—	—	2822 196
	Sta. Wgn.		—	—	—	—	—	2	2	—	—	—	—	2822 196
	w/BOOT, except Sta. Wgn., D-H, D-P, C-L	70	—	—	—	—	—	—	2	2	4	2	2	2983 279
	Sta. Wgn.		—	—	—	—	—	—	—	2	—	—	—	1841 893
8-55-63	CONTACT, INSULATOR and SPRING PACKAGE, Socket		AR	AR	AR	AR	AR	AR	AR	AR	AR	AR	AR	2983 167
			AR	AR	AR	AR	AR	AR	AR	AR	AR	AR	AR	2983 322
			AR	AR	AR	AR	AR	AR	AR	AR	AR	AR	AR	2983 169
			AR	AR	AR	AR	AR	AR	AR	AR	AR	AR	AR	2584 972
8-55-137	LETTER D, Tail Lamp Hsg., except Sta. Wgn., D except D-H	71	—	—	—	—	—	—	2	—	—	—	—	3478 783
	LETTER O, Tail Lamp Hsg., except Sta. Wgn., D except D-H	71	—	—	—	—	—	—	1	—	—	—	—	3478 786
CARLINES	J - Challenger B - Barracuda	V - Valiant L - Dart	R - Belvedere - Satellite W - Coronet - Charger				P - Plymouth D - Dodge			C - Chrysler Y - Imperial				

AR Indicates use as required.

Indicates parts not listed in any previous parts book.

Numerals in parentheses () refer to notes.

★ Indicates change or addition.

Printed in U.S.A.
January 1972

CODE	PART NAME	ENG. TYPE OR CU.IN.	V	B	L	R	W	P	D	C	C	C	Y	PART NUMBER
			1-2	1-2	1-2	1-2	1-2	1-2	1-2	1	2	3	1	
8-55-0 TAIL, STOP AND TURN SIGNAL LAMP Cont'd.														
8-55-137	LETTERS Cont'd.													
	LETTER G, Tail Lamp Hsg., except Sta. Wgn., D except D-H	71	—	—	—	—	—	—	—	1	—	—	—	3478 784
	LETTER E, Tail Lamp Hsg., except Sta. Wgn., D except D-H	71	—	—	—	—	—	—	—	1	—	—	—	3478 785
8-55-140	WELT, Lamp Outer Bezel, B		—	2	—	—	—	—	—	—	—	—	—	3403 175
8-55-154	FILLER, Tail Lamp Opening Lwr. Reinf., Charger and Charger R/T	Inner 70 Outer 70	—	—	—	—	—	1	—	—	—	—	—	3445 902-3 3445 904
8-55-158	BEZEL, B	Inner 70	—	1	—	—	—	—	—	—	—	—	—	3403 058-9
	B	Outer 70	—	1	—	—	—	—	—	—	—	—	—	3403 236-7
	B	Inner 71	—	1	—	—	—	—	—	—	—	—	—	3478 638-9
	B	Outer 71	—	1	—	—	—	—	—	—	—	—	—	3478 838-9
	J	70	—	1	—	—	—	—	—	—	—	—	—	3403 038-9
	R-M	70	—	—	—	1	—	—	—	—	—	—	—	3403 890-1
	except Sta. Wgn., R-P, R-S	70	—	—	—	1	—	—	—	—	—	—	—	3403 344-5
	2D.H.T., R-P, R-S	71	—	—	—	1	—	—	—	—	—	—	—	3478 562-3
	except Sta. Wgn., R-K, R-T, R-L, R-H	70	—	—	—	1	—	—	—	—	—	—	—	3403 744-5
	2 D., 2 D.H.T., and 4 D., W except W-P and W-S	70	—	—	—	—	—	1	—	—	—	—	—	3403 198-9
	w/Side Marker Lp., Sta. Wgn.	70	—	—	—	1	—	—	—	—	—	—	—	3403 360-1
	Sta. Wgn.	70	—	—	—	—	—	1	—	—	—	—	—	3403 548-9
	w/Charger Colored Bumper, 2 D.H.T., W-M, W-H, W-P, W-S	71	—	—	—	—	—	1	—	—	—	—	—	3478 862-3
	T/Gate, Tail, Stop and Turn Signal Lp., Sta. Wgn., P-K, P-M		—	—	—	—	—	—	—	1	—	—	—	2930 168-9
	Sta. Wgn., P-H		—	—	—	—	—	—	—	1	—	—	—	3403 512-3
	Sta. Wgn.		—	—	—	—	—	—	—	1	—	—	—	2930 186-7
	w/SIDE Marker Lp., Sta. Wgn.		—	—	—	—	—	—	—	1	—	—	—	2930 994-5
	except Sta. Wgn., P-M, P-H, P-P	71	—	—	—	—	—	—	—	1	—	—	—	3478 736-7
	Sta. Wgn.		—	—	—	—	—	—	—	—	—	—	—	2930 200-1
	except Sta. Wgn., D-H, D-P	70	—	—	—	—	—	—	—	—	—	—	—	3403 300-1
	w/Side Marker Lp., Sta. Wgn.		—	—	—	—	—	—	—	—	—	—	—	3403 494-5
	C-L		—	—	—	—	—	—	—	—	—	—	—	3403 112-3
		71	—	—	—	—	—	—	—	—	—	—	—	3479 330-1
			—	—	—	—	—	—	—	—	—	—	—	3403 144-5
	Tailgate, Sta. Wgn., P-K, P-M		—	—	—	—	—	—	—	—	—	—	—	2930 168-9
	Tailgate, Sta. Wgn., P-H		—	—	—	—	—	—	—	—	—	—	—	3403 512-3
	Tailgate, Sta. Wgn.		—	—	—	—	—	—	—	—	—	—	—	2930 186-7
8-55-159	SCREW, Tailgate Lamp Bezel Mtg., Sta. Wgn., P-K, P-M, P-H	70	—	—	—	—	—	—	8	12	—	—	—	6027 475
	SCREW, Bezel to Hsg. Att., except Sta. Wgn., D-H, D-P	70	—	—	—	—	—	—	—	16	—	—	—	6028 690
	SCREW, Bezel Att.	70	—	—	—	—	—	—	—	—	—	—	12	6028 072
8-55-161	CAP NUT, Bezel Mtg., except Sta. Wgn., R-M, R-P, R-S	70	—	—	—	12	—	—	—	—	—	—	—	6027 466
	NUT, Hsg. Mtg., Top, Sta. Wgn.	70	—	—	—	—	—	—	—	—	2	—	—	6023 111
	J/NUT, Tailgate Lamp Hsg. Mtg., Sta. Wgn., P-K, P-M, P-H	70	—	—	—	—	—	—	—	8	10	—	—	6014 023
8-55-194	LENS and GASKET PACKAGE, 4D.	70	1	—	—	—	—	—	—	—	—	—	—	3420 616-7
	4D.	71	1	—	—	—	—	—	—	—	—	—	—	3579 154-5
	2 D.H.T.		1	—	—	—	—	—	—	—	—	—	—	3420 784-5
	Fastback		1	—	—	—	—	—	—	—	—	—	—	3420 818-9
	B	70	—	1	—	—	—	—	—	—	—	—	—	3420 836-7
	B	71	—	1	—	—	—	—	—	—	—	—	—	3514 364-5
	J	70	—	1	—	—	—	—	—	—	—	—	—	3420 556-7
	J	71	—	1	—	—	—	—	—	—	—	—	—	3514 392-3
		70	—	—	1	—	—	—	—	—	—	—	—	3420 784-5
	Fastback	71	—	—	1	—	—	—	—	—	—	—	—	3514 352-3

CARLINES J - Challenger
B - Barracuda

V - Valiant
L - Dart

R - Belvedere - Satellite
W - Coronet - Charger

P - Plymouth
D - Dodge

C - Chrysler
Y - Imperial

AR Indicates use as required.

Indicates parts not listed in any previous parts book.

Numerals in parentheses () refer to notes.

★ Indicates change or addition.

Printed in U.S.A.
January 1972

CODE	PART NAME	ENG. TYPE OR CU.IN.	V	B	L	R	W	P	D	C	C	C	Y	PART NUMBER
			1-2	1-2	1-2	1-2	1-2	1-2	1-2	1	2	3	1	
8-55-0 TAIL, STOP AND TURN SIGNAL LAMP Cont'd.														
8-55-194	LENS and GASKET PACKAGE Cont'd.													
	except Fastback	71	—	—	1	—	—	—	—	—	—	—	—	3514 356-7
	except Sta. Wgn., R-M, R-P, R-S	70	—	—	—	1	—	—	—	—	—	—	—	3420 620-1
	Sta. Wgn.	70	—	—	—	1	—	—	—	—	—	—	—	3420 716-7
	4D., R-K, R-T, R-L	71	—	—	—	1	—	—	—	—	—	—	—	3514 268-9
	2D.H.T., R-M, R-H	71	—	—	—	1	—	—	—	—	—	—	—	3514 366-7
	4D., R-H, R-P	71	—	—	—	1	—	—	—	—	—	—	—	3514 270-1
	2D.H.T., R-P, R-S	71	—	—	—	1	—	—	—	—	—	—	—	3514 368-9
	Sta. Wgn.	71	—	—	—	1	—	—	—	—	—	—	—	3514 410-1
	Sta. Wgn.	70	—	—	—	—	1	—	—	—	—	—	—	3420 738-9
	Sta. Wgn.	71	—	—	—	—	1	—	—	—	—	—	—	3514 420-1
	2 D., 2 D.H.T. and 4 D., W-K, W-T, W-L, W-M, W-H	70	—	—	—	—	1	—	—	—	—	—	—	3420 622-3
	2D.H.T., Cv. Cp. and 4D., W-P, W-S	70	—	—	—	—	1	—	—	—	—	—	—	3420 718-9
	W-P Charger, w/o Argent Paint, W-S Charger R/T, up to approx. Jan. 1, 1970	70	—	—	—	—	1	—	—	—	—	—	—	3420 586-7
	after approx. Jan. 1, 1970	70	—	—	—	—	1	—	—	—	—	—	—	3514 258-9
	W-P Charger, w/Argent Paint, up to approx. Jan. 1, 1970	70	—	—	—	—	1	—	—	—	—	—	—	2932 824-5
	after approx. Jan. 1, 1970	70	—	—	—	—	1	—	—	—	—	—	—	3514 260-1
	4D.	71	—	—	—	—	1	—	—	—	—	—	—	3514 322-3
	2D.H.T., W-M, W-H	Inner 71	—	—	—	—	1	—	—	—	—	—	—	3514 316-7
	Fastback	Inner 71	—	—	—	—	1	—	—	—	—	—	—	3514 316-7
	2D.H.T., W-M, W-H	Outer 71	—	—	—	—	1	—	—	—	—	—	—	3514 318-9
	Fastback	Outer 71	—	—	—	—	1	—	—	—	—	—	—	3514 318-9
	w/Charger Colored Bumper, 2 D.H.T., W-M, W-H, W-P, W-S	71	—	—	—	—	1	—	—	—	—	—	—	3514 358-9
	Sta. Wgn.		—	—	—	—	—	1	—	—	—	—	—	2932 738-9
	2 D., w/Fury Spring Valve, P-L	70	—	—	—	—	—	1	—	—	—	—	—	3420 860-1
	2 D. w/o Fury Spring Valve, 2 D.H.T. and 4 D.	70	—	—	—	—	—	1	—	—	—	—	—	3420 856-7
	except Sta. Wgn., P-M, P-H	70	—	—	—	—	—	1	—	—	—	—	—	3420 860-1
	except Sta. Wgn., P-K, P-T, P-E, P-L	71	—	—	—	—	—	1	—	—	—	—	—	3514 340-1
	except Sta. Wgn., P-M, P-H, P-P	71	—	—	—	—	—	1	—	—	—	—	—	3514 362-3
	Sta. Wgn.		—	—	—	—	—	—	1	—	—	—	—	2932 746-7
	except Sta. Wgn., D-K, D-T, D-L, D-M	70	—	—	—	—	—	—	1	—	—	—	—	3420 720-1
	except Sta. Wgn., D-H, D-P	70	—	—	—	—	—	—	1	—	—	—	—	3420 626-7
	except Sta. Wgn., D-K, D-T, D-E, D-L, D-M, D-S	71	—	—	—	—	—	—	1	—	—	—	—	3514 374-5
	except Sta. Wgn., D-H	71	—	—	—	—	—	—	1	—	—	—	—	3514 370-1
	Sta. Wgn.		—	—	—	—	—	—	—	1	—	—	—	2932 792-3
	C-E		—	—	—	—	—	—	—	1	—	—	—	3420 592-3
	C-L up to approx. May, 1970	70	—	—	—	—	—	—	—	1	—	—	—	3420 706-7
	C-L, after approx. May, 1970		—	—	—	—	—	—	—	1	—	—	—	3579 210-1
		70	—	—	—	—	—	—	—	—	1	—	—	3420 590-1
		71	—	—	—	—	—	—	—	—	1	—	—	3579 246-7
		70	—	—	—	—	—	—	—	—	—	1	—	3420 588-9
		71	—	—	—	—	—	—	—	—	—	1	—	3579 230-1
			—	—	—	—	—	—	—	—	—	—	1	3420 596-7
	Tailgate, Sta. Wgn., P-K, P-M, P-H		—	—	—	—	—	—	1	—	—	—	—	2932 742-3
	Tailgate, Sta. Wgn.		—	—	—	—	—	—	—	1	—	—	—	2932 752-3
8-55-195	LENS, Lamp, except Sta. Wgn., R-K, R-T, R-L, R-H	70	—	—	—	1	—	—	—	—	—	—	—	3403 544-5
8-55-209	SCREW, Lens Att.	70	—	—	8	—	—	—	—	—	—	—	—	6028 334
	SCREW, Lens Mtg., except Sta. Wgn., D-K, D-T, D-L, D-M	70	—	—	—	—	—	—	16	—	16	—	—	6028 070
	SCREW, Lens Att., C-E	70	—	—	—	—	—	—	8	—	—	—	—	6027 418
	SCREW, Lens Att.	70	—	—	—	—	—	—	—	—	—	12	—	6028 073
	SCREW, Lens to Hsg. Att.	70	—	—	—	—	—	—	—	—	—	—	4	6028 110
CARLINES	J - Challenger B - Barracuda	V - Valiant L - Dart	R - Belvedere - Satellite W - Coronet - Charger				P - Plymouth D - Dodge			C - Chrysler Y - Imperial				
AR Indicates use as required.			Numerals in parentheses () refer to notes.						Printed in U.S.A. January 1972					
# Indicates parts not listed in any previous parts book.			★ Indicates change or addition.											

CODE	PART NAME	ENG. TYPE OR CU.IN.	V	B	L	R	W	P	D	C	C	C	Y	PART NUMBER
			1-2	1-2	1-2	1-2	1-2	1-2	1-2	1	2	3	1	
8-55-0 TAIL, STOP AND TURN SIGNAL LAMP Cont'd.														
8-55-214	GASKET, Lens	70	—	—	2	—	—	—	—	—	—	—	—	= 3403 590
	except Fastback	71	—	—	2	—	—	—	—	—	—	—	—	3478 746
	Sta. Wgn.	71	—	—	—	2	—	—	—	—	—	—	—	3478 962
	4D.	71	—	—	—	2	—	—	—	—	—	—	—	3478 501
	w/Charger Colored Bumper, 2 D.H.T., W-M, W-H, W-P, W-S	71	—	—	—	—	2	—	—	—	—	—	—	3478 864
	Sta. Wgn.	71	—	—	—	—	2	—	—	—	—	—	—	3478 974
	except Sta. Wgn., P-K, P-T, P-E, P-L	71	—	—	—	—	—	2	—	—	—	—	—	3478 515
	except Sta. Wgn., P-H, P-P	71	—	—	—	—	—	2	—	—	—	—	—	3478 532
	except Sta. Wgn., D-K, D-T, D-E, D-L, D-M, D-S	71	—	—	—	—	—	—	2	—	—	—	—	3478 782
	except Sta. Wgn., D-H	71	—	—	—	—	—	—	2	—	—	—	—	3478 832
	C-E, C-L		—	—	—	—	—	—	—	2	—	—	—	3403 126
8-55-300	CONTACT, Socket		AR	AR	AR	AR	AR	AR	AR	AR	AR	AR	AR	2256 966
8-56-0 BACK-UP LAMP														
8-56-1	LAMP, 4D.		1	—	—	—	—	—	—	—	—	—	—	3403 306-7
	J	70	—	1	—	—	—	—	—	—	—	—	—	3403 042
	LAMP PACKAGE, except Sta. Wgn.	70	—	—	—	1	—	—	—	—	—	—	—	3514 254-5
	LAMP, Sta. Wgn.	70	—	—	—	2	2	—	—	—	—	—	—	3403 860
	Charger and Charger R/T	70	—	—	—	—	2	—	—	—	—	—	—	3403 860
	Sta. Wgn.	71	—	—	—	2	2	—	—	—	—	—	—	3478 802
	Sta. Wgn.		—	—	—	—	—	2	2	2	—	—	—	3403 862
	except Sta. Wgn., D-H, D-P	70	—	—	—	—	—	—	1	—	—	—	—	3403 314-5
			—	—	—	—	—	—	—	—	—	—	1	3403 201
8-56-2	SWITCH, B/Up Lamp, w/Manual Trans.	70	1	1	1	1	1	1	1	1	—	—	—	2258 404
	Trans. B/Up Lamp, w/Manual Trans.	71	1	1	1	1	1	1	1	1	—	—	—	3488 270
	NOTE: (Switch w/Auto. Trans. See Part Type Code 21-113-24)													
8-56-4	NUT and WASHER, Lamp Att., J	70	—	4	—	—	—	—	—	—	—	—	—	6025 001
	Mtg., except Sta. Wgn., D-H	70	—	—	—	—	—	—	6	—	—	—	—	6023 202
	Mtg.	70	—	—	—	—	—	—	—	—	—	—	2	6023 205
8-56-8	LENS and GASKET PACKAGE, 4D.		1	—	—	—	—	—	—	—	—	—	—	3420 728-9
	J	70	—	1	—	—	—	—	—	—	—	—	—	3420 581
	except Fastback	71	—	—	1	—	—	—	—	—	—	—	—	3514 354-5
	except Sta. Wgn.	70	—	—	—	1	—	—	—	—	—	—	—	3420 582-3
	Sta. Wgn.	70	—	—	—	2	2	—	—	—	—	—	—	2932 954
	Sta. Wgn.	71	—	—	—	2	2	—	—	—	—	—	—	3579 186
	Charger and Charger R/T	70	—	—	—	—	2	—	—	—	—	—	—	2932 954
	Fastback	71	—	—	—	—	1	—	—	—	—	—	—	3514 320-1
	2D.H.T., W-M, W-H	71	—	—	—	—	1	—	—	—	—	—	—	3514 320-1
	Sta. Wgn.		—	—	—	—	—	2	2	2	—	—	—	2932 993
	except Sta. Wgn., D-H, D-P	70	—	—	—	—	—	—	1	—	—	—	—	3420 594-5
			—	—	—	—	—	—	—	—	—	—	1	3420 642
8-56-11	RETAINER, Lamp Mtg., Sta. Wgn.	70	—	—	—	2	2	—	—	—	—	—	—	2853 440
	Sta. Wgn.		—	—	—	—	—	2	2	2	—	—	—	2853 440
	Lamp Lens, Sta. Wgn.	70	—	—	—	2	2	—	—	—	—	—	—	2853 439
	Charger and Charger R/T	70	—	—	—	—	2	—	—	—	—	—	—	2853 439
	Sta. Wgn.		—	—	—	—	—	2	2	2	—	—	—	2853 439
8-56-23	GASKET, Lamp Lens, except Fastback	71	—	—	2	—	—	—	—	—	—	—	—	3478 853
	except Sta. Wgn.	70	—	—	—	2	—	—	—	—	—	—	—	3403 174
	Sta. Wgn.	70	—	—	—	2	2	—	—	—	—	—	—	2853 437
	Charger and Charger R/T	70	—	—	—	—	2	—	—	—	—	—	—	2853 437
	Sta. Wgn.		—	—	—	—	—	2	2	2	—	—	—	2853 437
8-56-27	CONTACT, INSULATOR and SPRING PACKAGE, Socket, B		AR	AR	AR	AR	AR	AR	AR	AR	AR	AR	AR	2584 972
	J	70	—	1	—	—	—	—	—	—	—	—	—	2584 972
	J	70	—	1	—	—	—	—	—	—	—	—	—	2497 980
	Fastback	71	—	—	2	—	—	—	—	—	—	—	—	2497 980
CARLINES	J - Challenger B - Barracuda	V - Valiant L - Dart	R - Belvedere - Satellite W - Coronet - Charger	P - Plymouth D - Dodge	C - Chrysler Y - Imperial									

AR Indicates use as required.

Indicates parts not listed in any previous parts book.

Numerals in parentheses () refer to notes.

★ Indicates change or addition.

Printed in U.S.A.
January 1972

CODE	PART NAME	ENG. TYPE OR CU.IN.	V	B	L	R	W	P	D	C	C	C	Y	PART NUMBER
			1-2	1-2	1-2	1-2	1-2	1-2	1-2	1	2	3	1	
8-56-0 BACK-UP LAMP Cont'd.														
8-56-34	SOCKET, V Sp. 2D.H.T., W except Charger, Charger R/T and Sta. Wgn., D-H except Sta. Wgn., D-P	70	2	2	—	—	2	—	2	—	—	—	—	2926 848
	except 2 D.H.T.	71	2	—	—	—	—	—	—	—	—	—	—	3513 162
	B	71	—	2	—	—	—	—	—	—	—	—	—	2983 538
	J	71	—	2	—	—	—	—	—	—	—	—	—	3513 162
	w/BOOT, V 2 D.H.T., L except Fastback	71	2	—	2	2	2	2	2	2	2	2	2	2983 279
	Fastback	71	—	—	2	—	—	—	—	—	—	—	—	3579 190
	w/BOOT, W Charger and Charger R/T70	70	—	—	2	2	2	—	—	—	—	—	—	2983 279
	w/BOOT, Sta. Wgn.	70	—	—	—	—	2	2	2	2	—	—	—	2983 279
	w/BOOT, except Sta. Wgn., D-K, D-T, D-L, D-M, C-E	70	—	—	—	—	—	2	2	2	—	—	—	2983 279
8-56-36	BEZEL, Lamp, J	70	—	1	—	—	—	—	—	—	—	—	—	3403 048
			—	—	—	—	—	—	—	—	—	—	1	3403 206
8-56-40	GASKET, Lamp Body Seal, J	70	—	1	—	—	—	—	—	—	—	—	—	3403 046
	Sta. Wgn.	71	—	—	—	2	2	—	—	—	—	—	—	3478 818
8-56-41	SCREW, Lamp Mtg., Sta. Wgn.	70	—	—	—	4	4	4	4	4	—	—	—	6024 403
	STUD, Mtg.	70	—	—	—	—	—	—	—	—	—	—	2	6024 588
	SCREW, Lens to Hsg.	70	—	—	—	—	—	—	—	—	—	—	2	6028 308
	SCREW, Bezel Att.	70	—	—	—	—	—	—	—	—	—	—	2	6028 072
8-56-46	GASKET, Switch Mtg., w/Manual Trans., C-E, C-L		1	1	1	1	1	1	1	1	—	—	—	1302 807
8-57-0 LICENSE LAMP														
8-57-10	LAMP	70	1	—	—	—	—	—	—	—	—	—	—	2606 200
	except 2 D.H.T.	71	1	—	—	—	—	—	—	—	—	—	—	2606 200
	2 D.H.T.	71	1	—	—	—	—	—	—	—	—	—	—	2575 059
	B		—	1	—	—	—	—	—	—	—	—	—	3403 830
	J	70	—	1	1	—	—	—	—	—	—	—	—	2575 059
	w/Colored Bumper, J	71	—	1	—	—	—	—	—	—	—	—	—	3479 400
	J, L except Fastback	71	—	1	1	—	—	—	—	—	—	—	—	2575 059
	Fastback	71	—	—	1	—	—	—	—	—	—	—	—	2606 200
	Sta. Wgn.	70	—	—	—	1	1	1	1	1	—	—	—	2930 916
	Sta. Wgn.	71	—	—	—	1	1	—	—	—	—	—	—	3479 333
	except Sta. Wgn., up to approx. Aug. 1, 1969	70	—	—	—	1	—	1	1	1	1	1	—	2853 756
	after approx. Aug. 1, 1969	70	—	—	—	1	—	1	1	1	1	1	—	= 3403 941
	except Sta. Wgn.	71	—	—	—	1	1	—	—	—	—	—	—	3479 304
	2D., 2D.H.T., Cv. Cp. and 4D.	70	—	—	—	—	1	—	—	—	—	—	—	2575 059
	Charger and Charger R/T	70	—	—	—	—	1	—	—	—	—	—	—	2853 561
	Sta. Wgn.	71	—	—	—	—	—	1	1	1	—	—	—	2930 916
	except Sta. Wgn.	71	—	—	—	—	—	—	1	—	—	—	—	3479 333
	except Sta. Wgn.	71	—	—	—	—	—	—	—	1	1	1	—	= 3403 941
			—	—	—	—	—	—	—	—	—	—	1	2853 466
8-57-11	SCREW and WASHER, Mtg.	70	2	—	—	—	—	—	—	—	—	—	—	6028 006
8-57-16	FILLER, Lamp, 2D.H.T.	71	—	—	—	AR	—	—	—	—	—	—	—	1242 974
8-57-54	LENS and GASKET PACKAGE, C-E, C-L	70	1	—	—	—	—	—	—	1	1	1	1	2585 174
	V except 2 D.H.T., L Fastback	71	1	—	1	—	—	—	—	—	—	—	—	2585 174
			—	1	—	—	—	—	—	—	—	—	—	3420 839
	except Sta. Wgn.	70	—	—	—	1	1	1	1	—	—	—	—	2585 174
	Sta. Wgn.	71	—	—	—	1	1	—	—	—	—	—	—	2585 174
	except Sta. Wgn.	71	—	—	—	1	1	1	—	—	—	—	—	3620 734
	except Sta. Wgn.	71	—	—	—	—	—	—	1	1	1	1	1	2585 174
8-57-58	COVER, w/Filler, 2 D.H.T., up to Feb. 1971		—	—	—	1	—	—	—	—	—	—	—	3615 104
	w/STUD, 2 D.H.T., after Feb. 1971		—	—	—	1	—	—	—	—	—	—	—	= 3615 576
	w/STUD, 2D.H.T. and Fastback	71	—	—	—	1	—	—	—	—	—	—	—	3615 103
CARLINES	J - Challenger B - Barracuda	V - Valiant L - Dart	R - Belvedere - Satellite W - Coronet - Charger	P - Plymouth D - Dodge	C - Chrysler Y - Imperial									

AR Indicates use as required.

Indicates parts not listed in any previous parts book.

Numerals in parentheses () refer to notes.

★ Indicates change or addition.

Printed in U.S.A.
January 1972

CODE	PART NAME	ENG. TYPE OR CU.IN.	V	B	L	R	W	P	D	C	C	C	Y	PART NUMBER
			1-2	1-2	1-2	1-2	1-2	1-2	1-2	1	2	3	1	
8-57-0 LICENSE LAMP Cont'd.														
8-57-79	SOCKET, B		—	1	—	—	—	—	—	—	—	—	—	2983 679
8-57-89	CONTACT, INSULATOR and SPRING PACKAGE, Socket		AR	AR	AR	AR	AR	AR	AR	AR	AR	AR	AR	2584 972
8-58-0 STOP LAMP														
8-58-60	SWITCH, Heavy Duty		1	1	1	1	1	—	—	—	—	—	—	2809 033
	Medium Duty		1	1	1	1	1	—	—	—	—	—	—	2822 322
	Medium Duty		—	—	—	—	—	1	1	1	1	1	1	2926 275
	Heavy Duty		—	—	—	—	—	1	1	1	1	1	1	2926 270
	w/SPEED CONTROL		—	1	—	1	1	1	1	1	1	1	1	2947 798
	SCREW and WASHER, Mtg.		—	1	—	1	1	1	1	1	1	1	1	6023 541
8-58-66	ACTUATOR, Switch, w/Power Brake Booster, w/426 Eng.	70	8	—	—	—	1	1	—	—	—	—	—	2944 386
8-58-79	BRACKET, Switch Mtg.			1	—	1	—	—	—	—	—	—	—	2771 857
				—	1	—	—	—	—	—	—	—	—	2947 532
		71		—	—	—	1	1	—	—	—	—	—	3488 490
		70		—	—	—	1	1	—	—	—	—	—	2947 533
				—	—	—	—	—	1	1	1	1	1	2926 241

NOTES

CARLINES	J - Challenger B - Barracuda	V - Valiant L - Dart	R - Belvedere - Satellite W - Coronet - Charger	P - Plymouth D - Dodge	C - Chrysler Y - Imperial
----------	---------------------------------	-------------------------	--	---------------------------	------------------------------

AR Indicates use as required.

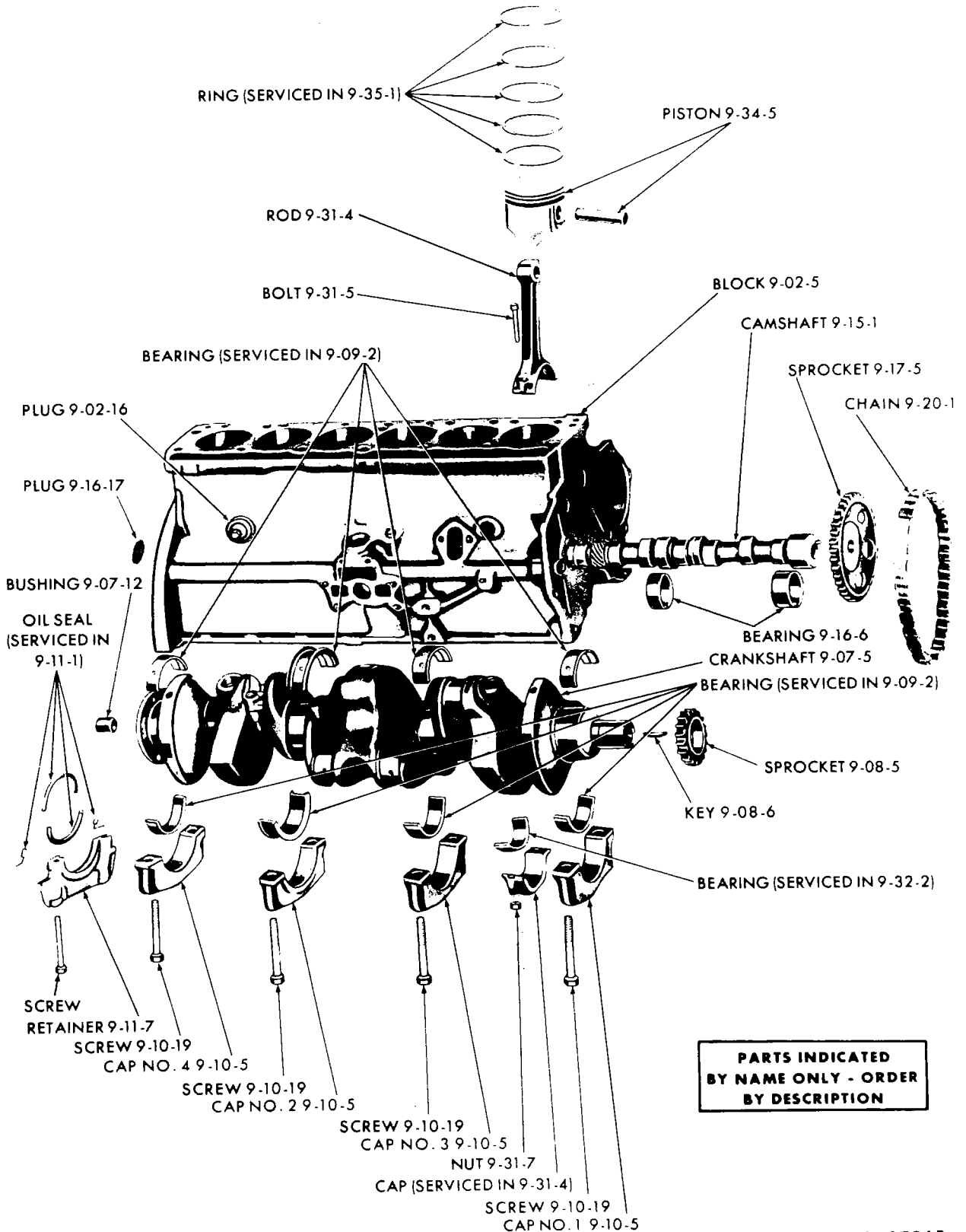
Indicates parts not listed in any previous parts book.

Numerals in parentheses () refer to notes.

★ Indicates change or addition.

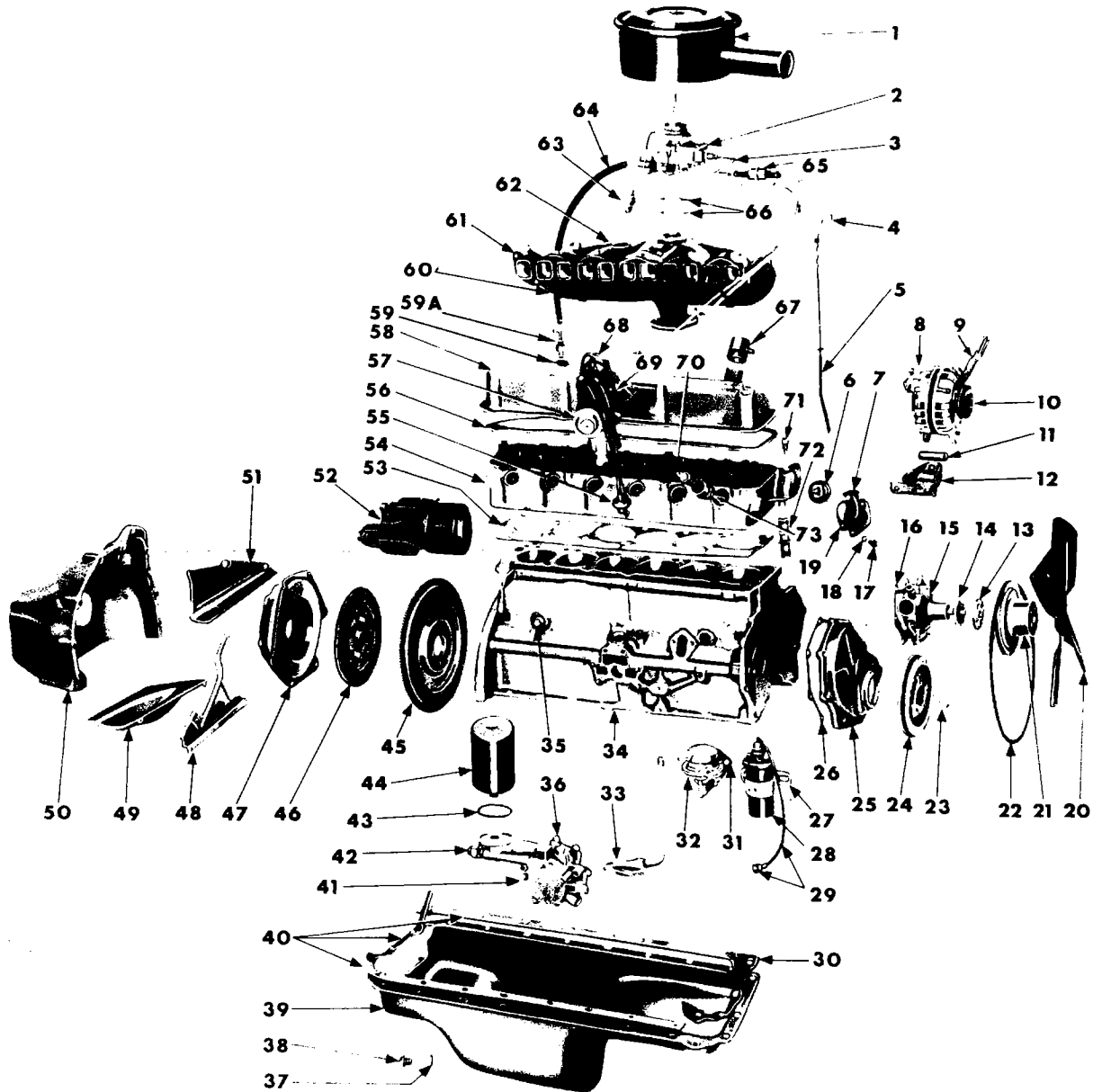
Printed in U.S.A.
January 1972

GROUP 9 - ENGINE SIX CYLINDER



**PARTS INDICATED
BY NAME ONLY - ORDER
BY DESCRIPTION**

19x8786B

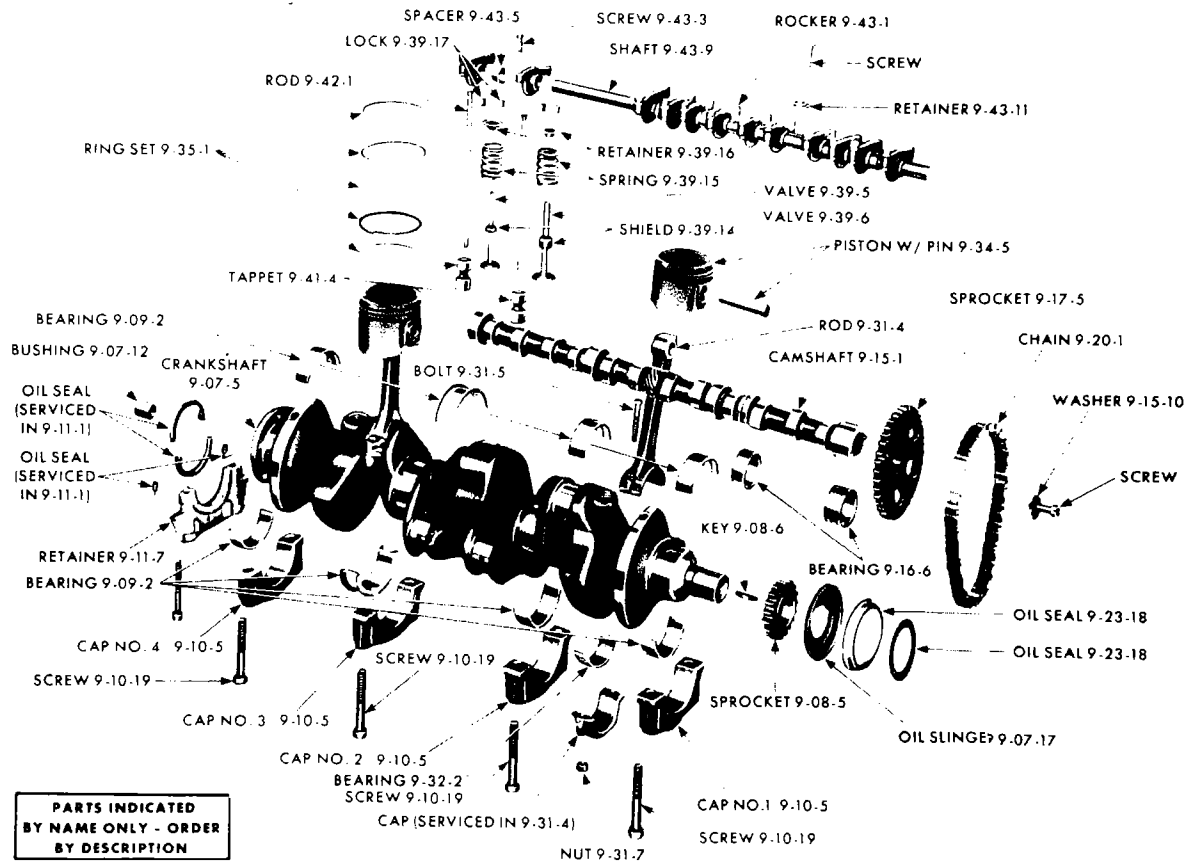


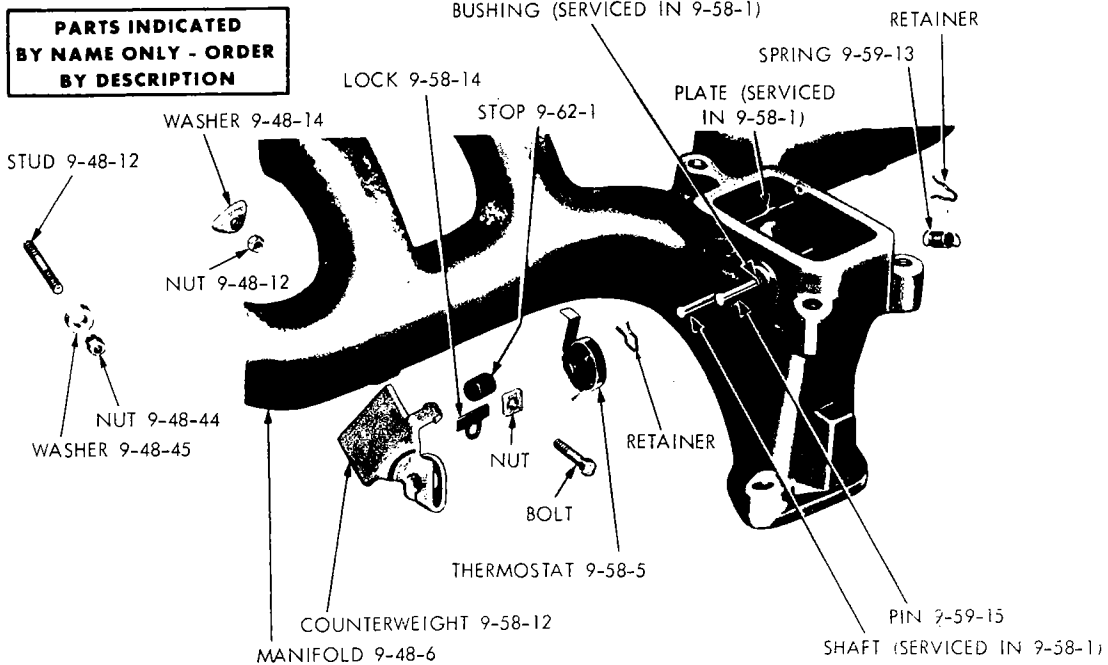
19aL2416

EXTERNAL - 198 AND 225 6 CYLINDER ENGINE

Ref. No.	Name	Part Type Code	Ref. No.	Name	Part Type Code
1	Air Cleaner	14-29-2	38	Plug	10-24-37
2	Carburetor	14-30-1	39	Pan	10-24-4
3	Tube	14-89-2	40	Gasket (Serviced in 10-24-1) . . .	
4	Indicator	10-03-4	41	Pump	10-07-6
5	Tube	10-03-7	42	Cap	10-22-40
6	Thermostat	7-41-4	43	Gasket (Serviced in 10-26-6) . . .	
7	Elbow	9-05-5	44	Filter	10-26-6
8	Alternator	8-28-3	45	Flywheel	9-45-1
9	Strap	8-28-15	46	Disc	6-13-1
10	Pulley	8-28-297	47	Cover, w/Plate	6-14-1
11	Spacer	Not Serviced	48	Seal	6-10-10
12	Bracket	8-28-36	49	Pan	6-10-2
13	Spacer	7-02-16	50	Housing	6-09-1
14	Hub	7-05-1	51	Strut	6-09-11
15	Pump Package	7-42-1	52	Starter	8-52-4
16	Gasket	7-44-4	53	Gasket	9-03-5
17	Screw		54	Head	9-03-4
18	Washer		55	Cover	8-36-117
19	Gasket	9-05-6	56	Gasket	9-03-29
20	Fan	7-02-1	57	Distributor	8-27-1
21	Pulley	7-06-14	58	Cover	9-03-28
22	Belt	7-03-1	59	Grommet	10-02-61
23	Key	9-08-5	59A	Valve	10-02-62
24	Damper	9-13-5	60	Manifold	9-48-6
25	Cover	9-23-5	61	Gasket (Serviced in 9-50-1)	
26	Gasket	9-23-17	62	Manifold	9-48-7
27	Bracket	8-35-41	63	Choke	14-39-45
28	Coil	8-35-4	64	Hose	10-02-53
29	Cable	8-36-49	65	Fuel Filter	14-67-1
30	Gasket	10-24-1	66	Gasket	14-30-2
31	Gasket	14-74-1	67	Air Cleaner	10-01-21
32	Pump Package	14-73-1	68	Cable Set	8-36-1
33	Strainer, w/Pipe	10-23-7	69	Cap	8-27-71
34	Block	9-02-5	70	Spark Plug	8-36-114
35	Plug		71	Sending Unit	8-37-155
36	Gasket	10-07-11	72	Hose, Water Pump By-Pass	7-14-9
37	Gasket	10-24-38	73	Tube	8-36-136

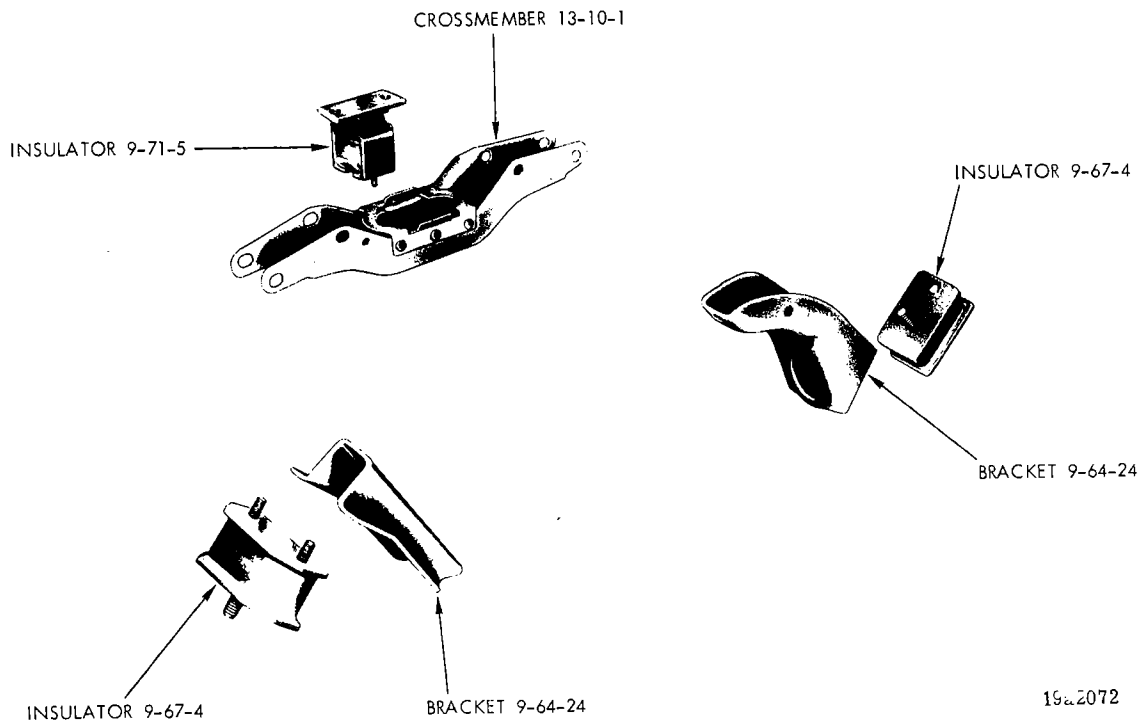
PARTS INDICATED BY NAME ONLY - ORDER BY DESCRIPTION



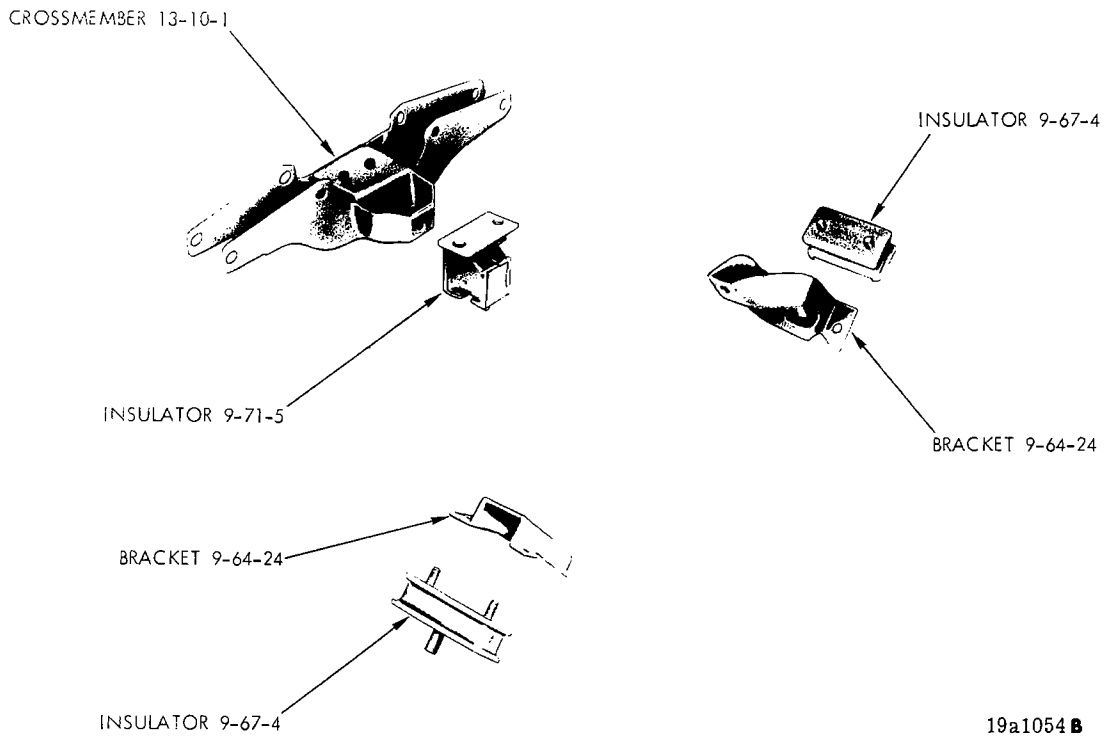


19a0315 D

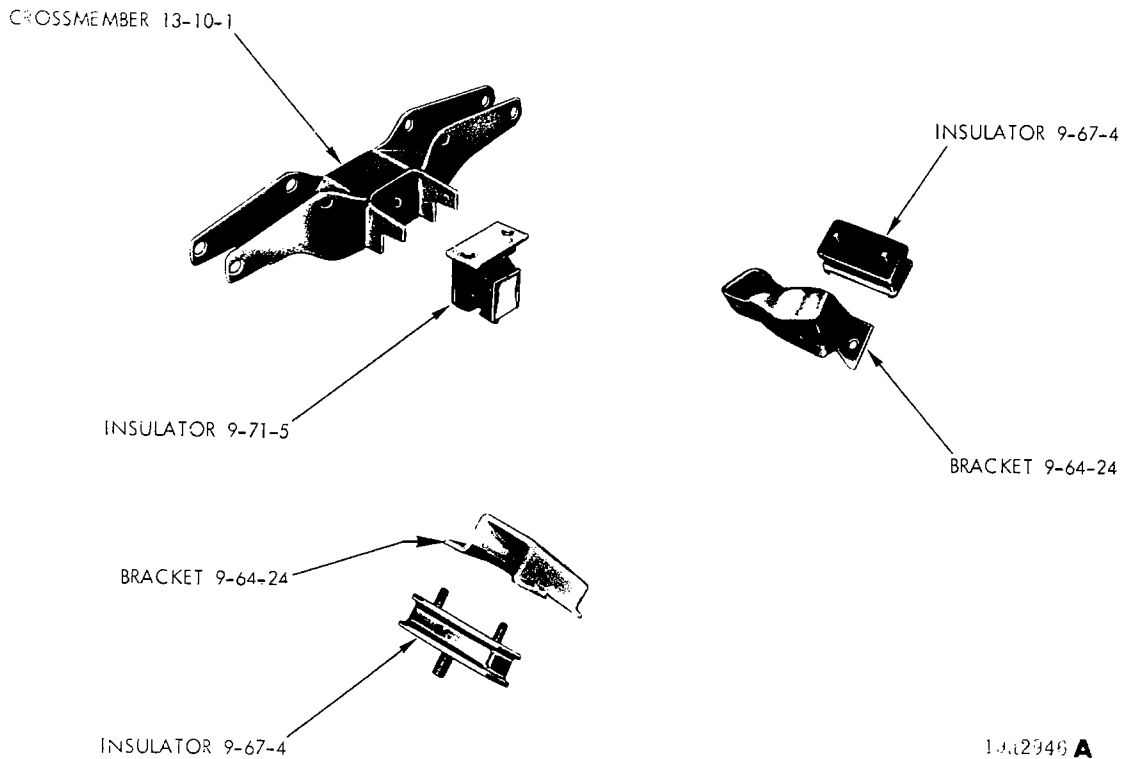
EXHAUST MANIFOLD AND HEAT CONTROL - 6 CYLINDER ENGINES



19a2072



ENGINE MOUNTINGS - BELVEDERE, CORONET AND CHARGER (6 CYLINDER ENGINES)



ENGINE MOUNTINGS - BARRACUDA AND CHALLENGER (6 AND 8 CYLINDER)

