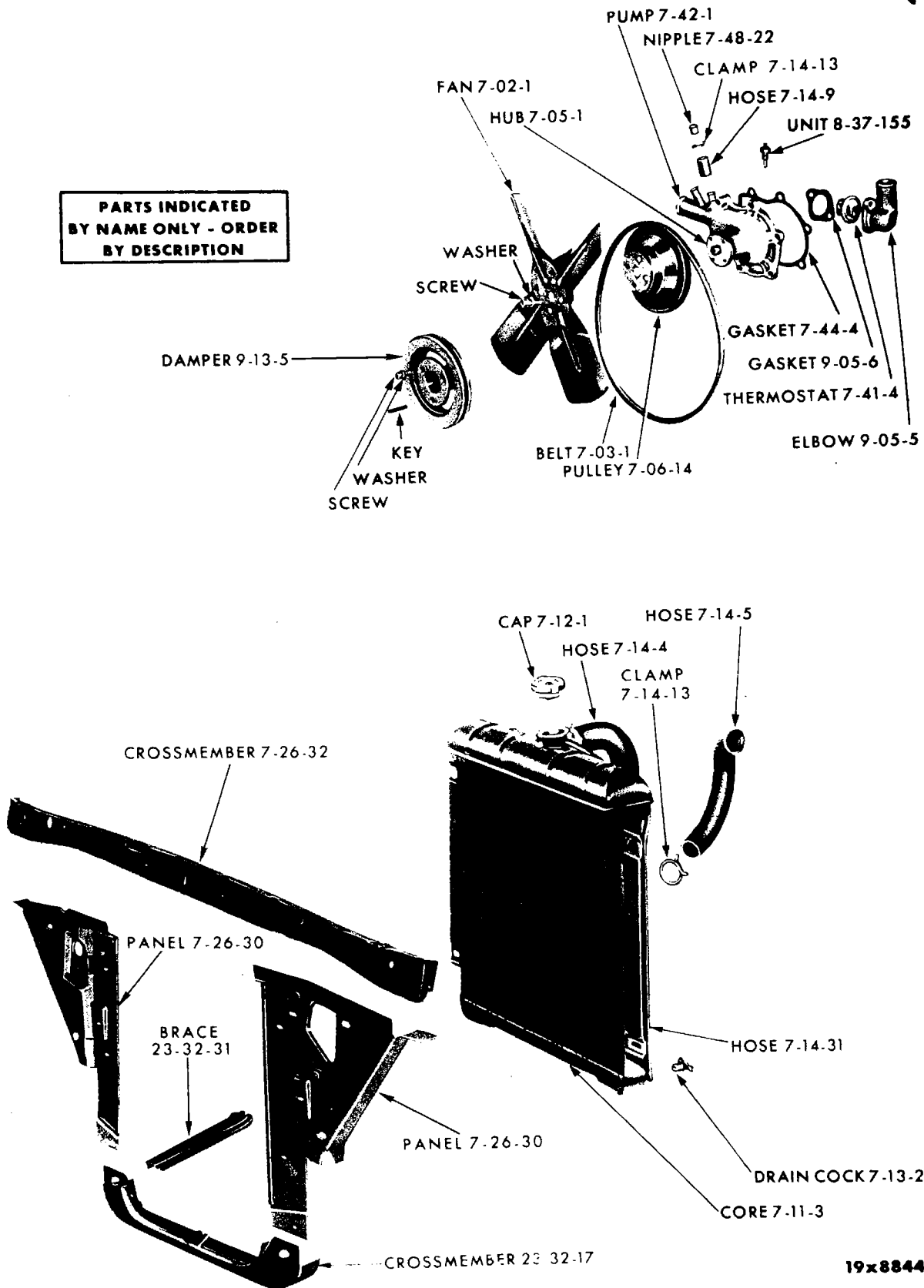
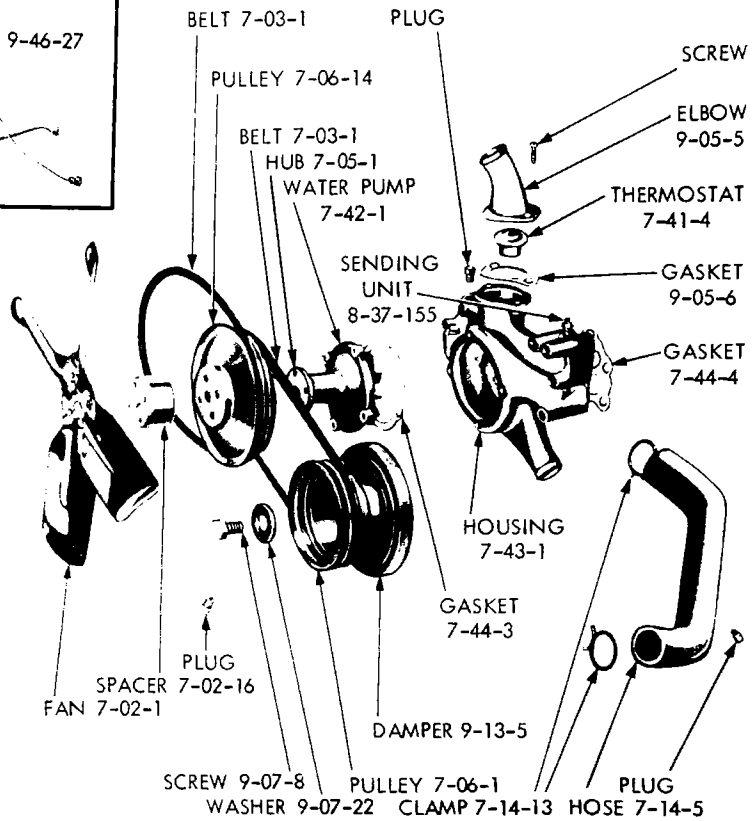
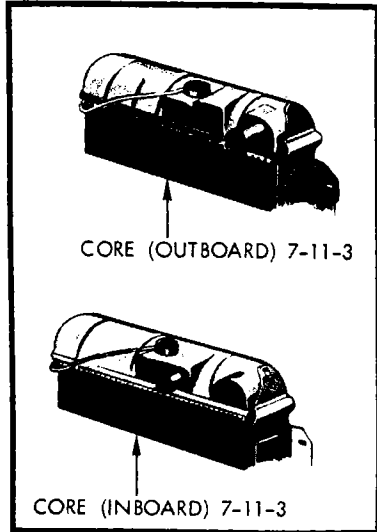
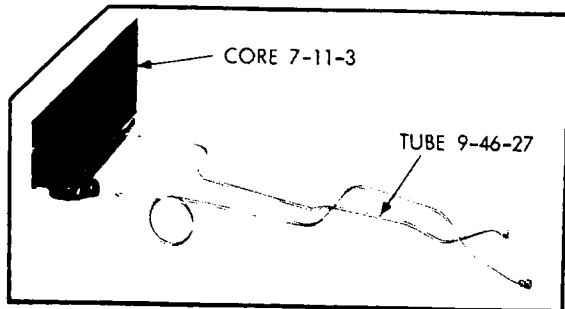


GROUP 7 - COOLING

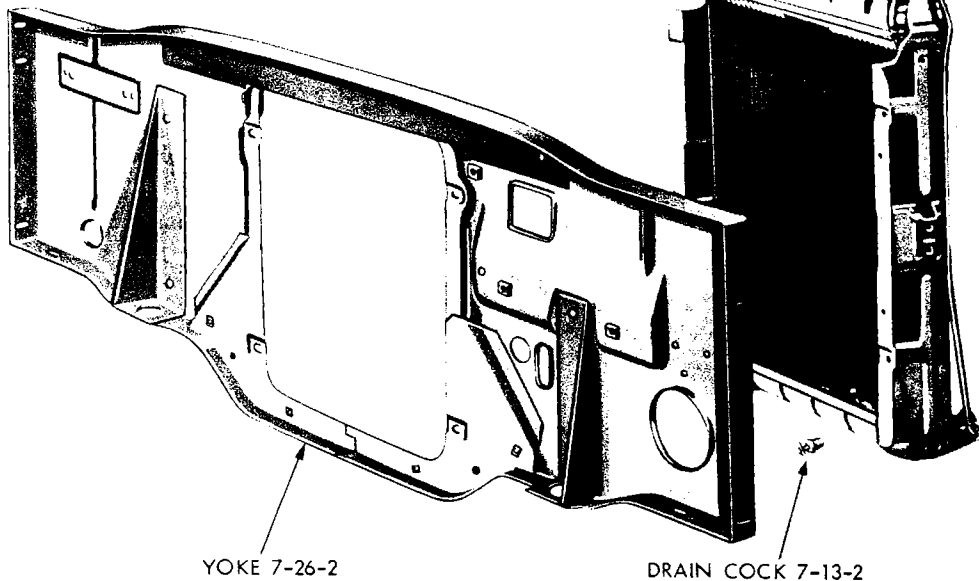
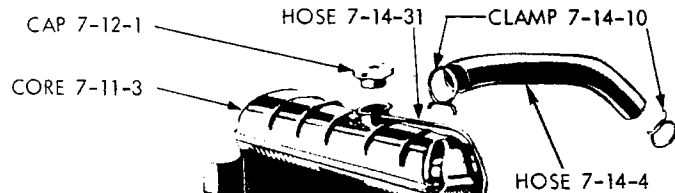
PARTS INDICATED BY NAME ONLY - ORDER BY DESCRIPTION



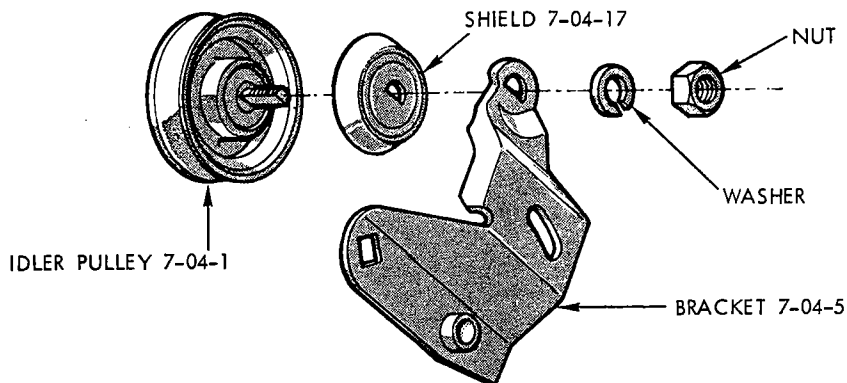
19x8844F



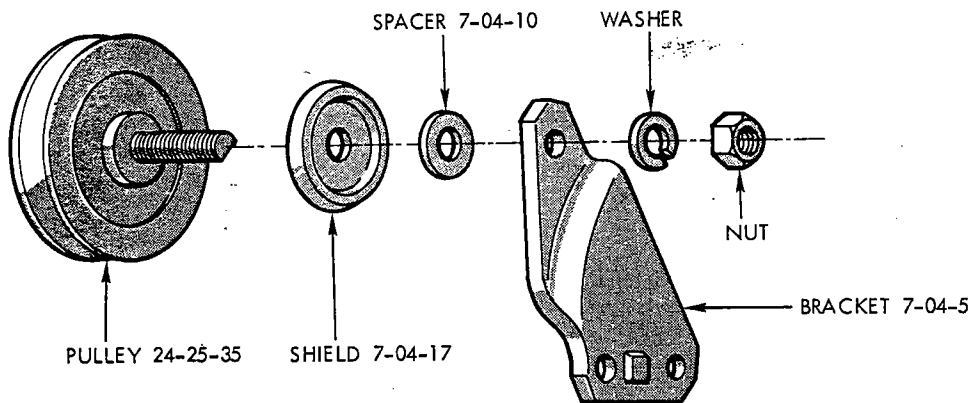
**PARTS INDICATED
BY NAME ONLY - ORDER
BY DESCRIPTION**



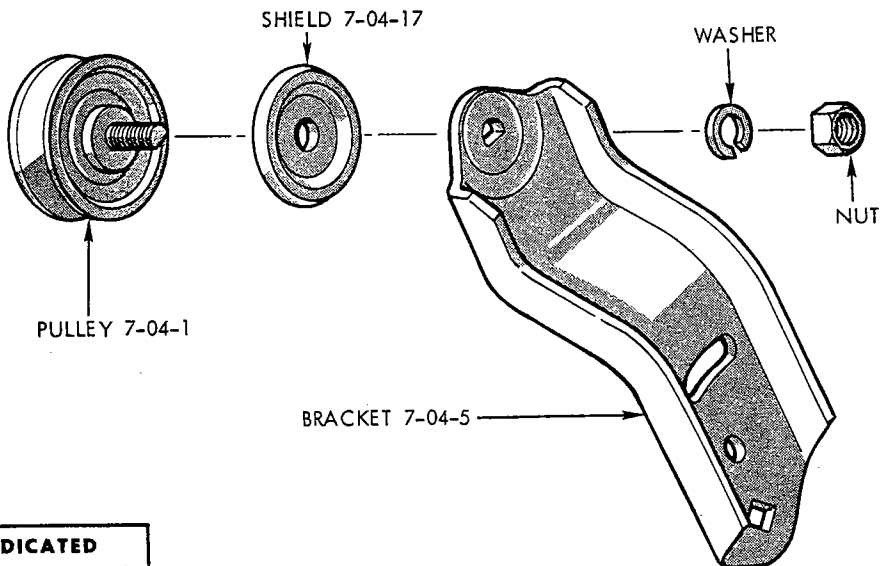
19a0269C



8 CYLINDER 318 - 340 ENGINE



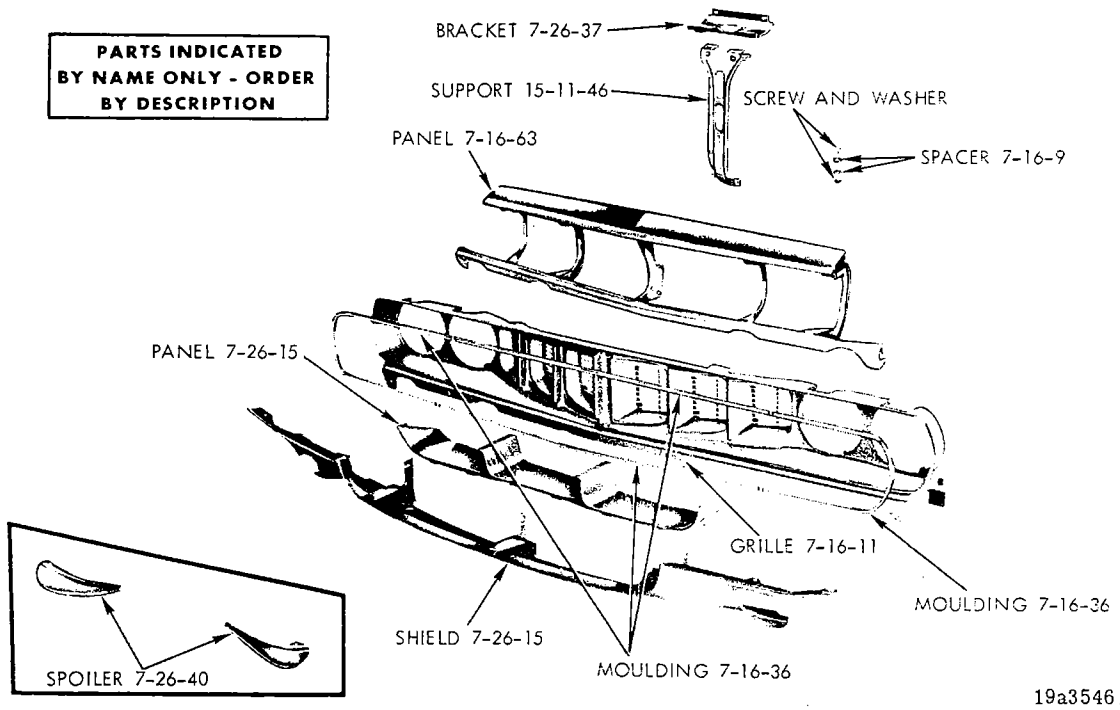
6 CYLINDER 225 ENGINE



**PARTS INDICATED
BY NAME ONLY - ORDER
BY DESCRIPTION**

8 CYLINDER 383 - 440 ENGINE

**PARTS INDICATED
BY NAME ONLY - ORDER
BY DESCRIPTION**

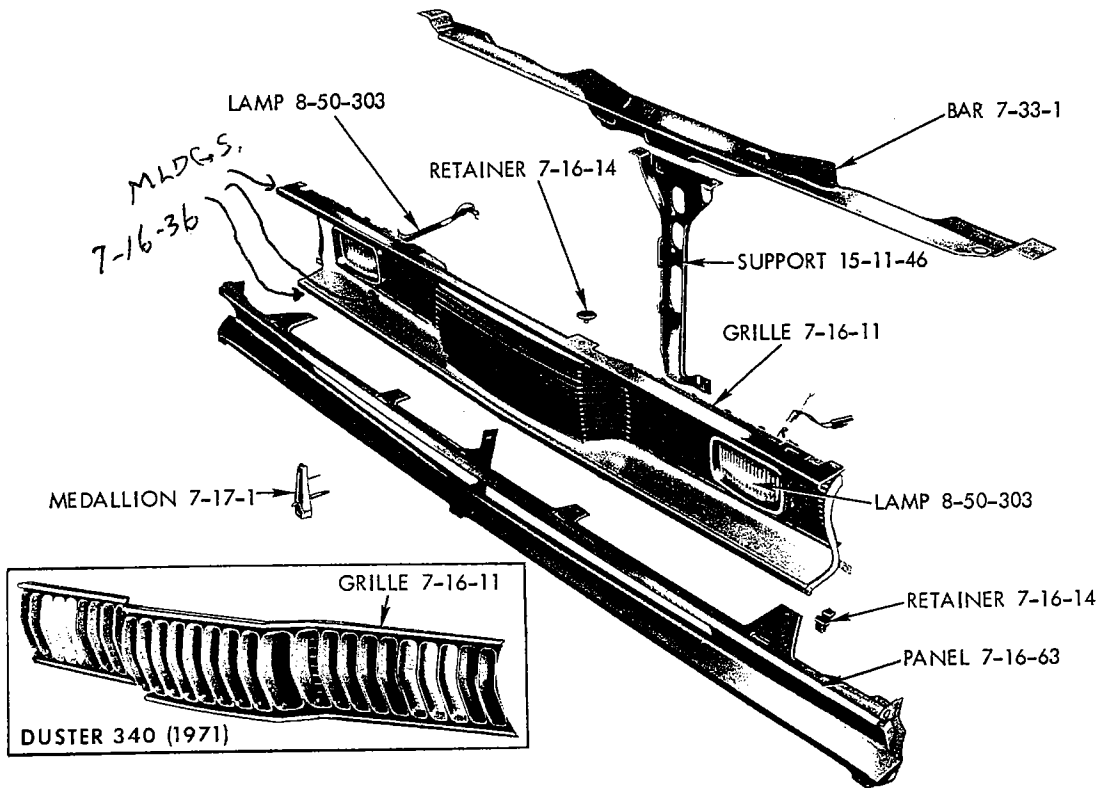


19a3546 A

GRILLE - BARRACUDA (1971)

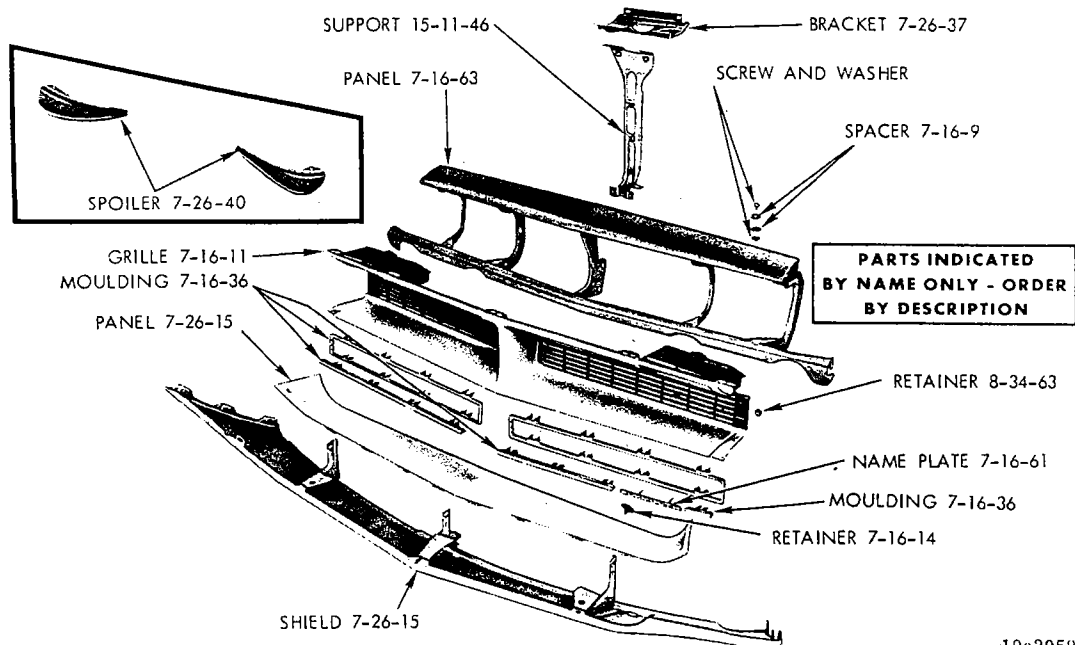
NOTES

Series of horizontal lines for handwritten notes.



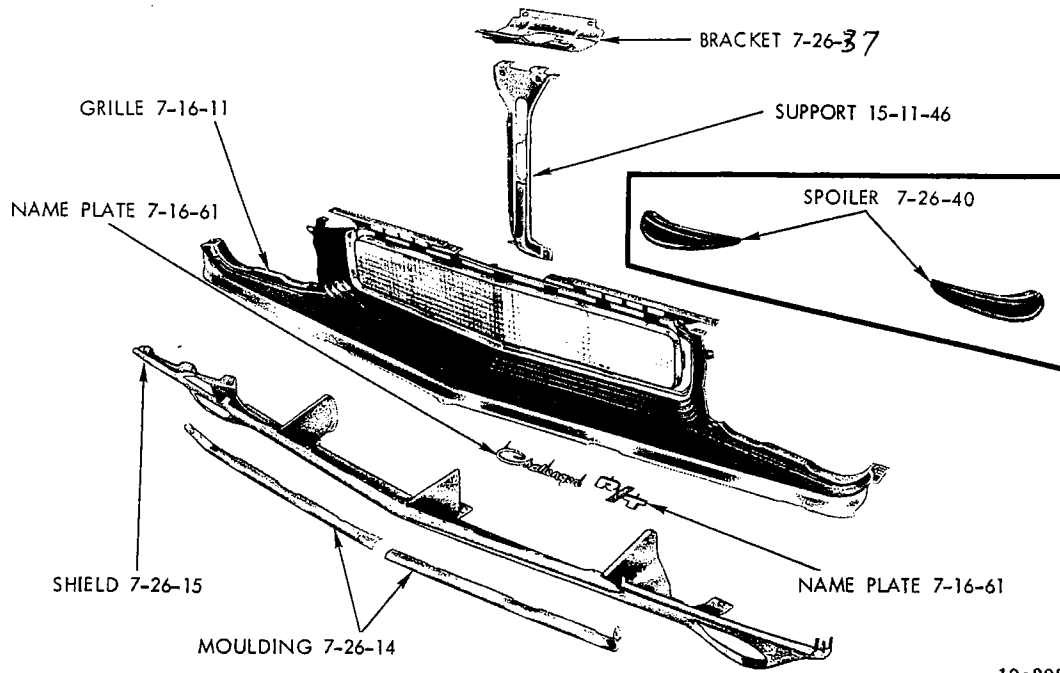
19a3124 B

GRILLE - VALIANT AND DUSTER (1970-71)



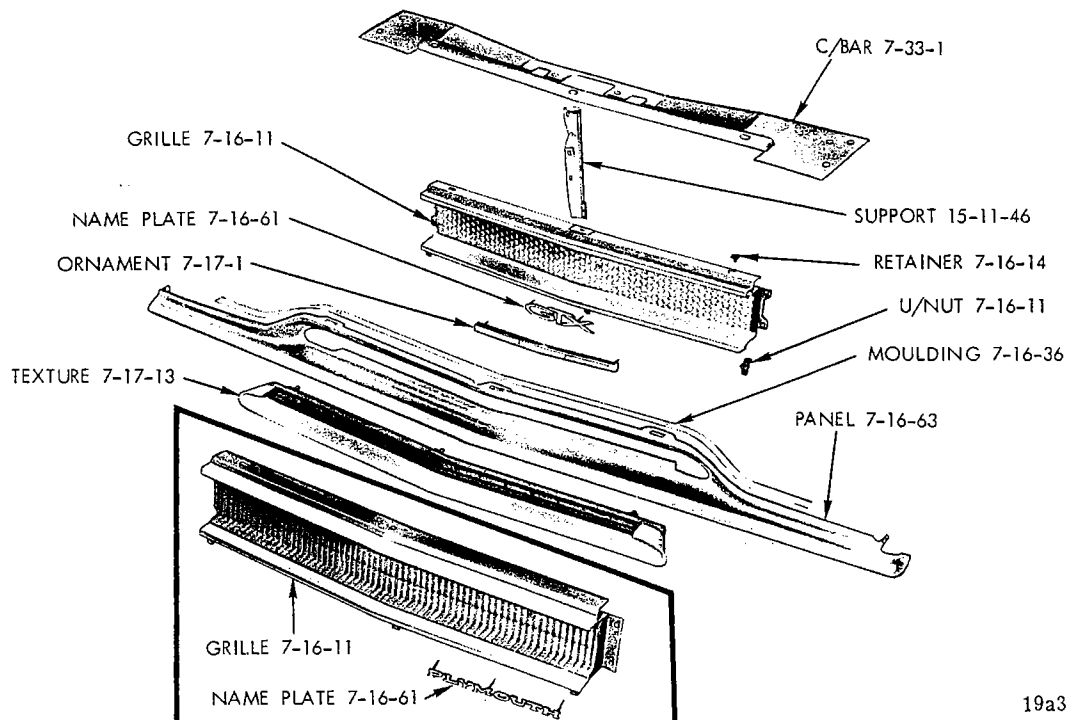
19a2958 B

GRILLE - BARRACUDA (1970)

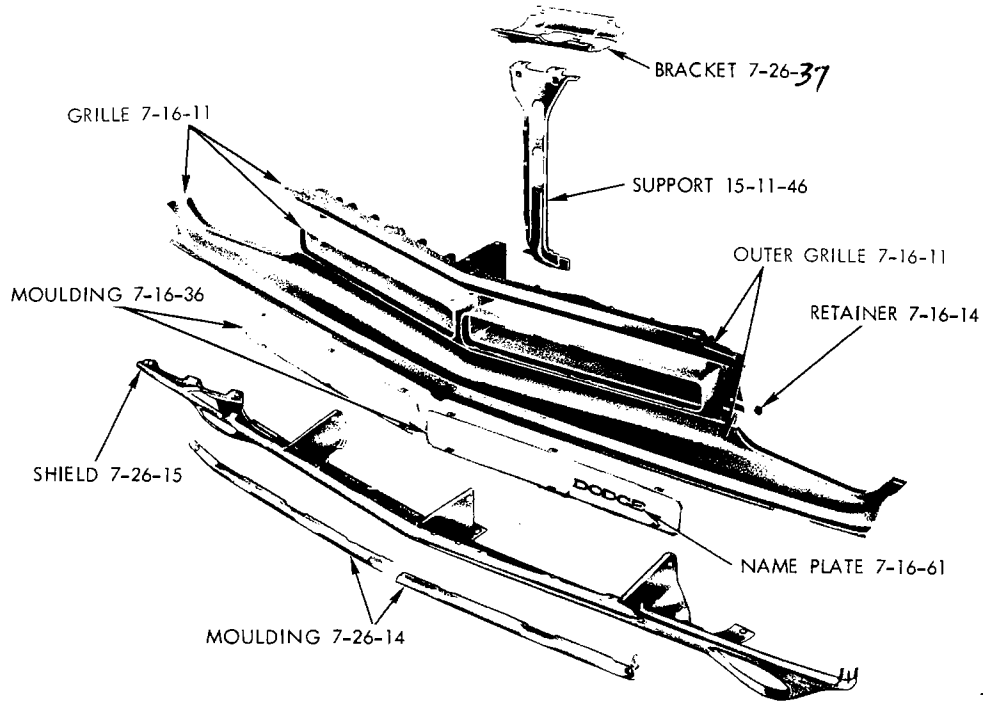


19a2920A

GRILLE - CHALLENGER (1970)

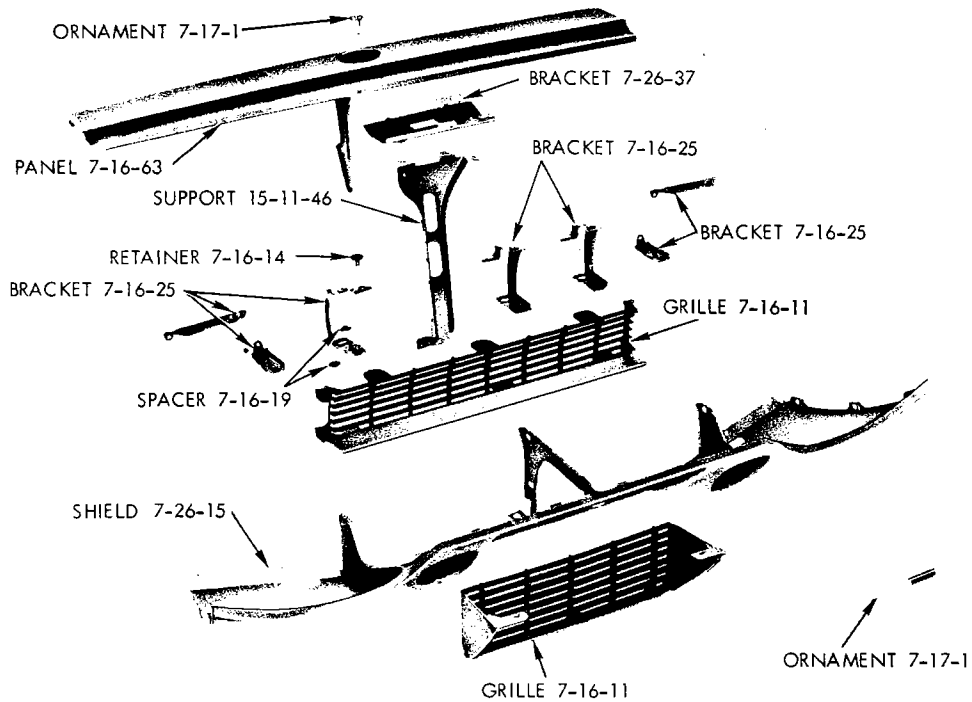


19a3125B

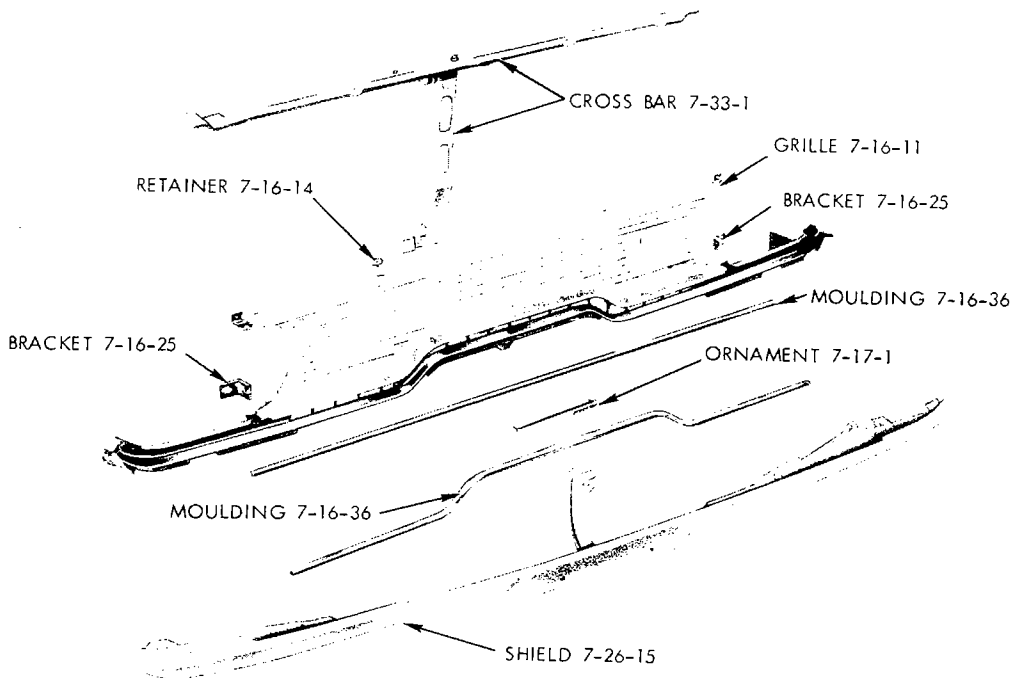


19a3447 B

GRILLE - CHALLENGER (1971)

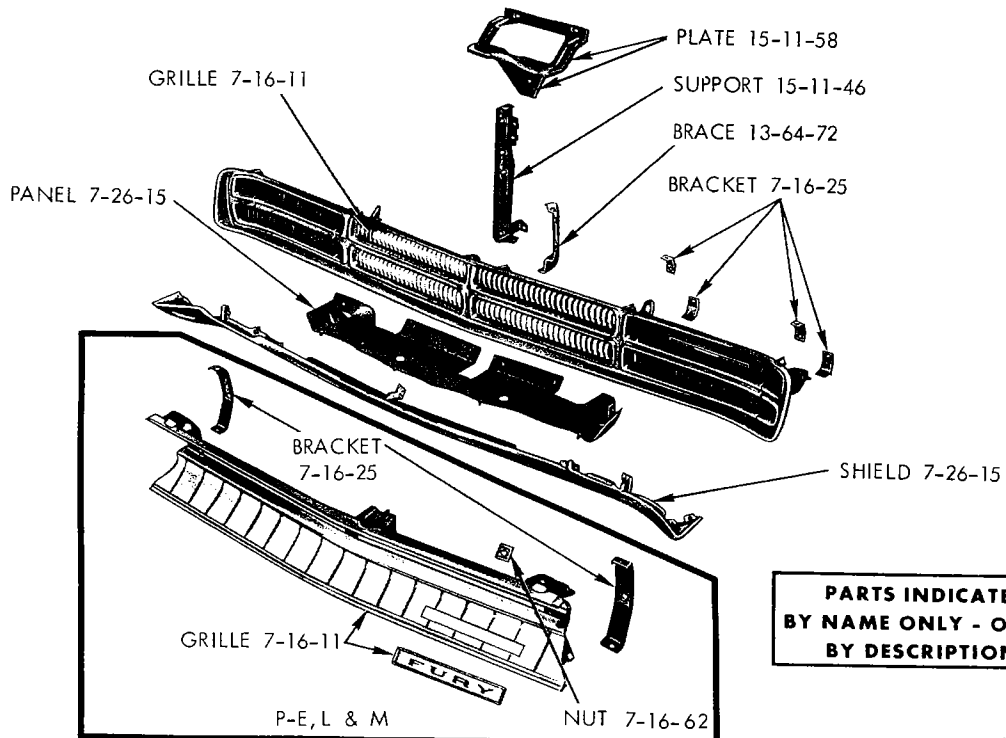


19a3448 C



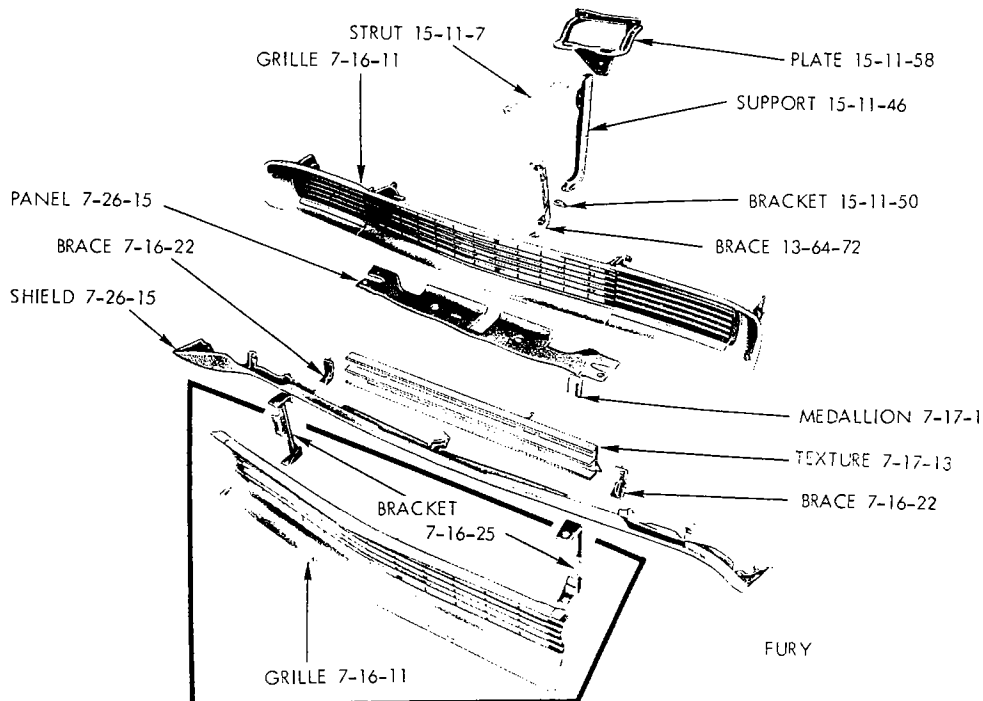
19a3455 A

GRILLE - SATELLITE 4 DOOR SEDAN AND WAGON (1971)



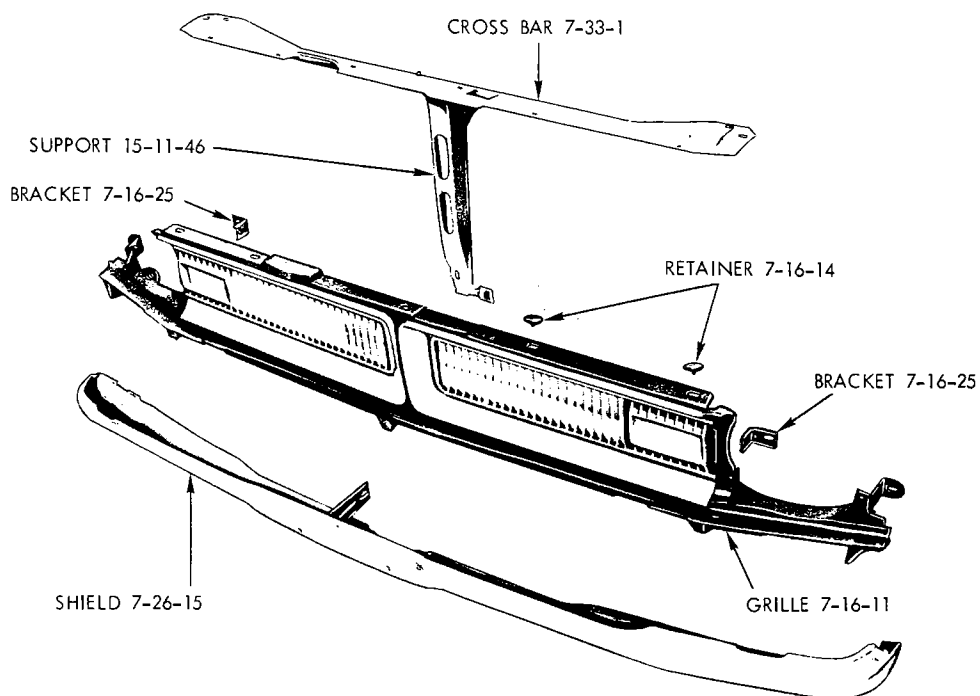
19a3464 B

GRILLE - PLYMOUTH FURY (1971)

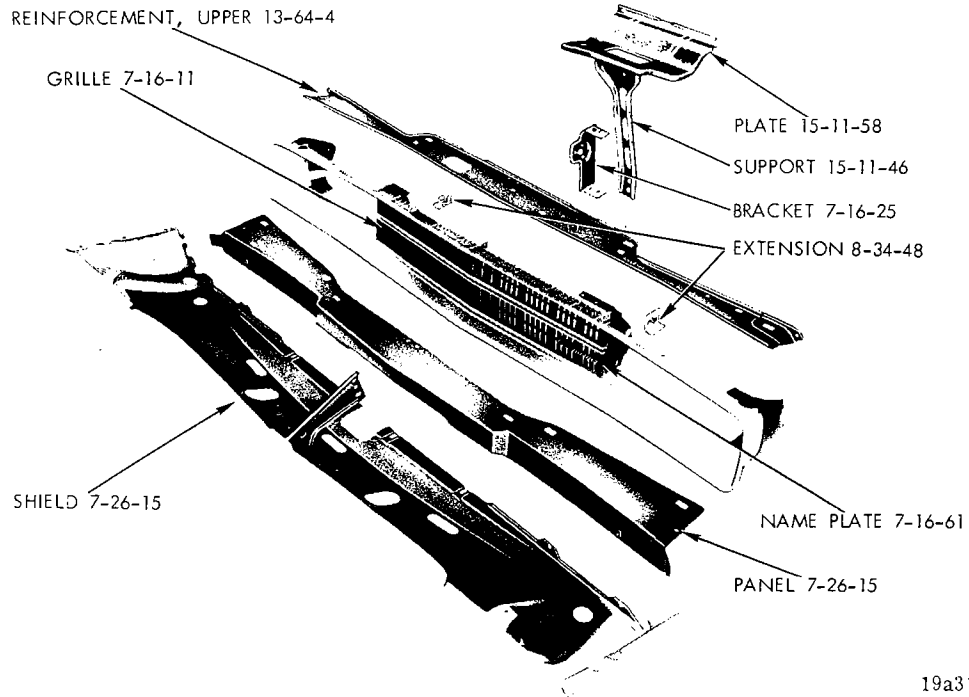


19a3101B

GRILLE - PLYMOUTH (1970)

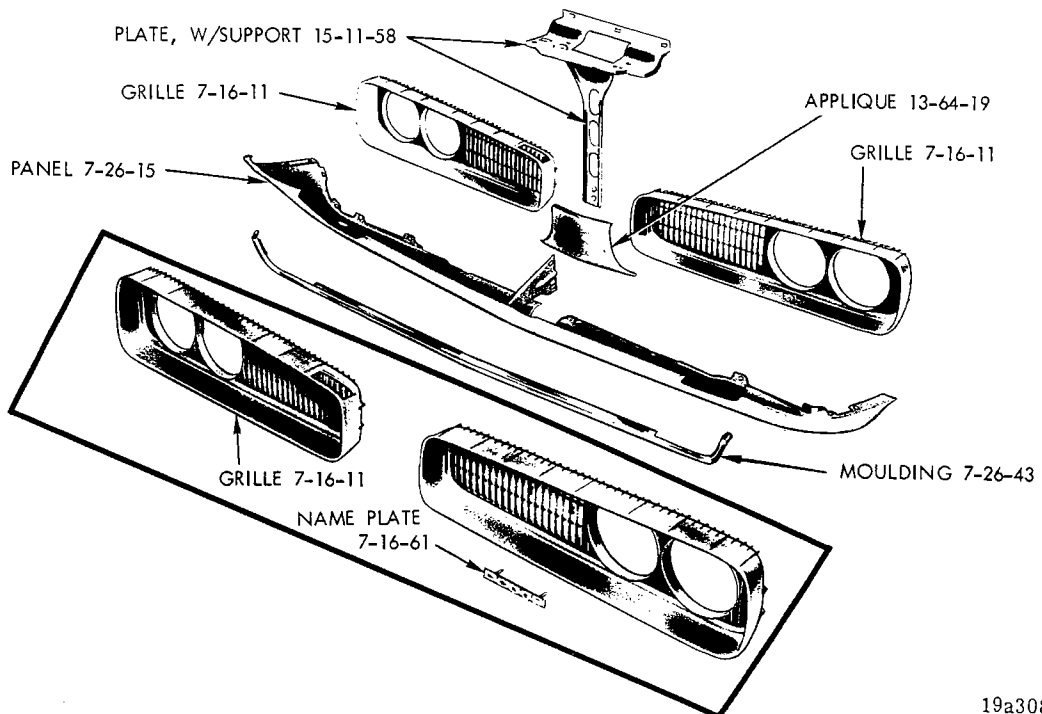


19a3089



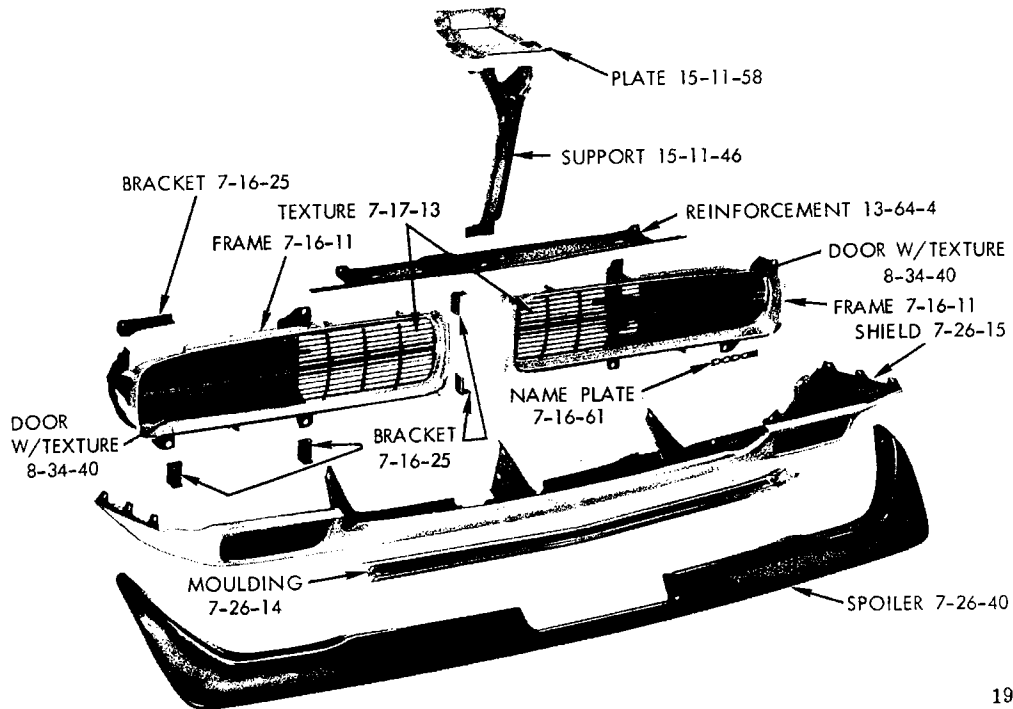
19a3102

GRILLE - CHARGER



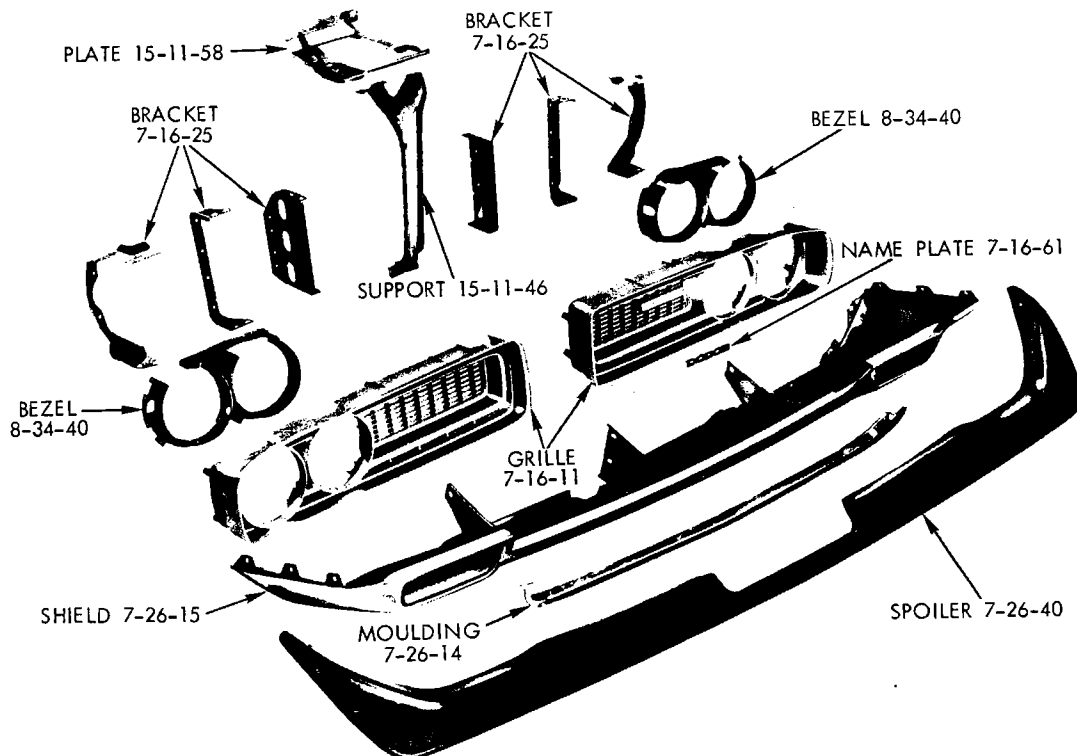
19a3088

GRILLE - CORONET



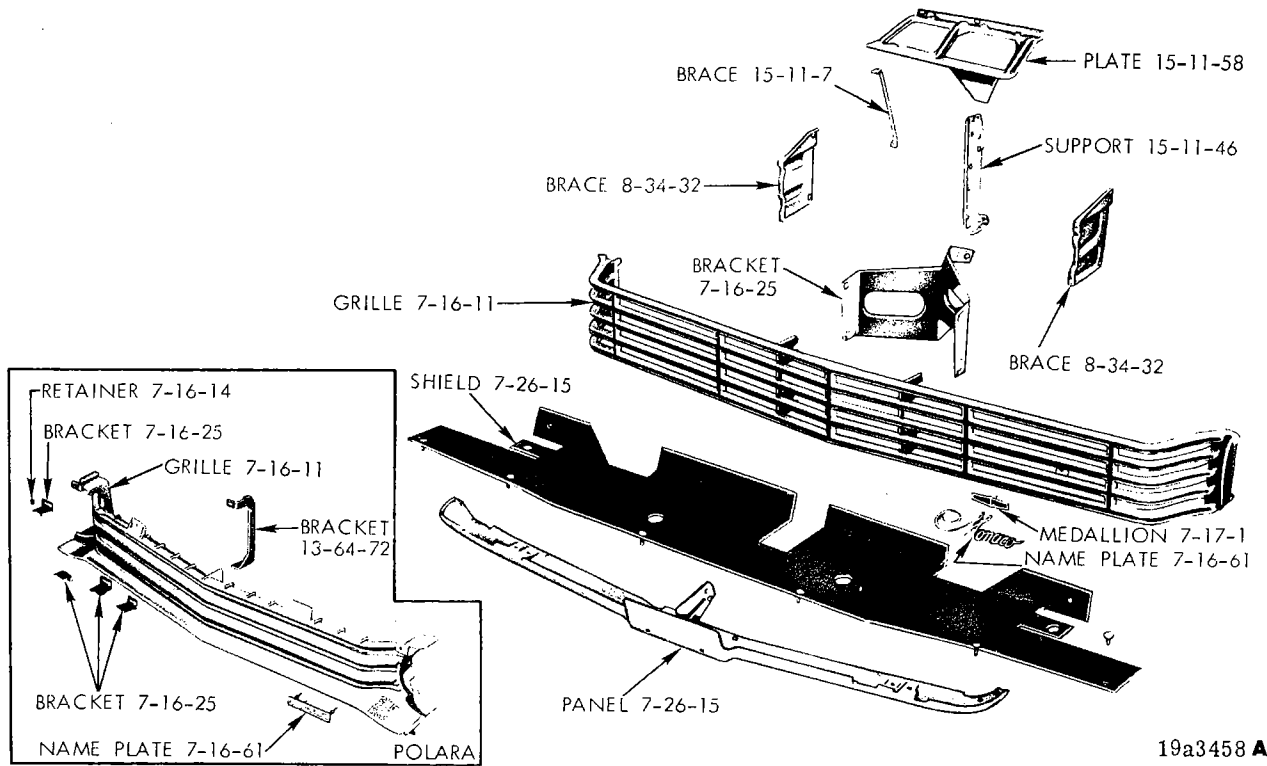
19a3457 A

GRILLE - CORONET CHARGER SE (1971)

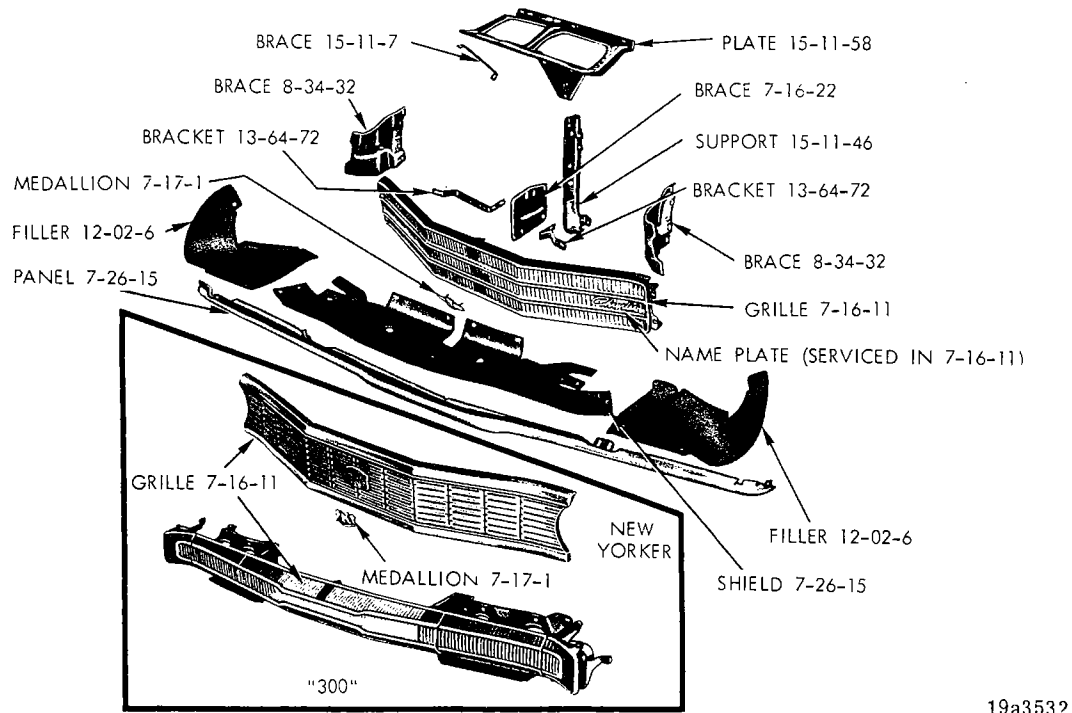


19a3454

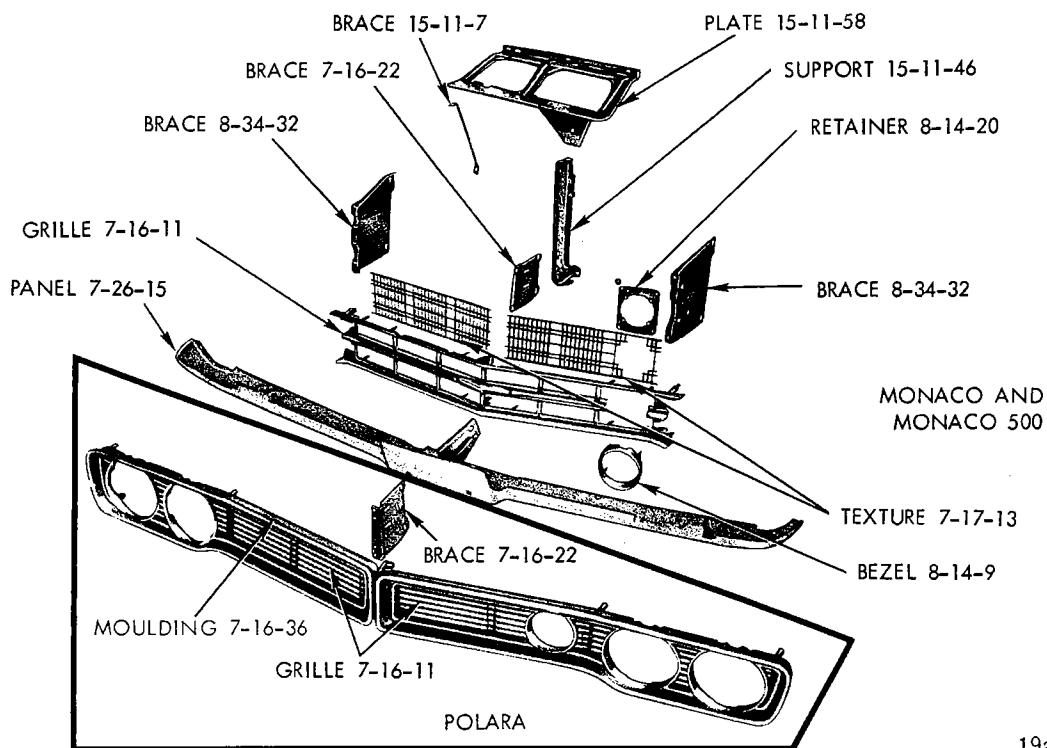
GRILLE - CORONET 2 DOORS (1971)



GRILLE - DODGE (1971)

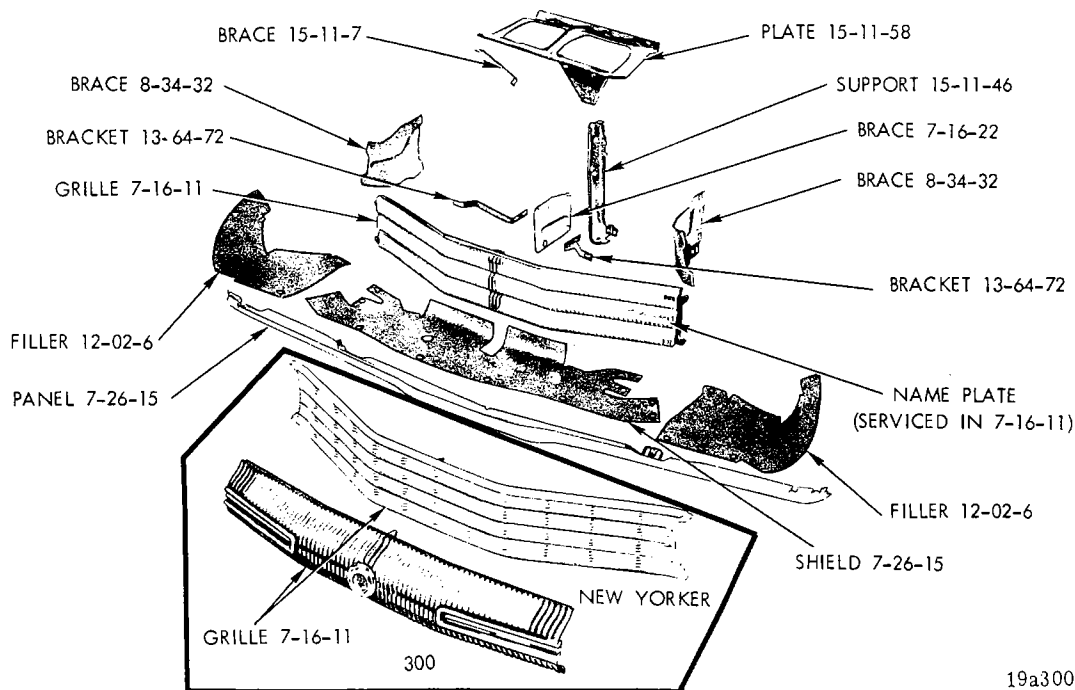


GRILLE - CHRYSLER (1971)



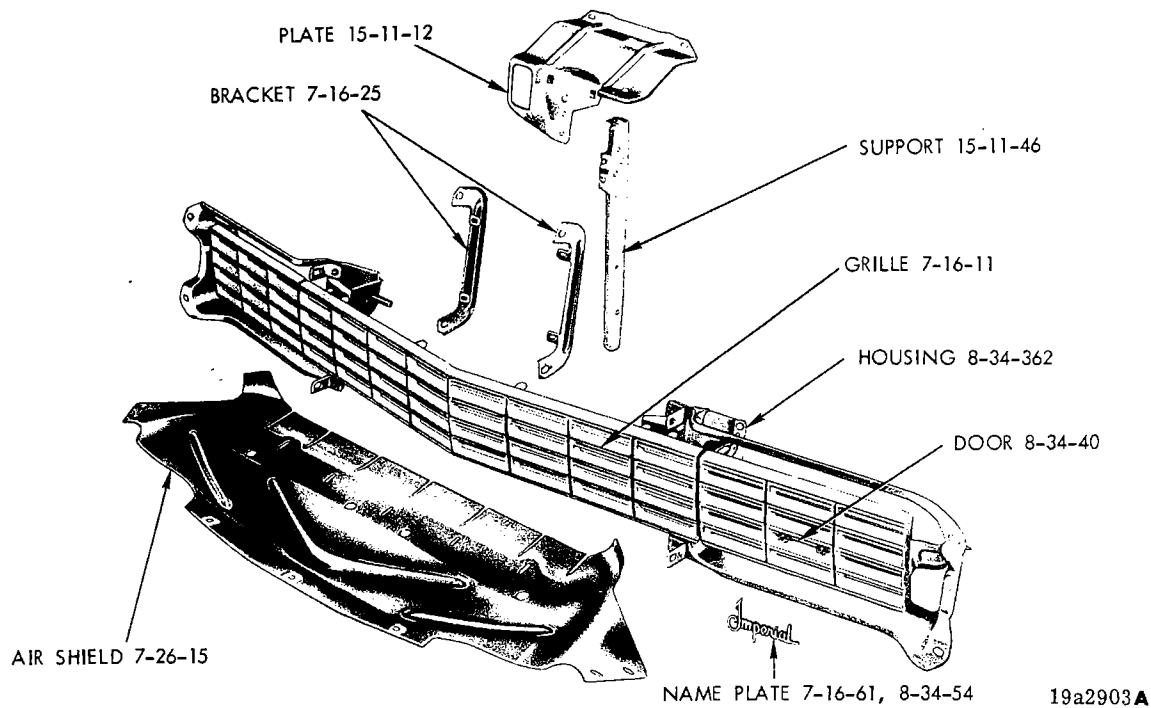
19a3050 B

GRILLE - DODGE

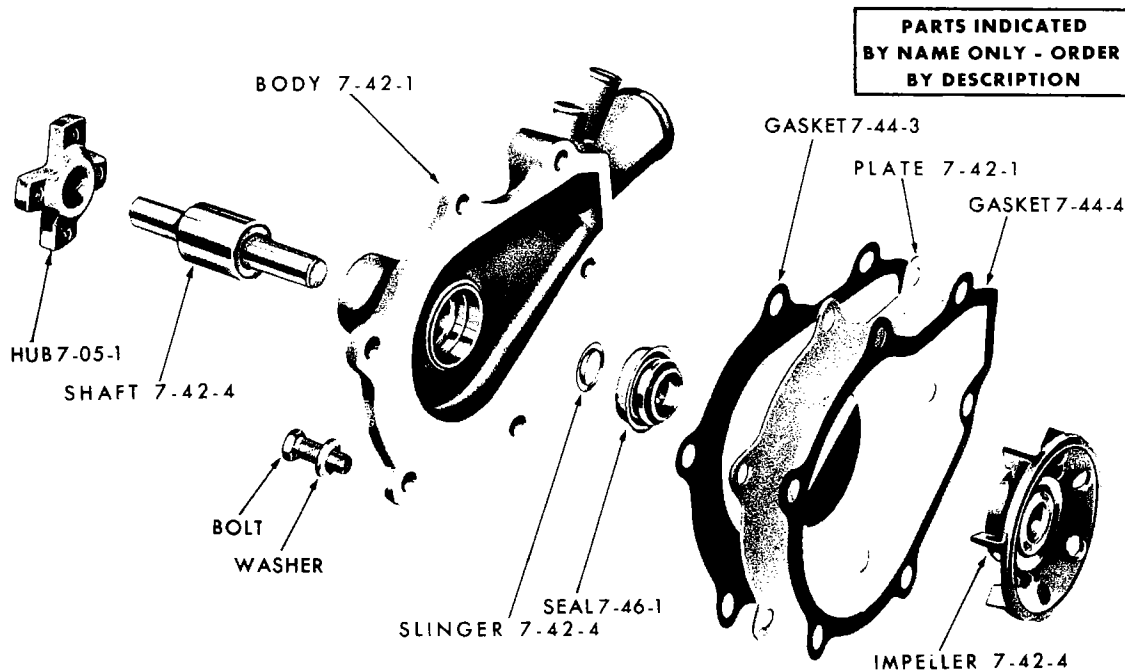


19a3005

GRILLE - CHRYSLER

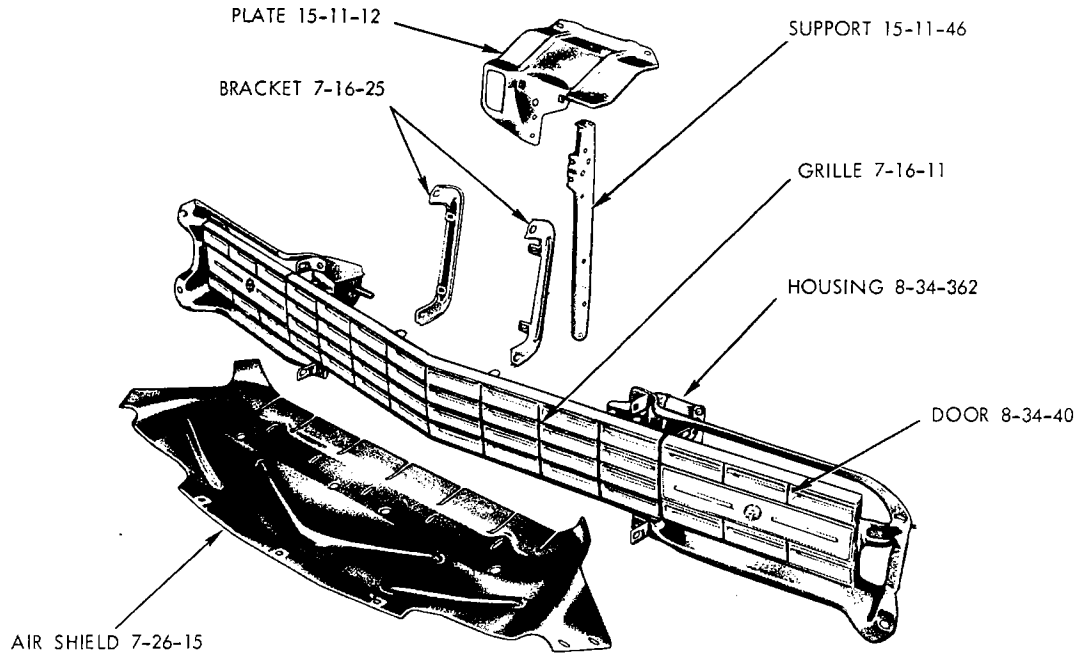


GRILLE - IMPERIAL



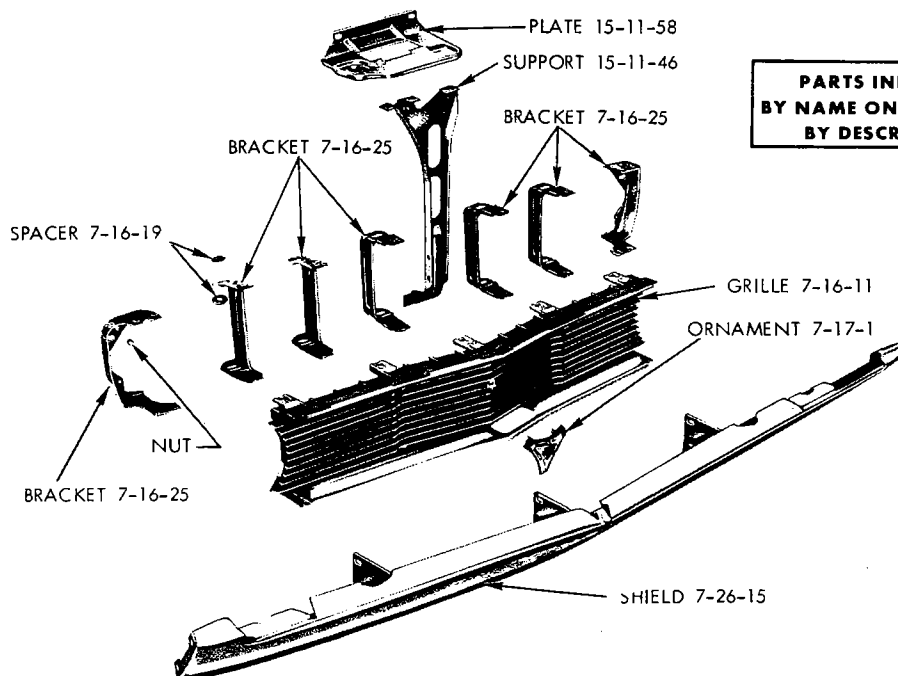
19x8683D

WATER PUMP - 6 CYLINDER



19a3531

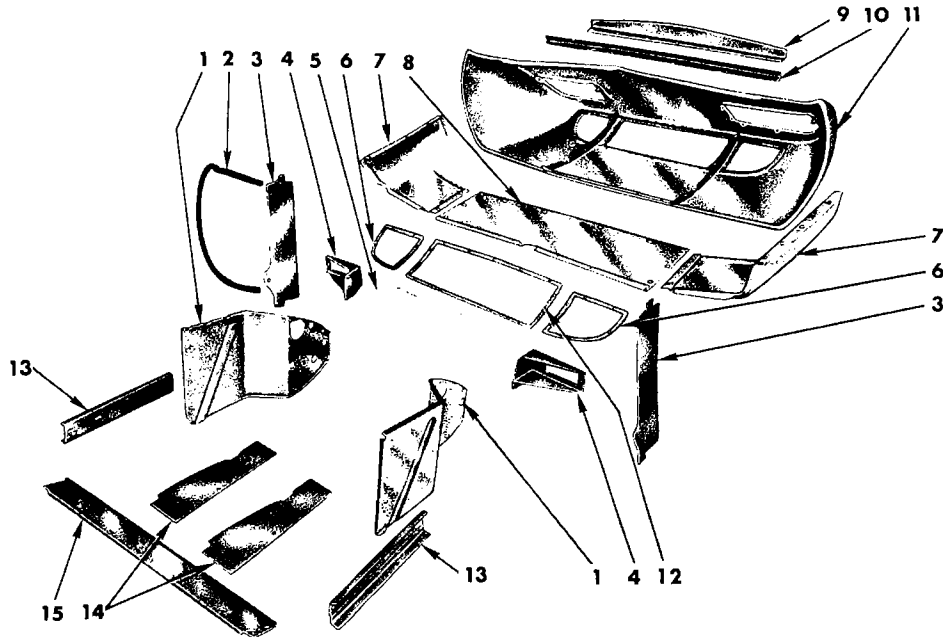
GRILLE - IMPERIAL (1971)



**PARTS INDICATED
BY NAME ONLY - ORDER
BY DESCRIPTION**

19a3453

GRILLE - CORONET 4 DOOR SEDAN AND WAGONS (1971)

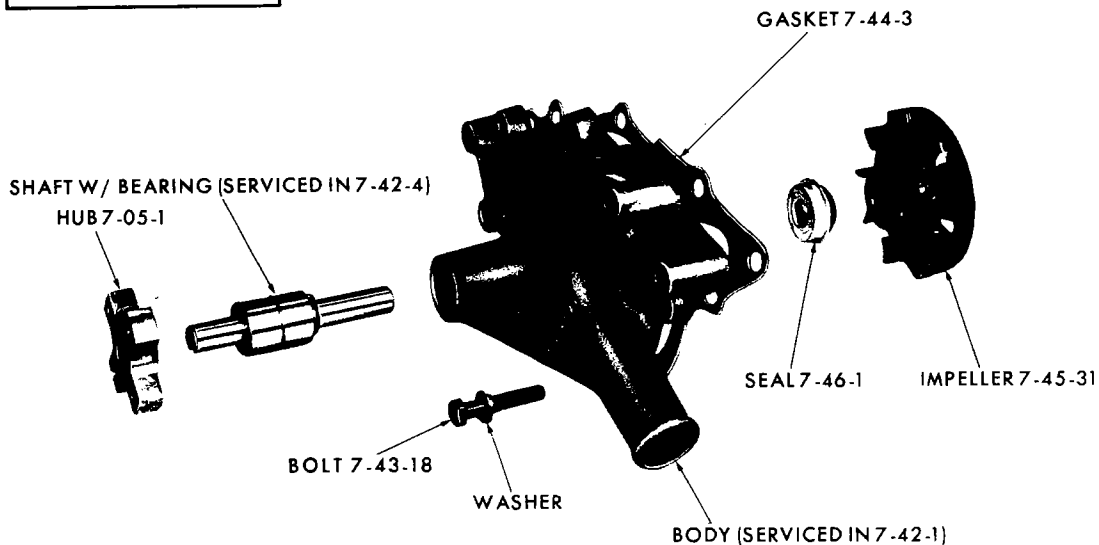


19a3317

NOSE CONE - SUPERBIRD (1970)

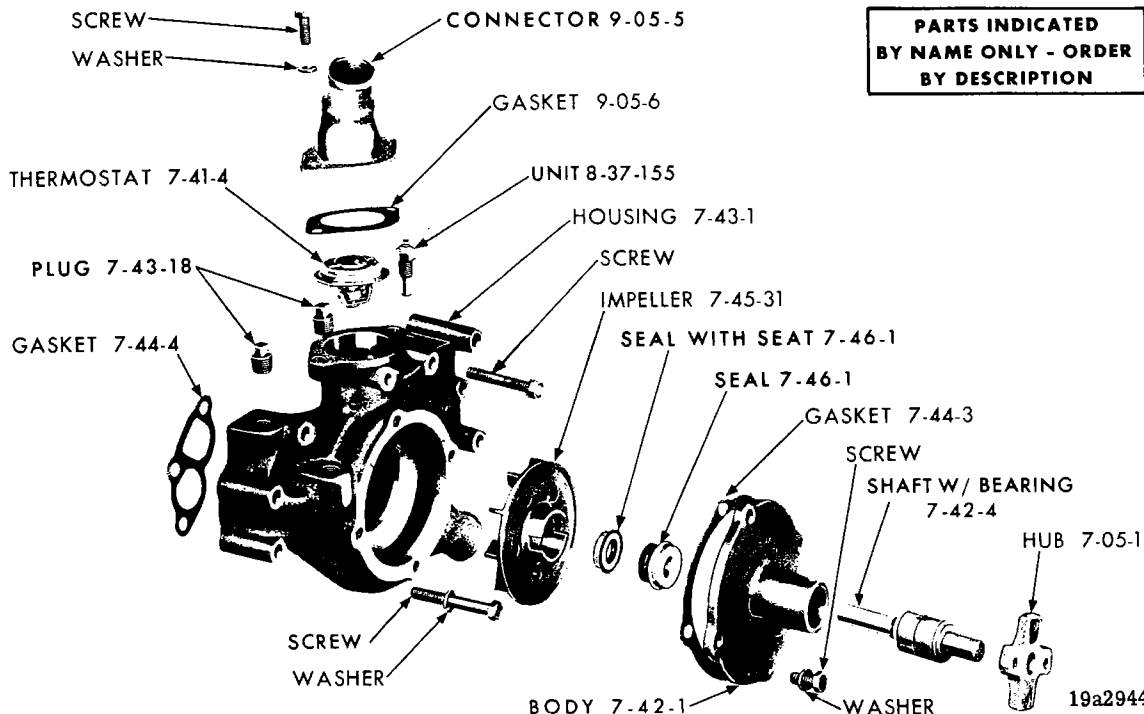
REF. NO.	PART NUMBER	DESCRIPTION
1	3412 606-7	BULKHEAD
2	3571 162	SEAL
3	3571 163	SEAL
4	3571 154-5	BRACKET
5	3571 156	PANEL
6	3571 146-7	FRAME
7	3571 167-8	PANEL
8	3571 148	PANEL
9	3412 616	SPOILER
10	3571 174	TRIP
11	3571 192	NOSE CONE ASSY. (SHEET METAL ONLY)
11	3571 101	NOSE CONE ASSY. COMPLETE
12	3571 157	FRAME
13	3571 150-1	SUPPORT
14	3571 172	SEAL
15	3571 152	CROSSMEMBER

PARTS INDICATED
BY NAME ONLY - ORDER
BY DESCRIPTION



19x9447 A

WATER PUMP - 318 AND 340 ENGINE



19a2944

WATER PUMP - 383, 426 AND 440 ENGINES

Figure 1

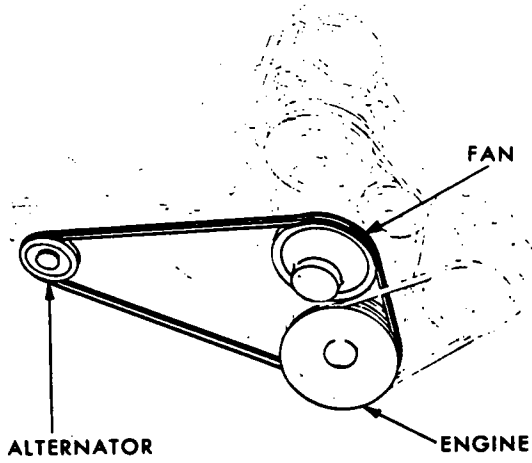


Figure 2

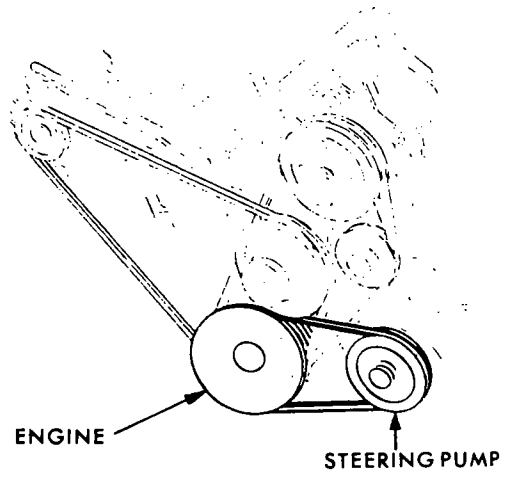


Figure 3

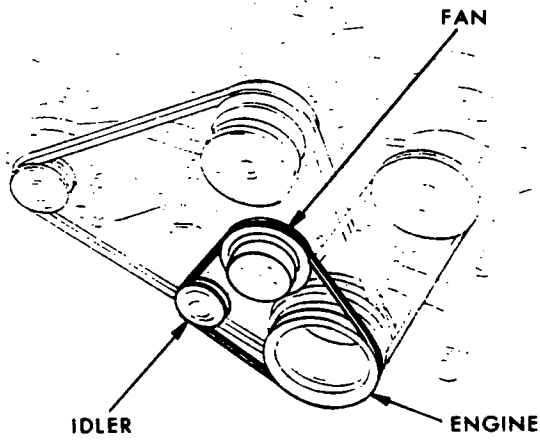


Figure 4

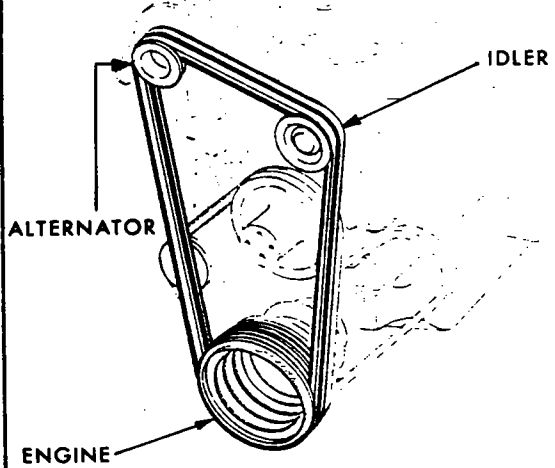


Figure 5

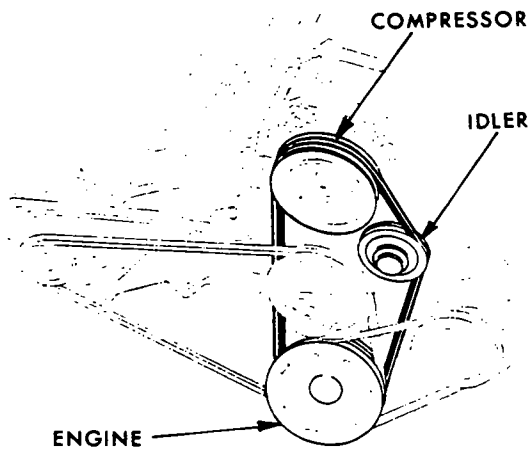
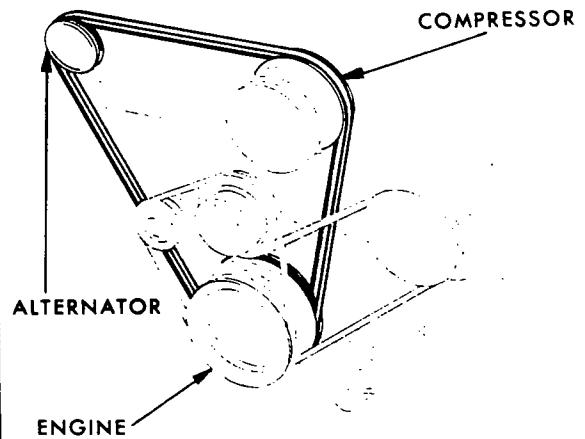


Figure 6



19x9214A

CODE	PART NAME	ENG. TYPE OR CU.IN.	V	B	L	R	W	P	D	C	C	C	Y	PART NUMBER
			1-2	1-2	1-2	1-2	1-2	1-2	1-2	1	2	3	1	
7-02-0 FAN ASSEMBLY														
7-02-1	FAN, STANDARD W/198, 225 Eng.													
	4 Blades 17" Dia.		1	1	1	1	1	1	1	—	—	—	—	1947 907
	W/225 Eng. 4 Blades 18" Dia. 71		—	—	—	—	—	1	1	—	—	—	—	2780 920
	W/318 Eng. 4 Blades 18" Dia.		—	1	—	1	1	1	1	—	—	—	—	2265 034
	W/318, 360, 383, 440 Eng. 7 Blades 18" Dia.		1	1	1	1	1	1	1	1	1	1	—	2863 224
	W/340 Eng. 7 Blades 18" Dia.		1	—	1	—	—	—	—	—	—	—	—	2863 215
	W/340, 426 Eng. 7 Blades 18 1/2" Dia.		—	1	—	1	1	—	—	—	—	—	—	2863 216
	Fan, A/Conditioning													
	W/198, 225 Eng. 7 Blades 17" Dia.		1	—	1	—	—	—	—	—	—	—	—	2863 200
	W/225 Eng. 4 Blades 18" Dia. 70		—	1	—	1	1	1	1	—	—	—	—	2780 920
	W/225 Eng. 4 Blades 18" Dia. 71		—	1	—	1	1	—	—	—	—	—	—	2780 920
	W/225 Eng. 7 Blades 18" Dia. 70		—	—	—	—	—	1	1	—	—	—	—	2863 213
	W/318 Eng. W/2.71 And 2.76 to 1 Axle Ratio 5 Blades 70		—	—	—	—	—	1	1	—	—	—	—	3462 109
	W/318 Eng. W/2.71 or 2.76 Axle Ratio 18 1/4" Dia. (Flex. Blade) 71		—	1	—	1	1	1	1	—	—	—	—	3462150
	W/318, 340, 360, 383, 426, 440 Eng. 7 Blades 18 1/2" Dia.		—	1	—	1	1	1	1	1	1	1	1	2863 216
	W/318, 340 Eng. 7 Blades 18" Dia.		1	—	1	—	—	—	—	—	—	—	—	2863 215
	Fan, High Capacity													
	W/198, 225 Eng. 7 Blades 17" Dia.		1	—	1	—	—	—	—	—	—	—	—	2863 200
	W/198, 225 Eng. 7 Blades 18" Dia.		—	1	—	1	1	1	1	—	—	—	—	2863 213
	W/225 Eng. 4 Blade W/Medium Capacity Fan Police Type 18" Dia. CANADA 71		—	—	—	—	—	1	1	—	—	—	—	2780 920
	W/318 Eng. 7 Blades W/Leece-Neville Alt. 18" Dia. 70		—	—	—	1	1	1	1	—	—	—	—	2863 227
	W/318, 360 Eng. 7 Blades 18" Dia.		1	1	1	1	1	1	1	1	1	1	—	2863 227
	W/383, 440 Eng. 7 Blades 18" Dia.		—	1	—	1	1	1	1	1	1	1	—	2863 223
7-02-16	SPACER, Fan													
	W/198, 225, 383, 440 Eng. Lgh. 1.06"		1	—	1	1	1	1	—	—	—	—	—	1851 959
	W/225 Eng. Lgh. 1.24" 70		—	—	—	1	1	—	—	—	—	—	—	1825 932
	W/198, 225, 318, Eng. Lgh. 1.72"		—	1	—	1	1	1	1	—	—	—	—	1674 746
	W/318, 360 Eng. Lgh. 1.40"		1	—	1	—	—	1	1	1	1	1	—	1730 155
	W/318, 360 Eng. Lgh. 2.00" 71		—	1	—	1	1	1	1	1	1	1	—	1825 956
	W/318, 383, 440 Eng. Lgh. 1.60"		—	1	—	1	1	1	1	1	1	1	—	2120 510
	W/318 Eng. Lgh. 2.20"		—	1	—	1	1	—	—	—	—	—	—	2265 036
	W/383, 440 Eng. W/A/Cond.		—	1	—	1	1	1	1	1	1	1	1	2003 059

7-03-0 FAN AND RELATED DRIVE BELTS

NOTE: See Illustration In Group 7

7-03-1

BELT

Engine To Alternator To Fan

(See Fig. 1)

W/198, 225 Eng. Lgh. 3/8" x 57.00" 70	1	1	1	1	1	1	1	—	—	—	—	—	—	2843 277
W/198, 225 Eng. 46 Amp. & 60 Amp. Alt. Lgh. 3/8" x 57.00" 70	1	1	1	1	1	1	1	—	—	—	—	—	—	2532 659
W/198, 225 Eng. Lgh. 3/8 x 57.00" 71	1	1	1	1	1	1	1	—	—	—	—	—	—	2532 659
W/225 Eng. Lgh. 3/8" x 54.50" 70	1	1	1	—	—	—	—	—	—	—	—	—	—	2806 203
W/225 Eng. W/Leece-Neville Alt. Lgh. 3/8" x 41.50"	—	—	—	1	1	1	1	—	—	—	—	—	—	2264 463
W/318, 340, 360 Eng. W/A/Cond. 71	1	1	1	1	1	1	1	—	—	—	—	—	—	2128 751
W/318, 360 Eng. w/Leece-Neville Alt. Dual O.S. - Lgh. 45.00"	—	—	—	1	1	1	1	—	—	—	—	—	—	3418 404
W/318, 340, 360 Eng. W/60 Amp.														

CARLINES

J - Challenger
B - Barracuda

V - Valiant
L - Dart

R - Belvedere - Satellite
W - Coronet - Charger

P - Plymouth
D - Dodge

C - Chrysler
Y - Imperial

AR Indicates use as required.

Indicates parts not listed in any previous parts book.

Numerals in parentheses () refer to notes.

★ Indicates change or addition.

Printed in U.S.A.
January 1972

CODE	PART NAME	ENG. TYPE OR CU.IN.	V	B	L	R	W	P	D	C	C	C	Y	PART NUMBER
			1-2	1-2	1-2	1-2	1-2	1-2	1-2	1	2	3	1	
7-03-0 FAN AND RELATED DRIVE BELTS Cont'd.														
7-03-1	BELT Cont'd.													
	Alt. Dual O.S. Lgh. 47.50"		—	—	—	1	1	1	1	—	—	—	—	3512 522
	W/318, 340, 360 Eng. W/O/A/Cond. O.S. Lgh. 47.50"		1	1	1	1	1	1	1	1	1	1	—	3418 943
	W/383, 440 Eng. W/A/Cond. O.S. Lgh. 53.50"	71	—	1	—	1	1	1	1	1	1	1	1	1551 006
	W/383 Eng. W/Leece - Neville Altr. Lgh. 3/8" x 54.00"		—	—	—	1	1	1	1	—	—	—	—	2863 555
	W/383, 440 Eng. W/O/A/Cond. Lgh. 3/8" x 44.75"		—	—	—	—	—	1	1	1	1	1	—	2951 304
	W/383, 440 Eng. W/O/A/Cond. Lgh. 3/8" x 46.50"		—	1	—	1	1	—	—	—	—	—	—	2806 216
	W/426 Eng. Lgh. 3/8" x 43.00"		—	1	—	1	1	—	—	—	—	—	—	2658 895
	W/440 Eng. W/Leece - Neville Altr. Lgh. 3/8" x 55.50"		—	—	—	—	—	1	1	—	—	—	—	2863 557
Engine To Power Steering Pump														
(See Fig. 2)														
	W/198, 225 Eng. O.S. 40.75"		1	1	1	1	1	—	—	—	—	—	—	3512 025
	W/198, 225 Eng. O.S. Lgh. 39.00"		1	—	1	—	—	—	—	—	—	—	—	= 3671 259
	After April 71 Approx.	71	—	—	—	—	—	1	1	—	—	—	—	1401 622
	W/225 Eng. O.S. Lgh. 39.00"		—	—	—	—	—	1	1	—	—	—	—	= 3671 259
	After May 71 Approx.	71	—	—	—	—	—	1	1	—	—	—	—	= 3671 259
	W/318, 340, 360 Eng. W/O/A/Cond. O.S. Lgh. 42.50"		1	1	1	1	1	1	1	1	1	1	—	2951 984
	W/318, 340, 360 Eng. W/A/Cond. O.S. Lgh. 45.50"		1	1	1	1	1	1	1	1	1	1	—	2951 898
	W/318, 340, 360 Eng. W/Leece Neville Alt. O.S. Lgh. 33.50"		—	—	—	1	1	1	1	—	—	—	—	3462 043
	W/383, 440 Eng. O.S. Lgh. 44.00"	70	—	1	—	1	1	—	—	—	—	—	—	2951 202
	W/383, 440 Eng. W/Leece Neville Altr. W/O/A/Cond. O.S. 40.75"		—	—	—	1	1	1	1	—	—	—	—	2402 378
	W/383, 440 Eng. O.S. 42.50"		—	1	—	1	1	1	1	1	1	1	1	3419 000
	W/426 Eng. O.S. Lgh. 39.38"		—	1	—	1	1	—	—	—	—	—	—	2268 386
Engine To Fan														
(See Fig. 3)														
	W/318, Eng. W/A/Cond. O.S. Lgh. 37.50"	70	—	—	—	—	—	1	1	—	—	—	—	3462 911
	W/318, 340, 360 Eng. W/A/Cond. O.S. Lgh. 37.00"		1	1	1	1	1	1	1	1	1	1	—	3418 339
	W/383, 440 Eng., W/A/Cond. O.S. Lgh. 3/8" x 36.50"	70	—	—	1	1	—	1	1	1	1	1	1	2658 793
	W/318 Eng. W/A/Cond. O.S. Lgh. 37.50"		—	1	—	1	1	1	1	—	—	—	—	3462 911
	W/383, 440 Eng. W/A/Cond. O.S. Lgh. 36.00"	71	—	1	—	1	1	1	1	1	1	1	1	3462 866
Engine To Compressor														
(See Fig. 5)														
	W/225 Eng. W/A/Cond. O.S. Lgh. 50.00"		1	1	1	1	1	1	1	—	—	—	—	3418 384
	W/318, 340, 360 Eng. O.S. Lgh. 50.4"	71	1	1	1	1	1	1	1	—	—	—	—	3451 443
	W/383, 440 Eng. W/A/Cond. O.S. Lgh. 57.38"	71	—	1	—	1	1	1	1	1	1	1	1	1825 903
Engine To Alternator To Compressor														
(See Fig. 6)														
	W/318, 340, 360, Eng. W/A/Cond. Dual Lgh. 54.26"		1	1	1	1	1	1	1	1	1	1	—	3462 974
	W/383, 440 Eng. W/A/Cond. Dual 3/8" x 59.00"		—	—	—	—	—	1	1	1	1	1	—	2951 614
	W/383, 440 Eng. W/A/Cond. Dual O.S. Lgh. 60.00"		—	1	—	1	1	—	—	—	—	—	—	2658 792

CARLINES

J - Challenger
B - BarracudaV - Valiant
L - DartR - Belvedere - Satellite
W - Coronet - ChargerP - Plymouth
D - DodgeC - Chrysler
Y - Imperial

AR Indicates use as required.

Indicates parts not listed in any previous parts book.

Numerals in parentheses () refer to notes.

★ Indicates change or addition.

Printed in U.S.A.
January 1972

CODE	PART NAME	ENG. TYPE OR CU.IN.	V	B	L	R	W	P	D	C	C	C	Y	PART NUMBER
			1-2	1-2	1-2	1-2	1-2	1-2	1-2	1	2	3	1	
7-03-0 FAN AND RELATED DRIVE BELTS Cont'd.														
7-03-1	BELT Cont'd.													
	W/383 Eng. W/A/Cond. W/Leece Neville Altr. Dual Lgh. 3/8" x 66.00"		—	—	—	1	1	1	1	—	—	—	—	2951 159
	W/440 Eng. Dual O. S. Lgh. 64.50"		—	—	—	—	—	—	—	—	—	—	1	2951 280
	W/440 Eng. W/A/Cond. W/Leece Neville Altr. Dual 3/8" x 67.50"		—	—	—	—	—	2	2	—	—	—	—	2951 161
7-04-0 FAN AND ALTERNATOR IDLER PULLEY														
7-04-1	PULLEY, Idler, W/318, 340, 360, 383, 440 Eng. W/A/Cond. W/O Leece Neville Alt.		1	1	1	1	1	1	1	1	1	1	1	2240 397
	Bolt, W/Pump Body Fan Belt Idler Pulley Mtg. 3/8 x 5.75" 71		1	1	1	1	1	1	1	—	—	—	—	215 510
7-04-5	BRACKET, Fan Belt Idler Pulley W/383, 440 Eng. W/A/Cond. W/318, 340, 360 Eng. W/A/Cond.		—	1	—	1	1	1	1	1	1	1	1	2951 020 3418 332
7-04-10	SPACER, Fan Belt Idler Pulley W/383, 440 Eng. W/A/Cond. W/Leece Neville Altr.		—	—	—	1	1	1	1	1	1	1	1	2465 381 2951 176
	W/383, 440 Eng. W/A/Cond.		—	1	—	1	1	1	1	1	1	1	—	
7-04-17	SHIELD, Fan Belt Idler Pulley Brg. W/318, 340, 360, 383, 440 Eng. W/A/Cond.		1	1	1	1	1	1	1	1	1	1	1	2658 758
7-05-0 FAN PULLEY HUB														
7-05-1	HUB, Fan Pulley		1	1	1	1	1	1	1	1	1	1	1	2129 265
7-06-0 FAN DRIVE PULLEY														
7-06-1	PULLEY, Drive W/225 Eng. W/Leece-Neville Altr. 2 Groove		—	—	—	1	1	1	1	—	—	—	—	2264 449
	W/318, 340, 360 Eng. W/O A/Cond. W/O Pwr. Strg. 1 Groove		1	1	1	1	1	1	1	1	1	1	—	1821 449
	W/318, 340, 360 Eng. W/A/Cond. 3 Groove		1	1	1	1	1	1	1	1	1	1	—	3418 928
	W/318, 340, 360 Eng. W/Leece Neville Altr. 3 Groove		—	—	—	1	1	1	1	—	—	—	—	3418 612
	W/383, 440 Eng. W/Pwr. Strg. 2 Groove		—	1	—	1	1	1	1	1	1	1	1	2946 789
	W/383, 440 Eng. W/A/Cond. 4 Groove		—	1	—	1	1	1	1	1	1	1	1	2951 122
	W/383, 440 Eng. W/Leece Neville Altr. 3 Groove		—	—	—	1	1	1	1	—	—	—	—	2806 637 2946 713
	W/426 Eng. W/Pwr. Strg. 2 Groove		—	1	—	1	1	—	—	—	—	—	—	
	Pwr. Strg. Pump Drive W/198, 225 Eng. 2 Groove		1	1	1	1	1	1	1	—	—	—	—	2205 518
	Fan And Pwr. Strg. Pump Drive W/318, 340, 360 Eng. W/O/A/Cond. 2 Groove		1	1	1	1	1	1	1	1	1	1	—	2946 789
	W/383, 440 Eng. W/A/Cond. 2 Groove 71		—	1	—	1	1	1	1	1	1	1	1	2968 252
	Fan And Alternator Drive W/383, 440 Eng. W/O/A/Cond. W/O/Pwr. Strg. 1 Groove		—	1	—	1	1	1	1	1	1	—	—	1821 449
7-06-14	PULLEY, Fan W/198, 225 Eng. W/O/A/Cond. W/O Leece-Neville Altr. 1 Groove		1	1	1	1	1	1	1	—	—	—	—	2202 666

CARLINES

J - Challenger
B - Barracuda

V - Valiant
L - Dart

R - Belvedere - Satellite
W - Coronet - Charger

P - Plymouth
D - Dodge

C - Chrysler
Y - Imperial

AR Indicates use as required.

Indicates parts not listed in any previous parts book.

Numerals in parentheses () refer to notes.

★ Indicates change or addition.

Printed in U.S.A.
January 1972

CODE	PART NAME	ENG. TYPE OR CU.IN.	V	B	L	R	W	P	D	C	C	C	Y	PART NUMBER
			1-2	1-2	1-2	1-2	1-2	1-2	1-2	1	2	3	1	
7-06-0 FAN DRIVE PULLEY Cont'd.														
7-06-14	PULLEY Cont'd.													
	W/198, 225 Eng. W/A/Cond. 2 Groove		1	1	1	1	1	1	1	—	—	—	—	2406 039
	W/225 Eng. W/Leece-Neville Altr. 2 Groove		—	—	—	1	1	1	1	—	—	—	—	2264 450
	W/318 Eng. W/A/Cond. 1 Groove 70		—	—	—	—	—	1	1	—	—	—	—	3462 825
	W/318 Eng. W/A/Cond. 1 Groove 71		—	1	—	1	1	1	1	—	—	—	—	3462 825
	W/318, 340, 360 Eng. W/A/Cond. 1 Groove		1	1	1	1	1	1	1	1	1	1	—	3418 227
	W/318, 340, 360 Eng. W/O/A/Cond. W/O Leece-Neville Altr. 1 Groove		1	1	1	1	1	1	1	1	1	1	—	2951 836
	W/318, 340, 360 Eng. W/Leece Neville Altr. 2 Groove		—	—	—	1	1	1	1	—	—	—	—	2806 643
	W/383, 440 Eng. W/A/Cond. 1 Groove		—	1	—	1	1	1	1	1	1	1	1	2951 092
	W/383, 440 Eng. W/Leece-Neville Altr. W/O/A/Cond. 2 Groove		—	—	—	1	1	1	1	—	—	—	—	2806 643
	W/383, 440 Eng. W/O/A/Cond. W/O Leece-Neville Altr. 1 Groove		—	1	—	1	1	1	1	1	1	1	1	1821 452
	W/383, 440 Eng. W/A/Cond. W/Leece Neville Altr. 1 Groove 71		—	1	—	1	1	1	1	—	—	—	—	2951 092
	W/426 Eng. 1 Groove		—	1	—	1	1	—	—	—	—	—	—	2946 716
7-07-0 FAN FLUID DRIVE UNIT OR THERMAL DRIVE UNIT														
7-07-1	DRIVE, Fan													
	W/318, 360 Eng. W/A/Cond. W/2.71/2.76 and 2.94 Axle 6" Dia.		—	1	—	1	1	1	1	1	1	1	—	3462 108
	W/318 Eng. W/A/Cond. W/2.71/2.76 Axle 6" Dia.		1	—	1	—	—	—	—	—	—	—	—	3462 106
	W/318, 340 Eng. W/A/Cond. W/2.94 Axle 7 1/4" Dia.		1	—	1	—	—	—	—	—	—	—	—	3462 105
	W/318, 340 Eng. W/A/Cond. W/O 2.71/2.76 and 2.94 Axle 7 1/4" Dia. 70		—	1	—	1	1	1	1	—	—	—	—	3462 107
	W/318, 340, 360, 383 Eng. W/A/Cond. W/O 2.71/2.76/2.94 Axle 71		—	1	—	1	1	1	1	1	1	1	—	3462 107
	W/340 Eng. W/O A/Cond. 6" Dia.		1	—	1	—	—	—	—	—	—	—	—	2863 233
	W/340, 383, 426, 440 Eng. W/O A/Cond. - W/7 Blade Fan 7 1/4" Dia. 71		—	1	—	1	1	1	1	1	1	1	1	3462 112
	W/383, 426, 440 Eng. W/O A/Cond. 70		—	1	—	1	1	1	1	1	1	1	1	2806 070
	W/383, 440 Eng. W/A/Cond. 70		—	—	—	1	1	—	—	—	—	—	—	2658 456
	W/383, 440 Eng. W/A/Cond. 7 1/4" Dia.		—	1	—	1	1	1	1	1	1	1	—	2863 260
	W/383, 440 Eng. W/A/Cond. W/2.71/2.76 Axle 6" Dia.		—	1	—	—	—	1	1	1	1	1	—	2863 264
	W/440 Eng. W/A/Cond. 7 1/4" Dia.		—	—	—	—	—	—	—	—	—	—	1	2863 267
7-08-0 RADIATOR CORE FAN SHROUD														
7-08-2	SHROUD,													
	W/225 Eng. W/22" Core W/A/Cond.		1	—	1	—	—	—	—	—	—	—	—	2998 324
	W/225 Eng. W/22" Core W/A/Cond. W/225 Eng. W/22" Core		—	1	—	1	1	—	—	—	—	—	—	2998 327
	W/A/Cond. 70		—	—	—	—	—	1	1	—	—	—	—	2998 329
	W/318, 340 Eng. W/22" Core W/A/Cond.		1	—	1	—	—	—	—	—	—	—	—	2998 325
	W/340 Eng. W/and W/O A/Cond. W/26" Core		—	1	—	—	—	—	—	—	—	—	—	2998 326

CARLINES J - Challenger B - Barracuda V - Valiant L - Dart

R - Belvedere - Satellite W - Coronet - Charger

P - Plymouth D - Dodge

C - Chrysler Y - Imperial

AR Indicates use as required.

Indicates parts not listed in any previous parts book.

Numerals in parentheses () refer to notes.

★ Indicates change or addition.

Printed in U.S.A.
January 1972

CODE	PART NAME	ENG. TYPE OR CU.IN.	V	B	L	R	W	P	D	C	C	C	Y	PART NUMBER	
			1-2	1-2	1-2	1-2	1-2	1-2	1	2	3	1			
7-08-0 RADIATOR CORE FAN SHROUD Cont'd.															
7-08-2	SHROUD Cont'd.														
	W/383, 440 Eng. W/22" Core W/O A/Cond.		—	—	—	—	—	—	1	1	1	1	1	—	2998 330
	W/383, 440 Eng. W/22" Core W/O A/Cond.		—	1	—	1	1	—	—	—	—	—	—	—	2998 328
	W/318, 383, 426, 440 Eng. W/26" Core W/A/Cond.		—	1	—	1	1	—	—	—	—	—	—	—	2998 326
	W/318, 360, 383, 440 Eng. W/26" Core W/A/Cond.	71	—	—	—	—	—	—	1	1	1	1	1	—	3443 522
	W/318, 383, 440 Eng. W/26" Core W/A/Cond.	70	—	—	—	—	—	—	1	1	1	1	1	—	2785 435
	W/440 Eng., W/28" Core		—	—	—	—	—	—	—	—	—	—	1	—	2998 981
7-08-13	BRACKET, Radiator Core Fan Shroud Mtg. W/22" Core		—	2	—	2	2	2	2	2	2	2	2	—	2949 176

NOTES

CARLINES J - Challenger V - Valiant R - Belvedere - Satellite P - Plymouth C - Chrysler
 B - Barracuda L - Dart W - Coronet - Charger D - Dodge Y - Imperial

AR Indicates use as required. Numerals in parentheses () refer to notes. Printed in U.S.A.
 # Indicates parts not listed in any previous parts book. ★ Indicates change or addition. January 1972

7-11-0 RADIATOR CORE

	Models	Year	Eng. (cu. in.)	Core Width Inches	Added Remarks	Core Stamped Number	Service Part Number
7-11-3	CORE, Radiator						
	V,L.	70	198	19		2998 932	2998 933
	V,L.	70	198	19		2998 933	2998 933
	V,L.	70	198	22		2998 935	2998 935
	V,L.	70	225	19		2998 932	2998 933
	V,L.	70	225	19		2998 933	2998 933
	B,J,R,W.	70	225	19		2998 936	2998 937
	B,J,R,W.	70	225	19		2998 937	2998 937
	P,D.	70	225	19		2998 940	2998 940
	V,L.	70	225	22	W/A/Cond.	2998 934	2998 935
	V,L.	70	225	22		2998 935	2998 935
	B,J,R,W.	70	225	22	W/A/Cond.	2998 938	2998 939
	B,J,R,W.	70	225	22		2998 939	2998 939
	P,D.	70	225	22	W/A/Cond.	2998 941	2998 941
	V,L.	70	318	19		2998 943	2998 943
	B,J.	70	318	19		2998 947	2998 973
	B,J,R,W.	70	318	19		2998 946	2998 973
	R,W.	70	318	19		2998 973	2998 973
	P,D.	70	318	19	W/A/Cond.	2998 951	2998 951
	V,L.	70	318	22	W/A/Cond.	2998 944	2998 944
	V,L.	70	318	22		2998 945	2998 945
	B,J.	70	318	26	W/A/Cond.	2998 948	2998 974
	B,J,R,W.	70	318	26		2998 949	2998 949
	P,D.	70	318	26	W/A/Cond.	2998 952	2998 952
	P,D.	70	318	26		2998 953	2998 953
	B,J,R,W.	70	318	26		2998 974	2998 974
	V,L.	70	340	22	W/A/Cond.	2998 945	2998 945
	V,L.	70	340	22		2998 978	2998 978
	B,J,R,W.	70	340	26		2998 974	2998 974
	B,J,R,W.	70	383	22		2998 954	2998 957
	B,J,R,W.	70	383	22	W/A/Cond.	2998 957	2998 957
	B,J,R,W.	70	383	22		2998 960	2998 957
	P,D,C.	70	383	22		2998 963	2998 964
	P,D,C.	70	383	22		2998 964	2998 964
	B,J,R,W.	70	383	26	W/A/Cond.	2998 956	2998 956
	B,J,R,W.	70	383	26	W/A/Cond.	2998 958	2998 958
	R,W.	70	383	26		2998 959	2998 959
	B,J,R,W.	70	383	26	W/A/Cond.	2998 961	2998 958
	P,D.	70	383	26	W/A/Cond.	2998 965	2998 965
	P,D.	70	383	26	W/A/Cond.	2998 967	2998 970
	P,D,C.	70	383	26	W/A/Cond.	2998 968	2998 968
	B,J,R,W.	70	440	22		2998 960	2998 957
	P,D,C.	70	440	22		2998 969	2998 964
	B,J,R,W.	70	440	26	W/A/Cond.	2998 956	2998 956
	B,J,R,W.	70	440	26	W/A/Cond.	2998 958	2998 958
	P,D,C.	70	440	26	W/A/Cond.	2998 970	2998 970
	Y.	70	440	28		2998 971	2998 980
	Y.	70	440	28		2998 972	2998 980
	V,L.	71	198	19		3443 986	3443 986
	V,L.	71	198	19		3443 987	3443 986
	B,J,R,W.	71	198	19		3443 945	3443 945
	B,J,R,W.	71	198	19		3443 984	3443 945
	V,L.	71	198	22		3443 988	3443 988
	B,J,R,W.	71	198	22		3443 981	3443 981
	V,L.	71	225	19		3443 986	3443 986
	V,L.	71	225	19		3443 987	3443 986
	B,J,R,W.	71	225	19		3443 984	3443 945
	P,D.	71	225	19		3443 980	3443 980
	B,J,R,W.	71	225	19		3443 945	3443 945
	V,L.	71	225	22	W/A/Cond.	3443 985	3443 988

CARLINES

J - Challenger
B - BarracudaV - Valiant
L - DartR - Belvedere - Satellite
W - Coronet - ChargerP - Plymouth
D - DodgeC - Chrysler
Y - Imperial

AR Indicates use as required.

Indicates parts not listed in any previous parts book.

Numerals in parentheses () refer to notes.

★ Indicates change or addition.

Printed in U.S.A.
January 1972

7-11-0 RADIATOR CORE Cont'd.

	Models	Year	Eng. (cu. in.)	Core Width Inches	Added Remarks	Core Stamped Number	Service Part Number
7-11-3 CORE Cont'd.	V,L	71	225	22		3443 988	3443 988
	B,J,R,W.	71	225	22	W/A/Cond.	3443 981	3443 981
	B,J,R,W.	71	225	22	W/A/Cond.	3443 944	3443 981
	P,D.	71	225	22		3443 979	3443 979
	V,L.	71	318	19		3443 978	3443 978
	B,J,R,W.	71	318	19		3443 973	3443 968
	B,J,R,W.	71	318	19		3443 972	3443 968
	R,W.	71	318	19		3443 968	3443 968
	P,D.	71	318	19		3443 967	3443 967
	V,L.	71	318	22	W/A/Cond.	3443 977	3443 976
	V,L.	71	318	22		3443 976	3443 976
	B,J.	71	318	26	W/A/Cond.	3443 971	3443 969
	B,J,R,W.	71	318	26	W/A/Cond.	3443 969	3443 969
	B,J,R,W.	71	318	26		3443 970	3443 970
	P,D.	71	318	26		3443 965	3443 965
	P,D.	71	318	26	W/A/Cond.	3443 966	3443 966
	V,L.	71	340	22		3443 975	3443 975
	V,L.	71	340	22		3443 976	3443 976
	V, L.	71	340	22	W/A/Cond.	3443 977	3443 976
	B,J,R,W.	71	340	26		3443 969	3443 969
	B,J,R,W.	71	340	26		3443 970	3443 970
	P,D,C.	71	360	22	W/A/Cond.	3443 964	3443 964
	P,D,C.	71	360	26		3443 963	3443 965
	P,D,C.	71	360	26		3443 965	3443 965
	B,J,R,W.	71	383	22		3443 962	3443 938
	B,J,R,W.	71	383	22		3443 961	3443 938
	P,D,C.	71	383	22		3443 950	3443 950
	P,D,C.	71	383	22		3443 952	3443 950
	B,J,R,W.	71	383	26	W/A/Cond.	3443 940	3443 959
	P,D,C.	71	383	26	W/A/Cond.	3443 947	3443 947
	P,D,C.	71	383	26	W/A/Cond.	3443 949	3443 947
	P,D,C.	71	383	26	W/A/Cond.	3443 951	3443 951
	P,D,C.	71	383	26	W/A/Cond.	3443 953	3443 953
	B,J,R,W.	71	383	26	W/A/Cond.	3443 959	3443 959
	B,J,R,W.	71	383	26	W/A/Cond.	3443 960	3443 959
	B,J,R,W.	71	426	26		3443 959	3443 959
	B,J,R,W.	71	440	22		3443 938	3443 938
	P,D,C.	71	440	22		3443 950	3443 950
	P,D,C.	71	440	26	W/A/Cond.	3443 947	3443 947
	P,D,C.	71	440	26	W/A/Cond.	3443 953	3443 953
	B,J,R,W.	71	440	26	W/A/Cond.	3443 959	3443 959
	B, J, R, W	71	440	26	W/A/Cond.	3443 960	3443 969
	Y.	71	440	28		3443 946	3443 946

NOTES

CARLINES

J - Challenger
B - Barracuda

V - Valiant
L - Dart

R - Belvedere - Satellite
W - Coronet - Charger

P - Plymouth
D - Dodge

C - Chrysler
Y - Imperial

AR Indicates use as required.

Indicates parts not listed in any previous parts book.

Numerals in parentheses () refer to notes.

★ Indicates change or addition.

Printed in U.S.A.
January 1972

CODE	PART NAME	ENG. TYPE OR CU.IN.	V	B	L	R	W	P	D	C	C	C	Y	PART NUMBER
			1-2	1-2	1-2	1-2	1-2	1-2	1-2	1	2	3	1	
7-11-0 RADIATOR CORE Cont'd.														
7-11-31	INSULATOR, Radiator Core Up. Mtg. 28" Core		—	—	—	—	—	—	—	—	—	—	2	2579 307
7-11-35	SPACER, Radiator Core Up. Mtg. 28" Core		—	—	—	—	—	—	—	—	—	—	2	2579 306
7-11-60	PAD, Radiator Core Lwr Mtg. 28" Core		—	—	—	—	—	—	—	—	—	—	2	2579 260
7-12-0 RADIATOR FILLER CAP														
7-12-1	CAP, Radiator Pressure 16 = W/Coolant Recovery System R, W W/318, 383 Eng. 4 Dr. 4 Dr. H.T. and Wgn. P, D, C 2 Dr. H.T. 4 Dr. 4 Dr. H.T. and Wgn. 71		1	1	1	1	1	1	1	1	1	1	1	2998 982
			—	—	—	1	1	1	1	1	1	1	—	= 3412 851
7-13-0 RADIATOR DRAIN COCK														
7-13-2	DRAIN COCK		1	1	1	1	1	1	1	1	1	1	1	1686 198
7-14-0 RADIATOR HOSE														
7-14-4	HOSE, Radiator Inlet. <i>318/AIR</i> 70 <i>1</i> <i>3462/17</i>		1	—	1	—	—	—	—	—	—	—	—	1881 805
	W/198, 225 Eng.		—	1	—	1	1	1	1	—	—	—	—	2863 241
	W/198, 225 Eng. W/O A/Cond.		1	1	1	1	1	1	1	—	—	—	—	2863 291
	W/198, 225 Eng. W/A/Cond.		—	1	—	—	—	—	—	—	—	—	—	3462 175
	W/Max. Cooling		1	1	1	1	1	1	1	—	—	—	—	1881 806
	W/198, 225 Eng. W/O/Air Cond.		1	1	1	1	1	1	1	—	—	—	—	1881 806
	W/O Max. Cooling.		—	1	—	—	—	—	—	—	—	—	—	3462 175
	W/318 Eng. W/O/A/Cond.		1	1	1	1	1	1	1	—	—	—	—	1881 806
	W/340 Eng. W/Carb. Fresh Air Package 70		—	1	—	—	—	—	—	—	—	—	—	3462 193
	W/340 Eng. W/Carb. Fresh Air Package 71		—	1	—	1	1	—	—	—	—	—	—	= 3462 118
	W/383, 440 Eng. W/O A/Cond. 70		—	1	—	1	1	1	1	1	1	1	—	1881 804
	w/383, 440 Eng. Police w/Leece Neville Alt. 426 Eng. All.		—	—	—	1	1	1	1	—	—	—	—	2863 230
	W/383, 440 Eng. W/A/Cond. W/ Max. Cooling, W/Leece Neville Altr.		—	—	—	1	1	1	1	—	—	—	—	2863 230
	W/318, 340 Eng. W/A/Cond. W/Max. Cooling.		1	—	1	—	—	—	—	—	—	—	—	2863 292
	W/340 Eng.		1	—	1	—	—	—	—	—	—	—	—	2863 292
	W/440 Eng.		—	—	—	—	—	—	—	—	—	—	1	3549 429
	W/170, 225 Eng. Export Only		1	—	—	—	—	—	—	—	—	—	—	3462 158
	W/383 Eng., Police W/O Leece Neville Altr.		—	—	—	1	1	1	1	—	—	—	—	2863 257
	W/383, 440 Eng., W/A/Cond. W/ Max. Cooling		—	1	—	1	1	1	1	1	1	1	—	2863 257
	W/426 Eng.		—	1	—	—	—	—	—	—	—	—	—	3462 184
	W/383, 440 Eng. W/O/A/Cond. W/O Max. Cooling		—	1	—	1	1	1	1	1	1	1	—	3462 114
	W/318, 340 Eng. W/A/Cond. W/Max. Cooling 71		—	1	—	1	1	1	1	1	1	1	—	3462 102
	W/360 Eng. W/O/A/Cond. W/O Max. Cooling 71		—	—	—	—	—	1	1	1	1	1	—	3462 200
	W/440 Eng. W/O A/Cond. W/O Max. Cooling		—	1	—	—	—	—	—	—	—	—	—	3462 116
7-14-5	HOSE, Radiator Outlet W/198, 225 Eng.		1	1	1	1	1	1	1	—	—	—	—	2863 278
	W/318, 340 Eng.		1	—	1	—	—	—	—	—	—	—	—	3462 164

CARLINES

J - Challenger
B - BarracudaV - Valiant
L - DartR - Belvedere - Satellite
W - Coronet - ChargerP - Plymouth
D - DodgeC - Chrysler
Y - Imperial

AR Indicates use as required.

Indicates parts not listed in any previous parts book.

Numerals in parentheses () refer to notes.

★ Indicates change or addition.

Printed in U.S.A.
January 1972

CODE	PART NAME	ENG. TYPE OR CU.IN.	V	B	L	R	W	P	D	C	C	C	Y	PART NUMBER
			1-2	1-2	1-2	1-2	1-2	1-2	1-2	1	2	3	1	
7-14-0 RADIATOR HOSE Cont'd.														
7-14-5	HOSE Cont'd.													
	W/318, 340, 360 Eng.		—	1	—	1	1	1	1	1	1	1	—	3462 165
	W/383, 426, 440 Eng.	70	—	1	—	1	1	1	1	1	1	1	—	2863 256
	W/383, 426, 440 Eng.	71	—	1	—	1	1	1	1	1	1	1	—	3462 119
	W/440 Eng.		—	—	—	—	—	—	—	—	—	—	1	2863 290
7-14-9	HOSE, Water Pump By-Pass													
	W/318, 340, 360 Eng.		1	1	1	1	1	1	1	1	1	1	—	3462 688
	W/198, 225 Eng.		1	1	1	1	1	1	1	—	—	—	—	1315 466
7-14-13	CLIP, Over Flow Hose 28" Core		—	—	—	—	—	—	—	—	—	—	2	2578 045
		71	2	2	2	2	2	2	2	2	2	2	—	3443 925
	CLAMP, Radiator Outlet Hose		2	2	2	2	2	2	2	2	2	2	2	870 469
7-14-31	HOSE, Radiator Overflow (9/32" Sold by the foot)		AR	AR	AR	AR	AR	AR	AR	AR	AR	AR	AR	1904 950
7-16-0 RADIATOR GRILLE														
7-16-11	GRILLE													
	VALIANT, Exc. Duster	70	1	—	—	—	—	—	—	—	—	—	—	2949 526
	VALIANT, Exc. Duster 340	71	1	—	—	—	—	—	—	—	—	—	—	3573 721
	VALIANT, Duster	70	1	—	—	—	—	—	—	—	—	—	—	2998 364
	VALIANT, Duster 340 and Twister	71	1	—	—	—	—	—	—	—	—	—	—	3442 739
	BARRACUDA	70	—	1	—	—	—	—	—	—	—	—	—	2949 558
	BARRACUDA, W/340 Eng. W/3-2 BBL. Carb.	70	—	1	—	—	—	—	—	—	—	—	—	3443 808
	B-H, B-P, B-S Pntd. Tex. Argent	71	—	1	—	—	—	—	—	—	—	—	—	3442 647
	B-S Pntd. FJ6 Avocado	71	—	1	—	—	—	—	—	—	—	—	—	3573 611
	B-S Pntd. GY3 Citron Yella	71	—	1	—	—	—	—	—	—	—	—	—	3573 612
	B-S Pntd. FC7 Plum Met.	71	—	1	—	—	—	—	—	—	—	—	—	3573 613
	B-S Pntd. GW3 Bright White	71	—	1	—	—	—	—	—	—	—	—	—	3443 587
	B-S Pntd. EV2 Tor. Red	71	—	1	—	—	—	—	—	—	—	—	—	3443 589
	B-S Pntd. GB5 Bright Blue	71	—	1	—	—	—	—	—	—	—	—	—	3443 593
	B-S Pntd. GF7 Med. Yellow Green Met.	71	—	1	—	—	—	—	—	—	—	—	—	3443 597
	B-S Pntd. GK6 Medium Bronze Met.	71	—	1	—	—	—	—	—	—	—	—	—	3443 599
	B-S Pntd. FE5 Red	71	—	1	—	—	—	—	—	—	—	—	—	3443 601
	CHALLENGER J-S	70	—	1	—	—	—	—	—	—	—	—	—	2998 216
	CHALLENGER J-H	70	—	1	—	—	—	—	—	—	—	—	—	2949 577
	CHALLENGER W/340 Eng. W/3-2 Bbl. Carb.	70	—	1	—	—	—	—	—	—	—	—	—	2998 216
	J-S Std. J-H W/Decor Group "A and B"	71	—	1	—	—	—	—	—	—	—	—	—	3443 276
	J-H W/O Decor Group "A and B"	71	—	1	—	—	—	—	—	—	—	—	—	3443 278
	RADIATOR Outer W/O Decor Group "A and B" J-H	71	—	1	—	—	—	—	—	—	—	—	—	3442 741
	DART	70	—	—	1	—	—	—	—	—	—	—	—	2949 548
	DART	71	—	—	1	—	—	—	—	—	—	—	—	3573 667
	BELVEDERE and Satellite													
	R-L, R-H	70	—	—	—	1	—	—	—	—	—	—	—	2949 860
	SATELLITE R-L	71	—	—	—	1	—	—	—	—	—	—	—	3442 011
	ROAD RUNNER R-M	70	—	—	—	1	—	—	—	—	—	—	—	2949 997
	ROAD RUNNER R-M, Satellite													
	R-P, R-S 2 Dr. H.T.	71	—	—	—	1	—	—	—	—	—	—	—	3442 207
	SPORT SATELLITE GTX R-P													
	R-S	70	—	—	—	1	—	—	—	—	—	—	—	2998 002
	SATELLITE R-H, R-P Exc. 2 Dr. H.T. W/O Mouldings	71	—	—	—	1	—	—	—	—	—	—	—	3443 013
	SATELLITE R-H, R-P Exc. 2 Dr. H.T. W/Mouldings	71	—	—	—	1	—	—	—	—	—	—	—	= 3574 188
CARLINES	J - Challenger B - Barracuda	V - Valiant L - Dart	R - Belvedere - Satellite W - Coronet - Charger	P - Plymouth D - Dodge	C - Chrysler Y - Imperial									

AR Indicates use as required.

Indicates parts not listed in any previous parts book.

Numerals in parentheses () refer to notes.

★ Indicates change or addition.

CODE	PART NAME	ENG. TYPE OR CU.IN.	V	B	L	R	W	P	D	C	C	C	Y	PART NUMBER
			1-2	1-2	1-2	1-2	1-2	1-2	1-2	1	2	3	1	
7-16-0 RADIATOR GRILLE Cont'd.														
7-16-11	GRILLE Cont'd.													
	SATELLITE R-H 2 Dr. H.T.	71	—	—	—	1	—	—	—	—	—	—	—	3443 014
	RADIATOR Air Shield 2 Dr. H.T.	71	—	—	—	1	—	—	—	—	—	—	—	3442 233
	CORONET, Coronet 440 W-L, W-H	70	—	—	—	—	1	—	—	—	—	—	—	2949 808-9
	CHARGER Fast Back	70	—	—	—	—	1	—	—	—	—	—	—	2998 440
	SUPER BEE, Coronet 500, Coronet R/T W-M, W-P, W-S	70	—	—	—	—	1	—	—	—	—	—	—	2998 200-1
	CORONET, W-L, W-H, W-P	71	—	—	—	—	1	—	—	—	—	—	—	3442 079
	CHARGER Super Bee W-M, W-S R/T 2 Dr. H.T. W/O Concealed H/Lamp W-H, W-P W/Charger Colored Bumper	71	—	—	—	—	—	—	—	—	—	—	—	3442 378-9
	W-H, W-P W/O Charger Colored Bumper	71	—	—	—	—	1	—	—	—	—	—	—	3442 894-5
	FRAME Charger Super Bee W-M R/T 2 Dr. H.T. W-S W/Concealed H/Lamps	71	—	—	—	—	1	—	—	—	—	—	—	3442 864-5
	FURY I, II, III, P-E, P-L, P-M	70	—	—	—	—	—	1	—	—	—	—	—	2949 339
	SPORTS FURY, Sports Fury G/T P-H	70	—	—	—	—	—	1	—	—	—	—	—	2998 359
	DODGE POLARA D-L, D-M Lt. W/Superlite	70	—	—	—	—	—	—	1	—	—	—	—	2949 357
	DODGE POLARA D-L, D-M Rt.	70	—	—	—	—	—	—	1	—	—	—	—	2949 758
	DODGE POLARA D-L, D-M W/O Superlite	70	—	—	—	—	—	—	1	—	—	—	—	2949 759
	DODGE D-H, D-P W/Superlite	70	—	—	—	—	—	—	1	—	—	—	—	2998 466
	DODGE D-H, D-P W/O Superlite	70	—	—	—	—	—	—	1	—	—	—	—	2998 360
	DODGE POLARA D-E, D-L, D-M, D-S	71	—	—	—	—	—	—	1	—	—	—	—	3442 052
	DODGE MONACO D-H	71	—	—	—	—	—	—	1	—	—	—	—	3442 608
	FURY I, II, III, P-E, P-L, P-M Exc. "Gran Coupe"	71	—	—	—	—	—	1	—	—	—	—	—	3442 409
	FURY "Gran Coupe" P-M Sport Fury P-H	71	—	—	—	—	—	1	—	—	—	—	—	3443 248-9
	NEWPORT, Custom Newport C-E, C-L	70	—	—	—	—	—	—	—	1	—	—	—	2949 683
	NEWPORT, Custom Newport C-E C-L	71	—	—	—	—	—	—	—	1	—	—	—	3443 709
	CHRYSLER 300 C-M Black	70	—	—	—	—	—	—	—	—	1	—	—	2949 687
	CHRYSLER 300 C-M Black and Light Argent	70	—	—	—	—	—	—	—	—	1	—	—	3443 356
	CHRYSLER 300 C-S	71	—	—	—	—	—	—	—	—	1	—	—	3443 703
	NEW YORKER, Town & Country C-H, C-P	70	—	—	—	—	—	—	—	—	—	1	—	2949 716
	NEW YORKER, Town & Country C-H, C-P	71	—	—	—	—	—	—	—	—	—	1	—	3443 720
	IMPERIAL Y Screw, Rad. Grille To Vert. Supt. Brace 1" Long D-L, D-M	70	—	—	—	—	—	—	4	—	—	—	—	6028 741
	Screw, Rad. Grille To H/Lamp. Mtg. Pnl. Plate 1.875" Long D-L, D-M	70	—	—	—	—	—	—	8	—	—	—	—	6028 994
7-16-14	RETAINER, Radiator Grille Lower V, R,	70	5	—	—	3	—	—	—	—	—	—	—	2998 638
	V.	71	5	—	—	—	—	—	—	—	—	—	—	3443 540
	Retainer, Radiator Grille J.D.		AR	AR	AR	AR	—	—	—	—	—	—	—	2998 430
			—	AR	—	—	—	—	AR	—	—	—	—	3443 220
7-16-19	SPACER, Radiator Grille long B, R, W		—	AR	—	3	10	—	—	—	—	—	—	2949 305
	Short B, R, W.		—	AR	—	3	10	—	—	—	—	—	—	2949 311

CARLINES

J - Challenger
B - BarracudaV - Valiant
L - DartR - Belvedere - Satellite
W - Coronet - ChargerP - Plymouth
D - DodgeC - Chrysler
Y - Imperial

AR Indicates use as required.

Indicates parts not listed in any previous parts book.

Numerals in parentheses () refer to notes.

★ Indicates change or addition.

Printed in U.S.A.
January 1972

CODE	PART NAME	ENG. TYPE OR CU.IN.	V	B	L	R	W	P	D	C	C	C	Y	PART NUMBER
			1-2	1-2	1-2	1-2	1-2	1-2	1	2	3	1		
7-16-0 RADIATOR GRILLE Cont'd.														
7-16-19	SPACER Cont'd.													
	J-H, J-S			2										3443 263
	Long Fast Back Plastic	70					8							2998 434
	Short Fast Back Plastic	70					8							2998 435
7-16-22	BRACE, Radiator Grille Lower Panel													
	Vertical Lock Support		1											2898 238
	Radiator Grille Lwr. Frame Vert. J-H, J-S	70		1										2949 960
	BRACE, Vertical Lock Support									1		1		2898 459
	C-E, C-L, C-H, C-P										1			2949 704
	CM, CS.											1		
	SUPPORT, Radiator Grille Bracket except Fast Back, 4D.H.T	70					4							2998 700
	BRACE, Radiator Air Panel Bracket								2					2998 291
	Frame Side Rail Cap							2						3443 376
	Front Side Rail Cap	71						2						
7-16-25	BRACKET, Radiator Grille													
	To Fender Head Lamp Panel				2	2								2949 368
	Fender H/Lamp Pnl. B	71		2										3442 991
	Vertical Lock Supt. B	71		1										3443 291
	D-H	71							1					3443 042
	Bumper Mtg. 2 Dr. H.T. Rt. 1 Reqd. Lt. 2 Reqd.	71				3								3442 372-3
	Bezel Bumper Mtg. Upper 2 Dr. H.T.	71				2								3443 238
	Lower 2Dr. H.T.	71				2								3443 241
	Center w Fast Back	70					1							2998 651
	Inter. Except Fast Back	70					1							2998 250-1
	Inner, Except Fast Back,	70					1							2998 252-3
	Outer Except Fast Back	70					1							2998 248-9
	Bumper, W-P Fast Back Std. W-M, W'gs 2 Dr. H.T. W/Concealed H/Lamps.	71					8							3443 281
	Bumper Inner W-H, W-P 2 Dr. H.T. Std. W-M, W-S 2 Dr. H.T. W/O Concealed H/Lamps	71					2							3442 298
	Bumper Outer W-H, W-P 2 Dr. H.T. Std. W-M, W-S 2 Dr. H.T. W/O Concealed H/Lamps.	71					1							3442 310-1
	Bumper Intermediate W-H, W-P 2 Dr. H.T. Std. W-M, W-S 2Dr. H.T. W/O Concealed H/Lamps	71					2							3442 304
	Bumper Mtg. 4 Dr. Sedan Wgn.	71					5							3442 094
	Housing Bumper Upper Outer W-P Fast Back Std. W-M, W-S 2 Dr. H.T. W/Concealed H/Lamps	71					1							3443 284-5
	H/Lamp Bezel Bumper W-L, W-H, W-P 4 Dr. And Wgn. (Up to Nov. 71)	71					1							3442 100-1
	H/Lamp Bezel Bumper W-L, W-H, W-P 4 Dr. And Wgn. After Nov. 71	71					1							= 3573 838-9
	H/Lamp Door Motor Mtg. Bumper W-P Fastback Std. W-M, W-S 2 Dr. H.T. W/Concealed H/Lamps	71					1							3442 876
	Bezel Bumper	70						1						2998 530-1
	Bumper Mtg.	70						1						2998 534-5
	Extension To Bumper	70						6						2998 540
	Bezel Bumper Outer P-E, P-L P-M Exc. "Gran Coupe" Up To Nov. 71	71						2						= 3442 712

CARLINES J - Challenger B - Barracuda V - Valiant L - Dart R - Belvedere - Satellite W - Coronet - Charger P - Plymouth D - Dodge C - Chrysler Y - Imperial

AR Indicates use as required.

Indicates parts not listed in any previous parts book.

Numerals in parentheses () refer to notes.

★ Indicates change or addition.

Printed in U.S.A. January 1972

CODE	PART NAME	ENG. TYPE OR CU.IN.	V	B	L	R	W	P	D	C	C	C	Y	PART NUMBER
			1-2	1-2	1-2	1-2	1-2	1-2	1-2	1	2	3	1	
7-16-0 RADIATOR GRILLE Cont'd.														
7-16-25	BRACKET Cont'd.													
	Bezel Bumper Outer P-E, P-L, P-M Exc. "Gran Coupe" After Nov. 71	71	—	—	—	—	—	—	2	—	—	—	—	= 3573 856
	Bumper Mtg. PM "Gram Coupe" 4 Dr. Ht. P-H	71	—	—	—	—	—	—	8	—	—	—	—	= 3442 945
	Bumper	71	—	—	—	—	—	—	8	—	—	—	—	3443 456
	H/Lamp Bezel Bumper Lower	71	—	—	—	—	—	—	2	—	—	—	—	3443 460
	Front Bumper Grille	71	—	—	—	—	—	—	1	—	—	—	—	3464 854
	Bumper Mtg. Lower	71	—	—	—	—	—	—	—	—	—	—	2	2949 188
		71	—	—	—	—	—	—	—	—	—	—	2	3443 154
7-16-36	MOULDING, Radiator Grille													
	Upper Inner Exc. 71 Duster 340		1	—	—	—	—	—	—	—	—	—	—	= 3443 399
	Upper Outer		1	—	—	—	—	—	—	—	—	—	—	2949 968
	Lower Inner Exc. 71 Duster 340		1	—	—	—	—	—	—	—	—	—	—	= 3443 406
	Lower Outer		1	—	—	—	—	—	—	—	—	—	—	2949 970
	INNER D-L, D-M	70	—	—	—	—	—	—	1	—	—	—	—	2998 578-9
	OUTER D-L, D-M	70	—	—	—	—	—	—	1	—	—	—	—	2998 580-1
	Rt. Side B-S.	70	—	1	—	—	—	—	—	—	—	—	—	2998 238
	Inner, Lt. Side B-S.	70	—	1	—	—	—	—	—	—	—	—	—	2998 239
	Outer, Lt. Side B-S.	70	—	1	—	—	—	—	—	—	—	—	—	2998 243
	Texture, B-H, B-S, B-P.	70	—	1	—	—	—	—	—	—	—	—	—	2998 166-7
	Inner B	71	—	2	—	—	—	—	—	—	—	—	—	= 3443 315
	Outer B	71	—	1	—	—	—	—	—	—	—	—	—	= 3443 316-7
	Rad. Inner Grille J	71	—	2	—	—	—	—	—	—	—	—	—	= 3443 510
	Upper R-H, R-P 4 Dr. And Sta. Wgn.	71	—	—	—	1	—	—	—	—	—	—	—	= 3442 220
	Lower R-H, R-P 4 Dr. And Sta. Wgn.	71	—	—	—	1	—	—	—	—	—	—	—	= 3442 248
	BEZEL, R-H, R-P 4 Dr. and Sta. Wgn.	71	—	—	—	1	—	—	—	—	—	—	—	= 3442 218-9
	LOWER, Panel	70	—	—	—	1	—	—	—	—	—	—	—	3443 106
7-16-37	RETAINER, Rad. Grille Upper and Lower													
	Mldg. 4 Dr. and Fast Back	70	AR	—	—	—	—	—	—	—	—	—	—	3443 416
	Mldg.	71	—	AR	—	—	—	—	—	—	—	—	—	3443 696
7-16-61	NAME/PLATE, Rad. Grille													
	VALIANT, Fast Back, 4 Dr. Sed.	70	1	—	—	—	—	—	—	—	—	—	—	2573 169
	W/FASTBACK "CHARGER"	70	—	—	—	—	1	—	—	—	—	—	—	2998 278
	J, W "DODGE"	71	—	1	—	—	1	—	—	—	—	—	—	3443 554
	"POLARA"	71	—	—	—	—	—	—	1	—	—	—	—	3443 652
	J-S, R/T		—	1	—	—	—	—	—	—	—	—	—	2998 547
	CHALLENGER	70	—	1	—	—	—	—	—	—	—	—	—	2998 546
	B - "PLYMOUTH"	70	—	1	—	—	—	—	—	—	—	—	—	2998 282
	R-S "GTX"	70	—	—	—	1	—	—	—	—	—	—	—	2949 992
	R-S, "GTX"	71	—	—	—	1	—	—	—	—	—	—	—	3443 541
	W-L, W-H	70	—	—	—	—	1	—	—	—	—	—	—	2998 060
	R-L, R-M, R-H	70	—	—	—	1	—	—	—	—	—	—	—	2949 862
	PLYMOUTH, "FURY"	71	—	—	—	—	—	1	—	—	—	—	—	= 3443 304
	"PLYMOUTH" R-H	71	—	—	—	1	—	—	—	—	—	—	—	3443 899
	UPPER PANEL "PLYMOUTH"													
	R-M, R-H, R-P, R-S 2 Dr. H.T.	71	—	—	—	1	—	—	—	—	—	—	—	3445 250
	D-H "MONACO"	71	—	—	—	—	—	—	1	—	—	—	—	3443 780
7-16-62	NUT, Radiator Grille Name Plate	70	—	2	—	—	—	—	—	—	—	—	—	1839 995
	Retainer	71	—	—	—	—	—	3	—	—	—	—	—	3443 391
7-16-63	PANEL, Radiator Grille Lower													
	Lower	70	1	—	—	—	—	—	—	—	—	—	—	3419 941
	Upper	71	—	—	—	1	—	—	—	—	—	—	—	3419 943
	Upper B	71	—	1	—	—	—	—	—	—	—	—	—	3579 662
	Grille Panel B	70	—	1	—	—	—	—	—	—	—	—	—	3579 661
														3419 942

CARLINES J - Challenger V - Valiant
B - Barracuda L - Dart

R - Belvedere - Satellite
W - Coronet - Charger P - Plymouth
D - Dodge

C - Chrysler
Y - Imperial

AR Indicates use as required.

Numerals in parentheses () refer to notes.

Printed in U.S.A.

Indicates parts not listed in any previous parts book.

★ Indicates change or addition.

January 1972

CODE	PART NAME	ENG. TYPE OR CU.IN.	V	B	L	R	W	P	D	C	C	C	Y	PART NUMBER
			1-2	1-2	1-2	1-2	1-2	1-2	1-2	1	2	3	1	
7-17-0 RADIATOR GRILLE MEDALLION OR ORNAMENT														
See exterior moulding illustrations Catalog														
7-17-1	ORNAMENT, Radiator Grille R-M (Bird)		—	—	—	1	—	—	—	—	—	—	—	3443 513
	R-P	70	—	—	—	1	—	—	—	—	—	—	—	2949 993
	R-P 2 Dr. H.T.	71	—	—	—	1	—	—	—	—	—	—	—	3443 362
	R-P 4 Dr. Wgn.	71	—	—	—	1	—	—	—	—	—	—	—	3443 240
	Radiator Grille Panel.	71	—	—	—	1	—	—	—	—	—	—	—	3443 262
	4 Dr. and Wgn.	71	—	—	—	—	1	—	—	—	—	—	—	3443 110
	Medallion, Radiator Grille													
	V	70	1	—	—	—	—	—	—	—	—	—	—	2949 473
	P-POLICE-Taxi Pe-P-L-PM	70	—	—	—	—	—	1	—	—	—	—	—	3443 270
	P-H Sports Fury	70	—	—	—	—	—	1	—	—	—	—	—	2998 288
	C-E, C-L	71	—	—	—	—	—	—	1	—	—	—	—	3443 784
	C-H, C-P.	71	—	—	—	—	—	—	—	1	1	—	—	2964 806
	Medallion, Rad. Grille Crest													
	D-H	71	—	—	—	—	—	—	1	—	—	—	—	3443 688
	APPLIQUE-Radiator Grille Extension													
	P-H	70	—	—	—	—	—	1	—	—	—	—	—	2998 586-7
7-17-05	RETAINER, Radiator Grille Texture (Rubber)													
	J-H, J-S	70	—	6	—	—	—	—	—	—	—	—	—	2998 227
	Texture End - J-H, J-S	70	—	2	—	—	—	—	—	—	—	—	—	2998 738
7-17-13	TEXTURE, Radiator Grille Lwr Pnl Opng.	70	—	—	—	1	—	—	—	—	—	—	—	2998 882
	Radiator Grille Inner Opening B	71	—	1	—	—	—	—	—	—	—	—	—	3442 996-7
	Intermediate Opening. B	71	—	1	—	—	—	—	—	—	—	—	—	3442 998-9
	Outer Opening. B	71	—	1	—	—	—	—	—	—	—	—	—	3443 000-1
	W-P Fast Back	71	—	—	—	—	1	—	—	—	—	—	—	= 3574 144-5
	W-M, W-S W/Concealed H/Lamps	71	—	—	—	—	1	—	—	—	—	—	—	3442 866-7
	Radiator Air Pnl.	70	—	—	—	—	—	1	—	—	—	—	—	3443 011
	Radiator Grille X-Way Lamp Lt. Side													
	D-H, D-P	70	—	—	—	—	—	—	1	—	—	—	—	2949 425
	D-H, D-P w/o X-Way													
	Lamp Lt Side	70	—	—	—	—	—	—	1	—	—	—	—	2998 052
	D-H, D-P Rt Side	70	—	—	—	—	—	—	1	—	—	—	—	2998 052
7-17-21	GASKET, Radiator Grille Pnl. Orn.	71	—	—	—	1	—	—	—	—	—	—	—	3443 261
7-17-23	DECAL, Radiator Grille Upper Pnl. R, 2 Dr. H.T. "Plymouth".	71	—	—	—	1	—	—	—	—	—	—	—	3442 889

7-26-0 RADIATOR YOKE

7-26-2	YOKE, 22" Core	70	—	—	—	—	—	1	1	—	—	—	—	3417 751
	Cv-Cp And Sta. Wgn.	70	—	—	—	—	—	—	—	1	1	1	—	3417 751
	2 D.H.T., 4D., 4 D.H.T.	70	—	—	—	—	—	—	—	1	1	1	—	3417 351
		71	—	—	—	—	—	1	1	1	1	1	—	3482 530
	Yoke - 26" Core W/A/Cond.	70	—	—	—	—	—	1	1	—	—	—	—	3417 786
	CV-CP and Sta. Wgn. W/A/Cond.	70	—	—	—	—	—	—	—	1	1	1	—	3417 786
	Exc. CV. CP. and Sta. Wgn. w/A/Cond.	70	—	—	—	—	—	—	1	1	1	1	—	3417 350
		71	—	—	—	—	—	1	1	1	1	1	—	3482 529
	Y												1	2933 962
7-26-10	RETAINER, Radiator Air Shld-Plastic	70	—	—	—	—	—	8	8	—	—	—	—	2898 909
								8	8	12	12	12	—	2898 909
7-25-14	MOULDING, Radiator Air Shield													
	J-H, J-s		—	1	—	—	—	—	—	—	—	—	—	2998 228-9
	W, 2Dr. H.T. Fast Back	71	—	—	—	—	1	—	—	—	—	—	—	3443 204
7-26-15	SHIELD, Radiator Air - L													
	B	70	—	1	—	—	—	—	—	—	—	—	—	2998 626
	B.	71	—	1	—	—	—	—	—	—	—	—	—	2998 544
	J		—	1	—	—	—	—	—	—	—	—	—	3442 794
	R, 2 Dr. H.T.	71	—	—	—	1	—	—	—	—	—	—	—	2998 542
	Complete R, 4 Dr. & Wgn.	71	—	—	—	1	—	—	—	—	—	—	—	3442 228
	W Fastback	70	—	—	—	—	1	—	—	—	—	—	—	3579 663
														3419 944

CARLINES J - Challenger B - Barracuda V - Valiant L - Dart

R - Belvedere - Satellite W - Coronet - Charger P - Plymouth D - Dodge

C - Chrysler Y - Imperial

AR Indicates use as required.

Indicates parts not listed in any previous parts book.

Numerals in parentheses () refer to notes.

★ Indicates change or addition.

Printed in U.S.A. January 1972

CODE	PART NAME	ENG. TYPE OR CU.IN.	V	B	L	R	W	P	D	C	C	C	Y	PART NUMBER
			1-2	1-2	1-2	1-2	1-2	1-2	1-2	1	2	3	1	
7-26-0 RADIATOR YOKE Cont'd.														
7-26-15	SHIELD Cont'd.													
	W, 2Dr. H.T. Fast Back.	71	—	—	—	—	1	—	—	—	—	—	—	3442 315
	W, 4 Dr. and Wgn.	71	—	—	—	—	1	—	—	—	—	—	—	3442 104
	P-Rubber	70	—	—	—	—	—	1	—	—	—	—	—	2949 922
	P. - RUBBER	71	—	—	—	—	—	1	—	—	—	—	—	3443 639
	P (Canada Only)	71	—	—	—	—	—	1	—	—	—	—	—	2949 782
	D		—	—	—	—	—	—	1	—	—	—	—	2949 782
	Y		—	—	—	—	—	—	—	—	—	—	1	2931 432
	C-Rubber		—	—	—	—	—	—	—	1	1	1	—	2898 191
	C - METAL		—	—	—	—	—	—	—	1	1	1	—	3514 077
	PANEL, Radiator A/Shld Trim Plastic-B		—	1	—	—	—	—	—	—	—	—	—	2949 524
	Ext. Pnl. Pntd. B.	71	—	1	—	—	—	—	—	—	—	—	—	3442 793
	W Fastback		—	—	—	—	1	—	—	—	—	—	—	2998 078
	W Except Fastback	70	—	—	—	—	1	—	—	—	—	—	—	2998 437
	P - METAL	70	—	—	—	—	—	1	—	—	—	—	—	2998 635
	Complete P. - METAL	70	—	—	—	—	—	1	—	—	—	—	—	3579 601
	P. - METAL	71	—	—	—	—	—	1	—	—	—	—	—	3443 446
	D		—	—	—	—	—	—	1	—	—	—	—	2998 637
7-26-16	RETAINER-, Air Shld- Plastic To Side Rail	70	—	—	—	—	—	8	8	12	12	12	—	2898 909
7-26-18	SHIM, Radiator Yoke Side Pnl. Fender Thin. for Thick Shim use 2-OF 1902763	70	—	—	—	AR	AR	AR	AR	AR	AR	AR	AR	1902 763
7-26-26	BRACKET, Radiator Yoke Grille Lwr Pnl Brace	70	—	—	—	2	—	—	—	—	—	—	—	2998 283
7-26-30	PANEL and Reinf. Radiator Yoke Rt. Rt.	70 71	1	—	1	—	—	—	—	—	—	—	—	3417 355 3482 774
	PANEL, Radiator Yoke Side Lt- 19" & 22" Core	70	—	—	—	1	1	—	—	—	—	—	—	2998 057
		70	1	—	1	—	—	—	—	—	—	—	—	2949 535
		71	1	—	1	—	—	—	—	—	—	—	—	3443 829
		70	—	—	—	1	1	—	—	—	—	—	—	3417 411
		70	—	1	—	—	—	—	—	—	—	—	—	2949 594-5
		71	—	1	—	1	1	—	—	—	—	—	—	3443 306-7
	W/26" CORE RT.	70	—	1	—	—	—	—	—	—	—	—	—	2949 598
	LT.	70	—	1	—	—	—	—	—	—	—	—	—	2949 599
	RT.	70	—	—	—	1	1	—	—	—	—	—	—	3417 410
	LT.	70	—	—	—	1	1	—	—	—	—	—	—	2998 059
		71	—	1	—	1	1	—	—	—	—	—	—	3443 310-1
7-26-32	C/MEMBER, Radiator Yoke Side Pnl	70	—	1	—	—	—	—	—	—	—	—	—	2949 602
		71	—	1	—	1	1	—	—	—	—	—	—	3443 314
	V,L		1	—	1	—	—	—	—	—	—	—	—	2998 863
	R, W	70	—	—	—	1	1	—	—	—	—	—	—	2949 460
7-26-37	BRACKET, Radiator Yoke C/Mbr. B,J,R 2 Dr. H.T.	70	—	1	—	—	—	—	—	—	—	—	—	3443 877
			—	1	—	1	—	—	—	—	—	—	—	3443 877
7-26-40	SPOILER, Radiator Air Shld Air B J		—	1	—	—	—	—	—	—	—	—	—	3443 352-3
		71	—	1	—	—	—	—	—	—	—	—	—	3443 354-5
		71	—	—	—	—	1	—	—	—	—	—	—	3442 954-5
			—	—	—	—	—	1	—	—	—	—	—	3443 180
7-26-43	MOULDING-Radiator Air Pnl W-Except Fastback	70	—	—	—	—	1	—	—	—	—	—	—	2998 380
7-33-0 RADIATOR CROSS BAR														
7-33-1	Cross Bar Radiator Grille		1	—	—	—	—	—	—	—	—	—	—	2949 977
	J.	71	—	1	—	—	—	—	—	—	—	—	—	3442 752
	L		—	—	1	—	—	—	—	—	—	—	—	2949 552
	R	70	—	—	—	1	—	—	—	—	—	—	—	2949 874
	R, 4 Dr. and Wgn.	71	—	—	—	—	1	—	—	—	—	—	—	3442 160

CARLINES

J - Challenger
B - BarracudaV - Valiant
L - DartR - Belvedere - Satellite
W - Corcoran - ChargerP - Plymouth
D - DodgeC - Chrysler
Y - Imperial

AR indicates use as required.

Indicates parts not listed in any previous parts book.

Numerals in parentheses () refer to notes.

★ Indicates change or addition.

Printed in U.S.A.
January 1972

CODE	PART NAME	ENG. TYPE OR CU.IN.	V	B	L	R	W	P	D	C	C	C	Y	PART NUMBER
			1-2	1-2	1-2	1-2	1-2	1-2	1-2	1	2	3	1	
7-41-0 THERMOSTAT														
7-41-4	THERMOSTAT													
	190 Degree W/198, 225 Eng.	70	1	1	1	1	1	1	1	—	—	—	—	3418 335
	185 Degree W/198, 225 Eng.	71	1	1	1	1	1	1	1	—	—	—	—	3512 992
	190 degrees w/340, 383, 426, 440 Eng.		1	1	1	1	1	1	1	1	1	1	—	2808 662
	195 Degrees w/318, 383, 440 Eng.	70	1	1	1	1	1	1	1	1	1	1	1	3418 459
	195 Degrees W/318, 383, 440 Eng.	71	1	1	1	1	1	1	1	1	1	1	1	3514 181
	185 Degree W/318, 340, 360, 383, 426, 440 Eng.	71	1	1	1	1	1	1	1	1	1	1	1	3514 774
7-42-0 WATER PUMP														
7-42-1	PUMP PACKAGE													
	W/198, 225 Eng.		1	1	1	1	1	1	1	—	—	—	—	2808 679
	W/318, 340, 360 Eng. W/O A/Cond.		1	1	1	1	1	1	1	1	1	1	—	3420 038
	W/318, 340, 360 Eng. W/A/Cond.		1	1	1	1	1	1	1	1	1	1	—	3420 037
	W/383, 440 Eng. W/O A/Cond.		—	1	—	1	1	1	1	1	1	1	1	2808 680
	W/383, 426, 440 Eng. W/A/Cond.	71	—	1	—	1	1	1	1	1	1	1	1	2808 681
	W/426 Eng. Std.		—	1	—	1	1	—	—	—	—	—	—	2808 681
7-42-04	WATER PUMP Repair Pkg.													
	W/318, 340 Eng. W/O Air		1	1	1	1	1	1	1	—	—	—	—	3420 035
	W/198, W/225, Eng.		1	1	1	1	1	1	1	—	—	—	—	2808 682
	W/170 Eng.	70	1	1	1	—	—	—	—	—	—	—	—	2808 682
	W/318, W/340 W/Air Cond.		1	1	1	1	1	1	1	—	—	—	—	3420 036
	W/383, 426 and 440 Eng. W/Air Cond.		—	1	—	1	1	1	1	1	1	1	1	2808 684
	W/383, 440 Eng. W/O Air Cond.		—	1	—	1	1	1	1	1	1	1	1	2808 683
7-43-0 HOUSING, W/PUMP														
7-43-01	HOUSING.													
	W/383, W/426, and 440 Eng.	70	—	1	—	1	1	1	1	1	1	1	1	2951 806
	W/383, 426 and 440 Eng.	71	—	1	—	1	1	1	1	1	1	1	1	2780 988
7-43-5	SCREW, W/Pump Body W/198, 225 Eng.													
	3/8" x 1 3/4"	71	1	1	1	1	1	1	1	—	—	—	—	180 128
	W/318, 340, 360 Eng. 3/8" x 2 3/4"		2	2	2	2	2	2	2	2	2	2	—	2129 379
	W/383, 426, 440 Eng. 3/8" x 7/8"	71	—	4	—	4	4	—	4	4	4	4	4	180 122
7-43-08	CAP, W/Pump Htr. Hole													
	W/198, 225, 318, 340, 360 Eng.		1	1	1	1	1	1	1	1	1	1	—	2128 425
7-43-18	PLUG, W/Pump Hsg. Htr. Hole													
	W/383, 426, 440 Eng.		—	2	—	2	2	2	2	2	2	2	2	1859 127
7-44-0 GASKET, W/PUMP BODY														
7-44-3	GASKET													
	W/198, 225 Eng.		1	1	1	1	1	1	1	—	—	—	—	1947 521
	W/318, 340, 360 Eng.		1	1	1	1	1	1	1	1	1	1	—	2129 013
	W/383, 426, 440 Eng.	71	—	1	—	1	1	—	1	1	1	1	1	1737 705
7-44-4	GASKET-w/Pump Hsg To Cyl. Blk													
	W/383, 426, 440 Eng.		—	2	—	2	2	2	2	2	2	2	2	1737 761
	W/198 and W/225 Eng. Inter-Plate		1	1	1	1	1	1	1	—	—	—	—	1947 523
7-45-0 WATER PUMP IMPELLER														
7-45-31	IMPELLER, Water Pump													
	W/383, 426 and 440 Eng. W/A/Cond.		—	1	—	1	1	1	1	1	1	1	1	2843 923
	W/383, and 440 Eng. W/O Air Cond.		—	1	—	1	1	1	1	1	1	1	—	2843 635
	W/426 Eng. W/O Air Cond.		—	1	—	1	1	—	—	—	—	—	—	2843 923

CARLINES

J - Challenger
B - Barracuda

V - Valiant
L - Dart

R - Belvedere - Satellite
W - Coronet - Charger

P - Plymouth
D - Dodge

C - Chrysler
Y - Imperial

AR Indicates use as required.

Indicates parts not listed in any previous parts book.

Numerals in parentheses () refer to notes.

★ Indicates change or addition.

Printed in U.S.A.
January 1972

CODE	PART NAME	ENG. TYPE OR CU.IN.	V	B J	L	R	W	P	D	C	C	C	Y	PART NUMBER
7-46-0 SEAL, WATER PUMP														
7-46-1	SEAL, Water Pump, Assy. W/198, 225, 318, 340, 360, 383, 426, 440 Eng.		1	1	1	1	1	1	1	1	1	1	1	2951 838
	Seal, Water Pump Body W/198, 225, 318, 340, 360, 383, 426, 440 Eng.		1	1	1	1	1	1	1	1	1	1	1	295 1010
7-48-0 WATER PUMP ELBOW OR NIPPLE														
7-48-19	CLAMP-W/Pump By Pass Hose W/318, 340, 383, 426, 440 Eng.		2	2	2	2	2	2	2	—	—	—	—	870 469
7-48-22	NIPPLE, W/Pump By-Pass W/198, 225 Eng.		1	1	1	1	1	1	1	—	—	—	—	1947 643
	W/318, 340, 360 Eng.		1	1	1	1	1	1	1	1	1	1	—	2402 903
7-52-0 WATER RECOVERY TANK														
7-52-2	TANK, Recovery R, W W/318, 383, Eng. 4 Dr. 4 Dr. H.T. and Wgn. P, D, C 2 Dr. H.T. 4 Dr. 4 Dr. H.T. and Wgn.	71	—	—	—	1	1	1	1	1	1	1	—	= 3412 849
7-52-11	BRACKET, Recovery Tank Support	71	—	—	—	—	—	1	1	1	1	1	—	= 3412 884

NOTES

CARLINES

J - Challenger
B - Barracuda

V - Valiant
L - Dart

R - Belvedere - Satellite
W - Coronet - Charger

P - Plymouth
D - Dodge

C - Chrysler
Y - Imperial

AR Indicates use as required.

Indicates parts not listed in any previous parts book.

Numerals in parentheses () refer to notes.

★ Indicates change or addition.

Printed in U.S.A.
January 1972