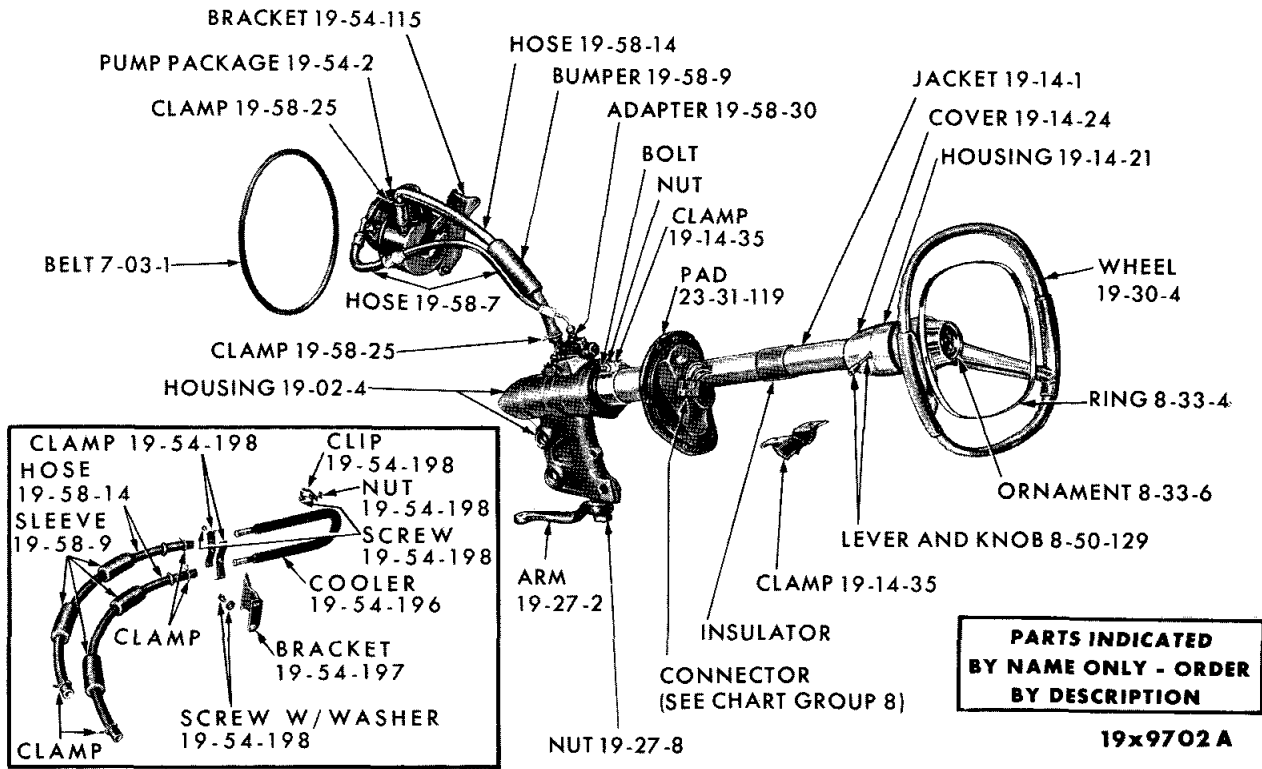


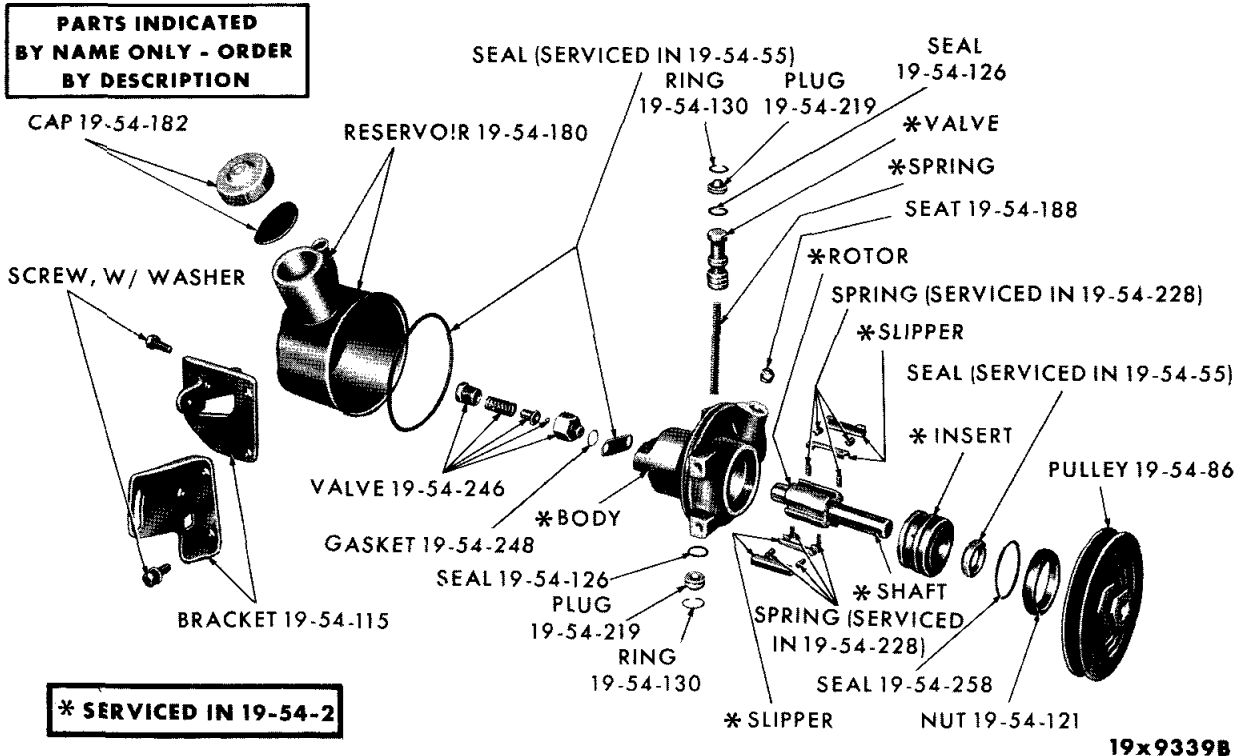
**PARTS INDICATED  
 BY NAME ONLY - ORDER  
 BY DESCRIPTION**

19x9799C

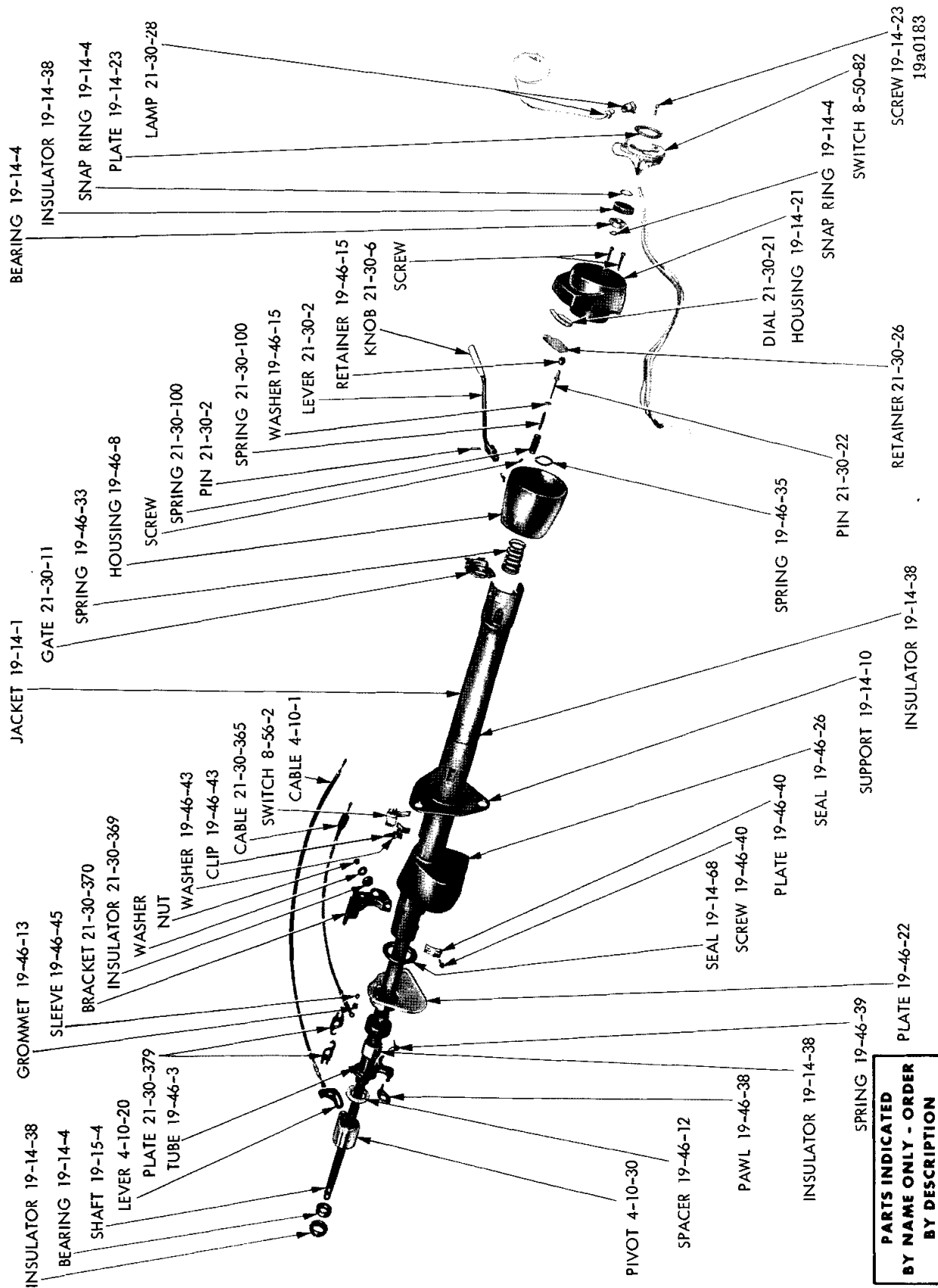
POWER STEERING GEAR ASSEMBLY



POWER STEERING GEAR (WITH OIL COOLER)



POWER STEERING PUMP



**PARTS INDICATED  
BY NAME ONLY - ORDER  
BY DESCRIPTION**

STEERING GEAR COLUMN AND SHAFT (WITH TRANSMISSION SHIFT-AUTO.) - BELVEDERE AND CORONET







CODE	PART NAME AND DESCRIPTION	CYL	PER CAR	VALIANT	PLYMOUTH BELVEDERE	PLYMOUTH FURY	IMPERIAL
				DART	DODGE CORONET	DODGE POLARA	
						CHRYSLER	

**POWER STEERING**

**19-01-0 STEERING GEAR ASSEMBLY**

19-01-4	"O" RING and SEAL PACKAGE . . . . .		1	2448 311	----	2448 309	2448 310
	w/10. 30 lgh. Steering Gear Shaft . . . . .		1	----	2448 311		
	w/10. 45 to 10. 51 lgh. Steering Gear Shaft . . . . .		1	----	2448 309		
19-01-8	CHUCK, Steering Gear . . . . .	6	1	2267 700			
		8	1	2267 701			
	w/10. 30 lgh. Shaft . . . . .		1	----	2267 700		
	w/10. 45 to 10. 51 lgh. Shaft . . . . .		1	----	2267 708		
			1	----		2267 525	2267 702
19-01-12	BOLT, Steering Gear Housing to Frame Wedge . . . . .		2	----	----	----	2201 620
19-01-50	SPRING, Steering Gear Reaction . . . . .		2	1822 134	1822 134	1822 134	*2267 532
19-01-51	RING, Steering Gear Reaction . . . . .		2	1822 150	1822 150	1822 150	1733 791
19-01-52	SEAL, Steering Gear Reaction, Upper . . . . .		1	1822 151	1822 151	1822 151	1733 593
	"O" RING, Steering Gear Reaction, Lower. . . . .		1	1822 149	1822 149	1822 149	1823 091
19-01-53	WASHER, Reaction Seal Upper . . . . .		1	1733 790	1733 790	1733 790	1733 790
19-01-60	HEAD, Cylinder . . . . .		1	1823 157	1823 157	1823 157	1823 161
19-01-61	"O" RING, Steering Gear Cylinder Head . . . . .		2	1733 562	1733 562	1733 562	1733 562
	"O" RING, Steering Gear Cylinder Head Ferrule . . . . .		1	1486 205	1486 205	1486 205	1486 205
19-01-62	SNAP RING, Cylinder Head . . . . .		1	1822 321	1822 321	1822 321	1822 321

**19-02-0 STEERING GEAR HOUSING**

19-02-4	HOUSING . . . . .		1	2127 012			
	w/10. 30 lgh. Shaft . . . . .		1	----	2127 012		
	w/10. 45 to 10. 51 lgh. Shaft . . . . .		1	----	2537 136		
			1	----		2267 527	
	HOUSING PACKAGE . . . . .		1	----	----	----	2240 602
	BOLT, to Frame . . . . .		2	----	----	6025 237	
	STUD, to Frame . . . . .		1	----	----	2128 773	
19-02-13	BOLT, Steering Gear Housing to Frame . . . . .		1	----	----	----	2200 556
19-02-15	"O" RING, Steering Gear Housing . . . . .		1	1823 150	1823 150	1823 150	1823 150
	"O" RING, Housing Port . . . . .		2	1556 385	1556 385	1556 385	1556 385
19-02-18	WASHER, Steering Gear Housing to Frame Bolt . . . . .		6	----	----	----	566 170
19-02-20	SPACER, Steering Gear Housing to Frame . . . . .		5	----	----	----	1671 586
19-02-21	WEDGE, Steering Gear Housing to Frame . . . . .		1	----	----	----	1671 587
19-02-55	HEAD, Steering Gear Housing . . . . .		1	2126 946	2126 946	2126 946	2267 491

**19-14-0 STEERING COLUMN JACKET**

19-14-1	JACKET, w/Manual and Auto. Trans. Floor Shift . . . . .		1	2265 621			
	w/Manual Trans. Column Shift . . . . .		1	2405 612			

TYPE LETTERS Indicate: V - Valiant R - Belvedere P - Plymouth C - Chrysler  
L - Dart W - Coronet D - Dodge Y - Imperial

\* Indicates use as required. Numerals in parentheses ( ) refer to notes. Printed in U.S.A.  
 † Indicates parts not listed in any previous parts book. Prices and specifications subject to change without notice.  
 \* Indicates change or addition.

CODE	PART NAME AND DESCRIPTION	C Y L	PER CAR	VALIANT	PLYMOUTH BELVEDERE	PLYMOUTH FURY	IMPERIAL
				DART	DODGE CORONET	DODGE POLARA	
						CHRYSLER	

## POWER STEERING

19-14-0 STEERING COLUMN JACKET - Cont'd							
19-14-1	JACKET - Cont'd						
	w/Auto. Trans. . . . .		1	2467 859			
	w/Auto. Trans. Column Shift, R-L, R-H, W-L, W-H . . . . .		1	-----	2467 818		
	w/Auto. Trans. Floor Shift, R2-P, W2-P. . .	8	1	-----	2265 621		
	w/Manual Trans. Column Shift. . . . .		1	-----	2265 670		
	w/Manual Trans. Floor Shift. . . . .	8	1	-----	2265 621		
	w/Auto. Trans. Column Shift, P, D2, C1, C2-M, C3 . . . . .		1	-----	-----	2530 181	
	w/Manual Trans. Column Shift, P, D2, C1, C2-M. . . . .		1	-----	-----	2265 670	
	w/Manual and Auto. Trans. Floor Shift. . . .		1	-----	-----	2530 197	
	w/Manual and Auto. Trans. Floor Shift, w/Adjustable Tilt Steering Wheel, P, D2 . .		1	-----	-----	2530 973	
	w/Auto. Trans. Column Shift, w/Adjustable Tilt Steering Wheel, P, D . . . . .		1	-----	-----	2533 727	
	w/Manual and Auto. Trans. Floor Shift, w/Adjustable Tilt Steering Wheel, C . . . .	8	1	-----	-----	2530 974	
	w/Auto. Trans. Column Shift, w/Adjustable Tilt Steering Wheel, C . . . . .	8	1	-----	-----	2533 728	
	w/Auto. Trans. Column Shift . . . . .		1	-----	-----	-----	2530 196
19-14-4	BEARING, Steering Column Shaft, w/o Adjustable Tilt Steering Wheel. . . . .		1	2265 656	2265 656	2265 656	2265 656
	Lower . . . . .		1	-----	-----	2530 570	2530 570
	BEARING, Steering Shaft, w/Adjustable Tilt Steering Wheel. . . . .		2	-----	-----	2467 780	2467 780
	SNAP RING, Upper . . . . .		1	6024 333	6024 333	6024 333	6024 333
	SNAP RING, Lower . . . . .		1	6023 045	6023 045	6023 045	6023 045
19-14-10	SUPPORT, Column Jacket, Upper. . . . .		1	2530 507	2530 500	2530 524	
	Lower . . . . .		1	2530 514	2530 503		
	Lower, w/Auto. Trans. Column and Floor Shift . . . . .		1	-----	-----	2530 517	
	Lower, w/Manual Trans. Column and Floor Shift . . . . .		1	-----	-----	2530 518	
	SUPPORT, Instrument Panel . . . . .		1	-----	-----	-----	2409 568
	Steering Column to Pedal Bracket . . . . .		1	-----	2217 706		
	EXTENSION, Instrument Panel Steering Column to Pedal Bracket. . . . .		1	-----	2491 867		
19-14-11	SEAT, Inner Race, w/Adjustable Tilt Steering Wheel . . . . .		1	-----	-----	*2643 681	*2643 681
19-14-13	WASHER, Steering Gear Column Jacket Support Nut . . . . .		1	1733 588	1733 588	1733 588	1733 588
19-14-18	"O" RING, Steering Gear Column Jacket Support. . . . .		1	1733 602	1733 602	1733 602	1733 602
	"O" RING, Steering Column Jacket Support. . .		1	-----	-----	-----	*6024 272
19-14-19	NUT, Steering Gear Column Jacket Support . .		1	1733 625	1733 625	1733 625	1733 625
19-14-21	HOUSING, Steering Column Shaft Bearing, w/Auto. Trans. Column Shift. . . . .		1	2467 852	2467 852		
	w/Manual Trans. Column and Floor Shift . .		1	2265 653	2265 653		

TYPE LETTERS Indicate: V - Valiant R - Belvedere P - Plymouth C - Chrysler  
L - Dart W - Coronet D - Dodge Y - Imperial

\*Indicates use as required. Numerals in parentheses ( ) refer to notes. Printed in U.S.A.  
 †Indicates parts not listed in any previous parts book. Prices and specifications subject to change without notice.  
 May 1965, Supersedes Nov. 30, 1964. Page 19-18 \* Indicates change or addition.



CODE	PART NAME AND DESCRIPTION	CYL	PER CAR	VALIANT	PLYMOUTH BELVEDERE	PLYMOUTH FURY	IMPERIAL
				DART	DODGE CORONET	DODGE POLARA CHRYSLER	

**POWER STEERING**

<b>19-14-0 STEERING COLUMN JACKET - Cont'd</b>							
19-14-21	HOUSING - Cont'd						
	w/Auto. Trans. Floor Shift . . . . .		1	2265 653	2265 653		
	w/Manual Trans. Floor Shift, w/Auto. Trans. Column and Floor Shift . . . . .		1	-----	-----	2530 233	2530 233
	SCREW . . . . .		1	E6025 695	E6025 695	E6025 695	E6025 695
	BOLT . . . . .		2	*6023 036	*6023 036	*6023 036	
19-14-22	RACE, Inner, w/Adjustable Tilt Steering Wheel . . . . .		1	-----	-----	2643 680	2643 680
19-14-23	PLATE, Steering Column Shaft Bearing Retainer . . . . .		1	2265 654	2265 654	2265 654	2265 654
	PLATE, Steering Column Jacket Support, Lower . . . . .		1	-----	2530 504		
	PLATE, Steering Column Jacket Support "O" Ring . . . . .		1	-----	-----		2409 572
19-14-24	COVER, Steering Column Shaft Bearing Housing, w/Auto and Manual Trans. Floor Shift . . . . .		1	2265 622	2265 622		
	w/Manual and Auto. Trans. Floor Shift, P, D. . . . .		1	-----	-----	2530 229	
	w/Manual and Auto. Trans. Floor Shift, C . . . . .	8	1	-----	-----	2530 235	
19-14-25	HOUSING, Instrument Panel Steering Column, Upper . . . . .		1	-----	-----	-----	2571 403
	Lower . . . . .		1	-----	-----	-----	2571 405
19-14-35	CLAMP, Steering Column . . . . .		1	2631 331			
	CLAMP, Instrument Panel Steering Column, Upper . . . . .		1	-----	2571 409		
	Lower . . . . .		1	-----	2631 333		
	CLAMP, Instrument Panel Steering Column, P, D . . . . .		1	-----	-----	2570 972	
	C . . . . .	8	1	-----	-----	2492 693	2162 191
19-14-38	INSULATOR, Steering Column Shaft Bearing . . . . .		1	2265 658	2265 658	2265 658	2265 658
	Lower . . . . .		1	-----	-----	2530 566	2530 566
	INSULATOR, Steering Column Jacket, w/o Adjustable Tilt Steering Wheel . . . . .		1	2162 480	2162 480	2162 480	2162 480
	w/Adjustable Tilt Steering Wheel . . . . .		1	-----	-----	2534 283	2534 283
19-14-40	SEAL, Steering Column Jacket Support Plate, Lower . . . . .		1	2530 513	2530 506	2530 523	
19-14-46	SUPPORT, Steering Column Shaft Bearing Lower . . . . .		1	-----	-----	-----	2530 972
19-14-47	NUT, Upper Bearing, w/Adjustable Tilt Steering Wheel . . . . .		1	-----	-----	2643 679	2643 679
19-14-48	LEVER, Steering Column Release, w/Adjustable Tilt Steering Wheel . . . . .		1	-----	-----	2533 934	2533 934
19-14-68	SEAL, Steering Column Jacket . . . . .		1	2265 697	2265 697	2530 529	
	Inner . . . . .		1	2533 998	2533 998	2533 998	2533 998

TYPE LETTERS Indicate: V - Valiant R - Belvedere P - Plymouth C - Chrysler  
 L - Dart W - Coronet D - Dodge Y - Imperial

\*Indicates use as required. Numerals in parentheses ( ) refer to notes. Printed in U.S.A.  
 †Indicates parts not listed in any previous parts book. Prices and specifications subject to change without notice.  
 \* Indicates change or addition. May 1965, Supersedes Nov. 30, 1964.

CODE	PART NAME AND DESCRIPTION	C Y L	PER CAR	VALIANT	PLYMOUTH BELVEDERE	PLYMOUTH FURY	IMPERIAL
				DART	DODGE CORONET	DODGE POLARA	
						CHRYSLER	

## POWER STEERING

### 19-14-0 STEERING COLUMN JACKET - Cont'd

19-14-69	SPACER, Seal . . . . .		1	2461 049	2461 049	2461 049	2461 049
19-14-83	WASHER, Lock Tab, w/Adjustable Tilt Steering Wheel . . . . .		1	-----	-----	2643 682	2643 682
19-14-84	SHOE, Lock, w/Adjustable Tilt Steering Wheel . . . . .		1	-----	-----	2467 776	2467 776
	SHOE, Lock, Lower, w/Adjustable Tilt Steering Wheel . . . . .		1	-----	-----	2467 778	2467 778
19-14-85	SPRING, Lock Shoe (1) . . . . .		2	-----	-----	2467 779	2467 779
	SPRING, Wheel Tilt (1) . . . . .		2	-----	-----	2467 802	2467 802
	SPRING, Detent (1) . . . . .		1	-----	-----	2467 807	2467 807
	SPRING, Trigger (1) . . . . .		2	-----	-----	2467 808	2467 808
	SPRING, Joint Preload . . . . .		1	-----	-----	2467 811	2467 811
	NOTE 1: w/Adjustable Tilt Steering Wheel.						
19-14-91	RING, Post Retainer, w/Adjustable Tilt Steering Wheel . . . . .		1	-----	-----	2467 805	2467 805
19-14-92	PIN, Dowel, w/Adjustable Tilt Steering Wheel		2	-----	-----	2467 777	2467 777
	PIN, Pivot, w/Adjustable Tilt Steering Wheel . . . . .		2	-----	-----	2467 797	2467 797
19-14-93	SCREW, Support, w/Adjustable Tilt Steering Wheel . . . . .		2	-----	-----	2467 799	2467 799
	SCREW, Wire Attaching, w/Adjustable Tilt Steering Wheel . . . . .		2	-----	-----	2467 800	2467 800
	SCREW, Wire Attaching, w/Adjustable Tilt Steering Wheel . . . . .		1	-----	-----	2467 806	2467 806
19-14-94	SPHERE, Centering, w/Adjustable Tilt Steering Wheel . . . . .		2	-----	-----	2643 677	2643 677
19-14-95	ACTUATOR, w/Housing, Turn Signal, w/Adjustable Tilt Steering Wheel . . . . .		1	-----	-----	2467 803	2467 803
19-14-96	COVER, Switch Actuator, w/Adjustable Tilt Steering Wheel . . . . .		1	-----	-----	2643 683	2643 683
19-14-97	SUPPORT, w/Adjustable Tilt Steering Wheel . . . . .		1	-----	-----	2467 793	2467 793
19-14-99	YOKE, w/Adjustable Tilt Steering Wheel . . . . .		1	-----	-----	2467 804	2467 804

### 19-15-0 STEERING COLUMN SHAFT AND COUPLING

19-15-4	SHAFT, w/Wide Flute of Serrations Horizontal to Pin at End of Shaft . . . . .		1	*2530 562	*2530 564		
	w/Wide Flute of Serrations Vertical to Pin at End of Shaft . . . . .		1	⊕2768 218	*2768 220		
	SHAFT, Upper . . . . .		1	-----	-----	2530 554	2530 833
	SHAFT, Lower, w/Flange Mounted Vertical to Pin at End of Shaft . . . . .		1	-----	-----	*2530 535	
	w/Flange Mounted 40° From Vertical to Pin at End of Shaft . . . . .		1	-----	-----	*2768 205	
	SHAFT, Upper Steering, w/Adjustable Tilt Steering Wheel . . . . .		1	-----	-----	2643 678	2643 678

TYPE LETTERS Indicate: V - Valiant R - Belvedere P - Plymouth C - Chrysler  
 L - Dart W - Coronet D - Dodge Y - Imperial

\*Indicates use as required. Numerals in parentheses ( ) refer to notes. Printed in U.S.A.  
 ⊕Indicates parts not listed in any previous parts book. Prices and specifications subject to change without notice.  
 March 1966 Supersedes May 1965. Page 19-20 \* Indicates change or addition.

CODE	PART NAME AND DESCRIPTION	CYL	PER CAR	VALIANT	PLYMOUTH BELVEDERE	PLYMOUTH FURY	IMPERIAL
				DART	DODGE CORONET	DODGE POLARA CHRYSLER	

**POWER STEERING**

**19-15-0 STEERING COLUMN SHAFT AND COUPLING - Cont'd**

19-15-4	SHAFT KIT, Upper, w/Adjustable Tilt Steering Wheel . . . . .	1	-----	-----	2643 699	2643 699
	SHAFT, Lower, w/Adjustable Tilt Steering Wheel, P, D . . . . .	1	-----	-----	2643 685	
	C . . . . .	1	-----	-----	2643 688	2643 691
19-15-17	COVER, Steering Column Coupling . . . . .	1	2530 538	2530 538	2530 538	
19-15-20	HORN GROUND, Steering Column Shaft Coupling, w/TERMINALS . . . . .	1	-----	-----	*2497 251	
	SPRING, Steering Column Coupling Ground w/o Terminals . . . . .	1	-----	-----	*2768 287	
19-15-23	BODY, Steering Column Coupling, Screw Type . . . . .	1	2530 820	2530 820	2530 820	
	BODY PACKAGE, Steering Column Coupling, Pin Type . . . . .	1	2585 335	2585 335	2585 335	
	COUPLING, Steering Column Shaft . . . . .	1	-----	2530 541	2530 541	2533 739
	PIN . . . . .	1	9422 159	9422 159	9422 159	9422 159
	BOLT, R, W, Police Cars . . . . .	★	-----	6025 278	6025 278	6025 278
	BOLT, R, W, Police Cars . . . . .	2	-----	9422 009	9422 009	E9422 009
	BOLT . . . . .	1	6025 257	6025 257	6025 257	
19-15-28	SEAL, Steering Column Coupling Cover . . . . .	1	2530 848	2530 848	2461 996	
	SEAL, Steering Column Shaft . . . . .	1	2266 738	2266 738		
19-15-33	CLAMP, Steering Column Coupling Shield . . . . .	1	-----	-----	870 469	
19-15-35	SPRING, Steering Column Coupling . . . . .	2	2530 540	2530 540	2530 540	
19-15-38	WORM, w/PISTON, Steering Gear . . . . .	1	2072 031	2072 031	2072 031	1822 736
19-15-39	SPRING PACKAGE, Steering Gear Ball Guide . . . . .	1	2084 215	2084 215	2084 215	2084 215
19-15-43	FLANGE, Steering Column Shaft Coupling, w/Wide Flute of Serrations Vertical to Pin Mounting . . . . .	1	-----	-----	*2530 189	
	w/Wide Flute of Serrations 50 Degrees From Vertical to Pin Mounting . . . . .	1	-----	-----	E2768 206	
	PIN . . . . .	1	-----	-----	*9422 159	
19-15-44	SHOE, Steering Column Coupling . . . . .	2	2530 539	2530 539	2530 539	
19-15-60	BEARING, Steering Gear Worm . . . . .	1	2267 372	2267 372	2267 372	2267 372
	Gear Thrust . . . . .	2	1822 158	1822 158	1822 158	1822 158
19-15-63	RACE, Steering Gear Thrust Bearing Inner . . . . .	1	1856 292	1856 292	1856 292	1856 292
	Outer . . . . .	1	1822 156	1822 156	1822 156	1822 156
19-15-65	NUT, Steering Gear Thrust Bearing . . . . .	1	1822 157	1822 157	1822 157	1822 157
19-15-69	SPACER, w/Center Race, Steering Gear . . . . .	1	1822 390	1822 390	1822 390	1822 390
19-15-74	PLATE, Steering Column Shaft Bearing Housing, w/Auto. and Manual Trans. Floor Shift . . . . .	1	-----	-----	2530 238	

TYPE LETTERS Indicate: V - Valiant R - Belvedere P - Plymouth C - Chrysler  
 L - Dart W - Coronet D - Dodge Y - Imperial

★Indicates use as required. Numerals in parentheses ( ) refer to notes. Printed in U.S.A.  
 EIndicates parts not listed in any previous parts book. Prices and specifications subject to change without notice.  
 \* Indicates change or addition. March 1966 Supersedes May 1965.

CODE	PART NAME AND DESCRIPTION	CYL	PER CAR	VALIANT	PLYMOUTH BELVEDERE	PLYMOUTH FURY	IMPERIAL
				DART	DODGE CORONET	DODGE POLARA	
						CHRYSLER	

## POWER STEERING

### 19-15-0 STEERING COLUMN SHAFT AND COUPLING - Cont'd

19-15-111	SHIELD, Steering Column Coupling, Clamp Mounting . . . . .		1	-----	-----	2461 044	
	SCREW Mounting . . . . .		1	-----	-----	2768 255	
	CLAMP, Clamp Mounting Shield . . . . .		1	-----	-----	870 469	

### 19-19-0 STEERING GEAR SHAFT

19-19-1	SEAL PACKAGE, Cover . . . . .		1	2279 986	2279 986	2279 986	2279 986
19-19-4	SHAFT, 10.30 lgh. . . . .		1	2127 117	2127 117		
	10.45 to 10.51 lgh. . . . .		1	-----	2267 477	2267 477	
			1	-----	-----	-----	1733 577
19-19-5	SNAP RING, Oil Seal, w/10.30 lgh. Shaft . . . . .		1	2126 966	2126 966		
	w/10.45 to 10.51 lgh. Shaft . . . . .		1	-----	2127 049	2127 049	2127 049
19-19-7	SCREW, Adjusting . . . . .		1	2267 173	2267 173	2267 173	2267 173
19-19-9	NUT, Adjusting Screw . . . . .		1	1822 204	1822 204	1822 204	1822 204
19-19-19	BEARING, w/10.30 lgh. Shaft . . . . .		2	2126 890	2126 890		
	w/10.45 to 10.51 lgh. Shaft . . . . .		2	-----	2126 760	2126 760	
			2	-----	-----	-----	2126 760
19-19-24	COVER . . . . .		1	1733 601	1733 601	1733 601	1733 601
19-19-26	"O" RING, Cover . . . . .		1	1733 615	1733 615	1733 615	1733 615
19-19-30	WASHER, Steering Gear Reaction Seal Upper . . . . .		1	1733 790	1733 790	1733 790	1733 790
19-19-32	NUT, Cover . . . . .		1	1733 627	1733 627	1733 627	1733 627
19-19-35	OIL SEAL, w/10.30 lgh. Shaft . . . . .		1	2126 956	2126 956		
	w/10.45 to 10.51 lgh. Shaft . . . . .		1	-----	1730 985	1730 985	1730 985
	Upper . . . . .		1	2267 129	2267 129	2267 129	2267 129
	SEAL, Adjusting Screw . . . . .		1	1822 203	1822 203	1822 203	1822 203
19-19-36	RETAINER, Oil Seal, w/10.30 lgh. Shaft . . . . .		1	2126 965	2126 965		
	w/10.45 to 10.51 lgh. Shaft . . . . .		1	-----	1670 356	1670 356	1670 356
19-19-38	DUST SEAL, w/10.30 lgh. Shaft . . . . .		1	2267 351	2267 351		
	w/10.45 to 10.51 lgh. Shaft . . . . .		1	-----	2267 350	2267 350	2267 350
19-19-40	WASHER, Adjusting Screw Thrust. . . . .		1	1675 271	1675 271	1675 271	1675 271
19-19-70	SEAL, Steering Gear Worm . . . . .		1	1822 324	1822 324	1822 324	1822 324
19-19-71	RING, Steering Gear Worm Sealing. . . . .		1	1822 406	1822 406	1822 406	1822 406
19-19-72	SLEEVE, Steering Gear Worm . . . . .		1	1822 320	1822 320	1822 320	1822 320

### 19-27-0 STEERING LINK GEAR ARM AND IDLER ARM

19-27-2	ARM, Link Gear . . . . .		1	*2072 573	-----	*2269 399	*1731 415
	w/10.30 lgh. Shaft . . . . .		1	-----	*1858 017		
	w/10.45 to 10.51 lgh. Shaft . . . . .		1	-----	E2462 804		

TYPE LETTERS indicate:

V - Valiant  
L - Dart

R - Belvedere  
W - Coronet

P - Plymouth  
D - Dodge

C - Chrysler  
Y - Imperial

\*Indicates use as required.

EIndicates parts not listed in any previous parts book.

March 1966 Supersedes May 1965.

Numerals in parentheses ( ) refer to notes.

Prices and specifications subject to change without notice.

Printed in U.S.A.

CODE	PART NAME AND DESCRIPTION	C Y L	PER CAR	VALIANT	PLYMOUTH BELVEDERE	PLYMOUTH FURY	IMPERIAL
				DART	DODGE CORONET	DODGE POLARA CHRYSLER	

**POWER STEERING**

**19-27-0 STEERING LINK GEAR ARM AND IDLER ARM - Cont'd**

19-27-8	NUT, Steering Link Gear Arm End Cross Shaft Steering Link Gear Arm . . . . .		1	2207 359	2207 359	2207 359	2207 359
			1	-----	-----	-----	2207 359
19-27-31	ARM, Steering Link Idler, Y1 except Cv. Cp. . . w/DAMPER, Cv. Cp. . . . . BOLT . . . . .		1	2072 577	1858 067	2269 679	2269 696
			1	-----	-----	-----	2208 074
			★	-----	-----	6023 630	6023 630
19-27-33	BRACKET, Front Suspension Crossmember Steering Linkage Idler Arm . . . . . BRACKET, Frame Steering Linkage Idler Arm, except Cv. Cp. . . . .		1	2401 053	2401 051	-----	2401 063
			1	-----	-----	-----	2401 063
19-27-37	PLATE, Frame Idler Arm Mounting, Cv.Cp. . .		1	-----	-----	-----	2467 662
19-27-40	SEAL, Steering Link Idler Arm Bracket Stud . SEAL, Steering Link Idler Arm End . . . . .		1	1857 748	1670 299	-----	-----
			1	1857 748	1670 299	-----	-----
19-27-50	LINK, Steering Link Center . . . . .	6	1	2072 571	-----	-----	-----
		8	1	2269 359	-----	-----	-----
			1	-----	1858 015	2269 393	1672 980
19-27-51	PLUG, Steering Link Gear Arm End Cover . . Steering Link Gear Arm Stud . . . . .		1	1858 115	1858 115	-----	-----
			1	-----	-----	1858 115	-----
19-27-55	SEAL, Steering Link Center Link . . . . .		2	-----	-----	-----	1670 299

**19-30-0 STEERING WHEEL**

19-30-4	WHEEL, Red, w/Trim Codes H1R, H4R, L1R, L4R, P4R, w/Model V . . . . .		1	4006 TR6	-----	-----	-----
	White, w/Trim Codes All . . . . .		1	4006 TW4	-----	-----	-----
	Red, w/Trim Codes H1R, H4R, H5R, H8R, L1R, L4R, L5R, P4R, w/Model L . . . . .		1	4006 AR7	-----	-----	-----
	Yellow Tan, w/Three Spokes, w/Trim Codes All . . . . .		1	4016 VTT	-----	-----	-----
	Blue, w/Trim Codes H1B, H4B, H5B, H8B, L1B, L4B, L5B, P4B, w/Model W . . . . .		1	*4006 VB6	*4006 VB6	-----	-----
	Turquoise, w/Trim Codes H1Q, H4Q, L1Q, L4Q, w/Model W . . . . .		1	*4006 VQ6	*4006 VQ6	-----	-----
	Yellow Tan, w/Trim Codes H1T, H4T, H5T, H8T, L1T, L4T, L5T, P4T, w/Model W . . . . .		1	*4006 VT6	*4006 VT6	-----	-----
	Black, w/Trim Code P4X . . . . .		1	4006 VX9	-----	-----	-----
	Yellow Gold, w/Trim Code P4Y . . . . .		1	4006 VY6	-----	-----	-----
	White, w/Two Spokes, w/Trim Codes All, w/Model R, W, D . . . . .		1	-----	4004 AW4	4004 AW4	-----
	Black, w/Two Spokes, w/Trim Codes H4X, P4X, K1B, K1R, K1T, K2T, K8T, K4B, K4R, K4T, X1P, T8T, L9X, K2A, K8A, L2A, L8A, L4X, L3X, w/Models R, W, P, D . . . . .		1	-----	4004 AX9	4004 AX9	-----
	Yellow Gold, w/Two Spokes, w/Trim Codes H1Y, H4Y, L1Y, L4Y, K1Y, P4Y, w/Models W, R, D . . . . .		1	-----	4002 AY3	4002 AY3	-----
	Red, w/Two Spokes, w/Trim Codes H1R, H4R, L1R, L4R, L5R, P4R, K1R, K4R, w/Model R . . . . .		1	-----	4004 AR6	-----	-----

TYPE LETTERS Indicate: V - Valiant R - Belvedere P - Plymouth C - Chrysler  
 L - Dart W - Coronet D - Dodge Y - Imperial

★ Indicates use as required. Numerals in parentheses ( ) refer to notes. Printed in U.S.A.  
 ⊕ Indicates parts not listed in any previous parts book. Prices and specifications subject to change without notice.  
 \* Indicates change or addition. March 1966 Supersedes May 1965.

CODE	PART NAME AND DESCRIPTION	CYL	PER CAR	VALIANT	PLYMOUTH BELVEDERE	PLYMOUTH FURY	IMPERIAL
				DART	DODGE CORONET	DODGE POLARA CHRYSLER	

**POWER STEERING**

<b>19-30-0 STEERING WHEEL - Cont'd</b>							
19-30-4	WHEEL - Cont'd						
	Red, w/Two Spokes, w/Trim Codes H1R, H4R, H5R, K1R, K4R, L1R, L3R, L4R, L5R, L9R, P4R, w/Models W, D . . . . .	8	1	-----	4002 AR7	4002 AR7	
	Yellow Tan, w/Two Spokes, w/Trim Codes H1T, H4T, H5T, L1T, L2T, L3T, L4T, L5T, L8T, K1T, K2T, K4T, K8T, T8T, P4T, w/Models W, R, D . . . . .		1	-----	4002 AT6	4002 AT6	
	Blue, w/Two Spokes, w/Trim Codes H1B, H4B, H5B, L1B, L3B, L4B, L5B, L9B, P4B, K1B, K4B, w/Models R, W, D . . . . .		1	-----	4002 AB4	4002 AB4	
	Turquoise, w/Two Spokes, w/Trim Codes H1Q, H4Q, K1Q, K4Q, L1Q, L4Q, P4Q, w/Models W, R, D . . . . .		1	-----	4002 AQ4	4002 AQ4	
	Black, w/Two Spokes, w/Trim Code H5X, w/Model P . . . . .		1	-----	-----	4003 AX9	
	Yellow Gold, w/Two Spokes, w/Trim Codes H1Y, H2Y, H4Y, H5Y, w/Model P . . . . .		1	-----	-----	4003 AY3	
	White, w/Two Spokes, w/Trim Codes All, w/Model P . . . . .		1	-----	-----	4003 AW4	
	Red, w/Two Spokes, w/Trim Codes H1R, H2R, H4R, H5R, L1R, L4R, L5R, M1R, M4R, M5R, w/Model P . . . . .		1	-----	-----	4003 AR7	
	Yellow Tan, w/Two Spokes, w/Trim Codes H1T, H2T, H4T, L1T, L2T, L4T, L5T, L8T, M1T, M4T, M5T, T8T, w/Model P . . . . .		1	-----	-----	4003 AT6	
	Blue, w/Two Spokes, w/Trim Codes H1B, H2B, H4B, H5B, L1B, L4B, L5B, M1B, M4B, M5B, w/Model P . . . . .		1	-----	-----	4003 AB6	
	Turquoise, w/Two Spokes, w/Trim Codes H1Q, H2Q, H4Q, H5Q, M1Q, M4Q, w/Model P . . . . .		1	-----	-----	4003 AQ6	
	Black, w/Three Spokes, w/o Spoke Cover, w/Trim Codes H4X, H5X, L2A, L8A, L3X, L4X, L9X, P4X, P4U, P4W, M3X, M4X, w/Models P, D, C1, C2 . . . . .		1	-----	-----	4000 AX9	
	Black, w/Three Spokes, w/Spoke Cover, w/Trim Codes L4X, L9X, M3X, M4X, P3X, P4X, w/Models C1, C2 . . . . .	8	1	-----	-----	4020 AX9	
	Blue, w/Three Spokes, w/o Spoke Cover, w/Trim Codes L1B, L2B, L3B, L4B, L5B, L9B, H1B, H2B, H4B, H5B, M1B, M4B, M5B, P1B, P4B, w/Models P, D, C1, C2 . . . . .		1	-----	-----	4001 AB4	
	Turquoise, w/Three Spokes, w/o Spoke Cover, w/Trim Codes H1Q, H2Q, H4Q, H5Q, L1Q, L2Q, L4Q, L8Q, M1Q, M4Q, P4Q, P1Q. . . . .		1	-----	-----	*4001 AQ4	
	w/Models P, D, C1 . . . . .						
	Red Tan, w/Three Spokes, w/o Spoke Cover, w/Trim Code P4U, w/Model D . . . . .	8	1	-----	-----	4001 AU9	
	Yellow Gold, w/Three Spokes, w/o Spoke Cover, w/Trim Codes H1Y, H2Y, H4Y, H5Y, L1Y, L4Y, L2L, L4L, M4L, w/Models P, D, C1, C2 . . . . .		1	-----	-----	4001 AY3	

TYPE LETTERS indicate: V - Valiant R - Belvedere P - Plymouth C - Chrysler  
 L - Dart W - Coronet D - Dodge Y - Imperial

\*Indicates use as required. Numerals in parentheses ( ) refer to notes. Printed in U.S.A.  
 †Indicates parts not listed in any previous parts book. Prices and specifications subject to change without notice.  
 March 1966 Supersedes May 1965. \* Indicates change or addition.

CODE	PART NAME AND DESCRIPTION	C Y L	PER CAR	VALIANT	PLYMOUTH BELVEDERE	PLYMOUTH FURY	IMPERIAL
				DART	DODGE CORONET	DODGE POLARA CHRYSLER	

**POWER STEERING**

**19-30-0 STEERING WHEEL - Cont'd**

19-30-4	WHEEL - Cont'd Red, w/Three Spokes, w/o Spoke Cover, w/Trim Codes H1R, H2R, H4R, H5R, L1R, L2R, L4R, L5R, L8R, L9R, M1R, M3R, M4R, M5R, P4R, w/Models P, D, C1, C2 . . . . .	1	-----	-----	4001 AR7	
	Yellow Tan, w/Three Spokes, w/o Spoke Cover, w/Trim Codes H1T, H2T, H4T, H5T, L1T, L2T, L3T, L4T, L5T, L8T, M1T, M4T, M5T, w/Models P, D, C1, C2 . . . . .	1	-----	-----	1001 AT6	
	Yellow Tan, w/Three Spokes, w/o Spoke Cover, w/Trim Code P4T, w/Model D . . .	8	1	-----	4001 AT5	
	Blue, w/Spoke Cover, w/Trim Codes L1B, L2B, L4B, L5B, L8B, L9B, M4B, P4B, w/Models C1, C2 . . . . .	8	1	-----	4008 AB4	
	Yellow Gold, w/Spoke Cover, w/Trim Codes L2L, L4L, M4L, P4L, w/Models C1, C2 . . .	8	1	-----	4008 AY3	
	Turquoise, w/Spoke Cover, w/Trim Codes L1Q, L2Q, L8Q, w/Model C1 . . . . .	8	1	-----	4008 AQ4	
	Red, w/Spoke Cover, w/Trim Codes L1R, L2R, L4R, L5R, L8R, L9R, M3R, M4R, P3R, P4R, w/Models C1, C2 . . . . .	8	1	-----	4008 AR7	
	Yellow Tan, w/Spoke Cover, w/Trim Codes L1T, L2T, L4T, L5T, L8T, M4T, P4T, w/Models C1, C2 . . . . .	8	1	-----	4008 AT6	
	White, w/Spoke Cover, w/Trim Codes L1N, L2N, L4N, M1N, M4W, P4W, w/Models C1, C2 . . . . .	8	1	-----	4020 AW3	
	White, w/o Spoke Cover, w/Trim Codes L1N, L2N, L4N, M1N, M4W, w/Models C1, C2	8	1	-----	4000 AW3	
	Blue, w/Trim Codes H1B, H4B, w/Model C3.	1	-----	-----	4009 AB4	
	Yellow Gold, w/Trim Codes H1L, H4L, w/Model C3 . . . . .	1	-----	-----	4009 AY3	
	Turquoise, w/Trim Code H1Q, w/Model C3 .	1	-----	-----	4009 AQ4	
	Red, w/Trim Codes H1R, H4R, w/Model C3 .	1	-----	-----	4009 AR7	
	Yellow Tan, w/Trim Codes H1T, H4T, w/Model C3 . . . . .	1	-----	-----	4009 AT6	
	White, w/Trim Code H1N, w/Model C3 . . . .	1	-----	-----	4011 AW3	
	Black, w/Trim Code H4X, w/Model C3 . . . .	1	-----	-----	4011 AX9	
	Blue, w/Trim Codes M3B, M7B, M8B, M9B, M3C, M9C, H3B, H7B, H3C . . . . .	1	-----	-----	-----	4005 ABB
	Yellow Green, w/Trim Codes M7G, M8G, H7G . . . . .	1	-----	-----	-----	4005 AFF
	Maroon, w/Trim Codes M3K, M9K . . . . .	1	-----	-----	-----	4005 AMM
	Gray Black, w/Trim Codes M3X, M5X, M9X, M7P, H3X, H7A, H6X, H8X . . . . .	1	-----	-----	-----	4005 AAX
	Turquoise, w/Trim Code M7Q . . . . .	1	-----	-----	-----	4005 AQQ
	Red, w/Trim Codes M3R, M5R, M7R, M9R, M3V, M9V, H3R, H8R, H3V . . . . .	1	-----	-----	-----	4005 ARR
	Orange Yellow Gold, w/Trim Codes M3T, M7T, M9T, H7T . . . . .	1	-----	-----	-----	4005 ALL
	White and Black, w/Trim Codes M3W, M7N, M8N, M9W, H3W, M5W, H8W . . . . .	1	-----	-----	-----	4005 AWX

TYPE LETTERS indicate: V - Valiant R - Belvedere P - Plymouth C - Chrysler  
L - Dart W - Coronet D - Dodge Y - Imperial

★Indicates use as required. Numerals in parentheses ( ) refer to notes. Printed in U.S.A.  
 BIndicates parts not listed in any previous parts book. Prices and specifications subject to change without notice.  
 \* Indicates change or addition.

CODE	PART NAME AND DESCRIPTION	C Y L	PER CAR	VALIANT	PLYMOUTH BELVEDERE	PLYMOUTH FURY	IMPERIAL
				DART	DODGE CORONET	DODGE POLARA CHRYSLER	

## POWER STEERING

### 19-30-0 STEERING WHEEL - Cont'd

19-30-18	NUT, Steering Column Shaft, Steering Wheel . . . WASHER . . . . .	1	1	145 032	145 032	145 032	145 032
		1		6025 671	6025 671	6025 671	6025 671
19-30-43	COVER, Steering Wheel Spoke, P. . . . .	1		-----	-----	2530 956	
19-30-44	CUSHION, Steering Wheel Spoke Cover, P . . .	2		-----	-----	2768 111	

### 19-31-0 STEERING COLUMN BRACKET OR SUPPORT

19-31-1	BRACKET, Instrument Panel Steering Column Support, C1, C2 . . . . .	8	1	-----	-----	2571 001	
19-31-2	SUPPORT, w/NUTS, Instrument Panel Steering Column to Dash, P, D . . . . .		1	-----	-----	2570 558	
19-31-7	BRACE, w/SCREW, Instrument Panel Steering Column Support to Windshield Lower Frame, Right . . . . .		1	-----	2571 118		
	Left . . . . .		1	-----	2570 185		
	w/SCREW and NUTS, Instrument Panel Steering Column . . . . .		1	-----	-----	-----	2491 687
	Steering Column to Windshield Frame Upper.		1	-----	-----	-----	2217 845

### 19-46-0 STEERING COLUMN GEARSHIFT TUBE

19-46-3	TUBE, w/Manual Trans. . . . .		1	2405 614	2461 966	2461 966	
	w/Auto. Trans., C . . . . .		1	*2467 860	*2467 820	*2530 182	*2530 575
	w/Auto. Trans., w/o Tilt Wheel, P, D . . . . .		1	-----	-----	*2530 182	
	w/Auto. Trans., w/Tilt Wheel, P, D . . . . .		1	-----	-----	*2533 931	
19-46-8	HOUSING, Steering Column Gearshift, w/Manual Trans., P, D . . . . .		1	2265 651	2265 651	2265 651	
	w/Auto. Trans., P, D . . . . .		1	2530 240	2530 240	2467 855	
	w/Manual Trans., C1, C2-M . . . . .	8	1	-----	-----	2530 227	
	w/Auto. Trans., C . . . . .	8	1	-----	-----	2467 823	
	SCREW . . . . .		1	6026 251	6026 251	6026 251	2467 855
19-46-12	SPACER, Steering Column Gearshift Tube Lever, w/Manual Trans. . . . .		1	2265 688	2265 688	2265 688	
	w/Auto. Trans. . . . .		1	2467 863	2467 863	2467 863	2467 863
19-46-13	GROMMET, Lever Pin, w/Auto. Trans. . . . .		1	2534 279	2534 279	2534 279	2534 279
19-46-15	RETAINER, Steering Column Gearshift Lever Spring, w/Auto. Trans. . . . .		1	2467 865	2467 865	2467 865	2467 865
	WASHER . . . . .		1	6024 899	6024 899	6024 899	6024 899
19-46-16	LEVER, Steering Column Gearshift Tube, First and Reverse, w/Manual Trans. . . . .		1	2405 618	2460 570	2460 570	
19-46-19	WASHER, Steering Column Gearshift Tube Lever, w/Manual Trans. . . . .		1	2265 687	2265 687		
19-46-22	PLATE, Steering Column Gearshift Tube Lever Seal, w/Auto. Trans. . . . .		1	*2530 548	*2530 548		
	w/Auto. Trans., w/o Three Holes .120" dia. Mounted on Sleeve . . . . .		1	-----	-----	*2461 048	

TYPE LETTERS Indicate:

V - Valiant  
L - Dart

R - Belvedere  
W - Coronet

P - Plymouth  
D - Dodge

C - Chrysler  
Y - Imperial

\*Indicates use as required.

Numerals in parentheses ( ) refer to notes.

Printed in U.S.A.

⊠Indicates parts not listed in any previous parts book.

Prices and specifications subject to change without notice.

March 1966 Supersedes May 1965.

• Indicates change or addition.



CODE	PART NAME AND DESCRIPTION	C Y L	PER CAR	VALIANT	PLYMOUTH BELVEDERE	PLYMOUTH FURY	IMPERIAL
				DART	DODGE CORONET	DODGE POLARA CHRYSLER	

**POWER STEERING**

**19-46-0 STEERING COLUMN GEARSHIFT TUBE - Cont'd**

19-46-22	PLATE - Cont'd. w/Auto. Trans., w/Three Holes .120" dia. Mounted on Sleeve . . . . .		1	-----	-----	B2768 252	
19-46-26	SEAL, Steering Column Gearshift Tube, Lever Upper, w/Auto. Trans. . . . . Lever Seal Plate, w/Auto. Trans. . . . .		1 1	2467 836 -----	2467 836 -----	2467 836 2533 749	
19-46-33	SPRING, Steering Column Gearshift Tube, w/Auto. Trans. Column Shift . . . . .		1	2467 864	2467 864	2467 864	2467 864
19-46-35	SPRING WASHER, Steering Column Gearshift Housing, w/Auto. Trans. . . . .		1	2461 043	2461 043	2461 043	2461 043
19-46-38	PAWL, Steering Column Gearshift Detent, w/Auto. Trans. . . . .		1	2467 830	2467 830	2467 830	2467 830
19-46-39	SPRING, Steering Column Gearshift Tube Pawl, w/Auto. Trans. . . . .		1	2467 834	2467 834	2467 834	2467 834
19-46-40	PLATE, Steering Column Gearshift Detent, w/Auto. Trans. . . . . SCREW . . . . .		1 2	2467 835 6024 060	2467 835 6024 060	2467 835 6024 060	2467 835 6024 060
19-46-43	CLIP, Switch, w/Auto. Trans. . . . . WASHER . . . . .		1 1	2530 191 6025 254	2530 191 6025 254	2530 191 6025 254	
19-46-45	SLEEVE, Lever Pin, w/Auto. Trans. . . . .		1	2534 280	2534 280	2534 280	2534 280
19-46-55	SUPPORT, Steering Column Gearshift Tube Lever, w/Manual Trans. Column Shift . . . . SUPPORT, Steering Column Shaft Bearing Lower, Floor Shift . . . . . w/Manual Trans. Column Shift, w/Three Holes Drilled Through Support . . . . . w/Manual Trans. Column Shift, w/Six Holes Drilled Through Support . . . . .		1 1 1 1	2265 689 ----- ----- -----	2265 689 ----- ----- -----	2530 582 *2460 573 *2768 254	

**19-48-0 GEARSHIFT CONTROL ROD**

19-48-1	ROD, First and Reverse, w/Manual Trans. . . . Column Shift . . . . . Model L, LHD, Export . . . . .		6 6 8	1 1 1	2405 570 2467 914 2467 914		
	w/A903 Trans. . . . . w/A745 Trans. . . . . Second and High, w/Manual Trans. Column Shift . . . . . Model L, LHD, Export . . . . .		6 6 8	1 1 1	----- ----- 2405 569 2467 913 2467 913	2409 420 2409 421	2461 942 2461 943
	CLIP, Gearshift Control Rod Swivel First and Reverse, w/Manual Trans. . . . . CLIP, Gearshift Control Rod, Second and High . . . . .		1 1 1	----- ----- -----	2409 419	2461 941 *6025 071 *6025 071	
19-48-2	END, Gearshift Control Rod, Second and High, w/Manual Trans. Column Shift . . . . .		1	2461 938			

TYPE LETTERS Indicate: V - Valiant R - Belvedere P - Plymouth C - Chrysler  
L - Dart W - Coronet D - Dodge Y - Imperial

\*Indicates use as required. Numerals in parentheses ( ) refer to notes. Printed in U.S.A.  
 †Indicates parts not listed in any previous parts book. Prices and specifications subject to change without notice.  
 \* Indicates change or addition.

CODE	PART NAME AND DESCRIPTION	CYL	PER CAR	VALIANT	PLYMOUTH BELVEDERE	PLYMOUTH FURY	IMPERIAL
				DART	DODGE CORONET	DODGE POLARA CHRYSLER	

**POWER STEERING**

**19-48-0 GEARSHIFT CONTROL ROD - Cont'd**

19-48-7	SMALL PARTS PACKAGE, Gearshift Control, w/Manual Trans. Column Shift . . . . .		1	2421 772			
	w/Manual Trans. A903 and A745, w/Grommets in Trans. Levers . . . . .		1	----	2421 770	2421 770	
	w/Manual Trans. A745, w/o Grommets in Trans. Levers . . . . .		1	----	*2421 771	*2421 771	
19-48-12	CLAMP, Gearshift Control Rod First and Reverse, w/Manual Trans. Column Shift . .		1	2204 274	2204 274		
	Gearshift Control Rod Swivel Second and High, w/Manual Trans. Column Shift . . . .		1	----		2204 274	
19-48-16	SWIVEL, Gearshift Control Rod First and Reverse, w/Manual Trans. Column Shift . .		1	2208 155	2208 155	2074 521	
	Second and High, w/Manual Trans. Column Shift . . . . .		1	----	2074 521	2208 155	
19-48-21	WASHER, Gearshift Control Rod Swivel First and Reverse, w/Manual Trans. A745, w/o Grommets in Trans. Levers . . . . .		2	----	1533 190	1533 190	
19-48-23	CLIP, Gearshift Control Rod Anti-Rattle, w/Manual Trans. Column Shift . . . . .		★	2405 205	2405 205	2405 205	
	CLIP, Gearshift Control Rod Swivel, First and Reverse, w/Manual Trans. . . . .		1	1137 669	1137 669		
	Second and High, w/Manual Trans. . . . .		1	1137 669	1137 669		
	CLIP, Gearshift Control Rod, w/Four Speed Trans. . . . .		3	1137 669	1137 669	1137 669	
19-48-45	SHAFT, Gearshift Control Torque, w/Manual Trans. A903 . . . . .	6	1	----	2409 422	2461 936	
	w/Manual Trans. A745 . . . . .		1	----	2409 423	2461 934	
	WASHER, Plain, w/Manual Trans. . . . .		2		*6023 085	*6023 085	
	WASHER, Spring, w/Manual Trans. . . . .		1		*6023 086	*6023 086	
19-48-46	BRACKET, Gearshift Control Torque Shaft Frame, w/Manual Trans. Column Shift . . .		1	----	2208 156	2461 944	
19-48-48	PLATE, Gearshift Control Torque Shaft Bracket Mounting, w/Manual Trans. Column Shift . .		1	----		2467 946	
19-48-49	GROMMET, Gearshift Control Torque Shaft Frame Bracket, w/Manual Trans. Column Shift . . . . .		1	----	2208 158	2208 158	
	Gearshift Control Torque Shaft Lever, w/Manual Trans. Column Shift . . . . .		1	----	1941 699	1941 699	
19-48-50	BUSHING, Gearshift Control Torque Shaft Frame Bracket Grommet, w/Manual Trans. Column Shift . . . . .		1	----	2208 159	2208 159	
19-48-51	SPACER, Gearshift Control Torque Shaft, w/Manual Trans. Column Shift . . . . .		2	----	2208 172	2208 172	
19-48-52	RETAINER, Gearshift Control Torque Shaft, w/Manual Trans. Column Shift . . . . .		1	----	1671 569	1671 569	

TYPE LETTERS Indicate: V - Valiant R - Belvedere P - Plymouth C - Chrysler  
 L - Dart W - Coronet D - Dodge Y - Imperial

★Indicates use as required. Numerals in parentheses ( ) refer to notes. Printed in U.S.A.  
 ☒Indicates parts not listed in any previous parts book. Prices and specifications subject to change without notice.  
 March 1966 Supersedes May 1965. \* Indicates change or addition.

CODE	PART NAME AND DESCRIPTION	C Y L	PER CAR	VALIANT	PLYMOUTH BELVEDERE	PLYMOUTH FURY	IMPERIAL
				DART	DODGE CORONET	DODGE POLARA CHRYSLER	

**POWER STEERING**

<b>19-54-0 POWER STEERING OIL PUMP</b>							
19-54-2	PUMP PACKAGE, w/Oil Reservoir, 4 5/8" dia., P, D . . . . .	8	1	2495 057	2495 057	2495 057	
	w/Oil Reservoir, 5 1/8" dia. . . . .	8	1	-----	-----	2196 082	2196 082
19-54-55	SEAL PACKAGE, Pump, 4 5/8" Reservoir, P,D 5 1/8" Reservoir . . . . .	8	1	2495 054	2495 054	2495 054	2279 998
				-----	-----	2279 998	2279 998
19-54-60	FILTER, Pump . . . . .		1	1851 957	1851 957	1851 957	1851 957
19-54-86	PULLEY, Power Steering Pump, w/o Air Conditioning, P1 . . . . .	6	1	2128 578	2128 578	2128 578	
	w/o Air Conditioning, w/A727 Auto. Trans. . . . .	6	1	-----	2202 851		
	w/Air Conditioning . . . . .	6	1	2268 665			
	w/273 and 318 cu. in. Eng., w/Oil Pump Reservoir 4 5/8", P2, D2 . . . . .	8	1	1733 488	1733 488	1733 488	
	w/o Air Conditioning, w/361, 383, 426 cu. in. Eng., w/Oil Pump Reservoir 4 5/8", P2 . . . . .	8	1	-----	1826 056	1826 056	
	w/Air Conditioning and w/Trailer Towing Package, w/361, 383, 426 cu. in. Eng. . . . .	8	1	-----	1851 732		
	w/o Air Conditioning, w/318 cu. in. Eng., w/Oil Pump Reservoir 5 1/8" P2, D2 . . . . .	8	1	-----		2206 193	
	w/o Air Conditioning, w/383, 413, 426 cu. in. Eng., w/Oil Pump Reservoir 5 1/8" . . . . .	8	1	-----		2128 337	2128 337
	w/Air Conditioning and w/Trailer Towing Package, w/383, 413, 426 cu. in. Eng., w/Oil Pump Reservoir 5 1/8" . . . . .	8	1	-----		2128 338	
19-54-91	STRAP, Power Steering Pump Bracket to Water Pump Body, w/o Air Conditioning . . . . .	6	1	2402 284			
	w/Air Conditioning . . . . .	6	1	2268 766			
	w/o Air Conditioning, Police and Taxi, w/A727 Auto. Trans. . . . .	6	1	-----	2268 766		
19-54-115	BRACKET, Power Steering Pump Engine, w/o Air Conditioning, P1 . . . . .	6	1	2465 894	2465 894	2468 804	
	w/Air Conditioning, P1 . . . . .	6	1	*2468 011	*2465 894	*2468 804	
	w/o Air Conditioning, Police and Taxi, w/A727 Auto. Trans. . . . .	6	1	-----	2468 011		
	BRACKET, Power Steering Pump, w/o Air Conditioning . . . . .	6	1	2205 521	2205 521		
	w/Air Conditioning . . . . .	6	1	2129 916			
	w/o Air Conditioning, w/A727 Auto. Trans. . . . .	6	1	-----	2129 916		
	Front, P1 . . . . .	6	1	-----		2532 408	
	Rear, P1 . . . . .	6	1	-----		2532 409	
	Front, w/o Air Conditioning, w/273 and 318 cu. in. Eng., w/Oil Pump Reservoir 4 5/8", P2 . . . . .	8	1	1945 384	1945 384	1945 384	
	SCREW, w/WASHER, Bracket Adjusting . . . . .	8	1	-----	6024 810	6024 810	6024 810
	Rear, w/273 and 318 cu. in. Eng., w/Oil Pump Reservoir, 4 5/8", P2, D2 . . . . .	8	1	*1851 314	*1851 314	*1851 314	
	Front, w/o Air Conditioning, w/361, 383, 426 cu. in. Eng., w/Oil Pump Reservoir 4 5/8", P2 . . . . .	8	1	-----	1826 058	1826 058	

TYPE LETTERS indicate: V - Valiant R - Belvedere P - Plymouth C - Chrysler  
 L - Dart W - Coronet D - Dodge Y - Imperial

★Indicates use as required. Numerals in parentheses ( ) refer to notes. Printed in U.S.A.  
 ⓑIndicates parts not listed in any previous parts book. Prices and specifications subject to change without notice.  
 \* Indicates change or addition. March 1966 Supersedes May 1965.

# 1965 PASSENGER CAR PARTS CATALOG

STEERING

CODE	PART NAME AND DESCRIPTION	CYL	PER CAR	VALIANT	PLYMOUTH BELVEDERE	PLYMOUTH FURY	IMPERIAL
				DART	DODGE CORONET	DODGE POLARA	
						CHRYSLER	

## POWER STEERING

### 19-54-0 POWER STEERING OIL PUMP - Cont'd

19-54-115	BRACKET - Cont'd. Rear, w/o Air Conditioning, w/361, 383, 426 cu. in. Eng., w/Oil Pump Reservoir 4 5/8", P2. . . . .	8	1	-----	1826 057	1826 057	
	Front, w/o Air Conditioning, w/318 cu. in. Eng., w/Oil Pump Reservoir 5 1/8", P2, D2. . . . .	8	1	-----	-----	2206 191	
	Rear, w/o Air Conditioning, w/318 cu. in. Eng., w/Oil Pump Reservoir 5 1/8", P2, D2. . . . .	8	1	-----	-----	2206 192	
	BRACKET, Power Steering Pump, w/383, 413, 426 cu. in. Eng., w/Oil Pump Reservoir 5 1/8" . . . . .	8	1	-----	-----	2128 323	2128 323
	BRACKET, Power Steering Pump Adjusting, w/383, 413, 426 cu. in. Eng., w/Oil Pump Reservoir 5 1/8" . . . . .	8	1	-----	-----	2128 324	2128 324
19-54-121	NUT, Pump Insert, w/Oil Pump Reservoir 4 5/8", P, D . . . . .		1	2127 189	2127 189	2127 189	
	NUT, Pump Front Insert, w/Oil Pump Reservoir 5 1/8" . . . . .	8	1	-----	-----	2120 012	
19-54-123	BOLT, Pump Engine Bracket Swivel . . . . .	6	1	-----	2402 285	2402 285	
	w/o Air Conditioning . . . . .	6	1	2402 285			
	w/Air Conditioning . . . . .	6	1	2202 850			
	w/o Air Conditioning, w/A727 Auto. Trans., Police and Taxi . . . . .	6	1	-----	2202 850		
	SCREW, w/WASHER, Pump Bracket Adjusting, w/A727 Auto. Trans., Police and Taxi . . . . .	6	2	-----	1945 404		
	BOLT, Pump Mounting Bracket Swivel, w/Oil Pump Reservoir 5 1/8" . . . . .	8	1	-----	-----	6025 795	6025 795
19-54-126	OIL SEAL, Pump Flow Control Valve Bore, w/Oil Pump Reservoir 4 5/8", P, D . . . . .	2		2120 017	2120 017	2120 017	
	w/Oil Pump Reservoir 5 1/8" . . . . .	1		-----	-----	2120 017	2120 017
19-54-130	SNAP RING, Pump Flow Control Valve, w/Oil Pump Reservoir 4 5/8", P, D . . . . .	2		1738 678	1738 678	1738 678	
	w/Oil Pump Reservoir 5 1/8" . . . . .	1		-----	-----	1738 678	1738 678
19-54-131	BUMPER, Pump Bracket, w/Oil Pump Reservoir 5 1/8" . . . . .	8	1	-----	-----	1940 147	1940 147
19-54-132	NUT, Pump Engine Bracket Swivel Bolt . . . . .	6	1	2129 684	2129 684		
	Pump Mounting Bracket Swivel Bolt, w/Oil Pump Reservoir 5 1/8" . . . . .	8	1	-----	-----	2129 684	2129 684
19-54-133	PLATE, Pump Engine Bracket, w/Air Conditioning . . . . .	6	1	-----	2264 872	2264 872	
19-54-180	RESERVOIR, w/FILLER, Pump Oil, 4 5/8" dia., P, D . . . . .	1		2267 663	2267 663	2267 663	
	5 1/8" dia. . . . .	1		-----	-----	2267 666	2267 666
19-54-181	OIL SEAL, Pump Oil Reservoir, w/Oil Pump Reservoir 4 5/8", P, D. . . . .	8	1	1732 946	1732 946	1732 946	
	w/Oil Pump Reservoir 5 1/8" . . . . .	1		-----	-----	2120 018	2120 018
	SEAL, Pump Oil Reservoir Mounting, w/Oil Pump Reservoir 4 5/8", P, D . . . . .	1		2127 486	2127 486	2127 486	

TYPE LETTERS indicate: V - Valiant R - Belvedere P - Plymouth C - Chrysler  
 L - Dart W - Coronet D - Dodge Y - Imperial

\*Indicates use as required. Numerals in parentheses ( ) refer to notes. Printed in U.S.A.  
 †Indicates parts not listed in any previous parts book. Prices and specifications subject to change without notice.  
 March 1966 Supersedes May 1965. \* Indicates change or addition.

CODE	PART NAME AND DESCRIPTION	C Y L	PER CAR	VALIANT	PLYMOUTH BELVEDERE	PLYMOUTH FURY	IMPERIAL
				DART	DODGE CORONET	DODGE POLARA CHRYSLER	

**POWER STEERING**

**19-54-O POWER STEERING OIL PUMP - Cont'd**

19-54-182	CAP, Pump Oil Reservoir Filler . . . . .		1	2267 694	2267 694	2267 694	2267 694
19-54-188	SEAT, Pump Outlet. . . . .		1	1738 683	1738 683	1738 683	1738 683
19-54-196	COOLER, Pump Oil, w/Air Conditioning, w/383, 413, 426 cu. in. Eng. . . . .	8	1	-----	-----	2267 616	2267 616
19-54-197	BRACKET, Pump Oil Cooler, w/Air Conditioning and w/383, 413, 426 cu.in. Eng.	8	1	-----	-----	2267 674	2267 674
19-54-198	CLAMP, Pump Oil Cooler, w/Air Conditioning and w/383, 413, 426 cu. in. Eng. . . . .	8	1	-----	-----	2267 643	2267 643
	CLIP, Pump Oil Cooler, w/Air Conditioning and w/383, 413, 426 cu. in. Eng. . . . .	8	1	-----	-----	2267 623	2267 623
	NUT, Oil Cooler Clip . . . . .		1	-----	-----	-----	6023 169
	WASHER, Oil Cooler Clip . . . . .		1	-----	-----	-----	6022 188
19-54-219	PLUG, Pump Flow Control Valve Bore, w/Inside . 38" dia., w/Oil Pump Reservoir 4 5/8" dia., P, D . . . . .		2	*2120 016	*2120 016	*2120 016	
	w/Inside . 45" dia., w/Oil Pump Reservoir 4 5/8" dia. . . . .		1	*2537 013	*2537 013	*2537 013	
19-54-228	SPRING REPAIR PACKAGE, Pump Rotor Slipper, w/Oil Pump Reservoir 4 5/8" dia., P, D . . . . .		1	2495 053	2495 053	2495 053	
	w/Oil Pump Reservoir 5 1/8" dia. . . . .	8	1	-----	-----	2448 097	2448 097
19-54-246	VALVE, Pump Pressure Relief (stamped w/symbol □ on body and has male cap) . . . . (stamped 800 P. S. I. on cap and has female cap) . . . . .	6	1	2537 014			
	(stamped w/symbol ☆ on body and has male cap (stamped 950 P. S. I. on cap and has female cap) w/Oil Pump Reservoir, 4 5/8" dia., (stamped w/symbol ☆ on body and has male cap) P, D . . . . .	6	1	2537 051			
	w/Oil Pump Reservoir, 4 5/8" dia., (stamped 950 P. S. I. on cap and has female cap) P, D . . . . .	8	1	2537 015			
	w/Oil Pump Reservoir, 5 1/8" dia., (stamped w/symbol □ on body of valve) w/318 cu. in. Eng., P, D . . . . .	8	1	-----	2537 015	2537 015	
	w/Oil Pump Reservoir, 5 1/8" dia. (stamped w/symbol ▲ on body of valve) w/383, 413, 426 cu. in. Eng. . . . .	8	1	-----	2537 052	2537 052	
	(stamped 1000 P. S. I. on cap and has female cap)	8	1	-----	-----	2129 019	
			★	-----	-----	2121 600	
			1	-----	-----	2537 053	
			1	-----	-----	-----	1944 792
19-54-248	GASKET, Pump Pressure Relief Valve . . . . .		1	1852 920	1852 920	1852 920	1852 920
19-54-258	OIL SEAL, Power Steering Pump Front Insert, w/Oil Pump Reservoir 4 5/8" dia., P, D . . . . .		1	*1732 948	*1732 948	*1732 948	
	w/Oil Pump Reservoir 5 1/8" dia. . . . .			-----	-----	*2128 275	*2128 275

**19-56-O POWER STEERING GEAR PISTON**

19-56-6	RING, Steering Gear Piston . . . . .		1	1822 672	1822 672	1822 672	1822 672
	"O" RING, Steering Gear Piston Ring . . . . .		1	1822 671	1822 671	1822 671	1822 671
19-56-22	"O" RING, Steering Gear Cylinder Head Ferrule . . . . .		1	*1486 205	*1486 205	*1486 205	*1486 205

TYPE LETTERS Indicate: V - Valiant R - Belvedere P - Plymouth C - Chrysler  
L - Dart W - Coronet D - Dodge Y - Imperial

★ Indicates use as required. Numerals in parentheses ( ) refer to notes. Printed in U.S.A.  
 Ⓛ Indicates parts not listed in any previous parts book. Prices and specifications subject to change without notice.  
 \* Indicates change or addition. Page 19-31 March 1966 Supersedes May 1965.

CODE	PART NAME AND DESCRIPTION	C Y L	PER CAR	VALIANT	PLYMOUTH BELVEDERE	PLYMOUTH FURY	IMPERIAL
				DART	DODGE CORONET	DODGE POLARA	
						CHRYSLER	

**POWER STEERING**

<b>19-56-O POWER STEERING GEAR PISTON</b>							
19-56-83	SPRING, Steering Gear Pressure Control Valve Lower . . . . .	1		1822 442	1822 442	1822 442	1822 442
19-56-90	"O" RING, Gear Pressure Control Valve . . .	1		1536 268	1536 268	1536 268	1536 268
<b>19-57-O POWER STEERING GEAR VALVES</b>							
19-57-1	SEAL PACKAGE . . . . .	1		2279 985	2279 985	2279 985	2279 985
19-57-2	PISTON and SPRING PACKAGE, Steering Gear Pressure Control Valve . . . . .	1		1879 509	1879 509	1879 509	1879 509
19-57-3	VALVE, Steering Gear . . . . .	6	1	2267 617			
		8	1	2267 620	-----	-----	2267 618
			1	-----	2267 617	2267 617	
19-57-13	"O" RING, Steering Gear Valve Housing . . .	1		1733 612	1733 612	1733 612	1733 612
19-57-16	GASKET, Steering Gear Valve Plug . . . . .	1		1733 724	1733 724	1733 724	1733 724
19-57-63	LEVER, Steering Gear Valve . . . . .	1		1822 380	1822 380	1822 380	1822 380
19-57-64	SPRING, Steering Gear Valve Lever . . . . .	1		1823 151	1823 151	1823 151	1823 151
<b>19-58-O POWER STEERING HOSE</b>							
19-58-7	HOSE, Pump Pressure . . . . .	6	1	2127 507	2127 507		
		8	1	2267 598	2127 517		
			1	-----	-----	2127 507	2127 267
19-58-9	SLEEVE, Pump Pressure Hose . . . . .	6	1	2267 679			
		8	1	2267 679	2267 679	2537 534	2267 679
			1	-----	-----	-----	2267 644
	SLEEVE, Pump Return Hose, w/Air Conditioning	8	1	-----	2127 280	2127 280	
		6	1	2200 560			
		6	1	1636 067			
19-58-14	HOSE, Pump Return, w/o Air Conditioning . . . w/Air Conditioning . . . . .	6	1	-----	1636 067		
		6	1	-----	-----	2200 560	
		6	1	-----	-----	2537 531	
	42 1/4" long . . . . .	6	1	-----	-----	2200 560	
		6	1	-----	-----	2537 531	
		8	1	2267 601	2127 524	2127 524	2127 376
	Power Steering Pump to Oil Cooler, 30 1/2" long, w/Air Conditioning . . . . .	8	1	-----	-----	*2200 560	
		8	1	-----	-----	*2537 600	*2267 696
	Power Steering Pump Gear to Oil Cooler, w/Air Conditioning, w/383, 413 and 426 cu. in. Eng. . . . .	8	1	-----	-----	*2537 600	*2267 696
		8	1	-----	-----	2267 537	2267 699
19-58-15	ADAPTER, Steering Gear Pressure Hose . . . . .	6	1	1618 610			
		8	1	2267 528			
			1	-----	1618 610	1618 610	1618 610
19-58-18	"O" RING, Gear Pressure Hose Adapter . . .	8	1	2267 530			
19-58-21	NUT, Gear Pressure Hose Adapter . . . . .	8	1	2267 529			
19-58-25	CLAMP, Pump Return Hose . . . . .	2		870 469	870 469	870 469	870 469
		4		-----	-----	870 469	870 469
19-58-31	GASKET, Steering Gear Pressure Hose Adapter . . . . .	6	1	1618 611			
			1	-----	1618 611	1618 611	1618 611

TYPE LETTERS Indicate: V - Valiant R - Belvedere P - Plymouth C - Chrysler  
 L - Dart W - Coronet D - Dodge Y - Imperial

★Indicates use as required. Numerals in parentheses ( ) refer to notes. Printed in U.S.A.  
 †Indicates parts not listed in any previous parts book. Prices and specifications subject to change without notice.  
 March 1966 Supersedes May 1965. \* Indicates change or addition.