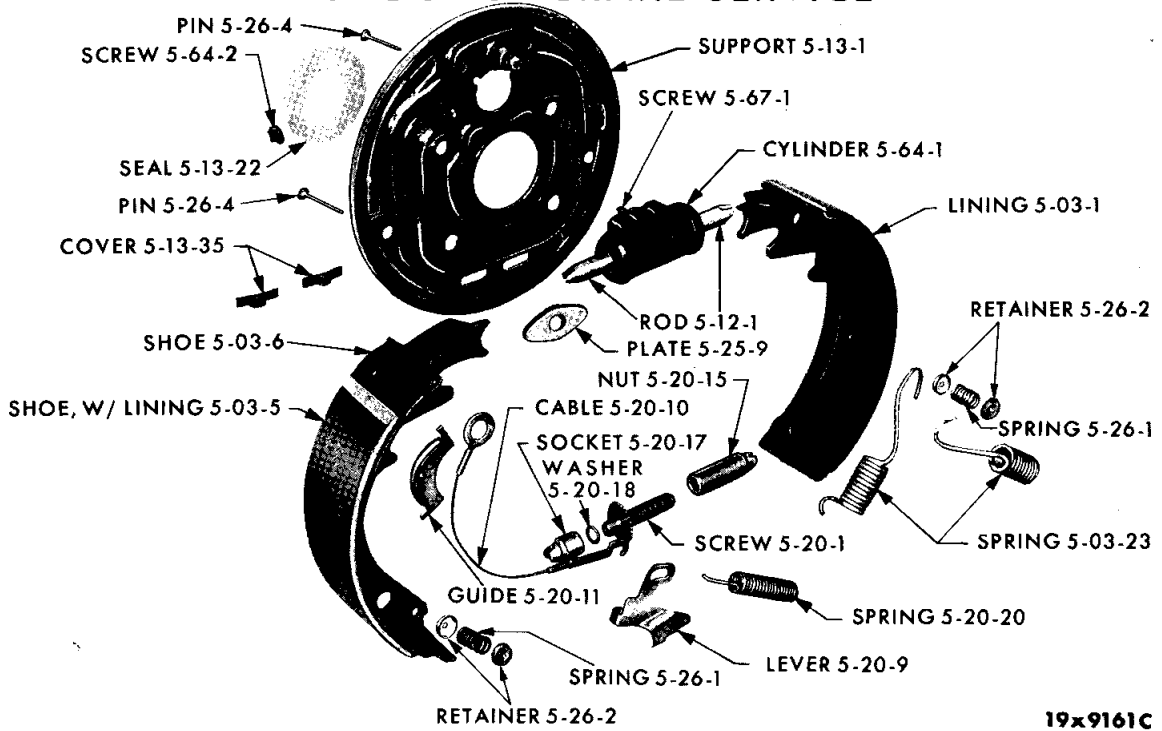
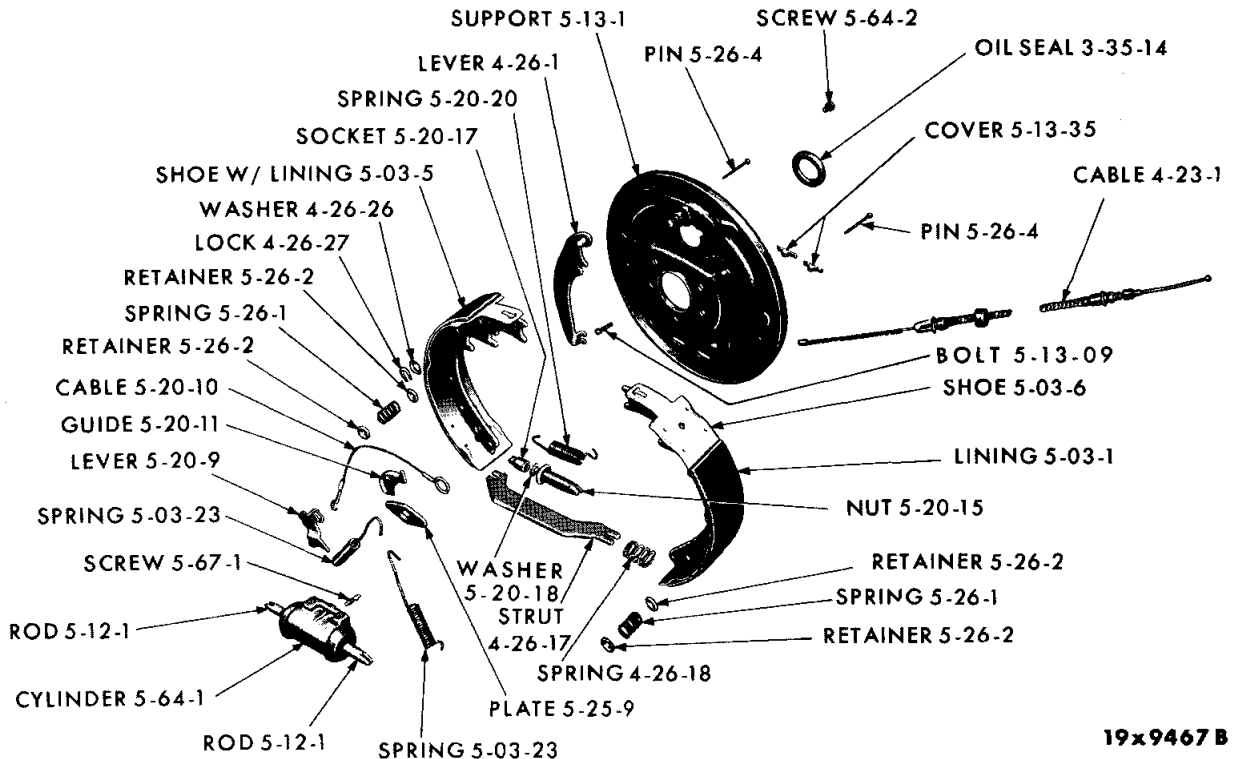


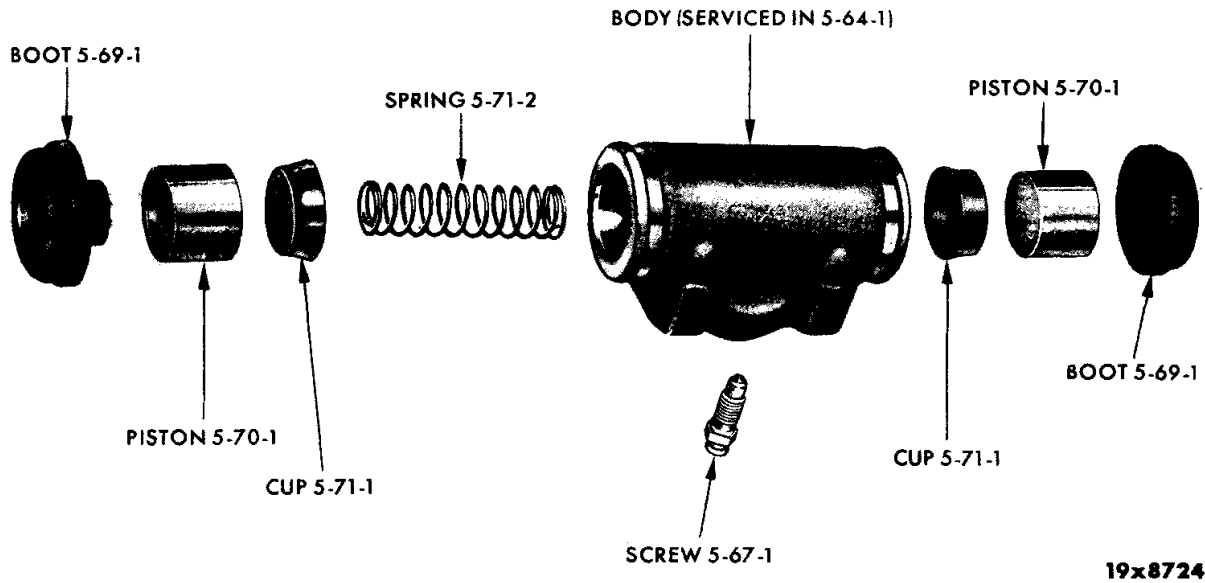
GROUP 5 - BRAKE-SERVICE



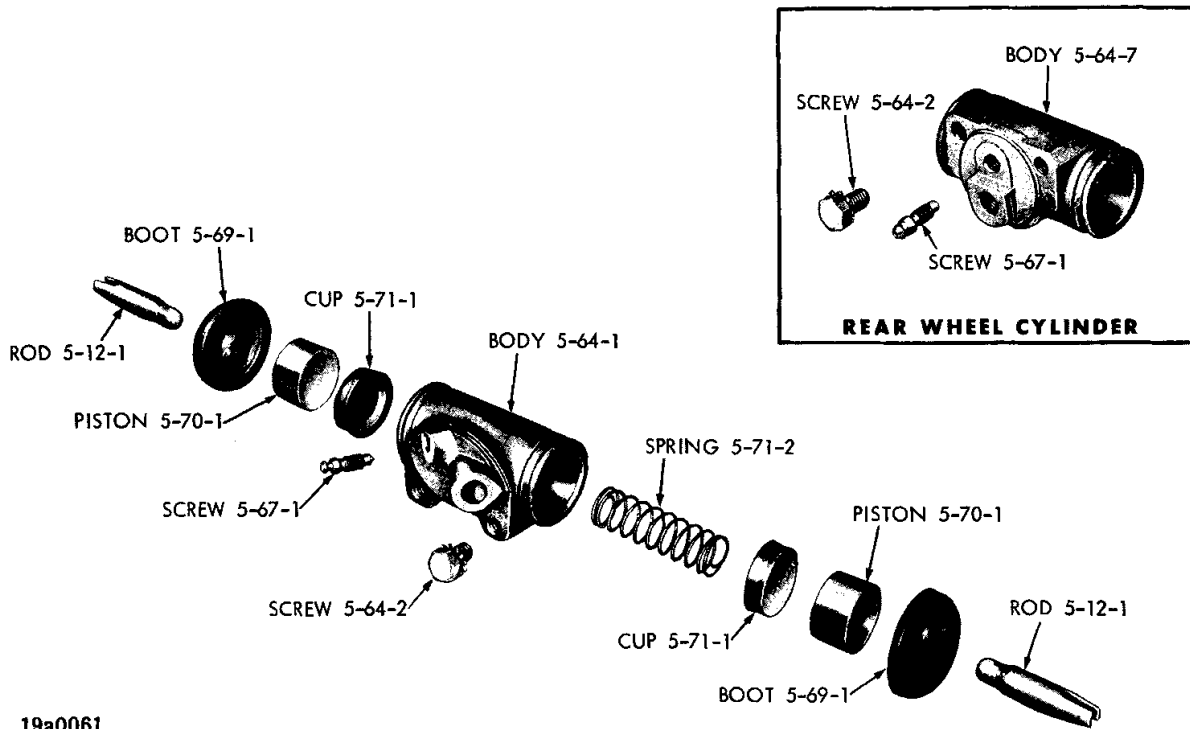
FRONT WHEEL BRAKE - BELVEDERE, PLYMOUTH, CORONET,
DODGE, CHRYSLER AND IMPERIAL



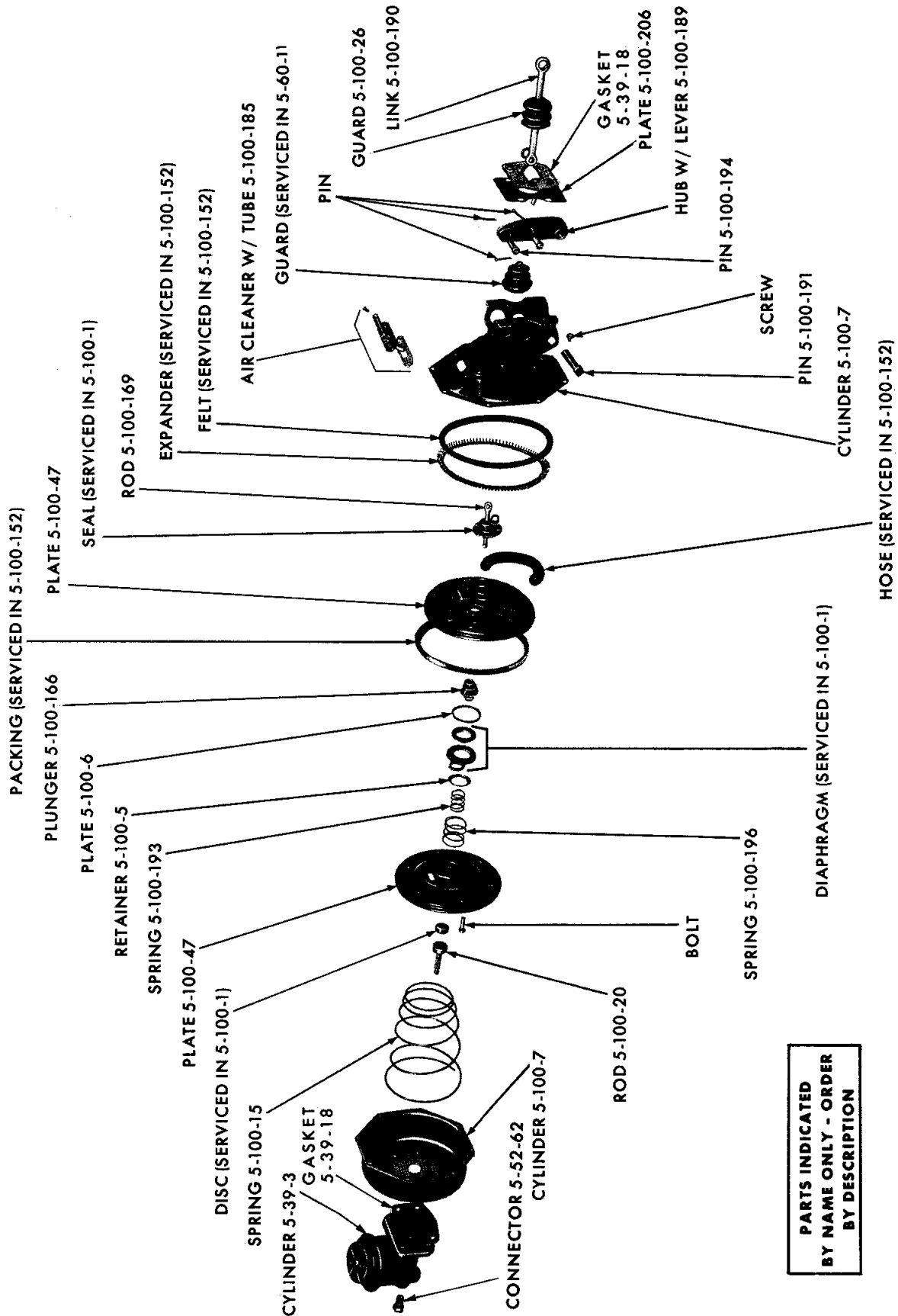
REAR WHEEL BRAKE - BELVEDERE, PLYMOUTH, CORONET,
DODGE, CHRYSLER AND IMPERIAL



FRONT AND REAR WHEEL CYLINDER - VALIANT AND DART



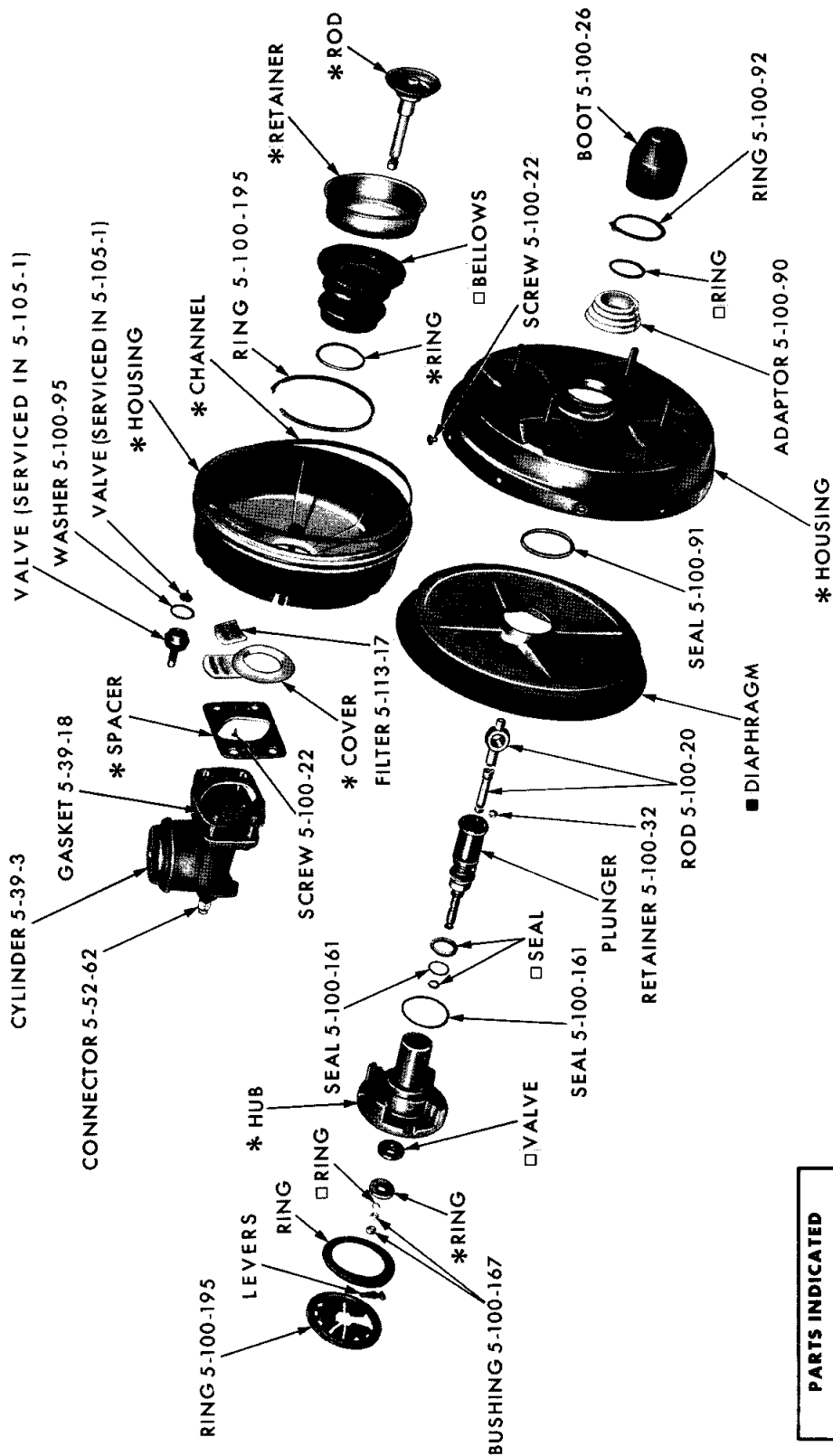
FRONT AND REAR WHEEL CYLINDER - BELVEDERE, PLYMOUTH, CORONET, DODGE, CHRYSLER AND IMPERIAL



**PARTS INDICATED
BY NAME ONLY - ORDER
BY DESCRIPTION**

19x8754B

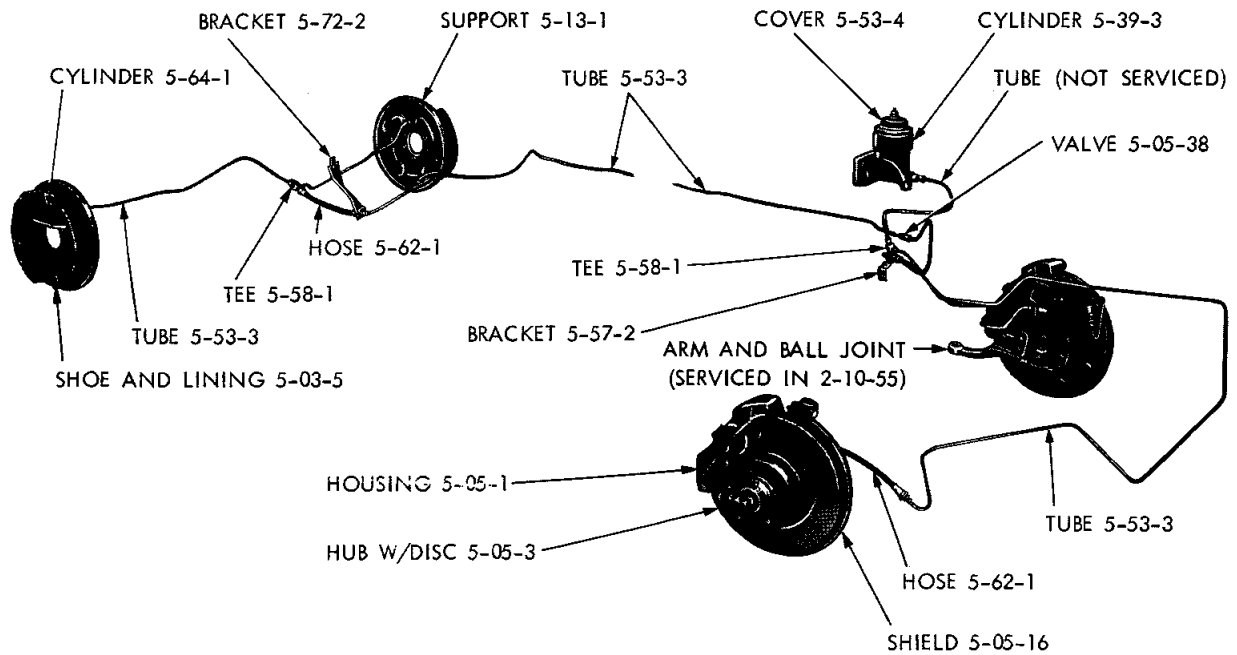
POWER BRAKE POWER UNIT - VALIANT AND DART (BENDIX TYPE)



PARTS INDICATED
 BY NAME ONLY - ORDER
 BY DESCRIPTION
 □ SERVICED IN 5-100-1
 * SERVICED IN 5-100-2

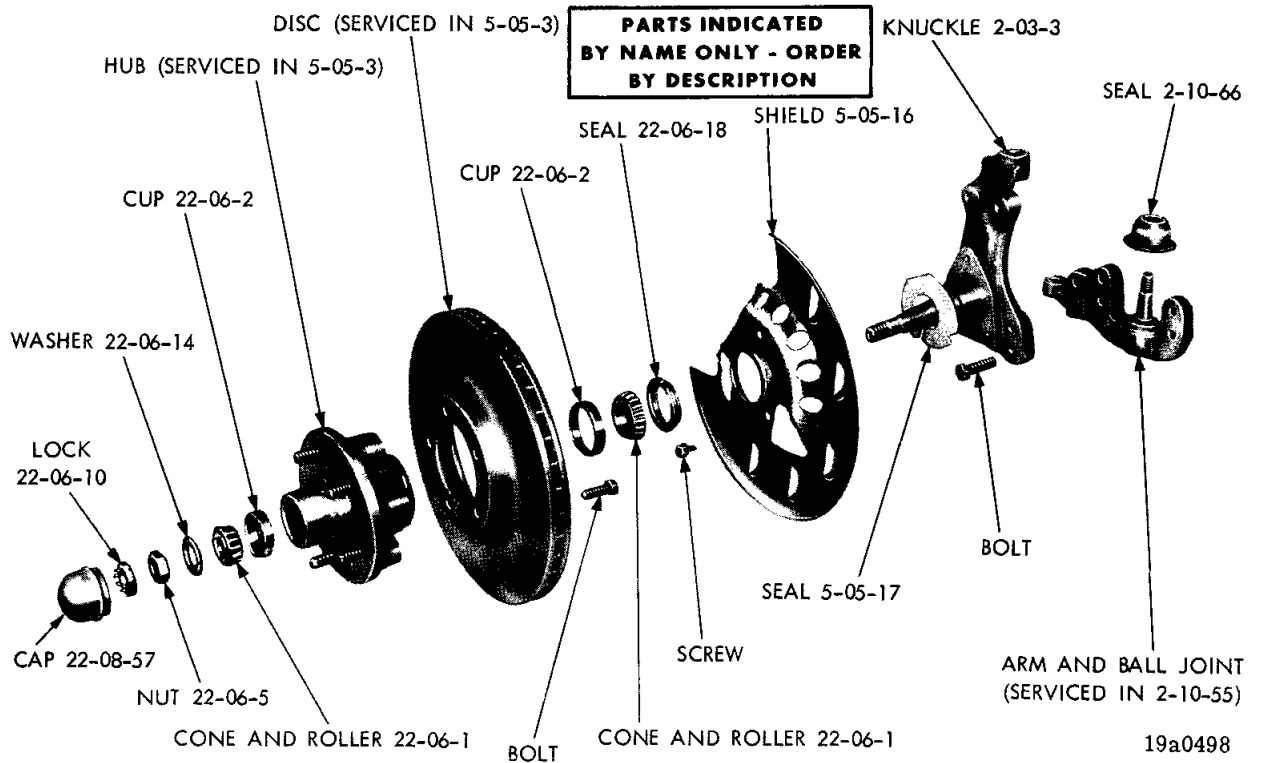
19x9380C

POWER BRAKE POWER UNIT - PLYMOUTH, DODGE, CHRYSLER C1-2 EXCEPT 300L, C3 (MIDLAND-ROSS TYPE I)



19a0479

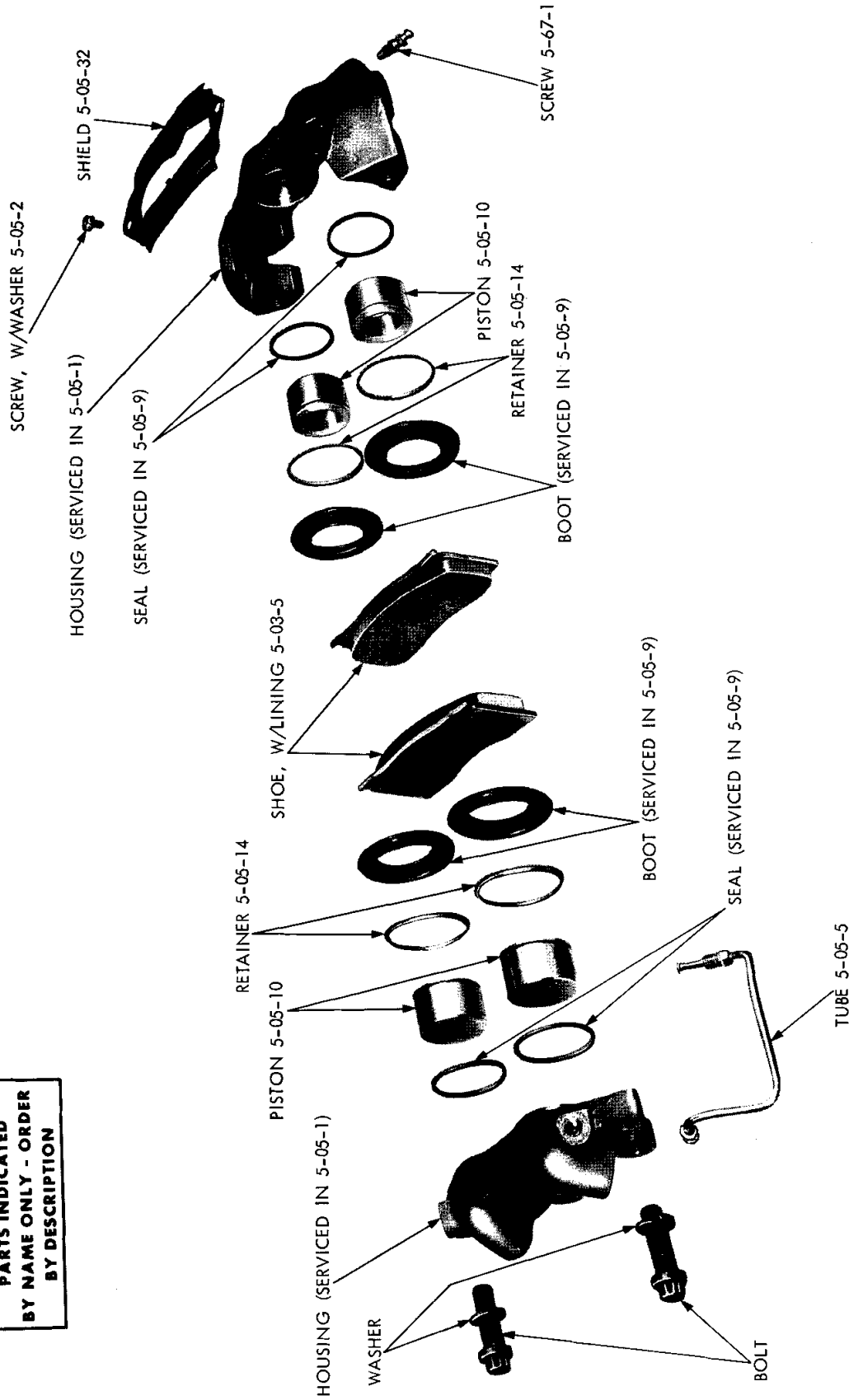
DISC BRAKE SYSTEM - PLYMOUTH P2, DODGE D2 AND CHRYSLER C1-2-3



19a0498

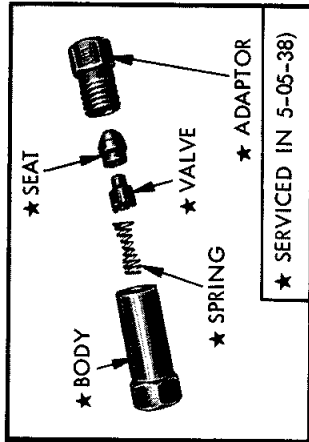
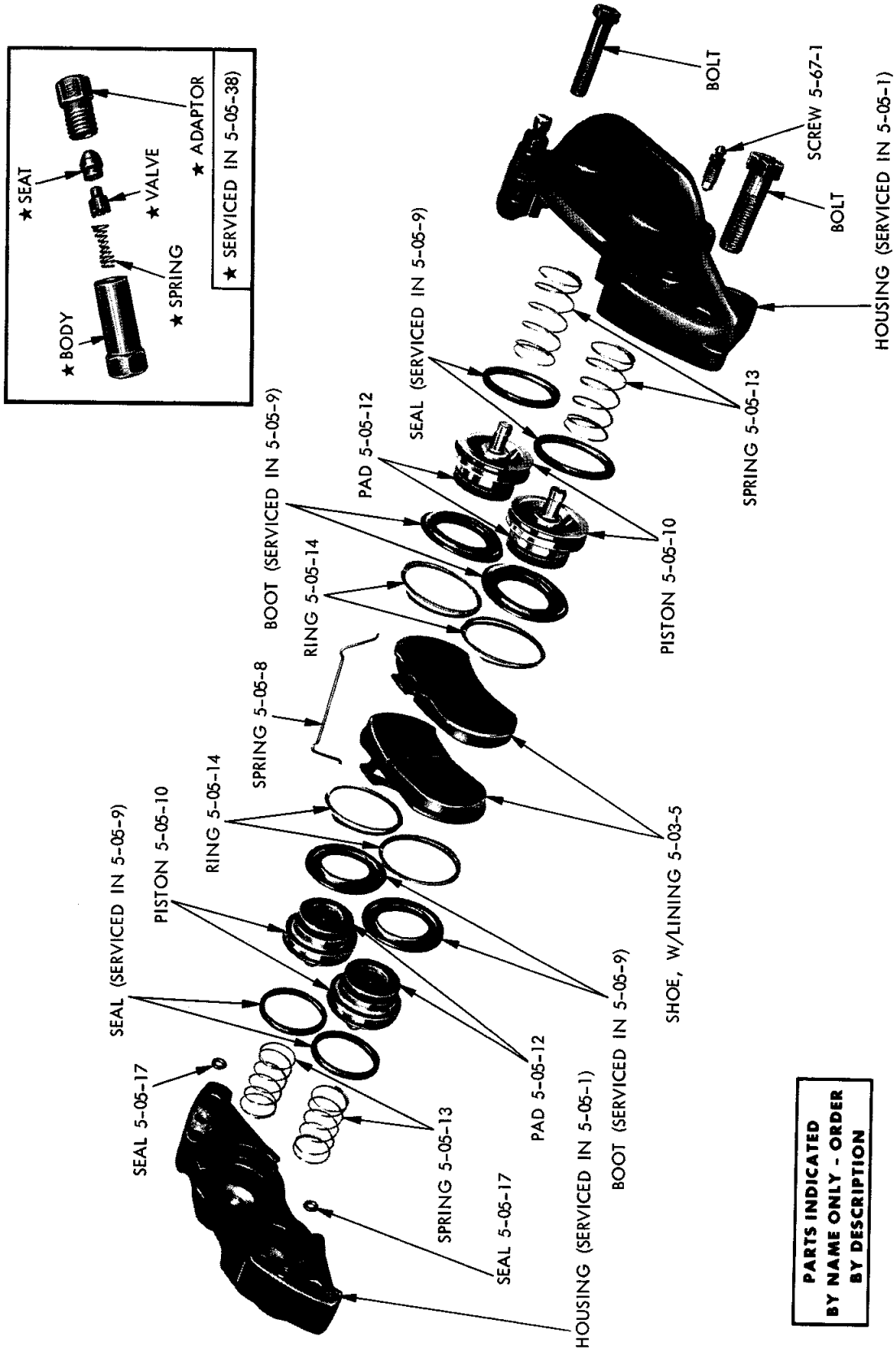
FRONT WHEEL DISC BRAKE - PLYMOUTH, DODGE AND CHRYSLER

PARTS INDICATED
BY NAME ONLY - ORDER
BY DESCRIPTION



19a0487

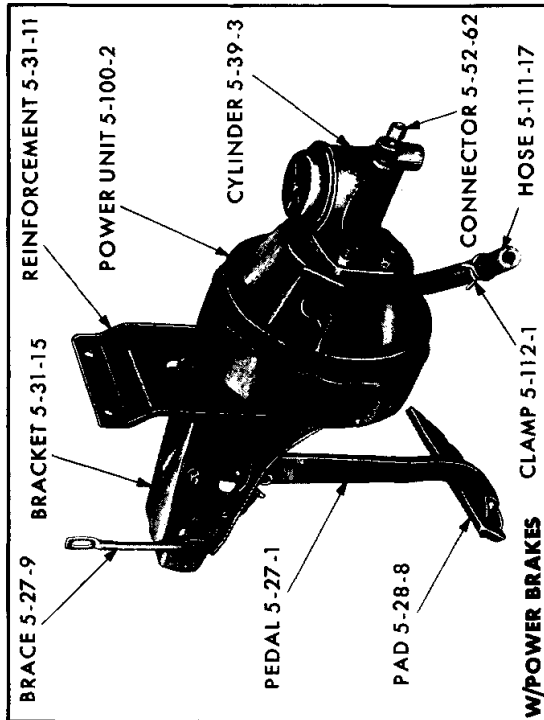
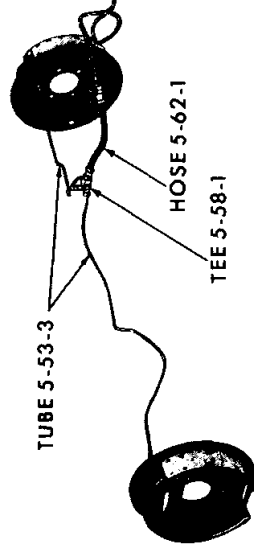
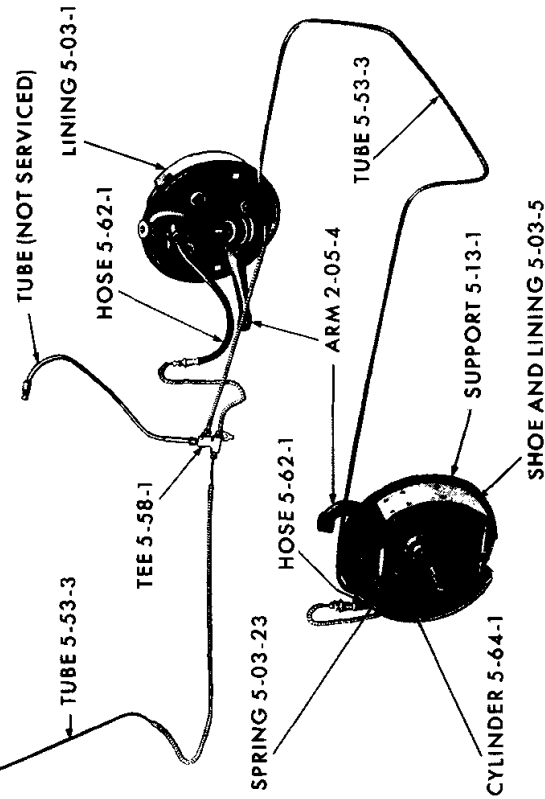
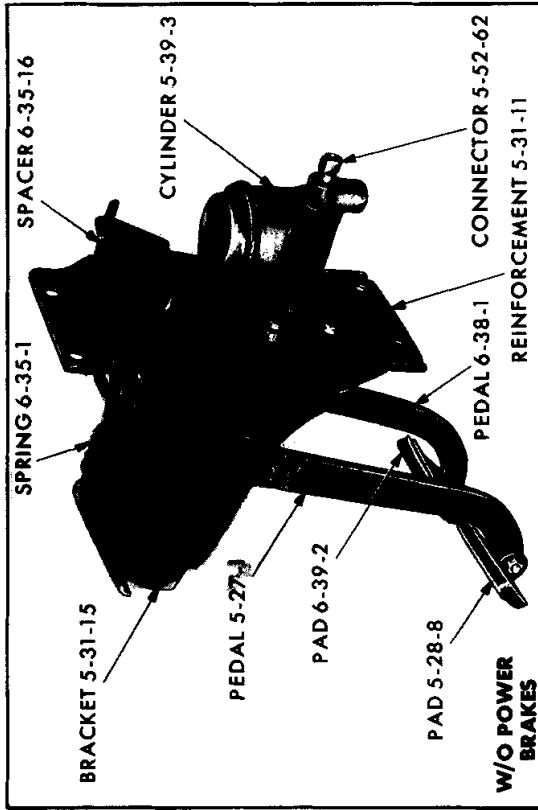
CALIPER DISC BRAKES - VALIANT AND DART



**PARTS INDICATED
BY NAME ONLY - ORDER
BY DESCRIPTION**

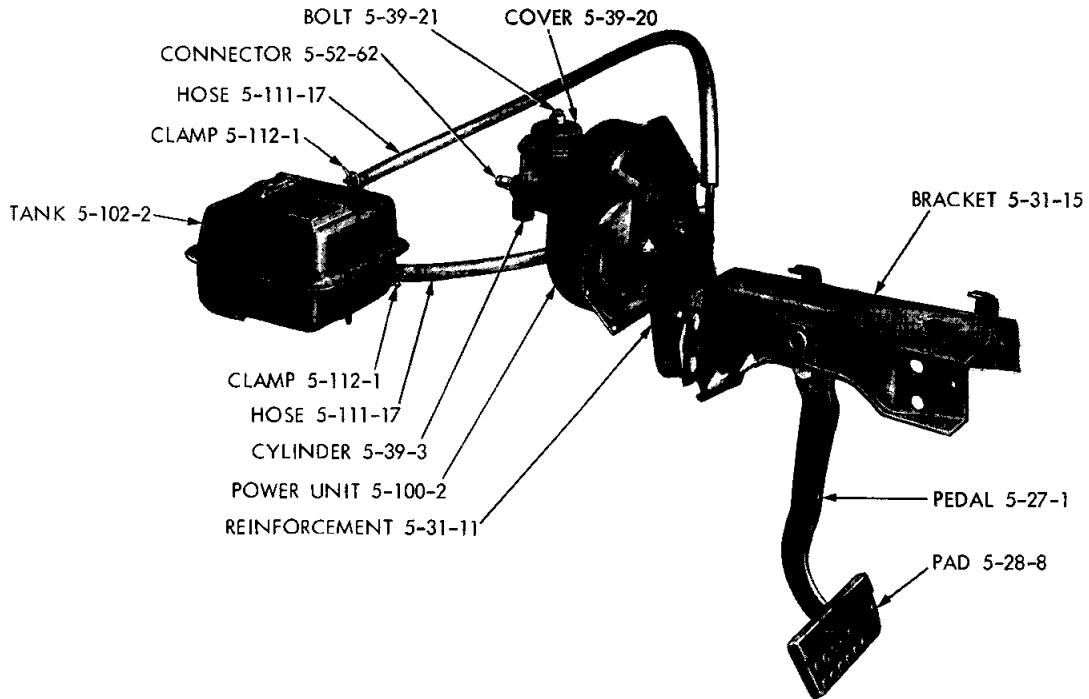
19a0484

CALIPER DISC BRAKES - BUDD



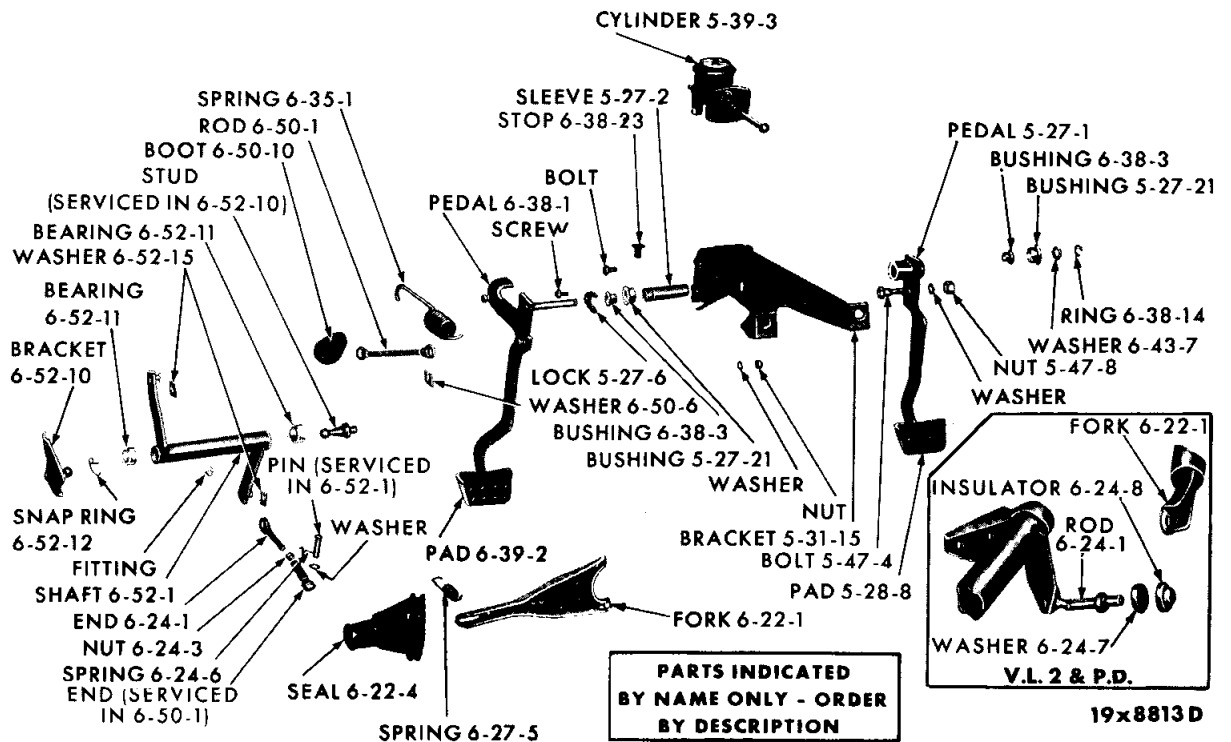
19x9352 B

HYDRAULIC BRAKE SYSTEM - ALL MODELS

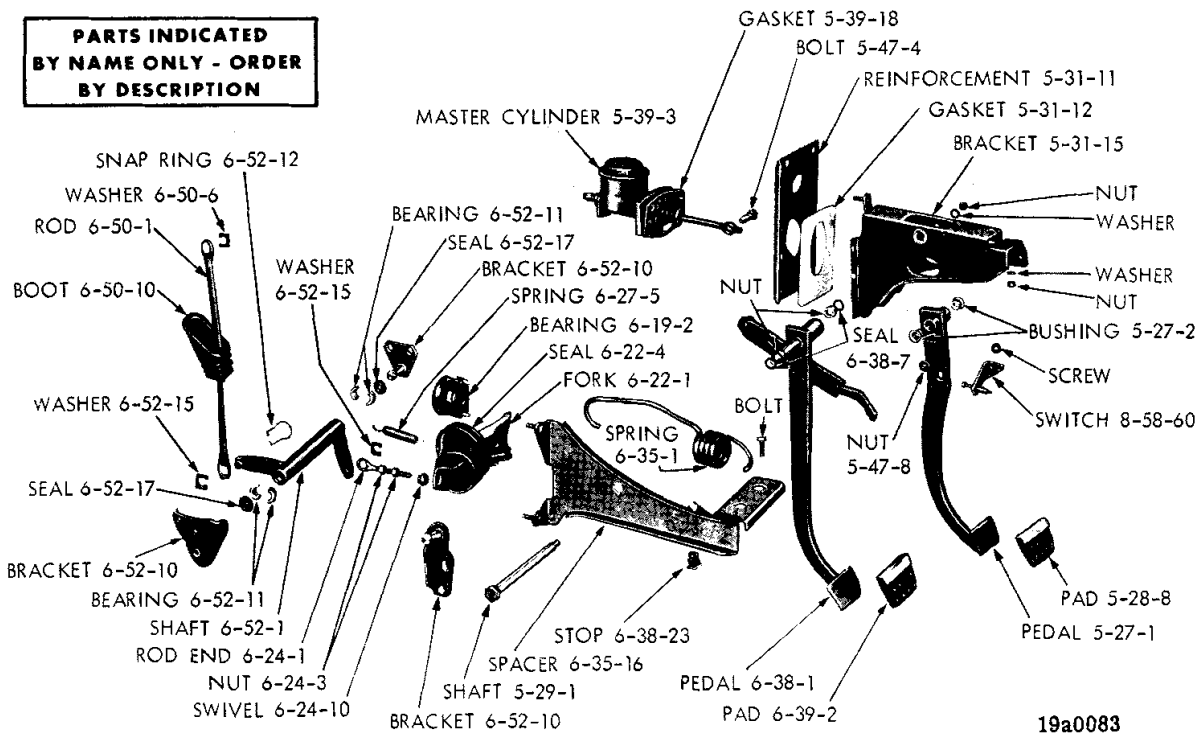


19a0175

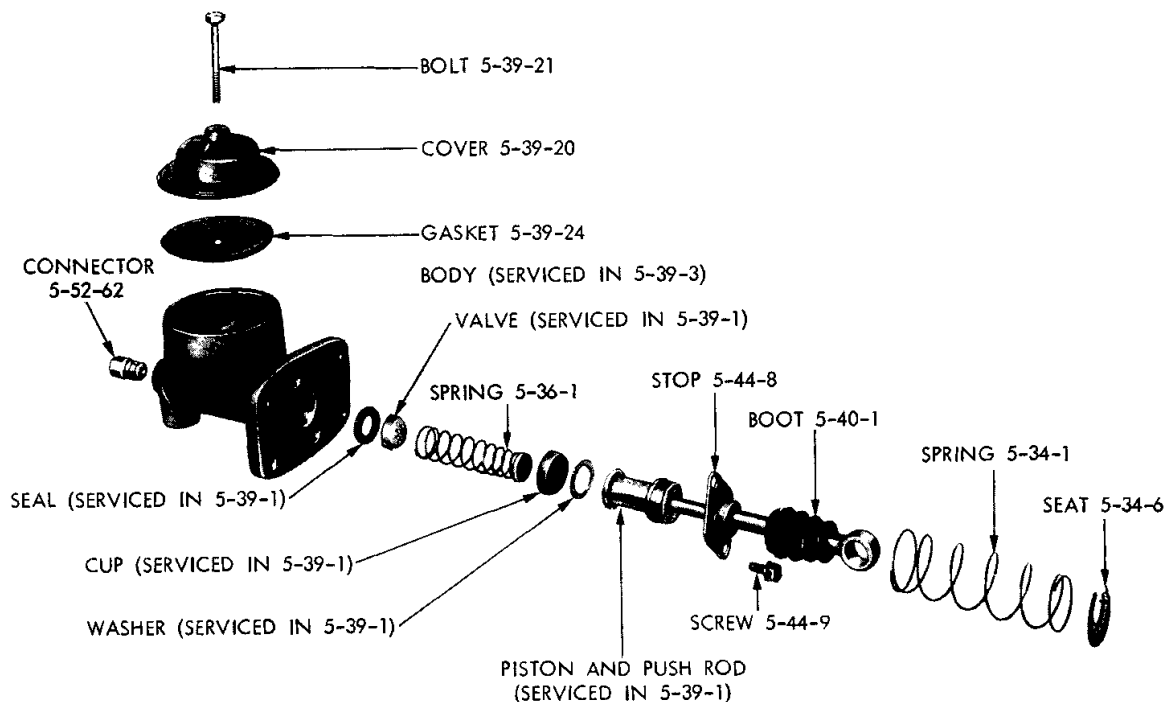
BRAKE PEDAL AND BOOSTER BRAKE SYSTEM (WITH VACUUM TANK) - VALIANT AND DART



BRAKE AND CLUTCH PEDAL LINKAGE (MANUAL TRANSMISSION) - VALIANT AND DART



**BRAKE AND CLUTCH PEDAL LINKAGE (MANUAL TRANSMISSION) -
BELVEDERE AND CORONET**



MASTER CYLINDER - WITHOUT POWER BRAKES

