

**A SERIES**  
**TRIM AND TRIM INDEX**  
1965  
**PASSENGER CAR**



**LOOSE-LEAF PARTS CATALOG**



# 1965 PLYMOUTH

## INTERIOR TRIM

### HOW TO USE INTERIOR TRIM ILLUSTRATIONS

The illustrations in this section are actual and each body style showing the Interior Trim is included.

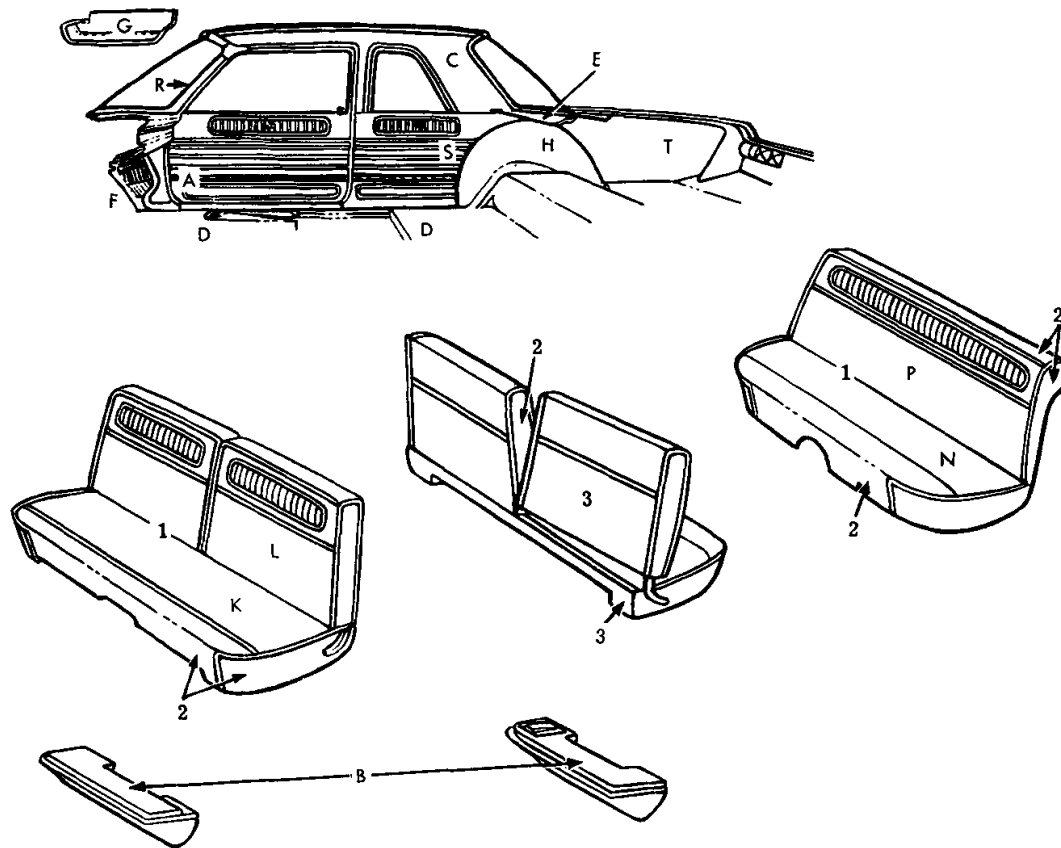
The letters shown on the illustration indicate the description of the part and the part type code when referred to the legend which appears preceding the listing of the parts. The letters are consistent throughout the illustrations as "A" is always a Door Trim Panel, Code 23-92-5.

The numbers on the illustration indicate the distribution of material and type of material used. The numbers may vary with each illustration. The legend appears on the illustration.

Appearing throughout this section are part numbers containing both letters and numbers. These are good serviceable part numbers. The combination of letters and numbers merely indicates the parts are keyed to the interior color of the vehicles on which they are used.

For complete information on "How to Order" Trim Parts, see Master Parts Price List.

P  
L  
Y  
M  
O  
U  
T  
H



19T0181A

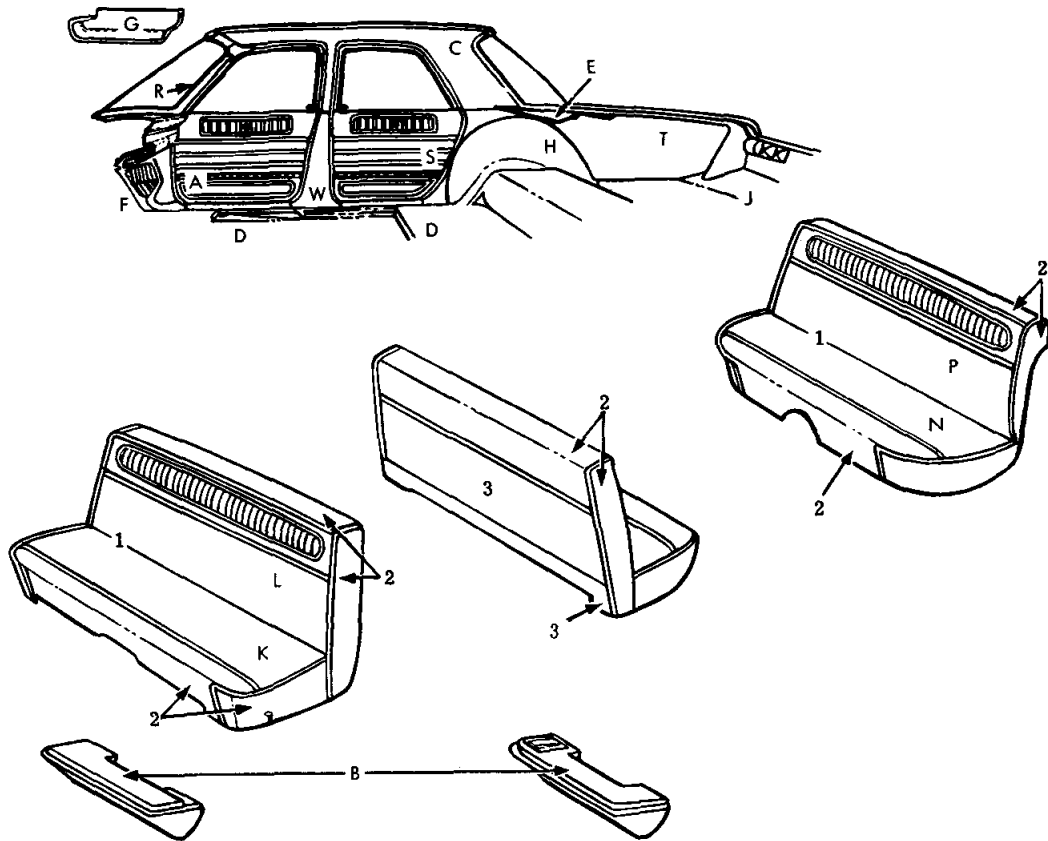
PART NUMBERS AND COLORS						
ITEM	TYPE OF MATERIAL	PART TYPE CODE	MAT'L WIDTH	BLUE	RED	TAN
1	Body Cloth	23-114-2	63"	0105 ABB	0105 ARR	0105 ATT
2	Vinyl 35.5 oz.	23-114-15	54"	0441 AB4	0441 VR7	0441 VT6
3	Vinyl 35.5 oz.	23-114-15	54"	0441 AB8	0441 VR7	0441 VT8

Distribution Drawing Legend Page Appears Following Illustration Section

1965 PLYMOUTH P1-L, P2-L 2 DOOR SEDAN  
CLOTH AND VINYL TRIM  
CODES L1B, K1B, L1R, K1R, L1T, K1T

★ Indicates use as required.

⊠ Indicates parts not listed in any previous parts book.  
May 1965, Supersedes Sept. 4, 1964.



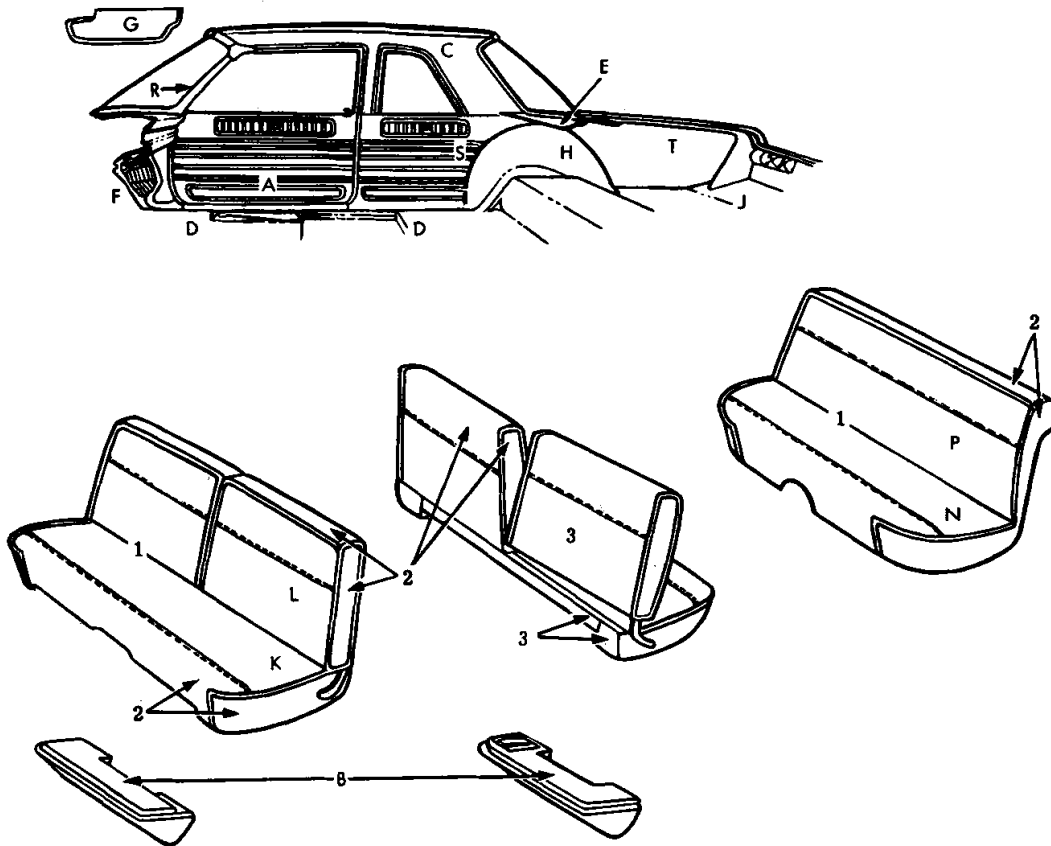
19T0182A

ITEM	TYPE OF MATERIAL	PART TYPE CODE	MAT'L WIDTH	PART NUMBERS AND COLORS			
				BLUE	RED	TAN	
1	Body Cloth	23-114-2	63"	0105 ABB	0105 ARR	0105 ATT	
2	Vinyl 35.5 oz.	23-114-15	54"	0441 AB4	0441 VR7	0441 VT6	
3	Vinyl 35.5 oz.	23-114-15	54"	0441 AB8	0441 VR7	0441 VT8	

Distribution Drawing Legend Page Appears Following Illustration Section

1965 PLYMOUTH P1-L, P2-L 4 DOOR SEDAN  
CLOTH AND VINYL TRIM  
CODES L1B, K1B, L1R, K1R, L1T, K1T

★ Indicates use as required.  
 □ Indicates parts not listed in any previous parts book.  
 ● Indicates change or addition.



19T0183A

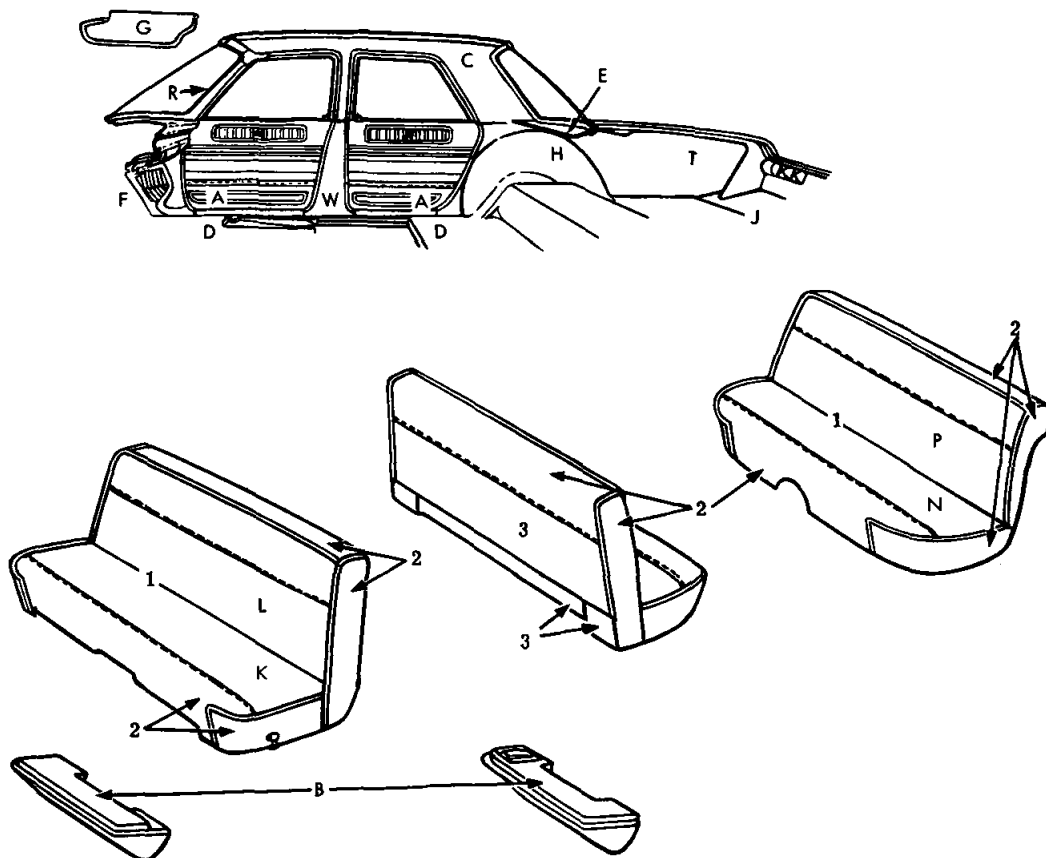
PART NUMBERS AND COLORS

ITEM	TYPE OF MATERIAL	PART TYPE CODE	MAT'L WIDTH	TAN			
1	Body Cloth	23-114-2	52"	0104 ATT			
2	Vinyl 35.5 oz.	23-114-15	54"	0441 VT6			
3	Vinyl 35.5 oz.	23-114-15	54"	0441 VT8			

Distribution Drawing Legend Page Appears Following Illustration Section

1965 PLYMOUTH P1-L, P2-L 2 DOOR SEDAN  
 CLOTH AND VINYL TRIM  
 CODES L2T, K2T

● Indicates use as required.  
 ☐ Indicates parts not listed in any previous parts book.  
 May 1965, Supersedes Sept. 4, 1964.



19T0184A

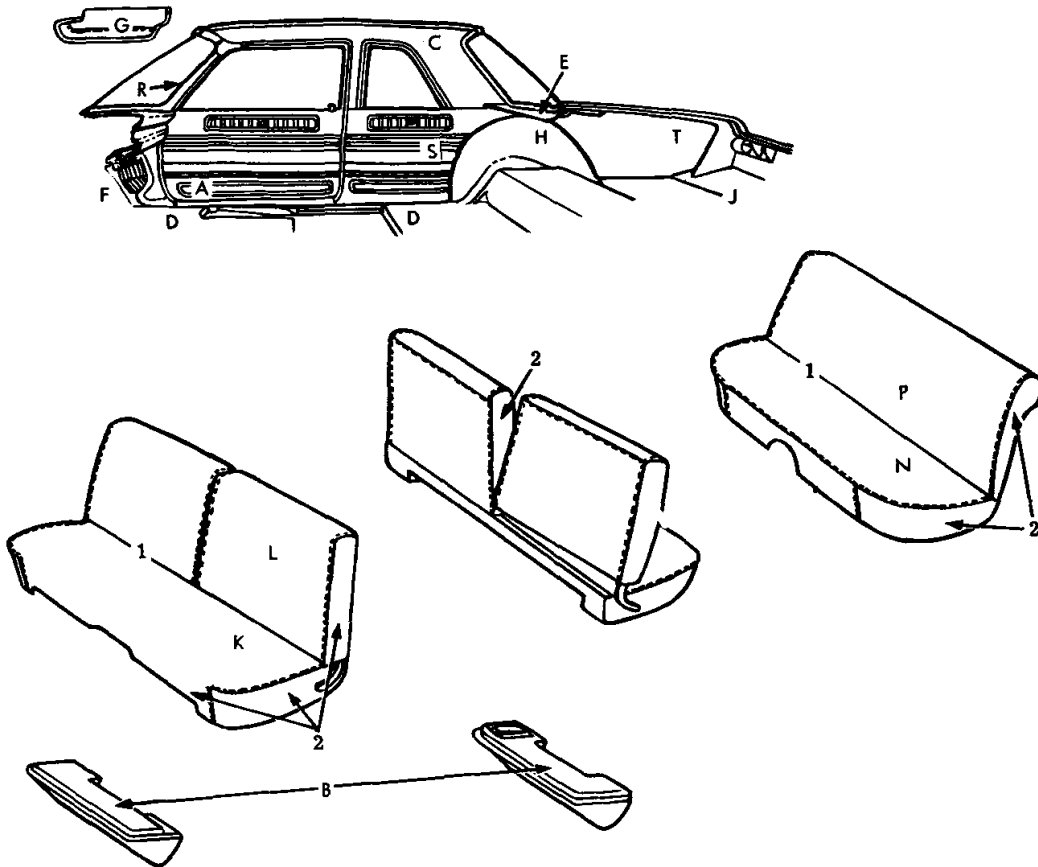
PART NUMBERS AND COLORS

ITEM	TYPE OF MATERIAL	PART TYPE CODE	MAT'L WIDTH	TAN			
1	Body Cloth	23-114-2	52"	0104 ATT			
2	Vinyl 35.5 oz.	23-114-15	54"	0441 VT6			
3	Vinyl 35.5 oz.	23-114-15	54"	0441 VT8			

Distribution Drawing Legend Page Appears Following Illustration Section

1965 PLYMOUTH P1-L, P2-L 4 DOOR SEDAN  
CLOTH AND VINYL TRIM  
CODES L2T, K2T

★ Indicates use as required.  
 □ Indicates parts not listed in any previous parts book.  
 \* Indicates change or addition.



19T0185

PART NUMBERS AND COLORS							
ITEM	TYPE OF MATERIAL	PART TYPE CODE	MAT'L WIDTH	TAN			
1	Vinyl 37 oz.	23-114-15	50"	E0445 AT8			
2	Vinyl 35.5 oz.	23-114-15	54"	0441 VT8			

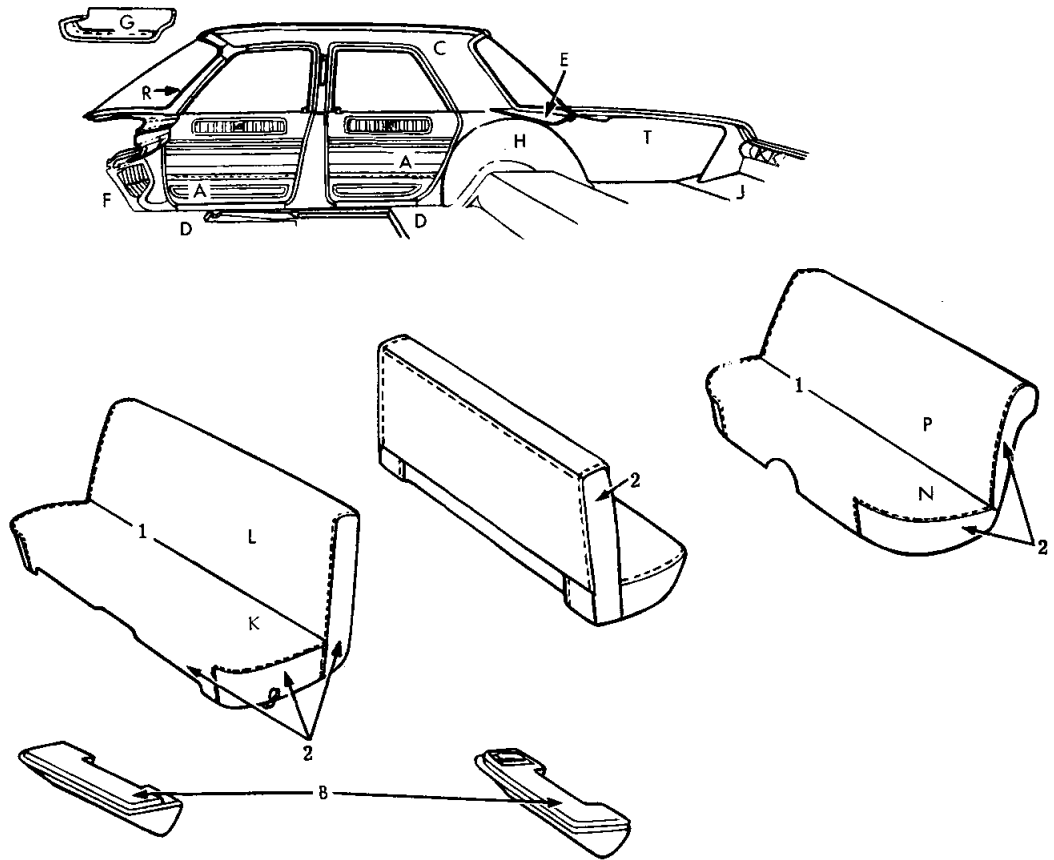
Distribution Drawing Legend Page Appears Following Illustration Section

1965 PLYMOUTH P1-L, P2-L 2 DOOR SEDAN  
VINYL TRIM  
CODES L8T, K8T

● Indicates use as required.

☐ Indicates parts not listed in any previous parts book.  
September 4, 1964.





19T0186

PART NUMBERS AND COLORS

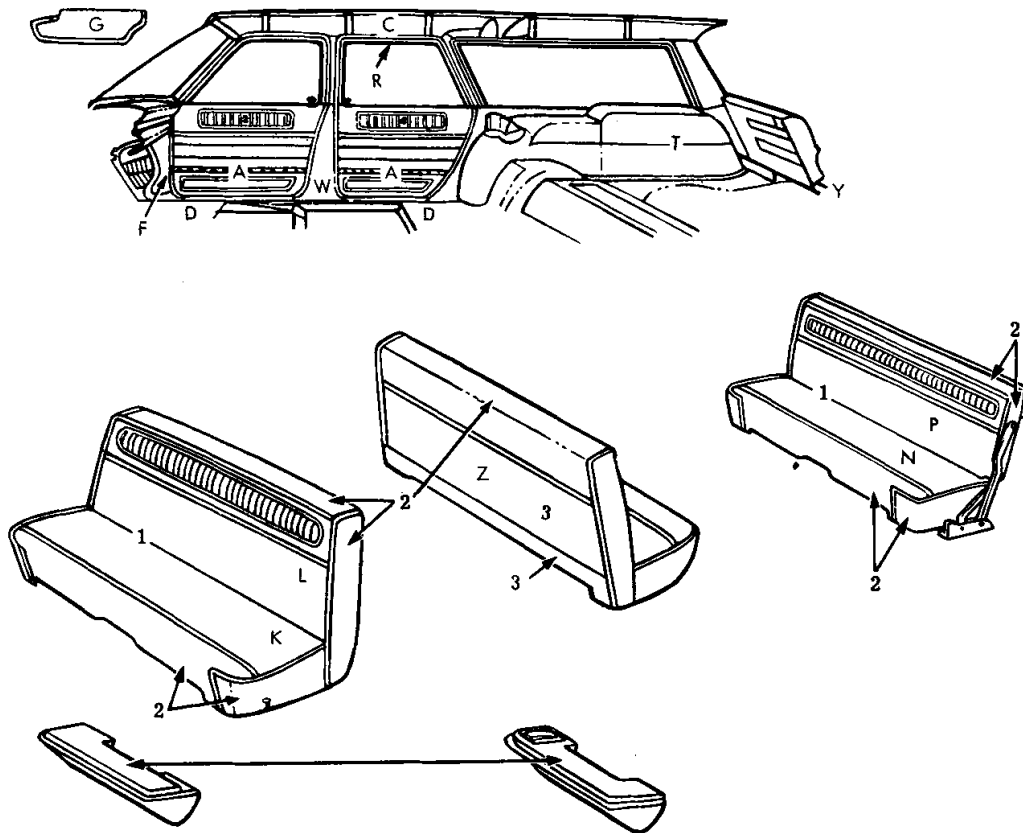
ITEM	TYPE OF MATERIAL	PART TYPE CODE	MAT'L WIDTH	TAN			
1	Vinyl 37 oz.	23-114-15	50"	E0445 AT8			
2	Vinyl 35.5 oz.	23-114-15	54"	0441 VT8			

Distribution Drawing Legend Page Appears Following Illustration Section

1965 PLYMOUTH P1-L, P2-L 4 DOOR SEDAN  
 VINYL TRIM  
 CODES L8T, K8T, T8T

★ Indicates use as required.

☐ Indicates parts not listed in any previous parts book.



19T0187 A

PART NUMBERS AND COLORS

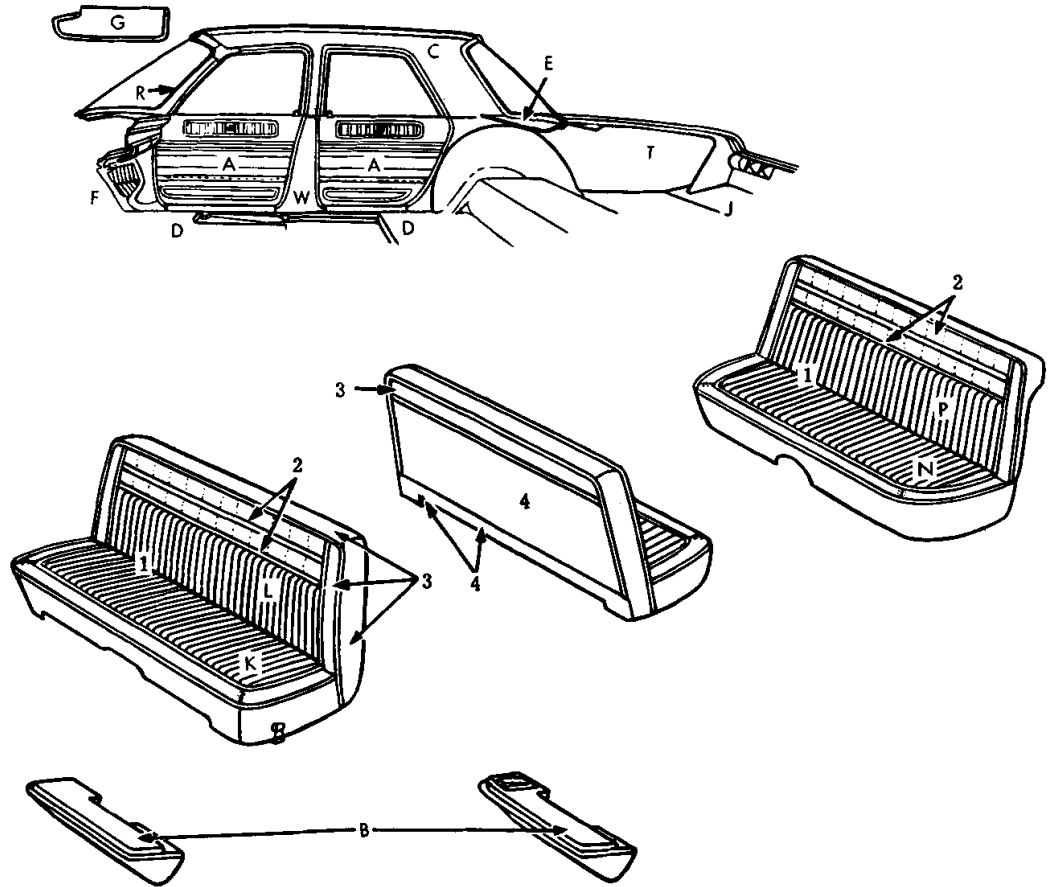
ITEM	TYPE OF MATERIAL	PART TYPE CODE	MAT'L WIDTH	BLUE	RED	TAN	
1	Vinyl 41.5 oz.	23-114-15	59"	0471 AB8	0471 AR7	0471 AT8	
2	Vinyl 35.5 oz.	23-114-15	54"	0441 AB4	0441 VR7	0441 VT6	
3	Vinyl 35.5 oz.	23-114-15	54"	0441 AB8	0441 VR7	0441 VT8	

Distribution Drawing Legend Page Appears Following Illustration Section

1965 PLYMOUTH P1-L, P2-L STATION WAGON  
VINYL TRIM  
CODES L4B, K4B, L4R, K4R, L4T, K4T

★ Indicates use as required.

☐ Indicates parts not listed in any previous parts book.  
May 1965, Supersedes Sept. 4, 1964.



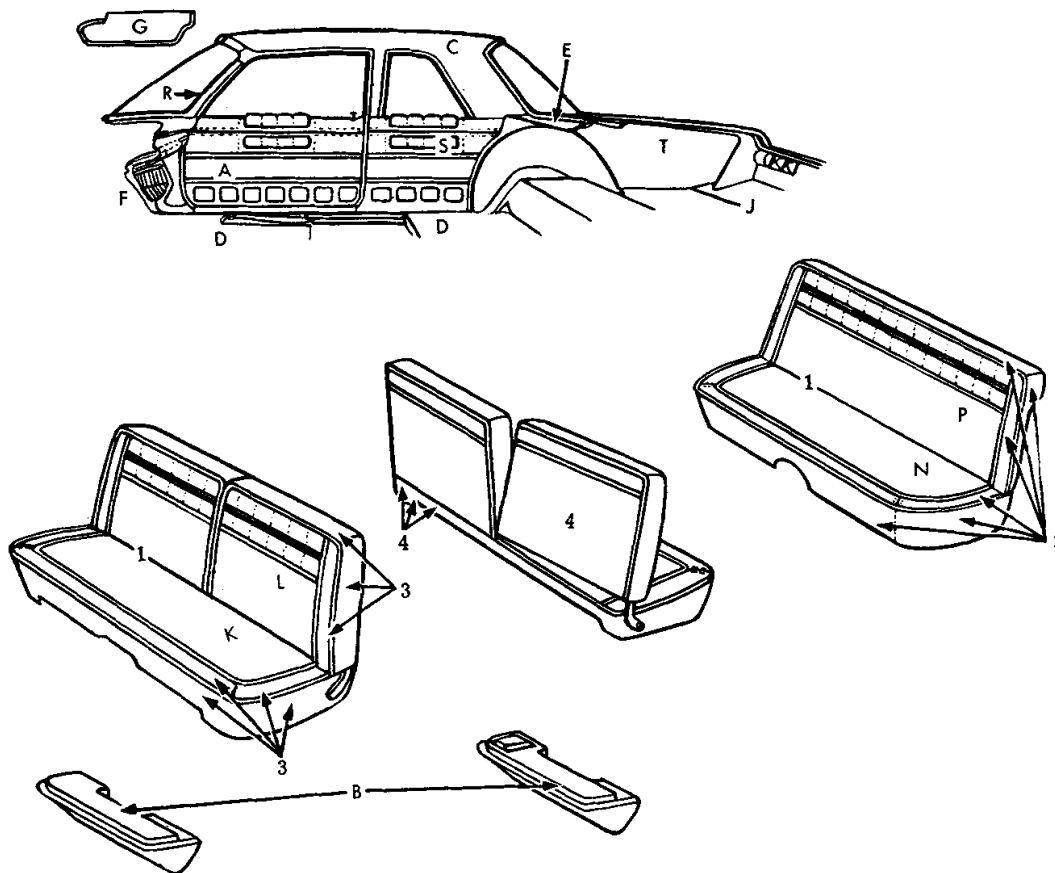
19T0188A

PART NUMBERS AND COLORS							
ITEM	TYPE OF MATERIAL	PART TYPE CODE	MAT'L WIDTH	BLUE	RED	TAN	
1	Vinyl	23-114-15		Not Serviced			
2	Vinyl	23-114-15		Not Serviced			
3	Vinyl 35.5 oz.	23-114-15	54"	0441 AB4	0441 VR7	0441 VT6	
4	Vinyl 35.5 oz.	23-114-15	54"	0441 AB8	0441 VR7	0441 VT8	

Distribution Drawing Legend Page Appears Following Illustration Section

1965 PLYMOUTH P1-L, P2-L 4 DOOR SEDAN  
 VINYL TRIM  
 CODES L5B, L5R, L5T

★ Indicates use as required.  
 □ Indicates parts not listed in any previous parts book.  
 \* Indicates change or addition.



19T0189A

PART NUMBERS AND COLORS

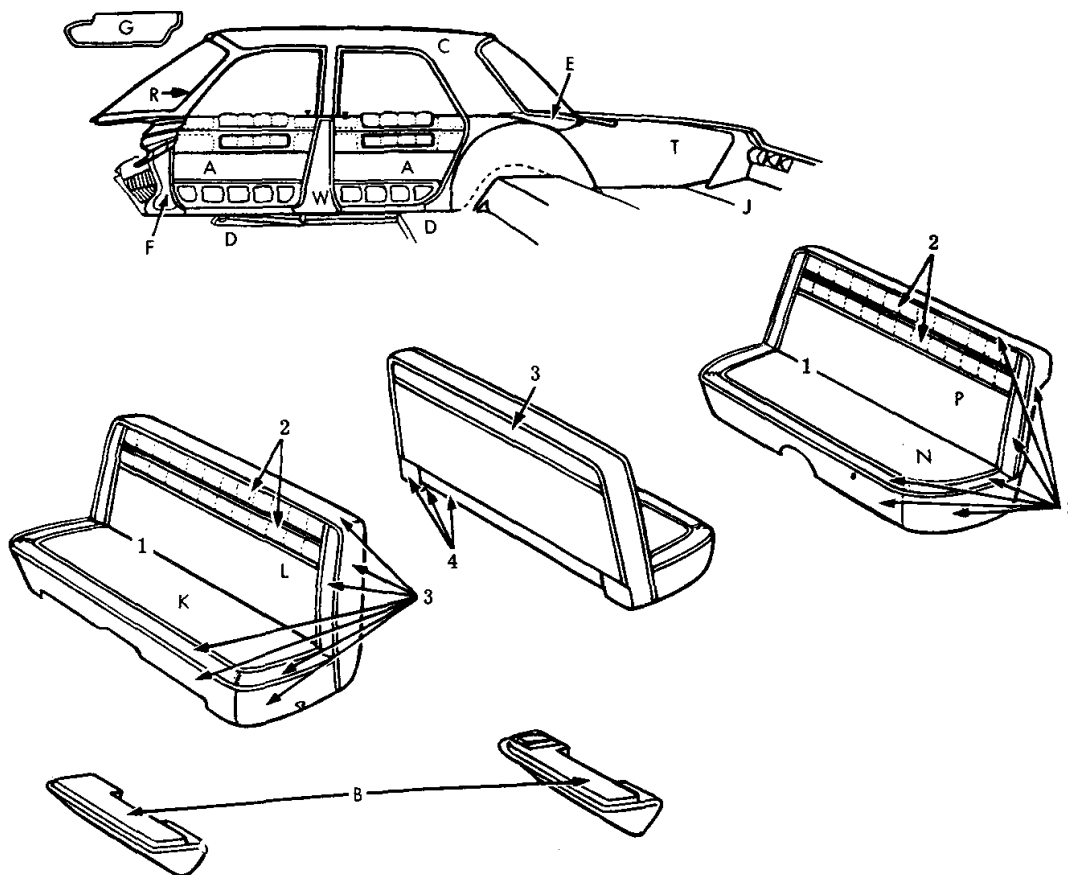
ITEM	TYPE OF MATERIAL	PART TYPE CODE	MAT'L WIDTH	BLUE	TURQUOISE	RED	TAN
1	Body Cloth	23-114-2	56"	0106 ABB	0106 AQQ	0106 ARR	0106 ATT
2	Vinyl	23-114-15		Not Serviced			
3	Vinyl 35.5 oz.	23-114-15	54"	0441 AB4	0441 AQ4	0441 VR7	0441 VT6
4	Vinyl 35.5 oz.	23-114-15	54"	0441 AB8	0441 AQ8	0441 VR7	0441 VT8

Distribution Drawing Legend Page Appears Following Illustration Section

1965 PLYMOUTH P1-M, P2-M 2 DOOR SEDAN  
 CLOTH AND VINYL TRIM  
 CODES M1B, M1Q, M1R, M1T

★ Indicates use as required.

⊠ Indicates parts not listed in any previous parts book.  
 May 1965, Supersedes Sept. 4, 1964.



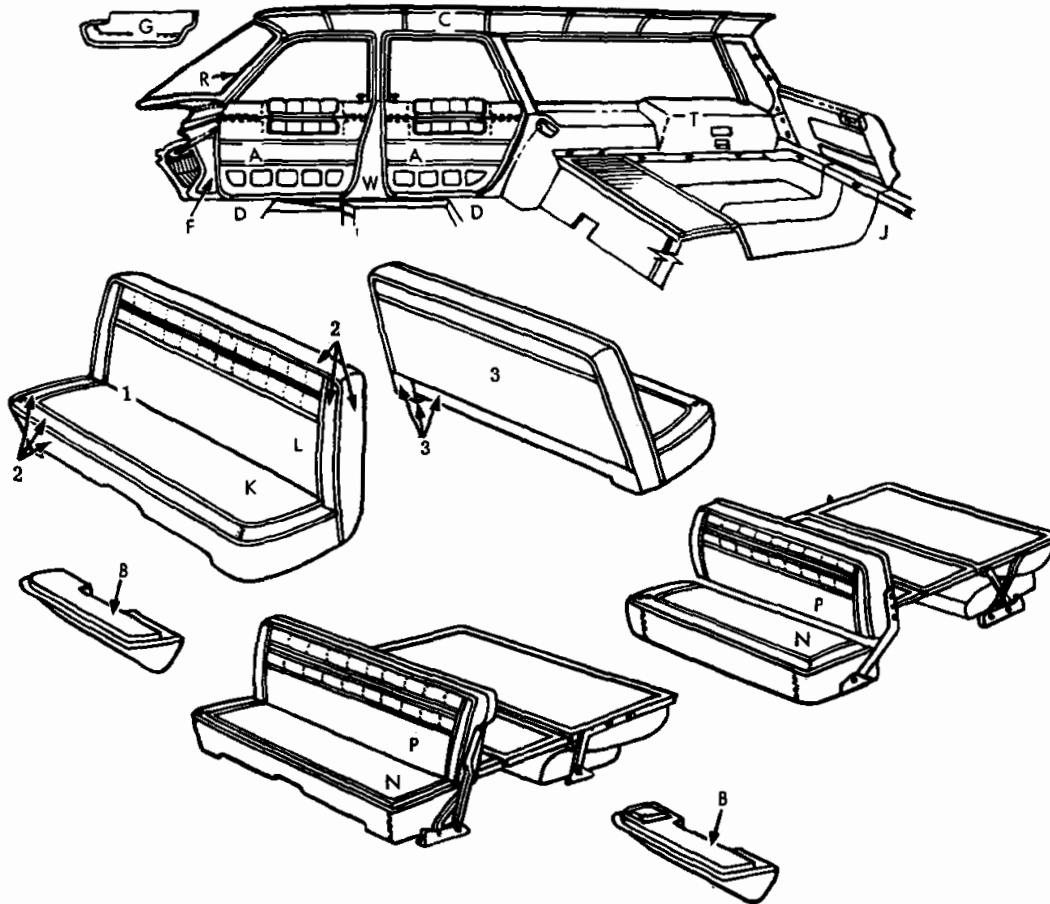
19T0190A

ITEM	TYPE OF MATERIAL	PART TYPE CODE	MAT'L WIDTH	PART NUMBERS AND COLORS			
				BLUE	TURQUOISE	RED	TAN
1	Body Cloth	23-114-2	56"	0106 ABB	0106 AQQ	0106 ARR	0106 ATT
2	Vinyl	23-114-15		Not Serviced			
3	Vinyl 35.5 oz.	23-114-15	54"	0441 AB4	0441 AQ4	0441 VR7	0441 VT6
4	Vinyl 35.5 oz.	23-114-15	54"	0441 AB8	0441 AQ8	0441 VR7	0441 VT8

Distribution Drawing Legend Page Appears Following Illustration Section

1965 PLYMOUTH P1-M, P2-M 4 DOOR SEDAN  
 CLOTH AND VINYL TRIM  
 CODES M1B, M1Q, M1R, M1T

★ Indicates use as required.  
 ☐ Indicates parts not listed in any previous parts book.  
 \* Indicates change or addition.



19T0191A

PART NUMBERS AND COLORS

ITEM	TYPE OF MATERIAL	PART TYPE CODE	MAT'L WIDTH	BLUE	TURQUOISE	RED	TAN
1	Vinyl 36.7 oz.	23-114-15	52"	0494 AB4	0494 AQ4	0494 AR7	0494 AT6
2	Vinyl 35.5 oz.	23-114-15	54"	0441 AB4	0441 AQ4	0441 VR7	0441 VT6
3	Vinyl 35.5 oz.	23-114-15	54"	0441 AB8	0441 AQ8	0441 VR7	0441 VT8

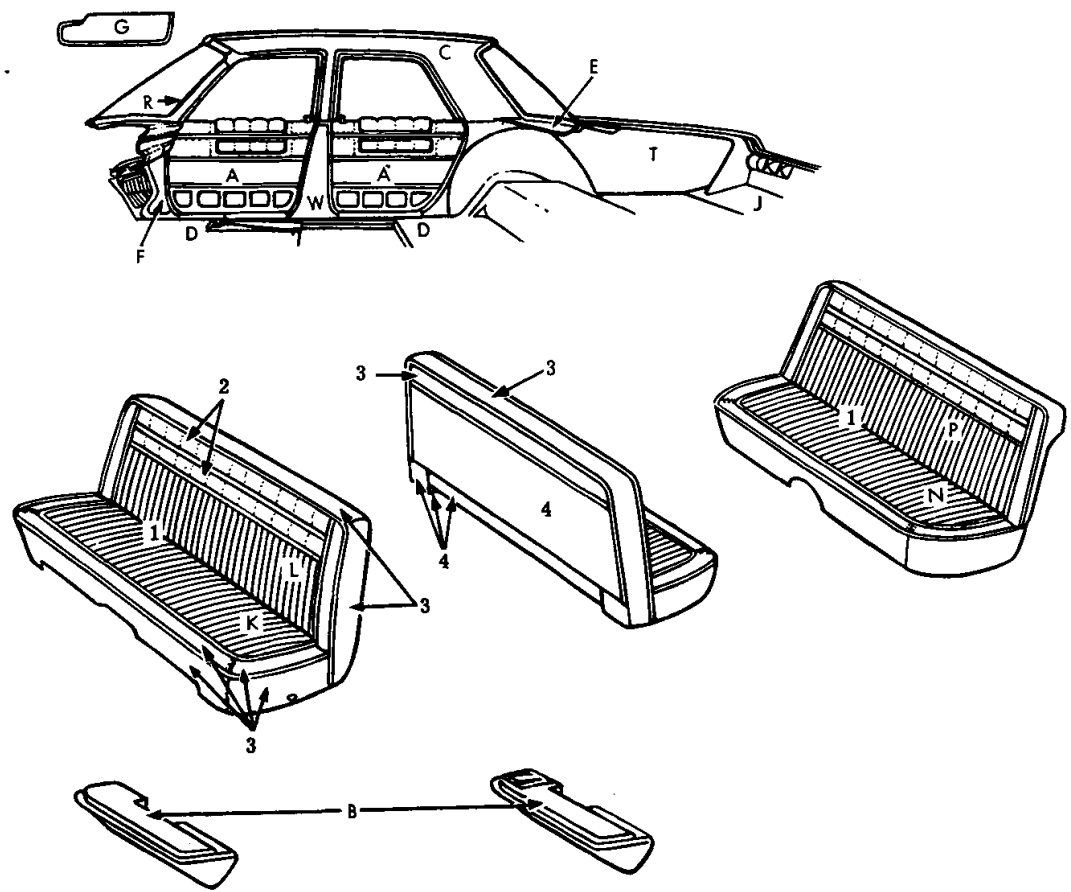
Distribution Drawing Legend Page Appears Following Illustration Section

1965 PLYMOUTH P1-M, P2-M STATION WAGON  
VINYL TRIM  
CODES M4B, M4Q, M4R, M4T

★ Indicates use as required.

□ Indicates parts not listed in any previous parts book.

May 1965, Supersedes Sept. 4, 1964.



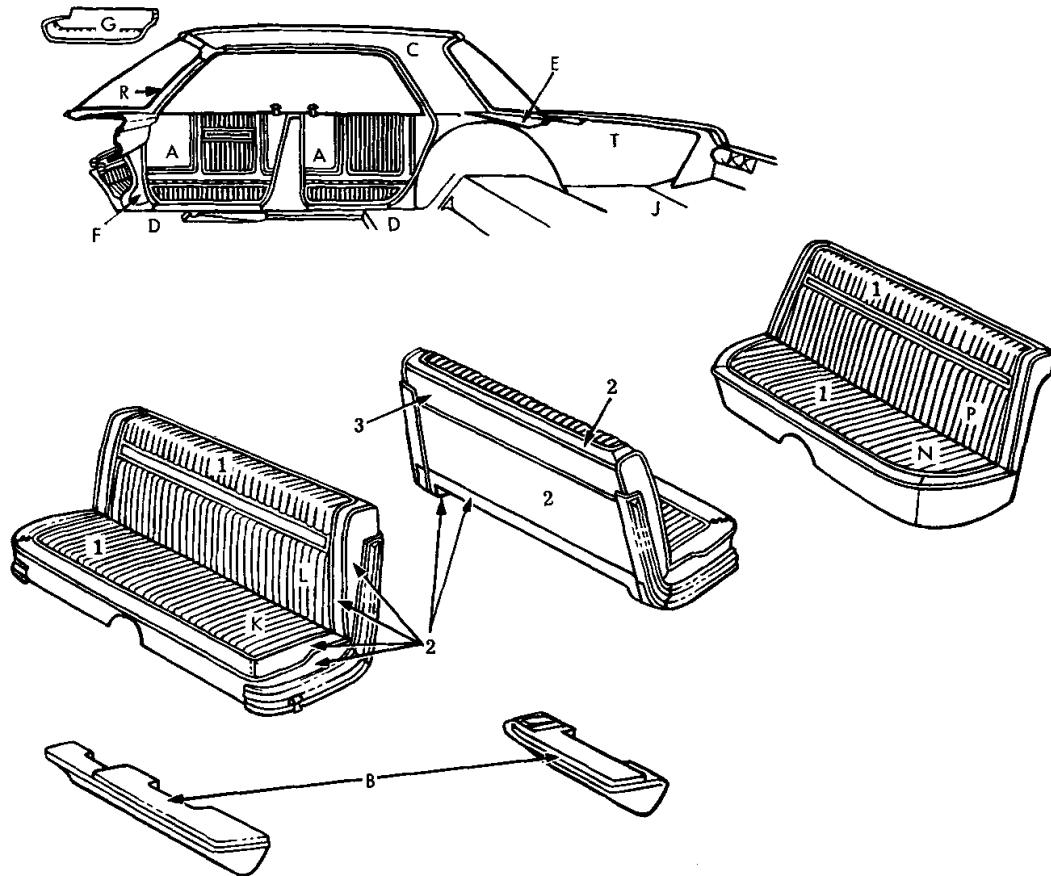
19T0192A

ITEM	TYPE OF MATERIAL	PART TYPE CODE	MAT'L WIDTH	PART NUMBERS AND COLORS			
				BLUE	RED	TAN	
1	Vinyl 35.5 oz.	23-114-15	54"	Not Serviced			
2	Vinyl	23-114-15	54"	Not Serviced			
3	Vinyl 35.5 oz.	23-114-15	54"	0441 AB4	0441 VR7	0441 VT6	
4	Vinyl 35.5 oz.	23-114-15	54"	0441 AB8	0441 VR7	0441 VT8	

Distribution Drawing Legend Page Appears Following Illustration Section

1965 PLYMOUTH P1-M, P2-M 4 DOOR SEDAN  
VINYL TRIM  
CODES M5B, M5R, M5T

● Indicates use as required.  
 ☐ Indicates parts not listed in any previous parts book.  
 \* Indicates change or addition.



19T0193A

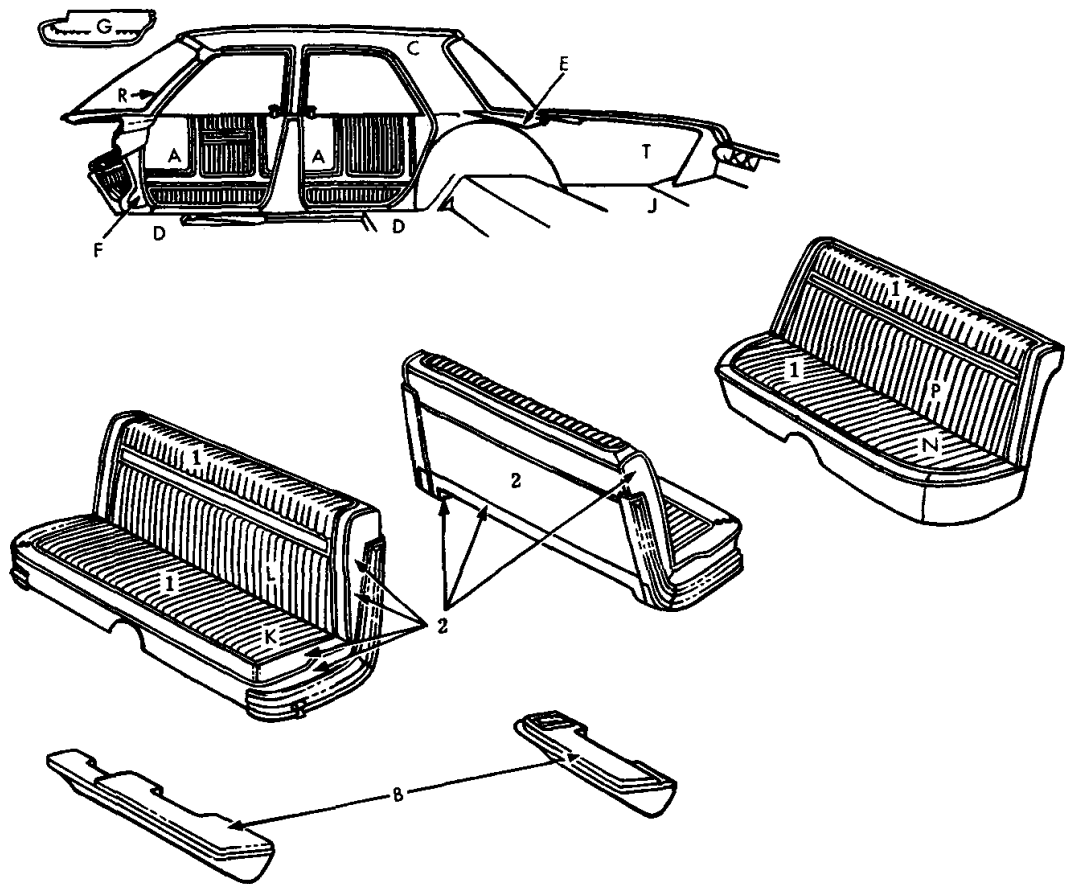
PART NUMBERS AND COLORS							
ITEM	TYPE OF MATERIAL	PART TYPE CODE	MAT'L WIDTH	BLUE	TURQUOISE	RED	TAN
1	Body Cloth	23-114-2		Not Serviced			
2	Vinyl 35.5 oz.	23-114-15	54"	0441 AB4	0441 AQ4	0441 VR7	0441 VT6
3	Vinyl 19 oz.	23-114-15	54"	----	----	0480 AR9	

PART NUMBERS AND COLORS							
ITEM	TYPE OF MATERIAL	PART TYPE CODE	MAT'L WIDTH	GOLD			
2	Vinyl 35.5	23-114-15	54"	0441 AY3			

Distribution Drawing Legend Page Appears Following Illustration Section

1965 PLYMOUTH P1-H, P2-H 4 DOOR HARDTOP  
CLOTH AND VINYL TRIM  
CODES H1B, H1Q, H1R, H1T, H1Y





19T0194 A

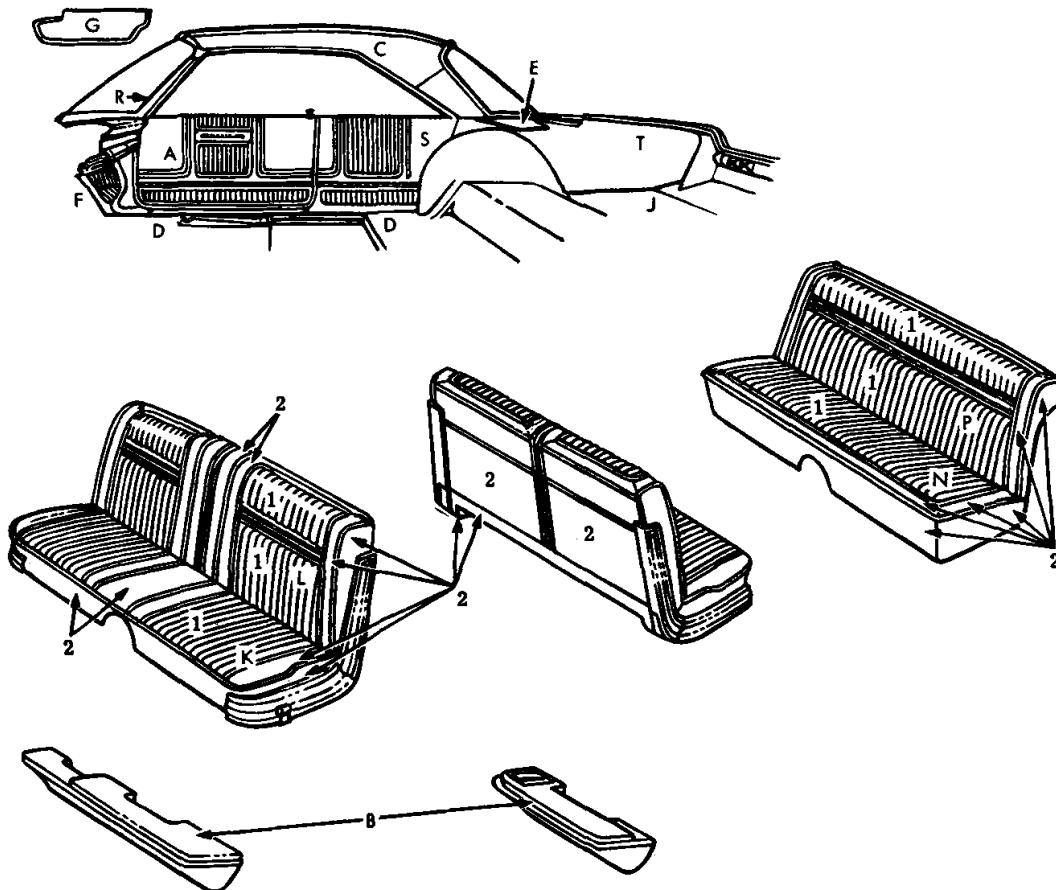
PART NUMBERS AND COLORS							
ITEM	TYPE OF MATERIAL	PART TYPE CODE	MAT'L WIDTH	BLUE	TURQUOISE	RED	TAN
1	Body Cloth	23-114-2		Not Serviced			
2	Vinyl 35.5 oz.	23-114-15	54"	0441 AB4	0441 AQ4	0441 VR7	0441 VT6

PART NUMBERS AND COLORS							
ITEM	TYPE OF MATERIAL	PART TYPE CODE	MAT'L WIDTH	GOLD			
2	Vinyl 35.5 oz.	23-114-15	54"	0441 AY3			

Distribution Drawing Legend Page Appears Following Illustration Section

1965 PLYMOUTH P1-H, P2-H 4 DOOR SEDAN  
CLOTH AND VINYL TRIM  
CODES H1B, H1Q, H1R, H1T, H1Y

★ Indicates use as required.  
 ☐ Indicates parts not listed in any previous parts book.  
 ● Indicates change or addition.



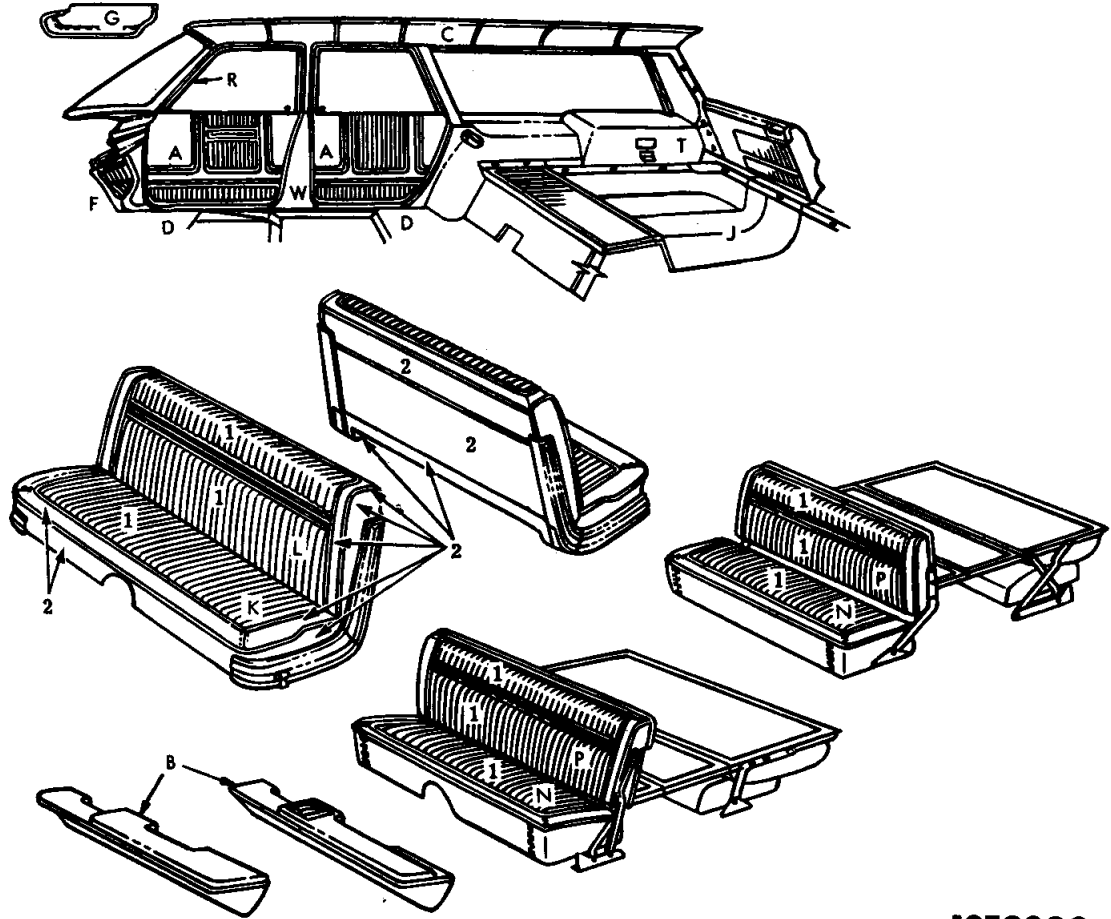
19T0199A

ITEM	TYPE OF MATERIAL	PART TYPE CODE	MAT'L WIDTH	PART NUMBERS AND COLORS			
				BLUE	TURQUOISE	RED	TAN
1	Body Cloth	23-114-2		Not Serviced			
2	Vinyl 35.5 oz.	23-114-15	54"	0441 AB4	0441 AQ4	0441 VR7	0441 VT6

ITEM	TYPE OF MATERIAL	PART TYPE CODE	MAT'L WIDTH	PART NUMBERS AND COLORS			
				GOLD			
2	Vinyl 35.5 oz.	23-114-15	54"	0441 AY3			

Distribution Drawing Legend Page Appears Following Illustration Section

1965 PLYMOUTH P2-H 2 DOOR HARDTOP  
CLOTH AND VINYL TRIM  
CODES H2B, H2Q, H2R, H2T, H2Y



19T0200A

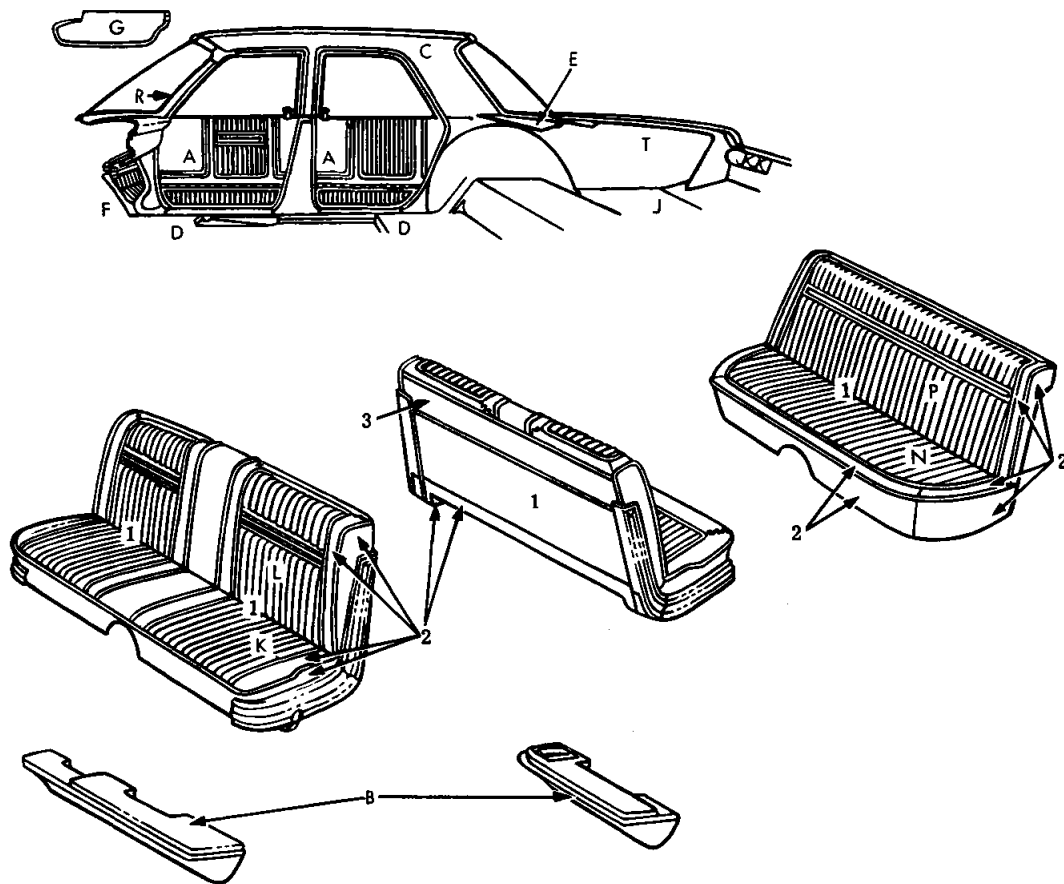
ITEM	TYPE OF MATERIAL	PART TYPE CODE	MAT'L WIDTH	PART NUMBERS AND COLORS			
				BLUE	TURQUOISE	RED	TAN
1	Vinyl	23-114-15	54"	Not Serviced	0441 AQ4	0441 VR7	0441 VT6
2	Vinyl 35.5 oz.	23-114-15		0441 AB4			

ITEM	TYPE OF MATERIAL	PART TYPE CODE	MAT'L WIDTH	PART NUMBERS AND COLORS			
				GOLD			
2	Vinyl 35.5 oz.	23-114-15	54"	0441 AY3			

Distribution Drawing Legend Page Appears Following Illustration Section

1965 PLYMOUTH P2-H STATION WAGON  
VINYL TRIM  
CODES H4B, H4Q, H4R, H4T, H4Y

★ Indicates use as required.  
 ☐ Indicates parts not listed in any previous parts book.  
 May 1965, Supersedes Sept. 4, 1964.



19T0195A

PART NUMBERS AND COLORS

ITEM	TYPE OF MATERIAL	PART TYPE CODE	MAT'L WIDTH	BLUE	TURQUOISE	RED	BLACK
1	Vinyl	23-114-15		Not Serviced			
2	Vinyl 35.5 oz.	23-114-15	54"	0441 AB4	0441 AQ4	0441 VR7	0441 VX9
3	Vinyl 19 oz.	23-114-15	54"	----	----	0480 AR9	*0464 AX9

PART NUMBERS AND COLORS

ITEM	TYPE OF MATERIAL	PART TYPE CODE	MAT'L WIDTH	GOLD			
2	Vinyl 35.5 oz.	23-114-15	54"	0441 AY3			

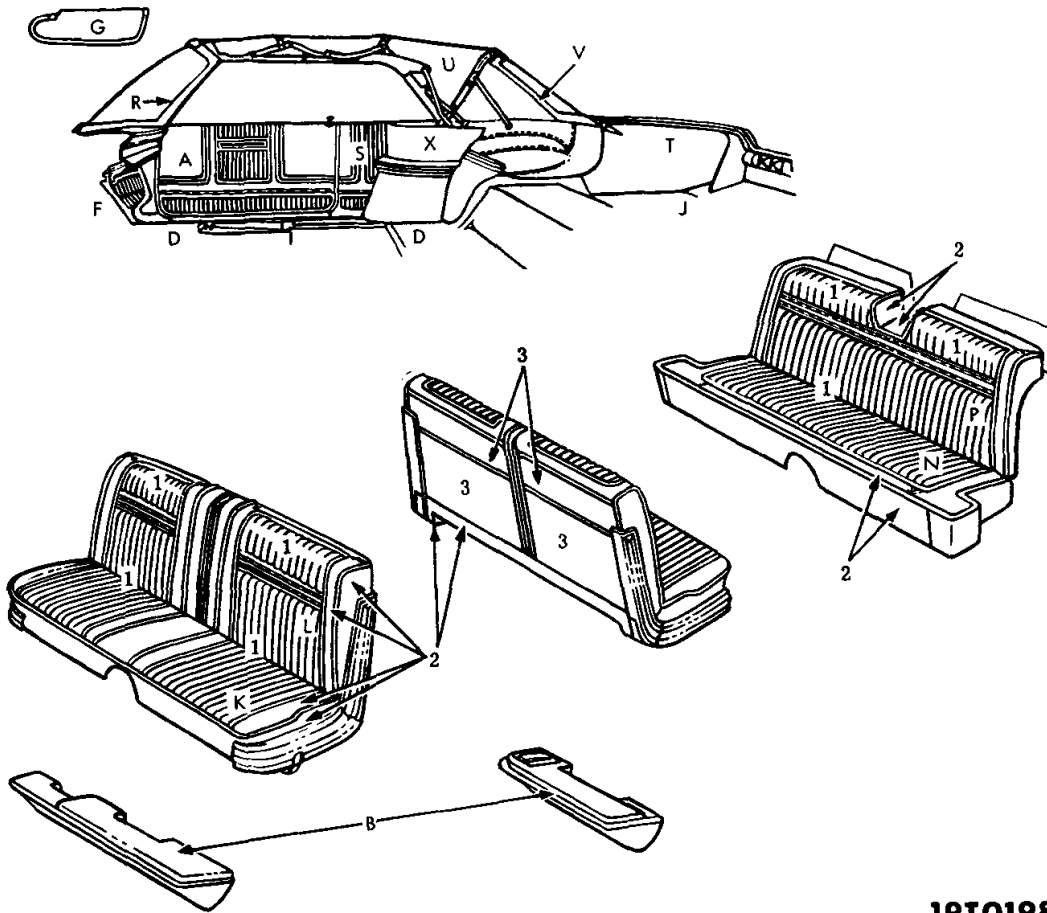
Distribution Drawing Legend Page Appears Following Illustration Section

1965 PLYMOUTH P1-H, P2-H 4 DOOR SEDAN  
VINYL TRIM  
CODES H5B, H5Q, H5R, H5X, H5Y

★ Indicates use as required.

⊠ Indicates parts not listed in any previous parts book.  
May 1965, Supersedes Sept. 4, 1964.





19T0198A

PART NUMBERS AND COLORS

ITEM	TYPE OF MATERIAL	PART TYPE CODE	MAT'L WIDTH	BLUE	TURQUOISE	RED	BLACK
1	Vinyl	23-114-15		Not Serviced			
2	Vinyl 35.5 oz.	23-114-15	54"	0441 AB4	0441 AQ4	0441 VR7	0441 VX9
3	Vinyl 19 oz.	23-114-15	54"	----	----	0480 AR9	*0464 AX9

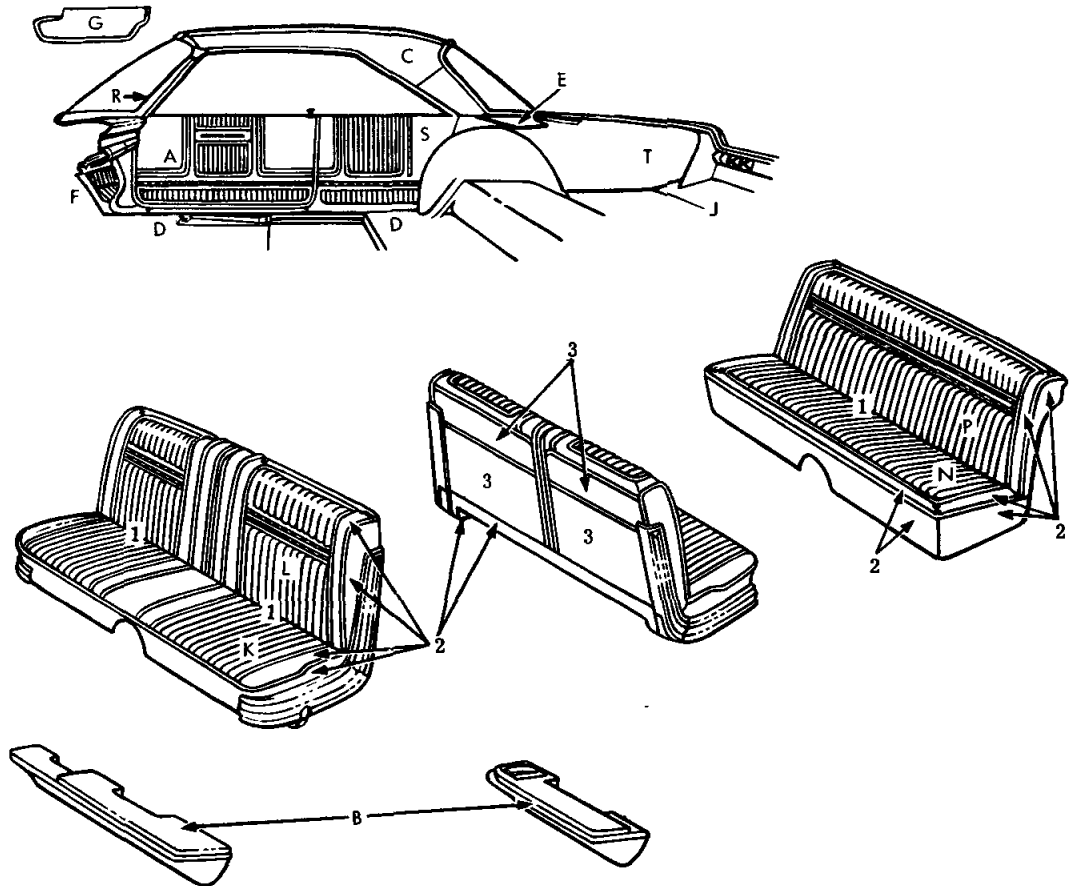
PART NUMBERS AND COLORS

ITEM	TYPE OF MATERIAL	PART TYPE CODE	MAT'L WIDTH	GOLD			
2	Vinyl 35.5 oz.	23-114-15	54"	0441 AY3			

Distribution Drawing Legend Page Appears Following Illustration Section

1965 PLYMOUTH P1-H, P2-H CONVERTIBLE  
VINYL TRIM  
CODES H5B, H5Q, H5R, H5X, H5Y

★ Indicates use as required.  
B Indicates parts not listed in any previous parts book.  
May 1965, Supersedes Sept. 4, 1964.



19T0196A

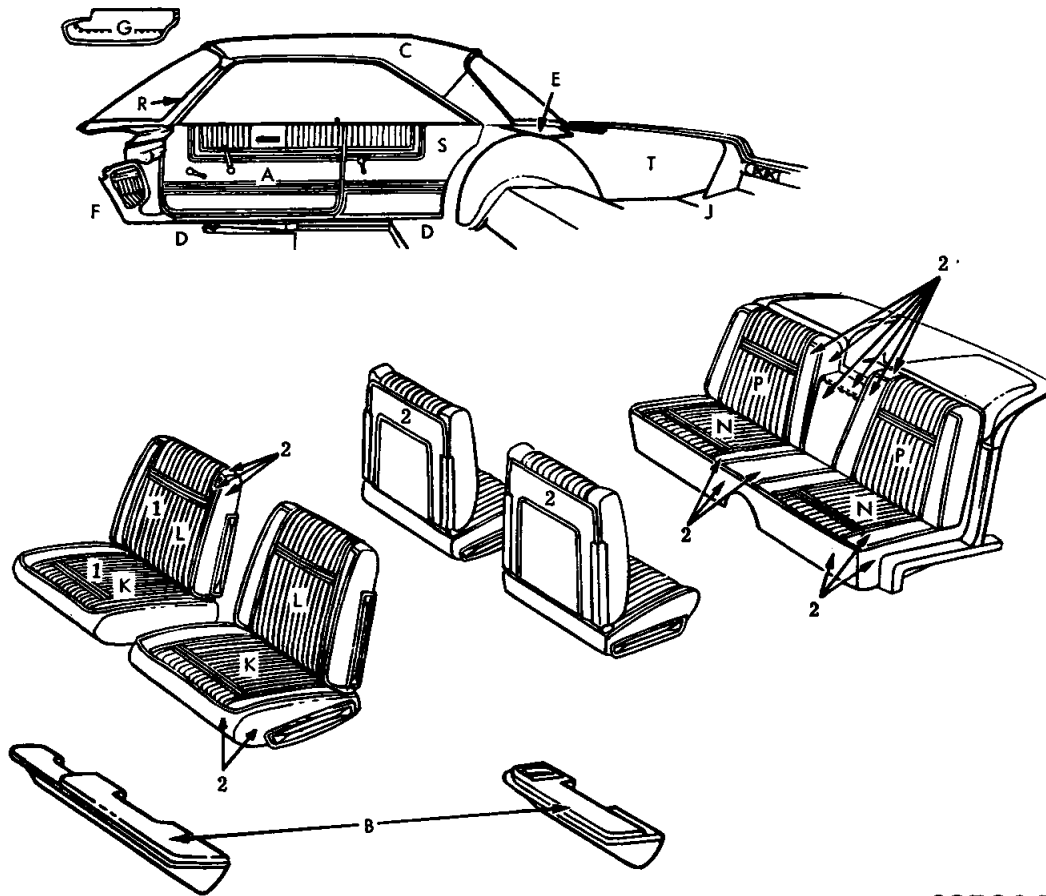
PART NUMBERS AND COLORS							
ITEM	TYPE OF MATERIAL	PART TYPE CODE	MAT'L WIDTH	BLUE	TURQUOISE	RED	BLACK
1	Vinyl	23-114-15		Not Serviced			
2	Vinyl 35.5 oz.	23-114-15	54"	0441 AB4	0441 AQ4	0441 VR7	0441 VX9
3	Vinyl 19 oz.	23-114-15	54"	-----	-----	0480 AR9	0464 AX9

PART NUMBERS AND COLORS							
ITEM	TYPE OF MATERIAL	PART TYPE CODE	MAT'L WIDTH	GOLD			
2	Vinyl 35.5 oz.	23-114-15	54"	0441 AY3			

Distribution Drawing Legend Page Appears Following Illustration Section

1965 PLYMOUTH P1-H, P2-H 2 DOOR HARDTOP  
VINYL TRIM  
CODES H5B, H5Q, H5R, H5X, H5Y

★ Indicates use as required.  
 □ Indicates parts not listed in any previous parts book.  
 \* Indicates change or addition.



19T0201A

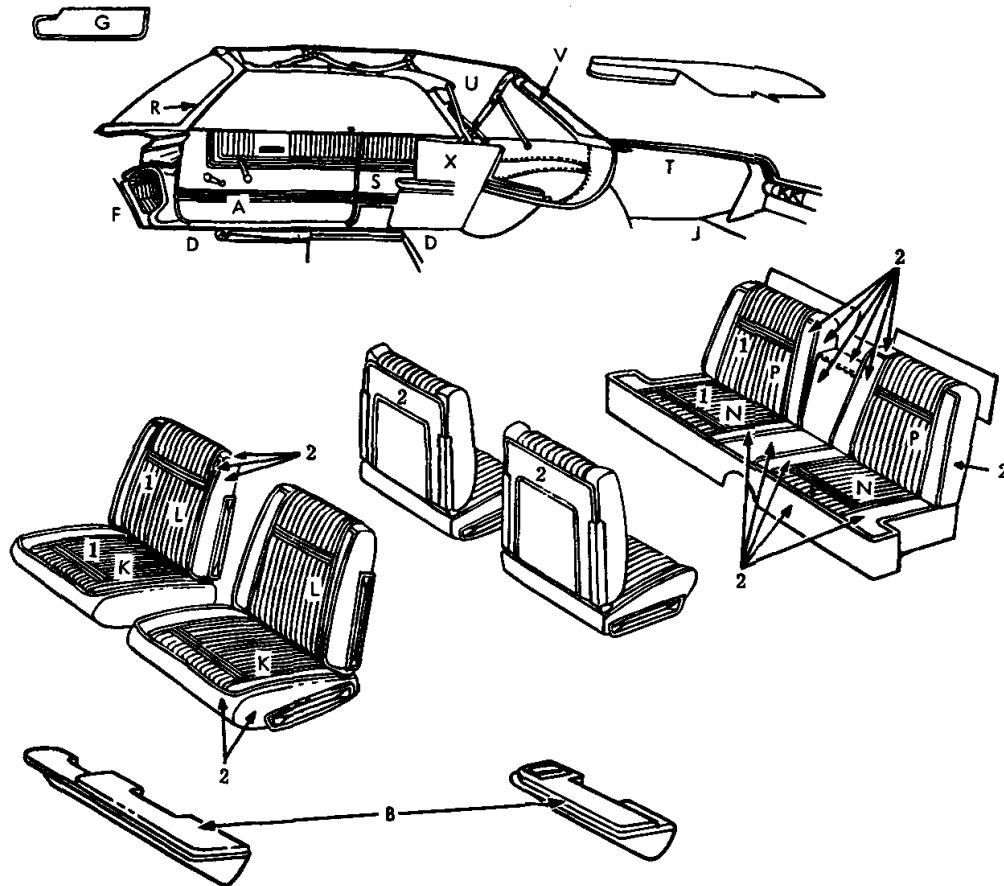
PART NUMBERS AND COLORS							
ITEM	TYPE OF MATERIAL	PART TYPE CODE	MAT'L WIDTH	BLUE	TURQUOISE	RED	COPPER
1	Vinyl	23-114-15		Not Serviced			
2	Vinyl 35.5 oz.	23-114-15	54"	0441 AB8	0441 AQ8	0441 VR7	0441 VX9

PART NUMBERS AND COLORS							
ITEM	TYPE OF MATERIAL	PART TYPE CODE	MAT'L WIDTH	GOLD	BLACK		
2	Vinyl 35.5 oz.	23-114-15	54"	0441 AY3	0441 VX9		

Distribution Drawing Legend Page Appears Following Illustration Section

1965 PLYMOUTH P2-P 2 DOOR HARDTOP  
 VINYL TRIM  
 CODES P4B, P4Q, P4R, P4U, P4X, P4Y





19T0202A

PART NUMBERS AND COLORS							
ITEM	TYPE OF MATERIAL	PART TYPE CODE	MAT'L WIDTH	BLUE	TURQUOISE	RED	COPPER

1	Vinyl	23-114-15		Not Serviced			
2	Vinyl 35.5 oz.	23-114-15	54"	0441 AB8	0441 AQ8	0441 VR7	0441 VX9

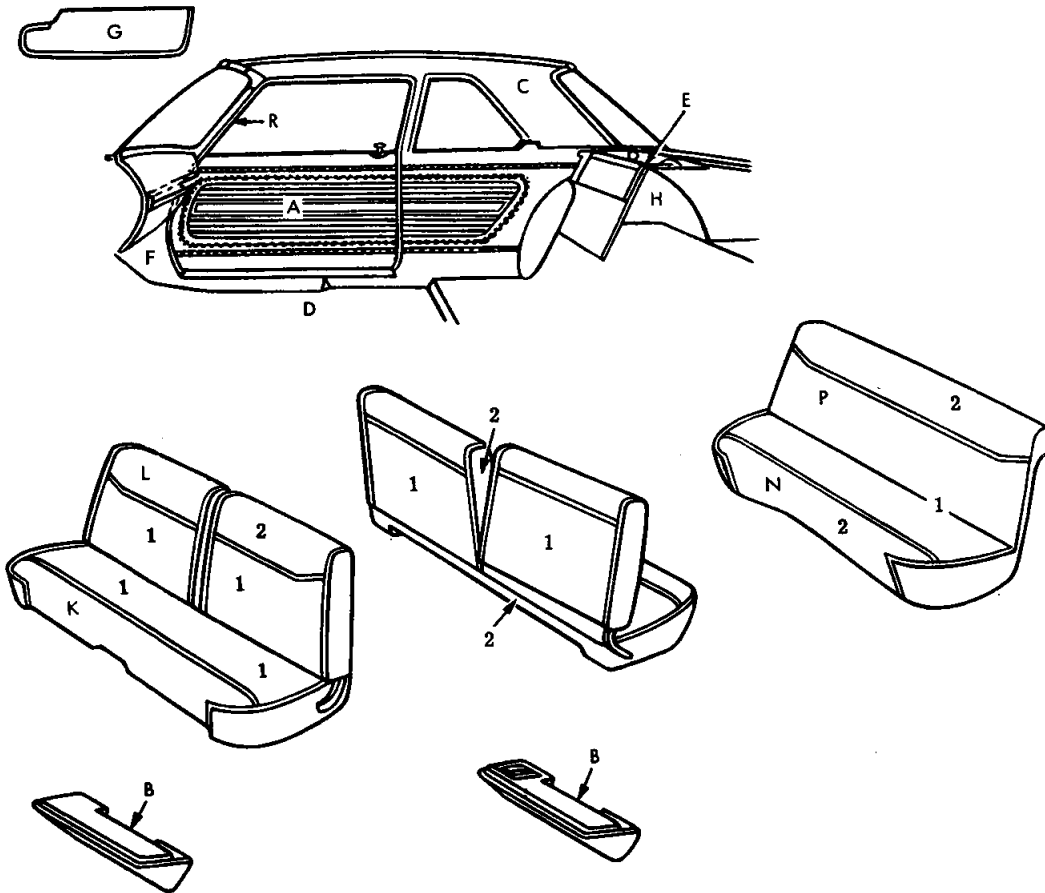
PART NUMBERS AND COLORS							
ITEM	TYPE OF MATERIAL	PART TYPE CODE	MAT'L WIDTH	GOLD	BLACK		

2	Vinyl 35.5 oz.	23-114-15	54"	0441 AY3	0441 VX9		
---	----------------	-----------	-----	----------	----------	--	--

Distribution Drawing Legend Page Appears Following Illustration Section

1965 PLYMOUTH P2-P CONVERTIBLE  
VINYL TRIM  
CODES P4B, P4Q, P4R, P4U, P4X, P4Y

★ Indicates use as required.  
 ☐ Indicates parts not listed in any previous parts book.  
 • Indicates change or addition.



19T0165A

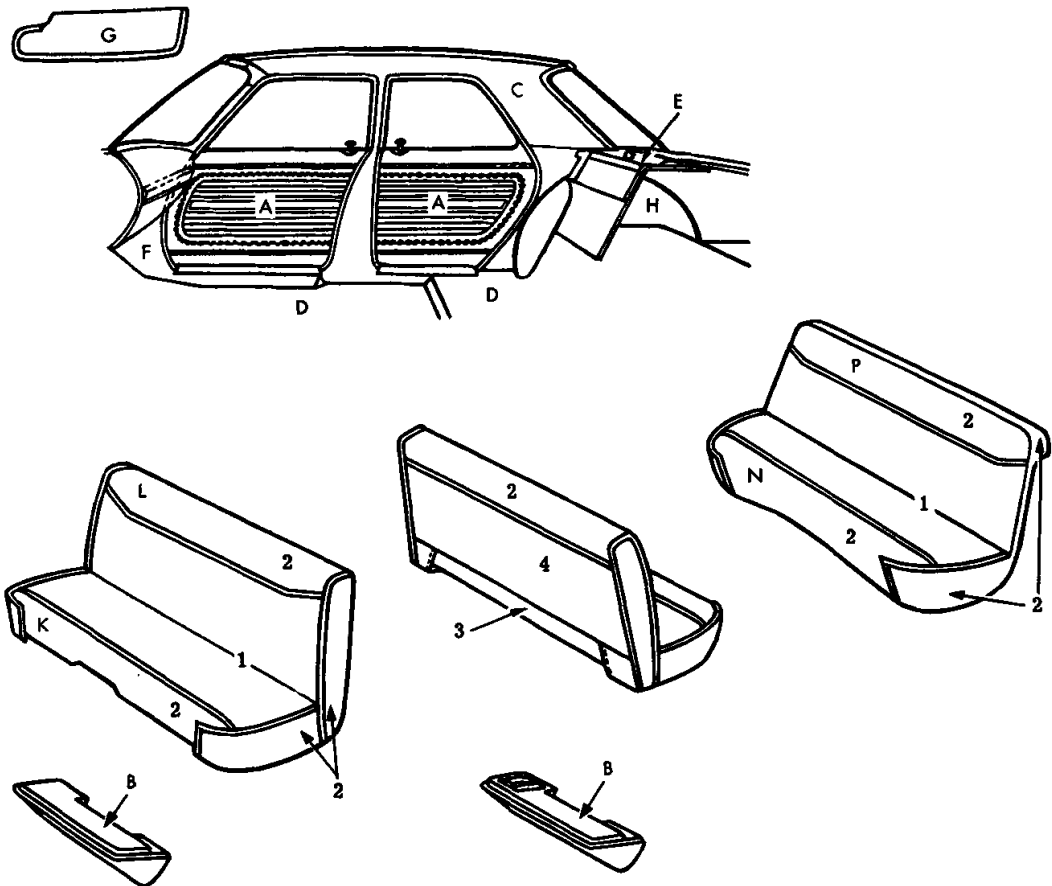
PART NUMBERS AND COLORS

ITEM	TYPE OF MATERIAL	PART TYPE CODE	MAT'L WIDTH	BLUE	RED	TAN	
1	Body Cloth	23-114-2	57"	0128 ABB	0128 ARR	0128 ATT	
2	Vinyl 35.5 oz.	23-114-15	54"	0441 AB4	0441 VR6	0441 VT6	

Distribution Drawing Legend Page Appears Following Illustration Section

1965 BELVEDERE I R1-L, R2-L 2 DOOR SEDAN  
 CLOTH AND VINYL TRIM  
 CODES L1B, K1B, L1R, K1R, L1T, K1T

★ Indicates use as required.  
 ☐ Indicates parts not listed in any previous parts book.  
 May 1965, Supersedes Sept. 4, 1964.



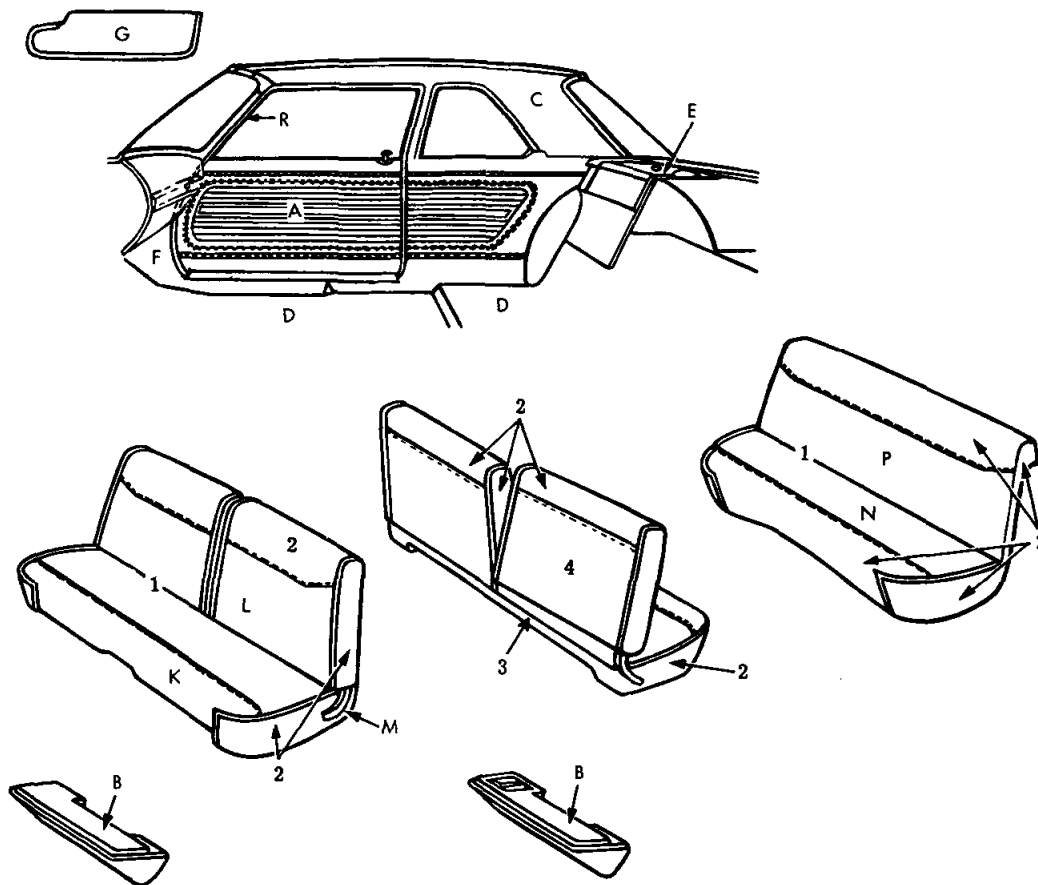
19T0166

PART NUMBERS AND COLORS							
ITEM	TYPE OF MATERIAL	PART TYPE CODE	MAT'L WIDTH	BLUE	RED	TAN	
1	Body Cloth	23-114-2	57"	E0128 ABB	E0128 ARR	E0128 ATT	
2	Vinyl 35.5 oz.	23-114-15	54"	E0441 AB4	0441 VR6	0441 VT6	
3	Vinyl 35.5 oz.	23-114-15	54"	E0441 AB8	0441 VR6	0441 VT6	
4	Vinyl 21 oz.	23-114-15	54"	E0487 AB8	E0487 AR6	E0487 AT8	

Distribution Drawing Legend Page Appears Following Illustration Section

1965 BELVEDERE I R1-L, R2-L 4 DOOR SEDAN  
CLOTH AND VINYL TRIM  
CODES L1B, K1B, L1R, K1R, L1T, K1T

★ Indicates use as required.  
B Indicates parts not listed in any previous parts book.



19T0167A

PART NUMBERS AND COLORS

ITEM	TYPE OF MATERIAL	PART TYPE CODE	MAT'L WIDTH	TAN			
1	Body Cloth	23-114-2	52"	E0104 ATT			
2	Vinyl 35.5 oz.	23-114-15	54"	0441 VT6			
3	Vinyl 35.5 oz.	23-114-15	54"	0441 VT8			
4	Vinyl 21 oz.	23-114-15	54"	E0487 AT8			

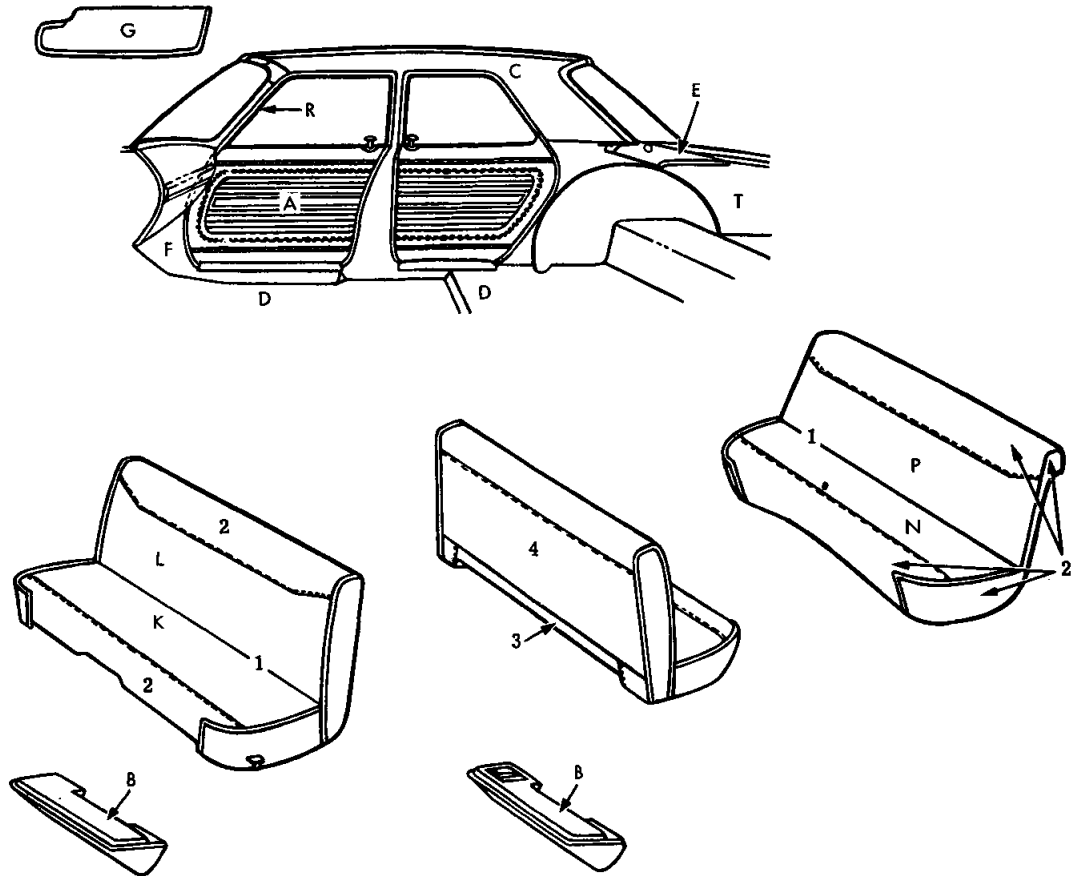
Distribution Drawing Legend Page Appears Following Illustration Section

1965 BELVEDERE I 2 DOOR SEDAN  
CLOTH AND VINYL TRIM  
CODES L2T, K2T

★ Indicates use as required.

☐ Indicates parts not listed in any previous parts book.  
May 1965, Supersedes Sept. 4, 1964.

\* Indicates change or addition.



19T0168

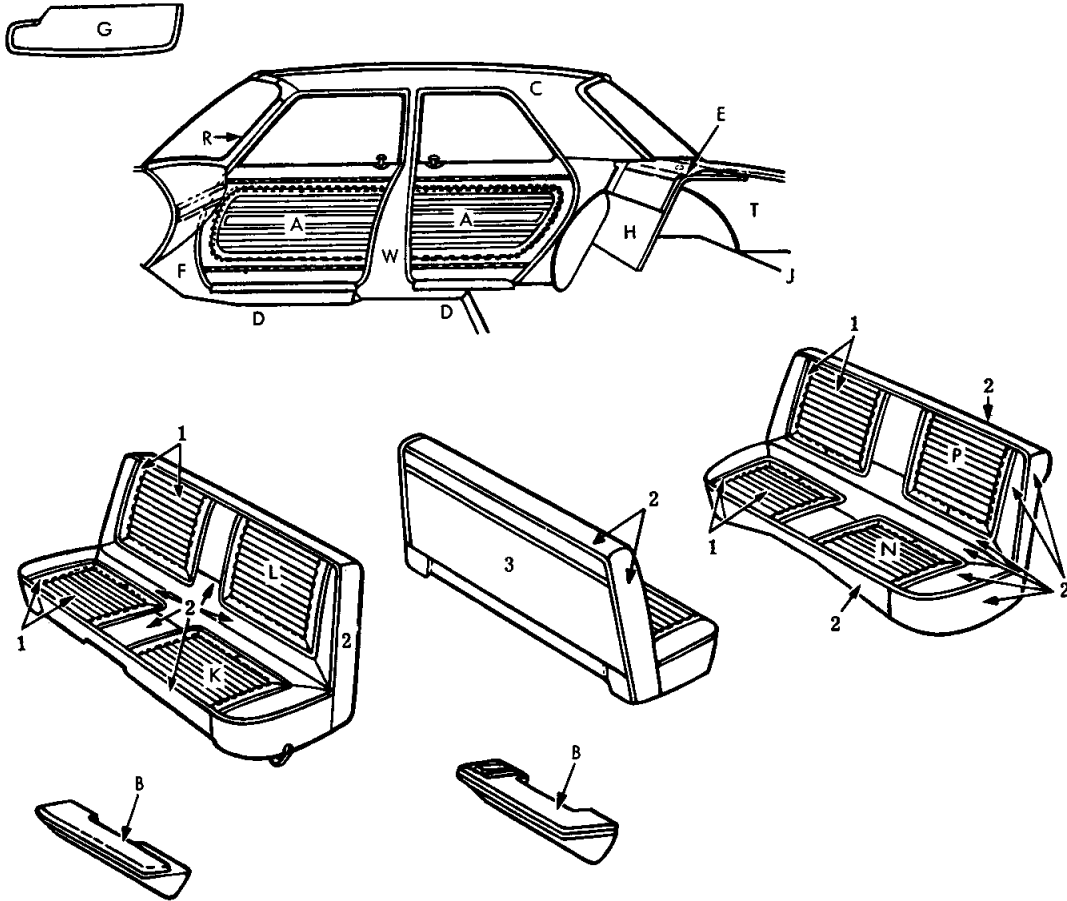
PART NUMBERS AND COLORS

ITEM	TYPE OF MATERIAL	PART TYPE CODE	MAT'L WIDTH	TAN			
1	Body Cloth	23-114-2	52"	E0104 ATT			
2	Vinyl 35.5 oz.	23-114-15	54"	0441 VT6			
3	Vinyl 35.5 oz.	23-114-15	54"	0441 VT8			
4	Vinyl 21 oz.	23-114-15	54"	E0487 AT8			

Distribution Drawing Legend Page Appears Following Illustration Section

1965 BELVEDERE 4 DOOR SEDAN  
CLOTH AND VINYL TRIM  
CODES L2T, K2T

★ Indicates use as required.  
⊠ Indicates parts not listed in any previous parts book.



19T0170 A

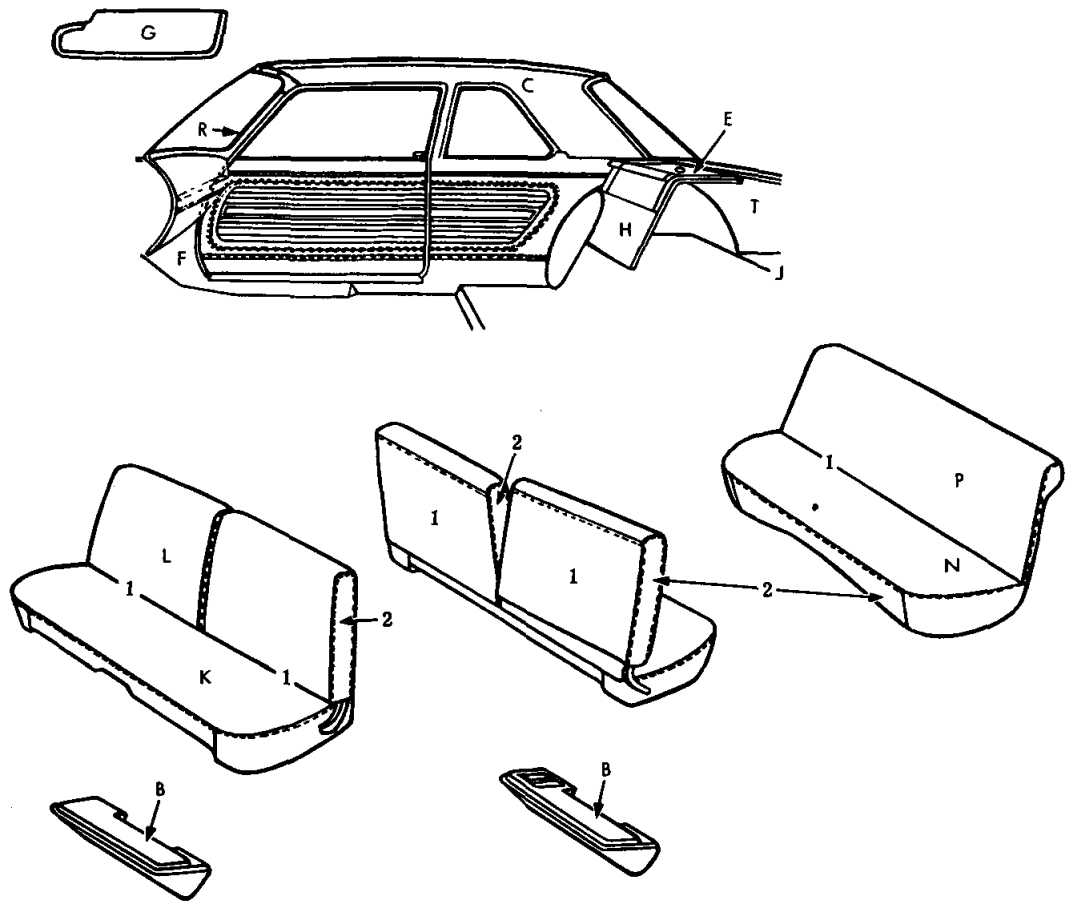
PART NUMBERS AND COLORS

ITEM	TYPE OF MATERIAL	PART TYPE CODE	MAT'L WIDTH	BLUE	RED	TAN	
1	Vinyl 35.5 oz.	23-114-15	54"	0464 AB8	0464 AR5	0464 AT8	
2	Vinyl 35.5 oz.	23-114-15	54"	0441 AB4	0441 VR6	0441 VT6	
3	Vinyl 35.5 oz.	23-114-15	54"	*0487 AB8	*0487 AR5	*0487 AT8	

Distribution Drawing Legend Page Appears Following Illustration Section

1965 BELVEDERE I R1-L, R2-L 4 DOOR SEDAN  
VINYL TRIM  
CODES L5B, L5R, L5T

★ Indicates use as required.  
 ☐ Indicates parts not listed in any previous parts book.  
 May 1965, Supersedes Sept. 4, 1964.



19T0171A

PART NUMBERS AND COLORS

ITEM	TYPE OF MATERIAL	PART TYPE CODE	MAT'L WIDTH	TAN			
1	Vinyl 37 oz.	23-114-15	50"	E0445 AT8			
2	Vinyl 35.5 oz.	23-114-15	54"	0441 VT8			

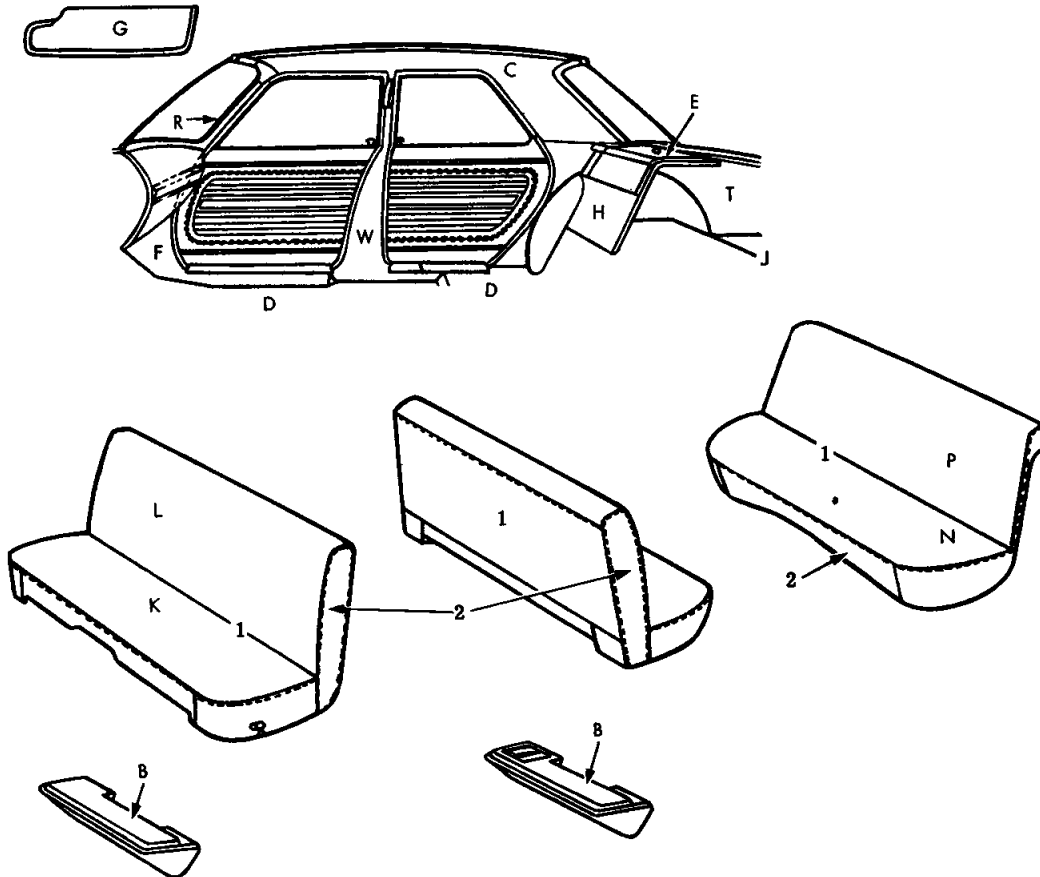
Distribution Drawing Legend Page Appears Following Illustration Section

1965 BELVEDERE I R1-L, R2-L 2 DOOR SEDAN  
VINYL TRIM  
CODES L8T, K8T, T8T

★ Indicates use as required.

⊠ Indicates parts not listed in any previous parts book.

\*\* Indicates change or addition.



19T0172A

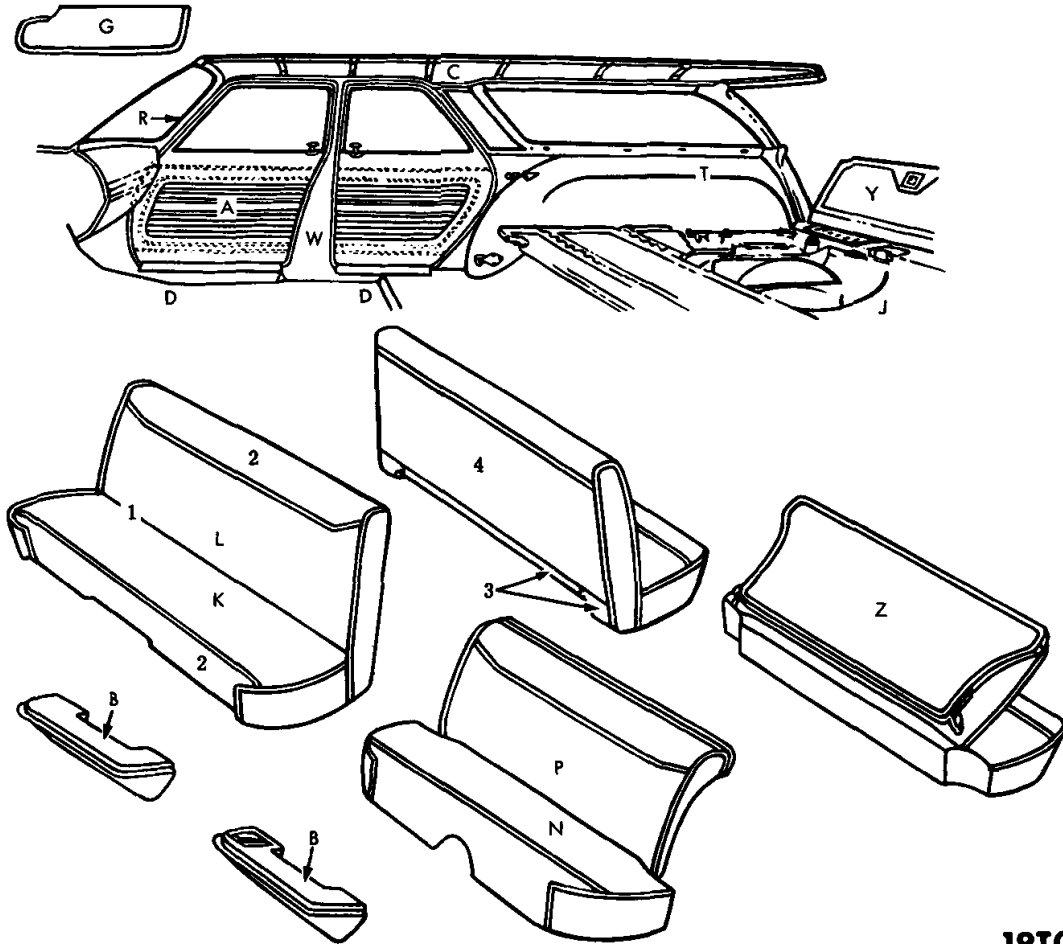
PART NUMBERS AND COLORS

ITEM	TYPE OF MATERIAL	PART TYPE CODE	MAT'L WIDTH	TAN			
1	Vinyl 37 oz.	23-114-15	50"	E0445 AT8			
2	Vinyl 35.5 oz.	23-114-15	54"	0441 VT8			

Distribution Drawing Legend Page Appears Following Illustration Section

1965 BELVEDERE I R1-L, R2-L 4 DOOR SEDAN  
VINYL TRIM  
CODES L8T, K8T, T8T





19T0169A

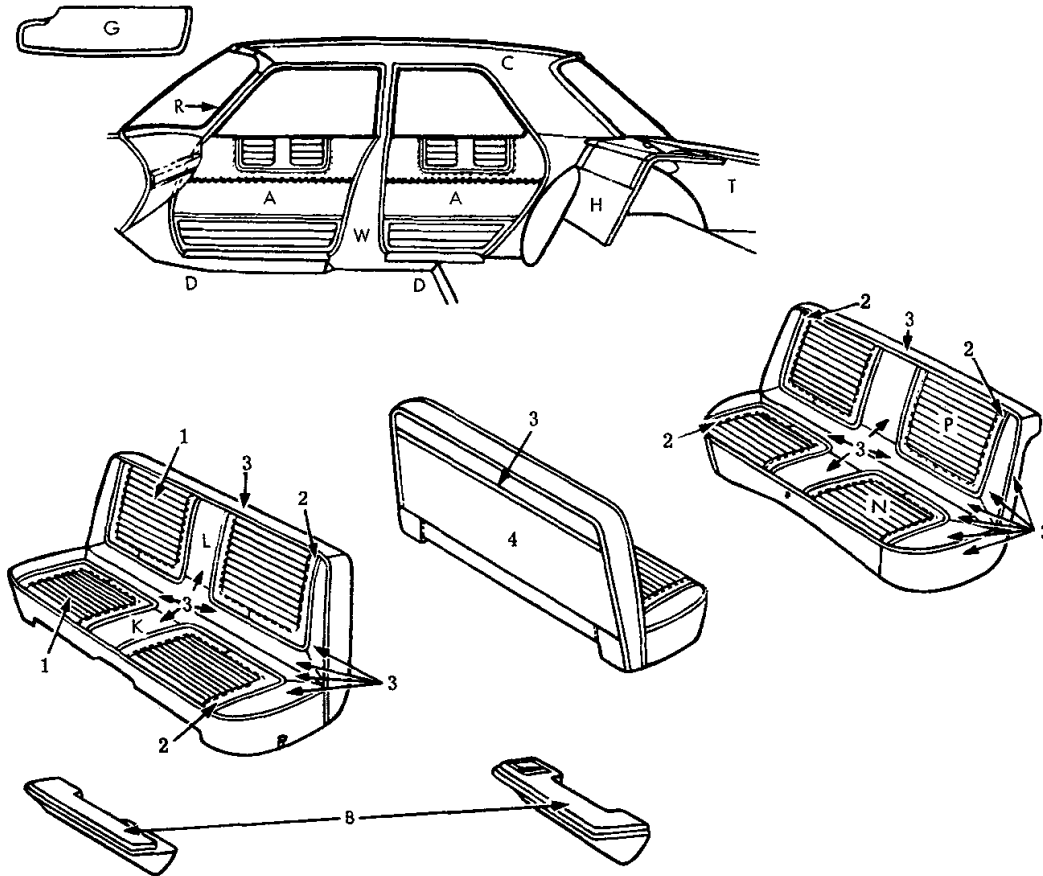
PART NUMBERS AND COLORS

ITEM	TYPE OF MATERIAL	PART TYPE CODE	MAT'L WIDTH	BLUE	RED	TAN
1	Vinyl 36.7 oz.	23-114-15	62"	0493 AB4	0493 AR6	0493 AT6
2	Vinyl 35.5 oz.	23-114-15	54"	0441 AB4	0441 VR6	0441 VT6
3	Vinyl 35.5 oz.	23-114-15	54"	0441 AB8	0441 VR6	0441 VT6
4	Vinyl 35.5 oz.	23-114-15	54"	*0487 AB8	*0487 AR6	*0487 AT8

Distribution Drawing Legend Page Appears Following Illustration Section

1965 BELVEDERE I R1-L, R2-L STATION WAGON  
 VINYL TRIM  
 CODES L4B, K4B, L4R, K4R, L4T, K4T

★ Indicates use as required.  
 ☐ Indicates parts not listed in any previous parts book.  
 \* Indicates change or addition.



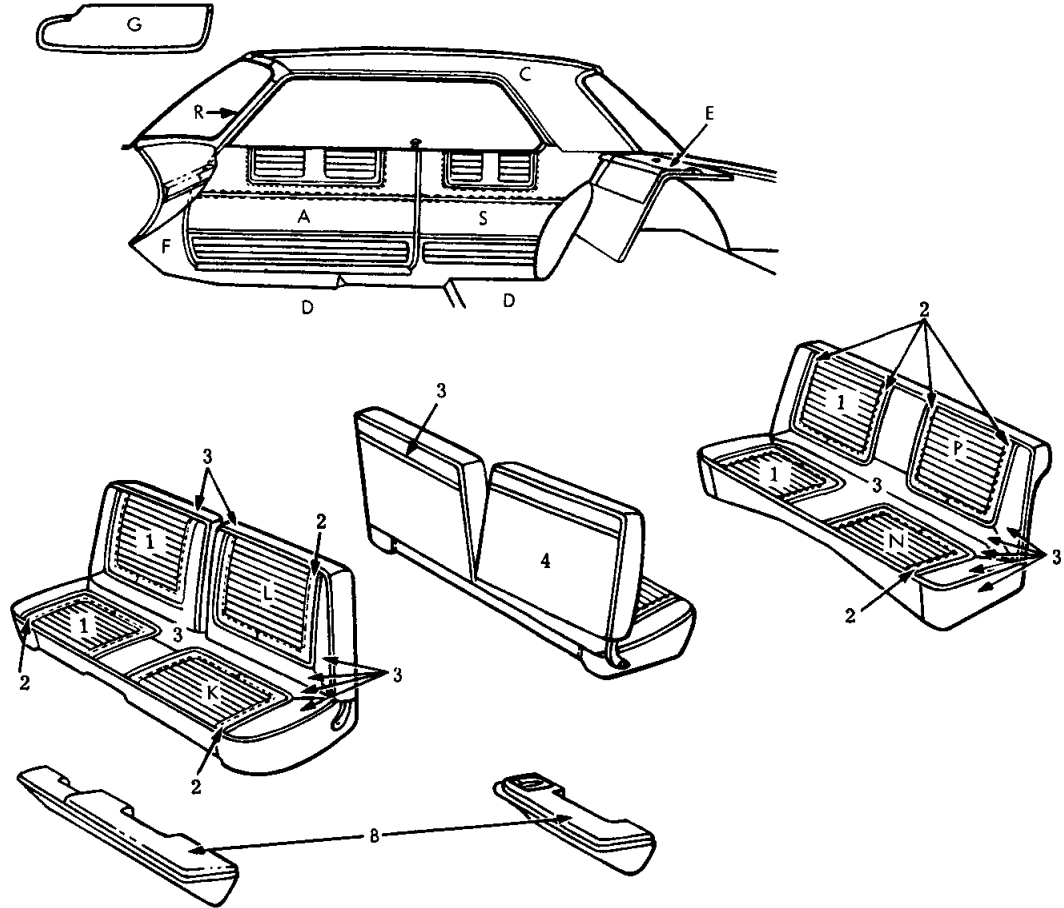
19T0173A

PART NUMBERS AND COLORS							
ITEM	TYPE OF MATERIAL	PART TYPE CODE	MAT'L WIDTH	BLUE	TURQUOISE	RED	TAN
1	Body Cloth	23-114-2		Not Serviced			
2	Vinyl 35.5 oz.	23-114-15	54"	0464 AB4	0464 AQ8	0464 AR5	0464 AT8
3	Vinyl 35.5 oz.	23-114-15	54"	0441 AB4	0441 AQ4	0441 VR6	0441 VT6
4	Vinyl 21 oz.	23-114-15	56"	*0487 AB8	*0487 AQ8	*0487 AR5	*0487 AT8

PART NUMBERS AND COLORS							
ITEM	TYPE OF MATERIAL	PART TYPE CODE	MAT'L WIDTH	GOLD			
2	Vinyl 35.5 oz.	23-114-15	54"	0464 AY8			
3	Vinyl 35.5 oz.	23-114-15	54"	0441 AY3			
4	Vinyl 21 oz.	23-114-15	56"	*0487 AY8			

Distribution Drawing Legend Page Appears Following Illustration Section

1965 BELVEDERE II R1-H, R2-H 4 DOOR SEDAN  
CLOTH AND VINYL TRIM  
CODES H1B, H1Q, H1R, H1T, H1Y



19T0174 A

PART NUMBERS AND COLORS							
ITEM	TYPE OF MATERIAL	PART TYPE CODE	MAT'L WIDTH	BLUE	TURQUOISE	RED	TAN

1	Body Cloth	23-114-2		Not Serviced			
2	Vinyl 35.5 oz.	23-114-15	54"	0464 AB4	0464 AQ8	0464 AR5	0464 AT8
3	Vinyl 35.5 oz.	23-114-15	54"	0441 AB4	0441 AQ4	0441 VR5	0441 VT5
4	Vinyl 35.5 oz.	23-114-15	54"	*0487 AB8	*0487 AQ8	*0487 AR5	*0487 AT8

PART NUMBERS AND COLORS							
ITEM	TYPE OF MATERIAL	PART TYPE CODE	MAT'L WIDTH	GOLD			

2	Vinyl 35.5 oz.	23-114-15	54"	0464 AY8			
3	Vinyl 35.5 oz.	23-114-15	54"	0441 AY3			
4	Vinyl 35.5 oz.	23-114-15	54"	*0487 AY8			

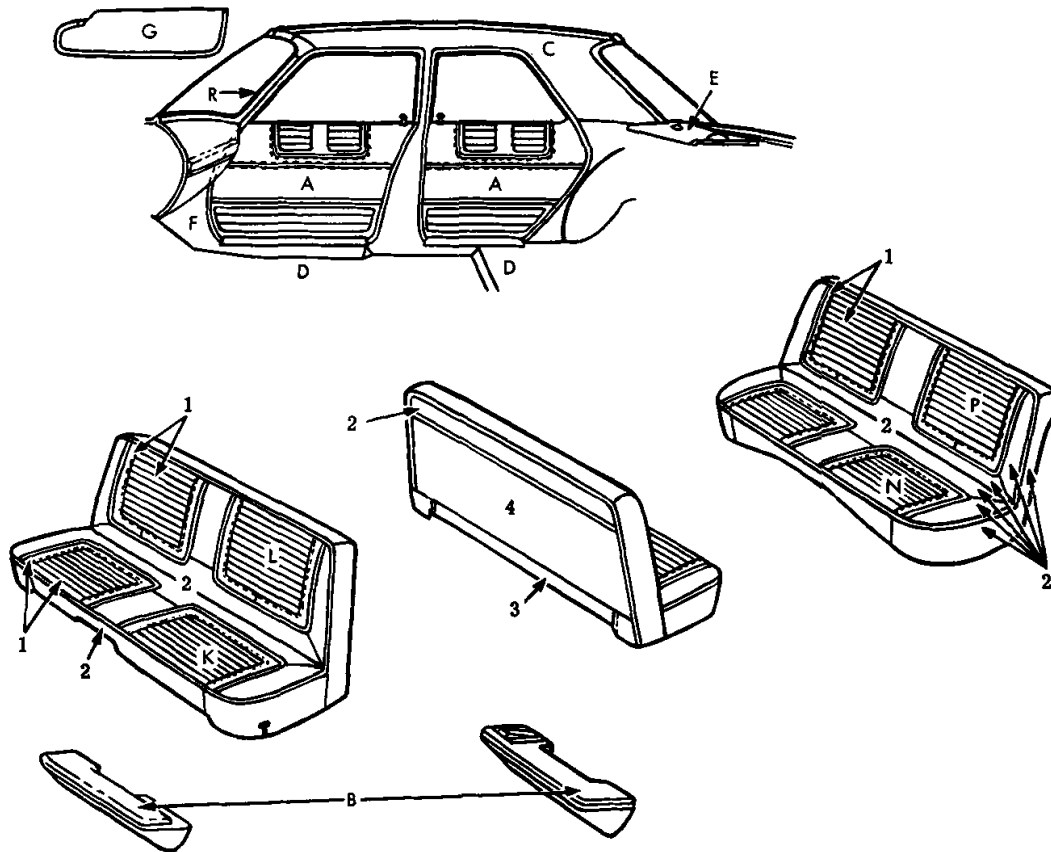
Distribution Drawing Legend Page Appears Following Illustration Section

1965 BELVEDERE II R1-H, R2-H 2 DOOR HARDTOP  
CLOTH AND VINYL TRIM  
CODES H1B, H1Q, H1R, H1T, H1Y

★ Indicates use as required.

☐ Indicates parts not listed in any previous parts book.

\* Indicates change or addition.



19T0175A

PART NUMBERS AND COLORS

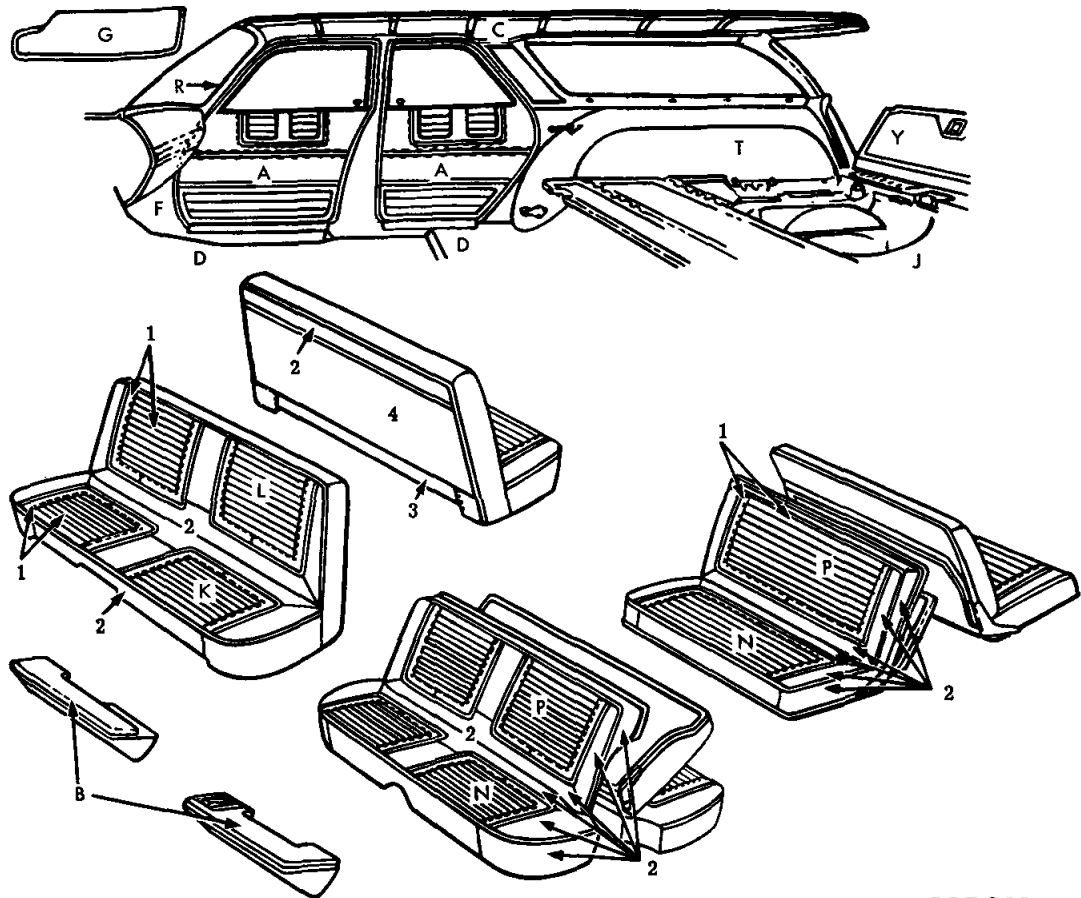
ITEM	TYPE OF MATERIAL	PART TYPE CODE	MAT'L WIDTH	BLUE	TURQUOISE	RED	TAN
1	Vinyl	23-114-15		Not Serviced			
2	Vinyl 35.5 oz.	23-114-15	54"	0441 AB4	0441 AQ4	0441 VR6	0441 VT6
3	Vinyl 35.5 oz.	23-114-15	54"	0441 AB8	0441 AQ8	0441 AR5	0441 VT8
4	Vinyl 21 oz.	23-114-15	54"	0487 AB8	0487 AQ8	0487 AR5	0487 AT8

PART NUMBERS AND COLORS

ITEM	TYPE OF MATERIAL	PART TYPE CODE	MAT'L WIDTH	GOLD			
2	Vinyl 35.5 oz.	23-114-15	54"	0441 AY3			
3	Vinyl 35.5 oz.	23-114-15	54"	0441 AY8			
4	Vinyl 21 oz.	23-114-15	54"	0487 AY8			

Distribution Drawing Legend Page Appears Following Illustration Section

1965 BELVEDERE II R1-H, R2-H 4 DOOR SEDAN  
 VINYL TRIM  
 CODES H4B, H4Q, H4R, H4T, H4Y



19T0177A

PART NUMBERS AND COLORS							
ITEM	TYPE OF MATERIAL	PART TYPE CODE	MAT'L WIDTH	BLUE	TURQUOISE	RED	TAN

1	Vinyl 35.5 oz.	23-114-15		Not Serviced			
2	Vinyl 35.5 oz.	23-114-15	54"	0441 AB4	0441 AQ4	0441 VR6	0441 VT6
3	Vinyl 35.5 oz.	23-114-15	54"	0441 AB8	0441 AQ8	0441 AR5	0441 VT8
4	Vinyl 21 oz.	23-114-15	54"	0487 AB8	0487 AQ8	0487 AR5	0487 AT8

PART NUMBERS AND COLORS							
ITEM	TYPE OF MATERIAL	PART TYPE CODE	MAT'L WIDTH	GOLD			

2	Vinyl 35.5 oz.	23-114-15	54"	0441 AY3			
3	Vinyl 35.5 oz.	23-114-15	54"	0441 AY8			
4	Vinyl 21 oz.	23-114-15	54"	0487 AY8			

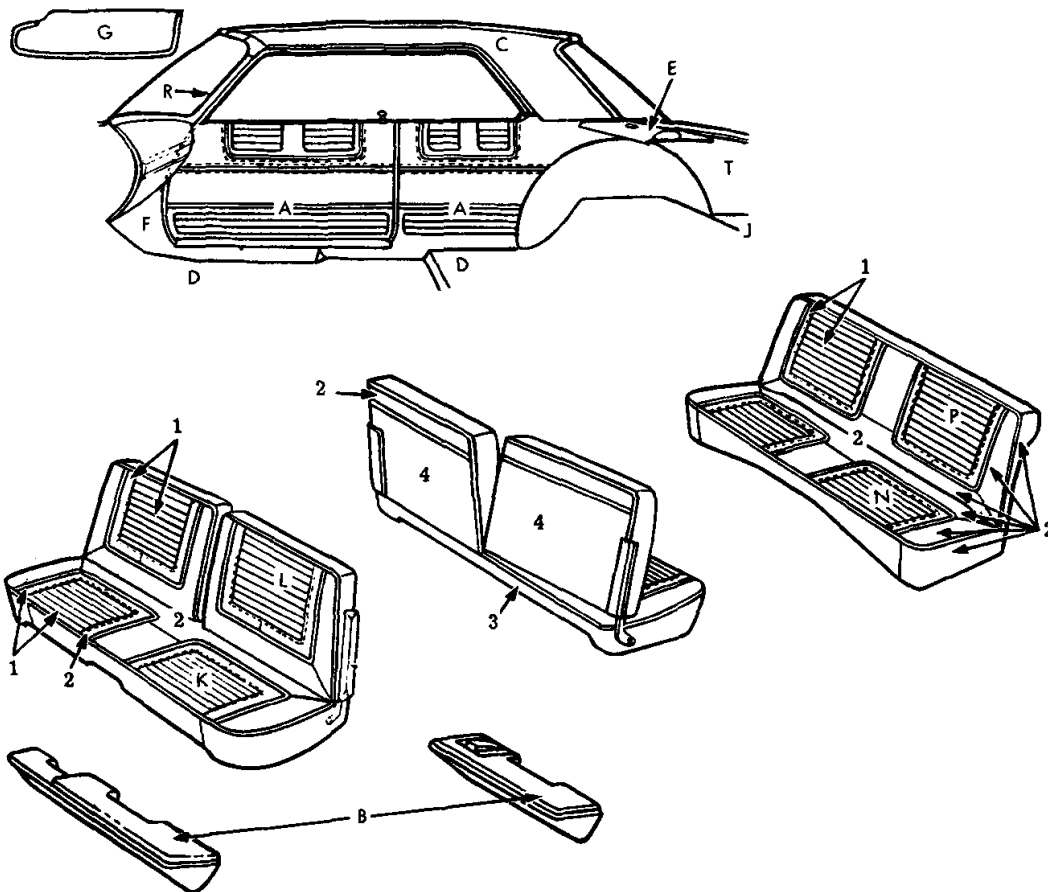
Distribution Drawing Legend Page Appears Following Illustration Section

1965 BELVEDERE II R1-H, R2-H STATION WAGON  
 VINYL TRIM  
 CODES H4B, H4Q, H4R, H4T, H4X, H4Y

★ Indicates use as required.

☐ Indicates parts not listed in any previous parts book.

\* Indicates change or addition.



1970176 A

PART NUMBERS AND COLORS

ITEM	TYPE OF MATERIAL	PART TYPE CODE	MAT'L WIDTH	BLUE	TURQUOISE	RED	BLACK
1	Vinyl 35.5	23-114-15		Not Serviced			
2	Vinyl 35.5 oz.	23-114-15	54"	0441 AB4	0441 AQ4	0441 VR6	0441 VX9
3	Vinyl 35.5 oz.	23-114-15	54"	0441 AB8	0441 AQ8	0441 AR5	0441 VX9
4	Vinyl 21 oz.	23-114-15	54"	0487 AB8	0487 AQ8	0487 AR5	0487 AX9

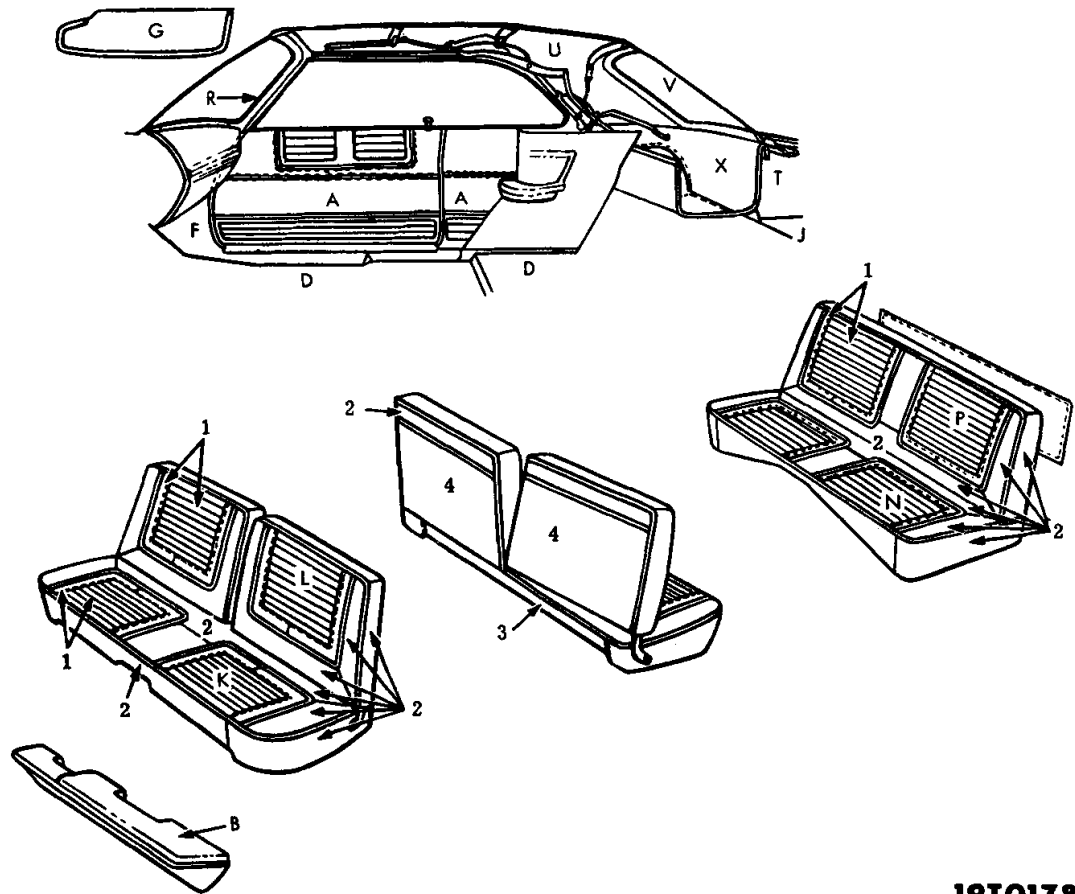
PART NUMBERS AND COLORS

ITEM	TYPE OF MATERIAL	PART TYPE CODE	MAT'L WIDTH	GOLD			
2	Vinyl 35.5 oz.	23-114-15	54"	0441 AY3			
3	Vinyl 35.5 oz.	23-114-15	54"	0441 AY8			
4	Vinyl 21 oz.	23-114-15	54"	0487 AY8			

Distribution Drawing Legend Page Appears Following Illustration Section

1965 BELVEDERE II R1-H, R2-H 2 DOOR HARDTOP  
VINYL TRIM  
CODES H4B, H4Q, H4R, H4T, H4X, H4Y

★ Indicates use as required.  
 ☐ Indicates parts not listed in any previous parts book.  
 May 1965, Supersedes Sept. 4, 1964.



19T0178 A

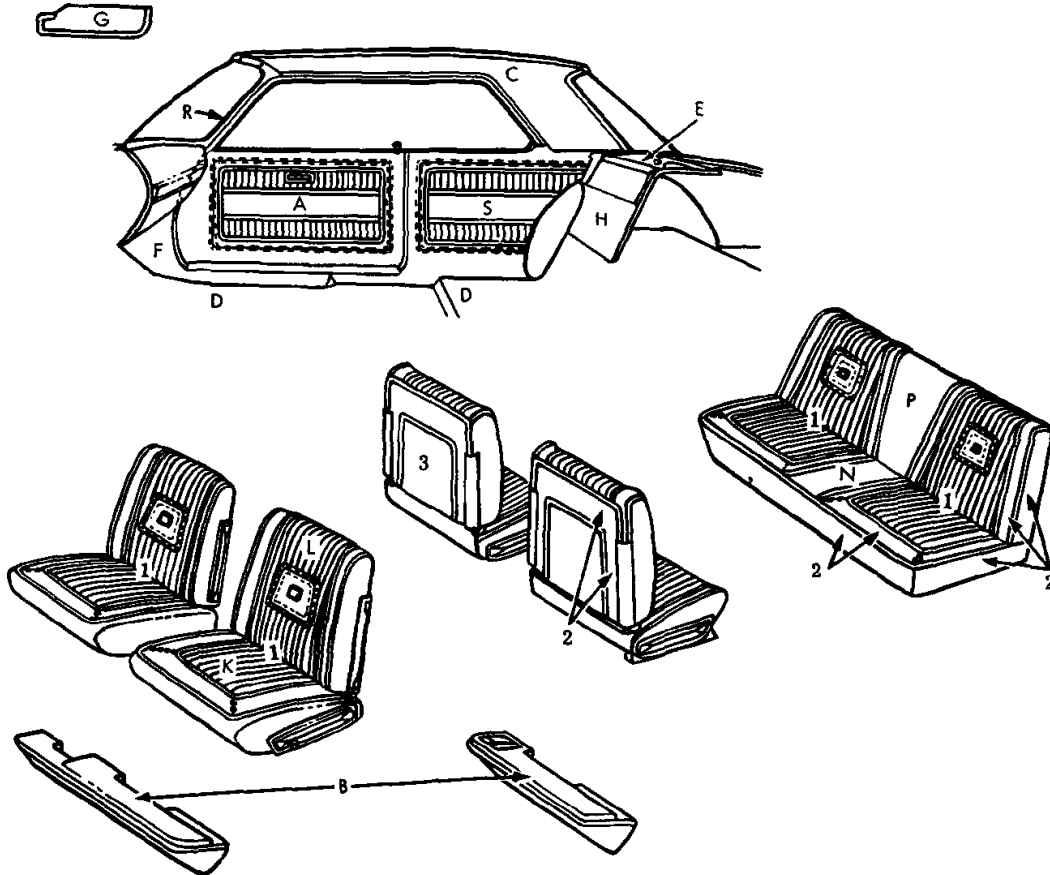
PART NUMBERS AND COLORS							
ITEM	TYPE OF MATERIAL	PART TYPE CODE	MAT'L WIDTH	BLUE	TURQUOISE	RED	BLACK
1	Vinyl	23-114-15		Not Serviced			
2	Vinyl 35.5 oz.	23-114-15	54"	0441 AB4	0441 AQ4	0441 VR6	0441 VX9
3	Vinyl 35.5 oz.	23-114-15	54"	0441 AB8	0441 AQ8	0441 AR5	0441 VX9
4	Vinyl 21 oz.	23-114-15	54"	0487 AB8	0487 AQ8	0487 AR5	0487 AX9

PART NUMBERS AND COLORS							
ITEM	TYPE OF MATERIAL	PART TYPE CODE	MAT'L WIDTH	GOLD			
2	Vinyl 35.5 oz.	23-114-15	54"	0441 AY3			
3	Vinyl 35.5 oz.	23-114-15	54"	0441 AY8			
4	Vinyl 21 oz.	23-114-15	54"	0487 AY8			

Distribution Drawing Legend Page Appears Following Illustration Section

1965 BELVEDERE II R1-H, R2-H CONVERTIBLE  
VINYL TRIM  
CODES H4B, H4Q, H4R, H4T, H4X, H4Y

★ Indicates use as required.  
 □ Indicates parts not listed in any previous parts book.  
 \* Indicates change or addition.



19T0179A

PART NUMBERS AND COLORS

ITEM	TYPE OF MATERIAL	PART TYPE CODE	MAT'L WIDTH	BLUE	TURQUOISE	RED	BLACK
1	Vinyl	23-114-15		Not Serviced			
2	Vinyl 35.5 oz.	23-114-15	54"	0441 AB4	0441 AQ4	0441 VR6	0441 VX9
3	Vinyl 35.5 oz.	23-114-15	54"	0441 AB8	0441 AQ8	0441 AR5	0441 VX9

PART NUMBERS AND COLORS

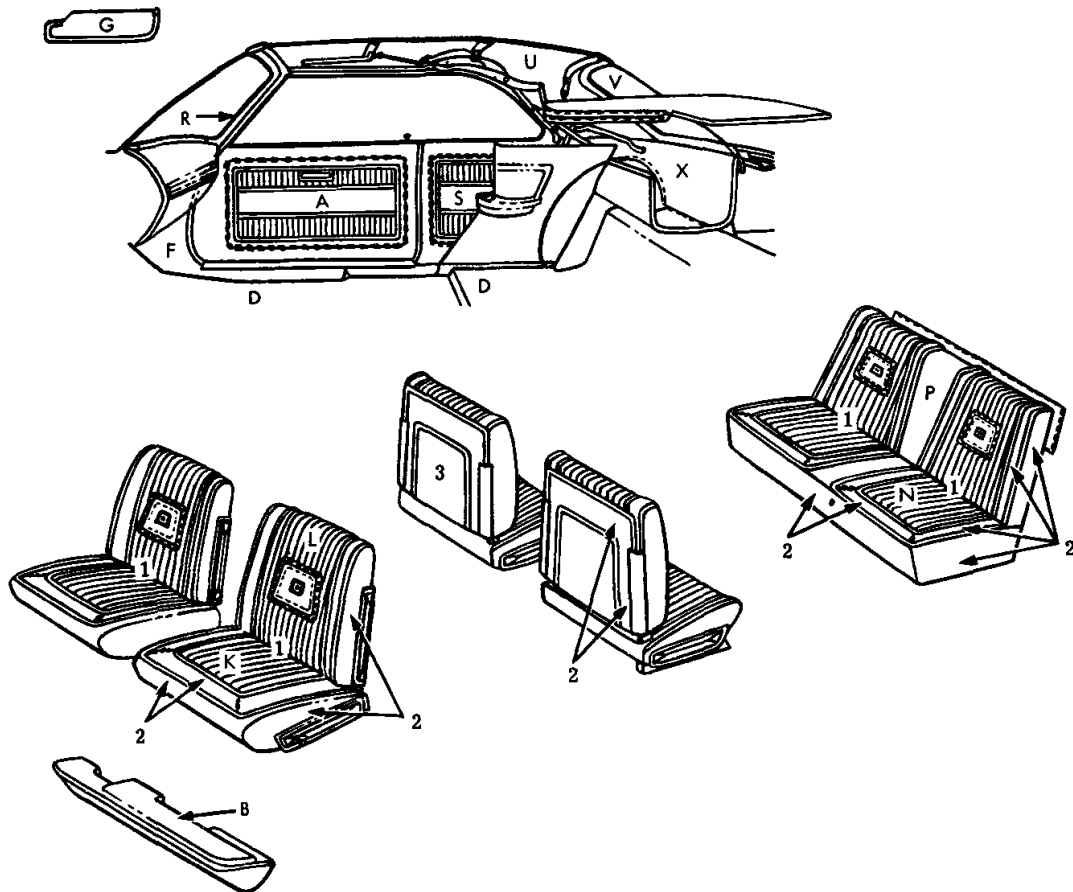
ITEM	TYPE OF MATERIAL	PART TYPE CODE	MAT'L WIDTH	GOLD			
2	Vinyl 35.5 oz.	23-114-15	54"	0441 AY3			
3	Vinyl 35.5 oz.	23-114-15	54"	0441 AY8			

Distribution Drawing Legend Page Appears Following Illustration Section

1965 SATELLITE R2-P 2 DOOR HARDTOP  
VINYL TRIM  
CODES P4B, P4Q, P4R, P4X, P4Y

★ Indicates use as required.  
 ☐ Indicates parts not listed in any previous parts book.  
 May 1965, Supersedes Sept. 4, 1964.





19T0180 A

PART NUMBERS AND COLORS							
ITEM	TYPE OF MATERIAL	PART TYPE CODE	MAT'L WIDTH	BLUE	TURQUOISE	RED	BLACK
1	Vinyl	23-114-15		Not Serviced			
2	Vinyl 35.5 oz.	23-114-15	54"	0441 AB4	0441 AQ4	0441 VR6	0441 VX9
3	Vinyl 35.5 oz.	23-114-15	54"	0441 AB8	0441 AQ8	0441 AR5	0441 VX9

PART NUMBERS AND COLORS							
ITEM	TYPE OF MATERIAL	PART TYPE CODE	MAT'L WIDTH	GOLD			
2	Vinyl 35.5 oz.	23-114-15	54"	0441 AY3			
3	Vinyl 35.5	23-114-15	54"	0441 AY8			

Distribution Drawing Legend Page Appears Following Illustration Section

1965 SATELLITE R2-P CONVERTIBLE  
VINYL TRIM  
CODES P4B, P4Q, P4R, P4X, P4Y

★ Indicates use as required.  
 ☐ Indicates parts not listed in any previous parts book.  
 \* Indicates change or addition.

## 1965 PLYMOUTH - A SERIES

## Distribution Drawing Legend

See Illustration For Letter Identification

Letter	Description	Code
A	Panel, Door Trim	23-92-5
B	Arm Rest, Door, Front	23-76-3
	Center, Front Seat	23-76-34
	Door, Rear	23-76-59
	Quarter Panel	23-76-66
C	Headlining	23-86-3
D	Floor Cover, Front, Carpet	23-79-3
	Rubber	23-20-8
	Rear, Carpet	23-79-33
	Rubber	23-20-41
E	Panel, Shelf Trim	23-102-3
F	Panel, Cowl Trim	23-91-6
G	Visor	23-103-3
H	Panel, Luggage Compartment Front	23-96-3
J	Cover, Luggage Compartment Floor	23-20-29
K	Cover, Front Seat Cushion	23-108-5
L	Cover, Front Seat Back	23-108-16
M	Cover, Front Seat Hinge	23-108-84
N	Cover, Rear Seat Cushion	23-109-36
P	Cover, Rear Seat Back	23-109-4
Q	Cover, Rear Seat Cushion Bottom Panel	23-109-40
R	Weathercord, Door	23-113-2
	Hinge Pillar	23-113-25
	Lock Pillar	23-113-30
	w/Weatherstrip	23-66-33
S	Panel, Quarter Trim	23-101-3
T	Cover, Wheelhouse	23-96-8
U	Top Deck and Side Quarter	23-112-108
V	Curtain, Folding Top Back	23-112-45
W	Cover, Center Pillar	23-99-4
X	Panel, Folding Top Well Pocket	23-112-153
Y	Cover, Tailgate Inside Panel	23-79-79
Z	Cover, Rear Seat Back Panel	23-109-5

BODY CODE

COLUMN LEGEND

BELVEDERE I (AR1-L) AND (AR2-L)

R-11 (21)	2 D. Sedan
R-13 (41)	4 D. Sedan
R-56 (45)	Station Wagon (2 Seat)
R-83 (41)	4 D. Sedan (Taxi)
R-91 (21)	2 D. Sedan (Police)
R-93 (41)	4 D. Sedan (Police)
R-96 (45)	Station Wagon (Police-2 Seat)

BELVEDERE II (AR1-H) AND (AR2-H)

R-32 (23)	2 D. Hard Top
R-35 (27)	Convertible
R-33 (41)	4 D. Sedan
R-76 (45)	Station Wagon (2 Seat)
R-77 (46)	Station Wagon (3 Seat)

SATELLITE (AR2-P)

R-42 (23)	2 D. Hard Top
R-45 (27)	Convertible

FURY I (AP1-L) AND (AP2-L)

P-11 (21)	2 D. Sedan
P-13 (41)	4 D. Sedan
P-56 (45)	Station Wagon (2 Seat)
P-83 (41)	4 D. Sedan (Taxi)
P-91 (21)	2 D. Sedan (Police)
P-93 (41)	4 D. Sedan
P-96 (45)	Station Wagon (2 Seat)

FURY II (AP1-M)

P-21 (21)	2 D. Sedan
P-23 (41)	4 D. Sedan

FURY II (AP2-M)

P-21 (21)	2 D. Sedan
P-23 (41)	4 D. Sedan
P-66 (45)	Station Wagon (2 Seat)
P-67 (46)	Station Wagon (3 Seat)

FURY III (AP1-H)

P-32 (23)	2 D. Hard Top
P-33 (41)	4 D. Sedan

FURY III (AP2-H)

P-32 (23)	2 D. Hard Top
P-35 (27)	Convertible
P-33 (41)	4 D. Sedan
P-34 (43)	4 D. Hard Top
P-76 (45)	Station Wagon (2 Seat)
P-77 (46)	Station Wagon (3 Seat)

SPORT FURY (AP2-P)

P-42 (23)	2 D. Hard Top
P-45 (27)	Convertible

★ Indicates use as required.

☐ Indicates parts not listed in any previous parts book.

Printed in U.S.A.  
Prices and specifications subject to change without notice.  
September 4, 1964.

## CONVERTIBLE TOP COLOR LEGEND

0 Black

2 White

1 Blue

### STARTING SERIAL NUMBERS

		Detroit	Los Angeles	Delaware	St. Louis
R1-L	(Belvedere I)	3151-100001	3155-100001		3157-100001
R1-L	(Belvedere I Sta. Wgn.)	3551-100001	3555-100001		3557-100001
R1-H	(Belvedere II)	3351-100001	3355-100001		3357-100001
R1-H	(Belvedere II Sta. Wgn.)	3751-100001	3755-100001		3757-100001
R2-L	(Belvedere I)	R151-100001	R155-100001		R157-100001
R2-L	(Belvedere I Sta. Wgn.)	R551-100001	R555-100001		R557-100001
R2-H	(Belvedere II)	R351-100001	R355-100001		R357-100001
R2-H	(Belvedere II Sta. Wgn.)	R751-100001	R755-100001		R757-100001
R2-P	(Satellite)	R451-100001	R455-100001		R457-100001
P1-L	(Fury I)	5152-100001		5156-100001	
P1-L	(Fury I Sta. Wgn.)	5552-100001		5556-100001	
P1-M	(Fury II)	5252-100001		5256-100001	
P1-H	(Fury III)	5352-100001		5356-100001	
P2-L	(Fury I)	P152-100001		P156-100001	
P2-L	(Fury I Sta. Wgn.)	P552-100001		P556-100001	
P2-M	(Fury II)	P252-100001		P256-100001	
P2-M	(Fury II Sta. Wgn.)	P652-100001		P656-100001	
P2-H	(Fury III)	P352-100001		P356-100001	
P2-H	(Fury III Sta. Wgn.)	P752-100001		P756-100001	
P2-P	(Sport Fury)	P452-100001		P456-100001	

TRIM CODE	MODEL	MATERIAL			COLOR	6 WD. SED.	SED.	4D H.T.	STA. WGN.	2D H.T.	CV. CP.
		Cloth	Vinyl	Leather							
L1B, K1B	R1-L, R2-L	★	★	-	Blue	-	★	-	-	-	-
L1R, K1R	R1-L, R2-L	★	★	-	Red	-	★	-	-	-	-
L1T, K1T, L2T, K2T	R1-L, R2-L	★	★	-	Tan	-	★	-	-	-	-
L4B, K4B	R1-L, R2-L	-	★	-	Blue	-	-	-	★	-	-
L4R, K4R	R1-L, R2-L	-	★	-	Red	-	-	-	★	-	-
L4T, K4T	R1-L, R2-L	-	★	-	Tan	-	-	-	★	-	-
L8T, K8T, T8T	R1-L, R2-L	-	★	-	Tan	-	★	-	-	-	-
L5B	R1-L, R2-L	-	★	-	Blue	-	★	-	-	-	-
L5R	R1-L, R2-L	-	★	-	Red	-	★	-	-	-	-
L5T	R1-L, R2-L	-	★	-	Tan	-	★	-	-	-	-
H1B, H4B	R1-H, R2-H	-	★	-	Blue	-	★	-	-	-	-
H1Q, H4Q	R1-H, R2-H	-	★	-	Turquoise	-	★	-	-	-	-
H1R, H4R	R1-H, R2-H	-	★	-	Red	-	★	-	-	-	-
H1T, H4T	R1-H, R2-H	-	★	-	Tan	-	★	-	-	-	-
H4X	R1-H, R2-H	-	★	-	Black	-	-	-	-	★	★
H1Y	R1-H, R2-H	-	★	-	Gold	-	★	-	-	★	★
H4B	R1-H, R2-H	-	★	-	Blue	-	-	-	★	★	★
H4Q	R1-H, R2-H	-	★	-	Turquoise	-	-	-	★	★	★
H4R	R1-H, R2-H	-	★	-	Red	-	-	-	★	★	★
H4T	R1-H, R2-H	-	★	-	Tan	-	-	-	★	-	-
H4Y	R1-H, R2-H	-	★	-	Gold	-	-	-	★	★	★
P4B	R2-P	-	★	-	Blue	-	-	-	-	★	★
P4Q	R2-P	-	★	-	Turquoise	-	-	-	-	★	★
P4R	R2-P	-	★	-	Red	-	-	-	-	★	★
P4X	R2-P	-	★	-	Black	-	-	-	-	★	★
P4Y	R2-P	-	★	-	Gold	-	-	-	-	★	★

★ Indicates use as required.

⊞ Indicates parts not listed in any previous parts book.  
September 4, 1964.

Printed in U.S.A.

Prices and specifications subject to change without notice.

TRIM CODE	MODEL	MATERIAL			COLOR	6 WD. SED.	SED.	4D H.T.	STA. WGM.	2D H.T.	CV. CR.
		Cloth	Viny.	Leather							
L1B, K1B	P1-L, P2-L	★	★	-	Blue	-	★	-	-	-	-
L1R, K1R	P1-L, P2-L	★	★	-	Red	-	★	-	-	-	-
L1T, K1T	P1-L, P2-L	★	★	-	Tan	-	★	-	-	-	-
L2T, K2T	P1-L, P2-L	★	★	-	Tan	-	★	-	-	-	-
L4B, K4B	P1-L, P2-L	-	★	-	Blue	-	-	★	-	-	-
L4R, K4R	P1-L, P2-L	-	★	-	Red	-	-	★	-	-	-
L4T, K4T	P1-L, P2-L	-	★	-	Tan	-	-	★	-	-	-
L5B	P1-L, P2-L	-	★	-	Blue	-	★	-	-	-	-
L5R	P1-L, P2-L	-	★	-	Red	-	★	-	-	-	-
L5T	P1-L, P2-L	-	★	-	Tan	-	★	-	-	-	-
L8T, K8T, T8T	P1-L, P2-L	-	★	-	Tan	-	★	-	-	-	-
M1B	P1-M, P2-M	★	★	-	Blue	-	★	-	-	-	-
M1Q	P1-M, P2-M	★	★	-	Turquoise	-	★	-	-	-	-
M1R	P1-M, P2-M	★	★	-	Red	-	★	-	-	-	-
M1T	P1-M, P2-M	★	★	-	Tan	-	★	-	-	-	-
M4B	P1-M, P2-M	-	★	-	Blue	-	-	★	-	-	-
M4Q	P1-M, P2-M	-	★	-	Turquoise	-	-	★	-	-	-
M4R	P1-M, P2-M	-	★	-	Red	-	-	★	-	-	-
M4T	P1-M, P2-M	-	★	-	Tan	-	-	★	-	-	-
M5B	P1-M, P2-M	-	★	-	Blue	-	★	-	-	-	-
M5R	P1-M, P2-M	-	★	-	Red	-	★	-	-	-	-
M5T	P1-M, P2-M	-	★	-	Tan	-	★	-	-	-	-
H1B	P1-H, P2-H	★	★	-	Blue	-	★	-	-	-	-
H1Q	P1-H, P2-H	★	★	-	Turquoise	-	★	-	-	-	-
H1R	P1-H, P2-H	★	★	-	Red	-	★	-	-	-	-
H1T	P1-H, P2-H	★	★	-	Tan	-	★	-	-	-	-
H1Y	P1-H, P2-H	★	★	-	Gold	-	★	-	-	-	-
H1B	P2-H	★	★	-	Blue	-	-	★	-	-	-
H1Q	P2-H	★	★	-	Turquoise	-	-	★	-	-	-
H1R	P2-H	★	★	-	Red	-	-	★	-	-	-
H1T	P2-H	★	★	-	Tan	-	-	★	-	-	-
H1Y	P2-H	★	★	-	Gold	-	-	★	-	-	-
H2B	P2-H	★	★	-	Blue	-	-	-	★	-	-
H2Q	P2-H	★	★	-	Turquoise	-	-	-	★	-	-
H2R	P2-H	★	★	-	Red	-	-	-	★	-	-
H2T	P2-H	★	★	-	Tan	-	-	-	★	-	-
H2Y	P2-H	★	★	-	Gold	-	-	-	★	-	-
H5B	P1-H, P2-H	-	★	-	Blue	-	★	-	★	-	-
H5Q	P1-H, P2-H	-	★	-	Turquoise	-	★	-	★	-	-
H5R	P1-H, P2-H	-	★	-	Red	-	★	-	★	-	-
H5X	P1-H, P2-H	-	★	-	Black	-	★	-	★	-	-
H5Y	P1-H, P2-H	-	★	-	Gold	-	★	-	★	-	-
H5B	P2-H	-	★	-	Blue	-	-	★	-	★	-
H5Q	P2-H	-	★	-	Turquoise	-	-	★	-	★	-
H5R	P2-H	-	★	-	Red	-	-	★	-	★	-
H5X	P2-H	-	★	-	Black	-	-	★	-	★	-
H5Y	P2-H	-	★	-	Gold	-	-	★	-	★	-
H4B	P2-H	-	★	-	Blue	-	-	★	-	-	-
H4Q	P2-H	-	★	-	Turquoise	-	-	★	-	-	-
H4R	P2-H	-	★	-	Red	-	-	★	-	-	-
H4T	P2-H	-	★	-	Tan	-	-	★	-	-	-
H4Y	P2-H	-	★	-	Gold	-	-	★	-	-	-
P4B	P2-P	-	★	-	Blue	-	-	-	★	★	-
P4Q	P2-P	-	★	-	Turquoise	-	-	-	★	★	-
P4R	P2-P	-	★	-	Red	-	-	-	★	★	-
P4U	P2-P	-	★	-	Black & Copper	-	-	-	★	★	-
P4X	P2-P	-	★	-	Black	-	-	-	★	★	-
P4Y	P2-P	-	★	-	Gold	-	-	-	★	★	-

★ Indicates use as required.

☐ Indicates parts not listed in any previous parts book.

Prices and specifications subject to change without notice.

Printed in U.S.A.  
September 4, 1964.

# 1965 PASSENGER CAR PARTS CATALOG

CODE	REMARKS	PER CAR	SED.	4D H.T	STA. WGN.	2D H.T	CV. CP.
------	---------	---------	------	--------	-----------	--------	---------

NOTE: RIGHT HAND AND LEFT HAND PARTS LISTED ON THE SAME LINE. Whenever right and left hand parts are identified by consecutive part numbers, they will be listed as in the following example:  
 PANEL, Door Trim 3182-3 ABB  
 Interpreted, this indicates that Panel, right is Part No. 3182 ABB and Panel, left is Part No. 3183 ABB.

23-71-1

CARPET and FOUNDATION, Floor Console Side R2-P (panel)							
(code P4B)	Right	1	----	----	----	6917 AB8	6917 AB8
	Left	1	----	----	----	6920 AB8	6920 AB8
(code P4Q)	Right	1	----	----	----	6917 AQ8	6917 AQ8
	Left	1	----	----	----	6920 AQ8	6920 AQ8
(code P4R)	Right	1	----	----	----	6917 AR7	6917 AR7
	Left	1	----	----	----	6920 AR7	6920 AR7
(code P4X)	Right	1	----	----	----	6917 AX8	6917 AX8
	Left	1	----	----	----	6920 AX8	6920 AX8
(code P4Y)	Right	1	----	----	----	6917 AY3	6917 AY3
	Left	1	----	----	----	6920 AY3	6920 AY3
(carpet) Side and Rear (code P4B)		1	----	----	----	*7301 AB8	*7301 AB8
(code P4Q)		1	----	----	----	7368 AQ8	7368 AQ8
(code P4R)		1	----	----	----	7368 AR7	7368 AR7
(code P4X)		1	----	----	----	7368 AX8	7368 AX8
(code P4Y)		1	----	----	----	7368 AY3	7368 AY3
P2-P (carpet) (side front) Left (code P4B)		1	----	----	----	6925 AB8	6925 AB8
(code P4Q)		1	----	----	----	6925 AQ8	6925 AQ8
(code P4R)		1	----	----	----	6925 AR7	6925 AR7
(codes P4X, P4U)		1	----	----	----	6925 AX8	6925 AX8
(code P4Y)		1	----	----	----	6925 AY3	6925 AY3
(code P4B)		1	----	----	----	7370 AB8	7370 AB8
(code P4Q)		1	----	----	----	7370 AQ8	7370 AQ8
(code P4R)		1	----	----	----	7370 AR7	7370 AR7
(code P4Y)		1	----	----	----	7370 AY8	7370 AY8
(codes P4X, P4U)		1	----	----	----	7370 AX8	7370 AX8
(side rear) (code P4B)		1	----	----	----	*7301 AB8	*7301 AB8
(code P4Q)		1	----	----	----	7368 AQ8	7368 AQ8
(code P4R)		1	----	----	----	7368 AR7	7368 AR7
(codes P4X, P4U)		1	----	----	----	7368 AX8	7368 AX8
(code P4Y)		1	----	----	----	7368 AY8	7368 AY8
Fastener		★	----	----	----	6001 560	6001 560
P2-P Right (code P4B)		1	----	----	----	7366 AB8	7366 AB8
(code P4Q)		1	----	----	----	7366 AQ8	7366 AQ8
(code P4R)		1	----	----	----	7366 AR7	7366 AR7
(code P4Y)		1	----	----	----	7366 AY8	7366 AY8
(codes P4X, P4U)		1	----	----	----	7366 AX8	7366 AX8
Left (code P4B)		1	----	----	----	7371 AB8	7371 AB8
(code P4Q)		1	----	----	----	7371 AQ8	7371 AQ8
(code P4R)		1	----	----	----	7371 AR7	7371 AR7
(code P4Y)		1	----	----	----	7371 AY8	7371 AY8
(codes P4X, P4U)		1	----	----	----	7371 AX8	7371 AX8

★ Indicates use as required.

⊠ Indicates parts not listed in any previous parts book.  
 April 1966, Supersedes May 1965.

Printed in U.S.A.  
 Prices and specifications subject to change without notice.  
 Right and left part numbers are on same line,  
 first number is right, second number is left.  
 \* Indicates change or addition.

CODE	REMARKS	PER CAR	SED.	4D H.T.	STA. WGN.	2D H.T.	CV. CP.	
23-71-1	CARPET and FOUNDATION, Floor Console Side - Cont'd P2-P (side carpet - formed) (floor mounted shift) (code P4B)	1	----	----	----	7383 AB8	7383 AB8	
	(code P4Q)	1	----	----	----	7383 AQ8	7383 AQ8	
	(code P4R)	1	----	----	----	7383 AR7	7383 AR7	
	(code P4Y)	1	----	----	----	7383 AY8	7383 AY8	
	(codes P4X, P4U) (carpet - formed) (4 speed trans. w/console)	1	----	----	----	7383 AX8	7383 AX8	
	(code P4B)	1	----	----	----	4434 AB8	4434 AB8	
	(code P4Q)	1	----	----	----	4434 AQ8	4434 AQ8	
	(code P4R)	1	----	----	----	4434 AR7	4434 AR7	
	(code P4Y)	1	----	----	----	4434 AY8	4434 AY8	
	(codes P4X, P4U)	1	----	----	----	4434 AX8	4434 AX8	
	Fastener	5	----	----	----	*6002 072	*6002 072	
	COVER, Console Side (floor mounted shift) P2-P (plastic)	1	----	----	----	2572 543	2572 543	
	23-71-3	LID, Console R2-P (code P4B)	1	----	----	----	4460 AB4	4460 AB4
		(code P4Q)	1	----	----	----	4460 AQ4	4460 AQ4
(code P4R)		1	----	----	----	4460 AR6	4460 AR6	
(code P4X)		1	----	----	----	4460 AX9	4460 AX9	
(code P4Y)		1	----	----	----	4460 AY3	4460 AY3	
P2-P (code P4B)		1	----	----	----	4460 AB8	4460 AB8	
(code P4Q)		1	----	----	----	4460 AQ8	4460 AQ8	
(code P4R)		1	----	----	----	4460 AR7	4460 AR7	
(codes P4U, P4X)		1	----	----	----	4460 AX9	4460 AX9	
(code P4Y)		1	----	----	----	4460 AY3	4460 AY3	
23-71-7	COVER, Console Floor Pan Filler R2-P (code P4B)	1	----	----	----	4832 VB8	4832 VB8	
	(code P4Q)	1	----	----	----	4832 VQ8	4832 VQ8	
	(code P4R)	1	----	----	----	4832 AR7	4832 AR7	
	(code P4X)	1	----	----	----	4832 AX8	4832 AX8	
	(code P4Y)	1	----	----	----	4832 AY3	4832 AY3	
	P2-P (code P4R)	1	----	----	----	4832 AR7	4832 AR7	
	(code P4X)	1	----	----	----	4832 AX8	4832 AX8	
	(code P4Y)	1	----	----	----	4832 AY3	4832 AY3	
	23-76-9	BASE, Door and Quarter Arm Rest R1, R2 (short) (codes L1B, K1B, L4B, K4B, L5B)	1	1208-9 AB4	----	1208-9 AB4		
		(codes L1R, K1R, L5R, L4R, K4R)	1	1208-9 VR6	----	1208-9 VR6		
(codes L1T, K1T, L5T, L4T, K4T, L2T, K2T, L8T, K8T, T8T)		1	1208-9 VT6	----	1208-9 VT6			
R1-H, R2-H (short) (chrome)		1	1208-9 VZ1	----	1208-9 VZ1			
P1-L, P2-L (short) (chrome)		1	1208-9 VZ1	----	1208-9 VZ1			

★ Indicates use as required.

⊠ Indicates parts not listed in any previous parts book.

Right and left part numbers are on same line,  
first number is right, second number is left.

\* Indicates change or addition.

Printed in U.S.A.

Prices and specifications subject to change without notice.

April 1966, Supersedes May 1965.

## 1965 PASSENGER CAR PARTS CATALOG

INTERIOR TRIM

CODE	REMARKS	PER CAR	SED.	4D H.T.	STA. WGN.	2D H.T.	CV. CP.
23-76-9	BASE, Front Door Arm Rest R1, R2 (long)						
	(chrome) 1	1	----	----	----	1212-3 VZ1	1212-3 VZ1
	P1-H, P2-H, P2-P (long)						
	(chrome) 1	1	1212-3 VZ1	1212-3 VZ1	1212-3 VZ1	1212-3 VZ1	1212-3 VZ1
	P1, P2 (medium)						
	(chrome) 1	1	1210-1 VZ1	----	1210-1 VZ1		
	BASE, Rear Quarter Arm Rest R1, R2 (short)						
	(codes L1B, K1B) 1	1	1208-9 AB4				
	(codes L1R, K1R) 1	1	1208-9 VR6				
	(codes L1T, K1T, L2T, K2T, L8T, K8T) 1	1	1208-9 VT6				
	R1-H, R2-H (short)						
	(chrome) 1	1	----	----	----	1208-9 VZ1	
	P1, P2 (short)						
	(chrome) 1	1	1208-9 VZ1	----	----	1208-9 VZ1	
	R2-P (medium)						
	(chrome) 1	1	----	----	----	1210-1 VZ1	
	P1-H, P2-H, P2-P (medium)						
	(chrome) 1	1	----	----	----	1210-1 VZ1	
	BASE, Rear Door Arm Rest R1, R2 (short)						
	(codes L1B, K1B, L4B, K4B, L5B) 1	1	1208-9 AB4	----	1208-9 AB4		
	(codes L1R, K1R, L5R, L4R, K4R) 1	1	1208-9 VR6	----	1208-9 VR6		
	(codes L1T, K1T, L5T, L4T, K4T, L2T, K2T, L8T, K8T, T8T) 1	1	1208-9 VT6	----	1208-9 VT6		
	R1-H, R2-H (short)						
	(chrome) 1	1	1208-9 VZ1	----	1208-9 VZ1		
	P1, P2 (short)						
	(chrome) 1	1	1208-9 VZ1	1208-9 VZ1	1208-9 VZ1		
23-76-11	PAD and PLATE, Front Door Arm Rest (w/o ash receiver)						
	R1, R2 (short)						
	(codes L1B, K1B, L5B, L4B, K4B, H1B, H4B) 1	1	1216-7 AB4	----	1216-7 AB4		
	(codes H1Q, H4Q) 1	1	1216-7 AQ4	----	1216-7 AQ4		
	(codes H1Y, H4Y) 1	1	1216-7 AY3	----	1216-7 AY3		
	(codes L1R, K1R, L5R, L4R, K4R, H1R, H4R) 1	1	1216-7 VR6	----	1216-7 VR6		
	(codes L1T, K1T, L8T, K8T, T8T, L2T, K2T, L5T, L4T, K4T, H1T, H4T) 1	1	1216-7 VT6	----	1216-7 VT6		
	P1, P2 (short)						
	(w/o ash receiver)						
	(codes L1B, K1B, L4B, K4B, L5B) 1	1	1216-7 AB8	----	1216-7 AB8		
	(codes L1R, K1R, L4R, K4R, L5R) 1	1	1216-7 AR7	----	1216-7 AR7		
	(codes L1T, K1T, L2T, K2T, L8T, K8T, T8T, L4T, K4T, L5T) 1	1	1216-7 AT8	----	1216-7 AT8		

★ Indicates use as required.

□ Indicates parts not listed in any previous parts book.

May 1965, Supersedes Sept 4, 1964

Page IT-46

Printed in U.S.A.

Prices and specifications subject to change without notice.

Right and left part numbers are on same line,  
first number is right, second number is left.

\* Indicates change or addition.



CODE	REMARKS	PER CAR	SED.	4D H.T	STA. WGN.	2D H.T	CV. CP.
23-76-11	PAD and PLATE, Front Door Arm Rest - Cont'd						
	R1-H, R2-H (medium and long)						
	(codes H1B, H4B)	1	----	----	----	1222-3 AB4	1222-3 AB4
	(codes H1Q, H4Q)	1	----	----	----	1222-3 AQ4	1222-3 AQ4
	(codes H1R, H4R)	1	----	----	----	1222-3 VR6	1222-3 VR6
	(code H1T)	1	----	----	----	1222-3 VT6	
	(code H4X)	1	----	----	----	1222-3 VX9	1222-3 VX9
	(codes H1Y, H4Y)	1	----	----	----	1222-3 AY3	1222-3 AY3
R2-P	(code P4B)	1	----	----	----	*1222-3 AB4	*1222-3 AB4
	(code P4Q)	1	----	----	----	1222-3 AQ8	1222-3 AQ8
	(code P4R)	1	----	----	----	*1222-3 VR6	*1222-3 VR6
	(code P4X)	1	----	----	----	1222-3 VX9	1222-3 VX9
	(code P4Y)	1	----	----	----	1222-3 VY5	1222-3 VY5
	(codes H1Y, H2Y, H4Y, H5Y)	1	1222-3 AY3	1222-3 AY3	1222-3 AY3	1222-3 AY3	1222-3 AY3
	(code H5X)	1	1222-3 VX9	1222-3 VX9	----	1222-3 VX9	1222-3 VX9
P2-P (medium and long)	(code P4B)	1	----	----	----	1222-3 AB8	1222-3 AB8
	(code P4Q)	1	----	----	----	1222-3 AQ8	1222-3 AQ8
	(code P4R)	1	----	----	----	1222-3 VR7	1222-3 VR7
	(codes P4X, P4U)	1	----	----	----	1222-3 VX9	1222-3 VX9
	(code P4Y)	1	----	----	----	1222-3 AY3	1222-3 AY3
P1, P2 (medium and long) (w/o ash receiver)	(codes M1B, M4B, M5B, H1B, H2B, H4B, H5B)	1	1222-3 AB4	1222-3 AB4	1222-3 AB4	1222-3 AB4	1222-3 AB4
	(codes M1Q, M4Q, H1Q, H2Q, H4Q, H5Q)	1	1222-3 AQ4	1222-3 AQ4	1222-3 AQ4	1222-3 AQ4	1222-3 AQ4
	(codes M1R, M4R, M5R, H1R, H2R, H4R, H5R)	1	1222-3 VR7	1222-3 VR7	1222-3 VR7	1222-3 VR7	1222-3 VR7
	(codes M1T, M4T, M5T, H1T, H2T, H4T)	1	1222-3 VT6	1222-3 VT6	1222-3 VT6	1222-3 VT6	1222-3 VT6
23-76-16	NUT, Door and Quarter Arm Rest Attaching R1, R2, P1, P2	4	1280 134	1280 134	1280 134		
23-76-63	PAD and PLATE, Rear Door Arm Rest (w/ash receiver)						
	R1, R2						
	(codes L1B, K1B, L5B, L4B, K4B, H1B, H4B)	1	1214-5 AB4	----	1214-5 AB4		
	(codes H1Q, H4Q)	1	1214-5 AQ4	----	1214-5 AQ4		
	(codes L1R, K1R, L5R, L4R, K4R, H1R, H4R)	1	1214-5 VR6	----	1214-5 VR6		
	(codes L1T, K1T, L2T, K2T, L8T, K8T, T8T, L5T, L4T, K4T, H1T, H4T)	1	1214-5 VT6	----	1214-5 VT6		
	(codes H1Y, H4Y)	1	1214-5 AY3	----	1214-5 AY3		
	P1, P2 (short)						
	(codes L1B, K1B, L4B, K4B, L5B)	1	1214-5 AB8	----	1214-5 AB8		
	(codes M1B, M5B, M4B, H1B, H4B, H5B)	1	1214-5 AB4	1214-5 AB4	1214-5 AB4		
(codes M1Q, M4Q, H1Q, H4Q, H5Q)	1	1214-5 AQ4	1214-5 AQ4	1214-5 AQ4			

★ Indicates use as required.  
 ☐ Indicates parts not listed in any previous parts book.  
 Right and left part numbers are on same line,  
 first number is right, second number is left.  
 \* Indicates change or addition.

## 1965 PASSENGER CAR PARTS CATALOG

INTERIOR TRIM

CODE	REMARKS	PER CAR	SED.	4D H.T.	STA. WGN.	2D H.T.	CV. CP.
23-76-63	PAD and PLATE, Rear Door Arm Rest - Cont'd (w/ash receiver) P1, P2 (short) (codes L1R, K1R, L4R, L5R, K4R, M1R, M5R, M4R, H1R, H4R, H5R) (codes L1T, K1T, L2T, K2T, L8T, K8T, T8T, L4T, K4T, L5T) (codes M1T, M4T, M5T, H1T, H4T) (codes H1Y, H4Y, H5Y) (code H5X)	1 1 1 1 1	1214-5 AR7	1214-5 AR7	1214-5 AR7		
23-76-76	PAD and PLATE, Rear Quarter Arm Rest (w/ash receiver) P1, P2 (short) (codes L1B, K1B) (code M1B) (code M1Q) (codes L1R, K1R, M1R) (codes L1T, K1T, L2T, K2T, L8T, K8T) (code M1T)	1 1 1 1 1 1	1214-5 AB8 1214-5 AB4 1214-5 AQ4 1214-5 AR7 1214-5 AT8 1214-5 VT6				
	R1, R2 (codes L1B, K1B, H1B, H4B) (codes H1Q, H4Q) (codes L1R, K1R, H1R, H4R) (codes L1T, K1T, L2T, K2T, L8T, K8T, H1T, H4T) (codes H1Y, H4Y) (code H4X)	1 1 1 1 1 1	1214-5 AB4 1214-5 AQ4 1214-5 VR6 1214-5 VT6 1214-5 AY3 1214-5 VX9	----- ----- ----- ----- ----- -----	----- ----- ----- ----- ----- -----	1214-5 AB4 1214-5 AQ4 1214-5 VR6 1214-5 VT6 1214-5 AY3 1214-5 VX9	
	R-P (code P4B) (code P4Q) (code P4R) (code P4Y)	1 1 1 1	----- ----- ----- -----	----- ----- ----- -----	----- ----- ----- -----	*1224-5 AB8 *1224-5 AQ8 *1224-5 AR5 *1224-5 AY3	
	P1-H, P2-H, P2-P (pad w/ash receiver) (codes H2B, H5B) (code P4B) (codes H2Q, H5Q) (code P4Q) (codes H2R, H5R, P4R) (codes H2Y, H5Y, P4Y) (code H2T) (codes H5X, P4X, P4U) Screw	1 1 1 1 1 1 1 1 4	----- ----- ----- ----- ----- ----- ----- ----- 161 904	----- ----- ----- ----- ----- ----- ----- ----- -----	----- ----- ----- ----- ----- ----- ----- ----- -----	1224-5 AB4 1224-5 AB8 1224-5 AQ4 1224-5 AQ8 *1224-5 AR7 *1224-5 AY3 1224-5 VT6 1224-5 VX9 161 904	
23-77-3	STRAP, Assist R1-L, R2-L, P1, P2 (code T8T) Bolt Eyelet	2 2 2	4312 AT6 *6025 693 6000 272				
23-77-8	COVER, Tailgate Assist Strap Joint P2 (inner) (outer)	1 1	----- -----	----- -----	*2656 704 *2656 702		

★ Indicates use as required.

□ Indicates parts not listed in any previous parts book.  
April 1966, Supersedes May 1965.Printed in U.S.A.  
Prices and specifications subject to change without notice.  
Right and left part numbers are on same line,  
first number is right, second number is left.

\* Indicates change or addition.



## 1965 PASSENGER CAR PARTS CATALOG

INTERIOR TRIM

CODE	REMARKS	PER CAR	SED.	4D H.T	STA. WGN.	2D H.T	CV. CP.
23-79-3	CARPET, Front Floor - Cont'd P1-H, P2-H						
	(codes H1B, H2B, H4B, H5B)	1	1731 AB8	1731 AB8	1731 AB8	1731 AB8	1731 AB8
	(codes H1Q, H2Q, H4Q, H5Q)	1	1731 AQ8	1731 AQ8	1731 AQ8	1731 AQ8	1731 AQ8
	(codes H1R, H2R, H4R, H5R)	1	1731 AR7	1731 AR7	1731 AR7	1731 AR7	1731 AR7
	(codes H1T, H2T, H4T)	1	1731 AT8	1731 AT8	1731 AT8	1731 AT8	1731 AT8
	(codes H1Y, H2Y, H4Y, H5Y)	1	1731 AY8	1731 AY8	1731 AY8	1731 AY8	1731 AY8
	(code H5X)	1	1731 AX8	1731 AX8	---- --	1731 AX8	1731 AX8
	P1-H, P2-H (floor mounted shift)						
	(codes H1B, H2B, H4B, H5B)	1	1732 AB8	1732 AB8	1732 AB8	1732 AB8	1732 AB8
	(codes H1Q, H2Q, H4Q, H5Q)	1	1732 AQ8	1732 AQ8	1732 AQ8	1732 AQ8	1732 AQ8
	(codes H1R, H2R, H4R, H5R)	1	1732 AR7	1732 AR7	1732 AR7	1732 AR7	1732 AR7
	(codes H1T, H2T, H4T)	1	1732 AT8	1732 AT8	1732 AT8	1732 AT8	1732 AT8
	(codes H1Y, H2Y, H4Y, H5Y)	1	1732 AY8	1732 AY8	1732 AY8	1732 AY8	1732 AY8
	(code H5X)	1	1732 AX8	1732 AX8	---- --	1732 AX8	1732 AX8
	P2-P						
	(code P4B)	1	----	----	----	1761 AB8	1761 AB8
	(code P4Q)	1	----	----	----	1761 AQ8	1761 AQ8
	(code P4R)	1	----	----	----	1761 AR7	1761 AR7
	(codes P4X, P4U)	1	----	----	----	1761 AX8	1761 AX8
	(code P4Y)	1	----	----	----	1761 AY8	1761 AY8
	P2-P ( manual 4 speed trans.) (w/floor console)						
	(code P4B)	1	----	----	----	1737 AB8	1737 AB8
	(code P4Q)	1	----	----	----	1737 AQ8	1737 AQ8
	(code P4R)	1	----	----	----	1737 AR7	1737 AR7
	(codes P4X, P4U)	1	----	----	----	1737 AX8	1737 AX8
	(code P4Y)	1	----	----	----	1737 AY8	1737 AY8
23-79-33	CARPET, Rear Floor (floor mounted shift)						
	R1-L, R1-H, R2-L, R2-H						
	(codes L1B, L4B, L5B, H1B, H4B)	1	1703 AB8	----	1703 AB8		
	(codes H1Q, H4Q)	1	1703 AQ8	----	1703 AQ8		
	(codes L1R, L4R, L5R, H1R, H4R)	1	1703 AR7	----	1703 AR7		
	(codes L1T, L2T, L8T, L4T, L5T, H1T, H4T)	1	1703 AT8	----	1703 AT8		
	(codes H1Y, H4Y)	1	1703 AY3	----	1703 AY3		
	R1, R2 (center floor pan cover panel insert)						
	(codes L4B, K4B, H4B)	1	----	----	1800 AB8		
	(code H4Q)	1	----	----	1800 AQ8		
	(codes L4R, K4R, H4R)	1	----	----	1800 AR7		
	(codes L4T, K4T, H4T)	1	----	----	1800 AT8		
	(code H4Y)	1	----	----	1800 AY8		
	R1, R2 (rear floor pan insert)						
	(codes L4B, K4B, H4B)	1	----	----	1801 AB8		
	(code H4Q)	1	----	----	1801 AQ8		
	(codes L4R, K4R, H4R)	1	----	----	1801 AR7		
	(codes L4T, K4T, H4T)	1	----	----	1801 AT8		
	(code H4Y)	1	----	----	1801 AY8		
	R1, R2 (rear floor pan cover panel insert)						
	(codes L4B, K4B, H4B)	1	----	----	1802 AB8		
	(code H4Q)	1	----	----	1802 AQ8		
	(codes L4R, K4R, H4R)	1	----	----	1802 AR7		
	(codes L4T, K4T, H4T)	1	----	----	1802 AT8		
	(code H4Y)	1	----	----	1802 AY8		
	Screw and Washer (attaching)	●	----	----	6024 678		

★ Indicates use as required.

☐ Indicates parts not listed in any previous parts book.  
April 1966, Supersedes May 1965.Printed in U.S.A.  
Prices and specifications subject to change without notice.  
Right and left part numbers are on same line,  
first number is right, second number is left.

\* Indicates change or addition.

CODE	REMARKS	PER CAR	SED.	4D H.T	STA. WGN.	2D H.T	CV. CP.
23-79-33	CARPET, Rear Floor - Cont'd R1, R2 (floor pan axle kick-up front trim) (paint as required)	1	----	----	2292 901		
	R2-P (bucket seat with console) (code P4B)	1	----	----	----	1744 AB8	1745 AB8
	(code P4Q)	1	----	----	----	1744 AQ8	1745 AQ8
	(code P4R)	1	----	----	----	1744 AR7	1745 AR7
	(code P4X)	1	----	----	----	1744 AX8	1745 AX8
	(code P4Y)	1	----	----	----	1744 AY3	1745 AY3
	(code P4T)	1	----	----	----	----	1745 AT8
	R1-H, R2-H (codes H1B, H4B)	1	----	----	----	1705 AB8	1704 AB8
	(codes H1Q, H4Q)	1	----	----	----	1705 AQ8	1704 AQ8
	(codes H1R, H4R)	1	----	----	----	1705 AR7	1704 AR7
	(code H1T)	1	----	----	----	1705 AT8	
	(codes H1Y, H4Y)	1	----	----	----	1705 AY3	1704 AY3
	(code H4X)	1	----	----	----	1705 AX8	1704 AX8
	P1, P2 (center floor pan cover panel) (2 seater) (vinoleum)						
	(codes L4B, K4B, M4B, H4B)	1	----	----	1810 AB8		
	(codes M4Q, H4Q)	1	----	----	1810 AQ8		
	(codes L4R, K4R, M4R, H4R)	1	----	----	1810 AR7		
	(codes L4T, K4T, M4T, H4T)	1	----	----	1810 AT8		
	(code H4Y)	1	----	----	1810 AY8		
	Screw (attaching)	2	----	----	6024 678		
	P1, P2 (rear floor pan cover panel) (2 seater)						
	(codes L4B, K4B, M4B, H4B)	1	----	----	1819 AB8		
	(codes L4R, K4R, M4R, H4R)	1	----	----	1819 AR7		
	(codes L4T, H4T, M4T, K4T)	1	----	----	1819 AT8		
	(code H4Y)	1	----	----	1819 AY8		
	P1, P2 (rear floor pan cover panel) (3 seater) (vinoleum)						
	(codes M4B, H4B)	1	----	----	1810 AB8		
	(codes M4R, H4R)	1	----	----	1810 AR7		
	(codes M4T, H4T)	1	----	----	1810 AT8		
	(code H4Y)	1	----	----	1810 AY8		
	Screw and Washer	6	----	----	6024 678		
	P1, P2 (2 D.) (codes L1B, M1B, H2B, H5B)	1	1717 AB8	----	----	1717 AB8	1717 AB8
	(codes M1Q, H2Q, H5Q)	1	1717 AQ8	----	----	1717 AQ8	1717 AQ8
	(codes M1R, H2R, H5R)	1	1717 AR7	----	----	1717 AR7	1717 AR7
	(codes L1T, L2T, L8T, M1T, H2T)	1	1717 AT8	----	----	1717 AT8	1717 AT8
	(codes H2Y, H5Y)	1	----	----	----	1717 AY8	1717 AY8
	(code H5X)	1	----	----	----	1717 AX8	1717 AX8
	P1, P2 (codes L4B, M4B, H4B)	1	----	----	1721 AB8		
	(codes M4Q, H4Q)	1	----	----	1721 AQ8		
	(codes L4R, M4R, H4R)	1	----	----	1721 AR7		
	(codes L4T, M4T, H4T)	1	----	----	1721 AT8		
	(code H4Y)	1	----	----	1721 AY8		
	P1, P2 (4 D.) (codes L1B, L5B, M1B, M5B, H1B, H5B)	1	1718 AB8	1718 AB8			
	(codes M1Q, H1Q, H5Q)	1	1718 AQ8	1718 AQ8			

★ Indicates use as required.

☐ Indicates parts not listed in any previous parts book.

Right and left part numbers are on same line, first number is right, second number is left.

\* Indicates change or addition.

Printed in U.S.A.

Prices and specifications subject to change without notice.

April 1966, Supersedes May 1965.

# 1965 PASSENGER CAR PARTS CATALOG

INTERIOR TRIM

CODE	REMARKS	PER CAR	SED.	4D H.T	STA. WGN.	2D H.T	CV. CP.
23-79-33	CARPET, Rear Floor - Cont'd P1, P2 (4 D.) (codes L1R, L5R, M1R, M5R, H1R, H5R)	1	1718 AR7	1718 AR7			
	(codes L1T, L2T, L8T, L5T, M1T, M5T, H1T)	1	1718 AT8	1718 AT8			
	(codes H1Y, H5Y)	1	1718 AY8	1718 AY8			
	(code H5X)	1	1718 AX8	1718 AX8			
P2-M, P2-H (axle kick-up rear floor pan panel) (paint as required)		1	----	----	4319 AT8		
	P2 (axle kick-up center floor pan panel) (paint as required)	1	----	----	4320 AT8		
P2-M, P2-H (rear floor well side cover) (codes M4B, H4B) (codes M4Q, H4Q) (codes M4R, H4R) (codes M4T, H4T) (code H4Y) P2-P (code P4B) (code P4Q) (code P4R) (codes P4X, P4U) (code P4Y)		1	----	----	2088-9 AB4		
		1	----	----	2086-7 AQ4		
		1	----	----	2088-9 AR7		
		1	----	----	2088-9 AT6		
		1	----	----	2086-7 AY3		
		1	----	----	----	1701 AB8	1701 AB8
		1	----	----	----	1701 AQ8	1701 AQ8
		1	----	----	----	1701 AR7	1701 AR7
		1	----	----	----	1701 AX8	1701 AX8
		1	----	----	----	1701 AY8	1701 AY8
23-79-62	INSERT, Second Seat Back Support P1, P2 (codes L4B, K4B, M4B, H4B)	1	----	----	1825 AB8		
	(codes L4R, K4R, M4R, H4R)	1	----	----	1825 AR7		
	(codes M4T, L4T, K4T, H4T)	1	----	----	1825 AT8		
	(codes M4Q, H4Q)	1	----	----	1825 AQ8		
	(code H4Y)	1	----	----	1825 AY8		
	Screw (attaching)	4	----	----	6024 678		
23-79-64	COVER, Spare Tire P1, P2 (codes L4B, M4B, H4B)	1	----	----	*3584 AB4	2581 611	2581 611
	(codes M4Q, H4Q)	1	----	----	*3584 AQ4		
	(codes L4R, M4R, H4R)	1	----	----	*3584 AR7	*3584 AR7	
	(codes L4T, M4T, H4T)	1	----	----	*4181 AT6		
	(code H4Y)	1	----	----	4498 AY3		
23-79-67	HANDLE, Spare Tire Cover P1, P2	1	----	----	4183 AX9		
23-79-68	GROMMET, Spare Tire Cover Latching P1, P2	2	----	----	2656 731		
23-79-79	INSERT, Tailgate Access Hole Cover R1, R2 (codes L4B, K4B, H4B)	1	----	----	1803 AB8		
	(code H4Q)	1	----	----	1803 AQ8		
	(codes L4R, K4R, H4R)	1	----	----	1803 AR7		
	(codes L4T, K4T, H4T)	1	----	----	1803 AT8		
	(code H4Y)	1	----	----	1803 AY8		
	Screw and Washer (attaching)	10	----	----	6024 678		

★ Indicates use as required.

☐ Indicates parts not listed in any previous parts book.  
April 1966, Supersedes May 1965.

Printed in U.S.A.  
Prices and specifications subject to change without notice.  
Right and left part numbers are on same line,  
first number is right, second number is left.

\* Indicates change or addition.

CODE	REMARKS	PER CAR	SED.	4D H.T.	STA. WGN.	2D H.T.	CV. CP.
23-79-79	INSERT, Tailgate Access Hole Cover - Cont'd P1, P2 (codes L4B, K4B, M4B, H4B) (codes M4Q, H4Q) (codes L4R, K4R, M4R, H4R) (codes L4T, K4T, M4T, H4T) (code H4Y)	1 1 1 1 1	---- ---- ---- ---- ----	---- ---- ---- ---- ----	1823 AB8 1823 AQ8 1823 AR7 1823 AT8 1823 AY8		
	P1, P2 (tailgate sill to tailgate cover panel) (codes L4B, K4B, M4B, H4B) (codes M4Q, H4Q) (codes L4R, K4R, M4R, H4R) (codes L4T, K4T, M4T, H4T) (code H4Y) Screw (attaching)	1 1 1 1 1 4	---- ---- ---- ---- ----	---- ---- ---- ---- ----	1824 AB8 1824 AQ8 1824 AR7 1824 AT8 1824 AY8 6025 540		
	P1, P2 (tailgate inside panel insert) (codes L4B, M4B, K4B, H4B) (codes L4R, M4R, K4R, H4R) (codes L4T, M4T, K4T, H4T) (codes M4Q, H4Q) (code H4Y)	1 1 1 1 1	---- ---- ---- ---- ----	---- ---- ---- ---- ----	1820 AB8 1820 AR7 1820 AT8 1820 AQ8 1820 AY8		
23-81-3	HANDLE, Rear Door Pull-To R1, R2, P1, P2	1	*1697 413				
23-82-30	HOOK, Coat Hanger R1, R2 P1, P2	2 2	2581 908 2581 908	---- 2581 908	2581 908 2581 908	2581 908 2581 908	
23-82-39	BRACKET, Coat Hook Support R1, R2 P1, P2	2 2	2481 175 ----	---- 2527 098	2482 876 2573 143	2482 876 2527 098	
23-84-3	PAD, Instrument Panel Trim R1, R2 LHD.  (blue) (turquoise) (red) (tan) (gold) (black)  Retainer Stud and Retainer (end attaching) Clip (pad to inst. panel)	1 1 1 1 1 1 ★ 2 1	4219 AB8 4219 AQ8 4219 AR7 4219 AT8 *4219 AY8 ---- 6000 137 6000 700 *6001 427	---- ---- ---- ---- ---- ---- 6000 137 6000 700 *6001 427	4219 AB8 4219 AQ8 4219 AR7 4219 AT8 *4219 AY8 ---- 6000 137 6000 700 *6001 427	4219 AB8 4219 AQ8 4219 AR7 4219 AT8 4219 AY8 4219 AX8 6000 137 6000 700 *6001 427	4219 AB8 4219 AQ8 4219 AR7 4219 AT8 4219 AY8 4219 AX8 6000 137 6000 700 *6001 427
	P1, P2 LHD.  (blue) (turquoise) (red) (tan) (black) (gold)	1 1 1 1 1 1	4261 AB8 4261 AQ8 4261 AR7 4261 AT8 4261 AX8 4261 AY8	4261 AB8 4261 AQ8 4261 AR7 4261 AT8 4261 AX8 4261 AY8	4261 AB8 4261 AQ8 4261 AR7 4261 AT8 ---- 4261 AY8	4261 AB8 4261 AQ8 4261 AR7 4261 AT8 4261 AX8 4261 AY8	4261 AB8 4261 AQ8 4261 AR7 4261 AT8 4261 AX8 4261 AY8
	P2 RHD. (codes L1B, L4B, L5B, K1B, M1B, M4B, M5B, H1B, H5B) (codes L1R, L4R, L5R, K1R, K4R, M1R, M4R, M5R, H1R, H5R)	1 1	4262 AB8 4262 AR7	4262 AB8 4262 AR7	4262 AB8 4262 AR7	---- -----	4262 AB8 4262 AR7

★ Indicates use as required.

☐ Indicates parts not listed in any previous parts book.  
Right and left part numbers are on same line,  
first number is right, second number is left.

\* Indicates change or addition.

## 1965 PASSENGER CAR PARTS CATALOG

INTERIOR TRIM

CODE	REMARKS	PER CAR	SED.	4 D H.T	STA. WGN.	2 D H.T	CV. CP.
23-84-3	PAD, Instrument Panel Trim - Cont'd P2 RHD.						
	(codes L1T, L2T, L4T, L5T, K1T, K2T, K4T, K8T, T8T, L8T, M1T, M4T, M5T, H1T)	1	4262 AT8	4262 AT8	4262 AT8	----	4262 AT8
	Fasteners	6	6008 222	6008 222	6008 222	----	6008 222
	Stud and Retainer (inst. panel pad end attaching)	2	6000 700	6000 700	6000 700	----	6000 700
	Fastener	★	6024 274	6924 274	6024 274	6024 274	6024 274
23-84-11	RETAINER, Instrument Panel Trim Pad (clip)						
	R1, R2	8	2571 275	----	2571 275	2571 275	2571 275
	P1, P2	8	2571 275	2571 275	2571 275	2571 275	2571 275
23-86-2	COVER, Roof Outside (vinyl)						
	R1, R2						
	(black)	1	----	----	----	6109 VX8	
	(white)	1	----	----	----	6109 VW1	
	P1, P2						
	(black)	1	----	----	----	7199 AX8	
	(white)	1	----	----	----	7199 AW1	
23-86-3	HEADLINING and LISTING						
	R1, R2						
	(codes L1B, K1B, L5B, H1B, H4B, P4B)	1	7130 AB3	----	----	7146 AB3	
	(codes H1Q, H4Q, P4Q)	1	7130 AQ3	----	----	7146 AQ3	
	(codes L1R, K1R, L5R, H1R, H4R, P4R)	1	7130 AW2	----	----	7146 AW2	
	(codes L1T, K1T, L2T, K2T, L8T, K8T, T8T, L5T, H1T, H4T)	1	7130 AT3	----	----		
	(codes H1Y, H4Y, P4Y)	1	7130 AY3	----	----	7146 AY3	
	(codes H4X, P4X)	1	----	----	----	7146 AX9	
	(screen embossed hardboard)						
	(codes L4B, L4R, L4T, K4B, K4R, K4T, H4B, H4Q, H4R, H4T, H4Y)						
(No. 1)	1	----	----	1027 AW2			
(No. 2)	1	----	----	1028 AW2			
(No. 3)	1	----	----	1004 AW2			
(No. 4)	1	----	----	1005 AW2			
(No. 5)	1	----	----	1006 AW2			
(No. 6)	1	----	----	1007 AW2			
(No. 7)	1	----	----	1008 AW2			
(smooth finished hardboard)							
(codes L4B, L4R, L4T, K4B, K4R, K4T, H4B, H4Q, H4R, H4T, H4Y)							
(No. 1)	1	----	----	*1027 AWW			
(No. 2)	1	----	----	*1028 AWW			
(No. 3)	1	----	----	*1004 AWW			
(No. 4)	1	----	----	*1005 AWW			
(No. 5)	1	----	----	*1006 AWW			
(No. 6)	1	----	----	*1007 AWW			
(No. 7)	1	----	----	*1008 AWW			

★ Indicates use as required.

☐ Indicates parts not listed in any previous parts book.  
April 1966, Supersedes May 1965.Printed in U.S.A.  
Prices and specifications subject to change without notice.  
Right and left part numbers are on same line,  
first number is right, second number is left.  
\* Indicates change or addition.



CODE	REMARKS	PER CAR	SED.	4D H.T	STA WGN.	2D H.T	CV. CP.
23-86-3	HEADLINING and LISTING - Cont'd P1, P2						
	(codes L1B, K1B, L5B, M1B, M5B, H1B, H5B)	1	7132 AB3	7132 AB3			
	(codes M1Q, H1Q, H5Q)	1	7132 AQ3	7132 AQ3			
	(codes L1R, K1R, L5R, M1R, M5R, H1R, H5R)	1	7132 AR7	7132 AR7			
	(codes L1T, L2T, L5T, M1T, M5T, K1T, K2T, K8T, T8T, H1T)	1	7132 AT3	7132 AT3			
	(codes H1Y, H5Y)	1	7132 AY3	7132 AY3			
	(code H5X)	1	7132 AX9	7132 AX9			
	(codes H2B, H5B, P4B)	1	----	----	----	7135 AB3	
	(codes H2Q, H5Q, P4Q)	1	----	----	----	7135 AQ3	
	(codes H2R, H5R, P4R)	1	----	----	----	7135 AR7	
	(code H2T)	1	----	----	----	7135 AT3	
	(codes H2Y, H5Y, P4Y)	1	----	----	----	7135 AY3	
	(codes H5X, P4X, P4U)	1	----	----	----	7135 AX9	
	P1, P2, (screen embossed hardboard)						
	(codes L4B, K4B, M4B, H4B)						
	(No. 1)	1	----	----	1051 AB3		
	(No. 2)	1	----	----	1052 AB3		
	(No. 3)	1	----	----	1054 AB3		
	(No. 4)	1	----	----	1054 AB3		
	(No. 5)	1	----	----	1055 AB3		
	(No. 6)	1	----	----	1056 AB3		
	(No. 7)	1	----	----	1057 AB3		
	(codes M4Q, H4Q)						
	(No. 1)	1	----	----	1051 AQ3		
	(No. 2)	1	----	----	1052 AQ3		
	(No. 3)	1	----	----	1054 AQ3		
	(No. 4)	1	----	----	1054 AQ3		
	(No. 5)	1	----	----	1055 AQ3		
	(No. 6)	1	----	----	1056 AQ3		
	(No. 7)	1	----	----	1057 AQ3		
	(codes L4R, K4R, M4R, H4R)						
	(No. 1)	1	----	----	1051 AR7		
	(No. 2)	1	----	----	1052 AR7		
	(No. 3)	1	----	----	1054 AR7		
	(No. 4)	1	----	----	1054 AR7		
	(No. 5)	1	----	----	1055 AR7		
	(No. 6)	1	----	----	1056 AR7		
	(No. 7)	1	----	----	1057 AR7		
	(codes L4T, K4T, M4T, H4T)						
	(No. 1)	1	----	----	1051 AT3		
	(No. 2)	1	----	----	1052 AT3		
	(No. 3)	1	----	----	1054 AT3		
	(No. 4)	1	----	----	1054 AT3		
	(No. 5)	1	----	----	1055 AT3		
	(No. 6)	1	----	----	1056 AT3		
	(No. 7)	1	----	----	1057 AT3		
	(code H4Y)						
	(No. 1)	1	----	----	1051 AY3		
	(No. 2)	1	----	----	1052 AY3		
	(No. 3)	1	----	----	1054 AY3		
	(No. 4)	1	----	----	1054 AY3		
	(No. 5)	1	----	----	1055 AY3		
	(No. 6)	1	----	----	1056 AY3		
	(No. 7)	1	----	----	1057 AY3		

★ Indicates use as required.  
 ☐ Indicates parts not listed in any previous parts book.  
 Right and left part numbers are on same line,  
 first number is right, second number is left.  
 \* Indicates change or addition.

## 1965 PASSENGER CAR PARTS CATALOG

INTERIOR TRIM

CODE	REMARKS	PER CAR	SED.	4D H.T	STA. WGN.	2D H.T	CV. CP.
23-86-3	HEADLINING and LISTING - Cont'd. P1, P2 (w/air conditioning) (codes L4B, L4T, K4B, K4T, M4B, M4Q, M4T, H4B, H4Q, H4T, H4Y)						
	(No. 1)	1	----	----	1051 AW2		
	(No. 2)	1	----	----	1052 AW2		
	(No. 3)	1	----	----	1054 AW2		
	(No. 4)	1	----	----	1054 AW2		
	(No. 5)	1	----	----	1055 AW2		
	(No. 6)	1	----	----	1056 AW2		
	(No. 7)	1	----	----	1057 AW2		
	P1, P2 (smooth finish hardboard) (codes L4B, K4B, M4B, H4B)						
	(No. 1)	1	----	----	*1051 ABB		
	(No. 2)	1	----	----	*1052 ABB		
	(No. 3)	1	----	----	*1054 ABB		
	(No. 4)	1	----	----	*1054 ABB		
	(No. 5)	1	----	----	*1055 ABB		
	(No. 6)	1	----	----	*1056 ABB		
	(No. 7) (w or w/o domelight cutout)	1	----	----	*1057 ABB		
	(codes M4Q, H4Q)						
	(No. 1)	1	----	----	*1051 AQQ		
	(No. 2)	1	----	----	*1052 AQQ		
	(No. 3)	1	----	----	*1054 AQQ		
	(No. 4)	1	----	----	*1054 AQQ		
	(No. 5)	1	----	----	*1055 AQQ		
	(No. 6)	1	----	----	*1056 AQQ		
	(No. 7) (w or w/o domelight cutout)	1	----	----	*1057 AQQ		
	(codes L4R, K4R, M4R, H4R)						
	(No. 1)	1	----	----	*1051 ARR		
	(No. 2)	1	----	----	*1052 ARR		
	(No. 3)	1	----	----	*1054 ARR		
	(No. 4)	1	----	----	*1054 ARR		
	(No. 5)	1	----	----	*1055 ARR		
	(No. 6)	1	----	----	*1056 ARR		
	(No. 7) (w or w/o domelight cutout)	1	----	----	*1057 ARR		
	(codes L4T, K4T, M4T, H4T)						
	(No. 1)	1	----	----	*1051 ATT		
	(No. 2)	1	----	----	*1052 ATT		
	(No. 3)	1	----	----	*1054 ATT		
	(No. 4)	1	----	----	*1054 ATT		
	(No. 5)	1	----	----	*1055 ATT		
	(No. 6)	1	----	----	*1056 ATT		
	(No. 7) (w or w/o domelight cutout)	1	----	----	*1057 ATT		
	(code H4Y)						
	(No. 1)	1	----	----	*1051 AYY		
	(No. 2)	1	----	----	*1052 AYY		
	(No. 3)	1	----	----	*1054 AYY		
	(No. 4)	1	----	----	*1054 AYY		
	(No. 5)	1	----	----	*1055 AYY		
	(No. 6)	1	----	----	*1056 AYY		
	(No. 7) (w or w/o domelight cutout)	1	----	----	*1057 AYY		

★ Indicates use as required.

⊞ Indicates parts not listed in any previous parts book.  
April 1966, Supersedes May 1965.

Printed in U.S.A.

Prices and specifications subject to change without notice.  
Right and left part numbers are on same line,  
first number is right, second number is left.

\* Indicates change or addition.

CODE	REMARKS	PER CAR	SED.	4D H.T.	STA. WGN.	2D H.T.	CV. CP.	
23-86-3	HEADLINING and LISTING - Cont'd P1, P2 (smooth finish hardboard) (w/air cond.) (codes L4B, K4B, L4T, K4T, M4B, M4Q, M4T, H4B, H4Q, H4T, H4Y) (No. 1) (No. 2) (No. 3) (No. 4) (No. 5) (No. 6) (No. 7) (w or w/o dome light cutout)	1 1 1 1 1 1 1	----- ----- ----- ----- ----- ----- -----	----- ----- ----- ----- ----- ----- -----	----- ----- ----- ----- ----- ----- -----	*1051 AWW *1052 AWW *1054 AWW *1054 AWW *1055 AWW *1056 AWW *1057 AWW		
	PANEL, Rear Quarter Upper Headlining Trim P1-H, P2-H, P1-P, P2-P (codes H2B, H5B, P4B) (codes H2Q, H5Q, P4Q) (codes H2R, H5R, P4R) (code H2T) (codes H2Y, H5Y, P4Y) (code H5X, P4X, P4U)	1 1 1 1 1 1	----- ----- ----- ----- ----- -----	----- ----- ----- ----- ----- -----	----- ----- ----- ----- ----- -----	2090-1 AB3 2090-1 AQ3 2090-1 AR7 2090-1 AT3 2090-1 AY3 2090-1 AX9		
23-86-8	RETAINER, Roof Panel Cover R1, R2 Side Front Rear P2-P Side Front Screw	1 1 1 1 ★	----- ----- ----- ----- -----	----- ----- ----- ----- -----	----- ----- ----- ----- -----	2573 042-3 2573 040-1 2603 276-7 *6024 271		
23-86-10	BOW, Roof Support R1, R2 (No. 1) (Nos. 2 and 3) (2 D.) (Nos. 2 and 3) (4 D.) (No. 2) (Nos. 3 and 4)  P1, P2 (Nos. 1 and 2) (No. 3) (No. 4)	1 2 2 1 2  1 2 1 1	2424 804 2528 882 2424 805 ----- -----  2482 270 ----- ----- -----	----- ----- ----- ----- -----  2482 270 ----- ----- -----	2424 804   2480 973 2480 974  2483 992 2482 279 2483 862	2424 500      2482 273		
23-86-11	RETAINER, Roof Side Rail Roof Bow P1, P2  (folding top rear bow moulding)	4 2 8 1	2482 581 ----- ----- -----	----- ----- ----- -----	----- ----- 2482 581 -----	2482 581   -----	2581 893	
23-86-14	PAD, Air Conditioning Evap. Unit Trim P1, P2	1	-----	-----	*2485 395			
23-86-19	STRIP, Roof Headlining Retaining R1, R2 Front Rear Side Upper	1 1 1 1 1	----- 2483 406-7 2255 430-1 2481 750-1 2481 752	----- ----- ----- ----- -----	----- ----- ----- ----- -----	2483 408-9		

★ Indicates use as required.  
 ☐ Indicates parts not listed in any previous parts book.  
 Right and left part numbers are on same line,  
 first number is right, second number is left.  
 \* Indicates change or addition.

## 1965 PASSENGER CAR PARTS CATALOG

INTERIOR TRIM

CODE	REMARKS	PER CAR	SED.	4D H.T	STA. WGN.	2D H.T	CV. CP.
23-86-19	STRIP, Roof Headlining Retaining - Cont'd R1, R2						
	Front Side	1	----	----	2483 632-3		
	Rear	1	----	----	2251 448		
	Side Rear	1	----	----	2251 446-7		
	Rear Corner	1	----	----	2251 444-5		
	Screw (retaining) (front strip)	2	125 978				
	P1, P2						
	Front	1	2482 370-1				
	Rear	1	2482 376-7				
	Side Front	1	----	----	2482 374-5		
	Rear	1	----	----	2482 309		
	Rear Side	1	----	----	*2602 136-7		
	Rear Corner	1	----	----	2482 382-3		
	RETAINER, Rear Window Headlining P1, P2						
	Upper	1	2483 204-5	----	----	2527 803	
	Side	1	2483 204-5	----	----	2527 822-3	
	Fastener	9	6000 922	----	6000 922	6000 922	
	RETAINER, Headlining Listing (short) (red)	★	2581 273	2581 273	----	2581 273	
	(medium) (aluminum)	★	2581 274	2581 274	----	2581 274	
	(long) (yellow)	★	2581 275	2581 275	----	2581 275	
	RETAINER, Roof Headlining and Garnish Moulding P1, P2						
	Front	1	----	2483 224-5	----	2527 804-5	
	Rear	1	----	2483 226-7	----	2527 806-7	
23-86-24	RETAINER, Roof Inside Finish Moulding R1, R2						
	(Nos. 1, 4 and 5)	3	----	----	2499 084		
	(Nos. 2 and 3)	2	----	----	2499 083		
	(No. 6)	1	----	----	2499 086		
	P1, P2						
	(Nos. 1 thru 6)	6	----	----	2581 461		
23-86-35	MOULDING, Roof Inside Finish R1, R2 (rear window) (codes L1B, K1B, L5B, H1B, H4B)	2	3700 AB3				
	(codes H1Q, H4Q)	2	3700 AQ3				
	(codes L1T, K1T, L2T, K2T, L8T, K8T, T8T, L5T, H1T, H4T)	2	3700 AT3				
	(codes L1R, K1R, L5R, H1R, H4R)	2	3700 AW2				
	(codes H1Y, H4Y)	2	3700 AY3				
	P1, P2						
	(codes L1B, K1B, L5B, M1B, M5B, H1B, H5B)	2	3713 AB3	3713 AB3			
	(codes M1Q, H1Q, H4Q)	2	3713 AQ3	3713 AQ3			
	(codes L1T, K1T, L2T, K2T, L5T, L8T, T8T, M1T, M5T, H1T)	2	3713 AT3	3713 AT3			
	(codes H1Y, H5Y)	2	3713 AY3	3713 AY3			

★ Indicates use as required.

☐ Indicates parts not listed in any previous parts book.  
April 1966, Supersedes May 1965.Printed in U.S.A.  
Prices and specifications subject to change without notice.  
Right and left part numbers are on same line,  
first number is right, second number is left.

CODE	REMARKS	PER CAR	SED.	4D H.T	STA. WGN.	2D H.T	CV. CP.	
23-86-35	MOULDING, Roof Inside							
	Finish - Cont'd							
	P1, P2							
	(codes H1R, H5R)	2	3713 AR7	3713 AR7				
	(code H5X)	2	3713 AX9	3713 AX9				
	(folding top rear bow)	1	----	----	----	----	2581 892	
Screw (attaching)	(white)	2	----	----	----	----	6025 692	
	P1, P2	6	----	----	*1047 VW2			
		6	----	----	2440 144			
	23-86-36	CAP, Rear Window Headlining						
		Trim Moulding Center						
		R1, R2						
(codes L1B, K1B, L5B, H1B, H4B)		1	3711 AB3					
(codes H1Q, H4Q)		1	3711 AQ3					
(codes L1R, K1R, L5R, H1R, H4R)		1	3711 AW2					
(codes L1T, K1T, L2T, K2T, L8T, K8T, T8T, L5T, H1T, H4T)		1	3711 AT3					
(codes H1Y, H4Y)		1	3711 AY3					
R1, R2		1	----	----	2251 808-9			
(roof side retaining strip)								
P1, P2	(codes L1B, K1B, L5B, M1B, M5B, H1B, H5B)	1	3711 AB3	3711 AB3				
	(codes M1Q, H1Q, H5Q)	1	3711 AQ3	3711 AQ3				
	(codes L1R, K1R, M1R, M5R, L5R)	1	3711 AW2	3711 AW2				
	(codes H1R, H5R)	1	3711 AR7	3711 AR7				
	(codes L1T, K1T, L2T, K2T, L5T, L8T, K8T, T8T, M1T, M5T, H1T)	1	3711 AT3	3711 AT3				
	(codes H1Y, H5Y)	1	3711 AY3	3711 AY3				
	(code H5X)	1	3711 AX9	3711 AX9				
	(code X1P) RHD.	1	3711 AX9					
	(finish moulding)	12	----	----	1759 636			
	23-91-6	PANEL, Cowl Trim						
R1, R2								
(codes L1B, K1B, L5B, L4B, K4B, H1B, P4B)		1	1410-1 AB8	----	1410-1 AB8	1410-1 AB8	1410-1 AB8	
(codes H1Q, H4Q, P4Q)		1	1410-1 AQ8	----	1410-1 AQ8	1410-1 AQ8	1410-1 AQ8	
(codes L1R, K1R, L5R, L4R, K4R, H1R, H4R, P4R)		1	1410-1 VR6	----	1410-1 VR6	1410-1 VR6	1410-1 VR6	
(codes L1T, K1T, L2T, K2T, L8T, K8T, L5T, T8T, L4T, K4T, H1T, H4T)		1	1410-1 VT6	----	1410-1 VT6	1410-1 VT6	1410-1 VT6	
(codes H4X, P4X)		1	----	----	----	1410-1 VX9	1410-1 VX9	
(code P4Y)		1	----	----	----	1410-1 AY3	1410-1 AY3	
Screw and Seal (attaching)		1	*6023 388	----	*6023 388	*6023 388	*6023 388	
P1-L, P2-L		(codes L1B, K1B, L3B, L4B, K4B, L5B)	1	1422-3 AB8	1422-3 AB8	1422-3 AB8	1422-3 AB8	
	(codes L1R, K1R, L3R, L4R, K4R, L5R)	1	1422-3 AR8	1422-3 AR8	1422-3 AR8	1422-3 AR8		
	(codes L1T, K1T, L2T, K2T, L8T, K8T, T8T, L3T, L4T, K4T, L5T)	1	1422-3 AT8	1422-3 AT8	1422-3 AT8	1422-3 AT8		
	(codes L3X, L4X)	1	1422-3 AX9	1422-3 AX9	1422-3 AX9	1422-3 AX9		

★ Indicates use as required.

☐ Indicates parts not listed in any previous parts book. Right and left part numbers are on same line, first number is right, second number is left.

\* Indicates change or addition.

Printed in U.S.A.

Prices and specifications subject to change without notice. April 1966, Supersedes May 1965.

# 1965 PASSENGER CAR PARTS CATALOG

INTERIOR TRIM

CODE	REMARKS	PER CAR	SED.	4D H.T	STA. WGN.	2D H.T	CV. CP.
23-91-6	PANEL, Cowl Trim - Cont'd P1-M, P2-M, P1-H, P2-H (codes M1B, M4B, M5B, H1B)	1	1422-3 AB8	1422-3 AB8	1422-3 AB8	1422-3 AB8	1422-3 AB8
	(codes M1Q, M4Q, H1Q, H2Q, H4Q, H5Q)	1	1422-3 AQ8	1422-3 AQ8	1422-3 AQ8	1422-3 AQ8	1422-3 AQ8
	(codes M1R, M4R, M5R, H1R, H2R, H4R, H5R)	1	1420-1 AR7	1420-1 AR7	1420-1 AR7	1420-1 AR7	1420-1 AR7
	(codes M1T, M4T, M5T, H1T, H2T, H4T)	1	1422-3 AT8	1422-3 AT8	1422-3 AT8	1422-3 AT8	1422-3 AT8
	(codes H1Y, H2Y, H4Y, H5Y)	1	1422-3 AY8	1422-3 AY8	1422-3 AY8	1422-3 AY8	1422-3 AY8
	(code H5X)	1	1422-3 AX9	1422-3 AX9	1422-3 AX9	1422-3 AX9	1422-3 AX9
	P2-P (code P4B)	1	----	----	----	1422-3 AB8	1422-3 AB8
	(code P4Q)	1	----	----	----	1422-3 AQ8	1422-3 AQ8
	(code P4R)	1	----	----	----	1420-1 AR7	1420-1 AR7
	(codes P4X, P4U)	1	----	----	----	1422-3 AX9	1422-3 AX9
	(code P4Y)	1	----	----	----	1422-3 AY8	1422-3 AY8
	P2-P (carpet) (code P4B)	1	----	----	----	1432-3 AB8	1432-2 AB8
	(code P4Q)	1	----	----	----	1432-3 AQ8	1432-3 AQ8
	(code P4R)	1	----	----	----	1432-3 AR7	1432-3 AR7
	(codes P4X, P4U)	1	----	----	----	1432-3 AX8	1432-3 AX8
	(code P4Y)	1	----	----	----	1432-3 AY8	1432-3 AY8
	Screw and Washer (attaching)	1	6023 388	6023 388	6023 388	6023 388	6023 388
	Screw	4	*9415 214	*9415 214	*9415 214	*9415 214	*9415 214
	P1, P2 (paint as required) (extension)	1	----	1428-9 AX9	----	1428-9 AX9	1428-9 AX9
	EXTENSION, Cowl Side Trim Panel (paint as required) P1, P2	1	----	1428-9 AX9	----	1428-9 AX9	1428-9 AX9
	23-91-20	RETAINER, Cowl Side Trim P1, P2 (upper)	2	*2664 466	*2664 466	*2664 466	*2664 466
P2-P		1	----	----	----	2588 124-5	2588 124-5
23-92-5	PANEL, Door Trim R1-L, R2-L (2 D.) (codes L1B, K1B)	1	3182-3 ABB				
	(codes L1R, K1R)	1	3182-3 ARR				
	(codes L1T, K1T, L2T, K2T, L8T, K8T)	1	3182-3 ATT				
	R1-L, R2-L (4 D.) (codes L1B, K1B, L4B, K4B, L5B) Front	1	3180-1 ABB	----	3180-1 ABB		
	Rear	1	3252-3 ABB	----	3252-3 ABB		
	(codes L1R, K1R, L4R, K4R, L5R) Front	1	3180-1 ARR	----	3180-1 ARR		
	Rear	1	3252-3 ARR	----	3252-3 ARR		
	(codes L1T, K1T, L4T, K4T, L2T, K2T, L5T, L8T, K8T, T8T) Front	1	3180-1 ATT	----	3180-1 ATT		
	Rear	1	3252-3 ATT	----	3252-3 ATT		
	Screw and Washer (attaching)	4	6023 381	----	6023 381		
	R1-H, R2-H (codes H1B, H4B) Front	1	3176-7 ABB	----	3176-7 ABB		
	Rear	1	3248-9 ABB	----	3248-9 ABB		
	(codes H1Q, H4Q) Front	1	3176-7 AQQ	----	3176-7 AQQ		
Rear	1	3248-9 AQQ	----	3248-9 AQQ			
(codes H1R, H4R) Front	1	3176-7 ARR	----	3176-7 ARR			
Rear	1	3248-9 ARR	----	3248-9 ARR			

★ Indicates use as required.

☐ Indicates parts not listed in any previous parts book.  
April 1966, Supersedes May 1965.

Printed in U.S.A.  
Prices and specifications subject to change without notice.  
Right and left part numbers are on same line,  
first number is right, second number is left.

\* Indicates change or addition.



# 1965 PASSENGER CAR PARTS CATALOG

INTERIOR TRIM

CODE	REMARKS	PER CAR	SED.	4D H.T.	STA. WGN.	2D H.T.	CV. CP.
23-92-5	PANEL, Door Trim - Cont'd P1-M, P2-M (codes M1R, M4R, M5R)						
	(codes M1R, M5R) Front	1	3422-3 ARR	----	3422-3 ARR		
	(code M4R) Rear	1	3274-5 ARR	----			
	(codes M1T, M4T, M5T) Rear	1	----	----	3292-3 ARR		
	(codes M1T, M5T) Front	1	3422-3 ATT	----	3422-3 ATT		
	(code M4T) Rear	1	3274-5 ATT	----			
	(code M4T) Rear	1	----	----	3292-3 ATT		
	P1-M, P2-M (2 D.) (code M1B)	1	3424-5 ABB				
	(code M1Q)	1	3424-5 AQQ				
	(code M1R)	1	3424-5 ARR				
	(code M1T)	1	3424-5 ATT				
	P1-H, P2-H (codes H1B, H5B, H4B)						
	(codes H1B, H5B) Front	1	3428-9 ABB	3430-1 ABB	3428-9 ABB		
	(code H4B) Rear	1	3276-7 ABB	3278-9 ABB			
	(codes H1Q, H5Q, H4Q) Rear	1	----	----	3272-3 ABB		
	(codes H1Q, H5Q) Front	1	3428-9 AQQ	3430-1 AQQ	3428-9 AQQ		
	(code H4Q) Rear	1	3276-7 AQQ	3278-9 AQQ			
	(codes H1R, H5R, H4R) Rear	1	----	----	3272-3 AQQ		
	(codes H1R, H5R) Front	1	3428-9 ARR	3430-1 ARR	3428-9 ARR		
	(code H4R) Rear	1	3276-7 ARR	3278-9 ARR			
	(codes H1T, H4T) Rear	1	----	----	3272-3 ARR		
	(code H1T) Front	1	3428-9 ATT	3430-1 ATT	3428-9 ATT		
	(code H4T) Rear	1	3276-7 ATT	3278-9 ATT			
	(codes H1Y, H5Y, H4Y) Rear	1	----	----	3272-3 ATT		
	(codes H1Y, H5Y) Front	1	3428-9 AYY	3430-1 AYY	3428-9 AYY		
	(code H4Y) Rear	1	3276-7 AYY	3278-9 AYY			
	(code H5X) Front	1	3428-9 AOX	3430-1 AOX			
	(code H5X) Rear	1	3276-7 AOX	3278-9 AOX			
	(codes H2B, H5B)	1	----	----	----	3432-3 ABB	3432-3 ABB
	(codes H2Q, H5Q)	1	----	----	----	3432-3 AQQ	3432-3 AQQ
	(codes H2R, H5R)	1	----	----	----	3432-3 ARR	3432-3 ARR
	(code H2T)	1	----	----	----	3432-3 ATT	
	(code H5X)	1	----	----	----	3432-3 AOX	3432-3 AOX
	(codes H2Y, H5Y)	1	----	----	----	3432-3 AYY	3432-3 AYY
	P2-P (code P4B)	1	----	----	----	3434-5 AOB	3434-5 AOB
	(code P4Q)	1	----	----	----	3434-5 AOQ	3434-5 AOQ
	(code P4R)	1	----	----	----	3434-5 AOR	3434-5 AOR
	(code P4X)	1	----	----	----	3434-5 AOX	3434-5 AOX
	(code P4Y)	1	----	----	----	3434-5 AYY	3434-5 AYY
	(code P4U)	1	----	----	----	3434-5 AXU	3434-5 AXU
	Fastener	★	6000 365	6000 365	6000 365	6000 365	6000 365
23-96-3	PANEL, Luggage Compartment Front Lining R1, R2	1	*2499 117	----	----	*2499 117	2440 963
	Fastener (to seat back support)	3	----	----	----	----	*6000 903
	P1, P2	1	*2657 868	*2657 868	----	2581 731	2581 895
	Fastener (attaching)	2	----	----	----	6001 425	
	FILLER, Luggage Compartment Floor to Quarter R1, R2	1	2490 574-5	----	----	2490 574-5	2490 574-5

● Indicates use as required.

⊠ Indicates parts not listed in any previous parts book.  
April 1966, Supersedes May 1965.

Printed in U.S.A.  
Prices and specifications subject to change without notice.  
Right and left part numbers are on same line,  
first number is right, second number is left.

\* Indicates change or addition.



CODE	REMARKS	PER CAR	SED.	4D H.T	STA. WGN.	2D H.T	CV. CP.
23-96-8	COVER, Wheelhouse and Lower Quarter Trim Panel						
	R1, R2 (paint as required)						
	(2 seater)	1	----	----	2056-7 VT6		
	(3 seater)	1	----	----	2058-9 VT6		
	P1, P2						
	(codes L4B, K4B, M4B, H4B)	1	----	----	2026-7 AB4		
	(codes M4Q, H4Q)	1	----	----	2026-7 AQ4		
	(codes L4R, K4R, M4R, H4R)	1	----	----	2026-7 AR7		
	(codes L4T, K4T, M4T, H4T)	1	----	----	2026-7 AT6		
	(code H4Y)	1	----	----	2026-7 AY3		
	(w/air conditioning)						
	(codes L4B, K4B, M4B, H4B)	1	----	----	3531 AB4		
	(codes M4Q, H4Q)	1	----	----	3531 AQ4		
	(codes L4R, K4R, M4R, H4R)	1	----	----	3531 AR7		
(codes L4T, K4T, M4T, H4T)	1	----	----	3531 AT6			
(code H4Y)	1	----	----	3531 AY3			
Screw		14	----	----	*6026 221		
EXTENSION, Wheelhouse and Quarter Trim Cover	R1, R2						
	(code H4B)	1	----	----	2042-3 AB4		
	(code H4Q)	1	----	----	2042-3 AQ4		
	(code H4R)	1	----	----	2042-3 AR5		
	(code H4Y)	1	----	----	2042-3 AY3		
23-99-9	RETAINER, Body Rear Lock Pillar Quarter						
R1, R2							
		1	----	----	2162 508-9		
23-99-17	RETAINER, Tailgate Opening Pillar Cover Upper						
P1, P2		2	----	----	2656 924		
23-99-41	COVER, Tailgate Opening Pillar (paint as required)						
P1, P2							
	Upper	1	----	----	2810-1 AT6		
	Lower Right	1	----	----	2812 AT6		
23-101-3	PANEL, Rear Quarter Trim						
R1-L (2 D.)							
(codes L1B, K1B)	1	3352-3 ABB					
(codes L1R, K1R)	1	3352-3 ARR					
(codes L1T, K1T, L2T, K2T, L8T, K3T)	1	3352-3 ATT					
R1, R2 (4 D.)							
Lower							
(codes L1B, K1B, L5B, H1B, H4B)	1	7588-9 AB4					
(codes H1Q, H4Q)	1	7588-9 AQ4					
(codes H1Y, H4Y)	1	7588-9 AY3					
(code L1R)	1	7588-9 VR6					
Upper							
(codes L1B, K1B, L5B, H1B, H4B)	1	7584-5 AB4					
(codes H1Q, H4Q)	1	7584-5 AQ4					
(codes H1Y, H4Y)	1	7584-5 AY3					
(code L1R)	1	7584-5 VR6					
(code L1T)	1	*7584-5 VT6					

★ Indicates use as required.

☐ Indicates parts not listed in any previous parts book.

Right and left part numbers are on same line, first number is right, second number is left.

\* Indicates change or addition

Printed in U.S.A.

Prices and specifications subject to change without notice.

April 1966, Supersedes May 1965.

## 1965 PASSENGER CAR PARTS CATALOG

INTERIOR TRIM

CODE	REMARKS	PER CAR	SED.	4D H.T	STA. WGN.	2D H.T	CV. CP.
23-101-3	PANEL, Rear Quarter Trim - Cont'd						
	R1-H, R2-H						
	(codes H1B, H4B)	1	----	----	----	3362-3 ABB	3364-5 ABB
	(codes H1Q, H4Q)	1	----	----	----	3362-3 AQQ	3364-5 AQQ
	(codes H1R, H4R)	1	----	----	----	3362-3 ARR	3364-5 ARR
	(code H1T)	1	----	----	----	3362-3 ATT	
	(codes H1Y, H4Y)	1	----	----	----	3362-3 AYY	3364-5 AYY
	(code H4X)	1	----	----	----	3362-3 AOX	3364-5 AOX
	R2-P (w/concave moulding)						
	(code P4B)	1	----	----	----	3358-9 ABB	3360-1 ABB
	(code P4Q)	1	----	----	----	3358-9 AQQ	3360-1 AQQ
	(code P4R)	1	----	----	----	3358-9 ARR	3360-1 ARR
	(code P4X)	1	----	----	----	3358-9 AOX	3360-1 AOX
	(code P4Y)	1	----	----	----	3358-9 AYY	3360-1 AYY
	(w/oval moulding)						
	(code P4B)	1	----	----	----	3392-3 ABB	3394-5 ABB
	(code P4Q)	1	----	----	----	3392-3 AQQ	3394-5 AQQ
	(code P4R)	1	----	----	----	3392-3 ARR	3394-5 ARR
	(code P4X)	1	----	----	----	3392-3 AOX	3394-5 AOX
	(code P4Y)	1	----	----	----	3392-3 AYY	3394-5 AYY
	Screw and Washer (attaching)	★	----	----	----	6023 476	6023 476
	Screw and Washer (attaching) (2 D.)	4	6023 381	----	----	6023 381	
	P1-L, P2-L (2 D.)						
	(codes L1B, K1B)	1	3376-7 ABB				
	(codes L1R, K1R)	1	3376-7 AOR				
	(codes L1T, K1T, L2T, K2T, L8T, K8T)	1	3376-7 ATT				
	(code M1B)	1	3380-1 ABB				
	(code M1Q)	1	3380-1 AQQ				
	(code M1R)	1	3380-1 ARR				
	(code M1T)	1	3380-1 ATT				
	Screw and Washer (attaching)	2	6023 476				
	P1, P2 (4 D.)						
	(codes L1B, K1B, L5B, M1B, M5B, H1B, H5B)	1	2060-1 AB4	2060-1 AB4			
	(codes M1Q, H1Q, H5Q)	1	2060-1 AQ4	2060-1 AQ4			
	(codes L1R, K1R, L5R, M1R, M5R, H1R, H5R)	1	2060-1 AR7	2060-1 AR7			
	(codes L1T, K1T, L2T, K2T, L8T, K8T, T8T, L5T, M1T, M5T, H1T)	1	2060-1 AT6	2060-1 AT6			
	(code H5X)	1	2060-1 AX9	2060-1 AX9			
	(codes H1Y, H5Y)	1	2060-1 AY3	2060-1 AY3			
	P1-H, P2-H						
	(codes H2B, H5B)	1	----	----	----	3384-5 ABB	3386-7 ABB
	(codes H2Q, H5Q)	1	----	----	----	3384-5 AQQ	3386-7 AQQ
	(codes H2R, H5R)	1	----	----	----	3384-5 ARR	3386-7 ARR
	(code H2T)	1	----	----	----	3384-5 ATT	
	(code H5X)	1	----	----	----	3384-5 AOX	3386-7 AOX
	(codes H2Y, H5Y)	1	----	----	----	3384-5 AYY	3386-7 AYY
	P2-P						
	(code P4B)	1	----	----	----	3388-9 AOB	3390-1 AOB
	(code P4Q)	1	----	----	----	3388-9 AQQ	3390-1 AQQ
	(code P4R)	1	----	----	----	3388-9 AOR	3390-1 AOR
	(code P4X)	1	----	----	----	3388-9 AOX	3390-1 AOX
	(code P4Y)	1	----	----	----	3388-9 AYY	3390-1 AYY
	(code P4U)	1	----	----	----	3388-9 AXU	3390-1 AXU
	Fastener	★	6000 365	6000 365	----	6000 365	6000 365

★ Indicates use as required.

☐ Indicates parts not listed in any previous parts book.  
April 1966, Supersedes May 1965.Printed in U.S.A.  
Prices and specifications subject to change without notice.  
Right and left part numbers are on same line,  
first number is right, second number is left.  
\* Indicates change or addition.

CODE	REMARKS	PER CAR	SED.	4D H.T	STA. WGN.	2D H.T	CV. CP.
23-101-14	COVER, Upper Quarter Front Trim (paint as required) R1, R2	1	----	----	2044-5 VT6		
23-101-33	BRACKET, Quarter Trim Panel Support R1, R2	2	----	----	----	----	2490 484
23-102-3	PANEL, Shelf Trim R1, R2 (paint as required)	1	1319 AT6	----	----	1318 AT6	
	Fastener	2	6000 903	----	----	6000 903	
	P1, P2 (paint as required)	1	----	----	----	*1314 AT6	
	(w/o speaker)	1	1315 AT6	1315 AT6	----	1314 AT6	
	(w/speaker)	1	1311 AT6	1311 AT6	----		
	Fastener	4	6000 365	6000 365	----	6000 365	
23-103-3	PANEL, Visor Trim R1, R2	2	----	----	1131 AW2		
	(codes L1B, K1B, L5B)	2	1118 AB3				
	(codes L1T, K1T, K2T, L5T, L8T, K8T, T8T)	2	1118 AT3				
	(codes L1R, K1R, L5R)	2	1118 AW2				
	(codes H1B, H4B, P4B)	2	1119 AB3	----	----	1119 AB3	
	(codes H1Q, H4Q, P4Q)	2	1119 AQ3	----	----	1119 AQ3	
	(code H1T)	2	1119 AT3	----	----	1119 AT3	
	(codes H1R, H4R, P4R)	2	1119 AW2	----	----	1119 AW2	
	(codes H1Y, H4Y, P4Y)	2	1119 AY3	----	----	1119 AY3	
	(codes H4X, P4X)	2	----	----	----	1119 AX9	
	(codes H4B, P4B)	2	----	----	----	----	1120 AB4
	(codes H4Q, P4Q)	2	----	----	----	----	1120 AQ4
	(codes H4Y, P4Y)	2	----	----	----	----	1120 AY3
	(codes H4R, P4R)	2	----	----	----	----	1120 VR6
	(codes H4X, P4X)	2	----	----	----	----	1120 VX9
	P2-L, P2-M (code X1P)	2	1116 AX9				
	P1, P2 (embossed cardboard)	2	1109 AB3				
	(codes L1B, K1B, L5B, M1B, M5B, H1B, H5B)	2	1109 AQ3				
	(codes M1Q, H1Q, H5Q)	2	1109 AR7				
	(codes L1R, K1R, L5R, M1R, M5R)	2	1109 AT3				
	(codes L1T, K1T, L2T, K2T, L8T, K8T, T8T, L5T, M1T, M5T, H1T)	2	1109 AY3				
	(codes H1Y, H5Y)	2	1109 AR7				
	(codes H1R, H5R)	2	1109 AX9				
	(code H5X)	2	*1113 AA2				
	(code X1P)	2					
	P1-H, P2-H, P2-P (vinyl covered)	2	----	1104 AB3	----	1104 AB3	
	(codes H2B, H5B, P4B)	2	----	1104 AQ3	----	1104 AQ3	
	(codes H2Q, H5Q, P4Q)	2	----	1104 AR7	----	1104 AR7	
	(codes H2R, H5R, P4R)	2	----	1104 AY3	----	1104 AY3	
	(codes H2Y, H5Y, P4Y)	2	----	1104 AX9	----	1104 AX9	
	(codes H5X, P4X, P4U)	2	----	----	----	1104 AT3	
	(code H2T)	2	----	----	----		

★ Indicates use as required.

□ Indicates parts not listed in any previous parts book.  
Right and left part numbers are on same line,  
first number is right, second number is left.

\* Indicates change or addition.

Printed in U.S.A.

Prices and specifications subject to change without notice.

## 1965 PASSENGER CAR PARTS CATALOG

INTERIOR TRIM

CODE	REMARKS	PER CAR	SED.	4D H.T	STA. WGN.	2D H.T	CV. CP.
23-103-3	PANEL, Visor Trim - Cont'd P1, P2 (perforated cardboard) (w/o air conditioning) (codes L4B, K4B, M4B, H4B) (codes M4Q, H4Q) (codes L4R, K4R, M4R, H4R) (codes L4T, K4T, M4T, H4T) (code H4Y)	2 2 2 2 2	---- ---- ---- ---- ----	---- ---- ---- ---- ----	*1111 AB3 *1111 AQ3 *1111 AR7 *1111 AT3 *1111 AY3		
	P1, P2 (perforated cardboard) (w/air conditioning) (w/extruded vinyl binding)	2	----	----	1112 AW2		
	P2-H (code H5B) (code H5Q) (code H5R) (code H5X) (code H5Y)	2 2 2 2 2	---- ---- ---- ---- ----	---- ---- ---- ---- ----	---- ---- ---- ---- ----	---- ---- ---- ---- ----	1107 AB4 1107 AQ4 1107 AR7 1107 AX9 1107 AY3
	P2-P (code P4B) (code P4Q) (code P4R) (codes P4X, P4U) (code P4Y)	2 2 2 2 2	---- ---- ---- ---- ----	---- ---- ---- ---- ----	---- ---- ---- ---- ----	---- ---- ---- ---- ----	1107 AB8 1107 AQ8 1107 AR7 1107 AX9 1107 AY3
23-103-10	ARM and BRACKET, Visor R1, R2 (chrome)	1	2490 788-9	----	2490 788-9	2490 788-9	2483 082-3
	ARM and BRACKET, Windshield Visor P1, P2 (chrome) Washer	1 2	----	2581 292-3 6000 106	2581 292-3 6000 106	2581 292-3 6000 106	
23-103-18	SPACER, Windshield Wiper Bracket R1, R2	2	----	----	2581 373		
23-103-48	SUPPORT, Visor Inner P1, P2 (use w/padded visor)	2	2162 628	2162 628	2162 628	2162 628	
23-108-4	CUSHION, Front Seat R1-L, R2-L (2 D.) (code L1B) (code L1R) (code L1T) (code L2T) (code L8T)	1 1 1 1 1	5357 A1B 5357 A1R 5357 A1T 5380 A2T 5389 A8T				
	R1-L, R2-L (4 D.) (codes L1B, L4B) (codes L1R, L4R) (codes L1T, L4T) (code L5B) (code L5R) UP TO Serial No. 57-154604 AFTER Serial No. 57-154604 (code L5T) (code L2T) (code L8T)	1 1 1 1 1 1 1 1 1 1	5352 A1B 5352 A1R 5352 A1T 5369 A4B 5369 A4R 5369 A5R 5369 A4T 5383 A2T 5386 A8T	---- ---- ---- ---- ---- ---- ---- ---- ----	5366 A4B 5366 A4R 5366 A4T		

★ Indicates use as required.

B Indicates parts not listed in any previous parts book.

April 1966, Supersedes May 1965.

Printed in U.S.A.

Prices and specifications subject to change without notice.

Right and left part numbers are on same line,

first number is right, second number is left.

\* Indicates change or addition.

CODE	REMARKS	PER CAR	SED.	4D H.T	STA. WGN.	2D H.T	CV. CP.
23-108-4	CUSHION. Front Seat - Cont'd R1-L, R2-L (2 D.) (w/airfoam pad)						
	(code L1B)	1	5358 A1B				
	(code L1R)	1	5358 A1R				
	(code L1T)	1	5358 A1T				
	(code L2T)	1	5381 A2T				
	(code L8T)	1	5409 A8T				
	R1-L, R2-L (4 D.) (w/airfoam pad)						
	(codes L1B, L4B)	1	5353 A1B	----	5367 A4B		
	(codes L1R, L4R)	1	5353 A1R	----	5367 A4R		
	(codes L1T, L4T)	1	5353 A1T	----	5367 A4T		
	(code L2T)	1	5384 A2T				
	(code L8T)	1	5387 A8T				
	R1-L, R2-L (2 D.) (w/airfoam pad and heavy duty spring)						
	(codes L1B, K1B)	1	5359 A1B				
	(codes L1R, K1R)	1	5359 A1R				
	(codes L1T, K1T)	1	5359 A1T				
	(codes L2T, K2T)	1	5382 A2T				
	(codes L8T, K8T)	1	5410 A8T				
	R1-L, R2-L (4 D.) (w/airfoam pad and heavy duty spring)						
	(codes L1B, K1B, L4B, K4B)	1	5354 A1B	----	5368 A4B		
	(codes L1R, K1R, L4R, K4R)	1	5354 A1R	----	5368 A4R		
	(codes L1T, K1T, L4T, K4T)	1	5354 A1T	----	5368 A4T		
	(codes L2T, K2T)	1	5385 A2T				
	(codes L8T, K8T)	1	5388 A8T				
	R1-H, R2-H						
	(code H1B)	1	5362 A1B				
	(code H1Q)	1	5362 A1Q				
	(code H1R)	1	5362 A1R				
	(code H1T)	1	5362 A1T				
	(code H1Y)	1	5362 A1Y				
	(code H4B)	1	5369 A4B	----	5369 A4B	5371 A4B	5371 A4B
	(code H4Q)	1	5369 A4Q	----	5369 A4Q	5371 A4Q	5371 A4Q
	(code H4R)						
	UP TO Serial Nos. 57-154604, 57-132009, 57-146588	1	5369 A4R	----	5369 A4R	5371 A4R	5371 A4R
	AFTER Serial Nos. 57-154604, 57-132009, 57-146588	1	5369 A5R	----	5369 A5R	5371 A5R	5371 A5R
	(code H4T)	1	5369 A4T	----	5369 A4T		
	(code H4Y)	1	5369 A4Y	----	5369 A4Y	5371 A4Y	5371 A4Y
	(code H4X)	1	5369 V4X	----	5369 V4X	5371 A4X	5371 A4X
	R2-P						
	(code P4B)	2	----	----	----	*5378 A4B	*5378 A4B
	(code P4Q)	2	----	----	----	*5378 A4Q	*5378 A4Q
	(code P4R)						
	UP TO Serial No. 57-151401	2	----	----	----	5378 A4R	5378 A4R
	AFTER Serial No. 57-151401	2	----	----	----	5378 A5R	5378 A5R
	(code P4X)	2	----	----	----	*5378 A4X	*5378 A4X
	(code P4Y)	2	----	----	----	*5378 A4Y	*5378 A4Y
	P1-L, P2-L (2 D.)						
	(code L1B)	1	5421 A1B				
	(code L1R)	1	5421 A1R				

★ Indicates use as required.

☐ Indicates parts not listed in any previous parts book.

Right and left part numbers are on same line,  
first number is right, second number is left.

\* Indicates change or addition.

Printed in U.S.A.

Prices and specifications subject to change without notice.

April 1966, Supersedes May 1965.

## 1965 PASSENGER CAR PARTS CATALOG

INTERIOR TRIM

CODE	REMARKS	PER CAR	SED.	4D H.T	STA. WGN.	2D H.T	CV. CP.
23-108-4	CUSHION, Front Seat - Cont'd P1-L, P2-L (2 D.) (code L1T) (code L2T) (code L8T)	1 1 1	5421 A1T 7435 A2T 7475 A8T				
	P1-L, P2-L (4 D.) (codes L1B, L4B) (codes L1R, L4R) (codes L1T, L4T) (code L5B) (code L5R) (code L5T)	1 1 1 1 1 1	5418 A1B 5418 A1R 5418 A1T 5438 A5B 5438 A5R 5438 A5T	---- -- ---- -- ---- --	5444 A4B 5444 A4R 5444 A4T		
	P1-L, P2-L (2 D.) (w/airfoam pad) (code L1B) (code L1R) (code L1T) (code L2T) (code L8T)	1 1 1 1 1	5422 A1B 5422 A1R 5422 A1T 7436 A2T 7476 A8T				
	P1-L, P2-L (4 D.) (w/airfoam pad) (codes L1B, L4B) (codes L1R, L4R) (codes L1T, L4T)	1 1 1	5419 A1B 5419 A1R 5419 A1T	---- -- ---- -- ---- --	5445 A4B 5445 A4R 5445 A4T		
	P1-L, P2-L (2 D.) (w/airfoam pad and heavy duty spring) (codes L1B, K1B) (codes L1R, K1R) (codes L1T, K1T) (codes L2T, K2T) (codes L8T, K8T)	1 1 1 1 1	5423 A1B 5423 A1R 5423 A1T 7437 A2T 7477 A8T				
	P1-L, P2-L (4 D.) (w/airfoam pad and heavy duty spring) (codes L1B, K1B, L4B, K4B) (codes L1R, K1R, L4R, K4R) (codes L1T, K1T, L4T, K4T)	1 1 1	5420 A1B 5420 A1R 5420 A1T	---- -- ---- -- ---- --	5448 A4B 5448 A4R 5448 A4T		
	P1-M, P2-M (2 D.) (code M1B) (code M1Q) (code M1R) (code M1T)	1 1 1 1	5360 A1B 5360 A1Q 5360 A1R 5360 A1T				
	P1-M, P2-M (4 D.) (codes M1B, M4B) (codes M1Q, M4Q) (codes M1R, M4R) (codes M1T, M4T)	1 1 1 1	5355 A1B 5355 A1Q 5355 A1R 5355 A1T	---- -- ---- -- ---- -- ---- --	5373 A4B 5373 A4Q 5373 A4R 5373 A4T		
	P1-H, P2-H (elec. 6 way) (codes H1B, H4B, H2B) (codes H1Q, H4Q, H2Q) (codes H1R, H4R, H2R) (codes H1T, H4T, H2T) (codes H1Y, H4Y, H2Y) (code H5B) (code H5Q) (code H5R) (code H5X) (code H5Y)	1 1 1 1 1 1 1 1 1 1	7519 A1B 7519 A1Q 7519 A1R 7519 A1T 7519 A1Y 5325 A5B 5325 A5Q 5325 A5R 5325 A5X 5325 A5Y	7519 A1B 7519 A1Q 7519 A1R 7519 A1T 7519 A1Y 5325 A5B 5325 A5Q 5325 A5R 5325 A5X 5325 A5Y	7529 A4B 7529 A4Q 7529 A4R 7529 A4T 7529 A4Y ---- -- ---- -- ---- -- ---- -- ---- --	5374 A2B 5374 A2Q 5374 A2R 5374 A2T 5374 A2Y 5351 A5B 5351 A5Q 5351 A5R 5351 A5X 5351 A5Y	5351 A5B 5351 A5Q 5351 A5R 5351 A5X 5351 A5Y

★ Indicates use as required.

☐ Indicates parts not listed in any previous parts book.  
April 1966, Supersedes May 1965.Printed in U.S.A.  
Prices and specifications subject to change without notice.Right and left part numbers are on same line,  
first number is right, second number is left.

\* Indicates change or addition.

CODE	REMARKS	PER CAR	SED.	4D H.T	STA. WGN.	2D H.T	CV. CP.
23-108-4	CUSHION, Front Seat - Cont'd						
	P1-H, P2-H (manual)						
	(codes H1B, H4B, H2B)	1	*7518 A1B	*7518 A1B	*7528 A4B	*5356 A2B	
	(codes H1Q, H4Q, H2Q)	1	7518 A1Q	7518 A1Q	7528 A4Q	5356 A2Q	
	(codes H1R, H4R, H2R)	1	7518 A1R	7518 A1R	7528 A4R	5356 A2R	
	(codes H1T, H4T, H2T)	1	7518 A1T	7518 A1T	7528 A4T	5356 A2T	
	(codes H1Y, H4Y, H2Y)	1	7518 A1Y	7518 A1Y	7528 A4Y	5356 A2Y	
	(code H5B)	1	*7523 A5B	*7523 A5B	----	5350 A5B	5350 A5B
	(code H5Q)	1	*7523 A5Q	*7523 A5Q	----	5350 A5Q	5350 A5Q
	(code H5R)	1	*7523 A5R	*7523 A5R	----	5350 A5R	5350 A5R
	(code H5X)	1	*7523 A5X	*7523 A5X	----	5350 A5X	5350 A5X
	(code H5Y)	1	*7523 A5Y	*7523 A5Y	----	5350 A5Y	5350 A5Y
	Push-Nut	*	----	----	----	6024 203	6024 203
	P2-P						
	(code P4B)	1	----	----	----	7254-5 A4B	7254-5 A4B
	(code P4Q)	1	----	----	----	7254-5 A4Q	7254-5 A4Q
	(code P4R)	1	----	----	----	7254-5 A4R	7254-5 A4R
	(code P4X)	1	----	----	----	7254-5 A4X	7254-5 A4X
	(code P4Y)	1	----	----	----	7254-5 A4Y	7254-5 A4Y
	(code P4U)	1	----	----	----	7254-5 A4U	7254-5 A4U
	P2-P (power seats)						
	(code P4B)	1	----	----	----	7632-3 A4B	7632-3 A4B
	(code P4Q)	1	----	----	----	7632-3 A4Q	7632-3 A4Q
	(code P4R)	1	----	----	----	7632-3 A4R	7632-3 A4R
	(code P4X)	1	----	----	----	7632-3 A4X	7632-3 A4X
	(code P4Y)	1	----	----	----	7632-3 A4Y	7632-3 A4Y
	(code P4U)	1	----	----	----	7632-3 A4U	7632-3 A4U
23-108-5	COVER, Front Seat Cushion						
	R1-L, R2-L (2 D.)						
	(codes L1B, K1B)	1	5825 A1B				
	(codes L1R, K1R)	1	5825 A1R				
	(codes L1T, K1T)	1	5825 A1T				
	(codes L2T, K2T)	1	5836 A2T				
	(codes L8T, K8T)	1	5838 A8T				
	R1-L, R2-L (4 D.)						
	(codes L1B, K1B, L4B, K4B)	1	5823 A1B	----	5829 A4B		
	(codes L1R, K1R, L4R, K4R)	1	5823 A1R	----	5829 A4R		
	(codes L1T, K1T, L4T, K4T)	1	5823 A1T	----	5829 A4T		
	(code L5B)	1	5830 A4B				
	(code L5R)						
	UP TO Serial No. 57-154604	1	5830 A4R				
	AFTER Serial No. 57-154604	1	5830 A5R				
	(code L5T)	1	5830 A4T				
	(codes L2T, K2T)	1	5835 A2T				
	(codes L8T, K8T, T8T)	1	5837 A8T				
	R1-H, R2-H						
	(code H1B)	1	5827 A1B	----	----	5828 A1B	
	(code H1Q)	1	5827 A1Q	----	----	5828 A1Q	
	(code H1R)	1	5827 A1R	----	----	5828 A1R	
	(code H1T)	1	5827 A1T	----	----	5828 A1T	
	(code H1Y)	1	5827 A1Y	----	----	5828 A1Y	
	(code H4B)	1	5830 A4B	----	5830 A4B	5831 A4B	5831 A4B
	(code H4Q)	1	5830 A4Q	----	5830 A4Q	5831 A4Q	5831 A4Q
	(code H4R)						
	UP TO Serial Nos. 57-154604, 57-32009, 57-146588	1	5830 A4R	----	5830 A4R	5831 A4R	5831 A4R
	AFTER Serial Nos. 57-154604, 57-132009, 57-146588	1	5830 A5R	----	5830 A5R	5831 A5R	5831 A5R
	(code H4T)	1	5830 A4T	----	5830 A4T		
	(code H4Y)	1	5830 A4Y	----	5830 A4Y	5831 A4Y	5831 A4Y
	(code H4X)	1	----	----	----	5831 A4X	5831 A4X

★ Indicates use as required.

☐ Indicates parts not listed in any previous parts book.

Right and left part numbers are on same line, first number is right, second number is left.

\* Indicates change or addition.

Printed in U.S.A.

Prices and specifications subject to change without notice.

April 1966, Supersedes May 1965.

## 1965 PASSENGER CAR PARTS CATALOG

INTERIOR TRIM

CODE	REMARKS	PER CAR	SED.	4D H.T.	STA. WGN.	2D H.T.	CV. CP.
23-108-5	COVER, Front Seat Cushion - Cont'd R2-P						
	(code P4B)	2	----	----	----	5834 A4B	5834 A4B
	(code P4Q)	2	----	----	----	5834 A4Q	5834 A4Q
	(code P4R)	2	----	----	----	5834 A4R	5834 A4R
	(code P4X)	2	----	----	----	5834 A4X	5834 A4X
	(code P4Y)	2	----	----	----	5834 A4Y	5834 A4Y
	(code P4R)						
	UP TO Serial No. 57-151401	2	----	----	----	5834 A4R	5834 A4R
	AFTER Serial No. 57-151401	2	----	----	----	5834 A5R	5834 A5R
	P1-L, P2-L (2 D.)						
	(codes L1B, K1B)	1	5841 A1B				
	(codes L1R, K1R)	1	5841 A1R				
	(codes L1T, K1T)	1	5841 A1T				
	(codes L2T, K2T)	1	7438 A2T				
	(codes L8T, K8T)	1	7478 A8T				
	P1-L, P2-L (4 D.)						
	(codes L1B, K1B)	1	5840 A1B				
	(codes L1R, K1R)	1	5840 A1R				
	(codes L1T, K1T)	1	5840 A1T				
	(codes L2T, K2T)	1	7434 A2T				
	(codes L8T, K8T, T8T)	1	7356 A8T				
	(codes L5B, L4B, K4B)	1	5861 A5B	----	5842 A4B		
	(codes L5R, L4R, K4R)	1	5861 A5R	----	5842 A4R		
	(codes L5T, L4T, K4T)	1	5861 A5T	----	5842 A4T		
	P1-M, P2-M (2 D.)						
	(code M1B)	1	5826 A1B				
	(code M1Q)	1	5826 A1Q				
	(code M1R)	1	5826 A1R				
	(code M1T)	1	5826 A1T				
	P1-M, P2-M (4 D.)						
	(codes M1B, M4B)	1	5824 A1B	----	5832 A4B		
	(codes M1Q, M4Q)	1	5824 A1Q	----	5832 A4Q		
	(codes M1R, M4R)	1	5824 A1R	----	5832 A4R		
	(codes M1T, M4T)	1	5824 A1T	----	5832 A4T		
	(code M5B)	1	5861 A5B				
	(code M5R)	1	5861 A5R				
	(code M5T)	1	5861 A5T				
	P1-H, P2-H						
	(codes H1B, H4B, H2B)	1	7517 A1B	7517 A1B	7527 A4B	5821 A2B	
	(codes H1Q, H4Q, H2Q)	1	7517 A1Q	7517 A1Q	7527 A4Q	5821 A2Q	
	(codes H1R, H4R, H2R)	1	7517 A1R	7517 A1R	7527 A4R	5821 A2R	
	(codes H1T, H4T, H2T)	1	7517 A1T	7517 A1T	7527 A4T	5821 A2T	
	(codes H1Y, H4Y, H2Y)	1	7517 A1Y	7517 A1Y	7527 A4Y	5821 A2Y	
	(code H5B)	1	7522 A5B	7522 A5B	----	5856 A5B	5856 A5B
	(code H5Q)	1	7522 A5Q	7522 A5Q	----	5856 A5Q	5856 A5Q
	(code H5R)	1	7522 A5R	7522 A5R	----	5856 A5R	5856 A5R
	(code H5X)	1	7522 A5X	7522 A5X	----	5856 A5X	5856 A5X
	(code H5Y)	1	7522 A5Y	7522 A5Y	----	5856 A5Y	5856 A5Y
	P2-P						
	(code P4B)	1	----	----	----	7253 A4B	7253 A4B
	(code P4Q)	1	----	----	----	7253 A4Q	7253 A4Q
	(code P4R)	1	----	----	----	7253 A4R	7253 A4R
	(code P4X)	1	----	----	----	7253 A4X	7253 A4X
	(code P4Y)	1	----	----	----	7253 A4Y	7253 A4Y
	(code P4U)	1	----	----	----	7253 A4U	7253 A4U

★ Indicates use as required.

⊠ Indicates parts not listed in any previous parts book.  
 April 1966, Supersedes May 1965.

Printed in U.S.A.  
 Prices and specifications subject to change without notice.  
 Right and left part numbers are on same line,  
 first number is right, second number is left.

\* Indicates change or addition.



CODE	REMARKS	PER CAR	SED.	4D H.T	STA WGN.	2D H.T	CV. CP.
23-108-6	FLAP, Front Cushion Rear P2-P						
	(code P4B)	2	----	----	----	*4112 AB8	*4112 AB8
	(code P4Q)	2	----	----	----	*4112 AQ8	*4112 AQ8
	(code P4R)	2	----	----	----	*4112 AR7	*4112 AR7
	(codes P4X, P4U)	2	----	----	----	*4112 AX9	*4112 AX9
	(code P4Y)	2	----	----	----	*4112 AY8	*4112 AY8
23-108-12	BACK, Front Seat R1-L, R2-L (2 D.)						
	(code L1B)	1	5552-3 A1B				
	(code L1R)	1	5552-3 A1R				
	(code L1T)	1	5552-3 A1T				
	R1-L, R2-L (4 D.)						
	(codes L1B, L4B)	1	5547 A1B	----	5562 A4B		
	(codes L1R, L4R)	1	5547 A1R	----	5562 A4R		
	(codes L1T, L4T)	1	5547 A1T	----	5562 A4T		
	(code L5B)	1	5569 A4B				
	(code L5R)						
	UP TO Serial No. 57-154604	1	5569 A4R				
	AFTER Serial No. 57-154604	1	5569 A5R				
	(code L5T)	1	5569 A4T				
	(w/heavy duty spring and airfoam pad)						
	(codes L1B, K1B)	1	5549 A1B				
	(codes L1R, K1R)	1	5549 A1R				
	(codes L1T, K1T)	1	5549 A1T				
	(w/heavy duty spring)						
	(codes L2T, K2T)	1	5574 A2T				
	(codes L4B, K4B)	1	----	----	5563 A4B		
	(codes L4R, K4R)	1	----	----	5563 A4R		
	(codes L4T, K4T)	1	----	----	5563 A4T		
	R1-H, R2-H						
	(code H1B)	1	5548 A1B	----	----	5554-5 A1B	
	(code H1Q)	1	5548 A1Q	----	----	5554-5 A1Q	
	(code H1R)	1	5548 A1R	----	----	5554-5 A1R	
	(code H1T)	1	5548 A1T	----	----	5554-5 A1T	
	(code H1Y)	1	5548 A1Y	----	----	5554-5 A1Y	
	(code H4B)	1	5569 A4B	----	5569 A4B	5566-7 A4B	5566-7 A4B
	(code H4Q)	1	5569 A4Q	----	5569 A4Q	5566-7 A4Q	5566-7 A4Q
	(code H4R)						
	UP TO Serial Nos. 57-154604, 57-132009, 57-146588	1	5569 A4R	----	5569 A4R	5566-7 A4R	5566-7 A4R
	AFTER Serial Nos. 57-154604, 57-132009, 57-146588	1	5569 A5R	----	5569 A5R	5566-7 A5R	5566-7 A5R
	(code H4T)	1	5569 A4T	----	5569 A4T		
	(code H4Y)	1	5569 A4Y	----	5569 A4Y	5566-7 A4Y	5566-7 A4Y
	(code H4X)	1	----	----	----	*5566-7 A4X	*5566-7 A4X
	Push-Nut (back to cushion)	2	6024 203	----	----	6024 203	6024 203
	P1-L, P2-L (2 D.)						
	(code L1B)	1	5590-1 A1B				
	(code L1R)	1	5590-1 A1R				
	(code L1T)	1	5590-1 A1T				
	(code L2T)	1	7442-3 A2T				
	(code L8T)	1	7422-3 A8T				
	P1-L, P2-L (4 D.)						
	(codes L1B, L4B)	1	5583 A1B	----	5624 A4B		
	(codes L1R, L4R)	1	5583 A1R	----	5624 A4R		
	(codes L1T, L4T)	1	5583 A1T	----	5624 A4T		

★ Indicates use as required.

□ Indicates parts not listed in any previous parts book.  
Right and left part numbers are on same line,  
first number is right, second number is left.

\* Indicates change or addition.

Printed in U.S.A.  
Prices and specifications subject to change without notice.  
April 1966, Supersedes May 1965.

CODE	REMARKS	PER CAR	SED.	4D H.T.	STA. WGN.	2D H.T.	CV. CP.
23-108-12	Back, Front Seat - Cont'd P1-L, P2-L (4 D.) UP TO Serial No. 107818 except, Trim Code L5R UP TO Serial No. 134088 (code L5B) (code L5R) (code L5T)	1 1 1	5642 A5B 5642 A5R 5642 A5T				
	AFTER Serial No. 107818 except, Trim Code L5R AFTER Serial No. 134088 (code L5B) (code L5R) (code L5T)	1 1 1	7749 A5B 7749 A5R 7749 A5T				
	P1-L, P2-L (2 D.) (w/heavy duty spring) (codes L1B, K1B) (codes L1R, K1R) (codes L1T, K1T) (codes L2T, K2T) (codes L8T, K8T)	1 1 1 1 1	5592-3 A1B 5592-3 A1R 5592-3 A1T 7444-5 A2T 7424-5 A8T				
	P1-L, P2-L (4 D.) (w/heavy duty spring) (codes L1B, L4B, K1B, K4B) (codes L1R, L4R, K1R, K4R) (codes L1T, L4T, K1T, K4T) UP TO Serial No. 107818 except, Trim Code L5R UP TO Serial No. 134088 (code L5B) (code L5R) (code L5T) AFTER Serial No. 107818 except, Trim Code L5R UP TO Serial No. 134088 (code L5B) (code L5R) (code L5T)	1 1 1 1 1 1 1 1 1 1 1	5587 A1B 5587 A1R 5587 A1T 5643 A5B 5643 A5R 5643 A5T 7776 A5B 7776 A5R 7776 A5T	---- -- ---- -- ---- --	5625 A4B 5625 A4R 5625 A4T		
	P1-M, P2-M (2 D.) UP TO Serial No. 107818 except, Trim Code M1R UP TO Serial No. 134088 (code M1B) (code M1Q) (code M1R) (code M1T) Trim Code M1R AFTER Serial No. 107818 except, No. 134088 (code M1B) (code M1Q) (code M1R) (code M1T)	1 1 1 1 1 1 1 1 1 1	5558-9 A1B 5558-9 A1Q 5558-9 A1R 5558-9 A1T 7750-1 A1B 7750-1 A1Q 7750-1 A1R 7750-1 A1T				
	P1-M, P2-M (codes M1B, M4B) (codes M1Q, M4Q) (codes M1R, M4R) (codes M1T, M4T) (code M5B) (code M5R) (code M5T)	1 1 1 1 1 1 1	5550 A1B 5550 A1Q 5550 A1R 5550 A1T 5642 A5B 5642 A5R 5642 A5T	---- -- ---- -- ---- -- ---- --	5565 A4B 5565 A4Q 5565 A4R 5565 A4T		

★ Indicates use as required.

☐ Indicates parts not listed in any previous parts book.  
April 1966, Supersedes May 1965.

INTERIOR TRIM **1965 PASSENGER CAR PARTS CATALOG**

CODE	REMARKS	PER CAR	SED.	4D H.T	STA. WGN.	2D H.T	CV. CP.
23-108-12	BACK, Front Seat - Cont'd P1-L, P2-L (2 D.) AFTER Serial No. 107818 except, Trim Codes M1R, M4R, M5R AFTER Serial No. 134088 (codes M1B, M4B) (codes M1Q, M4Q) (codes M1R, M4R) (codes M1T, M4T) (code M5B) (code M5R) (code M5T)	1 1 1 1 1 1 1	7745 A1B 7745 A1Q 7745 A1R 7745 A1T 7776 A5B 7776 A5R 7776 A5T	---- ---- ---- ----	7757 A4B 7757 A4Q 7757 A4R 7757 A4T		
	P1-H, P2-H (codes H1B, H4B, H2B) (codes H1Q, H4Q, H2Q) (codes H1R, H4R, H2R) (codes H1T, H4T, H2T) (codes H1Y, H4Y, H2Y) P1-H, P2-H (code H5B) (code H5Q) (code H5R) (code H5X) (code H5Y)	1 1 1 1 1 1 1 1 1 1	7521 A1B 7521 A1Q 7521 A1R 7521 A1T 7521 A1Y 7526 A5B 7526 A5Q 7526 A5R 7526 A5X 7526 A5Y	7521 A1B 7521 A1Q 7521 A1R 7521 A1T 7521 A1Y 7526 A5B 7526 A5Q 7526 A5R 7526 A5X 7526 A5Y	7531 A4B 7531 A4Q 7531 A4R 7531 A4T 7531 A4Y ---- ---- ---- ---- ----	5518-9A2B 5518-9A2Q 5518-9A2R 5518-9A2T 5518-9A2Y 5630-1A5B 5630-1A5Q 5630-1A5R 5630-1A5X 5630-1A5Y	5630-1A5B 5630-1A5Q 5630-1A5R 5630-1A5X 5630-1A5Y
23-108-15	SPRING and COVER, Front Seat Back R2-P (code P4B) (code P4Q) (code P4R) (code P4X) (code P4Y) P2-P (code P4B) (code P4Q) (code P4R) (code P4X) (code P4Y) (code P4U) Screw (back to cushion wedge spring)	2 2 2 2 2 2 2 2 2 2 2 2	---- ---- ---- ---- ---- ---- ---- ---- ---- ---- ---- ----	---- ---- ---- ---- ---- ---- ---- ---- ---- ---- ---- ----	---- ---- ---- ---- ---- ---- ---- ---- ---- ---- ---- ----	5726 A4B 5726 A4Q *5726 A4R 5726 A4X 5726 A4Y 7257 A4B 7257 A4Q 7257 A4R 7257 A4X 7257 A4Y 7257 A4U 6016 005	5726 A4B 5726 A4Q 5726 A4R 5726 A4X 5726 A4Y 7257 A4B 7257 A4Q 7257 A4R 7257 A4X 7257 A4Y 7257 A4U 6016 005
23-108-16	COVER, Front Seat Back R1-L, R2-L (2 D.) (codes L1B, K1B) (codes L1R, K1R) (codes L1T, K1T) (codes L2T, K2T) (codes L8T, K8T)	1 1 1 1 1	5954-5A1B 5954-5A1R 5954-5A1T 5968-9A2T 5972-3A8T				
	R1-L, R2-L (4 D.) (codes L1B, K1B, L4B) (codes L1R, K1R, L4R) (codes L1T, K1T, L4T) (code L5B) (code L5R) UP TO Serial No. 57-154604 AFTER Serial No. 57-154604 (code L5T) (codes L2T, K2T) (codes L8T, K8T, T8T)	1 1 1 1 1 1 1 1 1	5951 A1B 5951 A1R 5951 A1T 5965 A4B 5965 A4R 5965 A5R 5965 A4T 5967 A2T 5970 A8T	---- ---- ----	5953 A4B 5953 A4R 5953 A4T		

★ Indicates use as required.  
 ☐ Indicates parts not listed in any previous parts book.  
 Right and left part numbers are on same line,  
 first number is right, second number is left.  
 \* Indicates change or addition.

## 1965 PASSENGER CAR PARTS CATALOG

INTERIOR TRIM

CODE	REMARKS	PER CAR	SED.	4D H.T.	STA. WGN.	2D H.T.	CV. CP.
23-108-16	COVER, Front Seat Back - Cont'd R1-H, R2-H						
	(code H1B)	1	5960 A1B	----	----	5958-9 A1B	
	(code H1Q)	1	5960 A1Q	----	----	5958-9 A1Q	
	(code H1R)	1	5960 A1R	----	----	5958-9 A1R	
	(code H1T)	1	5960 A1T	----	----	5958-9 A1T	
	(code H1Y)	1	5960 A1Y	----	----	5958-9 A1Y	
	(code H4B)	1	5965 A4B	----	5965 A4B	5962-3 A4B	5962-3 A4B
	(code H4Q)	1	5965 A4Q	----	5965 A4Q	5962-3 A4Q	5962-3 A4Q
	(code H4R)						
	UP TO Serial Nos. 57-154604, 57-132009, 57-146588	1	*5965 A4R	----	*5965 A4R	*5962-3 A4R	*5962-3 A4R
	AFTER Serial Nos. 57-154604, 57-132009, 57-146588	1	⊕5965 A5R	----	⊕5965 A5R	⊕5962-3 A5R	⊕5962-3 A5R
	(code H4T)	1	5965 A4T	----	5965 A4T		
	(code H4Y)	1	5965 A4Y	----	5965 A4Y	5962-3 A4Y	5962-3 A4Y
	(code H4X)	1	----	----	----	5962-3 A4X	5962-3 A4X
	R2-P						
	(code P4B)	2	----	----	----	5966 A4B	5966 A4B
	(code P4Q)	2	----	----	----	5966 A4Q	5966 A4Q
	(code P4R)						
	UP TO Serial No. 57-151401	2	----	----	----	5966 A4R	5966 A4R
	AFTER Serial No. 57-151401	2	----	----	----	5966 A5R	5966 A5R
	(code P4X)	2	----	----	----	5966 A4X	5966 A4X
	(code P4Y)	2	----	----	----	5966 A4Y	5966 A4Y
	P1-L, P2-L (2 D.)						
	(codes L1B, K1B)	1	5974-5 A1B				
	(codes L1R, K1R)	1	5974-5 A1R				
	(codes L1T, K1T)	1	5974-5 A1T				
	(code L2T)	1	7446-7 A2T				
	(code L8T)	1	7426-7 A8T				
	P1-L, P2-L (4 D.)						
	(codes L1B, K1B, L4B)	1	5976 A1B	----	5977 A4B		
	(codes L1R, K1R, L4R)	1	5976 A1R	----	5977 A4R		
	(codes L1T, K1T, L4T)	1	5976 A1T	----	5977 A4T		
	UP TO Serial No. 107818 except, Trim Code L5R						
	UP TO Serial No. 134088						
	(code L5B)	1	6030 A5B				
	(code L5R)	1	6030 A5R				
	(code L5T)	1	6030 A5T				
	AFTER Serial No. 107818 except, Trim Code L5R						
	AFTER Serial No. 134088						
	(code L5B)	1	7754 A5B				
	(code L5R)	1	7754 A5R				
	(code L5T)	1	7754 A5T				
	(codes L2T, K2T)	1	7430 A2T				
	(codes L8T, K8T, T8T)	1	5985 A8T				
	P1-M, P2-M (2 D.)						
	UP TO Serial No. 107818 except, Trim Code M1R						
	UP TO Serial No. 134088						
	(code M1B)	1	5956-7 A1B				
	(code M1Q)	1	5956-7 A1Q				
	(code M1R)	1	5956-7 A1R				
	(code M1T)	1	5956-7 A1T				

★ Indicates use as required.

⊕ Indicates parts not listed in any previous parts book.  
April 1966, Supersedes May 1965.Printed in U.S.A.  
Prices and specifications subject to change without notice.  
Right and left part numbers are on same line,  
first number is right, second number is left.

\* Indicates change or addition.

CODE	REMARKS	PER CAR	SED.	4D H.T	STA. WGN.	2D H.T	CV. CP.	
23-108-16	COVER, Front Seat Back - Cont'd P1-M, P2-M (2 D.) AFTER Serial No. 107818 except, Trim Code M1R AFTER Serial No. 134088 (code M1B) (code M1Q) (code M1R) (code M1T) UP TO Serial No. 107818 except, Trim Codes M1R, M4R, M5R, UP TO Serial No. 134088	1 1 1 1	*7578-9 A1B 7752-3 A1Q 7752-3 A1R 7752-3 A1T					
	P1-M, P2-M (4 D.) (codes M1B, M4B) (codes M1Q, M4Q) (codes M1R, M4R) (codes M1T, M4T) (code M5B) (code M5R) (code M5T) AFTER Serial No. 107818 except, Trim Codes M1R, M4R, M5R AFTER Serial No. 134088 (codes M1B, M4B) (codes M1Q, M4Q) (codes M1R, M4R) (codes M1T, M4T) (code M5B) (code M5R) (code M5T)	1 1 1 1 1 1 1	5952 A1B 5952 A1Q *7746 A1R 5952 A1T 6030 A5B 6030 A5R 6030 A5T	---- ---- ---- ----		*7758 A4B *7758 A4Q *5964 A4R 5964 A4T		
	P1-H, P2-H (codes H1B, H4B, H2B) (codes H1Q, H4Q, H2Q) (codes H1R, H4R, H2R) (codes H1T, H4T, H2T) (codes H1Y, H4Y, H2Y) (code H5B) (code H5Q) (code H5R) (code H5X) (code H5Y)	1 1 1 1 1 1 1 1 1	7520 A1B 7520 A1Q 7520 A1R 7520 A1T 7520 A1Y 7525 A5B 7525 A5Q 7525 A5R 7525 A5X 7525 A5Y	7520 A1B 7520 A1Q 7520 A1R 7520 A1T 7520 A1Y 7525 A5B 7525 A5Q 7525 A5R 7525 A5X 7525 A5Y	7530 A4B 7530 A4Q 7530 A4R 7530 A4T 7530 A4Y ----	5912-3 A2B 5912-3 A2Q 5912-3 A2R 5912-3 A2T 5912-3 A2Y 5982-3 A5B 5982-3 A5Q 5982-3 A5R 5982-3 A5X 5982-3 A5Y	5982-3 A5B 5982-3 A5Q 5982-3 A5R 5982-3 A5X 5982-3 A5Y	
	P2-P (code P4B) (code P4Q) (code P4R) (code P4X) (code P4Y) (code P4U)	1 1 1 1 1 1	---- ---- ---- ---- ---- ----	---- ---- ---- ---- ---- ----	---- ---- ---- ---- ---- ----	7258 A4B 7258 A4Q 7258 A4R 7258 A4X 7258 A4Y 7258 A4U	7258 A4B 7258 A4Q 7258 A4R 7258 A4X 7258 A4Y 7258 A4U	
23-108-32	BACK, Back of Front Seat R2-P (code P4B) (code P4Q) (code P4R) (code P4X) (code P4Y) P2-P (code P4B) (code P4Q) (code P4R) (codes P4X, P4U) (code P4Y)	2 2 2 2 2 2 2 2 2 2	---- ---- ---- ---- ---- ---- ---- ---- ---- ----	---- ---- ---- ---- ---- ---- ---- ---- ---- ----	---- ---- ---- ---- ---- ---- ---- ---- ---- ----	6122 A4B 6122 A4Q 6122 A4R 6122 A4X 6122 A4Y 7259 A4B 7259 A4Q 7259 A4R 7259 A4X 7259 A4Y	6122 A4B 6122 A4Q 6122 A4R 6122 A4X 6122 A4Y	

★ Indicates use as required.  
 ☐ Indicates parts not listed in any previous parts book.  
 Right and left part numbers are on same line,  
 first number is right, second number is left.  
 \* Indicates change or addition.

## 1965 PASSENGER CAR PARTS CATALOG

INTERIOR TRIM

CODE	REMARKS	PER CAR	SED.	4D H.T	STA. WGN.	2D H.T	CV. CP.
23-108-57	NUT, Front Seat Cushion Bumper to Rear Rail Head R1-L, R2-L, P1-L, P2-L	4	2094 869				
23-108-84	COVER, Front Seat Back Side Hinge (paint as required)						
	R1, R2 Right	1	4338 VT6	----	----	4338 VT6	4338 VT6
	Left	1	4337 VX9	----	----	4337 VX9	4337 VX9
	P1, P2 (paint as required) (2D)	1	4440-1AT6				
	R2-P, P2-P (paint as required)	4	----	----	----	4390 VT6	4390 VT6
	Clip (attaching)	2	6008 221	----	----	6008 221	6008 221
23-108-98	SHIELD, Front Seat Side						
	R1-H, R2-H (back)	2	----	----	----	2494 106	2494 106
	R2-P (back)	2	----	----	----	2440 219	2440 219
	(cushion)	2	----	----	----	2440 340	2440 340
	P2-H, P2-P (back)	4	----	----	----	2440 219	2440 219
	(cushion)	2	----	----	----	2440 340	2440 340
	P1-H, P2-H (side shield comp.)						
	Right	1	2577 206	2577 206	2577 206		
	(manual) Left	1	2577 207	2577 207	2577 207		
	(power) Left	1	2577 209	2577 209	2577 209		
	(cushion) Right	1	----	----	----	2577 202	2577 202
	(manual) Left	1	----	----	----	2577 203	2577 203
	(power) Left	1	----	----	----	2577 205	2577 205
23-109-3	BACK, Rear Seat						
	R1-L, R2-L (2nd seat)						
	(codes L1B, L4B)	1	6548 A1B	----	6556 A4B		
	(codes L1R, L4R)	1	6548 A1R	----	6556 A4R		
	(codes L1T, L4T)	1	6548 A1T	----	6556 A4T		
	(code L5B)	1	6562 A4B				
	(code L5R)						
	UP TO Serial No. 57-154604	1	6562 A4R				
	AFTER Serial No. 57-154604	1	6562 A5R				
	(code L5T)	1	6562 A4T				
	(code L2T)	1	6566 A2T				
	(code L8T)	1	6568 A8T				
	R1-L, R2-L (w/heavy duty spring)						
	(codes L1B, K1B)	1	6549 A1B				
	(codes L1R, K1R)	1	6549 A1R				
	(codes L1T, K1T)	1	6549 A1T				
	(codes L2T, K2T)	1	6567 A2T				
	(codes L8T, K8T, T8T)	1	6569 A8T				
	R1-H, R2-H						
	(code H1B)	1	6554 A1B	----	----	6555 A1B	
	(code H1Q)	1	6554 A1Q	----	----	6555 A1Q	
	(code H1R)	1	6554 A1R	----	----	6555 A1R	
	(code H1T)	1	6554 A1T	----	----	6555 A1T	
	(code H1Y)	1	6554 A1Y	----	----	6555 A1Y	
	(code H4B)	1	6562 A4B	----	----	6559 A4B	6570 A4B
	(code H4Q)	1	6562 A4Q	----	----	6559 A4Q	6570 A4Q
	(code H4R)						
	UP TO Serial Nos. 57-154604 and 57-146588	1	6562 A4R	----	----	6559 A4R	6570 A4R
	AFTER Serial Nos. 57-154604 and 57-146588	1	6562 A5R	----	----	6559 A5R	6570 A5R
	(code H4X)	1	----	----	----	6559 A4X	6570 A4X
	(code H4Y)	1	6562 A4Y	----	----	6559 A4Y	6570 A4Y

★ Indicates use as required.

⊠ Indicates parts not listed in any previous parts book.  
April 1966, Supersedes May 1965.Printed in U.S.A.  
Prices and specifications subject to change without notice.  
Right and left part numbers are on same line  
first number is right, second number is left.

\* Indicates change or addition.

CODE	REMARKS	PER CAR	SED.	4D H.T	STA. WGN.	2D H.T	CV. CP.
23-109-3	BACK, Rear Seat - Cont'd						
	R1-H, R2-H (2nd. seat) (spring and cover)						
	(code H4B)	1	----	----	6558 A4B		
	(code H4Q)	1	----	----	6558 A4Q		
	(code H4R)						
	UP TO Serial No. 57-132009	1	----	----	6558 A4R		
	AFTER Serial No. 57-132009	1	----	----	6558 A5R		
	(code H4T)	1	----	----	6558 A4T		
	(code H4Y)	1	----	----	6558 A4Y		
	R1-H, R2-H (3rd. seat) (spring and cover)						
	(code H4B)	1	----	----	7018 A4B		
	(code H4Q)	1	----	----	7018 A4Q		
	(code H4R)						
	UP TO Serial No. 57-151401	1	----	----	7018 A4R		
	AFTER Serial No. 57-151401	1	----	----	7018 A5R		
	(code H4T)	1	----	----	7018 A4T		
	(code H4Y)	1	----	----	7018 A4Y		
	Screw w/Washer (attaching)	4	----	----	6025 292		
	R2-P						
	(code P4B)	1	----	----	----	6564 A4B	6565 A4B
	(code P4Q)	1	----	----	----	6564 A4Q	6565 A4Q
	(code P4R)	1	----	----	----	6564 A4R	6565 A4R
	(code P4X)	1	----	----	----	6564 A4X	6565 A4X
	(code P4Y)	1	----	----	----	6564 A4Y	6565 A4Y
	P1-L, P2-L						
	(code L1B)	1	6542 A1B				
	(code L1R)	1	6542 A1R				
	(code L1T)	1	6542 A1T				
	(code L5B)	1	*7755 A5B				
	(code L5R)	1	7755 A5R				
	(code L5T)	1	7755 A5T				
	(code L2T)	1	7451 A2T				
	(code L8T)	1	7414 A8T				
	P1-L, P2-L (w/heavy duty spring)						
	(codes L1B,K1B)	1	6543 A1B				
	(codes L1R,K1R)	1	6543 A1R				
	(codes L1T,K1T)	1	6543 A1T				
	(code L5B)	1	7777 A5B				
	(code L5R)	1	7777 A5R				
	(code L5T)	1	7777 A5T				
	(codes L2T,K2T)	1	7452 A2T				
	(codes L8T,K8T,T8T)	1	7415 A8T				
	P1-L, P2-L (2nd. seat) (spring and cover)						
	(codes L4B,K4B)	1	----	----	6576 A4B		
	(codes L4R,K4R)	1	----	----	6576 A4R		
	(codes L4T,K4T)	1	----	----	6576 A4T		
	P1-M, P2-M						
	(code M1B)	1	*7747 A1B				
	(code M1Q)	1	*7747 A1Q				
	(code M1R)	1	*7747 A1R				
	(code M1T)	1	*7747 A1T				
	(code M5B)	1	7755 A5B				
	(code M5R)	1	7755 A5R				
	(code M5T)	1	7755 A5T				
	(2nd. seat) (spring and cover)						
	(code M4B)	1	----	----	7760 A4B		
	(code M4Q)	1	----	----	7760 A4Q		
	(code M4R)	1	----	----	7760 A4R		
	(code M4T)	1	----	----	7760 A4T		

★ Indicates use as required.

⊠ Indicates parts not listed in any previous parts book.  
Right and left part numbers are on same line,  
first number is right, second number is left.

Printed in U.S.A.  
Prices and specifications subject to change without notice.  
April 1966, Supersedes May 1965.

## 1965 PASSENGER CAR PARTS CATALOG

INTERIOR TRIM

CODE	REMARKS	PER CAR	SED.	4D H.T.	STA. WGN.	2D H.T.	CV. CP.
23-109-3	BACK, Rear Seat - Cont'd P1-M, P2-M (3rd. seat) (spring and cover)						
	(code M4B)	1	----	----	7763 A4B		
	(code M4Q)	1	----	----	7763 A4Q		
	(code M4R)	1	----	----	7763 A4R		
	(code M4T)	1	----	----	7763 A4T		
	P1-M, P2-M (2nd. seat) (spring and cover)						
	(code M4B)	1	----	----	7760 A4B		
	(code M4Q)	1	----	----	7760 A4Q		
	(code M4R)	1	----	----	7760 A4R		
	(code M4T)	1	----	----	7760 A4T		
	(3rd. seat) (spring and cover)						
	(code M4B)	1	----	----	7763 A4B		
	(code M4Q)	1	----	----	7763 A4Q		
	(code M4R)	1	----	----	7763 A4R		
	(code M4T)	1	----	----	7763 A4T		
	P1-H, P2-H (3rd. seat)						
	(codes H1B, H4B)	1	6541 A1B	6541 A1B	7028 A4B		
	(codes H1Q, H4Q)	1	6541 A1Q	6541 A1Q	7028 A4Q		
	(codes H1R, H4R)	1	6541 A1R	6541 A1R	7028 A4R		
	(codes H1T, H4T)	1	6541 A1T	6541 A1T	7028 A4T		
	(codes H1Y, H4Y)	1	6541 A1Y	6541 A1Y	7028 A4Y		
	(code H5B)	1	6540 A5B	6540 A5B			
	(code H5Q)	1	6540 A5Q	6540 A5Q			
	(code H5R)	1	6540 A5R	6540 A5R			
	(code H5X)	1	6540 A5X	6540 A5X			
	(code H5Y)	1	6540 A5Y	6540 A5Y			
	P2-H (2nd. seat) (spring and cover)						
	(codes H4B, H5B)	1	----	----	6575 A4B	----	6553 A5B
	(codes H4Q, H5Q)	1	----	----	6575 A4Q	----	6553 A5Q
	(codes H4R, H5R)	1	----	----	6575 A4R	----	6553 A5R
	(code H4T)	1	----	----	6575 A4T	----	
	(code H4Y, H5Y)	1	----	----	6575 A4Y	----	6553 A5Y
	(code H5X)	1	----	----	----	----	6553 A5X
	P1-H, P2-H						
	(code H2B)	1	----	----	----	6573 A2B	
	(code H2Q)	1	----	----	----	6573 A2Q	
	(code H2R)	1	----	----	----	6573 A2R	
	(code H2T)	1	----	----	----	6573 A2T	
	(code H2Y)	1	----	----	----	6573 A2Y	
	(code H5B)	1	----	----	----	6574 A5B	
	(code H5Q)	1	----	----	----	6574 A5Q	
	(code H5R)	1	----	----	----	6574 A5R	
	(code H5X)	1	----	----	----	6574 A5X	
	(code H5Y)	1	----	----	----	6574 A5Y	
	P2-P						
	(code P4B)	1	----	----	----	6524 A4B	6608 A4B
	(code P4Q)	1	----	----	----	6524 A4Q	6608 A4Q
	(code P4R)	1	----	----	----	6524 A4R	6608 A4R
	(code P4U)	1	----	----	----	6524 A4U	6608 A4U
	(code P4X)	1	----	----	----	6524 A4X	6608 A4X
	(code P4Y)	1	----	----	----	6524 A4Y	6608 A4Y
	Screw and Washer (spring attaching)	2	6023 545	6023 545	----	6023 545	6023 545

★ Indicates use as required.

☐ Indicates parts not listed in any previous parts book.  
April 1966, Supersedes May 1965.Printed in U.S.A.  
Prices and specifications subject to change without notice.  
Right and left part numbers are on same line,  
first number is right, second number is left.

\* Indicates change or addition.



CODE	REMARKS	PER CAR	SED.	4D H.T.	STA. WGN.	2D H.T.	CV. CP.
23-109-4	COVER, Rear Seat Back (2nd. seat) R1-L, R2-L (codes L1B, K1B, L4B, K4B) (codes L1R, K1R, L4R, K4R) (codes L1T, K1T, L4T, K4T) (codes L2T, K2T) (codes L8T, K8T, T8T) (code L5B) (code L5R) UP TO Serial No. 57-154604 AFTER Serial No. 57-154604 (code L5T)	1 1 1 1 1 1 1 1 1 1	6750 A1B 6750 A1R 6750 A1T 6764 A2T 6765 A8T 6761 A4B 6761 A4R 6761 A5R 6761 A4T	---- ---- ---- ---- ---- ---- ---- ---- ---- ----	6755 A4B 6755 A4R 6755 A4T		
	R1-H, R2-H (2nd. seat) (code H1B) (code H1Q) (code H1R) (code H1T) (code H1Y) (code H4B) (code H4Q) (code H4R) UP TO Serial Nos. 57-154604, 57-132009, 57-146588 AFTER Serial Nos. 57-154604, 57-132009, 57-146588 (code H4T) (code H4Y) (code H4X)	1 1 1 1 1 1 1 1 1 1 1 1 1 1	6753 A1B 6753 A1Q 6753 A1R 6753 A1T 6753 A1Y 6761 A4B 6761 A4Q 6761 A4R 6761 A5R 6761 A4T 6761 A4Y ----	---- ---- ---- ---- ---- ---- ---- ---- ---- ---- ---- ---- ---- ----	---- ---- ---- ---- ---- 6757 A4B 6757 A4Q 6757 A4R 6757 A5R 6757 A4T 6757 A4Y ----	6754 A1B 6754 A1Q 6754 A1R 6754 A1T 6754 A1Y 6758 A4B 6758 A4Q 6758 A4R 6758 A5R 6758 A4Y 6758 A4X	6759 A4B 6759 A4Q 6759 A4R 6759 A5R 6759 A4Y 6759 A4X
	R1-H, R2-H (3rd. seat) (code H4B) (code H4Q) (code H4R) UP TO Serial No. 57-151401 AFTER Serial No. 57-151401 (code H4T) (code H4Y)	1 1 1 1 1 1 1	---- ---- ---- ---- ---- ---- ----	---- ---- ---- ---- ---- ---- ----	7019 A4B 7019 A4Q 7019 A4R 7019 A5R 7019 A4T 7019 A4Y		
	R2-P (code P4B) (code P4Q) (code P4R) (code P4X) (code P4Y)	1 1 1 1 1	---- ---- ---- ---- ----	---- ---- ---- ---- ----	---- ---- ---- ---- ----	6762 A4B 6762 A4Q 6762 A5R 6762 A4X 6762 A4Y	6763 A4B 6763 A4Q 6763 A5R 6763 A4X 6763 A4Y
	P1-L, P2-L (2nd. seat) (codes L1B, K1B, L4B, K4B) (codes L1R, K1R, L4R, K4R) (codes L1T, K1T, L4T, K4T) (codes L2T, K2T)	1 1 1 1	6713 A1B 6713 A1R 6713 A1T 7453 A2T	---- ---- ---- ----	6771 A4B 6771 A4R 6771 A4T		
	P1-L, P2-L (codes L8T, K8T, T8T) UP TO Serial No. 107818 except, Trim Code L5R UP TO Serial No. 134088 (code L5B) (code L5R) (code L5T) AFTER Serial No. 107818 except, Trim Code L5R AFTER Serial No. 134088 (code L5B) (code L5R) (code L5T)	1 1 1 1 1 1 1 1 1 1 1	7416 A8T 6714 A5B 6714 A5R 6714 A5T 7756 A5B 7756 A5R 7756 A5T				

★ Indicates use as required.  
 ☐ Indicates parts not listed in any previous parts book.  
 Right and left part numbers are on same line,  
 first number is right, second number is left.  
 \* Indicates change or addition.

Printed in U.S.A.  
 Prices and specifications subject to change without notice.  
 April 1966, Supersedes May 1965.

# 1965 PASSENGER CAR PARTS CATALOG

INTERIOR TRIM

CODE	REMARKS	PER CAR	SED.	4D H.T	STA. WGN.	2D H.T	CV. CP.
23-109-4	COVER, Rear Seat Back - Cont'd P1-M, P2-M (2nd. seat) UP TO Serial No. 107818 except, Trim Codes M1R, M4R, M5R UP TO Serial No. 134088 (codes M1B, M4B) (codes M1Q, M4Q) (codes M1R, M4R) (codes M1T, M4T) (code M5B) (code M5R) (code M5T) (3rd. seat) (code M4B) (code M4Q) (code M4R) (code M4T)						
		1	6751 A1B	----	6772 A4B		
		1	6751 A1Q	----	*7761 A4Q		
		1	6751 A1R	----	6772 A4R		
		1	6751 A1T	----	6772 A4T		
		1	6714 A5B				
		1	6714 A5R				
		1	6714 A5T				
		1	----	----	7764 A4B		
		1	----	----	7040 A4Q		
		1	----	----	7040 A4R		
		1	----	----	7040 A4T		
	P1-M, P2-M (2nd. seat) AFTER Serial No. 107818 except, Trim Codes M1R, M4R, M5R AFTER Serial No. 134088 (codes M1B, M4B) (codes M1Q, M4Q) (codes M1R, M4R) (codes M1T, M4T) (code M5B) (code M5R) (code M5T) (3rd. seat) (code M4B) (code M4Q) (code M4R) (code M4T)						
		1	7748 A1B	----	7761 A4B		
		1	7748 A1Q	----	7761 A4Q		
		1	7748 A1R	----	7761 A4R		
		1	7748 A1T	----	7761 A4T		
		1	7756 A5B				
		1	7756 A5R				
		1	7756 A5T				
		1	----	----	7764 A4B		
		1	----	----	7764 A4Q		
		1	----	----	7764 A4R		
		1	----	----	7764 A4T		
	P1-H, P2-H (2nd. seat) (codes H1B, H2B, H4B) (codes H1Q, H2Q, H4Q) (codes H1R, H2R, H4R) (codes H1T, H2T, H4T) (codes H1Y, H2Y, H4Y) (code H5B) (code H5Q) (code H5R) (code H5X) (code H5Y)						
		1	6712 A1B	6712 A1B	6770 A4B	6768 A2B	
		1	6712 A1Q	6712 A1Q	6770 A4Q	6768 A2Q	
		1	6712 A1R	6712 A1R	6770 A4R	6768 A2R	
		1	6712 A1T	6712 A1T	6770 A4T	6768 A2T	
		1	6712 A1Y	6712 A1Y	6770 A4Y	6768 A2Y	
		1	6711 A5B	6711 A5B	----	6769 A5B	6774 A5B
		1	6711 A5Q	6711 A5Q	----	6769 A5Q	6774 A5Q
		1	6711 A5R	6711 A5R	----	6769 A5R	6772 A5R
		1	6711 A5X	6711 A5X	----	6769 A5X	6774 A5X
		1	6711 A5Y	6711 A5Y	----	6769 A5Y	6774 A5Y
	P2-H (3rd. seat) (code H4B) (code H4Q) (code H4R) (code H4T) (code H4Y)						
		1	----	----	7029 A4B		
		1	----	----	7029 A4Q		
		1	----	----	7029 A4R		
		1	----	----	7029 A4T		
		1	----	----	7029 A4Y		
	P2-P (code P4B) (code P4Q) (code P4R) (code P4U) (code P4X) (code P4Y)						
		1	----	----	----	6737 A4B	6721 A4B
		1	----	----	----	6737 A4Q	6721 A4Q
		1	----	----	----	6737 A4R	6721 A4R
		1	----	----	----	6737 A4U	6721 A4U
		1	----	----	----	6737 A4X	6721 A4X
		1	----	----	----	6737 A4Y	6721 A4Y

★ Indicates use as required.

☐ Indicates parts not listed in any previous parts book.  
April 1966, Supersedes May 1965.

Printed in U.S.A.

Prices and specifications subject to change without notice.

Right and left part numbers are on same line,  
first number is right, second number is left.

\* Indicates change or addition.

CODE	REMARKS	PER CAR	SED.	4D H.T	STA. WGN.	2D H.T	CV. CP.
23-109-5	INSERT or COVER, Rear Seat Back Rear Panel R1, R2 (2nd. seat)						
	(codes L4B, K4B, H4B)	1	----	----	1804 AB8		
	(code H4Q)	1	----	----	1804 AQ8		
	(codes L4R, K4R, H4R)	1	----	----	1804 AR7		
	(codes L4T, K4T, H4T)	1	----	----	1804 AT8		
	(code H4Y)	1	----	----	1804 AY8		
	R1-H, R2-H (3rd. seat back panel)						
	(code H4B)	1	----	----	1805 AB8		
	(code H4Q)	1	----	----	1805 AQ8		
	(code H4R)	1	----	----	1805 AR7		
	(code H4T)	1	----	----	1805 AT8		
	(code H4Y)	1	----	----	1805 AY8		
	Screw (attaching)	4	----	----	6024 678		
	P1, P2 (2nd. seat back panel)						
	(codes L4B, K4B, M4B, H4B)	1	----	----	1816 AB8		
	(codes M4Q, H4Q)	1	----	----	1816 AQ8		
	(codes L4R, K4R, M4R, H4R)	1	----	----	1816 AR7		
	(codes L4T, K4T, M4T, H4T)	1	----	----	1816 AT8		
	(code H4Y)	1	----	----	1816 AY8		
	(2nd. seat back support panel insert) (5" wide)						
	(codes L4B, K4B, M4B, H4B)	1	----	----	1825 AB8		
	(codes M4Q, H4Q)	1	----	----	1825 AQ8		
	(codes L4R, K4R, M4R, H4R)	1	----	----	1825 AR7		
	(codes L4T, K4T, M4T, H4T)	1	----	----	1825 AT8		
	(code H4Y)	1	----	----	1825 AY8		
	(2nd. seat back support panel insert) (12 3/8" wide)						
	(codes L4B, K4B, M4B, H4B)	1	----	----	1821 AB8		
	(codes L4Q, H4Q)	1	----	----	1821 AQ8		
	(codes L4R, K4R, M4R, H4R)	1	----	----	1821 AR7		
	(codes L4T, K4T, M4T, H4T)	1	----	----	1821 AT8		
	(code H4Y)	1	----	----	1821 AY8		
	(3rd. seat back panel)						
	(codes M4B, H4B)	1	----	----	1815 AB8		
	(codes M4Q, H4Q)	1	----	----	1815 AQ8		
	(codes M4R, H4R)	1	----	----	1815 AR7		
	(codes M4T, H4T)	1	----	----	1815 AT8		
	(code H4Y)	1	----	----	1815 AY8		
	(3rd. seat back support panel insert)						
	(codes M4B, H4B)	1	----	----	1822 AB8		
	(codes M4Q, H4Q)	1	----	----	1822 AQ8		
	(codes M4R, H4R)	1	----	----	1822 AR7		
	(codes M4T, H4T)	1	----	----	1822 AT8		
	(code H4Y)	1	----	----	1822 AY8		
	Screw (attaching)	4	----	----	6024 678		
	R1-H, R2-H (3rd. seat back support panel)						
	(code H4B)	1	----	----	1806 AB8		
	(code H4Q)	1	----	----	1806 AQ8		
	(code H4R)	1	----	----	1806 AR7		
	(code H4T)	1	----	----	1806 AT8		
	(code H4Y)	1	----	----	1806 AY8		

★ Indicates use as required.  
 ☐ Indicates parts not listed in any previous parts book.  
 Right and left part numbers are on some line,  
 first number is right, second number is left.  
 \* Indicates change or addition.

Printed in U.S.A.  
 Prices and specifications subject to change without notice.  
 April 1966, Supersedes May 1965.

## 1965 PASSENGER CAR PARTS CATALOG

INTERIOR TRIM

CODE	REMARKS	PER CAR	SED.	4D H.T.	STA. WGN.	2D H.T.	CV. CP.
23-109-6	FOUNDATION, Back of Rear Back Upper (paint as required)						
	R1, R2 (paint as required)	1	----	----	----	----	4364 AX9
	P2 (back of rear seat back) (less radio speaker)	1	----	----	----	----	4472 AX9
		1	----	----	----	----	4473 AX9
23-109-10	FILLER and BRACKET, Rear Seat Back Cushion (paint as required)						
	P2-P	1	----	----	----	4462-3 AX9	
	Screw (attaching)	6	----	----	----	6023 776	
23-109-11	SHROUD, Rear Seat (paint as required)						
	P2-P	1	----	----	----	4491 AX9	
	Fastener (bracket to body)	4	----	----	----	6000 365	
23-109-12	EXTENSION, Rear Seat Shroud Side Filler						
	P2-P (paint as required)	1	----	----	----	4484-5 AX9	
	Screw and Washer	3	----	----	----	6025 583	
	Screw (filler Bracket to floor)	6	----	----	----	6023 776	
23-109-35	CUSHION, Rear Seat						
	R1, R2 (code L1B)	1	6251 A1B				
	(code L1R)	1	6251 A1R				
	(code L1T)	1	6251 A1T				
	(code L2T)	1	6280 A2T				
	(code L8T)	1	6284 A8T				
	R1, R2 (2nd. seat) (codes L1B, L4B)	1	6251 A1B	----	6265 A4B		
	(codes L1R, L4R)	1	6251 A1R	----	6265 A4R		
	(codes L1T, L4T)	1	6251 A1T	----	6265 A4T		
	R1, R2 (code H1B)	1	6261 A1B	----	----	6263 A1B	
	(code H1Q)	1	6261 A1Q	----	----	6263 A1Q	
	(code H1R)	1	6261 A1R	----	----	6263 A1R	
	(code H1T)	1	6261 A1T	----	----	6263 A1T	
	(code H1Y)	1	6261 A1Y	----	----	6263 A1Y	
	R1, R2 (2nd. seat) (codes L4B, L5B, H4B)	1	6274 A4B	----	6268 A4B	6269 A4B	6271 A4B
	(code H4Q)	1	6274 A4Q	----	6268 A4Q	6269 A4Q	6271 A4Q
	(code L4R)	1	----	----	6268 A5R		
	(codes L5R, H4R) UP TO Serial Nos. 57-154604, 57-132009, 57-146588	1	6274 A4R	----	6268 A4R	6269 A4R	6271 A4R
	AFTER Serial Nos. 57-154604, 57-132009, 57-146588	1	6274 A4R	----	6268 A5R	6269 A5R	6271 A5R
	(codes L4T, L5T, H4T)	1	6274 A4T	----	6268 A4T		
	(code H4Y)	1	6274 A4Y	----	6268 A4Y	6269 A4Y	6271 A4Y
	(code H4X)	1	----	----	----	6269 A4X	6271 A4X
	R1-H, R2-H (3rd. seat) (code H4B)	1	----	----	7016 A4B		
	(code H4Q)	1	----	----	7016 A4Q		
	(code H4R)	1	----	----	7016 A4R		
	(code H4T)	1	----	----	7016 A4T		
	(code H4Y)	1	----	----	7016 A4Y		

★ Indicates use as required.

☐ Indicates parts not listed in any previous parts book.  
April 1966, Supersedes May 1965.

Printed in U.S.A.

Prices and specifications subject to change without notice.

Right and left part numbers are on same line,  
first number is right, second number is left.

\* Indicates change or addition.

CODE	REMARKS	PER CAR	SED.	4D H.T	STA WGN	2D H.T	CV. CP.
23-109-35	CUSHION, Rear Seat - Cont'd R2-P						
	(code P4B)	1	----	----	----	6278 A4B	6279 A4B
	(code P4Q)	1	----	----	----	6278 A4Q	6279 A4Q
	(code P4R)						
	UP TO Serial No. 57-151401	1	----	----	----	6278 A4R	6279 A4R
	AFTER Serial No. 57-151401	1	----	----	----	6278 A5R	6279 A5R
	(code P4X)	1	----	----	----	6278 A4X	6279 A4X
	(code P4Y)	1	----	----	----	6278 A4Y	6279 A4Y
	R1, R2 (w/heavy duty spring)						
	(codes L1B, K1B)	1	6253 A1B				
	(codes L1R, K1R)	1	6253 A1R				
	(codes L1T, K1T)	1	6253 A1T				
	(codes L2T, K2T)	1	6282 A2T				
	(codes L8T, K8T, T8T)	1	6286 A8T				
	P1, P2 (2nd. seat)						
	(codes L1B, K1B, L4B, K4B)	1	6219 A1B	----	6337 A4B		
	(codes L1R, K1R, L4R, K4R)	1	6219 A1R	----	6337 A4R		
	(codes L1T, K1T, L4T, K4T)	1	6219 A1T	----	6337 A4T		
	P1, P2						
	(codes L5B, M5B)	1	6390 A5B				
	(codes L5R, M5R)	1	6390 A5R				
	(codes L5T, M5T)	1	6390 A5T				
	P1, P2 (2nd. seat) (4 D.)						
	(codes M1B, M4B)	1	6256 A1B	----	6273 A4B		
	(codes M1Q, M4Q)	1	6256 A1Q	----	6273 A4Q		
	(codes M1R, M4R)	1	6256 A1R	----	6273 A4R		
	(codes M1T, M4T)	1	6256 A1T	----	6273 A4T		
	(2 D)						
	(code M1B)	1	*7421 A1B				
	(code M1Q)	1	*7421 A1Q				
	(code M1R)	1	*7421 A1R				
	(code M1T)	1	*7421 A1T				
	P1, P2 (3rd. seat)						
	(code M4B)	1	----	----	7030 A4B		
	(code M4Q)	1	----	----	7030 A4Q		
	(code M4R)	1	----	----	7030 A4R		
	(code M4T)	1	----	----	7030 A4T		
	P1, P2 (2nd. seat)						
	(codes H1B, H4B)	1	6222 A1B	6222 A1B	6339 A4B		
	(codes H1Q, H4Q)	1	6222 A1Q	6222 A1Q	6339 A4Q		
	(codes H1R, H4R)	1	6222 A1R	6222 A1R	6339 A4R		
	(codes H1T, H4T)	1	6222 A1T	6222 A1T	6339 A4T		
	(codes H1Y, H4Y)	1	6222 A1Y	6222 A1Y	6339 A4Y		
	P2-H (3rd. seat)						
	(code H4B)	1	----	----	7026 A4B		
	(code H4Q)	1	----	----	7026 A4Q		
	(code H4R)	1	----	----	7026 A4R		
	(code H4T)	1	----	----	7026 A4T		
	(code H4Y)	1	----	----	7026 A4Y		
	P1, P2						
	(code H5B)	1	6241 A5B	6241 A5B	----	6343 A5B	6259 A5B
	(code H5Q)	1	6241 A5Q	6241 A5Q	----	6343 A5Q	6259 A5Q
	(code H5R)	1	6241 A5R	6241 A5R	----	6343 A5R	6259 A5R
	(code H5X)	1	6241 A5X	6241 A5X	----	6343 A5X	6259 A5X
	(code H5Y)	1	6241 A5Y	6241 A5Y	----	6343 A5Y	6259 A5Y
	(code H2B)	1	----	----	----	6345 A2B	
	(code H2Q)	1	----	----	----	6345 A2Q	

★ Indicates use as required.

☐ Indicates parts not listed in any previous parts book.

Right and left part numbers are on same line, first number is right, second number is left.

\* Indicates change or addition.

Prices and specifications subject to change without notice.  
 April 1966, Supersedes May 1965.

Printed in U.S.A.

## 1965 PASSENGER CAR PARTS CATALOG

INTERIOR TRIM

CODE	REMARKS	PER CAR	SED.	4D H.T.	STA. WGN.	2D H.T.	CV. CP.
23-109-35	CUSHION, Rear Seat - Cont'd						
	P-1, P-2						
	(code H2R)	1	----	----	----	6345 A2R	
	(code H2T)	1	----	----	----	6345 A2T	
	(code H2Y)	1	----	----	----	6345 A2Y	
	P2-P						
	(code P4B)	1	----	----	----	6260 A4B	6326 A4B
	(code P4Q)	1	----	----	----	6260 A4Q	6326 A4Q
	(code P4R)	1	----	----	----	6260 A4R	6326 A4R
	(code P4U)	1	----	----	----	6260 A4U	6326 A4U
	(code P4X)	1	----	----	----	6260 A4X	6326 A4X
	(code P4Y)	1	----	----	----	6260 A4Y	6326 A4Y
	P1, P2 (w/heavy duty spring)						
	(codes L1B, K1B)	1	6220 A1B				
	(codes L1R, K1R)	1	6220 A1R				
	(codes L1T, K1T)	1	6220 A1T				
	(code L5B)	1	6392 A5B				
	(code L5R)	1	6392 A5R				
	(code L5T)	1	6392 A5T				
23-109-36	COVER, Rear Cushion						
	R1-L, R2-L (2nd. seat)						
	(codes L1B, K1B, L4B, K4B)	1	6422 A1B	----	6426 A4B		
	(codes L1R, K1R, L4R, K4R)	1	6422 A1R	----	6426 A4R		
	(codes L1T, K1T, L4T, K4T)	1	6422 A1T	----	6426 A4T		
	(codes L2T, K2T)	1	6436 A2T				
	(codes L8T, K8T, T8T)	1	6437 A8T				
	(code L5B)	1	6433 A4B				
	(code L5R)						
	UP TO Serial No. 57-154604	1	6433 A4R				
	AFTER Serial No. 57-154604	1	6433 A5R				
	(code L5T)	1	6433 A4T				
	R1-H, R2-H						
	(code H1B)	1	6425 A1B	----	----	6428 A1B	
	(code H1Q)	1	6425 A1Q	----	----	6428 A1Q	
	(code H1R)	1	6425 A1R	----	----	6428 A1R	
	(code H1T)	1	6425 A1T	----	----	6428 A1T	
	(code H1Y)	1	6425 A1Y	----	----	6428 A1Y	
	R1-H, R2-H (2nd. seat)						
	(code H4B)	1	6433 A4B	----	6429 A4B	6430 A4B	6431 A4B
	(code H4Q)	1	6433 A4Q	----	6429 A4Q	6430 A4Q	6431 A4Q
	(code H4R)						
	UP TO Serial Nos. 57-154604, 57-132009, 57-146588	1	6433 A4R	----	6429 A4R	6430 A4R	6431 A4R
	AFTER Serial Nos. 57-154604, 57-132009, 57-146588	1	6433 A5R	----	6429 A5R	6430 A5R	6431 A5R
	(code H4T)	1	6433 A4T	----	6429 A4T		
	(code H4Y)	1	6433 A4Y	----	6429 A4Y	6430 A4Y	6431 A4Y
	(code H4X)	1	----	----	----	6430 A4X	6431 A4X
	R1-H, R2-H (3rd. seat)						
	(code H4B)	1	----	----	7017 A4B		
	(code H4Q)	1	----	----	7017 A4Q		
	(code H4R)						
	UP TO Serial No. 57-151401	1	----	----	7017 A4R		
	AFTER Serial No. 57-151401	1	----	----	7017 A5R		
	(code H4T)	1	----	----	7017 A4T		
	(code H4Y)	1	----	----	7017 A4Y		

★ Indicates use as required.

☐ Indicates parts not listed in any previous parts book.  
April 1966, Supersedes May 1965.

Printed in U.S.A.

Prices and specifications subject to change without notice.

Right and left part numbers are on same line,  
first number is right, second number is left.

\* Indicates change or addition.

CODE	REMARKS	PER CAR	SED.	4D H.T	STA. WGN.	2D H.T	CV. CP.
23-109-36	COVER, Rear Cushion - Cont'd R2-P						
	(code P4B)	1	----	----	----	6434 A4B	6435 A4B
	(code P4Q)	1	----	----	----	6434 A4Q	6435 A4Q
	(code P4R)	1	----	----	----	6434 A5R	6435 A5R
	(code P4X)	1	----	----	----	6434 A4X	6435 A4X
	(code P4Y)	1	----	----	----	6434 A4Y	6435 A4Y
	P1-L, P2-L (2 D.)						
	(codes L1B,K1B)	1	7400 A1B				
	(codes L1R,K1R)	1	7400 A1R				
	(codes L1T,K1T)	1	7400 A1T				
	(codes L2T,K2T)	1	7450 A2T				
	(codes L8T,K8T)	1	7405 A8T				
	P1-L, P2-L (4 D.)						
	(code L5B)	1	6421 A5B				
	(code L5R)	1	6421 A5R				
	(code L5T)	1	6421 A5T				
	(codes L1B,K1B)	1	6409 A1B				
	(codes L1R,K1R)	1	6409 A1R				
	(codes L1T,K1T)	1	6409 A1T				
	(codes L8T,K8T,T8T)	1	7408 A8T				
	(codes L2T,K2T)	1	7441 A2T				
	P1-L, P2-L (2nd. seat)						
	(codes L4B,K4B)	1	----	----	7032 A4B		
	(codes L4R,K4R)	1	----	----	7032 A4R		
	(codes L4T,K4T)	1	----	----	7032 A4T		
	P1-M, P2-M (2 D.)						
	(code M1B)	1	7420 A1B				
	(code M1Q)	1	7420 A1Q				
	(code M1R)	1	7420 A1R				
	(code M1T)	1	7420 A1T				
	P1-M, P2-M (4 D.) (2nd. seat)						
	(codes M1B,M4B)	1	6423 A1B	----	6432 A4B		
	(codes M1Q,M4Q)	1	6423 A1Q	----	6432 A4Q		
	(codes M1R,M4R)	1	6423 A1R	----	6432 A4R		
	(codes M1T,M4T)	1	6423 A1T	----	6432 A4T		
	P1-M, P2-M (3rd. seat)						
	(code M4B)	1	----	----	7031 A4B		
	(code M4Q)	1	----	----	7031 A4Q		
	(code M4R)	1	----	----	7031 A4R		
	(code M4T)	1	----	----	7031 A4T		
	P1-M, P2-M						
	(code M5B)	1	6421 A5B				
	(code M5R)	1	6421 A5R				
	(code M5T)	1	6421 A5T				
	P1-H, P2-H (2nd. seat)						
	(codes H1B,H4B,H2B)	1	6411 A1B	6411 A1B	7034 A4B	6499 A2B	
	(codes H1Q,H4Q,H2Q)	1	6411 A1Q	6411 A1Q	7034 A4Q	6499 A2Q	
	(codes H1R,H4R,H2R)	1	6411 A1R	6411 A1R	7034 A4R	6499 A2R	
	(codes H1T,H4T,H2T)	1	6411 A1T	6411 A1T	7034 A4T	6499 A2T	
	(codes H1Y,H4Y,H2Y)	1	6411 A1Y	6411 A1Y	7034 A4Y	6499 A2Y	
	P1-H, P2-H (3rd. seat)						
	(code H4B)	1	----	----	7027 A4B		
	(code H4Q)	1	----	----	7027 A4Q		
	(code H4R)	1	----	----	7027 A4R		
	(code H4T)	1	----	----	7027 A4T		
	(code H4Y)	1	----	----	7027 A4Y		

★ Indicates use as required.

☐ Indicates parts not listed in any previous parts book.

Right and left part numbers are on same line, first number is right, second number is left.

● Indicates change or addition.

Printed in U.S.A.  
Prices and specifications subject to change without notice.  
April 1966, Supersedes May 1965.

## 1965 PASSENGER CAR PARTS CATALOG

INTERIOR TRIM

CODE	REMARKS	PER CAR	SED.	4D H.T	STA. WGN.	2D H.T	CV. CP.
23-109-36	COVER, Rear Cushion - Cont'd P1-H, P2-H						
	(code H5B)	1	6410 A5B	6410 A5B	----	6498 A5B	6424 A5B
	(code H5Q)	1	6410 A5Q	6410 A5Q	----	6498 A5Q	6424 A5Q
	(code H5R)	1	6410 A5R	6410 A5R	----	6498 A5R	6424 A5R
	(code H5X)	1	6410 A5X	6410 A5X	----	6498 A5X	6424 A5X
	(code H5Y)	1	6410 A5Y	6410 A5Y	----	6498 A5Y	6424 A5Y
	P2-P						
	(code P4B)	1	----	----	----	6438 A4B	6457 A4B
	(code P4Q)	1	----	----	----	6438 A4Q	6457 A4Q
	(code P4R)	1	----	----	----	6438 A4R	6457 A4R
	(code P4X)	1	----	----	----	6438 A4X	6457 A4X
	(code P4Y)	1	----	----	----	6438 A4Y	6457 A4Y
	(code P4U)	1	----	----	----	6438 A4U	6457 A4U
23-109-38	RETAINER, Rear Floor Pan Third Seat Cushion R1-H, R2-H, P2						
	Front	2	----	----	2577 071		
	Rear	2	----	----	2482 956		
23-109-47	BAFFLE, Rear Seat Cushion Spring Bottom P2-P						
		2	----	----		*2577 426	
23-111-37	STRIP, Folding Top Tacking R1, R2 (Nos. 1 and 2)						
	(Rear Bow Center)	4	----	----	----	----	2424 591
	(Rear Bow End)	1	----	----	----	----	2424 607
		2	----	----	----	----	2481 374
	P1, P2 (Nos. 1 and 2)	2	----	----	----	----	2528 254
	(No. 3)	1	----	----	----	----	2603 557
	(Rear Bow)	1	----	----	----	----	2424 607
	(Center)	1	----	----	----	----	2528 264
23-112-12	BOOT, Folding Top Dust R1, R2						
	(codes H4B, P4B)	1	----	----	----	----	1915 AB4
	(codes H4Q, P4Q)	1	----	----	----	----	1915 AQ4
	(codes H4Y, P4Y)	1	----	----	----	----	1915 AY3
	(code H4R)	1	----	----	----	----	*1915 VR6
	Socket (to belt moulding)	8	----	----	----	----	141 998
	Cap Fastener	8	----	----	----	----	6000 434
	(code P4R)	1	----	----	----	----	*1915 AR6
	(codes H4T, P4T)	1	----	----	----	----	1915 VT6
	(code P4X)	1	----	----	----	----	1915 VX9
	Stud Fastener (to quarter panel)	4	----	----	----	----	6000 432
	Eyelet	2	----	----	----	----	141 991
	P2-H, P2-P						
	(code H5B)	1	----	----	----	----	1939 AB4
	(code P4B)	1	----	----	----	----	1939 AB8
	(code H5Q)	1	----	----	----	----	1939 AQ4
	(code P4Q)	1	----	----	----	----	1939 AQ8
	(codes H5R, P4R)	1	----	----	----	----	1939 AR7
	(codes H5X, P4X, P4U)	1	----	----	----	----	1939 AX9
	(codes H5Y, P4Y)	1	----	----	----	----	1939 AY3
	Fastener (to pocket panel)	4	----	----	----	----	6000 432
23-112-18	RETAINER, Rear Seat Back Dust Boot R1, R2						
		1	----	----	----	----	2577 276
	P2	1	----	----	----	----	2577 277

★ Indicates use as required.

☐ Indicates parts not listed in any previous parts book.  
April 1966, Supersedes May 1965.Prices and specifications subject to change without notice.  
Right and left part numbers are on same line,  
first number is right, second number is left.

\* Indicates change or addition.



CODE	REMARKS	PER CAR	SED.	4D H.T	STA. WGN.	2D H.T	CV. CP.
23-112-21	EYELET, Folding Top Dust Boot to Belt Moulding R1, R2, P1, P2 Fastener and Plate	23					2581 193
		23					2572 131
23-112-45	CURTAIN, Folding Top Rear R1, R2  P2  (backlite) R1, R2  P1, P2						
		(blue)	1				1925 AB1
		(white)	1				1925 VW1
		(black)	1				1925 TX9
		(blue)	1				1910 AB1
		(white)	1				1910 AW1
		(black)	1				1910 AX9
		(blue)	1				1926 AB1
		(white)	1				1926 VW1
		(black)	1				1926 TX9
		(blue)	1				1911 AB1
		(white)	1				1911 AW1
(black)	1				1911 AX9		
23-112-46	ZIPPER, Folding Top Rear Curtain Full R1, R2  P2	(white)	1				*1923 VW2
		(black)	1				1923 TX8
		(white)	1				1913 AW2
		(black)	1				1913 AX8
23-112-50	TAPE, Folding Top Side Cover to Rear Curtain R1, R2, P2   (rear curtain to top closure)	(black)	1				1933 TX8
		(white)	1				1933 VW2
		(black)	1				1934 TX8
		(white)	1				1934 VW2
23-112-70	RETAINER, Folding Top to Belt Bar R2  Side (quarter belt bar trim) Screw Side Center Corner		1				*2421 944-5
			2				2252 610
			2				6023 381
			1				2482 436-7
			1				2482 438
			1				2526 966-7
23-112-75	TIP, 5/8" Wire-on Binding End R1, R2, P1, P2 Screw (attaching)		1				1158 976-7
			2				6024 438
23-112-88	CABLE, Folding Top to Rear Bow Tension R1, R2  P2  Clip (adj. nut) Nut (adjusting)	(black)	2				1970 VX8
		(white)	2				1970 VW2
		(black)	2				1979 AX8
			2				6025 729
			2				6025 727

★ Indicates use as required.  
 ☐ Indicates parts not listed in any previous parts book.  
 Right and left part numbers are on same line,  
 first number is right, second number is left.  
 \* Indicates change or addition.

## 1965 PASSENGER CAR PARTS CATALOG

INTERIOR TRIM

CODE	REMARKS	PER CAR	SED.	4D H.T	STA. WGN.	2D H.T	CV. CP.
23-112-88	CABLE, Folding Top to Rear Bow Tension - Cont'd (side cover)						
	R1, R2	2	----	----	----	----	2525 852
	P1, P2 (w/bracket)	1	----	----	----	----	2589 026-7
	Bolt (attaching)	2	----	----	----	----	6022 169
	Nut	2	----	----	----	----	6025 727
23-112-108	DECK and SIDE QUARTER, Folding Top						
	R1-H, R2-H, R2-P						
	(blue)	1	----	----	----	----	1937 AB1
	(white)	1	----	----	----	----	1937 VW1
	(black)	1	----	----	----	----	1937 VX9
	P2-H, P2-P						
	(blue)	1	----	----	----	----	1905 AB1
	(white)	1	----	----	----	----	1905 AW1
	(black)	1	----	----	----	----	1905 AX9
23-112-112	PAD, Folding Top Side Quarter Stay						
	R1, R2						
	(white)	1	----	----	----	----	1952-3 VW1
	(black)	1	----	----	----	----	1952-3 VX9
	P2-H, P2-P						
	(white)	1	----	----	----	----	1906-7 AW1
	(black)	1	----	----	----	----	1906-7 AX9
	Screw (to header)	7	----	----	----	----	6023 247
23-112-153	COVER or PANEL, Folding Top Pocket Panel						
	R1, R2 (well cover)						
	(codes H4B, P4B)	1	----	----	----	----	1942 AB4
	(codes H4Q, P4Q)	1	----	----	----	----	1942 AQ4
	(codes H4Y, P4Y)	1	----	----	----	----	1942 AY3
	Screw	2	----	----	----	----	6023 381
	Cap Fastener	2	----	----	----	----	6000 434
	P2 (well cover)						
	(code H5B)	1	----	----	----	----	1944 AB4
	(code P4B)	1	----	----	----	----	1944 AB8
	(code H5Q)	1	----	----	----	----	1944 AQ4
	(code P4Q)	1	----	----	----	----	1944 AQ8
	(codes H4R, P4R)	1	----	----	----	----	1944 AR7
	(codes H5X, P4X, P4U)	1	----	----	----	----	1944 AX9
	(codes H5Y, P4Y)	1	----	----	----	----	1944 AY3
	Cap Fastener	2	----	----	----	----	6000 434
	(pocket panel) (paint as required)						
	R1-H, R2-H, R2-P	1	----	----	----	----	2084-5 AT6
	P2-H, P2-P	1	----	----	----	----	2000-1 AT8
23-112-160	PAD, Folding Top Pocket Panel Arm Rest						
	R1-H, R2-H						
	(code H4B)	1	----	----	----	----	1202-3 AB4
	(code H4Q)	1	----	----	----	----	1202-3 AQ4
	(code H4R)	1	----	----	----	----	1202-3 VR6
	(code H4Y)	1	----	----	----	----	1202 AY3
	(codes H4X, P4X)	1	----	----	----	----	1202-3 VX9
	R2-P						
	(code P4B)	1	----	----	----	----	1202-3 AB4
	(code P4Q)	1	----	----	----	----	1202-3 AQ4
	(code P4R)	1	----	----	----	----	1202-3 AR5
	(code P4Y)	1	----	----	----	----	1202-3 AY3

★ Indicates use as required.

□ Indicates parts not listed in any previous parts book.  
April 1966, Supersedes May 1965.

Printed in U.S.A.

Prices and specifications subject to change without notice.  
Right and left part numbers are on same line  
first number is right, second number is left.

\* Indicates change or addition.

CODE	REMARKS	PER CAR	SED.	4D H.T	STA. WGN.	2D H.T	CV. CP.
23-112-60	PAD, Folding Top Pocket Panel Arm Rest - Cont'd P2-H						
	(code H5B)	1	----	----	----	----	1244-5 AB4
	(code H5Q)	1	----	----	----	----	1244-5 AQ8
	(code H5R)	1	----	----	----	----	1244-5 AR7
	(code H5X)	1	----	----	----	----	1244-5 AX9
	(code H5Y)	1	----	----	----	----	1244-5 AY3
	P2-P						
	(code P4B)	1	----	----	----	----	1244-5 AB8
	(code P4Q)	1	----	----	----	----	1244-5 AQ8
	(code P4R)	1	----	----	----	----	1244-5 AR7
(codes P4U, P4X)	1	----	----	----	----	1244-5 AX9	
(code P4Y)	1	----	----	----	----	1244-5 AY3	
23-113-2	WEATHERCORD, Door and Quarter Window P1, P2 (sold by the inch)						
	(codes L1B, L5B, K1B, K4B, M1B, M4B, M5B, H1B, H4B, H5B, P4B)	★	1536 AB4	1536 AB4	1536 AB4	1536 AB4	1536 AB4
	(codes M1Q, H1Q, H4Q, H5Q, P4Q)	★	1536 AQ4	1536 AQ4	1536 AQ4	1536 AQ4	1536 AQ4
	(codes L1R, L5R, K1R, K4R, M1R, M4R, M5R, H1R, H4R, H5R, P4R)	★	1536 AR5	1536 AR5	1536 AR5	1536 AR5	1536 AR5
	(codes L1T, L2T, K1T, K2T, L8T, K8T, T8T, L5T, M1T, M5T, H1T, H4T)	★	1536 AT6	1536 AT6	1536 AT6	1536 AT6	1536 AT6
	(codes H5X, P4X, P4U)	★	1536 AX8	1536 AX8	1536 AX8	1536 AX8	1536 AX8
	(codes H1Y, H4Y, H5Y)	★	1536 AY3	1536 AY3	1536 AY3	1536 AY3	1536 AY3
23-113-31	RETAINER, Weathercord P1, P2						
	(door)	★	2572 133	2572 133	2572 133	2572 133	2572 133
	(center pillar-upper)	★	----	----	2581 726-7		
23-113-45	WEATHERCORD, Quarter Window Opening R1, R2 (2 D.)						
	(codes L1B, K1B)	2	1515 AB4				
	(codes L1R, K1R)	2	1515 TR6				
	(codes L1T, K1T, L2T, K2T, L8T, K8T)	2	1515 VT6				
23-113-52	STRIP, Instrument Panel to Windshield Glass P1, P2						
	(codes L1B, K1B, L5B, L4B, K4B, M1B, M4B, M5B, H1B, H2B, H4B, H5B, P4B)	1	3710 AB8	3710 AB8	3710 AB8	3710 AB8	3710 AB8
	(codes M1Q, M4Q, H1Q, H2Q, H4Q, H5Q, P4Q)	1	3710 AQ8	3710 AQ8	3710 AQ8	3710 AQ8	3710 AQ8
	(codes L1R, K1R, L5R, L4R, K4R, M1R, M4R, M5R, H1R, H2R, H4R, H5R, P4R)	1	3710 AR9	3710 AR9	3710 AR9	3710 AR9	3710 AR9
	(codes L1T, K1T, L2T, K2T, L8T, K8T, T8T, L5T, L4T, K4T, M1T, M4T, M5T, H1T, H2T, H4T)	1	3710 AT8	3710 AT8	3710 AT8	3710 AT8	
	(codes H5X, P4X, P4U)	1	3710 AX9	3710 AX9	----	3710 AX9	3710 AX9
	(codes H1Y, H2Y, H4Y, H5Y, P4Y)	1	3710 AY8	3710 AY8	3710 AY8	3710 AY8	3710 AY8

● Indicates use as required.

☐ Indicates parts not listed in any previous parts book.  
Right and left part numbers are on same line,  
first number is right, second number is left.

\* Indicates change or addition.

Printed in U.S.A.  
Prices and specifications subject to change without notice.  
April 1966, Supersedes May 1965.

## 1965 PASSENGER CAR PARTS CATALOG

INTERIOR TRIM

CODE	REMARKS	PER CAR	SED.	4D H.T	STA. WGN.	2D H.T	CV. CP.
23-113-56	WEATHERCORD, Folding Top Header R1, R2  (black)	1	----	----	----	----	1946 VX9
23-113-58	RETAINER, Instrument Panel to Windshield Glass Finish Strip P1, P2	1	2571 683	2571 683	2571 683	2571 683	2571 683
23-113-84	WELT, Folding Top Header R1, R2  (black) (white)	1 1	----	----	----	----	1959 VX8 1959 VW2
	R1, R2, P1, P2 (dust boot filler channel)	★	----	----	----	----	2572 166
23-114-2	NOTE: For Specific Reference to Body Cloth see Illustrated Section.						
23-114-10	BINDING, Wire-on (5/8") R1, R2  (blue) (white) (black)	1 1 1	----	----	----	----	1903 VB1 1903 VW1 *1903 TX8
23-114-15	NOTE: For Specific Reference to Vinyl Material see Illustrated Section.						
23-115-4	PUSH NUT, Front Seat Back to Cushion R1, R2, P2 RETAINER, 3rd Seat Hinge Support R1, R2, P2	4 2	----	----	2410 102 2410 102	----	2410 102
23-115-6	CLIP, Tailgate Opening Pillar Cover Upper Retaining P1, P2 PIN, Front Seat Back Frame to Cushion Frame Mounting R1, R2, P2 CLIP, Front Seat Outer Hinge Arm Cover R1, R2	6 4 2	----	----	2581 395 ----	2410 054 *2494 114	2410 054 *2494 114
23-115-8	CLIP, Wheelhouse Cover P1, P2 (belt bar to spare tire cover)	13 2	----	----	2572 142 2581 718	----	----

## NOTES

★ Indicates use as required.  
 ☐ Indicates parts not listed in any previous parts book.  
 April 1966, Supersedes May 1965.

Printed in U.S.A.  
 Prices and specifications subject to change without notice.  
 Right and left part numbers are on same line,  
 first number is right, second number is left.  
 \* Indicates change or addition.

# 1965 VALIANT

## INTERIOR TRIM

### HOW TO USE INTERIOR TRIM ILLUSTRATIONS

The illustrations in this section are actual and each body style showing the Interior Trim is included.

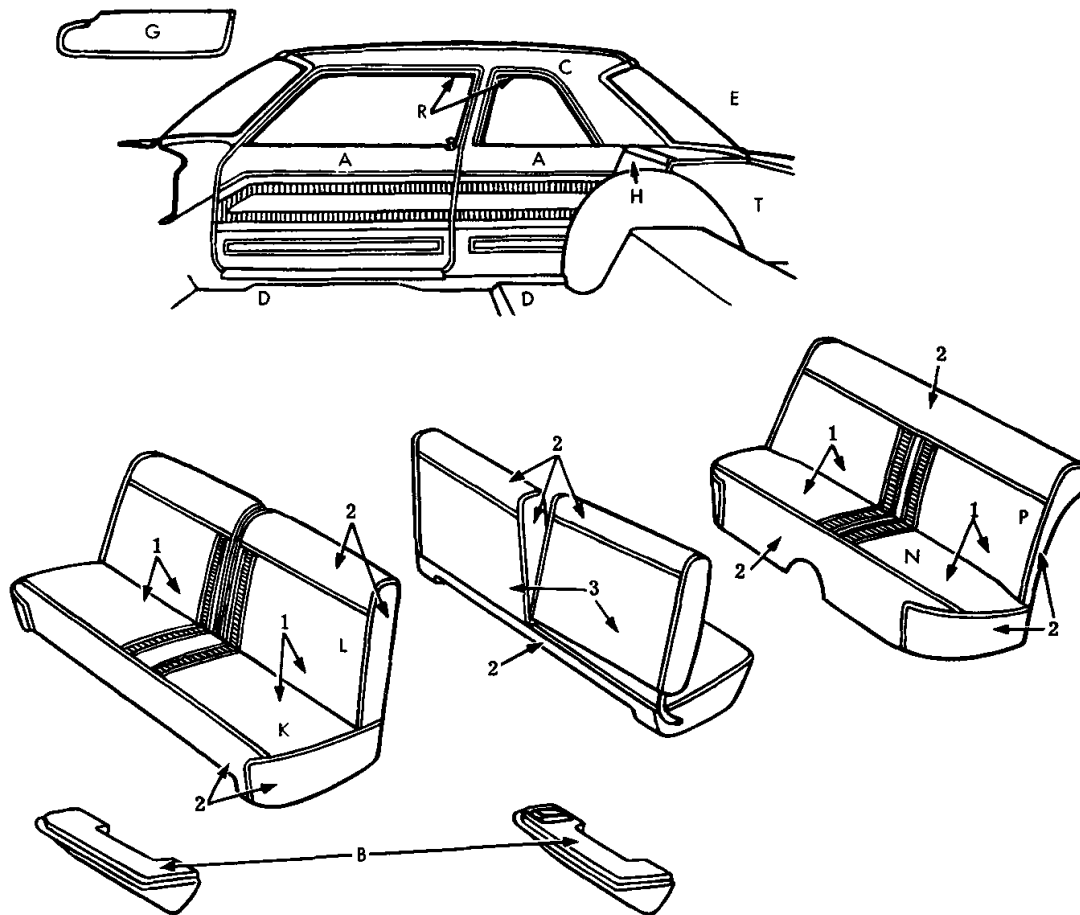
The letters shown on the illustration indicate the description of the part and the part type code when referred to the legend which appears preceding the listing of the parts. The letters are consistent throughout the illustrations as "A" is always a Door Trim Panel, Code 23-92-5.

The numbers on the illustration indicate the distribution of material and type of material used. The numbers may vary with each illustration. The legend appears on the illustration.

Appearing throughout this section are part numbers containing both letters and numbers. These are good serviceable part numbers. The combination of letters and numbers merely indicates the parts are keyed to the interior color of the vehicles on which they are used.

For complete information on "How to Order" Trim Parts, see Master Parts Price List.

V  
A  
L  
I  
A  
N  
T

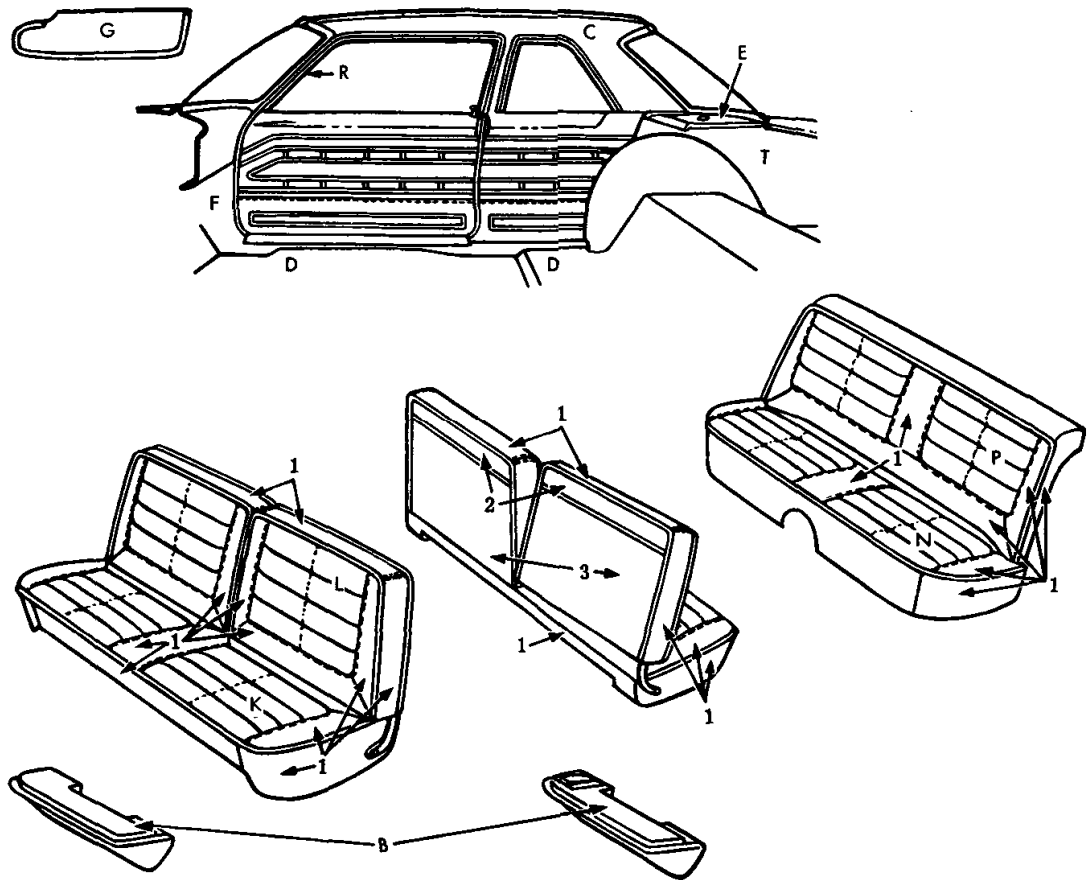


19T0109

PART NUMBERS AND COLORS							
ITEM	TYPE OF MATERIAL	PART TYPE CODE	MAT'L WIDTH	BLUE	RED	TAN	
1	Vinyl 32 oz.	23-114-15	54"	0491 ABB	0491 ARR	0491 ATT	
2	Vinyl 30 oz.	23-114-15	54"	0405 AB4	*0441 VR6	0405 VT6	
3	Vinyl 37 oz.	23-114-15	58"	0417 AB4	0417 VR6	0417 VT6	

Distribution Drawing Legend Page Appears Following Illustration Section

1965 VALIANT AV1-L, AV2-L 2 DOOR SEDAN  
VINYL TRIM  
CODES L4B, L4R, L4T



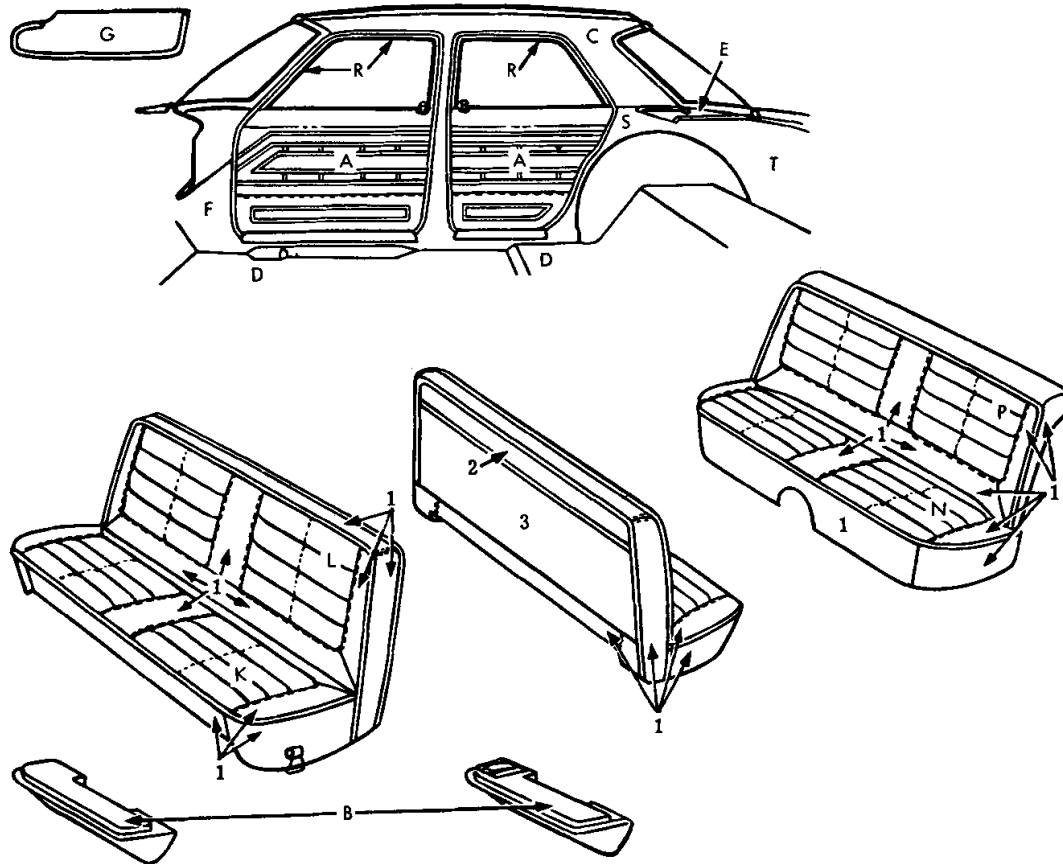
19T0112

PART NUMBERS AND COLORS							
ITEM	TYPE OF MATERIAL	PART TYPE CODE	MAT'L WIDTH	BLUE	TURQUOISE	RED	TAN
1	Vinyl 32 oz.	23-114-15	54"	0405 AB4	0405 AQ4	*0441 VR6	0405 VT6
2	Vinyl 37 oz.	23-114-15	58"	0417 AB4	0417 AQ4	0417 VR6	0417 VT6
3	Vinyl 37 oz.	23-114-15	58"	0489 ABB	0489 AQQ	0489 ARR	0489 ATT

Distribution Drawing Legend Page Appears Following Illustration Section

1965 VALIANT AV1-H, AV2-H 2 DOOR SEDAN  
CLOTH AND VINYL TRIM  
CODES H1B, H1Q, H1R, H1T

★ Indicates use as required.  
 ☐ Indicates parts not listed in any previous parts book.  
 \* Indicates change or addition.



19T0113

PART NUMBERS AND COLORS

ITEM	TYPE OF MATERIAL	PART TYPE CODE	MAT'L WIDTH	BLUE	TURQUOISE	RED	TAN
1	Vinyl 32 oz.	23-114-15	54"	0405 AB4	0405 AQ4	*0441 VR6	0405 VT6
2	Vinyl 37 oz.	23-114-15	58"	0417 AB4	0417 AQ4	0417 VR6	0417 VT6
3	Vinyl 37 oz.	23-114-15	58"	0489 ABB	0489 AQQ	E0489 ARR	0489 ATT

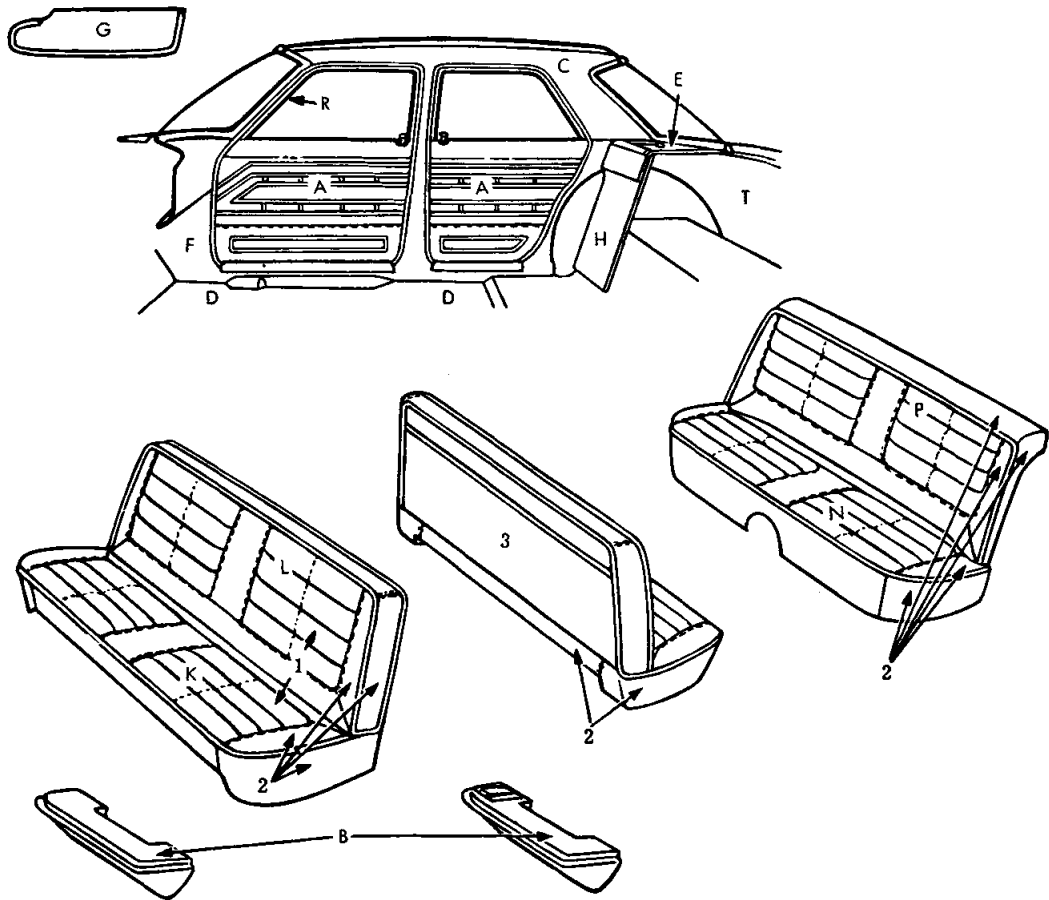
Distribution Drawing Legend Page Appears Following Illustration Section

1965 VALIANT AV1-H, AV2-H 4 DOOR SEDAN  
CLOTH AND VINYL TRIM  
CODES H1B, H1Q, H1R, H1T

★ Indicates use as required.

⊠ Indicates parts not listed in any previous parts book.  
May 1965, Supersedes Sept. 4, 1964.





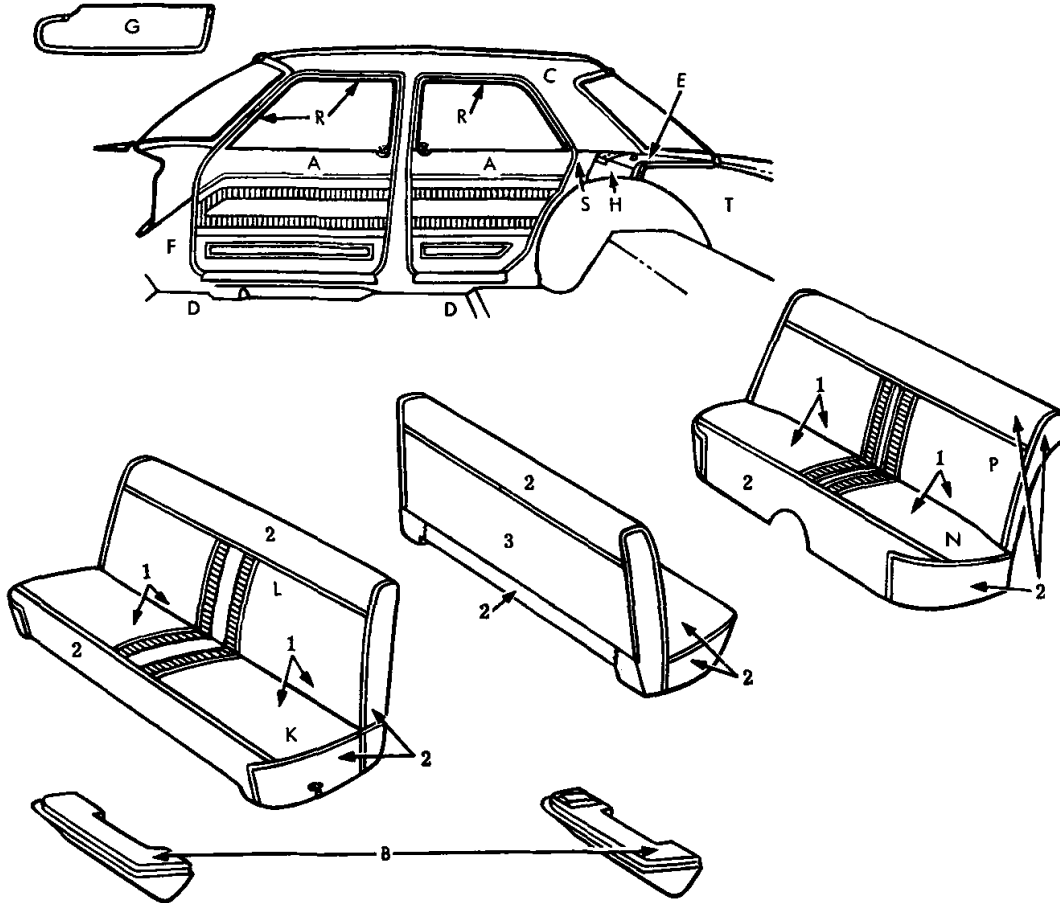
19T0116A

PART NUMBERS AND COLORS							
ITEM	TYPE OF MATERIAL	PART TYPE CODE	MAT'L WIDTH	BLUE	TURQUOISE	RED	TAN
1	Vinyl 35.5 oz.	23-114-15	54"	0441 AB8	0441 AQ8	0441 AR5	*0441 VT6
2	Vinyl 32 oz.	23-114-15	54"	0405 AB4	0405 AQ4	*0441 VR6	0405 VT6
3	Vinyl 37 oz.	23-114-15	54"	0417 AB4	0417 AQ4	0417 VR6	0417 VT6

Distribution Drawing Legend Page Appears Following Illustration Section

1965 VALIANT AV1-H, AV2-H 4 DOOR SEDAN  
 VINYL TRIM  
 CODES H4B, H4Q, H4R, H4T

★ Indicates use as required.  
 ☐ Indicates parts not listed in any previous parts book.  
 • Indicates change or addition.



19T0110

PART NUMBERS AND COLORS

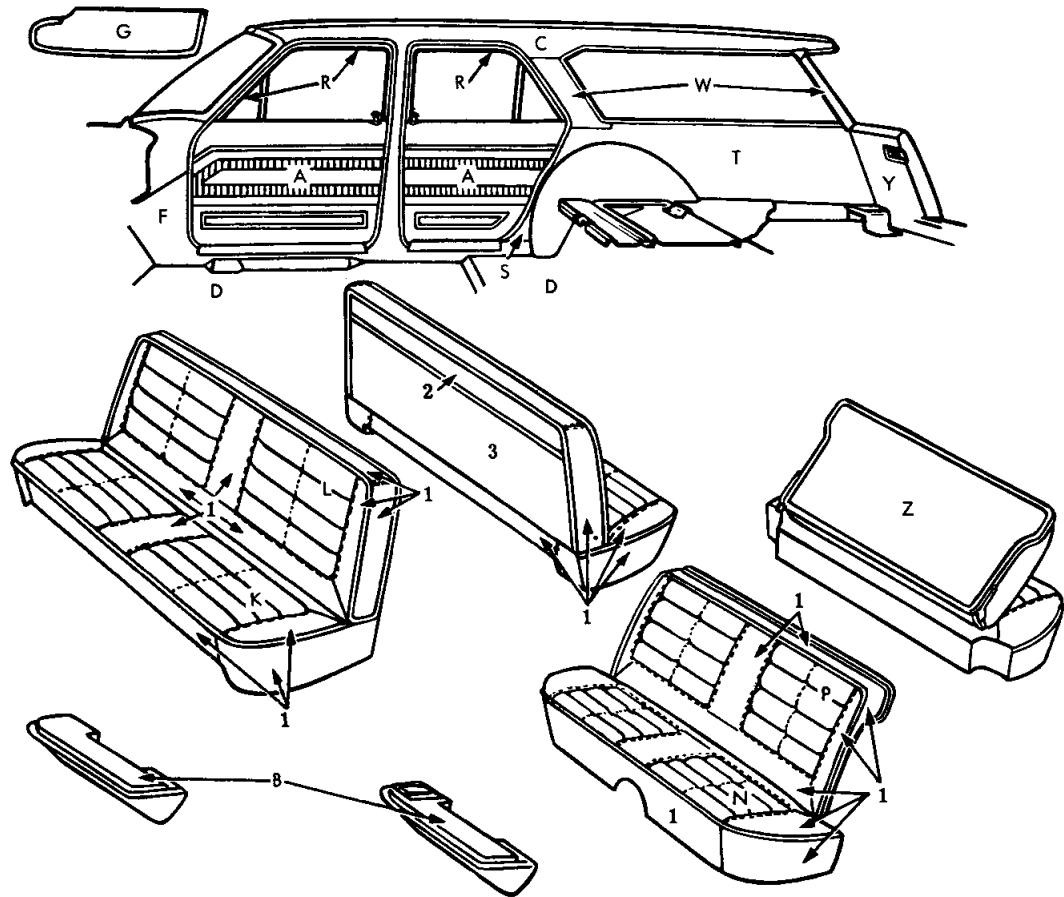
ITEM	TYPE OF MATERIAL	PART TYPE CODE	MAT'L WIDTH	BLUE	RED	TAN	
1	Vinyl 32 oz.	23-114-15	54"	0491 ABB	0491 ARR	0491 ATT	
2	Vinyl 30 oz.	23-114-15	54"	0405 AB4	*0441 VR6	0405 VT6	
3	Vinyl 37 oz.	23-114-15	58"	0417 AB4	0417 VR6	0417 VT6	

Distribution Drawing Legend Page Appears Following Illustration Section

1965 VALIANT AV1-L, AV2-L 4 DOOR SEDAN  
VINYL TRIM  
CODES L4B, L4R, L4T

★ Indicates use as required.

⊠ Indicates parts not listed in any previous parts book.  
May 1965, Supersedes Sept. 4, 1964.



19T0114

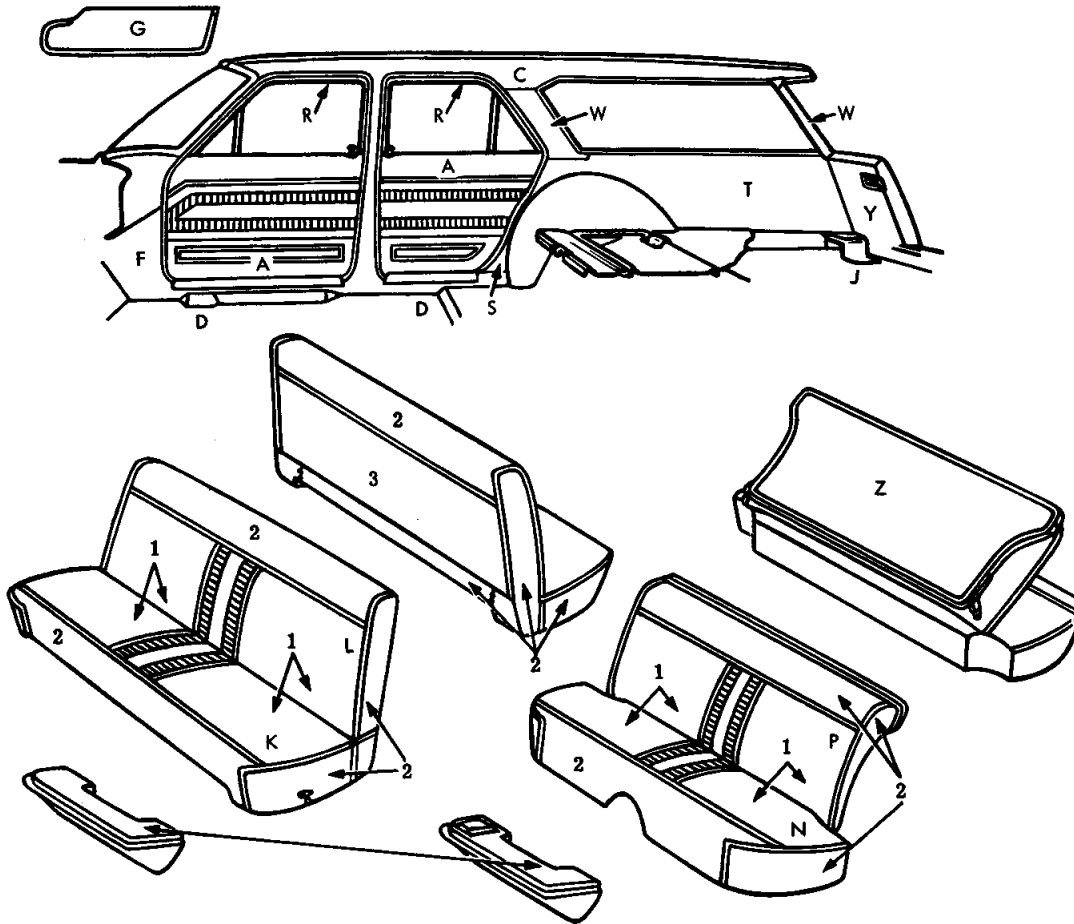
PART NUMBERS AND COLORS

ITEM	TYPE OF MATERIAL	PART TYPE CODE	MAT'L WIDTH	BLUE	TURQUOISE	RED	TAN
1	Vinyl 32 oz.	23-114-15	54"	0405 AB4	0405 AQ4	*0441 VR6	0405 VT6
2	Vinyl 37 oz.	23-114-15	58"	0417 AB4	0417 AQ4	0417 VR6	0417 VT6
3	Vinyl 37 oz.	23-114-15	58"	0489 ABB	0489 AQQ	0489 ARR	0489 ATT

Distribution Drawing Legend Page Appears Following Illustration Section

1965 VALLANT AV1-H, AV2-H STATION WAGON  
CLOTH AND VINYL TRIM  
CODES H1B, H1Q, H1R, H1T

★ Indicates use as required.  
 □ Indicates parts not listed in any previous parts book.  
 ● Indicates change or addition.



19T0111

PART NUMBERS AND COLORS

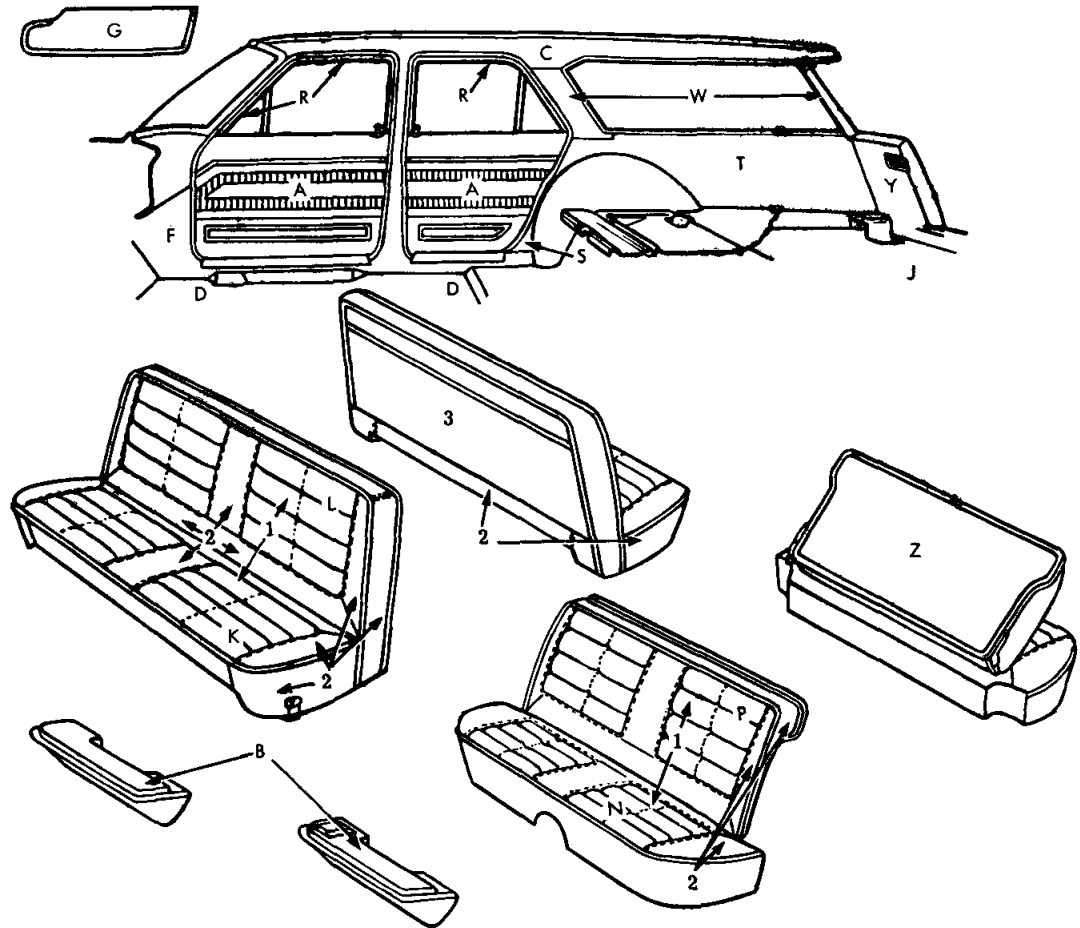
ITEM	TYPE OF MATERIAL	PART TYPE CODE	MAT'L WIDTH	BLUE	RED	TAN
1	Vinyl 32 oz.	23-114-15	54"	0491 ABB	0491 ARR	0491 ATT
2	Vinyl 30 oz.	23-114-15	54"	0405 AB4	*0441 VR6	0405 VT6
3	Vinyl 37 oz.	23-114-15	58"	0417 AB4	0417 VR6	0417 VT6

Distribution Drawing Legend Page Appears Following Illustration Section

1965 VALIANT AV1-L, AV2-L STATION WAGON  
VINYL TRIM  
CODES L4B, L4R, L4T

★ Indicates use as required.

ⓑ Indicates parts not listed in any previous parts book.  
May 1965, Supersedes Sept. 4, 1964.



19T0117 A

PART NUMBERS AND COLORS

ITEM	TYPE OF MATERIAL	PART TYPE CODE	MAT'L WIDTH	BLUE	TURQUOISE	RED	TAN
1	Vinyl 35.5 oz.	23-114-15	54"	0441 AB8	0441 AQ8	0441 AR5	*0441 VT6
2	Vinyl 32 oz.	23-114-15	54"	0405 AB4	0405 AQ4	*0441 VR6	0405 VT6
3	Vinyl 37 oz.	23-114-15	54"	0417 AB4	0417 AQ4	0417 VR6	0417 VT6

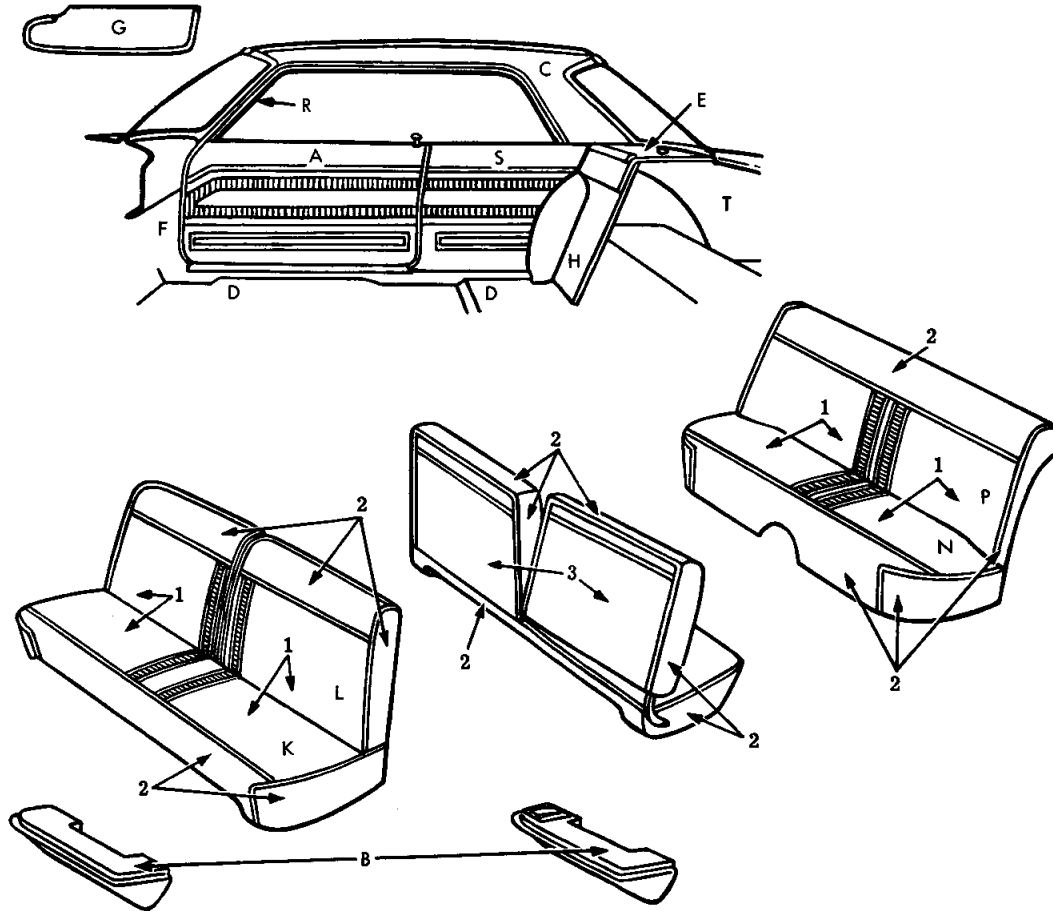
Distribution Drawing Legend Page Appears Following Illustration Section

1965 VALIANT AV1-H, AV2-H STATION WAGON  
VINYL TRIM  
CODES H4B, H4Q, H4R, H4T

★ Indicates use as required.

☐ Indicates parts not listed in any previous parts book.

● Indicates change or addition.



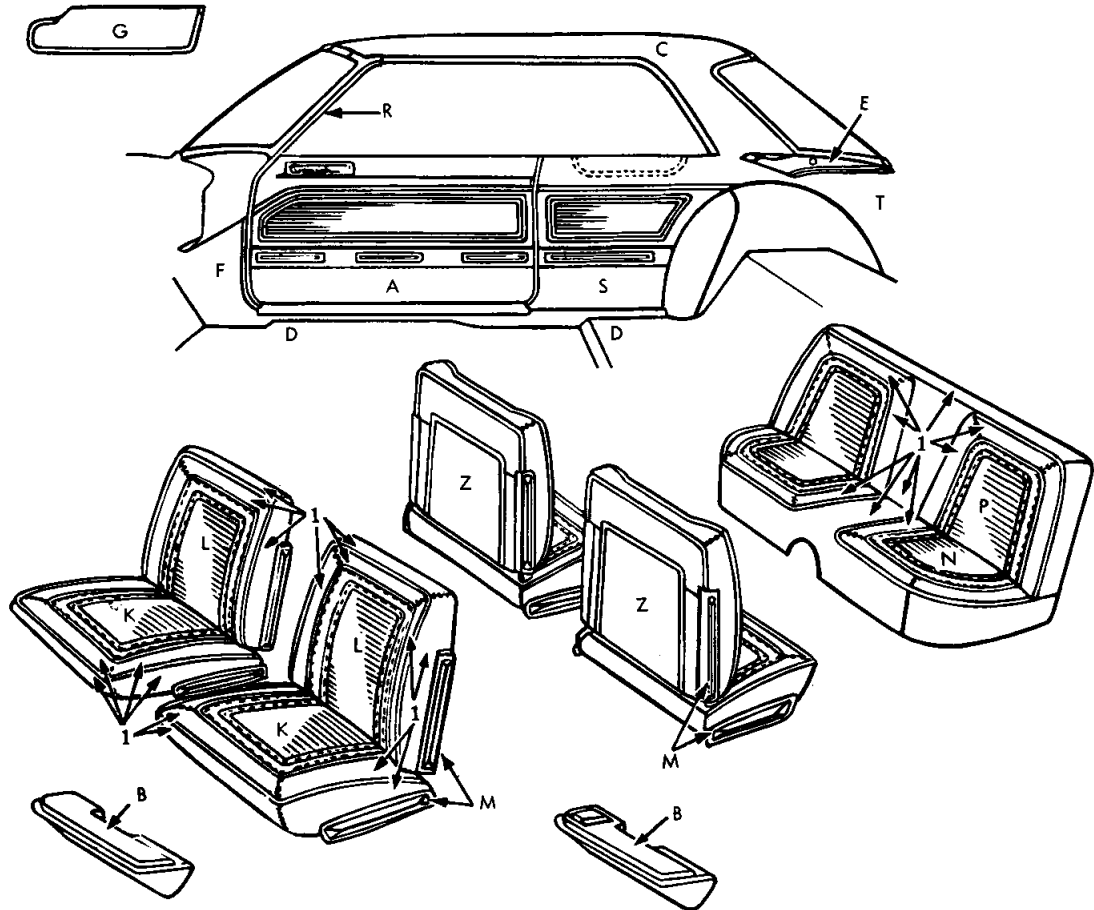
19T0108

PART NUMBERS AND COLORS

ITEM	TYPE OF MATERIAL	PART TYPE CODE	MAT'L WIDTH	BLUE	RED	TAN	
1	Vinyl 32 oz.	23-114-15	54"	0491 ABB	0491 ARR	0491 ATT	
2	Vinyl 32 oz.	23-114-15	54"	0405 AB4	*0441 VR6	0405 VT6	
3	Vinyl 37 oz.	23-114-15	58"	0417 AB4	0417 VB6	0417 VT6	

Distribution Drawing Legend Page Appears Following Illustration Section

1965 VALIANT AV1-L 2 DOOR HARD TOP  
VINYL TRIM  
CODES L4B, L4R, L4T



19T0118

PART NUMBERS AND COLORS

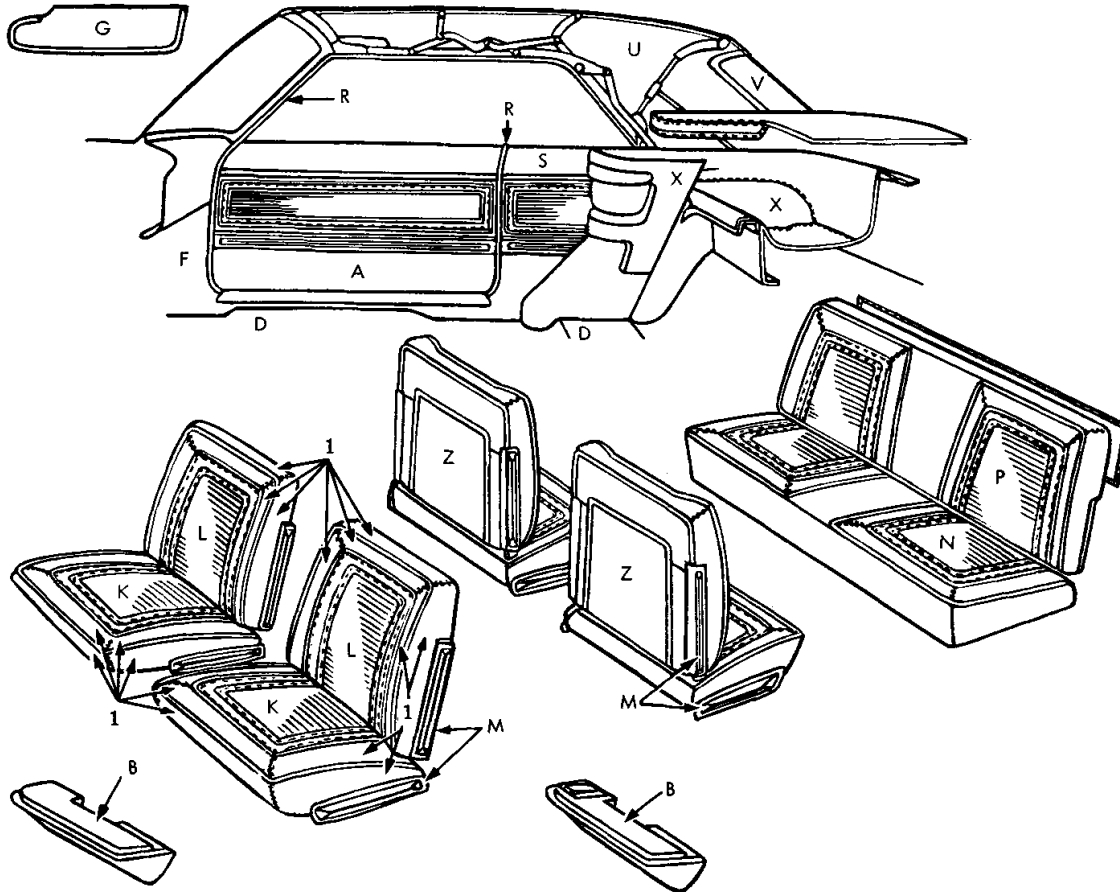
ITEM	TYPE OF MATERIAL	PART TYPE CODE	MAT'L WIDTH	BLUE	RED	BLACK	GOLD
1	Vinyl 35.5 oz.	23-114-15	54"	B0441 AB4	0441 VR6	0441 VX9	B0441 AY3

Distribution Drawing Legend Page Appears Following Illustration Section

1965 VALIANT AV1-P, AV2-P 2 DOOR HARD TOP  
VINYL TRIM  
CODES P4B, P4R, P4X, P4Y

★ Indicates use as required.

☐ Indicates parts not listed in any previous parts book.



19T0119

PART NUMBERS AND COLORS

ITEM	TYPE OF MATERIAL	PART TYPE CODE	MAT'L WIDTH	BLUE	RED	BLACK	GOLD
1	Vinyl 35.5 oz.	23-114-15	54"	E0441 AB4	0441 VR6	0441 VX9	E0441 AY3

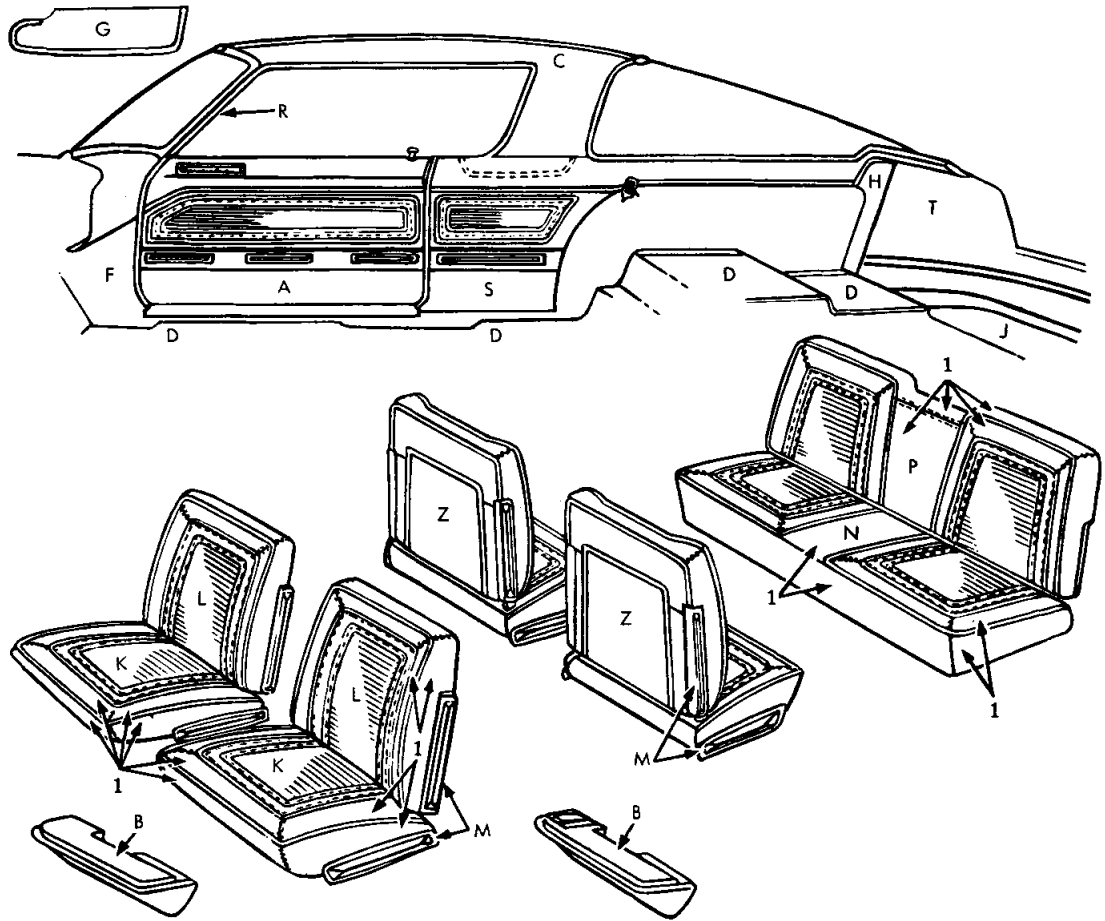
Distribution Drawing Legend Page Appears Following Illustration Section

1965 VALIANT AV1-P, AV2-P CONVERTIBLE  
 VINYL TRIM  
 CODES P4B, P4R, P4X P4Y

★ Indicates use as required.

☐ Indicates parts not listed in any previous parts book.  
 September 4, 1964.





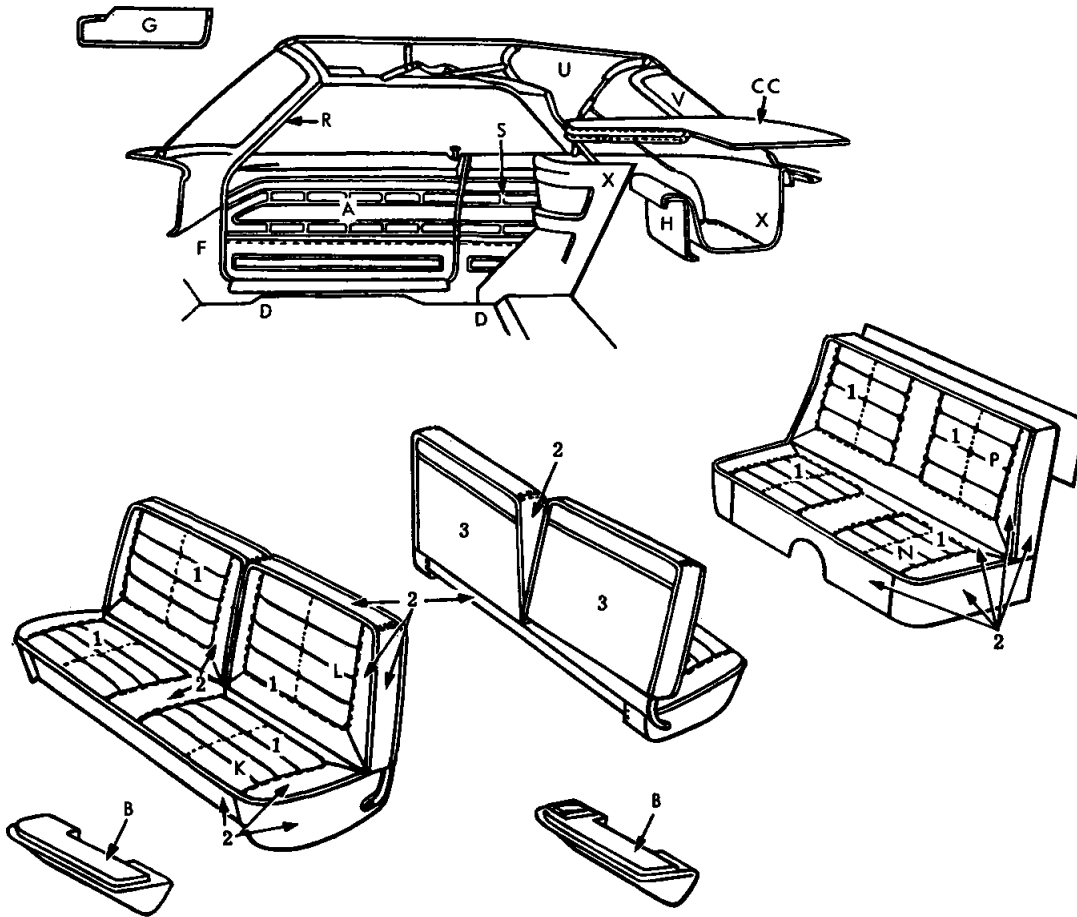
19T0120

PART NUMBERS AND COLORS							
ITEM	TYPE OF MATERIAL	PART TYPE CODE	MAT'L WIDTH	BLUE	RED	BLACK	GOLD
1	Vinyl 35.5 oz.	23-114-15	54"	E0441 AB4	0441 VR6	0441 VX9	E0441 AY3

Distribution Drawing Legend Page Appears Following Illustration Section

1965 VALIANT AV1-P, AV2-P 2 DOOR HARD TOP  
VINYL TRIM  
CODES P4B, P4R, P4X, P4Y

★ Indicates use as required.  
☐ Indicates parts not listed in any previous parts book.



19T0115A

PART NUMBERS AND COLORS

ITEM	TYPE OF MATERIAL	PART TYPE CODE	MAT'L WIDTH	BLUE	TURQUOISE	RED	TAN
1	Vinyl 35.5 oz.	23-114-15	54"	0441 AB8	0441 AQ8	0441 AR5	0441 AT8
2	Vinyl 32 oz.	23-114-15	54"	0405 AB4	0405 AQ4	*0441 VR6	0405 VT6
3	Vinyl 37 oz.	23-114-15	54"	0417 AB4	0417 AQ4	0417 VR6	0417 VT6

Distribution Drawing Legend Page Appears Following Illustration Section

1965 VALIANT AV1-H, AV2-H CONVERTIBLE  
VINYL TRIM  
CODES H4B, H4Q, H4R, H4T

★ Indicates use as required.  
 ☐ Indicates parts not listed in any previous parts book.  
 May 1965, Supersedes Sept. 4, 1964.

## 1965 VALIANT - A SERIES

## Distribution Drawing Legend

See Illustration For Letter Identification

Letter	Description	Code
A	Panel, Door Trim	23-92-5
B	Arm Rest, Front Door Pad and Plate	23-76-11
	Base	23-76-9
	Arm Rest, Rear Door Pad and Plate	23-76-63
	Base	23-76-9
	Arm Rest, Rear Quarter	23-76-66
	Pad and Plate	23-76-76
	Base	23-76-9
C	Headlining	23-86-3
D	Floor Cover, Front, Carpet	23-79-3
	Rear, Carpet	23-79-33
E	Panel, Shelf Trim	23-102-3
F	Panel, Cowl Trim	23-91-6
G	Panel, Visor	23-103-3
H	Panel, Luggage Compartment, Front	23-96-3
J	Carpet, Luggage Compartment Floor	23-79-64
K	Cover, Front Seat Cushion	23-108-5
L	Cover, Front Seat Back	23-108-16
M	Shield, Front Seat Side or Back	23-108-98
N	Cover, Rear Seat Cushion	23-109-36
P	Cover, Rear Seat Back	23-109-4
Q	Insert, Rear Seat Cushion Bottom Panel	23-109-40
R	Weathercord, Door	23-113-2
	Hinge Pillar	23-113-25
	Lock Pillar	23-113-30
S	Panel, Quarter Trim	23-101-3
T	Panel or Cover, Luggage Compt. Side	
	Lining	23-96-8
U	Top Deck and Side Quarter	23-112-108
V	Curtain, Folding Top Back	23-112-45
W	Cover, Center Pillar	23-99-4
	Cover, Rear Upper Pillar	23-99-38
X	Well Cover, Pocket Panel, Pocket	
	Panel Cover, Folding Top	23-112-153

BODY CODE

COLUMN LEGEND

AV1-L, AV2-L (V100)

V-11 (21)	2 D. Sedan
V-13 (41)	4 D. Sedan
V-56 (45)	Station Wagon (6 Pass.)

AV1-H, AV2-H (V200)

V-31 (21)	2 D. Sedan
V-33 (41)	4 D. Sedan
V-35 (27)	Convertible
V-76 (45)	Station Wagon (6 Pass.)

AV1-P, AV2-P (Signet 200)

V-42 (23)	2 D. Hard Top
V-45 (27)	Convertible
V-49 (29)	2 D. Special Hard Top

CONVERTIBLE TOP COLOR LEGEND

1 Blue

2 White

0 Black

STARTING SERIAL NUMBERS

		Detroit Built	St. Louis Built	Los Angeles Built
AV1-L (V100)		1152-100001	1157-100001	1155-100001
AV2-L (V100)		V152-100001	V157-100001	V155-100001
AV1-L (V100 Station Wagon)		1552-100001	1557-100001	1555-100001
AV2-L (V100 Station Wagon)		V552-100001	V557-100001	V555-100001
AV1-H (V200)		1352-100001	1357-100001	1355-100001
AV2-H (V200)		V352-100001	V357-100001	V355-100001
AV1-H (V200 Station Wagon)		1752-100001	1757-100001	1755-100001
AV2-H (V200 Station Wagon)		V752-100001	V757-100001	V755-100001
AV1-P (Signet 200)		1452-100001	1457-100001	1455-100001
AV2-P (Signet 200)		V452-100001	V457-100001	V455-100001

TRIM CODE	MODEL	MATERIAL			COLOR	6 WD SED.	SED.	4D H.T.	STA. WGN.	2D H.T.	CV. CP.
		Cloth	Vinyl	Leather							
L4B	V1-L, V2-L	-	*	-	Blue	-	*	-	*	-	-
L4R	V1-L, V2-L	-	*	-	Red	-	*	-	*	-	-
L4T	V1-L, V2-L	-	*	-	Tan	-	*	-	*	-	-
L4B	V1-L, V2-L Export,	-	*	-	Blue	-	-	-	-	*	-
L4R	V1-L, V2-L Mexico	-	*	-	Red	-	-	-	-	*	-
L4T	V1-L, V2-L Job Only	-	*	-	Tan	-	-	-	-	*	-
H1B, H4B	V1-H, V2-H	*	*	-	Blue	-	*	-	*	-	*
H1R, H4R	V1-H, V2-H	*	*	-	Red	-	*	-	*	-	*
H1T, H4T	V1-H, V2-H	*	*	-	Tan	-	*	-	*	-	*
H1Q, H4Q	V1-H, V2-H	*	*	-	Turquoise	-	*	-	*	-	*
P4B	V1-P, V2-P	-	*	-	Blue	-	-	-	-	*	*
P4X	V1-P, V2-P	-	*	-	Black	-	-	-	-	*	*
P4Y	V1-P, V2-P	-	*	-	Gold	-	-	-	-	*	*
P4R	V1-P, V2-P	-	*	-	Red	-	-	-	-	*	*

● Indicates use as required.

☐ Indicates parts not listed in any previous parts book.

September 4, 1964.

Printed in U.S.A.

Prices and specifications subject to change without notice.

Right and left part numbers are on same line, first number is right, second number is left.

CODE	REMARKS	PER CAR	SED.	4D H.T	STA. WGN.	2D H.T	CV. CP.
------	---------	---------	------	--------	-----------	--------	---------

NOTE: RIGHT HAND AND LEFT HAND PARTS LISTED ON THE SAME LINE. Whenever right and left hand parts are identified by consecutive part numbers, they will be listed as in the following example:  
 PANEL, Door Trim 3108-9V  
 Interpreted, this indicates that Panel, right is Part No. 3108 V and Panel, left is Part No. 3109 V.

23-76-9	BASE, Door and Quarter Arm Rest V1, V2 (codes L4B, H1B, H4B) (codes H1Q, H4Q) (codes L4T, H1T, H4T) (codes L4R, H1R, H4R) (codes P4B, P4R, P4X, P4Y)	2 2 2 2 2	*1208-9 AB4 E1208-9 AQ4 *1208-9 VT6 *1208-9 AR5 -----	----- ----- ----- ----- -----	*1208-9 AB4 E1208-9 AQ4 *1208-9 VT6 *1208-9 AR5 -----	*1208-9 AB4 E1208-9 AQ4 *1208-9 VT6 *1208-9 AR5 1210-1 VZ1	1208-9 VZ1 1208-9 VZ1 1208-9 VZ1 1208-9 VZ1 1210-1 VZ1
23-76-11	PAD, Front Door Arm Rest V1-L, V2-L, V1-H, V2-H (codes L4B, H1B, H4B) (codes H1Q, H4Q) (codes L4T, H1T, H4T) (codes L4R, H1R, H4R)  V1-P, V2-P (code P4B) (code P4R) (code P4X) (code P4Y)	1 1 1 1  1 1 1 1	*1216-7 AB4 *1216-7 AQ4 *1216-7 VT6 1216-7 AR5  ----- ----- ----- -----	----- ----- ----- -----  ----- ----- ----- -----	*1216-7 AB4 *1216-7 AQ4 *1216-7 VT6 1216-7 AR5  ----- ----- ----- -----	*1216-7 AB4 *1216-7 AQ4 *1216-7 VT6 1216-7 AR5  1222-3 AB4 1222-3 VR6 1222-3 VX9 1222-3 AY3	*1216-7 AB4 *1216-7 AQ4 *1216-7 VT6 1216-7 AR5  1222-3 AB4 *1222-3 VR6 1222-3 VX9 1222-3 AY3
23-76-16	NUT, Door and Quarter Arm Rest Attaching V1, V2  Rear	★	1280 134	-----	1280 134	1280 134	
23-76-63	PAD, Rear Door Arm Rest V1, V2 (codes L4B, H1B, H4B) (codes H1Q, H4Q) (codes L1T, L4T, H1T, H4T) (codes L1R, L4R, H1R, H4R)	1 1 1 1	*1214-5 AB4 *1214-5 AQ4 *1214-5 VT6 *1214-5 AR5	----- ----- ----- -----	*1214-5 AB4 *1214-5 AQ4 *1214-5 VT6 *1214-5 AR5		
23-76-76	PAD, Quarter Arm Rest V1, V2 (2 D.) (codes L4B, H1B) (code P4B) (code H1Q) (codes L4T, H1T) (codes L4R, H1R)  V1-P, V2-P (code P4R) (code P4X) (code P4T) (code P4Y) Screw (attaching)  V1-H, V2-H (codes H1B, H4B) (codes H1Q, H4Q) (codes H1T, H4T)	1 1 1 1 1  1 1 1 1 4  1 1 1	*1214-5 AB4 ----- *1214-5 AQ4 *1214-5 VT6 1214-5 AR5  ----- ----- ----- ----- -----  1764 AB8 1764 AQ8 1764 AT8	----- ----- ----- ----- -----  ----- ----- ----- ----- -----  ----- ----- -----	----- ----- ----- ----- -----  ----- ----- ----- ----- -----  1764 AB8 1764 AQ8 1764 AT8	*1214-5 AB4 1214-5 AB4  *1214-5 VT6 1214-5 AR5  1214-5 VR6 1214-5 VX9 1214-5 VT6 1214-5 AY3 161 904  1764 AB8 1764 AQ8 1764 AT8	1764 AB8 1764 AQ8 1764 AT8
23-79-3	CARPET, Front Floor V1, V2 (floor shift) (codes L4B, H1B, H4B) (codes H1Q, H4Q) (codes L4R, H1R, H4R) (codes L4T, H1T, H4T)	1 1 1 1	*1770 AB8 *1770 AQ8 E1770 AR6 *1770 AT8	----- ----- ----- -----	*1770 AB8 *1770 AQ8 E1770 AR6 *1770 AT8	*1770 AB8 *1770 AQ8 E1770 AR6 *1770 AT8	*1770 AB8 *1770 AQ8 E1770 AR6 *1770 AT8

★ Indicates use as required.  
 □ Indicates parts not listed in any previous parts book.  
 Right and left part numbers are on same line,  
 first number is right, second number is left.  
 \* Indicates change or addition.

## 1965 PASSENGER CAR PARTS CATALOG

INTERIOR TRIM

CODE	REMARKS	PER CAR	SED.	4D H.T	STA. WGN.	2D H.T	CV. CP.
23-79-3	CARPET, Front Floor - Cont'd						
	V1-H, V2-H(automatic trans.)						
	(codes H1B, H4B)	1	*1764 AB8	-----	*1764 AB8	*1764 AB8	*1764 AB8
	(codes H1Q, H4Q)	1	*1764 AQ8	-----	*1764 AQ8	*1764 AQ8	*1764 AQ8
	(codes H1R, H4R)	1	E1764 AR6	-----	E1764 AR6	E1764 AR6	E1764 AR6
	(codes H1T, H4T)	1	*1764 AT8	-----	*1764 AT8	*1764 AT8	*1764 AT8
	V1-P, V2-P(4 speed, floor shift)						
	(code P4B)	1	-----	-----	-----	*1760 AB8	*1760 AB8
	(code P4R)	1	-----	-----	-----	*1760 AR6	*1760 AR6
	(code P4X)	1	-----	-----	-----	*1760 AX8	*1760 AX8
	(code P4Y)	1	-----	-----	-----	E1760 AY8	E1760 AY8
	(automatic trans. w/console)						
	(code P4B)	1	-----	-----	-----	*1759 AB8	*1759 AB8
	(code P4R)	1	-----	-----	-----	E1759 AR6	E1759 AR6
	(code P4X)	1	-----	-----	-----	*1759 AX8	*1759 AX8
	(code P4Y)	1	-----	-----	-----	E1759 AY8	E1759 AY8
	(automatic trans. w/o console)						
	(code P4B)	1	-----	-----	-----	*1766 AB8	*1766 AB8
	(code P4R)	1	-----	-----	-----	*1766 AR6	*1766 AR6
	(code P4X)	1	-----	-----	-----	*1766 AY8	*1766 AY8
	(code P4Y)	1	-----	-----	-----	*1766 AX8	*1766 AX8
23-79-4	PLATE, Front Floor Accelerator Pedal Scuff V1, V2	1	2499 135	-----	2499 135	2499 135	2499 135
23-79-33	CARPET, Rear Floor						
	V1-L, V2-L, V1-H, V2-H						
	(codes H1B, H4B, L4B)	1	1709 AB8	-----	1709 AB8	1709 AB8	1710 AB8
	(codes H1Q, H4Q)	1	1709 AQ8	-----	1709 AQ8	-----	1710 AQ8
	(codes L4T, H1T, H4T)	1	1709 AT8	-----	1709 AT8	1709 AT8	1710 AT8
	(codes L4R, H1R, H4R)	1	1709 AR6	-----	1709 AR6	1709 AR6	1710 AR6
	V1, V2 (axle kick-up front trim panel)	1	-----	-----	*4314 VX9	-----	-----
	V1-P, V2-P						
	(code P4B)	1	-----	-----	-----	1711 AB8	1712 AB8
	(code P4R)	1	-----	-----	-----	1711 AR6	1712 AR6
	(code P4X)	1	-----	-----	-----	1711 AX8	1712 AX8
	(code P4Y)	1	-----	-----	-----	1711 AY8	1712 AY8
	V1-H, V2-H						
	(code H4B)	1	-----	-----	-----	-----	1710 AB8
	(code H4Q)	1	-----	-----	-----	-----	1710 AQ8
	(code H4R)	1	-----	-----	-----	-----	1710 AR6
	(code H4T)	1	-----	-----	-----	-----	1710 AT8
	V1-P, V2-P (Barracuda)						
	(code P4B)	1	-----	-----	-----	1750 AB8	-----
	(code P4R)	1	-----	-----	-----	1750 AR6	-----
	(code P4X)	1	-----	-----	-----	1750 AX8	-----
	(code P4Y)	1	-----	-----	-----	1750 AY8	-----
	(center floor pan cover)						
	(code P4B)	1	-----	-----	-----	6545 VB8	-----
	(code P4R)	1	-----	-----	-----	6545 VR6	-----
	(code P4X)	1	-----	-----	-----	E6545 AX8	-----
	(code P4Y)	1	-----	-----	-----	6545 VY8	-----

★ Indicates use as required.

E Indicates parts not listed in any previous parts book.  
May 1965 Supersedes Sept. 4, 1964.Printed in U.S.A.  
Prices and specifications subject to change without notice.  
Right and left part numbers are on same line,  
first number is right, second number is left.

\* Indicates change or addition.

# INTERIOR TRIM 1965 PASSENGER CAR PARTS CATALOG

CODE	REMARKS	PER CAR	SED.	4D H.T	STA. WGN.	2D H.T	CV. CP.
23-79-64	CARPET, Luggage Compartment Floor						
	V1-P, V2-P (code P4B)	1	----	----	----	6119 VB8	
	(code P4R)	1	----	----	----	6119 VR6	
	(code P4X)	1	----	----	----	6119 AX8	
23-82-30	HOOK, Coat Hanger V1, V2						
		1	----	----	----	6119 VY8	
		2	2581 908	----	2581 908	2581 908	
23-82-39	BRACKET, Coat Hook Support V1, V2	2	2481 175	----	2481 175	2481 175	
		2	----	----	----	2528 314	
23-84-3	PAD, Instrument Panel Trim V1, V2						
		1	4239 VB6	----	4239 VB6	4239 VB6	4239 VB6
		1	4239 VQ6	----	4239 VQ6	4239 VQ6	4239 VQ6
		1	4239 VR6	----	4239 VR6	4239 VR6	4239 VR6
		1	4239 VT6	----	4239 VT6	4239 VT6	4239 VT6
		1	----	----	----	4239 VY6	4239 VY6
23-86-2	COVER, Roof Outside V1, V2	1	----	----	----	4925 VW1	
		1	----	----	----	4925 VX8	
		1	----	----	----	8026 AW1	
		1	----	----	----	8026 AX8	
23-86-3	HEADLINING and LISTINGS V1, V2	1	*7100 AB3	----	*7102 AB3	*7100 AB3	
		1	7100 AQ3	----	7102 AQ3	*7100 AQ3	
		1	*7100 AW2	----	*7102 AW2	*7100 AW2	
		1	7100 AT3	----	7102 AT3	*7100 AT3	
		1	----	----	----	*7100 AY3	
		1	----	----	----	*7100 AX9	
		1	----	----	----	7106 VB3	
		1	----	----	----	7106 VR6	
		1	----	----	----	7106 VY3	
		1	----	----	----	7106 VX9	
23-86-8	RETAINER, Roof Outside Cover V1-H, V2-H, V1-P, V2-P						
		1	----	----	----	2483 780-1	
		1	----	----	----	2484 164-5	
		1	----	----	----	2603 956-7	
23-86-10	SUPPORT, Roof Bow V1, V2						
		2	2242 504	----	----	2242 504	
		3	----	----	2243 251		
23-86-19	STRIP, Headlining Retaining V1, V2						
		1	----	----	----	2526 775	
23-86-19	STRIP, Headlining Retaining V1, V2						
	Front	1	2242 996-7	----	2242 996-7		

★ Indicates use as required.  
 E Indicates parts not listed in any previous parts book.  
 Right and left part numbers are on same line, first number is right, second number is left.  
 \* Indicates change or addition.

# 1965 PASSENGER CAR PARTS CATALOG

CODE	REMARKS	PER CAR	SED.	4 D H.T.	STA. WGN.	2 D H.T.	CV. CP.
23-86-19	STRIP, Headlining Retaining - Cont'd V1, V2 (2 D.)						
	(4 D.)	Rear	1	2243 668-9			
		Rear	1	2243 224-5			
	V1-P, V2-P (Barracuda)		1	-----	-----	2526 788-9	
	Screw (attaching)		2	-----	125 978		
	Screw (side attaching)		18	-----	-----	6023 938	
	Screw (sealing) Fastener		★	-----	-----	6024 568 6000 922	
23-86-31	PROTECTOR, Roof Panel Cover Rear Retaining Screw V1-P, V2-P (Barracuda)		15	-----	-----	E2483 767	
23-91-6	PANEL, Cowl Trim V1, V2 (paint as required)		1	1402-3 VX8	-----	1402-3 VX8	1402-3 VX8
23-92-5	PANEL, Door Trim V1-L, V2-L, V1-H, V2-H (2 D.)						
	(code L4B)		1	3166-7 ABB	-----	3166-7 ABB	
	(code L4R)		1	3166-7 ARR	-----	3166-7 ARR	
	(code L4T)		1	3166-7 ATT	-----	3166-7 ATT	
	(codes H1B, H4B)		1	3170-1 ABB	-----	-----	3170-1 ABB
	(codes H1Q, H4Q)		1	3170-1 AQQ	-----	-----	3170-1 AQQ
	(codes H1R, H4R)		1	3170-1 ARR	-----	-----	3170-1 ARR
	(codes H1T, H4T)		1	3170-1 ATT	-----	-----	3170-1 ATT
	(4 D.)						
	(code L4B)	Front	1	3162-3 ABB	-----	3162-3 ABB	
		Rear	1	3240-1 ABB	-----	3240-1 ABB	
	(code L4R)	Front	1	3162-3 ARR	-----	3162-3 ARR	
		Rear	1	3240-1 ARR	-----	3240-1 ARR	
	(code L4T)	Front	1	3162-3 ATT	-----	3162-3 ATT	
		Rear	1	3240-1 ATT	-----	3240-1 ATT	
	(codes H1B, H4B)	Front	1	3164-5 ABB	-----	3164-5 ABB	
		Rear	1	3242-3 ABB	-----	3242-3 ABB	
	V1-L, V2-L, V1-H, V2-H (4 D.)						
		Rear	1	3242-3 AQQ	-----	3242-3 AQQ	
	(codes H1R, H4R)	Front	1	3164-5 ARR	-----	3164-5 ARR	
	Rear	1	3242-3 ARR	-----	3242-3 ARR		
(codes H1T, H4T)	Front	1	3164-5 ATT	-----	3164-5 ATT		
	Rear	1	3242-3 ATT	-----	3242-3 ATT		
V1-P, V2-P							
(code P4B)		1	-----	-----	-----	3172-3 AOB	3172-3 AOB
(code P4R)		1	-----	-----	-----	*3172-3 VOR	*3172-3 VOR
(code P4X)		1	-----	-----	-----	*3172-3 VOX	*3172-3 VOX
(code P4Y)		1	-----	-----	-----	*3172-3 VOY	*3172-3 VOY
Fastener		★	6000 365	-----	6000 365	6000 365	6000 365
23-96-3	PANEL, Luggage Compartment Front Lining V1, V2						
			1	2419 102	-----	2419 102	2440 956
Clip (to seat back support)		2	6000 903	-----	-----	6000 903	6000 903
Screw (attaching)		2	6024 229	-----	-----	6024 229	6024 229
V1-P, V2-P (rear compartment security cover)							
(code P4B)		1	-----	-----	-----	2951 VB8	
(code P4R)		1	-----	-----	-----	2951 VR6	
(code P4X)		1	-----	-----	-----	2951 AX8	
(code P4Y)		1	-----	-----	-----	2951 VY8	

★ Indicates use as required.

☐ Indicates parts not listed in any previous parts book.  
May 1965, Supersedes Sept. 4, 1964.

Printed in U.S.A.  
Prices and specifications subject to change without notice.  
Right and left part numbers are on same line,  
first number is right, second number is left.  
\* Indicates change or addition.



INTERIOR TRIM 1965 PASSENGER CAR PARTS CATALOG

CODE	REMARKS	PER CAR	SED.	4D H.T	STA. WGN.	2D H.T	CV. CP.	
23-96-3	PANEL, Luggage Compartment Front Lining - Cont'd V1-P, V2-P (rear compartment security panel trimmed comp.) (code P4B) (code P4R) (code P4X) (code P4Y) (panel) (55 1/4" lgh.) (panel) (45 3/4" lgh.)	1 1 1 1 1 1	----- ----- ----- ----- ----- -----	----- ----- ----- ----- ----- -----	----- ----- ----- ----- ----- -----	----- ----- ----- ----- ----- -----	E4858 V5B E4858 V5R E4858 A5X E4858 V5Y E2528 894 E2602 109	
	(for Barracuda w/formula "S" package) (code P4B) (code P4R) (code P4X) (code P4Y) (panel)	1 1 1 1 1	----- ----- ----- ----- -----	----- ----- ----- ----- -----	----- ----- ----- ----- -----	----- ----- ----- ----- -----	E8021 A4B E8021 A4R E8021 A4X E8021 A4Y E2603 464	
23-96-8	CARPET, Wheelhouse V1-P, V2-P (code P4B) (code P4R) (code P4X) (code P4Y)	1 1 1 1	----- ----- ----- -----	----- ----- ----- -----	----- ----- ----- -----	----- ----- ----- -----	E4452-3 VB8 E4452-3 VR6 E4452-3 AX8 E4452-3 VY8	
23-96-10	PANEL, Luggage Compartment Deck Opening Lower V1-P, V2-P (paint as required) (black) (cover, upper inner extension) Screw (attaching)	1 1 2	----- ----- -----	----- ----- -----	----- ----- -----	----- ----- -----	4450 VX9 E4448-9 VX9 6023 381	
23-96-16	COVER, Deck Lid Inner Panel Access Hole V1-P, V2-P (paint as required) Fastener	1 4	----- -----	----- -----	----- -----	----- -----	E4107 VX8 *6000 903	
23-99-4	COVER, Center Pillar V1, V2 (codes L4B, H1B, H4B) (codes H1Q, H4Q) (codes L4R, H4R) (codes L4T, H1T, H4T)	1 1 1 1	----- ----- ----- -----	----- ----- ----- -----	----- ----- ----- -----	----- ----- ----- -----	*2018-9 VB6 *2018-9 VQ6 *2018-9 AR7 *2018-9 VT6	
23-99-17	RETAINER, Body Front Pillar Cover V1-P, V2-P  Screw	1 4	----- -----	----- -----	----- -----	----- -----	*2527 910-1 *6024 271	2527 910-1
23-99-38	PANEL, Rear Upper Pillar Reinforcement Trim V1, V2 (codes L4B, H1B, H4B) (codes H1Q, H4Q, L4Q) (codes L4T, H1T, H4T) (codes L4R, H1R, H4R)	1 1 1 1	----- ----- ----- -----	----- ----- ----- -----	----- ----- ----- -----	----- ----- ----- -----	2016-7 VB6 2016-7 VQ6 2016-7 VT6 2016-7 TR6	
23-101-3	PANEL, Rear Quarter Trim V1-H, V2-H (2 D.) (code H1B) (code H1Q) (code H1R) (code H1T)	1 1 1 1	3346-7 ABB 3346-7 AQQ 3346-7 ARR 3346-7 ATT					

★ Indicates use as required.  
 □ Indicates parts not listed in any previous parts book.  
 Right and left part numbers are on same line,  
 first number is right, second number is left.  
 \* Indicates change or addition.

# 1965 PASSENGER CAR PARTS CATALOG

CODE	REMARKS	PER CAR	SED.	4D H.T.	STA. WGN.	2D H.T.	CV. CP.	
23-101-3	PANEL, Rear Quarter Trim Cont'd V1-L, V2-L (2 D.) (code L4B) (code L4R) (code L4T) V1, V2 (upper) (codes L4B, H1B, H4B) (codes L4Q, H1Q, H4Q) (codes L4R, H4R) (codes L4T, H4T, H1T)	1 1 1 1 1 1 1 1	3340-1 ABB 3340-1 ARR 3340-1 ATT ----- ----- ----- -----	----- ----- ----- ----- ----- ----- ----- -----	----- ----- ----- ----- ----- ----- ----- -----	----- ----- ----- ----- 2018-9 VB6 2018-9 VQ6 2018-9 AR7 2018-9 VT6	3340-1 ABB 3340-1 ARR 3340-1 ATT ----- ----- ----- -----	
	V1, V2 (lower) (paint as required) (codes L1B, L4B, H1B, H4B, L4Q, H1Q, H4Q, L4R, H4R, L4T, H1T, H4T)	1	2054-5 AT6	-----		2054-5 AT6		
	V1-P, V2-P (code P4B) (code P4R) (code P4X) (code P4Y)	1 1 1 1	----- ----- ----- -----	----- ----- ----- -----	----- ----- ----- -----	3342-3 AOB 3342-3 AOR 3342-3 AOX 3342-3 AOY	3344-5 AOB 3344-5 AOR 3344-5 AOX 3344-5 AOY	
	(Barracuda) (code P4B) (code P4R) (code P4X) (code P4Y) V1-H, V2-H (code H4B) (code H4Q) (code H4R) (code H4T) Screw (attaching)	1 1 1 1 1 1 1 1 2	----- ----- ----- ----- ----- ----- ----- ----- 6023 381	----- ----- ----- ----- ----- ----- ----- ----- -----	----- ----- ----- ----- ----- ----- ----- ----- 6023 381	4578-9 AOB 4578-9 VOR 4578-9 VOX 4578-9 VOY ----- ----- ----- ----- -----	3348-9 ABB 3348-9 AQQ 3348-9 ARR 3348-9 ATT	
23-102-3	PANEL, Shelf Trim V1, V2 (paint as required) Clip	1 2	1316 AT6 6000 903	----- -----	----- -----	1316 AT6 6000 903		
23-103-3	PANEL, Visor Trim V1, V2 (codes L1B, L4B, L5B, H1B, H4B, H5B) (codes L1Q, L4Q, H1Q, H4Q) (codes L1R, L4R, L5R, H1R, H4R, H5R) (codes L1T, L4T, L5T, H1T, H4T, H5T)	2 2 2 2 2	1101 AB3 1101 AQ3 1101 AW2 1101 AT3	----- ----- ----- -----	1101 AB3 1101 AQ3 1101 AW2 1101 AT3	1101 AB3 1101 AQ3 1101 AW2 1101 AT3		
	V1-P, V2-P (code P4B) (code P4R) (code P4R) (Barracuda) (code P4Y) (code P4X)	2 2 2 2 2	----- ----- ----- ----- -----	----- ----- ----- ----- -----	----- ----- ----- ----- -----	1102 AB3 *1102 BW2 1102 AR6 1102 AY3 *1102 BX9		
	V1-H, V2-H, V1-P, V2-P (codes H4B, P4B) (codes H4R, P4R) (code H4Q) (code H4T) (code P4Y) (code P4X)	2 2 2 2 2 2	----- ----- ----- ----- ----- -----	----- ----- ----- ----- ----- -----	----- ----- ----- ----- ----- -----	----- ----- ----- ----- ----- -----	1100 AB4 1100 VR6 1100 AQ4 1100 VT6 1100 AY3 1100 VX9	

★ Indicates use as required.  
 ☐ Indicates parts not listed in any previous parts book.  
 April 1966, Supersedes May 1965.

Printed in U.S.A.  
 Prices and specifications subject to change without notice.  
 Right and left part numbers are on same line,  
 first number is right, second number is left.  
 \* Indicates change or addition.

CODE	REMARKS	PER CAR	SED.	4D H.T	STA. WGN.	2D H.T	CV. CP.
23-103-10	ARM and BRACKET, Visor V1, V2						
	(chrome)	1	2292 580-1	----	2292 580-1	2292 580-1	
	Washer (tension spring)	2	6000 106	----	6000 106	6000 106	
	Screw (bracket attaching)	6	187 709	----	187 709	187 709	
23-103-48	SUPPORT, Visor Inner V1, V2	2	-----	-----	-----	-----	2162 628
23-108-4	CUSHION, Front Seat V1-L, V2-L (2 D.)						
	(std. springs)						
	(code L4B)	1	5304 A4B	----	----	5304 A4B	
	(code L4R)	1	5304 A4R	----	----	5304 A4R	
	(code L4T)	1	5304 A4T	----	----	5304 A4T	
	(std. springs w/2 1/4" airfoam pad)						
	(code L4B)	1	5305 A4B	----	----	5305 A4B	
	(code L4R)	1	5305 A4R	----	----	5305 A4R	
	(code L4T)	1	5305 A4T	----	----	5305 A4T	
	(heavy duty springs)						
	(code L4B)	1	5306 A4B	----	----	5306 A4B	
	(code L4R)	1	5306 A4R	----	----	5306 A4R	
	(code L4T)	1	5306 A4T	----	----	5306 A4T	
	(heavy duty springs w/2 1/4" airfoam pad)						
	(code L4B)	1	5307 A4B	----	----	5307 A4B	
	(code L4R)	1	5307 A4R	----	----	5307 A4R	
	(code L4T)	1	5307 A4T	----	----	5307 A4T	
	V1-H, V2-H (2 D.)						
	(std. springs w/2 1/4" airfoam pad)						
	(code H1B)	1	5311 A1B				
	(code H1Q)	1	5311 A1Q				
	(code H1R)	1	5311 A1R				
	(code H1T)	1	5311 A1T				
	(std. springs w/o airfoam pad)						
	(code H1B)	1	5310 A1B				
	(code H1Q)	1	5310 A1Q				
	(code H1R)	1	5310 A1R				
	(code H1T)	1	5310 A1T				
	V1-L, V2-L (4 D.)						
	(std. springs w/o airfoam pad)						
	(code L4B)	1	5314 A4B	----	5314 A4B		
	(code L4R)	1	5314 A4R	----	5314 A4R		
	(code L4T)	1	5314 A4T	----	5314 A4T		
	(std. springs w/airfoam pad)						
	(code L4B)	1	5315 A4B	----	5315 A4B		
	(code L4R)	1	5315 A4R	----	5315 A4R		
	(code L4T)	1	5315 A4T	----	5315 A4T		
	(w/heavy duty springs)						
	(code L4B)	1	5316 A4B	----	5316 A4B		
	(code L4R)	1	5316 A4R	----	5316 A4R		
	(code L4T)	1	5316 A4T	----	5316 A4T		

● Indicates use as required.

□ Indicates parts not listed in any previous parts book.

Right and left part numbers are on same line, first number is right, second number is left.

\* Indicates change or addition.

Printed in U.S.A.

Prices and specifications subject to change without notice.

## 1965 PASSENGER CAR PARTS CATALOG

INTERIOR TRIM

CODE	REMARKS	PER CAR	SED.	4D H.T	STA. WGN.	2D H.T	CV. CP.
23-108-4	CUSHION, Front Seat - Cont'd (heavy duty springs w/airfoam pad)						
	V1-L, V2-L (4 D.)						
	(code L4B)	1	5317 A4B	----	5317 A4B		
	(code L4R)	1	5317 A4R	----	5317 A4R		
	(code L4T)	1	5317 A4T	----	5317 A4T		
	V1-H, V2-H (4 D.)						
	(std. springs w/airfoam pad)						
	(code H1B)	1	5309 A1B	----	5309 A1B		
	(code H1Q)	1	5309 A1Q	----	5309 A1Q		
	(code H1R)	1	5309 A1R	----	5309 A1R		
	(code H1T)	1	5309 A1T	----	5309 A1T		
	(std. springs w/o airfoam pad)						
(code H1B)	1	5308 A1B	----	5308 A1B			
(code H1Q)	1	5308 A1Q	----	5308 A1Q			
(code H1R)	1	5308 A1R	----	5308 A1R			
(code H1T)	1	5308 A1T	----	5308 A1T			
(std. springs w/3/4" airfoam pad)							
(code H4B)	1	5318 A4B	----	5318 A4B	----	5320 A4B	
(code H4Q)	1	5318 A4Q	----	5318 A4Q	----	5320 A4Q	
(code H4R)	1	5318 A4R	----	5318 A4R	----	5320 A4R	
(code H4T)	1	5318 A4T	----	5318 A4T	----	5320 A4T	
(std. springs w/2 1/4" airfoam pad)							
(code H4B)	1	5319 A4B	----	5319 A4B	----	5321 A4B	
(code H4Q)	1	5319 A4Q	----	5319 A4Q	----	5321 A4Q	
(code H4R)	1	5319 A4R	----	5319 A4R	----	5321 A4R	
(code H4T)	1	5319 A4T	----	5319 A4T	----	5321 A4T	
V1-P, V2-P							
(code P4B)	1	----	----	----	5134-5A4B		
(code P4R)	1	----	----	----	5134-5V5R		
(code P4X)	1	----	----	----	5134-5A5X		
(code P4Y)	1	----	----	----	5134-5V5Y		
23-108-5	COVER, Front Seat Cushion						
	V1-L, V2-L (2 D.)						
	(code L4B)	1	5801 A4B	----	----	5801 A4B	
	(code L4R)	1	5801 A4R	----	----	5801 A4R	
	(code L4T)	1	5801 A4T	----	----	5801 A4T	
	V1-H, V2-H (2 D.)						
	(code H1B)	1	5803 A1B				
	(code H1Q)	1	5803 A1Q				
	(code H1R)	1	5803 A1R				
	(code H1T)	1	5803 A1T				
	V1-L, V2-L (4 D.)						
	(code L4B)	1	5806 A4B	----	5806 A4B		
(code L4R)	1	5806 A4R	----	5806 A4R			
(code L4T)	1	5806 A4T	----	5806 A4T			
V1-H, V2-H (4 D.)							
(code H1B)	1	5802 A1B	----	5802 A1B			
(code H1Q)	1	5802 A1Q	----	5802 A1Q			
(code H1R)	1	5802 A1R	----	5802 A1R			
(code H1T)	1	5802 A1T	----	5802 A1T			

★ Indicates use as required.

☐ Indicates parts not listed in any previous parts book.  
May 1965, Supersedes Sept. 4, 1964.

Printed in U.S.A.  
Prices and specifications subject to change without notice.  
Right and left part numbers are on same line,  
first number is right, second number is left.

\* Indicates change or addition.

CODE	REMARKS	PER CAR	SED.	4D H.T	STA. WGN.	2D H.T	CV. CP.
23-108-5	COVER, Front Seat Cushion - Cont'd V1-H, V2-H (code H4B) (code H4Q) (code H4R) (code H4T) V1-P, V2-P (code P4B) (code P4R) (code P4X) (code P4Y)	1 1 1 1 2 2 2 2	5807 A4B 5807 A4Q 5807 A4R 5807 A4T ---- ---- ---- ----	---- ---- ---- ---- ---- ---- ---- ----	5807 A4B 5807 A4Q 5807 A4R 5807 A4T ---- ---- ---- ----	---- ---- ---- ---- 5809 A4B 5809 V5R 5809 A5X 5809 V5Y	5808 A4B 5808 A4Q 5808 A4R 5808 A4T 5809 A4B 5809 V5R 5809 A5X 5809 V5Y
23-108-12	BACK, Front Seat V1-H, V2-H (2 D.) (code H1B) (code H1Q) (code H1R) (code H1T)  V1-L, V2-L (2 D.) (std. springs) (code L4B) (code L4R) (code L4T) (heavy duty springs) (code L4B) (code L4R) (code L4T)	1 1 1 1  1 1 1 1 1 1 1	5508-9 A1B 5508-9 A1Q 5508-9 A1R 5508-9 A1T  5504-5 A4B 5504-5 A4R 5504-5 A4T 5506-7 A4B 5506-7 A4R 5506-7 A4T	---- ---- ---- ----  ---- ---- ---- ---- ---- ---- ----	---- ---- ---- ----  ---- ---- ---- ---- ---- ---- ----	5504-5 A4B 5504-5 A4R 5504-5 A4T 5506-7 A4B 5506-7 A4R 5506-7 A4T	
	V1-L, V2-L (std. springs) (code L4B) (code L4R) (code L4T) (heavy duty springs) (code L4B) (code L4R) (code L4T)	1 1 1 1 1 1 1	5511 A4B 5511 A4R 5511 A4T 5513 A4B 5513 A4R 5513 A4T	---- ---- ---- ---- ---- ---- ----	5511 A4B 5511 A4R 5511 A4T 5513 A4B 5513 A4R 5513 A4T		
	V1-H, V2-H (code H1B) (code H1Q) (code H1R) (code H1T) (code H4B) (code H4Q) (code H4R) (code H4T) Push-Nut Screw (back to cushion wedge spring adjusting) Nut (spring attaching)	1 1 1 1 1 1 1 1 2 2 6	5503 A1B 5503 A1Q 5503 A1R 5503 A1T 5516 A4B 5516 A4Q 5516 A4R 5516 A4T 6024 203 ---- ---- ----	---- ---- ---- ---- ---- ---- ---- ---- ---- ---- ---- ----	5503 A1B 5503 A1Q 5503 A1R 5503 A1T 5516 A4B 5516 A4Q 5516 A4R 5516 A4T ---- ---- ---- ----	5514-5 A4B 5514-5 A4Q 5514-5 A4R 5514-5 A4T 6024 203 6016 005 6000 234	
23-108-15	SPRING and COVER, Front Seat Back V1-P, V2-P (code P4B) (code P4R) (code P4X) (code P4Y)	2 2 2 2	---- ---- ---- ----	---- ---- ---- ----	---- ---- ---- ----	*5701 A4B *5701 V5R *5701 V5X *5701 V5Y	*5701 A4B *5701 V5R *5701 V5X *5701 V5Y

★ Indicates use as required.  
 ☐ Indicates parts not listed in any previous parts book.  
 Right and left part numbers are on same line,  
 first number is right, second number is left.  
 • Indicates change or addition.

## 1965 PASSENGER CAR PARTS CATALOG

INTERIOR TRIM

CODE	REMARKS	PER CAR	SED.	4D H.T.	STA. WGN.	2D H.T.	CV. CP.
23-108-16	COVER, Front Seat Back V1-H, V2-H (2 D.) (code H1B) (code H1Q) (code H1R) (code H1T) V1-L, V2-L (2 D.) (code L4B) (code L4R) (code L4T)	1 1 1 1 1 1 1 1	5904-5A1B 5904-5A1Q 5904-5A1R 5904-5A1T 5902-3A4B 5902-3A4R 5902-3A4T	----	----	5902-3A4B 5902-3A4R 5902-3A4T	
	V1-H, V2-H (4 D.) (code H1B) (code H1Q) (code H1R) (code H1T)	1 1 1 1	5901 A1B 5901 A1Q 5901 A1R 5901 A1T	----	5901 A1B 5901 A1Q 5901 A1R 5901 A1T		
	V1-L, V2-L (4 D.) (code L4B) (code L4R) (code L4T)  V1-H, V2-H (code H4B) (code H4Q) (code H4R) (code H4T)	1 1 1 1 1 1 1 1	5907 A4B 5907 A4R 5907 A4T  5910 A4B 5910 A4Q 5910 A4R 5910 A4T	----	5907 A4B 5907 A4R 5907 A4T  5910 A4B 5910 A4Q 5910 A4R 5910 A4T	----	5908-9A4B 5908-9A4Q 5908-9A4R 5908-9A4T
	V1-P, V2-P (code P4B) (code P4R) (code P4X) (code P4Y)	1 1 1 1	----	----	----	5911 A4B 5911 V5R 5911 V5X 5911 V5Y	5911 A4B 5911 V5R 5911 V5X 5911 V5Y
23-108-32	PANEL or INSERT, Back of Front Seat Back V1-P, V2-P (code P4B) (code P4R) (code P4X) (code P4Y)	2 2 2 2	----	----	----	6102 A4B 6102 V5R 6102 V5X 6102 V5Y	6102 A4B 6102 V5R 6102 V5X 6102 V5Y
23-108-84	COVER, Front Seat Back Outer Hinge Arm V1, V2 (2 D.) (paint as required) (codes H1R, H4R, H1T, H4T) V1-P, V2-P (cushion on frame to back hinge post)	1 4	----	*4326 BT6 ----	----	*4326 BT6 4390 VT6	*4326 BT6 4390 VT6
23-108-98	SHIELD, Front Seat Side V1-P, V2-P (back frame) (cushion side)	4 2	----	----	----	2440 219 2440 340	2440 219 2440 340
23-109-3	BACK, Rear Seat V1-L, V2-L (std. springs) (code L4B) (code L4R) (code L4T)	1 1 1	6500 A4B 6500 A4R 6500 A4T				

★ Indicates use as required.

☐ Indicates parts not listed in any previous parts book.  
April 1966, Supersedes May 1965.Printed in U.S.A.  
Prices and specifications subject to change without notice.  
Right and left part numbers are on same line,  
first number is right, second number is left.  
\* Indicates change or addition.

CODE	REMARKS	PER CAR	SED.	4D H.T	STA. WGN.	2D H.T	CV. CP.
23-109-3	BACK, Rear Seat - Cont'd						
	V1-L, V2-L (heavy duty springs)						
	(code L4B)	1	6501 A4B				
	(code L4R)	1	6501 A4R				
	(code L4T)	1	6501 A4T				
	V1-L, V2-L (2nd. seat) (spring and cover)						
	(code L4B)	1	----	----	6505 A4B		
	(code L4R)	1	----	----	6505 A4R		
	(code L4T)	1	----	----	6505 A4T		
	V1-H, V2-H (2nd. seat) (spring and cover)						
	(code H1B)	1	6502 A1B	----	6510 A1B		
	(code H1Q)	1	6502 A1Q	----	6510 A1Q		
	(code H1R)	1	6502 A1R	----	6510 A1R		
	(code H1T)	1	6502 A1T	----	6510 A1T		
	(code H4B)	1	6506 A4B	----	6507 A4B	----	6512 A4B
(code H4Q)	1	6506 A4Q	----	6507 A4Q	----	6512 A4Q	
(code H4R)	1	6506 A4R	----	6507 A4R	----	6512 A4R	
(code H4T)	1	6506 A4T	----	6507 A4T	----	6512 A4T	
Nut (spring attaching)	2	----	----	6000 234	----		
V1-P, V2-P							
(code P4B)	1	----	----	----	E6503 A4B		
(code P4R)	1	----	----	----	E6503 A4R		
(code P4X)	1	----	----	----	E6503 A4X		
(code P4Y)	1	----	----	----	E6503 A4Y		
(Barracuda)							
(code P4B)	1	----	----	----	*6514 A4B	*6511 A4B	
(code P4X)	1	----	----	----	6514 A5X	6511 A4X	
(code P4R)	1	----	----	----	6514 V5R	6511 A4R	
(code P4Y)	1	----	----	----	6514 V5Y	6511 A4Y	
23-109-4	COVER, Rear Seat Back						
	V1-L, V2-L (2nd. seat)						
	(code L4B)	1	6700 A4B	----	6704 A4B	6700 A4B	
	(code L4R)	1	6700 A4R	----	6704 A4R	6700 A4R	
	(code L4T)	1	6700 A4T	----	6704 A4T	6700 A4T	
	V1-H, V2-H (2nd. seat)						
	(code H1B)	1	6701 A1B	----	6708 A1B		
	(code H1Q)	1	6701 A1Q	----	6708 A1Q		
	(code H1R)	1	6701 A1R	----	6708 A1R		
	(code H1T)	1	6701 A1T	----	6708 A1T		
	(code H4B)	1	6705 A4B	----	6706 A4B	----	6710 A4B
	(code H4Q)	1	6705 A4Q	----	6706 A4Q	----	6710 A4Q
	(code H4R)	1	6705 A4R	----	6706 A4R	----	6710 A4R
	(code H4T)	1	6705 A4T	----	6706 A4T	----	6710 A4T
	V1-P, V2-P						
(code P4B)	1	----	----	----	6702 A4B	6709 A4B	
(code P4R)	1	----	----	----	6702 A4R	6709 A4R	
(code P4X)	1	----	----	----	6702 A4X	6709 A4X	
(code P4Y)	1	----	----	----	6702 A4Y	6709 A4Y	
(Barracuda)							
(code P4B)	1	----	----	----	6715 A4B		
(code P4R)	1	----	----	----	6715 V5R		
(code P4X)	1	----	----	----	6715 V5X		
(code P4Y)	1	----	----	----	6715 V5Y		

★ Indicates use as required.  
 □ Indicates parts not listed in any previous parts book.  
 Right and left part numbers are on same line,  
 first number is right, second number is left.  
 \* Indicates change or addition.

# 1965 PASSENGER CAR PARTS CATALOG

CODE	REMARKS	PER CAR	SED.	4D H.T	STA. WGN.	2D H.T	CV. CP.
23-109-6	FOUNDATION, Back of Rear Seat Back V1, V2 (paint as required)	1	-----	-----	-----	-----	B4410 AX9
	Fastener (Barracuda) (foundation w/carpet)	10	-----	-----	-----	-----	6000 365
	(code P4B)	1	-----	-----	-----	*4859 VB8	
	(code P4R)	1	-----	-----	-----	*4859 VR6	
	(code P4X)	1	-----	-----	-----	B4859 AX8	
	(code P4Y)	1	-----	-----	-----	*4859 VY8	
23-109-35	CUSHION, Rear Seat V1-L, V2-L (2nd. seat)						
	(code L4B)	1	6200 A4B	-----	6210 A4B	6200 A4B	
	(code L4R)	1	6200 A4R	-----	6210 A4R	6200 A4R	
	(code L4T)	1	6200 A4T	-----	6210 A4T	6200 A4T	
	V1-H, V2-H (2nd. seat)						
	(code H1B)	1	6204 A1B	-----	6205 A1B		
	(code H1Q)	1	6204 A1Q	-----	6205 A1Q		
	(code H1R)	1	6204 A1R	-----	6205 A1R		
	(code H1T)	1	6204 A1T	-----	6205 A1T		
	(code H4B)	1	6211 A4B	-----	6213 A4B	-----	6214 A4B
	(code H4Q)	1	6211 A4Q	-----	6213 A4Q	-----	6214 A4Q
	(code H4R)	1	6211 A4R	-----	6213 A4R	-----	6214 A4R
	(code H4T)	1	6211 A4T	-----	6213 A4T	-----	6214 A4T
	V1-P, V2-P						
	(code P4B)	1	-----	-----	-----	6206 A4B	6208 A4B
	(code P4R)	1	-----	-----	-----	6206 A4R	6208 A4R
	(code P4X)	1	-----	-----	-----	6206 A4X	6208 A4X
	(code P4Y)	1	-----	-----	-----	6206 A4Y	6208 A4Y
	(Barracuda)						
	(code P4B)	1	-----	-----	-----	*6207 A4B	
	(code P4R)	1	-----	-----	-----	*6207 V5R	
	(code P4X)	1	-----	-----	-----	*6207 V5X	
	(code P4Y)	1	-----	-----	-----	*6207 V5Y	
23-109-36	COVER, Rear Seat Cushion V1-L, V2-L (2nd. seat)						
	(code L4B)	1	6400 A4B	-----	6404 A4B	6400 A4B	
	(code L4R)	1	6400 A4R	-----	6404 A4R	6400 A4R	
	(code L4T)	1	6400 A4T	-----	6404 A4T	6400 A4T	
	V1-H, V2-H (2nd. seat)						
	(code H1B)	1	6401 A1B	-----	6408 A1B		
	(code H1Q)	1	6401 A1Q	-----	6408 A1Q		
	(code H1R)	1	6401 A1R	-----	6408 A1R		
	(code H1T)	1	6401 A1T	-----	6408 A1T		
	(code H4B)	1	6405 A4B	-----	6406 A4B	-----	6407 A4B
	(code H4Q)	1	6405 A4Q	-----	6406 A4Q	-----	6407 A4Q
	(code H4R)	1	6405 A4R	-----	6406 A4R	-----	6407 A4R
	(code H4T)	1	6405 A4T	-----	6406 A4T	-----	6407 A4T
	(code H5B)	1	6420 A5B				
	(code H5R)	1	6420 A5R				
	(code H5T)	1	6420 A5T				
	V1-P, V2-P						
	(code P4B)	1	-----	-----	-----	6402 A4B	6403 A4B
	(code P4R)	1	-----	-----	-----	6402 A4R	6403 A4R
	(code P4X)	1	-----	-----	-----	6402 A4X	6403 A4X
	(code P4Y)	1	-----	-----	-----	6402 A4Y	6403 A4Y

★ Indicates use as required.  
 ☐ Indicates parts not listed in any previous parts book.  
 May 1965, Supersedes Sept. 4, 1964.

Printed in U.S.A.  
 Prices and specifications subject to change without notice.  
 Right and left part numbers are on same line,  
 first number is right, second number is left.  
 \* Indicates change or addition.



CODE	REMARKS	PER CAR	SED.	4D H.T	STA. WGN.	2D H.T	CV. CP.
23-109-36	COVER, Rear Seat Cushion Cont'd V1-P, V2-P (Barracuda) (code P4B) (code P4R) (code P4X) (code P4Y)	1 1 1 1	----	----	----	6215 A4B 6215 V5R 6215 V5X 6215 V5Y	
23-109-38	RETAINER, Center Floor Pan Rear Seat Cushion V1, V2	2	1810 037	----	1810 037	1810 037	1810 037
23-109-54	STRAP, Quarter Panel Rear Seat Back Hold-Down V1-P, V2-P (Barracuda) (code P4B) (code P4R) (code P4X) (code P4Y)	1 1 1 1	----	----	----	4454 VB4 4454 VR6 4454 VX9 4454 VY3	
23-111-37	STRIP, Folding Top Bow Tacking V1, V2 (No. 1 bow) (rear bow) (rear bow end)	2 1 2	----	----	----	----	2424 591 2424 607 *2573 686
23-112-4	RETAINER, Folding Top Header Top Material V1, V2	1	----	----	----	----	2424 262-3
23-112-12	BOOT, Folding Top Dust V1, V2 (codes H4B, P4B) (code H4Q) (code P4Y) (codes H4R, P4R) (code H4T) (code P4X) Socket (dust boot to panel) (dust boot to belt moulding)	1 1 1 1 1 1 ★	----	----	----	----	1954 AB4 1954 AQ4 1954 AY3 1954 VR6 1954 VT6 1954 VX9 141 998
23-112-18	RETAINER, Rear Seat Back Dust Boot V1, V2	1	----	----	----	----	2577 275
23-112-23	COVER, Folding Top Rear Bow to Link Joint V1, V2  (black) (white)	2 2	----	----	----	----	1968 VX9 1968 VW2
23-112-45	CURTAIN, Folding Top Back V1, V2  (blue) (white) (black)  (backlite)  (blue) (white) (black)	1 1 1  1 1 1	----	----	----	----	1929 AB1 1929 AW1 1929 AX9  1930 AB1 1930 AW1 1930 AX9

★ Indicates use as required.

⊠ Indicates parts not listed in any previous parts book.

Right and left part numbers are on same line,  
first number, is right, second number is left.

\* Indicates change or addition.

Printed in U.S.A.

Prices and specifications subject to change without notice.

April 1966, Supersedes May 1965.

CODE	REMARKS	PER CAR	SED.	4D H.T	STA. WGN.	2D H.T	CV. CP.
23-112-46	ZIPPER, Folding Top Rear Curtain V1, V2 (full)	(white)	1	----	----	----	1920 VW2
		(black)	1	----	----	----	1920 AX8
23-112-50	TAPE, Folding Top V1, V2 (sold by the inch) (side rear closure loop) (rear curtain closure hook)	(black)	★	----	----	----	1933 TX8
		(black)	★	----	----	----	1934 TX8
		(white)	●	----	----	----	1934 VW2
23-112-70	RETAINER, Folding Top to Belt Bar V1, V2	(side)	1	----	----	----	2448 101-2
		(center)	1	----	----	----	2448 100
23-112-75	TIP, Wire-On Binding End V1, V2		1	----	----	----	*1158 976-7
23-112-88	CABLE, Rear Bow Tension V1, V2	(black)	2	----	----	----	1970 VX8
		(white)	2	----	----	----	1970 VW2
		(top cover)	2	----	----	----	2525 851
		Bolt	2	----	----	----	6022 169
23-112-108	DECK and SIDE QUARTER, Folding Top V1, V2	(blue)	1	----	----	----	1935 AB1
		(white)	1	----	----	----	1935 AW1
		(black)	1	----	----	----	1935 AX9
23-112-112	PAD, Folding Top Side Quarter Stay V1, V2	(white)	1	----	----	----	*1948-9 AW1
		(black)	1	----	----	----	*1948-9 AX9
23-112-153	WELL, Well COVER, Pocket PANEL, Pocket Panel COVER, Pocket Shelf PANEL, Folding Top V1, V2	(pocket panel) (codes H4B, P4B, H4Q, H4R, P4R, H4T, P4T, P4X, P4Y)	1	----	----	----	2010-1 AT6
		(pocket panel cover) (codes H4B, P4B)	1	----	----	----	*2022-3 VB6
		(code H4Q)	1	----	----	----	*2022-3 VQ6
		(codes H4R, P4R)	1	----	----	----	*2022-3 VR6
		(code H4T)	1	----	----	----	*2022-3 VT6
		(code H4X)	1	----	----	----	*2022-3 VX8
		(code H4Y)	1	----	----	----	E2022-3 AY6
		(pocket panel cover) (upper inner) (codes P4R, H4R)	1	----	----	----	2020-1 VR6
		(code P4Y)	1	----	----	----	2020-1 AY6
		(code H4T)	1	----	----	----	2020-1 VT6
		(code P4X)	1	----	----	----	2020-1 VX8

★ Indicates use as required.

E Indicates parts not listed in any previous parts book.  
May 1965, Supersedes Sept. 4, 1964.Printed in U.S.A.  
Prices and specifications subject to change without notice.  
Right and left part numbers are on same line,  
first number is right, second number is left.

\* Indicates change or addition.

INTERIOR TRIM 1965 PASSENGER CAR PARTS CATALOG

CODE	REMARKS	PER CAR	SED.	4D H.T	STA. WGN.	2D H.T	CV. CP.
23-112-153	WELL, Well COVER, Pocket PANEL, Pocket Panel COVER, Pocket Shelf PANEL, Folding Top - Cont'd V1, V2 (well cover) (codes H4B, P4B) (code H4Q) (codes H4R, P4R) (code H4T) (code P4X) (code P4Y) Cap (well cover to folding top cover)	1 1 1 1 1 1 2	----- ----- ----- ----- ----- ----- -----	----- ----- ----- ----- ----- ----- -----	----- ----- ----- ----- ----- ----- -----	----- ----- ----- ----- ----- ----- -----	1940 AB4 1940 AQ4 1940 AR6 1940 AT6 1940 AX9 1940 AY3 6000 434
23-112-160	PAD, Folding Top Pocket Panel Arm Rest V1, V2 (codes H4B, P4B) (codes H4R, P4R) (code H4Q) (code H4T) (code P4X) (code P4Y)	1 1 1 1 1 1	----- ----- ----- ----- ----- -----	----- ----- ----- ----- ----- -----	----- ----- ----- ----- ----- -----	----- ----- ----- ----- ----- -----	1204-5 AB4 1204-5 VR6 1204-5 AQ4 1204-5 VT6 1204-5 VX9 1204-5 AY3
23-113-45	WEATHERCORD, Quarter Window Opening V1-L, V2-L, V1-H, V2-H (2 D.) (codes L4B, H1B) (code H1Q) (codes L1R, L4R, H1R) (codes L4T, H1T)	2 2 2 2	*1515 AB4 1515 AQ4 *1515 TR6 *1515 VT6				
23-113-52	STRIP, Windshield Lower Inside Trim V1-P, V2-P (code P4Y) (codes H4B, P4B) (code H4T) (code H4Q) (codes P4R, H4R)	1 1 1 1 1	----- ----- ----- ----- -----	----- ----- ----- ----- -----	----- ----- ----- ----- -----	*4249 AY8 *4249 AB8 *4249 VT8 *4249 AQ8 *4249 AR9	*4249 AY8 4249 AB8 4249 VT8 4249 AQ8 4249 AR9
23-113-56	WEATHERCORD, Folding Top Header V1, V2 (sold by the inch) (blue) (white)	1 1	----- -----	----- -----	----- -----	----- -----	1947 AB1 1947 AW1
23-113-84	WELT, Folding Top V1, V2 (dust boot filler, channel attaching) ★ (folding top header) (white) (black)	★ 1 1	----- ----- -----	----- ----- -----	----- ----- -----	----- ----- -----	2572 166 1945 VW2 1959 VX8
23-114-10	BINDING, 5/8" Wire-On V1, V2 (blue) (white) (black)	1 1 1	----- ----- -----	----- ----- -----	----- ----- -----	----- ----- -----	*1903 VB1 *1903 VW1 *1903 TX8
23-115-4	PUSH NUT, Front Seat Back to Cushion Mounting V1-P, V2-P	4	-----	-----	-----	2410 102	2410 102

★ Indicates use as required.  
 B Indicates parts not listed in any previous parts book.  
 Right and left part numbers are on same line,  
 first number is right, second number is left.  
 \* Indicates change or addition.



# 1965 DODGE

## INTERIOR TRIM

### HOW TO USE INTERIOR TRIM ILLUSTRATIONS

The illustrations in this section are actual and each body style showing the Interior Trim is included.

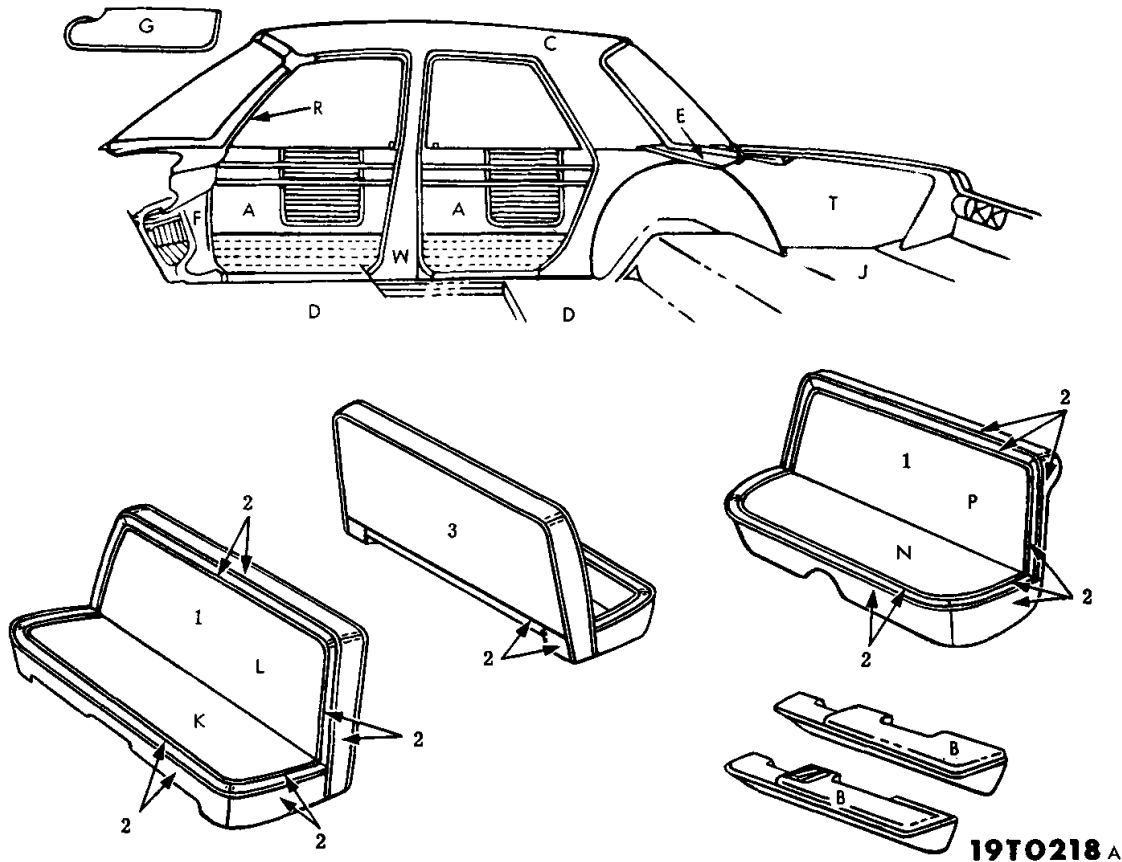
The letters shown on the illustration indicate the description of the part and the part type code when referred to the legend which appears preceding the listing of the parts. The letters are consistent throughout the illustrations as "A" is always a Door Trim Panel, Code 23-92-5.

The numbers on the illustration indicate the distribution of material and type of material used. The numbers may vary with each illustration. The legend appears on the illustration.

Appearing throughout this section are part numbers containing both letters and numbers. These are good serviceable part numbers. The combination of letters and numbers merely indicates the parts are keyed to the interior color of the vehicles on which they are used.

For complete information on "How to Order" Trim Parts, see Master Parts Price List.

D  
O  
D  
G  
E



PART NUMBERS AND COLORS

ITEM	TYPE OF MATERIAL	PART TYPE CODE	MAT'L WIDTH	BLUE	TURQUOISE	RED	TAN
1	Body Cloth	23-114-2	37"	0108 ABB	0108 AQQ	0108 ARR	0108 ATT
2	Vinyl 35.5 oz.	23-114-15	54"	0441 AB4	0441 AQ4	0441 VR7	0441 VT6
3	Vinyl 20 oz.	23-114-15	56"	*0478 AB4	*0478 AQ4	*0478 AR7	*0478 AT6

PART NUMBERS AND COLORS

ITEM	TYPE OF MATERIAL	PART TYPE CODE	MAT'L WIDTH	GOLD			
1	Body Cloth	23-114-2	37"	0108 AYY			
2	Vinyl 35.5 oz.	23-114-15	54"	0441 AY3			
3	Vinyl 20 oz.	23-114-15	56"	*0478 AY3			

Distribution Drawing Legend Page Appears Following Illustration Section

TYPE "A"

1965 DODGE D2-L 4 DOOR SEDAN

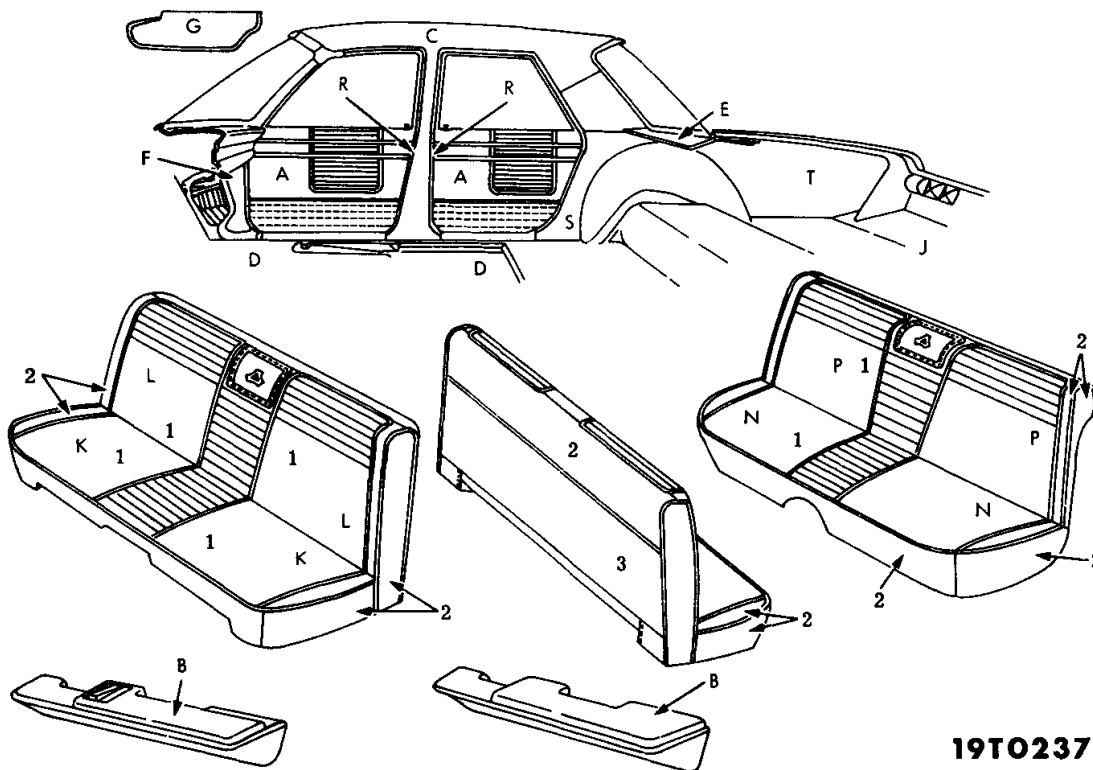
CLOTH AND VINYL TRIM

CODES L1B, K1B, L1Q, K1Q, L1R, K1R, L1T, K1T, L1Y, K1Y

★ Indicates use as required.

☐ Indicates parts not listed in any previous parts book.

May 1965, Supersedes Sept. 4, 1964.



19T0237

PART NUMBERS AND COLORS							
ITEM	TYPE OF MATERIAL	PART TYPE CODE	MAT'L WIDTH	BLUE	TURQUOISE	RED	TAN
1	Body Cloth	23-114-2	67"	*0109 ABB	*0109 AQQ	*0109 ARR	*0109 ATT
2	Vinyl 35.5 oz.	23-114-15	54"	*0441 AB4	*0441 AQ4	*0441 VR7	*0441 VT6
3	Vinyl 20 oz.	23-114-15	56"	*0478 AB4	*0478 AQ4	*0478 AR7	*0478 AT6

PART NUMBERS AND COLORS							
ITEM	TYPE OF MATERIAL	PART TYPE CODE	MAT'L WIDTH	GOLD			
1	Body Cloth	23-114-2	67"	*0109 AYY			
2	Vinyl 35.5 oz.	23-114-15	54"	*0441 AY3			
3	Vinyl 20 oz.	23-114-15	56"	*0478 AY3			

Distribution Drawing Legend Appears Following Illustration Section

TYPE "B"  
 1965 DODGE D2-L 4 DOOR SEDAN  
 CLOTH AND VINYL TRIM  
 CODES L1B, K1B, L1Q, K1Q, L1R, K1R, L1T, K1T, L1Y, K1Y

★ Indicates use as required.

☐ Indicates parts not listed in any previous parts book.

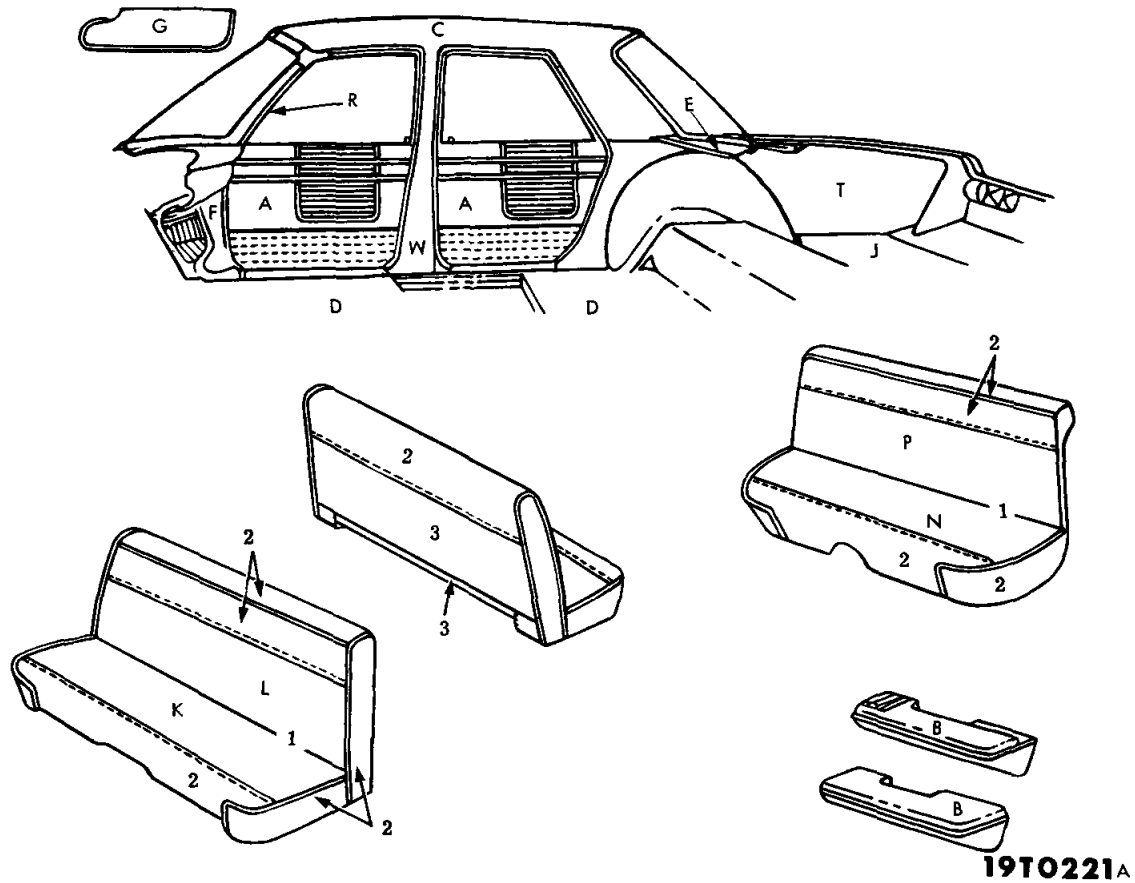
\* Indicates change or addition.

Printed in U.S.A.  
 Prices and specifications subject to change without notice.

May 1965.







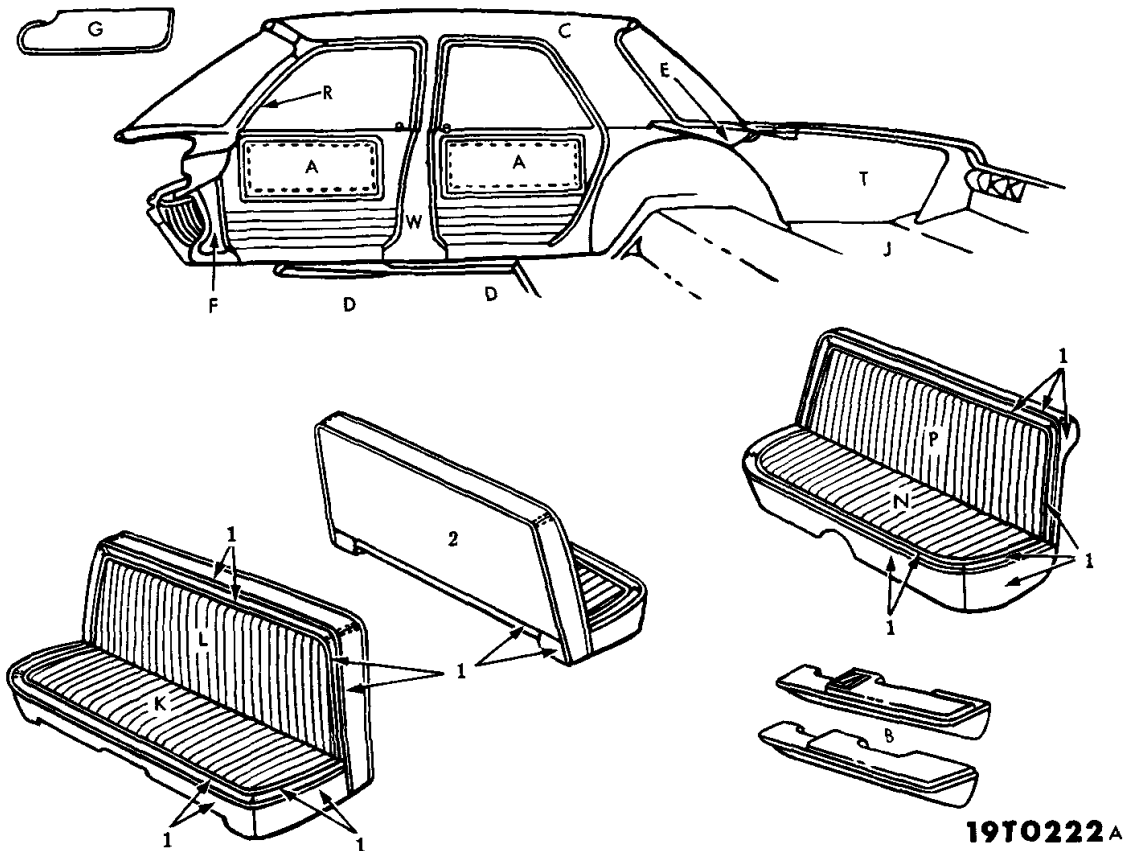
PART NUMBERS AND COLORS

ITEM	TYPE OF MATERIAL	PART TYPE CODE	MAT'L WIDTH	TAN			
1	Body Cloth	23-114-2	52"	0104 ATT			
2	Vinyl 35.5 oz.	23-114-15	54"	0441 VT6			
3	Vinyl 35.5 oz.	23-114-15	54"	0441 VT8			

Distribution Drawing Legend Page Appears Following Illustration Section

1965 DODGE D2-L 4 DOOR SEDAN  
 CLOTH AND VINYL TRIM  
 CODES L2T, K2T

★ Indicates use as required.  
 ☐ Indicates parts not listed in any previous parts book.  
 \* Indicates change or addition.



19T0222A

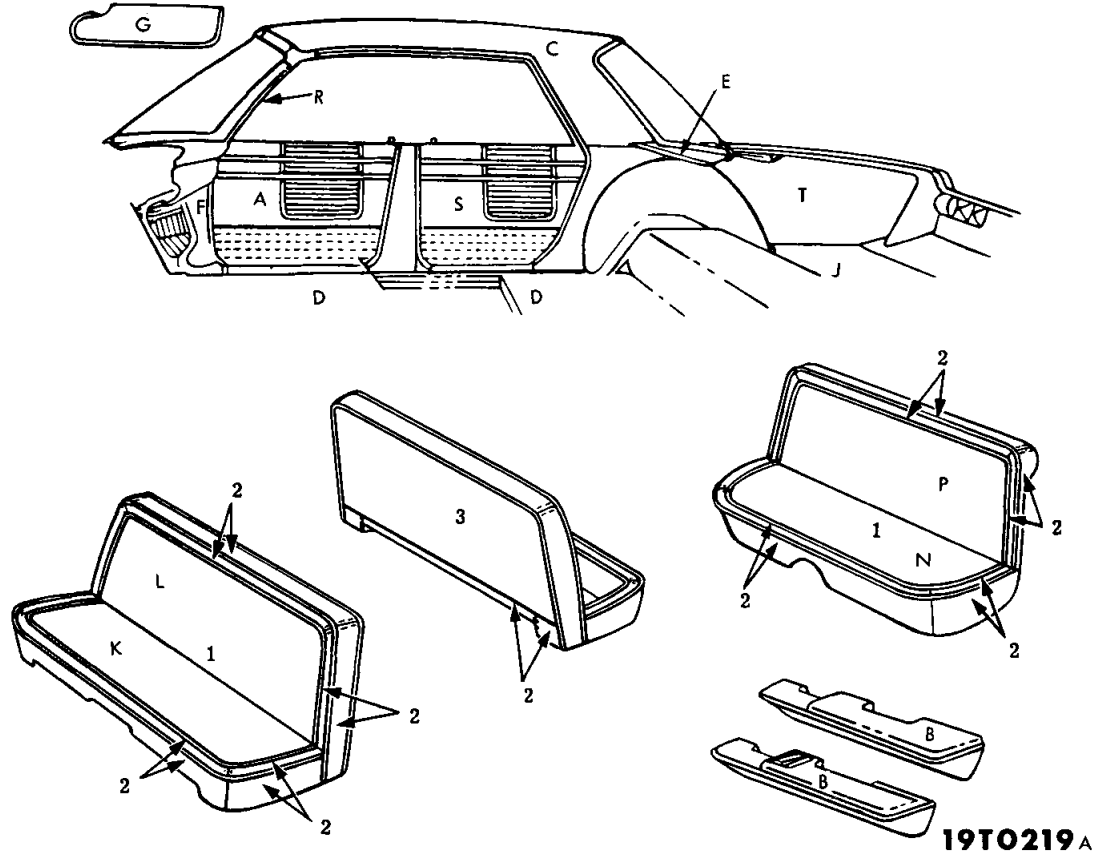
PART NUMBERS AND COLORS

ITEM	TYPE OF MATERIAL	PART TYPE CODE	MAT'L WIDTH	BLUE	RED	TAN	
1	Vinyl 35.5 oz.	23-114-15	54"	*0441 AB4	*0441 VR7	*0441 VT6	
2	Vinyl 20 oz.	23-114-15	56"	*0478 AB4	*0478 AR7	*0478 AT6	

Distribution Drawing Legend Page Appears Following Illustration Section

1965 DODGE D2-L 4 DOOR SEDAN  
VINYL TRIM  
CODES L5B, L5R, L5T

★ Indicates use as required.  
 ☐ Indicates parts not listed in any previous parts book.  
 May 1965, Supersedes Sept. 4, 1964.



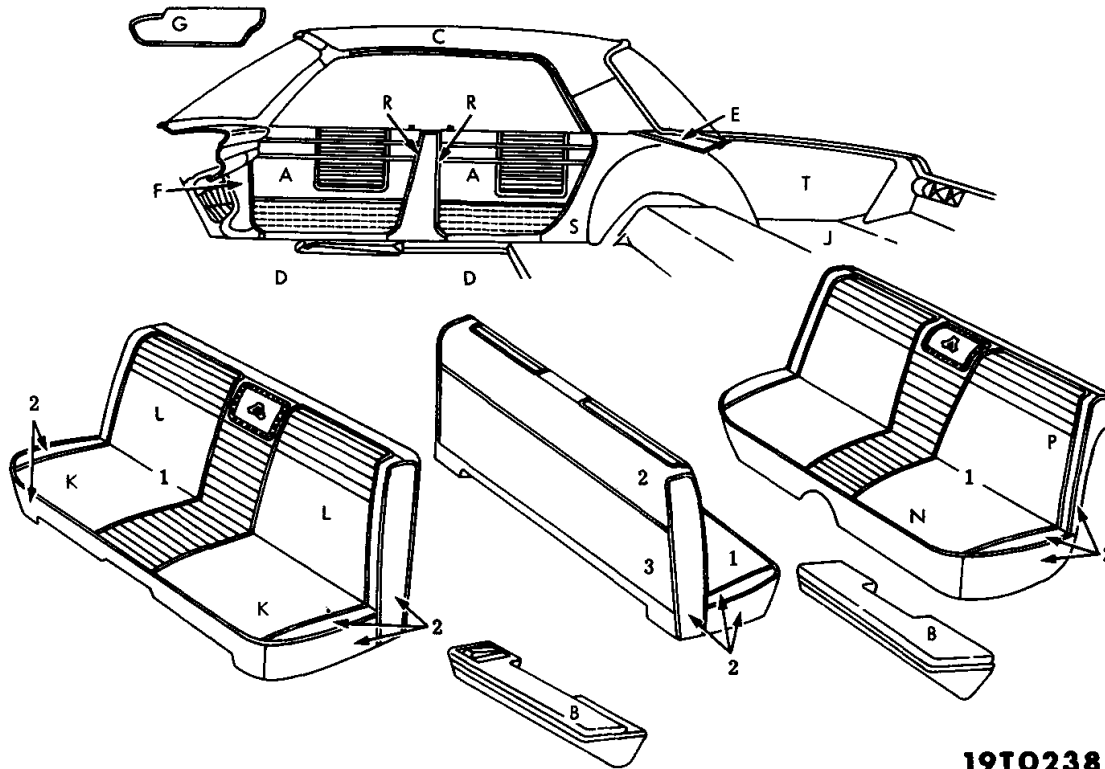
PART NUMBERS AND COLORS							
ITEM	TYPE OF MATERIAL	PART TYPE CODE	MAT'L WIDTH	BLUE	TURQUOISE	RED	TAN
1	Body Cloth	24-114-2	67"	0108 ABB	0108 AQQ	0108 ARR	0108 ATT
2	Vinyl 35.5 oz.	23-114-15	54"	0441 AB4	0441 AQ4	0441 VR7	0441 VT6
3	Vinyl 20 oz.	23-114-15	56"	0478 AB4	0478 AQ4	0478 AR7	0478 AT6

PART NUMBERS AND COLORS							
ITEM	TYPE OF MATERIAL	PART TYPE CODE	MAT'L WIDTH	GOLD			
1	Body Cloth	24-114-2	67"	0108 AYY			
2	Vinyl 35.5 oz.	23-114-15	54"	0441 AY3			
3	Vinyl 20 oz.	23-114-15	56"	0478 AY3			

Distribution Drawing Legend Page Appears Following Illustration Section

TYPE "A"  
 1965 DODGE D2-L 4 DOOR HARD TOP  
 CLOTH AND VINYL TRIM  
 CODES L1B, K1B, L1Q, K1Q, L1R, K1R, L1T, K1T, L1Y, K1Y

★ Indicates use as required.  
 ☐ Indicates parts not listed in any previous parts book.  
 \* Indicates change or addition.



19T0238

PART NUMBERS AND COLORS

ITEM	TYPE OF MATERIAL	PART TYPE CODE	MAT'L WIDTH	BLUE	TURQUOISE	RED	TAN
1	Body Cloth	23-114-2	67"	*0109 ABB	*0109 AQQ	*0109 ARR	*0109 ATT
2	Vinyl 35.5 oz.	23-114-15	54"	*0441 AB4	*0441 AQ4	*0441 VR7	*0441 VT6
3	Vinyl 20 oz.	23-114-15	56"	*0478 AB4	*0478 AQ4	*0478 AR7	*0478 AT6

PART NUMBERS AND COLORS

ITEM	TYPE OF MATERIAL	PART TYPE CODE	MAT'L WIDTH	GOLD			
1	Body Cloth	23-114-2	67"	*0109 AYY			
2	Vinyl 35.5 oz.	23-114-15	54"	*0441 AY3			
3	Vinyl 20 oz.	23-114-15	56"	*0478 AY3			

Distribution Drawing Legend Appears Following Illustration Section

TYPE "B"  
 1965 DODGE D2-L 4 DOOR HARD TOP  
 CLOTH AND VINYL TRIM  
 CODES L1B, K1B, L1Q, K1Q, L1R, K1R, L1T, K1T, L1Y, K1Y

★ Indicates use as required.  
 □ Indicates parts not listed in any previous parts book.  
 May 1965.

Printed in U.S.A.  
 Prices and specifications subject to change without notice.

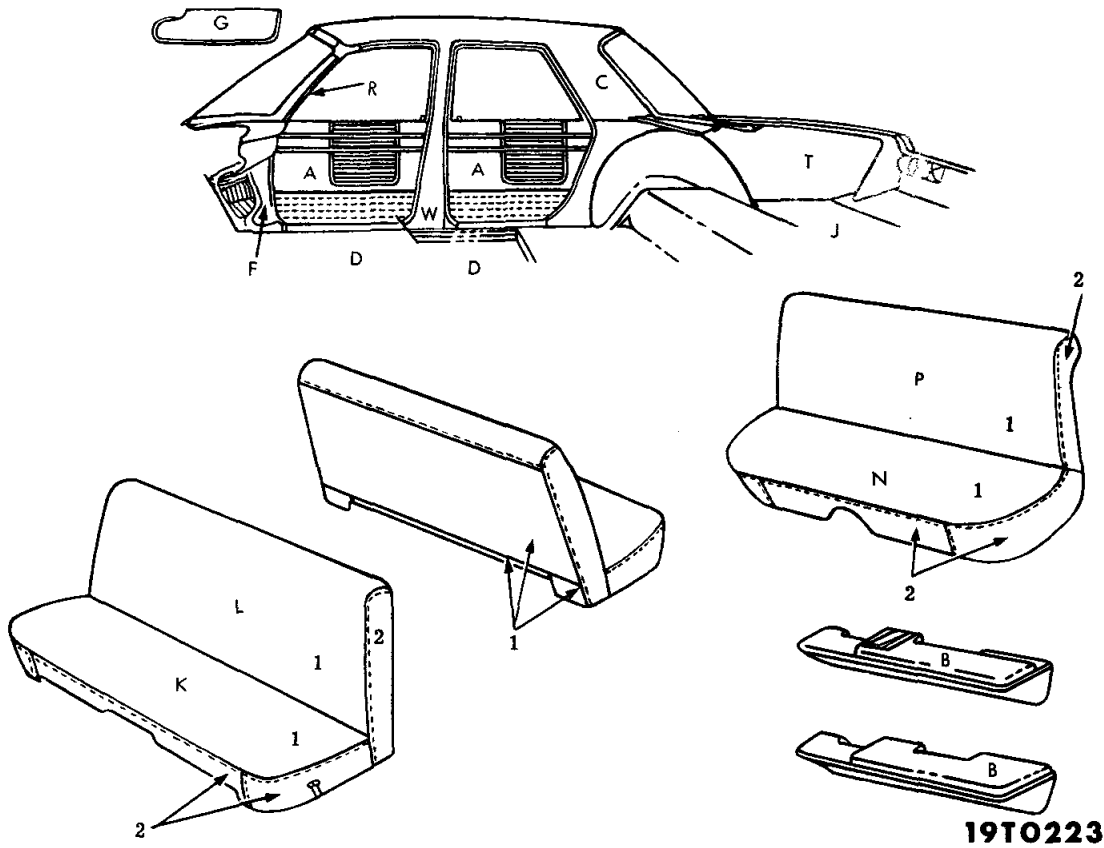
• Indicates change or addition.

**NOTES**

Lined area for writing notes, consisting of approximately 28 horizontal lines.

★ Indicates use as required.  
☐ Indicates parts not listed in any previous parts book.

Printed in U.S.A.  
Prices and specifications subject to change without notice.  
May 1965.

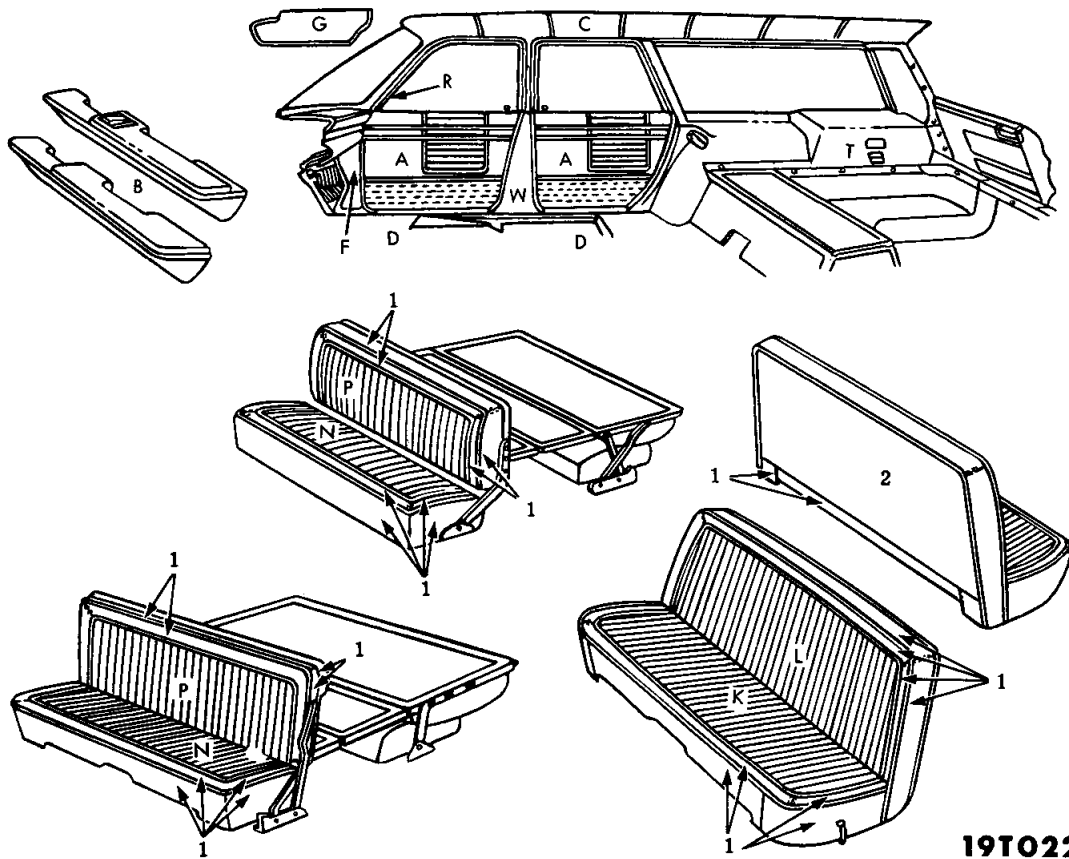


PART NUMBERS AND COLORS

ITEM	TYPE OF MATERIAL	PART TYPE CODE	MAT'L WIDTH	TAN			
1	Vinyl 37 oz.	23-114-15	50"	E0445 AT8			
2	Vinyl 35.5 oz.	23-114-15	54"	0441 VT8			

Distribution Drawing Legend Page Appears Following Illustration Section

1965 DODGE D2-L 4 DOOR SEDAN  
VINYL TRIM  
CODES L8T, K8T



19T0226A

PART NUMBERS AND COLORS

ITEM	TYPE OF MATERIAL	PART TYPE CODE	MAT'L WIDTH	BLUE	TURQUOISE	RED	TAN
1	Vinyl 35.5 oz.	23-114-15	54"	*0441 AB4	*0441 AQ4	*0441 VR7	*0441 VT6
2	Vinyl 20 oz.	23-114-15	56"	*0478 AB4	*0478 AQ4	*0478 AR7	*0478 AT6

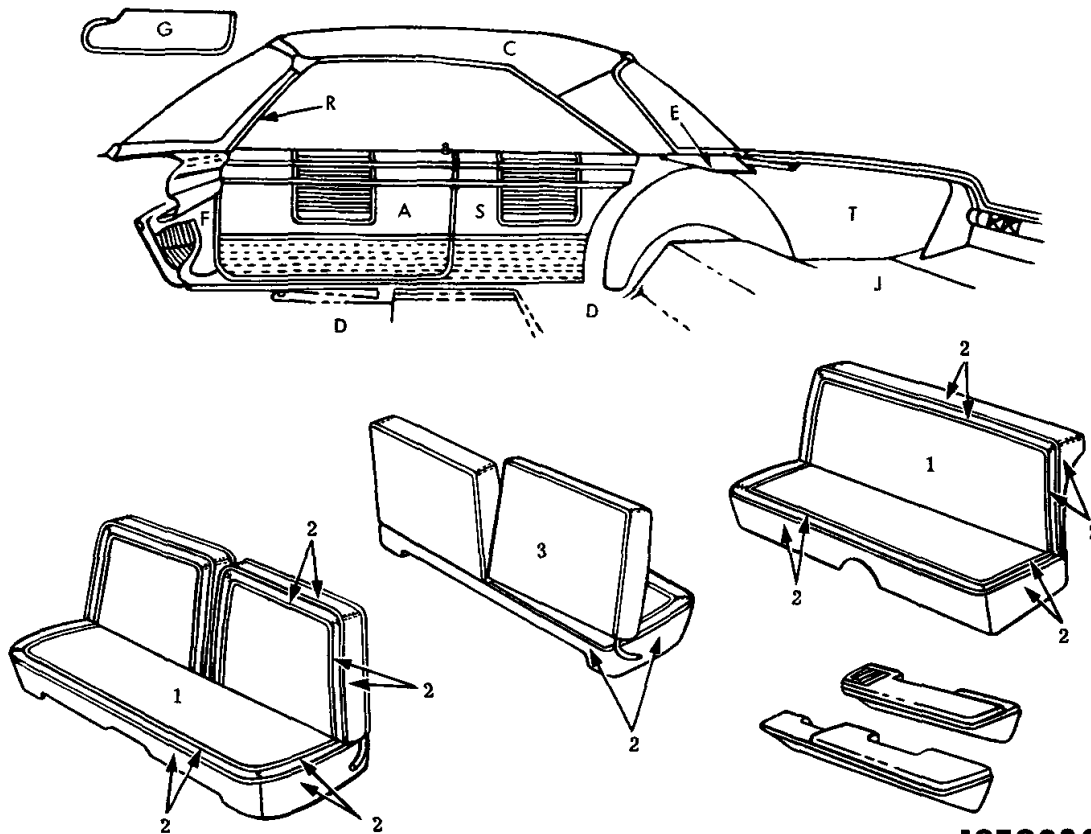
PART NUMBERS AND COLORS

ITEM	TYPE OF MATERIAL	PART TYPE CODE	MAT'L WIDTH	GOLD			
1	Vinyl 35.5 oz.	23-114-15	54"	*0441 AY3			
2	Vinyl 20 oz.	23-114-15	56"	*0478 AY3			

Distribution Drawing Legend Page Appears Following Illustration Section

1965 DODGE D2-L STATION WAGON  
VINYL TRIM  
CODES L4B, L4Q, L4R, L4T, L4Y

★ Indicates use as required.  
 □ Indicates parts not listed in any previous parts book.  
 \* Indicates change or addition.



19T0220

PART NUMBERS AND COLORS

ITEM	TYPE OF MATERIAL	PART TYPE CODE	MAT'L WIDTH	BLUE	TURQUOISE	RED	TAN
1	Body Cloth	23-114-2	67"	0108 ABB	0108 AQQ	0108 ARR	0108 ATT
2	Vinyl 35.5 oz.	23-114-15	54"	0441 AB4	0441 AQ4	0441 VR7	0441 VT6
3	Vinyl 20 oz.	23-114-15	56"	*0478 AB4	*0478 AQ4	*0478 AR7	*0478 AT6

PART NUMBERS AND COLORS

ITEM	TYPE OF MATERIAL	PART TYPE CODE	MAT'L WIDTH	GOLD			
1	Body Cloth	23-114-2	67"	0108 AYY			
2	Vinyl 35.5 oz.	23-114-15	54"	0441 AY3			
3	Vinyl 20 oz.	23-114-15	56"	*0478 AY3			

Distribution Drawing Legend Page Appears Following Illustration Section

TYPE "A"

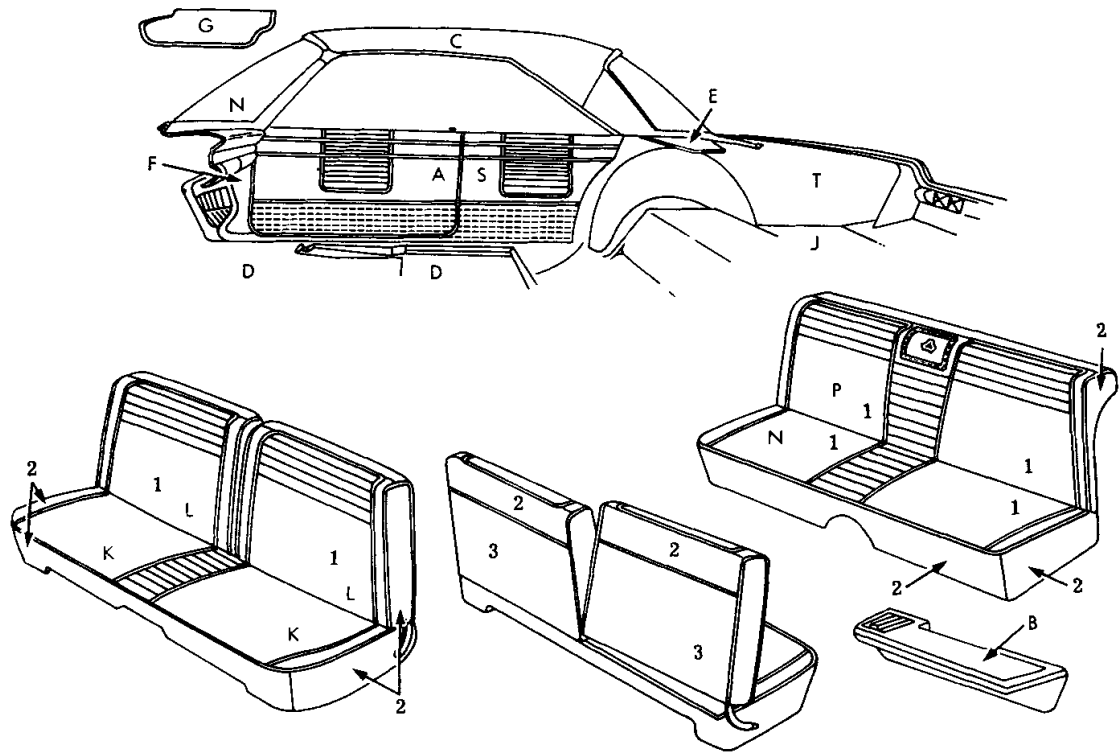
1965 DODGE D2-L 2 DOOR HARD TOP  
CLOTH AND VINYL TRIM

CODES L1B, K1B, L1Q, K1Q, L1R, K1R, L1T, K1T, L1Y, K1Y

\* Indicates use as required.

☐ Indicates parts not listed in any previous parts book.  
May 1965, Supersedes Sept. 4, 1964.





19T0236

PART NUMBERS AND COLORS

ITEM	TYPE OF MATERIAL	PART TYPE CODE	MAT'L WIDTH	BLUE	TURQUOISE	RED	TAN
1	Body Cloth	23-114-2	67"	*0109 ABB	*0109 AQQ	*0109 ARR	*0109 ATT
2	Vinyl 35.5 oz.	23-114-15	54"	*0441 AB4	*0441 AQ4	*0441 VR7	*0441 VT6
3	Vinyl 20 oz.	23-114-15	56"	*0478 AB4	*0478 AQ4	*0478 AR7	*0478 AT6

PART NUMBERS AND COLORS

ITEM	TYPE OF MATERIAL	PART TYPE CODE	MAT'L WIDTH	GOLD			
1	Body Cloth	23-114-2	67"	*0109 AYY			
2	Vinyl 35.5 oz.	23-114-15	54"	*0441 AY3			
3	Vinyl 20 oz.	23-114-15	56"	*0478 AY3			

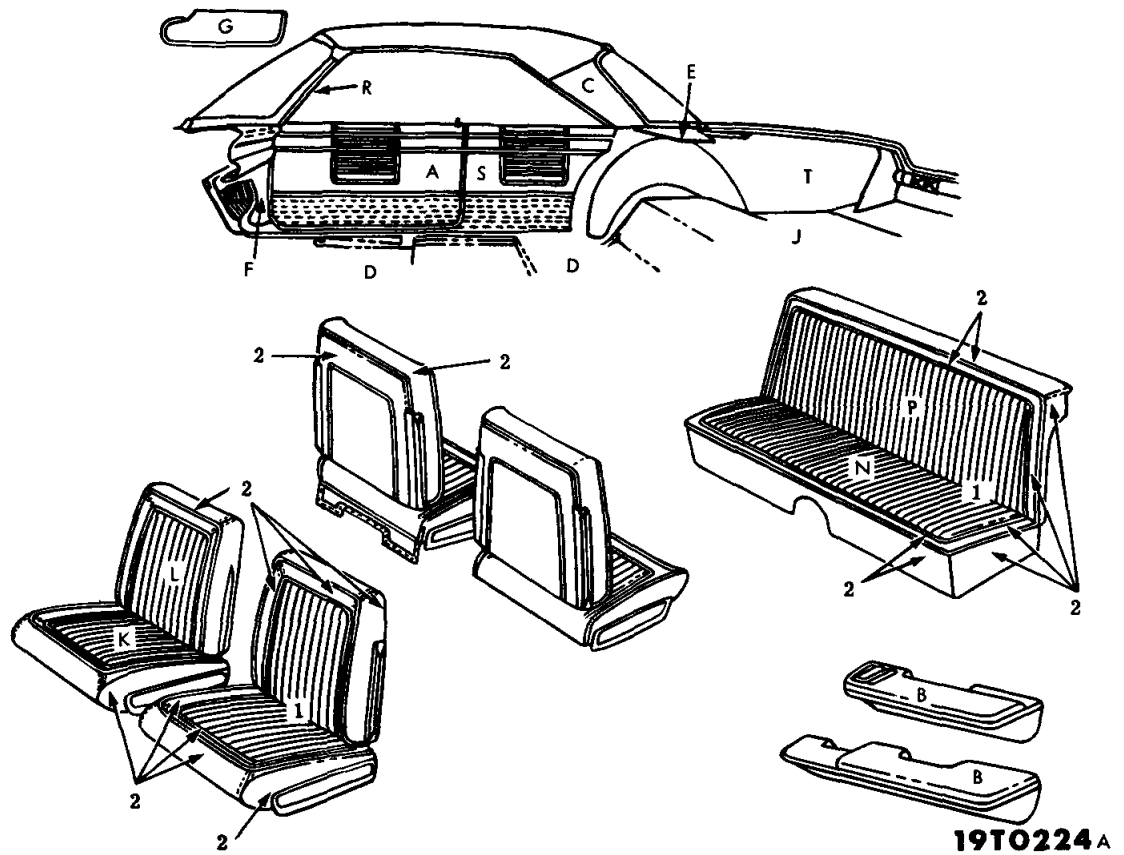
Distribution Drawing Legend Appears Following Illustration Section

TYPE "B"  
 1965 DODGE D2-L 2 DOOR HARD TOP  
 CLOTH AND VINYL TRIM  
 CODES L1B, K1B, L1Q, K1Q, L1R, K1R, L1T, K1T, L1Y, K1Y

● Indicates use as required.  
 □ Indicates parts not listed in any previous parts book.  
 \* Indicates change or addition.

Printed in U.S.A.  
 Prices and specifications subject to change without notice.





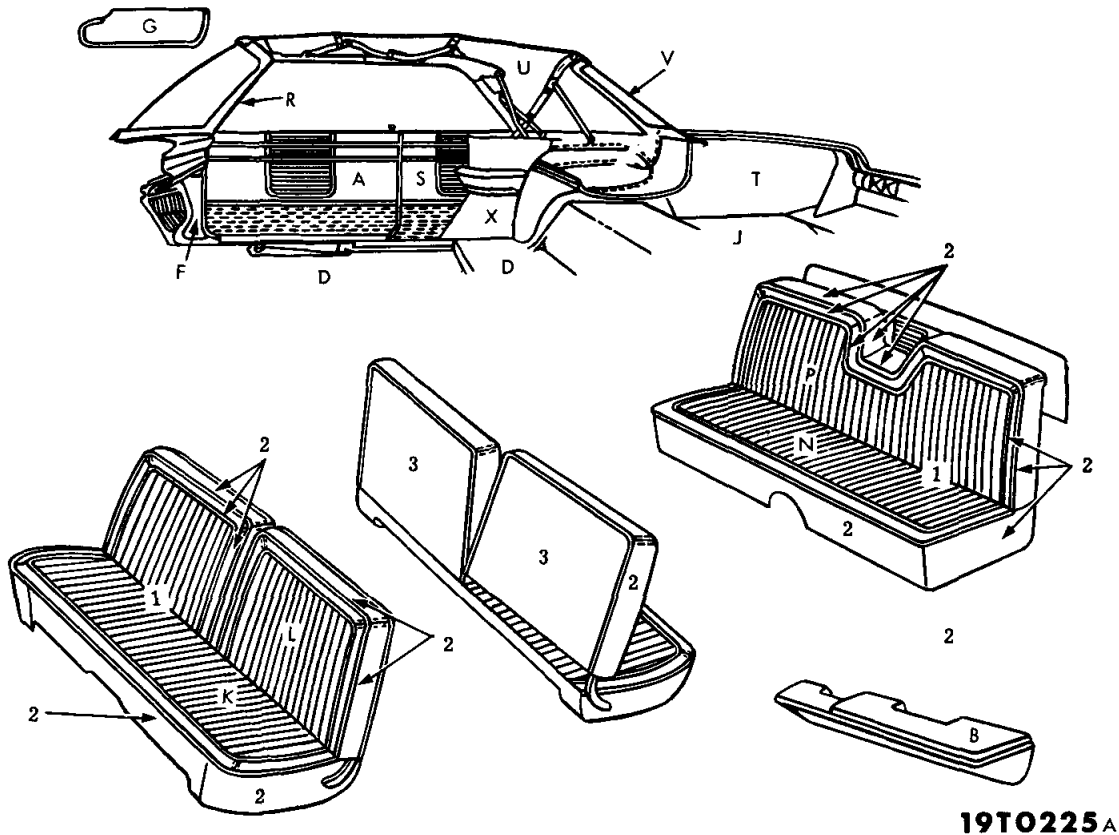
PART NUMBERS AND COLORS

ITEM	TYPE OF MATERIAL	PART TYPE CODE	MAT'L WIDTH	BLUE	RED	BLACK	
1	Vinyl	23-114-15		Not Serviced			
2	Vinyl 35.5 oz.	23-114-15	54"	0441 AB4	0441 VR7	0441 VX9	

Distribution Drawing Legend Page Appears Following Illustration Section

1965 DODGE D2-L 2 DOOR HARDTOP  
VINYL TRIM  
CODES L9B, L9R, L9X

⊙ Indicates use as required.  
 □ Indicates parts not listed in any previous parts book.  
 \* Indicates change or addition.



PART NUMBERS AND COLORS							
ITEM	TYPE OF MATERIAL	PART TYPE CODE	MAT'L WIDTH	BLUE	TURQUOISE	RED	TAN

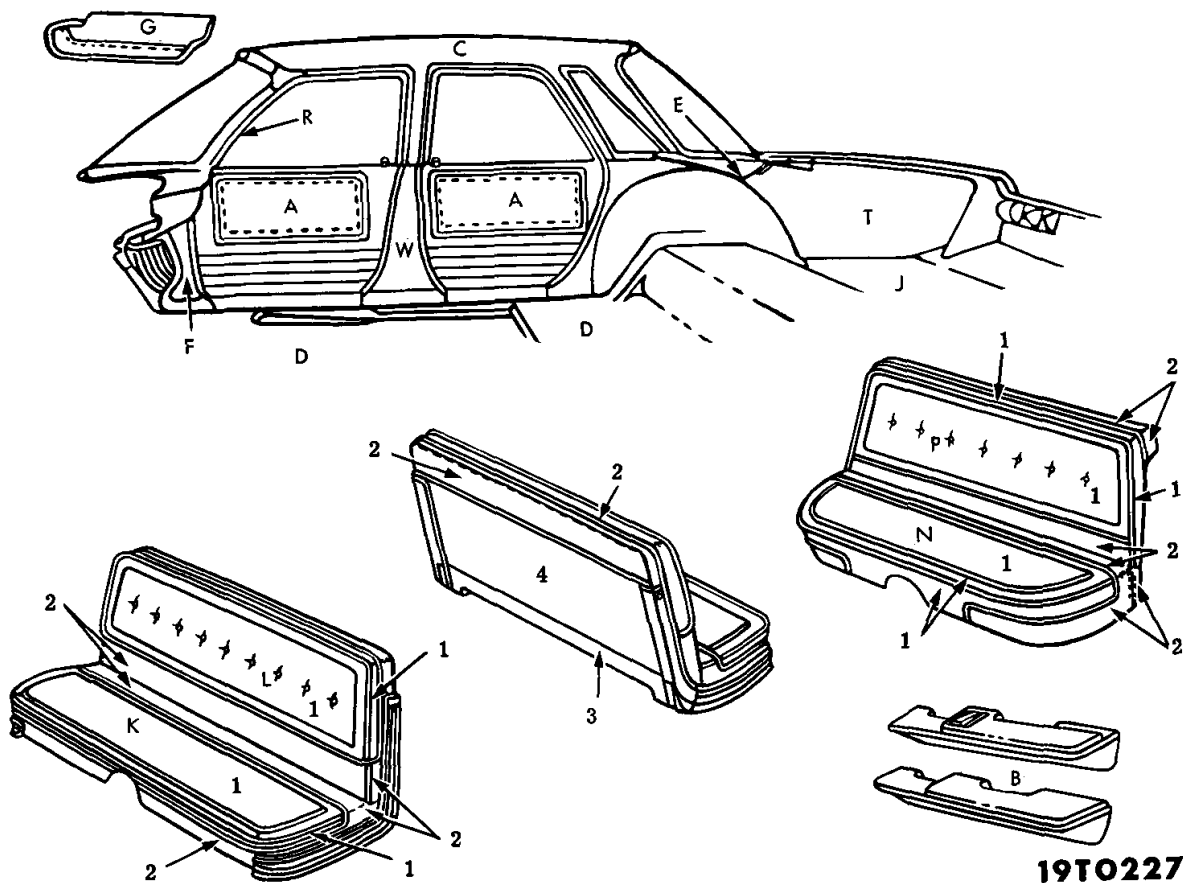
1	Vinyl	23-114-15		Not Serviced			
2	Vinyl 35.5 oz.	23-114-15	54"	E0441 AB4	E0441 AQ4	0441 VR7	0441 VT6
3	Vinyl 20 oz.	23-114-15	56"	E0478 AB4	E0478 AQ4	E0478 AR7	E0478 AT6

PART NUMBERS AND COLORS							
ITEM	TYPE OF MATERIAL	PART TYPE CODE	MAT'L WIDTH	GOLD			

2	Vinyl 35.5 oz.	23-114-15	54"	E0441 AY3			
3	Vinyl 20 oz.	23-114-15	56"	E0478 AY3			

Distribution Drawing Legend Page Appears Following Illustration Section

1965 DODGE D2-L CONVERTIBLE  
VINYL TRIM  
CODES L4B, L4Q, L4R, L4T, L4Y



19T0227A

PART NUMBERS AND COLORS							
ITEM	TYPE OF MATERIAL	PART TYPE CODE	MAT'L WIDTH	BLUE	TURQUOISE	RED	TAN

1	Body Cloth	23-114-2	66"	0110 AB8	0110 AQ8	0110 AR8	0110 AT8
2	Vinyl 35.5 oz.	23-114-15	54"	0441 AB4	0441 AQ4	0441 VR7	0441 VT6
3	Vinyl 35.5 oz.	23-114-15	54"	0441 AB8	0441 AQ8	0441 AR8	0441 VT8
4	Vinyl 20 oz.	23-114-15	56"	0488 AB8	0488 AQ8	0488 AR8	0488 AT8

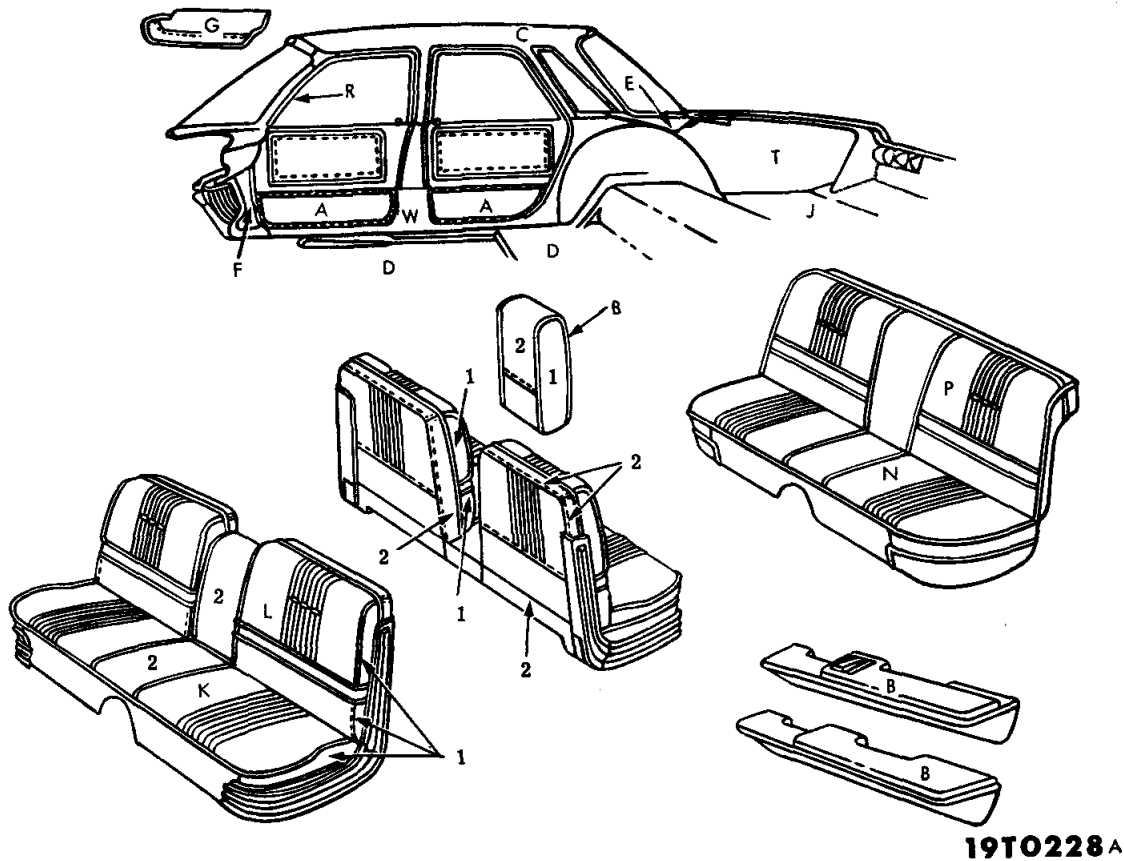
PART NUMBERS AND COLORS							
ITEM	TYPE OF MATERIAL	PART TYPE CODE	MAT'L WIDTH	GOLD			

1	Body Cloth	23-114-2	66"	*0110 AY8			
2	Vinyl 35.5 oz.	23-114-15	54"	0441 AY3			
3	Vinyl 35.5 oz.	23-114-15	54"	0441 AY8			
4	Vinyl 20 oz.	23-114-15	56"	0488 AY8			

Distribution Drawing Legend Page Appears Following Illustration Section

1965 DODGE D2-H 4 DOOR (6 WINDOW) SEDAN  
VINYL TRIM  
CODES H1B, H1Q, H1R, H1T, H1Y

★ Indicates use as required.  
 □ Indicates parts not listed in any previous parts book.  
 ● Indicates change or addition.



PART NUMBERS AND COLORS

ITEM	TYPE OF MATERIAL	PART TYPE CODE	MAT'L WIDTH	BLUE	RED	TAN	
1	Vinyl 35.5 oz.	23-114-15	54"	0441 AB4	0441 VR7	0441 VT6	
2	Vinyl 35.5 oz.	23-114-15	54"	0441 AB8	0441 AR8	0441 VT8	

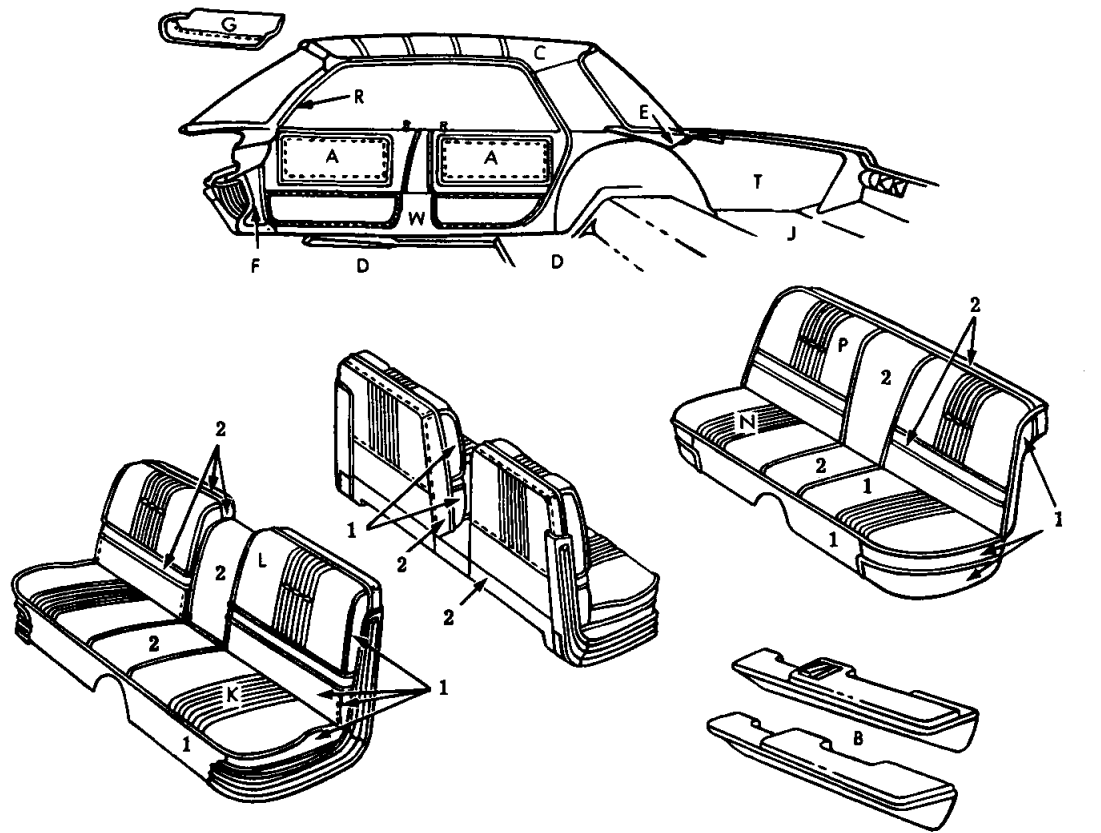
Distribution Drawing Page Appears Following Illustration Section

1965 DODGE D2-H 4 DOOR (6 WINDOW) SEDAN  
VINYL TRIM  
CODES H4B, H4R, H4T

★ Indicates use as required.

⊞ Indicates parts not listed in any previous parts book.

May 1965, Supersedes Sept. 4, 1964.



19T0230A

PART NUMBERS AND COLORS							
ITEM	TYPE OF MATERIAL	PART TYPE CODE	MAT'L WIDTH	BLUE	TURQUOISE	TAN	RED

1	Vinyl 35.5 oz.	23-114-15	54"	0441 AB4	0441 AQ4	0441 VT6	0441 VR7
2	Vinyl 35.5 oz.	23-114-15	54"	0441 AB8	0441 AQ8	0441 VT8	B0441 AR8

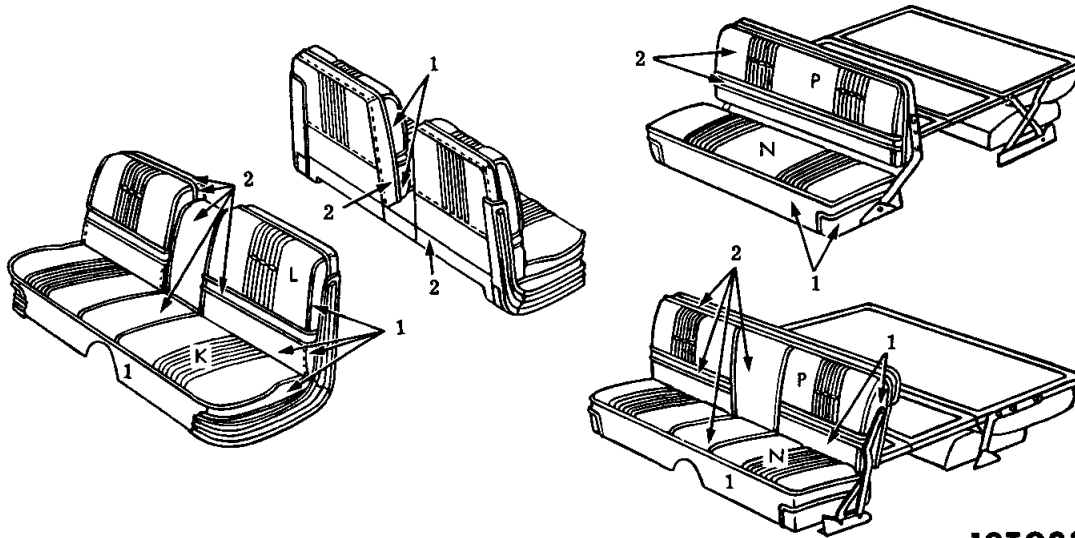
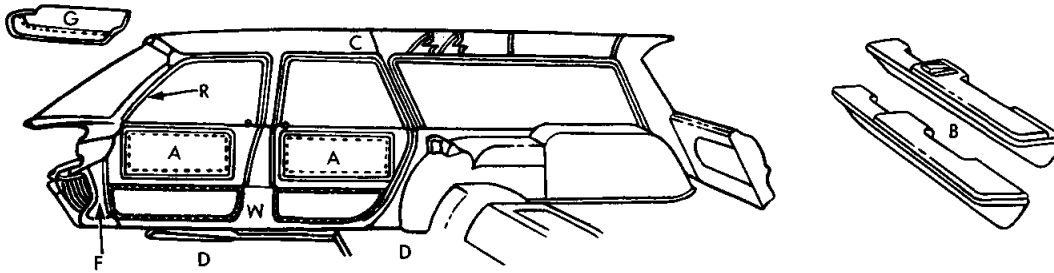
PART NUMBERS AND COLORS							
ITEM	TYPE OF MATERIAL	PART TYPE CODE	MAT'L WIDTH	BLACK	GOLD		

1	Vinyl 35.5 oz.	23-114-15	54"	0441 VX9	B0441 AY3		
2	Vinyl 35.5 oz.	23-114-15	54"	0441 VX9	B0441 AY8		

Distribution Drawing Legend Page Appears Following Illustration Section

1965 DODGE D2-H 4 DOOR HARDTOP  
VINYL TRIM  
CODES H4B, H4Q, H4R, H4T, H4X, H4Y

★ Indicates use as required.  
 ☒ Indicates parts not listed in any previous parts book.  
 \* Indicates change or addition.



19T0232A

PART NUMBERS AND COLORS

ITEM	TYPE OF MATERIAL	PART TYPE CODE	MAT'L WIDTH	BLUE	TURQUOISE	RED	TAN
1	Vinyl 35.5 oz.	23-114-15	54"	0441 AB4	0441 AQ4	0441 VR7	0441 VT6
2	Vinyl 35.5 oz.	23-113-15	54"	0441 AB8	0441 AQ8	0441 AR8	0441 VT8

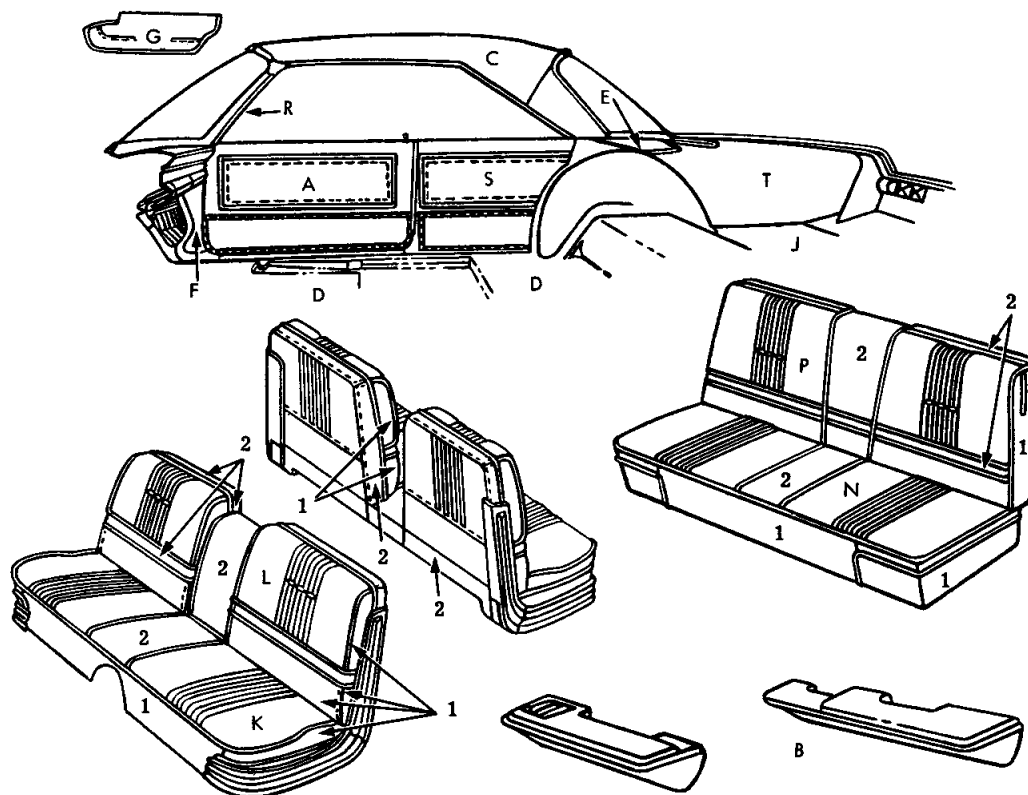
PART NUMBERS AND COLORS

ITEM	TYPE OF MATERIAL	PART TYPE CODE	MAT'L WIDTH	BLACK	GOLD		
1	Vinyl 35.5 oz.	23-114-15	54"	0441 VX9	0441 AY3		
2	Vinyl 35.5 oz.	23-114-15	54"	0441 VX9	0441 AY8		

Distribution Drawing Legend Page Appears Following Illustration Section

1965 DODGE D2-H STATION WAGON  
VINYL TRIM  
CODES H4B, H4Q, H4R, H4T, H4X, H4Y





19T0229 A

PART NUMBERS AND COLORS							
ITEM	TYPE OF MATERIAL	PART TYPE CODE	MAT'L WIDTH	BLUE	TURQUOISE	TAN	RED

1	Vinyl 35.5 oz.	23-114-15	54"	0441 AB4	0441 AQ4	0441 VT6	0441 VR7
2	Vinyl 35.5 oz.	23-114-15	54"	0441 AB8	0441 AQ8	0441 VT8	0441 AR8

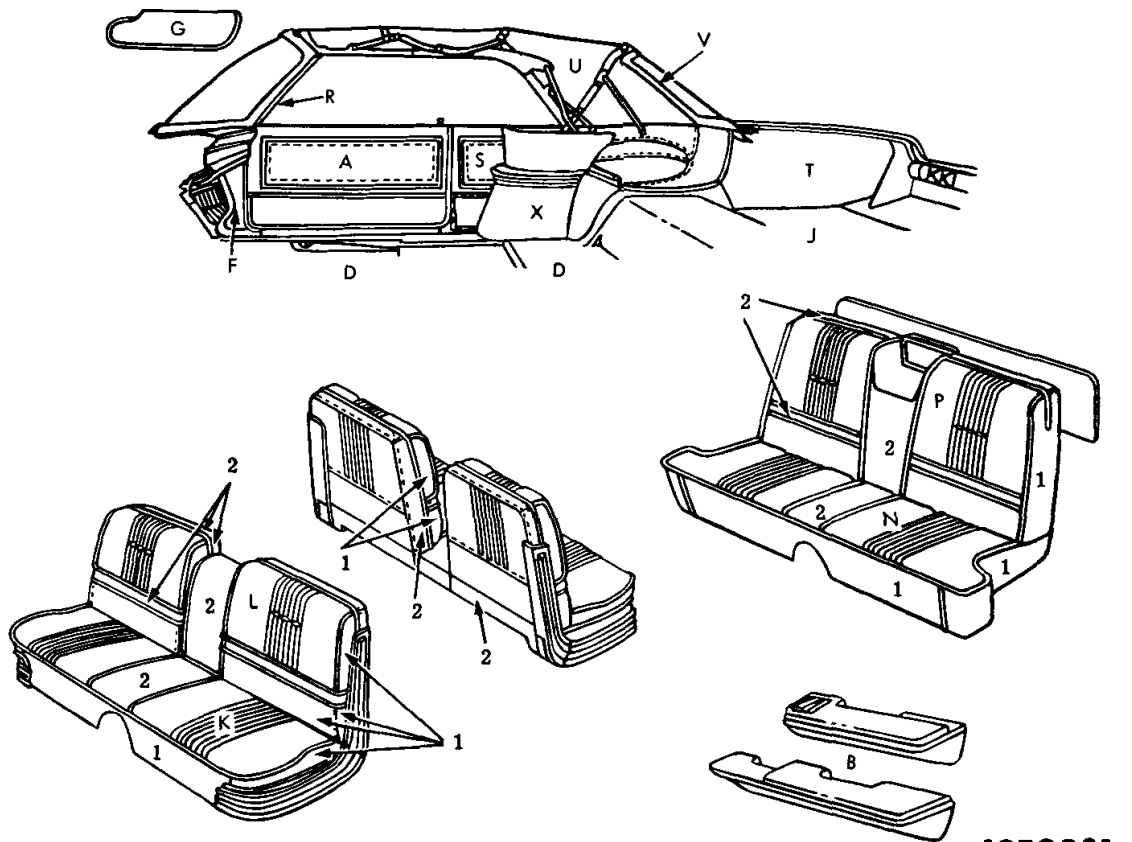
PART NUMBERS AND COLORS							
ITEM	TYPE OF MATERIAL	PART TYPE CODE	MAT'L WIDTH	BLACK	GOLD		

1	Vinyl 35.5 oz.	23-114-15	54"	0441 VX9	0441 AY3		
2	Vinyl 35.5 oz.	23-114-15	54"	0441 VX9	0441 AY8		

Distribution Drawing Legend Page Appears Following Illustration Section

1965 DODGE D2-H, 2 DOOR HARD TOP  
VINYL TRIM  
CODES H4B, H4Q, H4R, H4T, H4X, H4Y

★ Indicates use as required.  
 ☐ Indicates parts not listed in any previous parts book.  
 \* Indicates change or addition.



19T0231A

PART NUMBERS AND COLORS

ITEM	TYPE OF MATERIAL	PART TYPE CODE	MAT'L WIDTH	BLUE	TURQUOISE	TAN	RED
1	Vinyl 35.5 oz.	23-114-15	54"	0441 AB4	0441 AQ4	0441 VT6	0441 VR7
2	Vinyl 35.5 oz.	23-114-15	54"	0441 AB8	0441 AQ8	0441 VT8	0441 AR8

PART NUMBERS AND COLORS

ITEM	TYPE OF MATERIAL	PART TYPE CODE	MAT'L WIDTH	BLACK	GOLD		
1	Vinyl 35.5 oz.	23-114-15	54"	0441 VX9	0441 AY3		
2	Vinyl 35.5 oz.	23-114-15	54"	0441 VX9	0441 AY8		

Distribution Drawing Legend Page Appears Following Illustration Section

1965 DODGE D2-H CONVERTIBLE  
VINYL TRIM  
CODES H4B, H4Q, H4R, H4T, H4X, H4Y

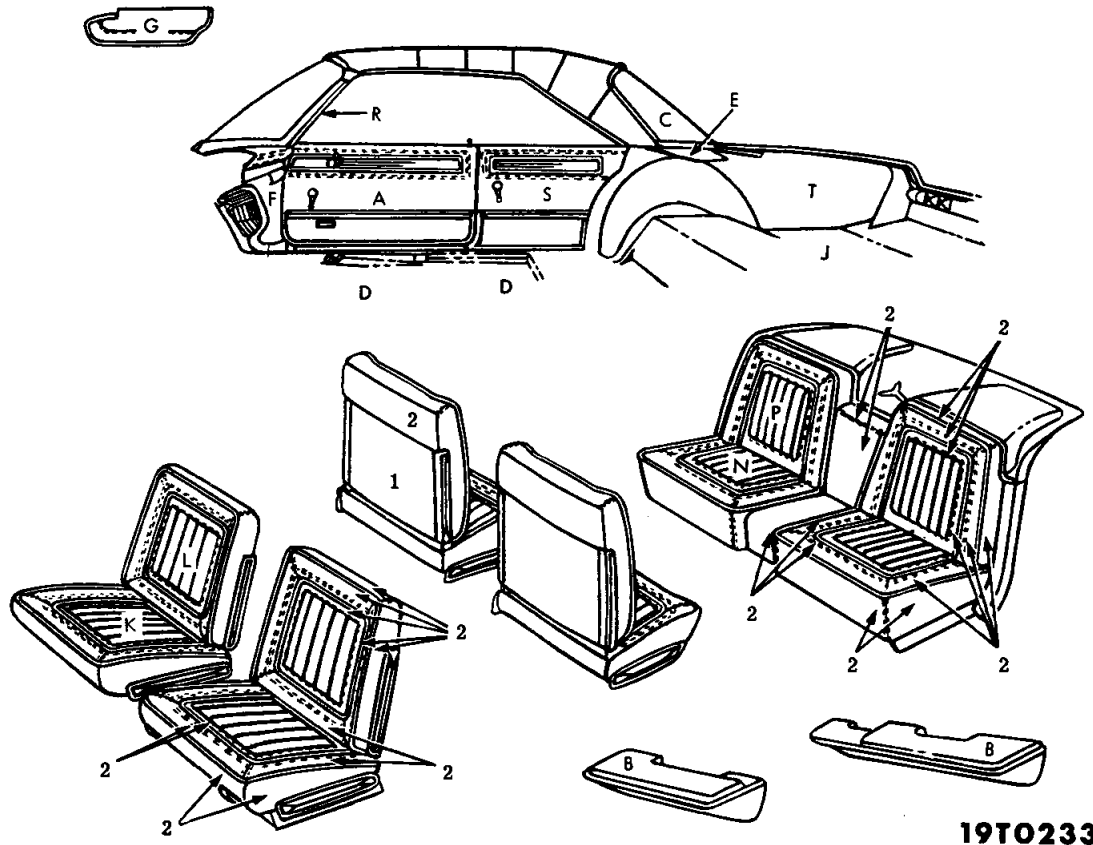
★ Indicates use as required.

⊞ Indicates parts not listed in any previous parts book.

May 1965, Supersedes Sept. 4, 1964.

Printed in U.S.A.  
Prices and specifications subject to change without notice.

• Indicates change or addition.



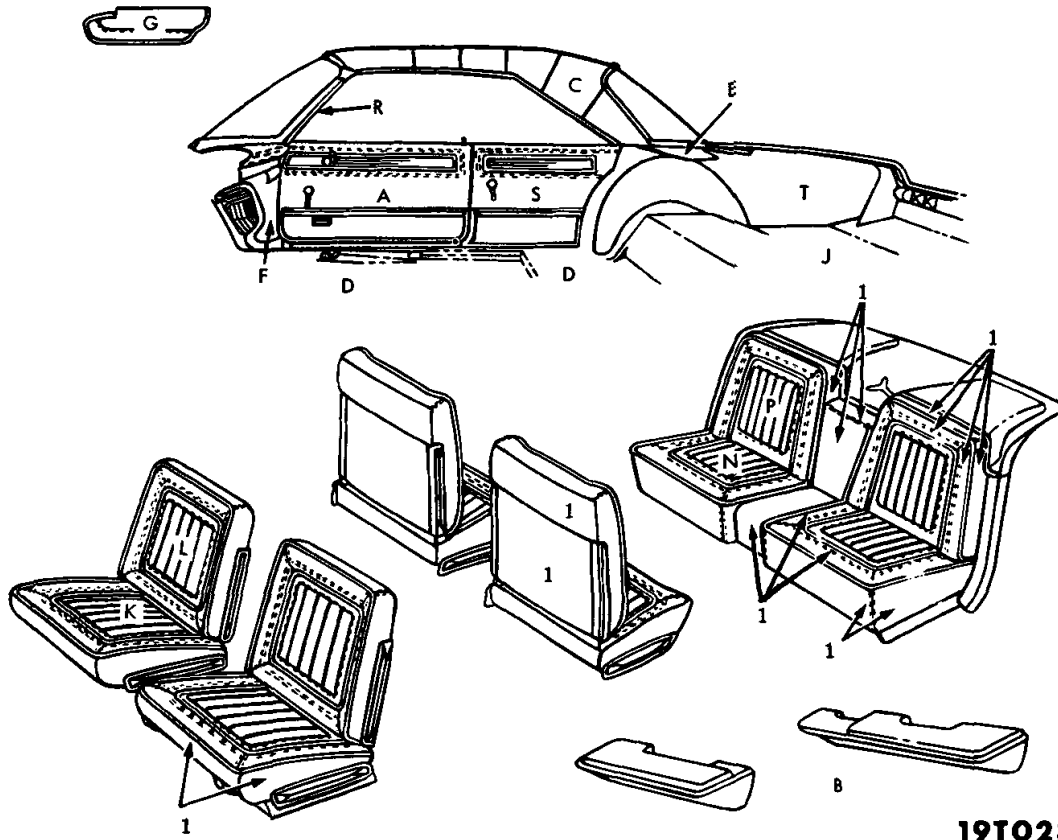
19T0233A

PART NUMBERS AND COLORS						
ITEM	TYPE OF MATERIAL	PART TYPE CODE	MAT'L WIDTH	BLUE	TURQUOISE	
1	Body Cloth	23-114-2	66"	0130 AB9	0130 AQ9	
2	Vinyl 35.5 oz.	23-114-15	54"	0441 AB4	0441 AQ4	

Distribution Drawing Legend Page Appears Following Illustration Section

1965 DODGE D2-P 2 DOOR HARD TOP  
 CLOTH AND VINYL TRIM  
 CODES P1B, P1Q

● Indicates use as required.  
 ☐ Indicates parts not listed in any previous parts book.  
 • Indicates change or addition.



19T0234 A

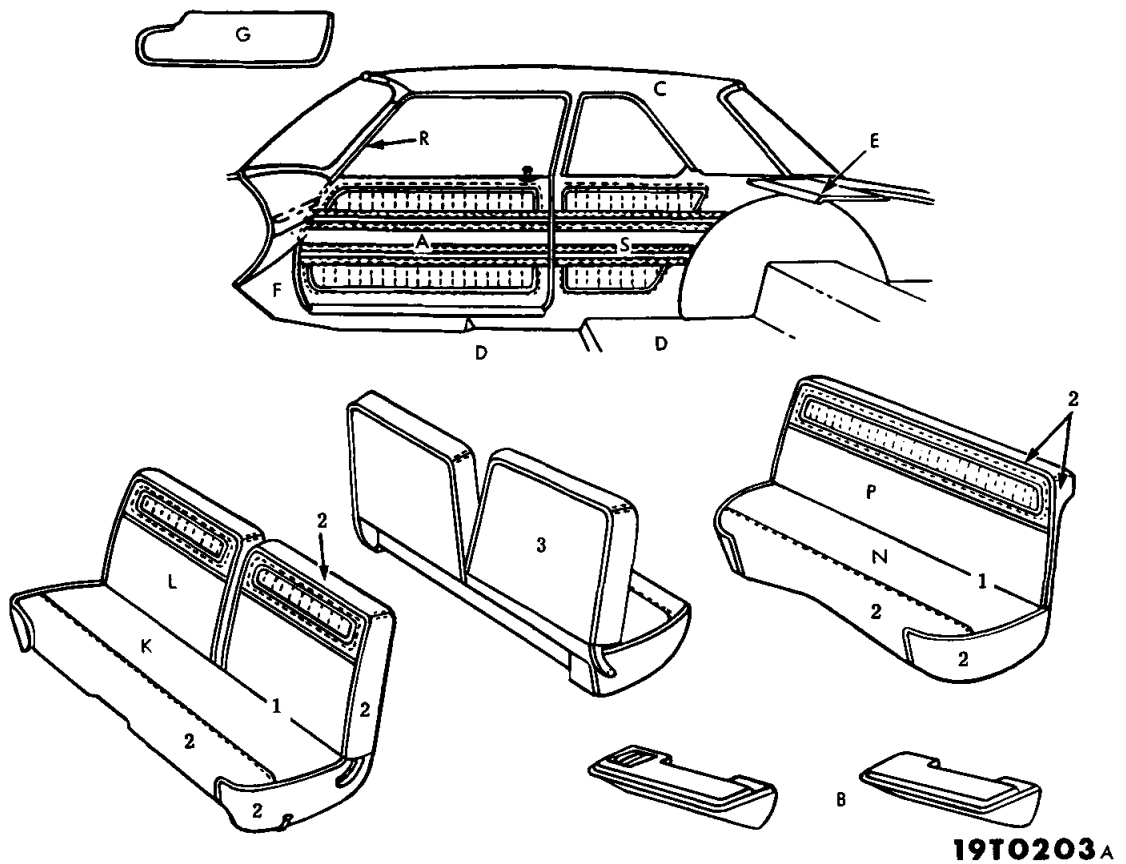
PART NUMBERS AND COLORS

ITEM	TYPE OF MATERIAL	PART TYPE CODE	MAT'L WIDTH	RED	TAN	COPPER	BLACK
1	Vinyl 35.5 oz.	23-114-15	54"	0441 AR5	*0441 AT5	*0441 AU8	*0441 VX9

Distribution Drawing Legend Page Appears Following Illustration Section

1965 DODGE D2-P 2 DOOR HARD TOP  
VINYL TRIM  
CODES P4R, P4T, P4U, P4X

★ Indicates use as required.  
 ☐ Indicates parts not listed in any previous parts book.  
 May 1965, Supersedes Sept. 4, 1964.

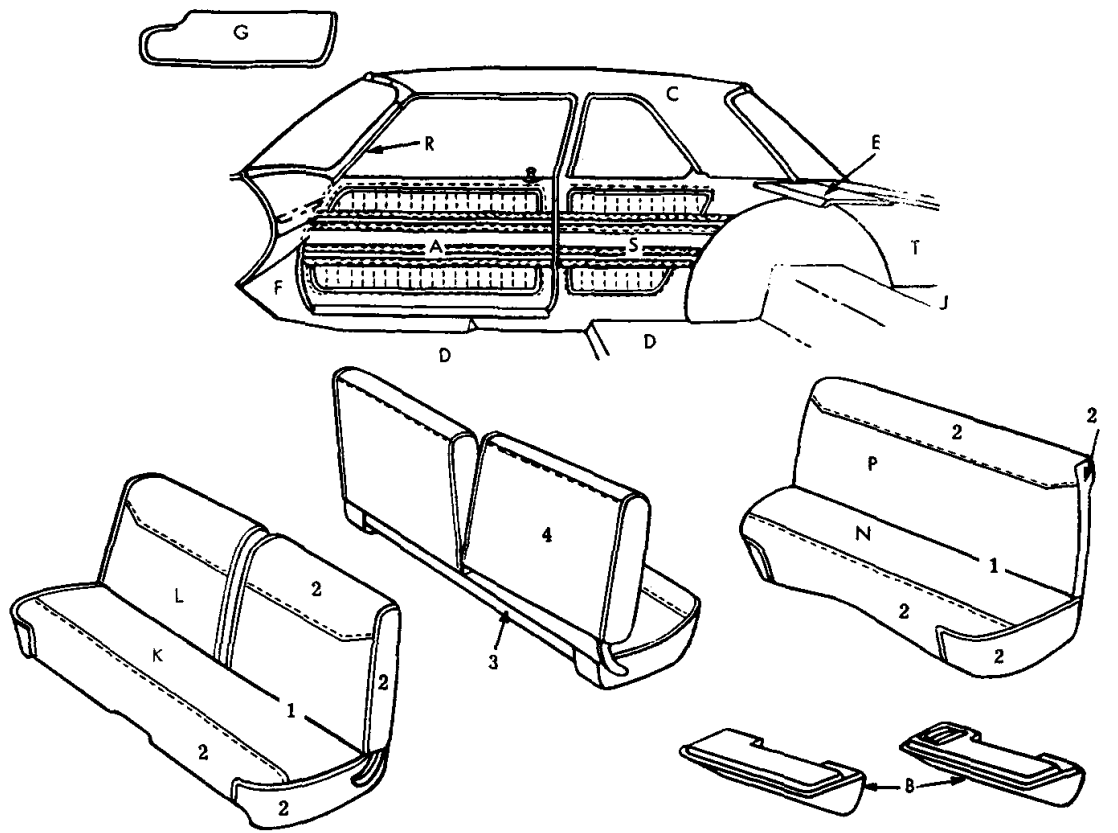


ITEM	TYPE OF MATERIAL	PART TYPE CODE	MAT'L WIDTH	PART NUMBERS AND COLORS			
				BLUE	TURQUOISE	RED	TAN
1	Body Cloth	23-114-2	62"	E0127 AB8	E0127 AQ8	E0127 AR5	E0127 AT8
2	Vinyl 35.5 oz.	23-114-15	54"	E0441 AB4	E0441 AQ4	E0441 AR5	E0441 VT6
3	Vinyl 20 oz.	23-114-15	56"	E0478 AB4	E0478 AQ4	E0478 AR5	E0478 AT6

Distribution Drawing Legend Page Appears Following Illustration Section

1965 CORONET W1-L, W2-L 2 DOOR SEDAN  
 CLOTH AND VINYL TRIM  
 CODES L1B, K1B, L1Q, K1Q, L1R, K1R, L1T, K1T

★ Indicates use as required.  
 ☐ Indicates parts not listed in any previous parts book.



**19T0205A**

**PART NUMBERS AND COLORS**

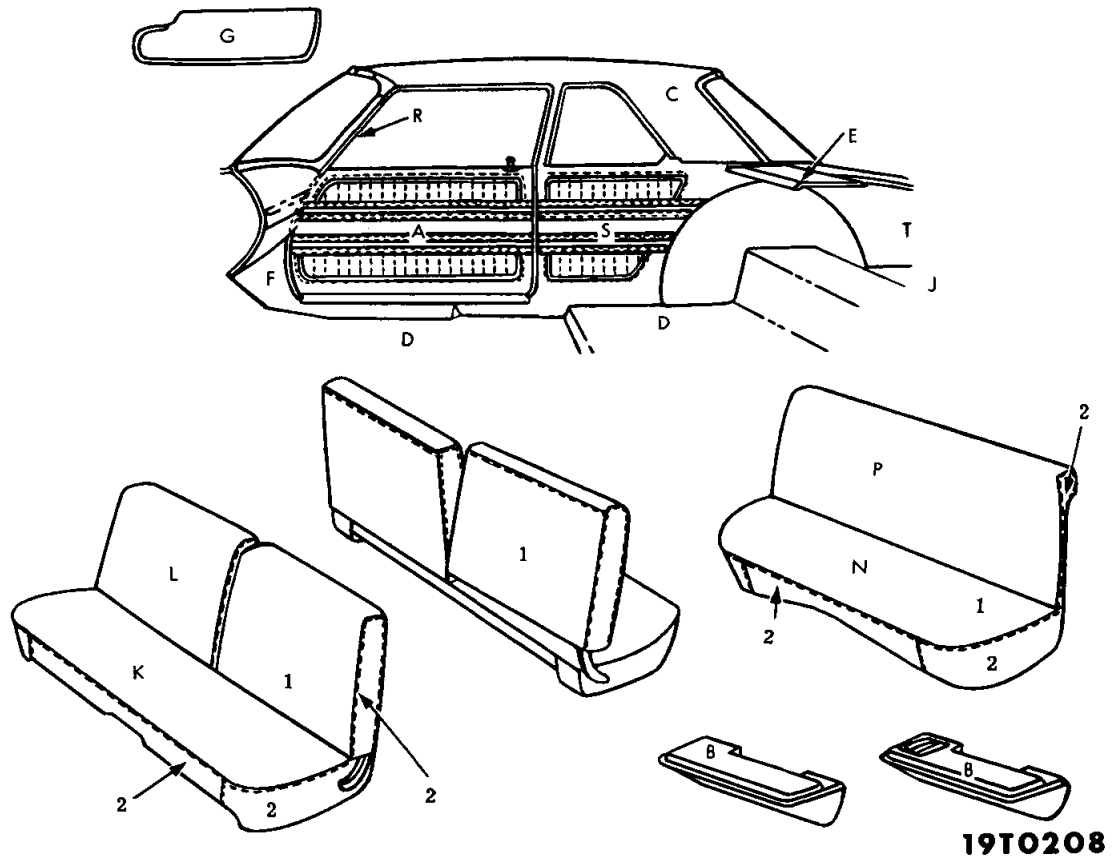
ITEM	TYPE OF MATERIAL	PART TYPE CODE	MAT'L WIDTH	TAN			
1	Body Cloth	23-114-2	52"	E0104 ATT			
2	Vinyl 35.5 oz.	23-114-15	54"	0441 VT6			
3	Vinyl 35.5 oz.	23-114-15	54"	0441 VT8			
4	Vinyl 21 oz.	23-114-15	54"	E0487 AT8			

Distribution Drawing Legend Page Appears Following Illustration Section

1965 CORONET W1-L, W2-L, 2 DOOR SEDAN  
CLOTH AND VINYL TRIM  
CODES L2T, K2T

★ Indicates use as required.

⊠ Indicates parts not listed in any previous parts book.  
May 1965, Supersedes Sept. 4, 1964.



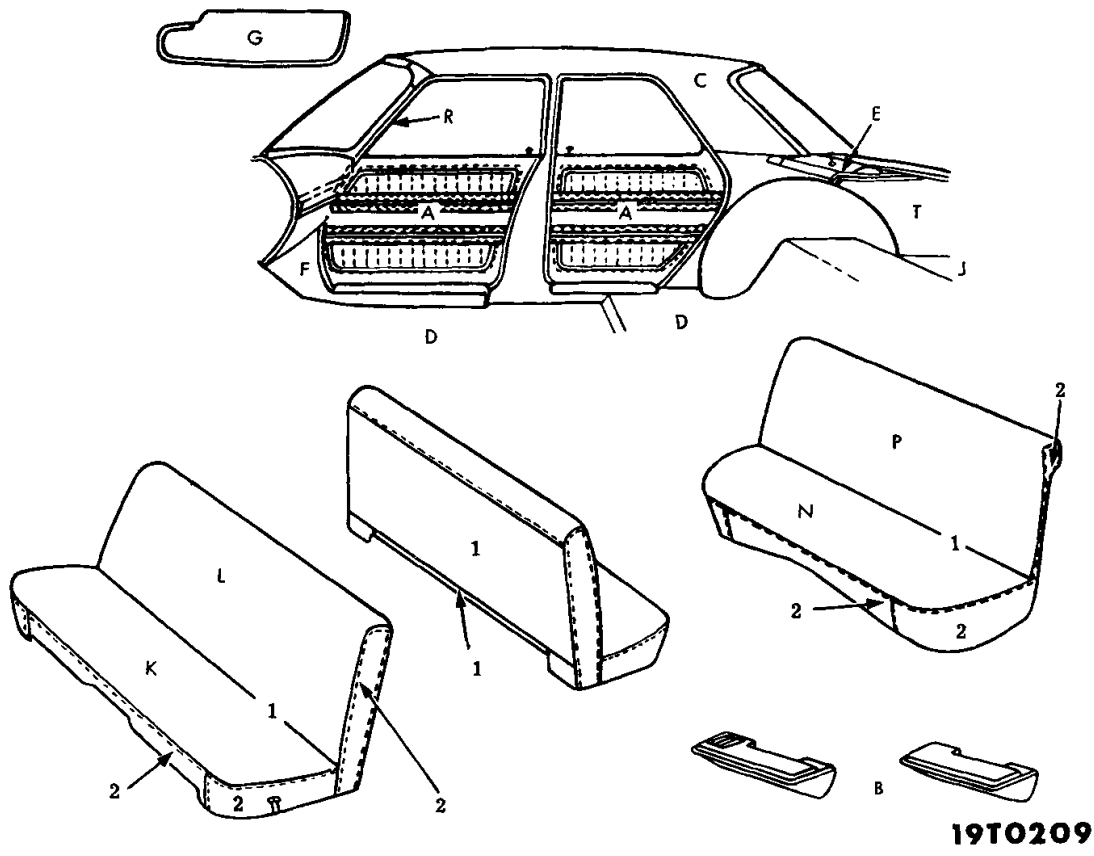
PART NUMBERS AND COLORS

ITEM	TYPE OF MATERIAL	PART TYPE CODE	MAT'L WIDTH	TAN			
1	Vinyl 37 oz.	23-114-15	50"	E0445 AT8			
2	Vinyl 35.5 oz.	23-114-15	54"	0441 VT8			

Distribution Drawing Legend Page Appears Following Illustration Section

1965 CORONET W1-L, W2-L 2 DOOR SEDAN  
 VINYL TRIM  
 CODES L8T, K8T

★ Indicates use as required.  
 ☒ Indicates parts not listed in any previous parts book.



19T0209

PART NUMBERS AND COLORS

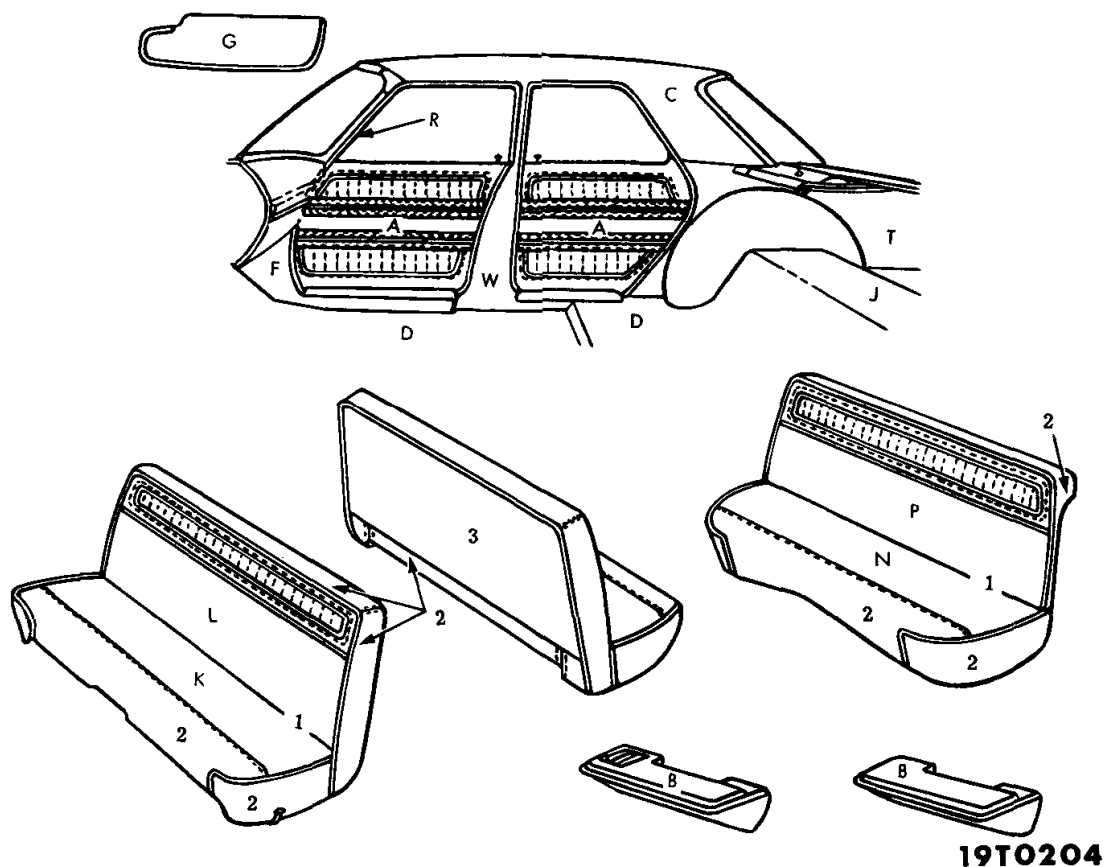
ITEM	TYPE OF MATERIAL	PART TYPE CODE	MAT'L WIDTH	TAN			
1	Vinyl 37 oz.	23-114-15	50"	0445 AT8			
2	Vinyl 35.5 oz.	23-114-15	54"	0441 VT8			

Distribution Drawing Legend Page Appears Following Illustration Section

1965 CORONET W1-L, W2-L 4 DOOR SEDAN  
 VINYL TRIM  
 CODES L8T, K8T, T8T

★ Indicates use as required.  
 ☒ Indicates parts not listed in any previous parts book.  
 September 4, 1964.





19T0204

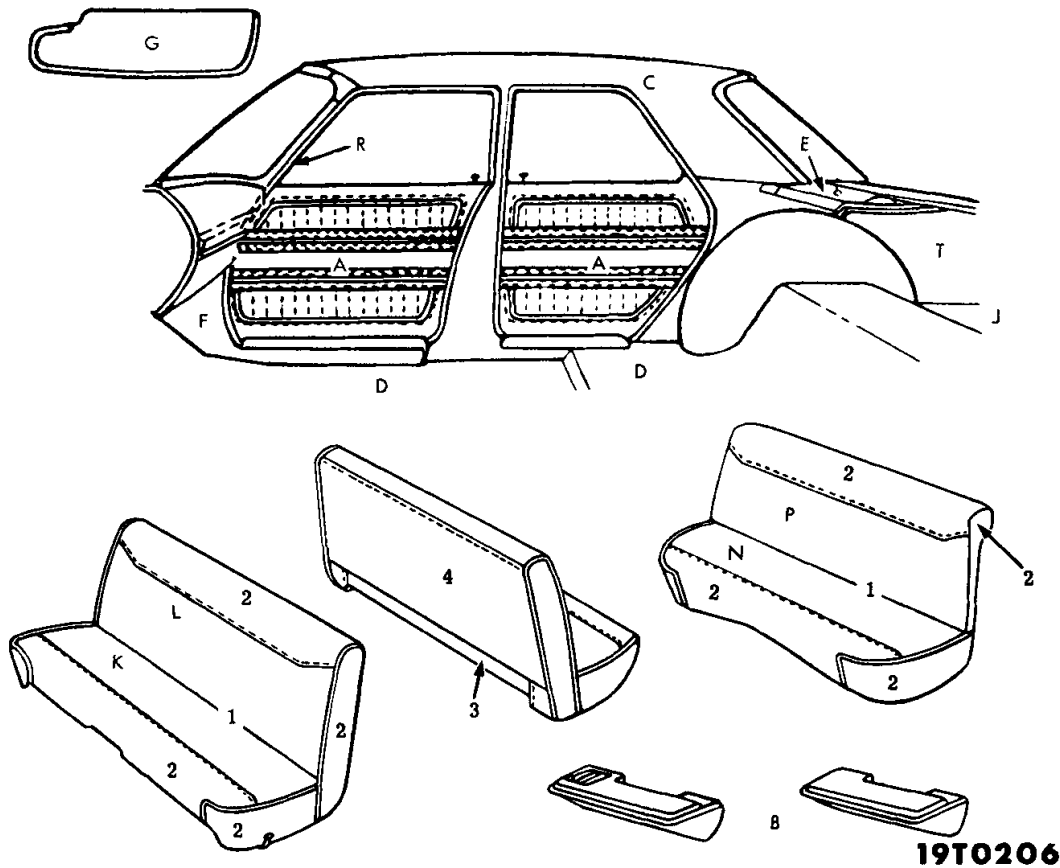
PART NUMBERS AND COLORS

ITEM	TYPE OF MATERIAL	PART TYPE CODE	MAT'L WIDTH	BLUE	TURQUOISE	RED	TAN
1	Body Cloth	23-114-2	62"	E0127 AB8	E0127 AQ8	E0127 AR5	E0127 AT8
2	Vinyl 35.5 oz.	23-114-15	54"	E0441 AB4	E0441 AQ4	E0441 AR5	0441 VT6
3	Vinyl 20 oz.	23-114-15	56"	E0478 AB4	E0478 AQ4	E0478 AR5	E0478 AT6

Distribution Drawing Legend Page Appears Following Illustration Section

1965 CORONET W1-L, W2-L 4 DOOR SEDAN  
 CLOTH AND VINYL TRIM  
 CODES L1B, K1B, L1Q, K1Q, L1R, K1R, L1T, K1T

★ Indicates use as required.  
 ☐ Indicates parts not listed in any previous parts book.



PART NUMBERS AND COLORS

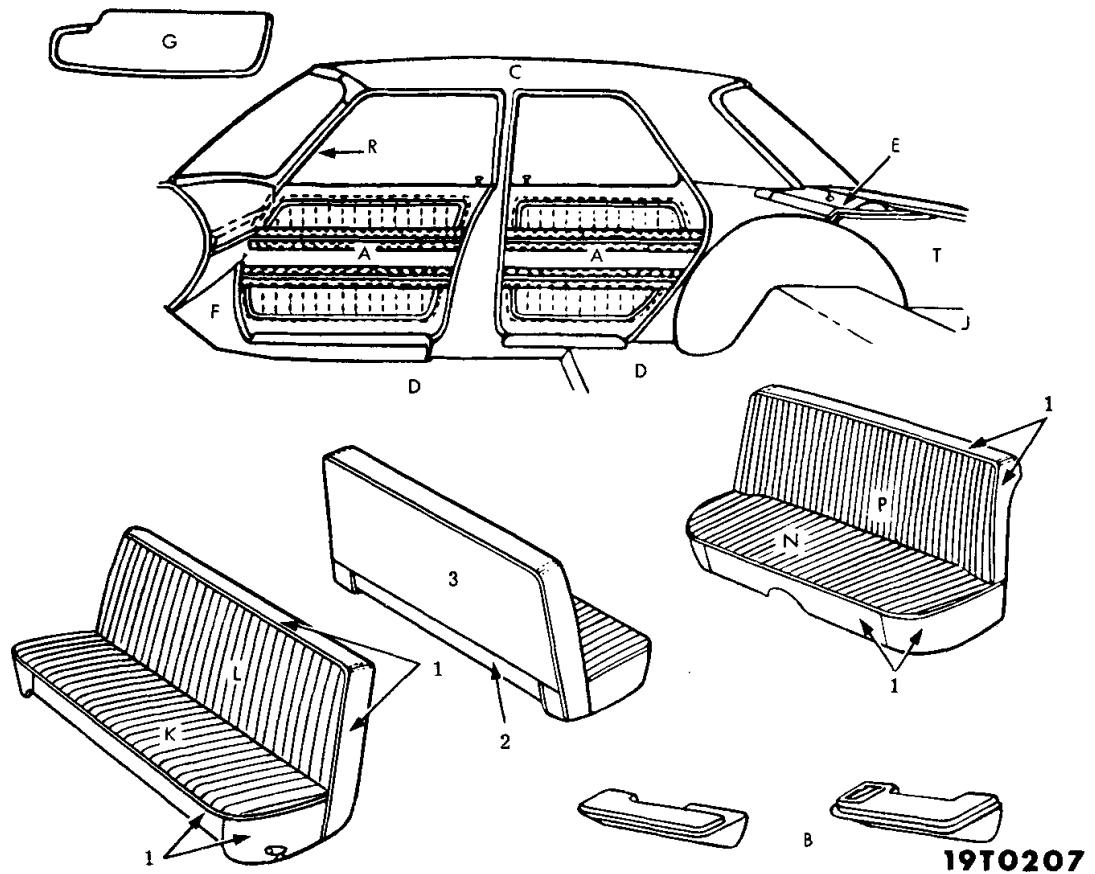
ITEM	TYPE OF MATERIAL	PART TYPE CODE	MAT'L WIDTH	TAN			
1	Body Cloth	23-114-2	52"	0104 ATT			
2	Vinyl 35.5 oz.	23-114-15	54"	0441 VT6			
3	Vinyl 35.5 oz.	23-114-15	54"	*0441 VT8			
4	Vinyl 21 oz.	23-114-15	54"	0487 AT8			

Distribution Drawing Legend Page Appears Following Illustration Section

1965 CORONET W1-L, W2-L 4 DOOR SEDAN  
 CLOTH AND VINYL TRIM  
 CODES L2T, K2T

★ Indicates use as required.

☐ Indicates parts not listed in any previous parts book.  
 May 1965, Supersedes Sept. 4, 1964.



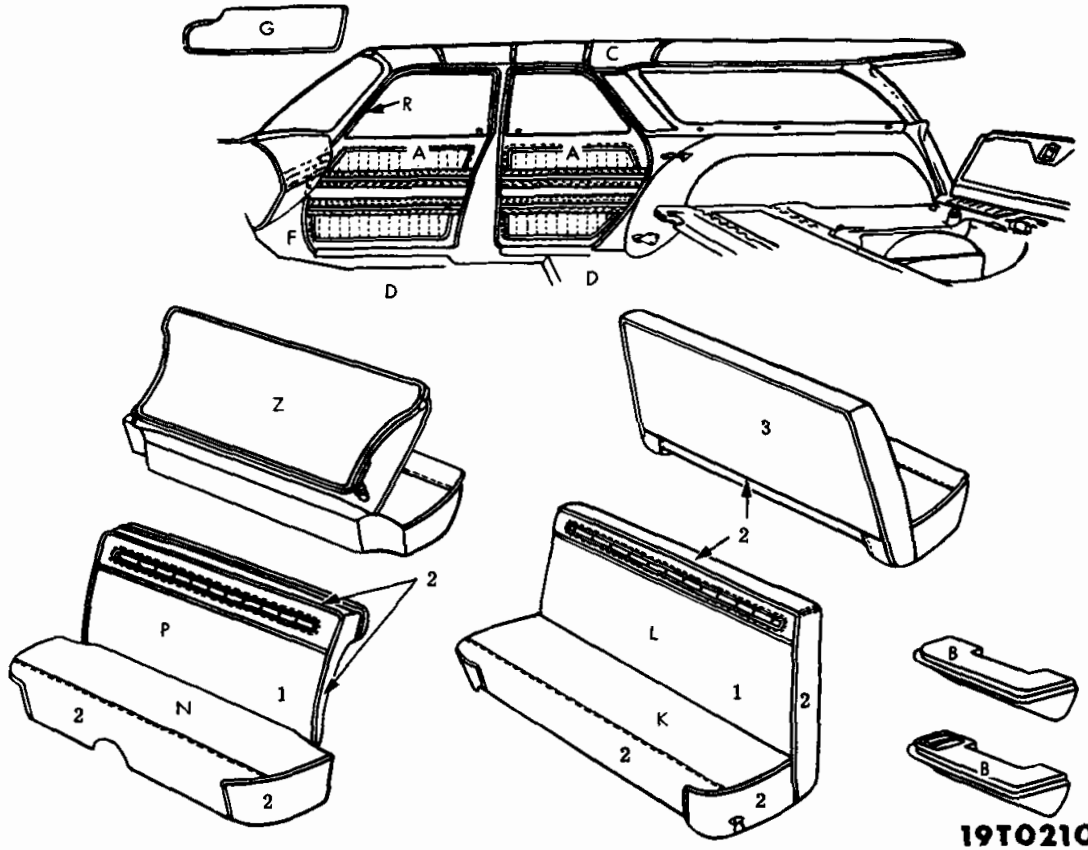
PART NUMBERS AND COLORS

ITEM	TYPE OF MATERIAL	PART TYPE CODE	MAT'L WIDTH	BLUE	RED	TAN	
1	Vinyl 35.5 oz.	23-114-15	54"	E0441 AB4	E0441 AR5	0441 VT6	
2	Vinyl 35.5 oz.	23-114-15	54"	E0441 AB4	E0441 AR8	0441 VT6	
3	Vinyl 20 oz.	23-114-15	56"	E0478 AB4	E0478 AR8	E0478 AT6	

Distribution Drawing Legend Page Appears Following Illustration Section

1965 CORONET W1-L, W2-L 4 DOOR SEDAN  
 VINYL TRIM  
 CODES L5B, L5R, L5T

★ Indicates use as required.  
 B Indicates parts not listed in any previous parts book.

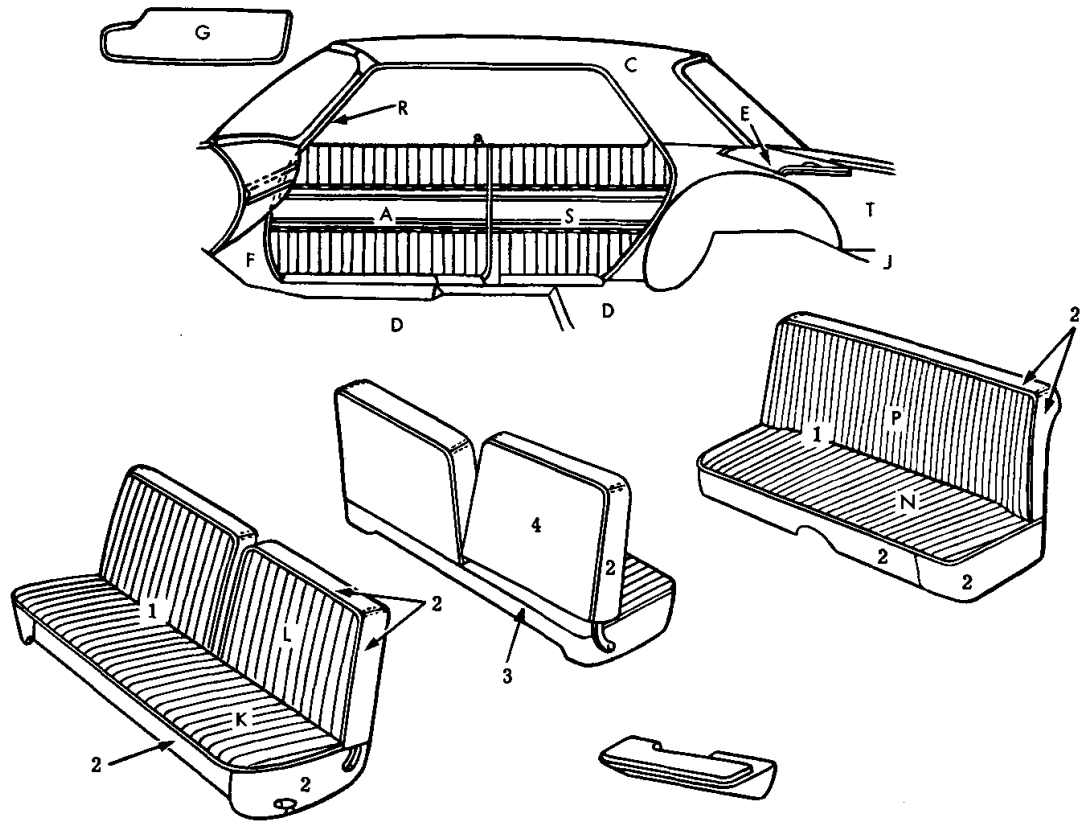


PART NUMBERS AND COLORS

ITEM	TYPE OF MATERIAL	PART TYPE CODE	MAT'L WIDTH	BLUE	TURQUOISE	RED	TAN
1	Vinyl 43 oz.	23-114-15	61"	E0497 AB8	E0497 AQ8	E0497 AR5	E0497 AT8
2	Vinyl 35.5 oz.	23-114-15	54"	E0441 AB4	E0441 AQ4	E0441 AR5	0441 VT6
3	Vinyl 20 oz.	23-114-15	54"	E0478 AB4	E0478 AQ4	E0478 AR5	E0478 AT6

Distribution Drawing Legend Page Appears Following Illustration Section

1965 CORONET W1-L, W2-L STATION WAGON  
 VINYL TRIM  
 CODES L4B, K4B, L4Q, K4Q, L4R, K4R, L4T, K4T



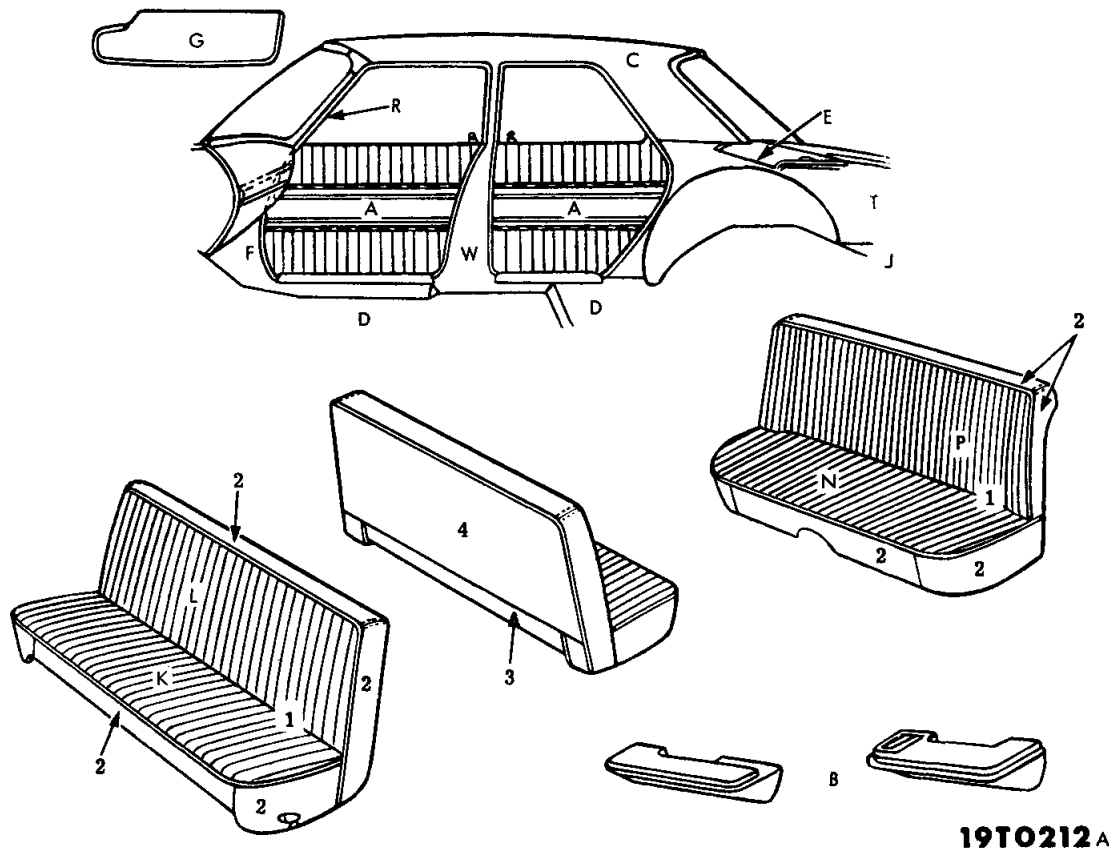
19T0211A

PART NUMBERS AND COLORS							
ITEM	TYPE OF MATERIAL	PART TYPE CODE	MAT'L WIDTH	BLUE	TURQUOISE	RED	TAN
1	Body Cloth	23-114-2		Not Serviced			
2	Vinyl 35.5 oz.	23-114-15	54"	0441 AB4	0441 AQ4	-----	0441 VT6
3	Vinyl 35.5 oz.	23-114-15	54"	-----	-----	0441 AR5	-----
4	Vinyl 35.5 oz.	23-114-15	54"	0441 AB4	0441 AQ4	0441 AR8	0441 VT6

Distribution Drawing Legend Page Appears Following Illustration Section

1965 CORONET 440 W1-H, W2-H 2 DOOR SEDAN  
CLOTH AND VINYL TRIM  
CODES H1B, H1Q, H1R, H1T

● Indicates use as required.  
 □ Indicates parts not listed in any previous parts book.  
 \* Indicates change or addition.



19T0212A

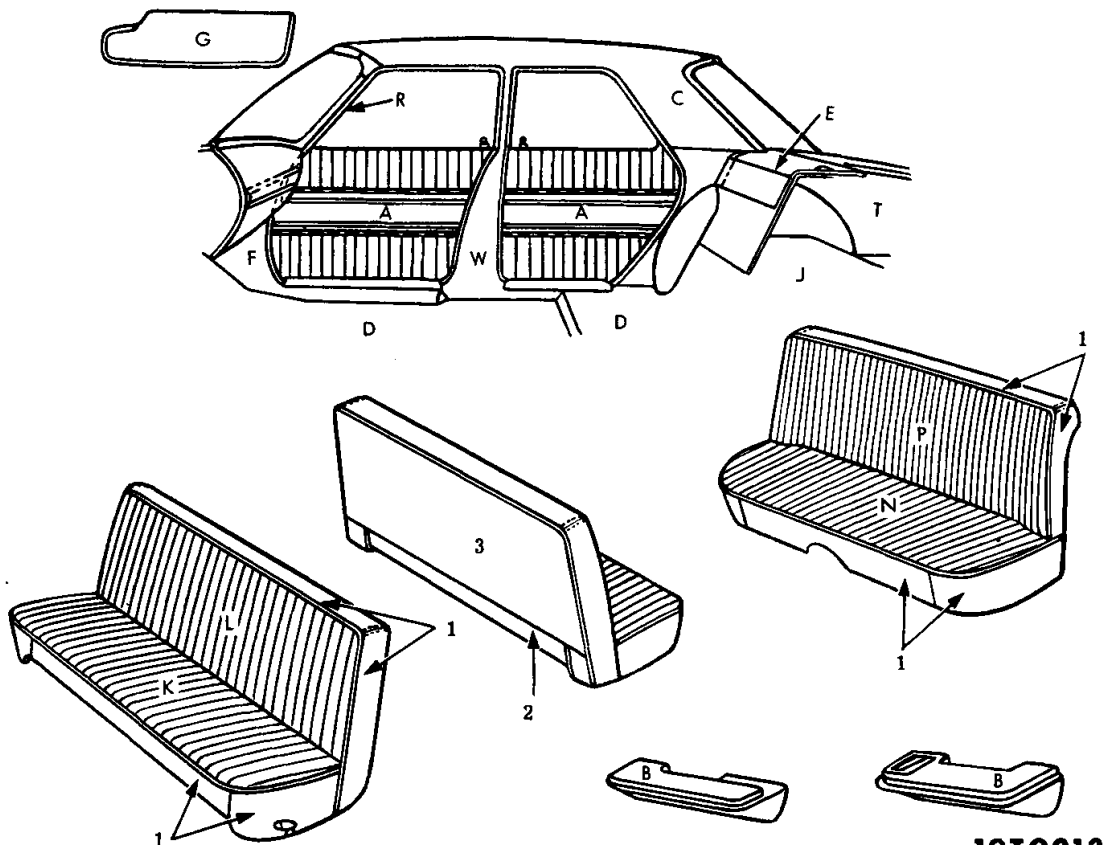
PART NUMBERS AND COLORS

ITEM	TYPE OF MATERIAL	PART TYPE CODE	MAT'L WIDTH	BLUE	TURQUOISE	RED	TAN
1	Body Cloth	23-114-2		Not Serviced			
2	Vinyl 35.5 oz.	23-114-15	54"	E0441 AB4	E0441 AQ4	---- --	0441 VT6
3	Vinyl 35.5 oz.	23-114-15	54"	---- --	---- --	E0441 AR5	---- --
4	Vinyl 35.5 oz.	23-114-15	54"	E0441 AB4	E0441 AQ4	E0441 AR8	0441 VT6

Distribution Drawing Legend Page Appears Following Illustration Section

1965 CORONET 440 W1-H, W2-H 4 DOOR SEDAN

CLOTH AND VINYL TRIM  
 CODES H1B, H1Q, H1R, H1T



1970213

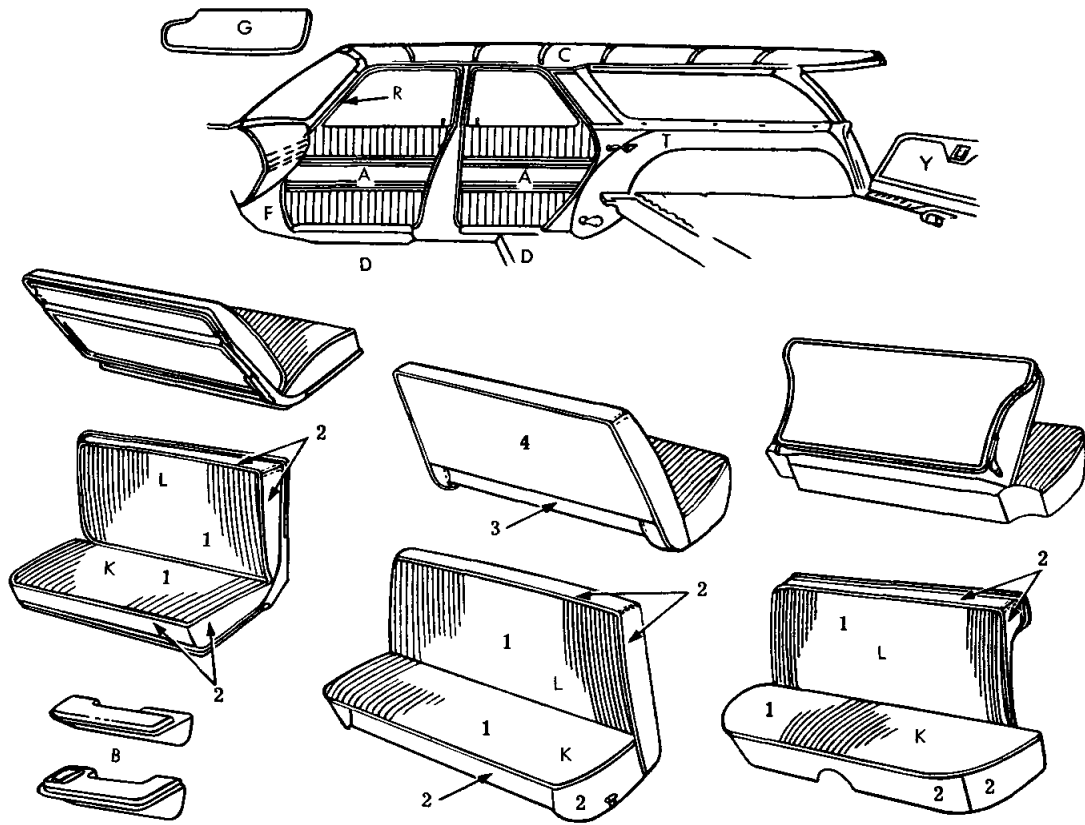
PART NUMBERS AND COLORS							
ITEM	TYPE OF MATERIAL	PART TYPE CODE	MAT'L WIDTH	BLUE	RED	TAN	

1	Vinyl 35.5 oz.	23-114-15	54"	0441 AB4	----	0441 VT6	
2	Vinyl 35.5 oz.	23-114-15	54"	*0441 AB4	0441 AR5	*0441 VT6	
3	Vinyl 35.5 oz.	23-114-15	54"	0441 AB4	0441 AR8	0441 VT6	

Distribution Drawing Legend Page Appears Following Illustration Section

1965 CORONET 440 WH-1, WH-2 4 DOOR SEDAN  
VINYL TRIM  
CODES H5B, H5R, H5T

★ Indicates use as required.  
 ☒ Indicates parts not listed in any previous parts book.  
 \* Indicates change or addition.



19T0215

PART NUMBERS AND COLORS

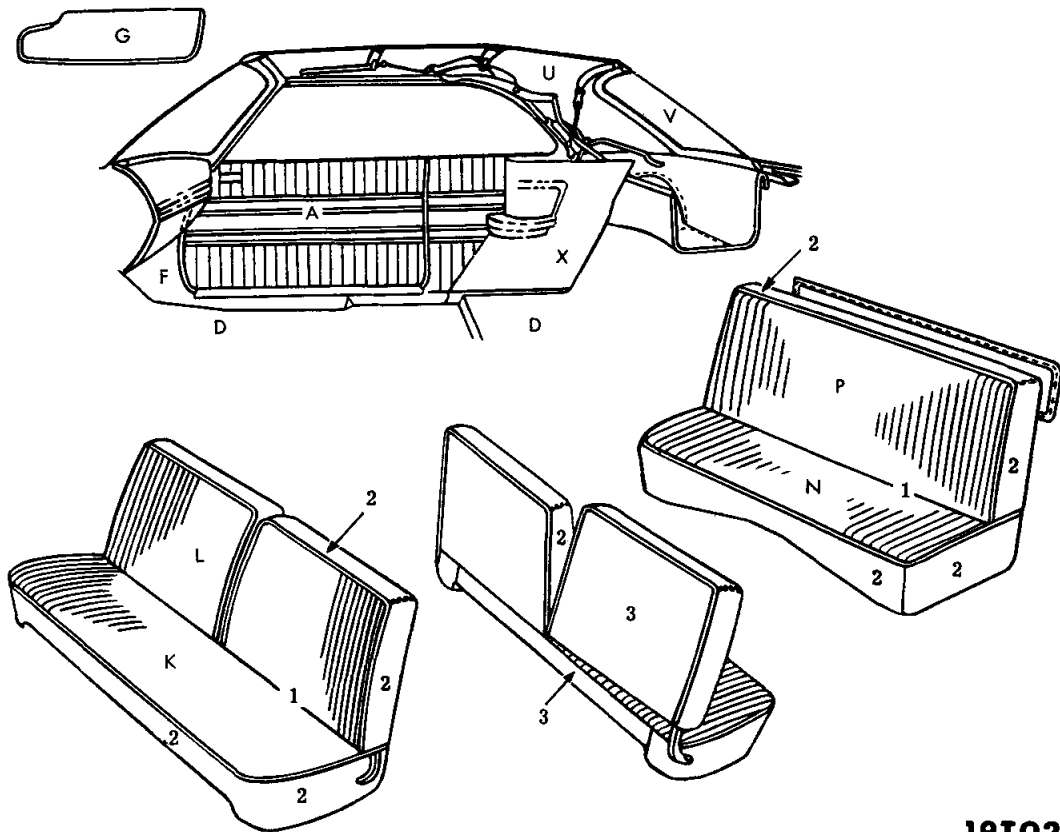
ITEM	TYPE OF MATERIAL	PART TYPE CODE	MAT'L WIDTH	BLUE	TURQUOISE	RED	TAN
1	Vinyl	23-114-15		Not Serviced			
2	Vinyl 35.5 oz.	23-114-15	54"	0441 AB4	0441 AQ4	*0441 AR5	0441 VT6
3	Vinyl 35.5 oz.	23-114-15	54"	----	----	0441 AR5	
4	Vinyl 35.5 oz.	23-114-15	54"	0441 AB4	0441 AQ4	0441 AR8	0441 VT6

Distribution Drawing Legend Page Appears Following Illustration Section

1965 CORONET 440 W1-H, W2-H STATION WAGON  
VINYL TRIM  
CODES H4B, H4Q, H4R, H4T

★ Indicates use as required.  
 ☐ Indicates parts not listed in any previous parts book.  
 May 1965, Supersedes Sept. 4, 1964.





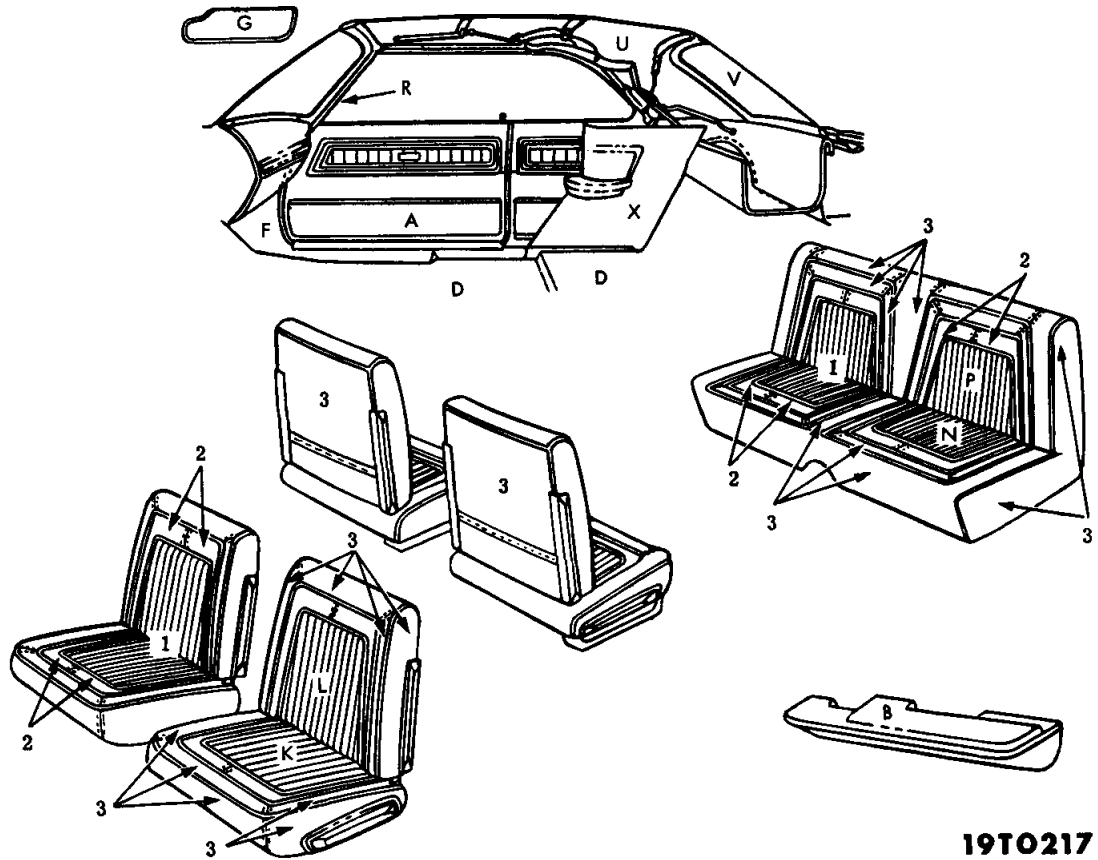
19T0214 A

ITEM	TYPE OF MATERIAL	PART TYPE CODE	MAT'L WIDTH	PART NUMBERS AND COLORS			
				BLUE	TURQUOISE	RED	TAN
1	Vinyl	23-114-15		Not Serviced			
2	Vinyl 35.5 oz.	23-114-15	54"	0441 AB4	0441 AQ4	*0441 AR5	0441 AR8
3	Vinyl 35.5 oz.	23-114-15	54"	*0441 AB4	*0441 AQ4	0441 AR8	*0441 VT6

Distribution Drawing Legend Page Appears Following Illustration Section

1965 CORONET 440 W1-H, W2-H CONVERTIBLE  
VINYL TRIM  
CODES H4B, H4Q, H4R, H4T

★ Indicates use as required.  
 □ Indicates parts not listed in any previous parts book.  
 \* Indicates change or addition.



19T0217 A

PART NUMBERS AND COLORS

ITEM	TYPE OF MATERIAL	PART TYPE CODE	MAT'L WIDTH	BLUE	TURQUOISE	RED	TAN
1	Vinyl	23-114-15		Not Serviced			
2	Vinyl 35.5 oz.	23-114-15	54"	0479 AB9	0479 AQ9	0479 AR9	0479 AT8
3	Vinyl 35.5 oz.	23-114-15	54"	0441 AB4	0441 AQ4	0441 VR7	0441 VT6

PART NUMBERS AND COLORS

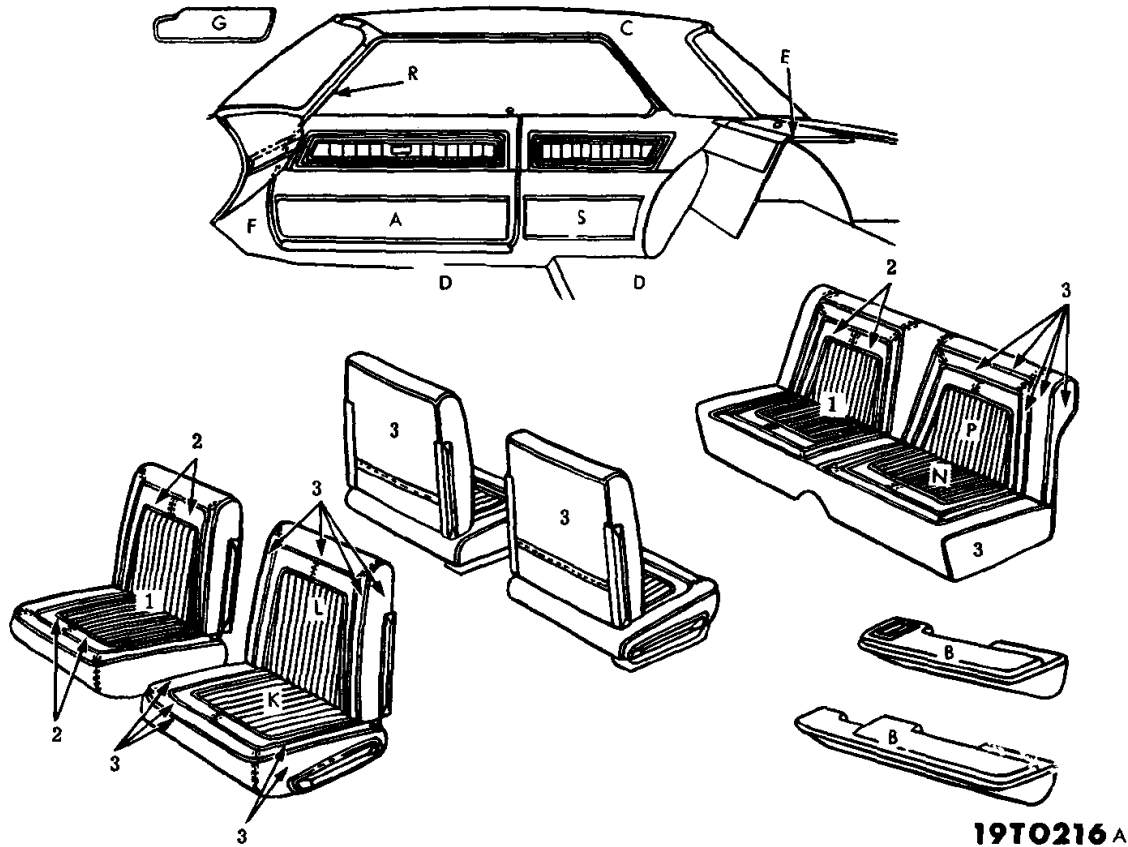
ITEM	TYPE OF MATERIAL	PART TYPE CODE	MAT'L WIDTH	BLACK	GOLD		
2	Vinyl 35.5 oz.	23-114-15	54"	0464 AX9	0464 AW3		
3	Vinyl 35.5 oz.	23-114-15	54"	0441 VX9	0441 VW3		

Distribution Drawing Legend Page Appears Following Illustration Section

1965 CORONET 500 W1-P, W2-P CONVERTIBLE  
VINYL TRIM  
CODES P4B, P4Q, P4R, P4T, P4X, P4Y

★ Indicates use as required.

⊠ Indicates parts not listed in any previous parts book.  
May 1965, Supersedes Sept. 4, 1964.



PART NUMBERS AND COLORS

ITEM	TYPE OF MATERIAL	PART TYPE CODE	MAT'L WIDTH	BLUE	TURQUOISE	RED	TAN
1	Vinyl	23-114-15		Not Serviced			
2	Vinyl 35.5 oz.	23-114-15	54"	0479 AB9	0479 AQ9	0479 AR9	0479 AT8
3	Vinyl 35.5 oz.	23-114-15	54"	0441 AB4	0441 AQ4	0441 VR7	0441 VT6

PART NUMBERS AND COLORS

ITEM	TYPE OF MATERIAL	PART TYPE CODE	MAT'L WIDTH	BLACK	GOLD		
2	Vinyl 35.5 oz.	23-114-15	54"	0464 AX9	0464 AW3		
3	Vinyl 35.5 oz.	23-114-15	54"	0441 VX9	0441 VW3		

Distribution Drawing Legend Page Appears Following Illustration Section

1965 CORONET 500 W1-P, W2-P 2 DOOR HARD TOP  
VINYL TRIM  
CODES P4B, P4Q, P4R, P4T, P4X, P4Y

★ Indicates use as required.  
 ☐ Indicates parts not listed in any previous parts book.  
 ● Indicates change or addition.

## 1965 DODGE - A SERIES

## Distribution Drawing Legend

See Illustration For Letter Identification

Letter	Description	Code
A	Panel, Door Trim	23-92-5
B	Arm Rest, Door, Front	23-76-3
	Center, Front Seat	23-76-34
	Door, Rear	23-76-59
	Quarter Panel	23-76-66
C	Headlining	23-86-3
D	Floor Cover, Front, Carpet	23-79-3
	Rubber	23-20-8
	Rear, Carpet	23-79-33
	Rubber	23-20-41
E	Panel, Shelf Trim	23-102-3
F	Panel, Cowl Trim	23-91-6
G	Visor	23-103-3
H	Panel, Luggage Compartment Front	23-96-3
J	Cover, Luggage Compartment Floor	23-20-29
K	Cover, Front Seat Cushion	23-108-5
L	Cover, Front Seat Back	23-108-16
M	Cover, Front Seat Hinge	23-108-84
N	Cover, Rear Seat Cushion	23-109-36
P	Cover, Rear Seat Back	23-109-4
Q	Cover, Rear Seat Cushion Bottom Panel	23-109-40
R	Weathercord, Door	23-113-2
	Hinge Pillar	23-113-25
	Lock Pillar	23-113-30
	w/Weatherstrip	23-66-33
S	Panel, Quarter Trim	23-101-3
T	Cover, Wheelhouse	23-96-8
U	Top Deck and Side Quarter	23-112-108
V	Curtain Folding Top Back	23-112-45
W	Cover, Center Pillar	23-99-4
X	Panel, Folding Top Well Pocket	23-112-153
Y	Cover, Tailgate Inside Panel	23-79-79
Z	Cover, Rear Seat Back Panel	23-109-5

BODY CODE

COLUMN LEGEND

CORONET (AW1-L) (AW2-L)

W-11 (21)	2 D. Sedan
W-13 (41)	4 D. Sedan
W-56 (45)	Station Wagon (2 Seat)
W-83 (41)	4 D. Sedan (Taxi)
W-91 (21)	2 D. Sedan (Police)
W-93 (41)	4 D. Sedan (Police)
W-96 (45)	Station Wagon (2 Seat)

CORONET 440 (AW1-H)

W-32 (23)	2 D. Hard Top
W-33 (41)	4 D. Sedan
W-76 (45)	Station Wagon (2 Seat)

CORONET 440 (AW2-H)

W-32 (23)	2 D. Hard Top
W-35 (27)	Convertible
W-33 (41)	4 D. Sedan
W-76 (45)	Station Wagon (2 Seat)
W-77 (46)	Station Wagon (3 Seat)

CORONET 500 (AW2-P)

W-42 (23)	2 D. Hard Top
-----------	---------------

POLARA (AD2-L)

D-12 (23)	2 D. Hard Top
D-15 (27)	Convertible
D-13 (41)	4 D. Sedan
D-14 (43)	4 D. Hard Top
D-56 (45)	Station Wagon (2 Seat)
D-57 (46)	Station Wagon (3 Seat)
D-93 (41)	4 D. Sedan (Police)

CUSTOM 880 (AD2-H)

D-32 (23)	2 D. Hard Top
D-35 (27)	Convertible
D-38 (42)	4 D. Sedan (6 Window)
D-34 (43)	4 D. Hard Top
D-76 (45)	Station Wagon (2 Seat)
D-77 (46)	Station Wagon (3 Seat)

MONACO (AD2-P)

D-42 (23)	2 D. Hard Top
-----------	---------------

★ Indicates use as required.

□ Indicates parts not listed in any previous parts book.

## CONVERTIBLE TOP COLOR LEGEND

		0 Black	1 Blue	2 White	
		Detroit	Los Angeles	Delaware	St. Louis
<b>DODGE 117"</b>					
W1-L	(Coronet)	4151-100001	4155-100001		4157-100001
W1-L	(Coronet Sta. Wgn.)	4551-100001	4555-100001		4557-100001
W1-H	(Coronet 440)	4351-100001	4355-100001		4357-100001
W1-H	(Coronet 440 Sta. Wgn.)	4751-100001	4755-100001		4757-100001
W2-L	(Coronet)	W151-100001	W155-100001		W157-100001
W2-L	(Coronet Sta. Wgn.)	W551-100001	W555-100001		W557-100001
W2-H	(Coronet 440)	W351-100001	W355-100001		W357-100001
W2-H	(Coronet 440 Sta. Wgn.)	W751-100001	W755-100001		W757-100001
W2-P	(Coronet 500)	W451-100001	W455-100001		W457-100001

### DODGE 121.5"

D2-L	(Polara)	D153-100001		D156-100001
D2-L	(Polara Sta. Wgn.)	D553-100001		D556-100001
D2-H	(Polara 880)	D353-100001		D356-100001
D2-H	(Polara 880 Sta. Wgn.)	D753-100001		D756-100001
D2-P	(Monaco)	D453-100001		D456-100001

TRIM CODE	MODEL	MATERIAL			COLOR	6 WD. SED.	SED.	4D H.T.	STA. WGN.	2D H.T.	CV. CP.
		Cloth	Vinyl	Leather							
L1B, K1B	W1-L, W2-L	★	★	-	Blue	-	★	-	-	-	-
L1Q, K1Q	W1-L, W2-L	★	★	-	Turquoise	-	★	-	-	-	-
L1R, K1R	W1-L, W2-L	★	★	-	Red	-	★	-	-	-	-
L1T, K1T, L2T, K2T	W1-L, W2-L	★	★	-	Tan	-	★	-	-	-	-
L4B, K4B	W1-L, W2-L	-	★	-	Blue	-	-	-	★	-	-
L4Q, K4Q	W1-L, W2-L	-	★	-	Turquoise	-	-	-	★	-	-
L4R, K4R	W1-L, W2-L	-	★	-	Red	-	-	-	★	-	-
L4T, K4T	W1-L, W2-L	-	★	-	Tan	-	-	-	★	-	-
L8T, K8T, T8T	W1-L, W2-L	-	★	-	Tan	-	★	-	-	-	-
L5B	W1-L, W2-L	-	★	-	Blue	-	★	-	-	-	-
L5R	W1-L, W2-L	-	★	-	Red	-	★	-	-	-	-
L5T	W1-L, W2-L	-	★	-	Tan	-	★	-	-	-	-
P1B	D2-P	-	★	-	Blue	-	-	-	-	★	-
P1Q	D2-P	-	★	-	Turquoise	-	-	-	-	★	-
P4R	D2-P	-	★	-	Red	-	-	-	-	★	-
P4T	D2-P	-	★	-	Tan	-	-	-	-	★	-
P4U	D2-P	-	★	-	Cordovan	-	-	-	-	★	-
P4X	D2-P	-	★	-	Black	-	-	-	-	★	-
P4W	D2-P	-	★	-	White	-	-	-	-	★	-
L1B, L3B, K1B	D2-L	★	★	-	Blue	-	★	★	-	★	-
L1Q, K1Q	D2-L	★	★	-	Turquoise	-	★	★	-	★	-
L1R, L3R, K1R	D2-L	★	★	-	Red	-	★	★	-	★	-
L1T, L3T, K1T	D2-L	★	★	-	Tan	-	★	★	-	★	-
L1Y, K1Y	D2-L	★	★	-	Gold	-	★	★	-	★	-
L2T, K2T	D2-L	★	★	-	Tan	-	★	-	-	-	-
L3X	D2-L	-	★	-	Black	-	-	★	-	-	-
L4B	D2-L	-	★	-	Blue	-	-	-	★	-	★
L4Q	D2-L	-	★	-	Turquoise	-	-	-	★	-	★
L4R	D2-L	-	★	-	Red	-	-	-	★	-	★
L4T	D2-L	-	★	-	Tan	-	-	-	★	-	★
L4Y	D2-L	-	★	-	Gold	-	-	-	★	-	★
L5B	D2-L	-	★	-	Blue	-	★	-	-	-	-
L5R	D2-L	-	★	-	Red	-	★	-	-	-	-
L5T	D2-L	-	★	-	Tan	-	★	-	-	-	-

★ Indicates use as required.

⊖ Indicates parts not listed in any previous parts book.

May 1965, Supersedes Sept. 4, 1964.

Printed in U.S.A.

Prices and specifications subject to change without notice.

TRIM CODE	MODEL	MATERIAL			COLOR	6WD. SED.	SED.	4D H.T.	STA. WGN.	2D H.T.	CV. CP.
		Cloth	Vinyl	Leather							
L8T, K8T	D2-L	-	★	-	Tan	-	★	-	-	-	-
L9B	D2-L	-	★	-	Blue	-	-	-	★	-	-
L9R	D2-L	-	★	-	Red	-	-	-	★	-	-
L9X	D2-L	-	★	-	Black	-	-	-	★	-	-
H1B	D2-H	-	★	-	Blue	★	-	-	-	-	-
H1Q	D2-H	-	★	-	Turquoise	★	-	-	-	-	-
H1R	D2-H	-	★	-	Red	★	-	-	-	-	-
H1T	D2-H	-	★	-	Tan	★	-	-	-	-	-
H1Y	D2-H	-	★	-	Gold	★	-	-	-	-	-
H4B	D2-H	-	★	-	Blue	★	-	★	★	★	★
H4Q	D2-H	-	★	-	Turquoise	-	-	★	★	★	★
H4R	D2-H	-	★	-	Red	★	-	★	★	★	★
H4T	D2-H	-	★	-	Tan	★	-	★	★	★	★
H4X	D2-H	-	★	-	Black	-	-	★	-	★	★
H4Y	D2-H	-	★	-	Gold	-	-	-	★	-	-
H1B	W1-H, W2-H	★	★	-	Blue	-	★	-	-	★	-
H1Q	W1-H, W2-H	★	★	-	Turquoise	-	★	-	-	★	-
H1R	W1-H, W2-H	★	★	-	Red	-	★	-	-	★	-
H1T	W1-H, W2-H	★	★	-	Tan	-	★	-	-	★	-
H4B	W1-H, W2-H	-	★	-	Blue	-	-	★	★	-	★
H4Q	W1-H, W2-H	-	★	-	Turquoise	-	-	★	★	-	★
H4R	W1-H, W2-H	-	★	-	Red	-	-	★	★	-	★
H4T	W1-H, W2-H	-	★	-	Tan	-	-	★	★	-	★
H5B	W1-H, W2-H	-	★	-	Blue	-	★	-	-	-	-
H5R	W1-H, W2-H	-	★	-	Red	-	★	-	-	-	-
H5T	W1-H, W2-H	-	★	-	Tan	-	★	-	-	-	-
P4B	W2-P	-	★	-	Blue	-	-	-	-	★	★
P4Q	W2-P	-	★	-	Turquoise	-	-	-	-	★	★
P4R	W2-P	-	★	-	Red	-	-	-	-	★	★
P4T	W2-P	-	★	-	Tan	-	-	-	-	★	★
P4X	W2-P	-	★	-	Black	-	-	-	-	★	★
P4Y	W2-P	-	★	-	Gold	-	-	-	-	★	★

NOTES

---



---



---



---



---



---



---



---



---



---

CODE	REMARKS	PER CAR	SED.	4D H.T	STA. WGN.	2D H.T	CV. CP.
------	---------	------------	------	--------	-----------	--------	---------

NOTE: RIGHT HAND AND LEFT HAND PARTS LISTED ON THE SAME LINE. Whenever right and left hand parts are identified by consecutive part numbers, they will be listed as in the following example:  
 PANEL, Door Trim 3400-1 ARR  
 Interpreted, this indicates that Panel, right is Part 3400 ARR and Panel, left is Part No. 3401 ARR.

23-71-1	CARPET, Floor Console Side and Rear W2 (floor mounted shift) (code P4B) (code P4Q) (code P4R) (code P4T) (code P4X) (code P4Y) Fastener (foundation)	1 1 1 1 1 1 ★	----	----	----	*7301 AB8 7368 AQ8 7368 AR7 7368 AT8 7368 AX8 7368 AY3 6001 560	*7301 AB8 7368 AQ8 7368 AR7 7368 AT8 7368 AX8 7368 AY3 6001 560
	COVER, Floor Console Side Front W2-P (floor mounted shift) Left (code P4B) (code P4Q) (code P4R) (code P4T) (code P4Y) (code P4X)	1 1 1 1 1 1	----	----	----	6925 AB8 6925 AQ8 6925 AR7 6925 AT8 6925 AY3 6925 AX8	6925 AB8 6925 AQ8 6925 AR7 6925 AT8 6925 AY3 6925 AX8
	PANEL, Floor Console Side W2-P Right (code P4B) (code P4Q) (code P4R) (code P4T) (code P4X) (code P4Y) Left (code P4B) (code P4Q) (code P4R) (code P4T) (code P4X) (code P4Y)	1 1 1 1 1 1 1 1 1 1 1 1	----	----	----	6917 AB8 6917 AQ8 6917 AR7 6917 AT8 6917 AX8 6917 AY3 6920 AB8 6920 AQ8 6920 AR7 6920 AT8 6920 AX8 6920 AY3	6917 AB8 6917 AQ8 6917 AR7 6917 AT8 6917 AX8 6917 AY3 6920 AB8 6920 AQ8 6920 AR7 6920 AT8 6920 AX8 6920 AY3
	D2-L (panel) (code L9B) (code L9R) (code L9X) (cover)(front left) (code L9B) (code L9R) (code L9X) (cover)(side) D2-L, D2-P (plastic)	1 1 1 1 1 1 1 1 1	----	----	----	*7286-7 AB8 *7286-7 AR8 *7286-7 AX8 6925 AB8 6925 AR8 6925 AX8 2572 543	*7286-7 AB8 *7286-7 AR8 *7286-7 AX8 6925 AB8 6925 AR8 6925 AX8 2572 543
	D2-L (carpet)(side and rear) (floor mtd. shift) (code L9B) (code L9R) (code L9X)	1 1 1	----	----	----	*7301 AB8 *7301 AR8 7368 AX8	*7301 AB8 *7301 AR8 7368 AX8

★ Indicates use as required.

□ Indicates parts not listed in any previous parts book.  
April 1966, Supersedes Sept. 4, 1964.Printed in U.S.A.  
Prices and specifications subject to change without notice.  
Right and left part numbers are on same line,  
first number is right, second number is left.

\* Indicates change or addition.



CODE	REMARKS	PER CAR	SED.	4D H.T	STA. WGN.	2D H.T	CV. CP.
23-71-1	CARPET, Console Side Cover (formed)						
	D2-P						
	(code P1B)	1	----	----	----	4434 AB8	
	(code P1Q)	1	----	----	----	4434 AQ8	
	(code P4R)	1	----	----	----	4434 AR7	
	(code P4T)	1	----	----	----	4434 AT9	
	(code P4U)	1	----	----	----	4434 AU8	
	(code P4X)	1	----	----	----	4434 AX8	
	Fastener (foundation)	★	----	----	----	⊠6001 560	
	CARPET, Floor Console Side D2						
	Left						
	(code P1B)	1	----	----	----	7392 AB8	
	(code P1Q)	1	----	----	----	7392 AQ8	
	(code P4R)	1	----	----	----	7392 AR7	
	(code P4T)	1	----	----	----	7392 AT9	
	(code P4U)	1	----	----	----	7392 AU8	
	(code P4X)	1	----	----	----	7392 AX8	
	Front, Left						
	(code P1B)	1	----	----	----	7389 AB8	
	(code P1Q)	1	----	----	----	7389 AQ8	
	(code P4R)	1	----	----	----	7389 AR7	
	(code P4T)	1	----	----	----	7389 AT9	
	(code P4U)	1	----	----	----	7389 AU8	
	(code P4X)	1	----	----	----	7389 AX8	
	Side Right						
	(code P1B)	1	----	----	----	7387 AB8	
	(code P1Q)	1	----	----	----	7387 AQ8	
	(code P4R)	1	----	----	----	7387 AR7	
	(code P4T)	1	----	----	----	7387 AT9	
	(code P4U)	1	----	----	----	7387 AU8	
	(code P4X)	1	----	----	----	7387 AX8	
	D2-P						
	Side and Rear Left						
	(code P1B)	1	----	----	----	7390 AB8	
	(code P1Q)	1	----	----	----	7390 AQ8	
	(code P4R)	1	----	----	----	7390 AR7	
	(code P4T)	1	----	----	----	7390 AT9	
	(code P4U)	1	----	----	----	7390 AU8	
	(code P4X)	1	----	----	----	7390 AX8	
	Side (w/manual floor mounted trans.)						
	(code P1B)	1	----	----	----	7383 AB8	
	(code P1Q)	1	----	----	----	7383 AQ8	
	(code P4R)	1	----	----	----	7383 AR7	
	(code P4T)	1	----	----	----	7383 AT9	
	(code P4U)	1	----	----	----	7383 AU8	
	(code P4X)	1	----	----	----	7383 AX8	
23-71-3	LID, Console W2-P						
	(code P4B)	1	----	----	----	4460 AB4	4460 AB4
	(code P4Q)	1	----	----	----	4460 AQ4	4460 AQ4
	(code P4R)	1	----	----	----	4460 AR7	4460 AR7
	(code P4T)	1	----	----	----	4460 AT6	4460 AT6
	(code P4X)	1	----	----	----	4460 AX9	4460 AX9
	(code P4Y)	1	----	----	----	4460 AW3	4460 AW3
	D2-L						
	(code L9B)	1	----	----	----	*4460 AB4	*4460 AB4
	(code L9R)	1	----	----	----	*4460 AR7	*4460 AR7
	(code L9X)	1	----	----	----	*4460 AX9	*4460 AX9

★ Indicates use as required.

⊠ Indicates parts not listed in any previous parts book.  
Right and left part numbers are on same line,  
first number is right, second number is left.

\* Indicates change or addition.

Printed in U.S.A.  
Prices and specifications subject to change without notice.  
May 1965, Supersedes Sept. 4, 1964.

## 1965 PASSENGER CAR PARTS CATALOG

INTERIOR TRIM

CODE	REMARKS	PER CAR	SED.	4D H.T.	STA WGN.	2D H.T.	CV. CP.
23-71-3	LID, Console - Cont'd D2-P (code P1B) (code P1Q) (code P4R) (code P4T) (code P4U) (codes P4X, P4W)	1 1 1 1 1 1	----	----	----	4460 AB8 4460 AQ8 4460 AR5 4460 AT9 4460 AU8 *4460 AX9	
23-71-7	CARPET, Floor Console Floor Pan Filler Cover (formed) W2 (code P4B) (code P4Q) (code P4R) (code P4T) (code P4X) (code P4Y)  D2-L (code L9B) (code L9R) (code L9X)	1 1 1 1 1 1  1 1 1	----	----	----	*4406 VB8 *4406 VQ8 E4406 VR6 E4406 VT8 E4406 VX8 E4406 VY8  *4406 VB8 E4406 VR6 E4406 VX8	*4406 VB8 *4406 VQ8 E4406 VR6 E4406 VT8 E4406 VX8 E4406 VY8
23-76-9	BASE, Door and Quarter Arm Rest W1, W2 (4D.) (codes L1B, K1B, L4B, L5B, K4B) (codes L1Q, K1Q, L4Q, K4Q) (codes L1R, K1R, L4R, L5R, K4R) (codes L1T, K1T, L2T, K2T, L4T, L5T, K4T, L8T, K8T, T8T) (short) (chrome) (long) (chrome) D2-L (short) (chrome) D2-H, D2-P (long) (chrome) (quarter arm rest) W1, W2 (2D) (short) (codes L1B, K1B) (codes L1Q, K1Q) (codes L1R, K1R) (codes L1T, K1T) W2-P (medium) (chrome) D2-H, D2-P (medium) (chrome)	1 1 1 1 1 1 1 1 1 1 1 1 1 1 1 1 1 1 1	----	*1208-9 AB4 E1208-9 AQ4	*1208-9 VZ1	*1212-3 VZ1 *1208-9 VZ1 *1212-3 VZ1	*1212-3 VZ1 *1208-9 VZ1 *1212-3 VZ1
23-76-11	PAD and PLATE, Front Door Arm Rest W1, W2 (short) (codes L1B, K1B, L5B, L4B, K4B) (codes H1B, H4B, H5B) (codes L1Q, K1Q, L4Q, K4Q) (codes H1Q, H4Q) (codes L1R, K1R, L5R, L4R, K4R) (codes H1R, H4R, H5R) (codes L1T, K1T, L2T, K2T, L8T, K8T, T8T, L5T, L4T, K4T)	1 1 1 1 1 1 1 1 1	1216-7 AB8 1216-7 AB4 1216-7 AQ8 1216-7 AQ4  1216-7 AR5 1216-7 AR8  1216-7 AT8	----	1216-7 AB8 1216-7 AB4 1216-7 AQ8 1216-7 AQ4		

★ Indicates use as required.

E Indicates parts not listed in any previous parts book.  
May 1965, Supersedes Sept. 4, 1964.Printed in U.S.A.  
Prices and specifications subject to change without notice.  
Right and left part numbers are on same line,  
first number is right, second number is left.  
\* Indicates change or addition.

CODE	REMARKS	PER CAR	SED.	4D H.T	STA. WGN.	2D H.T	CV. CP.
23-76-11	PAD and PLATE, Front Door Arm Rest-Cont'd W1, W2 (short) (codes H1T, H4T, H5T) Screw (pad attaching) D2-L (short) (w/o ash receiver) (codes L1B, K1B, L3B, L4B, L5B) (codes L1Q, K1Q, L4Q) (codes L1R, K1R, L3R, L4R, L5R) (codes L1T, K1T, L2T, K2T, L8T, K8T, L3T, L4T, L5T) (codes L1Y, K1Y, L4Y) (codes K2A, L3X, L9X)	1 4  1 1 1 1 1 1	1216-7 VT6 161 904  *1216-7 AB8 1216-7 AQ8 *1216-7 AR8 *1216-7 AT8 1216-7 AY3 *1216-7 AX9	---- ----  *1216-7 AB8 1216-7 AQ8 *1216-7 AR8 *1216-7 AT8 1216-7 AY3 ----	1216-7 VT6 161 904  *1216-7 AB8 1216-7 AQ8 *1216-7 AR8 *1216-7 AT8 1216-7 AY3 ----	   *1216-7 AB8 1216-7 AQ8 *1216-7 AR8 *1216-7 AT8 1216-7 AY3 *1216-7 AX9	   *1216-7 AB8 1216-7 AQ8 *1216-7 AR8 *1216-7 AT8 1216-7 AY3
	W1-H, W2-H (medium and long) (w/o ash receiver) (codes H1B, H4B) (codes H1Q, H4Q) (codes H1R, H4R) (codes H1T, H4T)	1 1 1 1	---- ---- ---- ----	---- ---- ---- ----	---- ---- ---- ----	1222-3 AB4 1222-3 AQ4 1222-3 AR8 1222-3 VT6	1222-3 AB4 1222-3 AQ4 1222-3 AR8 1222-3 VT6
	W2-P (medium and long) (code P4B) (code P4Q) (code P4R) (code P4T) (code P4X) (code P4Y)	1 1 1 1 1 1	---- ---- ---- ---- ---- ----	---- ---- ---- ---- ---- ----	---- ---- ---- ---- ---- ----	1222-3 AB4 1222-3 AQ4 1222-3 VR7 1222-3 VT6 1222-3 VX9 1222-3 VW3	1222-3 AB4 1222-3 AQ4 1222-3 VR7 1222-3 VT6 1222-3 VX9 1222-3 VW3
	D2-H (medium and long) (codes H1B, H4B) (codes H1Q, H4Q) (codes H1R, H4R) (codes H1T, H4T) (codes H1Y, H4Y) (code H4X)	1 1 1 1 1 1	1222-3 AB8 1222-3 AQ8 1222-3 AR8 1222-3 AT5 1222-3 AY3 ----	1222-3 AB8 1222-3 AQ8 1222-3 AR8 1222-3 AT5 ---- ----	1222-3 AB8 1222-3 AQ8 1222-3 AR8 1222-3 AT5 1222-3 AY3 ----	1222-3 AB8 1222-3 AQ8 1222-3 AR8 1222-3 AT5 1222-3 VX9	1222-3 AB8 1222-3 AQ8 1222-3 AR8 1222-3 AT5 1222-3 VX9
	D2-P (medium and long) (code P1B) (code P1Q) (code P4R) (code P4T) (code P4U) (code P4X) (code P4W)	1 1 1 1 1 1 1	---- ---- ---- ---- ---- ---- ----	---- ---- ---- ---- ---- ---- ----	---- ---- ---- ---- ---- ---- ----	1222-3 AB4 1222-3 AQ4 1222-3 AR5 1222-3 AT5 1222-3 AU8 1222-3 VX9 1222-3 VW3	
23-76-16	NUT, Arm Rest Attaching W1, W2, D2 Screw	4 4	1280 134 162 090	1280 134 162 090	1280 134 162 090	1280 134 162 090	1280 134 162 090
23-76-18	ARM REST, Front Back Center D2-H (6 window sedan) (code H4B) (code H4Q) (code H4R) (code H4T) (code H4X) (code H4Y)	1 1 1 1 1 1	6926 A4B ---- 6926 A4R 6926 A4T ---- ----	6926 A4B 6926 A4Q 6926 A4R 6926 A4T 6926 A4X ----	6926 A4B 6926 A4Q 6926 A4R 6926 A4T ---- 6926 A4Y	6926 A4B 6926 A4Q 6926 A4R 6926 A4T 6926 A4X	6926 A4B 6926 A4Q 6926 A4R 6926 A4T 6926 A4X
23-76-28	LOCK BAR, Front Seat Back Center Arm Rest D2-H (6 window sedan)	1	2270 102	2270 102	2270 102	2270 102	2270 102

★ Indicates use as required.  
 ☐ Indicates parts not listed in any previous parts book.  
 Right and left part numbers are on same line,  
 first number is right, second number is left.  
 \* Indicates change or addition.

CODE	REMARKS	PER CAR	SED.	4D H.T.	STA WGN.	2D H.T.	CV. CP.
23-76-34	COVER, Front Seat Back Center Arm Rest D2-H (code H4B) (code H4Q) (code H4R) (code H4T) (code H4X) (code H4Y)	1 1 1 1 1 1	6927 A4B ---- 6927 A4R 6927 A4T ---- ----	6927 A4B 6927 A4Q 6927 A4R 6927 A4T 6927 A4X ----	6927 A4B 6927 A4Q 6927 A4R 6927 A4T ---- 6927 A4Y	6927 A4B 6927 A4Q 6927 A4R 6927 A4T 6927 A4X	6927 A4B 6927 A4Q 6927 A4R 6927 A4T 6927 A4X
23-76-63	PAD and PLATE, Rear Door Arm Rest (w/ash receiver) W1, W2 (short) (codes L1B, K1B, L5B, L4B, K4B) (codes H1B, H4B, H5B) (codes L1Q, K1Q, L4Q, K4Q) (codes H1Q, H4Q) (codes L1R, K1R, L5R, L4R, K4R) (codes H1R, H4R, H5R) (codes L1T, K1T, L2T, K2T, L8T, K8T, T8T, L5T, L4T, K4T) (codes H1T, H4T, H5T)	1 1 1 1 1 1 1 1	1214-5 AB8 1214-5 AB4 1214-5 AQ8 1214-5 AQ4 1214-5 AR5 1214-5 AR8 1214-5 AT8 1214-5 VT6	---- ---- ---- ---- ---- ---- ---- ----	1214-5 AB8 1214-5 AB4 1214-5 AQ8 1214-5 AQ4 1214-5 AR5 1214-5 AR8 1214-5 AT8 1214-5 VT6		
	D2 (short) (codes L1B, L3B, L4B, L5B, L6B, L9B, K1B) (codes L1Q, L4Q, L6Q, K1Q) (codes L1R, L3R, K1R, L4R, L5R, L6R) (codes L1T, L3T, K1T, L4T, L5T, L6T) (codes L1Y, K1Y, L4Y) (codes L2A, K2A, K8A, L8A) Screw (pad attaching)	1 1 1 1 1 1 4	*1214-5 AB8 *1214-5 AQ8 *1214-5 AR8 *1214-5 AT8 *1214-5 AY3 E1214-5 AX9 * 161 904	*1214-5 AB8 *1214-5 AQ8 *1214-5 AR8 *1214-5 AT8 *1214-5 AY3 * 161 904	*1214-5 AB8 *1214-5 AQ8 *1214-5 AR8 *1214-5 AT8 *1214-5 AY3 * 161 904		
	D2-H (6 window sedan) (w/ash receiver) (codes H1B, H4B) (codes H1Q, H4Q) (codes H1R, H4R) (codes H1T, H4T) (codes H1Y, H4Y) (code H4X)	1 1 1 1 1 1	*1224-5 AB8 *1224-5 AQ8 *1224-5 AR8 *1224-5 AT8 *1224-5 AY3 ----	*1224-5 AB8 *1224-5 AQ8 *1224-5 AR8 *1224-5 AT8 *1224-5 AY3 *1224-5 VX9	*1224-5 AB8 *1224-5 AQ8 *1224-5 AR8 *1224-5 AT8 *1224-5 AY3		
23-76-76	PAD and PLATE, Rear Quarter Arm Rest (w/ash receiver) D2-L (short) (codes L1B, L9B, L4B) (code L1Q) (codes L1R, L9R, L4R) (codes L1T, L4T) (code L1Y) (code L9X)	1 1 1 1 1 1	---- ---- ---- ---- ---- ----	---- ---- ---- ---- ---- ----	---- ---- ---- ---- ---- ----	*1214-5 AB8 1214-5 AQ8 *1214-5 AR8 *1214-5 AT8 *1214-5 AY3 *1214-5 VX9	
	D2- (w/ash receiver) (code H4B) (code H4Q) (code H4R) (code H4T)	1 1 1 1	---- ---- ---- ----	---- ---- ---- ----	---- ---- ---- ----	*1224-5 AB8 *1224-5 AQ8 *1224-5 AR8 *1224-5 AT8	

★ Indicates use as required.

E Indicates parts not listed in any previous parts book.  
May 1965, Supersedes Sept. 4, 1964.

CODE	REMARKS	PER CAR	SED.	4D H.T	STA. WGN.	2D H.T	CV. CP.
23-76-76	PAD and PLATE, Rear Quarter Arm Rest - Cont'd D2 (w/ash receiver) (code H4X) (code P1B) (code P1Q) (code P4R)	1 1 1 1	----- ----- ----- -----	----- ----- ----- -----	----- ----- ----- -----	1224-5 VX9 1224-5 AB4 1224-5 AQ4 *1224-5 AR5	
	D2 (medium) (code P4X) (code P1B) (code P1Q) (code P4R) (code P4T) (code P4U) (code P4W)	1 1 1 1 1 1 1	----- ----- ----- ----- ----- ----- -----	----- ----- ----- ----- ----- ----- -----	----- ----- ----- ----- ----- ----- -----	1222-3 VX9 1222-3 AB4 1222-3 AQ4 1222-3 AR5 1222-3 AT5 1222-3 AU8 1222-3 VW3	
	(w/ash receiver) W1, W2 (short) (codes L1B, K1B, H1B) (codes L1Q, K1Q, H1Q) (codes L1R, K1R, H1R) (codes L1T, K1T, L2T, K2T, L8T, K8T) W2-P (medium) (code P4B) (code P4Q) (code P4R) (code P4Y) Screw (pad attaching)	1 1 1 1 1 1 1 1 1 4	1214-5 AB8 1214-5 AQ8 1214-5 AR5 1214-5 AT8	----- ----- ----- ----- ----- ----- ----- ----- ----- -----	----- ----- ----- ----- ----- ----- ----- ----- ----- -----	*1224-5 AB4 *1224-5 AQ4 *1224-5 AR7 *1224-5 AW3 161 904	
23-77-3	STRAP, Center Pillar Assist W1-L, W2-L (code T8T)	2	4312 AT6				
23-77-17	Bolt SPACER, Center Pillar Assist Strap Mldg. W1-L, W2-L (code T8T) Bolt Eyelet	2 2 2 2	*6025 693 2292 201 *6025 693 6000 272				
23-78-2	BUTTON, Seat Back Tufting W1-L, W2-L (code L1B) (code L1Q) (code L1T)  D2-H (code H1B) (code H1Q) (code H1R) (code H1T) (code H1Y) (seat back medallion) (2nd seat) (3rd seat)	4 4 4  18 18 18 18 18 4 2	4358 AB8 4358 AQ8 4358 AT8  4323 AB4 4323 AQ4 4483 AR7 4483 AT6 4483 AY3 ----- -----			2522 169 2522 169 2522 169	2522 169 2522 169
23-79-3	CARPET, Front Floor W1-H, W2-H (codes H1B, H4B, H5B) (codes H1Q, H4Q) (codes H1T, H4T, H5T) (codes H1R, H4R)	1 1 1 1	*2807 530 1730 VQ8 1730 VT8 1730 AR7	----- ----- ----- -----	*2807 530 1730 VQ8 1730 VT8	*2807 530 1730 VQ8 1730 VT8	*2807 530 1730 VQ8 1730 VT8

★ Indicates use as required.

⊠ Indicates parts not listed in any previous parts book.  
Right and left part numbers are on same line,  
first number is right, second number is left.

\* Indicates change or addition.

Printed in U.S.A.

Prices and specifications subject to change without notice.  
April 1966, Supersedes May 1965.

## 1965 PASSENGER CAR PARTS CATALOG

INTERIOR TRIM

CODE	REMARKS	PER CAR	SED.	4D H.T.	STA. WGN.	2D H.T.	CV. CP.
23-79-3	CARPET, Front Floor - Cont'd W1, W2 (floor-mounted shift) (codes L1R, L4R, L5R, H1R, H5R, H4R)	1	1734 AR7	----	1734 AR7	1734 AR7	1734 AR7
	(codes H1B, H5B, H4B)	1	1734 VB8	----	1734 VB8	1734 VB8	1734 VB8
	(codes H1Q, H4Q)	1	1734 VQ8	----	1734 VQ8	1734 VQ8	1734 VQ8
	(codes H1T, H5T, H4T)	1	1734 VT8	----	1734 VT8	1734 VT8	1734 VT8
	W2-P (bucket seat w/console) (code P4B)	1	----	----	----	1748 VB8	1748 VB8
	(code P4Q)	1	----	----	----	1748 VQ8	1748 VQ8
	(code P4T)	1	----	----	----	1748 VT8	1748 VT8
	(code P4R)	1	----	----	----	1748 AR7	1748 AR7
	(code P4Y)	1	----	----	----	1748 AY3	1748 AY3
	(code P4X)	1	----	----	----	1748 AX8	1748 AX8
	W2-P (bucket seat w/console and floor shift)						
	(code P4B)	1	----	----	----	1749 VB8	1749 VB8
	(code P4Q)	1	----	----	----	1749 VQ8	1749 VQ8
	(code P4R)	1	----	----	----	1749 AR7	1749 AR7
	(code P4T)	1	----	----	----	1749 VT8	1749 VT8
	(code P4Y)	1	----	----	----	1749 AY3	1749 AY3
	(code P4X)	1	----	----	----	1749 AX8	1749 AX8
	D2-L (column mounted shift) (codes L1B, L3B, L4B, L5B, L6B)	1	*1731 AB8	*1731 AB8	*1731 AB8	*1731 AB8	*1731 AB8
	(codes L1Q, L4Q, L5Q, L6Q)	1	*1731 AQ8	*1731 AQ8	*1731 AQ8	*1731 AQ8	*1731 AQ8
	(codes L1R, L3R, L4R, L5R, L6R)	1	*1731 AR8	*1731 AR8	*1731 AR8	*1731 AR8	*1731 AR8
	(codes L1T, L3T, L2T, L8T, L4T, L5T, L6T)	1	*1731 AT8	*1731 AT8	*1731 AT8	*1731 AT8	*1731 AT8
	(codes L1Y, L4Y, L5Y)	1	1731 AY8	1731 AY8	1731 AY8	1731 AY8	1731 AY8
	(codes L3X, L4X, K2A, L8A, L6X)	1	*1731 AX8	*1731 AX8			
	D2-L (floor mounted) (codes L1B, L3B, L4B, L5B, L6B)	1	*1732 AB8	*1732 AB8	*1732 AB8	*1732 AB8	*1732 AB8
	(codes L1Q, L4Q, L5Q, L6Q)	1	*1732 AQ8	*1732 AQ8	*1732 AQ8	*1732 AQ8	*1732 AQ8
	(codes L1R, L3R, L4R, L5R, L6R)	1	*1732 AR8	*1732 AR8	*1732 AR8	*1732 AR8	*1732 AR8
	(codes L1T, L3T, L2T, L8T, L4T, L5T, L6T)	1	*1732 AT8*	*1732 AT8	*1732 AT8	*1732 AT8	*1732 AT8
	(codes L1Y, L4Y, L5Y)	1	1732 AY8	1732 AY8	1732 AY8	1732 AY8	1732 AY8
	(codes L3X, L4X, L2A, K2A, L8A, L6X)	1	*1732 AX8	*1732 AX8			
	D2-L (code L9B)	1	----	----	----	*1761 AB8	
	(code L9R)	1	----	----	----	*1761 AR8	
	(code L9X)	1	----	----	----	*1761 AX8	
	D2-L (floor mounted shift) (code L9B)	1	----	----	----	*1737 AB8	
	(code L9R)	1	----	----	----	E1737 AR8	
	(code L9X)	1	----	----	----	*1737 AX8	
	D2-H (codes H1B, H4B)	1	1731 AB8	1731 AB8	1731 AB8	1731 AB8	1731 AB8
	(codes H1Q, H4Q)	1	1731 AQ8	1731 AQ8	1731 AQ8	1731 AQ8	1731 AQ8
	(codes H1R, H4R)	1	1731 AR8	1731 AR8	1731 AR8	1731 AR8	1731 AR8
	(codes H1T, H4T)	1	1731 AT8	1731 AT8	1731 AT8	1731 AT8	1731 AT8
	(codes H1Y, H4Y)	1	1731 AY8	----	1731 AY8		
	(code H4X)	1	----	----	----	1731 AX8	1731 AX8

★ Indicates use as required.

E Indicates parts not listed in any previous parts book.  
May 1965, Supersedes Sept. 4, 1964.Printed in U.S.A.  
Prices and specifications subject to change without notice.  
Right and left part numbers are on same line,  
first number is right, second number is left.  
\* Indicates change or addition.

CODE	REMARKS	PER CAR	SED.	4D H.T.	STA. WGN.	2D H.T.	CV. CP.
23-79-3	CARPET, Front Floor-Cont'd						
	D2-H (floor mounted shift)						
	(codes H1B, H4B)	1	1732 AB8	1732 AB8	1732 AB8	1732 AB8	1732 AB8
	(codes H1Q, H4Q)	1	1732 AQ8	1732 AQ8	1732 AQ8	1732 AQ8	1732 AQ8
	(codes H1R, H4R)	1	1732 AR8	1732 AR8	1732 AR8	1732 AR8	1732 AR8
	(codes H1T, H4T)	1	1732 AT8	1732 AT8	1732 AT8	1732 AT8	1732 AT8
	(codes H1Y, H4Y)	1	1732 AY8	----	1732 AY8	----	1732 AX8
(code H4X)	1	----	----	----	----	1732 AX8	
D2-P	(code P1B)	1	----	----	----	1761 AB8	
	(code P1Q)	1	----	----	----	1761 AQ8	
	(code P4R)	1	----	----	----	1761 AR7	
	(code P4T)	1	----	----	----	1761 AT9	
	(code P4U)	1	----	----	----	1761 AU8	
	(code P4X)	1	----	----	----	1761 AX8	
	D2-P (floor mounted shift)						
(code P1B)	1	----	----	----	*1737 AB8		
(code P1Q)	1	----	----	----	1737 AQ8		
(code P4R)	1	----	----	----	1737 AR7		
(code P4T)	1	----	----	----	1737 AT9		
(code P4U)	1	----	----	----	1737 AU8		
(code P4X)	1	----	----	----	1737 AX8		
23-79-33	CARPET, Rear Floor						
	W1-L, W1-H, W2-L, W2-H						
	(codes L1B, L4B, L5B, H1B, H5B, H4B)	1	1703 AB8	----	1703 AB8		
	(codes L1Q, L4Q, H1Q, H4Q)	1	1703 AQ8	----	1703 AQ8		
	(codes L1R, L4R, H1R, H5R, H4R)	1	1703 AR7	----	1703 AR7		
	(codes L1T, L2T, L8T, L4T, L5T, H1T, H5T, H4T)	1	1703 AT8	----	1703 AT8		
	W1, W2 (center floor pan cover panel insert)						
	(codes L4B, K4B, H4B)	1	----	----	1800 AB8		
	(codes L4Q, K4Q, H4Q)	1	----	----	1800 AQ8		
	(codes L4R, K4R, H4R)	1	----	----	1800 AR7		
(codes L4T, K4T, H4T)	1	----	----	1800 AT8			
W1, W2 (rear floor pan insert)							
(codes L4B, K4B, H4B)	1	----	----	1801 AB8			
(codes L4Q, K4Q, H4Q)	1	----	----	1801 AQ8			
(codes L4R, K4R, H4R)	1	----	----	1801 AR7			
(codes L4T, K4T, H4T)	1	----	----	1801 AT8			
W1, W2 (rear floor pan cover panel insert)							
(2 seater only)							
(codes L4B, K4B, H4B)	1	----	----	1802 AB8			
(code H4Q)	1	----	----	1802 AQ8			
(codes L4R, K4R, H4R)	1	----	----	1802 AR7			
(codes L4T, K4T, H4T)	1	----	----	1802 AT8			
(code H4Y)	1	----	----	1802 AY8			
Screw and Washer (attaching)	★	----	----	B6024 678			
W1, W2 (floor pan kick-up front trim)							
(paint as required)	1	----	----	B2292 901			

★ Indicates use as required.

⊠ Indicates parts not listed in any previous parts book.

Right and left part numbers are on same line, first number is right, second number is left.

\* Indicates change or addition.

Printed in U.S.A.  
Prices and specifications subject to change without notice.  
May 1965, Supersedes Sept. 4, 1964.

## 1965 PASSENGER CAR PARTS CATALOG

INTERIOR TRIM

CODE	REMARKS	PER CAR	SED.	4D H.T	STA. WGN.	2D H.T	CV. CP.
23-79-33	CARPET, Rear Floor-Cont'd						
	W1-H, W2-H						
	(codes H1B, H4B)	1	----	----	----	1705 AB8	1704 AB8
	(codes H1Q, H4Q)	1	----	----	----	1705 AQ8	1704 AQ8
	(codes H1R, H4R)	1	----	----	----	1705 AR7	1704 AR7
	(codes H1T, H4T)	1	----	----	----	1705 AT8	1704 AT8
	W2-P (bucket seat w/console)						
	(code P4B)	1	----	----	----	1744 AB8	1745 AB8
	(code P4Q)	1	----	----	----	1744 AQ8	1745 AQ8
	(code P4R)	1	----	----	----	1744 AR7	1745 AR7
	(code P4X)	1	----	----	----	1744 AX8	1745 AX8
	(code P4T)	1	----	----	----	1744 AT8	1745 AT8
	(code P4Y)	1	----	----	----	1744 AY3	1745 AY3
	D2-L, D2-H (rear floor pan cover panel)						
	(2 seater)						
	(codes L4B, H4B)	1	----	----	1819 AB8		
	(codes L4R, H4R)	1	----	----	1819 AR7		
	(codes L4T, H4T)	1	----	----	1819 AT8		
	(codes L4Q, H4Q)	1	----	----	1819 AQ8		
	(codes L4Y, H4Y)	1	----	----	1819 AY8		
	D2-L						
	(code L9B)	1	----	----	----	1741 AB8	*1741 AB8
	(code L9R)	1	----	----	----	1741 AR8	*1741 AR8
	(code L9X)	1	----	----	----	1741 AX8	*1741 AX8
	D2-L, D2-H (center and rear floor cover panel)						
	(vinoleum)						
	(codes L4B, H4B)	1	----	----	1810 AB8		
	(codes L4Q, H4Q)	1	----	----	1810 AQ8		
	(codes L4R, H4R)	1	----	----	1810 AR7		
	(codes L4T, H4T)	1	----	----	1810 AT8		
	(codes L4Y, H4Y)	1	----	----	1810 AY8		
	Screw (attaching)	2	----	----	6024 678		
	D2						
	(codes L1B, L3B, L4B, L5B, L6B, H1B, H4B)	1	1721 AB8	1721 AB8	1721 AB8	1720 AB8	1720 AB8
	(codes L1Q, L4Q, L6Q, H4Q, H1Q)	1	1721 AQ8	1721 AQ8	1721 AQ8	1720 AQ8	1720 AQ8
	(codes L1R, L3R, L4R, L5R, L6R, H1R, H4R)	1	1721 AR8	1721 AR8	1721 AR8	1720 AR8	1720 AR8
	(codes L1T, L3T, L2T, L8T, L4T, L5T, L6T, H1T, H4T)	1	1721 AT8	1721 AT8	1721 AT8	1720 AT8	1720 AT8
	(codes L1Y, L4Y, H1Y, H4Y)	1	1721 AY8	1721 AY8	1721 AY8	1720 AY8	1720 AY8
	(codes L3X, L4X, H4X)	1	----	*1721 AX8	----	*1720 AX8	*1720 AX8
	(code K2A)	1	1721 AX8				
	D2 (axle kick-up rear floor pan panel)						
	(paint as required)	1	----	----	4319 AT8		
	(axle kick-up center floor pan panel)						
	(paint as required)	1	----	----	4320 AT8		
	D2-L, D2-H (rear floor well side cover)						
	(codes L4B, H4B)	1	----	----	2088-9 AB4		
	(codes L4Q, H4Q)	1	----	----	2086-7 AQ4		
	(codes L4R, H4R)	1	----	----	2088-9 AR7		
	(codes L4T, H4T)	1	----	----	2088-9 AT6		
	(codes L4Y, H4Y)	1	----	----	2086-7 AY3		

★ Indicates use as required.

☐ Indicates parts not listed in any previous parts book.  
April 1966, Supersedes May 1965.Printed in U.S.A.  
Prices and specifications subject to change without notice.  
Right and left part numbers are on same line,  
first number is right, second number is left.

\* Indicates change or addition.



CODE	REMARKS	PER CAR	SED.	4D H.T	STA. WGN.	2D H.T	CV. CP.
23-79-33	CARPET, Rear Floor - Cont'd D2-P (code P1B) (code P1Q) (code P4R) (code P4T) (code P4U) (code P4X)	1 1 1 1 1 1	---- ---- ---- ---- ---- ----	---- ---- ---- ---- ---- ----	---- ---- ---- ---- ---- ----	1700 AB8 1700 AQ8 1700 AR7 1700 AT9 1700 AU8 1700 AX8	
23-79-62	INSERT, Second Seat Back Support D2 (codes L4B, M4B) (codes L4R, M4R) (codes L4T, M4T) (codes L4Q, M4Q) (codes M4Y, L4Y)	1 1 1 1 1	---- ---- ---- ---- ----	---- ---- ---- ---- ----	1825 AB8 1825 AR7 1825 AT8 1825 AQ8 1825 AY8		
23-79-64	COVER, Luggage Compartment Spare Tire D2-P D2-L, D2-H (spare tire) UP TO Serial No. 207652 (codes L4B, H4B) (codes L4Q, H4Q) (codes L4R, H4R) (codes L4T, H4T) (codes L4Y, H4Y) AFTER Serial No. 207652 (codes L4B, H4B) (codes L4Q, H4Q) (codes L4R, H4R) (codes L4T, H4T) (codes L4Y, H4Y)	1 1	---- ----	---- ----	---- ---- ---- ---- ---- ---- *3584 AB4 *3584 AQ4 *3584 AR7 *4181 AT6 4498 AY3 *3584 AB4 *3584 AQ4 *3584 AR7 4181 AT6 *3584 AY3	2581 611	
23-79-67	HANDLE, Spare Tire Cover D2	1	----	----	4183 AX9		
23-79-68	GROMMET, Spare Tire Cover Latching D2	2	----	----	2656 731		
23-79-79	INSERT, Tailgate Access Hole Cover W1, W2 (codes L4B, K4B, H4B) (codes L4Q, K4Q, H4Q) (codes L4R, K4R, H4R) (codes L4T, K4T) Screw and Washer	1 1 1 1 10	---- ---- ---- ---- ----	---- ---- ---- ---- ----	1803 AB8 1803 AQ8 1803 AR7 1803 AT8 6024 678		
	D1, D2 (codes L4B, H4B) (codes L4Q, H4Q) (codes L4R, H4R) (codes L4T, H4T) (codes L4Y, H4Y)	1 1 1 1 1	---- ---- ---- ---- ----	---- ---- ---- ---- ----	1823 AB8 1823 AQ8 1823 AR7 1823 AT8 1823 AY8		
	D2 (tailgate inside panel) (codes L4B, H4B) (codes L4Q, H4Q) (codes L4R, H4R) (codes L4T, H4T) (codes L4Y, H4Y)	1 1 1 1 1	---- ---- ---- ---- ----	---- ---- ---- ---- ----	1820 AB8 1820 AQ8 1820 AR7 1820 AT8 1820 AY8		

★ Indicates use as required.  
 ☐ Indicates parts not listed in any previous parts book.  
 Right and left part numbers are on same line,  
 first number is right, second number is left.  
 \* Indicates change or addition.



CODE	REMARKS	PER CAR	SED.	4D H.T	STA. WGN.	2D H.T	CV. CP.	
23-84-11	CLIP, Instrument Panel to Trim Pad W1, W2 (retainer)	8	2571 275	2571 275	2571 275	2571 275	2571 275	
		4	2571 953	2571 953	2571 953	2571 953	2571 953	
23-86-2	COVER, Roof Outside (vinyl) W1, W2  D2	(black)	1	----	----	6109 VW1		
		(white)	1	----	----	6109 VX8		
		(black)	1	----	*7174 AX8	----	7199 AX8	
		(white)	1	----	*7174 AW1	----	7199 AW1	
23-86-3	HEADLINING and LISTINGS W1, W2 (codes L1B, K1B, L5B, H1B, H5B, P4B) (codes L1Q, K1Q, H1Q, P4Q) (codes L1R, K1R, L5R, H1R, H4R, P4R) (codes L1T, K1T, L2T, K2T, L8T, K8T, T8T, L5T, H1T, H5T, P4T) (codes H1Y, H4Y, P4Y) (code P4X)  (codes L4B, H4B, K4B, L4Q, H4Q, K4Q, L4R, H4R, K4R, L4T, H4T, K4T, H4Y) UP TO Serial No. 57-208314 (No. 1) (No. 2) (No. 3) (No. 4) (No. 5) (No. 6) (No. 7)  AFTER Serial No. 57-208314 No. 1 No. 2 No. 3 No. 4 No. 5 No. 6 No. 7  D2 (codes L1B, K1B, L4B, L5B, L6B) (codes L1Q, K1Q, L6Q) (codes L1R, K1R, L4R, L5R, L6R) (codes L1T, K1T, L2T, K2T, L4T, L5T, L8T, K8T, L6T) (codes L1Y, K1Y) (code L4X) (code K2A) (codes L3B, H4B) (code H4Q) (codes L3R, H4R) (codes L3T, H4T) (codes L3X, H4X)	1	7130 AB3	----	----	7146 AB3		
		1	7130 AQ3	----	----	7146 AQ3		
		1	7130 AW2	----	----	7146 AW2		
		1	7130 AT3	----	----	7146 AT3		
		1	----	----	----	7146 AY3		
		1	----	----	----	7146 AX9		
		1	----	----	----	1027 AW2		
		1	----	----	----	1028 AW2		
		1	----	----	----	1004 AW2		
		1	----	----	----	1005 AW2		
		1	----	----	----	1006 AW2		
		1	----	----	----	1007 AW2		
		1	----	----	----	1008 AW2		
		1	----	----	----	1027 AWW		
1	----	----	----	1028 AWW				
1	----	----	----	1004 AWW				
1	----	----	----	1005 AWW				
1	----	----	----	1006 AWW				
1	----	----	----	1007 AWW				
1	----	----	----	1008 AWW				
1	----	7165 AB3	7167 AB3					
1	----	7165 AQ3	7167 AQ3					
1	----	7165 AW2	7167 AW2					
1	----	7165 AT3	7167 AT3					
1	----	7165 AY3	7167 AY3					
1	----	7165 AX9						
1	----	7165 AA2						
1	----	----	7167 AB3					
1	----	----	7167 AQ3					
1	----	----	*7167 AW2					
1	----	----	7167 AT3					
1	----	----	7167 AX9					

★ Indicates use as required.  
 ☐ Indicates parts not listed in any previous parts book.  
 Right and left part numbers are on same line,  
 first number is right, second number is left.  
 \* Indicates change or addition.

CODE	REMARKS	PER CAR	SED.	4D H.T.	STA. WGN.	2D H.T.	CV. CP.
23-86-3	HEADLINING and LISTINGS - Cont'd						
	D2-L (codes L1B, L4B, H4B, L9B, P1B, P4B)	1	----	----	----	7135 AB3	
	(codes L1Q, H4Q, P1Q, P4Q)	1	----	----	----	7135 AQ3	
	(codes L1R, L4R, L9R, H4R, P4R)	1	----	----	----	7135 AR7	
	(codes L1T, L4T)	1	----	----	----	7135 AT3	
	(codes L1Y, P4Y)	1	----	----	----	7135 AY3	
	(codes L4X, L9X, H4X, P4X)	1	----	----	----	7135 AX9	
	(code P4W)	1	----	----	----	7135 AW2	
	(code P4T)	1	----	----	----	7135 AT7	
	(code P4U)	1	----	----	----	7135 AU7	
	D2 (6 window sedan) (codes H1B, H4B)	1	7165 AB3				
	(code H1Q)	1	7165 AQ3				
	(codes H1R, H4R)	1	7165 AW2				
	(codes H1T, H4T)	1	7165 AT3				
	(code H1Y)	1	7165 AY3				
	(codes L2A, K2A, L8A, K8A)	1	7165 AA2				
	D2-L (panel, rear quarter upper headlining trim)						
	(codes L1B, L9B, K1B, L5B)	1	3504-5 AB3	----	----	2090-1 AB3	
	(codes L1Q, K1Q)	1	3504-5 AQ3	----	----	2090-1 AQ3	
	(codes L1R, L9R, K1R, L4R)	1	3504-5 AW2	----	----	2090-1 AR7	
	(codes L1T, K1T)	1	3504-5 AT3	----	----	2090-1 AT3	
	(codes L1Y, K1Y)	1	3504-5 AY3	----	----	2090-1 AY3	
	(code L9X, L4X)	1	3504-5 AX9	----	----	2090-1 AX9	
	(codes L2A, K2A, L8A, K8A)	1	3504-5 AA2				
	D2 (embossed screen finish) (codes L4B, H4B)						
	(No. 1)	1	----	----	1051 AB3		
	(No. 2)	1	----	----	1052 AB3		
	(No. 3)	1	----	----	1054 AB3		
	(No. 4)	1	----	----	1054 AB3		
	(No. 5)	1	----	----	1055 AB3		
	(No. 6)	1	----	----	1056 AB3		
	(No. 7) (w or w/o dome lamp cutout)	1	----	----	*1057 AB3		
	(codes L4Q, H4Q)						
	(No. 1)	1	----	----	1051 AQ3		
	(No. 2)	1	----	----	1052 AQ3		
	(No. 3)	1	----	----	1054 AQ3		
	(No. 4)	1	----	----	1054 AQ3		
	(No. 5)	1	----	----	1055 AQ3		
	(No. 6)	1	----	----	1056 AQ3		
	(No. 7) (w or w/o dome lamp cutout)	1	----	----	*1057 AQ3		
	(codes L4R, H4R)						
	(No. 1)	1	----	----	1051 AR7		
	(No. 2)	1	----	----	1052 AR7		
	(No. 3)	1	----	----	1054 AR7		
	(No. 4)	1	----	----	1054 AR7		
	(No. 5)	1	----	----	1055 AR7		
	(No. 6)	1	----	----	1056 AR7		
	(No. 7) (w or w/o dome lamp cutout)	1	----	----	*1057 AR7		

★ Indicates use as required.

E Indicates parts not listed in any previous parts book.  
April 1966, Supersedes May 1965.Printed in U.S.A.  
Prices and specifications subject to change without notice.  
Right and left part numbers are on same line,  
first number is right, second number is left.  
● Indicates change or addition.

CODE	REMARKS	PER CAR	SED.	4D H.T	STA. WGN.	2D H.T	CV. CP.
23-86-3	HEADINGS and LISTINGS - Cont'd D2 (hardboard) (codes L4T, H4T)						
	(No. 1)	1	----	----	1051 AT3		
	(No. 2)	1	----	----	1052 AT3		
	(No. 3)	1	----	----	1054 AT3		
	(No. 4)	1	----	----	1054 AT3		
	(No. 5)	1	----	----	1055 AT3		
	(No. 6)	1	----	----	1056 AT3		
	(No. 7) (w or w/o dome lamp cutout)	1	----	----	*1057 AT3		
	D2 (codes L4Y, H4Y)						
	(No. 1)	1	----	----	1051 AY3		
	(No. 2)	1	----	----	1052 AY3		
	(No. 3)	1	----	----	1054 AY3		
	(No. 4)	1	----	----	1054 AY3		
	(No. 5)	1	----	----	1055 AY3		
	(No. 6)	1	----	----	1056 AY3		
	(No. 7) (w or w/o dome lamp cutout)	1	----	----	*1057 AY3		
	D2 (hardboard)(w/air conditioning) (codes L4B, L4Q, L4R, L4Y)						
	(No. 1)	1	----	----	1051 AW2		
	(No. 2)	1	----	----	1052 AW2		
	(No. 3)	1	----	----	1054 AW2		
	(No. 4)	1	----	----	1054 AW2		
	(No. 5)	1	----	----	1055 AW2		
	(No. 6)	1	----	----	1056 AW2		
	(No. 7) (w or w/o dome lamp cutout)	1	----	----	1057 AW2		
	(smooth finish) (codes L4B, H4B)						
	(No. 1)	1	----	----	*1051 ABB		
	(No. 2)	1	----	----	*1052 ABB		
	(No. 3)	1	----	----	*1054 ABB		
	(No. 4)	1	----	----	*1054 ABB		
	(No. 5)	1	----	----	*1055 ABB		
	(No. 6)	1	----	----	*1056 ABB		
	(No. 7) (w or w/o dome light cutout)	1	----	----	*1057 ABB		
	(codes L4Q, H4Q)						
	(No. 1)	1	----	----	*1051 AQQ		
	(No. 2)	1	----	----	*1052 AQQ		
	(No. 3)	1	----	----	*1054 AQQ		
	(No. 4)	1	----	----	*1054 AQQ		
	(No. 5)	1	----	----	*1055 AQQ		
	(No. 6)	1	----	----	*1056 AQQ		
	(No. 7) (w or w/o dome light cutout)	1	----	----	*1057 AQQ		
	(codes L4R, H4R)						
	(No. 1)	1	----	----	*1051 ARR		
	(No. 2)	1	----	----	*1052 ARR		
	(No. 3)	1	----	----	*1054 ARR		
	(No. 4)	1	----	----	*1054 ARR		
	(No. 5)	1	----	----	*1055 ARR		
	(No. 6)	1	----	----	*1056 ARR		
	(No. 7)(w or w/o dome light cutout)	1	----	----	*1057 ARR		

★ Indicates use as required.  
 ☐ Indicates parts not listed in any previous parts book.  
 Right and left part numbers are on same line,  
 first number is right, second number is left.  
 \* Indicates change or addition.

# 1965 PASSENGER CAR PARTS CATALOG

CODE	REMARKS	PER CAR	SED.	4D H.T.	STA. WGN.	2D H.T.	CV. CP.
23-86-3	HEADLININGS and LISTINGS - Cont'd						
	(codes L4T, H4T)						
	(No. 1)	1	----	----	*1051 ATT		
	(No. 2)	1	----	----	*1052 ATT		
	(No. 3)	1	----	----	*1054 ATT		
	(No. 4)	1	----	----	*1054 ATT		
	(No. 5)	1	----	----	*1055 ATT		
	(No. 6)	1	----	----	*1056 ATT		
	(No. 7)(w or w/o dome light cutout)	1	----	----	*1057 ATT		
	(codes L4Y, H4Y)						
	(No. 1)	1	----	----	*1051 AYY		
	(No. 2)	1	----	----	*1052 AYY		
	(No. 3)	1	----	----	*1054 AYY		
	(No. 4)	1	----	----	*1054 AYY		
	(No. 5)	1	----	----	*1055 AYY		
	(No. 6)	1	----	----	*1056 AYY		
	(No. 7)(w or w/o dome light cutout)	1	----	----	*1057 AYY		
	(w/air cond.) (codes L4B, L4Q, L4R, L4Y)						
	(No. 1)	1	----	----	*1051 AWW		
	(No. 2)	1	----	----	*1052 AWW		
	(No. 3)	1	----	----	*1054 AWW		
	(No. 4)	1	----	----	*1054 AWW		
	(No. 5)	1	----	----	*1055 AWW		
	(No. 6)	1	----	----	*1056 AWW		
	(No. 7)(w or w/o dome light cutout)	1	----	----	*1057 AWW		
	D2 (foam headlining) (codes H4B, P1B)						
	(No. 1)	1	----	1010 AB4	----	1068 AB4	
	(No. 2)	1	----	1012 AB4	----	1069 AB4	
	(No. 3)	1	----	1012 AB4	----	1070 AB4	
	(No. 4)	1	----	1013 AB4	----	1071 AB4	
	(No. 5)	1	----	1014 AB4	----	1072 AB4	
	(codes H4Q, P1Q)						
	(No. 1)	1	----	1010 AQ4	----	1068 AQ4	
	(No. 2)	1	----	1012 AQ4	----	1069 AQ4	
	(No. 3)	1	----	1012 AQ4	----	1070 AQ4	
	(No. 4)	1	----	1013 AQ4	----	1071 AQ4	
	(No. 5)	1	----	1014 AQ4	----	1072 AQ4	
	(codes H4R, P4R)						
	(No. 1)	1	----	1010 AW2	----	1068 AR5	
	(No. 2)	1	----	1012 AW2	----	1069 AR5	
	(No. 3)	1	----	1012 AW2	----	1070 AR5	
	(No. 4)	1	----	1013 AW2	----	1071 AR5	
	(No. 5)	1	----	1014 AW2	----	1072 AR5	
	(code H4T)						
	(No. 1)	1	----	1010 AT6	----	1068 AT6	
	(No. 2)	1	----	1012 AT6	----	1069 AT6	
	(No. 3)	1	----	1012 AT6	----	1070 AT6	
	(No. 4)	1	----	1013 AT6	----	1071 AT6	
	(No. 5)	1	----	1014 AT6	----	1072 AT6	
	(code P4T)						
	(No. 1)	1	----	----	----	1068 AT5	
	(No. 2)	1	----	----	----	1069 AT5	
	(No. 3)	1	----	----	----	1070 AT5	
	(No. 4)	1	----	----	----	1071 AT5	
	(No. 5)	1	----	----	----	1071 AT5	

★ Indicates use as required.

☐ Indicates parts not listed in any previous parts book.  
April 1966.

Printed in U.S.A.  
Prices and specifications subject to change without notice.  
Right and left part numbers are on same line,  
first number is right, second number is left.

• Indicates change or addition.



## 1965 PASSENGER CAR PARTS CATALOG

INTERIOR TRIM

CODE	REMARKS	PER CAR	SED.	4D H.T	STA. WGN.	2D H.T	CV. CP.
23-86-3	HEADLINING and LISTINGS - Cont'd						
	D2 (foam headlining) (codes H4X, P4X, P4U)						
	(No. 1)	1	----	*1010 AA2	----	*1068 AA2	
	(No. 2)	1	----	1012 AA2	----	1069 AA2	
	(No. 3)	1	----	1012 AA2	----	1070 AA2	
	(No. 4)	1	----	1013 AA2	----	1071 AA2	
	(No. 5)	1	----	1014 AA2	----	1072 AA2	
	D2-L, D2-H (vinyl finish) (qtr. upper headlining trim panel) (codes L1B, L3B, H4B)	1	----	*2052-3 AB3			
	(codes L1Q, L4Q)	1	----	*2052-3 AQ3			
	(codes L1R, L3R, H4R)	1	----	⊖2052-3 AW2			
	(codes L3X, H4X)	1	----	⊖2052-3 AX9			
	(code L1Y)	1	----	⊖2052-3 AY3			
	(codes L1T, L3T, H4T) (perforated)	1	----	*2052-3 AT3			
	(codes H1B, H4B)	1	⊖3542-3 AB3				
	(code H4Q)	1	⊖3542-3 AQ3				
	(codes H1R, H4R)	1	⊖3542-3 AW2				
	(codes H1T, H4T)	1	⊖3542-3 AT3				
	(code H1Y)	1	⊖3542-3 AY3				
	D2 (vinyl finish) (codes L4B, H4B, P1B)	1	----	----	----	*2090-2 AB3	
	(codes H4Q, P1Q)	1	----	----	----	*2090-1 AQ3	
	(codes L4R, H4R, P4R)	1	----	----	----	*2090-1 AR7	
	(codes L4T, H4T)	1	----	----	----	*2090-1 AT3	
	(code P4T)	1	----	----	----	*2090-1 AT7	
	(code P4W)	1	----	----	----	*2090-1 AW2	
	(code P4U)	1	----	----	----	⊖2090-1 AU7	
	(codes H4X, P4X)	1	----	----	----	*2090-1 AX9	
	D2-H (rear quarter upper headlining)(suede finish)						
	(code H4B)	1	----	*3500-1 AB4	----	*2094-5 AB4	
	(code H4Q)	1	----	3500-1 AQ4	----	2094-5 AQ4	
	(code H4R)	1	----	3500-1 AW2	----	⊖2094-5 AR5	
	(code H4T)	1	----	*3500-1 AT6	----	2094-5 AT6	
	(code H4X)	1	----	3500-1 AA2	----	⊖2094-5 AA2	
	D2-P (rear quarter upper headlining)(suede finish)						
	(code P1B)	1	----	----	----	*2096-7 AB4	
	(code P1Q)	1	----	----	----	2096-7 AQ4	
	(code P4T)	1	----	----	----	*2096-7 AT5	
	(code P4R)	1	----	----	----	⊖2096-7 AR5	
	(codes P4U, P4X)	1	----	----	----	⊖2096-7 AA2	
23-86-8	RETAINER, Roof Outside Cover						
	W1, W2						
	Side	1	----	----	----	⊖2573 042-3	
	Rear	1	----	----	----	⊖2573 040-1	
	Side Front	2	----	----	----	⊖2573 692	
	Screw (attaching)	14	----	----	----	*6024 271	
	D2-P	1	----	----	----	⊖2603 276-7	
23-86-10	BOW, Roof Support W1, W2						
	(No. 1)	1	*2424 804	----	*2424 804	*2424 500	
	(Nos. 2 and 3) (2 D.)	2	*2528 882	----			
	(Nos. 2 and 3) (4 D.)	2	*2424 805	----			
	(No. 2)	1	----	----	*2480 973		
	(Nos. 3 and 4)	2	----	----	*2480 974		

★ Indicates use as required.

⊖ Indicates parts not listed in any previous parts book.  
May 1965, Supersedes Sept. 4, 1964.Printed in U.S.A.  
Prices and specifications subject to change without notice.  
Right and left part numbers are on same line,  
first number is right, second number is left.

\* Indicates change or addition.



CODE	REMARKS	PER CAR	SED.	4D H.T.	STA. WGN.	2D H.T.	CV. CP.	
23-86-10	BOW, Roof Support - Cont'd D2  (w/dome lamp support brkt.)  (Nos. 1 and 2) (No. 3) (No. 4)	1	2482 276	-----	-----	2482 273		
		2	-----	2482 270	-----			
		2	-----	-----	2483 992			
		1	-----	-----	2482 279			
		1	-----	-----	2483 862			
23-86-11	RETAINER, Roof Side Rail Roof Bow D2  (rear bow moulding) Screw (attaching)	4	2482 581	2482 581	2482 581	2482 581	2581 893 6025 692	
		8	-----	-----				-----
		2	-----	-----				-----
		1	-----	-----				-----
		2	-----	-----				-----
23-86-14	PAD, Air Conditioning Roof Evap. Unit Trim D2	1	-----	-----	*2485 395			
23-86-16	SUPPORT, Roof Inside Finish Panel Moulding D2  (use w/No. 3 retainer)	6	-----	2581 302	-----	2581 302		
		4	-----	-----				-----
		2	-----	-----				2581 574
23-86-19	STRIP, Headlining Retaining W1, W2  Front Rear Side Upper Front Side Rear Side Rear Rear Corner Screw (retaining)(front strip) Fastener  D2 Front Rear (rear window) Upper Front Side (6 window sedan) Front Rear Side  (headlining retainer) (short)(red) (medium)(aluminum) (long)(yellow) Rear Corner Rear (w/o air cond.) Side Rear (w/air cond.) Side Rear  (rear window) (strip) Upper Side Fastener Screw Rear Quarter Fastener	1	-----	-----	-----	2483 408-9		
		1	2483 406-7	-----	-----	-----		
		1	2255 430-1	-----	-----	-----		
		1	2481 750-1	-----	-----	-----		
		1	2481 752	-----	-----	-----		
		1	-----	-----	2483 632-3			
		1	-----	-----	2251 448			
		1	-----	-----	2251 446-7			
		1	-----	-----	2251 444-5			
		2	-----	-----	* 125 978			
		10	-----	-----	6000 922	6000 922		
		1	2482 372-3	-----	-----			
		1	2484 544-5	-----	-----	*2602 136-7		
		1	-----	-----	2527 803			
		1	-----	-----	2482 374-5			
1	2482 372-3	-----	-----					
1	2482 378-9	-----	-----					
1	2603 942-3	-----	-----					
★	2581 273	2581 273	-----	2581 273				
★	2581 274	2581 274	-----	2581 274				
★	2581 275	2581 275	-----	2581 275				
1	-----	-----	2482 382-3					
1	-----	-----	2482 309					
1	-----	-----	*2602 136-7					
1	-----	-----	2602 136-7					
1	2526 956	2484 046	-----	2527 803				
1	2526 954-5	2484 048-9	-----	2527 822-3				
8	6000 922	6000 922	-----	6000 922				
8	6023 248	6023 248	-----	6023 248				
1	-----	2581 694-5	-----					
8	6000 365	6000 365	-----	6000 365				

★ Indicates use as required.  
 ☐ Indicates parts not listed in any previous parts book.  
 Right and left part numbers are on same line,  
 first number is right, second number is left.  
 \* Indicates change or addition.

## 1965 PASSENGER CAR PARTS CATALOG

INTERIOR TRIM

CODE	REMARKS	PER CAR	SED.	4D H.T	STA. WGN.	2D H.T	CV. CP.
23-86-19	STRIP, Headlining Retaining Cont'd D2-L (headlining and garnish moulding retainer)						
	Front	1	----	2484 072-3	----	2527 804-5	
	Rear	1	----	2484 074-5	----	2527 806-7	
	D2-H, D2-P						
	Front	1	----	2527 826-7	----	2528 354-5	
	Rear	1	----	2527 828-9	----	2573 832-3	
23-86-24	RETAINER, Roof Inside Finish Moulding W1, W2						
	(Nos. 1, 4 and 5)	3	----	----	2499 084		
	(Nos. 2 and 3)	2	----	----	2499 083		
	(No. 6)	1	----	----	2499 086		
	D2-H, D2-P						
	(Nos. 1 thru 6)	3	----	2581 461	----	2581 461	
	(No. 4)	6	----	----	2581 461		
		1	----	----	----	2499 505	
23-86-35	MOULDING, Roof Inside Finish Panel W1, W2						
	(No. 1 thru 6) (white)	★	----	----	1047 VW2		
	D2						
	(No. 1 thru 6) (white)	★	----	----	1047 VW2		
	(No. 1 thru 6) (bright)	★	----	----	2440 144		
	D2-H						
	(No. 1 thru 3)						
	(code H4B)	★	----	1079 AB4			
	(code H4Q)	★	----	1082 AQ4			
	(code H4R)	★	----	1079 AW2			
	(code H4T)	★	----	1079 AT6			
	(code H4X)	★	----	1079 AA2			
	D2-H, D2-P						
	(codes H4B, P1B)	4	----	----	----	1079 AB4	
	(codes H4Q, P1Q)	4	----	----	----	1082 AQ4	
	(codes H4X, P4X, P4U)	4	----	----	----	*1079 AA2	
	(code H4T)	4	----	----	----	1079 AT6	
	(codes P4R, H4R)	4	----	----	----	*1082 AR5	
	(code P4T)	4	----	----	----	1082 AT5	
	(code P4W)	4	----	----	----	1079 AW2	
	MOULDING, Rear Window Headlining Trim W1, W2						
	(codes L1B, K1B, L5B, H1B, H4B)	2	3700	AB3			
	(codes H1Q, H4Q)	2	3700	AQ3			
	(codes L1T, K1T, L2T, K2T, L8T, K8T, T8T, L5T, H1T, H4T)	2	3700	AT3			
	(codes L1R, K1R, L5R, H1R, H4R)	2	3700	AW2			
	(codes H1Y, H4Y)	2	3700	AY3			
	D2						
	(folding top rear bow)	1	----	----	----	----	2581 892
	Screw (attaching)	2	----	----	----	----	6025 692

★ Indicates use as required.

☐ Indicates parts not listed in any previous parts book.  
April 1966, Supersedes May 1965.Printed in U.S.A.  
Prices and specifications subject to change without notice.Right and left part numbers are on same line,  
first number is right, second number is left.

\* Indicates change or addition.

CODE	REMARKS	PER CAR	SED.	4D H.T	STA. WGN.	2D H.T	CV. CP.	
23-86-36	CAP, Roof Inside Finish Moulding							
	W1, W2							
	(codes L1B, K1B, L5B, H1B, H5B)	1	3711 AB3					
	(codes L1Q, K1Q, H1Q)	1	3711 AQ3					
	(codes L1R, K1R, L5R, H1R, H5R)	1	3711 AW2					
	(codes L1T, K1T, L2T, K2T, L8T, K8T, T8T, L5T, H1T, H5T)	1	3711 AT3					
W1, W2	12	----	----	----	*1030 VW2			
D2	12	----	----	----	1759 636			
23-91-6	PANEL, Cowl Trim							
	W1, W2							
	(codes L1B, K1B, L5B, L4B, K4B, H1B, H4B)	1	⊖1410-1 AB8	----	1410-1 AB8	1410-1 AB8	1410-1 AB8	
	(codes L1Q, K1Q, L4Q, K4Q, H1Q, H4Q)	1	⊖1410-1 AQ8	----	1410-1 AQ8	1410-1 AQ8	1410-1 AQ8	
	(codes L1R, K1R, L5R, L4R, K4R, H1R, H5R, H4R)	1	⊖1410-1 AR5	----	1410-1 AR5	1410-1 AR5	1410-1 AR5	
	(codes L1T, K1T, L2T, K2T, L8T, K8T, T8T, L5T, L4T, K4T, H1T, H5T, H4T)	1	1410-1 VT6	----	1410-1 VT6	1410-1 VT6	1410-1 VT6	
	(code P4B)	1	----	----	----	1410-1 AB8	1410-1 AB8	
	(code P4Q)	1	----	----	----	1410-1 AQ8	1410-1 AQ8	
	(code P4R)	1	----	----	----	1410-1 AR7	1410-1 AR7	
	(code P4T)	1	----	----	----	1410-1 AT8	1410-1 AT8	
	(code P4Y)	1	----	----	----	1410-1 AY3	1410-1 AY3	
	(code P4X)	1	----	----	----	1410 VX9	1410 VX9	
	Screw, w/Seal (attaching)	1	6023 388	----	6023 388	6023 388	6023 388	
	Screw (attaching)	★	6025 064	----	6025 064	6025 064	6025 064	
	D2	(codes L1B, L3B, K1B, L4B, L5B, L9B, H1B, H4B, L6B)	1	1422-3 AB8	1422-3 AB8	1422-3 AB8	1422-3 AB8	1422-3 AB8
		(codes L1Q, K1Q, L4Q, H1Q, H4Q, L6Q)	1	1422-3 AQ8	1422-3 AQ8	1422-3 AQ8	1422-3 AQ8	1422-3 AQ8
		(codes L1R, L3R, K1R, L4R, L5R, L9R, H1R, H4R, L6R)	1	1422-3 AR8	1422-3 AR8	1422-3 AR8	1422-3 AR8	1422-3 AR8
(codes L1T, L3T, K1T, L2T, K2T, L8T, K8T, L4T, L5T, H1T, H4T, L6T)		1	1422-3 AT8	1422-3 AT8	1422-3 AT8	1422-3 AT8	1422-3 AT8	
(codes L3X, H4X, L9X)		1	----	----	----	1422-3 AX9	1422-3 AX9	
(codes L1Y, K1Y, L4Y, H1Y, H4Y)		1	1422-3 AY8	1422-3 AY8	1422-3 AY8	1422-3 AY8	1422-3 AY8	
(code K2A)		1	1422-3 AX9	----	----	----	----	
(code K2A)		1	1422-3 AX9	----	----	----	----	
D2-P (carpeted)	(code P1B)	1	----	----	----	1430-1 AB8		
	(code P1Q)	1	----	----	----	1430-1 AQ8		
	(code P4R)	1	----	----	----	1430-1 AR7		
	(code P4T)	1	----	----	----	1430-1 AT9		
	(code P4U)	1	----	----	----	1430-1 AU8		
	(code P4X)	1	----	----	----	*1432-3 AX8		
EXTENSION, Cowl Side Trim Panel	(paint as required)							
	D2	1	1428-9 AX9	1428-9 AX9	1428-9 AX9	1428-9 AX9	1428-9 AX9	
Screw (attaching)	4	9415 214	9415 214	9415 214	9415 214	9415 214		
23-91-20	RETAINER, Cowl Side Trim Panel Carpet							
	D2-P	1	2588 124-5	2588 124-5	2588 124-5	2588 124-5	2588 124-5	
(clip)(upper)	2	2664 466	2664 466	2664 466	2664 466	2664 466		

★ Indicates use as required.

⊖ Indicates parts not listed in any previous parts book.

Right and left part numbers are on same line, first number is right, second number is left.

\* Indicates change or addition.

Printed in U.S.A.

Prices and specifications subject to change without notice.

April 1966, Supersedes May 1965.

# 1965 PASSENGER CAR PARTS CATALOG

CODE	REMARKS	PER CAR	SED.	4D H.T	STA. WGN.	2D H.T	CV. CP.	
23-92-5	PANEL, Door Trim W1-L, W2-L (2 D.) (codes L1B, K1B) (codes L1Q, K1Q) (codes L1R, K1R) (codes L1T, K1T, L2T, K2T, L8T, K8T)	1 1 1 1	3132-3 ABB 3132-3 AQQ E3132-3 AOR 3132-3 ATT					
	W1-L, W2-L (4 D.) (codes L1B, L4B, K1B, K4B, L5B) Front Rear (codes L1Q, L4Q, K1Q, K4Q) Front Rear (codes L1R, L4R, K1R, K4R, L5R) Front Rear (codes L1T, L4T, K1T, K4T, L5T, L2T, K2T, L8T, K8T, T8T) Front Rear	1 1 1 1 1 1 1 1	3130-1 ABB 3224-5 ABB 3130-1 AQQ 3224-5 AQQ 3130-1 AOR 3224-5 AOR 3130-1 ATT 3224-5 ATT	---- ---- ---- ---- ---- ----	3130-1 ABB 3224-5 ABB 3130-1 AQQ 3224-5 AQQ 3130-1 AOR 3224-5 AOR			
	W1-H, W2-H (codes H1B, H4B, H5B) Front Rear (codes H1Q, H4Q) Front Rear (codes H1R, H4R, H5R) Front Rear (codes H1T, H4T, H5T) Front Rear Screw and Washer (rear door attaching)	1 1 1 1 1 1 1 1 4	3140-1 ABB 3228-9 ABB 3140-1 AQQ 3228-9 AQQ 3140-1 ARR 3228-9 ARR 3140-1 ATT 3228-9 ATT *6023 381	---- ---- ---- ---- ---- ---- ---- ----	3140-1 ABB 3228-9 ABB 3228-9 AQQ 3228-9 AQQ 3228-9 ARR 3228-9 ARR 3228-9 ATT 3228-9 ATT *6023 381	3144-5 ABB 3144-5 AQQ 3144-5 ARR 3144-5 ATT	3144-5 ABB 3144-5 AQQ 3144-5 ARR 3144-5 ATT	
	W2-P (w/o mylar strips) (code P4B) (code P4Q) (code P4R) (code P4T) (code P4Y) (code P4X)	1 1 1 1 1 1	---- ---- ---- ---- ---- ----	---- ---- ---- ---- ---- ----	---- ---- ---- ---- ---- ----	*3146-7 ABB 3146-7 AQQ 3146-7 ARR 3146-7 ATT 3146-7 AYW 3146-7 AXX	*3146-7 ABB 3146-7 AQQ 3146-7 ARR 3146-7 ATT 3146-7 AYW 3146-7 AXX	
	(w/mylar strips) (code P4B) (code P4Q) (code P4R) (code P4T) (code P4Y) (code P4X) (codes L1B, L3B) Front Rear (codes L1R, L3R) Front Rear (codes L1T, L3T) Front Rear (code L3X) Front Rear	1 1 1 1 1 1 1 1 1 1 1 1	---- ---- ---- ---- ---- ---- ---- ---- ---- ---- ---- ----	---- ---- ---- ---- ---- ---- *3458-9 ABB *3288-9 ABB *3458-9 ARR *3288-9 ARR *3458-9 ATT *3288-9 ATT E3458-9 AXX E3288-9 AXX	---- ---- ---- ---- ---- ---- ---- ---- ---- ---- ---- ----	E3142-3 ABB E3142-3 AQQ E3142-3 ARR E3142-3 ATT E3142-3 AYW E3142-3 AXX	E3142-3 ABB E3142-3 AQQ E3142-3 ARR E3142-3 ATT E3142-3 AYW E3142-3 AXX	

★ Indicates use as required.

☐ Indicates parts not listed in any previous parts book.

May 1965, Supersedes Sept. 4, 1964.

Printed in U.S.A.

Prices and specifications subject to change without notice.

Right\* and left part numbers are on same line,  
first number is right, second number is left.

\* Indicates change or addition.

CODE	REMARKS	PER CAR	SED.	4D H.T	STA. WGN.	2D H.T	CV. CP.
23-92-5	PANEL, Door Trim - Cont'd D2-L (codes L1B, L4B, K1B, L6B, L9B)						
	Front	1	*3438-9 ABB	*3458-9 ABB	*3438-9 ABB	*3460-1 ABB	*3460-1 ABB
	Rear	1	3282-3 ABB	3288-9 ABB	3282-3 ABB		
	(codes L1Q, L4Q, L6Q, K1Q)						
	Front	1	*3438-9 AQQ	*3458-9 AQQ	*3438-9 AQQ	*3460-1 AQQ	*3460-1 AQQ
	Rear	1	3282-3 AQQ	3288-9 AQQ	3282-3 AQQ		
	(codes L1R, L4R, L6R, K1R, L9R)						
	Front	1	*3438-9 ARR	*3458-9 ARR	*3438-9 ARR	*3460-1 ARR	*3460-1 ARR
	Rear	1	3282-3 ARR	3288-9 ARR	3282-3 ARR		
	(codes L1T, L4T, K1T, L6T)						
	Front	1	*3438-9 ATT	*3458-9 ATT	*3438-9 ATT	*3460-1 ATT	*3460-1 ATT
	Rear	1	3282-3 ATT	3288-9 ATT	3282-3 ATT		
	(codes L1Y, L4Y, K1Y)						
	Front	1	3438-9 AYY	3458-9 AYY	3438-9 AYY	3460-1 AYY	3460-1 AYY
	Rear	1	3282-3 AYY	3288-9 AYY	3282-3 AYY		
	(code L4X)						
	Front	1	3438-9 AXX	----	----	3460-1 AXX	3460-1 AXX
	Rear	1	3282-3 AXX				
	(code K2A)						
	Front	1	3438-9 AAA				
	Rear	1	3282-3 AAA				
	(code L9X)						
	Front	1	----	----	----	3460-1 AXX	3460-1 AXX
	(code L5B)						
	Front	1	3446-7 ABB				
	Rear	1	3284-5 ABB				
	(code L5R)						
	Front	1	3446-7 ARR				
	Rear	1	3284-5 ARR				
	(code L5T)						
	Front	1	3446-7 ATT				
	Rear	1	3284-5 ATT				
	(codes L2A, K2A, L8A, K8A)						
	Front	1	3438-9 AAA				
	Rear	1	3282-3 AAA				
	D2-H						
	(code H1B)						
	Front	1	3446-7 ABB				
	Rear	1	3284-5 ABB				
	(code H1Q)						
	Front	1	3446-7 AQQ				
	Rear	1	3284-5 AQQ				
	(code H1R)						
	Front	1	3446-7 ARR				
	Rear	1	3284-5 ARR				
	(code H1T)						
	Front	1	3446-7 ATT				
	Rear	1	3284-5 ATT				
	(code H1Y)						
	Front	1	3446-7 AYY				
	Rear	1	3284-5 AYY				
	(code H4B)						
	Front	1	3118-9 ABB	3448-9 ABB	3118-9 ABB	3454-5 ABB	3454-5 ABB
	Rear	1	3218-9 ABB	3286-7 ABB	3218-9 ABB		
	(code H4Q)						
	Front	1	----	3448-9 AQQ	3118-9 AQQ	3454-5 AQQ	3454-5 AQQ
	Rear	1	----	3286-7 AQQ	3218-9 AQQ		
	(code H4R)						
	Front	1	3118-9 ARR	3448-9 ARR	3118-9 ARR	3454-5 ARR	3454-5 ARR
	Rear	1	3218-9 ARR	3286-7 ARR	3218-9 ARR		
	(code H4T)						
	Front	1	3118-9 ATT	3448-9 ATT	3118-9 ATT	3454-5 ATT	3454-5 ATT
	Rear	1	3218-9 ATT	3286-7 ATT	3218-9 ATT		
	(code H4Y)						
	Front	1	----	----	3118-9 AYY		
	Rear	1	----	----	3218-9 AYY		
	(code H4X)						
	Front	1	----	3448-9 AOX	----	3454-5 AOX	3454-5 AOX
	Rear	1	----	3286-7 AOX	----		
	D2-P						
	(code P1B)						
		1	----	----	----	3444-5 ABB	
	(code P1Q)						
		1	----	----	----	3444-5 AQQ	
	(code P4R)						
		1	----	----	----	3456-7 ARR	
	(code P4T)						
		1	----	----	----	3456-7 ATT	

★ Indicates use as required.  
 ☐ Indicates parts not listed in any previous parts book.  
 Right and left part numbers are on same line,  
 first number is right, second number is left.  
 \* Indicates change or addition.

## 1965 PASSENGER CAR PARTS CATALOG

INTERIOR TRIM

CODE	REMARKS	PER CAR	SED.	4D H.T	STA. WGN.	2D H.T	CV. CP.
23-92-5	PANEL, Door Trim - Cont'd D2-P (code P4U) (code P4X) (code P4W) Fastener (attaching)	1 1 1 ★	---- ---- ---- 6000 121	---- ---- ---- 6000 121	---- ---- ---- 6000 121	3456-7 AOU 3456-7 AOX 3456-7 AXW 6000 121	6000 121
23-96-3	PANEL, Luggage Compartment Front Lining W1, W2 Fastener (attaching) D2 Fastener Fastener FILLER (luggage compt. floor to quarter) W1, W2	1 3 1 2 ★ 1	*2499 117 ---- 2581 915 ---- 6000 365 2581 972-3	---- ---- 2581 915 ---- 6000 365 ----	---- ---- ---- ---- ---- ----	*2499 117 ---- 2581 915 6001 425 6000 365 2581 972-3	*2499 117 6000 903 2581 915 6000 365 2581 972-3
23-96-8	COVER, Wheelhouse and Lower Quarter Trim (paint as required) W1, W2 (2 seat) (3 seat) EXTENSION, Wheelhouse and Lower Quarter Trim Cover W2-H (code H4B) (code H4Q) (code H4R) (code H4T) D2 (codes L4B, H4B) (codes L4Q, H4Q) (codes L4R, H4R) (codes L4T, H4T) (codes L4Y, H4Y) D2 (left only) (w/air conditioning) (codes L4B, H4B) (codes L4Q, H4Q) (codes L4R, H4R) (codes L4T, H4T) (codes L4Y, H4Y) Screw	1 1 1 1 1 1 1 1 1 1 1 1 1 1 1 1 1 14	---- ---- ---- ---- ---- ---- ---- ---- ---- ---- ---- ---- ---- ---- ---- ---- ----	---- ---- ---- ---- ---- ---- ---- ---- ---- ---- ---- ---- ---- ---- ---- ---- ----	2056-7 VT6 2058-9 VT6 2042-3 AB4 2042-3 AQ4 2042-3 AR5 2042-3 VT6 2026-7 AB4 2026-7 AQ4 2026-7 AR7 2026-7 AT6 2026-7 AY3 3531 AB4 3531 AQ4 3531 AR7 3531 AT6 3531 AY3 *6026 221		
23-99-9	RETAINER, Body Rear Lock Pillar W1, W2	1	----	----	2162 508-9		
23-99-17	RETAINER, Tailgate Opening Pillar Cover Upper D2	2	----	----	2656 924		
23-99-41	COVER, Tailgate Opening Pillar D2 (paint as required) Upper Lower Right	1 1	----	----	2810-1 AT6 2812 AT6		
23-101-3	PANEL, Quarter Trim W1, W2 (2 D.) (codes L1B, K1B) (codes L1Q, K1Q) (codes L1R, K1R) (codes L1T, K1T, L2T, K2T, L8T, K8T)	1 1 1 1	3314-5 ABB 3314-5 AQQ 3314-5 AOR 3314-5 ATT				

★ Indicates use as required.

☐ Indicates parts not listed in any previous parts book.

May 1965, Supersedes Sept. 4, 1964.

Printed in U.S.A.  
Prices and specifications subject to change without notice.Right and left part numbers are on same line,  
first number is right, second number is left.

\* Indicates change or addition.

CODE	REMARKS	PER CAR	SED.	4D H.T	STA. WGN.	2D H.T	CV. CP.
23-101-3	PANEL, Quarter Trim - Cont'd W1-L, W2-L, W1-H, W2-H (4 D.) Upper (codes L1B, K1B, L5B, H1B, H5B) (codes L1Q, K1Q, H1Q) (codes L1R, K1R, L5R, H1R, H5R) (codes L1T, K1T, L2T, K2T, L5T, L8T, K8T, T8T, H1T, H5T) Lower (codes L1B, K1B, L5B, H1B, H5B) (codes L1Q, K1Q, H1Q) (codes L1R, K1R, L5R, H1R, H5R) (codes L1T, K1T, L2T, K2T, L5T, L8T, K8T, T8T, H1T, H5T)	1 1 1 1 1 1 1 1	7584-5 AB4 7584-5 AQ4 7584-5 AR5 7584-5 VT6 7588-9 AB4 7588-9 AQ4 7588-9 AR5 7588-9 VT6				
	W2-H (codes H1B, H4B) (codes H1Q, H4Q) (codes H1R, H4R) (codes H1T, H4T) W2-P (w/o mylar strips) (code P4B) (code P4Q) (code P4R) (code P4T) (code P4Y) (code P4X)	1 1 1 1 1 1 1 1 1 1	---- ---- ---- ---- ---- ---- ---- ---- ---- ----	---- ---- ---- ---- ---- ---- ---- ---- ---- ----	---- ---- ---- ---- ---- ---- ---- ---- ---- ----	3320-1 ABB 3320-1 AQQ 3320-1 ARR 3320-1 ATT 3324-5 ABB 3324-5 AQQ 3324-5 ARR 3324-5 ATT 3324-5 AYW 3324-5 AXX	3322-3 ABB 3322-3 AQQ 3322-3 ARR 3322-3 ATT 3326-7 ABB 3326-7 AQQ 3326-7 ARR 3326-7 ATT 3326-7 AYW 3326-7 AXX
	(w/mylar strips) (code P4B) (code P4Q) (code P4R) (code P4T) (code P4Y) (code P4X) Screw and Washer (attaching) Screw and Washer	1 1 1 1 1 1 2 4	---- ---- ---- ---- ---- ---- 6024 199 ----	---- ---- ---- ---- ---- ---- ---- ----	---- ---- ---- ---- ---- ---- ---- ----	3488-9 ABB 3488-9 AQQ 3488-9 ARR 3488-9 ATT 3488-9 AYW 3488-9 AXX 6023 476 6023 381	3490-1 ABB 3490-1 AQQ 3490-1 ARR 3490-1 ATT 3490-1 AYW 3490-1 AXX 6023 476 6023 381
	D2-L (codes L1B, K1B, L5B, L9B) (codes L1Q, K1Q) (codes L1R, K1R, L5R, L9R) (codes L1T, K1T, L2T, K2T, L8T, K8T, L5T) (codes L1Y, K1Y) (codes L9X, L4X) (codes L4B, L9B)	1 1 1 1 1 1 1	2062-3 AB4 2062-3 AQ4 2062-3 AR7 2062-3 AT6 2062-3 AY3 ----- 2062-3 AB4	2066-7 AB4 2066-7 AQ4 2066-7 AR7 2066-7 AT6 2066-7 AY3 ----- -----	----- ----- ----- ----- ----- ----- -----	3350-1 ABB 3350-1 AQQ 3350-1 ARR 3350-1 ATT 3350-1 AYY 3350-1 AXX -----	----- ----- ----- ----- ----- ----- 3368-9 ABB
	(code L4Q) (codes L4R, L9R) (code L4T) (code L4Y) (code L9X) (code K2A) D2-L, D2-H (6 window sedan) (codes L3B, H1B, H4B) (codes H1Q, H4Q) (codes L3R, H1R, H4R)	1 1 1 1 1 1 1 1 1 1	----- 2062-3 AR7 2062-3 AT6 ----- 2062-3 AX9 2062-3 AA6 2064-5 AB4 2064-5 AQ4 2064-5 AR7	----- ----- ----- ----- ----- ----- 2066-7 AB4 2066-7 AQ4 2066-7 AR7	----- ----- ----- ----- ----- ----- ----- ----- ----- -----	----- ----- ----- ----- ----- ----- 3398-9 ABB 3398-9 AQQ 3398-9 ARR	----- 3368-9 AQQ 3368-9 ARR 3368-9 ATT 3368-9 AYY 3368-9 AXX ----- 3312-3 ABB 3312-3 AQQ 3312-3 ARR

★ Indicates use as required.

☐ Indicates parts not listed in any previous parts book.  
Right and left part numbers are on same line,  
first number is right, second number is left.

• Indicates change or addition.

Printed in U.S.A.  
Prices and specifications subject to change without notice.  
April 1966, Supersedes May 1965.

## 1965 PASSENGER CAR PARTS CATALOG

INTERIOR TRIM

CODE	REMARKS	PER CAR	SED.	4D H.T	STA. WGN.	2D H.T	CV. CP.
23-101-3	PANEL, Quarter Trim - Cont'd D2-L, D2-H (6 window sedan) (codes L3T, H1T, H4T) (codes H1Y) (codes L3X, H4X)	1 1 1	2064-5 AT6 2064-5 AY3	2066-7 AT6 2066-7 AX9	----- -----	3398-9 ATT 3398-9 AOX	3312-3 ATT 3312-3 AOX
	D2-P (code P1B) (code P1Q) (code P4R) (code P4T) (code P4U) (code P4X) (code P4W) Fastener	1 1 1 1 1 1 1 ★	----- ----- ----- ----- ----- ----- 6000 365	----- ----- ----- ----- ----- ----- 6000 365	----- ----- ----- ----- ----- ----- -----	3396-7 ABB 3396-7 AQQ 3310-1 ARR 3310-1 ATT 3310-1 AOU 3310-1 AOX 3310-1 AXW 6000 365	6000 365
23-101-14	COVER, Upper Quarter Front Trim (paint as required) W1-L, W2-L, W1-H, W2-H Screw (attaching)	1 4	----- -----	----- -----	2044-5 VT6 9417 930		
23-101-33	BRACKET, Quarter Trim Panel Support W2	2	-----	-----	-----	-----	2490 484
23-102-3	PANEL, Shelf Trim (paint as required) W1, W2 Fastener (paint as required) D2-L, D2-H D2-H (6 window sedan) Fastener	1 2 1 1 4	1319 AT6 6000 903 1313 AT6 1302 AT6 6000 365	----- ----- 1300 AT6 ----- 6000 365	----- ----- ----- ----- -----	1318 AT6 6000 903 1312 AT6 6000 365	
23-103-3	PANEL, Visor Trim W1, W2 (codes L1B, K1B, L5B, H1B, P4B) (codes L1Q, K1Q, H1Q, P4Q) (codes L1R, K1R, H1R, P4R, P4Y) (codes L1T, K1T, L2T, K2T, L5T, L8T, K8T, T8T, H1T, P4T) (code P4X)	2 2 2 2 2 2	----- 1118 AB3 1118 AQ3 1118 AW2 1118 AT3 -----	----- ----- ----- ----- -----	1131 AW2 ----- ----- ----- -----	1119 AB3 1119 AQ3 1119 AW2 1119 AT3 1119 AX9	
	W2-H, W2-P (codes H4B, P4B) (codes H4Q, P4Q) (code H4R) (code P4R) (codes H4T, P4T) (code P4Y) (code P4X)	2 2 2 2 2 2 2	----- ----- ----- ----- ----- ----- -----	----- ----- ----- ----- ----- ----- -----	----- ----- ----- ----- ----- ----- -----	----- ----- ----- ----- ----- ----- -----	1120 AB4 1120 AQ4 1120 AR5 1120 AR7 1120 VT6 1120 AW3 1120 VX9
	D2 (perforated cardboard) (w/o dual air cond.) (codes L4B, H4B) (codes L4Q, H4Q) (codes L4T, H4T) (codes L4Y, H4Y) (code H4R)	2 2 2 2 2	----- ----- ----- ----- -----	----- ----- ----- ----- -----	----- ----- ----- ----- -----	----- ----- ----- ----- -----	----- ----- ----- ----- -----
	D2-L (perforated cardboard) (w/air conditioning) (w/extruded vinyl binding) w/imitation leather bindings)	2 2 2	----- ----- -----	----- ----- -----	----- ----- 1112 AW2 1115 AW2	----- ----- -----	----- ----- -----

★ Indicates use as required.

☐ Indicates parts not listed in any previous parts book.  
April 1966, Supersedes May 1965.Prices and specifications subject to change without notice.  
Right and left part numbers are on same line,  
first number is right, second number is left.

\* Indicates change or addition.

Printed in U.S.A.



CODE	REMARKS	PER CAR	SED.	4D H.T	STA. WGN.	2D H.T	CV. CP.
23-103-3	PANEL, Visor Trim - Cont'd D2-H (foam covered) (w/air conditioning) (codes H4B, H4Q, H4R, H4T, H4Y)	2	----	----	*1112 AW2		
	D2 (codes L1B, L3B, L5B, K1B, L9B, H1B, H4B) (codes L1Q, K1Q, H1Q, H4Q) (codes L1R, L3R, L5R, K1R, L9R, H1R, H4R) (codes L1T, K1T, L2T, L3T, K2T, L8T, K8T, L5T, H1T, H4T) (codes L1Y, K1Y, H1Y, H4Y) (codes L3X, L9X) (codes L2A, K2A, L8A, K8A)	2 2 2 2 2 2 2	1104 AB3 1104 AQ3 1104 AW2 1104 AT3 1104 AY3 1104 AA2	1104 AB3 1104 AQ3 1104 AW2 1104 AT3 1104 AY3 1104 AA2	---- ---- ---- ---- ---- ----	1104 AB3 1104 AQ3 1104 AR7 1104 AT3 1104 AY3 1104 AX9	
	D2-L, D2-H (codes L4B, L9B, H4B) (codes L4Q, H4Q) (codes L4R, L9R, H4R) (codes L4T, H4T) (codes L9X, H4X) (code L4Y)	2 2 2 2 2 2	---- ---- ---- ---- ---- ----	---- ---- ---- ---- ---- ----	---- ---- ---- ---- ---- ----	---- ---- ---- ---- ---- ----	1107 AB4 1107 AQ4 1107 AR7 1107 AT6 1107 AX9 1107 AY3
	D2-H, D2-P (vinyl covered) (codes H1B, P1B, H4B) (codes H4R, P4W) (codes H4Q, P1Q) (code H4T) (codes H4X, P4X) (code P4R) (code P4T) (code P4U)	2 2 2 2 2 2 2 2	---- ---- ---- ---- ---- ---- ---- ----	1116 AB3 1116 AW2 1116 AQ3 1116 AT3 1116 AX9 ---- ---- ----	---- ---- ---- ---- ---- ---- ---- ----	1116 AB3 1116 AW2 1116 AQ3 1116 AT3 1116 AX9 1116 AR7 1116 AT7 1116 AU7	
	(foam covered) (codes H4B, P1B) (code H4R) (codes P1Q, H4Q) (code H4T) (code H4Y) (codes H4X, P4X) (codes H4R, P4R) (code P4T) (code P4U)	2 2 2 2 2 2 2 2 2	---- ---- ---- ---- ---- ---- ---- ---- ----	*1113 AB4 *1113 AW2 ---- *1113 AT6 ---- *1113 AA2 ---- ---- ----	---- *1113 AW2 *1113 AQ4 *1113 AT6 *1113 AT4 ---- ---- ---- ----	*1113 AB4 *1113 AQ4 *1113 AT6 *1113 AT6 *1113 AA2 *1113 AR5 *1113 AT5 *1113 AAU	
23-103-10	ARM and BRACKET, Visor W1, W2 D2 Washer (tension)	1 1 2	2490 788-9 2581 292-3 6000 106	---- 2581 292-3 6000 106	2490 788-9 2581 292-3 6000 106	2490 788-9 2581 292-3 6000 106	2483 082-3
23-103-18	SPACER, Windshield Visor Bracket W1, W2	2	----	----	2581 373		
23-103-48	SUPPORT, Visor Inner D2 (use w/padded visor only)	2	2162 628	2162 628	2162 628	2162 628	
23-108-4	CUSHION, Front Seat W1-L, W2-L (2 D.) (codes L1B, K1B) (codes L1Q, K1Q) (codes L1R, K1R) (codes L1T, K1T) (code L2T) (code L8T)	1 1 1 1 1 1	5393 A1B 5393 A1Q 5393 A1R 5393 A1T 5380 A2T 5389 A8T				

★ Indicates use as required.  
 □ Indicates parts not listed in any previous parts book.  
 Right and left part numbers are on same line,  
 first number is right, second number is left.  
 \* Indicates change or addition.

CODE	REMARKS	PER CAR	SED.	4 D H.T	STA. WGN.	2 D H.T	CV. CP.
23-108-4	CUSHION, Front Seat - Cont'd						
	W1-L, W2-L (4 D.)						
	(codes L1B, K1B, L4B)	1	5390 A1B	----	5396 A4B		
	(codes L1Q, K1Q, L4Q)	1	5390 A1Q	----	5396 A4Q		
	(codes L1R, K1R, L4R)	1	5390 A1R	----	5396 A4R		
	(codes L1T, K1T, L4T)	1	5390 A1T	----	5396 A4T		
	(code L2T)	1	5383 A2T				
	(code L8T)	1	5386 A8T				
	(code L5B)	1	5405 AB4				
	(code L5R)	1	5405 AR5				
	(code L5T)	1	5405 AT6				
	W1-L, W2-L (2 D.)						
	(w/airfoam pad)						
	(codes L1B, L4B)	1	5394 A1B				
	(codes L1Q, L4Q)	1	5394 A1Q				
	(codes L1R, L4R)	1	5394 A1R				
	(codes L1T, L4T)	1	5394 A1T				
	(w/pad and spring)						
	(codes L1B, K4B)	1	5395 A1B				
	(codes L1Q, K4Q)	1	5395 A1Q				
	(codes L1R, K4R)	1	5395 A1R				
	(codes L1T, K4T)	1	5395 A1T				
	W1-L, W2-L (4 D.)						
	(w/airfoam pad)						
	(codes L1B, L4B)	1	5391 A1B	----	5397 A4B		
	(codes L1Q, L4Q)	1	5391 A1Q	----	5397 A4Q		
	(codes L1R, L4R)	1	5391 A1R	----	5397 A4R		
	(codes L1T, L4T)	1	5391 A1T	----	5397 A4T		
	(w/pad and spring)						
	(codes L1B, L4B)	1	5392 A1B	----	5398 A4B		
	(codes L1Q, L4Q)	1	5392 A1Q	----	5398 A4Q		
	(codes L1R, L4R)	1	5392 A1R	----	5398 A4R		
	(codes L1T, L4T)	1	5392 A1T	----	5398 A4T		
	W1-L, W2-L (2 D.)						
	(w/airfoam pad)						
	(code L2T)	1	5381 A2T				
	(code L8T)	1	5409 A8T				
	(w/heavy duty spring and airfoam pad)						
	(codes L2T, K2T)	1	5382 A2T				
	(codes L8T, K8T)	1	5410 A8T				
	W1-L, W2-L (4 D.)						
	(w/airfoam pad)						
	(code L2T)	1	5384 A2T				
	(code L8T)	1	5387 A8T				
	(w/heavy duty spring and airfoam pad)						
	(codes L2T, K2T)	1	5385 A2T				
	(codes L8T, K8T, T8T)	1	5388 A8T				
	W1-H, W2-H						
	(codes L5B, H5B, H4B)	1	5405 AB4	----	5405 ABB		
	(codes L5R, H5R, H4R)	1	5405 AR5	----	5405 ARR		
	(codes L5T, H5T, H4T)	1	5405 AT6	----	5405 ATT		
	(code H4Q)	1	----	----	5405 AQQ		
	(codes H1B, H4B)	1	5407 A1B	----	----	5417 A1B	5415 A4B
	(codes H1Q, H4Q)	1	5407 A1Q	----	----	5417 A1Q	5415 A4Q
	(codes H1R, H4R)	1	5407 A1R	----	----	5417 A1R	5415 A4R
	(codes H1T, H4T)	1	5407 A1T	----	----	5417 A1T	5415 A4T
	W2-P						
	(code P4B)	1	----	----	----	5412-3 A4B	5412-3 A4B
	(code P4Q)	1	----	----	----	5412-3 A4Q	5412-3 A4Q
	(code P4R)	1	----	----	----	5412-3 A4R	5412-3 A4R

★ Indicates use as required.

☐ Indicates parts not listed in any previous parts book.  
April 1966, Supersedes May 1965.Printed in U.S.A.  
Prices and specifications subject to change without notice.Right and left part numbers are on same line,  
first number is right, second number is left.

\* Indicates change or addition.

CODE	REMARKS	PER CAR	SED.	4D H.T	STA. WGN.	2D H.T	CV. CP.
23-108-4	CUSHION, Front Seat - Cont'd						
	W2-P						
	(code P4T)	1	----	----	----	5412-3 A4T	5412-3 A4T
	(code P4X)	1	----	----	----	5412-3 A4X	5412-3 A4X
	(code P4Y)	1	----	----	----	5412-3 A4Y	5412-3 A4Y
	D2-L (Refer to Distribution						
	Drawing Type "A")						
	(codes L1B, K1B)	1	*5424 A1B	*5424 A1B	----	*5401 A1B	
	(codes L1Q, K1Q)	1	*5424 A1Q	*5424 A1Q	----	*5401 A1Q	
	(codes L1R, K1R)	1	*5424 A1R	*5424 A1R	----	*5401 A1R	
	(codes L1T, K1T)	1	*5424 A1T	*5424 A1T	----	*5401 A1T	
	(codes L1Y, K1Y)	1	*5424 A1Y	*5424 A1Y	----	*5401 A1Y	
	(w/airfoam pad and std.						
	springs)						
	(codes L1B, K1B)	1	*5425 A1B	*5425 A1B	----	*5402 A1B	
	(codes L1Q, K1Q)	1	*5425 A1Q	*5425 A1Q	----	*5402 A1Q	
	(codes L1R, K1R)	1	*5425 A1R	*5425 A1R	----	*5402 A1R	
	(codes L1T, K1T)	1	*5425 A1T	*5425 A1T	----	*5402 A1T	
	(codes L1Y, K1Y)	1	*5425 A1Y	*5425 A1Y	----	*5402 A1Y	
	(w/airfoam pad and heavy						
	duty springs)						
	(codes L1B, K1B)	1	*5473 A1B				
	(codes L1Q, K1Q)	1	*5473 A1Q				
	(codes L1R, K1R)	1	*5473 A1R				
	(codes L1T, K1T)	1	*5473 A1T				
	(codes L1Y, K1Y)	1	*5473 A1Y				
	(elec. seat adj)						
	(codes L1B, K1B)	1	*5399 A1B	*5399 A1B	----	*5403 A1B	
	(codes L1Q, K1Q)	1	*5399 A1Q	*5399 A1Q	----	*5403 A1Q	
	(codes L1R, K1R)	1	*5399 A1R	*5399 A1R	----	*5403 A1R	
	(codes L1T, K1T)	1	*5399 A1T	*5399 A1T	----	*5403 A1T	
	(codes L1Y, K1Y)	1	*5399 A1Y	*5399 A1Y	----	*5403 A1Y	
	(elec. seat adj. and						
	airfoam pad)						
	(codes L1B, K1B)	1	*5400 A1B	*5400 A1B	----	*5404 A1B	
	(codes L1Q, K1Q)	1	*5400 A1Q	*5400 A1Q	----	*5404 A1Q	
	(codes L1R, K1R)	1	*5400 A1R	*5400 A1R	----	*5404 A1R	
	(codes L1T, K1T)	1	*5400 A1T	*5400 A1T	----	*5404 A1T	
	(codes L1Y, K1Y)	1	*5400 A1Y	*5400 A1Y	----	*5404 A1Y	
	(Refer to Distribution						
	Drawing Type "B")						
	(codes L1B, K1B)	1	⊠8046 A1B	⊠8046 A1B	----	⊠8032 A1B	
	(codes L1Q, K1Q)	1	⊠8046 A1Q	⊠8046 A1Q	----	⊠8032 A1Q	
	(codes L1R, K1R)	1	⊠8046 A1R	⊠8046 A1R	----	⊠8032 A1R	
	(codes L1T, K1T)	1	⊠8036 A1T	⊠8046 A1T	----	⊠8032 A1T	
	(codes L1Y, K1Y)	1	⊠8046 A1Y	⊠8046 A1Y	----	⊠8032 A1Y	
	(w/airfoam pad and std.						
	springs)						
	(codes L1B, K1B)	1	⊠8047 A1B	⊠8047 A1B	----	⊠8033 A1B	
	(codes L1Q, K1Q)	1	⊠8047 A1Q	⊠8047 A1Q	----	⊠8033 A1Q	
	(codes L1R, K1R)	1	⊠8047 A1R	⊠8047 A1R	----	⊠8033 A1R	
	(codes L1T, K1T)	1	⊠8047 A1T	⊠8047 A1T	----	⊠8033 A1T	
	(codes L1Y, K1Y)	1	⊠8047 A1Y	⊠8047 A1Y	----	⊠8033 A1Y	
	(w/airfoam pad and heavy						
	duty springs)						
	(codes L1B, K1B)	1	⊠8048 A1B				
	(codes L1Q, K1Q)	1	⊠8048 A1Q				
	(codes L1R, K1R)	1	⊠8048 A1R				
	(codes L1T, K1T)	1	⊠8048 A1T				
	(codes L1Y, K1Y)	1	⊠8048 A1Y				

★ Indicates use as required.  
 ⊠ Indicates parts not listed in any previous parts book.  
 Right and left part numbers are on same line,  
 first number is right, second number is left.  
 \* Indicates change or addition.

## 1965 PASSENGER CAR PARTS CATALOG

INTERIOR TRIM

CODE	REMARKS	PER CAR	SED.	4D H.T.	STA. WGN.	2D H.T.	CV. CP.
23-108-4	CUSHION, Front Seat - Cont'd D2-L (Refer to Distribution Drawing Type "B") (elec. seat adj.) (codes L1B, K1B) (codes L1Q, K1Q) (codes L1R, K1R) (codes L1T, K1T) (codes L1Y, K1Y) (elec. seat and airfoam pad) (codes L1B, K1B) (codes L1Q, K1Q) (codes L1R, K1R) (codes L1T, K1T) (codes L1Y, K1Y)	1 1 1 1 1	B8049 A1B B8049 A1Q B8049 A1R B8049 A1T B8049 A1Y	B8049 A1B B8049 A1Q B8049 A1R B8049 A1T B8049 A1Y	---- ---- ---- ---- ----	B8034 A1B B8034 A1Q B8034 A1R B8034 A1T B8034 A1Y	
	D2-L (code L4B) (code L4R) (code L4T) (code L4X) (code L3B) (code L3R) (code L3T) (code L3X) (w/airfoam pad)	1 1 1 1 1 1 1 1	*5432 A4B *5432 A4R *5432 A4T *5432 A4X ---- ---- ---- ----	B8007 A3B B8007 A3R B8007 A3T B8007 A3X			
	(code L3B) (code L3R) (code L3T) (code L3X) (elec. seats) (code L3B) (code L3R) (code L3T) (code L3X) (elec. seats w/airfoam pad) (code L3B) (code L3R) (code L3T) (code L3X)	1 1 1 1 1 1 1 1 1 1 1 1 1 1	---- ---- ---- ---- ---- ---- ---- ---- ---- ---- ---- ---- ---- ----	B8008 A3B B8008 A3R B8008 A3T B8008 A3X B8009 A3B B8009 A3R B8009 A3T B8009 A3X B8010 A3B B8010 A3R B8010 A3T B8010 A3X			
	D2-L (code L4B) (code L4Q) (code L4R) (code L4T) (code L4Y) (code L5B) (code L5R) (code L5T) (code L2T) (code L8T) (codes L2A, K2A)	1 1 1 1 1 1 1 1 1 1	---- ---- ---- ---- ---- 5441 A5B 5441 A5R 5441 A5T 7431 A2T 7353 A8T B7782 A2A	---- ---- ---- ---- ---- ---- ---- ---- ---- ---- ----	*5432 A4B *5432 A4Q *5432 A4R *5432 A4T *5432 A4Y		
	(pattern grained vinyl) (code L4B) (code L4Q) (code L4R) (code L4T) (code L4Y) (plain vinyl) (code L4B) (code L4Q) (code L4R) (code L4T)	1 1 1 1 1 1 1 1 1 1	---- ---- ---- ---- ---- ---- ---- ---- ---- ----	---- ---- ---- ---- ---- ---- ---- ---- ---- ----	---- ---- ---- ---- ---- ---- ---- ---- ---- ----	---- ---- ---- ---- ---- B7675 A4B B7675 A4R B7675 A4R B7675 A4T	*5428 A4B *5428 A4Q *5428 A4R *5428 A4T *5428 A4Y B7675 A4B B7675 A4Q B7675 A4R B7675 A4T

★ Indicates use as required.

B Indicates parts not listed in any previous parts book.

May 1965, Supersedes Sept. 4, 1964.

Printed in U.S.A.  
Prices and specifications subject to change without notice.  
Right and left part numbers are on same line,  
first number is right, second number is left.

\* Indicates change or addition.

CODE	REMARKS	PER CAR	SED.	4D H.T	STA WGN.	2D H.T	CV. CP.
23-108-4	CUSHION, Front Seat - Cont'd D2-L (pattern grained vinyl)						
	(code L4Y)	1	----	----	----	----	B7675 A4Y
	(code L4X)	1	----	----	----	----	
	(code L9B)	1	----	----	----	B7675 A4X	
	(code L9R)	1	----	----	----	B7503 A9B	
	(code L9X)	1	----	----	----	B7503 A9R	
	(code L9X)	1	----	----	----	B7503 A9X	
	(plain vinyl)						
	(code L9B)	1	----	----	----	B7689 A9B	
	(code L9R)	1	----	----	----	B7689 A9R	
	(code L9X)	1	----	----	----	B7689 A9X	
	D2-L (w/electric seats)						
	(code L4B)	1	*5434 A4B				
	(code L4R)	1	*5434 A4R				
	(code L4T)	1	*5434 A4T				
	(code L4X)	1	B5434 A4X				
	(code L4B)	1	----	----			
	(code L4Q)	1	----	----	*5434 A4B		
	(code L4R)	1	----	----	*5434 A4Q		
	(code L4T)	1	----	----	*5434 A4R		
	(code L4Y)	1	----	----	*5434 A4T		
	(code L5B)	1	5436 A5B				
	(code L5R)	1	5436 A5R				
	(code L5T)	1	5436 A5T				
	(pattern grained vinyl)						
	(code L4B)	1	----	----			*5430 A4B
	(code L4Q)	1	----	----			*5430 A4Q
	(code L4R)	1	----	----			*5430 A4R
	(code L4T)	1	----	----			*5430 A4T
	(code L4Y)	1	----	----			*5430 A4Y
	(plain vinyl)						
	(code L4B)	1	----	----		B7742 A4B	B7742 A4B
	(code L4Q)	1	----	----		----	B7742 A4Q
	(code L4R)	1	----	----		B7742 A4R	B7742 A4R
	(code L4T)	1	----	----		B7742 A4T	B7742 A4T
	(code L4Y)	1	----	----		----	B7742 A4Y
	(code L4X)	1	----	----		B7742 A4X	
	(pattern grained vinyl)						
	(code L9B)	1	----	----		B7638 A9B	
	(code L9R)	1	----	----		B7638 A9R	
	(code L9X)	1	----	----		B7638 A9X	
	(plain vinyl)						
	(code L9B)	1	----	----		B7690 A9B	
	(code L9R)	1	----	----		B7690 A9R	
	(code L9X)	1	----	----		B7690 A9X	
	D2-L (w/airfoam pad)						
	(code L4B)	1	*5433 A4B				
	(code L4R)	1	*5433 A4R				
	(code L4T)	1	*5433 A4T				
	(code L4X)	1	B5433 A4X				
	(code L4B)	1	----	----	*5433 A4B		
	(code L4Q)	1	----	----	*5433 A4Q		
	(code L4R)	1	----	----	*5433 A4R		
	(code L4T)	1	----	----	*5433 A4T		
	(code L4Y)	1	----	----	*5433 A4Y		
	(pattern grained vinyl)						
	(code L4B)	1	----	----			*5429 A4B
	(code L4Q)	1	----	----			*5429 A4Q
	(code L4R)	1	----	----			*5429 A4R
	(code L4T)	1	----	----			*5429 A4T
	(code L4Y)	1	----	----			*5429 A4Y

★ Indicates use as required.

⊠ Indicates parts not listed in any previous parts book.  
Right and left part numbers are on same line,  
first number is right, second number is left.

\* Indicates change or addition.

## 1965 PASSENGER CAR PARTS CATALOG

INTERIOR TRIM

CODE	REMARKS	PER CAR	SED.	4D H.T.	STA. WGN.	2D H.T.	CV. CP.
23-108-4	CUSHION, Front Seat - Cont'd						
	D2-L (plain vinyl)						
	(code L4B)	1	----	----	----	7741 A4B	7741 A4B
	(code L4Q)	1	----	----	----	----	7741 A4Q
	(code L4R)	1	----	----	----	7741 A4R	7741 A4R
	(code L4T)	1	----	----	----	7741 A4T	7741 A4T
	(code L4Y)	1	----	----	----	----	7741 A4Y
	(code L4X)	1	----	----	----	7741 A4X	
	D2-L (w/airfoam pad)						
	(code L5B)	1	5440 A5B				
	(code L5R)	1	5440 A5R				
	(code L5T)	1	5440 A5T				
	(code L2T)	1	7432 A2T				
	(code L8T)	1	7354 A8T				
	D2-L (w/heavy duty spring and airfoam pad)						
	(code L5B)	1	5442 A5B				
	(code L5R)	1	5442 A5R				
	(code L5T)	1	5442 A5T				
	(codes L2T, K2T)	1	7433 A2T				
	(codes L8T, K8T, T8T)	1	7355 A8T				
	D2-L (w/airfoam pad and electric seats)						
	(code L4B)	1	5435 A4B				
	(code L4R)	1	5435 A4R				
	(code L4T)	1	5435 A4T				
	(code L4X)	1	5435 A4X				
	(code L4B)	1	----	----	5435 A4B		
	(code L4Q)	1	----	----	5435 A4Q		
	(code L4R)	1	----	----	5435 A4R		
	(code L4T)	1	----	----	5435 A4T		
	(code L4Y)	1	----	----	5435 A4Y		
	(code L5B)	1	5482 A5B				
	(code L5R)	1	5482 A5R				
	(code L5T)	1	5482 A5T				
	(pattern grained vinyl)						
	(code L4B)	1	----	----	----	----	5431 A4B
	(code L4Q)	1	----	----	----	----	5431 A4Q
	(code L4R)	1	----	----	----	----	*5431 A4R
	(code L4T)	1	----	----	----	----	5431 A4T
	(code L4Y)	1	----	----	----	----	5431 A4Y
	(plain vinyl)						
	(code L4B)	1	----	----	----	7743 A4B	7743 A4B
	(code L4Q)	1	----	----	----	----	7743 A4Q
	(code L4R)	1	----	----	----	7743 A4R	7743 A4R
	(code L4T)	1	----	----	----	7743 A4T	7743 A4T
	(code L4Y)	1	----	----	----	----	7743 A4Y
	(code L4X)	1	----	----	----	7743 A4X	
	D2-H (6 window sedan)						
	(code H1B)	1	7214 A1B				
	(code H1Q)	1	7214 A1Q				
	(code H1R)	1	7214 A1R				
	(code H1T)	1	7214 A1T				
	(code H1Y)	1	7214 A1Y				
	(code H4B)	1	5426 A4B	5426 A4B	5426 A4B	5426 A4B	5426 A4B
	(code H4Q)	1	----	5426 A4Q	5426 A4Q	5426 A4Q	5426 A4Q
	(code H4R)	1	5426 A4R	5426 A4R	5426 A4R	5426 A4R	5426 A4R
	(code H4T)	1	5426 A4T	5426 A4T	5426 A4T	5426 A4T	5426 A4T
	(code H4X)	1	----	5426 A4X	----	5426 A4X	5426 A4X
	(code H4Y)	1	----	----	5426 A4Y	----	----

★ Indicates use as required.

☐ Indicates parts not listed in any previous parts book.  
April 1966, Supersedes May 1965.Printed in U.S.A.  
Prices and specifications subject to change without notice.  
Right and left part numbers are on same line,  
first number is right, second number is left.

\* Indicates change or addition.

CODE	REMARKS	PER CAR	SED.	4D H.T	STA. WGN.	2D H.T	CV. CP.
23-108-4	CUSHION, Front Seat - Cont'd D2-H (6 window sedan) (w/electric seats) (code H1B) (code H1Q) (code H1R) (code H1T) (code H1Y)	1 1 1 1 1	7215 A1B 7215 A1Q 7215 A1R 7215 A1T 7215 A1Y				
	(code H4B) (code H4Q) (code H4R) (code H4T) (code H4Y) (code H4X) Push Nut (seat back to cushion mtg.)	1 1 1 1 1 1 ★	5427 A4B ---- 5427 A4R 5427 A4T ---- 5427 A4X 6024 203	5427 A4B 5427 A4Q 5427 A4R 5427 A4T ---- 5427 A4X 6024 203	5427 A4B 5427 A4Q 5427 A4R 5427 A4T 5427 A4Y ---- 6024 203	5427 A4B 5427 A4Q 5427 A4R 5427 A4T 5427 A4X 6024 203	5427 A4B 5427 A4Q 5427 A4R 5427 A4T 5427 A4X 6024 203
	D2-P (code P1B) (code P1Q) (code P4R) (code P4T) (code P4U) (code P4X)	1 1 1 1 1 1	---- ---- ---- ---- ---- ----	---- ---- ---- ---- ---- ----	---- ---- ---- ---- ---- ----	7262-3 A1B 7262-3 A1Q 7270-1 A4R 7270-1 A4T 7270-1 A4U 7270-1 A4X	
	D2-P (w/elec. seats) (code P1B) (code P1Q) (code P4R) (code P4T) (code P4U) (code P4X) (code P4W)	1 1 1 1 1 1 1	---- ---- ---- ---- ---- ---- ----	---- ---- ---- ---- ---- ---- ----	---- ---- ---- ---- ---- ---- ----	7646-7 A1B 7646-7 A1Q *7636-7 A4R *7636-7 A4T *7636-7 A4U *7636-7 A4X *7636-7 A4W	
23-108-5	COVER, Front Seat Cushion W1-L, W2-L (2 D.) (codes L1B, K1B) (codes L1Q, K1Q) (codes L1R, K1R) (codes L1T, K1T) (codes L2T, K2T) (codes L8T, K8T)	1 1 1 1 1 1	5844 A1B 5844 A1Q 5844 A1R 5844 A1T 5836 A2T 5838 A8T				
	W1-L, W2-L (4 D.) (codes L1B, K1B) (codes L1Q, K1Q) (codes L1R, K1R) (codes L1T, K1T) (codes L2T, K2T) (codes L8T, K8T, T8T) (code L5B) (code L5R) (code L5T)	1 1 1 1 1 1 1 1 1	5843 A1B 5843 A1Q 5843 A1R 5843 A1T 5835 A2T 5837 A8T 5849 AB4 5849 AR5 5849 AT6				
	W1-L, W2-L (codes L4B, K4B) (codes L4Q, K4Q) (codes L4R, K4R) (codes L4T, K4T)	1 1 1 1	---- ---- ---- ----	---- ---- ---- ----	5845 A4B 5845 A4Q 5845 A4R 5845 A4T		

★ Indicates use as required.

☐ Indicates parts not listed in any previous parts book.  
Right and left part numbers are on same line,  
first number is right, second number is left.

\* Indicates change or addition.

Printed in U.S.A.  
Prices and specifications subject to change without notice.  
April 1966, Supersedes May 1965.

CODE	REMARKS	PER CAR	SED.	4D H.T	STA. WGN.	2D H.T	CV. CP.
23-108-5	COVER, Front Seat Cushion - Cont'd						
	W1-H, W2-H						
	(code H4Q)	1	----	----	*5849 AQQ		
	(codes L5B, H5B, H4B)	1	*5849 AB4	----	*5849 ABB		
	(codes L5R, H5R, H4R)	1	*5849 AR5	----	*5849 ARR		
	(codes L5T, H5T, H4T)	1	*5849 AT6	----	*5849 ATT		
	W1-H, W2-H						
	(codes H1B, H4B)	1	⊖5850 A1B	----	----	5853 A1B	5852 A4B
	(codes H1Q, H4Q)	1	⊖5850 A1Q	----	----	5853 A1Q	5852 A4Q
	(codes H1R, H4R)	1	⊖5850 A1R	----	----	5853 A1R	5852 A4R
	(codes H1T, H4T)	1	⊖5850 A1T	----	----	5853 A1T	5852 A4T
	W2-P						
	(code P4B)	2	----	----	----	5851 A4B	5851 A4B
	(code P4Q)	2	----	----	----	5851 A4Q	5851 A4Q
	(code P4R)	2	----	----	----	5851 A4R	5851 A4R
	(code P4T)	2	----	----	----	5851 A4T	5851 A4T
	(code P4X)	2	----	----	----	5851 A4X	5851 A4X
	(code P4Y)	2	----	----	----	5851 A4Y	5851 A4Y
	D2-L (Refer to Distribution Drawing Type "A")						
	(codes L1B, K1B, L6B)	1	*5854 A1B	*5854 A1B	----	*5847 A1B	
	(codes L1Q, K1Q, L6Q)	1	*5854 A1Q	*5854 A1Q	----	*5847 A1Q	
	(codes L1R, K1R, L6R)	1	*5854 A1R	*5854 A1R	----	*5847 A1R	
	(codes L1T, K1T, L6T)	1	*5854 A1T	*5854 A1T	----	*5847 A1T	
	(codes L1Y, K1Y)	1	*5854 A1Y	*5854 A1Y	----	*5847 A1Y	
	D2-L (Refer to Distribution Drawing Type "B")						
	(codes L1B, K1B)	1	⊖8051 A1B	⊖8051 A1B	----	⊖8036 A1B	
	(codes L1Q, K1Q)	1	⊖8051 A1Q	⊖8051 A1Q	----	⊖8036 A1Q	
	(codes L1R, K1R)	1	⊖8051 A1R	⊖8051 A1R	----	⊖8036 A1R	
	(codes L1T, K1T)	1	⊖8051 A1T	⊖8051 A1T	----	⊖8036 A1T	
	(codes L1Y, K1Y)	1	⊖8051 A1Y	⊖8051 A1Y	----	⊖8036 A1Y	
	D2-L						
	(code L4B)	1	*5862 A4B				
	(code L4R)	1	*5862 A4R				
	(code L4T)	1	*5862 A4T				
	(code L4X)	1	⊖5862 A4X				
	(code L3B)	1	----	⊖8011 A3B			
	(code L3R)	1	----	⊖8011 A3R			
	(code L3T)	1	----	⊖8011 A3T			
	(code L3X)	1	----	⊖8011 A3X			
	(code L4B)	1	----	----	*5862 A4B		
	(code L4Q)	1	----	----	*5862 A4Q		
	(code L4R)	1	----	----	*5862 A4R		
	(code L4T)	1	----	----	*5862 A4T		
	(code L4Y)	1	----	----	*5862 A4Y		
	(code L5B)	1	5863 A5B				
	(code L5R)	1	5863 A5R				
	(code L5T)	1	5863 A5T				
	(codes L2T, K2T)	1	7434 A2T				
	(codes L8T, K8T, T8T)	1	7356 A8T				
	(codes L2A, K2A)	1	⊖7783 A2A				
	(plain vinyl)						
	(code L4B)	1	----	----	----	⊖7744 A4B	⊖7744 A4B
	(code L4Q)	1	----	----	----	----	⊖7744 A4Q
	(code L4R)	1	----	----	----	⊖7744 A4R	⊖7744 A4R
	(code L4T)	1	----	----	----	⊖7744 A4T	⊖7744 A4T
	(code L4Y)	1	----	----	----	----	⊖7744 A4Y
	(code L4X)	1	----	----	----	⊖7744 A4X	

★ Indicates use as required.

⊖ Indicates parts not listed in any previous parts book.  
May 1965, Supersedes Sept. 4, 1964.Printed in U.S.A.  
Prices and specifications subject to change without notice.  
Right and left part numbers are on same line,  
first number is right, second number is left.

\* Indicates change or addition.



CODE	REMARKS	PER CAR	SED.	4D H.T	STA. WGN.	2D H.T	CV. CP.
23-108-5	COVER, Front Seat Cushion - Cont'd D2-L (plain vinyl)						
	(code L9B)	2	----	----	----	7691 A9B	*7691 A9B
	(code L9R)	2	----	----	----	7691 A9R	*7691 A9R
	(code L9X)	2	----	----	----	7691 A9X	*7691 A9X
	D2-H (6 window sedan)						
	(codes H1B, H4B)	1	7216 A1B	5858 A4B	5858 A4B	5858 A4B	5858 A4B
	(codes H1Q, H4Q)	1	7216 A1Q	5858 A4Q	5858 A4Q	5858 A4Q	5858 A4Q
	(codes H1R, H4R)	1	7216 A1R	5858 A4R	5858 A4R	5858 A4R	5858 A4R
	(codes H1T, H4T)	1	7216 A1T	5858 A4T	5858 A4T	5858 A4T	5858 A4T
	(codes H1Y, H4Y)	1	7216 A1Y	----	5858 A4Y	----	----
	(code H4X)	1	----	5858 A4X	----	5858 A4X	5858 A4X
	(code H4B)	1	5858 A4B	----	----	----	----
	(code H4R)	1	5858 A4R	----	----	----	----
	(code H4T)	1	5858 A4T	----	----	----	----
	D2-P	(code P1B)	1	----	----	----	7261 A1B
(code P1Q)		1	----	----	----	7261 A1Q	
(code P4R)		1	----	----	----	7269 A4R	
(code P4T)		1	----	----	----	7269 A4T	
(code P4U)		1	----	----	----	7269 A4U	
(code P4X)		1	----	----	----	7269 A4X	
(code P4W)		1	----	----	----	7269 A4W	
23-108-6	FLAP, Front Cushion Rear D2						
	(codes L9B, P1B)	1	----	----	----	4112 AB8	
	(code P1Q)	1	----	----	----	4112 AQ8	
	(codes L9R, P1R)	1	----	----	----	4112 AR7	
	(code P4R)	1	----	----	----	4112 AR5	
	(code P4T)	1	----	----	----	4112 AT9	
	(code P4U)	1	----	----	----	4112 AU8	
(codes L9X, P4X)	1	----	----	----	4112 AX9		
23-108-12	BACK, Front Seat W1-L, W2-L (2 D.)						
	(code L1B)	1	5602-3 A1B				
	(code L1Q)	1	5602-3 A1Q				
	(code L1R)	1	5602-3 A1R				
	(code L1T)	1	5602-3 A1T				
	(code L2T)	1	5576-7 A2T				
	(code L8T)	1	5584-5 A8T				
	W1-L, W2-L (4 D.)						
	(codes L1B, L4B)	1	5594 A1B	----	5597 A4B		
	(codes L1Q, L4Q)	1	5594 A1Q	----	5597 A4Q		
	(codes L1R, L4R)	1	5594 A1R	----	5597 A4R		
	(codes L1T, L4T)	1	5594 A1T	----	5597 A4T		
	(code L5B)	1	5614 AB4				
	(code L5R)	1	5614 AR5				
(code L5T)	1	5614 AT6					
(code L2T)	1	5572 A2T					
(code L8T)	1	5575 A8T					
W1-L, W2-L (2 D.) (w/airfoam pad and heavy duty spring)							
(codes L1B, K1B)	1	5604-5 A1B					
(codes L1Q, K1Q)	1	5604-5 A1Q					
(codes L1R, K1R)	1	5604-5 A1R					
(codes L1T, K1T)	1	5604-5 A1T					
(codes L8T, K8T, T8T) (4 D.)	1	5582 A8T					

★ Indicates use as required.  
 □ Indicates parts not listed in any previous parts book.  
 Right and left part numbers are on same line,  
 first number is right, second number is left.  
 \* Indicates change or addition.

CODE	REMARKS	PER CAR	SED.	4D H.T	STA. WGN.	2D H.T	CV. CP.
23-108-12	BACK, Front Seat - Cont'd W1-L, W2-L (2 D.) (w/heavy duty spring) (codes L2T, K2T) (codes L8T, K8T)	1 1	5580-1 A2T 5588-9 A8T				
	W1-L, W2-L (4 D.) (w/heavy-duty spring) (codes L1B, K1B, L4B, K4B) (codes L1Q, K1Q, L4Q, K4Q) (codes L1R, K1R, L4R, K4R) (codes L1T, K1T, L4T, K4T) (codes L2T, K2T)	1 1 1 1 1	5596 A1B 5596 A1Q 5596 A1R 5596 A1T 5574 A2T	---- ---- ---- ----	5598 A4B 5598 A4Q 5598 A4R 5598 A4T		
	W1-H, W2-H (codes H1B, H4B) (codes H1Q, H4Q) (codes H1R, H4R) (codes H1T, H4T) (code H5B) (code H5R) (code H5T) Push-Nut (back to cushion)	1 1 1 1 1 1 1 2	5616 A1B 5616 A1Q 5616 A1R 5616 A1T 5614 AB4 5614 AR5 5614 AT6 *6024 203	---- ---- ---- ---- ---- ---- ----	5614 ABB 5614 AQQ 5614 ARR 5614 ATT	5622 A1B 5622 A1Q 5622 A1R 5622 A1T *6024 203	5620-1 A4B 5620-1 A4Q 5620-1 A4R 5620-1 A4T *6024 203
	D2-L (Refer to Distribution Drawing Type "A" (codes L1B, K1B) (codes L1Q, K1Q) (codes L1R, K1R) (codes L1T, K1T) (codes L1Y, K1Y) (w/heavy duty springs) (codes L1B, K1B) (codes L1Q, K1Q) (codes L1R, K1R) (codes L1T, K1T) (codes L1Y, K1Y)	1 1 1 1 1 1 1 1 1 1 1	*5626 A1B *5626 A1Q *5626 A1R *5626 A1T *5626 A1Y *5627 A1B *5627 A1Q *5627 A1R *5627 A1T *5627 A1Y	*5626 A1B *5626 A1Q *5626 A1R *5626 A1T *5626 A1Y *5627 A1B *5627 A1Q *5627 A1R *5627 A1T *5627 A1Y	---- ---- ---- ---- ---- ---- ---- ---- ---- ----	*5608-9 A1B *5608-9 A1Q *5608-9 A1R *5608-9 A1T *5608-9 A1Y	
	D2-L (Refer to Distribution Drawing Type "B" (codes L1B, K1B) (codes L1Q, K1Q) (codes L1R, K1R) (codes L1T, K1T) (codes L1Y, K1Y) (w/heavy duty springs) (codes L1B, K1B) (codes L1Q, K1Q) (codes L1R, K1R) (codes L1T, K1T) (codes L1Y, K1Y)	1 1 1 1 1 1 1 1 1 1 1	⊖8052 A1B ⊖8052 A1Q ⊖8052 A1R ⊖8052 A1T ⊖8052 A1Y ⊖8053 A1B ⊖8053 A1Q ⊖8053 A1R ⊖8053 A1T ⊖8053 A1Y	⊖8052 A1B ⊖8052 A1Q ⊖8052 A1R ⊖8052 A1T ⊖8052 A1Y ⊖8053 A1B ⊖8053 A1Q ⊖8053 A1R ⊖8053 A1T ⊖8053 A1Y	---- ---- ---- ---- ---- ---- ---- ---- ---- ----	⊖8038-9 A1B ⊖8038-9 A1Q ⊖8038-9 A1R ⊖8038-9 A1T ⊖8038-9 A1Y	
	D2-L (code L4B) (code L4R) (code L4T) (code L4X) (code L3B) (code L3R) (code L3T) (code L3X) (code L4B) (code L4Q) (code L4R) (code L4T) (code L4Y)	1 1 1 1 1 1 1 1 1 1 1 1 1	*5612 A4B *5612 A4R *5612 A4T ⊖5612 A4X ---- ---- ---- ---- ---- ---- ---- ---- ----	⊖8012 A3B ⊖8012 A3R ⊖8012 A3T ⊖8012 A3X ---- ---- ---- ---- ---- ---- ---- ----	*5612 A4B *5612 A4Q *5612 A4R *5612 A4T *5612 A4Y		

★ Indicates use as required.

⊖ Indicates parts not listed in any previous parts book.  
May 1965, Supersedes Sept. 4, 1964.Printed in U.S.A.  
Prices and specifications subject to change without notice.  
Right and left part numbers are on same line,  
first number is right, second number is left.

● Indicates change or addition.

CODE	REMARKS	PER CAR	SED.	4D H.T	STA. WGN.	2D H.T	CV. CP.
23-108-12	BACK, Front Seat - Cont'd						
	D2-L (pattern grained vinyl)						
	(code L4B)	1	----	----	----	----	*5638 A4B
	(code L4Q)	1	----	----	----	----	*5638 A4Q
	(code L4R)	1	----	----	----	----	*5638 A4R
	(code L4T)	1	----	----	----	----	*5638 A4T
	(code L4Y)	1	----	----	----	----	*5638 A4Y
	(plain vinyl)						
	(code L4B)	1	----	----	----	*7680-1 A4B	*7680-1 A4B
	(code L4Q)	1	----	----	----	----	⊖7680-1 A4Q
	(code L4R)	1	----	----	----	⊖7680-1 A4R	⊖7680-1 A4R
	(code L4T)	1	----	----	----	⊖7680-1 A4T	⊖7680-1 A4T
	(code L4Y)	1	----	----	----	----	⊖7680-1 A4Y
	(code L4X)	1	----	----	----	⊖7680-1 A4X	
	(pattern grained vinyl)						
	(code L9B)	2	----	----	----	⊖7506 A9B	
	(code L9R)	2	----	----	----	⊖7506 A9R	
	(code L9X)	2	----	----	----	⊖7506 A9X	
	(plain vinyl)						
	(code L9B)	2	----	----	----	⊖7693 A9B	
	(code L9R)	2	----	----	----	⊖7693 A9R	
	(code L9X)	2	----	----	----	⊖7693 A9X	
	D2-L						
	(code L5B)	1	5644 A5B				
	(code L5R)	1	5644 A5R				
	(code L5T)	1	5644 A5T				
	(code L2T)	1	7428 A2T				
	(code L8T)	1	5542 A8T				
	D2-L (w/heavy duty spring)						
	(code L4B)	1	*5613 A4B				
	(code L4R)	1	*5613 A4R				
	(code L4T)	1	*5613 A4T				
	(code L4X)	1	⊖5613 A4X				
	(code L4B)	1	----	----	*5613 A4B		
	(code L4Q)	1	----	----	*5613 A4Q		
	(code L4R)	1	----	----	*5613 A4R		
	(code L4T)	1	----	----	*5613 A4T		
	(code L4Y)	1	----	----	*5613 A4Y		
	(code L5B)	1	5645 A5B				
	(code L5R)	1	5645 A5R				
	(code L5T)	1	5645 A5T				
	(codes L2T, K2T)	1	7429 A2T				
	(codes L8T, K8T, T8T)	1	5543 A8T				
	(codes L2A, K2A)	1	⊖7785 A2A				
	D2-H (6 window sedan)						
	(codes H1B, H4B)	1	7217 A1B	----	5636-7 A4B		
	(codes H1Q, H4Q)	1	7217 A1Q	----	5636-7 A4Q		
	(codes H1R, H4R)	1	7217 A1R	----	5636-7 A4R		
	(codes H1T, H4T)	1	7217 A1T	----	5636-7 A4T		
	(codes H1Y, H4Y)	1	7217 A1Y	----	5636-7 A4Y		
	D2-H (6 window sedan)						
	(code H4B)	1	5636 A4B	5636 A4B	----	5636 A4B	5636 A4B
	(code H4Q)	1	----	5636 A4Q	----	5636 A4Q	5636 A4Q
	(code H4R)	1	5636 A4R	5636 A4R	----	5636 A4R	5636 A4R
	(code H4T)	1	5636 A4T	5636 A4T	----	5636 A4T	5636 A4T
	(code H4X)	1	----	5636 A4X	----	5636 A4X	5636 A4X
	Push-Nut (back to cushion)	2	----	*6024 203	*6024 203	*6024 203	*6024 203
	D2-P						
	(code P1B)	1	----	----	----	7264 A1B	
	(code P1Q)	1	----	----	----	7264 A1Q	

★ Indicates use as required.

⊖ Indicates parts not listed in any previous parts book.  
Right and left part numbers are on same line,  
first number is right, second number is left.

\* Indicates change or addition.

Printed in U.S.A.

Prices and specifications subject to change without notice.

May 1965, Supersedes Sept. 4, 1964.

CODE	REMARKS	PER CAR	SED.	4D H.T.	STA. WGN.	2D H.T.	CV. CP.
23-108-15	SPRING and COVER, Front Seat Back W2-P (code P4B) (code P4Q) (code P4R) (code P4T) (code P4X) (code P4Y)	2 2 2 2 2 2	---- ---- ---- ---- ---- ----	---- ---- ---- ---- ---- ----	---- ---- ---- ---- ---- ----	B5740 A4B B5740 A4Q B5740 A4R B5740 A4T B5740 A4X B5740 A4Y	B5740 A4B B5740 A4Q B5740 A4R B5740 A4T B5740 A4X B5740 A4Y
	(code P1B) (code P1Q) (code P4R) (code P4T) (code P4U) (code P4X) (code P4W) Screw (back to cushion)	2 2 2 2 2 2 2 2	---- ---- ---- ---- ---- ---- ---- ----	---- ---- ---- ---- ---- ---- ---- ----	---- ---- ---- ---- ---- ---- ---- ----	E7265 A1B E7265 A1Q E7273 A4R E7273 A4T E7273 A4U E7273 A4X E7273 A4W *6016 005	
23-108-16	COVER, Front Seat Back W1-L, W2-L (2 D.) (codes L1B, K1B) (codes L1Q, K1Q) (codes L1R, K1R) (codes L1T, K1T) (codes L2T, K2T) (codes L8T, K8T)	1 1 1 1 1 1	5994-5 A1B 5994-5 A1Q 5994-5 A1R 5994-5 A1T 5968-9 A2T 5972 A8T				
	W1-L, W2-L (4 D.) (codes L1B, K1B, L4B, K4B) (codes L1Q, K1Q, L4Q, K4Q) (codes L1R, K1R, L4R, K4R) (codes L1T, K1T, L4T, K4T) (codes L2T, K2T) (codes L8T, K8T, T8T) (codes L5B, H5B) (codes L5R, H5R) (codes L5T, H5T)	1 1 1 1 1 1 1 1 1	5993 A1B 5993 A1Q 5993 A1R 5993 A1T 5967 A2T 5970 A8T E6001 AB4 E6001 AR5 E6001 AT6	---- ---- ---- ---- ---- ----	5996 A4B 5996 A4Q 5996 A4R 5996 A4T		
	W1-H, W2-H (4 D.) (codes H1B, H4B) (codes H1Q, H4Q) (codes H1R, H4R) (codes H1T, H4T)	1 1 1 1	E6002 A1B E6002 A1Q E6002 A1R E6002 A1T	---- ---- ---- ----	E6001 ABB E6001 AQQ E6001 ARR E6001 ATT	*6008-9 A1B 6008-9 A1Q 6008-9 A1R 6008-9 A1T	*6006-7 A4B *6006-7 A4Q 6006-7 A4R 6006-7 A4T
	W2-P (code P4B) (code P4Q) (code P4R) (code P4T) (code P4X) (code P4Y)	2 2 2 2 2 2	---- ---- ---- ---- ---- ----	---- ---- ---- ---- ---- ----	---- ---- ---- ---- ---- ----	6004 A4B 6004 A4Q 6004 A4R 6004 A4T 6004 A4X 6004 A4Y	6004 A4B 6004 A4Q 6004 A4R 6004 A4T 6004 A4X 6004 A4Y
	D2-L (Refer to Distribution Drawing Type "A") (codes L1B, K1B, L6B) (codes L1Q, K1Q, L6Q) (codes L1R, K1R, L6R) (codes L1T, K1T, L6T) (codes L1Y, K1Y)	1 1 1 1 1	*5978 A1B *5978 A1Q *5978 A1R *5978 A1T *5978 A1Y	*5978 A1B *5978 A1Q *5978 A1R *5978 A1T *5978 A1Y	---- ---- ---- ---- ----	*5998-9 A1B *5998-9 A1Q *5998-9 A1R *5998-9 A1T *5998-9 A1Y	
	D2-L (Refer to Distribution Drawing Type "B") (codes L1B, K1B) (codes L1Q, K1Q)	1 1	E8054 A1B E8054 A1Q	E8054 A1B E8054 A1Q	---- ----	E8040-1 A1B E8040-1 A1Q	

★ Indicates use as required.

E Indicates parts not listed in any previous parts book.

May 1965, Supersedes Sept. 4, 1964.

Printed in U.S.A.  
Prices and specifications subject to change without notice.Right and left part numbers are on same line,  
first number is right, second number is left.

\* Indicates change or addition.

CODE	REMARKS	PER CAR	SED.	4D H.T	STA. WGN.	2D H.T	CV. CP.
23-108-16	COVER, Front Seat Back D2-L (Refer to Distribution Drawing Type "B") (codes L1R, K1R) (codes L1T, K1T) (codes L1Y, K1Y)	1 1 1	8054 A1R 8054 A1T 8054 A1Y	8054 A1R 8054 A1T 8054 A1Y	---- -- ---- -- ---- --	8040-1 A1R 8040-1 A1T 8040-1 A1Y	
	D2-L (code L4B) (code L4R) (code L4T) (code L4X) (code L3B) (code L3R) (code L3T) (code L3X)	1 1 1 1 1 1 1 1	6000 A4B 6000 A4R 6000 A4T 6000 A4X ---- -- ---- -- ---- -- ---- --	8013 A3B 8013 A3R 8013 A3T 8013 A3X			
	(code L4B) (code L4Q) (code L4R) (code L4T) (code L4Y) (code L5B) (code L5R) (code L5T) (codes L2T, K2T) (codes L8T, K8T, T8T) (codes L2A, K2A) (codes L8A, K8A)	1 1 1 1 1 1 1 1 1 1 1 1	---- -- ---- -- ---- -- ---- -- ---- -- 6032 A5B 6032 A5R 6032 A5T 7430 A2T 5985 A8T 7786 A2A 5985 A8A	---- -- ---- -- ---- -- ---- -- ---- --	*6000 A4B *6000 A4Q *6000 A4R *6000 A4T *6000 A4Y		
	(code L4B) (code L4Q) (code L4R) (code L4T) (code L4Y) (code L4X)	1 1 1 1 1 1	---- -- ---- -- ---- -- ---- -- ---- -- ---- --	---- -- ---- -- ---- -- ---- -- ---- -- ---- --	---- -- ---- -- ---- -- ---- -- ---- -- ---- --	7682-3 A4B ---- -- 7682-3 A4R 7682-3 A4T ---- -- 7682-3 A4X	7682-3 A4B 7682-3 A4Q 7682-3 A4R 7682-3 A4T 7682-3 A4Y
	(pattern grained vinyl) (code L9B) (code L9R) (code L9X)  (plain vinyl) (code L9B) (code L9R) (code L9X)	2 2 2  2 2 2	---- -- ---- -- ---- --  ---- -- ---- -- ---- --	---- -- ---- -- ---- --  ---- -- ---- -- ---- --	---- -- ---- -- ---- --  ---- -- ---- -- ---- --	7694 A9B 7694 A9R 7694 A9X  7694 A9B 7694 A9R 7694 A9X	*7694 A9B *7694 A9R *7694 A9X
	D2-H (code H1B) (code H1Q) (code H1R) (code H1T) (code H1Y) (code H4B) (code H4Q) (code H4R) (code H4T) (code H4X) (code H4Y)	1 1 1 1 1 1 1 1 1 1 1	7218 A1B 7218 A1Q 7218 A1R 7218 A1T 7218 A1Y 6026-7 A4B ---- -- 6026-7 A4R 6026-7 A4T 6026-7 A4X 6026-7 A4Y	6026-7 A4B 6026-7 A4Q 6026-7 A4R 6026-7 A4T 6026-7 A4X ---- --	6026-7 A4B 6026-7 A4Q 6026-7 A4R 6026-7 A4T ---- -- 6026-7 A4Y	6026-7 A4B 6026-7 A4Q 6026-7 A4R 6026-7 A4T 6026-7 A4X	6026-7 A4B 6026-7 A4Q 6026-7 A4R 6026-7 A4T 6026-7 A4X

★ Indicates use as required.  
 ☐ Indicates parts not listed in any previous parts book.  
 Right and left part numbers are on same line,  
 first number is right, second number is left.  
 \* Indicates change or addition.

# 1965 PASSENGER CAR PARTS CATALOG

INTERIOR TRIM

CODE	REMARKS	PER CAR	SED.	4D H.T	STA. WGN.	2D H.T	CV. CP.
23-108-16	COVER, Front Seat Back - Cont'd D2-P						
	(code P1B)	1	----	----	----	7266 A1B	
	(code P1Q)	1	----	----	----	7266 A1Q	
	(code P4R)	1	----	----	----	7274 A4R	
	(code P4T)	1	----	----	----	7274 A4T	
	(code P4U)	1	----	----	----	7274 A4U	
	(code P4X)	1	----	----	----	7274 A4X	
	(code P4W)	1	----	----	----	7274 A4W	
23-108-32	PANEL or INSERT, Back of Front Seat Back W2-P						
	(code P4B)	2	----	----	----	6133 A4B	6133 A4B
	(code P4Q)	2	----	----	----	6133 A4Q	6133 A4Q
	(code P4R)	2	----	----	----	6133 A4R	6133 A4R
	(code P4T)	2	----	----	----	6133 A4T	6133 A4T
	(code P4X)	2	----	----	----	6133 A4X	6133 A4X
	(code P4Y)	2	----	----	----	6133 A4Y	6133 A4Y
	D2-L						
	(code L9B)	2	----	----	----	7508 A9B	
	(code L9R)	2	----	----	----	7508 A9R	
	(code L9X)	2	----	----	----	7508 A9X	
	D2-P						
	(code P1B)	2	----	----	----	7267 A1B	
	(code P1Q)	2	----	----	----	7267 A1Q	
	(code P4R)	2	----	----	----	7275 A4R	
	(code P4T)	2	----	----	----	7275 A4T	
	(code P4U)	2	----	----	----	7275 A4U	
	(code P4X)	2	----	----	----	7275 A4X	
	(code P4W)	2	----	----	----	7275 A4W	
23-108-57	NUT, Front Seat Cushion to Rear Rail Head W1-L, W2-L	4	2094 869				
23-108-84	COVER, Front Seat Back Side Hinge W1, W2 (paint as required)						
	Right	1	4338 VT6	----	----	4338 VT6	4338 VT6
	Left	1	*4337 AT6	----	----	*4337 AT6	*4337 AT6
	W2-P (frame to back hinge post)	4	----	----	----	4390 VT6	4390 VT6
	D2-L (frame to back Hinge post)	4	----	----	----	4390 VT6	4390 VT6
	Clip (attaching)	★	----	----	----	6008 221	6008 221
23-108-98	SHIELD, Front Seat Side W2-P, D2-L, D2-P						
	(back)	4	----	----	----	2440 219	2440 219
	(cushion)	2	----	----	----	2440 340	2440 340
	D2-H (side shield comp.) (manual and power)						
	Right	1	2577 206	2577 206	2577 206		
	(manual) Left	1	2577 207	2577 207	2577 207		
	(power) Left	1	2577 209	2577 209	2577 209		
	D2-H (cushion) (manual and power)						
	Right	1	----	----	----	2577 202	2577 202
	(manual) Left	1	----	----	----	2577 203	2577 203
	(power) Left	1	----	----	----	2577 205	2577 205
	(back)	1	----	----	----	2577 198-9	2577 198-9

★ Indicates use as required.

☐ Indicates parts not listed in any previous parts book.  
April 1966, Supersedes May 1965.

Printed in U.S.A.  
Prices and specifications subject to change without notice.  
Right and left part numbers are on same line,  
first number is right, second number is left.

\* Indicates change or addition.

CODE	REMARKS	PER CAR	SED.	4D H.T.	STA. WGN.	2D H.T.	CV. CP.
23-109-3	BACK, Rear Seat						
	W1-L, W2-L						
	(code L1B)	1	6586 A1B				
	(code L1Q)	1	6586 A1Q				
	(code L1R)	1	6586 A1R				
	(code L1T)	1	6586 A1T				
	(code L5B)	1	6598 A5B				
	(code L5R)	1	6598 A5R				
	(code L5T)	1	6598 A5T				
	(code L2T)	1	6566 A2T				
	(code L8T)	1	6568 A8T				
	W1-L, W2-L (w/heavy duty spring)						
	(codes L1B, K1B)	1	6587 A1B				
	(codes L1Q, K1Q)	1	6587 A1Q				
	(codes L1R, K1R)	1	6587 A1R				
	(codes L1T, K1T)	1	6587 A1T				
	(codes L2T, K2T)	1	6567 A2T				
	(codes L8T, K8T, T8T)	1	6569 A8T				
	W1-L, W2-L (2nd. seat)						
	(spring and cover)						
	(codes L4B, K4B)	1	----	----	6592 A4B		
	(codes L4Q, K4Q)	1	----	----	6592 A4Q		
	(codes L4R, K4R)	1	----	----	6592 A4R		
	(codes L4T, K4T)	1	----	----	6592 A4T		
	W1-H, W2-H (2nd. seat)						
	(codes H1B, H4B)	1	6595 A1B	----	6591 A4B	6597 A1B	6596 A4B
	(codes H1Q, H4Q)	1	6595 A1Q	----	6591 A4Q	6597 A1Q	6596 A4Q
	(codes H1R, H4R)	1	6595 A1R	----	6591 A4R	6597 A1R	6596 A4R
	(codes H1T, H4T)	1	6595 A1T	----	6591 A4T	6597 A1T	6596 A4T
	(code H5B)	1	6598 A5B				
	(code H5R)	1	6598 A5R				
	(code H5T)	1	6598 A5T				
	W2-H (3rd. seat)						
	(code H4B)	1	----	----	7054 A4B		
	(code H4Q)	1	----	----	7054 A4Q		
	(code H4R)	1	----	----	7054 A4R		
	(code H4T)	1	----	----	7054 A4T		
	W2-P						
	(code P4B)	1	----	----	----	6604 A4B	6599 A4B
	(code P4Q)	1	----	----	----	6604 A4Q	6599 A4Q
	(code P4R)	1	----	----	----	6604 A4R	6599 A4R
	(code P4T)	1	----	----	----	6604 A4T	6599 A4T
	(code P4X)	1	----	----	----	6604 A4X	6599 A4X
	(code P4Y)	1	----	----	----	6604 A4Y	6599 A4Y
	Screw and Washer	2	*6023 545	----	*6023 545	*6023 545	*6023 545
	D2-L (Refer to Distribution Drawing Type "A")						
	(codes L1B, K1B, L6B)	1	*6588 A1B	*6607 A1B	----	*6590 A1B	
	(codes L1Q, K1Q, L6Q)	1	*6588 A1Q	*6607 A1Q	----	*6590 A1Q	
	(codes L1R, K1R, L6R)	1	*6588 A1R	*6607 A1R	----	*6590 A1R	
	(codes L1T, K1T, L6T)	1	*6588 A1T	*6607 A1T	----	*6590 A1T	
	(codes L1Y, K1Y)	1	*6588 A1Y	*6607 A1Y	----	*6590 A1Y	
	(codes L2A, K2A)	1	⊞7467 A2A				
	(w/heavy duty springs)						
	(codes L1B, K1B, L6B)	1	*6589 A1B				
	(codes L1Q, K1Q, L6Q)	1	*6589 A1Q				
	(codes L1R, K1R, L6R)	1	*6589 A1R				
	(codes L1T, K1T, L6T)	1	*6589 A1T				
	(codes L1Y, K1Y)	1	*6589 A1Y				
	(codes L2A, K2A)	1	⊞7468 A2A				

★ Indicates use as required.

⊞ Indicates parts not listed in any previous parts book.  
May 1965.

Printed in U.S.A.  
Prices and specifications subject to change without notice.  
Right and left part numbers are on same line,  
first number is right, second number is left.

\* Indicates change or addition.

## 1965 PASSENGER CAR PARTS CATALOG

INTERIOR TRIM

CODE	REMARKS	PER CAR	SED.	4D H.T	STA. WGN.	2D H.T	CV. CP.
23-109-3	BACK, Rear Seat - Cont'd D2-L (Refer to Distribution Drawing Type "B") (codes L1B, K1B) (codes L1Q, K1Q) (codes L1R, K1R) (codes L1T, K1T) (codes L1Y, K1Y)	1 1 1 1 1	8060 A1B 8060 A1Q 8060 A1R 8060 A1T 8060 A1Y	8066 A1B 8066 A1Q 8066 A1R 8066 A1T 8066 A1Y	---- ---- ---- ---- ----	8044 A1B 8044 A1Q 8044 A1R 8044 A1T 8044 A1Y	
	(w/heavy duty springs) (codes L1B, K1B) (codes L1Q, K1Q) (codes L1R, K1R) (codes L1T, K1T) (codes L1Y, K1Y) D2-L (code L3B) (code L3R) (code L3T) (code L3X)	1 1 1 1 1 1 1 1 1 1	8061 A1B 8061 A1Q 8061 A1R 8061 A1T 8061 A1Y ---- ---- ---- ----	8018 A3B 8018 A3R 8018 A3T 8018 A3X			
	(code L2T) (code L8T) (code L5B) (code L5R) (code L5T) (code L9B) (code L9R) (code L9X)	1 1 1 1 1 1 1 1	7467 A2T 7417 A8T 6593 A5B 6593 A5R 6593 A5T ---- ---- ----		---- ---- ---- ---- ---- ---- ---- ----	7513 A9B 7513 A9R 7513 A9X	
	D2-L (w/heavy duty spring) (code L5B) (code L5R) (code L5T) (codes L2T, K2T) (codes L8T, K8T) (code L4B) (code L4R) (code L4T) (code L4X) (code L3B) (code L3R) (code L3T) (code L3X)	1 1 1 1 1 1 1 1 1 1 1 1 1	6594 A5B 6594 A5R 6594 A5T 7468 A2T 7418 A8T 7796 A4B 7796 A4R 7796 A4T 7796 A4X ---- ---- ---- ----	8018 A3B 8018 A3R 8018 A3T 8018 A3X			
	D1-L, D2-L (spring and cover) (code L4B) (2nd. seat) (3rd. seat) (code L4Q) (2nd. seat) (3rd. seat) (code L4R) (2nd. seat) (3rd. seat) (code L4T) (2nd. seat) (3rd. seat) (code L4Y) (2nd. seat) (3rd. seat)	1 1 1 1 1 1 1 1 1 1	---- ---- ---- ---- ---- ---- ---- ---- ---- ----	---- ---- ---- ---- ---- ---- ---- ---- ---- ----	6578 A4B 7037 A4B 6578 A4Q 7037 A4Q 6578 A4R 7037 A4R 6578 A4T 7037 A4T 6578 A4Y 7037 A4Y		
	D2-L (plain vinyl) (code L4B) (code L4Q) (code L4R) (code L4T) (code L4Y) (code L4X)	1 1 1 1 1 1	---- ---- ---- ---- ---- ----	---- ---- ---- ---- ---- ----	---- ---- ---- ---- ---- ----	7698 A9B ---- 7698 A9R 7698 A4T ---- 7698 A9X	7640 A4B *7640 A4Q 7640 A4R 7640 A4T 7640 A4Y

★ Indicates use as required.

E Indicates parts not listed in any previous parts book.  
April 1966, Supersedes May 1965.

Printed in U.S.A.

Prices and specifications subject to change without notice.

Right and left part numbers are on same line,  
first number is right, second number is left.

\* Indicates change or addition.



CODE	REMARKS	PER CAR	SED.	4D H.T.	STA. WGN.	2D H.T.	CV. CP.
23-109-3	BACK, Rear Seat - Cont'd						
	D2-L (pattern grained vinyl)						
	(code L9B)	1	----	----	----	*7513 A9B	
	(code L9R)	1	----	----	----	*7513 A9R	
	(code L9X)	1	----	----	----	*7513 A9X	
	(plain vinyl)						
	(code L9B)	1	----	----	----	⊠7698 A9B	
	(code L9R)	1	----	----	----	⊠7698 A9R	
	(code L9X)	1	----	----	----	⊠7698 A9X	
	D2-H (6 window sedan)						
	(code H4B)	1	6624 A4B				
	(code H4R)	1	6624 A4R				
	(code H4T)	1	6624 A4T				
	D2-H (2nd. seat) (spring and cover)						
	(code H4B)	1	----	----	6630 A4B	----	6582 A4B
	(code H4Q)	1	----	----	6630 A4Q	----	6582 A4Q
	(code H4R)	1	----	----	6630 A4R	----	6582 A4R
	(code H4T)	1	----	----	6630 A4T	----	6582 A4T
	(code H4Y)	1	----	----	6630 A4Y	----	
	(code H4X)	1	----	----	----	----	6582 A4X
	D2-H (3rd. seat) (spring and cover)						
	(code H4B)	1	----	----	7035 A4B		
	(code H4Q)	1	----	----	7035 A4Q		
	(code H4R)	1	----	----	7035 A4R		
	(code H4T)	1	----	----	7035 A4T		
	(code H4Y)	1	----	----	7035 A4Y		
	Screw w/Washer (spring attaching)	4	*6023 545	*6023 545	*6025 292	*6023 545	
	D2-H (codes H1B, H4B)	1	7222 A1B	6621 A4B	----	6622 A4B	6622 A4B
	(codes H1Q, H4Q)	1	7222 A1Q	6621 A4Q	----	6622 A4Q	6622 A4Q
	(codes H1R, H4R)	1	7222 A1R	6621 A4R	----	6622 A4R	6622 A4R
	(codes H1T, H4T)	1	7222 A1T	6621 A4T	----	6622 A4T	6622 A4T
	(code H1Y)	1	7222 A1Y				
	(code H4X)	1	----	6621 A4X	----	6622 A4X	6622 A4X
	D2-P (code P1B)	1	----	----	----	6697 A1B	
	(code P1Q)	1	----	----	----	6697 A1Q	
	(code P4R)	1	----	----	----	6698 A4R	
	(code P4T)	1	----	----	----	6698 A4T	
	(code P4U)	1	----	----	----	6698 A4U	
	(code P4X)	1	----	----	----	6698 A4X	
23-109-4	COVER, Rear Seat Back						
	W1-L, W2-L (2nd. seat)						
	(codes L1B, K1B, L4B, K4B)	1	*6781 A1B	----	⊠6785 A4B		
	(codes L1Q, K1Q, L4Q, K4Q)	1	*6781 A1Q	----	⊠6785 A4Q		
	(codes L1R, K1R, L4R, K4R)	1	*6781 A1R	----	⊠6785 A4R		
	(codes L1T, K1T, L4T, K4T)	1	*6781 A1T	----	⊠6785 A4T		
	(code L5B)	1	6790 AB4				
	(code L5R)	1	6790 AR5				
	(code L5T)	1	6790 AT6				
	(codes L2T, K2T)	1	6764 A2T				
	(codes L8T, K8T, T8T)	1	6765 A8T				
	W1-H, W2-H (2nd. seat)						
	(codes H1B, H4B)	1	*6787 A1B	----	⊠6784 A4B	*6789 A1B	*6788 A4B
	(codes H1Q, H4Q)	1	6787 A1Q	----	⊠6784 A4Q	6789 A1Q	6788 A4Q

★ Indicates use as required.  
 ⊠ Indicates parts not listed in any previous parts book.  
 Right and left part numbers are on same line,  
 first number is right, second number is left.  
 \* Indicates change or addition.

# 1965 PASSENGER CAR PARTS CATALOG

CODE	REMARKS	PER CAR	SED.	4D H.T	STA. WGN.	2D H.T	CV. CP.
23-109-4	COVER, Rear Seat Back - Cont'd W1-H, W2-H (2nd. seat)						
	(codes H1R, H4R)	1	6787 A1R	----	⊖6784 A4R	6789 A1R	6788 A4R
	(codes H1T, H4T)	1	6787 A1T	----	⊖6784 A4T	6789 A1T	6788 A4T
	(code H5B)	1	6790 AB4				
	(code H5R)	1	6790 AR5				
	(code H5T)	1	6790 AT6				
	W2-H (3rd. seat)						
	(code H4B)	1	----	----	⊖7053 A4B		
	(code H4Q)	1	----	----	⊖7053 A4Q		
	(code H4R)	1	----	----	⊖7053 A4R		
	(code H4T)	1	----	----	⊖7053 A4T		
	W2-P						
	(code P4B)	1	----	----	----	6794 A4B	6793 A4B
	(code P4Q)	1	----	----	----	6794 A4Q	6793 A4Q
	(code P4R)	1	----	----	----	6794 A4R	6793 A4R
	(code P4T)	1	----	----	----	6794 A4T	6793 A4T
	(code P4X)	1	----	----	----	6794 A4X	6793 A4X
	(code P4Y)	1	----	----	----	6794 A4Y	6793 A4Y
	D2-L (Refer to Distribution Drawing Type "A") (2nd. seat)						
	(codes L1B, K1B, L6B)	1	*6782 A1B	*6798 A1B	----	*6783 A1B	
	(codes L1Q, K1Q, L6Q)	1	*6782 A1Q	*6798 A1Q	----	*6783 A1Q	
	(codes L1R, K1R, L6R)	1	*6782 A1R	*6798 A1R	----	*6783 A1R	
	(codes L1T, K1T, L6T)	1	*6782 A1T	*6798 A1T	----	*6783 A1T	
	(codes L1Y, K1Y)	1	*6782 A1Y	*6798 A1Y	----	*6783 A1Y	
	D2-L (Refer to Distribution Drawing Type "B")						
	(codes L1B, K1B)	1	⊖8062 A1B	⊖8067 A1B	----	⊖8045 A1B	
	(codes L1Q, K1Q)	1	⊖8062 A1Q	⊖8067 A1Q	----	⊖8045 A1Q	
	(codes L1R, K1R)	1	⊖8062 A1R	⊖8067 A1R	----	⊖8045 A1R	
	(codes L1T, K1T)	1	⊖8062 A1T	⊖8067 A1T	----	⊖8045 A1T	
	(codes L1Y, K1Y)	1	⊖8062 A1Y	⊖8067 A1Y	----	⊖8045 A1Y	
	(code L4B)	1	----	----	*6773 A4B		
	(code L4Q)	1	----	----	*6773 A4Q		
	(code L4R)	1	----	----	*6773 A4R		
	(code L4T)	1	----	----	*6773 A4T		
	(code L4Y)	1	----	----	*6773 A4Y		
	(code L4B)	1	⊖7795 A4B				
	(code L4R)	1	⊖7795 A4R				
	(code L4T)	1	⊖7795 A4T				
	(code L4X)	1	⊖7795 A4X				
	(code L3B)	1	----	⊖8017 A3B			
	(code L3R)	1	----	⊖8017 A3R			
	(code L3T)	1	----	⊖8017 A3T			
	(code L3X)	1	----	⊖8017 A3X			
	(code L5B)	1	6786 A5B				
	(code L5R)	1	6786 A5R				
	(code L5T)	1	6786 A5T				
	(codes L2A, K2A)	1	*7469 A2A				
	(codes L8A, K8A)	1	*7419 A8A				
	D2-L (3rd. seat)						
	(code L4B)	1	----	----	7038 A4B		
	(code L4Q)	1	----	----	7038 A4Q		
	(code L4R)	1	----	----	7038 A4R		
	(code L4T)	1	----	----	7038 A4T		
	(code L4Y)	1	----	----	7038 A4Y		

★ Indicates use as required.

⊖ Indicates parts not listed in any previous parts book.  
May 1965.

Printed in U.S.A.

Prices and specifications subject to change without notice.  
Right and left part numbers are on same line,  
first number is right, second number is left.

\* Indicates change or addition.

CODE	REMARKS	PER CAR	SED.	4D H.T	STA. WGN.	2D H.T	CV. CP.
23-109-4	COVER, Rear Seat Back - Cont'd D2-L (3rd. Seat) (plain vinyl)						
	(code L4B)	1	----	----	----	7699 A9B	7641 A4B
	(code L4Q)	1	----	----	----	----	7641 A4Q
	(code L4R)	1	----	----	----	7699 A9R	7641 A4R
	(code L4T)	1	----	----	----	7699 A4T	7641 A4T
	(code L4Y)	1	----	----	----	----	7641 A4Y
	(code L4X)	1	----	----	----	7699 A9X	
	(code L9B)	1	----	----	----	7699 A9B	*7641 A4B
	(code L9R)	1	----	----	----	7699 A9R	*7641 A4R
	(code L9X)	1	----	----	----	7699 A9X	*7641 A9X
	D2-H (2nd. seat)						
	(codes H1B, H4B)	1	7223 A1B	6810 A4B	6816 A4B	6811 A4B	
	(codes H1Q, H4Q)	1	7223 A1Q	6810 A4Q	6816 A4Q	6811 A4Q	
	(codes H1R, H4R)	1	7223 A1R	6810 A4R	6816 A4R	6811 A4R	
	(codes H1T, H4T)	1	7223 A1T	6810 A4T	6816 A4T	6811 A4T	
	(codes H1Y, H4Y)	1	7223 A1Y	----	6816 A4Y	----	
	(code H4X)	1	----	6810 A4X	----	6811 A4X	
	D2-H (3rd. seat)						
	(code H4B)	1	----	----	7036 A4B		
	(code H4Q)	1	----	----	7036 A4Q		
	(code H4R)	1	----	----	7036 A4R		
	(code H4T)	1	----	----	7036 A4T		
	(code H4Y)	1	----	----	7036 A4Y		
	D2-P						
	(code P1B)	1	----	----	----	6817 A1B	
	(code P1Q)	1	----	----	----	6817 A1Q	
	(code P4R)	1	----	----	----	6818 A4R	
	(code P4T)	1	----	----	----	6818 A4T	
	(code P4U)	1	----	----	----	6818 A4U	
	(code P4X)	1	----	----	----	6818 A4X	
	(code P4W)	1	----	----	----	6818 A4W	
23-109-5	INSERT or COVER, Rear Seat Back Rear Panel W1, W2						
	(codes L4B, K4B, H4B)	1	----	----	1804 AB8		
	(codes L4Q, K4Q, H4Q)	1	----	----	1804 AQ8		
	(codes L4R, K4R, H4R)	1	----	----	1804 AR7		
	(codes L4T, K4T, H4T)	1	----	----	1804 AT8		
	Screw and Washer (attaching)	4	----	----	*6024 678		
	W1, W2 (3rd. seat back panel)						
	(code H4B)	1	----	----	1805 AB8		
	(code H4Q)	1	----	----	1805 AQ8		
	(code H4R)	1	----	----	1805 AR7		
	(code H4T)	1	----	----	1805 AT8		
	(code H4Y)	1	----	----	1805 AY8		
	Screw (attaching)	4	----	----	6024 678		
	W1, W2 (3rd. seat back support panel)						
	(code H4B)	1	----	----	1806 AB8		
	(code H4Q)	1	----	----	1806 AQ8		
	(code H4R)	1	----	----	1806 AR7		
	(code H4T)	1	----	----	1806 AT8		
	(code H4Y)	1	----	----	1806 AY8		
	Screw (attaching)	4	----	----	6024 678		

★ Indicates use as required.

☐ Indicates parts not listed in any previous parts book.

Right and left part numbers are on same line,

first number is right, second number is left.

\* Indicates change or addition.

Prices and specifications subject to change without notice.

April 1966, Supersedes May 1965.

## 1965 PASSENGER CAR PARTS CATALOG

INTERIOR TRIM

CODE	REMARKS	PER CAR	SED.	4D H.T.	STA. WGN.	2D H.T.	CV. CP.
23-109-5	INSERT or COVER Rear Seat Back, Rear Panel - Cont'd						
	D1, D2 (2nd. seat back panel)						
	(codes L4B, H4B)	1	----	----	1816 AB8		
	(codes L4Q, H4Q)	1	----	----	1816 AQ8		
	(codes L4R, H4R)	1	----	----	1816 AR7		
	(codes L4T, H4T)	1	----	----	1816 AT8		
	(codes L4Y, H4Y)	1	----	----	1816 AY8		
	D2 (2nd. seat support panel insert) (12 3/8" wide) (vinoleum)						
	(codes L4B, H4B)	1	----	----	1821 AB8		
	(codes L4Q, H4Q)	1	----	----	1821 AQ8		
	(codes L4R, H4R)	1	----	----	1821 AR7		
	(codes L4T, H4T)	1	----	----	1821 AT8		
	(codes L4Y, H4Y)	1	----	----	1821 AY8		
	D2 (2nd. seat back support insert) (5" wide) (vinoleum)						
	(codes L4B, H4B)	1	----	----	1825 AB8		
	(codes L4Q, H4Q)	1	----	----	1825 AQ8		
	(codes L4R, H4R)	1	----	----	1825 AR7		
	(codes L4T, H4T)	1	----	----	1825 AT8		
	(codes L4Y, H4Y)	1	----	----	1825 AY8		
	D2-L, D2-H (3rd. seat back panel)						
	(codes L4B, H4B)	1	----	----	1815 AB8		
	(codes L4Q, H4Q)	1	----	----	1815 AQ8		
	(codes L4R, H4R)	1	----	----	*1815 AR7		
	(codes L4T, H4T)	1	----	----	*1815 AT8		
	(codes L4Y, H4Y)	1	----	----	1815 AY8		
	(3rd. seat back support panel)						
	(codes L4B, H4B)	1	----	----	1822 AB8		
	(codes L4Q, H4Q)	1	----	----	1822 AQ8		
	(codes L4R, H4R)	1	----	----	1822 AR7		
	(codes L4T, H4T)	1	----	----	1822 AT8		
	(codes L4Y, H4Y)	1	----	----	1822 AY8		
	Screw (attaching)	4	----	----	6024 678		
23-109-6	FOUNDATION, Back of Rear Seat Back Upper						
	W1, W2 (paint as required)	1	----	----	----	----	4364 AX9
	D2	1	----	----	----	----	4472 AX9
	(less radio speaker)	1	----	----	----	----	4473 AX9
23-109-10	FILLER and BRACKET, Rear Seat Back Cushion						
	D2-P (paint as required)	1	----	----	----	4462-3 AX9	
	Screw (filler bracket to floor)	6	----	----	----	6023 776	
	Screw and Washer	2	----	----	----	6025 583	
23-109-11	SHROUD, Rear Seat Back D2-P (w/medallion) (paint as required)						
	(w/o medallion)	1	----	----	----	*4492 AX9	
	Fastener (bracket to body)	4	----	----	----	*4354 AX9 6000 365	
23-109-12	EXTENSION, Rear Seat Shroud Side Filler						
	D2-P (paint as required)	1	----	----	----	4484-5 AX9	
	Screw and Washer	3	----	----	----	*6025 583	
23-109-35	CUSHION, Rear Seat W1, W2 (2nd. seat sta. wgn.)						
	(codes L1B, L4B, K4B)	1	6289 A1B	----	6293 A4B		
	(codes L1Q, L4Q, K4Q)	1	6289 A1Q	----	6293 A4Q		

★ Indicates use as required.

☐ Indicates parts not listed in any previous parts book.  
April 1966, Supersedes May 1965.Printed in U.S.A.  
Prices and specifications subject to change without notice.  
Right and left part numbers are on same line,  
first number is right, second number is left.

\* Indicates change or addition.

CODE	REMARKS	PER CAR	SED.	4D H.T	STA. WGN.	2D H.T	CV. CP.
23-109-35	CUSHION, Rear Seat - Cont'd						
	W1, W2 (2nd. seat sta. wgn.)						
	(codes L1R, L4R, K4R)	1	6289 A1R	----	6293 A4R		
	(codes L1T, L4T, K4T)	1	6289 A1T	----	6293 A4T		
	(code L2T)	1	6280 A2T				
	(code L8T)	1	6284 A8T				
	W1, W2 (w/heavy duty spring)						
	(codes L1B, K1B)	1	⊖6291 A1B				
	(codes L1Q, K1Q)	1	⊖6291 A1Q				
	(codes L1R, K1R)	1	⊖6291 A1R				
	(codes L1T, K1T)	1	⊖6291 A1T				
	(codes L2T, K2T)	1	*6282 A2T				
	(codes L8T, K8T, T8T)	1	6286 A8T				
	W1, W2						
	(codes L5B, H5B)	1	6298 A5B				
	(codes L5R, H5R)	1	6298 A5R				
	(codes L5T, H5T)	1	6298 A5T				
	W1, W2 (2nd. seat)						
	(codes H1B, H4B)	1	6300 A1B	----	6294 A4B	6304 A1B	6302 A4B
	(codes H1Q, H4Q)	1	6300 A1Q	----	6294 A4Q	6304 A1Q	6302 A4Q
	(codes H1R, H4R)	1	6300 A1R	----	6294 A4R	6304 A1R	6302 A4R
	(codes H1T, H4T)	1	6300 A1T	----	6294 A4T	6304 A1T	6302 A4T
	W2-P						
	(code P4B)	1	----	----	----	6317 A4B	6316 A4B
	(code P4Q)	1	----	----	----	6317 A4Q	6316 A4Q
	(code P4R)	1	----	----	----	6317 A4R	6316 A4R
	(code P4T)	1	----	----	----	6317 A4T	6316 A4T
	(code P4X)	1	----	----	----	6317 A4X	6316 A4X
	(code P4Y)	1	----	----	----	6317 A4Y	6316 A4Y
	D2-L (Refer to Distribution Drawing Type "A")						
	(codes L1B, K1B)	1	*6246 A1B	*6340 A1B	----	⊖6295 A1B	
	(codes L1Q, K1Q)	1	*6246 A1Q	*6340 A1Q	----	⊖6295 A1Q	
	(codes L1R, K1R)	1	*6246 A1R	*6340 A1R	----	⊖6295 A1R	
	(codes L1T, K1T)	1	*6246 A1T	*6340 A1T	----	⊖6295 A1T	
	(codes L1Y, K1Y)	1	*6246 A1Y	*6340 A1Y	----	⊖6295 A1Y	
	(w/airfoam pad)						
	(code L1B)	1	6247 A1B	6341 A1B	----	6296 A1B	
	(code L1Q)	1	6247 A1Q	6341 A1Q	----	6296 A1Q	
	(code L1R)	1	6247 A1R	6341 A1R	----	6296 A1R	
	(code L1T)	1	6247 A1T	6341 A1T	----	6296 A1T	
	(code L1Y)	1	6247 A1Y	6341 A1Y	----	6296 A1Y	
	(w/heavy duty spring)						
	(codes L1B, K1B)	1	6248 A1B				
	(codes L1Q, K1Q)	1	6248 A1Q				
	(codes L1R, K1R)	1	6248 A1R				
	(codes L1T, K1T)	1	6248 A1T				
	(codes L1Y, K1Y)	1	6248 A1Y				
	(w/heavy duty spring and airfoam pad)						
	(codes L1B, K1B)	1	6249 A1B				
	(codes K1Q, K1Q)	1	6249 A1Q				
	(codes L1R, K1R)	1	6249 A1R				
	(codes L1T, K1T)	1	6249 A1T				
	(codes L1Y, K1Y)	1	6249 A1Y				
	W2-H (3rd. seat)						
	(code H4B)	1	----	----	⊖7052 A4B		
	(code H4Q)	1	----	----	⊖7052 A4Q		
	(code H4R)	1	----	----	⊖7052 A4R		
	(code H4T)	1	----	----	⊖7052 A4T		

★ Indicates use as required.

⊖ Indicates parts not listed in any previous parts book.

Right and left part numbers are on same line,

first number is right, second number is left.

\* Indicates change or addition.

Printed in U.S.A.  
Prices and specifications subject to change without notice.

May 1965.

CODE	REMARKS	PER CAR	SED.	4D H.T.	STA. WGN.	2D H.T.	CV. CP.
23-109-35	CUSHION, Rear Seat - Cont'd D2-L (Refer to Distribution Drawing Type "B")						
	(codes L1B, K1B)	1	E8055 A1B	E8063 A1B	----	E8037 A1B	
	(codes L1Q, K1Q)	1	E8055 A1Q	E8063 A1Q	----	E8037 A1Q	
	(codes L1R, K1R)	1	E8055 A1R	E8063 A1R	----	E8037 A1R	
	(codes L1T, K1T)	1	E8055 A1T	E8063 A1T	----	E8037 A1T	
	(codes L1Y, K1Y)	1	E8055 A1Y	E8063 A1Y	----	E8037 A1Y	
	(w/airfoam pad)						
	(codes L1B, K1B)	1	E8056 A1B	E8064 A1B	----	E8042 A1B	
	(codes L1Q, K1Q)	1	E8056 A1Q	E8064 A1Q	----	E8042 A1Q	
	(codes L1R, K1R)	1	E8056 A1R	E8064 A1R	----	E8042 A1R	
	(codes L1T, K1T)	1	E8056 A1T	E8064 A1T	----	E8042 A1T	
	(codes L1Y, K1Y)	1	E8056 A1Y	E8064 A1Y	----	E8042 A1Y	
	(w/heavy duty springs)						
	(codes L1B, K1B)	1	E8057 A1B				
	(codes L1Q, K1Q)	1	E8057 A1Q				
	(codes L1R, K1R)	1	E8057 A1R				
	(codes L1T, K1T)	1	E8057 A1T				
	(codes L1Y, K1Y)	1	E8057 A1Y				
	(codes L2A, K2A)	1	E7472 A2A				
	(w/heavy duty springs and airfoam pad)						
	(codes L1B, K1B)	1	E8058 A1B				
	(codes L1Q, K1Q)	1	E8058 A1Q				
	(codes L1R, K1R)	1	E8058 A1R				
	(codes L1T, K1T)	1	E8058 A1T				
	(codes L1Y, K1Y)	1	E8058 A1Y				
	(codes L2A, K2A)	1	E7473 A2A				
D2	(code L4B)	1	E7799 A4B				
	(code L4R)	1	E7799 A4R				
	(code L4T)	1	E7799 A4T				
	(code L4X)	1	E7799 A4X				
	(codes L2A, K2A)	1	E7470 A2A				
	(code L3B)	1	----	E8015 A3B			
	(code L3R)	1	----	E8015 A3R			
	(code L3T)	1	----	E8015 A3T			
	(code L3X)	1	----	E8015 A3X			
	(w/airfoam pad)						
	(code L4B)	1	E8000 A4B				
	(code L4R)	1	E8000 A4R				
	(code L4T)	1	E8000 A4T				
	(code L4X)	1	E8000 A4X				
	(codes L2A, K2A)	1	E7471 A2A				
	(code L3B)	1	----	E8016 A3B			
	(code L3R)	1	----	E8016 A3R			
	(code L3T)	1	----	E8016 A3T			
	(code L3X)	1	----	E8016 A3X			
	(code L5B)	1	*6242 A5B				
	(code L5R)	1	*6242 A5R				
	(code L5T)	1	*6242 A5T				
	(w/heavy duty spring)						
	(code L5B)	1	6244 A5B				
	(code L5R)	1	6244 A5R				
	(code L5T)	1	6244 A5T				
	D2-L (w/heavy duty spring and airfoam pad)						
	(code L5B)	1	6245 A5B				
	(code L5R)	1	6245 A5R				
	(code L5T)	1	6245 A5T				

★ Indicates use as required.

E Indicates parts not listed in any previous parts book.  
May 1965.Printed in U.S.A.  
Prices and specifications subject to change without notice.  
Right and left part numbers are on same line,  
first number is right, second number is left.

\* Indicates change or addition.

CODE	REMARKS	PER CAR	SED.	4D H.T	STA. WGN.	2D H.T	CV. CP.
23-109-35	CUSHION, Rear Seat - Cont'd D2-L (w/heavy duty spring and airfoam pad)						
	(pattern grained vinyl)						
	(code L4B)	1	----	----	----	----	*6395 A4B
	(code L4Q)	1	----	----	----	----	*6395 A4Q
	(code L4R)	1	----	----	----	----	*6395 A4R
	(code L4T)	1	----	----	----	----	*6395 A4T
	(code L4Y)	1	----	----	----	----	*6395 A4Y
	(plain vinyl)						
	(code L4B, L9B)	1	----	----	----	⊞7695 A9B	⊞7684 A4B
	(code L4Q)	1	----	----	----	----	⊞7684 A4Q
	(code L4R, L9R)	1	----	----	----	⊞7695 A9R	⊞7684 A4R
	(code L4T)	1	----	----	----	⊞7695 A4T	⊞7684 A4T
	(code L4Y)	1	----	----	----	----	⊞7684 A4Y
	(code L4X, L9X)	1	----	----	----	⊞7695 A9X	⊞7684 A9X
	(pattern grained vinyl)						
	(code L9B)	1	----	----	----	⊞7510 A9B	
	(code L9R)	1	----	----	----	⊞7510 A9R	
	(code L9X)	1	----	----	----	⊞7510 A9X	
	(plain vinyl)						
	(code L9B)	1	----	----	----	⊞7695 A9B	
	(code L9R)	1	----	----	----	⊞7695 A9R	
	(code L9X)	1	----	----	----	⊞7695 A9X	
	(pattern grained vinyl) (w/airfoam pad)						
	(code L4B)	1	----	----	----	----	*6396 A4B
	(code L4Q)	1	----	----	----	----	*6396 A4Q
	(code L4R)	1	----	----	----	----	*6396 A4R
	(code L4T)	1	----	----	----	----	*6396 A4T
	(code L4Y)	1	----	----	----	----	*6396 A4Y
	(plain vinyl)						
	(codes L4B, L9B)	1	----	----	----	⊞7696 A9B	⊞7685 A4B
	(code L4Q)	1	----	----	----	----	⊞7685 A4Q
	(codes L4R, L9R)	1	----	----	----	⊞7696 A9R	⊞7685 A4R
	(code L4T)	1	----	----	----	⊞7696 A4T	⊞7685 A4T
	(code L4Y)	1	----	----	----	----	⊞7685 A4Y
	(codes L4X, L9X)	1	----	----	----	⊞7696 A9X	⊞7685 A9X
	(pattern grained vinyl)						
	(code L9B)	1	----	----	----	⊞7511 A9B	
	(code L9R)	1	----	----	----	⊞7511 A9R	
	(code L9X)	1	----	----	----	⊞7511 A9X	
	(plain vinyl)						
	(code L9B)	1	----	----	----	⊞7696 A9B	
	(code L9R)	1	----	----	----	⊞7696 A9R	
	(code L9X)	1	----	----	----	⊞7696 A9X	
	D2-L (2nd. seat) (w/Airfoam pad)						
	(code L4B)	1	----	----	*6338 A4B	----	*6396 A4B
	(code L4Q)	1	----	----	*6338 A4Q	----	*6396 A4Q
	(code L4R)	1	----	----	*6338 A4R	----	*6396 A4R
	(code L4T)	1	----	----	*6338 A4T	----	*6396 A4T
	(code L4Y)	1	----	----	*6338 A4Y	----	*6396 A4Y
	D2-L (3rd. seat)						
	(code L4B)	1	----	----	⊞7024 A4B		
	(code L4Q)	1	----	----	⊞7024 A4Q		
	(code L4R)	1	----	----	⊞7024 A4R		
	(code L4T)	1	----	----	⊞7024 A4T		
	(code L4Y)	1	----	----	⊞7024 A4Y		

★ Indicates use as required.  
 ⊞ Indicates parts not listed in any previous parts book.  
 Right and left part numbers are on same line,  
 first number is right, second number is left.  
 ● Indicates change or addition.

# 1965 PASSENGER CAR PARTS CATALOG

INTERIOR TRIM

CODE	REMARKS	PER CAR	SED.	4D H.T	STA. WGN.	2D H.T	CV. CP.
23-109-35	CUSHION, Rear Seat - Cont'd D2-L (w/heavy duty springs) (code L4B) (code L4R) (code L4T) (code L4X) (w/heavy duty springs and airfoam pad) (code L4B) (code L4R) (code L4T) (code L4X)	1 1 1 1 1 1 1 1 1 1	B8001 A4B B8001 A4R B8001 A4T B8001 A4X B8002 A4B B8002 A4R B8002 A4T B8002 A4X				
	D2-H (code H4B) (code H4Q) (code H4R) (code H4T) (code H4X)	1 1 1 1 1	---- ---- ---- ---- ----	6324 A4B 6324 A4Q 6324 A4R 6324 A4T 6324 A4X	---- ---- ---- ---- ----	6377 A4B 6377 A4Q 6377 A4R 6377 A4T 6377 A4X	6393 A4B 6393 A4Q 6393 A4R 6393 A4T 6393 A4X
	D2-H (6 window sedan) (w/airfoam pad) (code H1B) (code H1Q) (code H1R) (code H1T) (code H1Y) (code H4B) (code H4R) (code H4T)	1 1 1 1 1 1 1 1 1	7220 A1B 7220 A1Q 7220 A1R 7220 A1T 7220 A1Y 6332 A4B 6332 A4R 6332 A4T				
	D2-H (3rd. seat) (code H4B) (code H4Q) (code H4R) (code H4T) (code H4Y)  D2-H (2nd. seat) (w/airfoam pad) (code H4B) (code H4Q) (code H4R) (code H4T) (code H4X) (code H4Y)	1 1 1 1 1 1 1 1 1 1 1 1 1 1	---- ---- ---- ---- ---- ---- ---- ---- ---- ---- ---- ---- ---- ----	---- ---- ---- ---- ---- 6325 A4B 6325 A4Q 6325 A4R 6325 A4T 6325 A4X ---- ----	7041 A4B 7041 A4Q 7041 A4R 7041 A4T 7041 A4Y 6335 A4B 6335 A4Q 6335 A4R 6335 A4T ---- 6335 A4Y	6378 A4B 6378 A4Q 6378 A4R 6378 A4T 6378 A4X	6394 A4B 6394 A4Q 6394 A4R 6394 A4T 6394 A4X
	D2-P (code P1B) (code P1Q) (code P4R) (code P4T) (code P4U) (code P4X)	1 1 1 1 1 1	---- ---- ---- ---- ---- ----	---- ---- ---- ---- ---- ----	---- ---- ---- ---- ---- ----	6238 A1B 6238 A1Q 6239 A4R 6239 A4T 6239 A4U 6239 A4X	
23-109-36	COVER, Rear Cushion W1, W2 (2nd. seat) (codes L1B, K1B, L4B, K4B) (codes L1Q, K1Q, L4Q, K4Q) (codes L1R, K1R, L4R, K4R) (codes L1T, K1T, L4T, K4T) (codes L2T, K2T) (codes L8T, K8T)	1 1 1 1 1 1	6440 A1B 6440 A1Q 6440 A1R 6440 A1T 6436 A2T 6437 A8T	---- ---- ---- ---- ---- ----	6441 A4B 6441 A4Q 6441 A4R 6441 A4T		

★ Indicates use as required.

☐ Indicates parts not listed in any previous parts book.  
May 1965.

Printed in U.S.A.

Prices and specifications subject to change without notice.  
Right and left part numbers are on same line,  
first number is right, second number is left.  
\* Indicates change or addition.



CODE	REMARKS	PER CAR	SED.	4D H.T	STA. WGN.	2D H.T	CV. CP.
23-109-36	COVER, Rear Cushion - Cont'd W1, W2 (2nd. seat)						
	(codes L5B, H5B)	1	6445 AB4				
	(codes L5R, H4R)	1	6445 AR5				
	(codes L5T, H5T)	1	6445 AT6				
	(codes H1B, H4B)	1	6446 A1B	----	6442 A4B		
	(codes H1Q, H4Q)	1	6446 A1Q	----	6442 A4Q		
	(codes H1R, H4R)	1	6446 A1R	----	6442 A4R		
	(codes H1T, H4T)	1	6446 A1T	----	6442 A4T		
	W1-H, W2-H (3rd. seat)						
	(codes H1B, H4B)	1	----	----	⊞7051 A4B	*6448 A1B	*6447 A4B
	(codes H1Q, H4Q)	1	----	----	⊞7051 A4Q	6448 A1Q	6447 A4Q
	(codes H1R, H4R)	1	----	----	⊞7051 A4R	6448 A1R	6447 A4R
	(codes H1T, H4T)	1	----	----	⊞7051 A4T	6448 A1T	6447 A4T
	W2-P						
	(code P4B)	1	----	----	----	6453 A4B	6452 A4B
	(code P4Q)	1	----	----	----	6453 A4Q	6452 A4Q
	(code P4R)	1	----	----	----	6453 A4R	6452 A4R
	(code P4T)	1	----	----	----	6453 A4T	6452 A4T
	(code P4X)	1	----	----	----	6453 A4X	6452 A4X
	(code P4Y)	1	----	----	----	6453 A4Y	6452 A4Y
	D2-L (Refer to Distribution Drawing Type "A")						
	(codes L1B, K1B, L6B)	1	*6439 A1B	⊞6488 A1B	----	*6444 A1B	
	(codes L1Q, K1Q, L6Q)	1	*6439 A1Q	⊞6488 A1Q	----	*6444 A1Q	
	(codes L1R, K1R, L6R)	1	*6439 A1R	⊞6488 A1R	----	*6444 A1R	
	(codes L1T, K1T, L6T)	1	*6439 A1T	⊞6488 A1T	----	*6444 A1T	
	(codes L1Y, K1Y)	1	*6439 A1Y	⊞6488 A1Y	----	*6444 A1Y	
	D2-L (Refer to Distribution Drawing Type "B")						
	(codes L1B, K1B)	1	⊞8059 A1B	⊞8065 A1B	----	⊞8043 A1B	
	(codes L1Q, K1Q)	1	⊞8059 A1Q	⊞8065 A1Q	----	⊞8043 A1Q	
	(codes L1R, K1R)	1	⊞8059 A1R	⊞8065 A1R	----	⊞8043 A1R	
	(codes L1T, K1T)	1	⊞8059 A1T	⊞8065 A1T	----	⊞8043 A1T	
	(codes L1Y, K1Y)	1	⊞8059 A1Y	⊞8065 A1Y	----	⊞8043 A1Y	
	D2-L (2nd. seat)						
	(code L4B)	1	----	----	*7033 A4B		
	(code L4Q)	1	----	----	*7033 A4Q		
	(code L4R)	1	----	----	*7033 A4R		
	(code L4T)	1	----	----	*7033 A4T		
	(code L4Y)	1	----	----	*7033 A4Y		
	(codes L8A, K8A)	1	*7413 A8A				
	(code L5B)	1	6463 A5B				
	(code L5R)	1	6463 A5R				
	(code L5T)	1	6463 A5T				
	(codes L2A, K2A)	1	⊞7474 A2A				
	D2-L (3rd. seat)						
	(code L4B)	1	----	----	7025 A4B		
	(code L4Q)	1	----	----	7025 A4Q		
	(code L4R)	1	----	----	7025 A4R		
	(code L4T)	1	----	----	7025 A4T		
	(code L4Y)	1	----	----	7025 A4Y		
	(code L4B)	1	⊞7798 A4B				
	(code L4R)	1	⊞7798 A4R				
	(code L4T)	1	⊞7798 A4T				
	(code L4X)	1	⊞7798 A4X				
	(code L3B)	1	----	⊞8014 A3B			
	(code L3R)	1	----	⊞8014 A3R			

★ Indicates use as required.  
 ⊞ Indicates parts not listed in any previous parts book.  
 Right and left part numbers are on same line,  
 first number is right, second number is left.  
 • Indicates change or addition.

CODE	REMARKS	PER CAR	SED.	4D H.T.	STA. WGN.	2D H.T.	CV. CP.
23-109-36	COVER, Rear Cushion - Cont'd						
	D2-L (3rd. seat)						
	(code L3T)	1	----	88014 A3T			
	(code L3X)	1	----	88014 A3X			
	(plain vinyl)						
	(code L4B)	1	----	----	----	87697 A9B	87686 A4B
	(code L4Q)	1	----	----	----	----	87686 A4Q
	(code L4R)	1	----	----	----	87697 A9R	87686 A4R
	(code L4T)	1	----	----	----	87697 A4T	87686 A4T
	(code L4Y)	1	----	----	----	----	87686 A4Y
	(code L4X)	1	----	----	----	87697 A9X	
	(code L9B)	1	----	----	----	87697 A9B	
	(code L9R)	1	----	----	----	87697 A9R	
	(code L9X)	1	----	----	----	87697 A9X	
	D2-H (2nd. seat)						
	(codes H1B, H4B)	1	7221 A1B	6456 A4B	6462 A4B	7003 A4B	6460 A4B
	(codes H1Q, H4Q)	1	7221 A1Q	6456 A4Q	6462 A4Q	7003 A4Q	6460 A4Q
	(codes H1R, H4R)	1	7221 A1R	6456 A4R	6462 A4R	7003 A4R	6460 A4R
	(codes H1T, H4T)	1	7221 A1T	6456 A4T	6462 A4T	7003 A4T	6460 A4T
	(code H1Y)	1	7221 A1Y	----	6462 A4Y	----	----
	(code H4X)	1	----	6456 A4X	----	7003 A4X	6460 A4X
	D2-H (3rd. seat)						
	(code H4B)	1	----	----	87042 A4B		
	(code H4Q)	1	----	----	87042 A4Q		
	(code H4R)	1	----	----	87042 A4R		
	(code H4T)	1	----	----	87042 A4T		
	(code H4Y)	1	----	----	87042 A4Y		
	D2-P						
	(code P1B)	1	----	----	----	6458 A1B	
	(code P1Q)	1	----	----	----	6458 A1Q	
	(code P4R)	1	----	----	----	6459 A4R	
	(code P4T)	1	----	----	----	6459 A4T	
	(code P4U)	1	----	----	----	6459 A4U	
	(code P4X)	1	----	----	----	6459 A4X	
	(code P4W)	1	----	----	----	86459 A4W	
23-109-38	RETAINER, Rear Floor Pan Third Seat Cushion						
	W2-H, D2						
	Front	2	----	----	*2577 071		
	Rear	2	----	----	*2482 956		
23-111-37	STRIP, Folding Top Tacking						
	W1, W2 (Nos. 1 and 2)	2	----	----	----	----	*2424 591
	Rear Bow Center	1	----	----	----	----	*2424 607
	Rear Bow End	2	----	----	----	----	*2481 374
	D2 (Nos. 1 and 2)	2	----	----	----	----	*2528 254
	No. 3	1	----	----	----	----	*2603 557
	Rear Bow	1	----	----	----	----	*2424 607
	Center	1	----	----	----	----	*2528 264
23-112-12	BOOT, Folding Top Dust						
	W1, W2						
	(codes H4B, P4B)	1	----	----	----	----	*1915 AB4
	(codes H4Q, P4Q)	1	----	----	----	----	1915 AQ4
	(code H4R)	1	----	----	----	----	1915 AR5
	(codes H4T, P4T)	1	----	----	----	----	81915 AT6
	(code P4R)	1	----	----	----	----	81915 AR7
	(code P4Y)	1	----	----	----	----	81915 AW3
	(code P4X)	1	----	----	----	----	81915 AX9
	Socket (to belt moulding)	8	----	----	----	----	* 141 998
	Eyelet	2	----	----	----	----	* 141 991

★ Indicates use as required.

8 Indicates parts not listed in any previous parts book.

May 1965.

Printed in U.S.A.

Prices and specifications subject to change without notice.

Right and left part numbers are on same line,  
first number is right, second number is left.

\* Indicates change or addition.

CODE	REMARKS	PER CAR	SED.	4D H.T	STA. WGN.	2D H.T	CV. CP.
23-112-12	BOOT, Folding Top Dust - Cont'd D2						
	(codes L4B, H4B)	1	----	----	----	----	1939 AB4
	(codes L4Q, H4Q)	1	----	----	----	----	1939 AQ4
	(codes L4R, H4R)	1	----	----	----	----	1939 AR7
	(code L4Y)	1	----	----	----	----	1939 AY3
	(code H4X)	1	----	----	----	----	1939 AX9
Fastener (LAT)		4	----	----	----	----	6000 432
		1	----	----	----	----	*1939 AT6
23-112-18	RETAINER, Rear Seat Back Dust Boot W1, W2	1	----	----	----	----	2577 276
	D2	1	----	----	----	----	*2577 277
23-112-21	FASTENER and PLATE, Folding Top Dust Boot to Belt Moulding W2	23	----	----	----	----	2572 131
	EYELET, Folding Top Boot to Belt Moulding W2	23	----	----	----	----	2581 193
23-112-45	CURTAIN, Folding Top Rear W2						
	(blue)	1	----	----	----	----	1925 AB1
	(black)	1	----	----	----	----	1925 TX9
	(white)	1	----	----	----	----	1925 VW1
	(blue)	1	----	----	----	----	1926 AB1
	(black)	1	----	----	----	----	1926 TX9
(white)	1	----	----	----	----	1926 VW1	
CURTAIN, Folding Top Rear D2							
	(blue)	1	----	----	----	----	1910 AB1
	(black)	1	----	----	----	----	1910 AX9
	(white)	1	----	----	----	----	1910 AW1
	(blue)	1	----	----	----	----	1911 AB1
	(black)	1	----	----	----	----	1911 AX9
(white)	1	----	----	----	----	1911 AW1	
23-112-46	ZIPPER, Folding Top Rear Curtain W2						
	(black)	1	----	----	----	----	1923 TX8
	(white)	1	----	----	----	----	1923 VW2
	D2						
(black)	1	----	----	----	----	1913 AX8	
(white)	1	----	----	----	----	1913 AW2	
23-112-50	TAPE, Folding Top Side Cover to Rear Curtain Closure W2						
	(black)	1	----	----	----	----	1933 TX8
	(rear curtain to top closure)	1	----	----	----	----	1934 TX8
	W2, D2						
	(black)	1	----	----	----	----	1933 TX8
	(white)	1	----	----	----	----	1933 VW2
(black)	1	----	----	----	----	1934 TX8	
(rear curtain to top closure)							
(white)	1	----	----	----	----	1934 VW2	
23-112-70	RETAINER, Folding Top to Belt Bar W2						
	(side)	1	----	----	----	----	2421 944-5
	(center)	1	----	----	----	----	2421 694
	D2						
	(side)	1	----	----	----	----	2482 436-7
	(center)	1	----	----	----	----	2482 438
(corner)	1	----	----	----	----	2526 966-7	

★ Indicates use as required.  
 □ Indicates parts not listed in any previous parts book.  
 Right and left part numbers are on same line, first number is right, second number is left.  
 \* Indicates change or addition.

## 1965 PASSENGER CAR PARTS CATALOG

INTERIOR TRIM

CODE	REMARKS	PER CAR	SED.	4D H.T	STA WGN.	2D H.T	CV. CP.
23-112-75	TIP, Folding Top Wire-on Binding End	1	----	----	----	----	*1158 976-7
	W1, W2, D2 Screw (attaching)	2	----	----	----	----	*6024 438
23-112-88	CABLE, Folding Top Tension W2 (black)	2	----	----	----	----	*1970 VX8
	(white)	2	----	----	----	----	*1970 VW2
	W2-P (rear bow to bar belt bracket)	2	----	----	----	----	2166 660
	(side)	2	----	----	----	----	2525 852
	D2 Rear Bow (black)	2	----	----	----	----	1979 AX8
	(white)	2	----	----	----	----	1979 AW2
	Nut	2	----	----	----	----	*6025 727
	Screw	2	----	----	----	----	*6022 169
	D2 (side cover)	1	----	----	----	----	2589 026-7
	23-112-108	TOP DECK and SIDE QUARTER W2 (blue)	1	----	----	----	----
(black)		1	----	----	----	----	1937 VX9
(white)		1	----	----	----	----	1937 VW1
D2 (blue)		1	----	----	----	----	1905 AB1
(black)		1	----	----	----	----	1905 AX9
(white)		1	----	----	----	----	1905 AW1
23-112-112	PAD, Folding Top Stay D2 (black)	1	----	----	----	----	1906-7 AX9
	(white)	1	----	----	----	----	1906-7 AW1
	Screw (to header) W1, W2	7	----	----	----	----	*6023 247
	(white)	1	----	----	----	----	*1952-3 VW1
	(black)	1	----	----	----	----	*1952-3 VX9
23-112-153	WELL, Well COVER, Pocket PANEL, Folding Top W2 (codes H4B, P4B)	1	----	----	----	----	1942 AB4
	(codes H4Q, P4Q)	1	----	----	----	----	1942 AQ4
	(codes H4R, P4R)	1	----	----	----	----	1942 AR5
	(codes H4T, P4T)	1	----	----	----	----	1942 AT6
	(code P4Y)	1	----	----	----	----	1942 AW3
	Cap (fastener) (pocket panel)	2	----	----	----	----	*6000 434
	W2 (paint as required)	1	----	----	----	----	E2084-5 AT6
	D2 (paint as required)	1	----	----	----	----	E2000-1 AT8
	Screw (upper attaching)	2	----	----	----	----	*6023 381
	D2 (well) (codes L4B, H4B)	1	----	----	----	----	E1994 AB4
	(codes L4Q, H4Q)	1	----	----	----	----	E1994 AQ4
	(codes L4R, H4R)	1	----	----	----	----	E1994 AR7
	(codes L4T, H4T)	1	----	----	----	----	E1994 AT6
	(code L4Y)	1	----	----	----	----	E1994 AY3
(code L4X)	1	----	----	----	----	E1994 AX9	
23-112-160	PAD, Folding Top Pocket Panel Arm Rest W2-H (code H4B)	1	----	----	----	----	*1202-3 AB4
	(code H4Q)	1	----	----	----	----	*1202-3 AQ4
	(code H4R)	1	----	----	----	----	*1202-3 AR5
	(code H4T)	1	----	----	----	----	*1202-3 VT6

★ Indicates use as required.

E Indicates parts not listed in any previous parts book.

May 1965.

Printed in U.S.A.

Prices and specifications subject to change without notice.

Right and left part numbers are on same line,

first number is right, second number is left.

CODE	REMARKS	PER CAR	SED.	4D H.T	STA. WGN.	2D H.T	CV. CP.
23-112-160	PAD, Folding Top Pocket Panel Arm Rest - Cont'd W2-P (code P4B) (code P4Q) (code P4R) (code P4T) (code P4X) (code P4Y)	1 1 1 1 1 1	----- ----- ----- ----- ----- -----	----- ----- ----- ----- ----- -----	----- ----- ----- ----- ----- -----	----- ----- ----- ----- ----- -----	1202-3 AB4 1202-3 AQ4 1202-3 AR5 1202-3 VT6 1202-3 VX9 1202-3 AW3
	D2 (codes L4B, L9B, H4B) (codes L4Q, H4Q) (codes L4R, L9R, H4R) (codes L4T, H4T) (codes H4X, L9X) (code L4Y)	2 2 2 2 2 2	----- ----- ----- ----- ----- -----	----- ----- ----- ----- ----- -----	----- ----- ----- ----- ----- -----	----- ----- ----- ----- ----- -----	1244-5 AB8 1244-5 AQ8 1244-5 AR8 1244-5 AT8 1244-5 AX9 1244-5 AY3
23-113-2	WEATHERCORD, Door (sold by the inch) D2 (codes L1B, K1B, L3B, L4B, L5B, L9B, H1B, H4B, P1B) (codes L1Q, K1Q, L4Q, H1Q, H4Q, P1Q) (codes L1R, K1R, L3R, L4R, L5R, L9R, H1R, H4R, P4R) (codes L1T, K1T, L3T, L4T, L5T, H1T, H4T) (code P4T) (code P4U) (codes L3X, L9X, H4X, P4X) (codes L1Y, K1Y, L4Y, H1Y, H4Y)	★ ★ ★ ★ ★ ★ ★ ★ ★	1536 AB4 1536 AQ4 1536 AR5 1536 AT6 ----- ----- 1536 AX8 1536 AY3	1536 AB4 1536 AQ4 1536 AR5 1536 AT6 ----- ----- 1536 AX8 1536 AY3	1536 AB4 1536 AQ4 1536 AR5 1536 AT6 ----- ----- 1536 AX8 1536 AY3	1536 AB4 1536 AQ4 1536 AR5 1536 AT6 1536 AT5 1536 AU8 1536 AX8 1536 AY3	1536 AB4 1536 AQ4 1536 AR5 1536 AT6 1536 AT5 1536 AX8 1536 AY3
23-113-31	RETAINER, Weathercord D2 (door)	★	2572 133	2572 133	2572 133	2572 133	2572 133
23-113-45	WEATHERCORD, Quarter Window Opening W1, W2 (codes L1B, K1B) (codes L1Q, K1Q) (codes L1R, K1R) (codes L1T, L2T, K1T, K2T, L8T, K8T)	2 2 2 2	1515 AB4 1515 AQ4 *1515 TR6 1515 VT6	----- ----- ----- -----	----- ----- ----- -----	----- ----- ----- -----	----- ----- ----- -----
23-113-52	STRIP, Instrument Panel to Windshield Glass D2 (codes L1B, K1B, L3B, L4B, L5B, L9B, H1B, H4B, P1B, L6B) (codes L1Q, K1Q, L4Q, H1Q, H4Q, P1Q, L6Q, ) (codes L1R, K1R, L3R, L4R, L9R, L5R, H1R, H4R, P4R, L6R) (codes L1T, K1T, L3T, L4T, L5T, H1T, H4T, L6T) (code P4T) (codes L3X, L9X, H4X, P4X) (codes L1Y, K1Y, L4Y, H1Y, H4Y) (codes L2A, K2A, L8A, K8A)	1 1 1 1 1 1 1 1	3710 AB8 3710 AQ8 3710 AR9 3710 AT8 ----- ----- 3710 AY8 3710 AX9	3710 AB8 3710 AQ8 3710 AR9 3710 AT8 ----- ----- 3710 AY8 3710 AX9	3710 AB8 3710 AQ8 3710 AR9 3710 AT8 ----- ----- 3710 AY8 3710 AX9	3710 AB8 3710 AQ8 3710 AR9 3710 AT8 3710 AT9 3710 AX9 3710 AY8	3710 AB8 3710 AQ8 3710 AR9 3710 AT8 3710 AT9 3710 AX9 3710 AY8

● Indicates use as required.  
 □ Indicates parts not listed in any previous parts book.  
 Right and left part numbers are on same line,  
 first number is right, second number is left.  
 \* Indicates change or addition.

Printed in U.S.A.  
 Prices and specifications subject to change without notice.  
 April 1966, Supersedes May 1965.

## 1965 PASSENGER CAR PARTS CATALOG

INTERIOR TRIM

CODE	REMARKS	PER CAR	SED.	4D H.T.	STA. WGN.	2D H.T.	CV. CP.
23-113-56	WEATHERCORD, Folding Top Header						
	W2 (blue)	1	----	----	----	----	*1946 VB1
	(black)	1	----	----	----	----	1946 VX9
	(white)	1	----	----	----	----	1946 VW1
23-113-58	RETAINER, Instrument Panel to Windshield Glass Finish Strip D2	1	2571 683	2571 683	2571 683	2571 683	2571 683
23-113-84	WELT, Folding Top Header W2 (61" long)						
	(black)	1	----	----	----	----	1959 VX8
	(white)	1	----	----	----	----	1959 VW2
	(dust boot filler channel attach)						
	W2, D2	★	----	----	----	----	*2572 166
23-114-10	BINDING, 5/8" Wire-On W1, W2						
	(blue)	1	----	----	----	1903 VB1	
	(white)	1	----	----	----	1903 VW1	
	(black)	1	----	----	----	1903 TX8	
	D2 (blue)	1	----	----	----	----	1903 VB1
	(white)	1	----	----	----	----	1903 VW1
	(black)	1	----	----	----	----	1903 TX8
23-115-4	PUSH NUT, Front Seat Back to Cushion W1, W2, D2 (3rd. seat back hinge support)	4	----	----	----	2410 102	2410 102
		2	----	----	2410 102		
23-115-5	WASHER, Front Seat Center Arm Rest Trim D2-H	2	1918 299	1918 299	1918 299	1918 299	1918 299
23-115-6	CLIP, Tailgate Opening Cover Upper Retainer D2	6	----	----	2581 395	----	----
	FASTENER (seat back medallion) W2, D2	★	2577 380	2577 380	2577 380	2577 380	2577 380
	PIN (front seat back frame to cushion frame mtg.)	4	----	----	----	2410 054	2410 054
	CLIP, Front Seat Outer Hinge Arm Cover W1, W2	2	*2494 114	----	----	*2494 114	*2494 114
23-115-8	CLIP, Wheelhouse Cover D2 (belt bar to spare tire cover)	13	----	----	2572 142	----	----
		2	----	----	2581 718	----	----
23-115-10	SCREW, Front Seat Center Arm Rest to Center Cushion D2-H	2	2092 212	2092 212	2092 212	2092 212	2092 212

★ Indicates use as required.

□ Indicates parts not listed in any previous parts book.  
April 1966, Supersedes May 1965.Printed in U.S.A.  
Prices and specifications subject to change without notice.  
Right and left part numbers are on same line,  
first number is right, second number is left.

\* Indicates change or addition.

# 1965 DART

## INTERIOR TRIM

### HOW TO USE INTERIOR TRIM ILLUSTRATIONS

The illustrations in this section are actual and each body style showing the Interior Trim is included.

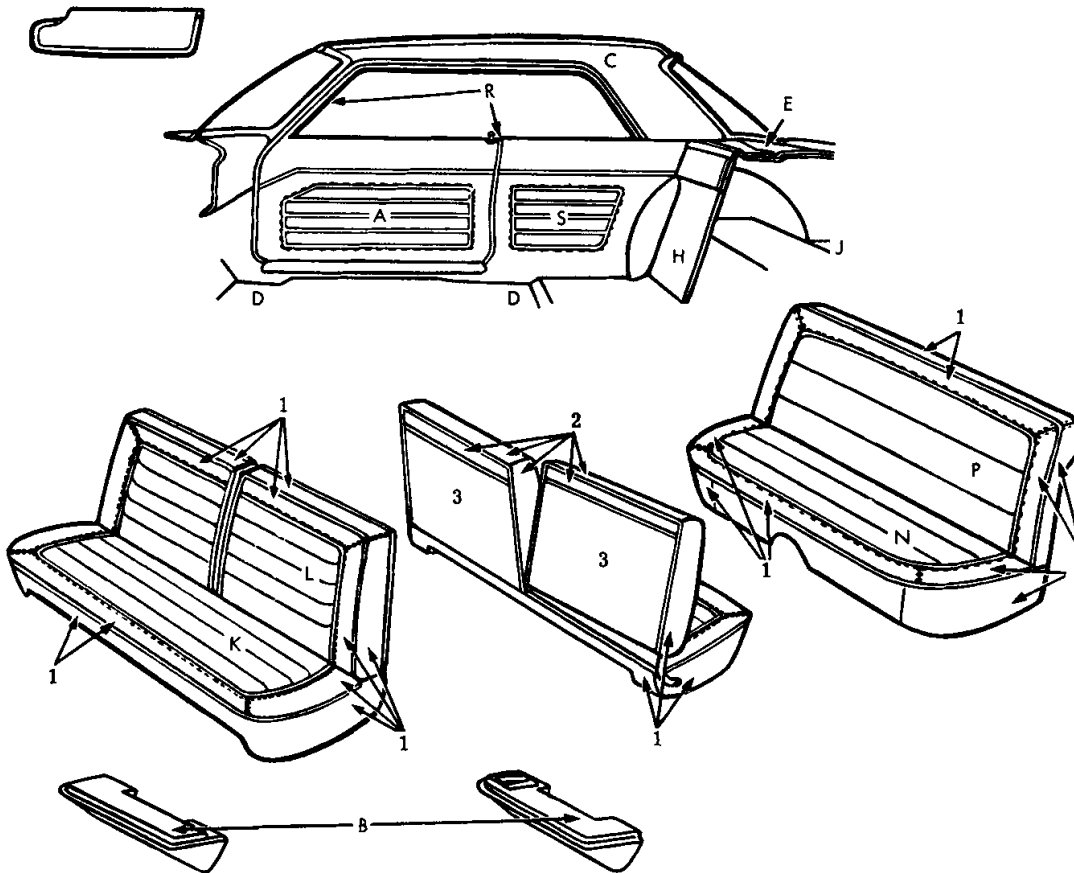
The letters shown on the illustration indicate the description of the part and the part type code when referred to the legend which appears preceding the listing of the parts. The letters are consistent throughout the illustrations as "A" is always a Door Trim Panel, Code 23-92-5.

The numbers on the illustration indicate the distribution of material and type of material used. The numbers may vary with each illustration. The legend appears on the illustration.

Appearing throughout this section are part numbers containing both letters and numbers. These are good serviceable part numbers. The combination of letters and numbers merely indicates the parts are keyed to the interior color of the vehicles on which they are used.

For complete information on "How to Order" Trim Parts, see Master Parts Price List.

D  
A  
R  
T



19T0127A

PART NUMBERS AND COLORS

ITEM	TYPE OF MATERIAL	PART TYPE CODE	MAT'L WIDTH	BLUE	TURQUOISE	RED	TAN
1	Vinyl 32 oz.	23-114-15	54"	0405 AB4	0405 AQ4	0405 AR5	0405 VT6
2	Vinyl 32 oz.	23-114-15	54"	0405 AB8	0405 AQ8	0405 AR8	*0405 VT6
3	Vinyl 37 oz.	23-114-15	58"	0413 AB8	0413 AQ8	0413 AR8	0413 AT8

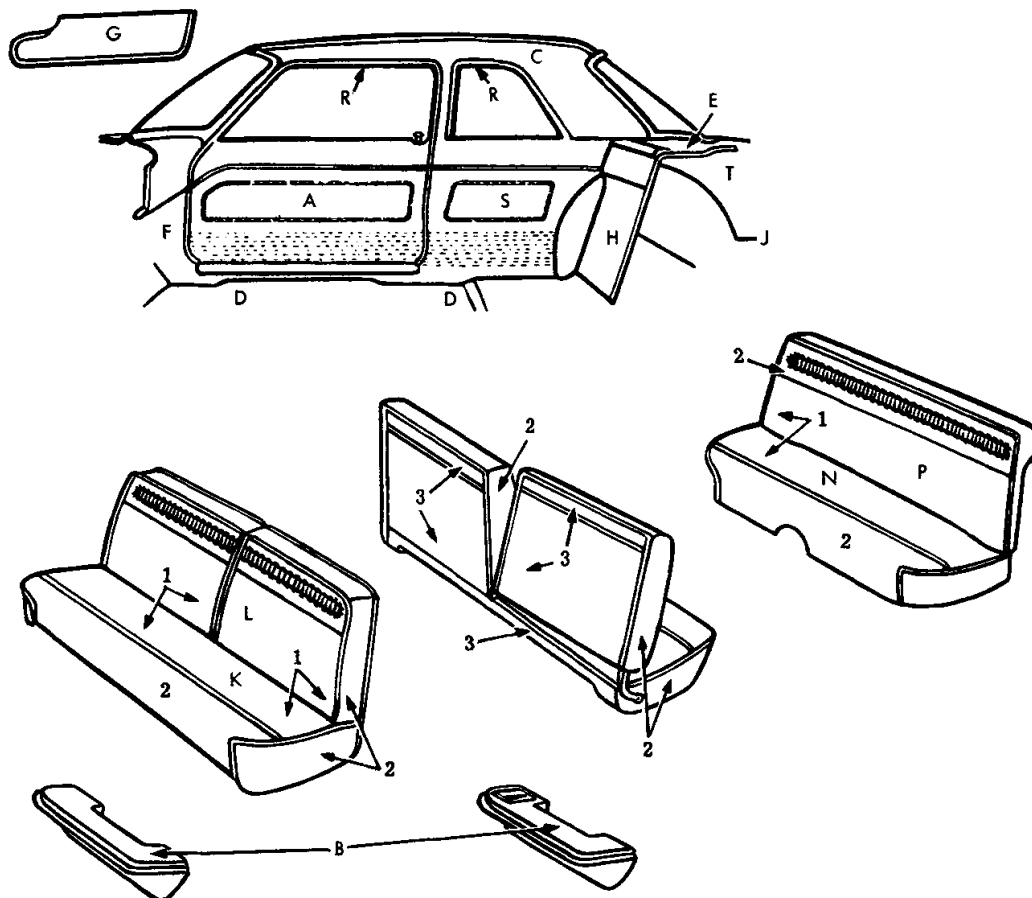
Distribution Drawing Legend Page Appears Following Illustration Section

1965 DART AL1-H, AL2-H 2 DOOR SEDAN  
CLOTH AND VINYL TRIM  
CODES H1B, H1Q, H1R, H1T

★ Indicates use as required.

⊠ Indicates parts not listed in any previous parts book.  
May 1965, Supersedes Sept. 4, 1964.





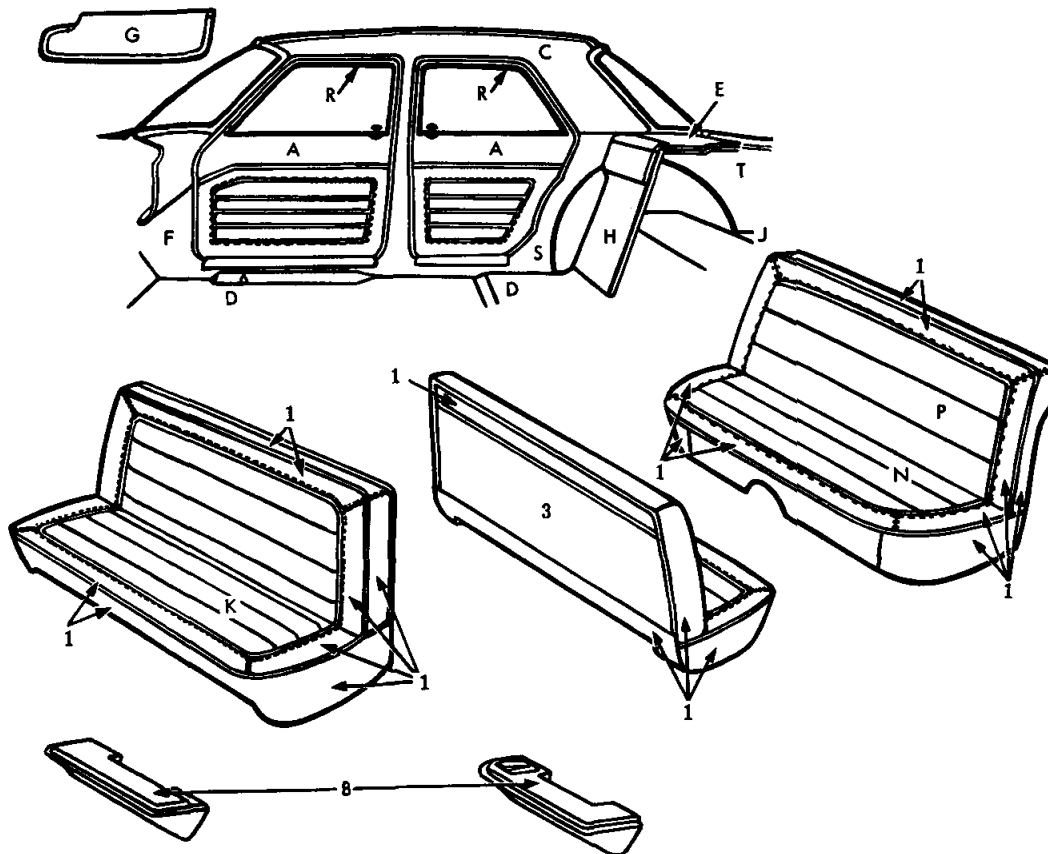
19T0121A

PART NUMBERS AND COLORS							
ITEM	TYPE OF MATERIAL	PART TYPE CODE	MAT'L WIDTH	BLUE	TURQUOISE	RED	TAN
1	Body Cloth	23-114-2	54"	E0102 ABB	E0102 AQQ	E0102 ARR	E0102 ATT
2	Vinyl 32 oz.	23-114-15	54"	E0405 AB4	E0405 AQ4	E0405 AR5	0405 VT6
3	Vinyl 37 oz.	23-114-15	58"	E0417 AB4	E0417 AQ4	E0417 AR5	0417 VT6

Distribution Drawing Legend Page Appears Following Illustration Section

1965 DART AL1-L, AL2-L 2 DOOR SEDAN  
CLOTH AND VINYL TRIM  
CODES L1B, L1Q, L1R, L1T

★ Indicates use as required.  
☐ Indicates parts not listed in any previous parts book.



19T0125A

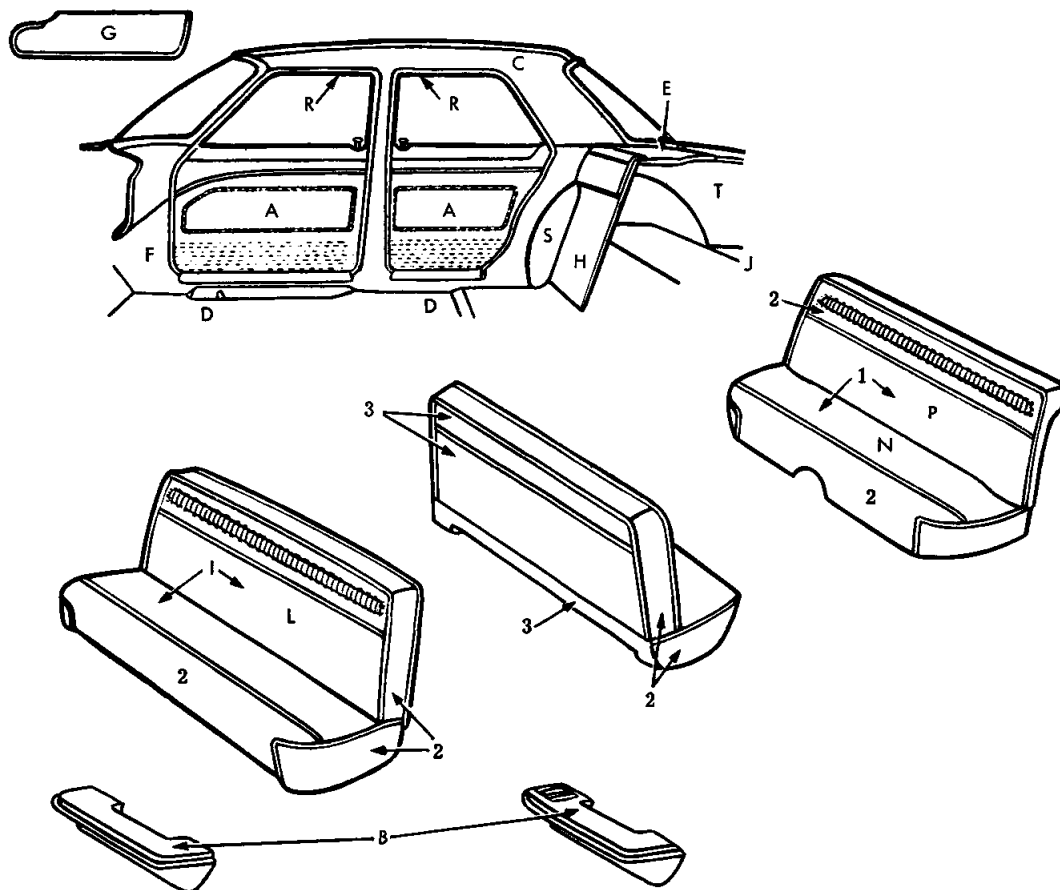
PART NUMBERS AND COLORS

ITEM	TYPE OF MATERIAL	PART TYPE CODE	MAT'L WIDTH	BLUE	TURQUOISE	RED	TAN
1	Vinyl 32 oz.	23-114-15	54"	0405 AB4	0405 AQ4	0405 AR5	0405 VT6
2	Vinyl 32 oz.	23-114-15	54"	0405 AB8	0405 AQ8	0405 AR8	*0405 VT6
3	Vinyl 37 oz.	23-114-15	58"	0413 AB8	0413 AQ8	0413 AR8	0413 AT8

Distribution Drawing Legend Page Appears Following Illustration Section

1965 DART AL1-H, AL2-H 4 DOOR SEDAN  
CLOTH AND VINYL TRIM  
CODES H1B, H1Q, H1R, H1T

★ Indicates use as required.  
 □ Indicates parts not listed in any previous parts book.  
 May 1965, Supersedes Sept. 4, 1964.



19T0122A

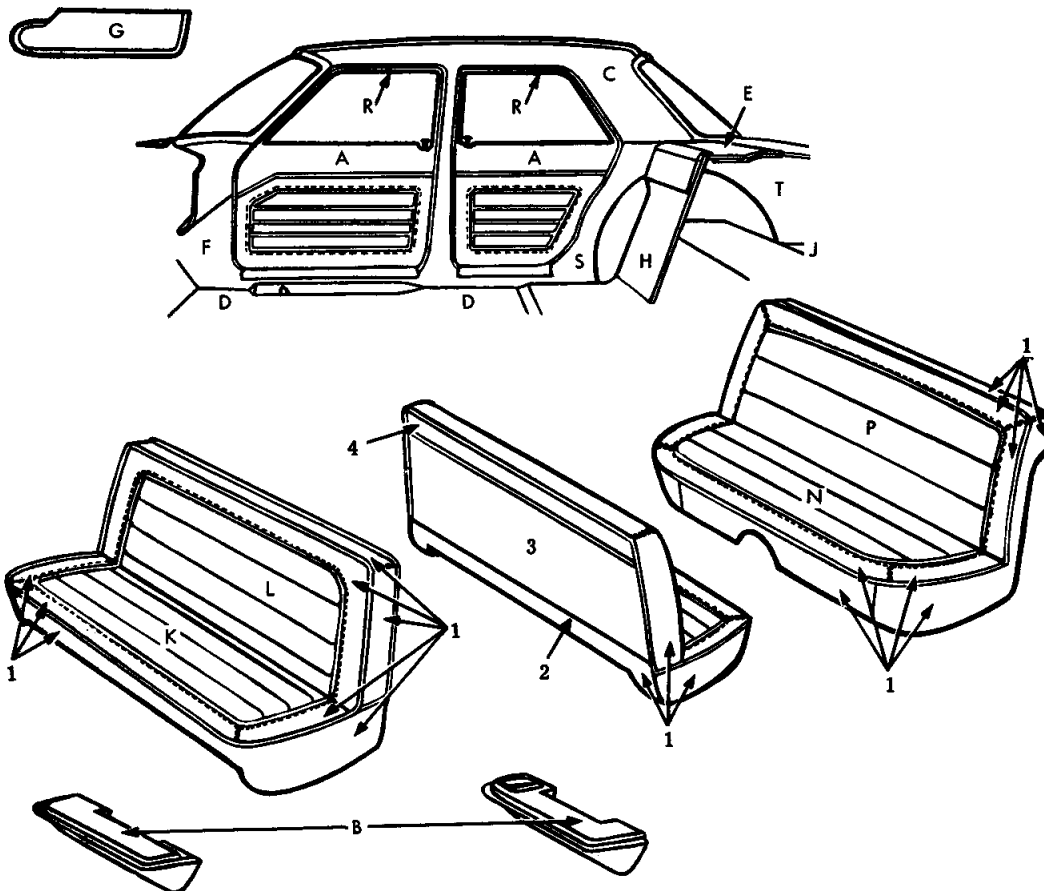
PART NUMBERS AND COLORS

ITEM	TYPE OF MATERIAL	PART TYPE CODE	MAT'L WIDTH	BLUE	TURQUOISE	RED	TAN
1	Body Cloth	23-114-2	54"	E0102 ABB	E0102 AQQ	E0102 ARR	E0102 ATT
2	Vinyl 32 oz.	23-114-15	54"	E0405 AB4	E0405 AQ4	E0405 AR5	0405 VT6
3	Vinyl 37 oz.	23-114-15	58"	E0417 AB4	E0417 AQ4	E0417 AR5	0417 VT6

Distribution Drawing Legend Page Appears Following Illustration Section

1965 DART AL1-L, AL2-L 4 DOOR SEDAN  
CLOTH AND VINYL TRIM  
CODES L1B, L1Q, L1R, L1T

★ Indicates use as required.  
⊞ Indicates parts not listed in any previous parts book.



19T0128A

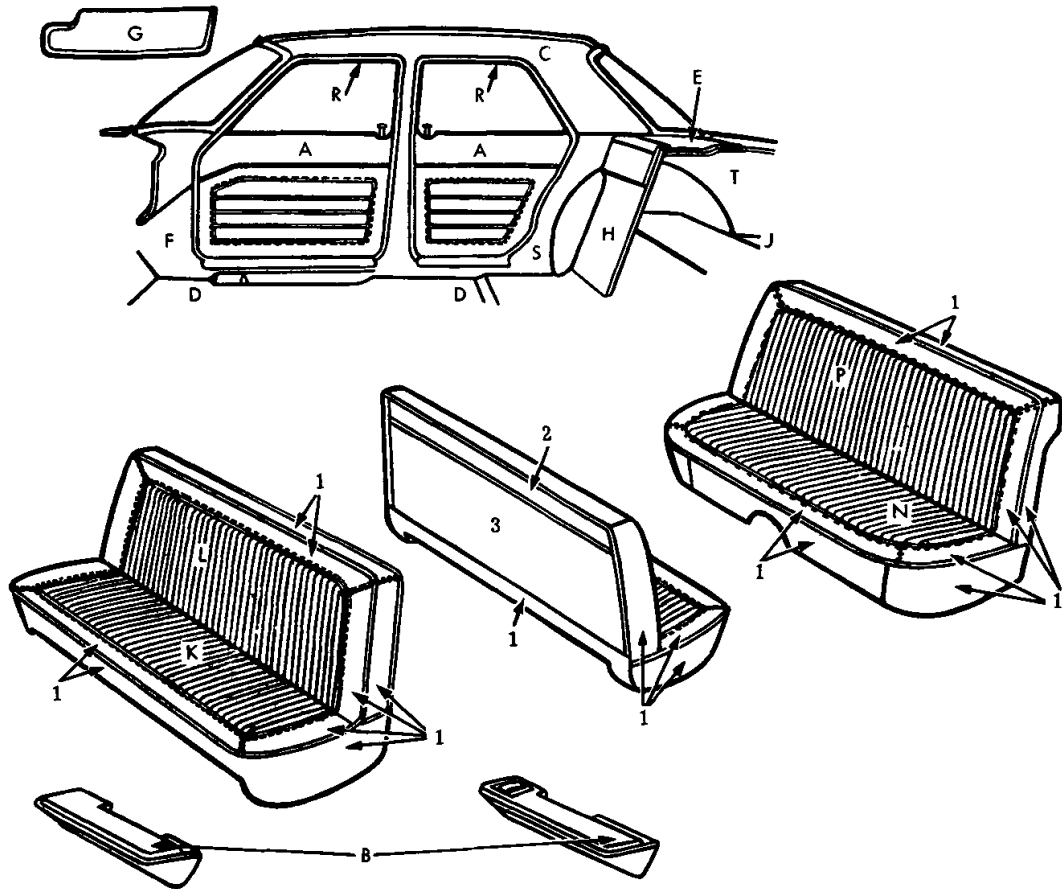
PART NUMBERS AND COLORS							
ITEM	TYPE OF MATERIAL	PART TYPE CODE	MAT'L WIDTH	BLUE	TURQUOISE	RED	TAN
1	Vinyl 32 oz.	23-114-15	54"	0405 AB4	0405 AQ4	0405 AR5	0405 VT6
2	Vinyl 32 oz.	23-114-15	54"	0405 AB8	0405 AQ8	0405 AR8	*0405 VT6
3	Vinyl 37 oz.	23-114-15	58"	0413 AB8	0413 AQ8	0413 AR8	0413 AT8
4	Vinyl 37 oz.	23-114-15	58"	*0417 AB8	*0417 AQ8	*0417 AR5	E0417 AT8

Distribution Drawing Legend Page Appears Following Illustration Section

1965 DART AL1-H, AL2-H 4 DOOR SEDAN  
VINYL TRIM  
CODES H4B, H4Q, H4R, H4T

★ Indicates use as required.

⊞ Indicates parts not listed in any previous parts book.  
May 1965, Supersedes Sept. 4, 1964.



19T0124 A

PART NUMBERS AND COLORS							
ITEM	TYPE OF MATERIAL	PART TYPE CODE	MAT'L WIDTH	BLUE	RED	TAN	
1	Vinyl 32 oz.	23-114-15	54"	0405 AB4	0405 AR5	0405 VT6	
2	Vinyl 37 oz.	23-114-15	54"	0417 AB4	0417 AR5	0417 VT6	
3	Vinyl 37 oz.	23-114-15	58"	0413 AB8	0413 AR8	0413 AT8	

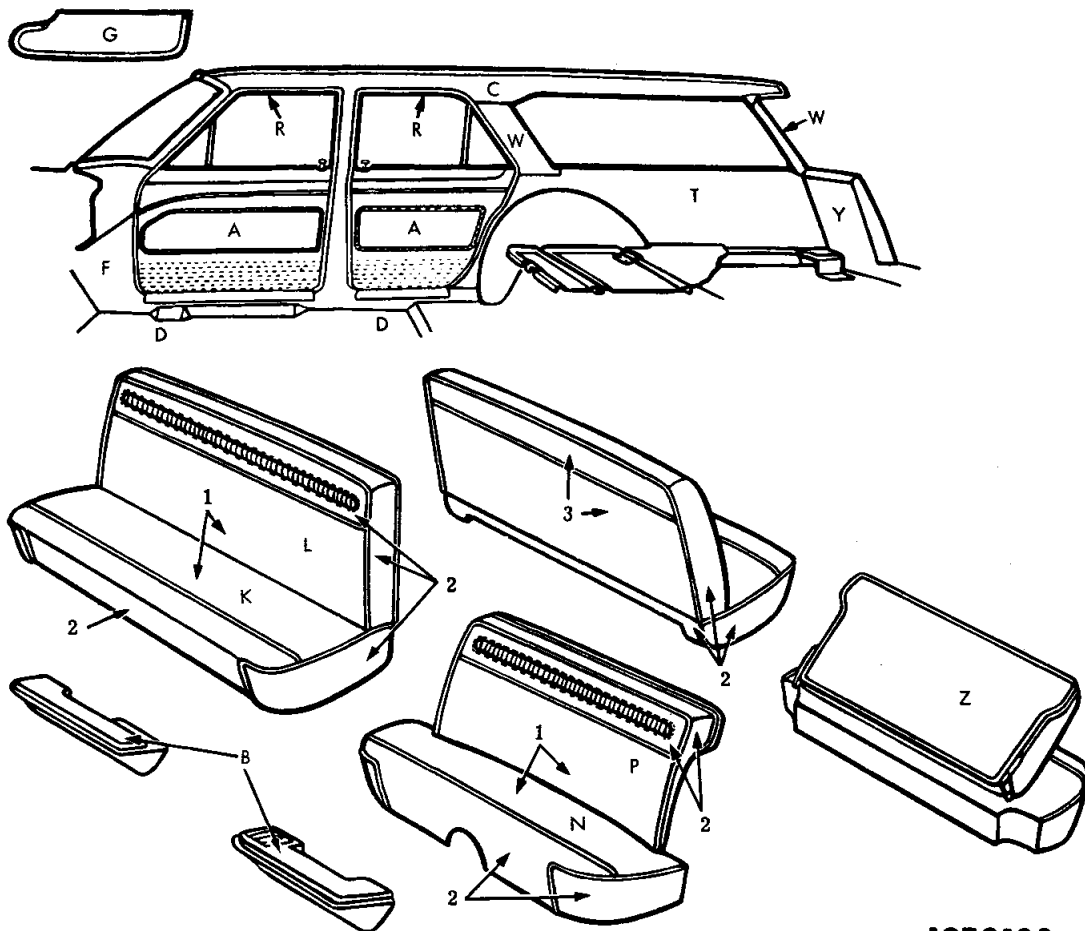
Distribution Drawing Legend Page Appears Following Illustration Section

1965 DART AL1-L, AL2-L, AL1-H, AL2-H 4 DOOR SEDAN  
VINYL TRIM  
CODES L5B, H5B, L5R, H5R, L5T, H5T

★ Indicates use as required.

⊠ Indicates parts not listed in any previous parts book.

• Indicates change or addition.



19T0123A

PART NUMBERS AND COLORS

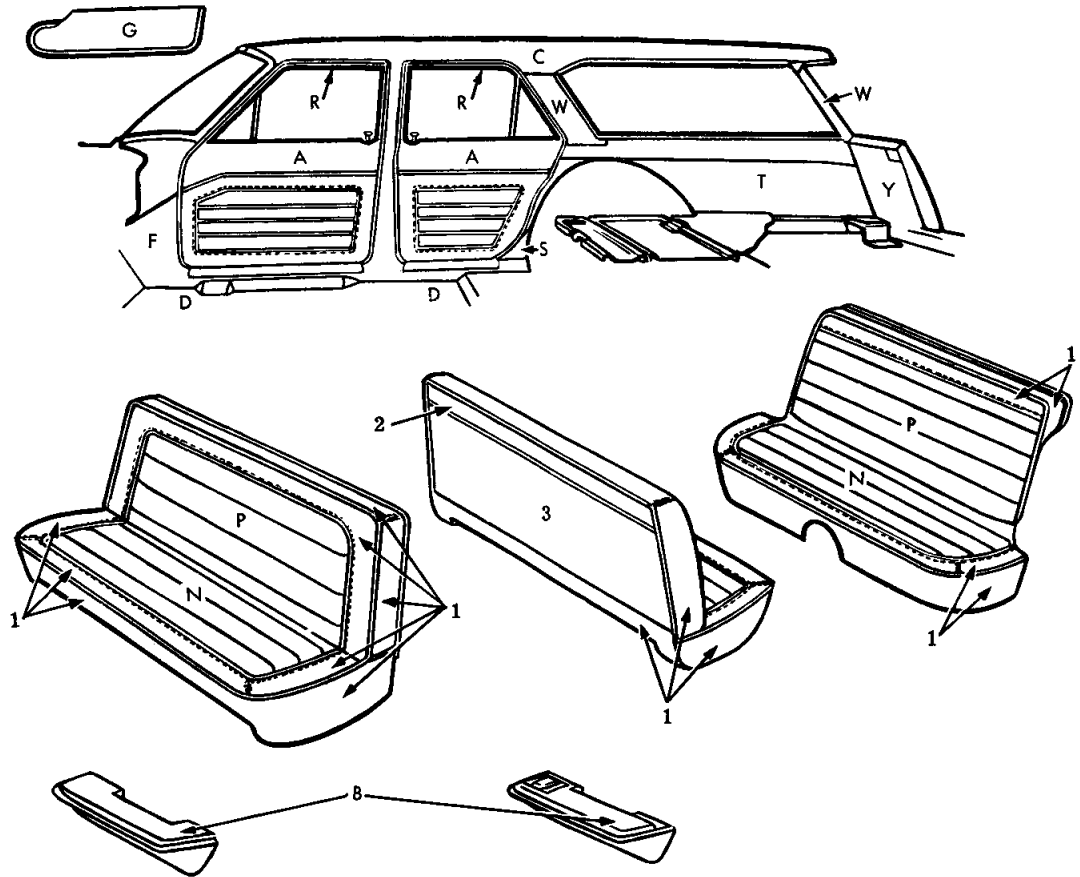
ITEM	TYPE OF MATERIAL	PART TYPE CODE	MAT'L WIDTH	BLUE	TURQUOISE	RED	TAN
1	Vinyl 34.4 oz.	23-114-15	58"	0492 ABB	0492 AQQ	0492 ARR	0492 ATT
2	Vinyl 32 oz.	23-114-15	54"	0405 AB4	0405 AQ4	0405 AR5	0405 VT6
3	Vinyl 32 oz.	23-114-15	54"	0405 AB8	0405 AQ8	0405 AR5	*0405 VT6

Distribution Drawing Legend Page Appears Following Illustration Section

1965 DART A1-L, A2-L STATION WAGON  
VINYL TRIM  
CODES L4B, L4Q, L4R, L4T

★ Indicates use as required.

☐ Indicates parts not listed in any previous parts book.  
May 1965, Supersedes Sept. 4, 1964.



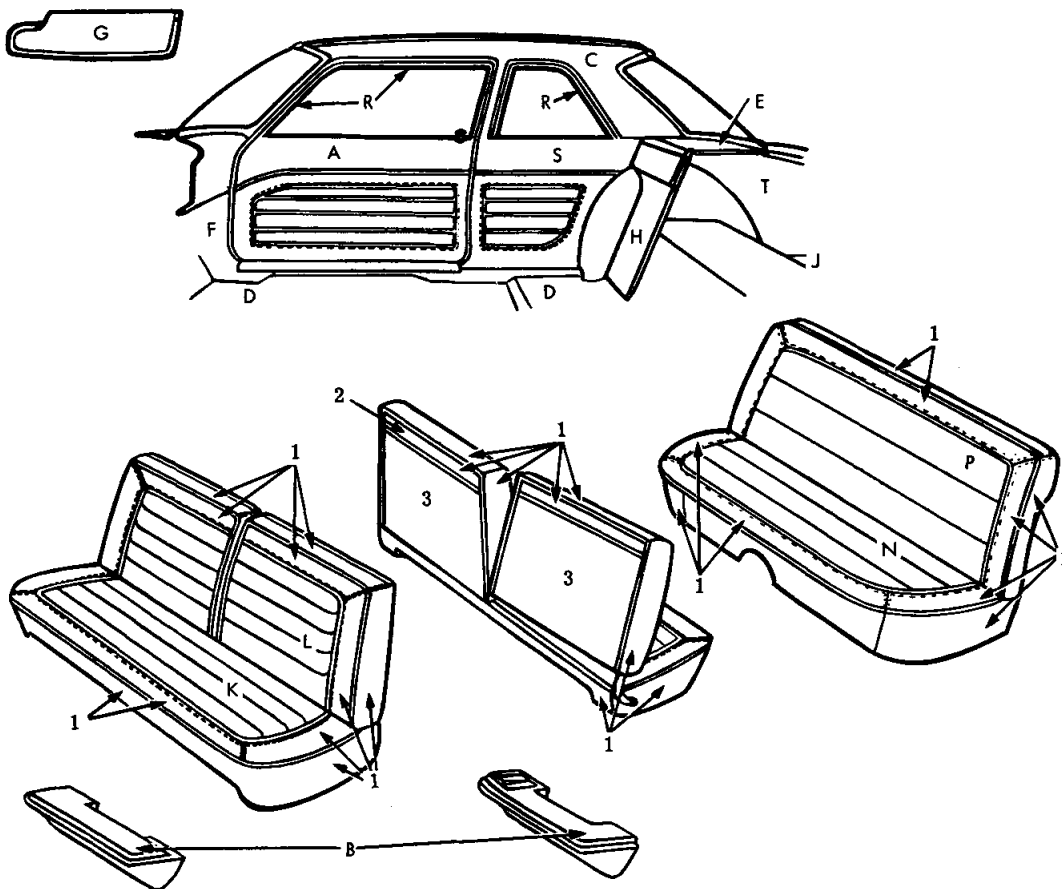
19T0130A

ITEM	TYPE OF MATERIAL	PART TYPE CODE	MAT'L WIDTH	PART NUMBERS AND COLORS			
				BLUE	TURQUOISE	RED	TAN
1	Vinyl 32 oz.	23-114-15	54"	0405 AB4	0405 AQ4	0405 AR5	0405 VT6
2	Vinyl 32 oz.	23-114-15	54"	0405 AB8	0405 AQ8	0405 AR8	0405 VT6
3	Vinyl 37 oz.	23-114-15	58"	0413 AB8	0413 AQ8	0413 AR8	0413 AT8

Distribution Drawing Legend Page Appears Following Illustration Section

1965 DART AL1-H, AL2-H STATION WAGON  
VINYL TRIM  
CODES H4B, H4Q, H4R, H4T

★ Indicates use as required.  
 □ Indicates parts not listed in any previous parts book.  
 \* Indicates change or addition.



**19T0126A**

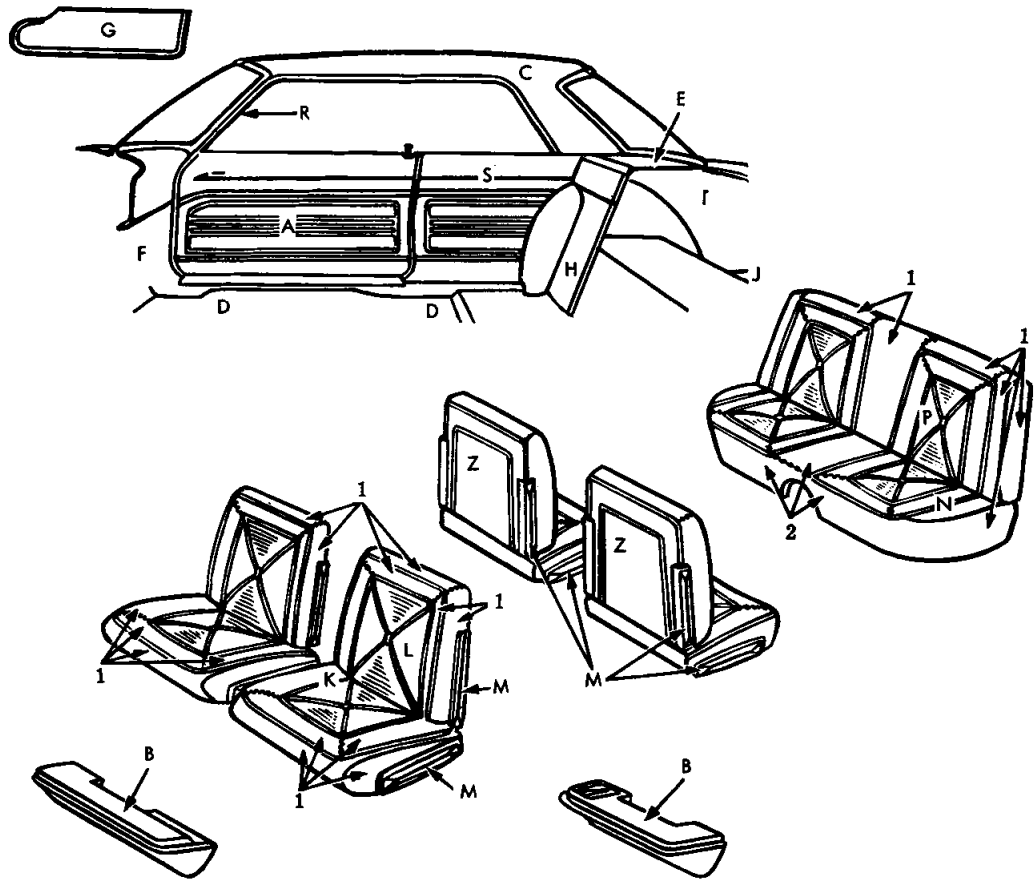
ITEM	TYPE OF MATERIAL	PART TYPE CODE	MAT'L WIDTH	PART NUMBERS AND COLORS			
				BLUE	TURQUOISE	RED	TAN
1	Vinyl 32 oz.	23-114-15	54"	0405 AB4	0405 AQ4	0405 AR5	0405 VT6
2	Vinyl 32 oz.	23-114-15	54"	0405 AB8	0405 AQ8	0405 AR8	*0405 VT6
3	Vinyl 37 oz.	23-114-15	58"	0413 AB8	0413 AQ8	0413 AR8	0413 AT8

Distribution Drawing Legend Page Appears Following Illustration Section

1965 DART AL1-H, AL2-H 2 DOOR HARD TOP  
CLOTH AND VINYL TRIM  
CODES H1B, H1Q, H1R, H1T

★ Indicates use as required.  
 □ Indicates parts not listed in any previous parts book.  
 May 1965, Supersedes Sept. 4, 1964.





19T0131A

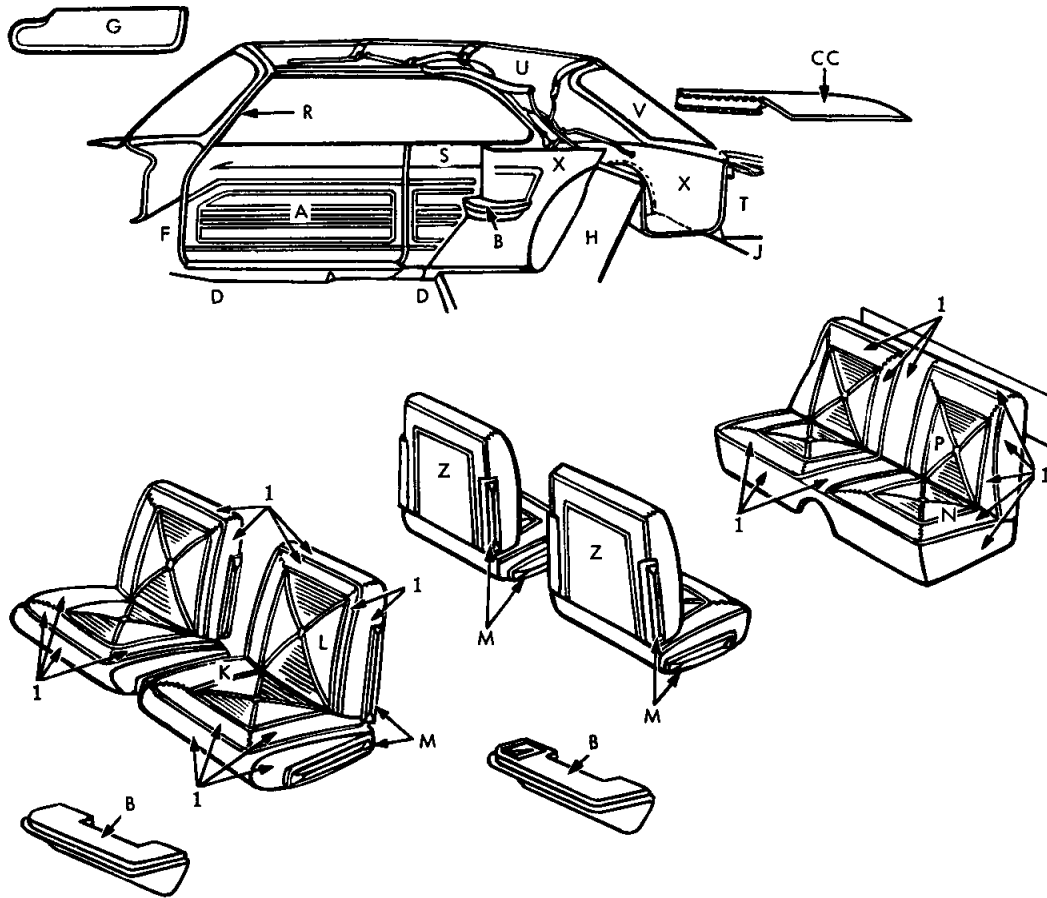
PART NUMBERS AND COLORS							
ITEM	TYPE OF MATERIAL	PART TYPE CODE	MAT'L WIDTH	BLUE	RED	TAN	BLACK
1	Vinyl 35.5 oz.	23-114-15	54"	0441 AB4	0441 VR7	0441 VT6	0441 VX9

PART NUMBERS AND COLORS							
ITEM	TYPE OF MATERIAL	PART TYPE CODE	MAT'L WIDTH	GOLD			
1	Vinyl 35.5 oz.	23-114-15	54"	0441 VW3			

Distribution Drawing Legend Page Appears Following Illustration Section

1965 DART AL1-P, AL2-P 2 DOOR HARD TOP  
VINYL TRIM  
CODES P4B, P4R, P4T, P4X, P4Y

★ Indicates use as required.  
 ☐ Indicates parts not listed in any previous parts book.  
 \* Indicates change or addition.



19T0132 A

PART NUMBERS AND COLORS							
ITEM	TYPE OF MATERIAL	PART TYPE CODE	MAT'L WIDTH	BLUE	RED	TAN	BLACK
1	Vinyl 35.5 oz.	23-114-15	54"	0441 AB4	0441 VR7	0441 VT6	0441 VX9

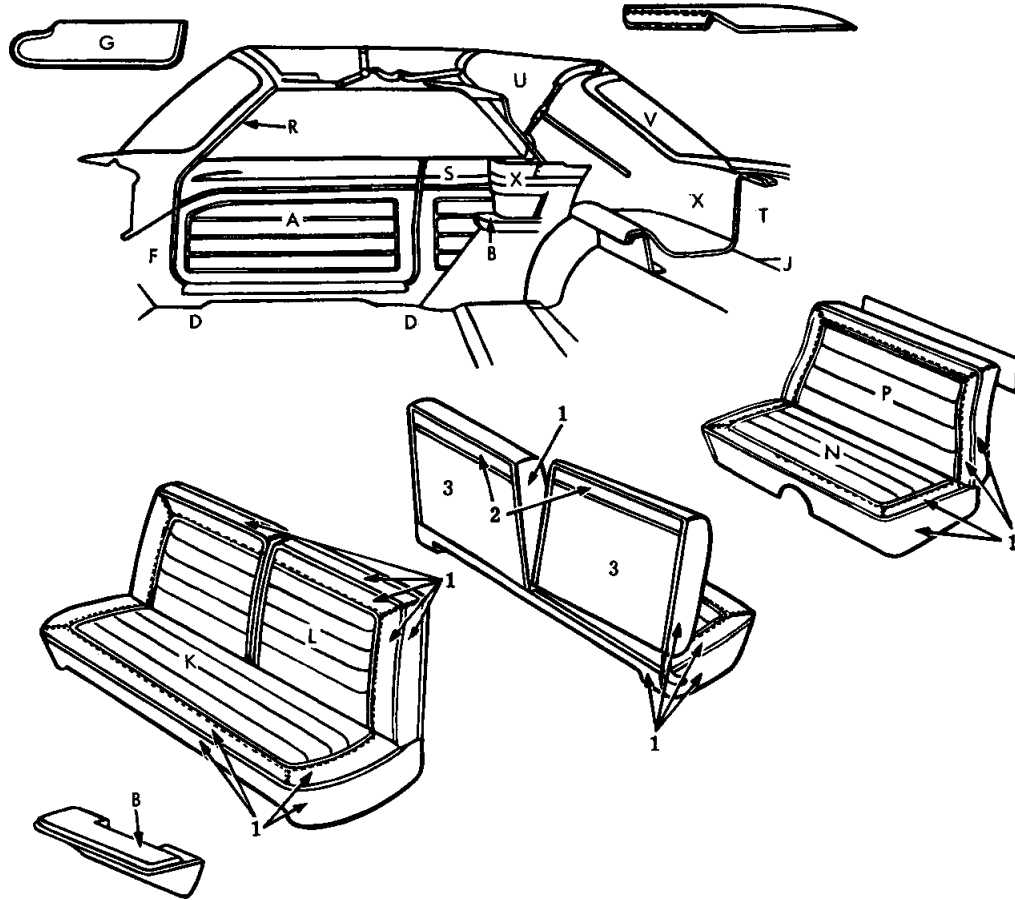
PART NUMBERS AND COLORS							
ITEM	TYPE OF MATERIAL	PART TYPE CODE	MAT'L WIDTH	GOLD			
1	Vinyl 35.5 oz.	23-114-15	54"	0441 VW3			

Distribution Drawing Legend Page Appears Following Illustration Section

1965 DART AL1-P, AL2-P CONVERTIBLE  
 VINYL TRIM  
 CODES P4B, P4R, P4T, P4X, P4Y

★ Indicates use as required.  
 ☐ Indicates parts not listed in any previous parts book.  
 May 1965, Supersedes Sept. 4, 1964.

Printed in U.S.A.  
 Prices and specifications subject to change without notice.  
 • Indicates change or addition.



19T0129A

ITEM	TYPE OF MATERIAL	PART TYPE CODE	MAT'L WIDTH	PART NUMBERS AND COLORS			
				BLUE	TURQUOISE	RED	TAN
1	Vinyl 32 oz.	23-114-15	54"	0405 AB4	0405 AQ4	0405 AR5	0405 VT6
2	Vinyl 32 oz.	23-114-15	54"	0405 AB8	0405 AQ8	0405 AR8	*0405 VT6
3	Vinyl 37 oz.	23-114-15	58"	0413 AB8	0413 AQ8	0413 AR8	0413 AT8

Distribution Drawing Legend Page Appears Following Illustration Section

1965 DART AL1-H, AL2-H CONVERTIBLE  
VINYL TRIM

CODES H4B, H4Q, H4R, H4T

★ Indicates use as required.  
 ☐ Indicates parts not listed in any previous parts book.  
 \* Indicates change or addition.

## 1965 DART - A SERIES

## Distribution Drawing Legend

See Illustration For Letter Identification

Letter	Description	Code
A	Panel, Door Trim	23-92-5
B	Arm Rest, Door, Front	23-76-3
	Center, Front Seat	23-76-34
	Door, Rear	23-76-59
	Quarter Panel	23-76-66
C	Headlining	23-86-3
D	Floor Cover, Front, Carpet	23-79-3
	Rear, Carpet	23-79-33
E	Panel, Shelf Trim	23-102-3
F	Panel, Cowl Trim	23-91-6
G	Visor	23-103-3
H	Panel, Luggage Compartment Front	23-96-3
J	Carpet, Luggage Compartment Floor	23-79-64
K	Cover, Front Seat Cushion	23-108-5
L	Cover, Front Seat Back	23-108-16
M	Cover, Front Seat Hinge	23-108-84
N	Cover, Rear Seat Cushion	23-109-36
P	Cover, Rear Seat Back	23-109-4
Q	Insert, Rear Seat Cushion Bottom Panel	23-109-40
R	Weathercord, Door	23-113-2
	Hinge Pillar	23-113-25
	Lock Pillar	23-113-30
	w/Weatherstrip	23-66-33
S	Panel, Quarter Trim	23-101-3
T	Panel or Cover, Luggage Compartment	
	Side Lining	23-96-8
U	Top Deck and Side Quarter	23-112-108
V	Curtain, Folding Top Back	23-112-45
W	Cover, Center Pillar	23-99-4
X	Well Cover, Pocket Panel, Pocket Panel	
	Cover, Folding Top	23-112-153
Y	Insert, Tailgate Inside Panel	23-79-79
Z	Insert, Rear Seat Back Panel	23-109-5
	Insert, Front Seat Back Panel	23-108-32

BODY CODE	COLUMN LEGEND
AL1-L, AL2-L (170)	
L-11 (21)	2 D. Sedan
L-13 (41)	4 D. Sedan
L-56 (45)	Station Wagon (6 Pass.)
AL1-H, AL2-H (270)	
L-31 (21)	2 D. Sedan
L-33 (41)	4 D. Sedan
L-56 (45)	Station Wagon (6 Pass.)
L-32 (23)	2 D. Hard Top
L-35 (27)	Convertible
AL1-P, AL2-P (G.T. 200)	
L-42 (23)	2 D. Hard Top
L-45 (27)	Convertible

CONVERTIBLE TOP COLOR LEGEND		
1 Blue	2 White	0 Black

STARTING SERIAL NUMBERS				
	Detroit Built	St. Louis Built	Los Angeles Built	
AL1-L (Dart 170)	2152-100001	2157-100001	2155-100001	
AL2-L (Dart 170)	L152-100001	L157-100001	L155-100001	
AL1-L (Dart Station Wagon 170)	2552-100001	2557-100001	2555-100001	
AL2-L (Dart Station Wagon 170)	L552-100001	L557-100001	L555-100001	
AL1-H (Dart 270)	2352-100001	2357-100001	2355-100001	
AL2-H (Dart 270)	L352-100001	L357-100001	L355-100001	
AL1-H (Dart Station Wagon 270)	2752-100001	2757-100001	2755-100001	
AL2-H (Dart Station Wagon 270)	L752-100001	L757-100001	L755-100001	
AL1-P (G. T.)	2452-100001	2457-100001	2455-100001	
AL2-P (G. T.)	L452-100001	L457-100001	L455-100001	

TRIM CODE	MODEL	MATERIAL			COLOR	6WD. SED.	SED.	4D H.T.	STA. WGNL.	2D H.T.	CV. CP.
		Cloth	Vinyl	Leather							
L1B, L4B, L5B	L1-L, L2-L	★	★	-	Blue	-	★	-	★	-	-
L1R, L4R, L5R	L1-L, L2-L	★	★	-	Red	-	★	-	★	-	-
L1T, L4T, L5T	L1-L, L2-L	★	★	-	Tan	-	★	-	★	-	-
L1Q, L4Q	L1-L, L2-L	★	★	-	Turquoise	-	★	-	★	-	-
H1B, H4B, H5B	L1-H, L2-H	★	★	-	Blue	-	★	-	★	★	★
H1R, H4R, H5R	L1-H, L2-H	★	★	-	Red	-	★	-	★	★	★
H1T, H4T, H5T	L1-H, L2-H	★	★	-	Tan	-	★	-	★	★	★
H1Q, H4Q	L1-H, L2-H	★	★	-	Turquoise	-	★	-	★	★	★
P4B	L1-P, L2-P	-	★	-	Blue	-	-	-	-	★	★
P4X	L1-P, L2-P	-	★	-	Black	-	-	-	-	★	★
P4Y	L1-P, L2-P	-	★	-	Gold	-	-	-	-	★	★
P4R	L1-P, L2-P	-	★	-	Red	-	-	-	-	★	★
P4T	L1-P, L2-P	-	★	-	Tan	-	-	-	-	★	★

# 1965 PASSENGER CAR PARTS CATALOG

CODE	REMARKS	PER CAR	SED.	4D H.T	STA. WGN.	2D H.T	CV. CP.
------	---------	---------	------	--------	-----------	--------	---------

NOTE: RIGHT HAND AND LEFT HAND PARTS LISTED ON THE SAME LINE. Whenever right and left hand parts are identified by consecutive part numbers, they will be listed as in the following example: PANEL, Door Trim 3108-9V  
 Interpreted, this indicates that Panel, right is Part No. 3108 V and Panel, left is Part No. 3109 V.

23-76-9 BASE, Door and Quarter Arm Rest

L1-L, L2-L (codes L1B, L4B, L5B)	1	*1208-9 AB4	----	----	*1208-9 AB4		
(codes L1Q, L4Q)	1	E1208-9 AQ4	----	----	E1208-9 AQ4		
(codes L1T, L4T, L5T)	1	*1208-9 VT6	----	----	*1208-9 VT6		
(code L5R)	1	*1208-9 AR5					
(codes L1R, L4R)	1	*1208-9 AR5	----	----	*1208-9 AR5		
L1-H, L2-H, L1-P, L2-P (codes H1B, H4B, H5B)	1	*1208-9 AB4	----	----	*1208-9 AB4	*1208-9 AB4	
(codes H1Q, H4Q)	1	E1208-9 AQ4	----	----	E1208-9 AQ4	E1208-9 AQ4	
(codes H1T, H4T, H5T)	1	*1208-9 VT6	----	----	*1208-9 VT6	*1208-9 VT6	
(codes H1R, H4R, H5R)	1	*1208-9 AR5	----	----	*1208-9 AR5	*1208-9 AR5	
(chrome)	1	----	----	----	----	1208-9 VZ1	1208-9 VZ1

23-76-11 PAD, Front Door Arm Rest

L1-L, L2-L, L1-H, L2-H (codes L1B, L4B, L5B, H1B, H4B, H5B)	1	*1216-7 AB4	----	----	*1216-7 AB4	*1216-7 AB4	*1216-7 AB4
(codes L1Q, L4Q, H1Q, H4Q)	1	*1216-7 AQ4	----	----	*1216-7 AQ4	*1216-7 AQ4	*1216-7 AQ4
(codes L1T, L4T, L5T, H1T, H4T, H5T)	1	*1216-7 VT6	----	----	*1216-7 VT6	*1216-7 VT6	*1216-7 VT6
(codes L5R, H1R, H4R, H5R)	1	*1216-7 AR5	----	----	*1216-7 AR5	*1216-7 AR5	*1216-7 AR5

L1-P, L2-P (code P4B)	1	----	----	----	----	1222-3 AB4	1222-3 AB4
(code P4X)	1	----	----	----	----	1222-3 VX9	1222-3 VX9
(code P4T)	1	----	----	----	----	1222-3 VT6	1222-3 VT6
(code P4R)	1	----	----	----	----	1222-3 VR7	1222-3 VR7
(code P4Y)	1	----	----	----	----	*1222-3 AY3	*1222-3 AY3

23-76-16 NUT, Door and Quarter Arm Rest

Attaching L1, L2 Rear	★	1280 134	----	----	1280 134	1280 134	1280 134
-----------------------------	---	----------	------	------	----------	----------	----------

23-76-63 PAD, Rear Door Arm Rest

L1, L2 (codes L1B, L4B, L5B, H1B, H4B, H5B)	1	*1214-5 AB4	----	----	*1214-5 AB4		
(codes L1Q, L4Q, H1Q, H4Q)	1	*1214-5 AQ4	----	----	*1214-5 AQ4		
(codes L1T, L4T, L5T, H1T, H4T, H5T)	1	*1214-5 VT6	----	----	*1214-5 VT6		
(codes L5R, H1R, H4R, H5R)	1	1214-5 AR8	----	----	1214-5 AR8		
(codes L1R, L4R)	1	1214-5 AR5	----	----	1214-5 AR5		

23-76-76 PAD, Quarter Arm Rest

L1, L2 (2 D.) (codes L1B, H1B)	1	*1214-5 AB4	----	----	----	*1214-5 AB4	
(code P4B)	1	----	----	----	----	1214-5 AB4	
(codes L1Q, H1Q)	1	*1214-5 AQ4	----	----	----		
(codes L1T, H1T)	1	*1214-5 VT6	----	----	----	*1214-5 VT6	
(code L1R)	1	1214-5 AR5	----	----	----	1214-5 AR5	
(code H1R)	1	1214-5 AR8	----	----	----	1214-5 AR8	
(code P4R)	1	----	----	----	----	1214-5 AR7	
(code P4Y)	1	----	----	----	----	1214-5 AW3	

★ Indicates use as required.

E Indicates parts not listed in any previous parts book.  
 May 1965, Supersedes Sept. 4, 1964.

Printed in U.S.A.  
 Prices and specifications subject to change without notice.  
 Right and left part numbers are on same line,  
 first number is right, second number is left.

\* Indicates change or addition

CODE	REMARKS	PER CAR	SED.	4D H.T	STA. WGN.	2D H.T	CV. CP.
23-76-76	PAD, Quarter Arm Rest - Cont'd L1-P, L2-P (code P4R) (code P4X) (code P4T)	1 1 1	----	----	----	1214-5 VR6 1214-5 VX9 1214-5 VT6	
23-78-2	BUTTON, Cushion and Back Tufting L1-H, L2-H, L1-P, L2-P (codes H4B, P4B) (code P4R) (codes H4T, P4T) (code P4X) (code P4Y) (code H4R)	★ ★ ★ ★ ★ ★	*4102 AB4 ----- *4102 AT6 ----- ----- E4102 AR5	----	----	*4102 AB4 4102 AR7 *4102 AT6 4102 AX9 4102 AW3	*4102 AB4 4102 AR7 *4102 AT6 4102 AX9 4102 AW3
23-79-3	CARPET, Front Floor L1-L, L2-L, L1-H, L2-H (codes L1B, L4B, L5B, H1B, H4B, H5B) (codes L1R, L4R, L5R) (codes L1Q, L4Q, H1Q, H4Q) (codes L1T, L4T, L5T, H1T, H4T, H5T) (4 speed trans. floor shift) (codes L1B, L4B, L5B, H1B, H4B, H5B) (codes L1R, L4R, L5B, H1R, H4R, H5R) (codes L1T, L4T, L5T, H1T, H4T, H5T) (codes L1Q, L4Q, H1Q, H4Q)	1 1 1 1 1 1 1 1	1764 AB8 1764 AR7 1764 AQ8 1764 AT8 1770 AB8 1770 AR7 1770 AT8 1770 AQ8	----	1764 AB8 1764 AR7 1764 AQ8 1764 AT8 1770 AB8 ----- 1770 AT8 1770 AQ8	1764 AB8 1764 AR7 1764 AQ8 1764 AT8 1770 AB8 1770 AR7 1770 AT8 1770 AQ8	1764 AB8 1764 AR7 1764 AQ8 1764 AT8 1770 AB8 1770 AR7 1770 AT8 1770 AQ8
	L1-P, L2-P (auto. trans. w/console) (code P4B) (code P4T) (code P4R) (code P4X) (code P4Y)	1 1 1 1 1	----	----	----	1759 AB8 1759 AT8 1759 AR7 1759 AX8 1759 AY3	1759 AB8 1759 AT8 1759 AR7 1759 AX8 1759 AY3
	L1-P, L2-P (bucket seats, auto. trans. w/o console) (code P4B) (code P4T) (code P4R) (code P4Y) (code P4X)	1 1 1 1 1	----	----	----	1766 AB8 1766 AT8 1766 AR7 1766 AY3 1766 AX8	1766 AB8 1766 AT8 1766 AR7 1766 AY3 1766 AX8
	L1-P, L2-P (4 speed manual, floor shift) (code P4B) (code P4T) (code P4R) (code P4X) (code P4Y)	1 1 1 1 1	----	----	----	1760 AB8 1760 AT8 1760 AR6 1760 AX8 1760 AY3	1760 AB8 1760 AT8 1760 AR6 1760 AX8 1760 AY3
23-79-4	PLATE, Front Floor Accelerator Pedal Scuff L1, L2	1	2499 135	----	2499 135	2499 135	2499 135

★ Indicates use as required.  
 □ Indicates parts not listed in any previous parts book.  
 Right and left part numbers are on same line,  
 first number is right, second number is left.  
 \* Indicates change or addition.

# 1965 PASSENGER CAR PARTS CATALOG

CODE	REMARKS	PER CAR	SED.	4D H.T	STA. WGN.	2D H.T	CV. CP.
23-79-5	WASHER, Scuff Plate Attaching L1-H, L2-H	1	*2572 486				
23-79-33	CARPET, Rear Floor L1-L, L2-L, L1-H, L2-H (codes L1B, L5B, H1B, H4B, H5B) (codes L1Q, H1Q) (codes L1T, L5T, H1T, H4T, H5T) (codes L1R, L5R, H1R, H4R, H5R) (codes L4B, H4B) (codes L4Q, H4Q) (codes L4T, H4T) (codes L4R, H4R)	1 1 1 1 1 1 1 1	1707 AB8 1707 AQ8 1707 AT8 1707 AR7 ----- ----- ----- -----	----- ----- ----- ----- ----- ----- ----- -----	----- ----- ----- ----- 1709 AB8 1709 AQ8 1709 AT8 1709 AR7	1707 AB8 1707 AQ8 1707 AT8 1707 AR7	1708 AB8 1708 AQ8 1708 AT8 1708 AR7
	L1, L2 (axle kick-up front trim panel)	1	-----	-----	4314 VX9		
	L1-P, L2-P (code P4B) (code P4T) (code P4R) (code P4X) (code P4Y)	1 1 1 1 1	----- ----- ----- ----- -----	----- ----- ----- ----- -----	----- ----- ----- ----- -----	1713 AB8 1713 AT8 1713 AR7 1713 AX8 1713 AY3	1714 AB8 1714 AT8 1714 AR7 1714 AX8 1714 AY3
	L1-H, L2-H (code H4B) (code H4Q) (code H4R) (code H4T)	1 1 1 1	----- ----- ----- -----	----- ----- ----- -----	----- ----- ----- -----	----- ----- ----- -----	1708 AB8 1708 AQ8 1708 AR7 1708 AT8
23-82-30	HOOK, Coat Hanger L1, L2	2	2581 908	-----	2581 908	2581 908	
23-82-39	BRACKET, Coat Hook Support L1, L2	2	2481 175	-----	2481 175	2481 175	
23-84-3	PAD, Instrument Panel Trim L1, L2 (codes L1B, L4B, L5B, H1B, H4B, H5B, H8B, P5B) (codes L1Q, L4Q, H1Q, H4Q) (codes L1R, L4R, L5R, H1R, H4R, H8R, P4R, H5R) (codes L1T, L4T, L5T, H1T, H4T, H5T, H8T, P4T) (code P4Y) (code P4X)	1 1 1 1 1 1	*4263 AB6 4263 AQ6 *4263 AR7 *4263 AT6 ----- -----	----- ----- ----- ----- ----- -----	*4263 AB6 4263 AQ6 *4263 AR7 *4263 AT6 ----- -----	*4263 AB6 4263 AQ6 *4263 AR7 *4263 AT6 4263 AY6 4263 AX8	*4263 AB6 4263 AQ6 *4263 AR7 *4263 AT6 4263 AY6 4263 AX8
23-86-2	COVER, Roof Outside L1-P, L2-P  (white) (black)	1 1	----- -----	----- -----	----- -----	7334 AW1 7334 AX8	
23-86-3	HEADLINING and LISTINGS L1, L2 (codes L1B, L4B, L5B, H1B, H4B, P4B) (codes L1Q, H1Q, L4Q, H4Q) (codes L1R, L4R, L5R, H1R, H4R, H5R, P4R)	1 1 1	7115 AB3 7115 AQ3 7115 AW2	----- ----- -----	7102 AB3 7102 AQ3 7102 AW2	7115 AB3 7115 AQ3 7115 AW2	

★ Indicates use as required.

Ⓑ Indicates parts not listed in any previous parts book.

May 1965, Supersedes Sept. 4, 1964.

Prices and specifications subject to change without notice.

Right and left part numbers are on same line, first number is right, second number is left.

\* Indicates change or addition.

Printed in U.S.A.



CODE	REMARKS	PER CAR	SED.	4D H.T	STA. WGN.	2D H.T	CV. CP.
23-86-3	HEADLINING and LISTINGS - Cont'd L1, L2 (codes L1T, L4T, L5T, H1T, H4T, H5T, P4T) (code P4Y)	1	7115 AT3	----	7102 AT3	7115 AT3	
	(code P4X)	1	----	----	----	*7115 AW2	
		1	----	----	----	7115 AX9	
23-86-8	RETAINER, Roof Outside Cover L1-P, L2-P						
	Side	1	----	----	----	2573 074-5	
	Front	1	----	----	----	2573 070	
	Rear	1	----	----	----	2573 072	
23-86-10	SUPPORT, Roof Bow L1, L2	2 3	2242 504 ----	----	----	----	2242 504
					2243 251		
23-86-19	STRIP, Headlining Retaining L1, L2						
	Front	1	2242 996-7	----	2242 996-7		
	Rear	1	2244 348-9	----	2423 638-9	2244 346-7	
	Screw (attaching)	2	----	----	125 978		
	Screw (side attaching)	18	----	----	----	6023 938	
	Screw (sealing)	★	----	----	----	6024 568	
	Fastener	★	----	----	----	6000 922	
23-86-31	PROTECTOR, Roof Panel Cover Rear Retaining Screw L1-P, L2-P	7	----	----	----	2483 767	
23-91-6	PANEL, Cowl Trim L1, L2 (paint as required)	1	1402-3 VX8	----	1402-3 VX8	1402-3 VX8	1402-3 VX8
23-92-5	PANEL, Door Trim L1, L2 (2 D.) (code L1B) (code L1Q) (code L1R) (code L1T) (codes H1B, H4B) (codes H1Q, H4Q) (codes H1R, H4R) (codes H1T, H4T)	1 1 1 1 1 1 1 1	3150-1 ABB 3150-1 AQQ 3150-1 ARR 3150-1 ATT 3154-5 ABB 3154-5 AQQ *3154-5 AOR 3154-5 ATT	----	----	3154-5 ABB 3154-5 AQQ *3154-5 AOR 3154-5 ATT	3154-5 ABB 3154-5 AQQ *3154-5 AOR 3154-5 ATT
	L1, L2 (4 D.) (codes L1B, L4B)	Front Rear	1 1	3152-3 ABB 3234-5 ABB	----	3152-3 ABB 3234-5 ABB	
	(codes L1Q, L4Q)	Front Rear	1 1	3152-3 AQQ 3234-5 AQQ	----	3152-3 AQQ 3234-5 AQQ	
	(codes L1R, L4R)	Front Rear	1 1	3152-3 ARR 3234-5 ARR	----	3152-3 ARR 3234-5 ARR	
	(codes L1T, L4T)	Front Rear	1 1	3152-3 ATT 3234-5 ATT	----	3152-3 ATT 3234-5 ATT	
	(codes H1B, H4B)	Front Rear	1 1	3120-1 ABB 3216-7 ABB	----	3120-1 ABB 3216-7 ABB	
	(codes H1Q, H4Q)	Front Rear	1 1	3120-1 AOQ *3216-7 AOQ	----	3120-1 AOQ *3216-7 AOQ	
	(codes H1R, H4R)	Front Rear	1 1	3120-1 AOR 3216-7 ARR	----	3120-1 AOR 3216-7 ARR	
	(codes H1T, H4T)	Front Rear	1 1	3120-1 ATT 3216-7 ATT	----	3120-1 ATT 3216-7 ATT	

★ Indicates use as required.

☐ Indicates parts not listed in any previous parts book.  
Right and left part numbers are on same line,  
first number is right, second number is left.

\* Indicates change or addition.

Printed in U.S.A.  
Prices and specifications subject to change without notice.

## 1965 PASSENGER CAR PARTS CATALOG

INTERIOR TRIM

CODE	REMARKS	PER CAR	SED.	4D H.T	STA. WGN.	2D H.T	CV. CP.
23-92-5	PANEL, Door Trim - Cont'd L1, L2 (4 D.) (codes L5B, H5B)	Front 1 Rear 1	3120-1 ABB 3216-7 ABB				
	(codes L5B, H5R)	Front 1 Rear 1	3120-1 AOR 3216-7 ARR				
	(codes L5T, H5T)	Front 1 Rear 1	3120-1 ATT 3216-7 ATT				
	L1-P, L2-P (w/reflective tape moulding insert) (code P4B)	1	-----	-----	-----	3160-1 ABB	3160-1 ABB
	(code P4R)	1	-----	-----	-----	3160-1 ARR	3160-1 ARR
	(code P4T)	1	-----	-----	-----	3160-1 ATT	3160-1 ATT
	(code P4Y)	1	-----	-----	-----	3160-1 AYW	3160-1 AYW
	(code P4X) Rt.	1	-----	-----	-----	*3160 AXX	*3160 AXX
	Lt.	1	-----	-----	-----	*3194 AXX	*3194 AXX
	(w/o reflective tape moulding insert) (code P4B)	1	-----	-----	-----	3194-5 ABB	3194-5 ABB
	(code P4R)	1	-----	-----	-----	3194-5 AOR	3194-5 AOR
	(code P4T)	1	-----	-----	-----	3194-5 ATT	3194-5 ATT
	(code P4Y)	1	-----	-----	-----	3194-5 AYW	3194-5 AYW
	(code P4X)	1	-----	-----	-----	3194-5 AXX	3194-5 AXX
	Fastener	★	6000 365	-----	6000 365	6000 365	6000 365
23-96-3	PANEL, Luggage Compartment Front Lining L1, L2	1	-----	-----	-----	2419 639	2440 956
	Screw (attaching)	2	-----	-----	-----	-----	6024 229
	Clip (to seat back support)	2	-----	-----	-----	-----	6000 903
	PANEL, Rear Compartment Security (use w/Barracuda formula S package)	1	-----	-----	-----	2603 464	
	(45 3/4" long - no cutout)	1	-----	-----	-----	2602 109	
	(55 1/4" long - no cutout)	1	-----	-----	-----	2528 894	
23-99-4	COVER, Center Pillar (codes L4B, H4B)	1	-----	-----	2018-9 VB6		
	(codes L4Q, H4Q)	1	-----	-----	2018-9 VQ6		
	(codes L4R, H4R)	1	-----	-----	2018-9 AR7		
	(codes L4T, H4T)	1	-----	-----	2018-9 VT6		
23-99-38	PANEL, Rear Upper Pillar Reinf. Trim Panel L1, L2 (codes L4B, H1B, H4B)	1	-----	-----	2016-7 VB6		
	(codes H1Q, H4Q, L4Q)	1	-----	-----	2016-7 VQ6		
	(codes L4T, H1T, H4T)	1	-----	-----	2016-7 VT6		
23-101-3	PANEL, Rear Quarter Trim L1-L, L2-L (2 D.) (code L1B)	1	3330-1 ABB				
	(code L1Q)	1	3330-1 AQQ				
	(code L1R)	1	3330-1 ARR				
	(code L1T)	1	3330-1 ATT				
	L1-H, L2-H (2 D.) (code H1B)	1	3332-3 ABB	-----	-----	3332-3 ABB	
	(code H1Q)	1	3332-3 AQQ	-----	-----	3332-3 AQQ	
	(code H1R)	1	3332-3 AOR	-----	-----	3332-3 AOR	
	(code H1T)	1	3332-3 ATT	-----	-----	3332-3 ATT	

★ Indicates use as required.

☐ Indicates parts not listed in any previous parts book.  
May 1965, Supersedes Sept. 4, 1964.Printed in U.S.A.  
Prices and specifications subject to change without notice.  
Right and left part numbers are on same line,  
first number is right, second number is left.

\* Indicates change or addition.

CODE	REMARKS	PER CAR	SED.	4D H.T	STA. WGN.	2D H.T	CV. CP.
23-101-3	PANEL, Rear Quarter Trim - Cont'd						
	L1-L, L2-L, L1-H, L2-H (4 D.)						
	(codes L1B, L5B, H1B, H4B, H5B)	1	7552-3 AB4				
	(codes L1Q, H1Q)	1	7552-3 AQ4				
	(codes L1R, L5R, H1R, H4R, H5R)	1	7552-3 AR5				
	(upper)						
	(codes L4B, H1B, H4B)	1	----	----	2018-9 VB6		
	(codes L4Q, H1Q, H4Q)	1	----	----	2018-9 VQ6		
	(codes L4R, H4R)	1	----	----	2018-9 AR7		
	(codes L4T, H1T, H4T)	1	----	----	2018-9 VT6		
(lower)							
		1	2054-5 AT6	----	2012-3 VT8		
	L1-P, L2-P						
	(w/reflective tape moulding insert)						
	(code P4B)	1	----	----	----	3336-7 ABB	3338-9 ABB
	(code P4R)	1	----	----	----	3336-7 AOR	3338-9 AOR
	(code P4T)	1	----	----	----	3336-7 ATT	3338-9 ATT
	(code P4Y)	1	----	----	----	3336-7 AYW	3338-9 AYW
	(code P4X)	1	----	----	----	3336-7 AXX	3338-9 AXX
	(w/o reflective tape moulding insert)						
	(code P4B)	1	----	----	----	3474-5 ABB	3476-7 ABB
	(code P4R)	1	----	----	----	3474-5 AOR	3476-7 AOR
(code P4T)	1	----	----	----	3474-5 ATT	3476-7 ATT	
(code P4X)	1	----	----	----	3474-5 AYW	3476-7 AYW	
(code P4Y)	1	----	----	----	3474-5 AXX	3476-7 AXX	
	L1-H, L2-H						
	(code H4B)	1	----	----	----	----	3334-5 ABB
	(code H4Q)	1	----	----	----	----	3334-5 AQQ
	(code H4R)	1	----	----	----	----	3334-5 AOR
	(code H4T)	1	----	----	----	----	3334-5 ATT
	Screw (front attaching)	2	6023 247	----	----	6023 247	
	Screw and Washer Fastener	★	6023 381	----	6023 381		
★	6000 365	----	6000 365	6000 365	6000 365		
23-102-3	PANEL, Shelf Trim						
	L1, L2 (paint as required)	1	1317 AT6	----	----	1317 AT6	
	Clip	2	6000 903	----	----	6000 903	
23-103-3	PANEL, Visor Trim						
	L1, L2						
	(codes L1B, L4B, L5B, H1B, H4B, H5B)	2	1101 AB3	----	1101 AB3	1101 AB3	
	(codes L1Q, L4Q, H1Q, H4Q)	2	1101 AQ3	----	1101 AQ3	1101 AQ3	
	(codes L1R, L4R, L5R, H1R, H4R, H5R)	2	1101 AW2	----	1101 AW2	1101 AW2	
	(codes L1T, L4T, L5T, H1T, H4T, H5T)	2	1101 AT3	----	1101 AT3	1101 AT3	
	L1-P, L2-P						
	(code P4B)	2	----	----	----	1102 AB3	
	(code P4R)	2	----	----	----	*1102 BW2	
	UP TO Serial No. 100196						
	(code P4Y)	2	----	----	----	1102 AY3	
	AFTER Serial No. 100196						
(code P4Y)	2	----	----	----	*1102 BW2		
(code P4T)	2	----	----	----	*1102 BX9		
(code P4T)	2	----	----	----	1102 AT3		

★ Indicates use as required.  
 □ Indicates parts not listed in any previous parts book.  
 Right and left part numbers are on same line,  
 first number is right, second number is left.  
 \* Indicates change or addition.



CODE	REMARKS	PER CAR	SED.	4 D H.T	STA. WGN.	2 D H.T	CV. CP.
23-108-4	CUSHION, Front Seat - Cont'd						
	L1-L, L2-L (4 D.)						
	(std. springs w/airfoam pad)						
	(code L1B)	1	5327	A1B			
	(code L1Q)	1	5327	A1Q			
	(code L1R)	1	5327	A1R			
	(code L1T)	1	5327	A1T			
	(heavy duty springs w/o airfoam pad)						
	(code L1B)	1	5328	A1B			
	(code L1Q)	1	5328	A1Q			
	(code L1R)	1	5328	A1R			
	(code L1T)	1	5328	A1T			
	(code L5B)	1	7231	A5B			
	(code L5R)	1	7231	A5R			
	(code L5T)	1	7231	A5T			
	(heavy duty springs w/airfoam pad)						
	(code L1B)	1	5329	A1B			
	(code L1Q)	1	5329	A1Q			
	(code L1R)	1	5329	A1R			
	(code L1T)	1	5329	A1T			
	(code L5B)	1	7232	A5B			
	(code L5R)	1	7232	A5R			
	(code L5T)	1	7232	A5T			
	L1, L2 (4 D.)						
	(std. springs w/o airfoam pad)						
	(code H1B)	1	5334	A1B			
	(code H1Q)	1	5334	A1Q			
	(code H1R)	1	5334	A1R			
	(code H1T)	1	5334	A1T			
	(code L5B)	1	7229	A5B			
	(code L5R)	1	7229	A5R			
	(code L5T)	1	7229	A5T			
	(std. springs w/airfoam pad)						
	(code H1B)	1	5335	A1B			
	(code H1Q)	1	5335	A1Q			
	(code H1R)	1	5335	A1R			
	(code H1T)	1	5335	A1T			
	(code L5B)	1	7230	A5B			
	(code L5R)	1	7230	A5R			
	(code L5T)	1	7230	A5T			
	L1-H, L2-H (4 D.)						
	(std. springs w/o airfoam pad)						
	(code H4B)	1	5341	A4B	----	5341 A4B	----
	(code H4Q)	1	5341	A4Q	----	5341 A4Q	----
	(code H4R)	1	5341	A4R	----	5341 A4R	----
	(code H4T)	1	5341	A4T	----	5341 A4T	----
	(std. springs w/airfoam pad)						
	(code H4B)	1	5342	A4B	----	5342 A4B	----
	(code H4Q)	1	5342	A4Q	----	5342 A4Q	----
	(code H4R)	1	5342	A4R	----	5342 A4R	----
	(code H4T)	1	5342	A4T	----	5342 A4T	----
	L1-L, L2-L						
	(std. springs w/o airfoam pad)						
	(code L4B)	1	----	----	5343	A4B	
	(code L4Q)	1	----	----	5343	A4Q	
	(code L4R)	1	----	----	5343	A4R	
	(code L4T)	1	----	----	5343	A4T	

● Indicates use as required.  
 ☐ Indicates parts not listed in any previous parts book.  
 Right and left part numbers are on same line,  
 first number is right, second number is left.  
 \* Indicates change or addition.

## 1965 PASSENGER CAR PARTS CATALOG

INTERIOR TRIM

CODE	REMARKS	PER CAR	SED.	4D H.T	STA. WGN.	2D H.T	CV. CP.
23-108-4	CUSHION, Front Seat - Cont'd						
	L1-L, L2-L						
	(std. springs w/airfoam pad)						
	(code L4B)	1	----	----	5344 A4B		
	(code L4Q)	1	----	----	5344 A4Q		
	(code L4R)	1	----	----	5344 A4R		
	(code L4T)	1	----	----	5344 A4T		
	(heavy duty springs w/o airfoam pad)						
	(code L4B)	1	----	----	5345 A4B		
	(code L4Q)	1	----	----	5345 A4Q		
	(code L4R)	1	----	----	5345 A4R		
	(code L4T)	1	----	----	5345 A4T		
	(heavy duty springs w/airfoam pad)						
	(code L4B)	1	----	----	5346 A4B		
	(code L4Q)	1	----	----	5346 A4Q		
	(code L4R)	1	----	----	5346 A4R		
	(code L4T)	1	----	----	5346 A4T		
	L1-P, L2-P						
	(code P4B)	1	----	----	----	5348-9 A4B	5348-9 A4B
	(code P4R)	1	----	----	----	5348-9 A4R	5348-9 A4R
	(code P4T)	1	----	----	----	5348-9 A4T	5348-9 A4T
	(code P4X)	1	----	----	----	5348-9 A4X	5348-9 A4X
	(code P4Y)	1	----	----	----	5348-9 A4Y	5348-9 A4Y
23-108-5	COVER, Front Seat Cushion						
	L1-L, L2-L (2 D.)						
	(code L1B)	1	5813 A1B				
	(code L1Q)	1	5813 A1Q				
	(code L1R)	1	5813 A1R				
	(code L1T)	1	5813 A1T				
	L1-H, L2-H (2 D.)						
	(code H1B)	1	5815 A1B	----	----	5815 A1B	
	(code H1Q)	1	5815 A1Q	----	----	5815 A1Q	
	(code H1R)	1	5815 A1R	----	----	5815 A1R	
	(code H1T)	1	5815 A1T	----	----	5815 A1T	
	L1-L, L2-L (4 D.)						
	(code L1B)	1	5812 A1B				
	(code L1Q)	1	5812 A1Q				
	(code L1R)	1	5812 A1R				
	(code L1T)	1	5812 A1T				
	(code L5B)	1	5820 A5B				
	(code L5R)	1	5820 A5R				
	(code L5T)	1	5820 A5T				
	L1-H, L2-H (4 D.)						
	(code H1B)	1	5814 A1B				
	(code H1Q)	1	5814 A1Q				
	(code H1R)	1	5814 A1R				
	(code H1T)	1	5814 A1T				
	(code H4B)	1	5817 A4B	----	5817 A4B	----	5816 A4B
	(code H4Q)	1	5817 A4Q	----	5817 A4Q	----	5816 A4Q
	(code H4R)	1	5817 A4R	----	5817 A4R	----	5816 A4R
	(code H4T)	1	5817 A4T	----	5817 A4T	----	5816 A4T
	(code H5B)	1	5820 A5B				
	(code H5R)	1	5820 A5R				
	(code H5T)	1	5820 A5T				
	L1-L, L2-L						
	(code L4B)	1	----	----	5818 A4B		
	(code L4Q)	1	----	----	5818 A4Q		
	(code L4R)	1	----	----	5818 A4R		
	(code L4T)	1	----	----	5818 A4T		

★ Indicates use as required.

□ Indicates parts not listed in any previous parts book.  
May 1965, Supersedes Sept. 4, 1964.Printed in U.S.A.  
Prices and specifications subject to change without notice.  
Right and left part numbers are on same line,  
first number is right, second number is left.

\* Indicates change or addition.

CODE	REMARKS	PER CAR	SED.	4D H.T	STA. WGN.	2D H.T	CV. CP.
23-108-5	COVER, Front Seat Cushion - Cont'd						
	L1-H, L2-H						
	(code H8B)	1	*5819 A4B				
	(code H8T)	1	*5819 A4T				
	(code H8R)	1	E5819 A8R				
	L1-P, L2-P						
	(code P4B)	1	----	----	----	5819 A4B	5819 A4B
	(code P4T)	1	----	----	----	5819 A4T	5819 A4T
	(code P4R)	1	----	----	----	5819 A4R	5819 A4R
	(code P4X)	1	----	----	----	5819 A4X	5819 A4X
	(code P4Y)	1	----	----	----	5819 A4Y	5819 A4Y
23-108-12	BACK, Front Seat						
	L1-L, L2-L (2 D.)						
	(std. springs)						
	(code L1B)	1	5528-9 A1B				
	(code L1Q)	1	5528-9 A1Q				
	(code L1R)	1	5528-9 A1R				
	(code L1T)	1	5528-9 A1T				
	(heavy duty springs)						
	(code L1B)	1	5530-1 A1B				
	(code L1Q)	1	5530-1 A1Q				
	(code L1R)	1	5530-1 A1R				
	(code L1T)	1	5530-1 A1T				
	(code H1B)	1	5532-3 A1B	----	----	5532-3 A1B	
	(code H1Q)	1	5532-3 A1Q	----	----	5532-3 A1Q	
	(code H1R)	1	5532-3 A1R	----	----	5532-3 A1R	
	(code H1T)	1	5532-3 A1T	----	----	5532-3 A1T	
	Push-Nut	2	6024 203	----	----	6024 203	
	L1-L, L2-L (4 D.)						
	(std. springs)						
	(code L1B)	1	5525 A1B				
	(code L1Q)	1	5525 A1Q				
	(code L1R)	1	5525 A1R				
	(code L1T)	1	5525 A1T				
	(heavy duty springs)						
	(code L1B)	1	5526 A1B				
	(code L1Q)	1	5526 A1Q				
	(code L1R)	1	5526 A1R				
	(code L1T)	1	5526 A1T				
	(code L5B)	1	5541 A5B				
	(code L5R)	1	5541 A5R				
	(code L5T)	1	5541 A5T				
	(std. springs)						
	(code L4B)	1	----	----	5537 A4B		
	(code L4Q)	1	----	----	5537 A4Q		
	(code L4R)	1	----	----	5537 A4R		
	(code L4T)	1	----	----	5537 A4T		
	(heavy duty springs)						
	(code L4B)	1	----	----	5538 A4B		
	(code L4Q)	1	----	----	5538 A4Q		
	(code L4R)	1	----	----	5538 A4R		
	(code L4T)	1	----	----	5538 A4T		
	L1-H, L2-H						
	(code H1B)	1	5527 A1B				
	(code H1Q)	1	5527 A1Q				
	(code H1R)	1	5527 A1R				
	(code H1T)	1	5527 A1T				
	(code H4B)	1	5536 A4B	----	5536 A4B	----	5534-5 A4B
	(code H4Q)	1	----	----	5536 A4Q	----	5534-5 A4Q
	(code H4R)	1	5536 A4R	----	5536 A4R	----	5534-5 A4R

★ Indicates use as required.  
 ☐ Indicates parts not listed in any previous parts book.  
 Right and left part numbers are on same line,  
 first number is right, second number is left.  
 \* Indicates change or addition.

## 1965 PASSENGER CAR PARTS CATALOG

INTERIOR TRIM

CODE	REMARKS	PER CAR	SED.	4D H.T	STA. WGN.	2D H.T	CV. CP.
23-108-12	BACK, Front Seat - Cont'd L1-H, L2-H (code H4T) (code H5B) (code H5R) (code H5T) Push Nut (back to cushion) Nut (spring attaching)	1 1 1 1 2 6	5536 A4T 5541 A5B 5541 A5R 5541 A5T 6024 203 -----	----- ----- ----- ----- ----- -----	5536 A4T ----- ----- ----- ----- -----	----- ----- ----- ----- 6024 203 6000 234	5534-5 A4T ----- ----- ----- 6024 203 -----
23-108-15	SPRING and COVER, Front Seat Back L1-P, L2-P (code P4B) (code P4R) (code P4T) (code P4X) (code P4Y)	2 2 2 2 2	----- ----- ----- ----- -----	----- ----- ----- ----- -----	----- ----- ----- ----- -----	5713 A4B 5713 A4R 5713 A4T 5713 A4X 5713 A4Y	5713 A4B 5713 A4R 5713 A4T 5713 A4X 5713 A4Y
23-108-16	COVER, Front Seat Back L1-L, L2-L (2 D.) (code L1B) (code L1Q) (code L1R) (code L1T)  L1-H, L2-H (2 D.) (code H1B) (code H1Q) (code H1R) (code H1T)	1 1 1 1  1 1 1 1	5928-9 A1B 5928-9 A1Q 5928-9 A1R 5928-9 A1T  5930-1 A1B 5930-1 A1Q 5930-1 A1R 5930-1 A1T	----- ----- ----- -----  ----- ----- ----- -----	----- ----- ----- -----  ----- ----- ----- -----	5930-1 A1B 5930-1 A1Q 5930-1 A1R 5930-1 A1T	----- ----- ----- -----
	L1-L, L2-L (4 D.) (code L1Q) (code L1R) (code L1T)  L1-H, L2-H (4 D.) (code H1B) (code H1Q) (code H1R) (code H1T)  L1-L, L2-L (4 D.) (code L5B) (code L5R) (code L5T)	1 1 1 1  1 1 1 1  1 1 1	5926 A1B 5926 A1Q 5926 A1R 5926 A1T  5927 A1B 5927 A1Q 5927 A1R 5927 A1T  5937 A5B 5937 A5R 5937 A5T	----- ----- ----- -----  ----- ----- ----- -----  ----- ----- -----	----- ----- ----- -----  ----- ----- ----- -----  ----- ----- -----	----- ----- ----- -----  ----- ----- ----- -----  ----- ----- -----	----- ----- ----- -----  ----- ----- ----- -----  ----- ----- -----
	L1-H, L2-H (4 D.) (code H4B) (code H4Q) (code H4R) (code H4T) (code H5B) (code H5R) (code H5T) L1-L, L2-L (code L4B) (code L4Q) (code L4R) (code L4T) L1-H, L2-H (code H8B) (code H8T) (code H8R)	1 1 1 1 1 1 1 1 1 1 1 1 1	5934 A4B 5934 A4Q 5934 A4R 5934 A4T 5937 A5B 5937 A5R 5937 A5T ----- ----- ----- ----- *5936 A4B *5936 A4T H5936 A8R	----- ----- ----- ----- ----- ----- ----- ----- ----- ----- ----- ----- -----	5934 A4B 5934 A4Q 5934 A4R 5934 A4T ----- ----- ----- 5935 A4B 5935 A4Q 5935 A4R 5935 A4T	----- ----- ----- ----- ----- ----- ----- ----- ----- ----- ----- ----- -----	5932-3 A4B 5932-3 A4Q 5932-3 A4R 5932-3 A4T ----- ----- ----- ----- ----- ----- ----- -----

★ Indicates use as required.

☐ Indicates parts not listed in any previous parts book.  
May 1965, Supersedes Sept. 4, 1964.

Printed in U.S.A.

Prices and specifications subject to change without notice.  
Right and left part numbers are on same line,  
first number is right, second number is left.

\* Indicates change or addition.





## 1965 PASSENGER CAR PARTS CATALOG

INTERIOR TRIM

CODE	REMARKS	PER CAR	SED.	4D H.T	STA. WGN.	2D H.T	CV. CP.
23-109-3	BACK, Rear Seat - Cont'd L1-H, L2-H (spring and cover) (2nd seat) (code H4B) (code H4Q) (code H4R) (code H4T) Nut (spring attaching)	1 1 1 1 2	---- ---- ---- ---- ----	---- ---- ---- ---- ----	6528 A4B 6528 A4Q 6528 A4R 6528 A4T 6000 234		
	L1-P, L2-P (code P4B) (code P4T) (code P4R) (code P4X) (code P4Y)	1 1 1 1 1	---- ---- ---- ---- ----	---- ---- ---- ---- ----	---- ---- ---- ---- ----	6531 A4B 6531 A4T 6531 A4R 6531 A4X 6531 A4Y	6536 A4B 6536 A4T 6536 A4R 6536 A4X 6536 A4Y
	L1-H, L2-H (code H4B) (code H4Q) (code H4R) (code H4T) Screw and Washer (spring attaching)	1 1 1 1 2	---- ---- ---- ---- ----	---- ---- ---- ---- ----	---- ---- ---- ---- ----	---- ---- ---- ---- ----	6535 A4B 6535 A4Q 6535 A4R 6535 A4T 6023 545
23-109-4	COVER, Rear Seat Back L1-L, L2-L (code L1B) (code L1Q) (code L1R) (code L1T) (code L4B) (code L4Q) (code L4R) (code L4T) (code L5B) (code L5R) (code L5T)	1 1 1 1 1 1 1 1 1 1 1	6726 A1B 6726 A1Q 6726 A1R 6726 A1T ---- ---- ---- ---- 6736 A5B 6736 A5R 6736 A5T	---- ---- ---- ---- ---- ---- ---- ---- ---- ---- ----	6731 A4B 6731 A4Q 6731 A4R 6731 A4T		
	L1-H, L2-H (code H1B) (code H1Q) (code H1R) (code H1T) (code H4B) (code H4Q) (code H4R) (code H4T) (code H5B) (code H5R) (code H5T) L1-H, L2-H (code H8B) (code H8T) (code H8R)	1 1 1 1 1 1 1 1 1 1 1 1 1 1 1	6727 A1B 6727 A1Q 6727 A1R 6727 A1T 6730 A4B ---- 6730 A4R 6730 A4T 6736 A5B 6736 A5R 6736 A5T *6732 A4B *6732 A4T B6732 A8R	---- ---- ---- ---- ---- ---- ---- ---- ---- ---- ---- ---- ---- ---- ----	---- ---- ---- ---- 6729 A4B 6729 A4Q 6729 A4R 6729 A4T	6727 A1B 6727 A1Q 6727 A1R 6727 A1T ---- ---- ---- ---- ---- ---- ---- ---- ---- ---- ---- ---- ----	6734 A4B 6734 A4Q 6734 A4R 6734 A4T
	L1-P, L2-P (code P4B) (code P4T) (code P4R) (code P4X) (code P4Y)	1 1 1 1 1	---- ---- ---- ---- ----	---- ---- ---- ---- ----	---- ---- ---- ---- ----	6732 A4B 6732 A4T 6732 A4R 6732 A4X 6732 A4Y	6735 A4B 6735 A4T 6735 A4R 6735 A4X 6735 A4Y
23-109-6	FOUNDATION, Back of Rear Seat Back L1, L2 (paint as required) Fastener	1 10	---- ----	---- ----	---- ----	---- ----	4410 AX9 6000 365

★ Indicates use as required.

☐ Indicates parts not listed in any previous parts book.

May 1965, Supersedes Sept. 4, 1964.

Printed in U.S.A.

Prices and specifications subject to change without notice.

Right and left part numbers are on same line,

first number is right, second number is left.

\* Indicates change or addition.

INTERIOR TRIM **1965 PASSENGER CAR PARTS CATALOG**

CODE	REMARKS	PER CAR	SED.	4D H.T	STA. WGN.	2D H.T	CV. CP.
23-109-35	CUSHION, Rear Seat L1-L, L2-L (std. springs) (code L1B)	1	6227 A1B				
	(code L1Q)	1	6227 A1Q				
	(code L1R)	1	6227 A1R				
	(code L1T)	1	6227 A1T				
	(heavy duty springs)						
	(code L1B)	1	6235 A1B				
	(code L1Q)	1	6235 A1Q				
	(code L1R)	1	6235 A1R				
	(code L1T)	1	6235 A1T				
	(2nd. seat)						
	(code L5B)	1	6237 A5B				
	(code L5R)	1	6237 A5R				
	(code L5T)	1	6237 A5T				
	(code L4B)	1	-----	----	6232 A4B		
	(code L4Q)	1	-----	----	6232 A4Q		
	(code L4R)	1	-----	----	6232 A4R		
	(code L4T)	1	-----	----	6232 A4T		
	L1-H, L2-H (2nd. seat)						
	(code H1B)	1	6228 A1B	----	-----	6228 A1B	
	(code H1Q)	1	6228 A1Q	----	-----	6228 A1Q	
	(code H1R)	1	6228 A1R	----	-----	6228 A1R	
	(code H1T)	1	6228 A1T	----	-----	6228 A1T	
	(code H4B)	1	6231 A4B	----	6230 A4B	-----	6229 A4B
	(code H4Q)	1	-----	----	6230 A4Q	-----	6229 A4Q
	(code H4R)	1	6231 A4R	----	*6230 A4R	-----	6229 A4R
	(code H4T)	1	6231 A4T	----	6230 A4T	-----	6229 A4T
	(code H5B)	1	6237 A5B				
	(code H5R)	1	6237 A5R				
	(code H5T)	1	6237 A5T				
	L1-P, L2-P						
	(code P4B)	1	-----	----	-----	6233 A4B	6234 A4B
	(code P4T)	1	-----	----	-----	6233 A4T	6234 A4T
	(code P4R)	1	-----	----	-----	6233 A4R	6234 A4R
	(code P4X)	1	-----	----	-----	6233 A4X	6234 A4X
	(code P4Y)	1	-----	----	-----	6233 A4Y	6234 A4Y
	Screw and Washer (2nd. seat cushion to floor)	2	-----	----	6023 545	6023 545	
23-109-36	COVER, Rear Seat Cushion L1, L2 (code L1B)	1	6412 A1B				
	(code L1Q)	1	6412 A1Q				
	(code L1R)	1	6412 A1R				
	(code L1T)	1	6412 A1T				
	(code L4B)	1	-----	----	6417 A4B		
	(code L4Q)	1	-----	----	6417 A4Q		
	(code L4R)	1	-----	----	6417 A4R		
	(code L4T)	1	-----	----	6417 A4T		
	(codes L5B, H5B)	1	6420 A5B		6420 A5B		
	(codes L5R, H5R)	1	6420 A5R		6420 A5R		
	(codes L5T, H5T)	1	6420 A5T		6420 A5T		
	L1-H, L2-H						
	(code H1B)	1	6413 A1B	----	-----	6413 A1B	
	(code H1Q)	1	6413 A1Q	----	-----	6413 A1Q	
	(code H1R)	1	6413 A1R	----	-----	6413 A1R	
	(code H1T)	1	6413 A1T	----	-----	6413 A1T	
	(code H4B)	1	6416 A4B	----	6415 A4B	-----	6414 A4B
	(code H4Q)	1	-----	----	6415 A4Q	-----	6414 A4Q
	(code H4R)	1	6416 A4R	----	6415 A4R	-----	6414 A4R
	(code H4T)	1	6416 A4T	----	6415 A4T	-----	6414 A4T

★ Indicates use as required.  
 □ Indicates parts not listed in any previous parts book.  
 Right and left part numbers are on same line,  
 first number is right, second number is left.  
 \* Indicates change or addition.

## 1965 PASSENGER CAR PARTS CATALOG

INTERIOR TRIM

CODE	REMARKS	PER CAR	SED.	4D H.T	STA. WGN.	2D H.T	CV. CP.
23-109-36	COVER, Rear Seat Cushion - Cont'd L1-H, L2-H (code H8B) (code H8T) (code H8R)  L1-P, L2-P (code P4B) (code P4R) (code P4T) (code P4X) (code P4Y)	1 1 1  1 1 1 1 1	6418 A4B 6418 A4T 6418 A8R  ---- ---- ---- ---- ----	----	----	6418 A4B 6418 A4R 6418 A4T 6418 A4X 6418 A4Y	6419 A4B 6419 A4R 6419 A4T 6419 A4X 6419 A4Y
23-109-38	RETAINER, Center Floor Pan Rear Seat Cushion L1, L2	2	1810 037	----	1810 037	1810 037	1810 037
23-111-37	STRIP, Folding Top Bow Tacking L1, L2 (No. 1 bow) (No. 2 bow) (rear bow end)	2 1 2	---- ---- ----	----	----	----	2424 591 2424 607 *2573 686
23-112-4	RETAINER, Folding Top Header Top Material L1, L2	1	----	----	----	----	2424 262-3
23-112-12	BOOT, Folding Top Dust L1, L2 (codes H4B, P4B) (code H4Q) (code H4R) (code P4R) (code P4Y) (code P4X) Socket (dust boot to pocket panel)(dust boot to belt moulding)	1 1 1 1 1 1 ★	---- ---- ---- ---- ---- ---- ----	----	----	----	1922 AB4 1922 AQ4 1922 AR5 1922 AR7 1922 AW3 *1922 VX9  141 998
23-112-18	RETAINER, Rear Seat Back Dust Boot L1, L2	1	----	----	----	----	2577 275
23-112-23	COVER, Folding Top Rear Bow to Link Joint L1, L2 (black) (white)	2 2	---- ----	----	----	----	1968 VX9 1968 VW2
23-112-45	CURTAIN, Folding Top Rear L1, L2 (blue) (black) (backlite)	1 1 1	---- ---- ----	----	----	----	1927 VB1 1927 AX9 1928 AX9
23-112-46	ZIPPER, Folding Top Rear Curtain L1, L2 (full) (white) (black)	1 1	---- ----	----	----	----	1920 VW2 1920 AX8

★ Indicates use as required.

☐ Indicates parts not listed in any previous parts book.

May 1965, Supersedes Sept. 4, 1964.

Printed in U.S.A.  
Prices and specifications subject to change without notice.Right and left part numbers are on same line,  
first number is right, second number is left.

\* Indicates change or addition.

INTERIOR TRIM **1965 PASSENGER CAR PARTS CATALOG**

CODE	REMARKS	PER CAR	SED.	4D H.T	STA. WGN.	2D H.T	CV. CP.
23-112-50	TAPE, Folding Top						
	L1, L2 (sold by the inch)						
	(side rear closure loop)						
	(black)	★	----	----	----	----	1933 TX8
	(white)	★	----	----	----	----	1933 VW2
23-112-70	RETAINER, Folding Top to Belt Bar						
	L1, L2						
	(side)	1	----	----	----	----	2448 104-5
	(center)	1	----	----	----	----	2448 103
23-112-75	TIP, Wire-On Binding End						
	L1, L2	1	----	----	----	----	1158 976-7
23-112-88	CABLE, Rear Bow Tension						
	L1, L2	2	----	----	----	----	*1972 AX8
	(top cover)	2	----	----	----	----	1972 VW2
	Bolt	2	----	----	----	----	2525 851 6022 169
23-112-108	DECK and SIDE QUARTER, Folding Top						
	L1, L2						
	(blue)	1	----	----	----	----	1936 AB1
23-112-112	PAD, Folding Top Side Quarter Stay						
	L1, L2						
	(black)	1	----	----	----	----	1936 AW1
23-112-153	WELL COVER, Pocket PANEL, Pocket Panel COVER, Pocket Shelf PANEL, Folding Top						
	L1, L2						
23-112-153	(pocket panel)						
	(codes H4B, P4B, H4Q, H4R, P4R, H4T, P4T, P4X, P4Y)	1	----	----	----	----	2010-1 AT6
	(pocket panel cover) (upper inner)						
	(codes P4B, H4B)	1	----	----	----	----	2020-1 VB6
	(codes P4R, H4R)	1	----	----	----	----	*2020-1 VT6
	(code P4Y)	1	----	----	----	----	2020-1 AY6
	(code H4Q)	1	----	----	----	----	2020-1 VQ6
	(codes H4T, P4T)	1	----	----	----	----	2020-1 VT6
	(code P4X)	1	----	----	----	----	2020-1 VX8
	L1, L2 (well cover)						
	(codes H4B, P4B)	1	----	----	----	----	1941 AB4
	(codes H4T, P4T)	1	----	----	----	----	1941 VT6
	(code H4Q)	1	----	----	----	----	1941 AQ4
(code H4R)	1	----	----	----	----	1941 AR5	
(code P4R)	1	----	----	----	----	1941 AR7	
(code P4Y)	1	----	----	----	----	1941 AW3	
(code P4X)	1	----	----	----	----	1941 VX9	
Cap (well cover to folding top cover)	2	----	----	----	----	6000 434	

★ Indicates use as required.  
 ☐ Indicates parts not listed in any previous parts book.  
 Right and left part numbers are on same line,  
 first number is right, second number is left.  
 \* Indicates change or addition.

## 1965 PASSENGER CAR PARTS CATALOG

INTERIOR TRIM

CODE	REMARKS	PER CAR	SED.	4D H.T	STA. WGN.	2D H.T	CV. CP.
23-112-160	PAD, Folding Top Pocket Panel Arm Rest (codes H4B, P4B)	1	----	----	----	----	1204-5 AB4
	(code H4R)	1	----	----	----	----	1204-5 AR5
	(code P4R)	1	----	----	----	----	1204-5 AR7
	(code P4X)	1	----	----	----	----	1204-5 VX9
	(code H4Q)	1	----	----	----	----	1204-5 AQ4
	(codes P4T, H4T)	1	----	----	----	----	1204-5 VT6
	(code P4Y)	1	----	----	----	----	1204-5 AW3
23-113-45	WEATHERCORD, Quarter Window Opening L1-L, L2-L, L1-H, L2-H (2 D.)	2	1515 AB4				
	(codes L1B, H1B)	2	1515 AQ4				
	(codes L1Q, H1Q)	2	E1514 AR5				
	(codes L1R, H1R)						
23-113-52	STRIP, Windshield Lower Inside Trim L1-H, L2-H, L1-P, L2-P	1	----	----	----	*4249 AB8	
	(codes H1B, P4B)	1	----	----	----	*4249 AQ8	
	(code H1Q)	1	----	----	----	----	*4249 AR9
	(codes H1R, P4R)	1	----	----	----	----	*4249 VT8
	(codes H1T, P4T)	1	----	----	----	*4249 VT8	*4249 VT8
	(code P4Y)	1	----	----	----	*4249 AY8	*4249 AY8
	(codes H4B, P4B)	1	----	----	----	4249 AB8	4249 AB8
	(code H4Q)	1	----	----	----	4249 AQ8	4249 AQ8
23-113-56	WEATHERCORD, Folding Top Header L1, L2 (sold by the inch)	1	----	----	----	----	1947 AB1
	(blue)	1	----	----	----	----	1947 AW1
	(white)						
23-113-84	WELT, Folding Top L1, L2 (sold by the inch) (dust boat filler, channel attaching) (folding top header)	★	----	----	----	----	2572 166
	(white)	1	----	----	----	----	1945 VW2
	(black)	1	----	----	----	----	1959 VX8
23-115-4	PUSHNUT, Front Seat Back to Cushion Mounting L1-P, L2-P	4	----	----	----	2410 102	2410 102
23-115-6	PIN, Front Seat Back Frame to Cushion Frame L1-P, L2-P	4	----	----	----	2410 054	2410 054
	Clip (front seat back outer hinge arm cover)	2	E2160 974	----	----	E2160 974	E2160 974

## NOTES

★ Indicates use as required.  
 ☐ Indicates parts not listed in any previous parts book.  
 May 1965, Supersedes Sept. 4, 1964.

Printed in U.S.A.  
 Prices and specifications subject to change without notice.  
 Right and left part numbers are on same line,  
 first number is right, second number is left.

● Indicates change or addition.

# 1965 CHRYSLER 1965 IMPERIAL

## INTERIOR TRIM

### HOW TO USE INTERIOR TRIM ILLUSTRATIONS

The illustrations in this section are actual and each body style showing the Interior Trim is included.

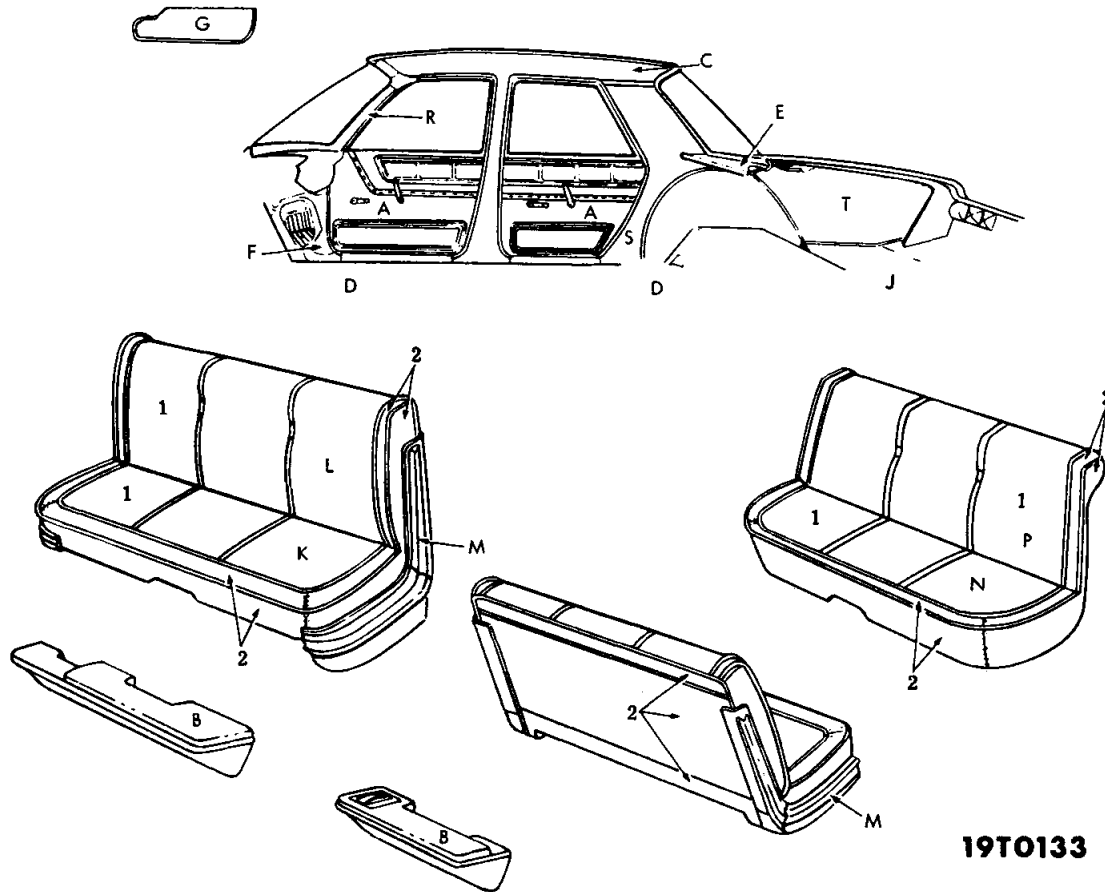
The letters shown on the illustration indicate the description of the part and the part type code when referred to the legend which appears preceding the listing of the parts. The letters are consistent throughout the illustrations as "A" is always a Door Trim Panel, Code 23-92-5.

The numbers on the illustration indicate the distribution of material and type of material used. The numbers may vary with each illustration. The legend appears on the illustration.

Appearing throughout this section are part numbers containing both letters and numbers. These are good serviceable part numbers. The combination of letters and numbers merely indicates the parts are keyed to the interior color of the vehicles on which they are used.

For complete information on "How to Order" Trim Parts, see Master Parts Price List.

C  
H  
R  
Y  
S  
L  
E  
R  
  
I  
M  
P  
E  
R  
I  
A  
L



19T0133

PART NUMBERS AND COLORS

ITEM	TYPE OF MATERIAL	PART TYPE CODE	MAT'L WIDTH	BLUE	BLACK & WHITE	TURQUOISE	RED
1	Body Cloth	23-114-2	60"	⊕0111 ABB	⊕0111 ANN	⊕0111 AQQ	⊕0111 ARR
2	Vinyl 35.5 oz.	23-114-15	54"	⊕0464 AB8	⊕0464 AW3	⊕0464 AQ8	⊕0464 AR7

PART NUMBERS AND COLORS

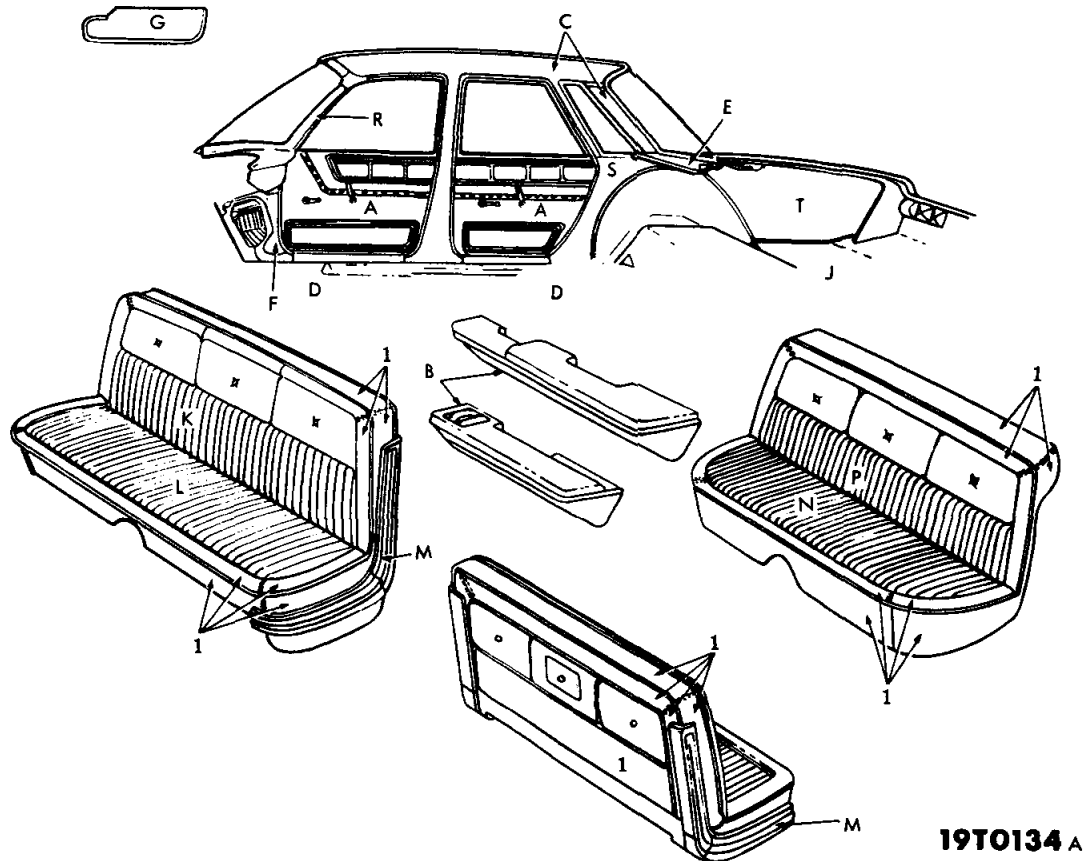
ITEM	TYPE OF MATERIAL	PART TYPE CODE	MAT'L WIDTH	TAN			
1	Body Cloth	23-114-2	60"	⊕0111 ATT			
2	Vinyl 35.5 oz.	23-114-15	54"	⊕0464 AT8			

Distribution Drawing Legend Page Appears Following Illustration Section

1965 CHRYSLER AC1-L 4 DOOR SEDAN  
CLOTH AND VINYL TRIM  
CODES L1B, L1N, L1Q, L1R, L1T

★ Indicates use as required.  
⊕ Indicates parts not listed in any previous parts book.  
September 4, 1964.





PART NUMBERS AND COLORS

ITEM	TYPE OF MATERIAL	PART TYPE CODE	MAT'L WIDTH	BLUE	GOLD & BLACK	BLACK & WHITE	TURQUOISE
1	Vinyl 35.5 oz.	23-114-15	54"	0464 AB8	0464 AY3	0464 AW3	0464 AQ8

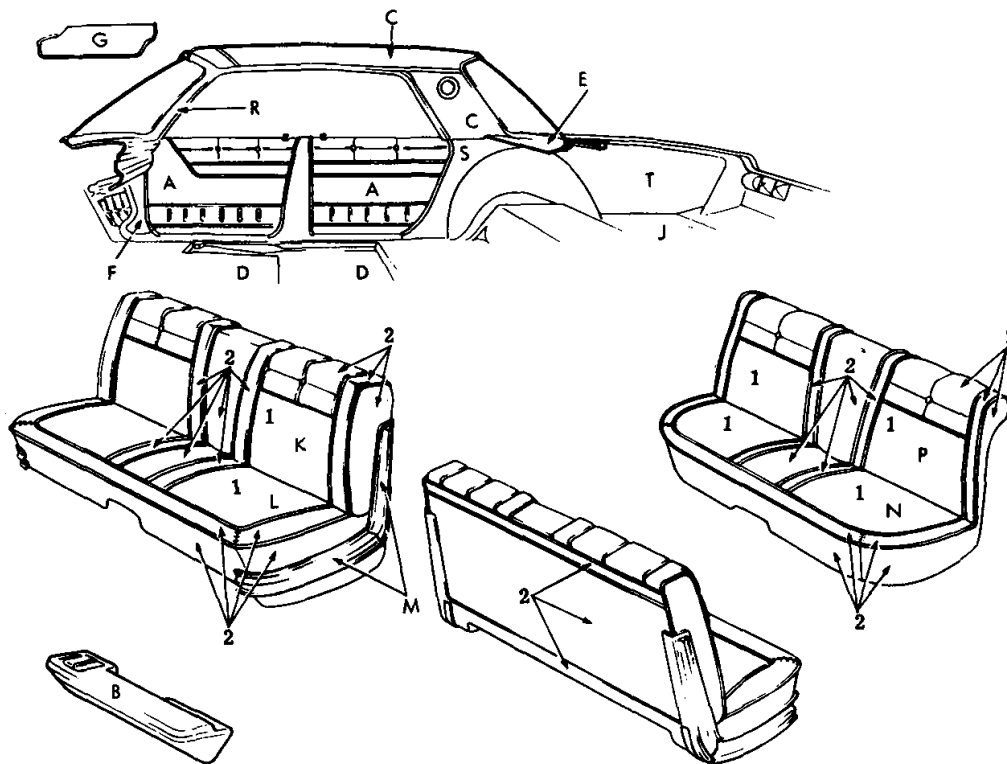
PART NUMBERS AND COLORS

ITEM	TYPE OF MATERIAL	PART TYPE CODE	MAT'L WIDTH	RED	TAN		
1	Vinyl 35.5 oz.	23-114-15	54"	0464 AR7	0464 AT8		

Distribution Drawing Legend Page Appears Following Illustration Section

1965 CHRYSLER AC1-L 4 DOOR 6 WINDOW SEDAN  
CLOTH AND VINYL TRIM  
CODES L2B, L2L, L2N, L2Q, L2R, L2T

● Indicates use as required.  
 ☐ Indicates parts not listed in any previous parts book.  
 \* Indicates change or addition.



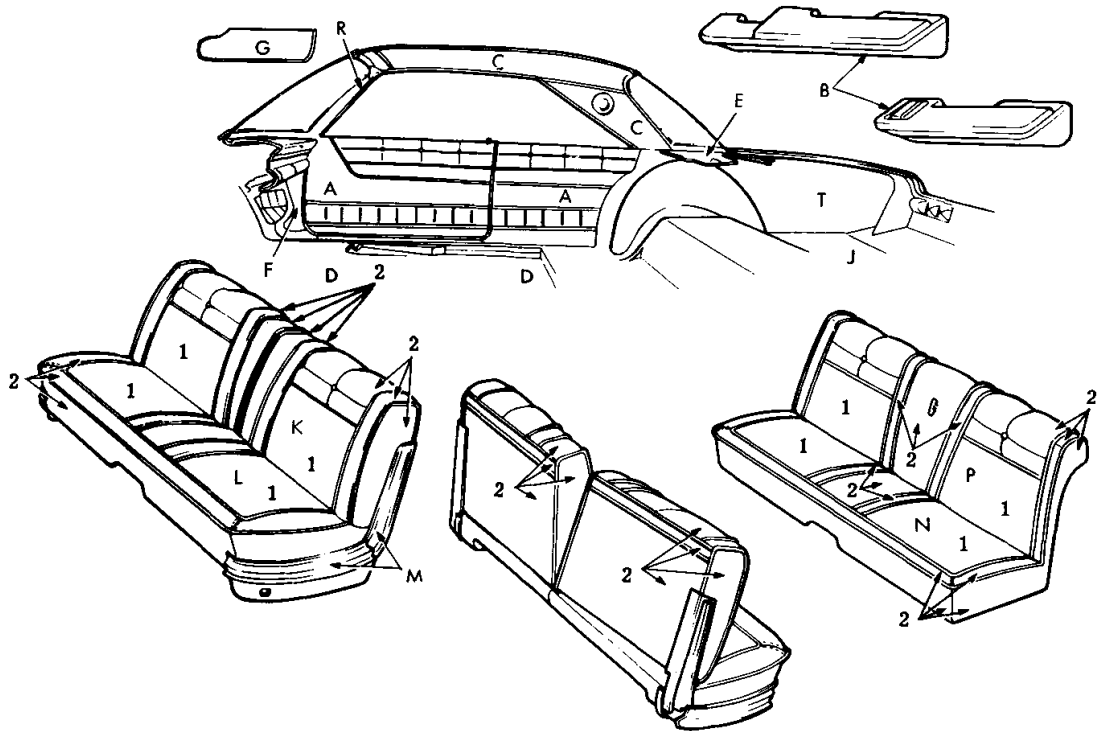
**19T0135**

PART NUMBERS AND COLORS

ITEM	TYPE OF MATERIAL	PART TYPE CODE	MAT'L WIDTH	BLUE	TURQUOISE	RED	TAN
1	Body Cloth	23-114-2	58"	E0112 ABB	E0112 AQQ	E0112 ARR	E0112 ATT
2	Vinyl 35.5 oz.	23-114-15	54"	E0464 AB4	E0464 AQ4	E0464 AR7	E0464 AT6

Distribution Drawing Legend Page Appears Following Illustration Section

1965 CHRYSLER AC1-L 4 DOOR HARD TOP  
CLOTH AND VINYL TRIM  
CODES L8B, L8Q, L8R, L8T

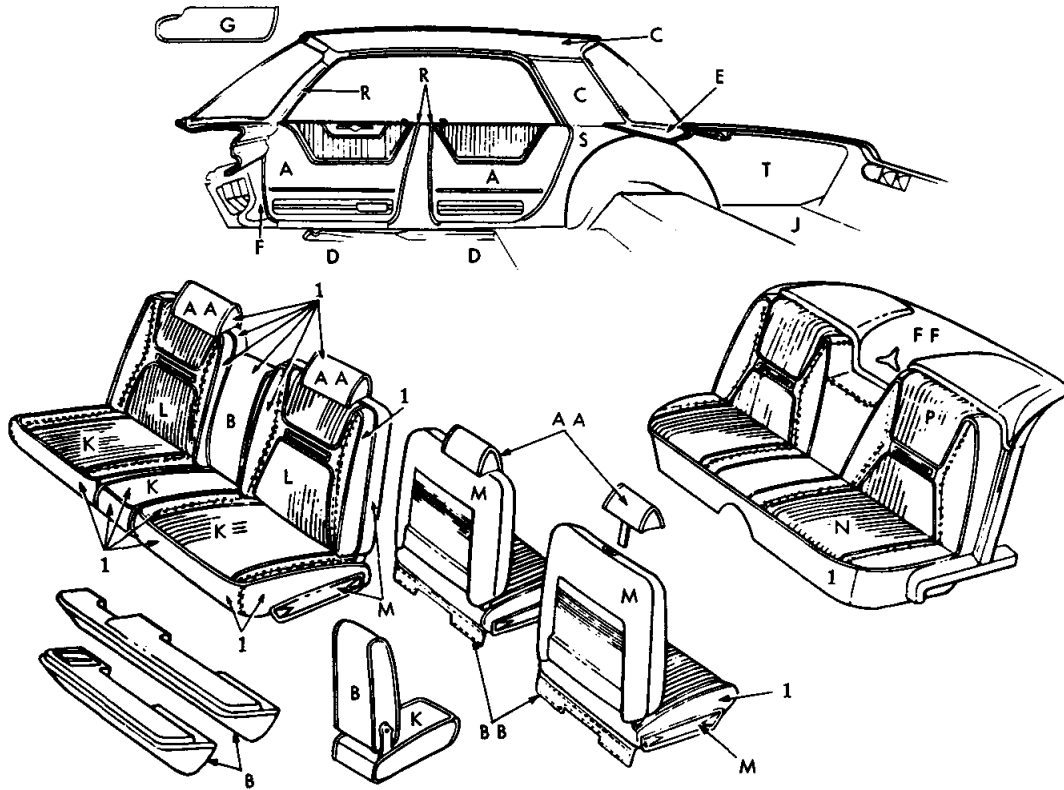


19T0136

ITEM	TYPE OF MATERIAL	PART TYPE CODE	MAT'L WIDTH	PART NUMBERS AND COLORS			
				BLUE	TURQUOISE	RED	TAN
1	Body Cloth	23-114-2	58"	E0112 ABB	E0112 AQQ	E0112 ARR	E0112 ATT
2	Vinyl 35.5 oz.	23-114-15	54"	E0464 AB4	E0464 AQ4	E0464 AR7	E0464 AT6

Distribution Drawing Legend Page Appears Following Illustration Section

1965 CHRYSLER AC1-L 2 DOOR HARD TOP  
CLOTH AND VINYL TRIM  
CODES L8B, L8Q, L8R, L8T



19T0150A

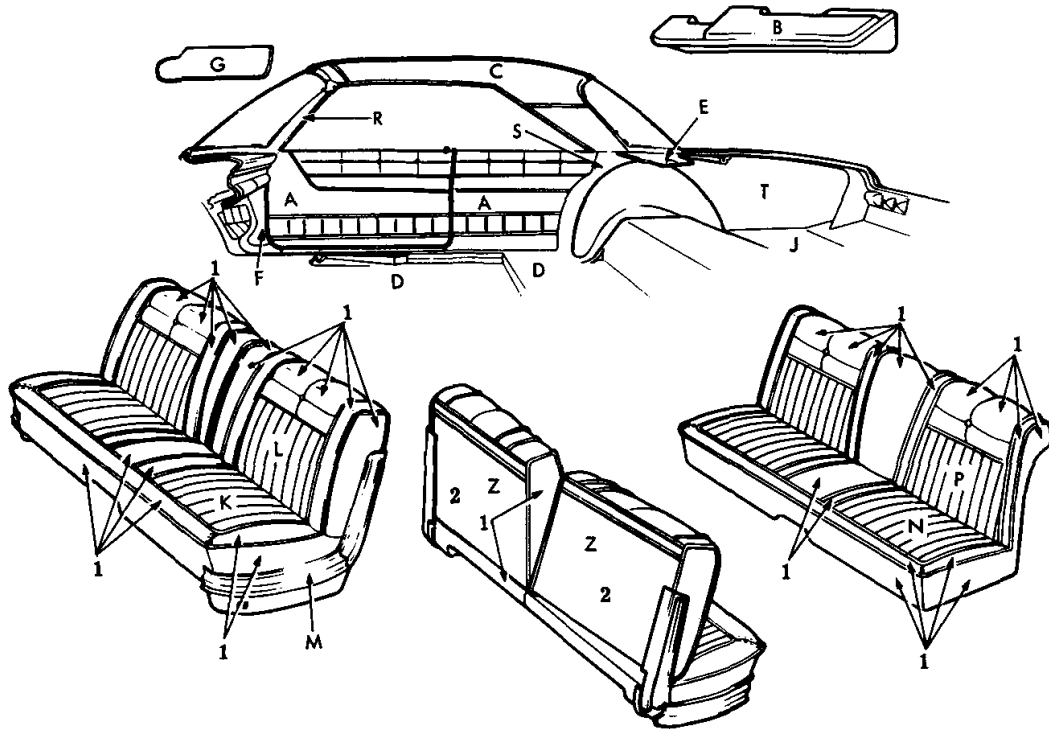
PART NUMBERS AND COLORS

ITEM	TYPE OF MATERIAL	PART TYPE CODE	MAT'L WIDTH	BLACK & WHITE			
1	Vinyl 35.5 oz.	23-114-15	54"	0464 AW3			

Distribution Drawing Legend Page Appears Following Illustration Section

1965 CHRYSLER AC2-M 4 DOOR HARD TOP  
CLOTH AND VINYL TRIM  
CODE M1N

★ Indicates use as required.  
⊠ Indicates parts not listed in any previous parts book.  
May 1965, Supersedes Sept. 4, 1964.



19T0138

PART NUMBERS AND COLORS

ITEM	TYPE OF MATERIAL	PART TYPE CODE	MAT'L WIDTH	BLUE	GOLD & BLACK	BLACK & WHITE	RED
1	Vinyl 35.5 oz.	23-114-15	54"	E0464 AB4	E0464 AY3	E0464 AW3	E0464 AR7
2	Vinyl 26 oz.	23-114-15	56"	E0472 AB8	E0472 AX9	E0472 AW3	E0472 AR7

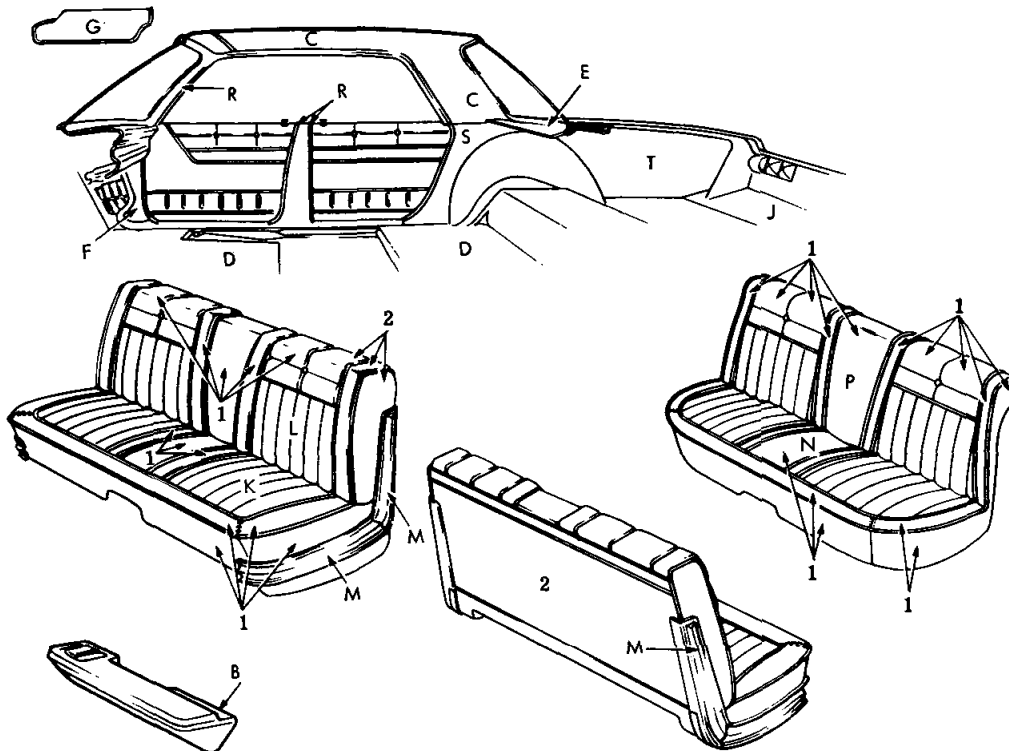
PART NUMBERS AND COLORS

ITEM	TYPE OF MATERIAL	PART TYPE CODE	MAT'L WIDTH	TAN	BLACK		
1	Vinyl 35.5 oz.	23-114-15	54"	E0464 AT6	E0464 AX9		
2	Vinyl 26 oz.	23-114-15	56"	E0472 AT8	E0472 AX9		

Distribution Drawing Legend Page Appears Following Illustration Section

1965 CHRYSLER C1-L 2 DOOR HARD TOP  
VINYL TRIM  
CODES L4B, L4L, L4N, L4R, L4T, L4X

★ Indicates use as required.  
⊠ Indicates parts not listed in any previous parts book.



19T0137

PART NUMBERS AND COLORS

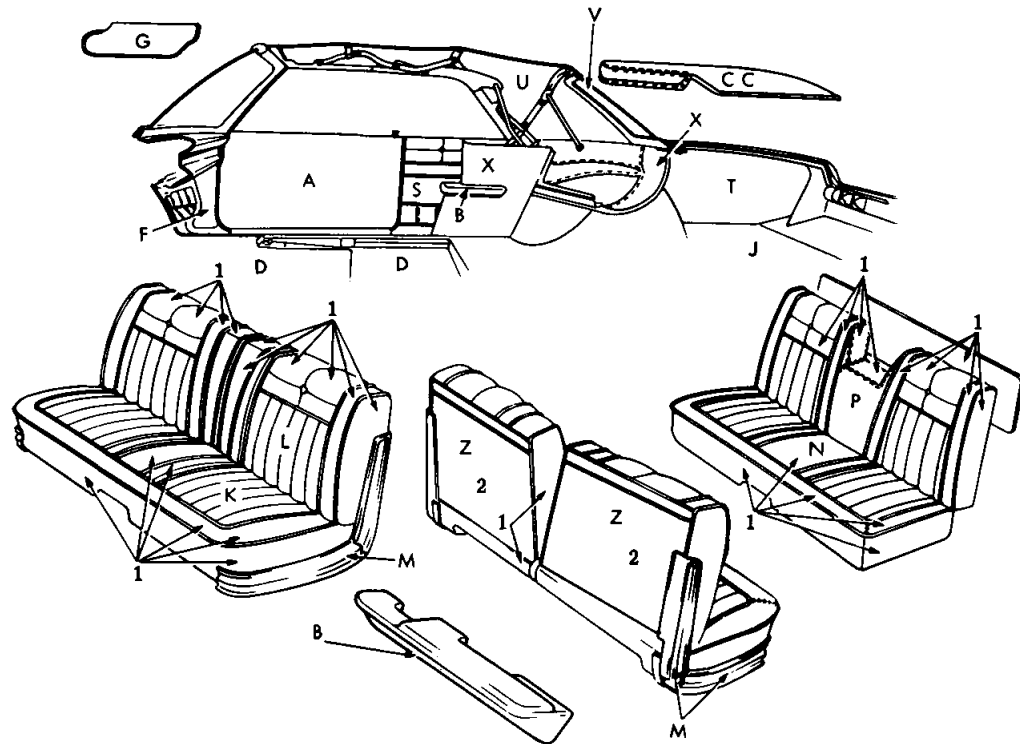
ITEM	TYPE OF MATERIAL	PART TYPE CODE	MAT'L WIDTH	BLUE	GOLD & BLACK	BLACK & WHITE	RED
1	Vinyl 35.5 oz.	23-114-15	54"	E0464 AB4	E0464 AY3	E0464 AW3	E0464 AR7
2	Vinyl 26 oz.	23-114-15	56"	E0472 AB8	E0472 AX9	E0472 AW3	E0472 AR7

PART NUMBERS AND COLORS

ITEM	TYPE OF MATERIAL	PART TYPE CODE	MAT'L WIDTH	TAN	BLACK		
1	Vinyl 35.5 oz.	23-114-15	54"	E0464 AT6	E0464 AX9		
2	Vinyl 26 oz.	23-114-15	56"	E0472 AT8	E0472 AX9		

Distribution Drawing Legend Page Appears Following Illustration Section

1965 CHRYSLER C1-L 4 DOOR HARD TOP  
VINYL TRIM  
CODES L4B, L4L, L4N, L4R, L4T, L4X



19T0139

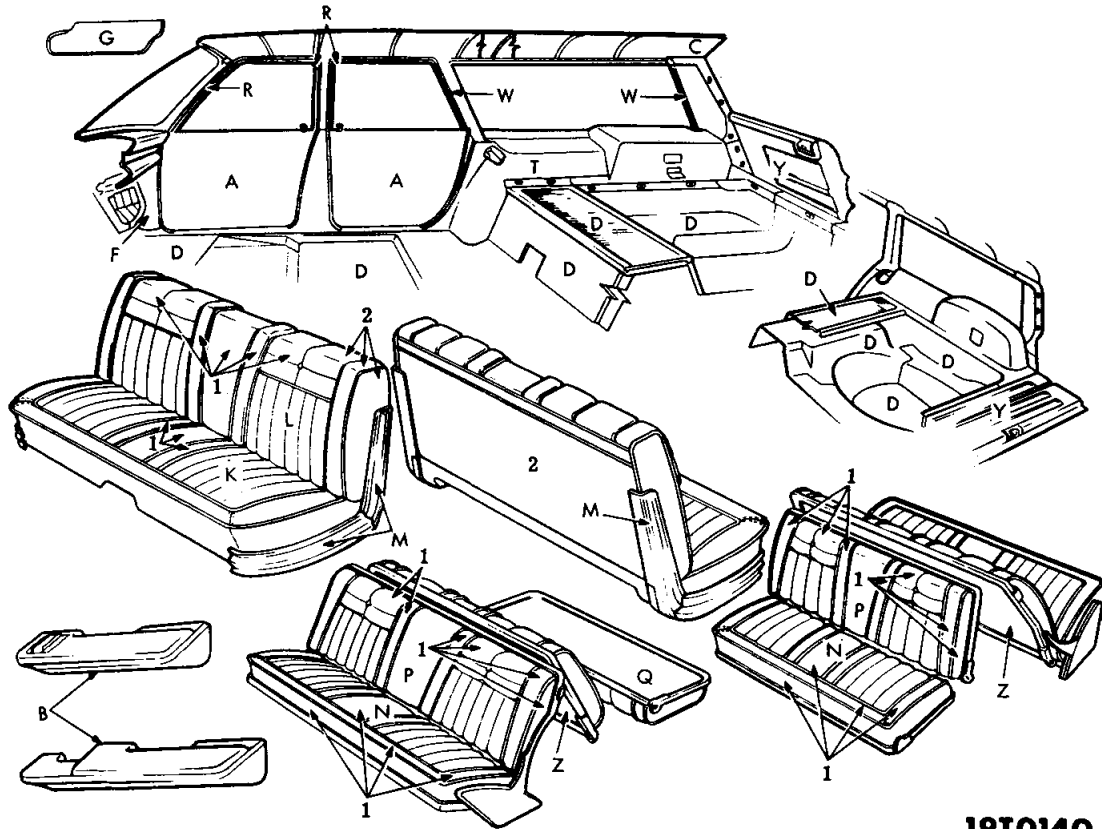
PART NUMBERS AND COLORS							
ITEM	TYPE OF MATERIAL	PART TYPE CODE	MAT'L WIDTH	BLUE	GOLD & BLACK	BLACK & WHITE	RED
1	Vinyl 35.5 oz.	23-114-15	54"	E0464 AB4	E0464 AY3	E0464 AW3	E0464 AR7
2	Vinyl 26 oz.	23-114-15	56"	E0472 AB8	E0472 AX9	E0472 AW3	E0472 AR7

PART NUMBERS AND COLORS							
ITEM	TYPE OF MATERIAL	PART TYPE CODE	MAT'L WIDTH	TAN	BLACK		
1	Vinyl 35.5 oz.	23-114-15	54"	E0464 AT6	E0464 AX9		
2	Vinyl 26 oz.	23-114-15	56"	E0472 AT8	E0472 AX9		

Distribution Drawing Legend Page Appears Following Illustration Section

1965 CHRYSLER C1-L CONVERTIBLE  
VINYL TRIM  
CODES L4B, L4L, L4N, L4R, L4T, L4X

★ Indicates use as required.  
☐ Indicates parts not listed in any previous parts book.



19T0140

PART NUMBERS AND COLORS

ITEM	TYPE OF MATERIAL	PART TYPE CODE	MAT'L WIDTH	BLUE	GOLD & BLACK	BLACK & WHITE	RED
1	Vinyl 35.5 oz.	23-114-15	54"	E0464 AB4	E0464 AY3	E0464 AW3	E0464 AR7
2	Vinyl 26 oz.	23-114-15	56"	E0472 AB8	E0472 AX9	E0472 AW3	E0472 AR7

PART NUMBERS AND COLORS

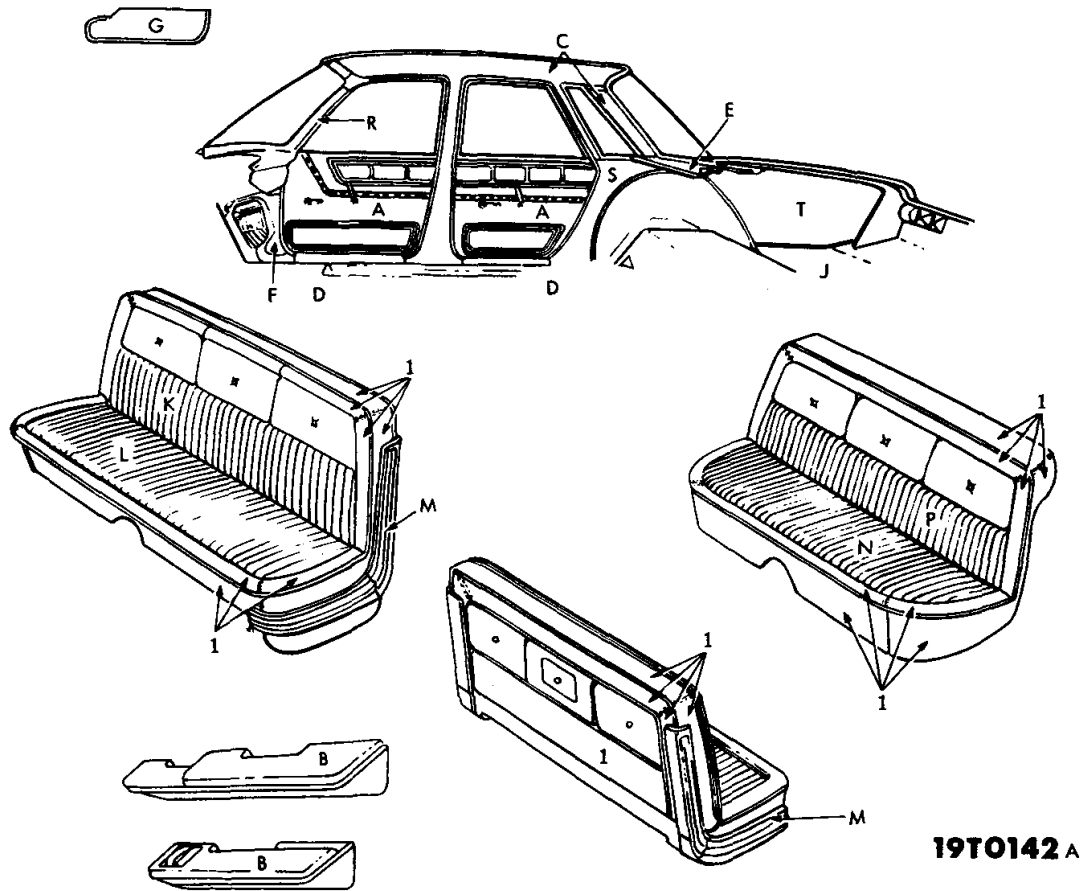
ITEM	TYPE OF MATERIAL	PART TYPE CODE	MAT'L WIDTH	TAN	BLACK		
1	Vinyl 35.5 oz.	23-114-15	54"	E0464 AT6	E0464 AX9		
2	Vinyl 26 oz.	23-114-15	56"	E0472 AT8	E0472 AX9		

Distribution Drawing Legend Page Appears Following Illustration Section

1965 CHRYSLER C1-L 2 SEAT AND 3 SEAT STATION WAGON  
VINYL TRIM  
CODES L4B, L4L, L4N, L4R, L4T, L4X

★ Indicates use as required.  
⊠ Indicates parts not listed in any previous parts book.  
September 4, 1964.





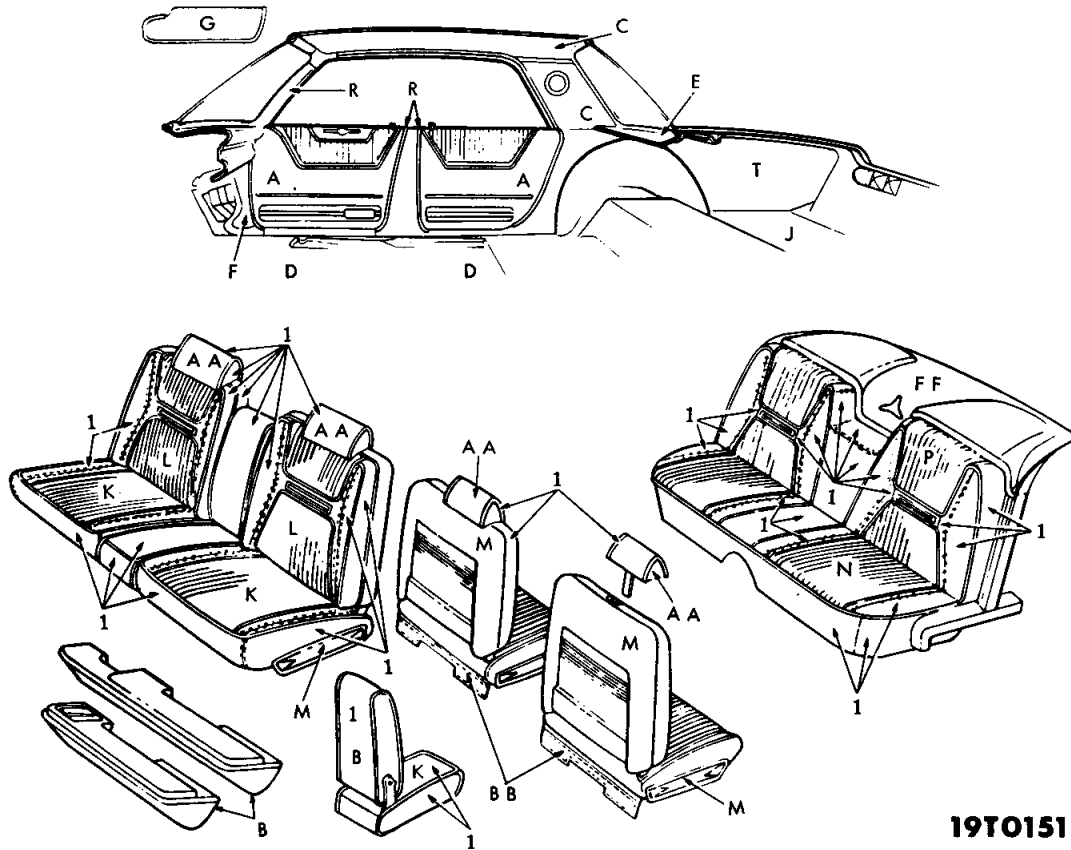
PART NUMBERS AND COLORS

ITEM	TYPE OF MATERIAL	PART TYPE CODE	MAT'L WIDTH	BLUE	RED	TAN	
1	Vinyl 35.5 oz.	23-114-15	54"	0464 AB4	0464 AR7	*0464 AT8	

Distribution Drawing Legend Page Appears Following Illustration Section

1965 CHRYSLER AC1-L 4 DOOR 6 WINDOW SEDAN  
 VINYL TRIM  
 CODES L5B, L5R, L5T

★ Indicates use as required.  
 ☒ Indicates parts not listed in any previous parts book.  
 \* Indicates change or addition.



19T0151A

PART NUMBERS AND COLORS

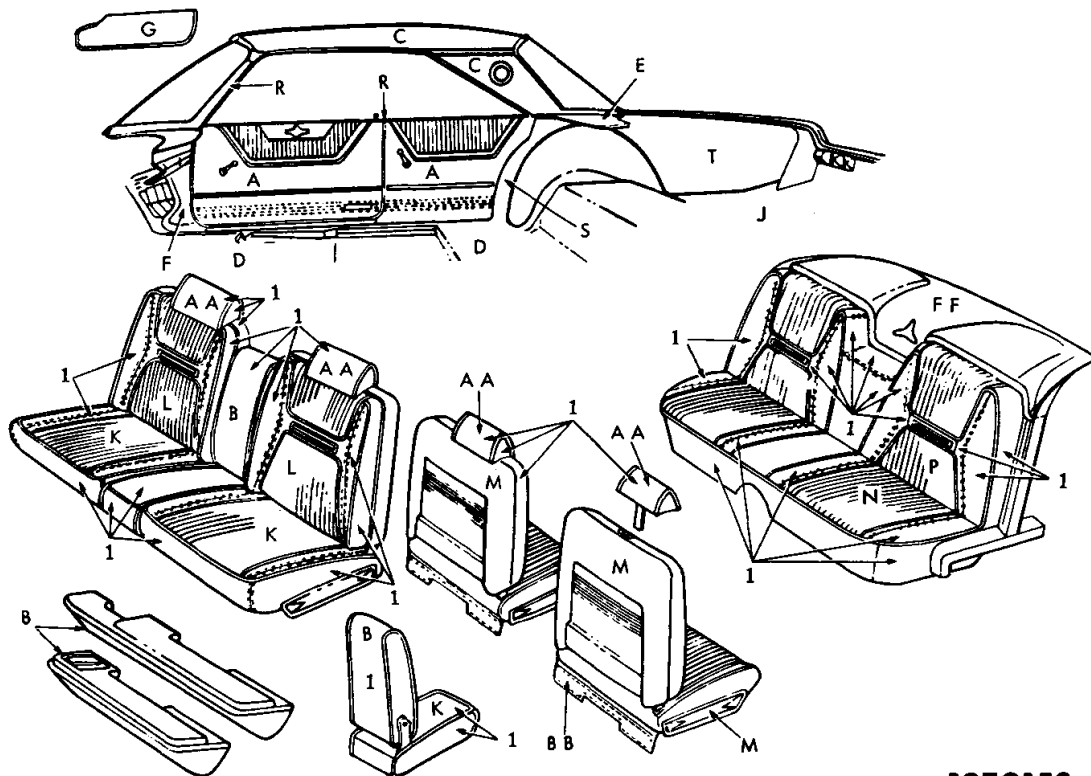
ITEM	TYPE OF MATERIAL	PART TYPE CODE	MAT'L WIDTH	BLUE	RED	TAN	WHITE
1	Vinyl 35.5 oz.	23-114-15	54"	0464 AB8	0464 AR7	0464 AT6	0464 AW3

PART NUMBERS AND COLORS

ITEM	TYPE OF MATERIAL	PART TYPE CODE	MAT'L WIDTH	BLACK	GOLD & BLACK		
1	Vinyl 35.5 oz.	23-114-15	54"	0464 AX9	0464 AY3		

Distribution Drawing Legend Page Appears Following Illustration Section

1965 CHRYSLER AC2-M 4 DOOR HARD TOP  
VINYL TRIM  
CODES M4B, M4R, M4T, M4W, M4X, M4L



19T0152 A

PART NUMBERS AND COLORS							
ITEM	TYPE OF MATERIAL	PART TYPE CODE	MAT'L WIDTH	BLUE	RED	TAN	WHITE

1	Vinyl 35.5 oz.	23-114-15	54"	0464 AB8	0464 AR7	0464 AT6	0464 AW3
---	----------------	-----------	-----	----------	----------	----------	----------

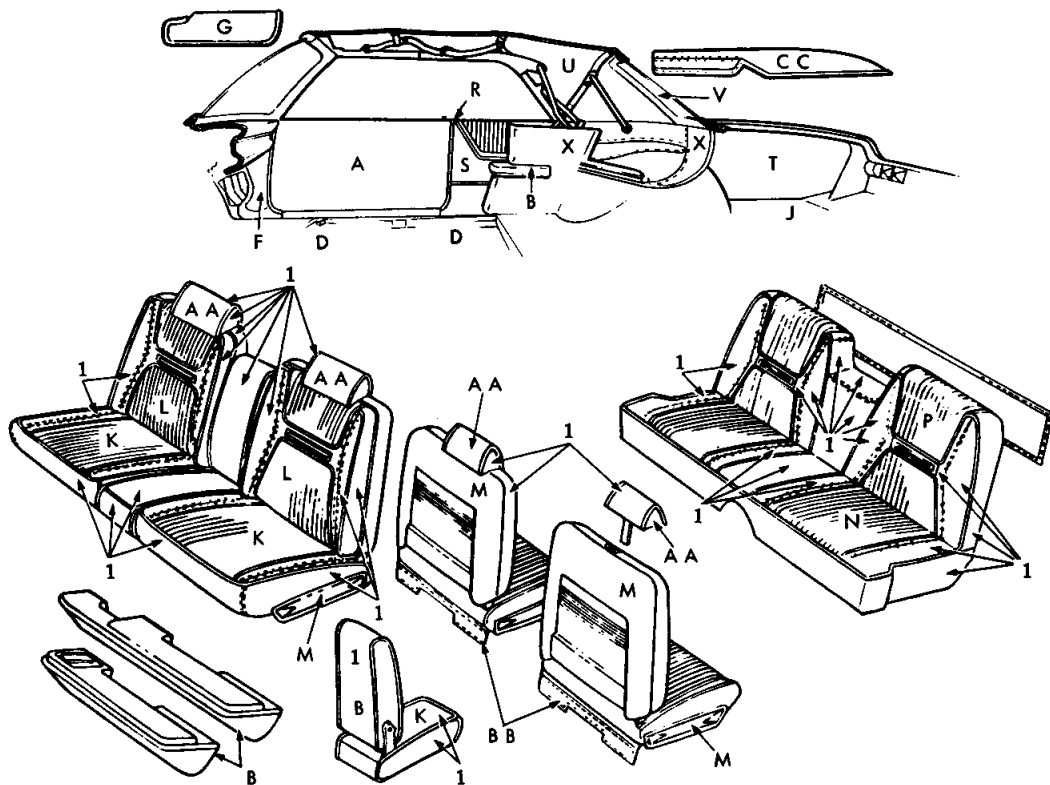
PART NUMBERS AND COLORS							
ITEM	TYPE OF MATERIAL	PART TYPE CODE	MAT'L WIDTH	BLACK	GOLD & BLACK		

1	Vinyl 35.5 oz.	23-114-15	54"	0464 AX9	0464 AY3		
---	----------------	-----------	-----	----------	----------	--	--

Distribution Drawing Legend Page Appears Following Illustration Section

1965 CHRYSLER AC-M 2 DOOR HARD TOP  
 VINYL TRIM  
 CODES M4B, M4R, M4T, M4W, M4X, M4L  
 CODES P4B, P4R, P4T, P4W, P4X, P4L

★ Indicates use as required.  
 Ⓟ Indicates parts not listed in any previous parts book.



**19T0153 A**

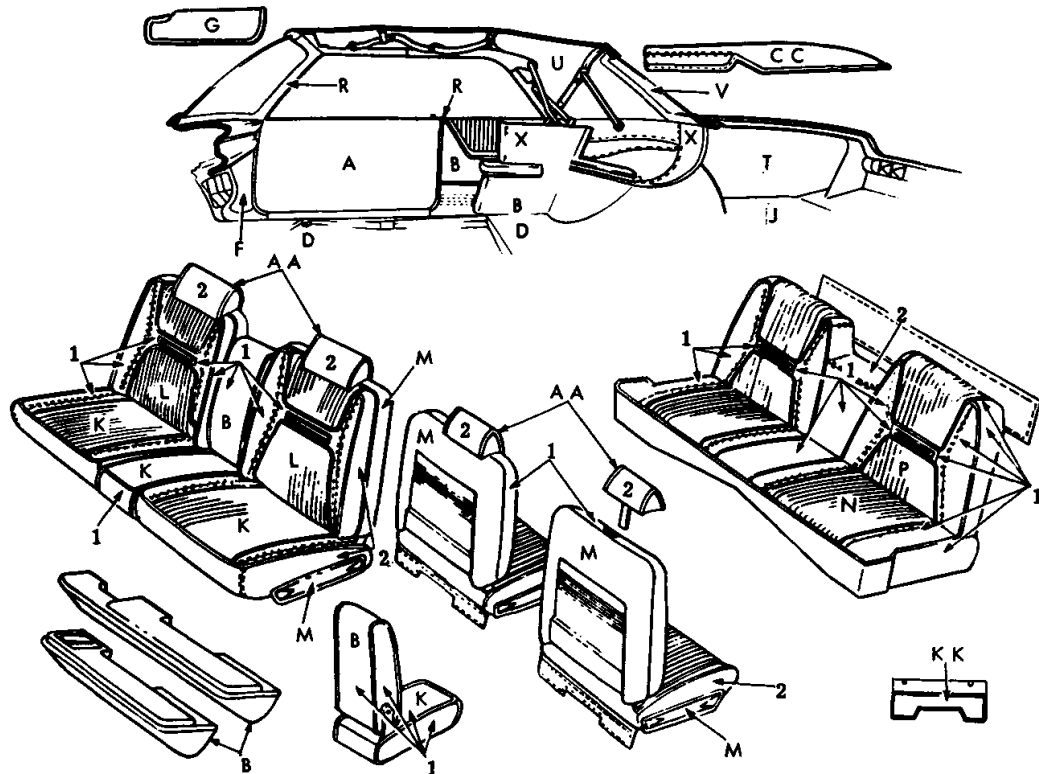
PART NUMBERS AND COLORS							
ITEM	TYPE OF MATERIAL	PART TYPE CODE	MAT'L WIDTH	BLUE	RED	TAN	WHITE
1	Vinyl 35.5 oz.	23-114-15	54"	0464 AB8	0464 AR7	0464 AT6	0464 AW3

PART NUMBERS AND COLORS							
ITEM	TYPE OF MATERIAL	PART TYPE CODE	MAT'L WIDTH	BLACK	GOLD & BLACK		
1	Vinyl 35.5 oz.	23-114-15	54"	0464 AX9	0464 AY3		

Distribution Drawing Legend Page Appears Following Illustration Section

1965 CHRYSLER AC2-M CONVERTIBLE  
 VINYL TRIM  
 CODES M4B, M4R, M4T, M4W, M4X, M4L  
 CODES P4B, P4R, P4T, P4W, P4X, P4L

★ Indicates use as required.  
 ☐ Indicates parts not listed in any previous parts book.  
 May 1965, Supersedes Sept. 4, 1964.



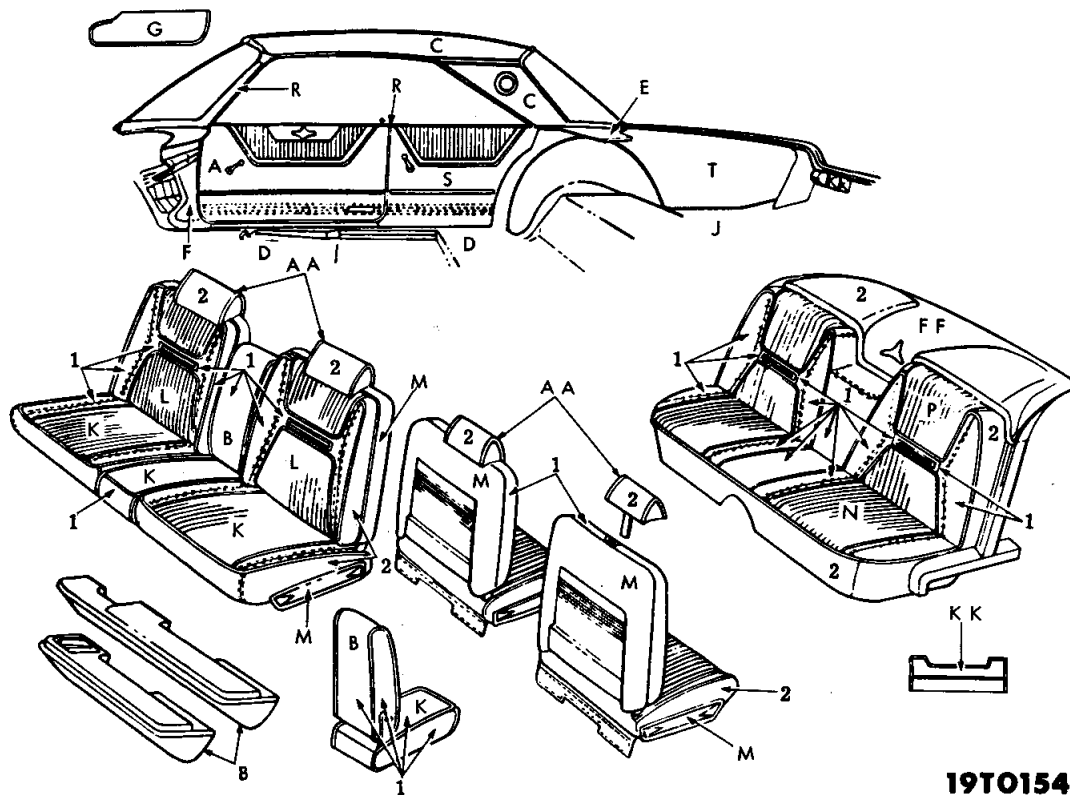
19T0155

PART NUMBERS AND COLORS						
ITEM	TYPE OF MATERIAL	PART TYPE CODE	MAT'L WIDTH	RED	BLACK	
1	Leather	23-114-14	Hide	E0302 AR7	E0302 AX9	
2	Vinyl 35.5 oz.	23-114-15	54"	E0464 AR7	E0464 AX9	

Distribution Drawing Legend Page Appears Following Illustration Section

1965 CHRYSLER AC2-M, AC2-P CONVERTIBLE  
 LEATHER TRIM  
 CODES M3R, M3X  
 CODES P3R, P3X

★ Indicates use as required.  
 ☒ Indicates parts not listed in any previous parts book.



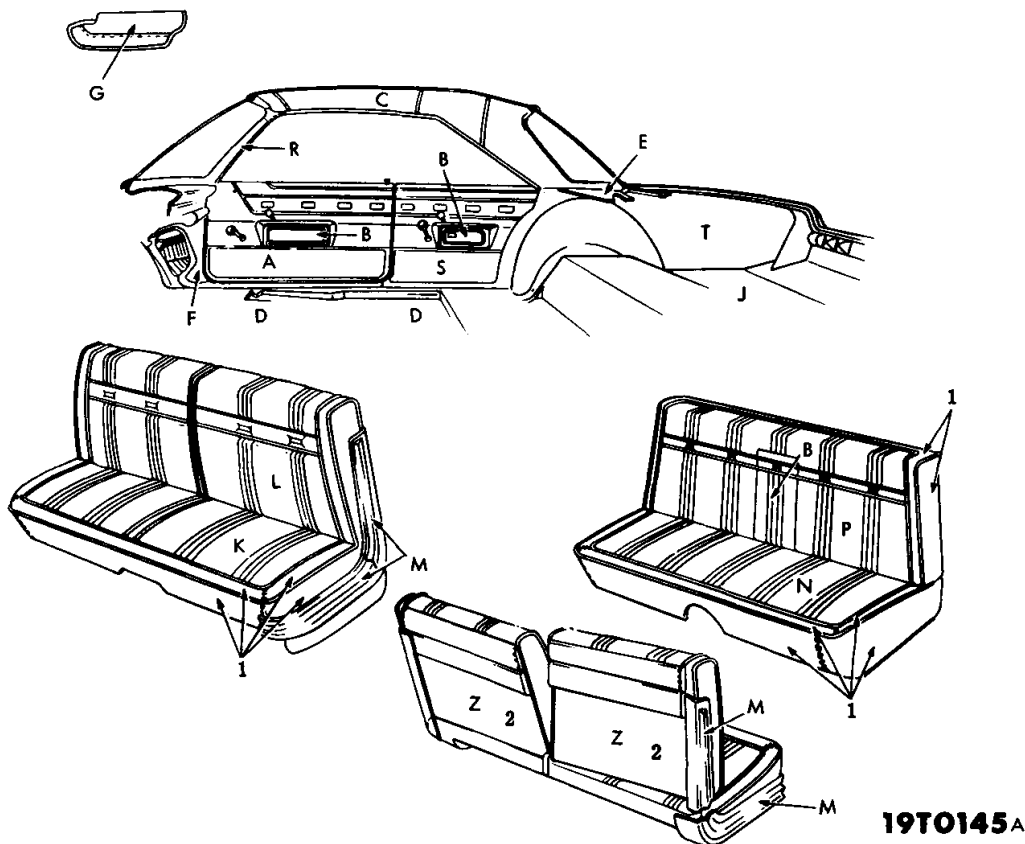
19T0154

PART NUMBERS AND COLORS

ITEM	TYPE OF MATERIAL	PART TYPE CODE	MAT'L WIDTH	RED	BLACK		
1	Leather	23-114-14	Hide	B0302 AR7	B0302 AX9		
2	Vinyl 35.5 oz.	23-114-15	54"	B0464 AR7	B0464 AX9		

Distribution Drawing Legend Page Appears Following Illustration Section

1965 CHRYSLER AC2-M, AC2-P 2 DOOR HARD TOP  
 LEATHER TRIM  
 CODES M3R, M3X  
 CODES P3R, P3X



PART NUMBERS AND COLORS							
ITEM	TYPE OF MATERIAL	PART TYPE CODE	MAT'L WIDTH	BLUE	GOLD & BLACK	BLACK & WHITE	TURQUOISE

1	Vinyl 35.5 oz.	23-114-15	54"	0464 AB4	0464 AY3	0464 AW3	0464 AQ4
2	Vinyl 30 oz.	23-114-15	50"	0486 AB4	0486 AY3	0486 AW3	0486 AQ4

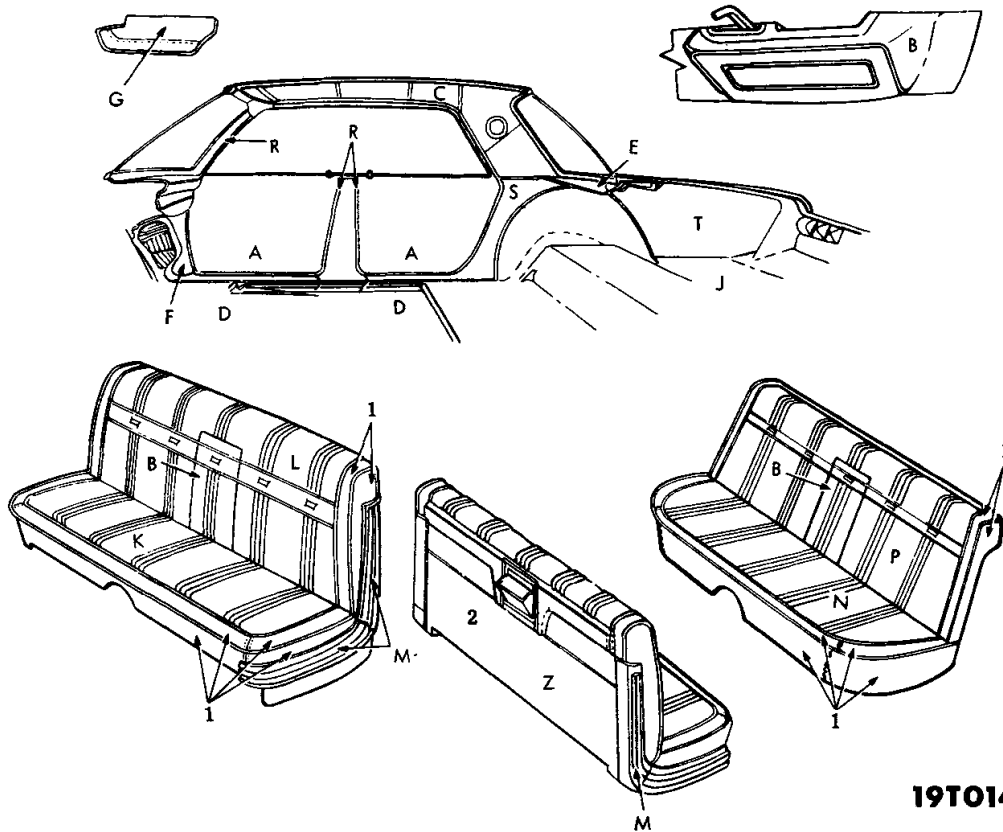
PART NUMBERS AND COLORS							
ITEM	TYPE OF MATERIAL	PART TYPE CODE	MAT'L WIDTH	RED	TAN		

1	Vinyl 35.5 oz.	23-114-15	54"	0464 AR7	0464 AT6		
2	Vinyl 30 oz.	23-114-15	50"	0486 AR7	0486 AT6		

Distribution Drawing Legend Page Appears Following Illustration Section

1965 CHRYSLER AC3-H 2 DOOR HARD TOP  
CLOTH AND VINYL TRIM  
CODES H1B, H1L, H1N, H1Q, H1R, H1T

★ Indicates use as required.  
 ☐ Indicates parts not listed in any previous parts book.  
 \* Indicates change or addition.



19T0144 A

PART NUMBERS AND COLORS

ITEM	TYPE OF MATERIAL	PART TYPE CODE	MAT'L WIDTH	BLUE	GOLD & BLACK	BLACK & WHITE	TURQUOISE
1	Vinyl 35.5 oz.	23-114-15	54"	0464 AB4	0464 AY3	0464 AW3	0464 AQ4
2	Vinyl 30 oz.	23-114-15	50"	0486 AB4	0486 AY3	0486 AW3	0486 AQ4

PART NUMBERS AND COLORS

ITEM	TYPE OF MATERIAL	PART TYPE CODE	MAT'L WIDTH	RED	TAN		
1	Vinyl 35.5 oz.	23-114-15	54"	0464 AR7	0464 AT6		
2	Vinyl 30 oz.	23-114-15	50"	0486 AR7	0486 AT6		

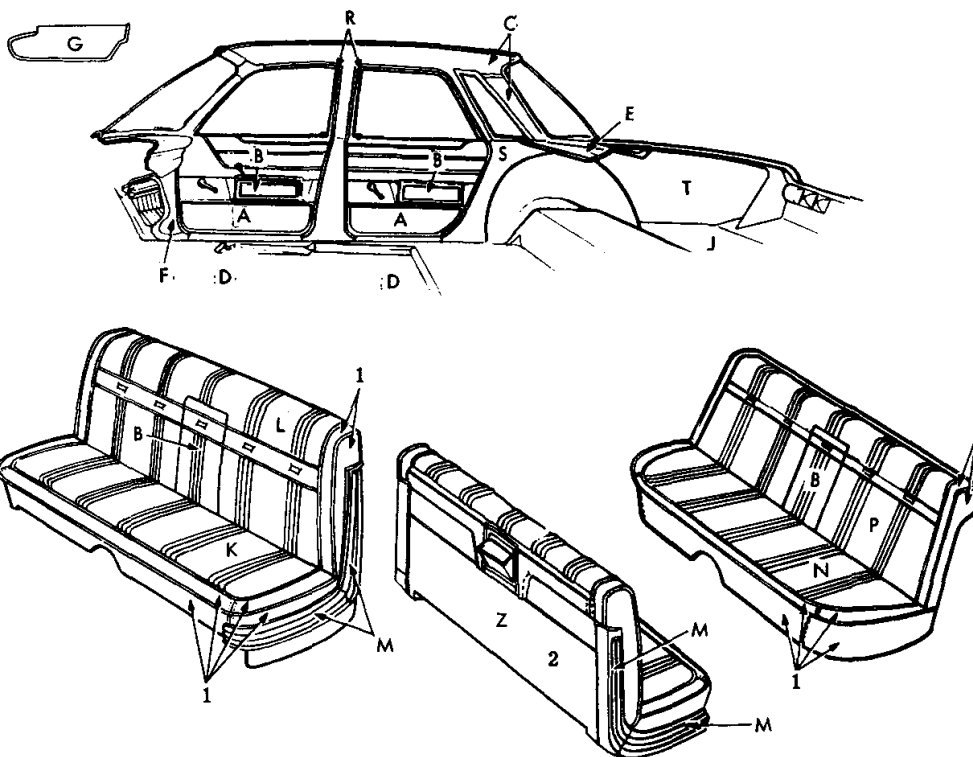
Distribution Drawing Legend Page Appears Following Illustration Section

1965 CHRYSLER AC3-H 4 DOOR HARD TOP  
CLOTH AND VINYL TRIM  
CODES H1B, H1L, H1N, H1Q, H1R, H1T

★ Indicates use as required.

⊔ Indicates parts not listed in any previous parts book.  
May 1965, Supersedes Sept. 4, 1964.





19T0143A

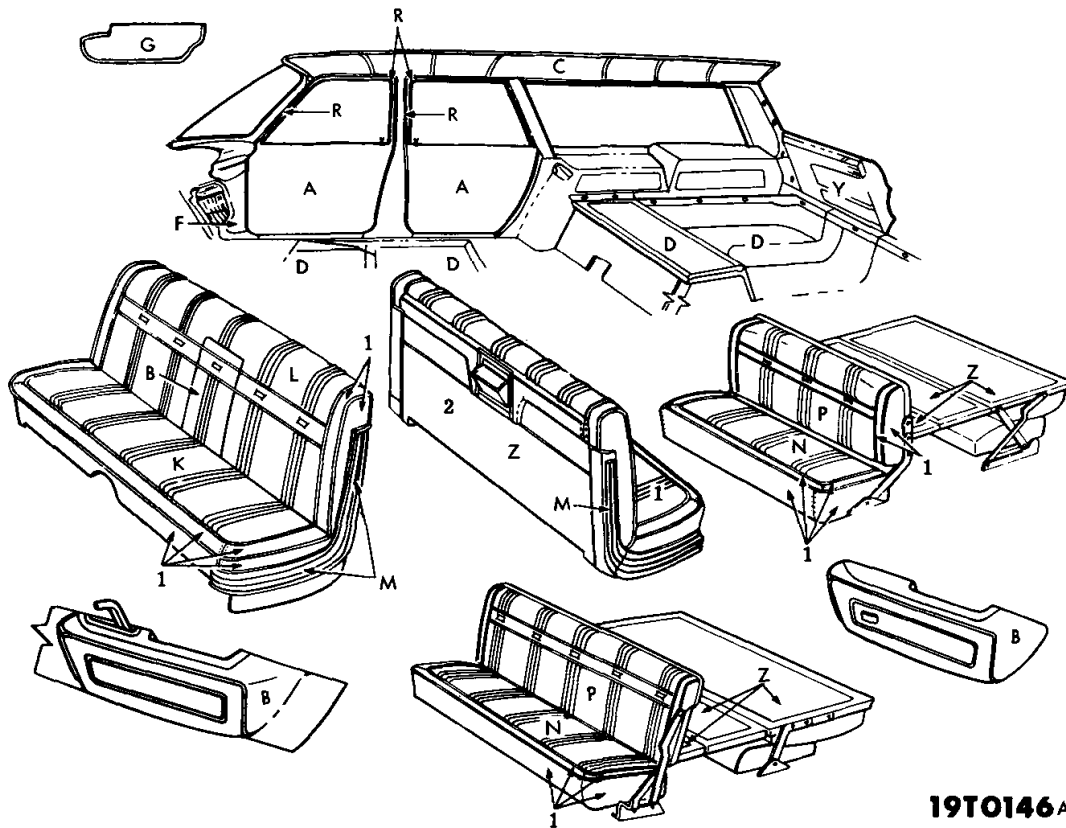
PART NUMBERS AND COLORS							
ITEM	TYPE OF MATERIAL	PART TYPE CODE	MAT'L WIDTH	BLUE	GOLD & BLACK	BLACK & WHITE	TURQUOISE
1	Vinyl 35.5 oz.	23-114-15	54"	0464 AB4	0464 AY3	0464 AW3	0464 AQ4
2	Vinyl 30 oz.	23-114-15	50"	0486 AB4	0486 AY3	*0486 AW3	0486 AQ4

PART NUMBERS AND COLORS							
ITEM	TYPE OF MATERIAL	PART TYPE CODE	MAT'L WIDTH	RED	TAN		
1	Vinyl 35.5 oz.	23-114-15	54"	0464 AR7	0464 AT6		
2	Vinyl 30 oz.	23-114-15	50"	0486 AR7	0486 AT6		

Distribution Drawing Legend Page Appears Following Illustration Section

1965 CHRYSLER AC3-H 4 DOOR 6 WINDOW SEDAN  
 CLOTH AND VINYL TRIM  
 CODES H1B, H1L, H1N, H1Q, H1R, H1T

★ Indicates use as required.  
 □ Indicates parts not listed in any previous parts book.  
 • Indicates change or addition.



19T0146A

PART NUMBERS AND COLORS

ITEM	TYPE OF MATERIAL	PART TYPE CODE	MAT'L WIDTH	BLUE	GOLD & BLACK	BLACK & WHITE	TURQUOISE
1	Vinyl 35.5 oz.	23-114-15	54"	0464 AB4	0464 AY3	0464 AW3	0464 AQ4
2	Vinyl 30 oz.	23-114-15	50"	0486 AB4	0486 AY3	0486 AW3	0486 AQ4

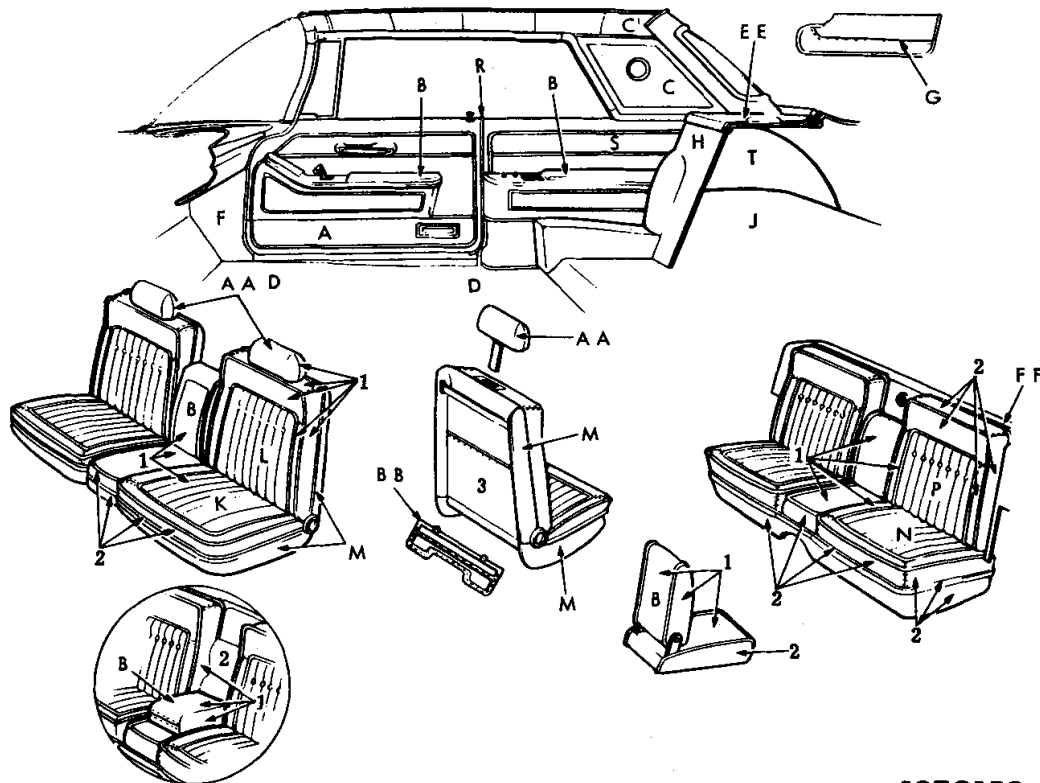
PART NUMBERS AND COLORS

ITEM	TYPE OF MATERIAL	PART TYPE CODE	MAT'L WIDTH	RED	TAN		
1	Vinyl 35.5 oz.	23-114-15	54"	0464 AR7	0464 AT6		
2	Vinyl 30 oz.	23-114-15	50"	0486 AR7	0486 AT6		

Distribution Drawing Legend Page Appears Following Illustration Section

1965 CHRYSLER AC3-H STATION WAGON  
CLOTH AND VINYL TRIM  
CODES H1B, H1L, H1N, H1Q, H1R, H1T

★ Indicates use as required.  
☐ Indicates parts not listed in any previous parts book.  
May 1965, Supersedes Sept. 4, 1964.



19T0159A

PART NUMBERS AND COLORS							
ITEM	TYPE OF MATERIAL	PART TYPE CODE	MAT'L WIDTH	BLUE	BLUE & WHITE	PURPLE	RED

1	Leather	23-114-14	Hide	0302 AB4	0302 AW3	0302 AM9	0302 AR5
2	Vinyl 35.5 oz.	23-114-15	54"	0464 AB4	0464 AW3	0464 AM9	0464 AR5
3	Vinyl 30 oz.	23-114-15	54"	0486 AB4	0486 AW3	0486 AM9	0486 AR5

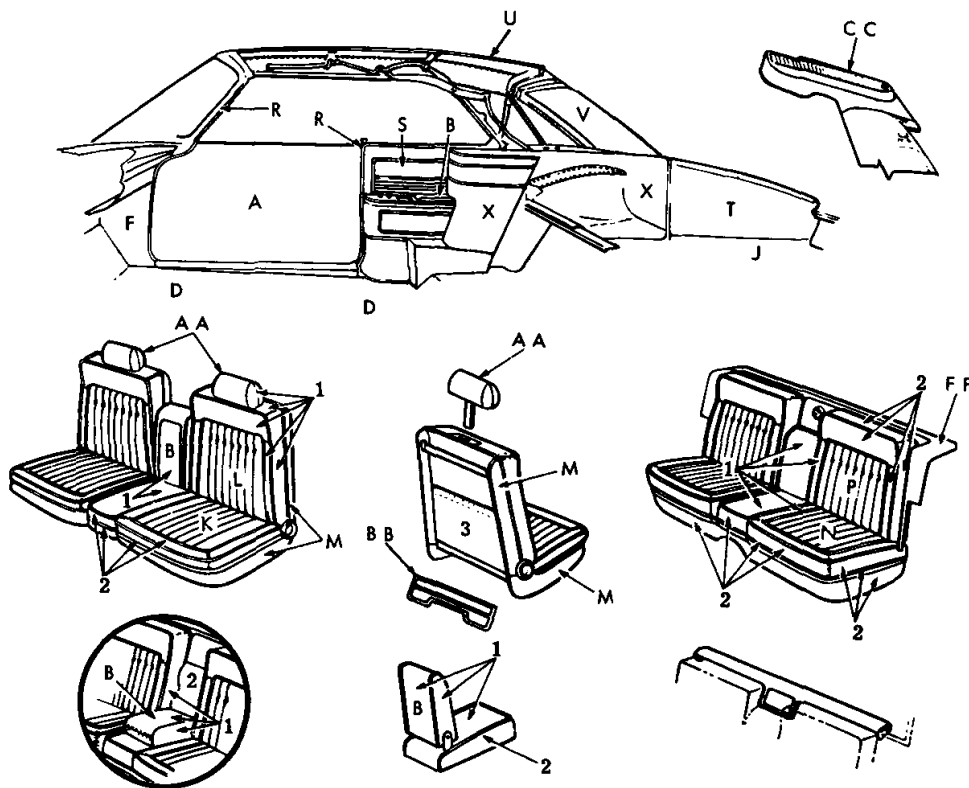
PART NUMBERS AND COLORS							
ITEM	TYPE OF MATERIAL	PART TYPE CODE	MAT'L WIDTH	TAN	RED & WHITE	WHITE	BLACK

1	Leather	23-114-14	Hide	0302 AL3	0302 AW3	0302 AW3	0302 AX9
2	Vinyl 35.5 oz.	23-114-15	54"	0464 AL3	0464 AW3	0464 AW3	0464 AX9
3	Vinyl 30 oz.	23-114-15	54"	0486 AL3	0486 AW3	0486 AW3	0486 AX9

Distribution Drawing Legend Page Appears Following Illustration Section

1965 IMPERIAL AY1-M 2 DOOR HARD TOP  
LEATHER TRIM  
CODES M9B, M9C, M9K, M9R, M9T, M9V, M9W, M9X

★ Indicates use as required.  
⊠ Indicates parts not listed in any previous parts book.



**19T0160A**

PART NUMBERS AND COLORS							
ITEM	TYPE OF MATERIAL	PART TYPE CODE	MAT'L WIDTH	BLUE	BLUE & WHITE	PURPLE	RED
1	Leather	23-114-14	Hide	0302 AB4	0302 AW3	0302 AM9	0302 AR5
2	Vinyl 35.5 oz.	23-114-15	54"	0464 AB4	0464 AW3	0464 AM9	0464 AR5
3	Vinyl 30 oz.	23-114-15	54"	0486 AB4	0486 AW3	0486 AM9	0486 AR5

PART NUMBERS AND COLORS							
ITEM	TYPE OF MATERIAL	PART TYPE CODE	MAT'L WIDTH	TAN	RED & WHITE	WHITE	BLACK
1	Leather	23-114-14	Hide	0302 AL3	0302 AW3	0302 AW3	0302 AX9
2	Vinyl 35.5 oz.	23-114-15	54"	0464 AL3	0464 AW3	0464 AW3	0464 AX9
3	Vinyl 30 oz.	23-114-15	54"	0486 AL3	0486 AW3	0486 AW3	0486 AX9

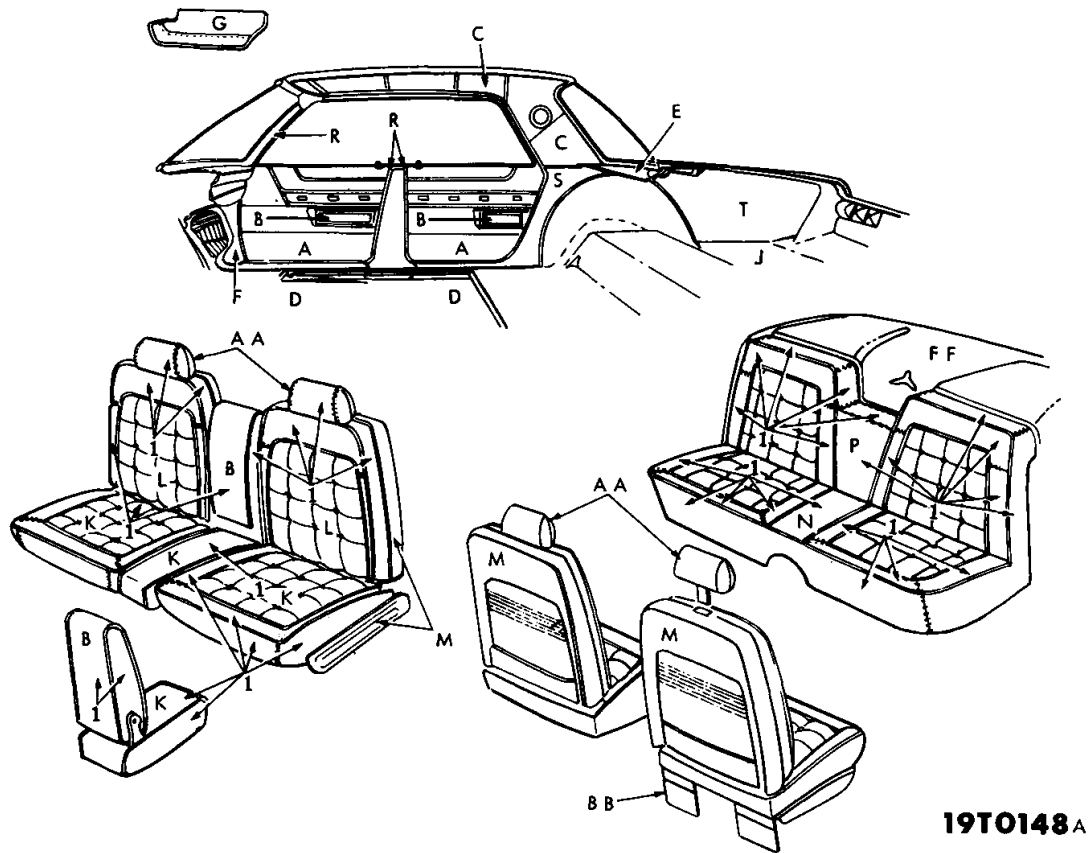
Distribution Drawing Legend Page Appears Following Illustration Section

1965 IMPERIAL AY1-M CONVERTIBLE  
 LEATHER TRIM  
 CODES M9B, M9C, M9V, M9W, M9K, M9R, M9T, M9V, M9X

★ Indicates use as required.

☐ Indicates parts not listed in any previous parts book.

May 1965, Supersedes Sept. 4, 1964.



19T0148A

PART NUMBERS AND COLORS							
ITEM	TYPE OF MATERIAL	PART TYPE CODE	MAT'L WIDTH	BLUE	GOLD & BLACK	RED	TAN
1	Vinyl 35.5 oz.	23-114-15	54"	0464 AB4	0464 AY3	0464 AR7	0464 AT6

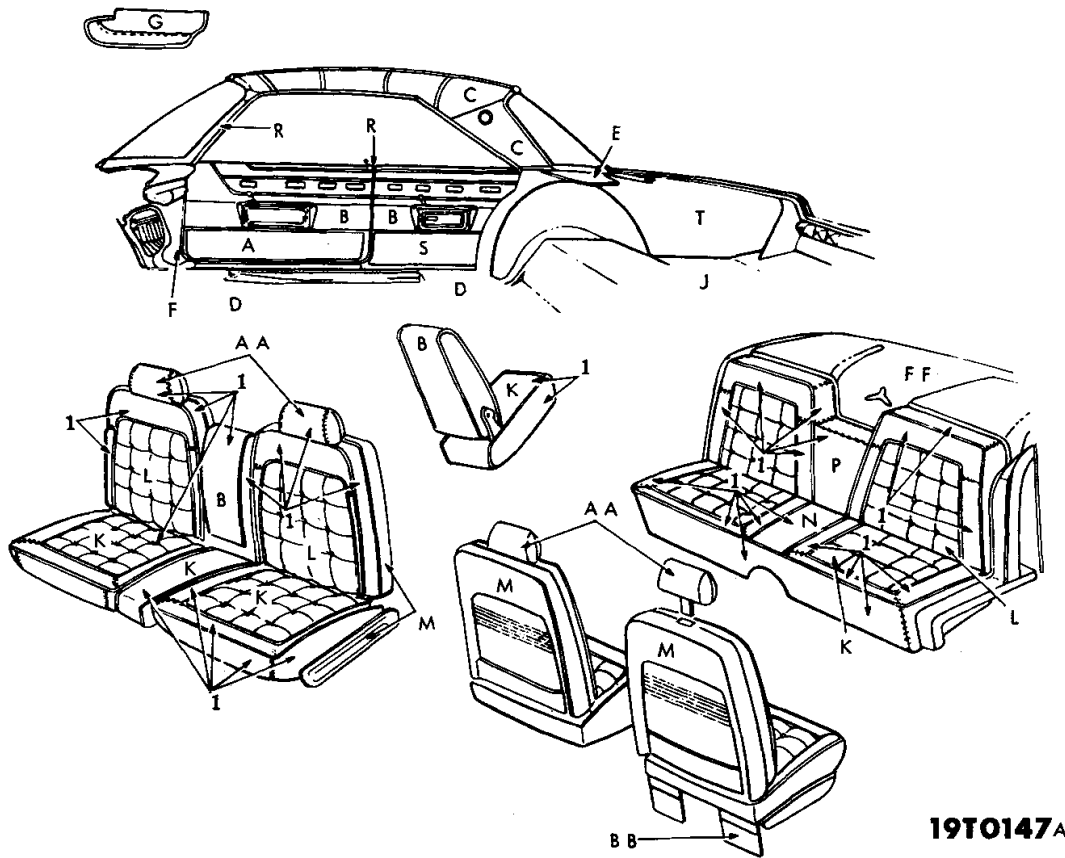
  

PART NUMBERS AND COLORS							
ITEM	TYPE OF MATERIAL	PART TYPE CODE	MAT'L WIDTH	BLACK			
1	Vinyl 35.5 oz.	23-114-15	54"	0464 AX9			

Distribution Drawing Legend Page Appears Following Illustration Section

1965 CHRYSLER AC3-H 4 DOOR HARD TOP  
VINYL TRIM  
CODES H4B, H4L, H4R, H4T, H4X

★ Indicates use as required.  
⊠ Indicates parts not listed in any previous parts book.



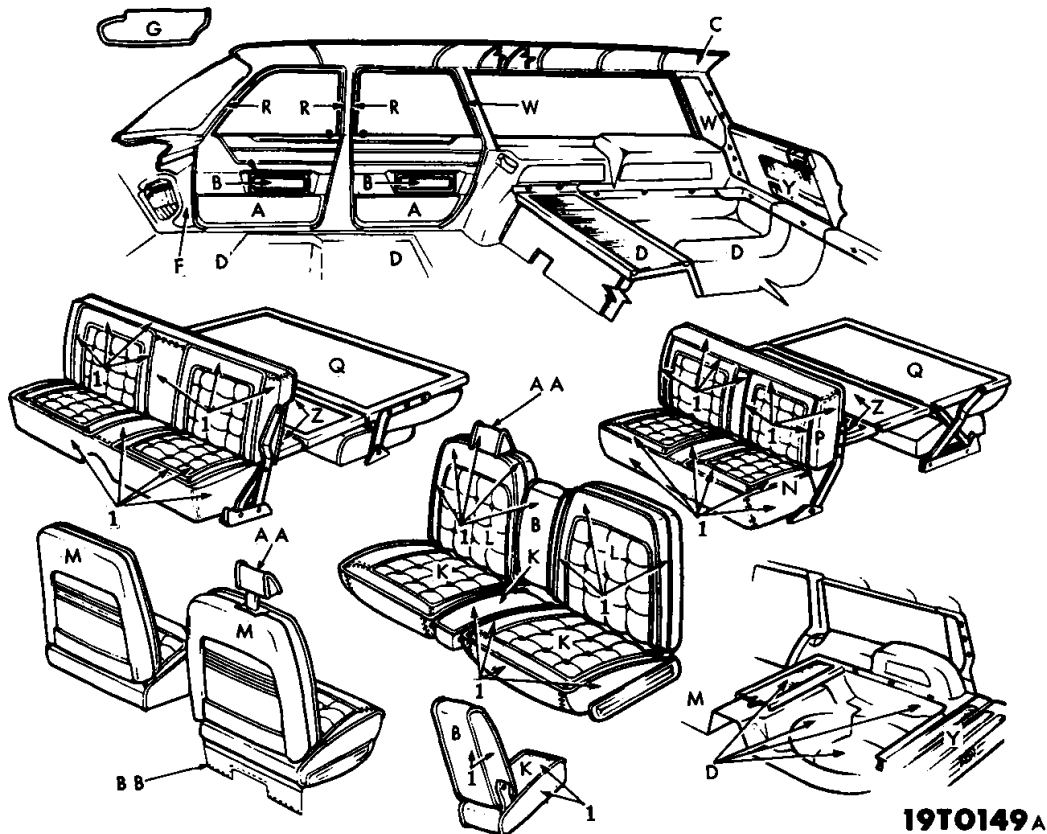
19T0147A

PART NUMBERS AND COLORS							
ITEM	TYPE OF MATERIAL	PART TYPE CODE	MAT'L WIDTH	BLUE	GOLD & BLACK	RED	TAN
1	Vinyl 35.5 oz.	23-114-15	54"	0464 AB4	0464 AY3	0464 AR7	0464 AT6

PART NUMBERS AND COLORS							
ITEM	TYPE OF MATERIAL	PART TYPE CODE	MAT'L WIDTH	BLACK			
1	Vinyl 35.5 oz.	23-114-15	54"	0464 AX9			

Distribution Drawing Legend Page Appears Following Illustration Section

1965 CHRYSLER AC3-H 2 DOOR HARD TOP  
VINYL TRIM  
CODES H4B, H4L, H4R, H4T, H4X

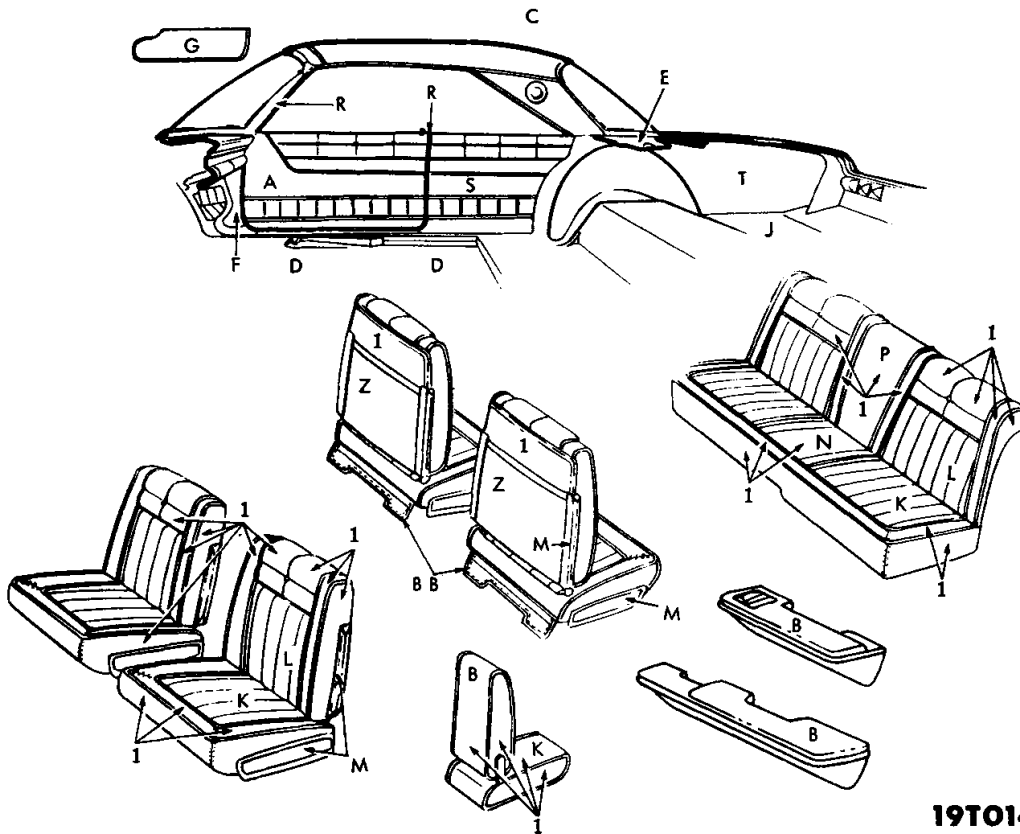


PART NUMBERS AND COLORS							
ITEM	TYPE OF MATERIAL	PART TYPE CODE	MAT'L WIDTH	BLUE	GOLD & BLACK	RED	TAN
1	Vinyl 35.5 oz.	23-114-15	54"	0464 AB4	0464 AY3	0464 AR7	0464 AT6
PART NUMBERS AND COLORS							
ITEM	TYPE OF MATERIAL	PART TYPE CODE	MAT'L WIDTH	BLACK			
1	Vinyl 35.5 oz.	23-114-15	54"	0464 AX9			

Distribution Drawing Legend Page Appears Following Illustration Section

1965 CHRYSLER AC3-H STATION WAGON  
VINYL TRIM  
CODES H4B, H4L, H4R, H4T, H4X

★ Indicates use as required.  
⊠ Indicates parts not listed in any previous parts book.



19T0141A

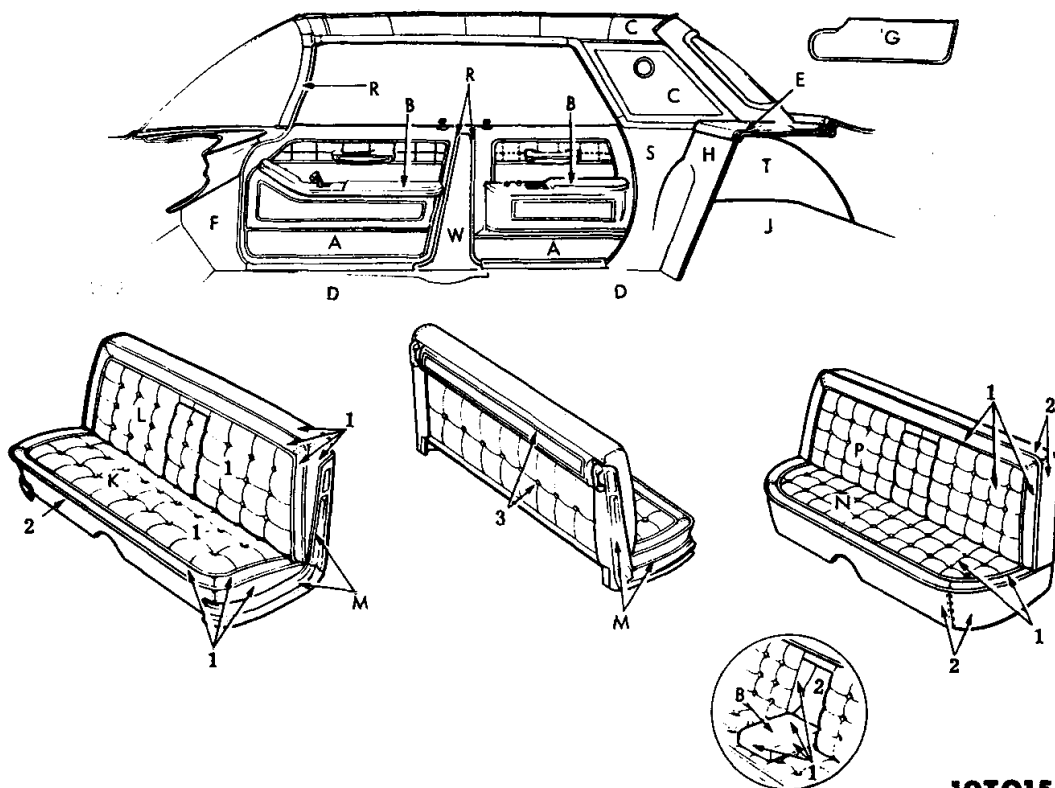
				PART NUMBERS AND COLORS			
ITEM	TYPE OF MATERIAL	PART TYPE CODE	MAT'L WIDTH	BLUE	RED	BLACK	
1	Vinyl 35.5 oz.	23-114-15	54"	0464 AB4	0464 AR7	0464 AX9	

Distribution Drawing Legend Page Appears Following Illustration Section

1965 CHRYSLER AC1-L 2 DOOR HARD TOP  
VINYL TRIM  
CODES L9B, L9R, L9X

★ Indicates use as required.  
 B Indicates parts not listed in any previous parts book.  
 May 1965, Supersedes Sept. 4, 1964.





19T0156

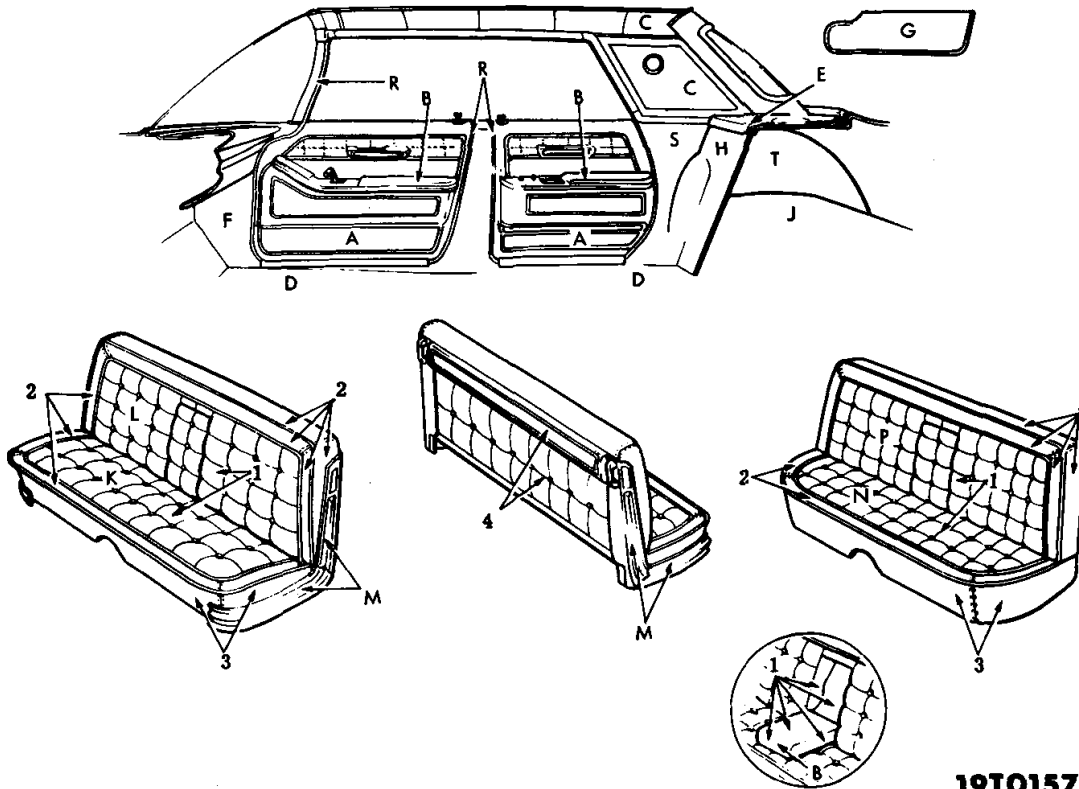
PART NUMBERS AND COLORS							
ITEM	TYPE OF MATERIAL	PART TYPE CODE	MAT'L WIDTH	BLUE	BLUE & WHITE	PURPLE	RED
1	Leather	23-114-14	Hide	E0302 AB4	E0302 AW3	E0302 AM9	E0302 AR5
2	Vinyl 35.5 oz.	23-114-15	54"	E0464 AB4	E0464 AW3	E0464 AM9	E0464 AR5
3	Vinyl 30 oz.	23-114-15	50"	E0486 AB4	E0486 AW3	E0486 AM9	E0486 AR5

PART NUMBERS AND COLORS							
ITEM	TYPE OF MATERIAL	PART TYPE CODE	MAT'L WIDTH	TAN	RED & WHITE	WHITE	BLACK
1	Leather	23-114-14	Hide	E0302 AL3	E0302 AW3	E0302 AW3	E0302 AX9
2	Vinyl 35.5 oz.	23-114-15	54"	E0464 AL3	E0464 AW3	E0464 AW3	E0464 AX9
3	Vinyl 30 oz.	23-114-15	50"	E0486 AL3	E0486 AW3	E0486 AW3	E0486 AX9

Distribution Drawing Legend Page Appears Following Illustration Section

1965 IMPERIAL AY1-M 4 DOOR HARD TOP  
LEATHER TRIM  
CODES M3B, M3C, M3K, M3R, M3T, M3V, M3W, M3X

★ Indicates use as required.  
⊠ Indicates parts not listed in any previous parts book.



19T0157

PART NUMBERS AND COLORS							
ITEM	TYPE OF MATERIAL	PART TYPE CODE	MAT'L WIDTH	BLUE	GREEN & GOLD	BLACK & WHITE	GRAY & BLACK
1	Body Cloth	23-114-2	60"	E0118 AB4	E0118 AL3	E0118 AX8	E0118 AA3
2	Leather	23-114-14	Hide	E0302 AB4	E0302 AF9	E0302 AW3	E0302 AX9
3	Vinyl 35.5 oz.	23-114-15	54"	E0464 AB4	E0464 AF9	E0464 AW3	E0464 AX9
4	Vinyl 30 oz.	23-114-15	50"	E0486 AB4	E0486 AF9	E0486 AW3	E0486 AX9

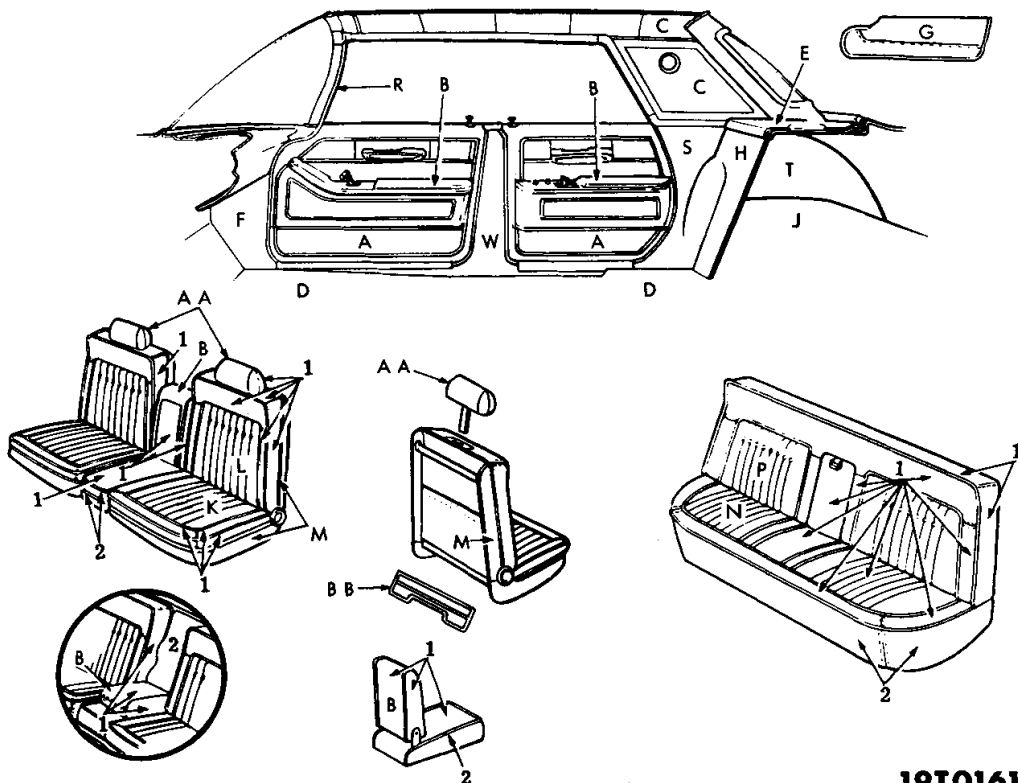
PART NUMBERS AND COLORS							
ITEM	TYPE OF MATERIAL	PART TYPE CODE	MAT'L WIDTH	TURQUOISE	RED	TAN	
1	Body Cloth	23-114-2	60"	E0118 AQ4	E0118 AR5	E0118 AL3	
2	Leather	23-114-14	Hide	E0302 AQ4	E0302 AR5	E0302 AL3	
3	Vinyl 35.5 oz.	23-114-15	54"	E0464 AQ4	E0464 AR5	E0464 AL3	
4	Vinyl 30 oz.	23-114-15	50"	E0486 AQ4	E0486 AR5	E0486 AL3	

Distribution Drawing Legend Page Appears Following Illustration Section

1965 IMPERIAL AY1-M 4 DOOR HARD TOP  
CLOTH AND LEATHER TRIM  
CODES M7B, M7E, M7N, M7P, M7Q, M7R, M7T

★ Indicates use as required.

E Indicates parts not listed in any previous parts book.  
September 4, 1964.



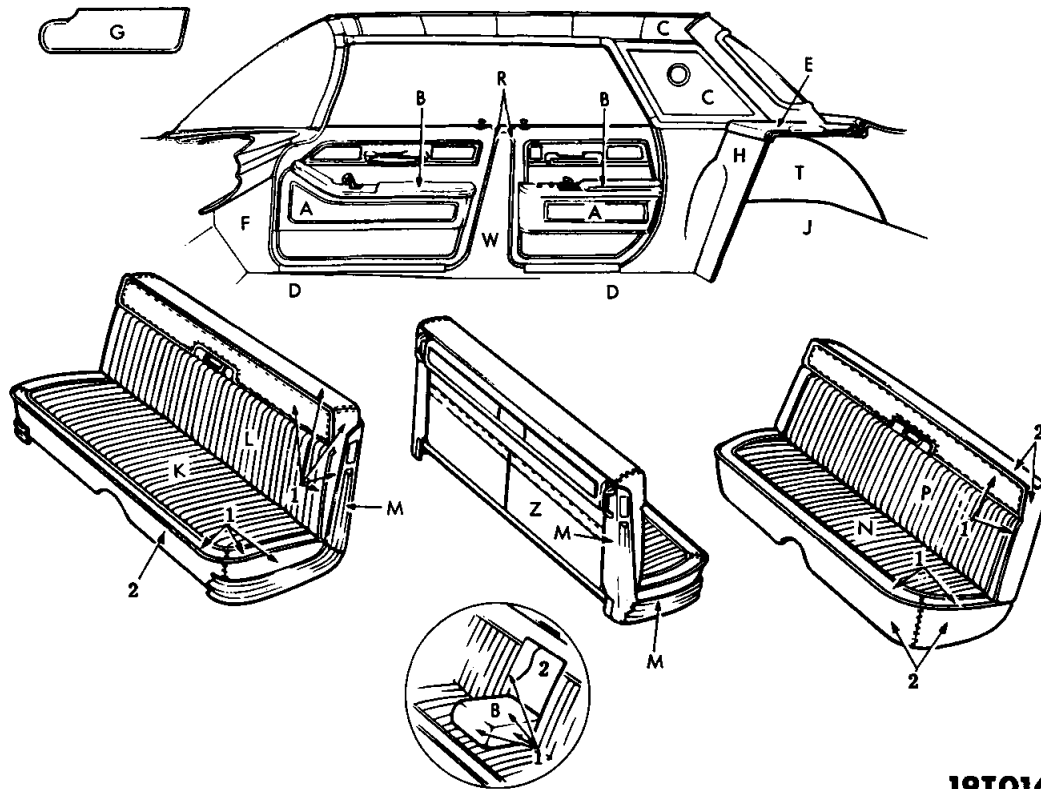
19T0161A

PART NUMBERS AND COLORS							
ITEM	TYPE OF MATERIAL	PART TYPE CODE	MAT'L WIDTH	RED	WHITE	BLACK	
1	Leather	23-114-14	Hide	0302 AR5	0302 AW3	0302 AX9	
2	Vinyl 35.5 oz.	23-114-15	54"	0464 AR5	0464 AW3	0464 AX9	

Distribution Drawing Legend Page Appears Following Illustration Section

1965 IMPERIAL AY1-M, AY1-H 4 DOOR HARD TOP  
LEATHER TRIM  
CODES M5R, H8R, M5W, H8W, M5X, H8X

★ Indicates use as required.  
☐ Indicates parts not listed in any previous parts book.



19T0162A

PART NUMBERS AND COLORS							
ITEM	TYPE OF MATERIAL	PART TYPE CODE	MAT'L WIDTH	BLUE	BLUE & WHITE	RED	RED & WHITE
1	Leather	23-114-14	Hide	0302 AB4	0302 AW3	0302 AR5	0302 AW3
2	Vinyl 35.5 oz.	23-114-15	54"	0464 AB4	0464 AW3	0464 AR5	0464 AW3

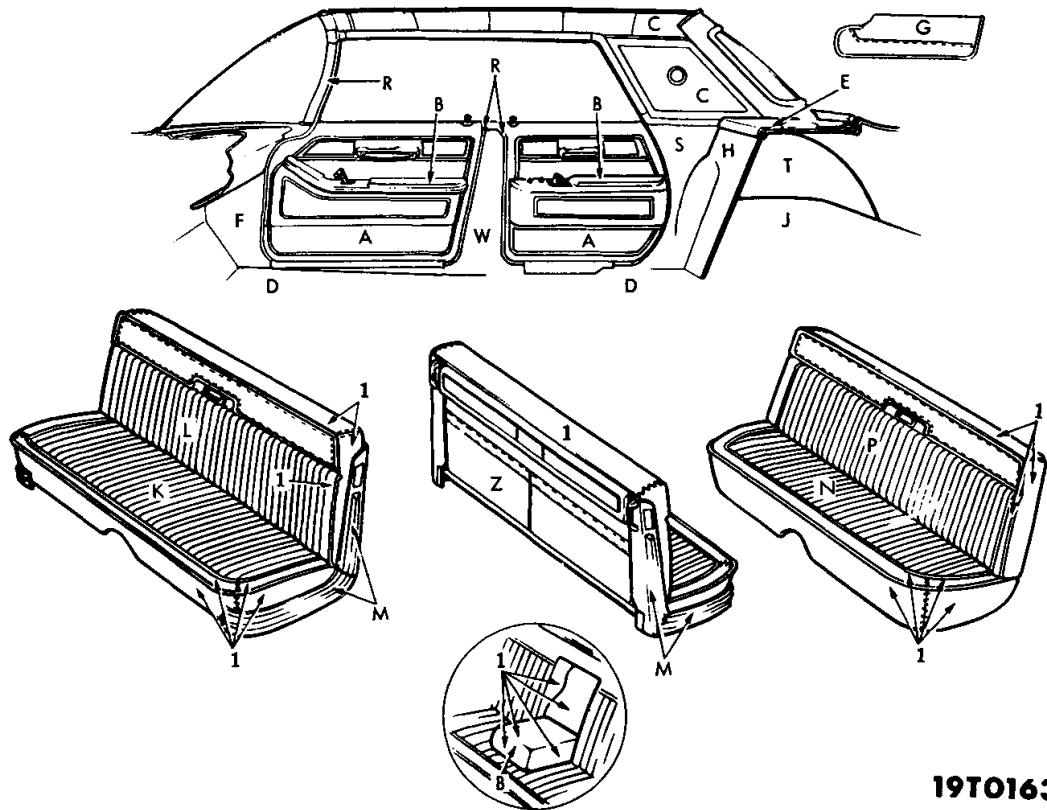
PART NUMBERS AND COLORS							
ITEM	TYPE OF MATERIAL	PART TYPE CODE	MAT'L WIDTH	WHITE	BLACK		
1	Leather	23-114-14	Hide	0302 AW3	0302 AX9		
2	Vinyl 35.5 oz.	23-114-15	54"	0464 AW3	0464 AX9		

Distribution Drawing Legend Page Appears Following Illustration Section

1965 IMPERIAL AY1-H 4 DOOR HARD TOP  
LEATHER TRIM  
CODES H3B, H3C, H3R, H3V, H3W, H3X

★ Indicates use as required.

☐ Indicates parts not listed in any previous parts book.  
May 1965, Supersedes Sept. 4, 1964.



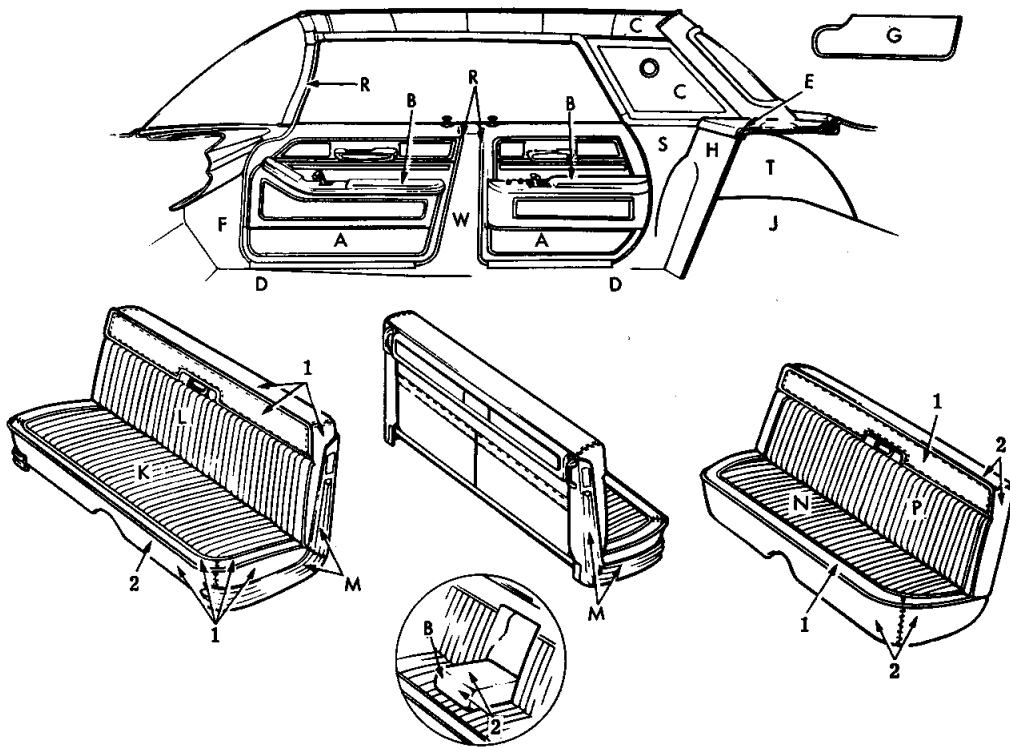
19T0163A

PART NUMBERS AND COLORS							
ITEM	TYPE OF MATERIAL	PART TYPE CODE	MAT'L WIDTH	GRAY			
1	Body Cloth	23-114-2	62"	0119 AA4			

Distribution Drawing Legend Page Appears Following Illustration Section

1965 IMPERIAL AY1-H 4 DOOR HARD TOP  
CLOTH TRIM  
CODE H6A

★ Indicates use as required.  
⊔ Indicates parts not listed in any previous parts book.

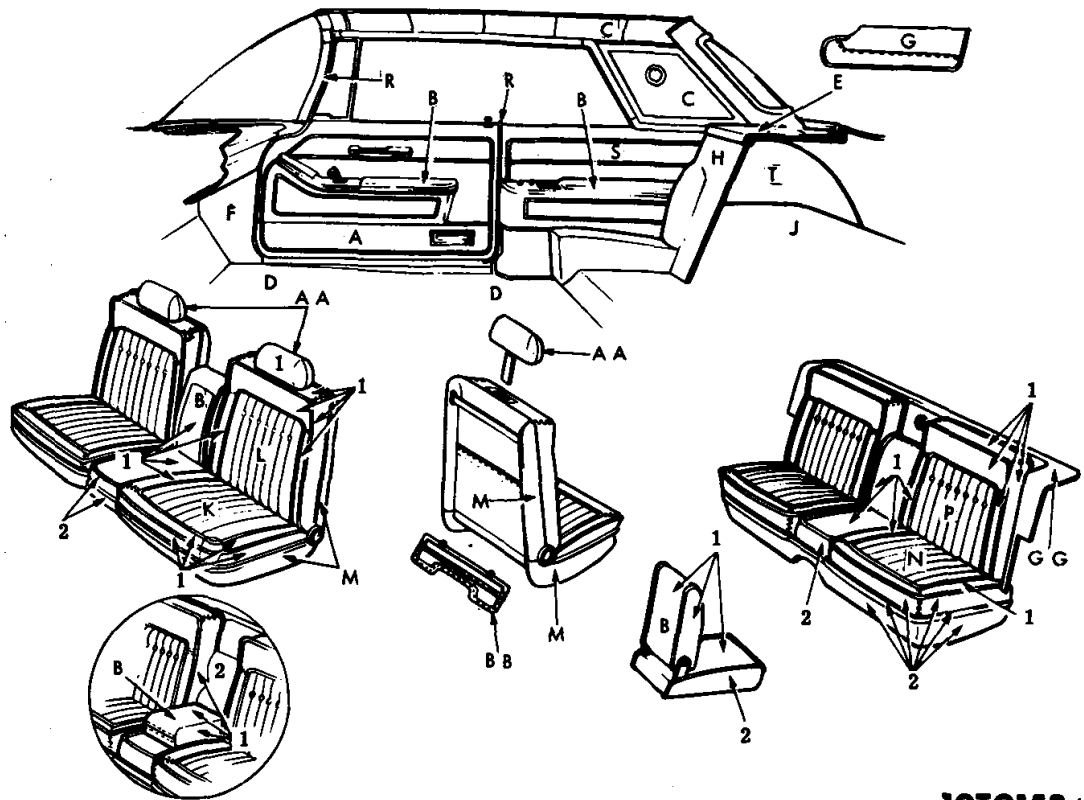


19T0164A

PART NUMBERS AND COLORS							
ITEM	TYPE OF MATERIAL	PART TYPE CODE	MAT'L WIDTH	GRAY	BLUE	GREEN & GOLD	TAN
1	Leather	23-114-14	Hide	0302 AA3	0302 AB4	0302 AF9	0302 AL3
2	Vinyl 35.5 oz.	23-114-15	54"	0464 AA3	0464 AB4	0464 AF9	0464 AL3

Distribution Drawing Legend Page Appears Following Illustration Section

1965 IMPERIAL AY1-H 4 DOOR HARD TOP  
CLOTH AND LEATHER TRIM  
CODES H7A, H7B, H7G, H7T



19T0158 A

ITEM	TYPE OF MATERIAL	PART TYPE CODE	MAT'L WIDTH	PART NUMBERS AND COLORS		
				BLUE	GREEN & GOLD	BLACK & WHITE

1	Leather	23-114-14	Hide	0302 AB4	0302 AF9	0302 AW3
2	Vinyl 35.5 oz.	23-114-15	54"	0464 AB4	0464 AF9	0464 AW3

Distribution Drawing Legend Page Appears Following Illustration Section

1965 IMPERIAL AY1-M 2 DOOR HARD TOP  
CLOTH AND LEATHER TRIM  
CODES M8B, M8G, M8N

★ Indicates use as required.  
 ☐ Indicates parts not listed in any previous parts book.  
 ● Indicates change or addition.

## 1965 CHRYSLER-IMPERIAL - A SERIES

## Distribution Drawing Legend

See Illustration For Letter Identification

Letter	Description	Code
A	Panel, Door Trim	23-92-5
B	Arm Rest, Front Door Pad & Plate	23-76-11
	Base	23-76-9
	Arm Rest, Rear Door Pad & Plate	23-76-63
	Base	23-76-9
	Arm Rest, Rear Quarter Pad & Plate	23-76-76
	Base	23-76-9
	Arm Rest, Front Seat Back Center	23-76-34
	Rear Seat Back Center	23-76-40
C	Headlining	23-86-3
D	Floor Cover, Front, Carpet	23-79-3
	Rear, Carpet	23-79-33
E	Panel, Shelf Trim	23-102-3
F	Panel, Cowl Trim	23-91-6
G	Visor	23-103-3
H	Panel, Luggage Compartment Front	23-96-3
J	Carpet, Luggage Compartment Floor	23-20-29
K	Cover, Front Seat Cushion	23-108-5
L	Cover, Front Seat Back	23-108-16
M	Shield, Front Seat Side or Back	23-108-98
N	Cover, Rear Seat Cushion	23-109-36
P	Cover, Rear Seat Back	23-109-4
Q	Insert, Rear Seat Cushion Bottom	
	Panel	23-109-40
R	Weathercord, Door	23-113-2
	Hinge Pillar	23-113-25
	Lock Pillar	23-113-30
S	Panel, Quarter Trim	23-101-3
T	Panel or Cover, Luggage Compt.	
	Side Lining	23-96-8
U	Top Deck and Side Quarter	23-112-108
V	Curtain, Folding Top Back	23-112-45
W	Cover, Center Pillar	23-99-4
	Cover, Rear Upper Pillar	23-99-38
X	Well, Pocket Panel, Pocket Panel	
	Cover, Pocket Shelf Panel,	
	Folding Top	23-112-153
Y	Insert, Tailgate Inside Panel	23-79-79
Z	Insert, Rear Seat Back Panel	23-109-5
	Insert, Front Seat Back Panel	23-108-32
AA	Headrest	23-108-19
BB	Flap, Front Seat Cushion Rear	23-108-6
CC	Boot, Folding Top Dust	23-112-12
FF	Shroud, Rear Seat Back	23-109-11



BODY CODE

COLUMN LEGEND

NEWPORT (AC1-L)

C-13 (41)	4 D. Sedan
C-18 (42)	4 D. Sedan (6 Window)
C-14 (43)	4 D. Hard Top
C-56 (45)	Station Wagon (6 Pass.)
C-57 (46)	Station Wagon (9 Pass.)
C-57 (46)	Station Wagon (9 Pass.)
C-12 (23)	2 D. Hard Top
C-15 (27)	Convertible

CHRYSLER 300 (AC2-M)

C-24 (43)	4 D. Hard Top
C-22 (23)	2 D. Hard Top
C-25 (27)	Convertible

CHRYSLER C-300L (AC2-P)

C-42 (23)	2 D. Hard Top
C-45 (27)	Convertible

NEW YORKER (AC3-H)

C-38 (42)	4 D. Sedan (6 window)
C-34 (43)	4 D. Hard Top
C-76 (45)	Station Wagon (6 Pass.)
C-77 (46)	Station Wagon (9 Pass.)
C-32 (23)	2 D. Hard Top

CROWN IMPERIAL (AY1-M)

Y-24 (43)	4 D. Hard Top
Y-22 (23)	2 D. Hard Top
Y-25 (27)	Convertible

LE BARON (AY1-H)

Y-34 (43)	4 D. Hard Top
-----------	---------------

CONVERTIBLE TOP COLOR LEGEND

1 Blue	2 White	0 Black	3 Tan
--------	---------	---------	-------

STARTING SERIAL NUMBERS

		Detroit Built	Delaware Built
AC1-L	(Newport)	C-153-100001	C-156-100001
AC1-L	(Newport Station Wagon)	C-553-100001	C-556-100001
AC2-M	(306)	C-253-100001	C-256-100001
AC2-P	(C-300L)	C-453-100001	C-456-100001
AC3-H	(New Yorker)	C-353-100001	C-356-100001
AC3-H	(New Yorker Station Wagon)	C-753-100001	C-756-100001
AY1-M	Imperial Crown	I-253-100001	
AY1-H	(Imperial Le Baron)	I-353-100001	

● Indicates use as required.  
 □ Indicates parts not listed in any previous parts book.

## 1965 PASSENGER CAR PARTS CATALOG

INTERIOR TRIM

TRIM CODE	MODEL	MATERIAL			COLOR	6WD. SED.	SED	4D H.T.	STA. WGNL	2D H.T.	CV. CP.
		Cloth	Vinyl	Leather							
L1B, L2B, L4B, L5B, L8B, L9B	C1-L	*	*	-	Blue	*	*	*	*	*	*
L2L, L4L	C1-L	*	*	-	Gold & Black	*	-	*	-	*	*
L1N, L2N, L4N	C1-L	*	*	-	Black & White	*	*	-	-	-	-
L1Q, L2Q, L8Q	C1-L	*	*	-	Turquoise	*	*	-	-	*	-
L1R, L2R, L4R, L5R, L8R, L9R	C1-L	*	*	-	Red	*	*	*	*	*	*
L1T, L2T, L4T, L5T, L8T	C1-L	*	*	-	Tan	*	*	*	*	-	*
L4X, L9X	C1-L	-	*	-	Black	-	-	-	*	*	*
M4B	C2-M	*	*	-	Blue	-	-	*	-	-	-
M4L	C2-M	-	*	-	Gold & Black	-	-	-	-	*	*
M3R, M4R	C2-M	-	-	*	Red	-	-	*	-	*	*
M4T	C2-M	-	*	-	Tan	-	-	-	-	*	*
M4W	C2-M	-	*	-	White	-	-	-	-	*	*
M3X, M4X	C2-M	-	*	*	Black	-	-	*	-	*	*
H1B, H4B	C3-H	*	*	-	Blue	*	-	*	*	*	-
H1L, H4L	C3-H	*	*	-	Gold & Black	*	-	*	-	*	-
H1N	C3-H	*	*	-	Black & White	*	-	*	*	*	-
H1Q	C3-H	*	*	-	Turquoise	*	-	*	-	*	-
H1R, H4R	C3-H	*	*	-	Red	*	-	*	*	*	-
H1T, H4T	C3-H	*	*	-	Tan	*	-	*	*	*	-
H4X	C3-H	-	*	-	Black	-	-	*	*	*	-
P4B	C2-P	-	*	-	Blue	-	-	-	-	*	*
P4L	C2-P	-	*	-	Gold & Black	-	-	-	-	*	*
P3R, P4R	C2-P	-	*	-	Red	-	-	-	-	*	*
P4T	C2-P	-	*	-	Tan	-	-	-	-	*	*
P4W	C2-P	-	*	-	White	-	-	-	-	*	*
P3X, P4X	C2-P	-	*	*	Black	-	-	-	-	*	*
M3B, M7B, M8B, M9B	Y1-M	*	-	*	Blue	-	-	*	-	*	*
M3C, M9C	Y1-M	-	-	*	Blue & White	-	-	*	-	*	*
M7G, M8G	Y1-M	*	-	*	Green & Gold	-	-	*	-	*	-
M3K, M9K	Y1-M	-	-	*	Purple	-	-	*	-	*	*
M7N, M8N	Y1-M	*	-	*	Black & White	-	-	*	-	*	-
M7P	Y1-M	*	-	*	Gray & Black	-	-	*	-	-	-
M7Q	Y1-M	*	-	*	Turquoise	-	-	*	-	*	*
M3R, M5R, M7R, M9R	Y1-M	*	-	*	Red	-	-	*	-	*	*
M3T, M7T, M9T	Y1-M	*	-	*	Tan	-	-	*	-	*	*
M3V, M9V	Y1-M	-	-	*	Red & White	-	-	*	-	*	*
M3W, M5W, M9W	Y1-M	-	-	*	White	-	-	*	-	*	*
M3X, M5X, M9X	Y1-H	-	-	*	Black	-	-	*	-	*	*
H6A, H7A	Y1-H	*	-	*	Gray	-	-	*	-	-	-
H3B, H7B	Y1-H	*	-	*	Blue	-	-	*	-	-	-
H3C	Y1-H	-	-	*	Blue & White	-	-	*	-	-	-
H7G	Y1-H	*	-	*	Green & Gold	-	-	*	-	-	-
H3R, H8R	Y1-H	-	-	*	Red	-	-	*	-	-	-
H7T	Y1-H	*	-	*	Tan	-	-	*	-	-	-
H3V	Y1-H	-	-	*	Red & White	-	-	*	-	-	-
H3W, H8W	Y1-H	-	-	*	White	-	-	*	-	-	-
H3X, H8X	Y1-H	-	-	*	Black	-	-	*	-	-	-

\* Indicates use as required.

☐ Indicates parts not listed in any previous parts book.  
May 1965, Supersedes Sept. 4, 1964.

Printed in U.S.A.

Prices and specifications subject to change without notice.

\* Indicates change or addition.

CODE	REMARKS	PER CAR	SED.	4D H.T	STA. WGN.	2D H.T	CV. CP.
------	---------	---------	------	--------	-----------	--------	---------

NOTE RIGHT HAND AND LEFT HAND PARTS LISTED ON THE SAME LINE. Whenever right and left hand parts are identified by consecutive part numbers, they will be listed as in the following example: PANEL, Door Trim 3400-1 ABB. Interpreted this indicates that Panel, right is Part 3400 ABB and Panel, left is Part No. 3401 ABB.

23-71-1	CARPET and FOUNDATION, Floor Console Side C2 (4 speed manual trans. floor shift) (side cover) (formed carpet) (codes M4B, P4B, L9B) (codes M3R, M4R, P3R, P4R, L9R) (codes M4T, P4T)	1	----	4434 AB8	----	4434 AB8	4434 AB8
		1	----	4434 AR8	----	4434 AR8	4434 AR8
		1	----	4434 AT8	----	4434 AT8	4434 AT8
	(codes M1N, M4W, M3X, M4X, M4L, P4W, P3X, P4X, P4L, L9X) (codes M4B, P4B, L9B) (codes M3R, M4R, P3R, P4R, L9R) (codes M4T, P4T)	1	----	4434 AX8	----	4434 AX8	4434 AX8
		1	----	7383 AB8	----	7383 AB8	7383 AB8
		1	----	7383 AR8	----	7383 AR8	7383 AR8
		1	----	7383 AT8	----	7383 AT8	7383 AT8
	(codes M1N, M4W, M3X, M4X, P3X, P4X, M4L, P4L, P4W, L9X) (carpet w/foundation) (codes M4B, P4B, L9B) (codes M3R, M4R, P3R, P4R, L9R) (codes M4T, P4T)	1	----	7383 AX8	----	7383 AX8	7383 AX8
		1	----	7286-7 AB8	----	7286-7 AB8	7286-7 AB8
		1	----	7286-7 AR8	----	7286-7 AR8	7286-7 AR8
		1	----	7286-7 AT8	----	7286-7 AT8	7286-7 AT8
	(codes M1N, M4W, P4W, M3X, M4X, P3X, P4X, L9X, M4L, P4L) (side and rear) Left (codes M4B, P4B, L9B) (codes M3R, M4R, P3R, P4R, L9R) (codes M4T, P4T) (codes M1N, M4W, P4W, M3X, M4X, P3X, P4X, L9X, M4L, P4L) C1, C2 (side cover) (plastic) (manual w/floor shift trans.) Fastener	1	----	7286-7 AX8	----	7286-7 AX8	7286-7 AX8
	1	----	7301 AB8	----	7301 AB8	7301 AB8	
	1	----	7301 AR8	----	7301 AR8	7301 AR8	
	1	----	7301 AT8	----	7301 AT8	7301 AT8	
	1	----	7301 AX8	----	7301 AX8	7301 AX8	
	1	----	2572 543	----	2572 543	2572 543	
	5	----	*6002 072	----	*6002 072	*6002 072	
23-71-3	LID, Floor Console Compartment C1, C2, C3 (4 speed trans. floor shift) (codes L9B, H4B) (codes M4B, P4B) (codes L9R, M3R, M4R, P3R, P4R, H4R) (codes M4T, P4T) (codes L9X, M3X, M4X, P3X, P4X, H4X) (codes M1N, M4W, P4W) (codes M4L, P4L, H4L)	1	----	----	----	4460 AB4	4460 AB4
		1	----	4460 AB8	----	4460 AB8	4460 AB8
		1	----	4460 AR7	----	4460 AR7	4460 AR7
		1	----	4460 AT6	----	4460 AT6	4460 AT6
		1	----	4460 AX9	----	4460 AX9	4460 AX9
		1	----	4460 AW3	----	4460 AW3	4460 AW3
		1	----	4460 AY3	----	4460 AY3	4460 AY3
		1	----	4460 AY3	----	4460 AY3	4460 AY3
23-76-1	BUTTON, Front Door Arm Rest Lid Y1	2	----	2499 591	----	2499 591	

★ Indicates use as required.

☐ Indicates parts not listed in any previous parts book. Right and left part numbers are on same line, first number is right, second number is left.

\* Indicates change or addition.

## 1965 PASSENGER CAR PARTS CATALOG

INTERIOR TRIM

CODE	REMARKS	PER CAR	SED.	4D H.T	STA. WGN.	2D H.T	CV. CP.
23-76-2	CATCH, Front Door Arm Rest Lid Y1-M	1	----	2490 556-7	----	2490 556-7	2490 556-7
23-76-5	PULL, Door Arm Rest C3-H (6 window sedan) Screw and Washer (pull to base)	2 8	2499 422-3 ----	2499 422-3 6024 061	2499 422-3 6024 061	2499 422-3 6024 061	
23-76-9	BASE, Door and Quarter Arm Rest C1, C2 (quarter arm rest) (door arm rest) Screw (attaching) Nut (arm rest suppt. bracket) Y1 Screw (front arm rest to trim panel)	1 2 ★ 4 8	----- 1212-3 VZ1 162 090 1280 134 -----	----- 1212-3 VZ1 162 090 1280 134 166 303	----- 1212-3 VZ1 162 090 1280 134 -----	1210-1 VZ1 1212-3 VZ1 162 090 1280 134 166 303	----- 1212-3 VZ1 162 090 1280 134 166 303
23-76-10	PAD, Front Door Arm Rest Storage Compartment Lid Y1 (codes M3B, M7B, M8B, M9B, H3B, H7B) (code H7A) (codes M3K, M9K) (code M7Q) (codes M3R, M7R, M8R, M9R, H3R) (codes M3T, M7T, M9T, H7T) (codes M3C, M3V, M3W, M7N, M8N, M9C, M9V, H3C, H3V, H3W) (codes M7G, M8G, H7G) (codes M3X, M5X, M7P, M9X, H3X, H8X)	1 1 1 1 1 1 1 1 1	----- ----- ----- ----- ----- ----- ----- ----- -----	1230-1 AB4 1230-1 AA3 1230-1 AM9 1230-1 AQ4 1230-1 AR5 1230-1 AL3 1230-1 VW3 1230-1 VF9 1230-1 VX9	----- ----- ----- ----- ----- ----- ----- ----- -----	1230-1 AB4 1230-1 AM9 1230-1 AR5 1230-1 AL3 1230-1 VW3 1230-1 VF9 1230-1 VX9	1230-1 AB4 1230-1 AM9 1230-1 AR5 1230-1 AL3 1230-1 VW3 1230-1 VF9 1230-1 VX9
23-76-11	PAD, Front Door Arm Rest C1 C2 (codes L1B, L2B, L4B, L5B, L8B, M4B, P4B) (codes L1Q, L2Q, L8Q) (codes M4L, P4L) (codes L1R, L2R, L4R, L5R, L8R, M3R, M4R, P3R, P4R) (codes L1T, L2T, L4T, L5T, L8T, M4T, P4T) (codes L1L, L2L, L1N, L2N, L4N, L4L, M1N, M3X, M4X, L4X, P3X, P4X, L9X) (codes M4W, P4W) Screw (attaching)	1 1 1 1 1 1 1 1 8	1222-3 AB8 1222-3 AQ8 ----- 1222-3 AR8 1222-3 AT5 1222-3 VX9 ----- 161 904	1222-3 AB8 1222-3 AQ8 ----- 1222-3 AR8 1222-3 AT5 1222-3 VX9 1222-3 VW3 161 904	1222-3 AB8 ----- ----- 1222-3 AR8 1222-3 AT5 1222-3 VX9 ----- 161 904	1222-3 AB8 1222-3 AQ8 1222-3 AY3 1222-3 AR8 1222-3 AT5 1222-3 VX9 1222-3 VW3 161 904	1222-3 AB8 1222-3 AY3 1222-3 AR8 1222-3 AT5 1222-3 VX9 1222-3 VW3 161 904
23-76-13	RETAINER, Door and Quarter Arm Rest Finish Plate C3-H (6 window sedan)	4	2572 968	2572 968	2572 968	2572 968	
23-76-16	NUT, Door and Quarter Arm Rest and Door Pull Handle Attaching C1, C2, C3, Y1	★	1280 134	1280 134	1280 134	1280 134	1280 134
23-76-17	HINGE, Front Seat Back Center Arm Rest C3-H (6 window sedan) Y1 (door arm rest lid)	1 1 1	2494 262-3 ----- -----	2494 262-3 2494 262-3 2572 734-5	2494 262-3 ----- -----	2494 262-3 ----- 2572 734-5	2572 734-5

★ Indicates use as required.

☐ Indicates parts not listed in any previous parts book.

April 1966, Supersedes May 1965.

Page IT-250

Printed in U.S.A.  
Prices and specifications subject to change without notice.  
Right and left part numbers are on same line,  
first number is right, second number is left.

\* Indicates change or addition.

CODE	REMARKS	PER CAR	SED.	4D H.T	STA. WGN.	2D H.T	CV. CP.
23-76-18	ARM REST, Front Seat Back Center C2, C3						
	(code H1B)	1	6949 A1B	6949 A1B			
	(code H1L)	1	6949 A1L	6949 A1L			
	(code H1N)	1	6949 A1N	6949 A1N	B6949 A1N		
	(code H1Q)	1	6949 A1Q	6949 A1Q			
	(code H1R)	1	6949 A1R	6949 A1R			
	(code H1T)	1	6949 A1T	6949 A1T			
	(code M4B)	1	----	6945 AB8	----	6945 AB8	6945 AB8
	(codes L9B, H4B)	1	----	*6945 AB4	*6945 AB4	*6945 AB4	
	(codes M4T, H4T)	1	----	6945 AT6	6945 AT6	6945 AT6	6945 AT6
	(codes M1N, M4W)	1	----	6945 AW3	----	6945 AW3	6945 AW3
	(codes L9X, M4X, H4X)	1	----	*6945 AX9	*6945 AX9	*6945 AX9	*6945 AX9
	(codes M4L, H4L)	1	----	6945 AY3	6945 AY3	6945 AY3	6945 AY3
	(codes L9R, M4R, H4R)	1	----	*6945 AR7	*6945 AR7	*6945 AR7	*6945 AR7
	C2-M						
	(code M3R)	1	----	----	----	6936 AR7	6936 AR7
	(code M3X)	1	----	----	----	6936 AX9	6936 AX9
	Y1-H						
	(code H3B)	1	----	7331 A3B			
	(codes H3C, H3V, H3W)	1	----	7331 A3W			
	(code H3R)	1	----	7331 A3R			
	(code H3X)	1	----	7331 A3X			
	(code H6A)	1	----	7722 A6A			
	(code H7A)	1	----	6980 A7A			
	(code H7B)	1	----	6980 A7B			
	(code H7G)	1	----	6980 A7G			
	(code H7T)	1	----	6980 A7T			
	Y1-M						
	(code M3B)	1	----	6978 A3B			
	(code M3C)	1	----	6978 A3C			
	(code M3K)	1	----	6978 A3K			
	(code M3R)	1	----	6978 A3R			
	(code M3T)	1	----	6978 A3T			
	(code M3V)	1	----	6978 A3V			
	(code M3W)	1	----	6978 A3W			
	(code M3X)	1	----	6978 A3X			
	(code M7B)	1	----	6976 A7B			
	(code M7G)	1	----	6976 A7G			
	(code M7N)	1	----	6976 A7N			
	(code M7P)	1	----	6976 A7P			
	(code M7Q)	1	----	6976 A7Q			
	(code M7R)	1	----	6976 A7R			
	(code M7T)	1	----	6976 A7T			
	(codes M8B, M9B)	1	----	----	----	6991 AB4	6991 AB4
	(codes M8N, M9C, M9V, M9W)	1	----	----	----	6991 AW3	6991 AW3
	(code M9K)	1	----	----	----	6991 AM9	6991 AM9
	(code M9R)	1	----	----	----	6991 AR5	6991 AR5
	(code M9T)	1	----	----	----	6991 AL3	6991 AL3
	(code M8G)	1	----	----	----	6991 AF9	
	(code M9X)	1	----	----	----	6991 AX9	6991 AX9
23-76-19	FLAP, Front Seat Back Center Arm Rest C3-H						
	(code H1B)	1	6951 A1B	6951 A1B			
	(code H1L)	1	6951 A1L	6951 A1L			
	(code H1N)	1	6951 A1N	6951 A1N	6951 A1N		
	(code H1Q)	1	6951 A1Q	6951 A1Q			
	(code H1R)	1	6951 A1R	6951 A1R			
	(code H1T)	1	6951 A1T	6951 A1T			

★ Indicates use as required.

☐ Indicates parts not listed in any previous parts book.  
Right and left part numbers are on same line,  
first number is right, second number is left.

\* Indicates change or addition.

Printed in U.S.A.

Prices and specifications subject to change without notice.

April 1966, Supersedes May 1965.

## 1965 PASSENGER CAR PARTS CATALOG

INTERIOR TRIM

CODE	REMARKS	PER CAR	SED.	4D H.T	STA. WGN.	2D H.T	CV. CP.
23-76-19	FLAP, Front Seat Back Center Arm Rest - Cont'd Y1-M						
	(code M7B)	1	----	7284 AOB			
	(code M7G)	1	----	7284 ALF			
	(code M7N)	1	----	7284 AWX			
	(code M7P)	1	----	7284 AAX			
	(code M7Q)	1	----	7284 AOQ			
	(code M7R)	1	----	7284 AOR			
	(code M7T)	1	----	7284 AOL			
	(code M3B)	1	----	7285 AB4			
	(codes M3C, M3V, M3W)	1	----	7285 AW3			
	(code M3K)	1	----	7285 AM9			
	(code M3R)	1	----	7285 AR5			
	(code M3T)	1	----	7285 AL3			
	(code M3X)	1	----	7285 AX9			
	Y1-H						
	(code H3B)	1	----	7330 AB4			
	(code H3R)	1	----	7330 AR5			
	(codes H3C, H3V, H3W)	1	----	7330 AW3			
	(code H3X)	1	----	7330 AX9			
	(code H7A)	1	----	7329 AAA			
	(code H7B)	1	----	7329 ABB			
	(code H7G)	1	----	7329 ALF			
	(code H7T)	1	----	7329 ALL			
23-76-21	SUPPORT, Front Seat Center Arm Rest Y1						
	UP TO Serial No. 190974	1	----	2446 737			
	AFTER Serial No. 190974	1	----	2446 737			
23-76-27	RETAINER, Front Seat Center Arm Rest Frame Hook C2, C3, Y1	1	----	1918 568	1918 568	1918 568	1918 568
23-76-30	HANDLE, Seat Back Arm Rest Pull-Down Y1-H	4	----	2577 117			
23-76-34	COVER, Front Seat Back Center Arm Rest C2, C3						
	(code M4B)	1	----	6946 AB8	----	6946 AB8	6946 AB8
	(codes M4T, H4T)	1	----	6946 AT6	6946 AT6	6946 AT6	6946 AT6
	(codes M1N, M4W)	1	----	6946 AW3	----	6946 AW3	6946 AW3
	(codes L9X, M4X, H4X)	1	----	*6946 AX9	*6946 AX9	*6946 AX9	*6946 AX9
	(codes M4L, H4L)	1	----	6946 AY3	----	6946 AY3	6946 AY3
	(codes L9B, H4B)	1	----	*6946 AB4	*6946 AB4	*6946 AB4	*6946 AB4
	(codes L9R, M4R, H4R)	1	----	*6946 AR7	*6946 AR7	*6946 AR7	*6946 AR7
	(code M3R)	1	----	----	----	6937 AR8	6937 AR8
	(code M3X)	1	----	----	----	6937 AX9	6937 AX9
	(code H1B)	1	6950 A1B	6950 A1B			
	(code H1L)	1	6950 A1L	6950 A1L			
	(code H1N)	1	6950 A1N	6950 A1N	6950 A1N		
	(code H1Q)	1	6950 A1Q	6950 A1Q			
	(code H1R)	1	6950 A1R	6950 A1R			
	(code H1T)	1	6950 A1T	6950 A1T			
	Y1-M						
	(code M3B)	1	----	6977 A3B			
	(code M3C)	1	----	6977 A3C			
	(code M3K)	1	----	6977 A3K			
	(code M3R)	1	----	6977 A3R			

\* Indicates use as required.

☐ Indicates parts not listed in any previous parts book.  
April 1966, Supersedes May 1965.Printed in U.S.A.  
Prices and specifications subject to change without notice.  
Right and left part numbers are on same line,  
first number is right, second number is left.

\* Indicates change or addition.

CODE	REMARKS	PER CAR	SED.	4D H.T	STA. WGN.	2D H.T	CV. CP.
23-76-34	COVER, Front Seat Back Center Arm Rest - Cont'd Y1-M (code M3T) (codes M3V, M3W) (code M3X) (code M5W) (code M5R) (code M5X)	1 1 1 1 1 1	---- ---- ---- ---- ---- ----	6977 A3T 6977 A3W 6977 A3X 6990 AW3 6990 AR5 6990 AX9			
	(code M7B) (code M7G) (code M7N) (code M7P) (code M7Q) (code M7R) (code M7T)	1 1 1 1 1 1 1	---- ---- ---- ---- ---- ---- ----	6975 A7B 6975 A7G 6975 A7N 6975 A7P 6975 A7Q 6975 A7R 6975 A7T			
	Y1-H (code H3B) (codes H3C, H3V, H3W) (code H3R) (code H3X) (code H6A) (code H7A) (code H7B) (code H7G) (code H7T) (code H8W) (code H8R) (code H8X)	1 1 1 1 1 1 1 1 1 1 1 1	---- ---- ---- ---- ---- ---- ---- ---- ---- ---- ---- ----	7328 A3B 7328 A3W *7328 A3R 7328 A3X 7721 A6A 6979 A7A 6979 A7B 6979 A7G 6979 A7T 6990 AW3 6990 AR5 6990 AX9			
	Y1-M (codes M8B, M9B) (codes M8N, M9C, M9V, M9W) (code M9K) (code M9R) (code M9T) (code M9X) (code M9G)	1 1 1 1 1 1 1	---- ---- ---- ---- ---- ---- ----	----- ----- ----- ----- ----- ----- -----	----- ----- ----- ----- ----- ----- -----	6990 AB4 6990 AW3 6990 AM9 6990 AR5 6990 AL3 6990 AX9 6990 AF9	6990 AB4 6990 AW3 6990 AM9 6990 AR5 6990 AL3 6990 AX9 6990 AF9
23-76-36	COVER, Front Seat Center Arm Rest Stanchion C2, C3, Y1-M	1	----	4388-9 TX8	4388-9 TX8	4388-9 TX8	4388-9 TX8
23-76-40	ARM REST, Rear Seat Back Center C3-H (6 window sedan) (code H1B) (code H1L) (code H1N) (code H1Q) (code H1R) (code H1T)	1 1 1 1 1 1	7236 A1B 7236 A1L 7236 A1N 7236 A1Q 7236 A1R 7236 A1T	6952 A1B 6952 A1L 6952 A1N 6952 A1Q 6952 A1R 6952 A1T	----- ----- ----- ----- ----- -----	6952 A1B 6952 A1L 6952 A1N 6952 A1Q 6952 A1R 6952 A1T	
	Y1-M (code M3B) (code M3C) (code M3K) (code M3R) (code M3T) (code M3V) (code M3W) (code M3X) (code M7B)	1 1 1 1 1 1 1 1 1	---- ---- ---- ---- ---- ---- ---- ---- ----	6984 A3B 6984 A3C 6984 A3K 6984 A3R 6984 A3T 6984 A3V 6984 A3W 6984 A3X 6972 A7B			

★ Indicates use as required.  
 ☐ Indicates parts not listed in any previous parts book.  
 Right and left part numbers are on same line,  
 first number is right, second number is left.  
 \* Indicates change or addition.

## 1965 PASSENGER CAR PARTS CATALOG

INTERIOR TRIM

CODE	REMARKS	PER CAR	SED.	4D H.T	STA. WGN.	2D H.T	CV. CP.
23-76-40	ARM REST, Rear Seat Back Center - Cont'd						
	Y1-M						
	(code M7G)	1	----	6972 A7G			
	(code M7N)	1	----	6972 A7N			
	(code M7P)	1	----	6972 A7P			
	(code M7Q)	1	----	6972 A7Q			
	(code M7R)	1	----	6972 A7R			
	(code M7T)	1	----	6972 A7T			
	Y1						
	(codes M5R, H8R)	1	----	7462 AR5			
	(codes M5W, H8W)	1	----	7462 AW3			
	(codes M5X, H8X)	1	----	7462 AX9			
	Y1-H						
	(code H3B)	1	----	7317 A3B			
	(codes H3W, H3C, H3V)	1	----	*7317 A3W			
	(code H3R)	1	----	7317 A3R			
	(code H3X)	1	----	7317 A3X			
	(code H6A)	1	----	7729 A6A			
	(code H7A)	1	----	6983 A7A			
	(code H7B)	1	----	6983 A7B			
	(code H7G)	1	----	6983 A7G			
	(code H7T)	1	----	6983 A7T			
	Y1-M						
	(codes M8B, M9B)	1	----	----	----	6987 AB4	
	(codes M8N, M9C, M9V, M9W)	1	----	----	----	6987 AW3	
	(code M9K)	1	----	----	----	6987 AM9	
	(code M9R)	1	----	----	----	6987 AR5	
	(code M9T)	1	----	----	----	6987 AL3	
	(code M9X)	1	----	----	----	6987 AX9	
	(code M8G)	1	----	----	----	6987 AF9	
	(code M9B)	1	----	----	----	----	6989 AB4
	(codes M9C, M9V, M9W)	1	----	----	----	----	6989 AW3
	(code M9K)	1	----	----	----	----	6989 AM9
	(code M9R)	1	----	----	----	----	6989 AR5
	(code M9T)	1	----	----	----	----	6989 AL3
	(code M9X)	1	----	----	----	----	6989 AX9
23-76-45	COVER, Rear Seat Back Center Arm Rest C3-H (6 window sedan)						
	(code H1B)	1	7237 A1B	6953 A1B	----	6953 A1B	
	(code H1L)	1	7237 A1L	6953 A1L	----	6953 A1L	
	(code H1N)	1	7237 A1N	6953 A1N	----	6953 A1N	
	(code H1Q)	1	7237 A1Q	6953 A1Q	----	6953 A1Q	
	(code H1R)	1	7237 A1R	6953 A1R	----	6953 A1R	
	(code H1T)	1	7237 A1T	6953 A1T	----	6953 A1T	
	Y1-M						
	(code M3B)	1	----	6982 A3B			
	(code M3C)	1	----	6982 A3C			
	(code M3K)	1	----	6982 A3K			
	(code M3R)	1	----	6982 A3R			
	(code M3T)	1	----	6982 A3T			
	(code M3V)	1	----	6982 A3V			
	(code M3W)	1	----	6982 A3W			
	(code M3X)	1	----	6982 A3X			
	(code M5R)	1	----	7463 AR5			
	(code M5W)	1	----	7463 AW3			
	(code M5X)	1	----	7463 AX9			
	(code M7B)	1	----	6971 A7B			
	(code M7G)	1	----	6971 A7G			

\* Indicates use as required.

‡ Indicates parts not listed in any previous parts book.  
May 1965, Supersedes Sept. 4, 1964.

Printed in U.S.A.  
Prices and specifications subject to change without notice.  
Right and left part numbers are on same line,  
first number is right, second number is left.

\* Indicates change or addition.



INTERIOR TRIM 1965 PASSENGER CAR PARTS CATALOG

CODE	REMARKS	PER CAR	SED.	4D H.T	STA. WGN.	2D H.T	CV. CP.
23-76-45	COVER, Rear Seat Back Center Arm Rest - Cont'd						
	Y1-M						
	(code M7N)	1	----	6971 A7N			
	(code M7P)	1	----	6971 A7P			
	(code M7Q)	1	----	6971 A7Q			
	(code M7R)	1	----	6971 A7R			
	(code M7T)	1	----	6971 A7T			
	Y1-H						
	(code H3B)	1	----	7316 A3B			
	(codes H3C, H3V, H3W)	1	----	7316 A3W			
	(code H3R)	1	----	7316 A3R			
	(code H3X)	1	----	7316 A3X			
	(code H6A)	1	----	7728 A6A			
	(code H7A)	1	----	6981 A7A			
	(code H7B)	1	----	6981 A7B			
	(code H7G)	1	----	6981 A7G			
	(code H7T)	1	----	6981 A7T			
	(code H8R)	1	----	7463 AR5			
	(code H8W)	1	----	7463 AW3			
	(code H8X)	1	----	7463 AX9			
	Y1-M						
	(codes M8B, M9B)	1	----	----	----	6986 AB4	6986 AB4
	(codes M8N, M9C, M9V, M9W)	1	----	----	----	6986 AW3	6986 AW3
	(code M9K)	1	----	----	----	6986 AM9	6986 AM9
	(code M9R)	1	----	----	----	6986 AR5	6986 AR5
	(code M9T)	1	----	----	----	6986 AL3	6986 AL3
	(code M9X)	1	----	----	----	6986 AX9	6986 AX9
	(code M9G)	1	----	----	----	6986 AF9	
23-76-53	FLAP, Rear Seat Back Center Arm Rest						
	C3-H (6 window sedan)						
	(code H1B)	1	7238 A1B	6954 A1B			
	(code H1L)	1	7238 A1L	6954 A1L			
	(code H1N)	1	7238 A1N	6954 A1N			
	(code H1Q)	1	7238 A1Q	6954 A1Q			
	(code H1R)	1	7238 A1R	6954 A1R			
	(code H1T)	1	7238 A1T	6954 A1T			
	Y1-M						
	(code M3B)	1	----	6993 AB4			
	(codes M3C, M3V, M3W)	1	----	6993 AW3			
	(code M3K)	1	----	6993 AM9			
	(code M3R)	1	----	6993 AR5			
	(code M3T)	1	----	6993 AL3			
	(code M3X)	1	----	6993 AX9			
	Y1-M, Y1-H						
	(codes M5R, H8R)	1	----	E7315 AR5			
	(codes M5W, H8W)	1	----	E7315 AW3			
	(codes M5X, H8X)	1	----	E7315 AX9			
	Y1-M						
	(code M7G)	1	----	E6970 AB4	----	E6970 AB4	
	(code M7G)	1	----	E6970 AL3	----	E6970 AL3	
	(code M7N)	1	----	E6970 AX8	----	E6970 AX8	
	(code M7P)	1	----	E6970 AA3	----	E6970 AA3	
	(code M7Q)	1	----	E6970 AQ4	----	E6970 AQ4	
	(code M7R)	1	----	E6970 AR5	----	E6970 AR5	
	(code M7T)	1	----	E6970 AL3	----	E6970 AL3	
	Y1-H						
	(code H3B)	1	----	7315 A3B			
	(codes H3C, H3V, H3W)	1	----	7315 A3W			

★ Indicates use as required.  
 ☐ Indicates parts not listed in any previous parts book.  
 Right and left part numbers are on same line, first number is right, second number is left.  
 \* Indicates change or addition.

# 1965 PASSENGER CAR PARTS CATALOG

INTERIOR TRIM

CODE	REMARKS	PER CAR	SED.	4D H.T.	STA. WGN.	2D H.T.	CV. CP.
23-76-53	FLAP, Rear Seat Back Center Arm Rest - Cont'd Y1-H (code H3R) (code H3X) (code H6A) (code H7A) (code H7B) (code H7G) (code H7T)	1 1 1 1 1 1 1	---- ---- ---- ---- ---- ----	7315 A3R 7315 A3X 7727 AA4 B7314 AA3 B7314 AB4 B7314 AL2 B7314 AL3			
	(codes M8B, M9B) (codes M8N, M9C, M9V, M9W) (code M9K) (code M9R) (code M9T) (code M9X) (code M9G)	1 1 1 1 1 1 1	---- ---- ---- ---- ---- ---- ----	---- ---- ---- ---- ---- ---- ----	---- ---- ---- ---- ---- ---- ----	6998 AB4 6998 AW3 6998 AM9 6998 AR5 6998 AL3 6998 AX9 6998 AF9	6999 AB4 6999 AW3 6999 AM9 6999 AR5 6999 AL3 6999 AX9
23-76-63	PAD, Rear Door Arm Rest C1, C2 (codes L1B, L2B, L4B, L5B, L8B, M4B) (codes L1Q, L2Q, L8Q) (codes L1R, L2R, L4R, L5R, L8R, M4R) (code M4W) (codes L1T, L2T, L4T, L5T, L8T, M4T) (codes L4L, L4N, M3X, M4X, P3X, P4X, L9X)	1 1 1 1 1 1 1	1224-5 AB8 1224-5 AQ8 1224-5 AR8 ---- 1224-5 AT8 *1224-5 VX9	1224-5 AB8 1224-5 AQ8 1224-5 AR8 1224-5 AW3 1224-5 AT8	1224-5 AB8 1224-5 AQ8 1224-5 AR8 1224-5 AW3 1224-5 AT8		
	Y1 (codes H6A, H7A) (codes M3B, M7B, H3B, H7B) (code M7Q) (codes M3R, M5R, M7R, H3R, H8R) (codes M3T, M7T, H7T) (code M3K) (codes M3C, M3V, M3W, M5W, M7N, H3C, H3V, H3W, H8W) (codes M76, H76) (codes M3X, M5X, M7P, H3X, H8X)	1 1 1 1 1 1 1 1 1	---- ---- ---- ---- ---- ---- ---- ---- ----	1234-5 AA3 1234-5 AB4 1234-5 AQ4 1234-5 AR5 1234-5 AL3 1234-5 AM9 1234-5 VW3 1234-5 VF9 1234-5 VX9			
23-76-66	ARM REST, Rear Quarter C3-H (codes H1B, H4B) (codes H1L, H4L) (code H1N) (code H1Q) (codes H1R, H4R) (code H1T) (code H4X)	2 2 2 2 2 2 2	---- ---- ---- ---- ---- ---- ----	---- ---- ---- ---- ---- ---- ----	---- ---- ---- ---- ---- ---- ----	*1220 AB4 *1220 AY3 *1220 AW3 *1220 AQ4 *1220 AR7 *1220 AT6 *1220 AX9	
	Y1-M (codes M8B, M9B) (code M8G) (codes M8N, M9W) (code M9C) (code M9K) (code M9R)	1 1 1 1 1 1	---- ---- ---- ---- ---- ----	---- ---- ---- ---- ---- ----	---- ---- ---- ---- ---- ----	4802-3 ABB 4802-3 AOF 4802-3 AWX 4802-3 AWB 4802-3 AOM 4802-3 AOR	4810-1 ABB 4810-1 AWX 4810-1 AWB 4810-1 AOM 4810-1 AOR

★ Indicates use as required.

□ Indicates parts not listed in any previous parts book.  
May 1965, Supersedes Sept. 4, 1964.

Printed in U.S.A.  
Prices and specifications subject to change without notice.  
Right and left part numbers are on same line,  
first number is right, second number is left.

• Indicates change or addition.

CODE	REMARKS	PER CAR	SED.	4D H.T	STA. WGN.	2D H.T	CV. CP.
23-76-66	ARM REST, Rear Quarter - Cont'd Y1-M (code M9T) (code M9V) (code M9X)	1 1 1	----- ----- -----	----- ----- -----	----- ----- -----	4802-3 ALL 4802-3 AWR 4802-3 AXX	4810-1 ALL 4810-1 AWR 4810-1 AXX
23-76-76	PAD, Quarter Arm Rest C1, C2 (codes L4B, L8B, M4B, P4B, L9B) (code L8Q) (codes M4W, P4W) (codes M4L, P4L) (codes L4R, L8R, M3R, M4R, P3R, P4R, L9R) (codes L8T, M4T, P4T) (codes L4L, L4N, M3X, M4X, P3X, P4X, L9X) Screw (attaching)	1 1 1 1 1 1 1 4	----- ----- ----- ----- ----- ----- ----- -----	----- ----- ----- ----- ----- ----- ----- -----	----- ----- ----- ----- ----- ----- ----- -----	1224-5 AB8 1224-5 AQ8 1224-5 AW3 1224-5 AY3  1224-5 AR8 1224-5 AT8  1224-5 VX9 161 904	
	Y1-M (codes M8B, M9B) (codes M8N, M9C, M9V, M9W) (code M8G) (code M9K) (code M9R) (code M9T) (code M9X)	1 1 1 1 1 1 1	----- ----- ----- ----- ----- ----- -----	----- ----- ----- ----- ----- ----- -----	----- ----- ----- ----- ----- ----- -----	1240-1 AB4 1240-1 VW3 1240-1 VF9 1240-1 AM9 1240-1 VR5 1240-1 AL3 1240-1 VX9	1242-3 AB4 1242-3 VW3  1242-3 AM9 1242-3 VR5 1242-3 AL3 1242-3 VX9
23-76-79	BRACKET, Quarter Arm Rest Panel Attaching Y1	2	-----	-----	-----	2572 399	2490 079
23-76-86	COVER, Rear Quarter Arm Rest Y1-M (codes M8B, M9B) (code M8G) (codes M8N, M9W) (code M9C) (code M9K) (code M9R) (code M9T) (code M9V) (code M9X)	1 1 1 1 1 1 1 1 1	----- ----- ----- ----- ----- ----- ----- ----- -----	----- ----- ----- ----- ----- ----- ----- ----- -----	----- ----- ----- ----- ----- ----- ----- ----- -----	4800-1 ABB 4800-1 AOF 4800-1 AWX 4800-1 AWB 4800-1 AOM 4800-1 AOR 4800-1 ALL 4800-1 AWR 4800-1 AXX	4808-9 ABB  4808-9 AWX 4808-9 AWB 4808-9 AOM 4808-9 AOR 4808-9 ALL 4808-9 AXX
23-77-3	STRAP, Assist Y1-H (codes H3B, H7B) (code H3C) (codes H3R, H8R) (code H7T) (code H3V) (codes H3W, H8W) (codes H3X, H8X) (codes H6A, H7A) (code H7G)	2 2 2 2 2 2 2 2 2	----- ----- ----- ----- ----- ----- ----- ----- -----	4100 AB4 4100 ABW *4109 ARR 4100 AL3 4100 ARW 4100 AXW 4100 AXX 4100 AA3 4100 ALF			
23-77-9	BRACKET, Tailgate Assist Strap C1, C3	1	-----	-----	*2656 703		
23-77-14	SUPPORT, Assist Strap Y1-H	1	-----	2581 224-5			

★ Indicates use as required.  
 ☐ Indicates parts not listed in any previous parts book.  
 Right and left part numbers are on same line,  
 first number is right, second number is left.  
 \* Indicates change or addition.

## 1965 PASSENGER CAR PARTS CATALOG

INTERIOR TRIM

CODE	REMARKS	PER CAR	SED.	4D H.T	STA. WGN.	2D H.T	CV. CP.
23-77-18	BRACKET, Rear Window Side Frame Assist Strap Support Attaching Y1-H	2	----	2588 027			
23-77-27	BAND, Assist Strap Y1-H	2	----	2581 230			
23-77-28	PLATE, Assist Strap Back Y1-H	2	----	2581 231			
23-78-2	BUTTON, Tufting C1-L (seat back) (code L1B)	2	4459 AB8				
	(code L1N)	2	4459 AW3				
	(code L1Q)	2	4459 AQ8				
	(code L1R)	2	4459 AR7				
	(code L1T)	2	4459 AT8				
	C1-L (6 window sedan) (rear back) (code L2B)	3	4418 AB4				
	(code L2Q)	3	4418 AQ4				
	(code L2R)	3	4418 AR7				
	(code L2T)	3	4418 AT6				
	(code L2N)	3	4418 AW3				
	(code L2L)	3	4418 AY3				
	C1-L (code L5B)	3	4418 AB4				
	(code L5R)	3	4418 AR7				
	(code L5T)	3	4418 AT6				
	C1-L (cushion and back) (round stud type) (metal) (codes L1B, L1N, L1Q, L1R, L1T, L4B, L8B)	★	----	4481 AB4	4481 AB4	4481 AB4	4481 AB4
	(code L8Q)	★	----	4481 AQ4	----	4481 AQ4	
	(codes L4R, L8R)	★	----	4481 AR7	4481 AR7	4481 AR7	4481 AR7
	(codes L4T, L8T)	★	----	4481 AT6	4481 AT6	4481 AT6	4481 AT6
	(code L4N)	★	----	4481 AW3	----	4481 AW3	
	(code L4X)	★	----	4481 AX9	4481 AX9	4481 AX9	4481 AX9
	(code L4L)	★	----	4481 AY3	----	4481 AY3	4481 AY3
	C2-M, C2-P (codes M3R, P3R)	★	----	----	----	4480 AR7	4480 AR7
	(codes M3X, P3X)	★	----	----	----	4480 AX9	4480 AX9
	C3-H (6 window sedan) (code H1B)	★	4446 AB4	4446 AB4	----	4446 AB4	
	(code H1L)	★	4446 AY3	4446 AY3	----	4446 AY3	
	(code H1N)	★	4446 AW3	4446 AW3	4446 AW3	4446 AW3	
	(code H1Q)	●	4446 AQ4	4446 AQ4	----	4446 AQ4	
	(code H1R)	★	4446 AR7	4446 AR7	----	4446 AR7	
	(code H1T)	★	4446 AT6	4446 AT6	----	4446 AT6	
	C3-H (door and quarter trim panel) (code H4B)	★	----	4446 AB4	4446 AB4	4446 AB4	
	(code H4L)	★	----	4446 AY3	----	4446 AY3	
	(code H4R)	★	----	4446 AR7	4446 AR7	4446 AR7	
	(code H4T)	★	----	----	4446 AT6		
	(cushion and back) (code H4B)	★	----	4482 AB4	4482 AB4	4482 AB4	
	(code H4L)	★	----	4482 AY3	4482 AY3	4482 AY3	
	(code H4R)	★	----	4482 AR7	4482 AR7	4482 AR7	
	(code H4T)	★	----	4482 AT6	4482 AT6	4482 AT6	
	(code H4X)	★	----	4482 AX9	4482 AX9	4482 AX9	
	(2nd and 3rd seat) (code H1N)	★	----	----	4446 AW3		

● Indicates use as required.

□ Indicates parts not listed in any previous parts book.  
April 1966, Supersedes May 1965.Printed in U.S.A.  
Prices and specifications subject to change without notice.  
Right and left part numbers are on same line,  
first number is right, second number is left.

\* Indicates change or addition.

CODE	REMARKS	PER CAR	SED.	4D H.T	STA. WGN.	2D H.T	CV. CP.	
23-78-2	BUTTON, Tufting - Cont'd Y1-M (backs and center arm rest) (codes M3R, M7B) (codes M3C, M3V, M3W) (code M3K) (codes M3R, M7R) (codes M3T, M7T, M7G) (codes M3X, M7N) (code M7P) (code M7Q)	★ ★ ★ ★ ★ ★ ★ ★	----- ----- ----- ----- ----- ----- ----- -----	4476 AB4 4476 AW3 4476 AM9 4476 AR5 4476 AL3 4476 AX9 4476 AA3 B4476 AQ4				
	(code M8B) (code M8G) (code M8N) (code M9B) (codes M5W, H8W, M9C, M9V, M9W) (code M9K) (codes M5R, M9R, H8R) (code M9T) (codes M5X, M9X, H8Y)	★ ★ ★ ★ ★ ★ ★ ★ ★	----- ----- ----- ----- ----- ----- ----- ----- -----	----- ----- ----- ----- ----- ----- ----- ----- 4480 AX9	----- ----- ----- ----- ----- ----- ----- ----- -----	4479 AB4 4479 AL2 4479 AX8 4480 AB4 4480 AW3 4480 AM9 4480 AR5 4480 AL3 4480 AX9	4480 AB4 4480 AW3 4480 AM9 4480 AR5 4480 AL3 4480 AX9	
	(cushions) (codes M3B, M7B) (codes M3C, M3V, M3W) (code M3K) (codes M3R, M7R) (codes M3T, M7T, M7G) (codes M3X, M7N) (code M7P) (code M7Q)	★ ★ ★ ★ ★ ★ ★ ★	----- ----- ----- ----- ----- ----- ----- -----	4478 AB4 4478 AW3 4478 AM9 4478 AR5 *4478 AL3 4478 AX9 4478 AA3 B4478 AQ4				
	Y1-M (back of front seat back) (codes M3B, M7B) (code M7G) (codes M3C, M3V, M3W) (code M3K) (codes M3X, M7P) (code M7Q) (codes M3R, M7R) (codes M3T, M7T)	8 8 8 8 8 8 8 8	----- ----- ----- ----- ----- ----- ----- -----	4323 AB4 4323 AF9 4323 AW3 4323 AM9 4323 AX9 4323 AQ4 4323 AR5 4323 AL3				
23-78-3	RETAINER, Seat Cushion, Back and Center Arm Rest Button C1, C2, C3, Y1 (6 window sedan) (for round stud type button) (metal) C1-L (oblong 2 prong type button) (fibre) (codes L1B, L1N, L1Q, L1R, L1T)	★ 2	2577 194 2577 252	2577 194	2577 194	2577 194	B2577 194	
23-79-3	CARPET, Front Floor C1, C2, C3 (codes L1B, L2B, L4B, L5B, L8B, L9B, M4B, H1B, H4B) (codes L1Q, L2Q, L8Q, H1Q) (codes L1R, L2R, L4R, L5R, L8R, L9R, M3R, M4R, H1R, H4R) (codes L1T, L2T, L4T, L5T, L8T, M4T, H1T, H4T)	1 1 1 1	1731 AB8 1731 AQ8 1731 AR8 1731 AT8	1731 AB8 1731 AQ8 1731 AR8 1731 AT8	1731 AB8 1731 AQ8 1731 AR8 1731 AT8	1731 AB8 1731 AQ8 1731 AR8 1731 AT8	1731 AB8 1731 AQ8 1731 AR8 1731 AT8	

★ Indicates use as required.  
 B Indicates parts not listed in any previous parts book.  
 Right and left part numbers are on same line,  
 first number is right, second number is left.  
 \* Indicates change or addition.

# 1965 PASSENGER CAR PARTS CATALOG

CODE	REMARKS	PER CAR	SED.	4D H.T	STA. WGN.	2D H.T	CV. CP.
23-79-3	CARPET, Front Floor - Cont'd C1, C2, C3 (codes L1N, L2N, L4N, M1N, H1N, L2L, L4L, M4L, H1L, H4L, L4X, L9X, M3X, M4X, H4X, H4W)	1	1731 AX8	1731 AX8	1731 AX8	1731 AX8	1731 AX8
	C2, C3 (automatic trans. w/floor console) (codes L9B, M4B, P4B, H4B) (codes L9R, M3R, M4R, P3R, P4R, H4R) (codes M4T, P4T)	1	----	1762 AB8	----	1762 AB8	1762 AB8
		1	----	1762 AR8	----	1762 AR8	1762 AR8
		1	----	1762 AT8	----	1762 AT8	1762 AT8
	(codes L9X, M1N, M3X, M4X, P3X, P4X, H4X, M4W, P4W, M4L, P4L, H4L)	1	----	1762 AX8	----	1762 AX8	1762 AX8
	(4 speed manual trans. w/floor console) (codes L9B, M4B, P4B) (codes L9R, M3R, M4R, P3R, P4R) (codes M4T, P4T)	1	----	1738 AB8	----	1738 AB8	1738 AB8
	(codes L9X, M1N, M3X, M4X, P3X, P4X, M4W, P4W, M4L, P4L, H4L)	1	----	1738 AR8	----	1738 AR8	1738 AR8
		1	----	1738 AT8	----	1738 AT8	1738 AT8
	C2-M (4 speed trans. floor shift) (code M4B) (codes M3R, M4R) (code M4T) (codes M1N, M3X, M4X, M4W, M4L)	1	----	1732 AB8	----	1732 AB8	1732 AB8
		1	----	1732 AR8	----	1732 AR8	1732 AR8
		1	----	1732 AT8	----	1732 AT8	1732 AT8
		1	----	1732 AX8	----	1732 AX8	1732 AX8
	Y1 (automatic trans.) (codes M3B, M7B, M8B, M9B, H3B, H7B, M3C, M9C, H3C) (codes M3T, M7T, M9T, H7T) (codes M7G, M8G, H7G) (codes M3K, M9K) (code M7Q) (codes M3R, M5R, M9R, H3R, M7R, H8R, M3V, M9V, H3V) (codes M3W, M9W, H3W, M3X, M9X, H3X, M7N, M7P, M8N, H7A)	1	----	1754 VB6	----	1754 VB6	1754 VB6
		1	----	1754 AL6	----		
		1	----	1754 VF9	----	1754 VF9	
		1	----	1754 AM9	----		
		1	----	1754 VQ6	----		
		1	----	1754 AR5	----		
		1	----	1754 VX8	----	1754 VX8	1754 VX8
23-79-5	WASHER, Spare Tire Cover Carpet C3	10	----	----	*2572 486		
23-79-33	CARPET, Rear Floor C1, C3 (codes L1B, L2B, L4B, L5B, L8B, H1B) (codes L1Q, L2Q, L8Q, H1Q) (codes L1R, L2R, L4R, L8R, H1R) (codes L1T, L2T, L5T, L8T, H1T) (codes L1N, L2N, L4N, H1N, L2L, L4L, H1L)	1	1724 AB8	1724 AB8	1721 AB8	1722 AB8	1722 AB8
		1	1724 AQ8	1724 AQ8	----	1722 AQ8	1722 AQ8
		1	1724 AR8	1724 AR8	1721 AR8	1722 AR8	1722 AR8
		1	1724 AT8	1724 AT8	1721 AT8	1722 AT8	1722 AT8
		1	1724 AX8	1724 AX8	1721 AX8	1722 AX8	1722 AX8
	C2, C3 (w/o floor console) (codes L9B, M4B, H4B) (codes L9R, M3R, M4R, H4R)	1	----	1728 AB8	*1763 AB8	1725 AB8	1725 AB8
		1	----	1726 AR8	*1763 AR8	1725 AR8	1725 AR8

★ Indicates use as required.

⊠ Indicates parts not listed in any previous parts book.  
May 1965, Supersedes Sept. 4, 1964.

Printed in U.S.A.  
Prices and specifications subject to change without notice.  
Right and left part numbers are on same line,  
first number is right, second number is left.

\* Indicates change or addition.

CODE	REMARKS	PER CAR	SED.	4D H.T	STA. WGN.	2D H.T	CV. CP.
23-79-33	CARPET, Rear Floor - Cont'd						
	C2, C3 (w/o floor console)						
	(codes M1N, M3X, M4W, L9X, M4X, M4L, H4L, H4X)	1	----	1726 AX8	*1763 AX8	1725 AX8	1725 AX8
	(code M4T)	1	----	1726 AT8	*1763 AT8	1725 AT8	1725 AT8
	(w/floor console)						
	(codes L9B, M4B, P4B, H4B)	1	----	1739 AB8	----	1733 AB8	1733 AB8
(codes L9R, M3R, M4R, P3R, P4R, H4R)	1	----	1739 AR8	----	1733 AR8	1733 AR8	
(codes M4T, P4T)	1	----	1739 AT8	----	1733 AT8	1733 AT8	
(codes M1N, M3X, P3X, P4X, L9X, M4X, H4X, M4W, M4L, P4L, H4L)	1	----	1739 AX8	----	1733 AX8	1733 AX8	
C1, C3 (axle kick-up rear floor pan front trim panel)	(codes L4B, H4B, L4R, H4R, L4T, H4T, L4X, H1N, H4X)	1	----	----	4319 AT8		
	(axle kick-up center floor pan rear trim panel)	1	----	----	4320 AT8		
(rear floor well front cover)	(codes L4B, H4B)	1	----	----	2014 AB4		
	(codes L4R, H4R)	1	----	----	2014 AR7		
	(codes L4T, H4T)	1	----	----	2014 AT6		
	(code H1N)	1	----	----	2014 AW3		
	(codes L4X, H4X)	1	----	----	2014 AX9		
	(rear floor well side cover)						
	(codes L4B, H4B)	1	----	----	2088-9 AB4		
	(codes L4R, H4R)	1	----	----	2088-9 AR7		
	(codes L4T, H4T)	1	----	----	2088-9 AT6		
	(codes L4X, H4X)	1	----	----	2088-9 AW3		
(code H1N)	1	----	----	2088-9 AX9			
C1-L (2 seat station wagon)	(rear floor pan cover panel insert) (vinoleum)						
	(code L4B)	1	----	----	1819 AB8		
	(code L4R)	1	----	----	1819 AR7		
	(code L4T)	1	----	----	1819 AT8		
C1-L (2 and 3 seat station wagon)	(center and rear floor pan) (vinoleum)						
	(code L4B)	1	----	----	1810 AB8		
	(code L4R)	1	----	----	1810 AR7		
	(code L4T)	1	----	----	1810 AT8		
(code L4X)	1	----	----	1810 AX9			
C3-H (carpet and moulding)	(ctr. and rear floor pan)						
	(code H4B)	1	----	----	*1813 AB8		
	(code H4R)	1	----	----	1813 AR8		
	(code H4T)	1	----	----	1813 AT8		
(codes H4X, H1N)	1	----	----	1813 AX8			
C3-H	(rear floor pan cover panel carpet and moulding insert)						
	(code H4B)	1	----	----	*1829 AB8		
	(code H4R)	1	----	----	*1829 AR8		
	(code H4T)	1	----	----	*1829 AT8		
	(codes H4X, H1N)	1	----	----	*1829 AX8		

★ Indicates use as required.  
 ☐ Indicates parts not listed in any previous parts book.  
 Right and left part numbers are on same line,  
 first number is right, second number is left.  
 \* Indicates change or addition.

## 1965 PASSENGER CAR PARTS CATALOG

INTERIOR TRIM

CODE	REMARKS	PER CAR	SED.	4D H.T	STA WGN.	2D H.T	CV. CP.
23-79-33	CARPET, Rear Floor - Cont'd Y1 (codes M3B, M3C, M7C, H3B, H3C, H7B) (codes M3G, H7G) (codes M3W, M3X, M7N, M7P, H3W, H3X, H7A) (code M7Q) (codes M3R, M3V, M7R, H3R, H3V) (codes M3T, M7T, H7T) (code M3K)	1 1 1 1 1 1 1	----- ----- ----- ----- ----- ----- -----	1753 VB6 1753 VF9 1753 VX8 1753 VQ6 1753 AR5 1753 AL6 1753 AM9			
	(codes M5R, H8R) (codes M5W, M5X, H8W, H8X) (codes M8B, M9B, M9C) (codes M9R, M9V) (code M8G) (code M9T) (code M9K) (codes M8N, M9W, M9X)	1 1 1 1 1 1 1 1	----- ----- ----- ----- ----- ----- ----- -----	1765 AR5 1765 AX8 ----- ----- ----- ----- ----- -----		1751 AB6 1751 AR5 1751 AF9 1751 AL6 1751 AM9 1751 AX8	1752 AB6 1752 AR5 ----- 1752 AL6 1752 AM9 1752 AX8
	Y1-M (codes M9B, M9C) (code M9K) (codes M9R, M9V) (code M9T) (codes M9W, M9X)	1 1 1 1 1	----- ----- ----- ----- -----	----- ----- ----- ----- -----		----- ----- ----- ----- -----	1752 AB6 1752 AM9 1752 AR5 1752 AL6 1752 AX8
23-79-62	INSERT, Support Panel Carpet and Moulding C1-L (code L4B) (code L4R) (code L4T) (code L4X) C3-H (2nd seat) (codes H1N, H4X) (code H4B) (code H4R) (code H4T)	1 1 1 1 1 1 1 1 1	----- ----- ----- ----- ----- ----- ----- ----- -----	----- ----- ----- ----- ----- ----- ----- ----- -----	1825 AB8 1825 AR7 1825 AT8 1825 AX9 ----- 1807 AX8 1807 AB8 1807 AR8 1807 AT8		
23-79-64	CARPET, Luggage Compartment Floor C2-P, C3-H (6 window sedan) (codes H1B, H4B, P4B, H1L, H4L, P4L, H1N, P4N, H1Q, H1R, P3R, P4R, H1T, H4T, P4T, H4X, P3X, P4X) Y1	1 1	4995 AX9 -----	4995 AX9 *7668 BX9	----- -----	4995 AX9 *7668 BX9	4996 AX9 *7668 BX9
	(spare tire cover) C1-L UP TO approx. Serial No. 207652 (code L4B) (code L4R) (code L4T) (code L4X) AFTER approx. Serial No. 207652 (code L4B) (code L4R) (code L4T) (code L4X)	1 1 1 1 1 1 1 1 1	----- ----- ----- ----- ----- ----- ----- ----- -----	----- ----- ----- ----- ----- ----- ----- ----- -----	*3584 AB4 *3584 AR7 *4181 AT6 4498 AX9 ----- *3584 AB4 *3584 AR7 4181 AT6 4181 AX9		

★ Indicates use as required.

☐ Indicates parts not listed in any previous parts book.

April 1966, Supersedes May 1965.

Printed in U.S.A.  
Prices and specifications subject to change without notice.  
Right and left part numbers are on same line,  
first number is right, second number is left.

\* Indicates change or addition.





# 1965 PASSENGER CAR PARTS CATALOG

INTERIOR TRIM

CODE	REMARKS	PER CAR	SED.	4D H.T	STA. WGN.	2D H.T	CV. CP.
23-79-79	INSERT, Tailgate Inside Panel - Cont'd C3-H (code H4B) (code H4R) (code H4T) (codes H1N, H4X)  (tailgate opening pillar) (upper) (lower) Right Screw (insert attaching)	1 1 1 1  1  1 4	----- ----- ----- -----  -----  ----- -----	----- ----- ----- -----  -----  ----- -----	E1827 AB8 E1827 AR8 E1827 AT8 E1827 AX8  2810-1 AT6  2812 AT6 6025 540		
23-82-3	STRAP, Front Seat Back Robe Y1 (codes M8B, M9B) (codes M5W, M9W, H8W, M8N, M9C, M9V) (code M8G) (code M9K) (codes M5R, M9R, H8R) (code M9T) (codes M5X, M9X, H8X)	2  2 2 2 2 2 2	-----  ----- ----- ----- ----- ----- -----	-----  4339 AW3 ----- ----- ----- 4339 AR5 ----- 4339 AX9	-----  ----- ----- ----- ----- ----- -----	*4339 VB8  4339 AW3 4339 AF9 4339 AM9 4339 AR5 4339 AL3 4339 AX9	*4339 VB8  4339 AW3  4339 AM9 4339 AR5 4339 AL3 4339 AX9
23-82-14	HANDLE, Front Seat Back Grab C3-H (6 window sedan)  Screw (upper) Y1 Screw (upper)	2 2 2 2	2522 566 * 456 781 ----- -----	2522 566 * 456 781 2522 566 * 456 781	2522 566 * 456 781 ----- -----	2522 566 * 456 781 ----- -----	
23-82-22	BEZEL, Front Seat Back Grab Handle Y1	1	-----	2522 568-9			
23-82-30	HOOK, Coat Hanger C1, C2, C3 Y1 Screw (attaching)	2 2 2 2	2581 908 ----- ----- -----	2581 908 2490 011 148 095	----- ----- -----	2581 908 2490 011 148 095	
23-82-39	BRACKET, Coat Hook Support C1, C2, C3	2	-----	2527 098	2573 143	2527 098	
23-84-3	PAD, Instrument Panel Trim C1, C2, C3 (codes L1B, L2B, L4B, L5B, L8B, L9B, M4B, H1B, H4B, P4B) (codes L1Q, L2Q, L8Q, H1Q) (codes L1R, L2R, L4R, L5R, L8R, M3R, M4R, H1R, H4R, P3R, P4R)  (codes L1T, L2T, L4T, L5T, L8T, M4T, H1T, H4T, P4T) (codes L1N, L2N, L4N, M1N, H1N, L2L, L4L, M4L, H1L, H4L, P4L, L4X, L9X, M3X, M4X, P3X, P4X, H4X, M4W, P4W) Nut and Washer (attaching) Fastener (to inst. panel) Y1 (upper) (codes M3B, M7B, M8B, M9B, H3B, H7B, M3C, M9C, H3C) (codes M7G, M8G, H7G) (codes M3K, M9K)	1 1 1  1 6 6  1 1 1	4237 AB8 4237 AQ8 4237 AR8  4237 AT8 6025 002 6024 274  ----- ----- -----	4237 AB8 4237 AQ8 4237 AR8  4237 AT8 6025 002 6024 274  4218 AB8 4218 AF9 4218 AM9	4237 AB8 ----- 4237 AR8  4237 AT8 6025 002 6024 274  ----- ----- -----	4237 AB8 4237 AQ8 4237 AR8  4237 AT8 6025 002 6024 274  4218 AB8 4218 AF9 4218 AM9	4237 AB8    4237 AT8 6025 002 6024 274  4218 AB8  4218 AM9

★ Indicates use as required.

☐ Indicates parts not listed in any previous parts book.  
May 1965, Supersedes Sept. 4, 1964.

Printed in U.S.A.  
Prices and specifications subject to change without notice.  
Right and left part numbers are on same line,  
first number is right, second number is left.

• Indicates change or addition.

CODE	REMARKS	PER CAR	SED.	4D H.T.	STA. WGN.	2D H.T.	CV. CP.
23-84-3	PAD, Instrument Panel Trim - Cont'd Y1 (upper)						
	(codes M3W, M5W, M9W, H3W, H8W, M3X, M5X, M9X, H3X, H8X, M7N, M8N, M7P, H6A, H7A)	1	----	4218 AX8	----	4218 AX8	4218 AX8
	(code M7Q)	1	----	4218 AQ8	----		
	(codes M3R, M5R, M7R, M9R, H3V, H3R, H8R)	1	----	4218 AR7	----	4218 AR7	4218 AR7
	(codes M3T, M7T, M9T, H7T) (lower)	1	----	4218 AY8	----	4218 AY8	4218 AY8
	(codes M3B, M7B, M8B, M9B, M3C, M9C, H3C, H3B, H7B)	1	----	4212 AB8	----	4212 AB8	4212 AB8
	(codes M3K, M9K)	1	----	4212 AM9	----	4212 AM9	4212 AM9
	(codes M3T, M7T, M9T, H7T)	1	----	4212 AY8	----	4212 AY8	4212 AY8
	(code M7Q)	1	----	4212 AQ8			
	(codes M3W, M5W, M9W, H3W, H8W, M3X, M5X, M9X, H3X, H8X, M7N, M7P, H6A, H7A)	1	----	4212 VX8	----	4212 VX8	4212 VX8
	(codes M7G, M8C, H7G)	1	----	4212 VF9	----	4212 VF9	
	(codes M3R, M5R, M7R, M9R, H3R, H8R, M3V, M9V, H3V)	1	----	4212 VR7	----	4212 VR7	4212 VR7
	Fastener (attaching)	10	----	6008 222	----	6008 222	6008 222
	Nut (attaching)	10	----	116 000	116 000	116 000	116 000
	(ash receiver pad and support)						
	(codes M3B, M7B, M8B, M9B, M9C, H3B, H7B, H3C)	1	----	4206 AB8	----	4206 AB8	4206 AB8
	(codes M3K, M9K)	1	----	4206 AM9	----	4206 AM9	4206 AM9
	(code M7Q)	1	----	4206 AQ8			
	(codes M3T, M7T, M9T, H7T)	1	----	4206 AY8	----	4206 AY8	4206 AY8
	(codes M3W, M5W, M9W, H3W, H8W, M5X, M9X, H3X, H8X, H6A, H7A, M7N, M7P, M8N)	1	----	*4206 VX8	----	*4206 VX8	*4206 VX8
	(codes M7G, M8G, M7G)	1	----	4206 VF9	----	4206 VF9	
	(codes M3R, M5R, M7R, M9R, H3R, H8R, M3V, M9V, H3V)	1	----	4206 VR7	----	4206 VR7	4206 VR7
	(lower switch plate trim pad)						
	(codes M3B, M3C, M7B, M8B, M9B, M9C, H3B, H7B)	1	----	4226-7 AB8	----	4226-7 AB8	4226-7 AB8
	(codes M7G, M8G, H7G)						
	Right	1	----	4226 VF9	----	4226 VF9	
	Left	1	----	4227 AF9	----	4227 AF9	
	(codes M3K, M9K)	1	----	4226-7 AM9	----	4226-7 AM9	
	(codes M3W, M5W, M9W, H3W, H8W, M3X, M5X, M9X, H3X, H8X, M7N, M7P, M8N, H6A, H7A)						
	Right	1	----	4226 VX8	----	4226 VX8	4226 VX8
	Left	1	----	4227 AX8	----	4227 AX8	4227 AX8
	(code M7Q)	1	----	4226-7 AQ8			
	(codes M3R, M5R, M7R, M9R, H3R, H8R, M3V, M9V, H3V)						
	Right	1	----	4226 VR7	----	4226 VR7	4226 VR7
	Left	1	----	4227 AR7	----	4227 AR7	4227 AR7
	(codes M3T, M7T, M9T, H7T)	1	----	*4226-7 AY8	----	*4226-7 AY8	*4226-7 AY8
	Nut (attaching)	10	----	116 000	----	116 000	116 000
23-84-31	ORNAMENT, Folding Top Dust Boot Cover Y1-M	2	----	----	----	----	2401 231

★ Indicates use as required.  
 □ Indicates parts not listed in any previous parts book.  
 Right and left part numbers are on same line, first number is right, second number is left.  
 • Indicates change or addition.

## 1965 PASSENGER CAR PARTS CATALOG

INTERIOR TRIM

CODE	REMARKS	PER CAR	SED.	4D H.T	STA. WGN.	2D H.T	CV. CP.
23-86-2	COVER, Roof Outside C1, C2, C3 (6 window sedan)						
	(white)	1	7241 AW1	---- --	7576-7 AW1	7199 AW1	
	(black)	1	7241 AX8	---- --	7576-7 AX8	7199 AX8	
	C2-M, C1-L (white)	1		7174 AW1			
	(black)	1		7174 AX8			
	Y1-M (white)	1		7277 AW1	---- --	*4975 VW1	
	(black)	1		7277 AX8	---- --	*4975 VX8	
	(dark tan)	1		4975 AL8	---- --	4975 AL8	
	Y1-H (blue)	1		4975 VB1			
	(white)	1		4975 VW1			
	(black)	1		4975 VX8	---- --	*4975 VX8	
	(dark tan)	1		4975 AL8			
23-86-3	HEADLINING and LISTING C1, C2, C3 (rear quarter upper trim panel) (above belt line)						
	(code L1B)	1	3504-5 AB3				
	(code L1Q)	1	3504-5 AQ3				
	(codes L1N, L1R)	1	3504-5 AW2				
	(code L1T)	1	3504-5 AT3				
	(6 window sedan) (non-perforated)						
	(code L5B)	1	3504-5 AB3				
	(code L5R)	1	3504-5 AW2				
	(code L5T)	1	3504-5 AT3				
	(codes L4B, L8B)	1		2052-3 AB3	---- --	2090-1 AB3	
	(code L8Q)	1		2052-3 AQ3	---- --	2090-1 AQ3	
	(codes L4L, L4N, L4R, L8R)	1		2052-3 AW2	---- --	2090-1 AW2	
	(code L8T)	1		2052-3 AT3	---- --	2090-1 AT3	
	(code M4B)	1		2052-3 AB3			
	(codes M1N, M4R, M4W)	1		2052-3 AW2			
	(code M4T)	1		2052-3 AT3			
	(code M4X)	1		2052-3 AX9			
	(perforated)						
	(codes H1B, H4B)	1	*2052-3 AB3	*2052-3 AB3	---- --	*2052-3 AB3	
	(code H1Q)	1	2052-3 AQ3	*2052-3 AQ3	---- --	2052-3 AQ3	
	(codes H1N, H1R, H4R)	1	2052-3 AW2	*2052-3 AW2	---- --	2052-3 AW2	
	(code H1T)	1	2052-3 AT3	*2052-3 AT3	---- --	2052-3 AT3	
	(codes H1L, H4L)	1	2052-3 AY3	*2052-3 AY3	---- --	2052-3 AY3	
	(code H4X)	1	2052-3 AX9	---- --	---- --	2052-3 AX9	
	(perforated)						
	(code L5B)	1	3504-5 AB3				
	(code L5R)	1	3504-5 AW2				
	(code L5T)	1	3504-5 AT3				
	(codes L2B, H1B, H4B)	1	3542-3 AB3				
	(codes L2R, L2N, H1N, H1R, H4R)	1	3542-3 AW2				
	(codes L2T, H1T, H4T)	1	3542-3 AT3				
	(codes L2L, H1L, H1Y)	1	3542-3 AY3				
	(codes L2Q, H1Q)	1	3542-3 AQ3				
	(suede finish)						
	(code H4B)	1		3502-3 AB4	---- --	3502-3 AB4	
	(code H4L)	1		3502-3 AT4	---- --	3502-3 AT4	
	(code H4R)	1		3502-3 AW2	---- --	3502-3 AW2	
	(code H4X)	1		3502-3 AA2	---- --	3502-3 AA2	
	(code H1B)	1		3500-1 AB4			
	(code H1Q)	1		3500-1 AQ4			

★ Indicates use as required.

☐ Indicates parts not listed in any previous parts book.

April 1966, Supersedes May 1965.

Printed in U.S.A.

Prices and specifications subject to change without notice.

Right and left part numbers are on same line,  
first number is right, second number is left.

\* Indicates change or addition.

CODE	REMARKS	PER CAR	SED.	4D H.T.	STA. WGN.	2D H.T.	CV. CP.
23-86-3	HEADLINING and LISTING - Cont'd C1, C2, C3 (rear quarter upper trim panel) (above belt line) (suede finish) (codes H1N, H1R)	1	----	3500-1 AW2			
	(code H1T)	1	----	3500-1 AT6			
	(code H1L)	1	----	3500-1 AT4			
	(vinyl finish) (codes M3R, P3R, M4R, P4R, M4W, P4W)	1	----	-----	-----	2090-1 AW2	
	(codes M3X, P3X, M4X, L9X, P4X)	1	----	-----	-----	2090-1 AX9	
	(codes M4L, P4L)	1	----	-----	-----	2090-1 AY3	
	(codes M4T, P4T)	1	----	-----	-----	2090-1 AT3	
	(perforated) (codes M3B, M7B)	1	----	3544-5 AB3			
	(codes M3X, M5X, M7P)	1	----	3544-5 AX9			
	(code M3K)	1	----	3544-5 AM2			
	(codes M3C, M3V, M3W, M3R, M5W, M5R, M7N, M7R)	1	----	3544-5 AW2			
	(code M7Q)	1	----	3544-5 AQ3			
	(codes M3T, M7T, M7G)	1	----	3544-5 AL3			
	Y1-H (codes H3B, H7B)	1	----	2030-1 AB4			
	(code H7G)	1	----	2030-1 AL2			
	(codes H3C, H3V, H3W, H3R, H8R, H8W)	1	----	2030-1 AW2			
	(code H7T)	1	----	2030-1 AT6			
	(codes H6A, H7A, H3X, H8X)	1	----	2030-1 AA2			
	(vinyl coated foam) (codes H3B, H7B)	1	----	7344-5 AB3			
	(code H7G)	1	----	7344-5 AL3			
	(codes H3C, H3V, H3W, H3R, H8R, H8W)	1	----	7344-5 AW2			
	(code H7T)	1	----	7344-5 AL3			
	(codes H6A, H7A, H3X, H8X)	1	----	7344-5 AA2			
	Y1-M (suede coated) (codes M8B, M9B)	1	----	-----	-----	2028-9 AB4	
	(code M8G)	1	----	-----	-----	2028-9 AL2	
	(codes M8N, M9C, M9V, M9W, M9R)	1	----	-----	-----	2028-9 AW2	
	(code M9T)	1	----	-----	-----	2028-9 AT6	
	(code M9X)	1	----	-----	-----	2028-9 AA2	
	(code M9K)	1	----	-----	-----	2028-9 AM2	
	(vinyl coated foam) (codes M8B, M9B)	1	----	-----	-----	7338-9 AB3	
	(code M8G)	1	----	-----	-----	7338-9 AL3	
	(codes M8N, M9C, M9V, M9W, M9R)	1	----	-----	-----	7338-9 AW2	
	(code M9T)	1	----	-----	-----	7338-9 AL3	
	(code M9X)	1	----	-----	-----	7338-9 AA2	
	(code M9K)	1	----	-----	-----	7338-9 AM2	
	Fastener (attaching)	6	----	6000 365	-----	6000 365	

★ Indicates use as required.

☐ Indicates parts not listed in any previous parts book.  
Right and left part numbers are on same line,  
first number is right, second number is left.

• Indicates change or addition.

Printed in U.S.A.  
Prices and specifications subject to change without notice.  
April 1966, Supersedes May 1965.

## 1965 PASSENGER CAR PARTS CATALOG

INTERIOR TRIM

CODE	REMARKS	PER CAR	SED.	4D H.T	STA. WGN.	2D H.T	CV. CP.
23-86-3	HEADLINING and LISTING - Cont'd C1, C2, C3						
	(code L1B)	1	7165 AB3				
	(codes L1N, L1R)	1	7165 AW2				
	(code L1T)	1	7165 AT3				
	(code L1Q)	1	7165 AQ3				
	(6 window sedan)						
	(code L5B)	1	7165 AB3				
	(code L5R)	1	7165 AW2				
	(code L5T)	1	*7165 AT3				
	(codes L2B, H1B, H4B)	1	7165 AB3				
	(codes L2R, L2N, H1N, H1R, H4R)	1	7165 AW2				
	(codes L2T, H1T, H4T)	1	7165 AT3				
	(codes L2L, H1L, H1Y)	1	7165 AY3				
	(codes L2Q, H1Q)	1	7165 AQ3				
	(codes L4B, M4B, L8B, H1B, H4B)	1	----	7167 AB3	----	7167 AB3	
	(codes M4T, L8T)	1	----	7167 AT3	----	7167 AT3	
	(codes L4N, L4R, L8R, M1N M4R, M4W, H1N, H1R, H4R)	1	----	7167 AW2	----	7167 AW2	
	(codes L8Q, H1Q)	1	----	7167 AQ3	----	7167 AQ3	
	(codes L4L, H1L, H4L)	1	----	7167 AY3	----	7167 AY3	
	(codes M4X, H4X)	1	----	7167 AX9	----	7167 AX9	
	C1-L						
	(codes L4B, L8B, L9B)	1	----	----	----	7135 AB3	
	(code L8Q)	1	----	----	----	7135 AQ3	
	(code L8T)	1	----	----	----	7135 AT3	
	(codes L4N, L4R, L8R, L9R)	1	----	----	----	7135 AW2	
	(code L4L)	1	----	----	----	7135 AY3	
	(code L9X)	1	----	----	----	7135 AX9	
	C2-M, C2-P						
	(codes M4B, P4B, L9B)	1	----	----	----	7135 AB3	
	(codes M4T, P4T)	1	----	----	----	7135 AT3	
	(codes M3R, M4R, M4W, P3R, P4R, P4W)	1	----	----	----	7135 AW2	
	(codes M4L, P4L)	1	----	----	----	7135 AY3	
	(codes M3X, M4X, P3X, P4X)	1	----	----	----	7135 AX9	
	Y1 (suede coated foam) (rear window opening)						
	(codes M8B, M9B, H3B, H7B)	1	----	1021 AB4	----	1021 AB4	
	(codes M8G, H7G)	1	----	1021 AL2	----	1021 AL2	
	(codes M8N, M9C, M9R, M9V, M9W, H3C, H3R, H3V, H3W, H8R, H8W)	1	----	1021 AW2	----	1021 AW2	
	(code M9K)	1	----	----	----	1021 AM2	
	(codes M9T, H7T)	1	----	1021 AT6	----	1021 AT6	
	(codes M9X, H7A, H6A, H3X, H8X)	1	----	1021 AA2	----	1021 AA2	
	(vinyl coated foam) (rear window opening)						
	(codes M8B, M9B, H3B, H7B)	1	----	7342 AB3	----	7342 AB3	
	(codes M8G, H7G)	1	----	7342 AL3	----	7342 AL3	
	(codes M8N, M9C, M9V, M9W, M9R, H3C, H3V, H3W, H8R, H8W)	1	----	7342 AW2	----	7342 AW2	
	(code M9K)	1	----	7342 AM2	----	7342 AM2	
	(codes M9T, H7T)	1	----	7342 AL3	----	7342 AL3	
	(codes M9X, H3X, H8X, H6A, H7A)	1	----	7342 AA2	----	7342 AA2	
	Fastener	12	----	6000 365	----	6000 365	

★ Indicates use as required.

☐ Indicates parts not listed in any previous parts book.  
April 1966, Supersedes May 1965.Printed in U.S.A.  
Prices and specifications subject to change without notice.  
Right and left part numbers are on same line,  
first number is right, second number is left.  
\* Indicates change or addition.

CODE	REMARKS	PER CAR	SED.	4D H.T	STA. WGN.	2D H.T	CV. CP.
23-86-3	HEADLINING and LISTING - Cont'd						
	C3-H (panel)						
	(codes H1B, H4B)						
	(No. 1)	1	-----	1010 AB4	-----	1010 AB4	
	(No. 2)	1	-----	1012 AB4	-----	1012 AB4	
	(No. 3)	1	-----	1012 AB4	-----	1012 AB4	
	(No. 4)	1	-----	1013 AB4	-----	1013 AB4	
	(No. 5)	1	-----	1014 AB4	-----	1014 AB4	
	(codes H1Q, H4Q)						
	(No. 1)	1	-----	1010 AQ4	-----	1010 AQ4	
	(No. 2)	1	-----	1012 AQ4	-----	1012 AQ4	
	(No. 3)	1	-----	1012 AQ4	-----	1012 AQ4	
	(No. 4)	1	-----	1013 AQ4	-----	1013 AQ4	
	(No. 5)	1	-----	1014 AQ4	-----	1014 AQ4	
	(codes H1R, H4R, H1N)						
	(No. 1)	1	-----	1010 AW2	-----	1010 AW2	
	(No. 2)	1	-----	1012 AW2	-----	1012 AW2	
	(No. 3)	1	-----	1012 AW2	-----	1012 AW2	
	(No. 4)	1	-----	1013 AW2	-----	1013 AW2	
	(No. 5)	1	-----	1014 AW2	-----	1014 AW2	
	(codes H1T, H4T)						
	No. 1)	1	-----	1010 AT6	-----	1010 AT6	
	(No. 2)	1	-----	1012 AT6	-----	1012 AT6	
	(No. 3)	1	-----	1012 AT6	-----	1012 AT6	
	(No. 4)	1	-----	1013 AT6	-----	1013 AT6	
	(No. 5)	1	-----	1014 AT6	-----	1014 AT6	
	(codes H1L, H4L)						
	(No. 1)	1	-----	1010 AT4	-----	1010 AT4	
	(No. 2)	1	-----	1012 AT4	-----	1012 AT4	
	(No. 3)	1	-----	1012 AT4	-----	1012 AT4	
	(No. 4)	1	-----	1013 AT4	-----	1013 AT4	
	(No. 5)	1	-----	1014 AT4	-----	1014 AT4	
	(code H4X)						
	(No. 1)	1	-----	1010 AA2	-----	1010 AA2	
	(No. 2)	1	-----	1012 AA2	-----	1012 AA2	
	(No. 3)	1	-----	1012 AA2	-----	1012 AA2	
	(No. 4)	1	-----	1013 AA2	-----	1013 AA2	
	(No. 5)	1	-----	1014 AA2	-----	1014 AA2	
	C1, C3 (panel)						
	(embossed screen finish)						
	(codes L4B, H4B)						
	(No. 1)	1	-----	-----	*1051 AB3		
	(No. 2)	1	-----	-----	1052 AB3		
	(No. 3)	1	-----	-----	1054 AB3		
	(No. 4)	1	-----	-----	1054 AB3		
	(No. 5)	1	-----	-----	1055 AB3		
	(No. 6)	1	-----	-----	1056 AB3		
	(No. 7) (w or w/o dome light cutout)	1	-----	-----	*1057 AB3		
	(w/air conditioning)(rear unit)						
	(codes L4R, L4X, L4T, L4B, H1N, H4B, H4T, H4R, H4X)						
	(No. 1)	1	-----	-----	1051 AW2		
	(No. 2)	1	-----	-----	1052 AW2		
	(No. 3)	1	-----	-----	1054 AW2		
	(No. 4)	1	-----	-----	1054 AW2		
	(No. 5)	1	-----	-----	1055 AW2		
	(No. 6)	1	-----	-----	1056 AW2		
	(No. 7) (w or w/o dome light cutout)	1	-----	-----	*1057 AW2		

★ Indicates use as required.

☐ Indicates parts not listed in any previous parts book.

Right and left part numbers are on same line,

first number is right, second number is left.

\* Indicates change or addition.

Printed in U.S.A.

Prices and specifications subject to change without notice.

April 1966, Supersedes May 1965.

## 1965 PASSENGER CAR PARTS CATALOG

INTERIOR TRIM

CODE	REMARKS	PER CAR	SED.	4D H.T	STA. WGN.	2D H.T	CV. CP.
23-86-3	HEADLINING and LISTING - Cont'd C1, C3 (panel) (w/o air conditioning) (codes L4R, L4X, L4T, L4B, H1N, H4B, H4T, H4R, H4X)						
	(No. 1)	1	-----	-----	1051 AT3		
	(No. 2)	1	-----	-----	1052 AT3		
	(No. 3)	1	-----	-----	1054 AT3		
	(No. 4)	1	-----	-----	1054 AT3		
	(No. 5)	1	-----	-----	1055 AT3		
	(No. 6)	1	-----	-----	1056 AT3		
	(No. 7) (w or w/o dome light cutout)	1	-----	-----	*1057 AT3		
	(smooth finish) (codes L4B, H4B)						
	(No. 1)	1	-----	-----	*1051 ABB		
	(No. 2)	1	-----	-----	*1052 ABB		
	(No. 3)	1	-----	-----	*1054 ABB		
	(No. 4)	1	-----	-----	*1054 ABB		
	(No. 5)	1	-----	-----	*1055 ABB		
	(No. 6)	1	-----	-----	*1056 ABB		
	(No. 7) (w or w/o dome light cutout)	1	-----	-----	*1057 ABB		
	(w/air cond. rear unit) (codes L4R, L4X, L4T, L4B, H1N, H4B, H4T, H4R, H4X)						
	(No. 1)	1	-----	-----	*1051 AWW		
	(No. 2)	1	-----	-----	*1052 AWW		
	(No. 3)	1	-----	-----	*1054 AWW		
	(No. 4)	1	-----	-----	*1054 AWW		
	(No. 5)	1	-----	-----	*1055 AWW		
	(No. 6)	1	-----	-----	*1056 AWW		
	(No. 7) (w or w/o dome light cutout)	1	-----	-----	*1057 AWW		
	(w/o air Cond.) (codes L4R, L4X, L4T, L4B, H1N, H4B, H4T, H4R, H4X)						
	(No. 1)	1	-----	-----	*1051 ATT		
	(No. 2)	1	-----	-----	*1052 ATT		
	(No. 3)	1	-----	-----	*1054 ATT		
	(No. 4)	1	-----	-----	*1054 ATT		
	(No. 5)	1	-----	-----	*1055 ATT		
	(No. 6)	1	-----	-----	*1056 ATT		
	(No. 7) (w or w/o dome light cutout)	1	-----	-----	*1057 ATT		
	Y1 (panel) (suede coated foam) (codes M8B, M9B, H3B, H7B)						
	(No. 1)	1	-----	1073 AB4	-----	1073 AB4	
	(No. 2)	1	-----	1074 AB4	-----	1074 AB4	
	(No. 3)	1	-----	1075 AB4	-----	1075 AB4	
	(No. 4)	1	-----	1076 AB4	-----	1076 AB4	
	(No. 5)	1	-----	1077 AB4	-----	1077 AB4	
	(codes M8G, H7G)						
	(No. 1)	1	-----	1073 AT6	-----	1073 AT6	
	(No. 2)	1	-----	1074 AT6	-----	1074 AT6	
	(No. 3)	1	-----	1075 AT6	-----	1075 AT6	
	(No. 4)	1	-----	1076 AT6	-----	1076 AT6	
	(No. 5)	1	-----	1077 AT6	-----	1077 AT6	

★ Indicates use as required.

☐ Indicates parts not listed in any previous parts book.  
April 1966, Supersedes May 1965.Printed in U.S.A.  
Prices and specifications subject to change without notice.  
Right and left part numbers are on same line,  
first number is right, second number is left.

\* Indicates change or addition.



CODE	REMARKS	PER CAR	SED.	4D H.T.	STA. WGN.	2D H.T.	CV. CP.
23-86-3	HEADLINING and LISTING - Cont'd						
	Y1 (panel) (suede coated foam) (codes M8N, M9C, M9V, M9W, M9R, H3C, H3V, H3W, H8R, H8W)						
	(No. 1)	1	-----	1073 AW2	-----	1073 AW2	
	(No. 2)	1	-----	1074 AW2	-----	1074 AW2	
	(No. 3)	1	-----	1075 AW2	-----	1075 AW2	
	(No. 4)	1	-----	1076 AW2	-----	1076 AW2	
	(No. 5)	1	-----	1077 AW2	-----	1077 AW2	
	(codes M9T, H7T)						
	(No. 1)	1	-----	1073 AT6	-----	1073 AT6	
	(No. 2)	1	-----	1074 AT6	-----	1074 AT6	
	(No. 3)	1	-----	1075 AT6	-----	1075 AT6	
	(No. 4)	1	-----	1076 AT6	-----	1076 AT6	
	(No. 5)	1	-----	1077 AT6	-----	1077 AT6	
	(codes M9X, H3X, H6A, H7A, H8X)						
	(No. 1)	1	-----	1073 AA2	-----	1073 AA2	
	(No. 2)	1	-----	1074 AA2	-----	1074 AA2	
	(No. 3)	1	-----	1075 AA2	-----	1075 AA2	
	(No. 4)	1	-----	1076 AA2	-----	1076 AA2	
	(No. 5)	1	-----	1077 AA2	-----	1077 AA2	
	(code M9K)						
	(No. 1)	1	-----	-----	-----	1073 AA2	
	(No. 2)	1	-----	-----	-----	1074 AA2	
	(No. 3)	1	-----	-----	-----	1075 AA2	
	(No. 4)	1	-----	-----	-----	1076 AA2	
	(No. 5)	1	-----	-----	-----	1077 AA2	
	Y1 (vinyl coated foam)						
	(codes M8B, M9B, H3B, H7B)	1	-----	7336 AB3	-----	7336 AB3	
	(codes M8G, M7G, M8T, M9T)	1	-----	7336 AL3	-----	7336 AL3	
	(codes M8N, M9C, M9V, M9W, M9R, H3C, H3V, H3W, H3R, H8R, H8W)	1	-----	7336 AW2	-----	7336 AW2	
	(code M9K)	1	-----	7336 AM2	-----	7336 AM2	
	(codes H6A, H7A, M9X, H3X, H8X)	1	-----	7336 AA2	-----	7336 AA2	
	Y1-M (w/all black interior)						
	(codes M3X, M5X)	1	-----	*7793 AX9			
	(codes M3B, M7B)	1	-----	7188 AB2			
	(codes M7N, M3R, M7R, M3C, M3V, M3W, M5W, M5R)	1	-----	7793 AW2			
	(codes M7P, M3X, M5X)	1	-----	7188 AA2			
	(code M7Q)	1	-----	7188 AQ2			
	(codes M3T, M7T, M7G)	1	-----	7188 AT2			
	(code M3K)	1	-----	7188 AM2			
	(perforated)						
	(codes M3B, M7B)	1	-----	7793 AB3			
	(codes M7N, M7P)	1	-----	*7793 AW2			
	(codes M3R, M5R, M7R, M3C, M3V, M3W, M5W)	1	-----	*7793 AM2			
	(codes M3X, M5X)	1	-----	7793 AX9			
	(code M7Q)	1	-----	7793 AQ3			
	(codes M3T, M7T)	1	-----	7793 AL3			
	(code M3K)	1	-----	7793 AM2			
	Fastener (listing wire to roof rail or support)	12	-----	6001 873	-----	6001 873	

★ Indicates use as required.

☐ Indicates parts not listed in any previous parts book.  
April 1966.

Printed in U.S.A.

Prices and specifications subject to change without notice.  
Right and left part numbers are on same line,  
first number is right, second number is left.  
\* Indicates change or addition.



CODE	REMARKS	PER CAR	SED.	4D H.T	STA. WGN.	2D H.T	CV. CP.
23-86-8	RETAINER, Roof Outside Cover						
	C3-H (6 window sedan)						
	(side front)	1	2603 280-1				
	(side rear)	2	2573 692				
	(side)	1	-----	-----	2603 278-9		
	(applique retainer) (upper)	2	-----	2574 073	-----	2574 073	
	Screw (applique retainer)	8	-----	6024 271	-----	6024 271	
	C2-P (side front)	2	-----	-----	-----	2603 276-7	
	Y1 (side front)	1	-----	2483 788-9	-----	2483 788-9	
(side rear)	1	-----	2483 790-1	-----	2483 790-1		
23-86-10	SUPPORT, Roof Bow						
	C1, C2, C3	2	2482 276	2482 270	-----	2482 270	
	(Nos. 1 and 2)	1	-----	-----	-----	2482 273	
	(No. 3)	2	-----	-----	2483 992		
	Y1	1	-----	-----	2482 279		
2	2	-----	2218 749	-----	2218 749		
23-86-11	RETAINER, Side Rail Roof Bow						
	C1, C2, C3	★	2482 581	2482 581	2482 581	2482 581	
	(rear bow moulding)	1	-----	-----	-----	-----	2581 893
Screw (attaching)	2	-----	-----	-----	-----	6025 692	
23-86-14	PAD, Air Cond. Roof Evaporating						
	Unit Trim						
C1, C3	1	-----	-----	*2485 395			
23-86-16	SUPPORT, Roof Inside Finish						
	Panel Rear						
	C3-H (moulding support)	6	-----	2581 302	-----	2581 302	
	Y1	6	-----	2216 461	-----	2216 461	
Fastener	6	-----	6000 922	-----	6000 922		
23-86-19	STRIP, Headlining Retaining						
	C1, C2, C3						
	(front)	1	2482 372-3				
	(rear)	1	2484 544-5				
	(rear window) (upper)	1	2526 956	2484 046	-----	2527 803	
	(rear window) (side)	1	2526 954-5	2484 048-9	-----	2527 822-3	
	Screw (rear window side						
	retainer)	4	6023 248	6023 248	-----	6023 248	
	(rear quarter)	1	-----	2581 694-5	-----		
	(rear corner)	1	-----	-----	2482 382-3		
C1, C2, C3	(side front)	1	-----	-----	2482 374-5		
	(side rear)	1	-----	-----	*2602 136-7		
	(side rear w/air cond.)	1	-----	-----	2602 136-7		
	C3-H (rear window) (side)	1	-----	2484 048-9	-----	2484 048-9	
	(head-lining and garnish						
	moulding)						
	(front)	1	-----	2484 072-3	-----	2527 804-5	
	(rear)	1	-----	2484 074-5	-----	2527 806-7	
	Fastener (retainer)	★	6000 922	6000 922	5000 922	6000 922	
	Screw	8	6023 248	6023 248	-----	6023 248	

★ Indicates use as required.  
 □ Indicates parts not listed in any previous parts book.  
 Right and left part numbers are on same line,  
 first number is right, second number is left.  
 • Indicates change or addition.



CODE	REMARKS	PER CAR	SED.	4D H.T	STA. WGN.	2D H.T	CV. CP.
23-86-36	CAP, Roof Headlining Finish Moulding C1, C3	12	-----	-----	1759 636		
23-91-6	PANEL, Cowl Trim C1, C2, C3 (codes L1B, L2B, L4B, L5B, L8B, L9B, M4B, H1B, H4B, P4B) (codes L1Q, L2Q, L8Q, H1Q) (codes L1R, L2R, L4R, L5R, L8R, L9R, M3R, M4R, H1R, H4R, P4R)	1 1 1	1422-3 AB8 1422-3 AQ8 1422-3 AR8	1422-3 AB8 1422-3 AQ8 1422-3 AR8	1422-3 AB8 ----- 1422-3 AR8	1422-3 AB8 1422-3 AQ8 1422-3 AR8	1422-3 AB8  1422-3 AR8
	(codes L1T, L2T, L4T, L5T, L8T, M4T, H1T, H4T, P4T) (codes M4W, P4W) (codes L1N, L2N, L4N, M1N, H1N, L2L, L4L, M4L, H1L, H4L, P4L, L4X, L9X, M3X, M4X, H4X, P3X, P4X) (extension) (paint as required) Screw	1 1 1 1 4	1422-3 AT8 ----- 1422-3 AX9 ----- -----	1422-3 AT8 1406-7 AW3 1422-3 AX9 1426-7 AX9 9415 214	1422-3 AT8 ----- 1422-3 AX9 ----- -----	1422-3 AT8 1406-7 AW3 1422-3 AX9 1426-7 AX9 9415 214	1422-3 AT8 1406-7 AW3 1422-3 AX9 1426-7 AX9 B9415 214
	Y1 (w/carpet) (codes M3B, M3C, H3B, H3C, M7B, H7B, M9B, M9C) (codes M7G, M8G, H7G) (codes M3K, M9K) (codes M3W, M9W, H3W, M3X, M9X, H3X, M7N, M8N, H7P, H7A) (code M7Q) (codes M3R, M7R, M9R, H3R, M3V, M9V, H3V) (codes M3T, M7T, M9T, H7T) (metal) (primed) Fastener	1 1 1 1 1 1 1 1 2	----- ----- ----- ----- ----- ----- ----- ----- -----	1414-5 AB6 1414-5 AF9 1414-5 AM9 1414-5 AX8 1414-5 AQ6 1414-5 AR5 1414-5 AL6 2492 000-1 6000 096	----- ----- ----- ----- ----- ----- ----- ----- -----	1414-5 AB6 1414-5 AF9 1414-5 AM9 1414-5 AX8 1414-5 AR5 1414-5 AL6 2492 000-1 6000 096	1414-5 AB6 1414-5 AF9 1414-5 AM9 1414-5 AX8 1414-5 AR5 1414-5 AL6
23-91-20	CLIP, Cowl Side Trim Panel Retainer C1, C2, C3 (upper)	2	2664 466	2664 466	2664 466	2664 466	2664 466
23-92-5	PANEL, Door Trim C1-L (6 window sedan) (codes L2B, L5B) Front Rear (code L2N) Front Rear	1 1 1 1	3174-5 ABB 3200-1 ABB 3174-5 AXW 3200-1 AXW				
	(code L2Q) Front Rear (codes L2R, L5R) Front Rear (codes L2T, L5T) Front Rear (code L2L) Front Rear	1 1 1 1 1 1 1 1	3174-5 AQQ 3200-1 AQQ 3174-5 ARR 3200-1 ARR 3174-5 ATT 3200-1 ATT 3174-5 AXY 3200-1 AXY				

★ Indicates use as required.  
 B Indicates parts not listed in any previous parts book.  
 Right and left part numbers are on same line,  
 first number is right, second number is left.  
 \* Indicates change or addition.

# 1965 PASSENGER CAR PARTS CATALOG

INTERIOR TRIM

CODE	REMARKS	PER CAR	SED.	4D H.T	STA. WGN.	2D H.T	CV. CP.
23-92-5	PANEL, Door Trim - Cont'd C1-L (codes L1B, L5B) Front Rear (code L1N) Front Rear	1 1 1 1 1	3100-1 ABB 3200-1 ABB *3100 AXW *3403 AXW 3200-1 AXW				
	(code L1Q) Front Rear (codes L1R, L5R) Front Rear (codes L1T, L5T) Front Rear	1 1 1 1 1 1 1 1	*3100 AQQ *3403 AQQ 3200-1 AQQ *3100 ARR *3403 ARR 3200-1 ARR *3402-3 ATT 3200-1 ATT				
	C1-L (codes L4B, L8B) Front Rear (code L4L) Front Rear (codes L4R, L8R) Front Rear	1 1 1 1 1 1 1 1	----- ----- ----- ----- ----- ----- ----- -----	3102-3 ABB 3202-3 ABB 3102-3 AXY 3202-3 AXY 3102-3 ARR 3202-3 ARR	*3102-3 ABB *3204-5 ABB   *3102-3 ARR *3204-5 ARR		
	(code L8Q) Front Rear (code L8T) Front Rear (code L4N) Front Rear (code L4X) Front Rear	1 1 1 1 1 1 1 1 1 1	----- ----- ----- ----- ----- ----- ----- ----- ----- -----	3102-3 AQQ 3202-3 AQQ 3102-3 ATT 3202-3 ATT 3102-3 AXW 3202-3 AXW ----- -----	   *3102-3 ATT *3204-5 ATT   *3102-3 AOX *3204-5 AOX		
	C2-M (code M1N) Front Rear (code M4B) Front Rear (code M4R) Front Rear	1 1 1 1 1 1 1 1	----- ----- ----- ----- ----- ----- ----- -----	3106-7 AXW 3206-7 AXW 3106-7 ABB 3206-7 ABB 3106-7 ARR 3206-7 ARR			
	(code M4T) Front Rear (code M4W) Front Rear (code M4X) Front Rear	1 1 1 1 1 1 1 1	----- ----- ----- ----- ----- ----- ----- -----	3106-7 ATT 3206-7 ATT 3106-7 AOW 3206-7 AOW 3106-7 AOX 3206-7 AOX			

★ Indicates use as required.

☐ Indicates parts not listed in any previous parts book.  
April 1966, Supersedes May 1965.

Printed in U.S.A.

Prices and specifications subject to change without notice.  
Right and left part numbers are on same line,  
first number is right, second number is left.

\* Indicates change or addition.

CODE	REMARKS	PER CAR	SED.	4D H.T	STA. WGN.	2D H.T	CV. CP.
23-92-5	PANEL, Door Trim - Cont'd C3-H (6 window sedan) (less elec. window regulator) (codes H1B, H4B)						
	Front	1	3112-3 ABB	-----	3112-3 ABB		
	Rear	1	3208-9 ABB	-----	3208-9 ABB		
	(code H1L)						
	Front	1	3112-3 AXY				
	Rear	1	3208-9 AXY				
	(code H1N)						
	Front	1	-----	-----	3112-3 AXW		
	Rear	1	-----	-----	3208-9 AXW		
	(code H1Q)						
	Front	1	3112-3 AQQ				
	Rear	1	3208-9 AQQ				
	(codes H1R, H4R)						
	Front	1	3112-3 ARR	-----	3112-3 ARR		
	Rear	1	3208-9 ARR	-----	3208-9 ARR		
	(codes H1T, H4T)						
	Front	1	3112-3 ATT	-----	3112-3 ATT		
	Rear	1	3208-9 ATT	-----	3208-9 ATT		
	(code H4X)						
	Front	1	-----	-----	3112-3 AXX		
	Rear	1	-----	-----	3208-9 AXX		
	(w/elec. window regulator) (codes H1B, H4B)						
	Front	1	3124-5 ABB	-----	3124-5 ABB		
	Rear	1	3220-1 ABB	-----	3220-1 ABB		
	(code H1L)						
	Front	1	3124-5 AXY				
	Rear	1	3220-1 AXY				
	(code H1N)						
	Front	1	-----	-----	3124-5 AXW		
	Rear	1	-----	-----	3220-1 AXW		
	(code H1Q)						
	Front	1	3124-5 AQQ				
	Rear	1	3220-1 AQQ				
	(codes H1R, H4R)						
	Front	1	3124-5 ARR	-----	3124-5 ARR		
	Rear	1	3220-1 ARR	-----	3220-1 ARR		
	(codes H1T, H4T)						
	Front	1	3124-5 ATT	-----	3124-5 ATT		
	Rear	1	3220-1 ATT	-----	3220-1 ATT		
	(code H4X)						
	Front	1	-----	-----	3124-5 AXX		
	Rear	1	-----	-----	3220-1 AXX		
	(codes H1B, H4B)						
	Front	1	-----	3126-7 ABB			
	Rear	1	-----	3222-3 ABB			
	(codes H1L, H4L)						
	Front	1	-----	3126-7 AXY			
	Rear	1	-----	3222-3 AXY			
	(code H1N)						
	Front	1	-----	3126-7 AXW			
	Rear	1	-----	3222-3 AXW			
	(code H1Q)						
	Front	1	-----	3126-7 AQQ			
	Rear	1	-----	3222-3 AQQ			

★ Indicates use as required.

E Indicates parts not listed in any previous parts book.  
Right and left part numbers are on same line,  
first number is right, second number is left.

\* Indicates change or addition.

# 1965 PASSENGER CAR PARTS CATALOG

CODE	REMARKS	PER CAR	SED.	4D H.T	STA. WGN.	2D H.T	CV. CP.
23-92-5	PANEL, Door Trim - Cont'd C3-H (w/elec. window regulator) (codes H1R, H4R)						
	Front	1	-----	3126-7 ARR			
	Rear	1	-----	3222-3 ARR			
	(code H1T)						
	Front	1	-----	3126-7 ATT			
	Rear	1	-----	3222-3 ATT			
	(code H4X)						
	Front	1	-----	3126-7 AXX			
	Rear	1	-----	3222-3 AXX			
	(less elec. window regulator) (codes H1B, H4B)						
	Front	1	-----	3114-5 ABB			
	Rear	1	-----	3210-1 ABB			
	(codes H1L, H4L)						
	Front	1	-----	3114-5 AXY			
	Rear	1	-----	3210-1 AXY			
	(code H1N)						
	Front	1	-----	3114-5 AXW			
	Rear	1	-----	3210-1 AXW			
	(code H1Q)						
	Front	1	-----	3114-5 AQQ			
	Rear	1	-----	3210-1 AQQ			
	(codes H1R, H4R)						
	Front	1	-----	3114-5 ARR			
	Rear	1	-----	3210-1 ARR			
	(code H1T)						
	Front	1	-----	3114-5 ATT			
	Rear	1	-----	3210-1 ATT			
	(code H4X)						
	Front	1	-----	3114-5 AXX			
	Rear	1	-----	3210-1 AXX			
	C1-L (code L4B)						
	Front	1	-----	-----	3128-9 ABB		
	Rear	1	-----	-----	3204-5 ABB		
	(code L4R)						
	Front	1	-----	-----	3128-9 ARR		
	Rear	1	-----	-----	3204-5 ARR		
	(code L4T)						
	Front	1	-----	-----	3128-9 ATT		
	Rear	1	-----	-----	3204-5 ATT		
	(code L4X)						
	Front	1	-----	-----	E3128-9 AOX		
	Rear	1	-----	-----	E3204-5 AOX		
	C1-L (codes L4B, L8B, L9B)	1	-----	-----	-----	3104-5 ABB	3104-5 ABB
	(code L4L)	1	-----	-----	-----	3104-5 AXY	3104-5 AXY
	(code L4W)	1	-----	-----	-----	3104-5 AXW	3104-5 AXW
	(codes L4R, L8R, L9R)	1	-----	-----	-----	3104-5 ARR	3104-5 ARR
	(code L8Q)	1	-----	-----	-----	3104-5 AQQ	3104-5 AQQ
	(codes L4T, L8T)	1	-----	-----	-----	3104-5 ATT	3104-5 ATT
	(codes L4X, L9X)	1	-----	-----	-----	-----	3104-5 AOX
	(code L4N)	1	-----	-----	-----	*3104-5 AXW	
	C2-M, C2-P (codes M4B, P4B)	1	-----	-----	-----	3108-9 ABB	3108-9 ABB
	(codes M3R, M4R, P3R, P4R)	1	-----	-----	-----	3108-9 ARR	3108-9 ARR
	(codes M4T, P4T)	1	-----	-----	-----	3108-9 ATT	3108-9 ATT
	(codes M3X, M4X, P3X, P4X)	1	-----	-----	-----	3108-9 AOX	3108-9 AOX
	(codes M4L, P4L)	1	-----	-----	-----	3108-9 AXY	3108-9 AXY
	(codes M4W, P4W)	1	-----	-----	-----	3108-9 AOW	3108-9 AOW

★ Indicates use as required.

⊠ Indicates parts not listed in any previous parts book.  
May 1965, Supersedes Sept. 4, 1964.

Printed in U.S.A.  
Prices and specifications subject to change without notice.  
Right and left part numbers are on same line,  
first number is right, second number is left.



CODE	REMARKS	PER CAR	SED.	4D H.T	STA. WGN.	2D H.T	CV. CP.
23-92-5	PANEL, Door Trim - Cont'd						
	C3-H						
	(w/elec. window regulator)						
	(codes H1B, H4B)	1	-----	-----	-----	3116-7 ABB	
	(codes H1L, H4L)	1	-----	-----	-----	3116-7 AXY	
	(code H1N)	1	-----	-----	-----	3116-7 AXW	
	(code H1Q)	1	-----	-----	-----	3116-7 AQQ	
	(codes H1R, H4R)	1	-----	-----	-----	3116-7 ARR	
	(code H1T)	1	-----	-----	-----	3116-7 ATT	
	(code H4X)	1	-----	-----	-----	3116-7 AXX	
	(less elec. window regulator)						
	(codes H1B, H4B)	1	-----	-----	-----	3122-3 ABB	
	(codes H1L, H4L)	1	-----	-----	-----	3122-3 AXY	
	(code H1N)	1	-----	-----	-----	3122-3 AXW	
(code H1Q)	1	-----	-----	-----	3122-3 AQQ		
(codes H1R, H4R)	1	-----	-----	-----	3122-3 ARR		
(code H1T)	1	-----	-----	-----	3122-3 ATT		
(code H4X)	1	-----	-----	-----	3122-3 AXX		
Y1-H	(codes H3B, H7B)						
	Front	1	-----	3466-7 ABB			
	Rear	1	-----	3268-9 ABB			
	(code H3C)						
	Front	1	-----	3466-7 ABW			
	Rear	1	-----	3268-9 ABW			
	(code H7G)						
	Front	1	-----	3466-7 AOF			
	Rear	1	-----	3268-9 AOF			
	(codes H3R, H8R)						
	Front	1	-----	3466-7 AOR			
	Rear	1	-----	3268-9 AOR			
(code H7T)							
Front	1	-----	3466-7 ALL				
Rear	1	-----	3268-9 ALL				
(code H3V)							
Front	1	-----	3466-7 ARW				
Rear	1	-----	3268-9 ARW				
(codes H3W, H8W)	Front	1	-----	3466-7 AXW			
	Rear	1	-----	3268-9 AXW			
	(codes H3X, H8X)						
	Front	1	-----	3466-7 AOX			
	Rear	1	-----	3268-9 AOX			
	(codes H6A, H7A)						
	Front	1	-----	*3466-7 AAX			
	Rear	1	-----	*3268-9 AAX			
	Screw (attaching, thru arm rest)						
	Y1-M	(codes M3B, M7B)					
Front		1	-----	3462-3 ABB			
Rear		1	-----	3266-7 ABB			
(code M3C)							
Front		1	-----	3462-3 ABW			
Rear		1	-----	3266-7 ABW			
(code M7G)							
Front		1	-----	3462-3 AOF			
Rear		1	-----	3266-7 AOF			
(code M3K)							
Front		1	-----	3462-3 AOM			
Rear		1	-----	3266-7 AOM			

★ Indicates use as required.

☐ Indicates parts not listed in any previous parts book.  
Right and left part numbers are on same line,  
first number is right, second number is left.

\* Indicates change or addition.

Printed in U.S.A.

Prices and specifications subject to change without notice.

April 1966, Supersedes May 1965.

## 1965 PASSENGER CAR PARTS CATALOG

INTERIOR TRIM

CODE	REMARKS	PER CAR	SED.	4D H.T.	STA. WGN.	2D H.T.	CV. CP.
23-92-5	PANEL, Door Trim - Cont'd Y1-M (codes M3W, M5W, M7N)						
	Front	1	-----	3462-3 AXW			
	Rear	1	-----	3266-7 AXW			
	(code M7Q)						
	Front	1	-----	3462-3 AQQ			
	Rear	1	-----	3266-7 AQQ			
	(codes M3R, M5R, M7R)						
	Front	1	-----	3462-3 AOR			
	Rear	1	-----	3266-7 AOR			
	(codes M3T, M7T)						
	Front	1	-----	3462-3 ALL			
	Rear	1	-----	3266-7 ALL			
	(code M3V)						
	Front	1	-----	3462-3 ARW			
	Rear	1	-----	3266-7 ARW			
	(codes M3X, M5X, M7P)						
	Front	1	-----	3462-3 AOX			
	Rear	1	-----	3266-7 AOX			
	(codes M8B, M9B)	1	-----	-----	-----	3464-5 AOB	3464-5 AOB
	(codes M8N, M9C, M9V, M9W)	1	-----	-----	-----	3464-5 AOW	3464-5 AOW
	(code M9K)	1	-----	-----	-----	3464-5 AOM	3464-5 AOM
	(code M9R)	1	-----	-----	-----	3464-5 AOR	3464-5 AOR
	(codes M8G, M9G)	1	-----	-----	-----	*3464-5 AOF	*3464-5 AOF
	(code M9T)	1	-----	-----	-----	3464-5 AOL	3464-5 AOL
	(code M9X)	1	-----	-----	-----	3464-5 AOX	3464-5 AOX
	Fastener	★	6000 365	6000 365	6000 365	6000 365	6000 365
	Nut (attaching)	4	-----	445 160	-----	445 160	445 160
23-96-3	PANEL, Luggage Compartment Front Lining C1, C2, C3 (w/shroud)	1	2572 054	2572 054	-----	2572 054	2581 902
	Fasteners	2	-----	6001 425	-----	6001 425	-----
	Y1 (w/silencer)	1	-----	2490 440	-----	2490 440	-----
	(black)	1	-----	-----	-----	-----	2499 059
23-96-8	PANEL, Luggage Compartment Side Lining C1-L, C2-M, C3-H (wheelhouse and hinge cover) (wheelhouse and lower quarter trim)	1	*2589 778-9	*2589 778-9	-----	*2589 778-9	2581 900-1
	(codes L4B, H4B)	1	-----	-----	2026-7 AB4	2572 058-9	
	(codes L4R, H4R)	1	-----	-----	2026-7 AR7		
	(codes L4T, H4T)	1	-----	-----	2026-7 AT6		
	(code H1N)	1	-----	-----	3528-9 AW3		
	(codes L4X, H4X)	1	-----	-----	2026-7 AX9		
	(wheelhouse carpet and plate) (code H4B)	1	-----	-----	3526-7 AB8		
	(code H4R)	1	-----	-----	3526-7 AR8		
	(code H4T)	1	-----	-----	3526-7 AT8		
	(codes H1N, H4X) (w/air conditioning) (wheelhouse and lower quarter trim panel cover) (left side only)	1	-----	-----	*3526-7 AX8		
	C1-L (code L4B)	1	-----	-----	3531 AB4		
	(code L4R)	1	-----	-----	3531 AR7		
	(code L4T)	1	-----	-----	3531 AT6		
	(code L4X)	1	-----	-----	3531 AX9		

● Indicates use as required.

□ Indicates parts not listed in any previous parts book.  
April 1966, Supersedes May 1965.Printed in U.S.A.  
Prices and specifications subject to change without notice.  
Right and left part numbers are on same line,  
first number is right, second number is left.

\* Indicates change or addition.

CODE	REMARKS	PER CAR	SED.	4D H.T	STA. WGN.	2D H.T	CV. CP.	
23-96-8	PANEL, Luggage Compartment Side Lining - Cont'd C3-H (codes H1B, H4B) (code H1N) (code H4R) (code H4T) (code H4X) Screw Y1-M (lower) (front) (side) Fastener	1 1 1 1 1 14 1 1 1	----- ----- ----- ----- ----- ----- ----- ----- -----	----- ----- ----- ----- ----- ----- ----- ----- -----	3532 AB4 3532 AW3 3532 AR7 3532 AT6 3532 AX9 *6026 221 2581 558-9 2581 490-1 6000 903	----- ----- ----- ----- ----- ----- ----- ----- -----	2581 558-9 2581 490-1 6000 903	2581 556-7 2581 490-1 6000 903
23-96-10	PANEL, Luggage Compartment Deck Opening Lower Y1 Rt. Lt.	1 1	----- -----	----- -----	*7666 VX9 *7667 BX9	----- -----	*7666 VX9 *7667 BX9	*7666 VX9 *7667 BX9
23-99-4	COVER, Center Pillar Trim Y1 (paint as required)	1	-----	-----	2808-9 VT4	-----	-----	-----
23-99-17	RETAINER, Tailgate Opening Pillar Cover Upper C1, C3	2	-----	-----	-----	2656 924	-----	-----
23-99-41	COVER, Tailgate Opening Pillar C1, C3 (paint as required) (upper) (lower right)	1 1	----- -----	----- -----	----- -----	2810-1 AT6 2812 AT6	----- -----	----- -----
23-101-3	PANEL, Rear Quarter Trim C1, C3 (6 window sedan) (codes L2B, L5B) (code H1B) (codes L2L, H1L) (codes L2N, H1N) (code L2Q) (code H1Q) (codes L5R, L2R, H1R) (code H1T) (codes L2T, L5T)	1 1 1 1 1 1 1 1 1 1	2070-1 AB8 2070-1 AB4 2070-1 AY3 2070-1 AW3 2070-1 AQ8 2070-1 AQ4 2070-1 AR7 2070-1 AT6 2070-1 AT8	----- ----- ----- ----- ----- ----- ----- ----- ----- -----	----- ----- ----- ----- ----- ----- ----- ----- ----- -----	----- ----- ----- ----- ----- ----- ----- ----- ----- -----	----- ----- ----- ----- ----- ----- ----- ----- ----- -----	----- ----- ----- ----- ----- ----- ----- ----- ----- -----
	C1-L (codes L1B, L5B) (code L1N) (code L1Q) (codes L1R, L5R) (codes L1T, L5T)	1 1 1 1 1	2068-9 AB8 2068-9 AW3 2068-9 AQ8 2068-9 AR7 2068-9 AT8	----- ----- ----- ----- -----	----- ----- ----- ----- -----	----- ----- ----- ----- -----	----- ----- ----- ----- -----	----- ----- ----- ----- -----
	C1, C3 (codes L4B, L8B, H1B) (codes L4L, H1L) (codes L4N, H1N) (codes L8Q, H1Q) (codes L4R, L8R, H1R) (codes L8T, H1T)	1 1 1 1 1 1	----- ----- ----- ----- ----- -----	2072-3 AB4 2072-3 AY3 2072-3 AW3 2072-3 AQ4 2072-3 AR7 2072-3 AT6	----- ----- ----- ----- ----- -----	----- ----- ----- ----- ----- -----	----- ----- ----- ----- ----- -----	----- ----- ----- ----- ----- -----
	C2-M, C3-H (code M4B) (code H4B) (code H4L) (code M4W) (code H4R) (codes M1N, M4X, H4X) (code M4R) (code M4T) Screw and Washer (attaching)	1 1 1 1 1 1 1 1 2	----- ----- ----- ----- ----- ----- ----- ----- -----	2074-5 AB8 2074-5 AB4 2074-5 AY3 2074-5 AW3 2074-5 AR7 2074-5 AX9 *2074-5 AR8 *2074-5 AT8 6023 381	----- ----- ----- ----- ----- ----- ----- ----- -----	----- ----- ----- ----- ----- ----- ----- ----- -----	----- ----- ----- ----- ----- ----- ----- ----- -----	

★ Indicates use as required.  
 B Indicates parts not listed in any previous parts book.  
 Right and left part numbers are on same line,  
 first number is right, second number is left.  
 \* Indicates change or addition.

## 1965 PASSENGER CAR PARTS CATALOG

INTERIOR TRIM

CODE	REMARKS	PER CAR	SED.	4D H.T	STA. WGN.	2D H.T	CV. CP.
23-101-3	PANEL, Rear Quarter Trim - Cont'd						
	C1-L						
	(codes L4B, L8B, L9B)	1	-----	-----	-----	3300-1 ABB	
	(code L4L)	1	-----	-----	-----	3300-1 AXY	
	(code L4N)	1	-----	-----	-----	3300-1 AXW	
	(codes L4R, L8R, L9R)	1	-----	-----	-----	3300-1 ARR	
	(code L8Q)	1	-----	-----	-----	3300-1 AQQ	
	(code L8T)	1	-----	-----	-----	3300-1 ATT	
	(code L9X)	1	-----	-----	-----	3300-1 AOX	
	C2						
	(codes M4B, P4B)	1	-----	-----	-----	3304-5 ABB	
	(codes M3R, M4R, P3R, P4R)	1	-----	-----	-----	3304-5 ARR	
	(codes M4T, P4T)	1	-----	-----	-----	3304-5 ATT	
	(codes M4W, P4W)	1	-----	-----	-----	3304-5 AOW	
	(codes M3X, M4X, P3X, P4X)	1	-----	-----	-----	3304-5 AOX	
	(codes M4L, P4L)	1	-----	-----	-----	3304-5 AXY	
	C3-H (w/o elec. window regulator)						
	(code H1B)	1	-----	-----	-----	3318-9 ABB	
	(code H1L)	1	-----	-----	-----	3318-9 AXY	
	(code H1N)	1	-----	-----	-----	3318-9 AXW	
	(code H1Q)	1	-----	-----	-----	3318-9 AQQ	
	(code H1R)	1	-----	-----	-----	3318-9 ARR	
	(code H1T)	1	-----	-----	-----	3318-9 ATT	
	(code H4B)	1	-----	-----	-----	*3378-9 ABB	
	(code H4L)	1	-----	-----	-----	*3378-9 AXY	
	(code H4R)	1	-----	-----	-----	*3378-9 ARR	
	(code H4X)	1	-----	-----	-----	*3378-9 AXX	
	(w/window regulator)						
	(codes H1B)	1	-----	-----	-----	3316-7 ABB	
	(code H1L)	1	-----	-----	-----	*3316-7 AXY	
	(code H1N)	1	-----	-----	-----	3316-7 AXW	
	(code H1Q)	1	-----	-----	-----	3316-7 AQQ	
	(code H1R)	1	-----	-----	-----	3316-7 ARR	
	(code H1T)	1	-----	-----	-----	3316-7 ATT	
	(code H4B)	1	-----	-----	-----	3382-3 ABB	
	(code H4L)	1	-----	-----	-----	3382-3 AXY	
	(code H4R)	1	-----	-----	-----	3382-3 ARR	
	(code H4X)	1	-----	-----	-----	3382-3 AXX	
	C1-L						
	(code L4B)	1	-----	-----	-----	-----	3302-3 ABB
	(code L4L)	1	-----	-----	-----	-----	3302-3 AXY
	(code L4R)	1	-----	-----	-----	-----	3302-3 ARR
	(code L4T)	1	-----	-----	-----	-----	3302-3 ATT
	(code L4X)	1	-----	-----	-----	-----	3302-3 AOX
	C2						
	(codes M4B, P4B)	1	-----	-----	-----	-----	3306-7 ABB
	(codes M3R, M4R, P3R, P4R)	1	-----	-----	-----	-----	3306-7 ARR
	(codes M4T, P4T)	1	-----	-----	-----	-----	3306-7 ATT
	(codes M4W, P4W)	1	-----	-----	-----	-----	3306-7 AOW
	(codes M3X, M4X, P3X, P4X)	1	-----	-----	-----	-----	3306-7 AOX
	(codes M4L, P4L)	1	-----	-----	-----	-----	3306-7 AXY
	Y1-H (lower)						
	(codes M3B, M7B, H3B, H7B)	1	-----	B7676-7 AB4			
	(codes H6A, H7A)	1	-----	B7676-7 AA3			
	(codes M7G, H7G)	1	-----	B7676-7 AF9			
	(codes M3T, M7T, H7T)	1	-----	B7676-7 AL3			
	(codes M3C, M3V, M3W, M5W, H3C, H3V, H3W, M7N, H8W)	1	-----	7676-7 AW3			

● Indicates use as required.

□ Indicates parts not listed in any previous parts book.  
May 1965, Supersedes Sept. 4, 1964.Printed in U.S.A.  
Prices and specifications subject to change without notice.  
Right and left part numbers are on same line,  
first number is right, second number is left.

\* Indicates change or addition.

CODE	REMARKS	PER CAR	SED.	4D H.T	STA. WGN.	2D H.T	CV. CP.
23-101-3	PANEL, Rear Quarter Trim - Cont'd						
	Y1-H (lower)						
	(codes M3R, M5R, M7R, H3R, H8R)	1	-----	7676-7 AR5			
	(codes M3X, M5X, M7P, H3X, H8X)	1	-----	7676-7 AX9			
	(code M7Q)	1	-----	7676-7 AQ4			
	(code M3K)	1	-----	7676-7 AM9			
	Y1-M						
	(codes M8B, M9B)	1	-----	-----	-----	3372-3 AOB	3374-5 AOB
	(codes M8N, M9C, M9V, M9W)	1	-----	-----	-----	3372-3 AOW	3374-5 AOW
	(codes M8G, M9G)	1	-----	-----	-----	3372-3 AOF	
	(code M9K)	1	-----	-----	-----	3372-3 AOM	3374-5 AOM
	(code M9R)	1	-----	-----	-----	3372-3 AOR	3374-5 AOR
	(code M9T)	1	-----	-----	-----	3372-3 AOL	3374-5 AOL
	(code M9X)	1	-----	-----	-----	3372-3 AOX	3374-5 AOX
	Fastener	★	6000 365	6000 365	-----	6000 365	6000 365
	Screw and Washer	2	-----	-----	-----	-----	6023 381
23-101-14	COVER, Rear Quarter Trim Lower Outer						
	Y1						
	(codes M3B, M7B, H3B, H7B)	1	-----	2046-7 AB4			
	(code M7Q)	1	-----	2046-7 AQ4			
	(code M3K)	1	-----	2046-7 AM9			
	(codes M3R, M5R, M7R, H3R, H8R)	1	-----	2046-7 AR5			
	(codes M3T, M7T, H7T)	1	-----	2046-7 AL3			
	(codes H6A, H7A)	1	-----	2046-7 AA3			
	(codes M3C, M3V, M3W, M5W, M7N, H3C, H3V, H3W, H8W)	1	-----	2046-7 VW3			
	(codes M7G, H7G)	1	-----	2046-7 VF9			
	(codes M3X, M5X, M7P, H3X, H8X)	1	-----	2046-7 VX9			
	Screw (attaching)	★	-----	6023 247			
	23-101-38	PANEL, Rear Quarter Side Filler					
(code M9B)		1	-----	-----	-----	-----	4806-7 AB4
(codes M9C, M9V, M9W)		1	-----	-----	-----	-----	4806-7 AW3
(code M9K)		1	-----	-----	-----	-----	4806-7 AM9
(code M9R)		1	-----	-----	-----	-----	4806-7 AR5
(code M9T)		1	-----	-----	-----	-----	4806-7 AL3
	(code M9X)	1	-----	-----	-----	-----	4806-7 AX9
23-101-39	COVER, Rear Quarter Side Filler Panel						
	Y1-M						
	(codes M8B, M9B, M9C)	1	-----	-----	-----	4978-9 AB4	
	(code M8G)	1	-----	-----	-----	4978-9 AF9	
	(codes M8N, M9W, M9X)	1	-----	-----	-----	4978-9 AX9	
	(code M9K)	1	-----	-----	-----	4978-9 AM9	
	(codes M9R, M9V)	1	-----	-----	-----	4978-9 AR5	
	(code M9T)	1	-----	-----	-----	4978-9 AL3	
23-102-3	PANEL, Shelf Trim (except 6 window)						
	C1-L (paint as required) (6 window)	1	*1313AT6	*1300 AT6	-----	*1312 AT6	
	C3-H (paint as required)	1	*1302AT6	*1300 AT6	-----	*1312 AT6	
	Y1						
	(codes M3B, M3C, M7B)	1	-----	1309 AB4			
	(code M3K)	1	-----	1309 AM9			
	(code M7Q)	1	-----	1309 AQ4			
	(codes M3R, M5R, M3V)	1	-----	1309 AR5			
	(codes M3T, M7T)	1	-----	1308 AL3			

★ Indicates use as required.  
 □ Indicates parts not listed in any previous parts book.  
 Right and left part numbers are on same line, first number is right, second number is left.  
 \* Indicates change or addition.

## 1965 PASSENGER CAR PARTS CATALOG

INTERIOR TRIM

CODE	REMARKS	PER CAR	SED.	4D H.T	STA. WGN.	2D H.T	CV. CP.
23-102-3	PANEL, Shelf Trim - Cont'd Y1						
	(codes M8B, M9B, H3B, H7B)	1	-----	1308 AB4	-----	1308 AB4	
	(codes M8G, H7G)	1	-----	1308 VF9	-----	1308 VF9	
	(code M9K)	1	-----	1308 AM9			
	(codes M8N, M9W, M9X, H3W, H3X, H6A, H7A, H8W, H8X)	1	-----	1308 VX8	-----	1308 VX8	
	(codes M9R, M9V, H3R, H3V, H8R)	1	-----	1308 AR5	-----	1308 AR5	
	(codes M9G, H7G)	1	-----	*1308 VF9	-----	*1308 VF9	
	(codes M3W, M3X, M5X, M7N, M7P, M5W)	1	-----	1309 VX8			
	(code M7G)	1	-----	1309 VF9			
	Fastener	4	*6000 903	6000 903	-----	6000 903	
23-103-3	PANEL, Visor Trim C1, C2						
	(linen grain w/o dual air cond.)						
	(codes L1B, L4B, L8B, L9B, M4B, P4B)	2	*1116 AB3	*1116 AB3	-----	*1116 AB3	
	(code L4B)	2	-----	-----	-----	-----	1199 AB4
	(codes M4B, P4B)	2	-----	-----	-----	-----	1199 AB8
	(codes L1N, L1R, L4L, L4N, L4R, L8R, L9R, M1N, M3R, M3X, P3R, P3X, M4R, M4W, M4X, P4R, P4W, P4X)	2	*1116 AW2	1116 AW2	-----	*1116 AW2	
	(codes L4L, M4L, P4L)	2	-----	-----	-----	-----	1199 AY3
	(codes L1Q, L8Q)	2	1116 AQ3	1116 AQ3	-----	1116 AQ3	
	(codes L4T, M4T, P4T)	2	-----	-----	-----	-----	1199 AT6
	(codes L1T, L8T, M4T, P4T)	2	1116 AT3	1116 AT3	-----	1116 AT3	
	(codes M4L, P4L)	2	-----	-----	-----	1116 AY3	
	(codes M4W, P4W)	2	-----	-----	-----	-----	1199 AW3
	(code L4R)	2	-----	-----	-----	-----	1199 AR7
	(codes M3R, P3R, M4R, P4R)	2	-----	-----	-----	-----	1199 AR8
	(codes L4X, L9X, M3X, P3X, M4X, P4X)	2	-----	E1116 AX9	-----	E1116 AX9	*1199 AX9
	C3-H (w/o dual air cond.)						
	(codes H1B, H4B)	2	-----	*1116 AB3	-----	*1116 AB3	
	(codes H1R, H1N, H4R)	2	-----	*1116 AW2	-----	*1116 AW2	
	(code H1Q)	2	-----	*1116 AQ3	-----	*1116 AQ3	
	(code H1T)	2	-----	*1116 AT3	-----	*1116 AT3	
	(codes H1L, H4L)	2	-----	*1116 AY3	-----	*1116 AY3	
	(code H4X)	2	-----	E1116 AX9	-----	E1116 AX9	
	C1, C3						
	(vinyl covered non-perforated)						
	(codes L2B, L5B, H1B)	2	*1104 AB3				
	(codes L2L, H1L)	2	*1104 AY3				
	(codes L2N, H1N, L2R, L5R, H1R)	2	*1104 AW2				
	(codes L2Q, H1Q)	2	*1104 AQ3				
	(codes L2T, L5T, H1T)	2	*1104 AT3				
	(linen grain w/o dual air cond.)						
	(codes L2B, L5B, H1B)	2	*1116 AB3				
	(codes L2L, H1L)	2	*1116 AY3				
	(codes L2N, H1N, L2R, L5R, H1R)	2	*1116 AW2				
	(codes L2Q, H1Q)	2	*1116 AQ3				
	(codes L2T, L5T, H1T)	2	*1116 AT3				
	(perf. hardboard w/o dual air cond.)(w/imit. leather binding)	2	-----	-----	*1111 AB3		
	(codes L4B, H4B)	2	-----	-----			

★ Indicates use as required.

⊠ Indicates parts not listed in any previous parts book.  
May 1965, Supersedes Sept. 4, 1964.Printed in U.S.A.  
Prices and specifications subject to change without notice.  
Right and left part numbers are on same line,  
first number is right, second number is left.

\* Indicates change or addition.

INTERIOR TRIM **1965 PASSENGER CAR PARTS CATALOG**

CODE	REMARKS	PER CAR	SED.	4D H.T	STA. WGN.	2D H.T	CV. CP.
23-103-3	PANEL, Visor Trim - Cont'd C1, C3 (perf. hardboard w/o dual air cond.) (w/imitation leather binding) (codes L4R, L4X, H4R, H4X, H1N) (codes L4T, H4T)	2 2	----- -----	----- -----	1111 AW2 1111 AT3		
	C1, C3 (perf. hard board w/o dual air cond.) (w/extruded vinyl binding) (codes L4B, H4B) (codes L4R, H1R, H4R, H1N, L4X, H4X) (codes L4T, H4T) (w/dual air cond.)	2 2 2 2	----- ----- ----- -----	----- ----- ----- -----	*1111 AB3 *1111 AR7 *1111 AT3 1112 AW2		
	C3-H (suede coated foam) (codes H1B, H4B) (codes H1L, H4L) (codes H1N, H1R, H4R) (code H1Q) (code H1T) (code H4X)	1 1 1 1 1 1	----- ----- ----- ----- ----- -----	1121 AB4 1121 ATY 1121 AWW 1121 AQ4 1121 AT6 1121 AAX	----- ----- ----- ----- ----- -----	1121 AB4 1121 ATY 1121 AWW 1121 AQ4 1121 AT6 1121 AAX	
	Y1-M (vinyl coated foam) (codes M3B, M7B) (codes M3C, M3V, M3W, M3R, M5R, M5W, M7R, M7N) (code M7P) (code M7Q) (code M3K) (codes M3X, M5X) (codes M3T, M7T, M7G)	1 1 1 1 1 1 1	----- ----- ----- ----- ----- ----- -----	4176-7 AB3 4176-7 AW2 4176-7 AA2 4176-7 AQ3 4176-7 AM2 4176-7 AX9 4176-7 AL3			
	Y1-M (w/o mirror) (code M9B) (codes M9C, M9V, M9W) (code M9K) (code M9T) (code M9R) (code M9X)	1 1 1 1 1 1	----- ----- ----- ----- ----- -----	----- ----- ----- ----- ----- -----	----- ----- ----- ----- ----- -----	----- ----- ----- ----- ----- -----	1122-3 AB4 1122-3 AW3 1122-3 AM9 1122-3 AL3 1122-3 AR5 1122-3 AX9
	Y1 (suede coated foam) (codes M8B, M9B, H3B, H7B) (codes M8G, H7G) (codes M8N, M9C, M9V, M9W, H3C, H3V, H3W, H8W) (code M9K) (codes M9R, H3R, H8R) (codes M9T, H7T) (codes M9X, H3X, H8X) (codes H6A, H7A)	1 1 1 1 1 1 1	----- ----- ----- ----- ----- ----- -----	1160-1 AB4 1160-1 ALF 1160-1 AWW 1160-1 AWR 1160-1 ATL 1160-1 AAX 1160-1 AAA	----- ----- ----- ----- ----- ----- -----	1160-1 AB4 1160-1 ALF 1160-1 AWW 1160-1 AMM 1160-1 AWR 1160-1 ATL 1160-1 AAX 1160-1 AAA	
	(vinyl coated foam) (codes M8B, M9B, H3B, H7B) (codes M7G, M8G) (codes M8N, M9C, M9V, M9W, H3C, H3V, H3W, H8W, M9R, H3R, H8R) (code M9K) (codes M9T, H7T) (codes M9X, H3X, H8X, H6A, H7A)	1 1 1 1 1 1	----- ----- ----- ----- ----- -----	4176-7 AB3 4176-7 AL3 4176-7 AW2 4176-7 AM2 4176-7 AL3 4176-7 AA2	----- ----- ----- ----- ----- -----	4176-7 AB3 4176-7 AL3 4176-7 AW2 4176-7 AM2 4176-7 AL3 4176-7 AA2	

★ Indicates use as required.  
 □ Indicates parts not listed in any previous parts book.  
 Right and left part numbers are on same line, first number is right, second number is left.  
 \* Indicates change or addition.

CODE	REMARKS	PER CAR	SED.	4D H.T.	STA. WGN.	2D H.T.	CV. CP.
23-103-3	PANEL, Visor Trim - Cont'd Y1-M (w/o mirror) (linen grain perforated) (use w/all black interior) (codes M3X, M5X)	1	-----	E4158-9 AX9			
23-103-10	ARM and BRACKET, Visor C1, C2, C3 Y1 Washer (bracket to base) Washer (tension spring)	1 1 4 2	2581 292-3 ----- ----- 6000 106	2581 292-3 2085 242-3 ----- 6000 106	2581 292-3 ----- ----- 6000 106	2581 292-3 2085 242-3 ----- 6000 106	2161 588-9 138 597 6000 106
23-103-34	HOOK and SPRING, Visor Support Y1	2	-----	1900 776	-----	1900 776	2161 810
23-103-48	SUPPORT, Visor Inner Y1	2	-----	2161 687	-----	2161 687	2490 478
23-108-4	CUSHION, Front Seat C1-L (manual w/airfoam pad) (code L1B) (code L1N) (code L1Q) (code L1R) (code L1T)	1 1 1 1 1	7578 A1B 7578 A1N 7578 A1Q 7578 A1R 7578 A1T				
	(elec. 6 way w/airfoam pad) (code L1B) (code L1N) (code L1Q) (code L1R) (code L1T)	1 1 1 1 1	7579 A1B 7579 A1N 7579 A1Q 7579 A1R 7579 A1T				
	(manual w/o airfoam pad) (code L1B) (code L1N) (code L1Q) (code L1R) (code L1T)	1 1 1 1 1	7550 A1B 7550 A1N 7550 A1Q 7550 A1R 7550 A1T				
	(elec. 6 way w/o airfoam pad) (code L1B) (code L1N) (code L1Q) (code L1R) (code L1T)	1 1 1 1 1	7551 A1B 7551 A1N 7551 A1Q 7551 A1R 7551 A1T				
	C1-L (6 window sedan) (manual adj. w/airfoam pad) (code L2B) (code L2L) (code L2N) (code L2Q) (code L2R) (code L2T)	1 1 1 1 1 1	7566 A2B 7566 A2L 7566 A2N 7566 A2Q 7566 A2R 7566 A2T				
	(elec. 6 way w/airfoam pad) (code L2B) (code L2L) (code L2N) (code L2Q) (code L2R) (code L2T)	1 1 1 1 1 1	7567 A2B 7567 A2L 7567 A2N 7567 A2Q 7567 A2R 7567 A2T				

★ Indicates use as required.

☐ Indicates parts not listed in any previous parts book.

May 1965, Supersedes Sept. 4, 1964.

Printed in U.S.A.

Prices and specifications subject to change without notice.

Right and left part numbers are on same line,

first number is right, second number is left.

\* Indicates change or addition.



CODE	REMARKS	PER CAR	SED.	4D H.T	STA. WGN.	2D H.T	CV. CP.	
23-108-4	CUSHION, Front Seat - Cont'd							
	C1-L (6 window sedan)							
	(manual w/o airfoam pad)							
	(code L2B)	1	7564 A2B					
	(code L2L)	1	7564 A2L					
	(code L2N)	1	7564 A2N					
	(code L2Q)	1	7564 A2Q					
	(code L2R)	1	7564 A2R					
	(code L2T)	1	7564 A2T					
	(elec. 6 way w/o airfoam pad)							
	(code L2B)	1	7565 A2B					
	(code L2L)	1	7565 A2L					
	(code L2N)	1	7565 A2N					
	(code L2Q)	1	7565 A2Q					
(code L2R)	1	7565 A2R						
(code L2T)	1	7565 A2T						
C1-L	(manual w/o airfoam pad)							
	(code L5B)	1	7571 A5B					
	(code L5R)	1	7571 A5R					
	(code L5T)	1	7571 A5T					
	(elec. 6 way w/o airfoam pad)							
	(code L5B)	1	7572 A5B					
	(code L5R)	1	7572 A5R					
	(code L5T)	1	7572 A5T					
	C3-H (6 window sedan)	(manual w/o airfoam pad)						
		(code H1B)	1	5469 A1B	5469 A1B			
(code H1L)		1	5469 A1L	5469 A1L				
(code H1N)		1	5469 A1N	5469 A1N	5469 A1N			
(code H1Q)		1	5469 A1Q	5469 A1Q				
(code H1R)		1	5469 A1R	5469 A1R				
(code H1T)		1	5469 A1T	5469 A1T				
(elec. 6 way w/o airfoam pad)								
(code H1B)		1	5470 A1B	5470 A1B				
(code H1L)		1	5470 A1L	5470 A1L				
(code H1N)	1	5470 A1N	5470 A1N	5470 A1N				
(code H1Q)	1	5470 A1Q	5470 A1Q					
(code H1R)	1	5470 A1R	5470 A1R					
(code H1T)	1	5470 A1T	5470 A1T					
C1-L	(code L8B)	1	-----	7554 A8B				
	(code L8Q)	1	-----	7554 A8Q				
	(code L8R)	1	-----	7554 A8R				
	(code L8T)	1	-----	7554 A8T				
	(elec. window regulator)							
	(code L8B)	1	-----	7555 A8B				
	(code L8Q)	1	-----	7555 A8Q				
	(code L8R)	1	-----	7555 A8R				
	(code L8T)	1	-----	7555 A8T				
	(manual adj. w/airfoam pad)							
	(code L8B)	1	-----	7556 A8B				
	(code L8Q)	1	-----	7556 A8Q				
	(code L8R)	1	-----	7556 A8R				
	(code L8T)	1	-----	7556 A8T				
(elec. 6 way w/airfoam pad)								
(code L8B)	1	-----	7557 A8B					
(code L8Q)	1	-----	7557 A8Q					
(code L8R)	1	-----	7557 A8R					
(code L8T)	1	-----	7557 A8T					

★ Indicates use as required.

□ Indicates parts not listed in any previous parts book.  
 Right and left part numbers are on same line,  
 first number is right, second number is left.

\* Indicates change or addition.

Printed in U.S.A.  
 Prices and specifications subject to change without notice.  
 May 1965, Supersedes Sept. 4, 1964.

CODE	REMARKS	PER CAR	SED.	4D H.T	STA. WGN.	2D H.T	CV. CP.
23-108-4	CUSHION, Front Seat - Cont'd						
	C1-L						
	(manual w/o airfoam pad)						
	(code L4B)	1	-----	7558 A4B	7558 A4B		
	(code L4L)	1	-----	7558 A4L			
	(code L4N)	1	-----	7558 A4N			
	(code L4R)	1	-----	7558 A4R	7558 A4R		
	(code L4T)	1	-----	-----	7558 A4T		
	(code L4X)	1	-----	-----	7558 A4X		
	(elec. 6 way w/o airfoam pad)						
	(code L4B)	1	-----	5459 A4B	5459 A4B		
	(code L4L)	1	-----	5459 A4L			
	(code L4N)	1	-----	5459 A4N			
	(code L4R)	1	-----	5459 A4R	5459 A4R		
	(code L4T)	1	-----	-----	5459 A4T		
	(code L4X)	1	-----	-----	5459 A4X		
	C3-H						
	(code H4B)	1	-----	5480-1 A4B	5480-1 A4B	5480-1 A4B	
	(code H4L)	1	-----	5480-1 A4L	-----	5480-1 A4L	
	(code H4B)	1	-----	5480-1 A4R	5480-1 A4R	5480-1 A4R	
	(code H4T)	1	-----	-----	5480-1 A4T		
	(code H4X)	1	-----	5480-1 A4X	5480-1 A4X	5480-1 A4X	
	(center cushion)						
	(code H4B)	1	-----	6947 AB4	6947 AB4	6947 AB4	
	(code H4L)	1	-----	6947 AY3	-----	6947 AY3	
	(code H4R)	1	-----	6947 AR7	6947 AR7	6947 AR7	
	(code H4T)	1	-----	-----	6947 AT6		
	(code H4X)	1	-----	6947 AX9	6947 AX9	6947 AX9	
	(4 way elec.)						
	(code H4B)	1	-----	B7630-1 A4B	B7630-1 A4B	B7630-1 A4B	
	(code H4L)	1	-----	B7630-1 A4L	-----	B7630-1 A4L	
	(code H4R)	1	-----	B7630-1 A4R	B7630-1 A4R	B7630-1 A4R	
	(code H4T)	1	-----	-----	B7630-1 A4T		
	(code H4X)	1	-----	B7630-1 A4X	B7630-1 A4X	B7630-1 A4X	
	Screw and Washer (center cushion to mounting bracket)	4	-----	180 079	180 079	180 079	
	C1-L						
	(code L9B)	2	-----	-----	-----	7597 A9B	
	(code L9R)	2	-----	-----	-----	7597 A9R	
	(code L9X)	2	-----	-----	-----	7597 A9X	
	(manual w/o airfoam pad)						
	(code L8B)	1	-----	-----	-----	5461 A8B	
	(code L8Q)	1	-----	-----	-----	5461 A8Q	
	(code L8R)	1	-----	-----	-----	5461 A8R	
	(code L8T)	1	-----	-----	-----	5461 A8T	
	(elec. 6 way w/o airfoam pad)						
	(code L8B)	1	-----	-----	-----	5462 A8B	
	(code L8Q)	1	-----	-----	-----	5462 A8Q	
	(code L8R)	1	-----	-----	-----	5462 A8R	
	(code L8T)	1	-----	-----	-----	5462 A8T	
	(manual w/airfoam pad)						
	(code L8B)	1	-----	-----	-----	5463 A8B	
	(code L8Q)	1	-----	-----	-----	5463 A8Q	
	(code L8R)	1	-----	-----	-----	5463 A8R	
	(code L8T)	1	-----	-----	-----	5463 A8T	
	(elec. 6 way w/airfoam pad)						
	(code L8B)	1	-----	-----	-----	5464 A8B	
	(code L8Q)	1	-----	-----	-----	5464 A8Q	
	(code L8R)	1	-----	-----	-----	5464 A8R	
	(code L8T)	1	-----	-----	-----	5464 A8T	

★ Indicates use as required.

B Indicates parts not listed in any previous parts book.  
May 1965, Supersedes Sept. 4, 1964.Printed in U.S.A.  
Prices and specifications subject to change without notice.  
Right and left part numbers are on same line,  
first number is right, second number is left.

• Indicates change or addition.

CODE	REMARKS	PER CAR	SED.	4D H.T	STA. WGN	2D H.T	CV. CP.
23-108-4	CUSHION, Front Seat - Cont'd						
	C3-H						
	(manual w/o airfoam pad)						
	(code H1B)	1	-----	-----	-----	7248 A1B	
	(code H1L)	1	-----	-----	-----	7248 A1L	
	(code H1N)	1	-----	-----	-----	7248 A1N	
	(code H1Q)	1	-----	-----	-----	7248 A1Q	
	(code H1R)	1	-----	-----	-----	7248 A1R	
	(code H1T)	1	-----	-----	-----	7248 A1T	
	(elec. 6 way w/o airfoam pad)						
	(code H1B)	1	-----	-----	-----	7249 A1B	
	(code H1L)	1	-----	-----	-----	7249 A1L	
	(code H1N)	1	-----	-----	-----	7249 A1N	
	(code H1Q)	1	-----	-----	-----	7249 A1Q	
	(code H1R)	1	-----	-----	-----	7249 A1R	
	(code H1T)	1	-----	-----	-----	7249 A1T	
	C1-L						
	(manual w/o airfoam pad)						
	(code L4B)	1	-----	-----	-----	5465 A4B	5465 A4B
	(code L4L)	1	-----	-----	-----	5465 A4L	5465 A4L
	(code L4N)	1	-----	-----	-----	5465 A4N	
	(code L4R)	1	-----	-----	-----	5465 A4R	5465 A4R
	(code L4T)	1	-----	-----	-----	-----	5465 A4T
	(code L4X)	1	-----	-----	-----	-----	5465 A4X
	(elec. 6 way w/o airfoam pad)						
	(code L4B)	1	-----	-----	-----	5466 A4B	5466 A4B
	(code L4L)	1	-----	-----	-----	5466 A4L	5466 A4L
	(code L4N)	1	-----	-----	-----	5466 A4N	
	(code L4R)	1	-----	-----	-----	5466 A4R	5466 A4R
	(code L4T)	1	-----	-----	-----	-----	5466 A4T
	(code L4X)	1	-----	-----	-----	-----	5466 A4X
	C1, C2						
	(codes M3R, P3R)	1	-----	-----	-----	5446-7 A3R	5446-7 A3R
	(codes M3X, P3X)	1	-----	-----	-----	5446-7 A3X	5446-7 A3X
	(code M1N)	1	-----	5474-5 A1N	-----		
	(codes M4B, P4B)	1	-----	5476-7 A4B	-----	5476-7 A4B	5476-7 A4B
	(codes M4R, P4R)	1	-----	5476-7 A4R	-----	5476-7 A4R	5476-7 A4R
	(codes M4T, P4T)	1	-----	5476-7 A4T	-----	5476-7 A4T	5476-7 A4T
	(codes M4W, P4W)	1	-----	5476-7 A4W	-----	5476-7 A4W	5476-7 A4W
	(codes M4X, P4X)	1	-----	5476-7 A4X	-----	5476-7 A4X	5476-7 A4X
	(codes M4L, P4L)	1	-----	5476-7 A4L	-----	5476-7 A4L	5476-7 A4L
	(center cushion)						
	(codes M3R, P3R)	1	-----	-----	-----	6938 AR7	6938 AR7
	(codes M3X, P3X)	1	-----	-----	-----	6938 AX9	6938 AX9
	(code M1N)	1	-----	6947 AW3	-----		
	(code L9B)	1	-----	-----	-----	6947 AB4	
	(code M4B)	1	-----	6947 AB8	-----	6947 AB9	6947 AB8
	(code M4R, L9R)	1	-----	6947 AR7	-----	6947 AR7	6947 AR7
	(code M4T)	1	-----	6947 AT6	-----	6947 AT6	6947 AT6
	(code M4W)	1	-----	6947 AW3	-----	6947 AW3	6947 AW3
	(codes M4X, L9X)	1	-----	6947 AX9	-----	6947 AX9	6947 AX9
	(code M4L)	1	-----	6947 AY3	-----	6947 AY3	6947 AY3
	C2 (4 way elec.)						
	(codes M3R, P3R)	1	-----	-----	-----	7628-9 A3R	7628-9 A3R
	(codes M3X, P3X)	1	-----	-----	-----	7628-9 A3X	7628-9 A3X
	(code M1N)	1	-----	7624-5 A1N	-----		
	(codes M4B, P4B)	1	-----	7626-7 A4B	-----	7626-7 A4B	7626-7 A4B
	(codes M4R, P4R)	1	-----	7626-7 A4R	-----	7626-7 A4R	7626-7 A4R
	(codes M4T, P4T)	1	-----	7626-7 A4T	-----	7626-7 A4T	7626-7 A4T

★ Indicates use as required.  
 ☐ Indicates parts not listed in any previous parts book.  
 Right and left part numbers are on same line,  
 first number is right, second number is left.  
 \* Indicates change or addition.

## 1965 PASSENGER CAR PARTS CATALOG

INTERIOR TRIM

CODE	REMARKS	PER CAR	SED.	4D H.T	STA. WGN.	2D H.T	CV. CP.
23-108-4	CUSHION, Front Seat - Cont'd C2 (4 way elec.)						
	(codes M4W, P4W)	1	-----	⊖7626-7 A4W	-----	⊖7626-7 A4W	⊖7626-7 A4W
	(codes M4X, P4X)	1	-----	⊖7626-7 A4X	-----	⊖7626-7 A4X	⊖7626-7 A4X
	(codes M4L, P4L)	1	-----	⊖7626-7 A4L	-----	⊖7626-7 A4L	⊖7626-7 A4L
	Y1-M (manual w/o airfoam pad)						
	(code M3B)	1	-----	5495 A3B			
	(codes M3C, M3V, M3W)	1	-----	5495 A3W			
	(code M3K)	1	-----	5495 A3K			
	(code M3R)	1	-----	5495 A3R			
	(code M3T)	1	-----	5495 A3T			
	(code M3X)	1	-----	5495 A3X			
	(elec. 6 way w/o airfoam pad)						
	(code M3B)	1	-----	5489 A3B			
	(codes M3C, M3V, M3W)	1	-----	5489 A3W			
	(code M3K)	1	-----	5489 A3K			
	(code M3R)	1	-----	5489 A3R			
	(code M3T)	1	-----	5489 A3T			
	(code M3X)	1	-----	5489 A3X			
	(manual w/o airfoam pad)						
	(code M7B)	1	-----	5494 A7B			
	(code M7G)	1	-----	5494 A7G			
	(code M7N)	1	-----	5494 A7N			
	(code M7P)	1	-----	5494 A7P			
	(code M7Q)	1	-----	5494 A7Q			
	(code M7R)	1	-----	5494 A7R			
	(code M7T)	1	-----	5494 A7T			
	(elec. 6 way w/o airfoam pad)						
	(code M7B)	1	-----	5487 A7B			
	(code M7G)	1	-----	5487 A7G			
	(code M7N)	1	-----	5487 A7N			
	(code M7P)	1	-----	5487 A7P			
	(code M7Q)	1	-----	5487 A7Q			
	(code M7R)	1	-----	5487 A7R			
	(code M7T)	1	-----	5487 A7T			
	Y1-H						
	(code H3B)	1	-----	7320 A3B			
	(codes H3C, H3V, H3W)	1	-----	7320 A3W			
	(code H3R)	1	-----	7320 A3R			
	(code H3X)	1	-----	7320 A3X			
	(code H7A)	1	-----	5488 A7A			
	(code H7B)	1	-----	5488 A7B			
	(code H7G)	1	-----	5488 A7G			
	(code H7T)	1	-----	5488 A7T			
	(code H6A)	1	-----	7719 A6A			
	Y1						
	(code M9B)	1	-----	-----	-----	5492-3 A9B	5492-3 A9B
	(codes M9C, M9V, M9W, M5W, H8W)	1	-----	5492-3 A9W	-----	5492-3 A9W	5492-3 A9W
	(code M9K)	1	-----	-----	-----	5492-3 A9K	5492-3 A9K
	(codes M5R, M9R, H8R)	1	-----	5492-3 A9R	-----	5492-3 A9R	5492-3 A9R
	(code M9T)	1	-----	-----	-----	5492-3 A9T	5492-3 A9T
	(codes M5X, M9X, H8X)	1	-----	5492-3 A9X	-----	5492-3 A9X	5492-3 A9X
	(code M8B)	1	-----	-----	-----	5490-1 A8B	
	(code M8G)	1	-----	-----	-----	5490-1 A8G	
	(code M8N)	1	-----	-----	-----	5490-1 A8N	

★ Indicates use as required.

⊖ Indicates parts not listed in any previous parts book.  
May 1965. Supersedes Sept. 4, 1964.Printed in U.S.A.  
Prices and specifications subject to change without notice.  
Right and left part numbers are on same line,  
first number is right, second number is left.

\* Indicates change or addition.

CODE	REMARKS	PER CAR	SED.	4D H.T.	STA. WGN.	2D H.T.	CV. CP.
23-108-4	CUSHION, Front Seat - Cont'd						
	Y1						
	(center cushion)						
	(code M9B)	1	-----	-----	-----	5443 AB4	5443 AB4
	(codes M9C, M9V, M5W, M9W, H8W)	1	-----	5443 AW3	-----	5443 AW3	5443 AW3
	(code M9K)	1	-----	-----	-----	5443 AM9	5443 AM9
	(codes M5R, M9R, H8R)	1	-----	5443 AR5	-----	5443 AR5	5443 AR5
	(code M9T)	1	-----	-----	-----	5443 AL3	5443 AL3
(codes M5X, M9X, H8X)	1	-----	5443 AX9	-----	5443 AX9	5443 AX9	
(code M8B)	1	-----	-----	-----	5443 AB4		
(code M8G)	1	-----	-----	-----	5443 AF9		
(code M8N)	1	-----	-----	-----	5443 AW3		
23-108-5	COVER, Front Seat Cushion						
	C1-L						
	(code L1B)	1	7547 A1B				
	(code L1N)	1	7547 A1N				
	(code L1Q)	1	7547 A1Q				
	(code L1R)	1	7547 A1R				
	(code L1T)	1	7547 A1T				
	(6 window sedan)						
	(code L2B)	1	7568 A2B				
	(code L2L)	1	7568 A2L				
	(code L2N)	1	7568 A2N				
	(code L2Q)	1	7568 A2Q				
	(code L2R)	1	7568 A2R				
	(code L2T)	1	7568 A2T				
	C1-L						
	(code L5B)	1	7573 A5B				
(code L5R)	1	7573 A5R					
(code L5T)	1	7573 A5T					
(code L4B)	1	-----	7549 A4B	7549 A4B			
(code L4L)	1	-----	7549 A4L				
(code L4N)	1	-----	7549 A4N				
(code L4R)	1	-----	7549 A4R	7549 A4R			
(code L4T)	1	-----	-----	7549 A4T			
(code L4X)	1	-----	-----	7549 A4X			
(code L8B)	1	-----	7548 A8B				
(code L8Q)	1	-----	7548 A8Q				
(code L8R)	1	-----	7548 A8R				
(code L8T)	1	-----	7548 A8T				
(code L4B)	1	-----	-----	-----	5873 A4B	5873 A4B	
(code L4L)	1	-----	-----	-----	5873 A4L	5873 A4L	
(code L4N)	1	-----	-----	-----	5873 A4N		
(code L4R)	1	-----	-----	-----	5873 A4R	5873 A4R	
(code L4T)	1	-----	-----	-----	-----	5873 A4T	
(code L4X)	1	-----	-----	-----	-----	5873 A4X	
(code L8B)	1	-----	-----	-----	5872 A8B		
(code L9B)	2	-----	-----	-----	*7598 A9B		
(code L8Q)	1	-----	-----	-----	5872 A8Q		
(code L9R)	2	-----	-----	-----	*7598 A9R		
(code L8R)	1	-----	-----	-----	5872 A8R		
(code L9X)	2	-----	-----	-----	*7598 A9X		
(code L8T)	1	-----	-----	-----	5872 A8T		
C2							
(code M1N)	1	-----	5880-1 A1N				
(codes M3R, P3R)	1	-----	-----			5888-9 A3R	
(codes M3X, P3X)	1	-----	-----			5888-9 A3X	
(codes M4B, P4B)	1	-----	5882-3 A4B			5882-3 A4B	
(codes M4R, P4R)	1	-----	5882-3 A4R			5882-3 A4R	

★ Indicates use as required.  
 ☐ Indicates parts not listed in any previous parts book.  
 Right and left part numbers are on same line,  
 first number is right, second number is left.  
 • Indicates change or addition.

## 1965 PASSENGER CAR PARTS CATALOG

INTERIOR TRIM

CODE	REMARKS	PER CAR	SED.	4D H.T.	STA. WGN.	2D H.T.	CV. CP.
23-108-5	COVER, Front Seat Cushion-Cont'd C2						
	(codes M4T, P4T)	1	----	5882-3 A4T	----	5882-3 A4T	5882-3 A4T
	(codes M4W, P4W)	1	----	5882-3 A4W	----	5882-3 A4W	5882-3 A4W
	(codes M4X, P4X)	1	----	5882-3 A4X	----	5882-3 A4X	5882-3 A4X
	(codes M4L, P4L)	1	----	----	----	5882-3 A4L	5882-3 A4L
	(center cushion)						
	(code M1N)	1	----	6948 AW3	----		
	(code M3R)	1	----	----	----	6948 AR7	6948 AR7
	(code M3X)	1	----	----	----	*6948 AX9	*6948 AX9
	(code M4B)	1	----	6948 AB8	----	6948 AB8	6948 AB8
	(code M4R)	1	----	6948 AR7	----	6948 AR7	6948 AR7
	(code M4T)	1	----	6948 AT6	----	6948 AT6	6948 AT6
	(code M4W)	1	----	6948 AW3	----	6948 AW3	6948 AW3
	(code M4X)	1	----	6948 AX9	----	6948 AX9	6948 AX9
	(code M4Y)	1	----	6948 AY3	----	6948 AY3	6948 AY3
	C3-H (6 window sedan)						
	(code H1B)	1	5877 A1B	5877 A1B	----	7250 A1B	
	(code H1L)	1	5877 A1L	5877 A1L	----	7250 A1L	
	(code H1N)	1	5877 A1N	5877 A1N	5877 A1N	7250 A1N	
	(code H1Q)	1	5877 A1Q	5877 A1Q	----	7250 A1Q	
	(code H1R)	1	5877 A1R	5877 A1R	----	7250 A1R	
	(code H1T)	1	5877 A1T	5877 A1T	----	7250 A1T	
	(code H4B)	1	----	5886-7 A4B	5886-7 A4B	5886-7 A4B	
	(code H4L)	1	----	5886-7 A4L	----	5886-7 A4L	
	(code H4R)	1	----	5886-7 A4R	5886-7 A4R	5886-7 A4R	
	(code H4T)	1	----	----	5886-7 A4T		
	(code H4X)	1	----	5886-7 A4X	5886-7 A4X	5886-7 A4X	
	(center cushion cover)						
	(code H4B)	1	----	6948 AB4	6948 AB4	6948 AB4	
	(code H4L)	1	----	6948 AY3	----	6948 AY3	
	(code H4R)	1	----	6948 AR7	6948 AR7	6948 AR7	
	(code H4T)	1	----	----	6948 AT6		
	(code H4X)	1	----	6948 AX9	6948 AX9	6948 AX9	
	Y1-M						
	(code M3B)	1	----	5895 A3B			
	(codes M3C, M3V, M3W)	1	----	5895 A3W			
	(code M3K)	1	----	5895 A3K			
	(code M3R)	1	----	5895 A3R			
	(code M3T)	1	----	5895 A3T			
	(code M3X)	1	----	5895 A3X			
	(code M7B)	1	----	5893 A7B			
	(code M7G)	1	----	5893 A7G			
	(code M7N)	1	----	5893 A7N			
	(code M7P)	1	----	5893 A7P			
	(code M7Q)	1	----	5893 A7Q			
	(code M7R)	1	----	5893 A7R			
	(code M7T)	1	----	5893 A7T			
	Y1-H						
	(code H3B)	1	----	7319 A3B			
	(codes H3V, H3C, H3W)	1	----	7319 A3W			
	(code H3R)	1	----	7319 A3R			
	(code H3X)	1	----	7319 A3X			
	(code H6A)	1	----	7718 A6A			
	(code H7A)	1	----	5894 A7A			
	(code H7B)	1	----	5894 A7B			
	(code H7G)	1	----	5894 A7G			
	(code H7T)	1	----	5894 A7T			
	(code H8R)	1	----	5898-9 A9R			
	(code H8W)	1	----	5898-9 A9W			
	(code H8X)	1	----	5898-9 A9X			

★ Indicates use as required.

☐ Indicates parts not listed in any previous parts book.

April 1966, Supersedes May 1965.

Printed in U.S.A.

Prices and specifications subject to change without notice.

Right and left part numbers are on same line,  
first number is right, second number is left.

\* Indicates change or addition.

CODE	REMARKS	PER CAR	SED.	4D H.T	STA WGN	2D H.T	CV. CP.
23-108-5	COVER, Front Seat Cushion-Cont'd						
	Y1-H (center cushion cover)						
	(code H8R)	1	-----	5864 AR5			
	(code H8W)	1	-----	5864 AW3			
	(code H8X)	1	-----	5864 AX9			
	Y1-M						
	(code M5R)	1	-----	5898-9 A9R			
	(code M5W)	1	-----	5898-9 A9W			
	(code M5X)	1	-----	5898-9 A9X			
	(code M8B)	1	-----	-----	-----	5896-7 A8B	
	(code M8G)	1	-----	-----	-----	5896-7 A8G	
	(code M8N)	1	-----	-----	-----	5896-7 A8N	
	(code M9B)	1	-----	-----	-----	5898-9 A9B	5898-9 A9B
	(codes M9C, M9V, M9W)	1	-----	-----	-----	5898-9 A9W	5898-9 A9W
	(code M9K)	1	-----	-----	-----	5898-9 A9K	5898-9 A9K
	(code M9R)	1	-----	-----	-----	5898-9 A9R	5898-9 A9R
	(code M9T)	1	-----	-----	-----	5898-9 A9T	5898-9 A9T
	(code M9X)	1	-----	-----	-----	5898-9 A9X	5898-9 A9X
	Y1-M (center cushion cover)						
(codes M8B, M9B)	1	-----	-----	-----	5864 AB4	5864 AB4	
(codes M8N, M9C, M9V, M5W, M9W)	1	-----	5864 AW3	-----	5864 AW3	5864 AW3	
(code M9K)	1	-----	-----	-----	5864 AM9	5864 AM9	
(code M8G)	1	-----	-----	-----	5864 AF9	5864 AF9	
(codes M5R, M9R)	1	-----	5864 AR5	-----	5864 AR5	5864 AR5	
(codes M5X, M9X)	1	-----	5864 AX9	-----	5864 AX9	5864 AX9	
(code M9T)	1	-----	-----	-----	5864 AL3	5864 AL3	
23-108-6	FLAP, Front Cushion Rear						
	C2, C3 (w/elec. seat adjuster)						
	(codes M4B, H4B, P4B)	1	-----	*4112 AB8	*4112 AB8	*4112 AB8	*4112 AB8
	(codes M3R, M4R, H4R, P3R, P4R)	1	-----	*4112 AR8	*4112 AR8	*4112 AR8	*4112 AR8
	(codes M4T, H4T, P4T)	1	-----	B4112 AT8	B4112 AT8	B4112 AT8	B4112 AT8
	(codes M1N, M3X, M4X, P3X, P4X, H4X, M4W, M4L, P4L, H4L, P4W)	1	-----	*4112 AX9	*4112 AX9	*4112 AX9	*4112 AX9
	(code L9B)	1	-----	-----	-----	4112 AB8	
	(code L9R)	1	-----	-----	-----	4112 AR8	
	(code L9X)	1	-----	-----	-----	4112 AX9	
	Y1						
	(codes M8B, M9B)	1	-----	-----	-----	4113 ABB	4113 ABB
	(code M9K)	1	-----	-----	-----	4113 AOM	4113 AOM
	(codes M5X, M9X, H8X)	1	-----	4113 AXX	-----	4113 AXX	4113 AXX
	(code M9T)	1	-----	-----	-----	4113 ALL	4113 ALL
	(codes M5R, M9R, H8R)	1	-----	4113 AOR	-----	4113 AOR	4113 AOR
	(codes M5W, M9V, M9C, M9W, H8W)	1	-----	4113 AOW	-----	4113 AOW	4113 AOW
	(code M8N)	1	-----	-----	-----	4113 AWX	
	(code M8G)	1	-----	-----	-----	4113 AOF	
	23-108-12	BACK, Front Seat					
C1-L (6 window sedan)							
(code L2B)		1	7546 A2B				
(code L2L)		1	7546 A2L				
(code L2N)		1	7546 A2N				
(code L2Q)		1	7546 A2Q				
(code L2R)		1	7546 A2R				
(code L2T)	1	7546 A2T					

● Indicates use as required.  
 B Indicates parts not listed in any previous parts book.  
 Right and left part numbers are on same line,  
 first number is right, second number is left.  
 \* Indicates change or addition.

## 1965 PASSENGER CAR PARTS CATALOG

INTERIOR TRIM

CODE	REMARKS	PER CAR	SED.	4D H.T	STA. WGN.	2D H.T	CV. CP.
23-108-12	BACK, Front Seat - Cont'd C1-L (4 window and 6 window sedan)						
	(code L5B)	1	7569 A5B				
	(code L5R)	1	7569 A5R				
	(code L5T)	1	7569 A5T				
	(4 window sedan)						
	(code L1B)	1	7543 A1B				
	(code L1N)	1	7543 A1N				
	(code L1Q)	1	7543 A1Q				
	(code L1R)	1	7543 A1R				
	(code L1T)	1	7543 A1T				
	(code L4B)	1	----	5653 A4B	5653 A4B	5658-9 A4B	5658-9 A4B
	(code L4L)	1	----	5653 A4L	----	5658-9 A4L	5658-9 A4L
	(code L4N)	1	----	5653 A4N	----	5658-9 A4N	
	(code L4R)	1	----	5653 A4R	5653 A4R	5658-9 A4R	5658-9 A4R
	(code L4T)	1	----	----	5653 A4T	----	5658-9 A4T
	(code L4X)	1	----	----	5653 A4X	----	5658-9 A4X
	(code L8B)	1	----	7544 A8B	----	5656-7 A8B	
	(code L8Q)	1	----	7544 A8Q	----	5656-7 A8Q	
	(code L8R)	1	----	7544 A8R	----	5656-7 A8R	
	(code L8T)	1	----	7544 A8T	----	5656-7 A8T	
	Washer (seat back stop)	2	----	----	----	6008 077	6008 077
	Push-Nut (seat back to cushion)	2	----	----	----	6024 203	6024 203
23-108-15	SPRING and COVER, Front Seat Back C1-L UP TO Serial No. C153-195142						
	(code L9B)	1	----	----	----	*7595 A9B	
	(code L9R)	1	----	----	----	*7595 A9R	
	(code L9X)	1	----	----	----	*7595 A9X	
	AFTER Serial No. C153-195142						
	(code L9B)	1	----	----	----	⊠8030 A9B	
	(code L9R)	1	----	----	----	⊠8030 A9R	
	(code L9X)	1	----	----	----	⊠8030 A9X	
	C3-H (6 window sedan)						
	(code H1B)	1	5767 A1B	5767 A1B	5767 A1B	7244-5 A1B	
	(code H1L)	1	5767 A1L	5767 A1L	5767 A1L	7244-5 A1L	
	(code H1N)	1	5767 A1N	5767 A1N	5767 A1N	7244-5 A1N	
	(code H1Q)	1	5767 A1Q	5767 A1Q	5767 A1Q	7244-5 A1Q	
	(code H1R)	1	5767 A1R	5767 A1R	5767 A1R	7244-5 A1R	
	(code H1T)	1	5767 A1T	5767 A1T	5767 A1T	7244-5 A1T	
	Screw (to cushion wedge spring adj.)	2	6016 005	6016 005	6016 005		
	C2, C3 (w/o headrest)						
	(code M1N)	1	----	5772-3 A1N			
	(code H4B)	1	----	5762-3 A4B	5762-3 A4B	5762-3 A4B	
	(code H4L)	1	----	5762-3 A4L	----	5762-3 A4L	
	(code H4R)	1	----	5762-3 A4R	5762-3 A4R	5762-3 A4R	
	(code H4T)	1	----	----	5762-3 A4T		
	(code H4X)	1	----	5762-3 A4X	5762-3 A4X	5762-3 A4X	
	(codes M4B, P4B)	1	----	5776-7 A4B	----	5776-7 A4B	5776-7 A4B
	(codes M4R, P4R)	1	----	5776-7 A4R	----	5776-7 A4R	5776-7 A4R
	(codes M4T, P4T)	1	----	5776-7 A4T	----	5776-7 A4T	5776-7 A4T

★ Indicates use as required.

⊠ Indicates parts not listed in any previous parts book.

May 1965, Supersedes Sept. 4, 1964.

Printed in U.S.A.

Prices and specifications subject to change without notice.

Right and left part numbers are on same line,  
first number is right, second number is left.

\* Indicates change or addition.



CODE	REMARKS	PER CAR	SED.	4D H.T	STA. WGN.	2D H.T	CV. CP.
23-108-15	SPRING and COVER, Front Seat Back - Cont'd						
	C2, C3 (w/o headrest)						
	(codes M4W, P4W)	1	-----	5776-7A4W	-----	5776-7A4W	5776-7A4W
	(codes M4X, P4X)	1	-----	5776-7A4X	-----	5776-7A4X	5776-7A4X
	(codes M4L, P4L)	1	-----	-----	-----	5776-7A4L	5776-7A4L
	(codes M3R, P3R)	1	-----	-----	-----	5754-5A3R	5754-5A3R
	(codes M3X, P3X)	1	-----	-----	-----	5754-5A3X	5754-5A3X
	(w/headrest)						
	(code M1N)	1	-----	5774-5A1N			
	(code H4B)	1	-----	5764-5A4B	5764-5A4B	5764-5A4B	
	(code H4L)	1	-----	5764-5A4L	-----	5764-5A4L	
	(code H4R)	1	-----	5764-5A4R	5764-5A4R	5764-5A4R	
	(code H4T)	1	-----	-----	5764-5A4T		
	(code H4X)	1	-----	5764-5A4X	5764-5A4X	5764-5A4X	
	(codes M4B, P4B)	1	-----	5778-9A4B	-----	5778-9A4B	5778-9A4B
	(codes M4R, P4R)	1	-----	5778-9A4R	-----	5778-9A4R	5778-9A4R
	(codes M4T, P4T)	1	-----	5778-9A4T	-----	5778-9A4T	5778-9A4T
	(codes M4W, P4W)	1	-----	5778-9A4W	-----	5778-9A4W	5778-9A4W
	(codes M4X, P4X)	1	-----	5778-9A4X	-----	5778-9A4X	5778-9A4X
	(codes M4L, P4L)	1	-----	-----	-----	5778-9A4L	5778-9A4L
	(codes M3R, P3R)	1	-----	-----	-----	5756-7A3R	5756-7A3R
	(codes M3X, P3X)	1	-----	-----	-----	5756-7A3X	5756-7A3X
	Push-Nut (seat back to cushion)	2	-----	-----	-----	6024 203	6024 203
	Y1-M						
	(code M3B)	1	-----	5786 A3B			
	(codes M3C, M3V, M3W)	1	-----	5786 A3W			
	(code M3K)	1	-----	5786 A3K			
	(code M3R)	1	-----	5786 A3R			
	(code M3T)	1	-----	5786 A3T			
	(code M3X)	1	-----	5786 A3X			
	(code M7B)	1	-----	5784 A7B			
	Y1-M						
	(code M7G)	1	-----	5784 A7G			
	(code M7N)	1	-----	5784 A7N			
	(code M7P)	1	-----	5784 A7P			
	(code M7Q)	1	-----	5784 A7Q			
	(code M7R)	1	-----	5784 A7R			
	(code M7T)	1	-----	5784 A7T			
	Y1-H						
	(code H3B)	1	-----	7327 A3B			
	(codes H3C, H3V, H3W)	1	-----	7327 A3W			
	(code H3R)	1	-----	7327 A3R			
	(code H3X)	1	-----	7327 A3X			
	(code H6A)	1	-----	7732 A6A			
	(code H7A)	1	-----	5788 A7A			
	(code H7B)	1	-----	5788 A7B			
	(code H7G)	1	-----	5788 A7G			
	(code H7T)	1	-----	5788 A7T			
	Y1						
	(code M8B)	1	-----	-----	-----	5790-1A8B	
	(code M8G)	1	-----	-----	-----	5790-1A8G	
	(code M8N)	1	-----	-----	-----	5790-1A8N	
	(code M9B)	1	-----	-----	-----	5792-3A9B	5792-3A9B
	(codes M9C, M9V, M5W, M9W, H8W)	1	-----	5792-3A9W	-----	5792-3A9W	5792-3A9W
	(code M9K)	1	-----	-----	-----	5792-3A9K	5792-3A9K
	(codes M5R, M9R, H8R)	1	-----	5792-3A9R	-----	5792-3A9R	5792-3A9R

★ Indicates use as required.  
 ☐ Indicates parts not listed in any previous parts book.  
 Right and left part numbers are on same line, first number is right, second number is left.  
 \* Indicates change or addition.

## 1965 PASSENGER CAR PARTS CATALOG

INTERIOR TRIM

CODE	REMARKS	PER CAR	SED.	4D H.T.	STA. WGN.	2D H.T.	CV. CP.
23-108-15	SPRING and COVER, Front Seat Back - Cont'd Y1 (code M9T) (codes M5X, M9X, H8X) Bolt and Washer (reclining seat to cushion mounting)	1 1 1	----- ----- -----	----- 5792-3 A9X 180 121	----- ----- -----	5792-3 A9T 5792-3 A9X 180 121	5792-3 A9T 5792-3 A9X 180 121
23-108-16	COVER, Front Seat Back C1-L (code L1B) (code L1N) (code L1Q) (code L1R) (code L1T)	1 1 1 1 1	7560 A1B 7560 A1N 7560 A1Q 7560 A1R 7560 A1T				
	(6 window sedan) (code L2B) (code L2L) (code L2N) (code L2Q) (code L2R) (code L2T)	1 1 1 1 1 1	7563 A2B 7563 A2L 7563 A2N 7563 A2Q 7563 A2R 7563 A2T				
	C1-L (code L5B) (code L5R) (code L5T) (code L8B) (code L8Q) (code L8R) (code L8T)	1 1 1 1 1 1 1	7570 A5B 7570 A5R 7570 A5T ----- ----- ----- -----	7561 A8B 7561 A8Q 7561 A8R 7561 A8T			
	(code L4B) (code L4L) (code L4N) (code L4R) (code L4T) (code L4X) (code L8B) (code L8Q) (code L8R) (code L8T)	1 1 1 1 1 1 1 1 1 1	----- ----- ----- ----- ----- ----- ----- ----- ----- -----	7562 A4B 7562 A4L 7562 A4N 7562 A4R 7562 A4T *7562 A4X ----- ----- ----- -----	7562 A4B ----- ----- 7562 A4R ----- ----- ----- ----- ----- -----	6054-5 A4B 6054-5 A4L 6054-5 A4N 6054-5 A4R ----- ----- 6052-3 A8B 6052-3 A8Q 6052-3 A8R 6052-3 A8T	6054-5 A4B 6054-5 A4L ----- 6054-5 A4R 6054-5 A4T *6054-5 A4X ----- ----- ----- -----
	UP TO Serial No. C153-195142 (code L9B) (code L9R) (code L9X) AFTER Serial No. C153-195142 (code L9B) (code L9R) (code L9X)	2 2 2 2 2 2 2	----- ----- ----- ----- ----- ----- -----	----- ----- ----- ----- ----- ----- -----	----- ----- ----- ----- ----- ----- -----	*7596 A9B *7596 A9R *7596 A9X E8031 A9B E8031 A9R E8031 A9X	
	C2, C3 (code M1N) (codes M4B, P4B) (codes M4R, P4R) (codes M4T, P4T) (codes M4W, P4W) (codes M4X, P4X) (codes M4L, P4L) (codes M3R, P3R) (codes M3X, P3X)	1 1 1 1 1 1 1 1 1	----- ----- ----- ----- ----- ----- ----- ----- -----	6064-5 A1N 6066-7 A4B 6066-7 A4R 6066-7 A4T 6066-7 A4W 6066-7 A4X ----- ----- -----	----- ----- ----- ----- ----- ----- ----- ----- -----	6066-7 A4B 6066-7 A4R 6066-7 A4T 6066-7 A4W 6066-7 A4X 6066-7 A4L 6072-3 A3R 6072-3 A3X	6066-7 A4B 6066-7 A4R 6066-7 A4T 6066-7 A4W 6066-7 A4X 6066-7 A4L 6072-3 A3R 6072-3 A3X

★ Indicates use as required.

E Indicates parts not listed in any previous parts book.  
May 1965, Supersedes Sept. 4, 1964.Printed in U.S.A.  
Prices and specifications subject to change without notice.  
Right and left part numbers are on same line,  
first number is right, second number is left.

\* Indicates change or addition.

INTERIOR TRIM **1965 PASSENGER CAR PARTS CATALOG**

CODE	REMARKS	PER CAR	SED.	4D H.T	STA. WGN.	2D H.T	CV. CP.
23-108-16	COVER, Front Seat Back - Cont'd C2, C3 (6 window sedan)						
	(code H1B)	1	6058 A1B	6058 A1B	6058 A1N		
	(code H1L)	1	6058 A1L	6058 A1L			
	(code H1N)	1	6058 A1N	6058 A1N			
	(code H1Q)	1	6058 A1Q	6058 A1Q			
	(code H1R)	1	6058 A1R	6058 A1R			
	(code H1T)	1	6058 A1T	6058 A1T			
	C3-H						
	(code H4B)	1	-----	6070-1 A4B	6070-1 A4B	6070-1 A4B	
	(code H4L)	1	-----	6070-1 A4L	-----	6070-1 A4L	
	(code H4R)	1	-----	6070-1 A4R	6070-1 A4R	6070-1 A4R	
	(code H4T)	1	-----	-----	6070-1 A4T		
	(code H4X)	1	-----	6070-1 A4X	6070-1 A4X	6070-1 A4X	
	(code H1B)	1	-----	-----	-----	7246-7 A1B	
	(code H1L)	1	-----	-----	-----	7246-7 A1L	
	(code H1N)	1	-----	-----	-----	7246-7 A1N	
	(code H1Q)	1	-----	-----	-----	7246-7 A1Q	
	(code H1R)	1	-----	-----	-----	7246-7 A1R	
	(code H1T)	1	-----	-----	-----	7246-7 A1T	
	Y1-M						
	(code M3B)	1	-----	6080 A3B			
	(code M3C)	1	-----	6080 A3C			
	(code M3V)	1	-----	6080 A3V			
	(code M3W)	1	-----	6080 A3W			
	(code M3K)	1	-----	6080 A3K			
	(code M3R)	1	-----	6080 A3R			
	(code M3T)	1	-----	6080 A3T			
	(code M3X)	1	-----	6080 A3X			
	(code M7B)	1	-----	6078 A7B			
	(code M7G)	1	-----	6078 A7G			
	(code M7N)	1	-----	6078 A7N			
	(code M7P)	1	-----	6078 A7P			
	(code M7Q)	1	-----	6078 A7Q			
	(code M7R)	1	-----	6078 A7R			
	(code M7T)	1	-----	6078 A7T			
	Y1-H						
	(code H3B)	1	-----	7326 A3B			
	(codes H3C, H3V, H3W)	1	-----	7326 A3W			
	(code H3R)	1	-----	7326 A3R			
	(code H3X)	1	-----	7326 A3X			
	(code H6A)	1	-----	7731 A6A			
	(code H7A)	1	-----	6082 A7A			
	(code H7B)	1	-----	6082 A7B			
	(code H7G)	1	-----	6082 A7G			
	(code H7T)	1	-----	6082 A7T			
	Y1						
	(code M8B)	1	-----	-----	-----	6084-5 A8B	
	(code M8G)	1	-----	-----	-----	6084-5 A8G	
	(code M8N)	1	-----	-----	-----	6084-5 A8N	
	(code M9B)	1	-----	-----	-----	6086-7 A9B	6086-7 A9B
	(codes M9C, M9V, M5W, M9W, H8W)	1	-----	6086-7 A9W	-----	6086-7 A9W	6086-7 A9W
	(code M9K)	1	-----	-----	-----	6086-7 A9K	6086-7 A9K
	(codes M5R, M9R, H8R)	1	-----	6086-7 A9R	-----	6086-7 A9R	6086-7 A9R
	(code M9T)	1	-----	-----	-----	6086-7 A9T	6086-7 A9T
	(codes M5X, M9X, H8X)	1	-----	6086-7 A9X	-----	6086-7 A9X	6086-7 A9X

★ Indicates use as required.

☐ Indicates parts not listed in any previous parts book.  
Right and left part numbers are on same line,  
first number is right, second number is left.

\* Indicates change or addition.

## 1965 PASSENGER CAR PARTS CATALOG

CODE	REMARKS	PER CAR	SED.	4D H.T	STA. WGN.	2D H.T	CV. CP.					
23-108-18	CASING, Headrest C2, C3 Y1-M, Y1-H	1	-----	-----	2446 954	2446 954	2446 954					
		1	-----	2577 188	-----	2577 188	2577 188					
23-108-19	HEADREST, Front Seat Back C2, C3 (codes M4B, P4B) (codes M4T, P4T, H4T) (codes M4W, P4W, M1N) (codes M3X, P3X, M4X, P4X, H4X) (codes M4L, P4L, H4L) (code H4B) (codes M3R, P3R, M4R, H4R, P4R)	1	-----	*7593 AB8	-----	*7593 AB8	*7953 AB8					
		1	-----	7593 AT6	7593 AT6	7593 AT6	7593 AT6					
		1	-----	7593 AW3	-----	7593 AW3	7593 AW3					
		1	-----	7593 AX9	7593 AX9	7593 AX9	7593 AX9					
		1	-----	7593 AY3	-----	7593 AY3	7593 AY3					
		1	-----	7593 AB4	7593 AB4	7593 AB4	7593 AB4					
		1	-----	7593 AR7	-----	7593 AR7	7593 AR7					
		1	-----	-----	-----	7582 AB4	7582 AB4					
		1	-----	7582 AW3	-----	7582 AW3	7582 AW3					
		1	-----	-----	-----	7582 AF9	7582 AF9					
23-108-20	COVER, Front Seat Back Headrest C2, C3 (codes M4B, P4B) (code H4B) (codes M4T, P4T, H4T) (codes M1N, M4W, P4W) (codes M3X, P3X, M4X, P4X) (codes M4L, P4L, H4L) (codes M3R, P3R, M4R, P4R, H4R)	1	-----	7592 AB8	-----	7592 AB8	7592 AB8					
		1	-----	7592 AB4	-----	7592 AB4	7592 AB4					
		1	-----	7592 AT6	7592 AT6	7592 AT6	7592 AT6					
		1	-----	7592 AW3	-----	7592 AW3	7592 AW3					
		1	-----	7592 AX9	7592 AX9	7592 AX9	7592 AX9					
		1	-----	7592 AY3	-----	7592 AY3	7592 AY3					
		1	-----	7592 AR7	7592 AR7	7592 AR7	7592 AR7					
		1	-----	-----	-----	7583 AB4	7583 AB4					
		1	-----	7583 AW3	-----	7583 AW3	7583 AW3					
		1	-----	-----	-----	7583 AM9	7583 AM9					
23-108-22	COVER, Seat Reclining Mechanism C2, C3 (paint as required) Y1 (paint as required)	1	-----	2717 AX9	2717 AX9	2717 AX9	2717 AX9					
		1	-----	2728 VX8	-----	2728 VX8	2728 VX8					
		23-108-23	INSULATOR, Front Seat Back Headrest C2, C3, Y1	2	-----	2494 608	2494 608	2494 608	2494 608			
				23-108-24	PANEL and BRACKET, Front Seat Back Headrest C2, C3, Y1 (paint as required)	2	-----	2494 371	2494 371	2494 371	2494 371	
						23-108-32	PANEL, Back of Front Seat Back C3-H (6 window sedan) (panel) (code H1B) (code H1L) (code H1N)	1	6153 A1B	6153 A1B	6153 A1B	6162-3 A1B
								1	6153 A1L	6153 A1L	6153 A1L	6162-3 A1L
								1	6153 A1N	6153 A1N	6153 A1N	6162-3 A1N

● Indicates use as required.

□ Indicates parts not listed in any previous parts book.  
April 1966, Supersedes May 1965.Printed in U.S.A.  
Prices and specifications subject to change without notice.  
Right and left part numbers are on same line,  
first number is right, second number is left.

\* Indicates change or addition.

CODE	REMARKS	PER CAR	SED.	4D H.T	STA. WGN.	2D H.T	CV. CP.
23-108-32	PANEL, Back of Front Seat Back - Cont'd C3-H (6 window sedan) (panel)						
	(code H1Q)	1	6153 A1Q	6153 A1Q	6153 A1Q	6162-3 A1Q	
	(code H1R)	1	6153 A1R	6153 A1R	6153 A1R	6162-3 A1R	
	(code H1T)	1	6153 A1T	6153 A1T	6153 A1T	6162-3 A1T	
	Fastener (foundation)	6	6000 365	6000 365	6000 365	6000 365	
	(cover)						
	(code H1B)	1	6154 A1B	6154 A1B	6154 A1B		
	(code H1L)	1	6154 A1L	6154 A1L	6154 A1L		
	(code H1N)	1	6154 A1N	6154 A1N	6154 A1N		
	(code H1Q)	1	6154 A1Q	6154 A1Q	6154 A1Q		
	(code H1R)	1	6154 A1R	6154 A1R	6154 A1R		
	(code H1T)	1	6154 A1T	6154 A1T	6154 A1T		
	C1-L						
	(code L9B)	2	-----	-----	-----	6160 A9B	
	(code L9R)	2	-----	-----	-----	6160 A9R	
	(code L9X)	2	-----	-----	-----	6160 A9X	
	Y1						
	(codes M8B, M9B)	1	-----	-----	-----	6184 AB4	6184 AB4
	(codes M5W, M9C, M9V, M9W, H8W)	1	-----	6184 AW3	-----	6184 AW3	6184 AW3
	(code M9K)	1	-----	-----	-----	6184 AM9	6184 AM9
	(code M8G)	1	-----	-----	-----	6184 AF9	
	(codes M5R, M9R, H8R)	1	-----	6184 AR5	-----	6184 AR5	6184 AR5
	(code M9T)	1	-----	-----	-----	6184 AL3	6184 AL3
	(codes M5X, M9X, H8X)	1	-----	6184 AX9	-----	6184 AX9	6184 AX9
	Y1-M (upper)						
	(codes M3B, M7B)	1	-----	6117 AB4			
	(codes M3C, M3V, M3W, M7N)	1	-----	6117 AW3			
	(code M3K)	1	-----	6117 AM9			
	(codes M3R, M7R)	1	-----	6117 AR5			
	(codes M3T, M7T)	1	-----	6117 AL3			
	(code M7G)	1	-----	6117 AF9			
	(codes M3X, M7P)	1	-----	6117 AX9			
	(code M7Q)	1	-----	6117 AQ4			
	(lower)						
	(codes M3B, M7B)	1	-----	6114 ABB			
	(code M3C)	1	-----	6114 AWB			
	(code M3K)	1	-----	6114 AOM			
	(codes M3R, M7R)	1	-----	6114 AOR			
	(codes M3T, M7T)	1	-----	6114 ALL			
	(code M3V)	1	-----	6114 AWR			
	(codes M3W, M7N)	1	-----	6114 AWX			
	(codes M3X, M7P)	1	-----	6114 AXX			
	(code M7G)	1	-----	6114 AOF			
	(code M7Q)	1	-----	6114 AQQ			
	Fastener (storage compt.)	20	-----	6000 365	-----	6000 365	6000 365
	Y1-H						
	(codes H6A, H7A)	1	-----	7335 AAX			
	(codes H3B, H7B)	1	-----	7335 ABB			
	(code H7G)	1	-----	7335 AFF			
	(code H7T)	1	-----	7335 ALL			
	(code H3C)	1	-----	7335 AWB			
	(code H3R)	1	-----	7335 ARR			
	(code H3V)	1	-----	7335 AWR			
	(code H3W)	1	-----	7335 AWX			
	(code H3X)	1	-----	7335 AXX			

★ Indicates use as required.

⊠ Indicates parts not listed in any previous parts book.  
Right and left part numbers are on same line,  
first number is right, second number is left.

\* Indicates change or addition.

Printed in U.S.A.

Prices and specifications subject to change without notice.  
May 1965, Supersedes Sept. 4, 1964.



INTERIOR TRIM **1965 PASSENGER CAR PARTS CATALOG**

CODE	REMARKS	PER CAR	SED.	4D H.T	STA. WGN.	2D H.T	CV. CP.
23-108-98	SHIELD, Front Seat Side - Cont'd Y1-M (side shield complete)						
	Right	1	----	2522 522			
	(manual) Left	1	----	2522 523			
	(power) Left	1	----	2522 527			
	Y1-H (side shield complete)						
	Right	1	----	2522 524			
	(power) Left	1	----	2522 525			
	Y1-M (back of front seat) (codes M8B, M9B)	1	----	-----	-----	2718-9 AB4	2718-9 AB4
	(code M9K)	1	----	-----	-----	2718-9 AM9	2718-9 AM9
	(code M8G)	1	----	-----	-----	2724-5 VF9	2724-5 VF9
	(codes M5W, M8N, M9V, M9C, M9W, H8W)	1	----	*2718-9 VW3	-----	2724-5 VW3	2724-5 VW3
	(code M9X, M5X, H8X)	1	----	*2718-9 VX8	-----	2724-5 VX8	2724-5 VX8
	(codes M5R, M9R, H8R)	1	----	2718-9 AR5	-----	2718-9 AR5	2718-9 AR5
	(code M9T)	1	----	2718-9 AL3	-----	2718-9 AL3	2718-9 AL3
	Y1-M (cushion) (passengers side) (codes M8B, M9B, M9C)	1	----	-----	-----	2720-1 AB4	2720-1 AB4
	(codes M5W, M9W, H8W, M8N, M9C, M9V)	1	----	2720-1 VW3	-----	2720-1 VW3	2720-1 VW3
	(code M9K)	1	----	-----	-----	2720-1 AM9	2720-1 AM9
	(code M8G)	1	----	-----	-----	2720-1 VF9	2720-1 VF9
	(code M5R, M9R, H8R)	1	----	2720-1 AR5	-----	2720-1 AR5	2720-1 AR5
	(codes M5X, M9X, H8X)	1	----	2720-1 VX8	-----	2720-1 VX8	2720-1 VX8
	(code M9T)	1	----	-----	-----	2720-1 AL3	2720-1 AL3
	(drivers side) (codes M8B, M9B, M9C)	1	----	-----	-----	2722-3 AB4	2722-3 AB4
	(code M8G)	1	----	-----	-----	2722-3 VF9	2722-3 VF9
	(code M9K)	1	----	-----	-----	2722-3 AM9	2722-3 AM9
	(codes M8N, M9C, M9V, M5W, M9W, H8W)	1	----	2722-3 VW3	-----	2722-3 VW3	2722-3 VW3
	(code M5R, M9R, H8R)	1	----	-----	-----	2722-3 AR5	2722-3 AR5
	(code M9T)	1	----	-----	-----	2722-3 AL3	2722-3 AL3
	(codes M5X, M9X, H8X)	1	----	2722-3 VX8	-----	2722-3 VX8	2722-3 VX8
23-108-142	BRACKET, Front Seat Back Side Shield Mounting C1, C2, C3, Y1 (white)	1	2577 492-3	2577 492-3	2577 492-3		
23-109-3	BACK, Rear Seat C1, C3						
	(code L1B)	1	6642 A1B				
	(code L1N)	1	6642 A1N				
	(code L1Q)	1	6642 A1Q				
	(code L1R)	1	6642 A1R				
	(code L1T)	1	6642 A1T				
	(6 window sedan)						
	(code L2B)	1	6674 A2B				
	(code L2L)	1	6674 A2L				
	(code L2N)	1	6674 A2N				
	(code L2Q)	1	6674 A2Q				
	(code L2R)	1	6674 A2R				
	(code L2T)	1	6674 A2T				
	C3-H (spring and cover) (2nd seat)						
	(code H4B)	1	-----	6665 A4B	6668 A4B	6665 A4B	
	(code H4L)	1	-----	6665 A4L	-----	6665 A4L	
	(code H4R)	1	-----	6665 A4R	6668 A4R	6665 A4R	

★ Indicates use as required.  
 □ Indicates parts not listed in any previous parts book.  
 Right and left part numbers are on same line,  
 first number is right, second number is left.  
 \* Indicates change or addition.

## 1965 PASSENGER CAR PARTS CATALOG

INTERIOR TRIM

CODE	REMARKS	PER CAR	SED.	4D H.T	STA. WGN.	2D H.T	CV. CP.
23-109-3	BACK, Rear Seat - Cont'd						
	C3-H (spring and cover)						
	(2nd seat)						
	(code H4T)	1	-----	-----	6668 A4T		
	(code H4X)	1	-----	6665 A4X	6668 A4X	6665 A4X	
	(code H1N)	1	-----	-----	6667 A1N		
	C3-H (spring and cover)						
	(3rd seat)						
	(code H4B)	1	-----	-----	7091 A4B		
	(code H4R)	1	-----	-----	7091 A4R		
	(code H4T)	1	-----	-----	7091 A4T		
	(code H4X)	1	-----	-----	7091 A4X		
	(code H1N)	1	-----	-----	7087 A1N		
	Nut (spring attaching)	4	-----	-----	6000 234		
	C1-L (2nd seat)						
	(codes L4B, L9B)	1	-----	*6645 A4B	*6646 A4B	*6676 A4B	*6648 A4B
	(code L4L)	1	-----	6645 A4L	6646 A4L	6676 A4L	6648 A4L
	(code L4N)	1	-----	6645 A4N	6646 A4N	6676 A4N	
	(codes L4R, L9R)	1	-----	*6645 A4R	*6646 A4R	*6676 A4R	*6648 A4R
	(code L4T)	1	-----	-----	6646 A4T	-----	6648 A4T
	(code L8B)	1	-----	6644 A8B	-----	6675 A8B	
	(codes L4X, L9X)	1	-----	-----	*6646 A4X	-----	*6648 A4X
	(code L8Q)	1	-----	6644 A8Q	-----	6675 A8Q	
	(code L8R)	1	-----	6644 A8R	-----	6675 A8R	
	(code L8T)	1	-----	6644 A8T	-----	6675 A8T	
	C1-L						
	(3rd seat)						
	(code L4B)	1	-----	-----	7083 A4B		
	(code L4R)	1	-----	-----	7083 A4R		
	(code L4T)	1	-----	-----	7083 A4T		
	(code L4X)	1	-----	-----	7083 A4X		
	(code L5B)	1	7210 A5B				
	(code L5R)	1	7210 A5R				
	(code L5T)	1	7210 A5T				
	C2 (spring and cover)						
	(codes M3R, P3R)	1	-----	-----	-----	6669 A3R	6673 A3R
	(codes M3X, P3X)	1	-----	-----	-----	6669 A3X	6673 A3X
	(code M1N)	1	-----	6649 A1N	-----		
	(codes M4B, P4B)	1	-----	6651 A4B	-----	6635 A4B	6655 A4B
	(codes M4R, P4R)	1	-----	6651 A4R	-----	6635 A4R	6655 A4R
	(codes M4T, P4T)	1	-----	6651 A4T	-----	6635 A4T	6655 A4T
	(codes M4W, P4W)	1	-----	6651 A4W	-----	6635 A4W	6655 A4W
	(codes M4X, P4X)	1	-----	6651 A4X	-----	6635 A4X	6655 A4X
	(codes M4L, P4L)	1	-----	-----	-----	6635 A4L	6655 A4L
	C3-H (6 window sedan)						
	(spring and cover)						
	(code H1B)	1	7234 A1B	6660 A1B	-----	6660 A1B	
	(code H1L)	1	7234 A1L	6660 A1L	-----	6660 A1L	
	(code H1N)	1	7234 A1N	6660 A1N	-----	6660 A1N	
	(code H1Q)	1	7234 A1Q	6660 A1Q	-----	6660 A1Q	
	(code H1R)	1	7234 A1R	6660 A1R	-----	6660 A1R	
	(code H1T)	1	7234 A1T	6660 A1T	-----	6660 A1T	
	Screw and Washer	2	6023 545	6023 545	-----	6023 545	
	Y1-M (spring and cover)						
	(code M3B)	1	-----	6683 A3B			
	(code M3C)	1	-----	6683 A3C			
	(code M3V)	1	-----	6683 A3V			
	(code M3W)	1	-----	6683 A3W			
	(code M3K)	1	-----	6683 A3K			
	(code M3R)	1	-----	6683 A3R			
	(code M3T)	1	-----	6683 A3T			

★ Indicates use as required.

☐ Indicates parts not listed in any previous parts book.  
May 1965, Supersedes Sept. 4, 1964.

Printed in U.S.A.  
Prices and specifications subject to change without notice.  
Right and left part numbers are on same line,  
first number is right, second number is left.  
\* Indicates change or addition.



CODE	REMARKS	PER CAR	SED.	4D H.T	STA. WGN.	2D H.T	CV. CP.
23-109-3	BACK, Rear Seat - Cont'd Y1-M (spring and cover)						
	(code M3X)	1	-----	6683 A3X			
	(code M5R)	1	-----	7460 AR5			
	(code M5W)	1	-----	7460 AW3			
	(code M5X)	1	-----	7460 AX9			
	(code M7B)	1	-----	6679 A7B			
	(code M7G)	1	-----	6679 A7G			
	(code M7N)	1	-----	6679 A7N			
	(code M7P)	1	-----	6679 A7P			
	(code M7Q)	1	-----	6679 A7Q			
	(code M7R)	1	-----	6679 A7R			
	(code M7T)	1	-----	6679 A7T			
	Y1-H (spring and cover)						
	(code H3B)	1	-----	7313 A3B			
	(codes H3C, H3V, H3W)	1	-----	7313 A3W			
	(code H3R)	1	-----	7313 A3R			
	(code H3X)	1	-----	7313 A3X			
	(code H6A)	1	-----	7726 A6A			
	(code H7A)	1	-----	6684 A7A			
	(code H7B)	1	-----	6684 A7B			
	(code H7G)	1	-----	6684 A7G			
	(code H7T)	1	-----	6684 A7T			
	Y1-M (spring and cover)						
	(code M8B)	1	-----	-----	-----	6688 A8B	
	(code M8G)	1	-----	-----	-----	6688 A8G	
	(code M8N)	1	-----	-----	-----	6688 A8N	
	(code M9B)	1	-----	-----	-----	6689 A9B	6692 A9B
	(code M9C)	1	-----	-----	-----	6689 A9C	6692 A9C
	(code M9K)	1	-----	-----	-----	6689 A9K	6692 A9K
	(code M9R)	1	-----	-----	-----	6689 A9R	6692 A9R
	(code M9T)	1	-----	-----	-----	6689 A9T	6692 A9T
	(code M9V)	1	-----	-----	-----	6689 A9V	6692 A9V
	(code M9W)	1	-----	-----	-----	6689 A9W	6692 A9W
	(code M9X)	1	-----	-----	-----	6689 A9X	6692 A9X
	Screw and Washer (spring attaching)	3	-----	6023 545	-----	6023 545	6023 545
	Screw (back to cushion wedge spring adj.)	2	-----	6016 005	-----	6016 005	6016 005
23-109-4	COVER, Rear Seat Back C1-L						
	(code L1B)	1	6834 A1B				
	(code L1N)	1	6834 A1N				
	(code L1Q)	1	6834 A1Q				
	(code L1R)	1	6834 A1R				
	(code L1T)	1	6834 A1T				
	(6 window sedan)						
	(code L2B)	1	6853 A2B				
	(code L2L)	1	6853 A2L				
	(code L2N)	1	6853 A2N				
	(code L2Q)	1	6853 A2Q				
	(code L2R)	1	6853 A2R				
	(code L2T)	1	6853 A2T				
	C3-H (6 window sedan)						
	(code H1B)	1	7235 A1B				
	(code H1L)	1	7235 A1L				
	(code H1N)	1	7235 A1N				
	(code H1Q)	1	7235 A1Q				
	(code H1R)	1	7235 A1R				
	(code H1T)	1	7235 A1T				

★ Indicates use as required.

⊠ Indicates parts not listed in any previous parts book.  
Right and left part numbers are on same line,  
first number is right, second number is left.

• Indicates change or addition.

Printed in U.S.A.

Prices and specifications subject to change without notice.  
May 1965, Supersedes Sept. 4, 1964.

CODE	REMARKS	PER CAR	SED.	4D H.T.	STA. WGN.	2D H.T.	CV. CP.
23-1J9-4	COVER, Rear Seat Back - Cont'd C1-L						
	(code L5B)	1	7211 A5B				
	(code L5R)	1	7211 A5R				
	(code L5T)	1	7211 A5T				
	(code L4B)	1	-----	6836 A4B			
	(code L4L)	1	-----	6836 A4L			
	(code L4N)	1	-----	6836 A4N			
	(code L4R)	1	-----	6836 A4R			
	(code L8B)	1	-----	6835 A8B			
	(code L8Q)	1	-----	6835 A8Q			
	(code L8R)	1	-----	6835 A8R			
	(code L8T)	1	-----	6835 A8T			
	C2, C3						
	(code M1N)	1	-----	6839 A1N			
	(code M4B)	1	-----	6840 A4B			
	(code M4R)	1	-----	6840 A4R			
	(code M4T)	1	-----	6840 A4T			
	(code M4W)	1	-----	6840 A4W			
	(code M4X)	1	-----	6840 A4X			
	(code H1B)	1	-----	6844 A1B	-----	6844 A1B	
	(code H1L)	1	-----	6844 A1L	-----	6844 A1L	
	(code H1N)	1	-----	6844 A1N	-----	6844 A1N	
	(code H1Q)	1	-----	6844 A1Q	-----	6844 A1Q	
	(code H1R)	1	-----	6844 A1R	-----	6844 A1R	
	(code H1T)	1	-----	6844 A1T	-----	6844 A1T	
	(code H4B)	1	-----	6848 A4B	-----	6848 A4B	
	(code H4L)	1	-----	6848 A4L	-----	6848 A4L	
	(code H4R)	1	-----	6848 A4R	-----	6848 A4R	
	(code H4X)	1	-----	6848 A4X	-----	6848 A4X	
	C1, C3 (2nd seat back)						
	(code L4B)	1	-----	-----	6837 A4B		
	(code L4R)	1	-----	-----	6837 A4R		
	(code L4T)	1	-----	-----	6837 A4T		
	(code L4X)	1	-----	-----	6837 A4X		
	(code H1N)	1	-----	-----	6849 A1N		
	(code H4B)	1	-----	-----	6850 A4B		
	(code H4R)	1	-----	-----	6850 A4R		
	(code H4T)	1	-----	-----	6850 A4T		
	(code H4X)	1	-----	-----	6850 A4X		
	(3rd seat back)						
	(code L4B)	1	-----	-----	7084 A4B		
	(code L4R)	1	-----	-----	7084 A4R		
	(code L4T)	1	-----	-----	7084 A4T		
	(code L4X)	1	-----	-----	7084 A4X		
	(code H1N)	1	-----	-----	7088 A1N		
	(code H4B)	1	-----	-----	7092 A4B		
	(code H4R)	1	-----	-----	7092 A4R		
	(code H4T)	1	-----	-----	7092 A4T		
	(code H4X)	1	-----	-----	7092 A4X		
	C1-L						
	(codes L4B, L9B)	1	-----	-----	-----	*6855 A4B	*6838 A4B
	(code L4L)	1	-----	-----	-----	6855 A4L	6838 A4L
	(code L4N)	1	-----	-----	-----	B6855 A4N	
	(codes L4R, L9R)	1	-----	-----	-----	*6855 A4R	*6838 A4R
	(code L4T)	1	-----	-----	-----	-----	6838 A4T
	(codes L4X, L9X)	1	-----	-----	-----	B6855 A9X	*6838 A4X
	(code L8B)	1	-----	-----	-----	6854 A8B	
	(code L8Q)	1	-----	-----	-----	6854 A8Q	
	(code L8R)	1	-----	-----	-----	6854 A8R	
	(code L8T)	1	-----	-----	-----	6854 A8T	

★ Indicates use as required.

⊠ Indicates parts not listed in any previous parts book.  
May 1965, Supersedes Sept. 4, 1964.

Printed in U.S.A.  
Prices and specifications subject to change without notice.  
Right and left part numbers are on same line,  
first number is right, second number is left.

\* Indicates change or addition.

CODE	REMARKS	PER CAR	SED.	4D H.T	STA. WGN.	2D H.T	CV. CP.
23-109-4	COVER, Rear Seat Back - Cont'd C2						
	(codes M3R, P3R)	1	-----	-----	-----	6851 A3R	6852 A3R
	(codes M3X, P3X)	1	-----	-----	-----	6851 A3X	6852 A3X
	(codes M4B, P4B)	1	-----	-----	-----	6856 A4B	6841 A4B
	(codes M4R, P4R)	1	-----	-----	-----	6856 A4R	6841 A4R
	(codes M4T, P4T)	1	-----	-----	-----	6856 A4T	6841 A4T
	(codes M4X, P4X)	1	-----	-----	-----	6856 A4X	6841 A4X
	(codes M4L, P4L)	1	-----	-----	-----	6856 A4L	6841 A4L
	(codes M4W, P4W)	1	-----	-----	-----	6856 A4W	6841 A4W
	Y1-M						
	(code M3B)	1	-----	6870 A3B			
	(code M3K)	1	-----	6870 A3K			
	(code M3R)	1	-----	6870 A3R			
	(code M3T)	1	-----	6870 A3T			
	(code M3V)	1	-----	6870 A3V			
	(codes M3W, M3C)	1	-----	*6870 A3W			
	(code M3X)	1	-----	6870 A3X			
	(code M5R)	1	-----	7461 AR5			
	(code M5W)	1	-----	7461 AW3			
	(code M5X)	1	-----	7461 AX9			
	(code M7B)	1	-----	6866 A7B			
	(code M7G)	1	-----	6866 A7G			
	(code M7N)	1	-----	6866 A7N			
	(code M7P)	1	-----	6866 A7P			
	(code M7Q)	1	-----	6866 A7Q			
	(code M7R)	1	-----	6866 A7R			
	(code M7T)	1	-----	6866 A7T			
	Y1-H						
	(code H3B)	1	-----	7312 A3B			
	(codes H3C, H3V, H3W)	1	-----	7312 A3W			
	(code H3R)	1	-----	7312 A3R			
	(code H3X)	1	-----	7312 A3X			
	(code H6A)	1	-----	7725 A6A			
	(code H7A)	1	-----	6872 A7A			
	(code H7B)	1	-----	6872 A7B			
	(code H7G)	1	-----	6872 A7G			
	(code H7T)	1	-----	6872 A7T			
	(code H8R)	1	-----	7461 AR5			
	(code H8W)	1	-----	7461 AW3			
	(code H8X)	1	-----	7461 AX9			
	Y1-M						
	(code M8B)	1	-----	-----	-----	6874-5 A8B	
	(code M8G)	1	-----	-----	-----	6874-5 A8G	
	(code M8N)	1	-----	-----	-----	6874-5 A8N	
	(code M9B)	1	-----	-----	-----	6876-7 A9B	6878-9 A9B
	(codes M9C, M9V, M9W)	1	-----	-----	-----	6876-7 A9W	6878-9 A9W
	(code M9K)	1	-----	-----	-----	6876-7 A9K	6878-9 A9K
	(code M9R)	1	-----	-----	-----	6876-7 A9R	6878-9 A9R
	(code M9T)	1	-----	-----	-----	6876-7 A9T	6878-9 A9T
	(code M9X)	1	-----	-----	-----	6876-7 A9X	6878-9 A9X
23-109-5	INSERT, Rear Seat Back Panel C1-L (2nd seat) (vinoleum)						
	(code L4B)	1	-----	-----	1816 AB8		
	(code L4R)	1	-----	-----	1816 AR7		
	(code L4T)	1	-----	-----	1816 AT8		
	(code L4X)	1	-----	-----	1816 AX9		
	(2nd seat back support panel) (inner) (5 in. wide) (vinoleum)						
	(code L4B)	1	-----	-----	1825 AB8		

● Indicates use as required.  
 □ Indicates parts not listed in any previous parts book.  
 Right and left part numbers are on same line,  
 first number is right, second number is left.  
 \* Indicates change or addition.

## 1965 PASSENGER CAR PARTS CATALOG

INTERIOR TRIM

CODE	REMARKS	PER CAR	SED.	4D H.T	STA. WGN.	2D H.T	CV. CP.
23-109-5	INSERT, Rear Seat Back Panel - Cont'd						
	C1-L (2nd. seat) (vinoleum)						
	(code L4R)	1	-----	-----	*1825 AR7		
	(code L4T)	1	-----	-----	1825 AT8		
	(code L4X)	1	-----	-----	1825 AX9		
	(2nd seat back support panel) (outer) (12 3/8" wide) (vinoleum)						
	(code L4B)	1	-----	-----	1821 AB8		
	(code L4R)	1	-----	-----	*1821 AR7		
	(code L4T)	1	-----	-----	1821 AT8		
	(code L4X)	1	-----	-----	1821 AX9		
	(3rd seat back) (vinoleum)						
	(code L4B)	1	-----	-----	1815 AB8		
	(code L4R)	1	-----	-----	1815 AR7		
	(code L4T)	1	-----	-----	1815 AT8		
	(code L4X)	1	-----	-----	1815 AX9		
	(3rd seat back support) (vinoleum)						
	(code L4B)	1	-----	-----	1822 AB8		
	(code L4R)	1	-----	-----	1822 AR8		
	(code L4T)	1	-----	-----	1822 AT8		
	(code L4X)	1	-----	-----	1822 AX9		
	C3-H (2nd seat back) (carpet and moulding)						
	(code H4B)	1	-----	-----	1808 AB8		
	(code H4R)	1	-----	-----	1808 AR8		
	(code H4T)	1	-----	-----	1808 AT8		
	(codes H4X, H1N)	1	-----	-----	1808 AX8		
	(support panel carpet and moulding) (14 3/8" wide)						
	(code H4B)	1	-----	-----	1807 AB8		
	(code H4R)	1	-----	-----	1807 AR8		
	(code H4T)	1	-----	-----	1807 AT8		
	(codes H4X, H1N)	1	-----	-----	1807 AX8		
	(support panel carpet insert) (5" wide)						
	(code H4B)	1	-----	-----	1826 AB8		
	(code H4R)	1	-----	-----	1826 AR8		
	(code H4T)	1	-----	-----	1826 AT8		
	(codes H4X, H1N)	1	-----	-----	1826 AX8		
	(3rd seat) (carpet and moulding)						
	(code H4B)	1	-----	-----	1811 AB8		
	(code H4R)	1	-----	-----	1811 AR8		
	(code H4T)	1	-----	-----	1811 AT8		
	(codes H4X, H1N)	1	-----	-----	1811 AX8		
	(support panel carpet and moulding insert)						
	(code H4B)	1	-----	-----	1812 AB8		
	(code H4R)	1	-----	-----	1812 AR8		
	(code H4T)	1	-----	-----	1812 AT8		
	(codes H4X, H1N)	1	-----	-----	1812 AX8		
	Screw (2nd seat back panel insert) (2nd seat back support panel)(3rd seat back panel) (3rd seat back support panel) (center and rear floor pan cover) (tailgate sill to tailgate cover)	★	-----	-----	*6024 678		
	Y1-M (panel)						
	(code M9B)	1	-----	-----	-----	-----	6687 AB4
	(codes M9C, M9V, M9W)	1	-----	-----	-----	-----	6687 AW3

★ Indicates use as required.

B Indicates parts not listed in any previous parts book.

May 1965, Supersedes Sept. 4, 1964.

Printed in U.S.A.  
Prices and specifications subject to change without notice.  
Right and left part numbers are on same line,  
first number is right, second number is left.

\* Indicates change or addition.

INTERIOR TRIM **1965 PASSENGER CAR PARTS CATALOG**

CODE	REMARKS	PER CAR	SED.	4D H.T	STA. WGN.	2D H.T	CV. CP.
23-109-5	INSERT, Rear Seat Back Panel - Cont'd						
	Y1-M (panel)						
	(code M9K)	1	-----	-----	-----	-----	6687AM9
	(code M9R)	1	-----	-----	-----	-----	6687AR5
	(code M9T)	1	-----	-----	-----	-----	6687AL3
	(code M9X)	1	-----	-----	-----	-----	6687AX9
23-109-6	FOUNDATION, Back of Rear Seat Back						
	C1, C2 (paint as required) (less radio speaker)	1	-----	-----	-----	-----	4472AX9
		1	-----	-----	-----	-----	4473AX9
23-109-10	FILLER and BRACKET, Rear Seat Back Cushion						
	C2, C3 (paint as required) (black)	1	-----	-----	-----	4462-3AX9	
23-109-11	SHROUD, Rear Seat Back C3-H (w/brackets)	1	-----	4490 AX9	-----	4490 AX9	
	C2 (w/brackets)	1	-----	4490 AX9	-----	4491 AX9	
	Fastener (bracket to body)	1	-----	6000 365	-----	6000 365	
	Y1-M						
	(codes M8B, M9B, M9C)	1	-----	-----	-----	4365 AB4	4366 AB4
	(code M9K)	1	-----	-----	-----	4365 AM9	4366 AM9
	(codes M9R, M9V)	1	-----	-----	-----	4365 AR5	4366 AR5
	(code M9T)	1	-----	-----	-----	4365 AL3	4366 AL3
	(code M8E)	1	-----	-----	-----	*4365 VF9	
	(codes M8N, M9W, M9X)	1	-----	-----	-----	*4365 VX8	
	Screw (shroud to shelf panel)	4	-----	-----	-----	6023 381	
	Screw (center attaching)	2	-----	-----	-----	-----	6023 381
	Nut (attaching)	2	-----	-----	-----	6022 297	
	Fastener	6	-----	-----	-----	6000 365	6000 365
Stud (base)	2	-----	6023 003	-----	6023 003		
23-109-12	EXTENSION, Rear Seat Shroud Side Filler						
	C2 (paint as required)	1	-----	4488-9 AX9	-----	4484-5 AX9	
	C3-H (paint as required)	1	-----	4488-9 AX9	-----	*4608-9 AX9	
	Screw and Washer	2	-----	6025 583	-----	6025 583	
	NUT	2	-----	*6025 550	-----	*6025 550	
23-109-14	NAME PLATE, Rear Seat Shroud C3-H	2	-----	2571 615	-----	2571 615	
	Nut (attaching)	2	-----	6023 215	-----	6023 215	
23-109-15	BASE, Rear Seat Shroud Medallion C2, C3	1	-----	2572 418	-----	-----	2572 418
23-109-16	COVER, Rear Speaker Y1-M						
	(code M9B)	1	-----	-----	-----	-----	4967 AB4
	(codes M9C, M9V, M9W)	1	-----	-----	-----	-----	4967 AW3
	(code M9K)	1	-----	-----	-----	-----	4967 AM9
	(code M9R)	1	-----	-----	-----	-----	4967 AR5
	(code M9T)	1	-----	-----	-----	-----	4967 AL3
	(code M9X)	1	-----	-----	-----	-----	4967 AX9
23-109-35	CUSHION, Rear Seat C1-L (w/o airfoam pad)						
	(code L1B)	1	6346 A1B	-----	-----	-----	
	(code L1N)	1	6346 A1N	-----	-----	-----	
	(code L1Q)	1	6346 A1Q	-----	-----	-----	
	(code L1R)	1	6346 A1R	-----	-----	-----	
	(code L1T)	1	6346 A1T	-----	-----	-----	

★ Indicates use as required.  
 ☐ Indicates parts not listed in any previous parts book.  
 Right and left part numbers are on same line, first number is right, second number is left.  
 \* Indicates change or addition.

CODE	REMARKS	PER CAR	SED.	4D H.T	STA. WGN.	2D H.T	CV. CP.
23-109-35	CUSHION, Rear Seat - Cont'd						
	C1-L (w/airfoam pad)						
	(code L1B)	1	6347 A1B				
	(code L1N)	1	6347 A1N				
	(code L1Q)	1	6347 A1Q				
	(code L1R)	1	6347 A1R				
	(code L1T)	1	6347 A1T				
	(6 window sedan w/airfoam pad)						
	(code L2B)	1	B6376 A2B				
	(code L2L)	1	B6376 A2L				
	(code L2N)	1	B6376 A2N				
	(code L2Q)	1	B6376 A2Q				
	(code L2R)	1	B6376 A2R				
	(code L2T)	1	B6376 A2T				
	C1-L						
	(6 window sedan w/o airfoam pad)						
	(code L2B)	1	6375 A2B				
	(code L2L)	1	6375 A2L				
	(code L2N)	1	6375 A2N				
	(code L2Q)	1	6375 A2Q				
	(code L2R)	1	6375 A2R				
	(code L2T)	1	6375 A2T				
	C1-L						
	(code L5B)	1	7212 A5B				
	(code L5R)	1	7212 A5R				
	(code L5T)	1	7212 A5T				
	(w/o airfoam pad)						
	(code L8B)	1	-----	6350 A8B	-----	6354 A8B	
	(code L8Q)	1	-----	6350 A8Q	-----	6354 A8Q	
	(code L8R)	1	-----	6350 A8R	-----	6354 A8R	
	(code L8T)	1	-----	6350 A8T	-----	6354 A8T	
	(w/airfoam pad)						
	(code L8B)	1	-----	6351 A8B	-----	6355 A8B	
	(code L8Q)	1	-----	6351 A8Q	-----	6355 A8Q	
	(code L8R)	1	-----	6351 A8R	-----	6355 A8R	
	(code L8T)	1	-----	6351 A8T	-----	6355 A8T	
	C3-H						
	(6 window sedan)						
	(code H1B)	1	7239 A1B	6366 A1B	-----	7251 A1B	
	(code H1L)	1	7239 A1L	6366 A1L	-----	7251 A1L	
	(code H1N)	1	7239 A1N	6366 A1N	-----	7251 A1N	
	(code H1Q)	1	7239 A1Q	6366 A1Q	-----	7251 A1Q	
	(code H1R)	1	7239 A1R	6366 A1R	-----	7251 A1R	
	(code H1T)	1	7239 A1T	6366 A1T	-----	7251 A1T	
	C3-H						
	(2nd seat)						
	(code H4B)	1	-----	6369 A4B	6371 A4B	7280 A4B	
	(code H4R)	1	-----	6369 A4R	6371 A4R	7280 A4R	
	(code H4L)	1	-----	6369 A4L	-----	7280 A4L	
	(code H4T)	1	-----	-----	6371 A4T	-----	
	(code H4X)	1	-----	6369 A4X	6371 A4X	7280 A4X	
	(code H1N)	1	-----	-----	6370 A1N	-----	
	(3rd seat) (spring and cover)						
	(code H4B)	1	-----	-----	7089 A4B	-----	
	(code H4R)	1	-----	-----	7089 A4R	-----	
	(code H4T)	1	-----	-----	7089 A4T	-----	
	(code H4X)	1	-----	-----	7089 A4X	-----	
	(code H1N)	1	-----	-----	7085 A1N	-----	

★ Indicates use as required.

☐ Indicates parts not listed in any previous parts book.  
May 1965, Supersedes Sept. 4, 1964.Printed in U.S.A.  
Prices and specifications subject to change without notice.Right and left part numbers are on same line,  
first number is right, second number is left.

\* Indicates change or addition.

CODE	REMARKS	PER CAR	SED.	4D H.T	STA. WGN.	2D H.T	CV. CP.
23-109-35	CUSHION, Rear Seat - Cont'd						
	C1-L						
	(2nd seat)						
	(code L4B)	1	----	----	*6353 A4B		
	(code L4R)	1	----	----	*6353 A4R		
	(code L4T)	1	----	----	*6353 A4T		
	(code L4X)	1	----	----	*6353 A4X		
	(3rd seat)						
	(codes L4B, L9B)	1	----	6352 A4B	7081 A4B	6356 A4B	6357 A4B
	(code L4L)	1	----	6352 A4L	----	6356 A4L	6357 A4L
	(code L4N)	1	----	6352 A4N	----	6356 A4N	
	(codes L4R, L9R)	1	----	6352 A4R	7081 A4R	6356 A4R	6357 A4R
	(code L4T)	1	----	----	7081 A4T	----	6357 A4T
	(codes L4X, L9X)	1	----	----	7081 A4X	----	6357 A4X
	C2-M						
	(code M1N)	1	----	6358 A1N			
	(code M4B)	1	----	6359 A4B			
	(code M4R)	1	----	6359 A4R			
	(code M4T)	1	----	6359 A4T			
	(code M4X)	1	----	6359 A4X			
	C2						
	(codes M3R, P3R)	1	----	----	----	6373 A3R	6374 A3R
	(codes M3X, P3X)	1	----	----	----	6373 A3X	6374 A3X
	(codes M4B, P4B)	1	----	----	----	6360 A4B	6374 A4B
	(codes M4R, P4R)	1	----	----	----	6360 A4R	6374 A4R
	(codes M4T, P4T)	1	----	----	----	6360 A4T	6374 A4T
	(codes M4W, P4W)	1	----	----	----	6360 A4W	6374 A4W
	(codes M4X, P4X)	1	----	----	----	6360 A4X	6374 A4X
	(codes M4L, P4L)	1	----	----	----	6360 A4L	6374 A4L
	Y1-M						
	(code M3B)	1	----	6383 A3B			
	(code M3C)	1	----	6383 A3C			
	(code M3K)	1	----	6383 A3K			
	(code M3R)	1	----	6383 A3R			
	(code M3T)	1	----	6383 A3T			
	(code M3V)	1	----	6383 A3V			
	(code M3W)	1	----	6383 A3W			
	(code M3X)	1	----	6383 A3X			
	(code M5R)	1	----	7465 AR5			
	(code M5W)	1	----	7465 AW3			
	(code M5X)	1	----	7465 AX9			
	(code M7B)	1	----	6382 A7B			
	(code M7G)	1	----	6382 A7G			
	(code M7N)	1	----	6382 A7N			
	(code M7P)	1	----	6382 A7P			
	(code M7Q)	1	----	6382 A7Q			
	(code M7R)	1	----	6382 A7R			
	(code M7T)	1	----	6382 A7T			
	Y1-H						
	(code H3B)	1	----	7311 A3B			
	(codes H3C, H3V, H3W)	1	----	7311 A3W			
	(code H3R)	1	----	7311 A3R			
	(code H3X)	1	----	7311 A3X			
	(code H6A)	1	----	7724 A6A			
	(code H7A)	1	----	6384 A7A			
	(code H7B)	1	----	6384 A7B			
	(code H7G)	1	----	6384 A7G			
	(code H7T)	1	----	6384 A7T			
	(code H8R)	1	----	7465 AR5			
	(code H8W)	1	----	7465 AW3			
	(code H8X)	1	----	7465 AX9			
	(code M8B)	1	----	----	----	6385 A8B	

★ Indicates use as required.  
 B Indicates parts not listed in any previous parts book.  
 Right and left part numbers are on same line,  
 first number is right, second number is left.  
 \* Indicates change or addition.

## 1965 PASSENGER CAR PARTS CATALOG

INTERIOR TRIM

CODE	REMARKS	PER CAR	SED.	4D H.T	STA. WGN.	2D H.T	CV. CP.
23-109-35	CUSHION, Rear Seat - Cont'd Y1-M						
	(code M8G)	1	-----	-----	-----	6385 A8G	
	(code M8N)	1	-----	-----	-----	6385 A8N	
	(code M9B)	1	-----	-----	-----	6386 A9B	6387 A9B
	(code M9C)	1	-----	-----	-----	6386 A9W	6387 A9W
	(code M9K)	1	-----	-----	-----	6386 A9K	6387 A9K
	(code M9R)	1	-----	-----	-----	6386 A9R	6387 A9R
	(code M9T)	1	-----	-----	-----	6386 A9T	6387 A9T
	(code M9V)	1	-----	-----	-----	6386 A9W	6387 A9W
	(code M9W)	1	-----	-----	-----	6386 A9W	6387 A9W
	(code M9X)	1	-----	-----	-----	6386 A9X	6387 A9X
23-109-36	COVER, Rear Seat Cushion C1-L						
	(code L1B)	1	6464 A1B				
	(code L1N)	1	6464 A1N				
	C1-L						
	(code L1Q)	1	6464 A1Q				
	(code L1R)	1	6464 A1R				
	(code L1T)	1	6464 A1T				
	(6 window sedan)						
	(code L2B)	1	6485 A2B				
	(code L2L)	1	6485 A2L				
	(code L2N)	1	6485 A2N				
	(code L2Q)	1	6485 A2Q				
	(code L2R)	1	6485 A2R				
	(code L2T)	1	6485 A2T				
	C1-L						
	(code L5B)	1	7213 A5B				
	(code L5R)	1	7213 A5R				
	(code L5T)	1	7213 A5T				
	C1-L (2nd seat)						
	(code L4B, L9B)	1	-----	6467 A4B	6468 A4B	6470 A4B	6471 A4B
	(code L4L)	1	-----	6467 A4L	-----	6470 A4L	6471 A4L
	(code L4N)	1	-----	6467 A4N	-----	6470 A4N	-----
	(codes L4R, L9R)	1	-----	6467 A4R	6468 A4R	6470 A4R	6471 A4R
	(code L4T)	1	-----	-----	6468 A4T	-----	6471 A4T
	(codes L4X, L9X)	1	-----	-----	6468 A4X	6470 A9X	6471 A4X
	(3rd seat)						
	(code L4B)	1	-----	-----	7082 A4B	-----	-----
	(code L4R)	1	-----	-----	7082 A4R	-----	-----
	(code L4T)	1	-----	-----	7082 A4T	-----	-----
	(code L4X)	1	-----	-----	7082 A4X	-----	-----
	(code L8B)	1	-----	6466 A8B	-----	6469 A8B	-----
	(code L8Q)	1	-----	6466 A8Q	-----	6469 A8Q	-----
	(code L8R)	1	-----	6466 A8R	-----	6469 A8R	-----
	(code L8T)	1	-----	6466 A8T	-----	6469 A8T	-----
	C2						
	(code M1N)	1	-----	6472 A1N	-----	-----	-----
	(codes M3R, P3R)	1	-----	-----	-----	6486 A3R	6475 A3R
	(codes M3X, P3X)	1	-----	-----	-----	6486 A3X	6475 A3X
	(codes M4B, P4B)	1	-----	6473 A4B	-----	6474 A4B	6487 A4B
	(codes M4R, P4R)	1	-----	6473 A4R	-----	6474 A4R	6487 A4R
	(codes M4T, P4T)	1	-----	6473 A4T	-----	6474 A4T	6487 A4T
	(codes M4W, P4W)	1	-----	6473 A4W	-----	6474 A4W	6487 A4W
	(codes M4X, P4X)	1	-----	6473 A4X	-----	6474 A4X	6487 A4X
	(codes M4L, P4L)	1	-----	-----	-----	6474 A4L	6487 A4L
	C3-H						
	(6 window sedan)						
	(code H1B)	1	7240 A1B	6478 A1B	-----	7252 A1B	-----
	(code H1L)	1	7240 A1L	6478 A1L	-----	7252 A1L	-----

★ Indicates use as required.

☐ Indicates parts not listed in any previous parts book.

April 1966, Supersedes May 1965.

Printed in U.S.A.

Prices and specifications subject to change without notice.

Right and left part numbers are on same line,

first number is right, second number is left.

\* Indicates change or addition.



CODE	REMARKS	PER CAR	SED.	4D H.T	STA. WGN.	2D H.T	CV. CP.
23-109-36	COVER, Rear Seat Cushion - Cont'd						
	C3-H (6 window sedan)						
	(code H1N)	1	7240 A1N	6478 A1N	----	7252 A1N	
	(code H1Q)	1	7240 A1Q	6478 A1Q	----	7252 A1Q	
	(code H1R)	1	7240 A1R	6478 A1R	----	7252 A1R	
	(code H1T	1	7240 A1T	6478 A1T	----	7252 A1T	
	(2nd seat)						
	(code H1N)	1	-----	-----	6482 A1N		
	(code H4B)	1	-----	6481 A4B	6483 A4B	7281 A4B	
	(code H4R)	1	-----	6481 A4R	6483 A4R	7281 A4R	
	(code H4L)	1	-----	6481 A4L	-----	7281 A4L	
	(code H4T)	1	-----	-----	6483 A4T		
	(code H4X)	1	-----	6481 A4X	6483 A4X	7281 A4X	
	(3rd seat)						
	(code H4B)	1	-----	-----	7090 A4B		
	(code H1N)	1	-----	-----	7086 A1N		
	(code H4R)	1	-----	-----	7090 A4R		
	C3-H (3rd seat)						
	(code H4T)	1	-----	-----	7090 A4T		
	(code H4X)	1	-----	-----	7090 A4X		
	Screw and Washer (2nd seat cushion to floor)	2	-----	-----	6023 545		
	Y1-M						
	(code M3B)	1	-----	6492 A3B			
	(codes M3C, M3V, M3W)	1	-----	6492 A3W			
	(code M3K)	1	-----	6492 A3K			
	(code M3R)	1	-----	6492 A3R			
	(code M3T)	1	-----	6492 A3T			
	(code M3X)	1	-----	6492 A3X			
	(code M5R	1	-----	*7466 AR5			
	(code M5W)	1	-----	*7466 AW3			
	(code M5X)	1	-----	*7466 AX9			
	(code M7B)	1	-----	6491 A7B			
	(code M7G)	1	-----	6491 A7G			
	(code M7N)	1	-----	6491 A7N			
	(code M7P)	1	-----	6491 A7P			
	(code M7Q)	1	-----	6491 A7Q			
	(code M7R)	1	-----	6491 A7R			
	(code M7T)	1	-----	6491 A7T			
	(code M8B)	1	-----	-----	-----	6494 A8B	
	(code M8G)	1	-----	-----	-----	6494 A8G	
	(code M8N)	1	-----	-----	-----	6494 A8N	
	(code M9B)	1	-----	-----	-----	6495 A9B	6496 A9B
	(codes M9C, M9V, M9W)	1	-----	-----	-----	6495 A9W	6496 A9W
	(code M9K)	1	-----	-----	-----	6495 A9K	6496 A9K
	(code M9R)	1	-----	-----	-----	6495 A9R	6496 A9R
	(code M9T)	1	-----	-----	-----	6495 A9T	6496 A9T
	(code M9X)	1	-----	-----	-----	6495 A9X	6496 A9X
	Y1-H						
	(code H3B)	1	-----	7310 A3B			
	(codes H3C, H3V, H3W)	1	-----	7310 A3W			
	(code H3R)	1	-----	7310 A3R			
	(code H3X)	1	-----	7310 A3X			
	(code H6A)	1	-----	7723 A6A			
	(code H7A)	1	-----	6493 A7A			
	(code H7B)	1	-----	6493 A7B			
	(code H7G)	1	-----	6493 A7G			
	(code H7T)	1	-----	6493 A7T			
	(code H8R)	1	-----	7466 AR5			
	(code H8W)	1	-----	7466 AW3			
	(code H8X)	1	-----	7466 AX9			

★ Indicates use as required.

☐ Indicates parts not listed in any previous parts book. Right and left part numbers are on same line, first number is right, second number is left.

\* Indicates change or addition.

Printed in U.S.A.  
Prices and specifications subject to change without notice.  
May 1965, Supersedes Sept. 4, 1964.

## 1965 PASSENGER CAR PARTS CATALOG

INTERIOR TRIM

CODE	REMARKS	PER CAR	SED.	4D H.T.	STA. WGN.	2D H.T.	CV. CP.
23-109-38	RETAINER, Center Floor Pan Rear Seat Cushion C1, C2, C3, Y1 (rear floor pan 3rd seat cushion)	2	1810 037	1810 037	1810 037	1810 037	1810 037
	(front)	2	-----	-----	2577 071		
	(rear)	2	-----	-----	2482 956		
23-111-10	STRIP, Front Pillar Tacking Y1 (upper)	2	-----	1878 174	-----	1878 174	
23-111-30	STRIP, Folding Top Header Y1 (front)	1	-----	-----	-----	-----	1750 628
	(side)	2	-----	-----	-----	-----	1691 923
23-111-37	STRIP, Folding Top Bow Tacking C1, C2, Y1 (No. 1 bow)	1	-----	-----	-----	-----	2424 591
	(No. 2 bow)	2	-----	-----	-----	-----	2528 254
	(center) (No. 3 bow)	1	-----	-----	-----	-----	2528 264
	(rear bow)	1	-----	-----	-----	-----	2424 607
23-112-12	BOOT, Folding Top Dust C1, C2						
	(code L4B)	1	-----	-----	-----	-----	1939 AB4
	(codes M4B, P4B)	1	-----	-----	-----	-----	1939 AB8
	(codes L4L, M4L, P4L)	1	-----	-----	-----	-----	1939 AY3
	(codes L4R, M4R, P4R, M3R, P3R)	1	-----	-----	-----	-----	1939 AR7
	(code L4T)	1	-----	-----	-----	-----	1939 AT6
	(codes L4X, M4X, P4X)	1	-----	-----	-----	-----	1939 AX9
	(codes M4T, P4T)	1	-----	-----	-----	-----	1939 AT8
	(codes M4W, P4W)	1	-----	-----	-----	-----	*1939 AW3
	Y1-M (center)						
	(code M9B)	1	-----	-----	-----	-----	1955 AB4
	(codes M9C, M9V, M9W)	1	-----	-----	-----	-----	1955 AW3
	(code M9K)	1	-----	-----	-----	-----	1955 AM9
	(code M9R)	1	-----	-----	-----	-----	1955 AR5
	(code M9T)	1	-----	-----	-----	-----	1955 AL3
	(code M9X)	1	-----	-----	-----	-----	1955 AX9
	(side)						
	(code M9B)	1	-----	-----	-----	-----	1988-9 AB4
	(codes M9C, M9V, M9W)	1	-----	-----	-----	-----	1956-7 VW3
	(code M9K)	1	-----	-----	-----	-----	1988-9 AM9
	(code M9R)	1	-----	-----	-----	-----	1988-9 AR5
	(code M9T)	1	-----	-----	-----	-----	1988-9 AL3
	(code M9X)	1	-----	-----	-----	-----	1956-7 VX9
	Fastener (to pocket panel)	2	-----	-----	-----	-----	6000 432
	Cap fastener	8	-----	-----	-----	-----	6000 434
23-112-14	COVER, Folding Top Dust Boot Side Y1-M						
	(code M9B)	1	-----	-----	-----	-----	1988-9 AB4
	(code M9K)	1	-----	-----	-----	-----	1988-9 AM9
	(code M9R)	1	-----	-----	-----	-----	1988-9 AR5
	(code M9T)	1	-----	-----	-----	-----	1988-9 AL3
	(codes M9C, M9V, M9W)	1	-----	-----	-----	-----	1956-7 VW3
	(code M9X)	1	-----	-----	-----	-----	1956-7 VX9
	Fastener	8	-----	-----	-----	-----	6001 422
23-112-18	RETAINER, Rear Seat Back Dust Boot C1, C2 Y1-M						
		1	-----	-----	-----	-----	2577 277
		1	-----	-----	-----	-----	2577 382

★ Indicates use as required.

☐ Indicates parts not listed in any previous parts book.  
April 1966, Supersedes May 1965.Printed in U.S.A.  
Prices and specifications subject to change without notice.  
Right and left part numbers are on same line,  
first number is right, second number is left.

● Indicates change or addition

CODE	REMARKS	PER CAR	SED.	4D H.T	STA. WGN.	2D H.T	CV. CP.	
23-112-21	FASTENER and PLATE, Folding Top Dust Boot to Belt Moulding Attaching C1, C2 (eyelet) Y1	23	-----	-----	-----	-----	2581 193	
		23	-----	-----	-----	-----	2572 131	
23-112-45	CURTAIN, Folding Top Back C1, C2 (blue) (white) (black) (back-lite) (white) (black) (blue)	1	-----	-----	-----	-----	1910 AB1	
		1	-----	-----	-----	-----	1910 AW1	
		1	-----	-----	-----	-----	1910 AX9	
		1	-----	-----	-----	-----	⊠1911 AW1	
		1	-----	-----	-----	-----	⊠1911 AX9	
		1	-----	-----	-----	-----	1911 AB1	
		1	-----	-----	-----	-----	1911 AB1	
Y1-M	(blue) (white) (black) (gold and black) (back-lite) (blue) (white) (back-lite) (black) (gold and black) Fastener (check strap cap)	1	-----	-----	-----	-----	1931 AB1	
		1	-----	-----	-----	-----	1931 VW1	
		1	-----	-----	-----	-----	1931 AX9	
		1	-----	-----	-----	-----	1931 AL1	
		1	-----	-----	-----	-----	1932 AB1	
		1	-----	-----	-----	-----	1932 VW1	
		1	-----	-----	-----	-----	1932 AX9	
		1	-----	-----	-----	-----	1932 AL1	
		1	-----	-----	-----	-----	6000 434	
		1	-----	-----	-----	-----	6000 434	
23-112-46	ZIPPER, Folding Top Rear Curtain C1, C2 (white) (black) Y1 (full) (white) (black)	1	-----	-----	-----	-----	1913 AW2	
		1	-----	-----	-----	-----	1913 AX8	
		1	-----	-----	-----	-----	1918 VW2	
		1	-----	-----	-----	-----	1918 AX8	
		1	-----	-----	-----	-----	1918 AX8	
23-112-50	TAPE, Folding Top and Headrest C1, C2, C3 (sold by the inch) (headrest) (closure loop) (headrest) (closure hook) (folding top) (closure loop) (side cover to rear curtain closure)	★	-----	1933 TX8	1933 TX8	1933 TX8	1933 TX8	
		★	-----	1934 TX8	1934 TX8	1934 TX8	1934 TX8	
		★	-----	-----	-----	-----	1933 TX8	
		★	-----	-----	-----	-----	1933 TX8	
	Y1	(dust boot cover closure) (rear curtain to top closure) (side cover to rear curtain closure) (dust boot side cover, in closure hook half) (center dust boot to side closure) (loop half)	★	-----	-----	-----	-----	1934 TX8
			★	-----	-----	-----	-----	1934 TX8
			★	-----	-----	-----	-----	1933 TX8
			★	-----	-----	-----	-----	1934 TX8
			★	-----	-----	-----	-----	1973 VX8
			★	-----	-----	-----	-----	1973 VX8
			★	-----	-----	-----	-----	1973 VX8
			★	-----	-----	-----	-----	1973 VX8
			★	-----	-----	-----	-----	1973 VX8
23-112-70	RETAINER, Folding Top to Belt Bar C1, C2 (side) (center) (corner) Y1-M (side) (center) (corner) (quarter belt bar)	1	-----	-----	-----	-----	2482 436-7	
		1	-----	-----	-----	-----	2482 438	
		1	-----	-----	-----	-----	2526 966-7	
		1	-----	-----	-----	-----	2448 138-9	
		1	-----	-----	-----	-----	2448 137	
		1	-----	-----	-----	-----	2448 136	
		2	-----	-----	-----	-----	2484 403	
		2	-----	-----	-----	-----	2484 403	
23-112-75	TIP, Wire-on Binding End C1, C2, Y1 Screw (end tip)	1	-----	-----	-----	-----	1158 976-7	
		2	-----	-----	-----	-----	6024 438	

★ Indicates use as required.  
 ⊠ Indicates parts not listed in any previous parts book.  
 Right and left part numbers are on same line, first number is right, second number is left.  
 \* Indicates change or addition.



CODE	REMARKS	PER CAR	SED.	4D H.T	STA. WGN.	2D H.T	CV. CP.
23-112-153	WELL, Pocket Panel, Pocket Panel Cover, Pocket Shelf Panel, Folding Top - Cont'd Y1-M (code M9K) (code M9R) (code M9T) (code M9X) Screw and Washer	1 1 1 1 2	----- ----- ----- ----- -----	----- ----- ----- ----- -----	----- ----- ----- ----- -----	----- ----- ----- ----- -----	4818-9 AM9 4818-9 AR5 4818-9 AL3 4818-9 AX9 6023 476
	(pocket panel cover) (code M9B) (codes M9C, M9V, M9W) (code M9K) (code M9R) (code M9T) (code M9X)	1 1 1 1 1 1	----- ----- ----- ----- ----- -----	----- ----- ----- ----- ----- -----	----- ----- ----- ----- ----- -----	----- ----- ----- ----- ----- -----	4816-7 AB4 4816-7 AW3 4816-7 AM9 4816-7 AR5 4816-7 AL3 4816-7 AX9
	(inner shelf cover) (code M9B) (codes M9C, M9V, M9W) (code M9K) (code M9R) (code M9T) (code M9X)	1 1 1 1 1 1	----- ----- ----- ----- ----- -----	----- ----- ----- ----- ----- -----	----- ----- ----- ----- ----- -----	----- ----- ----- ----- ----- -----	4814-5 AB4 4814-5 AW3 4814-5 AM9 4814-5 AR5 4814-5 AL3 4814-5 AX9
23-112-160	PAD, Folding Top Pocket Panel Arm Rest C1, C2 (codes L4B, M4B, P4B) (codes L4R, M3R, M4R, P3R, P4R) (codes M4T, P4T) (codes L4X, M3X, M4X, P3X, P4X) (codes M4L, P4L) (codes M4W, P4W)	1 1 1 1 1 1	----- ----- ----- ----- ----- -----	----- ----- ----- ----- ----- -----	----- ----- ----- ----- ----- -----	----- ----- ----- ----- ----- -----	1244-5 AB8 1244-5 AR8 1244-5 AT8 1244-5 AX9 1244-5 AY3 1244-5 AW3
23-112-165	PLATE, Folding Top Pocket Panel Finish Y1-M	1	-----	-----	-----	-----	2581 254-5
23-113-2	WEATHERCORD, Door C1, C2, C3 (sold by the inch) (codes L1B, L2B, L5B, M4B, P4B) (codes L4B, L8B, H1B, H4B) (codes L1Q, L2Q) (codes L8Q, H1Q) (codes L1R, L2R, L4R, L5R, L8R, H1R, H4R)	★ ★ ★ ★ ★	1536 AB8 ----- 1536 AQ8 ----- *1536 AR5	*1536 AB8 1536 AB4 ----- 1536 AQ4 *1536 AR5	----- 1536 AB4 ----- 1536 AQ4 *1536 AR5	*1536 AB8 1536 AB4 ----- 1536 AQ4 *1536 AR5	*1536 AB8 1536 AB4 ----- 1536 AQ4 *1536 AR5
	(codes L4L, H1L, H4L) (codes M3R, P3R, M4R, P4R) (codes L1T, L2T, L5T, P4T) (codes L4T, L8T, H1T, H4T) (codes L1N, L2N, L4N, L2L, M4L, P4L, M1N, M3X, P3X, L4X, M4X, P4X, H4X) (codes M4W, P4W, H1N)	★ ★ ★ ★ ★ ★	*1536 AY3 ----- 1536 AT8 ----- 1536 AX8 -----	1536 AY3 1536 AR8 1536 AT8 1536 AT6 1536 AX8 1536 AW2	----- ----- 1536 AT8 1536 AT6 1536 AX8 1536 AW2	1536 AY3 1536 AR8 1536 AT8 1536 AT6 1536 AX8 1536 AW2	1536 AY3 1536 AR8 1536 AT8 1536 AT6 1536 AX8 1536 AW2
23-113-25	WEATHERCORD, Front Door Hinge Pillar Y1 (sold by the inch) (codes M3B, M7B, M8B, M9B, H3B, H7B, M3C, M9C, H3C)	★	-----	1536 VB4	-----	1536 VB4	1536 VB4

★ Indicates use as required.  
 ☐ Indicates parts not listed in any previous parts book.  
 Right and left part numbers are on same line, first number is right, second number is left.  
 \* Indicates change or addition.

## 1965 PASSENGER CAR PARTS CATALOG

INTERIOR TRIM

CODE	REMARKS	PER CAR	SED.	4D H.T	STA. WGN.	2D H.T	CV. CP.
23-113-25	WEATHERCORD, Front Door Hinge Pillar - Cont'd Y1 (sold by the inch)						
	(codes M3K, M9K)	★	-----	1536 VM9	-----	1536 VM9	1536 VM9
	(code M7Q)	★	-----	1536 VQ4	-----		
	(codes M3R, M7R, M9R, H3R, M3V, M9V, H3V)	2	-----	1516 AR5	-----	1516 AR5	1516 AR5
	(codes M3T, M7T, M9T, H7T)	2	-----	1516 AL3	-----	1516 AL3	1516 AL3
	(codes M7G, M8G, H7G)	★	-----	1536 VF9	-----	1536 VF9	
23-113-30	WEATHERCORD, Door Lock Pillar C1, C2, C3 (sold by the inch)						
	(codes L4B, L8B, H1B, H4B)	★	-----	1536 AB4			
	(code M4B)	★	-----	1536 AB8			
	(codes L8Q, H1Q)	★	-----	1536 AQ4			
	(codes L4R, L8R, H1R, H4R)	★	-----	*1536 AR5			
	(code M4R)	★	-----	1536 AR8			
	(codes L8T, H1T)	★	-----	1536 AT6			
	(code M4T)	★	-----	1536 AT8			
	(codes L4N, M1N, M4X, H4X)	★	-----	1536 AX8			
	(codes H1N, M4W)	★	-----	1536 AW2			
	(codes L4L, H1L, H4L)	★	-----	1536 AY3			
	Y1						
	(code M8G)	★	-----	-----	-----	1539 VX8	
	(code M9X)	★	-----	-----	-----	1536 VF9	
23-113-31	RETAINER, Door Weathercord C1, C2, C3 (center pillar w/cord)	★	2572 133	2572 133	2572 133	2572 133	2572 133
		1	-----	-----	2581 726-7		
23-113-50	WELT, Windshield Side Garnish Moulding to Instrument Panel Y1 (paint as required) (black)	1	-----	4252-3 VX8	-----	4252-3 VX8	4252-3 VX8
23-113-52	STRIP, Windshield to Instrument Panel Lower Inside Trim C1, C2, C3						
	(codes L1B, L2B, L4B, L5B, L8B, L9B, M4B, H1B, H4B, P4B)	1	3710 AB8	3710 AB8	3710 AB8	3710 AB8	3710 AB8
	(codes L1Q, L2Q, L8Q, H1Q)	1	3710 AQ8	3710 AQ8			
	(codes L1T, L2T, L4T, L5T, L8T, M4T, H1T, H4T, P4T)	1	3710 AT8	3710 AT8	3710 AT8	3710 AT8	3710 AT8
	(codes L1N, L2N, L4N, M1N, H1N, L2L, L4L, M4L, H1L, H4L, P4L, L4X, M3X, P3X, M4X, P4X, M4W, L9X, H4X, P4W)	1	3710 AX9	3710 AX9	3710 AX9	3710 AX9	3710 AX9
	(codes L1R, L2R, L4R, L5R, L8R, L9R, M3R, P3R, P4R, M4R, H1R, H4R)	1	3710 AR8	3710 AR8	3710 AR8	3710 AR8	3710 AR8
23-113-58	RETAINER, Windshield to Instru- ment Panel Trim Strip C1, C2, C3	1	2571 660	2571 660	2571 660	2571 660	2571 660
23-113-84	WELT, Folding Top Dust Boot Filler Channel Attaching C1, C2, Y1 (folding top header)	★	-----	-----	-----	-----	2572 166
	C1, C2 (white)	1	-----	-----	-----	-----	*1959 VW2
	(black)	1	-----	-----	-----	-----	*1959 VX8
	Y1	1	-----	-----	-----	-----	*2192 739

★ Indicates use as required.

⊔ Indicates parts not listed in any previous parts book.

May 1965.

Printed in U.S.A.  
Prices and specifications subject to change without notice.  
Right and left part numbers are on same line,  
first number is right, second number is left.  
\* Indicates change or addition.



