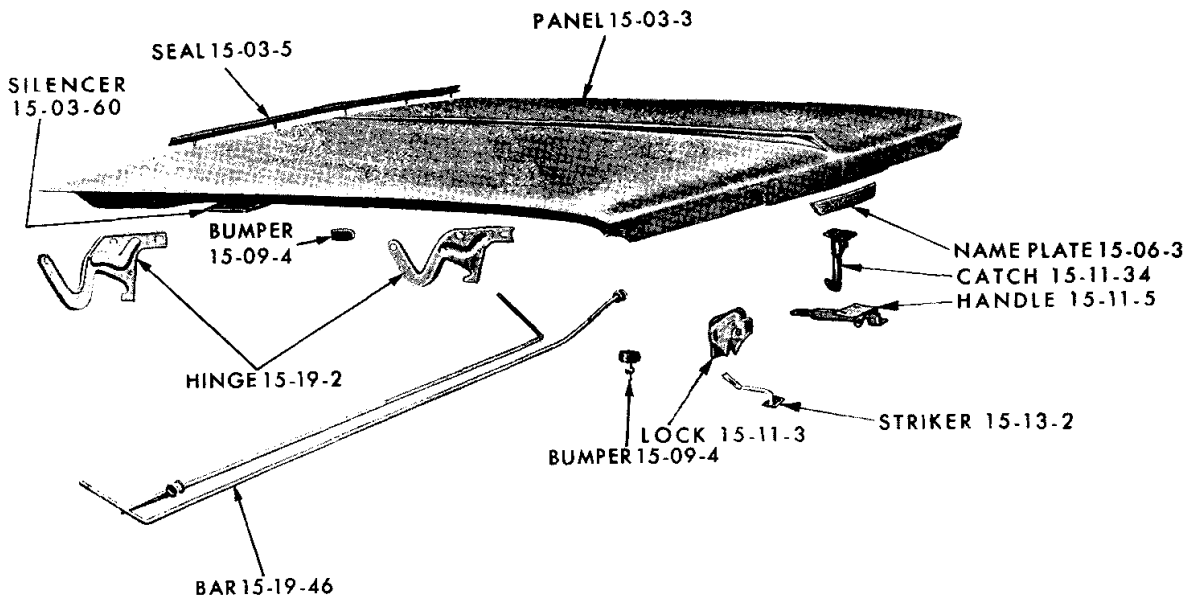
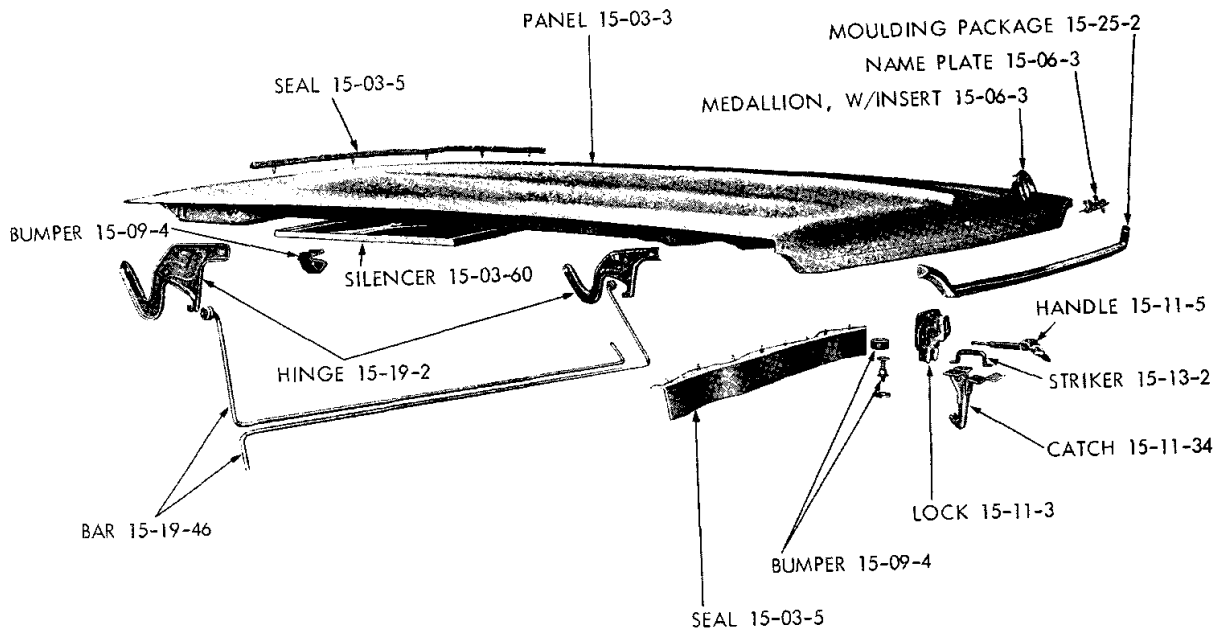


GROUP 15 - HOOD



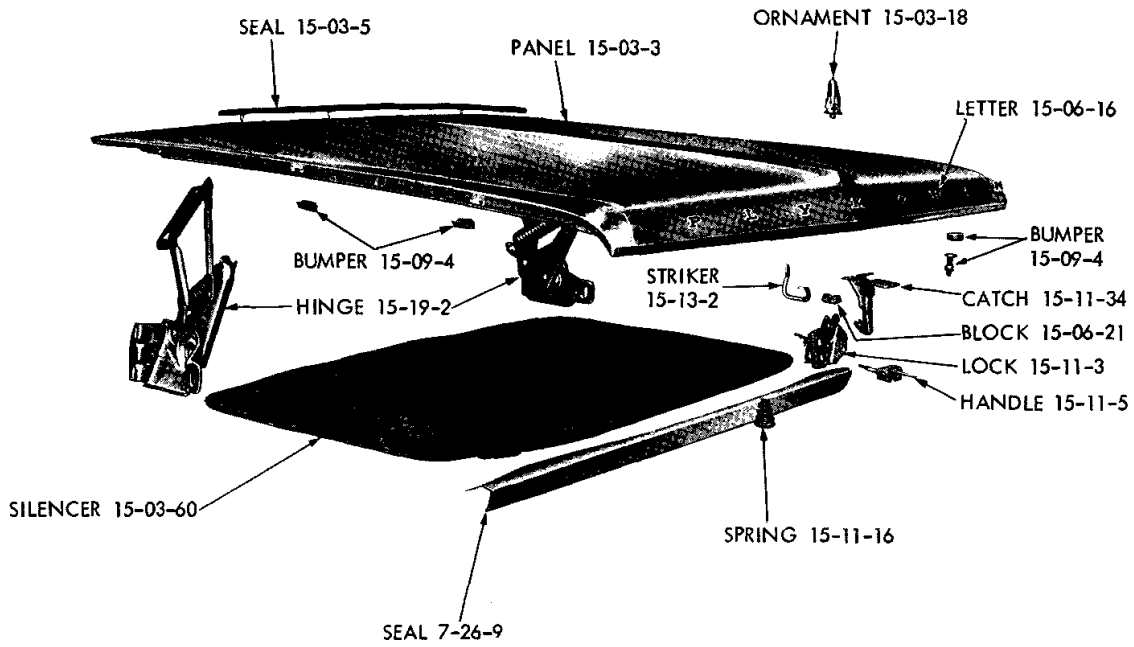
19x9502 B

HOOD - VALIANT



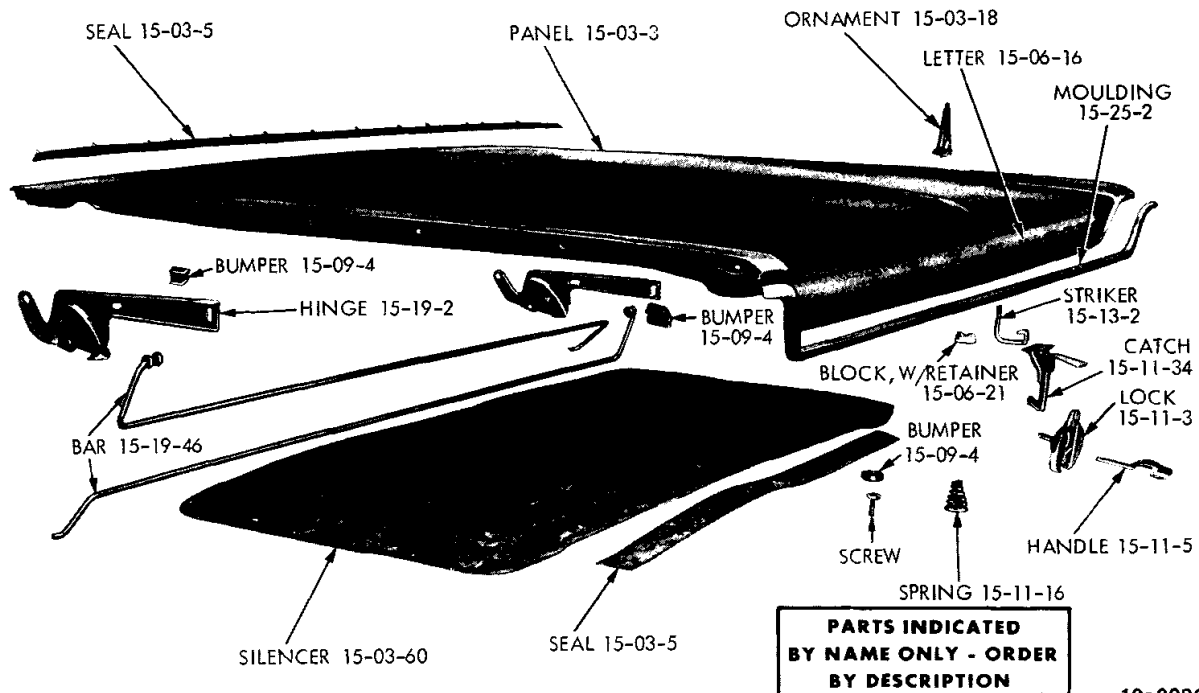
19a0088

HOOD - DART



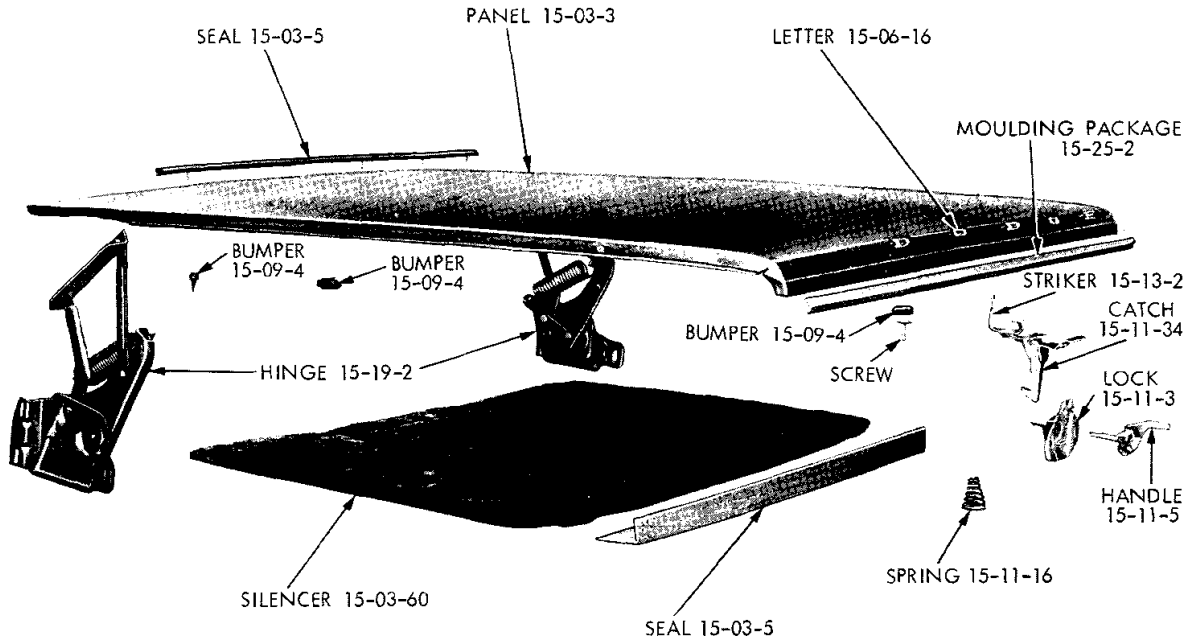
19a0102

HOOD - BELVEDERE



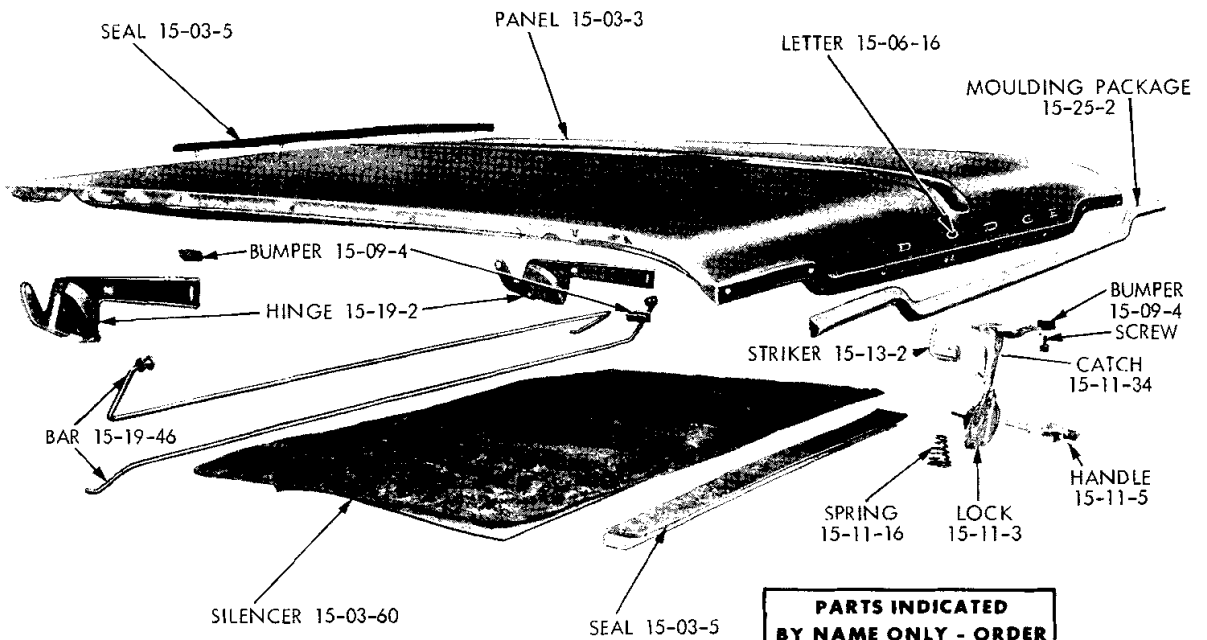
19a0086

HOOD - PLYMOUTH



19a0085

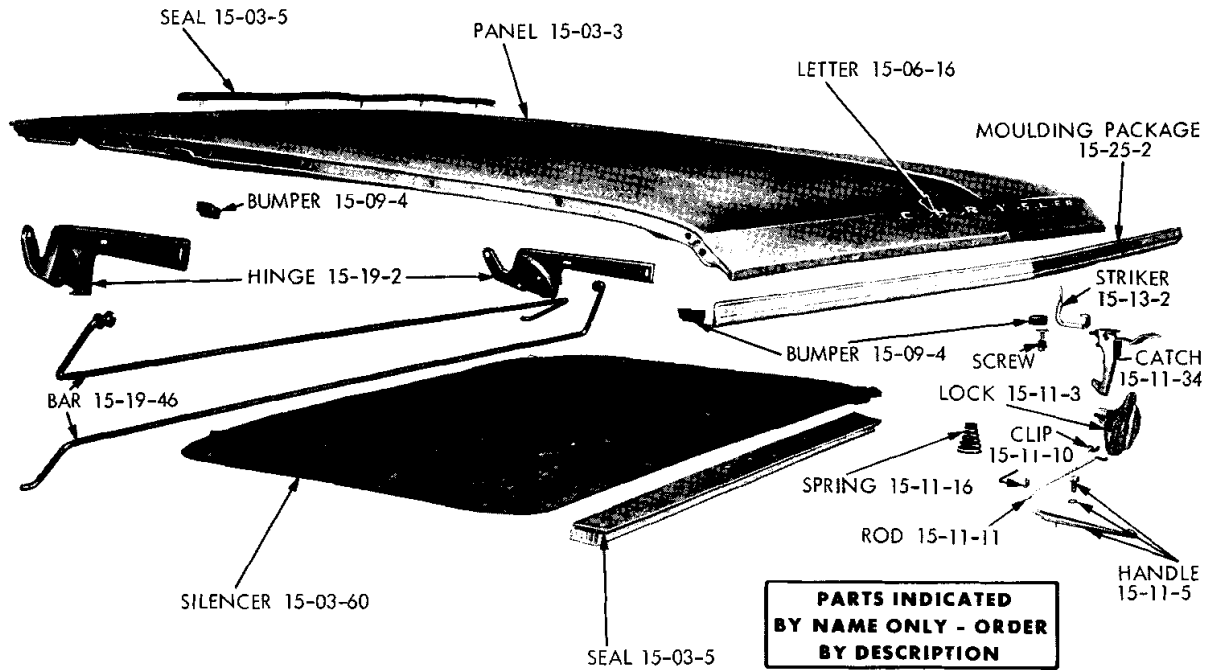
HOOD - CORONET



**PARTS INDICATED
BY NAME ONLY - ORDER
BY DESCRIPTION**

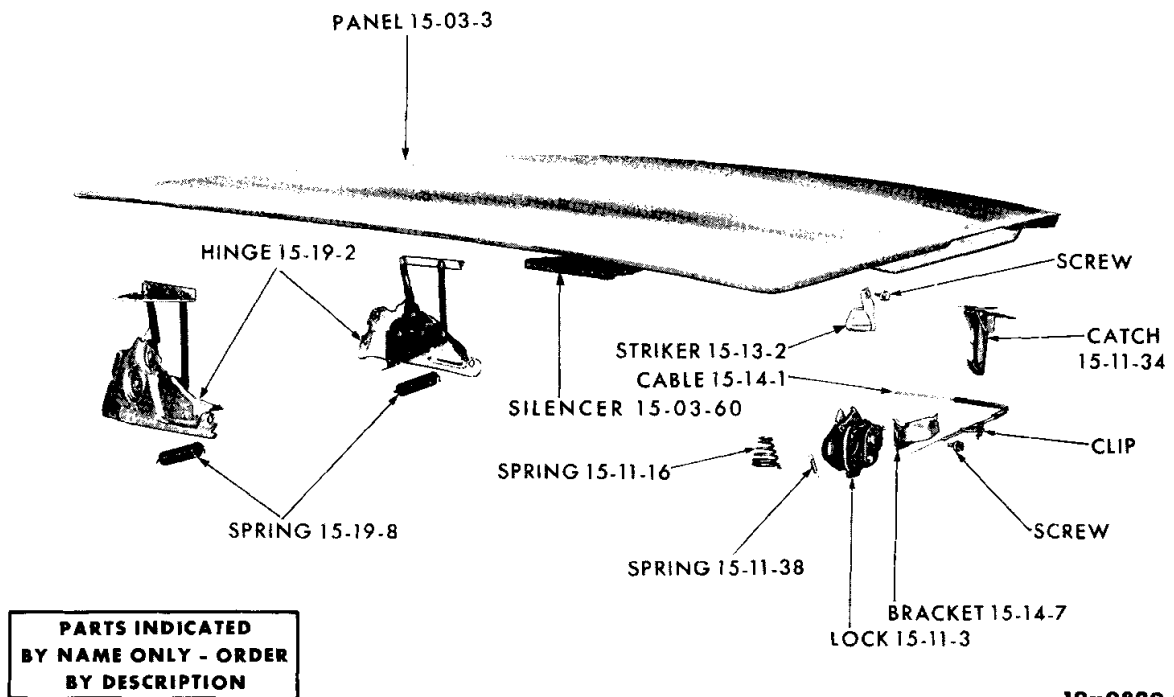
19a0089

HOOD - DODGE



19a0087

HOOD - CHRYSLER



19x9829 A

HOOD - IMPERIAL

CODE	PART NAME AND DESCRIPTION	C Y L	PER CAR	VALIANT	PLYMOUTH BELVEDERE	PLYMOUTH FURY	IMPERIAL
				DART	DODGE CORONET	DODGE POLARA	
15-03-0 HOOD TOP PANEL							
15-03-3	PANEL, V		1	2493 580			
	L		1	2493 354			
	R		1	-----	2493 654		
	W		1	-----	2493 657		
	w/Air Scoop, w/426 cu.in. Eng., R2	8	1	-----	ⓔ2416 904		
	w/Air Scoop, w/426 cu.in. Eng., W2	8	1	-----	ⓔ2416 907		
	P		1	-----	-----	2493 387	
	D		1	-----	-----	2493 376	
	C		1	-----	-----	2493 383	
			1	-----	-----	-----	2425 550
15-03-5	SEAL, Hood to Cowl, w/FASTENER		1	2217 348	2217 348		
	Hood to Cowl, w/FASTENER		1	-----	-----	2570 974	
	Hood to Yoke, V		1	2445 710	-----	2445 864	
	Hood to Yoke, L		1	2445 717	-----	-----	2445 103
	Hood to Yoke		1	-----	-----	-----	6006 104
	CLIP, Hood to Yoke		8	-----	-----	6000 070	
15-03-18	ORNAMENT, Hood Top						
	NOTE: See Exterior Moulding Illustrations in Front of Group 23 Body.						
15-03-21	EXTENSION, Hood Panel Radiator Grille						
	Ornament Base		1	-----	-----	-----	2445 064
15-03-60	SILENCER, V		1	2417 109			
	L		1	2445 273			
	R		1	-----	2445 508		
	W		1	-----	2524 039		
			1	-----	-----	2445 450	
			1	-----	-----	-----	2417 647
	CLIP		★	*6001 798	*6001 798	*6001 798	*6001 798
	FASTENER		★	6001 798	6001 798	6001 798	6001 798
15-03-64	SCOOP, Hood Outer Panel Air, w/426 cu. in.						
	Eng.	8	1	-----	*2578 711		
	BOLT, Hex., 1/4-20 x 4 5/16"	8	1	-----	ⓔ9422 252		
	BOLT, Hex., 1/4-20 x 4 1/8"	8	1	-----	ⓔ9422 251		
	SPACER, Center	8	1	-----	ⓔ6025 476		
	SPACER, Center	8	1	-----	ⓔ6025 477		
15-03-66	REINFORCEMENT, Hood Air Center Lower,						
	w/426 cu. in. Eng.	8	1	-----	*2578 662		

15-06-0 HOOD NAMEPLATE, MEDALLIONS AND LETTERS

15-06-3	NAMEPLATE, Hood Panel, Plymouth		1	*2583 215			
15-06-17	NUT, Hood Name Letter C		★	-----	-----	1839 995	
15-06-21	RETAINER, w/BLOCK, Hood Ornament, P		1	-----	-----	2524 774	
	R		1	-----	2578 575		

NOTE: See Exterior Moulding Illustrations in Front of Group 23 Body.

15-09-0 HOOD BUMPER

15-09-4	BUMPER, Hood to Fender		2	2276 917			
	Hood to Grille, V		2	2578 828			
	Hood to Fender, D, C		4	-----	2445 476	2445 476	
	Hood to Fender, Front, P		2	-----	-----	2524 106	
	Hood to Fender, Rear, P		2	-----	-----	2445 476	

TYPE LETTERS Indicate:

V - Valiant
L - DartR - Belvedere
W - CoronetP - Plymouth
D - DodgeC - Chrysler
Y - Imperial

★Indicates use as required.

ⓔIndicates parts not listed in any previous parts book.

* Indicates change or addition.

Numerals in parentheses () refer to notes.

Prices and specifications subject to change without notice.

May 1965, Supersedes Nov. 30, 1964.

Printed in U.S.A.

1965 PASSENGER CAR PARTS CATALOG

HOOD

CODE	PART NAME AND DESCRIPTION	CYL	PER CAR	VALIANT	PLYMOUTH BELVEDERE	PLYMOUTH FURY	IMPERIAL
				DART	DODGE CORONET	DODGE POLARA	
15-09-0 HOOD BUMPER - Cont'd							
15-09-4	BUMPER - Cont'd						
	Hood to Fender		10	-----	2276 804	-----	2417 574
	Hood to Fender Leveling		2	-----	2276 749		
	Hood to Radiator Cross Bar (also specify 2 - 6025 128 Screw)		2	2276 804	2276 804	2276 804	*2276 804
15-11-0 HOOD LOCK							
15-11-3	LOCK, except C1, C2, C3		1	2428 400	2428 400	2428 400	
	C1, C2, C3		1	-----	-----	*2583 206	
	SCREW		2	180 024	180 024	180 024	2486 022 180 024
15-11-5	HANDLE, Lock Release, V		1	2486 988			
	L		1	2486 925			
	R		1	-----	2583 235		
	W		1	-----	2486 928		
	P		1	-----	-----	2520 766	
	D		1	-----	-----	2486 918	
	C		1	-----	-----	2486 696	
	SCREW		★	163 226	163 226	163 226	
	SCREW, C		★	-----	-----	6024 424	
15-11-7	BRACE, Lock Support Grille Frame, D2		1	-----	-----	2445 859	
15-11-10	CLIP, Hood Lock Release Rod Anti-Rattle, C		2	-----	-----	2583 195	
15-11-11	ROD, Lock Release, C		1	-----	-----	2486 699	
15-11-16	SPRING, Hood Release Assist		1	-----	2486 698	2486 698	
	Hood Lock Upper Pop-Up		1	-----	-----	-----	2299 599
15-11-17	CLIP, Lock Release Handle Return Spring, except C		1	2486 914	2486 914	2486 914	
15-11-34	CATCH, Hood Safety, V		1	2428 142			
	L, C		1	2520 752	-----	2520 752	
	w/Release HANDLE, except C		1	-----	2583 253	2583 253	2583 253
	SCREW		2	180 024	180 024	180 024	180 024
15-11-38	SPRING, Lock Latch to Pawl		1	2428 125	2428 125	2428 125	2428 125
15-11-46	SUPPORT, Lock Vertical, V		1	2578 626			
	Barracuda, V		1	2578 626			
	L		1	2445 264			
	P		1	-----	2445 539		
	D, C		1	-----	-----	2445 289	
	SCREW		2	180 020	180 020	180 020	2417 478 180 020
15-11-50	BRACKET, Lock Vertical Support Crossmember		1	-----	-----	2445 726	
15-11-55	GUSSET, Lock Vertical Support		1	-----	2524 138	2524 138	
15-11-58	PLATE, Lock Support to Yoke, V		1	2445 702			
	L		1	2449 497			

TYPE LETTERS Indicate: V - Valiant R - Belvedere P - Plymouth C - Chrysler
L - Dart W - Coronet D - Dodge Y - Imperial

★Indicates use as required. Numerals in parentheses () refer to notes. Printed in U.S.A.
 †Indicates parts not listed in any previous parts book. Prices and specifications subject to change without notice.
 March 1966 Supersedes May 1965. * Indicates change or addition.

CODE	PART NAME AND DESCRIPTION	CYL	PER CAR	VALIANT	PLYMOUTH BELVEDERE	PLYMOUTH FURY	IMPERIAL
				DART	DODGE CORONET	DODGE POLARA CHRYSLER	
15-13-0 HOOD LOCK STRIKER							
15-13-2	STRIKER, V		1	2486 961			
	L		1	2520 230			
	SCREW		1	----	2486 697	2486 697	2486 943
			2	180 021	180 021	180 021	180 021
15-14-0 HOOD LOCK CONTROL							
15-14-1	CONTROL, on Instrument Panel		1	-----	-----	-----	2486 463
	CLIP, to Lock		1	-----	-----	-----	6015 143
15-14-7	BRACKET, Release Cable to Hood Lock Plate		1	-----	-----	-----	2486 077
15-14-20	GROMMET, Control Cable		1	-----	-----	-----	2216 552
15-14-21	SLEEVE, Control Cable		1	-----	-----	-----	2097 055
15-19-0 HOOD HINGE							
15-19-2	HINGE, Right		1	2243 282	2486 196	2520 672	2428 418
	Left		1	2243 283	2486 197	2520 673	2428 419
	"J" NUT, Hinge to Fender Shield		2	-----	6023 170	-----	
	SPRING NUT, Hinge to Body		2	6023 350	6023 350	6023 350	
	SCREW w/WASHER, to Cowl, Rt. Side		2	-----	-----	-----	*6025 346
15-19-8	SPRING, Hinge		2	-----	2486 190	-----	
			2	-----	-----	-----	2428 389
15-19-35	BRACKET, w/STUD, Cowl Top Hood Hinge Pivot		2	-----	-----	2570 002-3	
15-19-46	BAR, Hood Hinge Torsion Right		1	2428 148	-----	-----	
	Left		1	2428 149	-----	-----	
	Right, P, C		1	-----	-----	2486 756	
	Left, P, C		1	-----	-----	2486 757	
	Right, D		1	-----	-----	2520 656	
	Left, D		1	-----	-----	2520 657	
15-19-47	BRACKET, Hood Hinge Torsion Rod						
	Anti-Rattle		1	2492 642	-----	-----	
	Right, P, D, C		1	-----	-----	2492 956	
	Left, P, D, C		1	-----	-----	2492 957	
15-19-48	BUSHING, Hood Hinge Torsion Bar Roller		4	2583 236	-----	-----	

15-25-0 HOOD MOULDING

NOTE: See Exterior Moulding Illustrations in Front of Group 23 Body.

NOTES

TYPE LETTERS Indicate:

V - Valiant
L - DartR - Belvedere
W - CoronetP - Plymouth
D - DodgeC - Chrysler
Y - Imperial

★Indicates use as required.

ⓁIndicates parts not listed in any previous parts book.

* Indicates change or addition.

Numerals in parentheses () refer to notes.

Printed in U.S.A.

Prices and specifications subject to change without notice.

