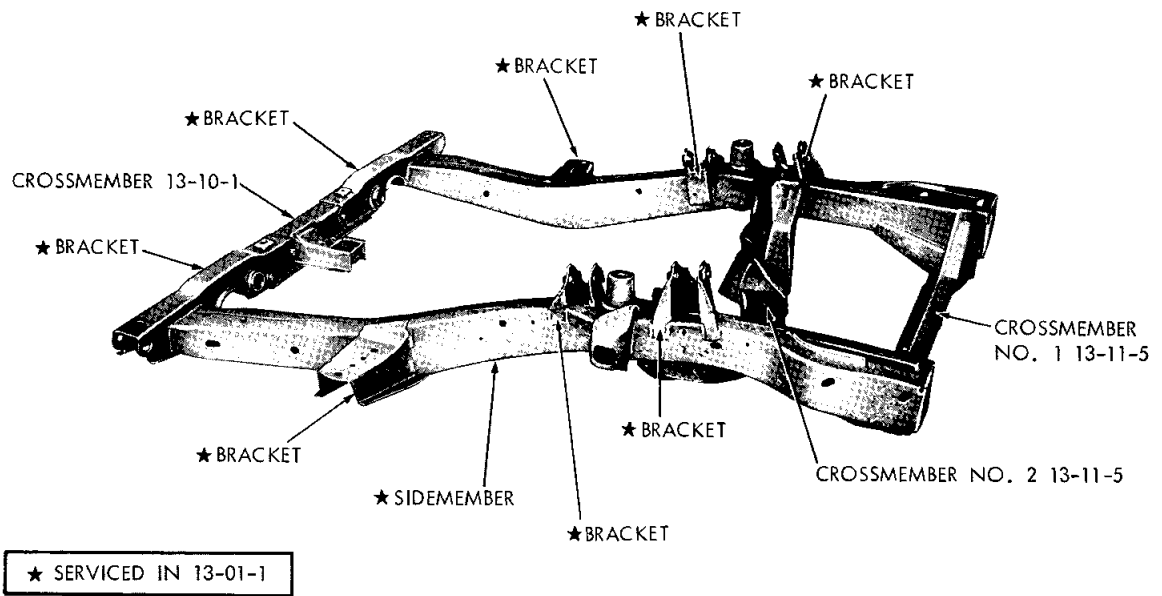
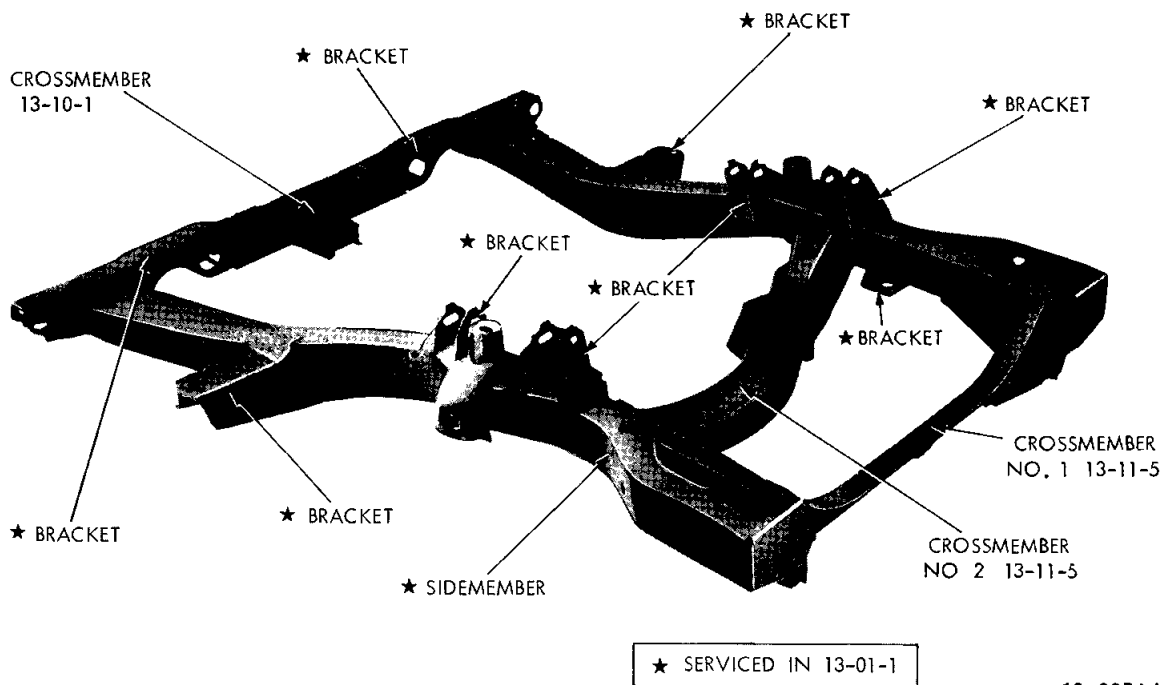


GROUP 13 - FRAME



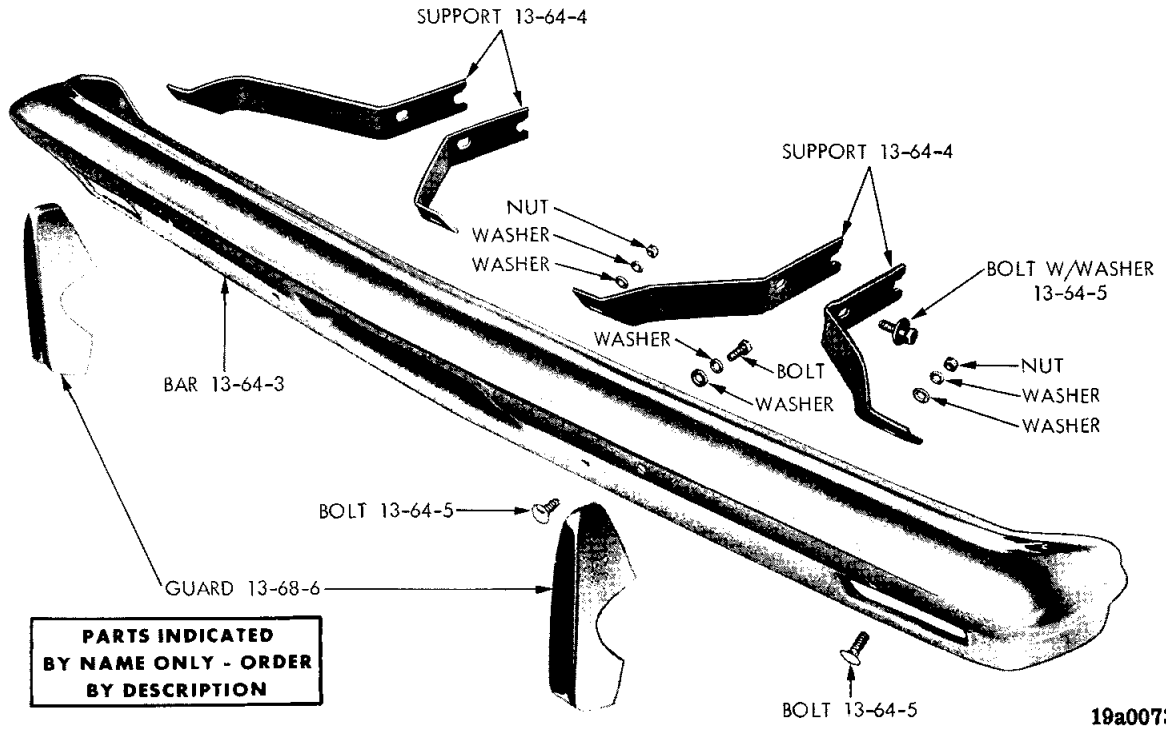
19a0053

FRAME - PLYMOUTH

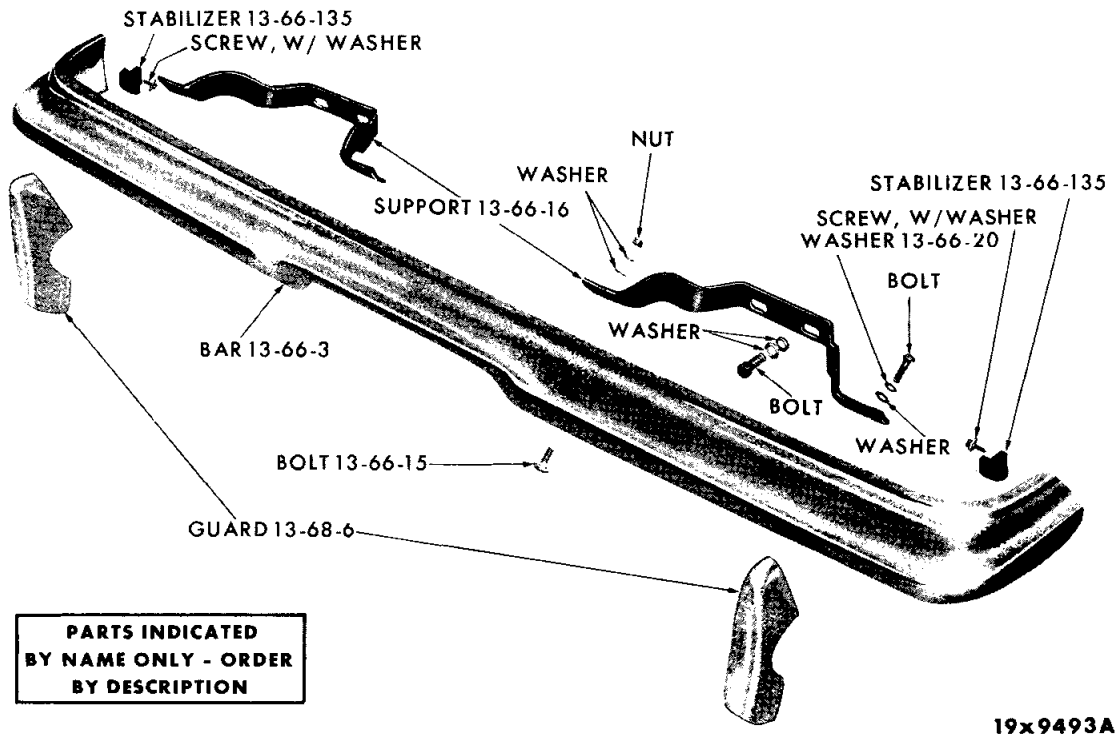


19a0054 A

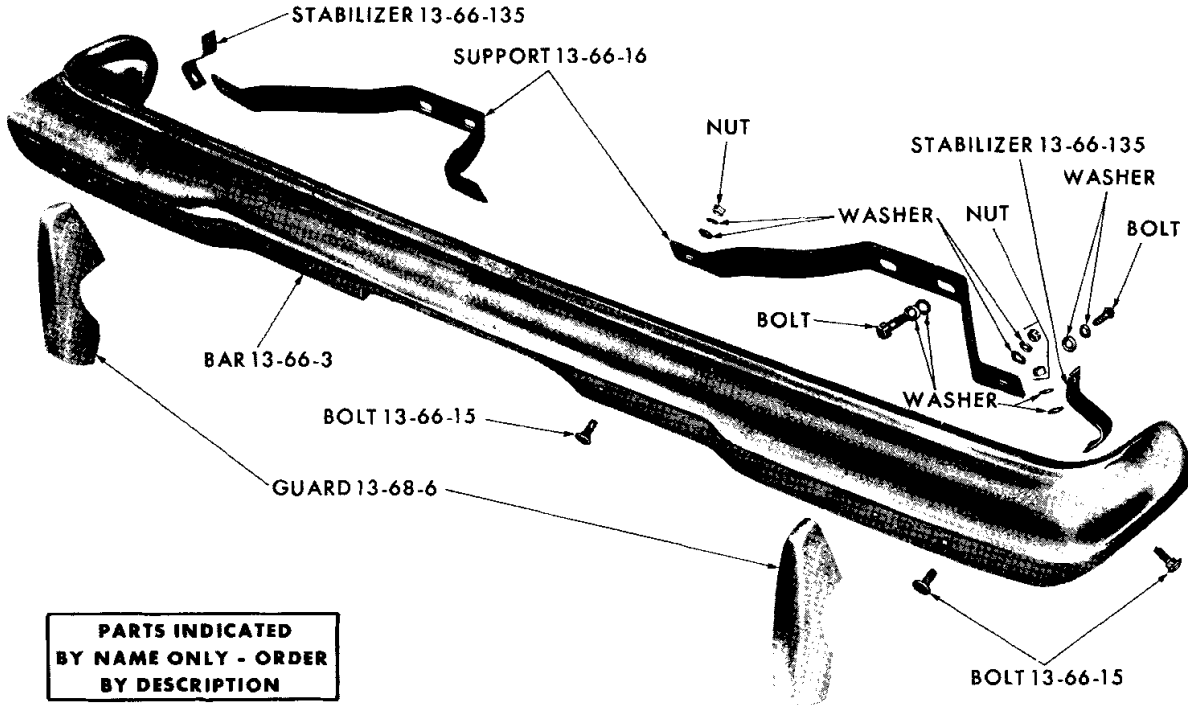
FRAME - DODGE AND CHRYSLER



FRONT BUMPER - DART



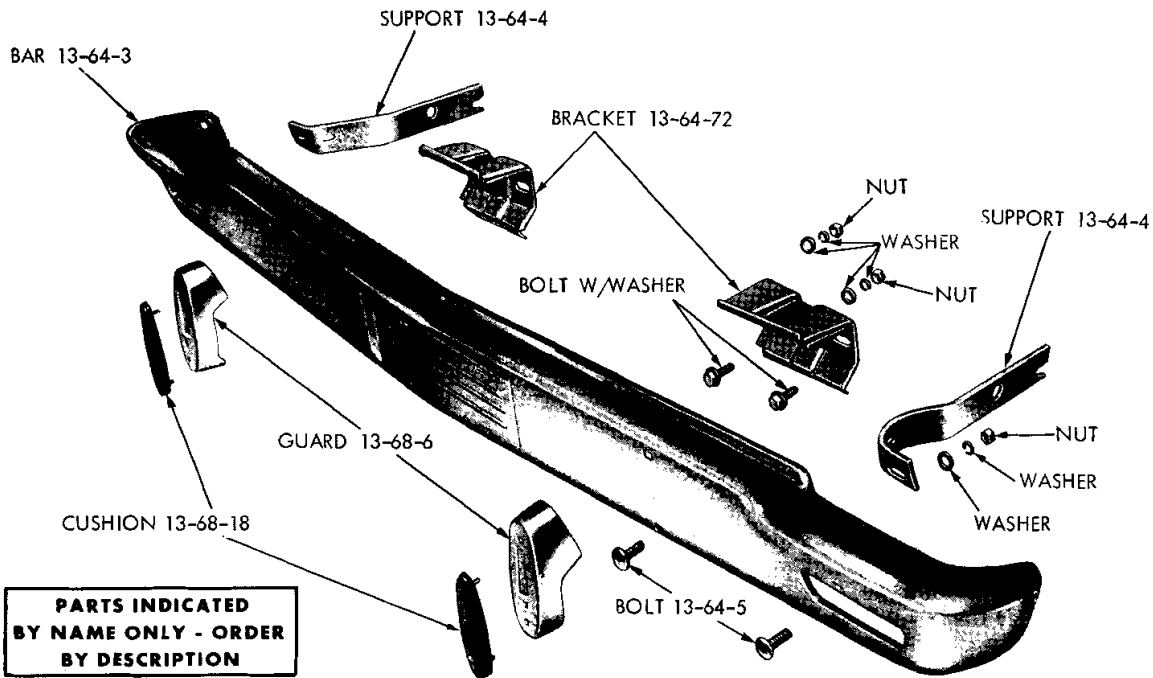
REAR BUMPER - VALIANT (ALL) AND DART (STATION WAGON)



**PARTS INDICATED
BY NAME ONLY - ORDER
BY DESCRIPTION**

19x9494

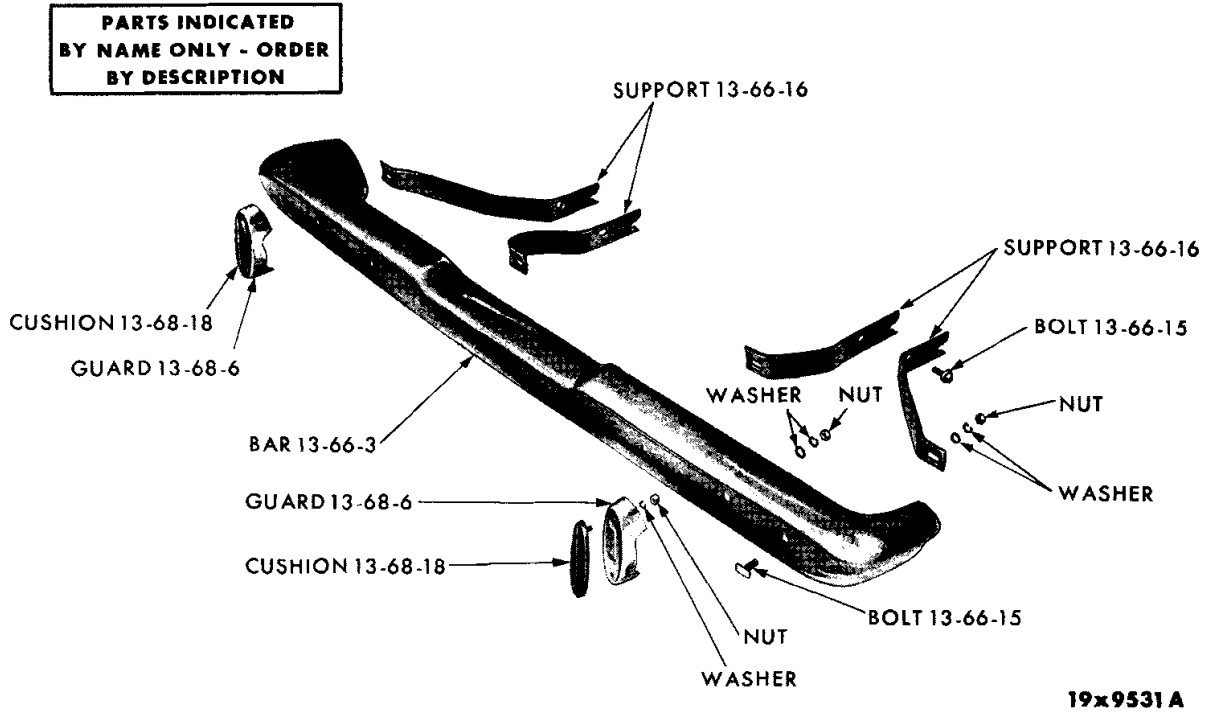
REAR BUMPER - DART (EXCEPT STATION WAGON)



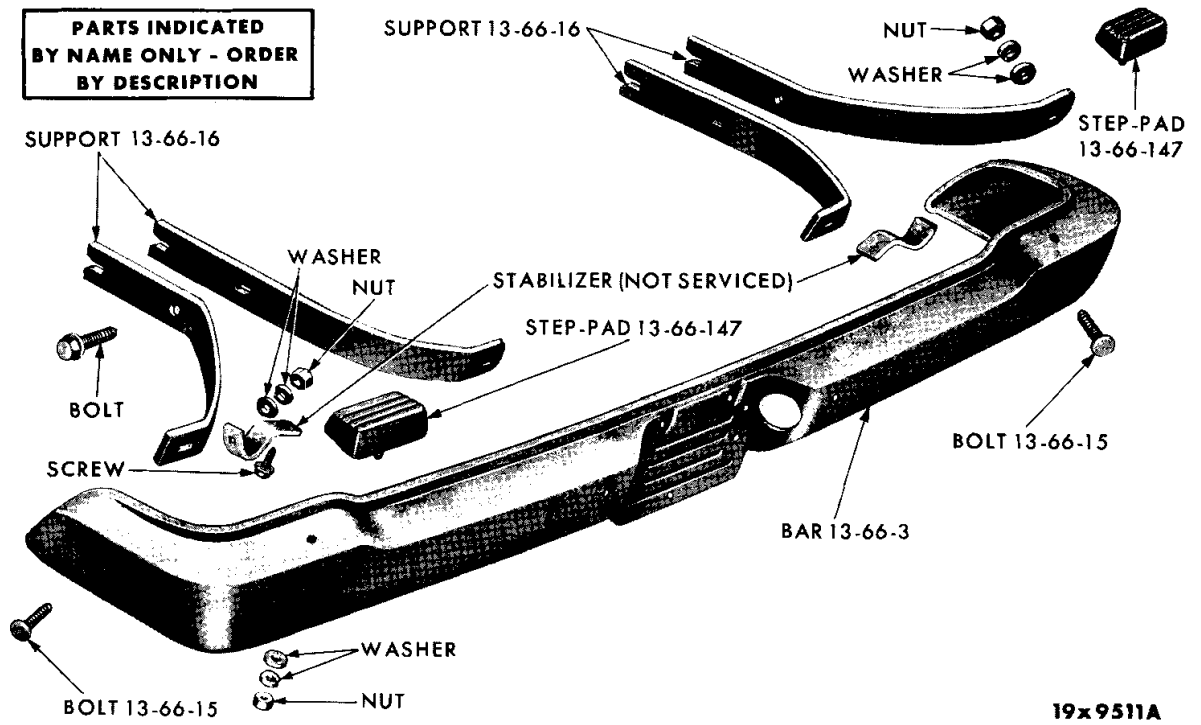
**PARTS INDICATED
BY NAME ONLY - ORDER
BY DESCRIPTION**

19a0134

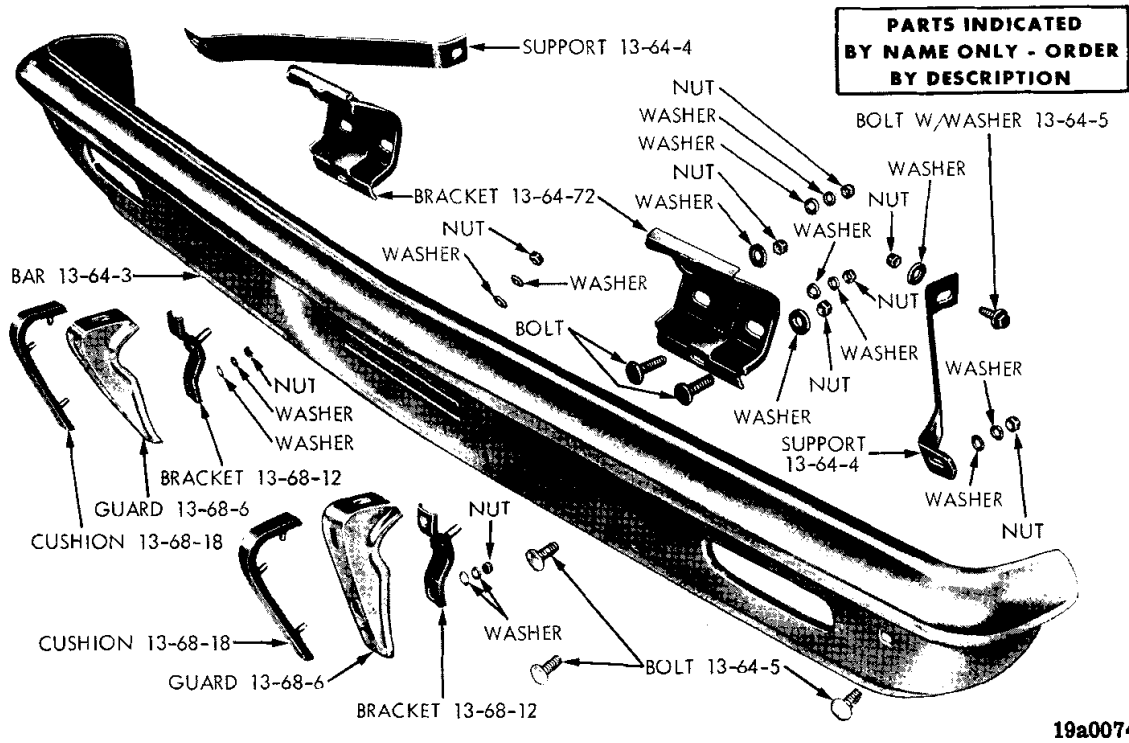
FRONT BUMPER - BELVEDERE



REAR BUMPER - BELVEDERE (EXCEPT STATION WAGON)

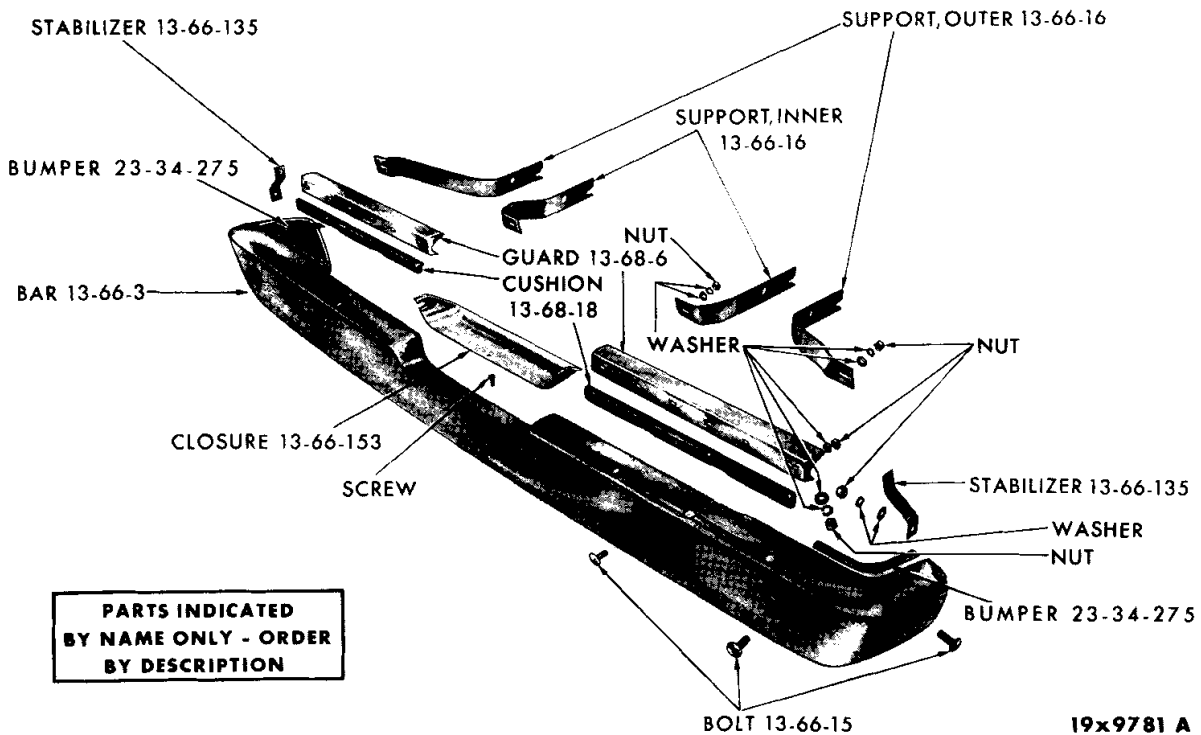


REAR BUMPER - BELVEDERE AND CORONET (STATION WAGON)



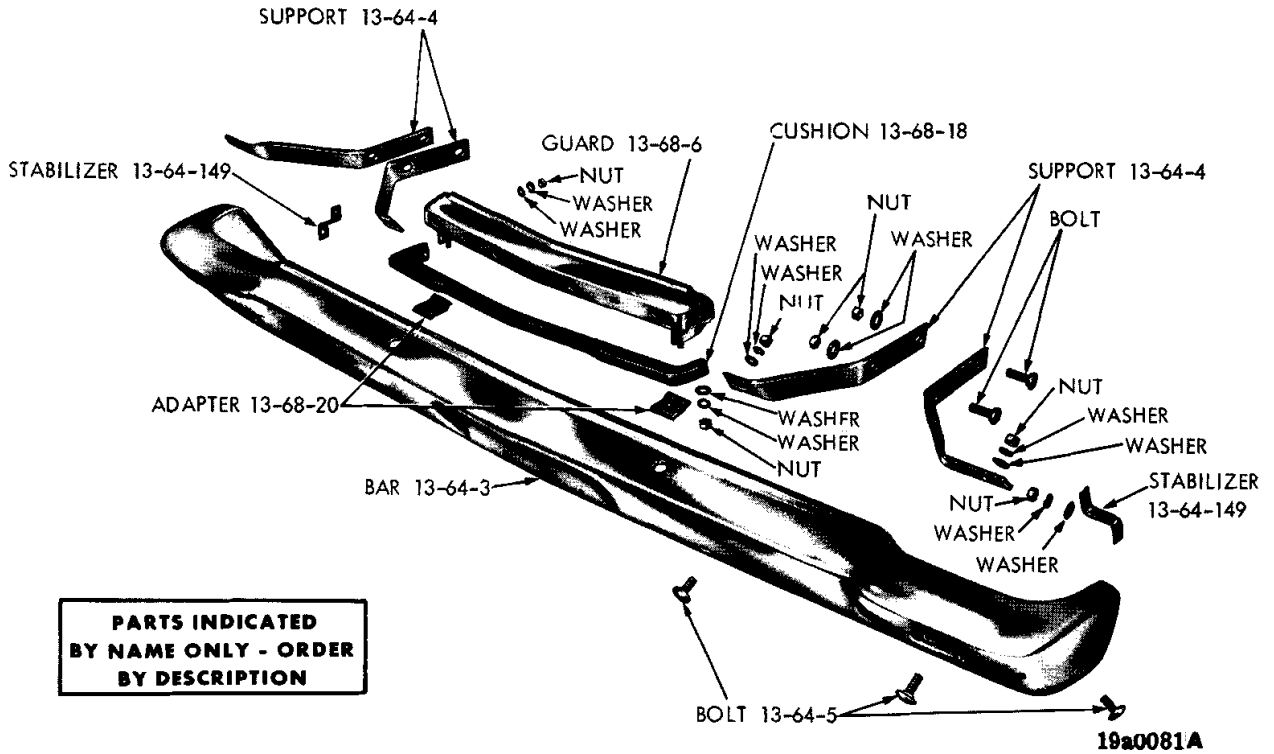
19a0074

FRONT BUMPER - CORONET

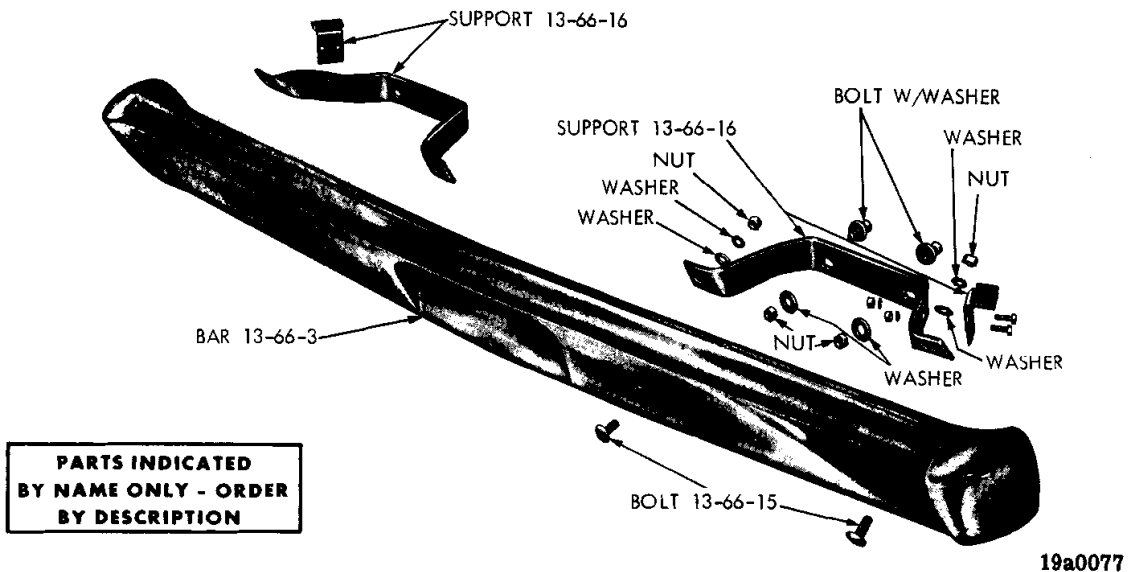


19x9781 A

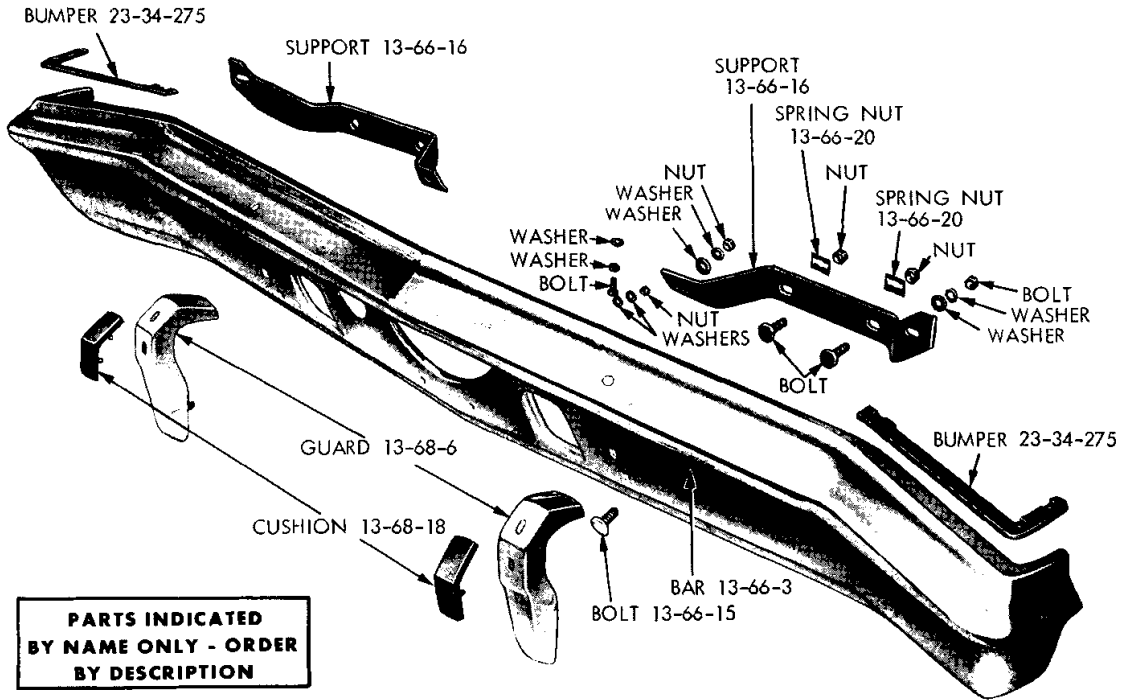
REAR BUMPER - CORONET (EXCEPT STATION WAGON)



FRONT BUMPER - PLYMOUTH

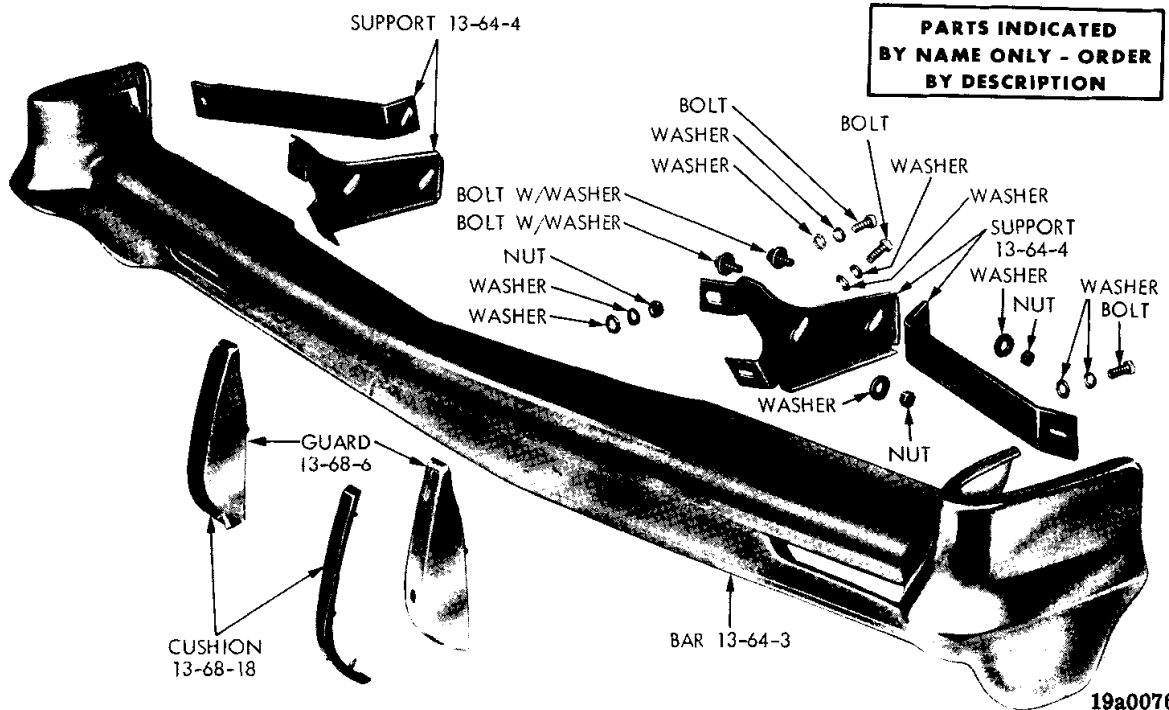


REAR BUMPER - PLYMOUTH (EXCEPT STATION WAGON)



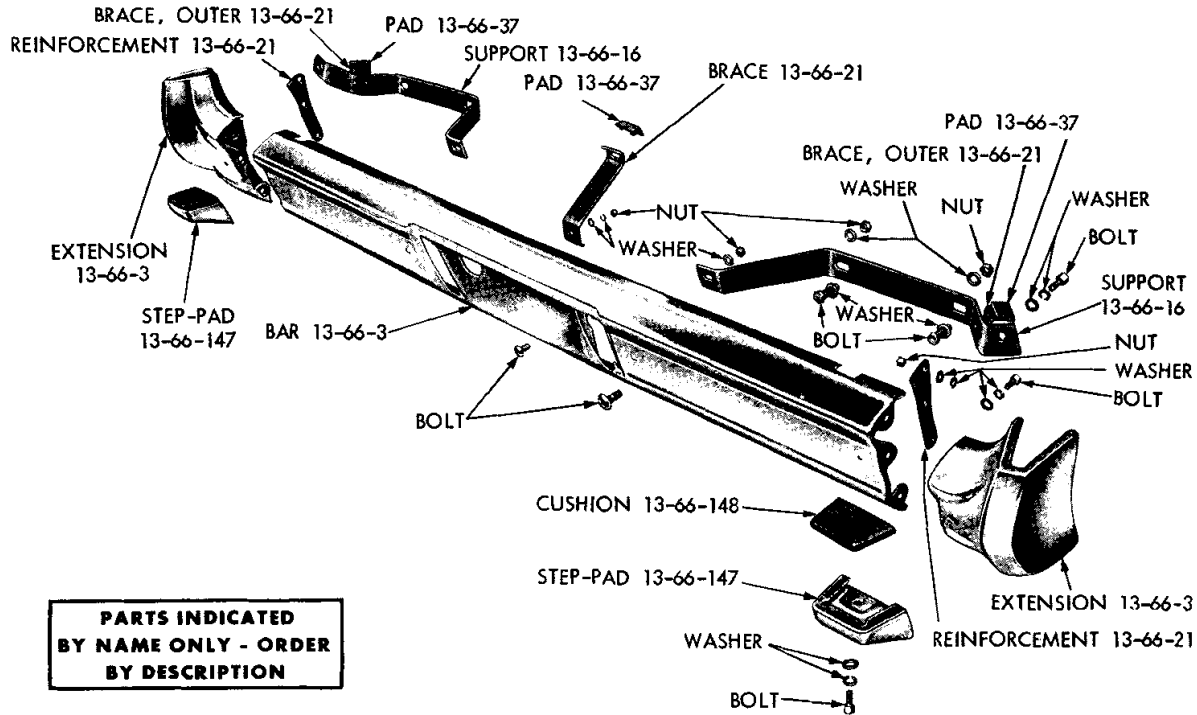
19a0078

REAR BUMPER - DODGE (EXCEPT STATION WAGON)



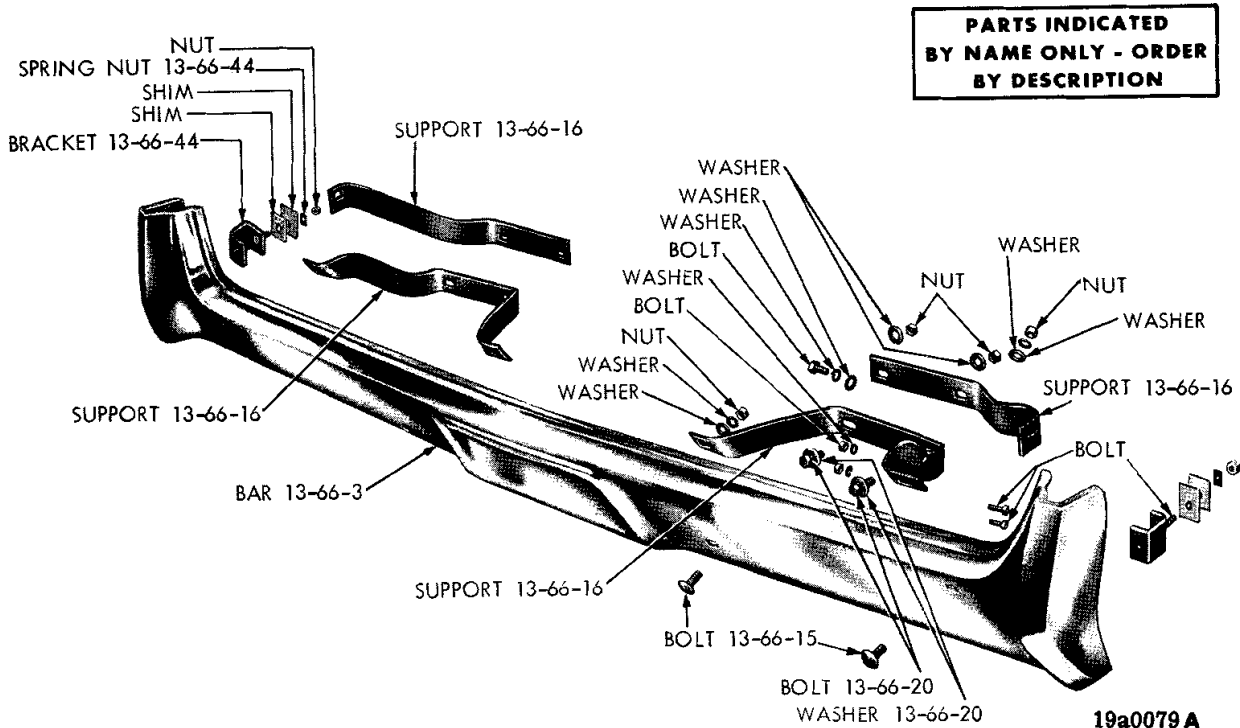
19a0076

FRONT BUMPER - CHRYSLER



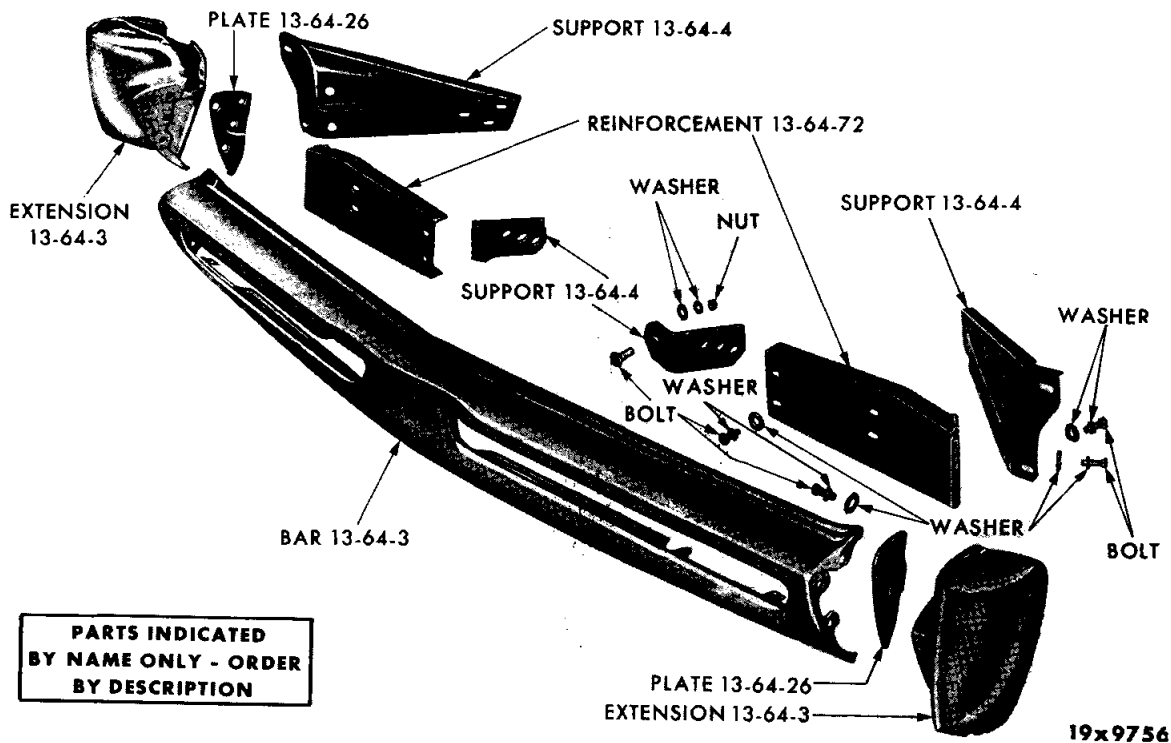
19a0185

REAR BUMPER - CHRYSLER (STATION WAGON)

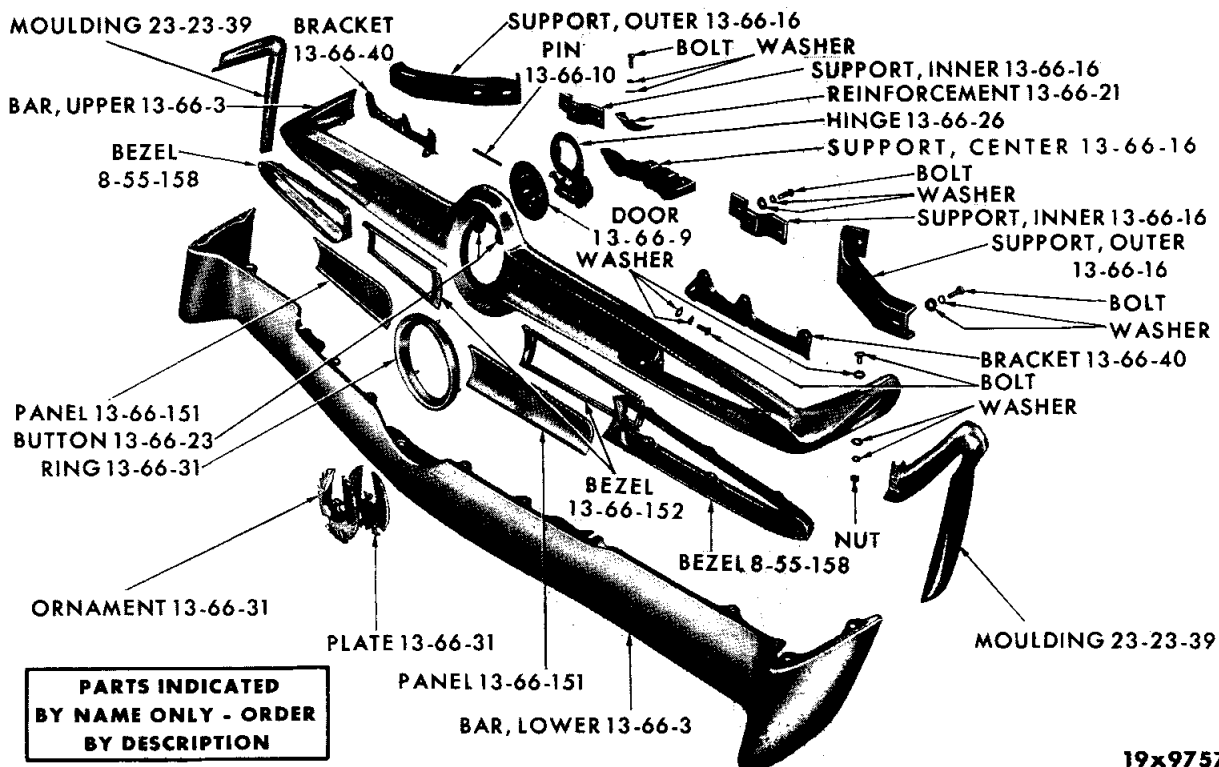


19a0079 A

REAR BUMPER - CHRYSLER (EXCEPT STATION WAGON)



FRONT BUMPER - IMPERIAL



REAR BUMPER - IMPERIAL

| CODE | PART NAME AND DESCRIPTION | C Y L | PER CAR | VALIANT | PLYMOUTH BELVEDERE | PLYMOUTH FURY | IMPERIAL |
|---|---|-------------|------------|----------|-----------------------|-----------------------------|------------|
| | | | | DART | DODGE CORONET | DODGE POLARA CHRYSLER | |
| 13-01-O FRAME ASSEMBLY | | | | | | | |
| 13-01-1 | FRAME, P1 | 6 | 1 | ----- | ----- | 2461 889 | |
| | P2 | 8 | 1 | ----- | ----- | 2461 885 | |
| | D, C, (Also use 2 of 2269 250 Seal) (Code 2-14-13) | 8 | 1 | ----- | ----- | 2461 889 | |
| | Except Cv. Cp., UP TO Serial No. 129749 . . . | | 1 | ----- | ----- | 2461 885 | 2409 089 |
| | Except Cv. Cp., AFTER Serial No. 129749 . . . | | 1 | ----- | ----- | 2461 885 | 2460 999 |
| | Cv. Cp., UP TO Serial No. 133026 | | 1 | ----- | ----- | 2461 889 | 2409 090 |
| | Cv. Cp., AFTER Serial No. 133026 | | 1 | ----- | ----- | 2461 889 | 2460 998 |
| 13-04-O FRAME SUB-SIDEMEMBER | | | | | | | |
| 13-04-20 | SHIELD, Front Sidemember Splash | | 1 | ----- | ----- | ----- | 2461 822-3 |
| 13-04-21 | CLIP, Frame Sub Sidemember Splash Shield . . | | 8 | ----- | ----- | 2405 049 | |
| 13-10-O FRAME ENGINE REAR SUPPORT CROSSMEMBER | | | | | | | |
| 13-10-1 | CROSSMEMBER, Frame Trans. and Engine Mounting | | 1 | ----- | ----- | 2461 670 | |
| | SCREW w/WASHER, Frame Trans. Mounting Crossmember, Upper | | 2 | ----- | ----- | 6026 489 | |
| | Side | | 8 | ----- | ----- | 6026 489 | |
| | Except Manual Trans. | | 1 | ----- | *2265 423 | ----- | |
| | Manual Trans. | 8 | 1 | ----- | *2208 740 | ----- | |
| | Except Cv. Cp. | | 1 | ----- | ----- | ----- | 2260 323 |
| | Cv. Cp. | | 1 | ----- | ----- | ----- | *1940 304 |
| 13-10-12 | BRACKET, Cv. Cp. | | 1 | ----- | ----- | ----- | 1940 300-1 |
| 13-11-O FRAME FRONT CROSSMEMBER | | | | | | | |
| 13-11-5 | CROSSMEMBER, No. 1 | | 1 | ----- | ----- | 2493 925 | 2200 801 |
| | No. 2, P1 | 6 | 1 | ----- | ----- | 2493 924 | 2122 621 |
| | No. 2 | 8 | 1 | ----- | ----- | 2493 761 | |
| | Rear Anchor | 8 | 1 | ----- | ----- | 2071 507 | |
| 13-11-17 | ISOLATOR, Rear Anchor Crossmember, D.C . | 8 | 1 | ----- | ----- | 2071 514-5 | |
| | SCREW, w/WASHER, D, C | 8 | 4 | ----- | ----- | 6025 558 | |
| | NUT, D, C | 8 | 4 | ----- | ----- | 9417 668 | |
| 13-18-O FRAME REAR CROSSMEMBER | | | | | | | |
| 13-18-4 | CROSSMEMBER | | 1 | ----- | ----- | ----- | 2409 084 |
| 13-18-5 | REINFORCEMENT | | 1 | ----- | ----- | ----- | 2409 083 |
| 13-33-O BATTERY SUPPORT TRAY | | | | | | | |
| NOTE: Battery Support Tray and Related Parts are Illustrated in Group 12 - Fenders and Sheet Metal. | | | | | | | |
| 13-33-61 | TRAY | | 1 | 2260 463 | 2201 536 | 2461 791 | |
| | SCREW, w/WASHER, Tray Support Bracket . . | | 4 | 6022 777 | ----- | ----- | |
| | SCREW, w/WASHER, Tray Support Brace to Tray | | 1 | ----- | 6022 895 | 6022 895 | |
| | SCREW, w/WASHER, Tray to Fender Shield . . | | 2 | ----- | 6022 895 | ----- | |
| | Tray to Front Fender Wheelhouse Inner Panel. | | 1 | ----- | ----- | 6025 290 | |
| 13-33-62 | BRACKET, Support | | 2 | 2208 591 | ----- | ----- | |

TYPE LETTERS Indicate: V - Valiant R - Belvedere P - Plymouth C - Chrysler
L - Dart W - Coronet D - Dodge Y - Imperial

*Indicates use as required. Numerals in parentheses () refer to notes. Printed in U.S.A.
 BIndicates parts not listed in any previous parts book. Prices and specifications subject to change without notice.
 * Indicates change or addition. Page 13-13 March 1966 Supersedes May 1965.

1965 PASSENGER CAR PARTS CATALOG

FRAME

| CODE | PART NAME AND DESCRIPTION | C Y L | PER CAR | VALIANT | PLYMOUTH BELVEDERE | PLYMOUTH FURY | IMPERIAL |
|---|---|-------------|------------|----------|-----------------------|-----------------------------|----------|
| | | | | DART | DODGE CORONET | DODGE POLARA CHRYSLER | |
| 13-33-O BATTERY SUPPORT TRAY - Cont'd | | | | | | | |
| 13-33-68 | BRACE, Support | | 1 | ----- | 2461 790 | | |
| | Except Cv. Cp. | | 1 | ----- | | | 2260 435 |
| | J-NUT, to Support Bracket | | 2 | 6023 170 | | | |
| | Brace to Front Crossmember | | 2 | ----- | 6023 169 | | |
| | Support Brace to Frame | | 1 | ----- | 6023 171 | | |
| | Support Brace to Tray | | 1 | ----- | 6023 171 | 6023 171 | 6023 171 |
| 13-33-69 | STRUT, Tray to Yoke, Cv. Cp. | | 1 | ----- | ----- | ----- | 2461 813 |
| 13-34-O BATTERY HOLD-DOWN STRAP | | | | | | | |
| 13-34-3 | STRAP | | 1 | 1828 352 | 1828 352 | 2530 282 | 1828 352 |
| 13-34-12 | BRACE, Hold-Down Strap to Fender, Cv. Cp. | | 1 | ----- | ----- | ----- | 2461 811 |
| 13-35-O BATTERY HEAT SHIELD | | | | | | | |
| 13-35-1 | SHIELD, P and D | | 1 | ----- | 2460 972 | 2530 975 | |
| | J-NUT, P and D | | 2 | ----- | 6023 167 | 6023 167 | |
| 13-36-O BATTERY HOLD-DOWN STUD | | | | | | | |
| 13-36-5 | STUD, Inner | | 1 | 2074 089 | 2074 089 | 2074 089 | 1408 918 |
| | Outer | | 1 | 2074 090 | 2260 437 | ----- | 1408 915 |
| | WING-NUT | | 2 | 6023 523 | 6023 523 | 6023 523 | |
| 13-54-O FRAME REAR SPRING HANGER | | | | | | | |
| 13-54-4 | HANGER, Front | 6 | 2 | 2403 187 | | | |
| | | 8 | 2 | 2403 768 | | | |
| | V, Barracuda | | 2 | 2403 768 | | | |
| | R, except Sta. Wgn. | | 2 | ----- | 2403 742 | | |
| | R, Sta. Wgn. | | 2 | ----- | 2403 746 | | |
| | W, except Sta. Wgn. | | 2 | ----- | 2462 025 | | |
| | W, Sta. Wgn. | | 2 | ----- | 2403 746 | | |
| | R2, W2, 426 cu. in. Eng., Hemispherical | 8 | 2 | ----- | 2403 742 | | |
| | Except Sta. Wgn. | | 2 | ----- | ----- | 2403 798 | |
| | Sta. Wgn. | | 2 | ----- | ----- | 2403 988 | |
| | | | 2 | ----- | ----- | ----- | 2260 310 |
| 13-54-11 | BOLT, Front Hanger | | 8 | 2403 247 | 2403 247 | 2403 247 | |
| | Rear Axle Control Strut Hanger | | 8 | ----- | ----- | ----- | 2403 247 |
| 13-54-15 | HANGER, Rear | | 2 | 2071 764 | | | |
| | P, except Sta. Wgn. | | 2 | ----- | ----- | 2403 862 | |
| | D, C, except Sta. Wgn. | 8 | 2 | ----- | ----- | 2403 860 | |
| | Sta. Wgn. | | 1 | ----- | ----- | 2462 058-9 | |
| | | | 2 | ----- | ----- | ----- | 1735 128 |
| | D, 4 D., Cal. Police Only | 8 | 1 | ----- | ----- | 2462 058-9 | |
| NOTE: For R and W Models, see Code 23-32-93. | | | | | | | |
| 13-64-O FRONT BUMPER FACE BAR | | | | | | | |
| 13-64-3 | BAR, Face, V | | 1 | 2404 520 | | | |
| | L | | 1 | 2461 150 | | | |
| | R | | 1 | ----- | 2461 825 | | |
| | R2, 426 cu. in. Eng., Hemispherical | 8 | 1 | ----- | 2461 300 | | |
| | W | | 1 | ----- | 2461 300 | | |
| | W2, 426 cu. in. Eng., Hemispherical | 8 | 1 | ----- | 2416 719 | | |

TYPE LETTERS Indicate: V - Valiant R - Belvedere P - Plymouth C - Chrysler
 L - Dart W - Coronet D - Dodge Y - Imperial

*Indicates use as required. Numerals in parentheses () refer to notes. Printed in U.S.A.
 †Indicates parts not listed in any previous parts book. Prices and specifications subject to change without notice.
 March 1966 Supersedes May 1965. Page 13-14 * Indicates change or addition.

| CODE | PART NAME AND DESCRIPTION | CYL | PER CAR | VALIANT | PLYMOUTH BELVEDERE | PLYMOUTH FURY | IMPERIAL |
|---|---|-----|---------|------------|--------------------|--------------------------|------------|
| | | | | DART | DODGE CORONET | DODGE POLARA CHRYSLER | |
| 13-64-O FRONT BUMPER FACE BAR - Cont'd | | | | | | | |
| 13-64-3 | BAR - Cont'd | | | | | | |
| | P | | 1 | ----- | ----- | 2461 200 | |
| | D | 8 | 1 | ----- | ----- | 2461 250 | |
| | C | | 1 | ----- | ----- | 2461 352 | |
| | Center | | 1 | ----- | ----- | ----- | 2404 621 |
| | Extension | | 1 | ----- | ----- | ----- | 2404 622-3 |
| 13-64-4 | SUPPORT, Inner, V | | 1 | 2404 530-1 | | | |
| | Outer, V | | 1 | 2404 532-3 | | | |
| | Inner, L | | 1 | 2461 156-7 | | | |
| | Outer, L | | 1 | 2461 158-9 | | | |
| | Outer, R | | 1 | ----- | B2461 836-7 | | |
| | Outer, W | | 1 | ----- | *2461 310-1 | | |
| | Inner, P | | 1 | ----- | ----- | 2461 206-7 | |
| | Outer, P | | 1 | ----- | ----- | 2461 208-9 | |
| | Inner, D | 8 | 1 | ----- | ----- | 2461 256-7 | |
| | Outer, D | 8 | 1 | ----- | ----- | 2461 258-9 | |
| | Inner, C | 8 | 1 | ----- | ----- | 2461 362-3 | |
| | Outer, C | 8 | 1 | ----- | ----- | 2461 364-5 | |
| | Inner | | 1 | ----- | ----- | ----- | 2404 630-1 |
| | Outer | | 1 | ----- | ----- | ----- | 2404 636-7 |
| 13-64-5 | BOLT, Bumper to Support | | ★ | 2074 225 | 1737 430 | 2123 898 | |
| | Bumper Inner Support to Frame | | 4 | ----- | 6022 901 | ----- | |
| | Bumper Inner Support to Center Bracket | | 2 | ----- | ----- | ----- | 1551 766 |
| | Bumper to Stabilizer, P | | 2 | 2074 225 | ----- | 1737 430 | |
| | Stabilizer to Bumper, Sta. Wgn. | | 2 | ----- | 1737 430 | ----- | |
| | BOLT w/WASHER, Support to Frame | | ★ | 6024 662 | 6024 662 | ----- | |
| 13-64-13 | WASHER, Support to Frame | | 8 | ----- | ----- | 1948 969 | 1948 969 |
| | Support to Frame Bolt | | 12 | ----- | ----- | ----- | 1948 969 |
| | Outer Support to Bumper Extension Stud | | 4 | ----- | ----- | ----- | 1948 969 |
| | Outer Support to Reinforcement Support Bolt | | 4 | ----- | ----- | ----- | 1948 969 |
| | Inner Support to Center Bracket Bolt | | 2 | ----- | ----- | ----- | 1948 969 |
| 13-64-26 | CLOSURE, D | 8 | 1 | ----- | ----- | 2461 266-7 | |
| | PLATE | | 1 | ----- | ----- | ----- | 2404 624-5 |
| 13-64-38 | TAPE, Bumper | | ★ | ----- | ----- | ----- | 2404 741 |
| 13-64-56 | SPEED NUT, Support to Frame, Inner Front. | | 4 | ----- | 1323 958 | ----- | |
| | Support to Frame, Rear except Sta. Wgn., P, D | | 4 | ----- | ----- | 1323 958 | |
| 13-64-60 | REINFORCEMENT, Bumper Jacking, P | 8 | 2 | ----- | ----- | 2461 220 | |
| | D | | 2 | ----- | ----- | 2461 268 | |
| 13-64-72 | BRACKET, Support Inner, R | | 1 | ----- | 2461 832-3 | ----- | |
| | W | | 1 | ----- | 2461 306-7 | ----- | |
| | REINFORCEMENT, Bumper Support | | 1 | ----- | ----- | ----- | 2404 638-9 |
| 13-64-149 | STABILIZER, V | | 1 | 2404 536-7 | ----- | ----- | |
| | P | | 2 | ----- | ----- | 2461 212 | |
| | NUT, w/WASHER, V | | 2 | 6012 008 | ----- | ----- | |
| 13-66-O REAR BUMPER FACE BAR | | | | | | | |
| 13-66-3 | BAR, Face, V | | 1 | 2266 602 | ----- | ----- | |
| | w/o Guards, except Sta. Wgn., L | | 1 | 2266 534 | ----- | ----- | |
| | w/Guards, except Sta. Wgn., L | | 1 | 2266 535 | ----- | ----- | |
| | Sta. Wgn., L | | 1 | 2266 602 | ----- | ----- | |

TYPE LETTERS Indicate: V - Valiant R - Belvedere P - Plymouth C - Chrysler
 L - Dart W - Coronet D - Dodge Y - Imperial

★ Indicates use as required. Numerals in parentheses () refer to notes. Printed in U.S.A.
 B Indicates parts not listed in any previous parts book. Prices and specifications subject to change without notice.
 * Indicates change or addition. Page 13-15 March 1966 Supersedes May 1965.

1965 PASSENGER CAR PARTS CATALOG

FRAME

| CODE | PART NAME AND DESCRIPTION | C Y L | PER CAR | VALIANT | PLYMOUTH BELVEDERE | PLYMOUTH FURY | IMPERIAL |
|--|--|-------------|------------|------------|-----------------------|-----------------------------|------------|
| | | | | DART | DODGE CORONET | DODGE POLARA CHRYSLER | |
| 13-66-0 REAR BUMPER FACE BAR - Cont'd | | | | | | | |
| 13-66-3 | BAR - Cont'd | | | | | | |
| | Except Sta. Wgn., R | | 1 | ----- | *2266 562 | | |
| | w/Step-Pad, Sta. Wgn., R | | 1 | ----- | 2266 567 | | |
| | w/o Step-Pad, Sta. Wgn., R | | 1 | ----- | 2266 566 | | |
| | Except Sta. Wgn., W | | 1 | ----- | 2404 660 | | |
| | w/Step-Pad, Sta. Wgn., W | | 1 | ----- | 2266 567 | | |
| | w/o Step-Pad, Sta. Wgn., W | | 1 | ----- | 2266 566 | | |
| | Except Sta. Wgn., P | | 1 | ----- | ----- | 2461 225 | |
| | Sta. Wgn., P | | 1 | ----- | ----- | 2461 279 | |
| | Except Sta. Wgn., D | 8 | 1 | ----- | ----- | 2461 277 | |
| | Sta. Wgn., D | 8 | 1 | ----- | ----- | 2461 279 | |
| | Except Sta. Wgn., C | 8 | 1 | ----- | ----- | 2461 399 | |
| | Center, Sta. Wgn., C1, C3 | 8 | 1 | ----- | ----- | 2461 377 | |
| | Extension, Sta. Wgn., C1, C3 | 8 | 1 | ----- | ----- | 2461 378-9 | |
| | Upper | | 1 | ----- | ----- | ----- | 2461 425 |
| | Lower | | 1 | ----- | ----- | ----- | 2404 701 |
| 13-66-9 | DOOR, Bumper Filler | | 1 | ----- | ----- | ----- | 2404 725 |
| 13-66-10 | PIN, Bumper Filler Door | | 1 | ----- | ----- | ----- | 2404 730 |
| 13-66-14 | COVER, Bumper Back-Up Lamp Opening, except Sta. Wgn., D | 8 | 1 | ----- | ----- | 2483 314-5 | |
| | Sta. Wgn., P, D, C1 | 8 | 2 | ----- | ----- | 2449 535 | |
| 13-66-15 | BOLT, Bumper to Support | | ★ | 2074 225 | 1737 430 | 2123 898 | |
| | Bumper to Stabilizer, except Sta. Wgn., L | | 2 | 2074 225 | 1737 430 | | |
| | Bumper to Outer Brace, Sta. Wgn., P, D | | 2 | ----- | ----- | 2123 898 | |
| | Bumper to Center Brace, Sta. Wgn. | | 1 | ----- | ----- | 2074 225 | |
| | Stabilizer to Quarter Panel, except Sta. Wgn., L and W | | 2 | 6024 243 | 6024 243 | | |
| 13-66-16 | SUPPORT, except Sta. Wgn., V | | 1 | 2266 530-1 | | | |
| | Except Sta. Wgn., L | | 1 | 2266 536-7 | | | |
| | Sta. Wgn. | | 1 | 2266 542-3 | | | |
| | Inner, except Sta. Wgn., R | | 1 | ----- | 2405 436-7 | | |
| | Outer, except Sta. Wgn., R | | 1 | ----- | 2461 856-7 | | |
| | Inner, except Sta. Wgn., W | | 1 | ----- | 2404 670-1 | | |
| | Outer, except Sta. Wgn., W | | 1 | ----- | 2404 672-3 | | |
| | Inner, Sta. Wgn. | | 1 | ----- | 2266 574-5 | | |
| | Outer, Sta. Wgn. | | 1 | ----- | 2266 572-3 | | |
| | Except Sta. Wgn., P | | 1 | ----- | ----- | 2461 230-1 | |
| | Sta. Wgn., P | | 1 | ----- | ----- | 2461 292-3 | |
| | Except Sta. Wgn., D | 8 | 1 | ----- | ----- | 2461 282-3 | |
| | Sta. Wgn., D | 8 | 1 | ----- | ----- | 2461 292-3 | |
| | Inner, except Sta. Wgn., C | 8 | 1 | ----- | ----- | ⊠2461 440-1 | |
| | Outer, except Sta. Wgn., C | 8 | 1 | ----- | ----- | 2461 388-9 | |
| | Sta. Wgn., C1, C3 | 8 | 1 | ----- | ----- | 2461 460-1 | |
| | Center | | 1 | ----- | ----- | ----- | 2404 714 |
| | Inner | | 2 | ----- | ----- | ----- | 2404 712 |
| | Outer | | 1 | ----- | ----- | ----- | 2404 717-8 |
| 13-66-20 | BOLT, Support to Frame | | 4 | ----- | 6024 662 | | |
| | WASHER, Support to Frame, Sta. Wgn., P, D | | ★ | ----- | ----- | *6022 899 | |
| | Bracket to Support Bolt | | 4 | ----- | ----- | ----- | 1948 969 |
| | Support to Frame Bolt | | 8 | ----- | ----- | ----- | 1948 969 |
| | Center Support to Frame Bolt | | 3 | ----- | ----- | ----- | 1948 969 |
| | SPRING-NUT, Support to Frame | | 4 | ----- | ----- | 6023 850 | |
| 13-66-21 | REINFORCEMENT, Bumper Coach Joint, Sta. Wgn., C1, C3 | 8 | 2 | ----- | ----- | 2461 380 | |
| | Bumper Center | | 1 | ----- | ----- | ----- | 2404 716 |

TYPE LETTERS indicate: V - Valiant R - Belvedere P - Plymouth C - Chrysler
 L - Dart W - Coronet D - Dodge Y - Imperial

★ Indicates use as required. Numerals in parentheses () refer to notes. Printed in U.S.A.
 ⊠ Indicates parts not listed in any previous parts book. Prices and specifications subject to change without notice.
 March 1966 Supersedes May 1965. Page 13-16 * Indicates change or addition.

| CODE | PART NAME AND DESCRIPTION | CYL | PER CAR | VALIANT | PLYMOUTH BELVEDERE | PLYMOUTH FURY | IMPERIAL |
|--|---|-----|---------|----------|--------------------|--------------------------|------------|
| | | | | DART | DODGE CORONET | DODGE POLARA CHRYSLER | |
| 13-66-O REAR BUMPER FACE BAR - Cont'd | | | | | | | |
| 13-66-21 | BRACE, Bumper Outer, Sta. Wgn., P, D | | 1 | ----- | ----- | 2461 466-7 | |
| | Sta. Wgn., C1, C3 | 8 | 1 | ----- | ----- | 2461 468-9 | |
| | Sta. Wgn., Bumper Center | | 1 | ----- | ----- | 2461 464 | |
| 13-66-23 | BUTTON, Bumper Filler Door | | 2 | ----- | ----- | ----- | 1941 007 |
| 13-66-25 | SPRING, Bumper Filler Door | | 1 | ----- | ----- | ----- | 2404 731 |
| 13-66-26 | HINGE, Bumper Filler Door | | 1 | ----- | ----- | ----- | 2404 728 |
| 13-66-31 | ORNAMENT, Bumper Filler Door | | 1 | ----- | ----- | ----- | 2404 734 |
| | PLATE, Bumper Filler Door Ornament | | 1 | ----- | ----- | ----- | 2404 732 |
| | RING, Bumper Filler Door | | 1 | ----- | ----- | ----- | 2404 737 |
| | SCREW, Bumper Filler Door Ornament | | 1 | ----- | ----- | ----- | 6024 893 |
| | NUT, Bumper Filler Door Ornament | | 1 | ----- | ----- | ----- | 6006 144 |
| 13-66-33 | BRACKET, Bumper Filler Door | | 1 | ----- | ----- | ----- | 2404 729 |
| 13-66-35 | RETAINER, Bumper Back-Up Lamp Opening Cover Plate, except Sta. Wgn., D | | 2 | ----- | ----- | 2483 322 | |
| 13-66-37 | PAD, Bumper Jacking, Sta. Wgn. | | 2 | ----- | ----- | 2461 247 | |
| | Bumper Center Brace, Sta. Wgn. | | 1 | ----- | ----- | 2461 465 | |
| 13-66-40 | BRACKET, Bumper Light | | 1 | ----- | ----- | ----- | 2404 702-3 |
| 13-66-42 | BRACE, Bumper Support Crossmember, Sta. Wgn. | | 1 | ----- | ----- | 2461 280-1 | |
| 13-66-44 | BRACKET, Bumper Impact except Sta. Wgn., C . | 8 | 2 | ----- | ----- | 2461 442 | |
| | SPRING-NUT, Bumper Impact Bracket, except Sta. Wgn., C | 8 | 2 | ----- | ----- | 6026 051 | |
| 13-66-106 | DEFLECTOR, Stone, except Sta. Wgn., L | | 1 | 2483 630 | ----- | ----- | |
| | Except Sta. Wgn., R | | 1 | ----- | 2255 670 | ----- | |
| | Except Sta. Wgn., W | | 1 | ----- | 2603 574 | ----- | |
| | Except Sta. Wgn., P | | 1 | ----- | ----- | 2482 667 | |
| | | | 1 | ----- | ----- | ----- | 2588 054 |
| NOTE: For Valiant, Dodge, Chrysler see Code 23-34-167. | | | | | | | |
| 13-66-116 | SEAL, Stone Deflector, except Sta. Wgn., R | | 1 | ----- | 2424 994 | ----- | |
| | P | | 1 | ----- | ----- | 2526 650 | |
| | D | | 1 | ----- | ----- | 2574 025 | |
| | C | | 1 | ----- | ----- | 2484 949 | |
| | CLIP, Stone Deflector Seal, except Sta. Wgn., R | | 14 | ----- | 6006 104 | ----- | |
| | | | ★ | ----- | ----- | 2405 049 | |
| 13-66-119 | EXTENSION, Stone Deflector, except Sta. Wgn., P | | 1 | ----- | ----- | 2482 668-9 | |
| 13-66-135 | STABILIZER, V | | 2 | 2266 525 | ----- | ----- | |
| | Except Sta. Wgn., L | | 2 | 2266 547 | ----- | ----- | |
| | Sta. Wgn., L | | 2 | 2266 525 | ----- | ----- | |
| | Except Sta. Wgn., W | | 2 | ----- | 2404 676 | ----- | |
| | Sta. Wgn. | | 2 | ----- | 2266 608 | ----- | |
| | NUT, w/RETAINER, V | | 2 | 6000 123 | ----- | ----- | |
| | Sta. Wgn., L | | 2 | 6000 123 | ----- | ----- | |
| | SCREW, Shoulder, V | | 2 | 6023 977 | ----- | ----- | |
| | Sta. Wgn., L | | 2 | 6023 977 | ----- | ----- | |
| 13-66-147 | STEP-PAD, Sta. Wgn., R | | 2 | ----- | 2266 623 | ----- | |
| | W2 | 8 | 2 | ----- | 2266 623 | ----- | |
| | P, D | | 2 | ----- | ----- | 2461 298 | |
| | C1, C3 | 8 | 2 | ----- | ----- | 2461 396 | |

TYPE LETTERS Indicate: V - Valiant R - Belvedere P - Plymouth C - Chrysler
L - Dart W - Coronet D - Dodge Y - Imperial

1965 PASSENGER CAR PARTS CATALOG

| CODE | PART NAME AND DESCRIPTION | CYL | PER CAR | VALIANT | PLYMOUTH BELVEDERE | PLYMOUTH FURY | IMPERIAL |
|--|--|-----|---------|------------|--------------------|--------------------------|------------|
| | | | | DART | DODGE CORONET | DODGE POLARA CHRYSLER | |
| 13-66-O REAR BUMPER FACE BAR - Cont'd | | | | | | | |
| 13-66-148 | CUSHION, Step-Pad, Sta. Wgn., P, D C1, C3 | 8 | 2 | ----- | ----- | 2461 299 | |
| | | | 2 | ----- | ----- | 2461 398 | |
| 13-66-151 | PANEL, Texture Bumper | | 1 | ----- | ----- | ----- | 2461 432-3 |
| 13-66-152 | BEZEL, Panel Texture Bumper | | 1 | ----- | ----- | ----- | 2461 428-9 |
| 13-66-153 | CLOSURE, Center Bumper, except Sta. Wgn., W | | 1 | ----- | 2404 678 | | |
| | NUT, w/WASHER, except Sta. Wgn., W | | 3 | ----- | 6025 002 | | |
| 13-68-O BUMPER GUARDS | | | | | | | |
| 13-68-6 | GUARD, Front, V | | 1 | 2404 524-5 | | | |
| | L | | 2 | 2461 152 | | | |
| | R | | 2 | ----- | 2461 828 | | |
| | W | | 2 | ----- | 2461 303 | | |
| | P | | 1 | ----- | ----- | 2461 203 | |
| | D | | 2 | ----- | ----- | 2461 253 | |
| | C | | 1 | ----- | ----- | 2461 368-9 | |
| | GUARD, Rear, V | | 2 | 2266 450 | | | |
| | L, except Sta. Wgn. | | 2 | 2266 540 | | | |
| | L, Sta. Wgn. | | 2 | 2266 450 | | | |
| | Except Sta. Wgn., R | | 2 | ----- | 2266 606 | | |
| | Except Sta. Wgn., W | | 2 | ----- | 2404 664 | | |
| | Except Sta. Wgn., P | | 1 | ----- | ----- | 2461 240-1 | |
| | Except Sta. Wgn., D | | 1 | ----- | ----- | 2461 290-1 | |
| 13-68-12 | BRACKET, Guard Front, W | | 2 | ----- | 2461 305 | | |
| | Guard Rear, except Sta. Wgn., P | | 2 | ----- | ----- | 2461 243 | |
| 13-68-18 | CUSHION, Guard, Front, R | | 2 | ----- | 2266 466 | | |
| | W | | 2 | ----- | 2461 304 | | |
| | P | | 1 | ----- | ----- | 2461 204 | |
| | D | | 2 | ----- | ----- | 2461 254 | |
| | C | | 2 | ----- | ----- | 2461 370 | |
| | NUT, w/WASHER, R | | ★ | ----- | 6023 271 | 6023 271 | |
| | CUSHION, Rear, except Sta. Wgn., R | | 2 | ----- | 2266 466 | | |
| | W | | 2 | ----- | 2404 666 | | |
| | P | | 2 | ----- | ----- | 2461 242 | |
| | D | | 2 | ----- | ----- | 2461 254 | |
| | NUT, w/WASHER, D2 | | ★ | ----- | 6023 271 | 6023 271 | |
| | PAD, Impact, except Sta. Wgn., D | | 2 | ----- | ----- | 2461 296 | 2404 709 |
| 13-68-20 | ADAPTER, Guard, Front, P | | 2 | ----- | ----- | 2461 205 | |
| 13-68-21 | BRACKET, Pad Impact except Sta. Wgn., C | | 2 | ----- | ----- | 2461 391 | |
| 13-72-O BUMPER JACK | | | | | | | |
| 13-72-1 | JACK, V | | 1 | 2201 039 | | | |
| | L, Less Hook | | 1 | 2461 103 | 2461 103 | 2461 103 | 2461 107 |
| 13-72-2 | HANDLE, Jack | | 1 | 2201 009 | 2201 009 | 2201 009 | 2201 010 |
| 13-72-3 | HOOK, Jack, L | | 1 | 2461 110 | 2467 951 | | |
| | P | | 1 | ----- | ----- | 2467 953 | |
| | Except Sta. Wgn., D, C | | 1 | ----- | ----- | 2467 954 | |
| | Sta. Wgn., D, C | 8 | 1 | ----- | ----- | 2467 955 | |
| | | | 1 | ----- | ----- | ----- | 2460 152 |
| 13-72-4 | BAR and BASE PACKAGE, Rack, L | | 1 | 2275 450 | 2275 450 | 2275 450 | 2275 450 |

TYPE LETTERS Indicate: V - Valiant R - Belvedere P - Plymouth C - Chrysler
L - Dart W - Coronet D - Dodge Y - Imperial

★Indicates use as required. Numerals in parentheses () refer to notes. Printed in U.S.A.
 †Indicates parts not listed in any previous parts book. Prices and specifications subject to change without notice.
 March 1966 Supersedes May 1965. * Indicates change or addition.