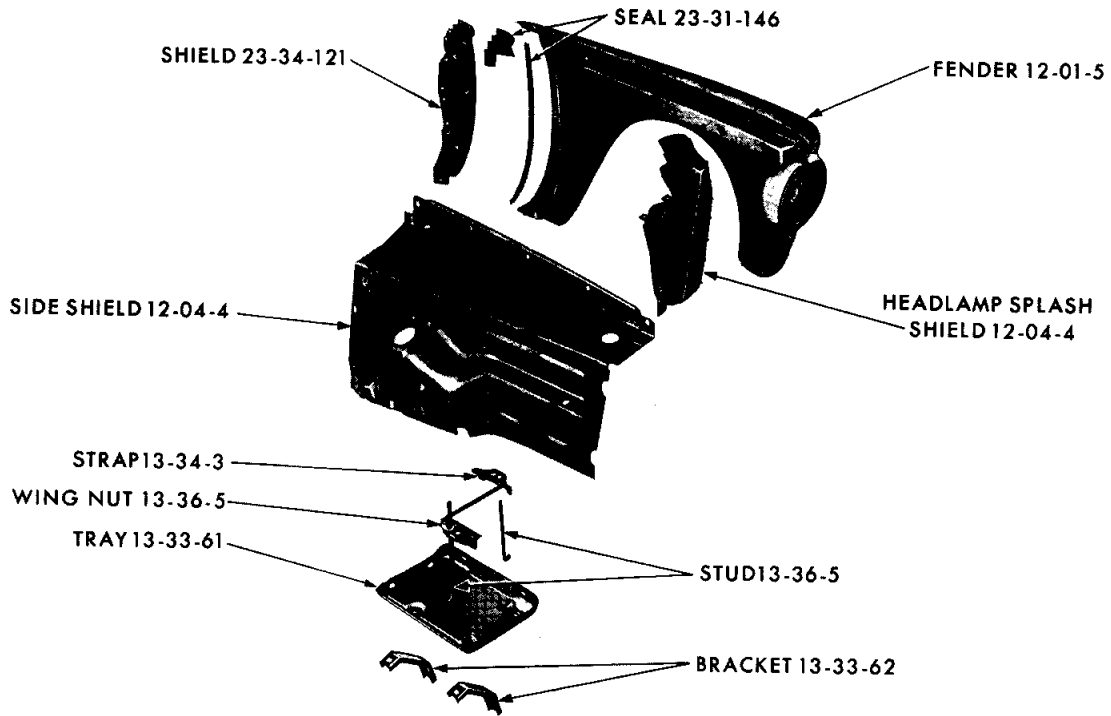
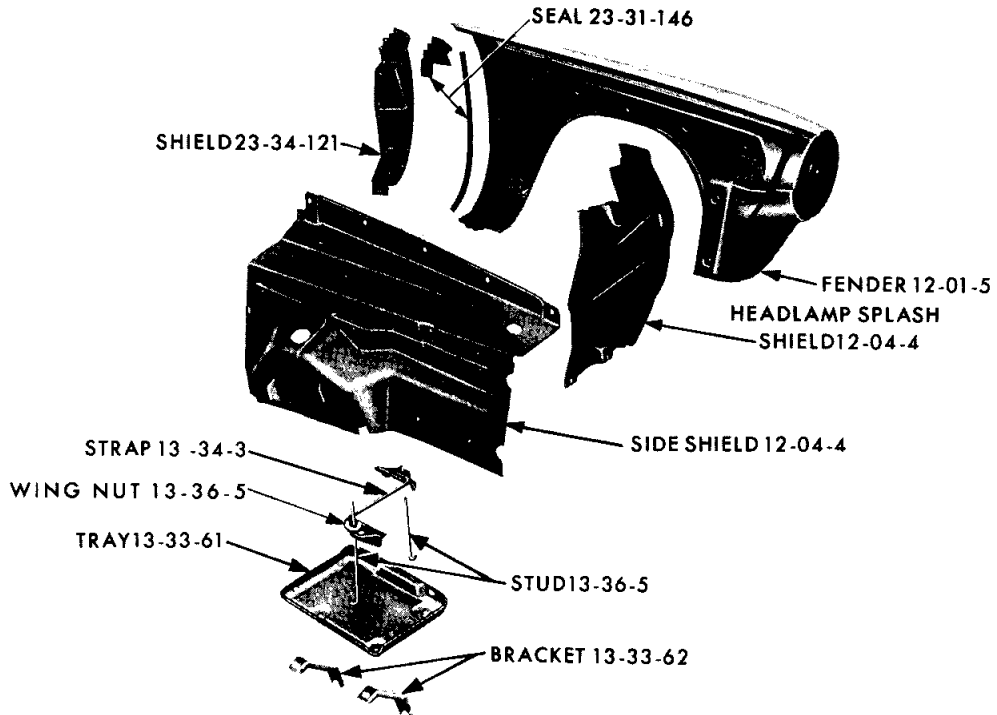


GROUP 12 - FENDERS AND SHEET METAL



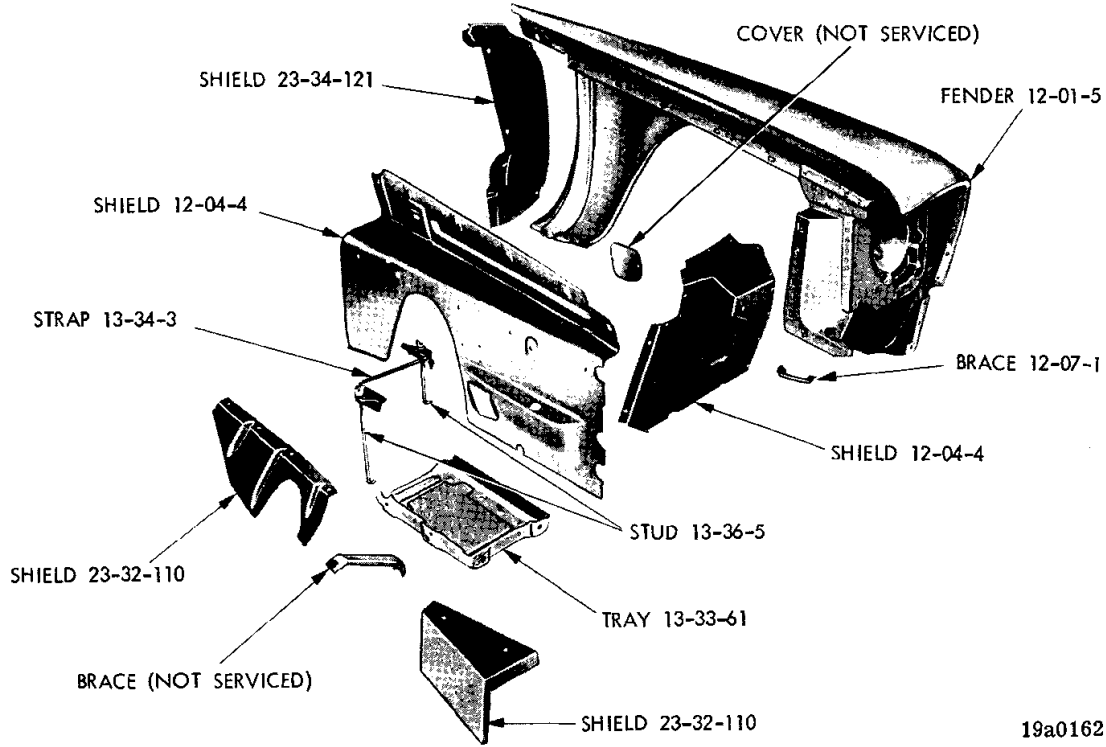
19x9567 B

FRONT FENDER - VALIANT



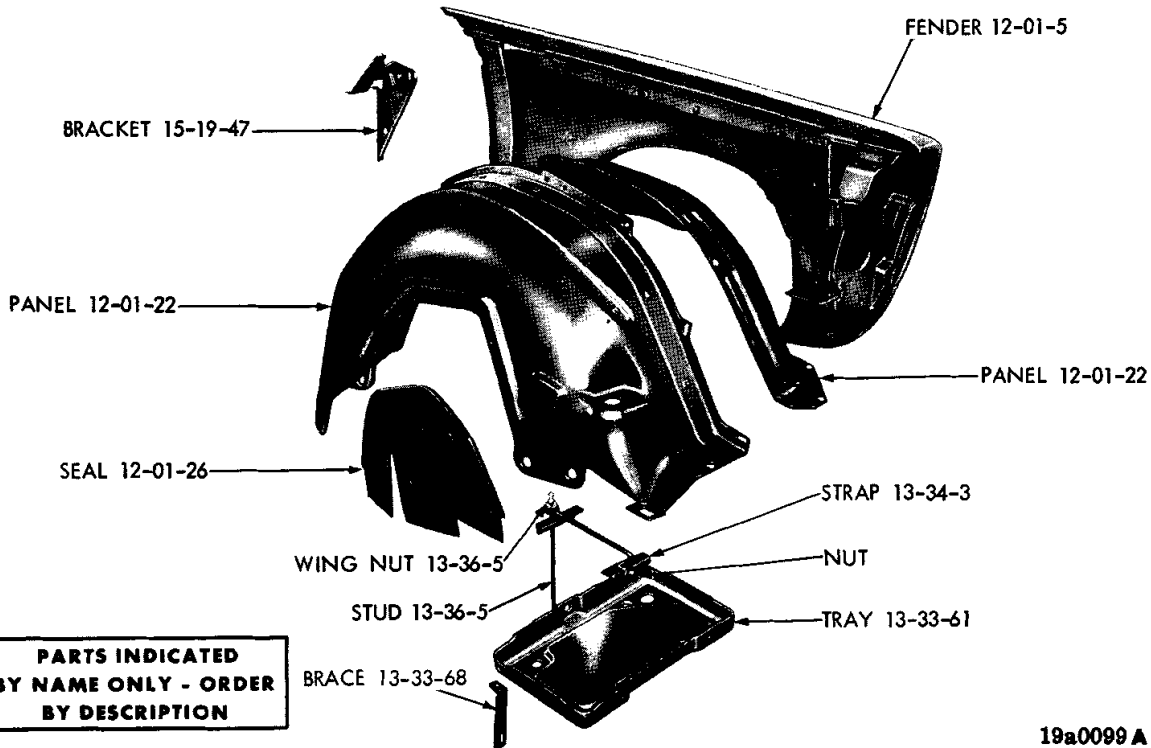
19x9542 B

FRONT FENDER - DART



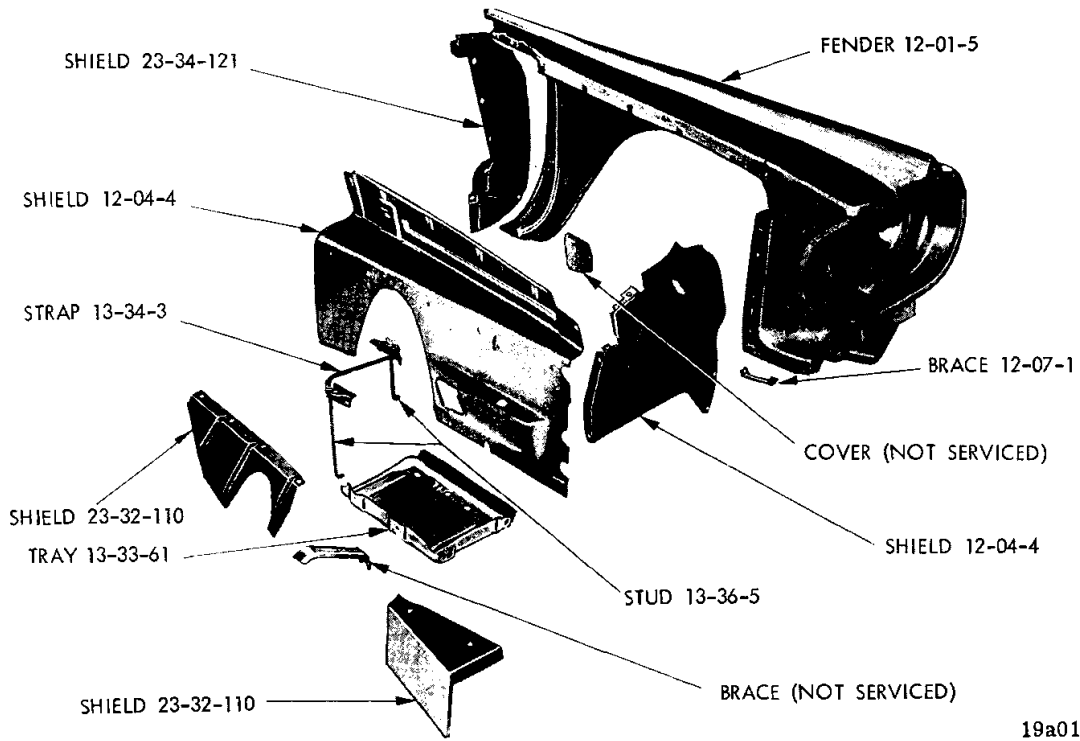
19a0162

FRONT FENDER - BELVEDERE

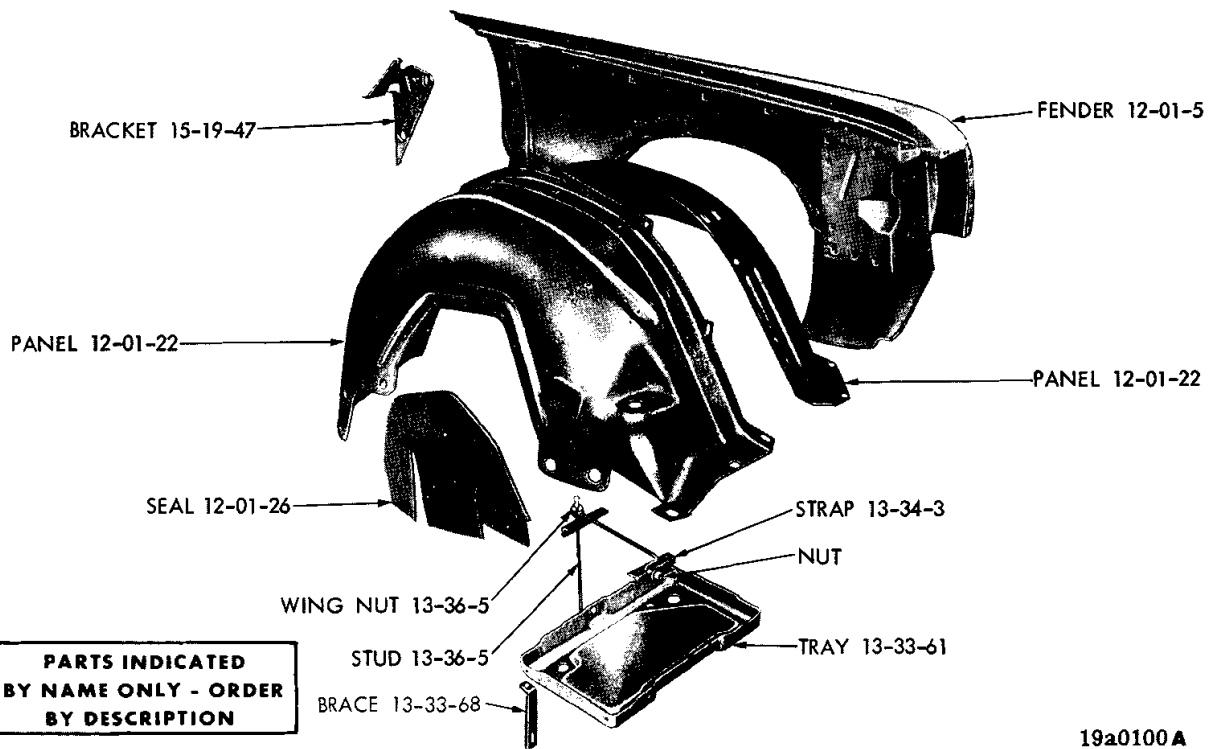


19a0099 A

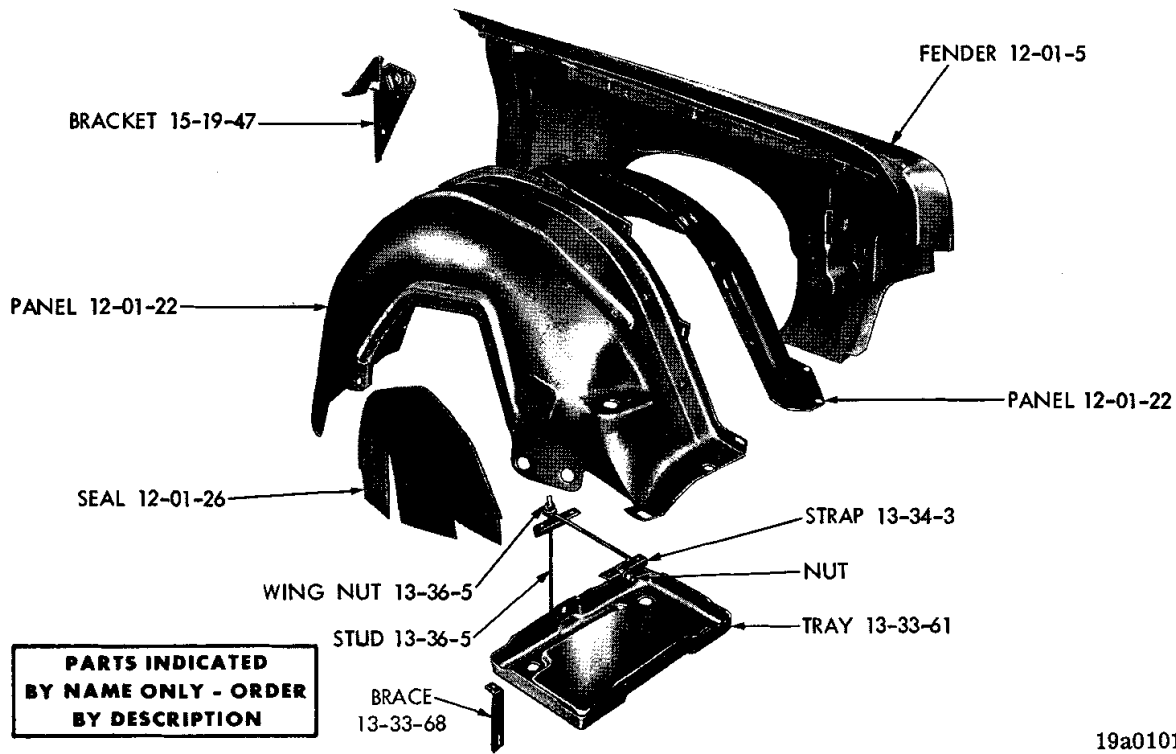
FRONT FENDER - PLYMOUTH



FRONT FENDER - CORONET

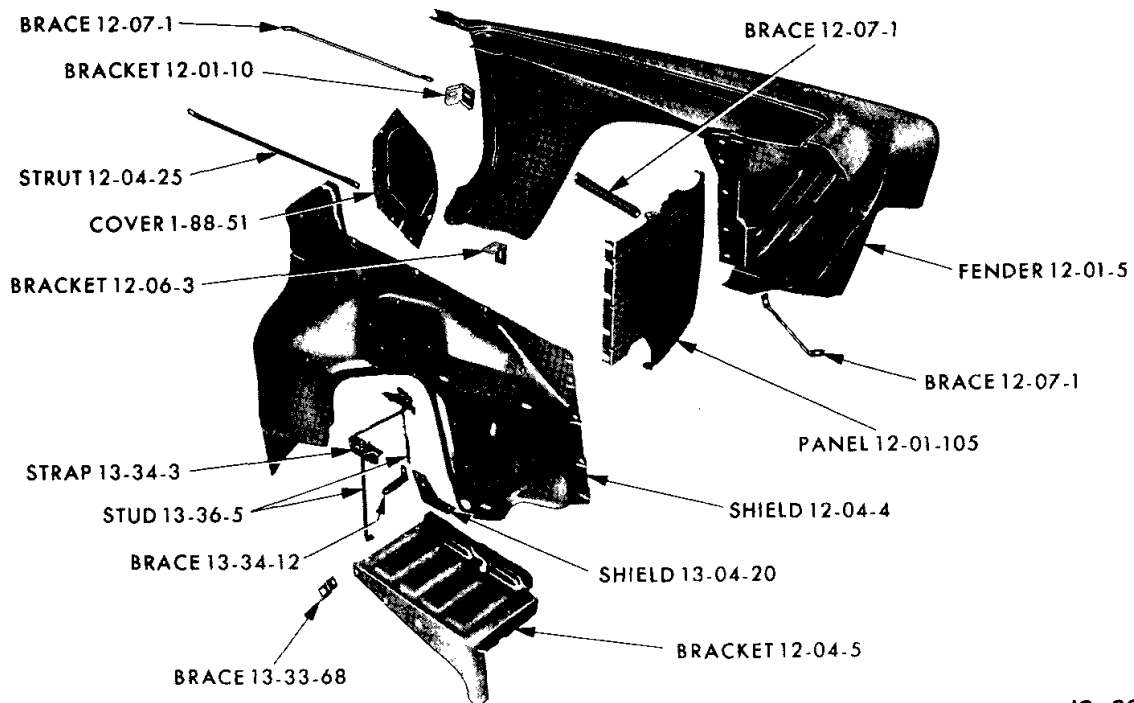


FRONT FENDER - DODGE



19a0101A

FRONT FENDER - CHRYSLER



19x9869

FRONT FENDER - IMPERIAL

CODE	PART NAME AND DESCRIPTION	CYL	PER CAR	VALIANT	PLYMOUTH BELVEDERE	PLYMOUTH FURY	IMPERIAL
				DART	DODGE CORONET	DODGE POLARA CHRYSLER	
12-01-O FRONT FENDERS							
12-01-5	FENDER, Front, V, R		1	2493 906-7	2525 856-7		
	L, W, P		1	2493 926-7	2525 858-9	2525 860-1	
	D2	8	1	-----	-----	2525 862-3	
	C1, C2, C3	8	1	-----	-----	2525 864-5	2425 684-5
	AR2, w/426 cu. in. Eng., Hemispherical . . .	8	1	-----	⊠2416 885-6		
	AW2, Right, w/426 cu. in. Eng., Hemispherical	8	1	-----	⊠2416 888		
	AW2, Left, w/426 cu. in. Eng., Hemispherical	8	1	-----	⊠2416 887		
12-01-10	BRACKET, Fender to Pillar		8	2	-----	-----	1686 914
12-01-22	PANEL, Front Fender Wheelhouse						
	Right, Inner		1	-----	-----	2461 794	
	Left, Inner		1	-----	-----	2530 977	
	Outer, P		1	-----	-----	2461 782-3	
	Outer, D, C	8	1	-----	-----	2461 778-9	
12-01-26	SEAL, Fender Wheelhouse Inner Panel to Upper Control Arm, Right, P		6	1	-----	2530 982	
	Left, P		6	1	-----	2530 290	
	P, D, C		8	2	-----	2530 290	
12-01-105	PANEL, Shear		8	1	-----	-----	2417 406-7
12-02-O FENDER SEAL OR SHIM							
12-02-5	SEAL, Shear Panel, Upper		8	1	-----	-----	2417 956
	Side, Inner		8	1	-----	-----	2417 528-9
	Side, Outer		8	2	-----	-----	2445 052
	Fender to Pillar		8	2	-----	-----	2166 641
	SHIM, Fender Flange to Cowl Top		★	6010 031			
	Fender to Pillar Support to Cowl		4	6010 035			
	Fender Cowl Bracket to Cowl		★	-----	6010 031		
	Fender Cowl Bracket to Cowl, Front		★	-----	2099 784		
	Fender to Pillar Support, Upper Attaching Thin		★	-----	-----	6010 031	
	Fender to Cowl Attaching		★	-----	-----	6010 031	
12-02-6	FILLER, Fender Bumper		8	1	-----	-----	2445 590-1
	Grill Fender		8	1	-----	-----	2578 052-3
12-02-10	RETAINER, Fender Bumper Filler, Inner . . .		8	1	-----	-----	2445 826-7
	Outer		8	1	-----	-----	2445 824-5
12-04-O FRONT FENDER SHIELD							
12-04-4	SHIELD, Fender Headlamp Splash, V, R		1	2276 974-5	2524 770-1		
	L, W		1	2276 968-9	2524 766-7		
	Fender Side, Right		1	*2208 598	*2201 526	-----	*2461 800
	Left		1	2208 593	2530 981	-----	2530 283
12-04-5	BRACKET, Upper Support, w/Battery Tray . .		8	1	-----	-----	1940 893
12-04-23	SEAL, Fender Headlamp Splash Shield, Upper, V, R		1	2417 154-5	2524 550-1		
	Upper, W		1	-----	2524 544-5		
	Side, V, R		1	2417 152-3	2445 532-3		
	Side, W		1	-----	2445 568-9		
	Fender Side Shield to Fender		8	2	-----	-----	2405 064
	Fender Side Shield to Upper Control Arm . .		8	1	-----	-----	2405 688-9

TYPE LETTERS Indicate: V - Valiant R - Belvedere P - Plymouth C - Chrysler
 L - Dart W - Coronet D - Dodge Y - Imperial

★ Indicates use as required. Numerals in parentheses () refer to notes. Printed in U.S.A.
 ⊠ Indicates parts not listed in any previous parts book. Prices and specifications subject to change without notice.
 * Indicates change or addition. May 1965, Supersedes Nov. 30, 1964.

1965 PASSENGER CAR PARTS CATALOG

FENDERS AND SHEET METAL

CODE	PART NAME AND DESCRIPTION	CYL	PER CAR	VALIANT	PLYMOUTH BELVEDERE	PLYMOUTH FURY	IMPERIAL
				DART	DODGE CORONET	DODGE POLARA CHRYSLER	
12-04-0 FRONT FENDER SHIELD - Cont'd							
12-04-24	CLIP, Fender Shield Rear Cover except Sta. Wgn.		8	-----	2405 049		
	Wheelhouse Panel Seal, P,D,C		22	-----	-----	2405 049	
	Front Side Rail to Dash Support Seal		4	-----	2405 049		
	Front Fender Shield, Rear Cover		8	-----	2405 049		
12-04-25	STRUT, Fender Shield to No. 1 Body Dash Brace	8	2	-----	-----	-----	2409 340
12-06-0 FENDER BRACKET							
12-06-3	BRACKET, Fender Extension to Cross Bar, R. Radiator Cross Bar Fender, D		2	-----	2524 107		
	C	8	2	-----	-----	2578 856	1624 582
		8	2	-----	-----	2449 946	
12-07-0 FENDER BRACE OR SUPPORT							
12-07-1	BRACE, Fender to Fender Shield		1	-----	2578 604-5		
	Fender to Bumper Support, R		2	-----	2579 091		
	W		2	-----	2579 094		
	Fender Side Panel Shear Panel	8	1	-----	-----	-----	2524 014-5
	Fender Shield to Fender	8	1	-----	-----	-----	2405 050-1
	Fender Shield to Fender, Lower	8	1	-----	-----	-----	2260 456-7
	Fender to Cowl	8	1	-----	-----	-----	1754 294-5
12-15-0 FENDER MOULDINGS, NAME PLATES AND ORNAMENTS							
NOTE: See Exterior Moulding Illustrations in Front of Group 23 Body.							
12-15-11	PLATE, Fender Side Lower Moulding Tie, D2-H Sta. Wgn.	8	4	-----	-----	2524 782	
12-15-21	MEDALLION, Fender Side Pentastar, Right Side Only		1	⊠2785 200	⊠2785 200	⊠2785 200	⊠2785 200
	ORNAMENT, Fender Side, Formula S Barracuda		1	*2579 443			
	CLIP		1	6000 050	6000 050	6000 050	6000 050
12-15-32	OVERLAY, Front Fender D-H, Sta. Wgn.	8	2	-----	-----	*2605 036	

NOTES

TYPE LETTERS Indicate:

V - Valiant
L - Dart

R - Belvedere
W - Coronet

P - Plymouth
D - Dodge

C - Chrysler
Y - Imperial

★Indicates use as required.

⊠Indicates parts not listed in any previous parts book.

March 1966 Supersedes May 1965.

Numerals in parentheses () refer to notes.

Prices and specifications subject to change without notice.

Printed in U.S.A.

* Indicates change or addition.