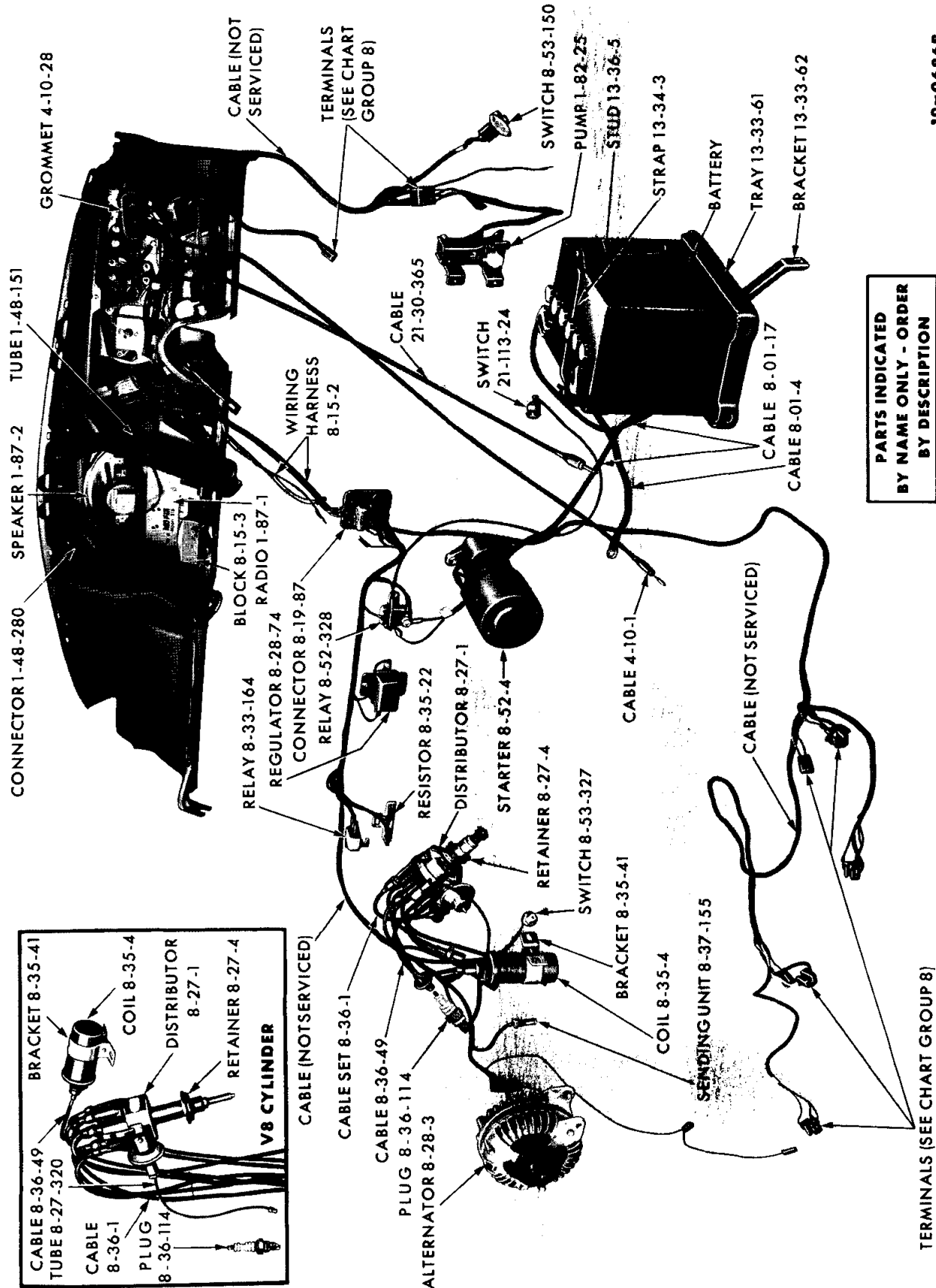
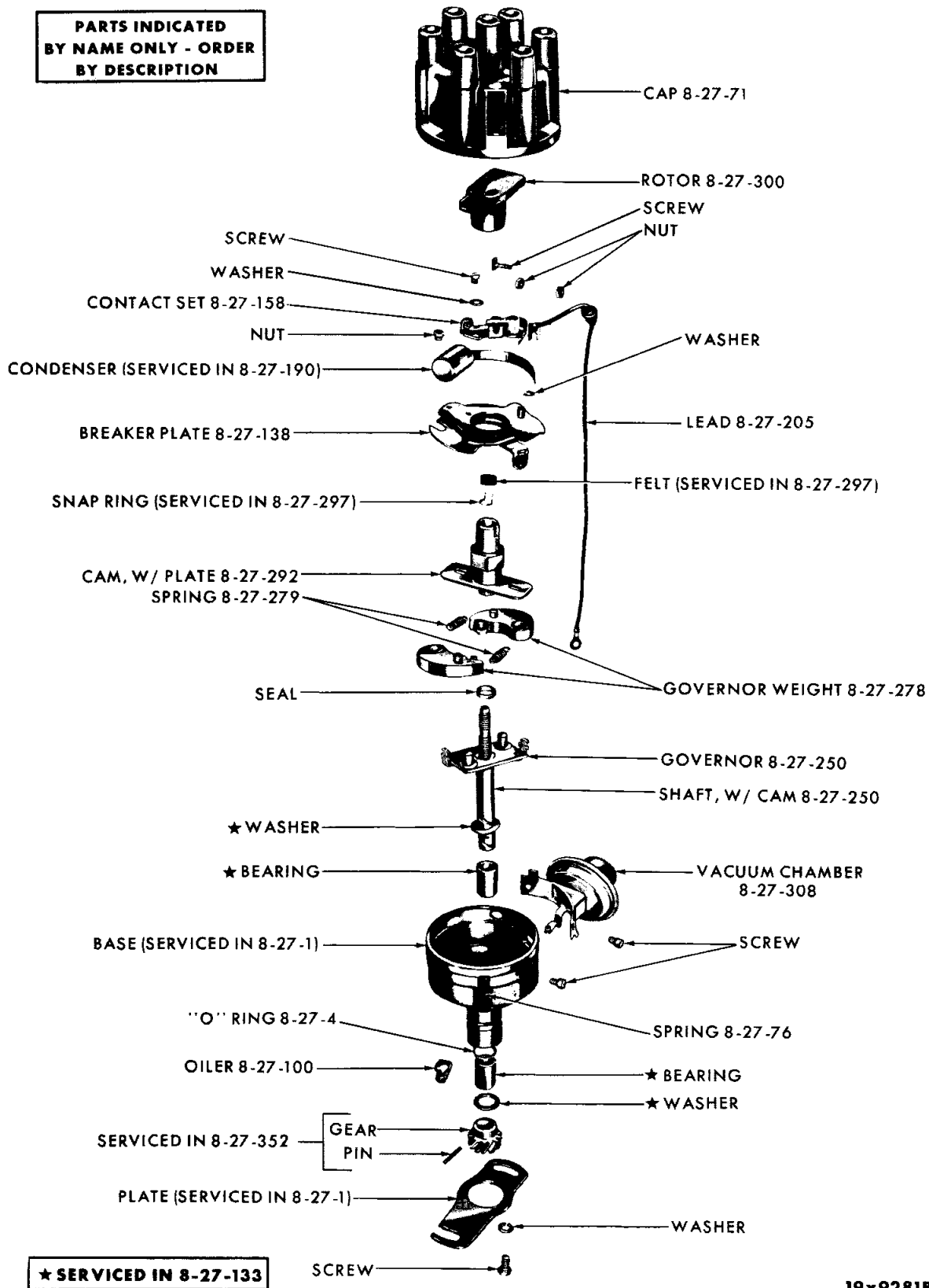


GROUP 8 - ELECTRICAL



19x9686B

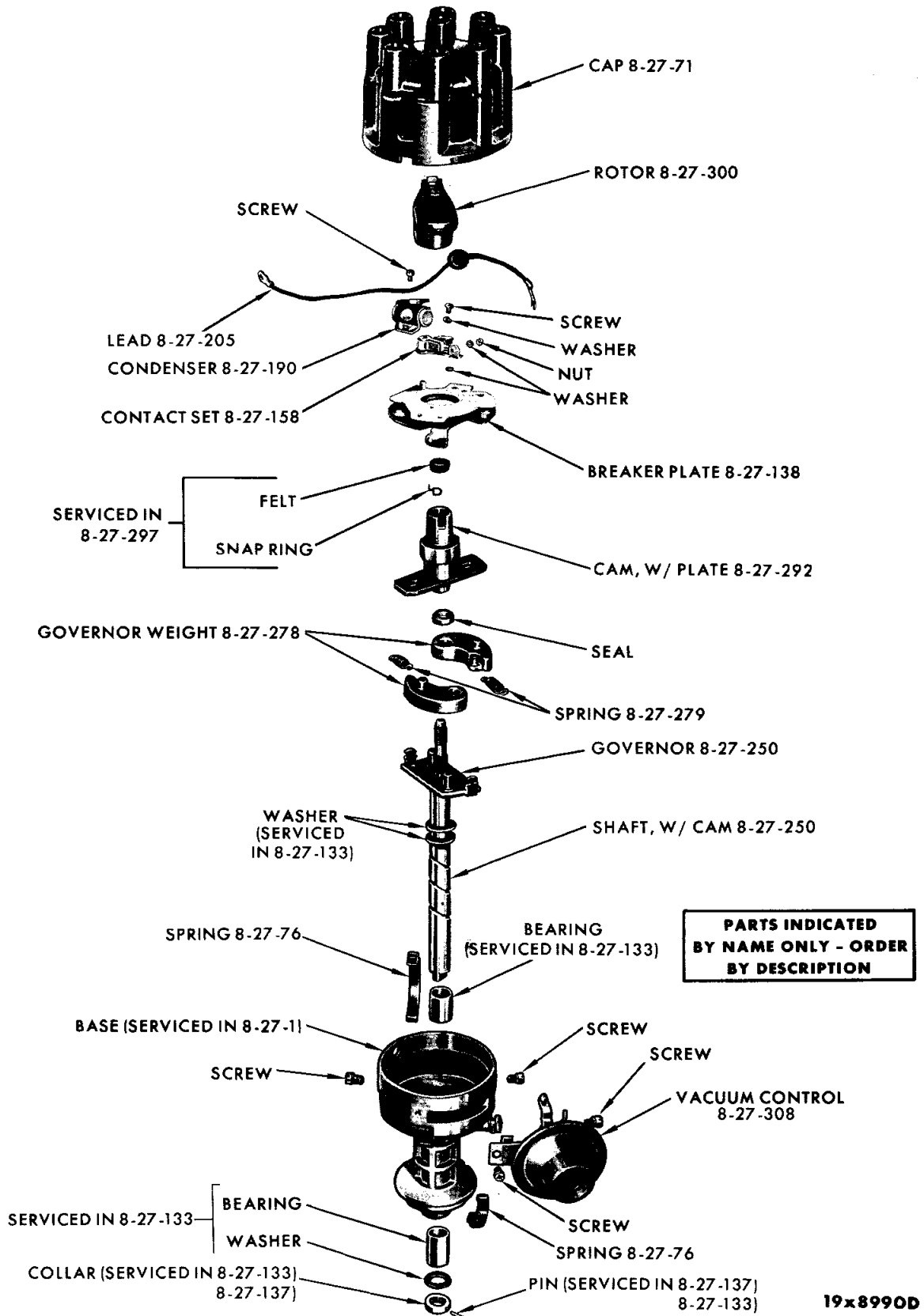
**PARTS INDICATED
BY NAME ONLY - ORDER
BY DESCRIPTION**



★ SERVICED IN 8-27-133

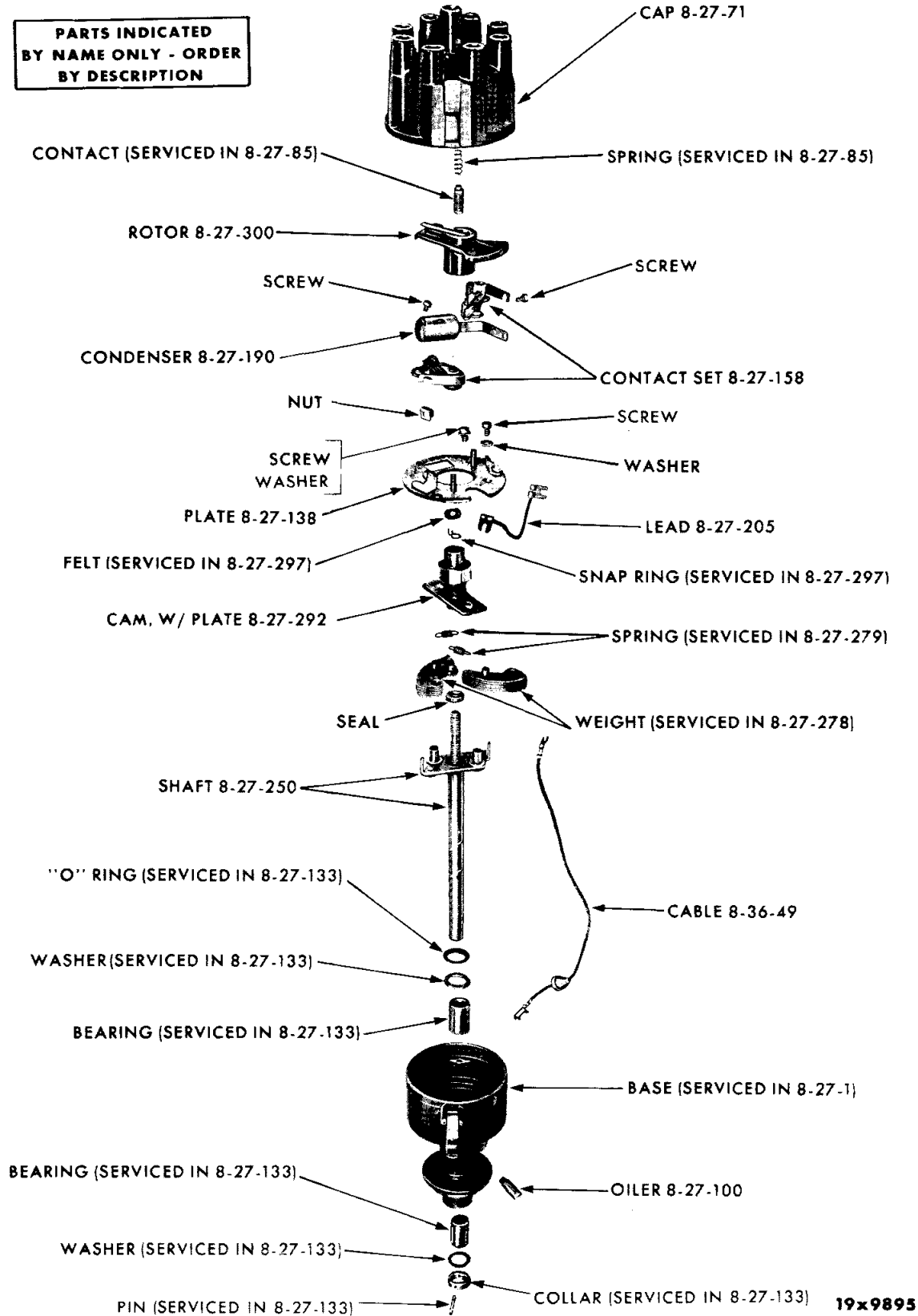
19x9281B

DISTRIBUTOR ASSEMBLY - 6 CYLINDER



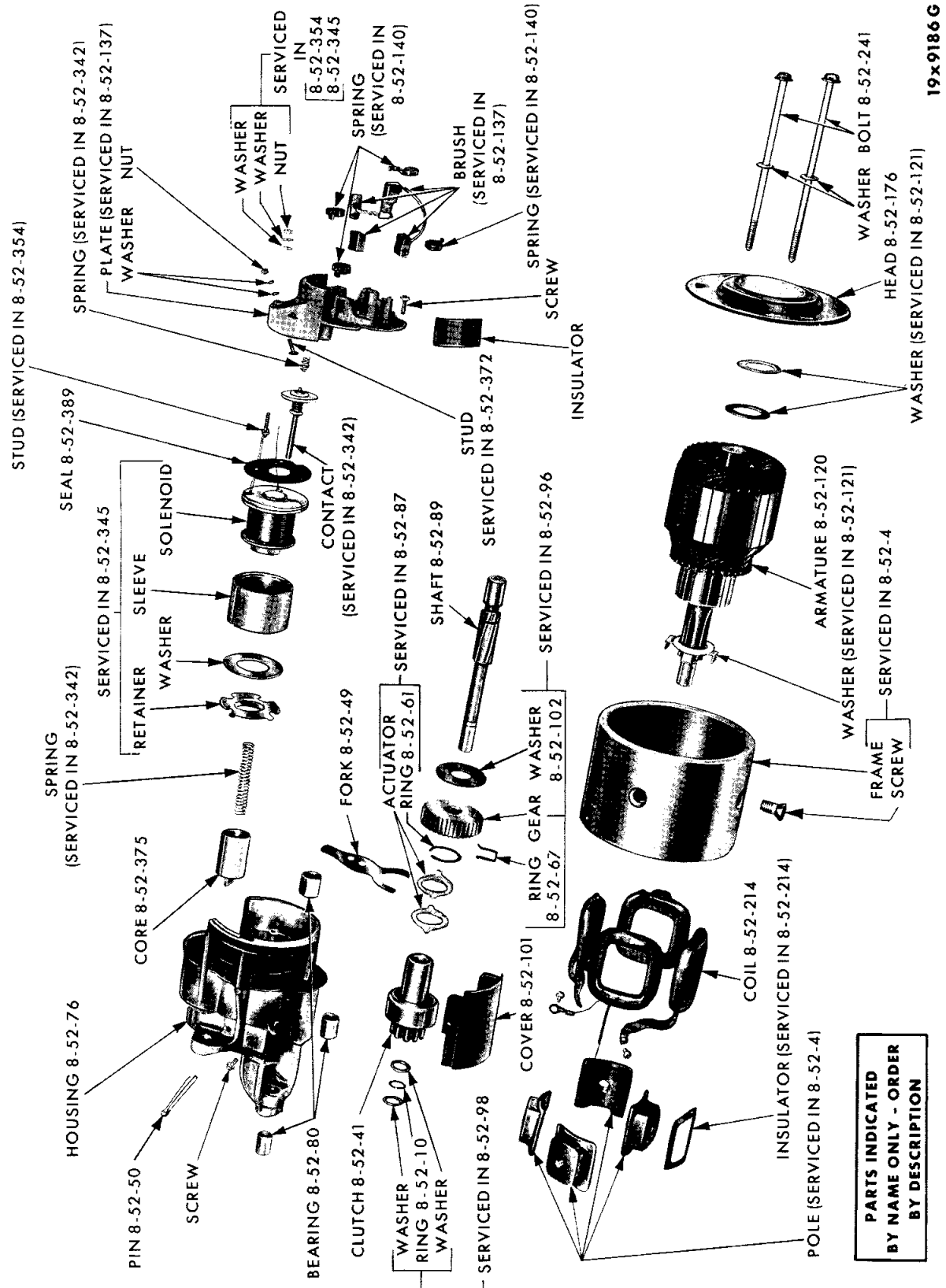
DISTRIBUTOR ASSEMBLY - V8 CYLINDER

PARTS INDICATED BY NAME ONLY - ORDER BY DESCRIPTION



19x9895

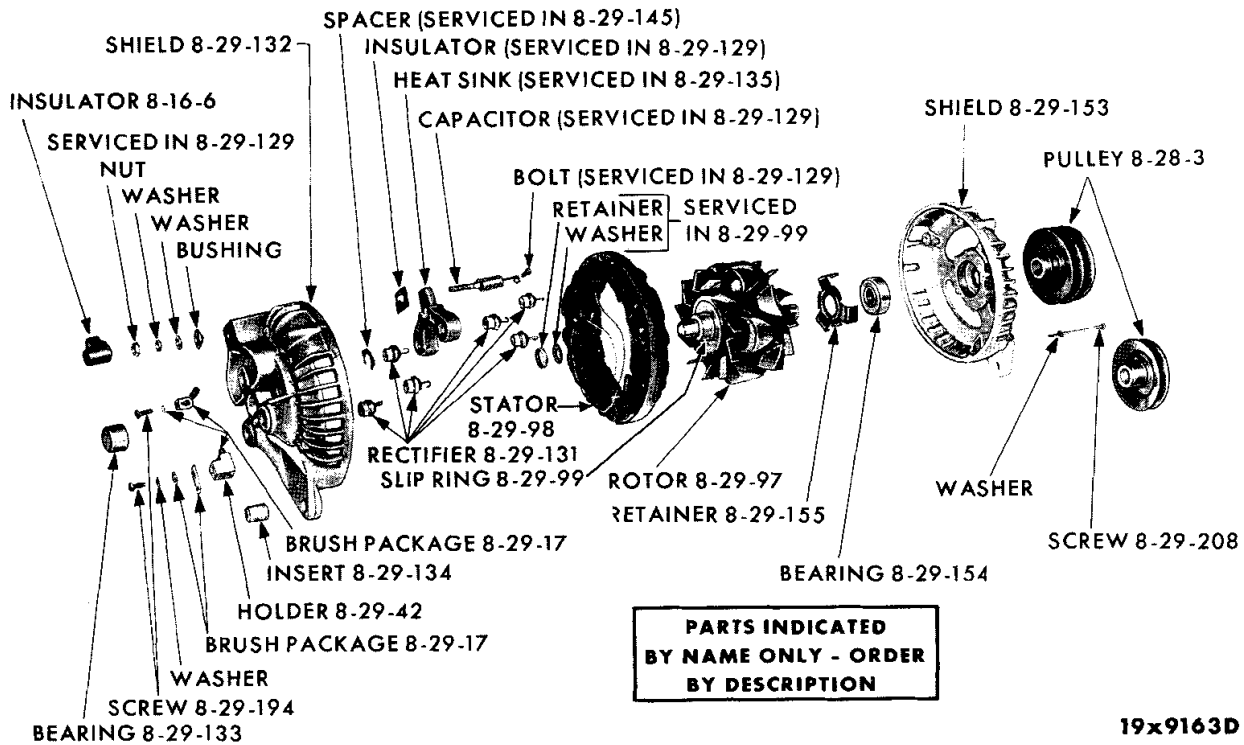
DISTRIBUTOR ASSEMBLY (V8 CYLINDER) - BELVEDERE, PLYMOUTH, CORONET AND DODGE



19x9186G

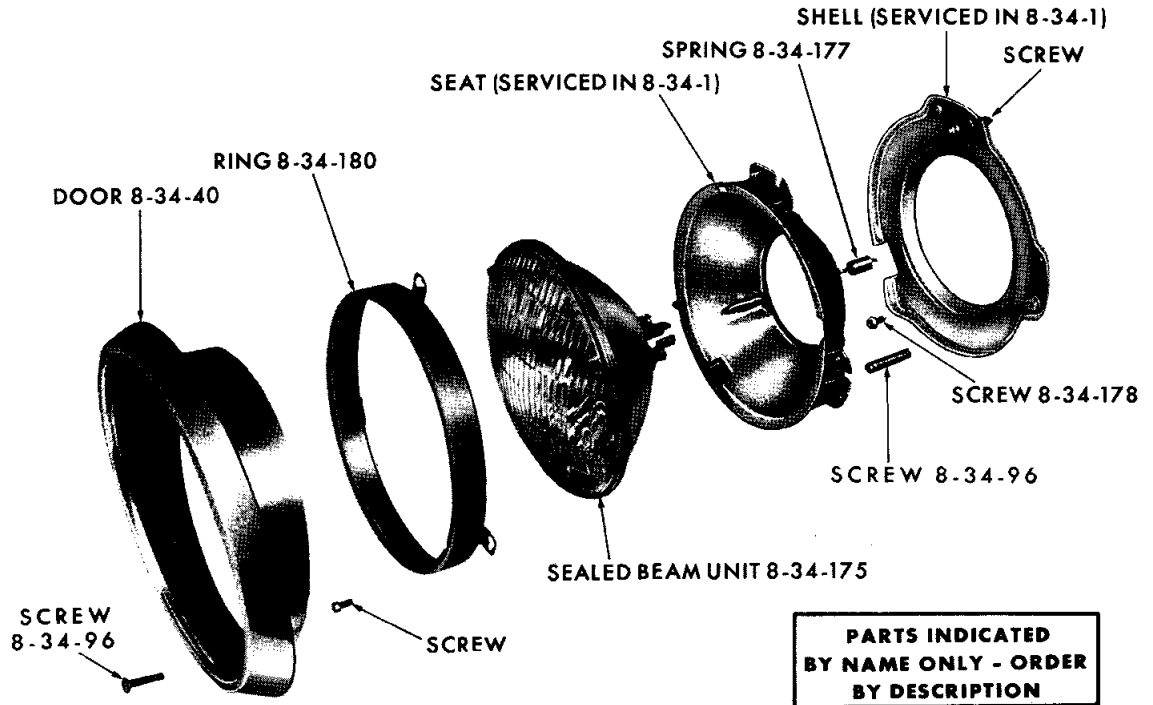
PARTS INDICATED BY NAME ONLY - ORDER BY DESCRIPTION

STARTER ASSEMBLY (2098500 AND 2095150)



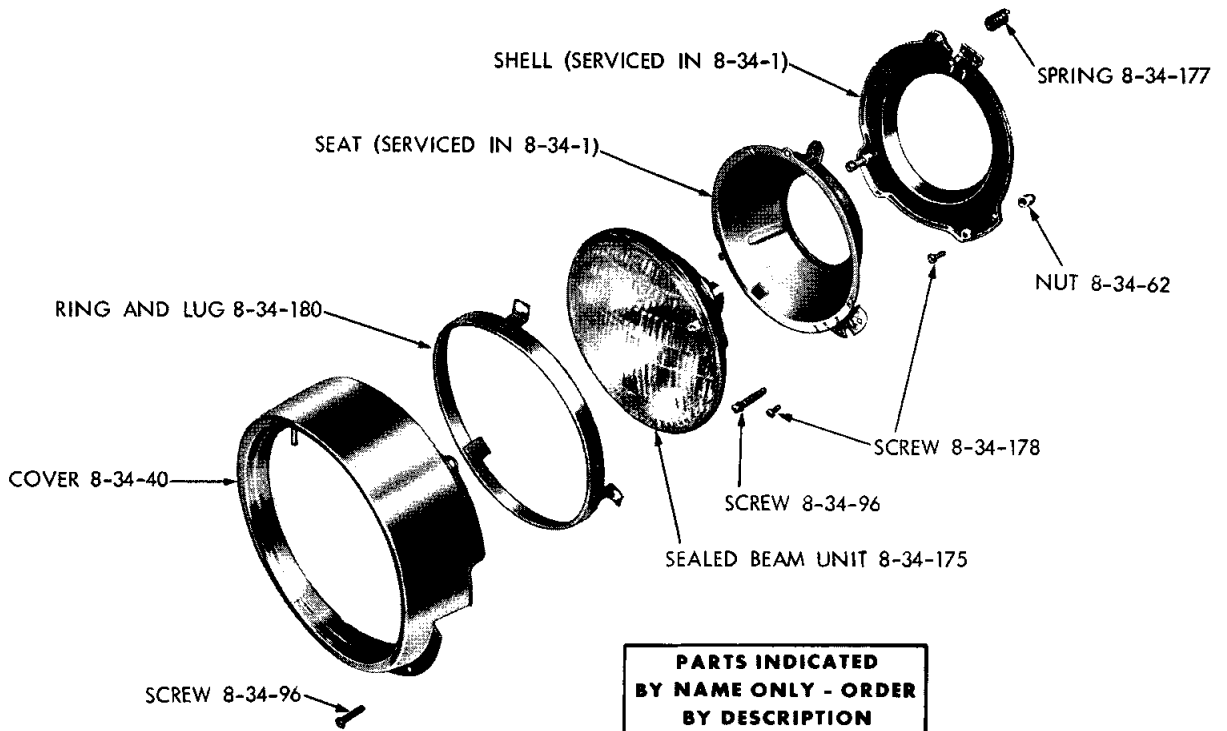
ALTERNATOR

NOTES



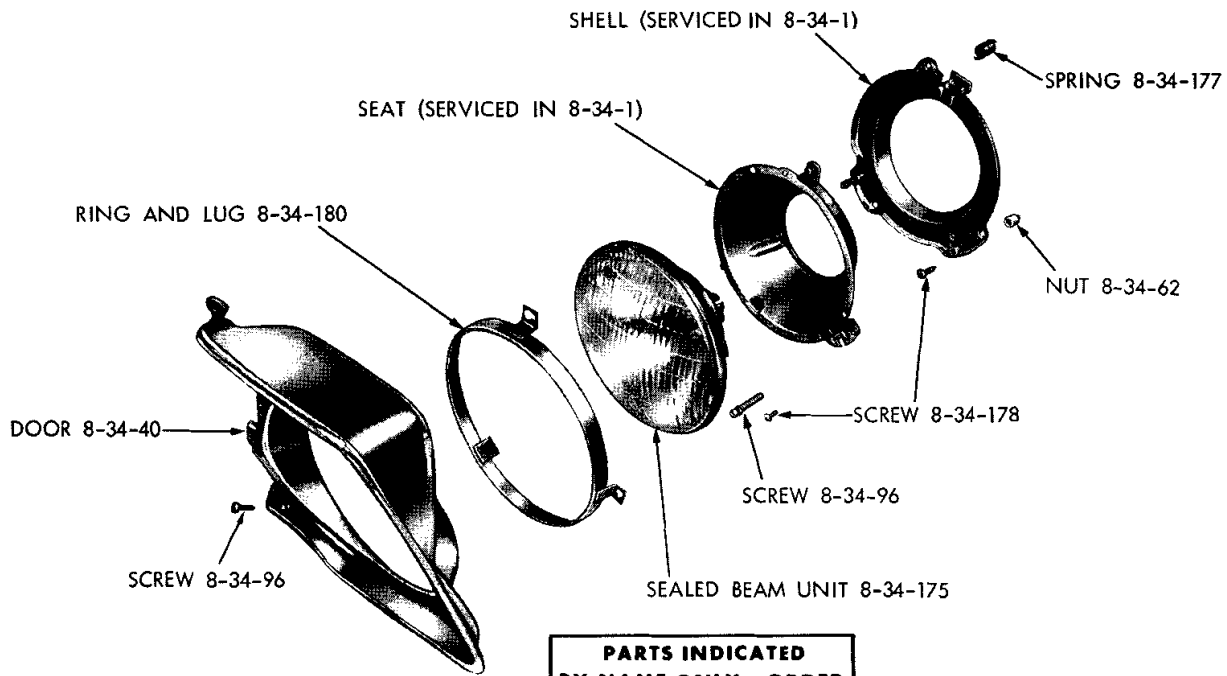
19x9444D

HEADLAMP - VALJANT



19a0122A

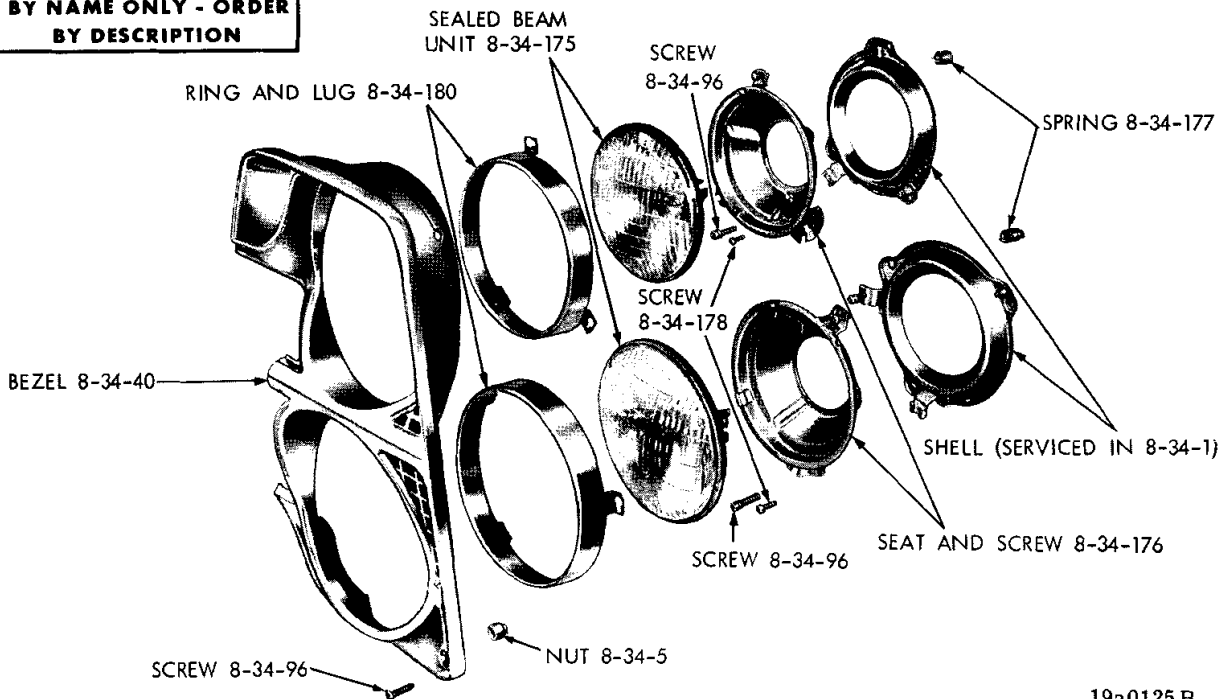
HEADLAMP - DART



19a0123A

HEADLAMP - BELVEDERE

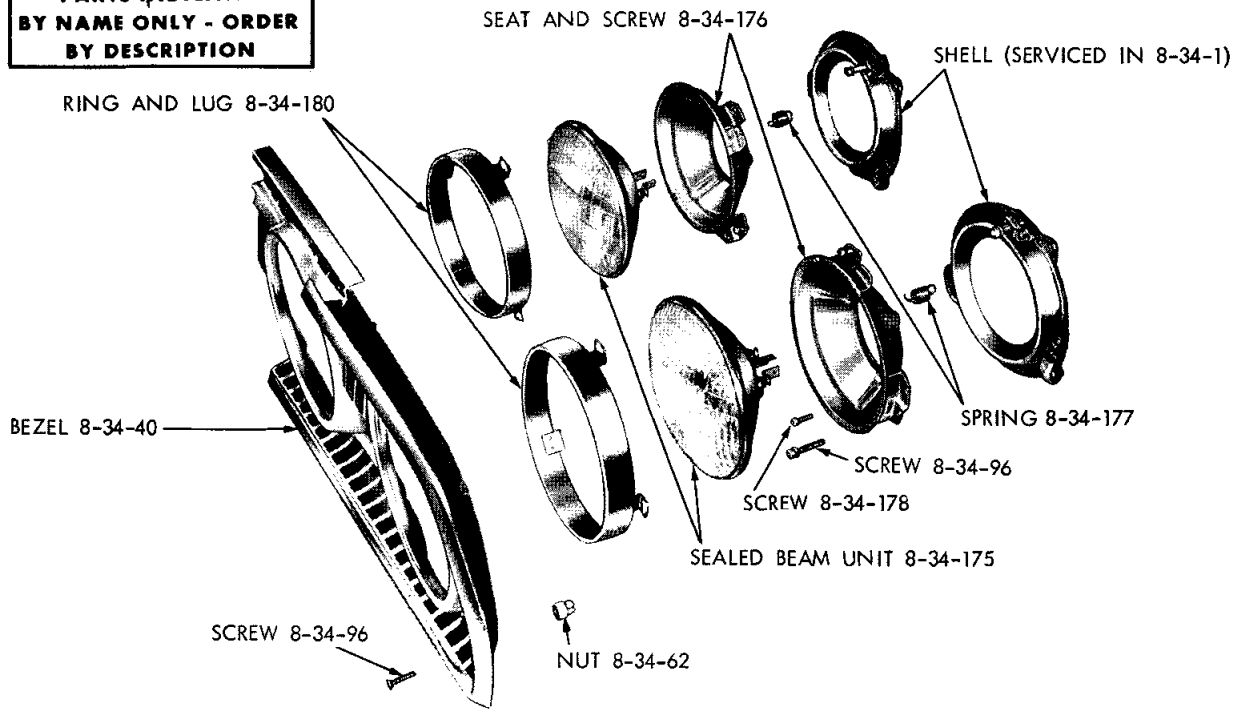
PARTS INDICATED BY NAME ONLY - ORDER BY DESCRIPTION



19a0125B

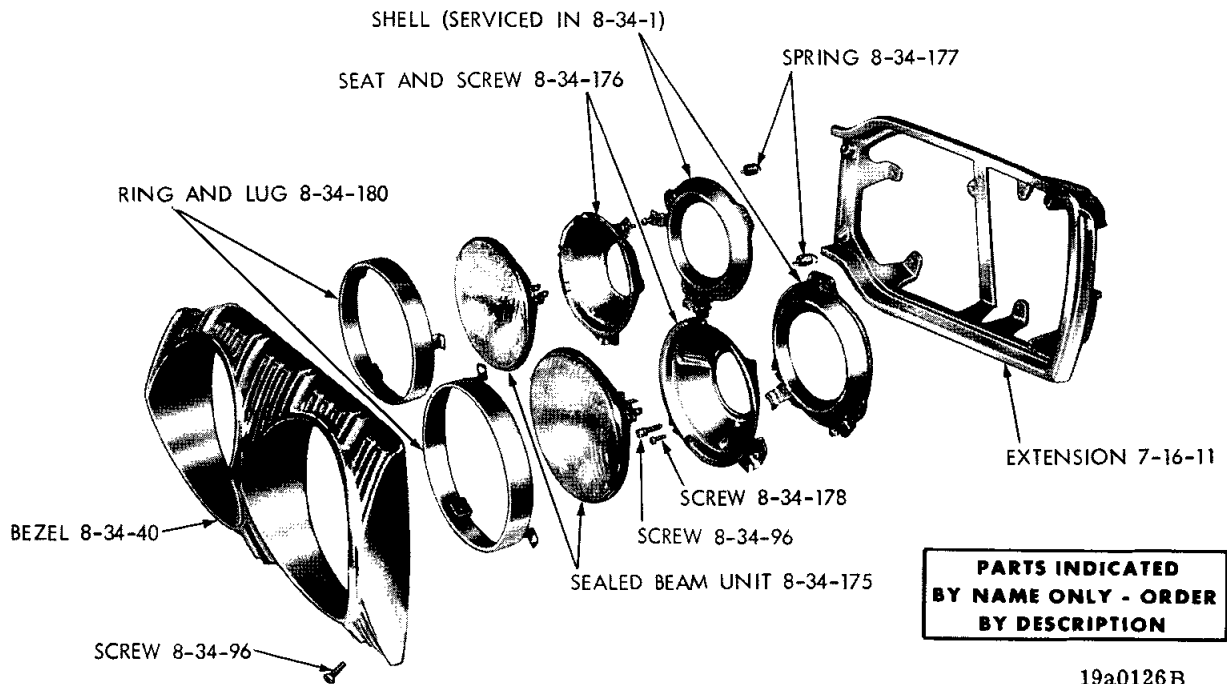
HEADLAMP - PLYMOUTH

**PARTS INDICATED
BY NAME ONLY - ORDER
BY DESCRIPTION**



19a0124 B

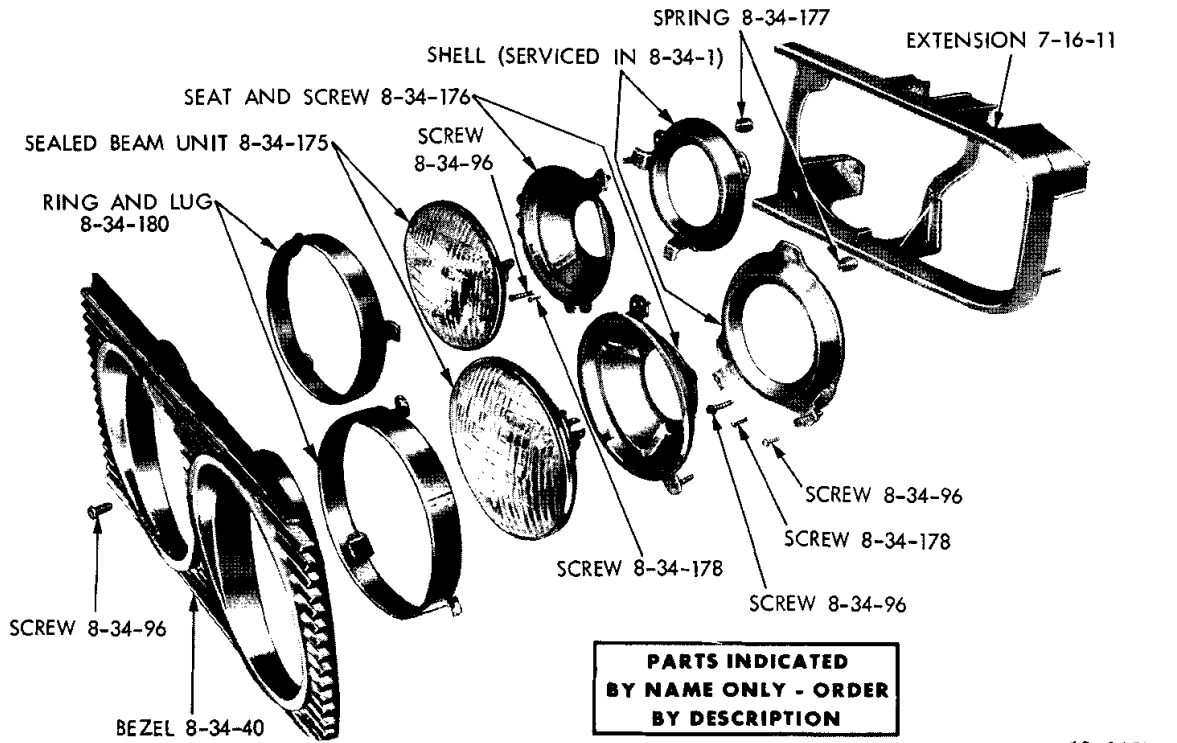
HEADLAMP - CORONET



**PARTS INDICATED
BY NAME ONLY - ORDER
BY DESCRIPTION**

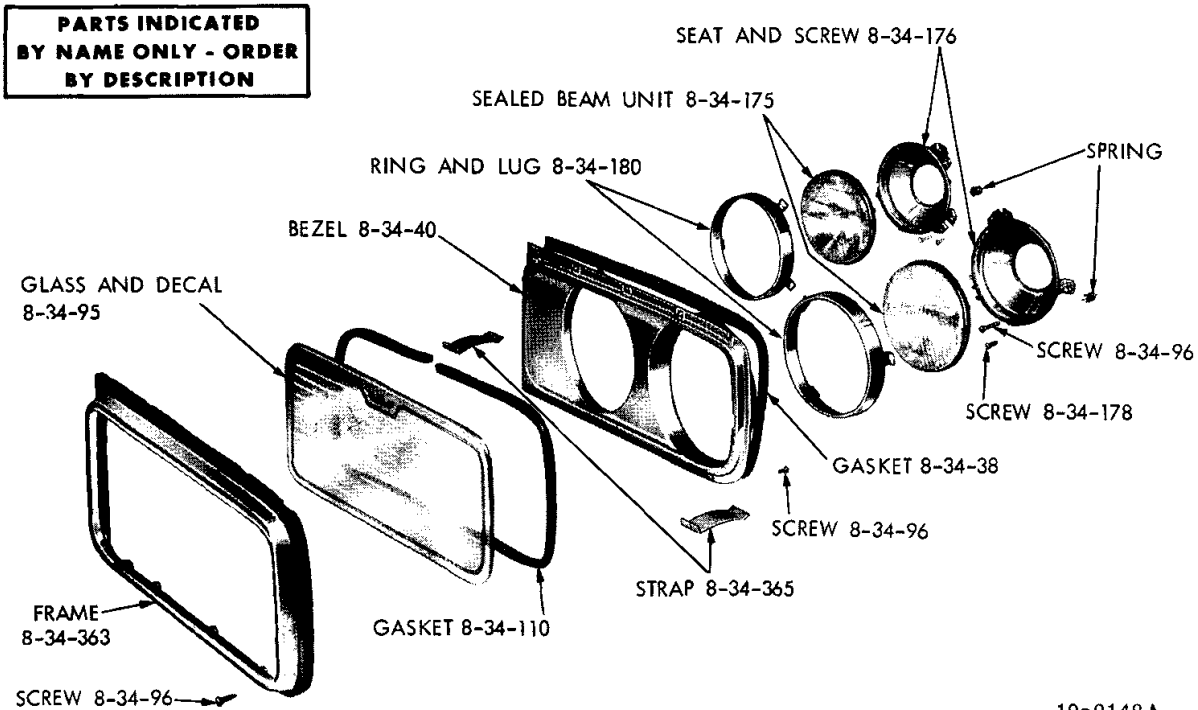
19a0126 B

HEADLAMP - DODGE



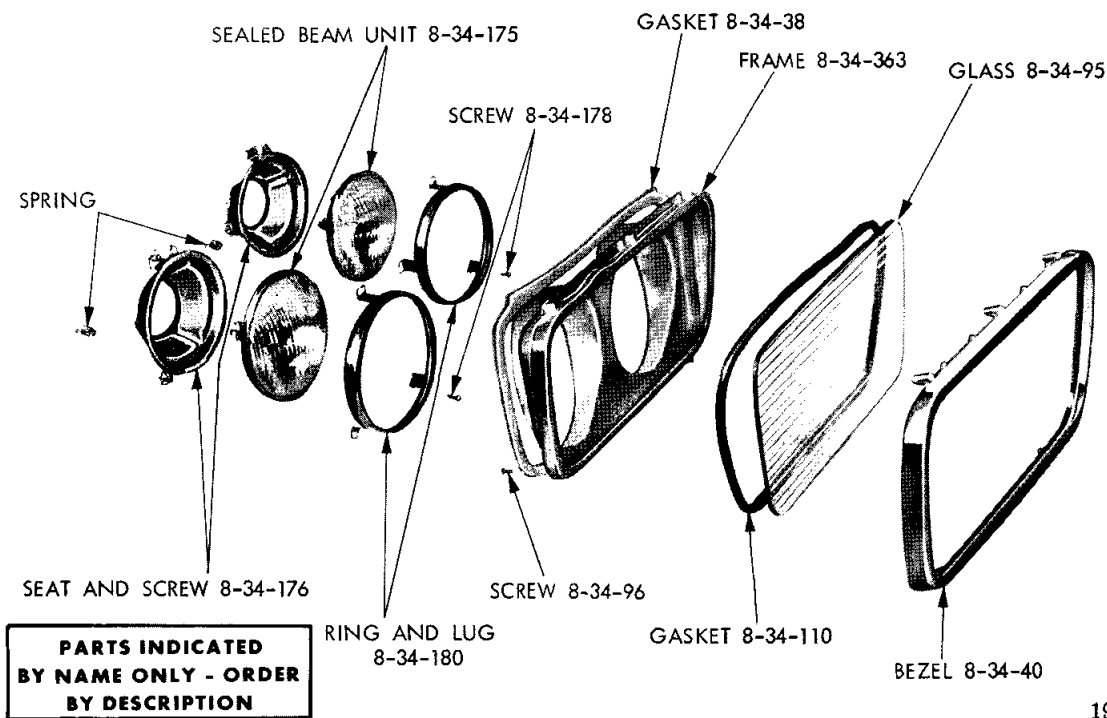
19a0127B

HEADLAMP - CHRYSLER (L)



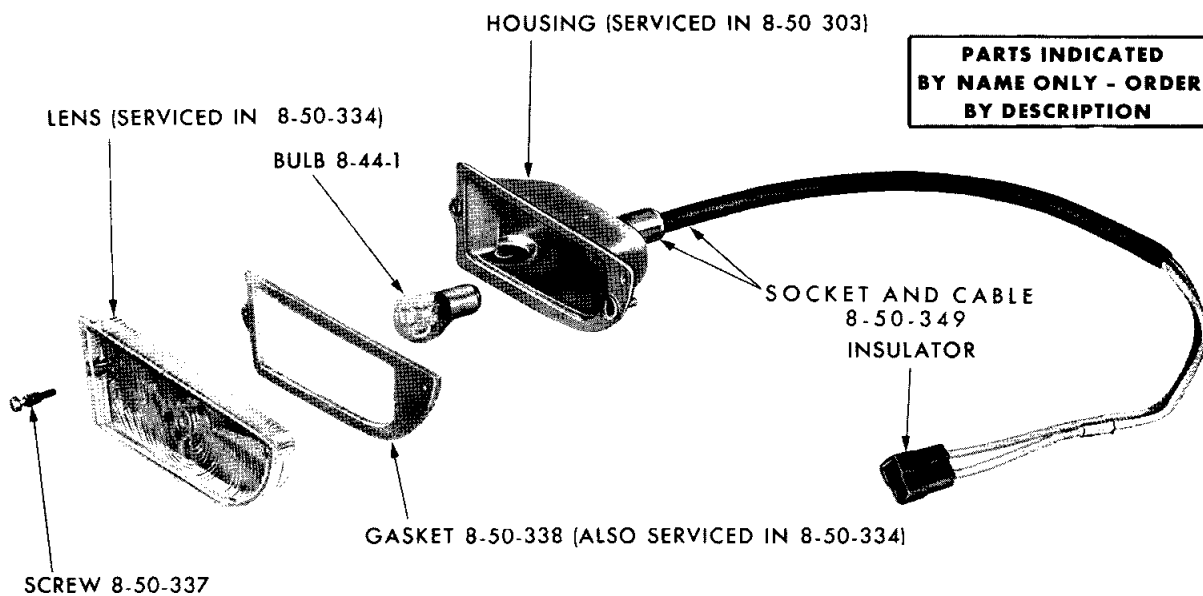
19a0148A

HEADLAMP - CHRYSLER (M-H-P)



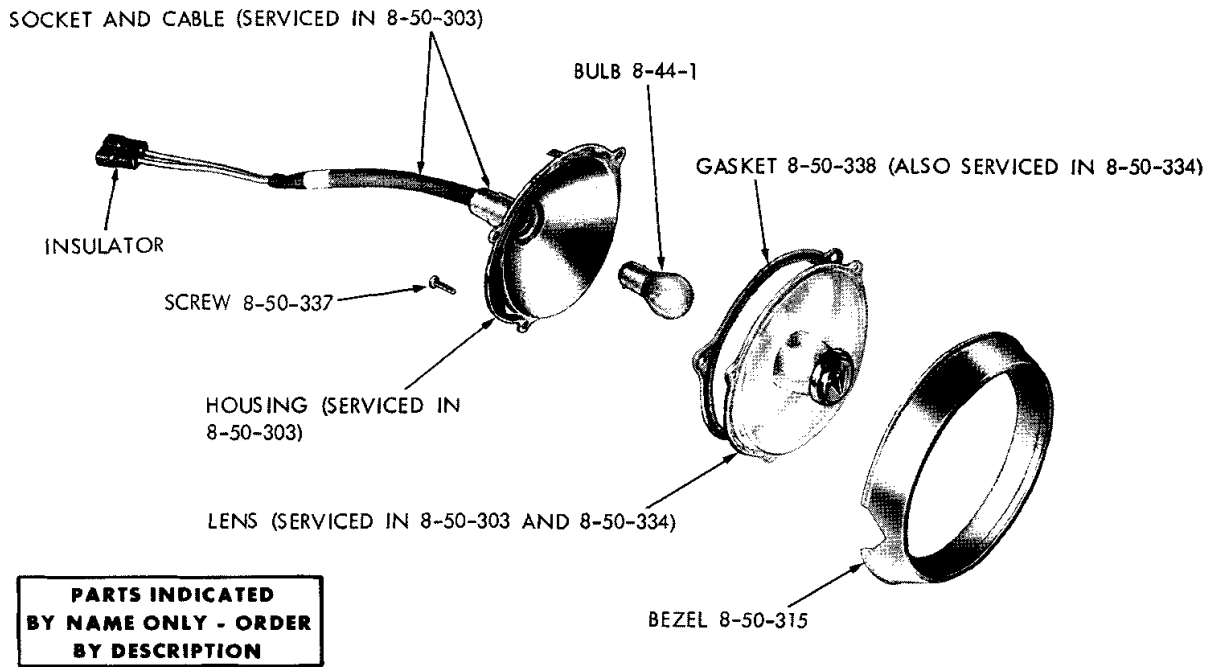
19a0165A

HEADLAMP - IMPERIAL



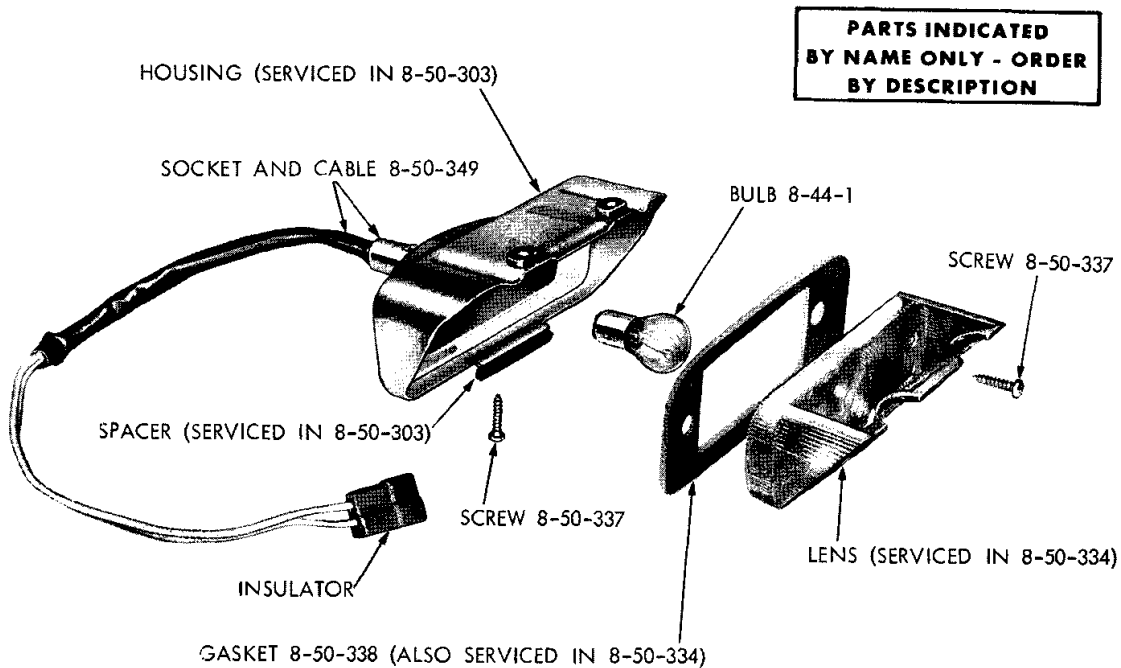
19x9753B

PARKING AND TURN SIGNAL LAMP - VALIANT (EXCEPT BARRACUDA)



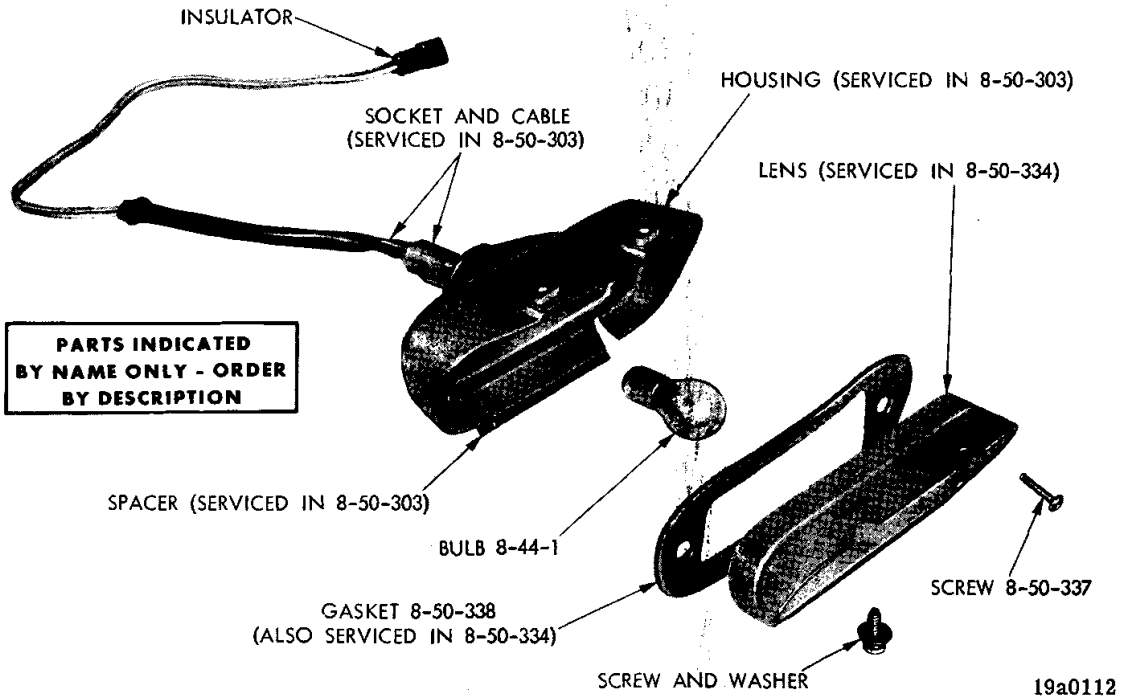
19a0002B

PARKING AND TURN SIGNAL LAMP - VALIANT BARRACUDA

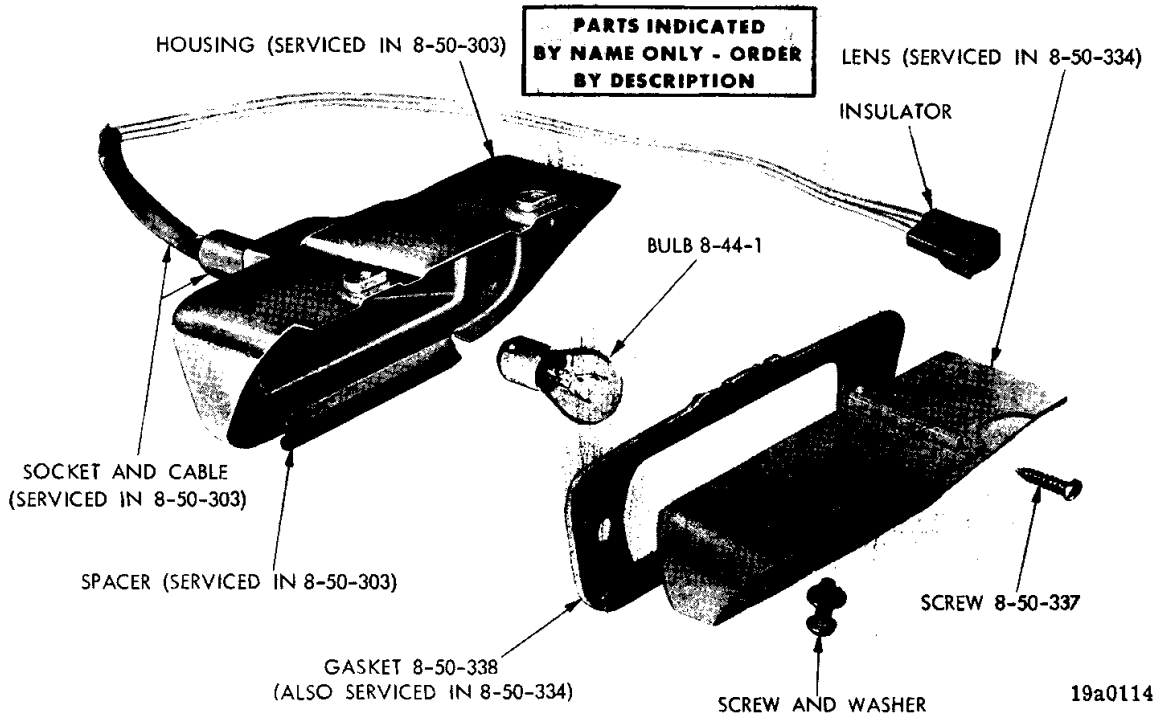


19a0128A

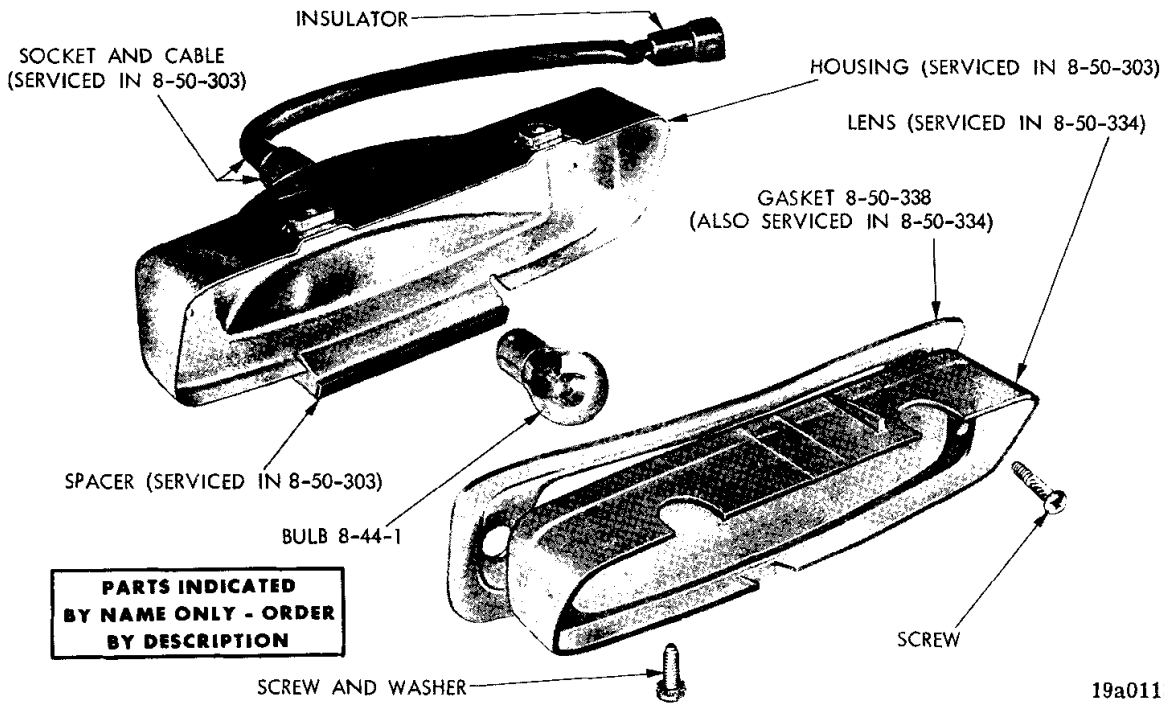
PARKING AND TURN SIGNAL LAMP - DART



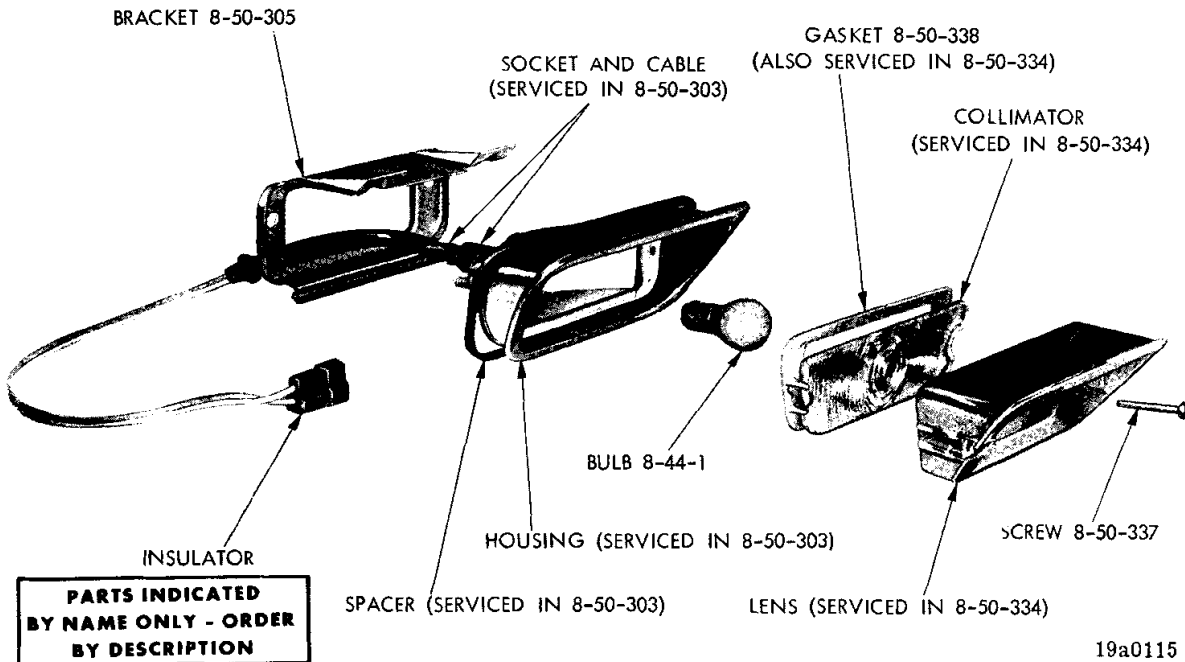
PARKING AND TURN SIGNAL LAMP - BELVEDERE



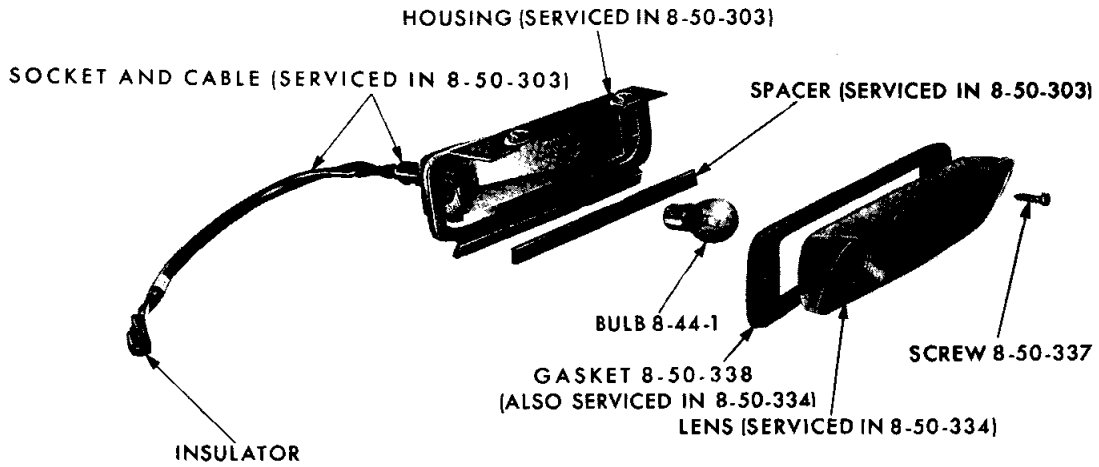
PARKING AND TURN SIGNAL LAMP - PLYMOUTH



PARKING AND TURN SIGNAL LAMP - CORONET

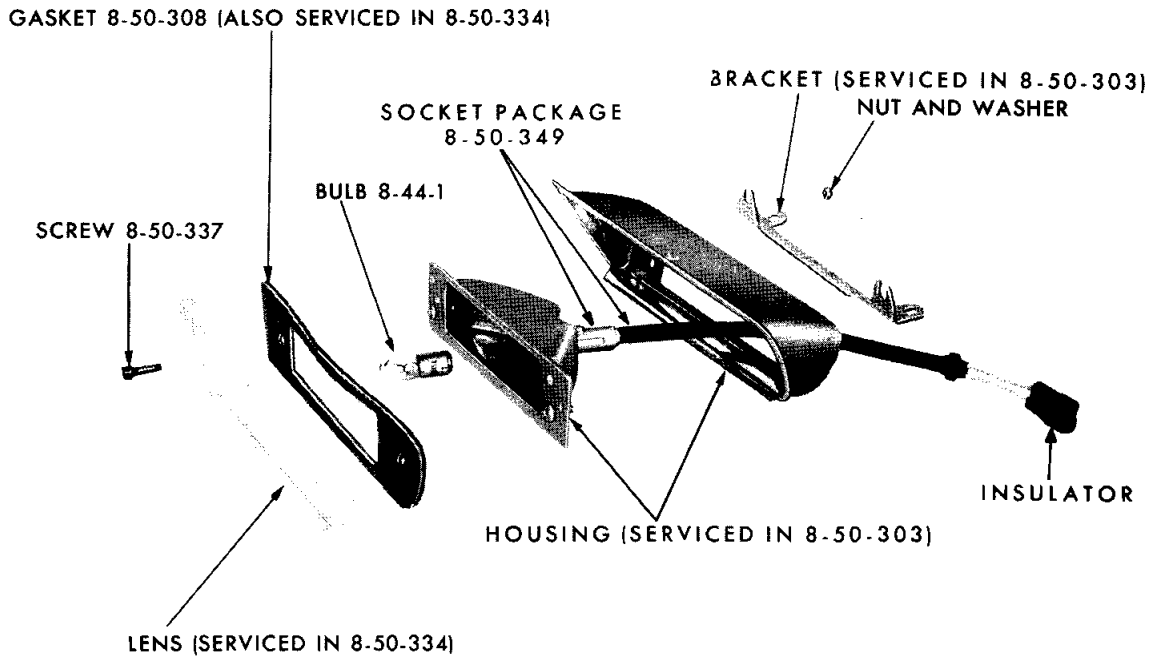


PARKING AND TURN SIGNAL LAMP - DODGE



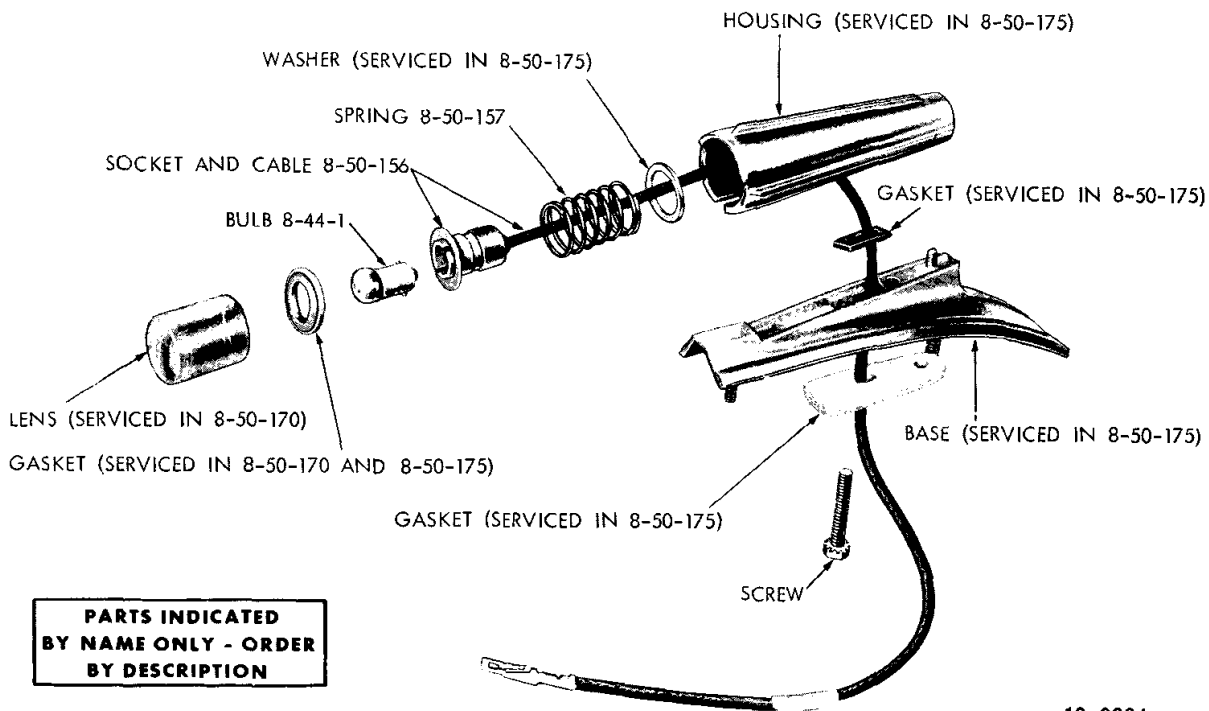
19x9461B

PARKING AND TURN SIGNAL LAMP - CHRYSLER

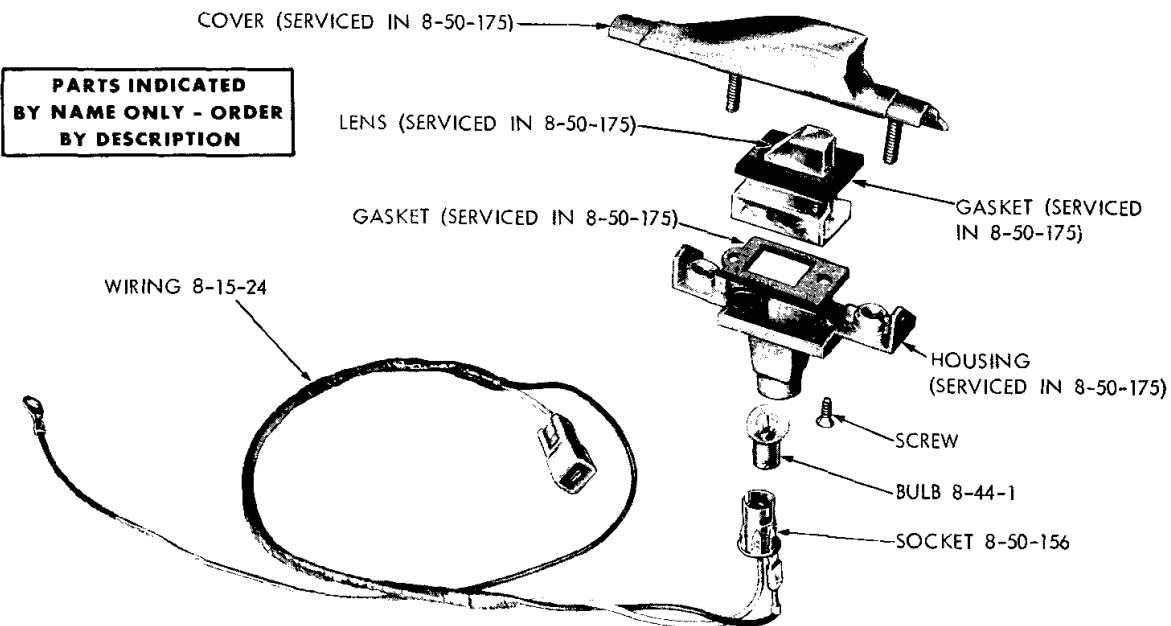


19x9755C

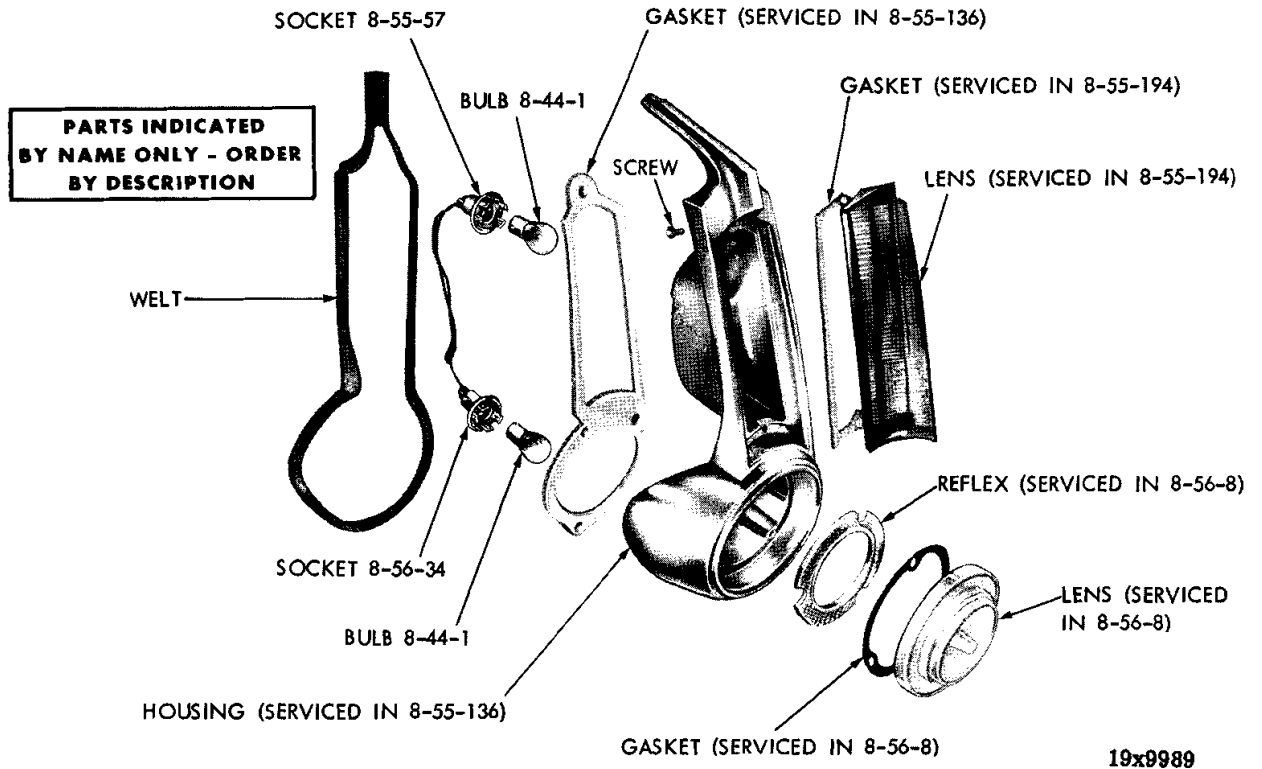
PARKING AND TURN SIGNAL LAMP - IMPERIAL



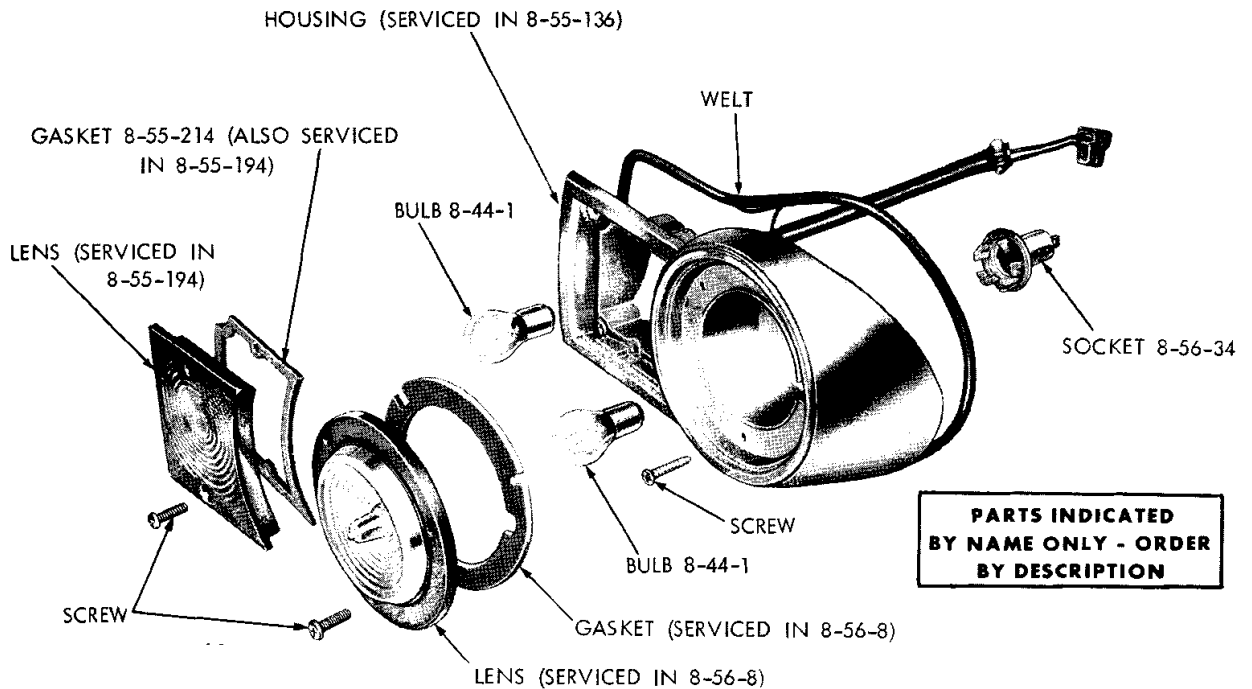
FRONT FENDER TURN SIGNAL INDICATOR LAMP - DODGE D2-P



FRONT FENDER TURN SIGNAL INDICATOR LAMP - CHRYSLER

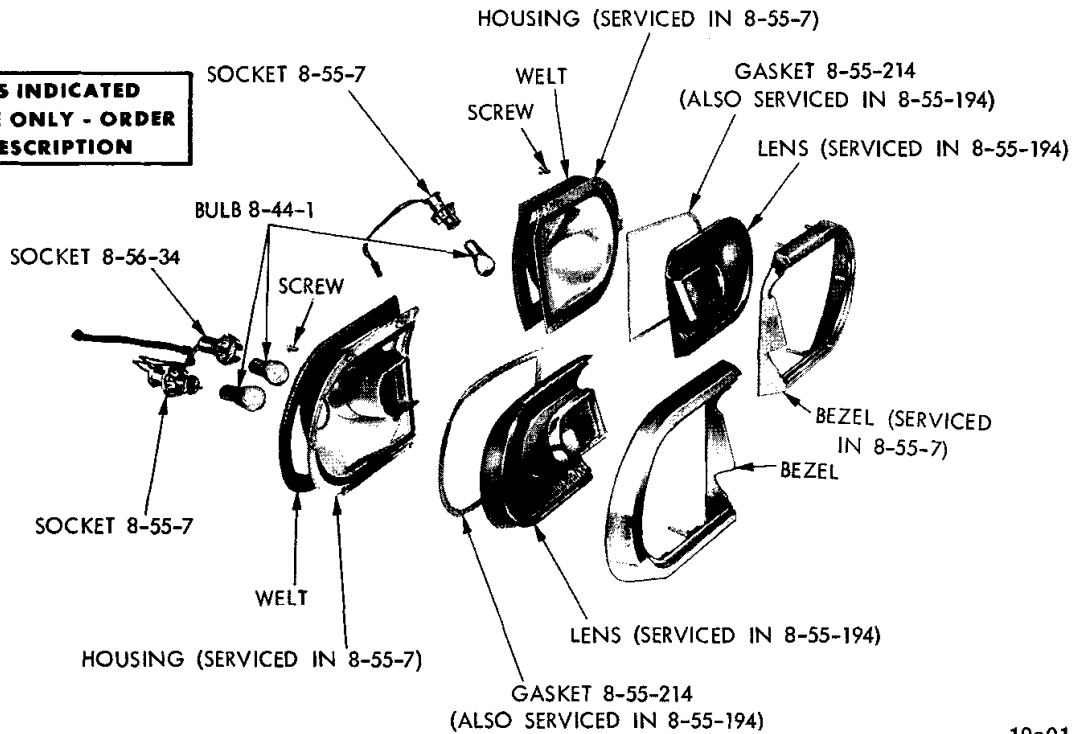


TAIL, STOP, TURN SIGNAL AND BACK-UP LAMP - VALIANT (EXCEPT STATION WAGON)



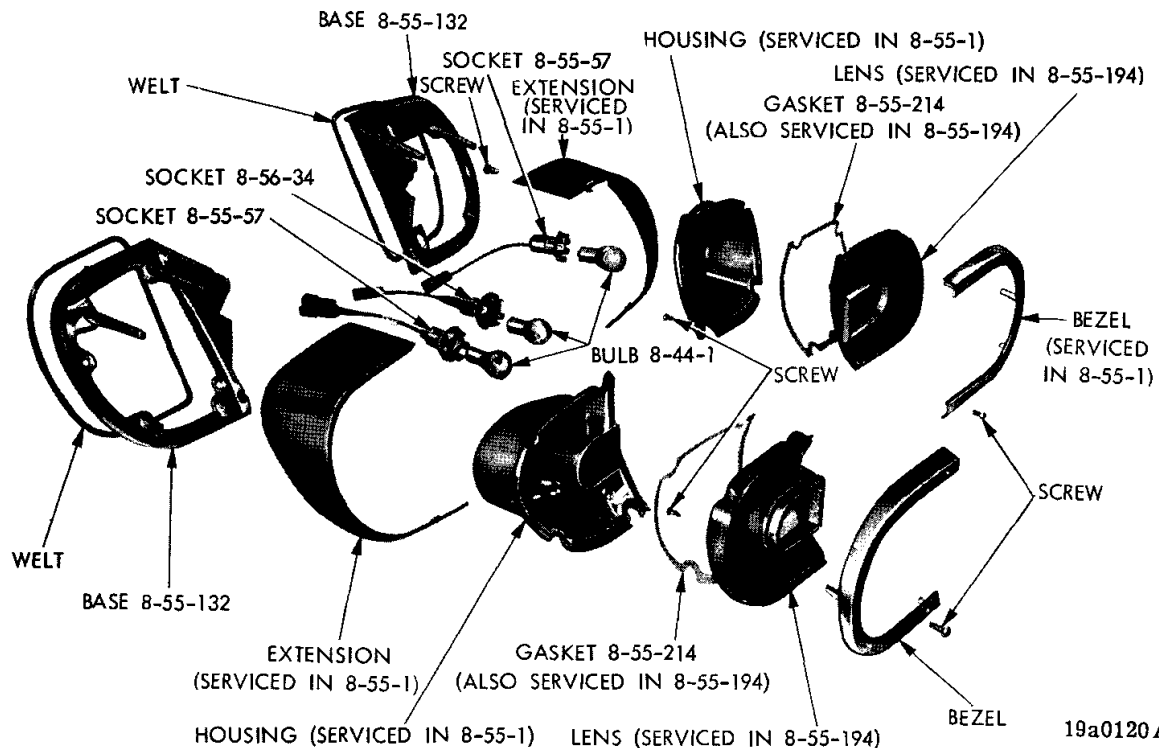
TAIL, STOP, TURN SIGNAL AND BACK-UP LAMP - VALIANT (STATION WAGON)

**PARTS INDICATED
BY NAME ONLY - ORDER
BY DESCRIPTION**



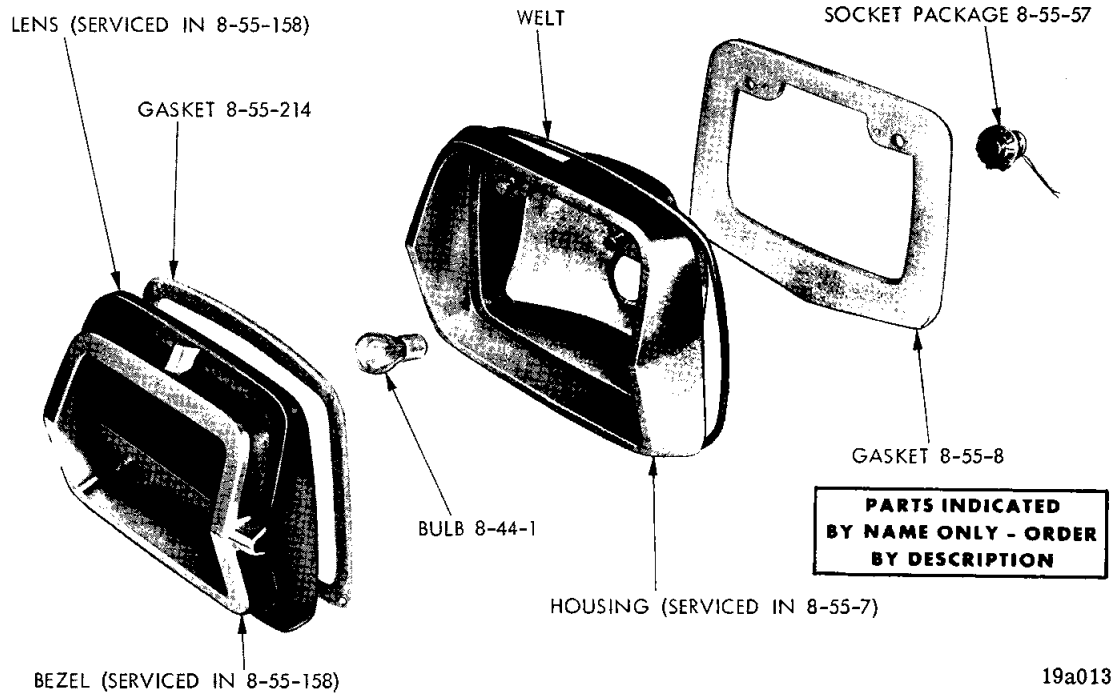
19a0119A

**TAIL, STOP, TURN SIGNAL AND BACK-UP LAMP -
DART (EXCEPT STATION WAGON)**



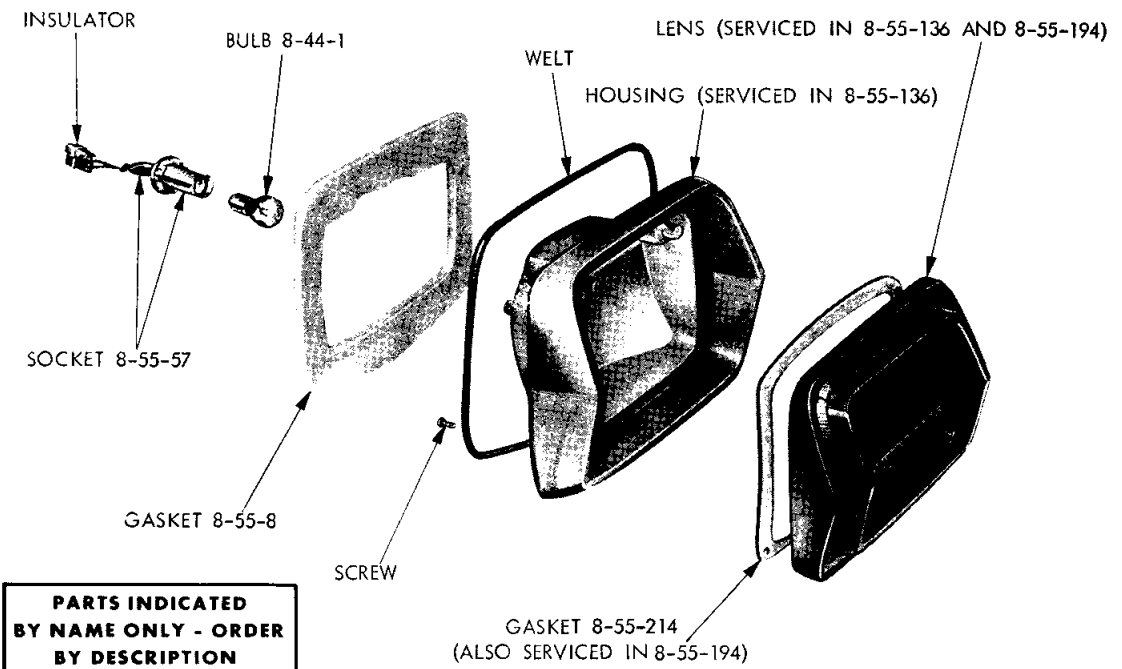
19a0120A

**TAIL, STOP, TURN SIGNAL AND BACK-UP LAMP -
DART (STATION WAGON)**



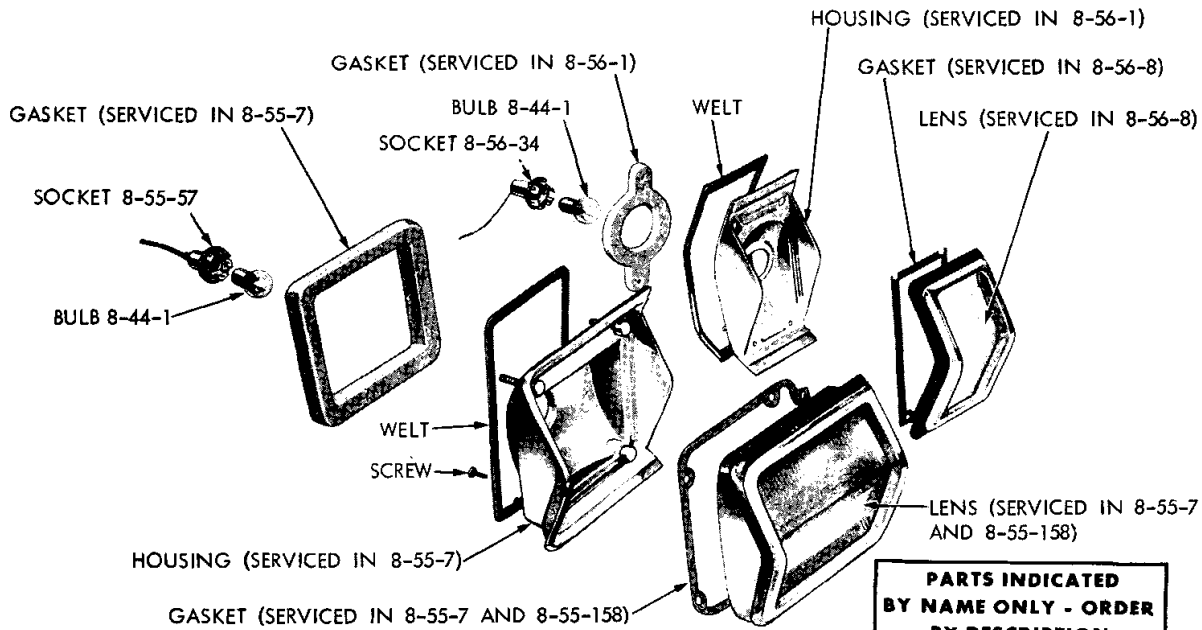
19a0130

TAIL, STOP AND TURN SIGNAL LAMP - BELVEDERE H AND P (EXCEPT STATION WAGON)



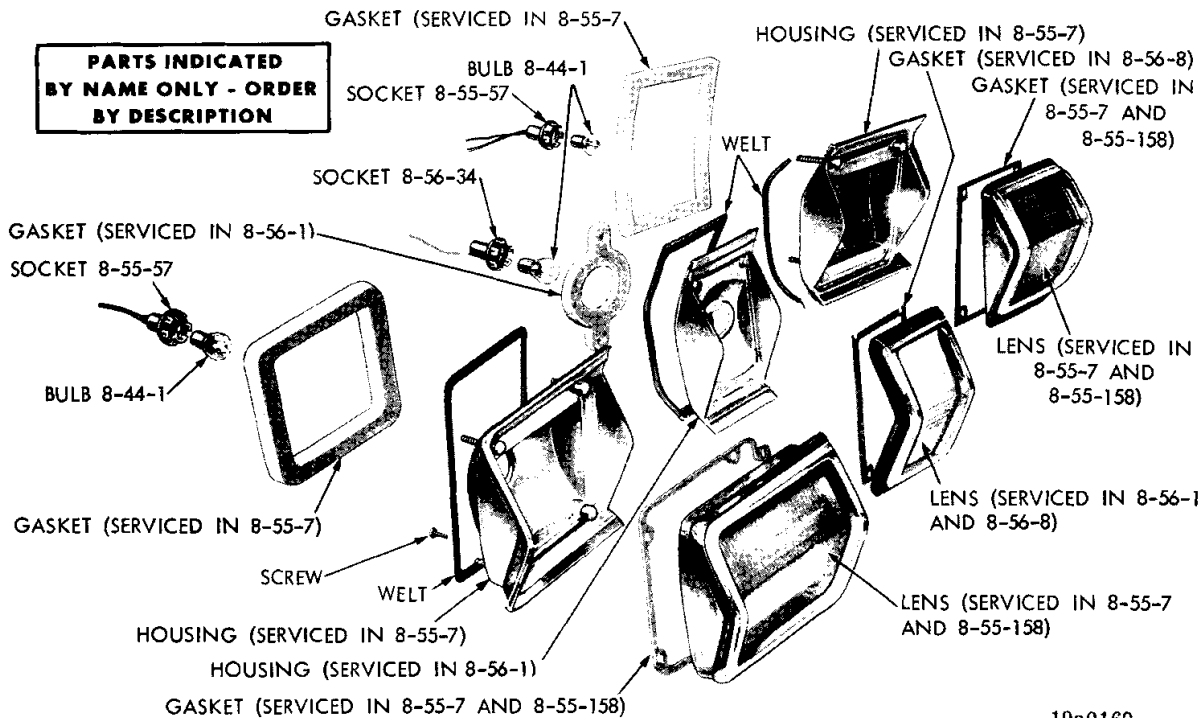
19a0166

TAIL, STOP AND TURN SIGNAL LAMP - BELVEDERE (STATION WAGON)



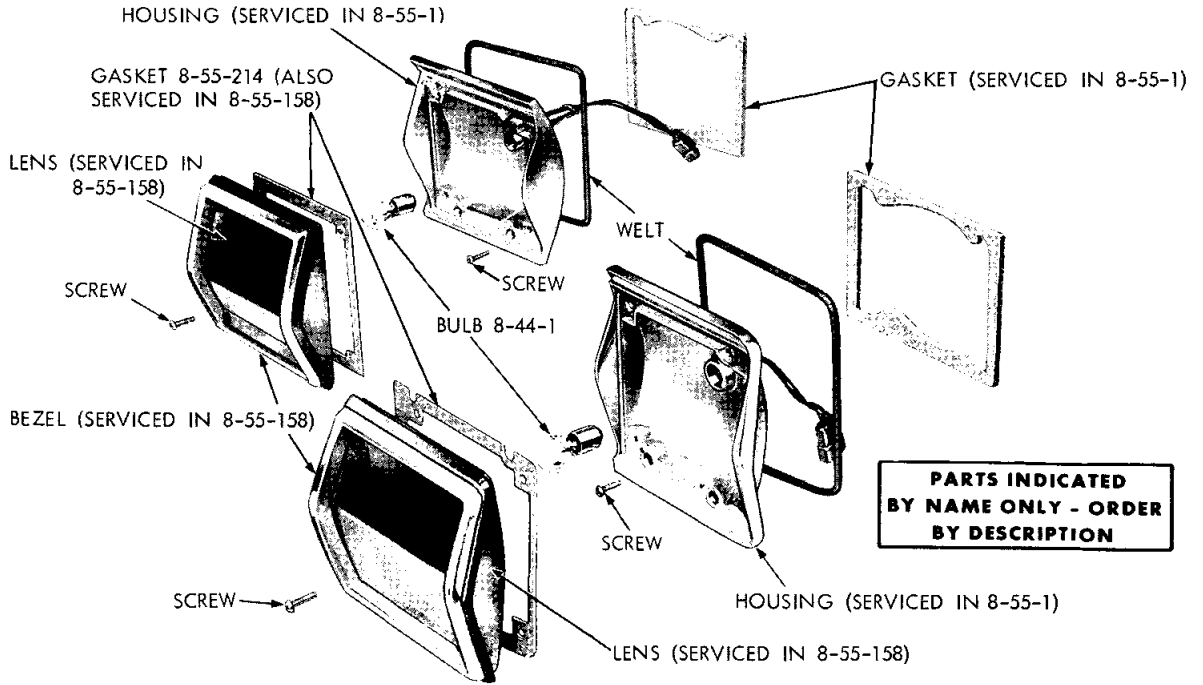
19a0170

TAIL, STOP, TURN SIGNAL AND BACK-UP LAMP - PLYMOUTH L AND M (EXCEPT STATION WAGON)



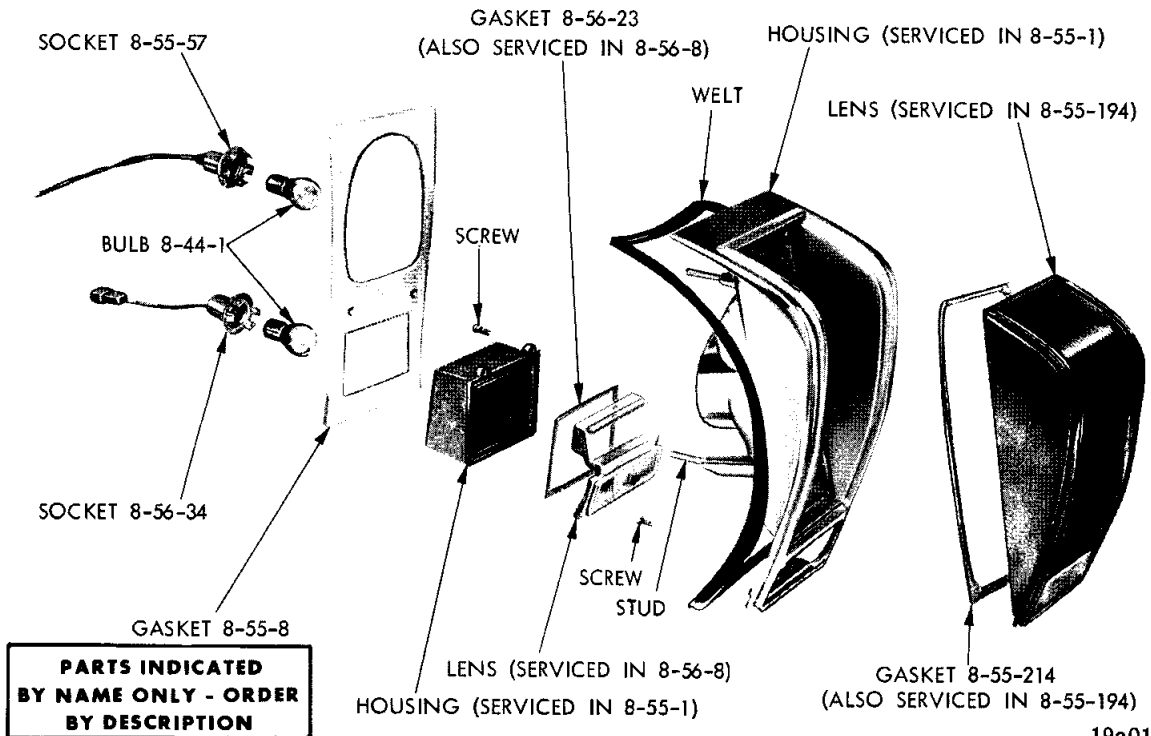
19a0169

TAIL, STOP, TURN SIGNAL AND BACK-UP LAMP - PLYMOUTH H AND P (EXCEPT STATION WAGON)



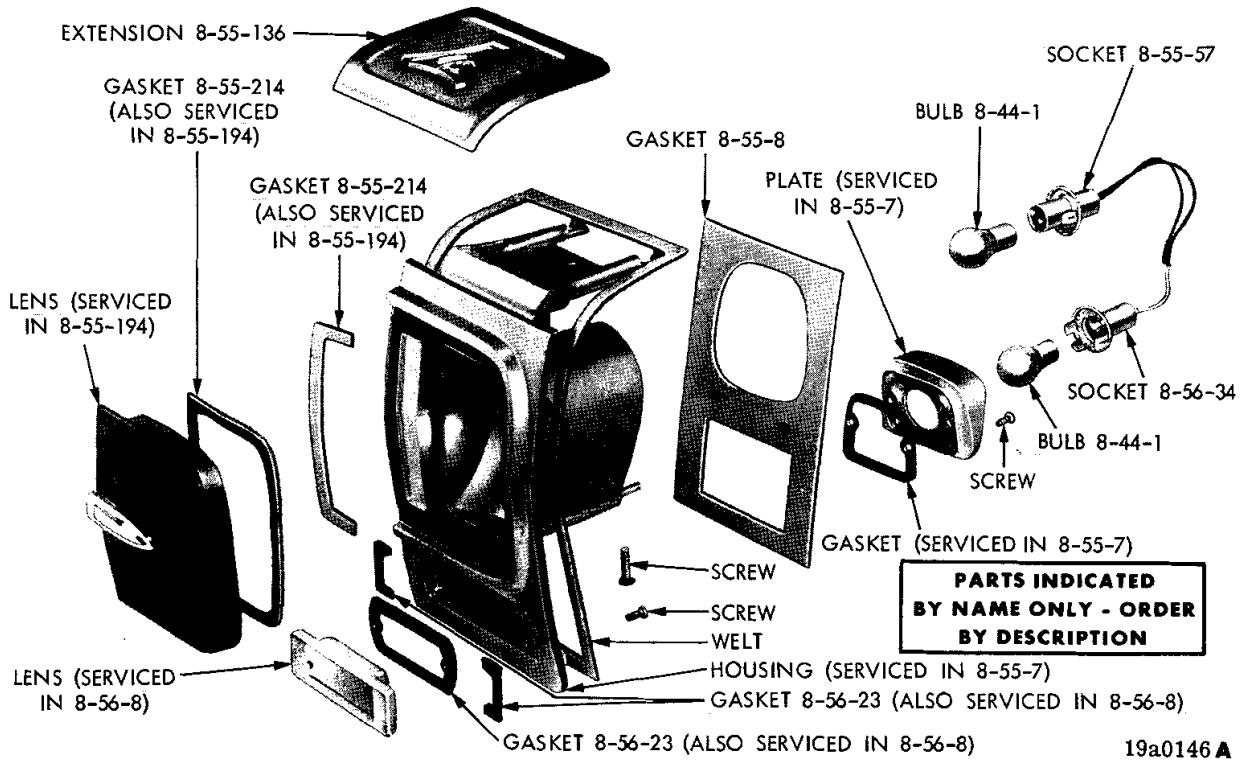
19a0150

TAIL, STOP AND TURN SIGNAL LAMP - PLYMOUTH (STATION WAGON)

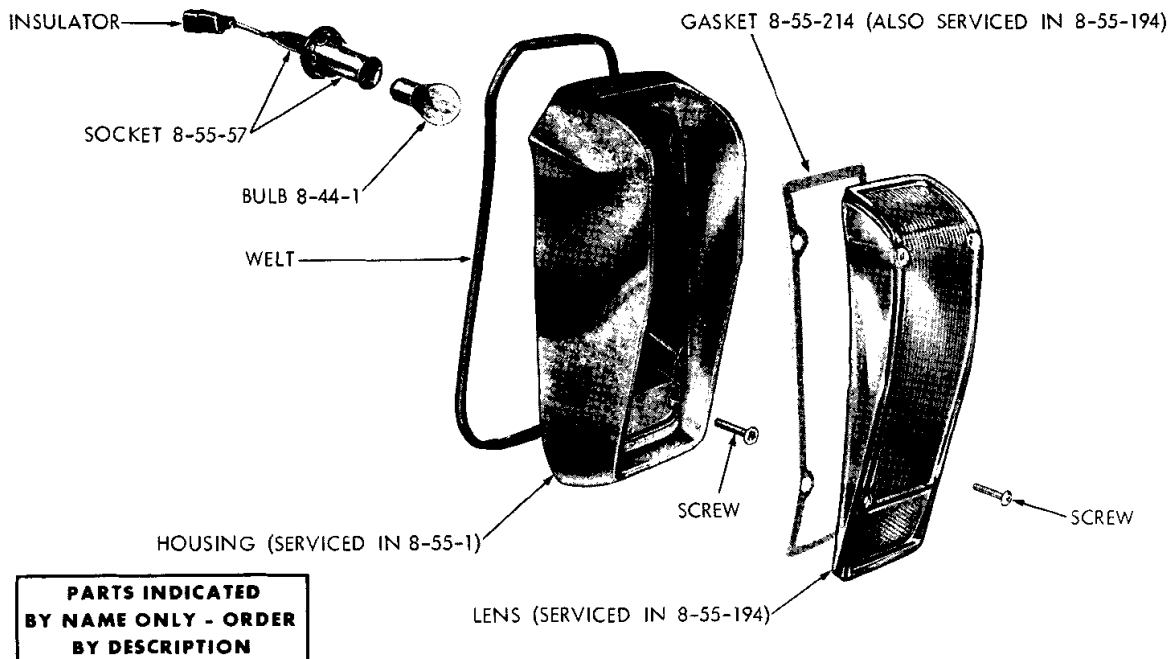


19a0133A

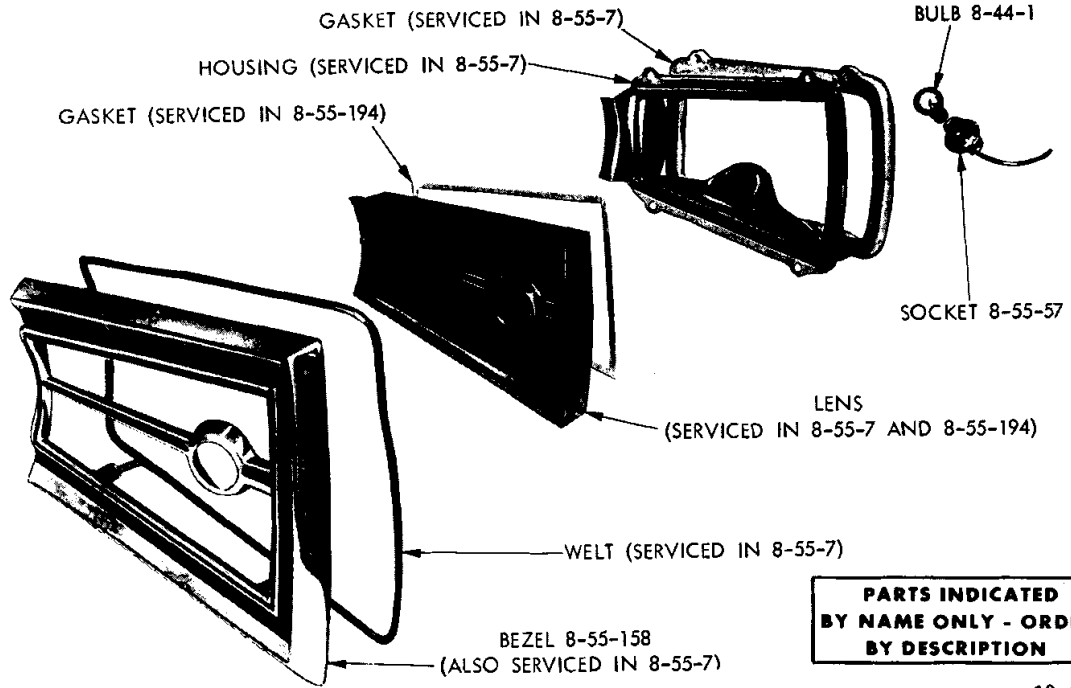
TAIL, STOP, TURN SIGNAL AND BACK-UP LAMP - CORONET L AND H (EXCEPT STATION WAGON)



TAIL, STOP, TURN SIGNAL AND BACK-UP LAMP - CORONET P (EXCEPT STATION WAGON)

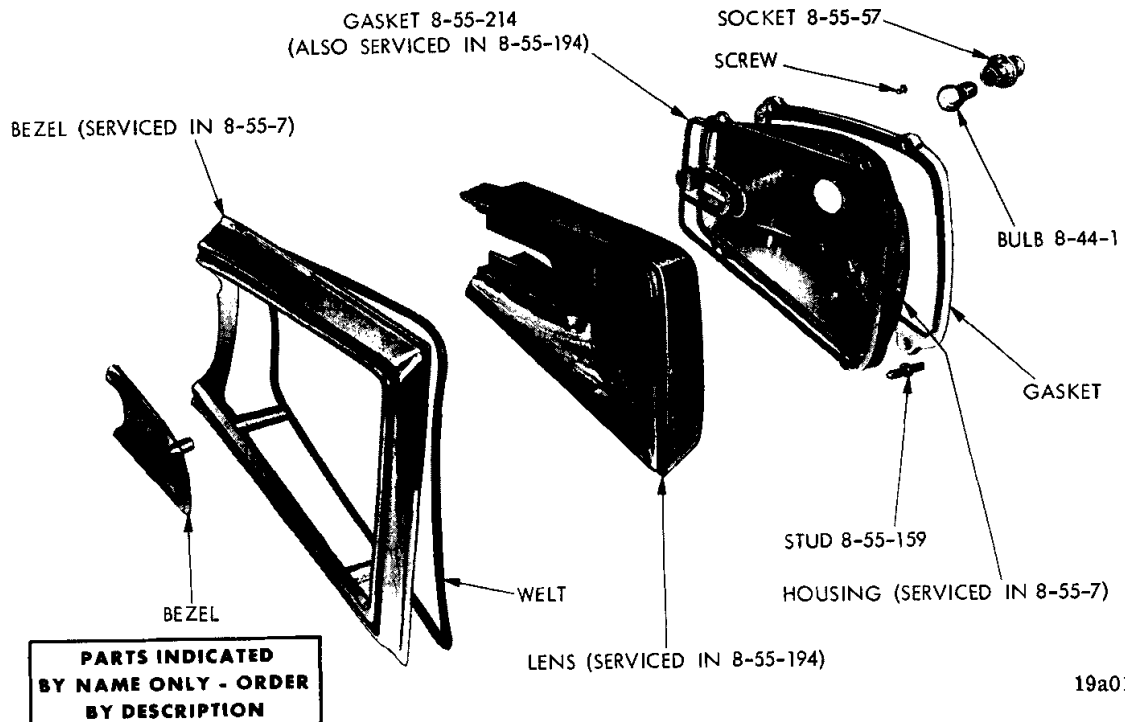


TAIL, STOP AND TURN SIGNAL LAMP - CORONET (STATION WAGON)



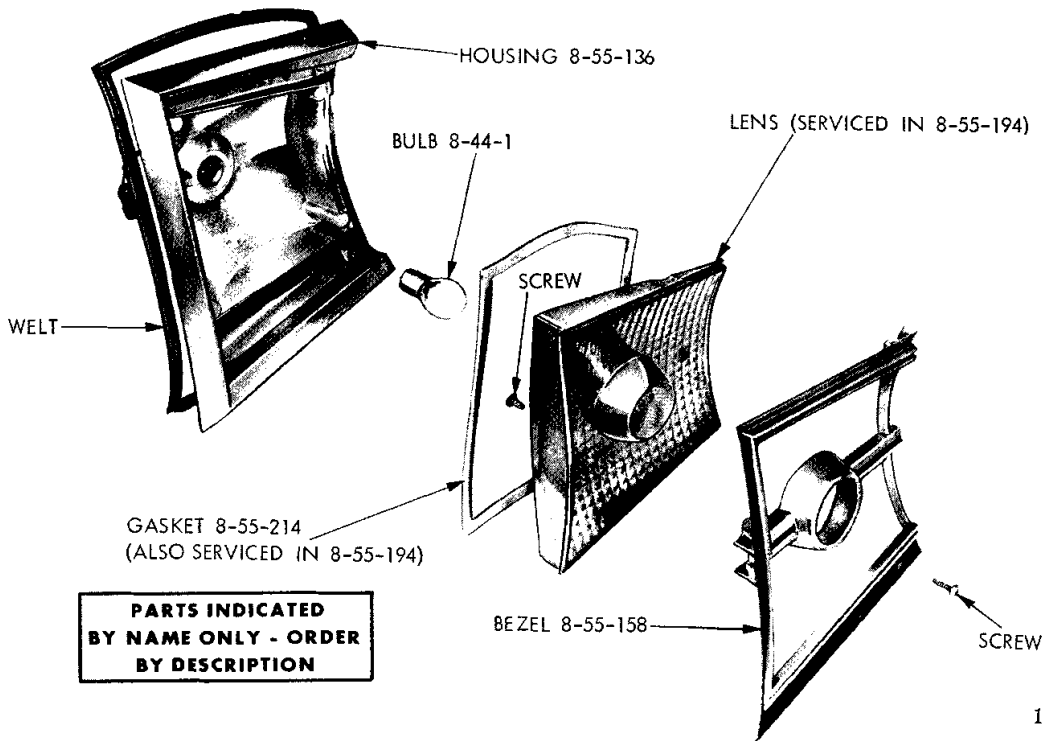
19a0116

TAIL, STOP AND TURN SIGNAL LAMP - DODGE L AND H (EXCEPT STATION WAGON)



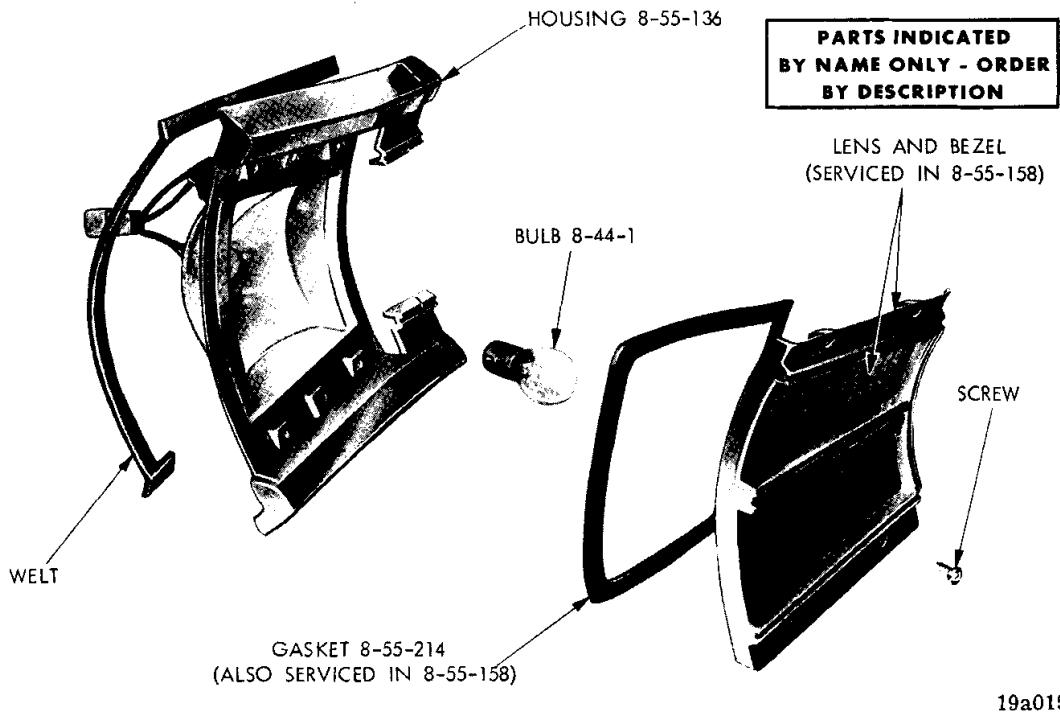
19a0117

TAIL, STOP AND TURN SIGNAL LAMP - DODGE (P)



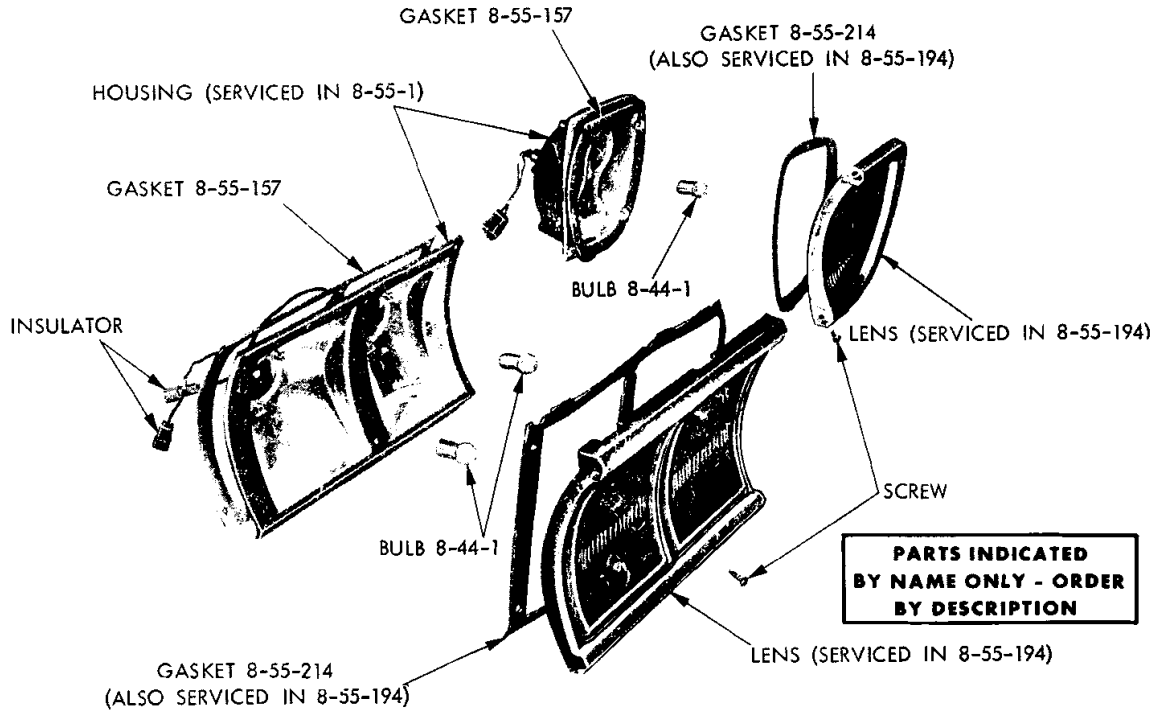
19a0155

TAIL, STOP AND TURN SIGNAL LAMP - DODGE (STATION WAGON)



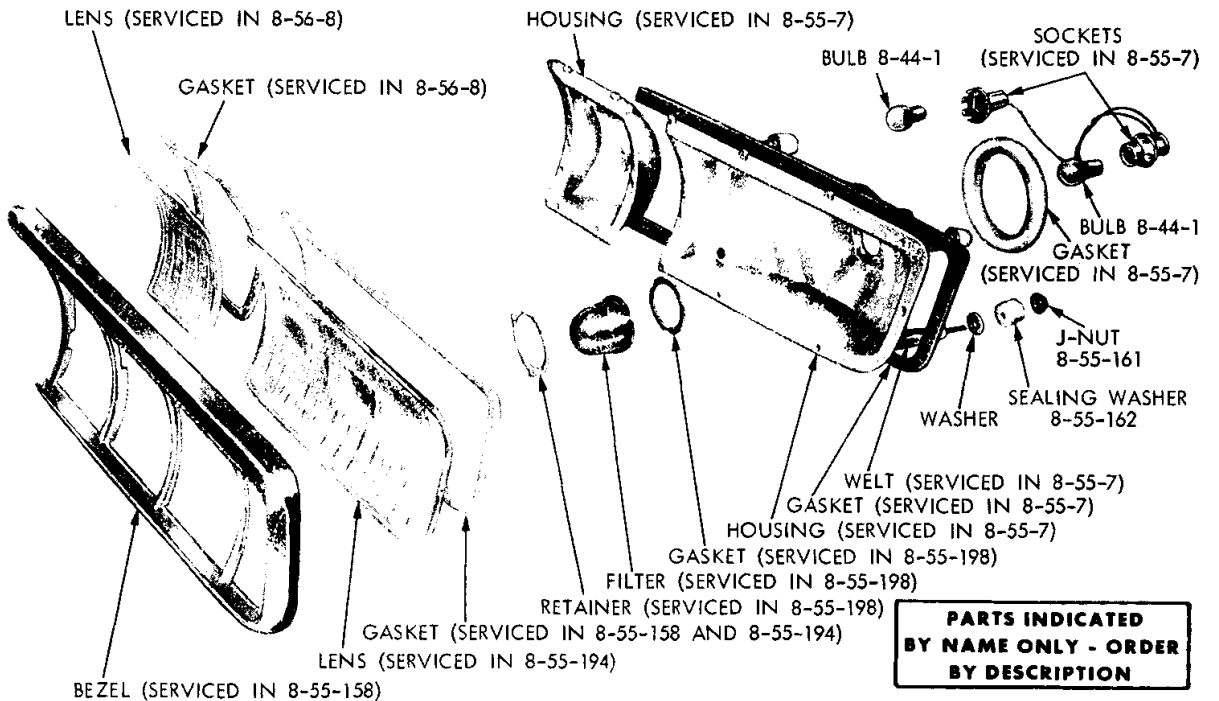
19a0156

TAIL LAMP - DODGE (STATION WAGON)



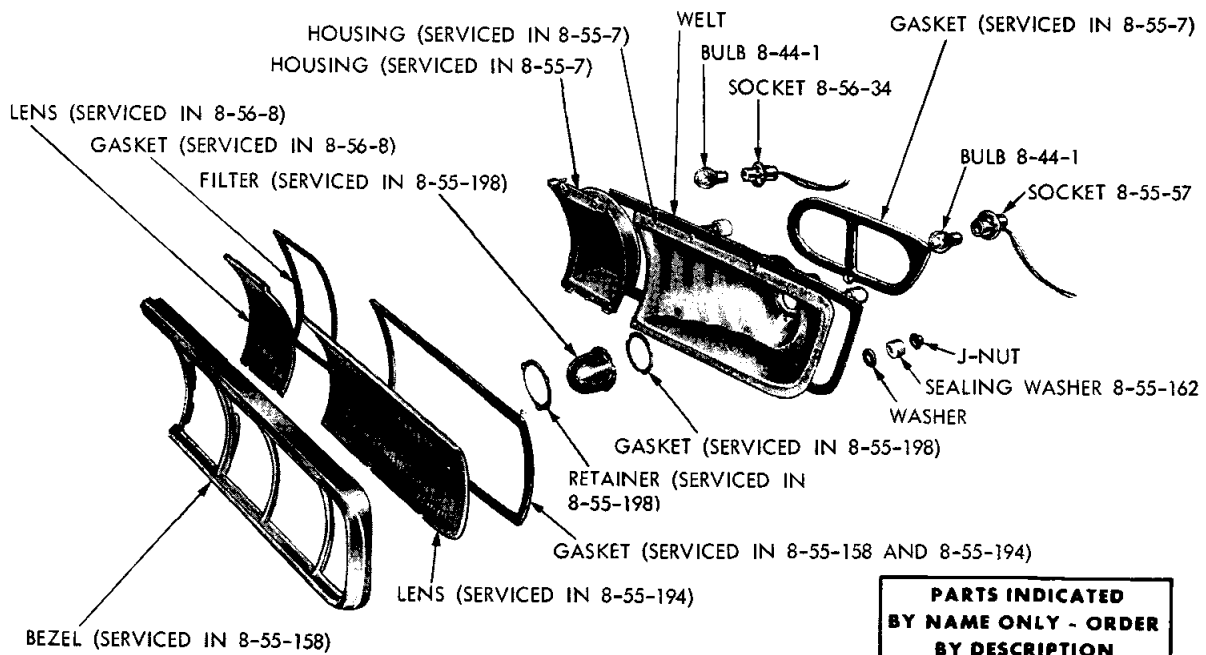
19a0167

TAIL, STOP AND TURN SIGNAL LAMP - CHRYSLER L (STATION WAGON)



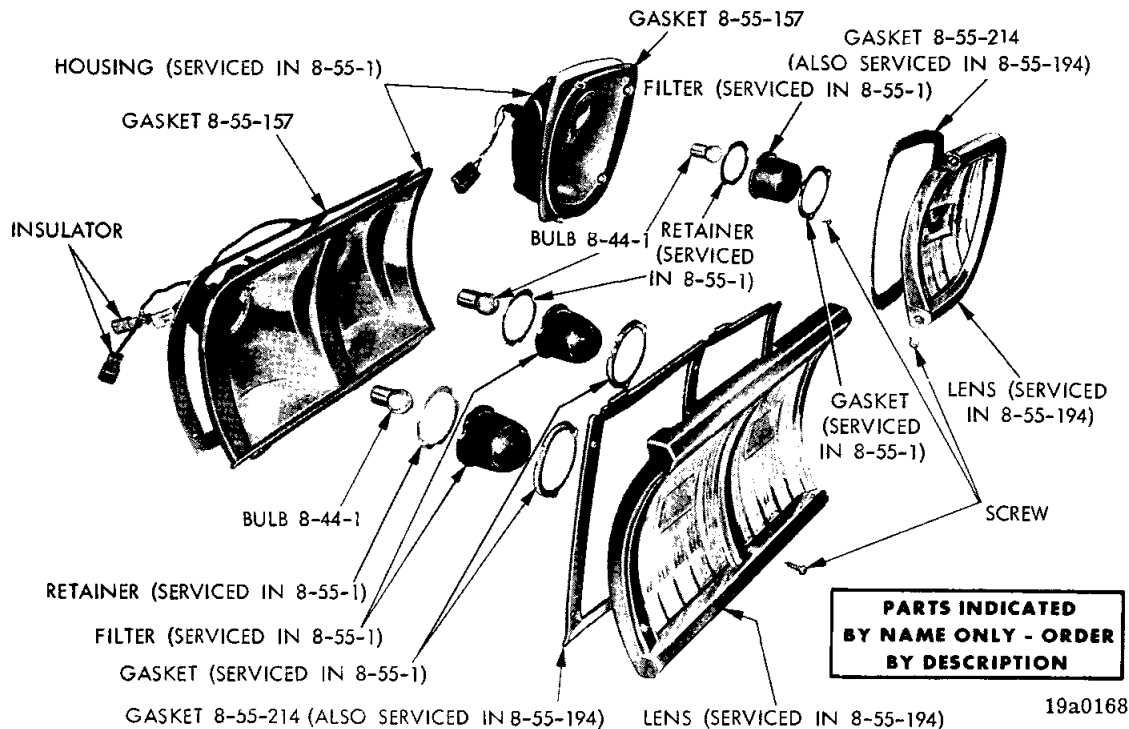
19a0091

TAIL, STOP, TURN SIGNAL AND BACK-UP LAMP - CHRYSLER C-H (EXCEPT STATION WAGON)



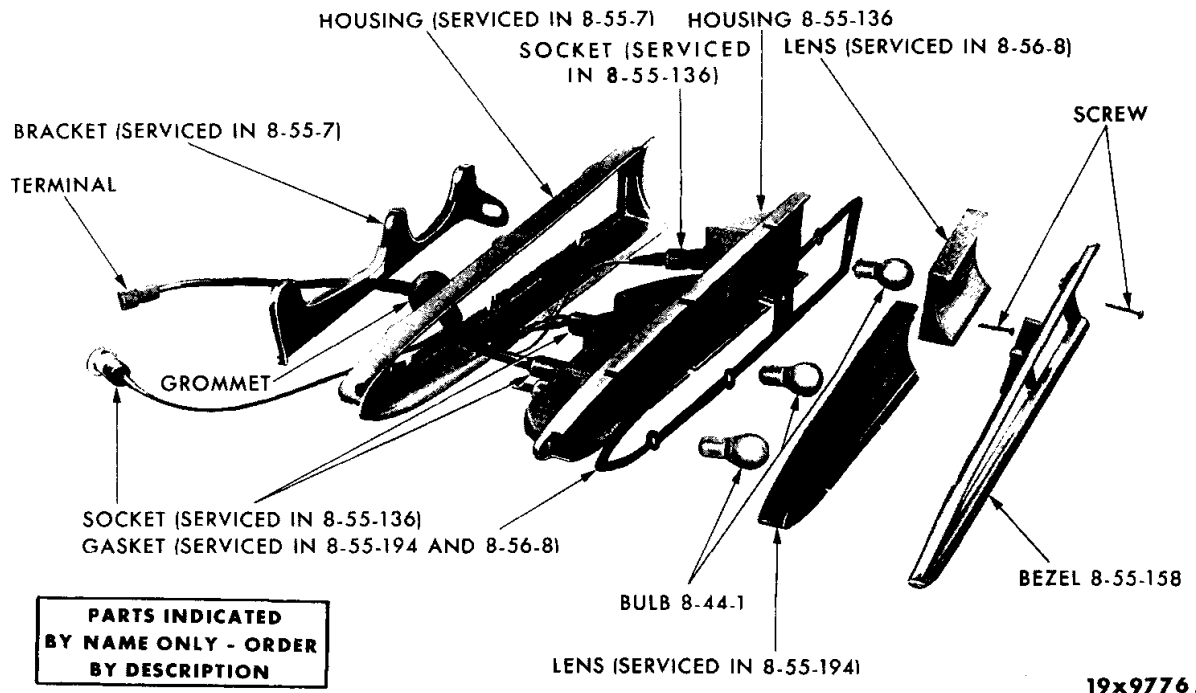
19a0147

TAIL, STOP, TURN SIGNAL AND BACK-UP LAMP - CHRYSLER H (EXCEPT STATION WAGON)

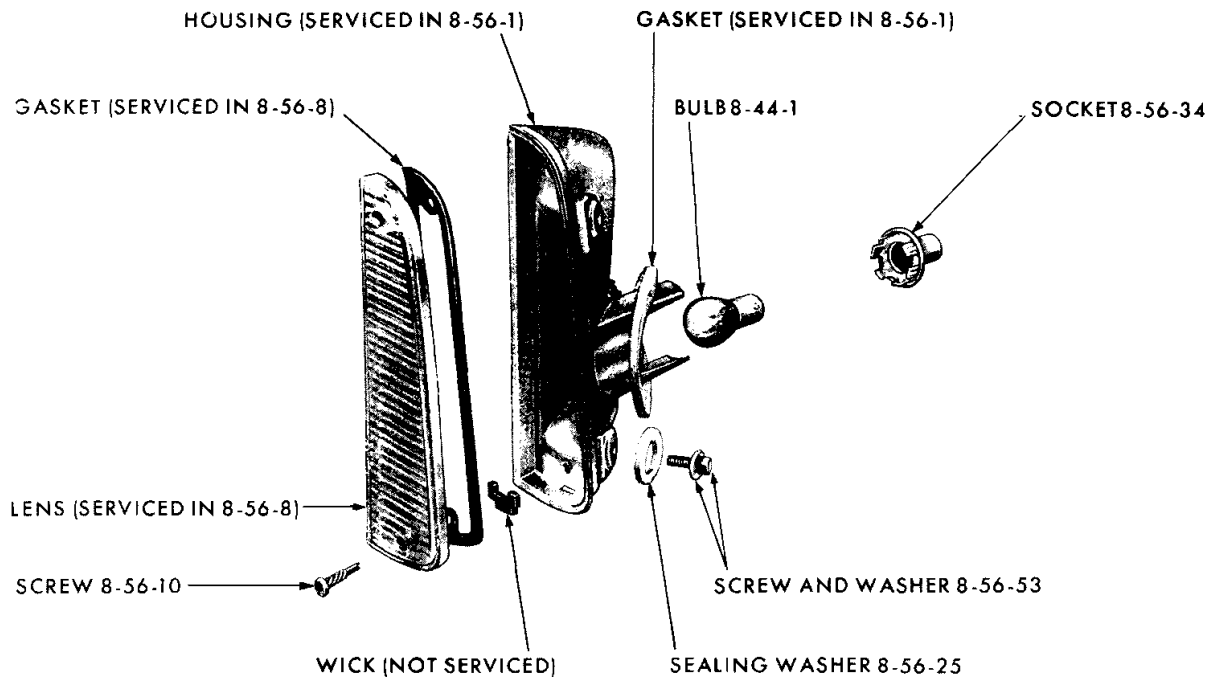


19a0168

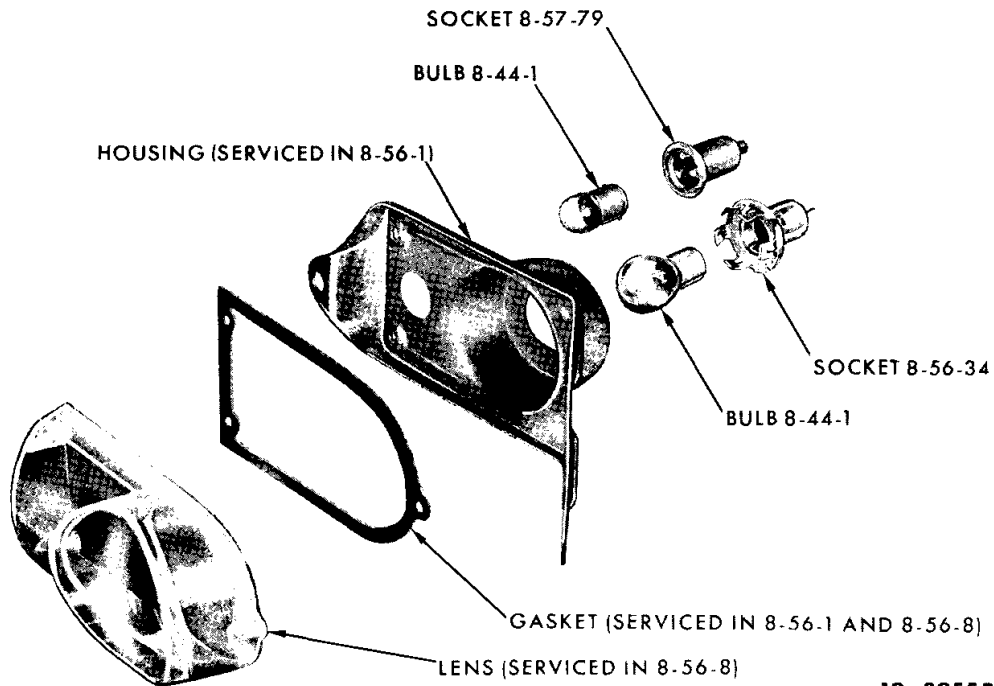
TAIL, STOP AND TURN SIGNAL LAMP - CHRYSLER H (STATION WAGON)



TAIL, STOP, TURN SIGNAL AND BACK-UP LAMP - IMPERIAL



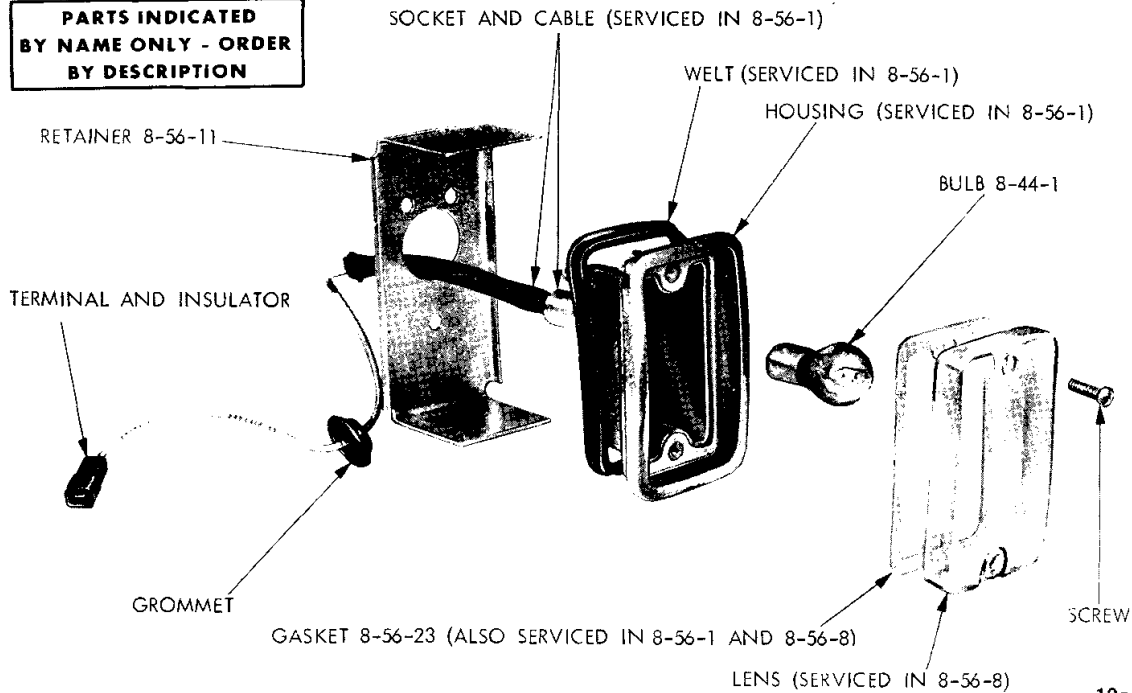
BACK-UP LAMP - BELVEDERE (EXCEPT STATION WAGON)



19x8955B

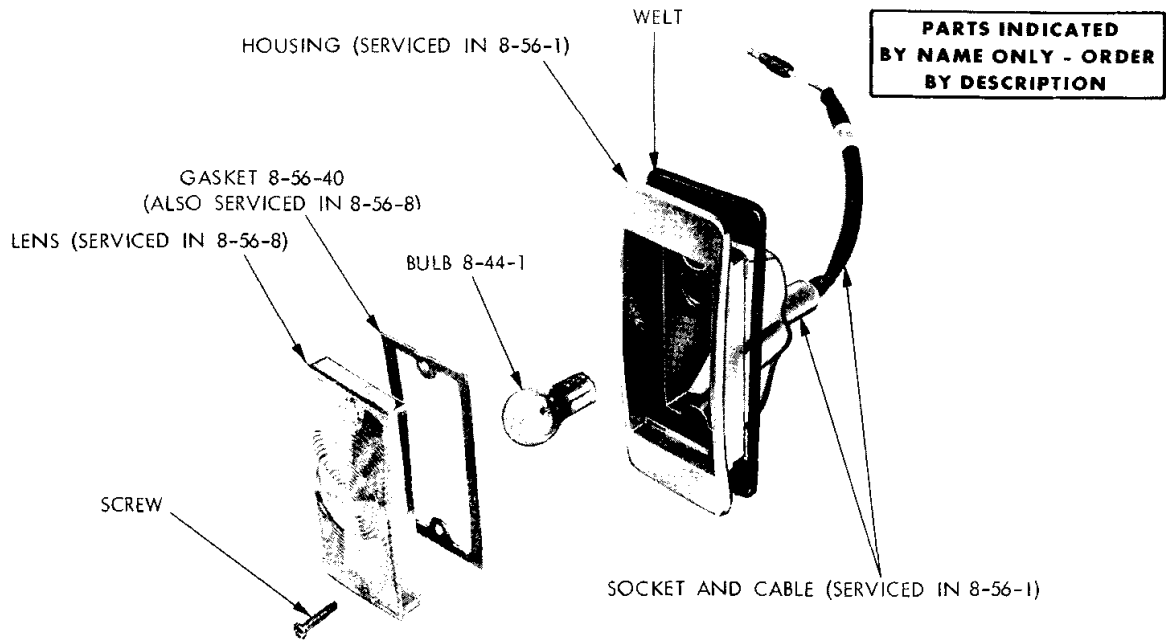
BACK-UP AND LICENSE LAMP - BELVEDERE AND CORONET (STATION WAGON)

**PARTS INDICATED
BY NAME ONLY - ORDER
BY DESCRIPTION**



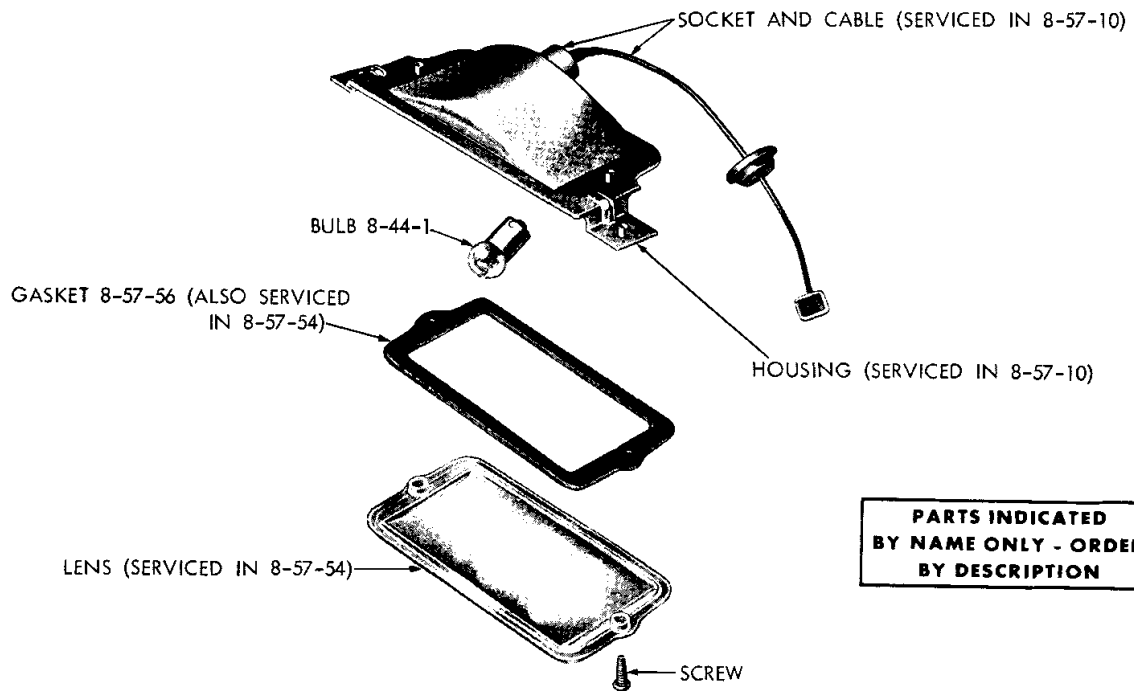
19a0090

BACK-UP LAMP - DODGE (EXCEPT STATION WAGON)



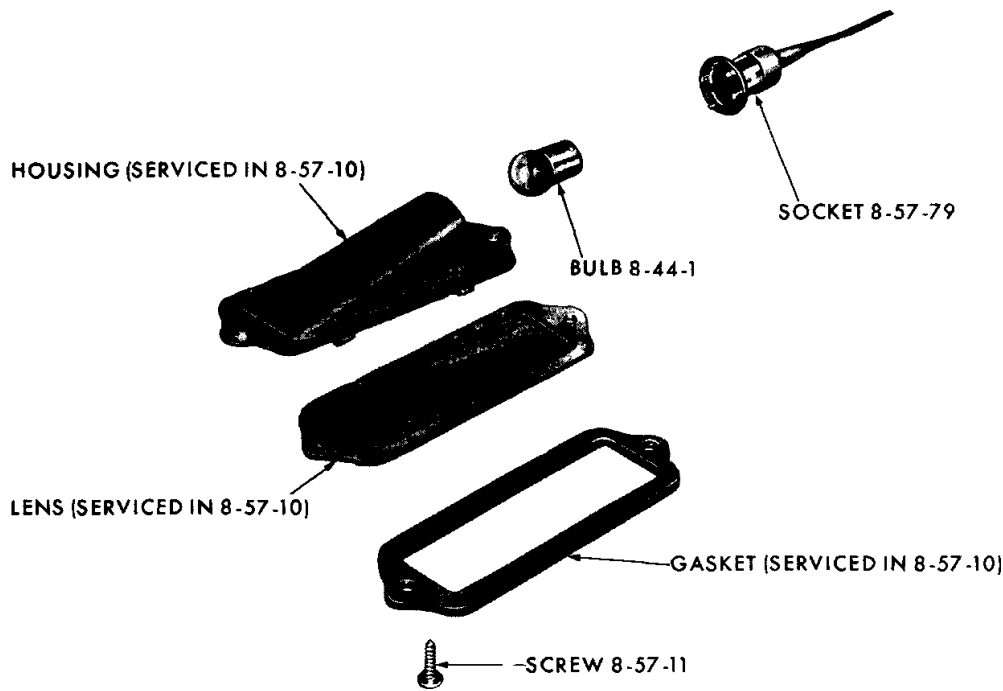
19a0093

BACK-UP LAMP - PLYMOUTH, DODGE AND CHRYSLER (STATION WAGON)



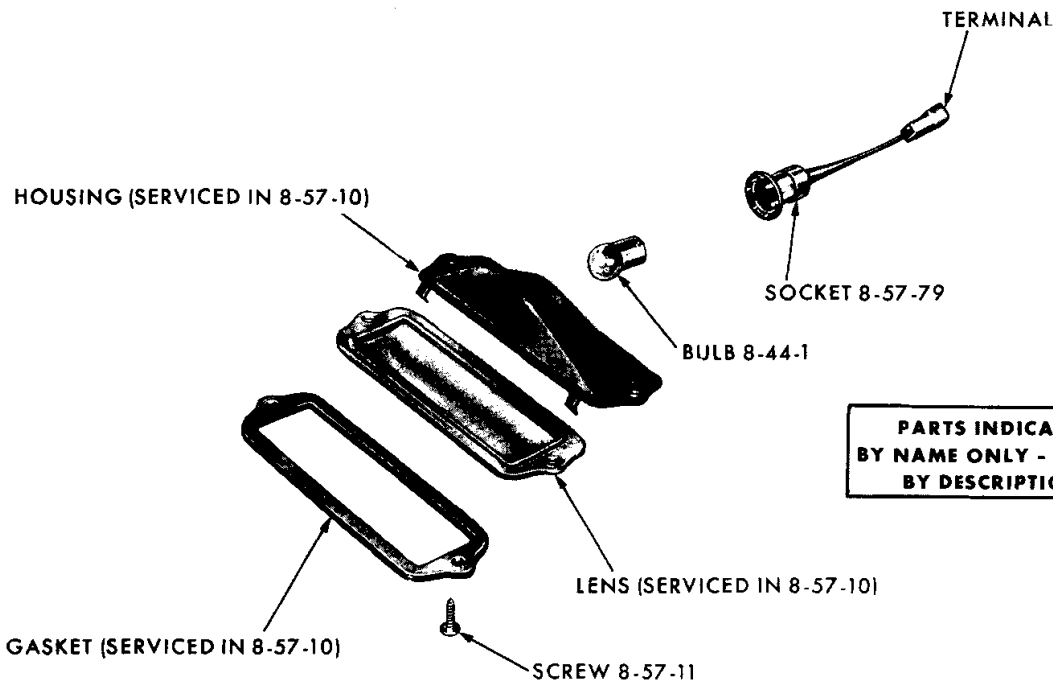
19a0062

LICENSE LAMP - VALIANT AND DART



19x9474B

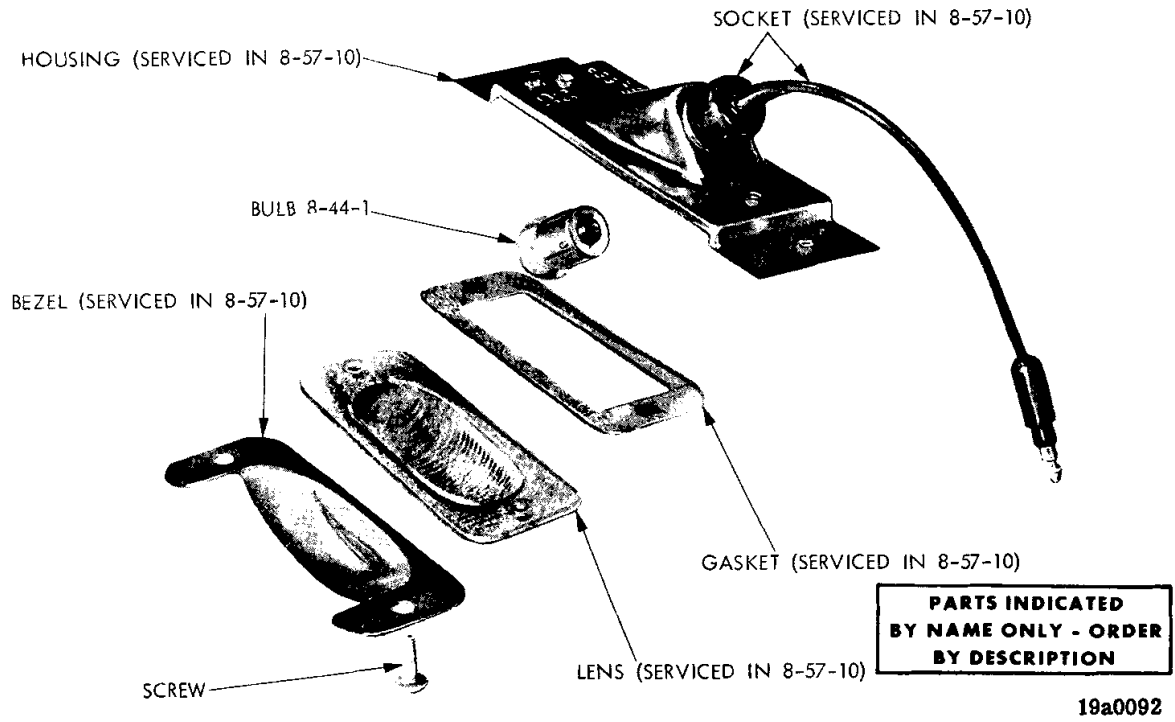
LICENSE LAMP - BELVEDERE (EXCEPT STATION WAGON)



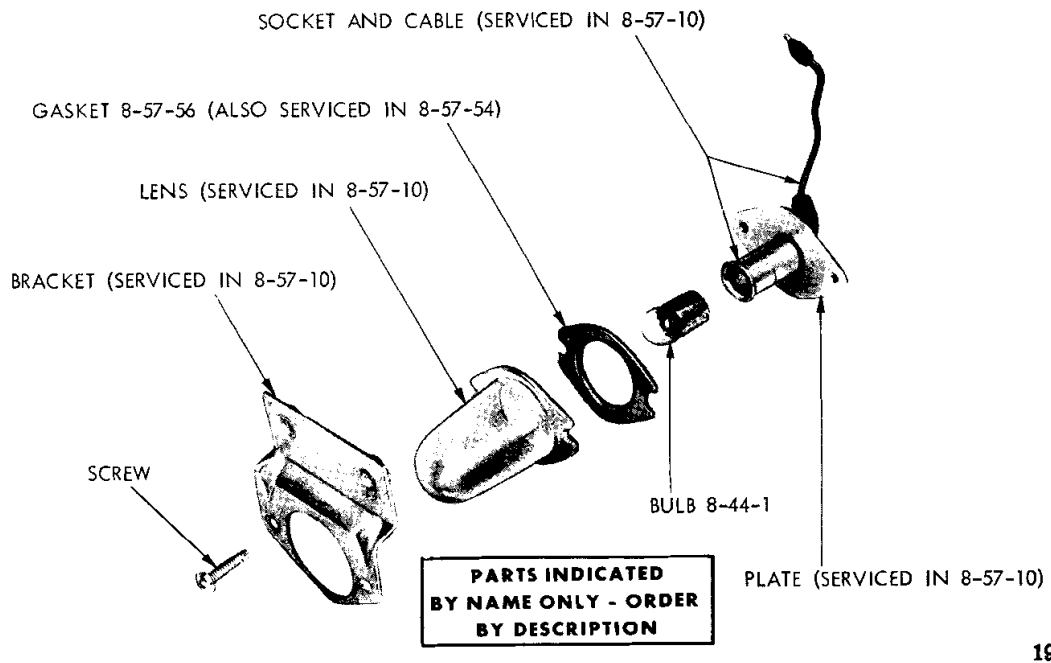
PARTS INDICATED
BY NAME ONLY - ORDER
BY DESCRIPTION

19x9585 A

LICENSE LAMP - CORONET (EXCEPT STATION WAGON)

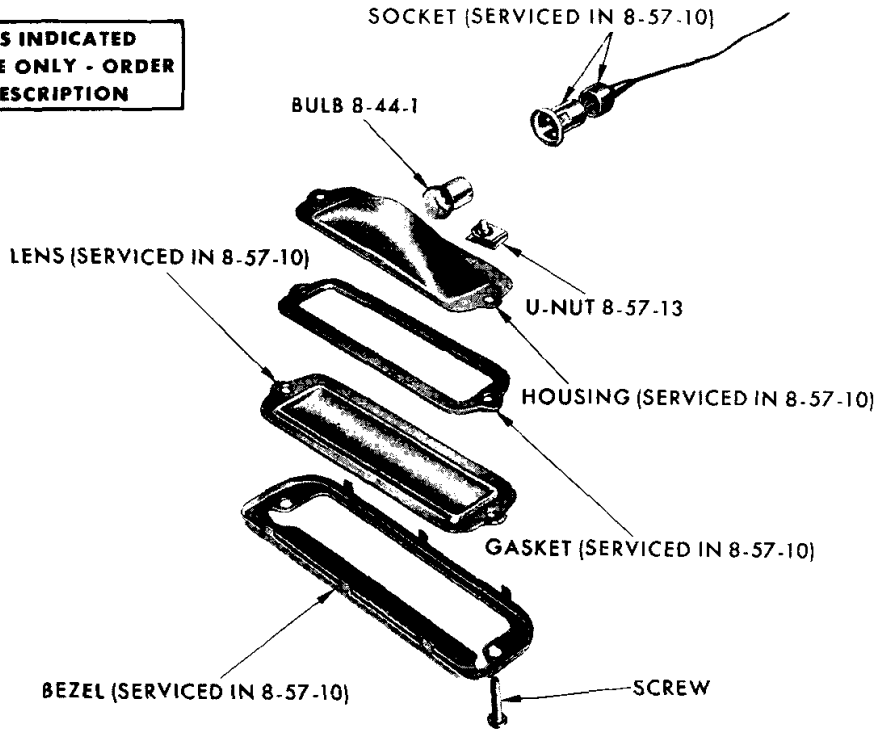


LICENSE LAMP - PLYMOUTH AND DODGE (EXCEPT STATION WAGON)



LICENSE LAMP - PLYMOUTH AND DODGE (STATION WAGON) AND CHRYSLER (ALL)

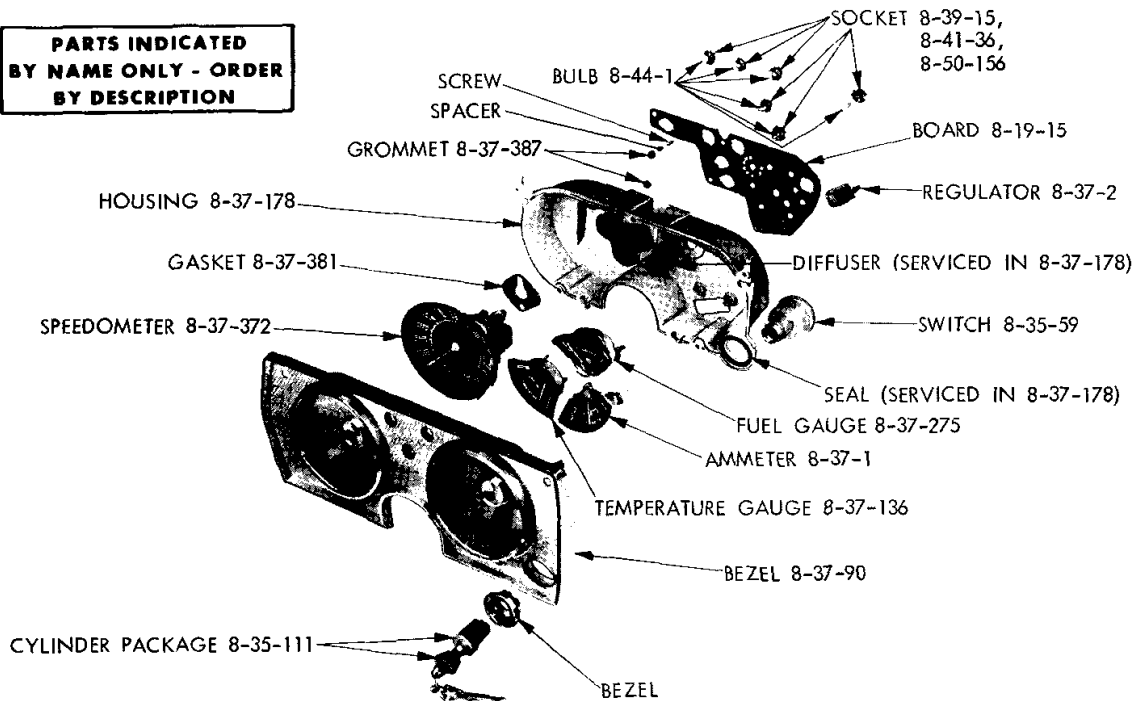
**PARTS INDICATED
BY NAME ONLY - ORDER
BY DESCRIPTION**



19x9855 A

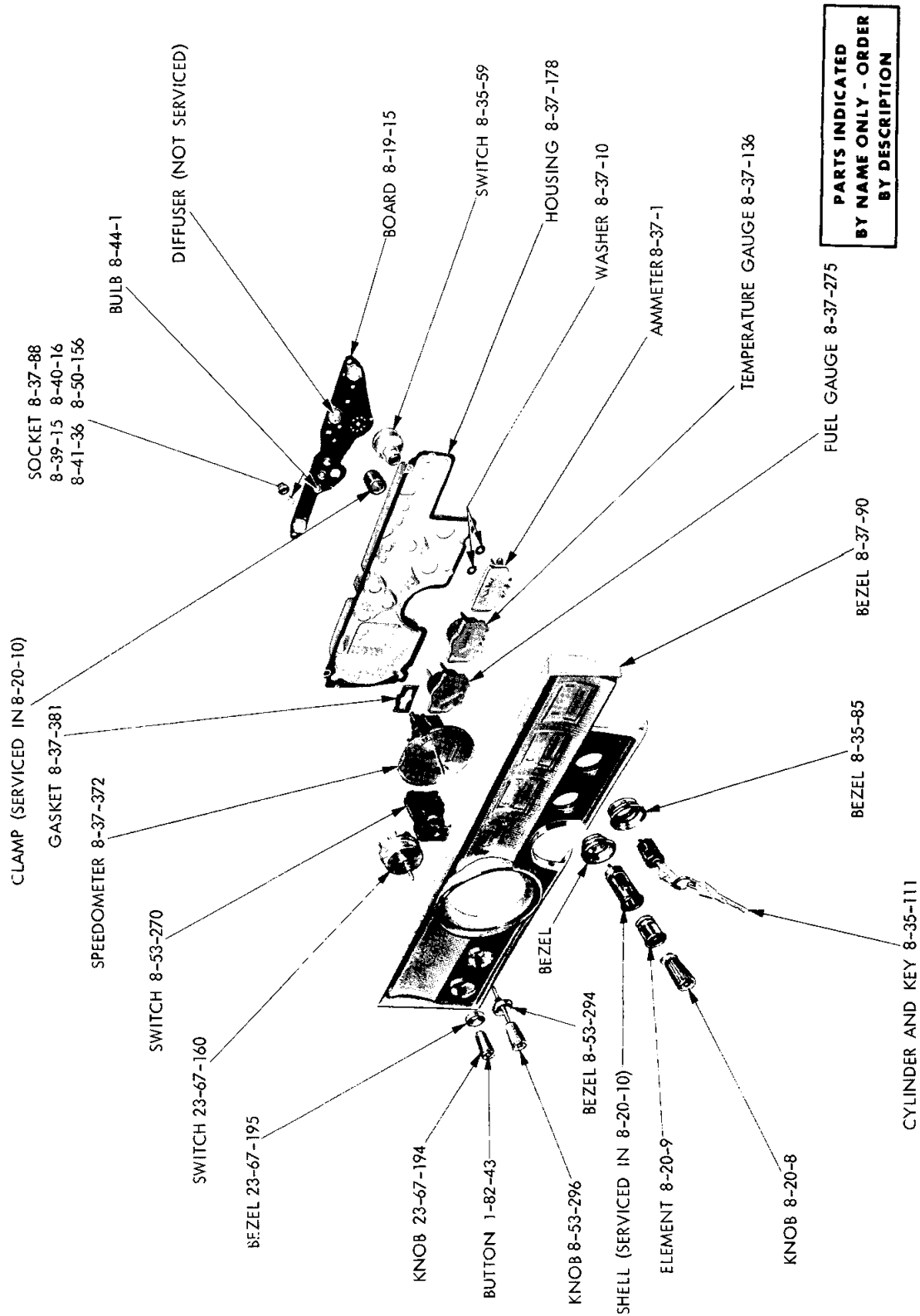
LICENSE LAMP - IMPERIAL

**PARTS INDICATED
BY NAME ONLY - ORDER
BY DESCRIPTION**



19a0171

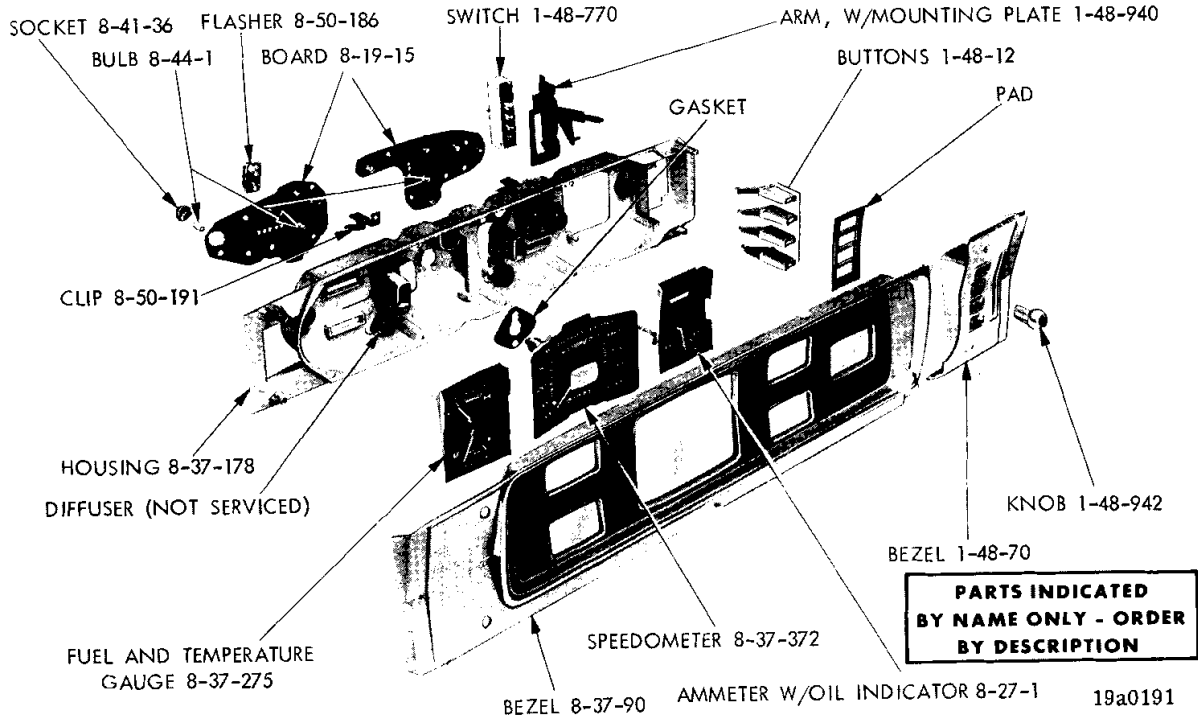
SPEEDOMETER AND INSTRUMENT CLUSTER - VALIANT



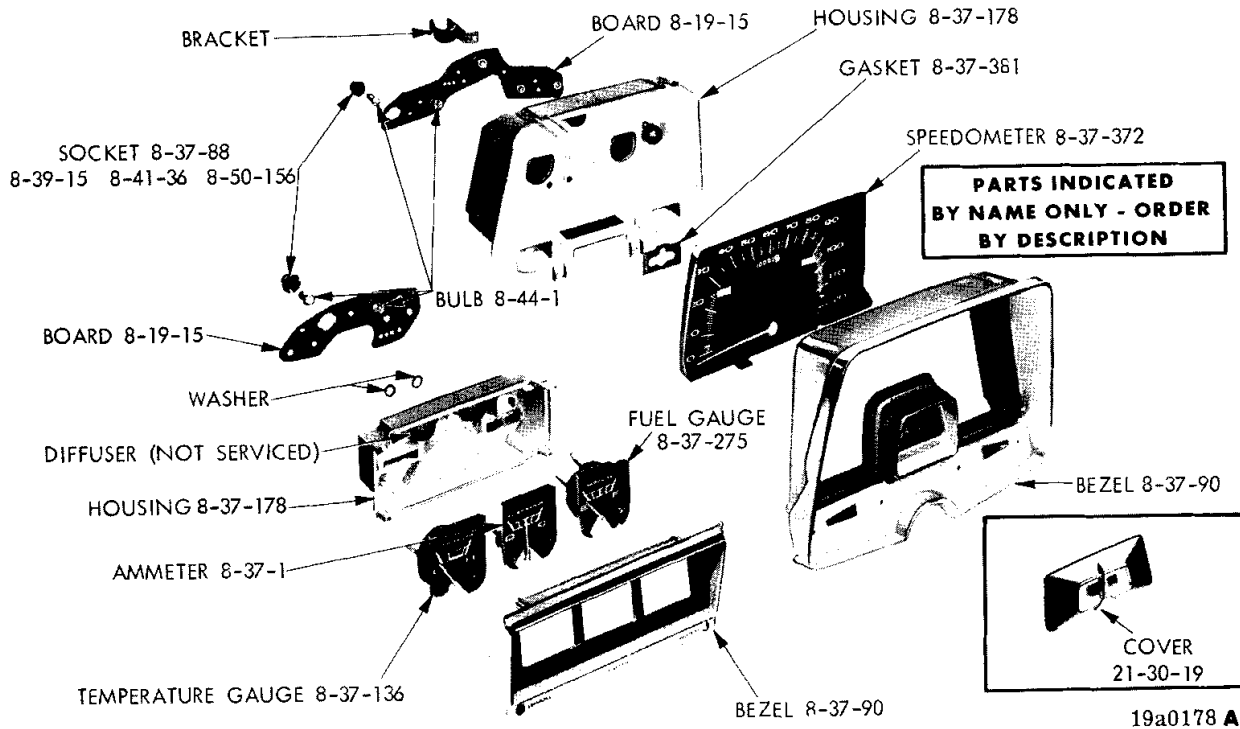
PARTS INDICATED
BY NAME ONLY - ORDER
BY DESCRIPTION

19a0176

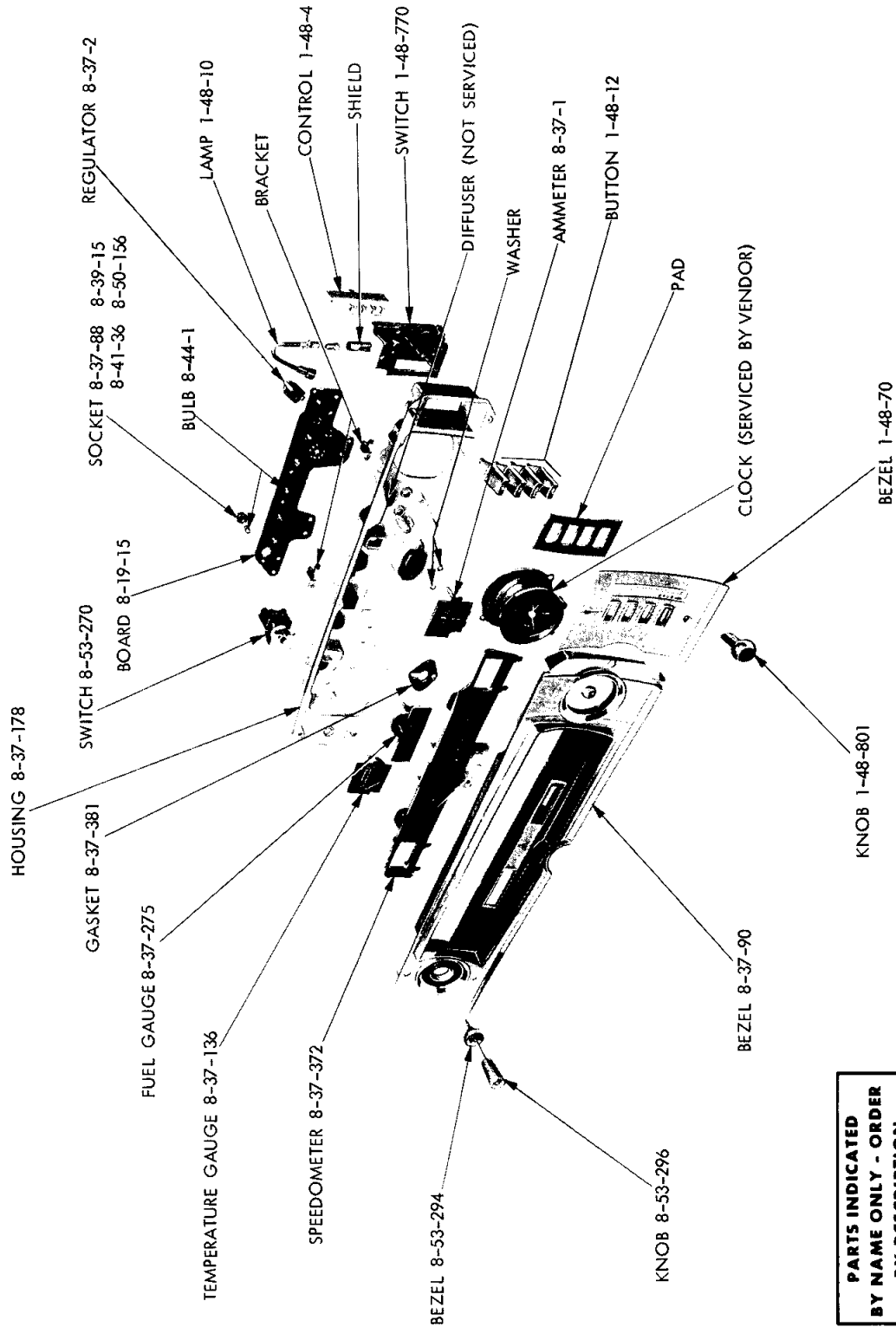
SPEEDOMETER AND INSTRUMENT CLUSTER - DART



SPEEDOMETER AND INSTRUMENT CLUSTER - BELVEDERE

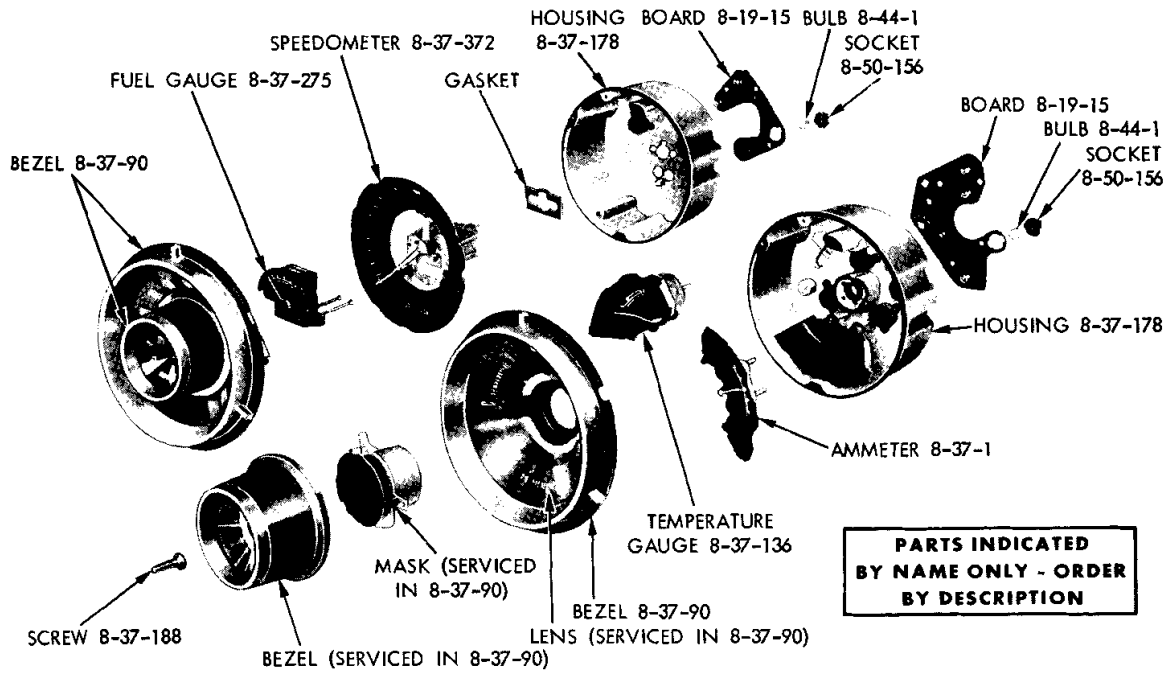


SPEEDOMETER AND INSTRUMENT CLUSTER - PLYMOUTH FURY



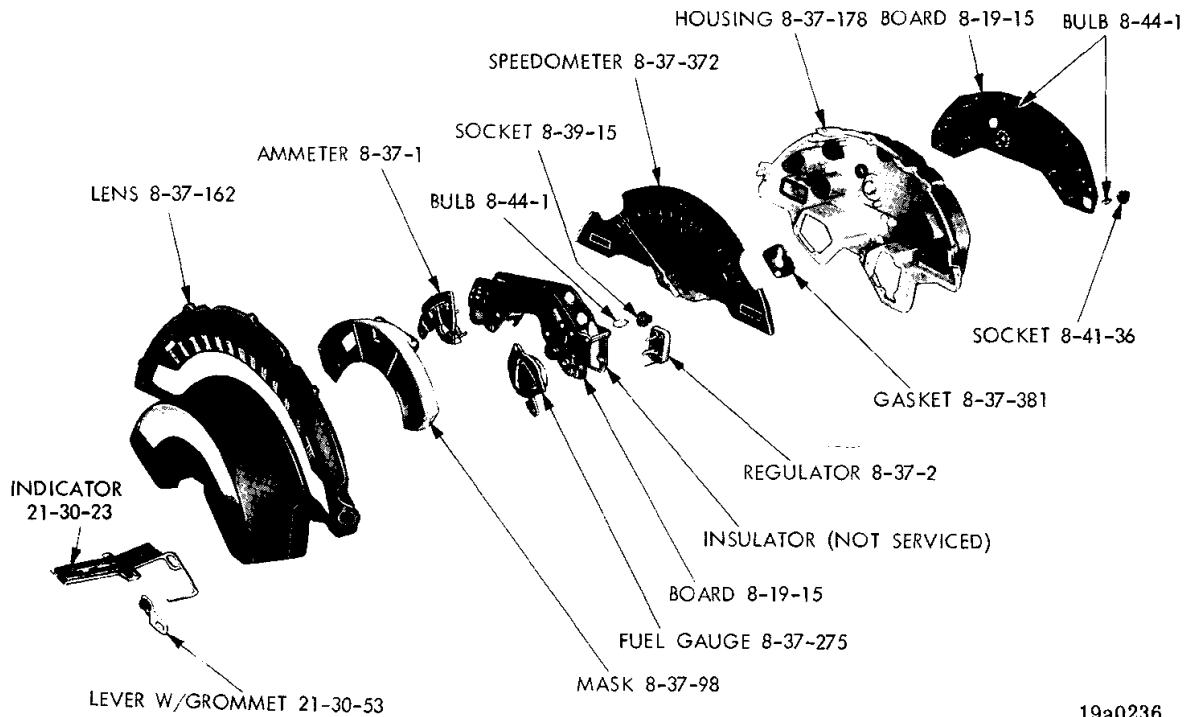
19a0177

SPEEDOMETER AND INSTRUMENT CLUSTER - CORONET



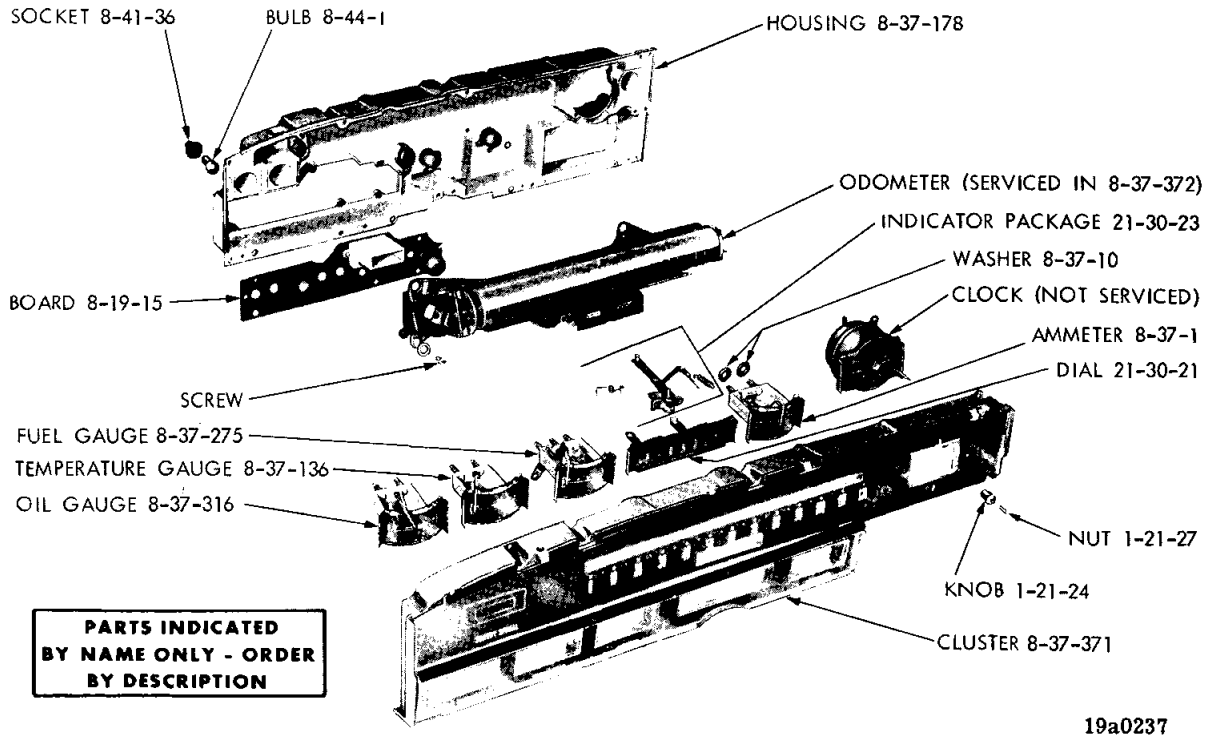
19a0238

INSTRUMENT CLUSTER - DODGE POLARA

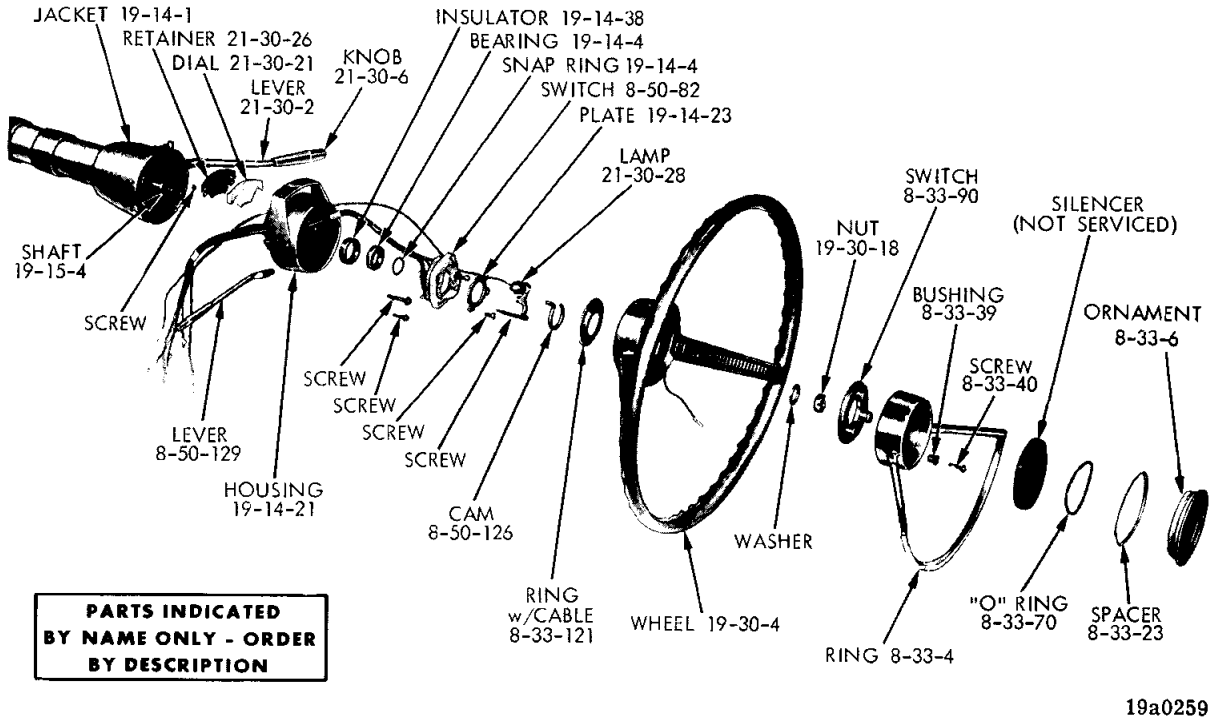


19a0236

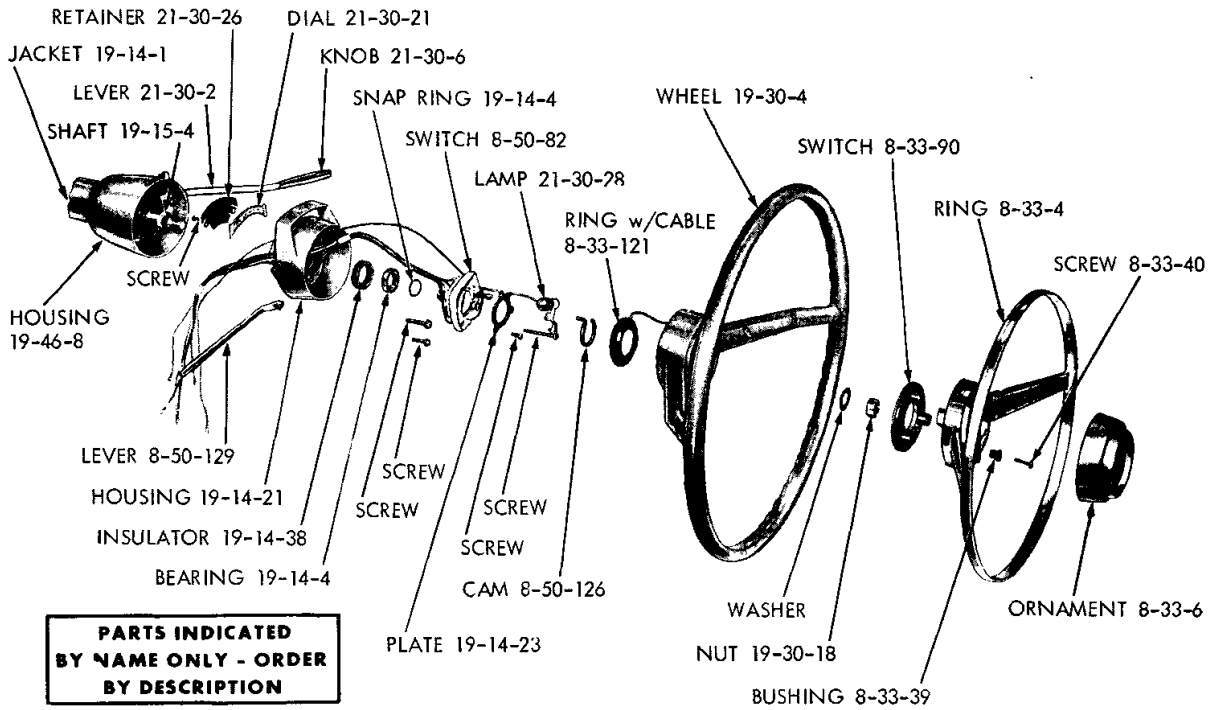
INSTRUMENT CLUSTER - CHRYSLER



INSTRUMENT CLUSTER - IMPERIAL

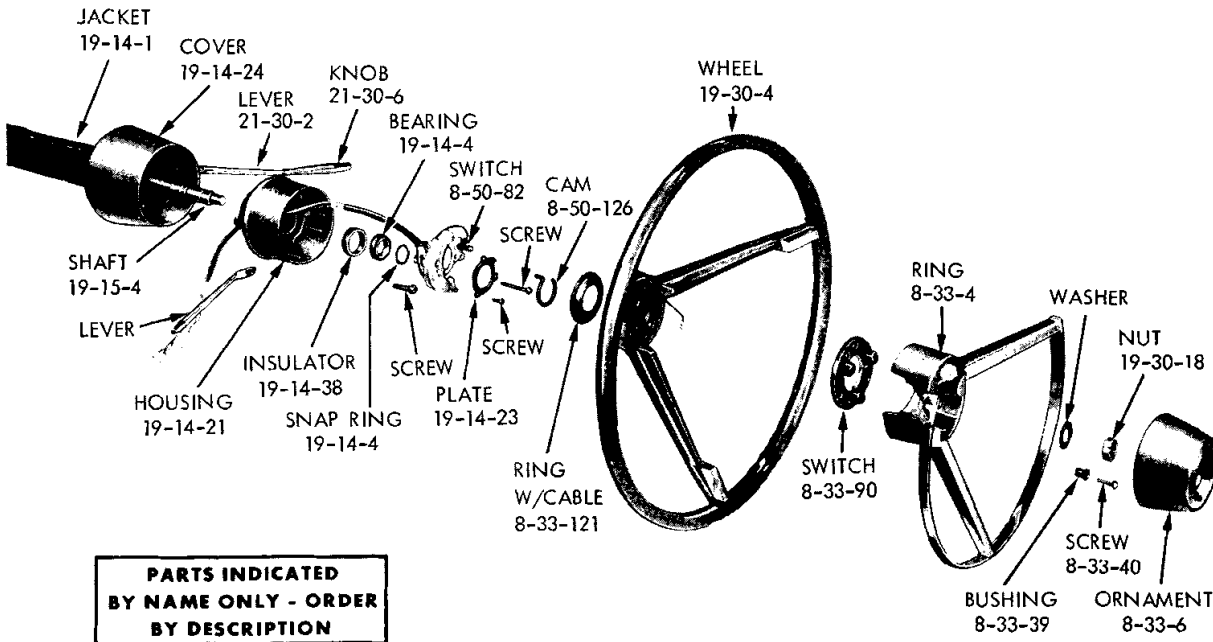


HORN AND TURN SIGNAL CONTROLS - VALIANT AND DART



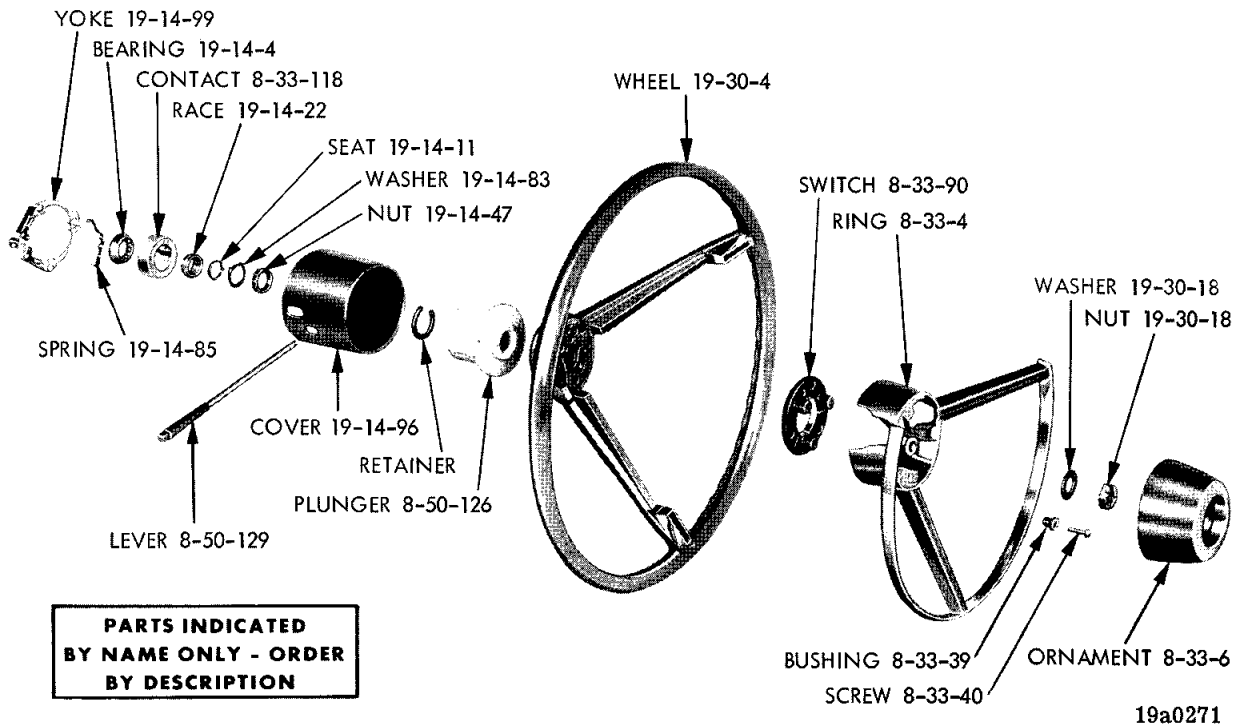
19a0261

HORN AND TURN SIGNAL CONTROLS - BELVEDERE AND CORONET

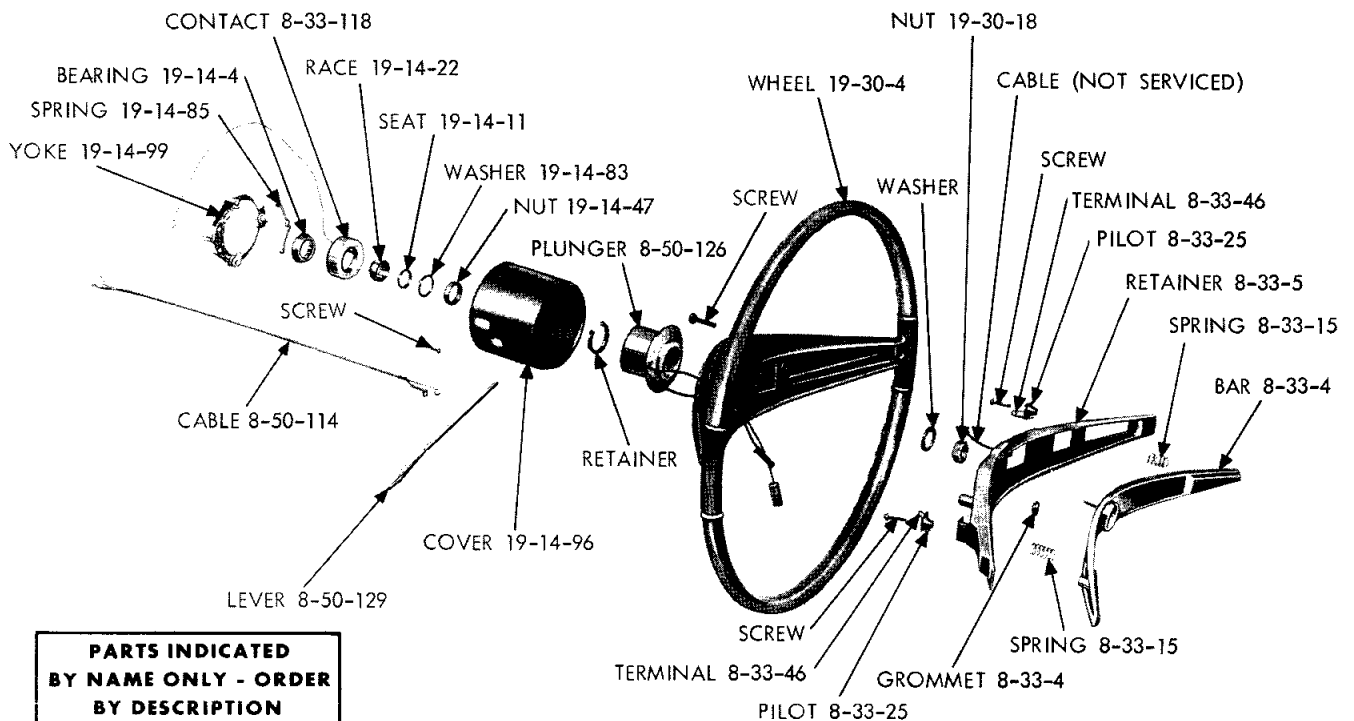


19a0260

HORN AND TURN SIGNAL CONTROLS - PLYMOUTH FURY, DODGE POLARA AND CHRYSLER

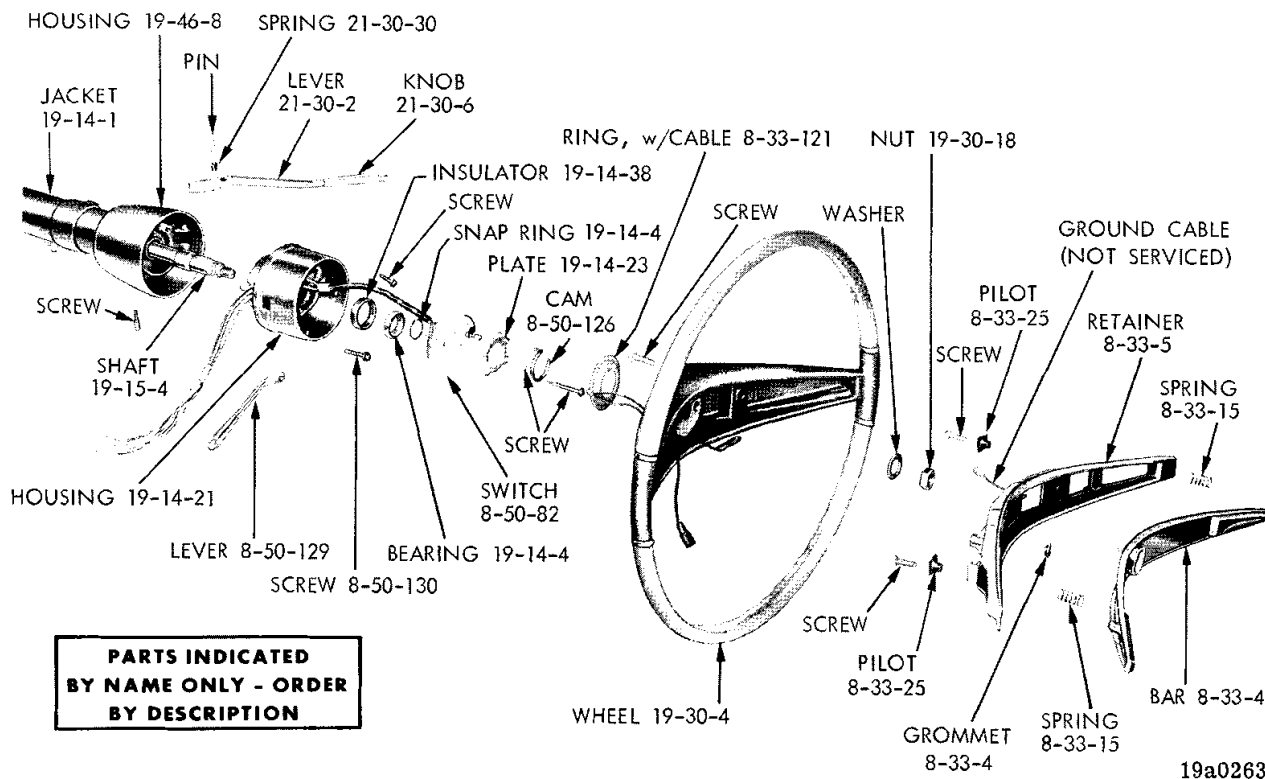


HORN AND TURN SIGNAL CONTROLS (TILT) - PLYMOUTH, DODGE AND CHRYSLER



HORN AND TURN SIGNAL CONTROLS (WITH ADJUSTABLE TILT STEERING WHEEL) - IMPERIAL

19a0295



HORN AND TURN SIGNAL CONTROLS (WITHOUT ADJUSTABLE TILT STEERING WHEEL) - IMPERIAL

<p>CONNECTOR</p> <p>2495237 PACKAGE</p>	<p>CONNECTOR</p> <p>2495235 PACKAGE</p>	<p>CONNECTOR</p> <p>TERMINAL</p> <p>2495234 PACKAGE</p>	<p>CONNECTOR</p> <p>TERMINAL</p> <p>2495236 PACKAGE</p>	<p>INSULATOR</p> <p>TERMINAL</p> <p>2495517 PACKAGE</p>
<p>INSULATOR</p> <p>2495542 PACKAGE</p>	<p>TERMINAL</p> <p>2495223 PACKAGE</p>	<p>TERMINAL</p> <p>2495224 PACKAGE</p>	<p>CONNECTOR</p> <p>TERMINAL</p> <p>2495541 PACKAGE</p>	
				19x9958

PLUG, TERMINAL, INSULATOR AND CONNECTOR CHART

CONNECTOR 1842003 	CONNECTOR  TERMINAL 1879609 PACKAGE	CONNECTOR 611898 	TERMINAL 1842009 	TERMINAL 2427736 	TERMINAL 870821 
TERMINAL 2291588 	TERMINAL 221259 	TERMINAL 1770660 	TERMINAL 903895 	TERMINAL (SILVER PLATED)  1819836 PACKAGE	TERMINAL  1779654 PACKAGE
TERMINAL 2258591 	TERMINAL 2258118 	TERMINAL 2290069 	TERMINAL 2258590 	TERMINAL 2290207 	TERMINAL 2291838 
TERMINAL (FEMALE)  INSULATOR (FEMALE) TERMINAL (MALE)  INSULATOR (MALE) 2298882 PACKAGE	INSULATOR 2291093 	TERMINAL 2427545 	INSULATOR 2258651 	INSULATOR 2258102 	INSULATOR  TERMINAL 2240264 PACKAGE
INSULATOR  TERMINAL 1843222 PACKAGE	INSULATOR  TERMINAL 2240536 PACKAGE	INSULATOR  TERMINAL 2084421 PACKAGE	INSULATOR  TERMINAL 2084424 PACKAGE	INSULATOR  TERMINAL 2084425 PACKAGE	INSULATOR  TERMINAL (FEMALE)  TERMINAL (MALE)  1843226 PACKAGE
TERMINAL 2427725 	TERMINAL 2427848 	INSULATOR  TERMINAL  TERMINAL  2448822 PACKAGE	TERMINAL 2257443-4 	INSULATOR  TERMINAL  2495239 PACKAGE	TERMINAL 2496541 

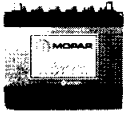



19x9957

PLUG, TERMINAL, INSULATOR AND CONNECTOR CHART

MOPAR BATTERIES

- Longer Battery Life
- Greater Power
- Instant Power Under All Weather Extremes
- Dependable Power
- Economical Power

MODELS	GROUP NUMBER		
	20H	24H	27H
Valiant and Dart	Standard	Optional	
Plymouth and Dodge		Standard	Optional
Chrysler - All			Standard
Imperial			All

BATTERY TYPE	AABM GROUP NUMBER	PART NUMBERS		PLATES PER CELL	AMP HOURS
		WET CHARGED	DRY CHARGED		
 "SUPREME" 48 Months Pro-Rata Service Adjustment Super Performance	24H	2098 029	2098 030	11	60
	27H	2098 039	2098 040	13	70
 "DELUXE" 36 Months Pro-Rata Service Adjustment Valued Dependability	20H	2098 447	2098 448	7	38
	24H	2098 041	2098 042	9	48
	24H	2098 795	2098 796	11	59
	27H	2098 051	2098 052	13	70
 "CUSTOM" 24 Months Pro-Rata Service Adjustment Popular Priced Dependability	24H	2098 797	2098 798	7	41
 "SPECIAL" 12 Months Pro-Rata Service Adjustment Economical Quality	24H	2098 053	----	7	35

FOR COMPLETE PAST MODEL APPLICATION AND FOR OTHER MAKE VEHICLES SEE MOPAR BATTERY PRICE AND APPLICATION GUIDE

19x9571

CODE	PART NAME AND DESCRIPTION	C Y L	PER CAR	VALIANT	PLYMOUTH BELVEDERE	PLYMOUTH FURY	IMPERIAL
				DART	DODGE CORONET	DODGE POLARA CHRYSLER	
8-01-0 BATTERY AND CABLE							
8-01-4	CABLE, Battery Ground, No. 6 Gauge, 28" long		1	2525 348	2525 348	2525 348	2525 348
	Trunk Battery, w/426 cu. in. Eng., except Sta. Wgn., 32" long	8	1	----	1879 939		
	GROMMET, Battery Cable, Trunk Battery, w/426 cu. in. Eng., except Sta. Wgn.	8	1	----	1370 460		
8-01-7	STRAP, Battery Ground Cable, Battery Tray.		1	6015 149			
	CLIP, Battery Cable Left Side Rail Front Reinforcement, w/Auto. Trans.	6	1	----	6015 149		
	CLIP, Starting Motor to Starter Relay Wiring Left Side Rail Front Reinforcement		1	----	6015 366		
		6	1	----	6015 366		
8-01-10	WASHER, Intake Manifold Ground Cable	8	2	----	E6026 273	E6026 273	E6026 273
8-01-11	BOLT, Battery Ground Cable Clamp		★	1622 535	1622 535	1622 535	1622 535
8-01-12	NUT, Battery Ground Cable Clamp Bolt		★	1622 536	1622 536	1622 536	1622 536
8-01-13	SCREW, Battery Cable Ground, except Sta. Wgn., w/426 cu. in. Eng.	8	2	----	6006 120		
8-01-17	CABLE, Battery to Starter, No. 6 Gauge, 28" long	6	1	2525 348			
	Battery to Starter and Starter Relay	6	1	2587 817			
		8	1	*2587 178	*2587 822		
	w/Manual Trans., except Taxi	6	1	----	*2587 820		
	w/Auto. Trans.	6	1	----	*2587 822	*2631 001	
	w/Manual Trans., 11" Clutch, Taxi	6	1	----	*2587 822	*2631 001	
	Engine to Body Ground, except Sta. Wgn., w/426 cu. in. Eng., Hemispherical	8	1	----	2427 807		
	Starter Motor to Battery Cable, Trunk Battery, except Sta. Wgn., w/426 cu. in. Eng., Hemispherical	8	1	----	2580 470		
	Battery to Starter to Starter Relay, w/273 cu. in. Eng.	8	1	----	2587 178		
			1	----		*2631 001	*2587 822
	Police and Taxi	6	1	----		*2631 001	
8-01-20	BOLT, Battery to Starter Cable Clamp		★	*1622 535	*1622 535	*1622 535	*1622 535
8-01-21	NUT, Battery to Starter Cable Clamp Bolt		★	*1622 536	*1622 536	*1622 536	*1622 536
8-05-0 DOME LAMP AND SWITCH							
8-05-6	HOUSING, 2 D., 2 D. H.T., 4 D. and Sta. Wgn.		1	2292 994			
	2 D. and 4 D.		1	----	2419 236		
	Sta. Wgn.		1	----	2292 871		
	Rear, Sta. Wgn.		1	----	2161 308	2161 308	
	2 D., 4 D., 4 D. H.T. and Sta. Wgn., P		1	----		2490 012	
	4 D. and Sta. Wgn., D, C	8	1	----		2490 012	
	HOUSING and SEAL PACKAGE, Reading Lamp, 4 D. H.T., Y-H		1	----			2448 807
	SCREW		2	6024 402			

TYPE LETTERS Indicate:

V - Valiant
L - DartR - Belvedere
W - CoronetP - Plymouth
D - DodgeC - Chrysler
Y - Imperial

★ Indicates use as required.

Ⓚ Indicates parts not listed in any previous parts book.

● Indicates change or addition.

Numerals in parentheses () refer to notes.

Prices and specifications subject to change without notice.

Printed in U.S.A.

1965 PASSENGER CAR PARTS CATALOG

ELECTRICAL

CODE	PART NAME AND DESCRIPTION	CYL	PER CAR	VALIANT	PLYMOUTH BELVEDERE	PLYMOUTH FURY	IMPERIAL
				DART	DODGE CORONET	DODGE POLARA CHRYSLER	
8-05-0 DOME LAMP AND SWITCH - Cont'd							
8-05-8	BEZEL, Dome Lamp, 2 D., 4 D. and Sta. Wgn. BEZEL and LENS, Rear, Sta. Wgn.		1 1	----- -----	2166 743 2161 307	2161 307	
8-05-10	GASKET, Rear, Sta. Wgn.		1	-----	2589 097	2589 097	
8-05-11	RETAINER, Dome Lamp Switch Mounting, V, R, C Reading Lamp Housing, 4 D. H.T., Y-H . . .		1 2	1887 604 -----	1887 604 -----	2496 766 -----	2496 825 2440 873
8-05-12	SOCKET, Dome Lamp, 2 D., 2 D. H.T., 4 D. and Sta. Wgn. 2 D., 4 D. and Sta. Wgn., Pl 2 D., 4 D., 4 D. H.T. and Sta. Wgn., P . . . 4 D. and Sta. Wgn., D, C Reading Lamp, 4 D. H.T., Y-H		1 1 8 8 2	1704 875 ----- ----- ----- -----	----- 2258 598 ----- ----- -----	----- 1704 875 1704 875 1704 875 -----	----- ----- ----- ----- 1704 875
8-05-14	SWITCH, Dome Lamp, R W-L, W-H W-P Reading Lamp, 4 D. H.T., Y-H Roof Rail Dome Lamp, 2 D. H.T. and 4 D. H.T.		1 1 8 2 1	2584 926 ----- ----- ----- -----	2584 927 2298 855 2497 778 ----- -----	2584 928 ----- ----- ----- -----	2584 929 ----- 2427 335 ----- 2096 180
8-05-16	KNOB, Dome Lamp Switch, L, W, P V, R w/o Air Conditioning, D w/Air Conditioning, D C KNOB and SEAL PACKAGE, Reading Lamp, 4 D. H.T., Y-H		1 1 8 8 8 2	2496 791 2497 271 ----- ----- ----- -----	2580 149 2497 272 ----- ----- ----- -----	2580 159 ----- 2580 149 2580 150 2496 681 -----	----- ----- ----- 2426 656 ----- 2448 808
8-05-20	BEZEL, Switch Mounting, L, W, P w/o Air Conditioning, D w/Air Conditioning, D C Except Cv.Cp.		8 8 1 1	2497 249 ----- ----- ----- -----	2497 249 ----- ----- ----- -----	E2496 762 2497 249 2580 146 *2497 620 -----	----- ----- ----- 2096 181
8-05-23	LENS, Dome Lamp, 2 D., 2 D. H.T., 4 D. and Sta. Wgn. 2 D., 4 D. and Sta. Wgn. 2 D., 4 D., 4 D. H.T. and Sta. Wgn., P . . . 4 D. and Sta. Wgn., D, C LENS and RETAINING RING PACKAGE, Reading Lamp, 4 D. H.T., Y-H		1 1 8 1 2	2292 995 ----- ----- ----- -----	----- 2166 676 ----- ----- -----	----- ----- 2490 013 2490 013 -----	----- ----- ----- 2448 809
8-05-28	BRACKET, Dome Lamp Mounting, Rear, Sta. Wgn.		1	-----	2086 597	2086 597	
8-05-31	CONTACT, Dome Lamp Socket Reading Lamp, 4 D. H.T., Y-H		★ 4	2256 966 -----	2256 966 -----	2256 966 -----	2256 966 2256 966
8-05-32	CORE, Dome Lamp Socket, Rear, Sta. Wgn. . .		1	-----	2161 316	2161 316	
8-05-34	RETAINER, Dome Lamp Support Wire Long, 4 D., D, C		8 2	-----	-----	2581 275	
8-05-40	BUSHING and SPRING, Dome Lamp Socket, 2 D., 4 D. and Sta. Wgn.		1	-----	2096 062		

TYPE LETTERS Indicate: V - Valiant R - Belvedere P - Plymouth C - Chrysler
L - Dart W - Coronet D - Dodge Y - Imperial

★ Indicates use as required. Numerals in parentheses () refer to notes. Printed in U.S.A.
 ☐ Indicates parts not listed in any previous parts book. Prices and specifications subject to change without notice.
 March 1966 Supersedes May 1965. Page 8-40 * Indicates change or addition.

CODE	PART NAME AND DESCRIPTION	C Y L	PER CAR	VALIANT	PLYMOUTH BELVEDERE	PLYMOUTH FURY	IMPERIAL
				DART	DODGE CORONET	DODGE POLARA	
8-11-0 QUARTER OR COURTESY LAMP							
8-11-5	PLATE, Attaching, Cv.Cp.		2	----	2440 355		
8-11-6	SWITCH, Pocket Panel Lamp, Cv.Cp.		1	----	----	----	2496 109
8-11-8	SOCKET, C Pillar Lamp, V Barracuda		2	1704 875			
	2 D. H.T., P		2	----	1704 875	1704 875	
	2 D. H.T. and 4 D. H.T., D, C, Y-M	8	2	----	----	1704 875	1704 875
	Courtesy Lamp, Cv.Cp.		2	----	1963 479		
	Console Courtesy Lamp, R-P, W-P, P-P, D-L 2 D. H.T. and Cv.Cp., D-P, C-L 2 D. H.T., C-M, C-P, C-H except Sta. Wgn.	8	2	----	2426 141	2426 141	
	Pocket Panel Lamp, Cv.Cp.	8	2	----	----	1704 875	
	Quarter Arm Rest, Cv.Cp.		2	----	----	----	1963 479
	Door Courtesy Lamp		4	----	----	----	1704 875
8-11-12	LENS, Courtesy Lamp, 2 D. H. T., P, C-P		2	----	2581 027	2581 027	
	V Barracuda		2	2581 027			
	2 D. H.T. and 4 D. H.T., D, C-L, C-M, C-H, Y-M	8	2	----	----	2581 027	2581 027
	Cv. Cp.	8	2	----	----	1887 954	
	LENS and RETAINER, Bezel, Cv.Cp.		2	----	1623 132		
	LENS, Door Courtesy Lamp, 2 D. H. T., D-P .	8	2	----	----	2572 775	
	LENS and RETAINER, Quarter Arm Rest, Cv.Cp.		2	----	----	----	1623 132
	LENS, Door Pull Handle		2	----	----	----	2490 164-5
8-11-15	HOUSING, Courtesy Lamp, 2 D. H. T., P		2	----	2581 029	2581 029	
	V Barracuda		2	2581 029			
	Cv.Cp.	8	2	----	----	2581 709	
	2 D. H.T. and 4 D. H.T., D, C	8	2	----	----	2581 029	2581 029
	Door Courtesy Lamp, D-P	8	2	----	----	2572 774	
8-11-16	BEZEL, Courtesy Lamp, 2 D. H. T., P		2	----	2581 028	2581 028	2499 012
	V Barracuda		2	2581 028			
	Cv.Cp.		2	----	2499 012	----	2499 012
	2 D. H.T. and 4 D. H.T., D, C-L, C-M, C-P. BEZEL and RETAINER, Outer, 2 D. H.T. and 4 D. H.T., C-H, Y-M	8	2	----	----	2581 028	
	Door Courtesy Lamp, D-P	8	2	----	----	2581 364	2581 364
	Console Courtesy Lamp, 2 D. H.T. and Cv. Cp., R-P, W-P, P-P, D-L	8	2	----	*2572 521	*2572 521	
	Console Courtesy Lamp, D-P, C-M, C-P.	8	2	----	----	2572 521	
	Console Courtesy Lamp, 2 D. H.T., C-L	8	2	----	----	2572 521	
	Console Courtesy Lamp, 2 D. H.T. and 4 D. H.T., C-H	8	2	----	----	2572 521	
	Pocket Panel Lamp Switch, Cv.Cp.		1	----	----	----	2096 181
8-11-18	CONTACT, C Pillar Lamp Socket, V Barracuda		4	2256 966			
	2 D. H.T., P		4	----	2256 966	2256 966	
	2 D. H.T. and 4 D. H.T., D, C	8	4	----	----	2256 966	
	Door Courtesy Lamp Socket, D-P	8	4	----	----	2256 966	
	Pocket Panel Lamp Socket, Cv.Cp.	8	4	----	----	2256 966	
	Console Courtesy Lamp Socket, R-P, W-P, P-P, D-L 2 D. H.T. and Cv.Cp., D-P, C-M, C-P	8	4	----	2256 966	2256 966	
	2 D. H.T., C-L	8	4	----	----	2256 966	
	2 D. H.T. and 4 D. H.T., C-H	8	4	----	----	2256 966	
	Front Door Courtesy Lamp Socket		8	----	----	----	2256 966

TYPE LETTERS Indicate: V - Valiant R - Belvedere P - Plymouth C - Chrysler
L - Dart W - Coronet D - Dodge Y - Imperial

★ Indicates use as required. Numerals in parentheses () refer to notes. Printed in U.S.A.
 ☐ Indicates parts not listed in any previous parts book. Prices and specifications subject to change without notice.
 * Indicates change or addition. Page 8-41 March 1966 Supersedes May 1965.

1965 PASSENGER CAR PARTS CATALOG

ELECTRICAL

CODE	PART NAME AND DESCRIPTION	CYL	PER CAR	VALIANT	PLYMOUTH BELVEDERE	PLYMOUTH FURY	IMPERIAL
				DART	DODGE CORONET	DODGE POLARA CHRYSLER	
8-11-0 QUARTER OR COURTESY LAMP - Cont'd							
8-11-21	SCREW, Courtesy Lamp Attaching, Cv. Cp.	8	4	----	----	6024 403	
8-11-24	RETAINER, Courtesy Lamp Lens, Cv. Cp.		2	----	2499 010	----	2499 010
8-11-28	CORE, Door Courtesy Lamp Socket, D-P	8	2	----	----	2161 316	
8-12-0 AUTOMATIC DOOR LAMP SWITCH							
8-12-2	SWITCH, Rear Door		2	1971 931	1971 931	1971 931	1971 931
	Front Door		2	1971 931	1971 931	1971 931	2497 590
8-12-3	SOCKET, 4 D., P		1	----	1753 632	1753 632	
8-12-15	LENS, Bezel and Housing, 4 D., R-L, W-L, P-L		1	----	2426 179	2426 179	
8-12-17	CONTACT, Socket, 4 D., P		2	----	2256 966	2256 966	
8-13-0 TRUNK LAMP							
8-13-2	SWITCH, except Sta. Wgn.		1	2580 611	2580 611	2580 611	1972 426
8-13-3	SOCKET and BRACKET, except Sta. Wgn.		1	2096 857	2096 857	2096 857	2096 857
8-13-5	CONTACT, INSULATOR and SPRING PACKAGE, Socket, except Sta. Wgn.		1	2584 972	2584 972	2584 972	2584 972
8-14-0 RUNNING LAMP							
8-14-3	SOCKET, Sentry Signal Lamp		1	----	----	----	1753 632
8-14-6	LENS, C-P	8	1	----	----	2575 093	
8-14-9	BEZEL and MEDALLION, C-P	8	1	----	----	2575 090	
8-14-13	GASKET, C-P	8	1	----	----	2578 740	
8-15-0 CHASSIS AND BODY WIRING							
8-15-2	WIRING, Headlamp and Engine Compartment	6	1	2587 796	----	----	*2586 952
	Engine Compartment	8	1	----	2587 797	2497 436	
	P, D	8	1	----	2587 798	2497 469	
	C	8	1	----	----	2497 694	
	Headlamp, Parking and Turn Signal Lamp to Bulkhead Disconnect, R		1	----	2497 323		
	W		1	----	2497 319		
	Headlamp to Bulkhead Disconnect, P, D, C-L		1	----	----	*2586 756	
	C-M, C-P, C-H	8	1	----	----	2587 131	
	Dual Headlamp, C-M, C-P, C-H	8	2	----	----	2631 320	2631 320
8-15-3	BLOCK and CLIP PACKAGE, Fuse		1	2495 538	2495 538	2495 232	2584 922
8-15-4	WIRING, Body, except Sta. Wgn., V except Barracuda, W		1	2497 002	2496 512		
	V Barracuda		1	2585 140	----	----	2497 181
	Sta. Wgn.		1	2497 246			
	Except Sta. Wgn., L, R		1	2497 028	2496 565		
	w/Electric Tailgate Window Lift Switch, Sta. Wgn., P		1	----	2497 262	2497 198	
	2 D. and 4 D., P-L, P-M		1	----	----	2496 648	
	2 D. H.T., 4 D. and 4 D. H.T., P-H, P-P		1	----	----	2497 055	

TYPE LETTERS indicate: V - Valiant R - Belvedere P - Plymouth C - Chrysler
 I - Dart W - Coronet D - Dodge Y - Imperial

*Indicates use as required. Numerals in parentheses () refer to notes. Printed in U.S.A.
 □ Indicates parts not listed in any previous parts book. Prices and specifications subject to change without notice.
 March 1966 Supersedes May 1965. Page 8-42 ♦ Indicates change or addition.

CODE	PART NAME AND DESCRIPTION	CYL	PER CAR	VALIANT	PLYMOUTH BELVEDERE	PLYMOUTH FURY	IMPERIAL
				DART	DODGE CORONET	DODGE POLARA	
8-15-0 CHASSIS AND BODY WIRING - Cont'd							
8-15-4	WIRING - Cont'd						
	Cv.Cp., P.		1	-----	-----	2580 858	
	Except Cv.Cp. and Sta. Wgn., D	8	1	-----	-----	2496 513	
	w/Electric Tailgate Window Lift Switch, Sta. Wgn., D, C	8	1	-----	-----	2496 352	
	Cv.Cp., D	8	1	-----	-----	2580 859	
	Except Cv. Cp. and Sta. Wgn., used w/one Bulb Type Tail Lamp, C-L, C-M, C-P	8	1	-----	-----	2496 576	
	Except Cv. Cp. and Sta. Wgn., used w/two Bulb Type Tail Lamp, C	8	1	-----	-----	2631 138	
	Cv. Cp., used w/one Bulb Type Tail Lamp, C	8	1	-----	-----	2580 694	
	Cv. Cp., used w/two Bulb Type Tail Lamp, C	8	1	-----	-----	2631 139	
	Except Sta. Wgn., used w/one Bulb Type Tail Lamp, C-H	8	1	-----	-----	2631 135	
	Console Wiring, w/Auto. Trans., w/o Tachometer, V-P, L-P		1	2580 291			
	Console Courtesy Lamp, w/Manual Trans., w/o Tachometer, R-P, W-P	8	1	-----	2497 442		
	Console Wiring, on Instrument Panel, R-P, W-P, P-P, C-P	8	1	-----	2497 416	2497 768	
	Console Wiring, on Instrument Panel, D-L 2 D. H.T. and Cv.Cp., D-P	8	1	-----	-----	2580 089	
	Console Wiring, on Instrument Panel, w/Manual Trans., w/Tachometer, C-L, 2 D. H.T., C-M 2 D. H.T., Cv.Cp. and 4 D.H.T.	8	1	-----	-----	2497 768	
	Console Wiring, on Instrument Panel, w/Auto. Trans., w/o Tachometer, C-L 2 D. H.T., C-M 2 D. H.T., Cv.Cp. and 4 D. H.T., C-H 2 D. H.T., Cv.Cp. and 4 D. H.T.	8	1	-----	-----	2497 768	
	Console Wiring, on Body, R-P, W-P, P-P, D-L 2 D. H.T. and Cv.Cp., C-P	8	1	-----	2497 362	2497 434	
	Console Wiring, on Body, w/Manual Trans., w/Tachometer, C-L 2 D. H.T., C-M	8	1	-----	-----	2497 434	
	Console Wiring, on Body, w/Auto. Trans., w/o Tachometer, C-L 2 D. H.T., C-M, C-H 2 D. H.T. and 4 D. H.T.	8	1	-----	-----	2497 434	
	Console Wiring, on Body, D-P	8	1	-----	-----	2580 040	
	Console Wiring, on Body, w/Manual Trans., w/o Tachometer, D-P	8	1	-----	-----	2580 041	
	Console Wiring, on Console, w/Auto. Trans., R-P, W-P	8	1	-----	2497 327		
	Console Wiring, on Console, w/Manual Trans., w/Tachometer, R-P, W-P	8	1	-----	2497 445		
	Console Wiring, on Console, w/Manual Trans., w/Tachometer, P-P, D-L 2 D. H.T. and Cv.Cp., D-P, C-L 2 D. H.T., C-M, C-P	8	1	-----	-----	2497 343	
	Console Wiring, on Console, w/Manual Trans., w/o Tachometer, P-P, D-L 2 D. H.T. and Cv.Cp., D-P	8	1	-----	-----	2497 413	
	Console Wiring, on Console, w/Auto. Trans., P-P, D-L 2 D. H.T. and Cv.Cp., D-P, C-M	8	1	-----	-----	2497 422	
	Console Wiring, on Console, w/Manual Trans., w/o Tachometer, C-P	8	1	-----	-----	2497 422	
	Console Wiring, on Console, w/Auto. Trans., w/o Tachometer, C-L 2 D. H.T., C-H 2 D. H.T. and 4 D. H.T.	8	1	-----	-----	2497 422	
	Deck Lid, P-H, P-P		1	-----	-----	2496 849	
	GROMMET, Body Wiring, Sta. Wgn.		2	2291 672			
	GROMMET, Body Wiring Harness to Tieplate, Left, Sta. Wgn.		1	-----	2480 149		

TYPE LETTERS Indicate: V - Valiant R - Belvedere P - Plymouth C - Chrysler
L - Dart W - Coronet D - Dodge Y - Imperial

★Indicates use as required. Numerals in parentheses () refer to notes. Printed in U.S.A.
 ☒Indicates parts not listed in any previous parts book. Prices and specifications subject to change without notice.
 * Indicates change or addition. March 1966 Supersedes May 1965.

1965 PASSENGER CAR PARTS CATALOG

ELECTRICAL

CODE	PART NAME AND DESCRIPTION	CYL	PER CAR	VALIANT	PLYMOUTH BELVEDERE	PLYMOUTH FURY	IMPERIAL
				DART	DODGE CORONET	DODGE POLARA CHRYSLER	
8-15-0 CHASSIS AND BODY WIRING - Cont'd							
8-15-7	FUSE WIRE, Alternator Voltage Regulator . . .		1	2275 242	2275 242	2275 242	2275 242
	CABLE, Single Post to Starter Relay Fusible Link, w/60 Amp. Ammeter	6	1	2580 270			
	w/60 Amp. Ammeter, P, D		1	-----	2580 270	2580 270	
	w/40 Amp. Ammeter		1	-----	-----	-----	2497 430
	Horn Fusible Link		1	-----	-----	-----	2497 344
8-15-13	COVER, Fuse Block Base		1	2291 846	2291 846	2291 846	2291 846
8-15-20	CONDUIT, Front Door Courtesy Lamp Wiring, D-P	8	2	-----	-----	2497 774	
8-15-22	GROMMET, Parking and Headlamp Wiring Side Shield		2	2291 789			
	Rear Bumper Tail, Stop, Turn Signal and Back-Up Lamp Socket and Wiring		2	-----	-----	-----	1370 460
	Remote Deck Lid Lock Wiring		1	-----	-----	-----	2291 789
8-15-24	WIRING, Front Fender Turn Signal Indicator Lamp Jumper, C-L	8	2	-----	-----	2587 132	
8-15-27	CABLE, Fusible Link		1	2580 388	2580 389		
	On Instrument Panel		1	-----	-----	*2631 454	
8-15-32	CLIP, C Pillar Lamp Wiring, V Barracuda. . .		1	6015 288			
	Dome Lamp Wiring, 2 D., 2 D. H.T., 4 D. and Sta. Wgn., V		1	6015 288			
	Except Cv.Cp., L, P		1	6015 288	6015 288	6015 288	
	4 D. and Sta. Wgn., D	8	1	-----	-----	6015 288	
	2 D., 4 D. 6 Window Sedan and Sta. Wgn., C-L	8	1	-----	-----	6015 288	
	4 D. 6 Window Sedan and Sta. Wgn., C-H	8	1	-----	-----	6015 288	
	Back-Up Lamp Switch Wiring, V-P, L-P, R-P, W-P, P-P, D-L, D-P, C		1	6015 377	6015 377	6015 377	
	w/Cross Bar, Fuse Block, P, D		2	2291 842	2291 842	2291 842	
	C	8	1	-----	-----	2291 842	2291 842
	C	8	1	-----	-----	2291 841	2291 841
	Tail Lamp Wiring Snap on, Sta. Wgn., P		2	-----	-----	6015 377	
	Tail, Back-Up Lamp Wiring Snap on, except Sta. Wgn., P		4	-----	-----	*6015 377	
8-15-33	SCREW and WASHER, Bulkhead Connector Insulator Mounting		2	2426 920	2426 920	2426 920	2426 920
	SCREW, Headlamp and Engine Compartment Wiring Clip Mounting, on Rear of Alternator		8	6022 381	6022 381		
8-15-35	WIRING, Transigniter, w/426 cu. in. Eng., Hemispherical, except Sta. Wgn.	8	1	-----	2580 498		
8-15-52	WIRING, Tail Lamp, w/o Electric Tailgate Window Lift Switch, Sta. Wgn., L		1	2497 257			
	Rear Lamp and Tailgate, w/Electric Tailgate Window Lift Switch, Sta. Wgn., P-L, P-M		1	-----	2497 313	2580 140	
	Rear Lamp, w/o Electric Tailgate Window Lift Switch, Sta. Wgn., P-L, P-M		1	-----	-----	2580 138	
	Rear Lamp and Tailgate, w/o Electric Tailgate Window Lift Switch, Sta. Wgn., P-H	8	1	-----	-----	2497 446	
	Rear Lamp and Tailgate, w/Electric Tailgate Window Lift Switch, Sta. Wgn., P-H	8	1	-----	-----	2497 350	
	Rear Lamp and Tailgate, w/o Electric Tailgate Window Lift Switch, Sta. Wgn., D-L	8	1	-----	-----	2497 480	

TYPE LETTERS Indicate: V - Valiant R - Belvedere P - Plymouth C - Chrysler
 L - Dart W - Coronet D - Dodge Y - Imperial

★Indicates use as required. Numerals in parentheses () refer to notes. Printed in U.S.A.
 ⓀIndicates parts not listed in any previous parts book. Prices and specifications subject to change without notice.
 March 1966 Supersedes May 1965. * Indicates change or addition.

CODE	PART NAME AND DESCRIPTION	CYL	PER CAR	VALIANT	PLYMOUTH BELVEDERE	PLYMOUTH FURY	IMPERIAL
				DART	DODGE CORONET	DODGE POLARA CHRYSLER	
8-15-0 CHASSIS AND BODY WIRING - Cont'd							
8-15-52	WIRING - Cont'd						
	Rear Lamp and Tailgate, w/Electric Tailgate Window Lift Switch, Sta. Wgn., D . . .	8	1	-----	-----	2497 368	
	Rear Lamp and Tailgate Window Lift Switch, Sta. Wgn., C	8	1	-----	-----	2497 207	
	GROMMET, Tail Lamp, Sta. Wgn., L		1	2291 672			
8-15-53	WIRING, C Pillar Lamp, 2 D. H. T.		1	-----	2427 987		
	w/ 1/4" Blade Terminal and Insulator, P 2 D. H.T., D 2 D. H.T. and 4 D. H.T., C 2 D. H.T. and 4 D. H.T.		1	-----	-----	2497 489	
	w/Bullet Type Terminal, P 2 D. H.T., D 2 D. H.T. and 4 D. H.T., C 2 D. H.T. and 4 D. H.T.		1	-----	-----	2631 874	
			1	-----	-----	-----	2497 208
	Dome Lamp, Rear, Sta. Wgn.		1	-----	2497 138		

8-16-0 CABLE AND CONNECTIONS

NOTE: For a more practical and economical method of servicing, only the more complicated Assemblies will be stocked for service. These will be found in their respective Groups. On the more simple Assemblies the required length and size of Cable, necessary Terminals, etc., should be specified. For visual chart of Insulator and Terminal Packages see front of group.
Used on All Models as required.

Code	Part No.	
8-16-1	CONNECTOR and TERMINAL PACKAGE, Headlamp Cable	1879 609
	TERMINAL and INSULATOR PACKAGE, Single Pole, Long.	1843 226
	8 Pole, Male, Upper, Bulkhead Disconnect	2495 223
	8 Pole, Male, Lower, Bulkhead Disconnect	2495 224
	Male and Female	2298 882
	8 Pole, Female	2084 424
	Female, Miniature	2084 421
	Electric Vent Wing Motor Wiring	2495 239
	Window Lift Switch, 3 Way.	2495 234
	Window Lift Switch, 5 Way.	2495 235
Window Lift Switch, 10 Way	2584 843	
Window Lift Switch, 6 Way, w/Lockout Switch	2495 236	
Window Lift Switch, 6 Way, w/o Lockout Switch	2495 237	
Window Lift Switch, 5 Way.	2584 954	
Female, Miniature	2240 264	
Male, Miniature	2240 536	
6 Pole, Male and Female	2448 822	
Male, Turn Signal Switch Wiring	2495 542	
Female, Turn Signal Switch Wiring	2495 541	
Printed Circuit Board	2495 517	
Single Cable, Bullet Type	1843 444	
Seat Adjusting Switch, 6 Way	2584 842	
Air Conditioning Vacuum Switch	2584 841	
Power Vent Switch, 5 Way	2584 953	
Turn Signal Switch, Male	2585 030	

TYPE LETTERS Indicate: V - Valiant R - Belvedere P - Plymouth C - Chrysler
L - Dart W - Coronet D - Dodge Y - Imperial

★ Indicates use as required. Numerals in parentheses () refer to notes. Printed in U.S.A.
 ☐ Indicates parts not listed in any previous parts book. Prices and specifications subject to change without notice.
 ● Indicates change or addition. Page 8-45 May 1965, Supersedes Nov. 30, 1964.

8-16-0 CABLE AND CONNECTIONS - Cont'd

Code		Part No.
8-16-3	CABLE, No. 8 Brown, 100 Foot Spool	2275 220
	No. 12 Red, 100 Foot Spool	1752 491
	No. 14 Green, 100 Foot Spool	1752 490
	No. 16 Blue, 100 Foot Spool	1752 489
	No. 18 Yellow, 100 Foot Spool	1752 488
	Wire and Spool, Triple Conductor, No. 14 Gauge, Red, Green and Black, 100 Foot Spool . .	2298 769
	Wire and Spool, Double Conductor, No. 14 Gauge, Green and Black, 100 Foot Spool	2298 770
8-16-4	Wiring, .910" long	2298 768
	TERMINAL, Female Side Type	1842 009
	Wiring, 1.025" long	2290 069
	Printed Circuit Board Wiring, Female	2291 259
	w/CLIP, Fuse Block, Male	2291 838
	Female, Cold Crimp	2291 588
	w/INSULATOR and CABLE, Glove Box Lamp, No. 16 Red	2257 443
	w/INSULATOR and CABLE, Glove Box Lamp, No. 14 Brown	2257 444
	Printed Circuit Wiring, Female	2258 118
	Cable Connector	870 821
	Electrical Window Lift Safety Switch Wiring	903 895
	Wiring, .910" long	2258 591
	Wiring Fuse Clip	2290 207
	Wiring, 1.36" long	2258 590
Female, K-Type	1819 836	
Male Blade	1770 660	
Wiring, .553" long	2427 529	
Male, Blade Crimped K-Type	2427 545	
Wiring, .570" long	2427 736	
Printed Circuit Board Clip	2427 725	
Wiring, 1.625" long	2197 947	
Turn Signal Switch and Horn Wiring	2496 532	
Wiring, .697" long	2427 848	
Battery to Starter Cable	2197 945	
Ignition Coil Feed Cable	2496 541	
Wiring, Female, Miniature Blade	2580 061	
8-16-5	SLEEVE, Wiring Terminal, Black	1264 933
	Starting Motor Terminal	930 304
	Starting Motor Terminal	1188 502
8-16-6	INSULATOR, Alternator Battery Terminal	2291 093
	Printed Circuit Board Wiring Terminal, 5 Pole, Female	2291 256
	Printed Circuit Wiring Terminal	2258 651
	Headlamp Switch, 7 Pole, Female	2258 102
	Neutral Safety Cable Terminal	2497 701
8-16-8	CONNECTOR, 2 Way Polarized, Female	1842 003
	Single Cable	611 898
	Electric Window Lift Safety Switch Wiring	1345 871
	Back-Up Lamp Switch Wiring, w/Manual Trans.	2631 340
8-16-10	PLUG, Cable Connector, No. 12 Cable	665 151
	w/Wiring, Molded 2 Pole, Male and Female	2233 028
	w/Wiring, Molded 4 Pole, 2 Male and 2 Female	2497 346
8-16-16	MOLD and CABLE, Single Female	2580 064
	Single Male	2580 065
	Dual Female	2580 267

TYPE LETTERS Indicate: V - Valiant R - Belvedere P - Plymouth C - Chrysler
 L - Dart W - Coronet D - Dodge Y - Imperial

* Indicates use as required. Numerals in parentheses () refer to notes. Printed in U.S.A.
 ☐ Indicates parts not listed in any previous parts book. Prices and specifications subject to change without notice.
 March 1966 Supersedes May 1965. * Indicates change or addition.

8-17-O FUSES

CODE	AMP.	SIZE	PART NO.
8-17-2	FUSES		
	All Models	1	5/8 149 559
	All Models	2	5/8 148 086
	All Models	2	1-1/4 145 511
	All Models	3	5/8 445 635
	All Models	3	1-1/4 106 652
	All Models	4	1-1/4 148 511
	All Models	5	5/8 126 049
	All Models	6	3/4 147 683
	All Models	7-1/2	7/8 150 866
	All Models	7-1/2	1-1/4 455 107
	All Models	9	7/8 147 684
	All Models	10	5/8 142 864
	All Models	10	1-1/4 117 142
	All Models	14	1-1/16 147 685
	All Models	15	1-1/4 120 151
	All Models	20	5/8 106 650
	All Models	30	1-1/4 120 114
	All Models	30	1-7/16 147 686
	All Models	60	43/50 2258 284

CODE	PART NAME AND DESCRIPTION	CYL	PER CAR	VALIANT	PLYMOUTH BELVEDERE	PLYMOUTH FURY	IMPERIAL
				DART	DODGE CORONET	DODGE POLARA CHRYSLER	
8-17-23	FUSE HOLDER, Console Courtesy Lamp, 10 Amp., R-P, W-P	8	1	-----	1971 742		
			1	-----	-----	1885 608	
8-17-30	CIRCUIT BREAKER, w/Mounting BRACKET, 30 Amp., Cv.Cp. and Sta. Wgn.		1	2495 545			
	w/Mounting BRACKET, 30 Amp., except 2 D.		1	-----	2495 545	2580 953	
	w/Mounting BRACKET, 4 D., 4 D. H. T. and Sta. Wgn., 15 and 30 Amp.		1	-----	-----	2580 952	
	w/Mounting BRACKET, 4 D., 4 D. H. T. and Sta. Wgn., 15 Amp.		1	-----	-----	2580 954	
	w/Mounting PLATE, 15 and 30 Amp.		1	-----	-----	-----	2580 148
8-19-O INSTRUMENT PANEL WIRING							
8-19-2	CONTACT, Ash Receiver Lamp Socket, C	8	2	-----	-----	2256 966	
			1	-----	-----	-----	2256 966
8-19-3	WIRING, Tachometer, on Instrument Panel, V	8	1	2631 401			
	Instrument Panel, V, R, P.		1	2497 944	2497 292	*2497 044	
	L, W, D		1	2497 945	2497 369	2497 227	
	C.	8	1	-----	-----	2631 164	2497 293
	w/Headlamp Sentinel, C	8	1	-----	-----	2631 948	
8-19-7	EXTENSION, Headlamp Switch Wiring, 3 Way		1	-----	-----	2231 105	
8-19-15	BOARD, Printed Circuit, V, W		1	2496 508	2496 611	-----	2496 938
	L		1	2580 263			
	R		1	-----	2497 390-1		
	Speedometer Cluster, P		1	-----	-----	2496 467	
	Instrument Cluster, P		1	-----	-----	2496 468	
	w/Ammeter and Temperature Gauge, D.	8	1	-----	-----	2496 050	
	w/Speedometer and Fuel Gauge, D	8	1	-----	-----	2496 091	
	Upper, C	8	1	-----	-----	2496 213	
	Lower, C	8	1	-----	-----	2496 215	
8-19-81	HOUSING, Ash Receiver Lamp, P	8	1	-----	-----	*2580 105	
8-19-83	SOCKET and CABLE, Ash Receiver, D-L, C	8	2	-----	-----	2291 751	
	D-H, D-P	8	1	-----	-----	2291 751	2291 751

TYPE LETTERS Indicate: V - Valiant R - Belvedere P - Plymouth C - Chrysler
L - Dart W - Coronet D - Dodge Y - Imperial

★Indicates use as required. Numerals in parentheses () refer to notes. Printed in U.S.A.
 ☐Indicates parts not listed in any previous parts book. Prices and specifications subject to change without notice.
 * Indicates change or addition. May 1965, Supersedes Nov. 30, 1964.

1965 PASSENGER CAR PARTS CATALOG

CODE	PART NAME AND DESCRIPTION	CYL	PER CAR	VALIANT	PLYMOUTH BELVEDERE	PLYMOUTH FURY	IMPERIAL
				DART	DODGE CORONET	DODGE POLARA	
8-19-0 INSTRUMENT PANEL WIRING - Cont'd							
8-19-87	CONNECTOR, INSULATOR, GASKET and CLIPS, Bulkhead		1	2580 325	2580 325	2580 325	2580 325
8-20-0 CIGAR LIGHTER							
8-20-3	CIRCUIT BREAKER, Thermal, Manual Reset, Rear Compartment, D-P, C-M, C-P, C-H 2 D. H.T., 4 D. H.T. and Sta. Wgn.	8	1	-----	-----	1887 222	
	2 D. H.T., C-L.	8	1	-----	-----	1887 222	
	Rear Door Arm Rest, 4 D. H.T.		2	-----	-----	-----	1887 222
	Quarter Panel Arm Rest, 2 D. H.T. and Cv.Cp.		2	-----	-----	-----	1887 222
8-20-5	HOUSING, Console Cigar Lighter, D-P.	8	1	-----	-----	2572 590	
	Console Rear End Cap Cigar Lighter, C-L 2 D. H.T., C-M, C-P, C-H 2 D. H.T. and 4 D. H.T.	8	1	-----	-----	2572 539	
8-20-8	KNOB, Instrument Panel Cigar Lighter, V, P, C		1	*2497 278	*2290 188	*2290 188	*2290 188
	L, D		1	2496 790	-----	2496 790	
	Rear Compartment, D-P, C-H except 2 D. H.T. w/o Bucket Seat and w/o Console . . .	8	1	-----	-----	2290 188	
	w/Bucket Seat, w/Console, C-L 2 D. H.T., C-M, C-P, C-H	8	1	-----	-----	2497 689	
	Rear Door Arm Rest, 4 D. H.T.		2	-----	-----	-----	2497 689
	Quarter Panel Arm Rest, 2 D. H.T. and Cv.Cp.		2	-----	-----	-----	2497 689
8-20-9	ELEMENT, Instrument Panel Cigar Lighter Heat Rear Compartment, D-P, C-M, C-P, C-H . .	8	1	2580 453	2580 453	2580 453	2580 453
	Quarter Panel Arm Rest, 2 D. H.T. and Cv.Cp.		2	-----	-----	-----	2580 453
	Rear Door Arm Rest, 4 D. H.T.		2	-----	-----	-----	2580 453
8-20-10	SHELL and CLAMP, Instrument Panel Cigar Lighter, Casco		1	2496 564	2496 562	2496 562	2496 562
	Cuno		1	2096 597	2096 599	2096 599	2096 599
	Rear Compartment, Casco, D-P, C-L 2 D. H.T., C-M, C-P, C-H	8	1	-----	-----	2496 562	
	Cuno, w/Bucket Seat, w/Console, D-P, C-L 2 D. H.T., C-M, C-P, C-H	8	1	-----	-----	2198 192	
	Cuno, w/Bucket Seat, w/o Console, 2 D. H.T., C-L, C-H	8	1	-----	-----	2096 599	
	Cuno, w/o Bucket Seat, w/o Console, C-M, C-H except 2 D. H.T.	8	1	-----	-----	2096 599	
	Rear Door Arm Rest, Casco, 4 D. H.T. . . .		2	-----	-----	-----	2496 562
	Rear Door Arm Rest, Cuno, 4 D. H.T. . . .		2	-----	-----	-----	2198 192
	Quarter Panel Arm Rest, Casco, 2 D. H.T. and Cv.Cp.		2	-----	-----	-----	2496 562
	Quarter Panel Arm Rest, Cuno, 2 D. H.T. and Cv.Cp.		2	-----	-----	-----	2198 192
8-20-16	BEZEL, Instrument Panel, L		1	E2497 321			
	Front Seat Cigar Lighter C-M, C-H, 2 D. H.T., 4 D. H.T. and Sta. Wgn.	8	1	-----	-----	2080 996	
8-21-0 TERMINAL BLOCK							
8-21-1	BLOCK, Terminal, Single Post, w/5/16" Stud, w/426 cu. in. Eng., Hemispherical, except Sta. Wgn.	8	1	-----	2580 465		

TYPE LETTERS Indicate: V - Valiant R - Belvedere P - Plymouth C - Chrysler
 L - Dart W - Coronet D - Dodge Y - Imperial

*Indicates use as required. Numerals in parentheses () refer to notes. Printed in U.S.A.
 ☐Indicates parts not listed in any previous parts book. Prices and specifications subject to change without notice.
 March 1966 Supersedes May 1965. Page 8-48 * Indicates change or addition.

8-27-0 IGNITION DISTRIBUTOR

8-27-1 DISTRUBUTOR, Assembly

Models	Cyl.	Eng. (cu. in.)	Trans.	Breaker Points	Distributor Identification Stamped (Complete)	Replace- ment Assy's (Partial)(Less Cap & Rotor)
V, L	6	170	Manual	Single	2444 255	2444 367
V, L	6	170	Auto.	Single	2444 256	2444 368
V, L, R, W, P	6	225	Manual	Single	2444 907	2444 699
V, L, R, W, P	6	225	Auto.	Single	2444 648	2444 699
V, L, R, W, w/2 Barrel Carburetor	8	273	Manual	Single	2444 794	2444 858
V, L, R, W, w/2 Barrel Carburetor	8	273	Auto.	Single	2444 795	2444 859
V, L, Power Pack, w/1-4 Barrel Carburetor	8	273	All	Double	2444 853 IBS-4013	2444 873 IBS-4013S
R, W, P, D, w/2 Barrel Carburetor	8	318	Manual	Single	2444 258	*2444 328
R, W, P, D, w/2 Barrel Carburetor	8	318	Auto.	Single	2444 259	*2444 329
R, W, Power Pack, w/2 Barrel Carburetor	8	361	All	Single	2444 676	2444 700
R, W, Police, High Performance, w/1-4 Barrel Carburetor	8	383	All	Double	2444 358 IBS-4006J	2444 360 IBS-4006JS
R, W, w/2-4 Barrel Carburetor	8	426 Hemi- spherical	All	Double	2444 814 IBB-4204	2444 851 IBB-4204S
R, W, P, D, w/1-4 Barrel Carburetor	8	426 Std.	All	Double	2444 684 IBS-4006L	2444 704 IBS-4006LS
P, Police, Power Pack, w/2 Barrel Carburetor	8	383	All	Single	2444 676	2444 700
P, D, Police, w/1-4 Barrel Carburetor	8	383	All	Double	2444 358 IBS-4006J	2444 360 IBS-4006JS
P, w/1-4 Barrel Carburetor, High Performance	8	383	All	Double	2444 358 IBS-4006J	2444 360 IBS-4006JS
D w/2 or 4 Barrel Carburetor, C-L w/2 Barrel Carburetor	8	383	All	Single	2444 676	2444 700
D, Police, High Performance, w/1-4 Barrel Carburetor	8	413	All	Double	2444 683	2444 703
D, w/1-4 Barrel Carburetor, California Police	8	413	All	Double	2444 967 IBS-4006N IBS-4006K	E2444 987 IBS-4006NS IBS-4006KS
C-M, w/1-4 Barrel Carburetor	8	383	All	Single	2444 676	2444 700
C-M, Power Pack, C-P, C-H, w/1-4 Barrel Carburetor	8	413	All	Double	2444 683 IBS-4006K	2444 703 IBS-4006KS
C-H, Y1, w/1-4 Barrel Carburetor	8	413	Auto.	Single	2444 867	2444 869

CODE	PART NAME AND DESCRIPTION	C Y L	P E R C A R	VALIANT	PLYMOUTH BELVEDERE	PLYMOUTH FURY	IMPERIAL
				DART	DODGE CORONET	DODGE POLARA CHRYSLER	
8-27-61	CAP, ROTOR and CABLE PACKAGE	6	1	2448 273	2448 273	2448 273	
8-27-259	SPACER, Cam		1	1889 996	1889 996	1889 996	1889 996
8-27-320	TUBE, Carburetor to Distributor Vacuum Control		1	2264 962	2264 962	2264 962	2264 962

TYPE LETTERS indicate: V - Valiant R - Belvedere P - Plymouth C - Chrysler
L - Dart W - Coronet D - Dodge Y - Imperial

*Indicates use as required. Numerals in parentheses () refer to notes. Printed in U.S.A.
 †Indicates parts not listed in any previous parts book. Prices and specifications subject to change without notice.
 * Indicates change or addition. Page 8-49 May 1965, Supersedes Nov. 30, 1964.

8-27-0 IGNITION DISTRIBUTOR COMPONENT PARTS

FOR MODEL APPLICATION SEE CODE 8-27-1

DISTRIBUTOR ASSEMBLIES

DISTRIBUTOR IDENTIFICATION STAMPED	2444 258	2444 259	2444 358 IBS-4006J	2444 255
REPLACEMENT ASSY'S (PARTIAL) (LESS CAP & ROTOR)	2444 328	2444 329	2444 360 IBS-4006JS	2444 367

CODE	REMARKS				
8-27-4	GASKET, Distributor Mounting Oil Retaining.	1326 836	1326 836	1326 836	2095 630
	GASKET, Distributor Mounting to Cylinder Block . .	----	----	----	2095 740
8-27-26	CLAMP	1947 612	1947 612	1947 613	----
8-27-71	CAP	2444 507	2444 507	1658 534	2098 765
8-27-76	SPRING, Cap Attaching	1838 508	1838 508	----	1838 508
8-27-77	SPRING and HINGE PACKAGE, Cap Clamp.	----	----	1879 606	----
8-27-85	CONTACT and SPRING PACKAGE, Cap Plunger . . .	----	----	2084 655	----
8-27-100	OILER	953 717	953 717	----	953 717
8-27-133	BEARING and THRUST WASHER PACKAGE, Shaft	2275 229	2275 229	----	2275 229
	BEARING PACKAGE, Shaft	----	----	1879 596	----
8-27-137	COLLAR and PIN PACKAGE, Shaft	2084 448	2084 448	----	----
8-27-138	PLATE, Breaker	2095 922	2095 922	*2585 162	2095 922
8-27-158	CONTACT SET	2098 244	2098 244	----	2098 244
	CONTACT SET (2 req'd.)	----	----	2421 173	----
8-27-190	CONDENSER	2098 058	2098 058	1818 757	2098 058
8-27-205	LEAD, Primary.	2444 282	2444 282	2525 639	2444 249
8-27-250	SHAFT, GOVERNOR and CAM, Drive	*2444 404	*1889 683	----	*2098 663
	SHAFT, Drive.	----	----	2525 648	----
	PIN, Shaft	9414 181	9414 181	9414 181	9414 181
8-27-278	WEIGHT PACKAGE, Governor.	1881 945	1881 945	1881 746	1881 945
8-27-279	SPRING SET, Governor Weight	2525 251	1881 946	2084 866	2448 259
8-27-292	CAM and STOP PLATE	2095 741	1889 320	----	2098 175
8-27-297	FELT DISC and SNAP RING PACKAGE	1879 607	1879 607	1879 607	1879 607
8-27-300	ROTOR	1838 516	1838 516	1658 535	2098 770
8-27-308	CONTROL, Vacuum	2444 398	2444 398	----	2444 101
	CHAMBER PACKAGE, Vacuum	----	----	2084 868	----
8-27-315	PLUG and GASKET PACKAGE, Vacuum Chamber . .	----	----	2299 319	----
8-27-316	SPRING and WASHER PACKAGE, Vacuum Chamber .	----	----	1881 766	----
8-27-352	GEAR and PIN PACKAGE, Drive	----	----	----	2084 653

TYPE LETTERS Indicate: V - Valiant R - Belvedere P - Plymouth C - Chrysler
L - Dart W - Coronet D - Dodge Y - Imperial

*Indicates use as required. Numerals in parentheses () refer to notes. Printed in U.S.A.
 □Indicates parts not listed in any previous parts book. Prices and specifications subject to change without notice.
 March 1966 Supersedes May 1965. Page 8-50 * Indicates change or addition.

8-27-0 IGNITION DISTRIBUTOR COMPONENT PARTS - Cont'd

FOR MODEL APPLICATION SEE CODE 8-27-1

DISTRIBUTOR ASSEMBLIES

DISTRIBUTOR IDENTIFICATION STAMPED	2444 256	2444 648 or 2444 907	2444 676	2444 683 IBS 4006K
REPLACEMENT ASSY'S (PARTIAL) (LESS CAP & ROTOR)	2444 368	2444 699	2444 700	2444 703 IBS 4006KS

CODE	REMARKS				
8-27-4	GASKET, Distributor Mounting Oil Retaining GASKET, Distributor Mounting to Cylinder Block . .	2095 630 2095 740	2095 630 2095 740	1326 836 ---- --	1326 836 ---- --
8-27-71	CAP	2098 765	2444 690	2444 507	2585 000
8-27-76	SPRING, Cap Attaching	1838 508	1838 508	1838 508	---- --
8-27-77	SPRING and HINGE PACKAGE, Clamp	---- --	---- --	---- --	1879 606
8-27-85	CONTACT and SPRING PACKAGE, Cap Plunger . . .	---- --	---- --	---- --	2084 655
8-27-93	WICK, Drive Shaft Oiler Felt	---- --	---- --	---- --	1479 105
8-27-100	OILER	953 717	953 717	---- --	---- --
8-27-133	BEARING PACKAGE, Shaft BEARING and THRUST WASHER PACKAGE, Shaft. .	---- -- 2275 229	---- -- 2275 229	---- -- 2275 229	1879 596 ---- --
8-27-137	COLLAR and PIN PACKAGE, Shaft	---- --	---- --	2084 448	---- --
8-27-138	PLATE, Breaker	2095 922	2095 922	2095 922	*2585 162
8-27-158	CONTACT SET CONTACT SET (2 req'd.)	2098 244 ---- --	2098 244 ---- --	2098 244 ---- --	---- -- 2421 173
8-27-190	CONDENSER	2098 058	2098 058	2098 058	1818 757
8-27-205	LEAD, Primary.	2444 249	2444 249	2444 282	2525 639
8-27-207	GROUND LEAD.	---- --	---- --	---- --	1527 974
8-27-250	SHAFT, Drive SHAFT, GOVERNOR and CAM, Drive. PIN, Shaft	---- -- 2098 519 9414 181	---- -- 2444 649 ---- --	---- -- 2098 189 ---- --	2584 991 ---- -- ---- --
8-27-259	SPACER, Cam	---- --	---- --	---- --	859 903
8-27-278	WEIGHT PACKAGE, Governor	1881 945	1881 945	1881 955	1881 746
8-27-279	SPRING SET, Governor Weight	2421 473	2584 844	2298 765	2084 866
8-27-292	CAM and STOP PLATE	2098 175	2095 274	2098 190	1879 312

TYPE LETTERS indicate: V - Valiant R - Belvedere P - Plymouth C - Chrysler
L - Dart W - Coronet D - Dodge Y - Imperial

★ Indicates use as required. Numerals in parentheses () refer to notes. Printed in U.S.A.
 ☐ Indicates parts not listed in any previous parts book. Prices and specifications subject to change without notice.
 • Indicates change or addition. March 1966 Supersedes November 1964.
 Page 8-51

8-27-0 IGNITION DISTRIBUTOR COMPONENT PARTS - Cont'd

FOR MODEL APPLICATION SEE CODE 8-27-1

DISTRIBUTOR IDENTIFICATION STAMPED	2444 256	DISTRIBUTOR ASSEMBLIES			
		2444 648 or 2444 907	2444 676	2444 683 IBS-4006K 2444 703 IBS-4006KS	
REPLACEMENT ASSY'S (PARTIAL) (LESS CAP & ROTOR)	2444 368	2444 699	2444 700		
CODE	REMARKS				
8-27-297	FELT DISC and SNAP RING PACKAGE, Cam Sleeve .	1879 607	1879 607	1879 607	1879 607
8-27-300	ROTOR	2098 770	2098 770	1838 516	1658 535
8-27-308	CHAMBER PACKAGE, Vacuum CONTROL, Vacuum, See Note 1 CONTROL, Vacuum, See Note 2	---- *2098 664 ----	---- *2098 209 E2444 911	---- *2444 677 ----	2084 868 ---- ----
8-27-315	PLUG and GASKET PACKAGE, Vacuum Chamber . .	----	----	----	2299 319
8-27-316	SPRING and WASHER PACKAGE, Vacuum Chamber .	----	----	----	1881 766
8-27-352	GEAR and PIN PACKAGE, Shaft	2084 653	2084 653	----	----

NOTE 1: Used w/2444 648 Distributor.

NOTE 2: Used w/2444 907 Distributor.

NOTES

TYPE LETTERS Indicate:

V - Valiant
L - Dart

R - Belvedere
W - Coronet

P - Plymouth
D - Dodge

C - Chrysler
Y - Imperial

★Indicates use as required.

ⓔIndicates parts not listed in any previous parts book.
Nov. 30, 1964 Supersedes Sept. 4, 1964.

Numerals in parentheses () refer to notes.

Printed in U.S.A.
Prices and specifications subject to change without notice.

8-27-0 IGNITION DISTRIBUTOR COMPONENT PARTS - Cont'd

FOR MODEL APPLICATION SEE CODE 8-27-1

DISTRIBUTOR ASSEMBLIES

DISTRIBUTOR IDENTIFICATION STAMPED		2444 684 IBS-4006L	2444 814 IBB-4204	2444 794	2444 795
REPLACEMENT ASSY'S (PARTIAL) (LESS CAP & ROTOR)		2444 704 IBS-4006LS	2444 851 IBB-4204S	2444 858	2444 859
CODE	REMARKS				
8-27-4	GASKET, Distributor Mounting Oil Retaining	1326 836	1326 836	1326 836	1326 836
8-27-26	CLAMP	2406 143	2406 143	1947 612	1947 612
8-27-71	CAP	2585 000	2585 000	2444 507	2444 507
8-27-76	SPRING, Cap Attaching	-----	-----	1838 508	1838 508
8-27-77	SPRING and HINGE PACKAGE, Clamp	1879 606	E2586 577		
8-27-85	CONTACT and SPRING PACKAGE, Cap Plunger	2084 655	2084 655	-----	-----
8-27-93	WICK, Drive Shaft Oiler Felt	1479 105	1479 105	-----	-----
8-27-100	OILER	953 717	953 717	953 717	953 717
8-27-133	BEARING PACKAGE, Shaft.	1879 596	1879 596	-----	-----
	BEARING and THRUST WASHER PACKAGE, Shaft	-----	-----	2275 229	2275 229
8-27-137	COLLAR and PIN PACKAGE, Shaft	-----	-----	2084 448	2084 448
8-27-138	PLATE, Breaker	*2585 162	2584 993	2095 922	2095 922
8-27-158	CONTACT SET	2421 174	-----	2098 244	2098 244
	CONTACT SET (2 req'd)	-----	E2808 870	-----	-----
8-27-190	CONDENSER	1818 757	-----	2098 058	2098 058
8-27-205	LEAD, Primary.	2525 639	2584 996	2444 282	2444 282
8-27-207	GROUND LEAD	1527 974	-----	-----	-----
8-27-231	COVER, Terminal Slot	-----	1267 367	-----	-----
8-27-250	SHAFT, Drive	2584 991	2584 995	-----	-----
	SHAFT, GOVERNOR and CAM, Drive	-----	-----	2444 457	2642 010
8-27-259	SPACER, Cam	859 903	859 903	1889 996	1889 996
8-27-278	WEIGHT PACKAGE, Governor	1881 746	1881 746	1881 945	1881 945
8-27-279	SPRING SET, Governor Weight	2525 266	2084 301	2525 538	2586 572
8-27-292	CAM and STOP PLATE	2584 992	2584 994	2095 741	1889 320
8-27-297	FELT DISC and SNAP RING PACKAGE, Cam Sleeve	1879 607	1879 607	1879 607	1879 607
8-27-300	ROTOR	1658 535	1658 535	1838 516	1838 516
8-27-308	CHAMBER PACKAGE, Vacuum	2084 868	-----	-----	-----
	CONTROL, Vacuum	-----	-----	2444 456	2444 456
8-27-315	PLUG and GASKET PACKAGE, Vacuum Chamber	2299 319	-----	-----	-----
8-27-316	SPRING and WASHER PACKAGE, Vacuum Chamber	1881 758	-----	-----	-----

TYPE LETTERS Indicate:

V - Valiant
L - DartR - Belvedere
W - CoronetP - Plymouth
D - DodgeC - Chrysler
Y - Imperial

★Indicates use as required.

Numerals in parentheses () refer to notes.

Printed in U.S.A.

⊠Indicates parts not listed in any previous parts book.

Prices and specifications subject to change without notice.

* Indicates change or addition.

March 1966 Supersedes May 1965.

8-27-0 IGNITION DISTRIBUTOR COMPONENT PARTS - Cont'd

FOR MODEL APPLICATION SEE CODE 8-27-1

DISTRIBUTOR ASSEMBLIES

DISTRIBUTOR IDENTIFICATION STAMPED		2444 867	2444 853	*2444 967
REPLACEMENT ASSY'S (PARTIAL)(LESS CAP & ROTOR)		2444 869	IBS-4013 2444 873 IBS-4013S	IBS-4006N *2444 987 IBS-4006NS
CODE	REMARKS			
8-27-4	GASKET, Distributor Mounting Oil Retaining	1326 836	1326 836	*1326 836
8-27-71	CAP	2444 507	2585 000	*2585 000
8-27-76	SPRING, Cap Attaching	1838 508	----	----
8-27-77	SPRING and HINGE PACKAGE, Cap Clamp	----	1879 606	*1879 606
8-27-85	CONTACT and SPRING PACKAGE, Cap Plunger	----	2084 655	*2084 655
8-27-100	OILER	----	953 717	* 953 717
8-27-133	BEARING and THRUST WASHER PACKAGE, Shaft	2275 229	2585 021	*2585 021
8-27-137	COLLAR and PIN PACKAGE, Shaft	2084 448	2585 022	*2585 022
8-27-138	PLATE, Breaker	2095 922	2585 017	E2585 162
8-27-158	CONTACT SET CONTACT SET (2 req.)	2098 244 ----	---- 2421 175	---- *2421 173
8-27-190	CONDENSER	2098 058	1818 757	*1818 757
8-27-205	LEAD, Primary	2444 282	2585 019	*2525 639
8-27-207	GROUND LEAD	----	1527 974	*1527 974
8-27-250	SHAFT, GOVERNOR and CAM SHAFT, Drive	2095 648 ----	---- 2585 016	---- *2584 991
8-27-278	WEIGHT PACKAGE, Governor	1881 955	1879 595	*1881 746
8-27-279	SPRING SET, Governor Weight	1881 956	2585 144	*2084 866
8-27-292	CAM and STOP PLATE	1889 709	1843 346	*1879 312
8-27-297	FELT DISC and SNAP RING PACKAGE	1879 607	1879 607	*1879 607
8-27-300	ROTOR	1838 516	1658 535	*1658 535
8-27-306	PARTS PACKAGE, Vacuum Chamber	----	2585 020	*2585 020
8-27-308	CONTROL, Vacuum CHAMBER, Vacuum	2098 197 ----	---- 1843 034	---- *1889 495
8-27-310	SPRING, Vacuum Chamber	----	1879 291	*1818 650

TYPE LETTERS Indicate:

V - Valiant
L - Dart

R - Belvedere
W - Coronet

P - Plymouth
D - Dodge

C - Chrysler
Y - Imperial

★Indicates use as required.

ⓀIndicates parts not listed in any previous parts book.

May 1965, Supersedes Nov. 30, 1964.

Numerals in parentheses () refer to notes.

Printed in U.S.A.

Prices and specifications subject to change without notice.

* Indicates change or addition.

8-28-0 ALTERNATOR

NOTE: For Component Parts of Alternators see Part Type Code 8-29-0. Where Component Parts of a listed Alternator are not shown please order by description. Production Assemblies w/o Pulley are for Identification purposes only. Order Service Alternators w/Pulley.

NOTE: Higher Ampere Leece-Neville Alternators and Alternator Regulators are used on some 1965 Vehicles. Chrysler Parts do not stock Complete Replacement Assemblies or Repair Parts for Leece-Neville Units. When Complete Alternator or Alternator Regulator Assemblies or Repair Parts are required, they should be ordered by Description, Direct from the nearest Leece-Neville Distributor or Leece-Neville, 1374 E. 51st Street, Cleveland, Ohio. Attaching Parts such as Brackets, Straps and Belts are available through your usual Chrysler Parts Source.

CODE	REMARKS	Alternator w/o Pulley	Pulley No.	Amp.	Alternator w/Pulley
8-28-3	All Models	2098 525	2095 430	S 35	2098 830
	All 8 Cylinder Models, w/Air Conditioning, w/3" Pulley	2098 535	2095 059	D 40-46	2098 850
	R2, W2, w/426 cu. in. Eng., Hemispherical, w/3-1/2" Pulley	2098 525	2095 662	D 35	2098 830
	All Models except Y1	2098 535	2444 478	S 40-46	2098 850

NOTE: Letters "S" and "D" in Pulley Margin represent Single Groove and Double Groove.

CODE	PART NAME AND DESCRIPTION	C Y L	PER CAR	VALIANT	PLYMOUTH BELVEDERE	PLYMOUTH FURY	IMPERIAL
				DART	DODGE CORONET	DODGE POLARA CHRYSLER	
8-28-6	BOLT, Alternator Mounting, to Cylinder Head, w/Air Conditioning, w/Compact Leece-Neville Alternator, w/273 cu.in. Eng.	8	1	----	9422 791		
	SCREW, Alternator Mounting, w/Air Conditioning, w/Compact Leece-Neville Alternator, w/318 cu.in. Eng., P, D	8	1	----	9422 790	9422 790	
	WASHER, Alternator Mounting Screw, P, D	8	1	----	6022 190	6022 190	
8-28-7	NUT, Alternator Mounting Bolt Lock		1	6023 035	6023 035	6023 035	6023 035
8-28-14	SPACER, Alternator Adjusting Strap, to Water Pump Housing, w/o Air Conditioning, w/High Performance	8	1	----	2206 450	2206 450	2206 450
8-28-15	STRAP, Alternator Adjusting	6	1	2202 767	2202 767	2202 767	
	w/o Air Conditioning, w/Manual Trans.	8	1	2202 942			
	w/o Air Conditioning, a/Auto. Trans.	8	1	2532 483			
	w/Air Conditioning	8	1	2463 127			
	Alternator Mounting Bracket, w/Air Conditioning	8	1	2468 824			
	w/Manual Trans., w/273 and 318 cu.in. Eng.	8	1	----	2202 942		
	w/Auto. Trans., w/273 and 318 cu.in. Eng. .	8	1	----	2532 483		
	w/o Air Conditioning, w/Leece-Neville Alternator, w/Compact Leece-Neville Alternator, w/318 cu.in. Eng., P, D	8	1	----	2264 518	2264 518	
	w/o Air Conditioning, w/Compact Leece-Neville Alternator, w/273 cu. in. Eng.	8	1	----	2468 339		
	w/Air Conditioning, w/Compact Leece-Neville Alternator, w/273 cu. in. Eng.	8	1	----	2536 080		
	w/Air Conditioning, w/Compact Leece-Neville Alternator, w/318 cu.in. Eng., P, D	8	1	----	2536 104	2536 104	
	w/o Air Conditioning, R, W, w/361 and 383 cu. in. Eng., P except 318 cu. in. Eng., D except 318 cu. in. Eng., C	8	1	----	2206 446	2206 446	2206 447

TYPE LETTERS Indicate: V - Valiant R - Belvedere P - Plymouth C - Chrysler
L - Dart W - Coronet D - Dodge Y - Imperial

★Indicates use as required. Numerals in parentheses () refer to notes. Printed in U.S.A.
 ⓀIndicates parts not listed in any previous parts book. Prices and specifications subject to change without notice.
 * Indicates change or addition. March 1966 Supersedes May 1965.

CODE	PART NAME AND DESCRIPTION	CYL	PER CAR	VALIANT	PLYMOUTH BELVEDERE	PLYMOUTH FURY	IMPERIAL
				DART	DODGE CORONET	DODGE POLARA CHRYSLER	
8-28-0 ALTERNATOR - Cont'd							
8-28-15	STRAP - Cont'd						
	w/o Air Conditioning, w/426 cu. in. Eng., Hemispherical	8	1	-----	E2536 909		
	w/o Air Conditioning, w/426 cu. in. Eng., Std.	8	1	-----	*2206 446		
	w/Air Conditioning, Field Installation, R, W, w/361 and 383 cu. in. Eng., P w/383 cu. in. Eng., D w/383 and 413 cu. in. Eng., C	8	1	-----	*1999 184	*1999 184	*1999 184
	w/o Air Conditioning, w/Leece-Neville Alternator, w/Compact Leece-Neville Alternator, R, W, w/361 and 383 cu. in. Eng., P w/383 cu. in. Eng., D w/383 cu. in. Eng.,	8	1	-----	2206 348	2206 348	
	w/Air Conditioning, w/318 cu. in. Eng., P, D	8	1	-----	-----	*2463 127	
	w/o Air Conditioning, w/318 cu. in. Eng., P, D	8	1	-----	-----	*2463 572	
	w/Air Conditioning, R, W, w/361 and 383 cu. in. Eng., P w/383 cu. in. Eng., D w/383 and 413 cu. in. Eng., C	8	1	-----	2129 060	2129 060	2129 060
	w/Air Conditioning, w/Compact Leece-Neville Alternator, R, W, w/361 and 383 cu. in. Eng., P w/383 cu. in. Eng., D w/383 and 413 cu. in. Eng.	8	1	-----	2536 503	2536 503	
	w/o Air Conditioning, w/Leece-Neville Alternator, w/Compact Leece-Neville Alternator, w/413 cu. in. Eng., D	8	1	-----	-----	2268 928	
8-28-19	SCREW, Water Pump Body Alternator Adjusting Strap Mounting, 3/8" x 4.25", w/273 cu. in. Eng.	8	1	2206 300	2206 300		
	w/318 cu. in. Eng., P, D	8	1	-----	*2206 300	*2206 300	
8-28-32	SUPPORT, Alternator Adjusting Strap, to Air Conditioning Compressor, w/Compact Leece-Neville Alternator, w/273 cu. in. Eng. To Intake Manifold, w/Air Conditioning, w/Compact Leece-Neville Alternator, R, W, w/361 cu. in. Eng., P w/383 cu. in. Eng., D w/383 and 413 cu. in. Eng.	8	1	-----	2536 081		
	To Air Conditioning Compressor, w/Compact Leece-Neville Alternator, w/318 cu. in. Eng., P, D	8	1	-----	2536 504	2536 504	
	Eng., P, D	8	1	-----	*2536 103	*2536 103	
8-28-36	BRACKET, Alternator and Coil Mounting	6	1	2465 166	2465 166	2465 166	
	w/Compact Leece-Neville Alternator	6	1	2465 558	2465 558	2465 558	
	w/Air Conditioning	8	1	2468 823			
	w/o Air Conditioning	8	1	2463 390			
	w/Leece-Neville Alternator	6	1	-----	2406 526	2406 526	
	w/273 and 318 cu. in. Eng.	8	1	-----	2463 390		
	w/o Air Conditioning, w/Compact Leece-Neville Alternator, w/273 cu. in. Eng.	8	1	-----	2468 338		
	w/Air Conditioning, w/Compact Leece-Neville Alternator, w/273 cu. in. Eng.	8	1	-----	2468 477		
	w/o Air Conditioning, w/Leece-Neville Alternator, w/318 cu. in. Eng., P, D	8	1	-----	*2264 523	*2264 523	
	w/o Air Conditioning, w/Compact Leece-Neville Alternator, w/318 cu. in. Eng., P, D	8	1	-----	*2465 721	2465 721	
	w/Air Conditioning, w/Compact Leece-Neville Alternator, w/318 cu. in. Eng., P, D	8	1	-----	*2468 421	*2468 421	

TYPE LETTERS Indicate: V - Valiant R - Belvedere P - Plymouth C - Chrysler
 L - Dart W - Coronet D - Dodge Y - Imperial

*Indicates use as required. Numerals in parentheses () refer to notes. Printed in U.S.A.
 †Indicates parts not listed in any previous parts book. Prices and specifications subject to change without notice.
 May 1965, Supersedes Nov. 30, 1964. Page 8-56 • Indicates change or addition.

CODE	PART NAME AND DESCRIPTION	C Y L	PER CAR	VALIANT	PLYMOUTH BELVEDERE	PLYMOUTH FURY	IMPERIAL
				DART	DODGE CORONET	DODGE POLARA CHRYSLER	
8-28-O ALTERNATOR - Cont'd							
8-28-36	BRACKET - Cont'd Front, w/o Air Conditioning, w/Leece-Neville Alternator, w/Compact Leece-Neville Alternator, R, W, w/361 and 383 cu. in. Eng., P w/383 cu. in. Eng., D w/383 cu. in. Eng.	8	1	-----	2206 346	2206 346	
	w/Spring Anchor, w/o Air Conditioning, w/Leece-Neville Alternator, w/Compact Leece-Neville Alternator, R, W, w/361 and 383 cu. in. Eng., P w/383 cu. in. Eng., D w/383 cu. in. Eng.	8	1	-----	2206 347	2206 347	
	w/o Air Conditioning, R, W, w/361 and 383 cu. in. Eng., P except 318 cu. in. Eng., D except 318 cu. in. Eng., C	8	1	-----	2206 445	2206 445	2206 445
	w/o Air Conditioning, w/426 cu. in. Eng., Hemispherical	8	1	-----	2536 908		
	w/o Air Conditioning, w/426 cu. in. Eng., Std. w/Air Conditioning, Field Installation, R, W, w/361 and 383 cu. in. Eng., P w/383 cu. in. Eng., D w/383 and 413 cu. in. Eng., C	8	1	-----	2129 156	2129 156	2129 156
	w/Air Conditioning, R, W, w/361 and 383 cu. in. Eng., P w/383 cu. in. Eng., D w/383 and 413 cu. in. Eng., C	8	1	-----	2129 154	2129 154	2129 154
	w/Air Conditioning, w/Compact Leece-Neville Alternator, R, W, w/361 and 383 cu. in. Eng., P w/383 cu. in. Eng., D w/383 and 413 cu. in. Eng.	8	1	-----	2468 240	2468 240	
	w/o Air Conditioning, w/318 cu. in. Eng., P, D	8	1	-----	-----	2463 114	
	w/Air Conditioning, w/318 cu. in. Eng., P, D. Front, w/o Air Conditioning, w/Leece-Neville Alternator, w/Compact Leece-Neville Alternator, w/413 cu. in. Eng., D. .	8	1	-----	-----	2536 140	
		8	1	-----	-----	2268 927	
8-28-51	SUPPORT, Alternator Mounting Bracket, w/Air Conditioning, w/Compact Leece-Neville Alternator, w/273 cu. in. Eng.	8	1	-----	2536 082		
	w/Air Conditioning, w/Compact Leece-Neville Alternator, w/318 cu. in. Eng., P, D.	8	1	-----	2536 101	2536 101	
8-28-74	REGULATOR, Alternator Voltage		1	2098 300	2098 300	2098 300	2098 300
	SCREW, Mounting		2	6006 120	6006 120	6006 120	6006 120
8-28-88	SCREW and WASHER, Alternator Regulator Terminal		*	*2095 371	*2095 371	*2095 371	*2095 371
8-28-292	SPACER, Alternator to Cylinder Head, w/o Air Conditioning, R, W, except 273 and 318 cu. in. Eng., P except 318 cu. in. Eng., D, C	8	1	-----	2206 448	2206 448	2206 448
	SPACER, Alternator to Alternator, w/o Air Conditioning, R, W, except 273 and 318 cu. in. Eng., P except 318 cu. in. Eng., D, C	8	1	-----	2206 449	2206 449	2206 449

TYPE LETTERS Indicate: V - Valiant R - Belvedere P - Plymouth C - Chrysler
 L - Dart W - Coronet D - Dodge Y - Imperial

* Indicates use as required. Numerals in parentheses () refer to notes. Printed in U.S.A.
 † Indicates parts not listed in any previous parts book. Prices and specifications subject to change without notice.
 * Indicates change or addition. Page 8-57 March 1966 Supersedes May 1965.

8-29-0 ALTERNATOR COMPONENT PARTS

FOR MODEL APPLICATION SEE CODE 8-28-3

CODE	NAME	ALTERNATOR ASSEMBLIES		
		Alternator, w/o Pulley Alternator, w/Pulley	2098 525 2098 830	2098 535 2098 850
8-29-17	BRUSH, WASHER and TERMINAL PACKAGE		2084 673	2084 673
8-29-42	HOLDER, Brush		2095 038	2095 038
8-29-97	ROTOR		*2585 175	*2585 175
8-29-98	STATOR		2095 427	2095 427
8-29-99	RETAINER, WASHER and SLIP RING PACKAGE, Rotor Grease .		*2586 512	*2586 512
8-29-129	CAPACITOR and INSULATOR PACKAGE		2421 137	2421 137
8-29-130	SCREW, Capacitor Ground		6022 381	6022 381
8-29-131	RECTIFIER, Positive (3 req.) RECTIFIER, Negative (3 req.)		*2098 288 *2098 287	*2098 288 *2098 287
8-29-132	SHIELD, Rectifier End		2098 646	2098 646
8-29-133	BEARING, Rectifier End Shield		2098 512	2098 512
8-29-134	INSERT, Rectifier End Mounting		2095 052	2095 052
8-29-135	HEAT SINK, Rectifier		2095 925	2095 925
8-29-145	SPACER PACKAGE, Heat Sink		2421 138	2421 138
8-29-153	SHIELD, Drive End		2095 945	2095 945
8-29-154	BEARING, Drive End Shield		2098 478	2098 478
8-29-155	PLATE, Drive End Bearing Retainer		2095 012	2095 012
8-29-194	SCREW, Field Terminal Mounting SCREW, Brush Mounting		6023 112 6023 112	6023 112 6023 112
8-29-208	SCREW, Frame (3 req.)		*2098 633	*2098 633

CODE	PART NAME AND DESCRIPTION	C Y L	PER CAR	VALIANT	PLYMOUTH BELVEDERE	PLYMOUTH FURY	IMPERIAL
				DART	DODGE CORONET	DODGE POLARA CHRYSLER	
8-31-0 PARKING BRAKE SIGNAL LAMP							
8-31-2	LAMP, P		1	-----	-----	2580 461	
8-31-5	LENS, Bezel and Housing LENS and BEZEL, P		1 1	*2426 179 -----	-----	2580 332	
8-31-8	HOUSING, D.	8	1	-----	-----	2580 193	
8-31-10	SWITCH		1	2291 852	2291 852	2291 852	
8-31-11	BRACKET, Switch Mounting NUT and WASHER		1 1	*2291 091 *6023 215			

TYPE LETTERS Indicate: V - Valiant R - Belvedere P - Plymouth C - Chrysler
L - Dart W - Coronet D - Dodge Y - Imperial

*Indicates use as required. Numerals in parentheses () refer to notes. Printed in U.S.A.
 †Indicates parts not listed in any previous parts book. Prices and specifications subject to change without notice.
 May 1965, Supersedes Nov. 30, 1964. Page 8-58 * Indicates change or addition.

CODE	PART NAME AND DESCRIPTION	CYL	PER CAR	VALIANT	PLYMOUTH BELVEDERE	PLYMOUTH FURY	IMPERIAL
				DART	DODGE CORONET	DODGE POLARA	
8-31-O PARKING BRAKE SIGNAL LAMP - Cont'd							
8-31-16	SOCKET, P, D	8	1	1753 632	-----	1753 632	
	C		1	-----	-----	2496 279	
8-31-18	CONTACT, Socket, D	8	1	-----	-----	2256 966	
8-32-O HORN							
8-32-2	HORN PACKAGE, Universal, 12 Volt, Low Note, Single Terminal		1	2421 486	2421 486	2421 486	2421 486
	HORN PACKAGE, Universal, 12 Volt, High Note, Single Terminal		1	2421 487	2421 487	2421 487	2421 487
8-32-15	BRACKET, Horn Mounting		2	2580 965	2580 965	2580 965	2580 965
8-32-18	SCREW and WASHER, Horn to Yoke Mounting .		★	6023 253	6023 253	6023 253	6023 253
8-33-O HORN CONTROLS							
8-33-4	RING, Horn, Partial, V, R		1	2265 517	2530 954		
	RING, Horn, Full, L, R, D-L, D-H		1	2530 186	2530 268	2530 268	
	RING, Horn, Full, W, P Police		1	-----	2530 953	2530 268	
	RING, Horn, Full, w/o Spoke Inlay, w/o Chrome Rim, P		1	-----	-----	2530 270	
	RING, Horn, Partial, w/Spoke Cover, P-L, P-M, P-H		1	-----	-----	2530 262	
	RING, Horn, Full, w/o Spoke Inlay, w/Chrome Rim, D	8	1	-----	-----	2530 270	
	RING, Horn, w/o Spoke Inlay, w/o Chrome Rim, C-L, C-M	8	1	-----	-----	2530 217	
	RING, Horn, w/Aluminized Insert, w/Chrome Rim, C-L, C-M, C-P	8	1	-----	-----	2530 222	
	RING, Horn, w/Wood Insert, w/Chrome Rim, C-H	8	1	-----	-----	2530 223	
	BAR, Horn, Two Tone		1	-----	-----	-----	2530 208
	GROMMET, Horn Bar Locating Pin		1	-----	-----	-----	2409 772
8-33-5	RETAINER, Steering Wheel Ornament, w/Horn Button, w/Plastic Wheel, V-H, V-P, L-H, L-P		1	2530 256			
	w/Partial Horn Ring, R		1	-----	2530 256		
	w/Full Horn Ring, W, P		1	-----	2530 256	2530 839	
	Steering Wheel Ornament, 4 D., R-L, W-L, P-L		1	-----	4010 VT5	4010 VX9	
	Horn Bar		1	-----	-----	-----	2530 209
8-33-6	ORNAMENT, Steering Wheel, w/Horn Button, V-L		1	2266 209			
	w/Partial Horn Ring, Export, V-L		1	2266 209			
	w/Partial Horn Ring, V-H, V-P		1	2266 209			
	w/Horn Button, w/Plastic Wheel, V-H, V-P . .		1	2530 258			
	w/Horn Button, w/Plastic Wheel, L-H, L-P . .		1	2530 840			
	w/Horn Button, L-L, W-L		1	2530 843	2530 843		
	w/Full Horn Ring, L		1	2530 843			
	w/Retainer, w/Full Horn Ring, R, P		1	-----	2530 965	2530 965	
	w/Horn Button, Taxi, P		1	-----	*2405 253	2405 253	
	w/Retainer, w/Full Horn Ring, w/o Adjustable Tilt Steering Wheel, D-L, D-H .	8	1	-----	-----	2530 961	
	w/Retainer, w/Full Horn Ring, w/o Spoke Inlay, w/Chrome Rim, D-L, D-H	8	1	-----	-----	2530 273	

TYPE LETTERS Indicate:

V - Valiant
L - DartR - Belvedere
W - CoronetP - Plymouth
D - DodgeC - Chrysler
Y - Imperial

★Indicates use as required.

Numerals in parentheses () refer to notes.

Printed in U.S.A.

⊠Indicates parts not listed in any previous parts book.

Prices and specifications subject to change without notice.

* Indicates change or addition.

1965 PASSENGER CAR PARTS CATALOG

ELEGTRICAL

CODE	PART NAME AND DESCRIPTION	C Y L	PER CAR	VALIANT	PLYMOUTH BELVEDERE	PLYMOUTH FURY	IMPERIAL
				DART	DODGE CORONET	DODGE POLARA	
8-33-0 HORN CONTROLS - Cont'd							
8-33-6	ORNAMENT - Cont'd w/Retainer, w/Full Horn Ring, w/o Spoke Inlay, w/Chrome Rim, D-P	8	1	-----	-----	2530 274	
	w/Retainer, C	8	1	-----	-----	2530 219	
8-33-12	DECAL, Steering Wheel Spoke, w/Full Horn Ring, w/Aluminized Insert, w/Chrome Rim, C-L, C-M, C-P	8	1	-----	-----	2530 176	
	w/Full Horn Ring, w/Wood Insert, w/Chrome Rim, C-H	8	1	-----	-----	2530 177	
	Steering Wheel Horn Ring, w/Full Horn Ring, w/Aluminized Insert, w/Chrome Rim, C-L, C-M, C-P	8	1	-----	-----	2530 220	
	w/Full Horn Ring, w/Wood Insert, w/Chrome Rim, C-H	8	1	-----	-----	2530 221	
8-33-15	SPRING, Horn Bar		2	-----	-----	-----	2533 945
8-33-23	SPACER, Steering Wheel Ornament, V		1	2401 209			
	L		1	2530 844			
	Horn Button, W-L		1	-----	2530 844		
	Horn Button Ornament, Taxi		1	-----	2409 002	2409 002	
8-33-25	PILOT, Horn Bar	8	2	-----	-----	-----	2405 269
8-33-39	BUSHING PACKAGE, Horn Ring Spacer		1	2240 608	2240 608	2240 608	2240 608
8-33-40	SCREW, Horn Ring Spacer Bushing		★	1325 906	1325 906	1325 906	1325 906
8-33-46	TERMINAL, Horn Bar	8	2	-----	-----	-----	2405 271
8-33-47	INSULATOR, Horn Bar Terminal	8	2	-----	-----	-----	2405 270
8-33-69	BASE, Horn Cap, Blue, V-L, L-L, W-L		1	*4017 AB7	*4017 AB7		
	Red, V-L		1	4017 AR6			
	Tan, V-L, L-L, W-L		1	*4017 AT5	*4017 AT5		
	Turquoise, L-L, W-L		1	*4017 AQ6	*4017 AQ6		
	Red, L-L		1	4017 AR7			
8-33-70	“O” RING, Steering Wheel Ornament Retainer, W		1	6023 346	6023 346		
8-33-90	SWITCH, Horn, Complete, w/Partial Horn Ring, V-L, L-L		1	2076 543			
	w/3 Spoke Steering Wheel, V-H, V-P, L-H, L-P		1	2076 543			
	w/Full Horn Ring, V-L, L-L		1	1972 391			
	w/o 3 Spoke Steering Wheel, V-H, V-P, L-H, L-P		1	1972 391			
	Taxi, R-L 4 D., W-L 2 D. and 4 D., P-L 4 D.		1	-----	1972 391	1972 391	1972 391
			1	-----	2076 543	2076 543	
8-33-118	CONTACT, Horn, w/Adjustable Tilt Steering Wheel, P, D		1	-----	-----	2643 684	
	C		1	-----	-----	2643 687	2643 690
8-33-121	RING and FEED CABLE, Horn Contact		1	2497 588	2497 588		
	w/o Adjustable Tilt Steering Wheel		1	-----	-----	2497 588	2427 124
8-33-164	RELAY and BRACKET, Horn, 12 Volt		1	2291 436	2291 436	2291 436	2291 436
	SCREW, Mounting		1	6006 120	6006 120	6006 120	6006 120

TYPE LETTERS Indicate: V - Valiant R - Belvedere P - Plymouth C - Chrysler
L - Dart W - Coronet D - Dodge Y - Imperial

★Indicates use as required. Numerals in parentheses () refer to notes. Printed in U.S.A.
 BIndicates parts not listed in any previous parts book. Prices and specifications subject to change without notice.
 March 1966 Supersedes May 1965. * Indicates change or addition.

CODE	PART NAME AND DESCRIPTION	CYL	PER CAR	VALIANT	PLYMOUTH BELVEDERE	PLYMOUTH FURY	IMPERIAL
				DART	DODGE CORONET	DODGE POLARA	
8-34-0 HEADLAMP							
8-34-1	HEADLAMP, Single, Complete, Riteway Shift, R		2	2290 761	2290 761		
	Leftway Shift, Export, R		2	2290 760	2290 760		
	High and Low Beam, Riteway Shift, W, P, D, C-L		2	----	2524 930	2524 930	
	High Beam, Riteway Shift, W, P, D, C-L		2	----	2524 931	2524 931	
	High and Low Beam, Leftway Shift, Export, W, P, D, C-L		2	----	2524 529	2524 529	
8-34-5	NUT, Headlamp Bezel, P		2	----	----	2524 525	
	NUT, Headlamp Mounting Plate, P		8	----	----	2524 526	
8-34-38	GASKET, Headlamp Cover, C-M, C-P, C-H	8	2	----	----	2445 836	
	Headlamp to Grille		2	----	----	----	2524 471
8-34-40	DOOR, Headlamp, V		2	2445 946			
	COVER, L		1	2445 234-5			
	BEZEL, R, P		1	----	2445 240-1	2445 242-3	
	W, D		1	----	2445 244-5	2445 248-9	
	C-L	8	1	----	----	2445 404-5	
	C-M, C-P, C-H	8	1	----	----	2445 420-1	2445 760-1
8-34-62	NUT, Headlamp Housing, L		8	6024 856			
	NUT and WASHER, Headlamp and Air Shield Moulding, L		8	6023 201			
	NUT, Headlamp Bezel to Headlamp Mounting Plate, R		2	----	6025 033		
	NUT, Headlamp Bezel to Extension Headlamp Mounting Plate, Upper, R		2	----	6025 032		
	NUT, Headlamp Bezel to Headlamp Plate, W		8	----	6025 032		
	NUT, Headlamp Bezel to Grille Panel, W		2	----	6026 075		
	NUT, Headlamp Bezel to Radiator Cross Bar, W		2	----	6026 075		
8-34-63	RETAINER, Headlamp Door, Lower, V		2	2445 947			
8-34-95	GLASS and DECAL, Headlamp Bezel, C-M, C-P, C-H	8	1	----	----	2578 612-3	2578 616-7
8-34-96	SCREW, Headlamp Cover, L		8	6025 849			
	SCREW and WASHER, to Headlamp Housing, L		4	6025 306			
	SCREW, Headlamp Mounting, R		6	9422 821	9422 821		
	SCREW, Headlamp Mounting, W, P		12	----	9422 821	9422 821	
	SCREW, Headlamp Bezel, R		6	----	6025 681		
	SCREW, Headlamp Bezel, R		2	----	6025 682		
	SCREW, Headlamp Bezel to Headlamp Plate, W		8	----	6025 685		
	SCREW, Headlamp Bezel to Radiator Cross Bar, W		2	----	6025 685		
	SCREW, Headlamp Bezel to Grille Panel, W, P		2	----	6025 685	6025 683	
	SCREW, Headlamp Bezel to Headlamp Mounting Plate, P		8	----	----	6025 684	
	SCREW, Headlamp Bezel Attaching, D	8	8	----	----	6025 676	
	SCREW, Headlamp Mounting, D, C-L	8	12	----	----	6025 897	
	SCREW, Headlamp Bezel to Radiator Grille Extension, C-L	8	8	----	----	6025 676	
	SCREW, Headlamp Glass Frame to Radiator Grille Frame, C-M, C-P, C-H	8	10	----	----	6025 711	
	SCREW, Headlamp Bezel to Headlamp Glass Frame, C-M, C-P, C-H	8	8	----	----	6025 339	
	SCREW, Headlamp Glass Frame		12	----	----	----	6024 995

TYPE LETTERS indicate: V - Valiant R - Belvedere P - Plymouth C - Chrysler
 L - Dart W - Coronet D - Dodge Y - Imperial

* Indicates use as required. Numerals in parentheses () refer to notes. Printed in U.S.A.
 † Indicates parts not listed in any previous parts book. Prices and specifications subject to change without notice.
 * Indicates change or addition. Page 8-61 March 1966 Supersedes May 1965.

CODE	PART NAME AND DESCRIPTION	C Y L	PER CAR	VALIANT	PLYMOUTH BELVEDERE	PLYMOUTH FURY	IMPERIAL
				DART	DODGE CORONET	DODGE POLARA CHRYSLER	
8-34-0 HEADLAMP - Cont'd							
8-34-110	GASKET, Headlamp Glass, C-M, C-P, C-H . . .	8	2	----	----	2417 163	2417 163
8-34-175	SEALED BEAM UNIT, Single Headlamp, Riteway Shift, R		2	2197 450	2197 450		
	Leftway Shift, Export, R		2	2197 680	2197 680		
	High and Low Beam, Leftway Shift, W		2	----	1841 775	1841 775	
	High Beam, W.		2	----	1753 435	1753 435	1753 435
	High and Low Beam, Riteway Shift, W		2	----	1753 436	1753 436	1753 436
8-34-176	SEAT and SCREW, Headlamp Sealed Beam Unit Mounting, High Beam, W		2	----	2578 826	2578 826	2578 826
	High and Low Beam, W		2	----	2578 827	2578 827	2578 827
8-34-177	SPRING, Headlamp Sealed Beam Unit Mounting Seat Adjusting, R.		2	1972 972	1972 972		
	W, P, D, C-L.		4	----	1972 972	1972 972	
8-34-178	SCREW, Headlamp Sealed Beam Unit Mounting Seat Adjusting, R.		4	1658 660	1658 660		
	W		8	----	2197 327	2197 327	2197 327
8-34-180	RING and LUG, Headlamp Sealed Beam Unit Retaining, R.		2	2426 312	2426 312		
	W		4	----	2449 525	2449 525	2449 525
8-34-363	FRAME, Headlamp Glass, C-M, C-P, C-H. . .	8	1	----	----	2445 416-7	2445 252-3
8-34-365	STRAP, Headlamp Glass Frame, C-M, C-P, C-H	8	4	----	----	2524 127	
8-35-0 IGNITION COIL, SWITCH AND LOCK CYLINDER							
8-35-4	COIL, Ignition, R1, W1.		1	2495 531	2495 531	2495 531	2495 531
	Except 426 cu. in. Eng.	8	1	----	2495 531		
	w/426 cu. in. Eng., Std.	8	1	----	2495 531		
	w/426 cu. in. Eng., Hemispherical	8	1	----	2444 861		
	WASHER, Mounting to Bracket on Intake Manifold, w/High Performance		★	----	6022 185	6022 185	6022 185
8-35-22	RESISTOR, Ignition Coil Primary, R1, W1. . . .		1	2275 590	2275 590	2275 590	2275 590
	Except 426 cu. in. Eng.	8	1	----	2275 590		
	w/426 cu. in. Eng., Std.	8	1	----	2275 590		
	w/426 cu. in. Eng., Hemispherical	8	1	----	2444 641		
8-35-41	BRACKET, Ignition Coil, w/Leece-Neville Alternator	6	1	*2203 144	*2203 144	*2203 144	
	On Coil	6	1	*1688 207	*1688 207	*1688 207	
	On Coil, w/273 cu. in. Eng.	8	1	2095 374	2095 374		
	On Coil, w/361, 383 and 426 cu.in. Eng.	8	1	----	1688 207		
	On Coil, w/318 cu.in. Eng., P, D	8	1	----	*2095 374	*2095 374	
	w/Air Conditioning, w/361 and 383 cu.in. Eng. w/Air Conditioning, P w/383 cu. in. Eng., D w/383 and 413 cu. in. Eng., C-L w/383 cu. in. Eng., C-M w/383 and 413 cu. in. Eng., C-P, C-H.	8	1	----	2468 188	2468 188	2468 188
	On Coil, P except 318 cu.in. Eng., D, C	8	1	----	----	*1688 207	*1688 207
8-35-49	HEAT SINK, Ignition, w/426 cu. in. Eng., Hemispherical		1	----	2444 639		
8-35-52	SCREW, Ignition Coil Primary Resistor		1	6006 120	6006 120	6006 120	6006 120

TYPE LETTERS Indicate: V - Valiant R - Belvedere P - Plymouth C - Chrysler
 L - Dart W - Coronet D - Dodge Y - Imperial

*Indicates use as required. Numerals in parentheses () refer to notes. Printed in U.S.A.
 †Indicates parts not listed in any previous parts book. Prices and specifications subject to change without notice.
 May 1965, Supersedes Nov. 30, 1964. Page 8-62 * Indicates change or addition.

CODE	PART NAME AND DESCRIPTION	CYL	PER CAR	VALIANT	PLYMOUTH BELVEDERE	PLYMOUTH FURY	IMPERIAL
				DART	DODGE CORONET	DODGE POLARA CHRYSLER	
8-35-0 IGNITION COIL, SWITCH AND LOCK CYLINDER - Cont'd							
8-35-59	SWITCH, Ignition and Starter		1	*2497 158	*2497 158	*2497 158	*2497 158
8-35-61	NUT, Ignition and Starter Switch Bezel Mounting, D	8	1	-----	-----	2580 123	2076 174
8-35-85	BEZEL, Ignition and Starter Switch Mounting, V, P		1	E2496 517	-----	*2496 761	
	L, R, C		1	2497 320	1972 084	2497 143	
	W, D		1	-----	*2256 449	E2496 864	
8-35-95	RETAINER, Ignition and Starter Switch, R, D		1	-----	1972 077	2496 858	
8-35-111	CYLINDER PACKAGE, Ignition and Door Lock, except Sta. Wgn.		1	2161 192	2161 192	2520 822	2499 022
	Police and Taxi, 2 D. and 4 D., R-L, W-L, P Ignition, Door and Manual Tailgate Lock, Police, Sta. Wgn., P		1	-----	2162 503	2520 825	
	Ignition, Door and Manual Tailgate Lock, Sta. Wgn.		1	-----	2241 871	2520 826	
	Ignition, Door and Electric Tailgate Lock, Sta. Wgn.		1	2419 183	2162 531		
	Ignition, Door and Electric Tailgate Lock, Police, Sta. Wgn., P		1	2076 533	2076 533	2520 824	
8-35-115	CYLINDER and KEY, Ignition Lock		1	2086 047	2086 047	2086 047	2086 047
8-36-0 IGNITION							
8-36-1	CABLE SET, Chrysler, Ignition, Resistor Type	6	1	2495 510	2495 510	2495 510	
	CABLE SET, Resistor Type, w/273 cu.in. Eng.	8	1	2525 537	2525 537		
	CABLE SET, Resistor Type, w/318 cu. in. Eng., P, D	8	1	-----	2495 513	2495 513	
	CABLE SET, Resistor Type, w/361 and 383 cu. in. Eng.	8	1	-----	2495 516		
	CABLE SET, Resistor Type, w/426 cu. in. Eng., Std.	8	1	-----	2495 516		
	CABLE SET, Resistor Type, w/426 cu. in. Eng., Hemispherical	8	1	-----	2525 672		
	CABLE SET, Resistor Type, P except 318 cu. in. Eng., D, C	8	1	-----	-----	2584 965	2495 514
	CABLE PACKAGE, Resistor Type, w/273 cu. in. Eng.	8	8	2525 534	2525 534		
	CABLE PACKAGE, Resistor Type, w/318 cu. in. Eng., P, D	8	8	-----	2525 534	2525 534	
	CABLE PACKAGE, Resistor Type, w/426 cu. in. Eng., Hemispherical	8	8	-----	2525 673		
	CABLE PACKAGE, Resistor Type, w/361 and 383 cu. in. Eng.	8	8	-----	2525 533		
	CABLE PACKAGE, Resistor Type, w/426 cu. in. Eng., Std.	8	8	-----	2525 533		
	CABLE PACKAGE, Resistor Type, No. 6 and 8 Cable, P except 318 cu. in. Eng., D, C	8	2	-----	-----	2525 534	
	CABLE PACKAGE, Resistor Type, except No. 6 and 8 Cable, P except 318 cu. in. Eng., D, C	8	6	-----	-----	2525 533	
	CABLE PACKAGE, Resistor Type, No. 2 Cable		1	-----	-----	-----	2525 533
	CABLE PACKAGE, Resistor Type, except No. 2 Cable		7	-----	-----	-----	2525 534

TYPE LETTERS Indicate: V - Valiant R - Belvedere P - Plymouth C - Chrysler
 L - Dart W - Coronet D - Dodge Y - Imperial

*Indicates use as required. Numerals in parentheses () refer to notes. Printed in U.S.A.
 ☐Indicates parts not listed in any previous parts book. Prices and specifications subject to change without notice.
 * Indicates change or addition. Page 8-63 March 1966 Supersedes May 1965.

1965 PASSENGER CAR PARTS CATALOG

ELECTRICAL

CODE	PART NAME AND DESCRIPTION	C Y L	PER CAR	VALIANT	PLYMOUTH BELVEDERE	PLYMOUTH FURY	IMPERIAL
				DART	DODGE CORONET	DODGE POLARA CHRYSLER	
8-36-0 IGNITION - Cont'd							
8-36-4	BRACKET, Spark Plug Wire, w/318 cu. in. Eng., P, D	8	2	-----	*1739 355	*1739 355	
	Intermediate, Front, Left, R, W, w/361 and 383 cu. in. Eng., P except 318 cu. in. Eng., D, C	8	1	-----	*2268 122	*2268 122	
	Front, Center, w/426 cu. in. Eng., Hemispherical	8	1	-----	2268 122		
	Intermediate, Left, w/426 cu. in. Eng., Hemispherical	8	1	-----	2468 897		
	Front, Left, w/426 cu. in. Eng., Hemispherical	8	1	-----	2468 896		
	Front, w/361 and 383 cu. in. Eng.	8	2	-----	2465 777		
	Front, w/426 cu. in. Eng., Std.	8	2	-----	2465 777		
	Front, Center, Intermediate, w/361 and 383 cu. in. Eng.	8	1	-----	2465 778		
	Front, Center, Intermediate, w/426 cu. in. Eng., Std.	8	1	-----	2465 778		
	Front, Center, Intermediate, P except 318 cu. in. Eng., D, C	8	1	-----	-----	*2465 778	
	Front, Right, P except 318 cu. in. Eng., D, C	8	1	-----	-----	*2465 777	*2463 276
	Front, Left, P except 318 cu. in. Eng., D, C	8	1	-----	-----	*2468 200	*2468 054
	Front, Left, P except 318 cu. in. Eng., D, C	8	1	-----	-----	*2532 096	
	Rear, on Cylinder Head, P except 318 cu. in. Eng., D, C	8	1	-----	-----	*2536 409	
	Rear, Left, P except 318 cu. in. Eng., D, C	8	1	-----	-----	*2465 776	
8-36-14	SEPARATOR, Spark Plug Cable, Right Bank, w/High Performance	8	1	-----	1841 499	1841 499	
8-36-49	CABLE, Coil Secondary	6	1	2095 773	2095 773	2095 773	
	w/273 cu. in. Eng., w/Chrysler Built Distributor	8	1	2444 469	2444 469		
	w/273 cu. in. Eng., w/Prestolite Distributor. w/318 cu. in. Eng., w/Chrysler Built Distributor, P, D	8	1	2095 776	2095 776		
	w/318 cu. in. Eng., w/Chrysler Built Distributor, P, D	8	1	-----	*2095 772	*2095 772	
	w/318 cu. in. Eng., w/Prestolite Distributor, P, D	8	1	-----	*2095 775	*2095 775	
	w/426 cu. in. Eng., Hemispherical	8	1	-----	2444 587		
	w/Black Nipple, w/361 and 383 cu. in. Eng.	8	1	-----	2095 772		
	w/Red Nipple, w/361 and 383 cu. in. Eng.	8	1	-----	2095 775		
	w/Black Nipple, w/426 cu. in. Eng., Std.	8	1	-----	2095 772		
	w/Red Nipple, w/426 cu. in. Eng., Std.	8	1	-----	2095 775		
	w/Black Nipple, P except 318 cu. in. Eng., D, C	8	1	-----	-----	*2095 772	*2095 772
	w/Red Nipple, P except 318 cu. in. Eng., D, C	8	1	-----	-----	*2095 775	*2095 775
8-36-83	CABLE, Spark Plug, No. 1 and 6 Cable	6	2	*2444 024	*2444 024	2444 024	
	No. 2 and 5 Cable	6	2	*2444 025	*2444 025	*2444 025	
	No. 3 and 4 Cable	6	2	*2444 031	*2444 031	*2444 031	
8-36-92	GROMMET, Spark Plug Cable Position	8	8	2098 980	2098 980	2098 980	2098 980
8-36-95	TERMINAL, Spark Plug Cable, w/High Performance	8	8	-----	2098 243	2098 243	2098 243
8-36-96	NIPPLE, Coil Secondary Cable, Coil End	1		2095 768	2095 768	2095 768	2095 768
	Coil Secondary Cable, Distributor End	1		2095 766	2095 766	2095 766	2095 766
	Spark Plug Cable, Distributor End	★		2095 766	2095 766	2095 766	2095 766
8-36-114	PLUG, Spark, Champion N-14Y	6	6	2098 381	2098 381	2098 381	
	Champion N-14Y, w/273 cu. in. Eng.	8	8	2098 381	2098 381		

TYPE LETTERS Indicate: V - Valiant R - Belvedere P - Plymouth C - Chrysler
 L - Dart W - Coronet D - Dodge Y - Imperial

★Indicates use as required. Numerals in parentheses () refer to notes. Printed in U.S.A.
 †Indicates parts not listed in any previous parts book. Prices and specifications subject to change without notice.
 May 1965, Supersedes Nov. 30, 1964. Page 8-64 * Indicates change or addition.

CODE	PART NAME AND DESCRIPTION	C Y L	PER CAR	VALIANT	PLYMOUTH BELVEDERE	PLYMOUTH FURY	IMPERIAL
				DART	DODGE CORONET	DODGE POLARA CHRYSLER	
8-36-0 IGNITION - Cont'd							
8-36-114	PLUG - Cont'd Champion N-9Y, w/1-4 Barrel Carburetor, w/Power Pack	8	8	2098 378			
	Champion N-60 Y, w/426 cu.in. Eng., Hemispherical, w/2-4 Barrel Carburetor . .	8	8	---- --	2642 007		
	Champion J-14Y, Police, Power Pack, w/2 Barrel Carburetor, R, W, w/318 and 361 cu. in. Eng., P w/383 cu. in. Eng.	8	8	---- --	2444 870	2444 870	
	Champion J-10Y, w/1-4 Barrel Carburetor, R, W, w/383 cu. in. Eng., P w/383 and 426 cu. in. Eng., D, C-M w/413 cu. in. Eng., C-P w/413 cu. in. Eng., C-H.	8	8	---- --	2098 337	2098 337	
	Champion J-10Y, Police, w/1-4 Barrel Carburetor, R, W, w/383 cu. in. Eng., P w/383 and 426 cu. in. Eng., D.	8	8	---- --	2098 337	2098 337	
	Champion J-10Y, w/1-4 Barrel Carburetor, w/426 cu. in. Eng., Std.	8	8	---- --	2098 337		
	Champion J-10Y, w/1-4 Barrel Carburetor, w/426 cu.in. Eng., Std., Police	8	8	---- --	2098 337		
	Champion J-14Y, w/2 Barrel Carburetor, P w/318 cu. in. Eng., D-L w/318 and 383 cu. in. Eng., D-H w/383 cu. in. Eng., C-L w/383 cu. in. Eng., C-M w/383 cu. in. Eng.	8	8	---- --	---- --	2444 870	
	Champion J-14Y, w/1-4 Barrel Carburetor, w/413 cu. in. Eng., D, C-H	8	8	---- --	---- --	2444 870	2444 870
8-36-124	SHIELD, Spark Plug Heat, Right, w/361 and 383 cu. in. Eng.	8	1	---- --	2268 647		
	Right, w/426 cu. in. Eng., Std.	8	1	---- --	2268 647		
	Left, w/361 and 383 cu. in. Eng.	8	1	---- --	2206 006		
	Left, w/426 cu. in. Eng., Std.	8	1	---- --	2206 006		
	Right, w/383, 413 and 426 cu. in. Eng. . . .	8	1	---- --	---- --	1821 394	
	Left, w/383, 413 and 426 cu. in. Eng.	8	1	---- --	---- --	2468 202	
			2	---- --	---- --	---- --	2468 202
8-36-136	TUBE, Spark Plug	6	6	2121 245	2121 245	2121 245	
	w/426 cu. in. Eng., Hemispherical	8	8	---- --	2468 024		
8-36-137	SEAL, Spark Plug Tube	6	6	1947 708	1947 708	1947 708	
	w/426 cu. in. Eng., Hemispherical	8	8	---- --	2468 196		
8-36-139	INSULATOR, Spark Plug Cable, w/426 cu. in. Eng., Hemispherical	8	8	---- --	1479 232		
8-37-0 INSTRUMENT PANEL INSTRUMENTS							
8-37-1	AMMETER, V, W, D.		1	2496 503	2496 618	2496 021	
	L, C		1	2496 402	---- --	2497 308	2496 966
	w/Oil Indicator Lamp, 40 Amp., R		1	---- --	2496 695		
	w/Oil Indicator Lamp, 60 Amp., R		1	---- --	2496 696		
	60 Amp., W, P		1	---- --	2496 619	2496 454	
	35 and 40 Amp., P		1	---- --	---- --	2496 453	
	60 Amp., D	8	1	---- --	---- --	2496 022	
8-37-2	REGULATOR, Instrument Voltage, V, C		1	2258 413	2258 413	2258 413	
8-37-10	WASHER, Ammeter Mounting, L, D		2	2209 343	---- --	2209 343	2209 343

TYPE LETTERS Indicate: V - Valiant R - Belvedere P - Plymouth C - Chrysler
L - Dart W - Coronet D - Dodge Y - Imperial

★ Indicates use as required. Numerals in parentheses () refer to notes. Printed in U.S.A.
 ☐ Indicates parts not listed in any previous parts book. Prices and specifications subject to change without notice.
 * Indicates change or addition. Page 8-65 March 1966 Supersedes May 1965.

1965 PASSENGER CAR PARTS CATALOG

ELECTRICAL

CODE	PART NAME AND DESCRIPTION	CYL	PER CAR	VALIANT	PLYMOUTH BELVEDERE	PLYMOUTH FURY	IMPERIAL
				DART	DODGE CORONET	DODGE POLARA CHRYSLER	
8-37-O INSTRUMENT PANEL INSTRUMENTS - Cont'd							
8-37-15	LAMP, Headlamp Switch Title, D	8	1	-----	-----	E2580 287	
	Windshield Wiper Switch and Cigar Lighter Title, D	8	1	-----	-----	E2580 286	
8-37-26	SOCKET, Clock Lamp, P	8	2	-----	-----	2097 003	
	C	8	1	-----	-----	2097 003	
	w/Wiper and Cigar Lighter Title Lamp, D-H, D-P	8	1	-----	-----	2097 003	
	Headlamp Lamp Switch Title Lamp, D-H, D-P	8	1	-----	-----	2097 003	
	Switch Title Lamp	8	4	-----	-----	-----	2097 003
8-37-27	CONTACT, Switch Title Lamp Socket		4	-----	-----	-----	2256 966
8-37-70	RELAY, Low Fuel Signal		1	-----	-----	-----	2580 124
8-37-88	SOCKET, Low Oil Pressure Indicator Lamp, on Printed Circuit Board, V		1	2496 279	2496 279	2496 279	
	L		1	2257 440			
	Vacuum Gauge Lamp, C-L 2 D. H. T., C-M, C-P, C-H 2 D. H. T. and 4 D. H. T.	8	1	-----	-----	*1753 632	
	Temperature Indicator Lamp, C	8	2	-----	-----	*2496 279	
8-37-89	SEAL, Low Oil Pressure Indicator Lamp Light, L		1	2291 974			
8-37-90	BEZEL, Speedometer and Instrument Cluster, V, W		1	2496 479	2496 599		
	L		1	2496 389	-----	-----	2496 929
	w/Accessory Switch Opening, L		1	2580 493			
	BEZEL, LENS and MASK, Instrument Cluster, R, P		1	-----	2587 258	2587 832	
	BEZEL, Speedometer Cluster, P-L, P-M, P-H		1	-----	-----	2587 245	
	BEZEL, Speedometer Cluster, Kilo, P		1	-----	-----	2587 247	
	BEZEL, Speedometer Cluster, P-P	8	1	-----	-----	2587 248	
	BEZEL, Instrument, Speedometer Mile and Fuel, D	8	1	-----	-----	2496 058	
	BEZEL, Instrument, Speedometer Kilo and Fuel, D	8	1	-----	-----	2496 059	
	BEZEL, Instrument, Ammeter and Temperature, D	8	1	-----	-----	2496 028	
8-37-98	MASK and DIAL, Instrument, w/Gearshift Indicator, C	8	1	-----	-----	2497 779	
	w/o Gearshift Indicator, C	8	1	-----	-----	2497 773	
8-37-127	VACUUM GAUGE, on Console, C-L 2 D. H. T., C-M, C-P, C-H	8	1	-----	-----	2580 179	
8-37-132	CONTACT, Vacuum Gauge Lamp Socket, C-L 2 D. H. T., C-M, C-P, C-H	8	1	-----	-----	2256 966	
8-37-135	HOSE, Vacuum Gauge, on Console, (sold by the inch), C-L 2 D. H. T., C-M, C-P, C-H	8	★	-----	-----	2275 215	
8-37-136	TEMPERATURE GAUGE, V, W, D		1	2496 502	2496 617	2496 019	
	L, P		1	2496 401	-----	2496 452	2496 964
8-37-138	TEE, Vacuum Gauge Hose, C-L 2 D. H. T., C-M, C-P, C-H	8	1	-----	-----	1886 109	

TYPE LETTERS Indicate: V - Valiant R - Belvedere P - Plymouth C - Chrysler
 L - Dart W - Coronet D - Dodge Y - Imperial

★ Indicates use as required. Numerals in parentheses () refer to notes. Printed in U.S.A.
 † Indicates parts not listed in any previous parts book. Prices and specifications subject to change without notice.
 * Indicates change or addition.
 May 1965, Supersedes Nov. 30, 1964. Page 8-66

CODE	PART NAME AND DESCRIPTION	C Y L	PER CAR	VALIANT	PLYMOUTH BELVEDERE	PLYMOUTH FURY	IMPERIAL
				DART	DODGE CORONET	DODGE POLARA CHRYSLER	
8-37-O INSTRUMENT PANEL INSTRUMENTS - Cont'd							
8-37-155	SENDING UNIT, Temperature Gauge		1	2426 458			
	w/273 cu. in. Eng.	6	1	-----	2426 458	2426 458	
	w/o Air Conditioning, except 273 cu.in. Eng.	8	1	-----	2426 458		
	w/Air Conditioning, except 273 cu.in. Eng. .	8	1	-----	2426 458		
	w/318 cu.in. Eng., P, D	8	1	-----	2426 459		
	w/o Air Conditioning, except 318 cu.in. Eng..	8	1	-----	-----	*2426 458	
	w/Air Conditioning, except 318 cu.in. Eng.	8	1	-----	-----	2426 458	2426 458
	SWITCH, Temperature Sending, w/240°, C . .	8	1	-----	-----	2426 459	2426 459
	SWITCH, Temperature Sending, w/246°, C . .	8	1	-----	-----	2497 551	2497 551
		8	1	-----	-----	2580 242	2580 242
8-37-162	LENS, Speedometer and Instrument Cluster, Mile, C	8	1	-----	-----	2587 802	
	Kilo, C	8	1	-----	-----	2587 803	
8-37-178	HOUSING, Speedometer and Instrument Cluster, V, W		1	2496 510	2496 607		
	L, C		1	2496 398	-----	2587 804	
	Instrument Cluster, R, P		1	-----	2587 259	2587 833	
	Speedometer Cluster, P		1	-----	-----	2587 249	
	Instrument Panel Instrument, Primed, P . .		1	-----	-----	*2570 525	*2571 256
	Instrument, Ammeter and Temperature, D . .	8	1	-----	-----	2496 016	
	Instrument, Speedometer and Fuel, D	8	1	-----	-----	2496 073	
	Instrument Panel Instrument, Primed, w/o Trim Pad, D	8	1	-----	-----	*2571 023	
	Instrument Panel Instrument, Primed, w/Trim Pad, D	8	1	-----	-----	E2631 151	
8-37-188	SCREW, Speedometer and Instrument Cluster Housing to Bezel		5	2427 787			
	W		11	-----	1972 759		
	Speedometer Dial Lift Attaching to Housing, W		1	-----	1972 759		
	Instrument Bezel to Housing Mounting, P . .		4	-----	-----	*1972 757	
	Instrument Mounting, Ammeter and Temperature, to Instrument Panel Housing, D	8	3	-----	-----	6024 556	
	Instrument Panel Instrument Housing Attaching, D	8	8	-----	-----	6024 576	
	Speedometer and Instrument Cluster Mounting, C	8	4	-----	-----	6024 627	
	Speedometer and Instrument Cluster Lens Mounting, C	8	8	-----	-----	9422 342	
	Instrument Panel Instruments Housing to to Lower Reinforcement Attaching		4	-----	-----	-----	6023 984
	Instrument Panel Instruments Housing to Instrument Panel Upper Attaching		3	-----	-----	-----	6024 003
8-37-199	NUT, Speedometer and Instrument Cluster Mounting to Instrument Panel		4	-----	6023 387		
	Instrument Cluster to Panel Mounting, Upper, P		2	-----	-----	6022 952	
	Lower, P		2	-----	-----	6023 387	
	Instrument Panel Instrument Housing to Instrument Panel Attaching, P		4	-----	-----	6025 001	
	Instrument Panel Instrument Housing Attaching, D	8	8	-----	-----	6023 201	
	To Lower Reinforcement Attaching		4	-----	-----	-----	6025 001
	To Instrument Panel Upper Attaching		3	-----	-----	-----	6023 166
8-37-275	FUEL GAUGE, V, W, D		1	2496 501	2496 616	2496 087	
	L, P		1	2496 400	-----	2496 451	
	C	8	1	-----	-----	2496 237	2496 963
	w/Temperature Gauge, R		1	-----	2496 693	-----	

TYPE LETTERS Indicate:

V - Valiant
L - DartR - Belvedere
W - CoronetP - Plymouth
D - DodgeC - Chrysler
Y - Imperial

★Indicates use as required.

Numerals in parentheses () refer to notes.

Printed in U.S.A.

☐Indicates parts not listed in any previous parts book.

Prices and specifications subject to change without notice.

* Indicates change or addition.

Page 8-67

May 1965, Supersedes Nov. 30, 1964.

CODE	PART NAME AND DESCRIPTION	C Y L	PER CAR	VALIANT	PLYMOUTH BELVEDERE	PLYMOUTH FURY	IMPERIAL
				DART	DODGE CORONET	DODGE POLARA CHRYSLER	
8-37-O INSTRUMENT PANEL INSTRUMENTS - Cont'd							
8-37-316	OIL GAUGE		1	-----	-----	-----	2496 965
8-37-371	CLUSTER, Speedometer and Instrument, Mile, Partial		1	-----	-----	-----	2580 889
	Kilo, Partial		1	-----	-----	-----	2580 890
8-37-372	SPEEDOMETER, Mile, V, R, P		1	2496 494	2496 706	2496 443	
	Kilo, V, R, P		1	2496 495	2496 707	2496 444	
	Mile, L, W, D		1	2496 408	2496 628	2496 078	
	Kilo, L, W, D		1	2496 409	2496 629	2496 079	
	Calibrated and Certified, Mile, R		1	-----	2496 708	-----	
	Certified, W, P-L, P-M, P-H		1	-----	2496 630	2496 445	
	Certified, Mile, D	8	1	-----	-----	2496 080	
	Mile, C	8	1	-----	-----	2496 222	
	Kilo, C	8	1	-----	-----	2496 223	
	8-37-381	GASKET, Speedometer Mounting to Housing, V, W		1	2209 213	2209 213	-----
Speedometer to Housing Mounting, R			1	-----	2209 213	-----	
Speedometer Mounting, C		8	1	-----	-----	2209 213	
8-37-387	GROMMET, Speedometer Mounting Screw, V, C		2	2209 214	-----	2209 214	
	Speedometer to Housing Mounting Screw, R		2	-----	2209 214	-----	
	Speedometer Mounting to Housing, W		2	-----	2209 214	-----	
8-37-458	CABLE, Odometer Reset, C	8	1	-----	-----	E2587 190	2497 105
8-37-459	NUT, Odometer Reset Cable Mounting, to Panel, C	8	1	-----	-----	1971 521	1971 521
8-37-463	BEZEL, Odometer Reset, Primed, C	8	1	-----	-----	2571 942	
8-37-499	SENDING UNIT, Tachometer, V, R-P, W-P, P-P, D-L 2 D. H. T. and Cv. Cp., D-P, C-L 2 D. H. T., C-M, C-P, C-H	8	1	*2497 556	*2497 556	*2497 556	
8-37-504	TACHOMETER, on Instrument Panel, V	8	1	2631 871	-----	-----	
	On Console, Replacement Only, R-P, W-P, P-P, D-L 2 D. H. T. and Cv. Cp., D-P, C-L 2 D. H. T., C-M, C-P, C-H	8	1	-----	*2496 979	*2496 979	
8-37-509	BEZEL, Floor Console Tachometer and Medallion Lens, R-P, W-P, P-P, D-P, C-L 2 D. H. T., C-M, C-P, C-H	8	1	-----	*2490 621	*2490 621	
8-37-512	SOCKET, Tachometer Indicator Lamp, on Console, V, R-P, W-P, P-P, D-L 2 D. H. T. and Cv. Cp., D-P, C-L 2 D. H. T., C-M C-P, C-H	8	1	*2097 003	*2097 003	*2097 003	
8-38-O GLOVE COMPARTMENT LAMP							
8-38-4	BEZEL and LENS		1	-----	-----	-----	1819 441
8-38-23	LAMP, w/SWITCH		1	-----	2291 781	2291 781	2258 436
8-39-O HIGH BEAM INDICATOR LAMP							
8-39-3	LAMP, D	8	1	-----	-----	E2497 666	

TYPE LETTERS Indicate: V - Valiant R - Belvedere P - Plymouth C - Chrysler
L - Dart W - Coronet D - Dodge Y - Imperial

★Indicates use as required. Numerals in parentheses () refer to notes. Printed in U.S.A.
 ☐Indicates parts not listed in any previous parts book. Prices and specifications subject to change without notice.
 May 1965, Supersedes Nov. 30, 1964. * Indicates change or addition.

CODE	PART NAME AND DESCRIPTION	CYL	PER CAR	VALIANT	PLYMOUTH BELVEDERE	PLYMOUTH FURY	IMPERIAL
				DART	DODGE CORONET	DODGE POLARA CHRYSLER	
8-39-O HIGH BEAM INDICATOR LAMP - Cont'd							
8-39-15	SOCKET, on Printed Circuit Board, V, P, C . L, D		1 1	2496 279 2257 440	2496 279 -----	2496 279 2097 003	2257 440
8-40-O IGNITION LAMP							
8-40-5	LAMP, D	8	1	-----	-----	2580 139	
8-40-16	SOCKET, Ignition Switch Lamp, C	8	1	-----	-----	2097 003	
8-41-O INSTRUMENT PANEL LAMP							
8-41-35	DIFFUSER, Instrument Panel Clock Lamp, P, C		1	-----	-----	2427 533	
	Headlamp Title Lamp Light, D-H, D-P w/Wiper and Cigar Lighter Title Lamp Light, D-L, D-P	8	1	-----	-----	2427 533	
	Speedometer and Instrument Lamp	8	1	-----	-----	2427 533	
	Instrument Panel Instrument Housing		8	-----	-----	-----	2427 533
			5	-----	-----	-----	2427 533
8-41-36	SOCKET, Instrument Lamp, on Printed Circuit Board, V		3	2496 279			
	L		3	2257 440			
	R		6	-----	2496 279		
	W		4	-----	2496 279		
	P		2	-----	-----	2496 279	
	C	8	5	-----	-----	2496 279	
	Speedometer Cluster Illuminated Lamp, on Printed Circuit Board, P		2	-----	-----	-----	2257 440
	Instrument Lamp, on Printed Circuit Board, Ammeter and Temperature, D		3	-----	-----	2496 279	
	Speedometer and Fuel, D	8	3	-----	-----	2496 279	
	Speedometer and Instrument Lamp	8	2	-----	-----	2496 279	
			6	-----	-----	-----	2097 003
8-42-O MAP AND COURTESY LAMP							
8-42-1	LAMP, Map, D-L, D-H	8	1	-----	-----	2497 639	
8-42-2	BRACKET and LENS, Map and Courtesy Lamp, Cv.Cp.		1	2496 317	2496 317		
8-42-5	LENS PACKAGE, Map Lamp, D-L, D-H	8	1	-----	-----	2584 964	
	LENS, Map and Courtesy Lamp, C	8	1	-----	-----	1971 879	
8-42-10	SOCKET, Map and Courtesy Lamp, Cv.Cp. . . . Map Lamp, D-L, D-H		1	1314 619	1314 619		
	Map Lamp, C	8	1	-----	-----	2426 141	1704 467
		8	1	-----	-----	1314 619	
8-42-12	CONTACT, Map and Courtesy Lamp Socket, Cv. Cp.		2	2256 966	2256 966		
	Map Lamp Socket, D-L, D-H, C	8	2	-----	-----	2256 966	
8-42-25	SWITCH, Map and Courtesy Lamp, w/Power Antenna Switch, C		1	-----	-----	2257 429	
	w/BEZEL, Map Lamp, w/o Power Antenna Switch, C	8	1	-----	-----	2580 284	
	w/BEZEL, Map Lamp, w/Power Antenna Switch, C	8	1	-----	-----	2580 285	

TYPE LETTERS Indicate: V - Valiant R - Belvedere P - Plymouth C - Chrysler
L - Dart W - Coronet D - Dodge Y - Imperial

★Indicates use as required. Numerals in parentheses () refer to notes. Printed in U.S.A.
 ⓅIndicates parts not listed in any previous parts book. Prices and specifications subject to change without notice.
 * Indicates change or addition. Page 8-69 May 1965, Supersedes Nov. 30, 1964.

1965 PASSENGER CAR PARTS CATALOG

ELECTRICAL

CODE	PART NAME AND DESCRIPTION	C Y L	PER CAR	VALIANT	PLYMOUTH BELVEDERE	PLYMOUTH FURY	IMPERIAL
				DART	DODGE CORONET	DODGE POLARA	
						CHRYSLER	

8-42-O MAP AND COURTESY LAMP - Cont'd

8-42-29	BEZEL, Map Lamp, w/Power Antenna Switch .		1	-----	-----	-----	2497 135
---------	---	--	---	-------	-------	-------	----------

8-44-O BULBS

8-44-1 BULB

BASE CONTACT	CANDLE POWER	VENDOR LAMP NO.	PART NO.	BASE CONTACT	CANDLE POWER	VENDOR LAMP NO.	PART NO.
Single	1	51	115 273				
Single	1	53	131 282	Double	32-32	1000	142 307
Single	1	53X	152 280	Single	15	1003	151 577
Single	2	57	127 934	Double	15	1004	151 578
Single	3	63	142 303	Double	32-4	1034	151 567
Double	3	64	142 311	Double	32-4	1034A	9418 772
Single	4	67	142 450	Single	32	1073	151 576
Single	4	67AF	9420 830	Single	4	1095	9418 903
Double	4	68	142 451	Single	21	1129	142 308
Single	6	81	142 306	Double	21	1130	142 447
Single	6	82	142 312	Single	21	1141	142 456
Single	15	87	142 304	Double	21	1142	142 457
Double	15	88	142 446	Double	21-3	1154	145 416
Single	6	89	142 452	Single	4	1155	9417 865
Double	6	90	142 453	Single	32	1156	9417 866
Single	15	93	142 454	Double	32	1157	9417 867
Double	15	94	142 455	Double	32	1157A	9419 780
Single	2	158	9415 969	Double	21-3	1158	142 449
Single	15	209	151 579	Single	15	1445	274 004
Double	15	210	151 559	Single	10	1813	274 148
Single	14	256	9420 536	Single	33	1816	152 240
Single	2	257	9412 348	Single	2	1891	152 244
				Single	1	1892	274 020
				Single	14	1893	9416 927

CODE	PART NAME AND DESCRIPTION	C Y L	PER CAR	VALIANT	PLYMOUTH BELVEDERE	PLYMOUTH FURY	IMPERIAL
				DART	DODGE CORONET	DODGE POLARA	
						CHRYSLER	

8-47-O LICENSE MOUNTING PARTS

8-47-8	BRACKET, Front License Plate, V.		2	2404 526			
	Front, L		2	2461 174			
	Front, R, P		1	-----	2404 698	2404 698	
	Front, D, C	8	1	-----	-----	2461 450	2404 629
	Rear, except Sta. Wgn., C	8	1	-----	-----	2461 451	
8-47-14	SCREW and WASHER, Front License Plate to Bumper, V		2	6024 179	6024 179	6024 179	6024 179
8-47-15	NUT, Front License Plate to Bumper, V		2	6023 925	6023 925	6023 925	6023 925
	NUT and WASHER, Front License Plate Bracket to Body		2	6023 271			
	NUT and WASHER, Front License Plate to Bracket		2	6023 271	-----	6023 271	6023 271
	NUT and WASHER, Front License Plate Bracket to Bumper, L		2	6023 271	-----	6023 271	6023 271

TYPE LETTERS Indicate: V - Valiant R - Belvedere P - Plymouth C - Chrysler
 L - Dart W - Coronet D - Dodge Y - Imperial

★Indicates use as required. Numerals in parentheses () refer to notes. Printed in U.S.A.
 ⊕Indicates parts not listed in any previous parts book. Prices and specifications subject to change without notice.
 March 1966 Supersedes May 1965. Page 8-70 * Indicates change or addition.

CODE	PART NAME AND DESCRIPTION	C Y L	PER CAR	VALIANT	PLYMOUTH BELVEDERE	PLYMOUTH FURY	IMPERIAL
				DART	DODGE CORONET	DODGE POLARA CHRYSLER	
8-47-O LICENSE MOUNTING PARTS - Cont'd							
8-47-21	BUTTON, Front License Plate to Bumper, W, D		1	----	1943 547	1943 547	
8-47-57	FRAME, Rear License Plate		1	2495 133	2495 133	2495 133	2495 133
8-47-67	SPRING, License Plate Mounting Panel Hinge, except Sta. Wgn. License Plate Mounting Panel, except Sta. Wgn., D		1	----	1960 131		
		8	1	----		1960 131	
8-47-68	PANEL, License Plate Protector, Sta. Wgn. . License Plate, except Sta. Wgn., L. License Plate Mounting, Partial, except Sta. Wgn. License Plate Mounting, to Rear Bumper, except Sta. Wgn., D.		1	2422 843			
			1	2422 848			
			1	----	2188 619		
		8	1	----		2461 457	
8-47-69	HINGE, License Plate Mounting Panel, except Sta. Wgn., R Except Sta. Wgn., W		1	----	2244 894		
			1	----	2526 613		
8-47-76	PIN, License Plate Mounting Panel Hinge, except Sta. Wgn., D.		1	----	1960 127	*1960 127	
8-47-126	BUMPER, Rear License Plate to Body Rear License Plate Mounting Panel, except Sta. Wgn., R, D Rear License Plate Mounting Panel Hinge, except Sta. Wgn., W Rear License Plate to Bumper, Sta. Wgn., D. P Rear License Plate to Body, except Sta. Wgn., D		2	2094 618			
			2	----	2094 618	1943 547	
			2	----	2528 351		
			1	----	*1943 547	*1943 547	
			1	----		*1943 547	
		8	2	----		1943 547	
8-47-130	SCREW and WASHER, Rear License Plate to Body SCREW and WASHER, Rear License Plate to Bumper, Sta. Wgn. SCREW and WASHER, Rear License Plate to Bumper		2	6024 179			
			2	----	6024 179		
			2	----		6024 179	6024 179
8-47-131	NUT, Rear License Plate to Body NUT, Rear License Plate to Bumper, Sta. Wgn. NUT, Rear License Plate to Bumper NUT and WASHER, Rear License Plate to Body, except Sta. Wgn. NUT and WASHER, Rear License Plate Bracket to Bumper, except Sta. Wgn., C . .		2	6023 925			
			2	----	6023 925		
			2	----		6023 925	6023 925
			4	----	6023 271		
		8	2	----		6023 271	
8-50-O PARKING AND TURN SIGNAL LAMP							
8-50-82	SWITCH, Turn Signal w/o Adjustable Tilt Steering Wheel w/Adjustable Tilt Steering Wheel		1	2631 383	2631 383		
			1	----		2631 383	2631 383
			1	----		2496 192	2496 192
8-50-114	CABLE, Turn Signal Switch Cancelling, w/Adjustable Tilt Steering Wheel, P, D. . . C		1	----		E2660 217	
		8	1	----		E2660 218	E2660 219
8-50-126	CAM, Turn Signal Switch Cancelling w/o Adjustable Tilt Steering Wheel		1	2258 704	2258 704		
			1	----		2258 704	2258 704

TYPE LETTERS Indicate:

V - Valiant
L - DartR - Belvedere
W - CoronetP - Plymouth
D - DodgeC - Chrysler
Y - Imperial

★Indicates use as required.

⊖Indicates parts not listed in any previous parts book.

* Indicates change or addition.

Numerals in parentheses () refer to notes.

Prices and specifications subject to change without notice.

Printed in U.S.A.

1965 PASSENGER CAR PARTS CATALOG

ELECTRICAL

CODE	PART NAME AND DESCRIPTION	C Y L	PER CAR	VALIANT	PLYMOUTH BELVEDERE	PLYMOUTH FURY DODGE POLARA	IMPERIAL
				DART	DODGE CORONET	CHRYSLER	
8-50-O PARKING AND TURN SIGNAL LAMP - Cont'd							
8-50-126	PLUNGER, Turn Signal Switch Cancelling Cam and Horn Contact, w/Adjustable Tilt Steering Wheel		1	-----	-----	2580 903	2580 912
8-50-129	LEVER, w/KNOB, Turn Signal		1	2580 226	2580 226		
	w/Adjustable Tilt Steering Wheel		1	-----	-----	*2580 914	2580 914
	w/o Adjustable Tilt Steering Wheel		1	-----	-----	2580 226	2580 227
8-50-130	SCREW, Turn Signal Lever Mounting		1	6024 629	6024 629	6024 629	6024 629
8-50-132	RETAINER, Turn Signal Cancelling Cam, w/Tilt Steering Wheel	8	1	-----	-----	E2580 905	E2580 905
8-50-156	SOCKET, Turn Signal Indicator Lamp, on Printed Circuit Board, V		1	2496 279			
	L, C-L, C-M		2	2257 440	2496 279	2496 279	
	P		2	-----	-----	2097 003	2097 003
	D-L, D-H	8	2	-----	-----	2496 279	
	Front Fender Turn Signal Indicator Lamp, D-P	8	2	-----	-----	2497 837	
	SOCKET and INSULATOR PACKAGE, Front Fender Turn Signal Indicator Lamp, C	8	2	-----	-----	2584 971	
	SOCKET and CABLE, Front Fender Turn Signal Indicator Lamp, C-M, C-P, C-H	8	2	-----	-----	*2580 163	
8-50-159	CONTACT, Front Fender Turn Signal Indicator Lamp Socket, D-P, C	8	2	-----	-----	2256 966	
	Sentry Signal Lamp Socket		1	-----	-----	-----	2256 966
8-50-170	LENS and GASKET PACKAGE, Front Fender Turn Signal Indicator Lamp, D-P	8	1	-----	-----	2584 961-2	
8-50-175	LAMP PACKAGE, Front Fender Turn Signal Indicator, D-P	8	1	-----	-----	2584 959-60	
	C-L, C-M, C-H	8	1	-----	-----	2584 957-8	
	C-P	8	1	-----	-----	2585 152-3	
8-50-186	FLASHER, Turn Signal, Two Lamp, D		1	2584 854	2584 854	2584 854	2584 854
	Two Lamp, P-L, P-M, C Sta. Wgn.		1	-----	-----	2584 854	
	Three Lamp, P-H, P-P		1	-----	-----	2426 865	
	Except Sta. Wgn., used w/one Bulb Type Tail Lamp, C	8	1	-----	-----	2584 854	
	Except Sta. Wgn., used w/two Bulb Type Tail Lamp, C	8	1	-----	-----	2426 865	
8-50-191	CLIP, Turn Signal Flasher Mounting		1	2426 194	2426 194	2426 194	2426 194
8-50-218	WIRING, Turn Signal Switch Jumper, w/Adjustable Tilt Steering Wheel		1	-----	-----	2631 305	2631 305
8-50-303	LAMP, Parking and Turn Signal, V except Barracuda, R, C		1	2424 862-3	2483 814-5	2575 064-5	2575 088-9
	V Barracuda, W, P		1	2449 986-7	2449 470-1	2483 262-3	
	L		1	2483 808-9			
	D	8	2	-----	-----	2483 330	
	WASHER, L, P, C		4	6022 704	6022 704	6022 704	
	NUT and WASHER		6	-----	-----	-----	6023 202
8-50-305	BRACKET, Attaching, V except Barracuda		1	2524 046-7			
	Mounting, D	8	2	-----	-----	2483 335	
8-50-308	GASKET		2	-----	-----	-----	2424 902

TYPE LETTERS indicate: V - Valiant R - Belvedere P - Plymouth C - Chrysler
 L - Dart W - Coronet D - Dodge Y - Imperial

★Indicates use as required. Numerals in parentheses () refer to notes. Printed in U.S.A.
 †Indicates parts not listed in any previous parts book. Prices and specifications subject to change without notice.
 March 1966 Supersedes May 1965. Page 8-72 * Indicates change or addition.

CODE	PART NAME AND DESCRIPTION	CYL	PER CAR	VALIANT	PLYMOUTH BELVEDERE	PLYMOUTH FURY	IMPERIAL
				DART	DODGE CORONET	DODGE POLARA CHRYSLER	
8-50-O PARKING AND TURN SIGNAL LAMP - Cont'd							
8-50-312	HOUSING PACKAGE		1	-----	-----	-----	B2448 647-8
8-50-315	BEZEL, V Barracuda		1	2524 516-7			
8-50-334	LENS and GASKET PACKAGE, Amber, V except Barracuda		1	2448 825-6			
	Right, Clear, V except Barracuda, P		1	2275 212	-----	2525 258	2448 651
	Left, Clear, V except Barracuda, P		1	2275 211	-----	2525 259	2448 652
	V Barracuda		2	2525 662			
	Amber, L		1	2525 518-9			
	Clear, Export, L		1	2525 520-1			
	R		1	-----	2525 684-5		
	Right, W		1	-----	2525 649		
	Left, W		1	-----	2525 650		
	C	8	1	-----	-----	2525 676-7	
	LENS, COLLIMATOR and GASKET PACKAGE, D	8	2	-----	-----	2525 257	
8-50-337	SCREW, Lens Attaching, V except Barracuda, 1" long		2	6023 141			
	SCREW, Lens Attaching, V except Barracuda, 3/4" long		2	6024 164			
	SCREW, Lamp to Grille, V Barracuda		2	6025 039			
	SCREW, Lens Attaching, V Barracuda		6	1961 965			
	SCREW, Lens Attaching, L, R, P, C		4	B9422 165	B9422 165	B9422 165	6023 292
	SCREW, Lens Attaching, D	8	4	-----	-----	6024 427	
	SCREW, Lamp Attaching, Upper		2	-----	-----	-----	6024 496
	SCREW, Lamp		★	-----	-----	-----	6025 057
8-50-338	GASKET, Lens, V Barracuda		2	2524 519			
	V except Barracuda		2	2480 821			
	L, R, P		2	2445 998	2449 670	2483 270	
	W, D		2	-----	2449 662	2483 336	
	C	8	2	-----	-----	2243 158	
8-50-349	SOCKET and CABLE, V except Barracuda, L, W		2	1903 517	1903 517		
	SOCKET PACKAGE		2	-----	-----	-----	2525 669
8-50-354	SPRING, INSULATOR and CONTACT PACKAGE, Socket		★	2584 972	2584 972	2584 972	2584 972
8-52-O STARTING MOTOR							
8-52-4	STARTING MOTOR, w/170 cu. in. Eng.	6	1	2098 500			
	w/225 cu. in. Eng.	6	1	2095 150			
		8	1	2095 150			
			1	-----	2095 150	2095 150	2095 150
	w/Manual Trans., 11" Clutch, Taxi	6	1	-----	1889 100	1889 100	
8-52-8	SHIELD, Trans. Core to Starter Motor, w/Auto. Trans., Police and Taxi	6	1	-----	2125 014	2125 014	
8-52-39	SEAL, Cylinder Block to Starter		1	2129 234	2129 234	2129 234	2129 234
8-52-328	RELAY, Starter, w/Manual Trans., P, D, C-L, C-M, C-P		1	2444 516	2444 516	2444 453	
	w/Auto. Trans.		1	2444 517	2444 517	2444 442	2444 517
	w/11" Clutch, Taxi, w/Manual Trans.	6	1	-----	2444 453	2444 453	
	SCREW, Mounting		2	6006 120	6006 120	6006 120	6006 120
8-52-357	CABLE, Starting Motor to Starter Relay to Terminal Block, w/426 cu. in. Eng., Hemispherical, except Sta. Wgn.	8	1	-----	2580 469		

TYPE LETTERS Indicate:

V - Valiant
L - Dart

R - Belvedere
W - Coronet

P - Plymouth
D - Dodge

C - Chrysler
Y - Imperial

★Indicates use as required.

ⓅIndicates parts not listed in any previous parts book.

* Indicates change or addition.

Numerals in parentheses () refer to notes.

Prices and specifications subject to change without notice.

Printed in U.S.A.

1965 PASSENGER CAR PARTS CATALOG

ELECTRICAL

CODE	PART NAME AND DESCRIPTION	CYL	PER CAR	VALIANT	PLYMOUTH BELVEDERE	PLYMOUTH FURY	IMPERIAL
				DART	DODGE CORONET	DODGE POLARA CHRYSLER	
8-52-0 STARTING MOTOR - Cont'd							
8-52-369	GROMMET, Starter Frame, w/1889 100 Starter	6	1	-----	1889 362	1889 362	
8-52-395	SEALING WASHER, Starter Solenoid, w/1889 100 Starter	6	2	-----	-----	1658 571	

8-52-0 STARTING MOTOR COMPONENT PARTS

FOR MODEL APPLICATION SEE CODE 8-52-4

		STARTER ASSEMBLIES		
CODE	NAME	1889 100	2095 150	2098 500
8-52-5	SCREW and WASHER, Mounting Upper STUD, Mounting Lower	---- --	*6023 899 2095 875	*6023 899 2095 875
8-52-41	CLUTCH	2444 661	*2444 658	*2444 658
8-52-49	FORK and PIN PACKAGE, Shifting FORK, Shifting	2084 093 ---- --	---- -- 2095 134	---- -- 2095 134
8-52-50	PIN, Shifting Fork Pivot	456 098	2095 133	2095 133
8-52-61	RING, Clutch Actuator Retaining	---- --	2095 130	2095 130
8-52-67	SNAP RING, Clutch Drive Sleeve SNAP RING, Pinion Shaft Gear Retaining	2095 350 ---- --	---- -- 2095 117	---- -- 2095 117
8-52-76	HOUSING, Pinion HOUSING, Gear	1889 066 ---- --	---- -- 2095 112	---- -- 2095 112
8-52-80	BEARING, Pinion Housing End Head (2 req.) BEARING, Pinion Housing Drive Shaft	*2098 986 ---- --	*2098 986 2098 987	*2098 986 2098 987
8-52-82	STOP, SNAP RING and STOP WASHER PACKAGE, Pinion	2448 804	---- --	---- --
8-52-87	ACTUATOR and RETAINING RING PACKAGE, Clutch Shifting	---- --	2275 556	2275 556
8-52-88	BOOT, Shifting Fork	1889 147	---- --	---- --
8-52-89	SHAFT, Pinion	---- --	2095 118	2095 118
8-52-96	GEAR and SNAP RING PACKAGE, Pinion Shaft	---- --	2275 557	2275 557
8-52-98	THRUST WASHER and RETAINING RING PACKAGE, Pinion Shaft	---- --	2275 558	2275 558
8-52-100	RING, Pinion Shaft Retaining	---- --	6022 006	6022 006
8-52-101	COVER, Gear Housing	---- --	2095 116	2095 116
8-52-102	WASHER, Pinion Shaft Gear	2095 114	2095 114	2095 114
8-52-120	ARMATURE	1889 079	2095 094	2098 496
8-52-121	THRUST WASHER PACKAGE, Armature	---- --	2275 555	2275 555
8-52-135	BRUSH PACKAGE	2525 529	---- --	---- --
8-52-137	PLATE and BRUSH PACKAGE, Brush Holder	---- --	2275 550	2275 550

TYPE LETTERS indicate: V - Valiant R - Belvedere P - Plymouth C - Chrysler
L - Dart W - Coronet D - Dodge Y - Imperial

★ Indicates use as required. Numerals in parentheses () refer to notes. Printed in U.S.A.
 ☐ Indicates parts not listed in any previous parts book. Prices and specifications subject to change without notice.
 March 1966 Supersedes May 1965. Page 8-74 * Indicates change or addition.

8-52-O STARTING MOTOR COMPONENT PARTS - Cont'd

FOR MODEL APPLICATION SEE CODE 8-52-4

CODE	NAME	STARTER ASSEMBLIES		
		1889 100	2095 150	2098 500
8-52-140	SPRING PACKAGE, Brush	2084 666	2084 666	2084 666
8-52-142	SEALER, Brush Plate	----	2421 838	2421 838
8-52-150	HOLDER, Brush	*1889 044	----	----
8-52-176	HEAD, Commutator End	1889 363	2095 076	2095 076
8-52-180	THRUST WASHER PACKAGE, Commutator End	2240 529	----	----
8-52-214	FIELD SERIES and SHUNT COIL PACKAGE	2084 088	2275 248	2421 474
	COIL, Field Series, Complete	----	2095 085	----
	WASHER, Field Series Coil Ground	----	----	9418 398
8-52-227	RIVET, Field Series Coil Ground	----	6024 244	6024 244
8-52-241	SCREW, Thru (2 req.)	*1889 080	*2095 105	*2095 105
8-52-341	CONTACT and COVER GASKET PACKAGE, Solenoid	2084 091	----	----
8-52-342	CONTACT and SPRING PACKAGE, Solenoid Switch	----	2275 553	2275 553
8-52-344	COVER and GASKET PACKAGE, Solenoid	2084 090	----	----
8-52-345	SOLENOID PACKAGE	1889 146	2275 554	2275 554
8-52-346	SCREW and WASHER, Solenoid Terminal	----	*2426 920	----
8-52-354	STUD PACKAGE, Terminal Relay	2084 094	2421 837	2421 837
8-52-372	STUD and WASHER PACKAGE, Solenoid Terminal	*2275 551	2275 551	2275 551
8-52-375	CORE, Solenoid Moving	1889 151	2095 155	2095 155
8-52-389	SEAL, Solenoid Contact	----	2098 660	2098 660

CODE	PART NAME AND DESCRIPTION	C Y L	PER CAR	VALIANT	PLYMOUTH BELVEDERE	PLYMOUTH FURY	IMPERIAL	
				DART	DODGE CORONET	DODGE POLARA CHRYSLER		
8-53-O SWITCHES								
8-53-150	SWITCH, Foot Dimmer		1	1881 938	1881 938	1881 938	1881 938	
	GROMMET, Front Floor Covering Dimmer Switch			2292 474	2292 474	2292 474	2292 474	
8-53-154	SCREW, Foot Dimmer Switch Mounting		2	6024 699	6024 699	6024 699	6024 699	
8-53-270	SWITCH, Headlamp and Instrument Lamp, R . W-L, W-H W-P Headlamp Sentinel, C		8	1	2584 926	2584 927	2584 928	2584 929
				1	----	2298 855	----	----
				1	----	2497 778	----	----
				1	----	----	2587 507	----
8-53-271	NUT, Headlamp Switch		1	----	----	----	1971 521	
8-53-274	ESCUTCHEON, Headlamp Sentinel Switch, C . .		8	1	----	2587 494	----	----

TYPE LETTERS Indicate: V - Valiant R - Belvedere P - Plymouth C - Chrysler
L - Dart W - Coronet D - Dodge Y - Imperial

★ Indicates use as required. Numerals in parentheses () refer to notes. Printed in U.S.A.
⊘ Indicates parts not listed in any previous parts book. Prices and specifications subject to change without notice.
* Indicates change or addition. Page 8-75 March 1966 Supersedes May 1965.

1965 PASSENGER CAR PARTS CATALOG

CODE	PART NAME AND DESCRIPTION	CYL	PER CAR	VALIANT	PLYMOUTH BELVEDERE	PLYMOUTH FURY	IMPERIAL
				DART	DODGE CORONET	DODGE POLARA CHRYSLER	
8-53-O SWITCHES - Cont'd							
8-53-294	BEZEL, Headlamp and Instrument Lamp Switch Mounting, L, W, C		1	*2497 249	*2497 249	*2497 620	
	R, P		1	-----	*2256 432	E2496 762	
	w/o Air Conditioning, D	8	1	-----	-----	2497 249	
	w/Air Conditioning, D	8	1	-----	-----	2580 146	
8-53-296	KNOB, Headlamp and Instrument Lamp Switch, L, W, P		1	2496 791	2496 791	2580 159	
	V, R, C		1	2497 271	2497 272	2496 681	2426 655
	w/o Air Conditioning, D	8	1	-----	-----	2580 149	
	w/Air Conditioning, D	8	1	-----	-----	2580 150	
	Headlamp Sentinel Switch, C	8	1	-----	-----	2587 493	
8-53-301	AMPLIFIER, Headlamp Sentinel, C	8	1	-----	-----	2587 491	
8-53-303	BRACKET, Headlamp Sentinel Amplifier Mounting, C	8	1	-----	-----	2587 559	
8-53-304	PHOTOCELL PACKAGE, Headlamp Sentinel, for Replacement Only, C	8	1	-----	-----	E2586 764	
8-53-305	SPRING CLIP, Headlamp Sentinel Photocell Retainer, C	8	1	-----	-----	1327 986	
8-53-312	RETAINER, Headlamp and Instrument Lamp Switch Mounting, V, R, C		1	*1887 604	*1887 604	*2496 766	
8-53-327	SWITCH, Oil Pressure	6	1	*2585 110	*2585 110	*2585 110	
	SENDING UNIT, Oil Pressure	8	1	1818 830	1818 830	1818 830	2495 222
	SWITCH, Oil Pressure	8	1	-----	-----	-----	2497 562
8-55-O TAIL, STOP AND TURN SIGNAL LAMP							
8-55-1	LAMP PACKAGE, Tail, Sta. Wgn., L		1	2525 692-3			
	w/Back-Up Lamp, Sta. Wgn., L		1	2584 852-3			
	w/o Back-Up Lamp, Sta. Wgn., L, W		1	2584 850-1	2584 862-3		
	Right, w/Back-Up Lamp, except Sta. Wgn., W-L, W-H		1	-----	E2585 119		
	Left, w/Back-Up Lamp, except Sta. Wgn., W-L, W-H		1	-----	E2585 120		
	Quarter Panel Tail, Stop and Turn Signal, Sta. Wgn., P		1	-----	-----	2525 543-4	
	Right, Tailgate Tail, Stop and Turn Signal, Sta. Wgn., P		1	-----	-----	2525 539	
	Left, Tailgate Tail, Stop and Turn Signal, Sta. Wgn., P		1	-----	-----	2525 540	
	Tail, Sta. Wgn., D	8	2	-----	-----	2584 888	
	w/o Back-Up Lamp, Sta. Wgn., D	8	2	-----	-----	2584 886	
	Right, Tail, Sta. Wgn., C-L, C-H	8	1	-----	-----	*2584 879	
	Left, Tail, Sta. Wgn., C-L, C-H	8	1	-----	-----	*2584 880	
	Tail, Stop and Turn Signal, Sta. Wgn., C-L, C-H	8	1	-----	-----	*2584 871-2	
8-55-7	LAMP, Tail, Stop, Turn Signal and Back-Up, except Sta. Wgn., L		1	2524 350-1			
	w/o Back-Up Lamp, except Sta. Wgn., L, P		1	2524 370-1	-----	2483 368-9	
	Tail, except Sta. Wgn., L		1	2524 376-7			

TYPE LETTERS Indicate: V - Valiant R - Belvedere P - Plymouth C - Chrysler
L - Dart W - Coronet D - Dodge Y - Imperial

*Indicates use as required. Numerals in parentheses () refer to notes. Printed in U.S.A.
 E Indicates parts not listed in any previous parts book. Prices and specifications subject to change without notice.
 March 1966 Supersedes May 1965. * Indicates change or addition.

CODE	PART NAME AND DESCRIPTION	CYL	PER CAR	VALIANT	PLYMOUTH BELVEDERE	PLYMOUTH FURY	IMPERIAL
				DART	DODGE CORONET	DODGE POLARA	
						CHRYSLER	

8-55-O TAIL, STOP AND TURN SIGNAL LAMP - Cont'd

8-55-7	LAMP - Cont'd						
	w/o Back-Up Lamp, except Sta. Wgn., R-L		2	-----	2483 394		
	w/o Back-Up Lamp, except Sta. Wgn., R-H, R-P		2	-----	2483 395		
	w/Back-Up Lamp, W-P	8	1	-----	E2585 150-1		
	w/o Back-Up Lamp, except Sta. Wgn., P-H, P-P		1	-----		2483 366-7	
	w/o Back-Up Lamp, except Sta. Wgn., D-L, D-H	8	1	-----		2483 372-3	
	w/o Back-Up Lamp, D-P	8	1	-----		2524 396-7	
	w/Back-Up Lamp, except Sta. Wgn., w/one Bulb Type, C-L, C-M, C-P	8	1	-----		2449 500-1	
	w/Back-Up Lamp, except Sta. Wgn., w/two Bulb Type, C	8	1	-----		*2575 188-9	
	w/o Back-Up Lamp, except Sta. Wgn., w/one Bulb Type, C-L, C-M	8	1	-----		2483 374-5	
	w/o Back-Up Lamp, except Sta. Wgn., w/two Bulb Type, C-L, C-M	8	1	-----		2575 238-9	
	w/Back-Up Lamp, except Sta. Wgn., w/one Bulb Type, C-H	8	1	-----		2483 370-1	
	w/Back-Up Lamp		1	-----			2423 348-9
8-55-8	GASKET, Tail, Stop and Turn Signal Lamp Housing, except Sta. Wgn., R		2	-----	2445 982		
	Sta. Wgn., R		2	-----	2449 634		
	Except Sta. Wgn., W		1	-----	2524 730-1		
8-55-9	J-NUT, Tail, Stop, Turn Signal and Back-Up Lamp Mounting, Sta. Wgn., V		6	6014 023			
	NUT and WASHER, Tail, Stop, Turn Signal and Back-Up Lamp Mounting, Lower, except Sta. Wgn., V		6	6023 202			
	NUT, Tail, Stop and Turn Signal Lamp Mounting, except Sta. Wgn., L		8	6023 202			
	NUT, Tail Lamp Mounting, except Sta. Wgn., L		8	6023 202			
	J-NUT, Tail Lamp Mounting, Sta. Wgn., L		6	6014 023			
	J-NUT, Tail, Stop and Turn Signal Lamp Mounting, Sta. Wgn., L		6	6014 023			
	J-NUT, Tail, Stop and Turn Signal Lamp Mounting, Sta. Wgn., R		8	-----	6023 111		
	NUT, Deck Lid Tail, Stop and Turn Signal Lamp Mounting, except Sta. Wgn., P-H, P-P		8	-----		6024 113	
	J-NUT, Tail, Stop and Turn Signal Lamp to Quarter Panel, Sta. Wgn., D	8	8	-----		6023 111	
	NUT, Tail, Stop and Turn Signal Lamp Attaching, except Sta. Wgn., P, D	8	8	-----		6023 204	
	STAMPED NUT, w/Back-Up Lamp, except Sta. Wgn., C	8	12	-----		6024 152	
	NUT and WASHER, w/Back-Up Lamp Attaching		6	-----			6023 205
8-55-12	SEALING WASHER, Tail, Stop, Turn Signal and Back-Up Lamp to Body, except Sta. Wgn., W	8	4	-----	6022 052		
	Tail, Stop and Turn Signal Lamp, 2 D. and 4 D., W-L		4	-----	6022 052		
	CUP WASHER, Tail, Stop and Turn Signal Lamp Mounting, except Sta. Wgn., P-H, P-P		4	-----		6023 185	
8-55-18	CLIP, Tail Lamp Snap on, except Sta. Wgn., L		2	6015 377			

TYPE LETTERS Indicate: V - Valiant R - Belvedere P - Plymouth C - Chrysler
 L - Dart W - Coronet D - Dodge Y - Imperial

★Indicates use as required. Numerals in parentheses () refer to notes. Printed in U.S.A.
 ⊠Indicates parts not listed in any previous parts book. Prices and specifications subject to change without notice.
 * Indicates change or addition. March 1966 Supersedes May 1965.

1965 PASSENGER CAR PARTS CATALOG

ELECTRICAL

CODE	PART NAME AND DESCRIPTION	C Y L	PER CAR	VALIANT	PLYMOUTH BELVEDERE	PLYMOUTH FURY	IMPERIAL
				DART	DODGE CORONET	DODGE POLARA CHRYSLER	
8-55-O TAIL, STOP AND TURN SIGNAL LAMP - Cont'd							
8-55-23	REINFORCEMENT, Tail Lamp Opening, except Sta. Wgn., R, D		1	----	2484 822-3	2482 138-9	
	Except Sta. Wgn., W		1	----	2483 232-3		
	Sta. Wgn., D	8	1	----	----	2526 690-1	
	Upper, except Sta. Wgn., C	8	1	----	----	2603 804-5	
	Lower, except Sta. Wgn., C	8	1	----	----	2483 278-9	
	PLATE, Reinforcement, except Sta. Wgn., W		1	----	2526 968-9		
	Upper, Reinforcement, except Sta. Wgn., C	8	2	----	----	2602 459	
	WASHER, Reinforcement Plate, except Sta. Wgn., W		6	----	6022 701		
8-55-40	BUSHING and SPRING, Socket, Sta. Wgn., L, P		2	2096 062	----	2096 062	
	Except Sta. Wgn., C	8	4	----	----	*2096 062	
8-55-57	SOCKET, Tail, Stop and Turn Signal Lamp, except Sta. Wgn., V, W		2	1841 893	1841 893		
	Sta. Wgn., V		2	1903 517			
	SOCKET PACKAGE, Tail, Stop and Turn Signal Lamp, except Sta. Wgn., V, R, P, D		2	2525 669	2525 669	2525 669	
	SOCKET and CABLE, Tail, Stop and Turn Signal Lamp, Sta. Wgn., L, C		2	2497 439	2580 155	2631 170	
	Except Sta. Wgn., L		2	2290 263			
	Tail Lamp, Sta. Wgn., L		2	2497 348			
	SOCKET, Tail Lamp, except Sta. Wgn., L		2	2096 648			
	Except Sta. Wgn., C	8	4	----	----	1841 893	
	Tail Lamp		2	----	----	----	2096 141
8-55-63	SPRING, INSULATOR and CONTACT PACKAGE, Socket		*	2584 972	2584 972	2584 972	2584 972
8-55-136	HOUSING PACKAGE, w/Back-Up Lamp, Sta. Wgn., V		1	2525 600-1			
	w/Back-Up Lamp, except Sta. Wgn., V		1	2525 643-4			
	w/o Back-Up Lamp, Sta. Wgn., R-L		2	----	2525 683		
	w/o Back-Up Lamp, Sta. Wgn., R-H		2	----	2525 682		
	EXTENSION, Tail, Stop, Turn Signal and Back-Up Lamp Housing, W-P	8	1	----	2524 156-7		
	HOUSING, Tail Lamp, Sta. Wgn., D	8	2	----	----	2483 396	
	HOUSING, Tail, Stop and Turn Signal Lamp, Sta. Wgn., D	8	2	----	----	2483 390	
	HOUSING, w/STUDS, w/Back-Up Lamp		1	----	----	----	2480 844-5
8-55-140	WELT, Tail, Stop, Turn Signal and Back-Up Lamp, except Sta. Wgn., V		1	E2575 836-7			
	w/o Back-Up Lamp, Housing, Sta. Wgn., L		1	E2524 408-9			
	w/o Back-Up Lamp, except Sta. Wgn., R		2	----	E2445 983		
	w/o Back-Up Lamp, Housing, L except Sta. Wgn., P		1	E2524 368-9	----	E2449 902-3	
	w/o Back-Up Lamp, Housing, Sta. Wgn., D		2	----	----	E2449 641	
	Tailgate Tail Lamp, Sta. Wgn., L		1	E2524 326-7			
8-55-157	GASKET, Tail Lamp Housing, Sta. Wgn., C	8	2	----	----	2449 838	
	Tail, Stop and Turn Signal Lamp Housing, D-P	8	2	----	----	2524 122	
8-55-158	BEZEL, Tail, Stop and Turn Signal Lamp, Outer, except Sta. Wgn., L		1	2524 354-5			
	BEZEL, Tail, Stop and Turn Signal Lamp, Outer, Sta. Wgn., L		1	2524 426-7			
	BEZEL, Tail Lamp, Outer, Sta. Wgn., L		1	2524 334-5			
	BEZEL, Tail Lamp, Outer, except Sta. Wgn., L		1	2524 380-1			

TYPE LETTERS indicate: V - Valiant R - Belvedere P - Plymouth C - Chrysler
L - Dart W - Coronet D - Dodge Y - Imperial

*Indicates use as required. Numerals in parentheses () refer to notes. Printed in U.S.A.
EIndicates parts not listed in any previous parts book. Prices and specifications subject to change without notice.
March 1966 Supersedes May 1965. * Indicates change or addition.

CODE	PART NAME AND DESCRIPTION	C Y L	PER CAR	VALIANT	PLYMOUTH BELVEDERE	PLYMOUTH FURY	IMPERIAL
				DART	DODGE CORONET	DODGE POLARA CHRYSLER	
8-55-0 TAIL, STOP AND TURN SIGNAL LAMP - Cont'd							
8-55-158	BEZEL and LENS, w/o Back-Up Lamp, except Sta. Wgn., R-H, R-P		2	-----	2524 097		
	BEZEL, LENS and GASKET PACKAGE, Deck Lid Tail, Stop and Turn Signal Lamp, except Sta. Wgn., P		1	-----	-----	2525 524-5	
	Quarter Panel Tail, Stop and Turn Signal Lamp except Sta. Wgn., P		1	-----	-----	2525 526-7	
	Tail Gate Tail, Stop and Turn Signal Lamp, Sta. Wgn., P-H	8	1	-----	-----	2525 541-2	
	Quarter Panel Tail, Stop and Turn Signal Lamp, Sta. Wgn., P		1	-----	-----	2525 545-6	
	BEZEL, Quarter Panel Tail, Stop and Turn Signal Lamp, except Sta. Wgn., D-L, D-H .	8	1	-----	-----	2445 870-1	
	BEZEL, Quarter Panel Tail, Stop and Turn Signal Lamp, Sta. Wgn., D	8	2	-----	-----	2449 647	
	BEZEL, Tail, Stop and Turn Signal Lamp, Outer, D-P	8	1	-----	-----	*2524 396-7	
	Inner, D-P	8	1	-----	-----	2524 192-3	
	BEZEL, LENS and GASKET PACKAGE, Tailgate Tail Lamp, Sta. Wgn., D	8	2	-----	-----	2584 887	
	BEZEL and GASKET PACKAGE, w/Back-Up Lamp, except Sta. Wgn., C	8	1	-----	-----	*2525 500-1	
	BEZEL, w/Back-Up Lamp		1	-----	-----	-----	2480 832-3
8-55-159	STUD, Tail, Stop and Turn Signal Lamp Housing, except Sta. Wgn., W-L, W-H . . .		8	-----	6024 579		
	SCREW, Tail Lamp Bezel to Housing, Sta. Wgn., C	8	8	-----	-----	6024 892	
	STUD, Tail, Stop, Turn Signal and Back-Up Lamp Housing Drive		6	-----	-----	-----	6024 084
	SCREW, Tail, Stop, Turn Signal and Back-Up Lamp Lens Bezel, Inboard		4	-----	-----	-----	6024 499
	Outboard		2	-----	-----	-----	6024 497
8-55-161	J-NUT, Tail, Stop and Turn Signal Lamp Housing, Sta. Wgn., W		8	-----	6023 111		
	J-NUT, Tailgate Tail Lamp Housing to Tailgate Quarter Panel, Sta. Wgn., D	8	4	-----	-----	6023 111	
	J-NUT, Tail Lamp Housing, Sta. Wgn., C-L, C-H	8	8	-----	-----	6023 111	
	J-NUT, Tail, Stop and Turn Signal Lamp Housing Attaching, Sta. Wgn., C-L, C-H . .	8	10	-----	-----	6023 111	
8-55-162	SEALING WASHER, Tail, Stop and Turn Signal Lamp Housing to Quarter Panel, Sta. Wgn., D	8	8	-----	-----	6022 007	
	SEALING WASHER, Tail, Stop and Turn Signal Lamp Housing, except Sta. Wgn., .75" O. D., C	8	4	-----	-----	2252 282	
	SEALING WASHER, Tail, Stop and Turn Signal Lamp Housing, except Sta. Wgn., 1" O. D., C	8	4	-----	-----	6026 010	
	WASHER, Quarter Panel Tail, Stop and Turn Signal Lamp Housing, except Sta. Wgn., C	8	8	-----	-----	617 115	
8-55-163	SEAL, Tail Lamp Periphery Moulding, except Sta. Wgn., P		★	-----	-----	6024 702	

TYPE LETTERS Indicate: V - Valiant R - Belvedere P - Plymouth C - Chrysler
 L - Dart W - Coronet D - Dodge Y - Imperial

★ Indicates use as required. Numerals in parentheses () refer to notes. Printed in U.S.A.
 ☐ Indicates parts not listed in any previous parts book. Prices and specifications subject to change without notice.
 • Indicates change or addition. March 1966 Supersedes May 1965.

1965 PASSENGER CAR PARTS CATALOG

ELECTRICAL

CODE	PART NAME AND DESCRIPTION	CYL	PER CAR	VALIANT	PLYMOUTH BELVEDERE	PLYMOUTH FURY	IMPERIAL
				DART	DODGE CORONET	DODGE POLARA CHRYSLER	
8-55-0 TAIL, STOP AND TURN SIGNAL LAMP - Cont'd							
8-55-194	LENS and GASKET PACKAGE, w/o Back-Up Lamp, Sta. Wgn., V		1	2525 602-3			
	w/o Back-Up Lamp, except Sta. Wgn., V . . .		1	2525 645-6			
	Tail Lamp, except Sta. Wgn., L		1	2525 686-7			
	Tail Lamp, Sta. Wgn., L		1	2525 694-5			
	w/Back-Up Lamp, Sta. Wgn., L		1	2525 696-7			
	w/Back-Up Lamp, except Sta. Wgn., L . . .		1	2525 690-1			
	w/o Back-Up Lamp, Sta. Wgn., L		1	2525 698-9			
	w/o Back-Up Lamp, except Sta. Wgn., L . .		1	2525 688-9			
	w/o Back-Up Lamp, Sta. Wgn., R-L		2	-----	2525 681		
	w/o Back-Up Lamp, Sta. Wgn., R-H		2	-----	2525 680		
	w/o Back-Up Lamp, Sta. Wgn., W, D.		2	-----	2584 861	2584 885	
	Except Sta. Wgn., W-L, W-H, D-L, D-H . . .		1	-----	2584 857-8	2525 263-4	
	W-P	8	1	-----	2584 864-5		
	w/o Back-Up Lamp, D-P.	8	1	-----		2584 883-4	
	Red, except Sta. Wgn., C	8	1	-----		*2525 502-3	
	Tail Lamp, Sta. Wgn., C-L, C-H	8	1	-----		*2584 875-6	
	Right, Tail, Stop and Turn Signal Lamp, Sta. Wgn., C-L, C-H	8	1	-----		*2584 869	
	Left, Tail, Stop and Turn Signal Lamp, Sta. Wgn., C-L, C-H	8	1	-----		*2584 870	
	LENS, COLLINATOR and GASKET PACKAGE .		1	-----		-----	2448 842-3
8-55-195	LENS, Tail, Stop and Turn Signal Lamp, 2 D. and 4 D., R-L		2	-----	2445 976		
8-55-198	FILTER PACKAGE, Tail, Stop and Turn Signal Lamp, C-H	8	2	-----		E2586 757	
8-55-209	SCREW, Tail, Stop and Turn Signal Lamp Lens Attaching, Upper, Sta. Wgn., W		4	-----	6024 855		
	Lower, Sta. Wgn., W		4	-----	6024 495		
	Sta. Wgn., P		8	-----			E9419 347
8-55-214	GASKET, Tail, Stop and Turn Signal Lamp Lens, Sta. Wgn., V, P		2	2449 622	-----	2449 679	
	Tail Lamp Lens, Sta. Wgn., L, D		2	2524 328	-----	2449 653	
	Tail Lamp Lens, except Sta. Wgn., L		2	2524 367			
	Tail, Stop and Turn Signal Lamp Lens, Sta. Wgn., L, R, D		2	2524 410	2449 635	2449 643	
	Except Sta. Wgn., L, R, D-P		2	2524 367	2445 975	2524 123	
	Sta. Wgn., W, C-L, C-H		2	-----	2449 813	2449 821	
	Except Sta. Wgn., W-L, W-H		2	-----	2449 804		
	Outer, W-P	8	2	-----	2524 170		
	Tailgate Tail, Stop and Turn Signal Lamp Lens, Sta. Wgn., P-H	8	2	-----		2449 691	
	Tail Lamp Lens, Sta. Wgn., C	8	2	-----		2449 839	
8-55-232	BASE, Tail Lamp, Sta. Wgn., L		1	2524 348-9			
	Tail, Stop and Turn Signal Lamp, Sta. Wgn., L		1	2524 522-3			
8-55-300	CONTACT, Socket		★	2256 966	2256 966	2256 966	2256 966

TYPE LETTERS Indicate: V - Valiant R - Belvedere P - Plymouth C - Chrysler
 L - Dart W - Coronet D - Dodge Y - Imperial

★ Indicates use as required. Numerals in parentheses () refer to notes. Printed in U.S.A.
 † Indicates parts not listed in any previous parts book. Prices and specifications subject to change without notice.
 March 1966 Supersedes May 1965. * Indicates change or addition.

CODE	PART NAME AND DESCRIPTION	C Y L	PER CAR	VALIANT	PLYMOUTH BELVEDERE	PLYMOUTH FURY	IMPERIAL
				DART	DODGE CORONET	DODGE POLARA	
						CHRYSLER	
8-56-0 BACK-UP LAMP							
8-56-1	LAMP, except Sta. Wgn., R, P		1	-----	2422 656-7	2483 364-5	
	w/License Lamp, Sta. Wgn.		1	-----	2422 728-9		
	Sta. Wgn.		2	-----		2449 508	
	Except Sta. Wgn., D	8	1	-----		2483 302-3	
8-56-2	SWITCH and CABLE, w/Manual Trans., P, D, C-L, C-M, C-P		1	2258 404	2258 404	2258 404	
	w/o Console, w/Auto. Trans.		1	*2661 167	*2661 167	*2661 167	*2661 167
	SWITCH and BRACKET, w/Console, w/Auto. Trans., V-P, L-P, R-P, W-P, P-P, D-L 2 D. H.T. and Cv.Cp., D-P, C-L and C-M 2 D. H.T., Cv.Cp. and 4 D. H.T., C-P, C-H 2 D. H.T. and 4 D. H.T.		1	2587 615	2587 615	2587 615	
8-56-4	NUT, Mounting, except Sta. Wgn., P, D		4	-----	-----	6023 204	
	NUT, Attaching, Sta. Wgn.		4	-----	-----	6023 201	
8-56-8	LENS and GASKET PACKAGE, except Sta. Wgn., V		2	2525 647			
	Sta. Wgn., V		2	2525 604	-----	2525 516	
	Except Sta. Wgn., R, D		1	-----	2421 802-3	2525 261-2	
	w/License Lamp, Sta. Wgn.		1	-----	2421 805-6		
	Except Sta. Wgn., W-L, W-H, P		1	-----	2584 855-6	2525 522-3	
	W-P	8	2	-----	2584 866		
	Clear, except Sta. Wgn., C	8	1	-----	-----	*2525 506-7	
	Red, except Sta. Wgn., C-L, C-M, C-P. . . .	8	1	-----	-----	2525 510-1	
			1	-----	-----	-----	2448 840-1
8-56-10	SCREW, Lens Attaching, except Sta. Wgn., R .		4	-----	1961 965		
8-56-11	RETAINER, except Sta. Wgn., D	8	2	-----	-----	2483 310	
8-56-23	GASKET, Lens, except Sta. Wgn., W-L, W-H, D		2	-----	2449 805	2483 309	
	W-P	8	2	-----	2524 167		
	Outer, W-P	8	4	-----	2524 168		
8-56-25	WASHER, Back-Up Lamp, except Sta. Wgn., R CUP WASHER, Mounting, except Sta. Wgn., P.		2	-----	6023 599		
			2	-----	-----	6023 185	
8-56-27	SPRING, INSULATOR and CONTACT PACKAGE, Socket		★	2584 972	2584 972	2584 972	2584 972
8-56-34	SOCKET, except Sta. Wgn., V, P, C		2	*2497 433	-----	*2096 648	
	Sta. Wgn., V		2	2290 189			
	L		2	2497 433	2497 433	-----	2096 141
8-56-40	GASKET, Back-Up Lamp, Sta. Wgn.		2	-----	-----	2449 510	
8-56-41	SCREW, Back-Up Lamp, w/License Lamp, Sta. Wgn.		4	-----	6024 493		
8-56-46	GASKET, Switch, w/Manual Trans., P, D, C-L, C-M, C-P		1	1302 807	1302 807	1302 807	
	Switch Hole Plug, w/Manual Trans., P, D, C-L, C-M, C-P		1	1302 807	1302 807	1302 807	
8-56-53	SCREW, Back-Up Lamp Housing, except Sta. Wgn., R		4	-----	6023 414		

TYPE LETTERS Indicate:

V - Valiant
L - DartR - Belvedere
W - CoronetP - Plymouth
D - DodgeC - Chrysler
Y - Imperial

★ Indicates use as required.

Numerals in parentheses () refer to notes.

Printed in U.S.A.

ⓔ Indicates parts not listed in any previous parts book.

Prices and specifications subject to change without notice.

* Indicates change or addition.

March 1966 Supersedes May 1965.

1965 PASSENGER CAR PARTS CATALOG

CODE	PART NAME AND DESCRIPTION	CYL	PER CAR	VALIANT	PLYMOUTH BELVEDERE	PLYMOUTH FURY	IMPERIAL
				DART	DODGE CORONET	DODGE POLARA CHRYSLER	
8-56-O BACK-UP LAMP - Cont'd							
8-56-61	COVER, Back-Up Lamp Socket, except Sta. Wgn., R		2	-----	2480 145		
8-57-O LICENSE LAMP							
8-57-10	LAMP		1	2575 038			
	Except Sta. Wgn., R		2	-----	2422 664		
	Except Sta. Wgn., W, P, D		1	-----	2483 735	2483 296	
	Sta. Wgn.		1	-----		2483 812	
	Except Sta. Wgn., C	8	1	-----		2524 524	
			1	-----			2423 317
8-57-11	SCREW, License Lamp Mounting		2	*6024 317			
	SCREW, Attaching, Sta. Wgn.		2	-----	6025 081		
	SCREW, Attaching except Sta. Wgn., R		4	-----	1878 893		
	SCREW, Attaching, except Sta. Wgn., W		2	-----	1878 893		
8-57-13	U-NUT, License Lamp Attaching		2	-----			6024 153
8-57-54	LENS and GASKET PACKAGE, C		1	2525 674	-----	2525 517	
	Sta. Wgn., P, D		1	-----		2525 517	
8-57-56	GASKET, Lens, C		1	2575 042	-----	2449 518	
	Sta. Wgn., P, D	8	1	-----		2449 518	
8-57-79	SOCKET, Sta. Wgn.		2	-----	2290 933		
	Except Sta. Wgn., R		2	-----	2096 141		
	Except Sta. Wgn., W		1	-----	2580 374		2580 374
8-57-89	SPRING, INSULATOR and CONTACT PACKAGE, Socket		1	2584 972	2584 972	2584 972	2584 972
8-58-O STOP LAMP							
8-58-60	SWITCH		1	2631 046	2580 998		2580 998
	w/o Power Brakes, except D-L		1	-----		*2631 047	
	w/o Power Brakes, D-L	8	1	-----		*2496 160	
	w/Power Brakes		1	-----		2631 048	
	SCREW and WASHER, Mounting		1	6023 541	6023 541	6023 541	6023 541
	NUT and WASHER, Mounting, w/Power Brakes		1	-----		6023 204	
8-58-79	BRACKET, Mounting, w/Power Brakes		1	-----		2580 620	
	w/o Power Brakes		1	-----		2580 619	

NOTES

TYPE LETTERS Indicate:

V - Valiant
L - Dart

R - Belvedere
W - Coronet

P - Plymouth
D - Dodge

C - Chrysler
Y - Imperial

★Indicates use as required.

Numerals in parentheses () refer to notes.

Printed in U.S.A.

ⒷIndicates parts not listed in any previous parts book.
March 1966 Supersedes May 1965.

Prices and specifications subject to change without notice.

* Indicates change or addition.