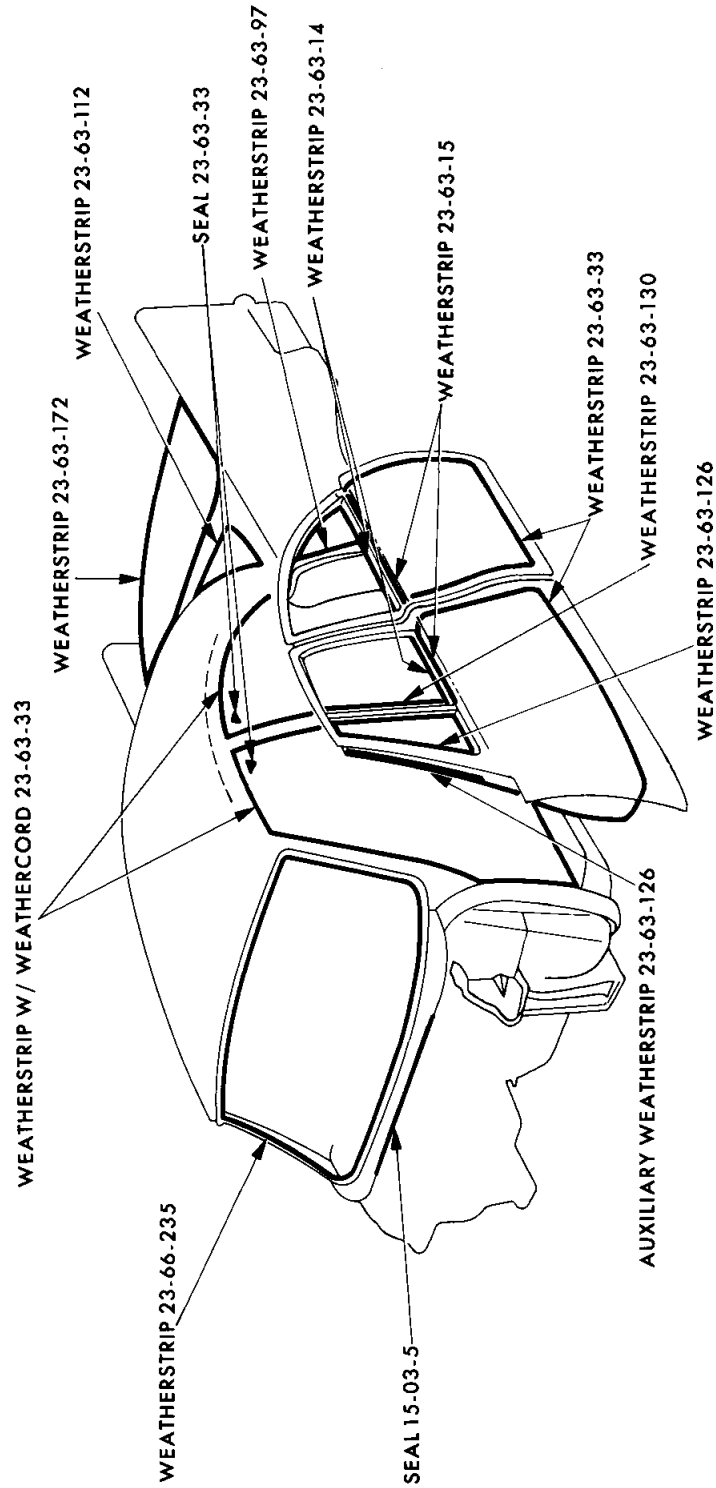
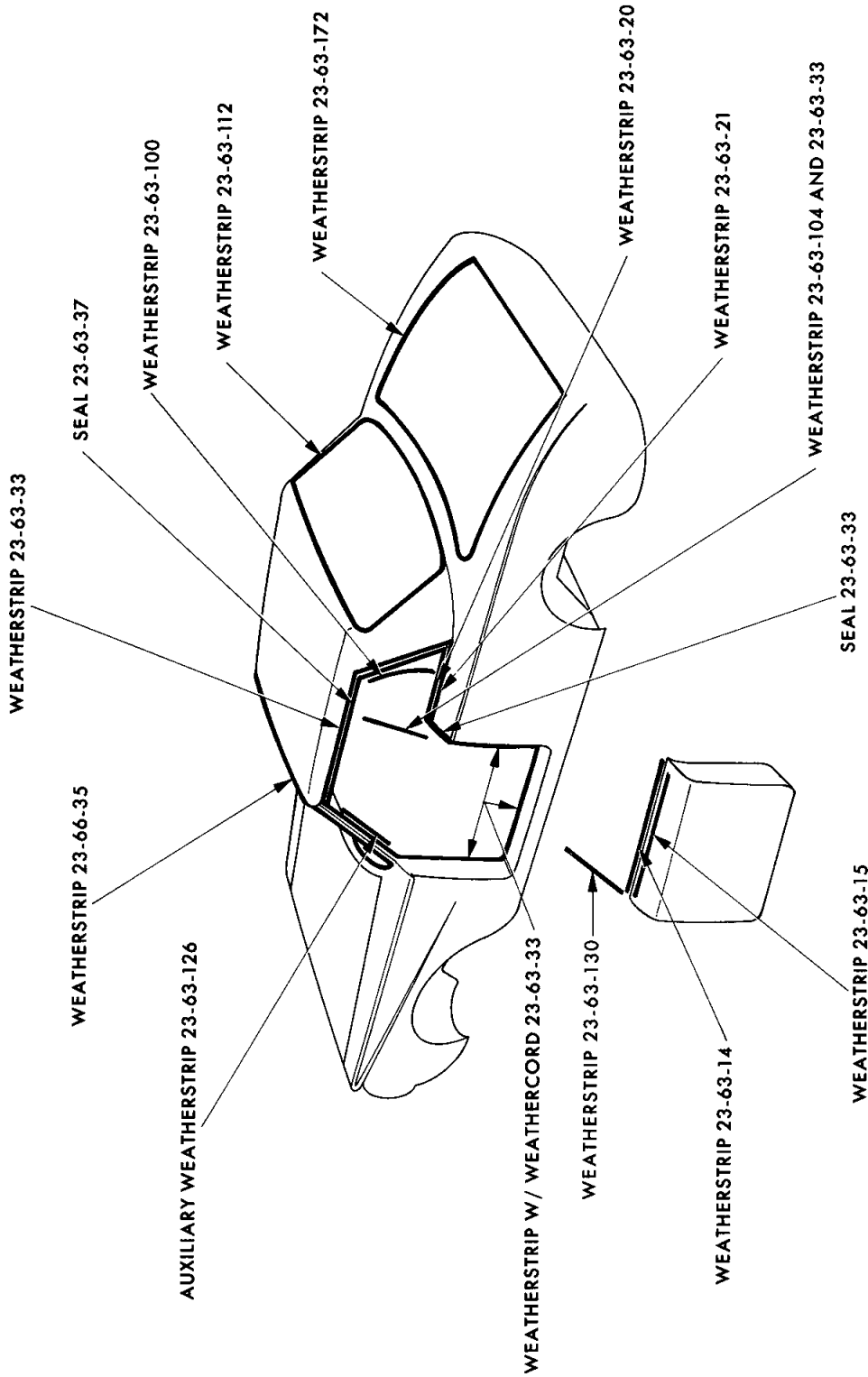


GROUP 23 - BODY



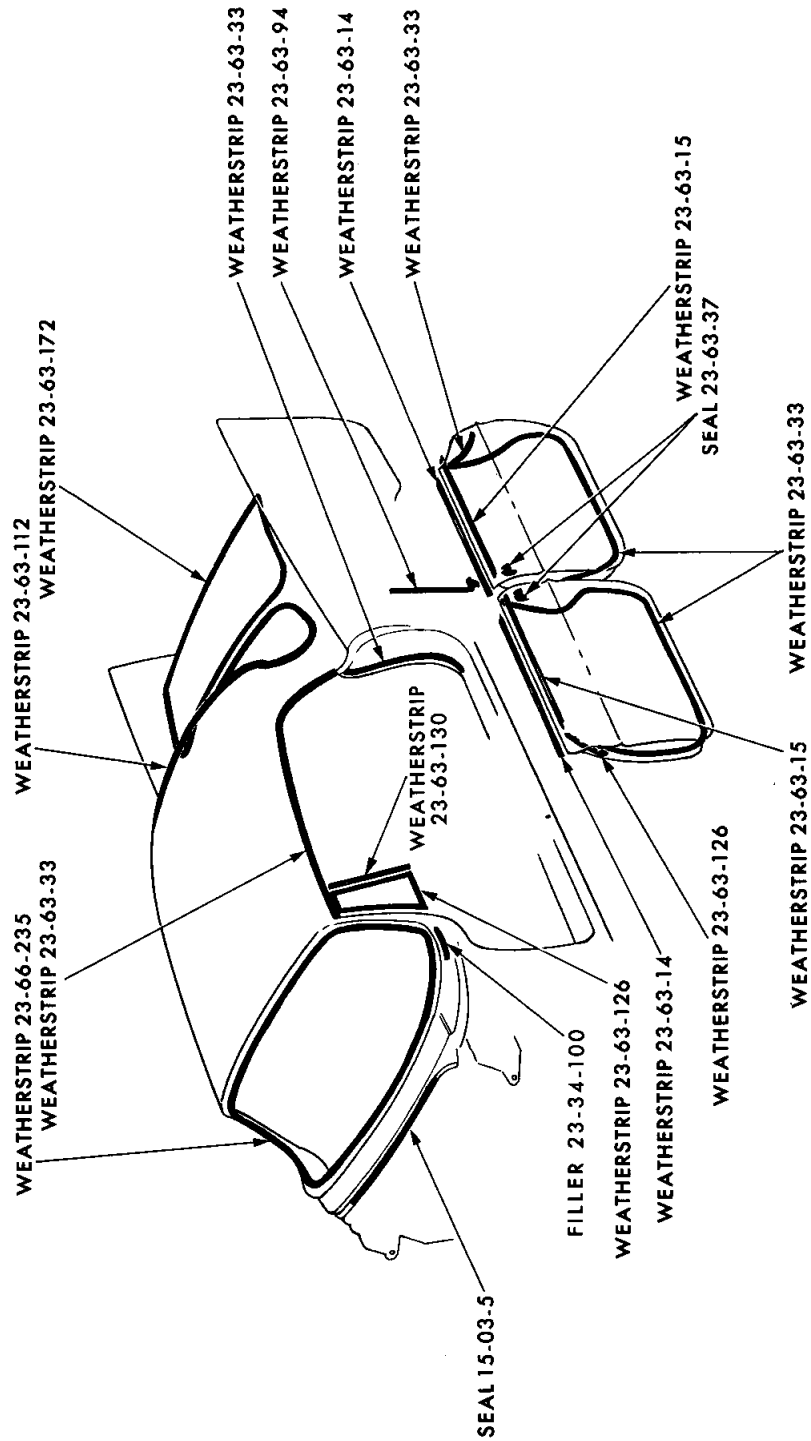
19x9836A

WEATHERSTRIPS AND SEALS - TYPICAL OF 2 DOOR AND 4 DOOR SEDANS



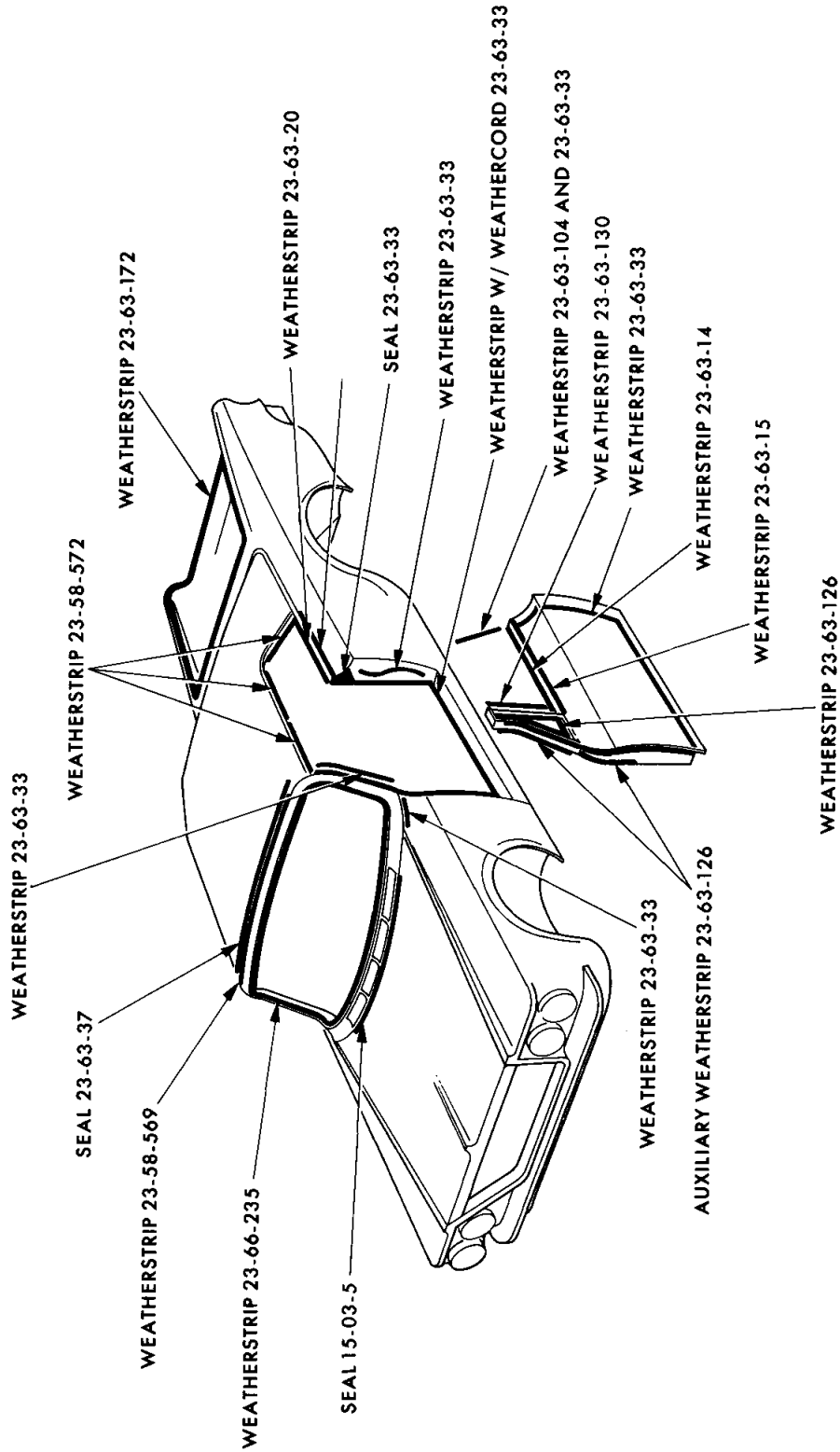
19x9834A

WEATHERSTRIPS AND SEALS - TYPICAL OF 2 DOOR HARDTOPS



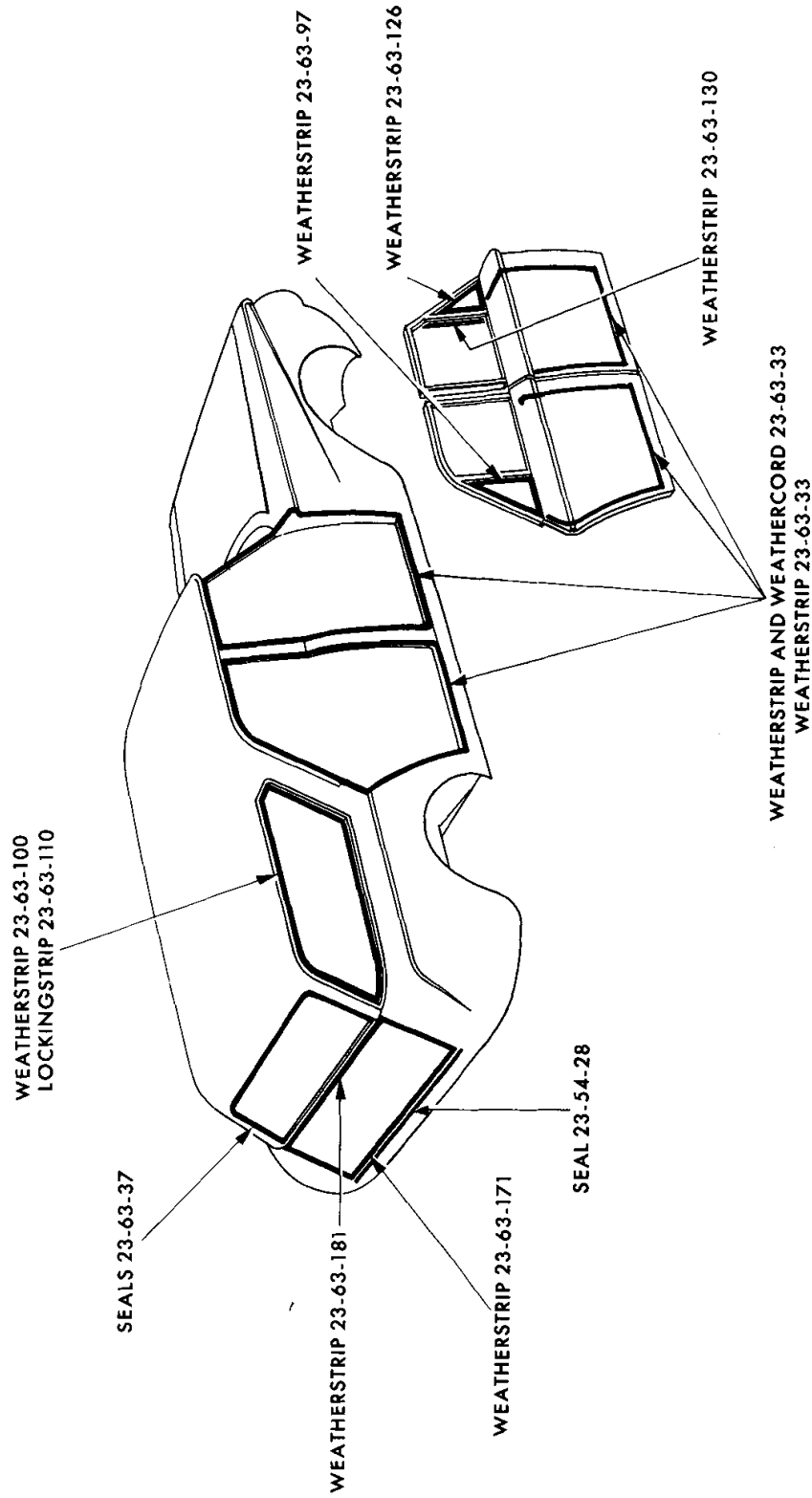
19x9835 B

WEATHERSTRIPS AND SEALS - TYPICAL OF 4 DOOR HARDTOPS



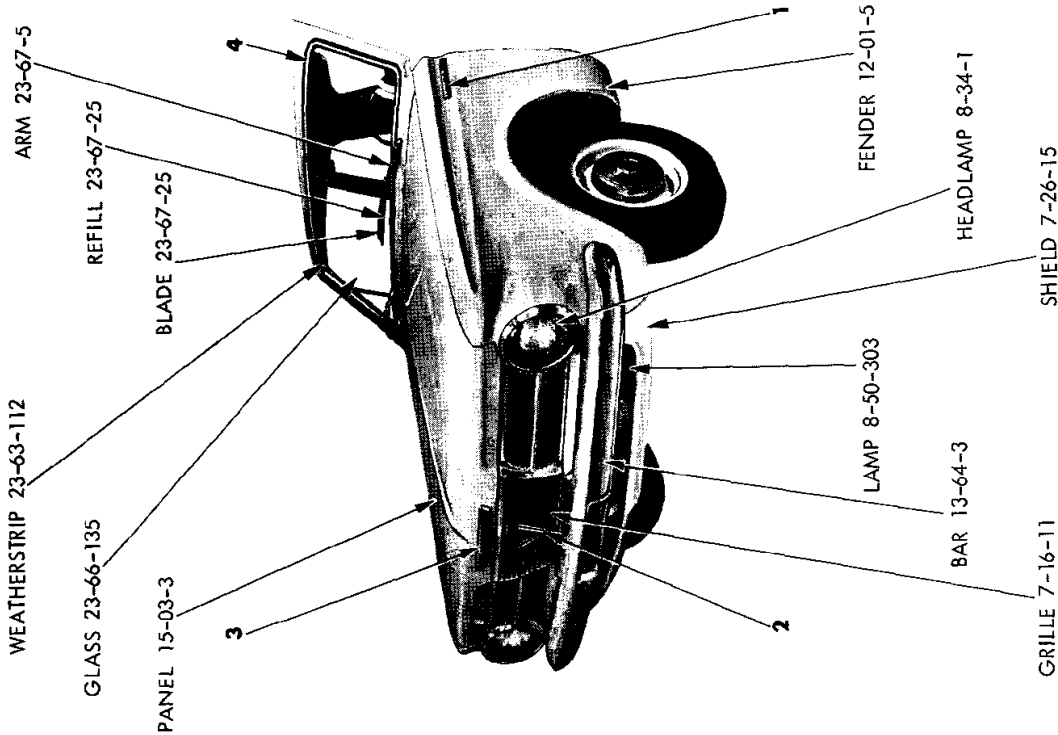
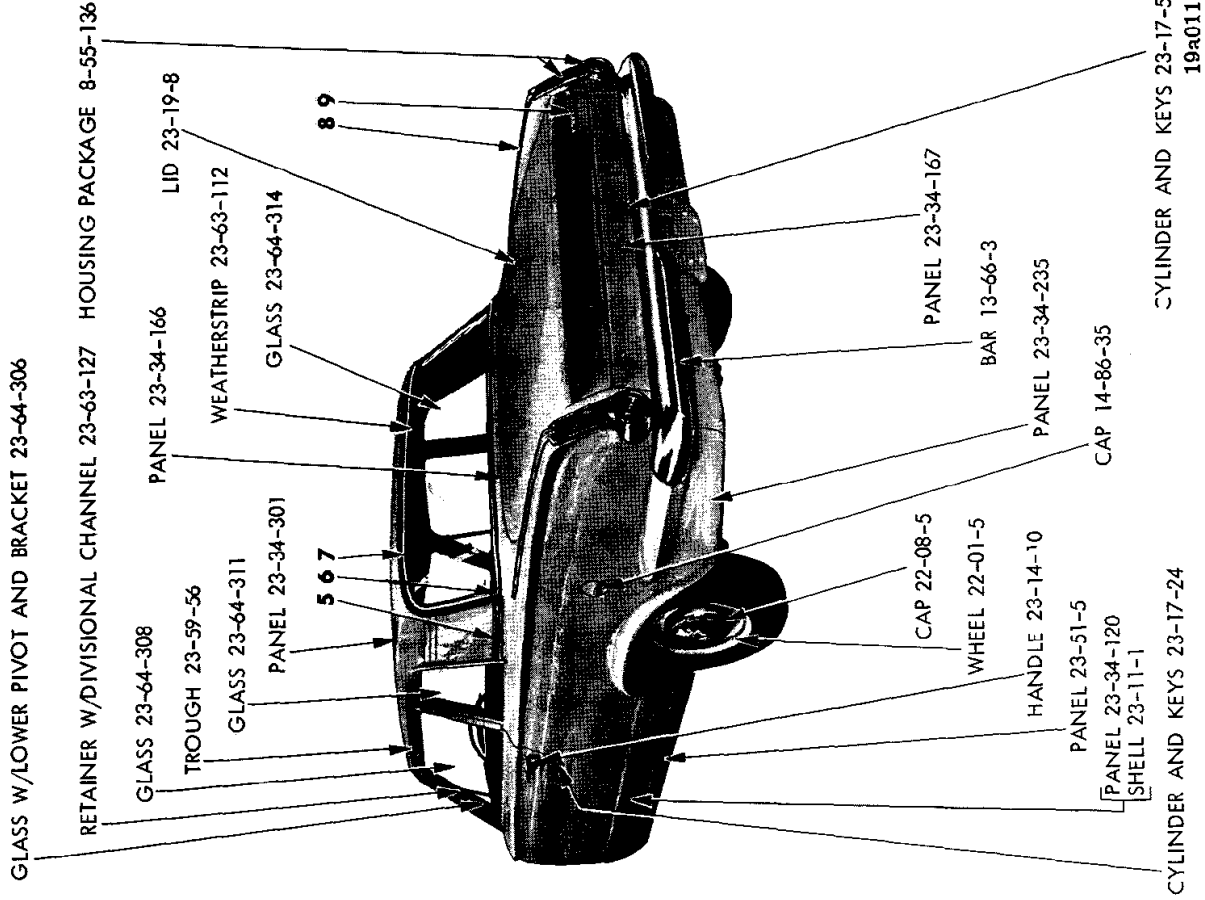
19x9833 A

WEATHERSTRIPS AND SEALS - TYPICAL OF CONVERTIBLE COUPES



19x9837A

WEATHERSTRIPS AND SEALS - TYPICAL OF STATION WAGONS



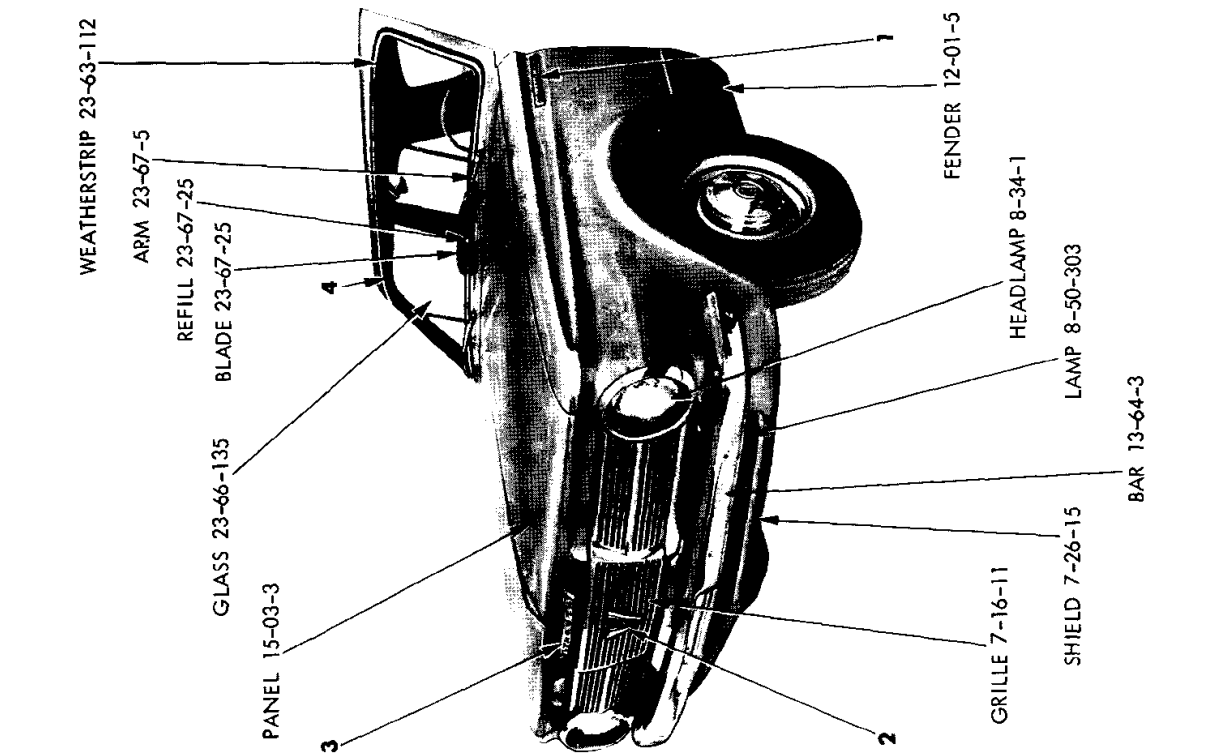
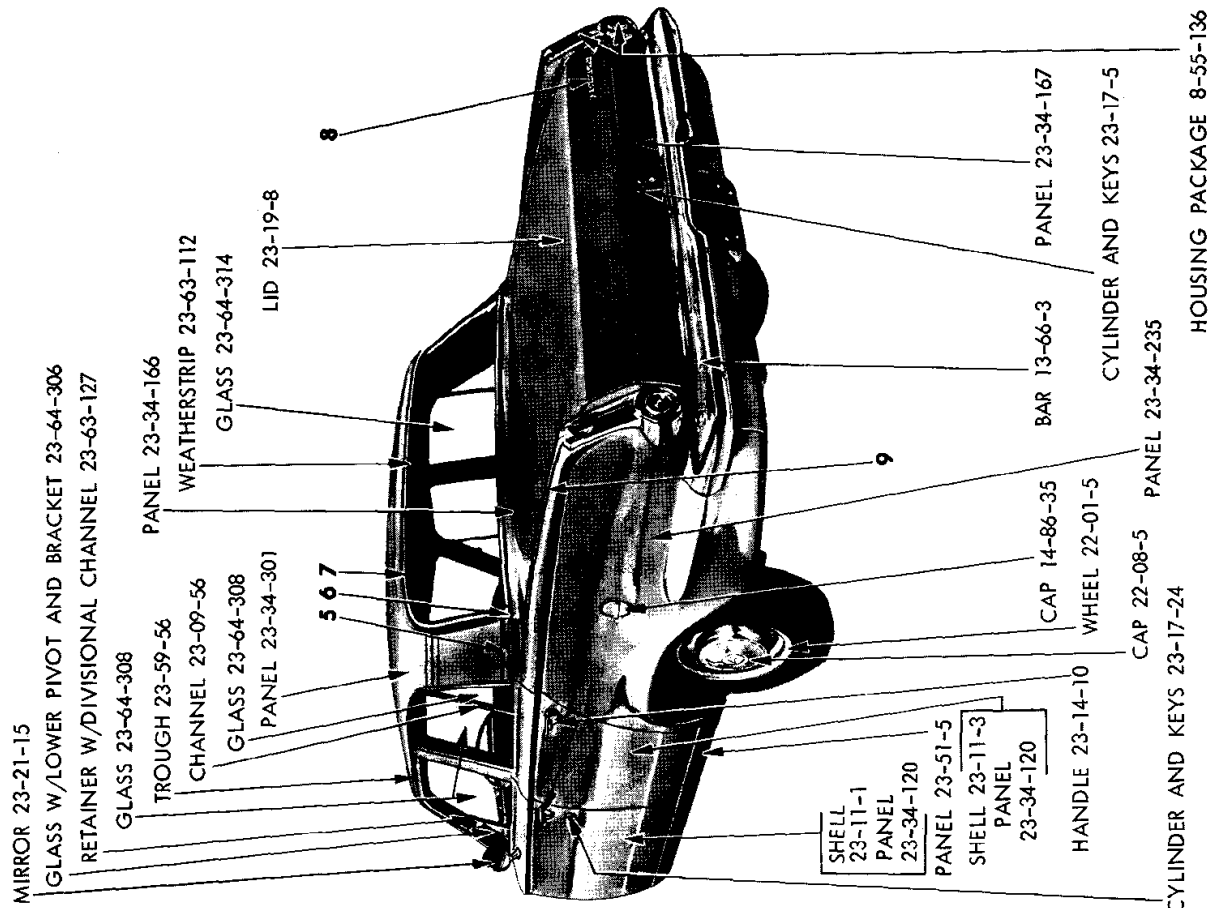
EXTERIOR VIEW - VALLANT V-L 2 DOOR SEDAN

REF. NO.	QTY	PART NUMBER	DESCRIPTION	REF. NO.	QTY	PART NUMBER	DESCRIPTION
1	2	2449 708	NAME PLATE, Fender Side (12-15-21)	6	2	2424 350	CAP, Rear Window Glass Weatherstrip Lockingstrip (23-63-117)
	2	6000 050	Clip				
	4	6024 870	Nut	7	2	2424 426	LOCKINGSTRIP, Rear Window Glass Weatherstrip (23-63-114)
2	1	2449 700	MEDALLION, Radiator Grille (7-17-1)	8	2	2525 959	MOULDING PACKAGE, Quarter Panel Peak (23-23-39)
	3	6013 114	Nut		8	6001 647	Retainer
3	1	2583 215	NAME PLATE, Hood Front (15-06-3)		8	116 000	Nut
	2	274 754	Nut	9	1	2526 266	NAME PLATE, Deck Lid (23-19-114)
4	1	2082 278	LOCKINGSTRIP, Windshield Glass Weatherstrip (23-66-239)		2	----	Washer
5	2	2584 496-7	MOULDING PACKAGE, Roof Side Extension (23-23-42)		2	----	Nut
	6	9411 618	Nut				
	6	6024 711	Washer				

All Packages Include Attaching Parts

Part Type Code is Indicated in Parentheses

EXTERIOR VIEW - VALIANT V-L 2 DOOR SEDAN



EXTERIOR VIEW - VALIANT V-L 4 DOOR SEDAN

19a0109 A

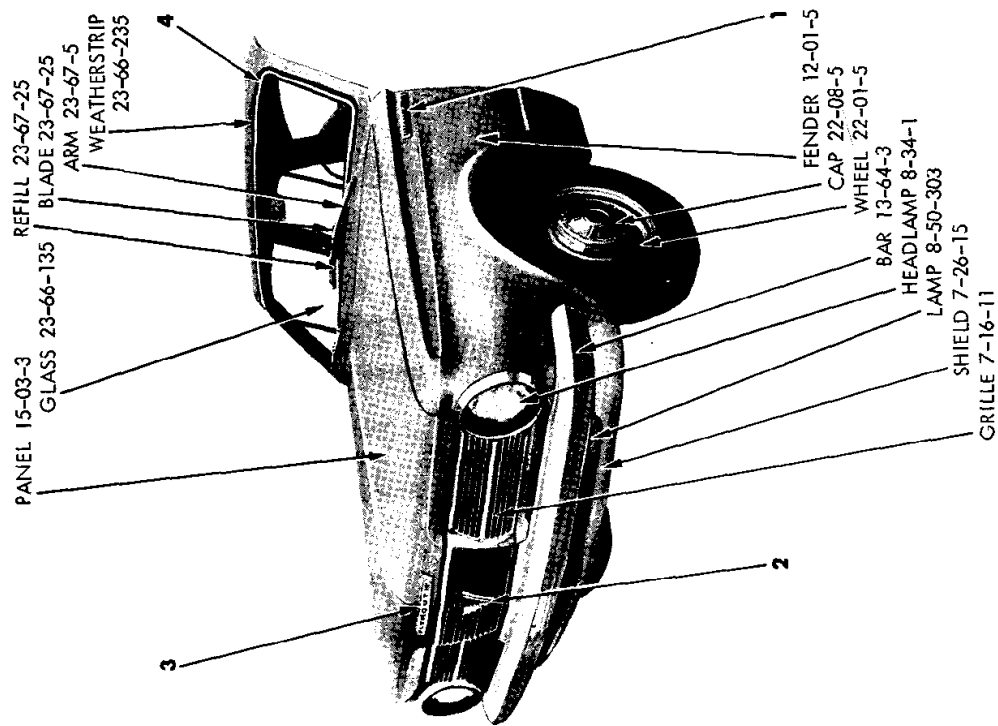
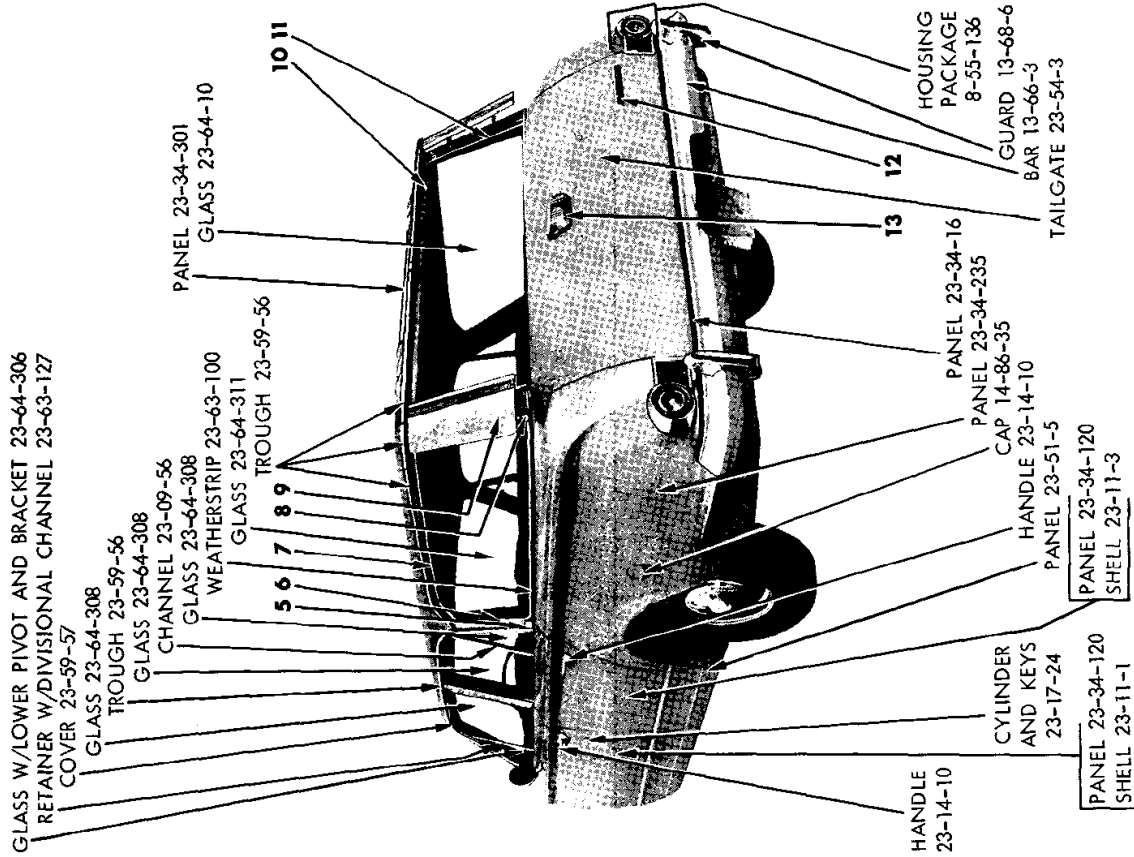
REF. NO.	QTY	PART NUMBER	DESCRIPTION	REF. NO.	QTY	PART NUMBER	DESCRIPTION
1	2	2449 708	NAME PLATE, Fender Side (12-15-21)	6	2	2424 350	CAP, Rear Window Glass Weatherstrip Lockingstrip (23-63-117)
	2	6000 050	Clip				
	4	6024 870	Nut	7	2	2424 426	LOCKINGSTRIP, Rear Window Glass Weatherstrip (23-63-114)
2	1	2449 700	MEDALLION, Radiator Grille (7-17-1)	8	1	2526 266	NAME PLATE, Deck Lid (23-19-114)
	3	6013 114	Nut		2	---- ---	Washer
3	1	2583 215	NAME PLATE, Hood Front (15-06-3)		2	---- ---	Nut
	2	274 754	Nut	9	2	2525 959	MOULDING PACKAGE, Quarter Panel Peak (23-23-39)
4	1	2082 278	LOCKINGSTRIP, Windshield Glass Weatherstrip (23-66-239)		8	6001 647	Retainer
					8	116 000	Nut
5	1	2584 496-7	MOULDING PACKAGE, Roof Side Extension (23-23-42)				

All Packages Include Attaching Parts

Part Type Code is Indicated in Parentheses

EXTERIOR VIEW - VALIANT V-L 4 DOOR SEDAN

19a0196



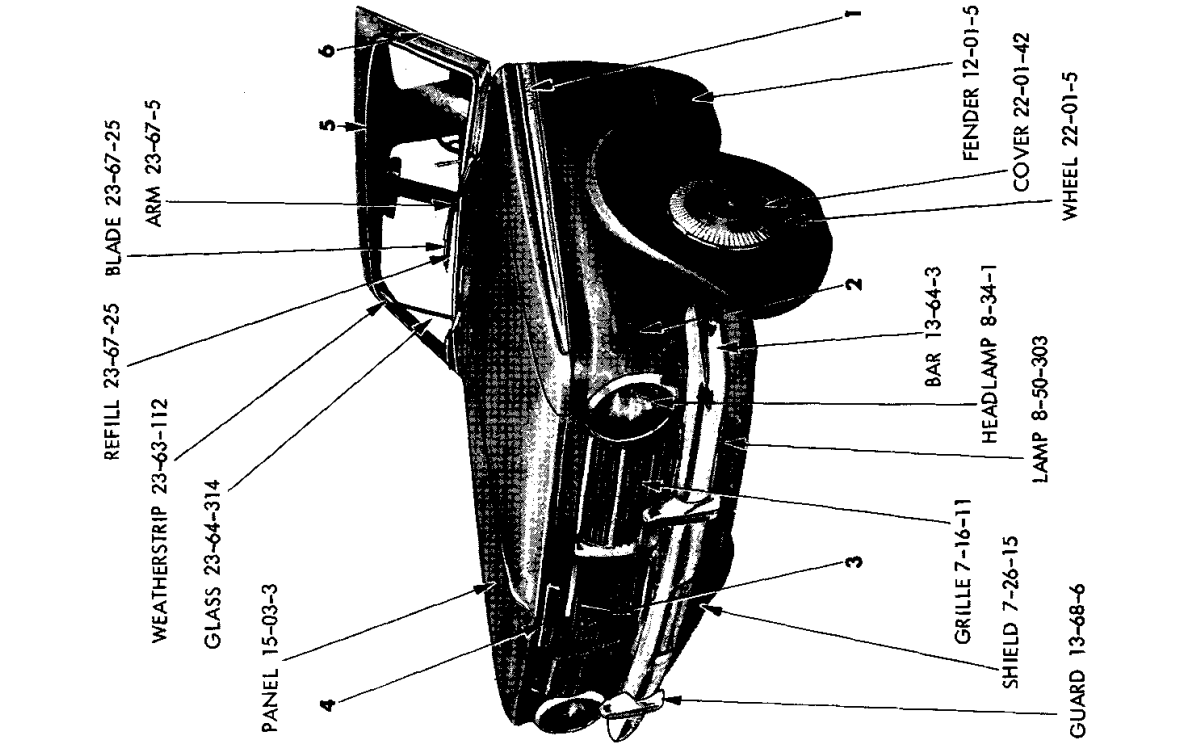
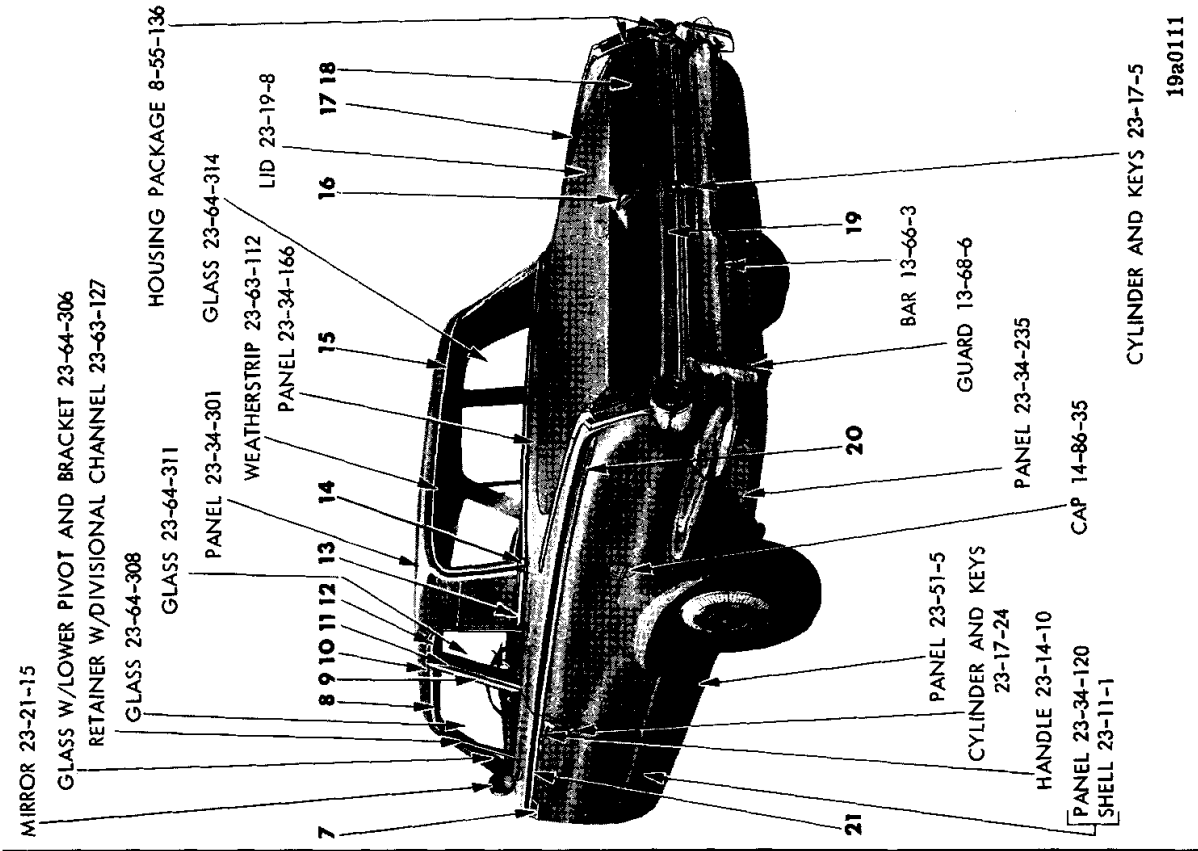
EXTERIOR VIEW - VALIANT V-L STATION WAGON

REF. NO.	QTY	PART NUMBER	DESCRIPTION	REF. NO.	QTY	PART NUMBER	DESCRIPTION
1	2	2449 708	NAME PLATE, Fender Side, Valiant (12-15-21)	9	1	2484 444-5	DEFLECTOR, Roof Panel Outside Air
	2	6000 050	Clip 4 6024 870 Nut	2	2	6024 814	Nut
2	1	2449 700	MEDALLION, Radiator Grille (7-17-1)	4	4	6024 815	Screw
	1	6013 114	Nut	10	1	2448 401	MOULDING PACKAGE, Tailgate Opening Upper (23-23-60)
3	1	2583 215	NAME PLATE, Hood Front, (Plymouth) (15-06-3)	5	5	6001 451	Clip
	2	274 754	Nut	11	1	2421 577-8	MOULDING PACKAGE, Rear Upper Pillar Outside (23-23-60)
4	1	2082 278	LOCKINGSTRIP, Windshield Glass Weatherstrip (23-66-239)	6	6	6001 076	Clip
5	1	2584 510-1	BASE and INSERT PACKAGE, Roof Panel Extension Moulding (23-23-51)	4	4	6024 271	Screw
	2	-----	Washer	4	4	6001 077	Clip
	2	6006 264	Nut	12	1	2526 266	NAME PLATE, Tailgate (23-54-11)
6	2	2424 625	CAP, Quarter Window Locking-strip Upper Front (23-63-117)	2	2	-----	Nut
7	2	2243 513	LOCKINGSTRIP, Quarter Window Glass Weatherstrip (23-63-110)	2	2	-----	Washer
8	2	2424 626	CAP, Quarter Window Glass Lockingstrip Lower Rear (23-63-117)	13	1	2299 752	ORNAMENT w/Stud, Tailgate Electric Window Regulator (23-54-11)

All Packages Include Attaching Parts

Part Type Code is Indicated in Parentheses

EXTERIOR VIEW - VALIANT V-L STATION WAGON



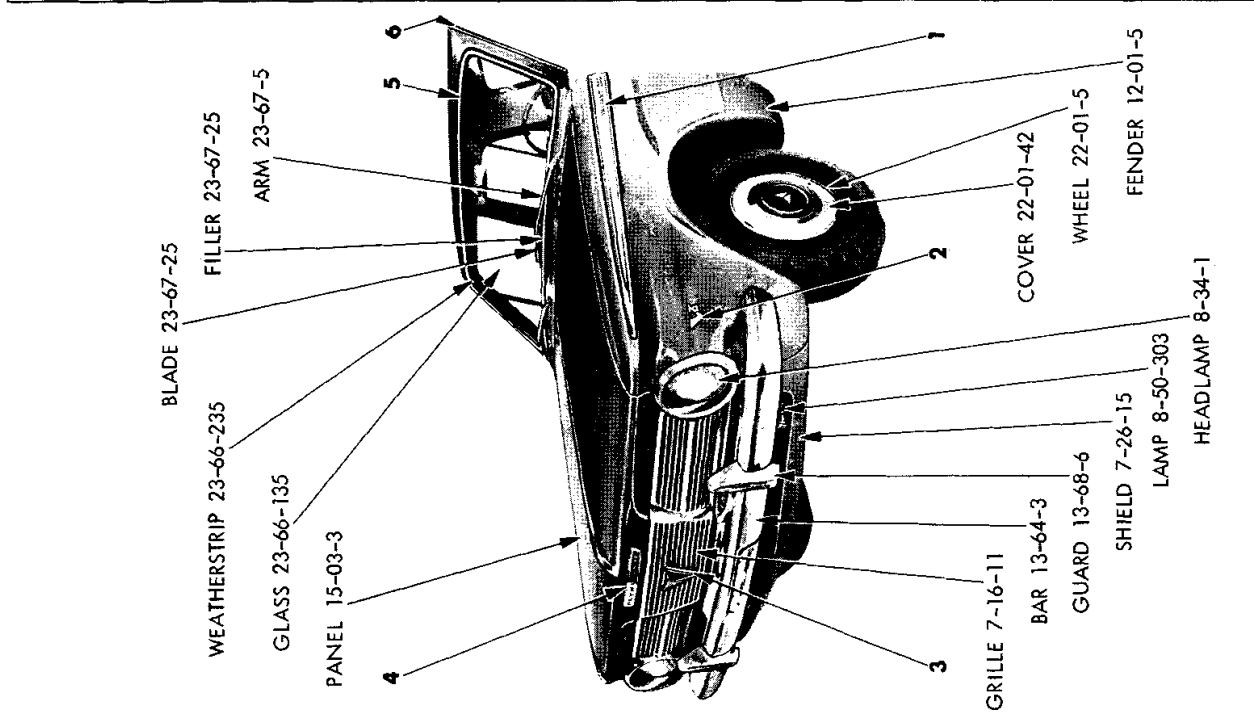
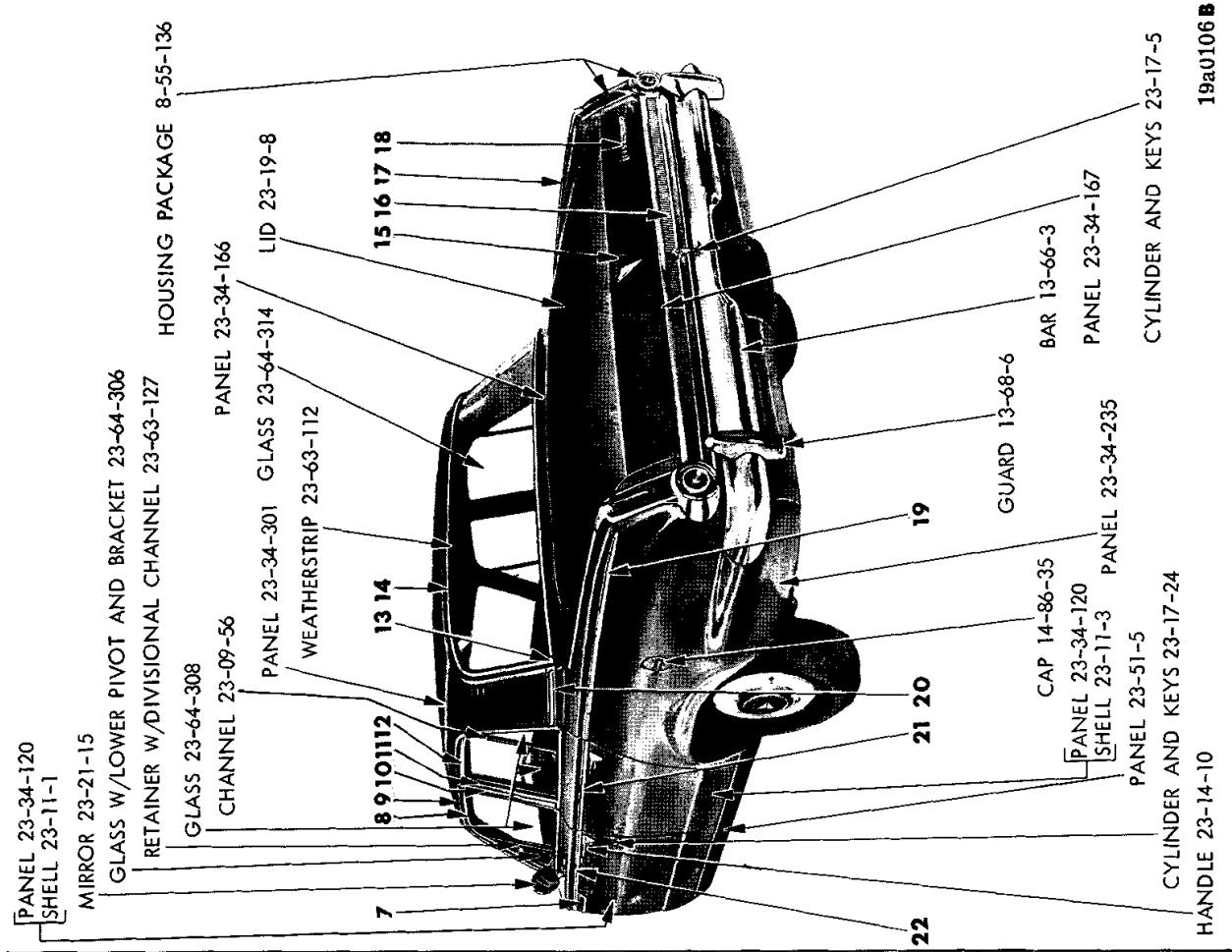
EXTERIOR VIEW - VALIANT V-H 2 DOOR SEDAN

REF. NO.	QTY	PART NUMBER	DESCRIPTION	REF. NO.	QTY	PART NUMBER	DESCRIPTION
1	1	2584 004-5	MOULDING PACKAGE, Fender Side (12-15-2)	15	2	2424 426	LOCKINGSTRIP, Rear Window Glass Weatherstrip (23-63-114)
	12	----	Nut				
2	2	2524 054	ORNAMENT, Fender Side, V8 (12-15-21)	16	1	2526 268	MEDALLION, Deck Lid (23-19-114)
	4	6023 685	Nut		2	----	Washer
3	1	2449 700	MEDALLION, Radiator Grille (7-17-1)		2	9411 618	Nut
	3	6013 114	Nut		2	6000 960	Clip
4	1	2583 215	NAME PLATE, Hood Front (15-06-3)	17	2	2525 959	MOULDING PACKAGE, Quarter Panel Peak (23-23-39)
	2	274 754	Nut		8	6001 647	Retainer
5	1	2082 278	LOCKINGSTRIP, Windshield Glass Weatherstrip (23-66-239)		8	116 000	Nut
6	1	2484 424-5	MOULDING, Roof Side Drain Trough Front (23-59-61)	18	1	2526 266	NAME PLATE, Deck Lid (23-19-114)
7	1	2602 446-7	MOULDING, Front Door Front, w/Retainer (23-23-32)		2	----	Washer
8	1	2216 944-5	MOULDING, Front Door Window Opening Frame Upper and Front (23-23-32)		2	----	Nut
9	1	2216 950-1	MOULDING, Front Door Window Opening Frame Rear (23-23-32)	19	1	2526 137	PANEL, Deck Lower Panel Finish (23-23-28)
10	1	2255 936-7	MOULDING, Roof Side Drain Trough Rear (23-59-61)		8	6001 616	Retainer, Upper
11	1	2216 950-1	MOULDING, Quarter Window Opening Frame Front (23-23-73)		6	6001 617	Retainer, Lower
12	1	2244 374-5	MOULDING, Quarter Window Opening Frame Upper (23-23-73)		6	6024 894	Washer
13	1	2584 496-7	MOULDING PACKAGE, Roof Side Extension (23-23-42)		8	6022 052	Washer
	6	9411 618	Nut		14	6024 679	Nut
	6	6024 711	Washer	20	1	2525 968-9	MOULDING PACKAGE, Quarter Panel Lower (23-23-39)
14	2	2424 350	CAP, Rear Window Glass Weatherstrip Lockingstrip (23-63-117)		8	6001 730	Retainer
					2	6024 271	Screw
					10	6024 679	Nut
					8	6001 680	Retainer
					2	6001 678	Retainer
				21	1	2525 964-5	MOULDING PACKAGE, Front Door Rear (23-23-32)
					10	6001 730	Retainer
					2	6001 672	Retainer
					2	9417 621	Nut

All Packages Include Attaching Parts

Part Type Code is Indicated in Parentheses

EXTERIOR VIEW - VALIANT V-H 2 DOOR SEDAN



EXTERIOR VIEW - VALIANT V-H 4 DOOR SEDAN

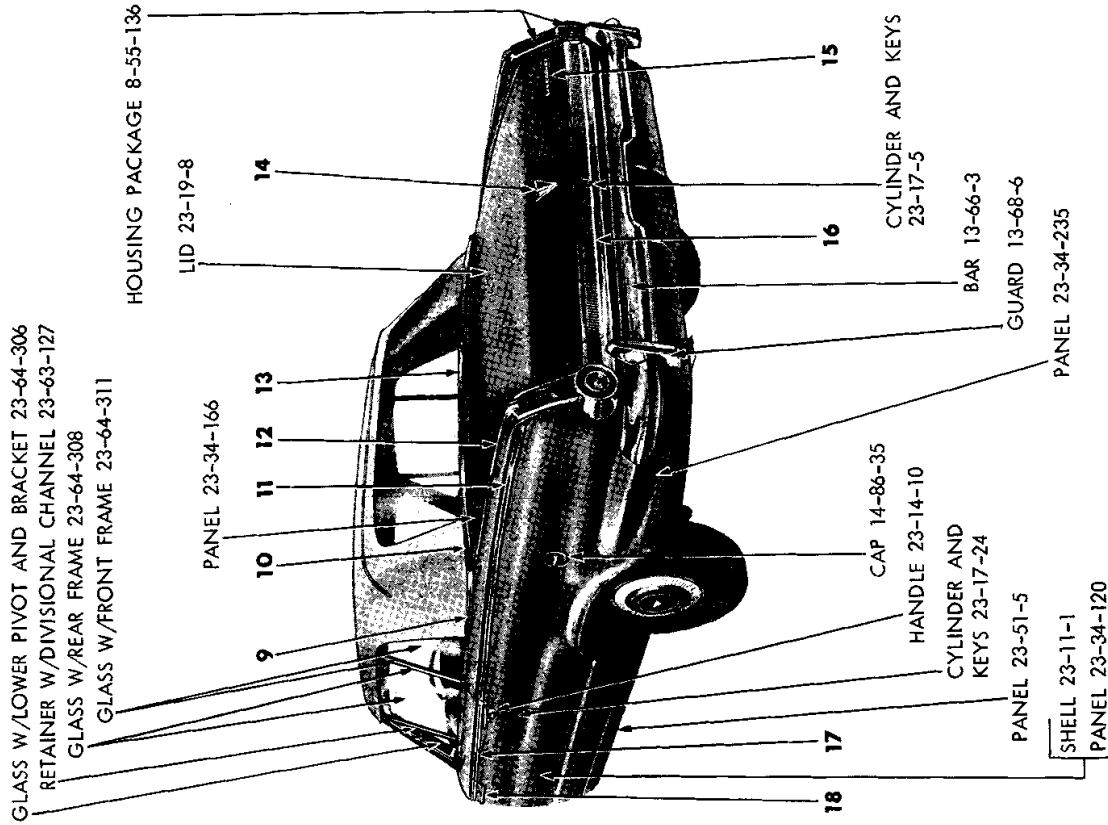
REF. NO.	QTY	PART NUMBER	DESCRIPTION
1	1	2584 004-5	MOULDING PACKAGE, Fender Side (12-15-2)
	12	----	Nut
2	2	2524 054	ORNAMENT, Fender Side, V8 (12-15-21)
	4	6023 685	Nut
3	1	2449 700	MEDALLION, Radiator Grille (7-17-1)
	3	6013 114	Nut
4	1	2583 215	NAME PLATE, Hood Front (15-06-3)
	2	274 754	Nut
5	1	2082 278	LOCKINGSTRIP, Windshield Glass Weatherstrip (23-66-239)
6	1	2484 424-5	MOULDING, Roof Side Drain Trough Front (23-59-61)
7	1	2602 446-7	MOULDING, w/Tie Plate, Front Door Front (23-23-32)
	4	----	Retainer
8	1	2216 946-7	MOULDING, Front Door Window Frame Upper (23-23-32)
9	1	2255 936-7	MOULDING, Roof Side Drain Trough Rear (23-59-61)
10	1	2216 950-1	MOULDING, Front Door Window Frame Rear (23-23-32)
11	1	2216 950-1	MOULDING, Rear Door Window Frame Front (23-23-33)
12	1	2217 014-5	MOULDING, Rear Door Window Frame Upper (23-23-33)
13	2	2424 350	CAP, Rear Window Glass Weatherstrip Lockingstrip (23-63-117)
14	2	2424 426	LOCKINGSTRIP, Rear Window Glass Weatherstrip (23-63-114)
15	1	2526 268	MEDALLION, Deck Lid (23-19-114)
	2	----	Washer
	2	9411 618	Nut
	2	6000 960	Clip

REF. NO.	QTY	PART NUMBER	DESCRIPTION
16	1	2526 137	PANEL, Deck Lower Panel Finish (23-23-28)
	8	6001 616	Retainer, Upper
	6	6001 617	Retainer, Lower
	6	6024 894	Washer
	8	6022 052	Washer
	14	6024 679	Nut
17	2	2525 959	MOULDING PACKAGE, Quarter Panel Peak (23-23-39)
	8	6001 647	Retainer
	8	116 000	Nut
18	1	2526 266	NAME PLATE, Deck Lid (23-19-114)
	2	----	Washer
	2	----	Nut
19	1	2525 972-3	MOULDING PACKAGE, Quarter Panel Lower (23-23-39)
	2	6001 730	Retainer
	2	6024 271	Screw
	10	6024 679	Nut
	8	6001 680	Retainer
	2	6001 678	Retainer
20	1	2584 496-7	MOULDING PACKAGE, Roof Side Extension (23-23-42)
	3	6023 097	Nut and Seal
21	1	2525 970-1	MOULDING PACKAGE, Rear Door (23-23-33)
	6	6001 730	Retainer
	4	6001 672	Retainer
	4	9417 621	Nut
22	1	2525 966-7	MOULDING PACKAGE, Front Door Rear (23-23-32)
	8	6001 730	Retainer
	2	6001 672	Retainer
	2	9417 621	Nut

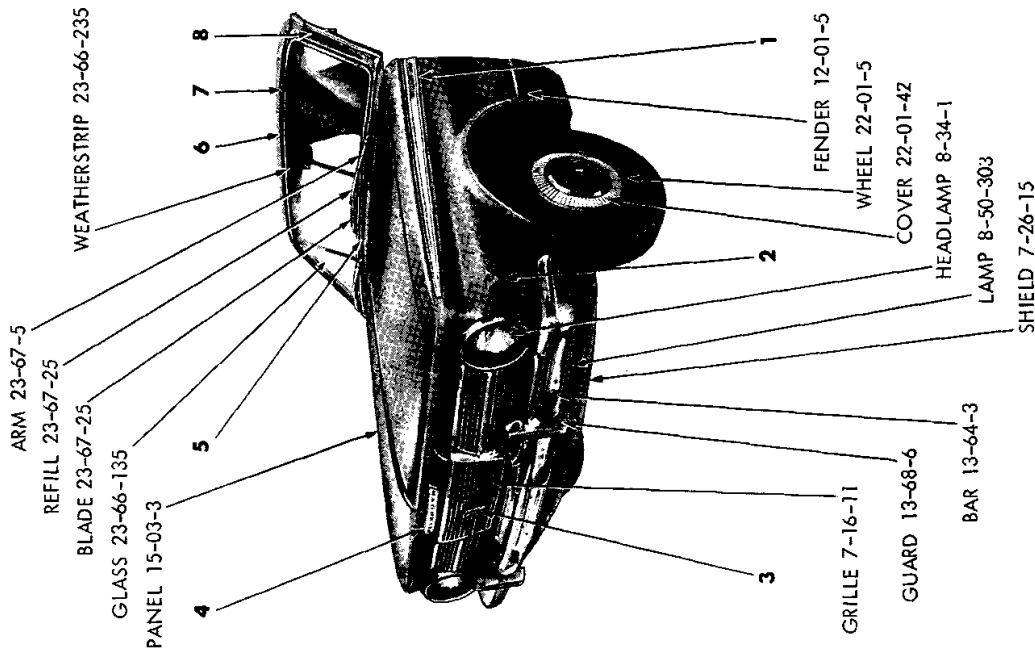
All Packages include Attaching Parts

Part Type Code is Indicated in Parentheses

EXTERIOR VIEW - VALIANT V-H 4 DOOR SEDAN



19a0140



EXTERIOR VIEW - VALIANT V-H CONVERTIBLE COUPE

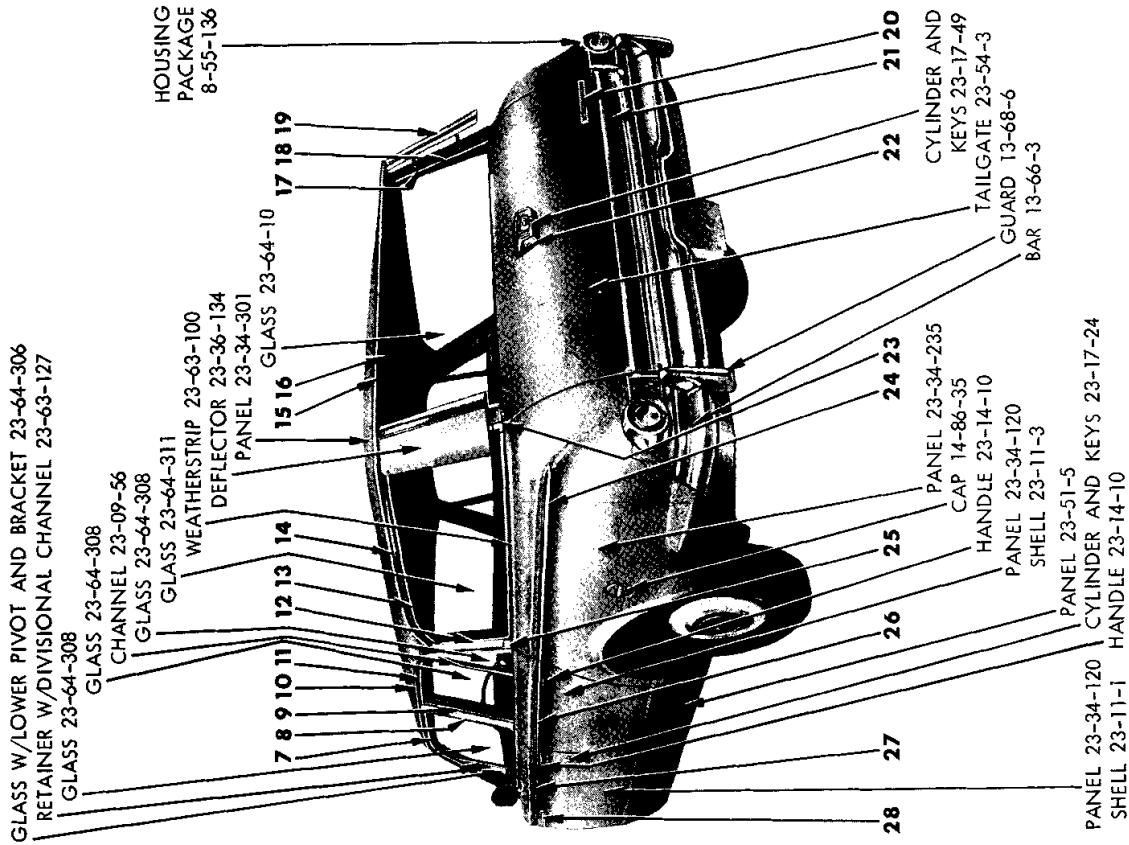
REF. NO.	QTY	PART NUMBER	DESCRIPTION
1	1	2584 004-5	MOULDING PACKAGE, Fender Side (12-15-2)
	12	----	Nut
2	2	2524 054	ORNAMENT, Fender Side, V8 (12-15-21)
	4	6023 685	Nut
3	1	2449 700	ORNAMENT, Radiator Grille (7-17-1)
	3	6013 114	Nut
4	1	2583 215	NAME PLATE, Hood Front (15-06-3)
	2	274 754	Nut
5	1	2424 106	MOULDING, Windshield Outside Lower (23-23-65)
	7	6001 524	Clip and Seal
6	1	2082 278	LOCKINGSTRIP, Windshield Glass Weatherstrip (23-66-239)
7	1	2422 180-1	MOULDING, Windshield Header Outside Upper (23-23-65)
	7	6024 400	Screw and Sealer
8	1	2484 406-7	MOULDING, Windshield Opening Frame Outside Side (23-23-65)
	8	6024 271	Screw
9	1	2424 164-5	MOULDING, Quarter Outside Belt Front (23-23-39)
	2	6024 472	Fastener
	2	6023 898	Screw
10	1	2422 188-9	MOULDING, Quarter Panel Belt Rear (23-23-39)
	2	6024 472	Fastener
	16	6024 477	Fastener
11	1	2525 968-9	MOULDING PACKAGE
	8	6001 730	Retainer
	2	6024 271	Screw
	10	6024 679	Nut
	8	6001 680	Retainer
	2	6001 678	Retainer

REF. NO.	QTY	PART NUMBER	DESCRIPTION
12	1	2525 959	MOULDING PACKAGE, Quarter Outside Peak (23-23-39)
	8	6001 647	Retainer
	8	116 000	Nut
13	1	2424 105	COVER, Quarter Outside Panel Rear Belt Moulding Joint (23-23-41)
	1	2094 394	Fastener
14	1	2526 268	MEDALLION, Deck Lid (23-19-114)
	2	----	Washer
	2	9411 618	Nut
	1	6000 960	Clip
15	1	2526 266	NAME PLATE, Deck Lid (23-19-114)
	2	----	Washer
	2	----	Nut
16	1	2526 137	PANEL, Deck Opening Lower Outside Finish (Special Equipment) (23-23-28)
	8	6001 616	Retainer, Upper
	6	6001 617	Retainer, Lower
	6	6024 894	Washer
	8	6022 052	Washer
	14	6024 679	Nut
17	1	2525 964-5	MOULDING PACKAGE, Door Outside Rear (23-23-32)
	10	6001 730	Retainer
	2	6001 672	Retainer
	2	9417 621	Nut
18	1	2602 446-7	MOULDING, Front Door Outside Front (23-23-32)

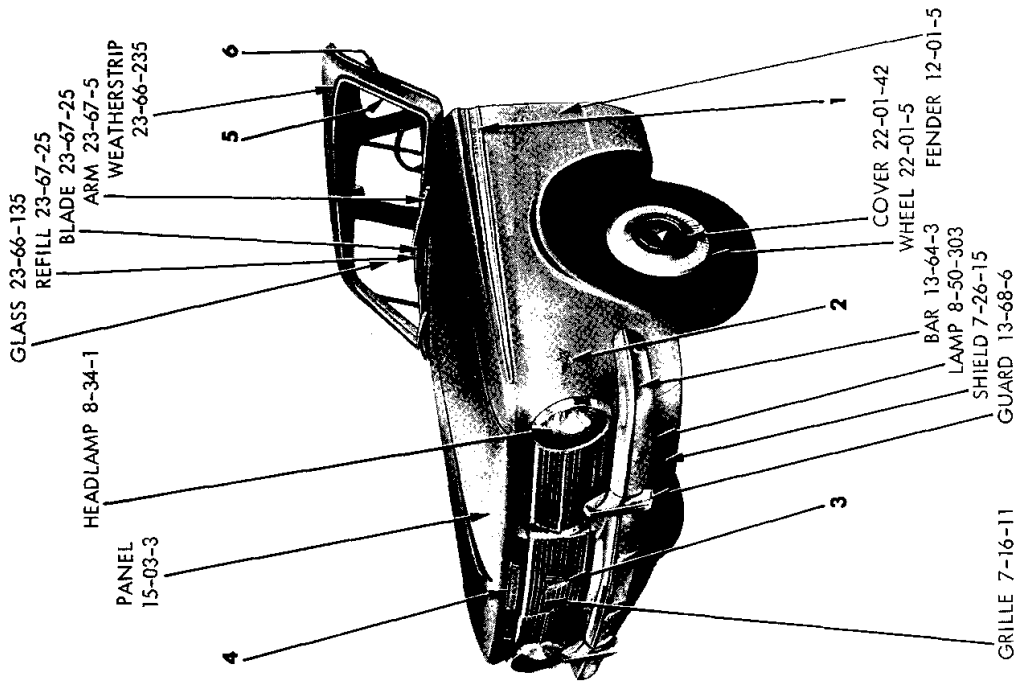
All Packages include Attaching Parts

Part Type Code is Indicated in Parentheses

EXTERIOR VIEW - VALIANT V-H CONVERTIBLE COUPE



19a0152



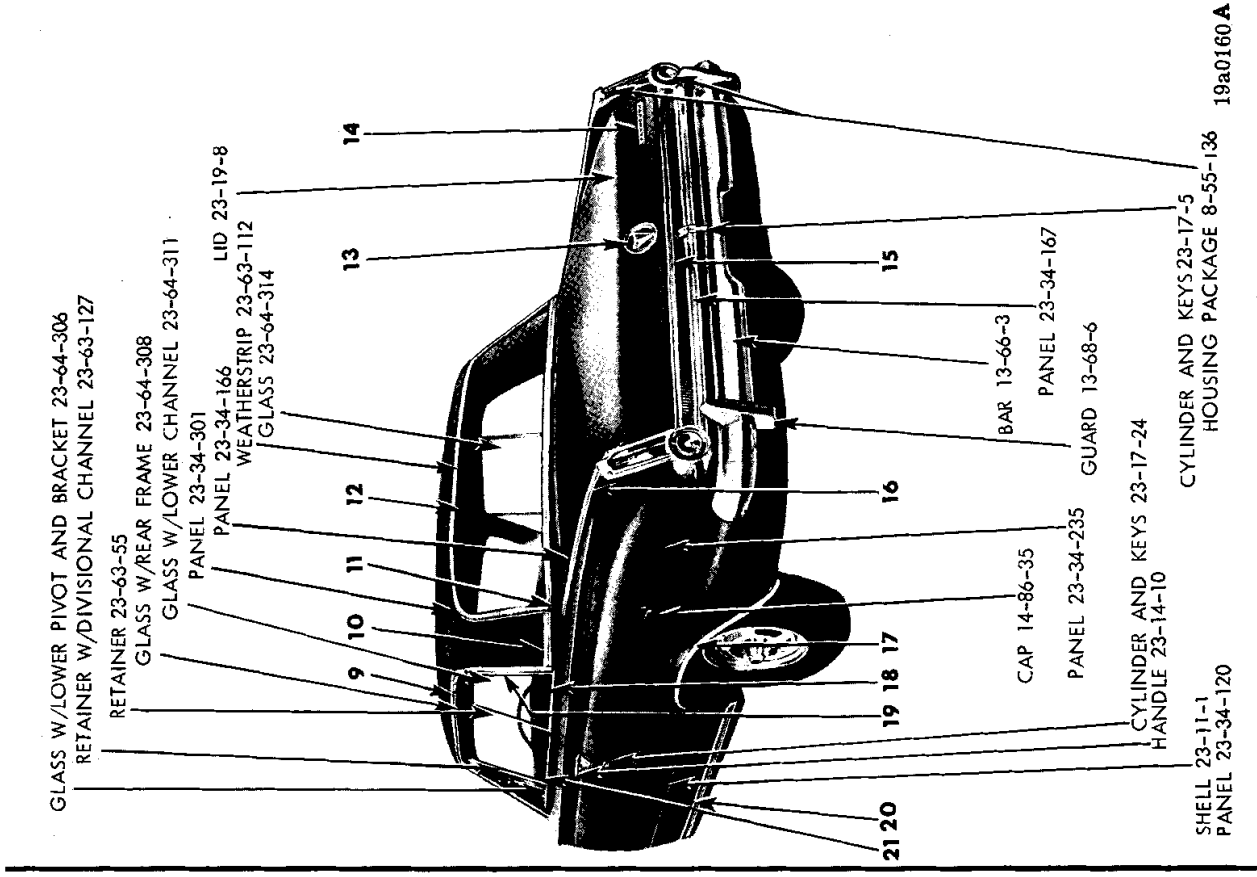
EXTERIOR VIEW - VALIANT V-H STATION WAGON

REF. NO.	QTY	PART NUMBER	DESCRIPTION	REF. NO.	QTY	PART NUMBER	DESCRIPTION
1	1	2584 004-5	MOULDING PACKAGE, Fender Side (12-15-2)	18	1	2421 579-80	MOULDING PACKAGE, Rear Upper Pillar Outside (23-23-60)
	12	----	Nut		4	6001 077	Clip
2	2	2524 054	ORNAMENT, Fender Side (V8) (12-15-21)		4	6024 271	Screw
	4	6023 685	Nut		2	9418 471	Screw
	2	2578 632	NAME PLATE, Fender Side, (Special Equipment) Commando V-8 (12-15-21)	19	1	2484 756-7	MOULDING, Rear Upper Pillar Air Deflector (23-23-60)
	4	6023 685	Nut	20	1	2526 266	NAME PLATE, Tailgate (Plymouth) (23-54-11)
3	1	2449 700	MEDALLION, Radiator Grille (7-17-1)		2	----	Nut
	1	6013 114	Nut		2	----	Washer
	1	2449 717	Retainer, Radiator Grille	21	1	2526 248	PANEL, Tailgate Outside Finish (23-23-77)
	3	6013 114	Nut and Washer		6	----	Retainer and Stud
4	1	2583 215	NAME PLATE, Hood Frt.(15-06-3)		12	----	Nut
	2	1839 995	Nut		6	----	Retainer and Stud
5	1	2082 278	LOCKINGSTRIP, Windshield Glass Weatherstrip (23-66-239)		6	6022 052	Washer
					6	6024 894	Washer
6	1	2484 424-5	MOULDING, Roof Side Drain Trough Front (23-59-61)	22	1	2299 752	ORNAMENT w/Stud, Tailgate Electric Window Regulator Outside (23-54-11)
7	1	2216 946-7	MOULDING, Front Door Window Opening Frame Upper and Front (23-23-32)	23	2	2424 626	CAP, Quarter Window Glass Lockingstrip Lower Front (23-63-114)
8	1	2216 950-1	MOULDING, Front Door Window Opening Frame Rear (23-23-32)	24	1	2525 974-5	MOULDING PACKAGE, Quarter Outside (23-23-39)
9	1	2216 950-1	MOULDING, Rear Door Window Opening Frame Front (23-23-33)		6	6001 730	Retainer
10	1	2255 936-7	MOULDING, Roof Drain Trough Side Rear (23-59-61)		2	6001 724	Retainer and Seal
11	1	2217 014-5	MOULDING, Rear Door Window Opening Frame Upper and Rear (23-23-33)	25	1	2584 510-1	BASE and INSERT PACKAGE, Roof Panel Extension Moulding (23-23-51)
12	2	2424 625	CAP, Quarter Window Glass Lockingstrip Upper Front (23-63-114)		2	6006 264	Nut
13	2	2243 513	LOCKINGSTRIP, Quarter Window Glass Weatherstrip (23-63-110)		2	----	Washer
14	1	2422 650-1	MOULDING, Roof Drain Trough Side (23-59-61)		2	6024 741	Washer
15	1	2484 162-3	MOULDING, Roof Rear Drain Trough (23-59-61)	26	1	2525 970-1	MOULDING PACKAGE, Rear Door Outside (23-23-33)
16	1	2448 401	MOULDING PACKAGE, Tailgate Opening Upper (23-23-60)		6	6001 730	Retainer
	5	6001 451	Clip		4	6001 672	Retainer
17	1	2421 577-8	MOULDING PACKAGE, Rear Upper Pillar Outside (23-23-60)		4	9417 621	Nut
	6	6001 076	Clip	27	1	2525 966-7	MOULDING PACKAGE, Front Door Rear (23-23-32)
	4	6024 271	Screw		10	6001 730	Retainer
	4	6001 077	Clip		2	6001 672	Retainer
					2	9417 621	Nut
				28	1	2602 446-7	MOULDING, Front Door Front (23-23-32)

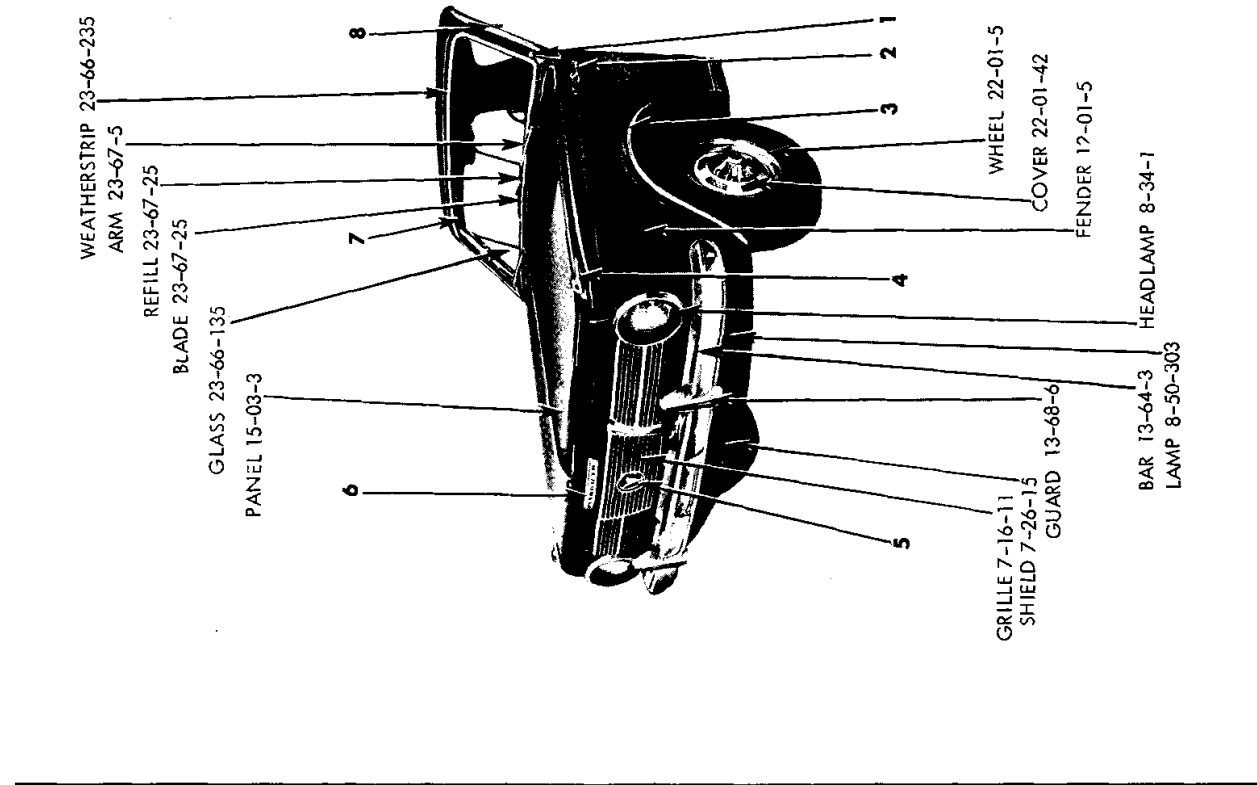
All Packages include Attaching Parts

Part Type Code is Indicated in Parentheses

EXTERIOR VIEW - VALIANT V-H STATION WAGON



EXTERIOR VIEW - VALIANT V-P 2 DOOR HARDTOP

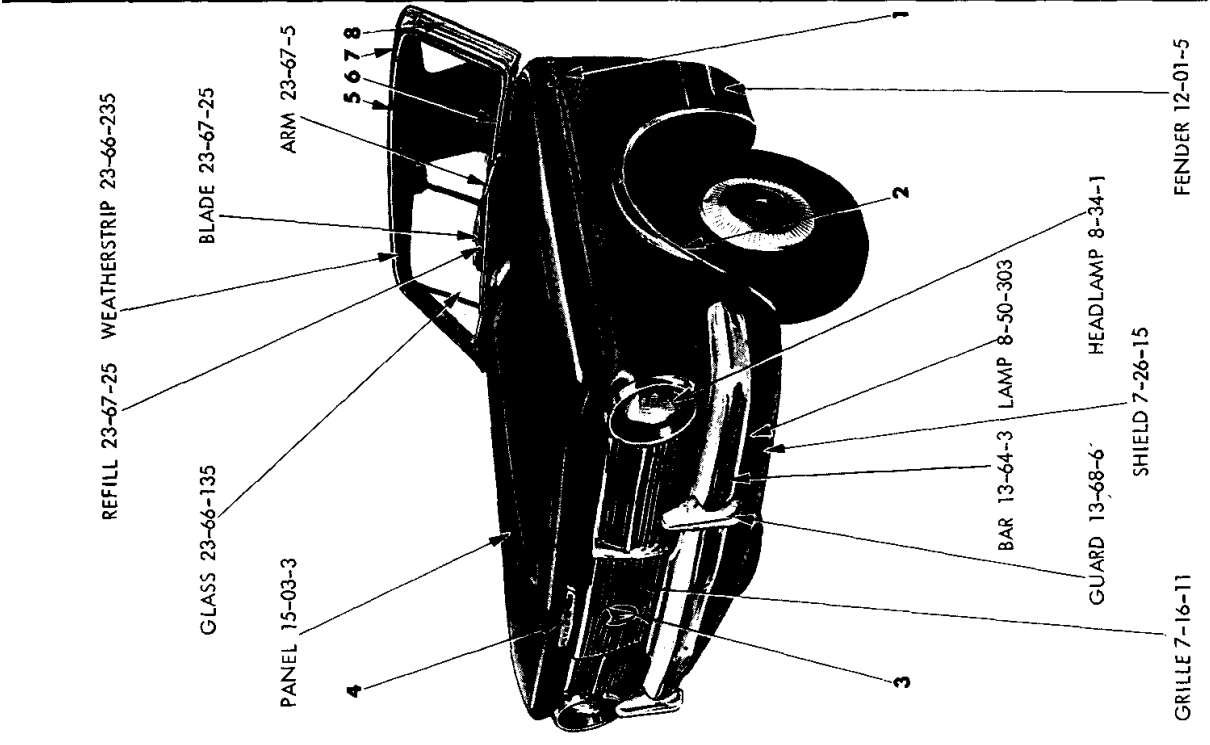
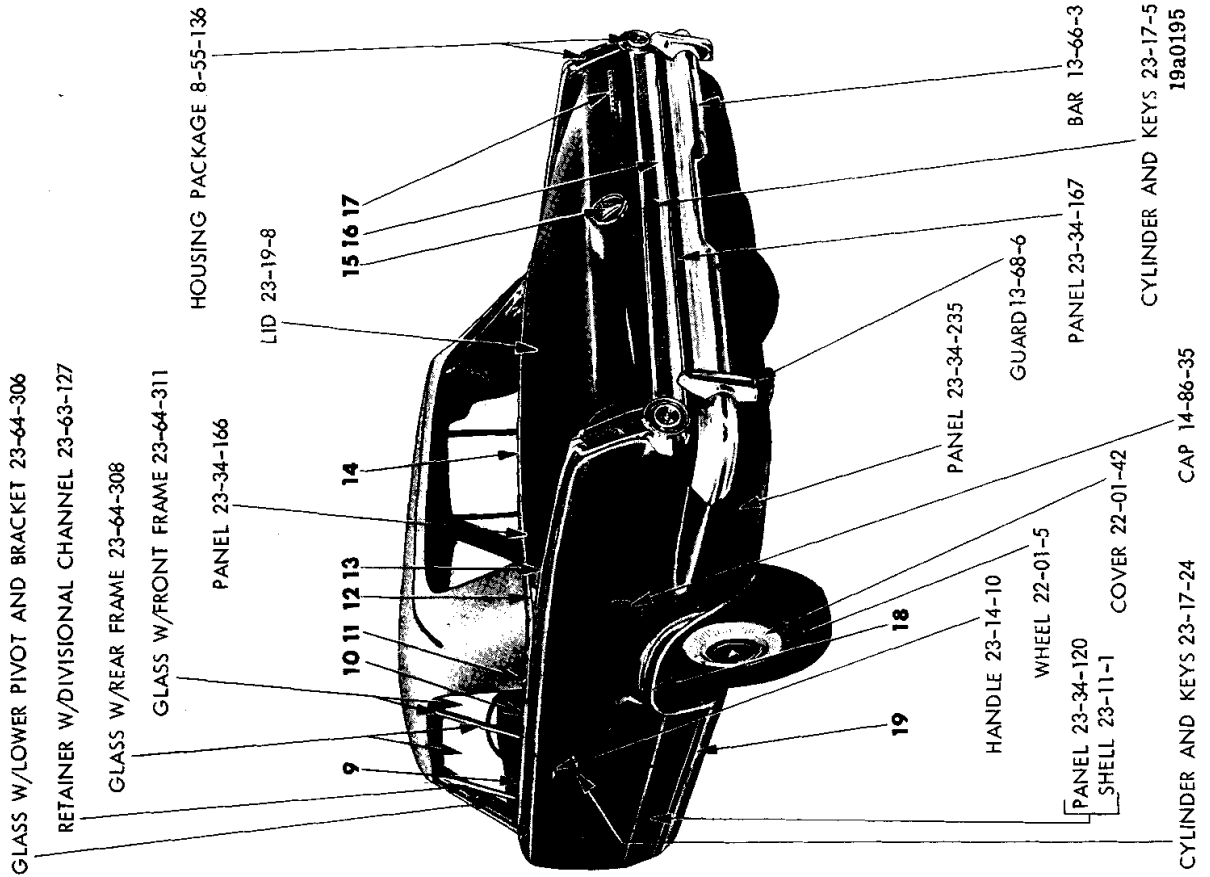


REF. NO.	QTY	PART NUMBER	DESCRIPTION	REF. NO.	QTY	PART NUMBER	DESCRIPTION
1	1	2528 332-3	MOULDING, Front Pillar Lower, w/Vinyl Roof (23-23-14)	11	2	2424 350	CAP, Rear Window Glass Weatherstrip Lockingstrip (23-63-117)
	2	-----	Screw				
2	2	2449 709	NAME PLATE, Fender Side, Signet (12-15-21)	12	2	2424 426	LOCKINGSTRIP, Rear Window Glass Weatherstrip (23-63-114)
	4	-----	Washer				
	4	6000 616	Nut	13	1	2528 688	MEDALLION, Deck Lid (23-19-114)
	2	6000 050	Clip		2	-----	Washer
3	1	2449 706-7	MOULDING, Fender Wheel Opening (12-15-2)		2	9411 618	Nut
	16	6024 271	Screw		1	6000 960	Clip
4	1	2524 942-3	ORNAMENT, Fender Top (12-15-21)	14	1	2526 266	NAME PLATE, Deck Lid (23-19-114)
	2	6024 702	Seal		2	-----	Washer
	2	-----	Seal		2	-----	Nut
	4	6023 685	Nut	15	1	2526 137	PANEL, Deck Lower Panel Finish (23-23-28)
5	1	2524 912	MEDALLION, Radiator Grille (7-17-1)		8	6001 616	Retainer, Upper
	3	6013 114	Screw		6	6001 617	Retainer, Lower
6	1	2583 215	NAME PLATE, Hood Front (15-06-3)		6	6024 894	Washer
	2	274 754	Nut		8	6022 052	Washer
7	1	2082 278	LOCKINGSTRIP, Windshield Glass Weatherstrip (23-66-239)		14	6024 679	Nut
8	1	2484 424-5	MOULDING, Roof Side Drain Trough Front, w/o Vinyl Roof (23-59-61)	16	2	2525 959	MOULDING PACKAGE, Quarter Panel Peak (23-23-39)
	1	2495 902-3	MOULDING PACKAGE, Roof Side Drain Trough Front, w/Vinyl Roof (23-59-61)		8	6001 647	Retainer
	18	6024 271	Screw, w/Vinyl Roof		8	116 000	Nut
9	1	2255 936-7	MOULDING, Roof Drain Trough Side Rear, w/o Vinyl Roof (23-59-61)	17	1	2526 262-3	MOULDING, Quarter Panel Wheel Opening (23-23-39)
	1	2495 900-1	MOULDING PACKAGE, Roof Drain Trough Side Rear, w/Vinyl Roof (23-59-61)		16	6024 271	Screw
	14	6024 271	Screw, w/Vinyl Roof	18	1	2448 432-3	MOULDING PACKAGE, Quarter Panel Belt (23-23-39)
	6	2574 309	Clip, w/Vinyl Roof		6	6001 490	Retainer
10	1	2584 496-7	MOULDING PACKAGE, Roof Side Extension (w/o Vinyl Roof) (23-23-42)		2	6024 405	Screw
	1	2584 498-9	MOULDING PACKAGE, Roof Side Extension (use w/Vinyl Roof) (23-23-42)	19	1	2480 916-7	MOULDING and WEATHERSTRIP RETAINER, Quarter Window Outside (23-23-73)
	6	9411 618	Nut		10	6024 653	Screw
	6	6024 711	Washer	20	1	2525 976-7	MOULDING PACKAGE, Body Side Sill (23-23-2)
					20	6001 790	Retainer 2 6025 187 Screw
				21	1	2448 430-1	MOULDING PACKAGE, Door Belt (23-23-32)
					10	6001 490	Retainer
					2	6001 440	Retainer
					2	9415 312	Nut

All Packages Include Attaching Parts

Part Type Code is Indicated in Parentheses

EXTERIOR VIEW - VALIANT V-P 2 DOOR HARDTOP



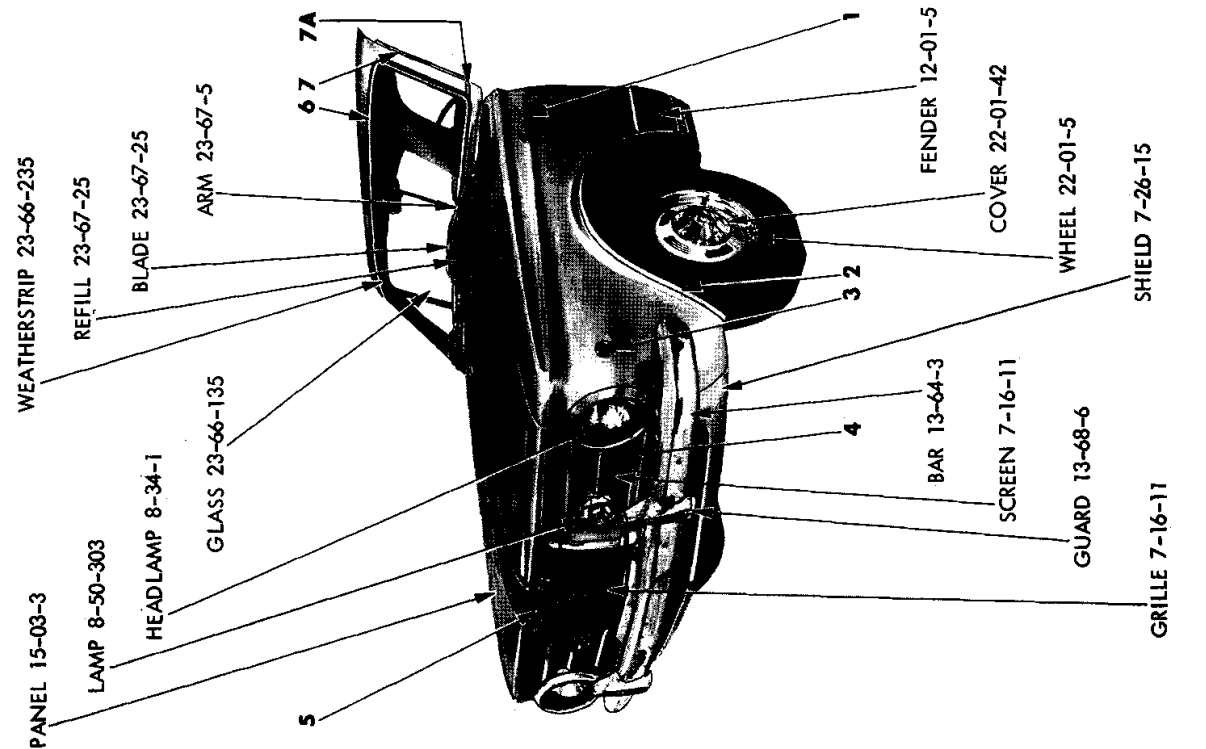
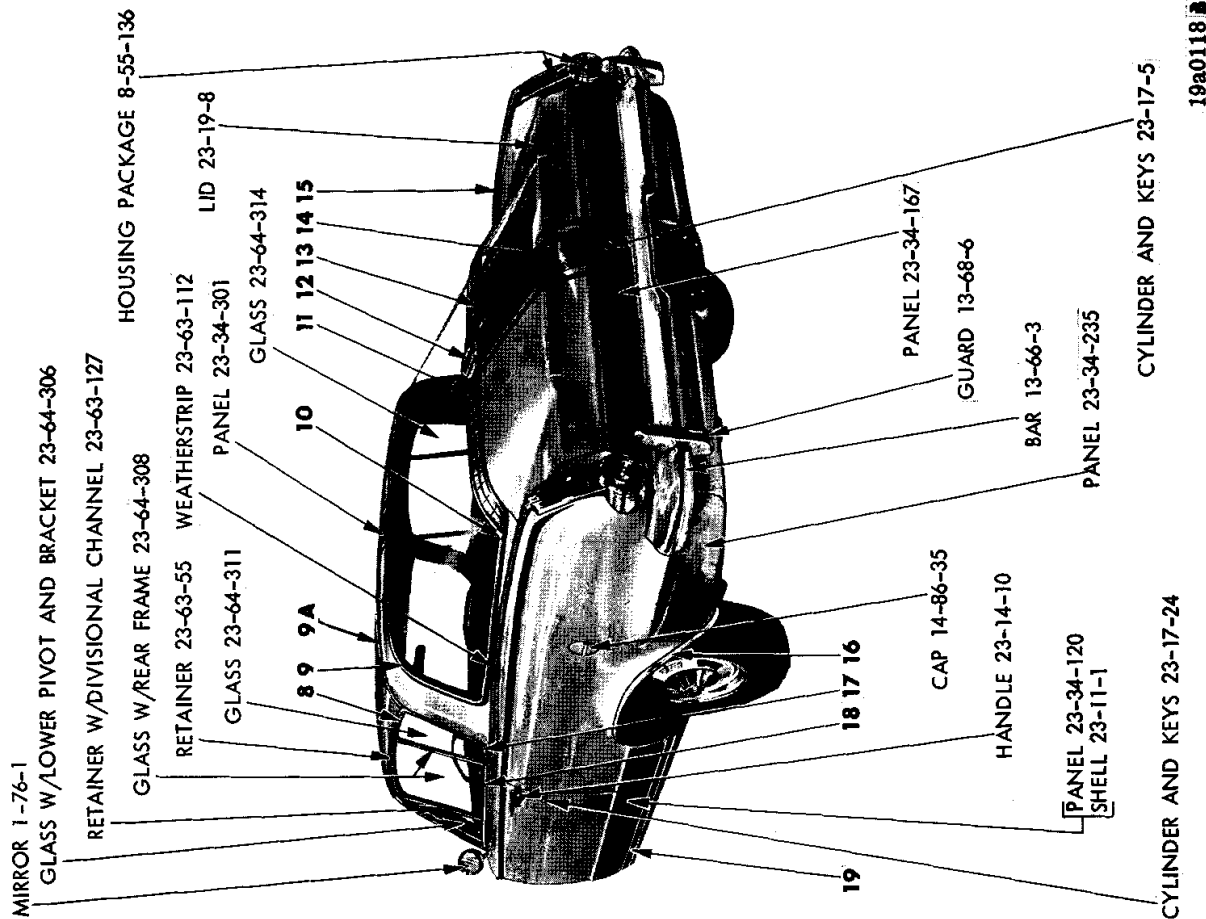
EXTERIOR VIEW - VALIANT V-P CONVERTIBLE COUPE

REF. NO.	QTY	PART NUMBER	DESCRIPTION	REF. NO.	QTY	PART NUMBER	DESCRIPTION
1	2	2449 709	NAME PLATE, Fender Side, Signet (12-15-21)	12	1	2422 188-9	MOULDING, Quarter Panel Belt Rear (23-23-39)
	4	-----	Washer		2	6024 472	Fastener
	4	6000 616	Nut		16	6024 477	Fastener
	2	6000 050	Clip	13	2	2525 959	MOULDING PACKAGE, Quarter Outside Peak (23-23-39)
2	1	2449 706-7	MOULDING PACKAGE, Fender Wheel Opening (12-15-2)		8	6001 647	Retainer
	16	6024 271	Screw		8	116 000	Nut
3	1	2524 912	MEDALLION, Radiator Grille (7-17-1)	14	1	2424 105	COVER, Quarter Outside Panel Rear Belt Moulding Joint
4	1	2583 215	NAME PLATE, Hood Front (Plymouth) (15-06-3)		1	2094 394	Fastener
	2	274 754	Nut	15	1	2528 688	MEDALLION, Deck Lid (23-19-114)
5	1	2082 278	LOCKINGSTRIP, Windshield Glass Weatherstrip (23-66-239)		2	-----	Washer
6	1	2424 106	MOULDING, Windshield Outside Lower (23-23-65)		2	9411 618	Nut
	7	9416 136	Screw		1	6000 960	Clip
	7	6001 442	Retainer	16	1	2526 137	PANEL, Deck Opening Lower Outside Finish (23-23-28)
7	1	2422 180-1	MOULDING, Windshield Header Outside Upper (23-23-65)		8	6001 616	Retainer, Upper
	7	6024 400	Screw		6	6001 617	Retainer, Lower
	7	2254 766	Seal		6	6024 894	Washer
8	1	2484 406-7	MOULDING, Windshield Opening Frame Outside Side (23-23-65)		8	6022 052	Washer
	8	6022 890	Screw		14	6024 679	Nut
9	1	2448 430-1	MOULDING PACKAGE, Door Outside Belt (23-23-32)	17	1	2526 266	NAME PLATE, Deck Lid (Plymouth) (23-19-114)
	10	6001 490	Retainer		2	-----	Washer
	2	6001 440	Retainer		2	-----	Nut
	2	9415 312	Nut	18	1	2526 262-3	MOULDING, Quarter Panel Wheel Opening (23-23-39)
10	1	2525 582-3	MOULDING PACKAGE, Quarter Panel Belt Front (23-23-39)		16	6024 271	Screw
	6	6001 490	Retainer	19	1	2525 976	MOULDING PACKAGE, Body Side Sill (23-23-2)
	2	168 474	Screw		20	6001 790	Retainer
11	1	2424 168-9	MOULDING, Quarter Panel Belt Intermediate (23-23-39)				
	2	6024 638	Screw				

All Packages Include Attaching Parts

Part Type Code is Indicated in Parentheses

EXTERIOR VIEW - VALIANT V-P CONVERTIBLE COUPE



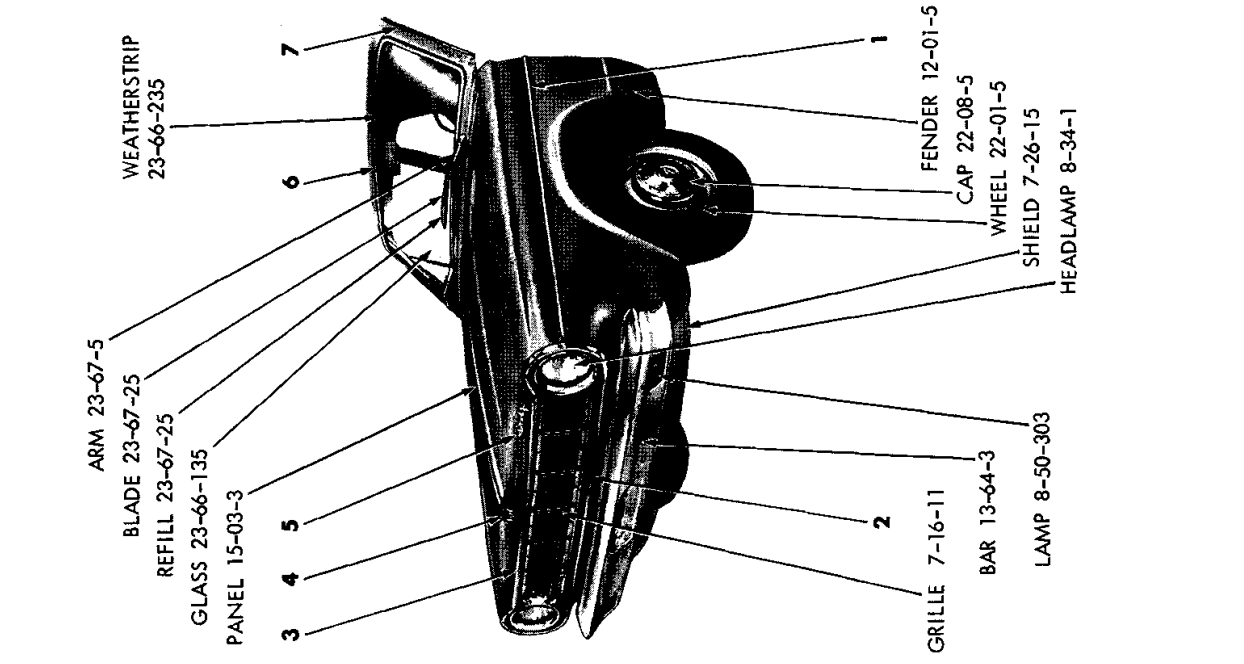
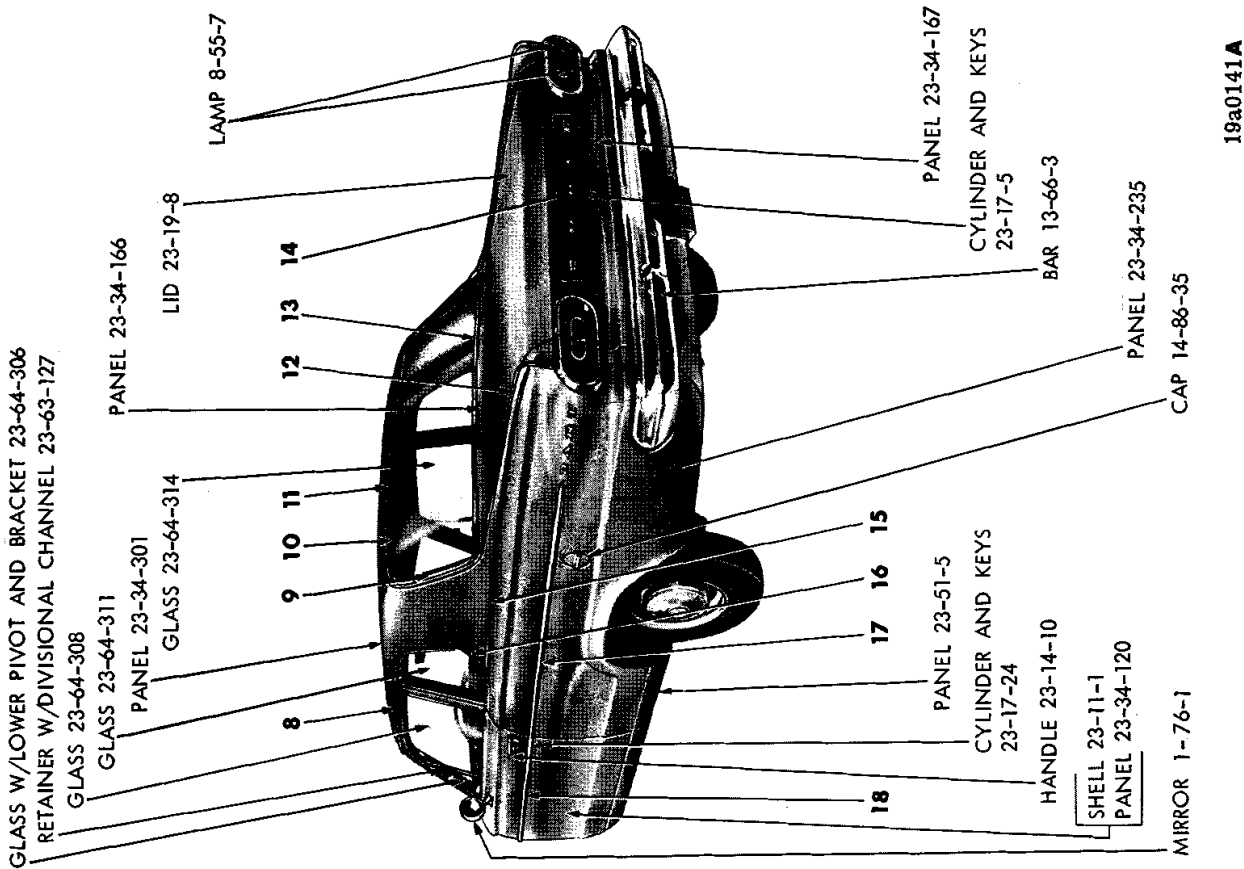
EXTERIOR VIEW - VALIANT V-P BARRACUDA 2 DOOR HARDTOP

REF. NO.	QTY	PART NUMBER	DESCRIPTION	REF. NO.	QTY	PART NUMBER	DESCRIPTION
1	2	2579 258-9	NAME PLATE, Fender Side, Barracuda (12-15-21)	13	1	2525 584-5	PANEL PACKAGE, Deck Upper Panel Finish (23-23-17)
	6	6023 260	Nut	2	----	---	Nut
2	1	2449 706-7	MOULDING, Fender Wheel Opening (12-15-2)	2	2	116 000	Nut
	16	6024 271	Screw	14	1	2528 974	"P", Deck Lid Name Letter (23-19-114)
3	2	2579 442	ORNAMENT, Fender Side, Formula "S" (12-15-21)	1	1	2528 975	"L"
	4	6026 095	Nut	1	1	2528 976	"Y"
4	1	2524 148-9	FRAME, Radiator Grille (7-16-36)	1	1	2528 977	"M"
	18	9418 419	Screw	1	1	2528 978	"O"
	4	6006 264	Nut	1	1	2528 979	"U"
	2	6023 912	Screw	1	1	2528 980	"T"
	2	120 375	Nut	1	1	2528 981	"H"
	2	180 078	Screw	16	16	152 259	Nut
5	1	2583 215	NAME PLATE, Hood Front (15-06-3)	15	2	2584 635	MOULDING PACKAGE, Quarter Panel Peak (23-23-39)
	2	1839 995	Nut	2	2	6001 647	Retainer
6	1	2082 278	LOCKINGSTRIP, Windshield Glass Weatherstrip (23-66-239)	2	2	116 000	Nut
	1	2484 424-5	MOULDING, Roof Side Drain Trough Front (w/o Vinyl Roof) (23-59-61)	18	18	6001 723	Retainer
	1	2605 060-1	MOULDING, Roof Front Drain Trough (w/Vinyl Roof) (23-59-61)	16	1	2526 262-3	MOULDING, Quarter Panel Wheel Opening (23-23-39)
	6	6024 271	Screw	16	16	6024 271	Screw
	6	2574 309	Clip	17	1	2529 112-3	MOULDING, Quarter Window Outside (23-23-73)
7A	1	2528 332-3	MOULDING, Body Front Pillar Lower (use w/Vinyl Roof) (23-23-14)	2	2	6023 938	Screw
	2	----	Screw	6	6	168 634	Screw
8	1	2602 116-7	MOULDING, Roof Side Drain Trough (w/o Vinyl Roof) (23-59-61)	18	1	2448 430-1	MOULDING PACKAGE, Front Door (23-23-32)
	1	2603 870-1	MOULDING, Roof Side Drain Trough (w/Vinyl Roof) (23-59-61)	10	10	6001 490	Retainer
	10	6002 074	Clip	2	2	6001 440	Retainer
	10	6023 938	Screw	2	2	9415 312	Nut
9	1	2424 426	LOCKINGSTRIP, Rear Window Glass Weatherstrip Lower (23-63-114)	19	1	2525 976-7	MOULDING, Body Side Sill (23-23-2)
	1	2082 278	LOCKINGSTRIP, Rear Window Glass Weatherstrip Upper and Sides (23-63-114)	20	20	6001 790	Retainer
9A	1	2605 058-9	MOULDING, Roof Outside Rear (w/Vinyl Roof) (23-23-42)				
	8	6023 975	Screw				
	2	2605 078	Spacer				
	2	9423 316	Screw				
10	2	2424 350	CAP, Rear Window Glass Weatherstrip Lockingstrip (23-63-117)				
11	1	2526 824-5	MOULDING, Deck Upper Panel Hinge (23-23-31)				
	4	121 752	Washer				
	4	----	Screw				
12	1	2525 586	PANEL PACKAGE, Deck Upper Panel Finish (23-23-17)				
	4	----	Washer				
	4	----	Nut				

All Packages Include Attaching Parts

Part Type Code is Indicated in Parentheses

EXTERIOR VIEW - VALIANT V-P BARRACUDA 2 DOOR HARDTOP



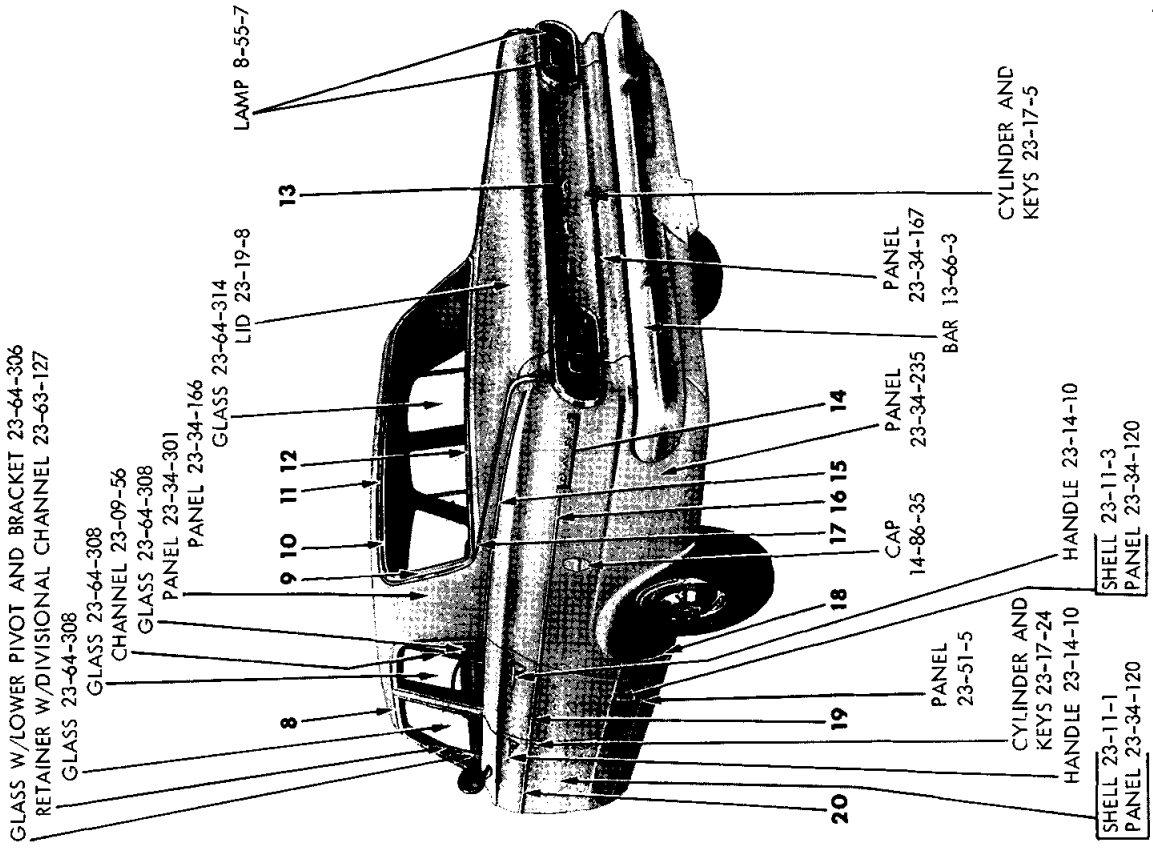
EXTERIOR VIEW - DART L-L 2 DOOR SEDAN

REF. NO.	QTY	PART NUMBER	DESCRIPTION	REF. NO.	QTY	PART NUMBER	DESCRIPTION
1	1	2584 074-5	MOULDING PACKAGE, Fender Side (12-15-2)	11	1	2481 050-1	MOULDING, Roof Panel Outside Rear (23-23-42)
	14	6001 716	Retainer		16	6001 084	Retainer and Screw
	4	6006 412	Retainer	12	1	2495 376-7	MOULDING PACKAGE, Quarter Panel Peak (23-23-39)
	4	----	Nut		16	6001 097	Retainer
2	1	2584 078-9	MOULDING PACKAGE, Fender Headlamp and Air Shield (12-15-2)		16	----	Nut
	14	6001 851	Clip	13	1	2495 286	MOULDING PACKAGE, Rear Window Outside Lower (23-23-52)
	14	----	Nut		5	6001 084	Retainer and Screw
3	1	2584 080	MOULDING PACKAGE, Hood Front (15-25-2)	14	2	2526 929	"D", Deck Lid Name Letter (23-19-114)
	7	6001 851	Clip		1	2526 930	"O"
	7	116 000	Nut		1	2526 931	"G"
4	1	2524 859	MEDALLION, w/insert, Hood Front (15-06-3)		1	2526 932	"E"
	1	6000 050	Clip	10	6024 708	Seal	
	2	6025 127	Washer	10	9415 250	Nut	
5	1	2449 715	NAME PLATE, Hood Front (15-06-3)	15	1	2495 374-5	MOULDING PACKAGE, Quarter Panel Paint Break Rear (23-23-39)
	4	1839 995	Nut		10	6001 443	Retainer
6	1	2082 278	LOCKINGSTRIP, Windshield Glass Weatherstrip (23-66-239)	10	6001 432	Retainer	
				10	6023 260	Nut	
7	1	2484 424-5	MOULDING, Roof Side Drain Trough Front (23-59-61)	16	1	2495 372-3	MOULDING PACKAGE, Quarter Panel Paint Break Front (23-23-39)
8	1	2422 432-3	MOULDING, Roof Side Drain Trough Rear (23-59-61)		2	6023 898	Screw
9	1	2495 284-5	MOULDING PACKAGE, Rear Window Outside Side (23-23-52)		2	9415 250	Nut
	6	6001 084	Retainer and Screw	17	1	2525 986-7	MOULDING PACKAGE, Quarter Panel Lower (23-23-39)
10	1	2495 279	MOULDING PACKAGE, Rear Window Outside Upper (23-23-52)		2	6025 277	Rivet
	8	6001 084	Retainer and Screw		8	6001 807	Retainer
					14	6024 679	Nut
					6	6006 412	Retainer
				18	2	2525 980	MOULDING PACKAGE, Door (23-23-32)
					2	6001 572	Retainer
					4	9417 621	Nut
					2	6001 836	Retainer

All Packages Include Attaching Parts

Part Type Code is Indicated in Parentheses

EXTERIOR VIEW - DART L-L 2 DOOR SEDAN



19a0144

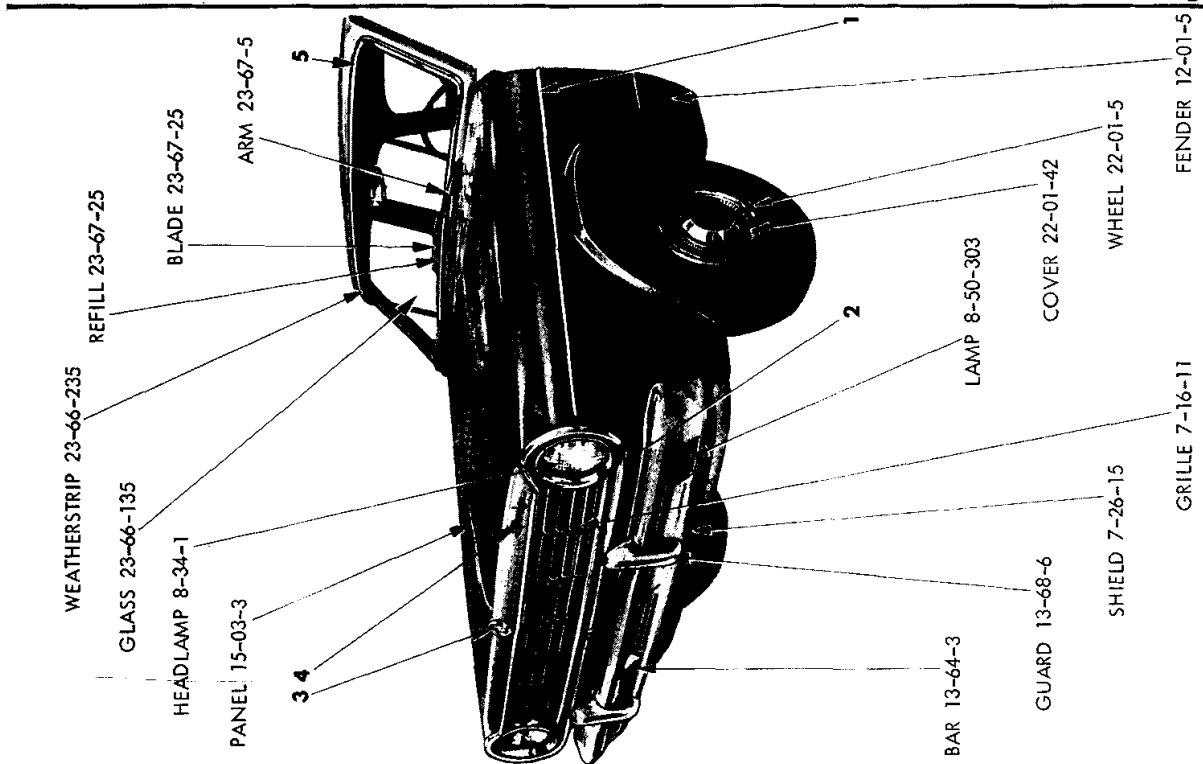
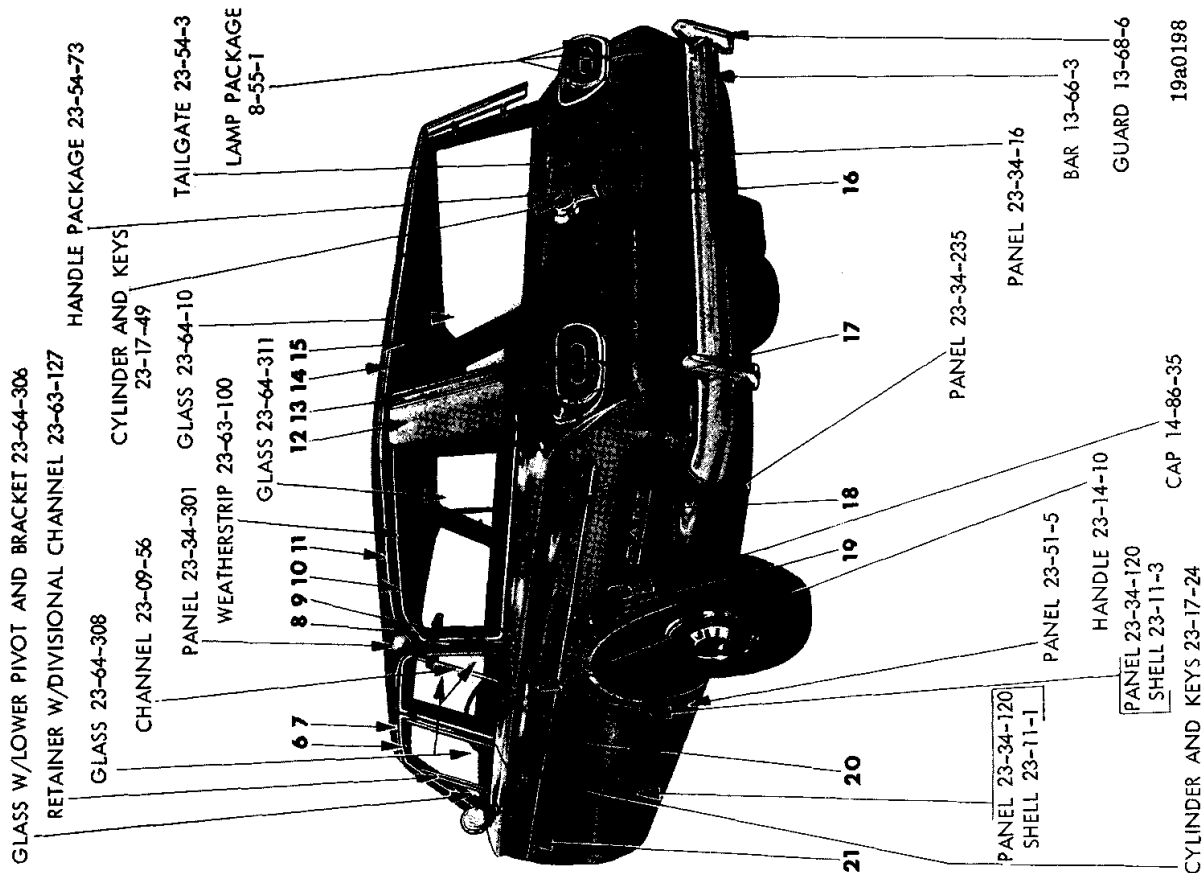
EXTERIOR VIEW - DART L-L 4 DOOR SEDAN

REF. NO.	QTY	PART NUMBER	DESCRIPTION
1	1	2584 074-5	MOULDING PACKAGE, Fender Side (12-15-2)
	14	6001 716	Retainer
	4	6006 412	Retainer
	4	---- ---	Nut
2	1	2584 078-9	MOULDING PACKAGE, Fender Headlamp and Air Shield (12-15-2)
	14	6001 851	Clip
	14	---- ---	Nut
3	1	2584 080	MOULDING PACKAGE, Hood Front (15-25-2)
	7	6001 851	Clip
	7	116 000	Nut
4	1	2524 859	MEDALLION, w/Insert, Hood Front (15-06-3)
	1	6000 050	Clip
	2	6025 127	Washer
5	1	2449 715	NAME PLATE, Hood Front (15-06-3)
	4	1839 995	Nut
6	1	2082 278	LOCKINGSTRIP, Windshield Glass Weatherstrip (23-66-239)
7	1	2484 424-5	MOULDING, Roof Drain Trough Side Front (23-59-61)
8	1	2255 936-7	MOULDING, Roof Drain Trough Side Rear (23-59-61)
9	1	2495 284-5	MOULDING PACKAGE, Rear Window Outside Side (23-23-52)
	6	6001 084	Retainer and Screw
10	1	2495 279	MOULDING PACKAGE, Rear Window Outside Upper (23-23-52)
	8	6001 084	Retainer and Screw
11	1	2481 050-1	MOULDING, Roof Panel Outside Rear (23-23-42)
12	1	2495 286	MOULDING PACKAGE, Rear Window Outside Lower (23-23-52)
	5	6001 084	Retainer and Screw

REF. NO.	QTY	PART NUMBER	DESCRIPTION
13	2	2526 929	"D", Deck Lid Name Letter (23-19-114)
	1	2526 930	"O"
	1	2526 931	"G"
	1	2526 932	"E"
	10	6024 708	Seal
	10	9415 250	Nut
14	2	2526 250	LETTER "D", Quarter Panel (23-34-238)
	1	2526 251	"A"
	1	2526 252	"R"
	1	2526 253	"T"
	16	6023 260	Nut
15	1	2495 408-9	MOULDING PACKAGE, Quarter Panel Paint Break (23-23-39)
	10	6001 456	Retainer
	10	6001 432	Retainer
	10	6023 260	Nut
16	1	2525 990-1	MOULDING PACKAGE, Quarter Panel Lower (23-23-39)
	2	6025 277	Rivet
	32	6001 716	Retainer
17	1	2495 376-7	MOULDING PACKAGE, Quarter Panel Peak (23-23-39)
	16	6001 097	Retainer
	16	---- ---	Nut
18	1	2526 976-7	DEFELCTOR, Quarter Panel Wheel Opening Stone (23-34-240)
	6	6024 288	Screw
	2	---- ---	Washer
	2	---- ---	Nut
19	1	2525 988-9	MOULDING PACKAGE, Rear Door (23-23-33)
	6	6001 572	Retainer
	6	9417 621	Nut
20	2	2525 981	MOULDING PACKAGE, Front Door (23-23-32)
	8	6001 572	Retainer
	8	9417 621	Nut

All Packages Include Attaching Parts

Part Type Code is Indicated in Parentheses



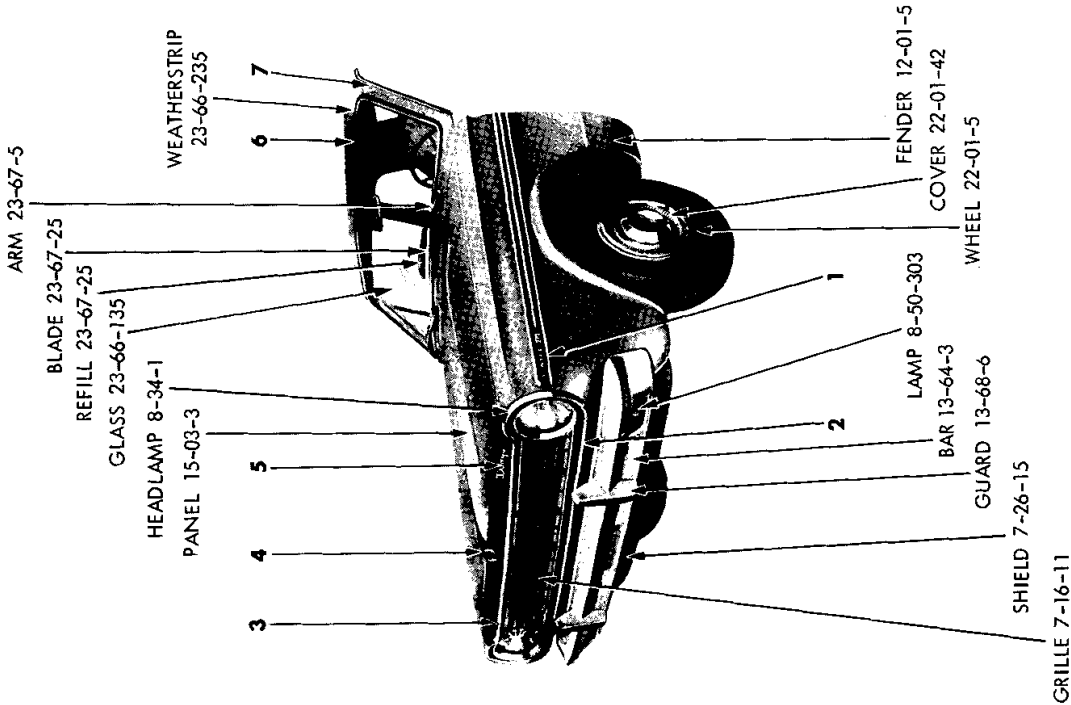
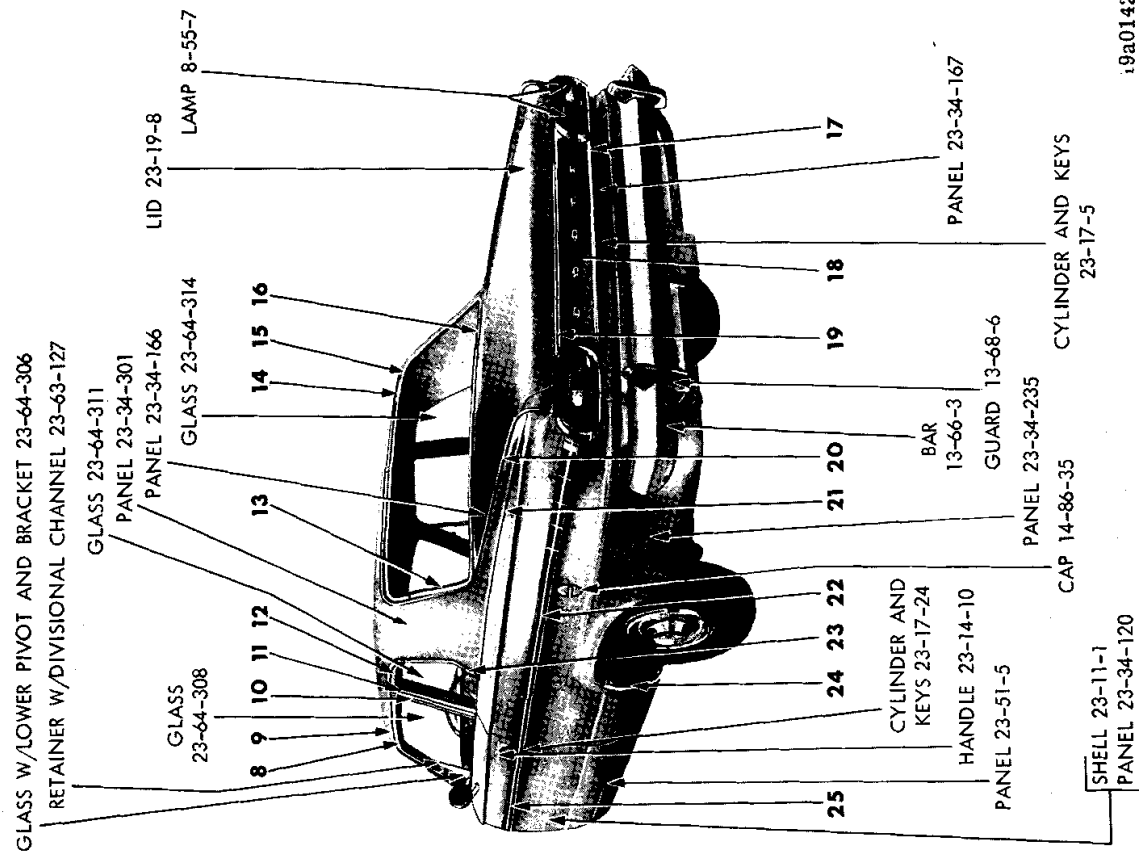
EXTERIOR VIEW - DART L-L STATION WAGON

REF. NO.	QTY	PART NUMBER	DESCRIPTION	REF. NO.	QTY	PART NUMBER	DESCRIPTION
1	1	2584 074-5	MOULDING PACKAGE, Fender Side (12-15-2)	13	1	2421 577-8	MOULDING PACKAGE, Rear Upper Pillar Outside (23-23-60)
	14	6001 716	Retainer	6	6001 076	Clip	
	4	6006 412	Retainer	4	6024 271	Screw	
	4	-----	Nut	4	6001 077	Clip	
2	1	2584 078-9	MOULDING PACKAGE, Fender Headlamp and Air Shield (12-15-2)	14	1	2484 162-3	MOULDING, Roof Rear Drain Trough (23-59-61)
	14	6001 851	Clip	15	1	2448 401	MOULDING PACKAGE, Tailgate Opening Upper (23-23-60)
	14	-----	Nut	5	6001 451	Clip	
3	1	2524 859	MEDALLION, w/Insert, Hood Front (15-06-6)	16	2	2417 677	LETTER "D", Tailgate Outside Panel (23-54-11)
	1	6000 050	Clip	1	2417 678	"O"	
	2	6025 127	Washer	1	2417 680	"G"	
4	1	2449 715	NAME PLATE, Hood Front (Dodge) (15-06-3)	1	2417 681	"E"	
	4	1839 995	Nut	5	9415 250	Nut	
5	1	2082 278	LOCKINGSTRIP, Windshield Glass Weatherstrip (23-66-239)	17	2	2424 626	CAP, Quarter Window Locking-strip Lower Rear (23-63-117)
6	1	2484 424-5	MOULDING, Roof Side Drain Trough Front (23-59-61)	18	2	2526 250	LETTER "D", Quarter Panel (23-34-238)
7	1	2255 936-7	MOULDING, Roof Drain Trough Side Rear (23-59-61)	2	2526 251	"A"	
8	2	2424 625	CAP, Quarter Window Locking-strip Upper Front (23-63-117)	2	2526 252	"R"	
9	1	2525 994-5	MOULDING PACKAGE, Roof Side Extension (23-23-42)	2	2526 253	"T"	
	2	6024 705	Washer	16	6001 558	Nut	
	2	9411 618	Nut	19	1	2525 992-3	MOULDING PACKAGE, Quarter Outside (23-23-39)
	2	6024 702	Washer	2	6025 277	Rivet	
10	2	2243 513	LOCKINGSTRIP, Quarter Window Glass Weatherstrip (23-63-110)	12	6001 716	Retainer and Seal	
11	1	2422 650-1	MOULDING, Roof Drain Trough Side (23-59-61)	20	1	2525 988-9	MOULDING PACKAGE, Rear Door Outside (23-23-33)
12	1	2484 444-5	DEFLECTOR, Roof Panel Outside Air (23-36-134)	6	6001 572	Retainer	
	2	6024 814	Screw	6	9417 621	Nut	
	4	6024 815	Screw	21	2	2525 981	MOULDING PACKAGE, Front Door Outside (23-23-32)
				4	6001 836	Retainer	
				4	9417 621	Nut	

All Packages Include Attaching Parts

Part Type Code is Indicated in Parentheses

EXTERIOR VIEW - DART L-L STATION WAGON



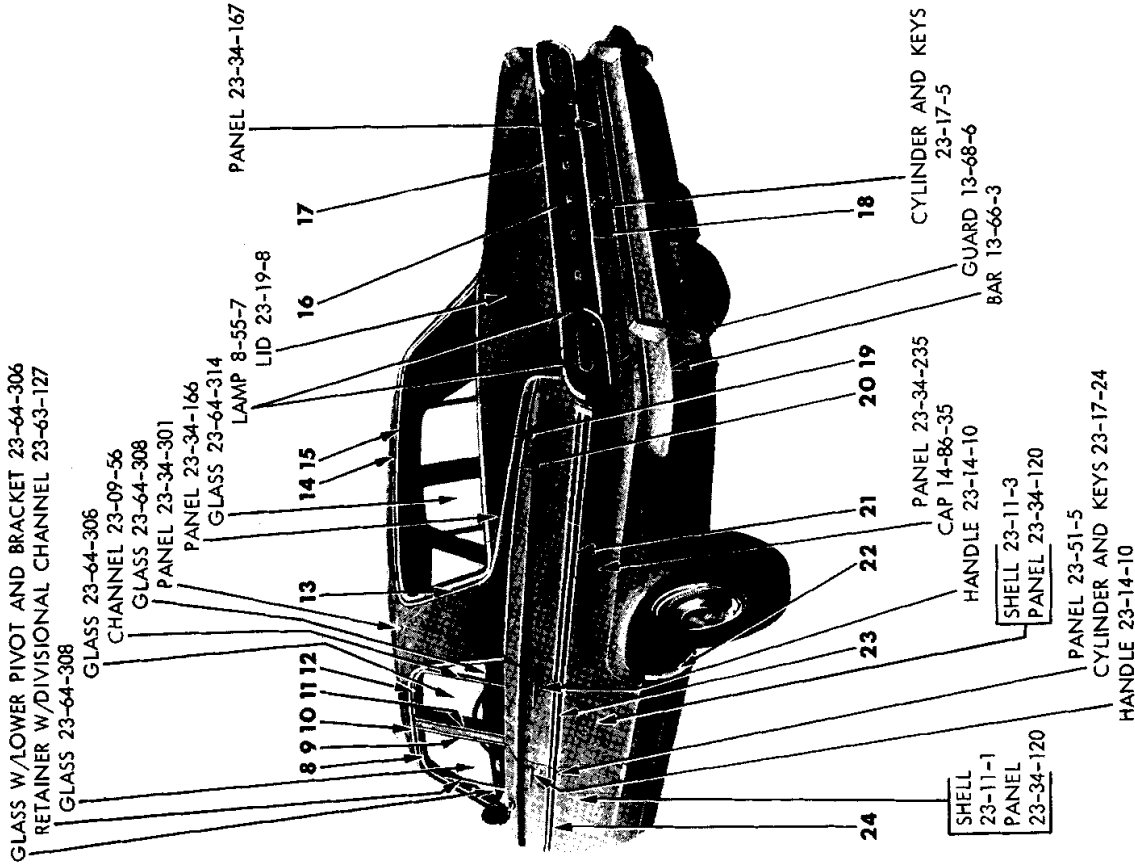
EXTERIOR VIEW - DART L-H 2 DOOR SEDAN

REF. NO.	QTY	PART NUMBER	DESCRIPTION	REF. NO.	QTY	PART NUMBER	DESCRIPTION
1	1	2584 072-3	MOULDING PACKAGE, Fender Side (12-15-2)	17	1	2525 817	MOULDING PACKAGE, Deck Lid Lower (23-23-30)
	8	6001 630	Retainer		6	6001 840	Retainer and Seal
	4	6001 548	Retainer		13	116 000	Nut
	2	6001 788	Retainer	18	2	2526 929	LETTER "D", Deck Lid (23-19-114)
	4	----	Nut		1	2526 930	"O"
2	1	2584 078-9	MOULDING PACKAGE, Fender Headlamp and Air Shield (12-15-2)		1	2526 931	"G"
	14	6001 851	Clip		1	2526 932	"E"
	14	----	Nut	10	9415 250	Nut	
3	1	2584 080	MOULDING PACKAGE, Hood Front (15-25-2)	10	6024 708	Seal	
	7	6001 851	Clip	19	1	2525 847	MOULDING PACKAGE, Deck Lid Upper (23-23-30)
	7	116 000	Nut		7	6001 842	Retainer and Seal
4	1	2524 859	MEDALLION, w/Insert, Hood Front (15-06-3)		13	116 000	Nut
	1	6000 050	Clip	20	1	2495 376-7	MOULDING PACKAGE, Quarter Panel Peak (23-23-39)
	1	6025 127	Washer		16	6001 097	Retainer
5	1	2449 715	NAME PLATE, Hood Front (15-06-3)		16	----	Nut
	4	1839 995	Nut	21	1	2495 374-5	MOULDING PACKAGE, Quarter Panel Paint Break (Special Equipment) (23-23-39)
6	1	2082 278	LOCKINGSTRIP, Windshield Glass Weatherstrip (23-66-239)		10	6001 443	Retainer
7	1	2484 424-5	MOULDING, Roof Side Drain Trough Front (23-59-61)		10	6001 432	Retainer
8	1	2216 944-5	MOULDING, Front Door Window Opening Frame Upper and Front (23-23-32)		10	6023 260	Nut
9	1	2422 432-3	MOULDING, Roof Drain Trough Side Rear (23-59-61)	22	1	2525 996-7	MOULDING PACKAGE, Quarter Panel Rear (23-23-39)
10	1	2216 950-1	MOULDING, Front Door Window Opening Frame Rear (23-23-32)		2	6024 271	Screw
11	1	2216 950-1	MOULDING, Quarter Window Opening Frame Outside Front (23-23-73)		22	6001 630	Clip
12	1	2244 376-7	MOULDING, Quarter Window Opening Frame Outside Upper (23-23-73)		8	6001 548	Clip
13	1	2495 284-5	MOULDING PACKAGE, Rear Window Outside Side (23-23-52)		4	6024 679	Nut
	6	6001 084	Retainer	23	1	2495 372-3	MOULDING PACKAGE, Quarter Panel Paint Break to Drain Trough (Special Equipment) (23-23-39)
14	1	2481 050-1	MOULDING, Roof Panel Outside Rear (23-23-42)		2	6023 898	Screw
	16	6001 084	Retainer		2	9415 250	Nut
15	1	2495 279	MOULDING PACKAGE, Rear Window Outside Upper (23-23-52)	24	1	2526 976-7	DEFLECTOR, Quarter Panel Wheel Opening Stone (Special Equipment) (23-34-240)
	8	6001 084	Retainer		6	6024 288	Screw and Seal
16	1	2495 286	MOULDING PACKAGE, Rear Window Outside Lower (23-23-52)		2	----	Nut
	5	6001 084	Retainer		2	----	Washer
				25	1	2525 982-3	MOULDING PACKAGE, Door Outside (23-23-32)
					22	6001 630	Clip
					2	6001 989	Retainer
					2	446 618	Nut

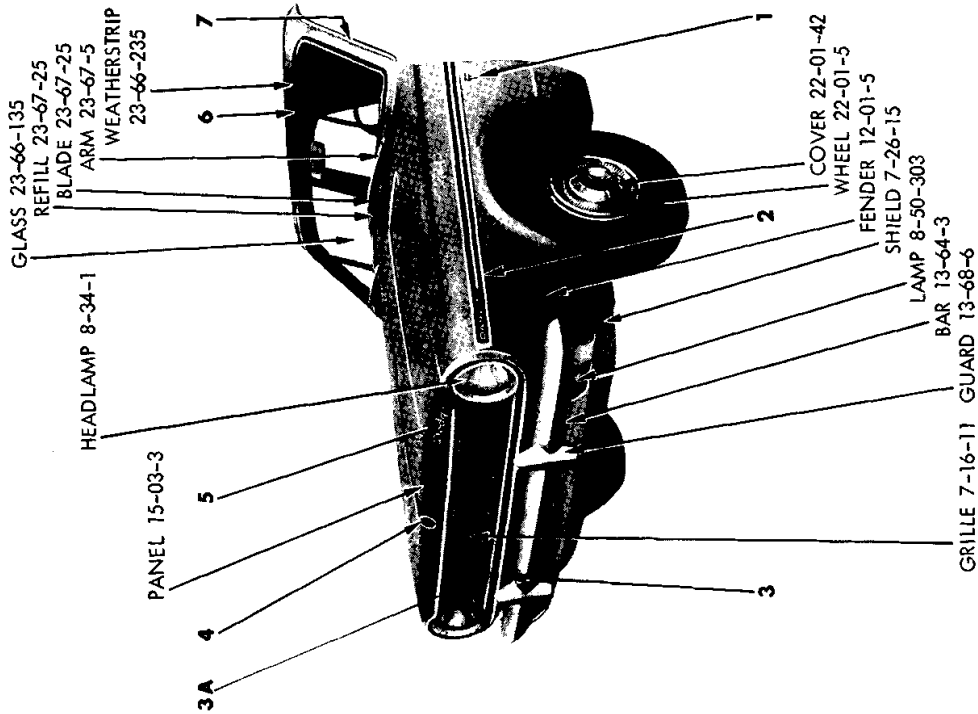
All Packages Include Attaching Parts

Part Type Code is Indicated in Parentheses

EXTERIOR VIEW - DART L-H 2 DOOR SEDAN



19a0153



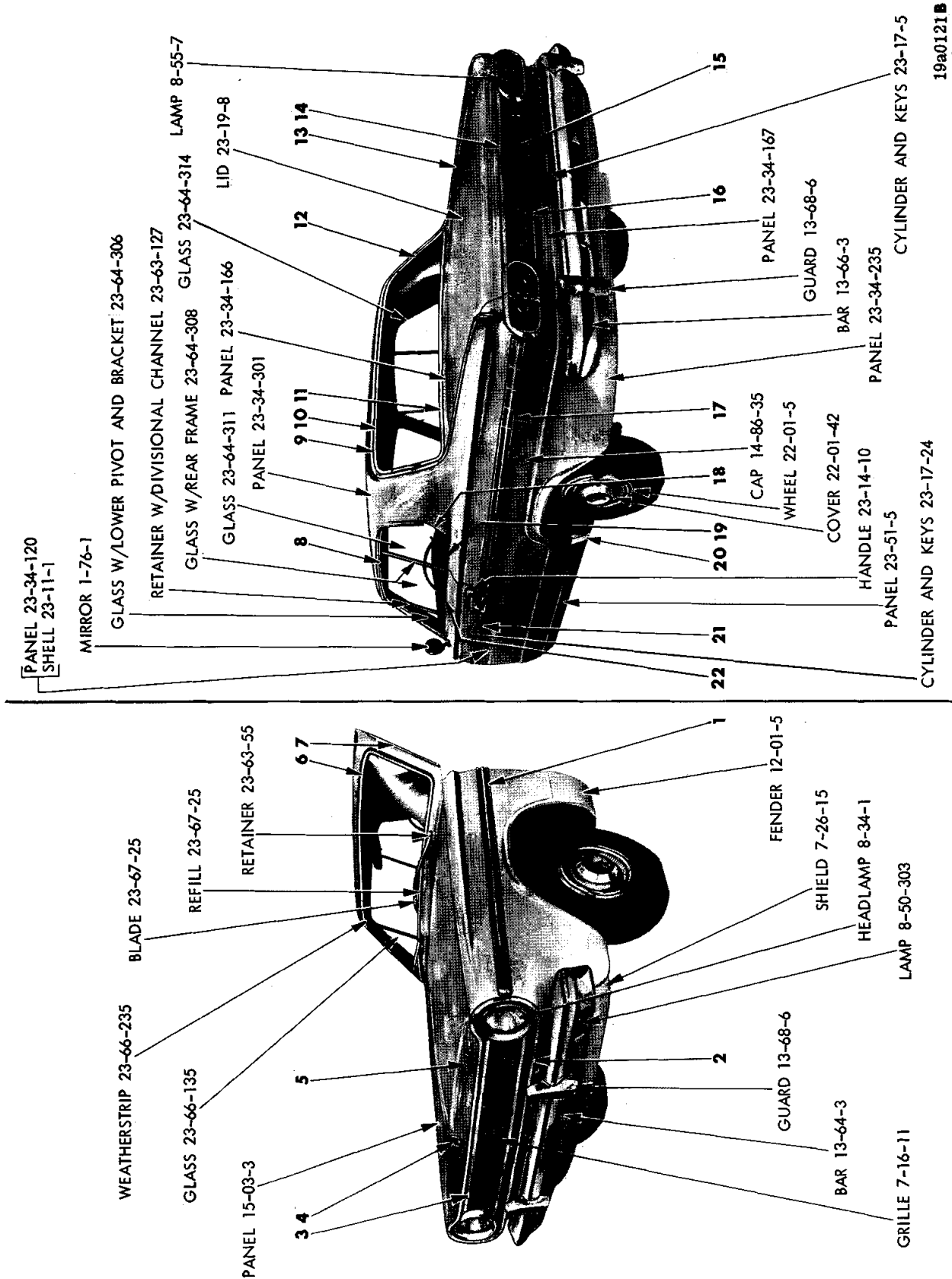
EXTERIOR VIEW - DART L-H 4 DOOR SEDAN

REF. NO.	QTY	PART NUMBER	DESCRIPTION	REF. NO.	QTY	PART NUMBER	DESCRIPTION
1	2	2524 008	ORNAMENT, Fender Side, V Eight (12-15-21)	15	1	2495 279	MOULDING PACKAGE, Rear Window Outside Upper (23-23-52)
	4	6023 260	Nut		8	6001 084	Retainer and Screw
2	1	2584 072-3	MOULDING PACKAGE, Fender Side (12-15-2)	16	2	2526 929	LETTER "D", Deck Lid (23-19-114)
	8	6001 630	Retainer		1	2526 930	"O"
	4	6001 548	Retainer		1	2526 931	"G"
	4	-----	Palnut		1	2526 932	"E"
	2	6001 788	Retainer		10	6024 708	Seal
3	1	2584 078-9	MOULDING PACKAGE, Fender Headlamp and Air Shield (12-15-2)		10	9415 250	Nut
	14	6001 851	Clip and Seal	17	1	2525 847	MOULDING PACKAGE, Deck Lid Upper (23-23-30)
	14	-----	Nut		7	6001 842	Clip
3A	1	2584 080	MOULDING PACKAGE, Hood Front (15-25-2)		7	116 000	Nut
	7	6001 851	Clip	18	1	2525 817	MOULDING PACKAGE, Deck Lid Lower (23-23-30)
	7	116 000	Nut		6	6001 840	Clip
4	1	2524 859	MEDALLION, w/Insert, Hood Front (15-06-3)		6	116 000	Nut
	1	6000 050	Clip	19	1	2495 376-7	MOULDING PACKAGE, Quarter Panel Peak Rear (23-23-39)
	2	6025 127	Washer		16	6001 097	Retainer
5	1	2449 715	NAME PLATE, Hood Front (15-06-3)		16	-----	Nut
	4	1839 995	Nut	20	1	2495 408-9	MOULDING PACKAGE, Quarter Panel Paint Break (Special Equipment) (23-23-39)
6	1	2082 278	LOCKINGSTRIP, Windshield Glass Weatherstrip (23-66-239)		10	6001 456	Retainer
7	1	2484 424-5	MOULDING, Roof Side Drain Trough Front (23-59-61)		10	6001 432	Retainer
8	1	2216 946-7	MOULDING, Front Door Window Frame Upper and Front (23-23-32)		10	6023 260	Nut
9	1	2216 950-1	MOULDING, Front Door Window Frame Rear (23-23-32)	21	1	2525 998-9	MOULDING PACKAGE, Quarter Panel Front (23-23-39)
10	1	2255 936-7	MOULDING, Roof Side Drain Trough Rear (23-59-61)		2	6024 271	Screw and Sealer
11	1	2216 950-1	MOULDING, Rear Door Window Frame Front (23-23-33)		6	6001 630	Clip
12	1	2217 014-5	MOULDING, Rear Door Window Frame Upper and Rear (23-23-33)	22	1	2526 976-7	DEFLECTOR, Quarter Panel Wheel Opening Stone (23-34-240)
13	1	2495 284-5	MOULDING PACKAGE, Rear Window Outside Side (23-23-52)		6	6024 288	Screw
	6	6001 084	Retainer and Screw	23	1	2584 000-1	MOULDING PACKAGE, Rear Door Outside (23-23-33)
14	1	2481 050-1	MOULDING, Roof Panel Outside Rear (23-23-42)		10	6001 630	Retainer
	16	6001 084	Retainer and Screw	24	1	2525 984-5	MOULDING PACKAGE, Front Door Outside (23-23-32)
					24	6001 630	Clip
					2	6001 989	Retainer
					2	446 618	Nut

All Packages Include Attaching Parts

Part Type Code is Indicated in Parentheses

EXTERIOR VIEW - DART L-H 4 DOOR SEDAN



EXTERIOR VIEW - DART L-H 2 DOOR HARDTOP

REF. NO.	QTY	PART NUMBER	DESCRIPTION
1	1	2584 072-3	MOULDING PACKAGE, Fender Side (12-15-2)
	8	6001 630	Retainer
	4	6001 548	Retainer
	2	6001 788	Retainer
	4	-----	Nut
2	1	2584 078-9	MOULDING PACKAGE, Fender Headlamp and Air Shield (12-15-2)
	14	6001 851	Clip
	14	-----	Nut
3	1	2584 080	MOULDING PACKAGE, Hood Front (15-25-2)
	7	6001 851	Clip
	7	116 000	Nut
4	1	2524 859	MEDALLION, w/Insert, Hood Front (15-06-3)
	1	6000 050	Clip
	2	6025 127	Nut
5	1	2449 715	NAME PLATE, Hood Front (15-06-3)
	4	1839 995	Nut
6	1	2082 278	LOCKINGSTRIP, Windshield Glass Weatherstrip (23-66-239)
7	1	2484 424-5	MOULDING, Roof Side Drain Trough Front (23-59-61)
8	1	2422 432-3	MOULDING, Roof Side Drain Trough Rear (23-59-61)
9	1	2481 050-1	MOULDING, Roof Panel Outside Rear (23-23-42)
	16	6001 084	Retainer
10	1	2495 279	MOULDING PACKAGE, Rear Window Outside Upper (23-23-52)
	8	6001 084	Retainer
11	1	2495 286	MOULDING PACKAGE, Rear Window Outside Lower (23-23-52)
	5	6001 084	Retainer
12	1	2495 284-5	MOULDING PACKAGE, Rear Window Outside Side (23-23-52)
	6	6001 084	Retainer
13	1	2495 376-7	MOULDING PACKAGE, Quarter Panel Peak (23-23-39)
	16	6001 097	Retainer
	16	-----	Nut

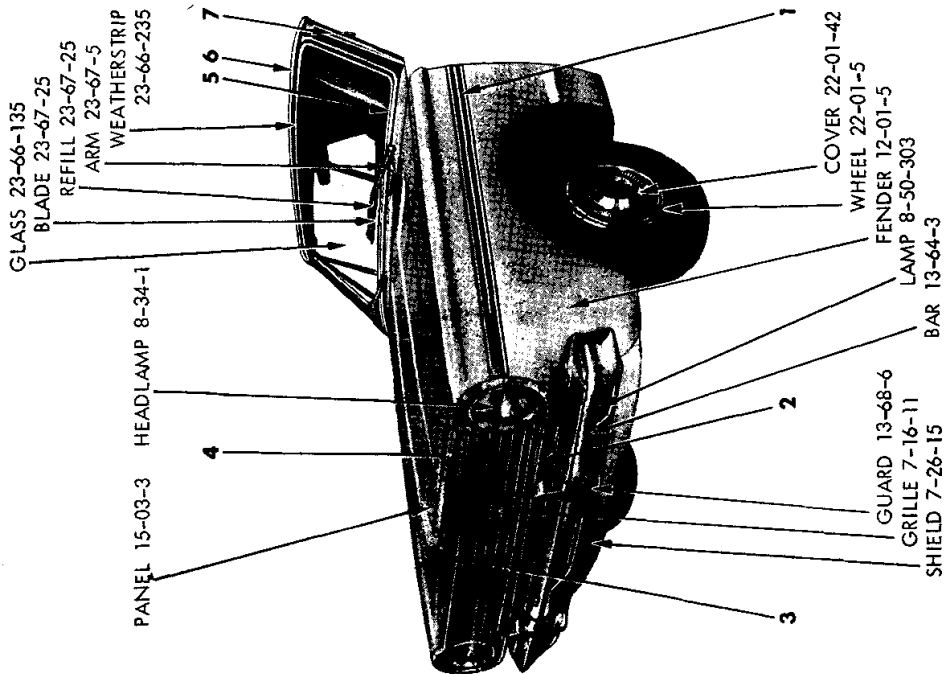
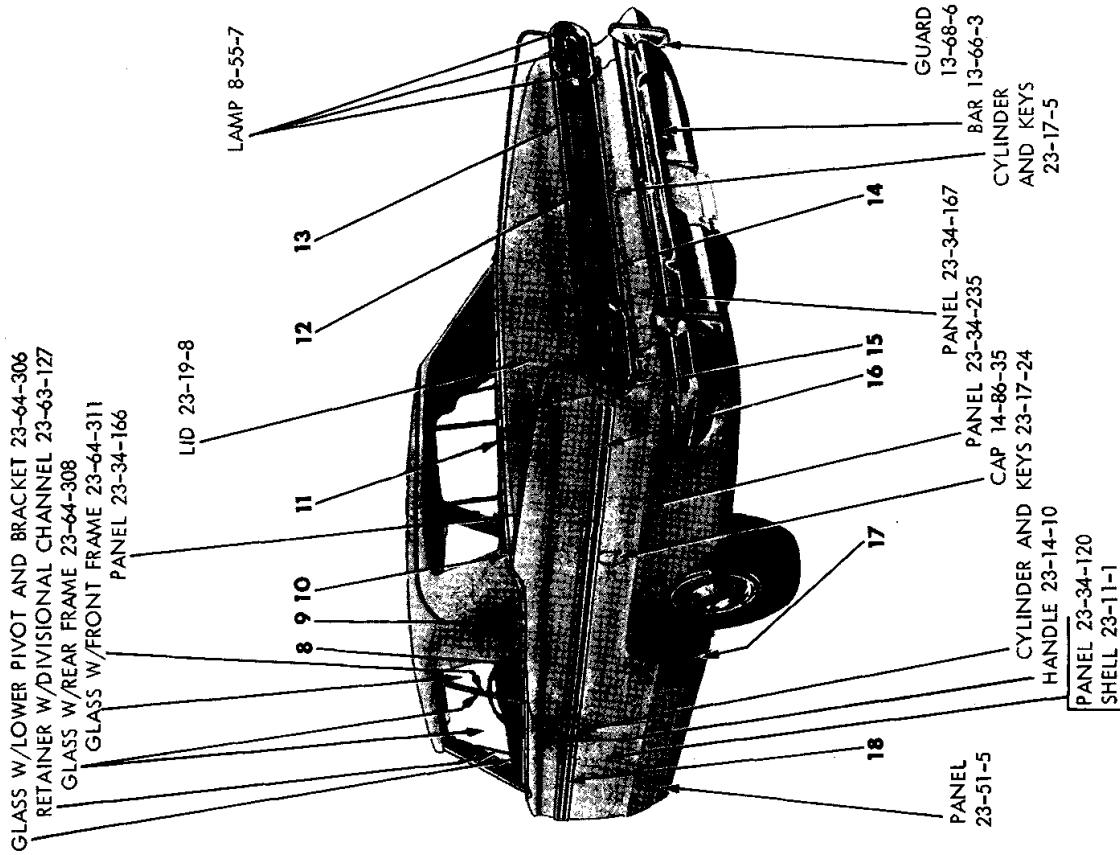
REF. NO.	QTY	PART NUMBER	DESCRIPTION
14	1	2525 847	MOULDING PACKAGE, Deck Lid Upper (23-23-30)
	7	6001 842	Clip
	7	116 000	Nut
15	2	2526 929	"D", Deck Lid Name Letter (23-19-114)
	1	2526 930	"O"
	1	2526 931	"G"
	1	2526 932	"E"
	10	6024 708	Seal
	10	9415 250	Nut
16	1	2525 817	MOULDING PACKAGE, Deck Lid Lower (23-23-30)
	6	6001 840	Clip
	6	116 000	Nut
17	1	2525 996-7	MOULDING PACKAGE, Quarter Panel Lower (23-23-39)
	2	6024 271	Screw
	22	6001 630	Clip
	8	6001 548	Clip
	4	6024 679	Nut
18	1	2448 176-7	MOULDING PACKAGE, Quarter Panel Belt Rear (23-23-39)
	2	6024 135	Screw
	2	6024 638	Screw
19	1	2525 582-3	MOULDING PACKAGE, Quarter Panel Belt Front (23-23-39)
	2	6001 490	Clip
	2	6024 271	Screw
20	1	2526 976-7	DEFLECTOR, Quarter Panel Wheel Opening Stone (Special Equipment) (23-34-240)
	2	-----	Nut
	2	-----	Washer
	6	6024 288	Screw
21	1	2525 982-3	MOULDING PACKAGE, Door (23-23-32)
	22	6001 630	Clip
	2	6001 989	Retainer
	2	446 618	Nut
22	1	2448 430-1	MOULDING PACKAGE, Door Belt (23-23-32)
	10	6001 490	Clip
	2	6001 440	Retainer
	2	9415 312	Nut

All Packages Include Attaching Parts

Part Type Code is Indicated in Parentheses

EXTERIOR VIEW - DART L-H 2 DOOR HARDTOP

19a0197



EXTERIOR VIEW - DART L-H CONVERTIBLE COUPE

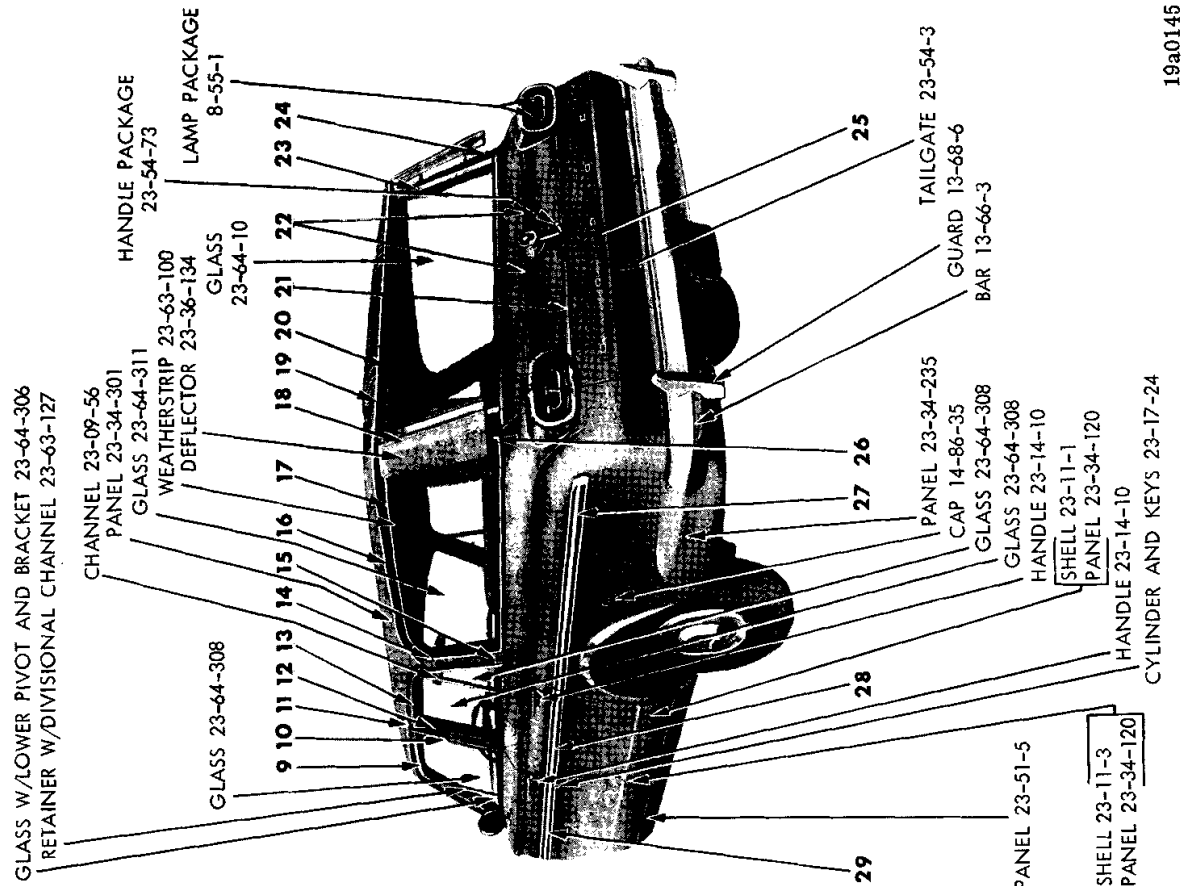
REF. NO.	QTY	PART NUMBER	DESCRIPTION
1	1	2584 072-3	MOULDING PACKAGE, Fender Side (12-15-2)
	8	6001 630	Retainer
	4	6001 548	Retainer
	4	----	Nut
	2	6001 788	Retainer
2	1	2584 078-9	MOULDING PACKAGE, Fender Headlamp and Air Shield (12-15-2)
	14	6001 851	Clip
	14	----	Nut
3	1	2524 859	MEDALLION, w/Insert, Hood Front
	1	6000 050	Clip
	2	6025 127	Washer
4	1	2449 715	NAME PLATE, Hood Front (Dodge) (15-06-3)
	4	1839 995	Nut
5	1	2424 106	MOULDING, Windshield Outside Lower (23-23-65)
	7	6001 524	Clip and Seal
6	1	2422 180-1	MOULDING, Windshield Header Outside Upper (23-23-65)
	7	6024 400	Screw and Sealer
7	1	2484 406-7	MOULDING, Windshield Opening Frame Outside Side(23-23-65)
	8	6024 271	Screw
8	1	2424 170-1	MOULDING, Quarter Outside Belt Front (23-23-39)
	2	6024 472	Fastener
	2	6023 898	Screw
9	1	2422 190-1	MOULDING, Quarter Outside Belt Rear (23-23-39)
	2	6024 472	Fastener
	6	6024 477	Fastener
10	1	2484 104-5	COVER, Quarter Belt to Deck Opening Upper Panel Moulding Joint (23-23-41)
	2	6024 277	Stud Fastener
11	1	2255 948	MOULDING, Deck Opening Upper Panel (23-23-31)
	9	6024 477	Fastener

REF. NO.	QTY	PART NUMBER	DESCRIPTION
12	2	2526 929	LETTER "D", Deck Lid (23-19-114)
	1	2526 930	"O"
	1	2526 931	"G"
	1	2526 932	"E"
	10	6024 708	Seal
	10	9415 250	Nut
13	1	2525 847	MOULDING PACKAGE, Deck Lid Upper (23-23-30)
	7	6001 842	Retainer w/Seal
	7	116 000	Nut
14	1	2525 817	MOULDING PACKAGE, Deck Lid Lower (23-23-30)
	6	6001 840	Clip
	6	116 000	Nut
15	1	2495 368	MOULDING PACKAGE, Quarter Panel Peak Rear (23-23-39)
	14	6001 097	Retainer
	16	----	Nut
16	1	2525 996-7	MOULDING PACKAGE, Quarter Panel Rear (23-23-39)
	2	6024 271	Screw
	22	6001 630	Clip
	8	6001 548	Clip
	4	6024 679	Nut
17	1	2526 976-7	DEFLECTOR, Quarter Panel Wheel Opening Stone (23-34-240)
	6	6024 288	Screw
	2	----	Washer
	2	----	Nut
18	1	2525 982-3	MOULDING PACKAGE, Door Outside (23-23-32)
	22	6001 630	Clip
	2	6001 989	Retainer
	2	446 618	Nut

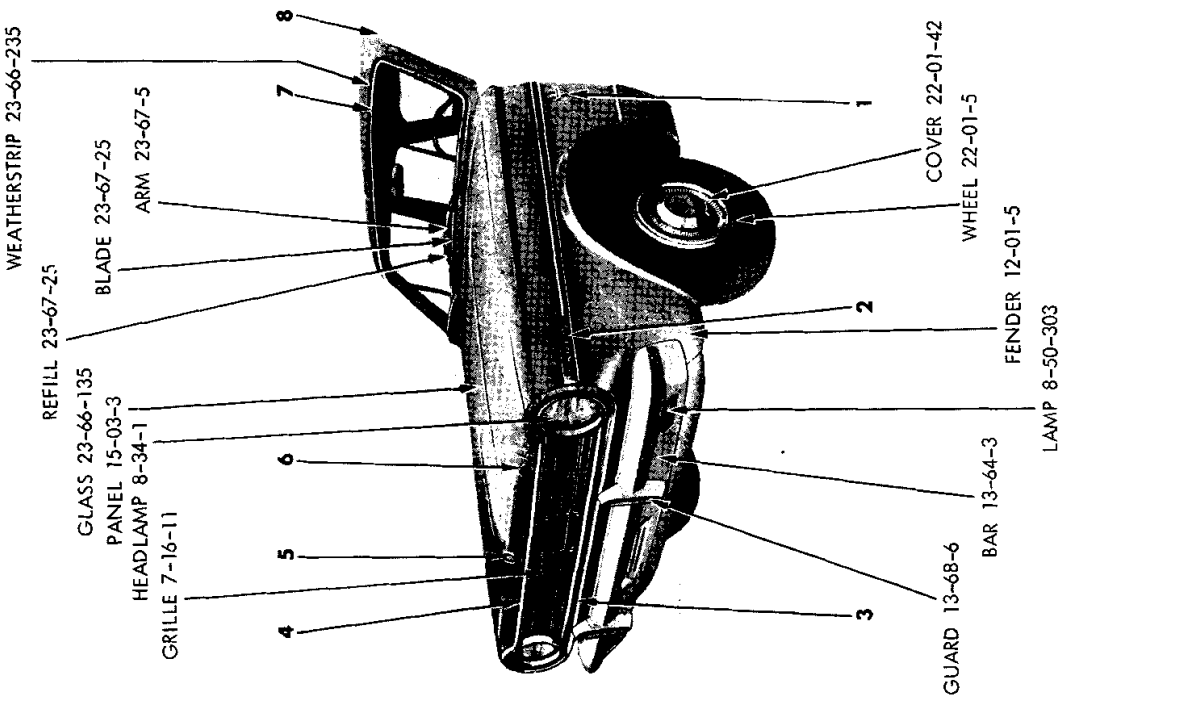
All Packages Include Attaching Parts

Part Type Code is Indicated in Parentheses

EXTERIOR VIEW - DART L-H CONVERTIBLE COUPE



19a0145



EXTERIOR VIEW - DART L-H STATION WAGON

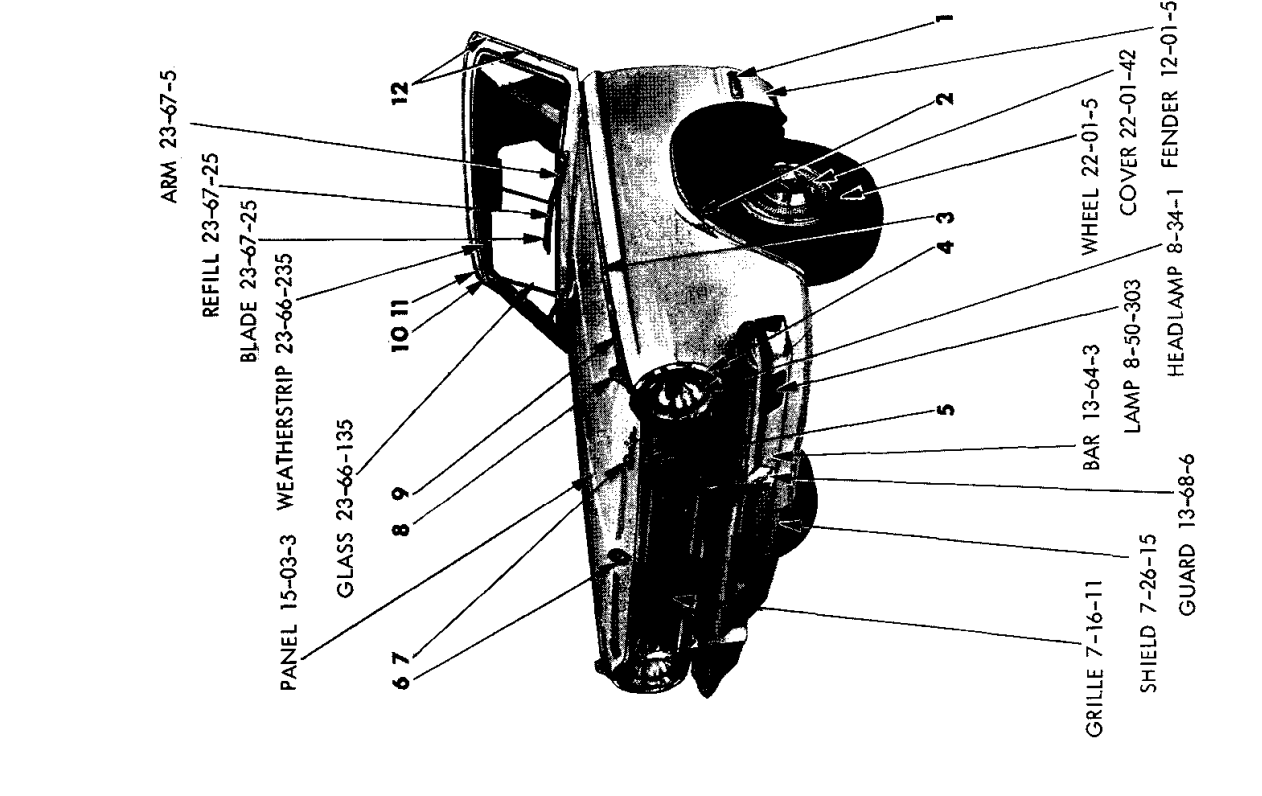
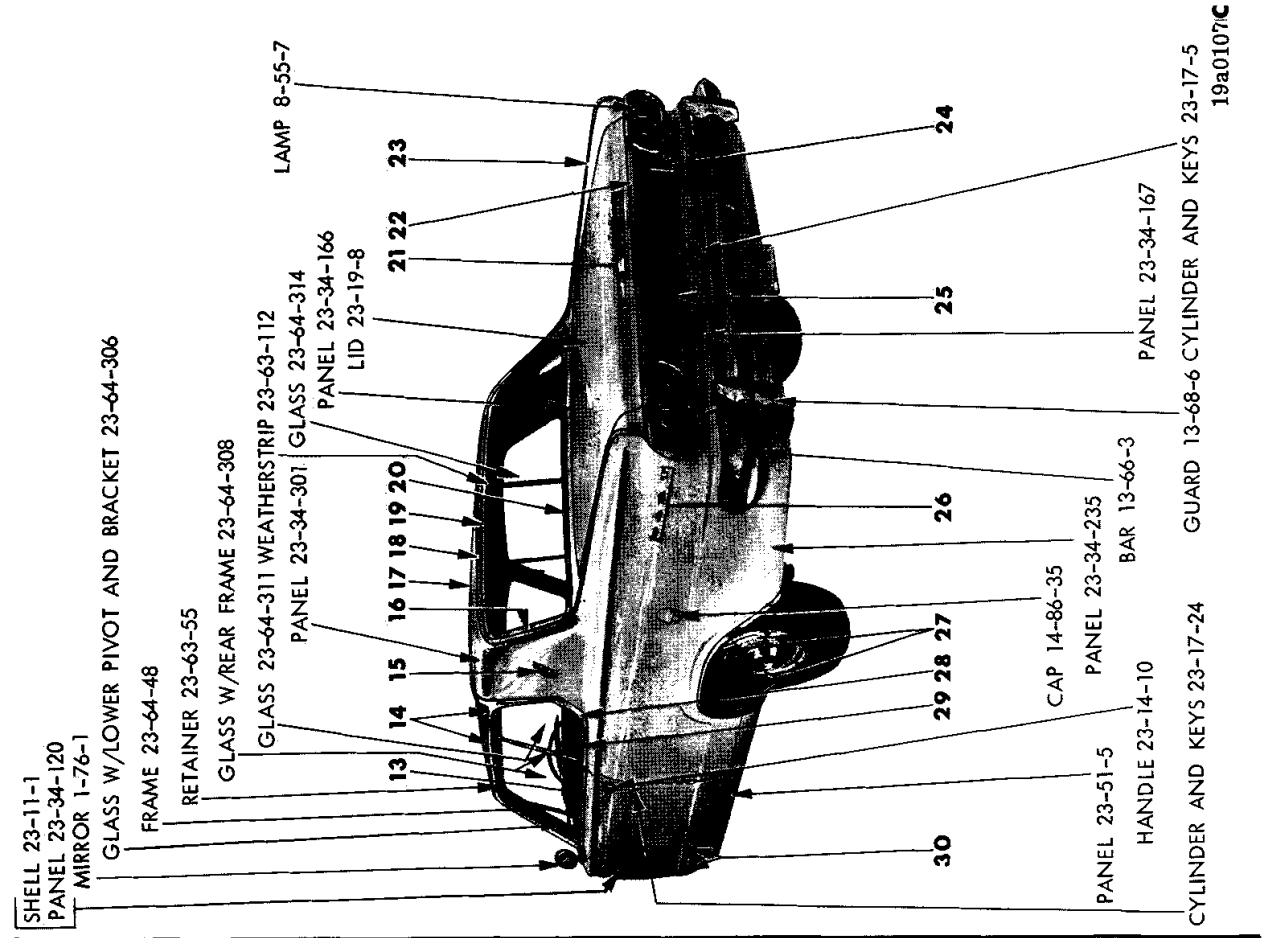
REF. NO.	QTY	PART NUMBER	DESCRIPTION
1	2	2524 008	ORNAMENT, Fender Side, V8 (12-15-21)
	4	6023 260	Nut, Acorn
2	1	2584 072-3	MOULDING PACKAGE, Front Fender Side (12-15-2)
	8	6001 630	Retainer
	4	6001 548	Retainer
	4	-----	Palnut
	2	6001 711	Retainer
3	1	2584 078-9	MOULDING PACKAGE, Headlamp and Air Shield (12-15-2)
	8	6001 851	Clip w/Seal
	8	116 000	Nut
4	1	2584 080	MOULDING PACKAGE, Hood Front (15-25-2)
	7	6001 851	Clip
	7	116 000	Nut
5	1	2524 859	MEDALLION, w/Insert, Hood Front (15-06-3)
	1	6000 050	Clip
	2	6025 127	Nut
6	1	2449 715	NAME PLATE, Hood Front (15-06-3)
	4	1839 995	Nut
7	1	2082 278	LOCKINGSTRIP, Windshield Glass Weatherstrip (23-66-239)
8	1	2484 424-5	MOULDING, Roof Side Drain Trough Front (23-59-61)
9	1	2216 946-7	MOULDING, Front Door Window Opening Frame Upper and Front (23-23-32)
10	1	2216 950-1	MOULDING, Front Door Window Opening Frame Rear (23-23-32)
11	1	2255 936-7	MOULDING, Roof Side Drain Trough Rear (23-59-61)
12	1	2216 950-1	MOULDING, Rear Door Window Opening Frame Front (23-23-33)
13	1	2217 014-5	MOULDING, Rear Door Window Opening Frame Upper and Rear (23-23-33)
14	2	2424 625	CAP, Quarter Window Locking-strip Upper Front (23-63-117)
15	1	2525 994-5	MOULDING PACKAGE, Roof Side Extension (23-23-42)
16	1	2422 650-1	MOULDING, Roof Side Drain Trough (23-59-61)
17	2	2243 513	LOCKINGSTRIP, Quarter Window Glass Weatherstrip (23-63-110)
18	1	2484 756-7	MOULDING, Rear Upper Pillar Air Deflector (23-23-60)

All Packages Include Attaching Parts

REF. NO.	QTY	PART NUMBER	DESCRIPTION
19	1	2484 162-3	MOULDING, Roof Rear Drain Trough (23-59-61)
20	1	2448 401	MOULDING PACKAGE, Roof Tailgate Opening (23-23-60)
	5	6001 451	Clip
21	1	2525 816	MOULDING PACKAGE, Tailgate Lower (23-23-61)
	6	6006 412	Clip and Seal
	6	116 000	Nut
22	1	2525 818-9	MOULDING PACKAGE, Tailgate Upper (Manual) (23-23-61)
	1	2584 474-5	MOULDING PACKAGE, Tailgate Upper (Electric)(23-23-61)
	6	6006 412	Clip and Seal
	6	116 000	Nut
23	1	2421 579-80	MOULDING PACKAGE, Rear Upper Pillar Outside Finish (23-23-60)
	4	6001 077	Clip
	2	6024 271	Clip
	2	9418 471	Screw
24	1	2421 577-8	MOULDING PACKAGE, Rear Upper Pillar Outside (23-23-60)
	6	6001 076	Clip
	4	6024 271	Clip
25	2	2417 677	LETTER "D", Tailgate Outside Panel (23-54-11)
	1	2417 678	"O"
	1	2417 680	"G"
	1	2417 681	"E"
	5	9415 250	Nut
26	2	2424 626	CAP, Quarter Window Locking-strip Lower Rear (23-63-117)
27	1	2584 002-3	MOULDING PACKAGE, Quarter Panel (23-23-39)
	2	6024 271	Screw
	12	6001 716	Retainer and Seal
	8	6001 548	Retainer and Stud
	4	6024 679	Nut
28	1	2584 000-1	MOULDING PACKAGE, Rear Door Outside (23-23-33)
	10	6001 630	Retainer
29	1	2525 984-5	MOULDING PACKAGE, Front Door Outside (23-23-32)
	24	6001 630	Clip
	2	6001 989	Retainer
	2	446 618	Nut

Part Type Code is Indicated in Parentheses

EXTERIOR VIEW - DART L-H STATION WAGON



EXTERIOR VIEW - DART L-P 2 DOOR HARDTOP

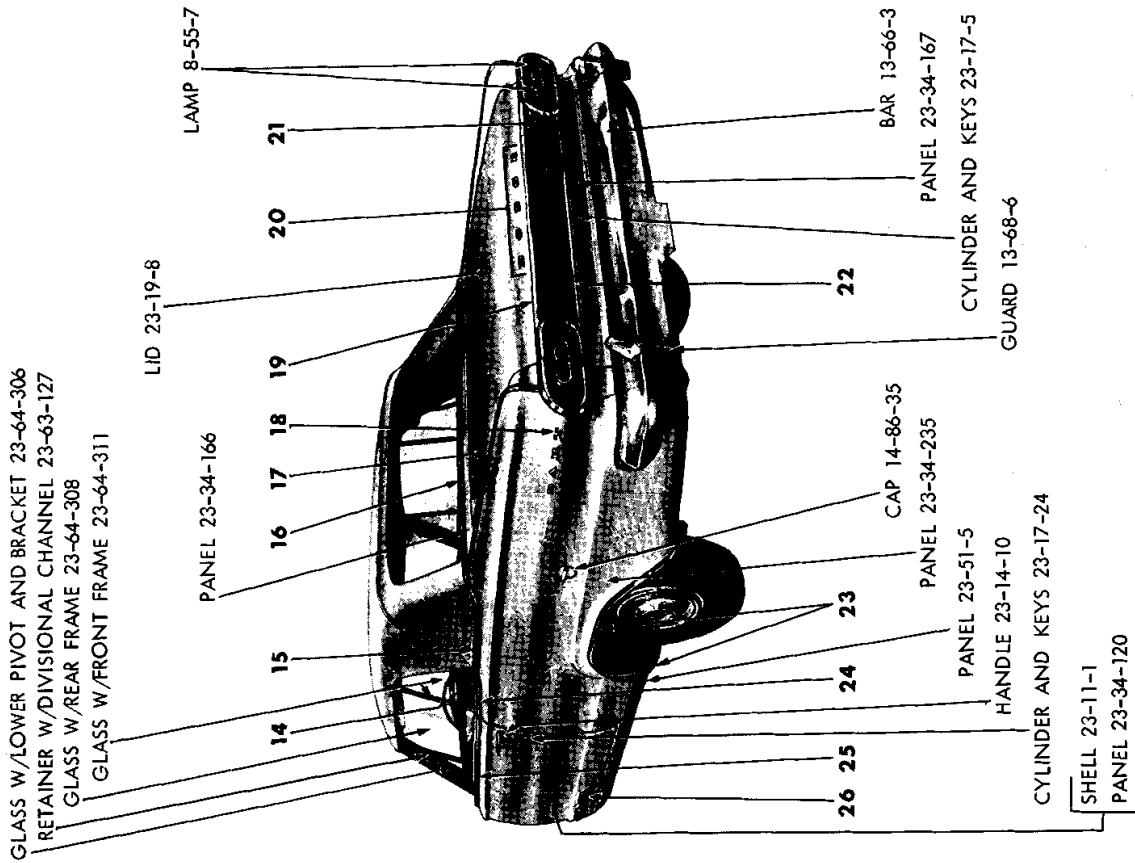
REF. NO.	QTY	PART NUMBER	DESCRIPTION
1	1	2526 234-5	ORNAMENT, Fender Lower Exhaust Port (12-15-21)
	4	6025 828	Screw
	4	6024 817	Nut
2	1	2449 732-3	MOULDING, Fender Wheel Opening (12-15-2)
	16	6024 271	Screw
3	1	2584 076-7	MOULDING PACKAGE, Fender Top (12-15-2)
	10	6001 639	Retainer
4	1	2584 078-9	MOULDING PACKAGE, Fender Headlamp and Air Shield (12-15-2)
	14	6001 851	Clip
	14	----	Nut
5	1	2584 080	MOULDING PACKAGE, Hood Front (15-25-2)
	7	6001 851	Clip
	7	116 000	Nut
6	1	2524 859	MEDALLION, w/Insert, Hood Front (15-06-3)
	1	6000 050	Clip
	2	6025 127	Washer
7	1	2449 715	NAME PLATE, Hood Front (15-06-3)
	4	1839 995	Nut
8	2	2449 727	ORNAMENT, Fender Top (12-15-21)
	2	9418 419	Screw
9	1	2524 048-9	BASE, Fender Top Ornament (12-15-23)
	4	----	Seal
	4	116 000	Nut
	2	6025 461	Seal
	2	6010 008	Nut
10	1	2082 278	LOCKINGSTRIP, Windshield Glass Weatherstrip (23-66-239)
11	1	2584 438	MOULDING PACKAGE, Roof Outside Front (23-23-42)
	9	6023 975	Screw (w/Vinyl Roof)
	6	6001 764	Retainer w/Screw (w/Vinyl Roof)
	6	6001 762	Retainer w/Screw (w/o Vinyl Roof)
	2	6001 766	Retainer
	2	6000 637	Nut
12	1	2584 434-5	MOULDING PACKAGE, Roof Side Front to Body Front Pillar (23-23-42)
	10	6023 247	Screw
13	1	2584 526-7	MOULDING PACKAGE, Door Belt (23-23-32)
	2	6001 785	Retainer
	2	6001 831	Retainer
	10	6001 638	Retainer
	4	446 618	Nut
14	1	2584 436-7	MOULDING PACKAGE, Roof Side Rear to Roof Side Intermediate (23-23-42)
	10	6023 247	Screw
	16	6023 938	Screw
15	2	2526 236	MEDALLION, Quarter Outside (GT) (23-34-334)
	4	----	Washer
	4	9411 618	Nut
16	1	2495 284-5	MOULDING PACKAGE, Rear Window Outside Side (23-23-52)
	6	6001 084	Retainer

All Packages Include Attaching Parts

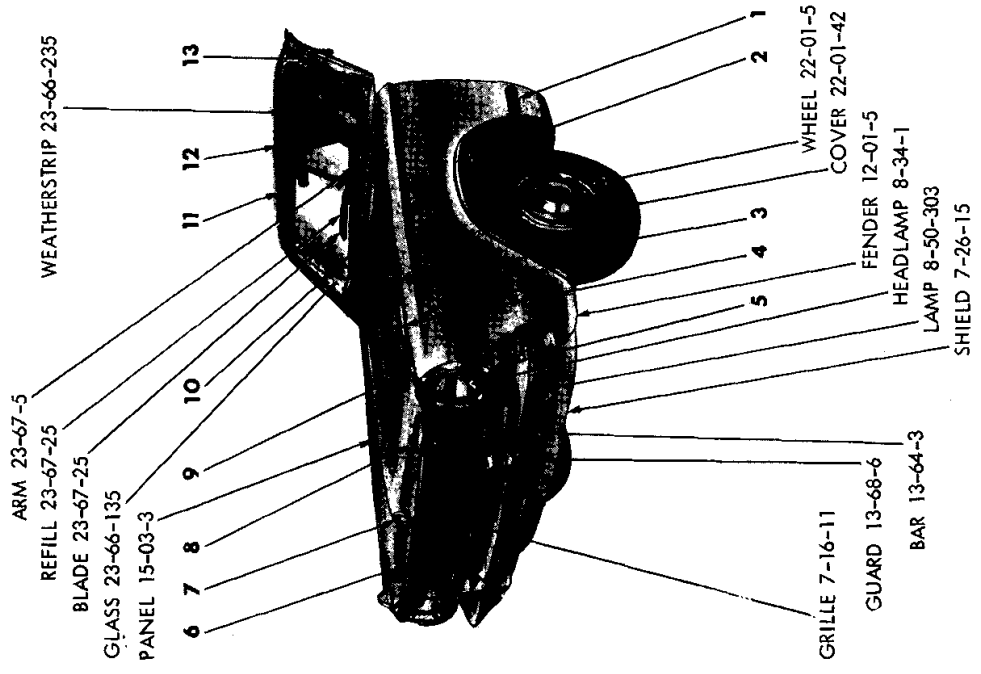
REF. NO.	QTY	PART NUMBER	DESCRIPTION
17	1	2584 439	MOULDING PACKAGE, Roof Outside Top Rear (23-23-42)
	9	6023 975	Screw (w/Vinyl Roof)
	6	6001 764	Retainer w/Screw (w/Vinyl Roof)
	6	6001 762	Retainer w/Screw (w/o Vinyl Roof)
	2	6001 766	Retainer
	2	6000 637	Nut
18	1	2481 050-1	MOULDING, Roof Panel Outside Rear (23-23-42)
	16	6001 084	Retainer
19	1	2495 279	MOULDING PACKAGE, Rear Window Outside Upper (23-23-52)
	8	6001 084	Retainer
20	1	2495 286	MOULDING PACKAGE, Rear Window Outside Lower (23-23-52)
	5	6001 084	Retainer
21	2	2417 825	"D", Deck Lid Name Letter (23-19-114)
	1	2417 826	"O"
	1	2417 828	"G"
	1	2417 829	"E"
	10	6024 708	Seal
	10	6013 114	Nut
22	1	2525 847	MOULDING PACKAGE, Deck Lid Upper (23-23-30)
	7	6001 842	Clip
	7	116 000	Nut
23	1	2495 376-7	MOULDING PACKAGE, Quarter Panel Peak (23-23-39)
	16	6001 097	Retainer
	16	----	Nut
24	1	2483 970	PANEL, Deck Lid Finish (23-23-30)
	3	----	Screw
25	1	2525 817	MOULDING PACKAGE, Deck Lid Lower (23-23-30)
	6	6001 840	Clip
	6	116 000	Nut
26	2	2526 250	LETTER "D", Quarter Panel (23-34-238)
	2	2526 251	"A"
	2	2526 252	"R"
	2	2526 253	"T"
	16	6023 260	Nut
27	1	2528 602-3	DEFLECTOR, Quarter Panel Wheelhouse Opening Stone (23-34-240)
	18	6024 271	Screw 2 180 070 Nut
	2	----	Washer 2 6025 527 Washer
	2	6023 185	Washer
28	1	2526 228-9	MOULDING, Quarter Panel Belt Rear (23-23-39)
	2	6023 681	Screw
29	1	2525 950-1	MOULDING PACKAGE, Quarter Panel Belt Front (23-23-39)
	4	6001 638	Retainer
30	2	2526 234-5	ORNAMENT, Door Lower Exhaust Port (23-11-23)
	8	6025 828	Screw
	8	6024 814	Nut

Part Type Code is Indicated in Parentheses

EXTERIOR VIEW - DART L-P 2 DOOR HARDTOP



19a0143



EXTERIOR VIEW - DART L-P CONVERTIBLE COUPE

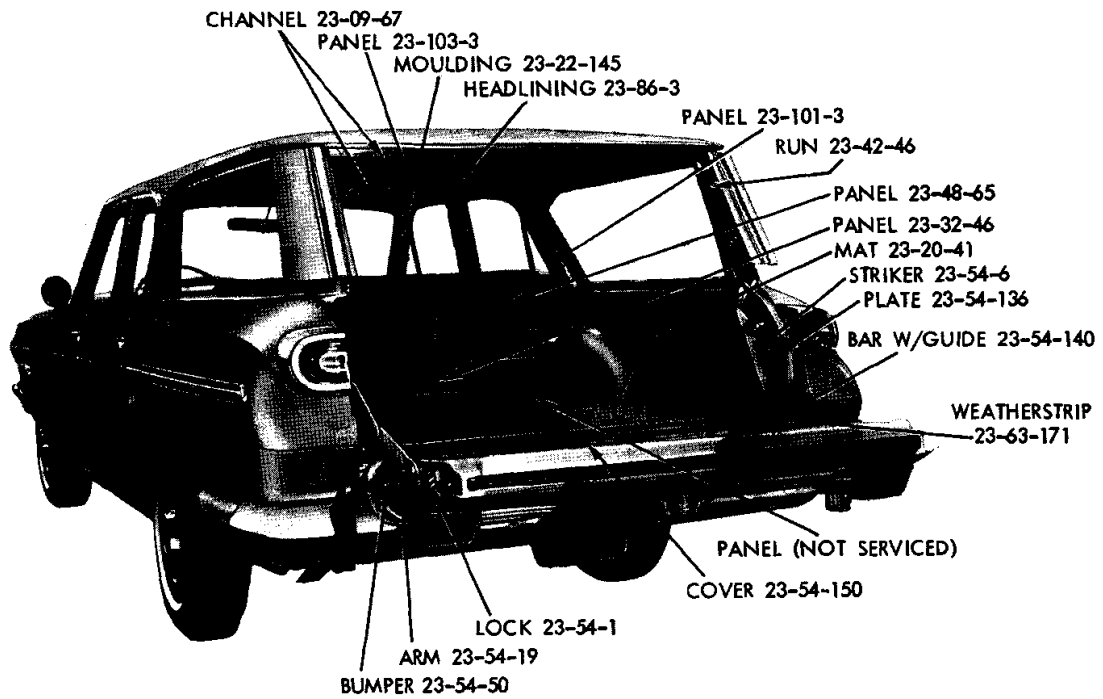
REF. NO.	QTY	PART NUMBER	DESCRIPTION
1	1	2526 234-5	ORNAMENT, Fender Lower Exhaust Port (12-15-21)
	4	6025 828	Screw
	4	6024 817	Nut
2	1	2449 732-3	MOULDING, Fender Wheel Opening (12-15-2)
	16	6024 271	Screw
3	1	2584 076-7	MOULDING PACKAGE, Fender Top (12-15-2)
	10	6001 639	Retainer
4	1	2524 048-9	BASE, Fender Top Ornament (12-15-23)
	4	-----	Seal
	2	6025 461	Seal
	4	116 000	Nut
	2	6010 008	Nut
5	1	2584 078-9	MOULDING PACKAGE, Fender Headlamp and Air Shield (12-15-2)
	14	6001 851	Clip
	14	-----	Nut
6	1	2584 080	MOULDING, Hood Front (15-25-2)
	7	6001 851	Clip
	7	116 000	Nut
7	1	2524 859	MEDALLION, w/Insert, Hood Front (15-06-3)
	1	6000 050	Clip
	2	6025 127	Washer
8	1	2449 715	NAME PLATE, Hood Front (15-06-3)
	4	1839 995	Nut
9	2	2449 727	ORNAMENT, Fender Top (12-15-21)
	2	9418 419	Nut
10	1	2424 106	MOULDING, Windshield Outside Lower (23-23-65)
	7	6001 524	Clip and Seal
11	1	2422 180-1	MOULDING, Windshield Header Outside Upper (23-23-65)
	7	6024 400	Screw and Sealer
12	1	2082 278	LOCKINGSTRIP, Windshield Glass Weatherstrip (23-66-239)
13	1	2484 406-7	MOULDING, Windshield Opening Frame Outside Side (23-23-65)
	8	6024 271	Screw
14	1	2526 230-1	MOULDING, Quarter Panel Belt Intermediate (23-23-39)
	2	-----	Screw
	2	6024 472	Fastener
15	1	2422 190-1	MOULDING, Quarter Outside Belt Rear (23-23-39)
	2	6024 472	Fastener
	6	6024 477	Fastener
16	1	2255 948	MOULDING, Deck Opening Upper Panel (23-23-31)
	9	6024 477	Fastener
17	2	2495 368	MOULDING PACKAGE, Quarter Outside Peak Rear (23-23-39)
	16	6001 097	Retainer
	16	-----	Nut

All Packages Include Attaching Parts

REF. NO.	QTY	PART NUMBER	DESCRIPTION
	1	2495 754-5	MOULDING PACKAGE, Quarter Panel Peak Front (23-23-39)
	4	6001 097	Retainer
	16	-----	Nut
18	2	2526 250	LETTER "D", Quarter Panel (23-34-238)
	1	2526 251	"A"
	1	2526 252	"R"
	1	2526 253	"T"
	16	6023 260	Nut
19	1	2525 847	MOULDING PACKAGE, Deck Lid Upper (23-23-30)
	7	6001 842	Clip
	7	116 000	Nut
20	2	2526 929	LETTER "D", Deck Lid (23-19-114)
	1	2526 930	"O"
	1	2526 931	"G"
	1	2526 932	"E"
	10	6024 708	Seal
	10	9415 250	Nut
21	1	2483 970	PANEL, Deck Lid Finish (23-23-30)
	3	-----	Screw
22	1	2525 817	MOULDING PACKAGE, Deck Lid Lower (23-23-30)
	6	6001 840	Clip
	6	116 000	Nut
23	1	2528 602-3	DEFLECTOR, Quarter Panel Wheelhouse Opening Stone (23-34-240)
	18	6024 271	Screw
	2	180 078	Nut
	2	-----	Washer
	2	6025 527	Washer
	2	6023 185	Washer
24	1	2525 950-1	MOULDING PACKAGE, Quarter Panel Belt Front (23-23-39)
	4	6001 638	Retainer
25	1	2584 526-7	MOULDING PACKAGE, Door Belt (23-23-32)
	2	6001 785	Retainer & Stud
	10	6001 638	Retainer & Seal
	2	6001 831	Retainer & Seal
	4	446 618	Nut
26	2	2526 234-5	ORNAMENT, Front Door Lower Exhaust Port (23-11-23)
	8	6024 817	Nut
	8	6025 828	Screw

Part Type Code is Indicated in Parentheses

EXTERIOR VIEW - DART L-P CONVERTIBLE COUPE

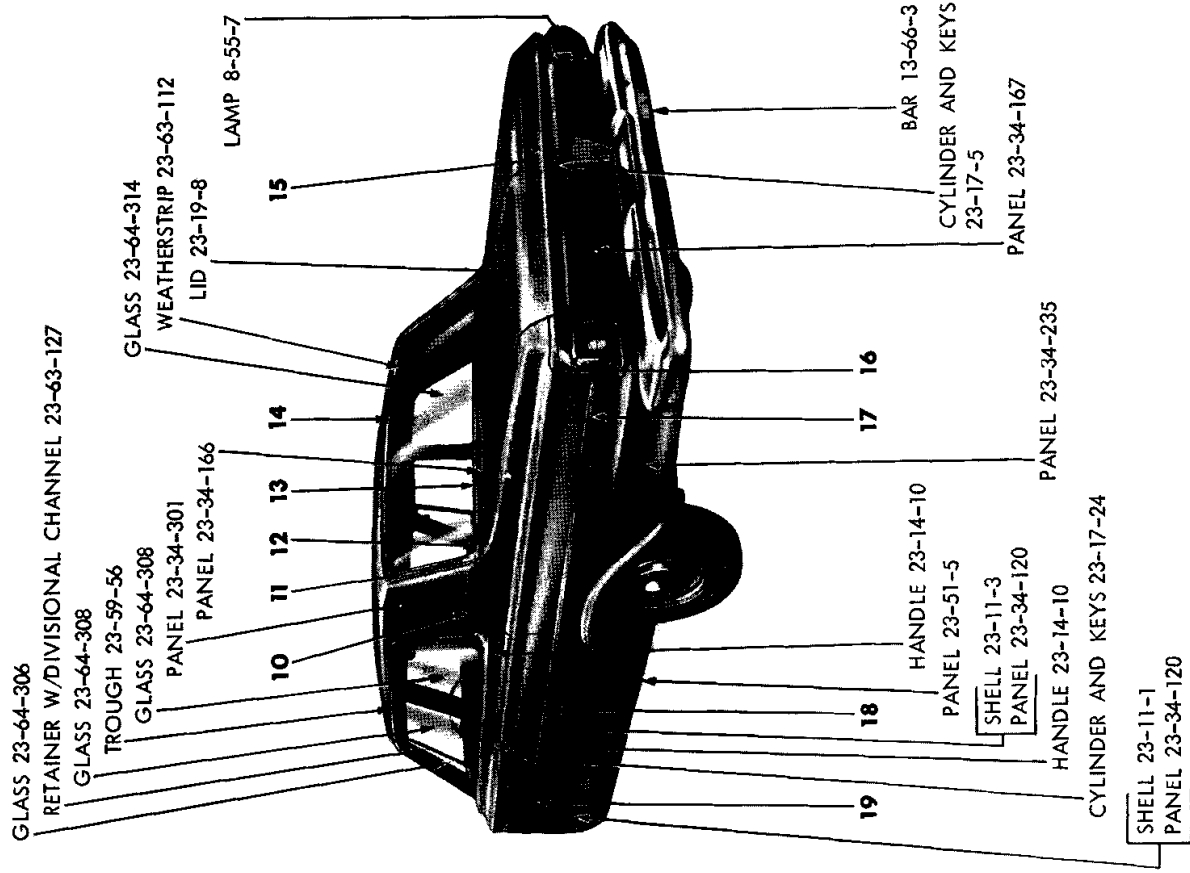


19a0239

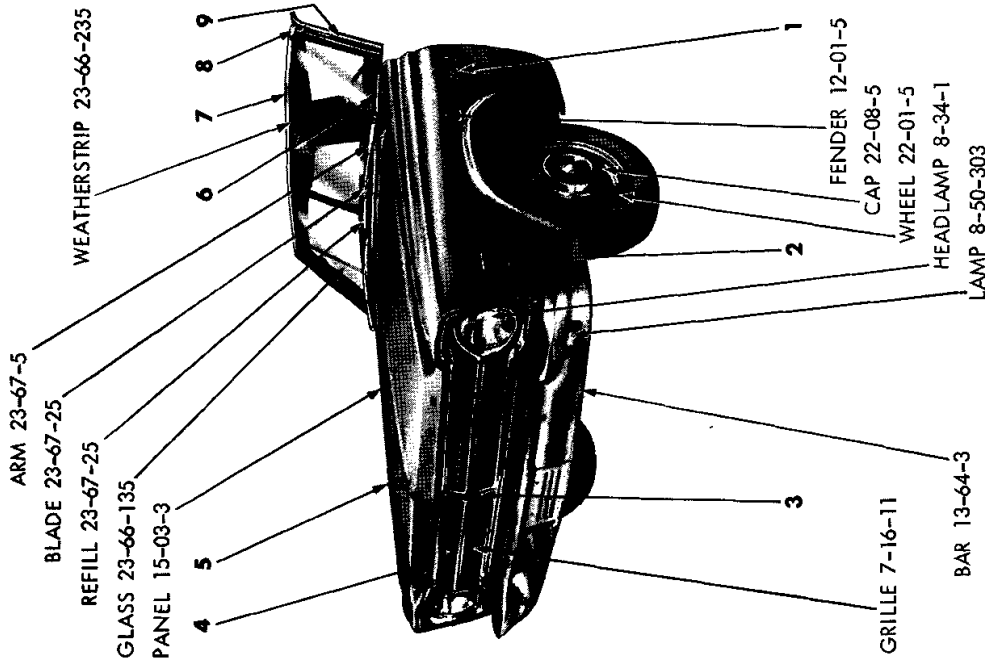
REAR INTERIOR VIEW - DART L-H STATION WAGON

NOTES

Series of horizontal lines provided for notes.



19a0201



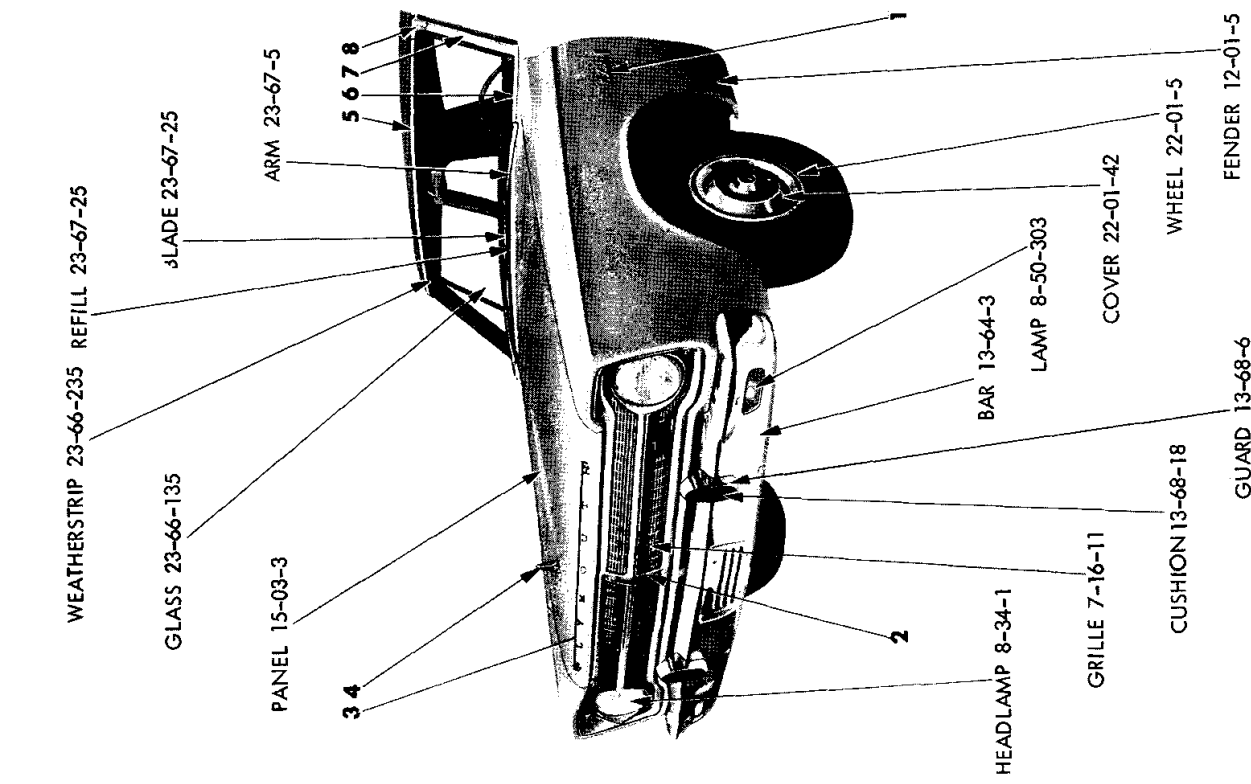
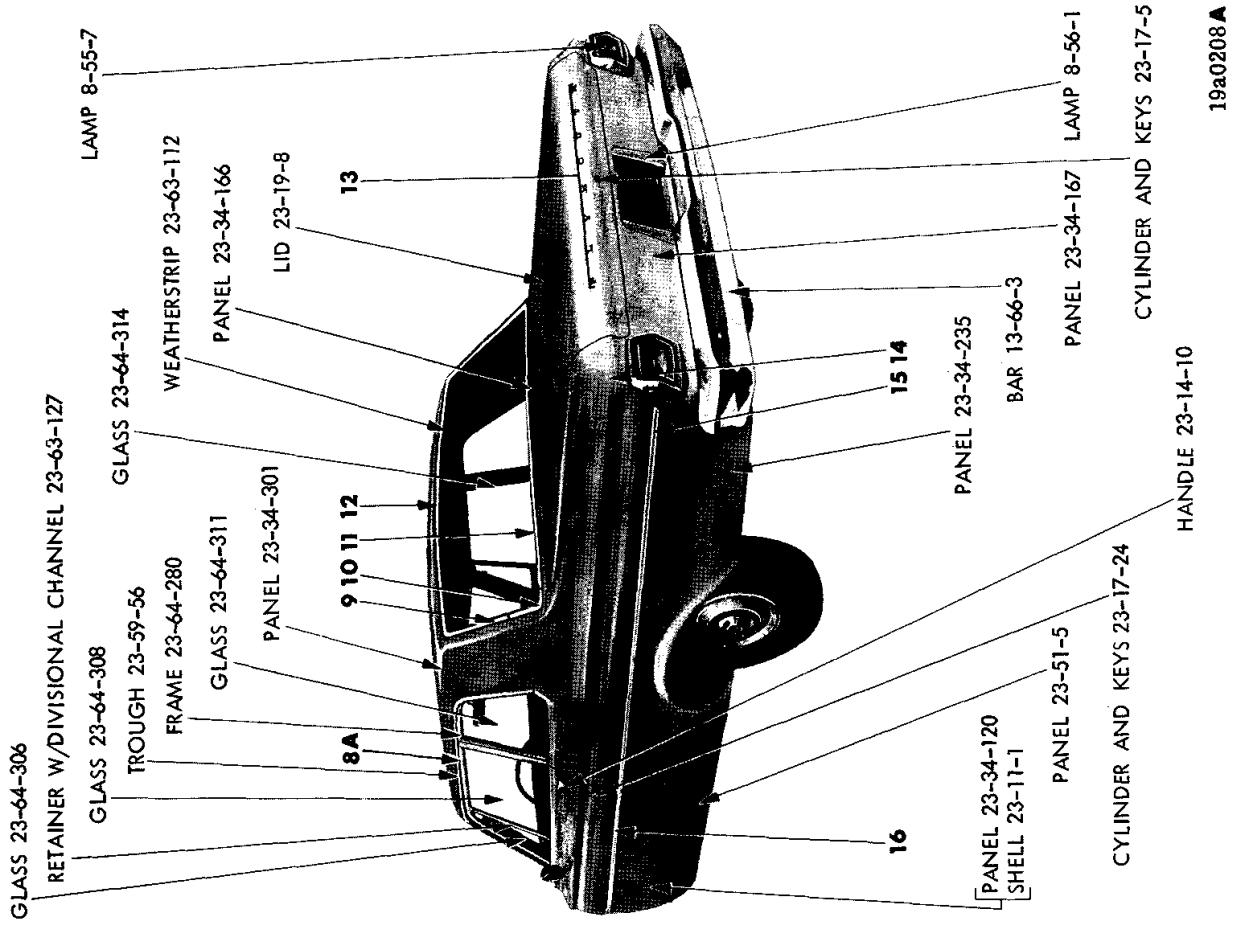
EXTERIOR VIEW - BELVEDERE R-L 4 DOOR SEDAN

REF. NO.	QTY	PART NUMBER	DESCRIPTION	REF. NO.	QTY	PART NUMBER	DESCRIPTION
1	2	2449 866	NAME PLATE, Fender Side, Belvedere I (12-15-21)	13	1	2480 922	MOULDING, Rear Window Outside Lower (23-23-52)
	10	1839 995	Nut		6	6023 693	Screw
2	2	2578 630	ORNAMENT, Fender Side, V8 (12-15-21)	14	1	2495 269	MOULDING PACKAGE, Rear Window Outside Upper (23-23-52)
	4	6023 685	Nut		6	6001 525	Retainer and Screw
3	1	2584 534	MEDALLION PACKAGE, Radiator Grille (7-17-1)	15	1	2528 323	LETTER "P", Deck Lid Name (23-19-114)
	4	445 160	Nut		1	2528 324	"L"
4	1	2528 323	LETTER, Hood Front Name, "P" (15-06-16)		1	2528 325	"Y"
	1	2528 324	"L"		1	2528 326	"M"
	1	2528 325	"Y"		1	2528 327	"O"
	1	2528 326	"M"		1	2528 328	"U"
	1	2528 327	"O"		1	2528 329	"T"
	1	2528 328	"U"		1	2528 330	"H"
	1	2528 329	"T"		16	152 259	Nut
	1	2528 330	"H"	16	1	2528 586-7	MOULDING, Quarter Outside Rear Primed (23-23-39)
5	1	2449 861	ORNAMENT, Hood Top (15-03-18)		2	----	Seal
6	1	2218 595	MOULDING, Windshield Outside Finish Lower (23-23-65)		2	2529 991	Insulator
	10	6001 537	Retainer and Screw		6	152 272	Nut
7	1	2218 594	MOULDING, Windshield Outside Upper (23-23-65)	17	1	2584 014-5	MOULDING PACKAGE, Quarter Outside (23-23-39)
	8	6001 537	Retainer and Screw		8	6001 621	Clip
8	1	2491 014-5	MOULDING, Windshield Outside Side Upper Extension (23-23-65)		10	6000 709	Clip
	10	9417 621	Nut		10	9417 621	Nut
9	1	2218 596-7	MOULDING, Windshield Outside Finish Side (23-23-65)	18	1	2584 018-9	MOULDING PACKAGE, Rear Door Outside (23-23-33)
	6	6023 247	Screw		4	6001 615	Retainer
10	1	2448 150-1	MOULDING PACKAGE, Quarter Outside Panel Paint Break (Spec. Equip.) (23-23-39)		4	9417 621	Nut
	6	6001 030	Retainer		8	6001 621	Clip
	6	152 259	Nut	19	1	2584 010-1	MOULDING PACKAGE, Front Door Outside (23-23-32)
11	1	2480 918-9	MOULDING, Rear Window Outside Side (23-23-52)		2	6000 709	Clip
	4	6023 693	Screw		4	9417 621	Nut
12	1	2484 380-1	MOULDING, Rear Window Outside Lower Corner (23-23-52)		2	6001 615	Retainer
	2	6023 693	Screw		8	6001 621	Clip

All Packages include Attaching Parts

Part Type Code is Indicated in Parentheses

EXTERIOR VIEW - BELVEDERE R-L 4 DOOR SEDAN



EXTERIOR VIEW - BELVEDERE R-L 2 DOOR SEDAN

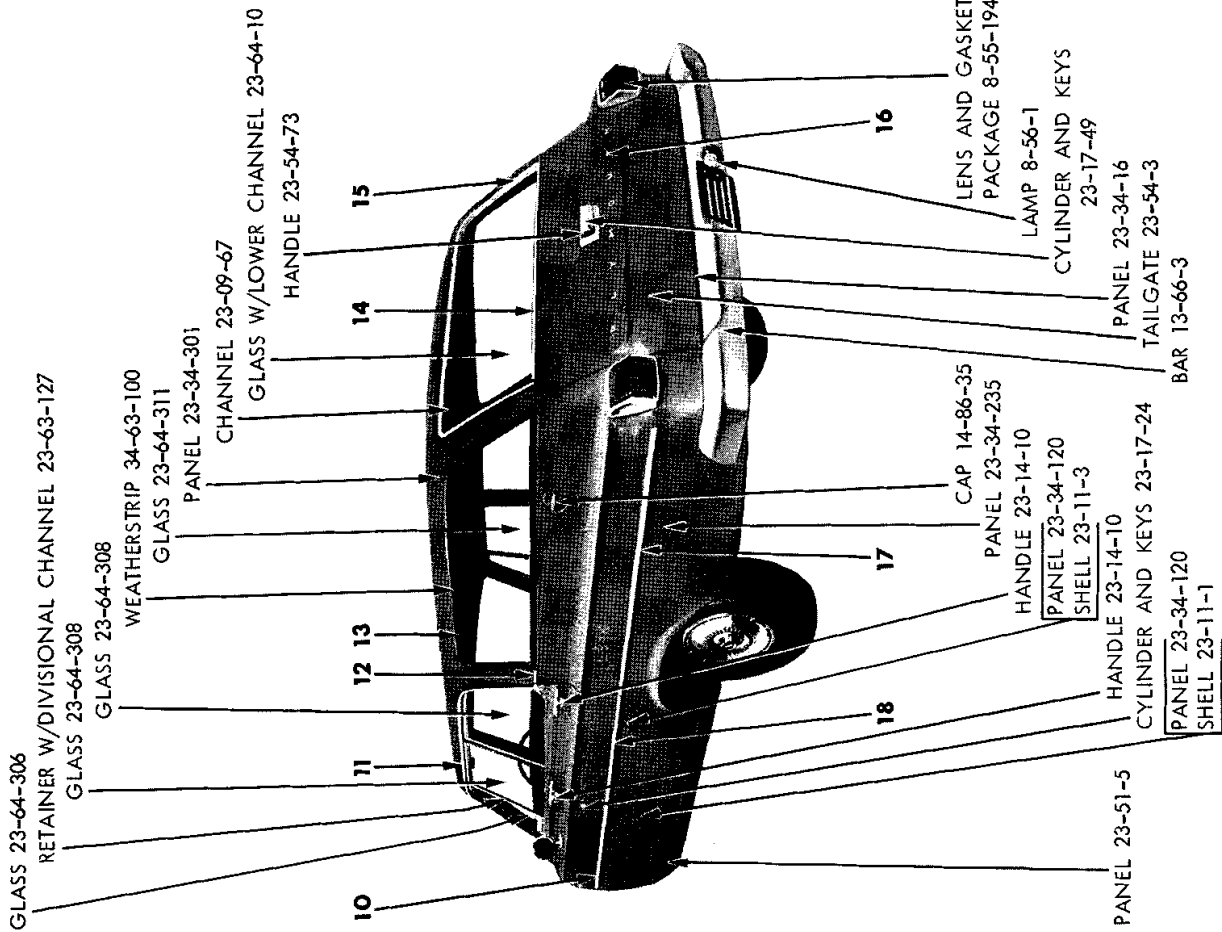
REF. NO.	QTY	PART NUMBER	DESCRIPTION
1	2	2449 866	NAME PLATE, Fender Side, Belvedere I (12-15-21)
	10	1839 995	Nut
2	1	2584 534	MEDALLION PACKAGE, Radiator Grille (7-17-1)
	4	445 160	Nut
3	1	2528 323	LETTER, Hood Front Name, "P" (15-06-16)
	1	2528 324	"L"
	1	2528 325	"Y"
	1	2528 326	"M"
	1	2528 327	"O"
	1	2528 328	"U"
	1	2528 329	"T"
	1	2528 330	"H"
	16	6000 616	Nut, w/Retainer
4	1	2524 200	ORNAMENT, Hood Top (15-03-18)
	1	----	Stud
5	1	2218 594	MOULDING, Windshield Outside Upper (23-23-65)
	8	6001 537	Retainer and Screw
6	1	2218 595	MOULDING, Windshield Outside Finish Lower (23-23-65)
	10	6001 537	Retainer and Screw
7	1	2218 596-7	MOULDING, Windshield Outside Finish Side (23-23-65)
	6	6023 247	Screw
8	1	2491 014-5	MOULDING, Windshield Outside Side Upper Extension (23-23-65)
8A	1	2483 436-7	MOULDING, Roof Side Drain Trough (23-59-61)
9	1	2480 918-9	MOULDING, Rear Window Outside Side (23-23-52)
	4	6023 693	Screw
10	1	2484 380-1	MOULDING, Rear Window Outside Lower Corner (23-23-52)
	2	6023 693	Screw

REF. NO.	QTY	PART NUMBER	DESCRIPTION
11	1	2480 922	MOULDING, Rear Window Outside Lower (23-23-52)
	6	6023 693	Screw
12	1	2495 269	MOULDING PACKAGE, Rear Window Outside Upper (23-23-52)
	6	6001 525	Retainer and Screw
13	1	2528 323	LETTER "P", Deck Lid Name (23-19-114)
	1	2528 324	"L"
	1	2528 325	"Y"
	1	2528 326	"M"
	1	2528 327	"O"
	1	2528 328	"U"
	1	2528 329	"T"
	1	2528 330	"H"
	16	152 259	Nut
14	1	2528 586-7	MOULDING, Quarter Outside Rear Prime (23-23-39)
	2	2529 991	Insulator
	2	----	Seal
	2	152 272	Nut
15	1	2584 012-3	MOULDING PACKAGE, Quarter Outside (23-23-39)
	8	6001 621	Clip
	10	6000 709	Clip
	10	9417 621	Nut
16	1	2584 008-9	MOULDING PACKAGE, Door Outside (23-23-32)
	2	6000 709	Clip
	2	9417 621	Nut
	10	6001 621	Clip
	2	6001 622	Retainer and Seal
	2	----	Screw

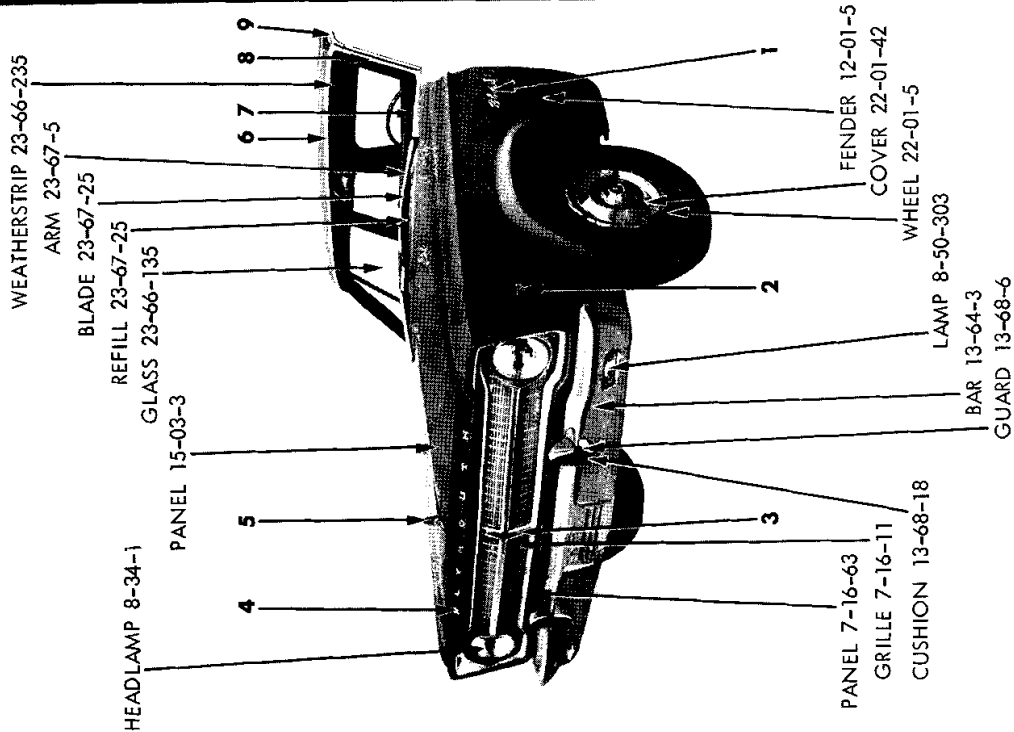
All Packages Include Attaching Parts

Part Type Code is Indicated in Parentheses

EXTERIOR VIEW - BELVEDERE R-L 2 DOOR SEDAN



19a0232A



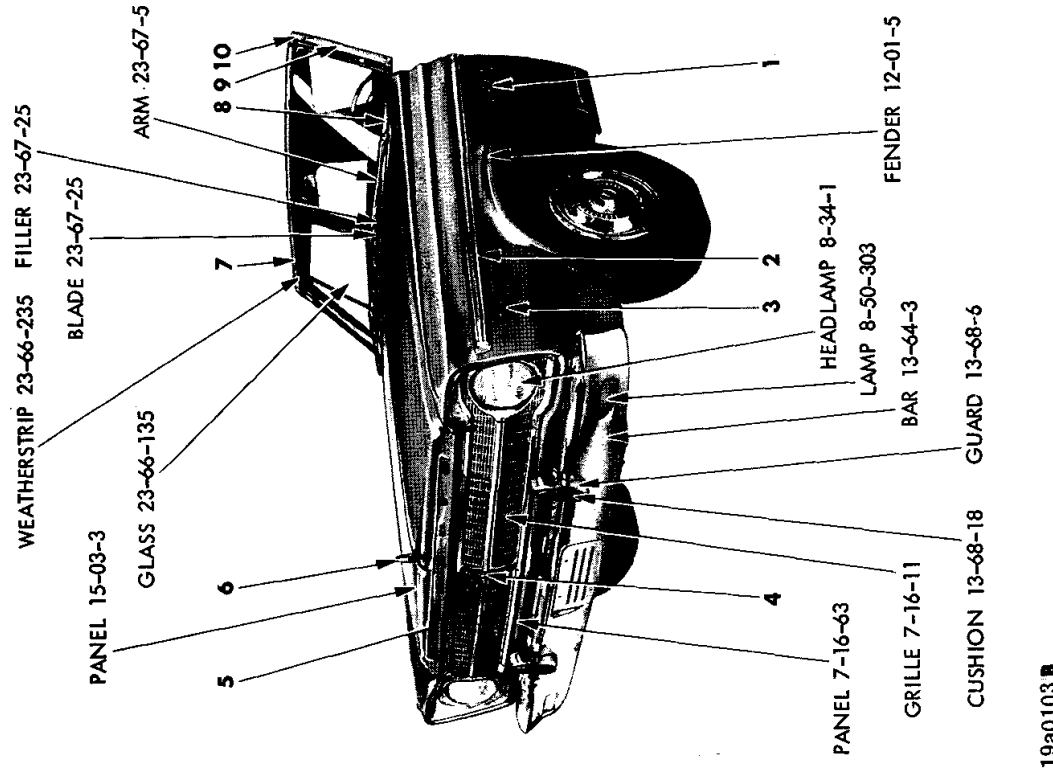
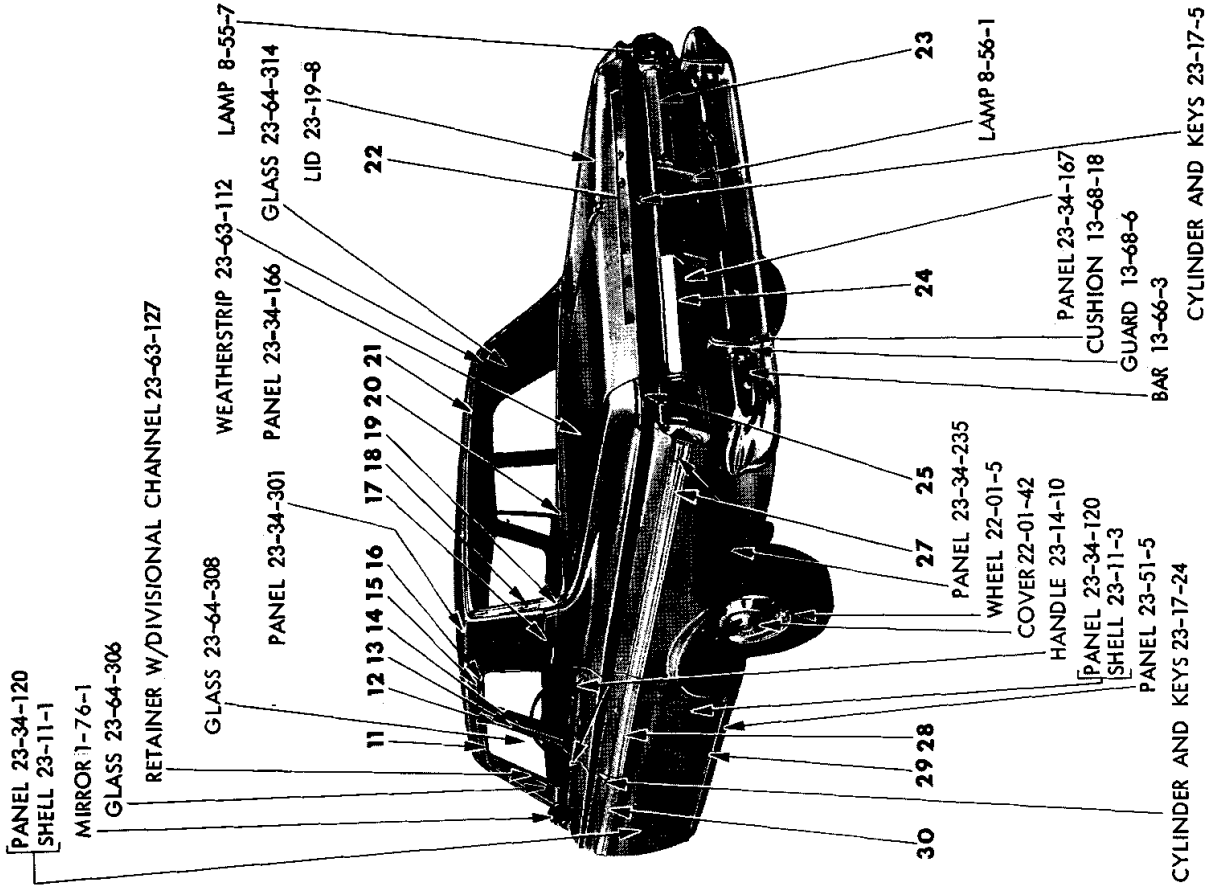
EXTERIOR VIEW - BELVEDERE R-L STATION WAGON

REF. NO.	QTY	PART NUMBER	DESCRIPTION	REF. NO.	QTY	PART NUMBER	DESCRIPTION
1	2	2449 866	NAME PLATE, Fender Side, Belvedere I (12-15-21)	12	1	2299 374	MOULDING PACKAGE, Quarter Outside Belt Paint Break
	10	1839 995	Nut				Right (Spec. Equip.)(23-23-39)
2	2	2578 630	ORNAMENT, Fender Side, V8 (12-15-21)		1	2299 399	Left (Spec. Equip.)(23-23-39)
	4	6023 685	Nut		4	6001 071	Clip
3	1	2578 776	MEDALLION, Radiator Grille (7-17-1)	13	2	2422 471	LOCKINGSTRIP, Quarter Window Glass Weatherstrip (Mylar) (23-63-110)
4	1	2528 323	LETTER, Hood Front Name, "P" (15-06-16)		2	2255 027	(Rubber)
	1	2528 324	"L"	14	1	2448 488	MOULDING PACKAGE, Tailgate Outside Panel Belt (23-23-61)
	1	2528 325	"Y"		5	6001 435	Clip
	1	2528 326	"M"		2	6024 564	Screw
	1	2528 327	"O"	15	1	2480 976-7	MOULDING, Rear Upper Pillar Outside (23-23-60)
	1	2528 328	"U"		8	9417 732	Screw
	1	2528 329	"T"	16	1	2528 323	LETTER "P", Tailgate Outside (23-54-11)
	1	2528 330	"H"				"L"
	16	6000 616	Nut, w/Retainer		1	2528 324	"Y"
5	1	2524 200	ORNAMENT, Hood Top (15-03-18)		1	2528 325	"M"
	1	---- ---	Stud		1	2528 326	"O"
6	1	2218 594	MOULDING, Windshield Outside Upper (23-23-65)		1	2528 327	"U"
	8	6001 537	Retainer		1	2528 328	"T"
7	1	2218 595	MOULDING, Windshield Outside Finish Lower (23-23-65)		1	2528 329	"H"
	10	6001 537	Retainer		15	152 259	Nut
8	1	2218 596-7	MOULDING, Windshield Outside Finish Side (23-23-65)		1	6025 286	Nut
	6	6023 247	Screw	17	1	2584 016-7	MOULDING PACKAGE, Quarter Outside (23-23-39)
9	1	2491 014-5	MOULDING, Windshield Outside Side Upper Extension (23-23-65)		2	9417 621	Nut
					2	6000 709	Clip
10	1	2584 010-1	MOULDING PACKAGE, Front Door Outside (23-23-32)		16	6001 621	Clip
	2	6000 709	Clip	18	1	2584 018-9	MOULDING PACKAGE, Rear Door Outside (23-23-33)
	4	9417 621	Nut		4	6001 615	Retainer
	2	6001 615	Retainer		4	9417 621	Nut
	8	6001 621	Clip		8	6001 621	Clip
11	1	2483 436-7	MOULDING, Roof Drain Trough Side (23-59-61)				

All Packages Include Attaching Parts

Part Type Code is Indicated in Parentheses

EXTERIOR VIEW - BELVEDERE R-L STATION WAGON



EXTERIOR VIEW - BELVEDERE R-H 4 DOOR SEDAN

19a0103 B

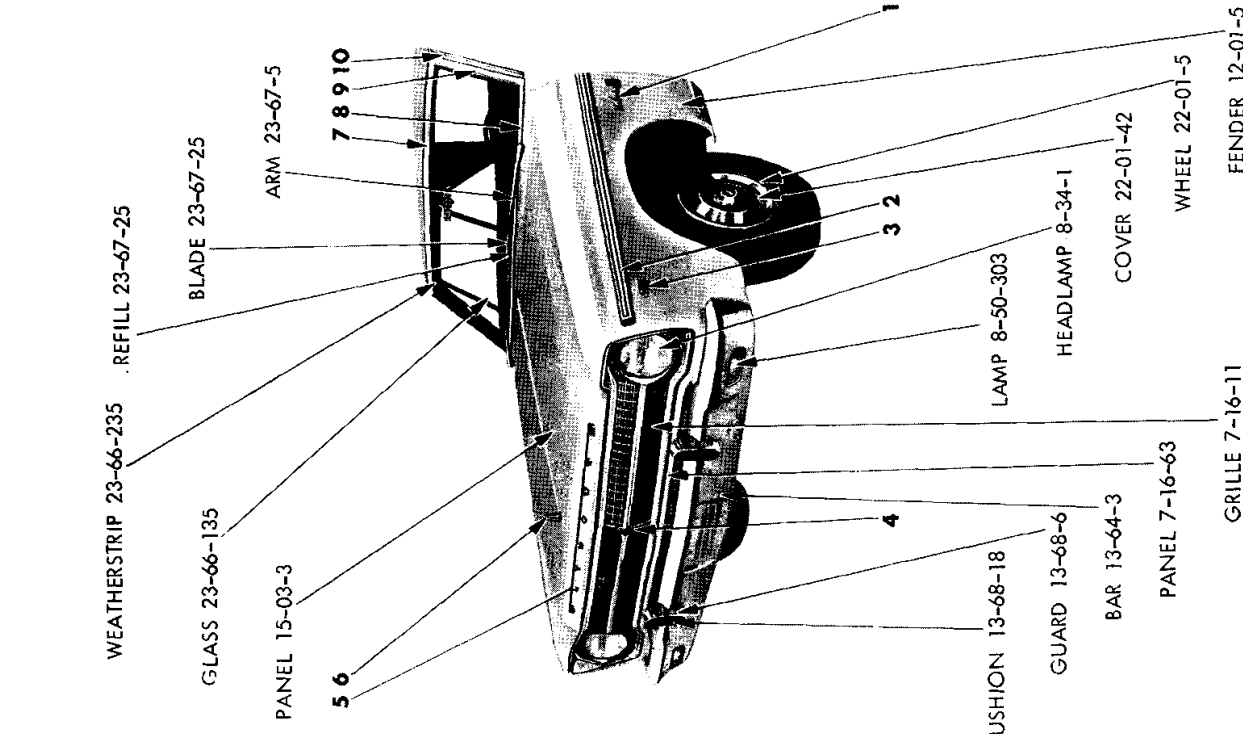
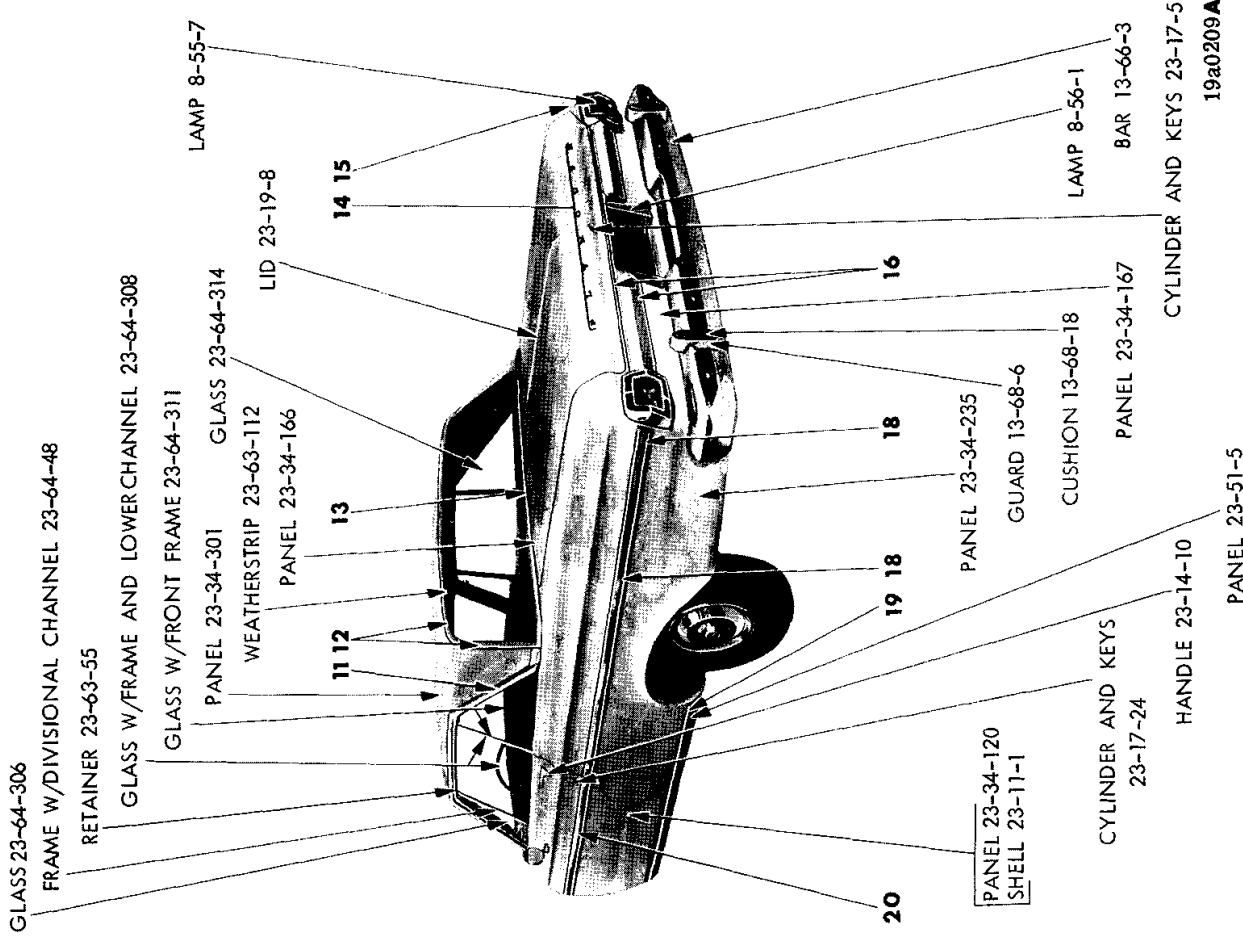
REF. NO.	QTY	PART NUMBER	DESCRIPTION
1	2	2578 627	NAME PLATE, Fender Side, Belvedere II (12-15-21)
	10	1839 995	Nut
2	1	2525 840-1	MOULDING PACKAGE, Fender Side, Red (12-15-2)
	1	2525 842-3	White
	1	2525 838-9	Black
	2	6001 686	Retainer
	8	6001 630	Retainer
	6	6001 728	Retainer
	6	----	Nut
3	2	2578 630	ORNAMENT, Fender Side, V8 (12-15-21)
	4	----	Nut
4	1	2584 534	MEDALLION PACKAGE, Radiator Grille (7-17-1)
	4	----	Nut 4 445 160 Nut
5	1	2528 323	LETTER, Hood Front Name, "P" (15-06-16)
	1	2528 324	"L"
	1	2528 325	"Y"
	1	2528 326	"M"
	1	2528 327	"O"
	1	2528 328	"U"
	1	2528 329	"T"
	1	2528 330	"H"
	16	6000 616	Nut, w/Retainer
6	1	2449 861	ORNAMENT, Hood Top (15-03-18)
7	1	2218 594	MOULDING, Windshield Outside Upper (23-23-65)
	8	6001 537	Retainer and Screw
8	1	2218 595	MOULDING, Windshield Outside Finish Lower (23-23-65)
	10	6001 537	Retainer and Screw
9	1	2218 596-7	MOULDING, Windshield Outside Finish Side (23-23-65)
	6	6023 247	Screw
10	1	2491 016-7	MOULDING, Windshield Outside Side Upper Extension (23-23-65)
	6	6024 271	Screw
11	1	2218 444-5	MOULDING, Front Door Window Frame Upper (23-23-32)
12	1	2167 998-9	MOULDING, Front Door Window Frame Rear (23-23-32)
13	1	2216 356-7	PANEL, Center Pillar Finish (23-23-16)
	4	6022 890	Screw
14	1	2167 998-9	MOULDING, Rear Door Window Frame Front (23-23-33)
15	1	2483 436-7	MOULDING, Roof Drain Trough Side (23-59-61)
16	1	2216 036-7	MOULDING, Rear Door Window Frame Upper (23-23-33)
17	1	2584 020-1	MOULDING PACKAGE, Quarter Panel Belt (23-23-39)
	4	6024 716	Seal
	4	6001 624	Retainer
18	1	2480 918-9	MOULDING, Rear Window Outside Side (23-23-52)
	4	6023 693	Screw
19	1	2484 380-1	MOULDING, Rear Window Outside Lower Corner (23-23-52)
	2	6023 693	Screw
20	1	2480 922	MOULDING, Rear Window Outside Lower (23-23-52)
	6	6023 693	Screw

All Packages Include Attaching Parts

REF. NO.	QTY	PART NUMBER	DESCRIPTION
21	1	2495 269	MOULDING PACKAGE, Rear Window Outside Upper (23-23-52)
	6	6001 525	Retainer and Screw
22	1	2528 323	"P", Deck Lid Letter (23-19-114)
	1	2528 324	"L"
	1	2528 325	"Y"
	1	2528 326	"M"
	1	2528 327	"O"
	1	2528 328	"U"
	1	2528 329	"T"
	1	2528 330	"H"
	16	152 259	Nut
23	1	2573 818	PANEL, Deck Lower Panel Finish, Right (23-23-28)
	6	6001 430	Retainer
	6	6024 705	Seal
	6	6024 679	Nut
24	1	2573 827	PANEL, Deck Lower Panel Finish, Left (23-23-28)
	6	6001 430	Retainer
	6	6024 705	Seal
	6	6024 679	Nut
25	1	2528 586-7	MOULDING, Quarter Panel Upper Rear (23-23-39)
	2	2529 991	Insulator
	2	----	Seal
	2	152 272	Nut
27	1	2584 044-5	MOULDING PACKAGE, Quarter Panel Lower, w/End, Red (23-23-39)
	1	2584 046-7	White
	1	2584 048-9	Black
	4	6001 630	Retainer
	2	6001 728	Screw
	10	6024 679	Nut
	2	6024 711	Washer
28	1	2584 056-7	MOULDING PACKAGE, Rear Door Lower, Red (23-23-33)
	1	2584 058-9	White
	1	2584 060-1	Black
	8	6001 630	Retainer
	2	6001 629	Retainer
	4	9417 621	Nut
	1	6001 755	Retainer
29	2	2584 476	MOULDING PACKAGE, Body Side Sill (23-23-2)
	2	6025 187	Screw
	18	6001 580	Retainer
30	1	2584 032-3	MOULDING PACKAGE, Front Door Lower, Red (23-23-32)
	1	2584 034-5	White
	1	2584 036-7	Black
	8	6001 630	Retainer
	4	6001 755	Retainer
	2	9417 621	Nut

Part Type Code is Indicated in Parentheses

EXTERIOR VIEW - BELVEDERE R-H 4 DOOR SEDAN



EXTERIOR VIEW - BELVEDERE R-H 2 DOOR HARDTOP

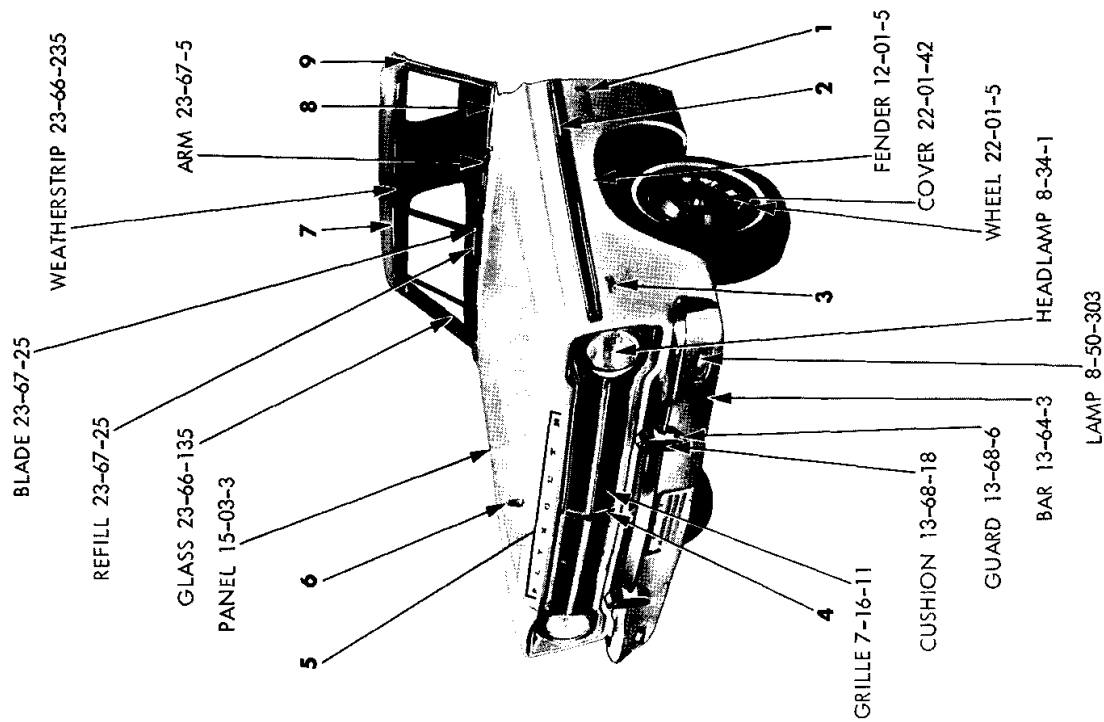
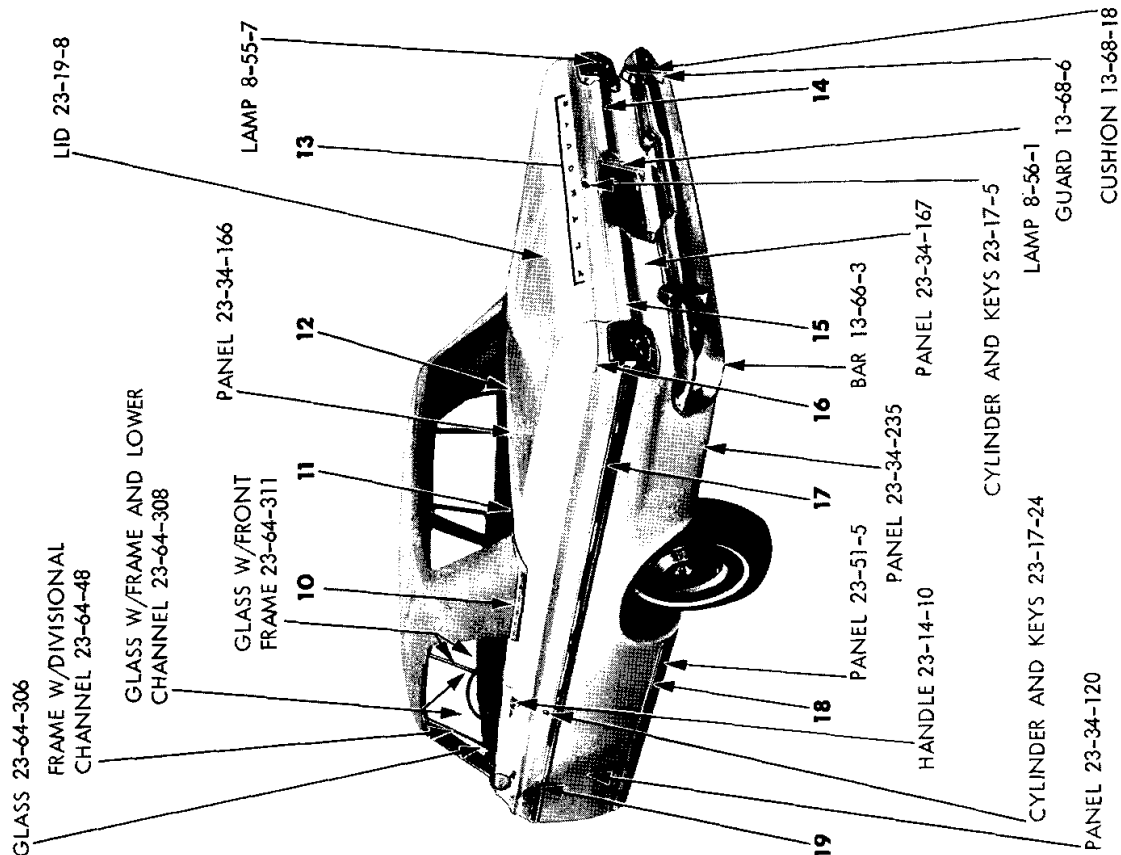
REF. NO.	QTY	PART NUMBER	DESCRIPTION
1	2	2578 627	NAME PLATE, Fender Side (12-15-21)
	10	1839 995	Nut
2	1	2525 840-1	MOULDING PACKAGE, Fender Side, Red (12-15-2)
	1	2525 842-3	White
	1	2525 838-9	Black
	2	6001 686	Retainer
	8	6001 630	Retainer
	6	6001 728	Retainer 6 ---- Nut
3	2	2578 630	ORNAMENT, Fender Side, V8 (12-15-21)
	4	6023 685	Nut
4	1	2584 534	MEDALLION PACKAGE, Radiator Grille (7-17-1)
	4	445 160	Nut
5	1	2528 323	LETTER "P", Hood Front Name (15-06-16)
	1	2528 324	"L"
	1	2528 325	"Y"
	1	2528 326	"M"
	1	2528 327	"O"
	1	2528 328	"U"
	1	2528 329	"T"
	1	2528 330	"H"
	16	6000 616	Nut, w/Retainer
6	1	2524 200	ORNAMENT, Hood Top (15-03-18)
7	1	2218 594	MOULDING, Windshield Outside Upper (23-23-65)
	8	6001 537	Retainer and Screw
8	1	2218 595	MOULDING, Windshield Outside Finish Lower (23-23-65)
	10	6001 537	Retainer and Screw
9	1	2218 596-7	MOULDING, Windshield Outside Finish Side (23-23-65)
	6	6023 247	Screw
10	1	2492 712-3	MOULDING, Windshield Outside Side Upper Extension (23-23-65)
11	1	2525 556-7	MOULDING and RETAINER PACKAGE, Roof Side Drain Trough (23-59-61)
	6	6024 271	Screw
	2	6024 718	Seal
	2	446 059	Nut
12	1	2495 276-7	MOULDING PACKAGE, Rear Window Outside Upper and Side (23-23-52)
	14	6001 084	Retainer and Screw
13	1	2495 274-5	MOULDING PACKAGE, Rear Window Outside Lower (23-23-52)
	12	6001 084	Retainer and Screw
14	1	2528 323	LETTER "P", Deck Lid Name (23-19-114)
	1	2528 324	"L"
	1	2528 325	"Y"
	1	2528 326	"M"
	1	2528 327	"O"
	1	2528 328	"U"
	1	2528 329	"T"
	1	2528 330	"H"
	16	152 259	Nut

All Packages Include Attaching Parts

REF. NO.	QTY	PART NUMBER	DESCRIPTION
15	1	2528 586-7	MOULDING, Quarter Outside Rear Prime (23-23-39)
	2	2529 991	Insulator
	2	----	Seal
	2	152 272	Nut
16	1	2573 818	PANEL and TAPPING PLATE, Deck Lower Finish, Right (23-23-28)
	6	6024 679	Nut
	6	6024 705	Seal
	6	6001 430	Retainer
	2	1839 995	Nut
	2	----	Retainer
	1	6000 050	Clip
	1	2573 827	PANEL, Deck Lower Finish, Left (23-23-28)
	6	6024 679	Nut
	6	6024 705	Seal
	6	6001 430	Retainer
18	1	2584 050-1	MOULDING and CAP PACKAGE, Quarter Outside, Red (23-23-39)
	1	2584 052-3	White
	1	2584 054-5	Black
	12	6001 630	Retainer and Stud
	2	6024 271	Screw
	8	6024 679	Nut
	8	6001 728	Retainer
	2	6024 679	Nut
	★	6024 711	Washer
19	2	2584 476	MOULDING PACKAGE, Body Side Sill Outside (23-23-2)
	18	6001 580	Retainer
	2	6025 187	Screw
20	1	2584 026-7	MOULDING PACKAGE, Front Door Outside, Red (23-23-32)
	1	2584 028-9	White
	1	2584 030-1	Black
	10	6001 630	Retainer and Stud
	2	----	Screw
	2	6001 743	Retainer
	2	6001 755	Retainer
	2	9417 621	Nut

Part Type Code is Indicated in Parentheses

EXTERIOR VIEW - BELVEDERE R-H 2 DOOR HARDTOP



EXTERIOR VIEW - BELVEDERE R-H CONVERTIBLE COUPE

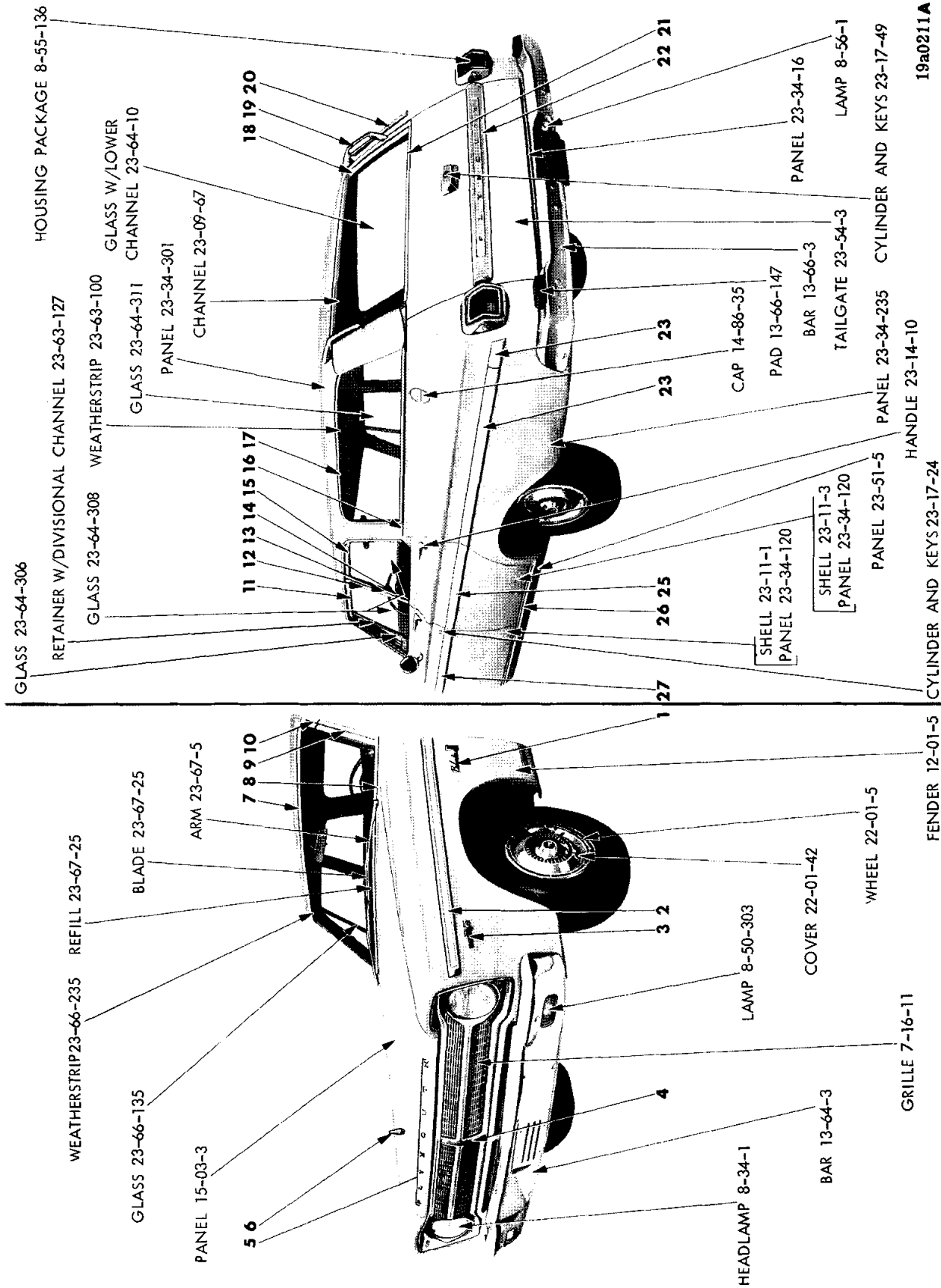
19a0251

REF. NO.	QTY	PART NUMBER	DESCRIPTION	REF. NO.	QTY	PART NUMBER	DESCRIPTION
1	2	2578 627	NAME PLATE, Fender Side, Belvedere II (12-15-21)	12	1	2448 456	COVER PACKAGE, Deck Opening Upper Panel Moulding Joint (23-23-41)
	10	1839 995	Nut		1	6024 477	Fastener
2	1	2525 840-1	MOULDING PACKAGE, Fender Side, Red (12-15-2)	13	1	2528 323	LETTER "P", Deck Lid Name (23-19-114)
	1	2525 842-3	White		1	2528 324	"L"
	1	2525 838-9	Black		1	2528 325	"Y"
	2	6001 686	Retainer		1	2528 326	"M"
	8	6001 630	Retainer		1	2528 327	"O"
	6	6001 728	Retainer		1	2528 328	"U"
	6	-----	Nut		1	2528 329	"T"
3	2	2578 630	ORNAMENT, Fender Side, V8 (12-15-21)		1	2528 330	"H"
	4	6023 685	Nut	16	16	152 259	Nut
4	1	2584 534	MEDALLION PACKAGE, Radiator Grille (7-17-1)	14	1	2573 818	PANEL and PLATE, Deck Lower Finish, Right (23-23-28)
	4	445 160	Nut		6	6001 430	Retainer
5	1	2528 323	LETTER, Hood Front Name, "P" (15-06-16)		6	6024 705	Seal
	1	2528 324	"L"		6	6024 679	Nut
	1	2528 325	"Y"		2	1839 995	Nut
	1	2528 326	"M"		2	-----	Retainer
	1	2528 327	"O"		1	6025 286	Nut
	1	2528 328	"U"		1	6024 714	Washer
	1	2528 329	"T"	15	1	2573 827	PANEL, Deck Lower Finish, Left (23-23-28)
	1	2528 330	"H"		6	6001 430	Retainer
	16	6000 616	Nut, w/Retainer		6	6024 705	Seal
6	1	2449 861	ORNAMENT, Hood Top, w/o Space for Cu. In. Engine Displacement (15-03-18)		6	6024 679	Nut
	1	2578 640	ORNAMENT, Hood Top, w/Space for Cu. In. Engine Displacement	16	1	2528 586-7	MOULDING, Quarter Outside Rear, Prime (23-23-39)
	1	2578 733	ORNAMENT, w/Decal, Hood Top, w/318 Cu. In. Decal		2	2529 991	Insulator
	1	2578 734	ORNAMENT, w/Decal, Hood Top, w/361 Cu. In. Decal		2	-----	Seal
	1	2578 735	ORNAMENT, w/Decal, Hood Top, w/383 Cu. In. Decal		2	152 272	Nut
	1	2578 736	ORNAMENT, w/Decal, Hood Top, w/426 Cu. In. Decal	17	1	2584 050-1	MOULDING and CAP PACKAGE, Quarter Outside, Red (23-23-39)
7	1	2482 898-9	MOULDING, Windshield Header Outside (23-23-65)		1	2584 052-3	White
	7	162 402	Screw		1	2584 054-5	Black
8	1	2218 595	MOULDING, Windshield Outside Finish Lower (23-23-65)		12	6001 630	Retainer
	10	6001 537	Retainer		2	6024 271	Screw
9	1	2218 596-7	MOULDING, Windshield Outside Finish Side (23-23-65)		8	6001 728	Retainer
	6	6023 247	Screw		10	6024 679	Nut
10	1	2495 366-7	MOULDING PACKAGE, Quarter Outside Belt (23-23-39)		2	6024 711	Washer
	14	6024 472	Fastener	18	1	2584 476	MOULDING PACKAGE, Body Side Sill Outside (23-23-2)
11	1	2448 458-9	MOULDING PACKAGE, Deck Opening Upper Panel (23-23-31)		2	6025 187	Screw
	10	6024 477	Fastener		18	6001 580	Retainer
				19	1	2584 026-7	MOULDING PACKAGE, Front Door Outside, Red (23-23-32)
					1	2584 028-9	White
					1	2584 030-1	Black
					8	6001 630	Retainer
					2	-----	Screw
					2	6001 743	Retainer
					2	6001 755	Retainer
					2	9417 621	Nut

All Packages Include Attaching Parts

Part Type Code is Indicated in Parentheses

EXTERIOR VIEW - BELVEDERE R-H CONVERTIBLE COUPE



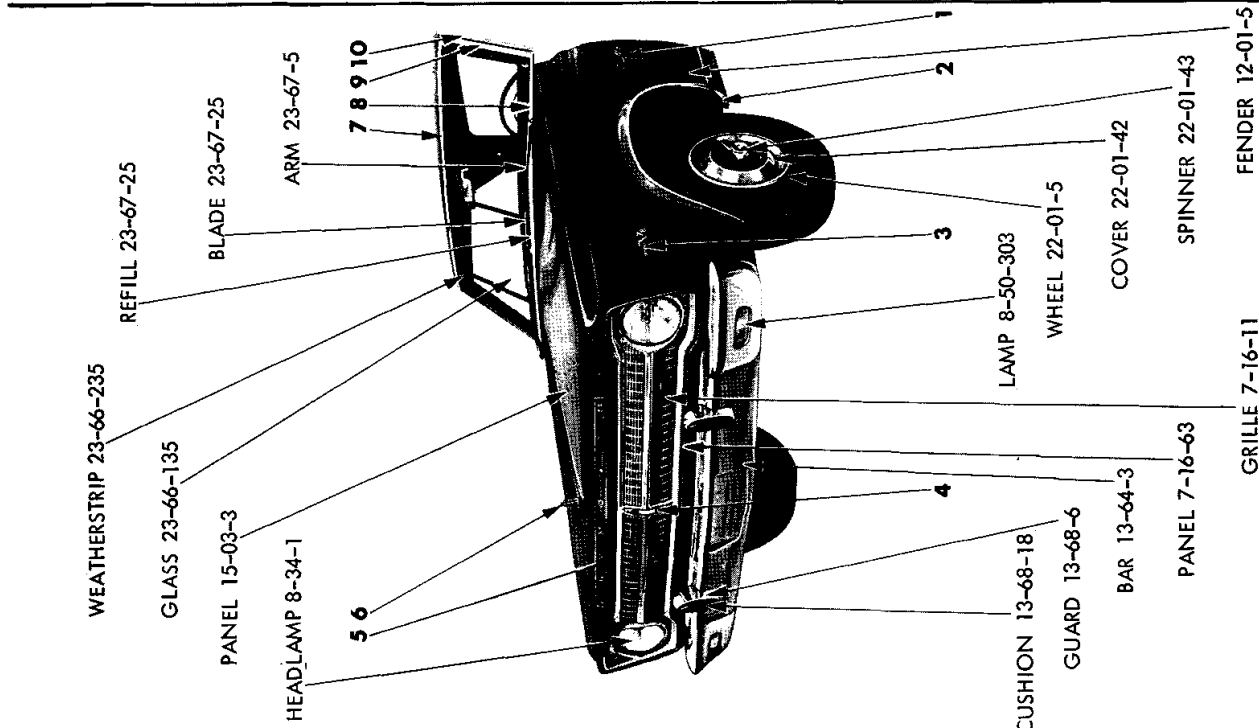
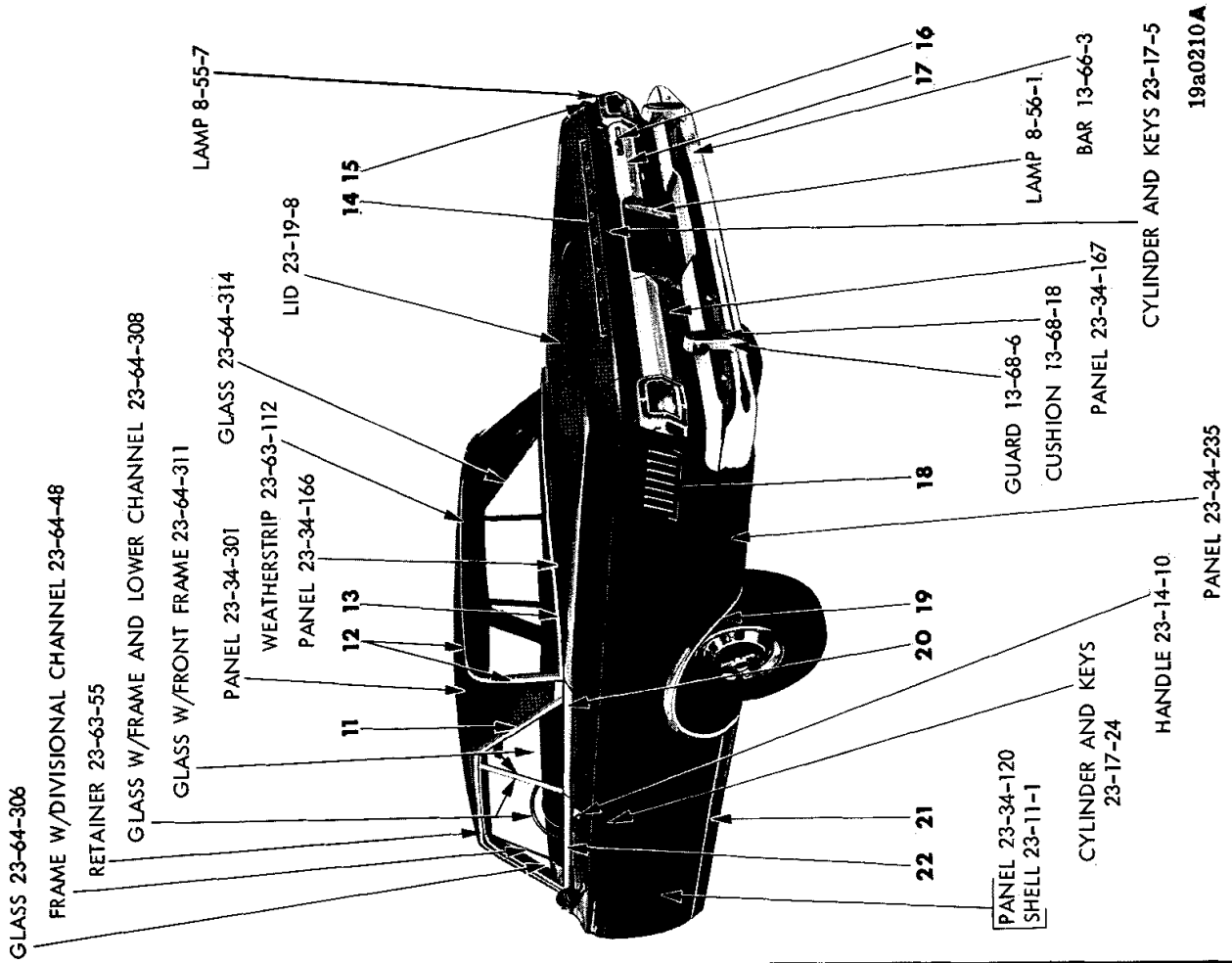
EXTERIOR VIEW - BELVEDERE R-H STATION WAGON

REF. NO.	QTY	PART NUMBER	DESCRIPTION	REF. NO.	QTY	PART NUMBER	DESCRIPTION
1	2	2578 627	NAME PLATE, Fender Side, Belvedere II (12-15-21)	17	2	2422 471	LOCKINGSTRIP, Quarter Window Glass Weatherstrip (23-63-110)
	10	1839 995	Nut	18	1	2480 976-7	MOULDING, Rear Upper Pillar Outside (23-23-60)
2	1	2525 840-1	MOULDING PACKAGE, Fender Side, Red (12-15-2)		8	9417 732	Screw
	1	2525 842-3	White	19	1	2482 768-9	HANDLE, Roof Panel Outside Assist (23-36-123)
	1	2525 838-9	Black	20	1	2252 254-5	DEFLECTOR, Roof Panel Outside Air (23-36-134)
	2	6001 686	Retainer		2	167 079	Screw
	8	6001 630	Retainer		4	9418 381	Screw
	6	6001 728	Retainer 6 ---- --- Nut	21	1	2448 488	MOULDING PACKAGE, Tailgate Outside Panel Belt (23-23-61)
3	2	2578 632	NAME PLATE, Fender Side, Commando V8 (12-15-21)		3	6023 687	Seal
	4	6023 685	Nut		3	6023 682	Screw
4	1	2584 534	MEDALLION PACKAGE, Radiator Grille (7-17-1)		2	1839 995	Nut
	4	445 160	Nut	22	1	2526 919	PANEL and STUDS, Tailgate Finish (23-23-77)
5	1	2528 323	LETTER, Hood Front Name, "P" (15-06-16)		5	9411 618	Nut
	1	2528 324	"L"		5	6024 711	Seal
	1	2528 325	"Y"	23	1	2584 038-9	MOULDING and CAP PACKAGE, Quarter Outside, Red (23-23-39)
	1	2528 326	"M"		1	2584 040-1	White
	1	2528 327	"O"		1	2584 042-3	Black
	1	2528 328	"U"		12	6001 630	Retainer
	1	2528 329	"T"		2	6024 271	Screw
	1	2528 330	"H"		2	6024 679	Nut
	16	6000 616	Nut, w/Retainer		★	6024 711	Washer
6	1	2449 861	ORNAMENT, Hood Top (15-03-18)	25	1	2584 056-7	MOULDING PACKAGE, Rear Door Outside, Red (23-23-33)
	1	2578 640	ORNAMENT, Hood Top, w/Space for Cu. In. Engine Displacement		1	2584 058-9	White
	1	2578 733	ORNAMENT, w/Decal, Hood Top, w/318 Cu. In. Decal		1	2584 060-1	Black
	1	2578 734	w/361 Cu. In. Decal		8	6001 630	Retainer
	1	2578 735	w/383 Cu. In. Decal		2	6001 629	Retainer
	1	2578 736	w/426 Cu. In. Decal		4	9417 621	Nut
7	1	2218 594	MOULDING, Windshield Outside Upper (23-23-65)		1	6001 755	Retainer
	8	6001 537	Retainer and Screw	26	2	2584 476	MOULDING PACKAGE, Body Side Sill Outside (23-23-2)
8	1	2218 595	MOULDING, Windshield Outside Finish Lower (23-23-68)		18	6001 580	Retainer
	10	6001 537	Retainer and Screw		2	6025 187	Screw
9	1	2218 596-7	MOULDING, Windshield Outside Finish Side (23-23-65)	27	1	2584 032-3	MOULDING PACKAGE, Front Door Outside, Red (23-23-32)
	6	6023 247	Screw		1	2584 034-5	White
10	1	2491 014-5	MOULDING, Windshield Outside Side Upr. Ext. (23-23-65)		1	2584 036-7	Black
11	1	2218 444-5	MOULDING, Frt. Dr. Window Frame Upr. & Frt. (23-23-32)		8	6001 630	Retainer
12	1	2167 998-9	MOULDING, Frt. Dr. Window Frame Rr. (23-23-32)		4	6001 755	Retainer
13	1	2216 356-7	PANEL, Center Pillar Upper Finish (23-23-16)		2	9417 621	Nut
	4	6022 890	Screw				
14	1	2167 998-9	MOULDING, Rear Door Window Frame Front (23-23-33)				
15	1	2216 036-7	MOULDING, Rear Door Window Frame Upper (23-23-33)				
16	1	2299 374	MOULDING PACKAGE, Quarter Outside Belt Paint Break Right (Spec. Equip.) (23-23-39)				
	1	2299 399	MOULDING PACKAGE, Quarter Outside Belt Paint Break Left (Spec. Equip.) (23-23-39)				
	4	6001 071	Clip				

All Packages Include Attaching Parts

Part Type Code is Indicated in Parentheses

EXTERIOR VIEW - BELVEDERE R-H STATION WAGON



EXTERIOR VIEW - BELVEDERE R-P 2 DOOR HARDTOP

1965 PASSENGER CAR PARTS CATALOG

BODY

Page 23-63

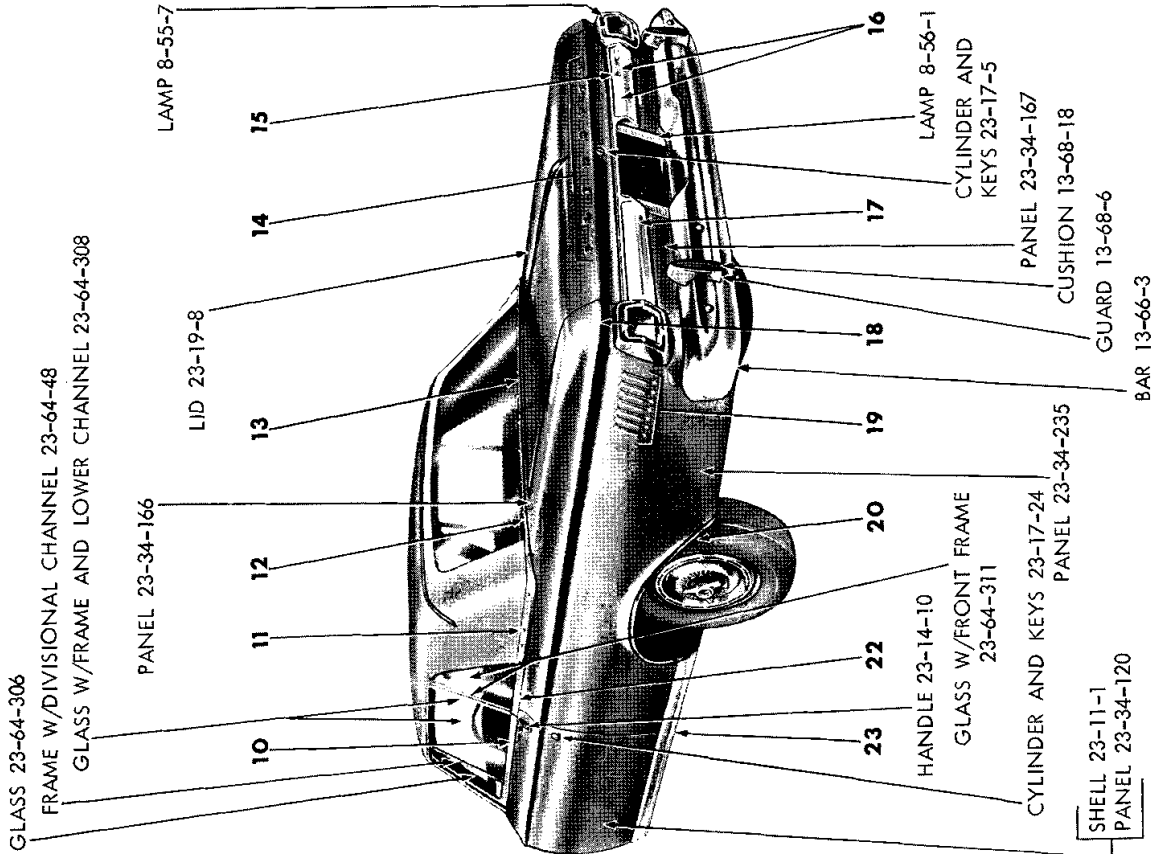
REF. NO.	QTY	PART NUMBER	DESCRIPTION
1	2	2449 868	NAME PLATE, Fender Side, Satellite (12-15-21)
	8	6023 260	Nut
	2	6000 050	Clip
2	1	2584 472-3	MOULDING PACKAGE, Fender Wheel Opening (12-15-2)
	16	6024 271	Screw
3	2	2578 632	NAME PLATE, Fender Side, Commando V8 (12-15-21)
	4	6023 685	Nut
4	1	2584 535	MEDALLION PACKAGE, Radiator Grille (7-17-1)
	4	446 160	Nut
5	1	2528 323	LETTER, Hood Front Name, "P" (15-06-16)
	1	2528 324	"L"
	1	2528 325	"Y"
	1	2528 326	"M"
	1	2528 327	"O"
	1	2528 328	"U"
	1	2528 329	"T"
	1	2528 330	"H"
	16	6000 616	Nut, w/Retainer
6	1	2449 861	ORNAMENT, Hood Top (15-03-18)
	1	2578 640	ORNAMENT, Hood Top, w/Space for Cu. In. Engine Displacement
	1	2578 733	ORNAMENT, w/Decal, Hood Top, w/318 Cu. In. Decal
	1	2578 734	w/361 Cu. In. Decal
	1	2578 735	w/383 Cu. In. Decal
	1	2578 736	w/426 Cu. In. Decal
7	1	2218 594	MOULDING, Windshield Outside Upper (23-23-65)
	8	6001 537	Retainer and Screw
8	1	2218 595	MOULDING, Windshield Outside Finish Lower (23-23-65)
	10	6001 537	Retainer and Screw
9	1	2218 596-7	MOULDING, Windshield Outside Finish Side (23-23-65)
	6	6023 247	Screw
10	1	2492 712-3	MOULDING, Windshield Outside Side Upr. Ext. (23-23-65)
11	1	2525 556-7	MOULDING and RETAINER PACKAGE, Roof Side Drain Trough Frt. & Rr. (23-59-61)
	6	6024 271	Screw
	2	6024 718	Seal 2 446 059 Nut
12	1	2495 276-7	MOULDING PACKAGE, Rr. Wdo. Outside Upr. & Side (23-23-52)
	14	6001 084	Retainer and Screw
13	1	2495 274-5	MOULDING PACKAGE, Rr. Wdo. Outside Lwr. (23-23-52)
	12	6001 084	Retainer and Screw
14	1	2528 323	LETTER "P", Deck Lid Name (23-19-114)
	1	2528 324	"L"
	1	2528 325	"Y"
	1	2528 326	"M"
	1	2528 327	"O"
	1	2528 328	"U"
	1	2528 329	"T"
	1	2528 330	"H"
	16	152 259	Nut

All Packages Include Attaching Parts

REF. NO.	QTY	PART NUMBER	DESCRIPTION
15	1	2528 586-7	MOULDING, Quarter Outside Rear Prime (23-23-39)
	2	2529 991	Insulator
	2	---- ---	Seal
	2	152 272	Nut
16	1	2526 730	NAME PLATE, Deck Lower Finish Panel "Satellite" (23-34-184)
	4	---- ---	Nut
17	1	2527 712	PANEL and NAME PLATE, Deck Lower Finish, Right (23-23-28)
	6	6001 430	Retainer
	6	6024 705	Seal
	6	6024 679	Nut
	2	---- ---	Retainer and Seal
	2	1839 995	Nut
	1	2527 777	PANEL, Deck Opening Lower Finish, Left (23-23-28)
	6	6001 430	Retainer
	6	6024 705	Seal
	6	6024 679	Nut
18	7	2573 618-9	ORNAMENT, Quarter Outside Lower (23-34-334)
	28	6023 685	Nut
	28	---- ---	Seal
19	1	2584 480-1	MOULDING PACKAGE, Quarter Outside Wheel Opening (23-23-39)
	16	6024 271	Screw
20	1	2573 608-9	MOULDING, Quarter Outside Belt Upper (23-23-39)
	8	6001 086	Retainer
	4	6024 271	Screw
	1	2573 612-3	MOULDING, Quarter Outside Panel Belt Rear (23-23-39)
	★	---- ---	Retainer
	1	2584 484-5	MOULDING PACKAGE, Quarter Outside Belt Lower Front and Rear (23-23-39)
	8	6001 086	Retainer
	4	6024 271	Screw
21	1	2584 478-9	MOULDING PACKAGE, Body Side Sill Outside (23-23-2)
	2	6025 187	Screw
	2	6023 231	Screw
	18	6001 580	Retainer
	14	6001 823	Retainer
22	1	2422 894-5	MOULDING, Door Outside Belt Upper (23-23-39)
	1	2448 540-1	MOULDING PACKAGE, Door Outside Panel Belt Lower Front and Rear (23-23-32)
	14	6001 086	Retainer
	4	6024 271	Screw

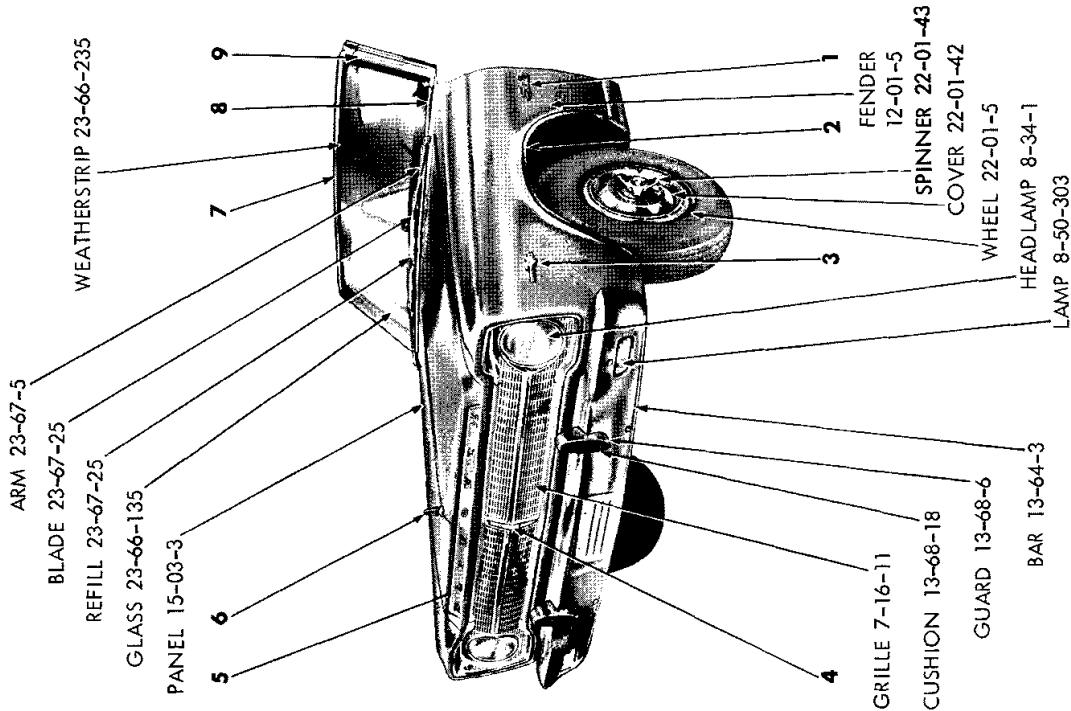
Part Type Code is Indicated in Parentheses

EXTERIOR VIEW - BELVEDERE R-P 2 DOOR HARDTOP



19a0252 A

EXTERIOR VIEW - BELVEDERE R-P CONVERTIBLE COUPE

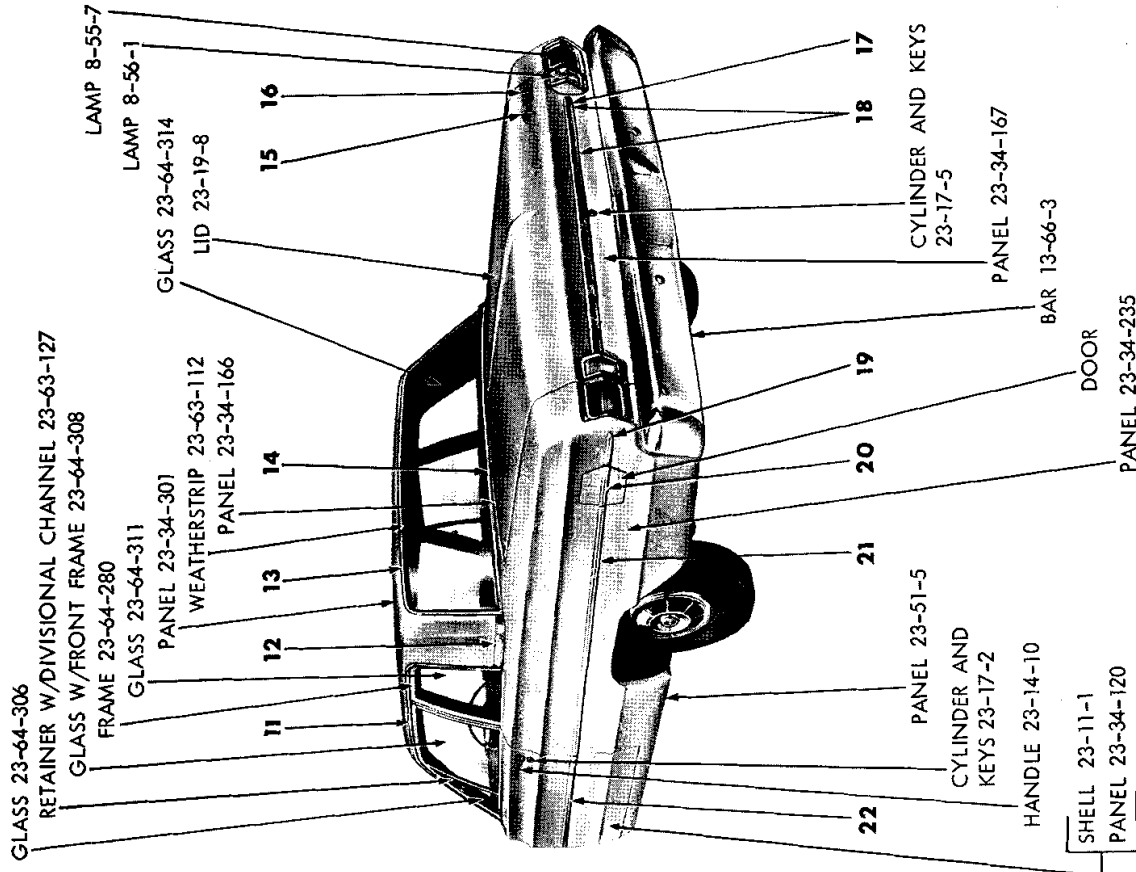


REF. NO.	QTY	PART NUMBER	DESCRIPTION	REF. NO.	QTY	PART NUMBER	DESCRIPTION
1	2	2449 868	NAME PLATE, Fender Side, Satellite (12-15-21)	14	1	2528 323	LETTER "P", Deck Lid Name (23-19-114)
	8	6023 260	Nut		1	2528 324	"L"
	2	6000 050	Clip		1	2528 325	"Y"
2	1	2584 472-3	MOULDING PACKAGE, Fender Wheel Opening (12-15-2)		1	2528 326	"M"
	16	6024 271	Screw		1	2528 327	"O"
3	2	2578 632	NAME PLATE, Fender Side, Commando V8 (12-15-21)		1	2528 328	"U"
	4	6023 685	Nut		1	2528 329	"T"
4	1	2584 535	MEDALLION PACKAGE, Radiator Grille (7-17-1)		1	2528 330	"H"
	4	445 160	Nut	15	16	152 259	Nut
5	1	2528 323	LETTER, Hood Front Name, "P" (15-06-16)		1	2526 730	NAME PLATE, Deck Lower Finish Panel, Satellite (23-34-184)
	1	2528 324	"L"		4	----	Nut
	1	2528 325	"Y"	16	1	2527 712	PANEL and NAME PLATE, Deck Lower Finish, Right (23-23-28)
	1	2528 326	"M"		2	1839 995	Nut
	1	2528 327	"O"		6	6024 679	Nut
	1	2528 328	"U"		1	6025 286	Nut
	1	2528 329	"T"		6	6024 705	Washer
	1	2528 330	"H"		1	6024 714	Washer
	16	6000 616	Nut, w/Retainer		6	6001 430	Retainer
6	1	2449 861	ORNAMENT, Hood Top, w/o Space for Cu.In. Engine Displacement (15-03-18)		2	----	Retainer
	1	2578 640	ORNAMENT, Hood Top, w/Space for Cu.In. Engine Displacement	17	1	2527 777	PANEL, Deck Opening Lower Finish, Left (23-23-28)
	1	2578 733	ORNAMENT, w/Decal, Hood Top, w/318 Cu.In. Decal		6	6024 679	Nut
	1	2578 734	w/361 Cu.In. Decal		6	6024 705	Washer
	1	2578 735	w/383 Cu.In. Decal		6	6001 430	Retainer
	1	2578 736	w/426 Cu.In. Decal	18	1	2528 586-7	MOULDING, Quarter Outside Rear Prime (23-23-39)
7	1	2482 898-9	MOULDING, Windshield Header Outside (23-23-65)		2	2529 991	Insulator
	7	162 402	Screw		2	----	Seal
8	1	2218 595	MOULDING, Windshield Outside Finish Lower (23-23-65)		2	152 272	Nut
	10	6001 537	Retainer	19	7	2573 618-9	ORNAMENT, Quarter Outside Lower (23-34-334)
9	1	2218 596-7	MOULDING, Windshield Outside Finish Side (23-23-65)		28	6023 685	Nut
	6	6023 247	Screw		28	----	Seal
10	1	2422 894-5	MOULDING, Door Outside Panel Belt Upper (23-23-32)	20	1	2584 480-1	MOULDING PACKAGE, Quarter Outside Wheel Opening (23-23-39)
	1	2448 540-1	MOULDING PACKAGE, Door Outside Panel Belt Lower Front and Rear (23-23-32)		16	6024 271	Screw
	14	6001 086	Retainer	22	1	2423 548-9	MOULDING, Quarter Outside Panel Belt Upper (23-23-39)
	4	6024 271	Screw		2	6024 271	Screw
11	1	2584 486-7	MOULDING PACKAGE, Quarter Outside Belt Rear (23-23-39)		1	2448 414-5	MOULDING PACKAGE, Quarter Outside Panel Belt Lower Front (23-23-39)
	10	6024 477	Fastener		6	6001 086	Retainer
	4	2094 394	Fastener	23	1	2584 478-9	MOULDING PACKAGE, Body Side Sill Outside (23-23-2)
12	1	2448 458-9	MOULDING PACKAGE, Deck Opening Upper Panel (23-23-31)		2	6025 187	Screw
	10	6024 477	Fastener		18	6001 580	Retainer
13	1	2448 456	COVER PACKAGE, Deck Opening Upper Panel Moulding Joint (23-23-41)		14	6001 823	Retainer
	1	6024 477	Fastener		2	6023 681	Screw

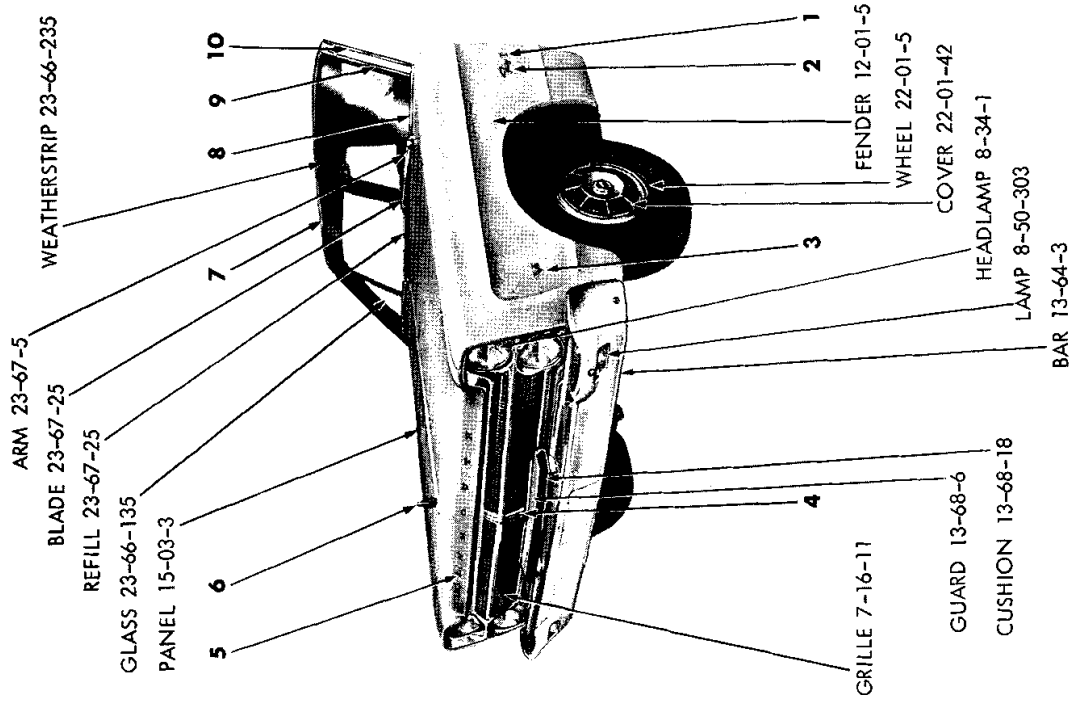
All Packages Include Attaching Parts

Part Type Code is Indicated in Parentheses

EXTERIOR VIEW - BELVEDERE R-P CONVERTIBLE COUPE



19a0149 A



EXTERIOR VIEW - PLYMOUTH P-L 2 DOOR SEDAN

REF. NO.	QTY	PART NUMBER	DESCRIPTION
1	2	2524 208	NUMERAL, Fender Side, I (12-15-21)
	4	6000 050	Clip
2	2	2524 233	NAME PLATE, Fender Side, Fury (12-15-21)
	6	6000 050	Clip
3	2	2578 630	ORNAMENT, Fender Side, V8 (12-15-21)
	4	6023 685	Nut
	2	2578 632	NAME PLATE, Fender Side, Commando V8 (Special Equipment) (12-15-21)
	4	6023 685	Nut
4	1	2584 536	MEDALLION PACKAGE, Radiator Grille (7-17-1)
	4	6024 202	Nut 4 445 160 Nut
5	1	2528 323	LETTER, Hood Front Name, "P" (15-06-16)
	1	2528 324	"L"
	1	2528 325	"Y"
	1	2528 326	"M"
	1	2528 327	"O"
	1	2528 328	"U"
	1	2528 329	"T"
	1	2528 330	"H"
	16	6000 616	Nut, w/Retainer
6	1	2524 200	ORNAMENT, Hood Top (15-03-18)
	1	---- ---	Stud
7	1	2584 104	MOULDING PACKAGE, Windshield Outside Upper (23-23-65)
	8	6001 648	Retainer
8	1	2584 110-1	MOULDING PACKAGE, Windshield Outside Lower (23-23-65)
	10	6001 697	Retainer
	1	6001 794	Retainer, Right
	1	6001 795	Retainer, Left
	2	6024 895	Screw
9	1	2584 108-9	MOULDING PACKAGE, Windshield Outside Side (23-23-65)
	8	6001 648	Retainer
10	1	2529 264-5	MOULDING, Body Front Pillar Drain Trough (23-59-61)
11	1	2526 140-1	MOULDING, Roof Side Drain Trough (23-59-61)

REF. NO.	QTY	PART NUMBER	DESCRIPTION
12	1	2526 112-3	NAME PLATE, Roof Outside Belt (23-34-238)
	4	9411 618	Nut
13	1	2584 006-7	MOULDING PACKAGE, Rear Window Outside Side and Upper (23-23-52)(Note #1)
	12	6001 648	Retainer and Screw
	1	2807 134-5	MOULDING PACKAGE, Rear Window Outside Side and Upper (23-23-52)(Note #2)
14	1	2525 979	MOULDING PACKAGE, Rear Window Outside Lower (23-23-52) (Note #1)
	6	6001 648	Retainer and Screw
	1	2807 136-7	MOULDING PACKAGE, Rear Window Outside Lower (23-23-52) (Note #2)
15	1	2526 192	NAME PLATE, Deck Lid, Fury (23-19-114)
	3	152 259	Nut
16	1	2524 208	NUMERAL "I", Deck Lid (23-19-114)
	2	152 259	Nut
17	1	2526 580-1	EXTENSION, Deck Lid Name Moulding (23-23-30)
18	1	2584 466	MOULDING PACKAGE, Deck Lid Name (23-23-30)
	7	---- ---	Nut
	7	6001 603	Retainer
19	1	2584 400	MOULDING PACKAGE, Quarter Outside Rear (23-23-39)
	5	6000 709	Clip and Seal
	5	6024 679	Nut
20	1	2584 420	MOULDING PACKAGE, Quarter Outside Filler Door (23-23-39)
	1	6001 621	Clip and Seal
21	1	2584 416-7	MOULDING PACKAGE, Quarter Outside (23-23-39)
	21	6001 621	Clip and Seal
22	1	2584 396-7	MOULDING PACKAGE, Door Outside (23-23-32)
	12	6001 621	Clip and Seal

NOTE 1: UP TO SERIAL NO. 210132

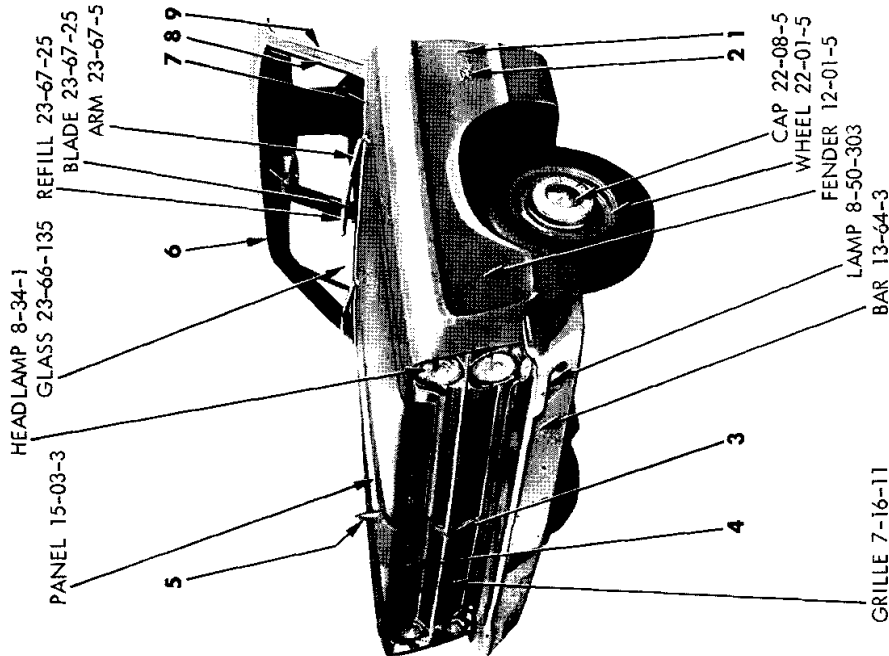
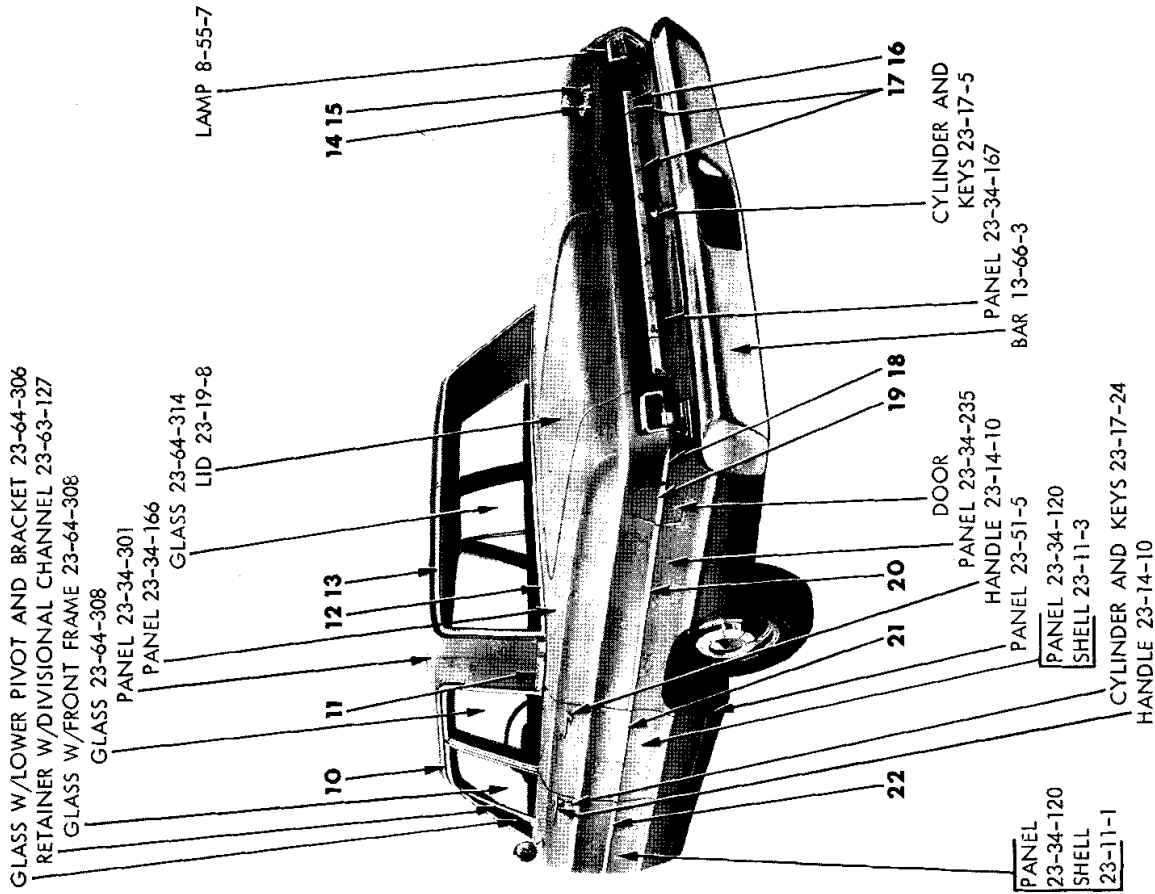
NOTE 2: AFTER SERIAL NO. 210132

All Packages Include Attaching Parts

Part Type Code is Indicated in Parentheses

EXTERIOR VIEW - PLYMOUTH P-L 2 DOOR SEDAN

19a0161



EXTERIOR VIEW - PLYMOUTH P-L 4 DOOR SEDAN

REF. NO.	QTY	PART NUMBER	DESCRIPTION
1	2	2524 208	NUMERAL, Fender Side, I (12-15-21)
	4	6000 050	Clip
2	2	2524 233	NAME PLATE, Fender Side, Fury (12-15-21)
	6	6000 050	Clip
3	1	2584 536	MEDALLION PACKAGE, Radiator Grille (7-17-1)
		6024 202	Nut 4 445 160 Nut
4	1	2528 323	LETTER, Hood Front Name, "P" (15-06-16)
	1	2528 324	"L"
	1	2528 325	"Y"
	1	2528 326	"M"
	1	2528 327	"O"
	1	2528 328	"U"
	1	2528 329	"T"
	1	2528 330	"H"
	16	6000 616	Nut, w/Retainer
5	1	2524 200	ORNAMENT, Hood Top (15-03-18)
	1	----	Stud
6	1	2584 104	MOULDING PACKAGE, Windshield Outside Upper (23-23-65)
	8	6001 648	Retainer
7	1	2584 110-1	MOULDING PACKAGE, Windshield Outside Lower (23-23-65)
	10	6001 697	Retainer
	1	6001 794	Retainer, Right
	1	6001 795	Retainer, Left
	2	6024 895	Screw
8	1	2584 108-9	MOULDING PACKAGE, Windshield Outside Side (23-23-65)
	8	6001 648	Retainer
9	1	2529 264-5	MOULDING, Body Front Pillar Drain Trough (23-59-61)
10	1	2526 140-1	MOULDING, Roof Drain Trough Side (23-59-61)
11	1	2526 112-3	NAME PLATE, Roof Belt (23-34-238)
	4	----	Washer
	4	9411 618	Nut
12	1	2525 979	MOULDING PACKAGE, Rear Window Outside Lower (23-23-52) (Note #1)
	6	6001 648	Retainer and Screw
	1	2807 136-7	MOULDING PACKAGE, Rear Window Outside Lower (23-23-52) (Note #2)
13	1	2584 006-7	MOULDING PACKAGE, Rear Window Outside Side and Upper (23-23-52)(Note #1)
	12	6001 648	Retainer and Screw

REF. NO.	QTY	PART NUMBER	DESCRIPTION
	1	2807 134-5	MOULDING, Rear Window Outside Side and Upper (23-23-52) (Note #2)
14	1	2526 192	NAME PLATE, Deck Lid (Fury) (23-19-114)
	3	152 259	Nut
15	1	2524 208	NUMERAL "I", Deck Lid (23-19-114)
	2	152 259	Nut
16	1	2526 580-1	EXTENSION, Deck Lid Name Moulding (23-23-30)
17	1	2584 466	MOULDING PACKAGE, Deck Lid Name (23-23-30)
	7	6001 603	Retainer and Stud
	7	----	Nut
18	1	2584 400	MOULDING PACKAGE, Quarter Outside Rear (23-23-39)
	5	6000 709	Clip and Seal
	5	6024 679	Nut
19	1	2584 420	MOULDING PACKAGE, Quarter Outside Fuel Filler Door (23-23-39)
	1	6001 621	Clip w/Seal
	1	9417 621	Nut
	1	6001 615	Retainer
20	1	2584 418-9	MOULDING PACKAGE, Quarter Outside (23-23-39)
	9	6001 621	Clip w/Seal
	9	6000 709	Clip w/Seal
	9	6024 679	Nut
21	1	2584 402-3	MOULDING PACKAGE, Rear Door Outside (23-23-33)
	10	6001 621	Clip w/Seal
	2	9417 621	Nut
	2	6001 615	Retainer
22	1	2584 398-9	MOULDING PACKAGE, Front Door Outside (23-23-32)
	10	6001 621	Clip w/Seal
	2	9417 621	Nut
	2	6001 615	Retainer

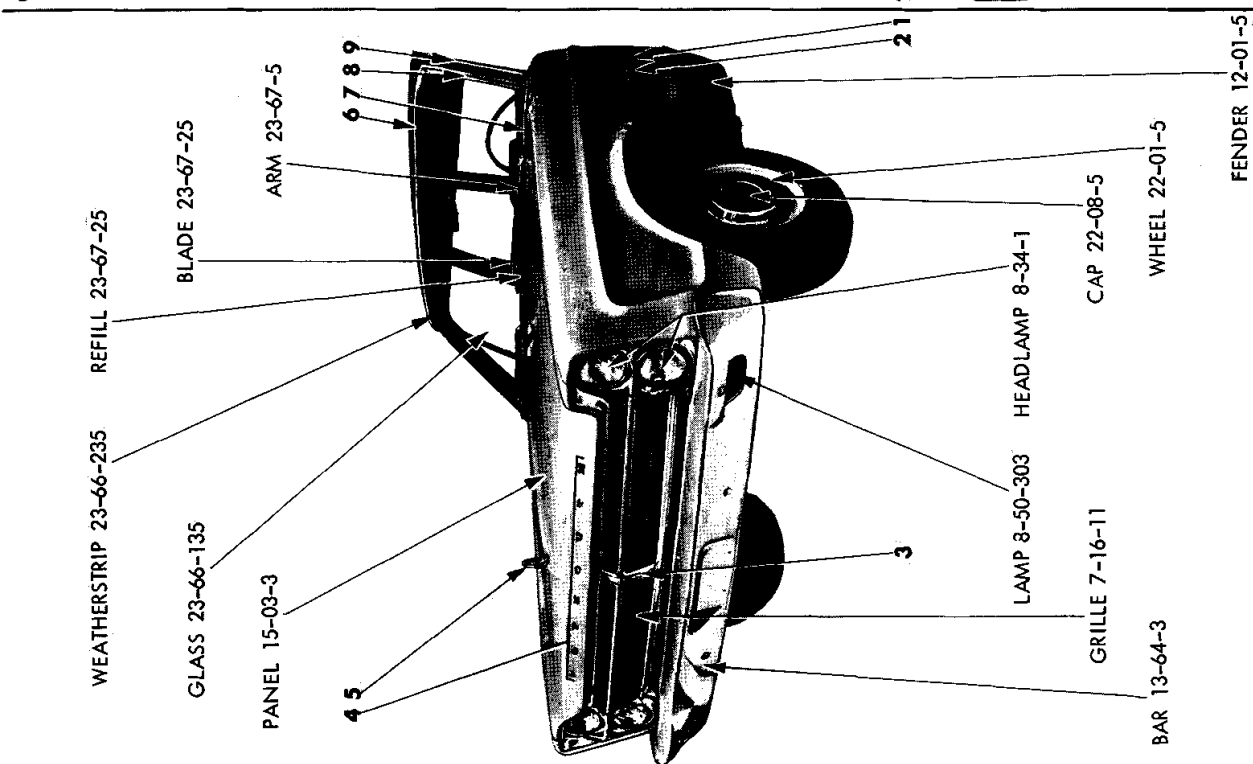
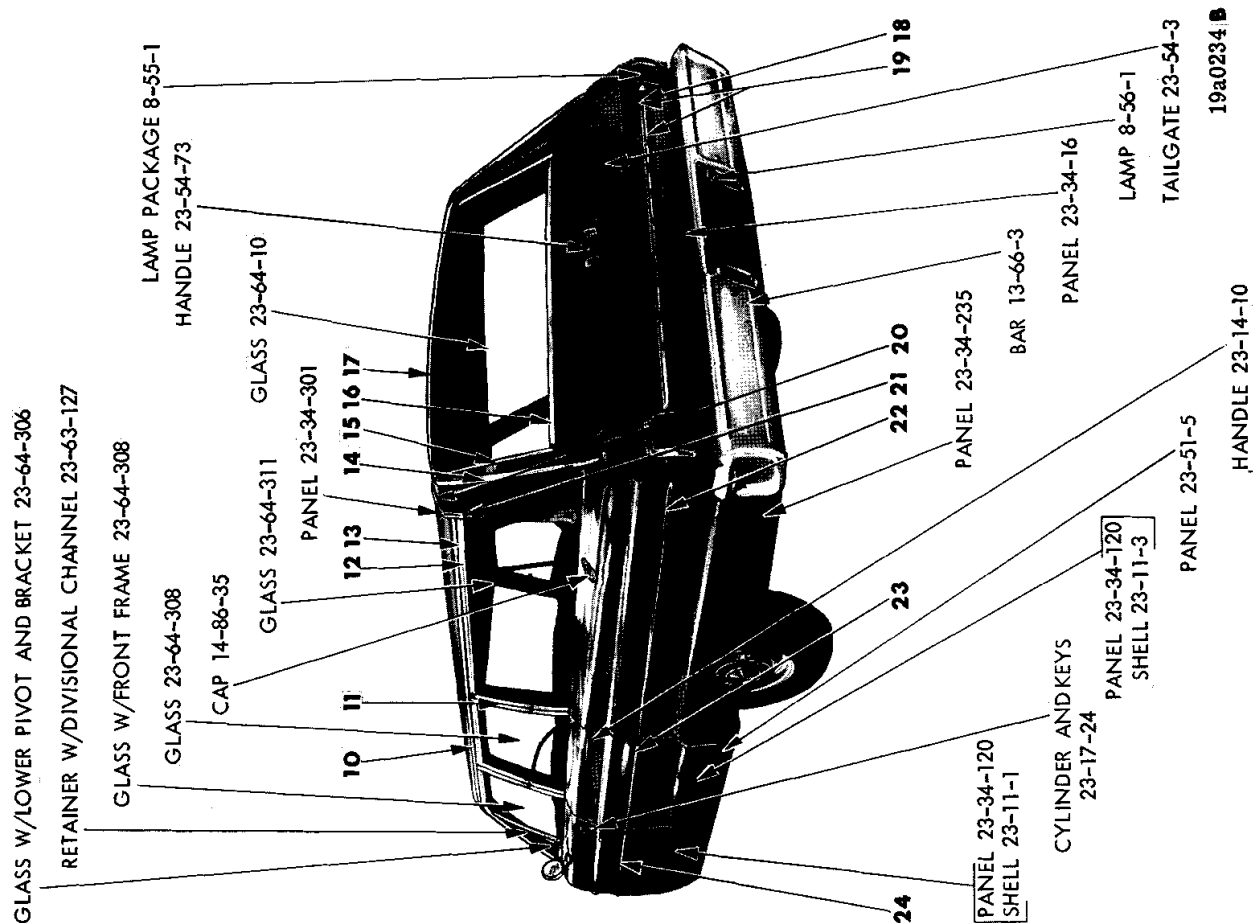
NOTE 1: UP TO SERIAL NO. 210132

NOTE 2: AFTER SERIAL NO. 210132

All Packages Include Attaching Parts

Part Type Code is Indicated in Parentheses

EXTERIOR VIEW - PLYMOUTH P-L 4 DOOR SEDAN



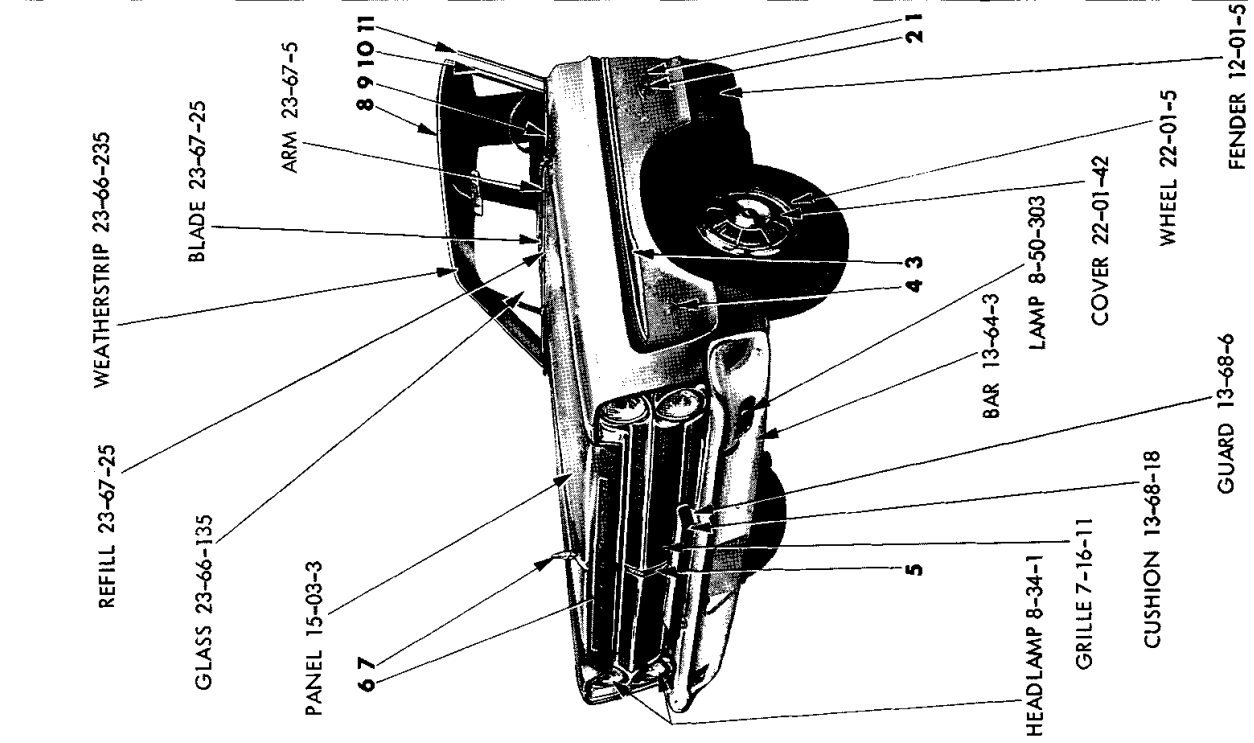
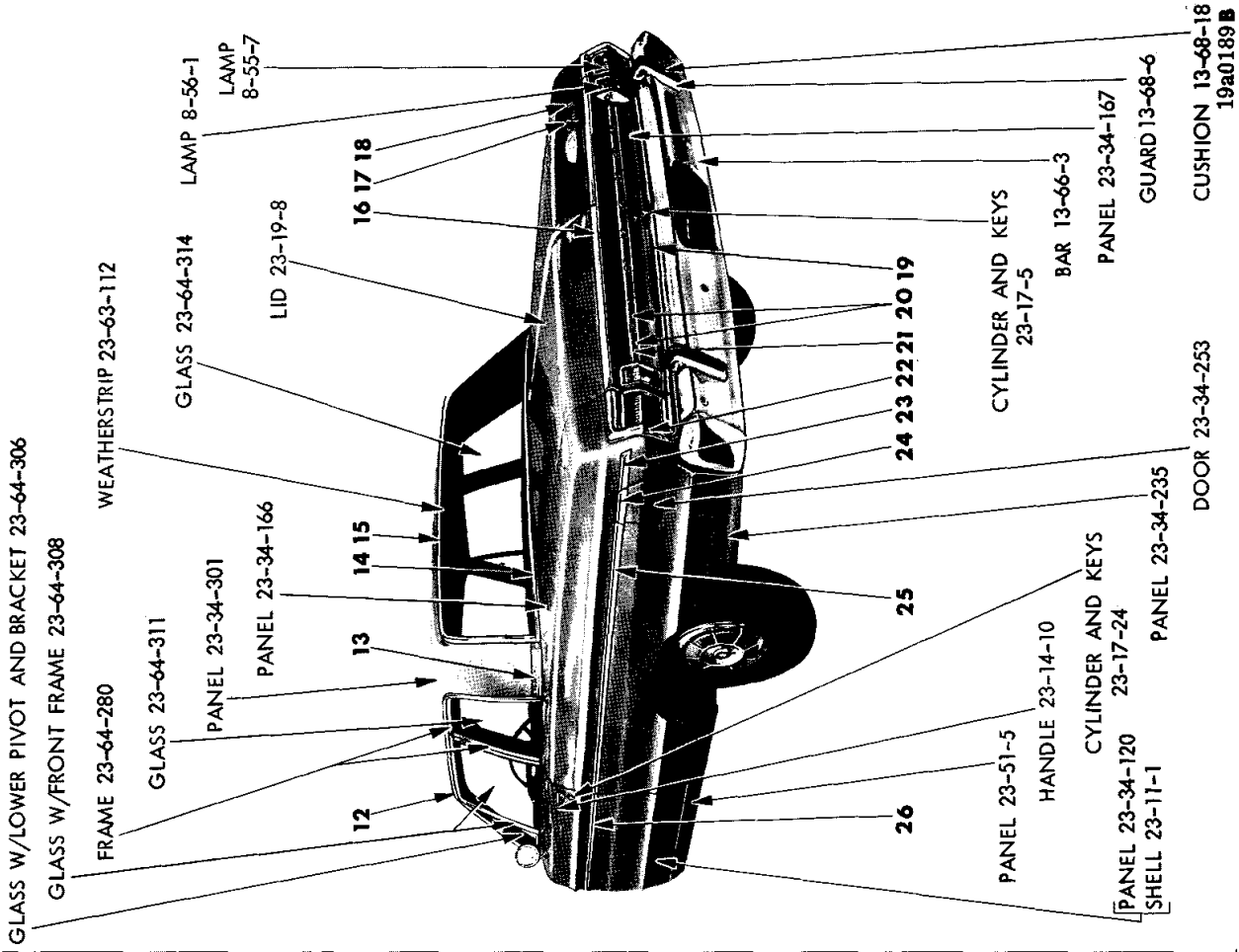
EXTERIOR VIEW - PLYMOUTH P-L STATION WAGON

REF. NO.	QTY	PART NUMBER	DESCRIPTION	REF. NO.	QTY	PART NUMBER	DESCRIPTION
1	2	2524 208	NUMERAL, Fender Side, I (12-15-21)	13	1	2584 450-1	MOULDING PACKAGE, Quarter Window Outside Upper Primed (23-23-73)
	4	6000 050	Clip		2	2529 938	Seal
2	2	2524 233	NAME PLATE, Fender Side, Fury (12-15-21)	12	6001 837	Retainer	
	6	6000 050	Clip	12	6025 001	Nut	
3	1	2584 536	MEDALLION PACKAGE, Radiator Grille (7-17-1)	14	1	2584 446-7	MOULDING PACKAGE, Rear Upper Pillar Outside (23-23-60)
	4	445 160	Nut	6	----	----	Clip
4	1	2528 323	LETTER, Hood Front Name, "P" (15-06-16)	15	1	2584 444-5	MOULDING PACKAGE, Rear Upper Pillar Tailgate Opening (23-23-60)
	1	2528 324	"L"		6	6001 620	Clip
	1	2528 325	"Y"	16	1	2528 795	MOULDING, Tailgate Outside Belt (23-23-61)
	1	2528 326	"M"				
	1	2528 327	"O"	17	1	2584 421	MOULDING, Roof Outside Rear (23-23-42)
	1	2528 328	"U"		8	6001 816	Clip
	1	2528 329	"T"	1	2586 106	MOULDING PACKAGE, Roof Outside Rear (used w/Outside Assist Handle) (23-23-42)	
	1	2528 330	"H"				
5	1	2524 200	ORNAMENT, Hood Top (15-03-18)				
	1	----	Stud	8	6001 816	Clip	
6	1	2584 104	MOULDING PACKAGE, Windshield Outside Upper (23-23-65)	18	1	2526 580-1	EXTENSION, Tailgate Name Moulding (23-23-61)
	8	6001 648	Retainer	19	1	2584 096	MOULDING PACKAGE, Tailgate Name (23-23-61)
7	1	2584 110-1	MOULDING PACKAGE, Windshield Outside Lower (23-23-65)		8	6001 603	Retainer
	10	6001 697	Retainer	8	273 229	Screw	
	1	6001 794	Retainer, Right	20	1	2584 641	MOULDING PACKAGE, Roof Top Outside Rear (use w/Two Tone Paint) (23-23-42)
	1	6001 795	Retainer, Left		2	6001 591	Retainer
	2	6024 895	Screw		2	116 000	Nut
8	1	2584 108-9	MOULDING PACKAGE, Windshield Outside Side (23-23-65)		5	6001 709	Clip and Seal
	8	6001 648	Retainer	21	1	2584 642-3	MOULDING PACKAGE, Roof Top Outside Rear Corner (use w/Two Tone Paint)(23-23-42)
9	1	2529 264-5	MOULDING, Body Front Pillar Drain Trough (23-23-59)		2	6001 498	Clip and Seal
10	1	2526 148-9	MOULDING, Roof Side Drain Trough Rear (23-59-61)	22	1	2584 404-5	MOULDING PACKAGE, Quarter Outside (23-23-39)
11	1	2526 530-1	MOULDING, Qtr. Wdo. Outside Front, Prime (23-23-73)		18	6001 621	Clip
12	1	2584 440-1	COVER PACKAGE, Quarter Window Outside Upper Moulding (23-23-73)	23	1	2584 406-7	MOULDING PACKAGE, Rear Door Outside (23-23-33)
	12	116 000	Nut		8	6001 735	Retainer
				24	1	2584 398-9	MOULDING PACKAGE, Front Door Outside (23-23-32)
					10	6001 621	Clip
					2	9417 621	Nut
					2	6001 615	Retainer

All Packages Include Attaching Parts

Part Type Code is Indicated in Parentheses

EXTERIOR VIEW - PLYMOUTH P-L STATION WAGON



EXTERIOR VIEW - PLYMOUTH P-M 2 DOOR SEDAN

REF. NO.	QTY	PART NUMBER	DESCRIPTION
1	2	2524 209	NUMERAL, Fender Side, II (12-15-21)
	4	6000 050	Clip
2	2	2524 233	NAME PLATE, Fender Side, Fury (12-15-21)
	6	6000 050	Clip
3	1	2525 800-1	MOULDING PACKAGE, Fender Side (12-15-2)
	6	6001 642	Retainer
	6	6001 660	Retainer
	2	6001 603	Retainer 8 ---- Nut
4	2	2578 632	NAME PLATE, Fender Side, Commando V8 (12-15-21)
	4	6023 685	Nut
5	1	2584 536	MEDALLION PACKAGE, Radiator Grille (7-17-1)
	4	445 160	Nut
6	1	2528 323	LETTER, Hood Front Name, "P" (15-06-16)
	1	2528 324	"L"
	1	2528 325	"Y"
	1	2528 326	"M"
	1	2528 327	"O"
	1	2528 328	"U"
	1	2528 329	"T"
	1	2528 330	"H"
7	1	2524 200	ORNAMENT, Hood Top (15-03-18)
	1	----	Stud
8	1	2584 104	MOULDING PACKAGE, Windshield Outside Upper (23-23-65)
	8	6001 648	Retainer
9	1	2584 110-1	MOULDING PACKAGE, Windshield Outside Lower (23-23-65)
	10	6001 697	Retainer
	1	6001 794	Retainer, Right
	1	6001 795	Retainer, Left
	2	6024 895	Screw
10	1	2584 108-9	MOULDING PACKAGE, Windshield Outside Side (23-23-65)
	8	6001 648	Retainer
11	1	2529 264-5	MOULDING, Body Front Pillar Drain Trough (23-59-61)
12	1	2526 140-1	MOULDING, Roof Side Drain Trough (23-59-61)
13	1	2526 112-3	NAME PLATE, Roof Outside Belt (23-34-238)
	4	----	Washer
	4	9411 618	Nut
14	1	2525 979	MOULDING PACKAGE, Rear Window Outside Lower (23-23-52) (Note #1)
	6	6001 648	Retainer and Screw
	1	2807 136-7	MOULDING PACKAGE, Rear Window Outside Lower (23-23-52) (Note #2)
15	1	2584 006-7	MOULDING PACKAGE, Rear Window Outside Side and Upper (23-23-52) (Note #1)
	12	6001 648	Retainer and Screw

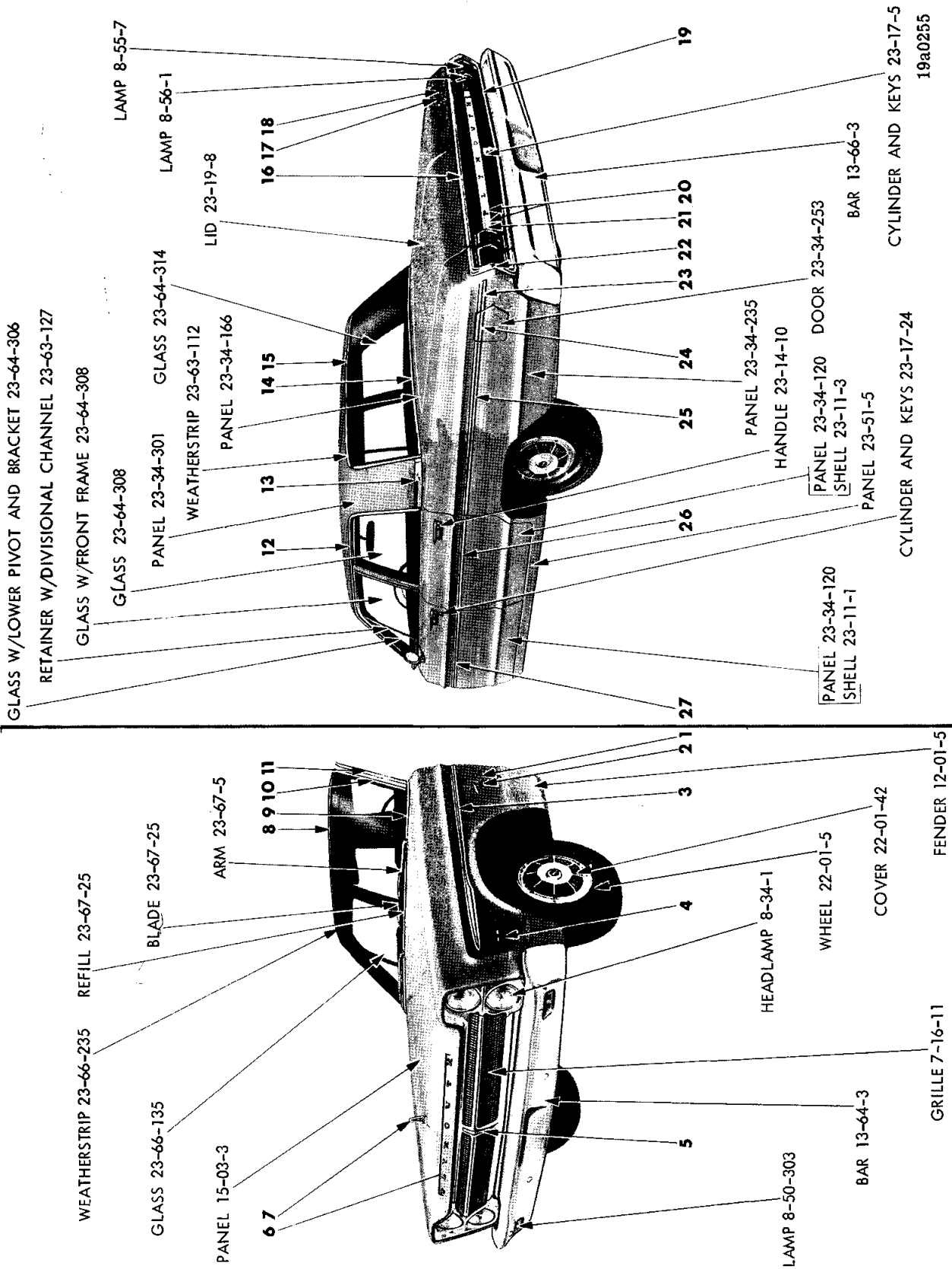
REF. NO.	QTY	PART NUMBER	DESCRIPTION
15			CONTINUED
	1	2807 134-5	MOULDING, Rear Window Outside Side and Upper (23-23-52) (Note #2)
16	1	2584 090	MOULDING PACKAGE, Deck Lid Outside Upper (23-23-30)
	8	6001 692	Retainer
	8	----	Nut
17	1	2526 192	NAME PLATE, Deck Lid "Fury" (23-19-114)
	3	152 259	Nut and Seal
18	1	2524 209	NUMERAL "II", Deck Lid (23-19-114)
	2	152 259	Nut and Seal
19	1	2584 091	MOULDING PACKAGE, Deck Lid Outside Lower (23-23-30)
	6	6001 692	Retainer
	4	6001 690	Retainer
	10	9417 621	Nut
20	1	2584 466	MOULDING PACKAGE, Deck Lid Name (23-23-30)
	7	----	Nut
	7	6001 603	Retainer and Stud
21	1	2526 580-1	EXTENSION, Deck Lid Name Moulding (23-23-30)
22	1	2584 532-3	MOULDING PACKAGE, Quarter Outside Tail Lamp (23-23-39)
	8	6001 809	Retainer
	8	----	Nut
23	1	2584 409	MOULDING PACKAGE, Quarter Panel Rear, Left side Only (23-23-39)
	2	6024 679	Nut
	2	6001 660	Retainer
24	1	2584 401	MOULDING PACKAGE, Quarter Panel Fuel Filler Door (23-23-39)
	2	6024 679	Nut
	2	6001 660	Retainer
25	1	2584 410-1	MOULDING PACKAGE, Quarter Panel Front (23-23-39)
	16	6001 642	Retainer
	10	6001 660	Retainer and Stud
	10	6024 679	Nut
26	1	2584 390-1	MOULDING PACKAGE, Door Outside (23-23-32)
	10	6001 642	Retainer
	2	6001 615	Retainer and Stud
	2	9417 621	Nut
	8	6001 809	Retainer

NOTE 1: UP TO SERIAL NO. 210132

NOTE 2: AFTER SERIAL NO. 210132

All Packages Include Attaching Parts

Part Type Code is Indicated in Parentheses



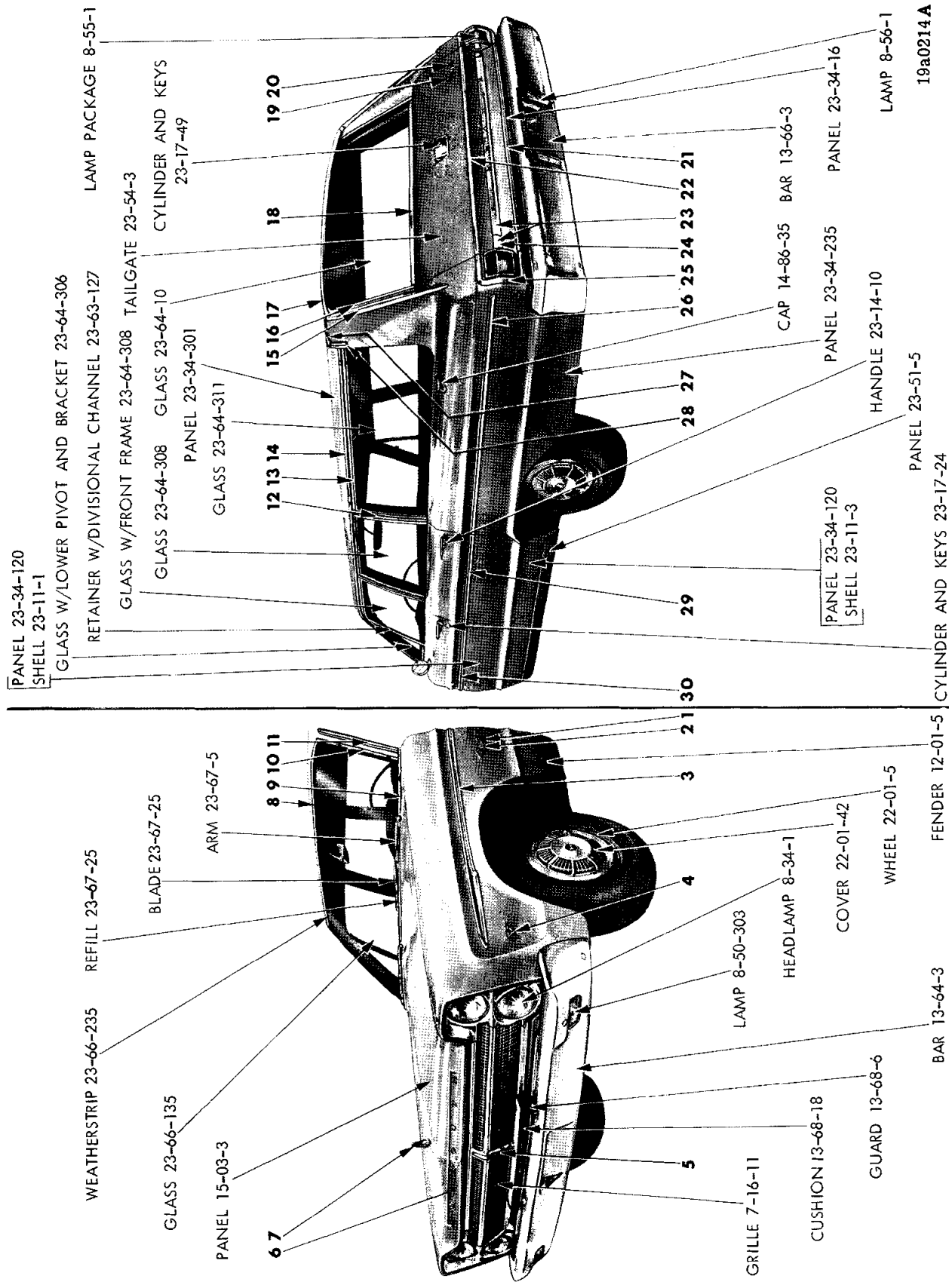
EXTERIOR VIEW - PLYMOUTH P-M 4 DOOR SEDAN

REF. NO.	QTY	PART NUMBER	DESCRIPTION	REF. NO.	QTY	PART NUMBER	DESCRIPTION	
1	2	2524 209	NUMERAL, Fender Side, II (12-15-21)	15	1	2584 006-7	MOULDING PACKAGE, Rear Window Outside Side and Upper (23-23-52)(Note #1)	
	4	6000 050	Clip		12	6001 648	Retainer	
2	2	2524 233	NAME PLATE, Fender Side, Fury (12-15-21)		1	2807 134-5	MOULDING PACKAGE, Rear Window Outside Side and Upper (23-23-52)(Note #2)	
	6	6000 050	Clip		16	1	2584 090	MOULDING PACKAGE, Deck Lid Outside Upper (23-23-30)
3	1	2525 800-1	MOULDING PACKAGE, Fender Side (12-15-2)		8	6001 692	Retainer	
	6	6001 642	Retainer and Seal		8	---- ---	Nut	
	6	6001 660	Retainer	17	1	2526 192	NAME PLATE, Deck Lid, Fury (23-19-114)	
	2	6001 603	Retainer 8 ---- --- Nut		3	152 259	Nut	
4	2	2578 630	ORNAMENT, Fender Side, V8 (12-15-21)	18	1	2524 209	NUMERAL II, Deck Lid(23-19-114)	
	4	6023 685	Nut		2	152 259	Nut	
5	1	2584 536	MEDALLION PACKAGE, Radiator Grille (7-17-1)	19	1	2584 091	MOULDING PACKAGE, Deck Lid Outside Lower (23-23-30)	
	4	445 160	Nut		6	6001 692	Retainer	
6	1	2528 323	LETTER, Hood Front Name, "P" (15-06-16)		4	6001 690	Retainer	
	1	2528 324	"L"		10	9417 621	Nut	
	1	2528 325	"Y"	20	1	2584 466	MOULDING PACKAGE, Deck Lid Name (23-23-30)	
	1	2528 326	"M"		7	6001 603	Retainer	
	1	2528 327	"O"		7	---- ---	Nut	
	1	2528 328	"U"	21	1	2526 580-1	EXTENSION, Deck Lid Name Moulding (23-23-30)	
	1	2528 329	"T"	22	1	2584 532-3	MOULDING PACKAGE, Quarter Panel Tail Lamp (23-23-39)	
	1	2528 330	"H"		4	6024 702	Seal	
	16	6000 616	Nut, w/Washer		8	6001 809	Retainer	
7	1	2524 200	ORNAMENT, Hood Top, w/o Space For Cu. In. Engine Displacement (15-03-18)		8	---- ---	Nut	
	1	2578 641	ORNAMENT, Hood Top, w/Space For Cu. In. Engine Displacement	23	1	2584 409	MOULDING PACKAGE, Quarter Panel Rear, Left (23-23-39)	
	1	2578 730	DECAL, Hood Top Ornament (383)		2	6001 660	Retainer	
	1	2578 739	DECAL, Hood Top Ornament (426)		2	6024 679	Nut	
8	1	2584 104	MOULDING PACKAGE, Windshield Outside Upper (23-23-65)	24	1	2584 401	MOULDING PACKAGE, Quarter Panel Fuel Filler Door (23-23-39)	
	8	6001 648	Retainer		1	6001 621	Clip	
9	1	2584 110-1	MOULDING PACKAGE, Windshield Outside Lower (23-23-65)		2	6024 679	Nut	
	10	6001 697	Retainer		2	6001 660	Retainer	
	1	6001 794	Retainer, Right	25	1	2584 412	MOULDING PACKAGE, Quarter Panel Front, Right (23-23-39)	
	1	6001 795	Retainer, Left		4	6001 642	Retainer	
	2	6024 895	Screw		5	6001 660	Retainer	
10	1	2584 108-9	MOULDING PACKAGE, Windshield Outside Side (23-23-65)		5	6024 679	Nut	
	8	6001 648	Retainer		1	2584 413	MOULDING PACKAGE, Quarter Panel Front, Left (23-23-39)	
11	1	2529 264-5	MOULDING, Body Front Pillar Drain Trough (23-59-61)		4	6001 642	Retainer	
	2	6001 660	Retainer		2	6001 660	Retainer	
12	1	2526 140-1	MOULDING, Roof Side Drain (23-59-61)		2	6024 679	Nut	
	2	6024 679	Nut	26	1	2584 392-3	MOULDING PACKAGE, Rear Door Outside (23-23-33)	
13	1	2526 112-3	NAME PLATE, Roof Outside Belt (23-34-238)		6	6001 642	Retainer	
	4	---- ---	Washer		4	6001 675	Retainer	
	4	9411 618	Nut		4	9417 621	Nut	
14	1	2525 979	MOULDING PACKAGE, Rear Window Outside Lower (23-23-52) (Note #1)	27	1	2584 388-9	MOULDING PACKAGE, Front Door Outside (23-23-32)	
	6	6001 648	Retainer		8	6001 642	Retainer	
	1	2807 136-7	MOULDING PACKAGE, Rear Window Outside Lower (23-23-52) (Note #2)		2	9417 621	Nut	
	2	6001 675	Retainer		2	6001 675	Retainer	

All Packages Include Attaching Parts

Part Type Code is Indicated in Parentheses

EXTERIOR VIEW - PLYMOUTH P-M 4 DOOR SEDAN

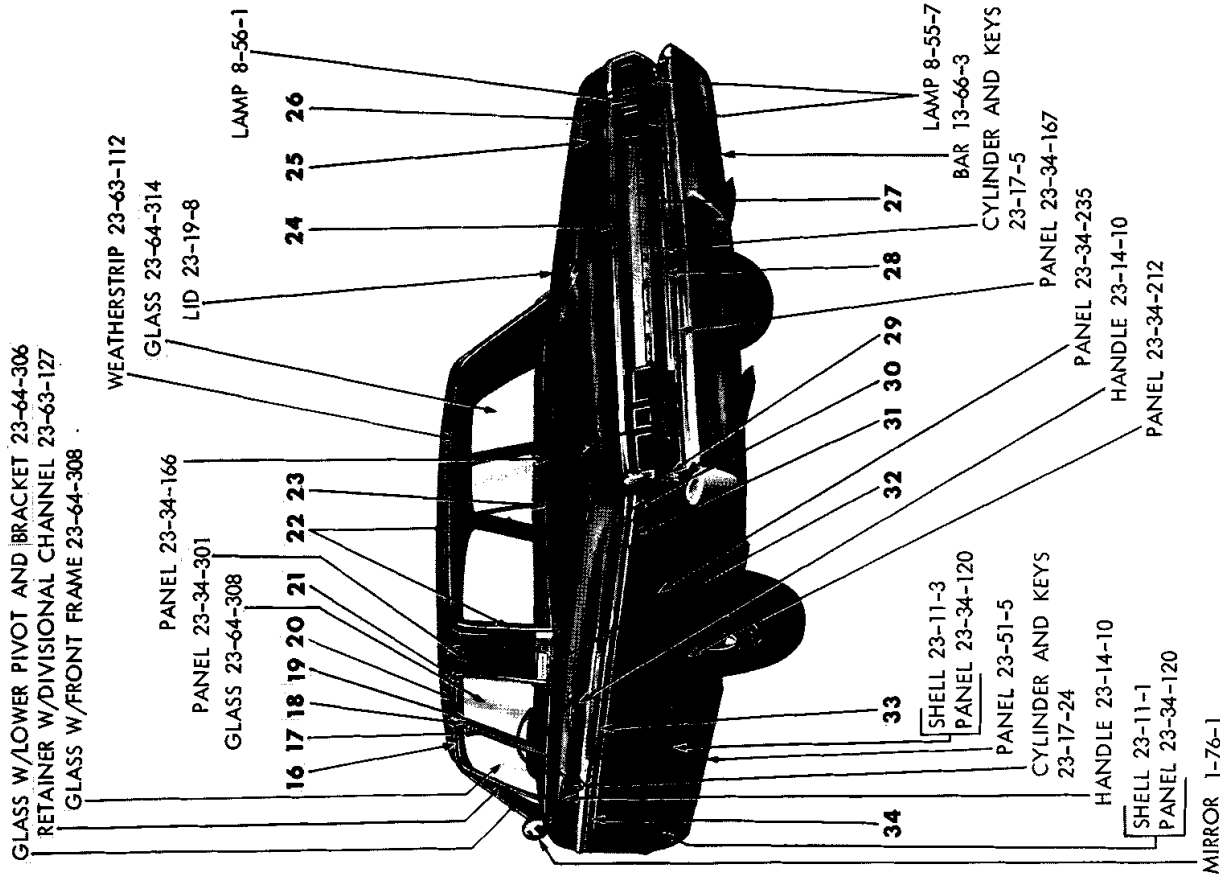


EXTERIOR VIEW - PLYMOUTH P-M STATION WAGON

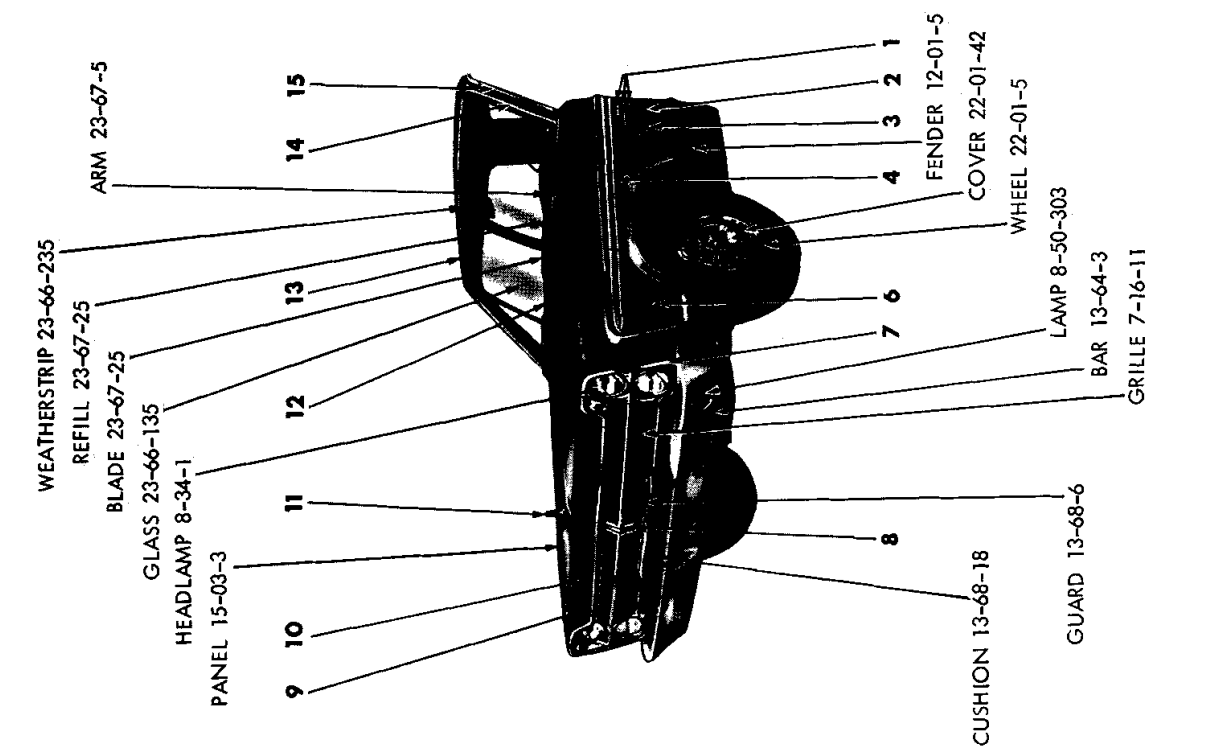
REF. NO.	QTY	PART NUMBER	DESCRIPTION	REF. NO.	QTY	PART NUMBER	DESCRIPTION
1	2	2524 209	NUMERAL, Fender Side, II (12-15-21)	16	1	2584 444-5	MOULDING PACKAGE, Rear Upper Pillar Tailgate Opening (23-23-61)
	4	6000 050	Clip		6	6001 620	Clip
2	2	2524 233	NAME PLATE, Fender Side, Fury (12-15-21)	17	1	2584 421	MOULDING PACKAGE, Roof Outside Rear (23-23-42)
	6	6000 050	Clip		8	6001 816	Clip
3	1	2525 800-1	MOULDING PACKAGE, Fender Side (12-15-2)		1	2586 106	MOULDING PACKAGE, Roof Outside Rear (used with Outside Assist Handle) (23-23-42)
	6	6001 642	Retainer		8	6001 816	Clip
	6	6001 660	Retainer	18	1	2528 795	MOULDING, Tailgate Outside Belt (23-23-61)
	8	---- ---	Nut	19	1	2524 233	NAME PLATE, Tailgate, Fury (23-54-11)
	2	6001 603	Retainer		3	152 259	Nut
4	2	2578 630	ORNAMENT, Fender Side, V8 (12-15-21)	20	1	2524 209	NUMERAL II, Tailgate (23-54-11)
	4	6023 685	Nut		2	152 259	Nut
5	1	2584 536	MEDALLION PACKAGE, Radiator Grille (7-17-1)	21	1	2584 095	MOULDING PACKAGE, Tailgate Outside Lower (23-23-61)
	4	445 160	Nut		10	6001 692	Retainer
6	1	2528 323	LETTER, Hood Front Name, "P" (15-06-16)		10	9417 621	Nut
	1	2528 324	"L"	22	1	2584 095	MOULDING PACKAGE, Tailgate Outside Upper (23-23-61)
	1	2528 325	"Y"		8	6001 692	Retainer
	1	2528 326	"M"		8	---- ---	Nut
	1	2528 327	"O"	23	1	2584 096	MOULDING PACKAGE, Tailgate Name (23-23-61)
	1	2528 328	"U"		7	6001 603	Retainer
	1	2528 329	"T"		7	---- ---	Nut
	1	2528 330	"H"	24	1	2526 580-1	EXTENSION, Tailgate Name Moulding (23-23-61)
	16	6000 616	Nut, w/Retainer	25	1	2584 530-1	MOULDING PACKAGE, Quarter Panel Tail Lamp (23-23-39)
7	1	2524 200	ORNAMENT, Hood Top (15-03-18)		8	6001 809	Retainer
	1	---- ---	Stud		4	6024 702	Seal
8	1	2584 104	MOULDING PACKAGE, Windshield Outside Upper (23-23-65)		8	---- ---	Nut
	8	6001 648	Retainer	26	1	2584 414-5	MOULDING PACKAGE, Quarter Panel Outside (23-23-39)
9	1	2584 110-1	MOULDING PACKAGE, Windshield Outside Lower (23-23-65)		18	6001 642	Retainer
	10	6001 697	Retainer	27	1	2584 641	MOULDING PACKAGE, Roof Top Outside Rear (use w/Two Tone Paint) (23-23-42)
	1	6001 794	Retainer, Right		2	6001 591	Retainer
	1	6001 795	Retainer, Left		2	116 000	Nut
	2	6024 895	Screw		5	6001 709	Clip and Seal
10	1	2584 108-9	MOULDING PACKAGE, Windshield Outside Side (23-23-65)	28	1	2584 642-3	MOULDING PACKAGE, Roof Top Outside Rear Corner (use w/Two Tone Paint)(23-23-42)
	8	6001 648	Retainer		2	6001 498	Clip and Seal
11	1	2529 264-5	MOULDING, Body Front Pillar Drain Trough (23-59-61)	29	1	2584 394-5	MOULDING PACKAGE, Rear Door Outside (23-23-33)
12	1	2526 530-1	MOULDING, Quarter Window Outside Front, Prime (23-23-73)		8	6001 642	Retainer
	8	6023 247	Screw		4	9417 621	Nut
13	1	2584 450-1	MOULDING PACKAGE, Quarter Window Outside Upper Primed (23-23-73)		4	6001 675	Retainer
	2	2529 938	Seal	30	1	2584 388-9	MOULDING PACKAGE, Front Door Outside (23-23-32)
	12	6001 837	Retainer		8	6001 642	Retainer
	12	6025 001	Nut and Washer		2	9417 621	Nut
14	1	2526 148-9	MOULDING, Roof Side Drain Trough Rear (23-59-61)		2	6001 675	Retainer
15	1	2584 446-7	MOULDING PACKAGE, Rear Upper Pillar Outside (23-23-60)		6	---- ---	Clip

All Packages Include Attaching Parts

Part Type Code is Indicated in Parentheses



19a0096 B



EXTERIOR VIEW - PLYMOUTH P-H 4 DOOR SEDAN

REF. NO.	QTY	PART NUMBER	DESCRIPTION
1	6	2524 908	LOUVER, Fender Side, Red (12-15-21)
	6	2524 909	White
	6	2524 910	Blue
	6	2524 830	Black
	18	6000 050	Clip
2	2	2524 226	NUMERAL 3, Fender Side (12-15-21)
	4	6000 050	Clip
3	2	2524 233	NAME PLATE, Fender Side (Fury) (12-15-21)
	6	6000 050	Clip
4	1	2525 806-7	MOULDING PACKAGE, Fender Side, Red (12-15-2)
	1	2525 808-9	White
	1	2525 810-1	Blue
	1	2525 814-5	Black
	8	6001 735	Retainer and Seal
	6	6001 726	Retainer 6 116 000 Nut
6	2	2578 630	ORNAMENT, Fender Side, V8 (12-15-21)
	2	2578 632	NAME PLATE, Fender Side, Commando V8 (12-15-21)
	4	6023 685	Nut
7	1	2524 206-7	MOULDING, Fender Front (12-15-2)
	8	6023 247	Screw
8	1	2584 536	MEDALLION PACKAGE, Radiator Grille (7-17-1)
	3	6024 202	Nut 4 445 160 Nut
9	1	2524 204-5	MOULDING, Hood Front, Outer (15-25-2)
	1	2524 203	Center (15-25-2)
10	1	2528 323	LETTER, Hood Front Name, "P" (15-06-16)
	1	2528 324	"L"
	1	2528 325	"Y" 1 2528 328 "U"
	1	2528 326	"M" 1 2528 329 "T"
	1	2528 327	"O" 1 2528 330 "H"
	16	6000 616	Nut, w/Retainer
11	1	2524 200	ORNAMENT, Hood Top (15-03-18)
	1	2579 764	ORNAMENT, Hood Top (383) (15-03-18)
	1	----	Stud
12	1	2584 110-1	MOULDING PACKAGE, Windshield Outside Lower (23-23-65)
	10	6001 648	Retainer 2 6024 895 Screw
	1	6001 794	Retainer, Right
	1	6001 795	Retainer, Left
13	1	2584 104	MOULDING, Windshield Outside Upper (23-23-65)
	8	6001 648	Retainer
14	1	2584 108-9	MOULDING PACKAGE, Windshield Outside Side (23-23-65)
	8	6001 648	Retainer
15	1	2529 264-5	MOULDING, Body Front Pillar Drain (23-59-61)
16	1	2492 782-3	MOULDING, Front Door Window Frame Upper (23-23-32)
17	1	2492 784-5	MOULDING, Front Door Window Frame Rear (23-23-32)
18	1	2570 110-1	PANEL, Center Pillar Finish (23-23-16)
19	1	2492 796-7	MOULDING, Rear Door Window Frame Front (23-23-33)
20	1	2526 140-1	MOULDING, Roof Side Drain Trough (23-59-61)
21	1	2492 790-1	MOULDING, Rear Door Window Frame Upper (23-23-33)

REF. NO.	QTY	PART NUMBER	DESCRIPTION
22	1	2584 006-7	MOULDING PACKAGE, Rear Window Outside Side and Upper (23-23-52)(Note #1)
	12	6001 648	Retainer and Screw
	1	2807 134-5	MOULDING PACKAGE, Rear Window Outside Side and Upper (23-23-52)(Note #2)
23	1	2525 979	MOULDING PACKAGE, Rear Window Outside Lower (23-23-52) (Note #1)
	6	6001 648	Retainer and Screw
	1	2807 136-7	MOULDING PACKAGE, Rear Window Outside Lower (23-23-52) (Note #2)
24	1	2584 090	MOULDING PACKAGE, Deck Lid Upper (23-23-30)
	8	6001 692	Retainer 8 ---- Nut
25	1	2526 192	NAME PLATE, Deck Lid (23-19-114)
	3	152 259	Nut
26	1	2524 226	NUMERAL 3, Deck Lid (23-19-114)
	2	152 259	Nut
27	1	2573 828	PANEL, Deck Lid Finish (23-23-30)
	12	6001 692	Retainer 2 6026 214 Screw
	6	----	Nut 6 9417 621 Nut
28	1	2584 091	MOULDING PACKAGE, Deck Lid Lower (23-23-30)
	6	6001 692	Retainer
	4	6001 690	Retainer 10 9417 621 Nut
29	1	2584 532-3	MOULDING PACKAGE, Quarter Panel Tail Lamp (23-23-39)
	8	6001 809	Retainer 8 ---- Nut
30	1	2584 364-5	MOULDING PACKAGE, Quarter Panel, Black (23-23-39)
	1	2584 366-7	White
	1	2584 368-9	Red
	1	2584 370-1	Blue
	6	6001 735	Retainer
	10	6001 726	Retainer
	10	6001 792	Retainer 6 6024 679 Nut
31	1	2584 408	MOULDING PACKAGE, Quarter Panel Filler Door (23-23-39)
	2	6025 561	Screw
32	1	2526 112-3	NAME PLATE, Roof Outside Belt (23-34-238)
	4	6022 006	Sealing Washer
	4	9411 618	Nut
33	1	2584 384-5	MOULDING PACKAGE, Rear Door, Black (23-23-33)
	1	2584 452-3	White
	1	2584 454-5	Red
	1	2584 456-7	Blue
	6	6001 735	Retainer
	4	6001 734	Retainer 4 9417 620 Nut
34	1	2584 342-3	MOULDING PACKAGE, Front Door, Black (23-23-32)
	1	2584 344-5	White
	1	2584 346-7	Red
	1	2584 348-9	Blue
	8	6001 735	Retainer
	4	6001 734	Retainer
	4	9417 621	Nut

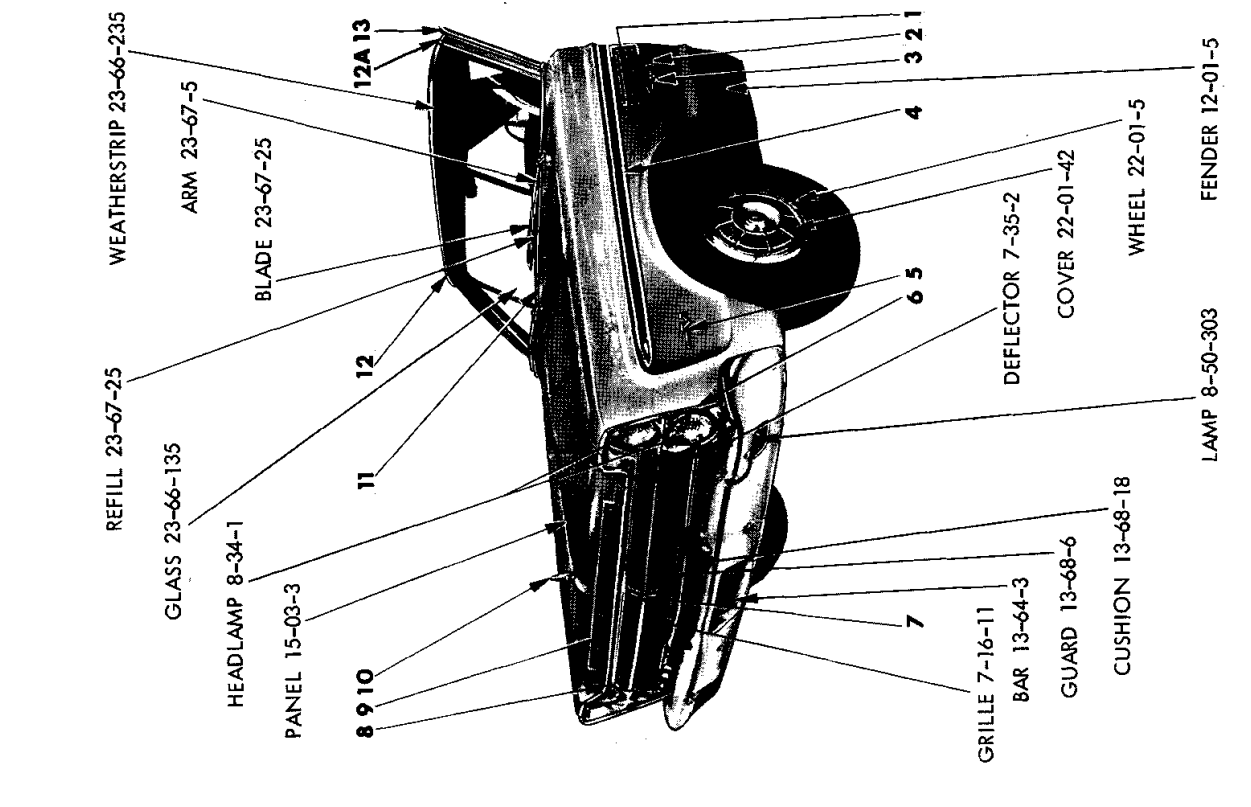
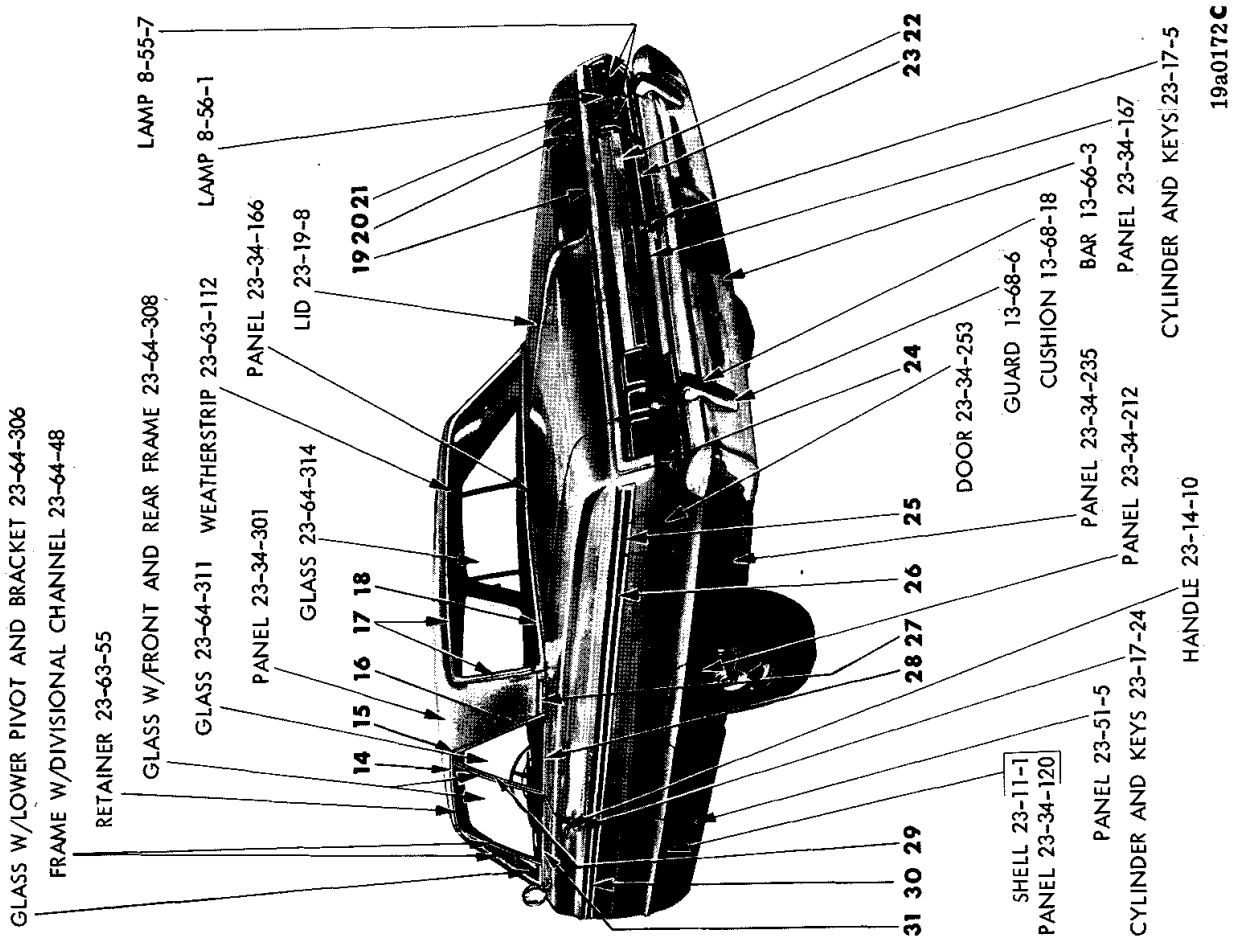
NOTE 1: UP TO SERIAL NO. 210132

NOTE 2: AFTER SERIAL NO. 210132

All Packages Include Attaching Parts

Part Type Code is Indicated in Parentheses

EXTERIOR VIEW - PLYMOUTH P-H 4 DOOR SEDAN



EXTERIOR VIEW - PLYMOUTH P-H 2 DOOR HARDTOP

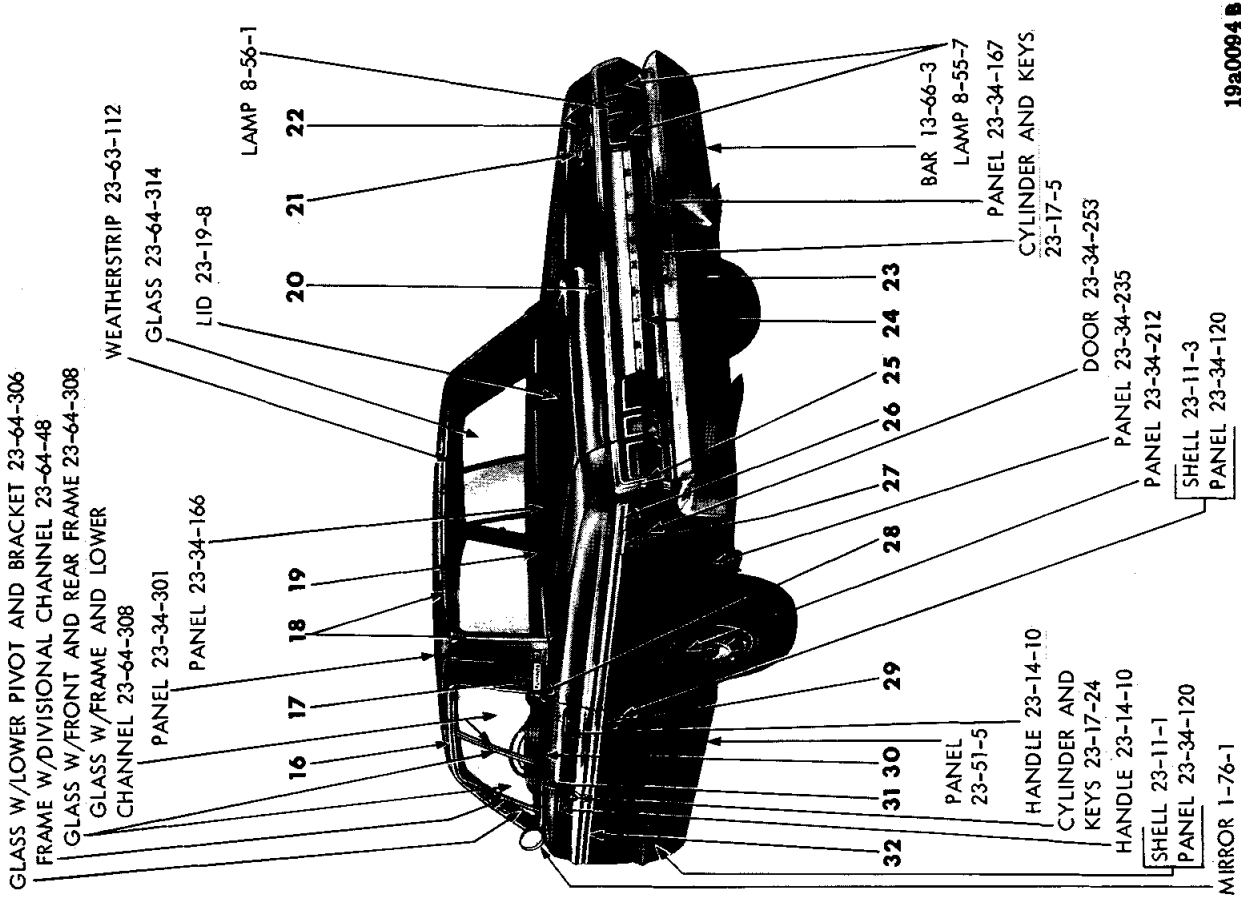
REF. NO.	QTY	PART NUMBER	DESCRIPTION
1	6	2524 908	LOUVER, Fender Side, Red (12-15-21)
	6	2524 909	White 6 2524 830 Black
	6	2524 910	Blue 18 6000 050 Clip
2	2	2524 226	NUMERAL, Fender Side, III (12-15-21)
	4	6000 050	Clip
3	2	2524 233	NAME PLATE, Fender Side, Fury (12-15-21)
	6	6000 050	Clip
4	1	2525 806-7	MOULDING PACKAGE, Fender Side, Red (12-15-2)
	1	2525 808-9	White
	1	2525 810-1	Blue 1 2525 814-5 Black
	6	6001 735	Retainer and Seal
	4	6001 726	Retainer 4 ---- Nut
5	2	2578 632	NAME PLATE, Fender Side, Commando V8 (12-15-21)
	4	6023 685	Nut
6	1	2524 206-7	MOULDING, Fender Front (12-15-2)
	8	6023 247	Screw
7	1	2584 536	MEDALLION PACKAGE, Radiator Grille (7-17-1)
	4	445 160	Nut
8	1	2524 204-5	MOULDING, Hood Front, Outer (15-25-2)
	1	2524 203	Center (15-25-2)
9	1	2528 323	LETTER, Hood Front Name, "P" (15-06-16)
	1	2528 324	"L"
	1	2528 325	"Y" 1 2528 328 "U"
	1	2528 326	"M" 1 2528 329 "T"
	1	2528 327	"O" 1 2528 330 "H"
	16	6000 616	Nut, w/Retainer
10	1	2524 200	ORNAMENT, Hood Top (15-03-18)
	1	2579 764	ORNAMENT, Hood Top (383) (15-03-18)
	1	----	Stud
11	1	2584 110-1	MOULDING PACKAGE, Windshield Outside Lower (23-23-65)
	10	6001 697	Retainer 2 6024 895 Screw
	1	6001 794	Retainer, Right
	1	6001 795	Retainer, Left
12	1	2584 099	MOULDING PACKAGE, Windshield Outside Upper (23-23-65)
	8	6001 648	Retainer
12A	1	2574 850-1	MOULDING, Body Frt. Pillar Trim (use w/Vinyl Roof)(23-23-14)
	2	6023 682	Screw
13	1	2584 106-7	MOULDING PACKAGE, Windshield Outside Side (23-23-65)
	8	6001 648	Retainer
14	1	2526 480-1	MOULDING, Roof Side Drain Trough Front (w/o Vinyl Roof) (23-59-61)
	1	2605 010-1	MOULDING, Roof Side Drain Trough Front (w/Vinyl Roof) (23-59-61)
15	1	2526 484-5	COVER, Roof Side Drain Trough Moulding Front (23-59-57)
16	1	2526 482-3	MOULDING, Roof Side Drain Trough Rear (w/o Vinyl Roof) (23-59-61)
	1	2605 012-3	MOULDING, Roof Side Drain Trough Rear (w/Vinyl Roof) (23-59-61)
17	1	2525 596-7	MOULDING PACKAGE, Rr. Wdo. Outside Upr. & Side (23-23-52) (Note #1)
	14	6001 648	Retainer and Screw

REF. NO.	QTY	PART NUMBER	DESCRIPTION
	1	2807 140-1	MOULDING PACKAGE, Rear Window Outside Upper & Side (23-23-52) (Note #2)
18	1	2525 595	MOULDING PACKAGE, Rear Window Outside Lower (23-23-52) (Note #1)
	7	6001 648	Retainer and Screw
	1	2807 138-9	MOULDING PACKAGE, Rear Window Outside Lower (23-23-52) (Note #2)
19	1	2584 090	MOULDING PACKAGE, Deck Lid Outside Upper (23-23-30)
	8	6001 692	Retainer 8 ---- Nut
20	1	2526 192	NAME PLATE, Deck Lid (Fury) (23-19-114)
	3	152 259	Nut
21	1	2524 226	NUMERAL "III", Deck Lid (23-19-114)
	2	152 259	Nut
22	1	2573 828	PANEL, Deck Lid Finish (23-23-30)
	12	6001 692	Retainer 2 6026 214 Screw
	6	----	Nut 6 9417 621 Nut
23	1	2584 091	MOULDING PACKAGE, Deck Lid Outside Lower (23-23-30)
	6	6001 692	Retainer
	4	6001 690	Retainer 10 9417 621 Nut
24	1	2584 532-3	MOULDING PACKAGE, Quarter Outside Tail Lamp (23-23-39)
	8	6001 809	Retainer and Stud
	8	----	Nut
25	1	2584 408	MOULDING PACKAGE, Quarter Panel Fuel Filler Door (23-23-39)
	2	6025 561	Screw
26	1	2584 354-5	MOULDING PACKAGE, Quarter Outside, Black (23-23-39)
	1	2584 360-1	Blue
	1	2584 358-9	Red
	1	2584 356-7	White
	12	6001 735	Retainer and Seal
	10	6001 726	Retainer and Stud
	10	6024 679	Nut
27	1	2584 422-3	MOULDING PACKAGE, Roof Outside Belt (23-23-42)
	4	----	Washer 4 9411 618 Nut
28	1	2584 218-9	MOULDING PACKAGE, Quarter Outside Belt (23-23-39)
	12	6001 496	Retainer
29	1	2529 144-5	MOULDING, Quarter Window Glass Front (23-23-73)
30	1	2584 332-3	MOULDING PACKAGE, Door Outside, Black (23-23-32)
	1	2584 338-9	Blue
	1	2584 336-7	Red
	1	2584 334-5	White
	10	6001 735	Retainer and Seal
	2	6001 734	Retainer and Stud
	2	9417 621	Nut
31	1	2584 214-5	MOULDING PACKAGE, Door Outside Belt (23-23-32)
	16	6001 496	Retainer

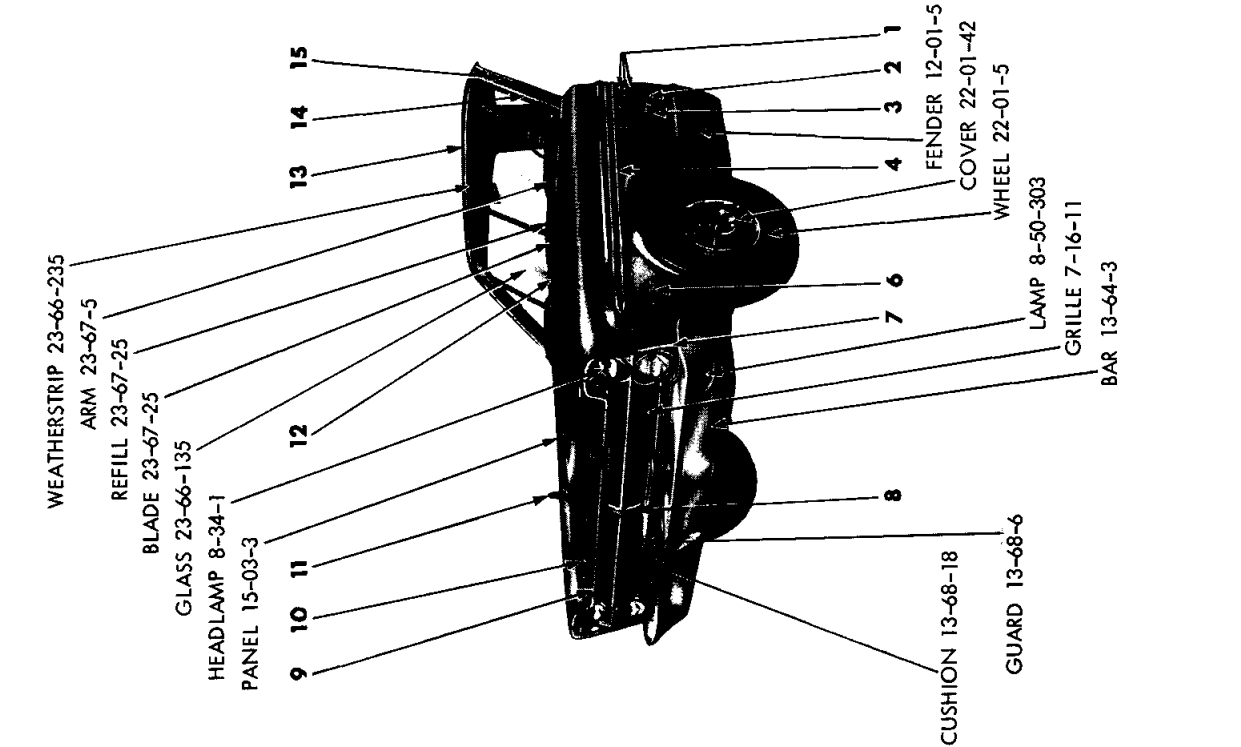
NOTE 1: UP TO SERIAL NO. 210132
 NOTE 2: AFTER SERIAL NO. 210132

All Packages Include Attaching Parts
Part Type Code is Indicated in Parentheses

EXTERIOR VIEW - PLYMOUTH P-H 2 DOOR HARDTOP



19a0094 B



EXTERIOR VIEW - PLYMOUTH P-H 4 DOOR HARDTOP

REF. NO.	QTY	PART NUMBER	DESCRIPTION
1	6	2524 908	LOUVER, Fender Side, Red (12-15-21)
	6	2524 909	White 6 2524 830 Black
	6	2524 910	Blue 18 6000 050 Clip
2	2	2524 226	NUMERAL 3, Fender Side (12-15-21)
	4	6000 050	Clip
3	2	2524 233	NAME PLATE, Fender Side (Fury) (12-15-21)
	6	6000 050	Clip
4	1	2525 806-7	MOULDING PACKAGE, Fender Side Red (12-15-2)
	1	2525 808-9	White
	1	2525 810-1	Blue 1 2525 814-5 Black
	8	6001 735	Retainer and Seal
	6	6001 726	Retainer 6 116 000 Nut
6	2	2578 630	ORNAMENT, Fender Side, V8 (12-15-21)
	2	2578 632	NAME PLATE, Fender Side, Commando V8 (12-15-21)
	4	6023 685	Nut
7	1	2524 206-7	MOULDING, Fender Front (12-15-2)
	8	6023 247	Screw
8	1	2584 536	MEDALLION PACKAGE, Radiator Grille (7-17-1)
	3	6024 202	Nut 4 445 160 Nut
9	1	2524 204-5	MOULDING, Hood Front, Outer (15-25-2)
	1	2524 203	Center (15-25-2)
10	1	2528 323	LETTER, Hood Front Name, "P" (15-06-16)
	1	2528 324	"L" 1 2528 328 "U"
	1	2528 325	"Y" 1 2528 329 "T"
	1	2528 326	"M" 1 2528 330 "H"
	1	2528 327	"O" 16 6000 616 Nut
11	1	2524 200	ORNAMENT, Hood Top (15-03-18)
	1	2579 764	ORNAMENT, Hood Top (383) (15-03-18)
	1	----	Stud
12	1	2584 110-1	MOULDING PACKAGE, Windshield Outside Lower (23-23-65)
	10	6001 697	Retainer 2 6024 895 Screw
	1	6001 794	Retainer, Right
	1	6001 795	Retainer, Left
13	1	2584 104	MOULDING PACKAGE, Windshield Outside Upper (23-23-65)
	8	6001 648	Retainer
14	1	2584 108-9	MOULDING PACKAGE, Windshield Outside Side (23-23-65)
	8	6001 648	Retainer
15	1	2529 264-5	MOULDING, Body Front Pillar Drain Trough (23-59-61)
16	1	2526 140-1	MOULDING, Roof Side Drain Trough (23-59-61)
17	1	2526 114-5	NAME PLATE, Roof Outside Belt (23-34-238)
	6	----	Washer 6 9411 618 Nut
18	1	2584 006-7	MOULDING PACKAGE, Rear Window Outside Side & Upper (23-23-52) (Note #1)
	12	6001 648	Retainer and Screw
	1	2807 134-5	MOULDING PACKAGE, Rear Window Outside Side & Upper (23-23-52) (Note #2)
19	1	2525 979	MOULDING PACKAGE, Rear Window Outside Lower (23-23-52) (Note #1)
	6	6001 648	Retainer and Screw

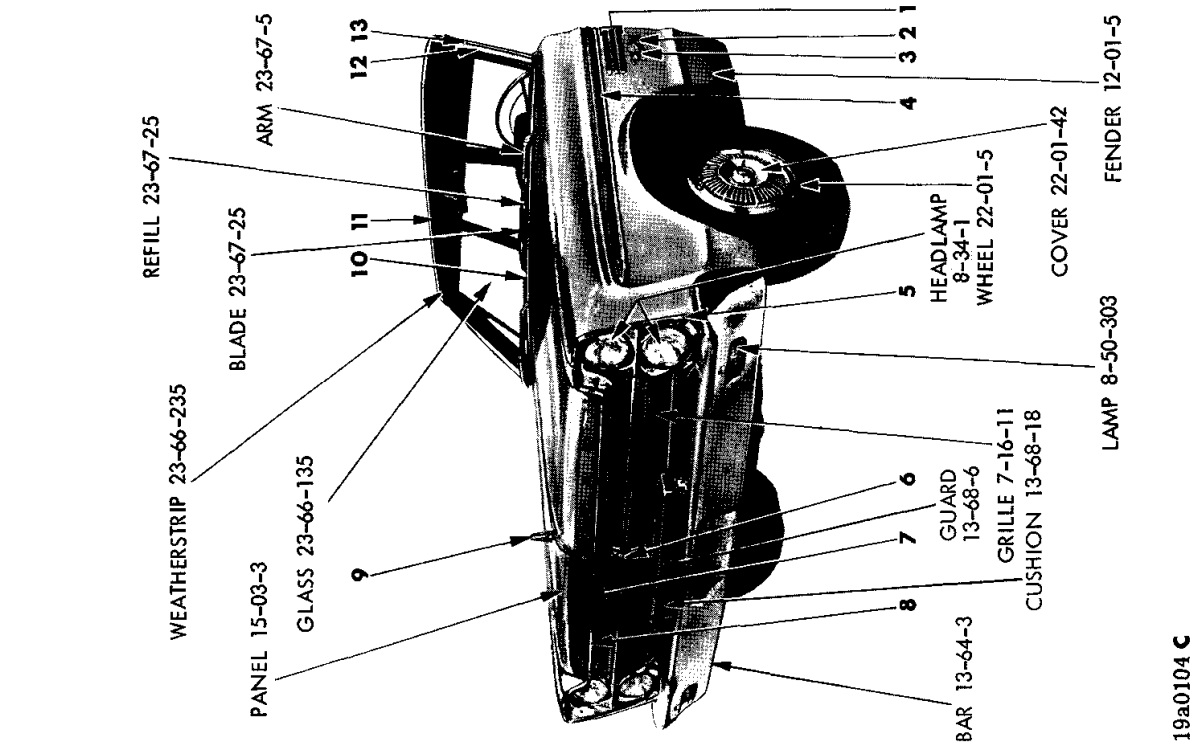
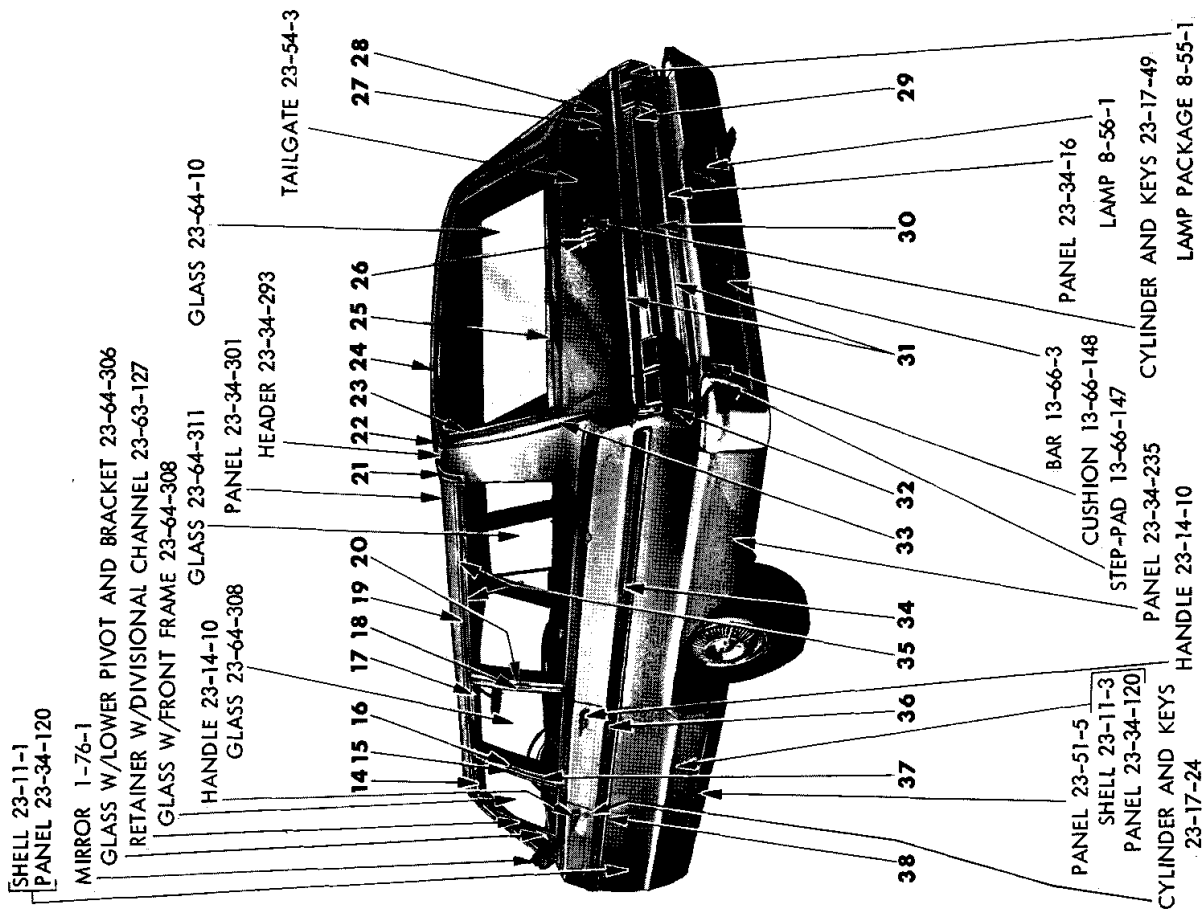
All Packages Include Attaching Parts

REF. NO.	QTY	PART NUMBER	DESCRIPTION
	1	2807 138-9	MOULDING PACKAGE, Rear Window Outside Lower (23-23-52) (Note #2)
20	1	2584 090	MOULDING PACKAGE, Deck Lid Upper (23-23-30)
	8	6001 692	Retainer 8 ---- --- Nut
21	1	2526 192	NAME PLATE, Deck Lid (23-19-114)
	3	152 259	Nut
22	1	2524 226	NUMERAL, Deck Lid (23-19-114)
	2	152 259	Nut
23	1	2584 091	MOULDING PACKAGE, Deck Lid Lower (23-23-30)
	6	6001 692	Retainer
	4	6001 690	Retainer 16 9417 621 Nut
24	1	2573 828	PANEL, Deck Lid Finish (23-23-30)
	12	6001 692	Retainer 2 6026 214 Screw
	6	----	Nut 6 9417 621 Nut
25	1	2584 532-3	MOULDING PACKAGE, Quarter Panel Tail Lamp (23-23-39)
	8	6001 809	Retainer 8 ---- --- Nut
26	1	2584 364-5	MOULDING PACKAGE, Quarter Panel, Black (23-23-39)
	1	2584 366-7	White
	1	2584 368-9	Red
	1	2584 370-1	Blue
	6	6001 735	Retainer
	10	6001 726	Retainer
	6	6001 792	Retainer 10 6024 679 Nut
27	1	2584 408	MOULDING PACKAGE, Quarter Panel Filler Door (23-23-39)
	2	6025 561	Screw
28	1	2571 176-7	ORNAMENT and WEATHER-STRIP, Rear Door Belt Outer Rear (23-11-23) (23-63-33)
	2	9416 628	Screw
	4	----	Screw 4 6023 164 Nut
	1	2571 170-1	ORNAMENT and WEATHER-STRIP, Rear Door Belt Inner Rear (23-11-23) (23-63-33)
	2	456 867	Screw 4 6025 425 Screw
29	1	2584 384-5	MOULDING PACKAGE, Rear Door, Black (23-23-33)
	1	2584 452-3	White
	1	2584 454-5	Red
	1	2584 456-7	Blue
	6	6001 735	Retainer
	4	6001 734	Retainer 4 9417 621 Nut
30	1	2584 512-3	MOULDING PACKAGE, Rear Door Belt (23-23-33)
	10	6001 797	Clip
	4	----	Screw 4 6023 164 Nut
31	1	2584 212-3	MOULDING PACKAGE, Front Door Belt (23-23-32)
	16	6001 496	Retainer
32	1	2584 342-3	MOULDING PACKAGE, Front Door, Black (23-23-32)
	1	2584 344-5	White
	1	2584 346-7	Red
	1	2584 348-9	Blue
	8	6001 735	Retainer
	4	6001 734	Retainer
	4	9417 621	Nut

NOTE 1: UP TO SERIAL NO. 210132
NOTE 2: AFTER SERIAL NO. 210132

Part Type Code is Indicated in Parentheses

EXTERIOR VIEW - PLYMOUTH P-H 4 DOOR HARDTOP



EXTERIOR VIEW - PLYMOUTH P-H 4 DOOR STATION WAGON

19a0104 C

REF. NO.	QTY	PART NUMBER	DESCRIPTION	REF. NO.	QTY	PART NUMBER	DESCRIPTION
1	6	2524 908	LOUVER, Fender Side, Red (12-15-21)	19	1	2526 148-9	MOULDING, Roof Side Drain Trough (23-59-61)
	6	2524 909	White	20	1	2528 562-3	MOULDING, Quarter Window Outside Front (23-23-73)
	6	2524 830	Black		8	6023 247	Screw
	6	2524 910	Blue	21	1	2584 642-3	MOULDING PACKAGE, Roof Top Outside Rear Corner (use w/Two Tone Paint) (23-23-42)
	18	6000 050	Clip		2	6001 498	Clip and Seal
2	2	2524 226	NUMERAL, Fender Side, III (12-15-21)	22	1	2584 641	MOULDING PACKAGE, Roof Top Outside Rear (use w/Two Tone Paint) (23-23-42)
	4	6000 050	Clip		5	6001 709	Clip and Seal
3	2	2524 233	NAME PLATE, Fender Side, Fury (12-15-21)		2	6001 591	Retainer
	6	6000 050	Clip		2	116 000	Nut
4	1	2525 806-7	MOULDING PACKAGE, Fender Side, Red (12-15-2)	23	1	2584 444-5	MOULDING PACKAGE, Rear Upper Pillar Tailgate Opening (23-23-60)
	1	2525 814-5	Black		6	6001 620	Clip
	1	2525 810-1	Blue	24	1	2584 421	MOULDING PACKAGE, Roof Outside Rear (23-23-42)
	6	6001 735	Retainer		8	6001 816	Clip
	4	6001 726	Retainer	1	2586 106	MOULDING PACKAGE, Roof Outside Rear (used w/Outside Assist Handle) (23-23-42)	
	4	-----	Nut		8	6001 816	Clip
5	1	2524 206-7	MOULDING, Fender Front (12-15-2)	25	1	2528 795	MOULDING, Tailgate Outside Belt (23-23-61)
	8	6023 247	Screw	26	1	2486 686	ORNAMENT, Tailgate Window Regulator Outside Panel (23-54-11)
6	1	2584 536	MEDALLION PACKAGE, Radiator Grille (7-17-1)		3	-----	Stud
	4	6024 202	Nut	27	1	2524 233	NAME PLATE, Tailgate (Fury) (23-54-11)
	4	445 160	Nut		3	152 229	Nut
7	1	2528 323	LETTER, Hood Front Name, "P" (15-06-16)	28	1	2524 226	NUMERAL III, Tailgate (23-54-11)
	1	2528 324	"L"		2	152 229	Nut
	1	2528 325	"Y"	29	1	2584 096	MOULDING PACKAGE, Tailgate Name (23-23-61)
	1	2528 326	"M"		8	6001 603	Retainer
	1	2528 327	"O"		8	-----	Nut
	1	2528 328	"U" 1 2528 330 "H"	30	1	2526 202	PANEL, Tailgate Outside Finish (23-23-77)
	1	2528 329	"T" 16 6000 616 Nut	31	2	2584 095	MOULDING PACKAGE, Tailgate Outside Upper and Lower (23-23-61)
8	1	2524 204-5	MOULDING, Hood Front, Outer (15-25-2)		8	6001 696	Retainer, Stud and Seal
	1	2524 203	Center (15-25-2)	32	1	2584 530-1	MOULDING PACKAGE, Quarter Panel Tail Lamp (23-23-39)
	11	6023 247	Screw 2 6025 239 Screw		8	6001 809	Retainer
9	1	2524 200	ORNAMENT, Hood Top (15-03-18)		8	6001 817	Clip
	1	2579 764	ORNAMENT, Hood Top (383) (15-03-18)	33	1	2584 446-7	MOULDING PACKAGE, Rear Upper Pillar Outside (23-23-60)
	1	-----	Stud		6	-----	Clip
10	1	2584 110-1	MOULDING PACKAGE, Windshield Outside Lower (23-23-65)	34	1	2584 374-5	MOULDING PACKAGE, Quarter Panel, Black (23-23-39)
	10	6001 697	Retainer 2 6024 895 Screw		1	2584 376-7	White
	1	6001 794	Retainer, Right		1	2584 378-9	Red
	1	6001 795	Retainer, Left		1	2584 380-1	Blue
11	1	2584 104	MOULDING PACKAGE, Windshield Outside Upper (23-23-65)		8	6001 735	Retainer
	8	6001 648	Retainer		6	6001 792	Retainer
12	1	2584 108-9	MOULDING PACKAGE, Windshield Outside Side (23-23-65)		4	6001 793	Retainer
	8	6001 648	Retainer				
13	1	2529 264-5	MOULDING, Body Front Pillar Drain Trough (23-59-61)				
14	1	2492 782-3	MOULDING, Front Door Window Frame Upper (23-23-32)				
15	1	2492 784-5	MOULDING, Front Door Window Frame Rear (23-23-32)				
16	1	2492 796-7	MOULDING, Rear Door Window Frame Front (23-23-33)				
17	1	2492 806-7	MOULDING, Rear Door Window Frame Upper (23-23-33)				
18	1	2492 808-9	MOULDING, Rear Door Window Frame Rear (23-23-33)				

All Packages Include Attaching Parts

Part Type Code is Indicated in Parentheses

CONTINUED ON NEXT PAGE

EXTERIOR VIEW - PLYMOUTH P-H 4 DOOR STATION WAGON

REF. NO.	QTY	PART NUMBER	DESCRIPTION
35	1	2584 450-1	MOULDING PACKAGE, Quarter Window Outside Upper (Prime)(23-23-73)
	12	6025 001	Nut and Washer
	12	6001 837	Retainer
	2	2529 938	Seal
	1	2528 584-5	COVER PACKAGE, Qtr. Wdo. Outside Upr. Mldg. (Stainless Steel) (23-23-73)
	12	6025 001	Nut and Washer
	12	6001 837	Retainer
	2	2529 938	Seal
36	1	2584 386-7	MOULDING PACKAGE, Rear Door, Black (23-23-33)
	1	2584 458-9	White
	1	2584 460-1	Red
	1	2584 462-3	Blue
	8	6001 735	Retainer
	4	6001 734	Retainer
	4	9417 621	Nut

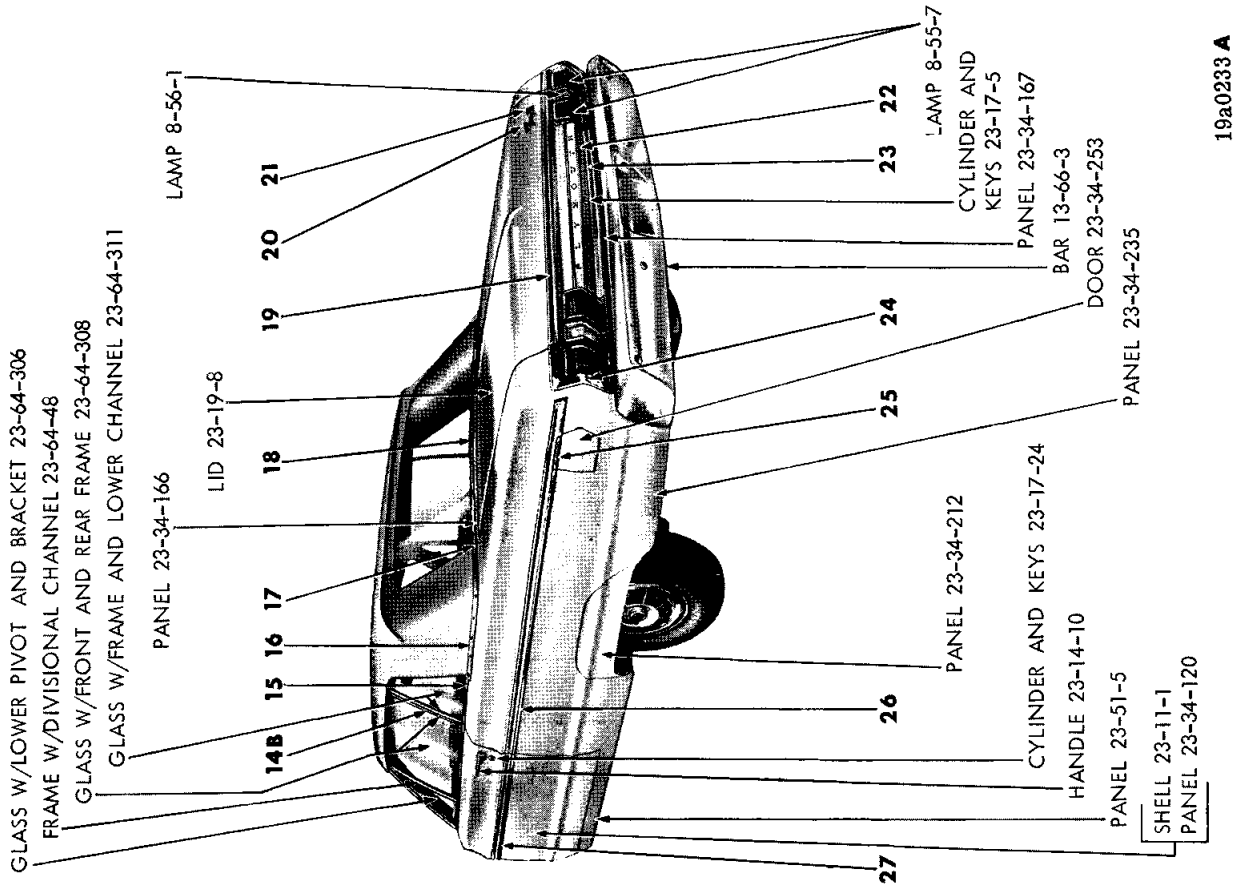
REF. NO.	QTY	PART NUMBER	DESCRIPTION
37	1	2570 110-1	PANEL, Body Center Pillar Finish (23-23-16)
	4	6023 247	Screw
38	1	2584 342-3	MOULDING PACKAGE, Front Door, Black (23-23-32)
	1	2584 344-5	White
	1	2584 346-7	Red
	1	2584 348-9	Blue
	8	6001 735	Retainer
	4	6001 734	Retainer
	4	9417 621	Nut

All Packages Include Attaching Parts

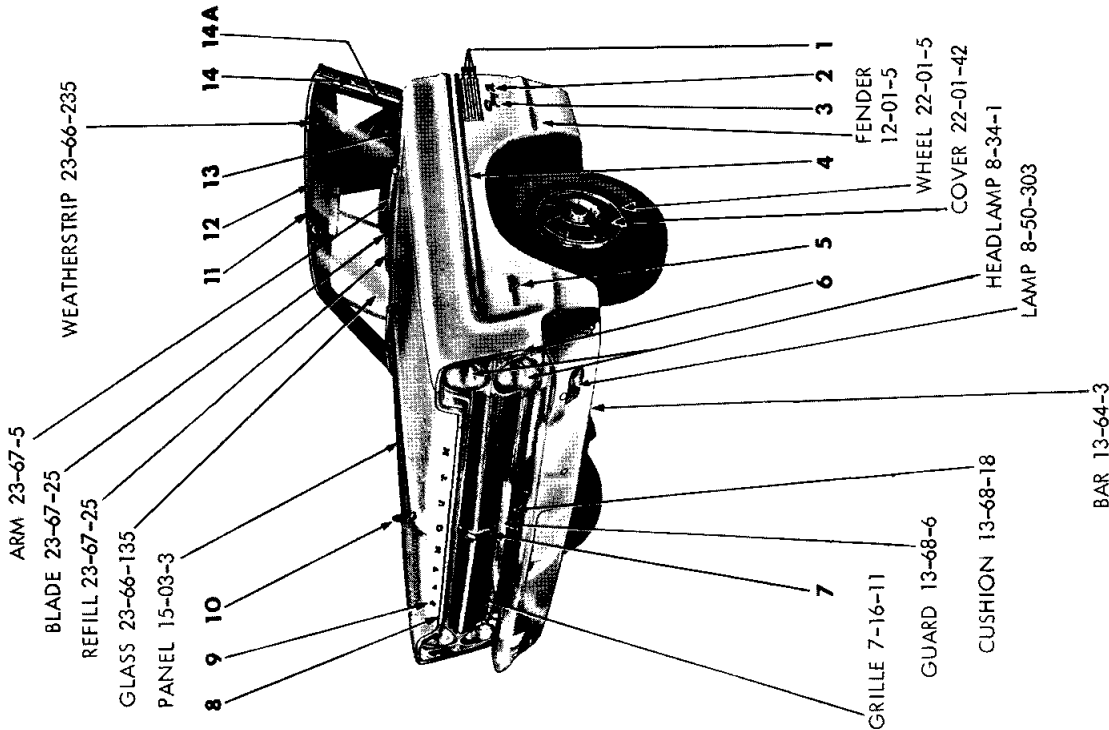
Part Type Code is Indicated in Parentheses

EXTERIOR VIEW - PLYMOUTH P-H 4 DOOR STATION WAGON

NOTES



19a0233 A



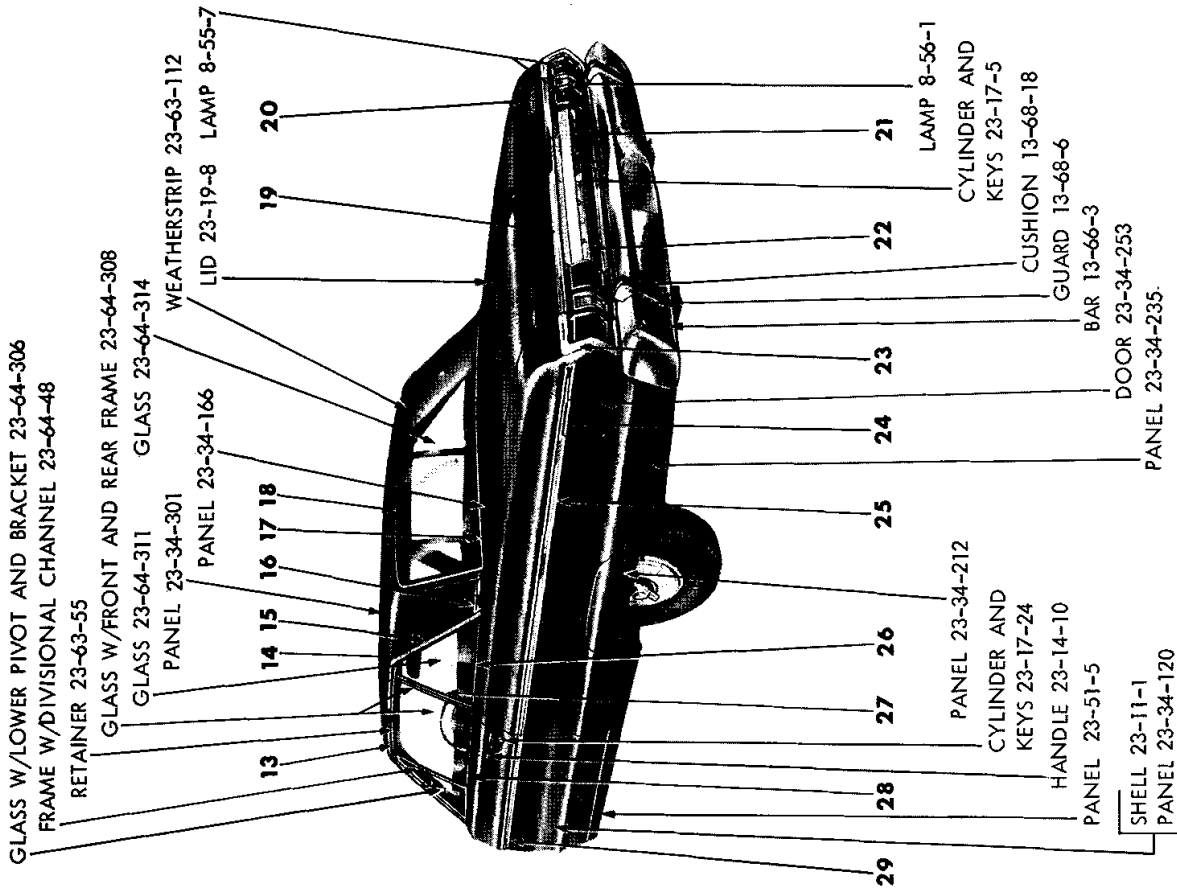
EXTERIOR VIEW - PLYMOUTH P-H CONVERTIBLE COUPE

REF. NO.	QTY	PART NUMBER	DESCRIPTION
1	6	2524 908	LOUVER, Fender Side, Red (12-15-21)
	6	2524 909	White
	6	2524 910	Blue
	6	2524 830	Black 18 6000 050 Clip
2	2	2524 226	NUMERAL, Fender Side, III (12-15-21)
	4	6000 050	Clip
3	2	2524 233	NAME PLATE, Fender Side, Fury (12-15-21)
	6	6000 050	Clip
4	1	2525 806-7	MOULDING PACKAGE, Fender Side, Red (12-15-2)
	1	2525 808-9	White
	1	2525 810-1	Blue 1 2525 814-5 Black
	6	6001 735	Retainer
	4	6001 726	Retainer 4 ---- Nut
5	2	2578 632	NAME PLATE, Fender Side, Commando V8 (12-15-21)
	4	6023 685	Nut
6	1	2524 206-7	MOULDING, Fender Front (12-15-2)
	8	6023 247	Screw
7	1	2584 536	MEDALLION PACKAGE, Radiator Grille (7-17-1)
	4	445 160	Nut
8	1	2524 204-5	MOULDING, Hood Front, Outer (15-25-2)
	1	2524 203	Center (15-25-2)
	11	6023 247	Screw 2 6025 239 Screw
9	1	2528 323	LETTER, Hood Front Name, "P" (15-06-16)
	1	2528 324	"L"
	1	2528 325	"Y" 1 2528 328 "U"
	1	2528 326	"M" 1 2528 329 "T"
	1	2528 327	"O" 1 2528 330 "H"
	16	6000 616	Nut, w/Retainer
10	1	2524 200	ORNAMENT, Hood Top (15-03-18)
	1	2579 764	ORNAMENT, Hood Top (383) (15-03-18)
	1	----	Stud
11	1	2484 602-3	MOULDING, Windshield Outside Upper Header (23-23-65)
	5	6025 132	Screw
12	1	2584 099	MOULDING PACKAGE, Windshield Outside Upr. (23-23-65)
	8	6001 648	Retainer
13	1	2584 110-1	MOULDING, Windshield Outside Lower (23-23-65)
	10	6001 697	Retainer 2 6024 895 Screw
	1	6001 794	Retainer, Right
	1	6001 795	Retainer, Left
14	1	2481 844-5	MOULDING, Body Front Upper Pillar Outside (23-23-14)
	8	9415 214	Screw
	1	2528 660-1	EXTENSION, Body Front Pillar Outside Mldg. Lwr. (23-23-14)
14A	1	2584 106-7	MOULDING PACKAGE, Windshield Outside Side (23-23-65)
	8	6001 648	Retainer
14B	1	2529 096-7	MOULDING, Quarter Window Glass Front (23-23-73)
15	1	2584 220-1	MOULDING PACKAGE, Quarter Outside Belt (23-23-39)
	6	6001 496	Retainer
	2	----	Screw

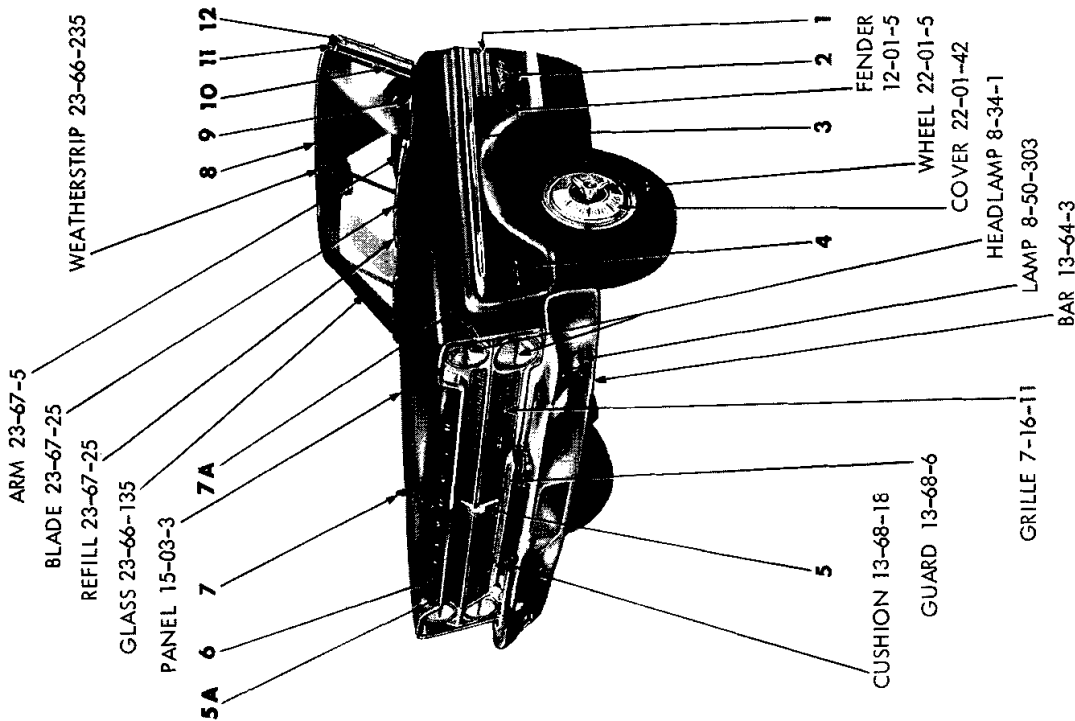
All Packages Include Attaching Parts

REF. NO.	QTY	PART NUMBER	DESCRIPTION
16	1	2584 086-7	MOULDING PACKAGE, Quarter Outside Belt Rear (23-23-39)
	2	2094 380	Fastener
	2	----	Screw
17	1	2584 082-3	MOULDING PACKAGE, Deck Opening Upper (23-23-31)
	20	2094 380	Fastener
18	1	2584 081	CAP PACKAGE, Deck Opening Upper Panel Moulding (23-23-41)
	1	2094 380	Screw
19	1	2584 090	MOULDING PACKAGE, Deck Lid Outside Upper (23-23-30)
	8	6001 692	Retainer
	8	----	Nut
20	1	2526 192	NAME PLATE, Deck Lid, Fury (23-19-114)
	3	152 259	Nut
21	1	2524 226	NUMERAL III, Deck Lid (23-19-114)
	2	152 259	Nut
22	1	2573 828	PANEL, Deck Lid Finish (23-23-30)
	12	6001 692	Retainer
	6	----	Nut
	6	9417 621	Nut
23	1	2584 091	MOULDING PACKAGE, Deck Lid Outside Lower (23-23-30)
	6	6001 692	Retainer
	4	6001 690	Retainer
	10	9417 621	Nut 2 6026 214 Screw
24	1	2584 532-3	MOULDING PACKAGE, Quarter Panel Tail Lamp (23-23-39)
	8	6001 809	Retainer
	8	----	Nut
25	1	2584 408	MOULDING PACKAGE, Quarter Panel Fuel Filler Door (23-23-39)
	2	6025 561	Screw
26	1	2584 354	MOULDING PACKAGE, Quarter Panel Right, Black (23-23-39)
	1	2584 355	Left, Black
	1	2584 360	Right, Blue
	1	2584 361	Left, Blue
	1	2584 358	Right, Red
	1	2584 359	Left, Red
	1	2584 356	Right, White
	1	2584 357	Left, White
	12	6001 735	Retainer
	10	6024 679	Nut
	10	6001 726	Retainer
27	1	2584 332-3	MOULDING PACKAGE, Door Outside, Black (23-23-32)
	1	2584 338-9	Blue
	1	2584 336-7	Red
	1	2584 334-5	White
	10	6001 735	Retainer
	2	6001 734	Retainer
	2	9417 621	Nut

Part Type Code is Indicated in Parentheses



19a0254 B



EXTERIOR VIEW - PLYMOUTH P-P 2 DOOR HARTOP

REF. NO.	QTY	PART NUMBER	DESCRIPTION	REF. NO.	QTY	PART NUMBER	DESCRIPTION
1	2	2524 827	LOUVER, Fender Side, Red (12-15-21)	12	1	2528 002-3	MOULDING, Body Front Pillar Drain Trough (use w/o Vinyl Roof) (23-59-61)
	2	2524 828	White				
	2	2524 829	Blue				
	6	6000 050	Clip	13	1	2526 480-1	MOULDING, Roof Side Drain Front (use w/Vinyl Roof) (23-59-61) (Note #1)
2	2	2422 955	NAME PLATE, Fender Side, Sport Fury (12-15-21)	1	2605 010-1	MOULDING, Roof Side Drain Trough Front (use w/Vinyl Roof) (23-59-61) (Note #2)	
	8	6000 050	Clip	1	2573 230-1	MOULDING, Roof Side Drain Trough Front & Rear (use w/o Vinyl Roof) (23-59-61)	
3	1	2525 804-5	MOULDING PACKAGE, Fender Side, w/Insert (12-15-2)	14	1	2526 484-5	COVER, Roof Side Drain Trough Moulding Front (use w/Vinyl Roof) (23-59-57)
	6	6001 735	Retainer and Seal	15	1	2526 482-3	MOULDING, Roof Side Drain Trough Rear (use w/Vinyl Roof) (23-59-61) (Note #1)
	4	6001 726	Retainer	1	2605 012-3	MOULDING, Roof Side Drain Trough Rear (use w/Vinyl Roof) (23-59-61) (Note #2)	
	4	---- ---	Nut	16	1	2584 422-3	MOULDING PACKAGE, Roof Outside Belt (use w/Vinyl Roof) (23-23-42)
4	2	2578 632	NAME PLATE, Fender Side, Commando V8 (12-15-21)	1	2584 464-5	MOULDING PACKAGE, Roof Outside Belt (use w/o Vinyl Roof) (23-23-42)	
	4	6023 685	Nut	4	---- ---	Washer	
5	1	2584 537	MEDALLION PACKAGE, Radiator Grille (7-17-1)	4	9411 618	Nut	
	4	445 160	Nut	17	1	2525 595	MOULDING PACKAGE, Rear Window Outside Lower (23-23-52) (Note #3)
5A	1	2524 204-5	MOULDING, Hood Front, Outer (15-25-2)	7	6001 648	Retainer	
	1	2524 203	Center (15-25-2)	1	2807 140-1	MOULDING PACKAGE, Rear Window Outside Upper and Side (23-23-52) (Note #4)	
	2	6025 239	Screw	18	1	2525 596-7	MOULDING PACKAGE, Rear Window Outside Upper and Side (23-23-52) (Note #3)
	11	6023 247	Screw	14	6001 648	Retainer	
6	1	2528 323	LETTER, Hood Front Name, "P" (15-06-16)	1	2807 138-9	MOULDING PACKAGE, Rear Window Outside Lower (23-23-52) (Note #4)	
	1	2528 324	"L"	19	1	2584 090	MOULDING PACKAGE, Deck Lid Outside Upper (23-23-30)
	1	2528 325	"Y"	8	6001 692	Retainer	
	1	2528 326	"M"	8	---- ---	Nut	
	1	2528 327	"O"	20	1	2526 194	NAME PLATE, Deck Lid, Sport Fury (23-19-114)
	1	2528 328	"U"	5	152 259	Nut	
	1	2528 329	"T"	21	1	2584 091	MOULDING PACKAGE, Deck Lid Outside Lower (23-23-30)
	1	2528 330	"H"	6	6001 692	Retainer	
	16	6000 616	Nut w/Washer	4	6001 690	Retainer	
7	1	2524 200	ORNAMENT, Hood Top, w/o Space for Cu. In. Engine Displacement (15-03-18)	10	9417 621	Nut	
	1	2578 737	ORNAMENT, w/Decal, Hood Top, w/383 Cu. In. Decal	22	1	2526 199	PANEL, Deck Lid Finish (23-23-30)
	1	2578 739	ORNAMENT, w/Decal, Hood Top, w/426H Cu. In. Decal	12	6001 692	Retainer	
7A	1	2524 206-7	MOULDING PACKAGE, Fender Front (12-15-2)	6	---- ---	Nut	
	8	6023 247	Screw	6	9417 621	Nut	
8	1	2584 099	MOULDING PACKAGE, Windshield Outside Upper (23-23-65)				
	8	6001 648	Retainer				
9	1	2584 110-1	MOULDING PACKAGE, Windshield Outside Lower (23-23-65)				
	10	6001 697	Retainer				
	2	6024 895	Screw				
	1	6001 794	Retainer, Right				
	1	6001 795	Retainer, Left				
10	1	2584 106-7	MOULDING PACKAGE, Windshield Outside Side (23-23-65)				
	8	6001 648	Retainer				
11	1	2574 850-1	MOULDING, Body Front Pillar Trim (use w/Vinyl Roof) (23-23-14)				
	2	6023 682	Screw				

NOTE 1: USE W/VINYL RETAINER
 NOTE 2: USE W/O VINYL RETAINER
 NOTE 3: UP TO SERIAL NO. 210132
 NOTE 4: AFTER SERIAL NO. 210132

CONTINUED ON NEXT PAGE

All Packages Include Attaching Parts

Part Type Code is Indicated in Parentheses

EXTERIOR VIEW - PLYMOUTH P-P 2 DOOR HARDTOP

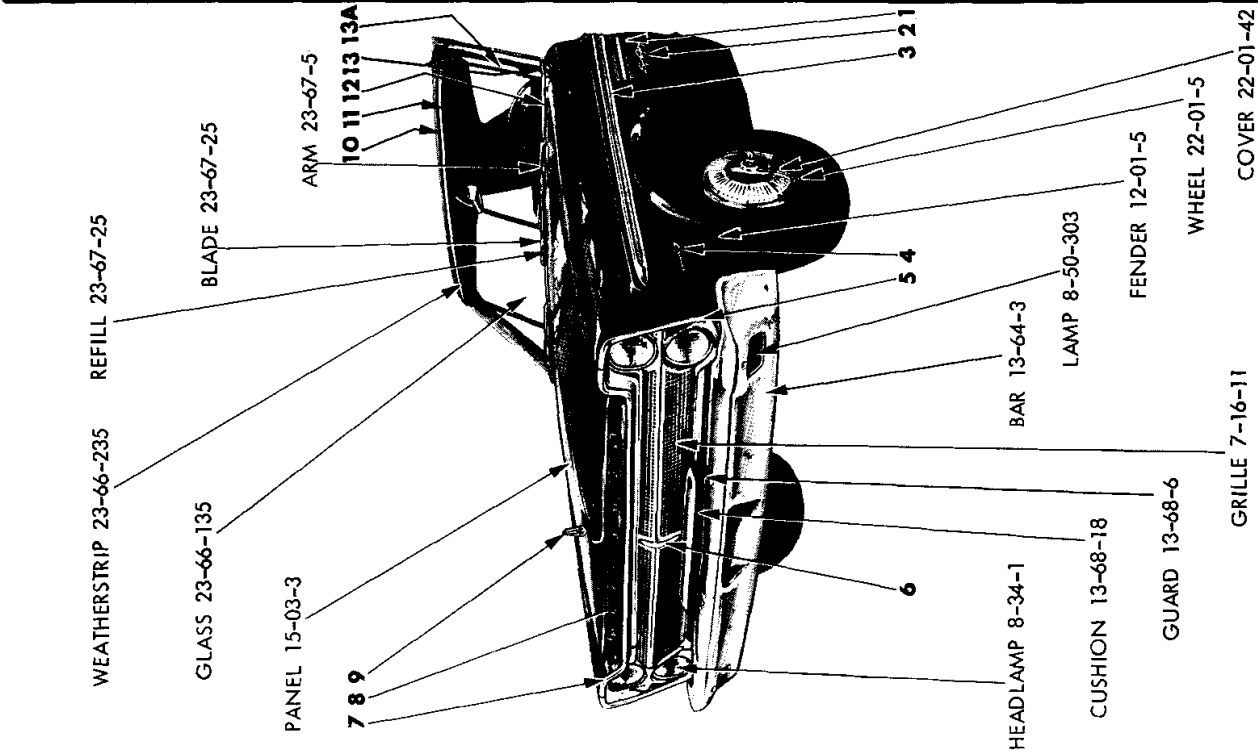
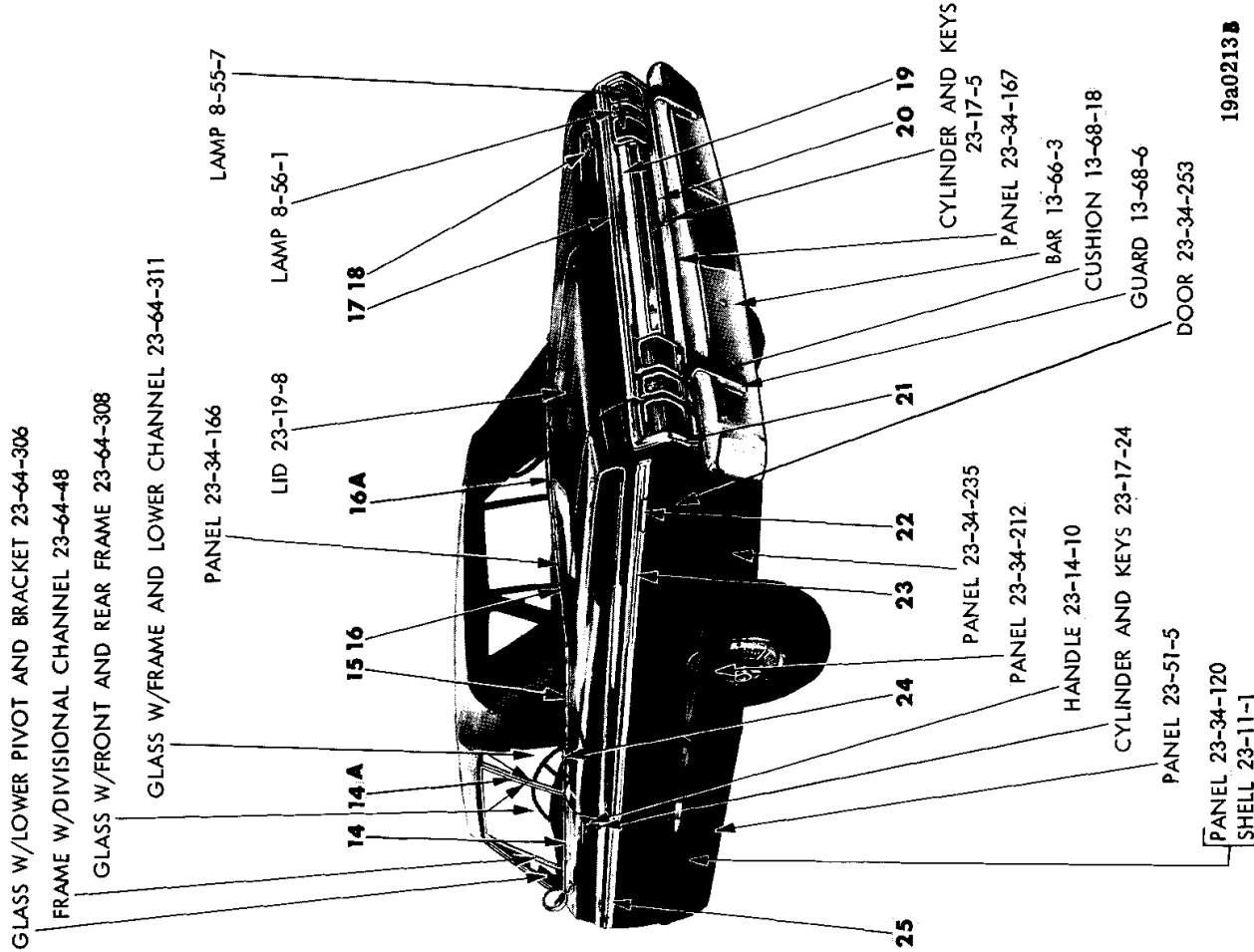
REF. NO.	QTY	PART NUMBER	DESCRIPTION
23	1	2584 532-3	MOULDING PACKAGE, Quarter Panel Tail Lamp (23-23-39)
	8	6001 809	Retainer
	8	---- ---	Nut
24	1	2584 408	MOULDING PACKAGE, Quarter Panel Fuel Filler Door (23-23-39)
	2	6025 561	Screw
25	1	2584 352	MOULDING PACKAGE, Quarter Panel Right (23-23-39)
	6	6001 735	Retainer
	5	6001 726	Retainer
	5	6024 679	Nut
	1	2584 353	MOULDING PACKAGE, Quarter Panel Left (23-23-39)
	6	6001 735	Retainer
	5	6001 726	Retainer
	5	6024 679	Nut

REF. NO.	QTY	PART NUMBER	DESCRIPTION
26	1	2584 218-9	MOULDING PACKAGE, Quarter Panel Belt (23-23-39)
	12	6001 496	Retainer
27	1	2529 144-5	MOULDING, Quarter Window Glass Front (23-23-73)
28	1	2584 214-5	MOULDING PACKAGE, Door Outside Belt (23-23-32)
	16	6001 496	Retainer
	2	---- ---	Retainer
29	1	2584 330-1	MOULDING PACKAGE, Door Outside (23-23-32)
	10	6001 735	Retainer
	2	6001 734	Retainer
	2	9417 621	Nut

All Packages Include Attaching Parts

Part Type Code is Indicated in Parentheses

EXTERIOR VIEW - PLYMOUTH P-P 2 DOOR HARDTOP



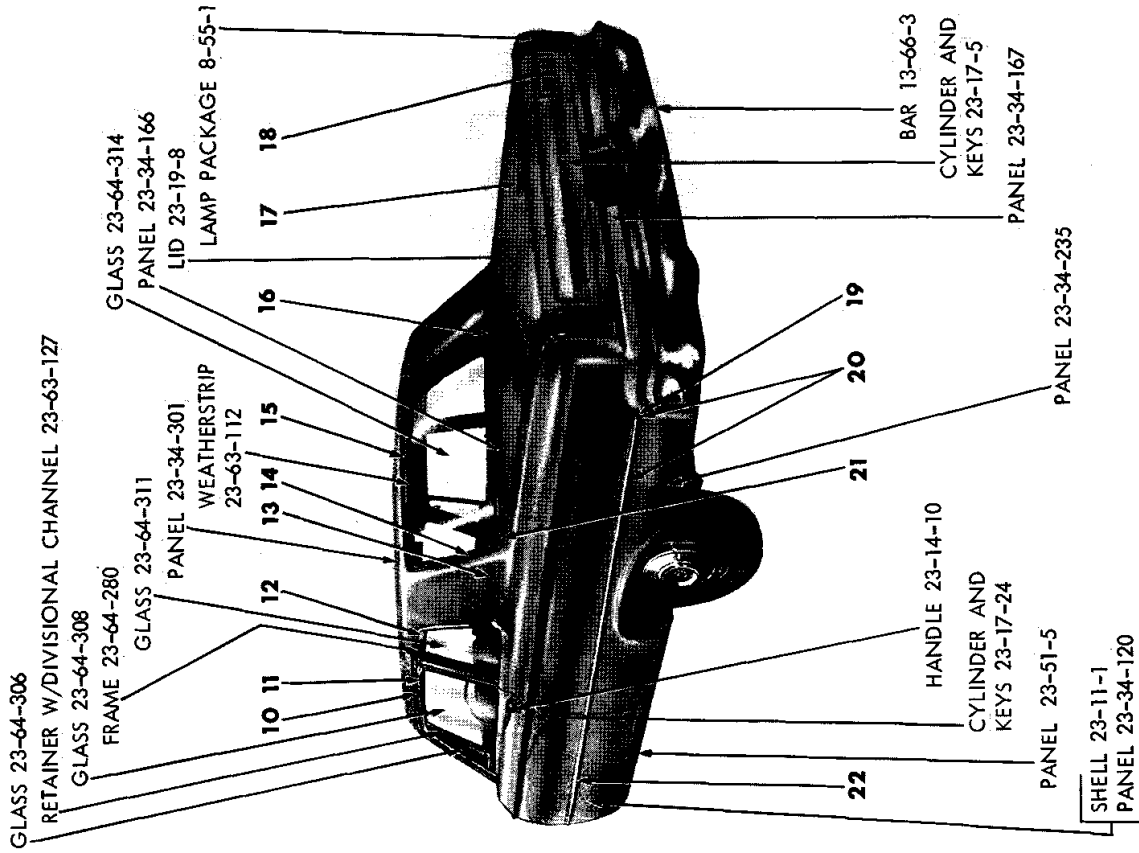
EXTERIOR VIEW - PLYMOUTH P2-P CONVERTIBLE COUPE

REF. NO.	QTY	PART NUMBER	DESCRIPTION
1	2	2524 827	LOUVER, Fender Side, Red (12-15-21)
	2	2524 828	White
	2	2524 829	Blue
	6	6000 050	Clip
2	2	2422 955	NAME PLATE, Fender Side, Sport Fury (12-15-21)
	8	6000 050	Clip
3	1	2525 804-5	MOULDING PACKAGE, Fender Side, w/Insert (12-15-2)
	6	6001 735	Retainer
	4	6001 726	Retainer 4 ---- --- Nut
4	2	2578 632	NAME PLATE, Fender Side, Commando V8 (12-15-21)
	4	6023 685	Nut
5	1	2524 206-7	MOULDING PACKAGE, Fender Front (12-15-2)
	8	6023 247	Screw
6	1	2584 537	MEDALLION PACKAGE, Radiator Grille (7-17-1)
	4	445 160	Nut
7	1	2524 204-5	MOULDING, Hood Front, Outer (15-25-2)
	1	2524 203	Center (15-25-2)
	2	6025 239	Screw 11 6023 247 Screw
8	1	2528 323	LETTER, Hood Front Name, "P" (15-06-16)
	1	2528 324	"L"
	1	2528 325	"Y" 1 2528 328 "U"
	1	2528 326	"M" 1 2528 329 "T"
	1	2528 327	"O" 1 2528 330 "H"
	16	6000 616	Nut, w/Retainer
9	1	2524 200	ORNAMENT, Hood Top (15-03-18)
	1	2579 764	ORNAMENT, Hood Top (383) (15-03-18)
	1	----	Stud
10	1	2584 099	MOULDING PACKAGE, Windshield Outside Upper (23-23-65)
	8	6001 648	Retainer
11	1	2484 602-3	MOULDING, Windshield Outside Upper Header (23-23-65)
	5	6025 132	Screw
12	1	2584 110-1	MOULDING PACKAGE, Windshield Outside Lower (23-23-65)
	10	6001 697	Retainer 2 6024 895 Screw
	1	6001 794	Retainer, Right
	1	6001 795	Retainer, Left
13	1	2481 844-5	MOULDING, Body Front Upper Pillar Outside (23-23-14)
	8	9415 214	Screw
	1	2528 660-1	EXTENSION, Body Front Pillar Outside Mldg. Lwr. (23-23-14)
13A	1	2584 106-7	MOULDING PACKAGE, Windshield Outside Side (23-23-65)
	8	6001 648	Retainer
14	1	2584 214-5	MOULDING PACKAGE, Door Outside Belt (23-23-32)
	16	6001 496	Retainer
14A	1	2529 096-7	MOULDING, Quarter Window Glass Front (23-23-73)
15	1	2584 086-7	MOULDING PACKAGE, Quarter Outside Belt Rear (23-23-39)
	20	2094 380	Fastener

All Packages Include Attaching Parts

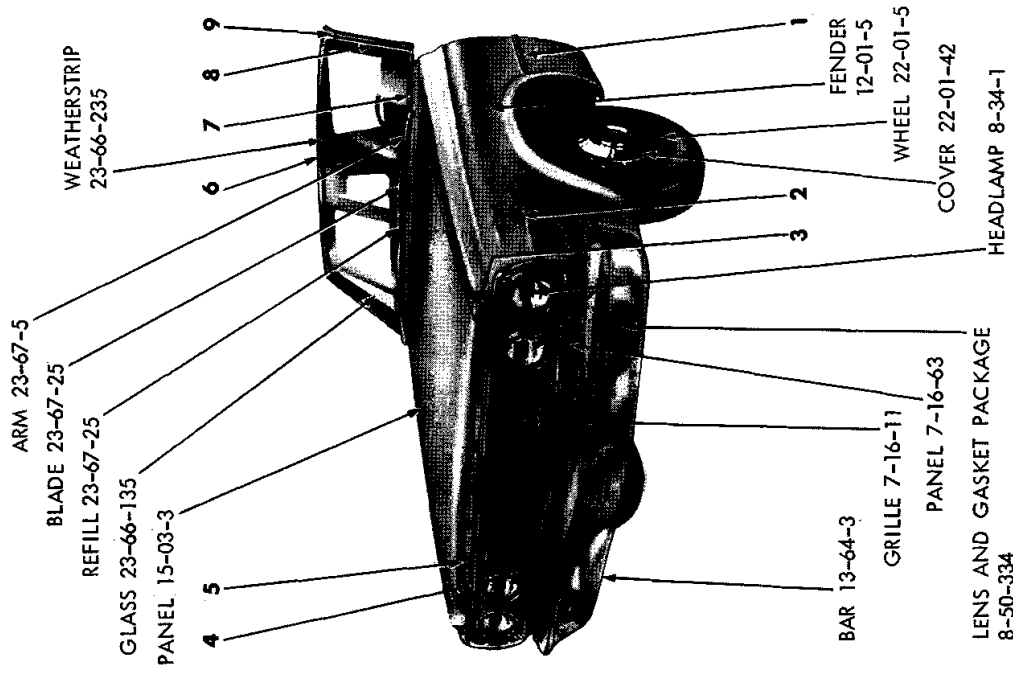
REF. NO.	QTY	PART NUMBER	DESCRIPTION
16	1	2584 082-3	MOULDING PACKAGE, Deck Opening Upper Panel (23-23-31)
	20	2094 380	Fastener
16A	1	2584 081	CAP PACKAGE, Deck Opening Upper Panel Moulding (23-23-41)
	1	2094 380	Fastener
17	1	2584 090	MOULDING PACKAGE, Deck Lid Outside Upper (23-23-30)
	8	6001 692	Retainer
	8	----	Nut
18	1	2526 194	NAME PLATE, Deck Lid, "Sport Fury" (23-19-114)
	5	152 259	Nut
19	1	2526 199	PANEL, Deck Lid Finish (23-23-30)
	12	6001 692	Retainer
	6	----	Nut
	6	9417 621	Nut
	2	6026 214	Screw
20	1	2584 091	MOULDING PACKAGE, Deck Lid Outside Lower (23-23-30)
	6	6001 692	Retainer
	4	6001 690	Retainer
	10	9417 621	Nut
21	1	2584 532-3	MOULDING PACKAGE, Quarter Panel Tail Lamp (23-23-39)
	8	6001 809	Retainer
	8	----	Nut
22	1	2584 408	MOULDING PACKAGE, Quarter Panel Fuel Filler Door (23-23-39)
	2	6025 561	Screw
23	1	2584 352	MOULDING PACKAGE, Quarter Panel Right (23-23-39)
	6	6001 735	Retainer
	5	6024 679	Nut
	5	6001 726	Retainer
	1	2584 353	MOULDING PACKAGE, Quarter Panel Left (23-23-39)
	6	6001 735	Retainer
	5	6024 679	Nut
	5	6001 726	Retainer
24	1	2584 220-1	MOULDING PACKAGE, Quarter Panel Belt (23-23-39)
	6	6001 496	Retainer
	2	----	Screw
25	1	2584 330-1	MOULDING PACKAGE, Door Outside (23-23-32)
	10	6001 735	Retainer
	2	6001 734	Retainer
	2	9417 621	Nut

Part Type Code is Indicated in Parentheses



19a0202A

EXTERIOR VIEW - CORONET W-L 2 DOOR SEDAN

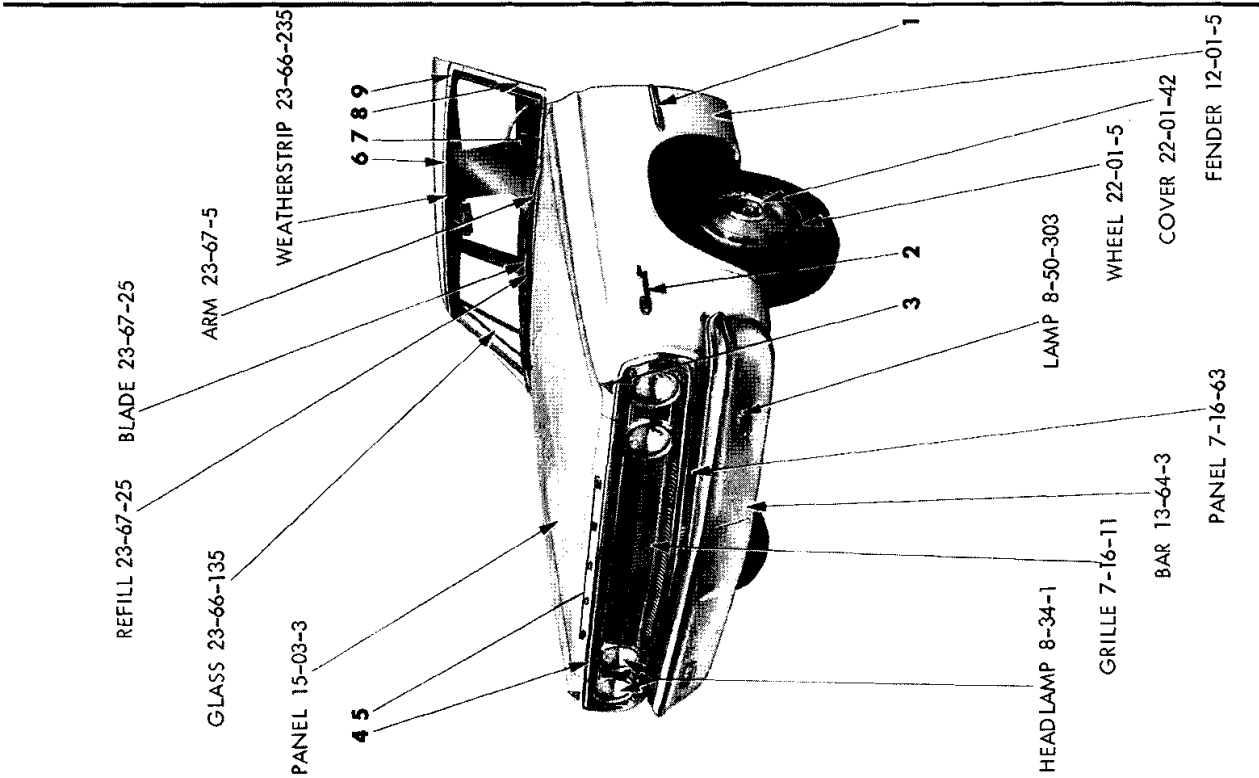
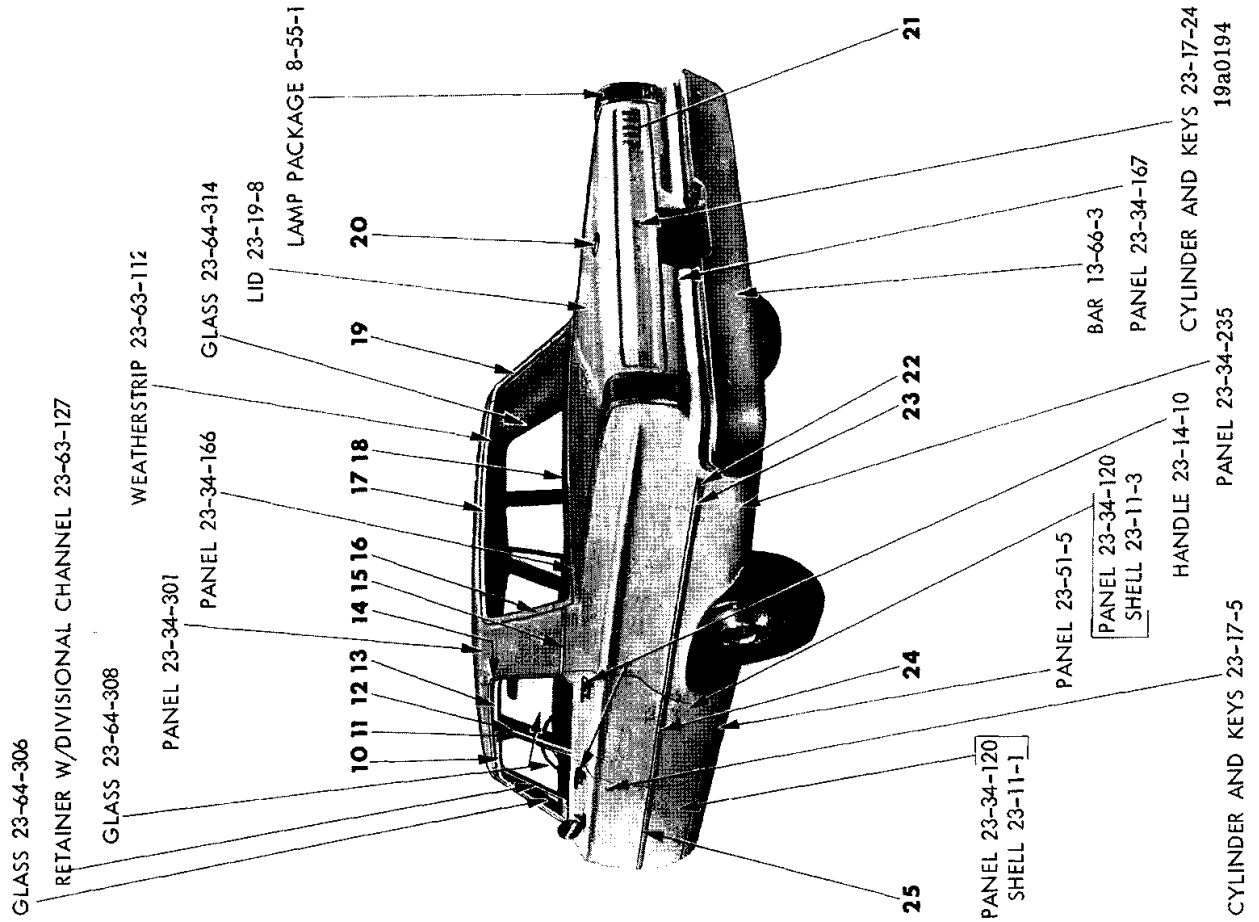


REF. NO.	QTY	PART NUMBER	DESCRIPTION	REF. NO.	QTY	PART NUMBER	DESCRIPTION
1	1	2584 064-5	MOULDING PACKAGE, Fender Side (12-15-2)	13	1	2448 150-1	MOULDING PACKAGE, Quarter Panel Paint Break (Spec. Equip.) (23-23-39)
	2	6006 412	Clip		6	6001 030	Retainer and Stud
	2	6001 661	Bolt		6	152 259	Nut
	2	----	Nut	14	1	2480 918-9	MOULDING, Rear Window Outside Side (23-23-52)
2	2	2449 934	NAME PLATE, Fender Side, Coronet (12-15-21)		4	6023 693	Screw
	8	----	Seal	15	1	2495 269	MOULDING PACKAGE, Rear Window Outside Upper (23-23-52)
	8	6023 260	Nut		6	6001 525	Retainer and Screw
3	2	2449 932	MEDALLION, Fender Front (12-15-21)	16	1	2480 922	MOULDING, Rear Window Outside Lower (23-23-52)
	4	6000 616	Nut		6	6023 693	Screw
4	1	2584 063	MOULDING PACKAGE, Hood Front (15-25-2)	17	1	2527 802	MEDALLION, Deck Lid Outside (23-19-114)
	5	----	Nut		2	----	Seal
	3	----	Palnut	18	2	2528 315	LETTER "D", Deck Lid Name (23-19-114)
	3	6001 682	Retainer		1	2528 316	"O"
5	2	2417 825	LETTER "D", Hood Front Name (15-06-16)		1	2528 317	"G"
	1	2417 826	"O"		1	2528 318	"E"
	1	2417 828	"G"		9	152 259	Nut
	1	2417 829	"E"	19	1	2526 872-3	CAP, Quarter Panel Moulding Rear (23-23-41)
6	1	2218 594	MOULDING, Windshield Outside Upper (23-23-65)	20	1	2584 142-3	MOULDING PACKAGE, Quarter Panel (23-23-39)
	8	6001 537	Retainer and Screw		2	6024 271	Screw
7	1	2218 595	MOULDING, Windshield Outside Finish Lower (23-23-65)		12	6001 623	Clip
	10	6001 537	Retainer and Screw		8	6001 662	Retainer
8	1	2218 596-7	MOULDING, Windshield Outside Finish Side (23-23-65)		8	6024 679	Nut
	6	6023 247	Screw	21	1	2484 380-1	MOULDING, Rear Window Outside Lower Corner (23-23-52)
9	1	2491 014-5	MOULDING, Windshield Outside Side Upper Extension (23-23-65)		2	6023 693	Screw
10	1	2483 436-7	MOULDING, Roof Drain Trough Side (23-59-61)	22	1	2584 138-9	MOULDING PACKAGE, Door Outside (23-23-32)
11	1	2491 716-7	MOULDING, Door Frame Finish Upper (Spec. Equip.) (23-23-32)		2	6001 662	Retainer
12	1	2422 438-9	MOULDING, Quarter Window Opening Frame Upper (Spec. Equip.) (23-23-73)		4	9417 621	Nut
					12	6001 623	Clip

All Packages Include Attaching Parts

Part Type Code is Indicated in Parentheses

EXTERIOR VIEW - CORONET W-L 2 DOOR SEDAN



EXTERIOR VIEW - CORONET W-L 4 DOOR SEDAN

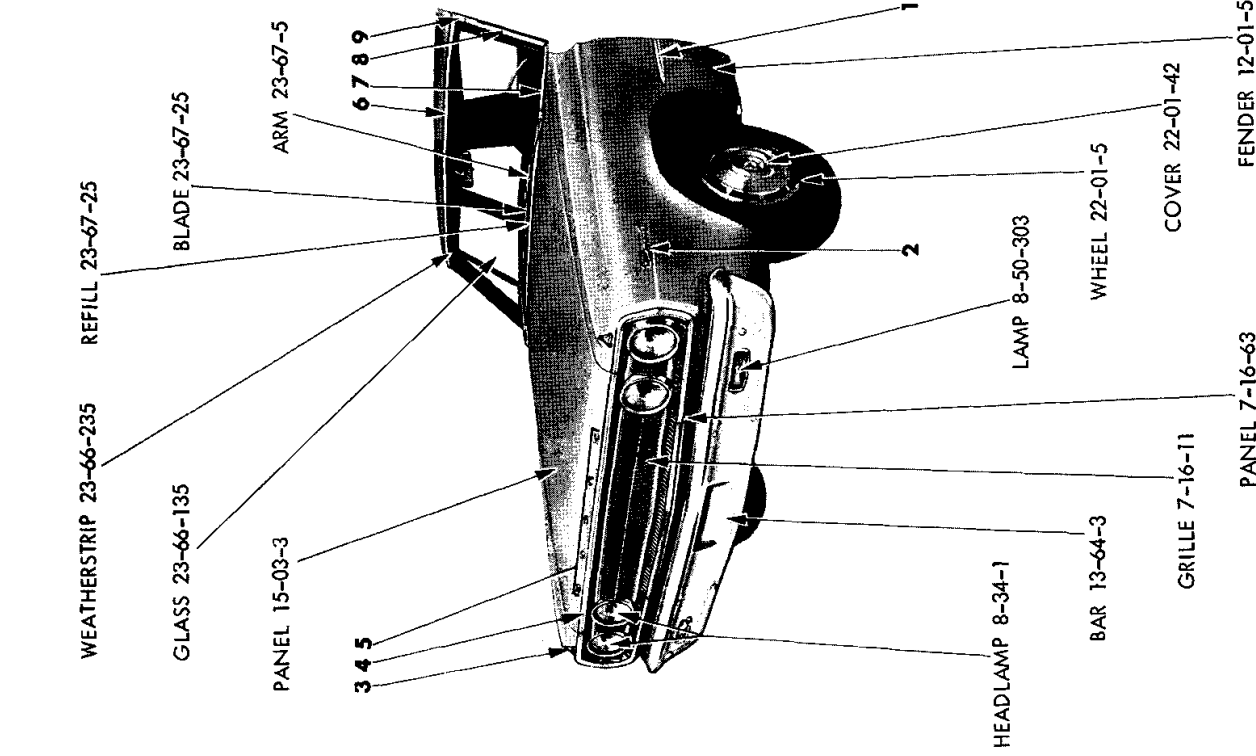
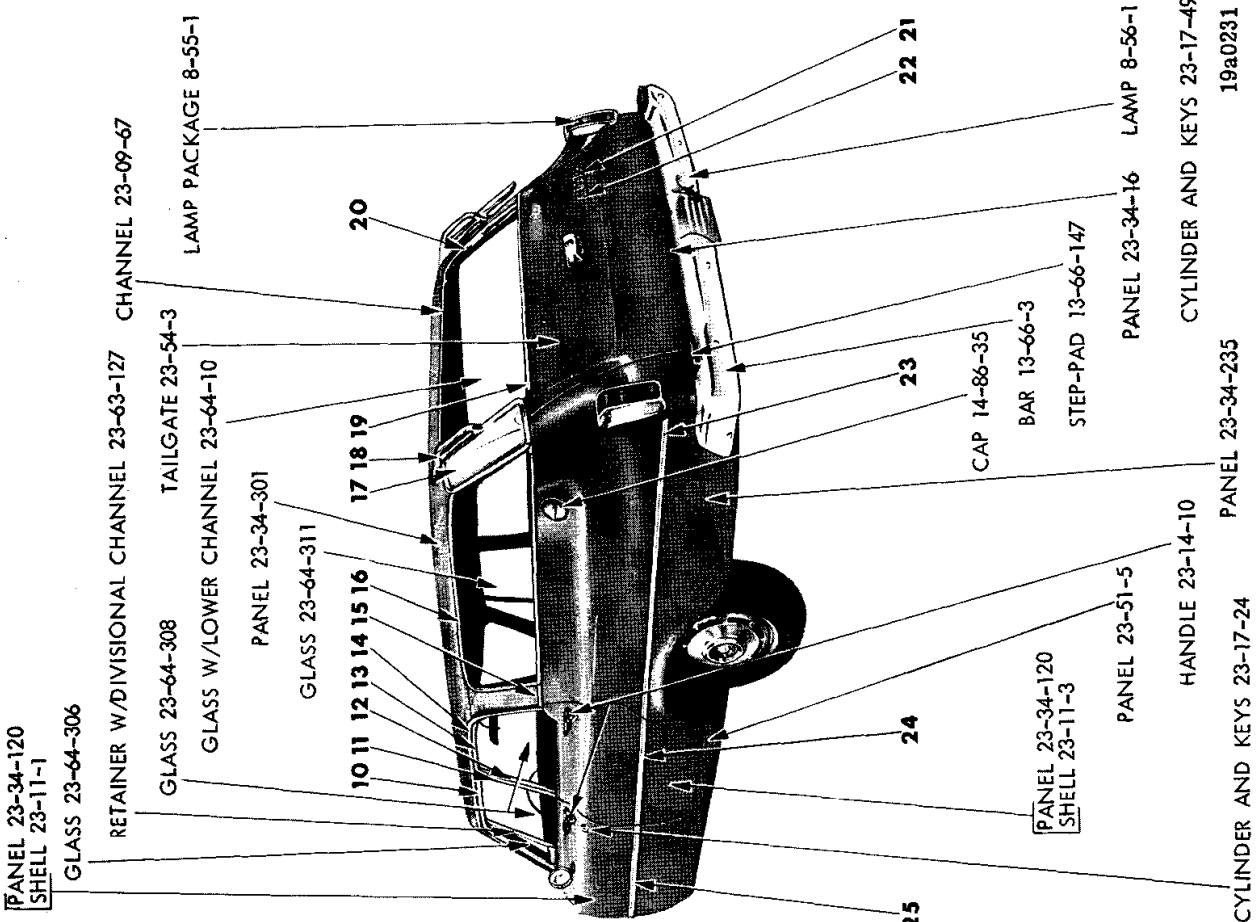
REF. NO.	QTY	PART NUMBER	DESCRIPTION
1	1	2584 064-5	MOULDING PACKAGE, Fender Side (12-15-2)
	2	6001 623	Clip
	2	6001 661	Bolt
	2	---- ---	Nut
2	2	2449 934	NAME PLATE, Fender Side, Coronet (12-15-21)
	8	---- ---	Seal
	8	6023 260	Nut
3	2	2449 932	MEDALLION, Fender Front (12-15-21)
	4	6000 616	Nut
4	1	2584 063	MOULDING PACKAGE, Hood Front (15-25-2)
	5	---- ---	Nut
	3	---- ---	Palnut
	3	6001 682	Retainer
5	2	2417 825	LETTER, Hood Front Name, "D" (15-06-16)
	1	2417 826	"O"
	1	2417 828	"G"
	1	2417 829	"E"
6	1	2218 594	MOULDING, Windshield Outside Upper (23-23-65)
	8	6001 537	Retainer and Screw
7	1	2218 595	MOULDING, Windshield Outside Finish Lower (23-23-65)
	10	6001 537	Retainer and Screw
8	1	2218 596-7	MOULDING, Windshield Outside Finish Side (23-23-65)
	6	6023 247	Screw
9	1	2491 014-5	MOULDING, Windshield Outside Side Upper Extension (23-23-65)
10	1	2218 444-5	MOULDING, Front Door Frame Finish Upper (23-23-32)
11	1	2167 998-9	MOULDING, Front Door Frame Outside Finish Rear (23-23-32)
12	1	2167 998-9	MOULDING, Rear Door Frame Outside Finish Front (23-23-33)
13	1	2216 036-7	MOULDING, Rear Door Frame Finish Upper (23-23-33)
14	1	2483 436-7	MOULDING, Roof Drain Trough Side (23-59-61)

All Packages Include Attaching Parts

REF. NO.	QTY	PART NUMBER	DESCRIPTION
15	1	2448 150-1	MOULDING PACKAGE, Quarter Outside Belt Paint Break (Spec. Equip.) (23-23-39)
	6	6001 030	Retainer and Stud
	6	152 259	Nut
16	1	2484 380-1	MOULDING, Rear Window Outside Lower Corner (23-23-52)
	2	6023 693	Screw
17	1	2495 269	MOULDING PACKAGE, Rear Window Outside Upper (23-23-52)
	6	6001 525	Retainer and Screw
18	1	2480 922	MOULDING, Rear Window Outside Lower (23-23-52)
	6	6023 693	Screw
19	1	2480 918-9	MOULDING, Rear Window Outside Side (23-23-52)
	4	6023 693	Screw
20	1	2527 802	MEDALLION, Deck Lid Outside (23-19-114)
	2	---- ---	Seal
	2	6013 114	Nut
21	2	2528 315	LETTER "D", Deck Lid Name (23-19-114)
	1	2528 316	"O"
	1	2528 317	"G"
	1	2528 318	"E"
	9	152 259	Nut
22	1	2526 872-3	CAP, Quarter Panel Moulding Rear (23-23-41)
23	1	2584 144-5	MOULDING PACKAGE, Quarter Panel (23-23-39)
	2	6024 271	Screw
	6	6001 623	Clip
	8	6001 662	Retainer
	8	6024 679	Nut
24	1	2584 166-7	MOULDING PACKAGE, Rear Door Outside (23-23-33)
	2	6001 662	Retainer
	6	9417 621	Nut
	6	6001 623	Clip
	2	6001 624	Retainer
25	1	2584 140-1	MOULDING PACKAGE, Front Door Outside (23-23-32)
	2	6001 662	Retainer
	6	9417 621	Nut
	10	6001 623	Clip
	2	6001 624	Retainer

Part Type Code is Indicated in Parentheses

EXTERIOR VIEW - CORONET W-L 4 DOOR SEDAN



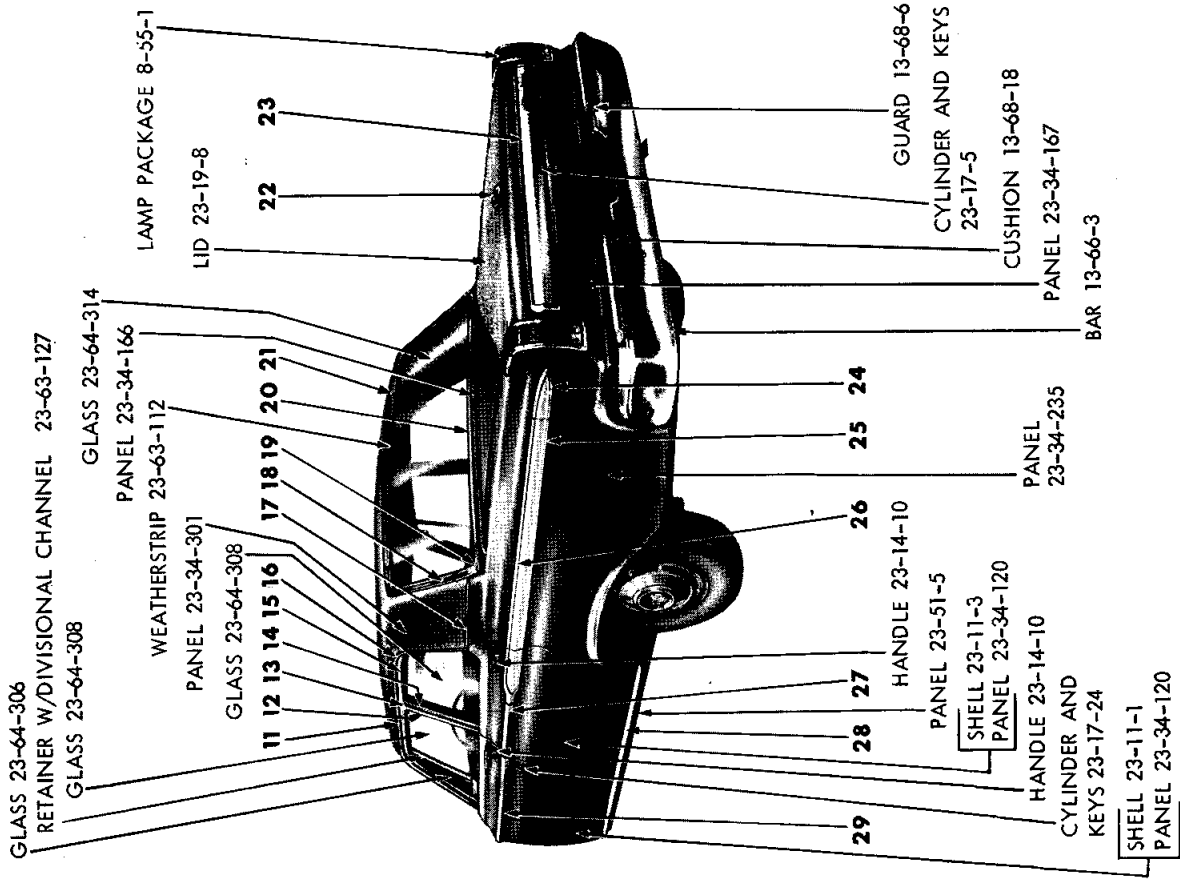
EXTERIOR VIEW - CORONET W-L STATION WAGON

REF. NO.	QTY	PART NUMBER	DESCRIPTION	REF. NO.	QTY	PART NUMBER	DESCRIPTION
1	1	2584 064-5	MOULDING PACKAGE, Fender Side (12-15-2)	16	2	2422 471	LOCKINGSTRIP, Quarter Window Glass Weatherstrip (23-63-110)
	2	6001 623	Clip	17	1	2252 254-5	DEFLECTOR, Roof Panel Outside Air (23-36-134)
	2	6001 661	Bolt		2	167 079	Screw
	2	-----	Nut		4	9418 381	Screw
2	2	2449 934	NAME PLATE, Fender Side, Coronet (12-15-21)	18	1	2482 768-9	HANDLE, Roof Panel Outside Assist (23-36-123)
	8	-----	Washer	19	1	2448 488	MOULDING PACKAGE, Tailgate Outside Panel Belt (23-23-61)
	8	6023 260	Nut		5	6001 435	Clip
3	2	2449 932	MEDALLION, Fender Front (12-15-21)	20	1	2480 976-7	MOULDING, Rear Upper Pillar Outside (23-23-60)
	4	6000 616	Nut		8	9417 732	Screw
4	1	2584 063	MOULDING PACKAGE, Hood (15-25-2)	21	2	2528 319	LETTER "D", Tailgate Name (23-54-11)
	5	-----	Nut		1	2528 320	"O"
	3	-----	Palnut		1	2528 321	"G"
	3	6001 682	Retainer		1	2528 322	"E"
5	2	2417 825	LETTER, Hood Front Name, "D" (15-06-16)		10	152 259	Nut
	1	2417 826	"O"	22	1	2449 932	MEDALLION, Tailgate Outside (23-54-11)
	1	2417 828	"G"		2	152 259	Nut
	1	2417 829	"E"	23	1	2584 168-9	MOULDING PACKAGE, Quarter Panel (23-23-39)
6	1	2218 594	MOULDING, Windshield Outside Upper (23-23-65)		2	116 000	Nut
	8	6001 537	Retainer		2	6001 662	Retainer
7	1	2218 595	MOULDING, Windshield Outside Finish Lower (23-23-65)		14	6001 623	Retainer
	10	6001 537	Retainer		2	6024 271	Screw
8	1	2218 596-7	MOULDING, Windshield Outside Finish Side (23-23-65)		★	-----	Sealer
	6	6023 247	Screw	24	1	2584 520-1	MOULDING PACKAGE, Rear Door Outside (23-23-33)
9	1	2491 014-5	MOULDING, Windshield Outside Side Upper Extension (23-23-65)		4	9417 621	Nut
10	1	2218 444-5	MOULDING, Front Door Frame Finish Upper (Spec. Equip.) (23-23-32)		2	6001 662	Retainer
					6	6001 623	Retainer
11	1	2167 998-9	MOULDING, Front Door Frame Finish Rear (Spec. Equip.) (23-23-32)		2	6001 624	Retainer
				25	1	2584 140-1	MOULDING PACKAGE, Front Door Outside (23-23-32)
12	1	2167 998-9	MOULDING, Rear Door Frame Finish Front (Spec. Equip.) (23-23-33)		2	6001 662	Retainer
					6	9417 621	Nut
13	1	2216 036-7	MOULDING, Rear Door Frame Finish Upper (Spec. Equip.) (23-23-33)		10	6001 623	Clip
					2	6001 624	Retainer
14	1	2483 436-7	MOULDING, Roof Side Drain Trough (23-59-61)				
15	1	2299 374	MOULDING PACKAGE, Quarter Outside Belt Paint Break Right (Spec. Equip.) (23-23-39)				
	1	2299 399	Left (Spec. Equip.) (23-23-39)				
	4	6001 071	Clip				

All Packages include Attaching Parts

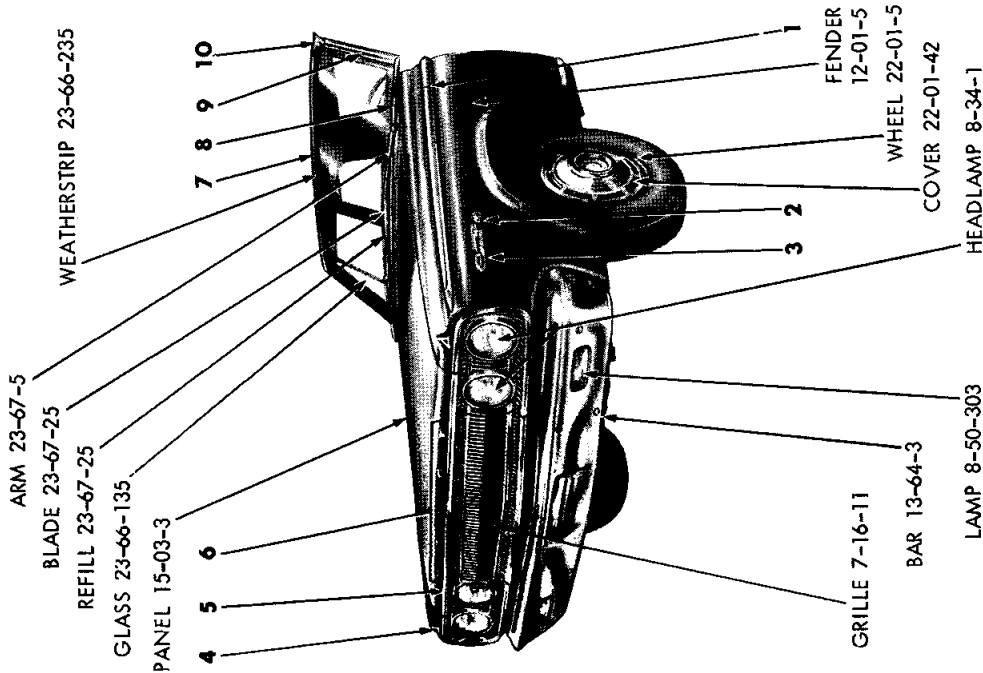
Part Type Code is Indicated in Parentheses

EXTERIOR VIEW - CORONET W-L STATION WAGON



19a0203

EXTERIOR VIEW - CORONET W-H 4 DOOR SEDAN

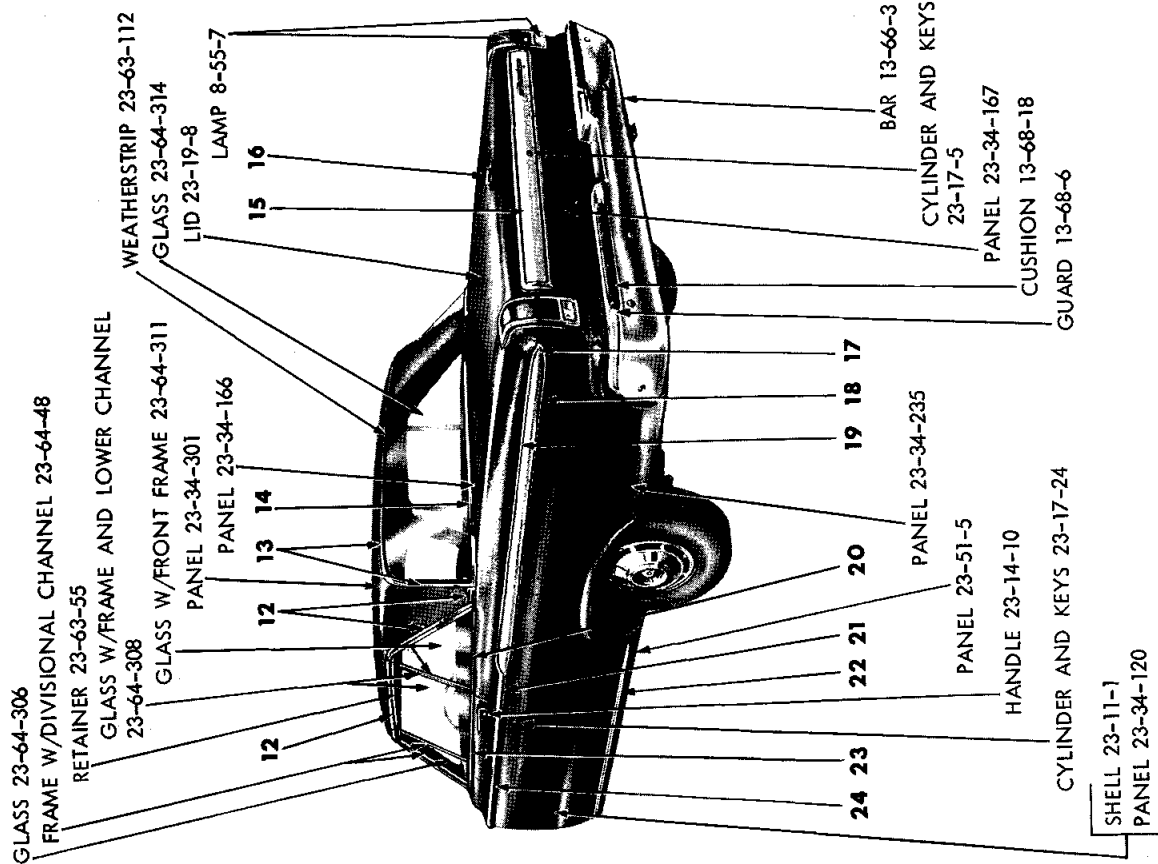


REF. NO.	QTY	PART NUMBER	DESCRIPTION	REF. NO.	QTY	PART NUMBER	DESCRIPTION
1	1	2584 066-7	MOULDING PACKAGE, Fender Side (12-15-2)	19	1	2484 380-1	MOULDING, Rear Window Outside Lower Corner (23-23-52)
	8	-----	Retainer - Right		2	6023 693	Screw
	8	-----	Retainer - Left	20	1	2480 922	MOULDING, Rear Window Outside Lower (23-23-52)
	16	-----	Nut		6	6023 693	Screw
2	2	2449 935	NUMERAL, Fender Side, 440 (12-15-21)	21	1	2495 269	MOULDING PACKAGE, Rear Window Outside Upper (23-23-52)
	4	6023 260	Nut		6	6001 525	Retainer and Screw
3	2	2449 934	NAME PLATE, Fender Side, Coronet (12-15-21)	22	1	2527 802	MEDALLION, Deck Lid Outside (23-19-114)
	8	-----	Washer		2	-----	Seal
	8	6023 260	Nut		2	6013 114	Nut
4	2	2449 932	MEDALLION, Fender Front (12-15-21)	23	1	2573 204	PANEL and NAME PLATE, Deck Lid Outside Finish (23-23-30)
	4	6000 616	Nut		6	-----	Screw
5	1	2584 063	MOULDING, Hood Front (15-25-2)		6	6024 705	Seal
	5	-----	Nut		6	152 259	Nut
	3	-----	Palnut	24	1	2584 160-1	MOULDING PACKAGE, Quarter Panel End (23-23-39)
	3	6001 682	Retainer		2	2529 101	Retainer and Seal
6	2	2417 825	LETTER, Hood Front Name, "D" (15-06-16)		2	6024 679	Nut
	1	2417 826	"O"	25	1	2584 156-7	MOULDING PACKAGE, Quarter Panel Lower (23-23-39)
	1	2417 828	"G"		4	6001 627	Clip
	1	2417 829	"E"		8	-----	Clip
	10	6000 616	Nut		8	6024 679	Nut
7	1	2218 594	MOULDING, Windshield Outside Upper (23-23-65)	26	1	2584 150-1	MOULDING PACKAGE, Quarter Panel Upper (23-23-39)
	8	6001 537	Retainer and Screw		4	6001 627	Clip
8	1	2218 595	MOULDING, Windshield Outside Finish Lower (23-23-65)		8	-----	Clip
	10	6001 537	Retainer and Screw		8	6024 679	Nut
9	1	2218 596-7	MOULDING, Windshield Outside Finish Side (23-23-65)	27	1	2584 162-3	MOULDING PACKAGE, Rear Door Outside (23-23-33)
	6	6023 247	Screw		2	2529 108-9	Clip
10	1	2491 016-7	MOULDING, Windshield Outside Side Upper Extension (23-23-65)		8	9417 621	Nut
	1	2218 444-5	MOULDING, Front Door Frame Finish Upper (23-23-32)		4	6001 634	Clip
11	1	2167 998-9	MOULDING, Front Door Frame Outside Finish Rear (23-23-32)		★	6000 960	Clip
12	1	2216 356-7	PANEL, Body Center Pillar Outside Finish Upper (23-23-16)		4	6001 848	Retainer
13	1	2167 998-9	MOULDING, Rear Door Frame Outside Finish Front (23-23-33)	28	2	2421 912	MOULDING PACKAGE, Body Side Sill Outside Panel (23-23-2)
14	1	2216 036-7	MOULDING, Rear Door Frame Outside Finish Upper (23-23-33)		4	6023 681	Screw
15	1	2483 436-7	MOULDING, Roof Drain Trough Side (23-59-61)		14	6001 083	Retainer
16	1	2495 360-1	MOULDING PACKAGE, Quarter Panel Paint Break (Spec. Equip.) (23-23-39)	29	1	2584 136-7	MOULDING PACKAGE, Front Door Outside (23-23-32)
	6	6001 030	Retainer and Stud		2	2529 108-9	Clip
	6	152 259	Nut		4	9417 621	Nut
17	1	2480 918-9	MOULDING, Rear Window Outside Side (23-23-52)		6	6001 634	Clip
	4	6023 693	Screw				

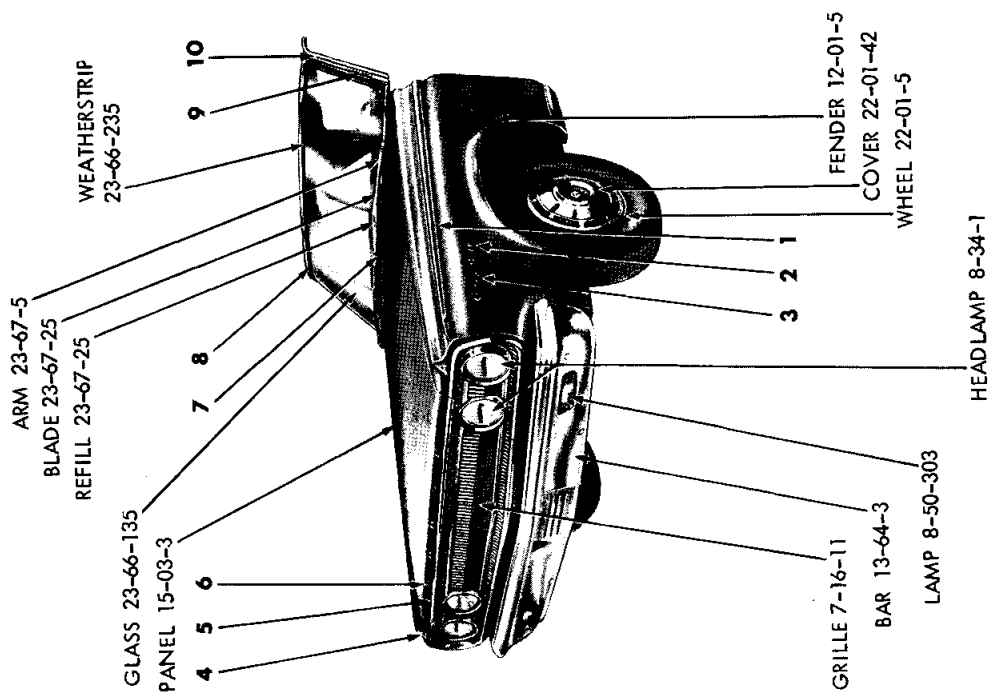
All Packages Include Attaching Parts

Part Type Code is Indicated in Parentheses

EXTERIOR VIEW - CORONET W-H 4 DOOR SEDAN



19a0192A



EXTERIOR VIEW - CORONET W-H 2 DOOR HARDTOP

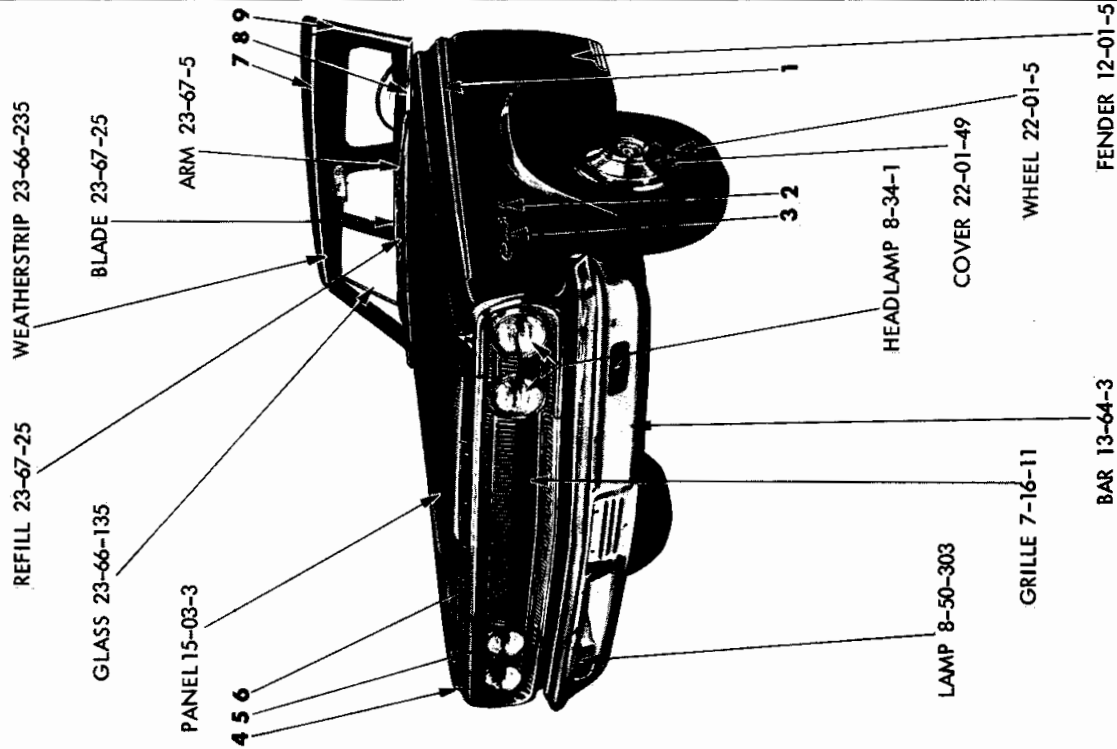
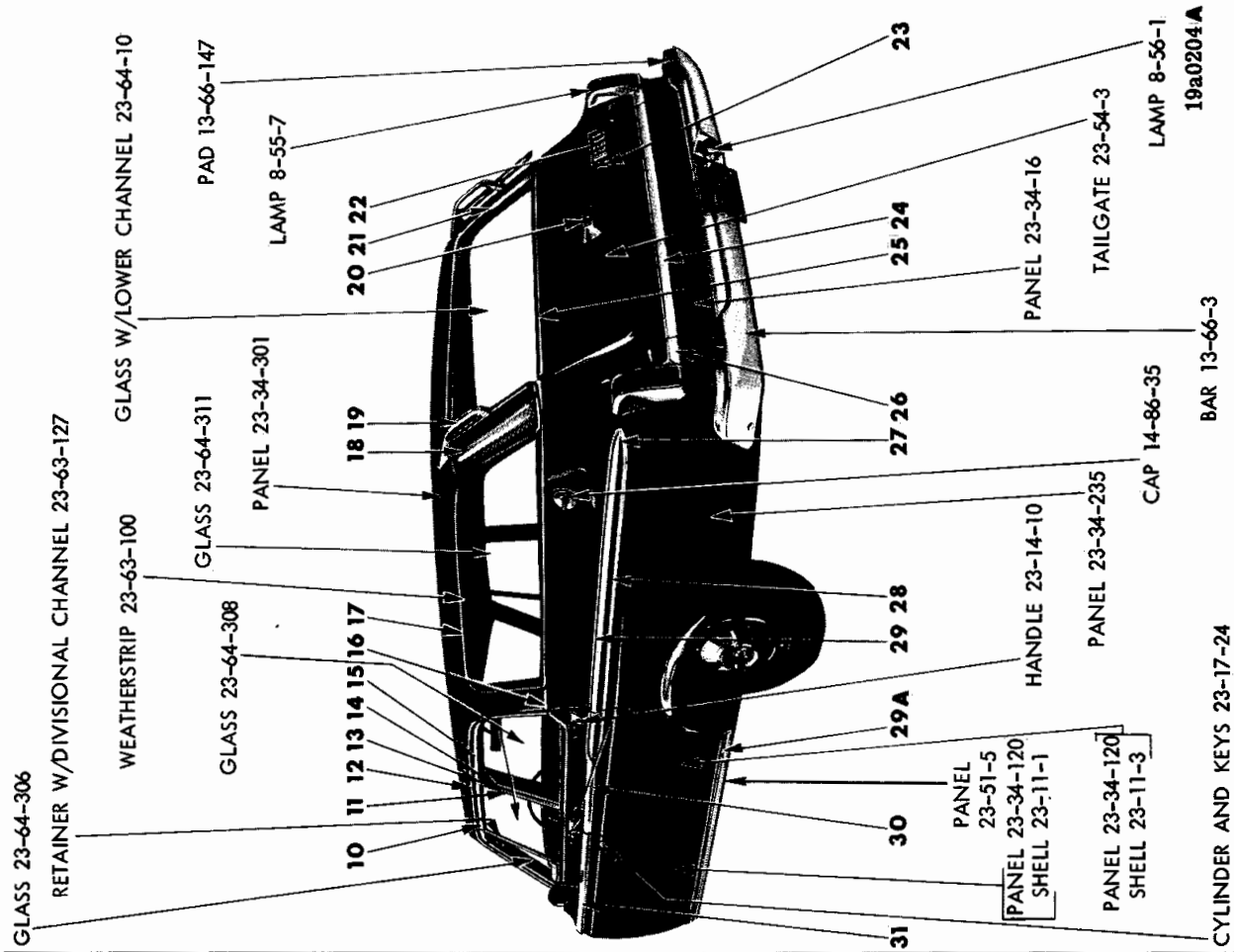
REF. NO.	QTY	PART NUMBER	DESCRIPTION
1	1	2584 066-7	MOULDING PACKAGE, Fender Side (12-15-2)
	8	-----	Retainer - Right
	8	-----	Retainer - Left
	16	-----	Nut
2	2	2449 935	NUMERAL, Fender Side, 440 (12-15-21)
	4	6023 260	Nut
3	2	2449 934	NAME PLATE, Fender Side, Coronet (12-15-21)
	8	-----	Seal
	8	6023 260	Nut
4	2	2449 932	MEDALLION, Front Fender (12-15-21)
	4	6000 616	Nut
5	1	2584 063	MOULDING, Hood Front (15-25-2)
	5	-----	Nut
	3	-----	Palnut
	3	6001 682	Retainer
6	2	2417 825	LETTER, Hood Front Name, "D" (15-06-16)
	1	2417 826	"O"
	1	2417 828	"G"
	1	2417 829	"E"
7	1	2218 595	MOULDING, Windshield Outside Finish Lower (23-23-65)
	10	6001 537	Retainer and Screw
8	1	2218 594	MOULDING, Windshield Outside Upper (23-23-65)
	8	6001 537	Retainer and Screw
9	1	2218 596-7	MOULDING, Windshield Outside Finish Side (23-23-65)
	6	6023 247	Screw
10	1	2492 712-3	MOULDING, Windshield Outside Side Upper Extension (23-23-65)
	6	6024 271	Screw
12	1	2525 556-7	MOULDING PACKAGE, Roof Side Drain Trough Front and Rear (23-59-61)
	6	2573 062	Clip
	6	6024 271	Screw
	2	6024 718	Washer
	2	446 059	Nut
13	1	2495 276-7	MOULDING PACKAGE, Rear Window Outside Upper and Side (23-23-52)
	14	6001 084	Retainer and Screw

REF. NO.	QTY	PART NUMBER	DESCRIPTION
14	1	2495 274-5	MOULDING PACKAGE, Rear Window Outside Lower (23-23-52)
	12	6001 084	Retainer and Screw
15	1	2573 204	PANEL and NAME PLATE, Deck Lid Outside Finish
	6	-----	Nut
	6	6024 711	Seal
	6	-----	Retainer and Stud
16	1	2527 802	MEDALLION, Deck Lid Outside (23-19-114)
	2	6013 114	Nut
	2	-----	Seal
17	1	2584 160-1	MOULDING and TIE PLATE PACKAGE, Quarter Outside Upper and Lower End (23-23-39)
	2	2529 101	Retainer and Seal
	2	6024 679	Nut
18	2	2584 146	MOULDING PACKAGE, Quarter Panel Rear Lower (23-23-39)
	8	6024 679	Nut
	8	6001 627	Clip
	8	6001 865	Clip
19	2	2584 146	MOULDING PACKAGE, Quarter Panel Rear Upper (23-23-39)
	8	6024 679	Nut
	8	6001 627	Clip
	8	6001 865	Clip
20	1	2495 320-1	MOULDING PACKAGE, Quarter Panel Belt Upper (23-23-39)
	4	6001 716	Clip and Seal
	4	6001 717	Clip and Seal
	4	6001 718	Clip and Seal
21	1	2584 164-5	MOULDING PACKAGE, Quarter Outside Front (23-23-39)
	2	6000 960	Clip
	2	6001 627	Retainer
	2	6024 271	Screw
22	2	2421 912	MOULDING PACKAGE, Body Side Sill Outside Panel (23-23-2)
	4	6023 681	Screw
	14	6001 083	Retainer
23	1	2495 318-9	MOULDING PACKAGE, Front Door Outside Belt Upper (23-23-32)
	6	6001 716	Clip and Seal
	4	6001 717	Clip and Seal
	4	6001 718	Clip and Seal
24	1	2584 134-5	MOULDING PACKAGE, Front Door Outside (23-23-32)
	2	2529 108-9	Clip
	8	9417 621	Nut
	4	6001 634	Clip

All Packages Include Attaching Parts

Part Type Code is Indicated in Parentheses

EXTERIOR VIEW - CORONET W-H 2 DOOR HARDTOP



EXTERIOR VIEW - CORONET W-H STATION WAGON

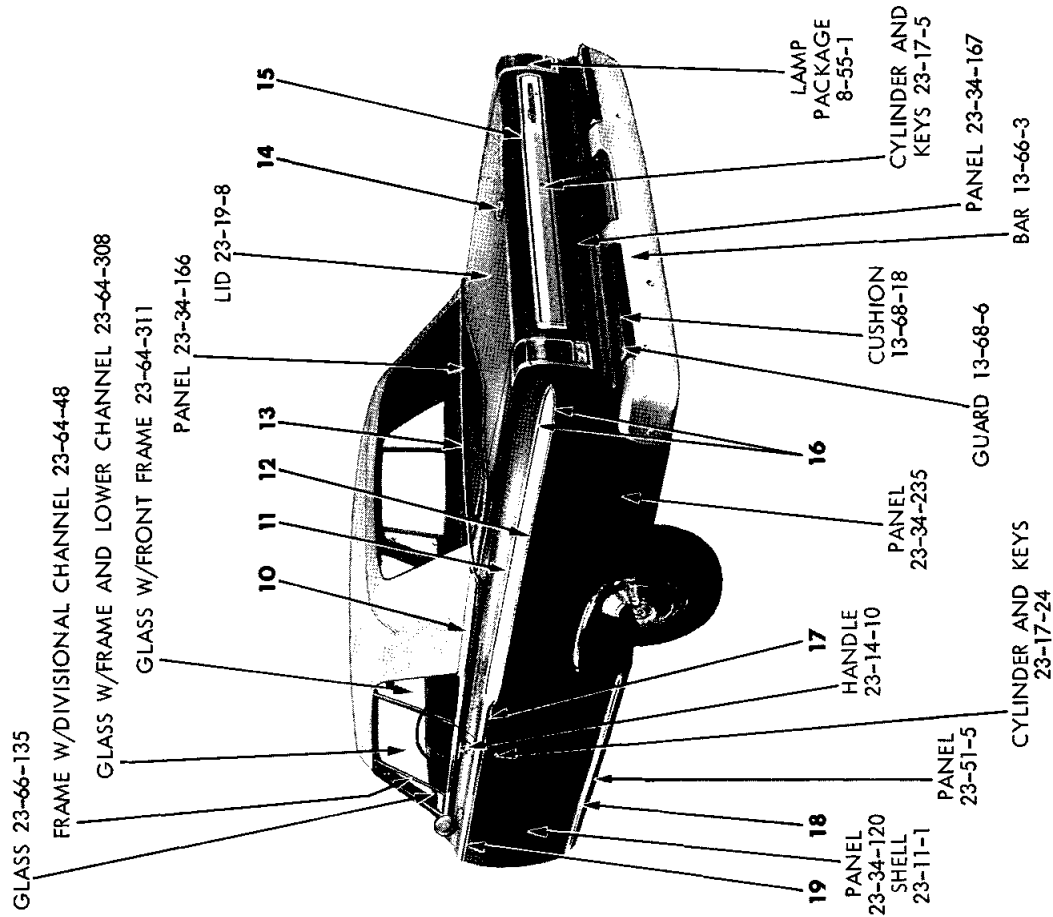
REF. NO.	QTY	PART NUMBER	DESCRIPTION
1	1	2584 066-7	MOULDING PACKAGE, Fender Side (12-15-2)
	8	----	Retainer - Right
	8	----	Retainer - Left
	16	----	Nut
2	2	2449 935	NUMERAL, Fender Side, 440 (12-15-21)
	4	6023 260	Nut
3	2	2449 934	NAME PLATE, Fender Side, Coronet (12-15-21)
	8	----	Washer
	8	6023 260	Nut
4	2	2449 932	MEDALLION, Fender Front (12-15-21)
	4	6000 616	Nut
5	1	2584 063	MOULDING PACKAGE, Hood Front (15-25-2)
	5	----	Nut
	3	----	Palnut
	3	6001 682	Retainer
6	2	2417 825	LETTER, Hood Front Name, "D" (15-06-16)
	1	2417 826	"O"
	1	2417 828	"G"
	1	2417 829	"E"
	10	6000 616	Nut
7	1	2218 594	MOULDING, Windshield Outside Upper (23-23-65)
	8	6001 537	Retainer and Screw
8	1	2218 595	MOULDING, Windshield Outside Finish Lower (23-23-65)
	10	6001 537	Retainer and Screw
9	1	2218 596-7	MOULDING, Windshield Outside Finish Side (23-23-65)
	6	6023 247	Screw
10	1	2218 444-5	MOULDING, Front Door Outside Window Opening Frame Upper (23-23-32)
11	1	2167 998-9	MOULDING, Front Door Frame Outside Finish Rear (23-23-32)
12	1	2483 436-7	MOULDING, Roof Drain Trough Side (23-59-61)
13	1	2216 356-7	PANEL, Body Center Pillar Outside Finish Upper (23-23-16)
	4	6022 890	Screw
14	1	2167 998-9	MOULDING, Rear Door Frame Outside Finish Front (23-23-33)
15	1	2216 036-7	MOULDING, Rear Door Frame Outside Finish Upper (23-23-33)
16	1	2299 374	MOULDING PACKAGE, Quarter Panel Belt Paint Break Right (Spec. Equip.)(23-23-39)
	2	6001 071	Clip
	1	2299 399	MOULDING PACKAGE, Quarter Panel Belt Paint Break Left (Spec. Equip.)(23-23-39)
	2	6001 071	Clip

All Packages Include Attaching Parts

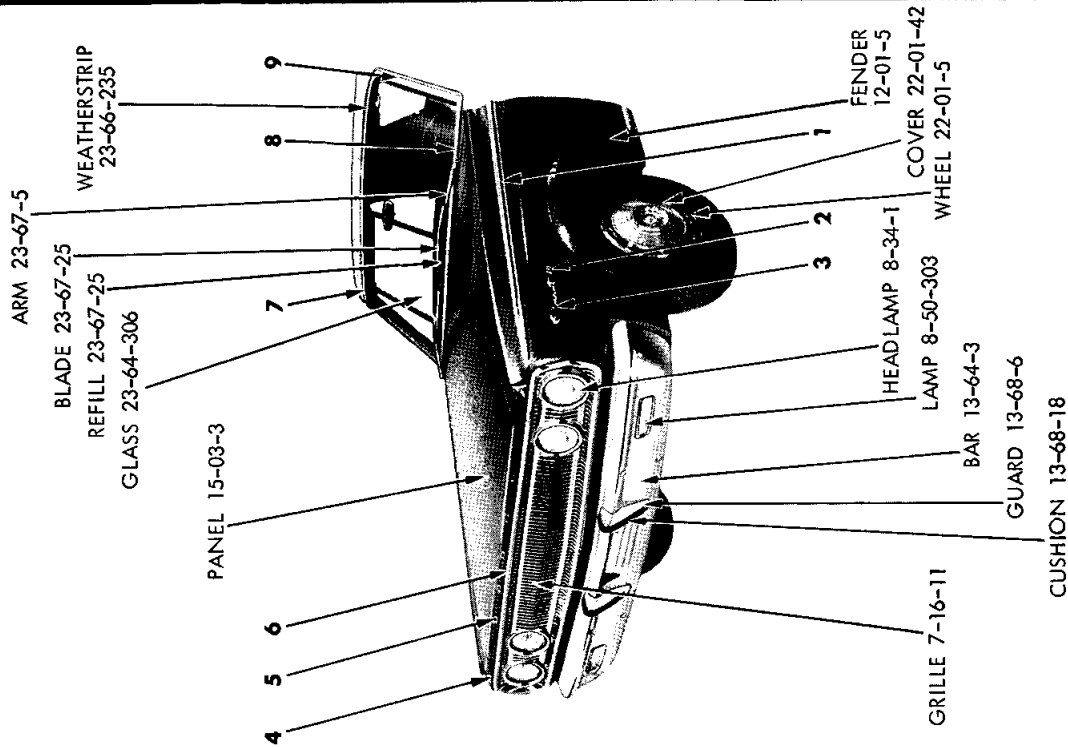
REF. NO.	QTY	PART NUMBER	DESCRIPTION
17	2	2422 471	LOCKINGSTRIP, Quarter Window Glass Weatherstrip (23-63-110)
18	1	2252 254-5	DEFLECTOR, Roof Panel Outside Air (23-36-134)
	2	167 079	Screw
	4	9418 381	Screw
19	1	2482 768-9	HANDLE, Roof Panel Outside Assist (23-36-123)
20	1	2428 221	BASE w/Stud, Tailgate Electric Window Regulator Outside Panel (23-50-418)
21	1	2480 976-7	MOULDING, Rear Upper Pillar Outside (23-23-60)
	8	9417 732	Screw
22	2	2528 319	LETTER "D", Tailgate Name (23-54-11)
	1	2528 320	"O"
	1	2528 321	"G"
	1	2528 322	"E"
	10	152 259	Nut
23	1	2449 932	MEDALLION, Tailgate Outside (23-54-11)
	2	152 259	Nut
24	1	2584 094	MOULDING PACKAGE, Tailgate (23-23-61)
	6	6001 688	Retainer
25	1	2448 488	MOULDING PACKAGE, Tailgate Outside Panel Belt (23-23-61)
	5	6001 435	Clip
	2	6024 564	Screw
26	1	2527 018-9	MOULDING, Quarter Panel Extension (23-23-39)
	4	6000 960	Fastener
27	1	2585 984-5	MOULDING PACKAGE, Quarter Panel End (23-23-39)
	2	2529 104-5	Retainer and Seal
	2	116 000	Nut
28	1	2584 156-7	MOULDING PACKAGE, Quarter Panel Lower (23-23-39)
	12	6001 627	Clip
29	1	2584 150-1	MOULDING PACKAGE, Quarter Panel Upper (23-23-39)
	12	6001 627	Clip
29A	2	2421 912	MOULDING PACKAGE, Body Side Sill Outside Panel (23-23-2)
	14	6001 083	Retainer
	4	6023 681	Screw
30	1	2584 162-3	MOULDING PACKAGE, Rear Door Outside (23-23-33)
	2	2529 108-9	Clip
	4	6001 634	Clip
	★	6000 960	Clip
	4	6001 848	Retainer
	4	9417 621	Nut
31	1	2584 136-7	MOULDING PACKAGE, Door Outside (23-23-32)
	2	2529 108-9	Clip
	4	9417 621	Nut
	6	6001 634	Clip

Part Type Code is Indicated in Parentheses

EXTERIOR VIEW - CORONET W-H STATION WAGON



19a0215



EXTERIOR VIEW - CORONET W-H CONVERTIBLE COUPE

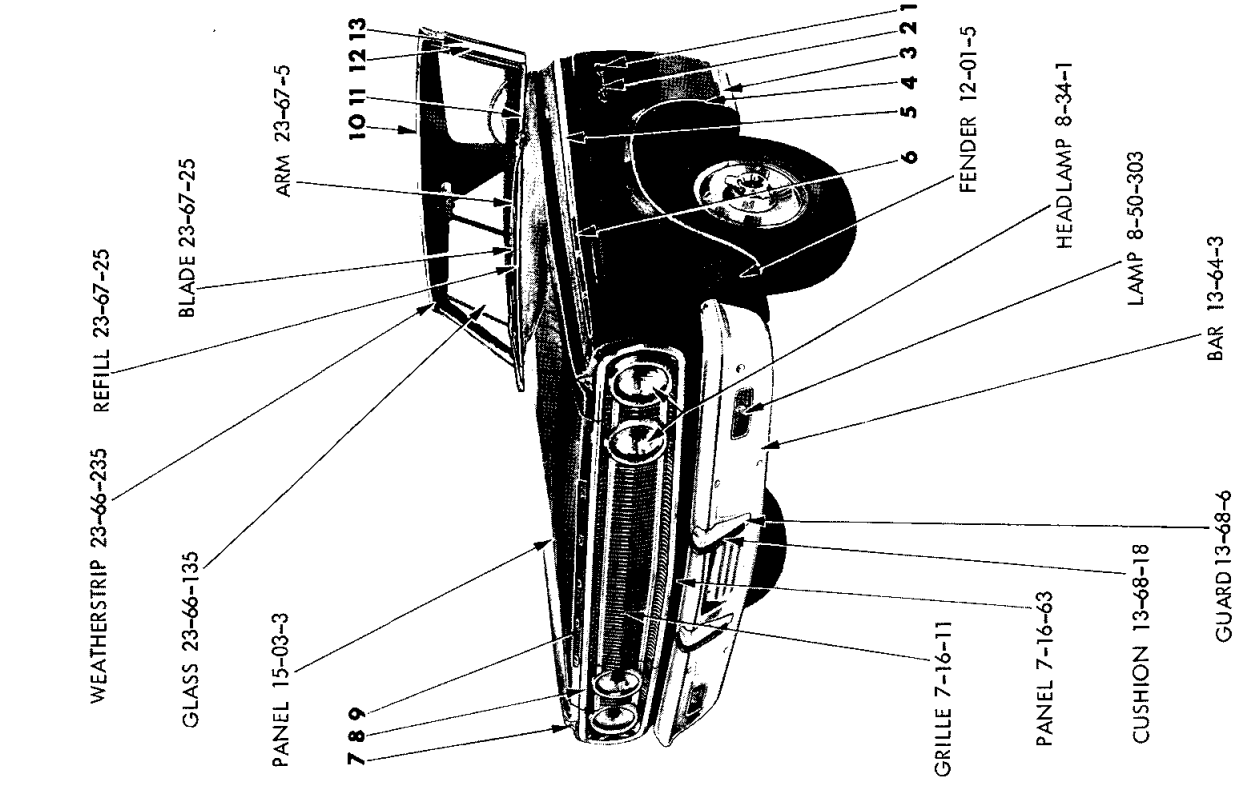
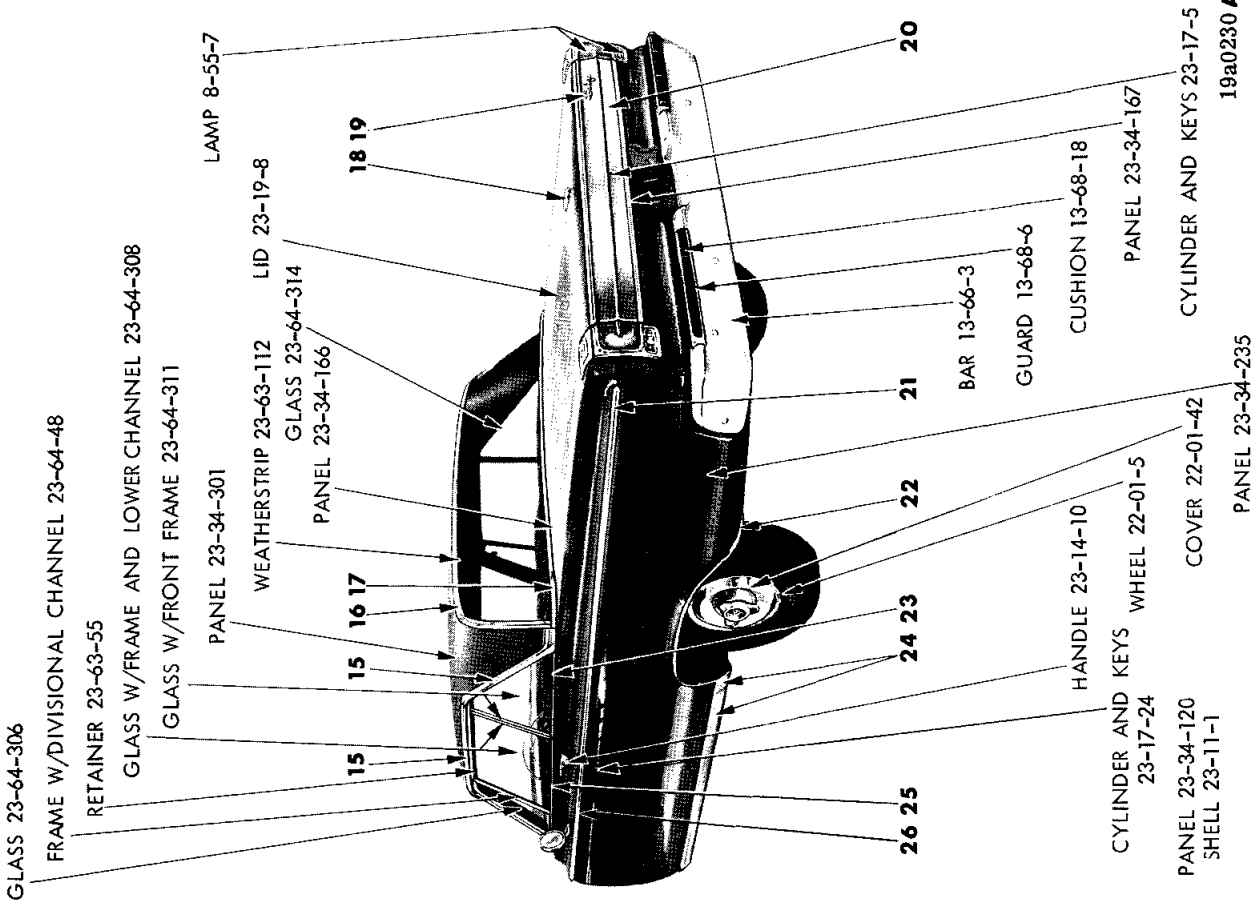
REF. NO.	QTY	PART NUMBER	DESCRIPTION
1	1	2584 066-7	MOULDING PACKAGE, Fender Side (12-15-2)
	8	---- ---	Retainer - Right
	8	---- ---	Retainer - Left
	16	---- ---	Nut
2	2	2449 935	NUMERAL, Fender Side, 440 (12-15-21)
	4	6023 260	Nut
3	2	2449 934	NAME PLATE, Fender Side, Coronet (12-15-21)
	8	---- ---	Washer
	8	6023 260	Nut
4	2	2449 932	MEDALLION, Fender Front (12-15-21)
	4	6000 616	Nut
5	2	2417 825	LETTER, Hood Front Name, "D" (15-06-16)
	1	2417 826	"O"
	1	2417 828	"G"
	1	2417 829	"E"
6	1	2584 063	MOULDING, Hood Front (15-25-2)
	5	---- ---	Nut
	3	---- ---	Palnut
	3	6001 682	Retainer
7	1	2482 898-9	MOULDING, Windshield Header Outside (23-23-65)
	7	162 402	Screw
	★	---- ---	Seal
8	1	2218 595	MOULDING, Windshield Outside Finish Lower (23-23-65)
	10	6001 537	Retainer
9	1	2218 596-7	MOULDING, Windshield Outside Finish Side (23-23-65)
	6	6023 247	Screw
10	1	2483 848-9	MOULDING, Quarter Panel Belt Rear (23-23-39)
	10	6024 477	Fastener
11	2	2584 146	MOULDING PACKAGE, Quarter Panel Rear Upper (23-23-39)
	8	6001 865	Clip
	8	6024 679	Nut
	8	6001 627	Clip

REF. NO.	QTY	PART NUMBER	DESCRIPTION
12	2	2584 146	MOULDING PACKAGE, Quarter Outside Rear Lower (23-23-39)
	8	6001 865	Clip
	8	6024 679	Nut
	8	6001 627	Clip
13	1	2448 458-9	MOULDING PACKAGE, Deck Opening Upper Panel (23-23-31)
	10	6024 477	Fastener
14	1	2527 802	MEDALLION, Deck Lid Outside (23-19-114)
	2	---- ---	Seal
	2	6013 114	Nut
15	1	2573 204	PANEL and NAME PLATE, Deck Lid Outside Finish (23-23-30)
	6	---- ---	Retainer
	6	6024 711	Seal
	6	---- ---	Nut
16	1	2584 160-1	MOULDING PACKAGE, Quarter Panel Upper and Lower End (23-23-39)
	2	2529 101	Retainer
	2	6024 679	Nut
17	1	2584 164-5	MOULDING PACKAGE, Quarter Panel Front (23-23-39)
	2	6024 271	Screw
18	2	2421 912	MOULDING PACKAGE, Body Side Sill Outside Panel (23-23-2)
	14	6001 083	Retainer
	4	6023 681	Screw
19	1	2584 134-5	MOULDING PACKAGE, Door Outside (23-23-32)
	4	2529 108-9	Clip
	4	9417 621	Nut
	10	6001 626	Clip
	8	6001 634	Clip

All Packages include Attaching Parts

Part Type Code is Indicated in Parentheses

EXTERIOR VIEW - CORONET W-H CONVERTIBLE COUPE



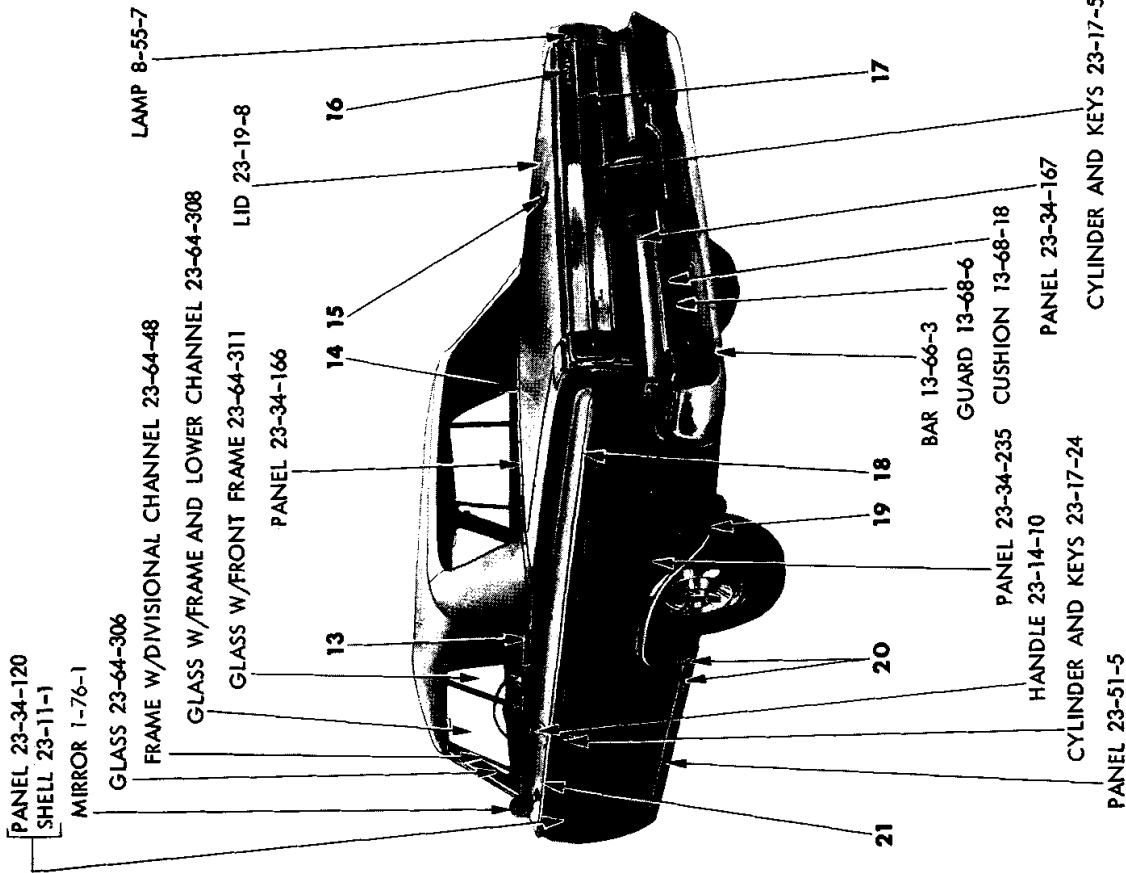
EXTERIOR VIEW - CORONET W-P 2 DOOR HARDTOP

REF. NO.	QTY	PART NUMBER	DESCRIPTION	REF. NO.	QTY	PART NUMBER	DESCRIPTION
1	2	2449 936	NUMERAL, Fender Side, 500 (12-15-21)	15	1	2525 556-7	MOULDING PACKAGE, Roof Side Drain Trough Front & Rear (23-59-61)
	4	6023 260	Nut		6	2573 062	Clip
2	2	2449 934	NAME PLATE, Fender Side, Coronet (12-15-21)		6	6024 271	Screw
	8	---- ---	Washer		2	6024 718	Washer
	8	6023 260	Nut		★	---- ---	Sealer 2 120 375 Nut
3	1	2584 500-1	CAP PACKAGE, Fender Wheel Opening to Sill Moulding (12-15-9)	16	1	2495 276-7	MOULDING PACKAGE, Rear Window Outside Upper and Side (23-23-52)
	6	6024 271	Screw		14	6001 084	Retainer and Screw
4	1	2449 930-1	MOULDING, Fender Wheel Opening (12-15-2)	17	1	2495 274-5	MOULDING PACKAGE, Rear Window Outside Lower (23-23-52)
	16	6024 271	Screw		12	6001 084	Retainer and Screw
5	1	2584 068-9	MOULDING PACKAGE, Fender Side Rear (12-15-2)	18	1	2528 449	MEDALLION, Deck Lid Outside (23-19-114)
	8	6001 626	Retainer		2	---- ---	Seal
	2	---- ---	Bolt		2	6013 114	Nut
	2	6010 008	Nut		2	6013 114	Nut
	2	---- ---	Nut	19	1	2526 340	NAME PLATE, Deck Lid Finish Panel, Dodge (23-19-114)
6	1	2584 070-1	MOULDING PACKAGE, Fender Side Front (12-15-2)		3	1839 995	Nut
	6	6023 685	Nut	20	1	2526 337	PANEL, Deck Lid Finish (23-23-30)
7	2	2449 932	MEDALLION, Fender Front (12-15-21)		6	6022 007	Seal
	4	6000 616	Nut		6	152 259	Nut
8	1	2584 063	MOULDING PACKAGE, Hood Front (15-25-2)		6	9418 419	Screw
	5	---- ---	Nut	21	1	2584 170-1	MOULDING PACKAGE, Quarter Panel (23-23-39)
	3	---- ---	Palnut		10	6001 626	Clip
	3	6001 682	Retainer		10	6001 706	Retainer
9	2	2417 825	LETTER, Hood Front Name, "D" (15-06-16)		10	116 000	Nut
	1	2417 826	"O"	22	1	2526 356-7	MOULDING, Quarter Panel Wheel Opening (23-23-39)
	1	2417 828	"G"		14	6024 271	Screw
	1	2417 829	"E"	23	1	2495 320-1	MOULDING PACKAGE, Quarter Panel Belt Upper (23-23-39)
	10	6000 616	Nut		4	6001 718	Clip
10	1	2218 594	MOULDING, Windshield Outside Upper (23-23-65)		4	6001 717	Clip
	8	6001 537	Retainer and Screw		4	6001 716	Clip
11	1	2218 595	MOULDING, Windshield Outside Finish Lower (23-23-65)	24	1	2584 158-9	MOULDING PACKAGE, Body Side Sill (23-23-2)
	10	6001 537	Retainer and Screw		18	6001 492	Clip
12	1	2218 596-7	MOULDING, Windshield Outside Finish Side (23-23-65)		18	6023 975	Screw
	6	6023 247	Screw	25	1	2495 318-9	MOULDING PACKAGE, Front Door Outside Belt Upper (23-23-32)
13	1	2492 712-3	MOULDING, Windshield Outside Side Upper Extension (23-23-65)		4	6001 718	Clip
					4	6001 717	Clip
					6	6001 716	Clip
				26	1	2584 132-3	MOULDING PACKAGE, Door Outside (23-23-32)
					4	6001 702	Retainer
					4	---- ---	Screw
					4	9414 106	Washer
					10	6001 626	Clip

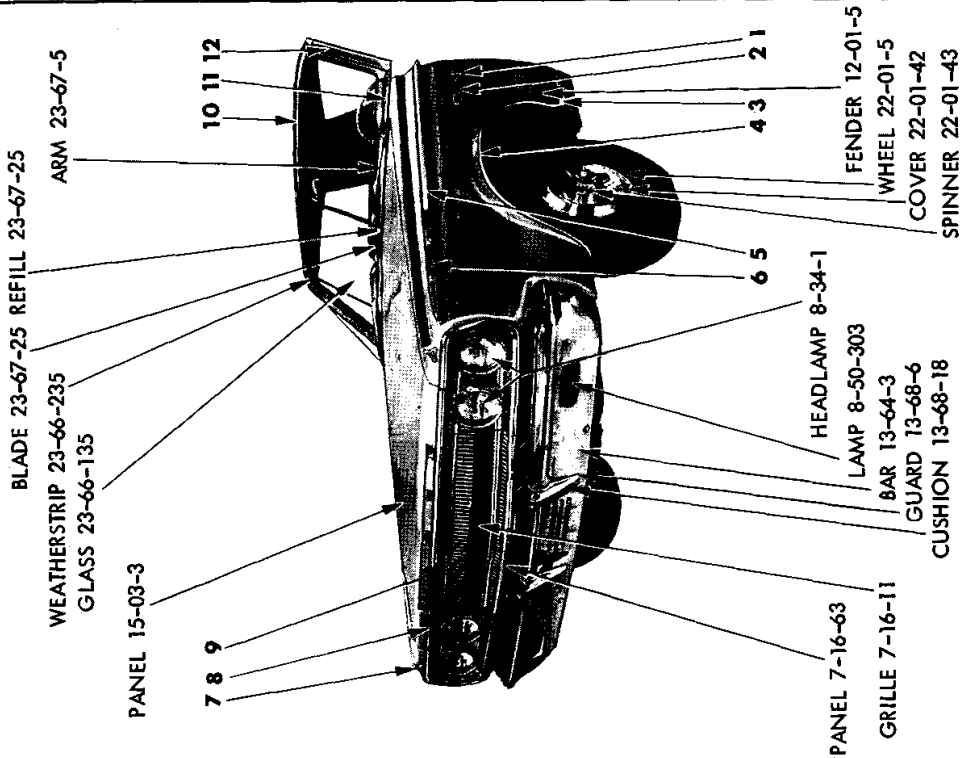
All Packages Include Attaching Parts

Part Type Code is Indicated in Parentheses

EXTERIOR VIEW - CORONET W-P 2 DOOR HARDTOP



19a0105 A



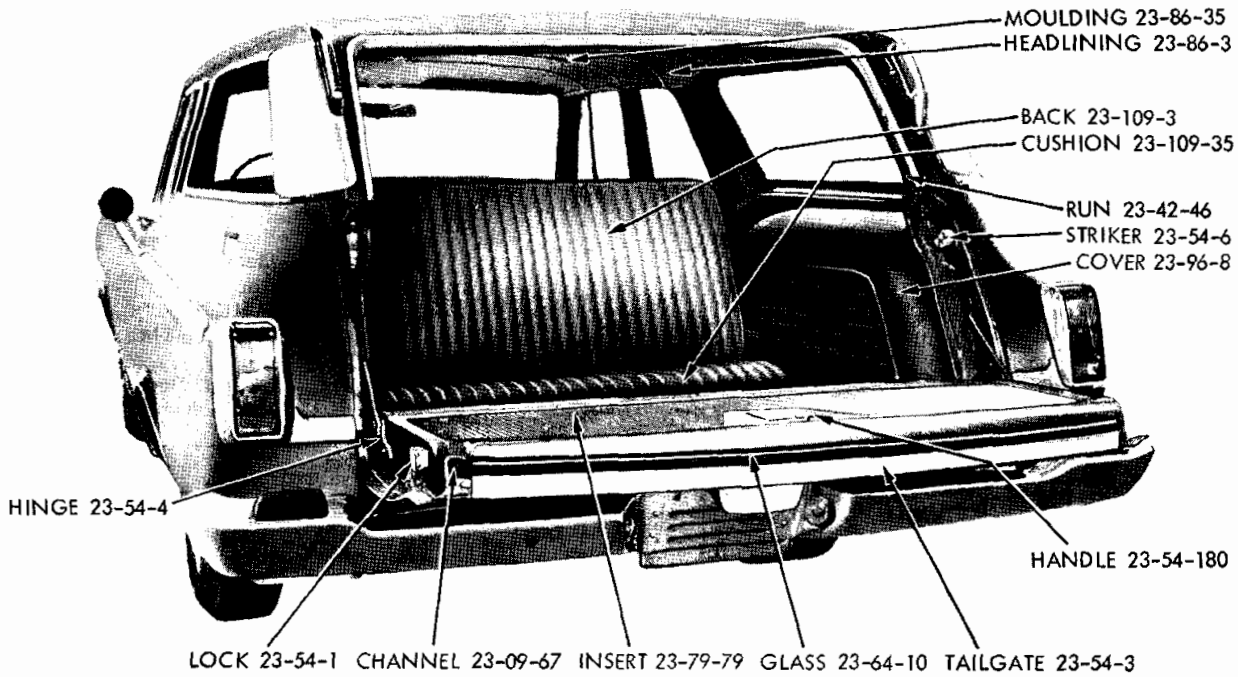
EXTERIOR VIEW - CORONET W-P CONVERTIBLE COUPE

REF. NO.	QTY	PART NUMBER	DESCRIPTION	REF. NO.	QTY	PART NUMBER	DESCRIPTION
1	2	2449 936	NUMERAL, Fender Side, "500" (12-15-21)	11	1	2218 595	MOULDING, Windshield Outside Finish Lower (23-23-65)
	4	6023 260	Nut	12	1	2218 596-7	MOULDING, Windshield Outside Finish Side (23-23-65)
2	2	2449 934	NAME PLATE, Fender Side, Coronet (12-15-21)		6	6024 271	Screw
	8	---- ---	Seal	13	1	2483 848-9	MOULDING, Quarter Panel Belt (23-23-39)
	8	6023 260	Nut		10	6024 477	Fastener
3	1	2584 500-1	CAP PACKAGE, Fender Wheel Opening to Sill Moulding (12-15-9)	14	1	2448 458-9	MOULDING PACKAGE, Deck Upper Panel (23-23-31)
	6	6024 271	Screw		10	6024 477	Fastener
4	1	2449 930-1	MOULDING, Fender Wheel Opening (12-15-2)	15	1	2528 449	MEDALLION, Deck Lid (23-19-114)
	16	6024 271	Screw		2	---- ---	Seal
5	1	2584 068-9	MOULDING PACKAGE, Fender Side Rear (12-15-2)		2	6013 114	Nut
	8	6001 626	Retainer	16	1	2526 340	NAME PLATE, Deck Lid (23-19-114)
	2	---- ---	Bolt		3	1839 995	Nut
	2	6010 008	Nut	17	1	2526 337	PANEL, Deck Lid Finish (23-23-30)
	2	---- ---	Nut		6	6022 007	Seal
6	1	2584 070-1	MOULDING PACKAGE, Fender Side Front (12-15-2)		6	152 259	Nut
	6	6023 685	Nut		6	9418 419	Screw
7	2	2449 932	MEDALLION, Fender Front (12-15-21)	18	1	2584 170-1	MOULDING PACKAGE, Quarter Panel (23-23-39)
	4	6000 616	Nut		10	6001 626	Clip
8	1	2584 063	MOULDING PACKAGE, Hood Front (15-25-2)		10	---- ---	Retainer
	5	---- ---	Nut		10	116 000	Nut
	3	---- ---	Palnut	19	1	2526 356-7	MOULDING, Quarter Panel Wheel Opening (23-23-39)
	3	6001 682	Retainer		14	6024 271	Screw
9	2	2417 825	LETTER, Hood Front Name, "D" (15-06-16)	20	1	2584 158-9	MOULDING PACKAGE, Body Side Sill, w/Cap (23-23-2)
	1	2417 826	"O"		18	6001 492	Clip
	1	2417 828	"G"		18	6023 975	Screw
	1	2417 829	"E"	21	1	2584 132-3	MOULDING PACKAGE, Door (23-23-32)
	10	6000 616	Nut		4	6001 702	Retainer
10	1	2482 898-9	MOULDING, Windshield Header Outside (23-23-65)		4	---- ---	Screw
	7	162 402	Screw		4	9414 106	Washer
					10	6001 626	Clip

All Packages Include Attaching Parts

Part Type Code is Indicated in Parentheses

EXTERIOR VIEW - CORONET W-P CONVERTIBLE COUPE

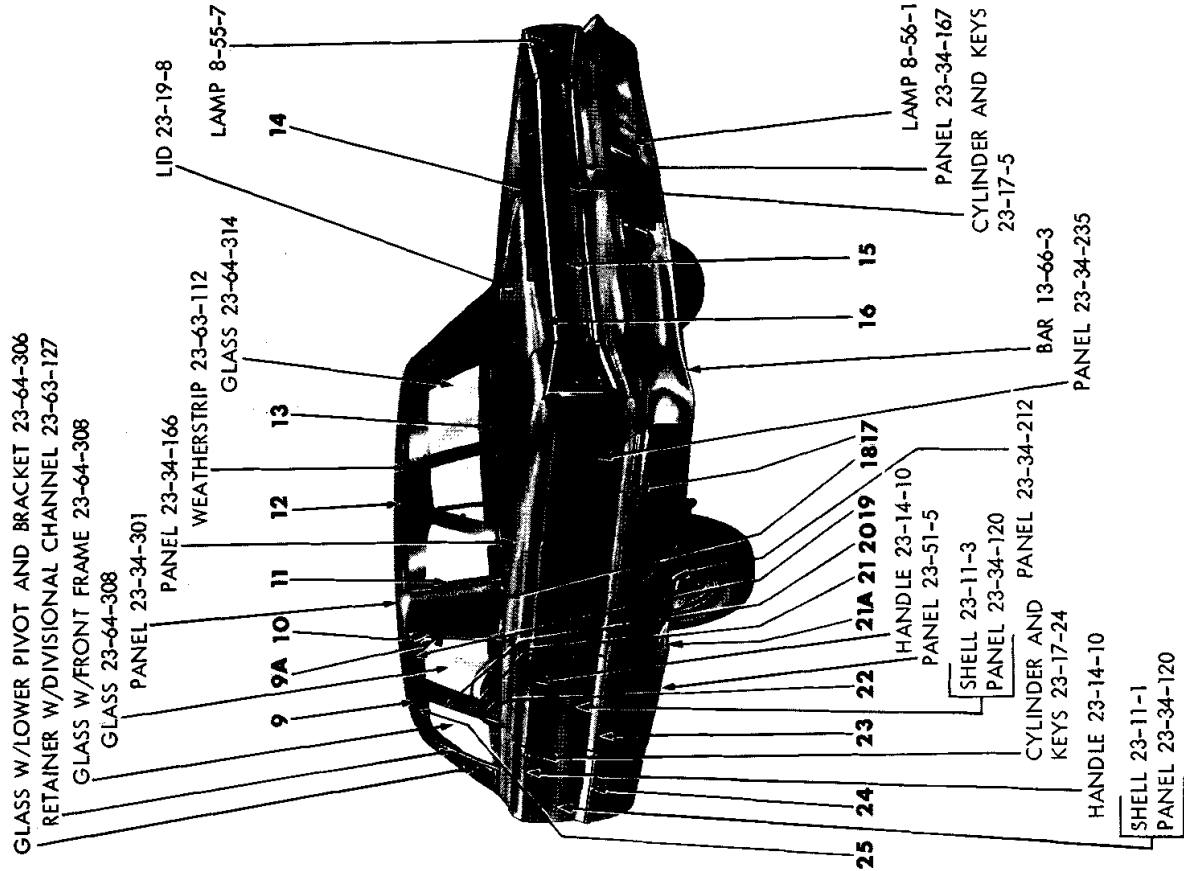


19a0186

REAR INTERIOR VIEW - CORONET STATION WAGON

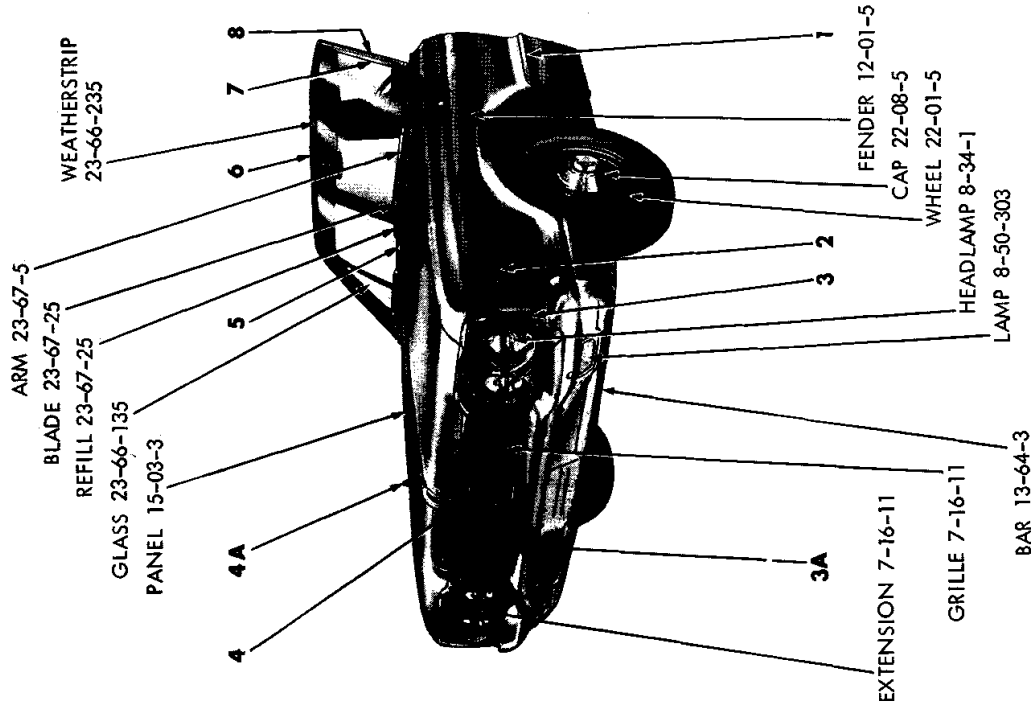
NOTES

Series of horizontal lines for handwritten notes.



19a0193C

EXTERIOR VIEW - DODGE D2 POLARA 4 DOOR SEDAN

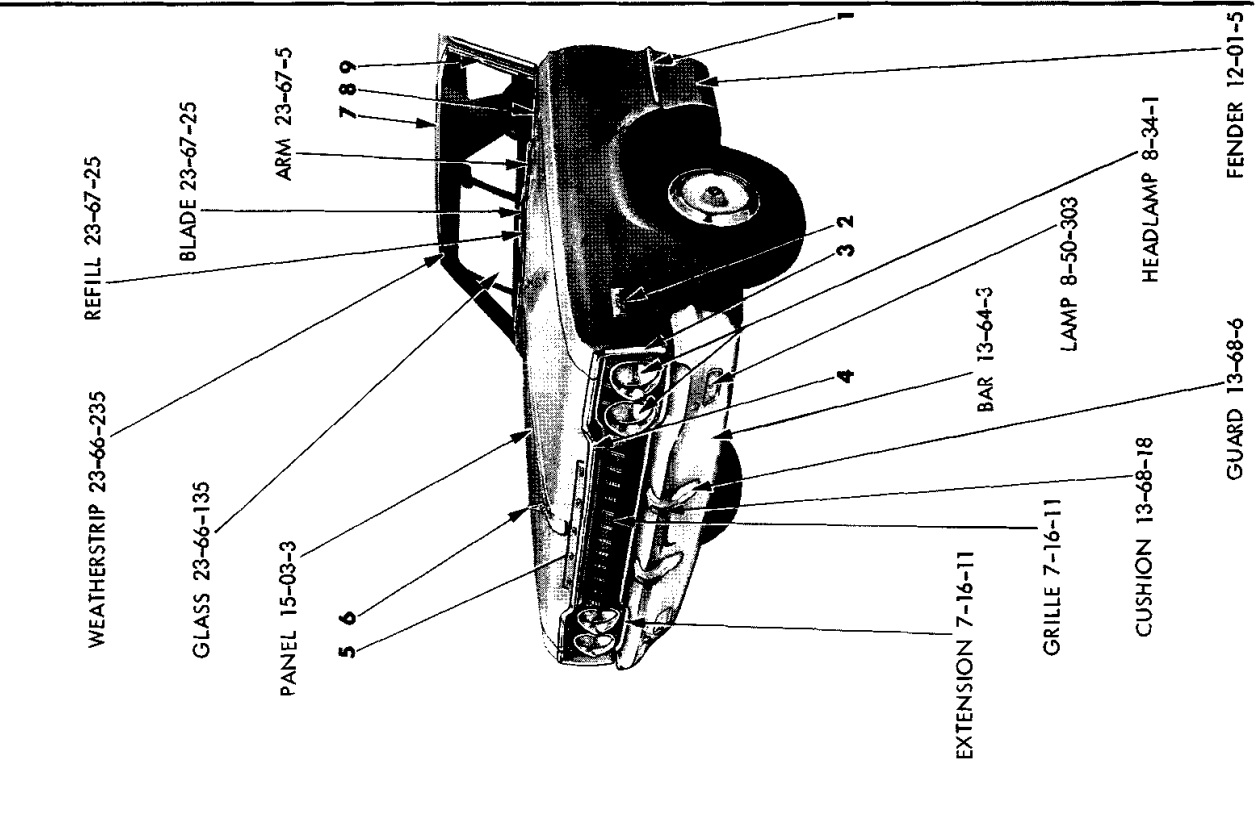
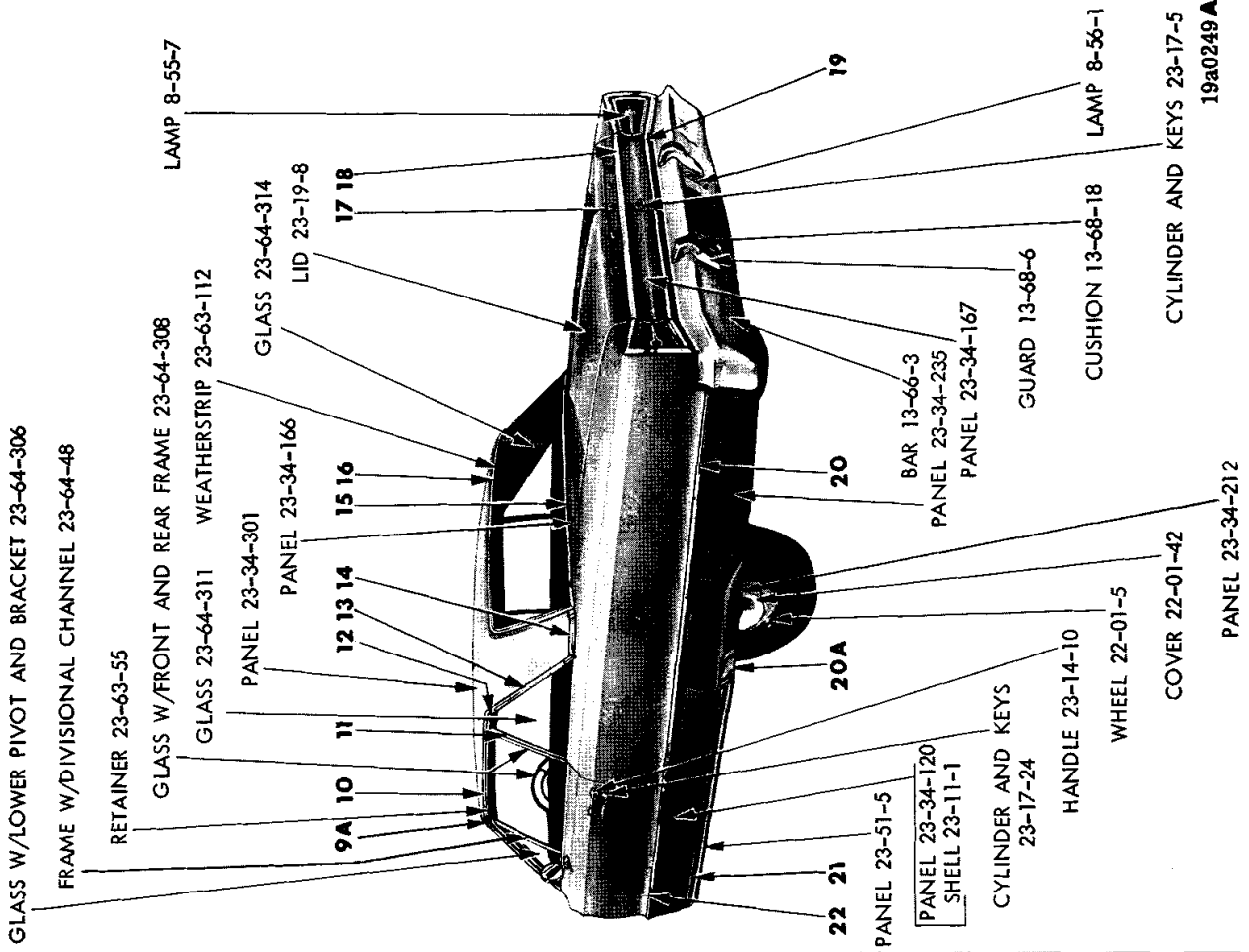


REF. NO.	QTY	PART NUMBER	DESCRIPTION
1	1	2525 820-1	MOULDING PACKAGE, Fender Side (12-15-2)
	4	6001 641	Retainer
	2	-----	Nut
2	2	2524 239	NAME PLATE, Fender Side, Polara (12-15-21)
	4	6024 723	Washer
	4	-----	Nut
3	1	2525 822-3	MOULDING PACKAGE, Fender Front (12-15-2)
	6	6024 723	Washer
	6	9411 618	Nut
3A	1	2525 587	MOULDING PACKAGE, Hood Front (15-25-2)
	8	116 000	Nut
	8	6024 723	Washer
4	2	2417 825	LETTER, Hood Front Name, "D" (15-06-16)
	1	2417 826	"O"
	1	2417 828	"G"
	1	2417 829	"E"
4A	1	2524 237	ORNAMENT, Hood Front (15-03-18)
5	1	2584 110-1	MOULDING PACKAGE, Windshield Outside Lower (23-23-65)
	10	6001 697	Retainer
6	1	2584 104	MOULDING PACKAGE, Windshield Outside Upper (23-23-65)
	8	6001 648	Retainer
7	1	2584 108-9	MOULDING PACKAGE, Windshield Outside Side (23-23-65)
	8	6001 648	Retainer
8	1	2529 264-5	MOULDING, Body Front Pillar Drain Trough (23-59-61)
9	1	2526 462-3	MOULDING, Roof Side Drain Trough (23-59-61)
9A	1	2492 800-1	MOULDING, Rear Door Window Opening Frame Rear (23-23-33)
10	1	2526 464-5	MOULDING, Roof Side Drain Trough Rear (23-59-61)
11	1	2584 100-1	MOULDING PACKAGE, Rear Window Outside Side (23-23-52)
	6	6001 648	Retainer and Screw
12	1	2584 102-3	MOULDING PACKAGE, Rear Window Outside Upper (23-23-52)
	8	6001 648	Retainer and Screw

All Packages Include Attaching Parts

REF. NO.	QTY	PART NUMBER	DESCRIPTION
13	1	2584 098	MOULDING PACKAGE, Rear Window Outside Lower (23-23-65)
	8	6001 648	Retainer and Screw
14	1	2528 648	LETTER "D", Deck Lid Name (23-19-114)
	1	2528 649	"O"
	1	2528 650	"D"
	1	2528 651	"G"
	1	2528 652	"E"
	10	152 259	Nut and Seal
15	1	2584 127	MOULDING PACKAGE, Deck Lid Lower (23-23-30)
	8	9417 621	Nut
	8	6001 708	Retainer and Seal
16	1	2584 126	MOULDING PACKAGE, Deck Lid Upper (23-23-30)
	8	9417 621	Nut
	8	6001 708	Retainer and Seal
17	1	2584 326-7	MOULDING PACKAGE, Quarter Outside (23-23-39)
	12	6001 660	Retainer
	12	9417 621	Nut
	4	6001 662	Retainer
	4	-----	Nut
18	1	2584 180-1	MOULDING PACKAGE, Roof Side Extension Belt (23-23-42)
	4	2574 024	Retainer and Seal
	4	-----	Nut
	2	6001 799	Retainer and Seal
19	1	2492 798-9	MOULDING, Rear Door Window Opening Frame Upper (Special Equipment) (23-23-33)
20	1	2492 784-5	MOULDING, Front Door Window Opening Frame Rear (Special Equipment) (23-23-32)
21	1	2570 110-1	PANEL, Body Center Pillar Outside Finish Upper (Special Equipment)(23-23-16)
21A	1	2584 524-5	DEFLECTOR PACKAGE, Rear Wheel Opening Panel Stone (23-23-240)
	4	273 329	Nut
	4	6024 702	Seal
22	1	2492 796-7	MOULDING, Rear Door Window Opening Frame Front (Special Equipment) (23-23-33)
23	1	2584 324-5	MOULDING PACKAGE, Rear Door Outside (23-23-33)
	18	6001 641	Clip
24	2	2584 328	MOULDING PACKAGE, Front Door Outside (23-23-32)
	18	6001 641	Clip
25	1	2492 782-3	MOULDING, Front Door Window Opening Frame Upper (Special Equipment) (23-23-32)

Part Type Code is Indicated in Parentheses



EXTERIOR VIEW - DODGE D-L 2 DOOR HARDTOP

REF. NO.	QTY	PART NUMBER	DESCRIPTION
1	1	2525 820-1	MOULDING PACKAGE, Fender Side (12-15-2)
	4	6001 641	Retainer and Seal
	2	-----	Nut
2	2	2524 239	NAME PLATE, Fender Side, Polara (12-15-21)
	4	6024 723	Washer
	4	-----	Nut
3	1	2525 822-3	MOULDING PACKAGE, Fender Front (12-15-2)
	6	6024 723	Washer
	6	9411 618	Nut
4	1	2525 587	MOULDING PACKAGE, Hood Front (15-25-2)
5	2	2417 825	LETTER, Hood Front Name, "D" (15-06-16)
	1	2417 826	"O"
	1	2417 828	"G"
	1	2417 829	"E"
6	1	2524 007	ORNAMENT, Hood Front (15-03-18)
7	1	2584 099	MOULDING PACKAGE, Windshield Outside Upper (23-23-65)
	8	6001 648	Retainer
8	1	2584 110-1	MOULDING PACKAGE, Windshield Outside Lower (23-23-65)
	10	6001 697	Retainer
9	1	2584 106-7	MOULDING PACKAGE, Windshield Outside Side (23-23-65)
	8	6001 648	Retainer
9A	1	2574 850-1	MOULDING, Front Pillar Upper, use w/Vinyl Roof (23-23-14)
	2	6023 682	Screw
10	1	2526 480-1	MOULDING, Roof Drain Trough Front (w/o Vinyl Roof) (23-59-61)
	1	2605 010-1	MOULDING, Roof Side Drain Trough Front (w/Vinyl Roof) (23-59-61)
11	1	2529 144-5	MOULDING, Quarter Window Glass Front (23-23-73)
12	1	2526 484-5	COVER, Roof Drain Trough Front (23-59-57)
13	1	2526 482-3	MOULDING, Roof Drain Trough Rear (w/o Vinyl Roof) (23-59-61)
	1	2605 012-3	MOULDING, Roof Side Drain Trough Rear (w/Vinyl Roof) (23-59-61)
14	1	2584 432-3	MOULDING PACKAGE, Roof Outside Belt, w/o Vinyl Roof (23-23-42)
	1	2584 430-1	MOULDING PACKAGE, Roof Outside Belt (w/Vinyl Roof) (23-23-42)
	4	-----	Washer
	4	9411 618	Nut

All Packages Include Attaching Parts

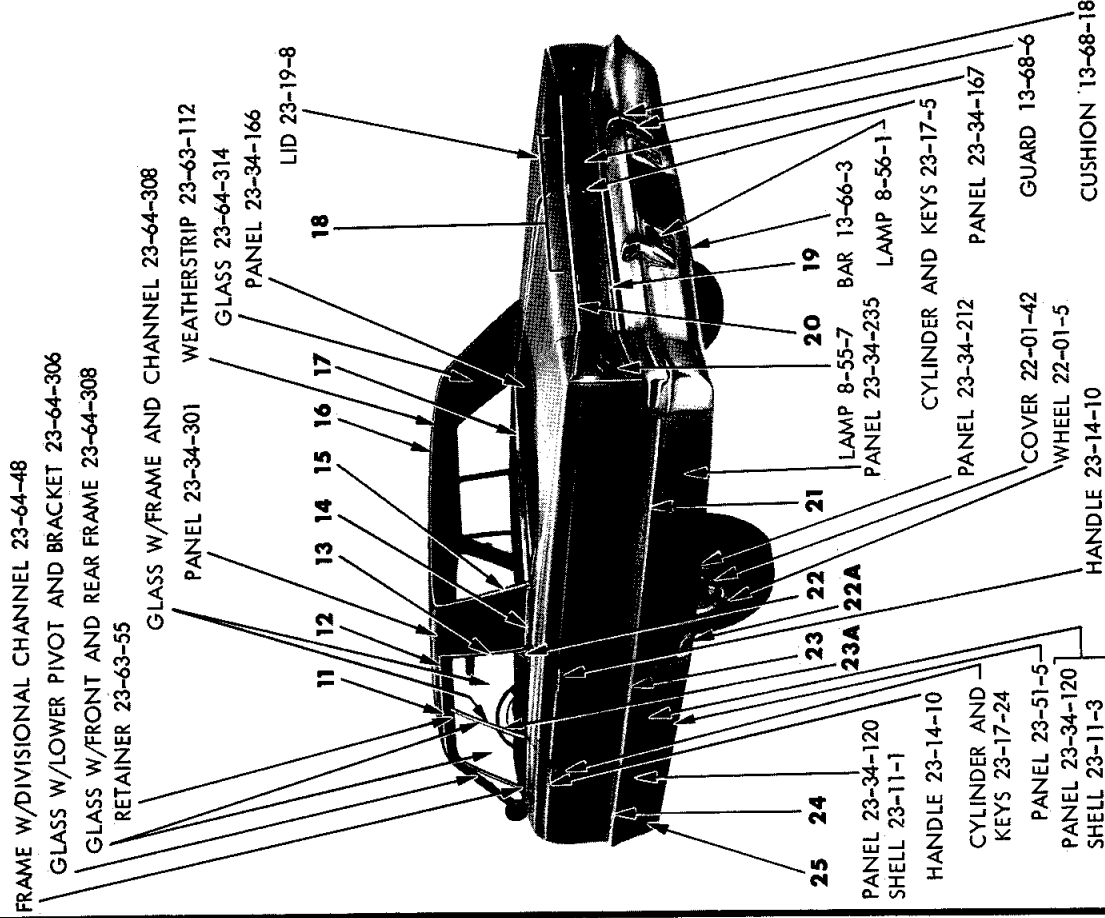
REF. NO.	QTY	PART NUMBER	DESCRIPTION
15	1	2525 595	MOULDING PACKAGE, Rear Window Outside Lower (23-23-52) (Note #1)
	7	6001 648	Retainer and Screw
	1	2807 138-9	MOULDING PACKAGE, Rear Window Outside Lower (23-23-52) (Note #2)
16	1	2525 596-7	MOULDING PACKAGE, Rear Window Outside Upper and Side (23-23-52) (Note #1)
	14	6001 648	Retainer and Screw
	1	2807 140-1	MOULDING PACKAGE, Rear Window Outside Upper and Side (23-23-52) (Note #2)
17	1	2528 648	LETTER "D", Deck Lid Name (23-19-114)
	1	2528 649	"O"
	1	2528 650	"D"
	1	2528 651	"G"
	1	2528 652	"E"
	10	152 259	Nut
18	1	2584 126	MOULDING PACKAGE, Deck Lid Upper (23-23-30)
	8	6001 708	Retainer
	8	9417 621	Nut
19	1	2584 127	MOULDING PACKAGE, Deck Lid Lower (23-23-30)
	8	6001 708	Retainer
	8	6024 692	Nut
20	2	2584 322	MOULDING PACKAGE, Quarter Outside (23-23-39)
	4	6001 652	Retainer
	4	-----	Nut
	12	6001 660	Retainer
	12	9417 621	Nut
20A	1	2584 524-5	DEFLECTOR PACKAGE, Rear Wheel Opening Panel Stone (23-34-240)
	4	273 329	Nut
	4	6024 702	Seal
21	1	2584 278-9	MOULDING PACKAGE, Body Side Sill (23-23-2)
	4	6023 682	Screw
	18	6001 750	Retainer
22	2	2584 329	MOULDING PACKAGE, Door Outside (23-23-32)
	4	6001 662	Retainer
	4	-----	Nut
	2	9417 621	Nut
	2	6001 677	Retainer
	12	6001 641	Clip

NOTE 1: UP TO SERIAL NO. 195358

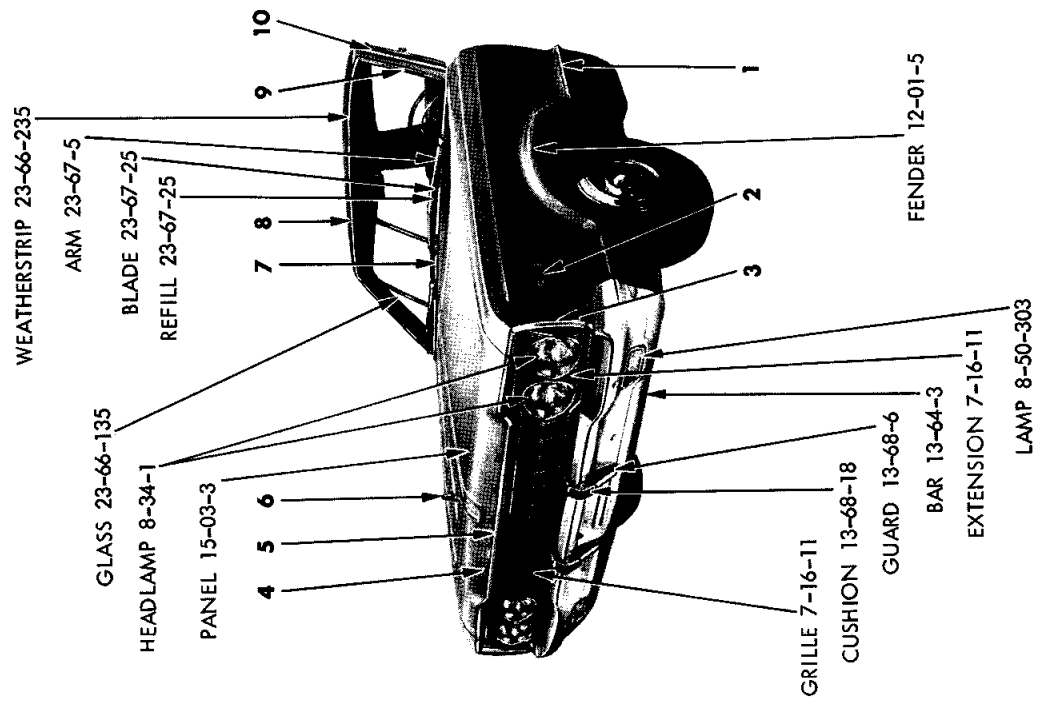
NOTE 2: AFTER SERIAL NO. 195358

Part Type Code is Indicated in Parentheses

EXTERIOR VIEW - DODGE D-L 2 DOOR HARDTOP



19a0218 B



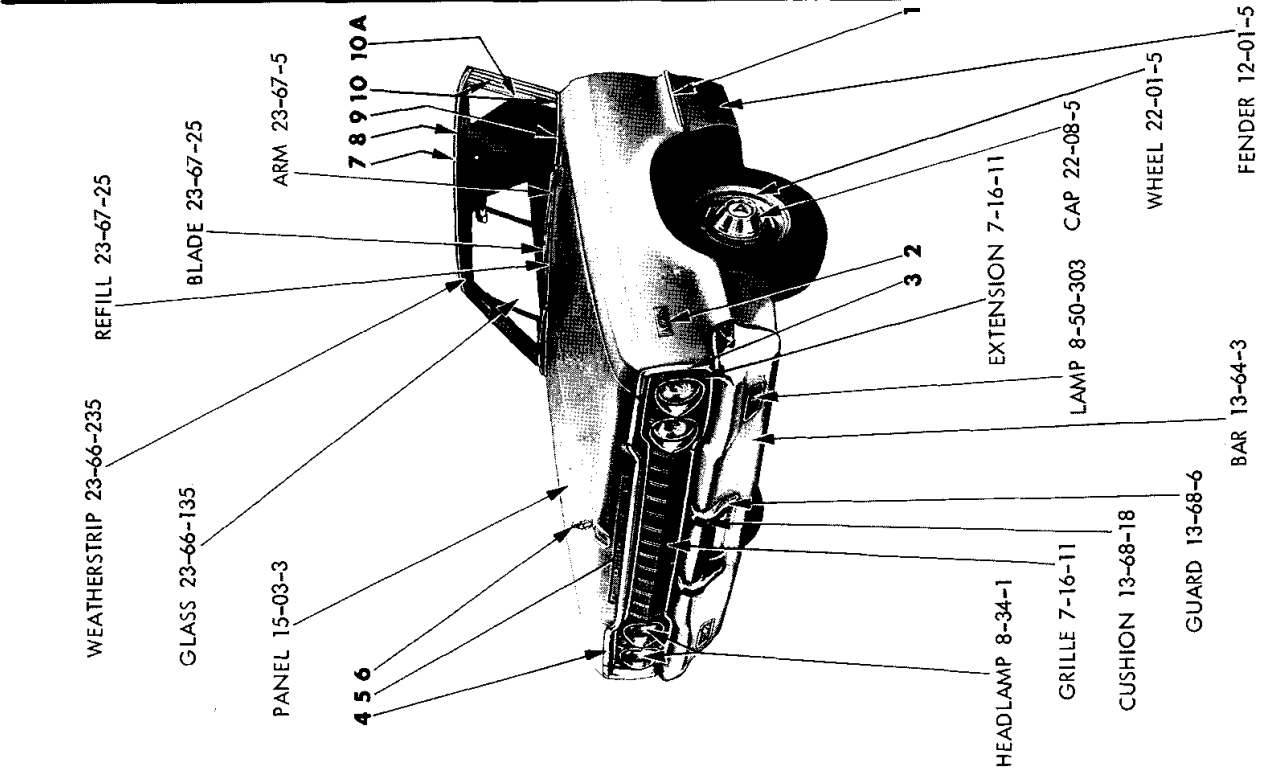
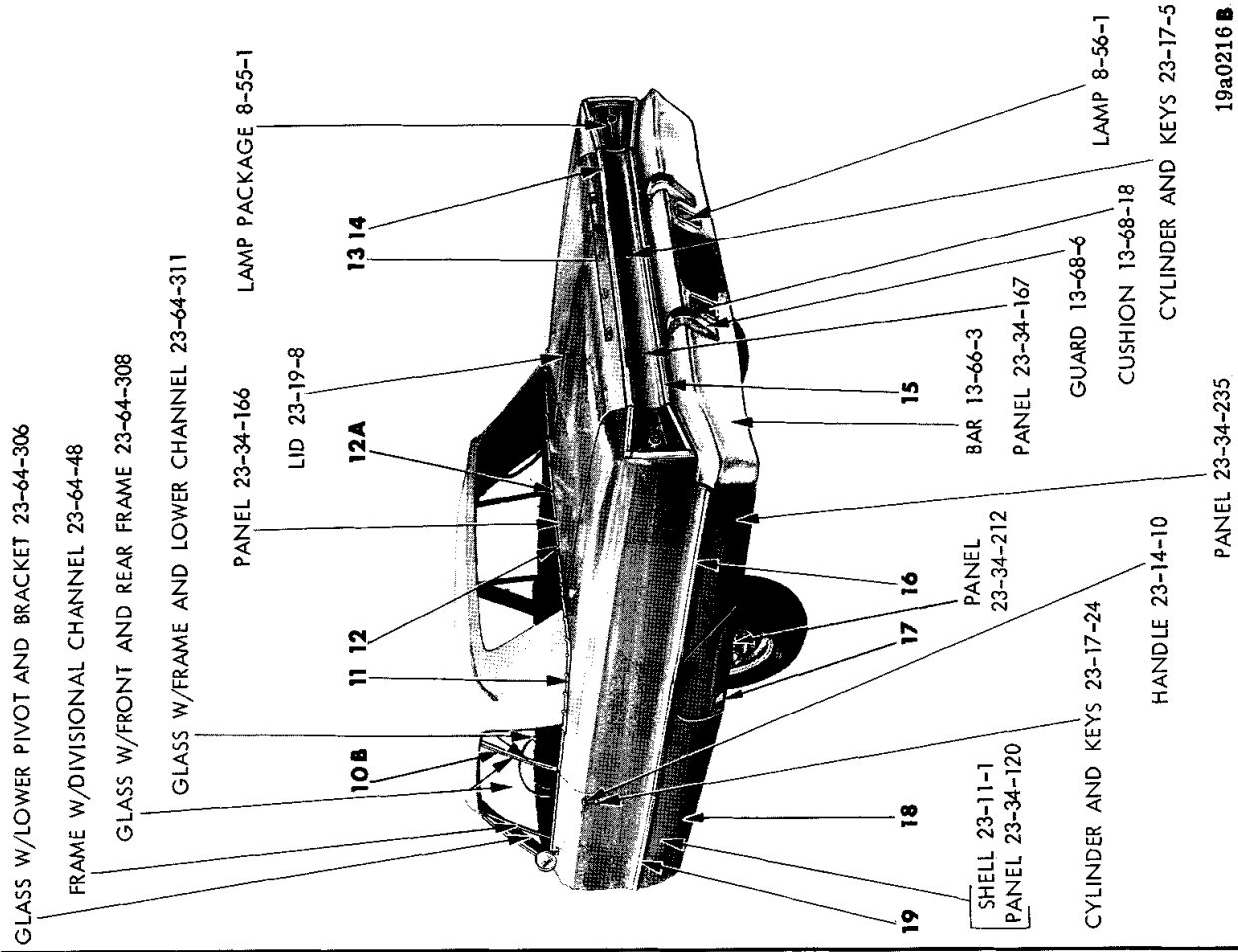
EXTERIOR VIEW - DODGE D-L 4 DOOR HARDTOP

REF. NO.	QTY	PART NUMBER	DESCRIPTION	REF. NO.	QTY	PART NUMBER	DESCRIPTION
1	1	2525 820-1	MOULDING PACKAGE, Fender Side (12-15-2)	16	1	2525 598-9	MOULDING PACKAGE, Rear Window Outside Upper (23-23-52)
	4	6001 641	Retainer		8	6001 648	Retainer and Screw
	2	-----	Nut	17	1	2525 594	MOULDING PACKAGE, Rear Window Outside Lower (23-23-52)
2	2	2524 239	NAME PLATE, Fender Side, Polara (12-15-21)		8	6001 648	Retainer and Screw
	4	6024 723	Washer	18	1	2528 648	LETTER "D", Deck Lid Name (23-19-114)
	4	-----	Nut		1	2528 649	"O"
3	1	2525 822-3	MOULDING PACKAGE, Fender Front (12-15-2)		1	2528 650	"D"
	6	6024 723	Washer		1	2528 651	"G"
	6	9411 618	Nut		1	2528 652	"E"
4	2	2417 825	LETTER, Hood Front Name, "D" (15-06-16)		10	152 259	Nut
	1	2417 826	"O"	19	1	2584 127	MOULDING PACKAGE, Deck Lid Lower (23-23-30)
	1	2417 828	"G"		8	9417 621	Nut
	1	2417 829	"E"		8	6001 708	Retainer
	10	6000 616	Nut	20	1	2584 126	MOULDING PACKAGE, Deck Lid Upper (23-23-30)
5	1	2525 587	MOULDING PACKAGE, Hood Front (15-25-2)		8	9417 621	Nut
	8	116 000	Nut		8	6001 708	Retainer
	8	6024 577	Stud		8	6001 708	Retainer
	8	6024 723	Washer	21	1	2584 326-7	MOULDING PACKAGE, Quarter Outside (23-23-39)
6	1	2524 007	ORNAMENT, Hood Top (15-03-18)		4	6001 662	Retainer
7	1	2584 110-1	MOULDING PACKAGE, Windshield Outside Lower (23-23-65)		4	-----	Nut
	10	6001 697	Retainer		12	6001 660	Retainer
8	1	2584 099	MOULDING PACKAGE, Windshield Outside Upper (23-23-65)		12	9417 621	Nut
	8	6001 648	Retainer and Screw	22	1	2571 178-9	ORNAMENT and WEATHER-STRIP, Rear Door Rear Outer (23-11-23) (23-63-33)
9	1	2584 106-7	MOULDING PACKAGE, Windshield Outside Side (23-23-65)		4	6025 425	Screw
	8	6001 648	Retainer and Screw		2	9416 628	Screw
10	1	2529 442-3	MOULDING, Body Front Pillar Drain Trough, w/o Vinyl Roof (23-59-61)	22A	1	2584 524-5	DEFLECTOR PACKAGE, Rear Wheel Opening Panel Stone (23-34-240)
	1	2605 436-7	MOULDING, Body Front Pillar Drain Trough, w/Vinyl Roof (23-59-61)		4	273 329	Nut
11	1	2529 438-9	MOULDING, Roof Side Drain Trough, w/o Vinyl Roof (23-59-61)		4	6024 702	Seal
	1	2605 438-9	MOULDING, Roof Side Drain Trough, w/Vinyl Roof (23-59-61)	23	1	2584 324-5	MOULDING PACKAGE, Rear Door Outside (23-23-33)
12	1	2573 546-7	COVER, Roof Side Drain Trough Moulding Rear (23-59-57)		6	9417 621	Nut
13	1	2529 440-1	MOULDING, Roof Side Drain Trough Rear, w/o Vinyl Roof (23-59-61)		6	6001 677	Retainer
	1	2605 440-1	MOULDING, Roof Side Drain Trough Rear, w/Vinyl Roof (23-59-61)		18	6001 641	Clip
14	1	2584 424-5	MOULDING PACKAGE, Roof Side Extension Belt, w/o Vinyl Roof (23-23-42)	23A	1	2664 678-9	MOULDING w/Weatherstrip Retainer, Rear Door Window Frame Front (23-23-33) (23-63-105)
	6	-----	Washer		10	6024 997	Screw
	6	9411 618	Nut	24	2	2584 328	MOULDING PACKAGE, Front Door Outside (23-23-32)
	1	2584 424-5	MOULDING PACKAGE, Roof Side Extension Belt, w/Vinyl Roof (23-23-42)		6	9417 621	Nut
	6	-----	Washer		6	6001 677	Retainer
	6	-----	Nut	25	1	2584 278-9	MOULDING PACKAGE, Body Side Sill (23-23-2)
15	1	2525 592-3	MOULDING PACKAGE, Rear Window Outside Side (23-23-52)		4	6023 682	Screw
	6	6001 648	Retainer and Screw		18	6001 750	Retainer

All Packages Include Attaching Parts

Part Type Code is Indicated in Parentheses

EXTERIOR VIEW - DODGE D-L 4 DOOR HARDTOP



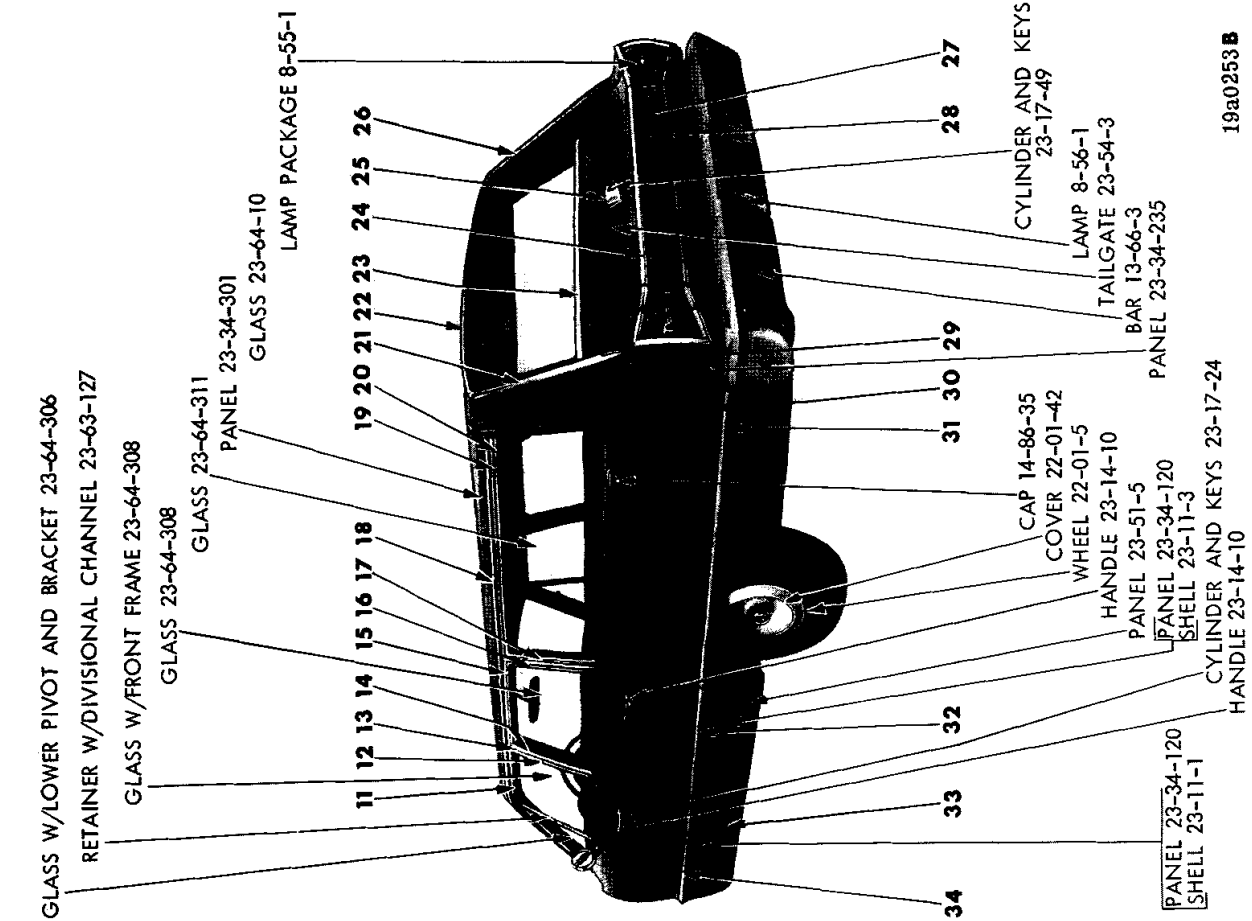
EXTERIOR VIEW - DODGE D-L CONVERTIBLE COUPE

REF. NO.	QTY	PART NUMBER	DESCRIPTION
1	1	2525 820-1	MOULDING PACKAGE, Fender Side (12-15-2)
	4	6001 641	Retainer
	2	-----	Nut
2	2	2524 239	NAME PLATE, Fender Side, Polara (12-15-21)
	4	6024 723	Washer
	4	-----	Nut
3	1	2525 822-3	MOULDING PACKAGE, Fender Front (12-15-2)
	6	6024 723	Washer
	6	9411 618	Nut
4	1	2525 587	MOULDING PACKAGE, Hood Front (15-25-2)
	8	116 000	Nut
	8	6024 577	Stud
	8	6024 723	Washer
5	2	2417 825	LETTER "D", Hood Front Name (15-06-16)
	1	2417 826	"O"
	1	2417 828	"G"
	1	2417 829	"E"
	10	6000 616	Nut
6	1	2524 007	ORNAMENT, Hood Front (15-03-18)
7	1	2584 099	MOULDING PACKAGE, Windshield Outside Upper (23-23-65)
	8	6001 648	Retainer
8	1	2484 602-3	MOULDING, Windshield Outside Header (23-23-65)
	5	6025 132	Screw
9	1	2584 110-1	MOULDING PACKAGE, Windshield Outside Lower (23-23-65)
	10	6001 697	Retainer
10	1	2481 844-5	MOULDING, Body Front Upper Pillar Outside (23-23-14)
	8	9415 214	Screw
	1	2528 660-1	EXTENSION, Body Front Pillar Outside Moulding Lower (23-23-14)
10A	1	2584 106-7	MOULDING PACKAGE, Windshield Outside Side (23-23-65)
	8	6001 648	Retainer
10B	1	2529 096-7	MOULDING, Quarter Window Glass Front (23-23-73)
11	1	2584 482-3	MOULDING PACKAGE, Quarter Panel Belt Rear (23-23-39)
	2	178 790	Screw
	6	6001 496	Fastener

All Packages Include Attaching Parts

REF. NO.	QTY	PART NUMBER	DESCRIPTION
12	1	2584 082-3	MOULDING PACKAGE, Deck Opening Upper Panel (23-23-31)
	20	2094 380	Fastener
12A	1	2584 081	CAP PACKAGE, Deck Opening Upper Panel Moulding (23-23-41)
	1	2094 380	Fastener
13	1	2528 648	LETTER "D", Deck Lid Name (23-19-114)
	1	2528 649	"O"
	1	2528 650	"D"
	1	2528 651	"G"
	1	2528 652	"E"
	10	152 259	Nut
14	1	2584 126	MOULDING PACKAGE, Deck Lid Upper (23-23-30)
	8	9417 621	Nut
	8	6001 708	Retainer
15	1	2584 127	MOULDING PACKAGE, Deck Lid Lower (23-23-30)
	8	9417 621	Nut
	8	6001 708	Retainer
16	2	2584 322	MOULDING PACKAGE, Quarter Outside (23-23-39)
	4	6001 662	Retainer
	4	-----	Nut
	12	6001 660	Retainer
	12	9417 621	Nut
	10	6001 641	Clip
17	1	2584 524-5	DEFLECTOR PACKAGE, Rear Wheel Opening Panel Stone (23-34-240)
	4	273 329	Nut
	4	6024 702	Seal
18	1	2584 278-9	MOULDING PACKAGE, Body Side Sill (23-23-2)
	4	6023 682	Screw
	18	6001 750	Retainer
19	2	2584 329	MOULDING PACKAGE, Door Outside (23-23-32)
	2	9417 621	Nut
	2	6001 677	Retainer
	12	6001 641	Clip

Part Type Code is Indicated in Parentheses



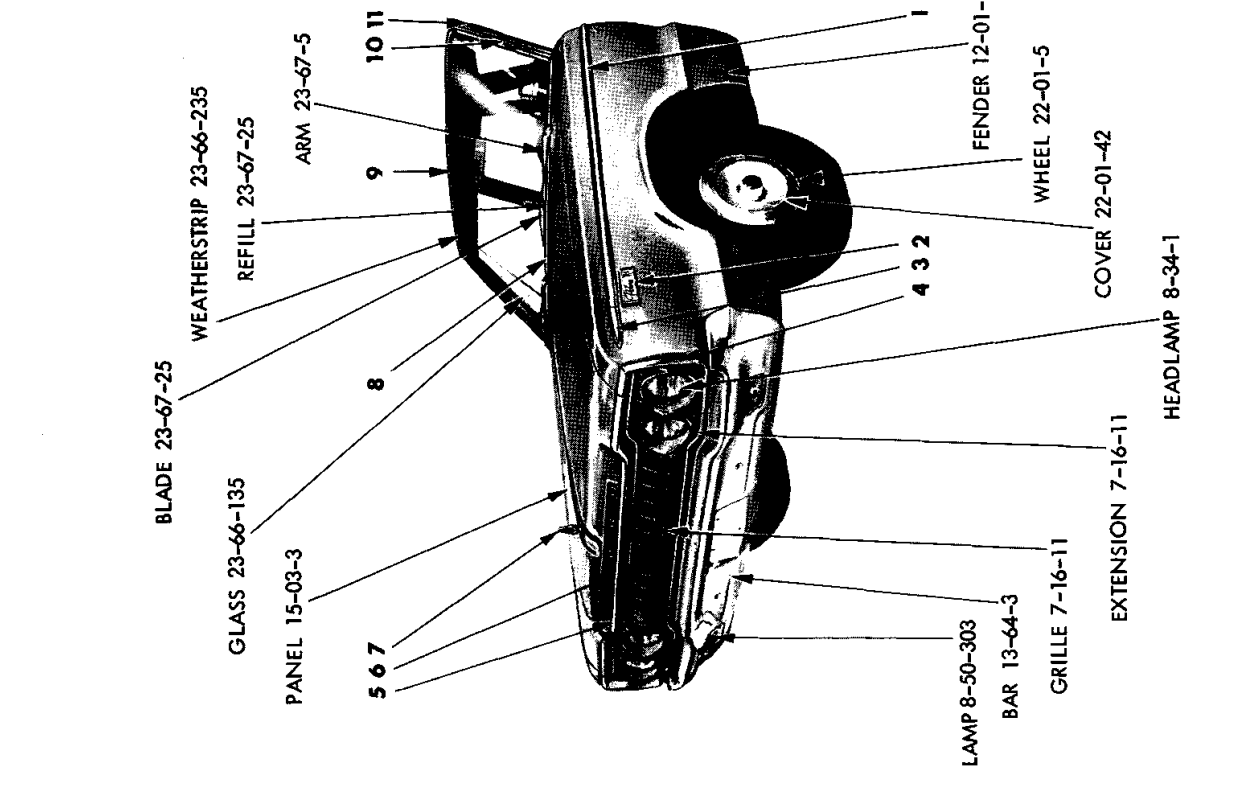
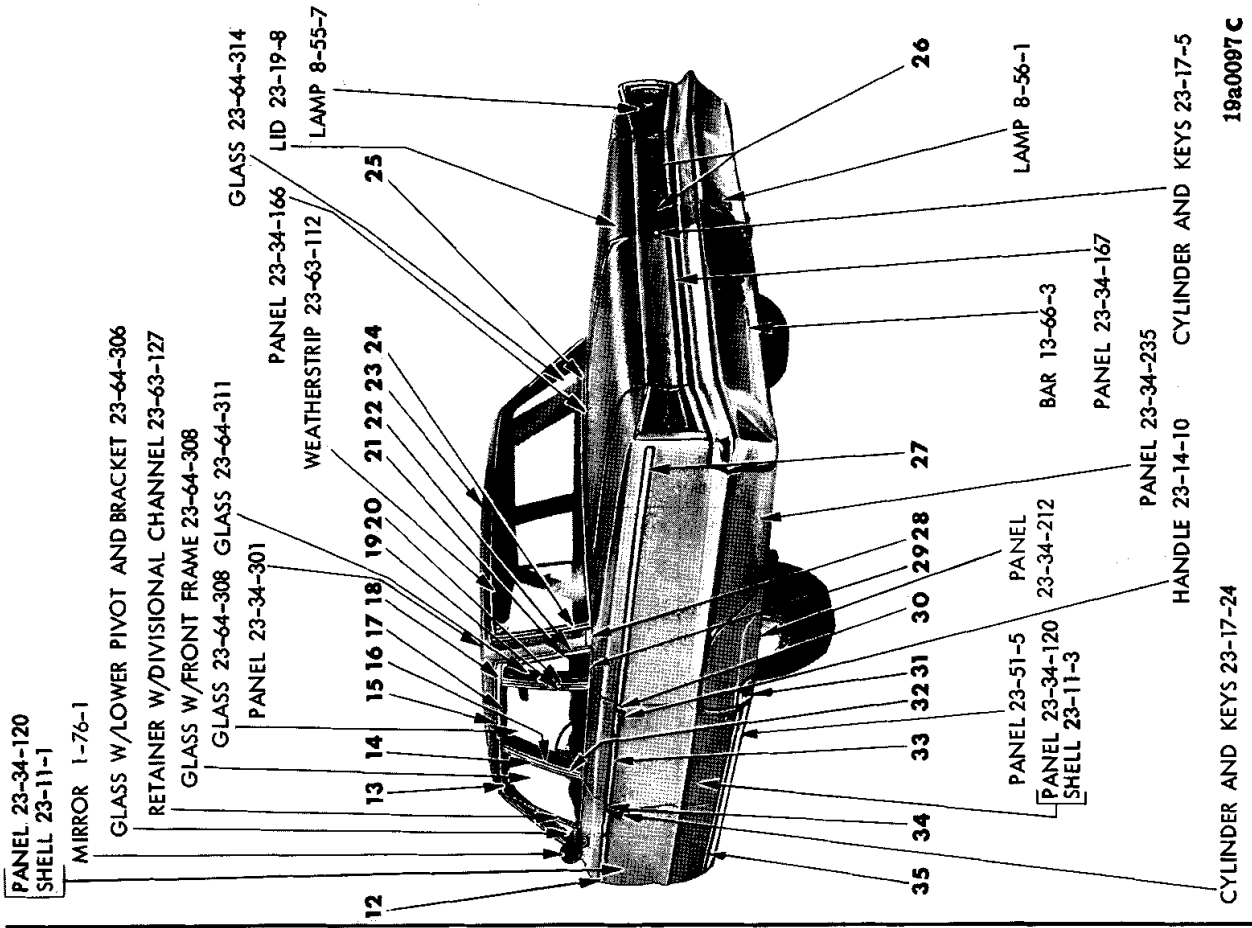
EXTERIOR VIEW - DODGE D-L STATION WAGON

REF. NO.	QTY	PART NUMBER	DESCRIPTION	REF. NO.	QTY	PART NUMBER	DESCRIPTION
1	1	2525 820-1	MOULDING PACKAGE, Fender Side (12-15-2)	20	1	2528 594-5	COVER PACKAGE, Qtr. Wdo. Outside Upr. Mldg. (Stainless Steel) (23-23-73)
	4	6001 641	Retainer and Seal		12	116 000	Nut
	2	-----	Nut	21	1	2584 446-7	MOULDING PACKAGE, Rear Upper Pillar Outside (23-23-60)
2	2	2524 239	NAME PLATE, Fender Side, Polara (12-15-21)		6	-----	Clip
	4	6024 723	Washer	22	1	2584 421	MOULDING PACKAGE, Roof Outside Rear (23-23-42)
	4	-----	Nut		8	6001 816	Clip
3	1	2525 822-3	MOULDING PACKAGE, Fender Front (12-15-2)		1	2586 106	MOULDING PACKAGE, Roof Outside Rear (used w/Outside Assist Handle) (23-23-42)
	6	6024 723	Washer		8	6001 816	Clip
	6	9411 618	Nut	23	1	2528 795	MOULDING PACKAGE, Tailgate Outside Belt (23-23-61)
4	1	2525 587	MOULDING PACKAGE, Hood Front (15-25-2)	24	1	2584 097	MOULDING PACKAGE, Tailgate Outside Upper (23-23-61)
	8	116 000	Nut		6	116 000	Nut
	8	6024 577	Stud		6	6001 729	Retainer
	8	6024 723	Washer	25	1	2486 686	ORNAMENT, Tailgate Electric Window Regulator Outside (23-54-11)
5	2	2417 825	LETTER, Hood Front Name, "D" (15-06-16)		3	-----	Stud
	1	2417 826	"O"	26	1	2584 444-5	MOULDING PACKAGE, Rear Upper Pillar Tailgate Opening (23-23-60)
	1	2417 828	"G"		6	6001 620	Clip
	1	2417 829	"E"	27	2	2528 648	LETTER "D", Tailgate Name (23-54-11)
	10	6000 616	Nut		1	2528 649	"O"
6	1	2524 007	ORNAMENT, Hood Top (15-03-18)		1	2528 651	"G"
7	1	2584 104	MOULDING PACKAGE, Windshield Outside Upper (23-23-65)		1	2528 652	"E"
	6	6001 648	Retainer		10	152 259	Nut
8	1	2584 110-1	MOULDING PACKAGE, Windshield Outside Lower (23-23-65)	28	1	2584 097	MOULDING PACKAGE, Tailgate Outside Lower (23-23-61)
	10	6001 697	Retainer		6	116 000	Nut
9	1	2584 108-9	MOULDING PACKAGE, Windshield Outside Side (23-23-65)		6	6001 729	Retainer
	8	6001 648	Retainer	29	1	2584 641	MOULDING PACKAGE, Roof Top Outside Rear (use w/Two Tone Paint) (23-23-42)
10	1	2529 264-5	MOULDING, Body Front Pillar (23-59-61)		2	6001 591	Retainer
11	1	2492 782-3	MOULDING, Front Door Window Opening Frame Upper (Special Equipment) (23-23-32)		2	116 000	Nut
12	1	2492 784-5	MOULDING, Front Door Window Opening Frame Rear (Special Equipment) (23-23-32)		5	6001 709	Clip and Seal
13	1	2570 110-1	PANEL, Body Center Pillar Outside Finish Upper (Special Equipment) (23-23-16)	30	1	2584 642-3	MOULDING PACKAGE, Roof Top Outside Rear Corner (use w/Two Tone Paint)(23-23-42)
	4	6023 247	Screw		2	6001 498	Clip and Seal
14	1	2492 796-7	MOULDING, Rear Door Window Opening Frame Front (Special Equipment) (23-23-33)	31	1	2584 296-7	MOULDING PACKAGE, Quarter Outside (23-23-39)
15	1	2492 806-7	MOULDING, Rear Door Window Opening Frame Upper (Special Equipment) (23-23-33)		12	6001 660	Retainer
16	1	2492 808-9	MOULDING, Rear Door Window Opening Frame Rear (Special Equipment) (23-23-33)		12	9417 621	Nut
17	1	2526 530-1	MOULDING, Qtr. Wdo. Outside Frt. (Primed)(23-23-73)	32	1	2584 324-5	MOULDING PACKAGE, Rear Door Outside (23-23-33)
	1	2528 562-3	MOULDING, Qtr. Wdo. Outside Frt. (Stainless Steel) (23-23-73)		6	9417 621	Nut
18	1	2627 148-9	MOULDING, Roof Side Drain Trough Rear (23-59-61)		6	6001 677	Retainer
19	1	2584 450-1	MOULDING PACKAGE, Qtr. Wdo. Outside Upr. (Primed)(23-23-73)		18	6001 641	Clip
	12	6001 837	Retainer	33	1	2584 278-9	MOULDING PACKAGE, Body Side Sill (23-23-2)
	2	2529 938	Seal		4	6023 682	Screw
			12 6025 001 Nut		18	6001 750	Retainer
				34	2	2584 328	MOULDING PACKAGE, Front Door Outside (23-23-32)
					6	9417 621	Nut
					6	6001 677	Retainer
					18	6001 641	Clip

All Packages Include Attaching Parts

Part Type Code is Indicated in Parentheses

EXTERIOR VIEW - DODGE D-L STATION WAGON



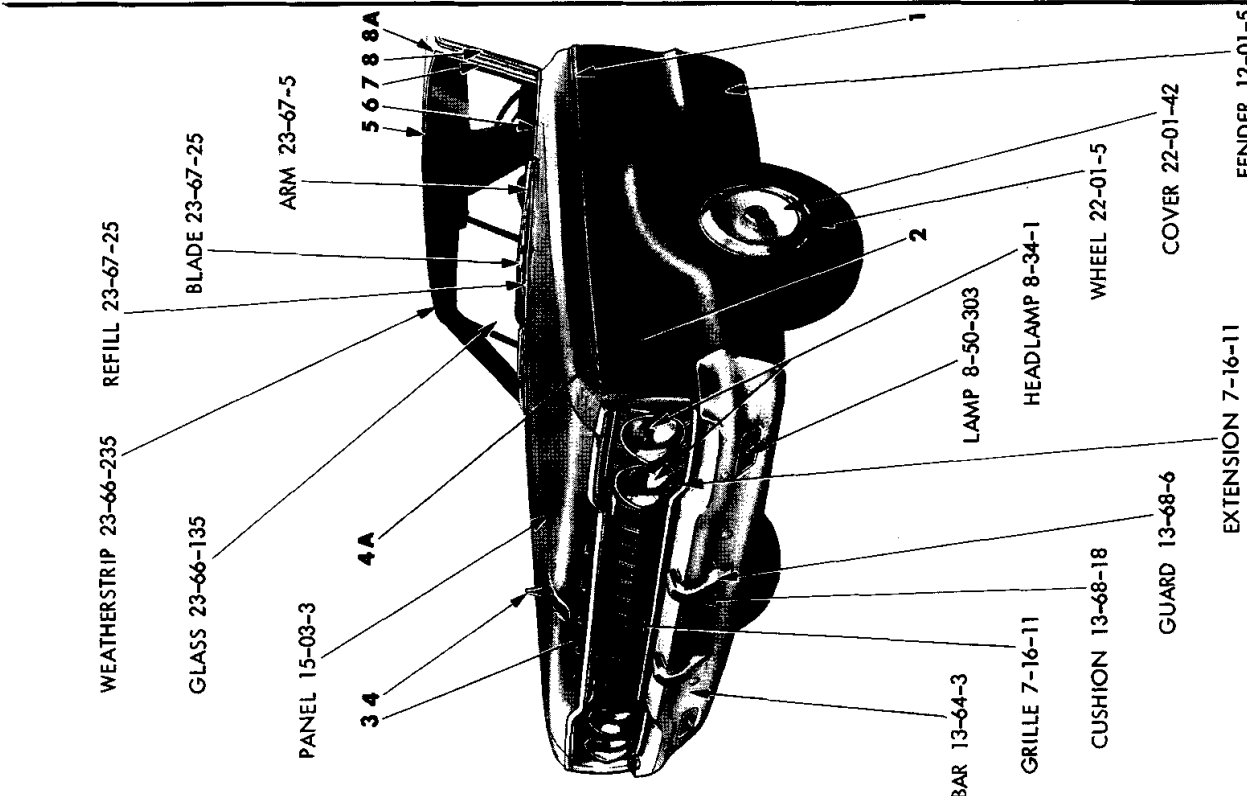
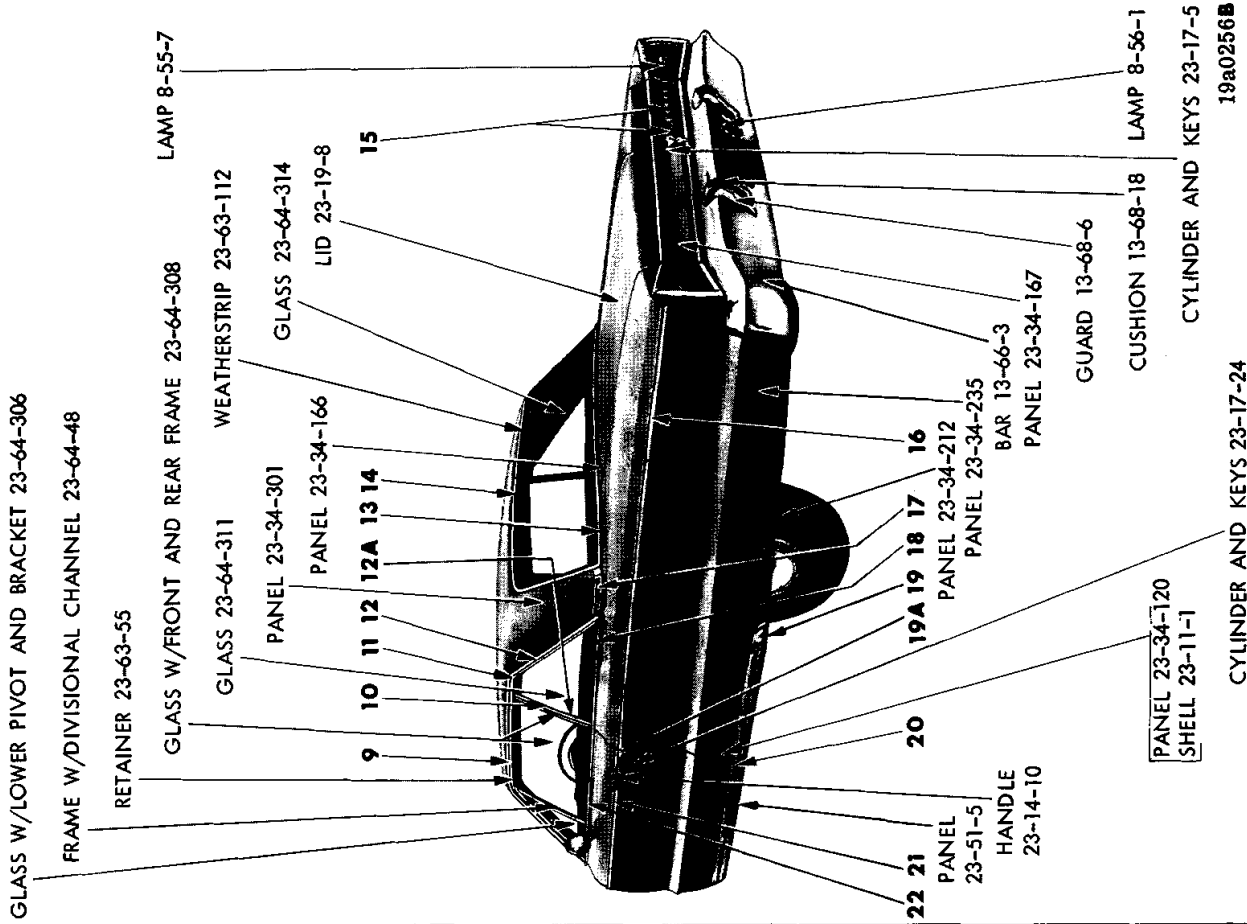
EXTERIOR VIEW - DODGE D-H 4 DOOR SEDAN (6 WINDOW)

REF. NO.	QTY	PART NUMBER	DESCRIPTION	REF. NO.	QTY	PART NUMBER	DESCRIPTION
1	1	2525 828-9	MOULDING PACKAGE, Fender Side (12-15-2)	20	1	2484 558-9	MOULDING, Quarter Window Outside Front (23-23-73)
	10	6001 740	Retainer and Seal		6	6023 247	Screw
	4	6001 738	Retainer	21	1	2584 202-3	MOULDING and STUD PACKAGE, Quarter Window Outside Rear (23-23-73)
	4	116 000	Nut		6	116 000	Nut and Washer
2	2	2578 548	NAME PLATE and ORNAMENT, Fender Side (12-15-21)	22	1	2573 946-7	MOULDING, Roof Side Drain Trough Rear (23-59-61)
	4	6024 723	Seal	23	1	2584 102-3	MOULDING PACKAGE, Rear Window Outside Upper (23-23-52)
	4	-----	Nut		8	6001 648	Retainer and Screw
3	2	2525 826	MOULDING PACKAGE, Fender Side Front (12-15-2)	24	1	2584 100-1	MOULDING PACKAGE, Rear Window Outside Side (23-23-52)
	2	6001 738	Retainer		6	6001 648	Retainer and Screw
	2	116 000	Nut	25	1	2584 098	MOULDING PACKAGE, Rear Window Outside Lower (23-23-52)
4	1	2525 822-3	MOULDING PACKAGE, Fender Front (12-15-2)		8	6001 648	Retainer and Screw
	6	6024 723	Seal	26	1	2528 058	PANEL, Deck Lid Finish (23-23-30)
	6	9411 618	Nut		6	-----	Washer
5	1	2525 587	MOULDING PACKAGE, Hood Front (15-25-2)		6	116 000	Nut
	8	116 000	Nut		10	-----	Screw
	8	6024 577	Stud	27	1	2584 320-1	MOULDING PACKAGE, Quarter Panel Lower (23-23-39)
	8	6024 723	Washer		8	6001 740	Retainer
6	2	2417 825	LETTER, Hood Front Name, "D" (15-06-16)		2	6024 271	Screw
	1	2417 826	"O"		6	6001 738	Retainer
	1	2417 828	"G"		6	9417 621	Nut
	1	2417 829	"E"	28	1	2584 192-3	MOULDING PACKAGE, Roof Side Extension Belt (23-23-42)
	10	6000 616	Nut		2	6001 767	Retainer and Seal
7	1	2524 007	ORNAMENT, Hood Front (15-03-18)	29	1	2584 216-7	MOULDING PACKAGE, Quarter Panel Belt (23-23-39)
8	1	2584 110-1	MOULDING PACKAGE, Windshield Outside Lower (23-23-65)		6	6001 496	Retainer
	10	6001 697	Retainer	30	1	2584 308-9	MOULDING PACKAGE, Rear Door Lower Rear (23-23-33)
9	1	2584 104	MOULDING PACKAGE, Windshield Outside Upper (23-23-65)		2	-----	Nut
	8	6001 648	Retainer	31	1	2584 524-5	DEFLECTOR PACKAGE, Rear Wheel Opening Panel Stone (23-34-240)
10	1	2584 108-9	MOULDING PACKAGE, Windshield Outside Side (23-23-65)		4	273 329	Nut
	8	6001 648	Retainer		4	6024 702	Seal
11	1	2529 264-5	MOULDING, Body Front Pillar Drain Trough (23-59-61)	32	1	2570 110-1	PANEL, Center Pillar Finish (23-23-16)
12	1	2584 300-1	MOULDING PACKAGE, Front Door Lower Front (23-23-32)	33	1	2584 318-9	MOULDING PACKAGE, Rear Door Lower Front (23-23-33)
	8	6001 740	Retainer		6	6001 740	Retainer
13	1	2492 782-3	MOULDING, Front Door Window Frame Upper (23-23-32)		2	6001 831	Retainer
14	1	2492 784-5	MOULDING, Front Door Window Frame Rear (23-23-32)		2	446 618	Nut
15	1	2573 944-5	MOULDING, Roof Side Drain Trough Front (23-59-61)	34	1	2584 304-5	MOULDING PACKAGE, Front Door Lower Rear (23-23-32)
16	1	2492 796-7	MOULDING, Rear Door Window Frame Front (23-23-33)		2	-----	Nut
17	1	2492 798-9	MOULDING, Rear Door Window Frame Upper (23-23-33)	35	1	2584 278-9	MOULDING PACKAGE, Body Side Sill (23-23-2)
18	1	2584 200-1	MOULDING PACKAGE, Quarter Window Outside Upper (23-23-73)		4	6023 682	Screw
	6	6024 659	Screw		18	6001 750	Retainer
	2	2527 816	Clip and Seal				
19	1	2492 800-1	MOULDING, Rear Door Window Frame Rear (23-23-33)				

All Packages Include Attaching Parts

Part Type Code is Indicated in Parentheses

EXTERIOR VIEW - DODGE D-H 4 DOOR SEDAN (6 WINDOW)



EXTERIOR VIEW - DODGE D-H 2 DOOR HARDTOP

REF. NO.	QTY	PART NUMBER	DESCRIPTION
1	1	2525 828-9	MOULDING PACKAGE, Fender Side (12-15-2)
	10	6001 740	Retainer and Seal
	4	6001 738	Retainer and Seal
	4	----	Nut
2	1	2525 822-3	MOULDING PACKAGE, Fender Front (12-15-2)
	6	6024 723	Washer
	6	9411 618	Nut
3	2	2417 825	LETTER, Hood Front Name, "D" (15-06-16)
	1	2417 826	"O"
	1	2417 828	"G"
	1	2417 829	"E"
4	1	2524 007	ORNAMENT, w/Stud, Hood Front, (15-03-18)
4A	2	2525 826	MOULDING PACKAGE, Fender Side Front (12-15-2)
	2	6001 738	Retainer and Seal
	2	----	Nut
5	1	2584 099	MOULDING PACKAGE, Windshield Outside Upper (23-23-65)
	8	6001 648	Retainer
6	1	2584 110-1	MOULDING PACKAGE, Windshield Outside Lower (23-23-65)
	10	6001 697	Retainer
7	1	2584 106-7	MOULDING PACKAGE, Windshield Outside Side (23-23-65)
	8	6001 648	Retainer
8	1	2528 002-3	MOULDING, Body Front Pillar Drain Trough (use w/o Vinyl Roof) (23-59-61)
8A	1	2574 850-1	MOULDING, Front Pillar (use w/Vinyl Roof) (23-23-14)
	2	6023 682	Screw
9	1	2573 230-1	MOULDING, Roof Side Drain Trough, Front and Rear (use w/o Vinyl Roof)(23-59-61)
	1	2526 480-1	MOULDING, Roof Side Drain Trough (use w/Vinyl Roof) (23-59-61) (Note #1)
	1	2605 010-1	MOULDING, Roof Side Drain Trough Front (w/Vinyl Roof) (23-59-61) (Note #2)
10	1	2529 144-5	MOULDING, Quarter Window Glass Front (23-23-73)
11	1	2526 484-5	COVER, Roof Side Drain Trough Moulding Front (use w/Vinyl Roof) (23-59-61)
12	1	2526 482-3	MOULDING, Roof Side Drain Trough Rear (use w/Vinyl Roof)(23-59-61)(Note #1)
	1	2605 012-3	MOULDING, Roof Side Drain Trough Rear (w/Vinyl Roof) (23-59-61) (Note #2)
12A	1	2570 060-1	MOULDING, Rear Door Window Frame Front (23-23-33)
	10	6024 997	Screw

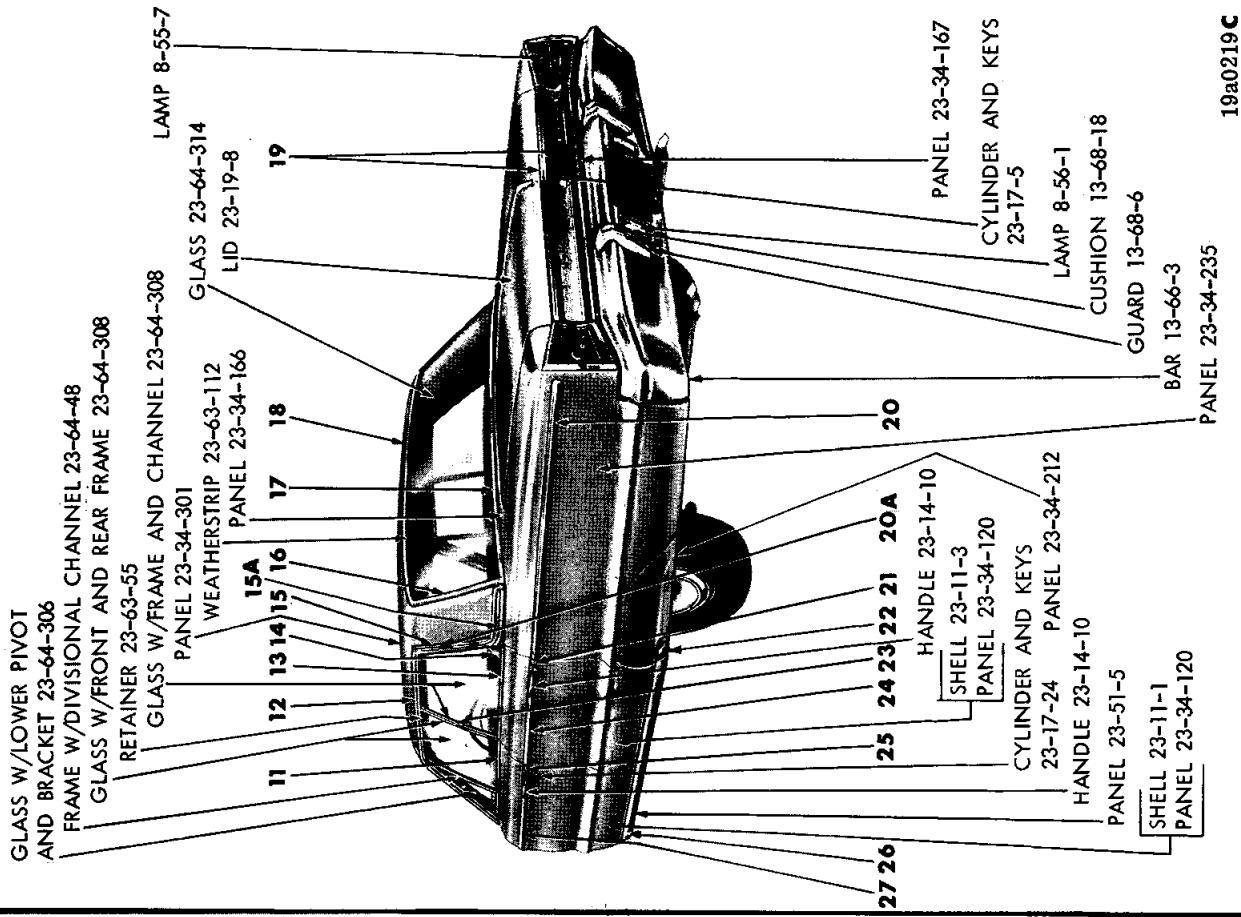
All Packages Include Attaching Parts

REF. NO.	QTY	PART NUMBER	DESCRIPTION
13	1	2525 595	MOULDING PACKAGE, Rear Window Outside Lower (23-23-52) (Note #3)
	7	6001 648	Retainer
	1	2807 140-1	MOULDING PACKAGE, Rear Window Outside Upper and Side (23-23-52) (Note #4)
14	1	2525 596-7	MOULDING PACKAGE, Rear Window Outside Upper and Side (23-23-52) (Note #3)
	14	6001 648	Retainer
	1	2807 138-9	MOULDING PACKAGE, Rear Window Outside Lower (23-23-52) (Note #4)
15	1	2528 058	PANEL, Deck Lid Finish (23-23-30)
	6	----	Washer
	6	116 000	Nut
	10	----	Screw
16	1	2584 316-7	MOULDING PACKAGE, Quarter Outside (23-23-39)
	14	6001 740	Retainer
	2	6024 271	Screw
	6	6001 738	Retainer
	6	9417 621	Nut
17	1	2584 428-9	MOULDING PACKAGE, Roof Outside Belt (23-23-42)
	4	----	Washer
	4	9411 618	Nut
18	1	2584 218-9	MOULDING PACKAGE, Quarter Outside Belt (23-23-39)
19	1	2584 524-5	DEFLECTOR PACKAGE, Rear Wheel Opening Panel Stone (23-34-240)
	4	273 329	Nut
	4	6024 702	Seal
19A	1	2584 306-7	MOULDING PACKAGE, Door Outside Rear (23-23-32)
	2	6001 515	Clip
20	1	2584 278-9	MOULDING PACKAGE, Body Side Sill (23-23-2)
	4	6023 682	Screw
	18	6001 750	Retainer
21	1	2584 298-9	MOULDING PACKAGE, Door Outside Front (23-23-32)
	8	6001 740	Retainer
	2	6001 831	Retainer
	2	9417 621	Nut
22	1	2584 214-5	MOULDING PACKAGE, Door Outside Belt (23-23-32)
	16	6001 496	Retainer
	2	----	Retainer

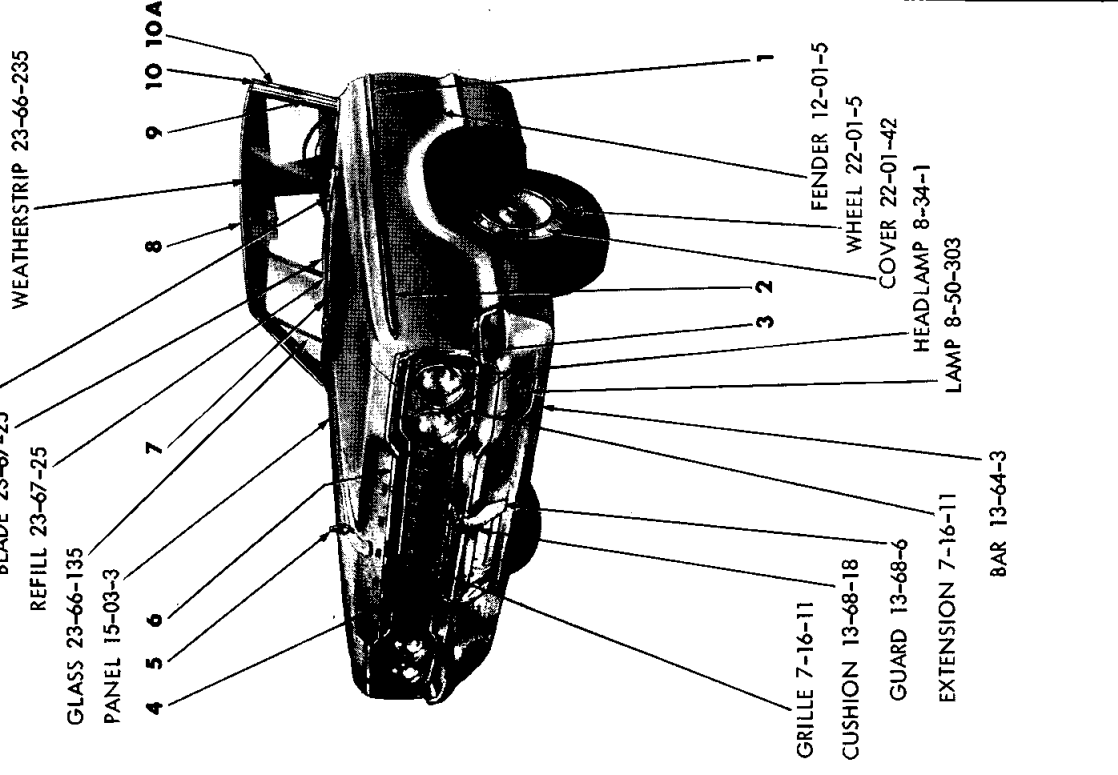
NOTE 1: USE W/VINYL RETAINER
 NOTE 2: USE W/O VINYL RETAINER
 NOTE 3: UP TO SERIAL NO. 195358
 NOTE 4: AFTER SERIAL NO. 195358

Part Type Code is Indicated in Parentheses

EXTERIOR VIEW - DODGE D-H 2 DOOR HARDTOP



19a0219C



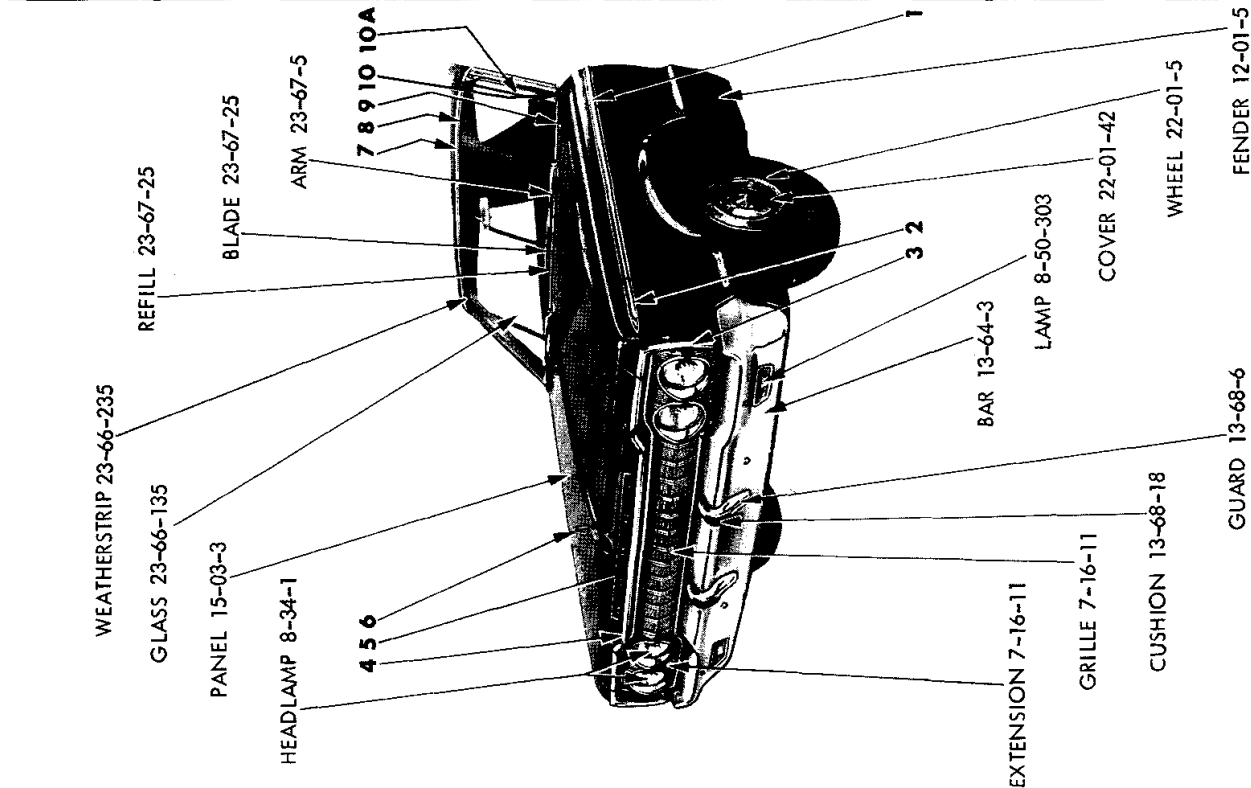
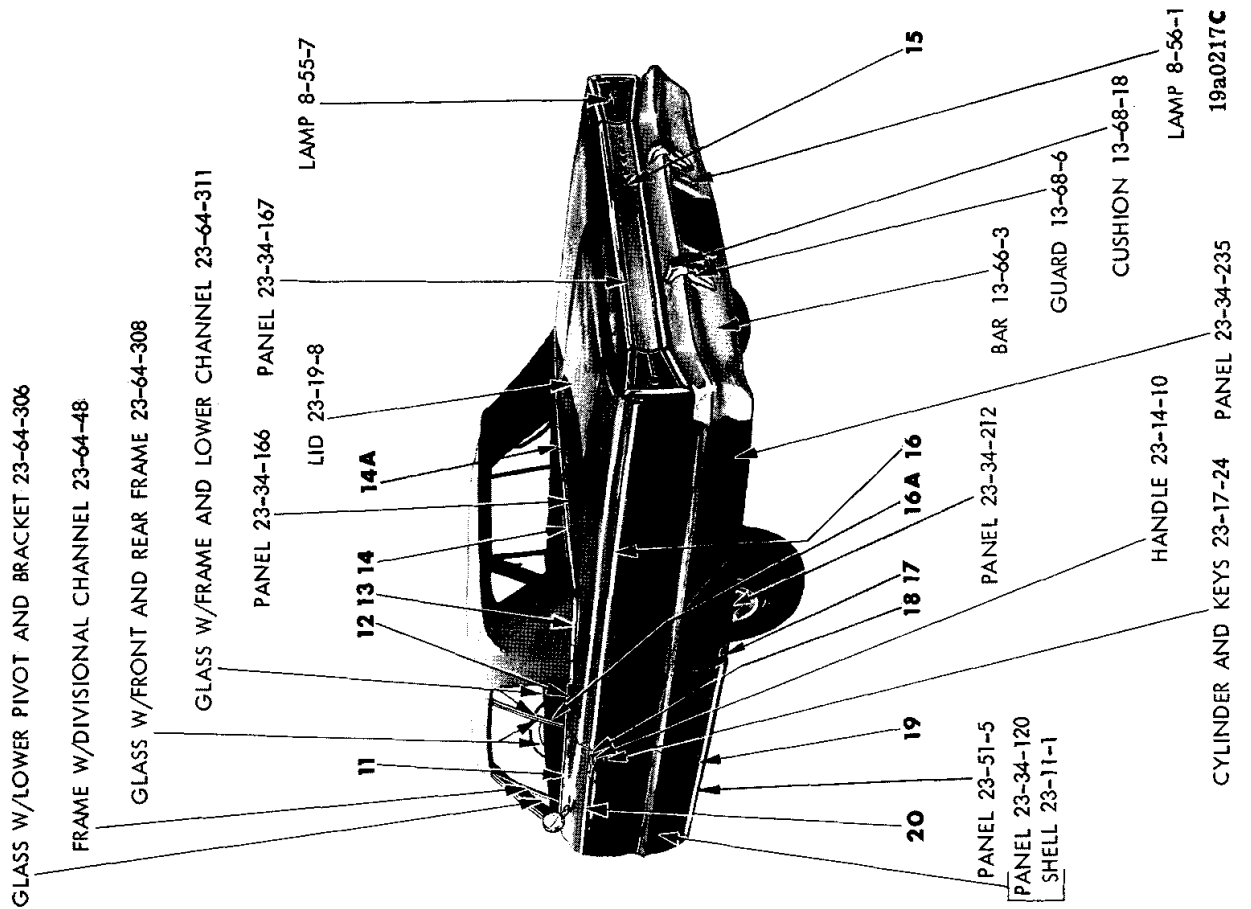
EXTERIOR VIEW - DODGE D-H 4 DOOR HARDTOP

REF. NO.	QTY	PART NUMBER	DESCRIPTION
1	1	2525 828-9	MOULDING PACKAGE, Fender Side (12-15-2)
	10	6001 740	Retainer
	4	6001 738	Retainer
	4	----	Nut
2	2	2525 826	MOULDING PACKAGE, Fender Side Front (12-15-2)
	2	6001 738	Retainer
	2	----	Nut
3	1	2525 822-3	MOULDING PACKAGE, Fender Front (12-15-2)
	6	6024 723	Washer
	6	9411 618	Nut
4	2	2417 825	LETTER, Hood Front Name, "D" (15-06-16)
	1	2417 826	"C"
	1	2417 828	"G"
	1	2417 829	"E"
	16	6000 616	Nut
5	1	2524 007	ORNAMENT, Hood Front (15-03-18)
6	1	2525 587	MOULDING PACKAGE, Hood Front (15-25-2)
	8	116 000	Nut
	8	6024 577	Stud
	8	6024 723	Washer
7	1	2584 110-1	MOULDING PACKAGE, Windshield Outside Lower (23-23-65)
	10	6001 697	Retainer
8	1	2584 099	MOULDING PACKAGE, Windshield Outside Upper (23-23-65)
	8	6001 648	Retainer
9	1	2584 106-7	MOULDING PACKAGE, Windshield Outside Side (23-23-65)
	8	6001 648	Retainer
10	1	2574 850-1	MOULDING, Front Pillar, use w/Vinyl Roof (23-23-14)
	2	6023 682	Screw
10A	1	2528 002-3	MOULDING, Body Front Pillar Drain Trough, w/o Vinyl Roof (Lgh. approx. 22") (23-59-61)
	1	2807 364-5	MOULDING PACKAGE, Body Front Pillar Drain Trough, w/o Vinyl Roof (Lgh. approx. 27") (23-59-61)
	4	6023 370	Screw
	1	2605 436-7	MOULDING, Body Front Pillar Drain Trough, w/Vinyl (23-59-61)
11	1	2584 212-3	MOULDING PACKAGE, Front Door Outside Belt (23-23-32)
	16	6001 496	Retainer
12	1	2526 468-9	MOULDING, Roof Side Drain Trough, w/o Vinyl Roof (Lgh. approx. 45")(23-59-61)
	1	2807 366-7	MOULDING PACKAGE, Roof Side Drain Trough, w/o Vinyl Roof (Lgh. approx. 40")(23-59-61)
	2	6023 370	Screw
	1	2605 438-9	MOULDING, Roof Side Drain Trough, w/Vinyl Roof (23-59-61)
13	1	2584 248-9	MOULDING PACKAGE, Rear Door Outside Belt (23-23-33)
	10	6001 496	Retainer

All Packages Include Attaching Parts

REF. NO.	QTY	PART NUMBER	DESCRIPTION
14	1	2571 180-1	ORNAMENT and WEATHERSTRIP, Rear Door Rear Outer (23-11-23) (23-63-33)
	4	6025 425	Screw 2 9416 628 Screw
15	1	2584 426-7	MOULDING PACKAGE, Roof Side Extension Belt, w/o Vinyl Roof (23-23-41)
	10	----	Washer 10 9411 618 Nut
	1	2605 440-1	MOULDING, Roof Side Drain Trough Rear, w/Vinyl Roof (23-59-61)
15A	1	2584 424-5	MOULDING PACKAGE, Roof Side Extension Belt, w/Vinyl Roof (23-23-42)
	6	----	Washer 6 ---- Nut
16	1	2525 592-3	MOULDING PACKAGE, Rear Window Outside Side (23-23-52)
	6	6001 648	Retainer and Screw
17	1	2525 594	MOULDING PACKAGE, Rear Window Outside Lower (23-23-52)
	8	6001 648	Retainer and Screw
18	1	2525 598-9	MOULDING PACKAGE, Rear Window Outside Upper (23-23-52)
	8	6001 648	Retainer and Screw
19	1	2528 058	PANEL and STUDS, Deck Lid Finish (23-23-30)
	10	----	Screw
	6	----	Washer 6 116 000 Nut
20	1	2584 320-1	MOULDING PACKAGE, Quarter Outside (23-23-39)
	8	6001 740	Retainer 2 6024 271 Screw
	6	6001 738	Retainer 6 9417 621 Nut
20A	1	2573 546-7	COVER, Roof Side Drain Trough Rear, w/Vinyl Roof (23-59-57)
21	1	2584 308-9	MOULDING PACKAGE, Rear Door Outside Rear (23-23-33)
	2	----	Nut
22	1	2584 524-5	DEFLECTOR PACKAGE, Rear Wheel Opening Panel Stone (23-34-240)
	4	6024 702	Seal 4 273 329 Nut
23	1	2664 678-9	MOULDING w/Weatherstrip Retainer, Rear Door Window Frame Front (23-23-33) (23-63-105)
	10	6024 997	Screw
24	1	2584 318-9	MOULDING PACKAGE, Rear Door Outside Front (23-23-33)
	6	6001 740	Retainer
	2	6001 831	Retainer 2 446 618 Nut
25	1	2584 304-5	MOULDING PACKAGE, Front Door Outside Rear (23-23-32)
	2	----	Nut
26	1	2584 278-9	MOULDING PACKAGE, Body Side Sill (23-23-2)
	18	6001 750	Retainer 4 6023 282 Screw
27	1	2584 300-1	MOULDING PACKAGE, Front Door Outside Front (23-23-32)
	8	6001 740	Retainer

Part Type Code is Indicated in Parentheses



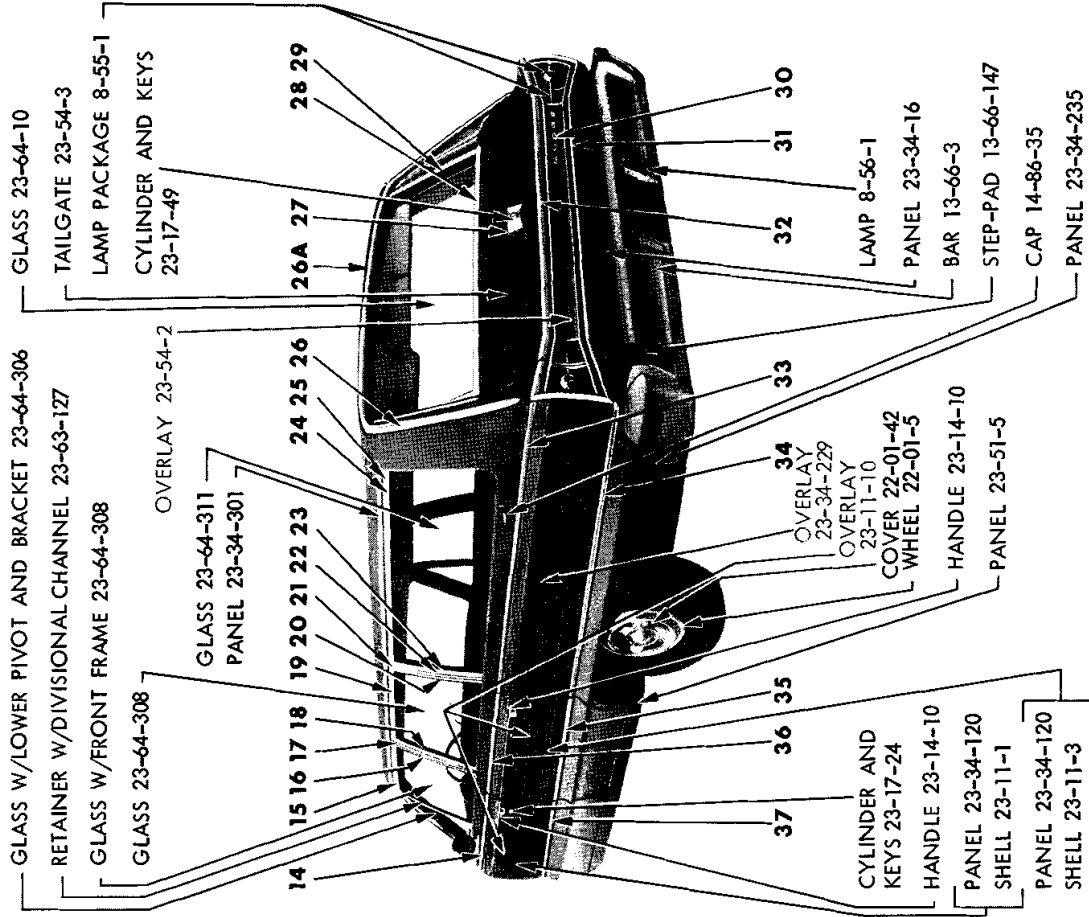
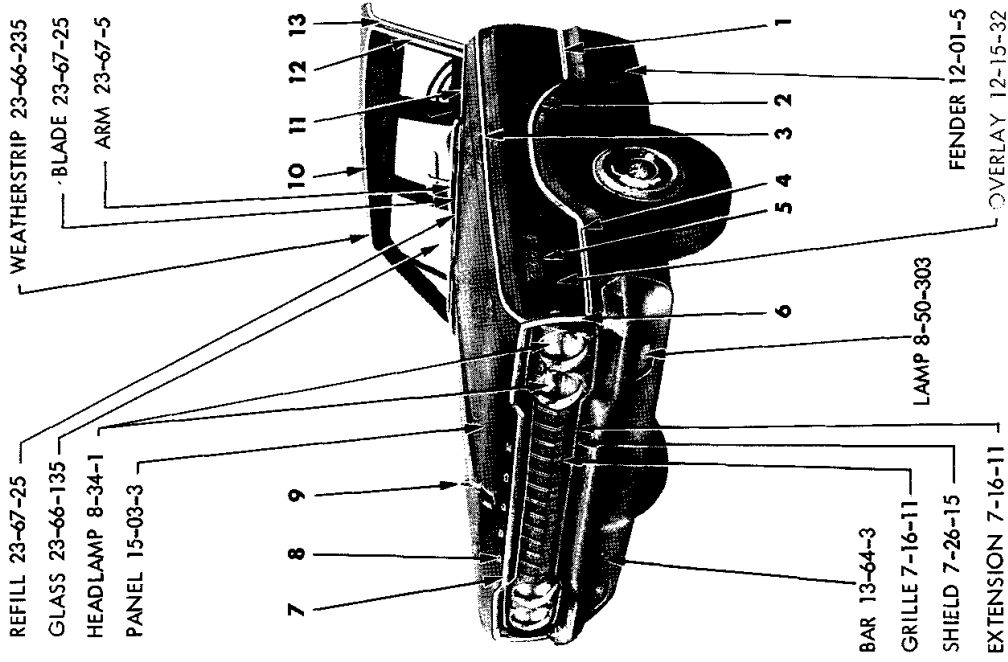
EXTERIOR VIEW - DODGE D-H CONVERTIBLE COUPE

REF. NO.	QTY	PART NUMBER	DESCRIPTION	REF. NO.	QTY	PART NUMBER	DESCRIPTION
1	1	2525 828-9	MOULDING PACKAGE, Fender Side (12-15-2)	10A	1	2584 106-7	MOULDING PACKAGE, Windshield Outside Side (23-23-65)
	10	6001 740	Retainer		8	6001 648	Retainer
	4	6001 738	Retainer	11	1	2584 214-5	MOULDING PACKAGE, Door Outside Belt (23-23-32)
	4	----	Nut		16	6001 496	Retainer
2	2	2525 826	MOULDING PACKAGE, Fender Side Front (12-15-2)	12	1	2584 220-1	MOULDING PACKAGE, Quarter Outside Belt (23-23-39)
	2	6001 738	Retainer		6	6001 496	Retainer
	2	----	Nut	13	1	2584 084-5	MOULDING PACKAGE, Quarter Outside Belt Rear (23-23-39)
3	1	2525 822-3	MOULDING PACKAGE, Fender Front (12-15-2)		2	2094 380	Retainer
	6	6024 723	Washer		2	----	Screw
	6	9411 618	Nut	14	1	2584 082-3	MOULDING PACKAGE, Deck Opening Upper Panel (23-23-31)
4	1	2525 587	MOULDING PACKAGE, Hood Front (15-25-2)		20	2094 380	Fastener
	8	116 000	Nut	14A	1	2584 081	CAP PACKAGE, Deck Opening Upper Panel Moulding (23-23-41)
	8	6024 577	Stud		1	2094 380	Fastener
	8	6024 723	Washer	15	1	2528 058	PANEL and STUDS, Deck Lid Finish (23-23-30)
5	2	2417 825	LETTER, Hood Front Name, "D" (15-06-16)		6	----	Washer
	1	2417 826	"O"		6	116 000	Nut
	1	2417 828	"G"		10	----	Screw
	1	2417 829	"E"	16	1	2584 316-7	MOULDING PACKAGE, Quarter Outside (23-23-39)
6	1	2524 007	ORNAMENT, Hood Top (15-03-18)		14	6001 740	Retainer
7	1	2484 602-3	MOULDING, Windshield Outside Upper Header (23-23-65)		2	6024 271	Screw
	5	6025 132	Screw		6	6001 738	Retainer
8	1	2584 099	MOULDING PACKAGE, Windshield Outside Upper (23-23-65)		6	9417 621	Nut
	8	6001 648	Retainer	16A	1	2529 096-7	MOULDING, Quarter Window Glass Front (23-23-73)
9	1	2584 110-1	MOULDING PACKAGE, Windshield Outside Lower (23-23-65)	17	1	2584 524-5	DEFLECTOR PACKAGE, Rear Wheel Opening Panel Stone (23-34-240)
	10	6001 697	Retainer		4	273 329	Nut
10	1	2481 844-5	MOULDING, Body Front Upper Pillar Outside (23-23-14)		4	6024 702	Seal
	8	9415 214	Screw	18	1	2584 306-7	MOULDING PACKAGE, Door Outside Rear (23-23-32)
	1	2528 660-1	EXTENSION, Body Front Pillar Outside Moulding Lower (23-23-14)		2	6001 515	Clip
				19	1	2584 278-9	MOULDING PACKAGE, Body Side Sill (23-23-2)
					4	6023 682	Screw
					18	6001 750	Retainer
				20	1	2584 298-9	MOULDING PACKAGE, Door Outside Front (23-23-32)
					10	6001 740	Retainer

All Packages Include Attaching Parts

Part Type Code is Indicated in Parentheses

EXTERIOR VIEW - DODGE D-H CONVERTIBLE COUPE



19a0242A

EXTERIOR VIEW - DODGE D-H STATION WAGON

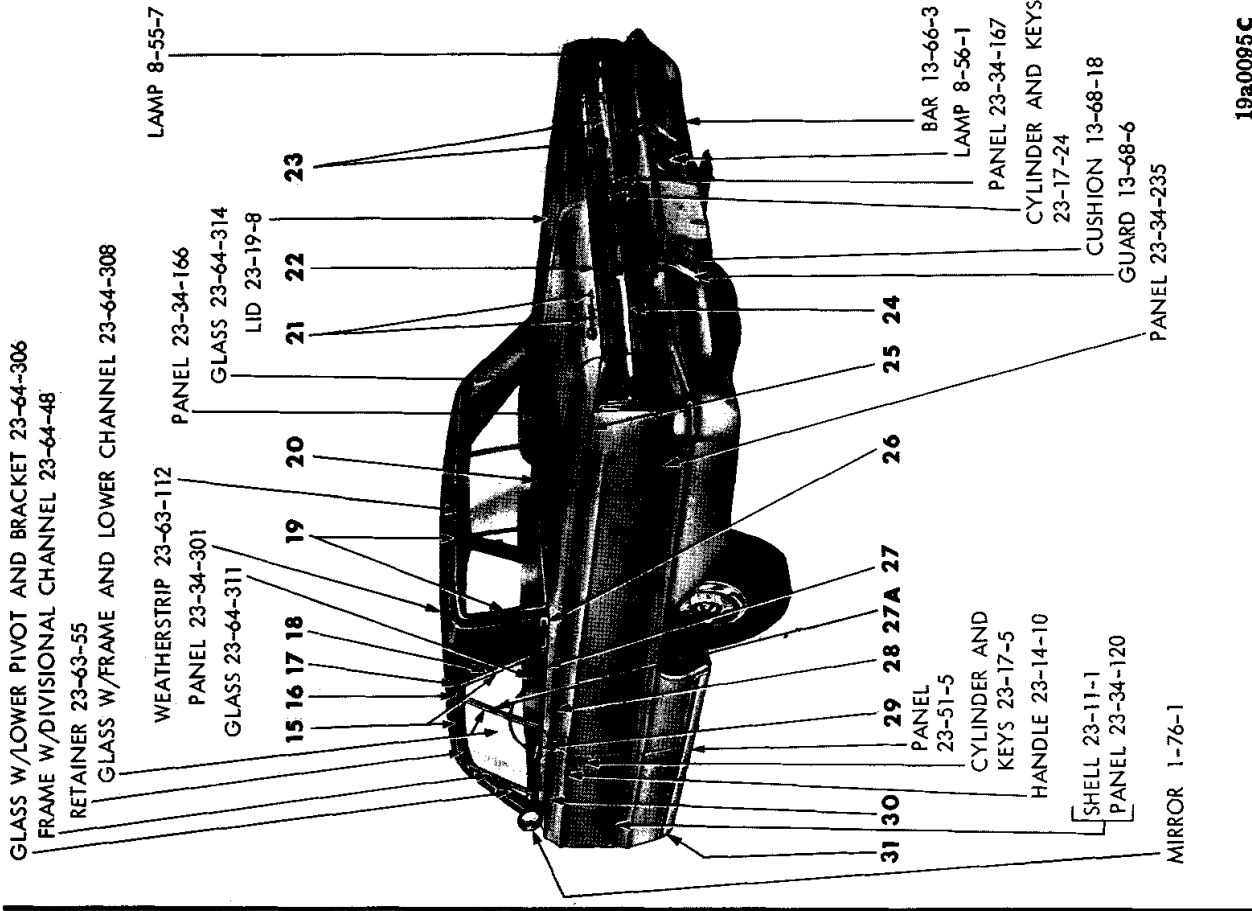
REF. NO.	QTY	PART NUMBER	DESCRIPTION
1	1	2525 834-5	MOULDING PACKAGE, Fender Side Lower Rear (12-15-2)
	4	6001 641	Retainer
	2	6001 660	Retainer 2 ---- Nut
2	1	2525 832-3	MOULDING PACKAGE, Fender Side Lower Intermediate (12-15-2)
	8	6001 660	Retainer 8 ---- Nut
3	1	2525 836-7	MOULDING PACKAGE, Fender Side Upper (12-15-2)
	12	6001 641	Retainer
	6	6001 660	Retainer 6 ---- Nut
4	1	2525 830-1	MOULDING PACKAGE, Fender Side Lower Front (12-15-2)
	6	6001 660	Retainer 6 ---- Nut
5	2	2578 548	NAME PLATE, Fender Side, Polara 880 (12-15-21)
	4	6024 723	Washer 4 ---- Nut
6	1	2525 822-3	MOULDING PACKAGE, Fender Front (12-15-2)
	6	6024 723	Washer 6 1839 995 Nut
7	1	2525 587	MOULDING PACKAGE, Hood Front (15-25-2)
	1	6024 577	Stud
	1	6024 723	Washer 1 116 000 Nut
8	2	2417 825	LETTER, Hood Front Name, "D" (15-06-16)
	1	2417 826	"O"
	1	2417 828	"G"
	1	2417 829	"E"
	10	6000 616	Nut
9	1	2524 007	ORNAMENT, Hood Front (15-03-18)
10	1	2584 104	MOULDING PACKAGE, Windshield Outside Upper (23-23-65)
	8	6001 648	Retainer
11	1	2584 110-1	MOULDING PACKAGE, Windshield Outside Lower (23-23-65)
	10	6001 697	Retainer
12	1	2584 108-9	MOULDING, Windshield Outside Side (23-23-65)
	8	6001 648	Retainer
13	1	2529 264-5	MOULDING, Body Front Pillar Drain Trough (23-59-61)
14	1	2584 302-3	MOULDING PACKAGE, Front Door Outside Upper (23-23-32)
	4	6001 677	Retainer
	10	6001 641	Clip 4 446 618 Nut
15	1	2492 782-3	MOULDING, Front Door Window Opening Frame Upper (23-23-32)
16	1	2492 784-5	MOULDING, Front Door Window Opening Frame Rear (23-23-32)
17	1	2570 110-1	PANEL, Body Center Pillar Outside Finish Upper (23-23-16)
	4	6023 247	Screw
18	1	2492 796-7	MOULDING, Rear Door Window Opening Frame Front (23-23-33)
19	1	2492 806-7	MOULDING, Rear Door Window Opening Frame Upper (23-23-33)
20	1	2492 808-9	MOULDING, Rear Door Window Opening Frame Rear (23-23-33)
21	1	2526 148-9	MOULDING, Roof Side Drain Trough Rear (23-59-61)
22	1	2528 562-3	MOULDING, Quarter Window Outside Front (23-23-73)
	8	6023 247	Screw

All Packages Include Attaching Parts

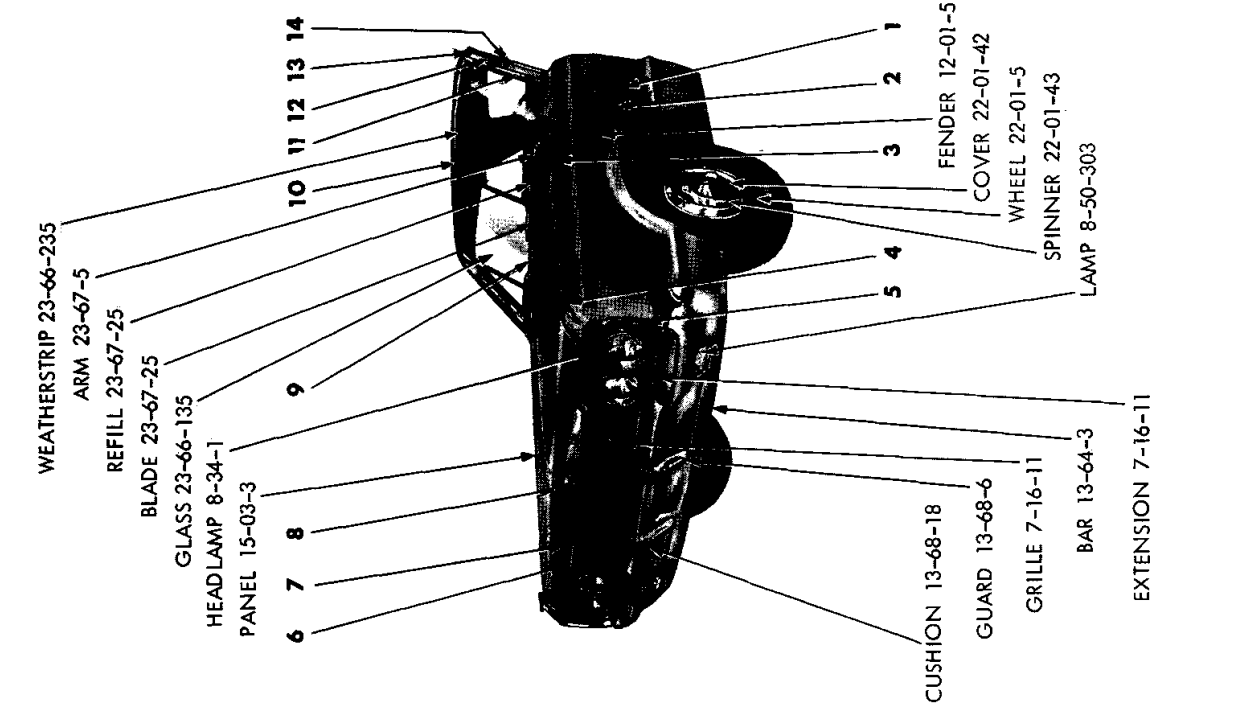
REF. NO.	QTY	PART NUMBER	DESCRIPTION
23	1	2528 562-3	MOULDING, Qtr. Wdo. Outside Frt., Stainless Steel (23-23-73)
24	1	2584 450-1	MOULDING PACKAGE, Quarter Window Outside Upper Primed (23-23-73)
	12	6001 837	Retainer
	2	2529 938	Seal 12 6025 001 Nut
25	1	2528 584-5	COVER PACKAGE, Qtr. Wdo. Outside Upr. Mldg., Stainless Steel (23-23-73)
	12	116 000	Nut
26	1	2586 278-9	MOULDING PACKAGE, Rear Upper Pillar Outside (23-23-60)
	6	----	Clip
26A	1	2584 421	MOULDING PACKAGE, Roof Outside Rear (23-23-42)
	8	6001 816	Clip
	1	2586 106	MOULDING PACKAGE, Roof Outside Rear (used w/Outside Assist Handle) (23-23-42)
	8	6001 816	Clip
27	1	2486 686	ORNAMENT, Tailgate Electric Window Regulator Outside (23-54-11)
	3	----	Stud
28	1	2528 795	MOULDING, Tailgate Outside Belt (23-23-61)
29	1	2584 444-5	MOULDING PACKAGE, Rear Upper Pillar Tailgate Opening (23-23-60)
	6	6001 620	Clip
30	2	2528 648	LETTER "D", Tailgate Name (23-54-11)
	1	2528 649	"O"
	1	2528 651	"G"
	1	2528 652	"E"
	10	152 259	Nut
31	1	2584 097	MOULDING PACKAGE, Tailgate Outside Lower (23-23-61)
	6	6001 729	Retainer
	6	116 000	Nut
32	1	2584 097	MOULDING PACKAGE, Tailgate Outside Upper (23-23-61)
	6	6001 729	Retainer
	6	116 000	Nut
33	1	2584 292-3	MOULDING PACKAGE, Quarter Outside Upper (23-23-39)
	18	6001 641	Clip
34	1	2584 294-5	MOULDING PACKAGE, Quarter Outside Lower (23-23-39)
	18	6001 641	Clip
35	1	2584 312-3	MOULDING PACKAGE, Rear Door Outside Lower (23-23-33)
	8	6001 677	Retainer
	16	6001 641	Clip
	8	9417 621	Nut
36	1	2584 314-5	MOULDING PACKAGE, Rear Door Outside Upper (23-23-33)
	4	6001 677	Retainer
	20	6001 641	Clip
	4	446 618	Nut
37	1	2584 310-1	MOULDING PACKAGE, Front Door Outside Lower (23-23-32)
	8	6001 677	Retainer
	16	6001 641	Clip
	8	9417 621	Nut

Part Type Code is Indicated in Parentheses

EXTERIOR VIEW - DODGE D-H STATION WAGON



19a0085C



EXTERIOR VIEW - DODGE D-P 2 DOOR HARDTOP

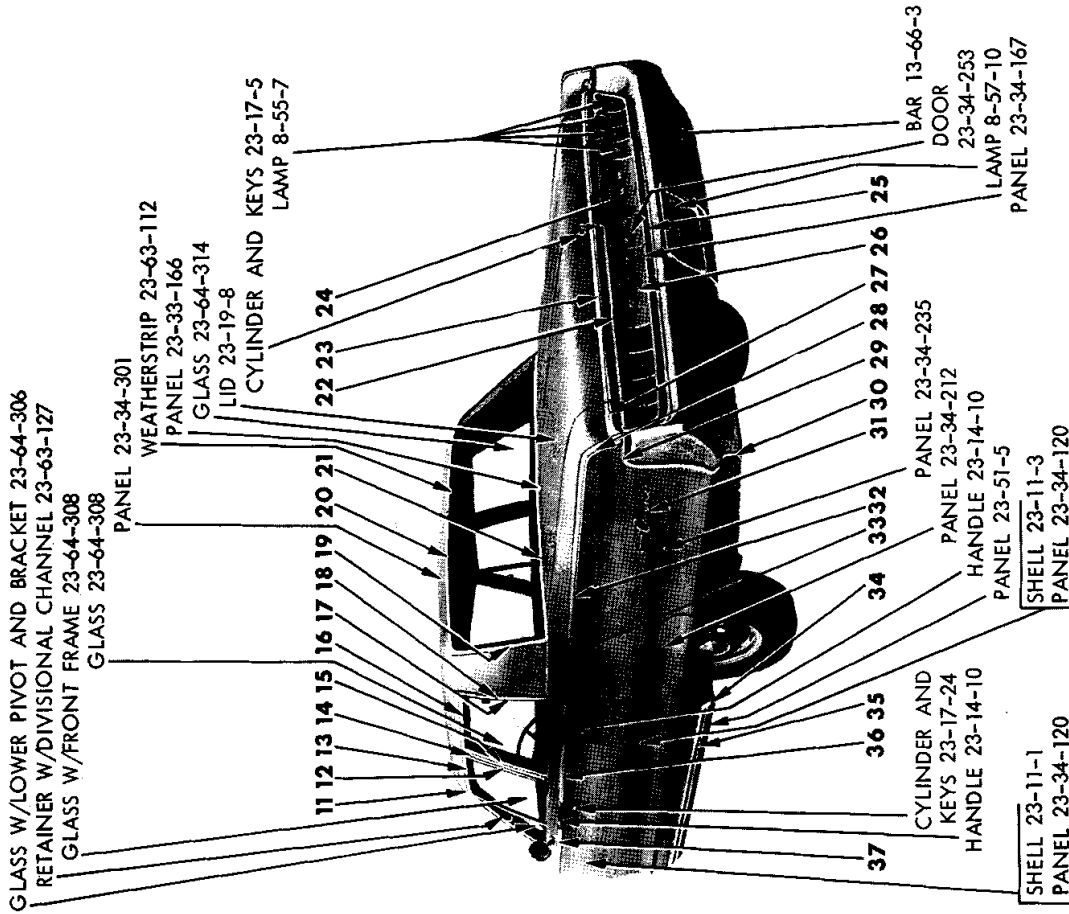
REF. NO.	QTY	PART NUMBER	DESCRIPTION
1	2	2524 723	NAME PLATE, Fender Side (Monaco) (12-15-21)
	10	6000 050	Clip
2	2	2524 241	ORNAMENT, Fender Side (12-15-21)
	4	6000 050	Clip
3	1	2525 824-5	MOULDING PACKAGE, Fender Peak (12-15-2)
	12	6024 723	Seal
	12	180 078	Nut
	4	6001 748	Retainer
4	1	2584 959-60	LAMP (8-50-175)
5	1	2525 822-3	MOULDING PACKAGE, Fender Front (12-15-2)
	6	6024 723	Seal
	6	9411 618	Nut
6	1	2525 587	MOULDING PACKAGE, Hood Front (15-25-2)
	8	116 000	Nut
	8	6024 723	Washer
7	2	2417 825	LETTER, Hood Front Name, "D" (15-06-16)
	1	2417 826	"O"
	1	2417 828	"G"
	1	2417 829	"E"
	10	6000 616	Nut
8	1	2524 237	ORNAMENT, Hood Front (15-03-18)
	1	6024 576	Stud
9	1	2584 110-1	MOULDING PACKAGE, Windshield Outside Lower (23-23-65)
	10	6001 697	Retainer
10	1	2584 099	MOULDING PACKAGE, Windshield Outside Upper (23-23-65)
	8	6001 648	Retainer
11	1	2584 106-7	MOULDING PACKAGE, Windshield Outside Side (23-23-65)
	8	6001 648	Retainer
12	1	2574 850-1	MOULDING, Body Front Pillar Trim, use w/Vinyl Roof (23-23-14)
13	1	2574 850-1	MOULDING, Front Pillar Upper (23-23-14)
	2	6023 682	Screw
14	1	2528 002-3	MOULDING, Body Front Pillar Drain Trough, use w/o Vinyl Roof (23-59-61)
15	1	2573 230-1	MOULDING, w/Tie Plate, Roof Side Drain Trough, Front and Rear, use w/o Vinyl Roof (23-59-61)
16	1	2526 480-1	MOULDING, Roof Side Drain Trough Front, use w/Vinyl Roof (23-59-61) (Note #1)
	1	2605 010-1	MOULDING, Roof Side Drain Trough Front (w/Vinyl Roof) (23-59-61) (Note #2)
17	1	2526 484-5	COVER, Roof Side Drain Trough Moulding Front, use w/Vinyl Roof (23-59-57)
18	1	2526 482-3	MOULDING, Roof Side Drain Trough Rear (23-59-61) (Note #1)
	1	2605 012-3	MOULDING, Roof Side Drain Trough Rear (w/Vinyl Roof) (23-57-61) (Note #2)

All Packages Include Attaching Parts

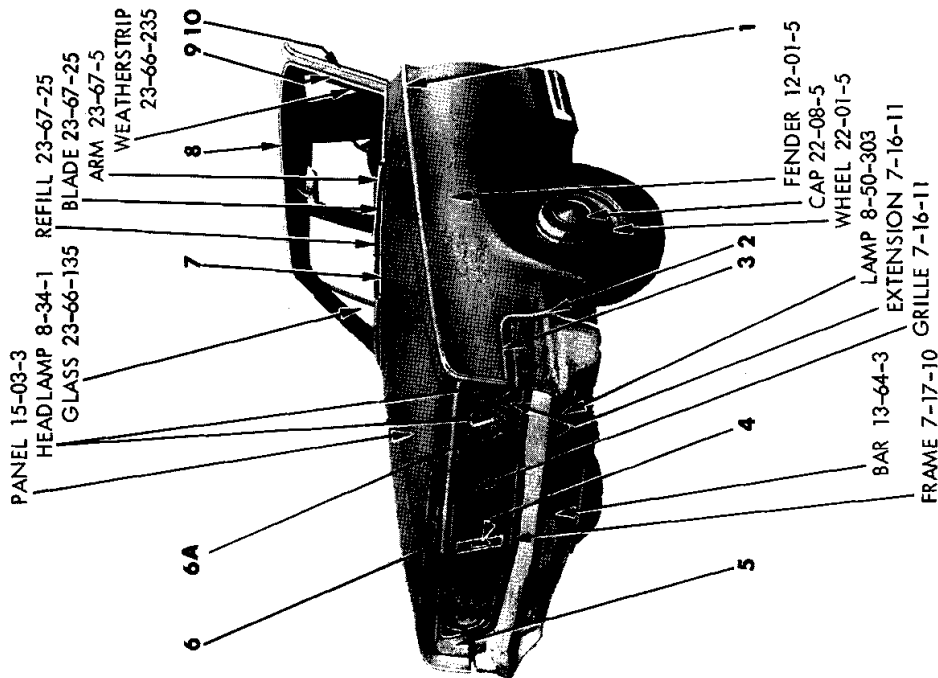
REF. NO.	QTY	PART NUMBER	DESCRIPTION
19	1	2525 596-7	MOULDING PACKAGE, Rear Window Outside Upper & Side (23-23-52) (Note #3)
	14	6001 648	Retainer and Seal
	1	2807 140-1	MOULDING PACKAGE, Rear Window Outside Upper & Side (23-23-52) (Note #4)
20	1	2525 595	MOULDING PACKAGE, Rear Window Outside Lower (23-23-52) (Note #3)
	7	6001 648	Retainer
	1	2807 138-9	MOULDING PACKAGE, Rear Window Outside Lower (23-23-52) (Note #4)
21	1	2528 607	NAME PLATE, Deck Lid (23-19-114)
	4	152 259	Nut
22	1	2526 057	PANEL, Deck Lid Lower Finish (23-23-30)
	8	----	Screw 2 9417 621 Nut
	6	----	Washer 6 152 272 Nut
23	1	2526 056	NAME PLATE, Deck (23-19-114)
	5	6022 007	Washer 5 6006 263 Nut
24	1	2526 058-9	INSERT, Deck Lid Finish Panel, Upper (23-23-30)
	1	2528 682-3	Lower
	2	2528 605	SPACER, Deck Lid Finish Panel to Insert (23-23-11)
25	1	2584 290-1	MOULDING PACKAGE, Quarter Panel Lower Rear (23-23-39)
	8	6001 748	Retainer
	2	6024 723	Washer 2 9417 621 Nut
26	1	2584 428-9	MOULDING PACKAGE, Roof Outside Belt (23-23-42)
	4	----	Washer 4 9411 618 Nut
	1	2584 430-1	MOULDING PACKAGE, Roof Outside Belt (used w/Vinyl Roof) (23-23-42)
	4	----	Washer 4 9411 618 Nut
27	1	2584 218-9	MOULDING PACKAGE, Quarter Panel Belt (23-23-39)
	12	6001 496	Retainer
27A	1	2529 144-5	MOULDING, Quarter Window Glass Front (23-23-73)
28	1	2584 198-9	MOULDING PACKAGE, Quarter Panel Lower Front (23-23-39)
	16	6001 748	Retainer
	12	6024 723	Washer 12 9417 621 Nut
29	1	2584 214-5	MOULDING PACKAGE, Door Belt (23-23-32)
	16	6001 496	Retainer
30	1	2528 402-3	MOULDING, Front Door Lower (23-23-32)
	12	6001 748	Retainer 2 ---- Nut
31	1	2573 002-3	MOULDING, Body Side Sill (23-23-2)
	36	6024 651	Screw

NOTE 1: USE W/VINYL RETAINER
 NOTE 2: USE W/O VINYL RETAINER
 NOTE 3: UP TO SERIAL NO. 195358
 NOTE 4: AFTER SERIAL NO. 195358

Part Type Code is Indicated in Parentheses



19a0190 B



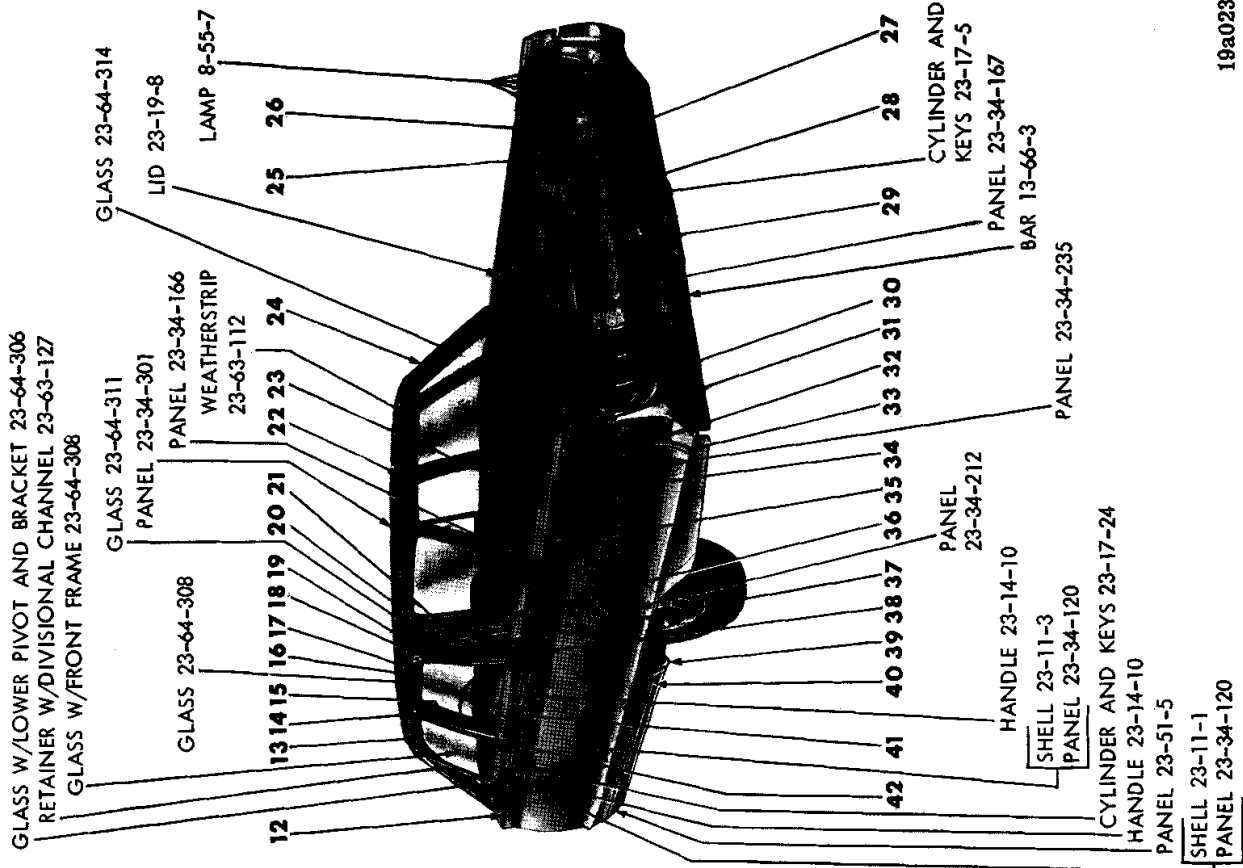
EXTERIOR VIEW - CHRYSLER C-L 4 DOOR SEDAN

REF. NO.	QTY	PART NUMBER	DESCRIPTION	REF. NO.	QTY	PART NUMBER	DESCRIPTION
1	1	2584 122-3	MOULDING PACKAGE, Fender, Peak (12-15-2)	21	1	2584 098	MOULDING PACKAGE, Rear Window Outside Lower (23-23-52)
	8	6001 667	Clip		8	6001 648	Retainer and Screw
2	1	2584 116-7	MOULDING PACKAGE, Front Bumper Fender (12-15-2)	22	1	2584 182	MOULDING PACKAGE, Deck Opening Lower Panel Upper (23-23-33)
	6	----	Nut		4	6001 779	Clip and Seal
3	1	2584 124-5	MOULDING PACKAGE, Fender Front Extension (12-15-2)		2	----	Nut
	4	6024 349	Screw	23	1	2584 183	MOULDING PACKAGE, Deck Lid Lower (23-23-30)
	4	6023 164	Nut		8	6001 652	Retainer and Stud
4	1	2524 265	MEDALLION, Radiator Grille (7-17-1)		8	9417 621	Nut
5	1	2584 112-3	MOULDING PACKAGE, Fender Front (12-15-2)	24	1	2524 270	LETTER "C", Deck Opening Lower Panel Name (23-19-114)
	4	----	Nut 2 6025 148 Screw		1	2524 271	"H" 1 2524 274 "S"
6	1	2524 270	LETTER, Hood Front Name, "C" (15-06-16)		2	2524 272	"R" 1 2524 275 "L"
	1	2524 271	"H"		1	2524 273	"Y" 1 2524 276 "E"
	2	2524 272	"R"		8	1839 995	Nut
	1	2524 273	"Y"	25	1	2526 512	MOULDING, Deck Opening Lower Panel Fuel Filler Door (23-23-23)
	1	2524 274	"S"		2	9413 268	Screw
	1	2524 275	"L"	26	1	2584 186-7	MOULDING PACKAGE, Deck Opening Lower Panel Lower (23-23-23)
	1	2524 276	"E" 8 1839 995 Nut		6	6001 778	Clip and Seal
6A	1	2524 258	MOULDING, Hood Front (15-25-2)	27	1	2584 286-7	MOULDING PACKAGE, Quarter Outside Rear (23-23-39)
7	1	2584 110-1	MOULDING PACKAGE, Windshield Outside Lower (23-23-65)		2	6024 403	Screw 2 ---- Nut
	10	6001 697	Retainer	28	1	2584 206-7	MOULDING PACKAGE, Quarter Outside Upper Rear (23-23-39)
8	1	2584 104	MOULDING PACKAGE, Windshield Outside Upper (23-23-65)		2	6024 637	Screw
	8	6001 648	Retainer		2	----	Nut and Seal
9	1	2584 108-9	MOULDING PACKAGE, Windshield Outside Side (23-23-65)	29	1	2526 458-9	MOULDING, Quarter Outside Bumper Opening (23-23-39)
	8	6001 648	Retainer		6	6024 373	Screw
10	1	2529 264-5	MOULDING, Body Front Pillar Drain Trough (23-59-61)	30	1	2527 984-5	MOULDING, Quarter Outside Rear Lower (23-23-39)
11	1	2492 782-3	MOULDING, Front Door Window Opening Frame Upper (23-23-32)		4	6024 409	Screw
12	1	2492 784-5	MOULDING, Front Door Window Opening Frame Rear (23-23-32)	31	2	2526 510	NAME PLATE, Quarter Outside (Chrysler) (23-34-238)
13	1	2526 462-3	MOULDING, Roof Side Drain Trough (23-59-61)		10	6025 433	Nut w/Seal
14	1	2570 110-1	PANEL, Body Center Pillar Outside Finish Upper (23-23-16)	32	1	2584 284-5	MOULDING PACKAGE, Quarter Panel Upper Front (23-23-39)
	4	6023 247	Screw		10	6001 667	Retainer
15	1	2492 796-7	MOULDING, Rear Door Window Opening Frame Front (23-23-33)		8	6001 753	Retainer 8 6025 140 Nut
16	1	2492 798-9	MOULDING, Rear Door Window Opening Frame Upper (23-23-33)	33	1	2584 180-1	MOULDING PACKAGE, Roof Side Extension Belt (23-23-42)
17	1	2492 800-1	MOULDING, Rear Door Window Opening Frame Rear (23-23-33)		2	2574 024	Retainer
18	1	2526 464-5	MOULDING, Roof Side Drain Trough Rear (23-59-61)		1	6001 799	Retainer 2 152 255 Nut
19	1	2584 100-1	MOULDING PACKAGE, Rear Window Outside Side (23-23-52)	34	1	2584 288-9	MOULDING, Retainer and Stud Package, Quarter Wheel Opening Panel (23-23-39)
	6	6001 648	Retainer and Screw		4	6024 711	Washer 4 ---- Nut
20	1	2584 102-3	MOULDING PACKAGE, Rear Window Outside Upper (23-23-52)	35	1	2584 282-3	MOULDING PACKAGE, Body Side Sill Outside Panel (23-23-2)
	8	6001 648	Retainer and Screw		18	6001 750	Retainer 4 6023 682 Screw
				36	1	2584 252-3	MOULDING PACKAGE, Rear Door Outside Upper (23-23-33)
					2	----	Retainer
					6	6001 667	Retainer 2 9417 621 Nut
				37	1	2584 236-7	MOULDING PACKAGE, Front Door Outside Upper (23-23-32)
					2	----	Retainer
					6	6001 667	Retainer 2 9417 621 Nut

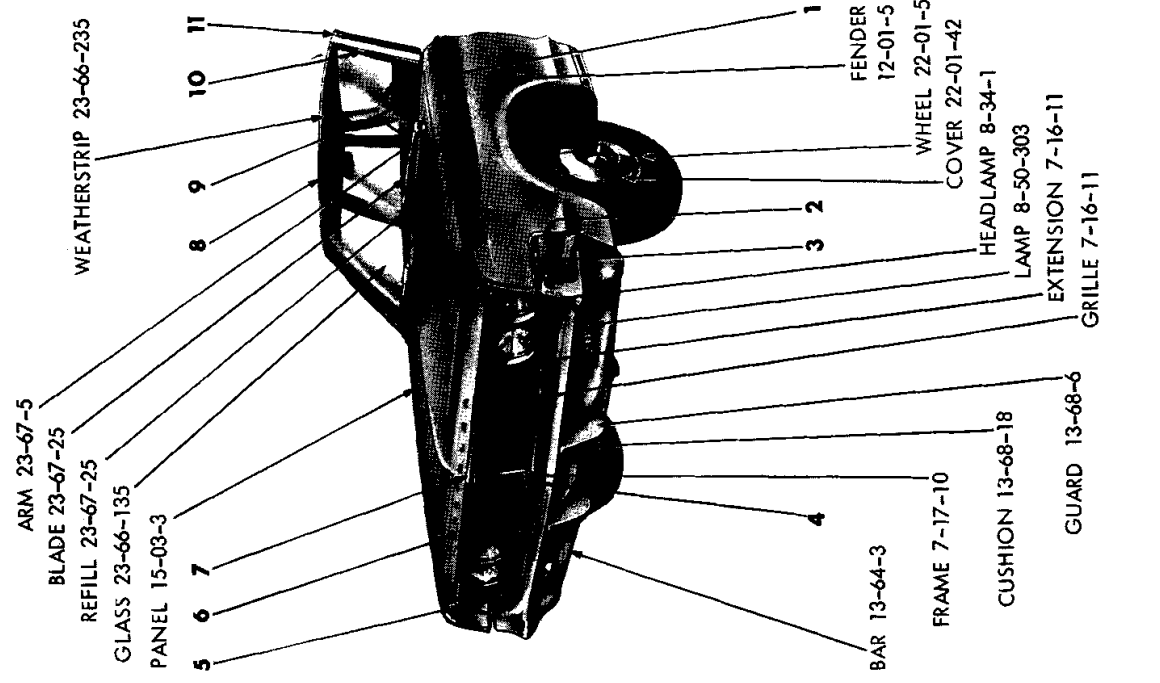
All Packages Include Attaching Parts

Part Type Code is Indicated in Parentheses

EXTERIOR VIEW - CHRYSLER C-L 4 DOOR SEDAN



19a0235



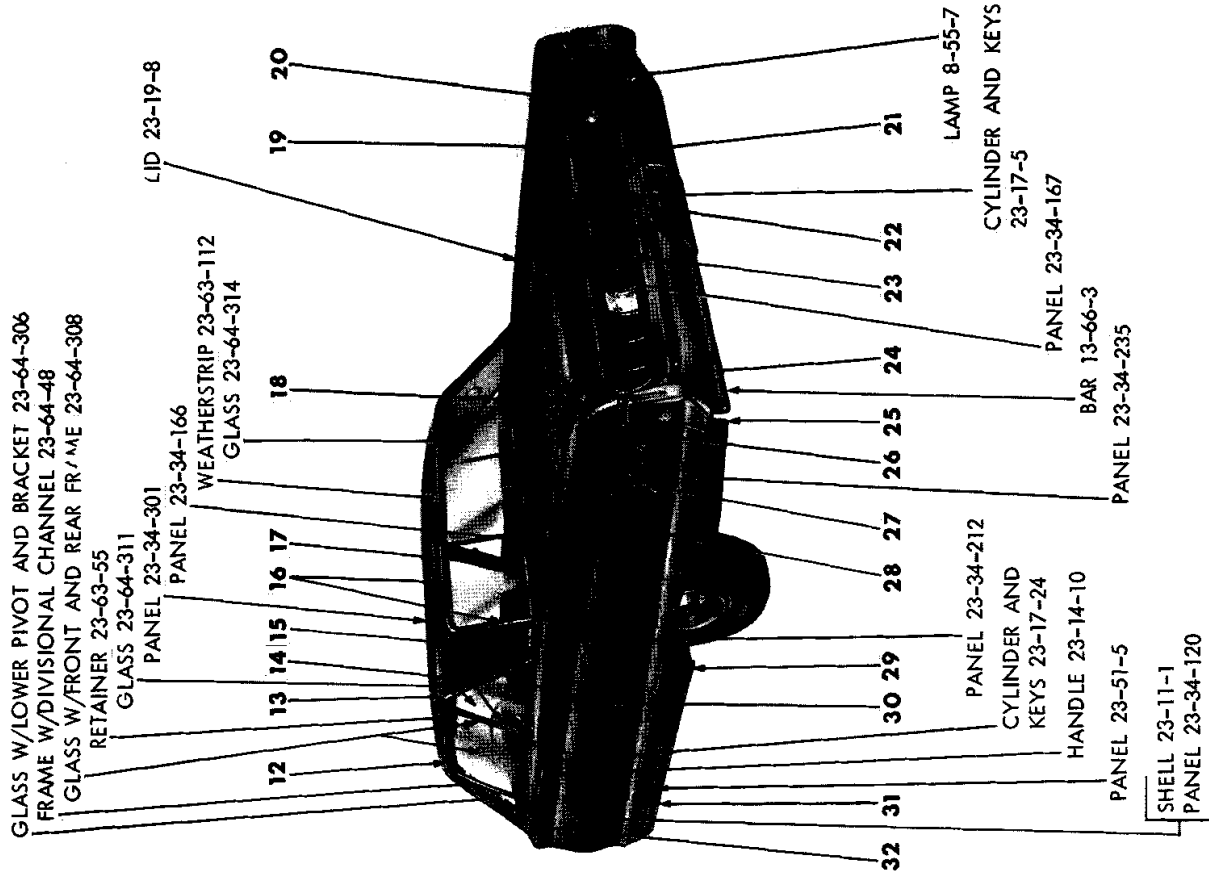
EXTERIOR VIEW - CHRYSLER C-L 4 DOOR SEDAN (6 WINDOW)

REF. NO.	QTY	PART NUMBER	DESCRIPTION	REF. NO.	QTY	PART NUMBER	DESCRIPTION
1	1	2584 488-9	MOULDING PACKAGE, Fender Peak (12-15-2)	24	1	2584 100-1	MOULDING PACKAGE, Rear Window Outside Side (23-23-52)
	8	6001 667	Clip		6	6001 648	Retainer
	6	6001 753	Retainer 6 6025 140 Nut	25	1	2584 182	MOULDING PACKAGE, Deck Opening Lower Panel Upper (23-23-23)
2	1	2584 116-7	MOULDING PACKAGE, Front Bumper Fender (12-15-2)		4	6001 779	Clip 2 ---- --- Nut
	6	----	Nut	26	1	2584 183	MOULDING PACKAGE, Deck Lid Lower (23-23-30)
3	1	2584 124-5	MOULDING PACKAGE, Fender Front Extension (12-15-2)		8	6001 652	Retainer 8 9417 621 Nut
	4	6024 349	Screw 4 6023 164 Nut	27	1	2524 270	NAME LETTER "C", Deck Opening Lower Panel (23-34-184)
4	1	2524 265	MEDALLION, Radiator Grille (7-17-1)		1	2524 271	"H"
5	1	2584 112-3	MOULDING PACKAGE, Fender Front (12-15-2)		2	2524 272	"R"
	2	6025 148	Screw 4 ---- --- Nut		1	2524 273	"Y" 1 2524 275 "L"
6	1	2524 270	LETTER, Hood Front Name, "C" (15-06-16)		1	2524 274	"S" 1 2524 276 "E"
	1	2524 271	"H"		8	1839 995	Nut
	2	2524 272	"R"	28	1	2526 512	MOULDING, Deck Opening Lower Pnl. Fuel Filler Door (23-23-23)
	1	2524 273	"Y"		2	9413 268	Screw
	1	2524 274	"S"	29	1	2584 186-7	MOULDING PACKAGE, Deck Opng. Lwr. Pnl. Lwr. (23-23-23)
	1	2524 275	"L"		6	6001 778	Clip
	1	2524 276	"E"	30	1	2584 286-7	MOULDING PACKAGE, Quarter Panel Rear (23-23-39)
	8	1839 995	Nut		2	6024 403	Screw 2 ---- --- Nut
7	1	2524 258	MOULDING, Hood Front (15-25-2)	31	1	2584 206-7	MOULDING PACKAGE, Quarter Panel Upr. Rr. (23-23-39)
	11	6024 895	Screw		2	6024 637	Screw 2 ---- --- Nut
8	1	2584 104	MOULDING PACKAGE, Windshield Outside Upper (23-23-65)	32	1	2526 458-9	MOULDING, Quarter Panel Bumper Opening (23-23-39)
	8	6001 648	Retainer		6	6024 373	Screw
9	1	2584 110-1	MOULDING PACKAGE, Windshield Outside Lower (23-23-65)	33	1	2527 984-5	MOULDING, Quarter Panel Rear Lower (23-23-39)
	10	6001 697	Retainer		4	6024 409	Screw
10	1	2584 108-9	MOULDING PACKAGE, Windshield Outside Side (23-23-65)	34	2	2526 510	NAME PLATE, Quarter Outside, Chrysler (23-34-238)
	8	6001 648	Retainer		5	6025 433	Nut
11	1	2529 264-5	MOULDING, Body Front Pillar Drain Trough (23-59-61)	35	1	2584 284-5	MOULDING PACKAGE, Quarter Panel Upr. Frt. (23-23-39)
12	1	2584 236-7	MOULDING PACKAGE, Front Door Outside Upper (23-23-32)		10	6001 667	Retainer
	2	----	Retainer		8	6001 753	Retainer 8 6025 140 Nut
	6	6001 667	Retainer 2 9417 621 Nut	36	1	2584 192-3	MOULDING PACKAGE, Roof Side Ext. Belt, Prime (23-23-42)
13	1	2492 782-3	MOULDING, Front Door Window Opening Frame Upper (23-23-32)		2	6001 767	Retainer and Seal
14	1	2570 110-1	PANEL, Body Center Pillar Outside Finish Upper (23-23-16)		1	2584 528-9	MOULDING PACKAGE, Roof Side Ext. Belt (Chrome)(23-23-42)
	4	6023 247	Screw		2	6001 767	Retainer and Seal
15	1	2492 796-7	MOULDING, Rear Door Window Opening Frame Front (23-23-33)	37	1	2584 216-7	MOULDING PACKAGE, Quarter Panel Belt (23-23-39)
16	1	2573 944-5	MOULDING, Roof Side Drain Trough (23-59-61)		6	6001 496	Retainer
17	1	2492 798-9	MOULDING, Rear Door Window Opening Frame Upper (23-23-33)	38	1	2484 558-9	MOULDING, Quarter Window Outside Front (23-23-73)
18	1	2492 800-1	MOULDING, Rear Door Window Opening Frame Rear (23-23-33)		6	6023 247	Screw
19	1	2584 200-1	MOULDING PACKAGE, Quarter Window Outside Upper (23-23-73)	39	1	2584 288-9	MOULDING PACKAGE, Quarter Wheelhouse Opening Panel (23-23-39)
	6	6024 659	Screw 2 2527 816 Clip		2	----	Retainer
20	1	2584 202-3	MOULDING PACKAGE, Quarter Window Outside Rear (23-23-73)		4	6024 711	Washer 4 ---- --- Nut
	6	116 000	Nut	40	1	2584 282-3	MOULDING PACKAGE, Body Side Sill Outside Panel (23-23-2)
21	1	2573 946-7	MOULDING, Roof Side Drain Trough Rear (23-59-61)		18	6001 750	Retainer 4 6023 682 Screw
22	1	2584 102-3	MOULDING PACKAGE, Rear Window Outside Upper (23-23-52)	41	1	2584 252-3	MOULDING PACKAGE, Rear Door Outside Upper (23-23-33)
	8	6001 648	Retainer		2	----	Retainer
23	1	2584 098	MOULDING PACKAGE, Rear Window Outside Lower (23-23-52)		6	6001 667	Retainer 2 9417 621 Nut
	8	6001 648	Retainer	42	1	2492 784-5	MOULDING, Front Door Window Opening Frame Rear (23-23-32)

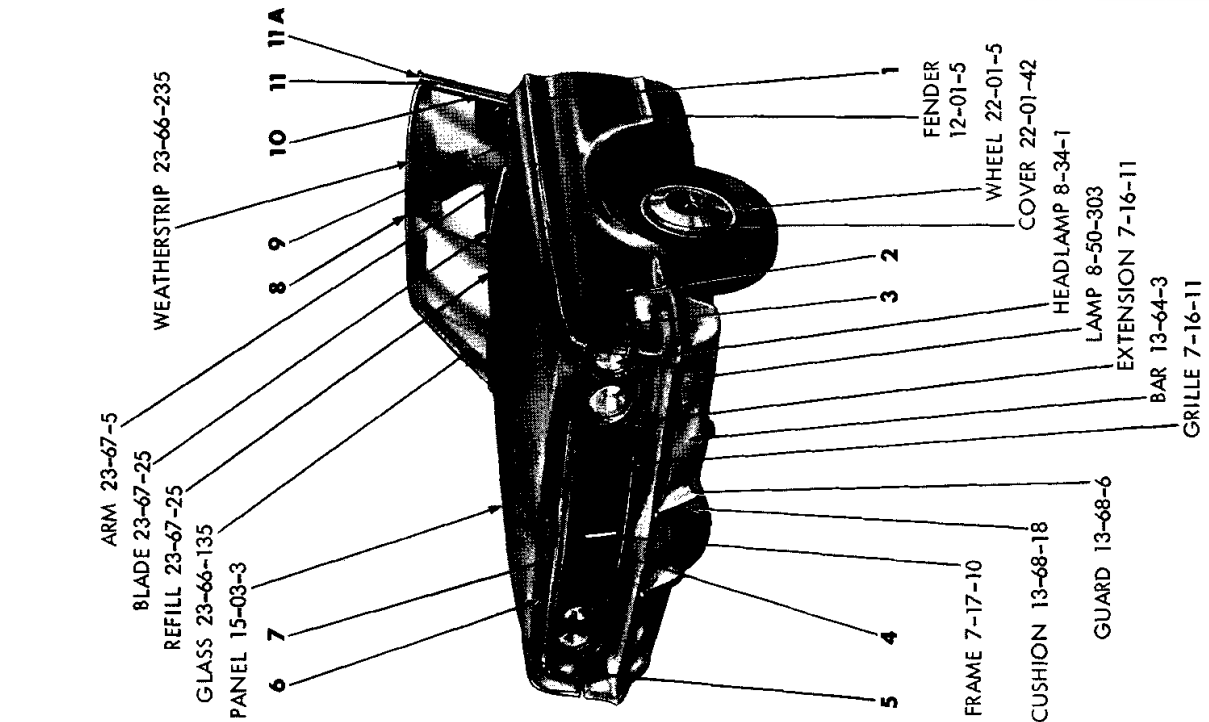
All Packages Include Attaching Parts

Part Type Code is Indicated in Parentheses

EXTERIOR VIEW - CHRYSLER C-L 4 DOOR SEDAN (6 WINDOW)



19a0220/A



EXTERIOR VIEW - CHRYSLER C-L 2 DOOR HARDTOP

REF. NO.	QTY	PART NUMBER	DESCRIPTION
1	1	2584 122-3	MOULDING PACKAGE, Fender Peak (12-15-2)
	6	6001 753	Retainer
	8	6001 667	Clip 6 6025 140 Nut
2	1	2584 116-7	MOULDING PACKAGE, Front Bumper Fender (12-15-2)
	6	----	Nut
3	1	2584 124-5	MOULDING PACKAGE, Fender Front Extension (12-15-2)
	4	6024 349	Screw 4 6023 164 Nut
4	1	2524 265	MEDALLION, Radiator Grille (7-17-1)
5	1	2584 112-3	MOULDING PACKAGE, Fender Front (12-15-2)
	4	----	Nut 2 6025 148 Screw
6	1	2524 270	LETTER, Hood Front Name, "C" (15-06-16)
	1	2524 271	"H" 1 2524 274 "S"
	2	2524 272	"R" 1 2524 275 "L"
	1	2524 273	"Y" 1 2524 276 "E"
	8	1839 995	Nut
7	1	2524 258	MOULDING, Hood Front (15-25-2)
	11	6024 895	Screw
8	1	2584 099	MOULDING PACKAGE, Windshield Outside Upper (23-23-65)
	8	6001 648	Retainer
9	1	2584 110-1	MOULDING PACKAGE, Windshield Outside Lower (23-23-65)
	10	6001 697	Retainer
10	1	2584 106-7	MOULDING PACKAGE, Windshield Outside Side (23-23-65)
	8	6001 648	Retainer
11	1	2526 480-1	MOULDING, Roof Side Drain Trough Front (23-59-61)
11A	1	2574 850-1	MOULDING, Front Pillar Trim use w/Vinyl Roof (23-23-14)
	2	6023 682	Screw
12	1	2526 480-1	MOULDING, Roof Side Drain Trough Front (23-59-61)
13	1	2526 484-5	COVER, Roof Side Drain Trough Moulding Front (23-59-57)
14	1	2529 144-5	MOULDING, Quarter Window Glass Front (23-23-73)
15	1	2584 176-7	MOULDING PACKAGE, Roof Outside Extension Belt (23-23-42)
	4	9411 618	Nut
16	1	2525 596-7	MOULDING PACKAGE, Rear Window Outside Upper and Side (23-23-52) (Note #1)
	14	6001 648	Retainer
	1	2807 140-1	MOULDING PACKAGE, Rear Window Outside Upper and Side (23-23-52) (Note #2)
17	1	2525 595	MOULDING PACKAGE, Rear Window Outside Lower (23-23-52) (Note #1)
	7	6001 648	Retainer
	1	2807 138-9	MOULDING PACKAGE, Rear Window Outside Lower (23-23-52) (Note #2)
18	1	2584 206-7	MOULDING PACKAGE, Quarter Outside Upper Rear (23-23-39)
	2	----	Nut
19	1	2584 182	MOULDING PACKAGE, Deck Opening Lower Panel Upper (23-23-23)
	4	6001 779	Clip 2 ---- Nut

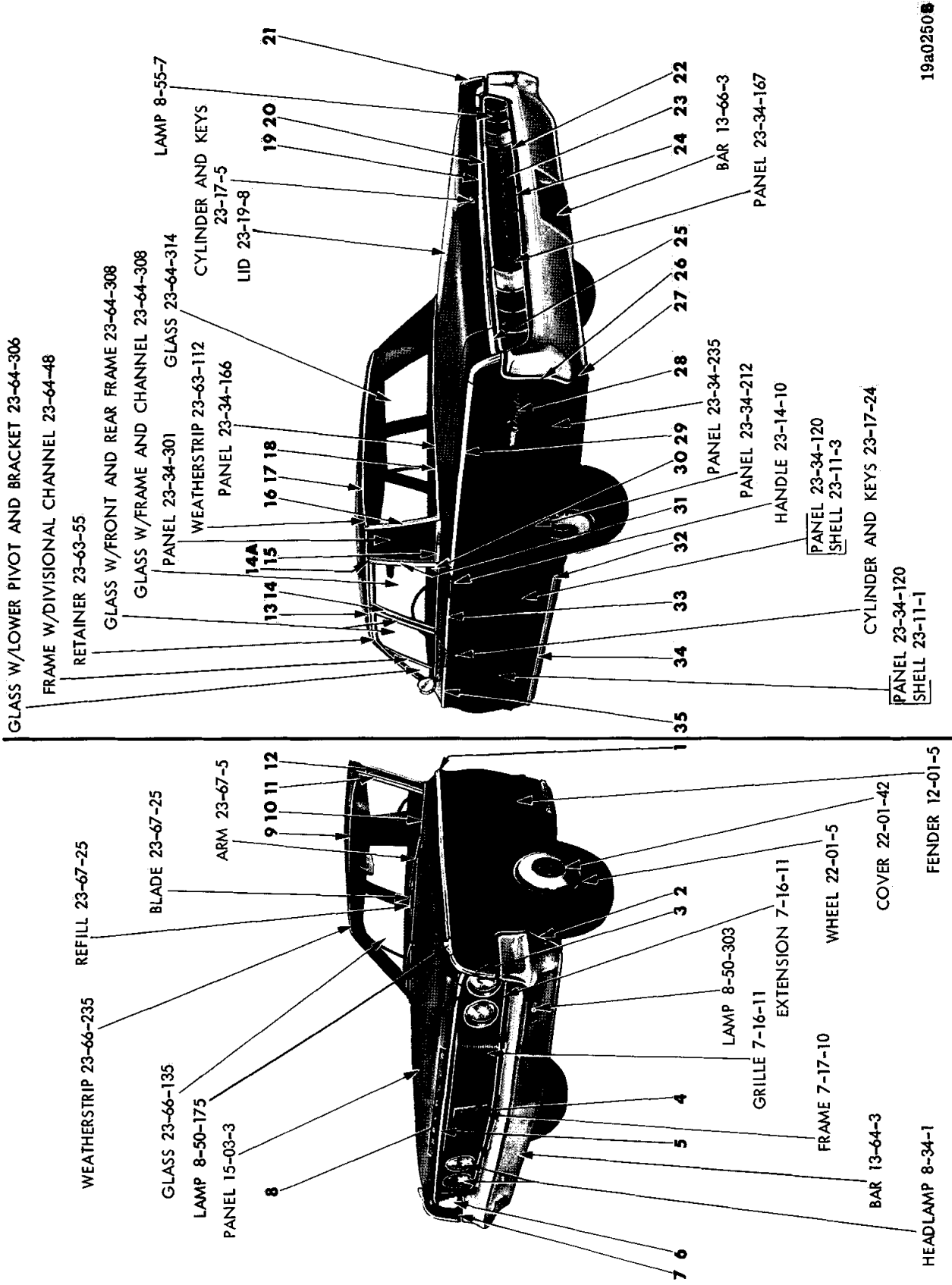
All Packages Include Attaching Parts

REF. NO.	QTY	PART NUMBER	DESCRIPTION
20	1	2584 183	MOULDING PACKAGE, Deck Lid Lower (23-23-30)
	8	6001 652	Retainer
	8	9417 621	Nut
21	1	2524 270	NAME LETTER "C", Deck Opening Lower Panel (23-34-184)
	1	2524 271	"H"
	2	2524 272	"R"
	1	2524 273	"Y"
	1	2524 274	"S"
	1	2524 275	"L"
	1	2524 276	"E"
	8	1839 995	Nut
22	1	2526 512	MOULDING, Deck Opening Lower Panel Fuel Filler Door (23-23-23)
	2	9413 268	Screw
23	1	2584 186-7	MOULDING PACKAGE, Deck Opening Lower Panel Lower (23-23-23)
	6	6001 778	Clip
24	1	2584 286-7	MOULDING PACKAGE, Quarter Outside Rear (23-23-39)
	2	6024 403	Screw
	2	----	Nut
25	1	2527 984-5	MOULDING, Quarter Outside Rear Lower (23-23-39)
	4	6024 409	Screw
26	1	2526 458-9	MOULDING, Quarter Outside Bumper Opening (23-23-39)
	6	6024 373	Screw
27	2	2526 510	NAME PLATE, Quarter Outside Chrysler (23-34-238)
	5	6025 433	Nut
	5	6000 050	Clip
28	1	2584 254-5	MOULDING PACKAGE, Quarter Outside Upper Front (23-23-39)
	18	6001 667	Retainer
	8	6001 753	Retainer
	8	6025 140	Nut
29	1	2584 288-9	MOULDING PACKAGE, Quarter Wheel Opening Panel (23-23-39)
	4	----	Nut
	4	6024 711	Washer
	2	----	Retainer
30	1	2526 482-3	MOULDING, Roof Side Drain Trough Rear (23-59-61)
31	1	2584 282-3	MOULDING PACKAGE, Body Side Sill Outside Panel (23-23-2)
	4	6023 682	Screw
	18	6001 750	Retainer
32	1	2584 234-5	MOULDING PACKAGE, Door Outside Upper (23-23-32)
	8	6001 667	Retainer
	2	----	Retainer
	2	9417 621	Nut

NOTE 1: UP TO SERIAL NO. 195358

NOTE 2: AFTER SERIAL NO. 195358

Part Type Code is Indicated in Parentheses



19a02508

EXTERIOR VIEW - CHRYSLER C-L 4 DOOR HARDTOP

REF. NO.	QTY	PART NUMBER	DESCRIPTION	REF. NO.	QTY	PART NUMBER	DESCRIPTION
1	1	2584 120-1	MOULDING PACKAGE, Fender Peak Rear (12-15-2)	1	2603 948-9	MOULDING, Roof Side Drain Trough Front and Rear, w/o Vinyl Roof (Lgh. approx. 55") (23-59-61) (Note #2)	
	8	6001 667	Clip	2	6001 815	Retainer	
	6	6001 753	Retainer	2	6024 271	Washer	
	6	6025 140	Nut	14	9415 214	Retainer	
2	1	2584 116-7	MOULDING PACKAGE, Front Bumper Fender (12-15-2)	6	6023 370	Screw	
	6	---- ---	Nut	1	2807 368-9	MOULDING PACKAGE, Roof Side Drain Trough Front and Rear, w/o Vinyl Roof (Lgh. approx. 59 1/2") (23-59-61)	
3	1	2584 490-1	MOULDING PACKAGE, Fender Peak Front (12-15-2)	1	2605 438-9	MOULDING, Roof Side Drain Trough, w/Vinyl Roof (23-59-61)	
	4	6001 753	Retainer	14	1	2664 678-9	MOULDING w/Weatherstrip Retainer, Rear Door Wdo. Glass Frame Front (23-23-33) (23-63-105)
	4	6025 140	Nut	10	6024 997	Screw	
4	1	2524 265	MEDALLION, Radiator Grille (7-17-1)	14A	1	2573 546-7	COVER, Roof Side Drain Trough Moulding, w/Vinyl Roof (23-59-61)
5	1	2524 258	MOULDING, Hood Front (15-25-2)	15	1	2584 174-5	MOULDING PACKAGE, Roof Outside Extension Belt, w/o Vinyl Roof (23-23-42)
6	1	2584 112-3	MOULDING PACKAGE, Fender Front (12-15-2)	6	---- ---	Washer	
	4	---- ---	Nut	6	9411 618	Nut	
	2	6025 148	Screw	1	2584 424-5	MOULDING PACKAGE, Roof Side Extension Belt, w/Vinyl Roof (23-23-42)	
7	1	2584 124-5	MOULDING PACKAGE, Fender Front Extension (12-15-2)	6	---- ---	Washer	
	4	6024 349	Screw	6	---- ---	Nut	
	4	6023 164	Nut	16	1	2525 592-3	MOULDING PACKAGE, Rear Window Outside Side (23-23-52)
8	1	2524 270	LETTER, Hood Front Name "C" (15-06-16)	6	6001 648	Retainer and Screw	
	1	2524 271	"H"	17	1	2525 598-9	MOULDING PACKAGE, Rear Window Outside Upper (23-23-52)
	2	2524 272	"R"	8	6001 648	Retainer and Screw	
	1	2524 273	"Y"	18	1	2525 594	MOULDING PACKAGE, Rear Window Outside Lower (23-23-52)
	1	2524 274	"S"	8	6001 648	Retainer and Screw	
	1	2524 275	"L"	19	1	2584 183	MOULDING PACKAGE, Deck Lid Lower (23-23-30)
	1	2524 276	"E"	8	6001 652	Retainer	
9	1	2584 099	MOULDING PACKAGE, Windshield Outside Upper (23-23-65)	8	9417 621	Nut	
	8	6001 648	Retainer	20	1	2584 182	MOULDING PACKAGE, Deck Opening Lower Panel Upper (23-23-23)
10	1	2584 110-1	MOULDING PACKAGE, Windshield Outside Lower (23-23-65)	4	6001 779	Clip	
	10	6001 697	Retainer	2	---- ---	Nut	
11	1	2584 106-7	MOULDING PACKAGE, Windshield Outside Side (23-23-65)	21	1	2584 206-7	MOULDING PACKAGE, Quarter Outside Upper Rear (23-23-39)
	8	6001 648	Retainer	2	6024 637	Screw	
12	1	2528 002-3	MOULDING, Body Front Pillar Drain Trough, w/o Vinyl Roof (Lgh. approx. 22") (23-59-61)	2	---- ---	Nut	
	8	9415 214	Washer				
	1	2807 364-5	MOULDING PACKAGE, Body Front Pillar Drain Trough, w/o Vinyl Roof (Lgh. approx. 27") (23-59-61)				
13	1	2573 222-3	MOULDING, Roof Side Drain Trough Front and Rear, w/o Vinyl Roof (Lgh. approx. 55") (23-59-61) (Note #1)				
	★	6001 814	Retainer				
	★	6001 815	Retainer				
	14	9415 214	Washer				
	8	6024 271	Washer				

NOTE 1: UP TO SERIAL NO. 116783

NOTE 2: AFTER SERIAL NO. 116783

All Packages Include Attaching Parts
Part Type Code is Indicated in Parentheses

CONTINUED ON NEXT PAGE

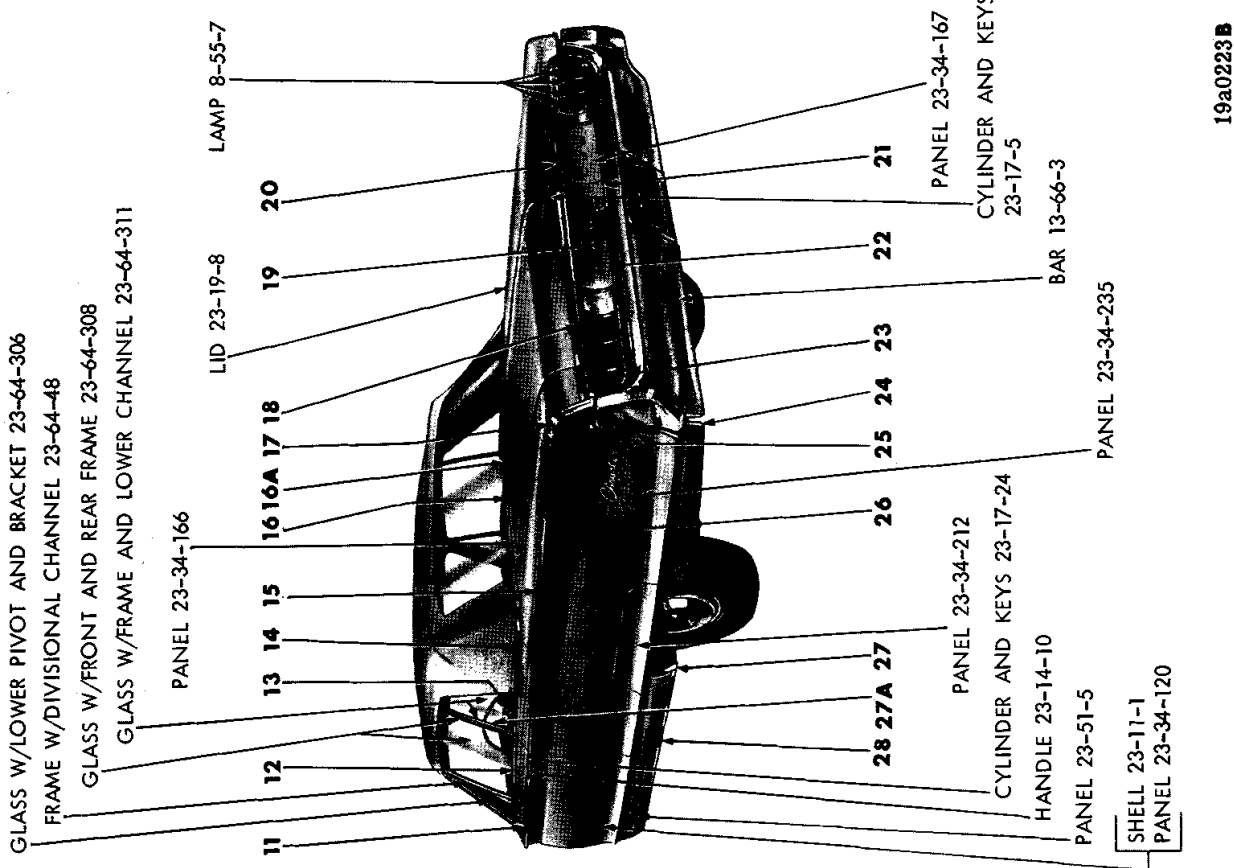
EXTERIOR VIEW - CHRYSLER C-L 4 DOOR HARDTOP

REF. NO.	QTY	PART NUMBER	DESCRIPTION	REF. NO.	QTY	PART NUMBER	DESCRIPTION
22	1	2584 186-7	MOULDING PACKAGE, Deck Opening Lower Panel Lower (23-23-23)	30	1	2571 172-3	ORNAMENT and WEATHER-STRIP, Rear Door Rear Inner (23-11-23) (23-63-33)
	6	6001 778	Clip		1	2571 182-3	ORNAMENT and WEATHER-STRIP, Rear Door Rear Outer (23-11-23) (23-63-33)
23	1	2524 270	LETTER "C", Deck Opening Lower Panel Name (23-34-184)	2	456 867		Screw
	1	2524 271	"H"	4	6025 425		Screw
	2	2524 272	"R"	2	9416 628		Screw
	1	2524 273	"Y"	31	1	2526 852-3	MOULDING, Roof Panel Extension Front, w/o Vinyl Roof (23-23-42)
	1	2524 274	"S"	4	9414 742		Screw
	1	2524 275	"L"	1	2605 440-1		MOULDING, Roof Side Drain Trough Rear, w/Vinyl Roof (23-59-61)
	1	2524 276	"E"				
	8	1839 995	Nut	32	1	2584 288-9	MOULDING PACKAGE, Quarter Wheel Opening Panel (23-23-39)
24	1	2526 512	MOULDING, Deck Opening Lower Panel Fuel Filler Door (23-23-23)	4	----	----	Nut
	2	9413 268	Screw	2	----	----	Retainer
25	1	2584 286-7	MOULDING PACKAGE, Quarter Panel Rear (23-23-39)	4	6024 711		Washer
	2	6024 403	Screw	33	1	2584 252-3	MOULDING PACKAGE, Rear Door Outside Upper (23-23-33)
	2	----	Nut	2	----	----	Retainer
26	1	2526 458-9	MOULDING, Quarter Panel Bumper Opening (23-23-39)	6	6001 667		Retainer
	6	6024 373	Screw	2	9417 621		Nut
27	1	2527 984-5	MOULDING, Quarter Panel Rear Lower (23-23-39)	34	1	2584 282-3	MOULDING PACKAGE, Body Side Sill Outside Panel (23-23-2)
	4	6024 409	Screw	18	6001 750		Retainer
28	2	2526 510	NAME PLATE, Quarter Panel, Chrysler (23-34-238)	4	6023 682		Screw
	5	6025 433	Nut	35	1	2584 236-7	MOULDING PACKAGE, Front Door Outside Upper (23-23-32)
29	1	2584 284-5	MOULDING PACKAGE, Quarter Panel Upper Front (23-23-39)	2	----	----	Retainer
	10	6001 667	Retainer	2	9417 621		Nut
	8	6001 753	Retainer	6	6001 667		Retainer
	8	6025 140	Nut				

All Packages Include Attaching Parts

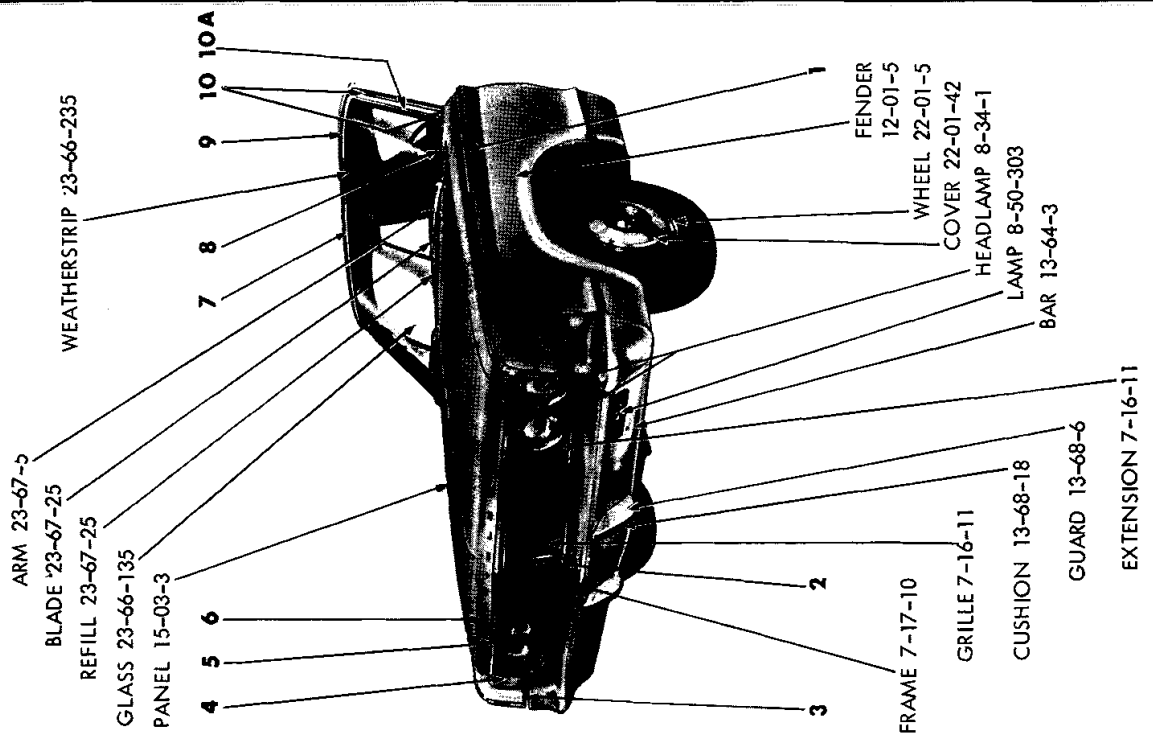
Part Type Code is Indicated in Parentheses

EXTERIOR VIEW - CHRYSLER C-L 4 DOOR HARDTOP



19a0223B

EXTERIOR VIEW - CHRYSLER C-L CONVERTIBLE COUPE

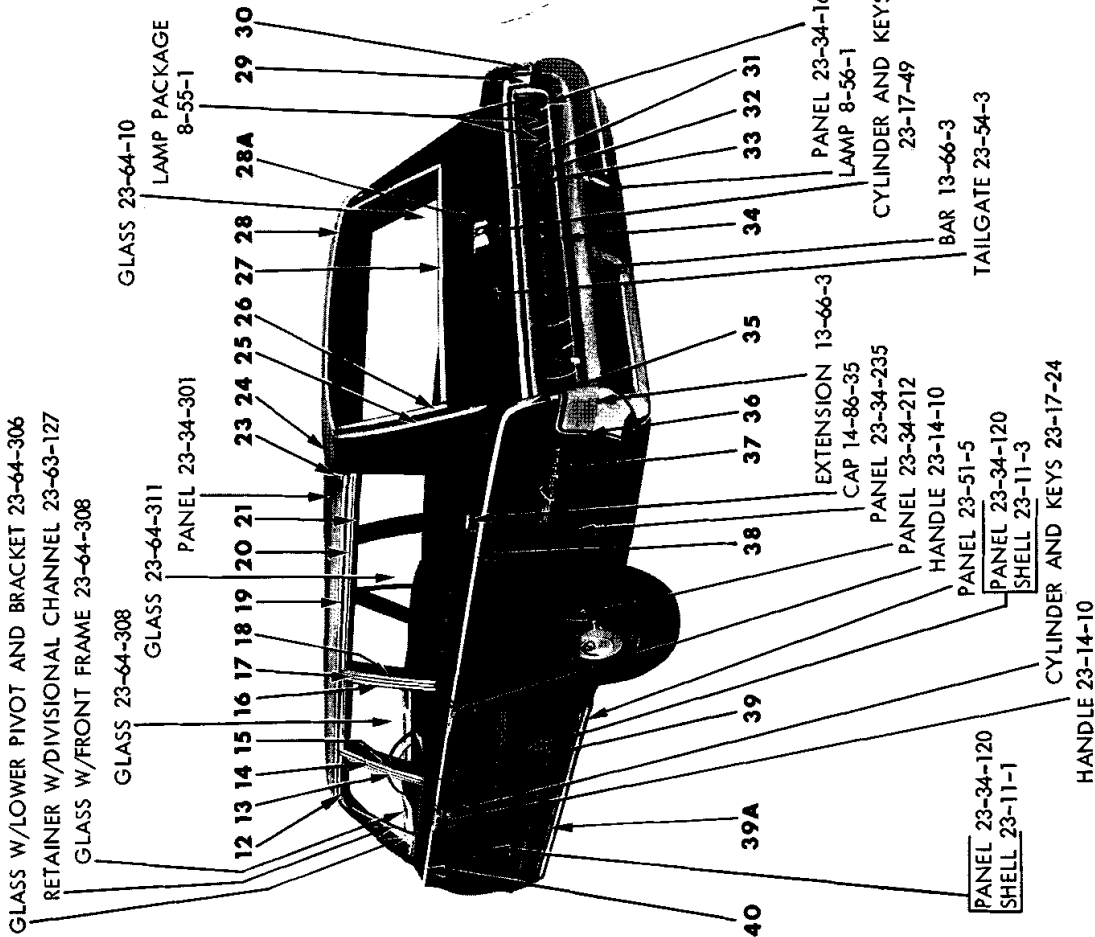


REF. NO.	QTY	PART NUMBER	DESCRIPTION
1	1	2584 122-3	MOULDING PACKAGE, Fender Peak (12-15-2)
	8	6001 667	Clip
	6	6001 753	Retainer
	6	6025 140	Nut
2	1	2524 265	MEDALLION, Radiator Grille (7-17-1)
3	1	2584 124-5	MOULDING PACKAGE, Fender Front Extension (12-15-2)
	4	6024 349	Screw
	4	6023 164	Nut
4	1	2584 112-3	MOULDING PACKAGE, Fender Front (12-15-2)
	4	---- ---	Nut
	2	6025 148	Screw
5	1	2524 258	MOULDING, Hood Front (15-25-2)
	11	6024 895	Screw
6	1	2524 270	LETTER, Hood Front Name, "C" (15-06-16)
	1	2524 271	"H"
	2	2524 272	"R"
	1	2524 273	"Y"
	1	2524 274	"S"
	1	2524 275	"L"
	1	2524 276	"E"
7	1	2584 099	MOULDING PACKAGE, Windshield Outside Upper (23-23-65)
	8	6001 648	Retainer
8	1	2584 110-1	MOULDING PACKAGE, Windshield Outside Lower (23-23-65)
	10	6001 697	Retainer
9	1	2484 602-3	MOULDING, Windshield Outside Upper Header (23-23-65)
	5	6025 132	Screw
10	1	2481 844-5	MOULDING, Body Front Upper Pillar Outside (23-23-14)
	8	9415 214	Screw
	1	2528 662-3	EXTENSION, Body Front Pillar Outside Mldg. Lwr. (23-23-14)
	4	9418 246	Screw
10A	1	2584 106-7	MOULDING PACKAGE, Windshield Outside Side (23-23-65)
	8	6001 648	Retainer
11	1	2584 234-5	MOULDING PACKAGE, Door Outside Upper (23-23-32)
	8	6001 667	Retainer
	2	---- ---	Retainer 2 9417 621 Nut
12	1	2584 214-5	MOULDING PACKAGE, Door Outside Belt (23-23-32)
	16	6001 496	Retainer
13	1	2584 220-1	MOULDING PACKAGE, Quarter Panel Belt (23-23-39)
	6	6001 496	Retainer 2 ---- --- Screw
14	1	2584 088-9	MOULDING PACKAGE, Quarter Panel Belt Rr. (23-23-39)
	2	2094 380	Fastener
	2	---- ---	Screw
15	1	2584 254-5	MOULDING PACKAGE, Quarter Panel Upper Front (23-23-39)
	18	6001 667	Retainer
	8	6001 753	Retainer
	8	6025 140	Nut
16	1	2584 082-3	MOULDING PACKAGE, Deck Opening Upper Panel (23-23-31)
	20	2094 380	Fastener

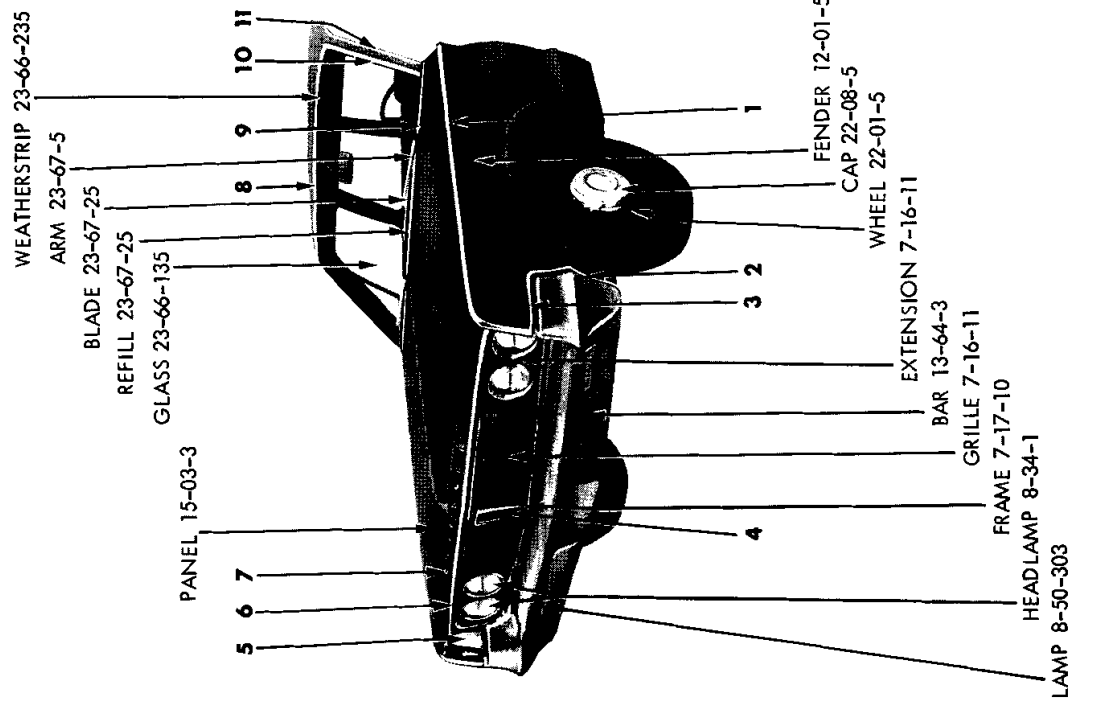
All Packages Include Attaching Parts

REF. NO.	QTY	PART NUMBER	DESCRIPTION
16A	1	2584 081	CAP PACKAGE, Deck Opening Upper Panel Mldg. (23-23-41)
	1	2094 380	Fastener
17	1	2584 206-7	MOULDING PACKAGE, Quarter Outside Upper Rear (23-23-39)
	2	6023 097	Nut
	2	---- ---	Nut
18	1	2584 182	MOULDING PACKAGE, Deck Opening Lower Panel Upper (23-23-23)
	4	6001 779	Clip
	2	---- ---	Nut
19	1	2524 270	NAME LETTER "C", Deck Opening Lower Panel (23-34-184)
	1	2524 271	"H"
	2	2524 272	"R"
	1	2524 273	"Y"
	1	2524 274	"S"
	1	2524 275	"L"
	1	2524 276	"E"
	8	1839 995	Nut
20	1	2584 183	MOULDING PACKAGE, Deck Lid Lower (Spec. Equip.) (23-23-30)
	8	6001 652	Retainer
	8	9417 621	Nut
21	1	2526 512	MOULDING, Deck Opening Lower Panel Fuel Filler Door (23-23-23)
	2	9413 268	Screw
22	1	2584 186-7	MOULDING PACKAGE, Deck Opening Lower Panel Lower (23-23-23)
	6	6001 778	Clip
23	1	2584 286-7	MOULDING PACKAGE, Quarter Panel Rear (Spec. Equip.) (23-23-39)
	2	6024 403	Screw
	2	---- ---	Nut
24	1	2527 984-5	MOULDING, Quarter Panel Rear Lower (23-23-39)
	4	6024 409	Screw
25	1	2526 458-9	MOULDING, Quarter Panel Bumper Opening (23-23-39)
	6	6024 373	Screw
26	2	2526 510	NAME PLATE, Quarter Panel Chrysler (23-34-238)
	5	6025 433	Nut
27	1	2584 288-9	MOULDING PACKAGE, Quarter Wheelhouse Opening Panel (Spec. Equip.) (23-23-39)
	4	---- ---	Nut
	4	6024 711	Washer
	2	---- ---	Retainer
27A	1	2529 096-7	MOULDING, Quarter Window Glass Front (23-23-73)
28	1	2584 282-3	MOULDING PACKAGE, Body Side Sill Outside Panel (Special Equipment) (23-23-2)
	4	6023 682	Screw
	18	6001 750	Retainer

Part Type Code is Indicated in Parentheses



19a0229A



EXTERIOR VIEW - CHRYSLER C-L STATION WAGON

REF. NO.	QTY	PART NUMBER	DESCRIPTION
1	1	2584 122-3	MOULDING PACKAGE, Fender Peak (12-15-2)
	8	6001 667	Clip
	6	6001 753	Retainer
	6	6025 140	Nut
2	1	2584 116-7	MOULDING PACKAGE, Front Bumper Fender (12-15-2)
	6	---- ---	Nut
3	1	2584 124-5	MOULDING PACKAGE, Fender Front Extension (12-15-2)
	4	6024 349	Screw
	4	6023 164	Nut
4	1	2524 265	MEDALLION, Radiator Grille (7-17-1)
5	1	2584 112-3	MOULDING PACKAGE, Fender Front (12-15-2)
	2	6025 148	Screw
	4	---- ---	Nut
6	1	2524 258	MOULDING, Hood Front
	11	6024 895	Screw
7	1	2524 270	LETTER "C"
	1	2524 271	"H"
	2	2524 272	"R"
	1	2524 273	"Y"
	1	2524 274	"S"
	1	2524 275	"L"
	1	2524 276	"E"
	8	1839 995	Nut
8	1	2584 104	MOULDING PACKAGE, Windshield Outside Upper (23-23-65)
	8	6001 648	Retainer
9	1	2584 110-1	MOULDING PACKAGE, Windshield Outside Lower (23-23-65)
	10	6001 697	Retainer
10	1	2584 108-9	MOULDING PACKAGE, Windshield Outside Side (23-23-65)
	8	6001 648	Retainer
11	1	2529 924-5	MOULDING, Body Front Pillar Drain Trough (23-59-61)
	10	6024 271	Screw
12	1	2492 782-3	MOULDING, Front Door Window Opening Frame Upper (23-23-32)
13	1	2492 784-5	MOULDING, Front Door Window Opening Frame Rear (23-23-32)
14	1	2570 110-1	PANEL, Body Center Pillar Outside Finish Upper (23-23-16)
	4	6023 247	Screw
15	1	2492 796-7	MOULDING, Rear Door Window Opening Frame Front (23-23-33)
16	1	2492 808-9	MOULDING, Rear Door Window Opening Frame Rear (23-23-33)
17	1	2492 806-7	MOULDING, Rear Door Window Opening Frame Upper (23-23-33)
18	1	2528 562-3	MOULDING, Quarter Window Outside Front, Stainless Steel (23-23-73)
	8	6023 247	Screw

All Packages Include Attaching Parts

REF. NO.	QTY	PART NUMBER	DESCRIPTION
19	1	2526 532-3	MOULDING, Roof Side Drain Trough (23-59-61)
20	1	2528 584-5	COVER PACKAGE, Qtr. Wdo. Outside Upr. Mldg., Stainless Steel (23-23-73)
	12	116 000	Nut
21	1	2584 450-1	MOULDING PACKAGE, Quarter Window Outside Upper Prime Seal
	2	2529 938	Seal
	12	6001 837	Retainer
	12	6025 001	Nut
23	1	2584 522-3	MOULDING PACKAGE, Roof Outside Rear (23-23-42)
	2	2573 890	Retainer
	6	2573 888	Washer
	2	---- ---	Nut
	6	6023 248	Screw
	1	2573 948-9	MOULDING, Roof Outside Rear Inner Corner (23-23-42)
	1	2526 540-1	MOULDING, Roof Outside Rear Outer Corner (23-23-45)
24	1	2584 442-3	MOULDING PACKAGE, Roof Outside Front (23-23-42)
	24	2573 888	Washer
	★	2573 768	Retainer
	24	6023 248	Screw
25	1	2586 278-9	MOULDING PACKAGE, Rear Upper Pillar Outside (23-23-60)
	6	---- ---	Clip
26	1	2584 444-5	MOULDING PACKAGE, Rear Upper Pillar Tailgate Opening (23-23-60)
	6	6001 620	Clip
27	1	2528 795	MOULDING, Tailgate Outside Belt (23-23-61)
28	1	2584 421	MOULDING PACKAGE, Roof Outside Rear (23-23-42)
	8	6001 816	Clip
	1	2586 106	MOULDING PACKAGE, Roof Outside Rear (used w/Outside Assist Handle) (23-23-42)
	8	6001 816	Clip
28A	1	2486 686	ORNAMENT, Tailgate Electric Window Regulator Outside (23-54-11)
29	1	2573 568-9	MOULDING, Quarter Outside Tail Lamp Opening (23-23-39)
	4	6023 681	Screw
	★	---- ---	Sealer
	2	6024 638	Screw
30	1	2573 096-7	MOULDING, Quarter Outside Bumper Opening Inner Extension (23-23-39)
	2	6024 638	Screw
	4	6023 681	Screw
31	1	2584 190	MOULDING PACKAGE, Tailgate Outside Intermediate (23-23-61)
	6	6001 781	Retainer
	6	116 000	Nut

CONTINUED ON NEXT PAGE

Part Type Code is Indicated in Parentheses

EXTERIOR VIEW - CHRYSLER C-L STATION WAGON

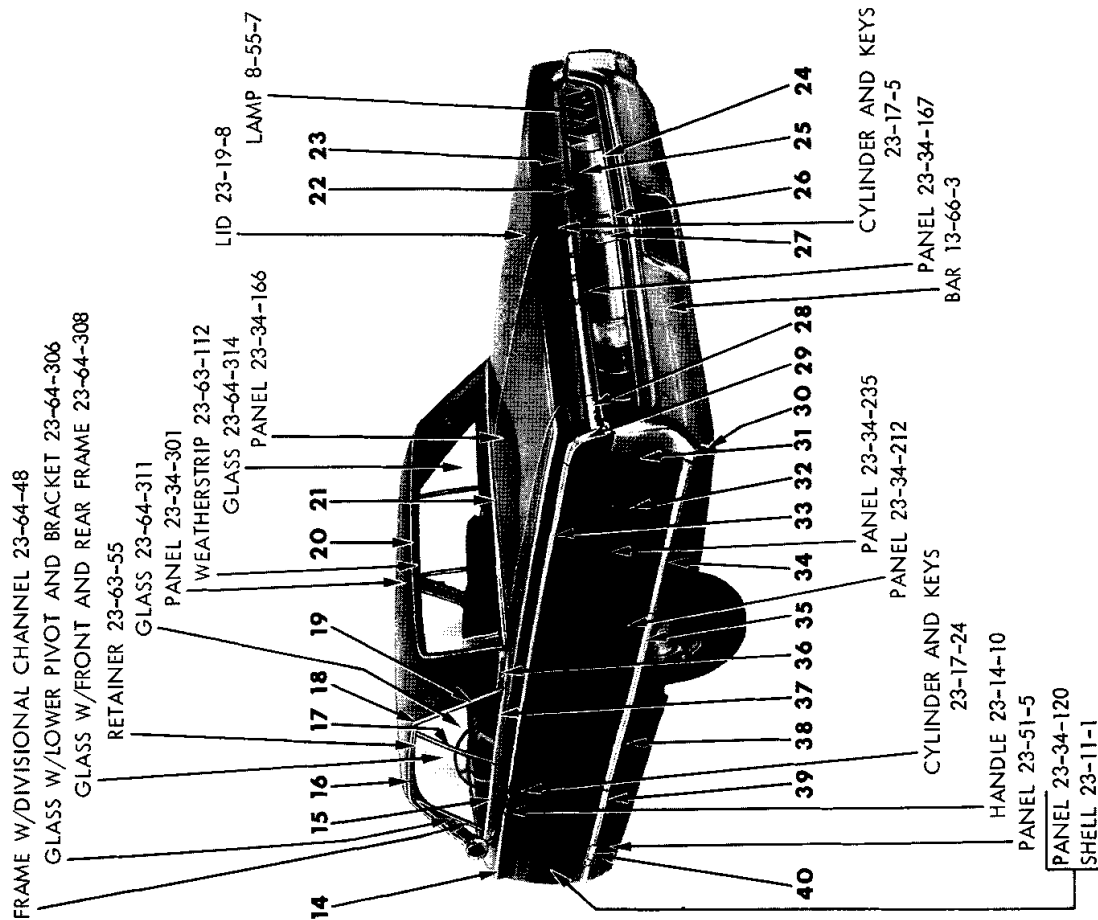
REF. NO.	QTY	PART NUMBER	DESCRIPTION
32	1	2524 270	NAME LETTER "C", Tailgate Outside Panel (23-54-11)
	1	2524 271	"H"
	2	2524 272	"R"
	1	2524 273	"Y"
	1	2524 274	"S"
	1	2524 275	"L"
	1	2524 276	"E"
	8	6024 286	Clip
33	1	2584 188	MOULDING PACKAGE, Tailgate Outside Upper (23-23-61)
	7	6001 777	Retainer
	7	116 000	Nut
34	1	2584 191	MOULDING PACKAGE, Tailgate Outside Lower (23-23-61)
	6	6001 773	Retainer
35	1	2584 228-9	MOULDING PACKAGE, Quarter Panel Upper Rear (23-23-39)
	2	6024 637	Screw
	4	6001 547	Clip
36	1	2526 460-1	MOULDING, Quarter Panel Bumper Opening (23-23-39)
	8	6024 373	Screw

REF. NO.	QTY	PART NUMBER	DESCRIPTION
37	2	2526 510	NAME PLATE, Quarter Panel Chrysler (23-34-238)
	5	6025 433	Nut
38	1	2584 284-5	MOULDING PACKAGE, Quarter Panel Upper Front (23-23-39)
	10	6001 667	Retainer
	8	6001 753	Retainer
	8	6025 140	Nut
39	1	2584 252-3	MOULDING PACKAGE, Rear Door Outside Upper (23-23-33)
	2	---- ---	Retainer
	6	6001 667	Retainer
	2	9417 621	Nut
39A	1	2584 278-9	MOULDING PACKAGE, Body Side Sill (23-23-2)
	4	6023 682	Screw
	18	6001 750	Retainer
40	1	2584 236-7	MOULDING PACKAGE, Front Door Outside Upper (23-23-32)
	2	---- ---	Retainer
	6	6001 667	Retainer
	2	9417 621	Nut

All Packages Include Attaching Parts

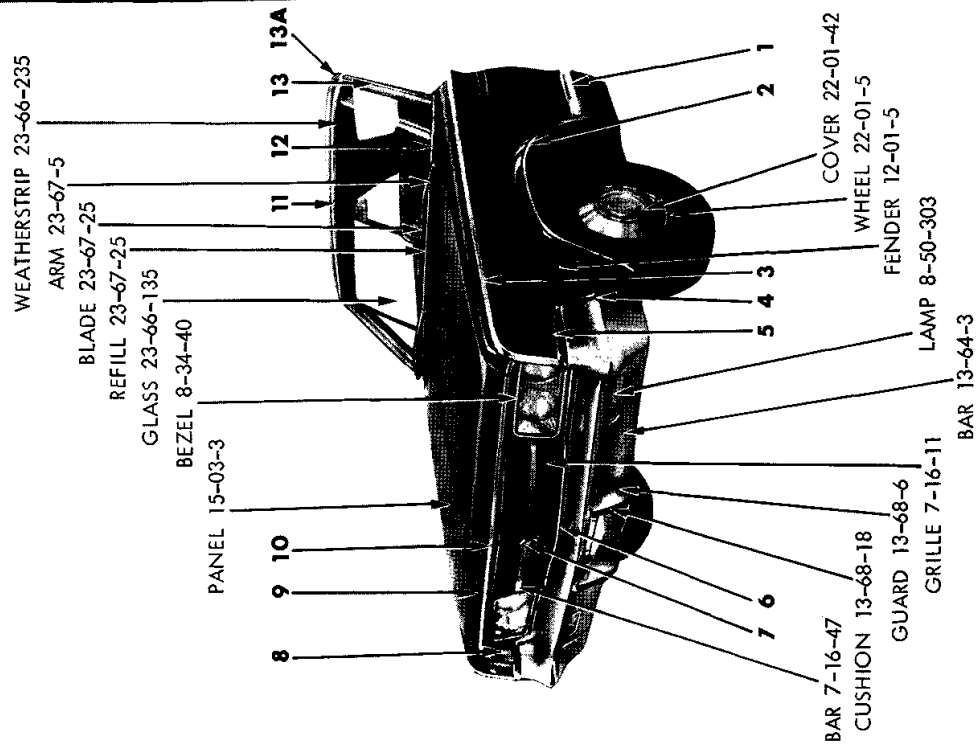
Part Type Code is Indicated in Parentheses

EXTERIOR VIEW - CHRYSLER C-L STATION WAGON



19a0222A

EXTERIOR VIEW - CHRYSLER C-M 2 DOOR HARDTOP



REF. NO.	QTY	PART NUMBER	DESCRIPTION	REF. NO.	QTY	PART NUMBER	DESCRIPTION
1	1	2584 114-5	MOULDING PACKAGE, Fender Side Lower (12-15-2)	19	1	2526 482-3	MOULDING, Roof Side Drain Trough Rear (23-59-61)
	4	6024 731	Washer	20	1	2525 596-7	MOULDING PACKAGE, Rear Window Outside Upper and Side (23-23-52) (Note #1)
	2	----	Nut		14	6001 648	Retainer
	2	----	Nut		1	2807 140-1	MOULDING PACKAGE, Rear Window Outside Upper and Side (23-23-52) (Note #2)
2	1	2524 786-7	MOULDING PACKAGE, Fender Wheel Opening (12-15-2)	21	1	2525 595	MOULDING PACKAGE, Rear Window Outside Lower (23-23-52) (Note #1)
	12	6024 271	Screw		7	6001 648	Retainer
3	1	2584 488-9	MOULDING PACKAGE, Fender Peak (12-15-2)		1	2807 138-9	MOULDING PACKAGE, Rear Window Outside Lower (23-23-52) (Note #2)
	8	6001 667	Clip	22	1	2584 182	MOULDING PACKAGE, Deck Opening Lower Panel Upper (23-23-23)
	6	6001 753	Retainer		4	6001 779	Clip
	6	6025 140	Nut		2	----	Nut
4	1	2584 116-7	MOULDING PACKAGE, Front Bumper Fender (12-15-2)	23	1	2584 184	MOULDING PACKAGE, Deck Lid Lower, Chrysler (23-23-30)
	6	----	Nut		8	6001 652	Retainer
5	1	2584 124-5	MOULDING PACKAGE, Fender Front Extension (12-15-2)		8	9417 621	Nut
	4	6024 349	Screw	24	1	2584 186-7	MOULDING PACKAGE, Deck Opening Lower Panel Lower (23-23-23)
	4	6023 164	Nut		6	6001 778	Clip
6	1	2524 084-5	FRAME, Radiator Grille (7-16-36)	25	1	2526 514-5	PANEL, Deck Opening Lower Finish (23-23-28)
7	1	2524 268	MEDALLION, Radiator Grille (7-17-1)		4	6024 564	Screw
8	1	2584 112-3	MOULDING PACKAGE, Fender Front (12-15-2)	26	1	2526 512	MOULDING, Deck Opening Lower Panel Fuel Filler Door (23-23-23)
	4	----	Nut		2	9413 268	Screw
	2	6025 148	Screw	27	1	2528 858	NUMERAL "3", Deck Opening Lower Panel Fuel Filler Door (23-34-184)
9	1	2524 270	LETTER, Hood Front Name, "C" (15-06-16)		2	2528 859	"0"
	1	2524 271	"H"		6	6023 260	Nut
	2	2524 272	"R"	28	1	2584 286-7	MOULDING PACKAGE, Quarter Panel Rear (23-23-39)
	1	2524 273	"Y"		2	6024 403	Screw
	1	2524 274	"S"		2	----	Nut
	1	2524 275	"L"	29	1	2584 206-7	MOULDING PACKAGE, Quarter Panel Upper Rear (23-23-39)
	1	2524 276	"E"		2	6024 637	Screw
	8	1839 995	Nut		2	----	Nut
10	1	2524 258	MOULDING, Hood Front (15-25-2)	30	1	2527 984-5	MOULDING, Quarter Panel Rear Lower (23-23-39)
	11	6024 895	Screw		4	6024 409	Screw
11	1	2584 099	MOULDING PACKAGE, Windshield Outside Upper (23-23-65)	31	1	2526 458-9	MOULDING, Quarter Panel Bumper Opening (23-23-39)
	8	6001 648	Retainer		6	6024 373	Screw
12	1	2584 110-1	MOULDING PACKAGE, Windshield Outside Lower (23-23-65)	32	1	2528 092-3	MEDALLION, Quarter Outside (23-34-334)
	10	6001 697	Retainer		8	6023 260	Nut
13	1	2584 106-7	MOULDING PACKAGE, Windshield Outside Side (23-23-65)	33	1	2584 254-5	MOULDING PACKAGE, Quarter Panel Upper Front (23-23-39)
	8	6001 648	Retainer		18	6001 667	Retainer
13A	1	2574 850-1	MOULDING, Front Pillar Trim, use w/Vinyl Roof (23-23-14)		8	6001 753	Retainer
	2	6023 682	Screw		8	6025 140	Nut
14	1	2584 234-5	MOULDING PACKAGE, Door Outside Upper (23-23-32)				NOTE 1: UP TO SERIAL NO. 195358
	8	6001 667	Retainer				NOTE 2: AFTER SERIAL NO. 195358
	2	----	Retainer				
	2	9417 621	Nut				
15	1	2584 214-5	MOULDING PACKAGE, Door Outside Belt (23-23-32)				
	18	6001 496	Retainer				
	2	----	Retainer				
16	1	2526 480-1	MOULDING, Roof Side Drain Trough Front (23-59-61)				
17	1	2529 144-5	MOULDING, Quarter Window Glass Front (23-23-73)				
18	1	2526 484-5	COVER, Roof Side Drain Trough Moulding Front (23-59-57)				

All Packages Include Attaching Parts

Part Type Code is Indicated in Parentheses

CONTINUED ON NEXT PAGE

EXTERIOR VIEW - CHRYSLER C-M 2 DOOR HARDTOP

REF. NO.	QTY	PART NUMBER	DESCRIPTION
34	1	2584 260-1	MOULDING PACKAGE, Quarter Panel Lower Rear (23-23-39)
	8	6001 821	Clip
	8	---- ---	Sealer
	8	6006 438	Nut
	2	6001 819	Clip
35	1	2584 264-5	MOULDING PACKAGE, Quarter Outside Wheelhouse Opening Panel (23-23-39)
	8	---- ---	Clip
	8	---- ---	Sealer
	8	6006 438	Nut
36	1	2584 178-9	MOULDING PACKAGE, Roof Outside Extension Belt (23-23-42)
	4	---- ---	Washer
	4	9411 618	Nut

REF. NO.	QTY	PART NUMBER	DESCRIPTION
37	1	2584 218-9	MOULDING PACKAGE, Quarter Panel Belt (23-23-39)
	12	6001 496	Retainer
38	1	2584 262-3	MOULDING PACKAGE, Quarter Panel Lower Front (23-23-39)
	8	6001 819	Clip
39	1	2584 242-3	MOULDING PACKAGE, Door Outside Lower Rear (23-23-32)
	4	6001 819	Clip
	2	---- ---	Clip, Right
	2	6001 829	Clip, Left
	2	9417 621	Nut
40	1	2584 240-1	MOULDING PACKAGE, Door Outside Lower Front (23-23-32)
	2	---- ---	Nut
	4	---- ---	Nut

All Packages Include Attaching Parts

Part Type Code is Indicated in Parentheses

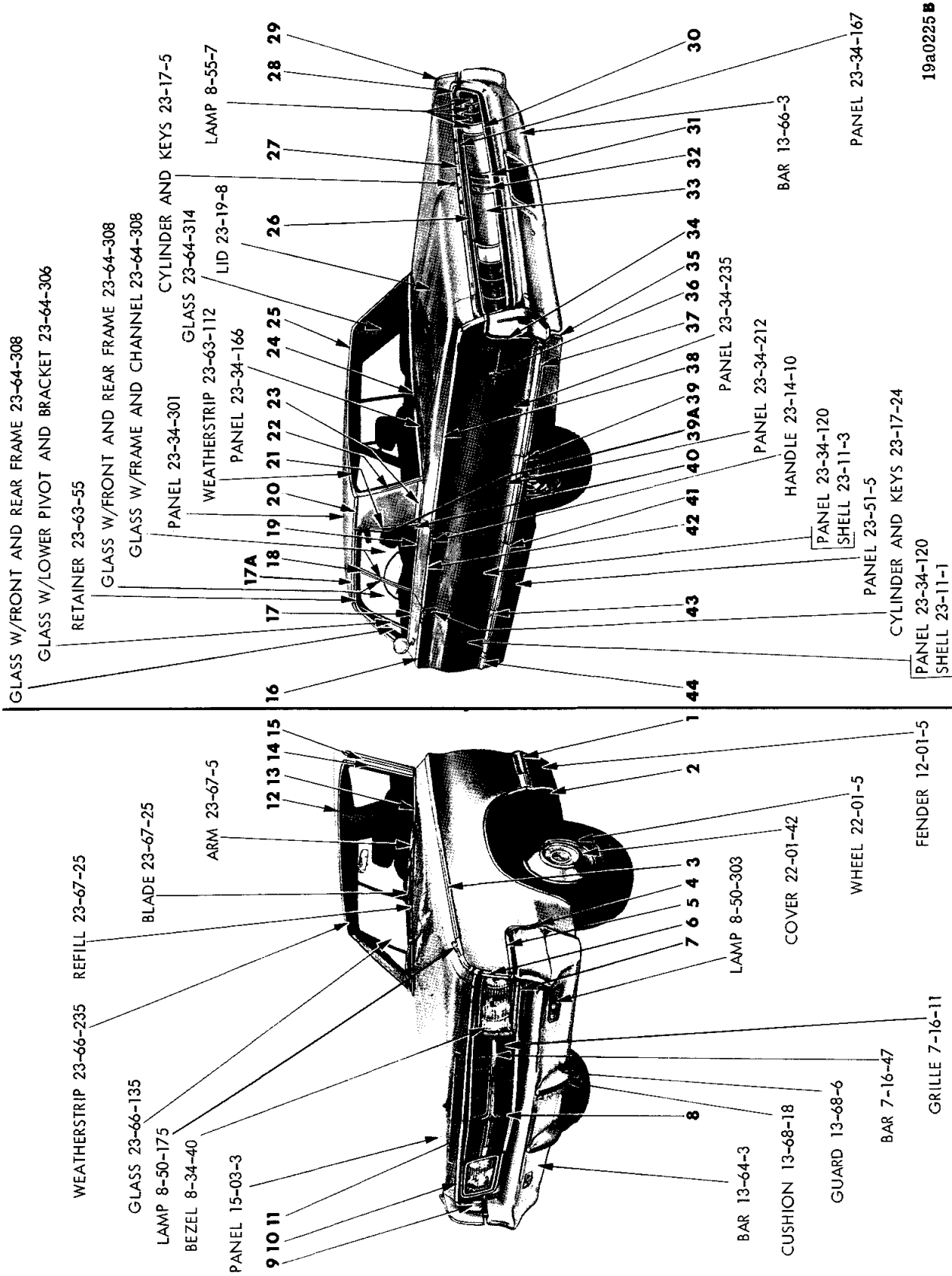
EXTERIOR VIEW - CHRYSLER C-M 2 DOOR HARDTOP

CODE	PART NAME AND DESCRIPTION	C Y L	PER CAR	VALIANT	PLYMOUTH BELVEDERE	PLYMOUTH FURY	IMPERIAL
				DART	DODGE CORONET	DODGE POLARA CHRYSLER	

NOTES

TYPE LETTERS Indicate: V - Valiant R - Belvedere P - Plymouth C - Chrysler
L - Dart W - Coronet D - Dodge Y - Imperial

★Indicates use as required. Printed in U.S.A.
☺Indicates parts not listed in any previous parts book. Prices and specifications subject to change without notice.
Page 23-159 May, 1965 Supersedes Nov. 30, 1964.



EXTERIOR VIEW - CHRYSLER C-M 4 DOOR HARDTOP

19a0225 B

REF. NO.	QTY	PART NUMBER	DESCRIPTION
1	1	2584 114-5	MOULDING PACKAGE, Fender Side Lower (12-15-2)
	4	6024 731	Washer
	2	---- ---	Nut
	2	---- ---	Nut
2	1	2524 786-7	MOULDING PACKAGE, Fender Wheel Opening (12-15-2)
	12	6024 271	Screw
3	1	2584 120-1	MOULDING PACKAGE, Fender Peak Rear (12-15-2)
	6	6001 753	Retainer
	8	6001 667	Clip
	6	6025 140	Nut
4	1	2584 116-7	MOULDING PACKAGE, Front Bumper Fender (12-15-2)
	6	---- ---	Nut
5	1	2584 124-5	MOULDING PACKAGE, Fender Front Extension (12-15-2)
	4	6024 349	Screw
	4	6023 164	Nut
6	1	2584 118-9	MOULDING PACKAGE, Fender Peak Front (12-15-2)
	4	6001 753	Retainer
	4	6025 140	Nut
7	1	2524 084-5	FRAME, Radiator Grille (7-16-36)
8	1	2524 268	MEDALLION, Radiator Grille (7-17-1)
9	1	2584 112-3	MOULDING PACKAGE, Fender Front (12-15-2)
	4	---- ---	Nut
	2	6025 148	Screw
10	1	2524 258	MOULDING PACKAGE, Hood Front (15-25-2)
	11	6024 895	Screw
11	1	2524 270	LETTER, Hood Front Name, "C" (15-06-16)
	1	2524 271	"H"
	2	2524 272	"R"
	1	2524 273	"Y"
	1	2524 274	"S"
	1	2524 275	"L"
	1	2524 276	"E"
	8	1839 995	Nut
12	1	2584 099	MOULDING PACKAGE, Windshield Outside Upper (23-23-65)
	8	6001 648	Retainer
13	1	2584 110-1	MOULDING PACKAGE, Windshield Outside Lower (23-23-65)
	10	6001 697	Retainer
14	1	2584 106-7	MOULDING PACKAGE, Windshield Outside Side (23-23-65)
	8	6001 648	Retainer
15	1	2528 002-3	MOULDING, Body Front Pillar Drain Trough, w/o Vinyl Roof (Lgh. approx. 22") (23-59-61)
	8	9415 214	Washer
	1	2807 364-5	MOULDING PACKAGE, Body Front Pillar Drain Trough, w/o Vinyl Roof (Lgh. approx. 27") (23-59-61)
	6	6023 370	Screw
	1	2605 436-7	MOULDING, Body Front Pillar Drain Trough, w/Vinyl Roof (23-59-61)

All Packages Include Attaching Parts

REF. NO.	QTY	PART NUMBER	DESCRIPTION
16	1	2584 236-7	MOULDING PACKAGE, Front Door Outside Upper (23-23-32)
	2	---- ---	Retainer
	6	6001 667	Retainer
	2	9417 621	Nut
17	1	2584 212-3	MOULDING PACKAGE, Front Door Outside Belt (23-23-32)
	16	6001 496	Retainer
17A	1	2605 438-9	MOULDING, Roof Side Drain Trough, w/Vinyl Roof (23-59-61)
18	1	2664 678-9	MOULDING w/Weatherstrip Retainer, Rear Door Window Glass Frame Front (23-23-33) (23-63-105)
	10	6024 997	Screw
19	1	2584 248-9	MOULDING PACKAGE, Rear Door Outside Belt (23-23-33)
	2	---- ---	Retainer
	10	6001 797	Clip
20	1	2573 222-3	MOULDING, Roof Side Drain Trough Front and Rear, w/o Vinyl Roof (Lgh. approx. 55") (23-59-61)(Note #1)
	★	6001 815	Retainer
	8	6024 271	Washer
	14	9415 214	Screw
	1	2603 948-9	MOULDING, Roof Side Drain Trough Front and Rear, w/o Vinyl Roof (Lgh. approx. 55") (23-59-61) (Note #2)
	2	6001 815	Retainer
	2	6024 271	Washer
	14	9415 214	Retainer
	6	6023 370	Screw
	1	2807 368-9	MOULDING PACKAGE, Roof Side Drain Trough, Front and Rear, w/o Vinyl Roof (Lgh. approx. 60")(23-59-61)
21	1	2526 852-3	MOULDING, Roof Panel Extension Front, w/o Vinyl Roof (23-23-42)
	4	9414 742	Screw
	1	2605 440-1	MOULDING, Roof Side Drain Trough Rear, w/Vinyl Roof (23-59-61)
22	1	2525 592-3	MOULDING PACKAGE, Rear Window Outside Side (23-23-52)
	6	6001 648	Retainer
23	1	2584 172-3	MOULDING PACKAGE, Roof Outside Extension Belt, w/o Vinyl Roof (23-23-42)
	6	6022 077	Washer
	6	9411 618	Nut
	1	2584 424-5	MOULDING PACKAGE, Roof Side Extension Belt, w/Vinyl Roof (23-23-42)
	6	---- ---	Washer
	6	---- ---	Nut

NOTE 1: UP TO SERIAL NO. 116783

NOTE 2: AFTER SERIAL NO. 116783

CONTINUED ON NEXT PAGE

Part Type Code is Indicated in Parentheses

EXTERIOR VIEW - CHRYSLER C-M 4 DOOR HARDTOP

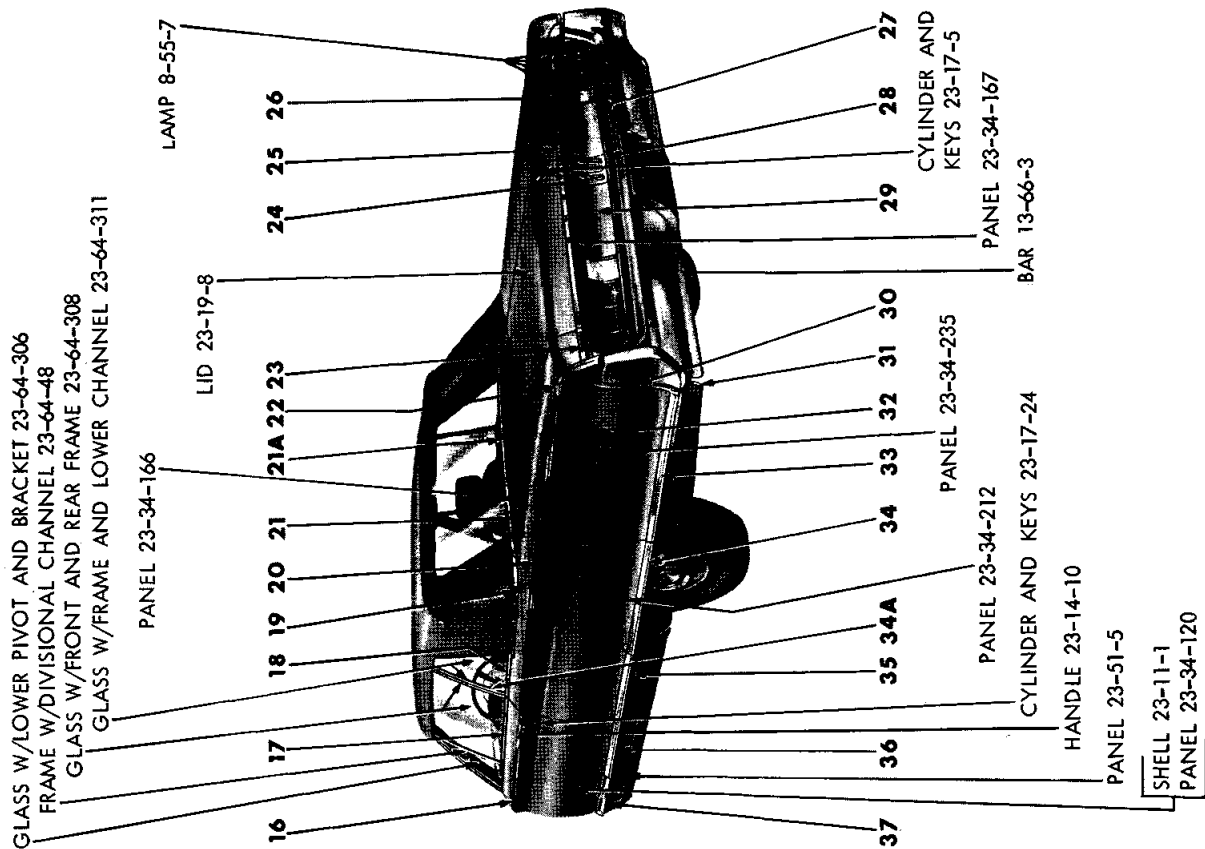
REF. NO.	QTY	PART NUMBER	DESCRIPTION
24	1	2525 594	MOULDING PACKAGE, Rear Window Outside Lower (23-23-52)
	8	6001 648	Retainer
25	1	2525 598-9	MOULDING PACKAGE, Rear Window Outside Upper (23-23-52)
	8	6001 648	Retainer
26	1	2584 182	MOULDING PACKAGE, Deck Opening Lower Panel Upper (23-23-23)
	4	6001 779	Clip
	2	----	Nut
27	1	2584 184	MOULDING PACKAGE, Deck Lid Lower, Chrysler (23-23-30)
	8	6001 652	Retainer
	8	9417 621	Nut
28	1	2584 286-7	MOULDING PACKAGE, Quarter Outside Rear (23-23-39)
	2	6024 403	Screw
	2	----	Nut
29	1	2584 206-7	MOULDING PACKAGE, Quarter Outside Upper Rear (23-23-39)
	2	6024 637	Screw
	2	----	Nut
30	1	2584 186-7	MOULDING PACKAGE, Deck Opening Lower Panel Lower (23-23-23)
	6	6001 778	Clip
31	1	2526 512	MOULDING, Deck Opening Lower Panel Fuel Filler Door (23-23-23)
	2	9413 268	Screw
32	1	2528 858	NUMERAL "3", Deck Opening Lower Panel Fuel Filler Door (23-34-184)
	2	2528 859	"0"
	6	6023 260	Nut
33	1	2526 514-5	PANEL, Deck Opening Lower Finish (23-23-28)
	4	6024 560	Screw
34	1	2526 458-9	MOULDING, Quarter Panel Bumper Opening (23-23-39)
	6	6024 373	Screw
35	1	2527 984-5	MOULDING, Quarter Panel Rear Lower (23-23-39)
	4	6024 409	Screw
36	1	2528 092-3	MEDALLION, Quarter Panel (23-34-334)
	8	6023 260	Nut

REF. NO.	QTY	PART NUMBER	DESCRIPTION
37	1	2584 260-1	MOULDING PACKAGE, Quarter Panel Lower Rear (23-23-39)
	8	----	Sealer
	8	6001 821	Clip
	2	6001 819	Clip
	8	6006 438	Nut
38	1	2584 284-5	MOULDING PACKAGE, Quarter Panel Upper Front (23-23-39)
	10	6001 667	Retainer
	8	6001 753	Retainer
	8	6025 140	Nut
39	1	2584 264-5	MOULDING PACKAGE, Quarter Outside Wheel Opening Panel (23-23-39)
	8	----	Clip
	8	----	Sealer
	8	6006 438	Nut
39A	1	2573 546-7	COVER, Roof Side Drain Trough Moulding Rear, w/Vinyl Roof (23-59-57)
40	1	2571 172-3	ORNAMENT and WEATHERSTRIP, Rear Door Rear Inner (23-11-33) (23-63-33)
	1	2571 184-5	ORNAMENT and WEATHERSTRIP, Rear Door Rear Outer (23-11-33) (23-63-33)
	4	----	Screw
	4	6025 425	Screw
	2	456 867	Screw
	2	9416 628	Screw
41	1	2584 258-9	MOULDING PACKAGE, Rear Door Outside Lower (23-23-33)
	10	6001 819	Clip
42	1	2584 252-3	MOULDING PACKAGE, Rear Door Outside Upper (23-23-33)
	2	6001 771	Retainer
	6	6001 667	Retainer
	2	6026 335	Nut
43	1	2584 244-5	MOULDING PACKAGE, Front Door Outside Lower Rear (23-23-32)
	2	----	Clip, Right
	2	6001 829	Clip, Left
	2	6001 819	Clip
	4	9417 621	Nut
44	1	2584 240-1	MOULDING PACKAGE, Front Door Outside Lower Front (23-23-32)
	2	----	Nut
	4	----	Nut

All Packages Include Attaching Parts

Part Type Code is Indicated in Parentheses

EXTERIOR VIEW - CHRYSLER C-M 4 DOOR HARDTOP



19a0224A

EXTERIOR VIEW - CHRYSLER C-M CONVERTIBLE COUPE

REF. NO.	QTY	PART NUMBER	DESCRIPTION	REF. NO.	QTY	PART NUMBER	DESCRIPTION
1	1	2584 114-5	MOULDING PACKAGE, Fender Side Lower (12-15-2)	18	1	2584 220-1	MOULDING PACKAGE, Quarter Outside Belt (23-23-39)
	4	6024 731	Washer	6	6001 496		Retainer
	2	----	Nut	2	----		Screw
	2	----	Nut	19	1	2584 088-9	MOULDING PACKAGE, Quarter Outside Panel Belt Rear (23-23-39)
2	1	2584 120-1	MOULDING PACKAGE, Fender Peak Rear (12-15-2)	2	2094 380		Fastener
	8	6001 667	Clip	2	----		Screw
	6	6001 753	Retainer	20	1	2584 254-5	MOULDING PACKAGE, Quarter Outside Upper Front (23-23-39)
	6	6025 140	Nut	18	6001 667		Retainer
3	1	2524 786-7	MOULDING PACKAGE, Fender Wheel Opening (12-15-2)	8	6001 753		Retainer
	12	6024 271	Screw	8	6025 140		Nut
4	1	2584 116-7	MOULDING PACKAGE, Front Bumper Fender (12-15-2)	21	1	2584 082-3	MOULDING PACKAGE, Deck Opening Upper Panel (23-23-31)
	6	----	Nut	20	2094 380		Fastener
5	1	2584 124-5	MOULDING PACKAGE, Fender Front Extension (12-15-2)	21A	1	2584 081	CAP PACKAGE, Deck Opening Upper Panel Moulding (23-23-41)
	4	6024 349	Screw	1	2094 380		Fastener
	4	6023 164	Nut	22	1	2584 206-7	MOULDING PACKAGE, Quarter Outside Upper Rear (23-23-39)
6	1	2584 118-9	MOULDING PACKAGE, Fender Peak Front (12-15-2)	2	6024 637		Screw
	4	6001 753	Retainer	2	----		Nut
	4	6025 140	Nut	23	1	2584 286-7	MOULDING PACKAGE, Quarter Outside Rear (23-23-39)
7	1	2524 084-5	FRAME, Radiator Grille (7-16-36)	2	6024 403		Screw
8	1	2524 268	MEDALLION, Radiator Grille (7-17-1)	2	----		Nut
9	1	2584 112-3	MOULDING PACKAGE, Fender Front (12-15-2)	24	1	2528 858	NUMERAL "3", Deck Opening Lower Panel Fuel Filler Door (23-34-184)
	2	6025 148	Screw	2	2528 859		"0"
	4	----	Nut	6	6023 260		Nut
10	1	2524 258	MOULDING PACKAGE, Hood Front (15-25-2)	25	1	2584 184	MOULDING PACKAGE, Deck Lid Lower, Chrysler (23-23-30)
	11	6024 895	Screw	8	6001 652		Retainer
11	1	2524 270	LETTER, Hood Front Name, "C" (15-06-16)	8	9417 621		Nut
	1	2524 271	"H"	26	1	2584 182	MOULDING PACKAGE, Deck Opening Lower Panel Upper (23-23-23)
	2	2524 272	"R"	4	6001 779		Clip
	1	2524 273	"Y"	2	----		Nut
	1	2524 274	"S"	27	1	2584 186-7	MOULDING PACKAGE, Deck Opening Lower Panel Lower (23-23-23)
	1	2524 275	"L"	6	6001 778		Clip
	1	2524 276	"E"	28	1	2526 512	MOULDING, Deck Opening Lower Panel Fuel Filler Door (23-23-23)
	8	1839 995	Nut	2	9413 268		Screw
12	1	2584 099	MOULDING PACKAGE, Windshield Outside Upper (23-23-65)	29	1	2526 514-5	PANEL, Deck Opening Lower Finish (23-23-28)
	8	6001 648	Retainer	4	6024 564		Screw
13	1	2484 602-3	MOULDING, Windshield Outside Upper Header (23-23-65)	30	1	2526 458-9	MOULDING, Quarter Panel Bumper Opening (23-23-39)
	5	6025 132	Screw	6	6024 373		Screw
14	1	2584 110-1	MOULDING PACKAGE, Windshield Outside Lower (23-23-65)	31	1	2527 984-5	MOULDING, Quarter Panel Rear Lower (23-23-39)
	10	6001 697	Retainer	4	6024 409		Screw
15	1	2481 844-5	MOULDING, Body Front Upper Pillar Outside (23-23-14)	All Packages Include Attaching Parts			
	8	9415 214	Screw	Part Type Code is Indicated in Parentheses			
	1	2528 662-3	EXTENSION, Frt. Plr. Outside Mldg. Lwr. (23-23-14)	CONTINUED ON NEXT PAGE			
	4	9418 246	Screw	EXTERIOR VIEW - CHRYSLER C-M CONVERTIBLE COUPE			
15A	1	2584 106-7	MOULDING PACKAGE, Windshield Outside Side (23-23-65)	Printed in U.S.A.			
	8	6001 648	Retainer	Page 23-165			
16	1	2584 234-5	MOULDING PACKAGE, Door Outside Upper (23-23-32)	March, 1966 Supersedes May, 1965.			
	8	6001 667	Retainer				
	2	----	Retainer 2 9417 621 Nut				
17	1	2584 214-5	MOULDING PACKAGE, Door Outside Belt (23-23-32)				
	16	6001 496	Retainer				

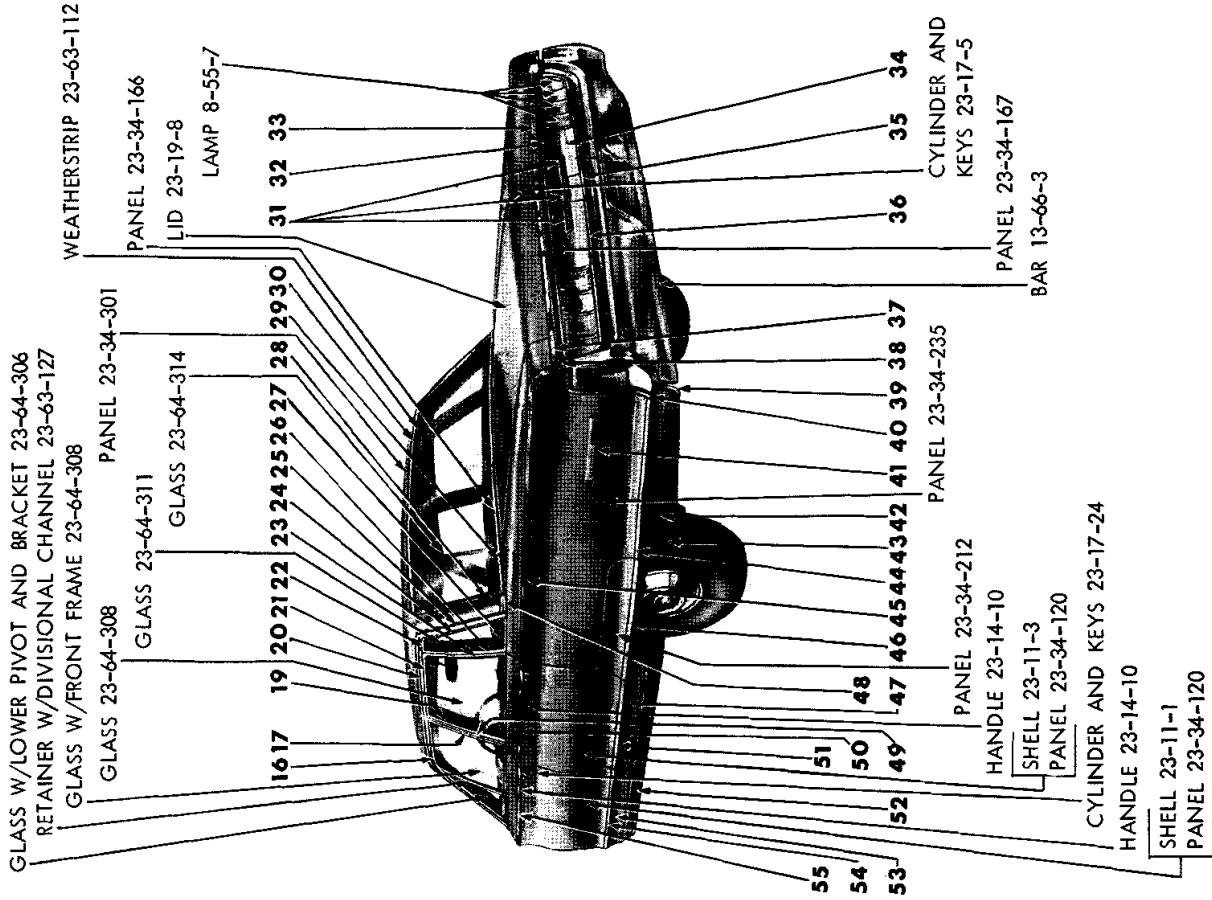
REF. NO.	QTY	PART NUMBER	DESCRIPTION
32	1	2528 092-3	MEDALLION, Quarter Outside (23-34-334)
	8	6023 260	Nut
33	1	2584 260-1	MOULDING PACKAGE, Quarter Panel Lower Rear (23-23-39)
	8	6001 821	Clip
	8	-----	Sealer
	8	6006 438	Nut
	2	6001 819	Clip
34	1	2584 264-5	MOULDING PACKAGE, Quarter Outside Wheel Opening Panel (23-23-39)
	8	6001 821	Clip
	8	-----	Sealer
	8	6006 438	Nut

REF. NO.	QTY	PART NUMBER	DESCRIPTION
34A	1	2529 096-7	MOULDING, Quarter Window Glass Front (23-23-73)
35	1	2584 262-3	MOULDING PACKAGE, Quarter Panel Lower Front (23-23-39)
	8	6001 819	Clip
36	1	2584 242-3	MOULDING PACKAGE, Door Outside Lower Rear (23-23-32)
	2	-----	Clip - Right
	2	6001 829	Clip - Left
	2	9417 621	Nut
37	1	2584 240-1	MOULDING PACKAGE, Door Outside Lower Front (23-23-32)
	2	-----	Nut
	4	6001 819	Clip
	4	-----	Nut

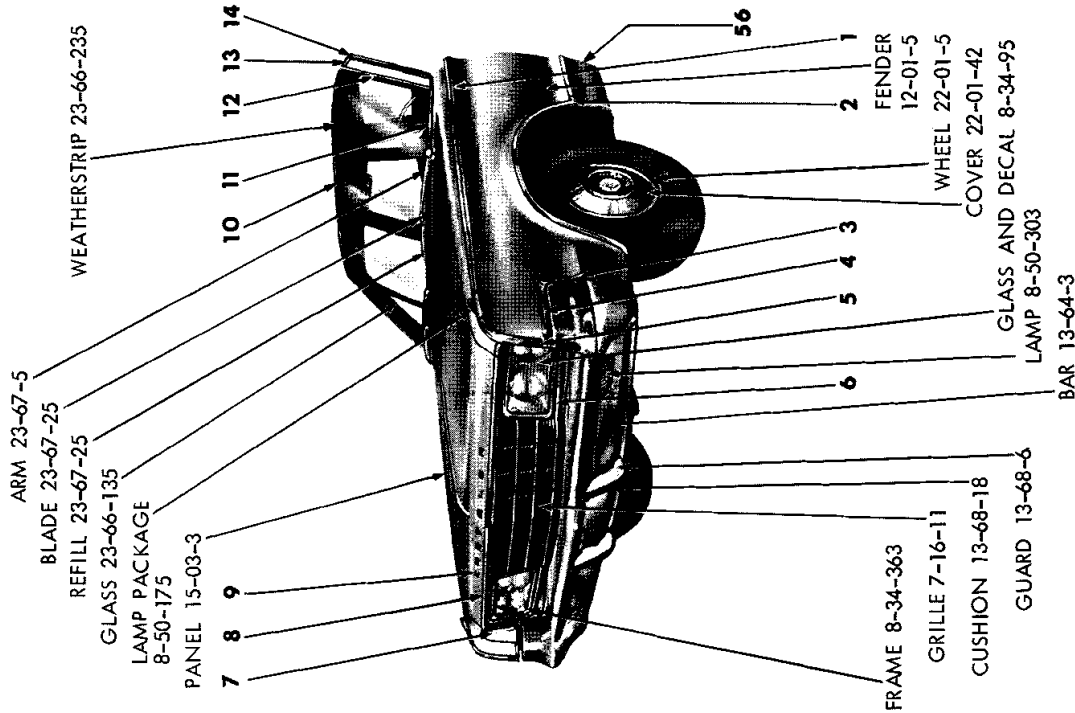
All Packages Include Attaching Parts

Part Type Code is Indicated in Parentheses

EXTERIOR VIEW - CHRYSLER C-M CONVERTIBLE COUPE



19a0228B



EXTERIOR VIEW - CHRYSLER C-H 4 DOOR SEDAN (6 WINDOW)

REF. NO.	QTY	PART NUMBER	DESCRIPTION	REF. NO.	QTY	PART NUMBER	DESCRIPTION
1	1	2584 120-1	MOULDING PACKAGE, Fender Peak, Rear (12-15-2)	22	1	2584 200-1	MOULDING PACKAGE, Quarter Window Outside Upper (23-23-73)
	8	6001 667	Clip	6	6024 659	Screw	
	6	6001 753	Retainer	2	2527 816	Clip and Seal	
	6	6025 140	Nut	23	1	2492 800-1	MOULDING, Rear Door Window Opening Frame Rear (23-23-33)
2	1	2524 286-7	MOULDING, Fender Wheel Opening (12-15-2)	24	1	2584 202-3	MOULDING and STUD PACKAGE, Quarter Window Outside Rear (23-23-73)
	14	6024 271	Screw	6	116 000	Nut and Washer	
3	1	2584 116-7	MOULDING PACKAGE, Front Bumper Fender (12-15-2)	25	1	2573 946-7	MOULDING, Roof Side Drain Trough Rear (w/o Vinyl Roof) (23-59-61)
	6	----	Nut	1	2605 020-1	MOULDING, Roof Side Drain Trough Rear (w/Vinyl Roof) (23-59-61)	
4	1	2584 124-5	MOULDING PACKAGE, Fender Front Extension (12-15-2)	26	1	2484 558-9	MOULDING, Quarter Window Outside Front (23-23-73)
	4	6024 349	Screw	6	6023 247	Screw	
	4	6023 164	Nut	27	1	2584 216-7	MOULDING PACKAGE, Quarter Outside Belt (23-23-39)
5	1	2584 118-9	MOULDING PACKAGE, Fender Peak, Front (12-15-2)	6	6001 496	Retainer	
	4	6001 753	Retainer	28	1	2584 100-1	MOULDING PACKAGE, Rear Window Outside Side (23-23-52)
	4	6025 140	Nut	6	6001 648	Retainer and Screw	
6	1	2524 084-5	FRAME, Radiator Grille (7-16-36)	29	1	2584 098	MOULDING PACKAGE, Rear Window Outside Lower (23-23-52)
7	1	2584 112-3	MOULDING PACKAGE, Fender Front (12-15-2)	30	1	2584 102-3	MOULDING PACKAGE, Rear Window Outside Upper (23-23-52)
	4	----	Nut	8	6001 648	Retainer and Screw	
	2	6025 148	Screw	31	2	2528 514	MEDALLION and BASE, Deck Opening Lower Fuel Filler Door (23-34-184)
8	1	2524 258	MOULDING, Hood Front (15-25-2)	1	2528 512-3	MEDALLION and BASE, Deck Opening Lower (23-34-184)	
	11	6024 895	Screw	6	2166 363	Washer	
9	1	2524 270	LETTER "C", Hood Front Name (15-06-16)	2	6023 685	Nut	
	1	2524 271	"H"	32	1	2584 182	MOULDING PACKAGE, Deck Opening Lower Panel Upper (23-23-23)
	2	2524 272	"R"	4	6001 779	Clip	
	1	2524 273	"Y"	2	----	Nut	
	1	2524 274	"S"	33	1	2584 184	MOULDING PACKAGE, Deck Lid Lower, Chrysler (23-23-30)
	1	2524 275	"L"	8	6001 652	Retainer	
	1	2524 276	"E"	8	9417 621	Nut	
	8	1839 995	Nut	34	1	2526 514-5	PANEL, Deck Opening Lower Finish (23-23-28)
10	1	2584 104	MOULDING PACKAGE, Windshield Outside Upper (23-23-65)	4	6001 779	Clip	
	8	6001 648	Retainer	6	6001 778	Clip	
11	1	2584 110-1	MOULDING PACKAGE, Windshield Outside Lower (23-23-65)	35	1	2526 512	MOULDING, Deck Opening Lower Panel Fuel Filler Door (23-23-23)
	10	6001 697	Retainer	2	9413 268	Screw	
12	1	2584 108-9	MOULDING PACKAGE, Windshield Outside Side (23-23-65)	36	1	2584 186-7	MOULDING PACKAGE, Deck Opening Lower Panel Lower (23-23-23)
	8	6001 648	Retainer	6	6001 778	Clip	
13	1	2529 444-5	MOULDING, Body Front Pillar Trim (Spec. Equip.) (23-23-14)	37	1	2584 286-7	MOULDING PACKAGE, Quarter Panel Rear (23-23-39)
	2	6023 682	Screw	2	6024 403	Screw	
14	1	2529 264-5	MOULDING, Body Front Pillar Drain Trough (w/o Vinyl Roof) (23-59-61)	2	----	Nut	
	1	2605 018-9	MOULDING, Body Front Pillar Drain Trough (w/Vinyl Roof) (23-59-61)				
16	1	2492 782-3	MOULDING, Front Door Window Opening Frame Upper (23-23-32)				
17	1	2492 784-5	MOULDING, Front Door Window Opening Frame Rear (23-23-32)				
19	1	2492 796-7	MOULDING, Rear Door Window Opening Frame Front (23-23-33)				
20	1	2573 944-5	MOULDING, Roof Side Drain Trough Front (w/o Vinyl Roof) (23-59-61)				
	1	2605 016-7	MOULDING, Roof Side Drain Trough Front (w/Vinyl Roof) (23-59-61)				
21	1	2492 798-9	MOULDING, Rear Door Window Opening Frame Upper (23-23-33)				

All Packages Include Attaching Parts

Part Type Code is Indicated in Parentheses

CONTINUED ON NEXT PAGE

EXTERIOR VIEW - CHRYSLER C-H 4 DOOR SEDAN (6 WINDOW)

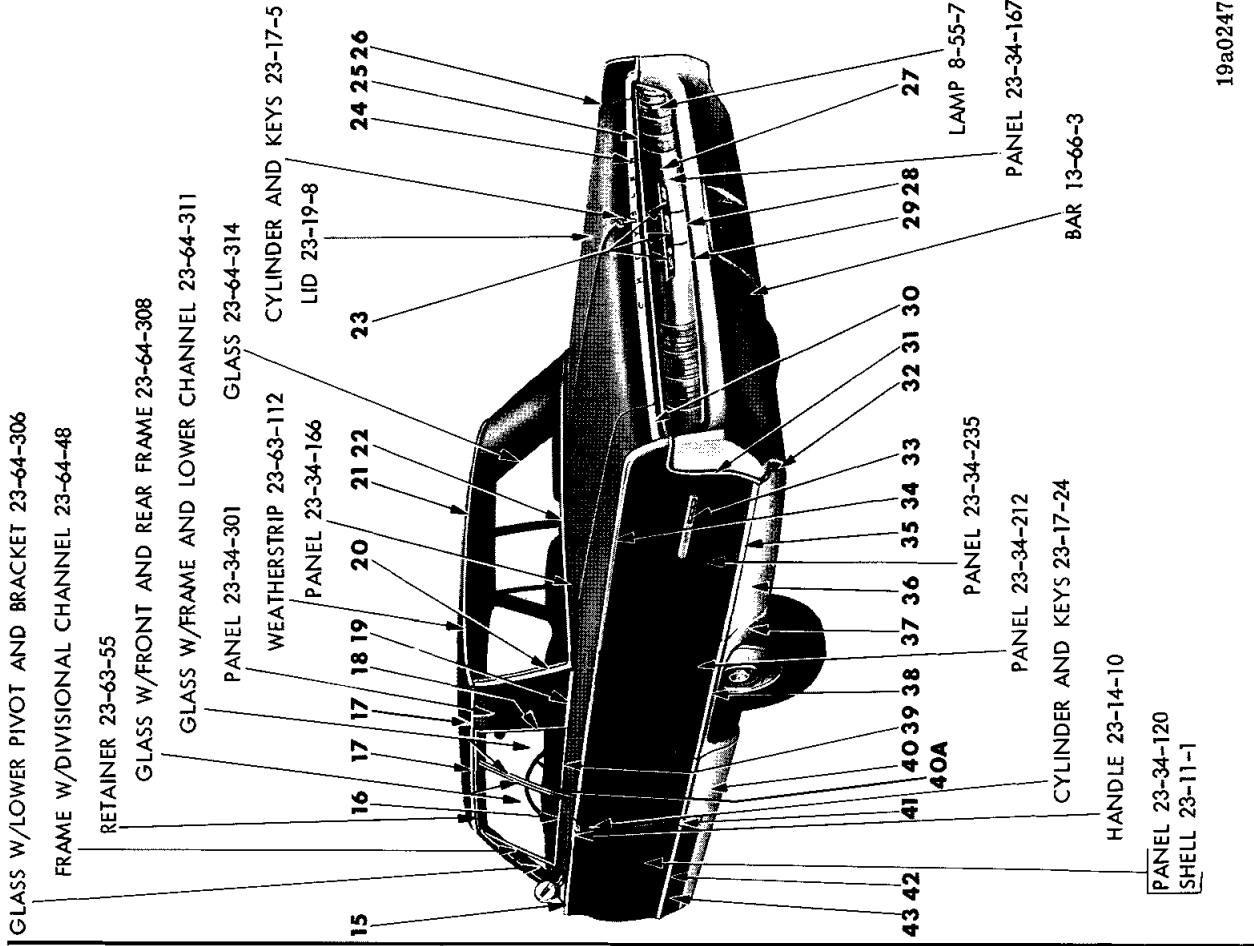
REF. NO.	QTY	PART NUMBER	DESCRIPTION
38	1	2584 206-7	MOULDING PACKAGE, Quarter Panel Upper Rear (23-23-39)
	2	6024 637	Screw
	2	-----	Nut
39	1	2527 984-5	MOULDING, Quarter Panel Rear Lower (23-23-39)
	4	6024 409	Screw
40	1	2526 458-9	MOULDING, Quarter Panel Bumper Opening (23-23-39)
	6	6024 373	Screw
41	2	2528 477	BASE and NAME PLATE, Quarter Outside, New Yorker (23-34-238)
	4	-----	Nut
	4	6000 960	Clip
42	1	2526 450-1	PANEL, Quarter Panel Finish Rear (Spec. Equip.) (23-23-85)
43	1	2526 446-7	PANEL, Quarter Outside Wheel Opening Finish (Spec. Equip.) (23-23-85)
44	1	2584 276-7	MOULDING PACKAGE, Quarter Panel Lower Rear (23-23-39)
	2	6024 637	Screw
	6	6001 838	Retainer
	6	6001 752	Retainer
	4	6001 802	Retainer
45	1	2584 284-5	MOULDING PACKAGE, Quarter Panel Upper Front (23-23-39)
	10	6001 667	Retainer
	8	6001 753	Retainer
	8	6025 140	Nut
46	1	2584 274-5	MOULDING PACKAGE, Quarter Panel Outside Wheel Opening (23-23-39)
	4	6024 271	Screw
	8	116 000	Nut
	8	6001 752	Clip
47	1	2526 456-7	PANEL, Rear Door Outside Finish (Spec. Equip.) (23-23-80)
48	1	2584 192-3	MOULDING PACKAGE, Roof Side Extension Belt (23-23-42)
	2	6001 767	Retainer and Seal
	1	2584 528-9	MOULDING PACKAGE, Roof Side Extension Belt (Chrome) (23-23-42)
	2	6001 767	Retainer and Screw

REF. NO.	QTY	PART NUMBER	DESCRIPTION
49	1	2570 110-1	PANEL, Body Center Pillar Outside Finish Upper (23-23-16)
	4	6023 247	Screw
50	1	2584 252-3	MOULDING PACKAGE, Rear Door Outside Upper (23-23-33)
	2	-----	Retainer
	2	9417 621	Nut
	6	6001 667	Retainer
51	1	2584 270-1	MOULDING PACKAGE, Rear Door Outside Lower (23-23-33)
	4	-----	Screw
	2	9417 621	Nut
	2	6001 769	Clip
	10	-----	Clip
52	2	2584 105	MOULDING PACKAGE, Body Side Sill Outside (Spec. Equip.) (23-23-2)
	18	6024 271	Screw
	18	6001 786	Clip
53	1	2526 452-3	PANEL, Front Door Outside Finish (Spec. Equip.) (23-23-80)
54	1	2584 268-9	MOULDING PACKAGE, Front Door Outside Lower (23-23-32)
	8	6024 271	Screw
	4	9417 621	Nut
	4	6001 769	Clip
	6	-----	Clip
55	1	2584 236-7	MOULDING PACKAGE, Front Door Outside Upper (23-23-32)
	2	-----	Retainer
	2	9417 621	Nut
	6	6001 667	Retainer
56	1	2524 884	PANEL, Fender Side Lower Finish, w/Medallion, Right (12-15-2)
	7	6024 271	Screw
	2	6001 752	Retainer and Seal
	2	-----	Nut
	1	6001 849	Clip
	1	2524 293	PANEL, Fender Side Lower Finish, Left (12-15-2)
	7	6024 271	Screw
	2	6001 752	Retainer and Seal
	2	-----	Nut
	1	6001 849	Clip

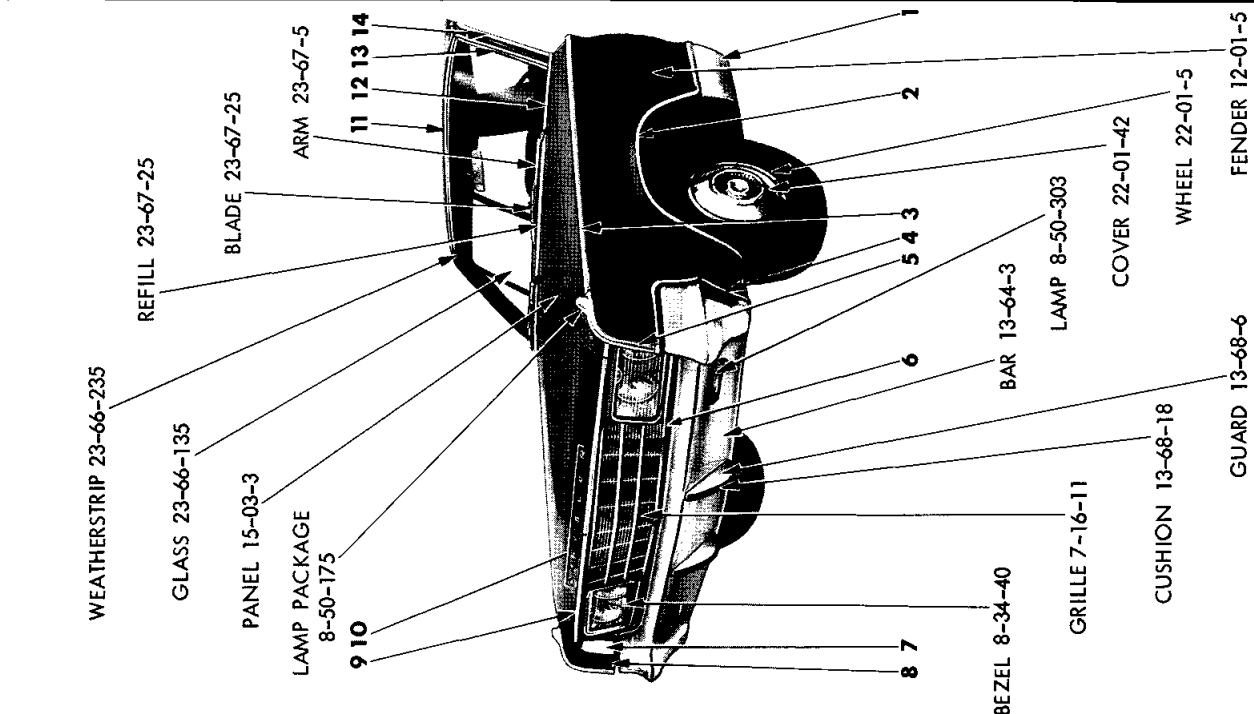
All Packages Include Attaching Parts

Part Type Code is Indicated in Parentheses

EXTERIOR VIEW - CHRYSLER C-H 4 DOOR SEDAN (6 WINDOW)



19a0247 B



EXTERIOR VIEW - CHRYSLER C-H 2 DOOR HARDTOP

REF. NO.	QTY	PART NUMBER	DESCRIPTION
1	1	2524 884	PANEL, Fender Side Lower Finish, w/Medallion, Right (12-15-2)
	7	6024 271	Screw
2		6001 752	Retainer and Seal
2		----	Nut
1		6001 849	Clip
1		2524 293	PANEL, Fender Side Lower Finish, Left (12-15-2)
	7	6024 271	Screw
	2	6001 752	Retainer and Seal
	2	----	Nut
	1	6001 849	Clip
2	1	2524 286-7	MOULDING, Fender Wheel Opening (12-15-2)
	14	6024 271	Screw
3	1	2584 120-1	MOULDING PACKAGE, Fender Peak Rear, w/Turn Signal Indicator (12-15-2)
	8	6001 667	Clip
	6	6001 753	Retainer
	6	6025 140	Nut
4	1	2584 116-7	MOULDING PACKAGE, Front Bumper Fender (12-15-2)
	6	----	Nut
5	1	2584 118-9	MOULDING PACKAGE, Fender Peak Front (12-15-2)
	4	6001 753	Retainer
	4	6025 140	Nut
6	1	2524 084-5	FRAME, Radiator Grille (7-16-36)
7	1	2584 112-3	MOULDING PACKAGE, Fender Front (12-15-2)
	4	----	Nut
	2	6025 148	Screw
8	1	2584 124-5	MOULDING PACKAGE, Fender Front Extension (12-15-2)
	4	6024 349	Screw
	4	6023 164	Nut
9	1	2524 258	MOULDING, Hood Front (15-25-2)
	11	6024 895	Screw
10	1	2524 270	LETTER, Hood Front Name, "C" (15-06-16)
	1	2524 271	"H"
	1	2524 272	"R"
	1	2524 273	"Y"
	1	2524 274	"S"
	1	2524 275	"L"
	1	2524 276	"E"
	1	2524 277	"R"
	8	1839 995	Nut, w/Seal
11	1	2584 099	MOULDING PACKAGE, Windshield Outside Upper (23-23-65)
	8	6001 648	Retainer
12	1	2584 110-1	MOULDING PACKAGE, Windshield Outside Lower (23-23-65)
	10	6001 697	Retainer
13	1	2584 106-7	MOULDING PACKAGE, Windshield Outside Side (23-23-65)
	8	6001 648	Retainer
14	1	2528 002-3	MOULDING, Body Front Pillar Drain Trough (Lgh. approx. 22") (23-59-61)
	8	9415 214	Washer
	1	2807 364-5	MOULDING PACKAGE, Body Front Pillar Drain Trough (Lgh. approx. 27")(23-59-61)
	6	6023 370	Screw

All Packages Include Attaching Parts

REF. NO.	QTY	PART NUMBER	DESCRIPTION
15	1	2584 234-5	MOULDING PACKAGE, Door Outside Upper (23-23-32)
	2	9417 621	Nut
	8	6001 667	Retainer
	2	----	Retainer
16	1	2584 214-5	MOULDING PACKAGE, Door Outside Belt (23-23-32)
	16	6001 496	Retainer
	2	----	Retainer
17	1	2573 222-3	MOULDING, Roof Side Drain Trough Front and Rear, (Lgh. approx. 55")(23-59-61) (Note #1)
	14	9415 214	Screw
	8	6024 271	Screw
	★	6001 814	Retainer
	★	6001 815	Retainer
	1	2603 948-9	MOULDING, Roof Side Drain Trough Front and Rear, (Lgh. approx. 55")(23-59-61) (Note #2)
	2	6001 815	Retainer
	8	6024 271	Washer
	14	9415 214	Retainer
	6	6023 370	Screw
	1	2807 368-9	MOULDING PACKAGE, Roof Side Drain Trough, Front and Rear (Lgh. approx. 60") (23-59-61)
	20	6024 271	Screw
	2	6001 815	Retainer
	2	6002 063	Retainer
18	1	2526 854-5	MOULDING, Roof Panel Extension Front (23-23-42)
	4	9414 742	Screw
19	1	2584 494-5	MOULDING PACKAGE, Roof Outside Extension Belt (23-23-42)
	6	6022 077	Washer
	6	9411 618	Nut
20	1	2525 592-3	MOULDING PACKAGE, Rear Window Outside Side (23-23-52)
	6	6001 648	Retainer
21	1	2525 598-9	MOULDING PACKAGE, Rear Window Outside Upper (23-23-52)
	8	6001 648	Retainer
	1	2807 140-1	MOULDING PACKAGE, Rear Window Outside Upper and Side (23-23-52) (Note #4)
22	1	2525 594	MOULDING PACKAGE, Rear Window Outside Lower (23-23-52) (Note #3)
	8	6001 648	Retainer
	1	2807 138-9	MOULDING PACKAGE, Rear Window Outside Lower (23-23-52) (Note #4)

NOTE 1: UP TO SERIAL NO. 116783
 NOTE 2: AFTER SERIAL NO. 116783
 NOTE 3: UP TO SERIAL NO. 195358
 NOTE 4: AFTER SERIAL NO. 195358

CONTINUED ON NEXT PAGE

Part Type Code is Indicated in Parentheses

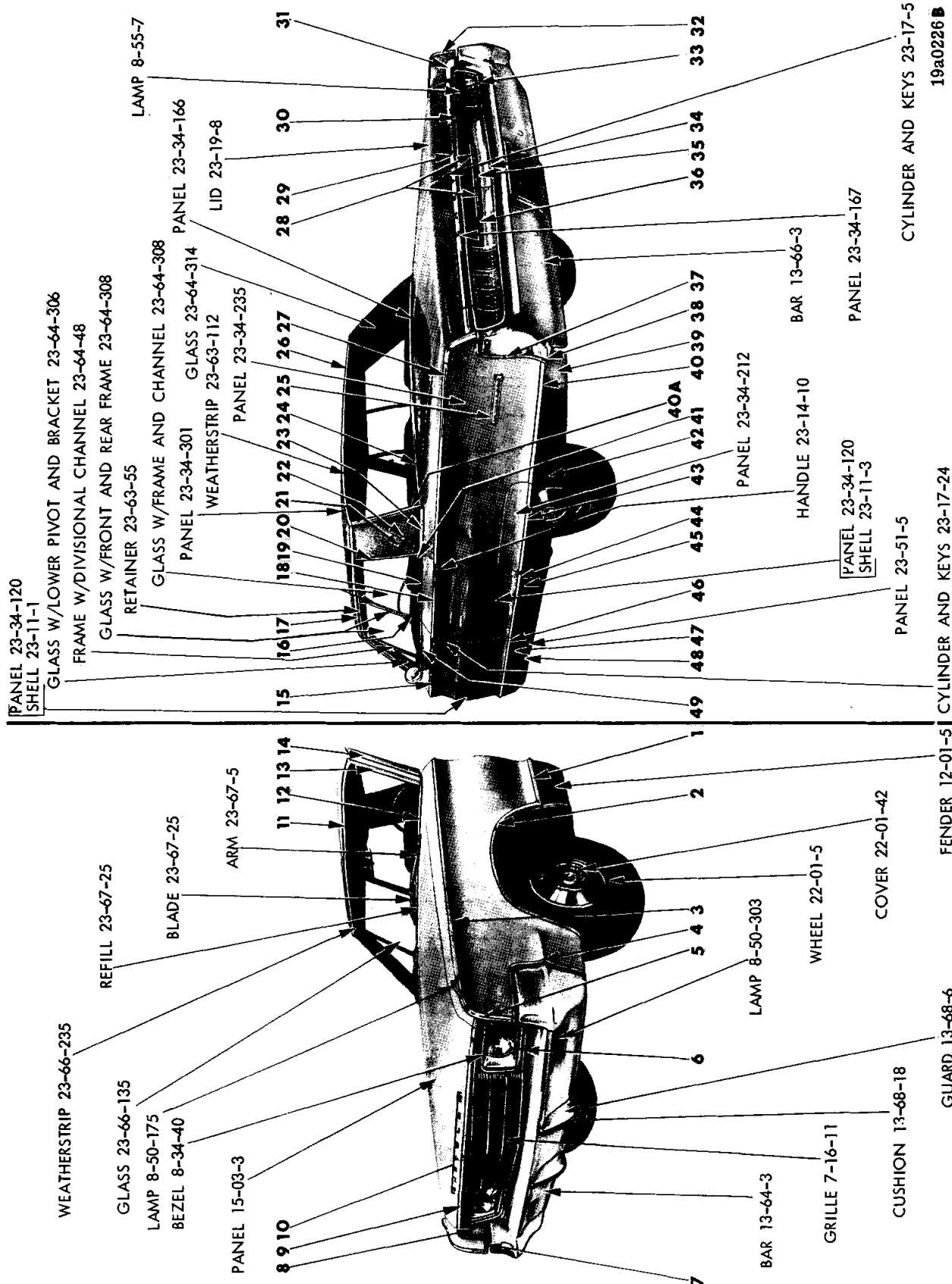
EXTERIOR VIEW - CHRYSLER C-H 2 DOOR HARDTOP

REF. NO.	QTY	PART NUMBER	DESCRIPTION	REF. NO.	QTY	PART NUMBER	DESCRIPTION
23	1	2528 512-3	MEDALLION and BASE, Deck Opening Lower (23-34-184)	34	1	2584 254-5	MOULDING PACKAGE, Quarter Panel Upper Front (23-23-39)
	1	2528 514	MEDALLION and BASE, Deck Opening Lower Fuel Filler Door (23-34-184)		18	6001 667	Retainer
	6	2166 363	Washer		8	6001 753	Retainer
	2	6023 685	Nut		8	6025 140	Nut
24	1	2584 184	MOULDING PACKAGE, Deck Lid Lower, Chrysler (23-23-30)	35	1	2584 276-7	MOULDING PACKAGE, Quarter Panel Lower Rear (23-23-39)
	8	6001 652	Retainer		2	6024 637	Screw
	8	9417 621	Nut		6	6001 838	Retainer
25	1	2584 182	MOULDING PACKAGE, Deck Opening Lower Panel Upper (23-23-23)		6	6001 752	Retainer
	4	6001 779	Clip		4	6001 802	Retainer
	2	---- ---	Nut	36	1	2526 450-1	PANEL, Quarter Outside Finish Rear (23-23-85)
26	1	2584 206-7	MOULDING PACKAGE, Quarter Panel Upper Rear (23-23-39)	37	1	2526 446-7	PANEL, Quarter Outside Wheel Opening Finish (23-23-85)
	2	6024 637	Screw	38	1	2584 274-5	MOULDING PACKAGE, Quarter Panel Outside Wheel Opening (23-23-39)
	2	---- ---	Nut		4	6024 271	Screw
27	1	2526 514-5	PANEL PACKAGE, Deck Opening Lower Finish (23-23-28)		8	116 000	Nut
	4	6001 779	Clip		8	6001 752	Clip
	6	6001 778	Clip	39	1	2584 222-3	MOULDING PACKAGE, Quarter Panel Belt (23-23-39)
28	1	2526 512	MOULDING, Deck Opening Lower Panel Fuel Filler Door (23-23-23)		10	6001 496	Retainer
	2	9413 268	Screw		2	---- ---	Retainer
29	1	2584 186-7	MOULDING PACKAGE, Deck Opening Lower Panel Lower (23-23-23)	40	1	2584 280-1	MOULDING PACKAGE, Body Side Sill Outside (23-23-2)
	6	6001 778	Clip		34	6023 248	Screw
30	1	2584 286-7	MOULDING PACKAGE, Quarter Panel Rear (23-23-39)		12	6001 786	Clip
	2	6024 403	Screw	40A	1	2782 876-7	MOULDING and RETAINER, Quarter Window Front Frame (23-23-73) (23-63-105)
	2	---- ---	Nut	41	1	2584 272-3	MOULDING PACKAGE, Quarter Panel Lower Front (23-23-39)
31	1	2526 458-9	MOULDING, Quarter Panel Bumper Opening (23-23-39)		10	6024 271	Screw
	6	6024 373	Screw		8	6001 656	Clip
32	1	2527 984-5	MOULDING, Quarter Panel Rear Lower (23-23-39)	42	1	2584 266-7	MOULDING PACKAGE, Door Outside Lower (23-23-32)
	4	6024 409	Screw		10	6024 271	Screw
33	2	2428 477	BASE and NAME PLATE, Quarter Outside, New Yorker (23-34-238)		2	9417 621	Nut
	4	6000 960	Clip		2	6001 769	Clip
					10	6001 753	Clip
				43	1	2526 454-5	PANEL, Door Outside Finish (23-23-80)

All Packages Include Attaching Parts

Part Type Code is Indicated in Parentheses

EXTERIOR VIEW - CHRYSLER C-H 2 DOOR HARDTOP



EXTERIOR VIEW - CHRYSLER C-H 4 DOOR HARDTOP

REF. NO.	QTY	PART NUMBER	DESCRIPTION	REF. NO.	QTY	PART NUMBER	DESCRIPTION
1	1	2524 884	PANEL, Fender Side Lower Finish, Right (12-15-2)	17	1	2573 222-3	MOULDING, Roof Side Drain, (Lgh. approx. 55")(23-59-61) (Note #1)
	1	2524 293	PANEL, Fender Side Lower Finish, Left (12-15-2)		1	2603 948-9	MOULDING, Roof Side Drain, (Lgh. approx. 55")(23-59-61) (Note #2)
	14	6024 271	Screw	2	6001 815	Retainer	
	4	6001 752	Retainer	14	9415 214	Retainer	8 6024 271 Washer
	2	6001 849	Clip	1	2807 368-9	MOULDING PACKAGE, Roof Side Drain Trough Frt. & Rr. (Lgh. approx. 60")(23-59-61)	
	4	---- ---	Nut	2	6001 815	Retainer	
2	1	2524 286-7	MOULDING, Fender Wheel Opening (12-15-2)	2	6002 063	Retainer	20 6024 271 Screw
	14	6024 271	Screw	18	1	2584 252-3	MOULDING PACKAGE, Rear Door Outside Upr. (23-23-33)
3	1	2584 120-1	MOULDING PACKAGE, Fender Peak Rear (12-15-2)	2	---- ---	Retainer	
	8	6001 667	Clip	6	6001 657	Retainer	2 9417 621 Nut
	6	6001 753	Retainer	19	1	2584 248-9	MOULDING PACKAGE, Rear Door Outside Belt (23-23-33)
	6	6025 140	Nut	2	---- ---	Retainer	10 6001 797 Clip
4	1	2584 116-7	MOULDING PACKAGE, Front Bumper Fender (12-15-2)	20	1	2526 854-5	MOULDING, Roof Panel Extension Front (23-23-42)
	6	---- ---	Nut	4	9414 742	Screw	
5	1	2584 118-9	MOULDING PACKAGE, Fender Peak Front (12-15-2)	21			NAME PLATE (see Part Type Code 23-82-20 in Trim Section of Catalog)
	4	6001 753	Retainer	22	2	2581 948	BASE and MEDALLION, Roof Outside Quarter (23-34-340)
	4	6025 140	Nut	2	---- ---	Retainer	(23-34-347)
6	1	2524 084-5	FRAME, Radiator Grille (7-16-36)	23	1	2584 494-5	MOULDING PACKAGE, Roof Outside Ext. Belt (23-23-42)
7	1	2584 124-5	MOULDING PACKAGE, Fender Front Extension (12-15-2)	6	9411 618	Nut	
	4	6024 349	Screw	6	6022 077	Washer	
	4	6023 164	Nut	24	1	2525 594	MOULDING PACKAGE, Rear Window Outside Lower (23-23-52)
8	1	2584 112-3	MOULDING PACKAGE, Fender Front (12-15-2)	8	6001 648	Retainer and Screw	
	2	6025 148	Screw	25	2	2528 477	BASE and NAME PLATE, Quarter Outside, New Yorker (23-34-238)
	4	---- ---	Nut	4	---- ---	Nut	
9	1	2524 258	MOULDING, Hood Front (15-25-2)	4	6000 960	Clip	
	11	6024 895	Screw	26	1	2525 598-9	MOULDING PACKAGE, Rear Window Outside Upper (23-23-52)
10	1	2524 270	LETTER, Hood Front Name, "C" (15-06-16)	8	6001 648	Retainer and Screw	
	1	2524 271	"H"	27	1	2584 284-5	MOULDING PACKAGE, Quarter Outside Upper Front (23-23-39)
	2	2524 272	"R"	10	6001 657	Retainer	
	1	2524 273	"Y"	8	6001 753	Retainer	
	1	2524 274	"S"	8	6025 140	Nut	
	1	2524 275	"L"	28	1	2528 514	MEDALLION and BASE, Deck Opening Fuel Filler Door (23-34-184)
	1	2524 276	"E"	6	2166 363	Washer	
11	1	2584 099	MOULDING PACKAGE, Windshield Outside Upper (23-23-65)	2	6023 685	Nut	
	8	6001 648	Retainer	29	1	2584 184	MOULDING PACKAGE, Deck Lid Lower, Chrysler (23-23-30)
12	1	2584 110-1	MOULDING PACKAGE, Windshield Outside Lower (23-23-65)	8	6001 652	Retainer	
	10	6001 697	Retainer	8	9417 621	Nut	
13	1	2584 106-7	MOULDING PACKAGE, Windshield Outside Side (23-23-65)	30	1	2584 182	MOULDING PACKAGE, Deck Opening Lower Panel Upper (23-23-23)
	8	6001 648	Retainer	4	6001 779	Clip	
14	1	2528 002-3	MOULDING, Body Front Pillar Drain Trough, (Lgh. approx. 22") (23-59-61)	2	---- ---	Nut	
	1	2807 364-5	MOULDING PACKAGE, Body Frt. Plr. Drain Trough (Lgh. approx. 27") (23-59-61)				
	6	6023 370	Screw				
15	1	2584 236-7	MOULDING PACKAGE, Front Door Outside Upr. (23-23-32)				
	2	---- ---	Retainer				
	6	6001 667	Retainer				2 9417 621 Nut
16	1	2664 678-9	MOULDING w/Weatherstrip Retainer, Rr. Dr. Wdo. Glass Frame Frt. (23-23-33) (23-63-105)				
	10	6024 997	Screw				

NOTE 1: UP TO SERIAL NO. 116783
 NOTE 2: AFTER SERIAL NO. 116783

CONTINUED ON NEXT PAGE

All Packages Include Attaching Parts

Part Type Code is Indicated in Parentheses

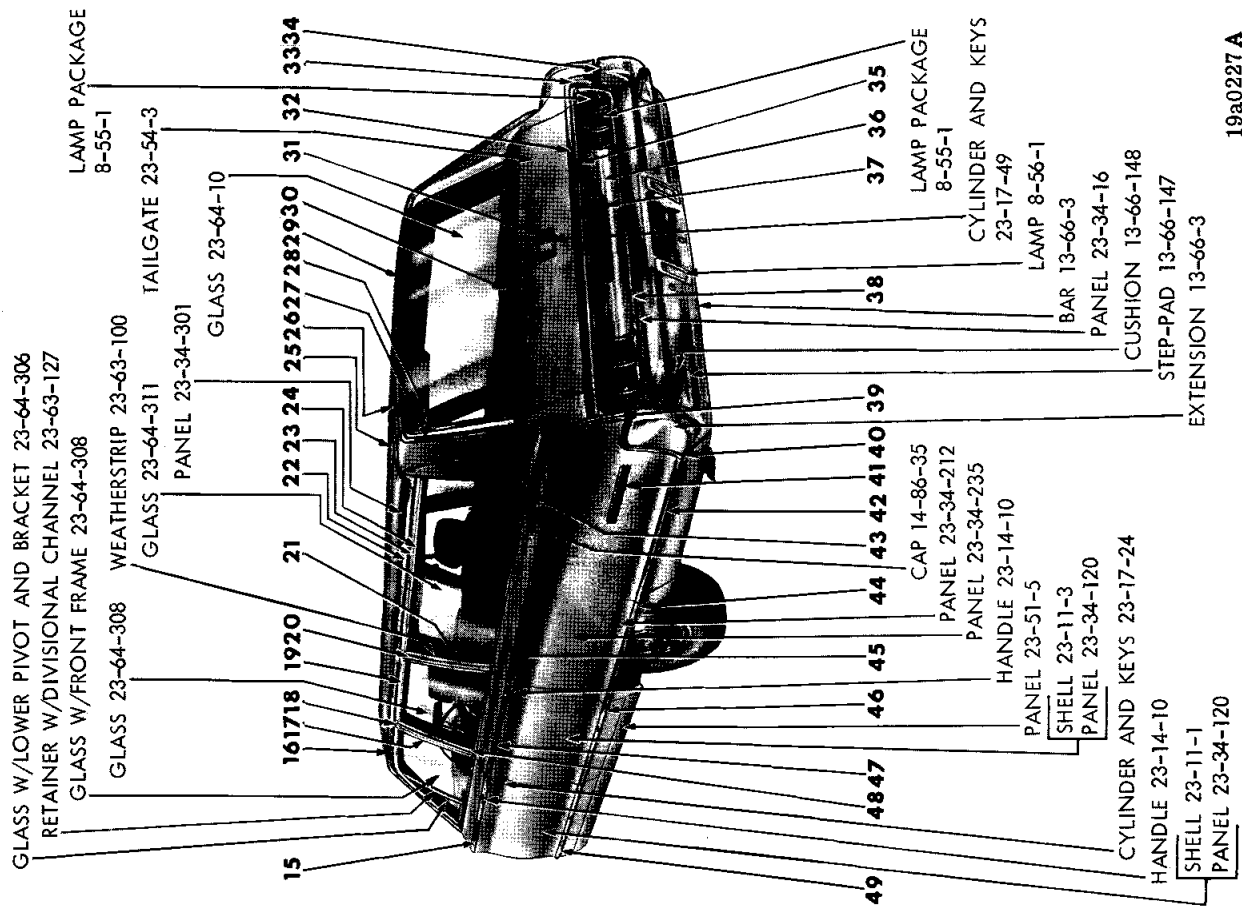
EXTERIOR VIEW - CHRYSLER C-H 4 DOOR HARDTOP

REF. NO.	QTY	PART NUMBER	DESCRIPTION	REF. NO.	QTY	PART NUMBER	DESCRIPTION
31	1	2584 286-7	MOULDING PACKAGE, Quarter Panel Rear (23-23-39)	43	1	2584 274-5	MOULDING PACKAGE, Quarter Panel Outside Wheel Opening (23-23-39)
	2	6024 403	Screw		4	6024 271	Screw
	2	-----	Nut	8	116 000	Nut	
32	1	2584 206-7	MOULDING PACKAGE, Quarter Panel Upper Rear (23-23-39)	8	6001 752	Clip	
	2	6024 637	Screw	44	1	2584 270-1	MOULDING PACKAGE, Rear Door Outside Lower (23-23-33)
	2	-----	Nut		2	446 618	Nut
33	1	2584 186-7	MOULDING PACKAGE, Deck Opening Lower Panel Lower (23-23-23)		2	6001 769	Clip
	6	6001 778	Clip		8	6001 656	Clip
34	1	2526 512	MOULDING, Deck Opening Lower Panel Fuel Filler Door (23-23-23)	45	1	2526 456-7	PANEL, Rear Door Outside Finish (23-23-80)
	2	9413 268	Screw	46	1	2584 268-9	MOULDING PACKAGE, Front Door Outside Lower (23-23-32)
35	1	2528 512-3	MEDALLION and BASE, Deck Opening Lower (23-34-184)		6	-----	Clip
	6	2166 363	Washer		8	6024 271	Screw
	2	6023 685	Nut		4	9417 621	Nut
36	1	2526 514-5	PANEL, Deck Opening Lower Finish (23-23-28)		4	6001 769	Clip
	4	6001 779	Clip	47	1	2526 452-3	PANEL, Front Door Outside Finish (23-23-80)
	6	6001 778	Clip	48	2	2584 105	MOULDING PACKAGE, Body Side Sill Outside (23-23-2)
37	1	2526 458-9	MOULDING, Quarter Panel Bumper Opening (23-23-39)		18	6024 271	Screw
	6	6024 373	Screw		18	6001 786	Clip
38	1	2527 984-5	MOULDING, Quarter Panel Rear Lower (23-23-39)	49	1	2584 212-3	MOULDING PACKAGE, Front Door Outside Belt (23-23-32)
	4	6024 409	Screw		16	6001 496	Retainer
39	1	2526 450-1	PANEL, Quarter Panel Finish Rear (23-23-85)				
40	1	2584 276-7	MOULDING PACKAGE, Quarter Outside Lower Rear (23-23-39)				
	2	6024 637	Screw				
	6	6001 838	Retainer				
	6	6001 752	Retainer				
	4	6001 802	Retainer				
40A	1	2525 592-3	MOULDING PACKAGE, Rear Window Outside Side (23-23-52)				
	6	6001 648	Retainer and Screw				
41	1	2571 184-5	ORNAMENT and WEATHERSTRIP, Rear Door Rear Outer (23-11-23) (23-63-33)				
	1	2571 172-3	ORNAMENT and WEATHERSTRIP, Rear Door Rear Inner (23-11-23) (23-63-33)				
	2	456 867	Screw				
	4	6025 425	Screw				
	2	9416 628	Screw				
42	1	2526 446-7	PANEL, Quarter Outside Wheel Opening Finish (23-23-85)				
	4	6024 271	Screw				
	8	6001 752	Clip				
	8	116 000	Nut				

All Packages include Attaching Parts

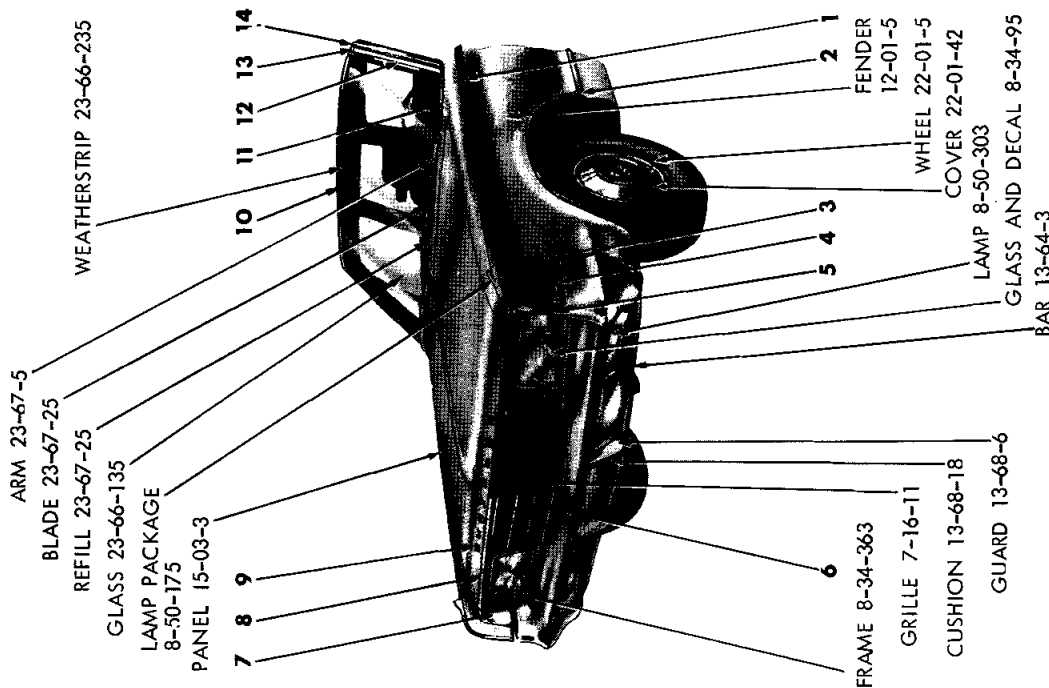
Part Type Code is Indicated in Parentheses

EXTERIOR VIEW - CHRYSLER C-H 4 DOOR HARDTOP



19a0227A

EXTERIOR VIEW - CHRYSLER C-H STATION WAGON



REF. NO.	QTY	PART NUMBER	DESCRIPTION	REF. NO.	QTY	PART NUMBER	DESCRIPTION
1	1	2584 120-1	MOULDING PACKAGE, Fender Peak Rear (12-15-2)	20	1	2492 808-9	MOULDING, Rear Door Window Opening Frame Rear (23-23-33)
	8	6001 667	Clip	21	1	2528 562-3	MOULDING, Quarter Window Outside Front (23-23-73)
	6	6001 753	Retainer		8	6023 247	Screw
	6	6025 140	Nut	22	1	2526 532-3	MOULDING, Roof Side Drain Trough (23-59-61)
2	1	2524 286-7	MOULDING, Fender Wheel Opening (12-15-2)	23	1	2584 440-1	COVER PACKAGE, Quarter Window Outside Upper Moulding (23-23-73)
	14	6024 271	Screw		12	116 000	Nut
3	1	2584 116-7	MOULDING PACKAGE, Front Bumper Fender (12-15-2)	24	1	2584 450-1	MOULDING PACKAGE, Quarter Window Outside Upper Primed (23-23-73)
	6	----	Nut		2	2529 938	Seal
4	1	2584 124-5	MOULDING PACKAGE, Fender Front Extension (12-15-2)		12	6001 837	Retainer
	4	6024 349	Screw		12	6025 001	Nut
	4	6023 164	Nut	25	1	2584 442-3	MOULDING PACKAGE, Roof Outside Front (23-23-42)
5	1	2584 118-9	MOULDING PACKAGE, Fender Peak Front (12-15-2)		24	6023 248	Washer
	4	6001 753	Retainer		24	2573 888	Washer
	4	6025 140	Nut	26	1	2584 522-3	MOULDING PACKAGE, Roof Outside Rear (23-23-42)
6	1	2524 084-5	FRAME, Radiator Grille (7-16-36)		2	2573 890	Retainer
7	1	2584 112-3	MOULDING PACKAGE, Fender Front (12-15-2)		2	----	Nut
	4	----	Nut		6	2573 888	Washer
	2	6025 148	Screw		6	6023 248	Screw
8	1	2524 258	MOULDING, Hood Front (15-25-2)	27	1	2586 278-9	MOULDING PACKAGE, Rear Upper Pillar Outside (23-23-60)
	11	6024 895	Screw		6	----	Clip
9	1	2524 270	LETTER, Hood Front Name, "C" (15-06-16)	28	1	2584 444-5	MOULDING PACKAGE, Rear Upper Pillar Tailgate Opening (23-23-60)
	1	2524 271	"H"		6	6001 620	Clip
	2	2524 272	"R"	29	1	2584 421	MOULDING PACKAGE, Roof Outside Rear (23-23-42)
	1	2524 273	"Y"		8	6001 816	Clip
	1	2524 274	"S"		1	2586 106	MOULDING PACKAGE, Roof Outside Rear (used w/Outside Assist Handle) (23-23-42)
	1	2524 275	"L"		8	6001 816	Clip
	1	2524 276	"E"	30	1	2528 795	MOULDING, Tailgate Outside Belt (23-23-61)
	8	1839 995	Nut	31	1	2486 686	ORNAMENT, Tailgate Window Regulator Outside (23-54-11)
10	1	2584 104	MOULDING PACKAGE, Windshield Outside Upper (23-23-65)		3	6022 687	Washer
	8	6001 648	Retainer	32	1	2584 189	MOULDING PACKAGE, Tailgate Outside Upper, New Yorker (23-23-61)
11	1	2584 110-1	MOULDING PACKAGE, Windshield Outside Lower (23-23-65)		7	6001 777	Retainer 7 116 000 Nut
	10	6001 697	Retainer	33	1	2573 568-9	MOULDING, Quarter Panel Tail Lamp Opening (23-23-39)
12	1	2584 108-9	MOULDING PACKAGE, Windshield Outside Side (23-23-65)		4	6023 681	Screw
	8	6001 648	Retainer		★	----	Sealer 2 6024 638 Screw
13	1	2529 444-5	MOULDING, Body Front Pillar Trim (23-23-14)	34	1	2573 096-7	MOULDING, Quarter Panel Bumper Opening Inner Extension (23-23-39)
	2	6023 682	Screw		2	6024 638	Screw 4 6023 681 Screw
14	1	2529 924-5	MOULDING, Body Front Pillar Drain Trough (23-59-61)	35	1	2584 190	MOULDING PACKAGE, Tailgate Outside Intermediate (23-23-61)
	10	6024 271	Screw		6	116 000	Nut
15	1	2584 236-7	MOULDING PACKAGE, Front Door Outside Upper (23-23-32)		6	6001 781	Retainer 3 6024 564 Screw
	2	----	Retainer				
	2	9417 621	Nut				
	6	6001 667	Retainer				
16	1	2492 782-3	MOULDING, Front Door Window Opening Frame Upper (23-23-32)				
17	1	2492 784-5	MOULDING, Front Door Window Opening Frame Rear (23-23-32)				
18	1	2570 110-1	PANEL, Body Center Pillar Outside Finish Upper (23-23-16)				
	4	6023 247	Screw				
19	1	2492 806-7	MOULDING, Rear Door Window Opening Frame Upper (23-23-33)				

Part Type Code is Indicated in Parentheses

CONTINUED ON NEXT PAGE

All Packages Include Attaching Parts

EXTERIOR VIEW - CHRYSLER C-H STATION WAGON

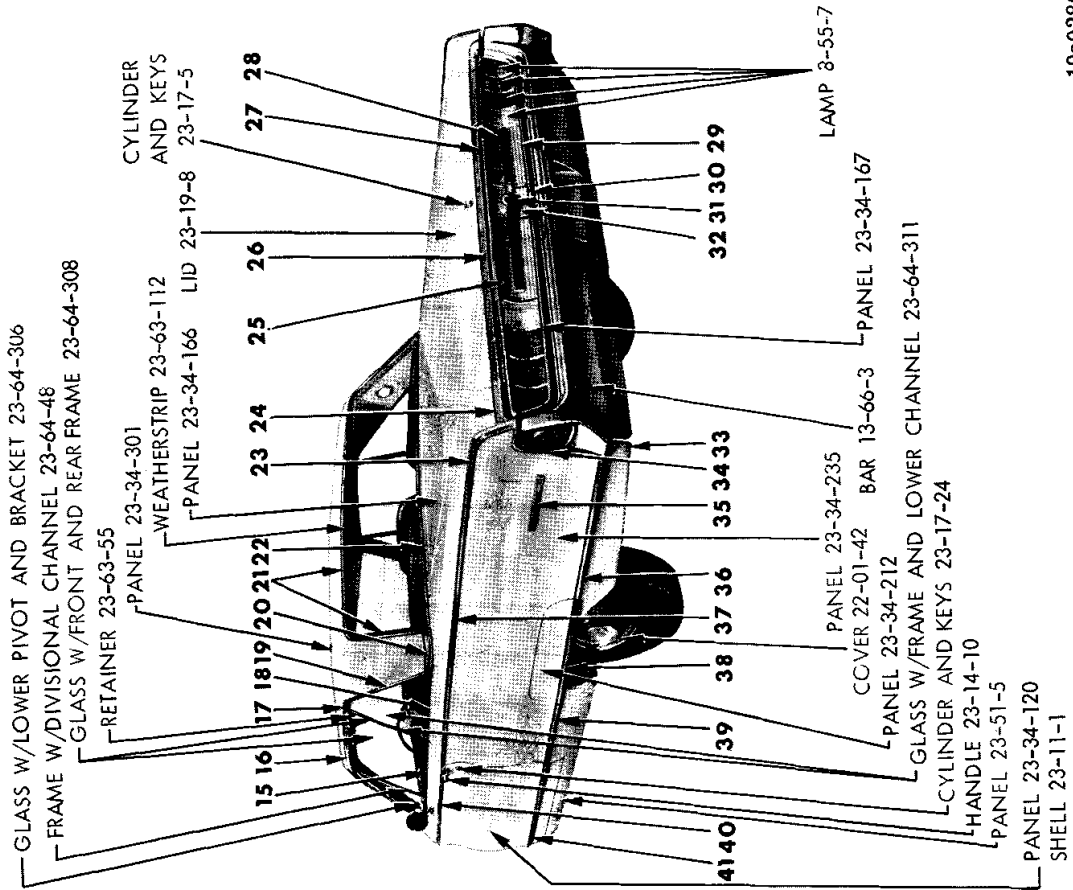
REF. NO.	QTY	PART NUMBER	DESCRIPTION
36	1	2526 549	PANEL, Tailgate Outside Finish (23-23-77)
	6	6024 564	Screw
37	1	2528 515	MEDALLION, Tailgate Outside (23-54-11)
	3	6000 960	Clip
38	1	2584 191	MOULDING PACKAGE, Tailgate Outside Lower (23-23-61)
	6	6001 713	Retainer
39	1	2584 228-9	MOULDING PACKAGE, Quarter Panel Upper Rear (23-23-39)
	2	6024 637	Screw
	4	6001 547	Clip
40	1	2526 460-1	MOULDING, Quarter Panel Bumper Opening (23-23-39)
	8	6024 373	Screw
41	2	2528 477	BASE and NAME PLATE, Quarter Outside, New Yorker (23-23-238)
	4	6000 960	Clip
42	1	2584 230-1	MOULDING PACKAGE, Quarter Panel Lower Rear (23-23-39)
	4	6001 804	Retainer
43	1	2526 540-1	MOULDING, Roof Outside Rear Outer Corner (23-23-45)
	1	2573 948-9	MOULDING, Roof Outside Rear Inner Corner (23-23-42)
44	1	2584 232-3	MOULDING PACKAGE, Quarter Outside Wheel Opening Panel (23-23-39)
	8	6001 752	Clip
	8	116 000	Nut

REF. NO.	QTY	PART NUMBER	DESCRIPTION
45	1	2584 284-5	MOULDING PACKAGE, Quarter Panel Upper Front (23-23-39)
	10	6001 667	Retainer
	8	6001 753	Retainer
	8	6025 140	Nut
46	1	2584 270-1	MOULDING PACKAGE, Rear Door Outside Lower (23-23-33)
	4	---- ---	Screw
	2	9417 621	Nut
	2	6001 769	Clip
	10	---- ---	Clip
47	1	2584 252-3	MOULDING PACKAGE, Rear Door Outside Upper (23-23-33)
	2	---- ---	Retainer
	2	9417 621	Nut
	6	6001 667	Retainer
48	1	2492 796-7	MOULDING, Rear Window Opening Frame Front (23-23-33)
49	1	2584 268-9	MOULDING PACKAGE, Front Door Outside Lower (23-23-32)
	8	6024 271	Screw
	4	9417 621	Nut
	4	1839 995	Clip
	6	---- ---	Clip

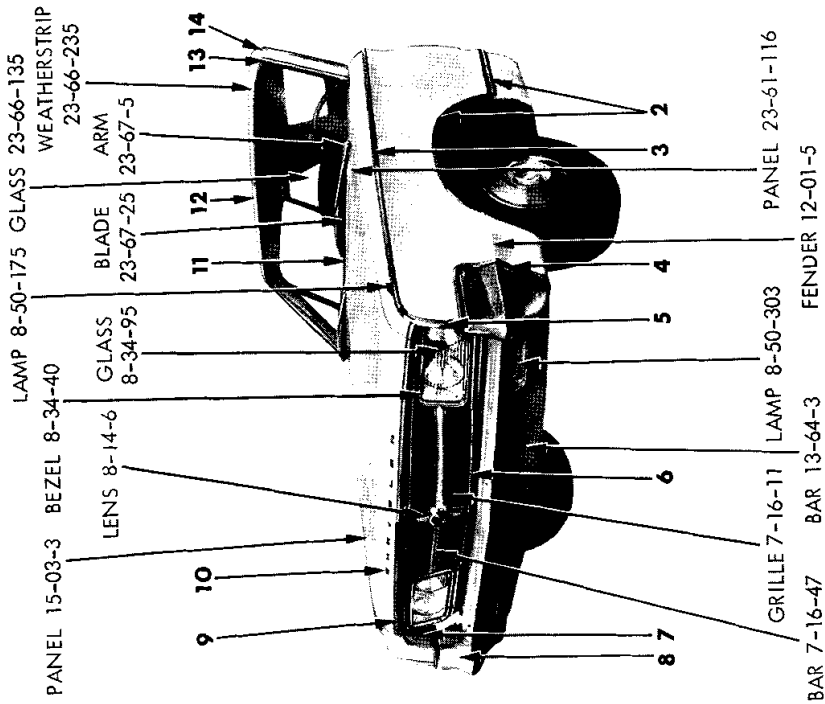
All Packages Include Attaching Parts

Part Type Code is Indicated in Parentheses

EXTERIOR VIEW - CHRYSLER C-H STATION WAGON



19a0286



EXTERIOR VIEW - CHRYSLER C-P 300L 2 DOOR HARDTOP

REF. NO.	QTY	PART NUMBER	DESCRIPTION
2	1	2524 286-7	MOULDING PACKAGE, Fender Wheel Opening (12-15-2)
	14	6024 271	Screw
	2	6001 849	Clip
	4	441 239	Nut
3	1	2584 196-7	MOULDING PACKAGE, Fender Peak Rear (12-15-2)
	8	6001 667	Clip
	6	6001 753	Retainer
	6	6025 140	Nut
4	1	2584 116-7	MOULDING PACKAGE, Front Bumper Fender (12-15-2)
	6	---- ---	Nut
5	1	2584 194-5	MOULDING PACKAGE, Fender Peak Front (12-15-2)
	4	6001 753	Retainer
	4	6025 140	Nut
6	1	2524 084-5	FRAME, Radiator Grille (7-16-36)
7	1	2584 112-3	MOULDING PACKAGE, Fender Front (12-15-2)
	4	---- ---	Nut
	2	6025 148	Screw
8	1	2584 124-5	MOULDING PACKAGE, Fender Front Extension (12-15-2)
	4	6024 349	Screw
	4	6023 164	Nut
9	1	2524 258	MOULDING, Hood Front (15-25-2)
	11	6024 895	Screw
10	1	2524 270	LETTER, Hood Front, "C" (15-06-16)
	1	2524 271	"H"
	2	2524 272	"R"
	1	2524 273	"Y"
	1	2524 274	"S"
	1	2524 275	"L"
	1	2524 276	"E"
	8	6001 759	Nut
11	1	2584 110-1	MOULDING PACKAGE, Windshield Outside Lower (23-23-65)
	10	6001 697	Retainer
12	1	2584 099	MOULDING PACKAGE, Windshield Outside Upper (23-23-65)
	8	6001 648	Retainer
13	1	2584 106-7	MOULDING PACKAGE, Windshield Outside Side (23-23-65)
	8	6001 648	Retainer
14	1	2574 850-1	MOULDING, Body Front Pillar Trim (use w/Vinyl Roof) (23-23-14)
	2	6023 682	Screw
15	1	2584 214-5	MOULDING PACKAGE, Door Outside Belt (23-23-32)
	16	6001 496	Retainer
16	1	2526 480-1	MOULDING, Roof Side Drain Trough Front (23-59-61)
17	1	2526 484-5	COVER, Roof Side Drain Trough Moulding Front (23-59-57)

All Packages Include Attaching Parts

REF. NO.	QTY	PART NUMBER	DESCRIPTION
18	1	2584 218-9	MOULDING PACKAGE, Quarter Outside Belt (23-23-39)
	12	6001 496	Retainer
19	1	2526 482-3	MOULDING, Roof Side Drain Trough Rear (23-59-61)
20	1	2584 178-9	MOULDING PACKAGE, Roof Outside Extension Belt (23-23-42)
	4	---- ---	Washer
	4	9411 618	Nut
21	1	2525 596-7	MOULDING PACKAGE, Rear Window Outside Upper and Side (23-23-52) (Note #1)
	14	6001 648	Retainer
	1	2605 162-3	MOULDING, Rear Window Outside Upper and Side (23-23-52) (Note #2)
22	1	2525 595	MOULDING PACKAGE, Rear Window Outside Lower (23-23-52) (Note #1)
	7	6001 648	Retainer
	1	2605 164-5	MOULDING, Rear Window Outside Lower (23-23-52) (Note #2)
23	1	2584 208-9	MOULDING PACKAGE, Quarter Outside Upper Rear (23-23-39)
	2	---- ---	Nut
24	1	2584 286-7	MOULDING PACKAGE, Quarter Outside Rear (23-23-39)
	2	6024 403	Screw
	2	---- ---	Nut
25	1	2573 238-9	PANEL, Deck Opening Lower Finish (23-23-28)
	4	6024 564	Screw
26	1	2584 184	MOULDING PACKAGE, Deck Lid Lower, Chrysler (23-23-30)
	8	6001 652	Retainer
	8	9417 621	Nut
27	1	2584 182	MOULDING PACKAGE, Deck Opening Lower Panel Upper (23-23-23)
	4	6001 779	Clip
	2	---- ---	Nut
28	1	2573 704-5	ORNAMENT and STUD, Deck Opening Lower Panel (23-34-184)
	4	6025 001	Nut
	4	6024 733	Washer
29	1	2584 186-7	MOULDING PACKAGE, Deck Opening Lower Panel Lower (23-23-23)
	6	6001 778	Clip
30	1	2526 512	MOULDING, Deck Opening Lower Panel Fuel Filler Door (23-23-23)
	2	9413 268	Screw

NOTE 1: UP TO SERIAL NO. 195358

NOTE 2: AFTER SERIAL NO. 195358

CONTINUED ON NEXT PAGE

Part Type Code is Indicated in Parentheses

EXTERIOR VIEW - CHRYSLER C-P 300L 2 DOOR HARDTOP

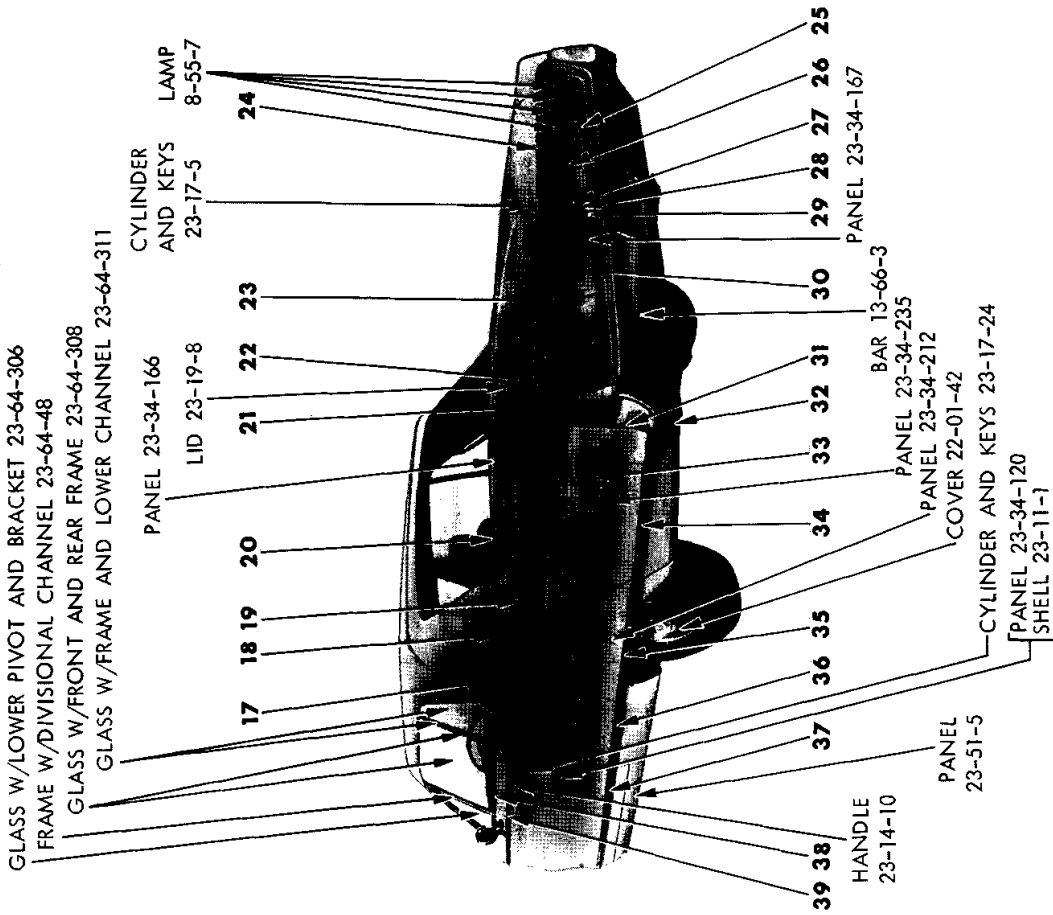
REF. NO.	QTY	PART NUMBER	DESCRIPTION
31	1	2573 542	ORNAMENT, MEDALLION and STUDS, Deck Opening Lower Panel Fuel Filler Door (23-34-184)
	2	9417 621	Nut
	2	6024 733	Washer
32	1	2573 237	PANEL, Deck Opening Lower Fuel Filler Door Finish (23-23-18)
33	1	2527 984-5	MOULDING, Quarter Outside Rear Lower (23-23-39)
34	4	6024 409	Screw
34	1	2526 458-9	MOULDING, Quarter Outside Bumper Opening (23-23-39)
	6	6024 373	Screw
35	2	2573 544	NAME PLATE and BASE, Quarter Outside, Chrysler 300 (23-34-238)
	4	---- ---	Nut
36	1	2584 276-7	MOULDING PACKAGE, Quarter Outside Lower Rear (23-23-39)
	2	6024 637	Screw
	6	6001 838	Retainer
	6	6001 752	Retainer
	4	6001 802	Retainer

REF. NO.	QTY	PART NUMBER	DESCRIPTION
37	1	2584 256-7	MOULDING PACKAGE, Quarter Outside Upper Front (23-23-39)
	18	6001 667	Retainer
	8	---- ---	Retainer
	8	446 618	Nut
38	1	2584 274-5	MOULDING PACKAGE, Quarter Panel Outside Wheel Opening (23-23-39)
	4	6024 271	Screw
	8	116 000	Nut
	8	6001 752	Clip
39	1	2584 272-3	MOULDING PACKAGE, Quarter Outside Lower Front (23-23-39)
	10	6024 271	Screw
	8	6001 656	Clip
40	1	2584 238-9	MOULDING PACKAGE, Door Outside Upper (23-23-32)
	2	6001 771	Retainer
	2	446 618	Nut
	8	6001 667	Retainer
41	1	2584 266-7	MOULDING PACKAGE, Door Outside Lower (23-23-32)
	10	6024 271	Screw
	2	9417 621	Nut
	2	6001 769	Clip
	10	---- ---	Clip

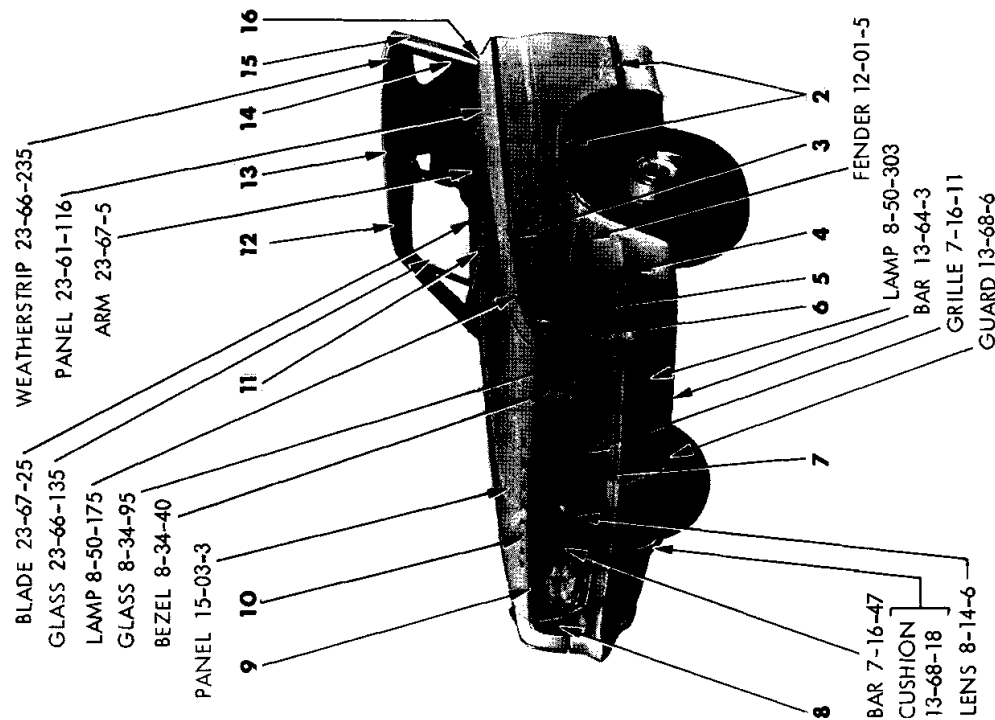
All Packages Include Attaching Parts

Part Type Code is Indicated in Parentheses

EXTERIOR VIEW - CHRYSLER C-P 300L 2 DOOR HARDTOP



19a0287



EXTERIOR VIEW - CHRYSLER C-P 300L CONVERTIBLE COUPE

REF. NO.	QTY	PART NUMBER	DESCRIPTION
2	1	2524 286-7	MOULDING PACKAGE, Fender Wheel Opening (12-15-2)
	12	6024 271	Screw
	2	6001 849	Clip
	4	441 239	Nut
3	1	2584 196-7	MOULDING PACKAGE, Fender Peak Rear (12-15-2)
	8	6001 667	Clip
	6	6001 753	Retainer
	6	6025 140	Nut
4	1	2584 116-7	MOULDING PACKAGE, Front Bumper Fender (12-15-2)
	6	---- ---	Nut
5	1	2584 194-5	MOULDING PACKAGE, Fender Peak Front (12-15-2)
	4	6001 753	Retainer
	4	6025 140	Nut
6	1	2584 124-5	MOULDING PACKAGE, Fender Front Extension (12-15-2)
	4	6024 349	Screw
	4	6023 164	Nut
7	1	2524 084-5	FRAME, Radiator Grille (7-17-1)
8	1	2584 112-3	MOULDING PACKAGE, Fender Front (12-15-2)
	4	---- ---	Nut
	2	6025 148	Screw
9	1	2524 258	MOULDING, Hood Front (15-25-2)
	11	6024 895	Screw
10	1	2524 270	LETTER, Hood Front, "C" (15-06-16)
	1	2524 271	"H"
	2	2524 272	"R"
	1	2524 273	"Y"
	1	2524 274	"S"
	1	2524 275	"L"
	1	2524 276	"E"
	8	6001 759	Nut
11	1	2584 110-1	MOULDING PACKAGE, Windshield Outside Lower (23-23-65)
	10	6001 697	Retainer
12	1	2584 099	MOULDING PACKAGE, Windshield Outside Upper (23-23-65)
	8	6001 648	Retainer
13	1	2484 602-3	MOULDING, Windshield Outside Upper Header (23-23-65)
	5	6025 132	Screw
14	1	2584 106-7	MOULDING PACKAGE, Windshield Outside Side (23-23-65)
	8	6001 648	Retainer
15	1	2481 844-5	MOULDING, Body Front Upper Pillar Outside (23-23-14)
	8	9415 214	Screw
16	1	2528 662-3	EXTENSION, Body Front Pillar Outside Moulding Lower (23-23-14)
	4	9418 246	Screw

All Packages Include Attaching Parts

REF. NO.	QTY	PART NUMBER	DESCRIPTION
17	1	2584 220-1	MOULDING PACKAGE, Quarter Outside Belt (23-23-39)
	6	6001 496	Retainer
	2	---- ---	Screw
18	1	2584 088-9	MOULDING PACKAGE, Quarter Outside Panel Belt Rear (23-23-39)
	2	6025 927	Fastener
	2	6025 985	Screw
19	1	2584 256-7	MOULDING PACKAGE, Quarter Outside Upper Front (23-23-39)
	18	6001 667	Retainer
	8	---- ---	Retainer
	8	446 618	Nut
20	1	2584 082-3	MOULDING PACKAGE, Deck Opening Upper Panel (23-23-31)
	20	2094 380	Fastener
21	1	2584 208-9	MOULDING PACKAGE, Quarter Outside Upper Rear (23-23-39)
	2	---- ---	Nut
22	1	2584 286-7	MOULDING PACKAGE, Quarter Outside Rear (23-23-39)
	2	6024 403	Screw
	2	---- ---	Nut
23	1	2584 182	MOULDING PACKAGE, Deck Opening Lower Panel Upper (23-23-23)
	4	6001 779	Clip
	2	---- ---	Nut
24	1	2584 184	MOULDING PACKAGE, Deck Lid Lower, Chrysler (23-23-30)
	8	6001 652	Retainer
	8	9417 621	Nut
25	1	2584 186-7	MOULDING PACKAGE, Deck Opening Lower Panel Lower (23-23-23)
	6	6001 778	Clip
26	1	2573 704-5	ORNAMENT and STUD, Deck Opening Lower Panel (23-34-184)
	4	6025 001	Nut
	4	6024 733	Washer
27	1	2573 542	ORNAMENT, MEDALLION and STUDS, Deck Opening Lower Panel Fuel Filler Door (23-34-184)
	2	9417 621	Nut
	2	6024 733	Washer
28	1	2573 237	PANEL, Deck Opening Lower Fuel Filler Door Finish (23-23-18)
29	1	2526 512	MOULDING, Deck Opening Lower Panel Fuel Filler Door (23-23-23)
	2	9413 268	Screw
30	1	2573 238-9	PANEL, Deck Opening Lower Finish (23-23-28)
	4	6024 564	Screw

CONTINUED ON NEXT PAGE

Part Type Code is Indicated in Parentheses

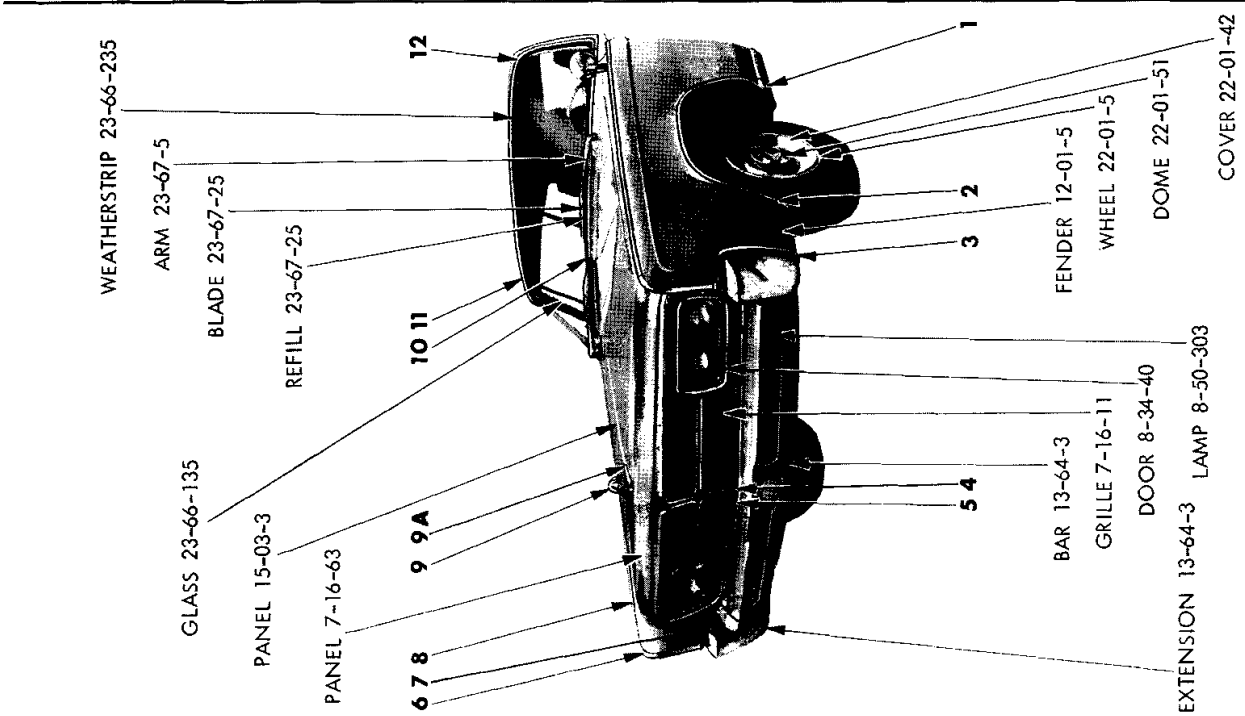
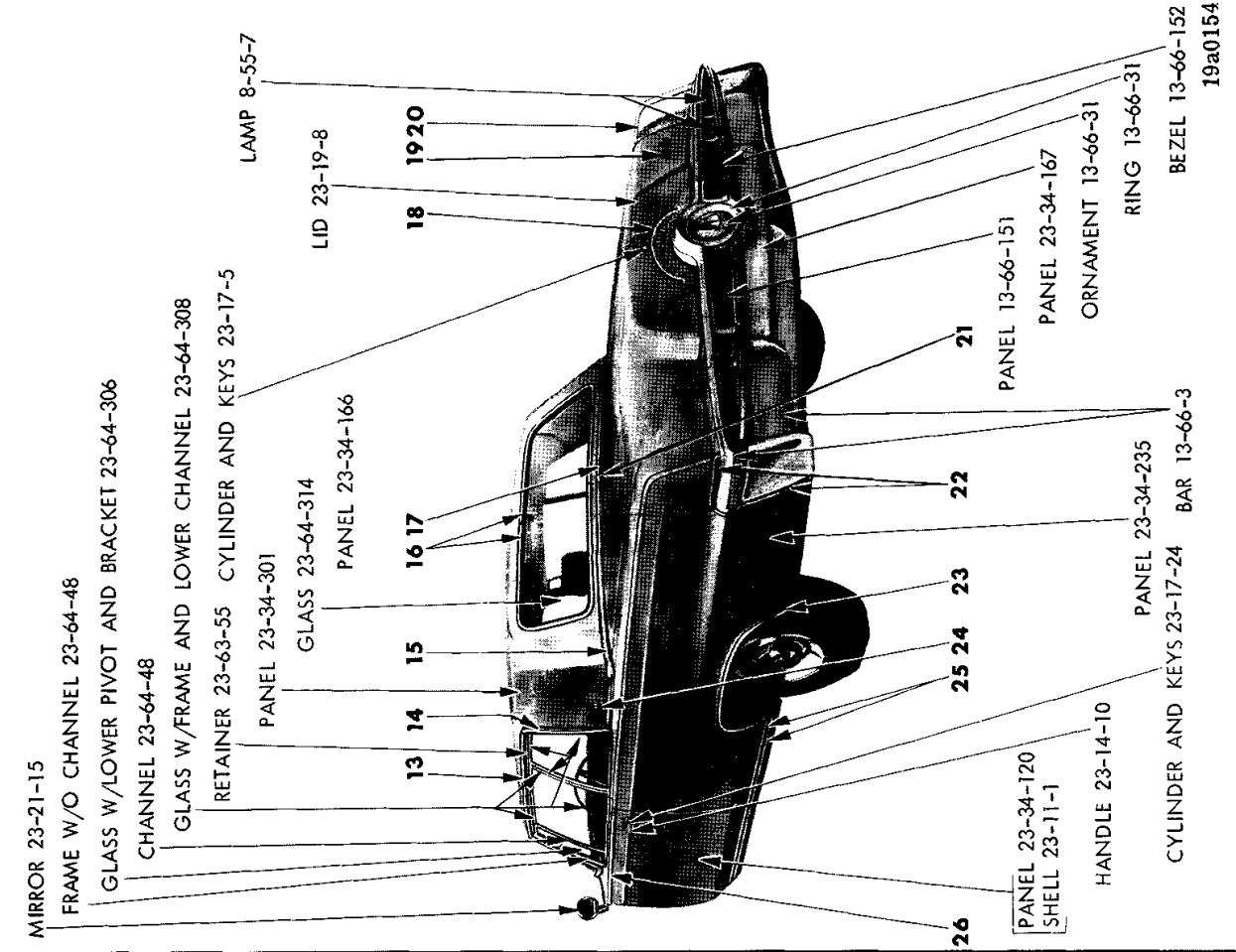
REF. NO.	QTY	PART NUMBER	DESCRIPTION
31	1	2526 458-9	MOULDING, Quarter Outside Bumper Opening (23-23-39)
	6	6024 373	Screw
32	1	2527 984-5	MOULDING, Quarter Outside Rear Lower (23-23-39)
	4	6024 409	Screw
33	2	2573 544	NAME PLATE and BASE, Quarter Outside, Chrysler 300 (23-34-238)
	4	----	Nut
34	1	2584 276-7	MOULDING PACKAGE, Quarter Outside Lower Rear (23-23-39)
	2	6024 637	Screw
	6	6001 838	Retainer
	6	6001 752	Retainer
	4	6001 802	Retainer
35	1	2584 274-5	MOULDING PACKAGE, Quarter Panel Outside Wheel Opening (23-23-39)
	4	6024 271	Screw
	8	116 000	Nut
	8	6001 752	Clip

REF. NO.	QTY	PART NUMBER	DESCRIPTION
36	1	2584 272-3	MOULDING PACKAGE, Quarter Outside Lower Front (23-23-39)
	10	6024 271	Screw
	8	6001 656	Clip
37	1	2584 266-7	MOULDING PACKAGE, Door Outside Lower (23-23-32)
	10	6024 271	Screw
	2	9417 621	Nut
	2	6001 769	Clip
	10	----	Clip
38	1	2584 214-5	MOULDING PACKAGE, Door Outside Belt (23-23-32)
	16	6001 496	Retainer
39	1	2584 238-9	MOULDING PACKAGE, Door Outside Upper (23-23-32)
	2	6001 771	Retainer
	2	446 618	Nut
	8	6001 667	Retainer

All Packages Include Attaching Parts

Part Type Code is Indicated in Parentheses

EXTERIOR VIEW - CHRYSLER C-P 300L CONVERTIBLE COUPE



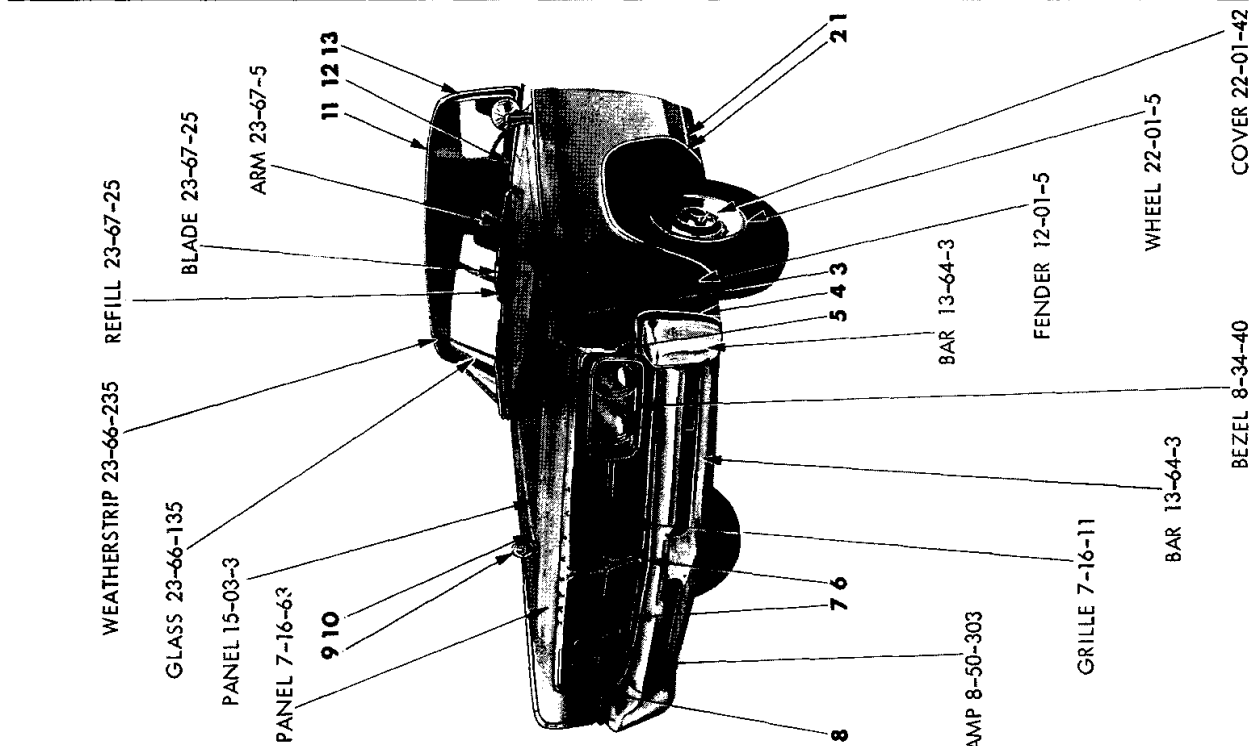
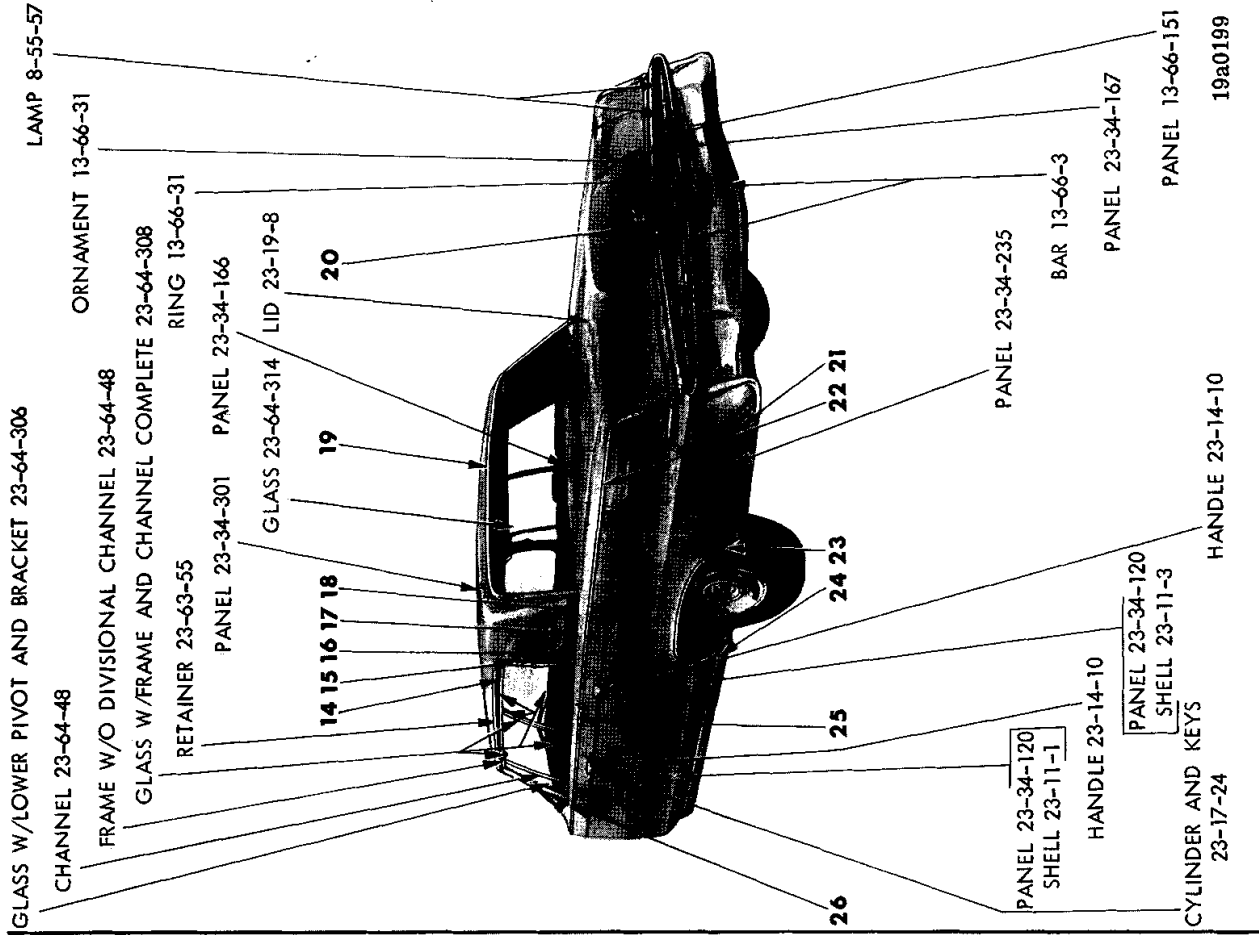
EXTERIOR VIEW - IMPERIAL Y-M 2 DOOR HARDTOP

REF. NO.	QTY	PART NUMBER	DESCRIPTION	REF. NO.	QTY	PART NUMBER	DESCRIPTION
1	1	2445 054-5	CAP, Fender Wheel Opening to Sill Moulding (12-15-9)	15	1	2495 742-3	MOULDING PACKAGE, Quarter Panel Belt (23-23-39)
	2	6024 271	Screw	6	9411 618	Nut	
2	1	2417 896-7	MOULDING, Fender Wheel Opening (12-15-2)	6	6022 013	Seal	
	14	6024 271	Screw	2	116 000	Nut	
3	1	2417 656-7	MOULDING, Fender Side Lower Front (12-15-2)	2	6024 729	Seal	
	14	9414 713	Screw	16	1	2492 046-7	MOULDING, Rear Window Outside Finish (23-23-52)
	6	9414 711	Screw	18	6001 084	Retainer and Screw	
4	1	2449 737	CAP, Grille Panel Lower Moulding (7-16-44)	17	1	2495 746-7	MOULDING PACKAGE, Deck Upper Panel (23-23-31)
5	2	2449 736	MOULDING, Radiator Grille Lower (7-16-36)	2	6024 271	Screw	
	4	9414 711	Screw	10	6022 013	Seal	
6	1	2448 598-9	MOULDING PACKAGE, Fender Front (12-15-2)	10	9411 618	Nut	
	4	6024 718	Seal	18	2	2480 759	"I", Deck Lid Name Letter (23-19-114)
	4	6023 202	Nut and Washer	1	2480 760	"M"	
7	1	2495 250-1	MOULDING PACKAGE, Radiator Grille Lower Side (7-16-36)	1	2480 761	"P"	
	4	9414 711	Screw	1	2480 762	"E"	
8	1	2495 150-1	MOULDING PACKAGE, Fender Top (12-15-2)	1	2480 763	"R"	
	16	6001 647	Retainer and Stud	1	2480 764	"A"	
	16	-----	Nut	1	2480 765	"L"	
	2	6001 547	Clip	16	6000 050	Clip	
9	1	2417 893	ORNAMENT, Radiator Grille Top (7-17-1)	19	1	2483 446	NAME PLATE, Deck Lid (23-19-114)
	1	6023 202	Nut	4	152 259	Nut	
9A	1	2445 064	EXTENSION, Hood Panel Radiator Grille Ornament Base	20	1	2495 736-7	MOULDING PACKAGE, Quarter Panel Upper, w/Cap (23-23-39)
	1	6023 202	Nut	12	6001 657	Retainer	
10	1	2495 695	MOULDING PACKAGE, Windshield Outside Lower (23-23-65)	16	6001 475	Retainer	
	10	6006 200	Clip	18	-----	Nut	
11	1	2492 039	MOULDING, Windshield Outside Upper (23-23-65)	2	6024 705	Seal	
	5	6001 553	Retainer and Screw	21	1	2481 193	COVER, Deck Opening Upper Panel Extension Moulding Joint (23-23-41)
12	1	2492 040-1	MOULDING, Windshield Outside Side (23-23-65)	22	1	2495 744-5	MOULDING PACKAGE, Quarter Panel Lower Rear (23-23-39)
	8	6024 373	Screw and Sealer	6	6023 202	Nut	
13	1	2480 528-9	MOULDING, Roof Drain Trough Side Front (w/o Vinyl Roof) (23-59-61)	6	6022 007	Seal	
	4	6023 370	Screw	2	6023 898	Screw	
	1	2528 982-3	MOULDING, Roof Drain Trough Side Front (w/Vinyl Roof) (23-59-61)	23	1	2480 080-1	MOULDING, Quarter Panel Wheel Opening (23-23-39)
	20	6024 271	Screw w/Sealer	14	6024 271	Screw	
	4	6023 370	Screw	24	2	2483 445	NAME PLATE, Quarter Outside Inner Upper Extension, Crown Coupe (23-34-238)
14	1	2529 078-9	MOULDING, Roof Side Drain Trough Rear (w/o Vinyl Roof) (23-59-61)	10	152 259	Nut	
	2	6023 370	Screw	25	1	2495 740-1	MOULDING PACKAGE, Body Side Sill, w/Cap (23-23-2)
	1	2483 784-5	MOULDING, Roof Side Drain Trough Rear (w/Vinyl Roof) (23-59-61)	18	6001 492	Clip	
	2	6023 370	Screw	20	6023 975	Screw	
	10	6024 271	Screw w/Sealer	2	6024 637	Screw	
				26	2	2495 727	MOULDING PACKAGE, Door (23-23-32)
				4	6024 281	Seal	
				4	6022 007	Seal	
				2	-----	Nut	
				14	6001 547	Clip	
				2	6024 702	Seal	

All Packages Include Attaching Parts

Part Type Code is Indicated in Parentheses

EXTERIOR VIEW - IMPERIAL Y-M 2 DOOR HARDTOP



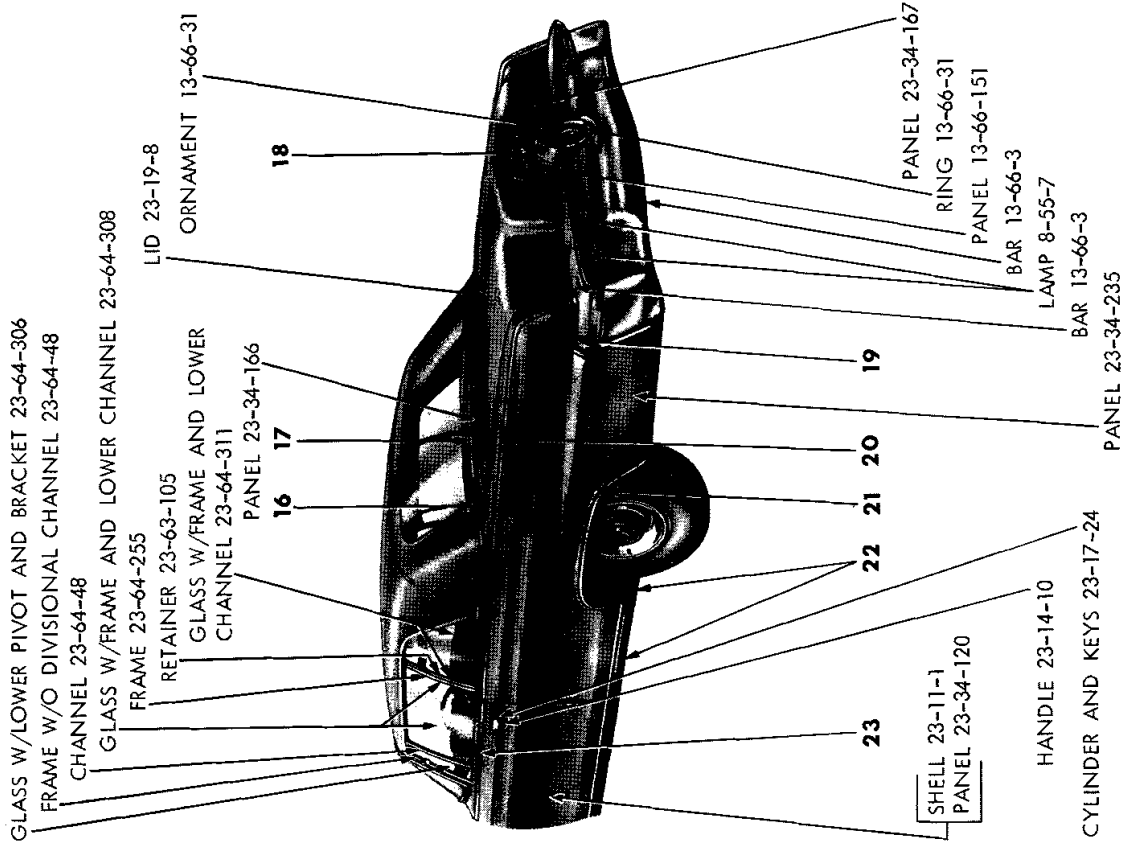
EXTERIOR VIEW - IMPERIAL Y-M 4 DOOR HARDTOP

REF. NO.	QTY	PART NUMBER	DESCRIPTION	REF. NO.	QTY	PART NUMBER	DESCRIPTION
1	1	2445 054-5	CAP, Fender Wheel Opening to Sill Moulding (12-15-9)	15	1	2528 788-9	MOULDING, Roof Side Drain Trough Rear, w/Vinyl Roof (23-59-61)
	2	6024 271	Screw		2	6023 370	Screw
2	1	2417 896-7	MOULDING, Fender Wheel Opening (12-15-2)	16	2	2480 716	MEDALLION, Quarter Outside Inner Panel Upper Extension Moulding (23-34-334)
	14	6024 271	Screw		2	2480 770-1	MOULDING, Quarter Panel Belt, w/Letters and Medallion (23-23-39)
3	1	2495 150-1	MOULDING PACKAGE, Fender Top (12-15-2)	17	1	2480 770-1	MOULDING, Quarter Panel Belt, w/Letters and Medallion (23-23-39)
	16	6001 647	Retainer		6	9411 618	Nut
	16	-----	Nut		2	-----	Nut
	2	6001 547	Clip		6	6022 013	Washer
4	1	2417 656-7	MOULDING PACKAGE, Fender Side Lower Front (12-15-2)		2	-----	Washer
	14	9414 713	Screw	18	2	2480 711	"C", LETTER, Quarter Outside Inner Panel Upper Extension Moulding (23-34-238)
	6	9414 711	Screw		2	2480 712	"R"
5	1	2448 598-9	MOULDING PACKAGE, Fender Front (12-15-2)		2	2480 713	"O"
	4	6024 718	Seal		2	2480 714	"W"
	4	6023 202	Nut		2	2480 715	"N"
6	1	2449 737	CAP, Radiator Grille Lower Panel Moulding (7-16-44)	19	1	2495 752-3	MOULDING PACKAGE, Rear Window Outside Finish (23-23-52)
	2	9414 711	Screw		14	6001 084	Retainer and Screw
7	2	2449 736	MOULDING, Radiator Grille Lower Panel (7-16-36)	20	2	2480 759	"I", Deck Lid Name Letter (23-19-114)
	6	9414 711	Screw		1	2480 760	"M"
8	1	2495 250-1	MOULDING PACKAGE, Radiator Grille Lower Panel Side (7-16-36)		1	2480 761	"P"
	2	6024 421	Screw		1	2480 762	"E"
	2	-----	Washer		1	2480 763	"R"
	4	-----	Nut		1	2480 764	"A"
9	1	2417 893	ORNAMENT, Radiator Grille Panel Top (7-17-1)		1	2480 765	"L"
	1	6023 202	Nut		16	6000 050	Clip
10	1	2445 064	EXTENSION, Hood Panel, Radiator Grille Ornament Base (15-03-21)	21	1	2495 744-5	MOULDING PACKAGE, Quarter Panel Bumper Depression (23-23-39)
	1	6023 202	Nut		6	6023 202	Nut
11	1	2492 039	MOULDING, Windshield Outside Upper (23-23-65)		6	6022 007	Seal
	5	6001 553	Retainer and Screw		2	6023 898	Screw
12	1	2495 695	MOULDING PACKAGE, Windshield Outside Lower (23-23-65)	22	1	2495 738-9	MOULDING PACKAGE, Quarter Panel Upper, w/Cap (23-23-39)
	10	6006 200	Clip		12	6001 476	Retainer
13	1	2492 040-1	MOULDING, Windshield Outside Side (23-23-65)		14	6001 475	Retainer
	2	180 077	Screw and Seal	23	1	2480 080-1	MOULDING, Quarter Panel Wheel Opening (23-23-39)
	8	6024 373	Screw and Sealer		14	6024 271	Screw
14	1	2480 528-9	MOULDING, Roof Drain Trough Side Front, w/o Vinyl Roof (23-59-61)	24	1	2495 740-1	MOULDING PACKAGE, Body Side Sill, w/Cap (23-23-2)
	4	6023 370	Screw		18	6001 492	Clip
	1	2528 983	MOULDING, Roof Drain Trough Side Front, w/Vinyl Roof (23-59-61)		20	6023 975	Screw
	4	6023 370	Screw	25	1	2495 734-5	MOULDING PACKAGE, Rear Door Outside Upper (23-23-33)
15	1	2529 076-7	MOULDING, Roof Side Drain Trough Rear, w/o Vinyl Roof (23-59-61)		4	6000 505	Clip
	2	6023 370	Screw		4	6022 007	Seal
					4	9417 621	Nut
					2	-----	Nut
				26	1	2495 732-3	MOULDING PACKAGE, Front Door Outside Upper (23-23-32)
					6	6000 505	Clip
					4	6022 007	Seal
					4	9417 621	Nut
					2	-----	Nut

All Packages Include Attaching Parts

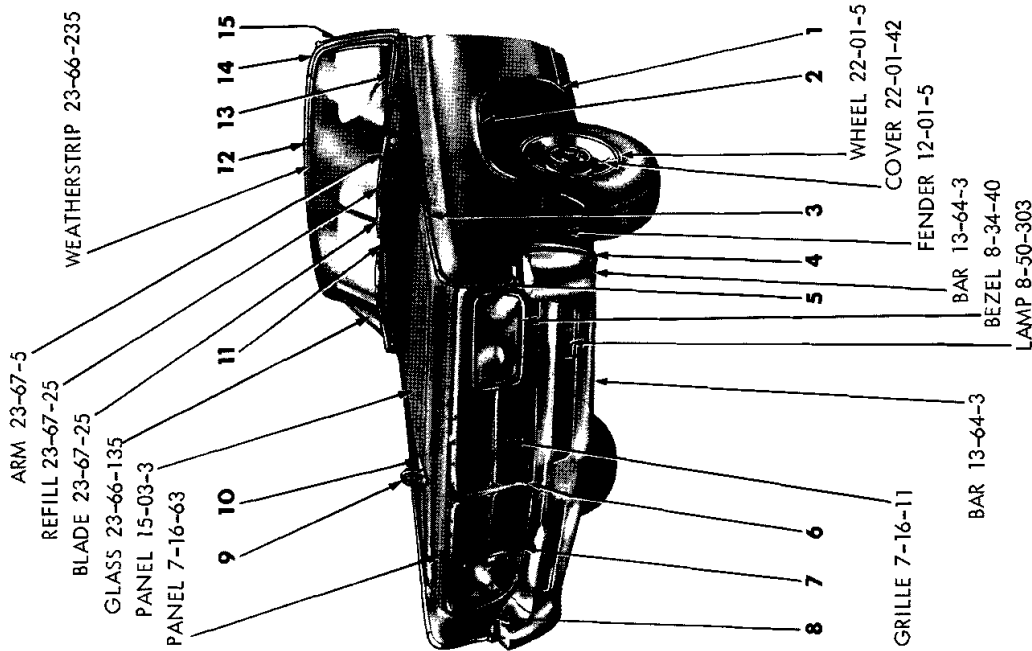
Part Type Code is Indicated in Parentheses

EXTERIOR VIEW - IMPERIAL Y-M 4 DOOR HARDTOP



19a0205

EXTERIOR VIEW - IMPERIAL Y-M CONVERTIBLE COUPE



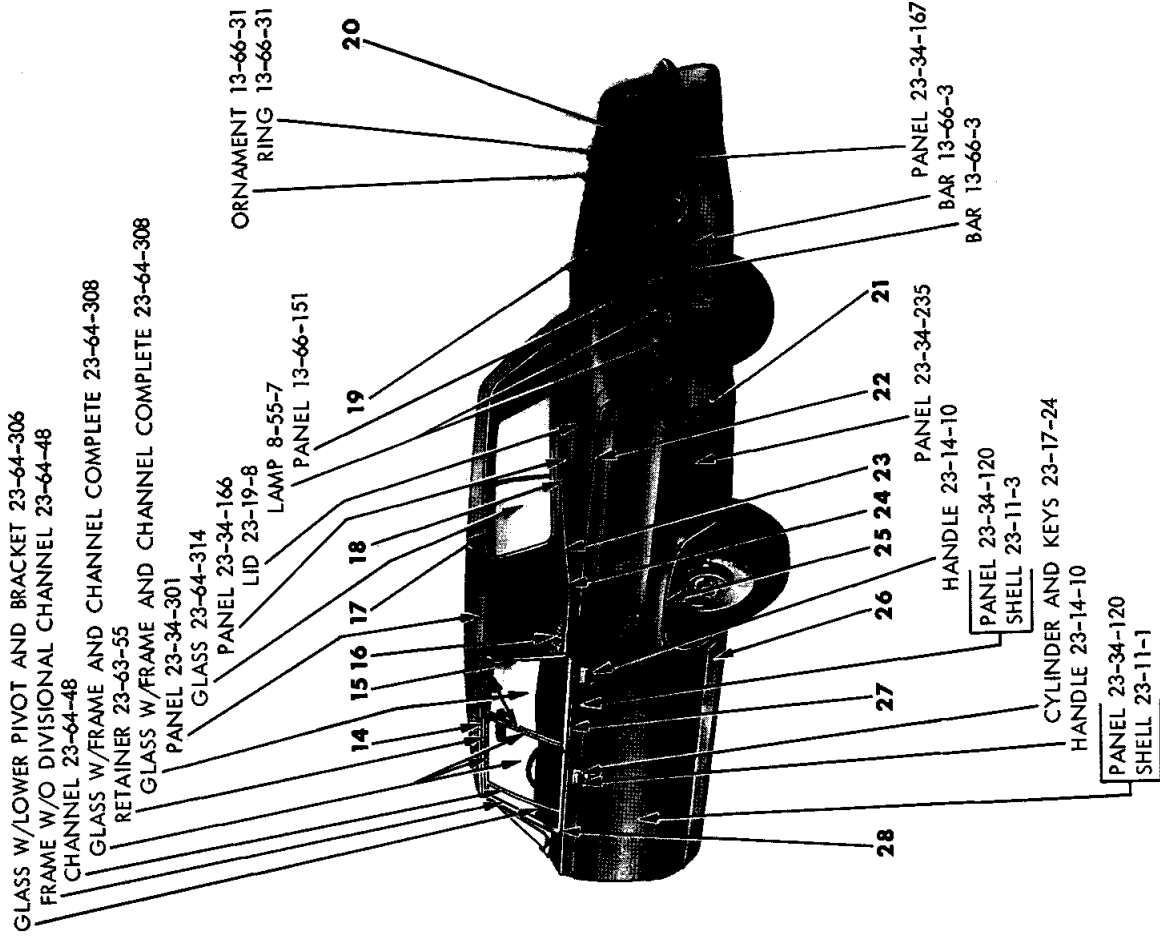
REF. NO.	QTY	PART NUMBER	DESCRIPTION
1	1	2445 054-5	CAP, Fender Wheel Opening to Sill Moulding (12-15-9)
	2	6024 271	Screw
2	1	2417 896-7	MOULDING, Fender Wheel Opening (12-15-2)
	14	6024 271	Screw
3	1	2495 150-1	MOULDING PACKAGE, Fender Top (12-15-2)
	16	6001 647	Retainer
	16	----	Nut
	2	6001 547	Clip
4	1	2417 656-7	MOULDING PACKAGE, Fender Side Lower Front (12-15-2)
	14	9414 713	Screw
	6	9414 711	Screw
5	1	2448 598-9	MOULDING PACKAGE, Fender Front (12-15-2)
	4	6024 718	Seal
	4	6023 202	Nut
6	1	2449 737	CAP, Radiator Grille Lower Panel Moulding (7-16-44)
	2	9414 711	Screw
7	2	2449 736	MOULDING, Radiator Grille Lower Panel (7-16-36)
	6	9414 711	Screw
8	1	2495 250-1	MOULDING PACKAGE, Radiator Grille Lower Panel Side (7-16-36)
	2	6024 421	Screw
	2	----	Washer
	4	----	Nut
9	1	2417 893	ORNAMENT, Radiator Grille Panel Top (7-17-1)
	1	6023 202	Nut
10	1	2445 064	EXTENSION, Hood Panel, Radiator Grille Ornament Base (15-03-21)
	1	6023 202	Nut
11	1	1692 191	CAP, Windshield Outside Finish Lower Moulding Center Joint (23-23-66)
12	1	2196 749	MOULDING PACKAGE, Windshield Outside Finish Upper (23-23-65)
	10	6006 176	Stud
	10	6006 434	Retainer
13	1	2196 477-8	MOULDING PACKAGE, Windshield Outside Finish Lower (23-23-65)
	20	6006 200	Clip

REF. NO.	QTY	PART NUMBER	DESCRIPTION
14	1	2196 673-4	MOULDING PACKAGE, Windshield Header Upper Corner (23-23-65)
	4	----	Screw
15	1	2196 481-2	MOULDING PACKAGE, Windshield Outside Finish Side (23-23-65)
	6	6000 000	Screw
	2	----	Screw
16	1	2481 210-1	MOULDING, Belt (23-23-49)
	24	2094 380	Fastener
17	1	2480 843	COVER, Belt Moulding (23-23-41)
	1	2094 380	Fastener
18	2	2480 759	"P", Deck Lid Letter (23-19-114)
	1	2480 760	"M"
	1	2480 761	"P"
	1	2480 762	"E"
	1	2480 763	"R"
	1	2480 764	"A"
	1	2480 765	"L"
	16	6000 050	Clip
19	1	2495 744-5	MOULDING PACKAGE, Quarter Panel Bumper Depression (23-23-39)
	6	6023 202	Nut
	6	6022 007	Seal
	2	6023 898	Screw
20	1	2495 736-7	MOULDING PACKAGE, Quarter Panel Upper (23-23-39)
	12	6001 657	Retainer
	16	6001 647	Retainer
	18	----	Nut
	2	6024 705	Seal
21	1	2480 080-1	MOULDING, Quarter Panel Wheel Opening (23-23-39)
	14	6024 271	Screw
22	1	2495 740-1	MOULDING PACKAGE, Body Side Sill, w/Cap (23-23-2)
	18	6001 492	Clip
	20	6023 975	Screw
23	2	2495 727	MOULDING PACKAGE, Door Outside Upper (23-23-32)
	4	6024 281	Screw
	4	6022 007	Seal
	2	----	Nut
	14	6001 547	Clip
	2	6024 702	Seal

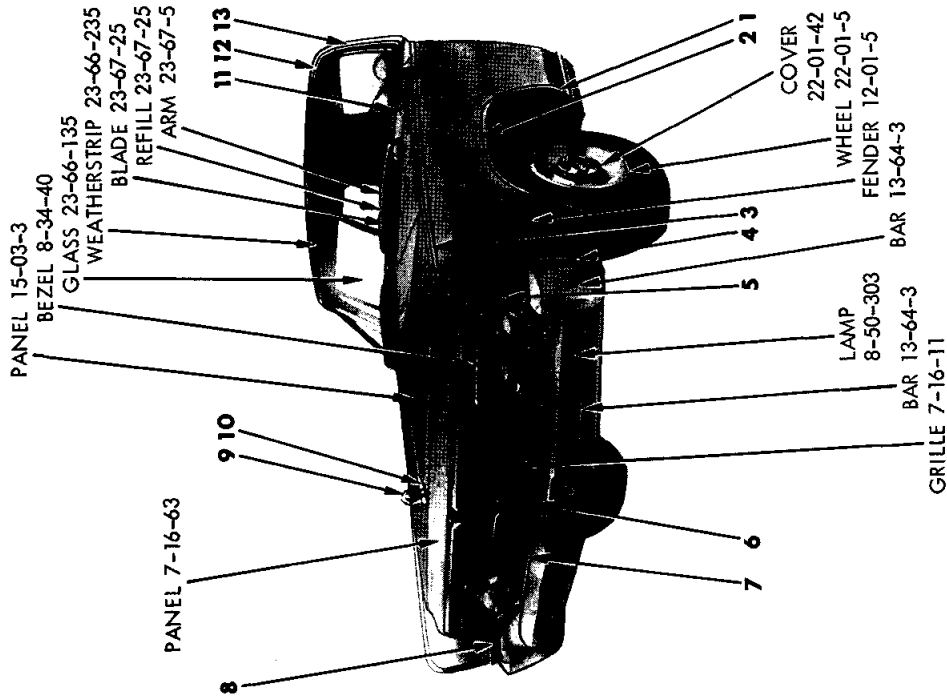
All Packages Include Attaching Parts

Part Type Code is Indicated in Parentheses

EXTERIOR VIEW - IMPERIAL Y-M CONVERTIBLE COUPE



19a0200



EXTERIOR VIEW - IMPERIAL Y-H 4 DOOR HARDTOP

REF. NO.	QTY	PART NUMBER	DESCRIPTION
1	1	2445 054-5	CAP, Fender Wheel Opening to Sill Moulding (12-15-9)
	2	6024 271	Screw
2	1	2417 896-7	MOULDING, Fender Wheel Opening (12-15-2)
	14	6024 271	Screw
3	1	2495 150-1	MOULDING PACKAGE, Fender Top (12-15-2)
	16	6001 647	Retainer
	16	-----	Nut
	2	6001 547	Clip
4	1	2417 656-7	MOULDING PACKAGE, Fender Side Lower Front (12-15-2)
	14	9414 713	Screw
	6	9414 711	Screw
5	1	2448 598-9	MOULDING PACKAGE, Fender Front (12-15-2)
	4	6024 718	Seal
	4	6023 202	Nut
6	1	2449 737	CAP, Radiator Grille Lower Panel Moulding (7-16-44)
	2	9414 711	Screw
7	2	2449 736	MOULDING, Radiator Grille Lower Panel (7-16-36)
	6	9414 711	Screw
8	1	2495 250-1	MOULDING PACKAGE, Radiator Grille Lower Panel Side (7-16-36)
	2	6024 421	Screw
	2	-----	Washer
	4	-----	Nut
9	1	2417 893	ORNAMENT, Radiator Grille Panel Top (7-17-1)
	1	6023 202	Nut
10	1	2445 064	EXTENSION, Hood Panel, Radiator Grille Ornament Base (15-03-21)
		6023 202	Nut
11	1	2495 695	MOULDING PACKAGE, Windshield Outside Lower (23-23-65)
	10	6006 200	Clip
12	1	2492 039	MOULDING, Windshield Outside Upper (23-23-65)
	5	6001 553	Retainer and Screw
13	1	2492 040-1	MOULDING, Windshield Outside Side (23-23-65)
	2	180 077	Screw and Seal
	8	6024 373	Screw and Sealer
14	1	2480 528-9	MOULDING, Roof Drain Trough Side Front, w/o Vinyl Roof (23-59-61)
	4	6023 370	Screw
	1	2528 982-3	MOULDING, Roof Drain Trough Side Front, w/Vinyl Roof (23-59-61)
	4	6023 370	Screw
15	1	2529 078-9	MOULDING, Roof Side Drain Trough Rear, w/o Vinyl Roof (23-59-61)
	2	6023 370	Screw
	1	2483 784-5	MOULDING, Roof Side Drain Trough Rear, w/Vinyl Roof (23-59-61)
	2	6023 370	Screw
16	1	2480 882	NAME PLATE, Quarter Outside Inner Panel Upper Extension, "Le" (23-34-238)

All Packages include Attaching Parts

REF. NO.	QTY	PART NUMBER	DESCRIPTION
	1	2480 883	NAME PLATE, Quarter Outside Inner Panel Upper Extension "Baron" (23-34-238)
	4	152 259	Nut
17	1	2492 046-7	MOULDING, Rear Window Outside Finish (23-23-52)
	18	6001 084	Retainer and Screw
18	1	2481 193	COVER, Deck Opening Upper Panel Extension Moulding Joint (23-23-41)
19	2	2480 759	LETTER "P", Deck Lid (23-19-114)
	1	2480 760	"M"
	1	2480 761	"P"
	1	2480 762	"E"
	1	2480 763	"R"
	1	2480 764	"A"
	1	2480 765	"L"
	16	6000 050	Clip
20	1	2582 017	NAME PLATE, Deck Lid "Le" (23-19-114)
	1	2582 018	NAME PLATE, Deck Lid "Baron" (23-19-114)
	4	152 259	Nut
21	1	2495 744-5	MOULDING PACKAGE, Quarter Outside Bumper Depression (23-23-39)
	6	6022 007	Seal
	6	6023 202	Nut
	2	6023 898	Screw
22	1	2495 738-9	MOULDING PACKAGE, Quarter Panel Upper (23-23-39)
	12	6001 476	Retainer
	14	6001 475	Retainer
	4	6000 505	Clip
23	1	2495 746-7	MOULDING PACKAGE, Deck Opening Upper Panel (23-23-31)
	2	6024 271	Screw
	10	6022 013	Seal
	10	9411 618	Nut
24	1	2495 742-3	MOULDING PACKAGE, Quarter Panel Belt (23-23-39)
	6	9411 618	Nut
	2	116 000	Nut
	6	6022 013	Seal
	2	6024 729	Seal
25	1	2480 080-1	MOULDING, Quarter Panel Wheel Opening (23-23-39)
	14	6024 271	Screw
26	1	2495 740-1	MOULDING PACKAGE, Body Side Sill, w/Cap (23-23-39)
	18	6001 492	Clip
	20	6023 975	Screw
27	1	2495 734-5	MOULDING PACKAGE, Rear Door Outside Upper (23-23-33)
	4	6000 505	Clip
	4	9417 621	Nut
	4	6022 007	Seal
	2	-----	Nut
28	1	2495 732-3	MOULDING PACKAGE, Front Door Outside Upper (23-23-32)
	6	6000 505	Clip
	4	9417 621	Nut
	4	6022 007	Seal
	2	-----	Nut

Part Type Code is Indicated in Parentheses

EXTERIOR VIEW - IMPERIAL Y-H 4 DOOR HARDTOP

1965 PASSENGER CAR PARTS CATALOG

MOULDINGS

NUMERICAL PARTS LIST

Page 23-200

PART NUMBER	CODE	PART NUMBER	CODE	PART NUMBER	CODE	PART NUMBER	CODE	PART NUMBER	CODE
2167	998	2422	191	2480	080	2484	757	2495	408
2167	999	2422	432	2480	081	2486	686	2495	409
2196	477	2422	433	2480	528	2491	014	2495	695
2196	478	2422	438	2480	529	2491	015	2495	727
2196	481	2422	439	2480	711	2491	016	2495	732
		2422	440	2480	712	2491	017		
2196	482			2480	713	2491	017	2495	733
2196	673	2422	441	2480	713	2491	716	2495	734
2196	674	2422	650	2480	714	2491	717	2495	735
2196	749	2422	651	2480	715	2492	039	2495	736
2216	036	2422	894	2480	716	2492	040	2495	737
		2422	895	2480	759	2492	041	2495	738
2216	037			2480	760	2492	046	2495	739
2216	944	2422	955	2480	761	2492	047	2495	740
2216	945	2423	548	2480	762	2492	712	2495	741
2216	946	2423	549	2480	763	2492	713	2495	742
2216	947	2424	106	2480	764	2492	782		
		2424	164	2480	765	2492	783	2495	743
2216	950			2480	765	2492	784	2495	744
2216	951	2424	165	2480	770	2492	785	2495	745
2217	014	2424	168	2480	771	2492	790	2495	746
2217	015	2424	169	2480	882	2492	791	2495	747
2218	444	2424	170	2480	883	2492	796	2495	752
		2424	171	2480	883	2492	797	2495	753
2218	445			2480	916	2492	797	2495	754
2218	594	2448	150	2480	917	2492	798	2495	755
2218	595	2448	151	2480	918	2492	800	2495	900
2218	596	2448	176	2480	919	2492	801	2495	901
2218	597	2448	177	2480	922	2492	806	2495	902
		2448	401	2480	976	2492	807	2495	903
2244	374			2480	976	2492	807	2524	007
2244	375	2448	414	2480	977	2492	808	2524	008
2244	376	2448	415	2481	050	2492	809		
2244	377	2448	430	2481	051	2495	150	2524	054
2255	936	2448	431	2481	210	2495	151	2524	200
		2448	432	2481	211	2495	250	2524	206
2255	937			2481	844	2495	251	2524	207
2255	948	2448	433	2481	845	2495	251	2524	208
2299	374	2448	453	2482	898	2495	269		
2299	399	2448	458	2482	899	2495	274	2524	209
2299	752	2448	459	2483	436	2495	275	2524	226
		2448	488	2483	437	2495	276	2524	233
2404	734			2483	445	2495	277	2524	237
2417	656	2448	540	2483	446	2495	279	2524	239
2417	657	2448	541	2483	782	2495	284		
2417	677	2448	598	2483	784	2495	285	2524	241
2417	678	2449	700	2483	785	2495	286	2524	258
				2483	848	2495	318	2524	265
2417	679	2449	706	2483	849	2495	319	2524	268
2417	680	2449	707	2484	162	2495	320	2524	270
2417	825	2449	708	2484	163	2495	321		
2417	826	2449	709	2484	380	2495	321	2524	271
2417	827	2449	715	2484	381	2495	360	2524	272
		2449	715	2484	406	2495	361	2524	273
2417	828			2484	407	2495	366	2524	274
2417	893	2449	727	2484	424	2495	367	2524	275
2417	896	2449	732	2484	425	2495	368		
2417	897	2449	733	2484	558	2495	372	2524	276
2421	577	2449	736	2484	559	2495	373	2524	286
		2449	861	2484	602	2495	374	2524	287
2421	578			2484	603	2495	375	2524	527
2421	579	2449	866	2484	602	2495	376	2524	723
2421	580	2449	868	2484	603	2495	377	2524	786
2421	912	2449	930	2484	756	2495	377	2524	787
2422	180	2449	931	2484	756	2495	377	2524	859
		2449	932						
2422	181	2449	934						
2422	188	2449	935						
2422	189	2449	936						
2422	190								

May 1965, Supersedes Nov. 30, 1964.

1965 PASSENGER CAR PARTS CATALOG

MOULDINGS NUMERICAL PARTS LIST

PART NUMBER	CODE	PART NUMBER	CODE	PART NUMBER	CODE	PART NUMBER	CODE	PART NUMBER	CODE
2524 912.	7-17-1	2525 959.	23-23-39	2526 262.	23-23-39	2528 328.	15-06-16	2529 443.	23-59-61
2524 942.	12-15-21	2525 964.	23-23-32	2526 263.	23-23-39			2529 444.	23-23-14
		2525 965.	23-23-32	2526 266.	23-19-114	2528 329.	15-06-16	2529 445.	23-23-14
2524 943.	12-15-21	2525 966.	23-23-32	2526 268.	23-19-114	2528 330.	15-06-16		
2525 556.	23-59-61			2526 340.	23-19-114	2528 332.	23-23-14	2529 924.	23-59-61
2525 557.	23-59-61	2525 967.	23-23-32			2528 333.	23-23-14	2529 925.	23-59-61
2525 582.	23-23-39	2525 968.	23-23-39	2526 356.	23-23-39	2528 402.	23-23-32	2570 060.	23-23-33
2525 583.	23-23-39	2525 969.	23-23-39	2526 357.	23-23-39			2570 061.	23-23-33
		2525 970.	23-23-33	2526 458.	23-23-39	2528 403.	23-23-32	2570 110.	23-23-16
2525 587.	15-25-2	2525 971.	23-23-33	2526 459.	23-23-39	2528 449.	23-19-114		
2525 592.	23-23-52			2526 460.	23-23-39	2528 477.	23-34-238	2570 111.	23-23-16
2525 593.	23-23-52	2525 972.	23-23-39			2528 512.	23-34-184	2571 170.	23-11-23
2525 594.	23-23-52	2525 973.	23-23-39	2526 461.	23-23-39	2528 513.	23-34-184	2571 171.	23-11-23
2525 595.	23-23-50	2525 974.	23-23-39	2526 462.	23-59-61			2571 172.	23-63-33
		2525 975.	23-23-39	2526 463.	23-59-61	2528 514.	23-34-184	2571 173.	23-63-33
2525 596.	23-23-52	2525 976.	23-23-2	2526 480.	23-59-61	2528 515.	23-34-184		
2525 597.	23-23-52			2526 481.	23-59-61	2528 562.	23-23-72	2571 176.	23-11-23
2525 598.	23-23-52	2525 977.	23-23-2			2528 563.	23-23-72	2571 177.	23-11-23
2525 599.	23-23-52	2525 978.	23-23-39	2526 482.	23-59-61	2528 586.	23-23-39	2571 178.	23-63-33
2525 800.	12-15-2	2525 979.	23-23-52	2526 483.	23-59-61			2571 179.	23-63-33
		2525 980.	23-23-32	2526 510.	23-34-238	2528 587.	23-23-39	2571 180.	23-63-33
2525 801.	12-15-2	2525 981.	23-23-32	2526 512.	23-23-23	2528 602.	23-34-240		
2525 804.	12-15-2			2526 530.	23-23-73	2528 603.	23-34-240	2571 181.	23-63-33
2525 805.	12-15-2	2525 982.	23-23-32			2528 607.	23-19-114	2571 182.	23-63-33
2525 806.	12-15-2	2525 983.	23-23-32	2526 531.	23-23-73	2528 648.	23-19-114	2571 183.	23-63-33
2525 807.	12-15-2	2525 984.	23-23-32	2526 532.	23-59-61			2571 184.	23-63-33
		2525 985.	23-23-32	2526 533.	23-59-61	2528 649.	23-19-114	2571 185.	23-63-33
2525 808.	12-15-2	2525 986.	23-23-39	2526 540.	23-23-45	2528 650.	23-19-114		
2525 809.	12-15-2			2526 541.	23-23-45	2528 651.	23-19-114	2573 002.	23-23-2
2525 810.	12-15-2	2525 987.	23-23-39			2528 652.	23-19-114	2573 003.	23-23-2
2525 811.	12-15-2	2525 988.	23-23-33	2526 730.	23-19-114	2528 688.	23-19-114	2573 096.	23-23-39
2525 814.	12-15-2	2525 989.	23-23-33	2526 824.	23-23-31			2573 097.	23-23-39
		2525 990.	23-23-39	2526 825.	23-23-31	2528 788.	23-59-61	2573 204.	23-23-30
2525 815.	12-15-2	2525 991.	23-23-39	2526 852.	23-23-42	2528 789.	23-59-61		
2525 816.	23-23-61			2526 853.	23-23-42	2528 795.	23-23-61	2573 222.	23-59-61
2525 817.	23-23-61	2525 992.	23-23-39			2528 795.	23-23-61	2573 223.	23-59-61
2525 818.	23-23-61	2525 993.	23-23-39	2526 854.	23-23-42	2528 858.	23-34-184	2573 230.	23-59-61
2525 819.	23-23-61	2525 994.	23-23-42	2526 855.	23-23-42	2528 859.	23-34-184	2573 231.	23-59-61
		2525 995.	23-23-42	2526 929.	23-19-114			2573 568.	23-23-39
2525 820.	12-15-2	2525 996.	23-23-39	2526 930.	23-19-114	2528 974.	23-19-114		
2525 821.	12-15-2			2526 931.	23-19-114	2528 975.	23-19-114	2573 569.	23-23-39
2525 822.	12-15-2	2525 997.	23-23-39			2528 976.	23-19-114	2573 608.	23-23-39
2525 823.	12-15-2	2525 998.	23-23-39	2526 932.	23-19-114	2528 977.	23-19-114	2573 609.	23-23-39
2525 824.	12-15-2	2525 999.	23-23-39	2527 018.	23-23-39	2528 978.	23-19-114	2573 612.	23-23-39
		2526 056.	23-19-114	2527 019.	23-23-39	2528 979.	23-19-114	2573 613.	23-23-39
2525 825.	12-15-2	2526 112.	23-34-238	2527 712.	23-23-28	2528 980.	23-19-114		
2525 826.	12-15-2			2527 802.	23-19-114	2528 981.	23-19-114	2573 618.	23-34-334
2525 828.	12-15-2	2526 113.	23-34-238			2528 982.	23-59-61	2573 619.	23-34-334
2525 829.	12-15-2	2526 114.	23-34-238	2527 984.	23-23-39	2528 983.	23-59-61	2573 827.	23-23-28
2525 830.	12-15-2	2526 115.	23-34-238	2527 985.	23-23-39			2573 944.	23-59-61
		2526 140.	23-59-61	2528 002.	23-59-61	2529 076.	23-59-61	2573 945.	23-59-61
2525 831.	12-15-2	2526 141.	23-59-61	2528 003.	23-59-61	2529 077.	23-59-61		
2525 832.	12-15-2			2528 092.	23-34-334	2529 078.	23-59-61	2573 946.	23-59-61
2525 833.	12-15-2	2526 148.	23-59-61			2529 078.	23-59-61	2573 947.	23-59-61
2525 834.	12-15-2	2526 149.	23-59-61	2528 093.	23-34-334	2529 079.	23-59-61	2573 948.	23-23-42
2525 835.	12-15-2	2526 192.	23-19-114	2528 315.	23-19-114	2529 096.	23-23-73	2573 949.	23-23-42
		2526 194.	23-19-114	2528 316.	23-19-114			2574 850.	23-23-14
2525 836.	12-15-2	2526 228.	23-23-39	2528 317.	23-19-114	2529 097.	23-23-73		
2525 837.	12-15-2			2528 318.	23-19-114	2529 112.	23-23-73	2574 851.	23-23-14
2525 838.	12-15-2	2526 229.	23-23-39			2529 113.	23-23-73	2578 548.	12-15-21
2525 839.	12-15-2	2526 230.	23-23-39	2528 319.	23-54-11	2529 144.	23-23-73	2578 627.	12-15-21
2525 840.	12-15-2	2526 231.	23-23-39	2528 320.	23-54-11	2529 145.	23-23-73	2578 630.	12-15-21
		2526 234.	23-11-23	2528 321.	23-54-11			2578 632.	12-15-21
2525 841.	12-15-2	2526 235.	23-11-23	2528 322.	23-54-11	2529 264.	23-59-61		
2525 842.	12-15-2			2528 323.	15-06-16	2529 265.	23-59-61	2578 640.	15-03-18
2525 843.	12-15-2	2526 236.	23-54-334			2529 438.	23-59-61	2578 641.	15-03-18
2525 847.	23-23-30	2526 250.	23-34-238	2528 324.	15-06-16	2529 439.	23-59-61	2578 730.	15-03-18
2525 950.	23-23-39	2526 251.	23-34-238	2528 325.	15-06-16	2529 440.	23-59-61	2578 733.	15-03-18
		2526 252.	23-34-238	2528 326.	15-06-16			2578 734.	15-03-18
2525 951.	23-23-39	2526 253.	23-34-238	2528 327.	15-06-16	2529 441.	23-59-61		
						2529 442.	23-59-61		

1965 PASSENGER CAR PARTS CATALOG

MOULDINGS

NUMERICAL PARTS LIST

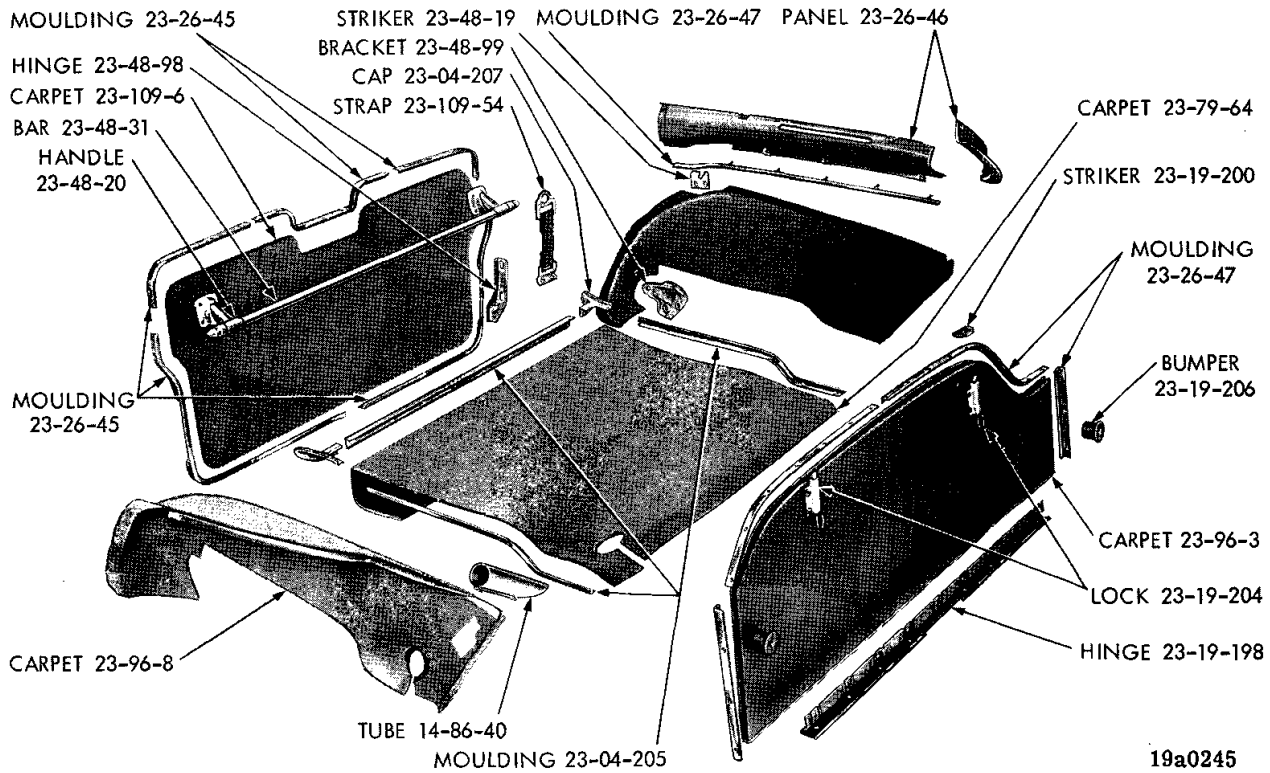
Page 23-202

PART NUMBER	CODE	PART NUMBER	CODE	PART NUMBER	CODE	PART NUMBER	CODE	PART NUMBER	CODE
2578 735.	. . . 15-03-18	2584 052.	. . . 23-23-39	2584 113.	. . . 12-15-2	2584 179.	. . . 23-23-42	2584 261.	. . . 23-23-39
2578 736.	. . . 15-03-18			2584 114.	. . . 12-15-2	2584 180.	. . . 23-23-42	2584 262.	. . . 23-23-39
2578 737.	. . . 15-03-18	2584 053.	. . . 23-23-39	2584 115.	. . . 12-15-2	2584 181.	. . . 23-23-42	2584 263.	. . . 23-23-39
2578 739.	. . . 15-03-18	2584 054.	. . . 23-23-39			2584 182.	. . . 23-23-23	2584 264.	. . . 23-23-39
2578 742.	. . . 15-03-18	2584 055.	. . . 23-23-39	2584 116.	. . . 12-15-2	2584 183.	. . . 23-23-30	2584 265.	. . . 23-23-39
		2584 056.	. . . 23-23-33	2584 117.	. . . 12-15-2			2584 266.	. . . 23-23-32
2578 743.	. . . 15-03-18	2584 057.	. . . 23-23-33	2584 118.	. . . 12-15-2	2584 184.	. . . 23-23-30		
2579 258.	. . . 12-15-21			2584 119.	. . . 12-15-2	2584 186.	. . . 23-23-23	2584 267.	. . . 23-23-32
2579 259.	. . . 12-15-21	2584 058.	. . . 23-23-33	2584 120.	. . . 12-15-2	2584 187.	. . . 23-23-23	2584 268.	. . . 23-23-32
B2579 442.	. . . 12-15-21	2584 059.	. . . 23-23-33			2584 188.	. . . 23-23-61	2584 269.	. . . 23-23-32
2581 948.	. . . 23-34-340	2584 060.	. . . 23-23-33	2584 121.	. . . 12-15-2	2584 189.	. . . 23-23-61	2584 270.	. . . 23-23-33
		2584 061.	. . . 23-23-33	2584 122.	. . . 12-15-2			2584 271.	. . . 23-23-33
B2583 215.	. . . 15-06-3	2584 063.	. . . 15-25-2	2584 123.	. . . 12-15-2	2584 190.	. . . 23-23-61		
2584 000.	. . . 23-23-33			2584 124.	. . . 12-15-2	2584 191.	. . . 23-23-61	2584 272.	. . . 23-23-39
2584 001.	. . . 23-23-33	2584 064.	. . . 12-15-2	2584 125.	. . . 12-15-2	2584 192.	. . . 23-23-42	2584 273.	. . . 23-23-39
2584 002.	. . . 23-23-39	2584 065.	. . . 12-15-2			2584 193.	. . . 23-23-42	2584 274.	. . . 23-23-39
2584 003.	. . . 23-23-39	2584 066.	. . . 12-15-2	2584 126.	. . . 23-23-30	2584 198.	. . . 23-23-39	2584 275.	. . . 23-23-39
		2584 067.	. . . 12-15-2	2584 127.	. . . 23-23-30			2584 276.	. . . 23-23-39
2584 004.	. . . 12-15-2	2584 068.	. . . 12-15-2	2584 132.	. . . 23-23-32	2584 199.	. . . 23-23-39		
2584 005.	. . . 12-15-2			2584 133.	. . . 23-23-32	2584 200.	. . . 23-23-73	2584 277.	. . . 23-23-39
2584 006.	. . . 23-23-52	2584 069.	. . . 12-15-2	2584 134.	. . . 23-23-32	2584 201.	. . . 23-23-73	B2584 278.	. . . 23-23-2
2584 007.	. . . 23-23-52	2584 070.	. . . 12-15-2			2584 202.	. . . 23-23-73	B2584 279.	. . . 23-23-2
2584 008.	. . . 23-23-32	2584 071.	. . . 12-15-2	2584 135.	. . . 23-23-32	2584 203.	. . . 23-23-73	2584 280.	. . . 23-23-2
		2584 072.	. . . 12-15-2	2584 136.	. . . 23-23-32			2584 281.	. . . 23-23-2
2584 009.	. . . 23-23-32	2584 073.	. . . 12-15-2	2584 137.	. . . 23-23-32	2584 206.	. . . 23-23-39		
2584 010.	. . . 23-23-32			2584 138.	. . . 23-23-32	2584 207.	. . . 23-23-39	2584 282.	. . . 23-23-2
2584 011.	. . . 23-23-32	2584 074.	. . . 12-15-2	2584 139.	. . . 23-23-32	2584 212.	. . . 23-23-32	2584 283.	. . . 23-23-2
2584 012.	. . . 23-23-39	2584 075.	. . . 12-15-2			2584 213.	. . . 23-23-32	2584 284.	. . . 23-23-39
2584 013.	. . . 23-23-39	2584 076.	. . . 12-15-2	2584 140.	. . . 23-23-32	2584 214.	. . . 23-23-32	2584 285.	. . . 23-23-39
		2584 077.	. . . 12-15-2	2584 141.	. . . 23-23-32			2584 286.	. . . 23-23-39
B2584 014.	. . . 23-23-39	2584 078.	. . . 12-15-2	2584 142.	. . . 23-23-39	2584 215.	. . . 23-23-32		
2584 015.	. . . 23-23-39			2584 143.	. . . 23-23-39	B2584 216.	. . . 23-23-39	2584 287.	. . . 23-23-39
2584 016.	. . . 23-23-39	2584 079.	. . . 12-15-2	2584 144.	. . . 23-23-39	B2584 217.	. . . 23-23-39	2584 288.	. . . 23-23-39
2584 017.	. . . 23-23-39	2584 080.	. . . 15-25-2			2584 218.	. . . 23-23-39	2584 289.	. . . 23-23-39
2584 018.	. . . 23-23-33	B2584 081.	. . . 23-23-41	2584 145.	. . . 23-23-39	2584 219.	. . . 23-23-39	2584 290.	. . . 23-23-39
		2584 082.	. . . 23-23-31	2584 146.	. . . 23-23-39			2584 291.	. . . 23-23-39
2584 019.	. . . 23-23-33	2584 083.	. . . 23-23-31	2584 147.	. . . 23-23-39	2584 220.	. . . 23-23-39		
2584 020.	. . . 23-23-39			2584 150.	. . . 23-23-33	2584 221.	. . . 23-23-39	2584 292.	. . . 23-23-39
2584 021.	. . . 23-23-39	2584 084.	. . . 23-23-39	2584 151.	. . . 23-23-33	2584 222.	. . . 23-23-39	2584 293.	. . . 23-23-39
2584 026.	. . . 23-23-32	2584 085.	. . . 23-23-39			2584 223.	. . . 23-23-39	2584 294.	. . . 23-23-39
2584 027.	. . . 23-23-32	2584 086.	. . . 23-23-39	2584 152.	. . . 23-23-39	2584 228.	. . . 23-23-39	2584 295.	. . . 23-23-39
		2584 087.	. . . 23-23-39	2584 153.	. . . 23-23-39			2584 296.	. . . 23-23-39
2584 028.	. . . 23-23-32	2584 088.	. . . 23-23-39	2584 156.	. . . 23-23-39	2584 229.	. . . 23-23-39		
2584 029.	. . . 23-23-32			2584 157.	. . . 23-23-39	2584 230.	. . . 23-23-39	2584 297.	. . . 23-23-39
2584 030.	. . . 23-23-32	2584 089.	. . . 23-23-39	2584 158.	. . . 23-23-2	2584 231.	. . . 23-23-39	2584 298.	. . . 23-23-32
2584 031.	. . . 23-23-32	2584 090.	. . . 23-23-30			2584 232.	. . . 23-23-39	2584 299.	. . . 23-23-32
2584 032.	. . . 23-23-32	2584 091.	. . . 23-23-30	2584 159.	. . . 23-23-2	2584 233.	. . . 23-23-39	2584 300.	. . . 23-23-32
		2584 094.	. . . 23-23-61	2584 160.	. . . 23-23-39			2584 301.	. . . 23-23-32
2584 033.	. . . 23-23-32	2584 095.	. . . 23-23-61	2584 161.	. . . 23-23-39	2584 234.	. . . 23-23-32		
2584 034.	. . . 23-23-32			2584 162.	. . . 23-23-33	2584 235.	. . . 23-23-32	2584 302.	. . . 23-23-32
2584 035.	. . . 23-23-32	2584 096.	. . . 23-23-61	2584 163.	. . . 23-23-33	2584 236.	. . . 23-23-32	2584 303.	. . . 23-23-32
2584 036.	. . . 23-23-32	2584 097.	. . . 23-23-61			2584 237.	. . . 23-23-32	2584 304.	. . . 23-23-32
2584 037.	. . . 23-23-32	2584 098.	. . . 23-23-52	2584 164.	. . . 23-23-39	2584 240.	. . . 23-23-32	2584 305.	. . . 23-23-32
		2584 099.	. . . 23-23-65	2584 165.	. . . 23-23-39			2584 306.	. . . 23-23-32
2584 038.	. . . 23-23-39	2584 100.	. . . 23-23-52	2584 166.	. . . 23-23-33	2584 241.	. . . 23-23-32		
2584 039.	. . . 23-23-39			2584 167.	. . . 23-23-33	2584 242.	. . . 23-23-32	2584 308.	. . . 23-23-33
2584 040.	. . . 23-23-39	2584 101.	. . . 23-23-52	2584 168.	. . . 23-23-39	2584 243.	. . . 23-23-32	2584 309.	. . . 23-23-33
2584 041.	. . . 23-23-39	2584 102.	. . . 23-23-52			2584 244.	. . . 23-23-32	2584 310.	. . . 23-23-32
2584 042.	. . . 23-23-39	2584 103.	. . . 23-23-52	2584 169.	. . . 23-23-39	2584 245.	. . . 23-23-32	2584 311.	. . . 23-23-32
		2584 104.	. . . 23-23-65	2584 170.	. . . 23-23-39			2584 312.	. . . 23-23-33
2584 043.	. . . 23-23-39	2584 105.	. . . 23-23-2	2584 171.	. . . 23-23-39	2584 248.	. . . 23-23-33		
2584 044.	. . . 23-23-39			2584 172.	. . . 23-23-42	2584 249.	. . . 23-23-33	2584 313.	. . . 23-23-33
2584 045.	. . . 23-23-39	2584 106.	. . . 23-23-65	2584 173.	. . . 23-23-42	2584 252.	. . . 23-23-33	2584 314.	. . . 23-23-33
2584 046.	. . . 23-23-39	2584 107.	. . . 23-23-65			2584 253.	. . . 23-23-33	2584 315.	. . . 23-23-33
2584 047.	. . . 23-23-39	2584 108.	. . . 23-23-65	2584 174.	. . . 23-23-42	2584 254.	. . . 23-23-39	2584 316.	. . . 23-23-39
		2584 109.	. . . 23-23-65	2584 175.	. . . 23-23-42			2584 317.	. . . 23-23-39
2584 048.	. . . 23-23-39	2584 110.	. . . 23-23-65	2584 176.	. . . 23-23-42	2584 255.	. . . 23-23-39		
2584 049.	. . . 23-23-39			2584 177.	. . . 23-23-42	2584 258.	. . . 23-23-33	2584 318.	. . . 23-23-33
2584 050.	. . . 23-23-39	2584 111.	. . . 23-23-65	2584 178.	. . . 23-23-42	2584 259.	. . . 23-23-33	2584 319.	. . . 23-23-33
2584 051.	. . . 23-23-39	2584 112.	. . . 12-15-2			2584 260.	. . . 23-23-39	2584 320.	. . . 23-23-39

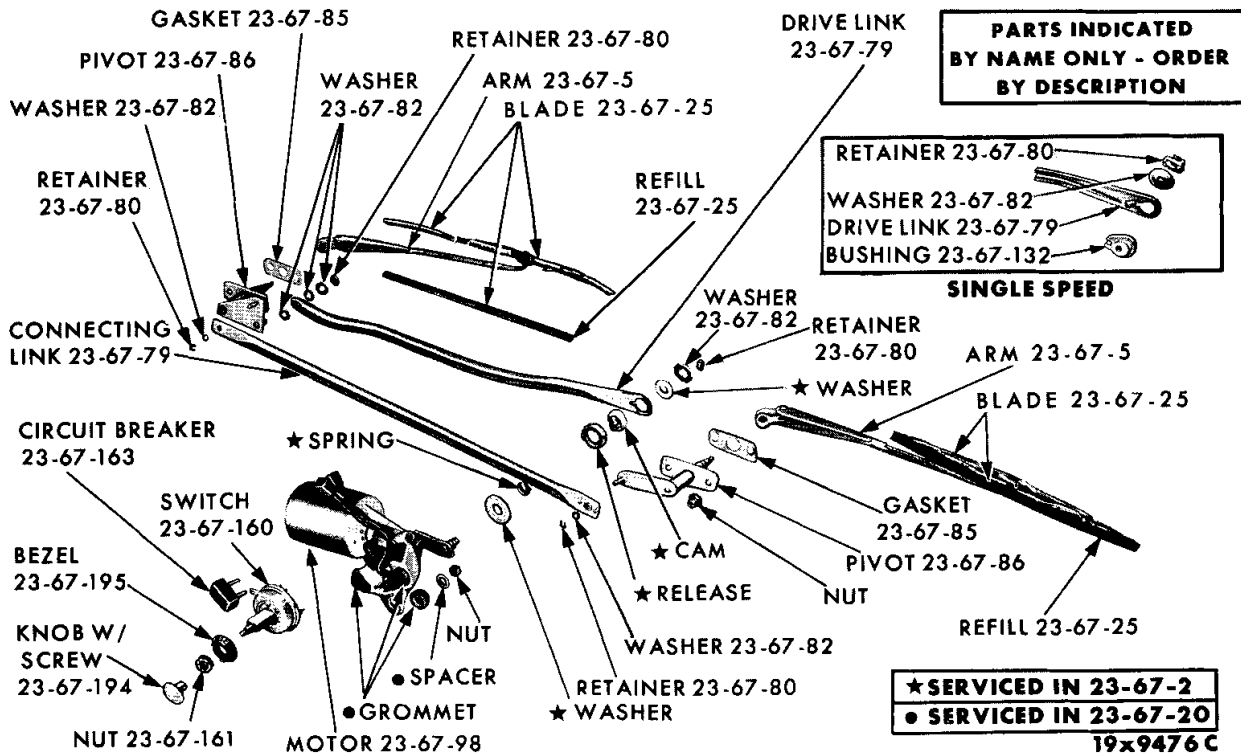
1965 PASSENGER CAR PARTS CATALOG

MOULDINGS NUMERICAL PARTS LIST

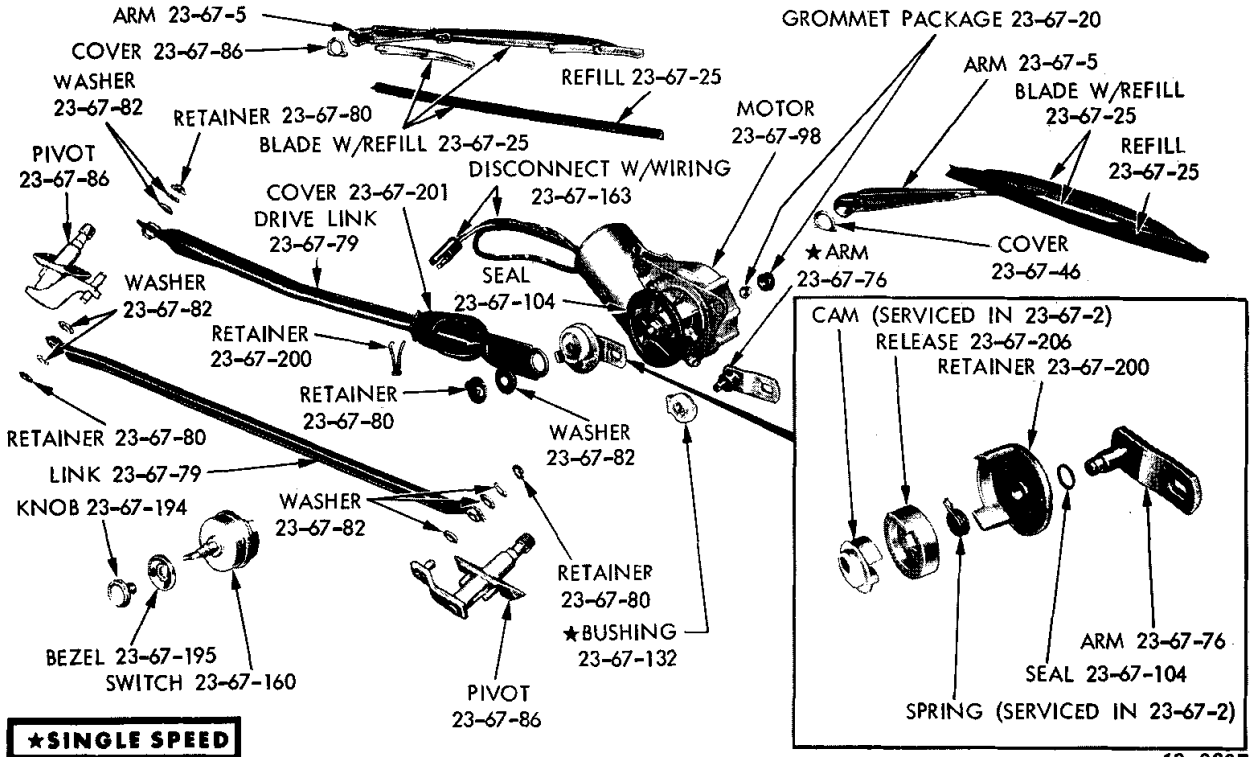
PART NUMBER	CODE	PART NUMBER	CODE	PART NUMBER	CODE	PART NUMBER	CODE	PART NUMBER	CODE
2584 321.	. . . 23-23-39	2584 391.	. . . 23-23-32	2584 454.	. . . 23-23-33	E2585 984.	. . . 23-23-39		
2584 322.	. . . 23-23-39	2584 394.	. . . 23-23-33	2584 455.	. . . 23-23-33				
		2584 395.	. . . 23-23-33	2584 456.	. . . 23-23-33	E2585 985.	. . . 23-23-39		
2584 323.	. . . 23-23-39	2584 396.	. . . 23-23-32	2584 457.	. . . 23-23-33	E2586 106.	. . . 23-23-42		
2584 324.	. . . 23-23-33			2584 458.	. . . 23-23-33	2602 116.	. . . 23-59-61		
2584 325.	. . . 23-23-33	2584 397.	. . . 23-23-32			2602 117.	. . . 23-59-61		
2584 326.	. . . 23-23-39	2584 398.	. . . 23-23-32	2584 459.	. . . 23-23-33	2602 446.	. . . 23-23-32		
2584 327.	. . . 23-23-39	2584 399.	. . . 23-23-32	2584 460.	. . . 23-23-33				
		2584 400.	. . . 23-23-39	2584 461.	. . . 23-23-33	2602 447.	. . . 23-23-32		
2584 328.	. . . 23-23-32	2584 401.	. . . 23-23-39	2584 462.	. . . 23-23-33	E2603 870.	. . . 23-59-61		
2584 329.	. . . 23-23-32			2584 463.	. . . 23-23-33	E2603 871.	. . . 23-59-61		
2584 330.	. . . 23-23-32	2584 402.	. . . 23-23-33			E2603 946.	. . . 23-59-61		
2584 331.	. . . 23-23-32	2584 403.	. . . 23-23-33	2584 464.	. . . 23-23-42	E2603 947.	. . . 23-59-61		
2584 332.	. . . 23-23-32	2584 404.	. . . 23-23-39	2584 465.	. . . 23-23-42				
		2584 405.	. . . 23-23-39	2584 466.	. . . 23-23-30	E2603 948.	. . . 23-59-61		
2584 333.	. . . 23-23-32	2584 406.	. . . 23-23-33	2584 472.	. . . 12-15-2	E2603 949.	. . . 23-59-61		
2584 334.	. . . 23-23-32			2584 473.	. . . 12-15-2	E2605 010.	. . . 23-59-61		
2584 335.	. . . 23-23-32	2584 407.	. . . 23-23-33			E2605 011.	. . . 23-59-61		
2584 336.	. . . 23-23-32	2584 408.	. . . 23-23-39	2584 474.	. . . 23-23-61	E2605 012.	. . . 23-59-61		
2584 337.	. . . 23-23-32	2584 409.	. . . 23-23-39	2584 475.	. . . 23-23-61				
		2584 410.	. . . 23-23-39	2584 476.	. . . 23-23-2	E2605 013.	. . . 23-59-61		
2584 338.	. . . 23-23-32	2584 411.	. . . 23-23-39	2584 478.	. . . 23-23-2	E2605 016.	. . . 23-59-61		
2584 339.	. . . 23-23-32			2584 479.	. . . 23-23-2	E2605 017.	. . . 23-59-61		
2584 342.	. . . 23-23-32	2584 414.	. . . 23-23-39			E2605 018.	. . . 23-59-61		
2584 343.	. . . 23-23-32	2584 415.	. . . 23-23-39	2584 480.	. . . 23-23-39	E2605 019.	. . . 23-59-61		
2584 344.	. . . 23-23-32	2584 416.	. . . 23-23-39	2584 481.	. . . 23-23-39				
		2584 417.	. . . 23-23-39	2584 484.	. . . 23-23-39	E2605 020.	. . . 23-59-61		
2584 345.	. . . 23-23-32	2584 418.	. . . 23-23-39	2584 485.	. . . 23-23-39	E2605 021.	. . . 23-59-61		
2584 346.	. . . 23-23-32			2584 486.	. . . 23-23-39	E2605 060.	. . . 23-59-61		
2584 347.	. . . 23-23-32	2584 419.	. . . 23-23-39			E2605 061.	. . . 23-59-61		
2584 348.	. . . 23-23-32	2584 420.	. . . 23-23-39	2584 487.	. . . 23-23-39	E2807 134.	. . . 23-23-52		
2584 349.	. . . 23-23-32	2584 421.	. . . 23-23-42	2584 488.	. . . 12-15-2				
		2584 422.	. . . 23-23-42	2584 489.	. . . 12-15-2	E2807 135.	. . . 23-23-52		
2584 352.	. . . 23-23-39	2584 423.	. . . 23-23-42	2584 490.	. . . 12-15-2	E2807 136.	. . . 23-23-52		
2584 353.	. . . 23-23-39			2584 491.	. . . 12-15-2	E2807 137.	. . . 23-23-52		
2584 354.	. . . 23-23-39	2584 424.	. . . 23-23-42			E2807 138.	. . . 23-23-52		
2584 355.	. . . 23-23-39	2584 425.	. . . 23-23-42	2584 494.	. . . 23-23-42	E2807 139.	. . . 23-23-52		
2584 356.	. . . 23-23-39	2584 426.	. . . 23-23-41	2584 495.	. . . 23-23-42				
		2584 427.	. . . 23-23-41	2584 496.	. . . 23-23-42	E2807 140.	. . . 23-23-52		
2584 357.	. . . 23-23-39	2584 428.	. . . 23-23-42	2584 497.	. . . 23-23-42	E2807 141.	. . . 23-23-52		
2584 358.	. . . 23-23-39			2584 498.	. . . 23-23-42				
2584 359.	. . . 23-23-39	2584 429.	. . . 23-23-42						
2584 360.	. . . 23-23-39	2584 430.	. . . 23-23-42	2584 499.	. . . 23-23-42				
2584 361.	. . . 23-23-39	2584 431.	. . . 23-23-42	2584 512.	. . . 23-23-33				
		2584 432.	. . . 23-23-42	2584 513.	. . . 23-23-33				
2584 364.	. . . 23-23-39	2584 433.	. . . 23-23-42	2584 520.	. . . 23-23-33				
2584 365.	. . . 23-23-39			2584 521.	. . . 23-23-33				
2584 366.	. . . 23-23-39	2584 434.	. . . 23-23-42						
2584 367.	. . . 23-23-39	2584 435.	. . . 23-23-42	2584 522.	. . . 23-23-42				
2584 368.	. . . 23-23-39	2584 436.	. . . 23-23-42	2584 523.	. . . 23-23-42				
		2584 437.	. . . 23-23-42	E2584 524.	. . . 23-34-240				
2584 369.	. . . 23-23-39	2584 438.	. . . 23-23-42	E2584 525.	. . . 23-34-240				
2584 370.	. . . 23-23-39			2584 526.	. . . 23-23-32				
2584 371.	. . . 23-23-39	2584 439.	. . . 23-23-42						
2584 374.	. . . 23-23-39	2584 440.	. . . 23-23-73	2584 527.	. . . 23-23-32				
2584 375.	. . . 23-23-39	2584 441.	. . . 23-23-73	2584 528.	. . . 23-23-42				
		2584 442.	. . . 23-23-42	2584 529.	. . . 23-23-42				
2584 378.	. . . 23-23-39	2584 443.	. . . 23-23-42	2584 530.	. . . 23-23-39				
2584 379.	. . . 23-23-39			2584 531.	. . . 23-23-39				
2584 380.	. . . 23-23-39	2584 444.	. . . 23-23-60						
2584 381.	. . . 23-23-39	2584 445.	. . . 23-23-60	2584 532.	. . . 23-23-39				
2584 384.	. . . 23-23-33	2584 446.	. . . 23-23-60	2584 533.	. . . 23-23-39				
		2584 447.	. . . 23-23-60	E2584 534.	. . . 7-17-1				
2584 385.	. . . 23-23-33	2584 448.	. . . 23-23-73	E2584 535.	. . . 7-17-1				
2584 386.	. . . 23-23-33			2584 536.	. . . 7-17-1				
2584 387.	. . . 23-23-33	2584 449.	. . . 23-23-73						
2584 388.	. . . 23-23-32	2584 450.	. . . 23-23-73	2584 537.	. . . 7-17-1				
2584 389.	. . . 23-23-32	2584 451.	. . . 23-23-73	2584 641.	. . . 23-54-160				
		2584 452.	. . . 23-23-33	2584 642.	. . . 23-23-42				
2584 390.	. . . 23-23-32	2584 453.	. . . 23-23-33	2584 643.	. . . 23-23-42				



FOLDING SEAT BACK AND SECURITY PANEL AND LOCKS - VALIANT BARRACUDA



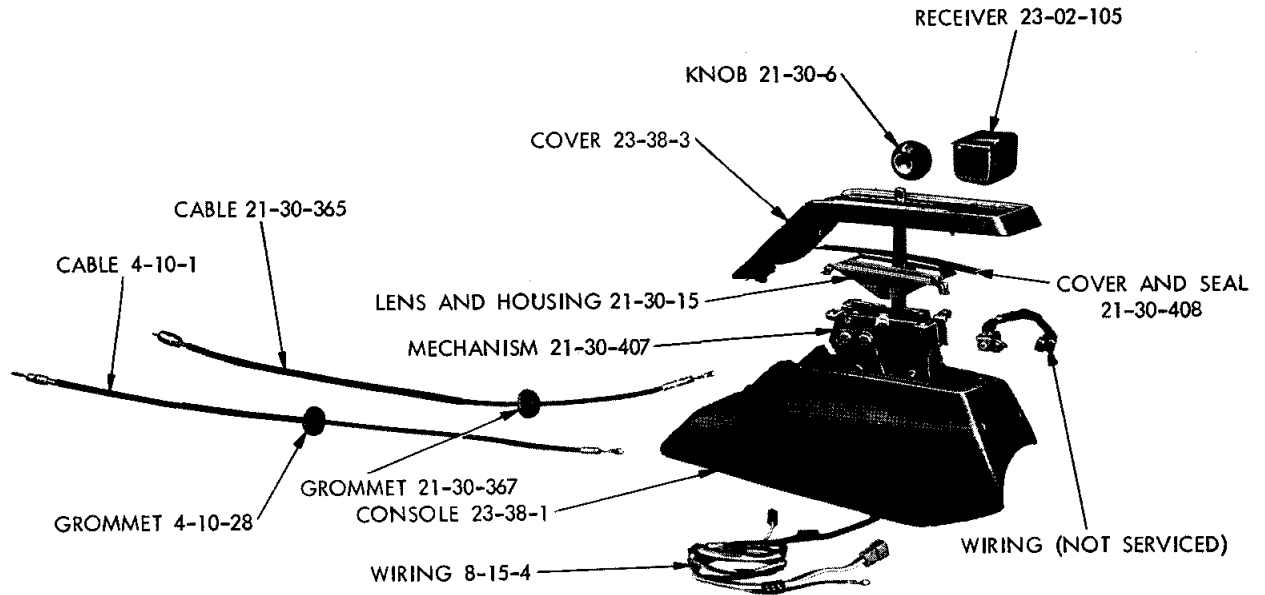
WINDSHIELD WIPER - VALIANT AND DART



19a0297

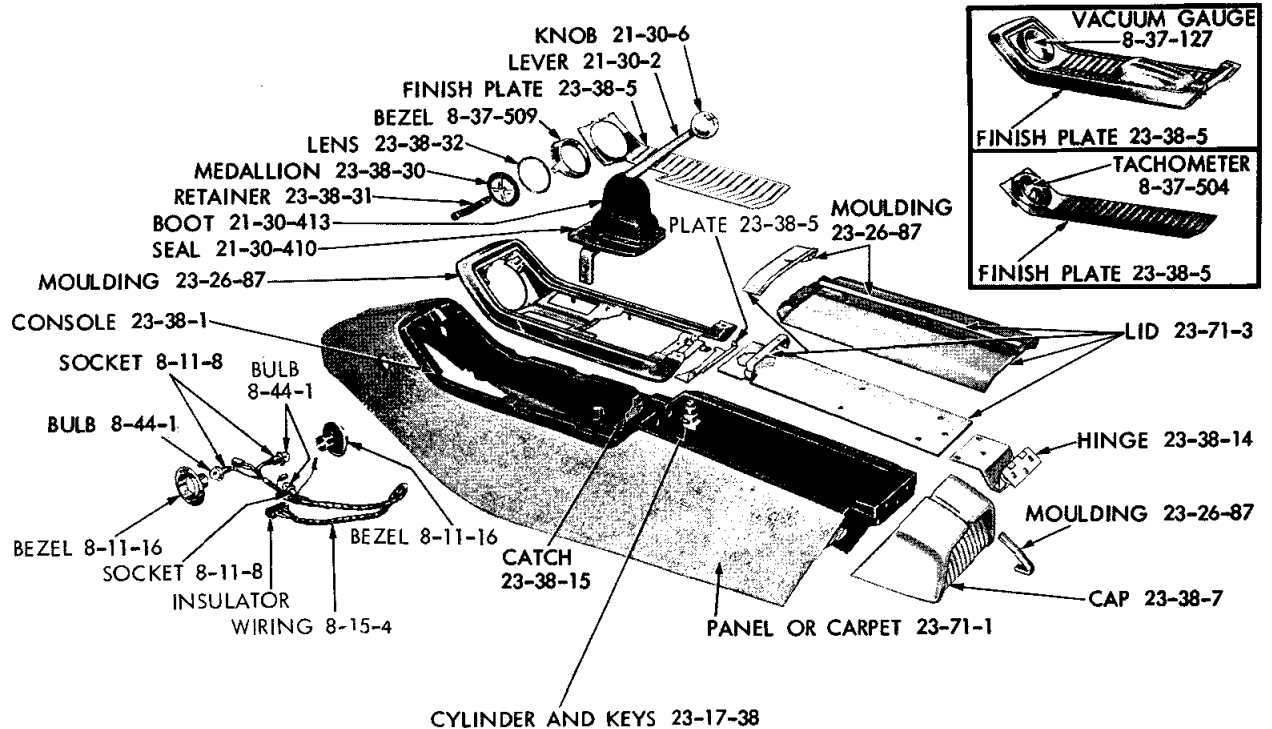
WINDSHIELD WIPER - PLYMOUTH, DODGE AND CHRYSLER

NOTES



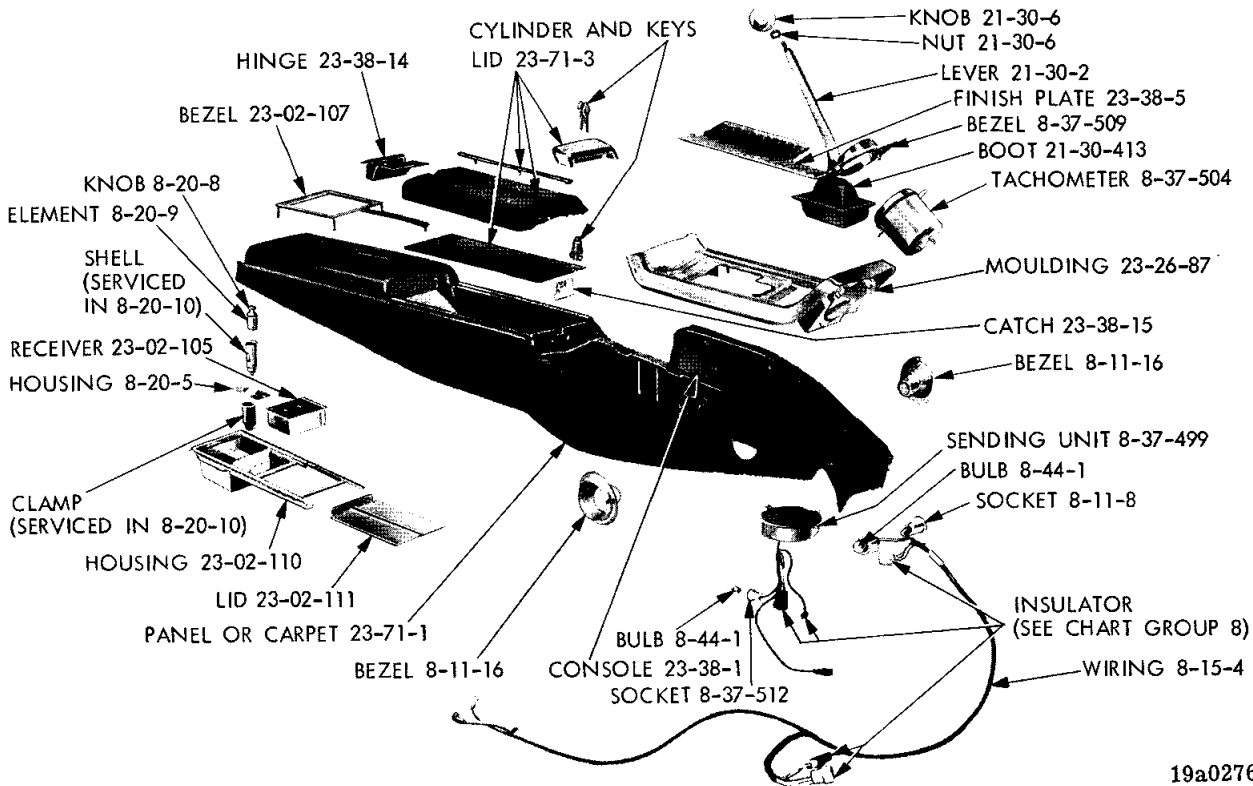
19a0275

CONSOLE - VALIANT AND DART



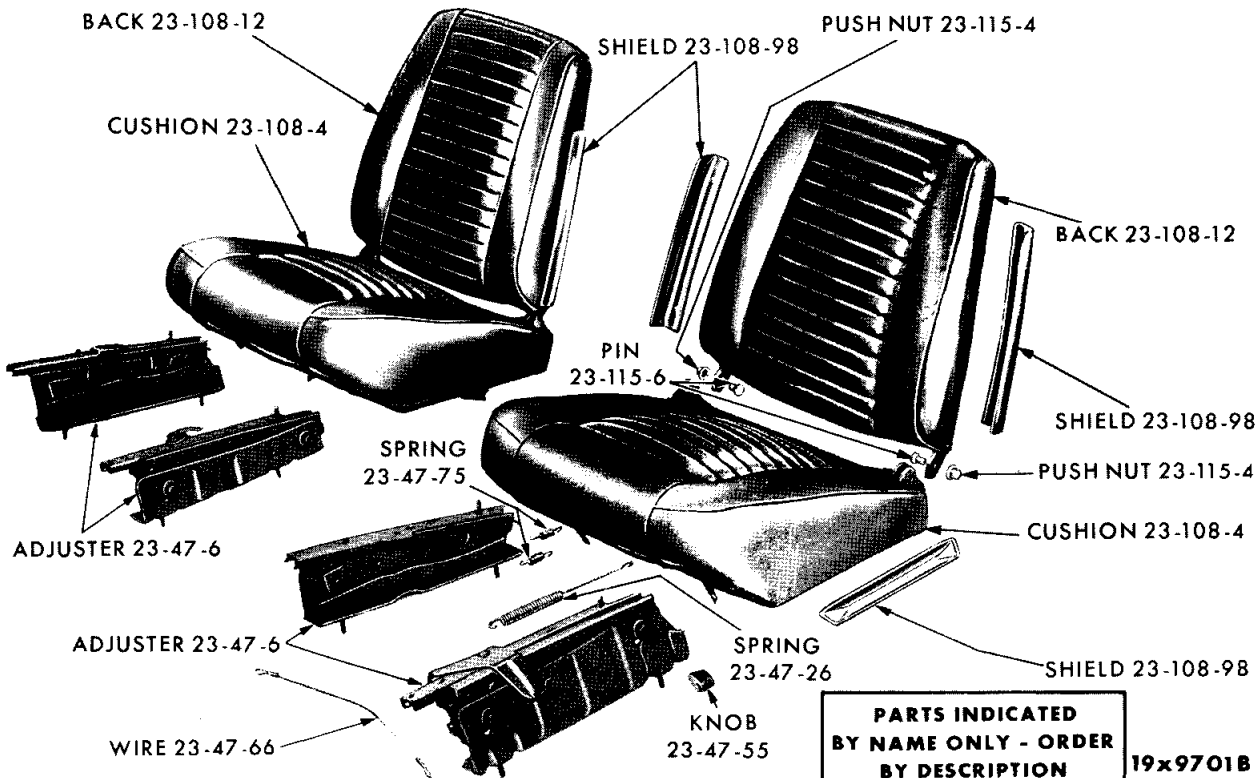
19a0290

CONSOLE - BELVEDERE, PLYMOUTH AND CORONET



19a0276

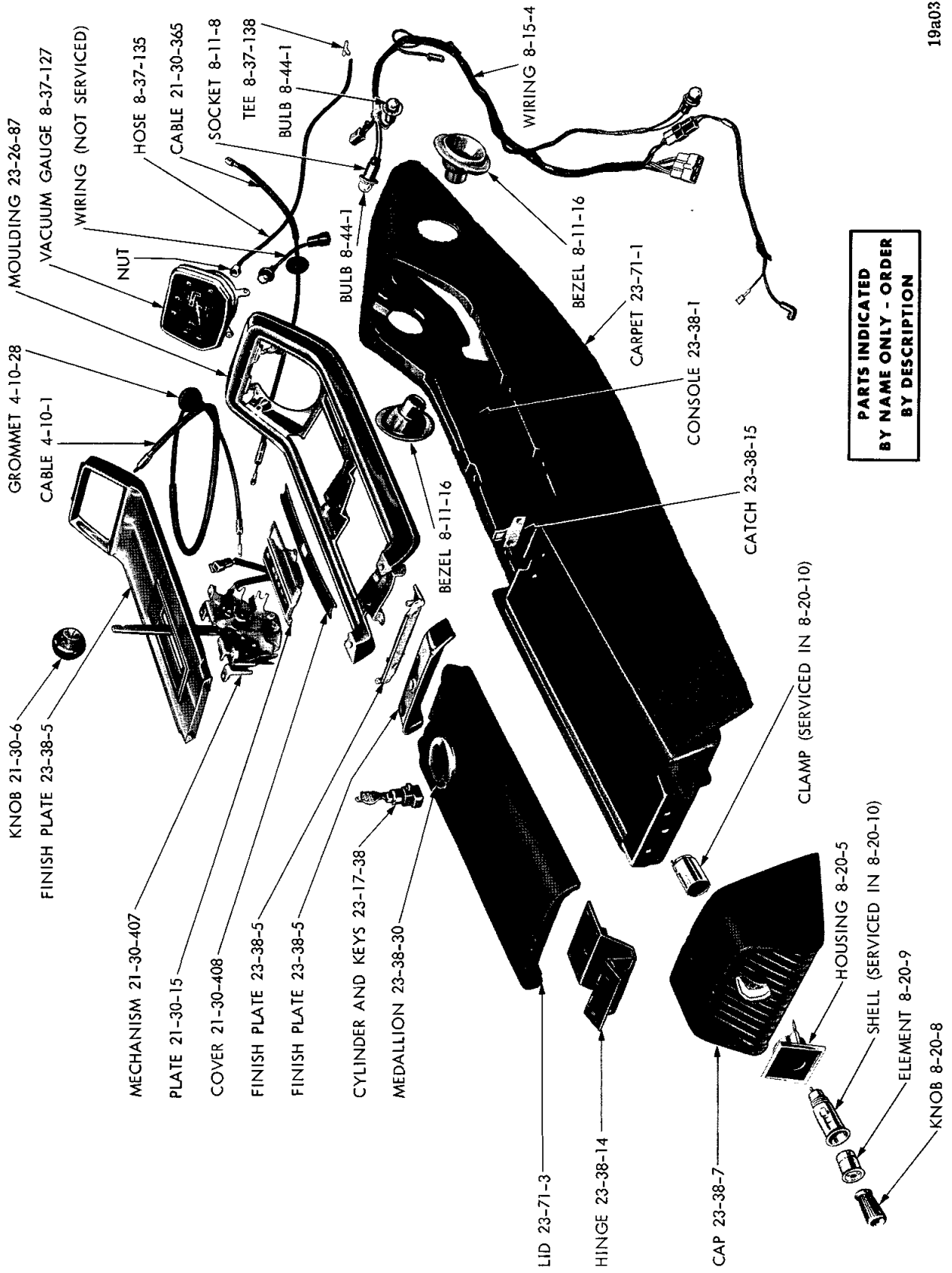
CONSOLE - DODGE MONACO (4 SPEED)



**PARTS INDICATED
BY NAME ONLY - ORDER
BY DESCRIPTION**

19x9701B

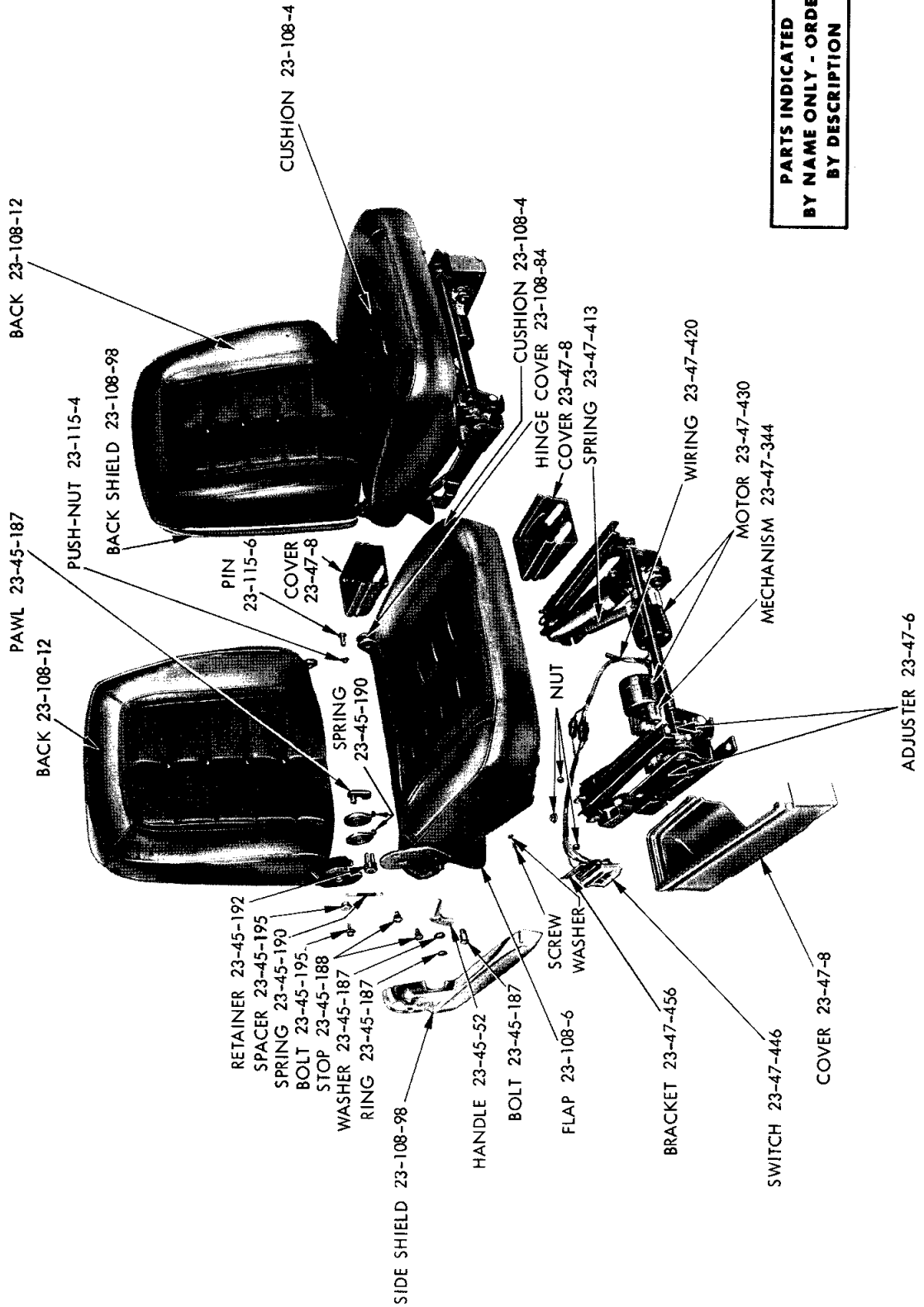
MANUAL BUCKET SEATS - VALIANT AND DART



**PARTS INDICATED
BY NAME ONLY - ORDER
BY DESCRIPTION**

19a0366

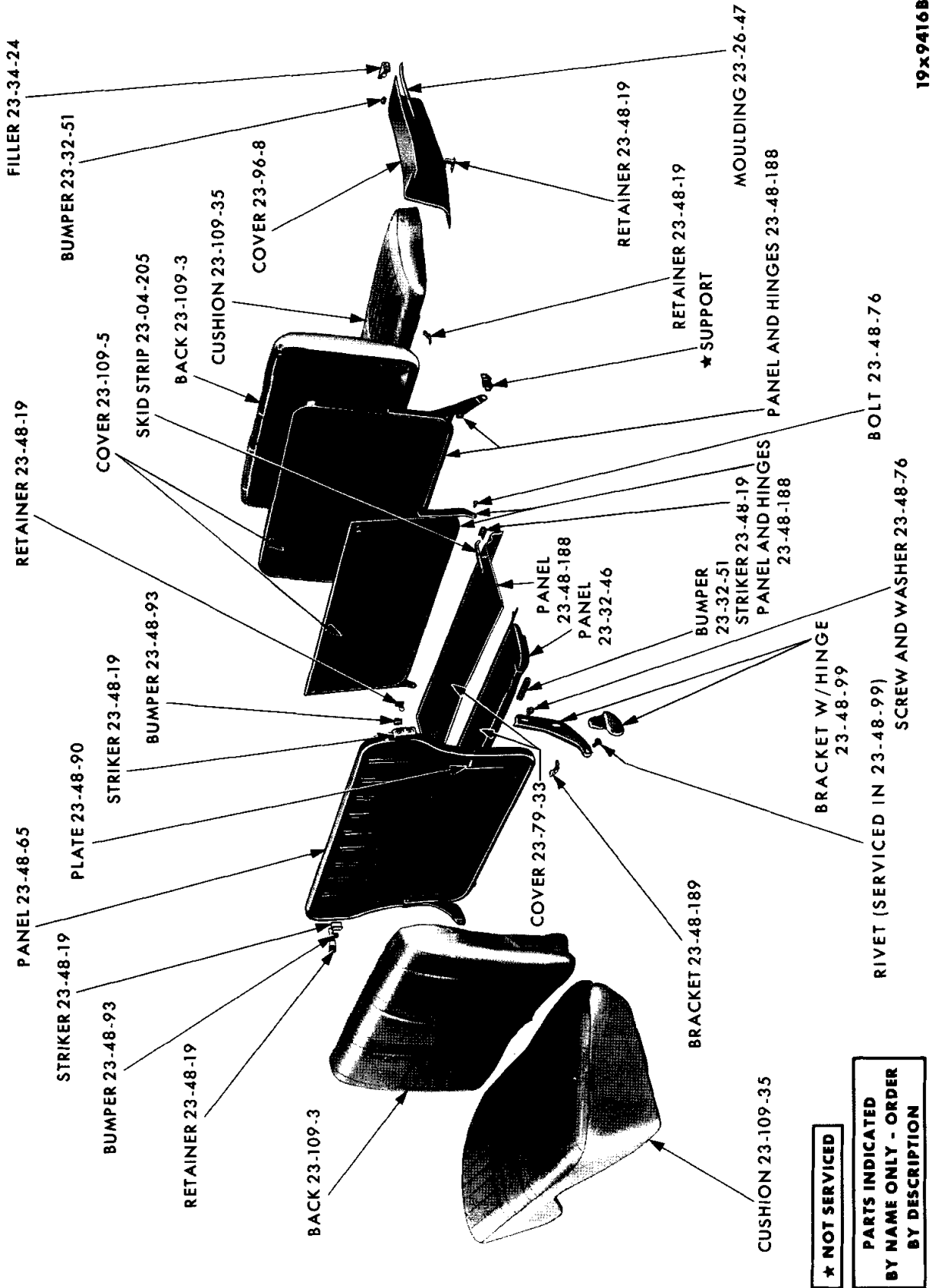
CONSOLE - CHRYSLER 300L



PARTS INDICATED
BY NAME ONLY - ORDER
BY DESCRIPTION

19x9962A

ELECTRIC BUCKET SEATS (RECLINING TYPE)

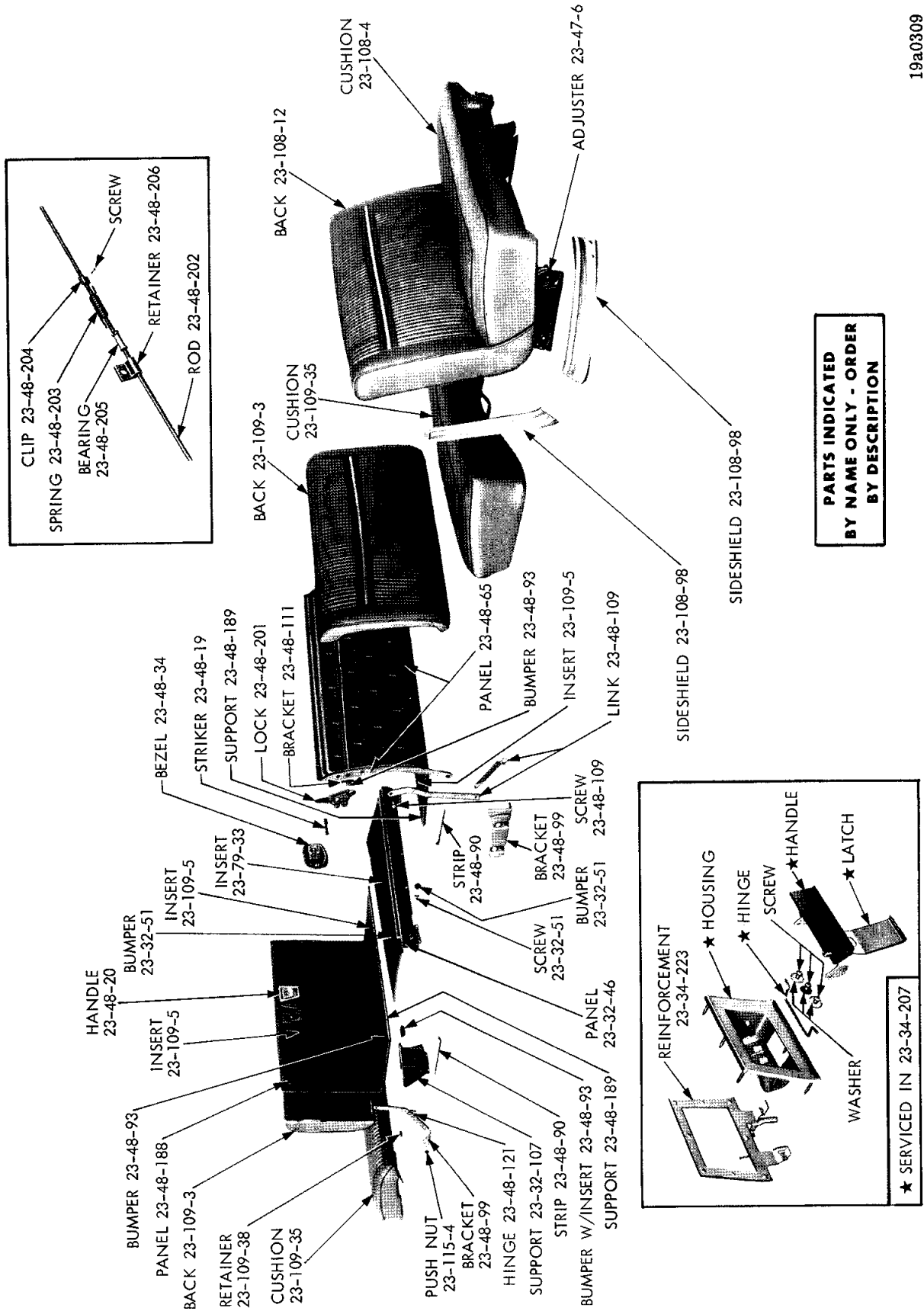


19x9416B

STATION WAGON SEATS (3 SEATER) - BELVEDERE AND CORONET

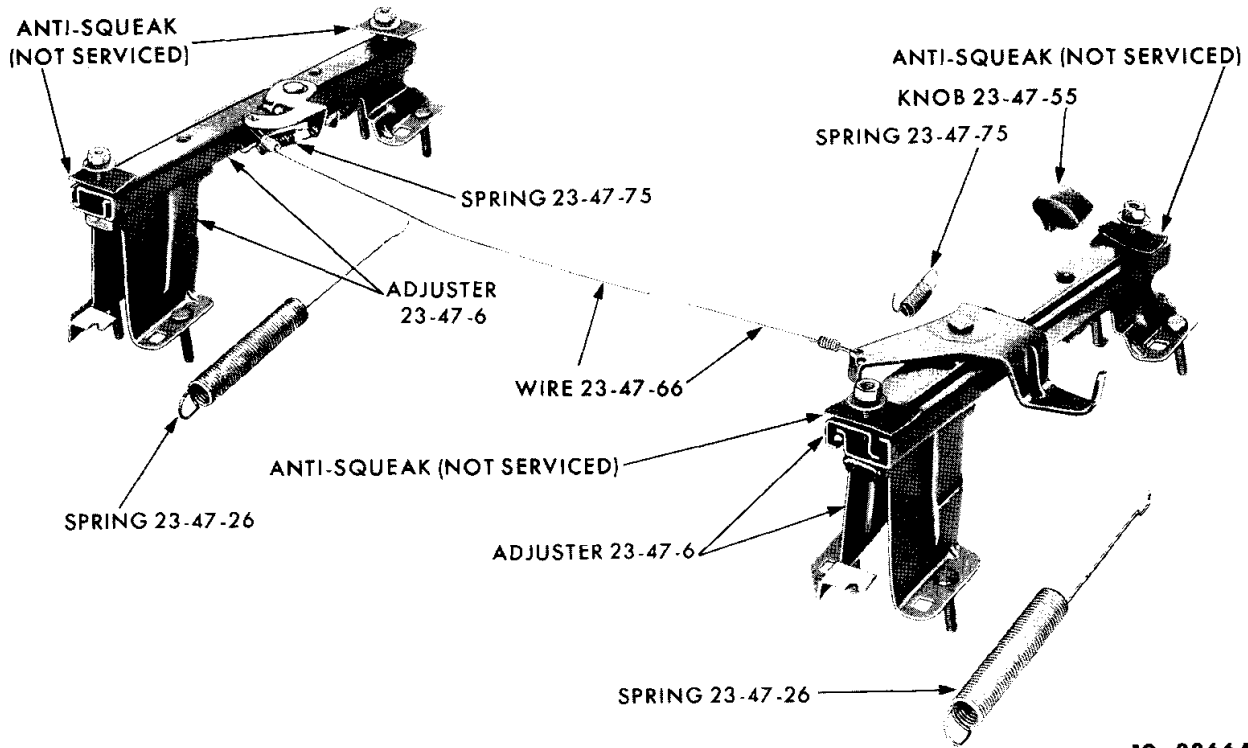
★ NOT SERVICED

PARTS INDICATED BY NAME ONLY - ORDER BY DESCRIPTION

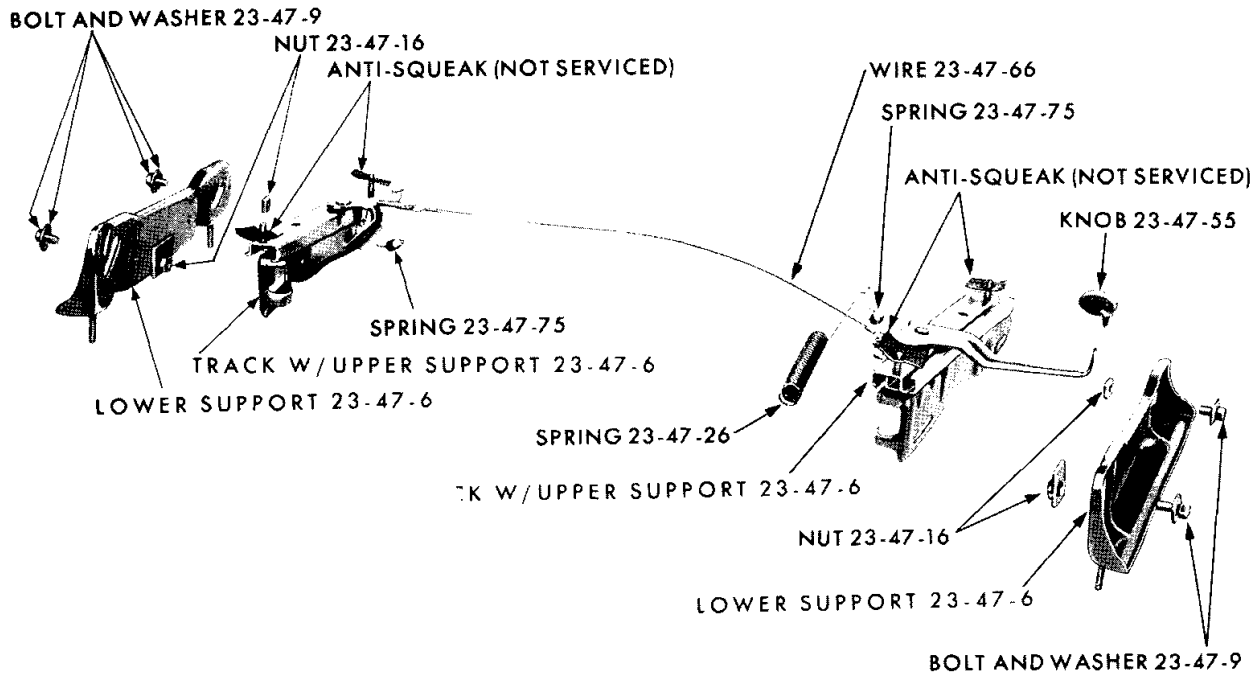


19a0309

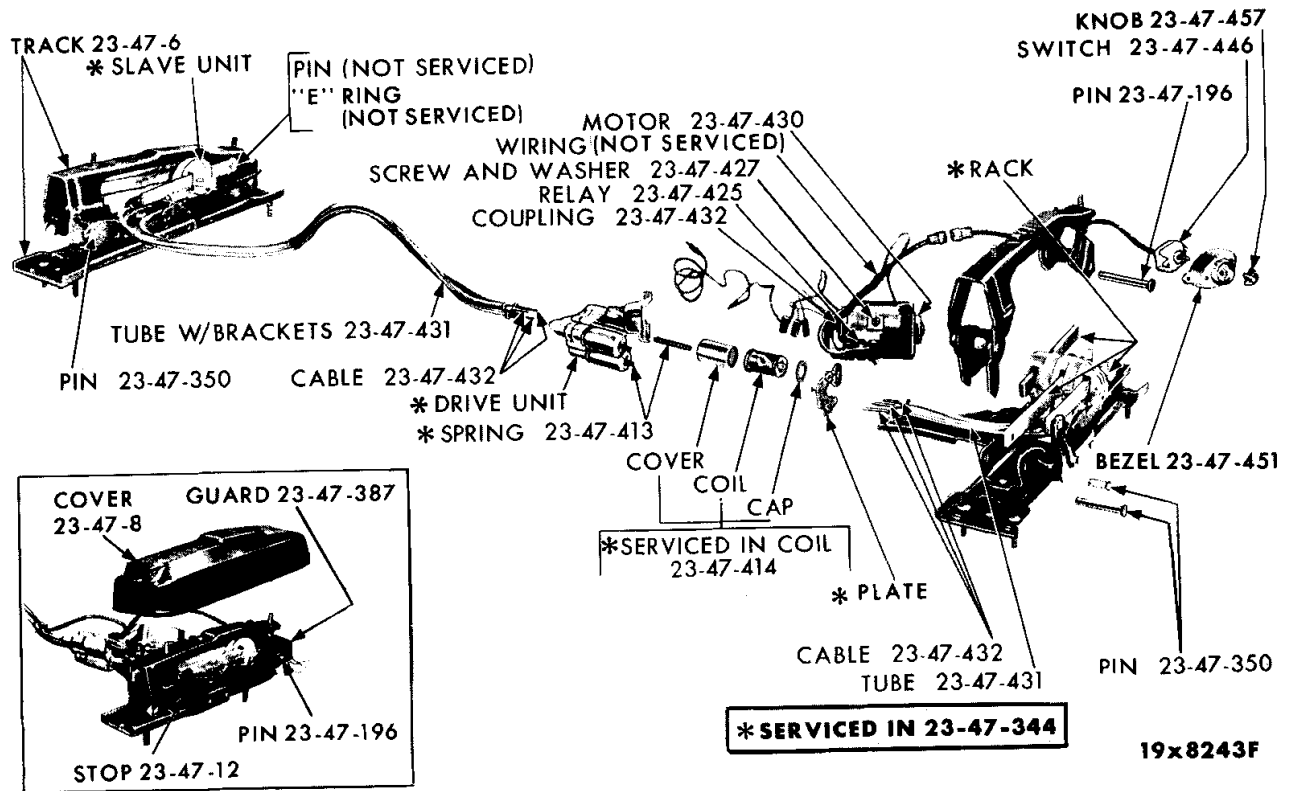
STATION WAGON SEATS (3 SEATER) - PLYMOUTH, DODGE AND CHRYSLER



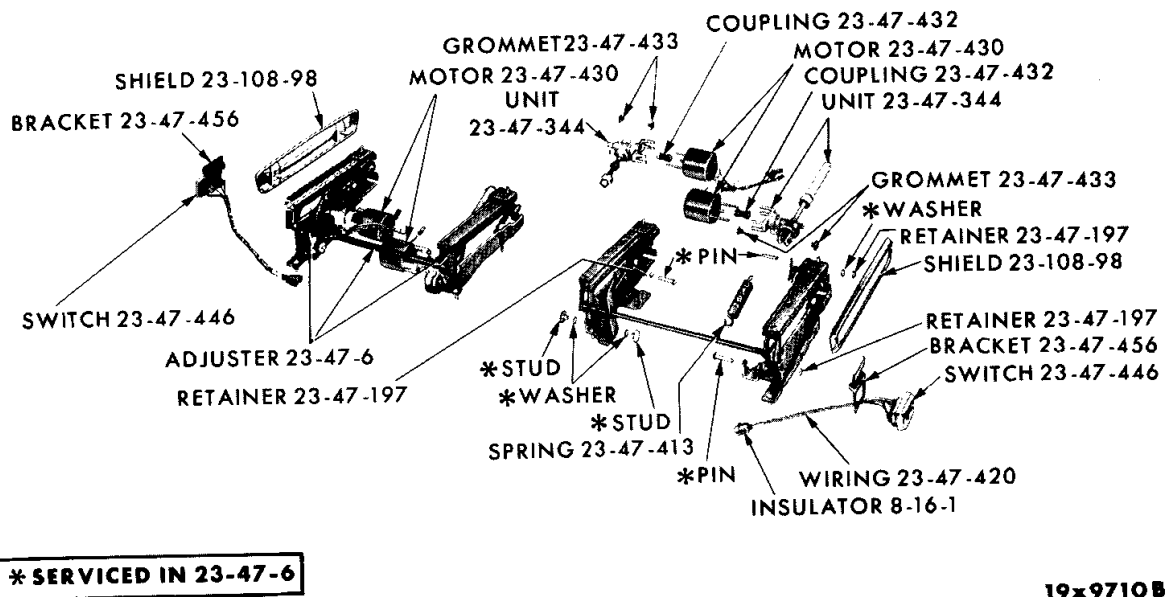
MANUAL SEAT ADJUSTER - VALIANT AND DART (WITHOUT BUCKET SEATS)



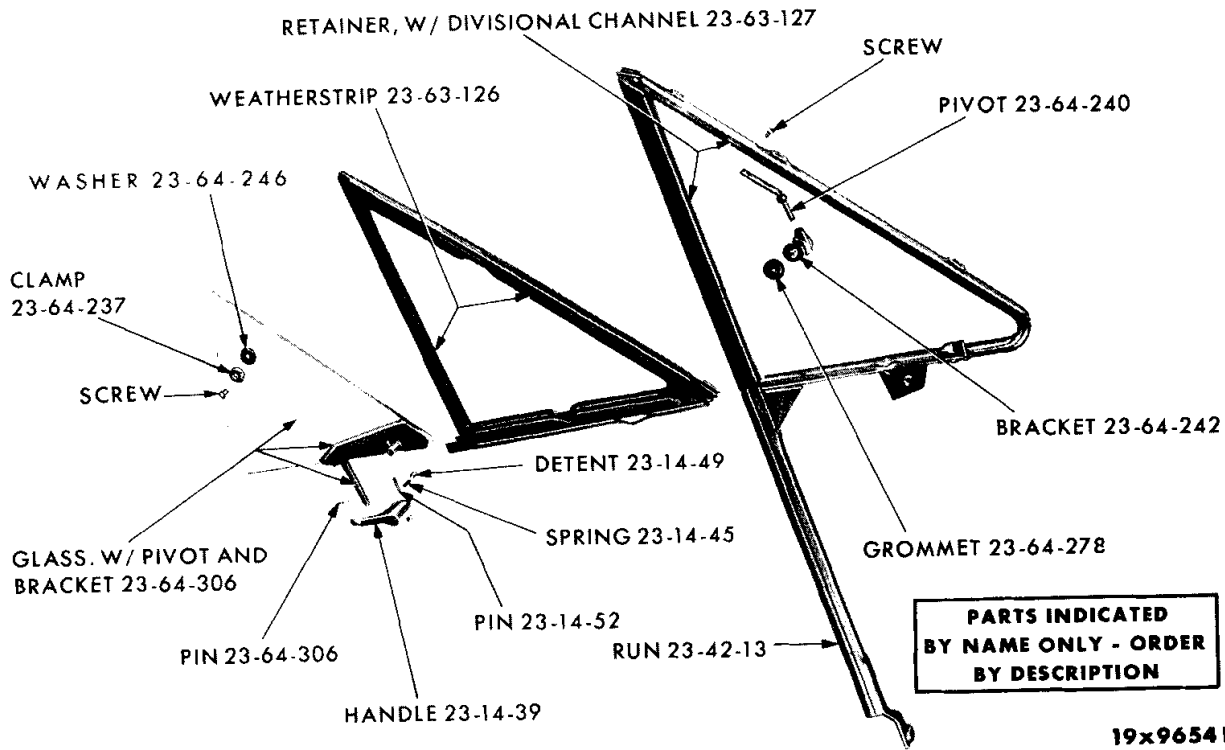
MANUAL SEAT ADJUSTER - EXCEPT VALIANT AND DART (WITHOUT BUCKET SEATS)



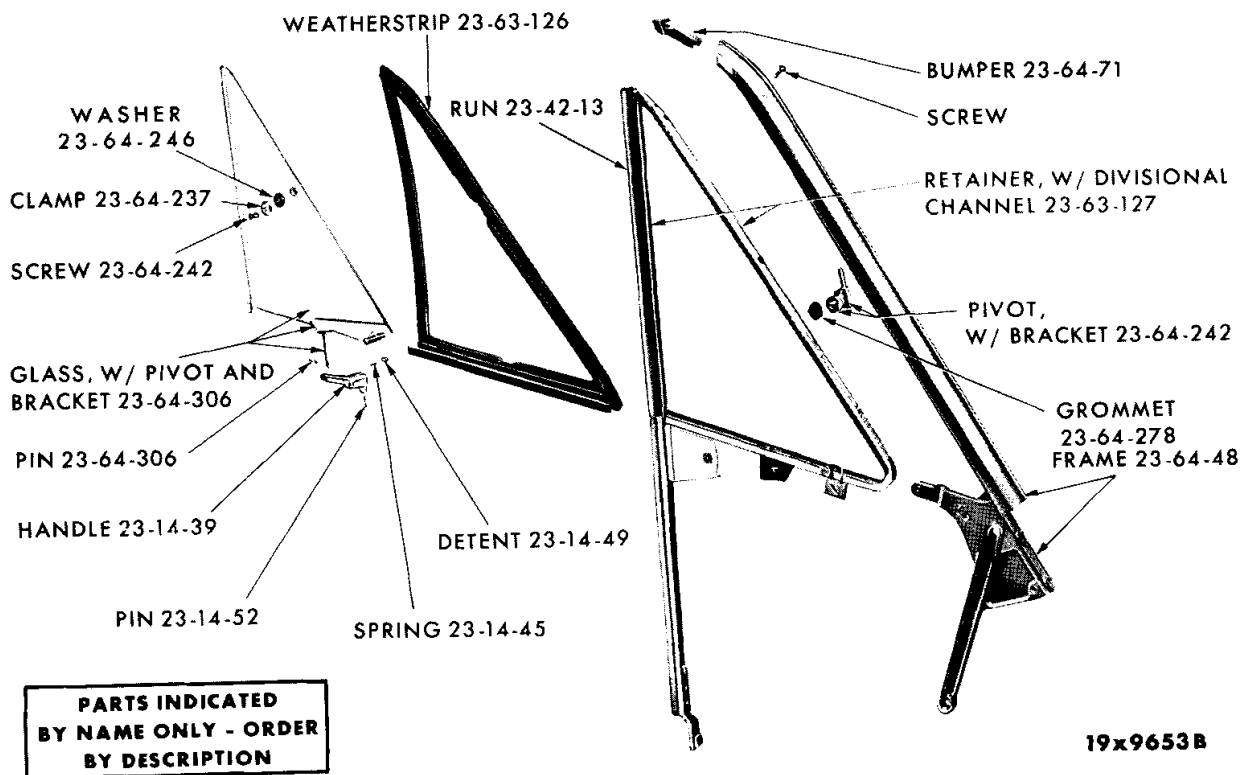
ELECTRIC SEAT ADJUSTER (WITHOUT BUCKET SEATS)



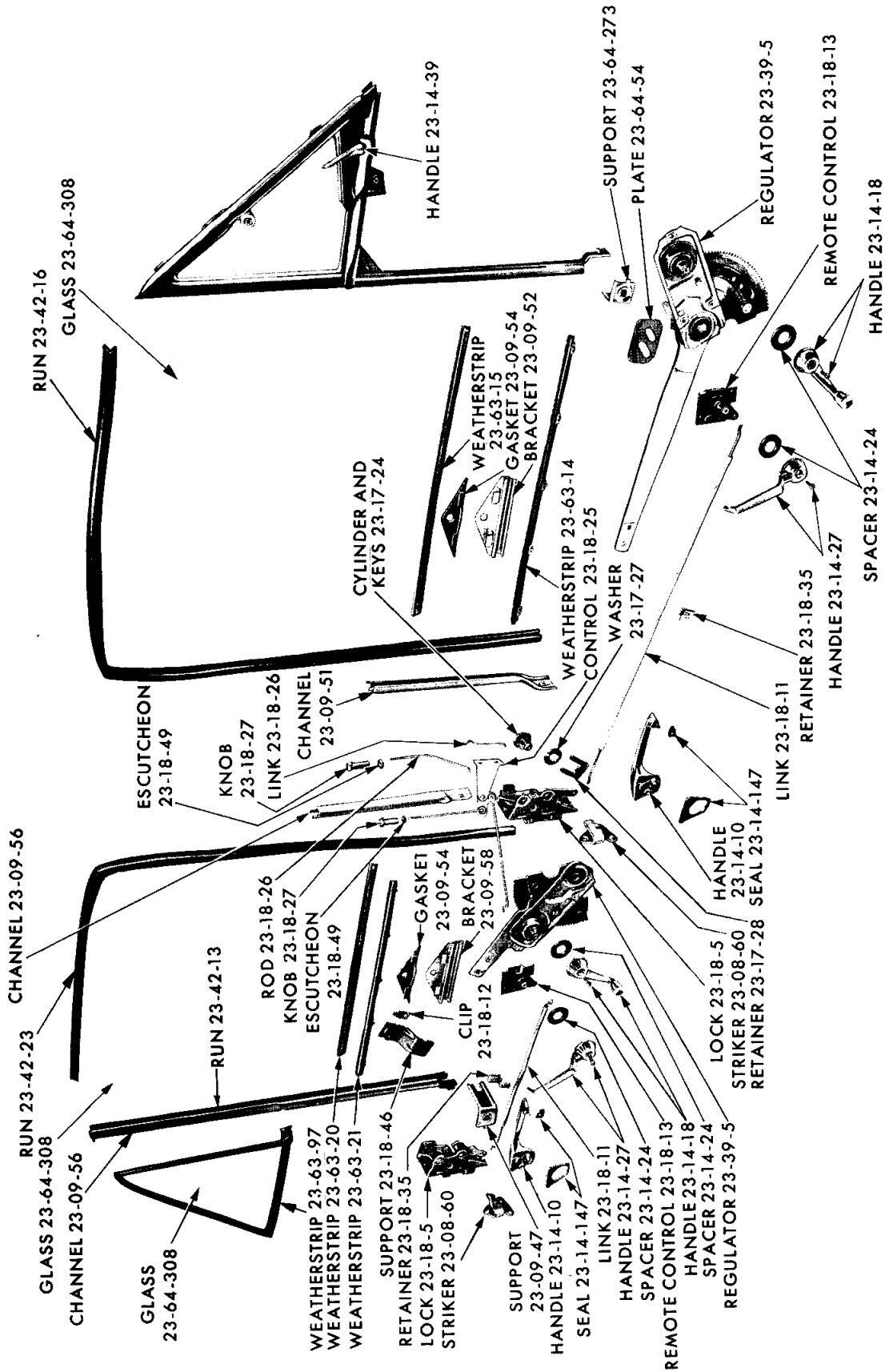
ELECTRIC BUCKET SEAT ADJUSTER - PLYMOUTH, DODGE, CHRYSLER AND IMPERIAL



DOOR VENT WING AND GLASS - VALIANT AND DART
2 DOOR SEDAN, 4 DOOR SEDAN AND STATION WAGON

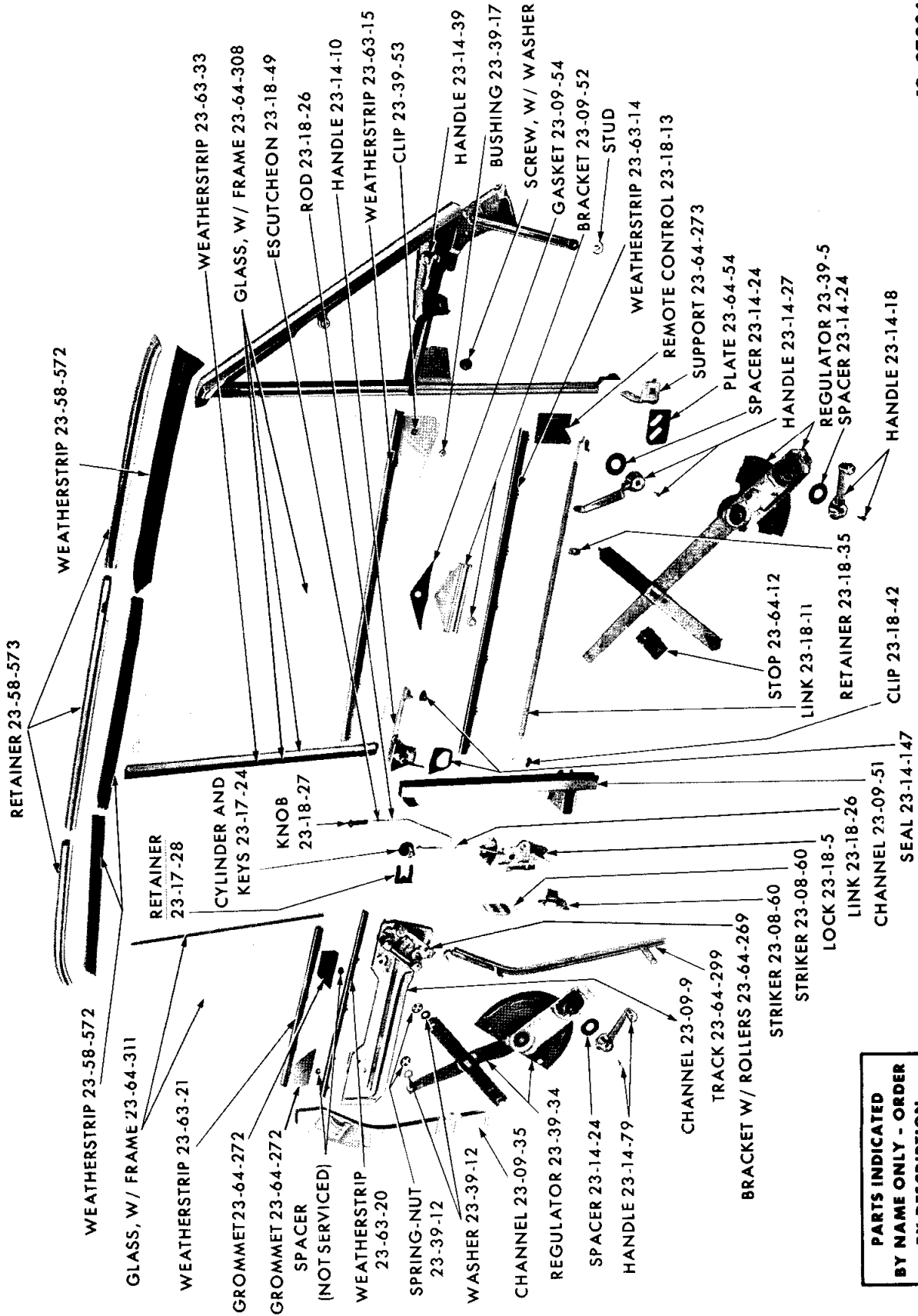


DOOR VENT WING AND GLASS - VALIANT AND DART
2 DOOR HARDTOP AND CONVERTIBLE COUPE



19x9647A

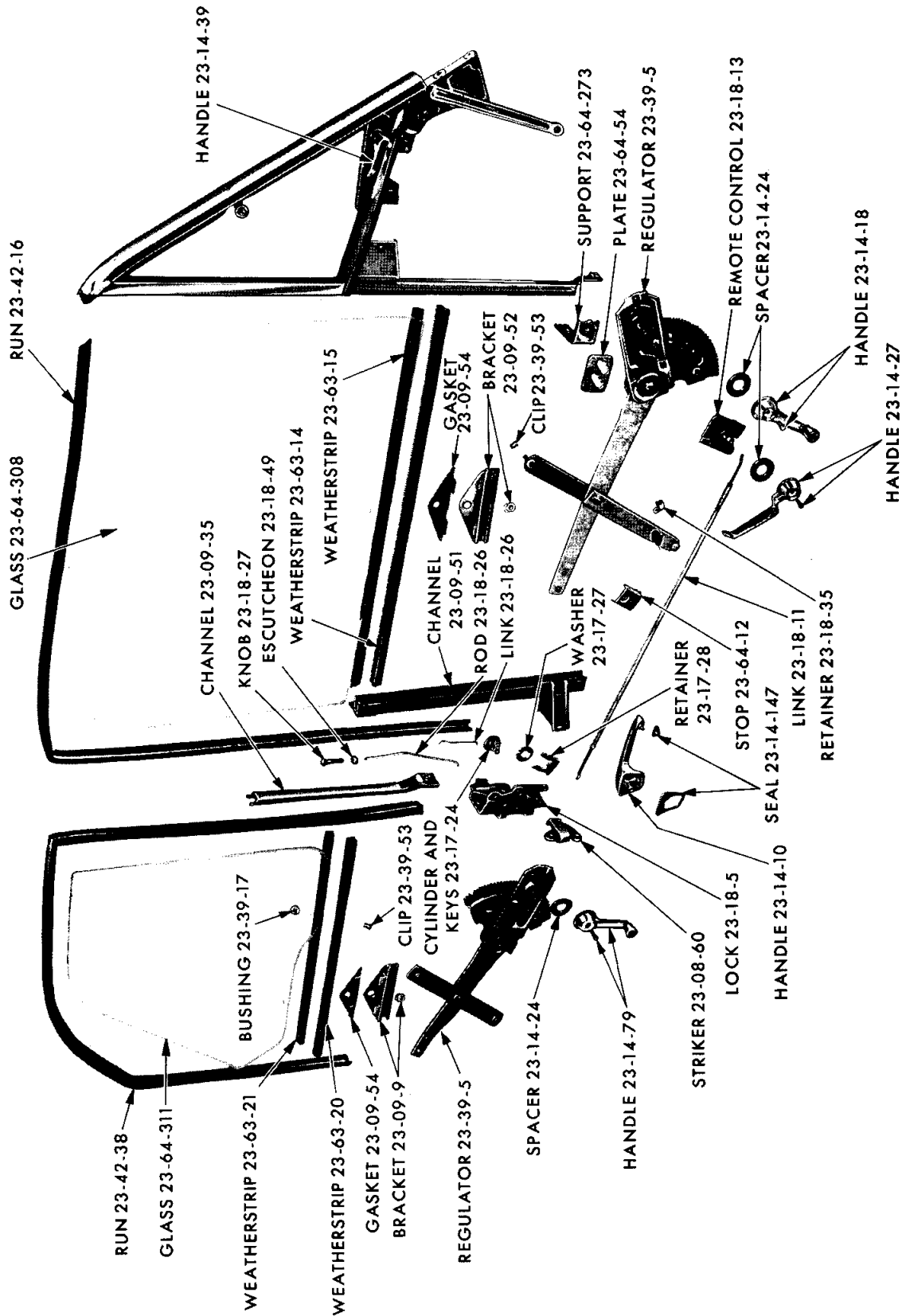
DOOR WINDOW REGULATORS AND RUNS - VALIANT AND DART 4 DOOR SEDAN AND STATION WAGON



19x9703A

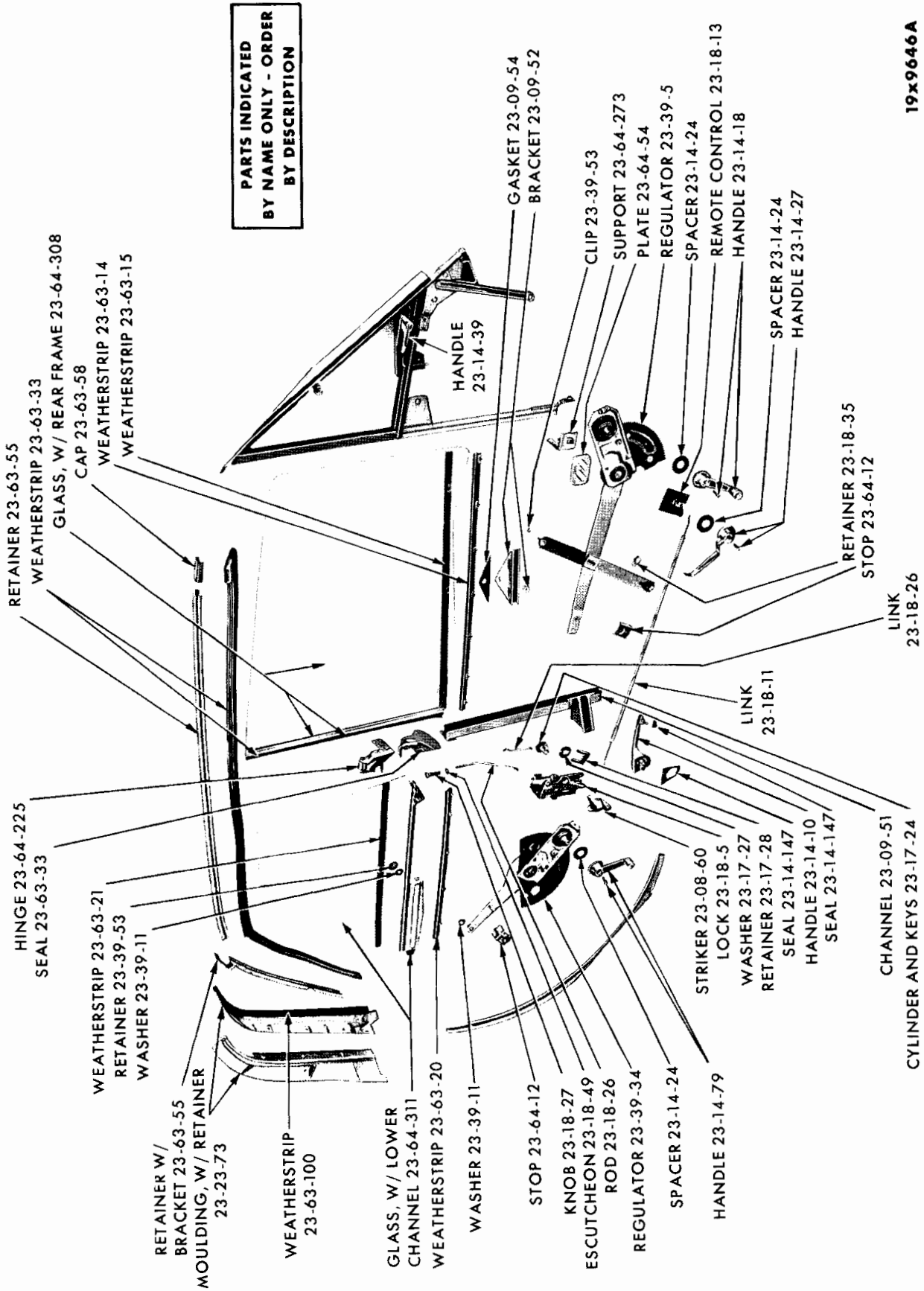
**PARTS INDICATED
BY NAME ONLY - ORDER
BY DESCRIPTION**

DOOR AND QUARTER WINDOW REGULATORS AND RUNS - VALIANT AND DART CONVERTIBLE COUPE



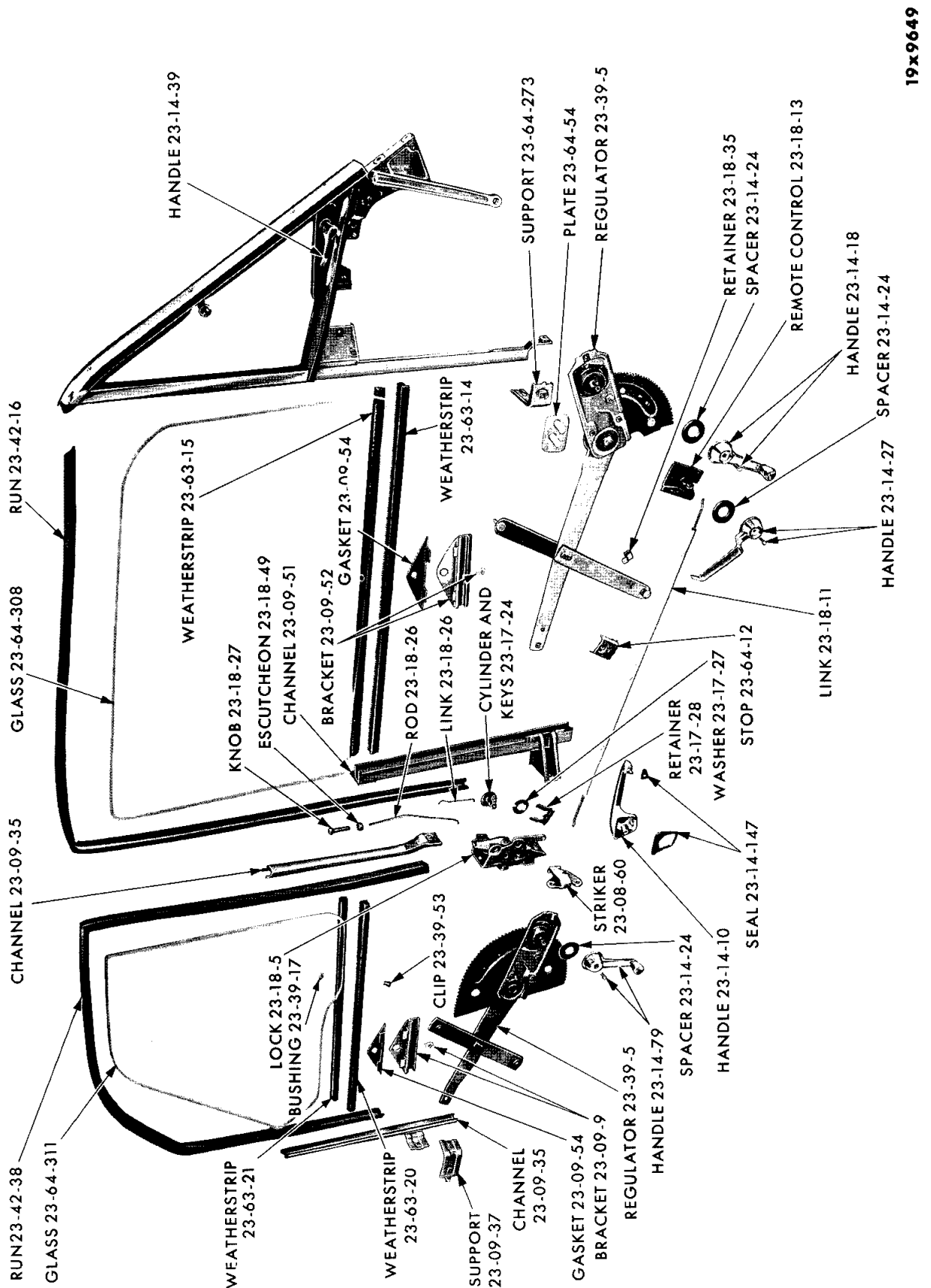
19x9648

DOOR AND QUARTER WINDOW REGULATORS AND RUNS - VALIANT 2 DOOR SEDAN



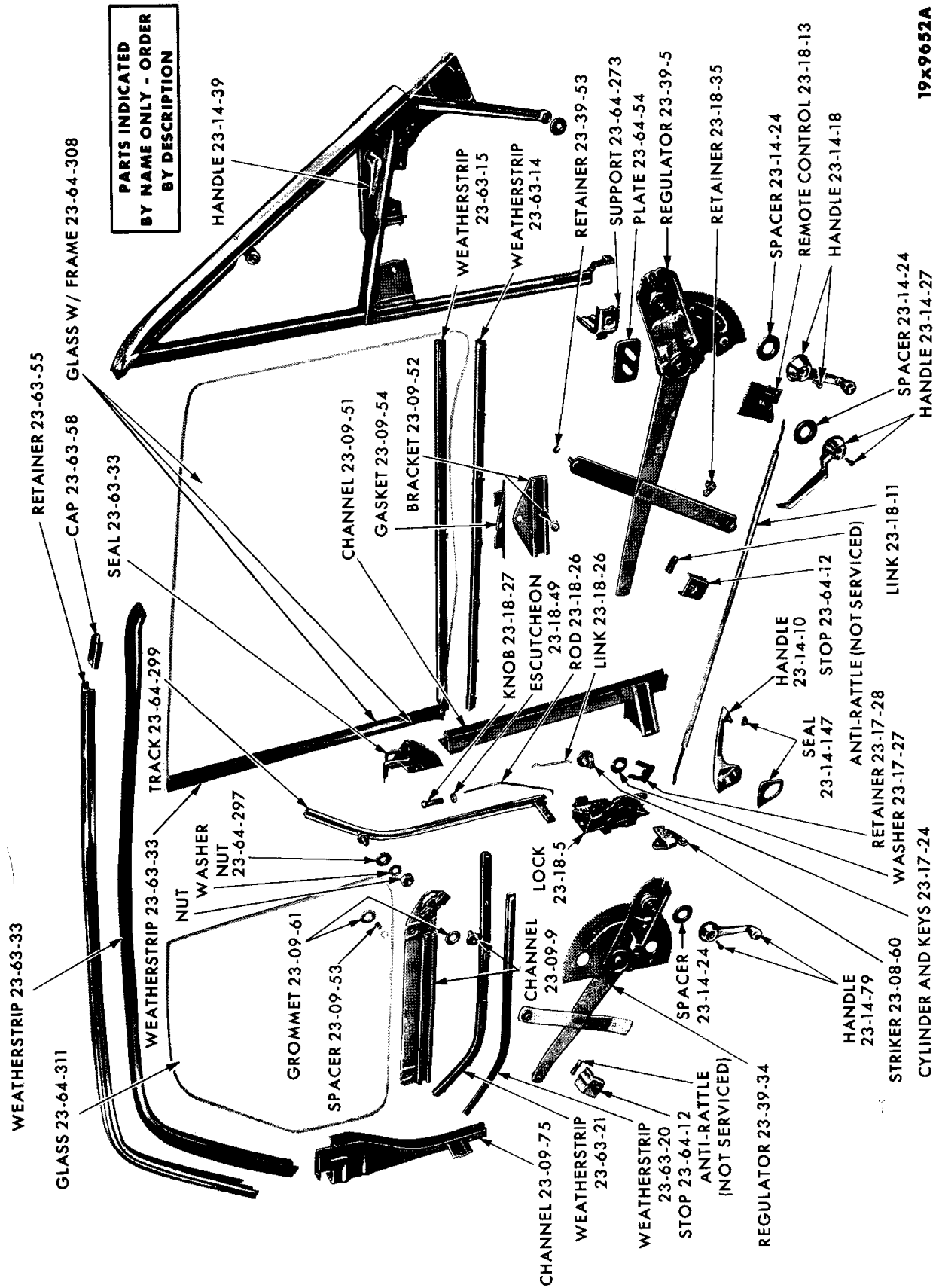
19x9646A

DOOR AND QUARTER WINDOW REGULATORS AND RUNS - VALIANT 2 DOOR HARDTOP



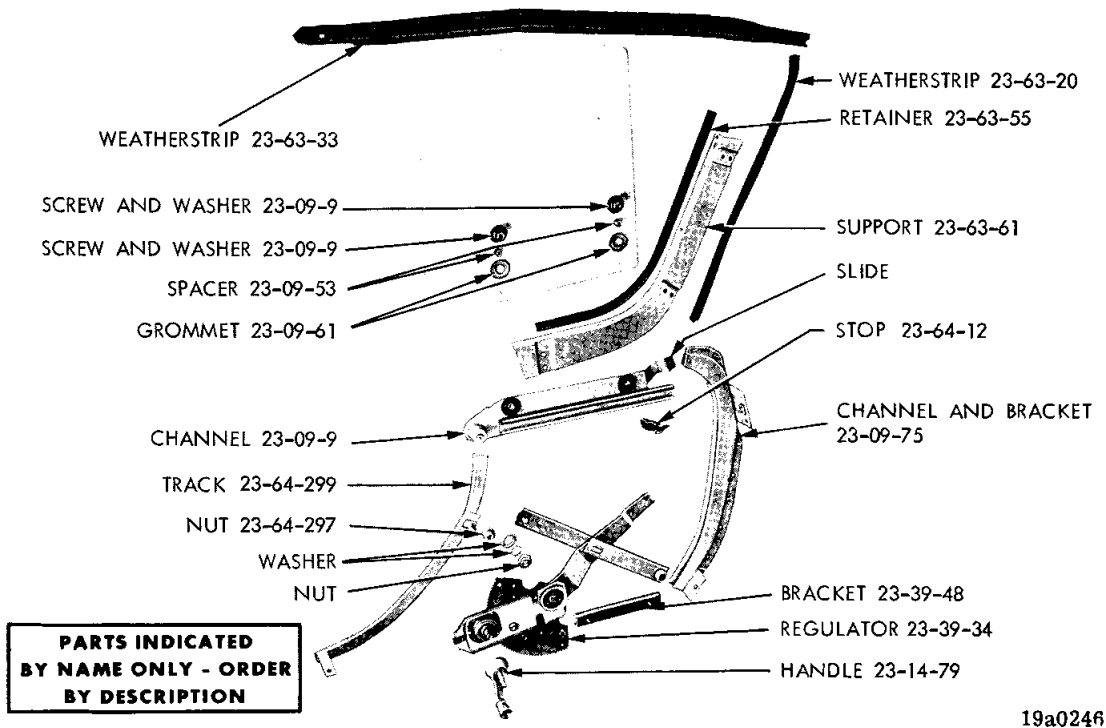
19x9649

DOOR AND QUARTER WINDOW REGULATORS AND RUNS - DART 2 DOOR SEDAN

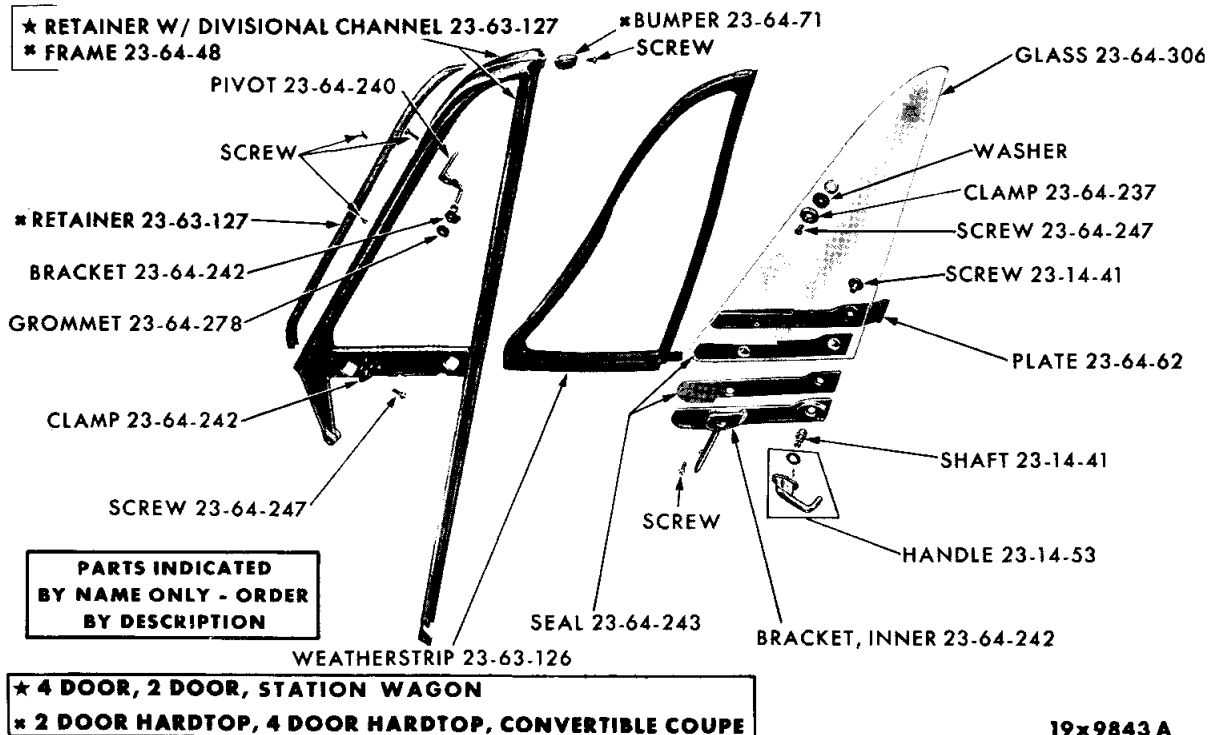


DOOR AND QUARTER WINDOW REGULATORS AND RUNS - DART 2 DOOR HARTTOP

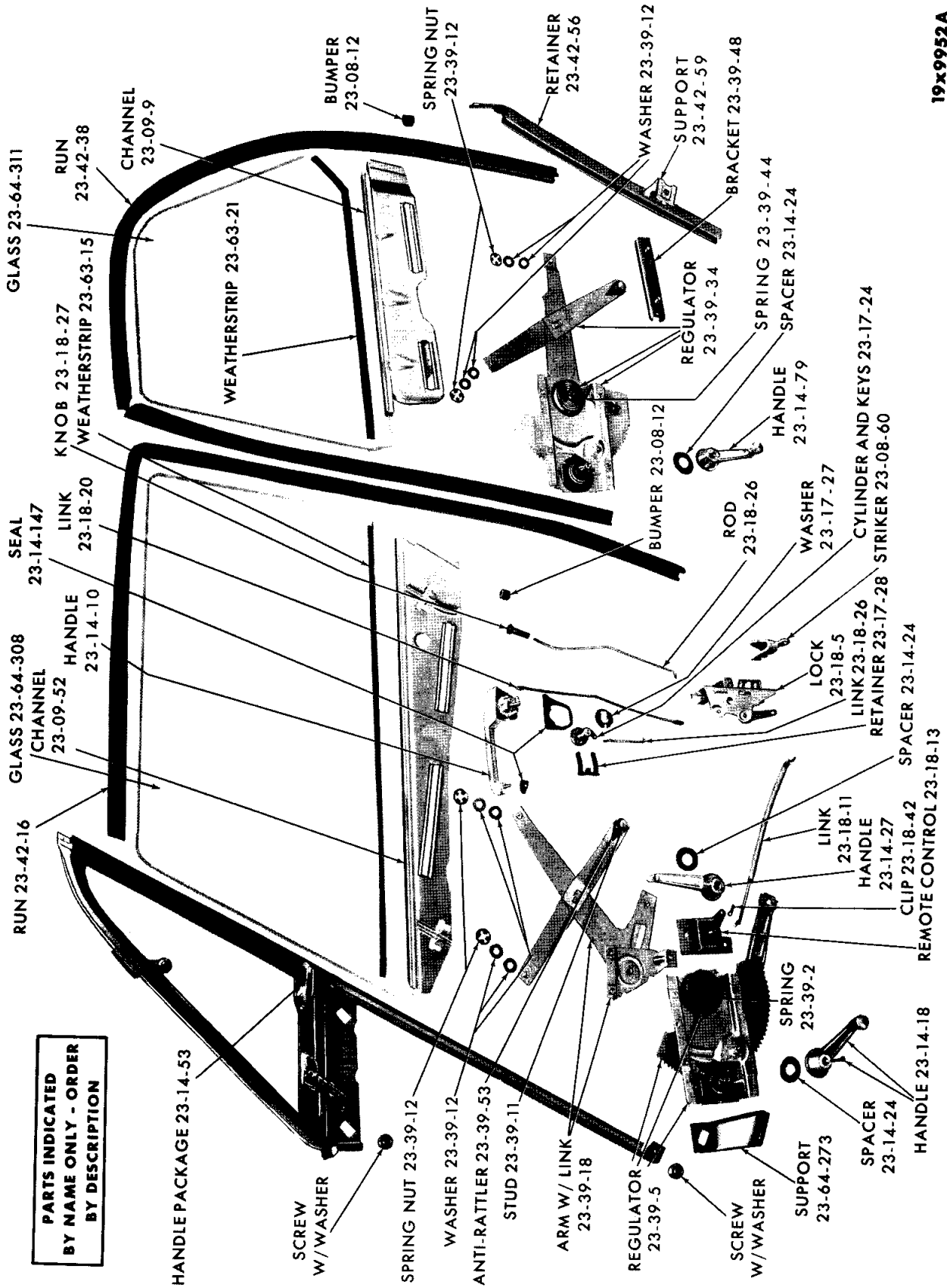
19x9652A

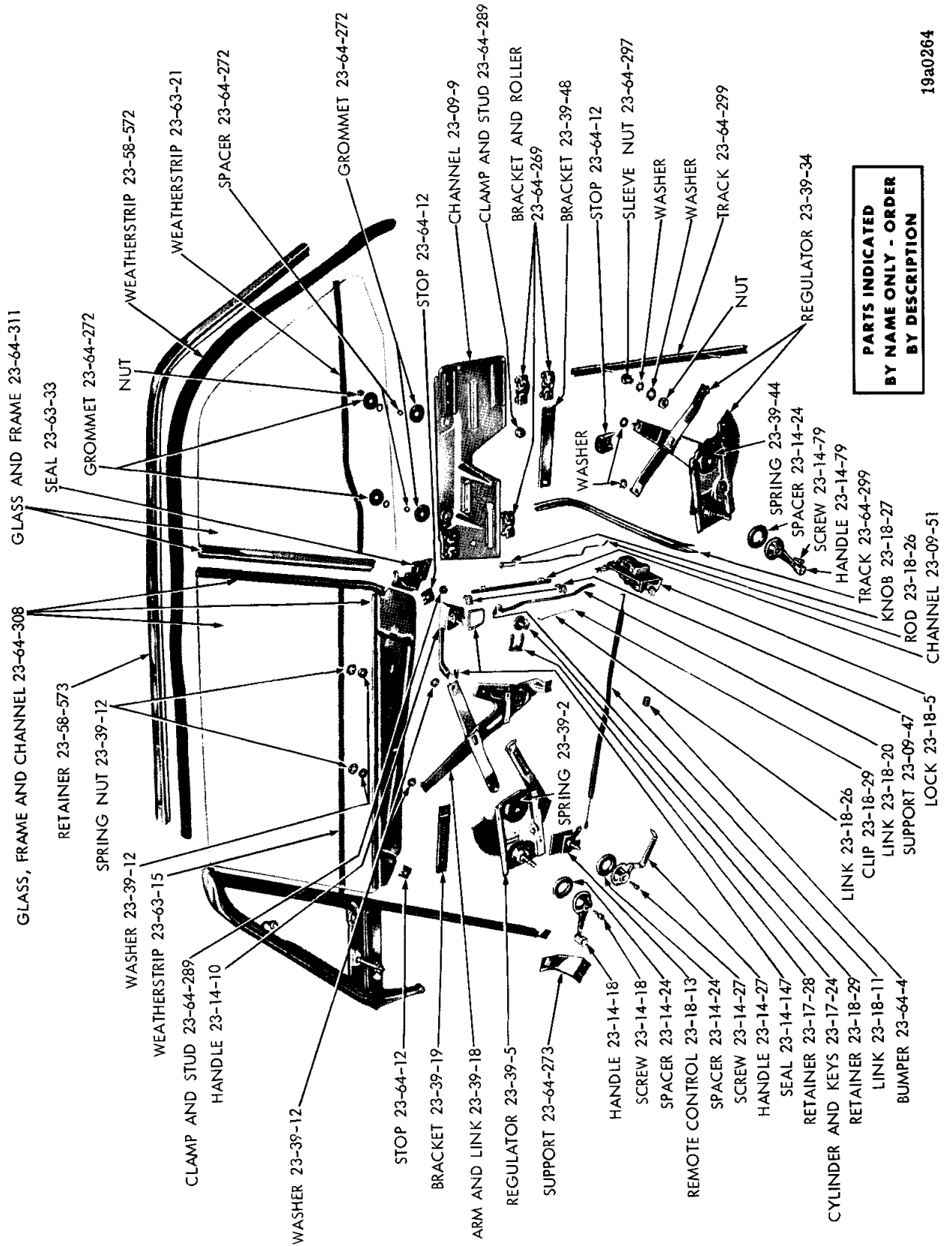


QUARTER WINDOW REGULATORS AND RUNS - VALIANT BARRACUDA



DOOR VENT WING AND GLASS - BELVEDERE AND CORONET



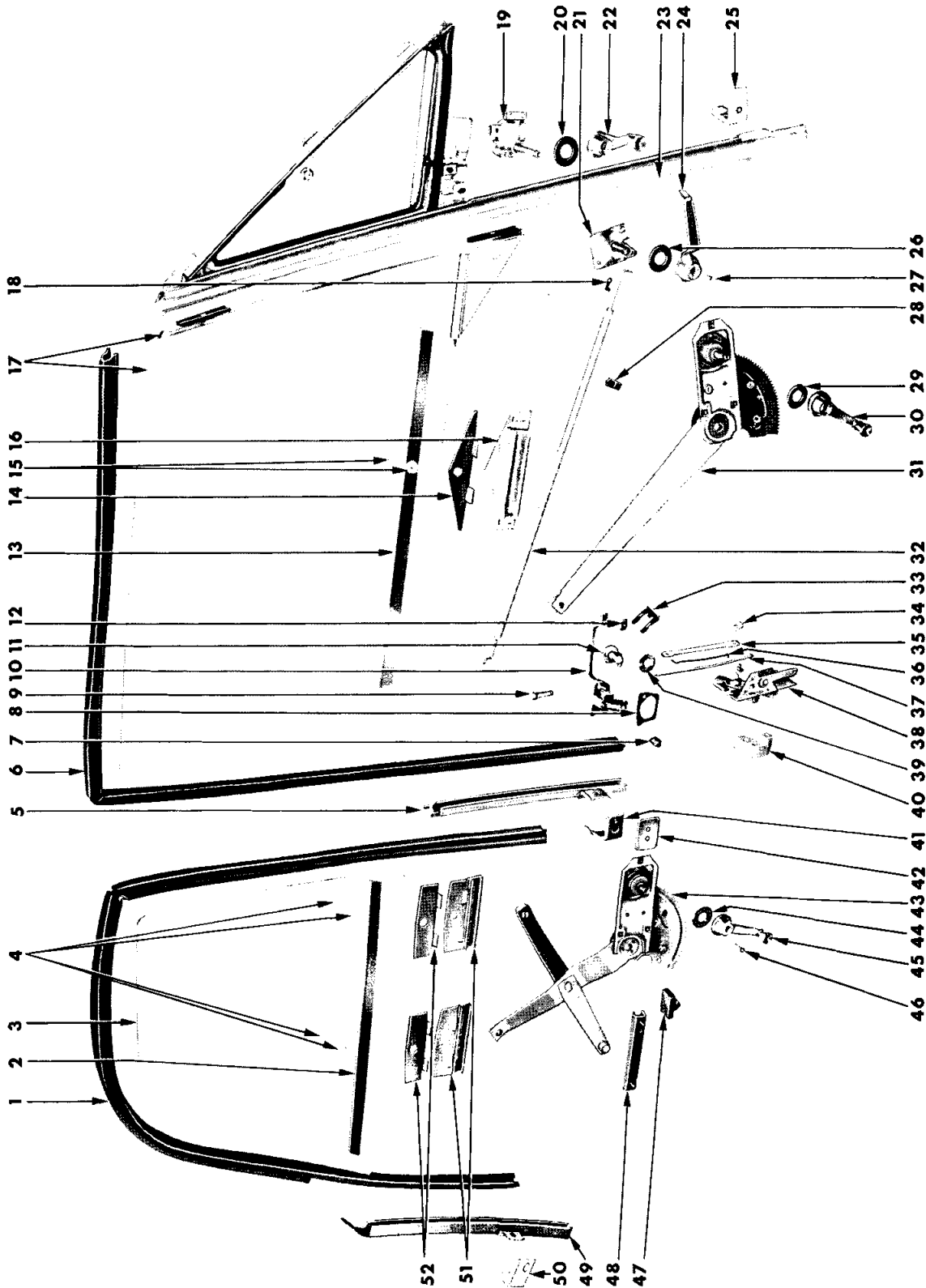


**PARTS INDICATED
 BY NAME ONLY - ORDER
 BY DESCRIPTION**

19a0264

DOOR AND QUARTER WINDOW REGULATORS AND RUNS - BELVEDERE AND CORONET CONVERTIBLE COUPE

19aL0282

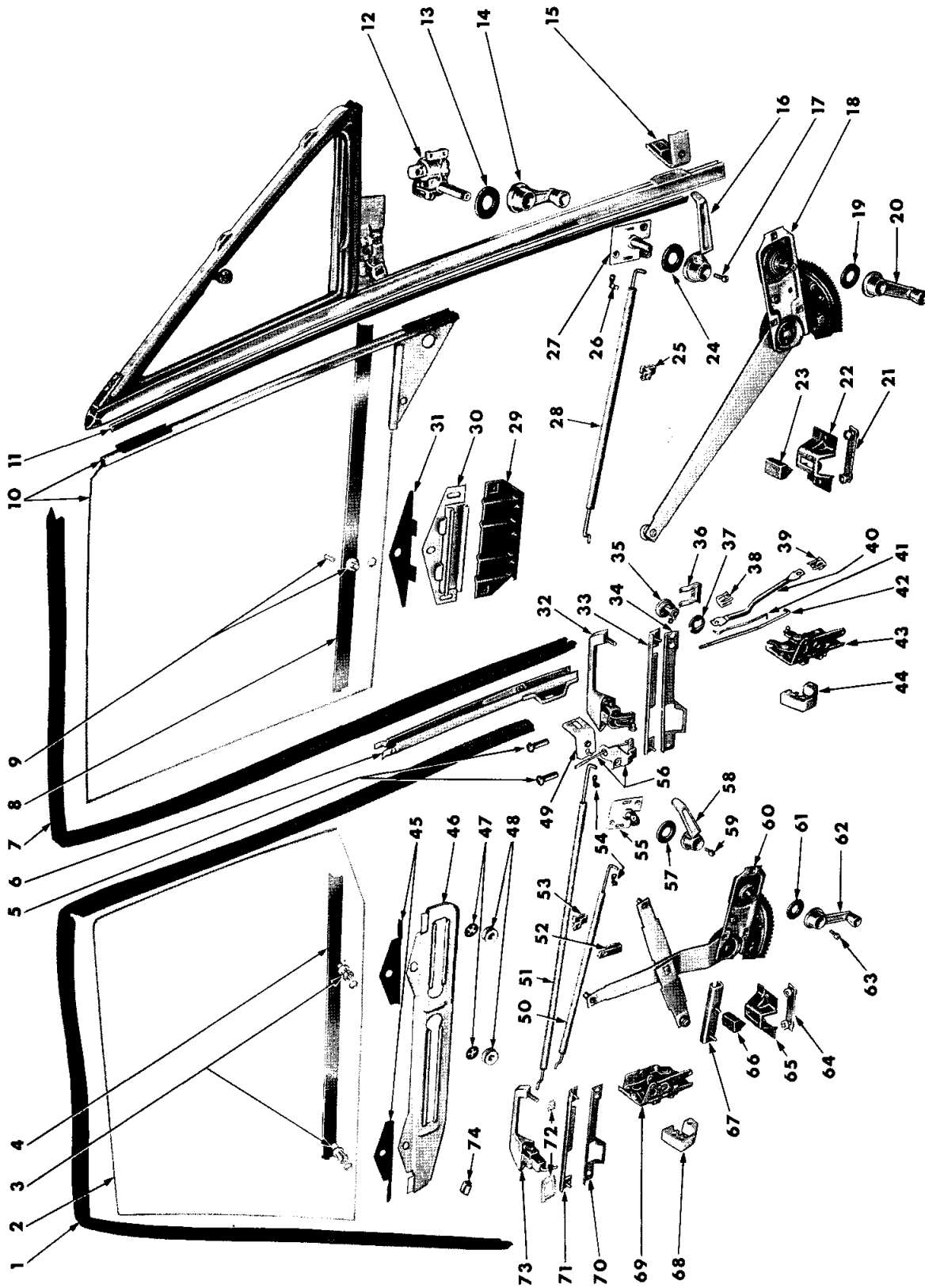


DOOR AND QUARTER WINDOW REGULATORS, RUNS AND LOCKS - PLYMOUTH 2 DOOR SEDAN

DOOR AND QUARTER WINDOW REGULATORS, RUNS AND LOCKS -
PLYMOUTH 2 DOOR SEDAN

Ref. No.	Name	Part Type Code	Ref. No.	Name	Part Type Code
1	Run	23-42-38	27	Screw	23-14-27
2	Weatherstrip	23-63-21	28	Retainer	23-18-35
3	Glass	23-64-311	29	Spacer	23-14-24
4	Rivet	23-09-9	30	Handle	23-14-18
5	Channel	23-09-51	31	Regulator	23-39-5
6	Run	23-42-16	32	Link	23-18-11
7	Bumper	23-64-4	33	Retainer	23-17-28
8	Seal	23-14-147	34	Retainer	23-18-29
9	Knob	23-18-27	35	Link	23-18-20
10	Handle	23-14-10	36	Link	23-18-26
11	Cylinder and Keys	23-17-2	37	Link	23-18-26
12	Seal	23-14-147	38	Lock	23-18-5
13	Weatherstrip	23-63-15	39	Gasket	23-17-27
14	Gasket	23-09-54	40	Striker	23-08-60
15	Rivet	23-09-52	41	Support	23-09-47
16	Bracket w/Guide	23-09-52	42	Plate	Not Serviced
17	Glass w/Front Frame	23-64-308	43	Regulator	23-39-34
18	Clip	23-18-42	44	Spacer	23-14-24
19	Regulator	23-39-29	45	Handle	23-14-79
20	Spacer	23-14-24	46	Screw	23-14-79
21	Control	23-18-13	47	Bumper	23-64-4
22	Handle	23-14-53	48	Bracket	23-39-48
23	Weatherstrip	23-63-130	49	Retainer	23-42-56
24	Handle	23-14-27	50	Bracket	23-42-59
25	Support	23-64-273	51	Bracket	23-09-9
26	Spacer	23-14-24	52	Gasket	23-09-54

PARTS INDICATED BY NOUN ONLY - ORDER BY DESCRIPTION



19aL0281

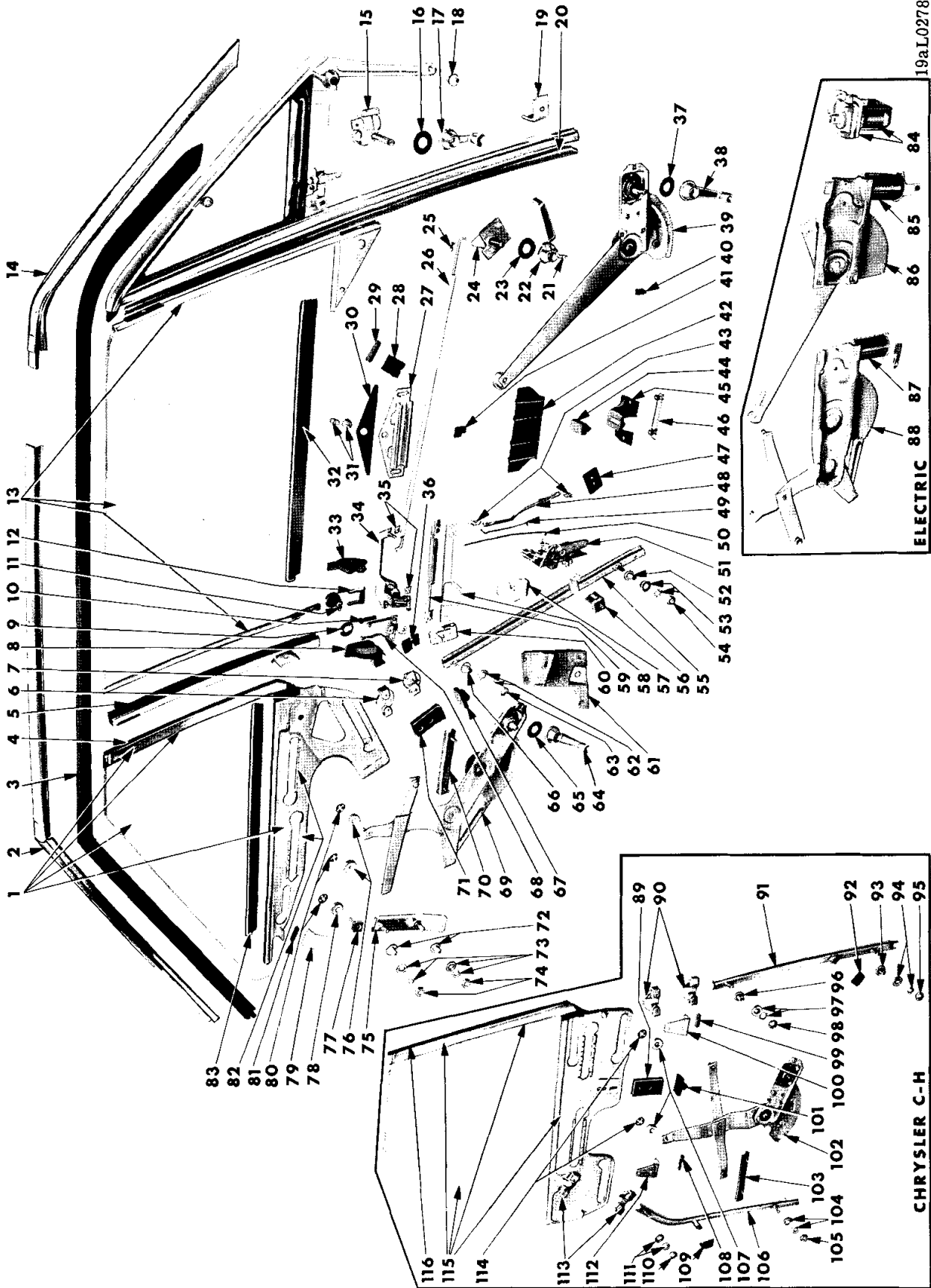
DOOR LOCK, WINDOW REGULATORS AND RUNS - PLYMOUTH, DODGE AND CHRYSLER 4 DOOR SEDAN AND STATION WAGON



DOOR LOCK, WINDOW REGULATORS AND RUNS - PLYMOUTH, DODGE AND
CHRYSLER 4 DOOR SEDAN AND STATION WAGON

Ref. No.	Name	Part Type Code	Ref. No.	Name	Part Type Code
1	Run	23-42-23	38	Retainer	23-18-29
2	Glass	23-64-308	39	Retainer	23-18-29
3	Rivet	23-09-58	40	Link	23-18-20
4	Weatherstrip	23-63-15	41	Link	23-18-26
5	Knob	23-18-27	42	Link	23-18-26
6	Channel	23-09-51	43	Lock	23-18-5
7	Run	23-42-16	44	Striker	23-08-60
8	Weatherstrip	23-63-15	45	Gasket	23-09-54
9	Rivet	23-09-52	46	Channel	23-09-58
10	Glass w/Front Frame	23-64-308	47	Spring Nut	23-39-12
11	Weatherstrip	23-63-130	48	Roller	23-39-45
12	Regulator	23-39-29	49	Support	23-09-47
13	Spacer	23-14-24	50	Link	23-18-11
14	Handle	23-14-53	51	Link	23-18-26
15	Support	23-64-273	52	Clip	23-18-42
16	Handle	23-14-27	53	Retainer	23-18-35
17	Screw	23-14-27	54	Clip	23-18-42
18	Regulator	23-39-5	55	Control	23-18-13
19	Spacer	23-14-24	56	Control	23-18-25
20	Handle	23-14-18	57	Spacer	23-14-24
21	Retainer	23-64-28	58	Handle	23-14-27
22	Bracket	23-64-12	59	Screw	23-14-27
23	Bumper	23-64-4	60	Regulator	23-39-5
24	Spacer	23-14-24	61	Spacer	23-14-24
25	Retainer	23-18-35	62	Handle	23-14-18
26	Clip	23-18-42	63	Screw	23-14-18
27	Control	23-18-13	64	Retainer	23-64-28
28	Link	23-18-11	65	Bracket	23-64-12
29	Stop	23-64-12	66	Bumper	23-64-4
30	Bracket w/Guide	23-09-52	67	Bracket	23-39-19
31	Gasket	23-09-54	68	Striker	23-08-60
32	Handle	23-14-10	69	Lock	23-18-5
33	Base	23-14-68	70	Gasket	23-14-69
34	Gasket	23-14-69	71	Base	23-14-68
35	Cylinder and Keys	23-17-24	72	Seal	23-14-147
36	Retainer	23-17-28	73	Handle	23-14-10
37	Gasket	23-17-27	74	Bumper	23-64-4

PARTS INDICATED BY NAME ONLY - ORDER BY DESCRIPTION



19aL0278

ELECTRIC 88 87

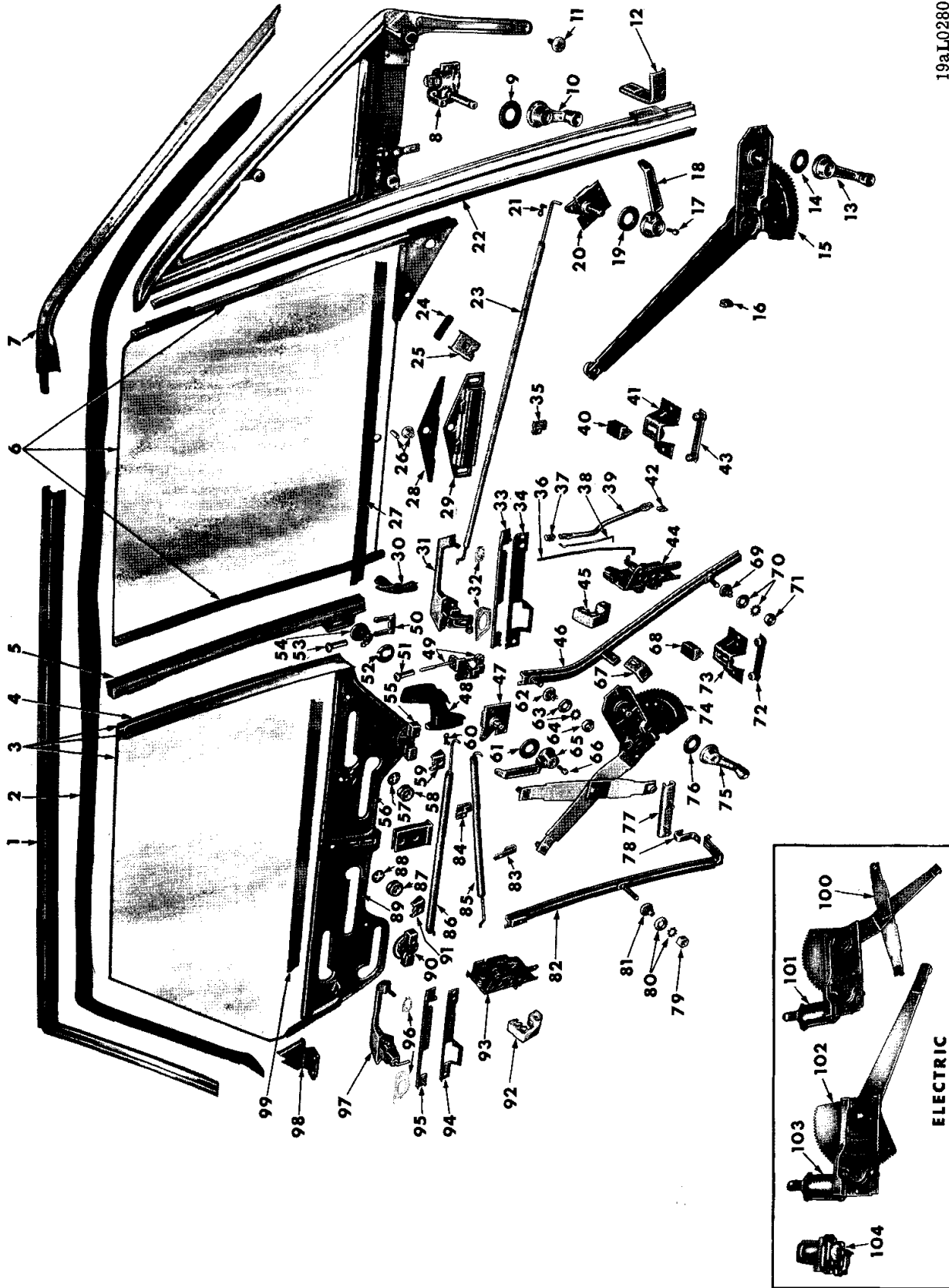
CHRYSLER C-H

DOOR AND QUARTER WINDOW REGULATORS AND RUNS - PLYMOUTH, DODGE AND CHRYSLER 2 DOOR HARDTOP

DOOR AND QUARTER WINDOW REGULATORS AND RUNS - PLYMOUTH,
DODGE AND CHRYSLER 2 DOOR HARDTOP

Ref. No.	Name	Part Type Code	Ref. No.	Name	Part Type Code
1	Glass w/Frame and Lower Channel.	23-64-311	59	Base	23-14-68
2	Retainer	23-63-55	60	Stop	23-64-12
3	Weatherstrip	23-63-33	61	Brace	23-64-281
4	Weatherstrip	23-63-104	62	Washer	
	Retainer	23-63-105	63	Nut	
5	Channel	23-09-51	64	Handle	23-14-79
6	Bracket w/Roller, Upper	23-64-269	65	Spacer	23-14-24
7	Bracket w/Roller, Lower	23-64-269	66	Sleeve Nut	23-64-297
8	Seal	23-63-33	67	Bumper	23-64-4
9	Gasket	23-17-27	68	Control	23-18-25
10	Knob	23-18-27	69	Regulator	23-39-14
11	Cylinder and Keys	23-17-24	70	Bracket	23-39-48
12	Retainer	23-17-28	71	Bracket	23-64-12
13	Glass w/Front and Rear Frame	23-64-308	72	Sleeve Nut	23-64-297
14	Retainer	23-63-55	73	Washer	
15	Regulator	23-39-29	74	Nut	
16	Spacer	23-14-24	75	Track	23-64-299
17	Handle	23-14-53	76	Roller	23-39-45
18	Stud	23-64-275	77	Slide	23-64-282
19	Support	23-64-273	78	Roller	23-64-291
20	Weatherstrip	23-63-130	79	Stop	23-64-12
21	Screw	23-14-27	80	Spring Nut	23-39-12
22	Handle	23-14-27	81	Anti-Rattler	23-64-17
23	Spacer	23-14-24	82	Cap	23-09-27
24	Control	23-18-13	83	Weatherstrip	23-63-21
25	Clip	23-18-42	84	Motor w/Mechanism	23-64-75
26	Link	23-18-11	85	Motor w/Mechanism	23-41-106
27	Bracket	23-09-52	86	Regulator	23-41-4
28	Stop	23-64-12	87	Motor w/Mechanism	23-41-106
29	Anti-Rattler	23-64-17	88	Regulator	23-41-4
30	Gasket	23-09-54	89	Bracket	23-64-12
31	Rivet	23-09-52	90	Bracket w/Roller	23-64-269
32	Weatherstrip	23-63-15	91	Track	23-64-299
33	Seal	23-63-33	92	Support	23-64-300
34	Handle	23-14-10	93	Sleeve Nut	23-64-297
35	Seal	23-14-147	94	Washer	
36	Bumper	23-64-4	95	Nut	
37	Spacer	23-14-24	96	Sleeve Nut	23-64-297
38	Handle	23-14-18	97	Washer	
39	Regulator	23-39-5	98	Nut	
40	Bumper	23-64-4	99	Anti-Rattler	23-64-17
41	Retainer	23-18-35	100	Stop	23-64-12
42	Stop	23-64-12	101	Bumper	23-64-4
43	Retainer	23-18-29	102	Regulator	23-39-14
44	Bumper	23-64-4	103	Bracket	23-39-48
45	Bracket	23-64-12	104	Washer	
46	Retainer	23-64-28	105	Nut	
47	Plate	Not Serviced	106	Track	23-64-299
48	Link	23-18-20	107	Roller	23-39-45
49	Link	23-18-26	108	Anti-Rattler	23-64-17
50	Link	23-18-26	109	Stop	23-64-12
51	Lock	23-18-5	110	Nut	
52	Sleeve Nut	23-64-297	111	Washer	
53	Washer		112	Stop	23-64-12
54	Nut		113	Bracket w/Roller	23-64-269
55	Track	23-64-299	114	Spring Nut	23-39-12
56	Support	23-64-300	115	Glass w/Frame and Lower Channel	23-64-311
57	Striker	23-08-60		Weatherstrip	23-63-104
58	Gasket	23-14-69	116	Retainer	23-63-105

PARTS INDICATED BY NAME ONLY - ORDER BY DESCRIPTION



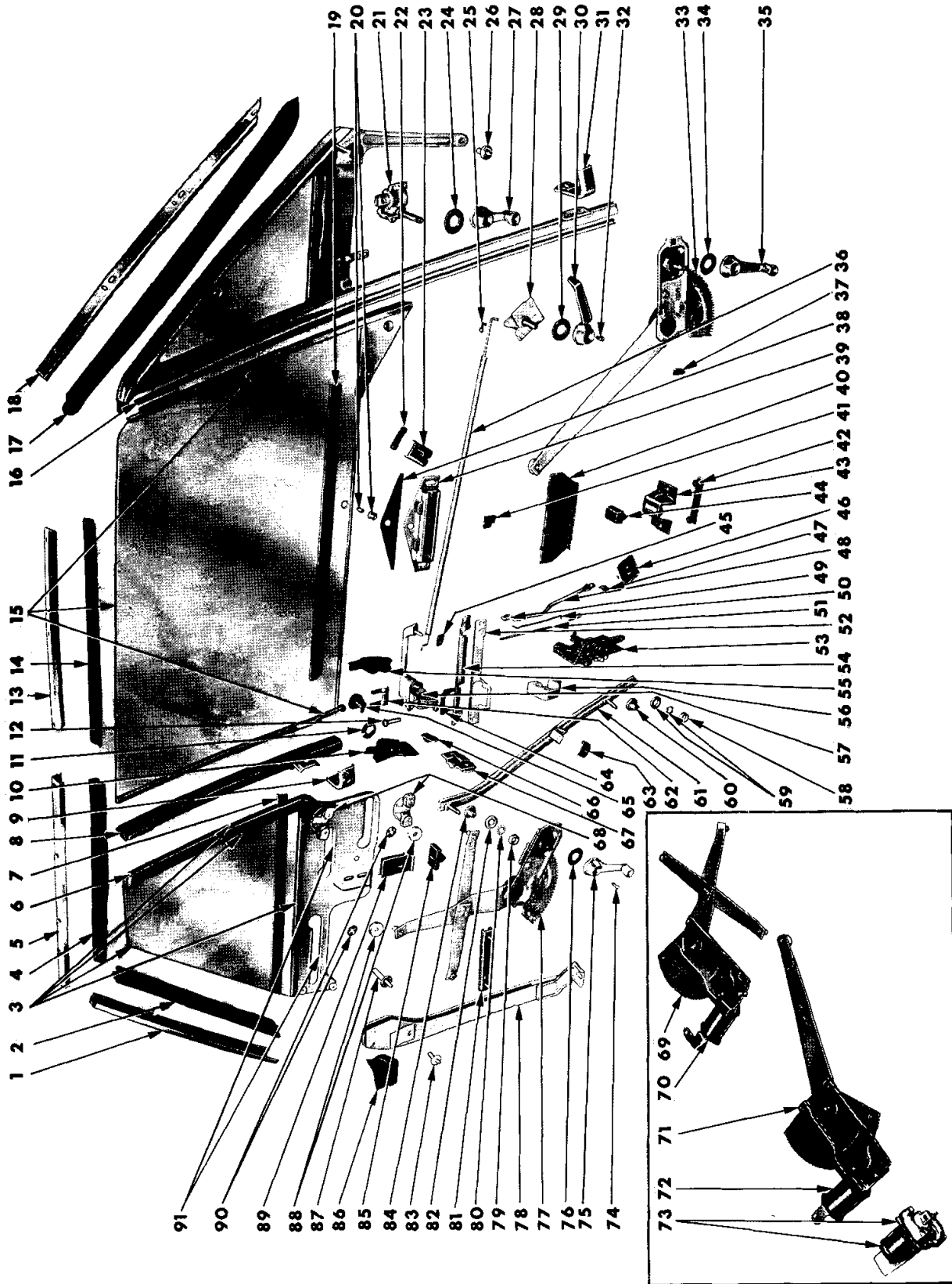
19aL0280

DOOR LOCK, WINDOW REGULATORS AND RUNS - PLYMOUTH, DODGE AND CHRYSLER 4 DOOR HARDTOP

DOOR LOCK, WINDOW REGULATORS AND RUNS - PLYMOUTH, DODGE AND CHRYSLER 4 DOOR HARDTOP

Ref. No.	Name	Part Type Code	Ref. No.	Name	Part Type Code
1	Retainer	23-63-55	54	Cylinder and Keys	23-17-24
2	Weatherstrip	23-63-33	55	Bracket w/Roller	23-64-269
3	Glass w/Frame and Lower Channel.	23-64-308	56	Cap	23-09-27
4	Weatherstrip	23-63-94	57	Spring Nut	23-39-12
	Retainer	23-63-105	58	Roller	23-39-45
5	Channel	23-09-51		Roller	23-41-250
6	Glass w/Front and Rear Frame . . .	23-64-308	59	Stop	23-64-12
7	Retainer	23-63-55	60	Clip	23-18-42
8	Regulator	23-39-29	61	Spacer	23-14-24
9	Spacer	23-14-24	62	Sleeve Nut	23-64-297
10	Handle	23-14-53	63	Washer	
11	Stud	23-64-275	64	Nut	
12	Support	23-64-273	65	Handle	23-14-27
13	Handle	23-14-18	66	Screw	23-14-27
14	Spacer	23-14-24	67	Support	23-64-269
15	Regulator	23-39-5	68	Bumper	23-64-4
16	Bumper	23-64-12	69	Sleeve Nut	23-64-297
17	Screw	23-14-27	70	Washer	
18	Handle	23-14-27	71	Nut	
19	Spacer	23-14-24	72	Retainer	23-64-28
20	Control	23-18-13	73	Bracket	23-64-12
21	Clip	23-18-42	74	Regulator	23-39-5
22	Weatherstrip	23-63-130	75	Handle	23-14-18
23	Link	23-18-11	76	Spacer	23-14-24
24	Anti-Rattler	23-64-17	77	Bracket	23-39-19
25	Stop	23-64-12	78	Clip	Not Serviced
26	Rivet	23-09-52	79	Nut	
27	Weatherstrip	23-63-15	80	Washer	
28	Gasket	23-09-54	81	Sleeve Nut	23-64-297
29	Bracket	23-09-52	82	Track	23-64-254
30	Seal	23-63-33	83	Clip	23-18-42
31	Handle	23-14-10	84	Retainer	23-18-35
32	Seal	23-14-147	85	Link	23-18-11
33	Base	23-14-68	86	Link	23-18-26
34	Seal	23-14-69	87	Roller	23-39-45
35	Retainer	23-18-35		Roller	23-41-250
36	Link	23-18-26	88	Spring Nut	23-39-12
37	Retainer	23-18-29	89	Cap	23-09-27
38	Link	23-18-26	90	Bracket w/Roller	23-64-269
39	Link	23-18-20	91	Stop	23-64-12
40	Bumper	23-64-4	92	Striker	23-08-60
41	Bracket	23-64-12	93	Lock	23-18-5
42	Retainer	23-18-29	94	Seal	23-14-69
43	Retainer	23-64-28	95	Base	23-14-68
44	Lock	23-18-5	96	Seal	23-14-147
45	Striker	23-08-60	97	Handle	23-14-10
46	Track	23-64-254	98	Weatherstrip and Ornament	23-63-33
47	Control	23-18-13	99	Weatherstrip	23-63-15
48	Seal	23-63-33	100	Regulator	23-41-4
49	Control	23-18-25	101	Motor w/Mechanism	23-41-106
50	Retainer	23-17-28	102	Regulator	23-41-4
51	Knob	23-18-27	103	Motor w/Mechanism	23-41-106
52	Gasket	23-17-27	104	Motor w/Mechanism	23-64-75
53	Knob	23-18-27			

PARTS INDICATED BY NAME ONLY - ORDER BY DESCRIPTION

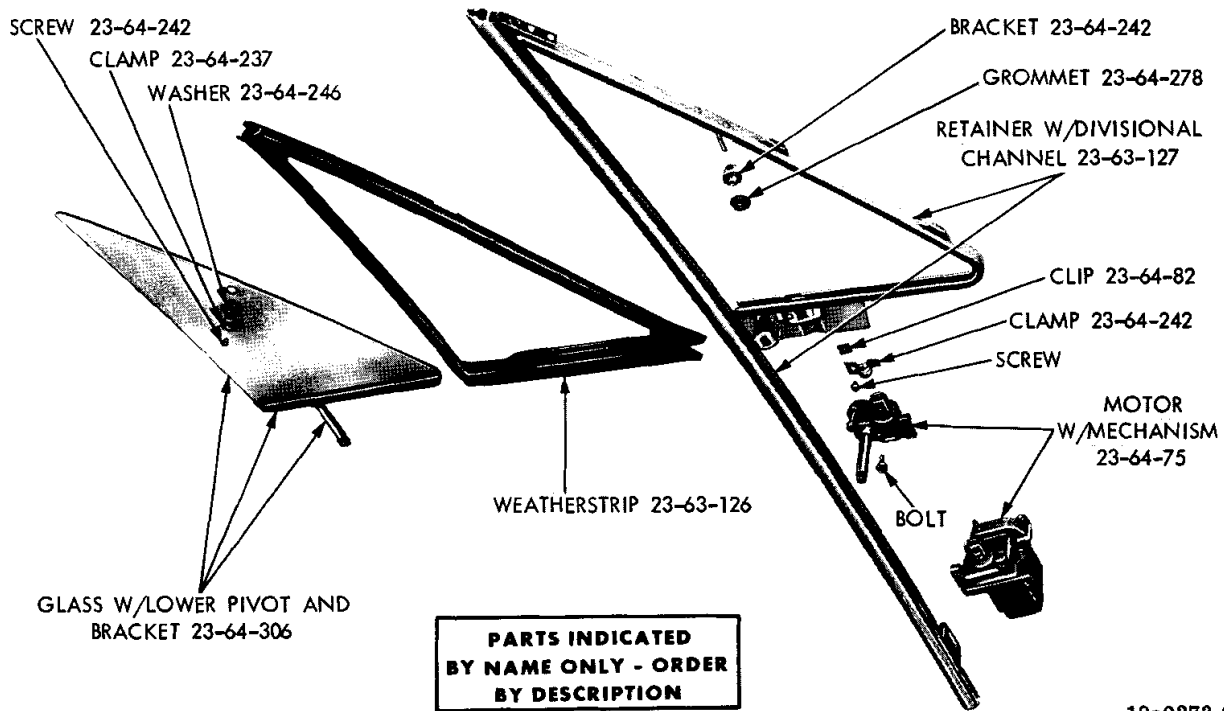


DOORS AND QUARTER WINDOW REGULATORS AND RUNS - PLYMOUTH, DODGE AND CHRYSLER CONVERTIBLE COUPE

DOOR AND QUARTER WINDOW REGULATORS AND RUNS - PLYMOUTH,
DODGE AND CHRYSLER CONVERTIBLE COUPE

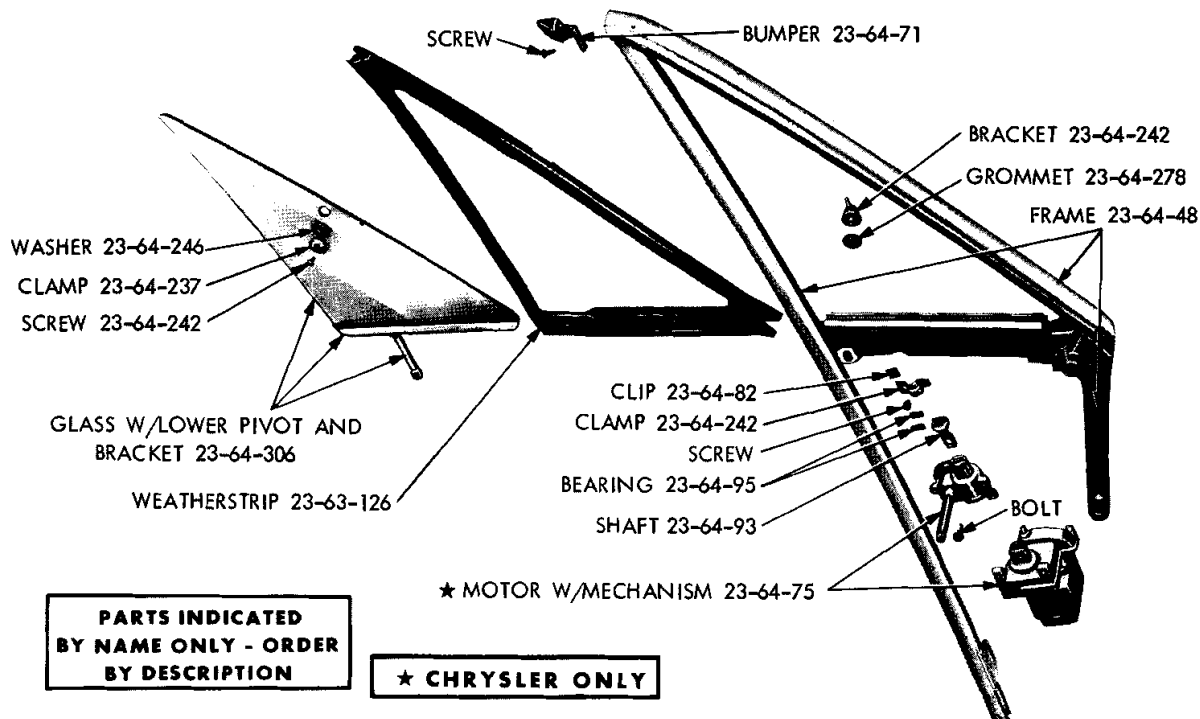
Ref. No.	Name	Part Type Code	Ref. No.	Name	Part Type Code
1	Retainer	23-58-573	46	Plate	Not Serviced
2	Weatherstrip	23-58-572	47	Retainer	23-18-29
3	Glass w/Frame and Lower Channel	23-64-311	48	Link	23-18-20
4	Weatherstrip	23-58-572	49	Retainer	23-18-29
5	Retainer	23-58-573	50	Link	23-18-26
6	Weatherstrip	23-63-104	51	Link	23-18-26
	Retainer	23-63-105	52	Seal	23-14-69
7	Weatherstrip	23-63-21	53	Lock	23-18-5
8	Channel	23-09-51	54	Base	23-14-68
9	Support	23-09-47	55	Seal	23-63-33
10	Seal	23-63-33	56	Striker	23-08-60
11	Gasket	23-17-27	57	Handle	23-14-10
12	Knob	23-18-27	58	Nut	
13	Retainer	23-58-573	59	Washer	
14	Weatherstrip	23-58-572	60	Sleeve Nut	23-64-297
15	Glass w/Front and Rear Frame	23-64-308	61	Track	23-64-299
16	Weatherstrip	23-63-130	62	Retainer	23-17-28
17	Weatherstrip	23-63-33	63	Support	23-64-269
18	Retainer	23-63-42	64	Seal	23-14-147
19	Weatherstrip	23-63-15	65	Cylinder and Keys	23-17-2
20	Rivet	23-09-52	66	Wedge	23-08-12
21	Regulator	23-39-29	67	Striker	23-08-12
22	Anti-Rattle	23-64-17	68	Bracket w/Roller	23-64-269
23	Stop	23-64-12	69	Regulator	23-41-4
24	Spacer	23-14-24	70	Motor w/Mechanism	23-41-106
25	Clip	23-18-42	71	Regulator	23-41-4
26	Stud	23-64-275	72	Motor w/Mechanism	23-41-106
27	Handle	23-14-53	73	Motor w/Mechanism	23-64-75
28	Control	23-18-13	74	Screw	23-14-18
29	Spacer	23-14-24	75	Handle	23-14-18
30	Handle	23-14-27	76	Spacer	23-14-24
31	Support	23-64-273	77	Regulator	23-39-14
32	Screw	23-14-27	78	Channel	23-64-198
33	Regulator	23-39-5	79	Nut	
34	Spacer	23-14-24	80	Washer	
35	Handle	23-14-18	81	Bracket	23-39-48
36	Link	23-18-11	82	Washer	
37	Bumper	23-64-4	83	Stud	23-64-275
38	Gasket	23-09-54	84	Sleeve Nut	23-64-297
39	Bracket	23-09-52	85	Bumper	23-64-4
40	Stop	23-64-12	86	Seal	23-64-202
41	Retainer	23-18-35	87	Stop	23-64-12
42	Retainer	23-64-28	88	Roller	23-39-45
43	Bracket	23-64-12	89	Stop	23-64-12
44	Bumper	23-64-4	90	Spring Nut	23-39-12
45	Seal	23-14-147	91	Cap	23-09-27

PARTS INDICATED BY NAME ONLY - ORDER BY DESCRIPTION



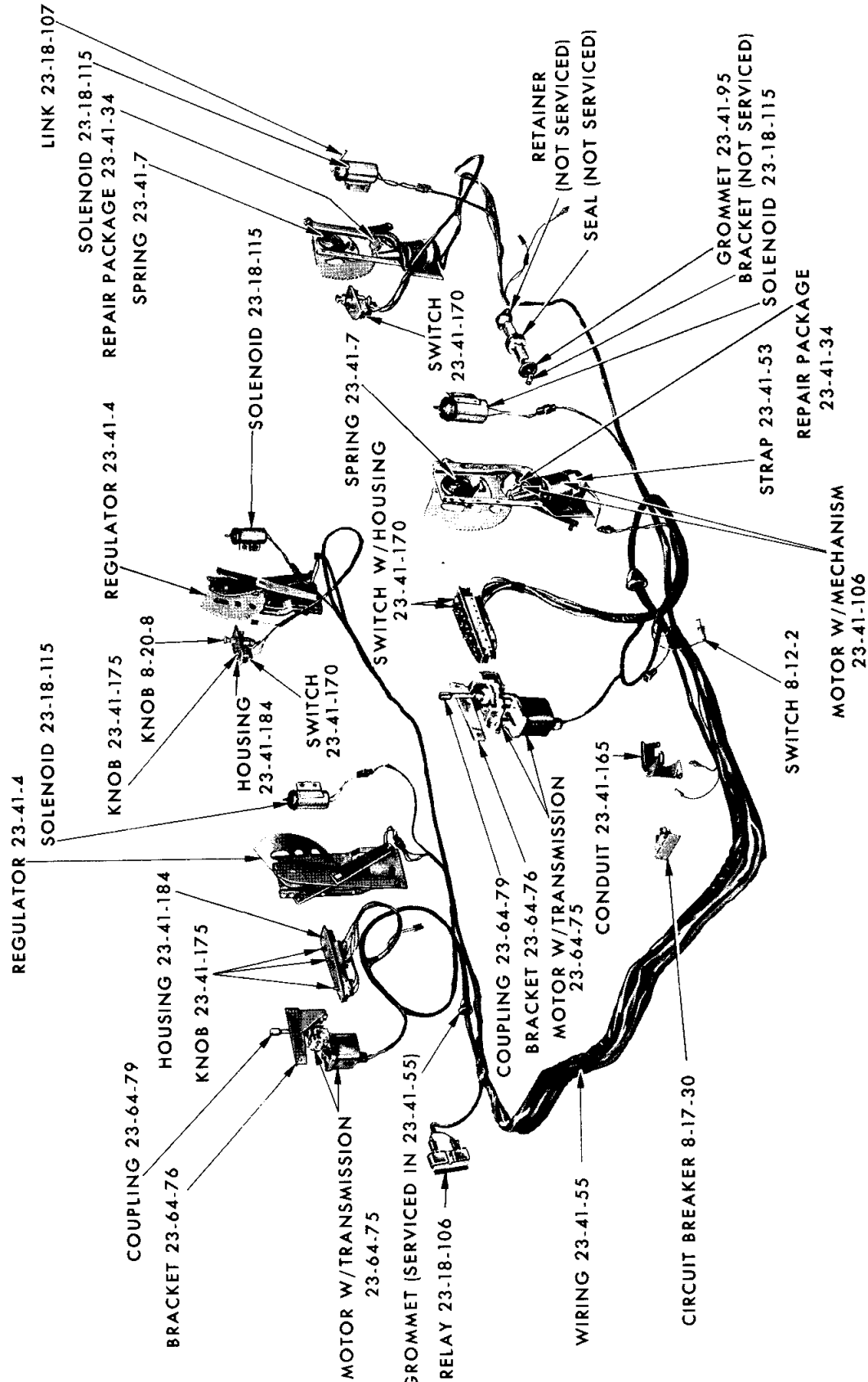
19a0273 A

FRONT DOOR VENT WING AND GLASS - PLYMOUTH, DODGE AND CHRYSLER 2 DOOR SEDAN, 4 DOOR SEDAN AND STATION WAGON



19a0272 A

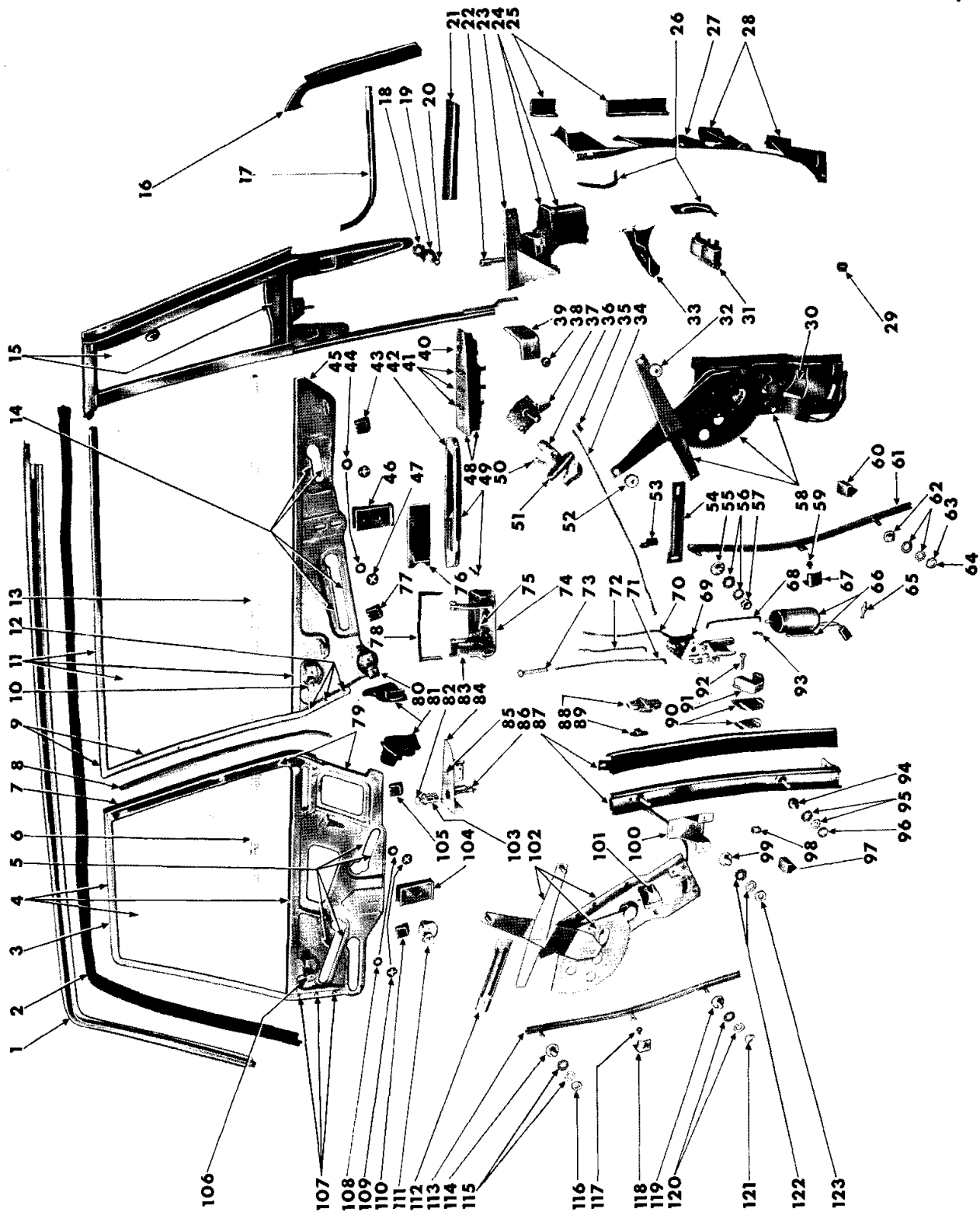
FRONT DOOR VENT WING AND GLASS - PLYMOUTH, DODGE AND CHRYSLER 2 DOOR HARDTOP, 4 DOOR HARDTOP AND CONVERTIBLE COUPE



19x9961

ELECTRIC WINDOW LIFT AND DOOR LOCK SYSTEM - IMPERIAL

19-9965

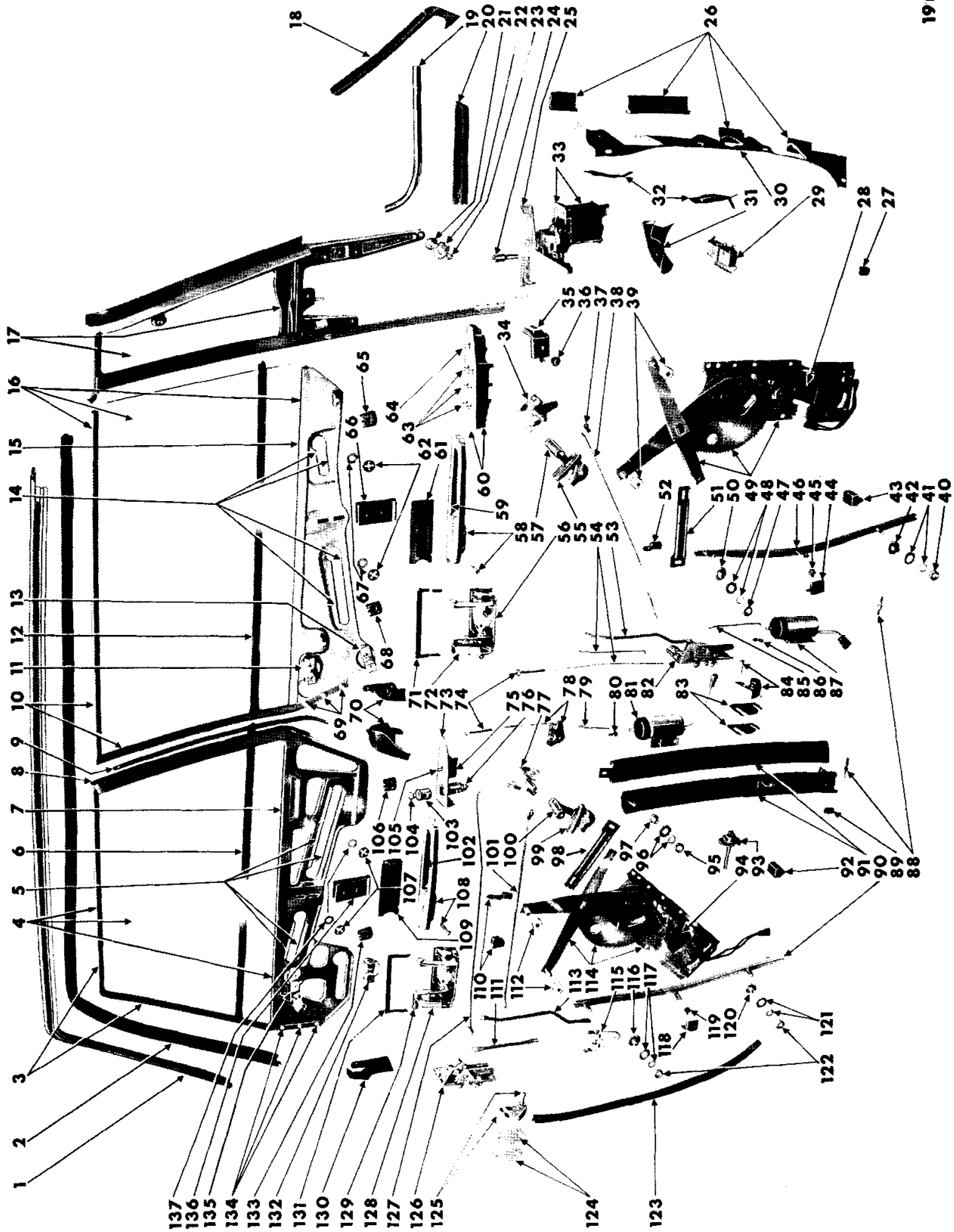


DOOR AND QUARTER WINDOW REGULATORS AND LOCKS - IMPERIAL 2 DOOR HARDTOP

DOOR AND QUARTER WINDOW REGULATORS AND LOCKS - IMPERIAL 2 DOOR HARDTOP

Ref. No.	Name	Part Type Code	Ref. No.	Name	Part Type Code
1	Retainer	23-63-55	62	Sleeve Nut	23-64-297
2	Weatherstrip	23-63-33	63	Washer	
3	Frame	23-64-280	64	Nut	
4	Glass w/Frame and Lower Channel.	23-64-311	65	Switch	8-12-2
5	Cap	23-09-27	66	Solenoid	23-18-115
6	Weatherstrip	23-63-20	67	Support	23-64-269
		23-63-21	68	Link	23-18-107
7	Weatherstrip	23-63-104	69	Lock	23-18-5
8	Retainer	23-63-105	70	Link	23-18-20
9	Frame	23-64-255	71	Link	23-18-26
10	Bracket w/Roller	23-64-269	72	Link	23-18-26
11	Glass w/Frame and Lower Channel.	23-64-308	73	Knob	23-18-27
12	Sleeve Nut	23-64-255	74	Handle	23-14-10
13	Weatherstrip	23-63-14	75	Bumper	23-14-153
		23-63-15	76	Shield	Not Serviced
14	Cap	23-09-27	77	Stop	23-64-12
15	Glass w/Lower Pivot and Bracket .	23-64-306	78	Gasket	23-14-147
16	Auxiliary Weatherstrip	23-63-126	79	Channel	23-09-9
17	Cover Package	23-34-85	80	Bracket w/Roller	23-64-269
18	Stud	23-64-275	81	Seal	23-63-33
19	Washer		82	Knob	8-20-8
20	Nut		83	Spring	23-14-17
21	Filler	23-34-100	84	Housing	23-41-184
22	Coupling	23-64-79	85	Knob	23-41-175
23	Bracket	23-64-76	86	Shell and Clamp	8-20-10
24	Motor w/Transmission	23-64-75	87	Channel	23-64-198
25	Anti Rattler	23-36-25	88	Wedge	23-08-12
26	Seal	23-15-22	89	Bumper	23-08-12
27	Cover	23-36-21	90	Spacer	23-08-54
28	Anti Rattler	23-36-25	91	Striker	23-08-60
29	Bumper	23-08-12	92	Screw	
30	Motor w/Mechanism	23-41-106	93	Clip	23-18-109
31	Relay	23-18-106	94	Sleeve Nut	23-64-297
32	Roller	23-41-250	95	Washer	
33	Conduit	23-41-165	96	Nut	
34	Link	23-18-11	97	Bumper	23-64-4
35	Clip	23-18-42	98	Bumper	23-08-12
36	Handle	23-14-27	99	Sleeve Nut	23-64-297
37	Remote Control	23-18-13	100	Support	23-64-200
38	Screw		101	Motor w/Mechanism	23-41-106
39	Support	23-64-273	102	Regulator	23-41-4
40	Knob	23-18-117	103	Element	8-20-9
41	Knob	23-41-175	104	Bracket	23-64-12
42	Plate	23-14-26	105	Stop	23-64-12
43	Stop	23-64-12	106	Bracket w/Roller	23-64-269
44	Washer		107	Screw	23-64-280
45	Channel	23-09-52	108	Washer	
46	Bracket	23-64-12	109	Spring Nut	23-41-4
47	Spring Nut	23-41-4	110	Stop	23-64-12
48	Lockout Switch w/Housing	23-41-170	111	Bracket w/Roller	23-64-269
49	Handle	23-14-16	112	Channel w/Support	23-41-19
50	Screw		113	Channel	23-09-75
51	Grommet	23-14-51	114	Sleeve Nut	23-64-297
52	Roller	23-41-250	115	Washer	
53	Clip	23-18-42	116	Nut	
54	Channel w/Support	23-41-19	117	Screw	
55	Sleeve Nut	23-64-297	118	Support	23-64-269
56	Washer		119	Sleeve Nut	23-64-297
57	Nut		120	Washer	
58	Regulator	23-41-4	121	Nut	
59	Screw		122	Washer	
60	Bumper	23-64-4	123	Nut	
61	Channel	23-09-51			

PARTS INDICATED BY NAME ONLY - ORDER BY DESCRIPTION



19-9964

DOOR LOCKS, WINDOW REGULATORS AND RUNS - IMPERIAL 4 DOOR HARDTOP

DOOR LOCKS, WINDOW REGULATORS AND RUNS - IMPERIAL 4 DOOR HARDTOP

Ref. No.	Name	Part Type Code	Ref. No.	Name	Part Type Code
1	Retainer	23-63-55	69	Sleeve Nut	23-64-255
2	Weatherstrip	23-63-33	70	Seal	23-63-33
3	Frame	23-64-255	71	Gasket	23-14-147
4	Glass w/Frame and Lower Channel.	23-64-308	72	Spring	23-14-17
5	Cap	23-09-27	73	Housing	23-41-184
6	Weatherstrip	23-63-14	74	Knob	23-18-27
		23-63-15	75	Switch	23-41-170
7	Channel	23-09-58	76	Shell and Clamp	8-20-10
8	Weatherstrip	23-63-94	77	Remote Control	23-18-13
9	Retainer	23-63-105	78	Control	23-18-25
10	Frame	23-64-255	79	Link	23-18-107
11	Bracket w/Roller	23-64-269	80	Clip	23-18-109
12	Weatherstrip	23-63-14	81	Solenoid	23-18-115
		23-63-15	82	Lock	23-18-5
13	Bracket w/Roller	23-64-269	83	Spacer	23-08-54
14	Cap	23-09-27	84	Striker	23-08-60
15	Channel	23-09-52	85	Link	23-18-107
16	Glass w/Frame and Lower Channel.	23-64-308	86	Clip	23-18-109
17	Glass w/Lower Pivot and Bracket .	23-64-306	87	Solenoid	23-18-115
18	Auxiliary Weatherstrip	23-63-126	88	Switch	8-12-2
19	Cover Package	23-34-85	89	Bumper	23-08-12
20	Filler	23-34-100	90	Channel	23-09-56
21	Stud	23-64-275	91	Channel	23-64-198
22	Washer		92	Bumper	23-64-4
23	Nut		93	Arm	23-10-1
24	Coupling	23-64-79	94	Motor w/Mechanism	23-41-106
25	Bracket	23-64-76	95	Nut	
26	Anti Rattler	23-36-25	96	Washer	
27	Bumper	23-08-12	97	Sleeve Nut	23-64-297
28	Motor w/Mechanism	23-41-106	98	Channel w/Support	23-41-19
29	Relay	23-18-106	99	Grommet	23-14-51
30	Cover	23-36-21	100	Handle	23-14-27
31	Conduit	23-41-165	101	Link	23-18-26
32	Seal	23-15-22	102	Plate	23-14-26
33	Motor w/Transmission	23-64-75	103	Element	8-20-9
34	Remote Control	23-18-13	104	Knob	8-20-8
35	Support	23-64-273	105	Knobs	23-41-175
36	Screw		106	Stop	23-64-12
37	Clip	23-18-42	107	Spring Nut	23-41-4
38	Link	23-18-11	108	Handle	23-14-16
39	Roller	23-41-250	109	Shield	Not Serviced
40	Nut		110	Clip	23-18-42
41	Washer		111	Link	23-18-26
42	Sleeve Nut	23-64-297	112	Roller	23-41-250
43	Bumper	23-64-4	113	Link	23-18-20
44	Support	23-64-269	114	Regulator	23-41-4
45	Screw		115	Bracket	23-18-51
46	Channel	23-09-51	116	Sleeve Nut	23-64-297
47	Nut		117	Washer	
48	Washer		118	Support	23-64-269
49	Regulator	23-41-4	119	Screw	
50	Sleeve Nut	23-64-297	120	Sleeve Nut	23-64-297
51	Channel w/Support	23-41-19	121	Washer	
52	Clip	23-18-42	122	Nut	
53	Link	23-18-20	123	Weatherstrip	23-63-33
54	Link	23-18-26	124	Spacer	23-08-54
55	Grommet	23-14-51	125	Striker	23-08-60
56	Handle	23-14-10	126	Lock	23-18-5
57	Handle	23-14-27	127	Link	23-18-11
58	Handle	23-14-16	128	Spring	23-14-17
59	Plate	23-14-26	129	Handle	23-14-10
60	Lockout Switch w/Housing	23-41-170	130	Seal	23-63-33
61	Shield	Not Serviced	131	Gasket	23-14-147
62	Spring Nut	23-41-4	132	Bracket w/Roller	23-64-269
63	Knobs	23-41-175	133	Stop	23-64-12
64	Knob	23-18-117	134	Screw	23-64-255
65	Stop	23-64-12	135	Bracket w/Roller	23-64-269
66	Bracket	23-64-12	136	Bracket	23-64-12
67	Washer		137	Washer	
68	Stop	23-64-12			

PARTS INDICATED BY NAME ONLY - ORDER BY DESCRIPTION

19.9966

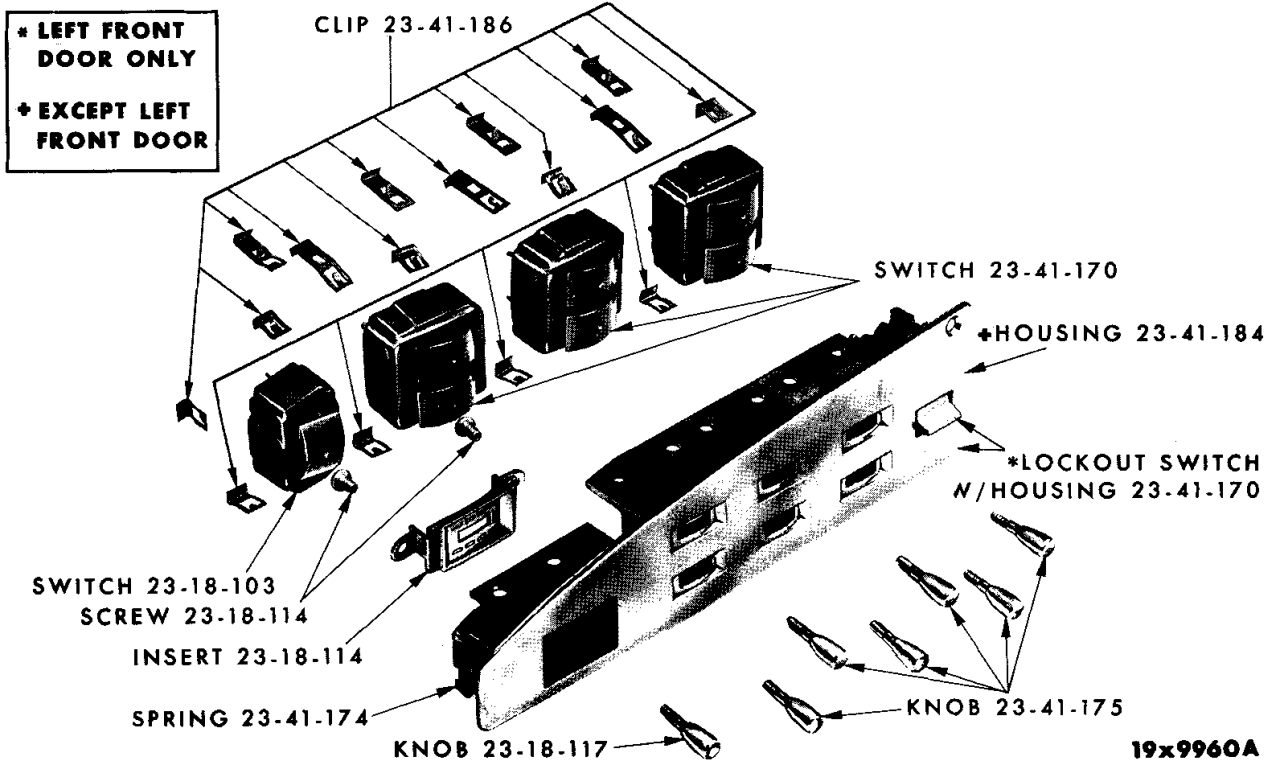


DOOR AND QUARTER WINDOW REGULATORS AND LOCKS - IMPERIAL CONVERTIBLE COUPE

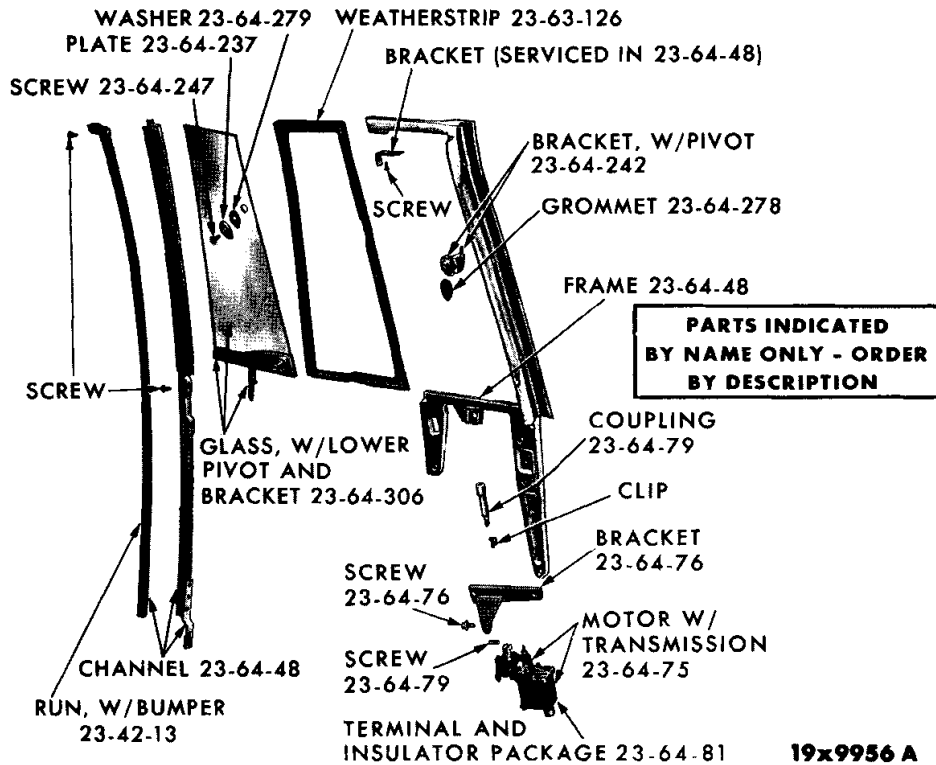
DOOR AND QUARTER WINDOW REGULATORS AND LOCKS - IMPERIAL CONVERTIBLE COUPE

Ref. No.	Name	Part Type Code	Ref. No.	Name	Part Type Code
1	Retainer	23-58-573	63	Nut	
2	Weatherstrip	23-63-20	64	Washer	
		23-63-21	65	Sleeve Nut	23-64-297
3	Cap	23-09-27	66	Screw	
4	Weatherstrip	23-58-572	67	Support	23-64-269
5	Frame	23-64-280	68	Link	23-18-107
6	Glass w/Frame and Lower Channel .	23-64-311	69	Clip	23-18-42
7	Weatherstrip	23-63-104	70	Roller	23-41-250
8	Retainer	23-63-105	71	Link	23-18-20
9	Frame	23-64-255	72	Link	23-18-26
10	Weatherstrip	23-58-572	73	Link	23-18-26
11	Retainer	23-58-573	74	Knob	23-18-27
12	Glass w/Frame and Lower Channel .	23-64-308	75	Handle	23-14-10
13	Bracket w/Roller	23-64-269	76	Gasket	23-14-147
14	Channel	23-09-52	77	Spring Nut	23-41-4
15	Cap	23-09-27	78	Stop	23-64-12
16	Weatherstrip	23-63-14	79	Sleeve Nut	23-64-255
		23-63-15	80	Seal	23-63-33
17	Glass w/Lower Pivot and Bracket .	23-64-306	81	Stop	23-64-12
18	Weatherstrip	23-58-569	82	Element	8-20-9
19	Auxiliary Weatherstrip	23-63-126	83	Spring	23-14-17
20	Cover Package	23-34-85	84	Switch	23-41-170
21	Stud	23-64-275	85	Shell and Clamp	8-20-10
22	Washer		86	Housing	23-41-184
23	Filler	23-34-100	87	Channel	23-64-198
24	Nut		88	Wedge	23-08-12
25	Coupling	23-64-79	89	Bumper	23-08-12
26	Bracket	23-64-76	90	Lock	23-18-5
27	Motor w/Transmission	23-64-75	91	Spacer	23-08-54
28	Anti Rattler	23-36-25	92	Striker	23-08-60
29	Cover	23-36-21	93	Clip	23-18-109
30	Seal	23-15-22	94	Switch	8-12-2
31	Bumper	23-08-12	95	Washer	
32	Relay	23-18-106	96	Nut	
33	Motor w/Mechanism	23-41-106	97	Bumper	23-64-4
34	Roller	23-41-250	98	Bumper	23-08-12
35	Conduit	23-41-165	99	Sleeve Nut	23-64-297
36	Link	23-18-11	100	Support	23-64-200
37	Clip	23-18-42	101	Motor w/Mechanism	23-41-106
38	Grommet	23-14-51	102	Roller	23-41-250
39	Handle	23-14-27	103	Regulator	23-41-4
40	Remote Control	23-18-13	104	Bracket	23-64-12
41	Screw		105	Knob	23-41-175
42	Support	23-64-273	106	Knob	8-20-8
43	Knob	23-18-117	107	Channel	23-09-9
44	Knob	23-41-175	108	Bracket w/Roller	23-64-269
45	Bracket	23-64-12	109	Screw	23-64-280
46	Spring Nut	23-41-4	110	Washer	
47	Stop	23-64-12	111	Spring Nut	23-41-4
48	Washer		112	Stop	23-64-12
49	Washer		113	Bracket w/Roller	23-64-269
50	Shield	Not Serviced	114	Roller	23-41-250
51	Plate	23-14-26	115	Channel w/Support	23-41-19
52	Lockout Switch w/Housing	23-41-170	116	Channel	23-09-75
53	Handle	23-14-16	117	Sleeve Nut	23-64-297
54	Screw		118	Washer	
55	Channel w/Support	23-41-19	119	Nut	
56	Channel	23-09-51	120	Screw	
57	Regulator	23-41-4	121	Support	23-64-269
58	Sleeve Nut	23-64-297	122	Washer	
59	Washer		123	Sleeve Nut	23-64-297
60	Nut		124	Washer	
61	Solenoid	23-18-115	125	Nut	
62	Bumper	23-64-4			

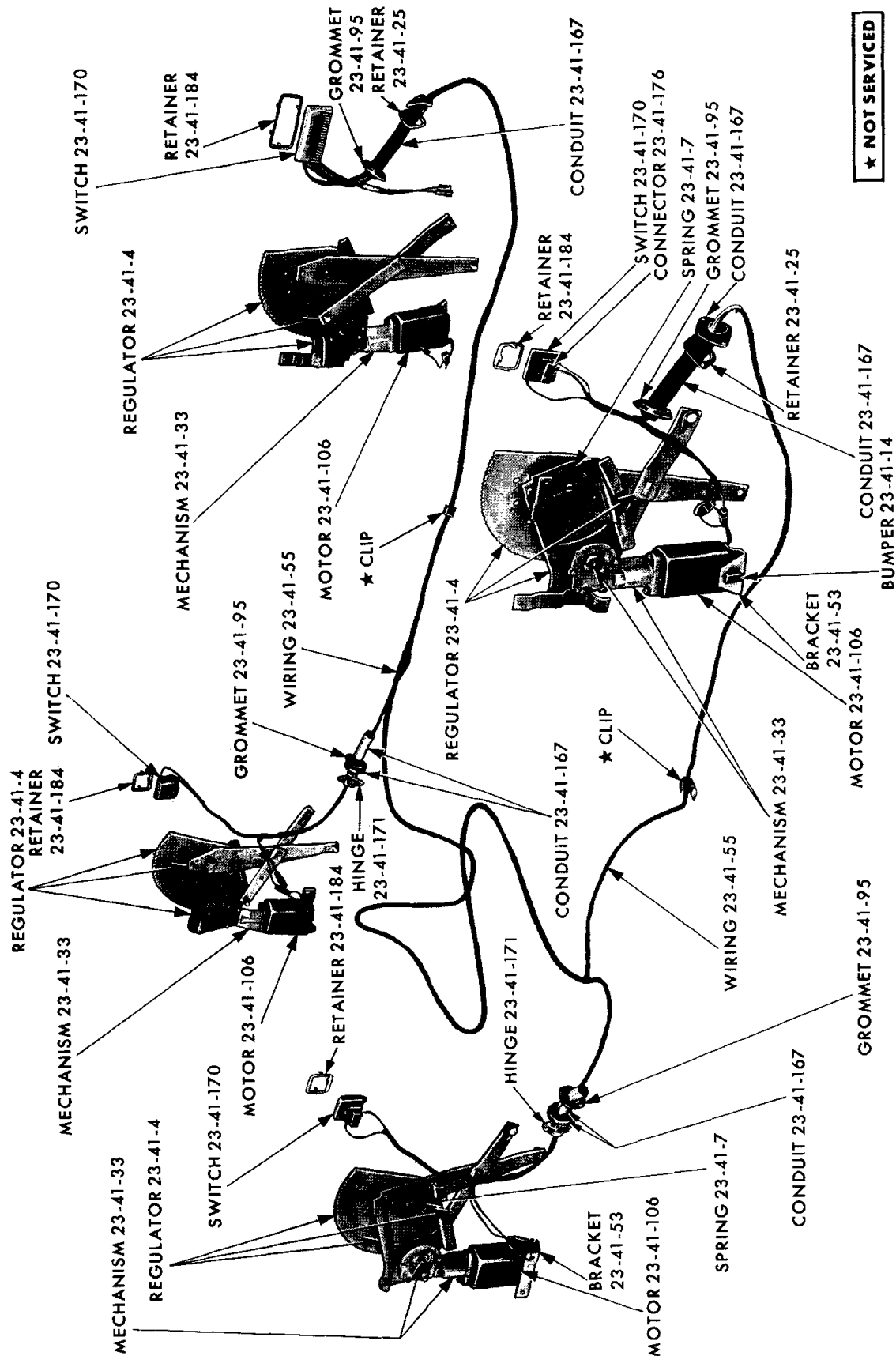
PARTS INDICATED BY NAME ONLY - ORDER BY DESCRIPTION



ELECTRIC WINDOW LIFT AND DOOR LOCK SWITCH - IMPERIAL



FRONT DOOR VENT WING AND GLASS - IMPERIAL



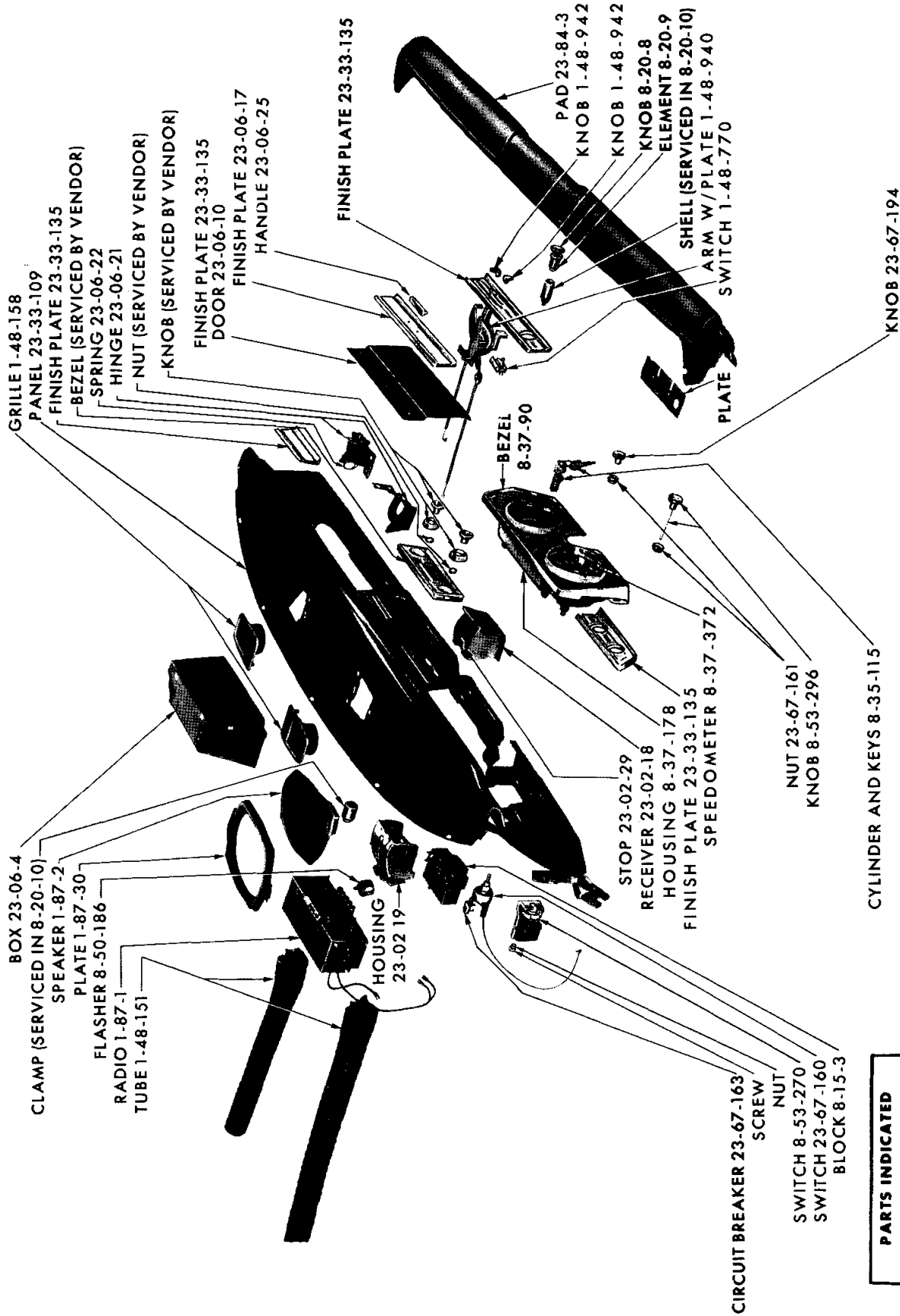
★ NOT SERVICED

19x9411

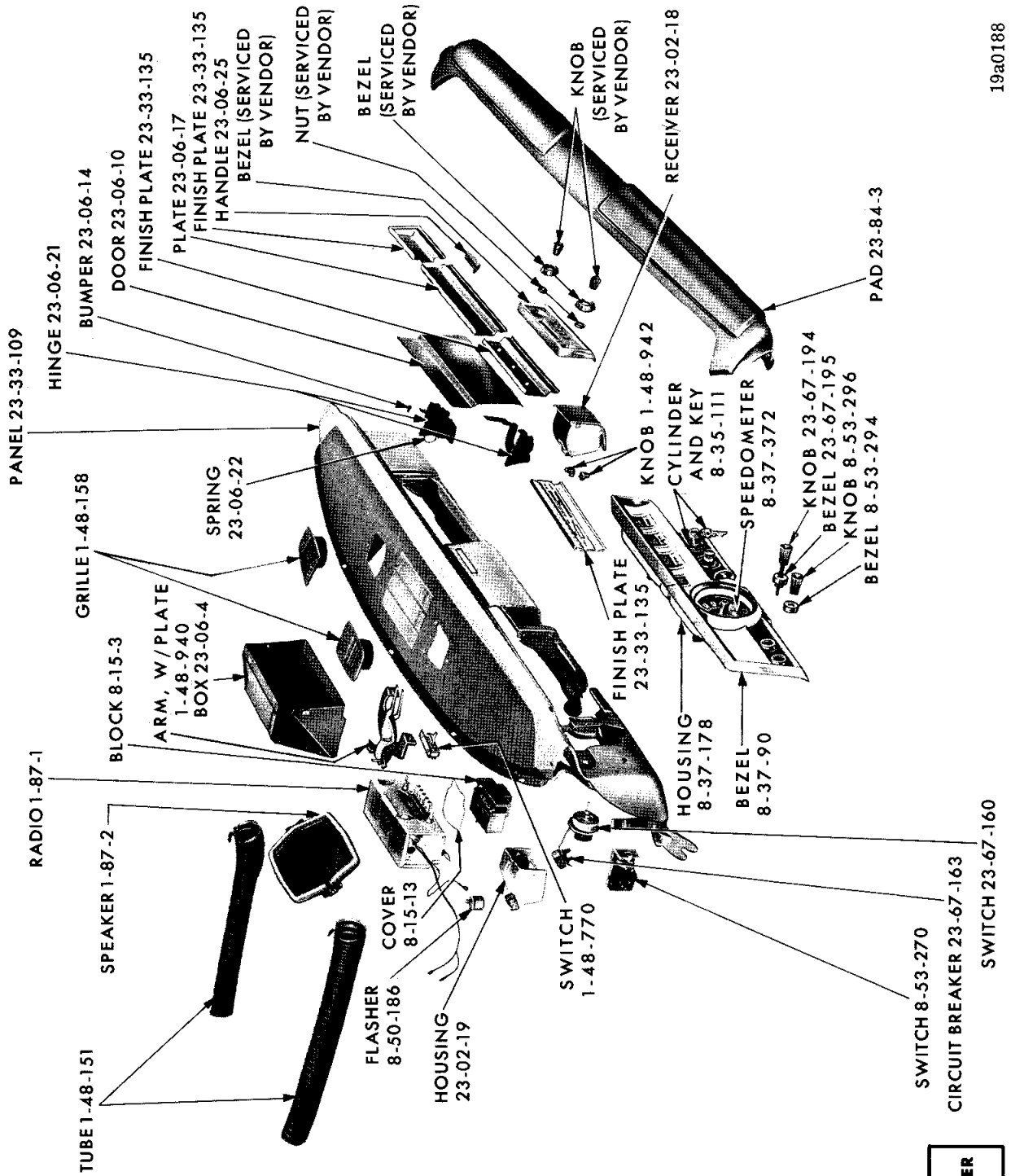
POWER WINDOWS

19x9877A

INSTRUMENT PANEL - VALIANT



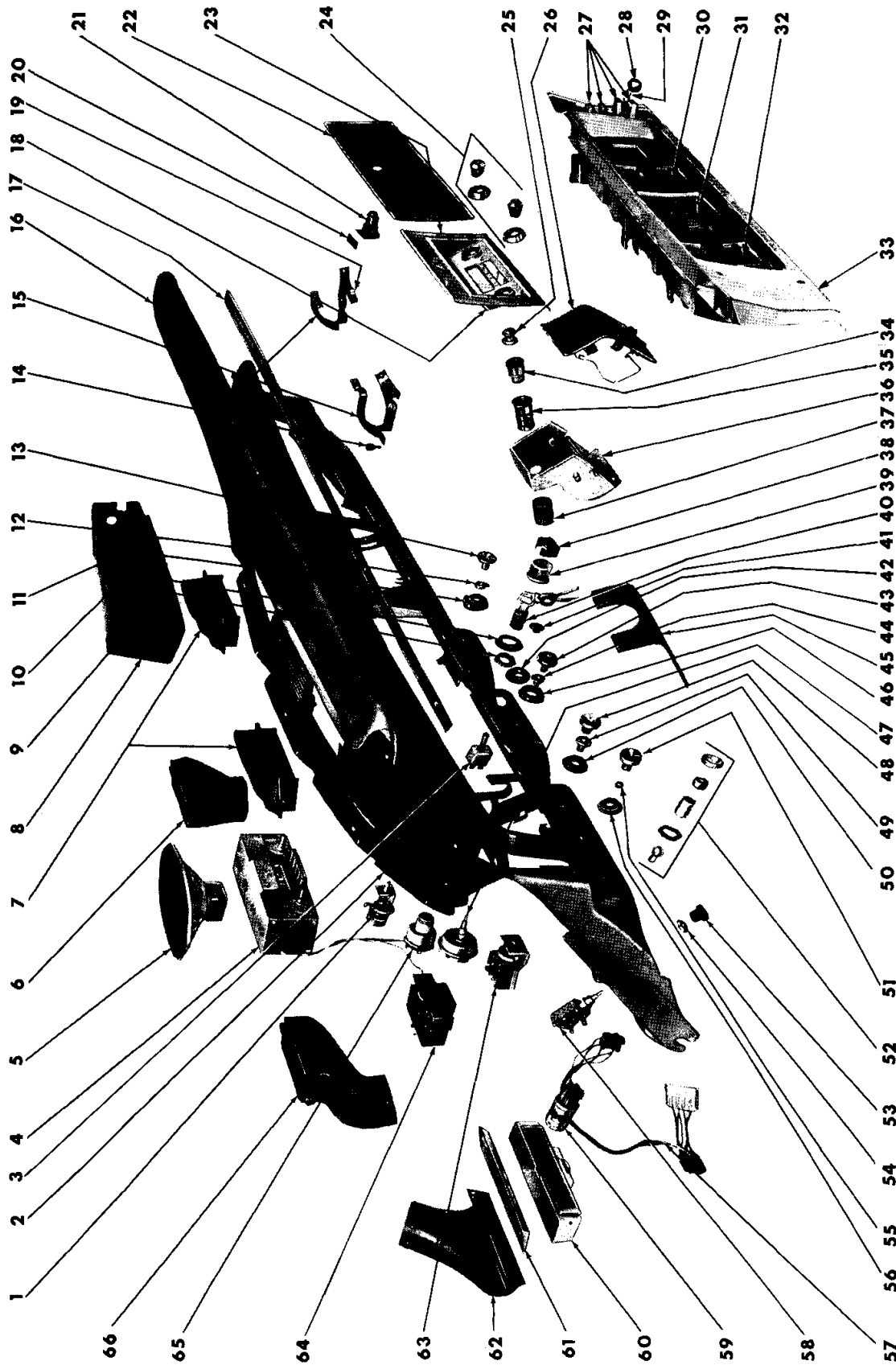
**PARTS INDICATED
 BY NAME ONLY - ORDER
 BY DESCRIPTION**



19a0188

INSTRUMENT PANEL - DART

**PARTS INDICATED
BY NAME ONLY - ORDER
BY DESCRIPTION**



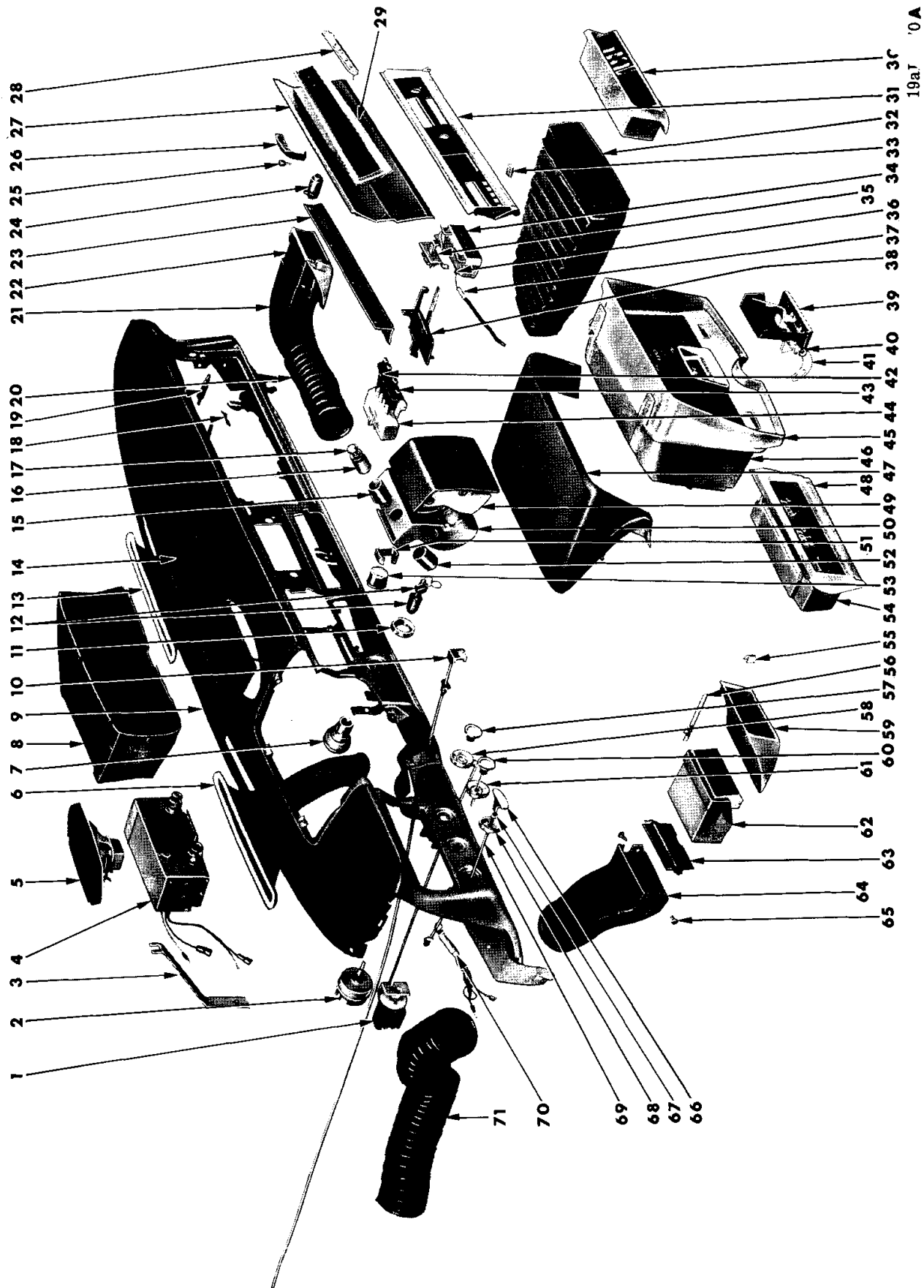
19-L-99508

INSTRUMENT PANEL - BELVEDERE

INSTRUMENT PANEL - BELVEDERE

Ref. No.	Name	Part Type Code	Ref. No.	Name	Part Type Code
1	Switch	1-48-770	34	Element	8-20-9
2	Panel	23-33-109	35	Shell (Serviced in 8-20-10)	
3	Switch	23-54-167	36	Housing	23-02-19
		23-58-532	37	Clamp (Serviced in 8-20-10)	
4	Radio	1-87-1	38	Clip	8-50-191
5	Speaker	1-87-2	39	Flasher	8-50-186
6	Connector	24-28-55	40	Cylinder Package	8-35-111
7	Bezel and Louver	24-28-75	41	Nut	23-54-171
8	Box	23-06-4			23-58-533
9	Retainer	8-35-95	42	Bezel	23-54-170
10	Bezel	8-35-85			23-58-543
11	Bezel		43	Knob	23-67-194
12	Nut		44	Nut	23-67-161
13	Knob	1-48-801	45	Cover	23-33-132
14	Bumper	23-06-14	46	Bezel	23-67-195
15	Hinge	23-06-21	47	Switch	23-67-160
16	Pad	23-84-3	48	Knob	8-53-296
17	Moulding	23-33-86	49	Retainer	8-53-312
18	Bezel	1-87-22	50	Bezel	8-53-294
19	Retainer	23-06-68	51	Knob	4-25-3
20	Catch	23-06-15	52	Lamp Package	1-09-1
21	Latch	23-06-28	53	Knob	1-06-4
22	Door	23-06-10	54	Nut (Serviced in 1-06-3)	
23	Bezel	1-87-22	55	Nut	
24	Knob and Bezel (Serviced by Vendor)		56	Bezel	
25	Knob	8-20-8	57	Wiring	1-06-10
26	Receiver	23-02-18	58	Switch	1-06-3
27	Button	1-48-12	59	Flasher	1-06-2
28	Knob	1-48-942	60	Spot Cooler	24-28-382
29	Arm, w/Plate	1-48-940	61	Spacer	24-28-389
30	Ammeter	8-37-1	62	Connector	24-28-55
31	Speedometer	8-37-372	63	Switch	8-53-270
32	Fuel Gauge	8-37-275	64	Block	8-15-3
33	Bezel	8-37-90	65	Switch	8-35-59
			66	Connector	24-28-55

PARTS INDICATED BY NAME ONLY - ORDER BY DESCRIPTION



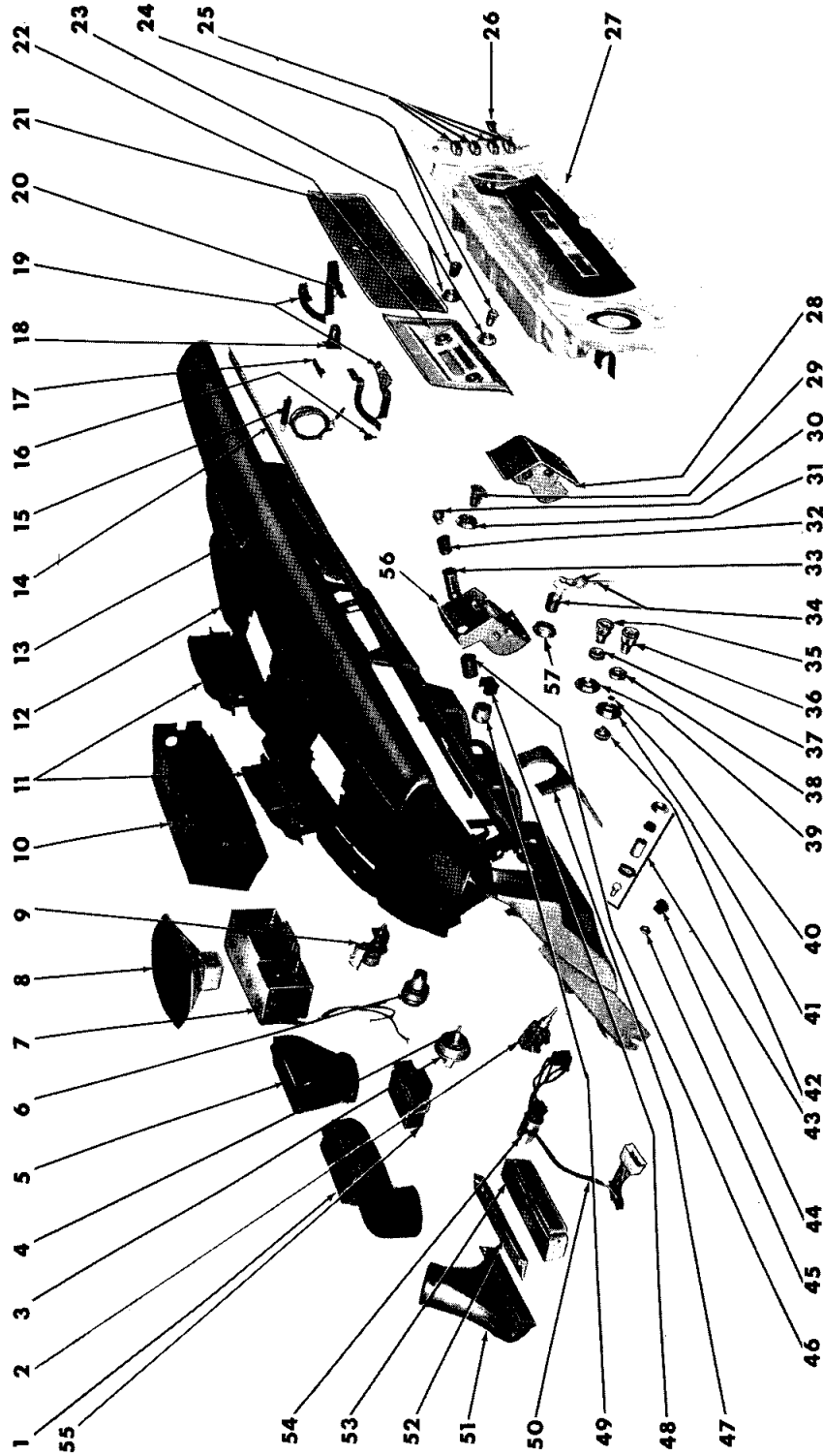
INSTRUMENT PANEL - PLYMOUTH FURY

INSTRUMENT PANEL - PLYMOUTH FURY

Ref. No.	Name	Part Type Code	Ref. No.	Name	Part Type Code
1	Switch	8-53-270	37	Wiring	
2	Switch	23-67-160	38	Plate	24-24-159
3	Bracket	Not Serviced	39	Indicator	21-30-23
4	Radio	1-87-1	40	Grommet	21-30-57
5	Speaker	1-87-2	41	Link	21-30-49
6	Nozzle		42	Pad	
7	Switch	8-35-59	43	Button	24-24-164
8	Box	23-06-04	44	Switch	24-24-150
9	Panel	23-33-109	45	Bezel	8-37-90
10	Cable	24-01-65	46	Housing	8-37-178
11	Bezel		47	Housing	8-37-178
12	Cylinder and Keys	8-35-115	48	Bezel	8-37-90
13	Nozzle		49	Receiver	23-02-18
14	Grille	23-33-42	50	Housing	23-02-19
15	Shell (Serviced in 8-20-10)		51	Clip	8-50-191
16	Element	8-20-9	52	Clamp (Serviced in 8-20-10)	
17	Knob	8-20-8	53	Flasher	8-50-186
18	Catch	23-06-15	54	Housing	8-37-178
19	Lamp	8-38-23	55	Knob	24-28-404
20	Hose	24-28-24	56	Link (Serviced in 24-28-387)	
21	Connector		57	Knob	23-67-194
22	Spot Cooler	24-28-387	58	Bezel	
23	Hinge	23-06-21	59	Bezel (Serviced in 24-28-387)	
24	Cylinder	23-06-28	60	Knob	8-53-296
25	Bumper	23-06-14	61	Bezel	
26	Arm	23-06-13	62	Spot Cooler	24-28-387
27	Door	23-06-10	63	Door (Serviced in 24-28-387)	
28	Name Plate	23-06-53	64	Connector	
29	Bezel	23-06-55	65	Screw (Serviced in 24-28-387)	
30	Air Outlet	24-28-78	66	Knob	4-25-3
31	Bezel	23-33-135	67	Washer	4-25-5
32	Duct	24-28-73	68	Bezel	
33	Knob	24-24-156	69	Rod	4-25-14
34	Indicator	24-24-175	70	Lamp	8-31-2
35	Switch	24-24-5	71	Hose	24-28-24
36	Lamp				

PARTS INDICATED BY NAME ONLY - ORDER BY DESCRIPTION

19L 9951 B

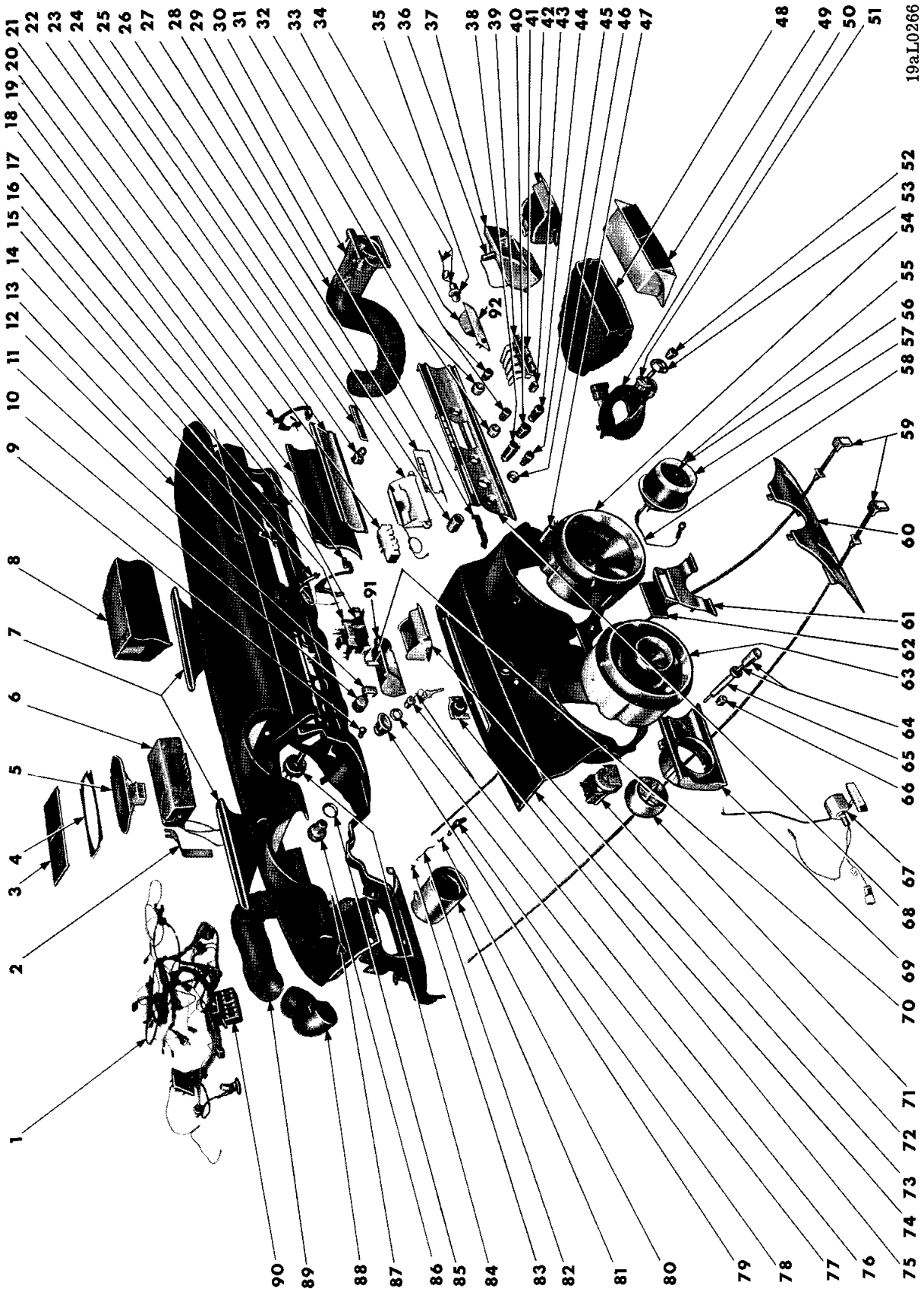


INSTRUMENT PANEL - CORONET

INSTRUMENT PANEL - CORONET

Ref. No.	Name	Part Type Code	Ref. No.	Name	Part Type Code
1	Connector	24-28-55	30	Knob	8-20-8
2	Switch	1-06-3	31	Bezel	1-48-70
3	Switch	23-67-160	32	Element	8-20-9
4	Switch	1-82-2	33	Shell (Serviced in 8-20-10)	
5	Connector	24-28-55	34	Cylinder Package	8-35-111
6	Switch	8-35-59	35	Knob	23-67-194
7	Radio	1-87-1	36	Knob	4-25-3
8	Speaker	1-87-2	37	Bezel	23-67-195
9	Switch	1-48-770	38	Bezel	23-33-231
10	Box	23-06-4	39	Bezel	23-67-195
11	Louver	24-28-78	40	Washer	4-25-5
12	Panel	23-33-109	41	Bezel	23-33-231
13	Pad	23-84-3	42	Nut	23-33-236
14	Moulding	23-33-86	43	Lamp Package	1-09-1
15	Lamp, w/Switch	8-38-23	44	Knob	1-06-4
16	Bumper	23-06-14	45	Nut (Serviced in 1-06-3)	
17	Catch	23-06-15	46	Clamp (Serviced in 8-20-10)	
18	Latch	23-06-28	47	Cover	23-33-132
19	Hinge	23-06-21	48	Clip	8-50-191
20	Retainer	23-06-68	49	Flasher	8-50-186
21	Door	23-06-10	50	Wiring (Serviced in 1-06-1)	
22	Bezel	1-87-22	51	Connector	24-28-55
23	Bezel (Serviced by Vendor)		52	Spacer	24-28-389
24	Knob (Serviced by Vendor)		53	Spot Cooler	24-28-387
25	Button	1-48-12	54	Flasher	1-06-2
26	Knob	1-48-942	55	Block	8-15-3
27	Bezel	8-37-90	56	Housing	23-02-19
28	Receiver	23-02-18	57	Bezel	8-35-85
29	Knob	1-48-801			

PARTS INDICATED BY NAME ONLY - ORDER BY DESCRIPTION



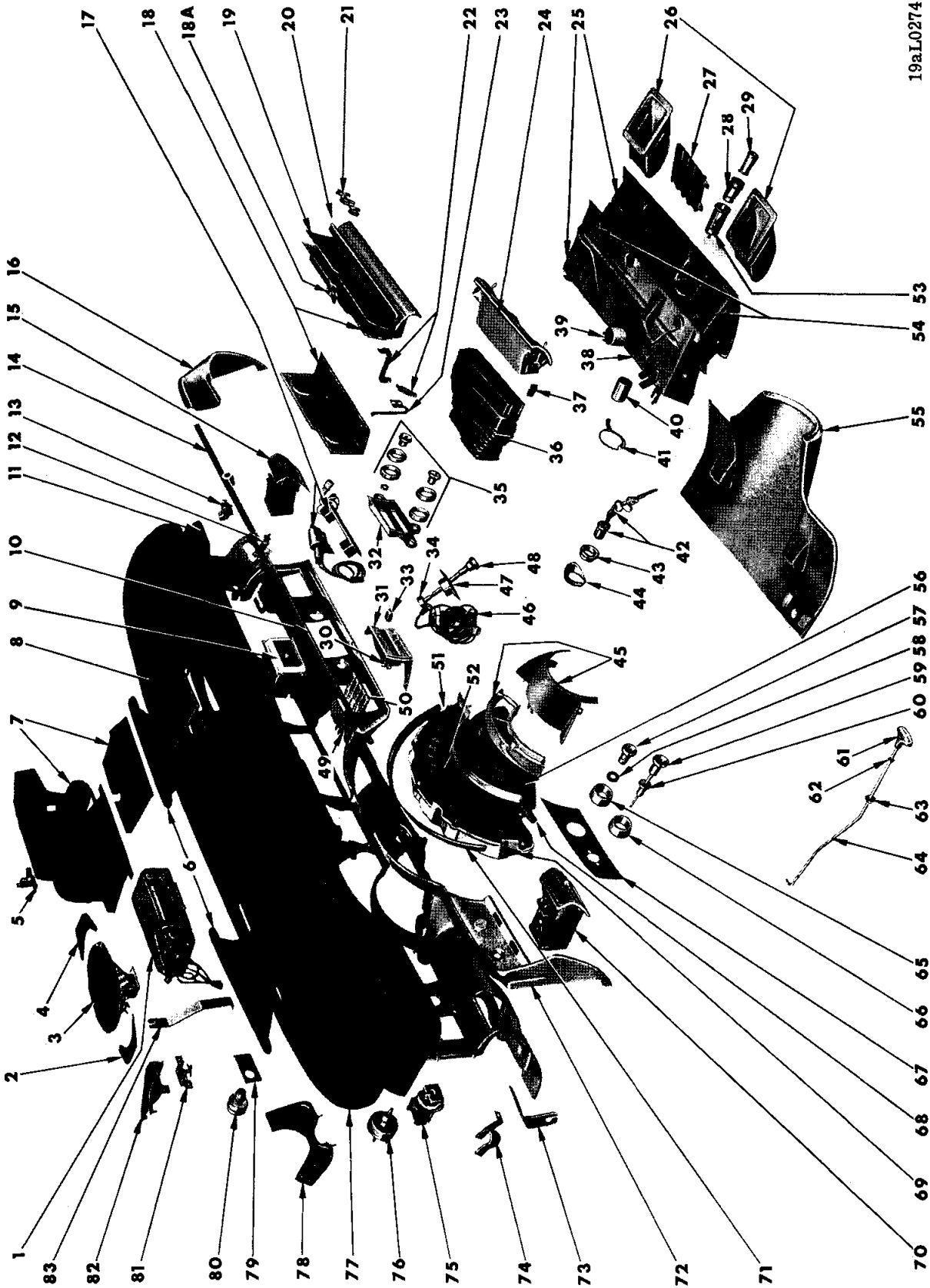
INSTRUMENT PANEL - DODGE POLARA

19aL0266

INSTRUMENT PANEL - DODGE POLARA

Ref. No.	Name	Part Type Code	Ref. No.	Name	Part Type Code
1	Wiring	8-19-3	47	Socket	8-50-156
2	Bracket	1-87-12	48	Duct	24-28-73
3	Grille	23-33-42	49	Air Outlet, Center	24-28-78
4	Plate	1-87-30	50	Wiring	1-87-404
5	Speaker	1-87-2	51	Control	1-87-58
6	Radio	1-87-1	52	Knob	1-87-180
7	Nozzle		53	Bezel	1-87-22
8	Box	23-06-4	54	Bezel	8-37-90
9	Knob	1-48-942	55	Knob	1-21-24
10	Flasher	8-50-186	56	Nut	1-21-27
11	Clip	8-50-191	57	Bezel	23-33-48
12	Panel	23-33-109	58	Wiring (Serviced in 1-21-1)	
13	Moulding	23-33-86	59	Control	24-24-39
14	Catch	23-06-15	60	Cover	23-33-132
15	Lamp	8-38-23	61	Moulding	23-33-86
16	Switch	24-24-5	62	Cover	
17	Plate	24-24-159	63	Bezel	8-37-90
18	Hinge	23-06-21	64	Knob	8-53-296
19	Door	23-06-10	65	Bezel	8-53-294
20	Hinge	23-06-21	66	Knob	24-28-404
21	Switch	24-24-150	67	Lamp Package	1-09-1
22	Moulding	23-06-49	68	Moulding	23-33-86
23	Latch	23-06-28	69	Bezel (Serviced in 2521 353)	
24	Name Plate	23-06-53	70	Socket and Cable	8-19-83
25	Housing	24-01-18	71	Louver (Serviced in 24-28-387)	
26	Clamp (Serviced in 8-20-10)		72	Switch	8-53-270
27	Cover	24-01-44	73	Receiver	23-02-18
28	Hose	24-28-24	74	Housing	8-37-178
29	Plate		75	Lamp	
30	Spot Cooler	24-28-387	76	Cylinder Package	8-35-111
31	Bezel	1-87-22	77	Retainer	8-35-95
32	Knob	1-87-180	78	Lever (Serviced in 24-28-387)	
33	Housing (Serviced in 8-42-1)		79	Bezel	
34	Socket and Cable	8-42-10	80	Clip	24-28-387
35	Bulb	8-44-1	81	Housing (Serviced in 24-28-387)	
36	Socket and Cable	8-19-83	82	Rod (Serviced in 24-28-387)	
37	Housing	23-02-19	83	Clip	24-28-387
38	Shell (Serviced in 8-20-10)		84	Switch	23-67-160
39	Pad		85	Nut	8-35-61
40	Element	8-20-9	86	Switch	8-35-59
41	Button	24-28-164	87	Moulding	23-33-86
42	Receiver	23-02-18	88	Connector	
43	Knob	24-24-20	89	Hose	24-28-24
44	Knob	8-20-8	90	Block	8-15-3
45	Knob	23-67-194	91	Housing	23-02-19
46	Bezel	23-67-195	92	Lens	8-42-5

PARTS INDICATED BY NAME ONLY - ORDER BY DESCRIPTION



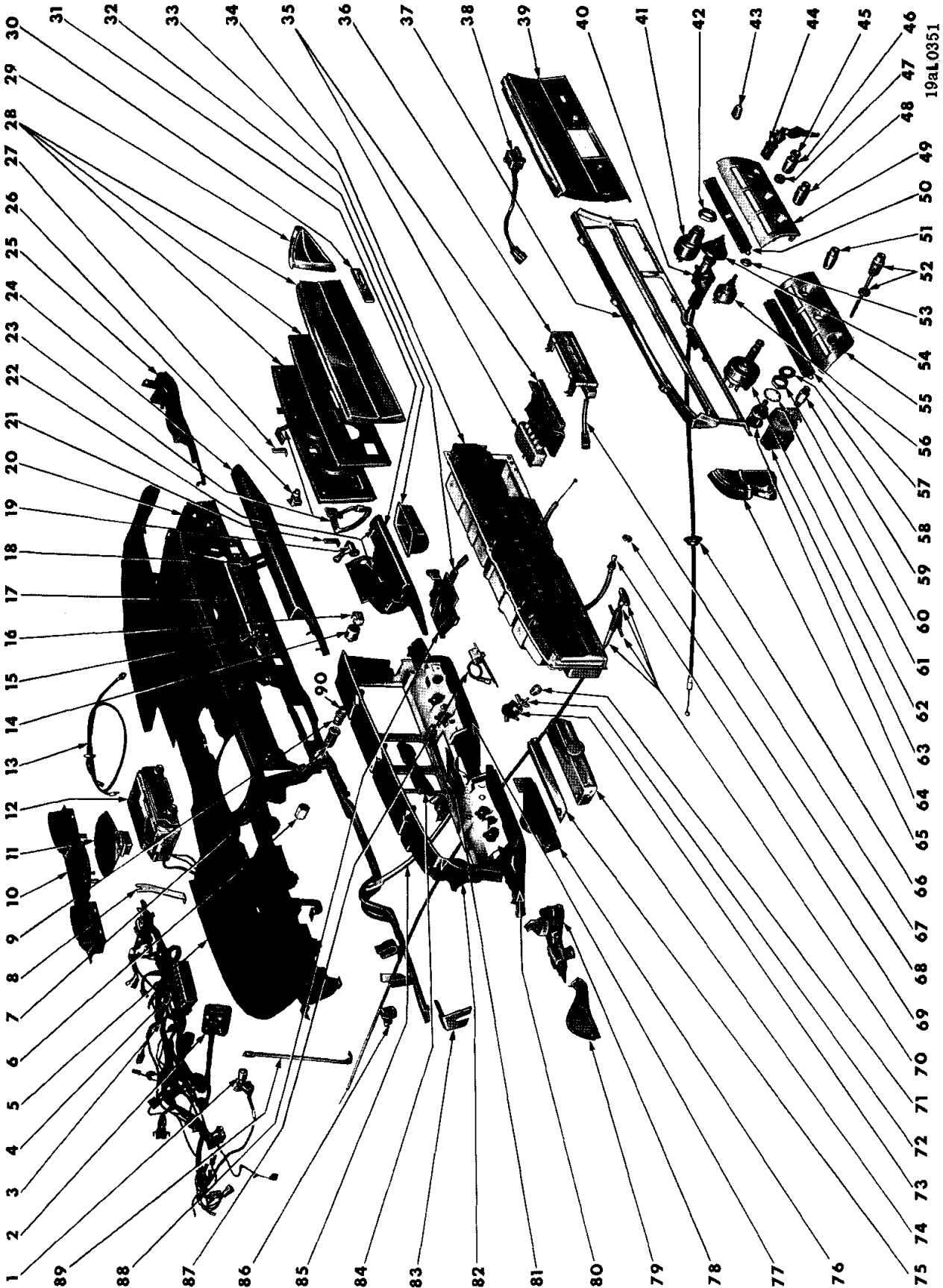
19aL0274

INSTRUMENT PANEL - CHRYSLER

INSTRUMENT PANEL - CHRYSLER

Ref. No.	Name	Part Type Code	Ref. No.	Name	Part Type Code
1	Radio	1-87-1	43	Nut	
2	Bracket	1-87-12	44	Bezel	
3	Speaker	1-87-2	45	Filler	23-33-132
4	Bracket	1-87-12	46	Wiring	1-87-404
5	Switch	23-19-94	47	Bezel	
6	Nozzle		48	Knob	1-87-180
7	Box	23-06-04	49	Switch	24-24-150
8	Grille	23-33-42	50	Button	24-24-164
9	Clock	1-21-1	51	Lens	8-37-162
10	Moulding and Finish Plate	23-33-86	52	Speedometer	8-37-372
	Finish Plate	23-33-135	53	Shell (Serviced in 8-20-10)	
11	Panel	23-33-109	54	Socket and Cable	8-19-83
12	Lamp	8-38-23	55	Cover	23-33-132
13	Cylinder	23-06-28	56	Mask and Dial	8-37-98
14	Moulding	23-33-86	57	Knob	23-67-194
15	Spot Cooler	24-28-387	58	Nut	23-67-161
16	Finish Plate	23-33-135	59	Knob	8-53-296
17	Switch	8-42-25	60	Nut	
18	Door	23-06-10	61	Knob, Parking Brake Lever Release	4-25-3
18A	Plate	23-06-15	62	Washer, Release Knob Lever Silencing	4-25-5
19	Finish Plate	23-06-17	63	Bushing, Lever Release Rod	4-25-10
20	Moulding	23-06-49	64	Rod, Release at Knob	4-25-14
21	Name Plate	23-06-53	65	Bezel	
22	Hinge	23-06-21	66	Bezel	
23	Spring	23-06-22	67	Finish Plate	23-33-135
24	Air Outlet	24-28-78	68	Moulding	23-33-86
25	Receiver (Complete)	23-02-18	69	Housing	8-37-178
26	Receiver	23-02-18	70	Spot Cooler	24-28-387
27	Retainer	23-02-33	71	Moulding	23-33-86
28	Element	8-20-9	72	Finish Plate	23-33-135
29	Knob	8-20-8	73	Bracket	23-07-169
30	Switch	24-24-5	74	Clip	8-15-32
31	Bezel	24-24-140	75	Switch	8-53-270
32	Bezel (Serviced by Vendor)		76	Switch	23-67-160
33	Button	Not Serviced	77	Pad	23-108-84
34	Control, Rear Speaker	1-87-58	78	Bracket	19-31-1
35	Knobs (Serviced by Vendor)		79	Plate	
36	Duct	24-28-73	80	Switch	8-35-59
37	Clip	24-28-72	81	Heater Switch	1-48-770
38	Clip	8-50-191	82	Arm w/Plate	1-48-940
39	Flasher	8-50-186	83	Bracket	Not Serviced
40	Clamp (Serviced in 8-20-10)				
41	Wiring	Not Serviced			
42	Cylinder and Key	8-35-115			

PARTS INDICATED BY NAME ONLY - ORDER BY DESCRIPTION



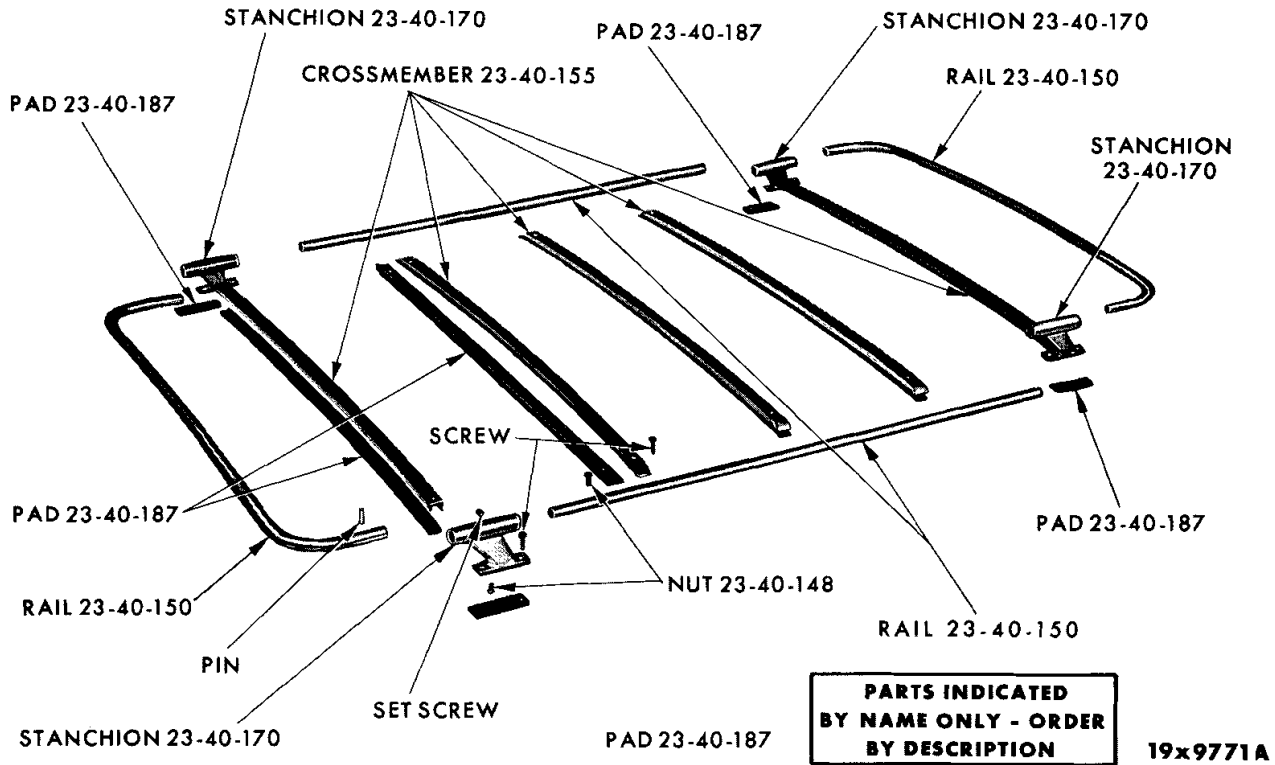
INSTRUMENT PANEL - IMPERIAL

19aL0351

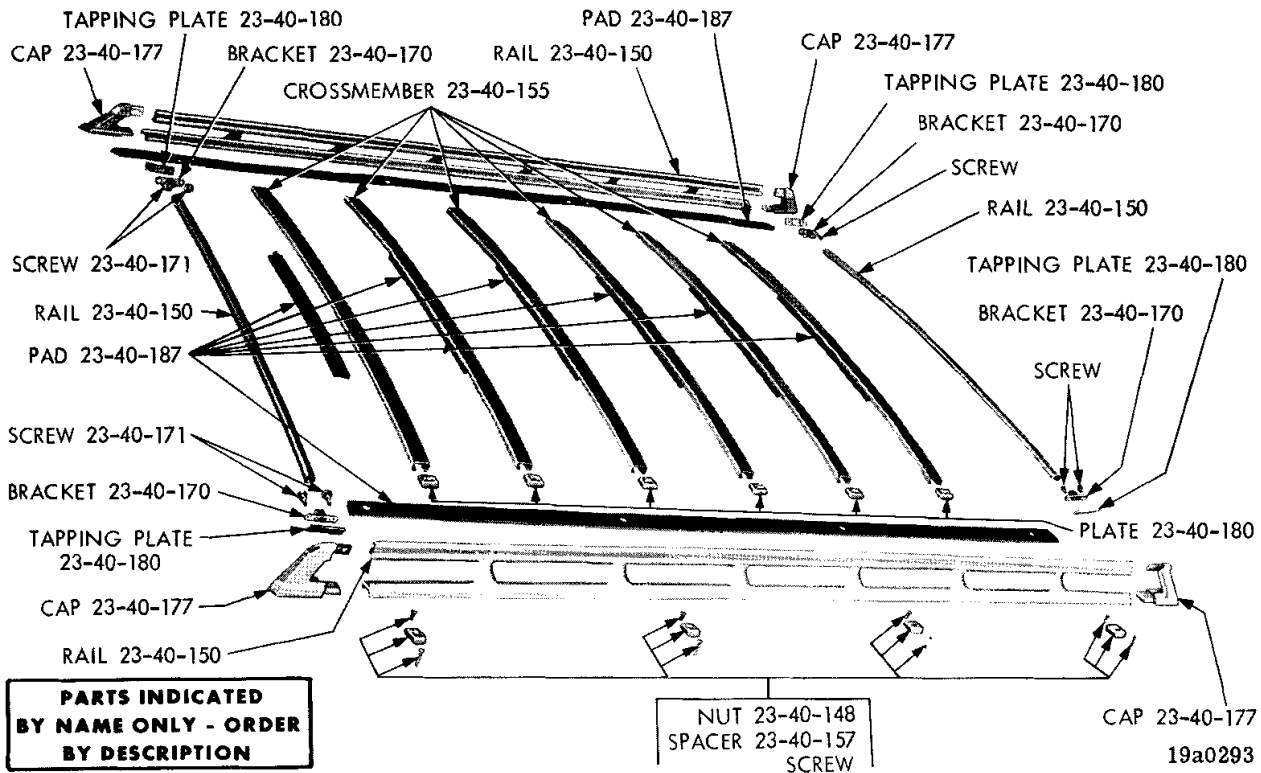
INSTRUMENT PANEL - IMPERIAL

Ref. No.	Name	Part Type Code	Ref. No.	Name	Part Type Code
1	Switch	8-53-150	47	Collar	14-02-8
2	Cover	8-15-13	48	Knob	1-47-8
3	Wiring	8-19-3	49	Finish Plate	23-33-135
4	Block	8-15-3	50	Name Plate	23-33-96
5	Pad	23-84-3	51	Knob	23-67-194
6	Clamp (Serviced in 8-20-10)		52	Knob	8-53-296
7	Shell (Serviced in 8-20-10)		52	Nut	8-53-271
8	Radio Support	Not Serviced	53	Nut	
9	Element	8-20-9	54	Dial	14-02-30
10	Grille	23-33-42	55	Finish Plate	23-33-135
11	Speaker	1-87-2	56	Switch	1-47-7
12	Radio	1-87-1	57	Name Plate	23-33-96
13			58	Seal	
14	Flasher	8-50-186	59	Retainer	
15	Lamp	8-38-23	60	Nut	23-21-15
16	Clip	8-50-191	61	Washer	23-21-15
17	Box	23-06-4	62	Switch	23-67-160
18	Bracket	23-07-169	63	Switch	8-53-270
19	Socket and Cable	8-19-83	64	Control with Mirror	23-21-15
20	Panel	23-33-109	65	Finish Plate	23-33-135
21	Catch	23-06-15	66	Grommet	14-02-24
22	Door and Housing	23-02-40	67	Switch	1-48-770
23	Hinge	23-06-21	68	Nut	8-37-459
24	Pad	23-84-3	69	Cable	8-37-458
25	Extension	23-33-109	70	Cable	15-14-1
26	Latch	23-06-28	71	Knob	1-87-180
27	Catch	23-06-15	72	Bezel	
28	Door	23-06-10	73	Control	1-87-58
29	Finish Plate	23-33-135	74	Spot Cooler	24-28-387
30	Name Plate	23-06-53	75	Spacer	24-28-389
31	Pad	23-84-3	76	Connector	24-28-73
32	Receiver	23-02-18	77	Pad	23-84-3
33	Sleeve	Not Serviced	78	Extension	23-33-109
34	Cluster	8-37-371	79	Cover	23-33-147
35	Push Buttons	1-48-12	80	Pad	23-84-3
36	Bezel	1-48-70	81	Housing	19-14-25
37	Bezel	8-37-90	82	Housing	8-37-178
38	Switch	1-88-205	83	Bracket	23-07-169
39	Finish Plate	23-33-135	84	Housing	19-14-25
40	Control	14-02-2	85	Brace	23-33-10
41	Switch	8-35-59	86	Clip	
42	Nut	8-35-61	87	Switch	
43	Knob	1-48-942	88	Arm & Plate	1-48-940
44	Cylinder and Key	8-35-115	89	Brace	23-33-10
45	Button	14-02-3	90	Knob	8-20-8
46	Knob	14-02-4			

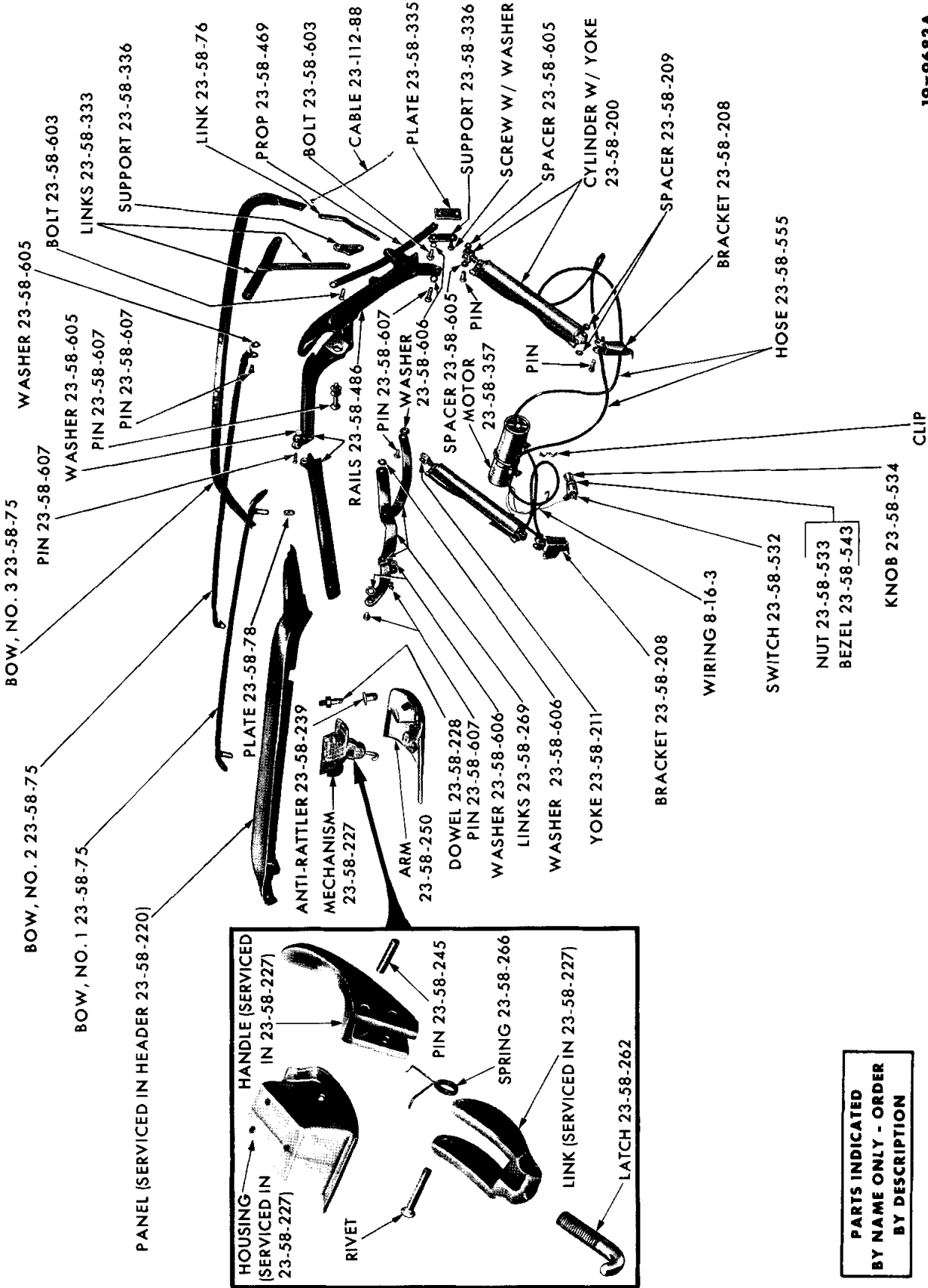
PARTS INDICATED BY NAME ONLY - ORDER BY DESCRIPTION



ROOF LUGGAGE RACK - VALIANT, DART, BELVEDERE AND CORONET



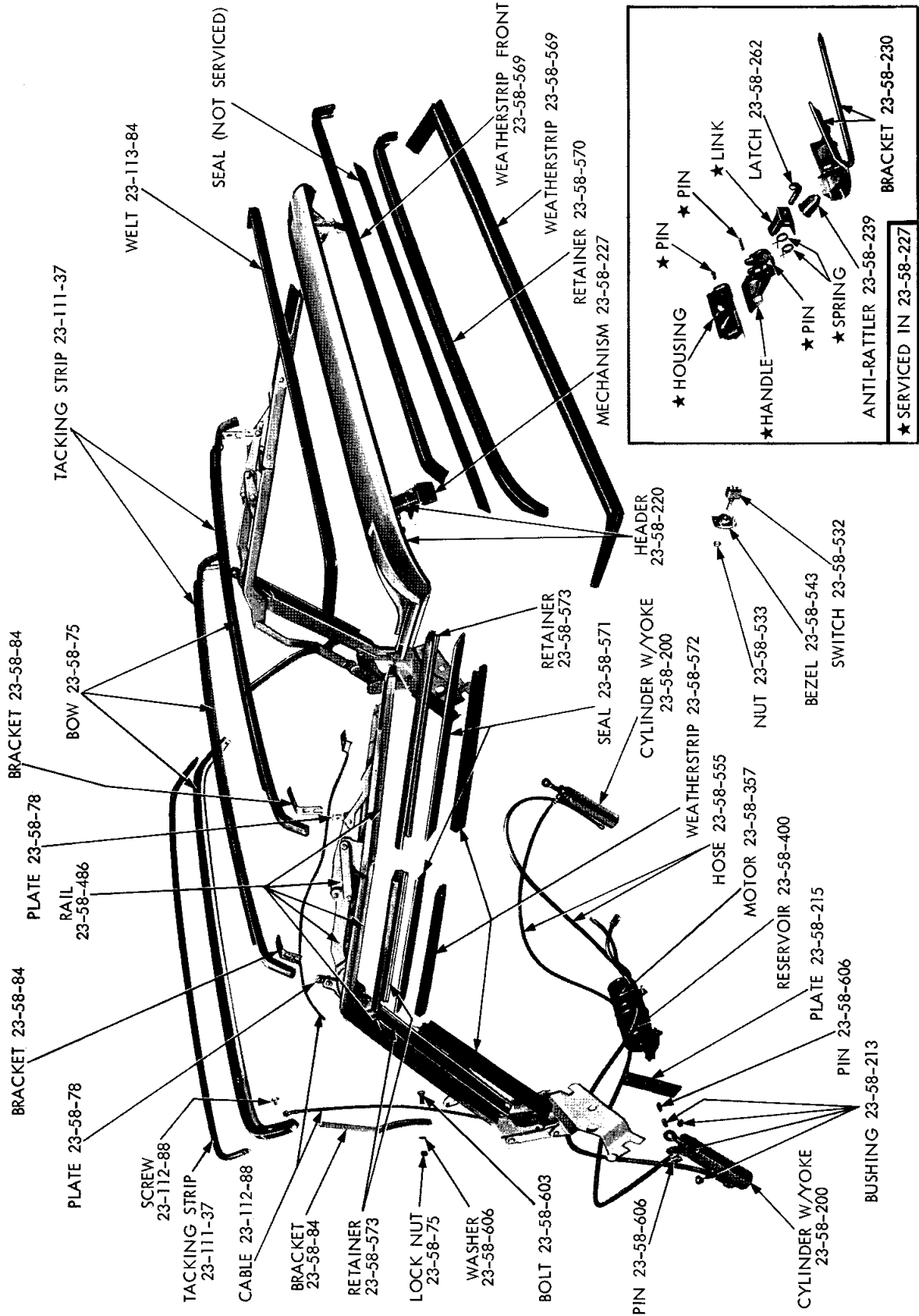
ROOF LUGGAGE RACK - PLYMOUTH, DODGE AND CHRYSLER (FACTORY INSTALLED)



19x9683A

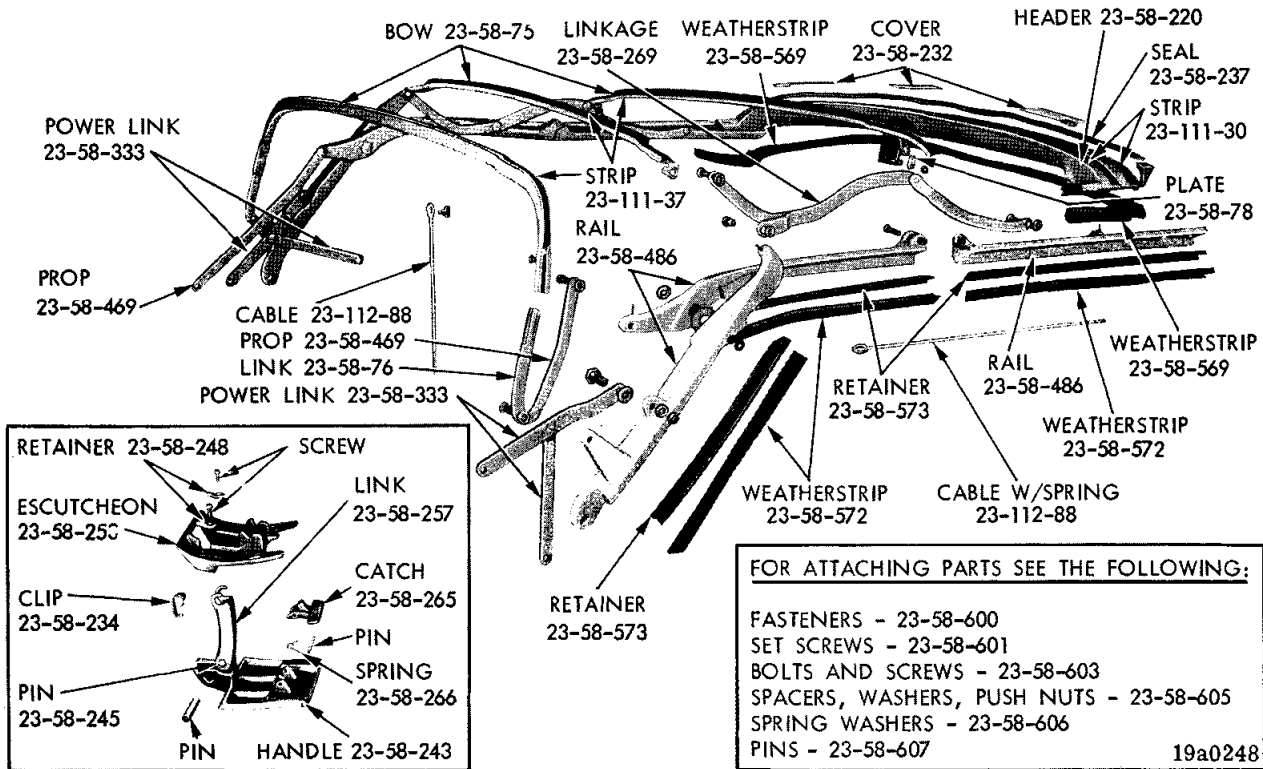
FOLDING TOP - BELVEDERE AND CORONET

PARTS INDICATED BY NAME ONLY - ORDER BY DESCRIPTION

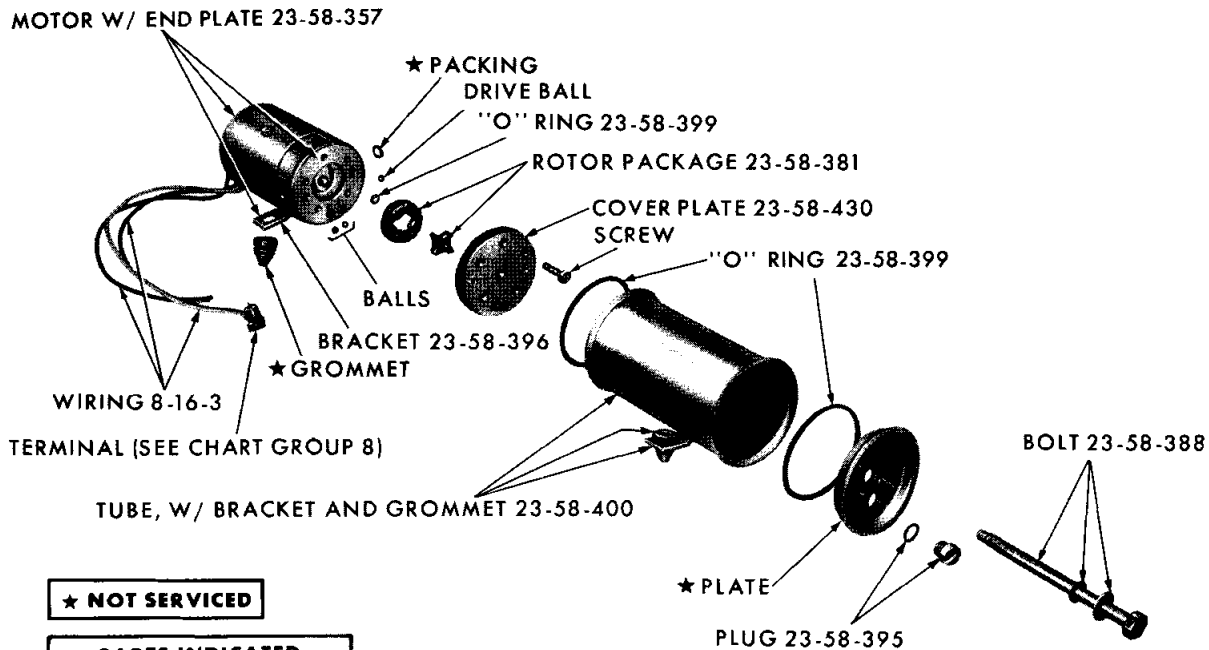


19a0310

FOLDING TOP - PLYMOUTH, DODGE AND CHRYSLER

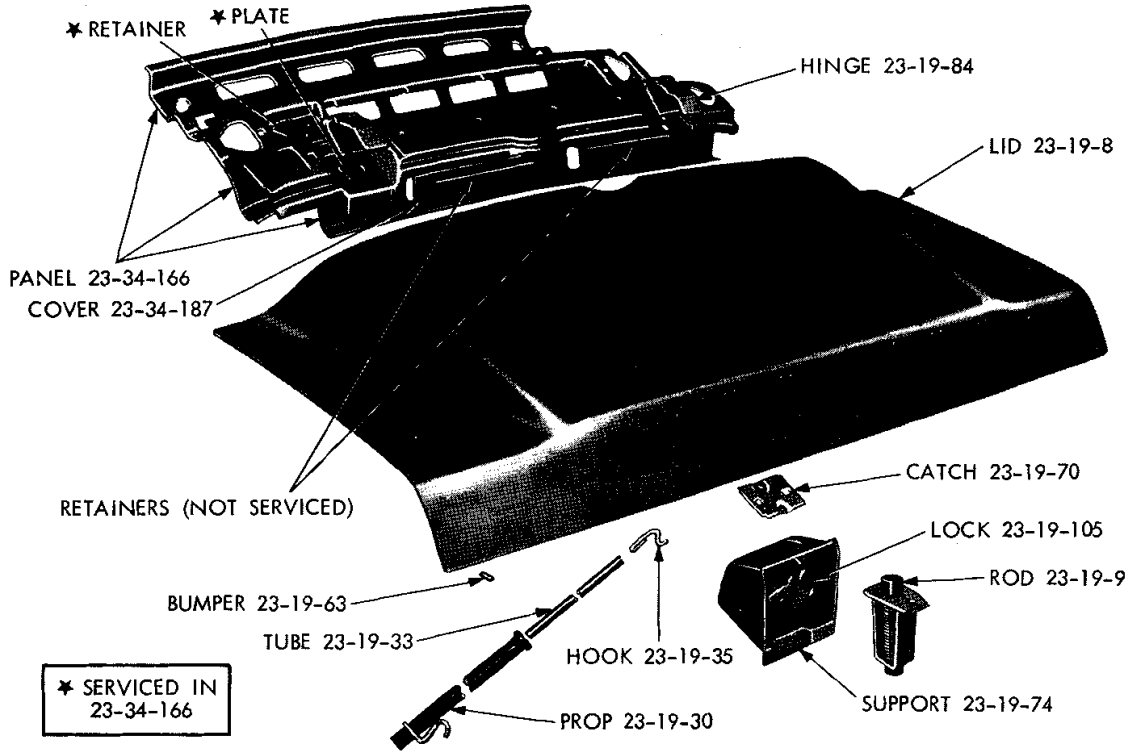


FOLDING TOP - IMPERIAL



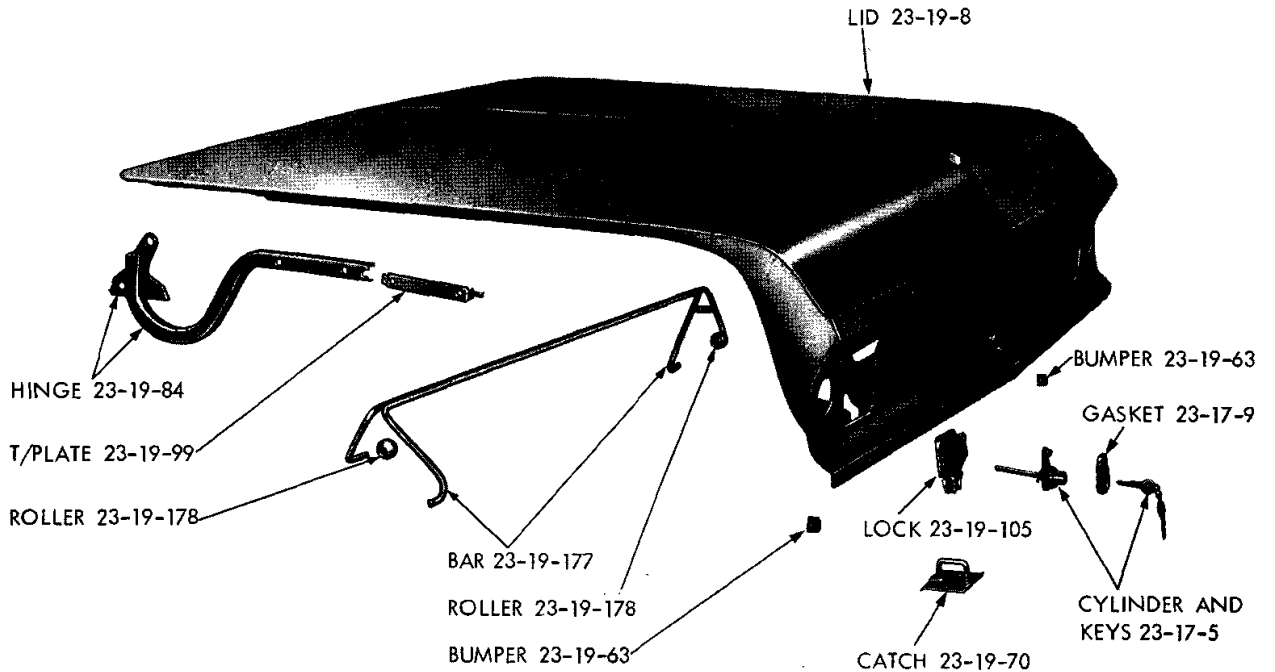
19x9685A

FOLDING TOP MOTOR



19a0368

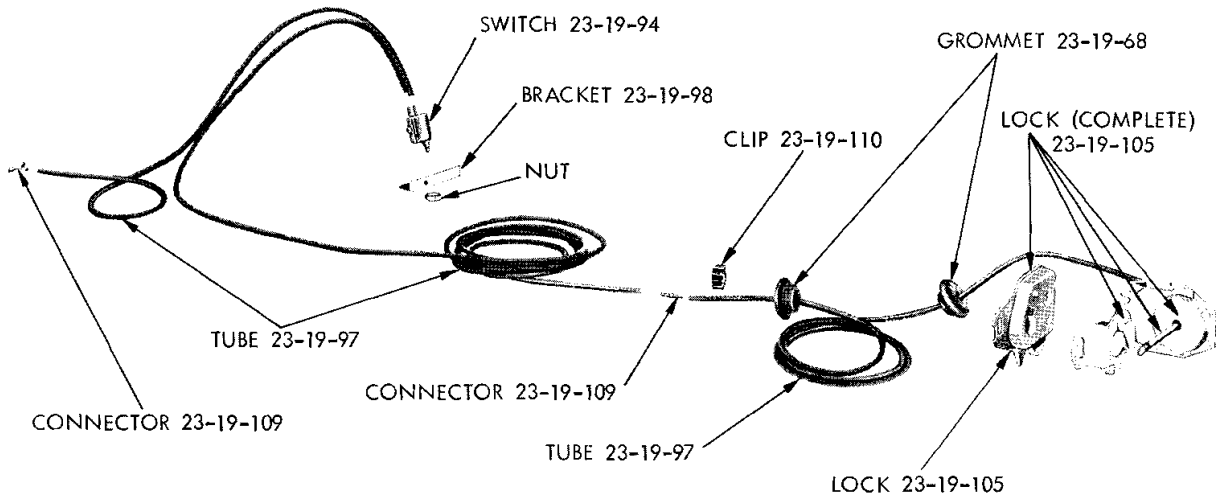
DECK LID, HINGES AND LOCKS - VALIANT BARRACUDA



19a0285

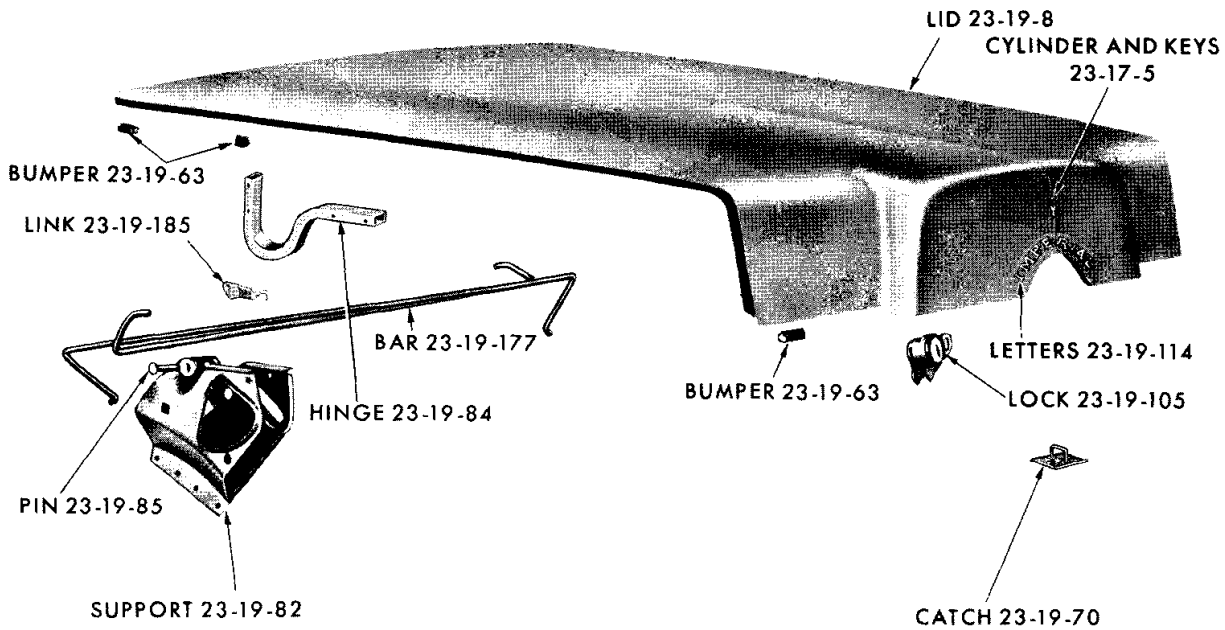
DECK LID - PLYMOUTH

**PARTS INDICATED
BY NAME ONLY - ORDER
BY DESCRIPTION**



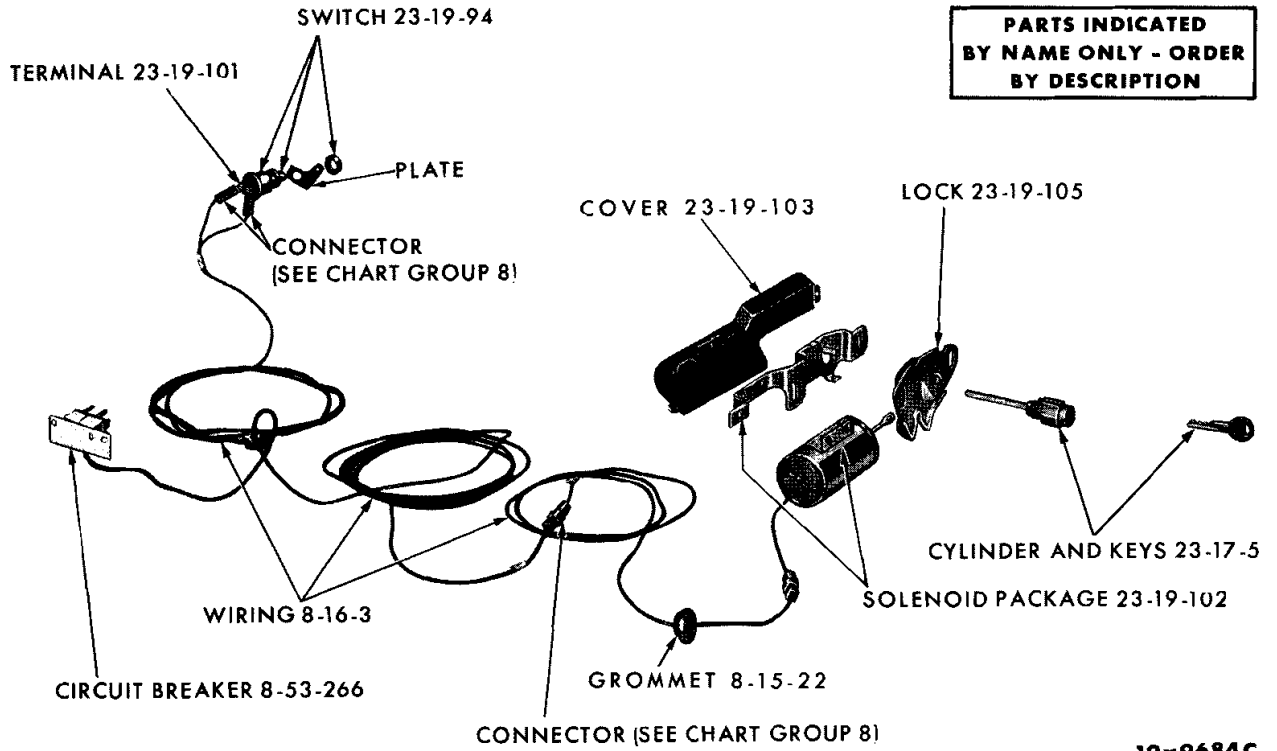
19a0294

VACUUM DECK LID LOCK - DODGE AND CHRYSLER

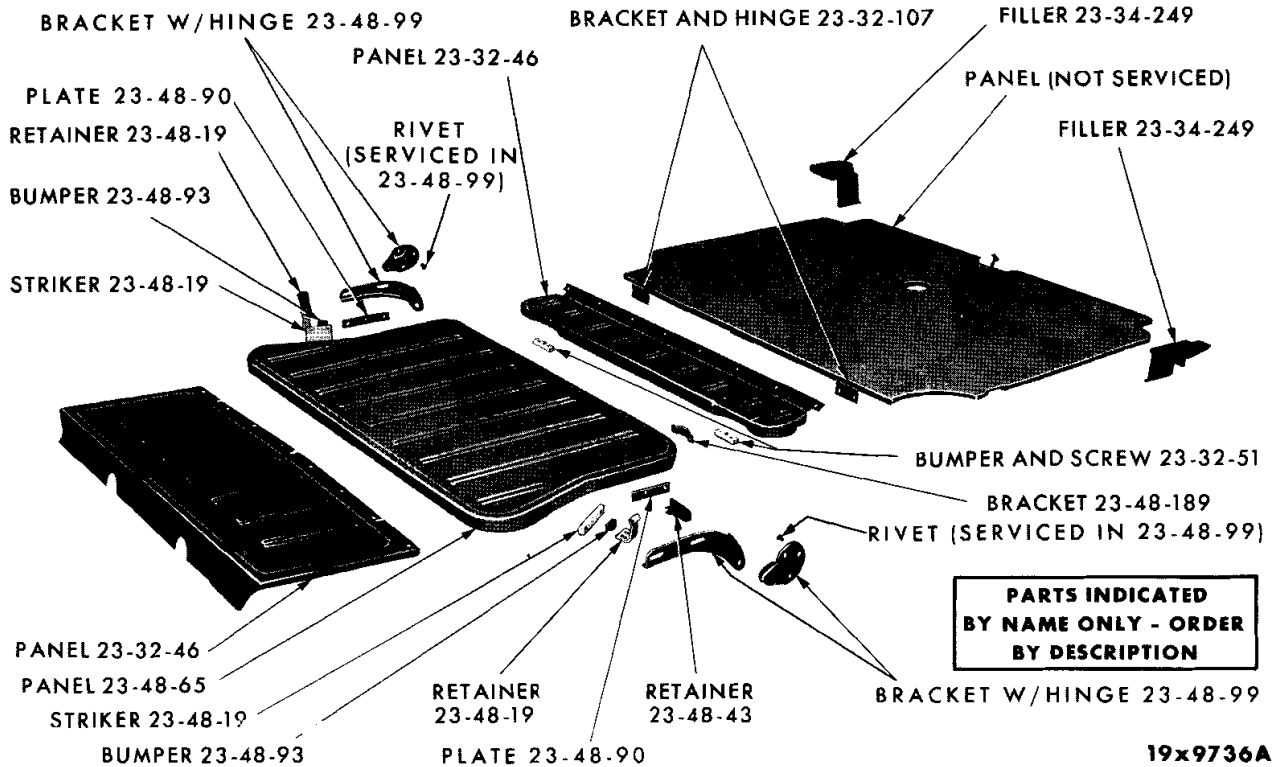


19x9872 A

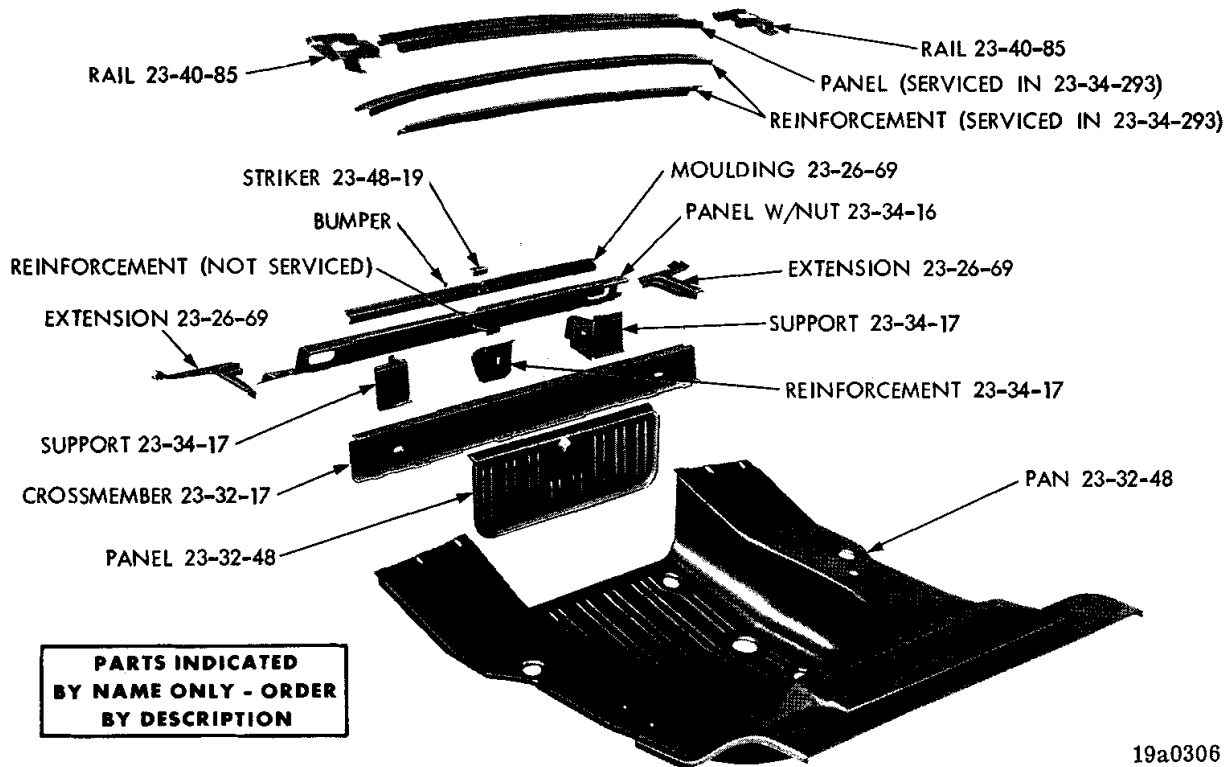
DECK LID AND HINGES - IMPERIAL



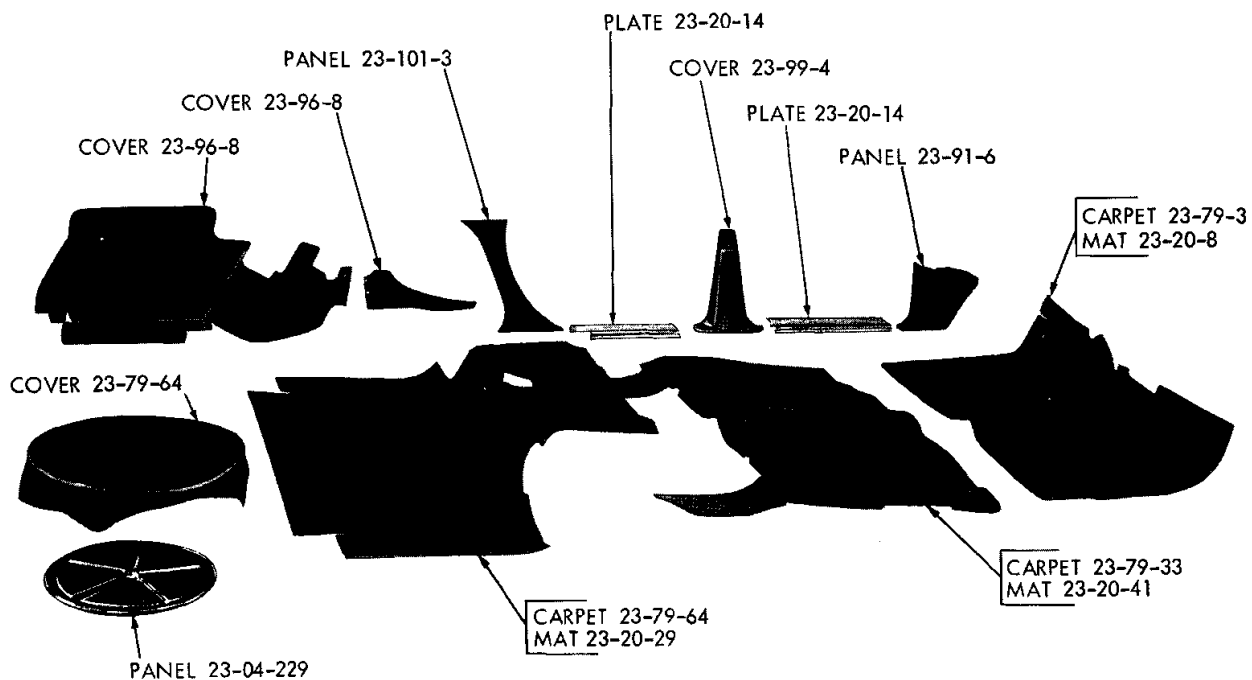
ELECTRIC DECK LID LOCK - IMPERIAL



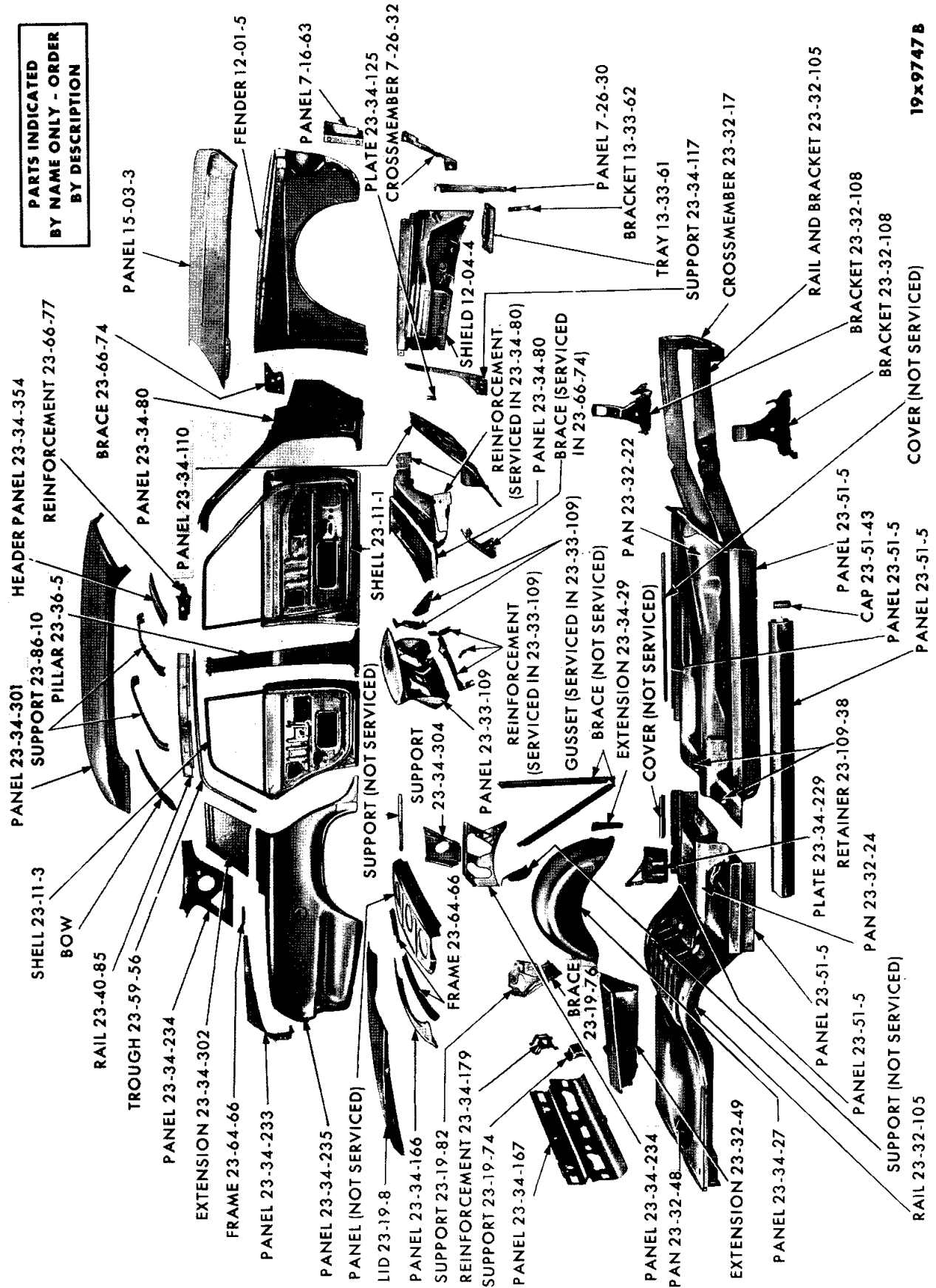
STATION WAGON FLOOR PANELS - VALIANT, DART, BELVEDERE AND CORONET (2 SEATER)



REAR FLOOR PAN - PLYMOUTH, DODGE AND CHRYSLER STATION WAGONS

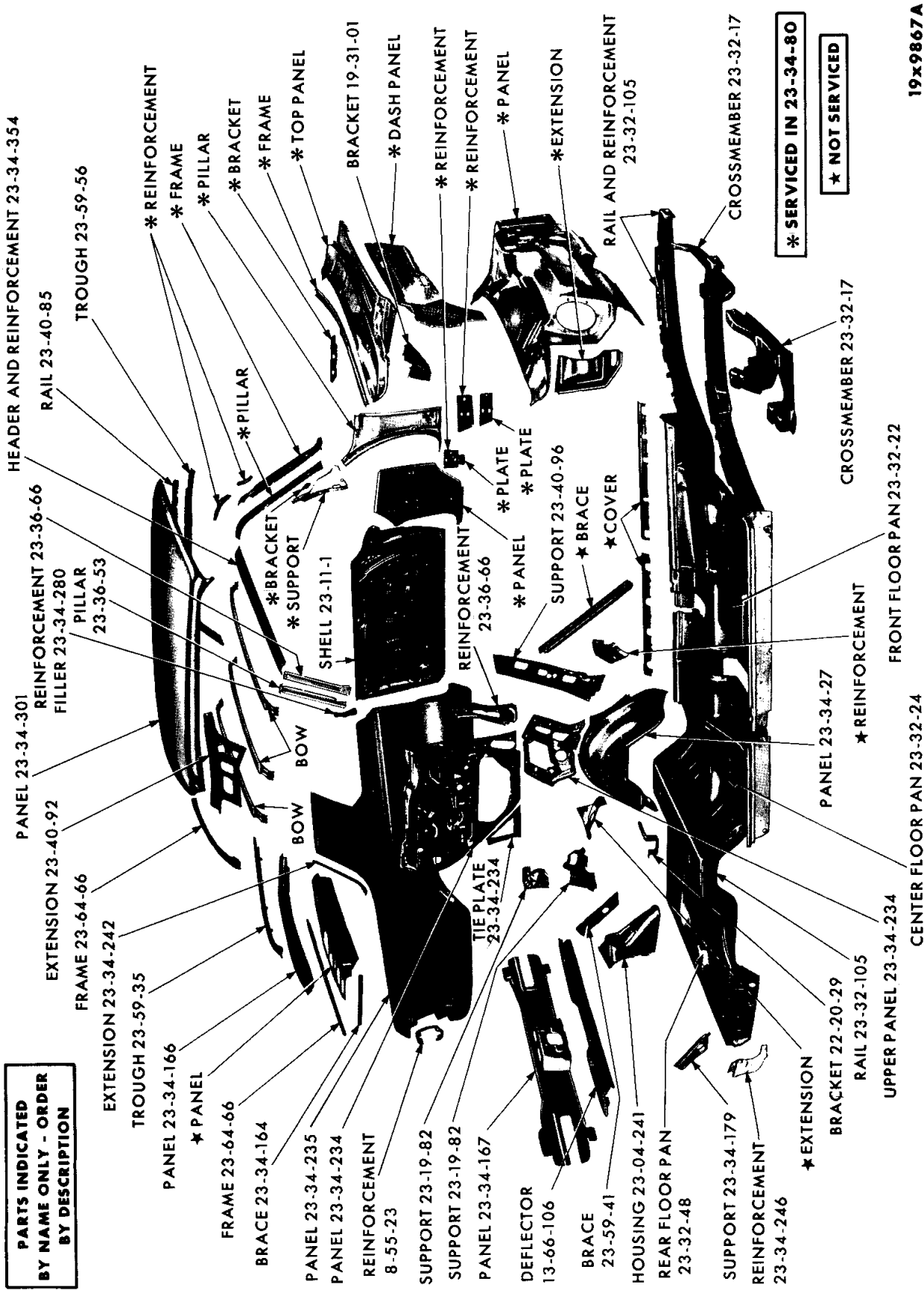


INTERIOR FLOOR MATS AND SCUFF PLATES

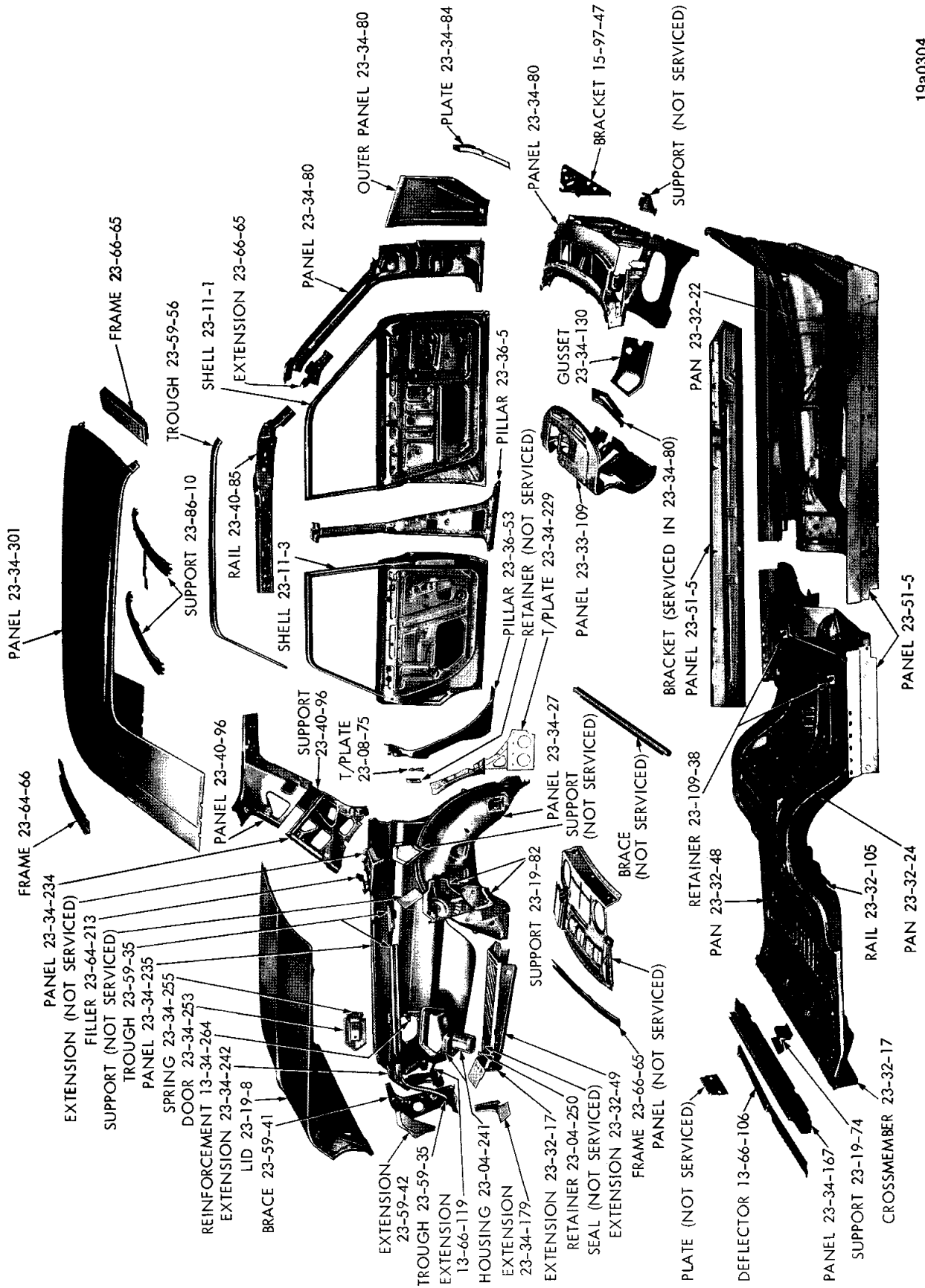


BODY - VALIANT 4 DOOR SEDAN

**PARTS INDICATED
BY NAME ONLY - ORDER
BY DESCRIPTION**

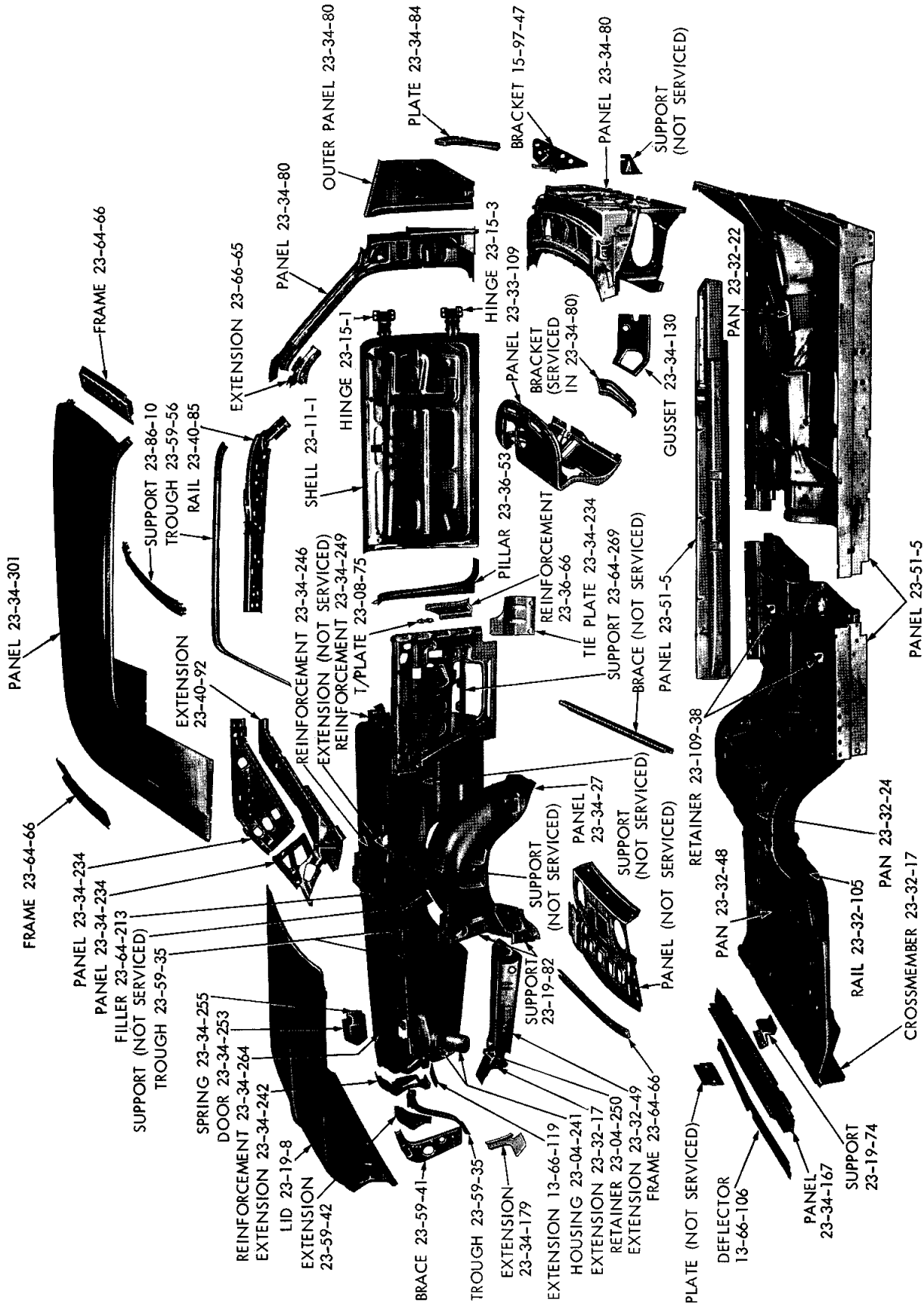


BODY - BELVEDERE 2 DOOR SEDAN



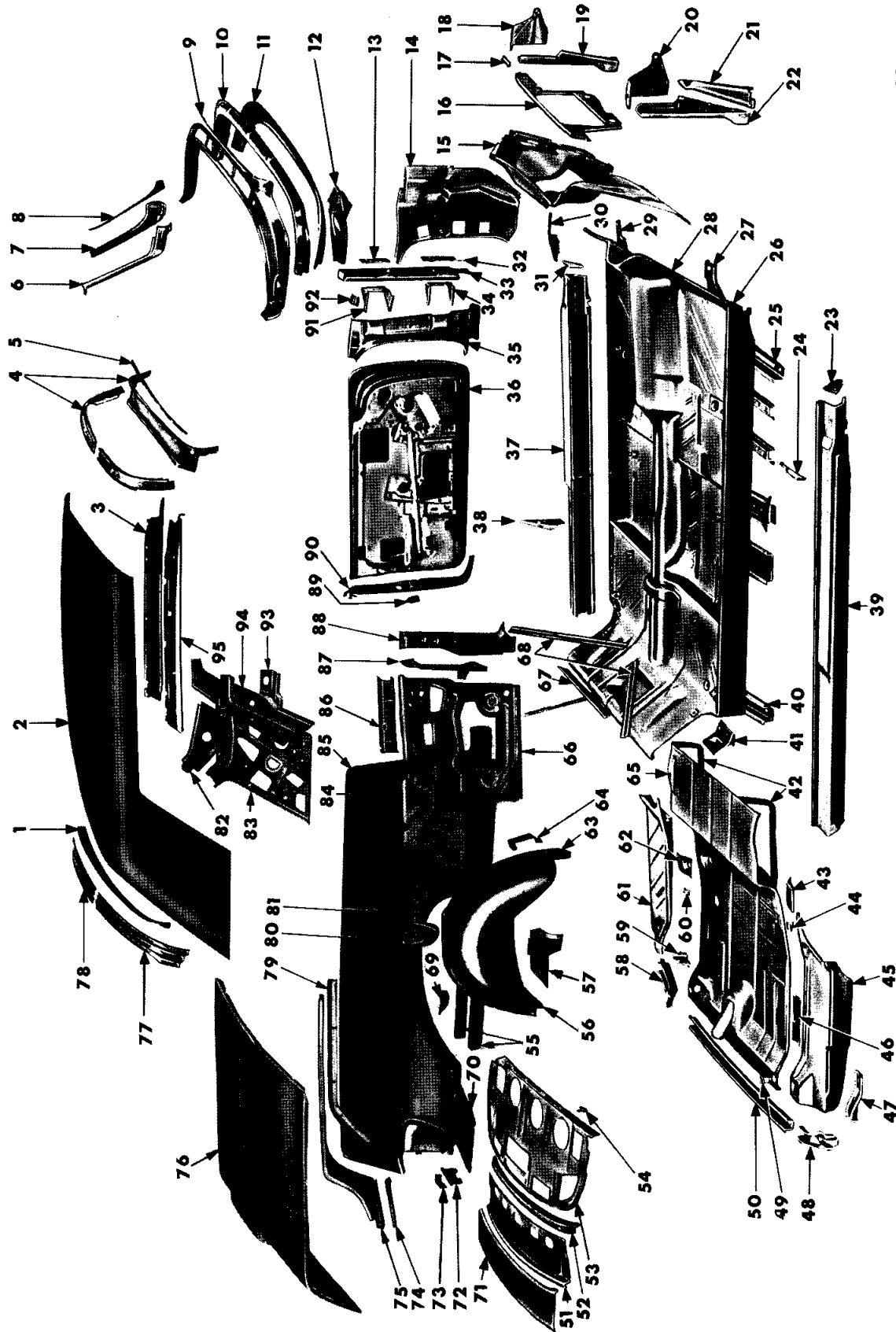
19a0304

BODY - PLYMOUTH 4 DOOR SEDAN



19a0305

BODY - PLYMOUTH 2 DOOR HARDTOP

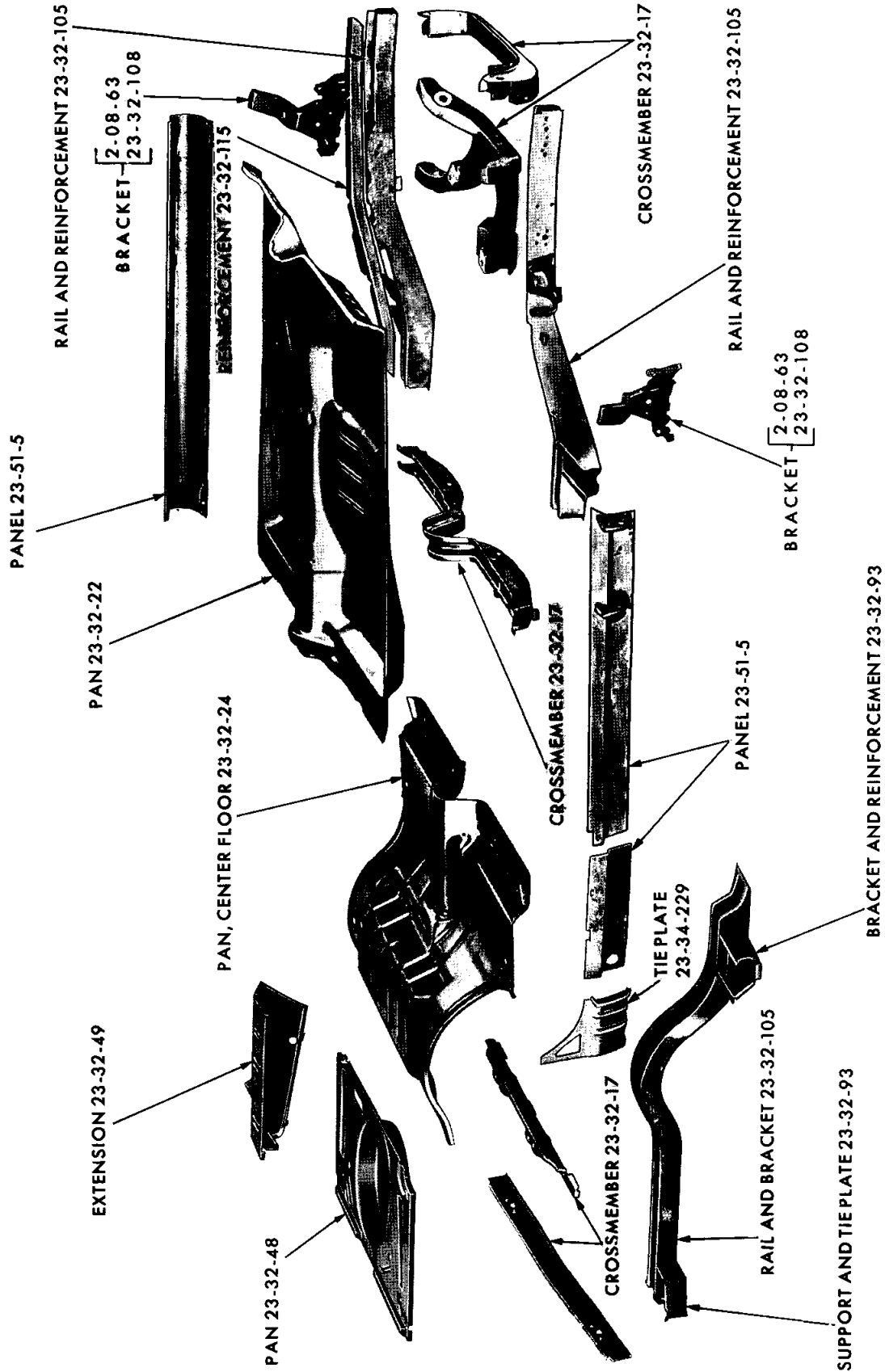


19L9873

BODY - IMPERIAL 2 DOOR HARDTOP

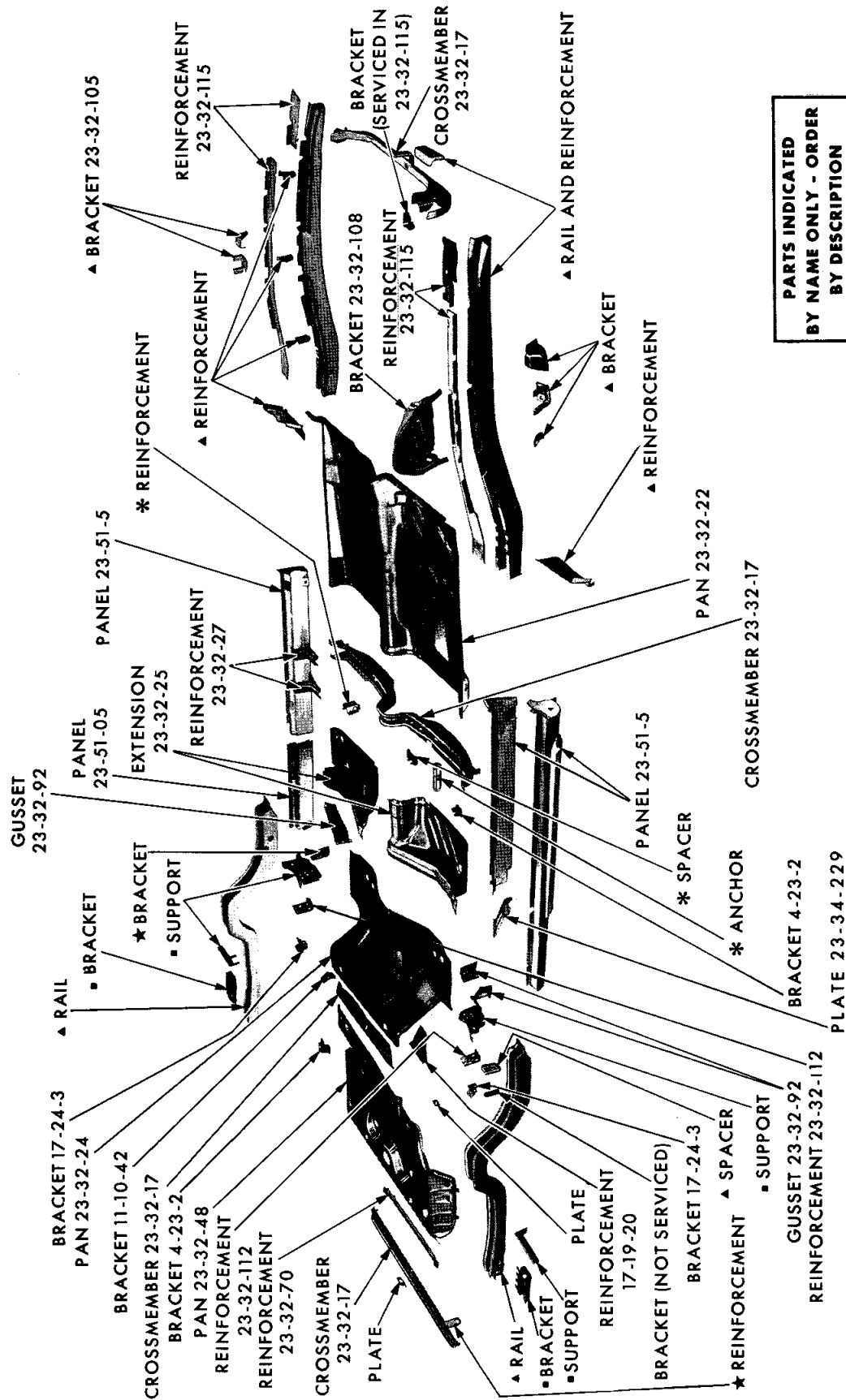
BODY - IMPERIAL 2 DOOR HARDTOP

Ref. No.	Name	Part Type Code	Ref. No.	Name	Part Type Code
1	Rear Window Opening Upper Frame.	23-64-66	44	Fuel Tank Hanger	Not Serviced
2	Roof Panel	23-34-301	45	Rear Floor Pan Side Extension . .	23-32-49
3	Roof Side Rail	23-40-85	46	Floor Pan Spare Wheel Bracket Reinforcement	Not Serviced
4	Windshield Opening Upper Frame (Serviced in 23-34-80)		47	Fuel Tank Rear Floor Pan Reinforcement Extension	Not Serviced
5	Windshield Header Trim Retainer (Serviced in 23-34-80)		48	No. 6 Body Bolt Floor Pan Reinforcement Extension	Not Serviced
6	Front Hinge Pillar Extension (Serviced in 23-34-80)		49	No. 6 Body Bolt Reinforcement to Floor Pan Spacer	23-05-36
7	Windshield Opening Side Frame (Serviced in 23-34-80)		50	No. 6 Body Bolt Floor Pan Reinforcement	Not Serviced
8	Cowl Top Panel Extension (Serviced in 23-34-80)		51	Deck Opening Upper Panel Reinforcement (Serviced in 23-34-166)	
9	Cowl Top Panel (Serviced in 23-34-80)		52	Belt Center Bar (Serviced in 23-34-166)	
10	Windshield Opening Lower Frame (Serviced in 23-34-80)		53	Shelf Panel	Not Serviced
11	Windshield Opening Lower Frame Reinforcement (Serviced in 23-34-80)		54	Rear Seat Back Hanger	Not Serviced
12	Front Pillar to Cowl Side Filler (Serviced in 23-34-80)		55	Strainer	23-34-280
13	Front Pillar Door Tapping Plate . .	23-15-13	56	Panel	23-34-27
14	Cowl Side Panel	23-34-80	57	Extension	Not Serviced
15	Dash Panel	23-34-110	58	No. 6 Body Bolt Floor Pan Reinforcement	Not Serviced
16	Dash Panel Air Duct Cover	23-34-116	59	Rear Floor Pan Jack Stowage Bracket	Not Serviced
17	Cowl Top Panel Hood Seal Support (Serviced in 23-34-80)		60	Spare Wheel Anchor Stud Bracket	Not Serviced
18	Hood Hinge Support and Clinch Nut (Serviced in 23-34-80)		61	Extension	23-32-49
19	Dash Panel No. 1 and 1A Body Bolt Brace and C/Nut	23-34-122	62	No. 5 Body Bolt Floor Pan Reinforcement	Not Serviced
20	Hood Hinge Support and Clinch Nut (Serviced in 23-34-80)		63	Panel	23-34-27
21	Dash Panel No. 1 and 1A Body Bolt Brace and C/Nut Reinforcement . .	23-34-126	64	Bracket	23-34-346
22	Dash Panel No. 1 and 1A Body Bolt Brace and C/Nut	23-34-122	65	Rear Floor Pan	23-32-48
23	Body Side Sill Front End Cover . . .	23-51-43	66	Quarter Inner Panel	23-34-234
24	Body Floor Seat Track Reinforcement	Not Serviced	67	Shelf Panel to Floor Center Brace Support	Not Serviced
25	Floor Pan Reinforcement	Not Serviced	68	Shelf Panel to Floor Pan Brace Reinforcement	Not Serviced
26	Body Side Inner Sill	23-51-5	69	Panel	23-34-233
27	No. 1 and 2 Body Bolt Strainer . . .	Not Serviced	70	Deck Opening Upper Panel	23-34-166
28	Front Floor Pan	Not Serviced	71	Bracket	Not Serviced
29	No. 1 and No. 2 Body Bolt Strainer	Not Serviced	72	Bracket and W/Nut	Not Serviced
30	Dash Panel Hood Hinge Support to Front Cowl Filler Reinforcement .	Not Serviced	73	Extension	23-34-176
31	Body Side Sill End Cover	23-51-43	74	Panel	23-34-233
32	Front Pillar Door Hinge Tapping Plate	23-15-13	75	Deck Lid	23-19-8
33	Front Pillar Front Half (Serviced in 23-34-80)		76	Rear Window Upper Frame Reinforcement Right	23-64-67
34	Front Pillar Lower Hinge Reinforcement (Serviced in 23-34-80)		77	Rear Window Upper Frame Reinforcement Left	23-64-67
35	Front Pillar Rear Half (Serviced in 23-34-80)		78	Reinforcement	23-59-37
36	Door Shell	23-11-1	79	Support	23-19-82
37	Body Side Sill Outer Panel	23-51-5	80	Anti-Rattler	Not Serviced
38	Quarter Inside Panel to Seat Riser Brace	Not Serviced	81	Reinforcement	23-64-67
39	Body Side Outer Sill	23-51-5	82	Panel	23-34-234
40	Body Floor Pan Reinforcement . . .	Not Serviced	83	Panel	23-34-234
41	Axle Drive Pinion Carrier Bumper Reinforcement	Not Serviced	84	Quarter Panel	23-34-235
42	Fuel Tank Rear Floor Pan Reinforcement	Not Serviced	85	Support	23-41-8
43	No. 5 Body Bolt Reinforcement . . .	Not Serviced	86	Reinforcement	23-36-66
			87	Extension	23-34-236
			88	Door Lock Striker Tapping Plate .	23-08-75
			89	Body Lock Pillar	23-36-53
			90	Front Pillar Upper Hinge Reinforcement (Serviced in 23-34-80) .	
			91	Windshield Opening Lower Frame to Upper Strg. Col. Bracket (Serviced in 23-34-80)	
			92	Extension	23-34-236
			93	Frame	23-64-66
			94	Roof Side Rail	23-40-85
			95		



19x9797 A

UNDERBODY - VALIANT AND DART



**PARTS INDICATED
BY NAME ONLY - ORDER
BY DESCRIPTION**

19x9408 A

*** NOT SERVICED**

*** SERVICED IN 23-32-93**

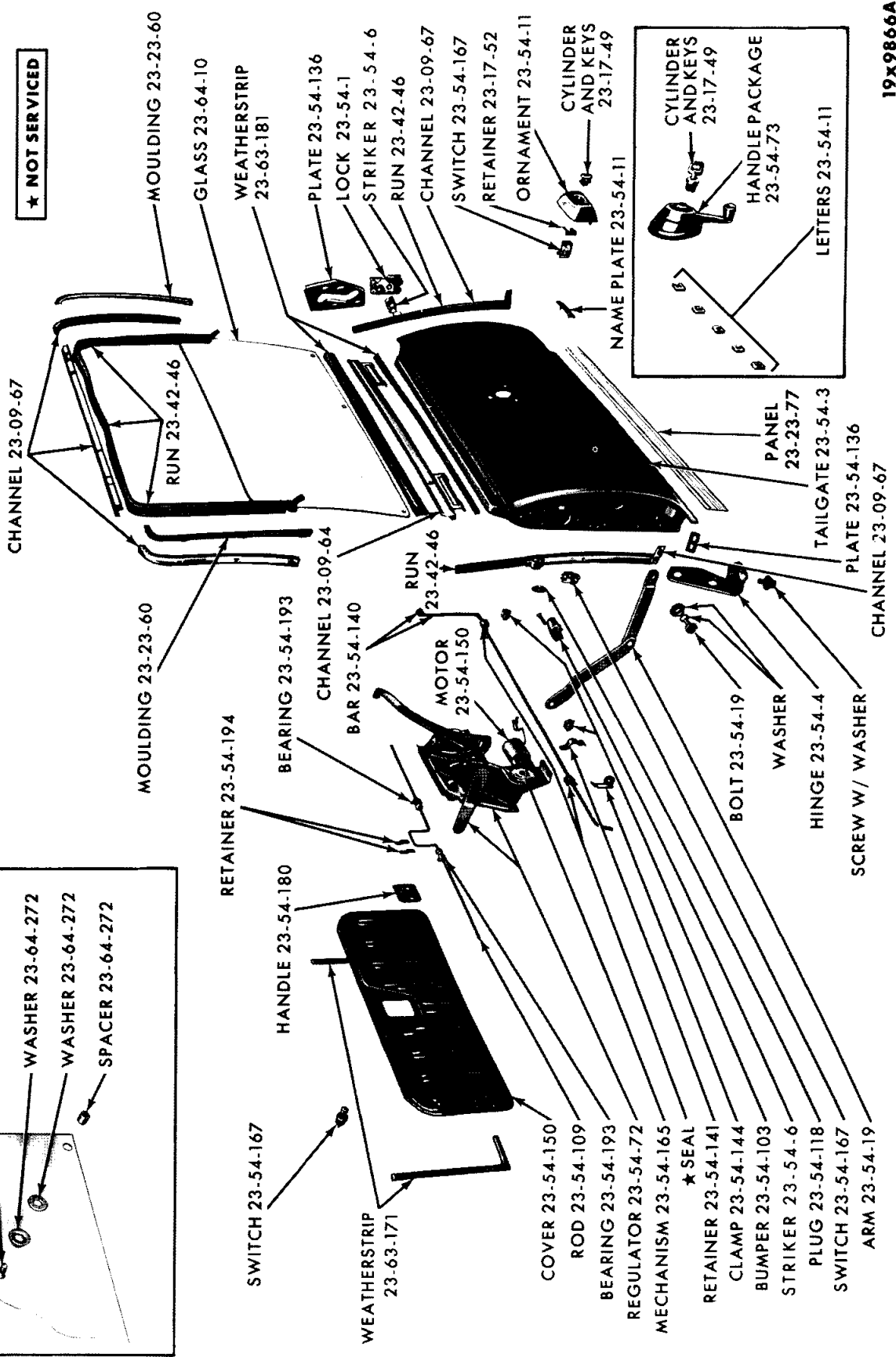
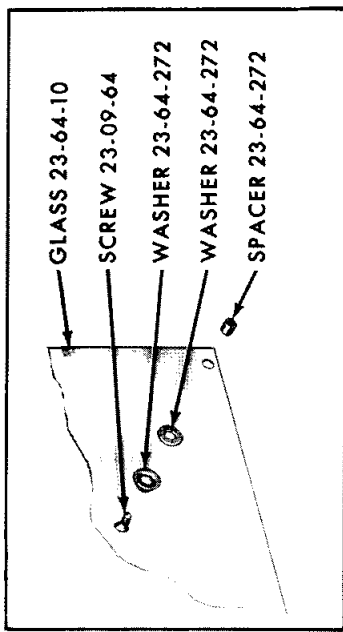
*** SERVICED IN 23-32-105**

*** SERVICED IN 23-32-17**

UNDERBODY - BELVEDERE AND CORONET

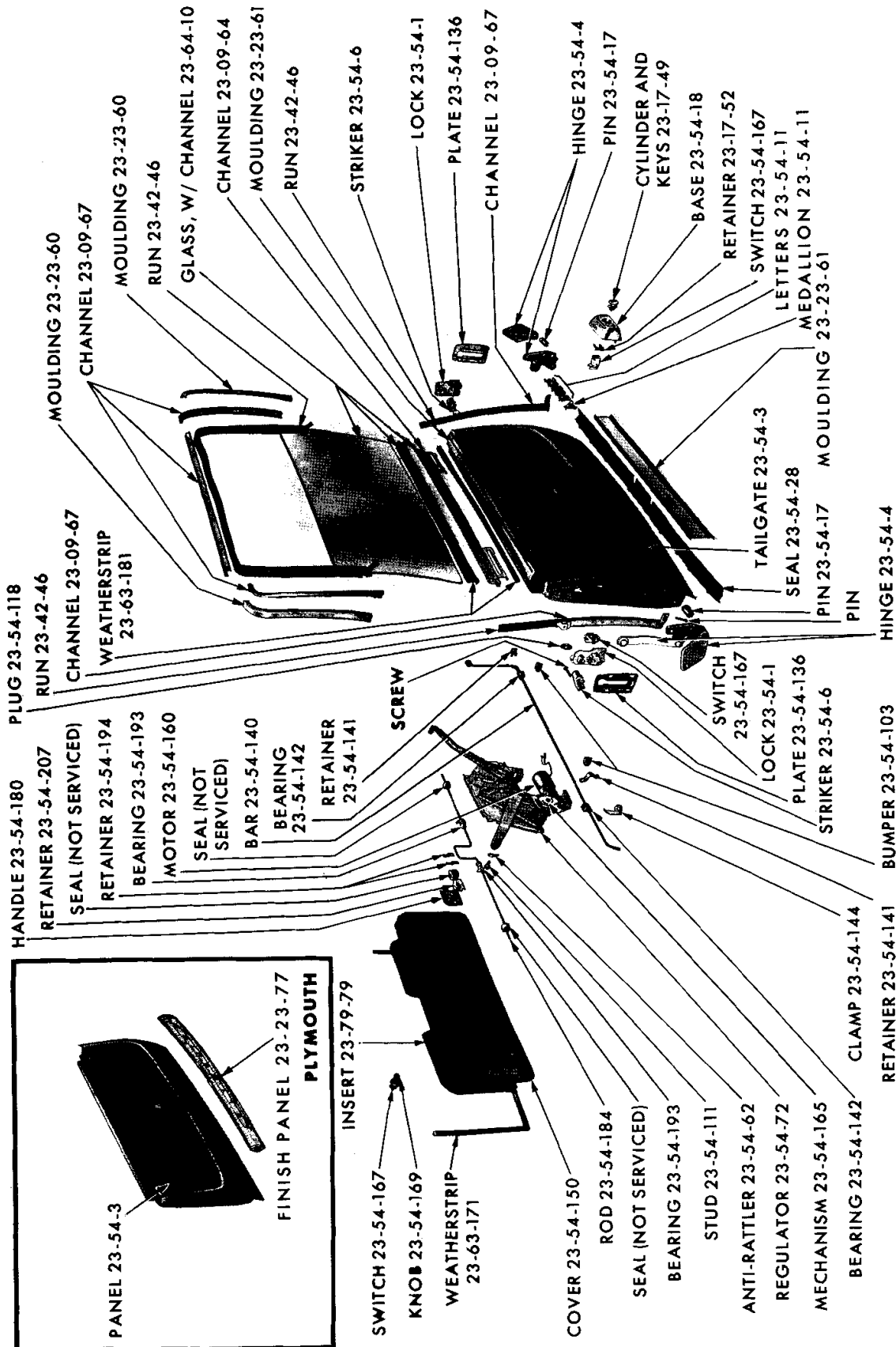
PARTS INDICATED
BY NAME ONLY - ORDER
BY DESCRIPTION

★ NOT SERVICED



19x9866A

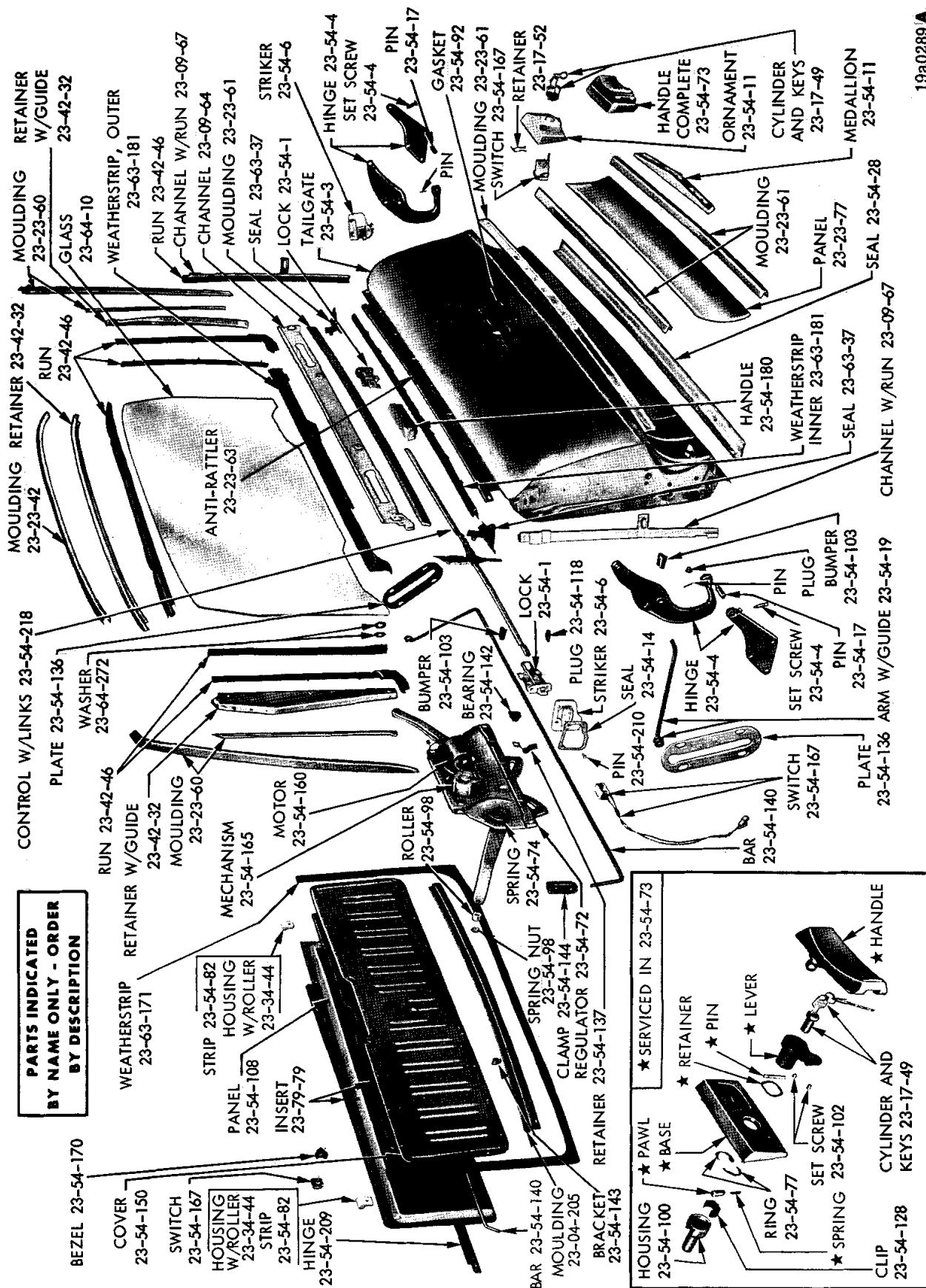
TAILGATE - VALIANT AND DART



19x9688 B

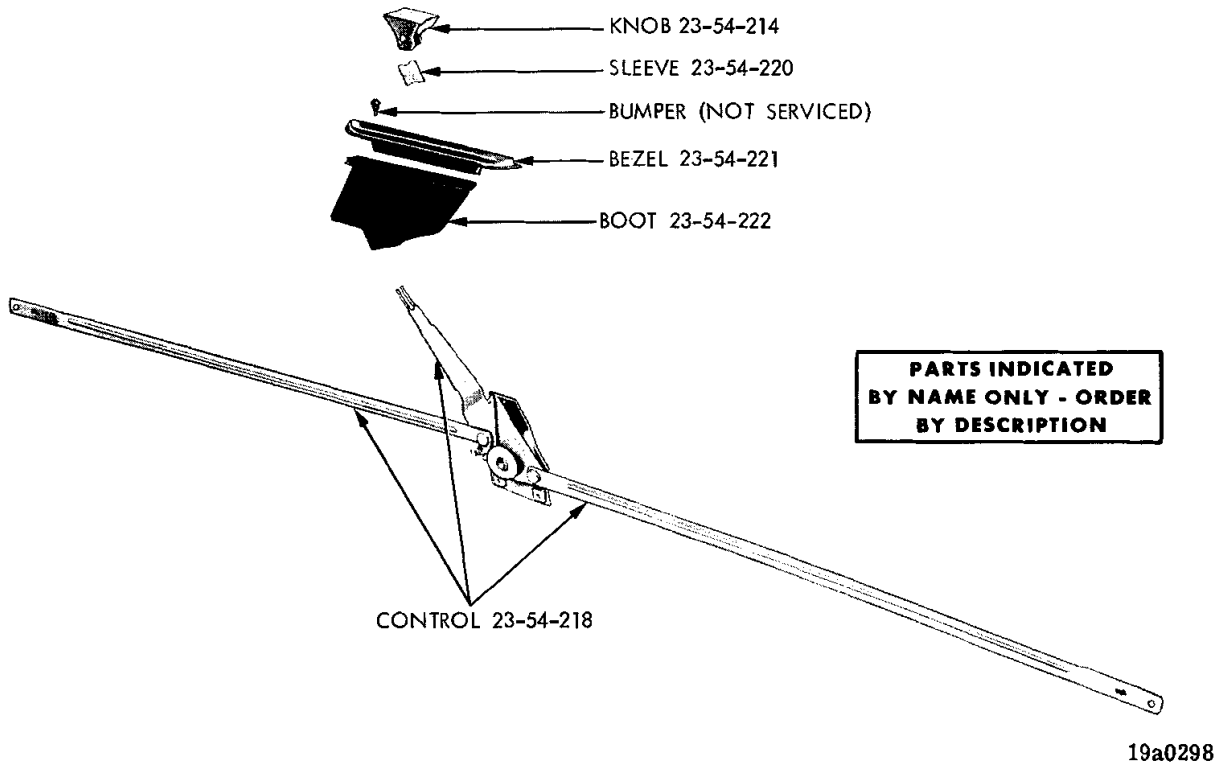
TAILGATE - BELVEDERE AND CORONET

PARTS INDICATED BY NAME ONLY - ORDER BY DESCRIPTION

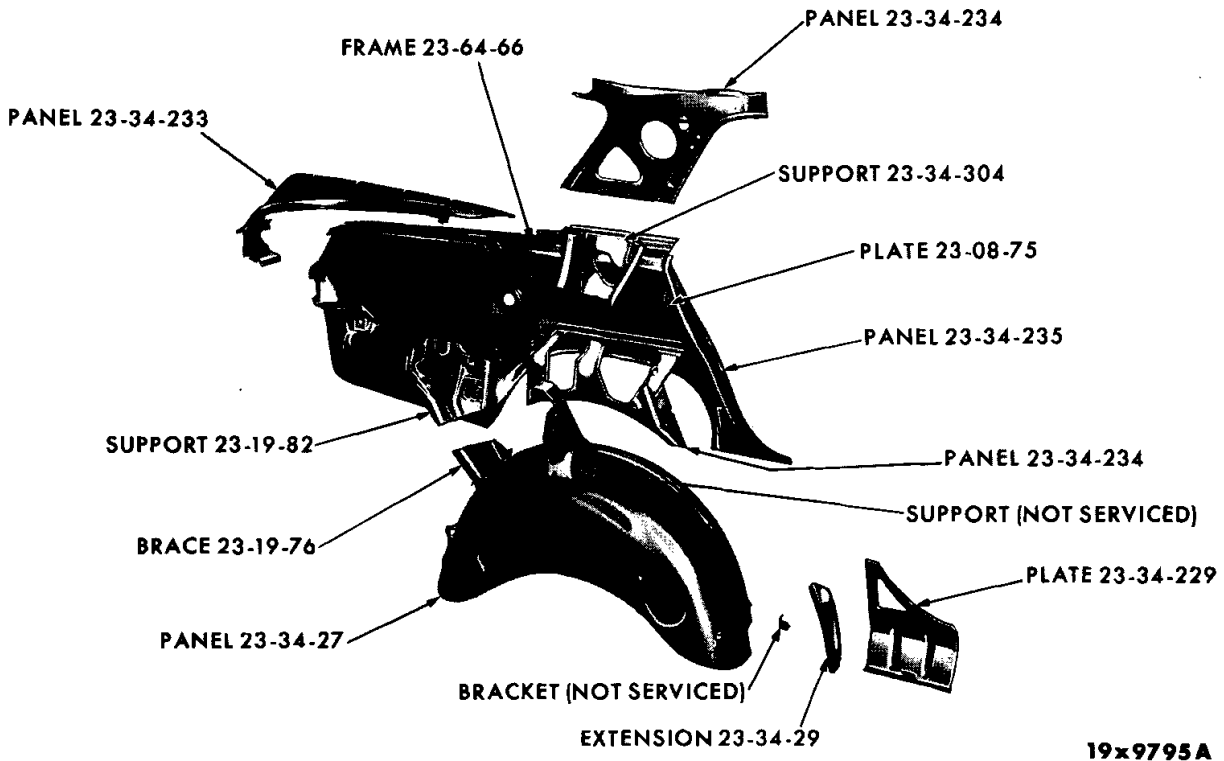


19a0289/A

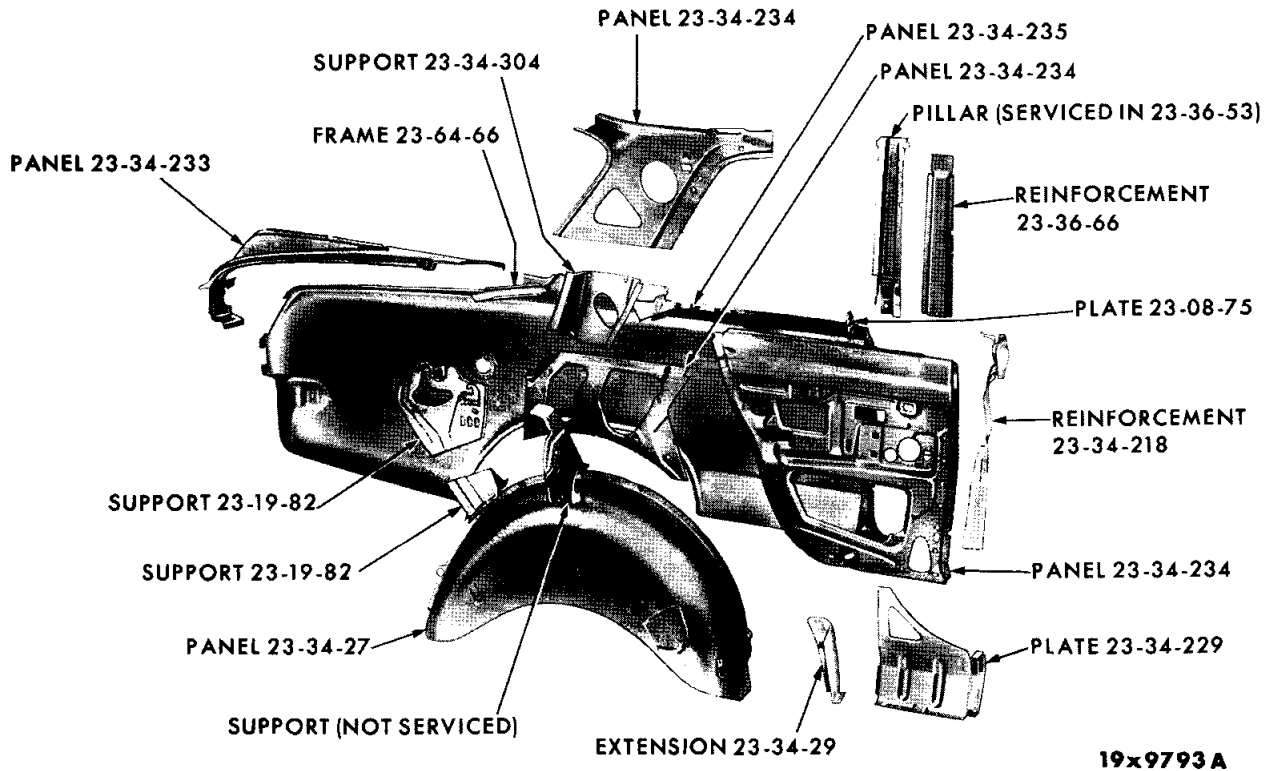
TAILGATE - PLYMOUTH, DODGE AND CHRYSLER



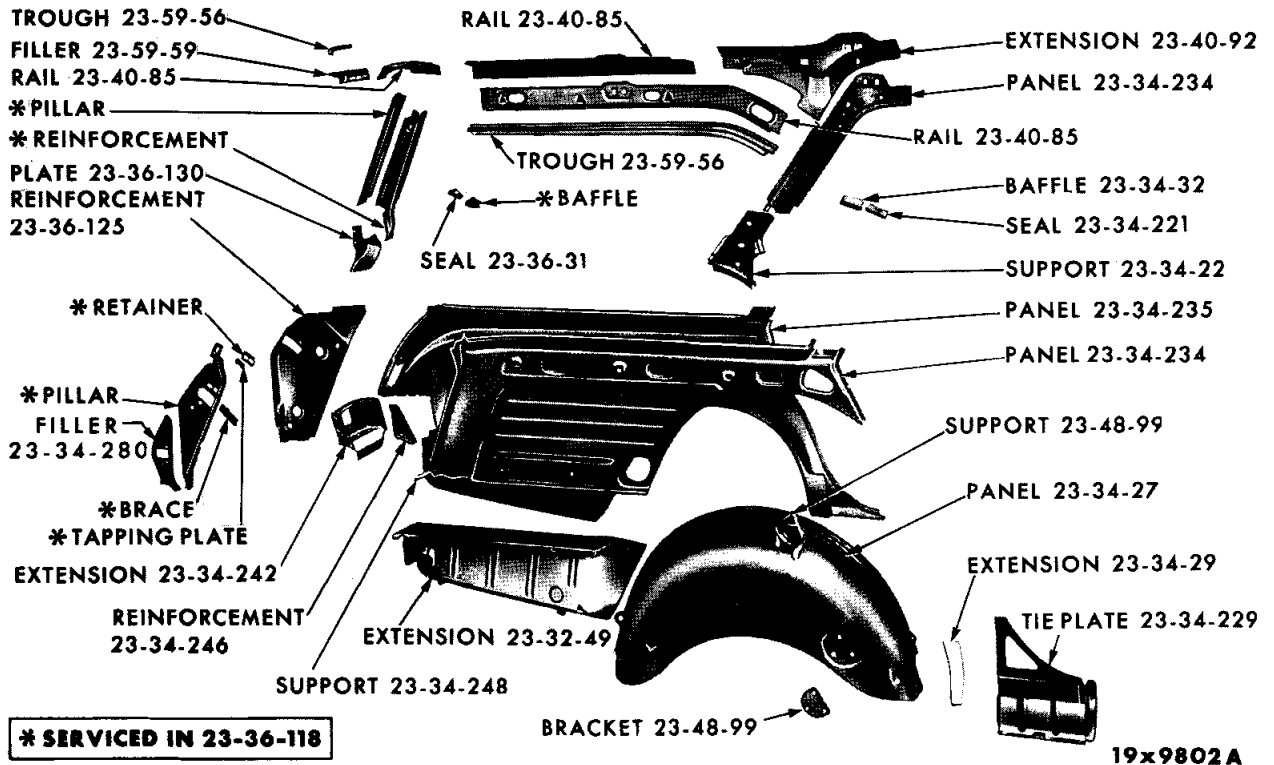
TAILGATE MECHANISM (AFTER TYPE)



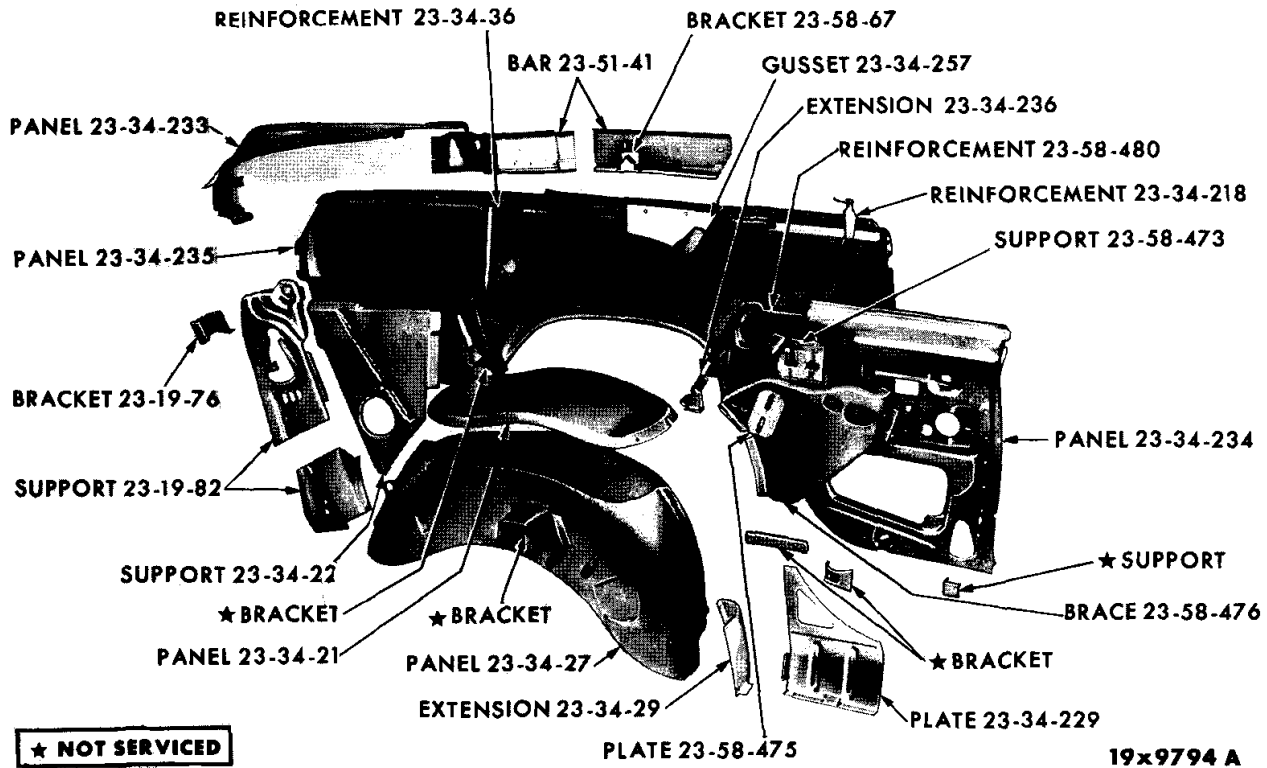
REAR QUARTER PANEL - VALIANT 4 DOOR SEDAN



REAR QUARTER PANEL - VALIANT 2 DOOR SEDAN AND 2 DOOR HARDTOP

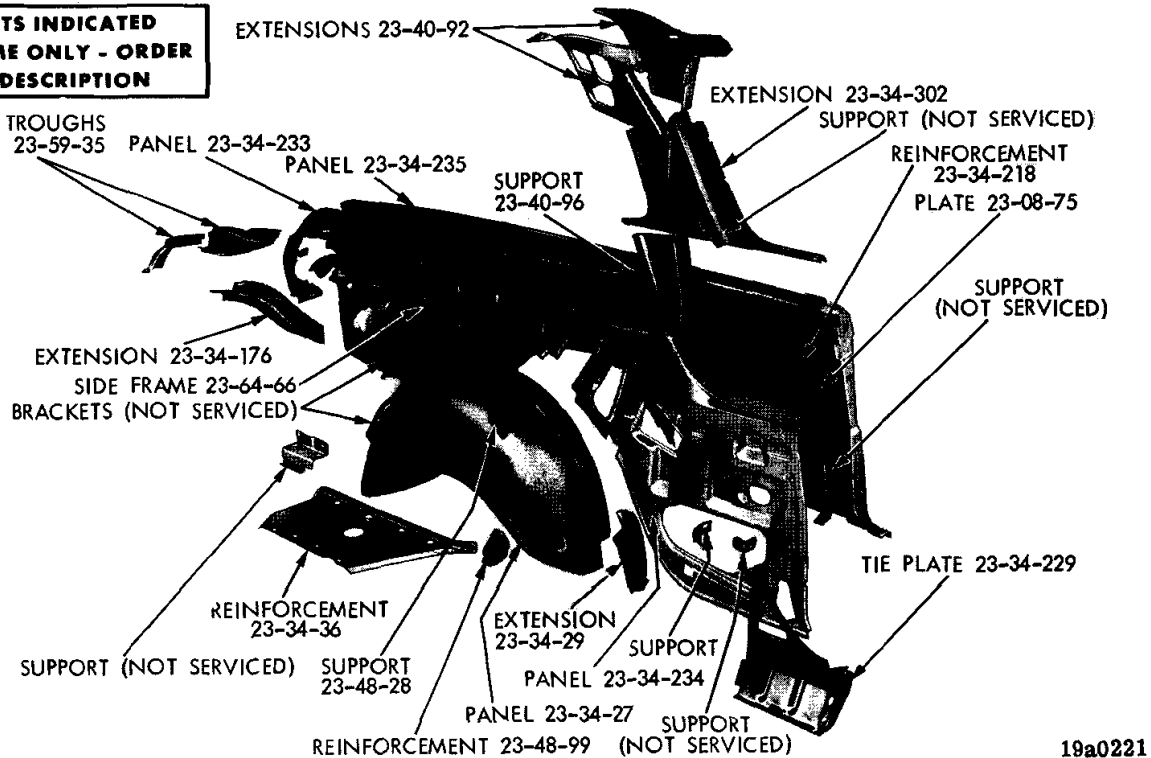


REAR QUARTER PANEL - VALIANT STATION WAGON

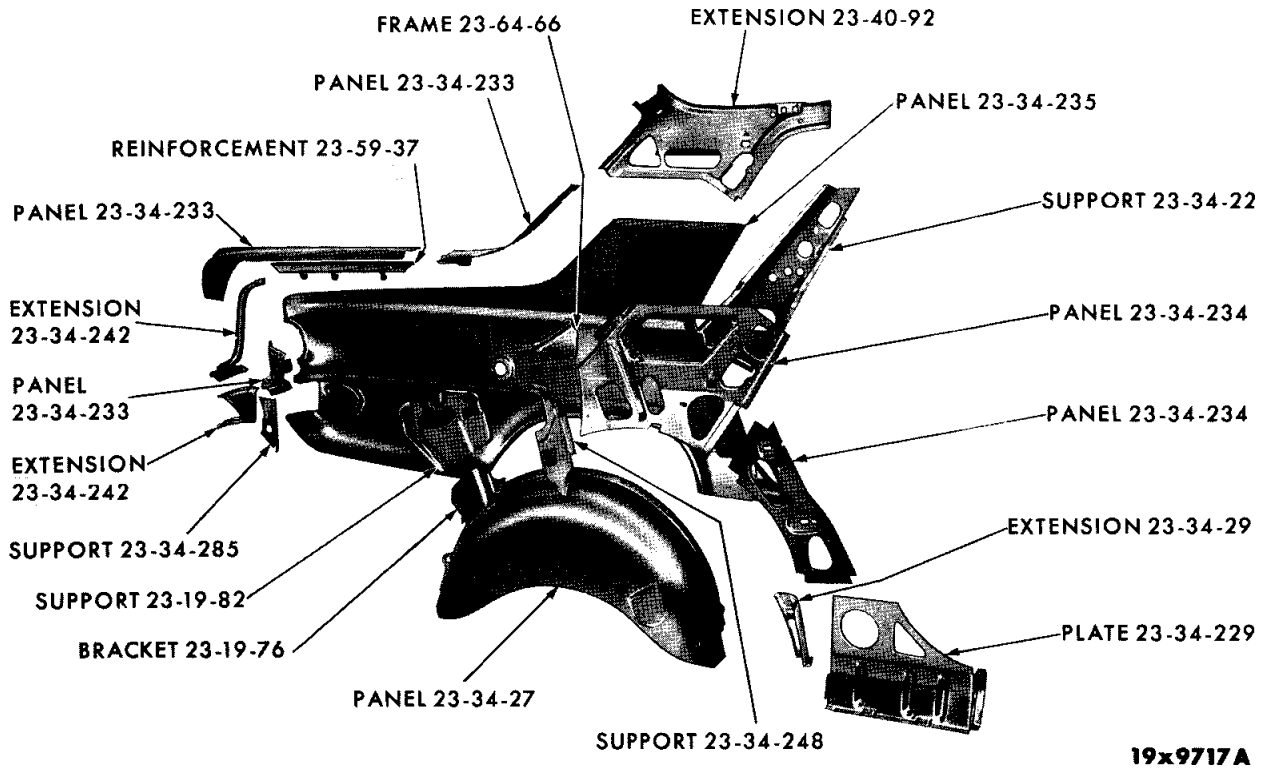


REAR QUARTER PANEL - VALIANT CONVERTIBLE COUPE

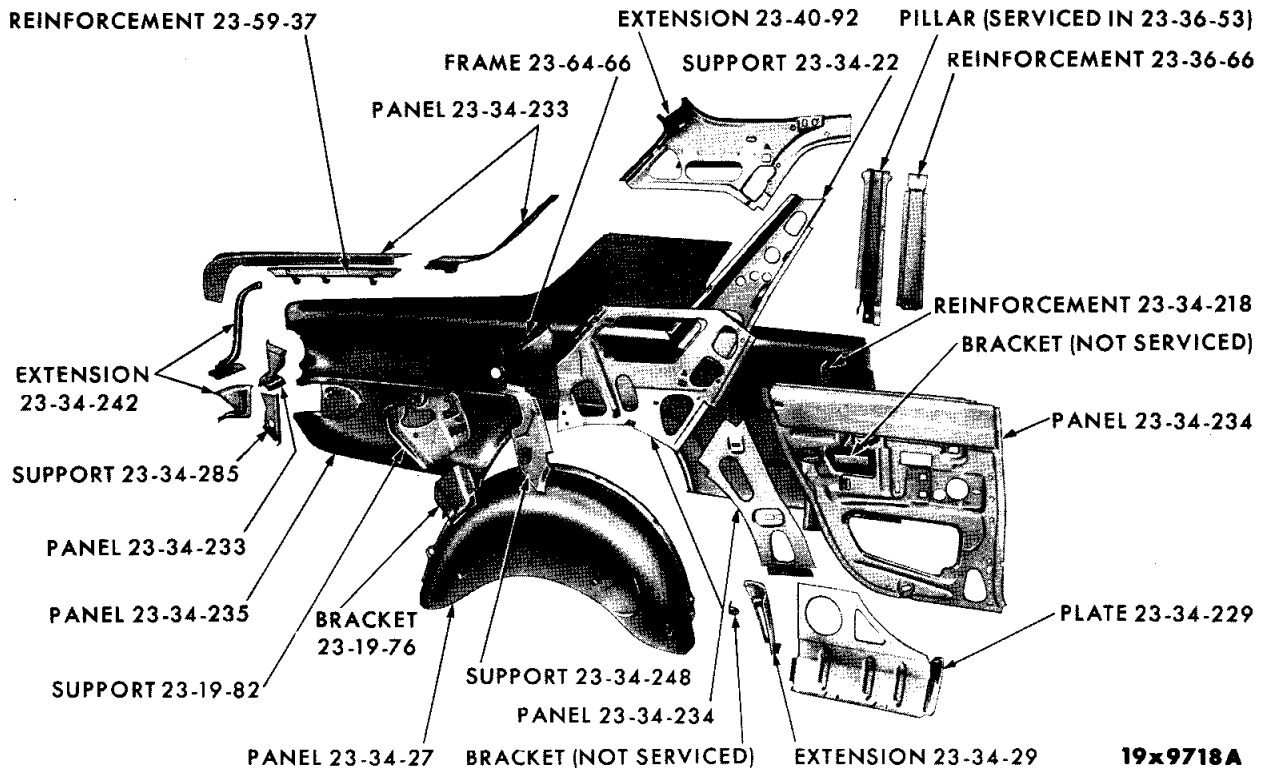
**PARTS INDICATED
 BY NAME ONLY - ORDER
 BY DESCRIPTION**



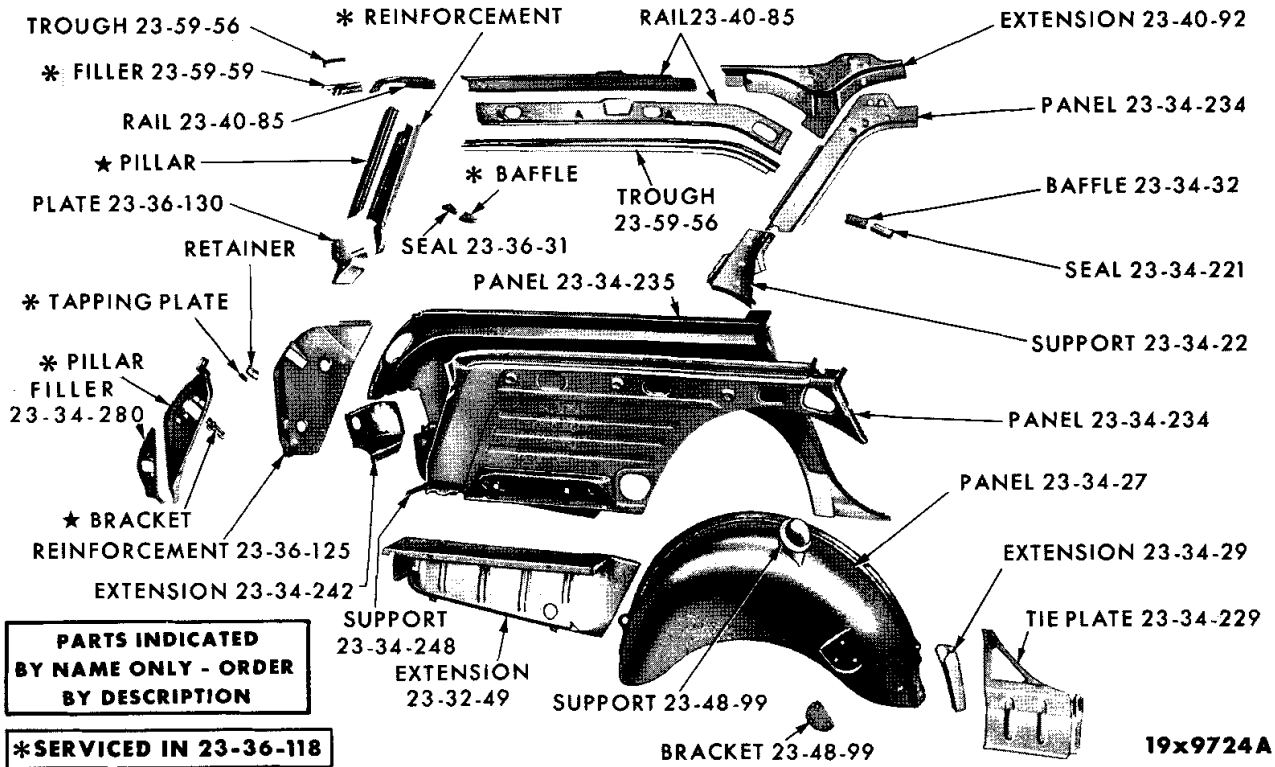
REAR QUARTER PANEL - VALIANT BARRACUDA



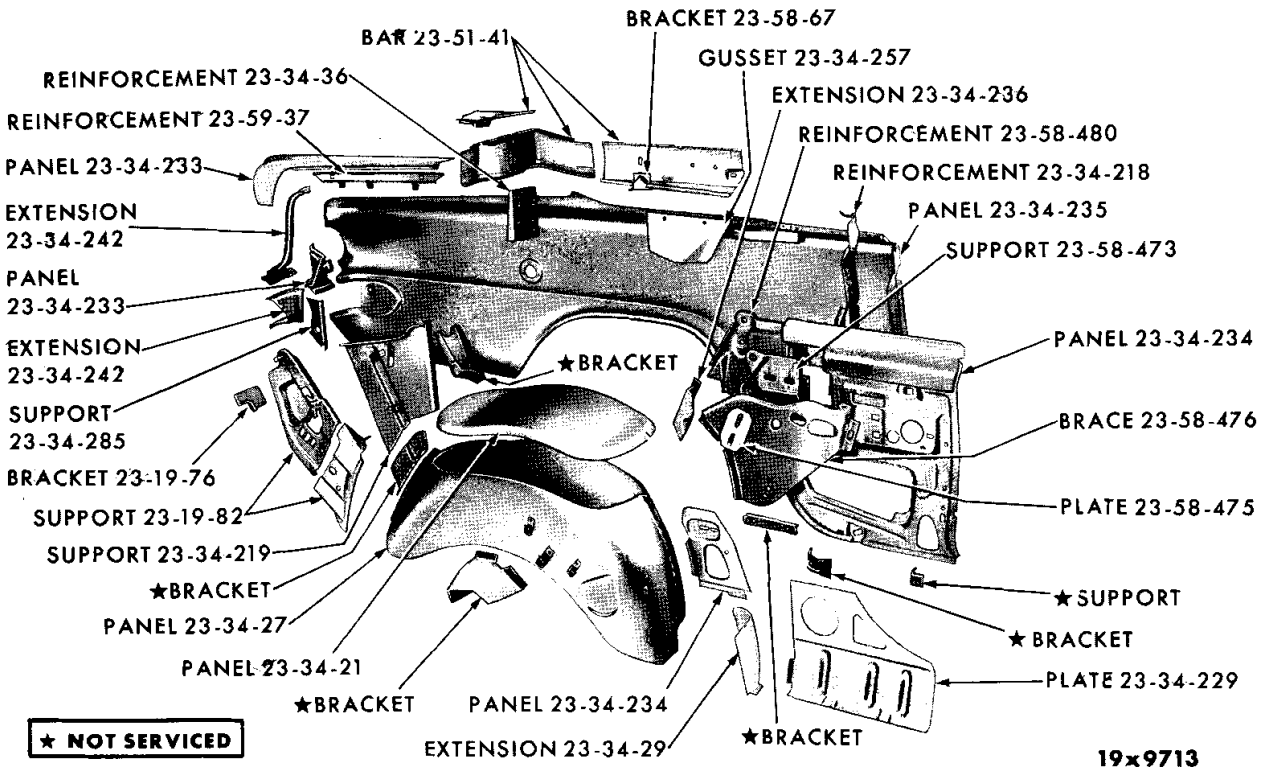
REAR QUARTER PANEL - DART 4 DOOR SEDAN



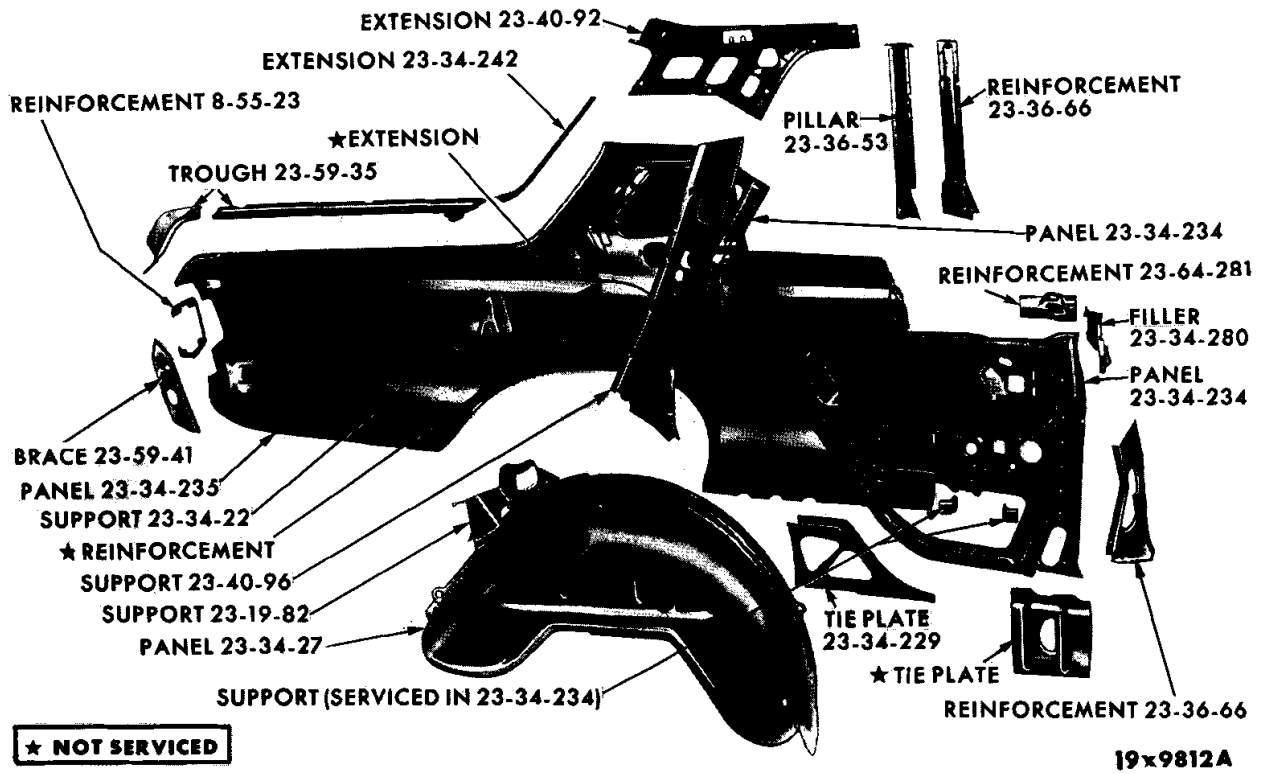
REAR QUARTER PANEL - DART 2 DOOR SEDAN AND 2 DOOR HARDTOP



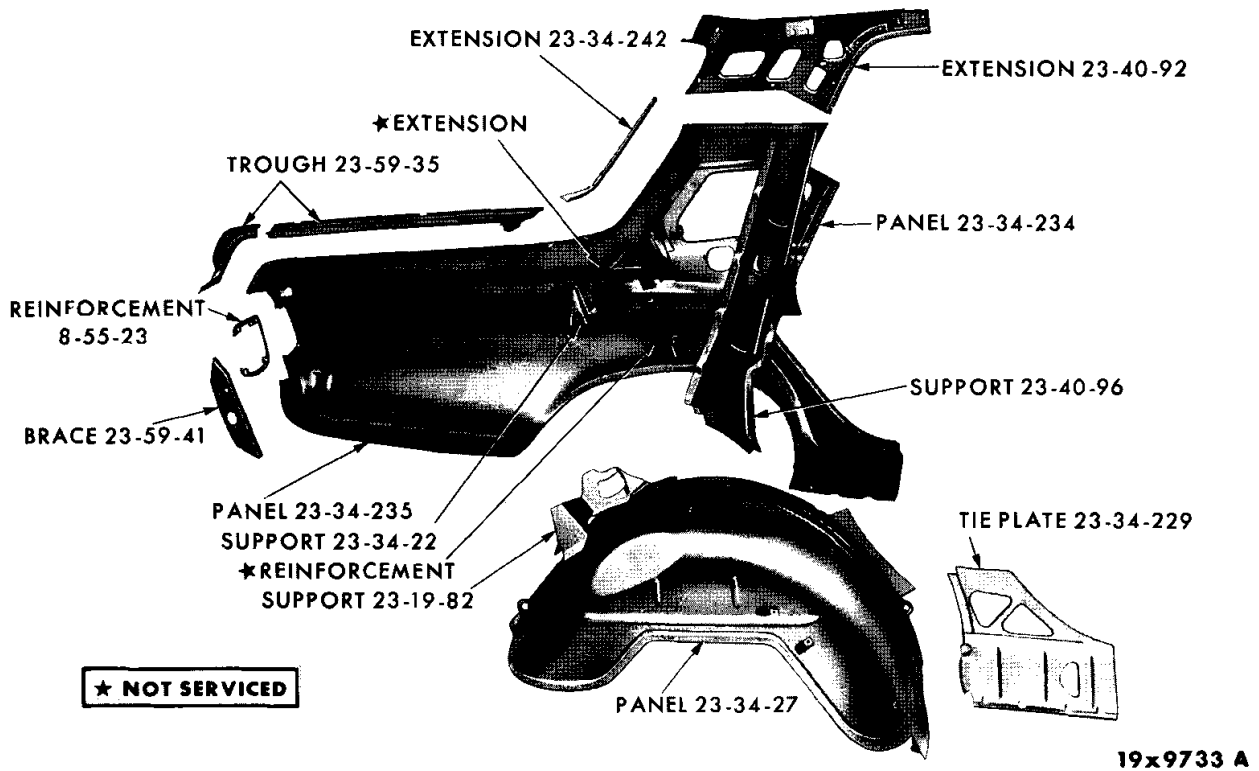
REAR QUARTER PANEL - DART STATION WAGON



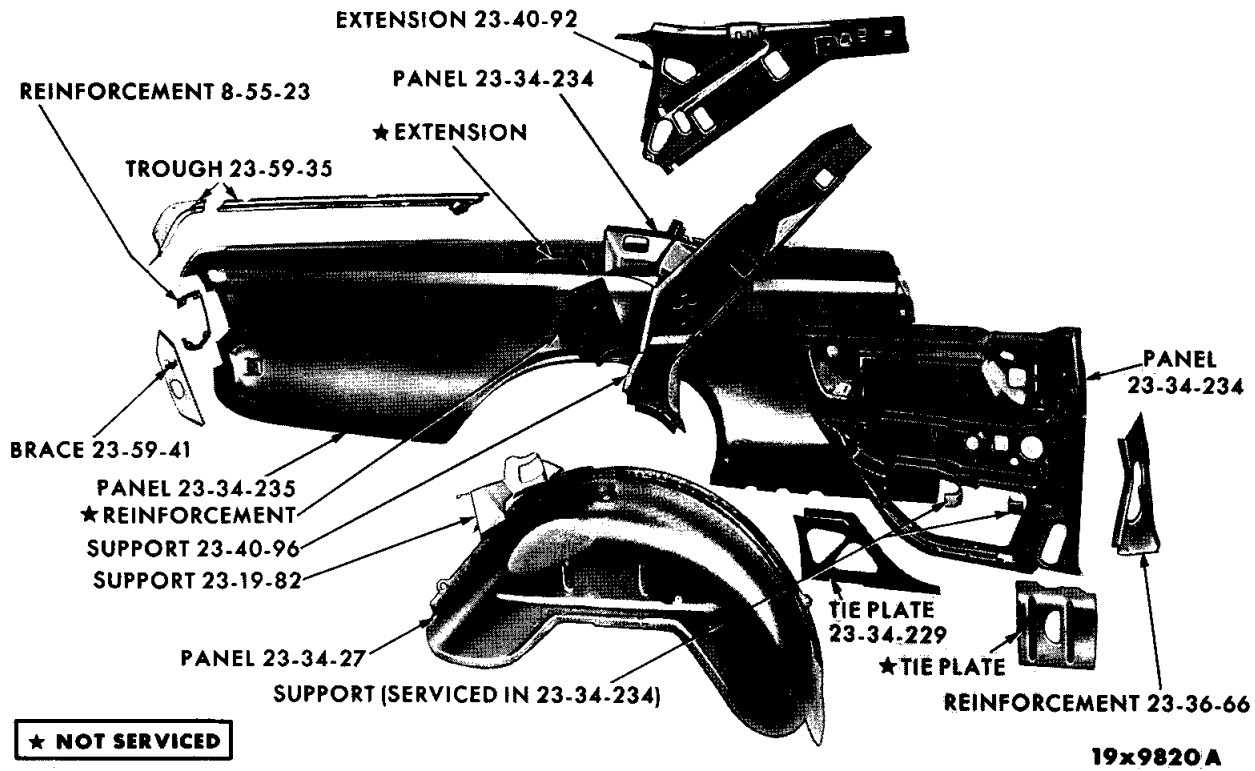
REAR QUARTER PANEL - DART CONVERTIBLE COUPE



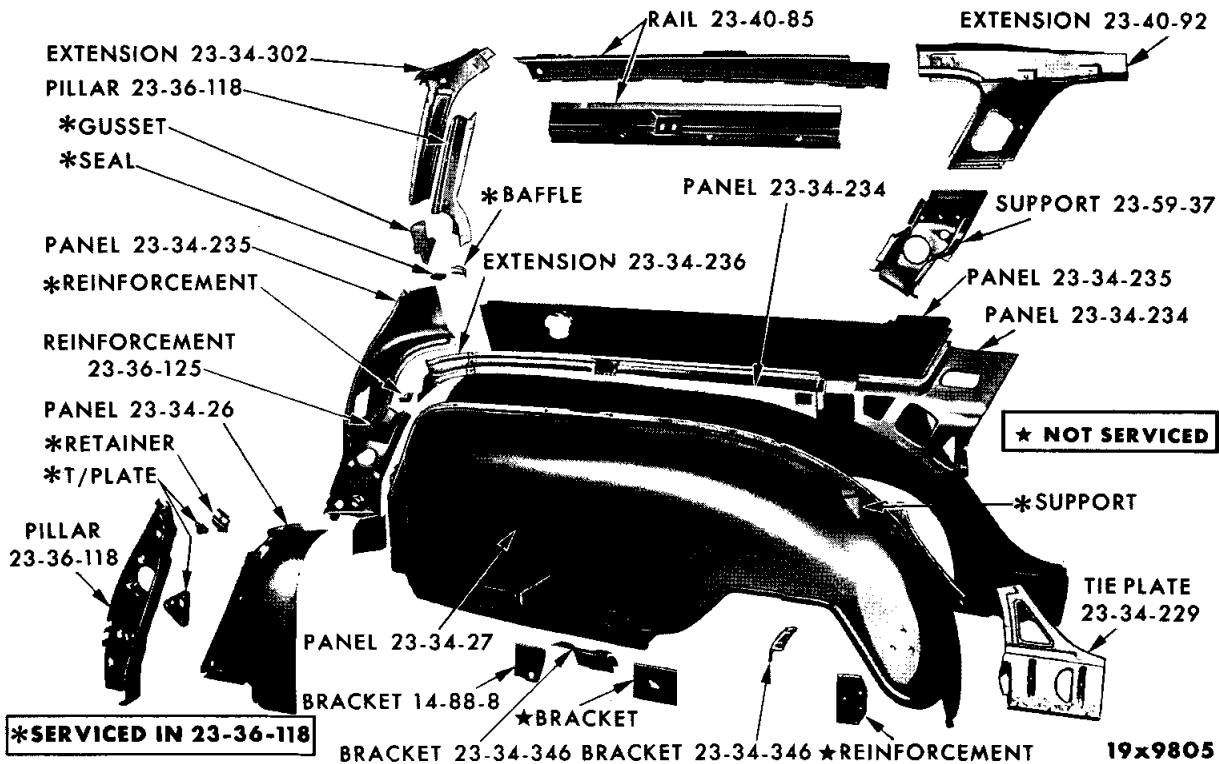
REAR QUARTER PANEL - BELVEDERE 2 DOOR SEDAN



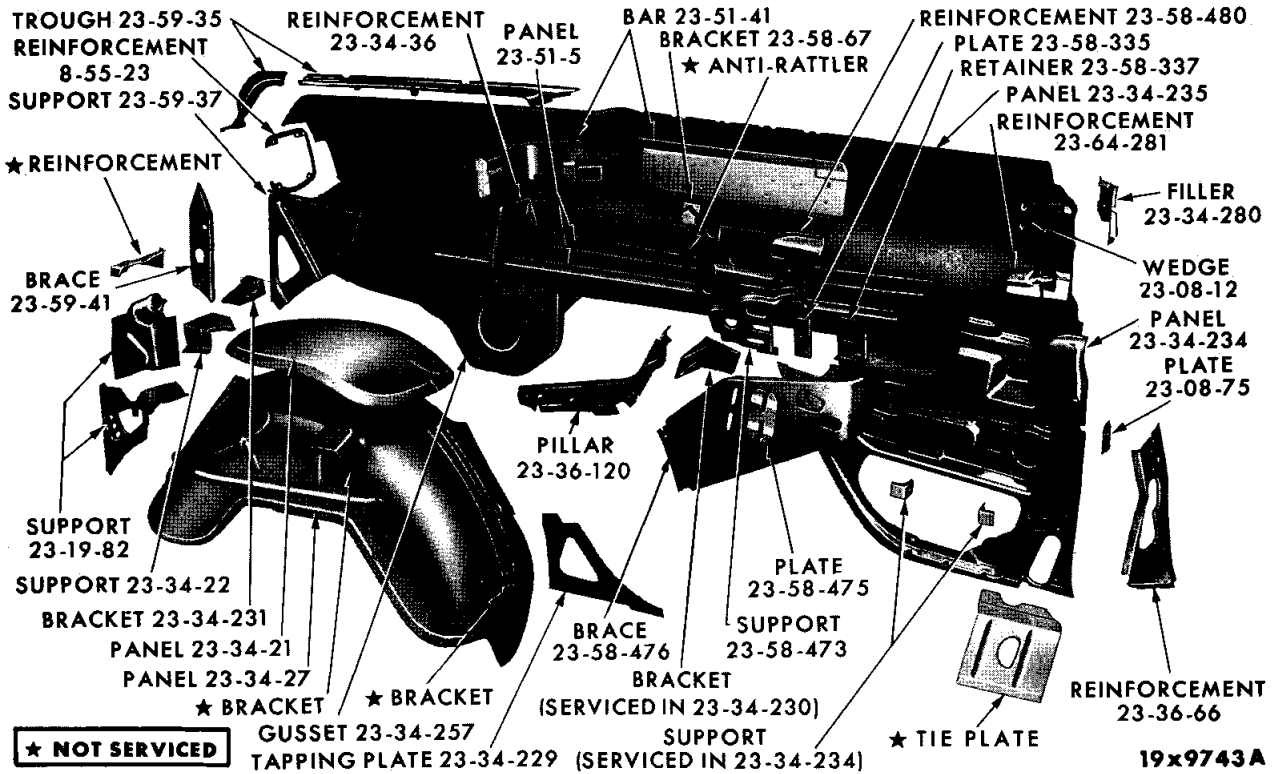
REAR QUARTER PANEL - BELVEDERE 4 DOOR SEDAN



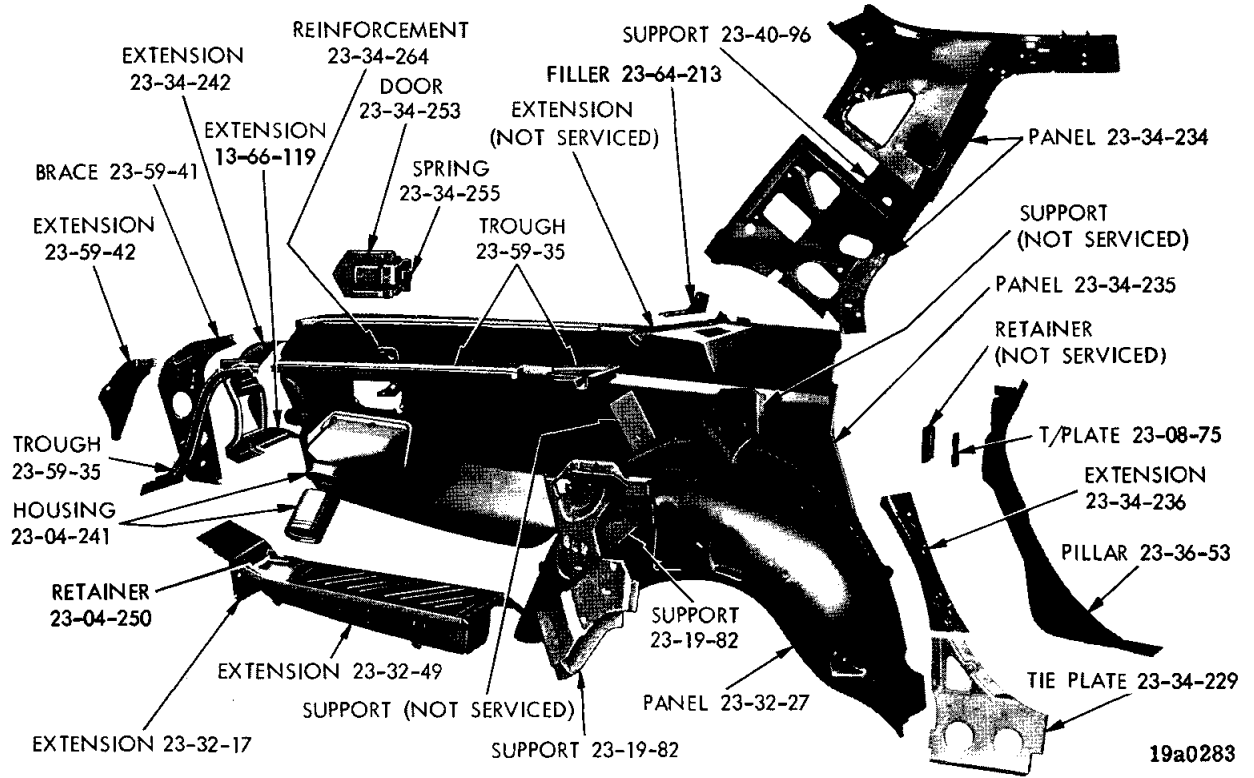
REAR QUARTER PANEL - BELVEDERE 2 DOOR HARDTOP



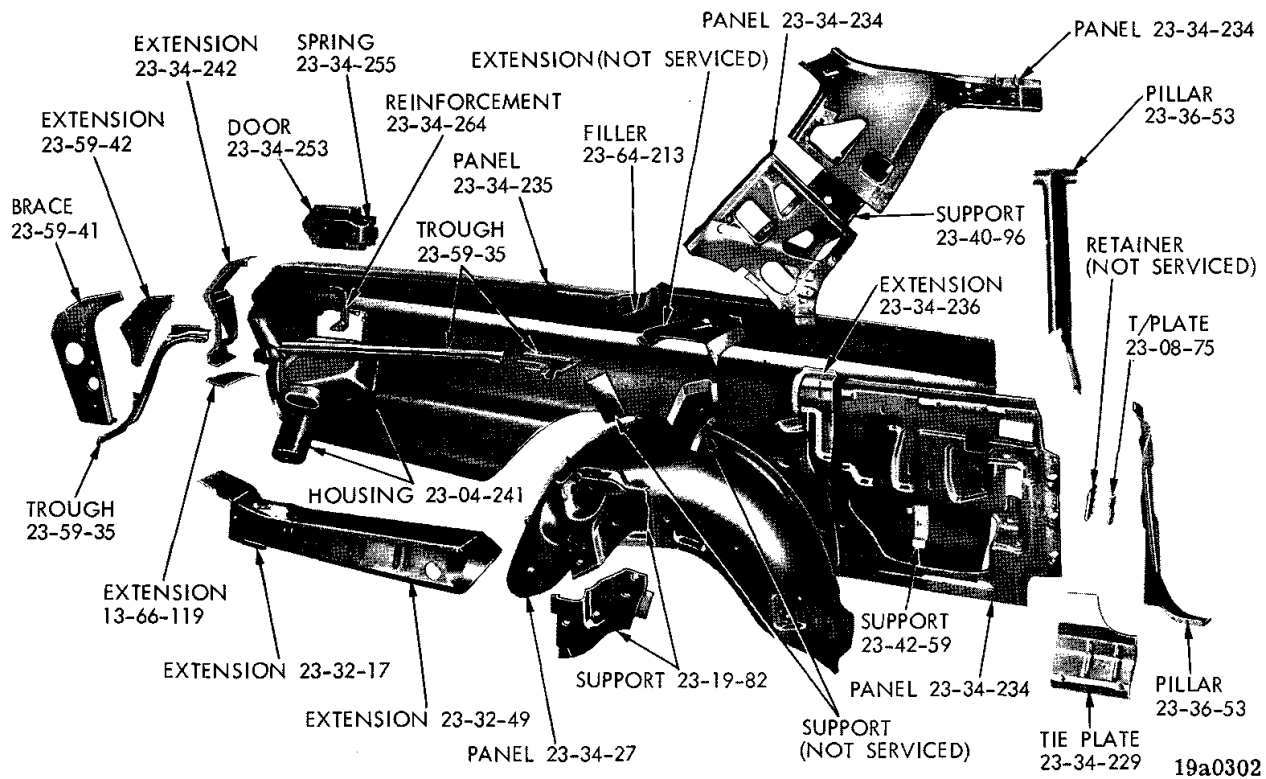
REAR QUARTER PANEL - BELVEDERE STATION WAGON



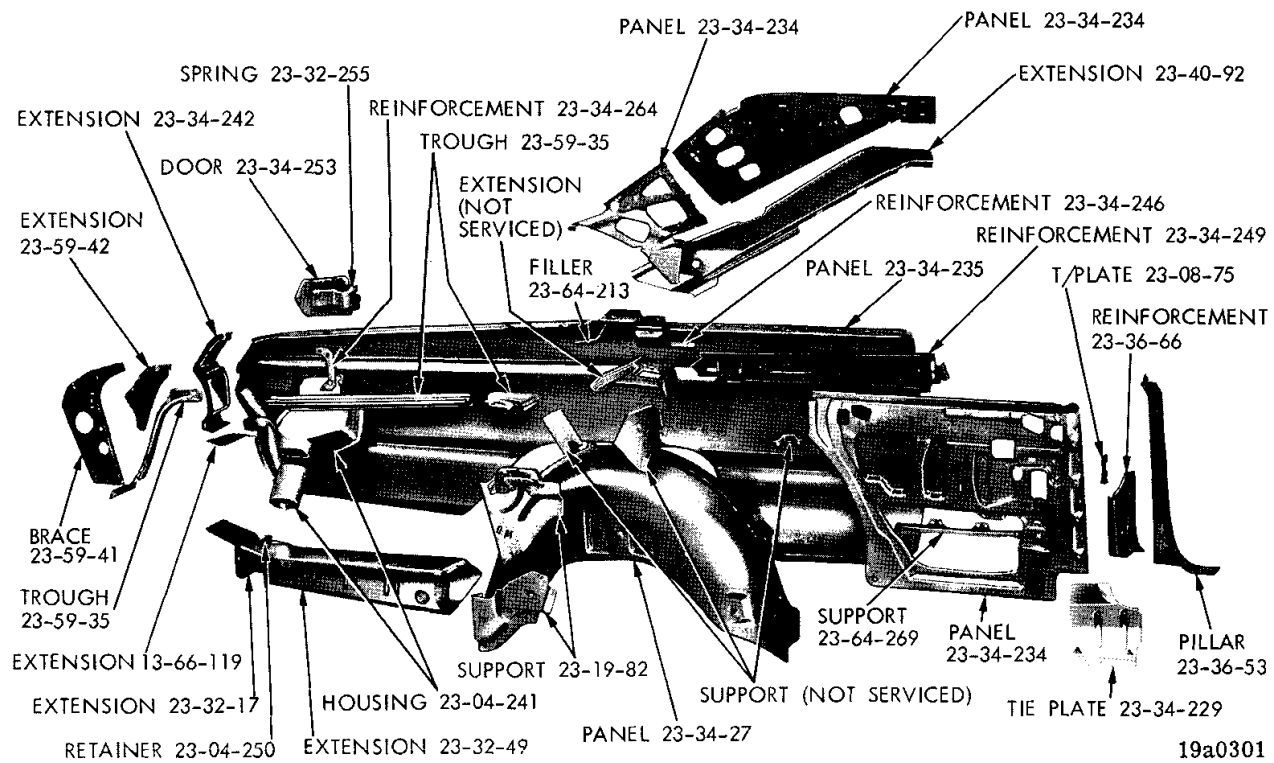
REAR QUARTER PANEL - BELVEDERE CONVERTIBLE COUPE



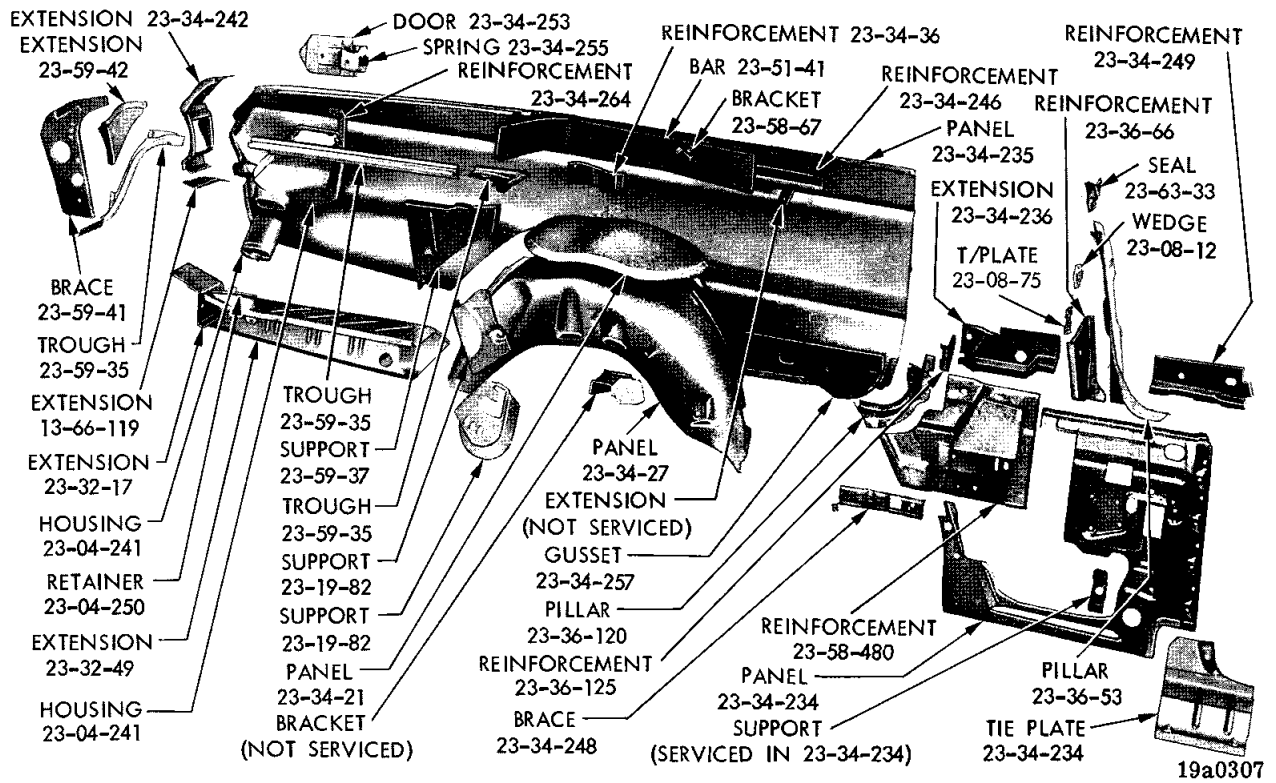
REAR QUARTER PANEL - PLYMOUTH 4 DOOR SEDAN AND 4 DOOR HARDTOP



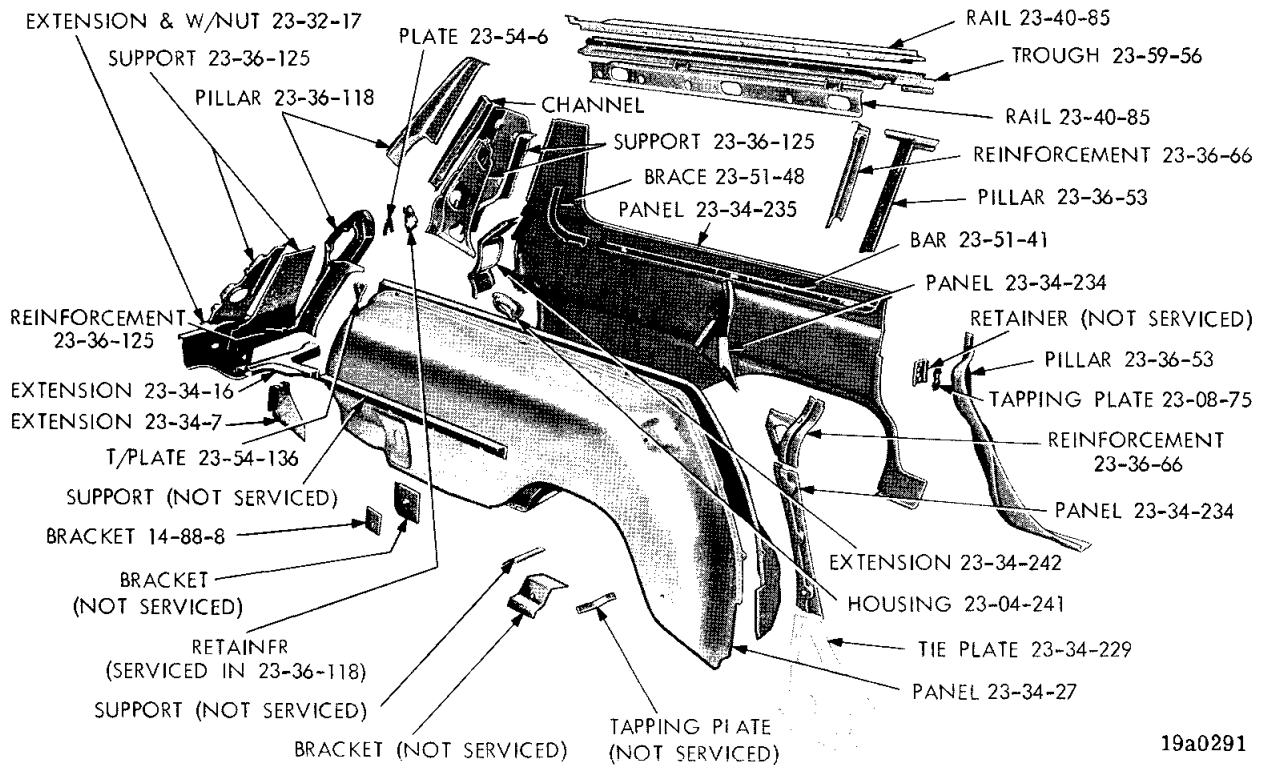
REAR QUARTER PANEL - PLYMOUTH 2 DOOR SEDAN



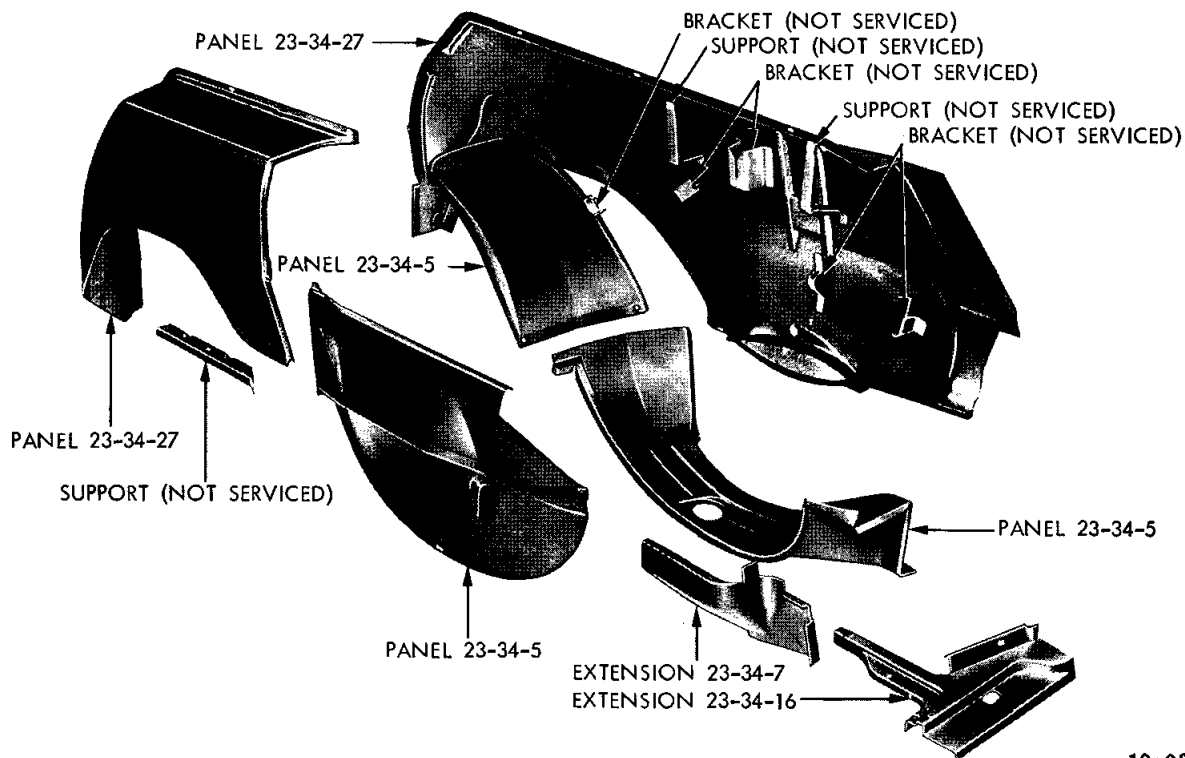
REAR QUARTER PANEL - PLYMOUTH 2 DOOR HARDTOP



REAR QUARTER PANEL - PLYMOUTH CONVERTIBLE COUPE

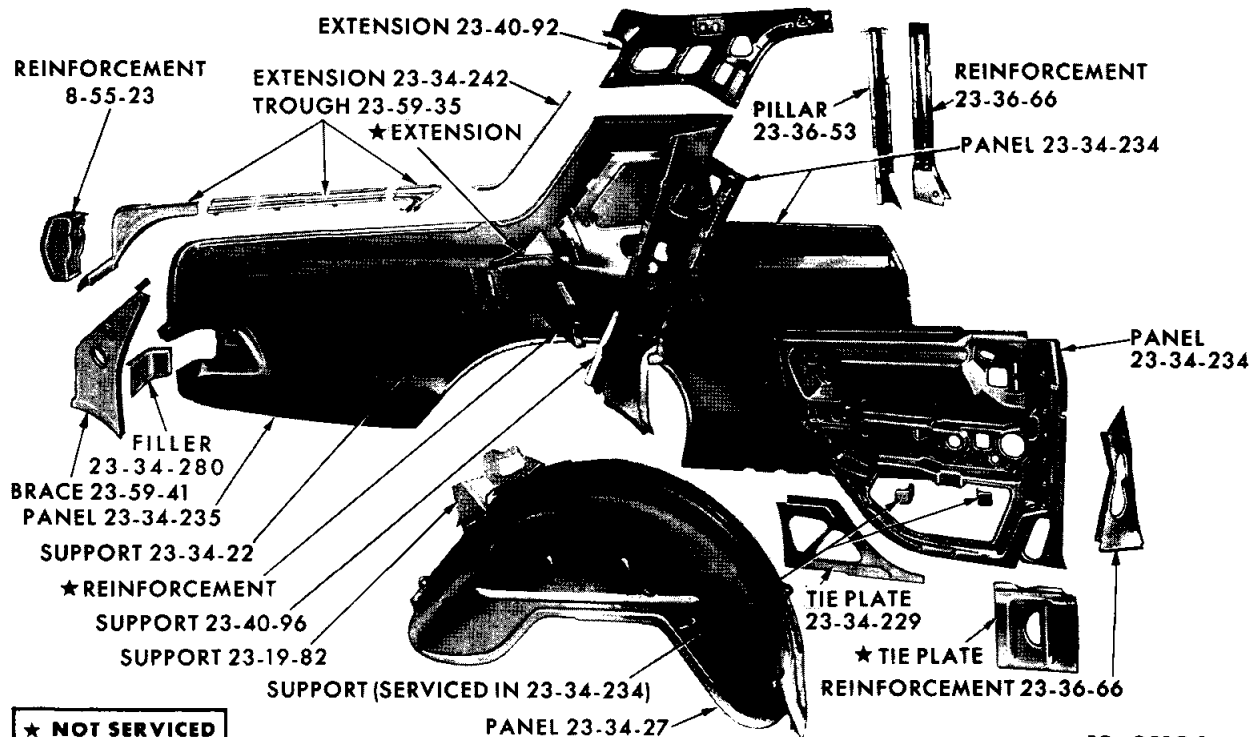


REAR QUARTER PANEL - PLYMOUTH P STATION WAGON



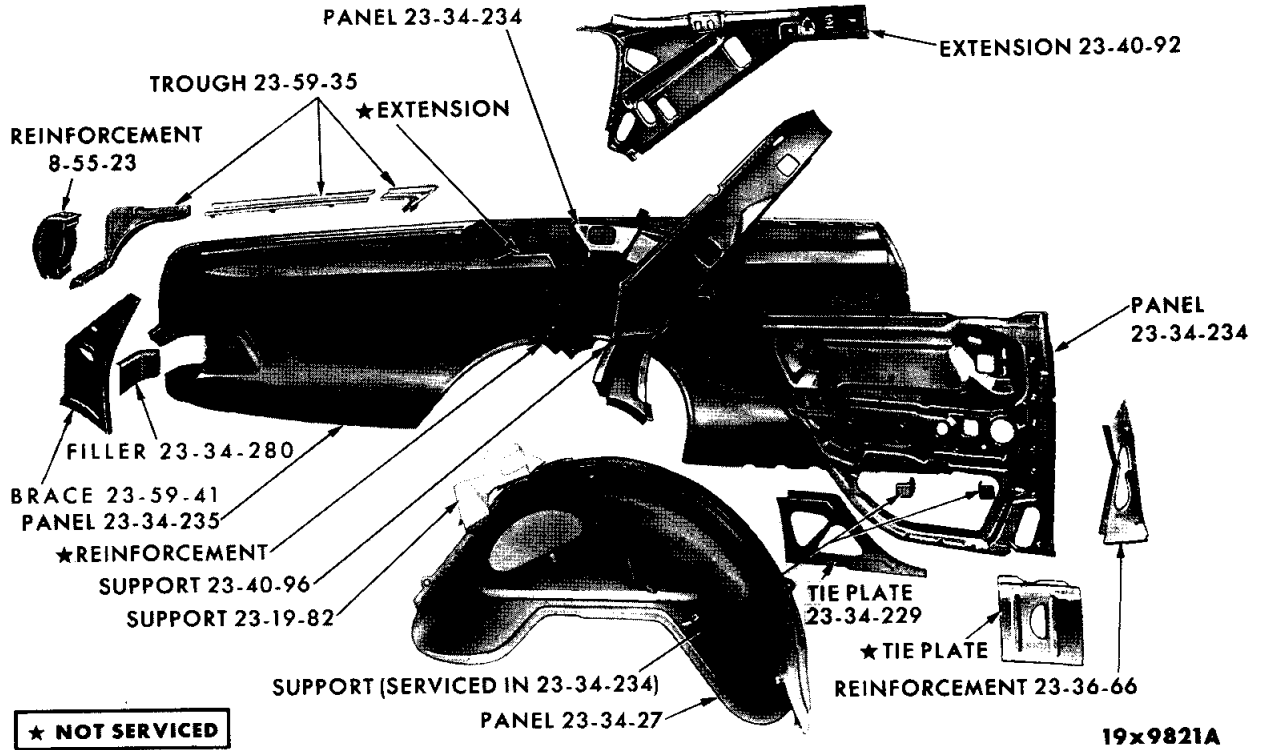
19a0292

REAR QUARTER SPARE TIRE PANELS - PLYMOUTH, DODGE AND CHRYSLER STATION WAGONS

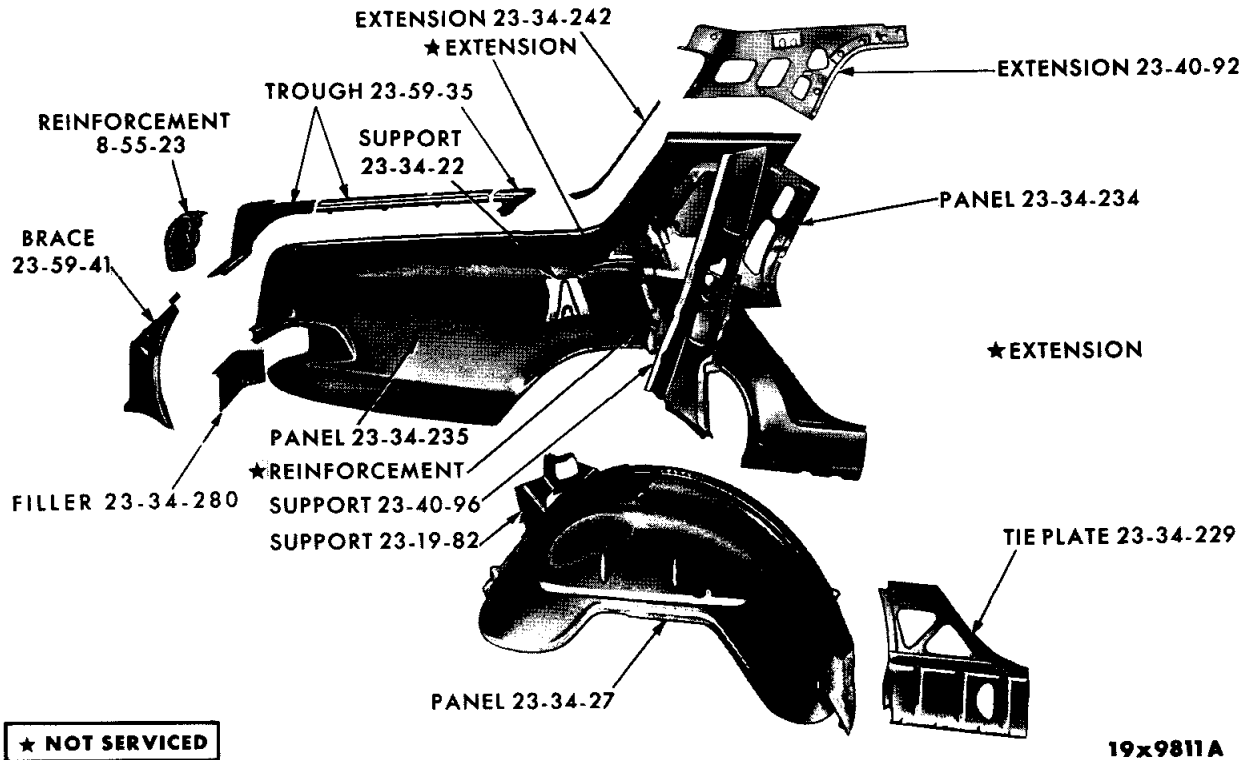


19x9810A

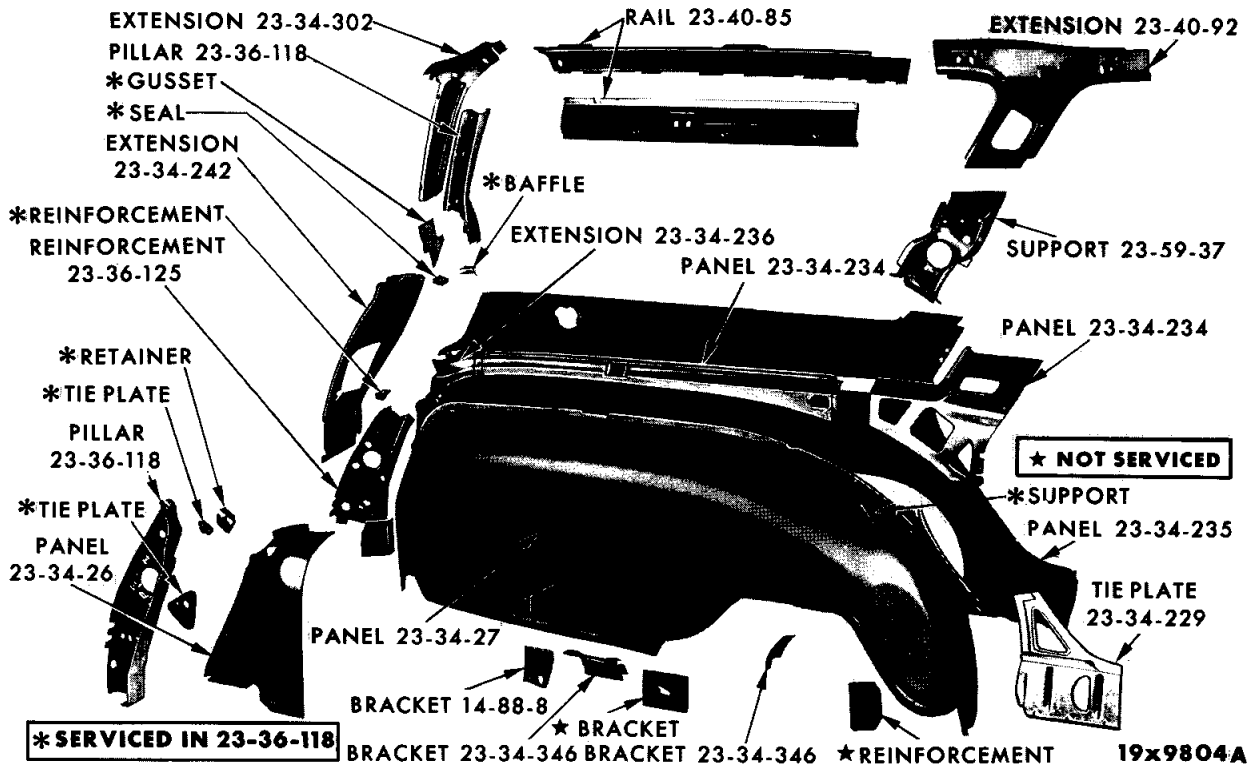
REAR QUARTER PANEL - CORONET 2 DOOR SEDAN



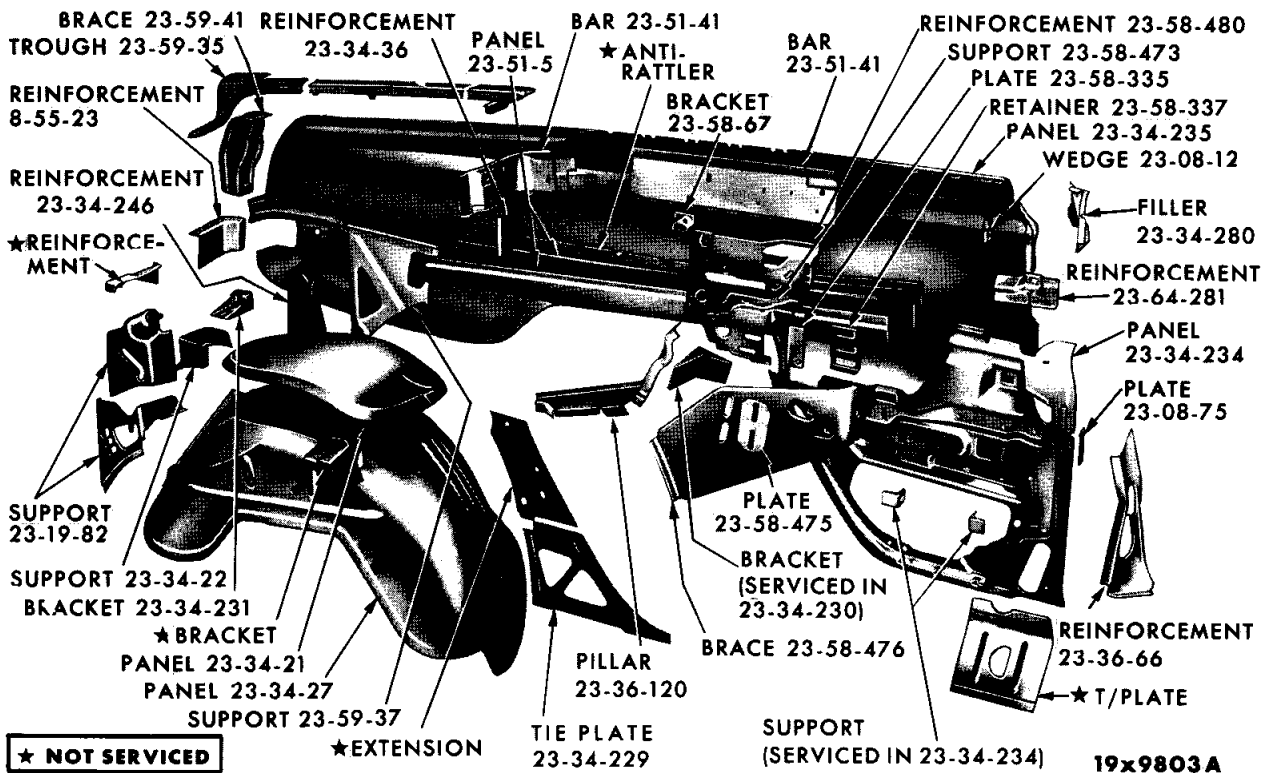
REAR QUARTER PANEL - CORONET 2 DOOR HARDTOP



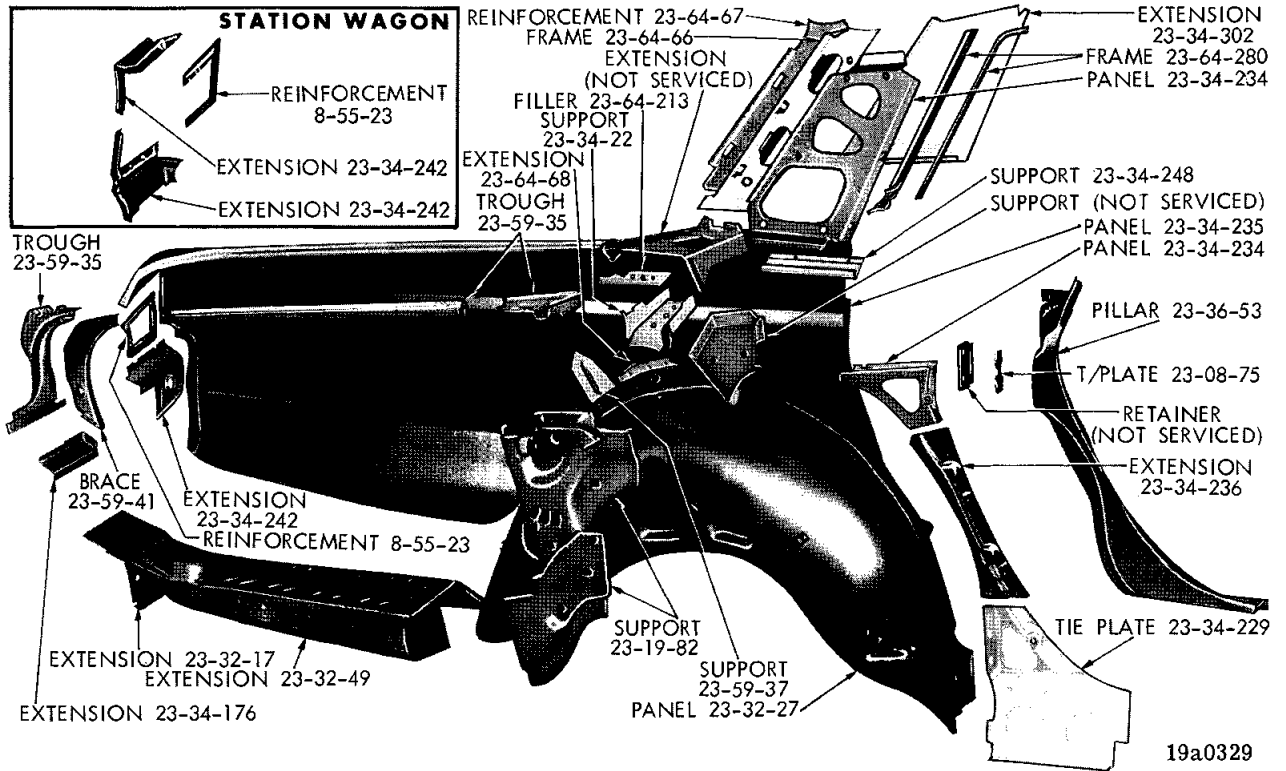
REAR QUARTER PANEL - CORONET 4 DOOR SEDAN



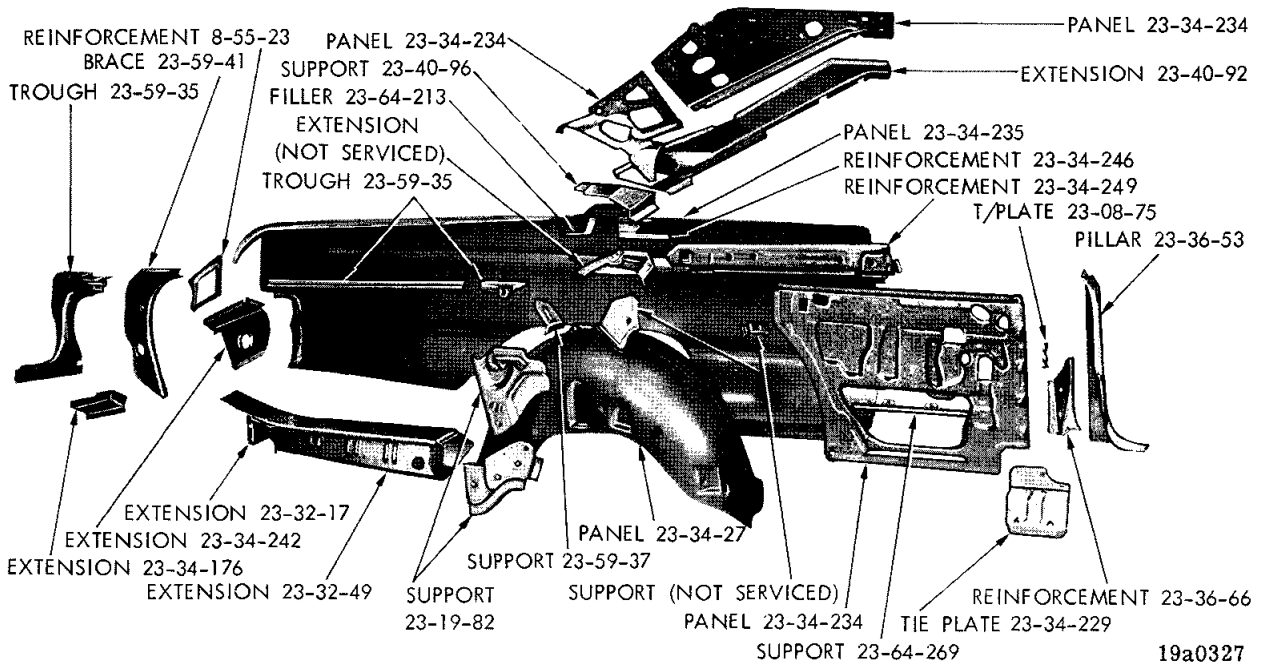
REAR QUARTER PANEL - CORONET STATION WAGON



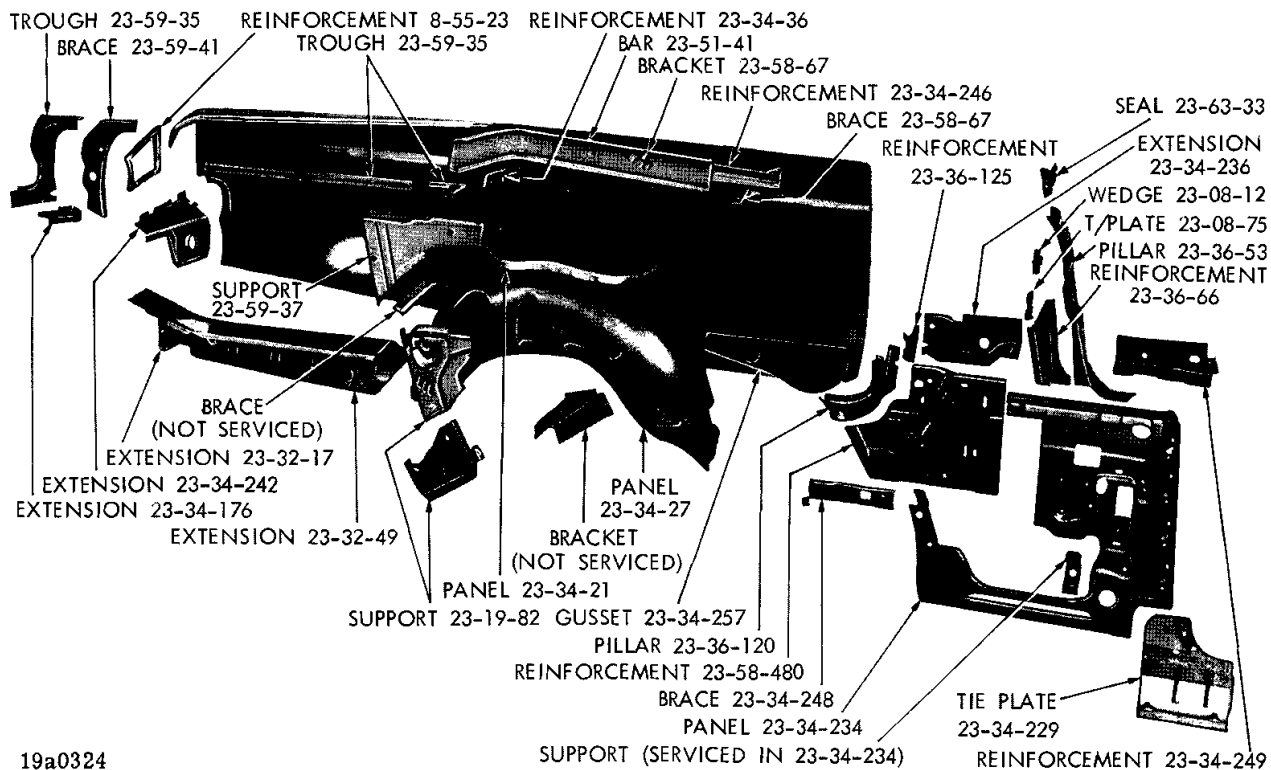
REAR QUARTER PANEL - CORONET CONVERTIBLE COUPE



REAR QUARTER PANEL - DODGE 4 DOOR SEDAN

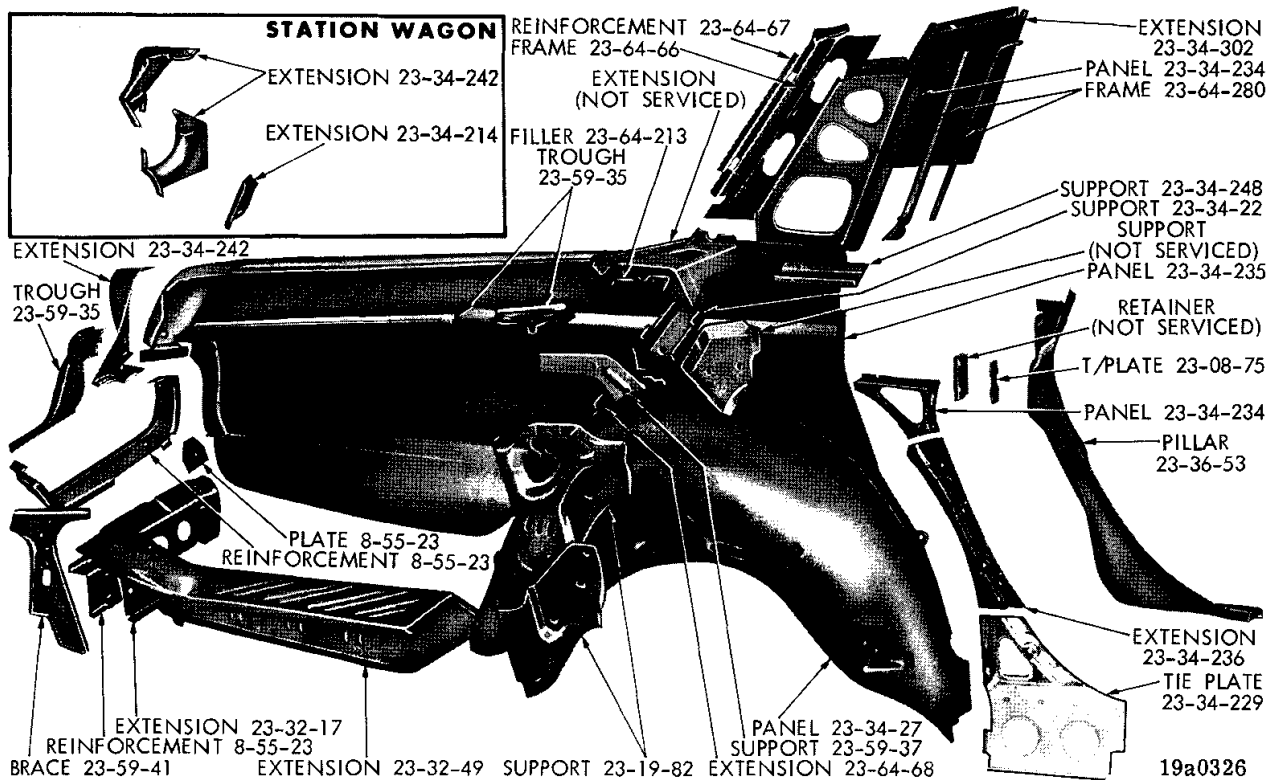


REAR QUARTER PANEL - DODGE 2 DOOR HARDTOP



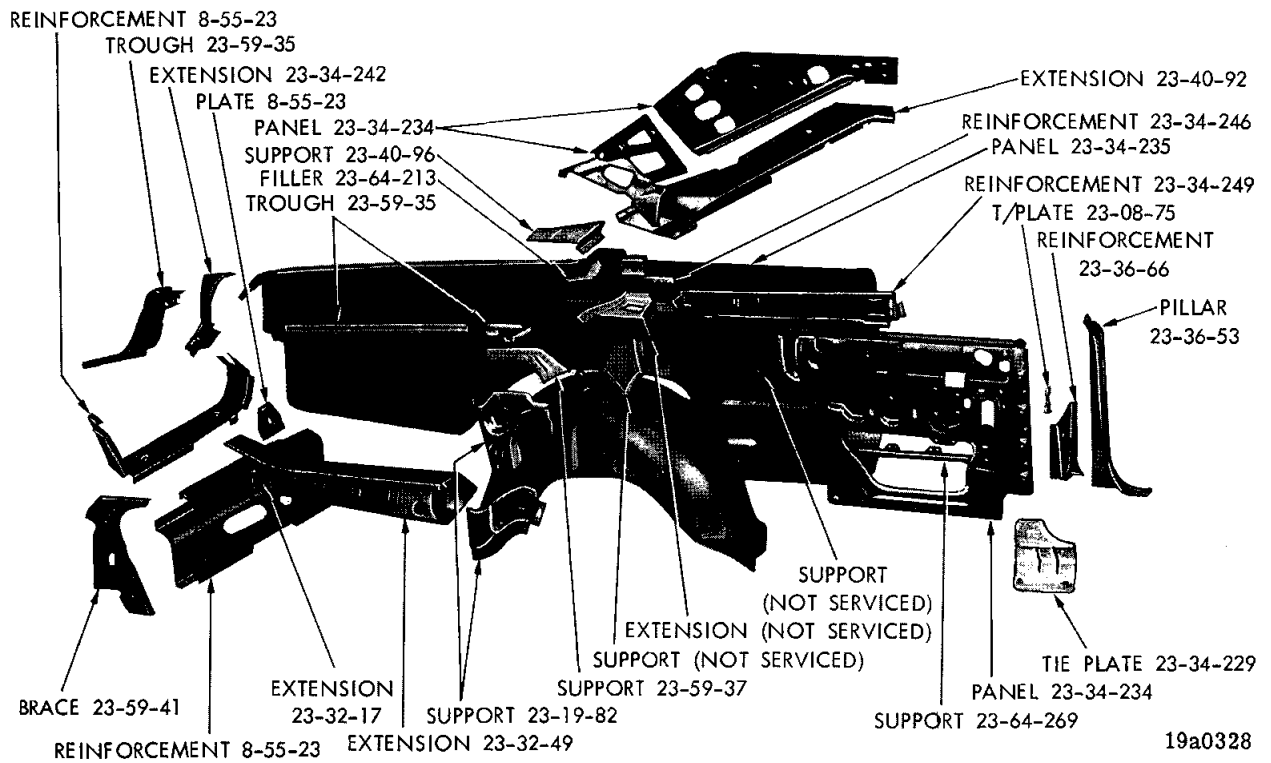
19a0324

REAR QUARTER PANEL - DODGE CONVERTIBLE COUPE

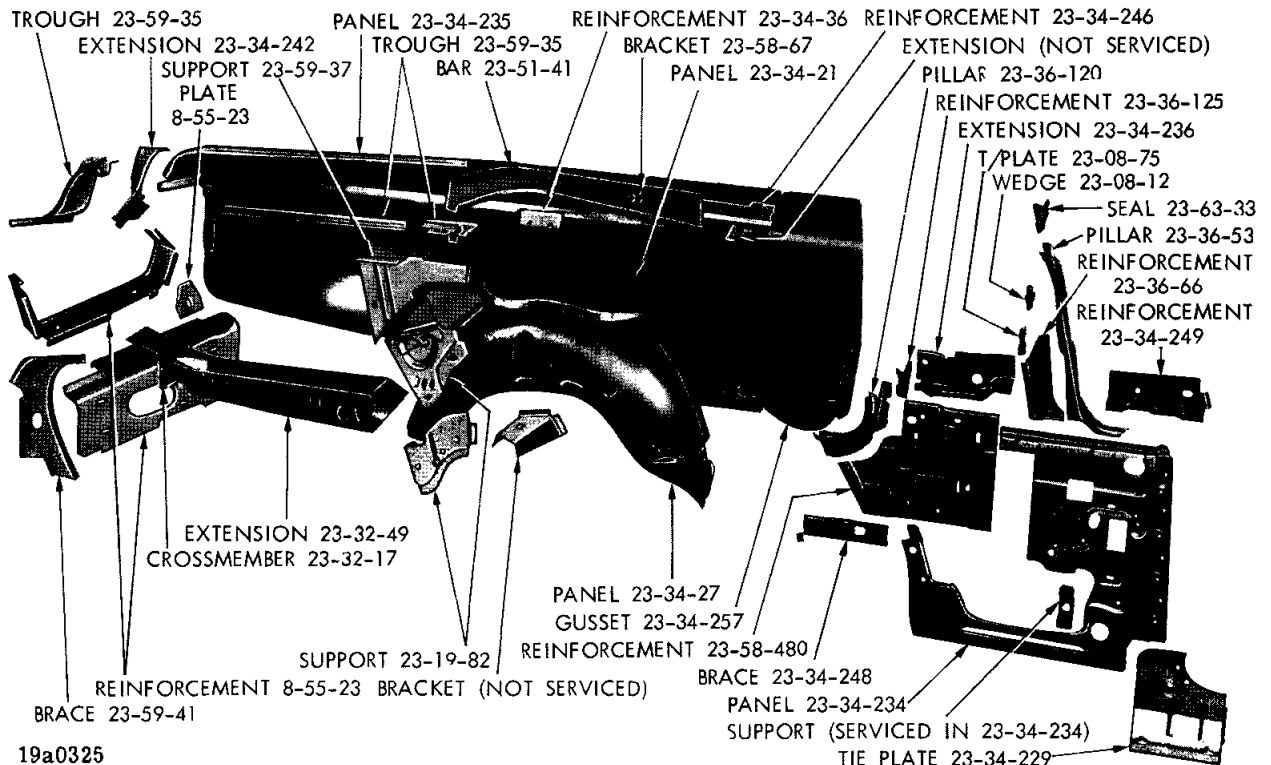


19a0326

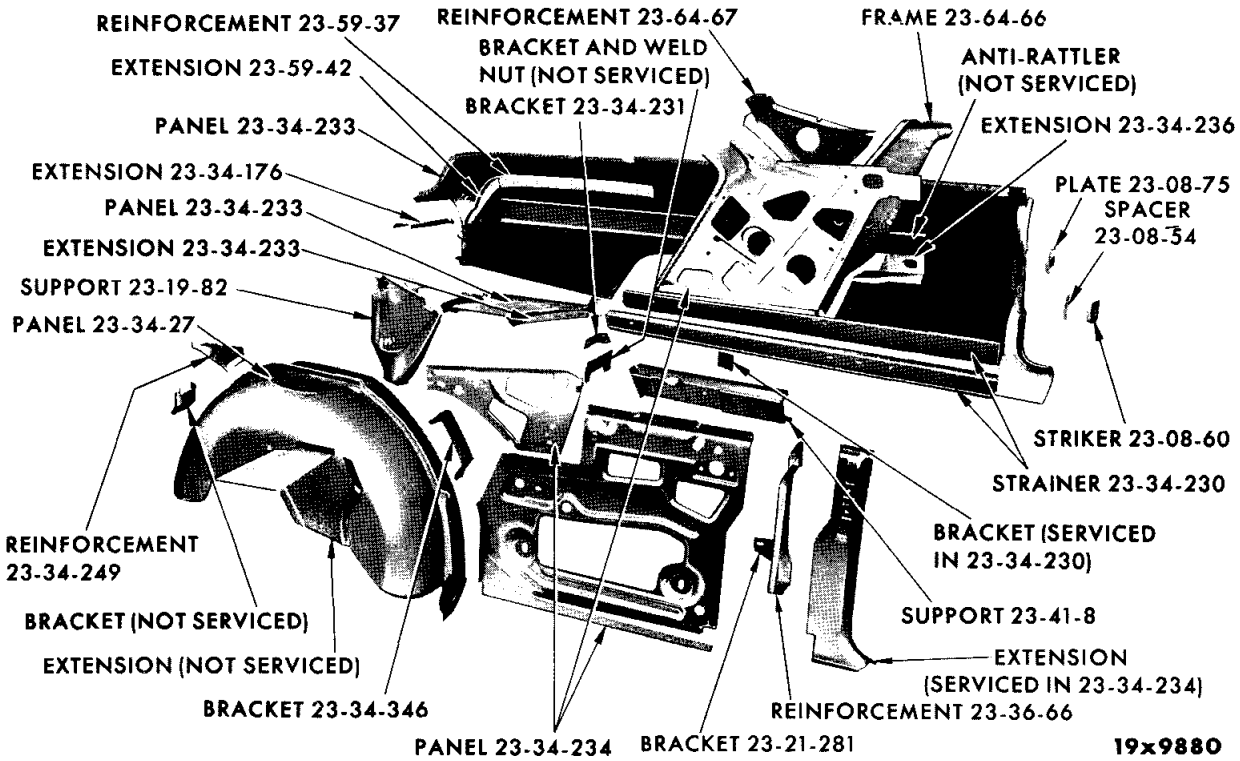
REAR QUARTER PANEL - CHRYSLER 4 DOOR SEDAN AND 4 DOOR HARDTOP



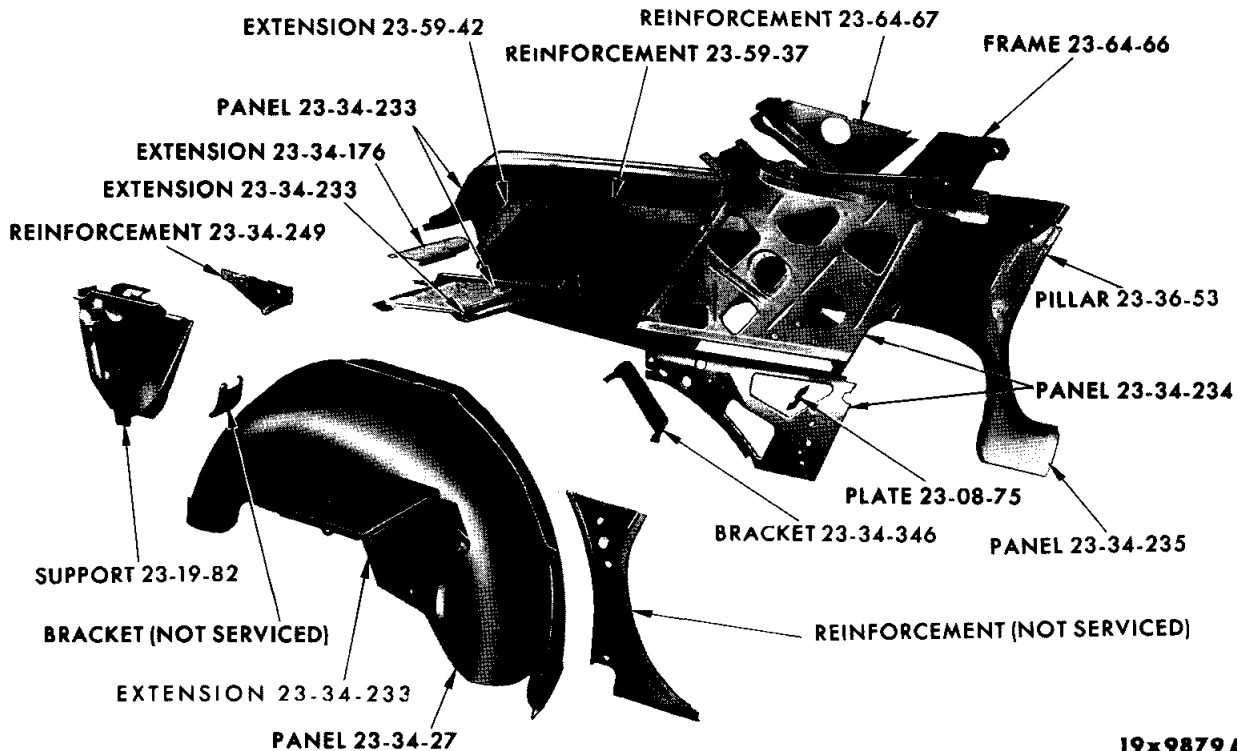
REAR QUARTER PANEL - CHRYSLER 2 DOOR HARDTOP



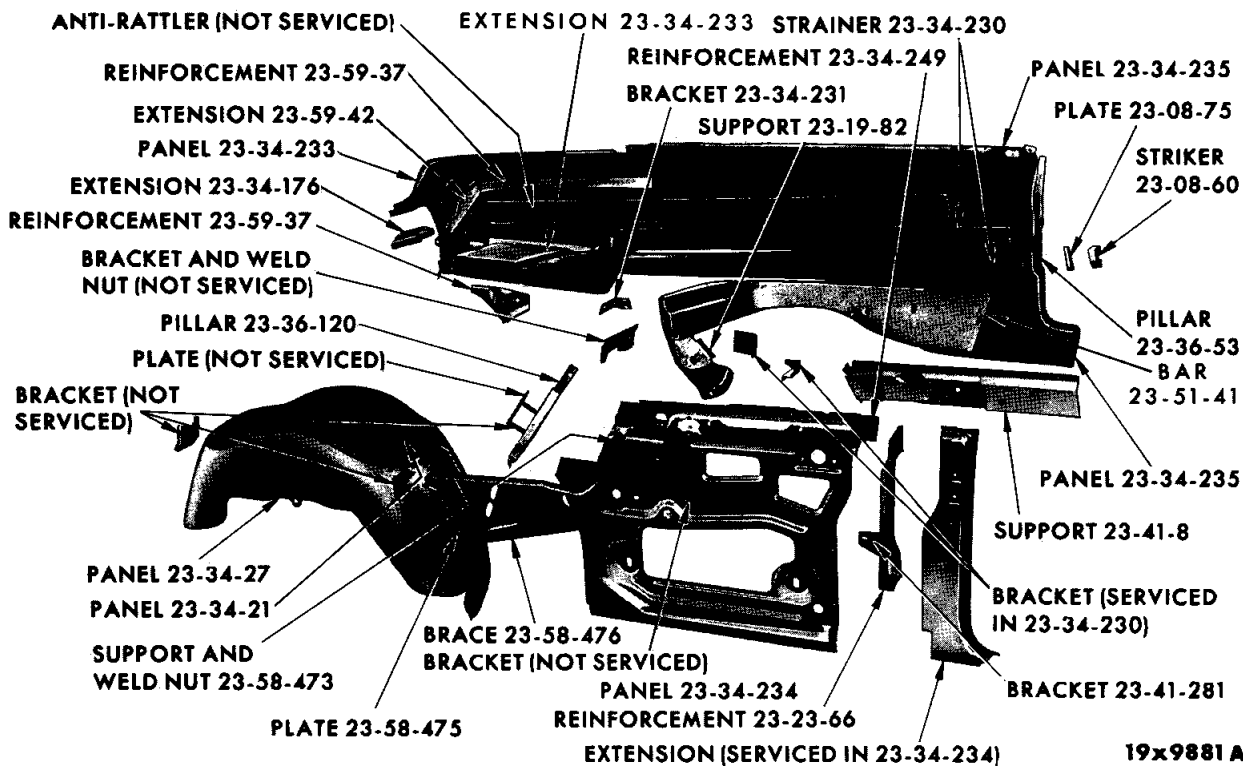
REAR QUARTER PANEL - CHRYSLER CONVERTIBLE COUPE



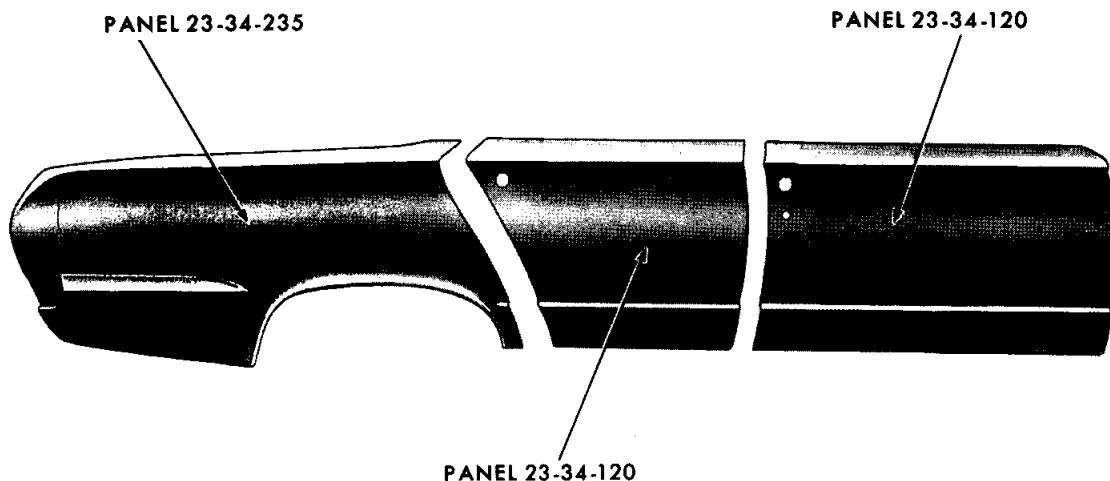
REAR QUARTER PANEL - IMPERIAL 2 DOOR HARDTOP



REAR QUARTER PANEL - IMPERIAL Y-M 4 DOOR HARDTOP

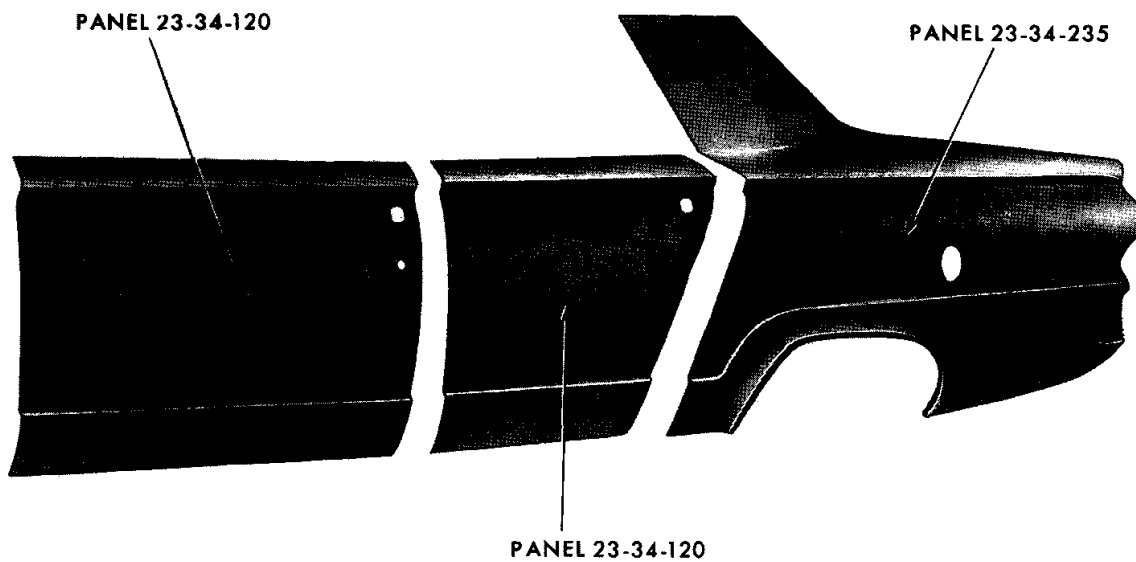


REAR QUARTER PANEL - IMPERIAL CONVERTIBLE COUPE



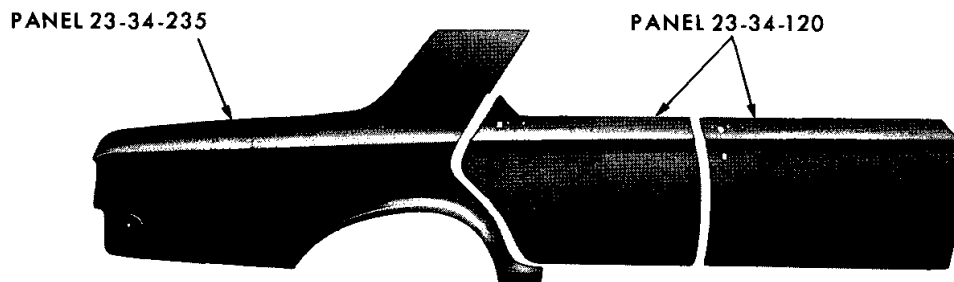
19x9792

REPAIR PANELS - VALIANT



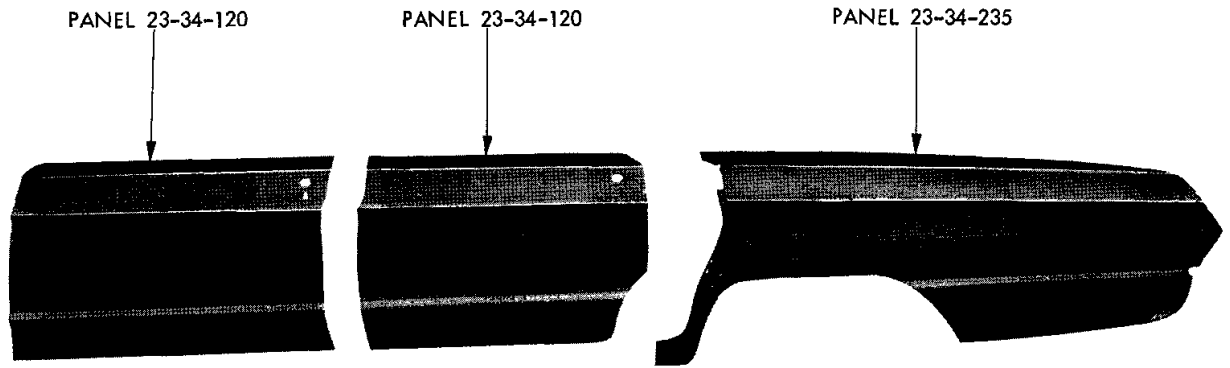
19x9557

REPAIR PANELS - DART



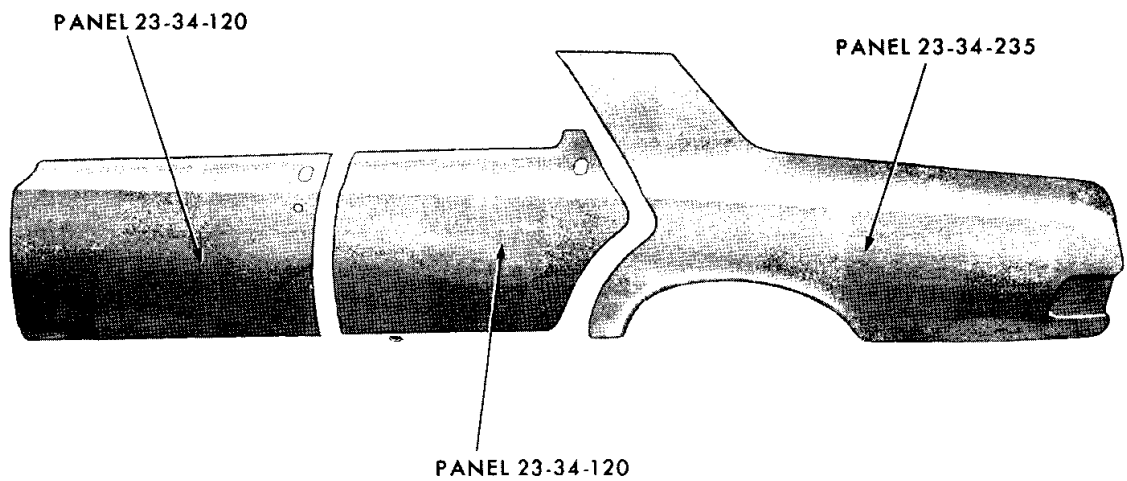
19x9556

REPAIR PANELS - BELVEDERE



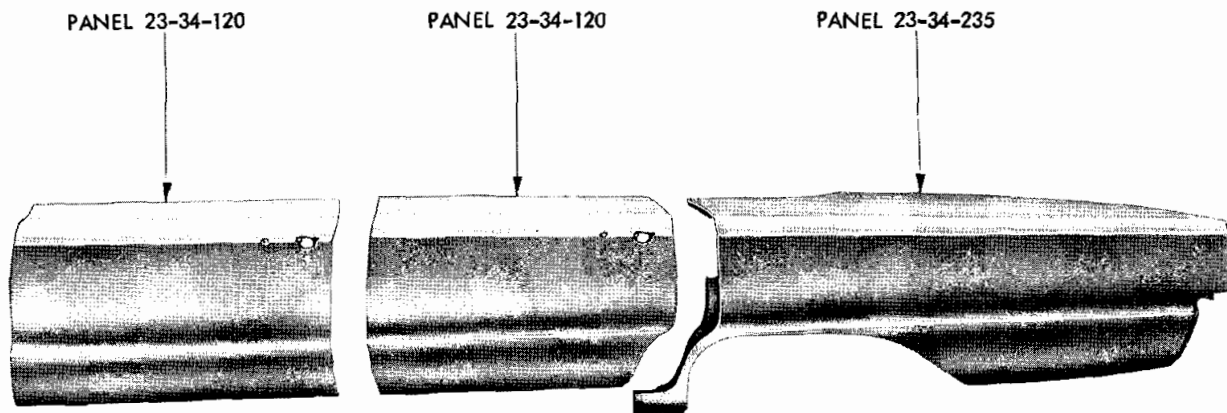
19a0212

REPAIR PANELS - PLYMOUTH



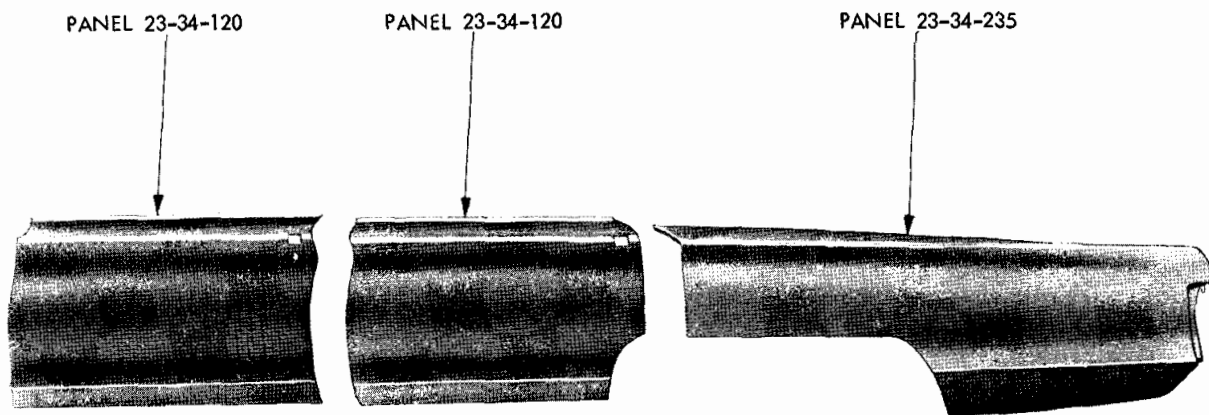
19x9558

REPAIR PANELS - CORONET



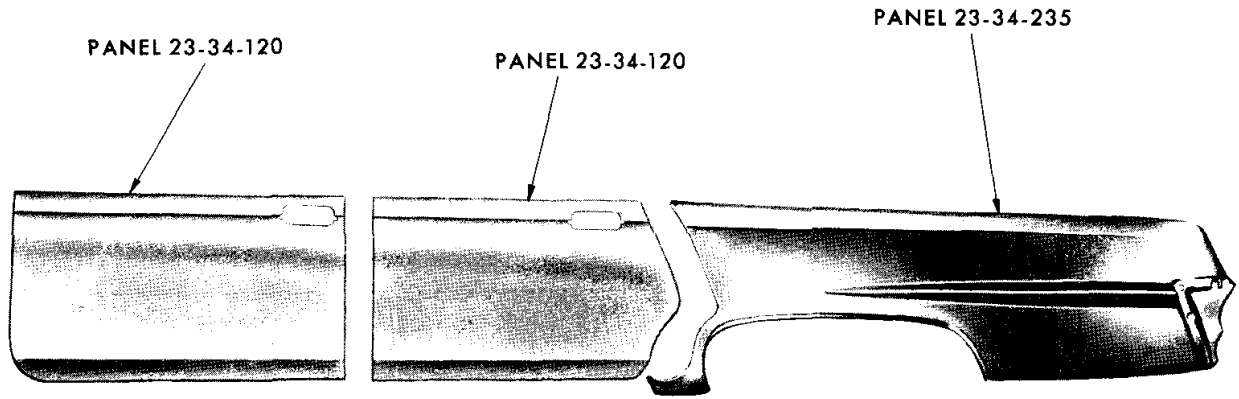
19a0241

REPAIR PANELS - DODGE



19a0243

REPAIR PANELS - CHRYSLER



19x9852

REPAIR PANELS - IMPERIAL

NOTES

A series of horizontal lines provided for handwritten notes, consisting of approximately 18 parallel lines.

CODE	PART NAME AND DESCRIPTION	PER CAR	VALIANT	PLYMOUTH BELVEDERE	PLYMOUTH FURY	IMPERIAL
			DART	DODGE CORONET	DODGE POLARA	
23-02-0 ASH RECEIVER						
23-02-1	RECEIVER, Front Seat Back Ash					
	C-H Use w/Lighter	1	-----	-----	2080 181	
	C-H Use w/Bucket Seats	2	-----	-----	2161 115	
	Complete	2	-----	-----	2161 119	
	2 D. H. T., C-H Use w/Bench Seats	2	-----	-----	2572 006	
23-02-2	RETAINER, w/BEZEL, Front Seat Back Ash Receiver					
	C-H Use w/Buckets Seats	2	-----	-----	2080 784	
	2 D. H. T., C-H Use w/Bench Seats	2	-----	-----	2572 798	
23-02-6	BUMPER, Front Seat Back Ash Receiver					
	C-H Housing	2	-----	-----	2419 620	
	Spring	★	-----	-----	2419 621	
23-02-11	HOUSING, Front Seat Back ash Receiver					
	C-H Use w/Lighter	1	-----	-----	2419 626	
23-02-18	RECEIVER, Instrument Panel Ash					
	V	1	2218 864	2218 995	-----	1901 826
	C	2	-----	-----	2491 628	
	L, P	1	2571 782	-----	2570 994	
	D	2	-----	-----	2571 186	
	C Complete	2	-----	-----	2571 601	
	BEARING, C	4	-----	-----	* 169 111	
23-02-19	HOUSING, Instrument Panel Ash Receiver					
	P	1	2292 183	2217 738	2570 135	
	D	1	-----	-----	2571 057	
23-02-27	RETAINER, Instrument Panel Ash Receiver					
	Compartment Bearing					
	C	1	-----	-----	2571 503	
23-02-29	STOP, Instrument Panel Ash Receiver					
	P, D	★	2218 847	2217 746	2217 746	
23-02-33	RETAINER, Instrument Panel Ash Receiver					
	Coin					
	C Black	1	-----	-----	4267 AX9	
23-02-38	BUMPER, Instrument Panel Lower Ash					
	Receiver Upper					
	All	2	-----	-----	-----	2218 683
	All Door	2	-----	-----	-----	2080 480
23-02-40	DOOR, Instrument Panel Ash Receiver					
	C Outer	2	-----	-----	2571 542	
	All w/Housing	1	-----	-----	-----	2492 816
23-02-43	SPRING, Instrument Panel Ash Receiver					
	C	★	-----	-----	2571 502	1901 844-5
23-02-50	FINISH PLATE, Instrument Panel Ash Receiver					
	L	1	2571 224	-----	-----	
23-02-62	RECEIVER, Rear Quarter Arm Rest Ash					
	2 D. H. T., 2 D., except C-H	2	2490 462	2490 462	2490 462	
	2 D. H. T., Cv. Cp.	2	-----	-----	-----	2440 270
	2 D. H. T., C-H	2	-----	-----	2572 006	

TYPE LETTERS Indicate: V - Valiant R - Belvedere P - Plymouth C - Chrysler
 L - Dart W - Coronet D - Dodge Y - Imperial

★Indicates use as required. Printed in U.S.A.
 †Indicates parts not listed in any previous parts book. Prices and specifications subject to change without notice.
 Right and left part numbers are on same line, first number is right, second number is left. March 1966 Supersedes May 1965.
 * Indicates change or addition. Page 23-305

1965 PASSENGER CAR PARTS CATALOG

BODY

CODE	PART NAME AND DESCRIPTION	PER CAR	VALIANT	PLYMOUTH BELVEDERE	PLYMOUTH FURY	IMPERIAL
			DART	DODGE CORONET	DODGE POLARA	
23-02-0 ASH RECEIVERS - Cont'd						
23-02-68	RETAINER and BEZEL, Quarter Arm Rest Ash Receiver 2 D. H. T., C-H	2	-----	-----	*2572 798	
	RETAINERS BEZEL, Rear Door Ash Receiver C-H	2	-----	-----	*2572 798	
23-02-78	RECEIVER, Rear Door Ash Except C-H	2	*2490 462	*2490 462	*2490 462	*2440 270
	C-H	2	-----	-----	2572 006	
23-02-79	RECEIVER, Folding Top Pocket Panel Ash, w/LID Cv. Cp.	2	2490 481	2490 462	2490 481	
23-02-82	SPRING, Folding Top Panel Ash Receiver Cv. Cp.	2	2292 503	2499 590	2292 503	
	SPRING, Rear Quarter Arm Rest Ash Receiver 2 D. H. T., 2 D., except C-H	2	2499 590	2499 590	2499 590	
	2 D. H. T., Cv. Cp.	2	-----	-----	-----	2572 163
	SPRING, Rear Door Ash Receiver C-L, C-M	2	2499 590	2499 590	2499 590	2572 163
	SPRING, Floor Console Ash Receiver 2 D. H. T., Cv. Cp.	1	2292 503			
23-02-84	BUMPER, Rear Door and Quarter Arm Rest Ash Receiver					
	All					
	Front	★	-----	-----	-----	1639 961
	Rear	★	-----	-----	-----	2490 491
23-02-85	LID, Door and Quarter Arm Rest Ash Receiver, w/BRACKET All	★	-----	-----	-----	2581 382-3
23-02-105	RECEIVER, Floor Console Ash All	1	2581 862			
	D-P	1	-----	-----	2572 583	
23-02-107	BEZEL, Floor Console Ash Receiver Housing D-P	1	-----	-----	2572 510	
	BEZEL, Folding Top Panel Ash Receiver Cv. Cp.	2	1623 104	-----	1623 104	
23-02-110	HOUSING, Floor Console Ash Receiver D-P	1	-----	-----	2581 722	
23-02-111	LID, Floor Console Ash Receiver Housing D-P	1	-----	-----	2572 592	
23-02-145	RECEIVER, Third Seat Ash Sta. Wgn., D, C	1	-----	-----	2161 115	
	w/Face PLATE	1	-----	-----	2161 119	
	Complete	1	-----	-----		
23-02-151	RETAINER and BEZEL, Third Seat Ash Receiver Sta. Wgn., D, C	1	-----	-----	2080 784	
23-04-0 FLOOR BOARDS						
23-04-205	MOULDING, Rear Floor Pan Cover Panel V Barracuda					
	Front	1	2527 922			
	Side	1	2527 924-5			

TYPE LETTERS Indicate: V - Valiant R - Belvedere P - Plymouth C - Chrysler
L - Dart W - Coronet D - Dodge Y - Imperial

★Indicates use as required.

⊖Indicates parts not listed in any previous parts book.

May 1965.

Prices and specifications subject to change without notice.

Right and left part numbers are on same line, first number is right, second number is left.

* Indicates change or addition.

CODE	PART NAME AND DESCRIPTION	PER CAR	VALIANT	PLYMOUTH BELVEDERE	PLYMOUTH FURY	IMPERIAL
			DART	DODGE CORONET	DODGE POLARA CHRYSLER	
23-04-0 FLOOR BOARDS - Cont'd						
23-04-205	MOULDING - Cont'd					
	Sta. Wgn., 3 Seater Prime	1	-----	2254 668		
	SCREW	6	-----	6024 848		
	Sta. Wgn., 3 seater Center and Rear, Prime. .	1	-----		2526 642	
	SKID STRIP, Center Floor Pan Third Seat Back					
	Sta. Wgn., 3 Seater	2	-----	2251 868		
	MOULDING, Spare Tire Compartment Floor Mat					
	Sta. Wgn. w/3 Screw Holes	1	-----	2419 781		
23-04-207	CAP, Rear Floor Pan Cover Panel Moulding V Barracuda	1	2527 936-7			
23-04-229	COVER, Floor Pan Spare Tire, Hard Board Except Barracuda, except Sta. Wgn.	1	2419 361			
	COVER, Spare Tire					
	2 D. H. T., Cv. Cp., R-P, W-P	1	-----	2499 300		
	Sta. Wgn.	1	-----	4318 TX8		
	PANEL, Spare Tire					
	All	1	-----	-----	-----	1708 248
	WING NUT, Tire Cover	1	* 148 314	-----	-----	* 148 314
23-04-241	HOUSING, Fuel Tank Filler Tube					
	R, except Sta. Wgn.	1	-----	2425 394		
	P, except Sta. Wgn. Upper	1	-----	-----	2481 956	
	W, P, except Sta. Wgn. Lower	1	-----	2244 123	2483 881	
	Sta. Wgn., P	1	-----	-----	2526 862	
	Sta. Wgn., D	1	-----	-----	2483 874	
	Sta. Wgn., C	1	-----	-----	2526 863	
	All	1	-----	-----	-----	2480 577
23-04-249	SEAL, Fuel Tank Filler Tube All	1	2242 359			
23-04-250	RETAINER, Fuel Tank Filler Tube Seal P, except Sta. Wgn.	1	-----	-----	2483 904	
23-06-0 GLOVE BOX						
23-06-4	BOX, Glove					
	P	1	2571 474	-----	2571 746	2492 086
	All w/Lens	1	-----	2571 287		
	D Use w/Air Conditioning	1	-----	2571 286	2587 128	
	D	1	-----	-----	2571 812	
	C Upper	1	-----	-----	2571 468	
	Lower	1	-----	-----	2571 948	
23-06-8	DRAWER, Glove Box Map C	1	-----	-----	2571 469	
23-06-9	RETAINER, Instrument Panel Glove Box Tissue Container C	1	-----	-----	*2571 647	
23-06-10	DOOR, Glove Box					
	R-L, P	1	2587 275	2571 897	2492 996	
	W, D	1	-----	2571 897	2492 901	
	R-H, R-P	1	-----	2571 896		
	C Prime, Inner	1	-----	-----	2491 619	2217 791
	Outer	1	-----	-----	2571 078	
	Y-M, except 2 D. H. T.					
	Outer	1	-----	-----	-----	2570 128
	Y-H Outer	1	-----	-----	-----	2571 455
	2 D. H. T., Y-M Outer	1	-----	-----	-----	2571 455

TYPE LETTERS Indicate: V - Valiant R - Belvedere P - Plymouth C - Chrysler
 L - Dart W - Coronet D - Dodge Y - Imperial

* Indicates use as required.
 B Indicates parts not listed in any previous parts book.
 Right and left part numbers are on same line, first number is right, second number is left.
 * Indicates change or addition.
 Printed in U.S.A.
 Prices and specifications subject to change without notice.
 Page 23-307 March 1966 Supersedes May 1965.

1965 PASSENGER CAR PARTS CATALOG

BODY

CODE	PART NAME AND DESCRIPTION	PER CAR	VALIANT	PLYMOUTH BELVEDERE	PLYMOUTH FURY	IMPERIAL
			DART	DODGE CORONET	DODGE POLARA CHRYSLER	
23-06-0 GLOVE BOX - Cont'd						
23-06-11	SHELF, Instrument Panel Glove Box Tissue C	1	-----	-----	2631 872	
23-06-13	ARM, Glove Box Door Check P	1	-----	-----	2570 004	
23-06-14	BUMPER, Glove Box C	2	2292 257	2292 257	2292 257	
	P, D Hinge Door	2	1698 868	2080 201	2080 201	2080 480
23-06-15	CATCH, Glove Box Door Lock P	1	-----	2162 692	2492 999	2492 716
	D	1	-----	-----	2571 949	
	PLATE, Glove Box Door Lock Striker C	1	-----	-----	2571 648	
23-06-17	FINISH PLATE, Glove Box Door V-H, V-P	1	2492 993			
	L-H, L-P	1	2492 992			
	W-H, W-P, P-P	1	-----	2571 308	2571 972	
	NUT	★	-----	9415 312		
	P-H	1	-----	-----	2588 006	
	C-M, C-P	1	-----	-----	2571 158	
	C-H	1	-----	-----	2571 164	
23-06-21	HINGE, Glove Box Door P	★	2292 246-7	2491 004-5	2492 965	
	D	1	-----	-----	2492 902-3	
	C	1	-----	-----	2491 786-7	2217 784-5
23-06-22	SPRING, Glove Box Door All Hinge	1	2217 175	2492 831	-----	2492 171
	D Hinge	1	-----	-----	2661 091	
	C Hinge	2	-----	-----	*2571 914	
	All Release	2	-----	-----	-----	*2771 660
	SCREW	1	-----	-----	-----	* 443 716
23-06-23	HOUSING, Glove Box Map Drawer C	1	-----	-----	2571 947	
23-06-25	HANDLE or KNOB, Glove Box Door V Use w/Lock	1	2571 627			
	L Use w/o Lock	1	2571 628			
	SCREW	2	456 867			
23-06-28	CYLINDER and KEYS, Glove Box Door Lock P, D	1	-----	*1830 415	*1830 415	*2499 377
	C	1	-----	-----	*2520 927	
	CYLINDER and KEY, Glove Box Lock Cv. Cp., V	1	2583 167			
	CYLINDER, KEY and KNOB PACKAGE, Glove Box Lock V except Cv. Cp. Consists of: 1 - ----- Cylinder and Key 1 - 2571 627 Knob 1 - 2520 874 Lever 1 - 6025 195 Screw and Lock Washer 1 - 6025 196 Nut 1 - 6025 197 Washer	1	*2585 844			

TYPE LETTERS Indicate: V - Valiant R - Belvedere P - Plymouth C - Chrysler
L - Dart W - Coronet D - Dodge Y - Imperial

★ Indicates use as required. Prices and specifications subject to change without notice. Printed in U.S.A.
 ☐ Indicates parts not listed in any previous parts book. Right and left part numbers are on same line, first number is right, second number is left.
 * Indicates change or addition.
 March 1966 Supersedes May 1965. Page 23-308

CODE	PART NAME AND DESCRIPTION	PER CAR	VALIANT	PLYMOUTH BELVEDERE	PLYMOUTH FURY	IMPERIAL
			DART	DODGE CORONET	DODGE POLARA CHRYSLER	
23-06-0 GLOVE BOX - Cont'd						
23-06-35	SPACER, Instrument Panel Glove Box Door Lock Indexing V	1	2661 578			
23-06-37	LEVER, Glove Box Lock Cylinder V	1	2520 874			
23-06-41	GROMMET, Glove Box Door Check Arm All	2	-----	-----	-----	2080 488
23-06-42	MEDALLION, Glove Box Door C-M, C-P w/300 NUT	1 2	----- -----	----- -----	2571 425 6022 297	
23-06-49	MOULDING, Glove Box Door D C NUT	1 1 3	----- ----- -----	----- ----- -----	2571 067 2491 625 1839 995	
23-06-53	NAME PLATE, Glove Box Door R-H Belvedere P-M FURY 11 P-H FURY 111 D-L Polara D-L "500" D-P Monaco D-H Custom 880 C-L NEWPORT C-H New Yorker NUT C 2 D. H. T., Y-M Crown Coupe 4 D. H. T., Cv. Cp., Y-M IMPERIAL Crown Y-H LeBaron	1 1 1 1 1 1 1 1 1 1 2 1 1 1	----- ----- ----- ----- ----- ----- ----- ----- ----- ----- ----- ----- ----- -----	2571 730 ----- ----- ----- ----- ----- ----- ----- ----- ----- ----- ----- ----- -----	----- 2571 728 2571 729 2587 113 2631 961 2587 139 *2631 469 2571 594 2571 615 6022 297 ----- ----- ----- -----	----- ----- ----- ----- ----- ----- ----- ----- ----- ----- ----- ----- ----- -----
23-06-54	NUT, Glove Box Door Name Plate Attaching P-H, C-L, C-H Cv. Cp., 4 D. H. T., Y-M NUT, Instrument Panel Glove Box Door Face Plate P-H, P-P	2 2 8	----- ----- -----	----- ----- -----	1839 995 ----- 1839 995	----- ----- -----
23-06-55	BEZEL, Glove Box Door P-H, P-P	1	-----	-----	2571 971	
23-06-68	RETAINER, Glove Box Door Hinge Rivet All	2	6008 041	6008 041	6008 041	
23-07-0 BRACKETS AND REINFORCEMENTS						
23-07-169	BRACKET, Instrument Panel to Cowl Side C BRACKET, Instrument Panel Lower Reinforcement to Pillar All	1 1	----- -----	----- -----	2492 696-7 -----	----- 2080 652-3
23-08-0 BUMPERS AND STRIKERS						
23-08-12	BUMPER or WEDGE, Door Cv. Cp. Door Body All 2 D. H. T. Cv. Cp. Body	2 2 ★ 2	2428 191 ----- 2255 231 -----	----- 1544 841 2255 231 -----	----- 2520 004 2255 231 -----	----- ----- 2255 231 2520 004

TYPE LETTERS Indicate: V - Valiant R - Belvedere P - Plymouth C - Chrysler
L - Dart W - Coronet D - Dodge Y - Imperial

★ Indicates use as required.
 □ Indicates parts not listed in any previous parts book.
 Right and left part numbers are on same line, first number is right, second number is left.
 * Indicates change or addition.
 Prices and specifications subject to change without notice.
 March 1966 Supersedes May 1965.
 Printed in U.S.A.
 Page 23-309

1965 PASSENGER CAR PARTS CATALOG

BODY

CODE	PART NAME AND DESCRIPTION	PER CAR	VALIANT	PLYMOUTH BELVEDERE	PLYMOUTH FURY	IMPERIAL
			DART	DODGE CORONET	DODGE POLARA	
23-08-O BUMPERS AND STRIKERS - Cont'd						
23-08-12	BUMPER or WEDGE - Cont'd 4 D. H. T. On Front Lower Center Pillar	1 4	----- -----	----- -----	----- -----	2572 892-3 9416 049
	SCREW					
23-08-12	STRIKER, Front Door Sliding Wedge Cv. Cp. Except C-H	2 2	----- -----	989 513 -----	989 513 -----	989 513 989 513
	2 D. H. T.					
	SPACER, Door Lock Striker All Thick	★	2486 279	2486 279	2486 279	2486 279
	Thin	★	2486 280	2486 280	2486 280	2486 280
23-08-60	STRIKER, Door Sliding Wedge Cv. Cp.	1	2520 692-3			
	STRIKER, Door Lock All	★	2486 178-9	2486 178-9	2486 178-9	2486 178-9
23-08-75	PLATE, Door Lock Striker Tapping All	★	2218 956	2218 956	2218 956	2218 956
23-09-O GLASS CHANNELS						
23-09-9	BRACKET, Quarter Window Glass Lift 2 D., P	★	2217 369	-----	22603 064	
	RIVET	★	6023 546	-----	6023 546	
	CHANNEL, Quarter Window Glass Lower Cv. Cp.	1	2422 422-3	2244 902-3		
	2 D. H. T., L, C-L, C-M, C-P	1	2245 092-3	2481 602-3	2526 616-7	
	V Barracuda	1	2602 448-9			
	2 D.	1	-----	2245 002-3		
	2 D. H. T., Cv. Cp.	1	-----	-----	-----	2424 708-9
23-09-17	SLIDE, Quarter Window Glass Lower Channel Bracket 2 D. H. T., V Barracuda	2	2423 789			
23-09-27	CAP, Door and Quarter Window Glass Lower Channel Regulator Roller Slot 4 D. H. T., 2 D. H. T., Cv. Cp.	★	-----	2218 301	2218 301	2218 301
23-09-35	CHANNEL, Quarter Window Glass Run, w/BRACKET 2 D. Front	1	2216 506			
	2 D., L Rear	1	2255 542-3			
	Cv. Cp.	1	2424 970-1			
23-09-37	SUPPORT, Quarter Window Glass Rear Run Channel 2 D. H. T., L	2	2243 035			
23-09-47	SUPPORT, Door Glass Rear Run Channel 2 D. H. T., Cv. Cp. Front, Upper	2	-----	2216 485		
	Lower	2	-----	2216 111		
	2 D., 2 D. H. T., Cv. Cp.	2	-----	-----	*2491 407	
23-09-51	CHANNEL, Front Door Window Glass Rear Run 2 D., P	★	2216 506	-----	2570 172-3	
	4 D., Sta. Wgn.	★	2216 506	-----	2570 158-9	
	4 D. H. T.	1	-----	-----	2491 398-9	
	2 D. H. T., Cv. Cp.	1	2217 530-1	2166 936-7	2570 166-7	
	TRACK, Front Door Window Glass Guide Rear	2	-----	-----	-----	2491 530

TYPE LETTERS indicate: V - Valiant R - Belvedere P - Plymouth C - Chrysler
L - Dart W - Coronet D - Dodge Y - Imperial

*Indicates use as required.
 †Indicates parts not listed in any previous parts book.
 March 1966 Supersedes May 1965.
 Prices and specifications subject to change without notice.
 Right and left part numbers are on same line,
 first number is right, second number is left.
 * Indicates change or addition.
 Printed in U.S.A.

CODE	PART NAME AND DESCRIPTION	PER CAP	VALIANT	PLYMOUTH BELVEDERE	PLYMOUTH FURY	IMPERIAL
			DART	DODGE CORONET	DODGE POLARA	
23-09-0 GLASS CHANNELS - Cont'd						
23-09-52	BRACKET, Front Door Glass Lift 4 D., 2 D., Sta. Wgn.	2	2217 369			
	RIVET	2	6023 546			
	2 D. H. T., Cv. Cp.	2	2217 429			
	RIVET	2	6023 546			
	RIVET	2	-----	-----	6023 546	
	CHANNEL, Front Door Glass Lower 4 D., Sta. Wgn.	1	-----	2167 780-1		
	2 D.	1	-----	2166 916-7		
	4 D. H. T.	1	-----	-----	-----	2217 974-5
	2 D. H. T., Cv. Cp.	1	-----	-----	-----	2491 054-5
23-09-53	SPACER, Quarter Window Glass Lower Channel 2 D. H. T.	4	2216 544	2216 544		
23-09-54	GASKET, Door Window Glass Lift Bracket All Front	2	2217 351	-----	2520 463	
	Rear	2	2217 351	-----	2570 122	
	GASKET, Quarter Window Glass Lift Bracket 2 D., P	★	2217 351	-----	2484 929	
23-09-56	CHANNEL, Rear Door Window Glass Run 4 D., Sta. Wgn. Front	1	2216 818-9			
	Rear	2	2216 844			
	TRACK w/STUD and PLATE, Rear Door Window Glass Guide Rear 4 D. H. T.	1	-----	-----	-----	*2491 574-5
23-09-58	BRACKET, Rear Door Glass Lift All	2	2217 369			
	RIVET	2	6023 546			
	CHANNEL, Rear Door Glass Lower Except 4 D. H. T.	1	-----	*2421 215-6	2491 506-7	
	RIVET	4	-----	-----	6023 546	
	4 D. H. T.	1	-----	-----	-----	2491 720-1
23-09-61	GROMMET, Quarter Window Glass Lower Channel 2 D. H. T.	8	2216 546			
23-09-64	CHANNEL, Tailgate Glass Lower Sta. Wgn.	1	2423 575	2217 511	2484 343	
	SCREW	★	133 781			
	SPACER	4	-----	-----	2167 856	
	WASHER, Steel	4	-----	-----	2423 534	
	WASHER, Rubber	4	-----	-----	2423 535	
	SCREW	4	-----	-----	120 585	
	RIVET	2	-----	6023 695		
23-09-67	CHANNEL, Tailgate Glass Run Sta. Wgn. Upper	1	2244 889	2480 975		
	Side Upper	1	2480 274-5	2251 772-3	484 288-9	
	Side Lower	1	2423 492-3	2252 152-3		
	Sta. Wgn., includes RUN Side Lower	1	-----	-----	2528 436-7	

TYPE LETTERS Indicate: V - Valiant R - Belvedere P - Plymouth C - Chrysler
L - Dart W - Coronet D - Dodge Y - Imperial

★ Indicates use as required.
 □ Indicates parts not listed in any previous parts book.
 Right and left part numbers are on same line,
 first number is right, second number is left.
 * Indicates change or addition.

Printed in U.S.A.
 Prices and specifications subject to change without notice.
 March 1966 Supersedes May 1965.

CODE	PART NAME AND DESCRIPTION	PER CAR	VALIANT	PLYMOUTH BELVEDERE	PLYMOUTH FURY	IMPERIAL
			DART	DODGE CORONET	DODGE POLARA CHRYSLER	
23-11-0 DOORS - Cont'd						
23-11-10	OVERLAY, Door Finish Panel Sta. Wgn., D-H	★	-----	-----	E2784 148	
23-11-23	ORNAMENT and WEATHERSTRIP, Rear Door Belt Rear (1)					
23-11-30	SEAL, Rear Door Ornament 4 D. H. T., D, C	1	-----	-----	2570 098-9	
23-14-0 DOOR REGULATOR AND REMOTE CONTROL HANDLES						
23-14-10	HANDLE, Door Outside					
	P, D Front	1	2242 848-9	2167 408-9	2486 704-5	2428 448-9
	P Rear	1	2242 988-9	2167 408-9	2486 730-1	2428 450-1
	D-L Rear	1	-----	-----	2486 740-1	
	4 D., 4 D. H. T., D-H					
	Rear	1	-----	-----	2520 572-3	
	C Front	1	-----	-----	2486 734-5	
	Rear	1	-----	-----	2486 736-7	
	Sta. Wgn., D-H Rear	1	-----	-----	2486 740-1	
23-14-16	HANDLE, Door Pull					
	All	★	-----	-----	-----	2490 160-1
	SCREW	★	-----	-----	-----	9419 774
23-14-17	SPRING, Door Outside Handle					
	All	★	-----	-----	-----	2486 191
	SPRING, Door Outside Handle Shutter					
	All	★	-----	-----	-----	2486 054-5
23-14-18	HANDLE, Door Window Regulator					
	All	★	E2586 409	E2586 409	E2586 409	
	SCREW	★	E6023 538	E6023 538	E6023 538	
23-14-21	SPRING, Front Door Window Regulator Handle					
	All	2	-----	-----	1695 431	
23-14-24	SPACER, Window Regulator Handle					
	All	★	*2486 621	*2486 621	*2486 621	
	SPACER, Remote Control Handle					
	R-L, W-L	★	*2486 621	*2486 621	*2486 621	
	R-H, R-P, W-H, W-P	★	-----	2486 621	-----	
	SPACER, Front Door Vent Wing Handle					
	All	2	-----	-----	2583 214	
23-14-26	PLATE, Door Pull Handle Mounting					
	All	★	-----	-----	-----	2490 162-3
23-14-27	HANDLE, Door Remote Control					
	Except C-H	★	2299 973	2299 973	2299 973	
	SCREW	★	E6023 538	E6023 538	E6023 538	
	C-H					
	Black	★	-----	-----	3452-3 VX9	3450-1 VX9
	Red	★	-----	-----	-----	3450-1 VR7
	Yellow Green	★	-----	-----	-----	3450-1 VF9
	Blue	★	-----	-----	-----	3450-1AB4
	Turquoise	★	-----	-----	-----	3450-1AQ4

NOTE 1: See exterior Moulding Illustrations and Moulding Legends in front of Group 23 Body Section.

TYPE LETTERS Indicate:	V - Valiant	R - Belvedere	P - Plymouth	C - Chrysler
	L - Dart	W - Coronet	D - Dodge	Y - Imperial

★ Indicates use as required.
 E Indicates parts not listed in any previous parts book.
 Right and left part numbers are on same line,
 first number is right, second number is left.
 ● Indicates change or addition.

Printed in U.S.A.
 Prices and specifications subject to change without notice.
 March 1966 Supersedes May 1965.

1965 PASSENGER CAR PARTS CATALOG

BODY

CODE	PART NAME AND DESCRIPTION	PER CAR	VALIANT	PLYMOUTH BELVEDERE	PLYMOUTH FURY	IMPERIAL
			DART	DODGE CORONET	DODGE POLARA CHRYSLER	

23-14-0 DOOR REGULATORS AND REMOTE CONTROL HANDLES - Cont'd

23-14-27	HANDLE - Cont'd					
	Gold and Black	★	-----	-----	-----	3450-1AL3
	Maroon	★	-----	-----	-----	3450-1AM9
	White	★	-----	-----	-----	3450-1AW3
23-14-41	SHAFT, Front Door Vent Wing Handle					
	All	2	-----	2167 634		
	WASHER	2	-----	6022 858		
	SCREW	2	-----	6022 988		
23-14-45	SPRING, Front Door Vent Wing Handle					
	All	2	2217 039			
23-14-49	DETENT, Front Door Vent Wing Handle					
	All	2	2217 044			
23-14-51	GROMMET, Door Remote Control Handle, w/CLIP					
	C-H	★	-----	-----	2589 000-1	2589 000-1
23-14-53	HANDLE, Front Door Vent Wing Except D-P	★	2216 618-9	-----	2520 392	
	D-P	2	-----	-----	2458 062	
	PIN	2	-----	E9418 006		
	SCREW	2	-----	-----	E6023 538	
	HANDLE PACKAGE, Front Door Vent Wing					
	All	1	-----	2299 433-4		
23-14-64	SLEEVE, Door Outside Handle Spring					
	All	★	-----	-----	-----	2520 665
23-14-68	BASE, Door Outside Handle					
	4 D., 4 D. H. T., Sta. Wgn., C					
	Front	1	-----	-----	2520 834-5	
	Rear	1	-----	-----	2486 700-1	
	2 D. H. T., Cv. Cp., C	1	-----	-----	2486 700-1	
23-14-69	GASKET, Door Outside Handle Base					
	C	★	-----	-----	2486 900-1	
23-14-79	HANDLE, Quarter Window Regulator					
	2 D., 2 D. H. T.	2	2495 915	2495 915	E2586 409	
	Cv. Cp.	2	2495 915	E2586 409	E2586 409	
	SCREW	2	E6023 538	E6023 538	E6023 538	
23-14-136	SHUTTER, Front Door Outside Handle					
	All	1	-----	-----	-----	2486 044-5
23-14-147	GASKET or SEAL, Door Outside Handle					
	All To Front	★	2216 289	2216 289		
	To Rear	★	2252 040-1	2252 040-1		
	P, D To Front	★	-----	-----	2486 893	
	To Rear	★	-----	-----	2486 894	
	All	★	-----	-----	-----	2428 458
23-14-153	BUMPER, Door Outside Handle					
	All	★	-----	-----	-----	1651 493
	Center	★	-----	-----	-----	1707 384
23-15-0 DOOR HINGE						
23-15-1	HINGE, Door Upper					
	All Front	★	2298 649	2216 458-9	2486 762-3	2520 338-9
	Rear	1	2254 258-9	2299 698-9	2486 766-7	

TYPE LETTERS Indicate: V - Valiant R - Belvedere P - Plymouth C - Chrysler
L - Dart W - Coronet D - Dodge Y - Imperial

★Indicates use as required. Printed in U.S.A.
 EIndicates parts not listed in any previous parts book. Prices and specifications subject to change without notice.
 March 1966 Supersedes May 1965. Right and left part numbers are on same line, first number is right, second number is left.
 *Indicates change or addition

1965 PASSENGER CAR PARTS CATALOG

BODY

CODE	PART NAME AND DESCRIPTION	PER CAR	VALIANT	PLYMOUTH BELVEDERE	PLYMOUTH FURY	IMPERIAL
			DART	DODGE CORONET	DODGE POLARA CHRYSLER	
23-15-0 DOOR HINGE - Cont'd						
23-15-30	BAR, Door Lower Hinge Torsion					
	All Front	2	2254 686			
	Rear	2	2254 687			
23-15-32	RETAINER, Door Hinge Torsion Bar Roller					
	Grease					
	All Front Lower	2	2428 179			
	Rear Lower	2	2428 179	2428 179		
	All Front Upper	2	-----	2428 179		
23-15-38	BUSHING, Door Lower Hinge Roller					
	Front	2	2520 132	2520 133		
	Rear	2	2520 133	2520 133		
	BUSHING, Door Hinge Body Half					
	All Front	★	-----	2486 468	2486 468	
	Rear	★	2486 468	2486 468	2486 468	
23-17-0 LOCK CYLINDER AND KEYS						
NOTE: For Glove Box see Part Type Code 23-06-28						
23-17-2	CYLINDER and KEYS, Door and Ignition Lock					
	Except Sta. Wgn.	1	2161 192	2161 192	2520 822	2499 022
	Taxi and Police, P, D	1	-----	2162 503	2520 825	
	CYLINDER and KEYS, Door, Ignition and					
	Tailgate Lock					
	All Manual	1	2419 183	2162 531		
	Electric	1	2076 533	2076 533	2520 824	
	Police Electric	1	-----	2427 116	2520 827	
	Manual	1	-----	2241 871	2520 826	
23-17-4	CYLINDER and KEYS, Deck Lid and Glove					
	Box Lock					
	2 D., 4 D., R-L	1	-----	ⓔ2440 017		
	2 D., 4 D., W-L	1	-----	ⓔ2520 818		
	P-L, P-M	1	-----	-----	2520 807	
	P-H	1	-----	-----	ⓔ2520 808	
	Police and Taxi, P-L	1	-----	-----	2520 819	
	D-L	1	-----	-----	2520 810	
	Taxi, D-L	1	-----	-----	2520 820	
	C	1	-----	-----	2520 813	2499 149
	CYLINDER and KEYS PACKAGE, Deck Lid,					
	Glove Box and Console Lock					
	P-P	1	-----	-----	2520 809	
	D-P	1	-----	-----	2520 812	
23-17-5	CYLINDER and KEYS, Deck Lid Lock					
	Except Barracuda	1	*2583 158			
	R, P-L, P-M	1	-----	2440 019	2583 159	
	V Barracuda, W-H, D-L	1	2581 160	2583 174	2583 161	
	W-L, W-P, P-H, P-P	1	-----	2583 158	2583 160	
	Taxi and Police, R-L, W-L					
	w/o Key, w/KNOB . . .	1	-----	2428 245		
	D-H	1	-----	-----	2583 162	
	D-P	1	-----	-----	2583 163	2583 163
	C	1	-----	-----	2583 164	
23-17-9	GASKET, Deck Lid Lock Cylinder					
	P-L, P-M, D-L, C	1	2162 610	2162 610	2162 610	
	GASKET, Deck Lid Lock Cylinder Housing					
	P-H, P-P	1	-----	-----	2520 624	2486 198
23-17-10	RETAINER, Deck Lid Lock Cylinder					
	R, W-L, W-H, P-L, P-M, D-L, D-M, C	1	2162 605	2428 175	2162 605	

TYPE LETTERS Indicate:

V - Valiant
L - Dart

R - Belvedere
W - Coronet

P - Plymouth
D - Dodge

C - Chrysler
Y - Imperial

★Indicates use as required.

ⓔIndicates parts not listed in any previous parts book.

March 1966 Supersedes May 1965.

Printed in U.S.A.

Prices and specifications subject to change without notice.

Right and left part numbers are on same line,
first number is right, second number is left.

* Indicates change or addition.

CODE	PART NAME AND DESCRIPTION	PER CAR	VALIANT	PLYMOUTH BELVEDERE	PLYMOUTH FURY	IMPERIAL
			DART	DODGE CORONET	DODGE POLARA CHRYSLER	
23-17-0 LOCK CYLINDER AND KEYS - Cont'd						
23-17-13	HOUSING, Deck Lid Lock Cylinder Mounting All	1	-----	-----	-----	2520 952
23-17-24	CYLINDER and KEYS, Door Lock (consists of 2 cylinders and 2 keys) All	1	2161 356	2161 356	2583 165	2499 027
23-17-27	GASKET, Front Door Lock Cylinder Sealing All	1	2520 585	2520 585	2520 585	
23-17-28	RETAINER, Front Door Lock Cylinder All	2	2162 351	2162 351	2162 351	
23-17-36	SPACER, Deck Lid Lock Cylinder Case W-H Chrome	1	-----	2520 998		
23-17-38	CYLINDER and KEYS, Floor Console Lock P, C	1	-----	2499 275	2499 275	
23-17-49	CYLINDER and KEYS, Tailgate Lock P, D Manual	1	2419 271	2162 536	2162 536	
	All Electric	1	2161 423	2161 423	2161 423	
23-17-51	GASKET, Electric Tailgate Lock Cylinder All	1	2520 585	2520 585	2520 585	
23-17-52	RETAINER, Electric Tailgate Lock Cylinder Mounting Sta. Wgn.	1	1819 317	1819 317	1819 317	
23-17-72	CYLINDER and KEYS, Tire Well Cover Panel Lock Sta. Wgn.	1	-----	2292 051	2583 166	
	CYLINDER and KEYS Third Seat Back Lock Sta. Wgn.	1	-----	2292 051	2583 166	
23-17-74	LEVER, Rear Floor Pan Cover Panel Lock Cylinder Sta. Wgn.	1	-----	-----	B2520 621	
	LEVER, 3rd Seat Back Release Handle Lock Cylinder Sta. Wgn.	1	-----	-----	B2520 621	
23-18-0 DOOR LOCKS AND REMOTE CONTROLS						
23-18-5	LOCK, Door All Front	1	2486 260-1	2583 180-1	2583 180-1	2583 180-1
	Rear	1	2486 270-1	2486 250-1	2520 724-5	2486 250-1
	SCREW, All	★	6022 998	6022 998	6022 998	6022 998
23-18-11	LINK, Door Lock Remote Control 4 D., 4 D. H. T., Sta. Wgn. Front	2	2428 212	2252 044	2486 780	2486 002-3
	4 D., 4 D. H. T., Sta. Wgn., D, C Rear	2	2428 211	2299 839	2520 358	2486 012-3
	2 D. H. T., Cv. Cp., 2 D.	2	2428 210	2252 046	2486 782	2486 000
	4 D., 4 D. H. T., P Rear	2	-----	-----	2486 798	
	Sta. Wgn., P Rear	2	-----	-----	2520 358	
23-18-13	REMOTE CONTROL, Door Lock P, D, C-L, C-M C3 Front	★	2299 516-7	2428 052-3	2299 516-7	2428 318-9
	Rear	1	-----	-----	2520 980-1	
		1	-----	-----	2520 976-7	
23-18-20	LINK, Door Outside Handle to Lock 4 D., 4 D. H. T., Sta. Wgn. P Front	★	-----	2520 680-1	2486 786	
	P Rear	2	-----	2520 682		
	D Rear	2	-----	-----	2765 121	
	2 D. H. T., Cv. Cp., 2 D., P	★	-----	2520 678-9	2520 504	
	4 D., 4 D. H. T., Sta. Wgn., D Front	2	-----	-----	2486 794	B2428 492
	2 D. H. T., Cv. Cp., D	2	-----	-----	2520 508	

TYPE LETTERS Indicate: V - Valiant R - Belvedere P - Plymouth C - Chrysler
L - Dart W - Coronet D - Dodge Y - Imperial

1965 PASSENGER CAR PARTS CATALOG

BODY

CODE	PART NAME AND DESCRIPTION	PER CAR	VALIANT	PLYMOUTH BELVEDERE	PLYMOUTH FURY	IMPERIAL
			DART	DODGE CORONET	DODGE POLARA CHRYSLER	
23-18-0 DOOR LOCKS AND REMOTE CONTROLS - Cont'd						
23-18-20	LINK - Cont'd					
	4 D., 4 D. H. T., Sta. Wgn., C					
	Front	1	-----	-----	2520 510-1	
	2 D. H. T., Cv. Cp., C	2	-----	-----	2520 512	2428 488
	LINK, Door Outside Handle Lock					
	4 D., 4 D. H. T., Sta. Wgn., D					
	Rear	2	-----	-----	E2765 120	
	LINK, Rear Door Outside Handle Idler Bracket					
	All	2	-----	-----	-----	*2486 008
23-18-21	SPRING, Door Lock Remote Control Lever					
	All	★	-----	2167 643		
	SPRING, Rear Door Electric Lock Locking					
	Lever Tension					
	4 D., 4 D. H. T., Sta. Wgn.	2	-----	-----	E2583 977	E2583 976
23-18-25	CONTROL, Rear Door Lock Locking					
	4 D., 4 D. H. T., Sta. Wgn.	1	2486 634-5	2486 036-7	2486 720-1	2486 642-3
	CONTROL, Front Door Lock Cylinder Lock					
	w/LINK					
	2 D. H. T., Cv. Cp., D	1	-----	-----	2520 880-1	
	CONTROL, Door Outside Handle Link					
	4 D., 4 D. H. T., Sta. Wgn., D					
	Rear	1	-----	-----	E2765 116-7	
23-18-26	LINK, Front Door Lock to Lock Cylinder					
	All	1	2243 348-9			
	4 D., 4 D. H. T., Sta. Wgn., P	1	-----	2299 634-5	2486 738-9	
	4 D., 4 D. H. T., Sta. Wgn., D	1	-----	-----	2486 796-7	
	4 D., 4 D. H. T., Sta. Wgn., C	1	-----	-----	2486 742-3	2428 498-9
	2 D. H. T., Cv. Cp., 2 D., P	1	-----	2299 628-9	2520 768-9	
	2 D. H. T., Cv. Cp., C	1	-----	-----	2520 840-1	2428 496-7
	LINK or ROD, Door Lock Locking Control Push					
	All					
	Front	2	2520 160			
	4 D., 4 D. H. T., Sta. Wgn.					
	Front	★	-----	2520 172-3	2486 719	2486 006
	4 D., Sta. Wgn.	2	-----	2486 034		
	2 D. H. T., Cv. Cp., 2 D.	★	-----	2520 162-3	2486 718	2486 004
	LINK, Rear Door Lock Locking Control					
	4 D., Sta. Wgn.					
	Right	1	-----	2486 638		
	Left	1	-----	2486 637		
	All	★	-----	-----	-----	*2486 014
	4 D., 4 D. H. T., P	1	-----	-----	2520 934-5	
	4 D., 4 D. H. T., D, C					
	w/SLEEVE	1	-----	-----	2520 936-7	
	Sta. Wgn.	1	-----	-----	2520 936-7	
	LINK, Rear Door Outside Handle Idler Bracket					
	All	2	-----	-----	-----	*2486 574
23-18-27	KNOB, Door Lock Locking Control					
	W					
	Red	★	4313 AR7	4313 AR7		
	R					
	Gold	★	4313 AY4	4313 AY4		
	P, D, C-L					
	Black	★	4313 TX9	4313 TX9	4313 TX9	
	D, C					
	Blue	★	-----	-----	4313 AB6	
	D, C					
	Turquoise	★	-----	-----	4313 AQ6	
	D, C					
	Tan	★	-----	-----	4313 AT6	
	D, C					
	Red	★	-----	-----	4313 AR7	
	D, C					
	Gold	★	-----	-----	4313 AY3	
	C					
	White	★	-----	-----	4313 AW2	
	All	★	-----	-----	-----	
	All	★	2583 155	2583 155	2583 155	2486 660

TYPE LETTERS Indicate: V - Valiant R - Belvedere P - Plymouth C - Chrysler
 L - Dart W - Coronet D - Dodge Y - Imperial

CODE	PART NAME AND DESCRIPTION	PER CAR	VALIANT	PLYMOUTH BELVEDERE	PLYMOUTH FURY	IMPERIAL
			DART	DODGE CORONET	DODGE POLARA CHRYSLER	
23-18-0 DOOR LOCKS AND REMOTE CONTROLS - Cont'd						
23-18-29	CLIP, Front Door Lock Cylinder to Locking Lever All	1	----	2520 178-9		
	CLIP, Door Lock Locking Control Knob All	★	2216 276	2216 276	2216 276	
	CLIP, Front Door Lock Locking Lever All	4	2486 327	2486 327	2486 327	2486 327
	CLIP, Rear Door Lock Locking Control Link to Lever All	2	----	2486 040	2486 040	
	RETAINER, Door Outside Handle to Lock Link All	★	----	2520 600	*2520 600	*2520 600
	RETAINER, Rear Door Bell Crank to Lock Link All	4	----	----	----	2520 600
	RETAINER, Rear Door Outside Handle to Bell Crank Link All	4	----	----	----	2520 600
23-18-35	RETAINER or CLIP, Door Lock Remote Link to Inside Panel 4 D., Sta. Wgn. Except 4 D., Sta. Wgn. All	★ 2 2	2428 087 2428 086	2428 163		
	Front	2	----	----	2520 793	
	Rear	2	----	----	2520 690	
	4 D. H. T. Front	2	----	----	----	2520 846
	2 D. H. T., Cv. Cp.	2	----	----	----	2520 864
23-18-37	SEAL, Door Lock Locking Control Push Link All	★	----	----	----	2492 960
23-18-42	CLIP, Door Lock Remote Control Link to Lock All	★	2520 565	2520 565	2520 565	2520 565
	CLIP, Door Link Remote Control Link to Remote Control Handle All	★	2520 565	2520 565	----	2520 565
	CLIP, Rear Door Lock Locking Control Push Rod All	2	----	2520 565		
	CLIP, Rear Door Lock Locking Control Link to Inside Panel All	2	----	----	2520 697	
	CLIP, Rear Door Lock Locking Control Link to Remote Control 4 D. H. T.	2	----	----	----	2520 565
23-18-49	ESCUTCHEON, Door Lock Locking Control All	★	2428 178			
23-18-51	BRACKET, Rear Door Outside Handle to Lock Idler All	2	----	----	----	2486 608
23-18-54	GROMMET, Door Lock Locking Lever All	★	----	2440 177	2440 177	
23-18-103	SWITCH, Electric Front Door Lock All	2	----	----	2587 617	2427 184
	Remote Button Actuated	1	----	----	2631 078-9	2631 078-9

TYPE LETTERS indicate: V - Valiant R - Belvedere P - Plymouth C - Chrysler
 L - Dart W - Coronet D - Dodge Y - Imperial

★ Indicates use as required. Printed in U.S.A.
 □ Indicates parts not listed in any previous parts book. Prices and specifications subject to change without notice.
 Right and left part numbers are on same line, first number is right, second number is left. May 1965.
 * Indicates change or addition. Page 23-319

1965 PASSENGER CAR PARTS CATALOG

BODY

CODE	PART NAME AND DESCRIPTION	PER CAR	VALIANT	PLYMOUTH BELVEDERE	PLYMOUTH FURY	IMPERIAL
			DART	DODGE CORONET	DODGE POLARA CHRYSLER	
23-18-O DOOR LOCKS AND REMOTE CONTROLS - Cont'd						
23-18-104	SPRING, Door Lock Switch Return All	2	-----	-----	2661 118	
23-18-105	WIRING, Electric Door Lock All All, w/CAPACITOR	1 1	----- -----	----- -----	2497 406 2661 932	2661 932
23-18-106	RELAY, Electric Door Lock All	1	-----	-----	*2770 211	*2770 211
23-18-107	LINK, Electric Door Lock Solenoid 4 D., 4 D. H. T., Sta. Wgn. D, C 2 D. H. T., Cv. Cp. 4 D., 4 D. H. T., P Sta. Wgn., P	2 ★ 2 1 1	----- ----- ----- ----- -----	----- ----- ----- ----- -----	2520 829 2520 942-3 ----- 2520 940-1 2520 942-3	2427 948 2496 100 2427 947
23-18-114	INSERT, Electric Door Lock Switch All	2	-----	-----	-----	2427 726
23-18-115	SOLENOID, Electric Door Lock All Fr. Rear Rt. Lt.	★ ★ ★	----- ----- -----	----- ----- -----	*2520 832-3 *2520 833 *2520 832	*2520 832-3 *2520 833 *2520 832
23-18-117	KNOB, Electric Door Lock Switch All	2	-----	-----	-----	2427 292
23-18-118	BRACKET, Electric Door Lock Solenoid Mounting All Front	1	-----	-----	2520 838-9	
23-18-121	CONDUIT, Front Door Electric Door Lock Wiring All	2	-----	-----	2497 774	
23-18-124	BRACKET, Electric Front Door Lock Switch Except 2 D. H. T., Cv. Cp.	1	-----	-----	2587 618-9	
23-18-125	ROD, Electric Front Door Lock Switch Actuating Push Except 2 D. H. T., Cv. Cp.	2	-----	-----	2580 997	
23-18-126	BOOT, Electric Front Door Lock Switch 4 D., 4 D. H. T., Sta. Wgn.	2	-----	-----	*2661 572	
23-19-O DECK LID						
23-19-8	LID, Deck V Barracuda (also specify 1 of 2528639) V, except Barracuda L, R, D W, P-L, P-M P-H, P-P C	1 1 1 1 1 1	B2769 015 2493 484 2493 676 ----- ----- -----	2576 160 2493 413 ----- -----	2493 380 2493 326 2493 644 2493 370	2425 636
23-19-9	ROD, Deck Lid Lift Assist Barracuda	1	2583 290			
23-19-17	WASHER, Deck Opening Lower Panel Finish Panel Sealing V-H, V-P	6	2252 282			

TYPE LETTERS indicate:

V - Valiant
L - Dart

R - Belvedere
W - Coronet

P - Plymouth
D - Dodge

C - Chrysler
Y - Imperial

★Indicates use as required.

ⓔIndicates parts not listed in any previous parts book.
March 1966 Supersedes May 1965.

Prices and specifications subject to change without notice.

Right and left part numbers are on same line,
first number is right, second number is left.

* Indicates change or addition.

Printed in U.S.A.

CODE	PART NAME AND DESCRIPTION	PER CAR	VALIANT	PLYMOUTH BELVEDERE	PLYMOUTH FURY	IMPERIAL
			DART	DODGE CORONET	DODGE POLARA CHRYSLER	
23-19-0 DECK LID - Cont'd						
23-19-30	SUPPORT, Deck Lid (or Prop) V Barracuda	1	2520 496			
	V Barracuda Tube Type, Outer . . .	1	⊕2802 001			
	RETAINER	2	6006 324			
	BRACKET, Deck Lid Support V Barracuda	1	2528 837			
23-19-33	TUBE, Deck Lid Prop V Barracuda Inner	1	2583 573			
23-19-35	HOOK, Deck Lid Prop Tube V Barracuda Inner	1	2583 576			
	Outer	1	2583 577			
23-19-36	BRACKET, Deck Lid Inside Panel Support Barracuda	1	2528 639			
	BRACKET, Deck Lid Prop. Tube Attaching Barracuda Outer	1	⊕2802 003			
	Inner	1	⊕2802 004			
23-19-59	SPACER, Deck Lid Inside Panel to Deck Upper Panel Cv. Cp., R	2	----	2480 387		
	Cv. Cp., W	2	----	2526 612		
	SCREW	2	----	162 402		
23-19-63	BUMPER, Deck Lid V	2	2484 307	2484 307	2484 307	
	L	2	1954 763			
	All Side	2	----	----	----	2218 817
	Lower	2	----	----	----	2571 225
23-19-68	GROMMET, Vacuum Deck Lid Lock D, C	2	----	----	1370 460	
23-19-70	CATCH, Deck Lid Lock All	1	2244 149	2244 149	2244 149	2244 149
23-19-74	SUPPORT, Deck Lid Lower Panel Lock V Barracuda	1	2576 050			
	V, except Barracuda	1	2425 106			
	L, W, P	1	2425 041	2484 871	2484 734	
	All	1	----	----	----	2491 690
23-19-76	BRACKET or BRACE, Deck Lid Hinge Support to Wheelhouse V, except Cv. Cp., Barracuda	1	2243 222-3			
	L, except Cv. Cp.	2	2243 594			
	Cv. Cp., V	1	2423 650-1			
	Cv. Cp., L	1	2423 652-3			
23-19-78	COVER, Deck Lid Lock Support V Barracuda	1	4458 VX9			
23-19-79	TANK, Vacuum Deck Lid Lock Reservoir D, C	1	----	----	2520 747	
23-19-82	SUPPORT, Deck Lid Hinge V, except Cv. Cp., Barracuda	1	2243 546-7			
	Cv. Cp., V, P Upper	1	2424 396-7	2422 844-5	2528 538-9	
	Lower	1	2255 978-9	2255 696-7	2482 178-9	
	Cv. Cp., L, D Upper	1	2424 398-9	----	2576 114-5	
	Lower	1	2422 622-3	----	2482 182-3	
	4 D., 2 D. Upper	1	----	2255 384-5		

TYPE LETTERS Indicate: V - Valiant R - Belvedere P - Plymouth C - Chrysler
L - Dart W - Coronet D - Dodge Y - Imperial

★ Indicates use as required. Right and left part numbers are on same line, first number is right, second number is left.
⊕ Indicates parts not listed in any previous parts book.
* Indicates change or addition.
Printed in U.S.A.
Prices and specifications subject to change without notice.
March 1966 Supersedes May 1965.
Page 23-321

1965 PASSENGER CAR PARTS CATALOG

BODY

CODE	PART NAME AND DESCRIPTION	PER CAR	VALIANT	PLYMOUTH BELVEDERE	PLYMOUTH FURY	IMPERIAL
			DART	DODGE CORONET	DODGE POLARA CHRYSLER	
23-19-O DECK LID - Cont'd						
23-19-82	SUPPORT - Cont'd 2 D. H. T., D, C-L, C-M, C-P					
	Upper	1	-----	2481 342-3	2493 970-1	
	Upper	1	-----	-----	2493 976-7	
	L, except Cv. Cp.	1	2245 098-9	-----	-----	2495 146-7
	P, except Cv. Cp. Upper	1	-----	-----	2493 976-7	
	Lower	1	-----	-----	2481 552-3	
	D, except Cv. Cp. Lower	1	-----	2255 782-3	2482 180-1	
	4 D., D-L Upper	1	-----	-----	2493 976-7	
	C, except Cv. Cp. Lower	1	-----	-----	2481 518-9	
	Cv. Cp., C Upper	1	-----	-----	2576 114-5	
	Lower	1	-----	-----	2482 184-5	
	D-H 6 Window Upper	1	-----	-----	2493 976-7	
	4 D., 4 D. H. T., C, D Upper	1	-----	-----	2493 976-7	
	Cv. Cp.	1	-----	-----	-----	2495 148-9
23-19-84	HINGE, Deck Lid V Barracuda	2	2520 429			
	V, P, except Cv. Cp.	2	2243 598	2253 988	2526 604-5	
	Cv. Cp., V	2	2424 340			
	Cv. Cp., L, P	2	2424 341	2255 527	2482 482	
	D, C	★	-----	-----	2526 606-7	2422 384
23-19-85	PIN, Deck Lid Hinge V Barracuda	★	6024 965	-----	-----	*1691 899
23-19-94	SWITCH, Deck Lid Lock Release D, C Vacuum	1	-----	-----	2520 739	
	All Electric	1	-----	-----	-----	2426 836
	NUT	1	-----	-----	116 000	
23-19-97	TUBE, Vacuum Deck Lid Lock Switch D, C (sold by inch)	★	-----	-----	2254 552	
23-19-98	BRACKET, Vacuum Deck Lid Lock Release Switch Mounting D, C	1	-----	-----	2520 751	
	SCREW	3	-----	-----	9420 374	
	PLATE, Remote Deck Lid Release All	1	-----	-----	-----	2496 110
23-19-99	TAPPING PLATE, Deck Lid Hinge All	2	2243 327	2243 327	2243 327	2491 804
23-19-102	SOLENOID and MOUNTING BRACKET, Electric Deck Lid Lock All	1	-----	-----	-----	2486 614
23-19-103	COVER, Electric Deck Lid Lock Solenoid All	1	-----	-----	-----	2499 258
	SCREW	2	-----	-----	-----	6024 493
23-19-105	LOCK, Deck Lid All	1	2167 260	2167 260	2167 260	2167 260
	D, C Vacuum	1	-----	-----	2428 275	
	Complete	1	-----	-----	2520 735	
	All Electric	1	-----	-----	-----	2428 275
23-19-109	CONNECTOR, Vacuum Deck Lid Lock Tube D, C	2	-----	-----	2520 749	
	Tee Type	1	-----	-----	2520 748	

TYPE LETTERS Indicate: V - Valiant R - Belvedere P - Plymouth C - Chrysler
L - Dart W - Coronet D - Dodge Y - Imperial

★Indicates use as required.

⊖Indicates parts not listed in any previous parts book.

March 1966 Supersedes May 1965.

Prices and specifications subject to change without notice.

Right and left part numbers are on same line, first number is right, second number is left.

* Indicates change or addition.

Printed in U.S.A.

CODE	PART NAME AND DESCRIPTION	PER CAR	VALIANT	PLYMOUTH BELVEDERE	PLYMOUTH FURY	IMPERIAL
			DART	DODGE CORONET	DODGE POLARA	
23-19-0 DECK LID - Cont'd						
23-19-110	CLIP, Vacuum Deck Lid Lock Tube D, C	2	-----	-----	2520 750	
23-19-114	NAME PLATE, MEDALLION or ORNAMENT, Deck Lid (1)					
23-19-117	PLATE, Deck Lid Name Plate Backing Y-H	1	-----	-----	-----	2480 884
	"Le"	1	-----	-----	-----	2480 885
	"Baron"	1	-----	-----	-----	
23-19-124	SEAL, Deck Lid Lock Cylinder Hole D-H	1	-----	-----	2602 886	
23-19-174	SEAL, Deck Lid Hinge Attaching V Barracuda Body Half	4	1316 864			
23-19-177	BAR, Deck Lid Hinge Torsion V, P, except Cv. Cp., Barracuda	1	2242 534-5	-----	2482 464-5	
	L, except Cv. Cp.	1	*2243 804-5	*2574 998-9		
	Cv. Cp., V	1	2424 214-5			
	Cv. Cp., L, P	1	*2424 216-7	*2602 118-9	*2482 466-7	
	All	1	-----	-----	*2482 468-9	2422 390-1
23-19-178	SLIDE, Deck Lid Hinge Torsion Bar End V, except Cv. Cp., Barracuda	2	2480 230			
	L	2	2480 230	2480 230		
	Cv. Cp., V, P	2	2480 646	-----	2528 598	
	RETAINER, Deck Lid Hinge Torsion Bar Cv. Cp., V	1	*2259 413			
	Cv. Cp., L	1	2527 001			
	D, C	1	-----	2527 001	2527 001	2527 001
	P, except Cv. Cp.	1	-----	-----	2527 001	
	ROLLER, Deck Lid Hinge Torsion Bar P, except Cv. Cp.	2	-----	-----	2482 691	
	D, C	2	-----	-----	2482 691	
23-19-185	LINK, Deck Lid Hinge to Torsion Bar All	1	-----	-----	-----	2570 542-3
23-19-188	STOP, Deck Lid Hinge Torsion Bar Cv. Cp.	2	-----	2423 784		
23-19-198	HINGE, Rear Compartment Security Panel V Barracuda	1	2527 714			
23-19-200	STRIKER, Rear Compartment Security Panel Lock V Barracuda	2	2520 650			
	SCREW	2	456 867			
23-19-204	LOCK, Rear Compartment Security Panel V Barracuda	2	2520 645			
23-19-206	BUMPER, Rear Compartment Security Panel V Barracuda	2	2528 577			
	BUMPER, Deck Opening Upper Inner Panel to Rear Compartment Security Panel V Barracuda	3	2529 117			

NOTE 1: See Exterior Moulding Illustrations and Moulding Legends in front of Group 23 Body section.

TYPE LETTERS Indicate: V - Valiant R - Belvedere P - Plymouth C - Chrysler
 L - Dart W - Coronet D - Dodge Y - Imperial

★Indicates use as required.
 □Indicates parts not listed in any previous parts book.
 Right and left part numbers are on same line,
 first number is right, second number is left.
 * Indicates change or addition.
 Printed in U.S.A.
 Prices and specifications subject to change without notice.
 March 1966 Supersedes May 1965.
 Page 23-323

1965 PASSENGER CAR PARTS CATALOG

BODY

CODE	PART NAME AND DESCRIPTION	PER CAR	VALIANT	PLYMOUTH BELVEDERE	PLYMOUTH FURY	IMPERIAL
			DART	DODGE CORONET	DODGE POLARA CHRYSLER	
23-20-0 FLOOR MATS						
23-20-8	MAT, Front Floor					
	V except Barracuda		Black	1	*1644 AX8	
	L		Blue	1	*1643 AB8	*1600 VBB
			Turquoise	1	1643 AQ8	1600 VQQ
			Red	1	1643 AR7	
			Tan	1	1643 AT8	1600 VTT
			Red and Black	1	----	1600 ARX
	W-L, R-L		Heavy Duty, Black	1	1644 AX8	1601 VX8
	V-L		Black	1	1615 TX8	
	L-L		Turquoise	1	1643 AQ8	
	4 D., Sta.Wgn., 2 D., P-L, D-L		Heavy Duty, Black	1	----	1626 AX8
23-20-11	MAT, Intermediate Floor					
	Sta.Wgn., V-L, L-L		Black	1	1619 AX8	
			Blue	1	1619 AB8	
			Turquoise	1	1619 AQ8	
			Tan	1	1619 AT8	
			Red	1	1619 AR7	
	Sta.Wgn., R-L, W-L,		Blue	1	----	1603 ABB
			Red and Black	1	----	1603 ARX
			Tan	1	----	1603 ATT
			Heavy Duty, Black	1	----	1604 AX8
	Sta.Wgn., W-L		Turquoise	1	----	1603 AQQ
	Sta.Wgn., P-L, D-L,		Heavy Duty, Black	1	----	1637 AX8
23-20-14	PLATE, Door Sill Inner Scuff					
	V Barracuda	1		2572 668-9		
	4 D., 4 D. H. T., Sta.Wgn.		Front	1	2292 054-5	2251 404-5 2499 472-3 2162 136-7
	4 D., 4 D. H. T., Sta.Wgn., D, C		Rear	1	2292 056-7	2251 490-1 2499 476-7 2490 880-1
	2 D. H. T., Cv. Cp., 2 D.	1		2490 092-3	----	2499 470-1 2162 140-1
	2 D. H. T., 2 D.	1		----	2251 328-9	
	Cv. Cp.	1		----	2572 910-1	
	Sta.Wgn., P		Rear	1	----	2499 476-7
	4 D., 4 D. H. T., P		Rear	1	----	2499 474-5
	PLATE, Door Sill Outer Scuff					
	4 D., Sta.Wgn.		Front	2	2419 664	2419 667
			Rear	2	2419 665	2419 668
	2 D. H. T., Cv. Cp., 2 D.	2		2419 663	2419 666	
23-20-16	INSERT, Door Sill Scuff Plate					
	All	★		----	----	1839 956
23-20-19	SUPPORT, Door Sill Scuff Plate					
	P, D		Rear	2	----	*2499 492
	Sta.Wgn., C-L, C-H,		Rear	2	----	2499 492
	4 D. H. T., C-M		Rear	1	----	*2581 472-3
	4 D., 4 D. H. T., C-L,		Rear	2	----	*2499 493
	4 D., 6 Window, C-H,		Rear	2	----	*2499 493
	4 D. H. T., C-H		Rear, w/ Bucket Seats . .	1	----	*2581 472-3
			Rear, w/o Bucket Seats . .	2	----	*2499 493
	2 D. H. T., Cv. Cp., 2 D.	2		2	----	2499 496
	4 D. H. T.		Front	2	----	1690 742
			Rear, Rt.	1	----	1692 173
			Lt.	1	----	1692 172
					----	1810 910

TYPE LETTERS Indicate:

V - Valiant
L - Dart

R - Belvedere
W - Coronet

P - Plymouth
D - Dodge

C - Chrysler
Y - Imperial

★ Indicates use as required.

Ⓛ Indicates parts not listed in any previous parts book.

May 1965.

Prices and specifications subject to change without notice.

Right and left part numbers are on same line, first number is right, second number is left.

* Indicates change or addition.

CODE	PART NAME AND DESCRIPTION	PER CAR	VALIANT	PLYMOUTH BELVEDERE	PLYMOUTH FURY	IMPERIAL
			DART	DODGE CORONET	DODGE POLARA CHRYSLER	
23-20-0 FLOOR MATS - Cont'd						
23-20-24	EXTENSION, Door Sill Scuff Plate					
	V Barracuda	1	2499 970-1			
	4 D., 4 D. H. T., P, Rear	1	-----	-----	2499 480-1	
	4 D., 4 D. H. T., D, Rear	1	-----	-----	2499 482-3	
	4 D., 4 D. H. T., C, Rear	1	-----	-----	*2499 484-5	
	Sta. Wgn. Rear	1	-----	-----	2499 482-3	
	D-P Front	1	-----	-----	2581 812-3	
	2 D. H. T., Cv. Cp., 2 D.	1	-----	-----	2499 488-9	
23-20-29	MAT, Rear Deck Floor					
	4 D., 2 D. H. T., 2 D.	1	1613 TA7			
	W	1	-----	2581 593		
	R, P, except Cv. Cp.	1	-----	2581 591	2581 284	
	D, except Cv. Cp.	1	-----	-----	2572 023	
	C, except Cv. Cp.	1	-----	-----	2572 120	
	Cv. Cp., R, P	1	1614 TA7	2581 916	2581 280	
	Cv. Cp., D.	1	-----	-----	2581 279	
	Cv. Cp., C	1	-----	-----	2581 283	
23-20-32	RETAINER, Floor Covering					
	All In Accel. Shaft Area	1	-----	2656 086		
	1/2" x 2 1/4"	★	-----	2292 379		
23-20-41	MAT, Rear Floor					
	4 D., 2 D., 2 D. H. T., V-L					
	Black	1	1619 AX8			
	Blue	1	1617 AB8			
	Turquoise	1	1617 AQ8			
	Tan	1	1617 AT8			
	Red	1	1617 AR7			
	Black	1	1617 TX8			
	4-D., 2 D., R-L, W-L					
	Blue	1	-----	1603 ABB		
	Turquoise	1	-----	1603 AQQ		
	Red and Black	1	-----	1603 ARX		
	Tan	1	-----	1603 ATT		
	Heavy Duty, Black	1	-----	1604 AX8		
	4 D., Sta. Wgn., P-L, D-L					
	Heavy Duty, Black	1	-----	-----	1637 AX8	
	2 D., P-L	1	-----	-----	1635 AX8	
	Sta. Wgn. Cargo, Blue	1	1612 VB8			
	Turquoise	1	1612 VQ8			
	Tan	1	1612 VT8			
	Red	1	1612 VR8			
	Black	1	1612 TX8			
	Sta. Wgn., Rear Floor Well					
	Rubber, Black	1	-----	1608 TX8		
	Jute, Black	1	-----	1607 TXA		
	Sta. Wgn., P, D					
	Blue	1	-----	-----	1631 AB8	
	Turquoise	1	-----	-----	1631 AQ8	
	Red	1	-----	-----	1631 AR7	
	Tan	1	-----	-----	1631 AT8	
	Black	1	-----	-----	E1632 AX8	
	Sta. Wgn., C	1	-----	-----	E1632 AX8	
	Sta. Wgn., P, D	1	-----	-----	1631 AY8	
23-20-65	PLATE, Center Pillar Scuff					
	4 D., Sta. Wgn.	2	2292 274			

TYPE LETTERS Indicate: V - Valiant R - Belvedere P - Plymouth C - Chrysler
 L - Dart W - Coronet D - Dodge Y - Imperial

★Indicates use as required.
 EIndicates parts not listed in any previous parts book.
 Right and left part numbers are on same line,
 first number is right, second number is left.
 * Indicates change or addition.
 Printed in U.S.A.
 Prices and specifications subject to change without notice.
 May 1965.
 Page 23-325

1965 PASSENGER CAR PARTS CATALOG

BODY

CODE	PART NAME AND DESCRIPTION	PER CAR	VALIANT	PLYMOUTH BELVEDERE	PLYMOUTH FURY	IMPERIAL
			DART	DODGE CORONET	DODGE POLARA CHRYSLER	
23-21-0 MIRRORS						
23-21-3	MIRROR PACKAGE, Rear View Taxi and Police, P-L, D-L					
	Outside, Clear	1	2292 194	2292 194	2292 194	
	Non Glare	1	2292 195	2292 195	2292 195	
	Consists of:					
	1 - ---- --- Mirror					
	1 - ---- --- Gasket					
	1 - ---- --- Set Screw					
	1 - ---- --- Clip					
23-21-5	GLASS and RETAINER SPRING PACKAGE, Rear View Outside Mirror					
	All Use w/2299 574	1	2299 575	2299 575	2299 575	
	Consists of:					
	1 - ---- --- Glass					
	1 - ---- --- Spring, Retainer					
23-21-8	MIRROR, Rear View Inside					
	All Stainless Steel	1	2428 246	2428 246	2428 246	
	All Prismatic	1	-----	-----	-----	2421 208
	Sta. Wgn., Inst. Panel Mounted, w/A/Cond., Prismatic	1	-----	-----	*2421 208	
	SCREW, Stainless Steel Mirror	1	-----	6025 275	6025 275	
	MIRROR, Visor Vanity					
	C Right	1	-----	-----	2589 096	
	NOTE: Also see Part Type Code 1-76-3					
23-21-14	BASE or BRACKET, Rear View Inside					
	Except Cv. Cp. Chrome	1	2299 817	2486 025	2520 719	2080 774
	SCREW	3	-----	-----	-----	9416 684
	Cv. Cp. Chrome	1	2428 235	2486 607	2486 848	2080 897
	Sta. Wgn. Inst. Panel Mounted . . .	1	-----	-----	2086 275	
	NUT	1	-----	-----	⊠6025 562	
23-21-15	MIRROR, Rear View Outside Remote Control					
	All Includes REMOTE CONTROL	1	-----	-----	-----	2520 397
	WASHER	1	-----	-----	-----	6024 474
	NUT	1	-----	-----	-----	6024 510
23-21-16	SPACER, Instrument Panel Rear View Mirror					
	Sta. Wgn. Base	2	-----	-----	2520 996	
23-21-18	GASKET, Outside Remote Control Rear View Mirror Base					
	All	1	2486 363	2486 363	2486 363	2486 363
	GASKET, Outside Rear View Mirror Adapter Side					
	All	2	-----	-----	-----	2520 386
23-21-26	RETAINER, Rear View Inside Mirror Bracket					
	Except Cv. Cp.	1	-----	-----	2520 703	2080 776
	Cv. Cp.	1	-----	-----	2520 723	
	Sta. Wgn. Inst. Panel Mounted . . .	1	-----	-----	1839 965	
23-21-30	PLATE, Windshield Opening Upper Frame Mirror Mounting					
	Cv. Cp.	1	2423 997			
23-21-35	SPRING, Outside Rear View Mirror Backing Plate					
	All	1	⊠2299 527	⊠2299 527	⊠2299 527	
23-21-44	GASKET, Instrument Panel Rear View Mirror Base					
	P, D	1	-----	-----	2520 993	

TYPE LETTERS Indicate:

V - Valiant
L - Dart

R - Belvedere
W - Coronet

P - Plymouth
D - Dodge

C - Chrysler
Y - Imperial

★Indicates use as required.

⊠Indicates parts not listed in any previous parts book.

March 1966 Supersedes May 1965.

Prices and specifications subject to change without notice.

Right and left part numbers are on same line,
first number is right, second number is left.

* Indicates change or addition.

Printed in U.S.A.

CODE	PART NAME AND DESCRIPTION	PER CAR	VALIANT	PLYMOUTH BELVEDERE	PLYMOUTH FURY	IMPERIAL
			DART	DODGE CORONET	DODGE POLARA CHRYSLER	
23-21-0 MIRRORS - Cont'd						
23-21-45	SHAFT, Rear View Inside Mirror Sta. Wgn. Inst. Panel Mounted . . . Except Cv. Cp.	1 1	----- -----	----- -----	2080 875 -----	2161 329
23-21-46	SPRING, Instrument Panel Rear View Mirror Base Sta. Wgn.	1	-----	-----	1839 966	
23-21-47	PLUG, Instrument Panel Rear View Mirror Base Sta. Wgn.	1	-----	-----	1839 967	
23-21-48	REINFORCEMENT, Instrument Panel Rear View Mirror Base Sta. Wgn.	1	-----	-----	2520 995	
23-21-66	BEZEL or NUT, Rear View Outside Mirror Remote Control All	1	2486 556	2080 541	2080 541	
23-21-70	SEAL, Outside Remote Control Rear View Mirror Control Attaching All	1	-----	-----	-----	2520 152
23-21-74	NUT, Rear View Outside Remote Control Mirror Attaching All	1	-----	-----	-----	1901 838
23-22-0 GARNISH MOULDINGS						
23-22-53	MOULDING, Quarter Window Garnish V Barracuda Prime Sta. Wgn. Prime 2 D. H. T., P-P, D-P, C-M, C-P Chrome 2 D. H. T., C-H Use w/Bucket Seats, Chrome 4 D. 6 Wdo., D, C Prime 4 D. H. T., C-M Chrome 4 D. H. T., C-H Use w/Bucket Seats, Chrome	1 1 1 1 1 1 1 1 1	2526 782-3 ----- ----- ----- ----- ----- ----- ----- -----	----- 2424 402-3 ----- ----- ----- ----- ----- ----- -----	----- ----- 2573 792-3 ----- 2573 806-7 *2573 572-3 2573 876-7 ----- 2573 876-7	2491 828-9 ----- ----- 2571 266-7
23-22-75	MOULDING, Quarter Panel Belt 2 D. H. T. Prime Chrome	1 1	----- -----	2481 258-9 2481 588-9		
23-22-78	MOULDING, Tailgate Opening Garnish Sta. Wgn. Prime, Side Upper . . . Lower	1 1	----- -----	2249 810-1 2484 832-3		
23-22-86	MOULDING, Rear Window Garnish V Barracuda Side 4 D., D, C Prime, Upper Upper Corner Side 2 D. H. T., L Prime, Side and Upper . 2 D., 4 D., L Prime, Side and Upper . 2 D. H. T., P, D, C-L, C-M, C-P Chrome, Side and Upper. 4 D. H. T. Chrome, Upper Upper Corner Side 2 D. H. T., C-H Chrome, Upper Upper Corner Side	1 1 1 1 1 1 1 1 1 1 1 1 1 1 1	4128-9 VX9 ----- ----- ----- 2484 136-7 2484 136-7 ----- ----- ----- ----- ----- ----- ----- ----- -----	----- ----- ----- ----- 2424 834-5 2424 834-5 ----- 2424 838-9 ----- ----- ----- ----- ----- ----- ----- ----- -----	2482 308 2528 310-1 2482 310-1 ----- ----- ----- 2528 386-7 2528 070 2528 772-3 *2605 422-3 2528 070 2528 772-3 *2605 422-3	

TYPE LETTERS Indicate: V - Valiant R - Belvedere P - Plymouth C - Chrysler
L - Dart W - Coronet D - Dodge Y - Imperial

★Indicates use as required.
 BIndicates parts not listed in any previous parts book.
 Right and left part numbers are on same line,
 first number is right, second number is left.
 * Indicates change or addition.

Printed in U.S.A.
 Prices and specifications subject to change without notice.
 March 1966 Supersedes May 1965.

Page 23-327

1965 PASSENGER CAR PARTS CATALOG

BODY

CODE	PART NAME AND DESCRIPTION	PER CAR	VALIANT	PLYMOUTH BELVEDERE	PLYMOUTH FURY	IMPERIAL
			DART	DODGE CORONET	DODGE POLARA CHRYSLER	
23-22-0 GARNISH MOULDINGS - Cont'd						
23-22-86	MOULDING - Cont'd					
	4 D. H. T., D-C					
	Prime, Upper	1	-----	-----	2482 297	
	Upper Corner	1	-----	-----	2528 308-9	
	Side	1	-----	-----	2482 304-5	
	2 D. H. T., except C-H					
	Prime, Side and Upper . .	1	-----	-----	2482 302-3	
	2 D. H. T., C-H					
	Prime, Upper	1	-----	-----	2482 297	
	Upper Corner	1	-----	-----	2528 308-9	
	Side	1	-----	-----	2482 304-5	
	Y-H					
	Upper, Side and Lower, Chrome	1	-----	-----	-----	2492 232-3
	2 D. H. T.					
	Upper, Side and Lower, Chrome	1	-----	-----	-----	2492 232-3
	4 D. H. T., Y-M					
	Chrome, Upper	1	-----	-----	-----	2492 110-1
	Side	1	-----	-----	-----	2492 112-3
	SCREW					
	w/Prime Moulding	11	-----	6024 338		
	SCREW, P1, 2 D. H. T., w/Chrome Moulding	4	-----	-----	6025 181	
23-22-90	SUPPORT, Rear Window Garnish Moulding					
	All					
	"L" Shaped	18	-----	-----	-----	2492 148
	"U" Shaped	10	-----	-----	-----	2492 149
23-22-145	MOULDING, Windshield Garnish					
	NOTE: See Part Type Code 23-113-52 for Lower Finish Strip.					
	2 D. H. T., V					
	Side, Gold	1	*3706-7AY6			
	2 D. H. T., L-H					
	Side, Turquoise	1	3706-7AQ6			
	Gold	1	3706-7AY6			
	2 D. H. T., L-P					
	Side, Gold	1	*3706-7AY6			
	NOTE: For colors not shown for above Mouldings, specify Gold and paint as required.					
	4 D., Sta. Wgn., 2 D., L-L, L-H,					
	Side, Tan	1	*3708-9BT6			
	Cv. Cp.					
	Chrome, Upper	1	2422 428			
	SCREW	2	6024 400			
	MOULDING, Windshield Garnish Side					
	SCREW	1	2424 108-9			
		4	6023 938			
	MOULDING, Windshield Garnish					
	Except Cv. Cp.					
	Prime, Upper	1	-----	2218 612		
	Side	1	-----	2218 620-1		
	4 D., Sta. Wgn., 2 D.					
	Prime, Upper Corner	1	-----	2570 538-9		
	Sp. Cl. Cp.					
	Prime, Upper Corner	1	-----	2570 532-3		
	Sp. Cl. Cp.					
	Chrome, Upper	1	-----	2491 902		
	Upper Corner	1	-----	2218 610-1		
	Side	1	-----	2218 616-7		
	Cv. Cp.					
	Chrome, Upper	1	-----	2480 171		
	Upper Corner	1	-----	2480 176-7		
	Side	1	-----	2528 020-1		
	All					
	Prime, Lower	1	-----	2217 752-3		
	CLIP					
	Upper	4	-----	B6000 967		
	P					
	Prime, Side Lower	1	-----	-----	2492 728-9	
	D					
	Prime, Side Lower	1	-----	-----	2492 858-9	
	P					
	Chrome, Lower Corner . . .	1	-----	-----	2571 802-3	

TYPE LETTERS indicate: V - Valiant R - Belvedere P - Plymouth C - Chrysler
L - Dart W - Coronet D - Dodge Y - Imperial

CODE	PART NAME AND DESCRIPTION	PER CAR	VALIANT	PLYMOUTH BELVEDERE	PLYMOUTH FURY	IMPERIAL
			DART	DODGE CORONET	DODGE POLARA CHRYSLER	
23-22-0 GARNISH MOULDINGS - Cont'd						
23-22-145 MOULDING - Cont'd						
	Cv. Cp., D-L Chrome, Side Lower	1	-----	-----	2571 804-5	
	4 D. H. T., 2 D. H. T., Cv. Cp., D-H, D-P					
	4 D. H. T., P Chrome, Side Lower	1	-----	-----	2571 804-5	
	C-H, Sta. Wgn. Chrome, Side	1	-----	-----	2571 490-1	
	C, Sta. Wgn. Chrome Upper	1	-----	-----	2571 258	
	C, Sta. Wgn. Chrome Side	1	-----	-----	2664 238-9	
	Except Cv. Cp. Prime, Upper	1	-----	-----	2492 497	
	4 D., Sta. Wgn., 2 D. Prime, Side	1	-----	-----	2492 498-9	
	4 D. H. T., 2 D. H. T. Side, Prime	1	-----	-----	2492 560-1	
	Chrome	1	-----	-----	2571 488-9	
	4 D. H. T., 2 D. H. T. Upper, Chrome	1	-----	-----	2571 258	
	Cv. Cp. Upper, Chrome	1	-----	-----	2481 846	
	Cv. Cp. Side, Chrome	1	-----	-----	2481 848-9	
	C Side Lower, Prime	1	-----	-----	2492 860-1	
	C-H, Sta. Wgn. Side Lower, Chrome	1	-----	-----	2571 806-7	
	Cv. Cp., C-L, C-M Side Lower, Prime	1	-----	-----	2492 860-1	
	Sta. Wgn., C-H Side Lower, Prime	1	-----	-----	2492 860-1	
	4 D. H. T., 2 D. H. T., Cv. Cp., C-M, C-H					
	Side Lower, Prime	1	-----	-----	2492 860-1	
	Cv. Cp., C-L Side Lower, Chrome	1	-----	-----	2571 806-7	
	4 D. H. T., 2 D. H. T., Cv. Cp., C-M, C-H					
	Side Lower, Chrome	1	-----	-----	2571 806-7	
	2 D. H. T., P Chrome, Side	1	-----	-----	2571 488-9	
	4 D. H. T., 2 D. H. T., D-H, D-P					
	Chrome, Side	1	-----	-----	2571 488-9	
	4 D. H. T., 2 D. H. T., C-M, C-H					
	Chrome, Side	1	-----	-----	2571 488-9	
	4 D. H. T., 2 D. H. T. Chrome, Upper	1	-----	-----	-----	2080 782-3
	Upper Corner	1	-----	-----	-----	1901 974-5
	Side	1	-----	-----	-----	1901 996-7
	Cv. Cp. Chrome, Upper	1	-----	-----	-----	2093 619
	Side	1	-----	-----	-----	1901 998-9
	All Prime, Lower	1	-----	-----	-----	2218 890-1
	RETAINER	4	-----	-----	E6001 698	
	MOULDING, Windshield Garnish Side Auxiliary					
	2 D. H. T., P Prime	1	-----	-----	2492 726-7	
	Chrome	1	-----	-----	2571 534-5	
	4 D. H. T., 2 D. H. T., D					
	Prime	1	-----	-----	2492 726-7	
	4 D. H. T., 2 D. H. T., C					
	Prime	1	-----	-----	2492 520-1	
	4 D. H. T., P Chrome	1	-----	-----	2571 538-9	
	4 D. H. T., 2 D. H. T., D-H, D-P					
	Chrome	1	-----	-----	2571 534-5	
	4 D. H. T., 2 D. H. T., C-M, C-P, C-H					
	Chrome	1	-----	-----	2571 532-3	
23-22-148	COVER, Windshield Garnish Moulding Center Joint					
	All Prime, Lower	1	-----	-----	-----	2218 892
23-22-151	SUPPORT, Windshield Garnish Moulding					
	All Side	4	-----	2570 530	-----	
23-22-152	SPACER, Windshield Upper Garnish Moulding					
	4 D. H. T., 2 D. H. T.	6	-----	-----	-----	1901 973

TYPE LETTERS indicate: V - Valiant R - Belvedere P - Plymouth C - Chrysler
 L - Dart W - Coronet D - Dodge Y - Imperial

*Indicates use as required.
 EIndicates parts not listed in any previous parts book.
 Right and left part numbers are on same line,
 first number is right, second number is left.
 * Indicates change or addition.
 Printed in U.S.A.
 Prices and specifications subject to change without notice.
 March 1966 Supersedes May 1965.
 Page 23-329

1965 PASSENGER CAR PARTS CATALOG

BODY

CODE	PART NAME AND DESCRIPTION	PER CAR	VALIANT	PLYMOUTH BELVEDERE	PLYMOUTH FURY	IMPERIAL
			DART	DODGE CORONET	DODGE POLARA	
23-22-O GARNISH MOULDINGS - Cont'd						
23-22-155	EXTENSION, Windshield Side Garnish Moulding Lower					
	All Prime	1	-----	2492 032-3		
	2 D. H. T., Cv. Cp., R-H, R-P, W-H, W-P Chrome	1	-----	2492 036-7		
23-23-O OUTSIDE FINISH MOULDINGS						
23-23-2	MOULDING, Body Side Sill Finish (1)					
23-23-11	SPACER, Deck Opening Upper Finish Panel V Barracuda	2	2529 110			
23-23-13	OVERLAY, Body Outside Panel Finish (1)					
23-23-14	MOULDING, Front Pillar Finish (1) Cv. Cp.	1	-----	-----	-----	2093 136-7
23-23-16	PANEL, Center Pillar Upper Finish (1)					
23-23-17	PANEL, Deck Opening Upper Finish (1)					
23-23-23	MOULDING, Deck Opening Lower Panel Finish (1)					
23-23-27	SEAL, Quarter Window Upper and Rear Moulding 4 D. 6 Window, lgh. 27", width 1/2", 1/8 thk.	2	-----	-----	*2573 791	
	SEAL, Roof Side Extension Belt Moulding 4 D. H. T., D-H	2	-----	-----	2602 616	
	SEAL, Quarter Window Outside Rear and Upper Moulding 4 D. 6 Window, lgh. 27", width 3/4", 1/8 thk.	2	-----	-----	*2602 887	
	GASKET, Deck Opening Upper Side Moulding Seal Inner Barracuda	2	2602 623			
23-23-28	PANEL, Deck Opening Lower Panel Finish (1)					
23-23-30	MOULDING, INSERT or PANEL, Deck List Finish (1)					
23-23-31	MOULDING, Deck Opening Upper Panel Finish (1)					
23-23-32	MOULDING, Front Door Outside Finish (1)					
23-23-33	MOULDING, Rear Door Outside Finish (1)					
23-23-39	MOULDING, Quarter Panel Outside Finish (1)					
23-23-41	CAP or COVER, Body Outside Finish Moulding (1)					
23-23-42	MOULDING, Roof Panel Outside Finish (1)					
23-23-49	MOULDING, Folding Top Outside Finish (1)					
23-23-52	MOULDING, Rear Window Outside Finish (1)					
23-23-60	MOULDING, Tailgate Opening Outside Finish (1)					
23-23-61	MOULDING PACKAGE, Tailgate Outside Finish (1)					

NOTE 1: See Exterior Moulding Illustrations and Moulding Legends in front of Group 23 Body section.

TYPE LETTERS Indicate:	V - Valiant	R - Belvedere	P - Plymouth	C - Chrysler
	L - Dart	W - Coronet	D - Dodge	Y - Imperial

*Indicates use as required.

ΔIndicates parts not listed in any previous parts book.

Printed in U.S.A.

Prices and specifications subject to change without notice.

Right and left part numbers are on same line, first number is right, second number is left.

* Indicates change or addition.

1965 PASSENGER CAR PARTS CATALOG

BODY

CODE	PART NAME AND DESCRIPTION	PER CAR	VALIANT	PLYMOUTH BELVEDERE	PLYMOUTH FURY	IMPERIAL
			DART	DODGE CORONET	DODGE POLARA	
23-26-0 TRIM FINISH MOULDINGS - Cont'd						
23-26-23	MOULDING - Cont'd					
	2 D. H. T., 4 D., 4 D. H. T., Sta. Wgn., P-H					
	Front, Front	1	-----	-----	2499 648-9	
	2 D. H. T., P-H, Rear	1	-----	-----	2572 462-3	
	2 D. H. T., Cv. Cp., P-P					
	Upper	1	-----	-----	2572 674-5	
	2 D. H. T., D-P	1	-----	-----	2572 366-7	
	2 D. H. T., Cv. Cp., 4 D. H. T., C-M					
	Front, Finish Plate	2	-----	-----	2499 545	
	2 D. H. T., Cv. Cp., C-P					
	Front, Finish Plate	2	-----	-----	2499 545	
	4 D., 4 D. H. T., P-H, Rear, Rear	2	-----	-----	2499 654	
	4 D., 4 D. H. T., P-H, Rear, Front	1	-----	-----	2499 652-3	
<hr/>						
	4 D., 4 D. H. T., Sta. Wgn., P-H					
	Front, Rear	1	-----	-----	2499 650-1	
	Sta. Wgn., P-H, Rear, Rear	1	-----	-----	2572 464-5	
	2 D. H. T., D-P	2	-----	-----	2572 744	
	4 D., 4 D. H. T., Sta. Wgn., C-L					
	Front, Upper	1	-----	-----	2499 384-5	
	4 D. H. T., C-M	1	-----	-----	2499 624	
	2 D. H. T., Cv. Cp., C-M					
	Upper	1	-----	-----	2499 542-3	
	4 D. H. T., C-M	1	-----	-----	2499 622-3	
	4 D., 4 D. H. T., Sta. Wgn., C-H					
	Rear	1	-----	-----	*2499 436-7	
	4 D., 4 D. H. T., Sta. Wgn., C-H					
	Rear Arm Rest Side, Finish Plate	2	-----	-----	2589 016	
<hr/>						
	2 D. H. T., 4 D. H. T., 4 D., Sta. Wgn., C-H					
	Front Arm Rest, Finish Plate	2	-----	-----	2589 016	
	4 D. H. T., 4 D., Sta. Wgn., C-H					
	Rear Arm Rest, w/Bucket Seats, Finish Plate	1	-----	-----	2572 964-5	
	4 D., 4 D. H. T., Sta. Wgn.					
	Rear, Upper, C-L	1	-----	-----	*2499 386-7	
	2 D. H. T., Cv. Cp., 4 D. H. T.					
	Front Arm Rest	1	-----	-----	-----	2572 742-3
	4 D. H. T.	1	-----	-----	-----	2440 792-3
	4 D. H. T., Y-M	1	-----	-----	-----	2572 884-5
	4 D. H. T., Y-M	1	-----	-----	-----	2572 886-7
	4 D. H. T., Y-H					
	Front, Finish Plate, w/INSERT	1	-----	-----	-----	2572 824-5
	4 D. H. T., Y-H					
	Rear, Finish Plate, w/INSERT	1	-----	-----	-----	2572 830-1
	2 D. H. T., Cv. Cp.	1	-----	-----	-----	2572 848-9
	4 D. H. T.	1	-----	-----	-----	*2490 812-3
	4 D. H. T.	1	-----	-----	-----	*2490 810-1
<hr/>						
23-26-26	NUT, Front Door Arm Rest Moulding Stud	6	-----	-----	1839 995	
	2 D. H. T., Cv. Cp., except C-H					
	RETAINER, Door and Quarter Arm Rest Side					
	Finish Plate					
	2 D. H. T., 4 D., 4 D. H. T., Sta. Wgn., C-H	★	-----	-----	2572 968	
<hr/>						
23-26-33	ORNAMENT, Front Seat Side Shield	2	-----	-----	-----	2494 142
	All					

TYPE LETTERS Indicate:

V - Valiant
L - Dart

R - Belvedere
W - Coronet

P - Plymouth
D - Dodge

C - Chrysler
Y - Imperial

★Indicates use as required.

ⓔIndicates parts not listed in any previous parts book.

March 1966 Supersedes May 1965.

Prices and specifications subject to change without notice.

Right and left part numbers are on same line first number is right, second number is left.

* Indicates change or addition.

Printed in U.S.A.

CODE	PART NAME AND DESCRIPTION	PER CAR	VALIANT	PLYMOUTH BELVEDERE	PLYMOUTH FURY	IMPERIAL
			DART	DODGE CORONET	DODGE POLARA CHRYSLER	
23-26-0 TRIM FINISH MOULDINGS - Cont'd						
23-26-35	RETAINER, Back of Front Seat Back Moulding 4 D. H. T.	1	-----	-----	-----	2577 111
	CLIP, Shelf Panel Shroud Moulding 2 D. H. T., P, D	6	-----	-----	2656 520	
	2 D. H. T., 4 D. H. T., C	6	-----	-----	2656 520	
23-26-41	MOULDING, Roof Side Rail Inside Finish 2 D. H. T., L Prime	1	2244 180-1			
	2 D. H. T., V Prime	1	2243 870-1			
	V Barracuda Prime	1	2526 780-1			
	Sta. Wgn., w/A/Cond. Prime	1	-----	-----	*2603 352-3	
	2 D. H. T. Rear, Chrome	1	-----	2424 850-1		
	2 D. H. T. Chrome	1	-----	2481 584-5		
	4 D. H. T., P Chrome	1	-----	-----	2528 340-1	
	4 D. H. T., P Rear, Chrome	1	-----	-----	2528 348-9	
	2 D. H. T., except C-H Front, Chrome	1	-----	-----	2528 060-1	
	2 D. H. T., except C-H Rear, Chrome	1	-----	-----	2528 334-5	
	2 D. H. T., C-H Front, Chrome	1	-----	-----	2528 034-5	
	4 D. H. T., D, C, Y-H Front, Chrome	1	-----	-----	2528 034-5	2588 012-3
	Sta. Wgn., w/o A/Cond. Prime	1	-----	-----	*2483 860-1	
	2 D. H. T., 4 D. H. T., Y-M Front, Chrome	1	-----	-----	-----	2571 460-1
	4 D. H. T., D, C Front, Prime	1	-----	-----	2482 320-1	
	2 D. H. T., C-H Front, Prime	1	-----	-----	2482 320-1	
	2 D. H. T., P, D, C-L, C-M, C-P Front, Prime	1	-----	-----	2482 312-3	
	2 D. H. T., P, D, C-L, C-M, C-P Rear, Prime	1	-----	-----	2482 314-5	
	2 D. H. T., P, D, C-M, C-P Front, Chrome	1	-----	-----	2528 060-1	
	4 D. H. T., D, C Rear, Lower, Chrome	1	-----	-----	2529 034-5	
	2 D. H. T., C-H Rear, Lower, Chrome	1	-----	-----	2529 032-3	
	2 D. H. T. Chrome, Rear	1	-----	-----	-----	2491 832-3
	4 D. H. T. Chrome, Rear	1	-----	-----	-----	2491 834-5
	4 D. H. T., D, C Prime, Rear	1	-----	-----	2574 704-5	
23-26-42	COVER, Roof Side Rail Inside Moulding Joint 2 D. H. T., except C-H Rear, Chrome	2	-----	-----	2528 527	
	2 D. H. T., C-H Rear, Chrome	2	-----	-----	2484 071	
	4 D. H. T., D, C-M, C-H Rear, Chrome	2	-----	-----	2484 071	
	4 D. H. T., D, C Rear, Prime	2	-----	-----	2484 070	
	2 D. H. T., C-H Rear, Prime	2	-----	-----	2484 070	
	2 D. H. T., P, D-L, D-H, C-L, C-M, C-P Rear, Prime	2	-----	-----	2528 526	
23-26-43	MOULDING, Shelf Trim Panel Rear All Black, Paint as Required	1	-----	-----	1320 AX9	
23-26-45	MOULDING, Front Seat Back Shield V Barracuda Rear Seat Back, Side	1	2528 008-9			
	Rear Seat Back, Upper	1	2528 010			
	Rear Seat Back, Side Upper	1	2581 442-3			
	4 D. H. T., C-M, C-H	1	-----	-----	2494 166-7	

TYPE LETTERS Indicate:

V - Valiant
L - Dart

R - Belvedere
W - Coronet

P - Plymouth
D - Dodge

C - Chrysler
Y - Imperial

★Indicates use as required.

ⓁIndicates parts not listed in any previous parts book.

Right and left part numbers are on same line,
first number is right, second number is left.

* Indicates change or addition.

Prices and specifications subject to change without notice.

March 1966 Supersedes May 1965.

1965 PASSENGER CAR PARTS CATALOG

BODY

CODE	PART NAME AND DESCRIPTION	PER CAR	VALIANT	PLYMOUTH BELVEDERE	PLYMOUTH FURY	IMPERIAL
			DART	DODGE CORONET	DODGE POLARA	
					CHRYSLER	
23-26-0 TRIM FINISH MOULDINGS - Cont'd						
23-26-45	MOULDING - Cont'd					
	2 D. H. T., Cv. Cp., C-M, C-H, C-P	1	-----	-----	2494 166-7	
	Sta. Wgn., C3	1	-----	-----	2494 166-7	
	2 D. H. T., Cv. Cp., 4 D. H. T.	1	-----	-----	-----	2494 121-2
23-26-46	PANEL, Quarter Inside Finish					
	Sta. Wgn. Prime	1	2292 488-9			
	2 D., V Prime	1	2422 458-9			
	2 D., 2 D. H. T., L Prime	1	2244 416-7			
	2 D. H. T., V Prime	1	2422 462-3			
	PANEL, Rear Compartment Inner Side					
	V Barracuda	1	2528 306-7			
	FINISH PLATE, Quarter Arm Rest Side					
	2 D. H. T., C-H w/INSULATOR	1	-----	-----	2572 982-3	
	w/o Insulator	2	-----	-----	2589 017	
	FINISH PLATE, Quarter Trim Panel					
	2 D. H. T., D-P, Y	★	-----	-----	2572 368	2572 852-3
	Cv. Cp., Y Upper	1	-----	-----	-----	2572 854-5
	PANEL, Quarter Belt Inside Finish					
	V Barracuda Prime, Front	1	2526 776-7			
	Rear	1	2526 778-9			
23-26-47	MOULDING, Rear Quarter Trim Panel Finish					
	V Barracuda Security Compartment					
	Panel Upper	1	2527 930-1			
	Side	1	2527 926-7			
	2 D., 2 D. H. T. Upper Retaining	1	*2589 748-9			
	V Barracuda Upper Retaining	1	2589 752-3			
	Cv. Cp. Upper Retaining	1	2589 750-1			
	2 D. H. T., W-P Intermediate	2	-----	2499 791		
	2 D. H. T., Cv. Cp., W-P					
	Frnt. End	2	-----	2499 853		
	2 D. H. T., W-P Upper	2	-----	2499 790		
	2 D. H. T., R-P Upper	2	-----	2589 049		
	2 D. H. T., D-H Rt.	1	-----	-----	2499 520	
	Cv. Cp., D-H	1	-----	-----	2572 444-5	
	2 D. H. T., P-H Rear	2	-----	-----	2572 468	
	Cv. Cp., P-H Rear, Front	1	-----	-----	2572 466-7	
	2 D. H. T., P-P Upper	1	-----	-----	2572 676-7	
	2 D. H. T., C-L Upper, Front	2	-----	-----	2499 570	
	2 D. H. T., C-M, C-P, Upper	1	-----	-----	2572 934-5	
	Cv. Cp., L-P	1	2440 064-5			
	2 D. H. T., L-P	2	2419 311			
	Sta. Wgn., Wheelhouse and Lower Quarter Trim					
	Cover and Extension Joint	1	-----	2419 516-7		
	Sta. Wgn., Wheelhouse Lower Trim Support					
	Lower Side, Prime Right, Rear	1	-----	-----	2529 120	
	Right, Front	1	-----	-----	2528 440	
	Left	1	-----	-----	2528 441	
	MOULDING, Wheelhouse Extension Panel Trim					
	Barracuda w/CLIP	1	2581 286-7			
	MOULDING and SPACER, Body Rear Lock Pillar					
	Wheelhouse Cover					
	Sta. Wgn. w/Air Conditioning	1	-----	-----	2581 734-5	
	w/o Air Conditioning	1	-----	-----	2581 880-1	
	MOULDING, Wheelhouse Cover Finish, Sta. Wgn.	1	-----	-----	*2657 268-9	
	SCREW	14	-----	-----	26023 898	
23-26-53	SPACER, Roof Rail Inside Finish Moulding					
	2 D. H. T.	12	-----	2423 670		

TYPE LETTERS Indicate:

V - Valiant
L - DartR - Belvedere
W - CoronetP - Plymouth
D - DodgeC - Chrysler
Y - Imperial

★Indicates use as required.

2Indicates parts not listed in any previous parts book.

March 1966 Supersedes May 1965.

Prices and specifications subject to change without notice.

Right and left part numbers are on same line,
first number is right, second number is left.

* Indicates change or addition.

CODE	PART NAME AND DESCRIPTION	PER CAR	VALIANT	PLYMOUTH BELVEDERE	PLYMOUTH FURY	IMPERIAL
			DART	DODGE CORONET	DODGE POLARA CHRYSLER	
23-26-O TRIM FINISH MOULDINGS - Cont'd						
23-26-55	MOULDING and SPACER, Center Pillar Upper Air Conditioning Tube Cover Sta. Wgn. Prime	1	-----	-----	2581 742-3	
23-26-56	RETAINER, Rear Lock Pillar Wheelhouse Cover Moulding Sta. Wgn., P, D, C	1	-----	-----	2581 878-9	
23-26-58	CAP, Body Center Pillar 4 D. H. T.	1	-----	-----	2491 192-3	
23-26-69	MOULDING, Tailgate Opening Sill Panel Sta. Wgn.	1	-----	-----	2527 991	
	Extension	1	-----	-----	2527 998-9	
23-26-74	MOULDING, Back of Front Seat Back Trim Panel 2 D. H. T., D-P, C-L 4 D. H. T.	2	-----	-----	2577 156	2577 247
		1	-----	-----	-----	
23-26-75	FINISH PLATE, Rear Seat Shroud Medallion 2 D. H. T., 4 D. H. T., C BASE, Rear Seat Shroud Medallion 2 D. H. T., 4 D. H. T., C	1	-----	-----	2572 420	
		1	-----	-----	2572 418	
23-26-76	MEDALLION, Rear Seat Shroud 2 D. H. T., P-P 2 D. H. T., D-P 2 D. H. T., C-M, C-P, 4 D. H. T., C-M MEDALLION, Rr. Seat Shroud Base 2 D. H. T., D-P MEDALLION, Seat Back 4 D., 4 D. H. T., D-L, Front 2 D. H. T., 4 D., 4 D. H. T., D-L Rear All, D-H Front and Rear	1	-----	-----	2572 430	
		1	-----	-----	2572 433	
		1	-----	-----	2571 425	
		1	-----	-----	B2657 665	
		1	-----	-----	2292 452	
		1	-----	-----	2292 452	
		2	-----	-----	2522 169	
23-26-77	MOULDING, Seat Back Shroud Finish Cv. Cp. Rear 2 D. H. T. Rear 2 D. H. T., Cv. Cp. Rear, Center 2 D. H. T., P, D, C-M, C-P Rear, Front Center 4 D. H. T., C-H Rear, Front Center 2 D. H. T., P-P, D-P, C-M, C-H, C-P Front Side 4 D. H. T., C-H Front Side 2 D. H. T., P-P, D-P, C-M, C-P Rear, Rear, Black 4 D. H. T., C-M Rear, Rear, Black	1	-----	-----	-----	2490 754-5
		1	-----	-----	-----	2490 752-3
		1	-----	-----	-----	2490 756
		1	-----	-----	2572 432	
		1	-----	-----	2572 432	
		1	-----	-----	2581 100-1	
		1	-----	-----	2581 100-1	
		1	-----	-----	1320 AX9	
		1	-----	-----	1320 AX9	
		23-26-80	NAME PLATE, Door Garnish 2 D., Cv. Cp., V "Signet" V "Barracuda" w/RETAINER, 2 D. H. T., Cv. Cp., V-P "Signet Two Hundred" w/RETAINER, 2 D. H. T., Cv. Cp., L-H "Dart 270" w/RETAINER, 2 D. H. T., Cv. Cp., L-P "Dart G T" w/RETAINER, Cv. Cp., V-H "Valiant Two Hundred"	2	2571 687	
		2	2571 292			
		2	2571 687			
		2	2218 194			
		2	2218 196			
		2	2218 192			

TYPE LETTERS Indicate: V - Valiant R - Belvedere P - Plymouth C - Chrysler
L - Dart W - Coronet D - Dodge Y - Imperial

★Indicates use as required. BIndicates parts not listed in any previous parts book. Right and left part numbers are on same line, first number is right, second number is left. * Indicates change or addition. Printed in U.S.A. Prices and specifications subject to change without notice. March 1966 Supersedes May 1965. Page 23-335

1965 PASSENGER CAR PARTS CATALOG

CODE	PART NAME AND DESCRIPTION	PER CAR	VALIANT	PLYMOUTH BELVEDERE	PLYMOUTH FURY	IMPERIAL
			DART	DODGE CORONET	DODGE POLARA CHRYSLER	
23-26-0 TRIM FINISH MOULDINGS - Cont'd						
23-26-80	NAME PLATE, Door Trim Panel					
	4 D. 6 Window, C1 Front, "Town Sedan"	2	-----	-----	2572 945	
	2 D. H. T., Cv. Cp., P, "Sport Fury"	2	-----	-----	2572 459	
	NAME PLATE, Front Door Trim Panel Electric Door Lock					
	4 D., 4 D. H. T., Sta. Wgn.	2	-----	-----	2589 046	
	MEDALLION, Door Trim Panel					
	R-H	2	-----	2572 628		
	2 D. H. T., Cv. Cp., W-P					
	"Coronet 500"	2	-----	2572 357		
	W-H	2	-----	*2572 136		
	2 D. H. T., Cv. Cp. "Satellite"	2	-----	2572 683		
	4 D. H. T., C-M "300"	2	-----	-----	2572 729	
	2 D. H. T., Cv. Cp., C-M, C-P "300"	2	-----	-----	2572 729	
	REFLECTOR, Front Door Trim Panel					
	2 D. H. T., Cv. Cp., 4 D. H. T., C-M, C-P	2	-----	-----	2572 718	
	2 D. H. T., Cv. Cp., Y-M	2	-----	-----	-----	2572 718
	BEZEL, Front Door Trim Panel Reflector					
	2 D. H. T., Cv. Cp., 4 D. H. T., C-M, C-P	2	-----	-----	2572 719	
	2 D. H. T., Cv. Cp., Y-M	2	-----	-----	-----	2572 719
23-26-84	RETAINER PLATE, Rear Seat Back Medallion					
	2 D. H. T., 4 D., 4 D. H. T., D-L	1	-----	-----	2609 345	
23-26-85	MOULDING, Folding Top Pocket Panel Finish					
	Cv. Cp. Upper	1	2440 006-7	-----	-----	2490 750-1
	Cv. Cp., L-P Lower	1	2440 008-9	-----	-----	
	Cv. Cp.	1	-----	-----	-----	2581 256
23-26-87	MOULDING, Floor Tunnel Console					
	2 D. H. T., Cv. Cp., P, D-L					
	Rear End Cap	1	-----	2572 817	2572 817	
	2 D. H. T., Cv. Cp., P					
	Lid Center	1	-----	2490 609	2490 609	
	2 D. H. T., D	1	-----	-----	2572 517	
	All	1	-----	2490 610	2490 610	
	All, Side, w/Auto. Trans. and Column Stick	1	-----	2499 289	2499 289	
	All, Side, except Column Stick Auto. Trans.	1	-----	2490 615	2490 615	
	2 D. H. T., Cv. Cp., 4 D. H. T., C					
	Rear End Cap					
	Medium Blue	1	-----	-----	4429 AB4	
	Dark Blue	1	-----	-----	4429 AB8	
	Red	1	-----	-----	4429 AR7	
	Yellow Tan	1	-----	-----	4429 AT6	
	White	1	-----	-----	4429 AW3	
	Black	1	-----	-----	4429 AX9	
	Yellow Gold	1	-----	-----	4429 AY3	
	2 D. H. T., Cv. Cp., 4 D. H. T., C					
	Lid					
	Medium Blue	1	-----	-----	4428 AB4	
	Dark Blue	1	-----	-----	4428 AB8	
	Red	1	-----	-----	4428 AR7	
	Yellow Tan	1	-----	-----	4428 AT6	
	White	1	-----	-----	4428 AW3	
	Black	1	-----	-----	4428 AX9	
	Yellow Gold	1	-----	-----	4428 AY3	
23-26-93	ORNAMENT, Folding Top Dust Boot Cover					
	Cv. Cp.	2	-----	-----	-----	*2401 231

TYPE LETTERS Indicate: V - Valiant R - Belvedere P - Plymouth C - Chrysler
 L - Dart W - Coronet D - Dodge Y - Imperial

★Indicates use as required. Printed in U.S.A.
 ☐Indicates parts not listed in any previous parts book. Prices and specifications subject to change without notice.
 March 1966 Supersedes May 1965. Page 23-336 Right and left part numbers are on same line,
 first number is right, second number is left.
 * Indicates change or addition.

CODE	PART NAME AND DESCRIPTION	PER CAR	VALIANT	PLYMOUTH BELVEDERE	PLYMOUTH FURY	IMPERIAL
			DART	DODGE CORONET	DODGE POLARA CHRYSLER	

23-31-O PADS, LINERS, INSULATORS, SEALS, ANTI-SQUEAK

23-31-33	LINER, Dash All, w/or w/o Heater, w/o Air Conditioning	1	2571 417			
	All, Center, Lower, w/Air Conditioning	1	2588 026			
	All, Center, Upper, w/Air Conditioning	1	2588 023			
	All, w/Air Conditioning	1	2588 024-5			
	All Right	1	-----	2241 944		
	Left	1	-----	2492 003		
	Center	1	-----	2241 943		
	All, w/or w/o Heater, Right	1	-----	-----	2571 573	
	Left	1	-----	-----	2571 571	
	All, w/Air Conditioning					
	Center	1	-----	-----	2571 595-6	
	Right	1	-----	-----	2571 597	
	All, w/or w/o Heater	1	-----	-----	-----	2571 965
23-31-52	PAD, Quarter Outside Panel to Support 2 D. H. T., Cv. Cp.	2	-----	-----	-----	2492 566
23-31-119	PAD, Dash Panel Steering Column Trim All	1	-----	-----	-----	2492 766
23-31-145	WEATHERSTRIP, Cowl to Hood All	1	-----	-----	-----	1751 182
23-31-146	SEAL, Dash Panel to Fender Splash All					
	Upper	2	2216 742			
	w/FASTENER	2	2216 790			
	Side	1	-----	2218 754-5		
23-31-205	SILENCER, Roof Panel All, 1/2" x 25 1/2" x 67"	★	1774 621	1774 621	1774 621	1774 621

23-32-O PANS, PLUGS AND BODY BUMPERS

23-32-6	BRACE, Front Floor Pan No. 1 Hold-Down All w/GUSSET	1	-----	-----	2493 508-9	
23-32-15	PLUG or BUTTON, Floor Pan 3/4" x 1 3/4" Hole	★	2093 981			
	1/4" Hole	★	-----	-----	2216 829	
	1/2" Hole	★	2094 984	-----	2094 984	2094 984
	3/4" Hole	★	-----	-----	2574 792	
	1" Hole	★	2094 985	2094 985	2094 985	2094 985
	1 3/4" Hole	★	2189 098	2189 098	2189 098	2189 098
	2 1/2" Hole	★	2189 093	2189 093	2189 093	2189 093
	1" Hole	★	-----	2481 719		
	1 3/4" Hole	★	-----	2424 864		
23-32-17	CROSSMEMBER and SPACER, Front Floor Pan Transmission Mounting					
	All	1	2425 278			
	CROSSMEMBER, Frame Transmission Mounting	1	2260 287	2208 740	2461 670	
	CROSSMEMBER, Front Side Rail					
	Front	1	2081 018	2409 058		
	CROSSMEMBER, Front Suspension Complete	1	2260 609			
	Manual Trans. Floor Mounted					
	R1, W1	1	-----	2204 199		
	R2, W2, w/Hemispherical Engine	1	-----	2460 975		
	R2, W2, w/o Hemispherical Engine	1	-----	2401 057		
	CROSSMEMBER, Shock Absorber and Reinforce- ment, Floor Pan Rear Center Pan					
	All	1	2253 665			
	CROSSMEMBER, Rear Floor Pan Rear Center	1	2423 719	2166 051		

TYPE LETTERS Indicate: V - Valiant R - Belvedere P - Plymouth C - Chrysler
L - Dart W - Coronet D - Dodge Y - Imperial

★ Indicates use as required. Printed in U.S.A.
 ☒ Indicates parts not listed in any previous parts book. Prices and specifications subject to change without notice.
 Right and left part numbers are on same line, March 1966 Supersedes May 1965.
 first number is right, second number is left.
 * Indicates change or addition. Page 23-337

1965 PASSENGER CAR PARTS CATALOG

CODE	PART NAME AND DESCRIPTION	PER CAR	VALIANT	PLYMOUTH BELVEDERE	PLYMOUTH FURY	IMPERIAL
			DART	DODGE CORONET	DODGE POLARA CHRYSLER	
23-32-O PANS, PLUGS AND BODY BUMPERS - Cont'd						
23-32-17	CROSSMEMBER and SPACER, Front Floor Pan Trans. Mounting	1	2425 278			
	CROSSMEMBER and REINFORCEMENT, Rear Floor Pan Rear Shock Absorbers	1	----	2493 551		
	CROSSMEMBER, Front Side Rail Torsion Bar Complete	1	----	2253 384		
	CROSSMEMBER and REINFORCEMENT, Rear Floor Pan Rear, except Sta. Wgn.	1	----	----	2493 251	
	CROSSMEMBER, Rear Floor Pan Rear Sta. Wgn.	1	----	----	2481 810	
	CROSSMEMBER, Rear Floor Pan Rear Shock Absorber	1	----	----	2481 448	
	CROSSMEMBER, Center Floor Pan Extension to Center Floor Pan	1	----	----	2526 952-3	
	EXTENSION, Rear Floor Pan Rear Cross-member, except Sta. Wgn., P	1	----	----	2481 434-5	
	D	1	----	----	2484 376-7	
	EXTENSION, w/NUT, Sta. Wgn.,					
	Right	1	----	----	2602 128	
	Left	1	----	----	2484 303	
	C, except Sta. Wgn.	1	----	----	2482 640-1	
23-32-18	SCREW and WASHER, Front Suspension Crossmember All	4	2467 693	2467 693		
23-32-22	PAN, Front Floor All, V	1	2529 939	2529 986	2484 519	
	Sta. Wgn., L	1	2529 939			
	L, except Sta. Wgn.	1	2573 191			
23-32-24	PAN, Center Floor All	1	2484 674	2165 811		
	Sta. Wgn.	1	----	----	2483 909	
	Except Sta. Wgn.	1	----	----	2481 387	
23-32-25	EXTENSION, Center Floor Pan L, except Sta. Wgn.	1	2244 618-9			
	All Front	1	----	2483 420-1		
	Sta. Wgn., P Front	1	----	----	2481 812-3	
	P, except Sta. Wgn. Front	1	----	----	2481 400-1	
	All, D Front	1	----	----	2481 812-3	
	Sta. Wgn., C Front	1	----	----	2481 812-3	
	C, except Sta. Wgn. Front	1	----	----	2481 402-3	
23-32-27	REINFORCEMENT, Front Floor Pan Seat Guide All					
	Front	1	2081 808-9	2166 082-3		
	Rear	1	2081 810-1	2166 084-5		
	REINFORCEMENT, Front Floor Pan Seat Attaching					
	2 D. H. T., Cv. Cp., R-P, W-P					
	Front, Rt.	1	----	2252 284		
	Rear, Rt.	1	----	2252 286		
23-32-29	COVER, Front Floor Pan Gearshift Opening All	1	2481 593	2481 594	2484 987	
23-32-31	BRACE, Front Crossmember to Front Suspension Crossmember All	1	2401 036	2401 041		

TYPE LETTERS Indicate:

V - Valiant
L - Dart

R - Belvedere
W - Coronet

P - Plymouth
D - Dodge

C - Chrysler
Y - Imperial

★Indicates use as required.

⊖Indicates parts not listed in any previous parts book.

March 1966 Supersedes May 1965.

Prices and specifications subject to change without notice.

Right and left part numbers are on same line, first number is right, second number is left.

* Indicates change or addition.

CODE	PART NAME AND DESCRIPTION	PER CAR	VALIANT	PLYMOUTH BELVEDERE	PLYMOUTH FURY	IMPERIAL
			DART	DODGE CORONET	DODGE POLARA CHRYSLER	
23-32-0 PANS, PLUGS AND BODY BUMPERS - Cont'd						
23-32-33	BRACKET, Rear Floor Pan Diagonal Brace 2 D., 2 D. H. T., 4 D., L 2 D. H. T.	1 1	2422 960 -----		2480 634	
23-32-35	BRACKET, Front Floor Pan Transmission Selector 2 D. H. T., Cv. Cp.	1	-----		2484 169	
23-32-39	BRACKET, Front Floor Pan to Center Cushion Side All	2	-----	-----	-----	2484 145
23-32-40	BRACKET, Rear Floor Pan Rear Seat Back Attaching Cv. Cp., L, R Cv. Cp., W BRACKET, Floor Pan Rear Seat Back Outer Mounting 2 D. H. T., 4 D. H. T., w/Weld NUT	2 2 2	2255 822 ----- -----	2254 097 2244 411		2480 342
23-32-46	PANEL, Center Floor Pan Cover V Barracuda Sta. Wgn. Front Sta. Wgn. Rear Sta. Wgn. Center PANEL, Rear and Center Floor Pan Insert w/HINGE PANEL and SUPPORT, Center and Rear Floor Pan Cover Sta. Wgn.	1 1 1 1 1 1	2484 914 2243 886 2243 323 2484 150 ----- -----	2251 902 2254 677		2493 938
23-32-48	PAN, Rear Floor All Except Sta. Wgn. Sta. Wgn. Sta. Wgn., Rear Panel	1 1 1 1	2423 718 ----- ----- -----	----- 2484 495 2166 065 -----	----- 2481 390 2481 824 2484 064	2480 576
23-32-49	EXTENSION and CROSSMEMBER, Rear Floor Pan Side Rear Outer Sta. Wgn. V, except Sta. Wgn. L, except Sta. Wgn., Quarter Panel to Rear Floor Pan EXTENSION, Rear Floor Pan W, except Sta. Wgn., to Quarter Outside Panel Sta. Wgn. P, except Sta. Wgn. Side D, except Sta. Wgn. Side C, except Sta. Wgn. Side, Front Side, Rear All Side Side, Top	1 1 1 1 1 1 1 1 1 1 1	2425 288-9 *2425 272-3 2425 274-5 ----- ----- ----- ----- ----- ----- ----- -----	----- 2482 564-5 2251 526 ----- ----- ----- ----- ----- -----	----- 2481 450-1 2481 814-5 2484 000-1 2481 452-3 ----- -----	2480 572-3 2480 574-5
23-32-50	BRACE, Rear Floor Pan Cover Panel at Tailgate Opening Sill Reinforcement Sta. Wgn. 2 Seater	2	-----	2254 666		
23-32-51	BUMPER, Rear Floor Pan Cover Panel Sta. Wgn. 2 Seater	9	-----	2254 661	2094 618	

TYPE LETTERS Indicate: V - Valiant R - Belvedere P - Plymouth C - Chrysler
 I - Dart W - Coronet D - Dodge Y - Imperial

★Indicates use as required. Printed in U.S.A.
 ⓔIndicates parts not listed in any previous parts book. Prices and specifications subject to change without notice.
 Right and left part numbers are on same line, March 1966 Supersedes May 1965.
 first number is right, second number is left.
 * Indicates change or addition. Page 23-339

1965 PASSENGER CAR PARTS CATALOG

BODY

CODE	PART NAME AND DESCRIPTION	PER CAR	VALIANT	PLYMOUTH BELVEDERE	PLYMOUTH FURY	IMPERIAL
			DART	DODGE CORONET	DODGE POLARA	

23-32-O PANS, PLUGS AND BODY BUMPERS - Cont'd

23-32-51	BUMPER, Floor Pan Cover Panel 2nd Seat Back Sta. Wgn.	2	2482 908	2482 908	2276 804	
	SCREW	2	-----	-----	6023 531	
	BUMPER, Body Center Pillar to Rear Door Upper Frame 4 D., Sta. Wgn.	2	-----	-----	2484 493	
	BUMPER, Tailgate Opening Sill Reinforcement Floor Pan Cover Sta. Wgn.	2	-----	2255 231		
	BUMPER, Center and Rear Floor Pan Cover Panel 2nd. Seat Back Support Panel Sta. Wgn.	4	-----	-----	2094 618	
	BUMPER, Rr. Floor Pan Cover Pnl. Release Handle Sta. Wgn.	2	-----	-----	*2765 393	
23-32-53	REINFORCEMENT, Rear Floor Pan Extension Sta. Wgn.	1	-----	2252 332-3		
23-32-56	PANEL, Rear Floor Pan Cover Sta. Wgn., 2 Seater w/Tee NUTS	1	-----	2254 788		
	Sta. Wgn.	1	-----	-----	2493 878	
23-32-58	STRIKER, Rear Floor Pan Cover Panel Sta. Wgn. 2 Seater	1	-----	2254 667		
	STRIKER, Rear Floor Pan Cover Panel Release Handle Sta. Wgn. On Sill	1	-----	-----	2486 846	
23-32-65	HINGE, Center Floor Pan Front Cover Panel Sta. Wgn.	1	2243 320			
	HINGE, Rear Floor Pan Cover Panel Sta. Wgn. 2 Seater	1	-----	2254 675		
	Sta. Wgn.	1	-----	-----	2481 811	
23-32-69	T/PLATE, Center Floor Pan Cover Panel Hinge Sta. Wgn.	1	-----	2423 540		
	T/PLATE, Rear Floor Pan to Center Floor Pan Cover Panel Sta. Wgn.	1	-----	-----	2484 974	
23-32-70	SUPPORT and Weld NUTS, Center Floor Pan Rear Cover Panel Sta. Wgn.	1	2243 526			
	V Barracuda Center	1	2529 997			
	SUPPORT, Center Floor Pan Cover Panel V Barracuda	1	2528 416-7			
	REINFORCEMENT, Rear Floor Pan Rear Center 2 D., 2 D. H. T., Cv. Cp., 4 D.	1	-----	2166 935		
	REINFORCEMENT, Rear Floor Pan Cover Panel Side to Floor Pan Sta. Wgn. Prime	1	-----	2254 664-5		
	REINFORCEMENT, Floor Pan to Stone Deflector All	2	-----	-----	-----	2481 344
23-32-73	PIN, Rear Floor Pan Cover Panel Prop Rod Sta. Wgn. 2 Seater	1	-----	6000 130		
23-32-79	BRACKET and RETAINER, Rear Floor Pan Cover Panel Prop Rod Sta. Wgn. 2 Seater	1	-----	2254 810	2254 810	

TYPE LETTERS Indicate: V - Valiant R - Belvedere P - Plymouth C - Chrysler
L - Dart W - Coronet D - Dodge Y - Imperial

*Indicates use as required.

†Indicates parts not listed in any previous parts book.
March 1966 Supersedes May 1965.

Printed in U.S.A.
Prices and specifications subject to change without notice.
Right and left part numbers are on same line,
first number is right, second number is left.
* Indicates change or addition.

CODE	PART NAME AND DESCRIPTION	PER CAR	VALIANT	PLYMOUTH BELVEDERE	PLYMOUTH FURY	IMPERIAL
			DART	DODGE CORONET	DODGE POLARA CHRYSLER	
23-32-0 PANS, PLUGS AND BODY BUMPERS - Cont'd						
23-32-79	BRACKET, Rear Floor Pan Cover Panel Release Handle Sta. Wgn., w/Locked Luggage Compartment	1	----	2251 433		
	BRACKET, Rear Floor Pan Cover Prop Rod Pivot Sta. Wgn. 2 Seater	1	----	1432 929	1432 929	
	BRACKET, Rear Floor Pan Cover Panel Support Torsion Bar Sta. Wgn.	2	----	-----	2520 889	
	BRACKET, Rear Floor Pan Cover Panel Torsion Bar Sta. Wgn.	1	----	-----	2520 890	
23-32-80	HANDLE, Rear Floor Pan Cover Panel Release Sta. Wgn., w/Locked Luggage Compartment	1	----	*2251 680	*2486 844	
23-32-82	BEZEL, Rear Floor Pan Cover Panel Grip Sta. Wgn.	1	----	2252 183		
23-32-87	SPRING, Center Floor Pan Cover Panel Hinge Sta. Wgn.	3	2423 448	2423 449		
	SPRING, Rear Floor Pan Cover Panel Release Sta. Wgn., w/Locked Luggage Compartment	1	----	2251 676		
23-32-88	ROD, Rear Floor Pan Cover Prop Sta. Wgn.	1	----	1960 061		
23-32-89	BAR, Rear Floor Pan Cover Panel Torsion Sta. Wgn.	1	----	-----	2520 891	
23-32-92	GUSSET, Center Floor Pan Rear Suspension Front Hinge Bracket Support to Sill All	1	----	2251 686-7		
	GUSSET, Center Floor Pan Rear Suspension Front Hanger Bracket to Rail All	1	----	2251 688-9		
23-32-93	SUPPORT and T/PLATE, Rear Floor Pan Rear Suspension Front Hanger Bracket All	1	2081 004-5			
	SUPPORT and T/PLATE, Rear Floor Pan Rear Suspension Rear Bracket Sta. Wgn.	1	----	-----	2493 846-7	
	Except Sta. Wgn.	1	----	-----	2493 296-7	
	SUPPORT, Center Floor Pan Rear Suspension Front Hanger Bracket All	1	----	2480 910-1		
	Sta. Wgn. w/NUT	1	----	-----	2528 396-7	
	BRACKET and SUPPORT, Rear Floor Pan Rear Suspension Rear Hanger Sta. Wgn.	1	----	2253 108-9		
	R, except Sta. Wgn.	1	----	2253 106-7		
23-32-98	PLUG, Dash Panel Extension All	1	----	2254 626		
	PLUG, Dash Panel Clutch Rod Opening All	1	----	2254 110		
	PLUG, Cowl Top Panel All	2	2254 626			
	PLUG, Dash Panel Heater Hose Hole All	2	2094 985	2094 985	1882 735	

TYPE LETTERS Indicate: V - Valiant R - Belvedere P - Plymouth C - Chrysler
L - Dart W - Coronet D - Dodge Y - Imperial

★ Indicates use as required. Printed in U.S.A.
 □ Indicates parts not listed in any previous parts book. Prices and specifications subject to change without notice.
 Right and left part numbers are on same line, March 1966 Supersedes May 1965.
 first number is right, second number is left.
 * Indicates change or addition. Page 23-341

1965 PASSENGER CAR PARTS CATALOG

BODY

CODE	PART NAME AND DESCRIPTION	PER CAR	VALIANT	PLYMOUTH BELVEDERE	PLYMOUTH FURY	IMPERIAL
			DART	DODGE CORONET	DODGE POLARA	
			CHRYSLER			
23-32-O PANS, PLUGS AND BODY BUMPERS - Cont'd						
23-32-99	SNAP RING, Rear Floor Pan Cover Panel Release Handle Clevis Pin Sta. Wgn. 2 Seater	1	-----	1322 503		
23-32-105	RAIL and Front Hanger GUSSET, Rear Floor Pan Side All RAIL, SUPPORT and Sill GUSSET, Rear Floor Pan Side Rear Hanger Bracket Sta. Wgn. R, except Sta. Wgn. W, except Sta. Wgn. RAIL, Front Floor Pan Side All Complete RAIL and Sill REINFORCEMENT, Rear Floor Pan Side Sta. Wgn. P, except Sta. Wgn. D, C, except Sta. Wgn.	1 1 1 1 1 1 1 1 1	2253 644-5 ----- ----- ----- 2425 414-5 ----- ----- -----	----- 2493 616-7 2493 612-3 2493 614-5 2493 058-9 ----- ----- -----	----- 2493 280-1 2493 256-7 2493 832-3	
23-32-106	RETAINER, Rear Floor Pan Spare Tire Cover Panel All Prime	1	2259 173			
23-32-107	BRACKET and HINGE, Rear Floor Pan Cover Panel Sta. Wgn. SUPPORT and NUT, Rear Floor Pan Cover Panel Sta. Wgn. SUPPORT and T/PLATE, Rr. Floor Pan Cover Pnl. Sta. Wgn. Lt.	2 1 1	2484 147 ----- -----	----- ----- -----	*2664 126-7 B2769 021	
23-32-108	BRACKET, Front Side Rail Front Suspension Upper Control Arm Mounting All All Rt. Lt.	1 1 1	2081 840-1 ----- -----	*2467 982 *2204 185		
23-32-110	SHIELD, Front Suspension Crossmember to Front Side Rail Splash All Left All SHIELD, Front Side Rail Lower Splash All Left	1 1 1	2260 469 ----- -----	2260 472-3 2405 041		
23-32-112	REINFORCEMENT, Front Floor Pan to Inner Sill Front Reinforcement to Front Side Rail Cv. Cp. REINFORCEMENT, Center Floor Pan to Inner Sill and Rear Rail and Spring Hanger Support Cv. Cp. REINFORCEMENT, Center Floor Pan Rear Suspension Front Hanger Bracket Support All REINFORCEMENT, Center Floor Pan Spring Hanger Bracket Cv. Cp., D, C Cv. Cp., P	1 1 1 1 1 1	2422 564-5 2422 568-9 ----- ----- -----	2254 620-1 2254 618-9 2481 204-5 ----- -----	2481 834-5 2527 818-9	

TYPE LETTERS Indicate: V - Valiant R - Belvedere P - Plymouth C - Chrysler
L - Dart W - Coronet D - Dodge Y - Imperial

★Indicates use as required.

ⓔIndicates parts not listed in any previous parts book.

March 1966 Supersedes May 1965.

Prices and specifications subject to change without notice.

Right and left part numbers are on same line, first number is right, second number is left.

* Indicates change or addition.

Printed in U.S.A.

CODE	PART NAME AND DESCRIPTION	PER CAR	VALIANT	PLYMOUTH BELVEDERE	PLYMOUTH FURY	IMPERIAL
			DART	DODGE CORONET	DODGE POLARA CHRYSLER	
23-32-O PANS, PLUGS AND BODY BUMPERS - Cont'd						
23-32-112	REINFORCEMENT, Rear Suspension Front Bracket Support					
	All					
	To Rail	1	-----	-----	2481 406-7	
	To Sill	1	-----	-----	2481 404-5	
23-32-113	CLIP, Front Side Rail Splash Shield					
	All	★	2405 049	2405 049		
23-32-114	BRACKET, Front Floor Pan to Inner Sill and Front Reinforcement to Front Side Rail Cv. Cp.					
		1	-----	2254 620-1		
23-32-115	REINFORCEMENT, Front Side Rail					
	All	1	2467 652-3	2204 170-1		
	REINFORCEMENT, Front Side Side Rail to Side Inner					
	All	1	2242 460-1			
	REINFORCEMENT, Rear Floor Pan Side Rail and Sill					
	P, except Sta. Wgn.	1	-----	-----	2493 256-7	
	REINFORCEMENT and Radiator Yoke BRACKET, Front Floor Pan Side Rail					
	All	1	-----	2493 044-5		
	REINFORCEMENT, Rr. Side Rail to Rr. Crossmember					
	P, except Sta. Wgn. Rt.	1	-----	-----	*2481 408	
	Lt.	1	-----	-----	*2483 843	
	P, Sta. Wgn.	1	-----	-----	*2481 408-9	
	All, D, C	1	-----	-----	*2481 408-9	
23-33-O INSTRUMENT PANEL						
23-33-10	BRACE, Instrument Panel Lower Reinforcement to Pedal Bracket					
	All	1	-----	2217 704		
	BRACE and NUT, Instrument Panel Lower Reinforcement to Windshield Wiper Motor Mounting					
	All	1	-----	2571 260		
	BRACE, Instrument Panel Lower Reinforcement to Center Gusset					
	All	1	-----	-----	-----	2492 327
	BRACE, Instrument Panel Steering Column Support Bracket to Cowl					
	All Left	1	-----	-----	-----	2492 321
	BRACE, Instrument Panel Lower Reinforcement to Windshield Wiper Motor Mounting Bracket					
	All	1	-----	-----	-----	2292 327
	BRACE, Instrument Panel to Dash					
	C	1	-----	-----	2580 894	
	BRACE, Instrument Panel Lower Reinforcement to Dash					
	P, D w/o Air Conditioning .	1	-----	-----	2587 067	

TYPE LETTERS Indicate: V - Valiant R - Belvedere P - Plymouth C - Chrysler
 L - Dart W - Coronet D - Dodge Y - Imperial

★Indicates use as required. Printed in U.S.A.
 □Indicates parts not listed in any previous parts book. Prices and specifications subject to change without notice.
 Right and left part numbers are on same line, March 1966 Supersedes May 1965.
 first number is right, second number is left. Page 23-343
 * Indicates change or addition.

1965 PASSENGER CAR PARTS CATALOG

BODY

CODE	PART NAME AND DESCRIPTION	PER CAR	VALIANT	PLYMOUTH BELVEDERE	PLYMOUTH FURY	IMPERIAL
			DART	DODGE CORONET	DODGE POLARA CHRYSLER	
23-33-O INSTRUMENT PANEL - Cont'd						
23-33-12	COVER, Instrument Panel Radio Opening					
	All	1	2161 973			
	R-L, W-L	1	-----	2217 747		
	R-H, R-P	1	-----	2492 988		
	W-H, W-P	1	-----	2492 984		
	D	1	-----	-----	2571 733	
23-33-20	COVER, Instrument Panel Clock Hole					
	R, P-L, P-M	1	-----	2496 724	2496 466	
	W, D-L, D-H	1	-----	-----	2497 400	
	C1, C2	1	-----	-----	2492 764	
23-33-42	GRILLE, Instrument Panel Radio Speaker					
	P Prime	1	-----	-----	2571 744	
	D Prime	1	-----	-----	2570 526	
	C Prime	1	-----	-----	2491 620	
	All w/Air Conditioning, Prime.	1	-----	-----	-----	2571 102
	w/o Air Conditioning, Prime	1	-----	-----	-----	2571 099
23-33-53	BRACKET, Instrument Panel Housing Attaching					
	D	1	-----	-----	2571 809	
23-33-65	COVER, Instrument Panel Heater Hole Opening					
	C Prime	1	*2571 637	-----	2661 554	
	COVER, Instrument Panel Defroster Opening					
	All	1	-----	2492 517		
23-33-86	MOULDING, Instrument Panel					
	R-L, Horizontal w/o Trim Pad, w/o Radio.	1	-----	2587 982		
	R-L, Horizontal w/Trim Pad	1	-----	2571 908		
	R-H, R-P, Horizontal, w/o Trim Pad	1	-----	2587 981		
	R-H, R-P, Horizontal w/Trim Pad	1	-----	2571 909		
	W, Horizontal w/Trim Pad	1	-----	2571 910		
	W, Horizontal w/o Trim Pad, w/o Radio.	1	-----	2631 061		
	R-L, W-L, Horizontal w/o Trim Pad, w/Radio. .	1	-----	2587 981		
	D, Headlamp and Auto. Pilot Left	1	-----	-----	2571 916	
	D, Center w/Heater and Air Conditioning, w/Radio . .	1	-----	-----	2571 061	
	D, Center w/Heater and Air Conditioning, w/o Radio . . .	1	-----	-----	2661 676	
	D, Center w/o Heater and Air Conditioning	1	-----	-----	2571 059	
	D, Center w/Heater, w/Radio	1	-----	-----	2571 060	
	D, Center w/Heater, w/o Radio	1	-----	-----	*2661 780	
	D, Instrument Cluster, Center	1	-----	-----	2571 065	
	D, End w/o Air Conditioning, Right	1	-----	-----	2571 068	
	Left	1	-----	-----	2571 064	
	P, D, w/Trim Pad Lower	1	-----	-----	2587 096-7	
	C, Instruments Upper	1	-----	-----	2492 691	
	Lower	1	-----	-----	2570 145	
	C (paint black where req'd.) Right	1	-----	-----	*2571 854	
	Left	1	-----	-----	2491 624	
	C, Glove Box Door Opening Upper	1	-----	-----	2571 693	

TYPE LETTERS Indicate:

V - Valiant
L - DartR - Belvedere
W - CoronetP - Plymouth
D - DodgeC - Chrysler
Y - Imperial

★Indicates use as required.

⊠Indicates parts not listed in any previous parts book.

March 1966 Supersedes May 1965.

Page 23-344

Prices and specifications subject to change without notice.

Right and left part numbers are on same line,
first number is right, second number is left.

* Indicates change or addition.

Printed in U.S.A.

CODE	PART NAME AND DESCRIPTION	PER CAR	VALIANT	PLYMOUTH BELVEDERE	PLYMOUTH FURY	IMPERIAL
			DART	DODGE CORONET	DODGE POLARA CHRYSLER	
23-33-O INSTRUMENT PANEL - Cont'd						
23-33-86	MOULDING and Finish PLATE, Instrument Panel Center					
	C-L w/o Heater	1	-----	-----	2571 985	
	C-L w/Heater, w/o Radio	1	-----	-----	2571 994	
	C-L w/Search Tuner Radio, w/o Heater	1	-----	-----	2571 982	
	C-L w/AM/FM Radio, w/o Heater	1	-----	-----	2571 979	
	C-L w/AM/FM Radio, w/Heater	1	-----	-----	2571 988	
	C-M, C-P w/o Heater	1	-----	-----	2571 983	
	C-M, C-P w/Search Tuner Radio, w/o Heater	1	-----	-----	2571 980	
	C-M, C-P w/Heater, w/o Radio	1	-----	-----	2571 992	
	C-M, C-P w/AM/FM Radio, w/o Heater	1	-----	-----	2571 977	
	C-M, C-P w/AM/FM Radio, w/Heater	1	-----	-----	2571 986	
	C-H w/o Heater	1	-----	-----	2571 984	
	C-H w/Heater, w/o Radio	1	-----	-----	2571 993	
	C-H w/AM/FM Radio, w/o Heater	1	-----	-----	2571 978	
	C-H w/Search Tuner Radio, w/o Heater	1	-----	-----	2571 981	
	C-H w/AM/FM Radio, w/Heater	1	-----	-----	2571 987	
23-33-89	CAP, Instrument Panel End					
	Cv. Cp., V-P, L-P Gold	1	4242-3 AY6			
	Cv. Cp., L-H, L-P Red	1	4242-3 AR7			
	V, except Barracuda, Red	1	4242-3 TR6			
	V, L, except Barracuda					
	Blue	1	4242-3 VB6			
	Turquoise	1	4242-3 VQ6			
	Yellow Tan	1	4242-3 VT6			
	Black	1	4242-3 VX9			
	Red	1	4242-3 AR7			
	Yellow Gold	1	4242-3 AY6			
All	Red	1	4242-3 AR7			
	Yellow Gold	1	4242-3 AY6			
	Blue	1	4242-3 VB6			
	Turquoise	1	4242-3 VQ6			
	Yellow Tan	1	4242-3 VT6			
	Black	1	4242-3 VX9			
23-33-96	NAME PLATE, Instrument Panel					
	L-H except Cv. Cp. "Dart 270"	1	2571 203			
	Cv. Cp. Switch Plate, Right	1	-----	-----	-----	2571 623
	Except Cv. Cp. Switch Plate, Right	1	-----	-----	-----	2571 622
	All Switch Plate, Left	1	-----	-----	-----	2571 621
23-33-109	PANEL, Instrument					
	V	1	2571 517			
	L	1	2571 518			
	C w/ or w/o A/ Cond.	1	-----	-----	2492 634	
	R w/ or w/o A/Cond.	1	-----	*2571 853		
	W w/A/Cond.	1	-----	⊕2571 890		
	All	1	-----	-----	-----	2576 150
	W w/o A/Cond.	1	-----	*2571 853		
	P w/A/Cond.	1	-----	-----	2571 934	
	P w/o A/Cond.	1	-----	-----	2571 931	

TYPE LETTERS indicate: V - Valiant R - Belvedere P - Plymouth C - Chrysler
 L - Dart W - Coronet D - Dodge Y - Imperial

★Indicates use as required.
 ⊕Indicates parts not listed in any previous parts book.
 Right and left part numbers are on same line, first number is right, second number is left.
 * Indicates change or addition.
 Prices and specifications subject to change without notice.
 Printed in U.S.A.
 Page 23-345 March 1966 Supersedes May 1965.

1965 PASSENGER CAR PARTS CATALOG

BODY

CODE	PART NAME AND DESCRIPTION	PER CAR	VALIANT	PLYMOUTH BELVEDERE	PLYMOUTH FURY	IMPERIAL
			DART	DODGE CORONET	DODGE POLARA CHRYSLER	
23-33-O INSTRUMENT PANEL - Cont'd						
23-33-109	PANEL - Cont'd.					
	D w/Air Conditioning . . .	1	-----	-----	2571 920	
	D w/o Air Conditioning . .	1	-----	-----	*2631 147	
	D w/Air Conditioning and Trim Pad	1	-----	-----	2631 145	
	EXTENSION, Instrument Panel End					
	All, Prime Right	1	-----	-----	-----	2492 818
	Left	1	-----	-----	-----	2571 274
	All Yellow Green	1	-----	-----	-----	4200-1VF9
23-33-132	COVER, Instrument Panel Steering Column Opening					
	D Lower, Prime	1	-----	-----	2571 515	
	C Prime	1	-----	-----	*2661 847	
	P Blue	1	-----	-----	4257 AB5	
	Turquoise	1	-----	-----	4257 AQ7	
	All					
	Red	1	-----	4231 AR7	4257 AR7	
	Black	1	-----	-----	4257 AX9	
	Yellow Tan	1	-----	-----	4257 AT5	
	Yellow Gold	1	-----	4231 AY4	4257 AY4	
	Blue	1	-----	4231 VB5		
	Turquoise	1	-----	4231 VQ7		
	Red	1	-----	4231 VR6		
	Yellow Tan	1	-----	4231 VT5		
	Black	1	-----	4231 VX9		
	FILLER, Instrument Panel Steering Column Upper and Lower					
	C	1	-----	-----	2587 122	
23-33-135	FINISH PLATE, Instrument Panel					
	L-H, L-P Right	1	2571 202			
	V-H, V-P, Center w/Heater	1	2571 291			
	V-H, V-P, Center w/o Heater and Air Conditioning	1	2571 290			
	V, Center w/Air Conditioning	1	2571 452			
	V-H, V-P w/200-V, Right	1	2571 453			
	V-H, V-P w/o 200-V, Right	1	2492 994			
	V-H, V-P Left	1	2492 995			
	C-L, Center, w/Search Tuner Radio Grained	1	-----	-----	2571 794	
	C-L, Center, w/AM/FM Radio Grained	1	-----	-----	2571 793	
	C-L, Center, w/FM Radio, w/o Heater Grained	1	-----	-----	2587 266	
	C-L, Center, w/Search Tuner Radio, w/o Heater Grained	1	-----	-----	2587 267	
	C-M, Center, w/FM Radio, w/o Heater Engine Turned	1	-----	-----	2587 269	
	C-M, Center, w/AM/FM Radio Engine Turned	1	-----	-----	2571 784	
	C-M, Center, w/Search Tuner Radio Engine Turned	1	-----	-----	2571 786	
	C-M, Center, w/Search Tuner Radio, w/o Heater Engine Turned	1	-----	-----	2587 270	
	C-H, Center, w/FM Radio, w/o Heater Veneer	1	-----	-----	2587 272	
	C-H, Center, w/Search Tuner Radio Veneer	1	-----	-----	2571 787	

TYPE LETTERS indicate:

V - Valiant
L - Dart

R - Belvedere
W - Coronet

P - Plymouth
D - Dodge

C - Chrysler
Y - Imperial

★ Indicates use as required.

Ⓛ Indicates parts not listed in any previous parts book.
March 1966 Supersedes May 1965.

Prices and specifications subject to change without notice.

Right and left part numbers are on same line,
first number is right, second number is left.

* Indicates change or addition.

Printed in U.S.A.

CODE	PART NAME AND DESCRIPTION	PER CAR	VALIANT	PLYMOUTH BELVEDERE	PLYMOUTH FURY	IMPERIAL
			DART	DODGE CORONET	DODGE POLARA CHRYSLER	
23-33-O INSTRUMENT PANEL - Cont'd						
23-33-135	FINISH PLATE - Cont'd					
	C-H, Center, w/AM/FM Radio					
	Veneer	1	-----	-----	2571 785	
	C-H, Center, w/Search Tuner Radio,					
	w/o Heater Veneer	1	-----	-----	2587 273	
	C-M, Engine Turned Right	1	-----	-----	2571 159	
	C-M, Engine Turned Left	1	-----	-----	2571 154	
	C-H, Veneer Right	1	-----	-----	2571 165	
	C-H, Veneer Left	1	-----	-----	2571 160	
	All End	1	-----	-----	-----	2570 130-1
	2 D. H. T., 4 D. H. T., Ignition and Auto.					
	Pilot Right	1	-----	-----	-----	2491 600
	2 D. H. T., 4 D. H. T., Ignition and Rear					
	Window Defroster Right	1	-----	-----	-----	2491 601
	Cv. Cp., Acc. Switch Right	1	-----	-----	-----	2491 601
	All, Ignition, Auto. Pilot and Acc.					
	Switch Right	1	-----	-----	-----	2491 602
	2 D. H. T., 4 D. H. T., Switch					
	Right	1	-----	-----	-----	2217 820
	All, Switch Left	1	-----	-----	-----	2217 821
	All, Center, w/AM Radio	1	-----	-----	-----	2570 133
	All, Center, w/AM/FM Radio	1	-----	-----	-----	2570 134
	All, Center, w/o Radio	1	-----	-----	-----	2570 132
	BEZEL, Heater Radio and Clock					
	P w/Radio	1	-----	-----	2497 426	
	P, Heater and Air Conditioning, Radio and					
	Clock w/or w/o Radio	1	-----	-----	2497 427	
	P, Heater and Clock w/o Radio	1	-----	-----	2497 428	
23-33-147	COVER, Instrument Panel End Extension					
	All	1	-----	-----	-----	2218 888-9
23-33-216	COVER, Instrument Panel Map Light Opening					
	D Prime	1	-----	-----	2571 734	
	C Prime	1	-----	-----	2217 282	
23-33-231	BEZEL, Parking Brake Lever Release Rod					
	W	1	-----	2467 524		
	R	1	-----	2071 159		
	BEZEL, Parking Brake Lever Release Rod					
	Mounting					
	W	1	-----	2497 250		
23-33-236	NUT, Parking Brake Lever Release Rod Bezel					
	W, D	1	-----	2071 146	6008 060	
23-34-O BODY PANELS						
23-34-3	EXTENSION, Wheelhouse Belt Bar to Body Lock					
	Pillar					
	Sta. Wgn.	1	-----	-----	2526 756-7	
23-34-4	CLIP, Tailgate Opening Sill Panel Seal					
	Sta. Wgn.	8	-----	-----	2405 049	
23-34-5	PANEL, Wheelhouse Spare Tire Housing					
	Sta. Wgn.					
	Inner	1	-----	-----	2484 298	
	Front	1	-----	-----	2484 296	
	Lower	1	-----	-----	2484 297	

TYPE LETTERS Indicate:

V - Valiant
L - Dart

R - Belvedere
W - Coronet

P - Plymouth
D - Dodge

C - Chrysler
Y - Imperial

★Indicates use as required.

ⓔIndicates parts not listed in any previous parts book.

Right and left part numbers are on same line,
first number is right, second number is left.

* Indicates change or addition.

1965 PASSENGER CAR PARTS CATALOG

BODY

CODE	PART NAME AND DESCRIPTION	PER CAR	VALIANT	PLYMOUTH BELVEDERE	PLYMOUTH FURY	IMPERIAL
			DART	DODGE CORONET	DODGE POLARA	
					CHRYSLER	
23-34-0 BODY PANELS - Cont'd						
23-34-7	EXTENSION, Wheelhouse Spare Tire Inner Housing to Tailgate Sill Sta. Wgn.	1	-----	-----	2484 299	
	EXTENSION, Wheelhouse Inner to Tailgate Opening Sill Sta. Wgn. Left	1	-----	-----	2528 063	
23-34-9	PLUG, Tailgate Opening Sill Panel Sta. Wgn.	2	2094 618			
23-34-10	COVER, Tailgate Sill Panel Latch Opening Sta. Wgn. Prime	1	-----	2254 801		
23-34-11	HINGE, Tailgate Opening Sill to Tailgate Cover Sta. Wgn.	1	-----	-----	2484 946	
23-34-13	BRACKET and NUT, Wheelhouse to Fuel Tank Stone Deflector Sta. Wgn. Upper	1	-----	-----	2526 829	
23-34-16	PANEL and NUT, Tailgate Opening Sill Sta. Wgn.	1	-----	2251 477	2526 651	
	PANEL and EXTENSION, Tailgate Opening Sill Sta. Wgn.	1	2493 351			
	EXTENSION, Tailgate Opening Sill Panel Sta. Wgn.	1	-----	-----	2484 300-1	
23-34-17	REINFORCEMENT, Tailgate Opening Sill Panel Sta. Wgn.	1	-----	-----	2481 674	
	Sta. Wgn. w/FILLER	1	-----	2253 175		
	SUPPORT, Tailgate Opening Sill Panel Sta. Wgn.	1	-----	-----	2484 972-3	
23-34-21	PANEL, Wheelhouse Cap					
	Cv. Cp., P	1	2423 266-7	2422 040-1	2482 058-9	
	Cv. Cp., D	1	-----	-----	2482 060-1	
	Cv. Cp., C	1	-----	-----	2482 062-3	2424 692-3
23-34-22	SUPPORT, Quarter Outside Inner Panel to Wheelhouse					
	Cv. Cp., V	1	2484 310-1			
	2 D., 2 D. H. T., 4 D., L	1	2243 582-3			
	SUPPORT, Quarter Outside Panel to Wheelhouse Outer Panel					
	Sta. Wgn.	1	2242 792-3			
	SUPPORT, Quarter Outside Panel to Wheelhouse					
	2 D., 4 D.	1	-----	2255 790-1		
	2 D. H. T.	1	-----	2424 920-1		
	SUPPORT and NUT, Wheelhouse Panel to Quarter Outside Panel Strainer					
	Cv. Cp.	1	-----	2424 466-7		
	SUPPORT, Wheelhouse to Rear Window Side Frame					
	4 D., 4 D. H. T., D	1	-----	-----	2482 366-7	
	2 D. H. T., D	1	-----	-----	2482 122-3	
	4 D., C	1	-----	-----	2482 368-9	
	SUPPORT, Wheelhouse to Shelf Panel Extension					
	2 D. H. T., P	1	-----	2424 926-7	2484 620-1	
	2 D. H. T., C1, C2	1	-----	-----	2481 550-1	
	2 D. H. T., C3	1	-----	-----	2526 632-3	
	4 D., C	1	-----	-----	2482 126-7	
	4 D. H. T., C	1	-----	-----	2526 632-3	

TYPE LETTERS indicate: V - Valiant R - Belvedere P - Plymouth C - Chrysler
 L - Dart W - Coronet D - Dodge Y - Imperial

★Indicates use as required. Printed in U.S.A.
 ☐Indicates parts not listed in any previous parts book. Prices and specifications subject to change without notice.
 March 1966 Supersedes May 1965. Right and left part numbers are on some line, first number is right, second number is left.
 * Indicates change or addition.

CODE	PART NAME AND DESCRIPTION	PER CAR	VALIANT	PLYMOUTH BELVEDERE	PLYMOUTH FURY	IMPERIAL
			DART	DODGE CORONET	DODGE POLARA CHRYSLER	
23-34-0 BODY PANELS - Cont'd						
23-34-24	FILLER, Wheelhouse to Rear Pillar Panel Sta. Wgn.	1	----	2251 830-1		
23-34-26	PANEL, Wheelhouse to Rear Pillar Sta. Wgn.	1	----	2251 586-7		
23-34-27	PANEL, Wheelhouse					
	Cv. Cp. Inner	1	2255 968-9			
	Cv. Cp., V Outer	1	2255 958-9			
	Cv. Cp., L Outer	1	2255 960-1			
	Sta. Wgn. Inner	1	2243 494-5			
	Sta. Wgn. Outer	1	2481 198-9			
	V Barracuda Inner	1	2243 494-5			
	V Barracuda Outer	1	2481 194-5			
	2 D., 2 D. H. T., 4 D., Inner, Right	1	2244 942			
	2 D., 2 D. H. T., 4 D., Inner, Left	1	2081 163			
	2 D., 2 D. H. T., 4 D., V Outer	1	2481 194-5			
	2 D., 2 D. H. T., 4 D., L Outer	1	2243 564-5			
	Cv. Cp. Inner	1	----	2166 258-9		
	Cv. Cp., R Outer	1	----	2422 034-5		
	Cv. Cp., W Outer	1	----	2483 238-9		
	Sta. Wgn. Inner	1	----	2165 832-3		
	Sta. Wgn. Outer	1	----	2422 038-9		
	2 D., 2 D. H. T., 4 D., Inner	1	----	2165 828-9		
	2 D., 2 D. H. T., 4 D., R Outer	1	----	2422 032-3		
	2 D., 2 D. H. T., 4 D., W Outer	1	----	2483 236-7		
	Cv. Cp., P Inner	1	----	----	2528 898-9	
	Cv. Cp., P Outer	1	----	----	2528 896-7	
	2 D., 2 D. H. T., 4 D., 4 D. H. T., P Inner	1	----	----	2782 546-7	
	2 D., 2 D. H. T., 4 D., 4 D. H. T., P Outer	1	----	----	2481 530-1	
	Cv. Cp., D Inner	1	----	----	2482 056-7	
	Cv. Cp., D Outer	1	----	----	2482 050-1	
	2 D. H. T., 4 D., 4 D. H. T., D Inner	1	----	----	*2782 848-9	
	2 D. H. T., 4 D., 4 D. H. T., D Outer	1	----	----	2482 048-9	
	Sta. Wgn. Inner, Right	1	----	----	2482 598	
	Sta. Wgn. Inner, Left	1	----	----	2482 601	
	Sta. Wgn., P, D Outer, Right	1	----	----	2481 656	
	Sta. Wgn., P, D Outer, Left	1	----	----	2481 657	
	2 D. H. T., 4 D., 4 D. H. T., C Inner	1	----	----	*2782 848-9	
	2 D. H. T., 4 D., 4 D. H. T., C Outer	1	----	----	2481 532-3	
	Sta. Wgn., C w/NUT, Outer, Right	1	----	----	2481 660	
	Sta. Wgn., C Outer, Left	1	----	----	2481 661	
	Cv. Cp., C Inner	1	----	----	2482 056-7	2424 690-1
	Cv. Cp., C Outer	1	----	----	2482 052-3	2424 688-9
	2 D. H. T., 4 D. H. T., Inner	1	----	----	----	1651 300
	2 D. H. T., 4 D. H. T., Outer	1	----	----	----	2255 458-9

TYPE LETTERS Indicate: V - Valiant R - Belvedere P - Plymouth C - Chrysler
 L - Dart W - Coronet D - Dodge Y - Imperial

*Indicates use as required.
 BIndicates parts not listed in any previous parts book.
 Right and left part numbers are on same line, first number is right, second number is left.
 * Indicates change or addition.
 Prices and specifications subject to change without notice.
 Printed in U.S.A.
 Page 23-349 March 1966 Supersedes May 1965.

1965 PASSENGER CAR PARTS CATALOG

BODY

CODE	PART NAME AND DESCRIPTION	PER CAR	VALIANT	PLYMOUTH BELVEDERE	PLYMOUTH FURY	IMPERIAL
			DART	DODGE CORONET	DODGE POLARA CHRYSLER	
23-34-O BODY PANELS - Cont'd						
23-34-29	EXTENSION, Wheelhouse Outer Panel Sta. Wgn. V, except Sta. Wgn. 2 D., 2 D. H. T., Cv. Cp., 4 D., L Sta. Wgn., C Rear Lower	1 1 1 1	2242 928-9 2422 612-3 2243 802-3 -----	-----	2526 846-7	
23-34-32	BAFFLE, Quarter Inside Upper Panel to Roof Panel Side Extension Sta. Wgn.	2	2243 832			
23-34-36	REINFORCEMENT, Wheelhouse to Lower Belt Bar Cv. Cp., V Cv. Cp., L REINFORCEMENT, Wheelhouse to Belt Side Lower Bar Cv. Cp., P Cv. Cp., D, C REINFORCEMENT, Wheelhouse to Center Floor Pan V Barracuda	1 2 1 1 1	2423 642-3 2423 644 ----- ----- 2526 830-1	2422 840-1 ----- -----	2482 146-7 2482 148-9	
23-34-40	PLUG, Wheelhouse Outer Panel Sta. Wgn. PLUG, Quarter Panel Tailgate Window Switch Hole Sta. Wgn. PLUG, Tailgate Opening Sill Panel Sta. Wgn.	2 2 2	2189 098 2254 795 -----	-----	2574 831	
23-34-44	HOUSING and ROLLER, Tailgate Opening Sill to Tailgate Inner Cover Sta. Wgn. SCREW	2 6	----- -----	-----	2602 283 162 396	
23-34-52	BUMPER, Tailgate Opening Sill Panel Sta. Wgn.	4	-----	-----	2663 925	
23-34-80	PANEL, Cowl Top and Dash All PANEL, Cowl Top and Plenum Chamber All PANEL, Cowl Side Cv. Cp. Complete Except Cv. Cp. Complete All Outer 2 D. H. T., P Complete 2 D. H. T., 4 D. H. T., D, C Complete 2 D., 4 D., 4 D. H. T., Sta. Wgn., P Complete 4 D., Sta. Wgn., D, C, Complete All Less Extension FRAME, Windshield Cv. Cp. Complete 2 D. H. T., 4 D. H. T., Complete	1 1 1 1 1 1 1 1 1 1 1 1 1	----- 2493 684 2425 416-7 2576 368-9 ----- ----- ----- ----- ----- ----- ----- ----- -----	2525 850 ----- 2425 840-1 2425 838-9 ----- ----- ----- ----- ----- ----- ----- ----- -----	2576 120 ----- 2493 886-7 2491 126-7 2493 888-9 2493 888-9 2493 884-5 2493 884-5 ----- ----- ----- -----	2448 140-1 2495 693 2495 692
23-34-82	BRACKET, Cowl Side Panel to Sill All	1	-----	-----	2492 486-7	

TYPE LETTERS Indicate: V - Valiant R - Belvedere P - Plymouth C - Chrysler
L - Dart W - Coronet D - Dodge Y - Imperial

★ Indicates use as required. Printed in U.S.A.
 □ Indicates parts not listed in any previous parts book. Prices and specifications subject to change without notice.
 March 1966 Supersedes May 1965. Right and left part numbers are on same line,
 first number is right, second number is left.
 * Indicates change or addition.

CODE	PART NAME AND DESCRIPTION	PER CAR	VALIANT	PLYMOUTH BELVEDERE	PLYMOUTH FURY	IMPERIAL
			DART	DODGE CORONET	DODGE POLARA CHRYSLER	
23-34-O BODY PANELS - Cont'd						
23-34-84	PLATE, Cowl Side Outer to Inner Panel Front All	1	-----	-----	2492 746-7	
23-34-85	COVER PACKAGE, Cowl Upper Panel to Front Pillar Joint All SCREW	1 2	----- -----	----- -----	----- -----	2196 479-80 9413 268
23-34-89	PANEL and NUT, Cowl Side Inner All	1	-----	-----	2492 856-7	
23-34-100	FILLER, Cowl Side to Door at Belt All	1	-----	-----	-----	2571 582-3
23-34-101	T/PLATE, Cowl Top Panel Fender Mounting Bracket All	2	-----	-----	2492 433	
23-34-110	PANEL, Dash All All w/NUT	1 1	2571 422 -----	----- -----	----- -----	2571 928
23-34-116	COVER, Dash Panel Heater Motor Opening All w/o Heater COVER, Dash Panel Air Duct All w/o Heater or Air Conditioning COVER, Dash Panel Air Duct Drain Hole All	1 1 1 2	2242 439 ----- ----- -----	----- ----- ----- -----	----- ----- ----- -----	1750 445 1810 565
23-34-117	SUPPORT, Dash Panel to Fender Side Shield All Right Left	1 1	2242 426 2492 741	----- -----	----- -----	
23-34-119	GASKET, Dash Panel Heater Motor Opening Cover All w/o Heater GASKET, Heater to Dash Mounting All w/Heater	1 1	2242 425 2242 425	----- -----	----- -----	
23-34-120	PANEL, Front Door Outside Repair V Barracuda 2 D., P 2 D. H. T., Cv. Cp., P 2 D. H. T., Cv. Cp., D 2 D. H. T., Cv. Cp., C 4 D. H. T., P 4 D. H. T., D 4 D. H. T., C 4 D., Sta. Wgn., P 4 D., Sta. Wgn., D 4 D., Sta. Wgn., C	1 1 1 1 1 1 1 1 1 1 1 1	2253 844-5 2253 842-3 2253 844-5 ----- ----- ----- ----- ----- 2253 840-1 ----- -----	----- 2425 792-3 2425 794-5 ----- ----- ----- ----- ----- 2425 788-9 ----- -----	----- 2493 688-9 2493 694-5 2493 640-1 2493 600-1 2493 336-7 2493 474-5 2493 132-3 2493 432-3 2493 480-1 2493 468-9	----- 2425 618-9 2425 620-1
	PANEL, Rear Door Outside Repair 4 D., Sta. Wgn., D 4 D., Sta. Wgn., C 4 D., P Sta. Wgn., P 4 D. H. T., P 4 D. H. T., D 4 D. H. T., C	1 1 1 1 1 1 1	2425 168-9 ----- ----- ----- ----- ----- -----	2425 112-3 ----- ----- ----- ----- ----- -----	2493 438-9 2493 426-7 2491 630-1 2493 700-1 2491 634-5 2493 420-1 2493 112-3	2425 812-3

TYPE LETTERS Indicate: V - Valiant R - Belvedere P - Plymouth C - Chrysler
L - Dart W - Coronet D - Dodge Y - Imperial

★ Indicates use as required.
 ☐ Indicates parts not listed in any previous parts book.
 Right and left part numbers are on same line,
 first number is right, second number is left.
 * Indicates change or addition.

Printed in U.S.A.
 Prices and specifications subject to change without notice.
 March 1966 Supersedes May 1965.

Page 23-351

1965 PASSENGER CAR PARTS CATALOG

BODY

CODE	PART NAME AND DESCRIPTION	PER CAR	VALIANT	PLYMOUTH BELVEDERE	PLYMOUTH FURY	IMPERIAL	
			DART	DODGE CORONET	DODGE POLARA CHRYSLER		
23-34-O BODY PANELS - Cont'd							
23-34-121	SHIELD, Dash Panel to Fender All	1	2242 442-3	2571 478-9			
23-34-122	BRACE and C/NUT, Dash Panel No. 1 and No. 1A Body Hold-Down All	1	-----	-----	-----	2491 710-11	
23-34-123	PLUG, Dash Panel Heater Mounting Hole All w/o Heater	3	-----	1777 881			
	PLUG, Dash Panel Auto. Trans. and Parking Sprag Opening Except D	1	*2082 962				
	PLUG, Fresh Air Control Dash Hole All w/o Heater or Air Conditioning	1	-----	-----	1652 067		
	PLUG, Cowl Side Pnl. Forward Welding Access Hole All	2	-----	-----	E2664 330		
23-34-125	PLATE, Dash Panel Accelerator Linkage Bracket Tapping All	1	2217 287				
23-34-126	REINFORCEMENT, Dash Panel No. 1 and No. 1A Body Hold-Down Bolt Brace All	1	-----	-----	-----	2491 730-1	
23-34-130	GUSSET, Dash Panel to Steering Column Support All	1	-----	-----	2491 153		
23-34-137	RETAINER, Folding Top Side Rear Rail Quarter Pillar Cv. Cp.	1	2574 196-7				
23-34-164	BRACE, Deck Opening Upper Panel 2 D. H. T. 2 D., 4 D.	2 2	----- -----	2424 546 2244 027			
23-34-166	PANEL, Deck Opening Upper V Barracuda 2 D., 2 D. H. T., 4 D., V 2 D., 2 D. H. T., 4 D., L Cv. Cp., V, P Cv. Cp., L, D Cv. Cp., C 2 D., 4 D. 2 D. H. T., C-H 4 D., 4 D. H. T., D 4 D., 4 D. H. T., C 2 D. H. T., D 2 D. H. T., C-L, C-M 2 D., 2 D. H. T., 4 D., 4 D. H. T., P 2 D. H. T., 4 D. H. T. 2 D. H. T., 4 D. H. T., w/Shelf Panel	1 1 1 1 1 1 1 1 1 1 1 1 1 1 1 1 1 1 1 1	2525 590 2242 493 2480 705 2526 608 2255 861 ----- ----- ----- ----- ----- ----- ----- ----- ----- ----- ----- ----- ----- ----- ----- ----- ----- -----		2243 939 ----- ----- 2482 818 2422 067 ----- ----- ----- ----- ----- ----- ----- ----- ----- ----- ----- ----- ----- ----- ----- ----- ----- -----	2481 145 2481 147 2481 147 2424 696 2481 148 2481 148 2481 148 2481 148 2481 146 2481 146 2481 144 ----- ----- ----- ----- -----	2425 665 2422 287

TYPE LETTERS Indicate:

V - Valiant
I - DartR - Belvedere
W - CoronetP - Plymouth
D - DodgeC - Chrysler
Y - Imperial

★Indicates use as required.

ⓀIndicates parts not listed in any previous parts book.
March 1966 Supersedes May 1965.

Prices and specifications subject to change without notice.

Right and left part numbers are on same line,
first number is right, second number is left.

* Indicates change or addition.

CODE	PART NAME AND DESCRIPTION	PER CAR	VALIANT	PLYMOUTH BELVEDERE	PLYMOUTH FURY	IMPERIAL
			DART	DODGE CORONET	DODGE POLARA CHRYSLER	
23-34-0 BODY PANELS - Cont'd						
23-34-167	PANEL, Deck Opening Lower (inside) V, W, except Sta. Wgn. L, R, except Sta. Wgn. P, except Sta. Wgn. D, except Sta. Wgn. C, except Sta. Wgn., w/Back-Up Lamp Holes w/o Back-Up Lamp Holes. All	1 1 1 1 1 1 1	2422 006 2243 589 ----- ----- ----- ----- -----	2576 077 2576 178 ----- ----- ----- ----- -----	----- ----- 2525 873 2525 874 2525 876 2525 875 -----	----- ----- ----- ----- ----- ----- 2255 495
23-34-176	EXTENSION, Deck Opening Upper Inner Panel V Barracuda EXTENSION, Deck Opening Lower Panel Reinforcement 2 D., Cv. Cp., 4 D., 4 D. H. T., D EXTENSION, Deck Opening Lower Panel Side All EXTENSION, Deck Opening Upper Panel to Rear Window 2 D. H. T., 4 D. H. T.	1 ----- 1 1 1 1	2574 020-1 ----- ----- ----- ----- -----	----- ----- ----- ----- ----- -----	----- ----- 2483 254-5 ----- ----- -----	----- ----- ----- 2422 296-7 ----- ----- 2218 700
23-34-178	PLUG, Deck Opening Lower Panel Reinforcement 2 D. H. T., Cv. Cp., 4 D., 4 D. H. T., C PLUG, Deck Opening Upper Inner V Barracuda Black	3 4	----- *4163 VX9	----- -----	----- 2527 781	----- -----
23-34-179	REINFORCEMENT, Deck Opening Upper or Lower Panel V, except Sta. Wgn. Lower L, R, except Sta. Wgn. Lower W, except Sta. Wgn., Lower Cv. Cp., P Upper Cv. Cp., D Upper Cv. Cp., C Upper Cv. Cp. Upper to Belt Bar SUPPORT, Deck Opening Lower Panel Rein- forcement to Floor Pan 2 D. H. T., Cv. Cp., 4 D., 4 D. H. T., D EXTENSION, Deck Opening Lower Panel Reinforcement P, except Sta. Wgn.	2 2 2 1 1 1 1 1 1 1	2423 214 2243 596 ----- ----- ----- ----- ----- ----- ----- -----	----- 2255 788 2482 558 ----- ----- ----- ----- ----- -----	----- ----- 2482 257 2482 259 2482 259 ----- ----- ----- 2482 268 2482 648-9	----- ----- ----- ----- ----- ----- ----- ----- ----- ----- 2480 189
23-34-184	LETTER, NAME PLATE OR MEDALLION, Deck Opening Lower Panel (1)	-----	-----	-----	-----	-----
23-34-187	COVER, Deck Opening Upper Panel Air Exhaust V Barracuda SEAL, Deck Opening Upper Pnl. 2 D. H. T., 4 D	2 1	2573 606 -----	----- B2480 632	----- -----	----- -----
23-34-190	FILLER, Deck Opening Upper Panel Center Moulding to Window Glass V Barracuda	1	2528 391	-----	-----	-----
23-34-203	PAD, Quarter Outside Panel Strainer Cv. Cp., 5 Ft.	*	-----	1242 974	-----	-----
23-34-207	HANDLE, Quarter Spare Tire Cover Sta. Wgn., P, D, C	1	-----	-----	2520 985	-----

NOTE 1: See Exterior Moulding Illustrations and Moulding Legends in front of Group 23 Body section.

TYPE LETTERS indicate:	V - Valiant L - Dart	R - Belvedere W - Coronet	P - Plymouth D - Dodge	C - Chrysler Y - Imperial
------------------------	-------------------------	------------------------------	---------------------------	------------------------------

* Indicates use as required.
 B Indicates parts not listed in any previous parts book.
 Right and left part numbers are on same line,
 first number is right, second number is left.
 * Indicates change or addition.

Prices and specifications subject to change without notice.
 Printed in U.S.A.
 March 1966 Supersedes May 1965.

1965 PASSENGER CAR PARTS CATALOG

BODY

CODE	PART NAME AND DESCRIPTION	PER CAR	VALIANT	PLYMOUTH BELVEDERE	PLYMOUTH FURY	IMPERIAL
			DART	DODGE CORONET	DODGE POLARA CHRYSLER	
23-34-0 BODY PANELS - Cont'd						
23-34-212	PANEL, Quarter Wheel Opening Except Sta. Wgn., P	1	-----	-----	2528 048-9	
	2 D. H. T., Cv. Cp., 4 D., 4 D. H. T., D-L, D-H	1	-----	-----	2528 050-1	
	2 D. H. T., Cv. Cp., 4 D., 4 D. H. T., C	1	-----	-----	2526 812-3	
	Prime	1	-----	-----	2528 374-5	
	Sta. Wgn., C	1	-----	-----		
23-34-213	GASKET, Quarter Wheel Opening Panel					
	All, C	2	-----	-----	2603 290	
	P, except Sta. Wgn.	1	-----	-----	2528 384-5	
	D, except Sta. Wgn.	1	-----	-----	2528 392-3	
	SEAL, Quarter Outside Panel to Rear Bumper					
	D, except Sta. Wgn.	2	-----	-----	2574 239	
23-34-214	EXTENSION, Quarter Panel Wheel Opening					
	Flange					
	2 D. H. T., Cv. Cp., C					
	Front	1	-----	-----	2484 764-5	
	All, C Rear	1	-----	-----	2529 922-3	
23-34-216	PIN, Quarter Wheel Opening Panel Locating					
	All	6	-----	-----	2528 429	
	NUT and WASHER	6	-----	-----	6023 204	
23-34-217	SPACER, Quarter Wheel Opening Panel Pin					
	C Front	2	-----	-----	2528 653	
	Rear	2	-----	-----	2528 654	
	SPACER, Quarter Wheel Opening Panel					
	C	4	-----	-----	2603 292	
23-34-218	REINFORCEMENT, Quarter Outside Panel Lock					
	Face					
	V Barracuda	1	2481 200-1			
	2 D. H. T., Cv. Cp., V	1	2481 200-1			
23-34-219	SUPPORT, Quarter Outside Inner Panel to Brace					
	Cv. Cp., L	1	2423 648-9			
23-34-221	SEAL, Quarter Inside Upper Panel to Roof					
	Panel Side Extension Baffle					
	Sta. Wgn.	2	2243 834			
23-34-223	REINFORCEMENT, Quarter Spare Tire Cover					
	Handle Opening					
	Sta. Wgn., All	1	-----	-----	2520 990	
23-34-229	TIE PLATE, Quarter Panel to Wheelhouse to					
	Side Sill Outer Panel					
	2 D., 2 D. H. T., 4 D., Sta. Wgn., Cv. Cp., V	1	2242 470-1			
	Sta. Wgn., L	1	2242 470-1			
	2 D., 2 D. H. T., 4 D., Cv. Cp., L	1	2243 566-7			
	TIE PLATE, Body Side Sill to Wheelhouse					
	4 D., Sta. Wgn.	1	-----	2167 180-1		
	4 D., 4 D. H. T., P	1	-----	-----	2481 540-1	
	4 D. H. T., Sta. Wgn., 4 D., D	1	-----	-----	2481 542-3	
	Sta. Wgn., P	1	-----	-----	2481 542-3	
	Sta. Wgn., C	1	-----	-----	2481 542-3	
	4 D., 4 D. H. T., C	1	-----	-----	2481 544-5	
	TIE PLATE, Quarter Inside Panel to Wheelhouse					
	2 D., 2 D. H. T., Cv. Cp.	1	-----	2422 578-9		

TYPE LETTERS Indicate: V - Valiant R - Belvedere P - Plymouth C - Chrysler
L - Dart W - Coronet D - Dodge Y - Imperial

★ Indicates use as required.

⊠ Indicates parts not listed in any previous parts book.
March 1966 Supersedes May 1965.

Printed in U.S.A.
Prices and specifications subject to change without notice.
Right and left part numbers are on same line,
first number is right, second number is left.
● Indicates change or addition.

CODE	PART NAME AND DESCRIPTION	PER CAR	VALIANT	PLYMOUTH BELVEDERE	PLYMOUTH FURY	IMPERIAL
			DART	DODGE CORONET	DODGE POLARA CHRYSLER	
23-34-0 BODY PANELS - Cont'd						
23-34-229	TIE PLATE, Body Side Sill to Quarter Inside Panel 2 D., P 2 D. H. T., Cv. Cp.	1 1	----- -----	----- -----	2481 876-7 2481 876-7	
23-34-230	STRAINER, Quarter Outside Panel Cv. Cp. w/BRACKET 2 D. H. T., Cv. Cp., C w/NUT 2 D. H. T., Cv. Cp.	1 2 1	----- ----- -----	2424 388-9 ----- -----	2527 968 -----	2495 908-9
23-34-231	BRACKET, Quarter Outside Panel Strainer to Wheelhouse Support Cv. Cp. BRACKET, Quarter Outside Outer Panel Support Rear 2 D. H. T., Cv. Cp.	2 1	----- -----	2424 386 -----	----- -----	2492 214-5
23-34-232	BUMPER, Quarter Inside Panel Lower Sta. Wgn. PLUG, Quarter Panel to Wheelhouse to Side Sill Outer Panel Tie Plate 2 D., 2 D. H. T., Cv. Cp., L PLUG, Body Side Sill to Wheelhouse Tie Plate Sta. Wgn. Right PLUG, Wheelhouse Quarter Panel Sta. Wgn. Right PLUG, Wheelhouse Spare Tire Housing Lower Panel Sta. Wgn.	2 2 1 1 1	2094 618 2423 815 ----- ----- -----	----- ----- 2480 148 ----- -----	----- ----- 2094 985 ----- 2603 887	
23-34-233	PANEL, Quarter Outside Inner V Barracuda Cv. Cp. V 2 D., 2 D. H. T., 4 D., V Cv. Cp., L Upper 2 D., 2 D. H. T., 4 D., L Upper 2 D., 2 D. H. T., 4 D., L Lower 2 D., 2 D. H. T., Cv. Cp., 4 D., L Center	1 1 1 1 1 1 1 1	2484 584-5 2484 266-7 2481 068-9 2255 986-7 2480 706-7 2483 918-9 2482 542-3	----- ----- ----- ----- ----- ----- -----	----- ----- ----- ----- ----- ----- -----	2424 694-5 2255 462-3 2255 464-5 2422 292-3 2422 330-1 2422 334-5 2422 330-1
23-34-234	PANEL, Quarter Inside V Barracuda 2 D. Front 2 D. H. T. Front Cv. Cp. Front Cv. Cp., L Rear 2 D., 2 D. H. T., 4 D., V Upper	1 1 1 1 1 1	2484 802-3 2484 326-7 2484 328-9 2484 330-1 2424 000-1 2242 868-9	----- ----- ----- ----- ----- -----	----- ----- ----- ----- ----- -----	

TYPE LETTERS indicate: V - Valiant R - Belvedere P - Plymouth C - Chrysler
L - Dart W - Coronet D - Dodge Y - Imperial

★ Indicates use as required.
 □ Indicates parts not listed in any previous parts book.
 Right and left part numbers are on same line, first number is right, second number is left.
 • Indicates change or addition.

Prices and specifications subject to change without notice.
 Printed in U.S.A.
 March 1966 Supersedes May 1965.

1965 PASSENGER CAR PARTS CATALOG

BODY

CODE	PART NAME AND DESCRIPTION	PER CAR	VALIANT	PLYMOUTH BELVEDERE	PLYMOUTH FURY	IMPERIAL
			DART	DODGE CORONET	DODGE POLARA CHRYSLER	
23-34-0 BODY PANELS - Cont'd						
23-34-234	PANEL - Cont'd					
	2 D., 2 D. H.T., 4 D., L Upper	1	2481 046-7			
	2 D., 2 D. H.T., 4 D., V Lower	1	2242 464-5			
	2 D., 2 D. H.T., 4 D., L Lower	1	2243 568-9			
	Sta. Wgn. Upper	1	2242 740-1			
	Sta. Wgn. w/Upper Rear EXTENSION, Lower	1	2493 448-9			
	2 D., 4 D. Upper	1	-----	2422 044-5		
	2 D., P	1	-----	2244 880-1	2484 362-3	
	2 D. H.T., D	1	-----	2422 072-3	2484 882-3	
	2 D. H.T. Rear	1	-----	2422 046-7		
	Cv. Cp., P	1	-----	2244 224-5	2528 890-1	
	Sta. Wgn. Front	1	-----	2166 182-3		
	Sta. Wgn. Rear	1	-----	2166 184-5		
	2 D. H.T., P Rear Lower	1	-----	-----	*2482 036-7	
	2 D. H.T., P	1	-----	-----	2482 032-3	
	2 D., 4 D., 4 D. H.T., P Upper	1	-----	-----	2481 480-1	
	2 D., 4 D., 4 D. H.T., P Lower	1	-----	-----	2481 556-7	
	Cv. Cp., D	1	-----	-----	2528 892-3	
	4 D., D-L, C1 Upper	1	-----	-----	2484 532-3	
	4 D., D Lower	1	-----	-----	2484 364-5	
	4 D., C1 Lower	1	-----	-----	2482 034-5	
	4 D. H.T., D, C Upper	1	-----	-----	2482 042-3	
	4 D. H.T., D Lower	1	-----	-----	2483 250-1	
	2 D. H.T., C3	1	-----	-----	2483 286-7	
	2 D. H.T., C3 Upper	1	-----	-----	2482 042-3	
	2 D. H.T., C3 Lower	1	-----	-----	2483 200-1	2422 276-7
	4 D. H.T., C Lower	1	-----	-----	2483 200-1	2422 276-7
	2 D. H.T., D Rear Lower	1	-----	-----	2482 038-9	
	Cv. Cp., C1, C2	1	-----	-----	2528 888-9	2424 678-9
	2 D. H.T., P, D, C1, C2 Rear Upper	1	-----	-----	2482 044-5	
	2 D. H.T., C1, C2 Rear Lower	1	-----	-----	2482 040-1	
	2 D. H.T., C1, C2	1	-----	-----	2484 884-5	2255 468-9
	Sta. Wgn. Front Upper	1	-----	-----	2484 396-7	
	Sta. Wgn. Front Lower	1	-----	-----	2481 684-5	
	2 D. H.T., 4 D. H.T., Rear Upper	1	-----	-----	-----	2573 206-7
23-34-235	PANEL, Quarter Outside Repair					
	V Barracuda	1	2484 580-1			
	2 D., V, R, P	1	2484 268-9	2484 930-1	2481 112-3	
	2 D., L, W	1	2482 534-5	2482 548-9		
	2 D. H.T., V, R, P	1	2484 460-1	2484 932-3	2481 114-5	
	2 D. H.T., L, W, D	1	2482 536-7	2482 550-1	2481 124-5	
	Cv. Cp., V, R, P	1	2484 270-1	2484 934-5	2481 116-7	
	Cv. Cp., L, W, D	1	2482 538-9	2482 524-5	2481 126-7	
	4 D., V, R, C	1	2484 462-3	2484 936-7	2481 138-9	
	4 D., L, W, D	1	2482 540-1	2482 552-3	2481 128-9	
	Sta. Wgn., V, R	1	2482 526-7	2482 530-1		
	Sta. Wgn., L, W	1	2482 528-9	2482 532-3		
	4 D., 4 D. H.T., P	1	-----	-----	2481 118-9	
	4 D. H.T., D	1	-----	-----	2481 130-1	2481 794-5

TYPE LETTERS Indicate: V - Valiant R - Belvedere P - Plymouth C - Chrysler
L - Dart W - Coronet D - Dodge Y - Imperial

★Indicates use as required. Printed in U.S.A.
 ☐Indicates parts not listed in any previous parts book. Prices and specifications subject to change without notice.
 March 1966 Supersedes May 1965. Right and left part numbers are on same line, first number is right, second number is left.
 * Indicates change or addition.

CODE	PART NAME AND DESCRIPTION	PER CAR	VALIANT	PLYMOUTH BELVEDERE	PLYMOUTH FURY	IMPERIAL
			DART	DODGE CORONET	DODGE POLARA CHRYSLER	
23-34-O BODY PANELS - Cont'd						
23-34-235	PANEL - Cont'd.					
	Sta. Wgn., P	1	-----	-----	2481 120-1	
	Sta. Wgn., D	1	-----	-----	2481 132-3	
	2 D. H. T., C1, C2	1	-----	-----	2481 134-5	
	2 D. H. T., C3	1	-----	-----	2483 284-5	2481 792-3
	Cv. Cp., C	1	-----	-----	2481 136-7	2481 792-3
	4 D. H. T., C	1	-----	-----	2481 140-1	
	Sta. Wgn., C	1	-----	-----	2481 142-3	
23-34-236	EXTENSION, Quarter Inside Panel					
	Sta. Wgn. Lower Panel Upper Rear	1	2244 900-1			
	Cv. Cp., V Reinf. to Wheelhouse	1	2424 100-1			
	Cv. Cp., L Reinf. to Wheelhouse	1	2424 102-3			
	Sta. Wgn. To Rear Upper Pillar	1	-----	2254 608-9		
	2 D., P	1	-----	-----	2484 824-5	
	4 D., 4 D. H. T., D Lower	1	-----	-----	2484 352-3	
	4 D., 4 D. H. T., P Lower	1	-----	-----	2483 210-1	
	4 D., 4 D. H. T., C Lower	1	-----	-----	2482 674-5	
	2 D. H. T. Rear	1	-----	-----	-----	2422 358-9
	2 D. H. T. Belt Reinf.	1	-----	-----	-----	2218 988-9
	Cv. Cp. Belt Reinf.	1	-----	-----	2529 038-9	
	2 D. H. T., Cv. Cp. To Lock Pillar	1	-----	-----	-----	2424 722-3
23-34-237	PLUG, Quarter Inside Lower Panel					
	Sta. Wgn.	2	2423 829			
	2 D., 2 D. H. T., Cv. Cp. To Wheelhouse Tie Plate	2	2602 110	2573 869		
23-34-238	NAME PLATE or LETTERS, Quarter Panel Outside (1)					
23-34-239	PLATE, Quarter Outside Inner Panel Upper Extension Name Plate Backing					
	4 D. H. T. "Le"	2	-----	-----	-----	2480 884
	"Baron"	2	-----	-----	-----	2480 885
23-34-240	DEFLECTOR, Quarter Outside Panel Stone (1)					
23-34-242	EXTENSION, Quarter Outside Panel					
	Sta. Wgn., V, R	1	2482 518-9	2482 522-3		
	Sta. Wgn., L, W	1	2422 988-9	2483 854-5		
	2 D., 2 D. H. T., Cv. Cp., 4 D., L Inner Center Panel	1	2244 252-3			
	2 D., 2 D. H. T., Cv. Cp., 4 D., L To Deck Opening Lower Panel	1	2244 406-7			
	2 D., 4 D., R To Rear Window Side Frame	1	-----	2424 936-7		
	2 D., 4 D., W To Rear Window Side Frame	1	-----	2484 378-9		
	P, except Sta. Wgn.	1	-----	-----	2481 488-9	
	2 D. H. T., Cv. Cp., 4 D., 4 D. H. T., D	1	-----	-----	2482 642-3	
	Sta. Wgn., P Rear Upper	1	-----	-----	2484 710-1	
	Sta. Wgn., D Rear Upper	1	-----	-----	2484 714-5	
	Sta. Wgn., D Rear Lower	1	-----	-----	2484 716-7	
	C, except Sta. Wgn. Rear	1	-----	-----	2482 670-1	
	Sta. Wgn., C Rear Upper	1	-----	-----	2482 606-7	
	Sta. Wgn., C Rear Lower	1	-----	-----	2482 608-9	

NOTE 1: See Exterior Moulding Illustrations and Moulding Legends in front of Group 23 Body section.

TYPE LETTERS Indicate:	V - Valiant	R - Belvedere	P - Plymouth	C - Chrysler
	L - Dart	W - Coronet	D - Dodge	Y - Imperial

*Indicates use as required.

⊕Indicates parts not listed in any previous parts book.

Right and left part numbers are on same line,

first number is right, second number is left.

* Indicates change or addition.

Prices and specifications subject to change without notice.

March 1966 Supersedes May 1965.

1965 PASSENGER CAR PARTS CATALOG

BODY

CODE	PART NAME AND DESCRIPTION	PER CAR	VALIANT	PLYMOUTH BELVEDERE	PLYMOUTH FURY	IMPERIAL
			DART	DODGE CORONET	DODGE POLARA CHRYSLER	
23-34-0 BODY PANELS - Cont'd						
23-34-246	REINFORCEMENT, Quarter Outside Panel at Belt 2 D., 2 D. H. T., V Cv. Cp., V, P Cv. Cp., L 2 D. H. T., P, D, C-L, C-M Cv. Cp., D, C 2 D. H. T., P, D, C Front 2 D. H. T., C-H Rear	1 1 1 1 1 1 1	2243 672-3 2422 128-9 2422 130-1 ----- ----- ----- -----	----- ----- 2424 910-1 ----- ----- ----- -----	2484 624-5 ----- 2484 242-3 2484 626-7 2573 036-7 2484 766-7	
	REINFORCEMENT, Quarter Outside Panel Extension Jacking Sta. Wgn., V REINFORCEMENT, Quarter Outside Panel to Floor Pan R, except Sta. Wgn. REINFORCEMENT, Quarter Outside Panel to Belt Bar Side Upper Cv. Cp.	2 1 1	2243 638 ----- -----	----- 2255 776-7 ----- 2423 594-5		
23-34-248	SUPPORT, Quarter Inside Panel Rear to Rear Floor Pan Filler Sta. Wgn. 4 D., D, C-L To Roof Extension BRACE, Quarter Inside Panel to Wheelhouse Cv. Cp., P Cv. Cp., D Cv. Cp., C	1 1 1 1 1 1	2243 838-9 ----- ----- ----- ----- -----	----- ----- ----- ----- ----- -----	2484 536-7 ----- 2529 052-3 2529 054-5 2529 056-7	
23-34-249	FILLER, Quarter Inside Panel Rear to Rear Floor Pan Sta. Wgn. REINFORCEMENT, Quarter Inside Panel at Belt Cv. Cp., P, D, C-L, C-M Cv. Cp., C-H 2 D. H. T., P, D, C-L, C-M REINFORCEMENT, Quarter Inside Panel Upper 2 D., Cv. Cp. REINFORCEMENT, Quarter Outside Inner Panel to Wheelhouse 2 D. H. T., 4 D. H. T.	1 1 1 1 1 1 1	2484 112-3 ----- ----- ----- ----- ----- -----	----- ----- ----- ----- ----- ----- -----	2526 732-3 2483 352-3 2483 350-1 ----- ----- -----	2424 748-9 2218 760-1
23-34-253	DOOR, Deck Opening Lower Panel Fuel Filler 2 D., Cv. Cp., 4 D., 4 D. H. T., C-L w/HINGE 2 D. H. T., Cv. Cp., C-P 2 D. H. T., Cv. Cp., 4 D. H. T., C-M 2 D. H. T., 4 D. H. T., 4 D. 6 Window, C-H DOOR, Quarter Panel Fuel Filler P, except Sta. Wgn.	1 1 1 1 1	----- ----- ----- ----- -----	----- ----- ----- ----- -----	2484 272 2573 815 2573 813 2573 814 2576 157	
23-34-255	SPRING, Fuel Tank Filler Opening Door P C	1 1	----- -----	----- -----	2481 950 2481 089	
23-34-257	GUSSET, Quarter Belt Bar to Wheelhouse to Rear Quarter Pillar Cv. Cp., V, P Cv. Cp., L, D Cv. Cp., C	1 1 1	2255 988-9 2255 990-1 -----	2255 718-9 ----- -----	2482 010-1 2482 012-3 2482 014-5	

TYPE LETTERS Indicate: V - Valiant R - Belvedere P - Plymouth C - Chrysler
L - Dart W - Coronet D - Dodge Y - Imperial

★Indicates use as required.
⊖Indicates parts not listed in any previous parts book.
March 1966 Supersedes May 1965.

Printed in U.S.A.
Prices and specifications subject to change without notice.
Right and left part numbers are on same line, first number is right, second number is left.
* Indicates change or addition.

CODE	PART NAME AND DESCRIPTION	PER CAR	VALIANT	PLYMOUTH BELVEDERE	PLYMOUTH FURY	IMPERIAL
			DART	DODGE CORONET	DODGE POLARA CHRYSLER	
23-34-O BODY PANELS - Cont'd						
23-34-259	SEAL, Quarter Inside Panel Fuel Tank Filler Tube Sta. Wgn.	1	2242 360			
	SEAL, Fuel Tank Filler Tube to Quarter Panel Sta. Wgn.	1	-----	2123 656		
	SEAL, Quarter Panel Fuel Filler Tube Housing P, except Sta. Wgn.	1	-----	-----	2483 906	
23-34-264	REINFORCEMENT, Quarter Panel Fuel Filler Opening P, except Sta. Wgn.	1	-----	-----	2484 383	
23-34-270	BUMPER, Quarter Panel Fuel Filler Door P, except Sta. Wgn.	2	-----	-----	2481 953	
	BUMPER, Deck Opening Lower Panel Fuel Filler Door C, except Sta. Wgn.	2	-----	-----	2602 132	
	STOP, Deck Opening Lower Panel Fuel Filler Door C, except Sta. Wgn.	2	-----	-----	2483 272	
23-34-275	BUMPER, Quarter Outside Panel Jack 2 D., 2 D. H. T., Cv. Cp., 4 D., V	1	2243 220-1			
	2 D., 2 D. H. T., Cv. Cp., 4 D., L, W	1	2243 800-1	2526 614-5		
	Sta. Wgn.	1	2244 130-1			
	2 D. H. T., Cv. Cp., 4 D., 4 D. H. T., D	1	-----	-----	2529 430-1	
23-34-279	BRACKET, Rear Stone Deflector to Rear Floor Pan Attaching Sta. Wgn.	1	-----	2252 111		
23-34-280	FILLER, Quarter Outside Panel W, except Sta. Wgn.	1	-----	2484 660-1		
	Sta. Wgn. To Rear Lower Pillar . . .	1	2244 350-1			
	Cv. Cp. Front Upper Corner . . .	1	-----	2244 706-7		
	FILLER, Quarter Outside Panel Extension to Rear Bumper C-L except Sta. Wgn.	1	-----	-----	2603 326-7	
23-34-283	COVER, Quarter Panel Back-Up Lamp 2 D., 4 D., W-L	2	-----	2575 109		
23-34-285	SUPPORT, Quarter Outside Inner Panel Jacking 2 D., 2 D. H. T., Cv. Cp., 4 D., L	1	2244 904-5			
23-34-293	HEADER, Roof Rear Sta. Wgn. Complete	1	-----	-----	2576 018	
23-34-301	PANEL, Roof V Barracuda	1	2484 562			
	2 D., 2 D. H. T., 4 D., V	1	2481 072			
	2 D., 2 D. H. T., 4 D., L	1	2480 704			
	Sta. Wgn.	1	2242 780	2480 729	2481 168	
	2 D. H. T., C-H	1	-----	2422 058	2481 167	2422 234
	2 D., 4 D.	1	-----	2422 059		
	4 D., D, C-L, C-H	1	-----	-----	2481 166	
	4 D. H. T., D, C, Y-M	1	-----	-----	2481 167	2422 233
	2 D. H. T., P, D, C-L, C-M	1	-----	-----	2481 165	
	2 D., 4 D., 4 D. H. T., P	1	-----	-----	2481 164	
	4 D. H. T., Y-H	1	-----	-----	-----	2422 234

TYPE LETTERS Indicate: V - Valiant R - Belvedere P - Plymouth C - Chrysler
L - Dart W - Coronet D - Dodge Y - Imperial

★Indicates use as required. Printed in U.S.A.
 ☐Indicates parts not listed in any previous parts book. Prices and specifications subject to change without notice.
 Right and left part numbers are on same line, March 1966 Supersedes May 1965.
 first number is right, second number is left.
 * Indicates change or addition. Page 23-359

1965 PASSENGER CAR PARTS CATALOG

BODY

CODE	PART NAME AND DESCRIPTION	PER CAR	VALIANT	PLYMOUTH BELVEDERE	PLYMOUTH FURY	IMPERIAL
			DART	DODGE CORONET	DODGE POLARA CHRYSLER	
23-34-O BODY PANELS - Cont'd						
23-34-302	EXTENSION, Roof Panel Side V Barracuda	1	2484 582-3			
	2 D., 2 D. H. T., 4 D., V	1	2242 548-9			
	Sta. Wgn., V	1	2242 776-7	2217 534-5		
	4 D. H. T., D, C	1	-----	-----	2481 158-9	
	2 D. H. T., C-H	1	-----	-----	2481 158-9	
	4 D. 4 Window, D, C	1	-----	-----	2484 530-1	
	4 D. 6 Window, D, C	1	-----	-----	2481 156-7	
23-34-304	SUPPORT, Roof Panel Extension to Wheelhouse Outer Panel					
	2 D., 2 D. H. T., 4 D., V	1	2242 528-9			
	REINFORCEMENT, Roof Panel to Quarter Outside Panel Joint					
	2 D., 4 D.	1	-----	2424 524-5		
23-34-329	OVERLAY, Quarter Outside Finish Panel D-H, Sta. Wgn.	2	-----	-----	*2605 036	
23-34-334	MEDALLION, ORNAMENT or LOUVER, Quarter Panel (1)					
23-34-346	BRACKET, Wheelhouse Inner Panel Fuel Tank Stop Sta. Wgn.	1	-----	2251 800		
	BRACKET, Wheelhouse to Fuel Tank Stone Deflector Sta. Wgn.	1	-----	2251 724		
	Sta. Wgn. Lower	1	-----	-----	2483 978	
	BRACKET, Wheelhouse to Roof Side Rail Support 2 D. H. T., 4 D. H. T.	1	-----	-----	-----	2422 376-7
23-34-354	PANEL, Windshield Header Except Cv. Cp.	1	2253 956			
23-36-O PILLARS						
23-36-4	COVER, Body Front Lower Pillar to Fender All, C	1	-----	-----	2571 740-1	
23-36-5	PILLAR, Body Center 4 D., Sta. Wgn.	1	2425 854-5	2425 888-9		
	4 D. H. T., P, D-L, D-H, C	1	-----	-----	2493 444-5	2425 892-3
	4 D., Sta. Wgn., P, D-L, D-H, C-L, C-H	1	-----	-----	2493 446-7	
23-36-6	PANEL, Center Pillar Inside Finish 4 D. H. T.	1	-----	-----	2571 040-1	
	4 D., Sta. Wgn.	1	-----	2241 790-1	2571 072-3	
23-36-14	EXTENSION, Front Hinge Pillar Cv. Cp.	1	-----	-----	-----	1960 726-7
	2 D. H. T., 4 D. H. T.	1	-----	-----	-----	1877 318-9
23-36-15	SUPPORT, Front Pillar Extension to Windshield Side Frame Cv. Cp.	2	-----	-----	2529 429	
23-36-18	PLUG, Rear Lower Pillar Sta. Wgn.	1	2254 626			

NOTE 1: See Exterior Moulding Illustrations and Moulding Legends in front of Group 23 Body section.

TYPE LETTERS Indicate: V - Valiant R - Belvedere P - Plymouth C - Chrysler
L - Dart W - Coronet D - Dodge Y - Imperial

*Indicates use as required.

⊖Indicates parts not listed in any previous parts book.

March 1966 Supersedes May 1965.

Prices and specifications subject to change without notice.

Right and left part numbers are on same line,
first number is right, second number is left.

* Indicates change or addition.

Printed in U.S.A.

CODE	PART NAME AND DESCRIPTION	PER CAR	VALIANT	PLYMOUTH BELVEDERE	PLYMOUTH FURY	IMPERIAL
			DART	DODGE CORONET	DODGE POLARA CHRYSLER	
23-36-O PILLARS - Cont'd						
23-36-20	EXTENSION, Body Center Pillar Inner 4 D. H. T.	1	-----	-----	2492 680-1	
23-36-21	COVER, Center Pillar Hinge 4 D., Sta. Wgn. Lower 4 D. H. T.	2	2217 218	-----	-----	1751 793
		4	-----	-----	-----	
23-36-25	COVER, Front Body Pillar Hinge All	1	-----	-----	-----	2422 240-1
23-36-25	ANTI-RATTLER, Front Pillar Hinge Cover All 2" long 5" long 4 D. H. T. Rear Door Hinge Pillar	6	-----	-----	-----	2492 234
		2	-----	-----	-----	2492 108
		2	-----	-----	2571 450	
23-36-30	BUMPER, Body Center Pillar to Rear Door Upper Frame 4 D., 4 D. H. T., Sta. Wgn.	2	-----	-----	2588 471	
23-36-31	BUMPER, Body Front Cover Pillar to Fender Cover C	6	-----	-----	*2578 820	
23-36-31	SEAL, Rear Upper Pillar to Rear Upper Pillar Reinforcement Baffle Sta. Wgn.	2	2243 835	-----	-----	
23-36-31	SEAL, Rear Upper Pillar Sta. Wgn.	2	-----	2251 905	-----	
23-36-36	BRACKET and NUT, Body Center Pillar Assist Strap Support 4 D., P-L	2	-----	-----	2588 148	
23-36-53	PILLAR, Rear Body Lock 2 D., P Upper 2 D., P Lower Cv. Cp., P 4 D., 4 D. H. T., P Sta. Wgn., P 2 D. H. T., P Cv. Cp., D 2 D. H. T., D 4 D. H. T., D 4 D., D Lower	1	2425 396-7	2252 370-1	2482 070-1	
		1	-----	-----	2482 064-5	
		1	-----	-----	2484 758-9	
		1	-----	-----	2481 558-9	
		1	-----	-----	2481 644-5	
		1	-----	-----	2482 066-7	
		1	-----	-----	2484 760-1	
		1	-----	-----	2482 076-7	
		1	-----	-----	2482 080-1	
		1	-----	-----	2482 078-9	
		1	-----	-----	2481 646-7	
		1	-----	-----	2482 082-3	
		1	-----	-----	2481 554-5	2255 466-7
		1	-----	-----	2482 088-9	
1	-----	-----	2482 090-1			
1	-----	-----	2483 868-9			
1	-----	-----	2481 648-9			
1	-----	-----	2484 762-3			
1	2 D. H. T., Cv. Cp. w/Tapping PLATE	1	-----	-----	-----	2493 844-5
23-36-53	EXTENSION, Body Lock Pillar Upper 2 D., P	1	-----	-----	2527 914-5	
23-36-66	REINFORCEMENT, Body Lock Pillar 2 D. H. T., Cv. Cp., P, D, C-L, C-M 2 D. 2 D., P Upper Sta. Wgn. Upper	1	-----	-----	2482 114-5	2424 686-7
		1	2242 764-5	-----	-----	
		1	-----	*2166 230-1	2482 108-9	
		1	-----	-----	2483 870-1	

TYPE LETTERS Indicate: V - Valiant R - Belvedere P - Plymouth C - Chrysler
L - Dart W - Coronet D - Dodge Y - Imperial

★Indicates use as required.
 ☐Indicates parts not listed in any previous parts book.
 Right and left part numbers are on same line,
 first number is right, second number is left.
 * Indicates change or addition.
 Prices and specifications subject to change without notice.
 March 1966 Supersedes May 1965.
 Printed in U.S.A.
 Page 23-361

1965 PASSENGER CAR PARTS CATALOG

BODY

CODE	PART NAME AND DESCRIPTION	PER CAR	VALIANT	PLYMOUTH BELVEDERE	PLYMOUTH FURY	IMPERIAL
			DART	DODGE CORONET	DODGE POLARA CHRYSLER	
23-36-0 PILLARS - Cont'd						
23-36-66	REINFORCEMENT - Cont'd. 2 D., 2 D. H. T., Cv. Cp. w/Tapping PLATE, Lower REINFORCEMENT, Rear Body Lock Pillar to Wheelhouse	1	----	2493 032-3		
	Sta. Wgn.	1	-----		B2482 624-5	
	REINFORCEMENT, Quarter Outside Panel Lock Pillar to Outer Sill					
	V Barracuda	1	2423 810-11			
	Cv. Cp., V	1	2423 810-11			
	2 D. H. T., Cv. Cp., L	1	2423 810-11			
	REINFORCEMENT, Front Pillar to Cowl Side Panel					
	All	1	-----	-----	-----	2218 802-3
	SUPPORT and NUTS Side Panel Reinforcement					
	All	1	-----	-----	-----	2491 736-7
	REINFORCEMENT, Center Inner Pillar and Safety Seat Belt					
	4 D. H. T.	1	-----	-----	-----	2493 322-3
23-36-118	PILLAR, Body Rear					
	Sta. Wgn. Upper	1	2425 174-5	2493 030-1		
	Lower	1	-----	2253 210-11		
	Sta. Wgn. Upper, Inner	1	-----	-----	2484 036-7	
	Upper, Outer	1	-----	-----	2481 676-7	
	Sta. Wgn., P, C w/Tapping PLATE, Lower	1	-----	-----	2576 104-5	
	Sta. Wgn., D w/Tapping PLATE, Lower	1	-----	-----	2576 106-7	
23-36-120	PILLAR, Rear Quarter					
	Cv. Cp.	1	-----	2255 720-1		
	Cv. Cp., D	1	-----	-----	2528 872-3	
	Cv. Cp., P	1	-----	-----	2528 870-1	
	Cv. Cp., C	1	-----	-----	2528 874-5	2424 680-1
23-36-123	HANDLE, Roof Panel Outside Assist					
	Sta. Wgn.	1	-----	2482 768-9	2588 722-3	
	NUT and WASHER	4	-----	6023 204		
	SCREW	6	-----	-----	B6026 103	
	NUT	6	-----	-----	B6026 091	
23-36-125	REINFORCEMENT, Rear Lower Pillar to Wheelhouse					
	Sta. Wgn.	1	-----	2251 588-9		
	Sta. Wgn. Flange to Wheelhouse . .	1	-----	-----	2484 280-1	
	Sta. Wgn. Pillar to Roof Rail . . .	1	-----	-----	2526 848-9	
	Sta. Wgn. Lower Corner	1	-----	-----	2252 300-1	
	Sta. Wgn. To Quarter Inside Panel	1	2242 768-9			
	REINFORCEMENT, Rear Quarter Pillar					
	Cv. Cp.	1	-----	-----	2602 442-3	
	SUPPORT, Rear Lower Pillar to Wheelhouse					
	Sta. Wgn. Front	1	-----	-----	2484 276-7	
	Sta. Wgn. Rear	1	-----	-----	2484 278-9	
	Sta. Wgn. To Roof Rail	1	-----	-----	2484 282-3	
23-36-130	PLATE, Rear Pillar to Quarter Panel at Belt Sta. Wgn.	1	2243 258-9			

TYPE LETTERS Indicate: V - Valiant R - Belvedere P - Plymouth C - Chrysler
L - Dart W - Coronet D - Dodge Y - Imperial

★Indicates use as required. Printed in U.S.A.
 ☐Indicates parts not listed in any previous parts book. Prices and specifications subject to change without notice.
 March 1966 Supersedes May 1965. Page 23-362 Right and left part numbers are on same line,
 first number is right, second number is left.
 • Indicates change or addition.

CODE	PART NAME AND DESCRIPTION	PER CAR	VALIANT	PLYMOUTH BELVEDERE	PLYMOUTH FURY	IMPERIAL
			DART	DODGE CORONET	DODGE POLARA CHRYSLER	
23-36-O PILLARS - Cont'd						
23-36-134	DEFLECTOR, Roof Panel Outside Air Sta. Wgn.	1	2484 444-5	2252 254-5		
	SCREW	2	6024 814	167 079		
	SCREW	4	6024 815	9418 381		
	SEAL	4	6025 285			
	SPRING PIN	4	9421 238			
23-36-138	SEAL, Roof Panel Outside Assist Handle Sta. Wgn.	1	-----	2482 848-9		
	Upper	1	-----	2480 980-1		
	Lower	1	-----			
23-36-141	BASE, Rear Upper Pillar Air Deflector Sta. Wgn.	1	2484 752-3			
	Upper	1	2484 754-5			
	Lower	1				
23-36-142	GASKET, Rear Upper Pillar Air Deflector Base	2	2529 118			
	Sta. Wgn.	2	2529 118			
	Upper	2				
	Lower	2				
23-38-O FLOOR TUNNEL CONSOLE						
23-38-1	CONSOLE, Floor Tunnel					
	2 D. H. T., Cv. Cp., R-P, W-P, P-P, D-L	1	-----	2572 588	2572 588	
	2 D. H. T., D-P	1	-----	-----	2572 588	
	2 D. H. T., Cv. Cp., 4 D. H. T., C-M, C-P, C-H	1	-----	-----	2572 564	
	2 D. H. T., Cv. Cp. Dark Blue	1	4474 AB8			
	Yellow Tan	1	4474 AT8			
	Dark Red	1	4474 AR7			
	Black	1	4474 AX9			
	Yellow Gold	1	4474 AY3			
	Medium Red	1	4474 AR6			
23-38-2	EXTENSION, Console Rear					
	2 D. H. T., D-P Dark Blue	1	-----	-----	4435 AB8	
	Turquoise	1	-----	-----	4435 AQ8	
	Red	1	-----	-----	4435 AR5	
	Yellow Tan	1	-----	-----	4435 AT9	
	Red Tan	1	-----	-----	4435 AU8	
	Black	1	-----	-----	4435 AX9	
23-38-3	COVER, Floor Tunnel Console Complete					
	2 D. H. T., Cv. Cp., V-P, L-P, Barracuda	1	2581 207			
23-38-5	PLATE, Floor Tunnel Console Finish					
	2 D. H. T., Cv. Cp., R-P, W-P, P-P					
	Rear	1	-----	2581 336	2581 336	
	2 D. H. T., D-P Rear	1	-----	-----	2581 336	
	2 D. H. T., Cv. Cp., 4 D. H. T., C-P, C-M, C-H					
	Rear	1	-----	-----	2572 562	
	2 D. H. T., Cv. Cp., P-P, Auto. Trans., Wood Grained	1	-----	-----	2581 201	
	2 D. H. T., Cv. Cp., R-P, W-P, D-P w/Auto. Trans.	1	-----	2490 625	2490 625	
	2 D. H. T., Cv. Cp., R-P, W-P, D-P Manual Trans. Floor Mounted	1	-----	2490 626	2490 626	
	2 D. H. T., Cv. Cp., R-P, W-P, P-P, D-P Column Mounting Trans.	1	-----	2490 646	2490 646	

TYPE LETTERS Indicate:

V - Valiant
L - Dart

R - Belvedere
W - Coronet

P - Plymouth
D - Dodge

C - Chrysler
Y - Imperial

★Indicates use as required.

ⒺIndicates parts not listed in any previous parts book.

Right and left part numbers are on same line,
first number is right, second number is left.

* Indicates change or addition.

Prices and specifications subject to change without notice.

March 1966 Supersedes May 1965.

1965 PASSENGER CAR PARTS CATALOG

BODY

CODE	PART NAME AND DESCRIPTION	PER CAR	VALIANT	PLYMOUTH BELVEDERE	PLYMOUTH FURY	IMPERIAL
			DART	DODGE CORONET	DODGE POLARA CHRYSLER	
23-38-0 FLOOR TUNNEL CONSOLE - Cont'd						
23-38-5	PLATE - Cont'd.					
	2 D. H. T., Cv. Cp., P-P, C-M, C-P Manual Trans. Floor Mounted, Wood Grained. . .	1	-----	-----	2581 202	
	4 D. H. T., C-M Manual Trans. Floor Mounted, Wood Grained. . .	1	-----	-----	2581 202	
	2 D. H. T., 4 D. H. T., C-H Auto. Trans.	1	-----	-----	2572 580	
	2 D. H. T., Cv. Cp., C-M, C-P Auto. Trans.	1	-----	-----	2572 547	
	4 D. H. T., C-M Auto. Trans.	1	-----	-----	2572 547	
	2 D. H. T., C-L Auto. Trans.	1	-----	-----	2572 547	
	2 D. H. T., Cv. Cp., 4 D. H. T., C Medium Blue	1	-----	-----	4432 AB4	
	Dark Blue	1	-----	-----	4432 AB8	
	Red	1	-----	-----	4432 AR7	
	Yellow Tan	1	-----	-----	4432 AT6	
	White	1	-----	-----	4432 AW3	
	Black	1	-----	-----	4432 AX9	
	Yellow Gold	1	-----	-----	4432 AY3	
23-38-7	CAP, Floor Console Rear					
	2 D. H. T., Cv. Cp., R-P, W-P, P-P, D-L Medium Blue	1	-----	2490 602	2490 602	
	Dark Blue	1	-----	4405 AB4	4405 AB4	
	Medium Blue Turquoise	1	-----	4405 AB8	4405 AB8	
	Dark Blue Turquoise	1	-----	4405 AQ4	4405 AQ4	
	Medium Blue Red	1	-----	4405 AQ8	4405 AQ8	
	Dark Blue Red	1	-----	4405 AR6	4405 AR6	
	Yellow Tan	1	-----	4405 AR7	4405 AR7	
	Black	1	-----	4405 AT6	4405 AT6	
	Yellow Gold	1	-----	4405 AX9	4405 AX9	
	White	1	-----	4405 AY3	4405 AY3	
	White	1	-----	4405 AW3	4405 AW3	
	2 D. H. T., Cv. Cp., 4 D. H. T., C Medium Blue	1	-----	-----	4432 AB4	
	Dark Blue	1	-----	-----	4432 AB8	
	Red	1	-----	-----	4432 AR7	
	Yellow Tan	1	-----	-----	4432 AT6	
	White	1	-----	-----	4432 AW3	
	Black	1	-----	-----	4432 AX9	
	Yellow Gold	1	-----	-----	4432 AY3	
23-38-14	HINGE, Floor Tunnel Console Compartment					
	All	1	-----	2490 649	2490 649	
	SCREW	3	-----	⊕6026 186	⊕6026 186	
23-38-15	CATCH, Floor Tunnel Console Compartment Lid					
	All	1	-----	2490 608	2490 608	
23-38-17	PLATE, Console Left Hand Side Access Hole					
	All	1	-----	2490 639	2490 639	
23-38-18	MOULDING, Floor Carpet Heel Pad					
	All, C	14	-----	-----	2499 352	
23-38-26	RETAINER, Floor Carpet Heel Pad Moulding					
	All, C	14	-----	-----	2499 353	

TYPE LETTERS Indicate: V - Valiant R - Belvedere P - Plymouth C - Chrysler
 L - Dart W - Coronet D - Dodge Y - Imperial

★Indicates use as required.

⊕Indicates parts not listed in any previous parts book.

March 1966 Supersedes May 1965.

Printed in U.S.A.

Prices and specifications subject to change without notice.

Right and left part numbers are on same line,
 first number is right, second number is left.

• Indicates change or addition.

CODE	PART NAME AND DESCRIPTION	PER CAR	VALIANT	PLYMOUTH BELVEDERE	PLYMOUTH FURY	IMPERIAL
			DART	DODGE CORONET	DODGE POLARA CHRYSLER	
23-38-0 FLOOR TUNNEL CONSOLE - Cont'd						
23-38-27	BRACKET, Console Base to Floor Pan 2 D. H. T., Cv. Cp. and Barracuda					
	Auto. Trans., Front	1	2573 697			
	Center	1	2573 698			
	Rear	1	2573 696			
	2 D. H. T., Cv. Cp. Front	1		2490 628		
	Rear	1		2572 895		
	All Front	1			2572 526	
	Center	1			2572 525	
	Rear	1			2572 551	
	BRACKET, Console to Floor 2 D. H. T., D-P	1			2572 518	
	BRACKET, Base Console to Floor Pan Cover Floor Mounted Trans.					
	All	1			2572 527	
23-38-29	BUMPER, Console Side Moulding to Finish Plate Anti-Rattle All	2		1651 493	1651 493	
23-38-30	MEDALLION, Floor Console Tachometer Opening					
	2 D. H. T., Cv. Cp., R-P, W-P, P-P	1		2490 631	2490 631	
	2 D. H. T., D-P	1			2490 631	
	2 D. H. T., Cv. Cp., C-P Lid	1			2581 243	
23-38-31	RETAINER, Floor Console Tachometer Opening Medallion					
	2 D. H. T., Cv. Cp., R-P, W-P, P-P	1		2490 627	2490 627	
	2 D. H. T., D-P	1			2490 627	
23-38-32	LENS, Floor Console Tachometer Opening Medallion					
	2 D. H. T., Cv. Cp., R-P, W-P, P-P	1		2490 622	2490 622	
	2 D. H. T., D-P	1		2490 622		
23-38-36	SPRING, Console Compartment Lid Positioning 2 D. H. T., Cv. Cp., 4 D. H. T.	1		2499 346	2499 346	
23-38-40	WASHER, Floor Console to Console Floor Bracket Attaching 2 D. H. T., Cv. Cp., 4 D. H. T.	2		2572 931	2572 931	
23-39-0 WINDOW LIFT (MANUAL)						
23-39-2	SPRING, Door Window Regulator Assist					
	4D., Sta. Wgn. Front	2	2299 755	2166 851	2520 490	
	4D. HT. Front	2			2520 490	
	2D., 2D. HT., Cv. Cp. Front	2	2299 819	2216 173	2486 851	
	4D., Sta. Wgn. Rear	2	2299 693	2166 851	2520 557	
	4D. H. T. Rear	2			2520 556	
23-39-5	REGULATOR or PLATE w/LINK, Door Window					
	4D., Sta. Wgn. Front	1	2242 854-5	2428 016-7	2486 772-3	
	4D. HT. Front	1			2486 772-3	
	2D. Front	1	2299 820-1	2428 014-5	2486 852-3	
	2D. HT., Cv. Cp. Front	1	2299 560-1	2428 014-5	2486 852-3	
	4D., Sta. Wgn., 4D. H. T. Rear	1	*2242 866-7	*2299 564-5	*2486 776-7	
	SCREW, w/WASHER	★	6024 813	6024 813	6024 648	
	U-NUT	6	6023 946			
23-39-11	STUD, Window Regulator Pivot Arm	★	6000 211	6000 211		

TYPE LETTERS Indicate:

V - Valiant
L - Dart

R - Belvedere
W - Coronet

P - Plymouth
D - Dodge

C - Chrysler
Y - Imperial

★ Indicates use as required.

Ⓛ Indicates parts not listed in any previous parts book.

Right and left part numbers are on same line,
first number is right, second number is left.

* Indicates change or addition.

Prices and specifications subject to change without notice.

March 1966 Supersedes May 1965.

1965 PASSENGER CAR PARTS CATALOG

BODY

CODE	PART NAME AND DESCRIPTION	PER CAR	VALIANT	PLYMOUTH BELVEDERE	PLYMOUTH FURY	IMPERIAL
			DART	DODGE CORONET	DODGE POLARA CHRYSLER	
23-39-0 WINDOW LIFT (MANUAL) - Cont'd						
23-39-12	WASHER, Window Regulator Arm to Glass Lower Channel	★	6000 141	6000 141	6000 141	
	WASHER, Window Regulator Connecting Link	★	-----	1954 125		
	SPRING NUT	★	6000 305	6000 305	6000 305	
	SPRING WASHER	★	-----	1954 125	1954 125	
23-39-15	STOP, Window Regulator Down Position on Regulator					
	Front	2	-----	1909 918	1909 918	
	Quarter	2	-----	1909 918	1909 918	
	Rear	2	-----	1909 918	1909 918	
	NUT	★	-----	6023 096	6023 096	
	SCREW, w/WASHER	★	-----	6024 813	6024 813	
23-39-17	BUSHING, Window Regulator to Glass					
	2D. HT., Cv. Cp. Front	2	2299 809			
	2D. Quarter	2	2299 809			
23-39-18	LINK, w/Mounting PLATE, Window Regulator Arm					
	Front	1	-----	2216 152-3		
	ARM, w/Mounting PLATE					
	Quarter	1	-----	2486 222-3		
23-39-19	BRACKET, Window Regulator Arm Pivot					
	4 D., Sta. Wgn., 4 D. H. T.					
	Rear	2	-----	2588 226	2588 227	
23-39-29	REGULATOR, Front Door Vent Wing	1	-----	-----	2486 802-3	
23-39-34	REGULATOR, Quarter Window					
	2D., V	1	2242 762-3			
	2D., L	1	2299 844-5	2299 974-5	2520 524-5	
	2 D. H. T., V except Barracuda	1	*2299 570-1			
	Barracuda	1	2520 418-9			
	2D. HT., L	1	2299 572-3			
	2D. HT., except C-H	1	-----	2428 470-1	2486 778-9	
	2D. HT., C-H	1	-----	-----	2486 998-9	
	Cv. Cp.	1	2428 208-9	2299 974-5	2486 774-5	
	SCREW, w/WASHER	★	6024 813	6024 813	6024 648	
	U-NUT	2	6023 204			
	NUT, w/WASHER	6	6023 946			
23-39-44	SPRING, Quarter Window Regulator Assist					
	2D.	2	2299 901	2216 172	2520 534	
	2D. HT., V except Barracuda	2	2299 843			
	Barracuda	2	2520 537			
	2D. HT., L	2	2299 901	2299 693	2299 755	
	Cv. Cp.	2	2299 901	2216 172	2520 534	
	Cv. Cp., P, D Counterbalance	2	-----	-----	2520 535	
	2D. HT., C-H Counterbalance	2	-----	-----	2520 535	
23-39-45	ROLLER, Window Regulator Arm					
	To Pivot Bracket	★	1697 607	1697 607	1697 607	
	To Glass Frame	★	-----	-----	2486 982	
23-39-48	BRACKET, Quarter Window Regulator Arm Pivot					
	V Barracuda	2	2602 112			
	2D.	2	-----	2602 111	2602 114	
	2D. H. T.	2	-----	2602 113	2602 114	2588 270
	Cv. Cp.	2	-----	2602 111	2602 115	2588 270
23-39-53	CLIP, Front Door Window Regulator to Glass Pin					
	2D. HT., Cv. Cp.	2	2243 390			
	CLIP, Quarter Window Regulator Front Pivot Arm					
	Pin					
	2D.	2	2243 390			

TYPE LETTERS indicate: V - Valiant R - Belvedere P - Plymouth C - Chrysler
 L - Dart W - Coronet D - Dodge Y - Imperial

★Indicates use as required.
 †Indicates parts not listed in any previous parts book.
 March 1966 Supersedes May 1965.
 Prices and specifications subject to change without notice.
 Right and left part numbers are on same line, first number is right, second number is left.
 * Indicates change or addition.
 Printed in U.S.A.

CODE	PART NAME AND DESCRIPTION	PER CAR	VALIANT	PLYMOUTH BELVEDERE	PLYMOUTH FURY	IMPERIAL
			DART	DODGE CORONET	DODGE POLARA CHRYSLER	
23-40-0 ROOF RAIL AND LUGGAGE RACK						
23-40-82	SUPPORT, Rear Window Frame to Headlining					
	Bow					
	V except Barracuda	2	2082 226			
	V Barracuda	2	2581 074			
	L except Sta. Wgn.	2	2490 591			
	L Sta. Wgn.	2	2082 226			
	2D., 4D., 2D. HT.	2	-----	2490 579		
	2 D. H. T., C-H	2	-----	-----	2581 780	
	2D. HT., except C-H	2	-----	-----	2581 324	
	2D., 4D., 4D. HT., P					
	Center	1	-----	-----	2581 322	
	2D., 4D., 4D. HT., P					
	Side	2	-----	-----	2581 323	
	2 D. H. T., 4 D. H. T.	2	-----	-----	-----	2490 568
	4 D., D, C	2	-----	-----	2581 832	
	4 D. H. T., D, C	1	-----	-----	2581 780	
23-40-85	RAIL, Roof Side except Barracuda	1	2242 520-1			
	V Barracuda Outer	1	2484 566-7	2424 522-3		
	Sta. Wgn. Outer	1	2244 652-3	2481 596-7		
	4D. HT., W Outer	1	-----	2481 596-7		
	2D. HT., except C-H, Outer	1	-----	-----	2482 324-5	
	2D. HT., C-H Outer	1	-----	-----	2481 456-7	
	4D. HT., P Outer	1	-----	-----	2481 464-5	
	4D. HT., except P, Outer	1	-----	-----	2481 456-7	
	4D., D, C Outer	1	-----	-----	2482 328-9	
	Outer	1	-----	-----	-----	2422 326-7
	V Barracuda Inner	1	2484 564-5			
	Except 2D. HT. Inner	1	-----	2166 298-9		
	2D. HT. Inner	1	-----	2424 518-9		
	2D., 4D., 4D. HT., P					
	Inner	1	-----	-----	2481 462-3	
	4D., D, C Inner	1	-----	-----	2482 332-3	
	4 D. H. T., D, C Inner	1	-----	-----	2481 454-5	
	2D. HT., C-H Inner	1	-----	-----	2481 454-5	
	Inner	1	-----	-----	-----	2492 894-5
	Sta. Wgn. Front Outer	1	-----	-----	2481 630-1	
	2D. H. T, except C-H					
	Front Inner	1	-----	-----	2482 330-1	
	Sta. Wgn. Front Inner	1	-----	-----	2481 634-5	
	Sta. Wgn. Rear Outer	1	2242 782-3	2166 302-3		
	Sta. Wgn. Rear Inner	1	2242 784-5	2166 304-5	2481 640-1	
	RAIL, Roof Rear					
	Sta. Wgn. Outer	1	2242 781	2166 306	2481 638-9	
	Sta. Wgn. Inner	1	2242 790	2166 308		
	Sta. Wgn. Corner	1	-----	2251 584-5		
	Sta. Wgn. Outer Corner	1	2242 786-7	-----	2483 996-7	
	Sta. Wgn. Inner Corner	1	2242 788-9	-----	2482 628-9	
23-40-86	REINFORCEMENT, Roof Side Outer Rail to Roof					
	Side Outer Rail Extension					
	Sta. Wgn.	1	-----	2252 298-9		
23-40-92	EXTENSION, Roof Side Rail					
	Sta. Wgn.	1	2243 256-7			
	Barracuda	1	2576 174-5			
	2D., 2D. HT., 4D., L	1	2481 040-1			
	2D. HT. Outer	1	2243 842-3	2424 504-5		
	Sta. Wgn. Outer	1	-----	2251 572-3		
	4 D., D, C Outer	1	-----	-----	2482 286-7	
	4 D. H. T., D, C Outer	1	-----	-----	2481 478-9	
	4D. HT., P Outer	1	-----	-----	2483 288-9	
	2D. HT., except C-H, Outer	1	-----	-----	2482 282-3	
	2D. HT., C-H Outer	1	-----	-----	2481 478-9	

TYPE LETTERS indicate:

V - Valiant
L - Dart

R - Belvedere
W - Coronet

P - Plymouth
D - Dodge

C - Chrysler
Y - Imperial

★Indicates use as required.

ⓀIndicates parts not listed in any previous parts book.

Right and left part numbers are on same line,
first number is right, second number is left.

Prices and specifications subject to change without notice.

1965 PASSENGER CAR PARTS CATALOG

BODY

CODE	PART NAME AND DESCRIPTION	PER CAR	VALIANT	PLYMOUTH BELVEDERE	PLYMOUTH FURY	IMPERIAL
			DART	DODGE CORONET	DODGE POLARA CHRYSLER	
23-40-0 ROOF RAIL AND LUGGAGE RACK - Cont'd						
23-40-92	EXTENSION - Cont'd					
	Barracuda Inner	1	2484 568-9			
	2D., 4D. Inner	1	-----	2424 512-3		
	2D. HT. Inner	1	-----	2424 514-5		
	Sta. Wgn. Inner	1	-----	2251 582-3		
	Rear Outer	1	-----	-----	-----	2588 118-9
	Inner Rail to Rear Window Side Frame 4 D., D, C	1	-----	-----	2482 292-3	
23-40-96	SUPPORT, Wheelhouse to Roof Side Outer Rail Extension					
	Barracuda	1	2484 588-9			
	2D., 4D., 4D. HT., P	1	-----	-----	2481 492-3	
	2D. HT., P	1	-----	-----	2482 342-3	
	4D. HT., D	1	-----	-----	2482 350-1	
	2D. HT., D	1	-----	-----	2482 348-9	
	2D. HT., C-L, C-M, C-P	1	-----	-----	2482 358-9	
	2D. HT., C-H	1	-----	-----	2481 466-7	
	4D. HT., C	1	-----	-----	2481 466-7	
	SUPPORT, Wheelhouse to Roof Side Rail					
	2D., 4D.	1	-----	2573 218-9		
	2D. HT.	1	-----	2424 810-1		
	2D. HT., 4D. HT.	1	-----	-----	-----	2573 208-9
23-40-103	BRACKET, Roof Side Rail to Quarter Window Weatherstrip Retainer V Barracuda	1	2528 376-7			
	BRACKET, Roof Side Rail No. 3 Bow Attaching Sta. Wgn.	2	-----	2422 274		
	BRACKET, Roof Side Rail No. 4 Bow Attaching Sta. Wgn.	2	-----	2484 706		
	BRACKET, Roof Side Rail Attaching					
	Front Bow	2	-----	-----	-----	2422 274
	Rear Bow	2	-----	-----	-----	2422 274
23-40-148	NUT, Roof Luggage Rack or Crossmember Blind Sta. Wgn.	★	2094 869	2094 869	2094 869	
23-40-150	RAIL, Roof Luggage Rack					
	Sta. Wgn. Front	1	2243 472	2243 472	2528 453	
	Side	2	2243 470	2243 470		
	Rear	1	2243 472	2243 472	2528 453	
	P Side	2	-----	-----	2528 452	
	D, C Side	2	-----	-----	2528 458	
23-40-155	CROSSMEMBER, Roof Luggage Rack					
	Sta. Wgn. Front	1	2243 476	2243 476		
	Center	3	2243 477	2243 477		
	Rear	1	2243 476	2243 476		
	Sta. Wgn.	6	-----	-----	2528 455	
23-40-157	SPACER, Roof Luggage Rack Side Rail Lower					
	Sta. Wgn., P	6	-----	2527 923	2529 421	
	Sta. Wgn., except P	8	-----	-----	2529 421	
23-40-170	STANCHION, Roof Luggage Rack Rail					
	Sta. Wgn.	2	2255 354-5	2255 354-5		
	BRACKET, Roof Luggage Rack Rail					
	Sta. Wgn. Front	2	-----	-----	2528 454	
	Rear	2	-----	-----	2528 454	
23-40-171	SCREW, Roof Luggage Rack Rear Rail Bracket					
	Thumb					
	Sta. Wgn.	4	-----	-----	2528 464	

TYPE LETTERS Indicate: V - Valiant R - Belvedere P - Plymouth C - Chrysler
 L - Dart W - Coronet D - Dodge Y - Imperial

★Indicates use as required. Printed in U.S.A.
 ⓂIndicates parts not listed in any previous parts book. Prices and specifications subject to change without notice.
 March 1966 Supersedes May 1965. Right and left part numbers are on same line,
 first number is right, second number is left.
 • Indicates change or addition.

CODE	PART NAME AND DESCRIPTION	PER CAR	VALIANT	PLYMOUTH BELVEDERE	PLYMOUTH FURY	IMPERIAL
			DART	DODGE CORONET	DODGE POLARA	
					CHRYSLER	

23-40-0 ROOF RAIL AND LUGGAGE RACK - Cont'd

23-40-177	CAP, Roof Luggage Rack Side Rail End Sta. Wgn.	Rear	1	-----	-----	2528 450-1	
		Front, Right	1	-----	-----	2528 451	
		Front, Left	1	-----	-----	2528 450	
23-40-180	PLATE, Roof Luggage Rack Crossmember End Tapping Sta. Wgn., P Sta. Wgn.		8	-----	-----	2529 121	
			12	-----	-----	2529 121	
		PLATE, Roof Luggage Rack Rail Bracket Tapping Sta. Wgn.	2	-----	-----	2528 465	
		Front	2	-----	-----	2528 465	
		Rear	2	-----	-----	2528 465	
23-40-187	PAD, Roof Luggage Rack Crossmember Sta. Wgn.	Front	1	2094 874	2094 874		
		Center	3	2094 874	2094 874		
		Rear	1	2094 874	2094 874		
		To Stanchion	6	2243 473	2243 473		
			4	-----	-----	2528 457	
	PAD, Roof Luggage Rack Side Rail Sta. Wgn., D, C Sta. Wgn., P		2	-----	-----	2529 977	
			2	-----	-----	2529 976	

23-41-0 WINDOW LIFT (ELECTRIC)

23-41-4	REGULATOR, Electric Window 4D., 4D. H.T., Sta. Wgn.	Front	1	-----	2299 678-9	2520 706-7	
		2D. H.T., Cv.Cp. Front	1	-----	2299 680-1	2520 706-7	
		All Front, Right	1	-----	-----	-----	2486 693
		Front, Left	1	-----	-----	-----	2486 692
		2D. H.T., except C-H Quarter	1	-----	2486 676-7	2520 704-5	2486 688-9
		2 D. H.T., C-H Quarter	1	-----	-----	2520 860-1	
		Cv. Cp. Quarter	1	-----	2428 230-1	2520 860-1	2486 688-9
		4 D. H.T. Rear	1	-----	2299 678-9	2520 708-9	2486 692-3
		4D., Sta. Wgn. Rear	2	-----	-----	*2520 708-9	
		SPRING NUT	★	-----	-----	6000 305	6000 305
		SCREW, w/WASHER	★	-----	-----	6024 648	6024 000
		CLIP, Wiring	2	-----	-----	-----	6015 377
		23-41-7	SPRING, Electric Window Regulator Assist 4D., 4D. HT., Sta. Wgn.	Front	2	-----	2251 930
2D.H.T., Cv.Cp., Front	2			-----	2251 939	2486 851	2486 312
4D. HT. Front	2			-----	-----	-----	2216 173
2D. H.T., except C-H Quarter	2			-----	2299 693	2299 755	
2 D. H.T., C-H Quarter	2			-----	-----	2520 535	2486 348
Cv. Cp. Quarter	2			-----	2216 172	2520 534	2486 348
4D., Sta. Wgn. Rear	2			-----	2166 851	2520 557	
4D. HT. Rear	2			-----	-----	2520 556	2486 312
SPACER	2			-----	-----	6024 998	
23-41-8	SUPPORT, Quarter Window Regulator 2D. HT., Cv. Cp. Front		1	-----	-----	-----	2480 768-9
		2D. HT., Cv. Cp. Rear	1	-----	-----	-----	2424 726-7
23-41-19	BRACKET, w/SUPPORT, Door Window Regulator Pivot	Front	2	-----	-----	-----	2588 270
		Quarter	2	-----	-----	-----	2588 270
		Rear	2	-----	-----	-----	2588 270

TYPE LETTERS indicate: V - Valiant R - Belvedere P - Plymouth C - Chrysler
L - Dart W - Coronet D - Dodge Y - Imperial

★Indicates use as required. EIndicates parts not listed in any previous parts book. Prices and specifications subject to change without notice. Printed in U.S.A.
Right and left part numbers are on same line, first number is right, second number is left. March 1966 Supersedes May 1965.
* Indicates change or addition. Page 23-369

1965 PASSENGER CAR PARTS CATALOG

BODY

CODE	PART NAME AND DESCRIPTION	PER CAR	VALIANT	PLYMOUTH BELVEDERE	PLYMOUTH FURY	IMPERIAL
			DART	DODGE CORONET	DODGE POLARA CHRYSLER	
23-41-0 WINDOW LIFT (ELECTRIC) - Cont'd						
23-41-25	RETAINER, Front Door Electric Window Lift Wiring Conduit	2	----	2290 048		
23-41-33	MECHANISM, Electric Window Lift Regulator					
	Front	1	----	2252 048-9		
	Rear	1	----	2252 050-1		
	Cv. Cp. Only Quarter	1	----	2252 050-1		
23-41-34	REPAIR PACKAGE, Electric Window Lift Regulator Mechanism					
	2 D. H. T. Quarter	1	----	*2495 249		
	All	1	----	-----	E2586 603	2495 249
NOTE: For Other Models see Part Type Code 23-41-270.						
23-41-37	SEAL, Electric Window Regulator Mechanism	2	----	-----	-----	2583 178
23-41-53	BRACKET, Front Door Electric Window Regulator Motor	2	----	2251 982		
	BRACKET, Door Electric Window Regulator Motor Mounting					
	Front	2	----	2428 225		
	Rear	1	----	2251 954-5		
	STRAP, Electric Window Regulator Motor Mounting	4	----	-----	-----	2486 587
	SCREW, w/WASHER	4	----	-----	-----	6024 000
23-41-55	WIRING, Electric Window Lift 4D., Sta. Wgn. Use w/o Power Bucket Seats	1	----	*2291 736		
	2D. H. T. Use w/o Power Bucket Seats	1	----	*2496 738		
	Cv. Cp. Use w/o Power Bucket Seats	1	----	*2291 735		
	Use w/o Door Locks	1	----	-----	2497 048	2497 008
	Use w/Door Locks	1	----	-----	2497 395	2497 010
	C Use w/Power Vent and Door Lock and Power Bucket Seats	1	----	-----	2587 861	
	C Use w/Power Vent and Door Lock w/o Power Bucket Seats	1	----	-----	2497 492	
	C Use w/Power Vent	1	----	-----	2497 392	
	C Quarter	2	----	-----	2497 404	
	C Rear Door w/o Door Locks	2	----	-----	2497 370	
C Rear Door w/Door Locks .	2	----	-----	2497 389		
23-41-95	GROMMET, Electric Window Lift Wiring Conduit w/o Power Bucket Seats					
	Front	2	----	-----	2257 299	
	w/o Power Bucket Seats					
	Rear	2	----	-----	2258 361	
	4D. HT. Rear	2	----	-----	-----	1753 681
23-41-106	MOTOR, Electric Window Regulator					
	Front	2	----	2252 001		
	Rear	2	----	2252 001		
	Cv. Cp. Quarter	2	----	2252 001		

TYPE LETTERS Indicate: V - Valiant R - Belvedere P - Plymouth C - Chrysler
 L - Dart W - Coronet D - Dodge Y - Imperial

★ Indicates use as required. Printed in U.S.A.
 ☐ Indicates parts not listed in any previous parts book. Prices and specifications subject to change without notice.
 May 1965. Right and left part numbers are on same line, first number is right, second number is left.
 * Indicates change or addition.

CODE	PART NAME AND DESCRIPTION	PER CAR	VALIANT	PLYMOUTH BELVEDERE	PLYMOUTH FURY	IMPERIAL
			DART	DODGE CORONET	DODGE POLARA CHRYSLER	
23-41-O WINDOW LIFT (ELECTRIC) - Cont'd						
23-41-106	MOTOR, w/MECHANISM, Electric Window Lift					
	Front and Rear	2	-----	-----	*2520 566-7	
	Quarter	2	-----	-----	*2520 900-1	
	Motor and Mechanism Package, Electric Window Lift					
	Front and Rear	4	-----	-----	-----	*2583 856
	2D. H. T. Quarter	2	-----	*2583 856	-----	*2583 856
	Cv. Cp. Quarter	2	-----	-----	-----	*2583 856
	SCREW, w/WASHER	★	-----	-----	6024 648	6024 273
23-41-113	PAD, Electric Window Regulator Motor Mounting	★	-----	2583 610	-----	2583 610
23-41-138	COUPLING, Electric Window Regulator Flexible					
	Front	2	-----	1778 955		
	Cv. Cp. Quarter.	2	-----	1778 955		
23-41-167	CONDUIT, Electric Window Lift Wiring					
	Front Right	1	-----	2290 047	2497 774	2426 151
	Front Left	1	-----	2290 047	2497 774	2426 161
	Rear	2	-----	2291 976	-----	1972 092
23-41-170	SWITCH, w/BEZEL, Electric Window Lift					
	4 Gang, Left	1	-----	2096 089	2580 613	
	Single	3	-----	2096 399	2580 614	2427 184
	Dual, Left	2	-----	-----	-----	2427 213
	SWITCH, Front Door Power Vent					
	C Single, Right	1	-----	-----	2497 583	2427 184
	C Dual, Left	1	-----	-----	2497 584	2427 213
	SWITCH, Lockout, w/Left Front Door Window Lift and Vent Wing Switch HOUSING					
	Use w/6 Knobs	1	-----	-----	-----	2496 357
	SWITCH, Lockout, w/Left Front Door Window Lift, Door Lock and Vent Wing Switch HOUSING					
	Use w/7 Knobs	1	-----	-----	-----	2496 359
23-41-171	HINGE, Rear Door Electric Window Lift Wiring Conduit to Door	2	-----	2291 984		
23-41-174	SPRING, Electric Window Lift Switch and Bezel Retaining	★	-----	-----	2496 571	2496 571
23-41-175	KNOB, Door, Quarter or Vent Wing Switch	★	-----	-----	-----	2427 292
23-41-176	CONNECTOR, Electric Window Lift Switch Wiring Single, Right Front, Right Rear, Left Rear					
	4 Way	★	-----	2096 905	2096 905	
	5 Way	★	-----	2096 908		
	5 Way	★	-----	2096 911		
	CONNECTOR and TERMINAL PACKAGE					
	3 Way	★	-----	-----	-----	2495 234
	5 Way	★	-----	-----	2584 954	2495 235
	w/Lockout SWITCH, 6 Way	★	-----	-----	-----	2495 236
	w/o Lockout Switch, 6 Way	★	-----	-----	-----	2495 237
23-41-179	BUMPER, Arm Rest Electric Window Lift Switch Doors and Quarter	★	-----	-----	-----	2581 350
23-41-184	RETAINER, Electric Window Lift Switch					
	Single	3	-----	1971 478	*2580 616	
	4 Gang	1	-----	2427 324	*2580 615	
	HOUSING, Window Lift Switch					
	Rear	1	-----	-----	-----	2427 730-1
	Quarter	1	-----	-----	-----	2427 880-1

TYPE LETTERS Indicate:

V - Valiant
L - Dart

R - Belvedere
W - Coronet

P - Plymouth
D - Dodge

C - Chrysler
Y - Imperial

★ Indicates use as required.

⊖ Indicates parts not listed in any previous parts book.

Right and left part numbers are on same line, first number is right, second number is left.

Prices and specifications subject to change without notice.

March 1966 Supersedes May 1965.

1965 PASSENGER CAR PARTS CATALOG

BODY

CODE	PART NAME AND DESCRIPTION	PER CAR	VALIANT	PLYMOUTH BELVEDERE	PLYMOUTH FURY	IMPERIAL
			DART	DODGE CORONET	DODGE POLARA CHRYSLER	
23-41-O WINDOW LIFT (ELECTRIC) - Cont'd						
23-41-184	HOUSING, Door Window Lift and Vent Wing Switch Front Right	1	-----	-----	-----	2427 553
	HOUSING, Door Window Lift, Vent Wing and Door Lock Switch Front Right	1	-----	-----	-----	2427 790
23-41-186	CLIP, Window Lift or Power Vent Switch and Connector	★	-----	-----	2496 571	B2580 940
	CLIP, Window Lift or Power Vent Switch Retainer	★	-----	-----	-----	1779 901
23-41-250	ROLLER, Electric Window Regulator Arm To Glass Frame	★	-----	-----	2486 982	2486 982
	To Pivot Bracket	★	-----	-----	1697 607	1697 607
23-41-255	BRACKET, w/REINFORCEMENT, Quarter Window Regulator Arm Pivot	1	-----	2602 820-1		
23-41-270	HOUSING, w/SHAFT, Electric Window Regulator Mechanism					
	Front	1	-----	-----	2520 914-5	
	Quarter	1	-----	-----	2520 914-5	
	Rear	1	-----	-----	2520 914-5	
	NOTE: For Imperial see Part Type Code 23-41-34.					
23-41-281	BRACKET, Quarter Window Regulator to Body Lock Pillar Reinforcement Mounting	2	-----	-----	-----	2480 382
23-41-286	SEAL, Electric Window Regulator Mechanism					
	Doors	4	-----	2252 029		
	2D. H. T. Quarter	2	-----	2583 178	-----	2583 178
	Cv. Cp. Quarter	2	-----	2252 029		
23-42-O WINDOW GLASS RUN						
23-42-13	RUN, Front Door Window Glass on Vent Wing Divisional Channel 2D. HT., Cv. Cp.	2	2217 420			
	2D., 4D., Sta. Wgn.	2	2216 645			
	Includes Upper BUMPER .	1	-----	-----	-----	2571 010-1
	RUN, Rear Door Window Glass on Divisional Channel 4D., Sta. Wgn.	2	2216 645			
23-42-16	RUN, Front Door Window Glass 2D.	2	2254 932	2167 620	*2664 276	
	4D., Sta. Wgn.	2	2254 934	2167 622	2491 297	
23-42-23	RUN, Rear Door Window Glass 4D., Sta. Wgn.	2	2216 780	2218 134		
	4D., P	2	-----	-----	2571 446	
	4 D., D, C	2	-----	-----	2571 447	
	Sta. Wgn.	2	-----	-----	2571 448	
23-42-32	RETAINER, w/GUIDE, Rear Upper Pillar Tailgate Glass Run Sta. Wgn.	1	-----	-----	2528 786-7	
	RETAINER, Roof Rear Header Tailgate Glass Run Sta. Wgn.	1	-----	-----	2527 069	
23-42-38	RUN, Quarter Window Glass 2D.	2	2245 091	2167 196	2528 400	

TYPE LETTERS Indicate: V - Valiant R - Belvedere P - Plymouth C - Chrysler
L - Dart W - Coronet D - Dodge Y - Imperial

★Indicates use as required.

ⓂIndicates parts not listed in any previous parts book.
March 1966 Supersedes May 1965.

Printed in U.S.A.
Prices and specifications subject to change without notice.
Right and left part numbers are on same line,
first number is right, second number is left.

* Indicates change or addition.

CODE	PART NAME AND DESCRIPTION	PER CAR	VALIANT	PLYMOUTH BELVEDERE	PLYMOUTH FURY	IMPERIAL
			DART	DODGE CORONET	DODGE POLARA	
23-42-0 WINDOW GLASS RUN - Cont'd						
23-42-38	RUN, Quarter Window Glass Guide Rear Channel 2D. HT., L					
	Inner	1	2244 742-3			
	Outer Right	1	2244 743			
	Outer Left	1	2244 742			
23-42-46	RUN, Tailgate Window Sta. Wgn.					
	Upper	1	2423 720	2484 829	2482 496	
	Lower	2	2423 456	2189 353	2574 828	
	RUN, Rear Upper Pillar Tailgate Window Glass Sta. Wgn.					
	Outer	1	----	----	2528 484-5	
	Inner	1	----	----	2528 580-1	
	SCREW	★	6025 231	6025 231	6025 231	
	SEAL, Roof Rear Header Tailgate Glass Run Retainer Sta. Wgn.	1	----	----	2574 994	
23-42-56	RETAINER, Quarter Window Glass Run 2D. Rear	1	----	2424 132-3		
	2 D.	1	----	----	2527 048-9	
23-42-59	SUPPORT, Quarter Window Glass Rear Run Retainer 2D.	★	----	2216 415	2526 938-9	
	SCREW, w/WASHER	2	----	6024 813	6024 648	
	BRACKET, Quarter Window Glass Run Rear Retainer Adjusting 2D.	2	----	----	2526 943	
23-45-0 FRONT SEAT						
23-45-29	PLATE, Front Seat Back Hinge Stop 2D. H. T., Cv. Cp., except Barracuda 2D.	2	*2160 502			
		2	*2160 502	*2609 357	*2609 357	
23-45-30	BUMPER, Front Seat Back Stop 2D. H. T., Cv. Cp., except Barracuda 2D. w/Heavy Duty Springs . .	2	2160 500	2446 018	2446 018	
		2	----	2577 994	2577 994	
23-45-33	BRACKET, Front Seat Back Outer Hinge Arm Cover Lower 2D.	2	2494 146	2494 146	2494 146	
	2 D. H. T., L, P-L, P-M, D-L	2	2494 146	2494 146	2494 146	
	Cv. Cp., P-L, P-M, D-L	2	2494 146	2494 146	2494 146	
23-45-52	HANDLE, Front Reclining Seat Operating 4D. H. T.	1	----	----	*2446 629	2446 629
	2D. HT., Cv. Cp.	1	----	----	2577 404	2577 405
23-45-55	SPRING, Front Seat Cushion to Back Retarder, Passenger Side 2D. HT., Cv. Cp. w/Bucket Seats	2	2092 242	2092 242	2092 242	
23-45-60	NAME PLATE, Back of Front Seat Back 4 D. H. T. "Le Baron"	1	----	----	----	2571 624
23-45-187	PAWL, Front Reclining Seat Release BOLT, Return	1	----	----	2577 584	2577 584
	WASHER, Retaining	1	----	----	6024 366	6024 366
	RING, Retaining	1	----	----	6024 439	6024 439
		1	----	----	6024 440	6024 440
23-45-188	STOP, Front Reclining Seat Back Forward Tilt	2	----	----	2494 509	2494 509
23-45-190	SPRING, Reclining Seat Back Return	2	----	----	2446 633	2446 633
	SPRING, Reclining Seat Pawl Return	2	----	----	2446 630	2446 630

TYPE LETTERS Indicate: V - Valiant R - Belvedere P - Plymouth C - Chrysler
L - Dart W - Coronet D - Dodge Y - Imperial

★Indicates use as required.
 ⓀIndicates parts not listed in any previous parts book.
 Right and left part numbers are on same line,
 first number is right, second number is left.
 * Indicates change or addition.

Prices and specifications subject to change without notice.
 March 1966 Supersedes May 1965.
 Printed in U.S.A.
 Page 23-373

1965 PASSENGER CAR PARTS CATALOG

BODY

CODE	PART NAME AND DESCRIPTION	PER CAR	VALIANT	PLYMOUTH BELVEDERE	PLYMOUTH FURY	IMPERIAL
			DART	DODGE CORONET	DODGE POLARA CHRYSLER	
23-45-O FRONT SEAT - Cont'd						
23-45-192	RETAINER, Reclining Seat Back Return Spring CLIP	1	-----	-----	2446 634	2446 634
		1	-----	-----	2577 349	2577 349
23-45-195	SPACER, Reclining Seat Back to Cushion Mounting	1	-----	-----	2446 066	2446 066
23-45-197	BRACKET, Reclining Seat Return Spring Adjuster	1	-----	-----	2446 636	2446 636
23-47 O FRONT SEAT ADJUSTER						
23-47-6	ADJUSTER, Manual Seat					
	w/o Bucket Seats	1	2583 204-5			
	w/ Bucket Seats, Passenger's Side, Outer	1	B2428 094	*2486 880	*2428 100	
	Inner	1	2428 096	2486 878	2486 840	
Driver's Side	Outer	1	2486 883	2486 881	2428 101	
	Inner	1	2486 877	2486 879	2486 841	
	ADJUSTER, Front Seat Electric					
	Passenger's Side w/ Bucket Seats	1	-----	-----	2583 406	2520 154
	Driver's Side w/ Bucket Seats	1	-----	-----	2583 407	2520 155
	TRACK, w/Upper SUPPORT, Manual Seat Adjuster					
	w/o Bucket Seats, Right	1	-----	2189 900	2189 900	2189 900
	Left	1	-----	2162 307	2189 901	2520 403
	SUPPORT, Manual Seat Adjuster					
	w/o Bucket Seats, Lower	1	-----	2251 966-7	2251 966-7	2251 966-7
	TRACK, Electric Seat Adjuster					
	w/o Bucket Seats, Right	1	-----	-----	2080 828	2080 828
	Left	1	-----	-----	2080 827	2080 827
23-47-8	COVER, Electric Front Seat Track					
	Passenger's Seat					
	w/ Bucket Seats					
	Black, Inner	1	-----	-----	4398 TX9	4398 TX9
	Black, Outer	1	-----	-----	4396 TX9	4396 TX9
	Blue, Inner	1	-----	-----	4398 AB8	4398 VB6
	Blue, Outer	1	-----	-----	4396 AB8	4396 VB6
	Copper, Inner, D	1	-----	-----	4398 AU9	
	Copper, Outer, D	1	-----	-----	4396 AU9	
	Gold, Inner	1	-----	-----	4398 AY8	
	Gold, Outer	1	-----	-----	4396 AY8	
	Gold and Black, Inner	1	-----	-----	-----	4398 AL6
	Gold and Black, Outer	1	-----	-----	-----	4396 AL6
	Maroon, Inner	1	-----	-----	-----	4398 AM9
	Maroon, Outer	1	-----	-----	-----	4396 AM9
	Red, Inner	1	-----	-----	4398 VR7	4398 AR5
	Red, Outer	1	-----	-----	4396 VR7	4396 AR5
	Tan, Inner, D	1	-----	-----	4398 AT9	
	Tan, Outer, D	1	-----	-----	4396 AT9	
	Tan, Inner, C	1	-----	-----	4398 AT8	
	Tan, Outer, C	1	-----	-----	4396 AT8	
	Turquoise, Inner, P,D	1	-----	-----	4398 AQ8	
	Turquoise, Outer, P,D	1	-----	-----	4396 AQ8	
	Yellow Green, Inner	1	-----	-----	-----	4398 VF9
	Yellow Green, Outer	1	-----	-----	-----	4396 VF9
	Driver's Seat					
	w/ Bucket Seats					
	Black, Inner	1	-----	-----	4399 TX9	4399 TX9
	Black, Outer	1	-----	-----	4397 TX9	4397 TX9
	Blue, Inner	1	-----	-----	4399 AB8	4399 VB6
	Blue, Outer	1	-----	-----	4397 AB8	4397 VB6

TYPE LETTERS Indicate: V - Valiant R - Belvedere P - Plymouth C - Chrysler
 L - Dart W - Coronet D - Dodge Y - Imperial

★Indicates use as required. E Indicates parts not listed in any previous parts book. Printed in U.S.A.
 Prices and specifications subject to change without notice. Right and left part numbers are on same line, first number is right, second number is left.
 May 1965. Page 23-374 ● Indicates change or addition.

CODE	PART NAME AND DESCRIPTION	PER CAR	VALIANT	PLYMOUTH BELVEDERE	PLYMOUTH FURY	IMPERIAL
			DART	DODGE CORONET	DODGE POLARA CHRYSLER	
23-47-O FRONT SEAT ADJUSTER - Cont'd						
23-47-8	COVER - Cont'd					
	Copper, Inner, D	1	-----	-----	4399 AU9	
	Copper, Outer, D	1	-----	-----	4397 AU9	
	Gold, Inner, P	1	-----	-----	4399 AY8	
	Gold, Outer, P	1	-----	-----	4397 AY8	
	Gold and Black, Inner . . .	1	-----	-----	-----	4399 AL6
	Gold and Black, Outer . . .	1	-----	-----	-----	4397 AL6
	Maroon, Inner	1	-----	-----	-----	4399 AM9
	Maroon, Outer	1	-----	-----	-----	4397 AM9
	Red, Inner	1	-----	-----	4399 VR7	4399 AR5
	Red, Outer	1	-----	-----	4397 VR7	4397 AR5
	Tan, Inner, D	1	-----	-----	4399 AT9	
	Tan, Outer, D	1	-----	-----	4397 AT9	
	Tan, Inner, C	1	-----	-----	4399 AT8	
	Tan, Outer, C	1	-----	-----	4397 AT8	
	Turquoise, Inner, P,D . . .	1	-----	-----	4399 AQ8	
	Turquoise, Outer, P,D . . .	1	-----	-----	4397 AQ8	
	Yellow Tan, Inner	1	-----	-----	-----	4399 VF9
	Yellow Tan, Outer	1	-----	-----	-----	4397 VF9
	w/o Bucket Seats	1	-----	-----	2708-9 AT8	2708-9 AT8
23-47-9	STUD, Electric Seat Adjuster to Floor w/o Bucket Seats	4	-----	-----	6008 111	6008 111
	BOLT, w/Washer, Manual Seat Adjuster Support	4	-----	*6008 220	*6008 220	
23-47-12	STOP, Electric Seat Adjuster Track Horizontal w/o Bucket Seats	1	-----	-----	1830 236-7	1830 236-7
23-47-15	SPACER, Seat Adjuster Base to Floor Manual w/o Bucket Seats	4	1839 303	-----	-----	-----
	Electric w/ Bucket Seats	★	-----	-----	2428 362	2428 362
23-47-16	NUT, Manual Seat Adjuster Support Front	★	2080 951	2080 951	2080 951	2080 951
23-47-22	ROLLER, Seat Adjuster Track Guide w/ Bucket Seats	4	-----	-----	1520 675	1520 675
23-47-26	SPRING, Manual Seat Adjuster Tension	★	1902 350	1902 350	1902 350	1902 350
23-47-28	HOOK, Front Seat Guide Wire Tension	★	2494 549	2494 549	2494 549	2494 549
23-47-33	CROSSMEMBER, Front Floor Pan Seat Track Front	1	-----	-----	2481 393	
	Rear	1	-----	-----	2481 394	
23-47-35	NUT, w/WASHER, Seat Adjuster to Floor	★	-----	-----	6024 432	6024 430
23-47-55	KNOB, Manual Seat Adjuster Latch Control	★	2161 291	2161 291	2161 291	2161 291
23-47-66	WIRE, Manual Seat Adjuster Latch Connector w/o Bucket Seats	1	2486 966	2486 968	2520 883	2486 965
	w/ Bucket Seats	★	2299 661	2299 661	2299 661	
23-47-67	GUIDE, Manual Seat Adjuster Latch Connector Wire Passenger's Side w/ Bucket Seats	1	2486 993	2486 994	2486 994	
23-47-75	SPRING, Manual Seat Adjuster Latching Lever	★	2428 388	2428 388	2428 388	
	SPRING, Manual Seat Adjuster Latch	★	-----	1645 615	1645 615	1645 615

TYPE LETTERS Indicate: V - Valiant R - Belvedere P - Plymouth C - Chrysler
L - Dart W - Coronet D - Dodge Y - Imperial

★Indicates use as required. Printed in U.S.A.
 □Indicates parts not listed in any previous parts book. Prices and specifications subject to change without notice.
 Right and left part numbers are on same line,
 first number is right, second number is left. May 1965.
 * Indicates change or addition. Page 23-375

1965 PASSENGER CAR PARTS CATALOG

BODY

CODE	PART NAME AND DESCRIPTION	PER CAR	VALIANT	PLYMOUTH BELVEDERE	PLYMOUTH FURY	IMPERIAL
			DART	DODGE CORONET	DODGE POLARA CHRYSLER	
23-47-O FRONT SEAT ADJUSTER - Cont'd						
23-47-196	PIN, Electric Seat Adjuster w/o Bucket Seats					
	Front Lever	2	-----	-----	6008 050	6008 050
	Rear Lever	2	-----	-----	6008 216	6008 216
23-47-344	UNIT or MECHANISM, Electric Seat Adjuster w/o Bucket Seats					
	Drive	1	-----	-----	1819 228	1819 228
	Slave, Right	1	-----	-----	1819 240	1819 240
	Slave, Left	1	-----	-----	1819 239	1819 239
	w/Bucket Seats					
	Horizontal	1	-----	-----	*2520 157	2520 157
	Vertical	1	-----	-----	*2520 156	2520 156
23-47-350	PIN, Electric Seat Adjuster Drive w/o Bucket Seats					
	Dowel	2	-----	-----	6008 051	6008 051
	Front Lever	2	-----	-----	6008 050	6008 050
	Rear Lever	2	-----	-----	6008 216	6008 216
23-47-353	LEVER, w/SHAFT, Electric Seat Adjuster Drive Unit					
	w/o Bucket Seats	3	-----	-----	1830 289	1830 289
23-47-375	STUD, Electric Seat Stabilizer to Floor Bracket w/o Bucket Seats	1	-----	-----	2080 456	2080 456
23-47-383	PIVOT END, Electric Seat Adjuster Stabilizer w/o Bucket Seats	2	-----	-----	2080 329	2080 329
23-47-384	STRUT, Electric Seat Adjuster Stabilizer Female, w/o Bucket Seats	1	-----	-----	-----	2080 330
	Male, w/o Bucket Seats	2	-----	-----	2080 331	2080 331
23-47-386	WASHER, Electric Seat Adjuster Stabilizer w/o Bucket Seats	2	-----	-----	2080 466	2080 466
23-47-387	GUARD, Electric Seat Adjuster Rear Lever w/o Bucket Seats	2	-----	-----	2080 478	2080 478
23-47-413	SPRING, Electric Seat Adjuster Solenoid w/o Bucket Seats	3	-----	-----	1819 230	1819 230
	w/Bucket Seats	2	-----	-----	2520 859	2520 859
23-47-414	COIL PACKAGE, Electric Seat Adjuster Drive Unit Solenoid					
	w/o Bucket Seats	3	-----	-----	1830 290	1830 290
23-47-420	WIRING, Electric Seat Adjuster w/Bucket Seats	★	-----	-----	*2426 961	
23-47-423	CIRCUIT BREAKER, w/BRACKET, 30 Amp.	1	-----	-----	E2580 953	
23-47-425	RELAY, Electric Seat Adjuster Motor w/o Bucket Seats	1	-----	-----	2291 927	2291 927
23-47-427	SCREW, w/WASHER, Electric Seat Adjuster Motor Relay Mounting	2	-----	-----	6008 110	6008 110
23-47-430	MOTOR, Electric Seat Adjuster w/o Bucket Seats	1	-----	-----	2448 625	2448 625
	w/Bucket Seats	4	-----	-----	2428 372	2428 372

TYPE LETTERS Indicate: V - Valiant R - Belvedere P - Plymouth C - Chrysler
L - Dart W - Coronet D - Dodge Y - Imperial

★Indicates use as required.

ⓔIndicates parts not listed in any previous parts book.

May 1965.

Prices and specifications subject to change without notice.

Right and left part numbers are on same line,
first number is right, second number is left.

* Indicates change or addition.

Printed in U.S.A.

CODE	PART NAME AND DESCRIPTION	PER CAR	VALIANT	PLYMOUTH BELVEDERE	PLYMOUTH FURY	IMPERIAL
			DART	DODGE CORONET	DODGE POLARA CHRYSLER	
23-47-O FRONT SEAT ADJUSTER - Cont'd						
23-47-431	TUBE, Electric Seat Adjuster Drive Unit to Slave Unit Cable, w/o Bucket Seats					
	Front Control, Left, Short	1	----	----	1830 216	1830 216
	Rear Control, Left, Short	1	----	----	1830 217	1830 217
	Horizontal Control, Right, Short	1	----	----	1830 218	1830 218
	w/BRACKETS, Right, Long	1	----	----	2486 296	2486 296
23-47-432	COUPLING, Electric Seat Adjuster Drive Unit to Motor					
	w/Bucket Seats	4	----	----	2428 377	2428 377
	w/o Bucket Seats	1	----	----	1594 834	1594 834
	CABLE, Electric Seat Adjuster Drive to Slave Unit, w/o Bucket Seats					
	Front Control, Long	1	----	----	2520 969	2486 300
	Front Control, Short	1	----	----	1830 345	1830 345
	Rear Control, Long	1	----	----	2520 970	2486 301
	Rear Control, Short	1	----	----	1830 347	1830 347
	Horizontal Control, Long	1	----	----	2520 968	2486 302
	Horizontal Control, Short	1	----	----	1830 349	1830 349
23-47-433	GROMMET, Electric Seat Adjuster Transmission w/Bucket Seats	8	----	----	2428 459	2428 459
23-47-446	SWITCH, Electric Seat Adjuster w/Bucket Seats	★	----	----	*2096 177	*2496 134-5
	SWITCH, w/BEZEL, Electric Seat Adjuster w/o Bucket Seats	1	----	----	2427 365	2427 365
23-47-447	CLIP, Electric Seat Adjuster Switch Mounting Cv.Cp., 2D. H.T., D-L	★	----	----	2496 571	
	2D. H.T., C	★	----	----	2496 571	
23-47-451	BEZEL, Switch					
	w/Bucket Seats	2	----	----	----	2496 129
	BEZEL PACKAGE D-L, D-H	1	----	----	2421 142	
23-47-456	BRACKET, Electric Seat Adjuster Switch Mounting					
	w/Bucket Seats	2	----	----	2440 212	2440 212
23-47-457	KNOB, Electric Seat Adjuster Switch					
	w/o Bucket Seats	1	----	----	2096 022	2096 022
23-48-O SECOND AND THIRD SEAT						
23-48-11	PIN, Rear Seat Back Hinge to Wheelhouse Inner Panel Bracket Barracuda	2	2251 544			
23-48-19	STRIKER, Seat Back Latch Sta. Wgn. Second Seat	1	2422 516-7	2423 560-1		
	STRIKER, Second Seat Back on Wheelhouse Sta. Wgn.	2	----	----	2520 853	
	SCREW, w/WASHER	4	----	----	6025 709	
	STRIKER, Third Seat Back Frame Sta. Wgn.	1	----	2251 678		
	STRIKER, Third Seat Back Release Handle on Sill Sta. Wgn.	1	----	----	2486 846	

TYPE LETTERS Indicate:

V - Valiant
L - Dart

R - Belvedere
W - Coronet

P - Plymouth
D - Dodge

C - Chrysler
Y - Imperial

★Indicates use as required.

⊠Indicates parts not listed in any previous parts book.

Right and left part numbers are on same line, first number is right, second number is left.

● Indicates change or addition.

Prices and specifications subject to change without notice.

1965 PASSENGER CAR PARTS CATALOG

BODY

CODE	PART NAME AND DESCRIPTION	PER CAR	VALIANT	PLYMOUTH BELVEDERE	PLYMOUTH FURY	IMPERIAL
			DART	DODGE CORONET	DODGE POLARA CHRYSLER	
23-48-O SECOND AND THIRD SEAT - Cont'd						
23-48-19	STRIKER, Rear Seat Back Release Handle on Wheelhouse Barracuda	2	2583 203			
	RETAINER, Second Seat Back-Up Position on Wheelhouse Sta. Wgn.					
	Right	1	2255 617	1961 488		
	Left	1	2422 519	2422 519		
23-48-20	HANDLE, Third Seat Back Release Sta. Wgn.	1	----	2251 325	2486 844	
	CLEVIS PIN	1	----	6023 039		
	HANDLE, Rear Seat Back Release V Barracuda	1	2520 582-3			
23-48-22	SPRING, Third Seat Back Release Handle Sta. Wgn.	1	----	2251 676		
23-48-24	BRACKET, Third Seat Back Release Handle Sta. Wgn.	1	----	2251 433		
23-48-28	SUPPORT, Wheelhouse Inner Panel Rear Seat Back V Barracuda	1	2484 906-7			
23-48-31	BAR, Rear Seat Back Release Handle V Barracuda	1	2520 435			
23-48-32	HOUSING, Rear Seat Back Release Handle Striker Barracuda					
	Black	1	4135-6VX9			
	Blue	1	*4135-6VB8			
	Red	1	4135-6VR6			
	Yellow Gold	1	4135-6VY3			
23-48-34	BEZEL, Wheelhouse Second Seat Back Striker Sta. Wgn.	1	----	----	2529 124-5	
23-48-36	"O" RING, Rear Seat Back Release Handle Latch Barracuda	2	*2229 666			
23-48-43	RETAINER, Second Seat Back Spring Sta. Wgn.	2	2254 575	2254 575		
23-48-55	SNAP RING, Third Seat Back Release Handle Clevis Pin Sta. Wgn.	1	----	*1322 503		
23-48-65	PANEL, Second Seat Back Sta. Wgn.	1	2423 825	2423 180		
	Sta. Wgn., except C-H	1	*2423 825	*2423 180	E2493 662	
23-48-76	BOLT, Third Seat Back Hinge Sta. Wgn.	2	----	2484 426		
23-48-88	STRIP, Seat Back Support Panel Skid Sta. Wgn.					
	Third Seat	2	----	----	2526 734	
	Second Seat	2	----	----	2526 949	

TYPE LETTERS Indicate: V - Valiant R - Belvedere P - Plymouth C - Chrysler
 L - Dart W - Coronet D - Dodge Y - Imperial

★Indicates use as required. Printed in U.S.A.
 EIndicates parts not listed in any previous parts book. Prices and specifications subject to change without notice.
 May 1965. Right and left part numbers are on same line, first number is right, second number is left.
 * Indicates change or addition.

CODE	PART NAME AND DESCRIPTION	PER CAR	VALIANT	PLYMOUTH BELVEDERE	PLYMOUTH FURY	IMPERIAL
			DART	DODGE CORONET	DODGE POLARA CHRYSLER	
23-48-0 SECOND AND THIRD SEAT - Cont'd						
23-48-90	TAPPING PLATE, Seat Back Hinge Second Seat	2	----	2423 174		
	Third Seat	2	----	2423 541	2484 068	
23-48-93	BUMPER, Second Seat Back-Up Position on Wheelhouse Sta. Wgn.	2	1960 719	1960 719	2583 220	
	BUMPER, Second Seat Back Hinge to Floor Pan Bracket Sta. Wgn.	2	----	----	2574 322	
	BUMPER, Third Seat Back Support Upper Frame Sta. Wgn.	2	----	2252 184		
	BUMPER, Third Seat Back Support Sta. Wgn., except C-H	2	----	2255 147	2574 912	
	BUMPER, w/INSERT, Third Seat Back Panel Sta. Wgn., except C-H	2	----	----	2529 943	
	Sta. Wgn., C-H	2	----	----	2529 942	
	Sta. Wgn. Bumper, Third Seat Back					
	BUMPER, Third Seat Back Release Handle, Sta. Wgn.	1	----	----	*2765 393	
23-48-98	HINGE, Rear Seat Back Panel V Barracuda	1	2528 782-3			
	SCREW, w/WASHER	4	6025 391			
	HINGE, Second Seat Back Support Panel Sta. Wgn., except C-H	1	----	----	*2484 868	
23-48-99	SUPPORT, Seat Back Hinge on Wheelhouse Sta. Wgn. Second Seat	1	2255 400-1			
	Sta. Wgn. Third Seat	2	----	2255 627		
	BRACKET, Rear Seat Back to Wheelhouse Inner Panel Hinge V Barracuda	1	2603 436-7			
	BRACKET, w/HINGE, Second Seat Back Hinge to Wheelhouse Inner Panel Sta. Wgn.	1	2527 940-1	2527 944-5		
	BRACKET, w/Weld SCREW, Seat Back Hinge to Floor Pan Sta. Wgn. Second Seat	1	----	----	2526 760-1	
	Third Seat	2	----	----	2526 598	
	REINFORCEMENT, Wheelhouse Inner Panel Second Seat Back Hinge Bracket Sta. Wgn.	2	2573 873			
	REINFORCEMENT, Center Floor Pan Second Seat Back Hinge Bracket Sta. Wgn.	1	----	----	2526 644-5	
	REINFORCEMENT, Wheelhouse Inner Panel Rear Seat Back Hinge Bracket Barracuda	2	2573 873			
23-48-109	LINK, Second Seat Back Hinge Sta. Wgn. Front	2	----	----	2482 508	
	Sta. Wgn. Rear	1	----	----	2482 510-1	
	SCREW, Front Link	2	----	----	6024 973	
	SCREW, Rear Shoulder	2	----	----	6024 972	
	WASHER	4	----	----	6022 185	
23-48-111	BRACKET, Second Seat Back Bumper Mounting Sta. Wgn.	2	----	----	2583 239	
23-48-113	WASHER, Second Seat Back Hinge Link Sta. Wgn.	8	----	----	869 770	

TYPE LETTERS Indicate:

V - Valiant
L - Dart

R - Belvedere
W - Coronet

P - Plymouth
D - Dodge

C - Chrysler
Y - Imperial

★Indicates use as required.

⊖Indicates parts not listed in any previous parts book.
Right and left part numbers are on same line,
first number is right, second number is left.

* Indicates change or addition.

Prices and specifications subject to change without notice.

Printed in U.S.A.

1965 PASSENGER CAR PARTS CATALOG

CODE	PART NAME AND DESCRIPTION	PER CAR	VALIANT	PLYMOUTH BELVEDERE	PLYMOUTH FURY	IMPERIAL
			DART	DODGE CORONET	DODGE POLARA CHRYSLER	
23-48-O SECOND AND THIRD SEAT - Cont'd						
23-48-121	HINGE, Third Seat Back Sta. Wgn. to Floor Panel Bracket Except C-H to Support Panel C-H to Support Panel SPRING WASHER	2 1 1 2	----- ----- ----- -----	----- ----- ----- -----	2482 514 2484 080 2484 083 6024 223	
23-48-149	WASHER, Third Seat Back Hinge Sta. Wgn.	2	-----	2484 985		
23-48-188	PANEL, Third Seat Back Sta. Wgn. PANEL, Third Seat Back Support Sta. Wgn. BACK, Third Seat Partial Sta. Wgn., except C-H BACK, Rear Seat V Barracuda SCREW, w/WASHER	1 1 1 1 1 4	----- ----- ----- ----- ----- -----	2493 800 2493 794 ----- ----- 2493 975 -----	2493 666 6023 227	
23-48-189	BRACKET, Second Seat Back Panel Sta. Wgn. SUPPORT, Seat Back Panel Sta. Wgn., except C-H Sta. Wgn., C-H Second Seat Sta. Wgn., except C-H Second Seat Sta. Wgn., except C-H Third Seat	2 1 1 1	2251 534 ----- ----- -----	2251 534 ----- ----- -----	2493 663 2493 664 2493 882	
23-48-201	LOCK, Second Seat Back Sta. Wgn. Includes HANDLE and KNOB	1	-----	-----	*2765 086-7	
23-48-202	ROD, Second Seat Back Lock Sta. Wgn. .25" dia.33" dia.	1 1	----- -----	----- -----	*2583 240 *2765 089	
23-48-203	SPRING, Second Seat Back Lock Rod Sta. Wgn.	1	-----	-----	2520 852	
23-48-204	CLIP, Second Seat Back Lock Rod Spring Sta. Wgn.	1	-----	-----	2520 851	
23-48-205	BEARING, Second Seat Back Lock Sta. Wgn. Plastic	1	-----	-----	2520 848	
23-48-206	RETAINER, Second Seat Back Lock Rod Bearing Sta. Wgn.	1	-----	-----	2520 850	
23-49-O SEAT BELT COMPONENTS						
23-49-3	COVER, Front Seat Safety Belt Retractor, w/o Bucket Seats 2D., 2D. HT., Cv. Cp. Blue Maroon Red Yellow Green	2 2 2 2	----- ----- ----- -----	----- ----- ----- -----	----- ----- ----- -----	4629 AB4 4629 AM9 4629 AR7 4629 AF9
	4D. HT. Blue Gray Maroon Trim Codes (M5R, H8R) Red	2 2 2 2	----- ----- ----- -----	----- ----- ----- -----	----- ----- ----- -----	4457 AB4 4457 AA3 4457 AM9 4629 AR7

TYPE LETTERS Indicate: V - Valiant R - Belvedere P - Plymouth C - Chrysler
L - Dart W - Coronet D - Dodge Y - Imperial

★Indicates use as required. Printed in U.S.A.
 ⊕Indicates parts not listed in any previous parts book. Prices and specifications subject to change without notice.
 March 1966 Supersedes May 1965. Right and left part numbers are on same line,
 first number is right, second number is left.
* Indicates change or addition.

CODE	PART NAME AND DESCRIPTION	PER CAR	VALIANT	PLYMOUTH BELVEDERE	PLYMOUTH FURY	IMPERIAL
			DART	DODGE CORONET	DODGE POLARA CHRYSLER	
23-49-O SEAT BELT COMPONENTS - Cont'd						
23-49-3	COVER - Cont'd Trim Codes (M3R)(M3V)(M7R)(H3R)(H3V)					
	Red	2	----	----	----	4457 AR7
	Yellow Green	2	----	----	----	4457 AF9
23-49-9	REINFORCEMENT, Safety Belt Mounting to Floor Pan Lower 2D. HT., Cv.Cp., except C RETAINER, Seat Retractable Safety Belt Cover 2 D., 2 D. H. T., Cv.Cp.	1 2	----	----	2528 659 E2583 641	
23-51-O ROCKER PANEL AND BELT BAR						
23-51-5	PANEL, Rocker <u>OUTER</u>					
	Except Cv.Cp., V	1	2242 452-3			
	Except Cv. Cp., except Sta. Wgn., L	1	*2243 556-7			
	Cv. Cp., V	1	2255 836-7			
	Cv. Cp., V Complete	1	2425 402-3			
	Cv. Cp., L	1	2255 838-9			
	Cv. Cp., L Complete	1	2425 404-5			
	Sta. Wgn., L	1	2242 452-3			
	2D., 2D. HT.	1	----	2255 674-5		
	4D., Sta. Wgn.	1	----	2255 676-7		
	Cv. Cp.	1	----	2422 528-9		
	Cv. Cp. Complete	1	----	2425 258-9		
	2D., 2D. HT., Cv.Cp., P	1	----	----	2481 100-1	
	4D., P	1	----	----	2484 320-1	
	4D. HT., P	1	----	----	2481 102-3	
	Cv. Cp., P Complete	1	----	----	2493 730-1	
	Sta. Wgn., P	1	----	----	2484 322-3	
	2D. HT., Cv. Cp., D	1	----	----	2481 104-5	
	4D., D	1	----	----	2484 322-3	
	4D. HT., D	1	----	----	2481 106-7	
	Cv. Cp., D Complete	1	----	----	2493 732-3	
	Sta. Wgn., D	1	----	----	2484 322-3	
	2D. HT., Cv.Cp., C	1	----	----	2481 108-9	2482 900-1
	4D., C	1	----	----	2484 324-5	
	4D. HT., C	1	----	----	2481 110-1	2255 452-3
	Cv. Cp., C Complete	1	----	----	2493 734-5	
	Sta. Wgn., C	1	----	----	2484 622-3	
	 <u>INNER</u>					
	Front	1	2529 980-1	2529 982-3		
	V Rear	1	2242 390-1	2480 912-3	2481 416-7	
	Except Sta. Wgn., L, Rear	1	2243 552-3			
	Sta. Wgn., L Rear	1	2242 390-1			
	All	1	----	----	----	*2189 314-5
	PANEL, w/REINFORCEMENT, Rocker Panel Inner Front and Safety Belt	1	----	----	E2493 510-1	

TYPE LETTERS Indicate: V - Valiant R - Belvedere P - Plymouth C - Chrysler
 L - Dart W - Coronet D - Dodge Y - Imperial

★ Indicates use as required.
 E Indicates parts not listed in any previous parts book.
 Right and left part numbers are on same line,
 first number is right, second number is left.
 • Indicates change or addition.

Printed in U.S.A.
 Prices and specifications subject to change without notice.
 May 1965.

CODE	PART NAME AND DESCRIPTION	PER CAR	VALIANT	PLYMOUTH BELVEDERE	PLYMOUTH FURY	IMPERIAL
			DART	DODGE CORONET	DODGE POLARA CHRYSLER	
23-51-O ROCKER PANEL AND BELT BAR - Cont'd						
23-51-43	CAP, Rocker Panel					
	Front	1	2423 654-5	2254 428-9	2481 500-1	1861 270-1
	4D., 4D. HT., Sta. Wgn., C					
	Rear	1	-----	-----	2483 220-1	
23-51-45	PLUG, Rocker Panel Cap					
	Front	2	2094 985	2094 985	2094 985	
	Inner Rear Panel	2	-----	2094 985	2094 985	
23-51-48	BRACE, Belt Bar to Roof Rail Support					
	Sta. Wgn. Right	1	-----	-----	2484 292	
	Left	1	-----	-----	2602 739	
	SUPPORT, Belt Bar to Wheelhouse Panel Cap					
	Cv. Cp.	1	-----	-----	-----	2424 742-3
23-54-O TAILGATE						
23-54-1	LOCK					
	Right	1	2251 466	2251 466	2520 184	
	Left	1	2251 467	2251 467	2520 184	
	SCREW, w/WASHER	6	6023 365	6023 365	6022 998	
23-54-2	OVERLAY, Tailgate Outside Panel					
	D-H Sta. Wgn.	1	-----	-----	*2605 036	
23-54-3	TAILGATE					
	V Manual	1	2425 411			
	V Electric	1	2425 412			
	L Manual	1	2576 007			
	L Electric	1	2576 008			
	P-L, P-M	1	-----	2493 166	2493 464(1)	
	P-L, P-M	1	-----	-----	2576 814(2)	
	P-H	1	-----	-----	2493 816(1)	
	P-H	1	-----	-----	2576 815(2)	
	D	1	-----	-----	2493 818(1)	
	D	1	-----	-----	2576 817(2)	
	C	1	-----	-----	2493 817(1)	
	C	1	-----	-----	2576 816(2)	
23-54-4	HINGE, Tailgate					
	Body Half, Right	1	2242 818-9			
	Body Half, Left	1	-----	2251 304	2520 238	
	Tailgate Half, Right	1	-----	2251 304	2520 239	
	Tailgate Half, Right	1	-----	2251 302	2520 240	
	Tailgate Half, Left	1	-----	2251 300	2520 241	
	SCREW, w/WASHER	★	180 175	6025 063		
	SET SCREW	★	-----	6022 991	6022 991	
23-54-6	STRIKER, Tailgate Lock					
	Right	1	1774 024	1774 024	2520 684	
	Left	1	1774 025	1774 025	2583 129	
	PLATE, Striker Tapping	2	-----	-----	2484 016	
	SCREW, w/WASHER	★	6022 147	6022 147	6022 147	
23-54-14	SEAL, Lock Striker	2	-----	-----	2520 691	
	SEAL, Lock Striker Spacer	★	-----	-----	2583 536(2)	

NOTE 1: Use with Pull-Up Type Handle.

NOTE 2: Use with Knob or Slide Type Handle.

TYPE LETTERS indicate:	V - Valiant	R - Belvedere	P - Plymouth	C - Chrysler
	L - Dart	W - Coronet	D - Dodge	Y - Imperial

★ Indicates use as required.
 □ Indicates parts not listed in any previous parts book.
 Right and left part numbers are on same line,
 first number is right, second number is left.
 * Indicates change or addition.

Prices and specifications subject to change without notice.
 March 1966 Supersedes May 1965.
 Printed in U.S.A.

1965 PASSENGER CAR PARTS CATALOG

BODY

CODE	PART NAME AND DESCRIPTION	PER CAR	VALIANT	PLYMOUTH BELVEDERE	PLYMOUTH FURY	IMPERIAL
			DART	DODGE CORONET	DODGE POLARA CHRYSLER	
23-54-O TAILGATE - Cont'd						
23-54-17	PIN, Hinge					
	Right	1	-----	2251 738		
	Left	1	-----	2251 737		
	Gate Half	2	-----	-----	6025 227	
23-54-18	BASE, w/STUD, Electric Window Regulator Outside Panel Ornament	1	-----	2428 221		
23-54-19	ARM, Support	1	2243 343			
	ARM, w/GUIDE, Hinge Check	1	-----	-----	2486 814	
	BOLT	2	6023 363			
	SPRING WASHER	2	6006 217			
	CONED WASHER	2	6022 191			
23-54-27	SHIM, Lock Striker	★	1777 926	1777 926		
	SPACER, Hinge	2	1706 470			
	SPACER, Lock Striker	★	-----	-----	2583 535	
23-54-28	SEAL, Sill Panel to Rear Bumper	1	-----	2252 169		
	SEAL, Sill Panel	1	-----	-----	2574 025	
23-54-29	CLIP, Sill Panel to Rear Bumper Seal	11	-----	2252 170		
23-54-31	SPRING, Lock Detent	2	2299 984	2299 984		
	SPRING, Lock Latch	1	-----	-----	B2520 189	
23-54-50	BUMPER, Inside Panel	1	2423 001			
	Inside Panel Lower	4	-----	-----	2481 330	
	Opening Sill Panel	4	-----	-----	*1943 547	
23-54-53	SEAL, Insert Panel to Inner Panel	2	2254 763	2254 763	2254 763	
23-54-59	BRACKET, Glass Channel Down Stop	2	-----	2255 067		
23-54-63	PLATE, Opening Sill Scuff	2	-----	2162 499		
23-54-67	REPAIR PACKAGE, Manual Window Regulator Handle	1	-----	2584 539		
23-54-72	REGULATOR, Window					
	Manual	1	2243 338	2251 270	2486 800	
	Electric	1	2299 761	2428 132	2520 862	
	SCREW, w/WASHER	4	6000 141	6024 813	6024 648	
	SPRING NUT	2	6000 305	-----	6000 305	
23-54-73	HANDLE PACKAGE, Manual Window Regulator					
	Outside	1	2299 444			
	HANDLE, Complete	1	-----	2428 234	2486 860	
	STUD	3	-----	6024 084	6024 084	
23-54-74	SPRING, Window Regulator Counterbalance or Assist	1	2082 989	2251 358	2486 971	
23-54-77	RING, Manual Window Regulator Outside Handle Interlocking	1	2428 071	2428 071	2428 071	
23-54-79	RETAINER, Manual Window Regulator Handle	1	-----	1775 164		
23-54-82	SKID STRIP, Tailgate Sill to Tailgate Cover					
	Inner Panel Plastic	2	-----	-----	*2527 021	
	SKID STRIP, Tailgate Inside Panel	2	-----	-----	B2664 252	

TYPE LETTERS Indicate: V - Valiant R - Belvedere P - Plymouth C - Chrysler
 L - Dart W - Coronet D - Dodge Y - Imperial

★Indicates use as required.

ⓔIndicates parts not listed in any previous parts book.

May 1965.

Prices and specifications subject to change without notice.

Right and left part numbers are on same line, first number is right, second number is left.

* Indicates change or addition.

Printed in U.S.A.

CODE	PART NAME AND DESCRIPTION	PER CAR	VALIANT	PLYMOUTH BELVEDERE	PLYMOUTH FURY	IMPERIAL
			DART	DODGE CORONET	DODGE POLARA CHRYSLER	
23-54-0 TAILGATE - Cont'd						
23-54-92	GASKET, Window Regulator Outside Handle Base or Ornament					
	Manual	1	2299 715	----	2520 954	
	Electric	1	2486 181	----		
23-54-98	ROLLER, Window Regulator Arm to Glass	2	----	----	2486 874	
	SPRING NUT	2	----	----	6000 305	
23-54-100	HOUSING, Manual Window Regulator Outside Handle Shaft	1	2299 746	2299 746	2486 751	
23-54-102	SET-SCREW, Manual Tailgate Window Regulator Handle Pivot	2	----	1960 017	1960 017	
23-54-103	BUMPER, Window Glass Stop Down Position					
	Manual	2	2244 581	2255 206	2484 941	
	Electric	2	2244 581	2255 207	2484 941	
23-54-106	SEAL, Hinge Check Arm or Torsion Bar Guide Plate	1	----	----	2520 642	
23-54-107	PLATE, Window Regular Mounting	1	----	2251 710-1		
23-54-108	PANEL, Sill to Cover Inner and Outer	1	----	----	2484 998	
23-54-109	ROD, Inside Handle Lock Actuating	1	2242 827			
23-54-111	STUD, Window Regulator Arm to Glass	2	----	2251 790		
23-54-118	PLUG, Inside Panel	2	1652 067	1882 735		
	PLUG, Drain	1	----	----	2574 190	
23-54-125	SPACER, Manual Window Regulator Outside Handle Shaft Housing	1	2520 938	2520 938	2520 938	
23-54-127	BRACKET, Electric Window Regulator	1	----	2428 075		
	SCREW, w/WASHER	2	----	6024 813		
23-54-128	CLIP, Manual Window Regulator Handle Pawl Spring Retainer	1	1961 318	1961 318	1961 318	
23-54-136	PLATE, Hinge Tapping	1	2243 336	----	2527 820-1	
	PLATE, Hinge Torsion Bar Guide	★	2243 346	2251 269	2520 246	
	PLATE, Hinge Check Arm Guide	1	----	----	2520 247	
23-54-140	BAR, w/GUIDE, Torsion	1	2299 608	2251 795		
	BAR, Hinge Torsion	1	----	----	2520 250	
	BAR, Sill to Cover Torsion	1	----	----	2602 130	
23-54-141	RETAINER, Torsion Bar	2	2242 825			
	RETAINER, Torsion Bar Bearing					
	End	1	----	2251 694		
	Center	1	----	2251 372		
	RETAINER, Hinge Torsion Bar Bearing	1	----	----	2251 372	
	SCREW, w/WASHER	2	6024 813			
23-54-142	BEARING, Torsion Bar	1	----	----	2520 637	
	End	1	----	2251 695		
	Center	1	----	2251 293		

TYPE LETTERS Indicate: V - Valiant R - Belvedere P - Plymouth C - Chrysler
 L - Dart W - Coronet D - Dodge Y - Imperial

★ Indicates use as required. Printed in U.S.A.
 □ Indicates parts not listed in any previous parts book. Prices and specifications subject to change without notice.
 Right and left part numbers are on same line, first number is right, second number is left. May 1965.
 • Indicates change or addition. Page 23-385

1965 PASSENGER CAR PARTS CATALOG

BODY

CODE	PART NAME AND DESCRIPTION	PER CAR	VALIANT	PLYMOUTH BELVEDERE	PLYMOUTH FURY	IMPERIAL
			DART	DODGE CORONET	DODGE POLARA CHRYSLER	
23-54-O TAILGATE - Cont'd						
23-54-143	BRACKET, Opening Sill Panel Torsion Bar SCREW	1 1	----- -----	----- -----	2484 964 6022 938	
23-54-144	CLAMP, Torsion Bar	1	2242 810	2299 811		
	Malleable Iron	1	-----	-----	*2520 275	
	Steel	1	-----	-----	*2765 318	
23-54-150	COVER, Inside Panel Regulator Access Hole SCREW	1	2242 812	2251 312	2482 463	
	SCREW, Sill to Cover Panel	6 6	----- -----	----- -----	6024 678 6024 648	
23-54-152	COUPLING, Electric Window Lift Motor to Mechanism	1	1778 955	2486 072	1778 955	
23-54-160	MOTOR, Electric Window Regulator	1	2584 840	2448 640	2448 640	
23-54-165	MECHANISM, Electric Window Regulator SCREW	1 ★	2188 735 -----	2486 071 6023 598	2486 882 6024 079	
23-54-167	SWITCH, Electric Window Lift					
	On Instrument Panel . . .	1	2496 921	2496 921	2496 921	
	Lock, on Tailgate	1	2196 313	2196 313	2196 313	
	Limit, on Tailgate	1	2291 430	2291 430	2497 546	
23-54-169	KNOB, Window Lift Switch P	1	-----	-----	2587 502	
23-54-170	BEZEL, Window Lift Switch on Instrument Panel W, P D D Mounting	1 1 1 1	*1972 898 ----- ----- -----	2497 250 ----- ----- -----	2580 099 2580 156 2497 250	
23-54-171	NUT, Window Lift Switch Mounting C	1	1887 603	1887 603	6008 060	
23-54-175	GASKET, Lock Release Handle Base	1	-----	-----	2520 636(1)	
23-54-178	WIRING, Window Lift					
	Switch	1	2497 172			
	Tailgate	1	2497 254	2291 865		
	CLIP	★	-----	6015 377		
23-54-180	HANDLE, Lock Release SCREW, Handle Base, Flat Head CLIP, Handle Link	1 2 1	2251 344 ----- -----	2251 344 ----- -----	2520 631(1) 6025 588(1) 6008 145(1)	
23-54-184	ROD, Lock Actuating	1	-----	2251 345		
23-54-186	SPRING, Lock Remote Control Link Actuating Lever	1	-----	-----	2520 183(1)	
23-54-193	BEARING, Lock Actuating Rod SCREW, w/WASHER	4 2 2	2242 800 ----- -----	----- 2251 360 6024 813		

NOTE 1: Use with Pull Up Type Handle.

TYPE LETTERS Indicate: V - Valiant R - Belvedere P - Plymouth C - Chrysler
L - Dart W - Coronet D - Dodge Y - Imperial

★ Indicates use as required.
 □ Indicates parts not listed in any previous parts book.
 March 1966 Supersedes May 1965.

Printed in U.S.A.
 Prices and specifications subject to change without notice.
 Right and left part numbers are on same line,
 first number is right, second number is left.
 * Indicates change or addition.

CODE	PART NAME AND DESCRIPTION	PER CAR	VALIANT	PLYMOUTH BELVEDERE	PLYMOUTH FURY	IMPERIAL
			DART	DODGE CORONET	DODGE POLARA CHRYSLER	
23-54-O TAILGATE - Cont'd						
23-54-194	RETAINER, Lock Actuating Rod and Bearing	2	2243 337	2251 746		
23-54-205	BUMPER, Inside Handle	2	2251 461	2251 461		
23-54-207	RETAINER, Inside Handle	1	----	2251 747		
23-54-208	GROMMET, Window Lift Wiring	1	2291 672			
23-54-209	HINGE, Opening Sill to Tailgate Cover	1	----	----	2484 946	
23-54-210	PIN, Window Lift Limit Switch Actuator	1	----	----	2497 550	
23-54-213	SPACER, Lock Remote Control Handle Knob	1	----	----	E2765 399(2)	
23-54-214	KNOB, Lock Remote Control Handle	1	----	----	E2583 506(2)	
	SCREW	1	----	----	E9423 017	
23-54-216	LEVER or LINK, Lock Remote Control Link Actuating	1	----	----	2486 794	
23-54-218	CONTROL, w/LINKS, Lock Remote CONTROL, Lock Remote	1	----	----	*2486 818(1)	
	Includes Handle	1	----	----	E2583 501(2)	
23-54-219	PLUG, Inside Panel Wiring Opening					
	P Manual	1	----	----	*2093 981	
23-54-220	SLEEVE, Lock Remote Control Handle					
	Plastic	1	----	----	E2583 510(2)	
23-54-221	BEZEL, Lock Remote Control Handle	1	----	----	E2583 508(2)	
23-54-222	BOOT, Remote Control Handle Dust	1	----	----	E2583 509	
23-58-O FOLDING TOP						
23-58-3	TOP, Folding, w/o Lift Mechanism and Trim					
	Manual	1	1980 AW2			
	Power	1	1981 AW2	1964 VW2	1978 AW2	1967 VW2
23-58-31	SPRING, Folding Top Counterbalance					
	Manual	2	2424 079			
23-58-35	BRACKET, Counterbalance Spring Anchor					
	Manual	2	2424 078			
23-58-67	BRACKET, Quarter Belt Bar to Rear Bow Tension Cable	2	1954 604	1954 604	2574 843	2424 777
	BRACKET, Top Cover Tension Cable Front	2	----	----	----	2572 191
	BRACKET, w/PIVOT, Tension Cable Attaching	2	----	----	----	2572 889
	PIVOT, Top Cover Side Tension Cable Front					
	Attaching	2	6025 207	6025 207	----	6025 207
	SCREW	2	6025 206	6025 206	----	6025 206
	RETAINER	2	6025 208	6025 208	----	6025 208

NOTE 1: Use with Pull-up Type Handle.

NOTE 2: Use with Knob or Slide Type Handle.

TYPE LETTERS Indicate:

V - Valiant
L - Dart

R - Belvedere
W - Coronet

P - Plymouth
D - Dodge

C - Chrysler
Y - Imperial

★Indicates use as required.

⊠Indicates parts not listed in any previous parts book. Right and left part numbers are on same line, first number is right, second number is left.

* Indicates change or addition.

Prices and specifications subject to change without notice.

1965 PASSENGER CAR PARTS CATALOG

BODY

CODE	PART NAME AND DESCRIPTION	PER CAR	VALIANT	PLYMOUTH BELVEDERE	PLYMOUTH FURY	IMPERIAL
			DART	DODGE CORONET	DODGE POLARA CHRYSLER	
23-58-0 FOLDING TOP - Cont'd						
23-58-75	BOW, Folding Top					
	No. 1	1	2422 173	2481 188	2422 173	2424 798
	No. 2	1	2422 174	2481 182	2528 252	2424 831
	No. 3	1	2573 099	2481 237	2528 259	2424 859
	LOCK NUT No. 3 Bow	2	-----	-----	6023 096	
23-58-76	LINK, Rear Bow	1	2574 690-1	2251 128-9	-----	2424 588-9
23-58-78	PLATE, Number One Bow Bracket to Link Adjusting	2	-----	-----	2602 124	1909 914
	PLATE, Number Two Bow Bracket Adjusting	2	-----	-----	2602 126	
	PLATE PACKAGE, Number One Bow Bracket Adjusting	1	-----	-----	E2784 433	
23-58-79	SCREW, w/WASHER, Number One Bow Bracket Adjusting Plate	2	-----	-----	2602 127	
23-58-84	BRACKET, Bow					
	No. 1	2	2255 876			
	No. 3	1	-----	-----	2528 270-1	
23-58-189	WIRING					
	Switch	1	2497 172			
	Top Lift and Courtesy Lamp	1	-----	2580 335		
	Motor	1	-----	-----	-----	2497 178
23-58-200	CYLINDER, w/YOKE, Top Lift Operating	2	2422 142	2483 432	2573 767	2424 995
23-58-208	BRACKET, Operating Cylinder Mounting					
	V	2	2424 092	*2253 024-5	-----	2482 819
	L	2	2424 094			
23-58-213	BUSHING, Cylinder Rod Attaching Plastic, Flange dia. 1"	2	-----	-----	2528 237	
	BUSHING, Cylinder and Yoke Plastic, Flange dia. 13/16"	4	-----	-----	2573 690	
23-58-215	PLATE, Cylinder Attaching Side Rail	1	-----	-----	2528 206-7	
23-58-220	HEADER, Complete	1	2424 659	2482 919	2573 663	2480 824
23-58-224	RETAINER, Folding Top to Belt Side W	1	-----	2525 878-9		
23-58-227	MECHANISM, Header Locking					
	Right	1	1950 413	1950 413	2520 610	
	Left	1	1950 413	1950 413	2520 611	
	SCREW, Self Locking, lgh.3/4"	4	-----	-----	6025 281	
	SCREW, Self Locking, lgh.1"	2	-----	-----	6025 282	
23-58-228	DOWEL, Header	2	1758 839	1758 839	-----	6006 235
23-58-229	RETAINER, Header Lower Dowel Lock Nut	2	-----	-----	-----	1691 911
23-58-230	BRACKET or CATCH, Header Lock Includes Visor ARM . . .	1	-----	-----	2526 622-3	

TYPE LETTERS Indicate: V - Valiant R - Belvedere P - Plymouth C - Chrysler
L - Dart W - Coronet D - Dodge Y - Imperial

*Indicates use as required.
EIndicates parts not listed in any previous parts book.
March 1966 Supersedes May 1965.

Prices and specifications subject to change without notice.
Right and left part numbers are on same line,
first number is right, second number is left.
* Indicates change or addition.

Printed in U.S.A.

1965 PASSENGER CAR PARTS CATALOG

BODY

CODE	PART NAME AND DESCRIPTION	PER CAR	VALIANT	PLYMOUTH BELVEDERE	PLYMOUTH FURY	IMPERIAL
			DART	DODGE CORONET	DODGE POLARA CHRYSLER	
23-58-0 FOLDING TOP - Cont'd						
23-58-396	BRACKET, Motor Mounting	1	1641 578	1641 578	2573 844	1641 578
23-58-399	"O" RING, Motor Pump Rotor	1	2480 451	2480 451	2480 451	2480 451
	"O" RING, Reservoir End Plate Seal	2	1605 298	1605 298	----	1605 298
	"O" RING, Reservoir	1	----	----	2573 837	
23-58-400	RESERVOIR or TUBE, w/BRACKET and GROMMET, Motor Pump	1	2480 445	2480 445	2573 847	2480 445
23-58-430	PLATE, Motor Pump Cover	1	2480 453	2480 453	2480 453	2480 453
23-58-434	BRACKET, Pocket Panel Rear	1	----	----	----	2490 076
23-58-436	SCREW, Motor Pump Cover Plate	6	2602 765	2602 765	2602 765	2602 765
23-58-437	LOOP, Top Well Cover Footman	2	----	----	----	2499 102
23-58-469	PROP, Main Control	1	2255 894-5	2251 142-3	----	2424 598-9
23-58-473	SUPPORT, Rear Side Rail to Quarter Inside Panel Reinforcement	1	2255 966-7	2244 228-9	----	2480 536-7
23-58-475	PLATE, Main Control Prop Support	2	2189 711	2189 711	----	2189 711
	PLATE, Tapping	2	----	----	2480 816	2480 816
23-58-476	BRACE, Main Control Prop Body					
	V	1	2255 956-7	2422 572-3	----	2424 732-3
23-58-478	SUPPORT, w/CATCH, Prop Brace on Quarter Panel					
	Manual	1	2424 492-3			
	NUT, w/WASHER	4	6023 204			
23-58-480	REINFORCEMENT, Rear Side Rail to Quarter Inside Panel Support	1	2255 962-3	2244 226-7	2529 024-5	2424 768-9
23-58-486	RAIL, Side					
	Front	1	2422 178-9	2482 786-7	----	2480 276-7
	Center	1	2424 158-9	2482 910-1	----	2483 796-7
	Rear	1	2255 868-9	2483 574-5	----	2483 770-1
	RAIL, Side Complete	1	----	----	2573 694-5	
23-58-487	BUSHING, Center and Rear Side Rail	2	2481 718	2481 718	----	2481 718
23-58-490	BRACKET, Rear Side Rail					
	Manual	1	2480 722-3			
	Power	1	2480 720-1			
	BRACKET, No. 1 Bow Top Rails	2	----	----	E2528 177	
	BRACKET, Side Rear Rail Strainer to No. 2 Bow	2	----	----	E2528 243	
23-58-496	RETAINER, Side Rear Rail Quarter Pillar	1	----	----	*2574 196-7	
23-58-532	SWITCH	1	*2496 921	*2496 921	*2496 921	*1972 316
23-58-533	NUT, Switch Mounting R, P, C	1	*1887 603	*1887 603	*6008 060	*6008 060

TYPE LETTERS Indicate: V - Valiant R - Belvedere P - Plymouth C - Chrysler
L - Dart W - Coronet D - Dodge Y - Imperial

★Indicates use as required.

ⓔIndicates parts not listed in any previous parts book.
May 1965.

Prices and specifications subject to change without notice.

Right and left part numbers are on same line,
first number is right, second number is left.

* Indicates change or addition.

CODE	PART NAME AND DESCRIPTION	PER CAR	VALIANT	PLYMOUTH BELVEDERE	PLYMOUTH FURY	IMPERIAL	
			DART	DODGE CORONET	DODGE POLARA CHRYSLER		
23-58-0 FOLDING TOP - Cont'd							
23-58-534	KNOB, Switch P	1	----	----	2587 502		
23-58-543	BEZEL, Switch W, P	1	----	2497 378	2580 100		
	D	1	----	----	E2580 156		
	BEZEL, Switch Mounting W, D	1	----	2497 250	2497 250		
	C	1	----	----	E2497 144		
23-58-555	HOSE						
	Upper	2	2422 143				
	Lower	2	2422 143				
	Upper	1	----	2422 143	2573 657	2422 143	
23-58-569	WEATHERSTRIP, Header	1	2422 416	2480 187	2482 446		
	Front	1	----	----	2602 464	2482 833	
	Rear	1	----	----	----	2482 838	
	Upper Corner Moulding .	1	----	----	----	2482 968-9	
23-58-570	RETAINER, Header Weatherstrip	1	----	2483 478-9			
	End	1	----	2484 116-7			
	Center	1	2422 401	----	2574 033		
23-58-571	SEAL, Header Weatherstrip Retainer	1	2484 159				
	SEAL, Roof Side Front or Center Rail Weatherstrip Retainer	2	----	----	2602 924		
23-58-572	WEATHERSTRIP, Side Rail						
	Front	1	2422 408-9	2189 798-9	2528 286-7	2424 614-5	
	Center	1	2422 410-1	2480 198-9	2528 288-9	2424 616-7	
23-58-573	RETAINER, Side Rail Weatherstrip						
	Front	1	2422 196-7	2480 182-3	2528 280-1	2424 608-9	
	Center	1	2422 194-5	2480 196-7	2528 282-3	2424 610-1	
23-58-600	FASTENER, Rear Bow Stud	1	6000 432	6000 432	6000 432	6000 432	
	23-58-601	SET-SCREW, Side Rail Power Guide Link Support Control Prop Support	4 2 2	1964 260 ---- 6000 182	1964 260 6000 182 6000 182	---- ---- ----	1964 260 6000 182
		23-58-603	BOLT, Prop Link to Quarter Panel Tapping Plate Shoulder	2	6024 218		
Rear Side Rail Bracket			2	6023 996			
Power Guide Link Pivot Shoulder	2		----	6024 218			
Main Control Prop Shoulder	2		----	6024 218		6024 218	
No. 3 Bow to Rear Rail	2		----	----	2528 265		
Power Guide Link to Quarter Inside Panel Shoulder	2		----	----	----	6024 456	
Power Links to Side Rear Rail	2		----	----	----	6024 802	
SCREW, Header Lock Handle Torsion Bar Adjusting	2		----	----	----	1750 726	
Front to Center Side Rail Pivot Plate	2	----	----	2528 193			

TYPE LETTERS Indicate: V - Valiant R - Belvedere P - Plymouth C - Chrysler
L - Dart W - Coronet D - Dodge Y - Imperial

★ Indicates use as required. Printed in U.S.A.
 ☒ Indicates parts not listed in any previous parts book. Prices and specifications subject to change without notice.
 Right and left part numbers are on same line, first number is right, second number is left. May 1965.
 * Indicates change or addition. Page 23-391

1965 PASSENGER CAR PARTS CATALOG

BODY

CODE	PART NAME AND DESCRIPTION	PER CAR	VALIANT	PLYMOUTH BELVEDERE	PLYMOUTH FURY	IMPERIAL
			DART	DODGE CORONET	DODGE POLARA CHRYSLER	
23-58-0 FOLDING TOP - Cont'd						
23-58-605	SPACER, Front Rail Link to Center Rail Link	2	1952 983			
	No. 1 Bow Bracket Link to Side Rail Front and Center Control Link	2	1952 983			
	Rear Rail Bracket	2	1706 470			
	Power Guide Link to Power Link	2	1706 470	1706 470		
	No. 1 Bow Bracket to Control Links	2	----	1952 983		
	No. 1 Bow Side and Center Rail Link	2	----	1952 983		
	Power Guide Link Assembly	2	----	----	----	1706 470
	Forward Links Assembly	4	----	----	----	1952 983
	Operating Cylinder Yoke to Rear Side Rail Power Link	4	----	2251 617	----	2251 617
	Power Guide Link to Support	2	----	----	----	6023 926
	Header Dowel Pin Coned	2	6022 691	6022 691		
	Header Lower Panel to Dowel	2	----	----	----	6022 696
	NUT, Side Rear Rail	2	6024 127			
	Side Rear Rail to Power Links Pin	2	----	6024 128		
	Side Center Rail to Rear Rail	2	----	6024 127	----	6024 127
	WASHER, Main Control Prop	2	6022 117			
	No. 1 Bow Bracket	2	6000 106			
	Front and Center Side Rail	2	6000 320	6000 320	----	6000 320
	Power Links to Side Rear Rail	2	----	6024 296		
	Side Center Rail to Rear Rail	2	----	6024 126	----	6024 126
	No. 1 Bow Bracket to Center Side Rail Link	2	----	6000 106	----	6000 106
	No. 1 Bow Bracket to Side Center Rail Link	2	----	6022 858	6022 858	6022 858
	No. 1 Bow Bracket to No. 1 Bow	4	----	----	6022 707	
	Side Rear Rail No. 2 Bow Bracket to No. 2 Bow	4	----	----	6022 707	
	Cylinder Rod Attaching	2	----	----	2528 238	
	7/8" O. D. x 318" I. D. x 1/16" thk.					
	Plastic	★	----	----	B2528 192	
23-58-606	SPRING-WASHER					
	5/8" O. D. x 9/32" I. D.	4	----	----	6023 893	
	21/32" O. D. x 25/64" I. D.	2	6024 126			
	25/32" O. D. x 5/8" I. D.	2	----	6022 117	----	6022 117
	59/64" O. D. x 49/64" I. D.	2	----	----	----	6024 888
	1 1/32" O. D. x 1/2" I. D.	★	6022 989	6022 989	6022 989	6022 989
23-58-607	PIN					
	No. 1 Bow Bracket to Side Center Rail Link	2	2422 153			
	Rear Bow to Rear Side Rail	2	2480 637			
	Rear Side Rail to Prop	2	2480 636			
	Side Rail Front and Center Control to Center Side Rail	2	2251 600			
	Main Control Prop to Side Rear Rail	2	2251 600			
	No. 2 Bow Bracket	2	2251 600			
	No. 1 Bow to Front Side Rail	2	2251 600			
	Center and Rear Side Rail	2	2481 732			
	Front and Center Side Rail Clevis	2	6000 319			
	No. 1 Bow to Front Side Rail	2	----	2251 600		
	Center and Rear Side Rail	2	----	2481 732		
	Front and Center Side Rail Clevis	2	----	6000 319		
	Main Control Prop to Center Side Rail	2	----	2251 600		
	Side Front and Center Rail Control Link to Side Rear Rail	2	----	2251 600		
	No. 1 Bow Link to Side Front Rail	2	----	2251 600		
	Rear Bow Link to Rear Side Rail	2	----	2251 600		
	No. 1 Bow Bracket to Center Side Rail Clevis	2	----	1950 897		

TYPE LETTERS Indicate: V - Valiant R - Belvedere P - Plymouth C - Chrysler
 L - Dart W - Coronet D - Dodge Y - Imperial

★Indicates use as required.

ⓁIndicates parts not listed in any previous parts book.

Printed in U.S.A.

Prices and specifications subject to change without notice.

May 1965.

Right and left part numbers are on same line, first number is right, second number is left.

* Indicates change or addition.

CODE	PART NAME AND DESCRIPTION	PER CAR	VALIANT	PLYMOUTH BELVEDERE	PLYMOUTH FURY	IMPERIAL
			DART	DODGE CORONET	DODGE POLARA CHRYSLER	
23-58-0 FOLDING TOP - Cont'd						
23-58-607	PIN - Cont'd					
	Center and Rear Side Rail	2	----	----	2481 732	
	Cylinder Rod Attaching	2	----	----	2528 236	
	Cylinder Rod Attaching Self Locking	2	----	----	2528 239	
	Center and Rear Side Rail	2	----	----	----	2481 732
	Front and Center Side Rail Clevis	2	----	----	----	6000 319
	Main Control Prop to Center Side Rail	2	----	----	----	2251 600
	Rear Bow Link to Rear Side Rail	2	----	----	----	2251 600
	No. 1 Bow Bracket to Center Side Rail Clevis	2	----	----	----	1950 897
	Power Links to Rear Side Rail	2	----	----	----	2251 600
	Forward Links Assembly to Front Side Rail	2	----	----	----	2251 600
	No. 2 Bow Forward Links Assembly to Rear Side Rail	2	----	----	----	2251 600
23-59-0 DRAIN TROUGH						
23-59-25	HOSE, Top Well Drain					
	Cv. Cp.	2	2097 055	2097 055	2097 055	2097 055
	Drain, Folding Top Well					
	Cv. Cp.	2	2499 091	2499 091	2499 091	2499 091
23-59-35	THROUGH, Quarter Panel Deck Drain					
	Barracuda Lower	1	2526 950-1			
	Upper Corner	1	2526 800-1			
	R, except Sta. Wgn., Upper	1	----	2255 682-3		
	R, except Sta. Wgn., Lower	1	----	2482 972-3		
	W, except Sta. Wgn., Upper	1	----	2483 844-5		
	W, except Sta. Wgn., Center	1	----	2482 556-7		
	W, except Sta. Wgn., Lower	1	----	2483 846-7		
	P, except Sta. Wgn., Upper	1	----	----	2481 520-1	
	P, except Sta. Wgn., Lower	1	----	----	2481 524-5	
	D, except Sta. Wgn., Upper	1	----	----	2482 194-5	
	D, except Sta. Wgn., Lower	1	----	----	2482 196-7	
	Except Sta. Wgn., Center	1	----	----	2482 198-9	
	C, except Sta. Wgn., Upper Corner	1	----	----	2482 200-1	
	C, except Sta. Wgn., Lower Corner	1	----	----	2482 202-3	
23-59-37	REINFORCEMENT, Quarter Panel Deck Drain Trough					
	Barracuda Side	1	2484 796-7			
	L, except Sta. Wgn.	2	2422 443			
	REINFORCEMENT, Deck Opening Side Drain Trough	1	----	----	----	2422 382-3
	SUPPORT, Quarter Panel Deck Drain Trough to Wheelhouse					
	Cv. Cp., R	1	----	2423 780-1		
	Cv. Cp., W	1	----	2483 956-7		
	Cv. Cp., P	1	----	----	2482 186-7	
	Cv. Cp., D	1	----	----	2482 188-9	
	Cv. Cp., C	1	----	----	2482 190-1	
	SUPPORT, Roof Drain Trough to Wheelhouse Quarter Panel Sta. Wgn.	1	----	2217 536-7		
	SUPPORT, Deck Drain Trough Upper to Wheelhouse					
	4D., 2D. HT., 4D. HT., D	1	----	----	2482 154-5	
	4D., 2D. HT., 4D. HT., C	1	----	----	2482 156-7	
	SUPPORT, Deck Drain Trough Reinforcement to Wheelhouse Cap Panel					
	Cv. Cp.	1	----	----	----	2481 748-9

TYPE LETTERS Indicate: V - Valiant R - Belvedere P - Plymouth C - Chrysler
 L - Dart W - Coronet D - Dodge Y - Imperial

★Indicates use as required.
 ⓂIndicates parts not listed in any previous parts book.
 Right and left part numbers are on same line, first number is right, second number is left.
 * Indicates change or addition.
 Printed in U.S.A.
 Prices and specifications subject to change without notice.
 March 1966 Supersedes May 1965.
 Page 23-393

1965 PASSENGER CAR PARTS CATALOG

BODY

CODE	PART NAME AND DESCRIPTION	PER CAR	VALIANT	PLYMOUTH BELVEDERE	PLYMOUTH FURY	IMPERIAL
			DART	DODGE CORONET	DODGE POLARA CHRYSLER	
23-59-O DRAIN TROUGH - Cont'd						
23-59-41	BRACE, Quarter Panel Deck Drain Trough to Floor Pan Reinforcement					
	R, except Sta. Wgn. To Floor Pan Extension	1	----	2423 030-1		
	W, except Sta. Wgn. To Floor Pan	1	----	2484 256-7		
	P, except Sta. Wgn.	1	----		2481 928-9	
	D, except Sta. Wgn.	1	----		2481 930-1	
	C, except Sta. Wgn.	1	----		2481 932-3	
23-59-42	EXTENSION, Quarter Panel Deck Drain Trough					
	P, except Sta. Wgn., Lower Corner	1	----		2483 230-1	
	Side Reinforcement . . .	1	----			2218 818-9
23-59-56	TROUGH, Roof Side Drain					
	2D., V	1	2243 820-1	2424 532-3	2484 770-1	
	2D., L	1	2244 310-1			
	2D. HT., V except Barracuda	1	2243 822-3	2424 530-1		
	V Barracuda	1	2484 576-7			
	4D., Sta. Wgn.	1	2242 530-1	2481 356-7		
	4D. HT., P	1			2481 486-7	
	4D. HT., D, C Front	1			2481 476-7	
	4D., P Front	1			2484 772-3	
	4D., D, C Front	1			2482 386-7	
	2D. HT., except C-H					
	Front	1			2482 384-5	
	2D. HT., C-H Front	1			2481 476-7	
	Sta. Wgn. Front	1			2481 628-9	
	4D. 6 Window Center	1			2484 520-1	
	4D. 6 Window Rear	1			2483 892-3	
	4D. 4 Window, D, C, Rear	1			2484 522-3	
	4D. HT., D Rear	1			*2483 894-5	
	2D. HT., except C-H					
	Rear	1			2483 890-1	
	Sta. Wgn. Rear	1	2242 796-7		2483 856-7	
	4 D. H. T., C-L, C-M, Rear, w/Vinyl Roof . . .	1			2483 894-5	
	TROUGH, Rear Drain					
	Sta. Wgn.	1	*2243 274			
	Sta. Wgn. Corner	1	2243 240-1			
	TROUGH, Front Pillar Drain					
	2D. H. T., P	1			2571 968-9	
	4D. H. T., P	1			2571 966-7	
	2D. H. T., 4D. H. T., D, C	1			2571 968-9	
	2D., 4D., Sta. Wgn.	1			2571 966-7	
23-59-57	COVER, Roof Drain Trough Joint					
	2D., 4D., Sta. Wgn., P	★	*2166 909		*2571 768	
	CAP or COVER, Roof Side Drain Trough Moulding (1)					
23-59-59	FILLER, Roof Rear Corner Drain Trough					
	Sta. Wgn.	1	2243 242-3			
	FILLER, Roof Drain Through Joint Rear					
	4D. H. T., D-L	2			*2605 887	
23-59-60	EXTENSION, Roof Drain Through (Snaps on Side Rail Weatherstrip Retainer)					
	2D. H. T. Plastic	1				*2588 628-9
	4D H. T. Plastic	1				*2588 630-1
23-59-61	MOULDING, Roof Side or Rear Drain Trough (1)					

NOTE 1: See Exterior Moulding Illustrations and Moulding Legends in front of Group 23 Body section.

TYPE LETTERS indicate:	V - Valiant	R - Belvedere	P - Plymouth	C - Chrysler
	L - Dart	W - Coronet	D - Dodge	Y - Imperial

★ Indicates use as required.

Ⓚ Indicates parts not listed in any previous parts book.

March 1966 Supersedes May 1965.

Prices and specifications subject to change without notice.

Right and left part numbers are on same line, first number is right, second number is left.

* Indicates change or addition.

Printed in U.S.A.

CODE	PART NAME AND DESCRIPTION	PER CAR	VALIANT	PLYMOUTH BELVEDERE	PLYMOUTH FURY	IMPERIAL
			DART	DODGE CORONET	DODGE POLARA	
23-61-O COWL VENT OR AIR INTAKE						
23-61-39	DEFLECTOR, w/EXTENSION, Dash Panel Cowl Air Intake Water SEAL (sold by the inch)	1	-----	-----	-----	1810 453
		1	-----	-----	-----	1242 974
23-61-99	CLIP, Cowl Vent Grille Cap	1	-----	-----	-----	6006 261
23-61-103	GRILLE, Cowl Vent	1	-----	-----	-----	2093 580-1
23-61-104	CAP, Cowl Vent Grille	1	-----	-----	-----	2189 985
23-61-116	PANEL, Cowl Top Fresh Air Opening	1	-----	-----	2491 119	
23-61-118	BRACKET, Cowl Top Panel Fresh Air Opening to Fender	1	-----	-----	2571 866-7	
23-63-O WEATHERSTRIP AND SEAL						
23-63-14	WEATHERSTRIP, Window Belt					
	<u>FRONT DOOR INNER</u>					
	2D.	2	2254 952	2241 784	2572 211	
	2D. HT., Cv. Cp., except C					
	Right	1	2254 960	2419 618	2572 202	
	Left	1	2254 961	2419 618	2572 203	
	2D. HT., Cv. Cp., C	1	-----	-----	2581 632-3	2419 892-3
	4D., Sta. Wgn., P, D-L	2	2254 956	2241 784	2572 211	
	4D., Sta. Wgn., D-H, C	1	-----	-----	2572 200-1	
	4 D. HT., except C	1	-----	-----	2572 200-1	*2419 894-5
	4D. HT., C	1	-----	-----	2581 630-1	
	<u>REAR DOOR INNER</u>					
	4D., Sta. Wgn. Right	1	2254 866	2292 588		
	Left	1	2254 866	2292 589		
	4 D., Sta. Wgn., P, D-L	2	-----	-----	2572 211	
	4D., P-H, D-H, C	2	-----	-----	2572 353	
	4D. HT.	2	-----	-----	2572 353	2490 387
	Sta. Wgn., D-H, C	2	-----	-----	2572 353	
23-63-15	WEATHERSTRIP, Window Belt					
	<u>FRONT DOOR OUTER</u>					
	2D. Right	1	2254 952	2216 374	2491 302	
	Left	1	2254 952	2218 979	2491 303	
	2D. HT., Cv. Cp. Right	1	2254 954	2167 686	2491 306	2491 940
	Left	1	2254 955	2218 979	2491 307	2491 941
	4D., Sta. Wgn., P Right	1	2254 956	2218 980	2491 302	
	Left	1	2254 956	2218 981	2491 303	
	4D., Sta. Wgn., D-L	1	-----	-----	2491 302-3	
	4D., Sta. Wgn., D-H, C	1	-----	-----	2571 470-1	
	4D. HT.	1	-----	-----	2571 476-7	2491 942-3
	<u>REAR DOOR OUTER</u>					
	4D., Sta. Wgn. Right	1	2254 866	2218 982		
	Left	1	2254 866	2218 983		
	4D., P	1	-----	-----	2491 486-7	
	4D., D-L	1	-----	-----	2571 578-9	
	4D., D-H, C	1	-----	-----	2491 488-9	
	Sta. Wgn., P, D-L	1	-----	-----	2571 578-9	

TYPE LETTERS Indicate: V - Valiant R - Belvedere P - Plymouth C - Chrysler
 L - Dart W - Coronet D - Dodge Y - Imperial

★Indicates use as required.
 †Indicates parts not listed in any previous parts book.
 Right and left part numbers are on same line, first number is right, second number is left.
 * Indicates change or addition.
 Prices and specifications subject to change without notice.
 Printed in U.S.A.
 March 1966 Supersedes May 1965.
 Page 23-395

1965 PASSENGER CAR PARTS CATALOG

BODY

CODE	PART NAME AND DESCRIPTION	PER CAR	VALIANT	PLYMOUTH BELVEDERE	PLYMOUTH FURY	IMPERIAL
			DART	DODGE CORONET	DODGE POLARA CHRYSLER	
23-63-O WEATHERSTRIP AND SEAL - Cont'd						
23-63-15	WEATHERSTRIP - Cont'd					
	<u>REAR DOOR OUTER</u>					
	Sta. Wgn., D-H, C	1	----	----	2491 488-9	
	4D. HT., P	1	----	----	2491 490-1	
	4D. HT., except P	1	----	----	2571 580-1	2492 030-1
23-63-16	CLIP, Window Belt Weatherstrip					
	<u>FRONT OUTER</u>					
	Front Outer	★	2217 508	2480 904	----	2480 904
	2D., 4D., Sta. Wgn., Front Outer	★	----	----	2571 408	
	2D. HT., 4D. HT., Cv. Cp.					
	<u>FRONT INNER</u>					
	Front Outer	★	----	----	2571 407	
	All Front Inner	★	2217 508			
	Except Barracuda Quarter	★	2217 508			
	Barracuda Quarter Outer	10	2480 904			
	2D., 2D. HT. Quarter Outer	★	----	2480 904	2571 408	2480 904
	Cv. Cp., R Quarter Outer	10	----	2480 904		
	Cv. Cp., W Quarter Outer	★	----	2480 904	2480 904	2480 904
	All Rear	20	2217 508			
	Rear Outer	★	----	2480 904	2571 408	
23-63-20	WEATHERSTRIP, Window Belt					
	<u>QUARTER INNER</u>					
	2D., V	1	2483 196-7			
	2 D., L Right	1	2423 008	2292 790	2572 211	
	Left	1	2423 009	2292 791	2572 211	
	2D. H. T., V except Barracuda					
	<u>RIGHT</u>					
	Right	1	2423 010	2572 215		
	Left	1	2423 011	2572 215		
	Barracuda					
	2D. HT., L	1	2602 312			
	Cv. Cp. Right	1	2245 080-1			
	Left	1	2424 484	2419 029		
	2D. H. T., Cv. Cp.	2	2424 485	2419 029		
			----	----	2572 204	2419 875
23-63-21	WEATHERSTRIP, Window Belt					
	<u>QUARTER OUTER</u>					
	2D., V Right	1	2243 830	2423 582	2482 206	
	Left	1	2243 830	2423 583	2482 207	
	2D., L	1	2423 008-9			
	2D. HT., V except Barracuda	1	2423 012-3			
	Barracuda	1	2484 808-9			
	2D. HT., L	1	2245 082-3			
	2D. HT., R-H, W	1	----	2482 780-1		
	2D. HT., R-P	1	----	2574 042-3		
	2D. H.T., except C-H	1	----	----	2482 208-9	
	2D. HT., C-H	1	----	----	2483 318-9	2492 084-5
	Cv. Cp.	1	2422 406-7	2423 586-7	2482 208-9	2424 784-5
23-63-28	SPACER, Front Door Weatherstrip to Hinge Pillar					
	Sponge Rubber 19" x 1/2"	2	----	----	B2664 540	
23-63-33	WEATHERSTRIP, w/WEATHERCORD, Front					
	Door Opening					
	2D.					
	Blue	2	1522 AB4	1522 AB4		
	Red, V, R	2	2413 615	2413 615		
	Red, L, W	2	1522 AR5	1522 AR5		
	Tan	2	1522 VT6	1522 VT6		
	Turquoise, W	2	1522 AQ4	1522 AQ4		

TYPE LETTERS Indicate: V - Valiant R - Belvedere P - Plymouth C - Chrysler
L - Dart W - Coronet D - Dodge Y - Imperial

★ Indicates use as required. Printed in U.S.A.
 B Indicates parts not listed in any previous parts book. Prices and specifications subject to change without notice.
 Right and left part numbers are on same line, first number is right, second number is left.
 • Indicates change or addition.

CODE	PART NAME AND DESCRIPTION	PER CAR	VALIANT	PLYMOUTH BELVEDERE	PLYMOUTH FURY	IMPERIAL
			DART	DODGE CORONET	DODGE POLARA CHRYSLER	

23-63-O WEATHERSTRIP AND SEAL - Cont'd

23-63-33	WEATHERSTRIP, w/WEATHERCORD - Cont'd 4D., Sta. Wgn.					
	Blue	2	1522 AB4	1522 AB4		
	Gold	2	----	1520 AY3		
	Gray	2	2413 614			
	Red, V, R	2	2413 615	2413 615		
	Red, L, W	2	1522 AR5	1522 AR5		
	Tan	2	1522 VT6	1522 VT6		
	Turquoise	2	1522 AQ4	1522 AQ4		
2D. HT.						
	Black	2	1519 VX8	2413 692		
	Blue	2	1524 AB4	1524 AB4		
	Gold	2	1519 VY3	1524 AY3		
	Red, V, R	2	2413 638	2413 638		
	Red, W-H, W-P	2	1524 AR5	1524 AR5		
	Tan	2	1524 VT6	1524 VT6		
	Turquoise	2	1524 AQ4	1524 AQ4		
Cv. Cp.						
	Black	1	1530-1 VX8	1528-9 VX8		
	Blue	1	1530-1 AB4	1528-9 AB4		
	Gold	1	1530-1 AY3	1528-9 AY3		
	Red, V, R	1	1530-1 TR6	1528-9 VR6		
	Red, L-H, W	1	1530-1 AR5	1528-9 AR5		
	Red, L-P	1	1530-1 AR7			
	Tan	1	1530-1 VT6	1528-9 VT6		
	Turquoise	1	1530-1 AQ4	1528-9 AQ4		
Rear Door, 4D., Sta. Wgn.						
	Blue	2	1524 AB4	1524 AB4		
	Gold	2	----	1524 AY3		
	Gray	2	2413 636			
	Red, V, R	2	2413 638	2413 638		
	Red, L, W	2	1524 AR5	1524 AR5		
	Tan	2	1524 VT6	1524 VT6		
	Turquoise	2	1524 AQ4	1524 AQ4		
WEATHERSTRIP						
	<u>ON FRONT DOOR</u>					
	Upper and Sides					
	2 D.	1	----	----	⊠2588 938-9	
	4 D., Sta. Wgn. Bottom, Includes RETAINER	1	----	----	⊠2588 940-1	
	2D.	1	----	----	2571 712-3	
	4D., Sta. Wgn.	1	----	----	2571 714-5	
	Bottom and Sides					
	2 D. H. T., Cv. Cp.	1	----	----	2570 980-1	2491 950-1
	4 D. H. T. On Rear of Glass Frame	1	----	----	2492 538-9	2491 948-9
	2D. HT., Cv. Cp.	1	2217 128-9			
	<u>ON REAR DOOR</u>					
	Upper and Sides					
	4 D., P	1	----	----	⊠2588 942-3	
	4 D., except P Sta. Wgn.	1	----	----	⊠2588 944-5	
		1	----	----	2492 544-5	

TYPE LETTERS indicate: V - Valiant R - Belvedere P - Plymouth C - Chrysler
L - Dart W - Coronet D - Dodge Y - Imperial

★Indicates use as required.
 ⊠Indicates parts not listed in any previous parts book.
 Right and left part numbers are on same line, first number is right, second number is left.
 * Indicates change or addition.
 Printed in U.S.A.
 Prices and specifications subject to change without notice.
 March 1966 Supersedes May 1965.
 Page 23-397

1965 PASSENGER CAR PARTS CATALOG

BODY

CODE	PART NAME AND DESCRIPTION	PER CAR	VALIANT	PLYMOUTH BELVEDERE	PLYMOUTH FURY	IMPERIAL
			DART	DODGE CORONET	DODGE POLARA CHRYSLER	
23-63-O WEATHERSTRIP AND SEAL - Cont'd						
23-63-33 WEATHERSTRIP - Cont'd						
<u>ON REAR DOOR</u>						
	Bottom, Includes RETAINER					
	4D., Sta. Wgn.	2	-----	-----	2571 711	
	4D. HT.	2	-----	-----	2492 540	
	Bottom and Sides					
	4D. HT.	1	-----	-----	-----	2491 952-3
<u>ON BODY FRONT PILLAR</u>						
	At Lower Rear Corner of Glass at Belt Line Includes ORNAMENT					
	4 D. H. T., P Inner	1	-----	-----	2571 170-1	
	Outer	1	-----	-----	2571 176-7	
	4 D. H. T., D, C Inner	1	-----	-----	2571 172-3	
	4 D. H. T., D-L Outer	1	-----	-----	2571 178-9	
	4 D. H. T., D-H Outer	1	-----	-----	2571 180-1	
	4 D. H. T., C-L Outer	1	-----	-----	2571 182-3	
	4 D. H. T., C-M, C-H Outer	1	-----	-----	2571 184-5	
	Cv. Cp. Upper	1	-----	-----	2526 750-1	
	To Vent Wing Upper Corner					
	Cv. Cp.	1	2218 876-7	2491 944-5		
<u>ON ROOF SIDE RAIL</u>						
	2D. HT., V, except Barracuda	1	2243 874-5			
	Barracuda	1	2526 784-5			
	2D. HT., L	1	2244 244-5			
	2D. HT., except C-H	1	-----	2424 542-3	2482 582-3	
	2D. HT., C-H	1	-----	-----	2483 320-1	2491 922-3
	4D. HT., P	1	-----	-----	2482 584-5	
	4D. HT., except P	1	-----	-----	2482 588-9	2491 932-3
SEAL, Door, Door Opening and Quarter Panel						
<u>ON FRONT DOOR</u>						
	At Rear of Glass					
	2 D. H. T., Cv. Cp.	1	2217 128-9			
	Lock Pillar at Belt					
	2D. HT., Cv. Cp.	1	-----	-----	2570 100-1	2491 962-3
	4D. HT.	1	-----	-----	2570 092-3	
	Hinge Pillar at Belt					
	2D. HT., Cv. Cp., 4D. HT.	1	-----	-----	2570 090-1	
	Inside Panel Upper Lock Side					
	4D. HT.	1	-----	-----	-----	2491 972-3
<u>ON FRONT DOOR OPENING</u>						
	Upper Rear Corner					
	2D., 4D., Sta. Wgn.	2	2082 973	2082 973		
<u>ON REAR DOOR</u>						
	Hinge Pillar at Belt					
	4D. HT., P	1	-----	-----	2571 584-5	
	Rear Upper					
	4D. HT., P	1	-----	-----	2570 096-7	
	Upper Front Corner					
	4D., Sta. Wgn.	1	-----	-----	2571 112-3	
	Hinge Pillar					
	4D. HT., except P	1	-----	-----	2570 094-5	

TYPE LETTERS Indicate: V - Valiant R - Belvedere P - Plymouth C - Chrysler
L - Dart W - Coronet D - Dodge Y - Imperial

★Indicates use as required. Printed in U.S.A.
 □Indicates parts not listed in any previous parts book. Prices and specifications subject to change without notice.
 March 1966 Supersedes May 1965. Right and left part numbers are on same line,
 first number is right, second number is left.
 * Indicates change or addition.

CODE	PART NAME AND DESCRIPTION	PER CAR	VALIANT	PLYMOUTH BELVEDERE	PLYMOUTH FURY	IMPERIAL
			DART	DODGE CORONET	DODGE POLARA CHRYSLER	
23-63-O WEATHERSTRIP AND SEAL - Cont'd						
23-63-33	SEAL - Cont'd					
	<u>ON REAR DOOR OPENING</u>					
	Upper Corner	2	2082 974			
	Lock Pillar at Belt	1	-----	-----	-----	2491 980-1
	<u>ON QUARTER PANEL</u>					
	At Lock Face					
	2D. HT., Cv. Cp.	1	2422 846-7	2167 198-9		
	Lock Pillar at Belt					
	2 D. HT., Cv. Cp.	1	-----	-----	2526 834-5	*2491 974-5
23-63-37	SEAL, Tailgate, Roof Side Rail and Windshield					
	<u>TAILGATE</u>					
	Tailgate Pillar at Belt	1	-----	-----	2526 838-9	
	Tailgate Glass Run Channel at Roof Rear Rail	1	2254 766			
	Tailgate Glass Run Channel at Rear Upper Pillar	2	2254 767	2254 767	2254 766	
	<u>ROOF SIDE RAIL</u>					
	Roof Side Rail Weatherstrip Retainer to Drain Trough					
	2D. H. T., V except Barracuda	2	2244 321			
	Barracuda, L	2	2602 678			
	Roof Side Rail Weatherstrip Retainer to Body Front Pillar					
	2 D. H. T.	2	*2529 050	*2529 050		
	Roof Side Rail Weatherstrip Retainer to Roof Rail					
	2D. HT., 4D. HT.	2	-----	2424 674	2528 608	
	<u>WINDSHIELD</u>					
	Windshield Opening Upper Frame Cv. Cp.	1	2254 766	-----	2573 951	
23-63-42	RETAINER, Body Front Pillar Door Weatherstrip Cv. Cp.	1	-----	-----	2484 826-7	
	RETAINER, Front Pillar Upper Corner Weatherstrip Inner and Outer					
	4D. HT., P	1	-----	-----	2571 296-7	
23-63-55	RETAINER, Roof Side Rail Weatherstrip					
	2D. HT., V except Barracuda	1	2243 876-7			
	Barracuda	1	2573 664-5			
	2D. HT., L	1	2480 286-7			
	2D. HT., Front and Rear	1	-----	2482 796-7		
	2D. HT., Rear Only	1	-----	2482 826-7		
	2D. H. T., except C-H, Includes COVER	1	-----	-----	2528 838-9	
	2D. HT., C-H	1	-----	-----	2528 856-7	2491 918-9
	4D. HT., P	1	-----	-----	2484 682-3	2492 588-9
	4 D. H. T., D, C, Includes COVER	1	-----	-----	2528 780-1	
	RETAINER, w/CAP, Front Pillar Upper and Corner Weatherstrip					
	2D. HT.	1	-----	-----	2571 294-5	
	4 D. H. T., D, C	1	-----	-----	2571 294-5	
	RETAINER, Roof Side Rail Quarter Window Glass Weatherstrip					
	Barracuda Inner	1	2424 670-1			
	Sta. Wgn.	1	-----	-----	2484 010-1	
	RETAINER, Quarter Window Inner Weatherstrip Barracuda	1	2526 792-3			

TYPE LETTERS Indicate: V - Valiant R - Belvedere P - Plymouth C - Chrysler
 L - Dart W - Coronet D - Dodge Y - Imperial

★ Indicates use as required.
 □ Indicates parts not listed in any previous parts book.
 Right and left part numbers are on same line, first number is right, second number is left.
 * Indicates change or addition.
 Prices and specifications subject to change without notice.
 Printed in U.S.A.
 March 1966 Supersedes May 1965.
 Page 23-399

1965 PASSENGER CAR PARTS CATALOG

BODY

CODE	PART NAME AND DESCRIPTION	PER CAR	VALIANT	PLYMOUTH BELVEDERE	PLYMOUTH FURY DODGE POLARA CHRYSLER	IMPERIAL	
			DART	DODGE CORONET			
23-63-O WEATHERSTRIP AND SEAL - Cont'd							
23-63-58	CAP, Roof Side Rail Weatherstrip Retaining 2D. HT. 4D. HT.	1	2423 624-5	2252 608-9		2492 626	
		2	-----	-----	-----		
23-63-61	SUPPORT, Roof Side Rail Quarter Window Weatherstrip and Headlining 2D. HT., V except Barracuda SUPPORT, Quarter Window Inner Weatherstrip Retainer Barracuda SUPPORT, Roof Side Rail Quarter Window Glass Weatherstrip Sta. Wgn.	1	2255 634-5				
		1	2574 168-9				
		1	-----	-----	2484 008-9		
23-63-94	WEATHERSTRIP, Rear Door Window Front Frame 4D. HT., P 4 D. H. T., D, C	1	-----	-----	2491 492-3	2492 358-9	
		1	-----	-----	2571 310-1		
23-63-97	WEATHERSTRIP, Rear Door Rear Glass Stationary Sta. Wgn.	2	2217 250				
23-63-100	WEATHERSTRIP, Quarter Window 2D. HT., V except Barracuda 4D. 6 Window Sta. Wgn. Right	1	2243 882-3				
		2	-----	-----	2482 222		
		1	2255 726	2251 320	2482 230		
		1	2255 727	2251 321	2482 230		
	SEAL, Quarter Window Glass Lower Frame Sta. Wgn.	2	-----	-----	2603 296		
23-63-104	WEATHERSTRIP, Quarter Window Glass Front Frame 2D. HT. Cv. Cp.	1	-----	2166 964-5	2529 130-1	2492 358-9	
		1	-----	-----	2529 092-3	2492 358-9	
23-63-105	RETAINER, Window Glass Front Frame Weatherstrip 2D. HT., except C-H 2D. HT., C-H Quarter, incl. MOULDING Cv. Cp. Quarter 4D. 6 Window Quarter Cv. Cp. Quarter 4D. HT., P Rear 4 D. H. T., D, C Rear SCREW	1	-----	-----	E2782 874-5	2491 722-3	
		1	-----	-----	2483 934-5		
		1	-----	-----	2529 094-5		
		1	-----	-----	2602 106-7		
		1	-----	-----	-----		
		1	-----	-----	2491 722-3		
		1	-----	-----	2491 524-5		2491 722-3
		1	-----	-----	2570 058-9		
		1	-----	-----	6024 997		6000 374
		★	-----	-----	-----		
23-63-110	LOCKINGSTRIP, Quarter Window Glass Weatherstrip Sta. Wgn. Mylar	2	2243 513	2422 471			
		2	-----	2255 027			
23-63-112	WEATHERSTRIP, Rear Window Glass 2D., 4D., V 2D., 2D. H. T., 4D., L 2D. HT., V except Barracuda Use w/o Vinyl Roof	1	2242 532	2424 540			
		1	2574 017				
		1	2242 532				
		1	2480 825				
		1	-----	-----			

TYPE LETTERS Indicate:

V - Valiant
L - DartR - Belvedere
W - CoronetP - Plymouth
D - DodgeC - Chrysler
Y - Imperial

★Indicates use as required.

EIndicates parts not listed in any previous parts book.
March 1966 Supersedes May 1965.

Printed in U.S.A.

Prices and specifications subject to change without notice.

Right and left part numbers are on same line,
first number is right, second number is left.

* Indicates change or addition.

CODE	PART NAME AND DESCRIPTION	PER CAR	VALIANT	PLYMOUTH BELVEDERE	PLYMOUTH FURY	IMPERIAL
			DART	DODGE CORONET	DODGE POLARA CHRYSLER	
23-63-O WEATHERSTRIP AND SEAL - Cont'd						
23-63-112	WEATHERSTRIP - Cont'd					
	Barracuda	1	2574 040			
	2D. H. T.	1	-----	2574 014		
	2D., 4D., 4D. HT., P	1	-----	-----	2482 577	
	4 D., D, C-L	1	-----	-----	2482 579	
	4 D., C-H w/o Vinyl Roof	1	-----	-----	2482 579	
	4 D., C-H w/Vinyl Roof	1	-----	-----	2605 052	
	4 D. H. T., D, C-L, C-M, w/o Vinyl Roof	1	-----	-----	*2482 580	
	4 D. H. T., D, C-L, C-M, w/Vinyl Roof	1	-----	-----	*2605 882	
	4 D. H. T., C-H	1	-----	-----	*2482 580	
	2 D. H. T., except C-H w/o Vinyl Roof	1	-----	-----	2482 578	
	2 D. H. T., except C-H w/Vinyl Roof	1	-----	-----	2605 049	
	2 D. H. T., C-H	1	-----	-----	2482 580	*2605 056
	4 D. H. T., Y-M	1	-----	-----	-----	*2605 053
	4 D. H. T., Y-H	1	-----	-----	-----	*2605 056
23-63-114	LOCKINGSTRIP, Rear Window Glass Weatherstrip					
	V	2	*2082 278			
23-63-117	CAP, Rear Window Glass Weatherstrip Lockingstrip					
	V	2	2424 350			
	CAP, Quarter Window Lockingstrip Sta. Wgn. Upper Front	2	2424 625			
	Lower Rear	2	2424 626			
23-63-126	WEATHERSTRIP, Front Door Vent Wing					
	2D., 4D., Sta. Wgn.	1	2216 638-9	2218 450-1	2491 298-9	
	2D. HT., Cv. Cp.	1	2217 404-5	2218 452-3	2491 300-1	2571 008-9
	4D. HT.	1	-----	-----	2491 300-1	2571 008-9
	WEATHERSTRIP, Vent Wing Auxiliary					
	2D. HT., Cv. Cp.	2	2571 670	2571 670		
	2D., 4D., Sta. Wgn.	2	-----	2217 908		
	All	1	-----	-----	-----	1751 570-1
23-63-127	RETAINER, w/Divisional CHANNEL, Front Door Vent Wing Weatherstrip					
	2D., 4D., Sta. Wgn.	1	2492 120-1	2571 560-1	2491 324-5	
	2D. HT., Cv. Cp.	1	2492 122-3			
	RETAINER, Vent Wing Weatherstrip					
	2D. HT., Cv. Cp. Upper	1	-----	2218 512-3		
	All Front	1	-----	-----	-----	2491 696-7
23-63-130	WEATHERSTRIP, Front Door Vent Wing Divisional Channel					
		4	-----	-----	2571 902	
23-63-131	CLIP, Front Door Weatherstrip Hold-Down					
		2	-----	-----	-----	2571 406
23-63-136	RETAINER, Quarter Window Weatherstrip					
	4D. 6 Window	1	-----	-----	2529 122-3	
	Sta. Wgn. To Wheelhouse Belt . . .	1	-----	-----	2484 006-7	
	Sta. Wgn. To Body Lock Upper Pillar	1	-----	-----	2484 020-1	
	Sta. Wgn. To Rear Upper Pillar Reinforcement	1	-----	-----	2484 032-3	
	Sta. Wgn. Includes Wheelhouse Cover RETAINER	1	-----	-----	*2656 468-9	

TYPE LETTERS Indicate:

V - Valiant
L - Dart

R - Belvedere
W - Coronet

P - Plymouth
D - Dodge

C - Chrysler
Y - Imperial

★Indicates use as required.

⊔Indicates parts not listed in any previous parts book.

Right and left part numbers are on same line, first number is right, second number is left.

* Indicates change or addition.

Prices and specifications subject to change without notice.

March 1966 Supersedes May 1965.

1965 PASSENGER CAR PARTS CATALOG

CODE	PART NAME AND DESCRIPTION	PER CAR	VALIANT	PLYMOUTH BELVEDERE	PLYMOUTH FURY	IMPERIAL
			DART	DODGE CORONET	DODGE POLARA CHRYSLER	
23-63-O WEATHERSTRIP AND SEAL - Cont'd						
23-63-171	WEATHERSTRIP, Tailgate Opening Lower	1	2242 836	2484 400	2482 501	
23-63-172	WEATHERSTRIP, Deck Lid Opening					
	R	1	*2422 201	*2422 201	*2422 201	*2422 201
	W	1	-----	2482 563		
23-63-181	WEATHERSTRIP, Tailgate Glass Belt					
	w/CLIPS Inner	1	*2242 837	*2251 452	*2482 502	
	Plain Rubber Outer	1	*2423 533	*2217 518	*2482 503	
23-63-183	CLIP, Tailgate Glass Inner Belt Weatherstrip	8	*2217 508	*2217 508	*2217 508	

23-64-O WINDOW AND VENT WING

NOTE 1: PLACE ORDERS DIRECT WITH:

- A. YOUR USUAL SOURCE OF SUPPLY FOR CHRYSLER PARTS
- B. CHRYSLER "SAFEGUARD" DISTRIBUTOR
- C. CENTERLINE PARTS PLANTS

NOTE 2: PLACE ORDERS DIRECT WITH YOUR CHRYSLER "SAFEGUARD" DISTRIBUTOR

NOTE 3: PLACE ORDERS DIRECT WITH YOUR LOCAL GLASS SOURCE

23-64-4	BUMPER, Electric Front and Rear Door Window					
	Glass Down Position Stop	4	-----	1954 083	1954 083	1954 083
	BUMPER, Electric Quarter Window Down Stop	2	-----	1954 083	2483 940	2482 754
	BUMPER, Quarter Window Glass Front Stop					
	Up Position	2	-----	-----	2527 982	
23-64-10	GLASS, w/Lower CHANNEL, Tailgate Window					
	(see Note 1)					
	Clear	1	-----	2217 509		
	Tinted	1	-----	2217 510		
	GLASS, Tailgate Window (see Note 1)					
	Clear	1	2242 813	-----	2482 480	
	Tinted	1	2242 814	-----	2482 481	

NOTE: See Part Type Code 23-09-64 for Tailgate Glass Lower Channel.

23-64-12	STOP, Front Door Window Up Position					
	2D. H. T., Cv. Cp.	★	2216 827	2588 409	2491 293	2588 409
	4D. H. T.	4	-----	-----	-----	2588 409
	2D. HT., V, except Barracuda	★	2255 228	2480 753	-----	2491 040
	V Barracuda	2	2528 793			
	2D. HT., L	2	2255 339			
	Cv. Cp.	★	-----	2255 345	-----	2491 040
	STOP, Quarter Window Regulator Up Position					
	2D. HT., except C-H					
	Front	2	-----	-----	2527 920	
	2D. HT., except C-H					
	Rear	2	-----	-----	2527 921	
	2D. HT., C-H	4	-----	-----	2526 827	
	STOP, Rear Door Window Up Position					
	4D. H. T.	4	-----	-----	2588 409	2588 409
	STOP, Front Door Window Regulator Door					
	Down Position.	2	-----	-----	2520 562	
	STOP, Quarter Electric Window Regulator Down	2	-----	2486 656		

TYPE LETTERS Indicate: V - Valiant R - Belvedere P - Plymouth C - Chrysler
 L - Dart W - Coronet D - Dodge Y - Imperial

★Indicates use as required.

⊠Indicates parts not listed in any previous parts book.

May 1965.

Prices and specifications subject to change without notice.

Right and left part numbers are on same line, first number is right, second number is left.

• Indicates change or addition.

CODE	PART NAME AND DESCRIPTION	PER CAR	VALIANT	PLYMOUTH BELVEDERE	PLYMOUTH FURY	IMPERIAL
			DART	DODGE CORONET	DODGE POLARA CHRYSLER	
23-64-0 WINDOW AND VENT WING - Cont'd						
23-64-12	BRACKET, Front Door Inside Panel Up Stop Reinforcement Front 2 D. H. T., Cv. Cp.	2	----	*2588 055		
	BRACKET, Electric Front, Quarter or Rear Door Window Glass Lower Frame Down Stop	★	----	1963 393	2218 318	2218 318
	BRACKET, Door Glass Channel Down Stop Electric Window Lift	★	----	2217 193	2492 676	
	SUPPORT, Front Door Electric Window Lift Down Stop	1	----	2217 182-3		
	SUPPORT, Quarter Electric Window Regulator Down Stop Bracket Cv. Cp.	2	----	2216 296		
	SUPPORT, Rear Door Electric Window Lift Down Stop	2	----	2217 203		
23-64-17	ANTI-RATTLER, Front Door Electric Window Regulator	2	----	----	2528 040	
	ANTI-RATTLER, Quarter Window Glass Rear Stop Up Position	2	----	----	2528 040	
	2D. HT., except C-H	4	----	----	2528 037	
	2D. HT., C-H	4	----	----		
23-64-28	RETAINER, w/Weld SCREW, Front and Rear Door Glass Down Stop Bracket Power Windows	4	----	----	2570 017	
23-64-48	FRAME, Front Door Vent Wing 2D. HT.	1	2216 640-1			
	Cv. Cp.	1	2217 416-7			
	STUD, Adjusting	2	6023 264			
	FRAME, w/Divisional CHANNEL, Front Door Vent Wing	1	----	2218 484-5		
	2D. HT.	1	----	2491 888-9		
	Cv. Cp.	1	----		2491 326-7	
	4D. HT., P	1	----		*2491 328-9	
	4 D. H. T., D, C	1	----		2491 328-9	
	2D. HT.	1	----		2491 330-1	
	Cv. Cp.	1	----			
	FRAME, w/o Divisional Channel, Front Door Vent Wing	1	----	----	----	2571 038-9
	CHANNEL, Front Door Vent Wing Divisional SCREW	2	----	----	6025 199	2571 020-1
23-64-54	PLATE, Front Door Inside Panel Vent Wing Divisional Channel Attaching Bracket	2	2217 663			
23-64-62	PLATE, Front Door Vent Wing Glass Lower Attaching Outer SCREW	1 2	---- ----	2216 210-1 6022 988		
23-64-66	FRAME, Rear Window Opening Upper 2D., 4D., 2D. HT., V, except Barracuda V Barracuda	1 1	2242 514 2576 133			
	2D., 4D., 2D. HT., L	1	2481 056			
	2D., 4D.	1	----	2424 508		
	2D. HT.	1	----	2424 509		
	2D., 4D., 4D. HT., P	1	----		2481 474	
	4 D., D, C	1	----		*2482 294	
	4 D. H. T., D, C	1	----		*2481 484	
	2D. HT., except C-H	1	----		2482 281	
	2D. HT., C-H	1	----		2481 484	

TYPE LETTERS Indicate: V - Valiant R - Belvedere P - Plymouth C - Chrysler
L - Dart W - Coronet D - Dodge Y - Imperial

★Indicates use as required.
 □Indicates parts not listed in any previous parts book.
 Right and left part numbers are on same line, first number is right, second number is left.
 * Indicates change or addition.
 Printed in U.S.A.
 Prices and specifications subject to change without notice.
 May 1965.
 Page 23-403

CODE	PART NAME AND DESCRIPTION	PER CAR	VALIANT	PLYMOUTH BELVEDERE	PLYMOUTH FURY	IMPERIAL
			DART	DODGE CORONET	DODGE POLARA CHRYSLER	
23-64-O WINDOW AND VENT WING - Cont'd						
23-64-66	FRAME - Cont'd					
	2D. HT., 4D. HT., w/o Reinforcement	1	----	----	----	2422 271
	w/REINFORCEMENT	1	----	----	----	2525 877
	2D., 4D., 2D. HT., V	1	2242 515			
	FRAME, Rear Window Opening Lower					
	2D., 4D., 2D. HT., V					
	End	1	2242 516-7			
	2D., 4D., 2D. HT., L	1	2481 055			
	2D., 4D., 2D. HT., L					
	End	1	2481 044-5			
	2D., 4D.	1	----	2244 007		
	2D. HT.	1	----	2424 511		
	4D., 4D. HT., 2D., 2D. HT., P	1	----	----	2481 461	
	4 D., 4 D. H. T., D, C	1	----	----	*2481 460	
	2D. HT., except C-H	1	----	----	2481 461	
	2D. HT., C-H	1	----	----	2481 460	
	2D. HT.	1	----	----	----	2218 699
	4D. HT., Y-M	1	----	----	----	2218 288
	4D. HT., Y-H	1	----	----	----	2218 699
	FRAME, Rear Window Opening Side					
	V Barracuda	1	2484 594-5	----	----	2491 906-7
	4D., D, C	1	----	----	2482 298-9	
23-64-67	REINFORCEMENT, Rear Window Opening					
	4D. 4 Window, D, C, Side	1	----	----	2484 534-5	
	2D. HT., 4D. HT., Side	1	----	----	----	2588 120-1
	2D. HT., 4D. HT., Upper	1	----	----	----	2422 272
23-64-68	EXTENSION, Rear Window Upper	1	----	----	----	2218 795
	EXTENSION, Rear Window Side Frame to Wheelhouse					
	4D., D	1	----	----	2573 564-5	
	4D., C	1	----	----	2573 566-7	
23-64-71	BUMPER, Front Door Vent Wing Frame					
	2D. HT.	1	2216 654-5	2167 326-7		
	Cv. Cp.	1	2217 572-3	2218 448-9		
	4D. HT., P	1	----	----	2571 330-1	
	4 D. H. T., D, C	1	----	----	*2491 294-5	
	2D. HT., Cv. Cp.	1	----	----	2491 294-5	
	PLUG, Vent Wing Divisional Channel Upper to Door Frame					
	2 D., 4 D., Sta. Wgn.	2	----	----	22664 271	
23-64-74	SEAL, Front Door Vent Wing Glass Upper	2	2216 631			
	2D., 4D., Sta. Wgn.					
23-64-75	MOTOR, w/MECHANISM, Front Door Electric Vent Wing C	1	----	----	2428 282-3	2428 282-3
23-64-76	BRACKET, Electric Vent Wing Motor Mounting	1	----	----	----	2428 290-1
	SCREW, w/WASHER, Bracket to Transmission	3	----	----	----	180 020
23-64-79	COUPLING, Electric Vent Wing Drive Shaft to Pivot	1	----	----	----	2428 286-7
	SCREW	2	----	----	----	6023 852
23-64-81	TERMINAL and INSULATOR PACKAGE, Electric Vent Wing Motor Wiring	*	----	----	----	2495 239

TYPE LETTERS Indicate:

V - Valiant
L - DartR - Belvedere
W - CoronetP - Plymouth
D - DodgeC - Chrysler
Y - Imperial

* Indicates use as required.

E Indicates parts not listed in any previous parts book.

May 1965.

CODE	PART NAME AND DESCRIPTION	PER CAR	VALIANT	PLYMOUTH BELVEDERE	PLYMOUTH FURY	IMPERIAL
			DART	DODGE CORONET	DODGE POLARA CHRYSLER	
23-64-0 WINDOW AND VENT WING - Cont'd						
23-64-82	CLIP, Front Door Window Regulator Coupling Manual	2	-----	-----	2428 284	2428 284
		2	-----	-----	2428 284	
23-64-85	PLATE, Rear Window Opening Upper Frame V Barracuda	1	2528 534-5			
23-64-93	SHAFT, Vent Wing Lower Pivot to Regulator Socket	2	-----	-----	2571 216	
23-64-95	BEARING, Vent Wing Lower Pivot to Regulator Socket Shaft	4	-----	-----	2571 215	
23-64-198	CHANNEL, Rear Door Stabilizer Outer Inner	1	-----	-----	-----	2218 704-5
		1	-----	-----	-----	2218 702-3
	CHANNEL, Quarter Window Glass Stabilizer Outer Inner	1	-----	-----	-----	2482 738-9
		1	-----	-----	-----	2482 736-7
	CHANNEL, Quarter Window Glass Lower Frame Stabilizer Cv. Cp.	1	-----	-----	2529 138-9	
23-64-200	SUPPORT, Quarter Window Glass Stabilizer Channel Inner Outer SCREW, w/WASHER	2	-----	-----	-----	*2482 954
		1	-----	-----	-----	2482 942-3
		6	-----	-----	-----	6024 813
23-64-202	SEAL, Quarter Window Glass Lower Frame Stabilizer Channel Cv. Cp.	1	-----	-----	2573 776-7	
23-64-213	FILLER, Quarter Outside Panel Rear Window Opening Corner 2D. HT., except C-H 2 D. H. T., C-H 2 D., 4 D., 4 D. H. T., P 4 D., D, C 4 D. H. T., D, C	1	-----	-----	2484 214-5	
		1	-----	-----	2482 000-1	
		1	-----	-----	2484 212-3	
		1	-----	-----	2484 210-1	
		1	-----	-----	2482 000-1	
23-64-216	SUPPORT, Quarter Inside Panel Quarter Window Retainer 4D. 6 Window	2	-----	-----	2484 240-1	
23-64-225	HINGE, Quarter Window Glass Pivot 2D. HT., V, except Barracuda	1	2482 872-3			
23-64-233	PLATE, Front Door Inside Panel to Vent Wing Bracket Upper Attaching 2D. HT., Cv. Cp.	2	2218 801	2218 801		
23-64-235	SNAP RING, Front Door Vent Wing Lower Pivot to Regulator Socket Shaft	2	-----	-----	2571 214	
23-64-237	CLAMP, Front Door Vent Wing Upper Pivot PLATE, Front Door Vent Wing Upper Pivot Base	2	1708 998	1708 998	1708 998	1755 366
		2	-----	-----	-----	
23-64-240	PIVOT, Front Door Vent Wing Upper 2 D., 4 D., Sta. Wgn. All	1	2216 626-7			
		1	-----	*2571 562-3		

TYPE LETTERS Indicate: V - Valiant R - Belvedere P - Plymouth C - Chrysler
L - Dart W - Coronet D - Dodge Y - Imperial

*Indicates use as required. Printed in U.S.A.
 †Indicates parts not listed in any previous parts book. Prices and specifications subject to change without notice.
 Right and left part numbers are on same line, first number is right, second number is left. March 1966 Supersedes May 1965.
 * Indicates change or addition. Page 23-405

1965 PASSENGER CAR PARTS CATALOG

BODY

CODE	PART NAME AND DESCRIPTION	PER CAR	VALIANT	PLYMOUTH BELVEDERE	PLYMOUTH FURY	IMPERIAL
			DART	DODGE CORONET	DODGE POLARA CHRYSLER	
23-64-0 WINDOW AND VENT WING - Cont'd						
23-64-242	BRACKET, Door Vent Wing Upper Pivot					
	2D., 4D., Sta. Wgn., Right	1	2216 620	-----	2491 385	
	Left	1	*2216 621	-----	2491 385	
	2D. HT., Cv. Cp.	1	2217 408-9			
	All	1	-----	2167 310-1	-----	2094 462-3
	BRACKET, w/PIVOT, Door Vent Wing Upper					
	2D. HT., Cv. Cp., Right	1	2217 548	-----	2571 092	2094 462
	Left	1	2217 549	-----	2571 092	2094 463
	4D. HT. Right	1	-----	-----	2571 092	2094 462
	Left	1	-----	-----	2571 092	2094 463
	BRACKET, Front Door Inside Panel Vent Wing Upper Attaching					
	2D. HT., Cv. Cp.	1	2218 806-7			
	BRACKET, Front Door Vent Wing Handle Shaft Inner	1	-----	*2167 628-9		
	SCREW	2	-----	6023 537		
	CLAMP, Front Door Vent Wing Pivot	2	-----	-----	*2491 392	
	SCREW, Upper Pivot	2	6000 374	6000 374	6000 374	6000 374
	SCREW, Lower Pivot	2	6006 244	6006 244	6006 244	6006 244
23-64-243	SEAL, Door Vent Wing Handle Bracket					
	Inner	2	-----	2216 220		
	Outer	2	-----	2216 221		
23-64-246	SPACER, Door Vent Wing Upper Pivot					
	2D., 4D., Sta. Wgn.	2	-----	2571 543		
	WASHER, Door Vent Wing Upper Clamp to Glass	2	*1909 944	*1909 944	*1909 944	
23-64-254	TRACK, Rear Door Glass					
	4D. HT., P Front	1	-----	-----	2570 188-9	
	4 D. H. T., D, C Front	1	-----	-----	*2570 194-5	
	4D. HT. Rear	1	-----	-----	2570 502-3	
23-64-255	FRAME, Front Door Window Glass Upper and Rear					
	2D. HT., Cv. Cp.	1	-----	-----	-----	2491 838-9
	4D. HT.	1	-----	-----	-----	2491 840-1
	FRAME, Rear Door Window Glass Upper	1	-----	-----	-----	2491 088-9
	SCREW, Self Locking	12	-----	-----	-----	6000 374
	NUT, w/WASHER	12	-----	-----	-----	6023 214
23-64-263	WASHER, Quarter Window Glass Lower Frame Stabilizer					
	Cv. Cp.	2	-----	-----	1561 065	
23-64-269	BRACKET, w/ROLLER, Rear Door Window Track					
	4D. HT.	6	-----	-----	2486 058	
	ROLLER, w/GUIDE, Rear Door Window Rear Track Bracket	2	-----	-----	-----	2217 156
	BRACKET, w/ROLLER, Quarter Window Track					
	Cv. Cp.	★	2255 973	2167 853	2486 058	2217 156
	2D. H. T.	2	-----	2217 156		
	2D. H. T., except C-H Lower	2	-----	-----	2520 658	
	2D. H. T., except C-H Upper	2	-----	-----	2520 659	
	2D. HT., C-H	2	-----	-----	2486 058	2217 156
	BRACKET, Quarter Inside Panel to Roller Track					
	2D. HT., except C-H	2	-----	2481 700	2484 982	

TYPE LETTERS Indicate: V - Valiant R - Belvedere P - Plymouth C - Chrysler
 L - Dart W - Coronet D - Dodge Y - Imperial

★Indicates use as required.
 †Indicates parts not listed in any previous parts book.
 May 1965.

Printed in U.S.A.
 Prices and specifications subject to change without notice.
 Right and left part numbers are on same line,
 first number is right, second number is left.

* Indicates change or addition.

CODE	PART NAME AND DESCRIPTION	PER CAR	VALIANT	PLYMOUTH BELVEDERE	PLYMOUTH FURY	IMPERIAL
			DART	DODGE CORONET	DODGE POLARA CHRYSLER	
23-64-0 WINDOW AND VENT WING - Cont'd						
23-64-269	SUPPORT, Rear Door Inside Panel to Rear Track 4D. HT.	2	----	----	2218 059	2218 059
	SUPPORT, Quarter Inside Panel Roller Track					
	Cv. Cp., P, D Front	2	----	----	2218 059	
	2D. HT., C-H Front	2	----	----	2218 059	
	2D. HT., C-H Rear	4	----	----	2218 059	2218 059
	SUPPORT, Front Door Inside Panel to Rear Track Center	2	----	----	----	2218 059
23-64-272	SPACER, Window Glass to Lower Frame					
	Cv. Cp. Quarter	4	----	2167 856		
	Sta. Wgn. Tailgate	★	2167 856	----	2167 856	
	GROMMET, Window Glass to Lower Frame					
	Cv. Cp. Quarter	★	2424 650	2167 857		
	WASHER, Window Glass to Lower Channel					
	Sta. Wgn. Tailgate, Steel	★	2423 534	----	2423 534	
	Tailgate, Rubber	★	2423 535	----	2423 535	
	NUT, w/WASHER, Quarter Window Glass to Lower Frame Attaching					
	Cv. Cp.	4	----	6010 048		
	SCREW, w/WASHER, Quarter Window Glass to Lower Frame Attaching					
	2D. HT.	4	6023 553	6023 553		
23-64-273	SUPPORT, Front Door Vent Wing Divisional Channel Lower					
	Right	1	2216 673	2167 880	2571 076	2491 914
	Left	1	2216 673	2167 881	2571 076	2491 914
	BRACKET, Door Vent Wing Divisional					
	Lower	2	----	----	----	2218 119
	Upper	1	----	----	----	2571 004-5
	SCREW, w/WASHER, Support	2	----	----	6025 557	6024 813
23-64-275	STUD, Front Door Vent Wing Frame Adjusting	2	6023 264	----	----	6023 006
	STUD, Vent Wing Complete	2	6023 006	6023 006	6023 006	6023 006
	SCREW, w/WASHER, at Belt	2	----	----	6025 141	
23-64-278	GROMMET, Front Door Vent Wing Pivot Bracket Outer	2	1909 917	1909 917	1909 917	1751 492
23-64-279	WASHER or INSULATOR, Door Vent Wing Upper Pivot Plate Inner	2	----	----	----	1751 489
23-64-280	FRAME, Quarter Window Opening					
	2D.	1	2243 012-3	2423 686-7	2526 886-7	
	4D. 6 Window Front	2	----	----	2484 546-7	
	Rear	2	----	----	2484 548-9	
	FRAME, Quarter Window Glass Upper					
	2D. HT.	1	----	----	----	2492 026-7
	Cv. Cp.	1	----	----	----	2481 338-9
	NUT	6	----	----	----	6024 319
23-64-281	REINFORCEMENT, Quarter Inside Panel Front Roller Track					
	Cv. Cp.	1	----	2255 214-5		
	BRACE, Quarter Inside Panel Front Roller Track					
	2D. HT.	1	----	----	2527 004-5	
23-64-282	SLIDE, Quarter Window Track					
	2D. HT., except C-H	2	----	----	2520 662	
	SPRING NUT	2	----	----	6000 305	

TYPE LETTERS Indicate: V - Valiant R - Belvedere P - Plymouth C - Chrysler
L - Dart W - Coronet D - Dodge Y - Imperial

★Indicates use as required. Printed in U.S.A.
 ☐Indicates parts not listed in any previous parts book. Prices and specifications subject to change without notice.
 Right and left part numbers are on same line, March 1966 Supersedes May 1965.
 first number is right, second number is left.
 * Indicates change or addition. Page 23-407

1965 PASSENGER CAR PARTS CATALOG

BODY

CODE	PART NAME AND DESCRIPTION	PER CAR	VALIANT	PLYMOUTH BELVEDERE	PLYMOUTH FURY	IMPERIAL
			DART	DODGE CORONET	DODGE POLARA	
23-64-0 WINDOW AND VENT WING - Cont'd						
23-64-289	CLAMP, w/STUD, Quarter Window Glass to Lower Frame Cv. Cp.	4	-----	2167 855		
23-64-290	SEAL, Quarter Window Opening to Drain Trough 2D.	2	-----	-----	2573 182	
23-64-291	ROLLER, Quarter Window Track Slide 2D. HT., except C-H	2	-----	-----	2520 676	
23-64-293	RETAINER, Quarter Window, at Belt 4D. 6 Window	2	-----	-----	2484 238	
23-64-297	SLEEVE NUT	★	2588 202	2588 202	2588 202	2588 202
23-64-299	TRACK, Quarter Window Roller 2D. HT. Cv. Cp.	1	-----	2481 574-5		
	Barracuda Front.	1	2425 916-7			
	2D. HT., L Front	1	2602 322-3			
	2 D. H. T., except C-H	1	2253 954-5			
	Front	1	-----	-----	E2527 040-1	
	2 D. H. T., C-H Front	1	-----	-----	E2526 924-5	
	Cv. Cp. Front	1	-----	2253 964-5	2527 890-1	
	2 D. H. T., except C-H	2	-----	-----		
	2 D. H. T., C-H Rear	1	-----	-----	E2527 000	
	Cv. Cp. Rear	2	-----	2253 959	E2526 904-5	
	TRACK, Quarter Window Glass Guide Rear 2D. H. T., Cv. Cp.	1	-----	-----	-----	2491 574-5
	SCREW, w/WASHER	★	6024 813	6024 813	6024 648	
	SPACER, Front	4	-----	6023 575		
23-64-300	SUPPORT, Quarter Window Roller Track Bracket 2D. HT., except C-H	2	-----	-----	2484 977	
	SCREW, w/WASHER	2	-----	-----	6024 648	
23-64-306	GLASS, Front Door Vent Wing (see Note 1)					
	All Clear	2	-----	2218 504		
	Tinted	2	-----	2218 505		
	GLASS, w/Lower PIVOT and BRACKET (see Note 1) 2D., 4D., Sta. Wgn., Clear	1	2216 660-1			
	Tinted	1	2216 662-3			
	2D. HT., Cv. Cp. Clear	1	2217 478-9			
	Tinted	1	2217 476-7			
	All Clear	1	-----	-----	2570 968-9	2218 226-7
	Tinted	1	-----	-----	2570 970-1	2218 228-9
FRONT DOOR WINDOW						
23-64-308	GLASS, Front Door Window (see Note 1) 2D.					
	Clear	2	2254 229	2166 888		
	Tinted	2	2254 230	2166 889		
	4D., Sta. Wgn., Clear	2	2254 232	2167 766		
	Tinted	2	2254 233	2167 767		
	GLASS (see Note 3) 2D. HT., Cv. Cp., Clear	1	-----	-----	-----	2217 956-7
	Tinted	1	-----	-----	-----	2217 958-9
	4D. HT. Clear	1	-----	-----	-----	2217 952-3
	Tinted	1	-----	-----	-----	2217 954-5

TYPE LETTERS Indicate: V - Valiant R - Belvedere P - Plymouth C - Chrysler
 L - Dart W - Coronet D - Dodge Y - Imperial

★Indicates use as required. Printed in U.S.A.
 ⓔIndicates parts not listed in any previous parts book. Prices and specifications subject to change without notice.
 May 1965. first number is right, second number is left.
 * Indicates change or addition.

CODE	PART NAME AND DESCRIPTION	PER CAR	VALIANT	PLYMOUTH BELVEDERE	PLYMOUTH FURY	IMPERIAL
			DART	DODGE CORONET	DODGE POLARA CHRYSLER	
23-64-0 WINDOW AND VENT WING - Cont'd						
<u>FRONT DOOR WINDOW</u>						
23-64-308	GLASS, w/Rear FRAME and WEATHERSTRIP (see Note 1)					
	2D. HT., Cv. Cp., except Barracuda					
	Clear	1	2217 264-5			
	Tinted	1	2217 262-3			
	V Barracuda					
	Clear	1	2570 548-9			
	Tinted	1	2570 550-1			
	GLASS, w/FRAME and Lower CHANNEL (see Note 1)					
	2D. HT.					
	Clear	1	----	2218 946-7		
	Tinted	1	----	2218 948-9		
	Cv. Cp.					
	Clear	1	----	2167 844-5		
	Tinted	1	----	2167 846-7		
	GLASS, w/Front FRAME (see Note 1)					
	2D.					
	Clear	1	-----	-----	2520 304-5	
	Tinted	1	-----	-----	2520 302-3	
	4D., Sta. Wgn.					
	Clear	1	-----	-----	2520 484-5	
	Tinted	1	-----	-----	2520 482-3	
	GLASS, w/Front and Rear FRAME (see Note 1)					
	2D. HT., except C-H, Clear					
	Clear	1	-----	-----	2520 334-5	
	Tinted	1	-----	-----	2520 332-3	
	2D. HT., C-H					
	Clear	1	-----	-----	2520 322-3	
	Tinted	1	-----	-----	2520 320-1	
	Cv. Cp.					
	Clear	1	-----	-----	2520 758-9	
	Tinted	1	-----	-----	2520 756-7	
	4D. HT., P					
	Clear	1	-----	-----	2520 470-1	
	Tinted	1	-----	-----	2520 468-9	
	4 D. H. T., D, C					
	Clear	1	-----	-----	*2520 448-9	
	Tinted	1	-----	-----	2520 446-7	
	GLASS, w/FRAME and CHANNEL, Complete (see Note 1)					
	2D. HT., Cv. Cp.,					
	Clear	1	-----	-----	-----	2491 660-1
	Tinted	1	-----	-----	-----	2491 662-3
	4D. HT.					
	Clear	1	-----	-----	-----	2218 326-7
	Tinted	1	-----	-----	-----	2218 348-9
	GLASS (see Note 1)					
<u>REAR DOOR WINDOW</u>						
	4D., Sta. Wgn.					
	Clear	2	2254 260	2167 817		
	Tinted	2	2254 261	2167 818		
	Stationary Clear					
	Stationary Tinted					
	Clear	2	2254 264			
	Tinted	2	2254 265			
	4D., P					
	Clear	1	-----	-----	2491 494-5	
	Tinted	1	-----	-----	2491 496-7	
	4 D., D, C					
	Clear	1	-----	-----	*2492 760-1	
	Tinted	1	-----	-----	2492 762-3	
	Sta. Wgn.					
	Clear	1	-----	-----	2492 048-9	
	Tinted	1	-----	-----	2492 050-1	
	GLASS (see Note 3)					
	4D. HT.					
	Clear	1	-----	-----	-----	2217 984-5
	Tinted	1	-----	-----	-----	2217 986-7
	GLASS, w/FRAME and CHANNEL, Complete (see Note 1)					
	4D. HT., P					
	Clear	1	-----	-----	2570 074-5	
	Tinted	1	-----	-----	2570 076-7	
	4 D. H. T., D, C					
	Clear	1	-----	-----	*2570 086-7	*2218 328-9
	Tinted	1	-----	-----	2570 088-9	2492 094-5

TYPE LETTERS Indicate: V - Valiant R - Belvedere P - Plymouth C - Chrysler
L - Dart W - Coronet D - Dodge Y - Imperial

★Indicates use as required. Printed in U.S.A.
 ☒Indicates parts not listed in any previous parts book. Prices and specifications subject to change without notice.
 Right and left part numbers are on same line, first number is right, second number is left. May 1965.
 * Indicates change or addition. Page 23-409

1965 PASSENGER CAR PARTS CATALOG

BODY

CODE	PART NAME AND DESCRIPTION	PER CAR	VALIANT	PLYMOUTH BELVEDERE	PLYMOUTH FURY	IMPERIAL
			DART	DODGE CORONET	DODGE POLARA	

23-64-O WINDOW AND VENT WING - Cont'd

QUARTER WINDOW

23-64-311	GLASS, Quarter Window (see Note 1)					
	2D.	Clear, Right	1	2242 734	2244 101	2482 002
		Clear, Left	1	2242 734	2244 101	2482 003
		Tinted, Right	1	2242 735	2244 102	2484 334
		Tinted, Left	1	2242 735	2244 102	2484 335
	2D. HT., L	Clear	2	2243 788		
		Tinted	2	2243 789		
	V Barracuda	Clear	2	2484 678		
		Tinted	2	2484 679		
	4D. 6 Window	Clear	1	-----	-----	2482 008-9
		Tinted	1	-----	-----	2484 336-7
	Sta. Wgn.	Clear	1	2243 236-7	2251 220-1	2481 642-3
		Tinted	1	2243 238-9	2251 222-3	2484 236-7
	GLASS (see Note 3)					
	2D. HT.	Clear	1	-----	-----	2491 080-1
		Tinted	1	-----	-----	2491 082-3
	Cv. Cp.	Clear	1	-----	-----	2424 700-1
		Tinted	1	-----	-----	2424 702-3

	GLASS, w/Front FRAME (see Note 1)					
	Cv. Cp.	Clear	2	2424 656		
		Tinted	2	2424 657		
	2D. HT.	Clear	1	-----	2480 868-9	
		Tinted	1	-----	2480 870-1	
	Cv. Cp.	Clear	1	-----	2245 048-9	
		Tinted	1	-----	2245 050-1	
	GLASS, w/Lower CHANNEL (see Note 1)					
	2D. HT., V except Barracuda	Clear	1	2245 070-1		
		Tinted	1	2245 072-3		
	GLASS, w/FRAME and Lower CHANNEL, Complete (see Note 1)					
	2D. H. T., except C-H	Clear	1	-----	-----	2526 616-7
		Tinted	1	-----	-----	2526 618-9
	2D. HT., C-H	Clear	1	-----	-----	2483 930-1
		Tinted	1	-----	-----	2483 932-3
	Cv. Cp.	Clear	1	-----	-----	2529 082-3
		Tinted	1	-----	-----	2529 084-5

REAR WINDOW

23-64-314	GLASS, Rear Window (see Note 2)					
	2D., 4D., V	Clear	1	2242 370	2424 536	
		Tinted	1	2242 371	2424 537	
	2D. HT., V except Barracuda	Clear	1	2242 370	2424 538	
		Tinted	1	2242 371	2424 539	
	V Barracuda	Tinted	1	2484 573		
	2D., 2D. HT., 4D., L	Clear	1	2480 708		
		Tinted	1	2481 027		
	2D., 4D., 4D. HT., P	Clear	1	-----	-----	2481 440
		Tinted	1	-----	-----	2481 441
	4 D., D, C	Clear	1	-----	-----	*2482 300
		Tinted	1	-----	-----	2482 301
	4 D. H. T., D, C	Clear	1	-----	-----	*2481 443
		Tinted	1	-----	-----	2481 444
	2D. HT., except C-H	Clear	1	-----	-----	2481 445
		Tinted	1	-----	-----	2481 446

TYPE LETTERS Indicate:	V - Valiant	R - Belvedere	P - Plymouth	C - Chrysler
	L - Dart	W - Coronet	D - Dodge	Y - Imperial

★Indicates use as required.
 ⓑIndicates parts not listed in any previous parts book.
 Printed in U.S.A.
 Prices and specifications subject to change without notice.
 Right and left part numbers are on same line, first number is right, second number is left.

CODE	PART NAME AND DESCRIPTION	PER CAR	VALIANT	PLYMOUTH BELVEDERE	PLYMOUTH FURY	IMPERIAL
			DART	DODGE CORONET	DODGE POLARA CHRYSLER	

23-64-0 WINDOW AND VENT WING - Cont'd

REAR WINDOW

23-64-314	GLASS, Rear Window (see Note 2) - Cont'd					
	2D. HT., C-H	Clear	1	-----	-----	2481 443
		Tinted	1	-----	-----	2481 444
	GLASS (see Note 3)					
	2D. HT.	Clear	1	-----	-----	2422 264
		Tinted	1	-----	-----	2422 265
	4D. HT., Y-M	Clear	1	-----	-----	2422 255
		Tinted	1	-----	-----	2422 258
	4D. HT., Y-H	Clear	1	-----	-----	2422 264
		Tinted	1	-----	-----	2422 265

23-66-0 WINDSHIELD

NOTE 2: PLACE ORDERS DIRECT WITH YOUR CHRYSLER SAFEGUARD DISTRIBUTORS.

NOTE 3: PLACE ORDERS DIRECT WITH YOUR LOCAL GLASS SOURCE.

23-66-65	FRAME, Windshield Opening Upper					
	Cv. Cp.		1	2255 832	2493 310	2493 829
	Cv. Cp. Outer		1	-----	-----	*2481 847
	Except Cv. Cp. Center		1	-----	2425 763	2493 801
	Except Cv. Cp. End		1	-----	2218 574-5	
	EXTENSION, Windshield Upper Frame					
	2D., 4D., Sta. Wgn.		1	-----	-----	2491 112-3
	4D. HT., P		1	-----	-----	2491 112-3
	4 D. H. T., D, C		1	-----	-----	2491 772-3
	2D. HT., Cv. Cp.		1	-----	-----	2491 772-3
23-66-77	REINFORCEMENT, Windshield Opening Upper Frame					
	Cv. Cp.		1	2255 823		
	REINFORCEMENT, Windshield Opening Upper Frame to Front Upper Pillar					
	Except Cv. Cp.		1	2588 146-7		
	REINFORCEMENT, Windshield Upper Frame					
	Cv. Cp.		1	-----	2480 156	
	Except Cv. Cp. End		1	-----	2218 584-5	
23-66-135	GLASS, Windshield (see Note 2)					
	All	Clear	1	2242 368	2218 626	
		Tinted	1	2242 369	2218 630	
	2D., 4D., Sta. Wgn.,	Clear	1	-----	-----	2492 096
		Tinted	1	-----	-----	2492 097
	2D. HT., Cv. Cp.,	Clear	1	-----	-----	2491 168
		Tinted	1	-----	-----	2491 169
	4D. HT., P	Clear	1	-----	-----	2492 096
		Tinted	1	-----	-----	2492 097
	4 D. H. T., D, C	Clear	1	-----	-----	2491 168
		Tinted	1	-----	-----	2491 169
	GLASS (see Note 3)					
	Except Cv. Cp.	Clear	1	-----	-----	2422 242
		Tinted	1	-----	-----	2422 246
	Cv. Cp.	Clear	1	-----	-----	1651 431
		Tinted	1	-----	-----	1690 871
23-66-235	WEATHERSTRIP, Windshield Glass					
	Except Cv. Cp. w/o Vinyl Roof		1	2242 450		
	2D. HT., V w/Vinyl Roof		1	2218 960		
	Cv. Cp.		1	2424 392		

TYPE LETTERS Indicate: V - Valiant R - Belvedere P - Plymouth C - Chrysler
L - Dart W - Coronet D - Dodge Y - Imperial

★Indicates use as required. Printed in U.S.A.
 ☐Indicates parts not listed in any previous parts book. Prices and specifications subject to change without notice.
 Right and left part numbers are on same line, first number is right, second number is left. March 1966 Supersedes May 1965.
 * Indicates change or addition. Page 23-411

1965 PASSENGER CAR PARTS CATALOG

BODY

CODE	PART NAME AND DESCRIPTION	PER CAR	VALIANT	PLYMOUTH BELVEDERE	PLYMOUTH FURY	IMPERIAL
			DART	DODGE CORONET	DODGE POLARA	
23-66-O WINDSHIELD - Cont'd						
23-66-235	WEATHERSTRIP - Cont'd					
	Except Cv. Cp.	1	----	2218 634		
	Cv. Cp.	1	----	2482 893		
	2 D., 4 D. 4 Window	1	----	----	2571 662	
	Cv. Cp.	1	----	----	2571 663	
	4 D. H. T., P	1	----	----	2571 662	
	4 D. H. T., D, C w/o Vinyl Roof	1	----	----	2571 663	
	4 D. 6 Window, Sta. Wgn.					
	w/o Vinyl Roof	1	----	----	2571 662	
	4 D. 6 Window, Sta. Wgn.					
	w/Vinyl Roof.	1	----	----	*2664 568	
	2 D. H. T. w/o Vinyl Roof	1	----	----	2571 663	
	2 D. H. T. w/Vinyl Roof.	1	----	----	*2664 569	
	4 D. H. T., C-L, C-M, C-P					
	w/Vinyl Roof.	1	----	----	*2664 568	
	All	1	----	----	----	
23-66-239	LOCKINGSTRIP, Windshield Glass Weatherstrip	1	2082 278			2093 638
23-67-O WINDSHIELD WIPER						
23-67-2	CAM PACKAGE, Motor Parking					
	Variable Speed	1	2525 346	----	2525 346	
	NOTE: For Single Speed Motor see					
	Part Type Code 23-67-132.					
23-67-5	ARM, Wiper, w/o Blade					
	Right	1	2580 422	2580 420		
	Left	1	2580 422	2580 421		
	P, D	1	----	----	2580 424-5	
	C	1	----	----	2580 426-7	2580 428-9
23-67-10	GEAR and GASKET PACKAGE, Motor					
	Single Speed					
	w/Prestolite Motor	1	2448 282	----	2584 978	
	w/General Industries Motor	1	----	2448 264		
	w/Leece Neville Motor	1	----	2448 608		
	Variable Speed					
	w/Prestolite Motor	1	2448 282	----	2584 976	1879 598
	w/General Industries Motor	1	----	2448 267		
	w/Leece Neville Motor	1	----	2495 548	2585 043	
23-67-16	BRUSH and SPRING PACKAGE, Motor					
	Single Speed					
	w/Prestolite Motor	1	1752 518	----	2584 980	
	w/General Industries Motor	1	----	2084 269		
	w/Leece Neville Motor	1	----	2448 606		
	Variable Speed					
	w/Prestolite Motor	1	1752 518	----	2585 025	1627 273
	w/General Industries Motor	1	----	2448 265		
	w/Leece Neville Motor	1	----	2525 250	2585 045	
23-67-18	BRACKET, Motor Mounting					
	Single Speed	1	----	2427 571		
	Variable Speed	1	----	2427 570	----	1838 289
23-67-20	GROMMET PACKAGE, Motor Mounting					
	GROMMET, Motor Mounting	1	2421 482	----	2421 482	
		3	----	1594 992	----	1594 992

TYPE LETTERS Indicate: V - Valiant R - Belvedere P - Plymouth C - Chrysler
 L - Dart W - Coronet D - Dodge Y - Imperial

* Indicates use as required. Printed in U.S.A.
 † Indicates parts not listed in any previous parts book. Prices and specifications subject to change without notice.
 March 1966 Supersedes May 1965. Right and left part numbers are on same line, first number is right, second number is left.
 * Indicates change or addition.

CODE	PART NAME AND DESCRIPTION	PER CAR	VALIANT	PLYMOUTH BELVEDERE	PLYMOUTH FURY	IMPERIAL
			DART	DODGE CORONET	DODGE POLARA CHRYSLER	
23-67-0 WINDSHIELD WIPER - Cont'd						
23-67-25	BLADE, Wiper, w/REFILL					
	Right	1	2580 415	2580 416	2580 419	2580 418
	Left	1	2580 415	2580 417	2580 419	2580 419
	REFILL	2	2291 909	2426 255	2427 671	2427 671
23-67-46	COVER, Wiper Pivot Hole	2	-----	-----	2588 152	
23-67-48	ADAPTOR, Wiper Pivot Mounting	1	-----	-----	-----	1704 062-3
23-67-49	GASKET, Wiper Pivot Mounting	4	-----	-----	-----	1704 066
23-67-50	NUT, Wiper Pivot Mounting	2	-----	-----	-----	2580 647
23-67-76	ARM, Wiper Crank					
	Single Speed	1	-----	2427 576	2496 157	
	Variable Speed	1	-----	2427 575	2496 114	2427 923
23-67-79	LINK, Wiper					
	Right	1	-----	2427 584	-----	1841 679
	Left	1	-----	2427 585	-----	2198 099
	LINK, Drive	1	2496 140	-----	2496 124	
	LINK, Pivot Connecting	1	2496 139	-----	2496 125	
23-67-80	RETAINER, Link					
	Drive Link	2	*2580 929	-----	*2580 929	
	Connecting Link to Pivot	2	*2580 929	-----	2580 929	
	Drive Link to Crank	1	-----	-----	2580 929	
	Drive Link to Left Pivot	1	-----	-----	*2580 929	
	Link to Pivot	2	-----	1605 299	-----	1605 299
	Link to Crank Arm 1" x 1" x 3/64"	1	-----	1886 202	-----	1886 202
	11/16" x 1/2" x 1/4"	1	-----	*2580 929	-----	*2580 929
23-67-82	WASHER, Link					
	Felt	★	1540 383	-----	1540 383	
	Steel	★	1770 289	1770 289	-----	1770 289
	Brass	★	1622 352	1605 604	1622 352	1605 604
	SPRING WASHER	★	1770 290	1770 290	2580 944	1770 290
23-67-83	BUSHING, Wiper Link to Crank Arm					
	Single Speed	2	-----	2427 573	-----	
23-67-85	GASKET, Wiper Pivot Mounting	2	2258 455	2258 455	-----	
23-67-86	PIVOT					
	Right	1	2580 644	2580 643	2496 122	2580 648
	Left	1	2580 645	2580 643	2496 121	2580 649
23-67-91	SCREW, w/WASHER, Wiper Pivot Mounting	4	-----	-----	-----	1704 061
23-67-95	NUT, Wiper Pivot Mounting	2	-----	-----	-----	2580 647
	NUT, w/WASHER	4	-----	2076 232	-----	
23-67-98	MOTOR					
	Single Speed	1	2525 270	2495 200	2496 150	
	Variable Speed	1	2525 269	2448 849	2584 975	2448 844
23-67-100	SPACER, Motor Mounting to Bracket	3	-----	1594 995	-----	1594 995
23-67-102	WASHER, Motor Mounting to Bracket	3	-----	1594 993	-----	1594 993
23-67-104	SEAL, Motor Mounting	1	-----	-----	2496 120	
	SEAL, Wiper Parking Mechanism Variable Speed	1	-----	-----	2496 127	

TYPE LETTERS Indicate: V - Valiant R - Belvedere P - Plymouth C - Chrysler
 L - Dart W - Coronet D - Dodge Y - Imperial

★ Indicates use as required.
 ☐ Indicates parts not listed in any previous parts book.
 Right and left part numbers are on same line, first number is right, second number is left.
 ● Indicates change or addition.
 Printed in U.S.A.
 Prices and specifications subject to change without notice.
 March 1966 Supersedes May 1965.
 Page 23-413

1965 PASSENGER CAR PARTS CATALOG

BODY

CODE	PART NAME AND DESCRIPTION	PER CAR	VALIANT	PLYMOUTH BELVEDERE	PLYMOUTH FURY	IMPERIAL	
			DART	DODGE CORONET	DODGE POLARA CHRYSLER		
23-67-0 WINDSHIELD WIPER - Cont'd							
23-67-119	HOLDER, Motor Brush						
	Single Speed		w/General Industries Motor	1	----	1495 160	
			w/Leece Neville Motor . .	1	----	2448 609	
	Variable Speed		w/General Industries Motor	2	----	1571 034	
			w/Leece Neville Motor . .	1	----	2495 547	
						2585 042	
23-67-129	REINFORCEMENT, Motor Mounting	1	-----	-----	-----	1846 350	
23-67-132	BUSHING, Drive Link to Motor End						
	Single Speed	1	2291 853				
	To Crank Arm Single Speed	1	-----	-----	2580 200		
23-67-160	SWITCH						
	Single Speed, w/o Washers						
	P, C	1	*2497 282	*2497 282	*2497 282		
	D	1	-----	-----	2580 190		
	Single Speed, w/Washers						
	P, C	1	2497 282	2497 282	2497 282		
	D	1	-----	-----	2497 635		
	Variable Speed						
	P	1	2497 112	2497 421	2497 802		
	D	1	-----	-----	2497 634		
	C	1	-----	-----	2497 802	2497 690	
23-67-161	NUT, Switch Mounting						
	V, R, C	1	1887 603	1887 603	6008 060	6008 060	
23-67-163	DISCONNECT, w/WIRING, Wiper	1	-----	-----	2580 114		
23-67-164	PLATE and GASKET PACKAGE, Motor Switch						
	Single Speed						
			w/Prestolite Motor	1	2448 283	-----	2584 979
			w/General Industries Motor	1	-----	2448 263	
			w/Leece Neville Motor . .	1	-----	2448 607	
	Variable Speed						
			w/Prestolite Motor	1	2448 284	-----	2584 977
			w/General Industries Motor	1	-----	2448 266	2298 876
			w/Leece Neville Motor . .	1	-----	2495 549	2585 044
23-67-166	TERMINAL, Motor Parking Switch						
	Variable Speed	2	-----	-----	2631 326		
23-67-194	KNOB, Switch						
	V, R, P	1	2497 269	2497 269	2580 157		
	L, W, D	1	2496 788	2496 788	2496 788		
	C	1	-----	-----	2496 515	2426 651	
23-67-195	BEZEL, Switch						
	V, R	1	1887 602	1887 602			
	W	1	-----	2497 377			
	BEZEL, Switch Mounting						
	L, W	1	2497 250	2497 250			
	D	1	-----	-----	2497 250		
	P	1	-----	-----	2496 760		
	C	1	-----	-----	2497 619		
23-67-200	RETAINER, Wiper Parking Mechanism						
	Variable Speed	1	-----	-----	2497 597		
23-67-201	COVER, Wiper Parking Mechanism						
	Variable Speed	1	-----	-----	2496 112		

TYPE LETTERS Indicate: V - Valiant R - Belvedere P - Plymouth C - Chrysler
 L - Dart W - Coronet D - Dodge Y - Imperial

*Indicates use as required.
 †Indicates parts not listed in any previous parts book.
 March 1966 Supersedes May 1965.

Prices and specifications subject to change without notice.
 Right and left part numbers are on same line,
 first number is right, second number is left.

• Indicates change or addition.

CODE	PART NAME AND DESCRIPTION	PER CAR	VALIANT	PLYMOUTH BELVEDERE	PLYMOUTH FURY	IMPERIAL
			DART	DODGE CORONET	DODGE POLARA CHRYSLER	
23-67-0 WINDSHIELD WIPER - Cont'd						
23-67-202	SPRING, Wiper Parking Variable Speed	2	----	2427 917	----	2427 917
23-67-203	SPRING-TRIP, Wiper Parking Variable Speed	2	----	1753 712	----	1753 712
23-67-204	CAM, Wiper Parking Variable Speed	2	----	2496 861	----	2496 861
23-67-206	RELEASE, Wiper Parking Cam Variable Speed	1	----	----	2497 561	

NOTES

TYPE LETTERS indicate:

V - Valiant	R - Belvedere	P - Plymouth	C - Chrysler
L - Dart	W - Coronet	D - Dodge	Y - Imperial

★ Indicates use as required.
 □ Indicates parts not listed in any previous parts book.
 Right and left part numbers are on same line,
 first number is right, second number is left.
 * Indicates change or addition.

Printed in U.S.A.
 Prices and specifications subject to change without notice.
 Page 23-415
 May 1965.

