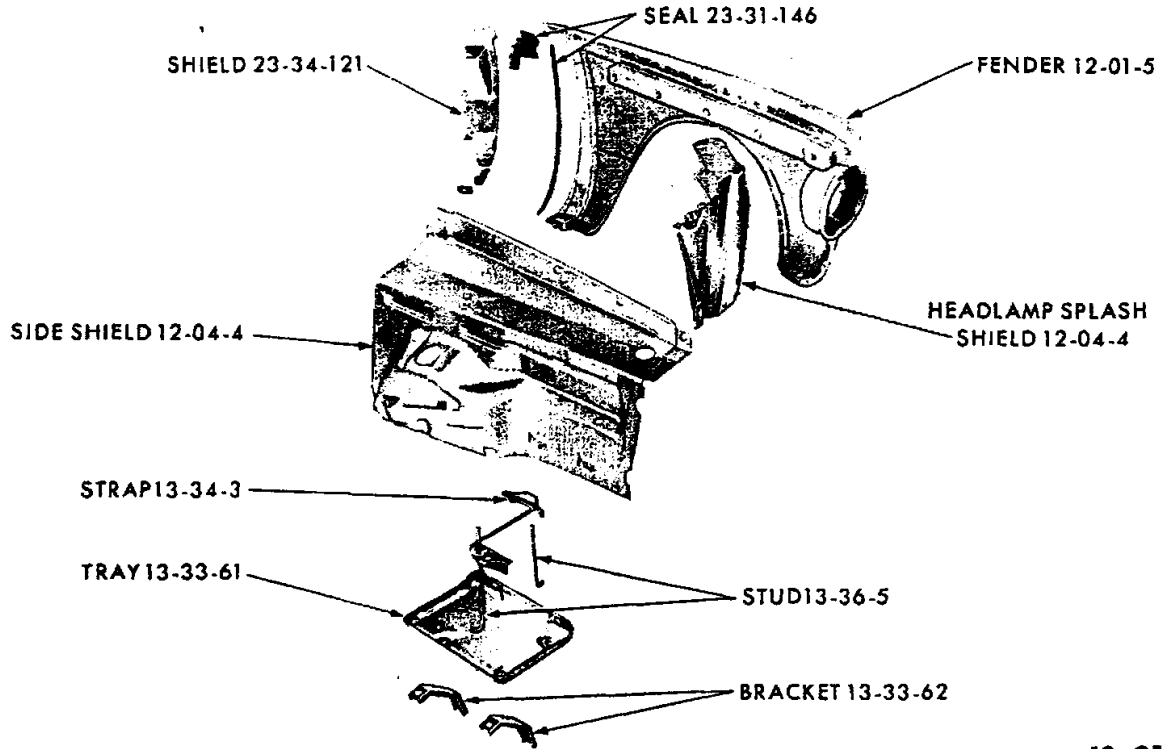
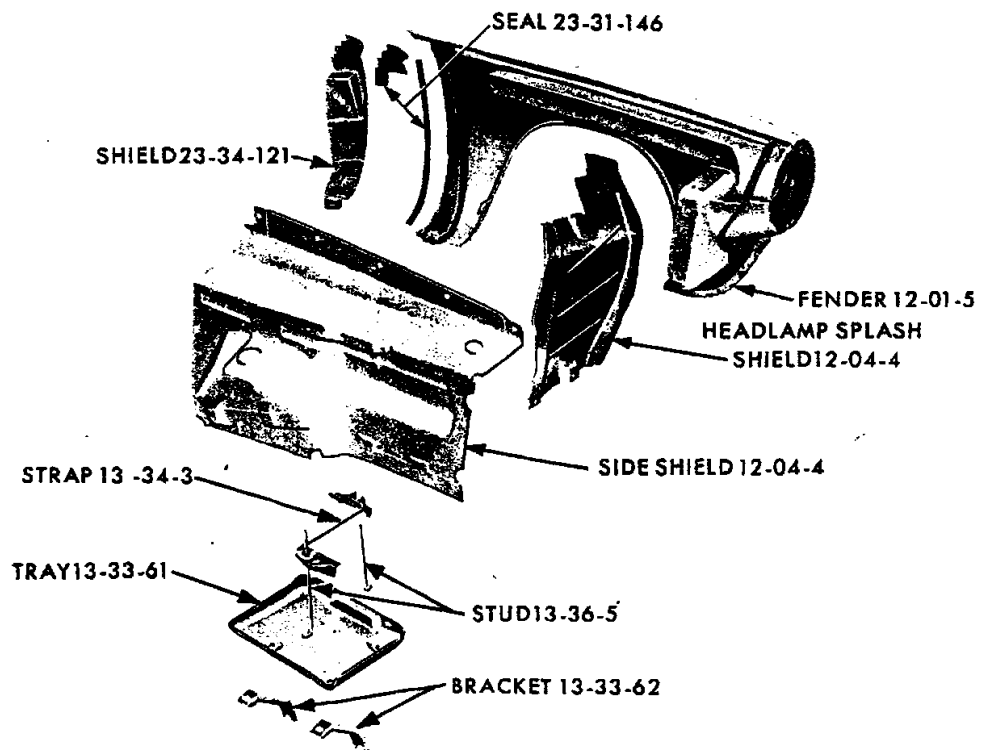


GROUP 12 - FENDERS AND SHEET METAL



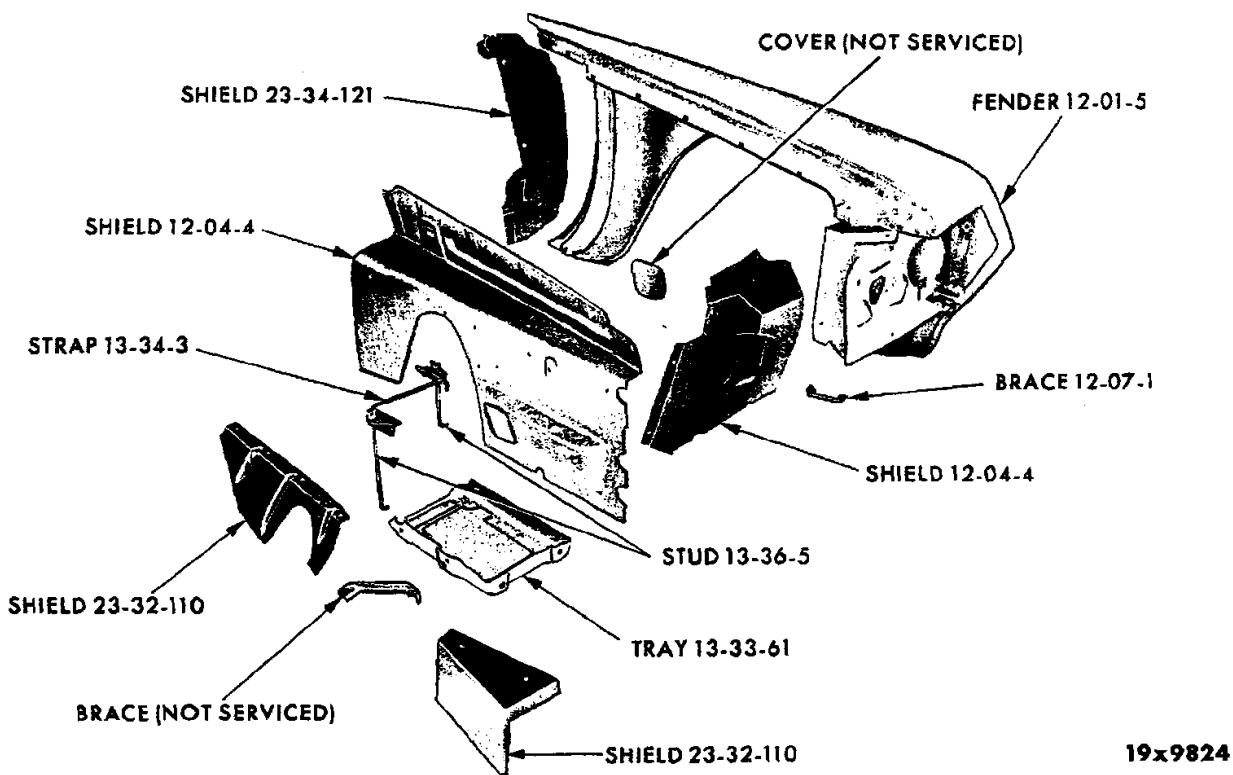
19x9567A

FRONT FENDER - VALIANT VV1-2

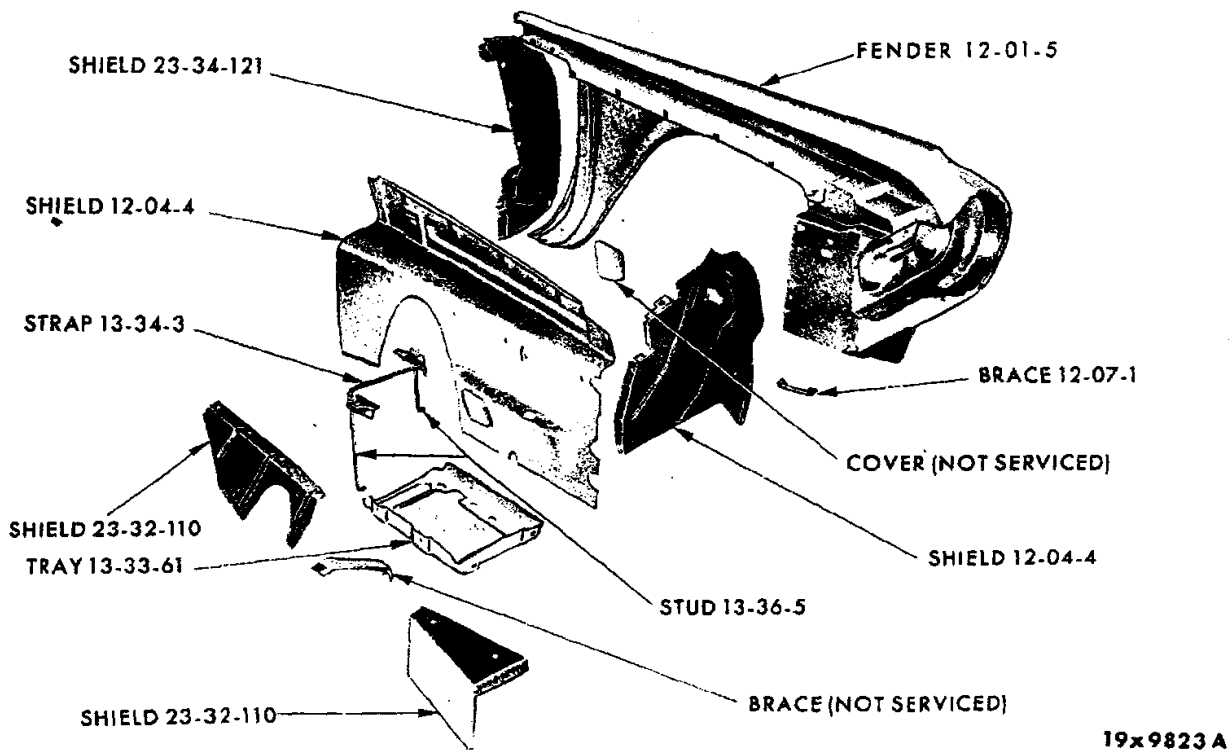


19x9542A

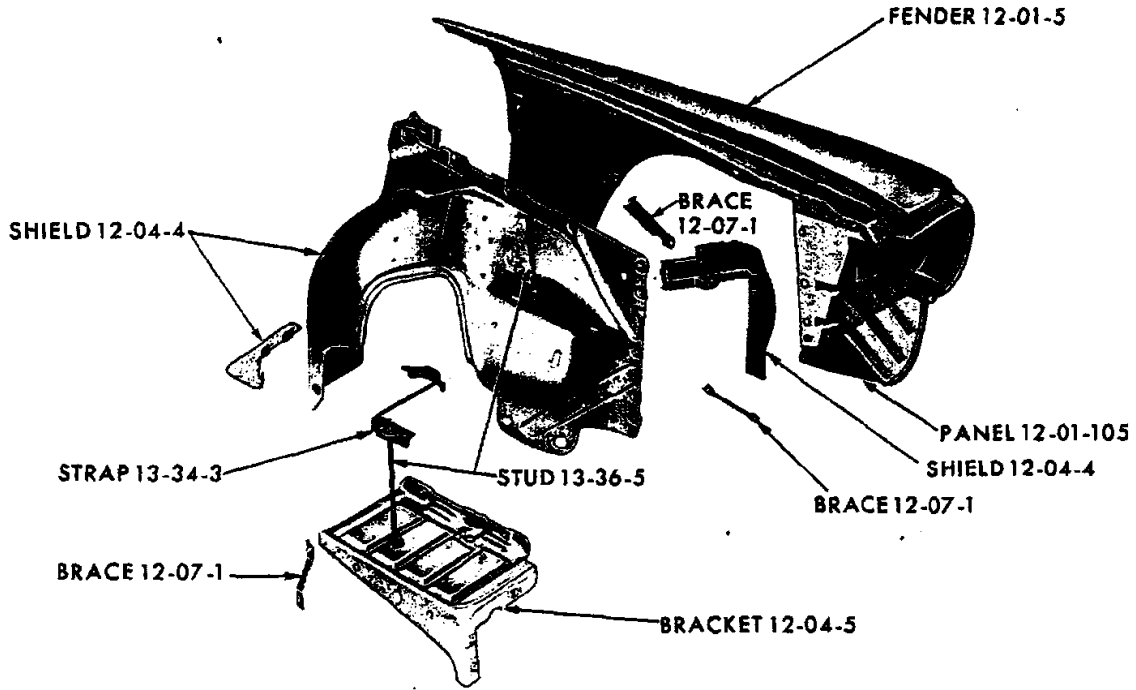
FRONT FENDER - DART VL1-2



FRONT FENDER - PLYMOUTH VP1-2

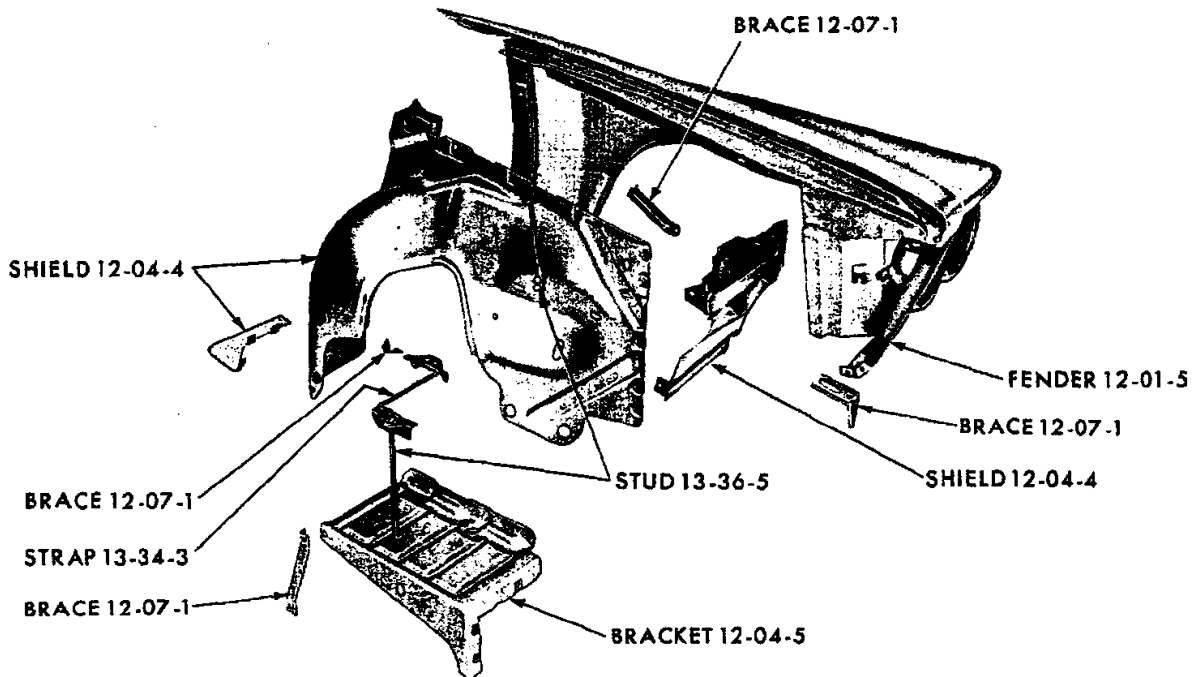


FRONT FENDER - DODGE VD1-2



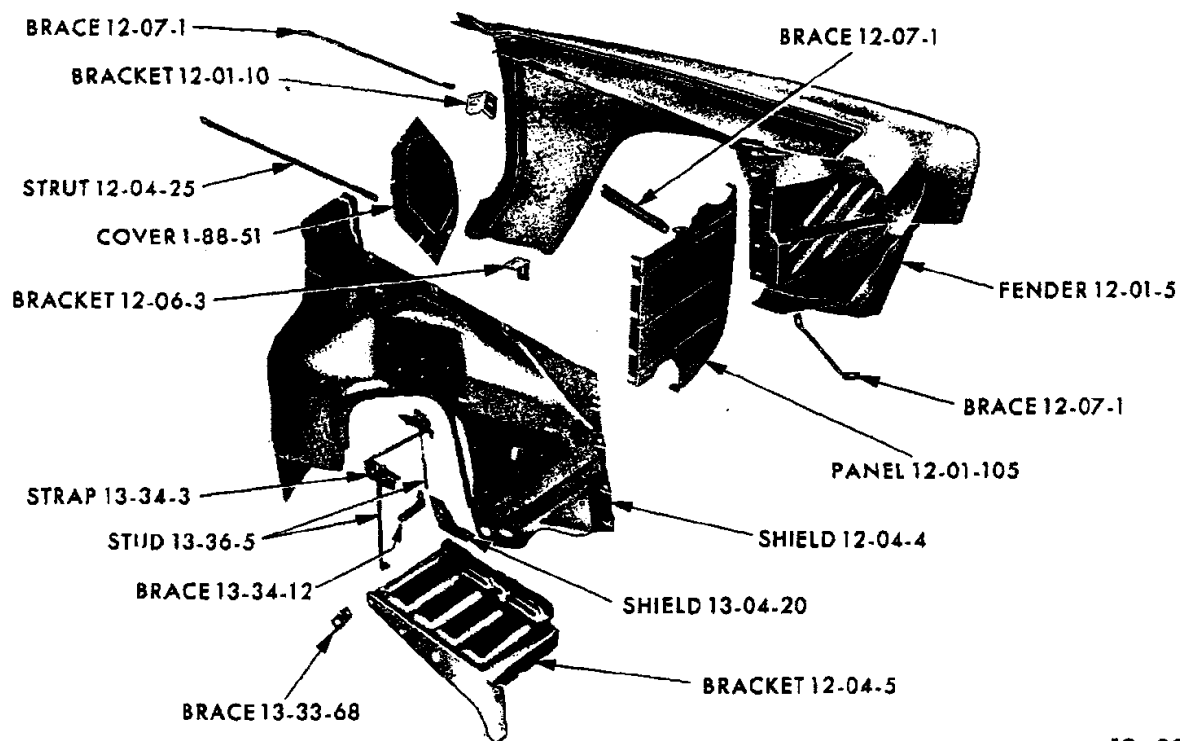
19x9590A

FRONT FENDER - DODGE VA3



19x9523A

FRONT FENDER - CHRYSLER VC1-2-3



19x9869

FRONT FENDER - IMPERIAL VY1

NOTES

CODE	PART NAME AND DESCRIPTION	CYL	PER CAR	VALIANT DART	PLYMOUTH DODGE	CHRYSLER IMPERIAL
12-01-0 FRONT FENDERS						
12-01-5	FENDER, Right, VV1, VV2, except Barracuda, VP1, VP2		1	2425 498	2495 122	
	Left, VV1, VV2, except Barracuda, VP1, VP2		1	2425 499	2495 123	
	Right, VV1, VV2, Barracuda		1	2493 906		
	Left, VV1, VV2, Barracuda		1	2493 907		
	Right, VL1, VL2, VD1, VD2		1	2493 144	2495 124	
	Left, VL1, VL2, VD1, VD2		1	2493 145	2495 125	
	Right, VA3, VC1, VC2, VC3	8	1	----	2493 362	2493 158
	Left, VA3, VC1, VC2, VC3	8	1	----	2493 363	2493 159
	Right, VY1	8	1	----	----	2425 684
	Left, VY1	8	1	----	----	2425 685
12-01-12	STUD, to Sill, VP1, VP2, VD1, VD2		★	6024 347	6024 347	
	VA3	8	★	----	6022 016	6022 016
	To Fender Support		★	6022 016		
	To Side Shield, VP1, VP2		★	----	6022 013	
	To Cowl, VA3, VC1, VC2, VC3	8	★	----	6022 016	6023 597
	To Cowl, Upper, VA3, VC1, VC2, VC3	8	★	----	6023 597	6023 597
	Headlamp Splash Shield, VC1, VC2, VC3	8	★	----	----	*6022 307
	SCREW, Side Shield to Sill Cap, VA3, VC1, VC2, VC3	8	★	----	6024 329	6024 329
	Fender Bracket to Pillar Support, VY1	8	★	----	----	6023 995
	Side Shield to Frame, VY1	8	★	----	----	6012 066
	Fender Bumper Seal, VY1	8	★	----	----	6024 421
12-01-15	NUT, Bumper Stabilizer to Fender, VV1, VV2		★	6012 008		
	Fender to Air Shield, VV1, VV2		★	*6023 168		
	Headlamp Splash Shield, VL1, VL2, VP1, VP2, VD1, VD2		★	*6023 168	6023 167	
	Dash Panel to Side Shield		★	6023 170		
	Fender to Pillar Support		★	6023 283		
	Fender to Bumper Stabilizer, VP1, VP2		★	----	6023 167	
	Fender to Cowl, VP1, VP2, VD1, VD2		★	----	6023 170	
	Fender to Sill, VP1, VP2, VD1, VD2		★	----	6023 283	
	Side Shield to Hood Hinge Bracket		★	----	6023 170	
	Dash Panel to Side Shield		★	----	6023 170	
	Fender to Sill, VA3, VY1	8	★	----	----	6023 171
	Fender to Grille Panel, VA3	8	★	----	6023 168	
	Fender to Side Shield		★	----	6023 170	6023 170
	Fender to Cowl, VA3	8	★	----	6023 283	
	Side Shield to Fender Brace, VA3, VC1, VC2, VC3	8	★	----	6023 171	6023 171
	Side Shield to Rear Splash Shield, VA3, VC1, VC2, VC3	8	★	----	6023 167	6023 167
	Side Shield to Brace to Fender Tab, VA3	8	★	----	6023 168	6023 168
	Side Shield to Yoke, VA3	8	★	----	6023 170	6023 170
	Side Shield Cover, VC2-300K	8	★	----	----	6023 170
	Fender to Dust Shield Brace, VC1, VC2, VC3	8	★	----	----	6023 168
	Fender to Lower Reinforcement, VY1	8	★	----	----	6023 168
	Fender to Shear Panel, VY1	8	★	----	----	6023 171
	Fender to Panel, VY1	8	★	----	----	6023 164
	Side Shield Antenna Hole Cover, VY1	8	★	----	----	6023 167
	Side Shield to Body Dash Brace Strut, VY1	8	★	----	----	6023 171
12-01-16	WASHER, Dash Panel to Side Shield		★	----	6023 291	
	Fender to Sill, VY1		★	----	----	6022 187
12-01-105	PANEL, Shear, Right, VA3, VY1	8	1	----	----	2417 406
	Left, VA3, VY1	8	1	----	----	2417 407

★ Indicates use as required.

Ⓛ Indicates parts not listed in any previous parts book.

• Indicates change or addition.

Numerals in parentheses () refer to notes.

Printed in U.S.A.

Prices and specifications subject to change without notice.

1964 PASSENGER CAR PARTS CATALOG

FENDERS AND SHEET METAL

CODE	PART NAME AND DESCRIPTION	CYL	PER CAR	VALIANT DART	PLYMOUTH DODGE	CHRYSLER IMPERIAL
12-02-0 FENDER SEAL OR SHIM						
12-02-5	SEAL, Shear Panel, Upper, VY1	8	2	----	----	2417 956
	Side, Inner, Right, VY1	8	1	----	----	2417 528
	Side, Inner, Left, VY1	8	1	----	----	2417 529
	Side, Outer, VY1	8	2	----	----	2445 052
	Fender to Pillar, VA3	8	2	----	2166 641	2166 641
	SHIM, Fender Flange to Cowl Top		★	6010 031		
	Fender to Pillar Supt. to Cowl		★	6010 035		
	Fender to Pillar Supt. to Sill, VP1, VP2		★	6023 257	6023 257	
	Fender to Cowl, VP1, VP2, VD1, VD2		★	----	6010 031	
	Fender to Cowl, VA3, VY1	8	★	----	6010 035	6010 035
	Fender to Cowl, Front, VA3, VC1, VC2, VC3	8	★	----	1363 926	1863 926
	Fender to Sill, VA3, VY1	8	★	----	6010 031	6010 031
	Fender to Pillar Supt. to Cowl, VC1, VC2, VC3	8	★	----	----	6010 035
	Fender to Pillar Supt. to Sill, VC1, VC2, VC3	8	★	----	----	6010 031
	Fender to Cowl, Front, VP1, VP2, VD1, VD2		★	6010 035	2099 734	6010 035
	Fender to Cowl, Front, VY1	8	★	----	----	6010 037
12-02-6	FILLER, Fender Bumper, Right, VY1	8	1	----	----	2445 590
	Left, VY1	8	1	----	----	2445 591
12-02-10	RETAINER, Fender Bumper Filler, Inner, Right, VY1	8	1	----	----	2445 826
	Inner, Left, VY1	8	1	----	----	2445 827
	Outer, Right, VY1	8	1	----	----	2445 824
	Outer, Left, VY1	8	1	----	----	2445 825
12-02-12	FASTENER, VP1, VP2, VD1, VD2		★	6006 104	6006 104	
12-04-0 FRONT FENDER SHIELD						
12-04-4	SHIELD, Headlamp Splash, Right, VV1, VV2, VP1, VP2		1	2276 974	2445 032	
	Left, VV1, VV2, VP1, VP2		1	2276 975	2445 033	
	Right, VL1, VL2, VD1, VD2		1	2276 968	2417 568	
	Left, VL1, VL2, VD1, VD2		1	2276 969	2417 569	
	Right, VA3, VC1, VC2, VC3	8	1	----	2417 784	2276 902
	Left, VA3, VC1, VC2, VC3	8	1	----	2417 785	2276 903
	SHIELD, Fender Side, Right, VP1, VP2, VD1, VD2		1	2208 598	2201 526	
	Left, VP1, VP2, VD1, VD2		1	2208 593	2260 439	
	Right, VA3, VC1, VC2, VC3	8	1	----	2409 330	2409 330
	Left, VA3, VC1, VC2, VC3	8	1	----	2409 331	2409 331
	Right, VY1	8	1	----	----	2461 800
	Left, VY1	8	1	----	----	2405 057
	SHIELD, Fender Side Shield Lower Rear Splash, Right, VA3, VC1, VC2, VC3	8	1	----	2405 684	2405 684
	Left, VA3, VC1, VC2, VC3	8	1	----	2405 685	2405 685
12-04-5	BRACKET, Upper Support, w/Battery Tray, VA3	8	1	----	*1940 893	*1940 893
12-04-10	PLUG, 1 3/4" diameter Hole, VP1, VP2, VD1, VD2		1	----	2409 373	
12-04-22	COVER, Side Shield, Right, VC2-300K	8	1	----	----	1948 434
	Left, VC2-300K	8	1	----	----	1948 435
12-04-23	SEAL, Fender Headlamp Splash Shield, Side, Rt.		1	*2417 152		
	Side, Lt.		1	*2417 153		
	Upper, Rt.		1	*2417 154		
	Upper, Lt.		1	*2417 155		
	Right, VP1, VP2		1	----	*2417 344	
	Left, VP1, VP2		1	----	2417 345	
	Right, VD1, VD2		1	----	2417 736	
	Left, VD1, VD2		1	----	2417 737	

★ Indicates use as required. Numerals in parentheses () refer to notes. Printed in U.S.A.
 □ Indicates parts not listed in any previous parts book. Prices and specifications subject to change without notice. * Indicates change or addition.
 March 15, 1965 Supersedes March 16, 1964. Page 12-6

CODE	PART NAME AND DESCRIPTION	CYL	PER CAR	VALIANT DART	PLYMOUTH DODGE	CHRYSLER IMPERIAL
12-04-0 FRONT FENDER SHIELD - Cont'd						
12-04-23	SEAL - Cont'd					
	Right, VA3	8	1	----	2417 506	
	Left, VA3	8	1	----	2417 507	
	Side Shield to Dash, Right, VD1, VD2		1	----	2213 148	
	Left, VD1, VD2		1	----	2213 149	
	Side Shield to Upper Control Arm, Right, VA3, VC1, VC2, VC3	8	1	----	2405 682	2405 682
	Left, VA3, VC1, VC2, VC3	8	1	----	2405 683	2405 683
	Right, VY1	8	1	----	----	2405 688
	Left, VY1	8	1	----	----	2405 689
	Side Shield to Fender, VA3, VY1	8	2	----	2405 031	2405 064
12-04-24	CLIP, Fender Shield Seal		★	----	2405 049	2405 049
12-04-25	STRUT, Side Shield to No. 1 Body Dash Brace, VY1	8	2	----	----	2409 340
12-06-0 FENDER BRACKET						
12-06-3	BRACKET, Fender to Sill, VY1	8	2	----	----	1624 582
12-07-0 FENDER BRACE OR SUPPORT						
12-07-1	BRACE, Headlamp Splash Shield, VP1, VP2		2	----	E2524 763	
	Fender Side Bumper Stabilizing, VD1, VD2		2	----	2449 472	
	Fender to Shear Panel, Right, VA3	8	1	----	2417 968	
	Left, VA3	8	1	----	2417 969	
	Side Shield to Fender, Right, VA3, VC1, VC2, VC3	8	1	----	2405 052	2405 052
	Left, VA3, VC1, VC2, VC3	8	1	----	2405 053	2405 053
	Right, VY1	8	1	----	----	2405 050
	Left, VY1	8	1	----	----	2405 051
	Side Shield to Fender, Lower, Right, VC1, VC2, VC3	8	1	----	----	2260 457
	Left, VC1, VC2, VC3	8	1	----	----	2260 456
	Right, VY1	8	1	----	----	2260 456
	Left, VY1	8	1	----	----	2260 457
	Fender to Dust Shield, Right, VC1, VC2, VC3	8	1	----	----	2417 602
	Left, VC1, VC2, VC3	8	1	----	----	2417 603
12-15-0 FENDER MOULDINGS, NAME PLATES, AND ORNAMENTS						
NOTE: See Exterior Moulding Illustrations in Front of Group 23 Body.						
12-15-17	PAD, Front Moulding Scuff, Right, C3 except Sta. Wgn.		1	----	----	E2578 588
	Front Moulding Scuff, Left, C3 except Sta. Wgn.		1	----	----	E2578 589
	Front Moulding Scuff, Right, C1, C2, C3 Sta. Wgn.		1	----	----	E2578 586
	Front Moulding Scuff, Left, C1, C2, C3 Sta. Wgn.		1	----	----	E2578 587
12-15-19	SPACER, Fender Top Ornament, VA3	8	2	----	2445 140	
12-15-21	MEDALLION, Fender Side Pentastar, Right Side		1	2445 182	2445 182	2445 182
12-15-27	RETAINER, Fender Top Medallion, VD1, VD2		2	----	2445 102	
12-15-30	SEAL, Fender Top Ornament, VA3	8	2	----	2445 139	
	PAD, Fender Top Medallion, VD1, VD2		2	----	2524 858	

★ Indicates use as required.

Numerals in parentheses () refer to notes.

Printed in U.S.A.

⊠ Indicates parts not listed in any previous parts book.

Prices and specifications subject to change without notice.

* Indicates change or addition.

