

1964 PLYMOUTH

INTERIOR TRIM

HOW TO USE INTERIOR TRIM ILLUSTRATIONS

The illustrations in this section are actual and each body style showing the Interior Trim is included.

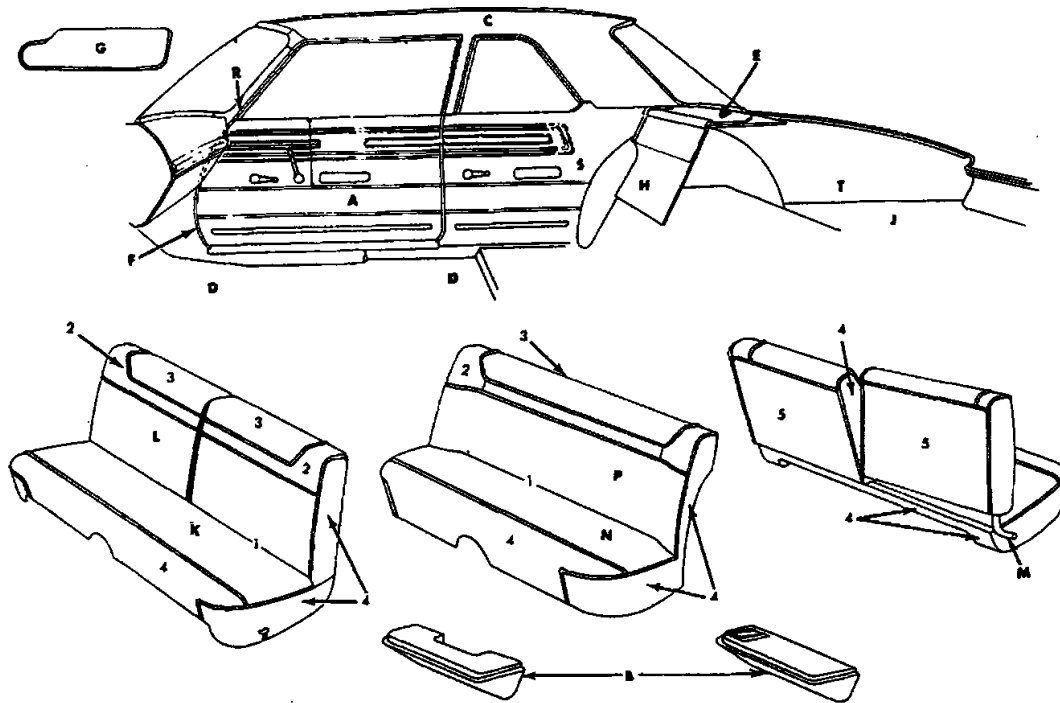
The letters shown on the illustration indicate the description of the part and the part type code when referred to the legend which appears preceding the listing of the parts. The letters are consistent throughout the illustrations as "A" is always a Door Trim Panel, Code 23-92-5.

The numbers on the illustration indicate the distribution of material and type of material used. The numbers may vary with each illustration. The legend appears on the illustration.

Appearing throughout this section are part numbers containing both letters and numbers. These are good serviceable part numbers. The combination of letters and numbers merely indicates the parts are keyed to the interior color of the vehicles on which they are used.

For complete information on "How to Order" Trim Parts, see Master Parts Price List.

P
L
Y
M
O
U
T
H



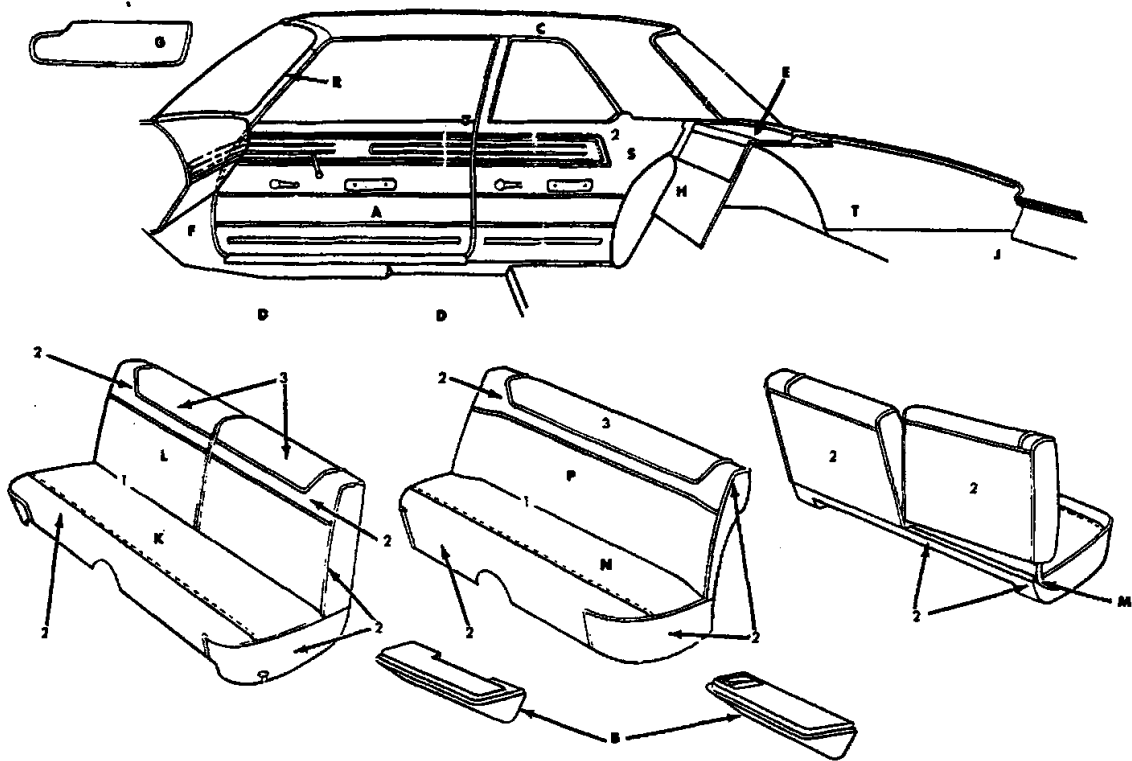
19T0001 A

ITEM	TYPE OF MATERIAL	PART TYPE CODE	MATERIAL WIDTH	PART NUMBERS AND COLORS					
				BLUE	RED	TAN			
1	Body Cloth	23-114-2	55"	0105VB6	0105VR6	0105VT6			
2	Vinyl 28 oz.	23-114-15	50"	0400VB3	0441VR6	0400VT3			
3	Vinyl 28 oz.	23-114-15	50"	0408VB6	0408VR6	0408VT6			
4	Vinyl 28 oz.	23-114-15	50"	*0441VB6	0441VR6	*0441VT6			
5	Vinyl 28 oz.	23-114-15	54"	0401VB6	0401VR6	0401VT6			

Distribution Drawing Legend Page Appears Following Illustration Section

1964 PLYMOUTH VP1-L, VP2-L 2 DOOR SEDAN
 CLOTH AND VINYL TRIM
 CODES L1B, L1R, L1T
 K1B, K1R, K1T

★ Indicates use as required.
 ☐ Indicates parts not listed in any previous parts book.
 March 15, 1965 Supersedes May 22, 1964.



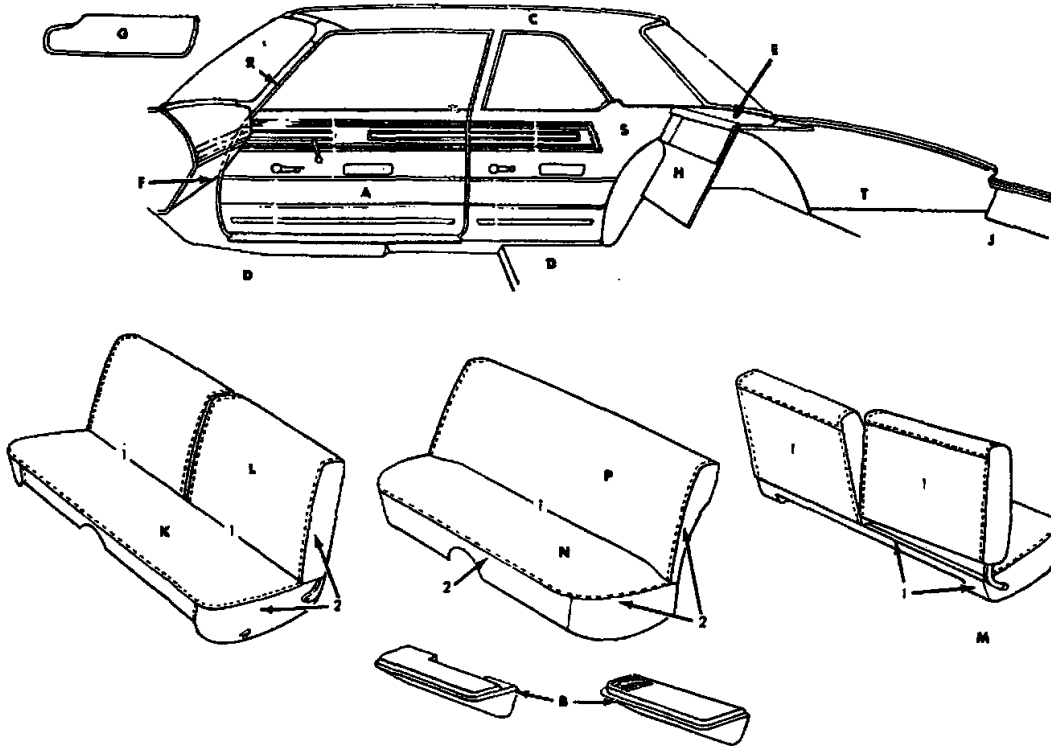
19T0002 A

ITEM	TYPE OF MATERIAL	PART TYPE CODE	MATERIAL WIDTH	PART NUMBERS AND COLORS						
				GRAY						
1	Body Cloth	23-114-2	50"	0112VA9						
2	Vinyl 28 oz.	23-114-15	50"	0400TA6						
3	Vinyl 28 oz.	23-114-15	50"	0400TA9						

Distribution Drawing Legend Page Appears Following Illustration Section

1964 PLYMOUTH VP1-L, VP2-L 2 DOOR SEDAN
 CLOTH AND VINYL TRIM
 CODES L2B, K2B, L2R, K2R, L2T, K2T

★ Indicates use as required.
 ☐ Indicates parts not listed in any previous parts book.
 * Indicates change or addition.



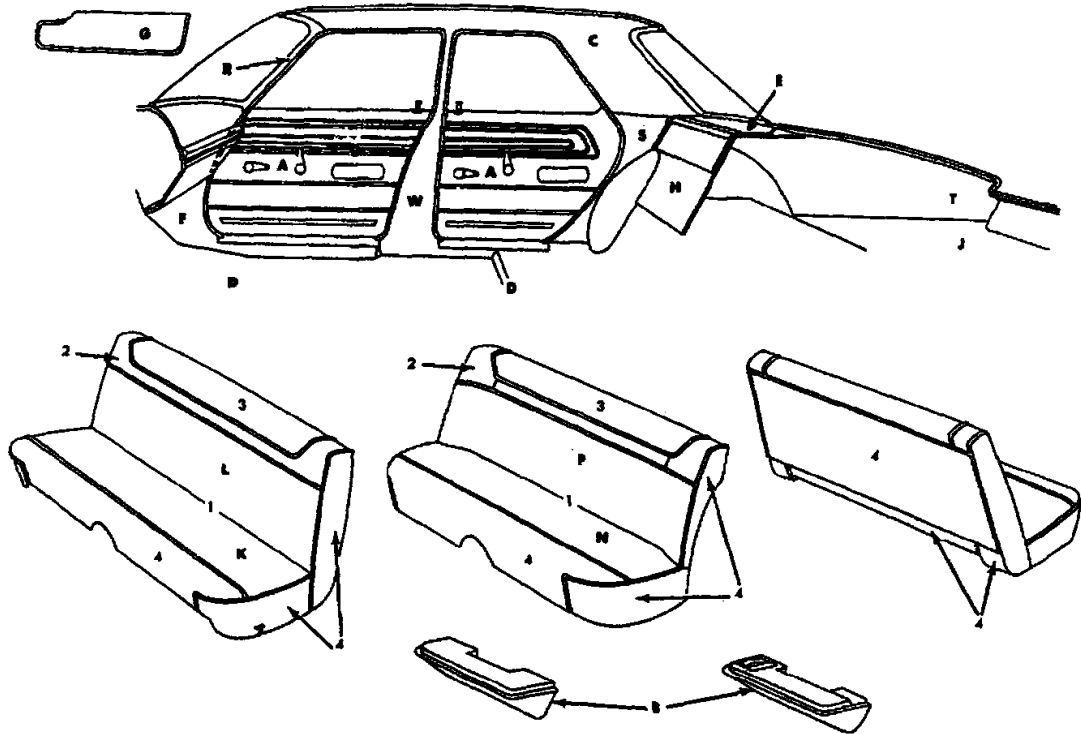
19T0003 A

ITEM	TYPE OF MATERIAL	PART TYPE CODE	MATERIAL WIDTH	PART NUMBERS AND COLORS								
				GRAY								
1	Vinyl 37 oz.	23-114-15	50"	0445TA9								
2	Vinyl 28 oz.	23-114-15	50"	0400TA9								

Distribution Drawing Legend Page Appears Following Illustration Section

1964 PLYMOUTH VP1-L, VP2-L 2 DOOR SEDAN
VINYL TRIM
CODES L8A, K8A

★ Indicates use as required.
 ☐ Indicates parts not listed in any previous parts book.
 March 15, 1965 Supersedes Sept. 6, 1963.



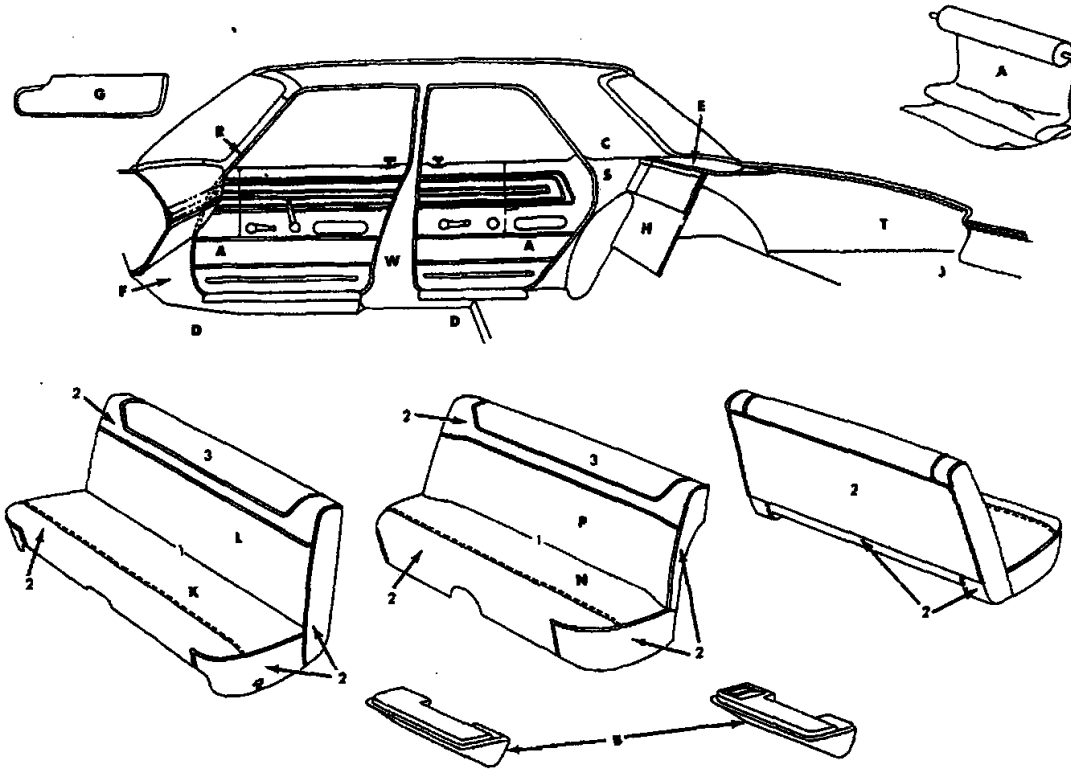
19T0004 A

ITEM	TYPE OF MATERIAL	PART TYPE CODE	MATERIAL WIDTH	PART NUMBERS AND COLORS							
				BLUE	RED	TAN					
1	Body Cloth	23-114-2	55"	0105VB6	0105VR6	0105VT6					
2	Vinyl 28 oz.	23-114-15	50"	*0441VB6	*0441VR6	0400VT3					
3	Vinyl 28 oz.	23-114-15	50"	0408VB6	0408VR8	0408VT6					
4	Vinyl 28 oz.	23-114-15	50"	*0441VB6	*0441VR6	*0441VT6					

Distribution Drawing Legend Page Appears Following Illustration Section

1964 PLYMOUTH VP1-L, VP2-L 4 DOOR SEDAN
 CLOTH AND VINYL TRIM
 CODES L1B, L1R, L1T
 K1B, K1R, K1T

⊙ Indicates use as required.
 ⊠ Indicates parts not listed in any previous parts book.
 * Indicates change or addition.



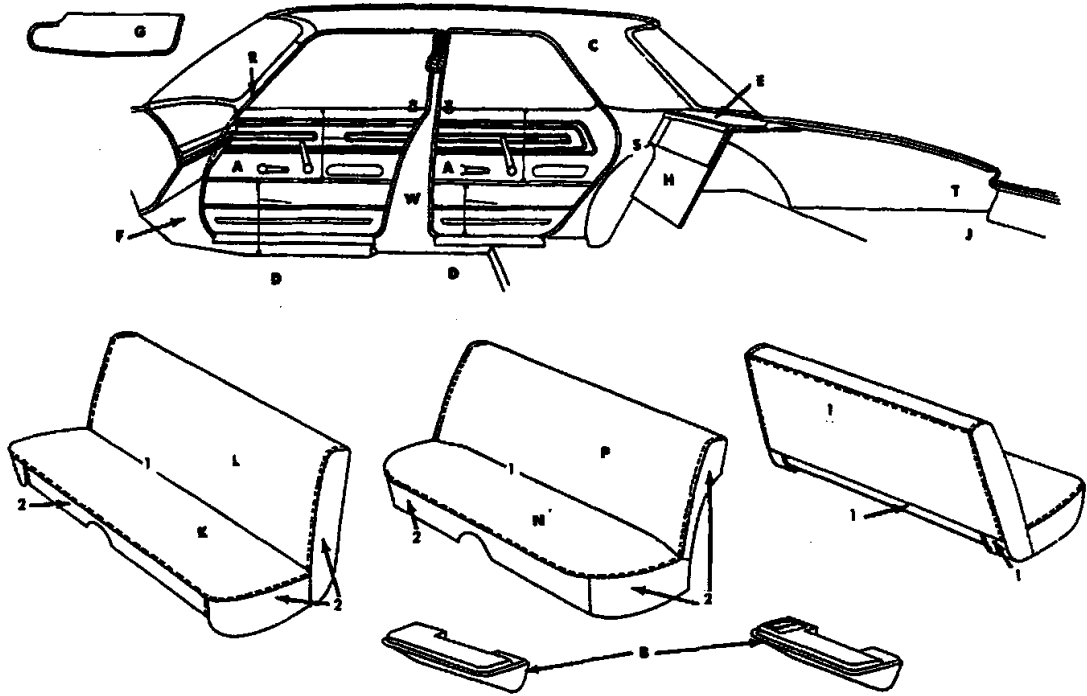
19T0005*

ITEM	TYPE OF MATERIAL	PART TYPE CODE	MATERIAL WIDTH	PART NUMBERS AND COLORS									
				GRAY									
1	Body Cloth	23-114-2	50"	0112 VA9									
2	Vinyl 28 oz.	23-114-15	50"	0400TA6									
3	Vinyl 28 oz.	23-114-15	50"	0400TA9									

Distribution Drawing Legend Page Appears Following Illustration Section

1964 PLYMOUTH VP1-L, VP2-L 4 DOOR SEDAN
 CLOTH AND VINYL TRIM
 CODES L2B, K2B, L2R, K2R, L2T, K2T

★ Indicates use as required.
 ☐ Indicates parts not listed in any previous parts book.
 March 15, 1965 Supersedes Sept. 6, 1963.



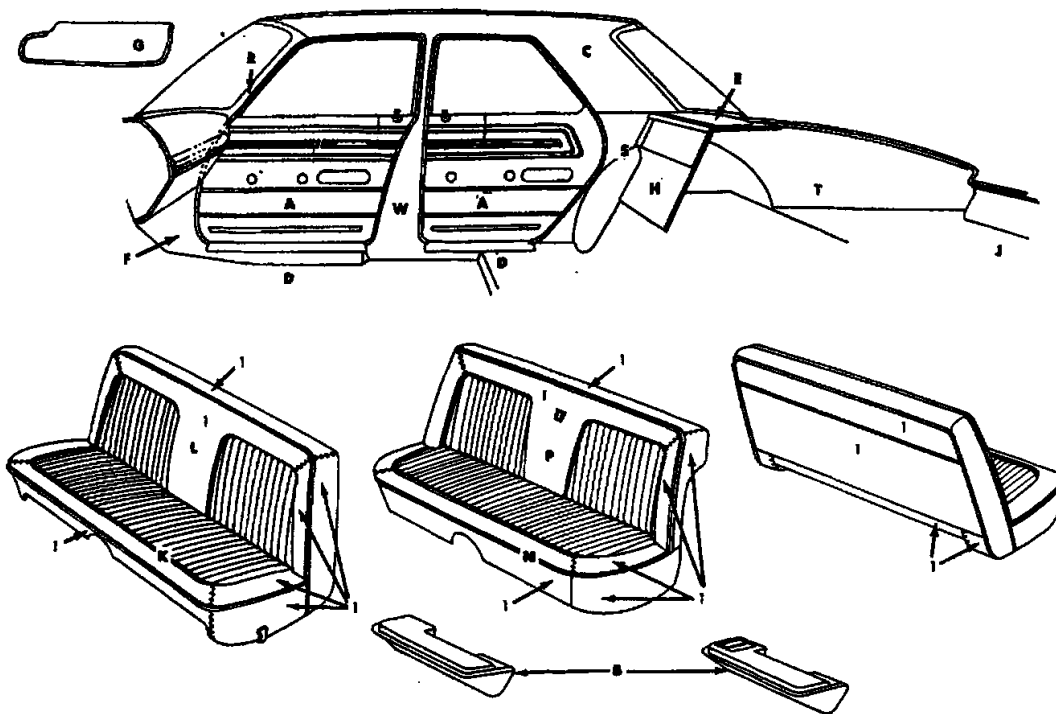
19T0006A

ITEM	TYPE OF MATERIAL	PART TYPE CODE	MATERIAL WIDTH	PART NUMBERS AND COLORS							
				GRAY							
1	Vinyl 37 oz.	23-114-15	50"	0445TA9							
2	Vinyl 28 oz.	23-114-15	50"	0400TA9							

Distribution Drawing Legend Page Appears Following Illustration Section

1964 PLYMOUTH VP1-L, VP2-L 4 DOOR SEDAN
VINYL TRIM
CODES L8A, K8A, T8A

★ Indicates use as required.
 ☐ Indicates parts not listed in any previous parts book.
 * Indicates change or addition.

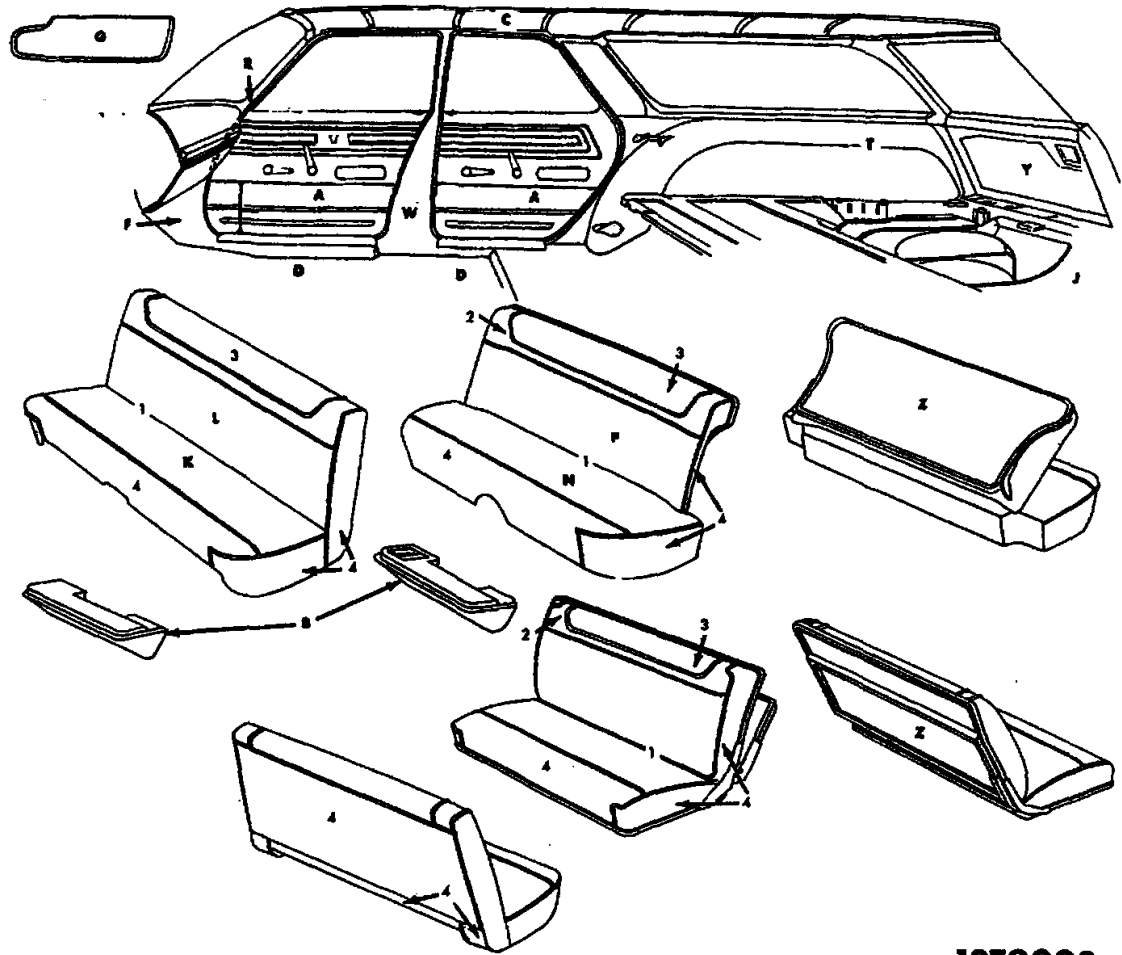


19T0007A

ITEM	TYPE OF MATERIAL	PART TYPE CODE	MATERIAL WIDTH	PART NUMBERS AND COLORS								
				BLUE	RED	TAN						
1	Vinyl 28 oz.	23-114-15	50"	*0441VB6	0441VR6	*0441VT6						

Distribution Drawing Legend Page Appears Following Illustration Section

1964 PLYMOUTH VP1-L, VP2-L 4 DOOR SEDAN
 VINYL TRIM
 CODES L5B, L5R, L5T



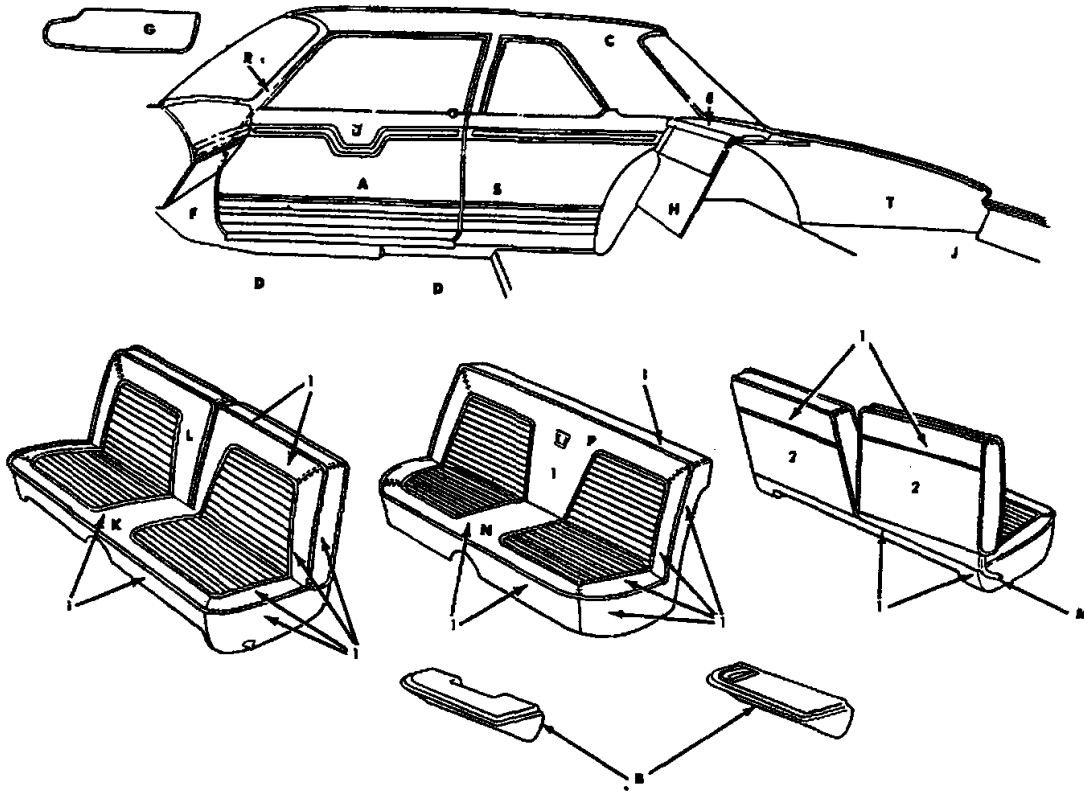
19T0008A

ITEM	TYPE OF MATERIAL	PART TYPE CODE	MATERIAL WIDTH	PART NUMBERS AND COLORS							
				BLUE	RED	TAN					
1	Vinyl 32.6 oz.	23-114-15	55"	0426VB6	0426VR6	0426VT6					
2	Vinyl 28 oz.	23-114-15	50"	0400VB3	*0441VR6	0400VT3					
3	Vinyl 28 oz.	23-114-15	50"	0408VB6	0408VR8	0408VT6					
4	Vinyl 28 oz.	23-114-15	50"	*0441VB6	0441VR6	*0441VT6					

Distribution Drawing Legend Page Appears Following Illustration Section

1964 PLYMOUTH VP1-L, VP2-L STATION WAGON
VINYL TRIM
CODES L4B, K4B, L4R, K4R, L4T, K4T

★ Indicates use as required.
 ☐ Indicates parts not listed in any previous parts book.
 * Indicates change or addition.

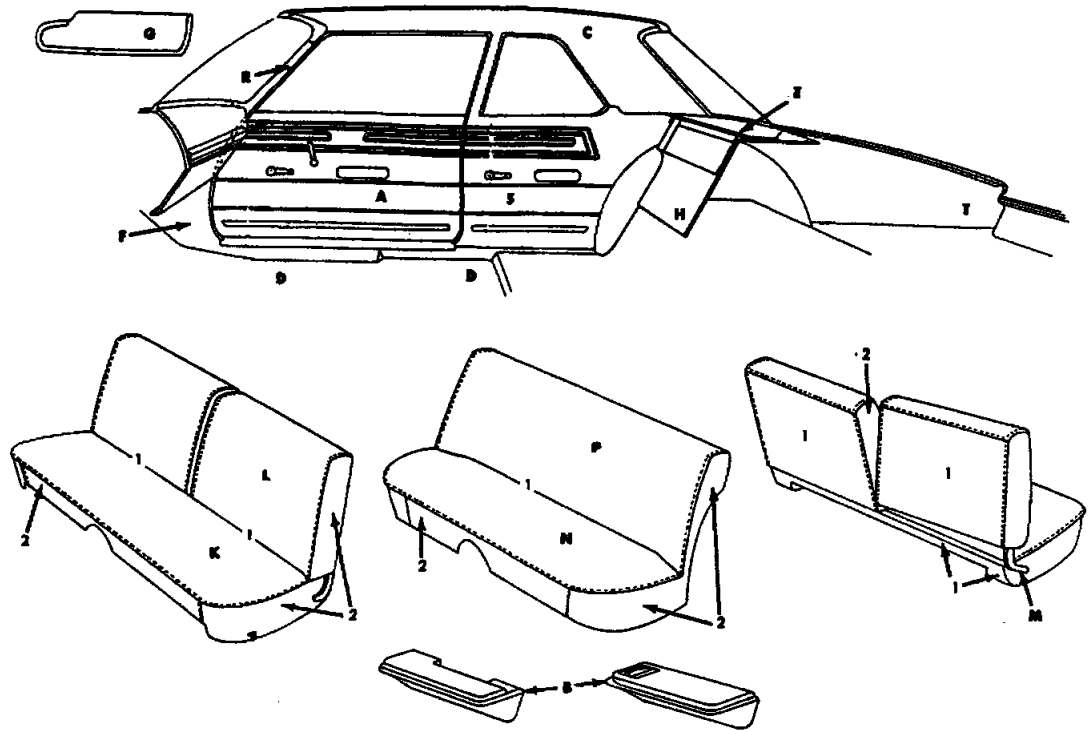


19T0009A

ITEM	TYPE OF MATERIAL	PART TYPE CODE	MATERIAL WIDTH	PART NUMBERS AND COLORS							
				BLUE	TUR- QUOISE	RED	TAN				
1	Vinyl 28 oz.	23-114-15	50"	*0441VB6	*0441VQ6	0441VR6	*0441VT6				
2	Vinyl 28 oz.	23-114-15	50"	0400VB8	0400VQ8	0400VR8	0400VT8				

Distribution Drawing Legend Page Appears Following Illustration Section

1964 PLYMOUTH VP1-M, VP2-M 2 DOOR SEDAN
CLOTH AND VINYL TRIM
CODES M1B, M1Q, M1R, M1T



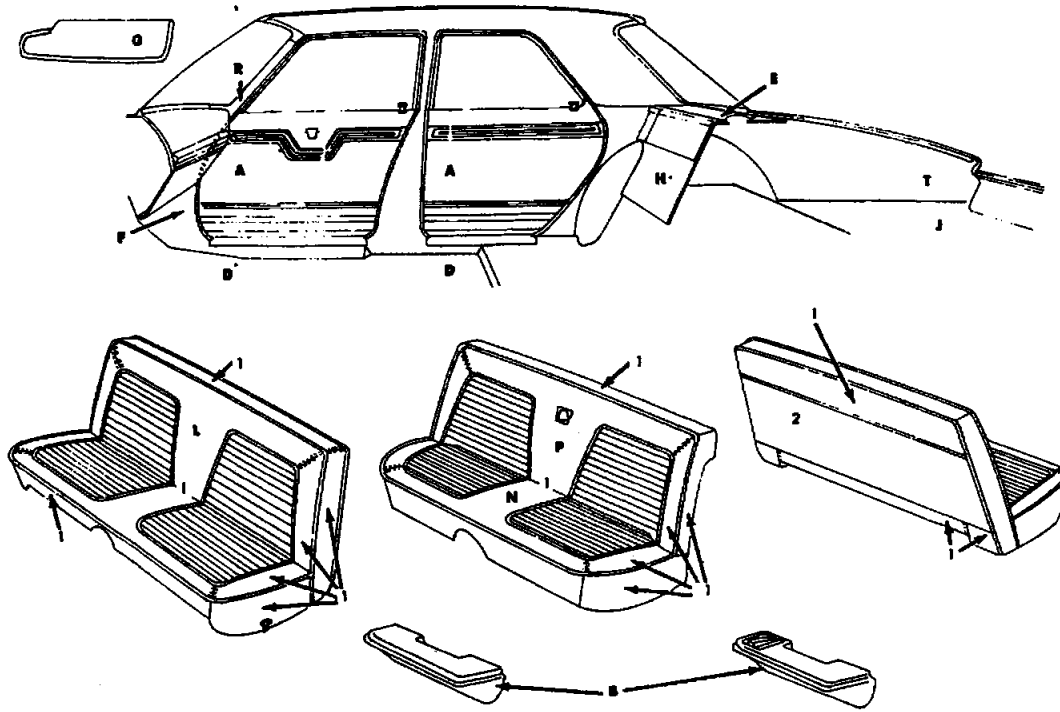
19T0010A

ITEM	TYPE OF MATERIAL	PART TYPE CODE	MATERIAL WIDTH	PART NUMBERS AND COLORS									
				GRAY									
1	Vinyl 37 oz.	23-114-15	50"	0445TA9									
2	Vinyl 28 oz.	23-114-15	50"	0400TA9									

Distribution Drawing Legend Page Appears Following Illustration Section

1964 PLYMOUTH VP1-M VP2-M 2 DOOR SEDAN
VINYL TRIM
CODE M8A

★ Indicates use as required.
 ☐ Indicates parts not listed in any previous parts book.
 * Indicates change or addition.

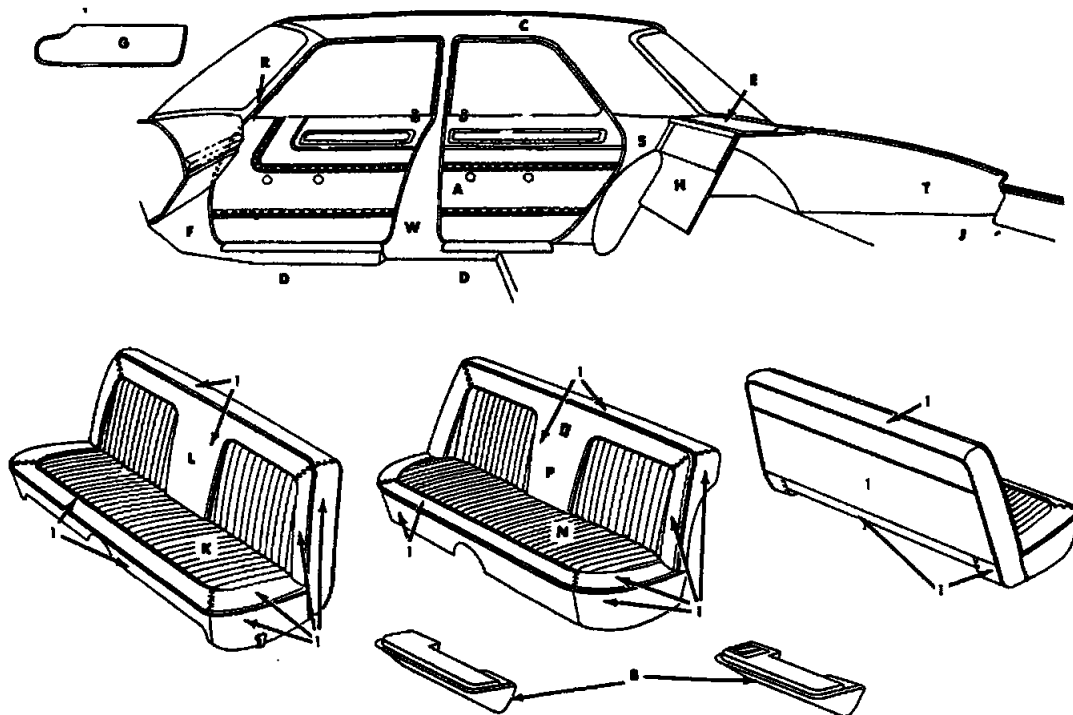


19T0011A

ITEM	TYPE OF MATERIAL	PART TYPE CODE	MATERIAL WIDTH	PART NUMBERS AND COLORS						
				BLUE	TUR- QUOISE	RED	TAN			
1	Vinyl 28 oz.	23-114-15	50"	*0441VB6	*0441VQ6	0441VR6	*0441VT6			
2	Vinyl 28 oz.	23-114-15	54"	0400VB8	0400VQ8	0400VR8	0400VT8			

Distribution Drawing Legend Page Appears Following Illustration Section

1964 PLYMOUTH VP1-M, VP2-M 4 DOOR SEDAN
CLOTH AND VINYL TRIM
CODES M1B, M1Q, M1R, M1T



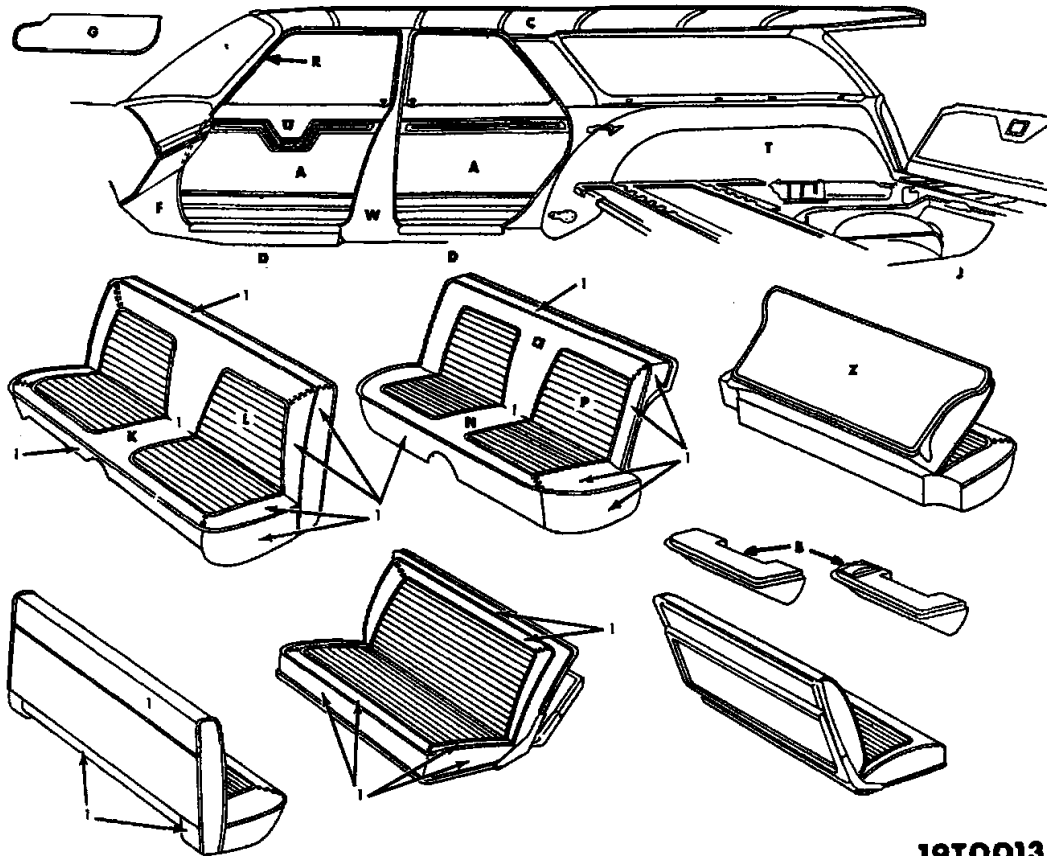
19T0012A

ITEM	TYPE OF MATERIAL	PART TYPE CODE	MATERIAL WIDTH	PART NUMBERS AND COLORS							
				BLUE	RED	TAN					
1	Vinyl 28 oz.	23-114-15	50"	*0441VB6	0441VR6	0441VT6					

Distribution Drawing Legend Page Appears Following Illustration Section

1964 PLYMOUTH VP1-M, VP2-M 4 DOOR SEDAN
VINYL TRIM
CODES M5B, M5R, M5T

★ Indicates use as required.
 □ Indicates parts not listed in any previous parts book.
 * Indicates change or addition.



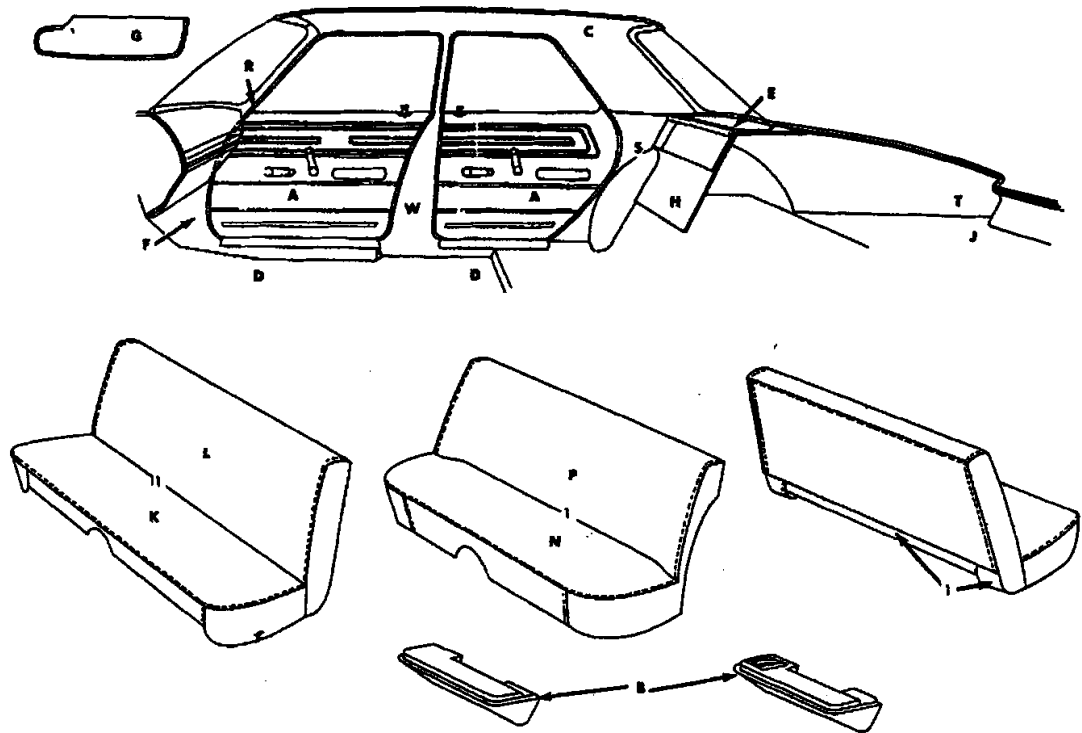
19T0013A

ITEM	TYPE OF MATERIAL	PART TYPE CODE	MATERIAL WIDTH	PART NUMBERS AND COLORS					
				BLUE	TUR- QUOISE	RED	TAN		

1 Vinyl 28 oz. 23-114-15 50" *0441VB6 *0441VQ6 0441VR6 0441VT6

Distribution Drawing Legend Page Appears Following Illustration Section

1964 PLYMOUTH VP1-M, VP2-M STATION WAGON
VINYL TRIM
CODES M4B, M4Q, M4R, M4T



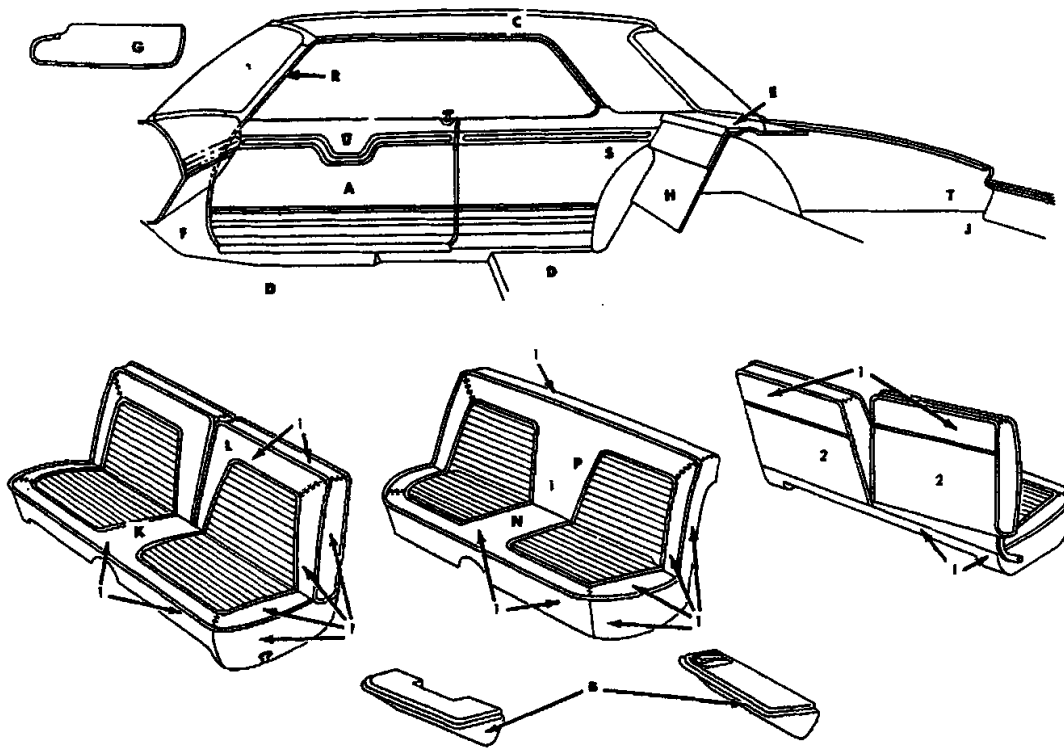
19T0014A

ITEM	TYPE OF MATERIAL	PART TYPE CODE	MATERIAL WIDTH	PART NUMBERS AND COLORS									
				GRAY									
1	Vinyl 37 oz.	23-114-15	50"	0445TA9									

Distribution Drawing Legend Page Appears Following Illustration Section

1964 PLYMOUTH VP1-M, VP2-M 4 DOOR SEDAN
VINYL TRIM
CODE M8A

★ Indicates use as required.
 Ⓑ Indicates parts not listed in any previous parts book.
 * Indicates change or addition.



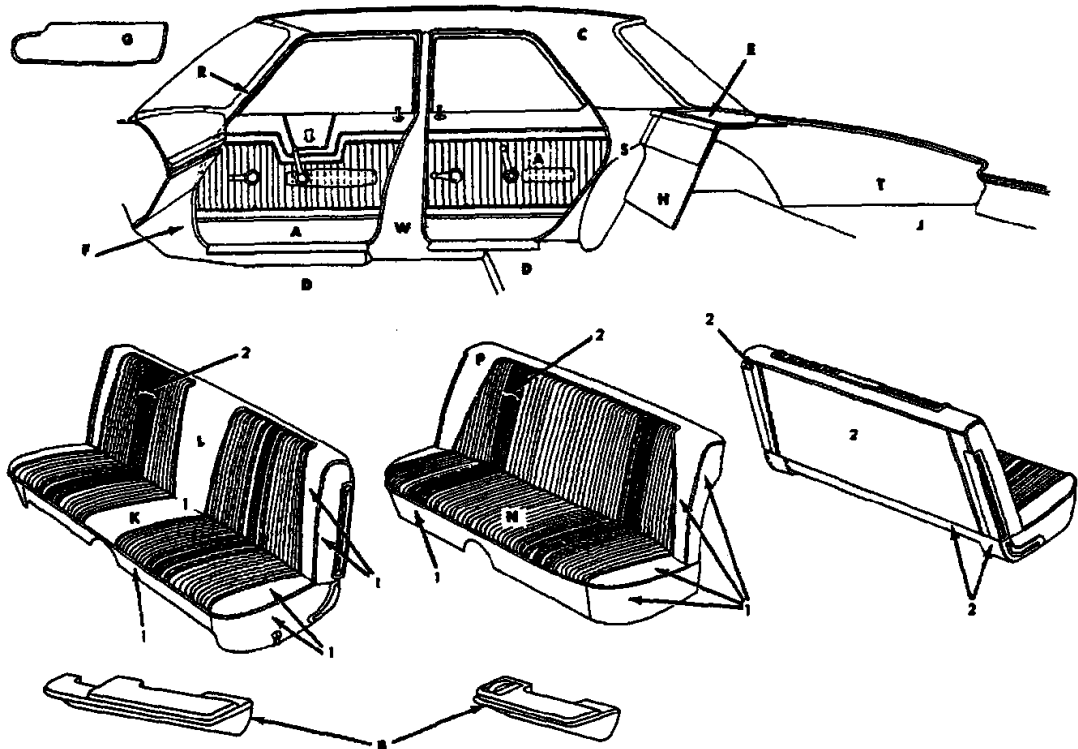
19T0015A

ITEM	TYPE OF MATERIAL	PART TYPE CODE	MATERIAL WIDTH	PART NUMBERS AND COLORS									
				BLUE	TUR-QUOISE	RED	TAN						
1	Vinyl 28 oz.	23-114-15	50"	*0441VB6	*0441VQ6	0441VR6	*0441VT6						
1	Vinyl 28 oz.	23-114-15	54"	0400VB8	0400VQ8	0400VR8	0400VT8						

Distribution Drawing Legend Page Appears Following Illustration Section

1964 PLYMOUTH VP1-M, VP2-M 2 DOOR HARD TOP
CLOTH AND VINYL TRIM
CODES M1B, M1Q, M1R, M1T

★ Indicates use as required.
 □ Indicates parts not listed in any previous parts book.
 March 15, 1965 Supersedes May 22, 1964.



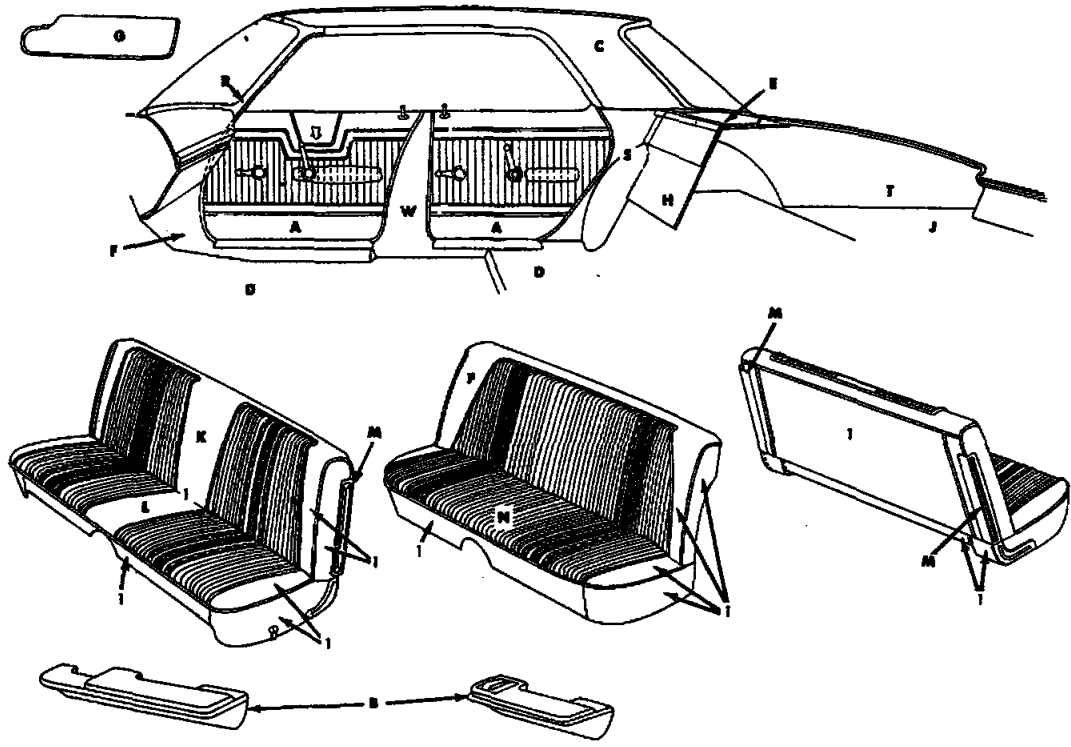
1970016 A

ITEM	TYPE OF MATERIAL	PART TYPE CODE	MATERIAL WIDTH	PART NUMBERS AND COLORS							
				BLUE	TUR- QUOISE	RED	TAN	RED TAN			
1	Vinyl 28 oz.	23-114-15	50"	*0441VB6	*0441VQ6	0441VR6	*0441VT6	*0441VU6			
2	Vinyl 28 oz.	23-114-15	50"	0400VB8	0400VQ8	0400VR8	0400VT8	0400VU8			

Distribution Drawing Legend Page Appears Following Illustration Section

1964 PLYMOUTH VP1-H, VP2-H 4 DOOR SEDAN
CLOTH AND VINYL TRIM
CODES H1B, H1Q, H1R, H1T, H1U

★ Indicates use as required.
 ☐ Indicates parts not listed in any previous parts book.
 • Indicates change or addition.



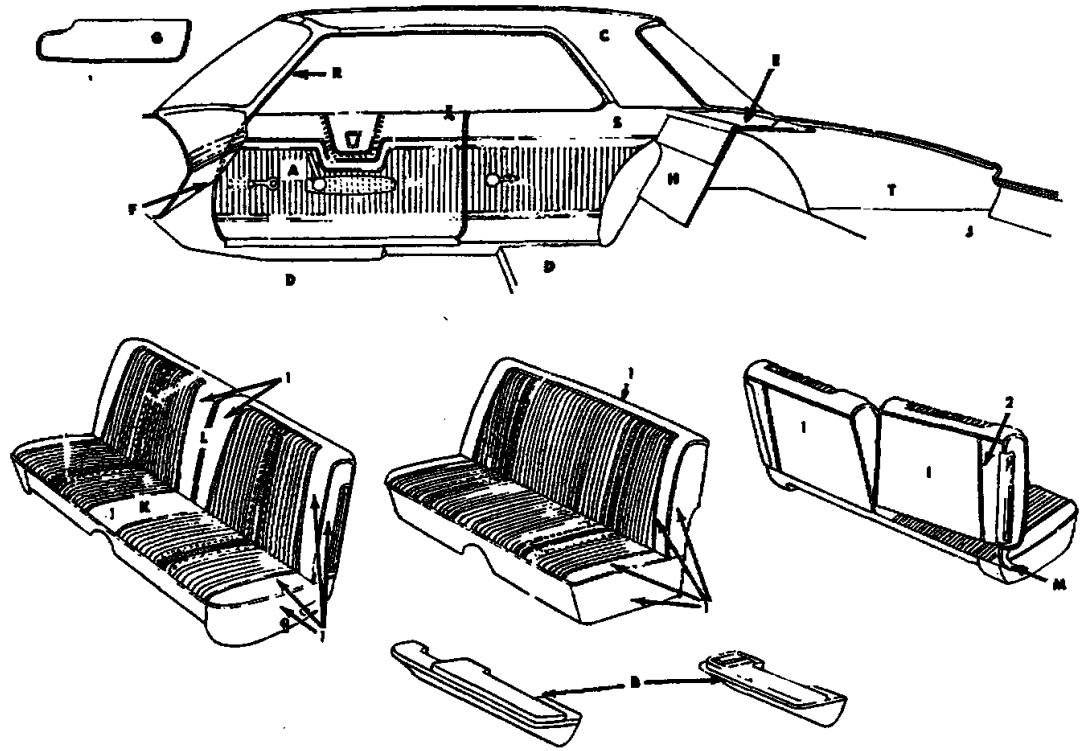
19T0017.

ITEM	TYPE OF MATERIAL	PART TYPE CODE	MATERIAL WIDTH	PART NUMBERS AND COLORS							
				BLUE	TUR- QUOISE	RED	TAN	RED TAN			
1	Vinyl 28 oz.	23-114-15	50"	*0441VB6	*0441VQ6	0441VR6	*0441VT6	*0441VU6			

Distribution Drawing Legend Page Appears Following Illustration Section

1964 PLYMOUTH VP2-H 4 DOOR HARD TOP
CLOTH AND VINYL TRIM
CODES H1B, H1Q, H1R, H1T, H1U

* Indicates use as required.
 E Indicates parts not listed in any previous parts book.
 March 15, 1965 Supersedes May 22, 1964.



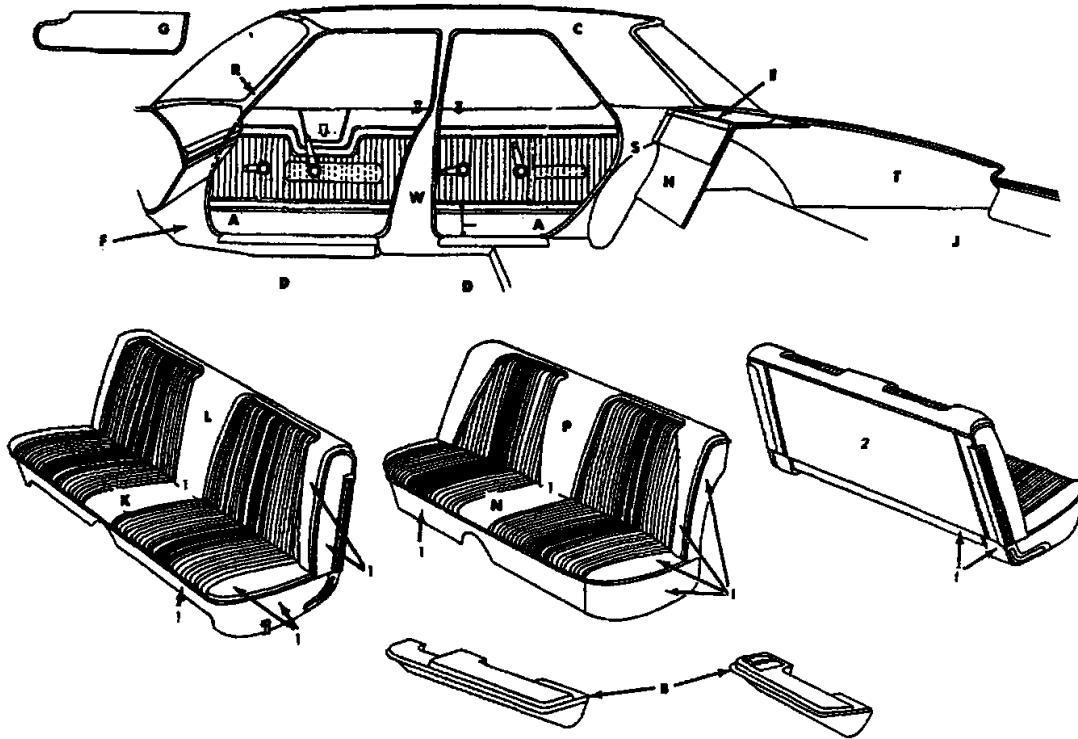
19T0018A

ITEM	TYPE OF MATERIAL	PART TYPE CODE	MATERIAL WIDTH	PART NUMBERS AND COLORS							
				BLUE	TUR- QUOISE	RED	TAN	RED TAN			
1	Vinyl 28 oz.	23-114-15	50"	0400VB8	0400VQ8	0400VR8	0400VT8	0400VU8			
2	Vinyl 28 oz.	23-114-15	50"	*0441VB6	*0441VQ6	0441VR6	*0441VT6	*0441VU6			

Distribution Drawing Legend Page Appears Following Illustration Section

1964 PLYMOUTH VP1-H, VP2-H 2 DOOR HARD TOP
CLOTH AND VINYL TRIM
CODES H1B, H1Q, H1R, H1T, H1V

★ Indicates use as required.
 □ Indicates parts not listed in any previous parts book.
 * Indicates change or addition.



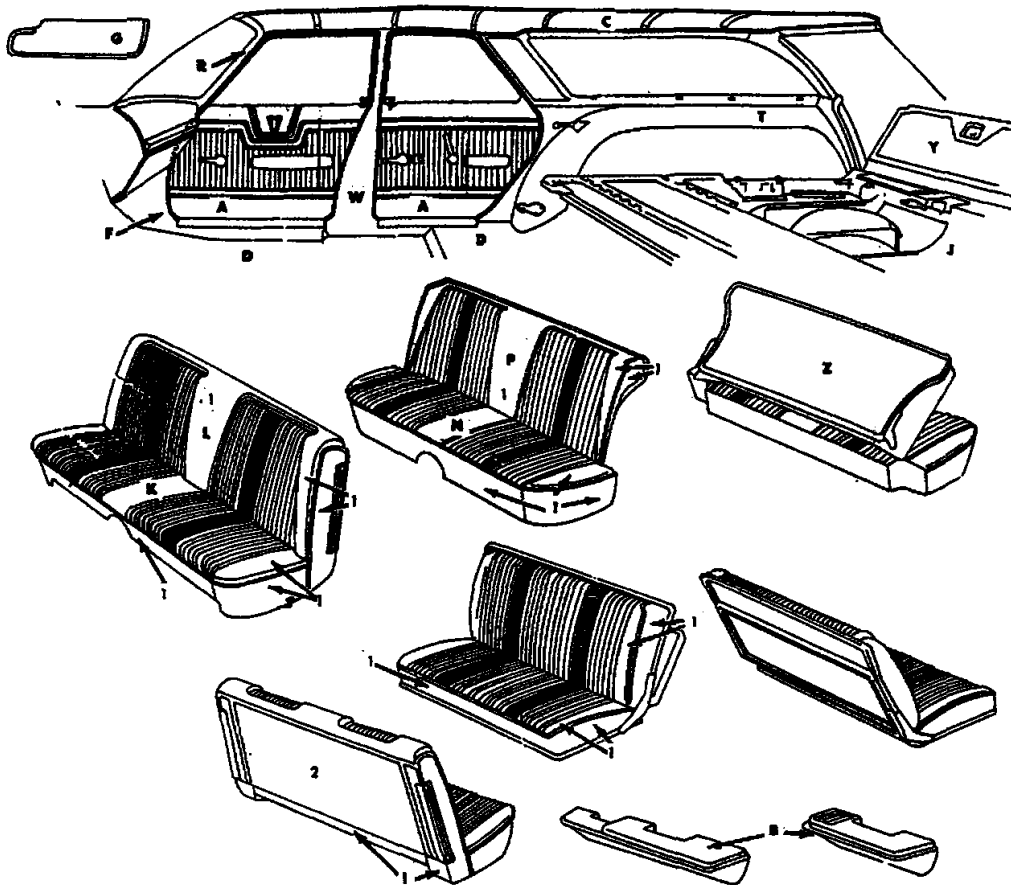
19T0019A

ITEM	TYPE OF MATERIAL	PART TYPE CODE	MATERIAL WIDTH	PART NUMBERS AND COLORS									
				BLUE	TUR- QUOISE	RED	TAN						
1	Vinyl 28 oz.	23-114-15	50"	*0441VB6	*0441VQ6	0441VR6	*0441VT6						
2	Vinyl 28 oz.	23-114-15	50"	0400VB8	0400VQ8	0400VR8	0400VT8						

Distribution Drawing Legend Page Appears Following Illustration Section

1964 PLYMOUTH VP1-H, VP2-H 4 DOOR SEDAN
VINYL TRIM
CODES H4B, H4Q, H4R, H4T

* Indicates use as required.
 □ Indicates parts not listed in any previous parts book.
 March 15, 1965 Supersedes May 22, 1964.



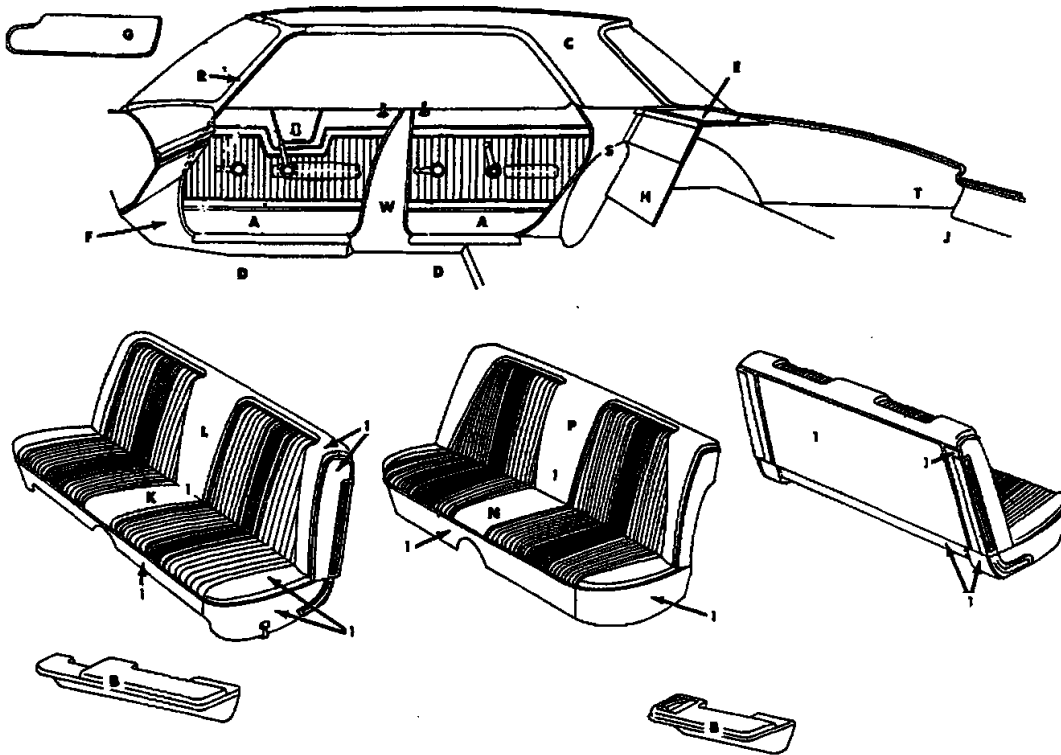
19T0020A

ITEM	TYPE OF MATERIAL	PART TYPE CODE	MATERIAL WIDTH	PART NUMBERS AND COLORS									
				BLUE	TUR- QUOISE	RED	TAN						
1	Vinyl 28 oz.	23-114-15	50"	*0441VB6	*0441VQ6	0441VR6	*0441VT6						
2	Vinyl 28 oz.	23-114-15	50"	0400VB8	0400VQ8	0400VR8	0400VT8						

Distribution Drawing Legend Page Appears Following Illustration Section

1964 PLYMOUTH VP2-H STATION WAGON
VINYL TRIM
CODES H4B, H4Q, H4R, H4T

★ Indicates use as required.
 □ Indicates parts not listed in any previous parts book.
 ● Indicates change or addition.



19T0021A

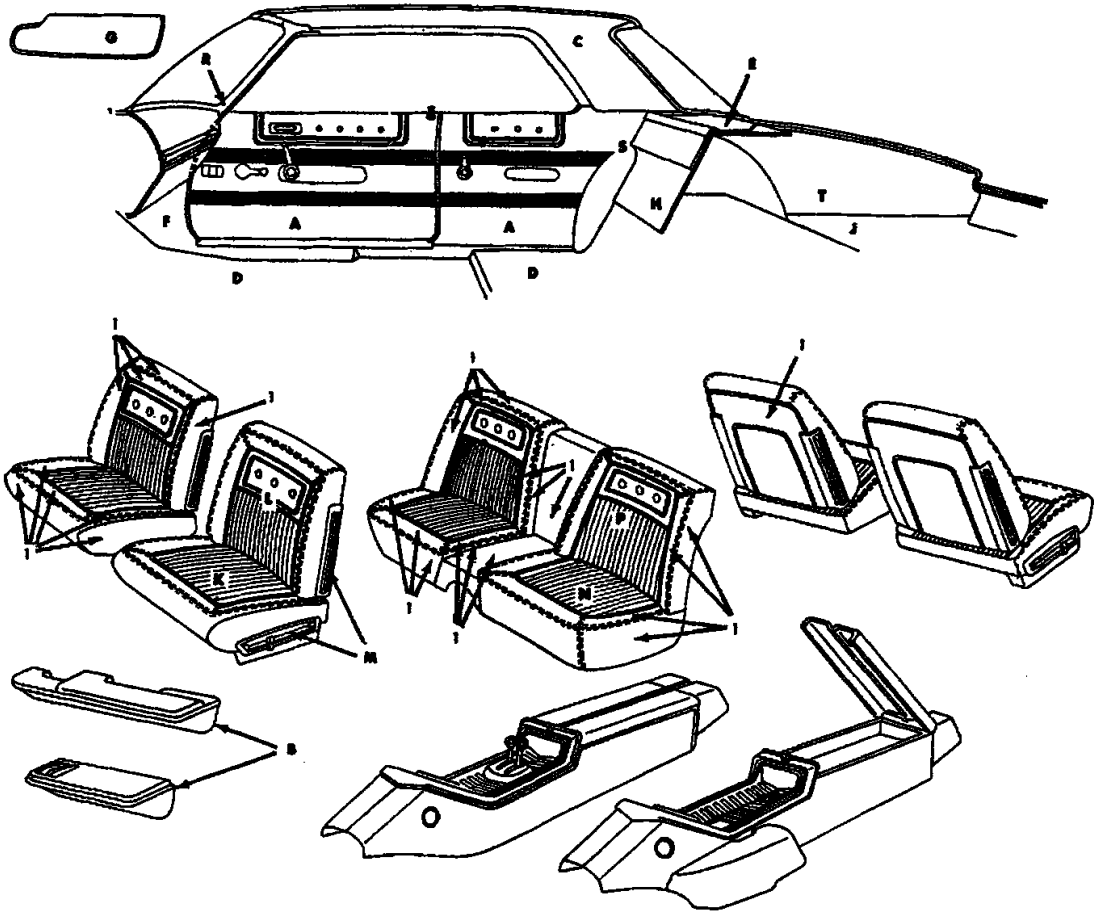
ITEM	TYPE OF MATERIAL	PART TYPE CODE	MATERIAL WIDTH	PART NUMBERS AND COLORS								
				BLUE	TUR- QUOISE	RED	RED TAN	BLACK				
1	Vinyl 28 oz.	23-114-15	50"	*0441VB6	*0441VQ6	0441VR6	*0441VU6	*0441VX9				

Distribution Drawing Legend Page Appears Following Illustration Section

1964 PLYMOUTH VP2-H 4 DOOR HARD TOP
VINYL TRIM
CODES H4B, H4Q, H4R, H4U, H4X

● Indicates use as required.

☐ Indicates parts not listed in any previous parts book.
March 15, 1965 Supersedes May 22, 1964.



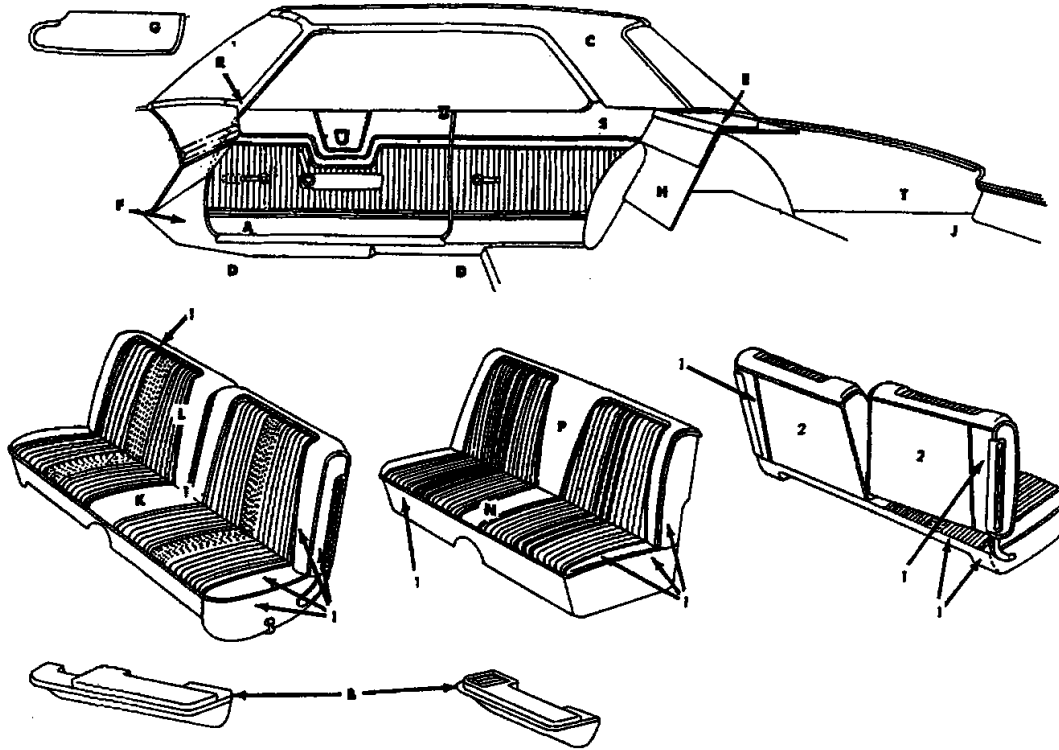
19T0022A

ITEM	TYPE OF MATERIAL	PART TYPE CODE	MATERIAL WIDTH	PART NUMBERS AND COLORS								
				BLUE	TUR- QUOISE	RED	RED TAN	BLACK				
1	Vinyl 28 oz.	23-114-15	50"	*0441VB6	*0441VO6	*0441VR6	*0441VU6	*0441VX9				

Distribution Drawing Legend Page Appears Following Illustration Section

1964 PLYMOUTH VP2-P 2 DOOR HARD TOP
VINYL TRIM
CODES P4B, P4Q, P4R, P4U, P4X

★ Indicates use as required.
 ☐ Indicates parts not listed in any previous parts book.
 • Indicates change or addition.



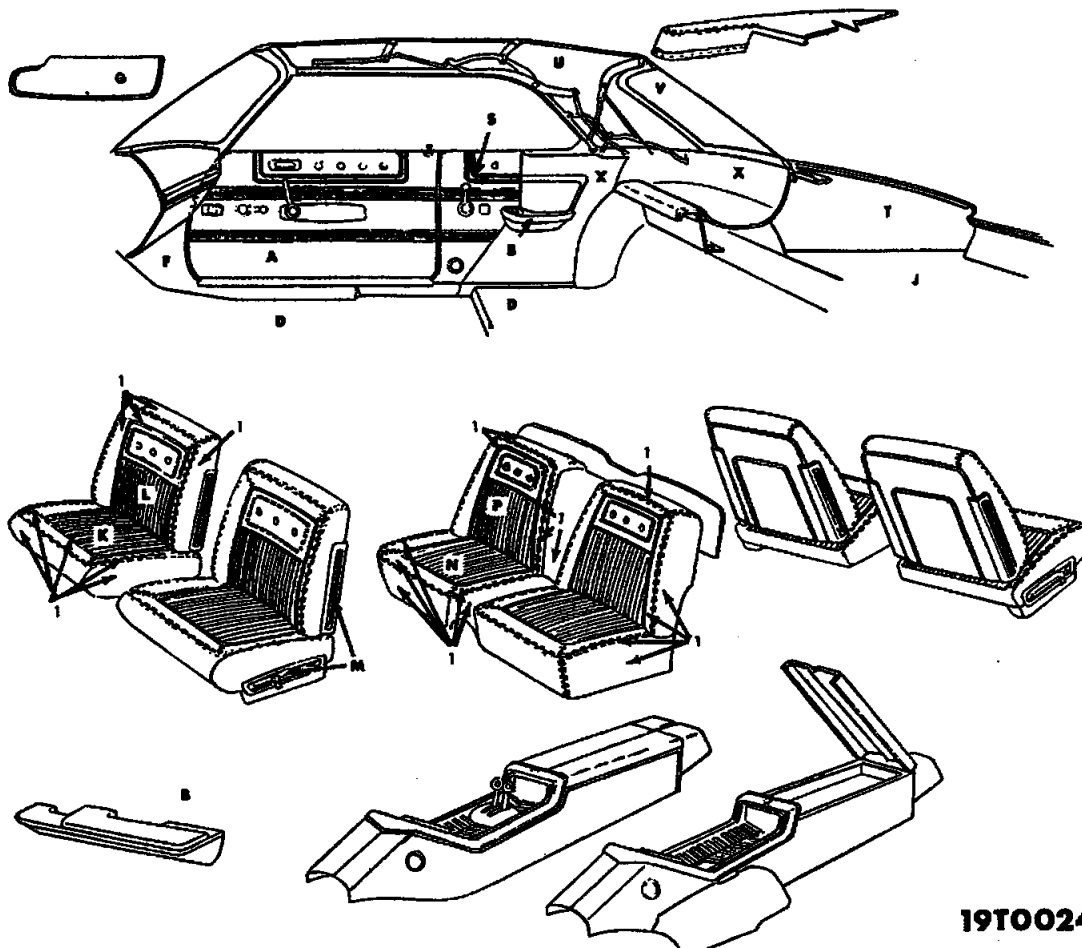
19T0023A

ITEM	TYPE OF MATERIAL	PART TYPE CODE	MATERIAL WIDTH	PART NUMBERS AND COLORS							
				BLUE	TUR- QUOISE	RED	RED TAN	BLACK			
1	Vinyl 28 oz.	23-114-15	50"	*0441VB6	*0441VQ6	0441VR6	*0441VU6	*0441VX9			
2	Vinyl 28 oz.	23-114-15	50"	0400VB8	0400VQ8	0400VR8	0400VU8	0400VX9			

Distribution Drawing Legend Page Appears Following Illustration Section

1964 PLYMOUTH VP1-H, VP2-H 2 DOOR HARD TOP
VINYL TRIM
CODES H4B, H4Q, H4R, H4U, H4X

★ Indicates use as required.
 ☒ Indicates parts not listed in any previous parts book.
 March 15, 1965 Supersedes May 22, 1964.



ITEM	TYPE OF MATERIAL	PART TYPE CODE	MATERIAL WIDTH	PART NUMBERS AND COLORS									
				BLUE	TUR-QUOISE	RED	TAN	BLACK					
1	Vinyl 28 oz.	23-114-15	50"	*0441VB6	*0441VQ6	*0441VR6	*0441VU6	*0441VX9					

Distribution Drawing Legend Page Appears Following Illustration Section

1964 PLYMOUTH VP2-P CONVERTIBLE
VINYL TRIM
CODES P4B, P4Q, P4R, P4U, P4X

★ Indicates use as required.
 ☐ Indicates parts not listed in any previous parts book.
 * Indicates change or addition.

1964 PLYMOUTH - V SERIES

Distribution Drawing Legend

See Illustrations For Letter Identification

Letter	Description	Code
A	Panel, Door Trim	23-92-5
B	Base, Arm Rest	23-76-9
	Pad and Plate, Arm Rest, Front Door	23-76-11
	Pad and Plate, Arm Rest, Rear Door	23-76-63
	Pad and Plate, Arm Rest, Quarter Panel	23-76-76
C	Headlining	23-86-3
D	Floor Cover, Front, Carpet	23-79-3
	Rubber	23-20-8
	Rear, Carpet	23-79-33
	Rubber	23-20-41
E	Panel, Shelf Trim	23-102-3
F	Panel, Cowl Trim	23-91-6
G	Visor	23-103-3
H	Panel, Luggage Compartment Front	23-96-3
J	Cover, Luggage Compartment Floor	23-20-29
K	Cover, Front Seat Cushion	23-108-5
L	Cover, Front Seat Back	23-108-16
M	Shield, Front Seat Side	23-108-98
N	Cover, Rear Seat Cushion	23-109-36
P	Cover, Rear Seat Back	23-109-4
Q	Cover, Rear Seat Cushion Bottom Panel	23-109-40
R	Weathercord, Door	23-113-2
	Quarter Window	23-113-45
	Folding Top Header	23-113-56
S	Panel, Quarter Trim	23-101-3
T	Cover, Wheelhouse	23-96-8
U	Top Deck and Side Quarter	23-112-108
V	Curtain, Folding Top Back	23-112-45
W	Cover, Center Pillar	23-99-4
X	Panel, Folding Top Well Pocket	23-112-153
Y	Cover, Tailgate Inside Panel	23-79-79
Z	Cover, Rear Seat Back Panel	23-109-5

BODY CODE

COLUMN LEGEND

SAVOY (VP1-L)

211 (21)	2 D. Sedan
213 (41)	4 D. Sedan
256 (45A)	4 D. Station Wagon (2 Seat)
257 (45B)	4 D. Station Wagon (3 Seat)
283 (41)	4 D. Sedan (Taxi)
291 (21)	2 D. Sedan (Police)
293 (41)	4 D. Sedan (Police)
296 (45A)	4 D. Station Wagon (Police-2 Seat)

BELVEDERE (VP1-M)

221 (21)	2 D. Sedan
222 (23)	2 D. Hard Top
223 (41)	4 D. Sedan

FURY (VP1-H)

232 (23)	2 D. Hard Top
233 (41)	4 D. Sedan

SAVOY (VP2-L)

311 (21)	2 D. Sedan
313 (41)	4 D. Sedan
356 (45A)	4 D. Station Wagon (2 Seat)
357 (45B)	4 D. Station Wagon (3 Seat)
383 (41)	4 D. Sedan (Taxi)
391 (21)	2 D. Sedan (Police)
393 (41)	4 D. Sedan (Police)
396 (45A)	4 D. Station Wagon (Police-2 Seat)

BELVEDERE (VP2-M)

321 (21)	2 D. Sedan
322 (23)	2 D. Hard Top
323 (41)	4 D. Sedan
366 (45A)	4 D. Station Wagon (2 Seat)
367 (45B)	4 D. Station Wagon (3 Seat)

FURY (VP2-H)

332 (23)	2 D. Hard Top
333 (41)	4 D. Sedan
334 (43)	4 D. Hard Top
335 (27)	Convertible
376 (45A)	4 D. Station Wagon (2 Seat)
377 (45B)	4 D. Station Wagon (3 Seat)

SPORT FURY (VP2-P)

342 (23)	2 D. Hard Top
345 (27)	Convertible

1964 PASSENGER CAR PARTS CATALOG INTERIOR TRIM

CONVERTIBLE TOP COLOR LEGEND

6 Black 7 White 8 Blue 9 Special

STARTING SERIAL NUMBERS

Detroit Built St. Louis Built Newark Built Los Angeles Built

		Detroit Built	St. Louis Built	Newark Built	Los Angeles Built
VP1-L	(Savoy)	2141-100001	2147-100001	2146-100001	2145-100001
VP1-L	(Savoy Sta. Wgn.)	2541-100001	2547-100001	2546-100001	2545-100001
VP1-M	(Belvedere)	2241-100001	2247-100001	2246-100001	2245-100001
VP1-M	(Belvedere Sta. Wgn.)	2641-100001	2647-100001	2646-100001	2645-100001
VP1-H	(Fury)	2341-100001	2347-100001	2346-100001	2345-100001
VP2-L	(Savoy)	3141-100001	3147-100001	3146-100001	3145-100001
VP2-L	(Savoy Sta. Wgn.)	3541-100001	3547-100001	3546-100001	3545-100001
VP2-M	(Belvedere)	3241-100001	3247-100001	3246-100001	3245-100001
VP2-M	(Belvedere Sta. Wgn.)	3641-100001	3647-100001	3646-100001	3645-100001
VP2-H	(Fury)	3341-100001	3347-100001	3346-100001	3345-100001
VP2-H	(Fury Sta. Wgn.)	3741-100001	3747-100001	3746-100001	3745-100001
VP2-P	(Fury Sport)	3441-100001	3447-100001	3446-100001	3445-100001

TRIM CODE	MODEL	MATERIAL			COLOR	SED.	4D H.T.	STA. WGN.	2D H.T.	CV. CP.
		Cloth	Vinyl	Leather						
L1B, K1B	P1-L, P2-L	★	★	-	Blue	★	-	-	-	-
L1R, K1R	P1-L, P2-L	★	★	-	Red	★	-	-	-	-
L1T, K1T	P1-L, P2-L	★	★	-	Yellow Tan	★	-	-	-	-
L4B, K4B	P1-L, P2-L	-	★	-	Blue	-	★	-	-	-
L4R, K4R	P1-L, P2-L	-	★	-	Red	-	★	-	-	-
L4T, K4T	P1-L, P2-L	-	★	-	Yellow Tan	-	★	-	-	-
L2A, K2A	P1-L, P2-L	★	★	-	Gray	★	-	-	-	-
L5B	P1-L, P2-L	★	★	-	Blue	★	-	-	-	-
L5R	P1-L, P2-L	★	★	-	Red	★	-	-	-	-
L5T	P1-L, P2-L	★	★	-	Yellow Tan	★	-	-	-	-
L8A, K8A	P1-L, P2-L	★	★	-	Gray	★	-	-	-	-
M1B	P1-M, P2-M	★	★	-	Blue	★	-	★	-	-
M1Q	P1-M, P2-M	★	★	-	Turquoise	★	-	★	-	-
M1R	P1-M, P2-M	★	★	-	Red	★	-	★	-	-
M1T	P1-M, P2-M	★	★	-	Yellow Tan	★	-	★	-	-
M4B	P1-M, P2-M	-	★	-	Blue	-	★	-	-	-
M4Q	P1-M, P2-M	-	★	-	Turquoise	-	★	-	-	-
M4R	P1-M, P2-M	-	★	-	Red	-	★	-	-	-
M4T	P1-M, P2-M	-	★	-	Yellow Tan	-	★	-	-	-
M5B	P1-M, P2-M	★	★	-	Blue	★	-	-	-	-
M5R	P1-M, P2-M	★	★	-	Red	★	-	-	-	-
M5T	P1-M, P2-M	★	★	-	Yellow Tan	★	-	-	-	-
M8A	P1-M, P2-M	★	★	-	Gray	★	-	-	-	-
H1B	P1-H, P2-H	★	★	-	Blue	★	★	-	★	-
H1Q	P1-H, P2-H	★	★	-	Turquoise	★	★	-	★	-
H1R	P1-H, P2-H	★	★	-	Red	★	★	-	★	-
H1T	P1-H, P2-H	★	★	-	Yellow Tan	★	★	-	★	-
H1U	P1-H, P2-H	★	★	-	Red Tan	★	★	-	★	-
H4B	P1-H, P2-H	★	★	-	Blue	★	-	★	-	-
H4Q	P1-H, P2-H	★	★	-	Turquoise	★	-	★	-	-
H4R	P1-H, P2-H	★	★	-	Red	★	-	★	-	-
H4T	P1-H, P2-H	★	★	-	Yellow Tan	★	-	★	-	-
H4B	P2-H	-	★	-	Blue	-	-	-	★	★
H4Q	P2-H	-	★	-	Turquoise	-	-	-	★	★

★ Indicates use as required.

□ Indicates parts not listed in any previous parts book.

May 22, 1964 Supersedes Sept. 6, 1963.

INTERIOR TRIM 1964 PASSENGER CAR PARTS CATALOG

TRIM CODE	MODEL	MATERIAL			COLOR	SED.	4D H.T.	STA. WGN.	2D H.T.	CV. CP.
		Cloth	Vinyl	Leather						
H4R	P2-H	-	★	-	Red	-	-	-	★	★
H4U	P2-H	-	★	-	Red Tan	-	-	-	★	★
H4X	P2-H	-	★	-	Black	-	-	-	★	★
P4B	P2-P	-	★	-	Blue	-	-	-	★	★
P4Q	P2-P	-	★	-	Turquoise	-	-	-	★	★
P4R	P2-P	-	★	-	Red	-	-	-	★	★
P4U	P2-P	-	★	-	Red Tan	-	-	-	★	★
P4X	P2-P	-	★	-	Black	-	-	-	★	★

CODE	REMARKS	PER CAR	SED.	4D H.T.	STA. WGN.	2D H.T.	CV. CP.
------	---------	---------	------	---------	-----------	---------	---------

NOTE: RIGHT HAND AND LEFT HAND PARTS LISTED ON THE SAME LINE. Whenever right and left hand parts are identified by consecutive part numbers, they will be listed as in the following example: PANEL, Door Trim 3182-3VBB
 Interpreted, this indicates that Panel, right is Part No. 3182 VBB and Panel, left is Part No. 3183 VBB.

23-71-1	PANEL or CARPET, Floor Console, Side P2-P	Right					
		(code P4B)	1	----	----	----	4821 VB8 4821 VB8
		(code P4Q)	1	----	----	----	4821 VQ8 4821 VQ8
		(code P4R)	1	----	----	----	4821 VR6 4821 VR6
		(code P4U)	1	----	----	----	4821 VU8 4821 VU8
	(code P4X)	1	----	----	----	4821 VX8 4821 VX8	
	P2-P	Left					
		(code P4B)	1	----	----	----	4824 VB8 4824 VB8
		(code P4Q)	1	----	----	----	4824 VQ8 4824 VQ8
		(code P4R)	1	----	----	----	4824 VR6 4824 VR6
		(code P4U)	1	----	----	----	4824 VU8 4824 VU8
	(code P4X)	1	----	----	----	4824 VX8 4824 VX8	
	P2-P	Left					
		(side rear)					
		(code P4B)	1	----	----	----	4827 VB8 4827 VB8
(code P4Q)		1	----	----	----	4827 VQ8 4827 VQ8	
(code P4R)		1	----	----	----	4827 VR6 4827 VR6	
(code P4U)	1	----	----	----	4827 VU8 4827 VU8		
(code P4X)	1	----	----	----	4827 VX8 4827 VX8		
23-71-3	LID, Floor Console Compartment P2-P						
		(code P4B)	1	----	----	----	4404 VB6 4404 VB6
		(code P4Q)	1	----	----	----	4404 VQ6 4404 VQ6
		(code P4R)	1	----	----	----	4404 VR6 4404 VR6
		(code P4U)	1	----	----	----	4404 VU6 4404 VU6
(code P4X)	1	----	----	----	4404 VX9 4404 VX9		
23-71-7	COVER, Console Floor Pan Filler P2-P						
		(code P4B)	1	----	----	----	4832 VB8 4832 VB8
		(code P4Q)	1	----	----	----	4832 VQ8 4832 VQ8
		(code P4R)	1	----	----	----	4832 VR6 4832 VR6
		(code P4U)	1	----	----	----	4832 VU8 4832 VU8
(code P4X)	1	----	----	----	4832 VX8 4832 VX8		
CARPET, Console Floor Pan Filler Cover P2-P							
	(code P4B)	1	----	----	----	B4406 VB8 B4406 VB8	
	(code P4Q)	1	----	----	----	B4406 VQ8 B4406 VQ8	
	(code P4R)	1	----	----	----	B4406 VR6 B4406 VR6	

★ Indicates use as required.
 □ Indicates parts not listed in any previous parts book.
 Right and left part numbers are on same line,

1964 PASSENGER CAR PARTS CATALOG

INTERIOR TRIM

CODE	REMARKS	PER CAR	SED.	4D H.T.	STA. WGN.	2D H.T.	CV. CP.
23-71-7	CARPET, Console Floor Pan Filler Cover - Cont'd P2-P (code P4U) (code P4X) Fastener	1	----	----	----	E4406 VU8	E4406 VU8
		1	----	----	----	E4406 VX8	E4406 VX8
		18	----	----	----	E6001 560	E6001 560
23-76-9	BASE, Front Door Arm Rest P1, P2 (short) (codes L1B, K1B, L4B, K4B, L5B, M1B, M4B, M5B) (codes M1Q, M4Q) (codes L1R, K1R, L4R, K4R, L5R, M1R, M4R, M5R) (codes L1T, K1T, L4T, K4T, L5T, M1T, M4T, M5T) (codes L2A, K2A, L8A, K8A, T8A, M8A)	1	1208-9 VB6	----	1208-9 VB6	1208-9 VB6	
		1	1208-9 VQ6	----	1208-9 VQ6	1208-9 VQ6	
		1	1208-9 VR6	----	1208-9 VR6	1208-9 VR6	
		1	1208-9 VT6	----	1208-9 VT6	1208-9 VT6	
		1	1208-9 VX9				
	BASE, Front Door Arm Rest P1, P2 (long) (codes H1B, H1Q, H1R, H1T, H1U, H4B, H4Q, H4R, H4T, H4U, H4X)	1	1212-3 VZ1	1212-3 VZ1	1212-3 VZ1	1212-3 VZ1	1212-3 VZ1
	BASE, Rear Door Arm Rest P1, P2 (codes L1B, K1B, L4B, K4B, L5B, M1B, M4B, M5B) (codes M1Q, M4Q) (codes L1R, K1R, L4R, K4R, L5R, M1R, M4R, M5R) (codes L1T, K1T, L4T, K4T, L5T) (codes L2A, K2A, L8A, K8A, T8A, M8A) (codes H1B, N1Q, H1R, H1T, N1U, H4B, H4Q, H4R, H4U, H4X, H4T)	1	1208-9 VB6				
		1	1208-9 VQ6				
		1	1208-9 VR6				
		1	1208-9 VT6				
		1	1208-9 VX9				
		1	1208-9 VZ1	1208-9 VZ1	1208-9 VZ1		
	BASE, Rear Quarter Arm Rest P1, P2 (codes L1B, K1B, M1B) (codes L1R, K1R, M1R) (code M1Q) (codes L1T, K1T, M1T) (codes L2A, K2A, L8A, K8A, M8A) (codes H1B, H1Q, H1R, H1T, H1U, N4B, H4Q, H4R, H4U, H4X)	1	1208-9 VB6	----	----	1208-9 V86	
		1	1208-9 VR6	----	----	1208-9 VR6	
		1	1208-9 VQ6	----	----	1208-9 VQ6	
		1	1208-9 VT6	----	----	1208-9 VT6	
		1	1208-9 VX9				
		1	----	----	----	1208-9 VZ1	
	BASE, Rear Quarter Arm Rest P2-P (medium) (codes P4B, P4Q, P4R, P4U, P4X) SCREW, Attaching	1 4	* 162 090	* 162 090	* 162 090	* 1210-1 VZ1 * 162 090	* 162 090
23-76-11	PAD and PLATE, Front Door Arm Rest (w/o ash receiver) P1, P2 (short) (codes L1B, K1B, L4B, K4B, L5B, M1B, M4B, M5B) (codes M1Q, M4Q)	1	1216-7 VB6	----	1216-7 VB6	1216-7 VB6	
		1	1216-7 VQ6	----	1216-7 VQ6	1216-7 VQ6	

★ Indicates use as required.

☐ Indicates parts not listed in any previous parts book.
March 15, 1965 Supersedes May 22, 1964.

Printed in U.S.A.
Prices and specifications subject to change without notice.
Right and left part numbers are on same line,
first number is right, second number is left.
* Indicates change or addition.

CODE	REMARKS	PER CAR	SED.	4D H.T	STA. WGN.	2D H.T	CV. CP.	
23-76-11	PAD and PLATE, Front Door Arm Rest - Cont'd (w/o ash receiver) P1, P2 (short) (codes L1R, K1R, L4R, K4R, L5R, M1R, M4R, M5R)	1	1216-7 VR6	----	1216-7 VR6	1216-7 VR6		
	(codes L1T, K1T, L4T, K4T, L5T, M1T, M4T, M5T)	1	1216-7 VT6	----	1216-7 VT6	1216-7 VT6		
	(codes L2A, K2A, L8A, K8A, T8A, M8A)	1	1216-7 VA9					
	P1, P2 (medium and long) (codes H1B, H4B, P4B)	1	1222-3 VB6	1222-3 VB6	1222-3 VB6	1222-3 VB6	1222-3 VB6	
	(codes H1Q, H4Q, P4Q)	1	1222-3 VQ6	1222-3 VQ6	1222-3 VQ6	1222-3 VQ6	1222-3 VQ6	
	(codes H1R, H4R, P4R)	1	1222-3 VR6	1222-3 VR6	1222-3 VR6	1222-3 VR6	1222-3 VR6	
	(codes H1T, H4T)	1	1222-3 VT6	1222-3 VT6	1222-3 VT6	1222-3 VT6	1222-3 VT6	
	(codes H1U, H4U)	1	1222-3 VU6	1222-3 VU6	----	1222-3 VU6	1222-3 VU6	
	(codes H4X, P4X)	1	1222-3 VX9	1222-3 VX9	----	1222-3 VX9	1222-3 VX9	
	23-76-16	NUT, Quarter Arm Rest, Attaching P1, P2	4	1280 134	----	----	1280 134	
23-76-63	PAD and PLATE, Rear Door Arm Rest (w/ash receiver) P1, P2 (short) (codes L1B, K1B, L4B, K4B, L5B, M1B, M4B, M5B, H1B, H4B)	1	1214-5 VB6	1214-5 VB6	1214-5 VB6			
	(codes M1R, M4Q, H1Q, H4Q)	1	1214-5 VQ6	1214-5 VQ6	1214-5 VQ6			
	(codes L1R, K1R, L4R, K4R, L5R, M1R, M4R, M5R, H1R, H4R)	1	1214-5 VR6	1214-5 VR6	1214-5 VR6			
	(codes L1T, K1T, L4T, K4T, L5T, M1T, M4T, M5T, H1T, H4T)	1	1214-5 VT6	1214-5 VT6	1214-5 VT6			
	(codes H1U, H4U)	1	1214-5 VU6	1214-5 VU6				
	(code H4X)	1	----	1214-5 VX9				
	(codes L2A, K2A, L8A, K8A, T8A, M8A)	1	1214-5 VA9					
	23-76-76	PAD and PLATE, Quarter Arm Rest (w/ash receiver) P1, P2 (short) (codes L1B, K1B, M1B, H1B, H4B)	1	1214-5 VB6	----	----	1214-5 VB6	
	(codes M1Q, H1Q, H4Q)	1	1214-5 VQ6	----	----	1214-5 VQ6		
	(codes L1R, K1R, M1R, H1R, H4R)	1	1214-5 VR6	----	----	1214-5 VR6		
(codes L1T, K1T, M1T, H1T)	1	1214-5 VT6	----	----	1214-5 VT6			
(codes H1U, H4U)	1	----	----	----	1214-5 VU6			
(code H4X)	1	----	----	----	1214-5 VX9			
(codes L2A, K2A, L8A, K8A, M8A)	1	1214-5 VA9						
	PAD and PLATE, Rear Quarter Arm Rest (w/ash receiver) P2-P (medium and long) (code P4B)	1	----	----	----	1224-5 VB6		
	(code P4Q)	1	----	----	----	1224-5 VQ6		
	(code P4R)	1	----	----	----	1224-5 VR6		
	(code P4U)	1	----	----	----	1224-5 VU6		
	(code P4X)	1	----	----	----	1224-5 VX9		

★ Indicates use as required.

⊕ Indicates parts not listed in any previous parts book.
Right and left part numbers are on same line,
first number is right, second number is left.

1964 PASSENGER CAR PARTS CATALOG

INTERIOR TRIM

CODE	REMARKS	PER CAR	SED.	4D H.T	STA. WGN.	2D H.T	CV. CF.
23-77-3	STRAP, Assist P1, P2 (center pillar) Screw Eyelet	2 2 2	4312 VX9 6024 134 E86000 272				
23-77-17	SPACER, Center Pillar Assist Strap Midg. P1, P2, 4 D	2	2292 201				
23-78-2	BUTTON, Tufting P2-P (code P4B) (code P4Q) (code P4U) (code P4X) (code P4R)	★ ★ ★ ★ ★	----- ----- ----- ----- -----	----- ----- ----- ----- -----	----- ----- ----- ----- -----	4321 VB1 4321 VQ1 4321 VU1 4321 VX9 4321 VW3	4321 VB1 4321 VQ1 4321 VU1 4321 VX9 4321 VW3
23-79-3	CARPET, Front Floor P1, P2 (codes M1B, M4B, M5B, H1B, H4B) (codes M1Q, M4Q, H1Q, H4Q) (codes M1R, M4R, M5R, H1R, H4R) (codes M1T, M4T, M5T, H1T, H4T) (codes H1U, H4U) (codes H1X, H4X)	1 1 1 1 1 1	1730 VB8 1730 VQ8 1730 VR6 1730 VT8 1730 VU8 1730 VX8	1730 VB8 1730 VQ8 1730 VR6 1730 VT8 1730 VU8 1730 VX8	1730 VB8 1730 VQ8 1730 VR6 1730 VT8 ----- -----	1730 VB8 1730 VQ8 1730 VR6 1730 VT8 1730 VU8 1730 VX8	1730 VB8 1730 VQ8 1730 VR6 1730 VT8 1730 VU8 1730 VX8
	P1, P2 (floor shift, 4 speed trans.) (codes L1B, L4B, L5B, M1B, M4B, M5B, H1B, H4B) (codes L1R, L4R, L5R, M1R, M4R, M5R, H1R, H4R) (codes M1Q, M4Q, H1Q, H4Q) (codes L1T, L4T, L5T, M1T, M4T, M5T, H1T, H4T) (codes L2A, L8A, M8A) (codes H1U, H4U) (code H4X)	1 1 1 1 1 1 1	*1734 VB8 1734 VR6 1734 VQ8 1734 VT8 1734 VX8 1734 VU8 -----	*1734 VB8 1734 VR6 1734 VQ8 1734 VT8 ----- -----	*1734 VB8 1734 VR6 1734 VQ8 1734 VT8 ----- -----	*1734 VB8 1734 VR6 1734 VQ8 1734 VT8 ----- 1734 VX8	*1734 VB8 1734 VR6 1734 VQ8 1734 VT8 ----- 1734 VX8
	P2-P (bucket seat w/console) (code P4B) (code P4Q) (code P4R) (code P4U) (code P4X)	1 1 1 1 1	----- ----- ----- ----- -----	----- ----- ----- ----- -----	----- ----- ----- ----- -----	1748 VB8 1748 VQ8 1748 VR6 1748 VU8 1748 VX8	1748 VB8 1748 VQ8 1748 VR6 1748 VU8 1748 VX8
	P2-P(bucket seat w/console and floor shift, 4 speed trans.) (code P4B) (code P4Q) (code P4Q) (code P4U) (code P4X)	1 1 1 1 1	----- ----- ----- ----- -----	----- ----- ----- ----- -----	----- ----- ----- ----- -----	*1749 VB8 1749 VQ8 1749 VR6 1749 VU8 1749 VX8	*1749 VB8 1749 VQ8 1749 VR6 1749 VU8 1749 VX8
23-79-33	CARPET, Rear Floor P1, P2 (codes L1B, L4B, L5B, M1B, M4B, M5B, H1B, H4B) (codes M1Q, M4Q, H1Q, H4Q) (codes L1R, L4R, L5R, M1R, M4R, M5R, H1R, H4R) (codes L1T, L4T, L5T, M1T, M4T, M5T, H1T, H4T) (codes H1U, H4U) (code H4X) (codes L2A, L8A, M8A)	1 1 1 1 1 1 1	1703 VB8 1703 VQ8 1703 VR6 1703 VT8 1703 VU8 ----- 1703 VX8	1703 VB8 1703 VQ8 1703 VR6 1703 VT8 1703 VU8 ----- -----	1703 VB8 1703 VQ8 1703 VR6 1703 VT8 ----- 1703 VX8		

★ Indicates use as required.

☐ Indicates parts not listed in any previous parts book.

March 15, 1965 Supersedes May 22, 1964.

Printed in U.S.A.
Prices and specifications subject to change without notice.Right and left part numbers are on same line,
first number is right, second number is left.

CODE	REMARKS	PER CAR	SED.	4D H.T	STA. WGN	2D H.T	CV. CP.
23-79-33	CARPET, Rear Floor - Cont'd P1, P2 (codes M1B, H1B, H4B) (codes M1Q, H1Q, H4Q) (codes M1R, H1R, H4R) (codes M1T, H1T) (codes H1U, H4U) (code H4X) P2-P (bucket seat w/console) (code P4B) (code P4Q) (code P4R) (code P4U) (code P4X)	1 1 1 1 1 1 1 1 1 1 1	----- ----- ----- ----- ----- ----- ----- ----- ----- ----- -----	----- ----- ----- ----- ----- ----- ----- ----- ----- ----- -----	----- ----- ----- ----- ----- ----- ----- ----- ----- ----- -----	1705 VB8 1705 VQ8 1705 VR6 1705 VT8 1705 VU8 1705 VX8 1744 VB8 1744 VQ8 1744 VR6 1744 VU8 1744 VX8	1704 VB8 1704 VQ8 1704 VR6 1704 VT8 1704 VU8 1704 VX8 1745 VB8 1745 VQ8 1745 VR6 1745 VU8 1745 VX8
	INSERT, Center Floor Pan Cover Panel (vinoleum) P1, P2 (codes L4B, K4B, M4B, H4B) (codes M4Q, H4Q) (codes L4T, K4T, M4T, H4T) (rear floor pan insert) (vinoleum) (codes L4B, K4B, M4B, H4B) (codes M4Q, H4Q) (codes L4T, K4T, M4T, H4T) (code M4Y) (rear floor pan cover panel insert) (codes L4B, K4B, M4B, H4B) (codes M4Q, H4Q) (codes L4T, K4T, M4T, H4T) (code M4Y) (floor pan axle kick-up front trim panel) P1, P2 (paint as required)	1 1 1 1 1 1 1 1 1 1 1 1 1 1 1	----- ----- ----- ----- ----- ----- ----- ----- ----- ----- ----- ----- ----- ----- -----	----- ----- ----- ----- ----- ----- ----- ----- ----- ----- ----- ----- ----- ----- -----	*1800 VB8 1800 VQ8 1800 VT8 *1801 VB8 *1801 VQ8 *1801 VT8 *1801 VY8 *1802 VB8 *1802 VQ8 *1802 VT8 *1802 VY8 E2292 901		
23-79-79	INSERT, Tailgate Access Hole P1, P2 (codes L4B, K4B, M4B, H4B) (codes M4Q, H4Q) (code L4R) (codes L4T, K4T, M4T, H4T)	1 1 1 1	----- ----- ----- -----	----- ----- ----- -----	1803 VB8 1803 VQ8 *1803 TR6 1803 VT8		
23-81-3	HANDLE, Rear Door Pull-To P1, P2	1	1697 413				
23-81-8	SPACER, Rear Door Pull-To Handle P1, P2	2	1964 579				
23-82-30	HOOK, Coat Hanger P1, P2 Screw	2 ★	2165 837 148 095	2165 837 148 095	2165 837 148 095	2165 837 148 095	
23-82-39	BRACKET, Coat Hook Support P1, P2	2	2481 175	2481 175	*2482 876	2482 876	
23-84-3	PAD, Instrument Panel Trim P1, P2 (Lhd) (codes L1B, K1B, L4B, K4B, L5B, M1B, M4B, M5B, H1B, H4B, P4B) (blue)	1	4224 VB8	4224 VB8	4224 VB8	4224 VB8	4224 VB8

★ Indicates use as required.

⊠ Indicates parts not listed in any previous parts book.

Right and left part numbers are on same line, first number is right, second number is left.

1964 PASSENGER CAR PARTS CATALOG

CODE	REMARKS	PER CAR	SED.	4D H.T	STA. WGN.	2D H.T	CV. CP.
23-84-3	PAD, Instrument Panel Trim - Cont'd P1, P2 (Lhd)						
	(codes M1Q, M4Q, H1Q, H4Q, P4Q) (turquoise)	1	4224 VQ8	4224 VQ8	4224 VQ8	4224 VQ8	4224 VQ8
	(codes L1R, K1R, L4R, K4R, L5R, M1R, M4R, M5R, H1R, H4R, P4R)						
	(red)	1	4224 VR9	4224 VR9	4224 VR9	4224 VR9	4224 VR9
	(codes L1T, K1T, L4T, K4T, M1T, M4T, M5T, H1T, H4T) (yellow tan)	1	4224 VT8	4224 VT8	4224 VT8	4224 VT8	4224 VT8
	(codes H1U, H4U, P4U) (red tan)	1	4224 VU8	4224 VU8	----	4224 VU8	4224 VU8
	(codes H4X, P4X, L2A, K2A, L8A, K8A, T8A, M8A) (black)	1	4224 VX8	4224 VX8	----	4224 VX8	4224 VX8
	PAD, Instrument Panel Trim P1, P2 (Rhd) 4 D.						
	(codes L1B, K1B, L5B, M1B, M5B, H1B, H4B, L4B, K4B, M4B) (blue)	1	4246 VB8	4246 VB8	4246 VB8		
	(codes M1Q, H1Q, H4Q, M4Q) (turquoise)	1	4246 VQ8	4246 VQ8	4246 VQ8		
	(codes L1R, K1R, L5R, M1R, M5R, H1R, H4R)						
	(red)	1	4246 VR9	4246 VR9	4246 VR9		
	(codes L1T, K1T, L5T, M1T, M5T, H1T, H4T) (tan)	1	4246 VT8	4246 VT8	4246 VT8		
	Fastener	★	*6008 222	*6008 222	*6008 222	*6008 222	*6008 222
23-84-11	CLIP, Instrument Panel Trim Pad P1, P2	9	2571 275	2571 275	2571 275	2571 275	2571 275
23-86-2	COVER, Roof Outside P1, P2 (white)	1	----	----	----	6109 VW1	
	(black)	1	----	----	----	6109 VX8	
23-86-3	HEADLINING and LISTING P1, P2						
	(codes L2A, K2A, L8A, K8A, T8A, M8A)	1	7130 VA2				
	(codes L1B, K1B, L5B, M1B, M5B, H1B, N4B)	1	7130 VB2	7130 VB2			
	(codes M1Q, H1Q, H4Q)	1	7130 VQ2	7130 VQ2			
	(codes L1T, K1T, L5T, M1T, M5T, H1T, H4T)	1	7130 VT2	7130 VT2			
	(codes H1U, H4U)	1	*7130 VU2	*7130 VU2			
	(codes L1R, K1R, L5R, M1R, M5R, H1R, H4R, H4X)	1	7130 VW2	7130 VW2			
	P1, P2 (white)						
	(No. 1)	1	----	----	1002 VWW		
	(No. 2)	1	----	----	1003 VWW		
	(No. 3)	1	----	----	1004 VWW		
	(No. 4)	1	----	----	1005 VWW		
	(No. 5)	1	----	----	1006 VWW		
	(No. 6)	1	----	----	1007 VWW		
	(No. 7)	1	----	----	1008 VWW		
	P1, P2						
	(codes M1B, H1B, H4B, P4B)	1	----	----	----	7146 VB2	
	(codes M1Q, H1Q, H4Q, P4Q)	1	----	----	----	7146 VQ2	
	(codes M1R, H1R, H4R, P4R, H4X, P4X)	1	----	----	----	7146 VW2	

★ Indicates use as required.

Ⓚ Indicates parts not listed in any previous parts book.

March 15, 1965 Supersedes May 22, 1964.

Prices and specifications subject to change without notice.

Right and left part numbers are on same line,

first number is right, second number is left.

* Indicates change or addition.

CODE	REMARKS	PER CAR	SED.	4D H.T	STA. WGN.	2D H.T	CV. CP.
23-86-3	HEADLINING and LISTING - Cont'd P1, P2. (codes M1T, H1T) (codes H1U, H4U, P4U)	1	----	----	----	7146 VT2	
		1	----	----	----	7146 VU2	
	P1, P2 (perforated hardboard) (No. 1) (No. 2) (No. 3) (No. 4) (No. 5) (No. 6) (No. 7)	1	----	----	1002 VWW		
		1	----	----	1003 VWW		
		1	----	----	1004 VWW		
		1	----	----	1005 VWW		
		1	----	----	1006 VWW		
		1	----	----	1007 VWW		
		1	----	----	1008 VWW		
	Fastener	★	*6000 922	*6000 922	*6000 922	*6000 922	
23-86-10	BOW, Roof Support P1, P2 (No. 1) (Nos. 2 and 3) (No. 2) (Nos. 3 and 4)	1	2424 804	2424 804	2424 804	2424 500	
		2	2528 882	2424 805			
		1	----	----	2480 973		
		2	----	----	2480 974		
23-86-19	STRIP, Roof Headlining Retaining P1, P2 Front Rear Rear Side Rear Upper Rear Corner	1	----	----	----	2483 408-9	
		1	2483 406-7	2483 620-1	2483 632-3		
		1	2255 430-1	----	2251 448		
		1	2481 750-1	2481 750-1	2251 446-7		
		1	2481 752	2481 752			
		1	----	----	2251 444-5		
23-86-24	RETAINER, Roof Inside Finish P1, P2 (Nos. 1 and 4) (Nos. 2 and 3) (No. 5) (No. 6)	2	----	----	2499 084		
		2	----	----	2499 083		
		1	----	----	2499 084		
		1	----	----	2499 086		
23-86-35	MOULDING, Roof Inside Finish Panel P1, P2 (No. 1) (No. 2) (No. 3) (No. 4) (No. 5) (No. 6)	1	----	----	1047 VW2		
		1	----	----	1047 VW2		
		1	----	----	1047 VW2		
		1	----	----	1047 VW2		
		1	----	----	1047 VW2		
		1	----	----	1047 VW2		
	MOULDING, Rear Window Headlining Trim P1, P2 (codes L1B, K1B, L5B, M1B, M5B, H1B, H4B) (codes M1Q, H1Q, H4Q) (codes L1R, K1R, L5R, M1R, M5R, H1R, H4R, H4X) (codes L1T, K1T, L5T, M1T, M5T, H1T, H4T) (code H1U) (codes L2A, K2A, L8A, K8A, T8A, M8A)	2	3700 VB2				
		2	3700 VQ2				
		2	*3700 VW2				
		2	3700 VT2				
2	3700 VU2						
2	3700 VA2						
23-86-36	CAP, Roof Inside Finish Moulding P1, P2 (white) (side retaining strip)	12	----	----	1030 VW2		
		1	----	----	2251 808-9		

★ Indicates use as required.
 ☐ Indicates parts not listed in any previous parts book.
 Right and left part numbers are on same line,
 first number is right, second number is left.
 * Indicates change or addition.

1964 PASSENGER CAR PARTS CATALOG

INTERIOR TRIM

CODE	REMARKS	PER CAR	SED.	4D H.T	STA. WGN.	2D H.T	CV. CP.	
23-91-6	PANEL, Cowl Trim P1, P2 (codes L1B, K1B, L4B, K4B, L5B, M1B, M4B, M5B, H1B, H4B, P4B) (blue)	1	1410-1 VB6	1410-1 VB6	1410-1 VB6	1410-1 VB6	1410-1 VB6	
	(codes M1Q, M4Q, H1Q, H4Q, P4Q) (turquoise)	1	1410-1 VQ6	1410-1 VQ6	1410-1 VQ6	1410-1 VQ6	1410-1 VQ6	
	(codes L1R, K1R, L4R, K4R, L5R, M1R, M4R, M5R, H1R, H4R, P4R) (red)	1	1410-1 VR6	1410-1 VR6	1410-1 VR6	1410-1 VR6	1410-1 VR6	
	(codes L1T, K1T, L4T, K4T, L5T, M1T, M4T, M5T, H1T, H4T, P4T) (yellow tan)	1	1410-1 VT6	1410-1 VT6	1410-1 VT6	1410-1 VT6	1410-1 VT6	
	(codes H1U, H4U, P4U) (red tan)	1	1410-1 VU6	1410-1 VU6	----	1410-1 VU6	1410-1 VU6	
	(codes L2A, K2A, L8A, K8A, T8A, M8A, H4X, P4X) (black)	1	1410-1 VX9	1410-1 VX9	----	1410-1 VX9	1410-1 VX9	
	Screw, Attaching	4	E6025 819	E6025 819	E6025 819	E6025 819	E6025 819	
	3-92-5	PANEL, Door Trim P1-L, P2-L (2 D.) (with painted bead w/strip)	1	3182-3 VBB				
		(codes L1B, K1B)	1	3182-3 VRW				
		(codes L1R, K1R)	1	3182-3 VTT				
(codes L1T, K1T)		1	3402-3 VAA					
(codes L2A, K2A, L8A, K8A, M8A)		1						
P1-L, P2-L (2 D.) (with cloth covered w/strip)		1	3418-9 VBB					
(codes L1B, K1B)		1	3418-9 VRR					
(codes L1R, K1R)		1	3418-9 VTT					
(codes L1T, K1T)		1	3420-1 VAA					
(codes L2A, K2A, L8A, K8A, M8A)		1						
P1-L, P2-L (4 D.) (with painted bead w/strip)	(codes L1B, K1B, L5B, L4B K4B) Front	1	3180-1 VBB	----	3180-1 VBB			
	Rear	1	3252-3 VBB	----	3252-3 VBB			
	(codes L1R, K1R, L5R, L4R, K4R) Front	1	3180-1 VRW	----	3180-1 VRW			
	Rear	1	3252-3 VRW	----	3252-3 VRW			
	(codes L1T, K1T, L5T, L4T, K4B) Front	1	3180-1 VTT	----	3180-1 VTT			
	Rear	1	3252-3 VTT	----	3252-3 VTT			
	(codes L2A, K2A, L8A, K8A, T8A, M8A) Front	1	3400-1 VAA					
	Rear	1	3254-5 VAA					
	P1-L, P2-L (4 D.) (with cloth covered w/strip)	(codes L1B, K1B, L5B, L4B, K4B) Front	1	3414-5 VBB	----	3414-5 VBB		
		Rear	1	3270-1 VBB	----	3270-1 VBB		

* Indicates use as required.

E Indicates parts not listed in any previous parts book.
March 15, 1965 Supersedes May 22, 1964.

Printed in U.S.A.
Prices and specifications subject to change without notice.
Right and left part numbers are on same line,
first number is right, second number is left.
* Indicates change or addition.

CODE	REMARKS	PER CAR	SED.	4D H.T	STA. WGNL	2D H.T	CV. CP.
23-92-5	PANEL, Door Trim - Cont'd						
	P1-L, P2-L (4 D.)						
	(with cloth covered w/strip)						
	(codes L1R, K1R, L5R, L4R, K4R)						
	Front	1	3414-5 VRR	----	3414-5 VRR		
	Rear	1	3270-1 VRR	----	3270-1 VRR		
	(codes L1T, K1T, L5T, L4T, K4T)						
	Front	1	3414-5 VTT	----	3414-5 VTT		
Rear	1	3270-1 VTT	----	3270-1 VTT			
(codes L2A, K2A, L8A, K8A, T8A, M8A)							
Front	1	3416-7 VAA					
Rear	1	*3272-3 VAA					
<hr/>							
P1-M, P2-M (2 D.)							
(with painted bead w/strip)							
(code M1B)		1	3184-5 VBB				
(code M1Q)		1	3184-5 VQQ	----	----		
(code M1R)		1	3184-5 VRR	----	----		
(code M1T)		1	3184-5 VTT	----	----		
<hr/>							
P1-M, P2-M (2 D.)							
(with cloth covered w/strip)							
(code M1B)		1	3424-5 VBB				
(code M1Q)		1	3424-5 VQQ				
(code M1R)		1	3424-5 VRR				
(code M1T)		1	3424-5 VTT				
<hr/>							
P1-M, P2-M (2 D.)							
(with flat bead w/strip)							
(code M1B)		1	----	----	----	3186-7 VBB	
(code M1Q)		1	----	----	----	3186-7 VQQ	
(code M1R)		1	----	----	----	3186-7 VRR	
(code M1T)		1	----	----	----	3186-7 VTT	
<hr/>							
P1-M, P2-M (2 D.)							
(with round bead w/strip)							
(code M1B)		1	----	----	----	3426-7 VBB	
(code M1Q)		1	----	----	----	3426-7 VQQ	
(code M1R)		1	----	----	----	3426-7 VRR	
(code M1T)		1	----	----	----	3426-7 VTT	
<hr/>							
P1-M, P2-M (4 D.)							
(with painted bead w/strip)							
(codes M1B, M4B)	Front	1	3174-5 VBB	----	3174-5 VBB		
	Rear	1	3246-7 VBB	----	3246-7 VBB		
(codes M1Q, M4Q)	Front	1	3174-5 VQQ	----	3174-5 VQQ		
	Rear	1	3246-7 VQQ	----	3246-7 VQQ		
(codes M1R, M4R)	Front	1	3174-5 VRR	----	3174-5 VRR		
	Rear	1	3246-7 VRR	----	3246-7 VRR		
(codes M1T, M4T)	Front	1	3174-5 VTT	----	3174-5 VTT		
	Rear	1	3246-7 VTT	----	3246-7 VTT		
<hr/>							
P1-M, P2-M (4 D.)							
(with cloth covered w/strip)							
(codes M1B, M4B)	Front	1	3422-3 VBB	----	3422-3 VBB		
	Rear	1	3274-5 VBB	----	3274-5 VBB		
(codes M1Q, M4Q)	Front	1	3422-3 VQQ	----	3422-3 VQQ		
	Rear	1	3274-5 VQQ	----	3274-5 VQQ		
(codes M1R, M4R)	Front	1	3422-3 VRR	----	3422-3 VRR		
	Rear	1	3274-5 VRR	----	3274-5 VRR		
(codes M1T, M4T)	Front	1	3422-3 VTT	----	3422-3 VTT		
	Rear	1	3274-5 VTT	----	3274-5 VTT		

★ Indicates use as required.

☐ Indicates parts not listed in any previous parts book.
Right and left part numbers are on same line,

1964 PASSENGER CAR PARTS CATALOG

INTERIOR TRIM

CODE	REMARKS	PER CAR	SED.	40 H.T	STA. WGN.	2D H.T	CV. CP.
23-92-5	PANEL - Door Trim - Cont'd P1-M, P2-M (4 D.) (with painted bead w/strip)						
	(code M5B) Front	1	3134-5 VBB				
	Rear	1	3226-7 VBB	----			
	(code M5R) Front	1	3134-5 VRR	----			
	Rear	1	3226-7 VRR	----			
	(code M5T) Front	1	3134-5 VTT	----			
	Rear	1	3226-7 VTT	----			
	P1-M, P2-M (4 D.) (with cloth covered w/strip)						
	(code M5B) Front	1	3436-7 VBB				
	Rear	1	3280-1 VBB				
	(code M5R) Front	1	3436-7 VRR				
	Rear	1	3280-1 VRR				
	(code M5T) Front	1	3436-7 VTT				
	Rear	1	3280-1 VTT				
	P1-H, P2-H (4 D.) (with painted bead w/strip)						
	(codes H1B, H4B) Front	1	3176-7 VBB	----	3176-7 VBB		
	Rear	1	3248-9 VBB	----	3248-9 VBB		
	(codes H1Q, H4Q) Front	1	3176-7 VQQ	----	3176-7 VQQ		
	Rear	1	3248-9 VQQ	----	3248-9 VQQ		
	(codes H1R, H4R) Front	1	3176-7 VRR	----	3176-7 VRR		
	Rear	1	3248-9 VRR	----	3248-9 VRR		
	(codes H1T, H4T) Front	1	3176-7 VTT	----	3176-7 VTT		
	Rear	1	3248-9 VTT	----	3248-9 VTT		
	(codes H1U, H4U) Front	1	3176-7 VUU	----	3176-7 VUU		
	Rear	1	3248-9 VUU	----	3248-9 VUU		
	P1-H, P2-H (with cloth covered w/strip)						
	(codes H1B, H4B) Front	1	3428-9 VBB	----	3428-9 VBB		
	Rear	1	3276-7 VBB	----	3276-7 VBB		
	(codes H1Q, H4Q) Front	1	3428-9 VQQ	----	3428-9 VQQ		
	Rear	1	3276-7 VQQ	----	3276-7 VQQ		
	(codes H1R, H4R) Front	1	3428-9 VRR	----	3428-9 VRR		
	Rear	1	3276-7 VRR	----	3276-7 VRR		
	(codes H1T, H4T) Front	1	3428-9 VTT	----	3428-9 VTT		
	Rear	1	3276-7 VTT	----	3276-7 VTT		
	(codes H1U, H4U) Front	1	3428-9 VUU	----	3428-9 VUU		
	Rear	1	3276-7 VUU	----	3276-7 VUU		
	P1-H, P2-H (with flat bead w/strip)						
	(codes H1B, H4B) Front	1	----	3178-9 VBB			
	Rear	1	----	3250-1 VBB			
	(codes H1Q, H4Q) Front	1	----	3178-9 VQQ			
	Rear	1	----	3250-1 VQQ			
	(codes H1R, H4R) Front	1	----	3178-9 VRR			
	Rear	1	----	3250-1 VRR			
	(code H1T) Front	1	----	3178-9 VTT			
	Rear	1	----	3250-1 VTT			
	(codes H1U, H4U) Front	1	----	3178-9 VUU			
	Rear	1	----	3250-1 VUU			
	(code H4X) Front	1	----	3178-9 VOX			
	Rear	1	----	3250-1 VOX			

★ Indicates use as required.

☐ Indicates parts not listed in any previous parts book.
March 15, 1965 Supersedes May 22, 1964.

Page IT-38

Printed in U.S.A.
Prices and specifications subject to change without notice.
Right and left part numbers are on same line,
first number is right, second number is left.
* Indicates change or addition.

CODE	REMARKS	PER CAR	SED.	4D H.T	STA. WGN.	2D H.T	CV. CP.
23-92-5	PANEL, Door Trim - Cont'd P1-H, P2-H (with round bead w/strip)						
	(codes H1B, H4B)	Front 1	----	3430-1 VBB			
		Rear 1	----	3278-9 VBB			
	(codes H1Q, H4Q)	Front 1	----	3430-1 VQQ			
		Rear 1	----	3278-9 VQQ			
	(codes H1R, H4R)	Front 1	----	3430-1 VRR			
		Rear 1	----	3278-9 VRR			
	(code H1T)	Front 1	----	3430-1 VTT			
		Rear 1	----	3278-9 VTT			
	(codes H1U, H4U)	Front 1	----	3430-1 VUU			
		Rear 1	----	3278-9 VUU			
	(code H4X)	Front 1	----	3430-1 VOX			
		Rear 1	----	3278-9 VOX			
	P1-H, P2-H (with flat bead w/strip)	(codes H1B, H4B)	1	----	----	----	3190-1 VBB
(codes H1Q, H4Q)		1	----	----	----	3190-1 VQQ	3190-1 VQQ
(codes H1R, H4R)		1	----	----	----	3190-1 VRR	3190-1 VRR
(code H1T)		1	----	----	----	3190-1 VTT	3190-1 VTT
(codes H1U, H4U)		1	----	----	----	3190-1 VUU	3190-1 VUU
(code H4X)		1	----	----	----	3190-1 VOX	3190-1 VOX
P1-H, P2-H (with round bead w/strip)	(codes H1B, H4B)	1	----	----	----	*3432-3 VBB	*3432-3 VBB
	(codes H1Q, H4Q)	1	----	----	----	3432-3 VQQ	3432-3 VQQ
	(codes H1R, H4R)	1	----	----	----	3432-3 VRR	3432-3 VRR
	(code H1T)	1	----	----	----	3432-3 VTT	3432-3 VTT
	(codes H1U, H4U)	1	----	----	----	3432-3 VUU	3432-3 VUU
	(code H4X)	1	----	----	----	3432-3 VOX	3432-3 VOX
P2P (with flat bead w/strip)	(code P4B)	1	----	----	----	3188-9 VBB	3188-9 VBB
	(code P4Q)	1	----	----	----	3188-9 VQQ	3188-9 VQQ
	(code P4R)	1	----	----	----	3188-9 VRW	3188-9 VRW
	(code P4U)	1	----	----	----	3188-9 VUU	3188-9 VUU
	(code P4X)	1	----	----	----	3188-9 VOX	3188-9 VOX
P2-P (with round bead w/strip)	(code P4B)	1	----	----	----	3434-5 VBB	3434-5 VBB
	(code P4Q)	1	----	----	----	3434-5 VQQ	3434-5 VQQ
	(code P4R)	1	----	----	----	3434-5 VRW	3434-5 VRW
	(code P4U)	1	----	----	----	3434-5 VUU	3434-5 VUU
	(code P4X)	1	----	----	----	3434-5 VOX	3434-5 VOX
23-92-8	FASTENER, Quarter Trim Panel P1, P2	*	975 633	975 633	----	975 633	975 633
23-96-3	FILLER, Luggage Compartment Floor to Quarter P1, P2	1	2490 574-5	2490 574-5	----	2490 574-5	2490 574-5
	PANEL, Luggage Compartment Front Lining P2 Clip (attaching)	1 2	----	----	----	----	2440 963 *6000 903

* Indicates use as required.

□ Indicates parts not listed in any previous parts book.

Right and left part numbers are on same line,

first number is right, second number is left.

* Indicates change or addition.

Printed in U.S.A.

Prices and specifications subject to change without notice.

1964 PASSENGER CAR PARTS CATALOG

INTERIOR TRIM

CODE	REMARKS	PER CAR	SED.	4D H.T	STA. WGN.	2D H.T.	CV. CP.
23-96-8	COVER, Wheelhouse and Lower Quarter Trim						
	P1, P2 (paint as required)	1	----	----	2032-3 VT6		
	(for 2 seater)	1	----	----	2036-7 VT6		
	(for 3 seater)						
	Extension, Wheelhouse and Lower Quarter Trim						
P1, P2 (for 3 seater)	(codes L4B, M4B, H4B)	1	----	----	2042-3 VB6		
	(codes M4Q, H4Q)	1	----	----	2042-3 VQ6		
	(codes L4R, M4R, H4R)	1	----	----	2042-3 VR6		
	(codes L4T, M4T, H4T)	1	----	----	2042-3 VT6		
23-96-41	RETAINER, Wheelhouse and Lower Quarter Trim Cover (paint as required)						
P1, P2	Plastic	6	----	----	2273 453		
23-99-4	COVER, Center Pillar Trim						
	P1, P2						
	(codes H1B, H4B)	1	----	2804-5 VB6			
	(codes H1Q, H4Q)	1	----	2804-5 VQ6			
	(codes H1R, H4R)	1	----	2804-5 VR6			
	(code H1T)	1	----	2804-5 VT6			
(codes H1U, H4U)	1	----	2804-5 VU6				
(code H4X)	1	----	*2804-5 VX9				
23-99-9	RETAINER, Body Rear Lock Pillar Quarter Trim						
P1, P2		1	----	----	2162 508-9		
23-101-3	PANEL, Rear Quarter Trim						
	P1-L, P2-L (2 D.)						
	(with painted bead w/strip)						
	(codes L1B, K1B)	1	3352-3 VBB				
	(codes L1R, K1R)	1	3352-3 VRW				
	(codes L1T, K1T)	1	3352-3 VTT				
	(codes L2A, K2A, L8A, K8A)	1	3366-7 VAA				
	P1-L, P2-L (2 D.)						
	(with cloth covered w/strip)						
	(codes L1B, K1B)	1	3376-7 VBB				
(codes L1R, K1R)	1	3376-7 VRR					
(codes L1T, K1T)	1	3376-7 VTT					
(codes L2A, K2A, L8A, K8A)	1	3378-9 VAA					
P1-M, P2-M (2 D.)	(with painted bead w/strip)						
	(code M1B)	1	3354-5 VBB				
	(code M1Q)	1	3354-5 VQQ				
	(code M1R)	1	3354-5 VRR				
	(code M1T)	1	3354-5 VTT				
	(code M8A)	1	3366-7 VAA				
P1-M, P2-M (2 D.)	(with cloth covered w/strip)						
	(code M1B)	1	3380-1 VBB				
	(code M1Q)	1	3380-1 VQQ				
	(code M1R)	1	3380-1 VRR				
	(code M1T)	1	3380-1 VTT				
	(code M8A)	1	3378-9 VAA				

★ Indicates use as required.

□ Indicates parts not listed in any previous parts book.
March 15, 1965 Supersedes May 22, 1964.Printed in U.S.A.
Prices and specifications subject to change without notice.
Right and left part numbers are on same line,
first number is right, second number is left.
* Indicates change or addition.

CODE	REMARKS	PER CAR	SED.	4D H.T	STA. WGN.	2D H.T	CV. CP.
23-101-3	PANEL, Rear Quarter Trim - Cont'd						
	P1-M, P2-M (2 D.) (with flat bead w/strip)						
	(code M1B)	1	----	----	----	3356-7 VBB	
	(code M1Q)	1	----	----	----	3356-7 VQQ	
	(code M1R)	1	----	----	----	3356-7 VRR	
	(code M1T)	1	----	----	----	3356-7 VTT	
	P1-M, P2-M (2 D.) (with round bead w/strip)						
	(code M1B)	1	----	----	----	3382-3 VBB	
	(code M1Q)	1	----	----	----	3382-3 VQQ	
	(code M1R)	1	----	----	----	3382-3 VRR	
	(code M1T)	1	----	----	----	3382-3 VTT	
	² P1, P2 (4 D.) (lower)						
	(codes L1B, K1B, L5B, M1B, M5B, H1B, H4B)	1	7588-9 VB6	7588-9 VB6			
	(codes H1Q, H4Q)	1	7588-9 VQ6	7588-9 VQ6			
	(codes L1R, K1R, L5R, M1R, M5R, H1R, H4R)	1	7588-9 VR6	7588-9 VR6			
	(codes L1T, K1T, M1T, M5T, H1T, H4T)	1	7588-9 VT6	7588-9 VT6			
	(codes H1U, H4U)	1	7588-9 VU6	7588-9 VU6			
	(code H4X)	1	----	7588-9 VX9			
	(codes L2A, K2A, L8A, K8A, T8A, M8A)	1	7588-9 VA6				
	(upper)						
	(codes L1B, K1B, L5B, M1B, M5B, H1B, H4B)	1	7584-5 VB6	7584-5 VB6			
	(codes H1Q, H4Q)	1	7584-5 VQ6	7584-5 VQ6			
	(codes L1R, K1R, L5R, M1R, M5R, H1R, H4R)	1	7584-5 VR6	7584-5 VR6			
	(codes L1T, K1T, M1T, M5T, H1T, H4T)	1	7584-5 VT6	7584-5 VT6			
	(codes H1U, H4U)	1	7584-5 VU6	7584-5 VU6			
	(code H4X)	1	----	7584-5 VX9			
	(codes L2A, K2A, L8A, K8A, T8A, M8A)	1	7584-5 VA6				
	P1-H, P2-H (2 D.) (with flat bead w/strip)						
	(codes H1B, H4B)	1	----	----	----	3362-3 VBB	3364-5 VBB
	(codes H1Q, H4Q)	1	----	----	----	3362-3 VQQ	3364-5 VQQ
	(codes H1R, H4R)	1	----	----	----	3362-3 VRR	3364-5 VRR
	(code H1T)	1	----	----	----	3362-3 VTT	
	(codes H1U, H4U)	1	----	----	----	3362-3 VUU	3364-5 VUU
	(code H4X)	1	----	----	----	3362-3 VOX	3364-5 VOX
	P1-H, P2-H (2 D.) (with round bead w/strip)						
	(codes H1B, H4B)	1	----	----	----	3384-5 VBB	3386-7 VBB
	(codes H1Q, H4Q)	1	----	----	----	3384-5 VQQ	3386-7 VQQ
	(codes H1R, H4R)	1	----	----	----	3384-5 VRR	3386-7 VRR
	(code H1T)	1	----	----	----	3384-5 VTT	3386-7 VTT
	(codes H1U, H4U)	1	----	----	----	3384-5 VUU	3386-7 VUU
	(code H4X)	1	----	----	----	3384-5 VOX	3386-7 VOX
	P2-P (with flat bead w/strip)						
	(code P4B)	1	----	----	----	*3358-9 VBB	3360-1 VBB
	(code P4Q)	1	----	----	----	3358-9 VQQ	3360-1 VQQ

● Indicates use as required.
 ☐ Indicates parts not listed in any previous parts book.
 Right and left part numbers are on same line,
 first number is right, second number is left.

1964 PASSENGER CAR PARTS CATALOG

INTERIOR TRIM

CODE	REMARKS	PER CAR	SED.	4D H.T.	STA. WGN.	2D H.T.	CV. CP.
23-101-3	PANEL, Rear Quarter Trim Cont'd P2-P (with flat bead w/strip) (code P4R) (code PYU) (code PYX)	1 1 1	----- ----- -----	----- ----- -----	----- ----- -----	3358-9 VRW 3358-9 VUU 3358-9 VOX	3360-1 VRW 3360-1 VUU 3360-1 VOX
	P2-P (with round bead w/strip) (code P4-B) (code P4Q) (code P4R) (code P4U) (code PYX) Fastener	1 1 1 1 1 ★	----- ----- ----- ----- ----- *6000 365	----- ----- ----- ----- ----- *6000 365	----- ----- ----- ----- ----- -----	3388-9 VBB 3388-9 VQQ 3388-9 VRW 3388-9 VUU 3388-9 VOX *6000 365	3390-1 VBB 3390-1 VQQ 3390-1 VRW 3390-1 VUU 3390-1 VOX *6000 365
23-101-14	COVER, Upper Quarter Front Trim (paint as required) P1, P2	1	-----	-----	2044-5 VT6		
23-101-33	BRACKET, Quarter Trim Panel Support P2	2	-----	-----	-----	-----	2490 484
23-102-3	PANEL, Shelf Trim P1, P2 (codes L1B, K1B, L5B, M1B, M5B, H1B, H4B, P4B) (blue) (codes M1Q, H1Q, H4Q) (turquoise)	1 1	1305 VB6 1305 VQ6	1305 VB6 1305 VQ6	----- -----	1307 VB6 1307 VQ6	
	(codes L1R, K1R, L5R, M1R, M5R, H1R, H4R, P4R) (red) (codes L1T, K1T, L5T, M1T, M5T, H1T, H4T, P4T) (yellow tan) (codes H1U, H4U, P4U) (red tan) (codes L2A, K2A, L8A, K8A, T8A, M8A, H4X, P4X) (black) Fastener	1 1 1 1 ★	1305 VR6 1305 VT6 1305 VU6 1305 VX8 *6000 903	1305 VR6 1305 VT6 1305 VU6 1305 VX8 *6000 903	----- ----- ----- ----- -----	1307 VR6 1307 VT6 1307 VU6 1307 VX8 *6000 903	
23-103-3	PANEL, Visor Trim P1, P2 (codes L2A, K2A, L8A, K8A, T8A, M8A) (gray) (codes L1B, K1B, L5B, M1B, M5B, H1B, H4B, P4B) (blue) (codes L1T, K1T, L5T, M1T, M5T, H1T, H4T) (yellow tan)	2 2 2	1118 TA2 1118 VB2 1118 VT2				
	(codes L1R, K1R, L5R, M1R, M5R, H1R, H4R, H4X, P4R, P4X) (codes L4B, K4B, M4B, H4B) (white) (codes M1Q, H1Q, H4Q, P4Q) (turquoise)	2 2 2	1118 VW2 ----- 1118 VQ2	1118 VW2 ----- 1118 VQ2	----- 1118 VW2 -----	1118 VW2 ----- 1118 VQ2	1120 VR6 ----- 1120 VQ6

★ Indicates use as required.

☐ Indicates parts not listed in any previous parts book.
March 15, 1965 Supersedes May 22, 1964.Printed in U.S.A.
Prices and specifications subject to change without notice.
Right and left part numbers are on same line,
first number is right, second number is left.
* Indicates change or addition.

CODE	REMARKS	PER CAR	SED.	4D H.T.	STA. WGN.	2D H.T.	CV. CP.	
23-103-3	PANEL, Visor Trim - Cont'd P1, P2* (codes H1U, H4U, P4U) (red tan) (codes H4X, P4X) (black)	2	1118 VU2	1118 VU2	----	1118 VU2	1120 VU6	
		2	----	----	----	----	1120 VX9	
23-103-10	ARM and BRACKET, Visor P1, P2 (chrome)	1	2490 788-9	2490 788-9	2490 788-9	2490 788-9	2483 082-3	
23-103-18	WASHER, Visor Arm Tension P1, P2 Spacer	2	6000 106	6000 106	6000 106	6000 106	6000 106	
		2	----	----	E2581 373	----	----	
23-103-48	SUPPORT, Visor Inner P1, P2 (3 1/8")	2	2162 628	2162 628	2162 628	2162 628		
23-108-4	CUSHION, Front Seat P1-L, P2-L (2 D.) (code L1B) (code L1R) (code L1T) (code L8A)	1	5357 V1B					
		1	5357 V1R					
		1	5357 V1T					
		1	5389 V8A					
	(w/foam rubber pad) (code L1B) (code L1R) (code L1T) (code L2A)	1	5358 V1B					
		1	5358 V1R					
		1	5358 V1T					
		1	5381 V2A					
	(w/heavy duty spring and rubber pad) (codes L1B, K1B) (codes L1R, K1R) (codes L1T, K1T) (codes L2A, K2A)	1	5359 V1B					
		1	5359 V1R					
		1	5359 V1T					
		1	5382 V2A					
P1-L, P2-L (4 D.) (codes L1B, L4B) (codes L1R, L4R) (codes L1T, L4T) (codes L2A) (code L5B) (code L5R) (code L5T)	1	5352 V1B	----		5366 V4B			
	1	5352 V1R	----		5366 V4R			
	1	5352 V1T	----		5366 V4T			
	1	5383 V2A						
	1	5375 V5B						
	1	5375 V5R						
(w/rubber pad) (codes L1B, L4B) (codes L1R, L4R) (codes L1T, L4T) (code L5B) (code L5R) (code L5T) (code L2A) (code L8A)	1	*5353 V1B	----		5367 V4B			
	1	5353 V1R	----		5367 V4R			
	1	5353 V1T	----		5367 V4T			
	1	5376 V5B						
	1	5376 V5R						
	1	5376 V5T						
	1	5384 V2A						
	1	5387 T8A						
(w,heavy duty spring and rubber pad) (codes L1B, K1B, L4B, K4B) (codes L1R, K1R, L4R, K4R) (codes L1T, K1T, L4T, K4T) (codes L8A, K8A, T8A) (codes L2A, K2A) (code L5B) (code L5R) (code L5T)	1	5354 V1B	----		5368 V4B			
	1	5354 V1R	----		5368 V4R			
	1	5354 V1T	----		5368 V4T			
	1	5388 T8A						
	1	5385 V2A						
	1	5377 V5B						
	1	5377 V5R						
	1	5377 V5T						

* Indicates use as required.

⊠ Indicates parts not listed in any previous parts book.

Right and left part numbers are on same line,

first number is right, second number is left.

1964 PASSENGER CAR PARTS CATALOG

CODE	REMARKS	PER CAR	SED.	4D H.T.	STA. WGN.	2D H.T.	CV. CP.
23-108-4	CUSHION, Front Seat - Cont'd P1-M, P2-M (2 D.) (w/rubber pad)						
	(code M1B)	1	*5360 V1B	-----	-----	*5360 V1B	
	(code M1Q)	1	5360 V1Q	-----	-----	5360 V1Q	
	(code M1R)	1	5360 V1R	-----	-----	5360 V1R	
	(code M1T)	1	5360 V1T	-----	-----	5360 V1T	
	(w/heavy duty spring)						
	(code M1B)	1	5361 V1B	-----	-----	5361 V1B	
	(code M1Q)	1	5361 V1Q	-----	-----	5361 V1Q	
	(code M1R)	1	5361 V1R	-----	-----	5361 V1R	
	(code M1T)	1	5361 V1T	-----	-----	5361 V1T	
	(code M1B)	1	5356 V1B	-----	-----	5356 V1B	
	(code M1Q)	1	5356 V1Q	-----	-----	5356 V1Q	
	(code M1R)	1	5356 V1R	-----	-----	5356 V1R	
	(code M1T)	1	5356 V1T	-----	-----	5356 V1T	
	P1-M, P2-M (4 D.)						
	(codes M1B, M4B)	1	5355 V1B	-----	5373 V4B		
	(codes M1Q, M4Q)	1	5355 V1Q	-----	5373 V4Q		
	(codes M1R, M4R)	1	5355 V1R	-----	5373 V4R		
	(codes M1T, M4T)	1	5355 V1T	-----	5373 V4T		
	(w/rubber pad)						
	(code M5B)	1	5376 V5B	-----			
	(code M5R)	1	5376 V5R	-----			
	(code M5T)	1	5376 V5T	-----			
	(code M8A)	1	5387 T8A	-----			
	(w/heavy duty spring and rubber pad)						
	(codes M5B, M4B)	1	5377 V5B	-----	5374 V4B		
	(codes M5R, M4R)	1	5377 V5R	-----	5374 V4R		
	(codes M5T, M4T)	1	5377 V5T	-----	5374 V4T		
	(code M4Q)	1	-----	-----	5374 V4Q		
	(code M8A)	1	5388 T8A	-----			
	P1-H, P2-H						
	(code H1B)	1	5362 V1B	5362 V1B	-----	5364 V1B	
	(code H1Q)	1	5362 V1Q	5362 V1Q	-----	5364 V1Q	
	(code H1R)	1	5362 V1R	5362 V1R	-----	5364 V1R	
	(code H1T)	1	5362 V1T	5362 V1T	-----	5364 V1T	
	(code H1U)	1	5362 V1U	5362 V1U	-----	5364 V1U	
	(w/electric seat)						
	(code H4B)	1	-----	-----	-----	5372 V4B	5372 V4B
	(code H4Q)	1	-----	-----	-----	5372 V4Q	5372 V4Q
	(code H4R)	1	-----	-----	-----	5372 V4R	5372 V4R
	(code H4Q)	1	-----	-----	-----	5372 V4U	5372 V4U
	(code H4X)	1	-----	-----	-----	5372 V4X	5372 V4X
	(code H1B)	1	-----	-----	-----	5365 V1B	
	(code H1Q)	1	-----	-----	-----	5365 V1Q	
	(code H1R)	1	-----	-----	-----	5365 V1R	
	(code H1T)	1	-----	-----	-----	5365 V1T	
	(code H1U)	1	-----	-----	-----	5365 V1U	
	P1-H, P2-H						
	(code H4B)	1	5369 V4B	5369 V4B	5369 V4B	5371 V4B	5371 V4B
	(code H4Q)	1	5369 V4Q	5369 V4Q	5369 V4Q	5371 V4Q	5371 V4Q
	(code H4R)	1	5369 V4R	5369 V4R	5369 V4R	5371 V4R	5371 V4R
	(code H4T)	1	5369 V4T	-----	5369 V4T		
	(code H4U)	1	-----	5369 V4U	-----	5371 V4U	5371 V4U
	(code H4X)	1	-----	5369 V4X	-----	5371 V4X	5371 V4X
	P2-P						
	(code P4B)	1	-----	-----	-----	5378-9 V4B	5378-9 V4B
	(code P4Q)	1	-----	-----	-----	5378-9 V4Q	5378-9 V4Q
	(code P4R)	1	-----	-----	-----	5378-9 V4R	5378-9 V4R

★ Indicates use as required.

E Indicates parts not listed in any previous parts book.
March 15, 1965 Supersedes May 22, 1964.Printed in U.S.A.
Prices and specifications subject to change without notice.
Right and left part numbers are on same line,
first number is right, second number is left.

* Indicates change or addition.

CODE	REMARKS	PER CAR	SED.	4D H.T	STA. WGN.	2D H.T	CV. CP.
23-108-4	CUSHION, Front Seat - Cont'd P2-P (code P4U) (code P4X)	1 1	----- -----	----- -----	----- -----	5378-9 V4U 5378-9 V4X	5378-9 V4U 5378-9 V4X
23-108-5	COVER, Front Seat P1-L, P2-L (2 D.) (codes L1B, K1B) (codes L1R, K1R) (codes L1T, K1T) (codes L2A, K2A) (codes L8A, K8A, M8A)	1 1 1 1 1	5825 V1B 5825 V1R 5825 V1T 5836 V2A 5838 V8A				
	P1-L, P2-L (4 D.) (codes L1B, K1B) (codes L1R, K1R) (codes L1T, K1T) (codes L2A, V2A) (codes L4B, K4B, L5B) (codes L4R, K4R, L5R) (codes L4T, K4T, L5T)	1 1 1 1 1 1 1	5823 V1B 5823 V1R 5823 V1T 5835 V2A 5833 V5B 5833 V5R 5833 V5T			5829 V4B 5829 V4R 5829 V4T	
	P1-M, P2-M (2 D.) (code M1B) (code M1Q) (code M1R) (code M1T)	1 1 1 1	5826 V1B 5826 V1Q 5826 V1R 5826 V1T			5826 V1B 5826 V1Q 5826 V1R 5826 V1T	
	P1-M, P2-M (4 D.) (codes M1B, M4B) (codes M1Q, M4Q) (codes M1R, M4R) (codes M1T, M4T) (code M5B) (code M5R) (code M5T)	1 1 1 1 1 1 1	5824 V1B 5824 V1Q 5824 V1R 5824 V1T 5833 V5B 5833 V5R 5833 V5T			5832 V4B 5832 V4Q 5832 V4R 5832 V4T	
	P1-H, P2-H (code H4B) (code H4Q) (code H4R) (code H4T) (code H4U) (code H4X) (code H1B) (code H1Q) (code H1R) (code H1T) (code H1U) (code H4B) (code H4Q) (code H4R) (code H4U) (code H4X)	1 1 1 1 1 1 1 1 1 1 1 1 1 1 1 1	5830 V4B 5830 V4Q 5830 V4R 5830 V4T ----- 5830 V4X 5827 V1B 5827 V1Q 5827 V1R 5827 V1T 5827 V1U ----- ----- ----- ----- -----	5830 V4B 5830 V4Q 5830 V4R ----- 5830 V4U 5830 V4X 5827 V1B 5827 V1Q 5827 V1R 5827 V1T 5827 V1U ----- ----- ----- ----- -----	5830 V4B 5830 V4Q 5830 V4R 5830 V4T ----- ----- ----- ----- ----- ----- ----- ----- ----- ----- ----- ----- ----- -----	5828 V1B 5828 V1Q 5828 V1R 5828 V1T 5828 V1U 5831 V4B 5831 V4Q 5831 V4R 5831 V4U 5831 V4X	5831 V4B 5831 V4Q 5831 V4R 5831 V4U 5831 V4X
	P2-P (code P4B) (code P4Q) (code P4R) (code P4U) (code P4X)	1 1 1 1 1	----- ----- ----- ----- -----	----- ----- ----- ----- -----	----- ----- ----- ----- -----	5834 V4B 5834 V4Q 5834 V4R 5834 V4U 5834 V4X	5834 V4B 5834 V4Q 5834 V4R 5834 V4U 5834 V4X
23-108-12	BACK, Front Seat P1-L, P2-L (2 D.) (code L1B) (code L1R)	1 1	5552-3 V1B 5552-3 V1R				

★ Indicates use as required.

☐ Indicates parts not listed in any previous parts book.
Right and left part numbers are on same line,
first number is right, second number is left.

CODE	REMARKS	PER CAR	SED.	4D H.T	STA. WGN.	2D H.T	CV. CP.
23-108-12	BACK, Front Seat - Cont'd						
	P1-L, P2-L (2 D.)						
	(code L1T)	1	5552-3 V1T				
	(code L2A)	1	5576-7 V2A				
	(code L8A)	1	5584-5 V8A				
	(w/heavy duty spring)						
	(codes L1B, K1B)	1	5556-7 V1B				
	(codes L1R, K1R)	1	5556-7 V1R				
	(codes L1T, K1T)	1	5556-7 V1T				
	(codes L2A, K2A)	1	5580-1 V2A				
	(codes L8A, K8A)	1	5588-9 V8A				
	P1-L, P2-L (4 D.)						
	(codes L1B, L4B)	1	5547 V1B	----	*5562 V4B		
	(codes L1R, L4R)	1	5547 V1R	----	5562 V4R		
	(codes L1T, L4T)	1	5547 V1T	----	5562 V4T		
	(code L2A)	1	5572 V2A				
	(code L8A)	1	5575 T8A				
	(code L5B)	1	5569 V5B				
	(code L5R)	1	5569 V5R				
	(code L5T)	1	5569 V5T				
	(code L2A) (w/ash receiver)	1	5573 V2A				
	(w/heavy duty spring)						
	(codes L4B, L1B, K1B, K4B)	1	5549 V1B	----	5563 V4B		
	(codes L4R, L1R, K1R, K4R)	1	5549 V1R	----	5563 V4R		
	(codes L4T, L1T, K1T, K4T)	1	5549 V1T	----	5563 V4T		
	(code L5B)	1	5570 V5B				
	(code L5R)	1	5570 V5R				
	(code L5T)	1	5570 V5T				
	(codes L2A, K2A)	1	5574 V2A				
	(codes L8A, K8A)	1	5582 T8A				
	P1-M, P2-M (2 D.)						
	(code M1B)	1	5558-9 V1B	----	----	5558-9 V1B	
	(code M1Q)	1	5558-9 V1Q	----	----	5558-9 V1Q	
	(code M1R)	1	5558-9 V1R	----	----	5558-9 V1R	
	(code M1T)	1	5558-9 V1T	----	----	5558-9 V1T	
	(code M8A)	1	5584-5 V8A				
	(w/heavy duty spring)						
	(code M1B)	1	5560-1 V1B	----	----	5560-1 V1B	
	(code M1Q)	1	5560-1 V1Q	----	----	5560-1 V1Q	
	(code M1R)	1	5560-1 V1R	----	----	5560-1 V1R	
	(code M1T)	1	5560-1 V1T	----	----	5560-1 V1T	
	(code M8A)	1	5588-9 V8A				
	P1-M, P2-M (4 D.)						
	(codes M1B, M4B)	1	5550 V1B	----	5565 V4B		
	(codes M1Q, M4Q)	1	5550 V1Q	----	5565 V4Q		
	(codes M1R, M4R)	1	5550 V1R	----	5565 V4R		
	(codes M1T, M4T)	1	5550 V1T	----	5565 V4T		
	(code M5B)	1	5569 V5B				
	(code M5R)	1	5569 V5R				
	(code M5T)	1	5569 V5T				
	(code M8A)	1	5575 V8A				
	(w/heavy duty spring)						
	(codes M1B, M4B)	1	5551 V1B	----	5568 V4B		
	(codes M1Q, M4Q)	1	5551 V1Q	----	5568 V4Q		
	(codes M1R, M4R)	1	5551 V1R	----	5568 V4R		
	(codes M1T, M4T)	1	5551 V1T	----	5568 V4T		
	(code M5B)	1	5570 V5B				
	(code M5R)	1	5570 V5R				
	(code M5T)	1	5570 V5T				

★ Indicates use as required.

☐ Indicates parts not listed in any previous parts book.

March 15, 1965 Supersedes May 22, 1964.

Page IT-46

Printed in U.S.A.

Prices and specifications subject to change without notice.

Right and left part numbers are on same line,

first number is right, second number is left.

* Indicates change or addition.

INTERIOR TRIM 1964 PASSENGER CAR PARTS CATALOG

CODE	REMARKS	PER CAR	SED.	4D H.T	STA. WGNL	2D H.T	CV. CP.
23-108-12	BACK, Front Seat - Cont'd P1-H, P2-H						
	(code H1B)	1	5548 V1B	5548 V1B	-----	5554-5 V1B	
	(code H1Q)	1	5548 V1Q	5548 V1Q	-----	5554-5 V1Q	
	(code H1R)	1	5548 V1R	5548 V1R	-----	5554-5 V1R	
	(code H1T)	1	5548 V1T	5548 V1T	-----	5554-5 V1T	
	(code H1U)	1	5548 V1U	5548 V1U	-----	5554-5 V1U	
	(code H4B)	1	5564 V4B	5564 V4B	5564 V4B	5566-7 V4B	*5566-7 V4B
	(code H4Q)	1	5564 V4Q	5564 V4Q	5564 V4Q	5566-7 V4Q	*5566-7 V4Q
	(code H4R)	1	5564 V4R	5564 V4R	5564 V4R	5566-7 V4R	*5566-7 V4R
	(code H4T)	1	5564 V4T	-----	5564 V4T		
	(code H4U)	1	-----	5564 V4U	-----	5566-7 V4U	*5566-7 V4U
	(code H4X)	1	-----	5564 V4X	-----	5566-7 V4X	*5566-7 V4X
	Push-Nut	4	-----	-----	-----	*6024 203	*6024 203
23-108-15	SPRING and COVER P2-P						
	(code P4B)	2	-----	-----	-----	5726 V4B	5726 V4B
	(code P4Q)	2	-----	-----	-----	5726 V4Q	5726 V4Q
	(code P4R)	2	-----	-----	-----	5726 V4R	5726 V4R
	(code P4U)	2	-----	-----	-----	5726 V4U	5726 V4U
	(code P4X)	2	-----	-----	-----	5726 V4X	5726 V4X
	Push-Nut	4	-----	-----	-----	*6024 203	*6024 203
23-108-16	COVER, Front Back P1, P2 (2 D.)						
	(codes L1B, K1B)	1	5954-5 V1B				
	(codes L1R, K1R)	1	5954-5 V1R				
	(codes L1T, K1T)	1	5954-5 V1T				
	(codes L2A, K2A)	1	5968-9 V2A				
	(codes L8A, K8A)	1	5972-3 V8A				
	(code M1B)	1	5956-7 V1B	-----	-----	5956-7 V1B	
	(code M1Q)	1	5956-7 V1Q	-----	-----	5956-7 V1Q	
	(code M1R)	1	5956-7 V1R	-----	-----	5956-7 V1R	
	(code M1T)	1	5956-7 V1T	-----	-----	5956-7 V1T	
	(code H1B)	1	-----	-----	-----	5958-9 V1B	
	(code H1Q)	1	-----	-----	-----	5958-9 V1Q	
	(code H1R)	1	-----	-----	-----	5958-9 V1R	
	(code H1T)	1	-----	-----	-----	5958-9 V1T	
	(code H1U)	1	-----	-----	-----	5958-9 V1U	
	P1, P2 (2 D.)						
	(code H4B)	1	-----	-----	-----	5962-3 V4B	5962-3 V4B
	(code H4Q)	1	-----	-----	-----	5962-3 V4Q	5962-3 V4Q
	(code H4R)	1	-----	-----	-----	5962-3 V4R	5962-3 V4R
	(code H4U)	1	-----	-----	-----	5962-3 V4U	5962-3 V4U
	(code H4X)	1	-----	-----	-----	5962-3 V4X	5962-3 V4X
	(code P4B)	2	-----	-----	-----	5966 V4B	5966 V4B
	(code P4Q)	2	-----	-----	-----	5966 V4Q	5966 V4Q
	(code P4R)	2	-----	-----	-----	5966 V4R	5966 V4R
	(code P4U)	2	-----	-----	-----	5966 V4U	5966 V4U
	(code P4X)	2	-----	-----	-----	5966 V4X	5966 V4X
	P1, P2 (4 D.)						
	(codes L1B, K1B)	1	5951 V1B				
	(codes L1R, K1R)	1	5951 V1R				
	(codes L1T, K1T)	1	5951 V1T				
	(codes L2A, K2A)	1	5967 V2A				
	(codes L8A, K8A, T8A, M8A)	1	5970 T8A				
	(codes L5B, M5B)	1	5965 V5B				
	(codes L5R, M5R)	1	5965 V5R				
	(codes L5T, M5T)	1	5965 V5T				
	(code M1B)	1	5952 V1B				
	(code M1Q)	1	5952 V1Q				
	(code M1R)	1	5952 V1R				

★ Indicates use as required.

☐ Indicates parts not listed in any previous parts book.
Right and left part numbers are on same line,
first number is right, second number is left.

1964 PASSENGER CAR PARTS CATALOG

INTERIOR TRIM

CODE	REMARKS	PER CAR	SED.	4D H.T	STA. WGNL	2D H.T	CV. CP.
23-108-16	COVER, Front Back - Cont'd P1, P2 (4 D.)						
	(code M1T)	1	5952 V1T				
	(code H1B)	1	5960 V1B	5960 V1B			
	(code H1Q)	1	5960 V1Q	5960 V1Q			
	(code H1R)	1	5960 V1R	5960 V1R			
	(code H1T)	1	5960 V1T	5960 V1T			
	(code H1U)	1	5960 V1U	5960 V1U			
	(code H4B)	1	5961 V4B	5961 V4B	5961 V4B		
	(code H4Q)	1	5961 V4Q	5961 V4Q	5961 V4Q		
	(code H4R)	1	5961 V4R	5961 V4R	5961 V4R		
	(code H4T)	1	5961 V4T	-----	5961 V4T		
	(code H4U)	1	-----	5961 V4U			
	(code H4X)	1	-----	5961 V4X			
	(codes L4B, K4B)	1	-----	-----	5953 V4B		
	(codes L4R, K4R)	1	-----	-----	5953 V4R		
	(codes L4T, K4T)	1	-----	-----	5953 V4T		
	(code M4B)	1	-----	-----	5964 V4B		
	(code M4Q)	1	-----	-----	5964 V4Q		
	(code M4R)	1	-----	-----	5964 V4R		
	(code M4T)	1	-----	-----	5964 V4T		
23-108-32	PANEL or COVER, Back of Front Back P2-P						
	(code P4B)	1	-----	-----	-----	6122 V4B	6122 V4B
	(code P4Q)	1	-----	-----	-----	6122 V4Q	6122 V4Q
	(code P4R)	1	-----	-----	-----	6122 V4R	6122 V4R
	(code P4U)	1	-----	-----	-----	6122 V4U	6122 V4U
	(code P4X)	1	-----	-----	-----	6122 V4X	6122 V4X
23-108-57	NUT, Front Seat Cushion Bumper to Rear Rail P1, P2	4	*2094 869				
23-108-84	COVER, Front Seat Back Side Hinge P1, P2 (2 D.)						
	Right	1	4338 VZ1	-----	-----	4338 VZ1	4338 VZ1
	Left	1	4337 VZ1	-----	-----	4337 VZ1	4337 VZ1
	P1-H, P2-H (4 D.)	1	4330-1 VZ1	4330-1 VZ1	4330-1 VZ1		
	Cap	2	E6008 221	E6008 221	E6008 221	E6008 221	E6008 221
23-108-98	SHIELD, Front Seat Side P1-H, P2-H (cushion)						
	(manual and electric) Right	1	2419 412	2419 412	2419 412	2419 412	2419 412
	(manual) Left	1	2419 413	2419 413	2419 413	2419 413	2419 413
	(electric) Left	1	2419 969	2419 969	2419 969	2419 969	2419 969
	(cushion) (back)	2	2494 106	2494 106	2494 106	2494 106	2494 106
	(back)	4	-----	-----	-----	2440 219	2440 219
	(cushion)	2	-----	-----	-----	2440 340	2440 340
23-108-100	CUP-WASHER, Front Seat Side Shield to Seat Frame P1-H, P2-H	2	E2419 974	E2419 974	-----	E2419 974	E2419 974
23-108-142	BRACKET, Front Seat Side Shield to Seat Frame P1-H, P2-H	2	E2419 957	E2419 957	-----	E2419 957	E2419 957
23-109-3	BACK, Rear Seat P1-L, P2-L (2nd seat) (codes L1B, L4B, K4B)	1	6548 V1B	-----	6556 V4B		

★ Indicates use as required.

E Indicates parts not listed in any previous parts book.
March 15, 1965 Supersedes May 22, 1964.Prices and specifications subject to change without notice.
Right and left part numbers are on same line,
first number is right, second number is left.
* Indicates change or addition.

Printed in U.S.A.

INTERIOR TRIM 1964 PASSENGER CAR PARTS CATALOG

CODE	REMARKS	PER CAR	SED.	4D H.T	STA. WGN.	2D H.T	CV. CP.
23-109-3	BACK, Rear Seat - Cont'd						
	P1-L, R2-L (2nd seat)						
	(codes L1R, L4R, K4R)	1	6548 V1R	----	6556 V4R		
	(codes L1T, L4T, K4T)	1	6548 V1T	----	6556 V4T		
	(code L2A)	1	6566 V2A				
	(code L8A)	1	6568 V8A				
	(code L5B)	1	6562 V5B				
	(code L5R)	1	6562 V5R				
	(code L5T)	1	6562 V5T				
	(w/heavy duty spring)						
	(codes L1B, K1B)	1	6549 V1B				
	(codes L1R, K1R)	1	6549 V1R				
	(codes L1T, K1T)	1	6549 V1T				
	(codes L2A, K2A)	1	6567 V2A				
	(codes L8A, K8A, T8A)	1	6569 V8A				
	(code L5B)	1	6563 V5B				
	(code L5R)	1	6563 V5R				
	(code L5T)	1	6563 V5T				
	P1-M, P2-M (2nd seat)						
	(codes M1B, M4B)	1	6550 V1B	----	6561 V4B	6552 V1B	
	(codes M1Q, M4Q)	1	6550 V1Q	----	6561 V4Q	6552 V1Q	
	(codes M1R, M4R)	1	6550 V1R	----	6561 V4R	6552 V1R	
	(codes M1T, M4T)	1	6550 V1T	----	6561 V4T	6552 V1T	
	(code M5B)	1	6562 V5B				
	(code M5R)	1	6562 V5R				
	(code M5T)	1	6562 V5T				
	(code M8A)	1	6568 V8A				
	P1, P2 (3rd seat)						
	(code L4B)	1	----	----	7014 V4B		
	(code L4R)	1	----	----	7014 V4R		
	(code L4T)	1	----	----	7014 V4T		
	(code M4B)	1	----	----	7022 V4B		
	(code M4Q)	1	----	----	7022 V4Q		
	(code M4R)	1	----	----	7022 V4R		
	(code M4T)	1	----	----	7022 V4T		
	(w/heavy duty spring)						
	(code M1B)	1	6551 V1B	----	----	6553 V1B	
	(code M1Q)	1	6551 V1Q	----	----	6553 V1Q	
	(code M1R)	1	6551 V1R	----	----	6553 V1R	
	(code M1T)	1	6551 V1T	----	----	6553 V1T	
	(code M8A)	1	6569 V8A				
	(code M5B)	1	6563 V5B				
	(code M5R)	1	6563 V5R				
	(code M5T)	1	6563 V5T				
	P1-H, P2-H (2nd seat)						
	(code H1B)	1	6554 V1B	6554 V1B	----	6555 V1B	
	(code H1Q)	1	6554 V1Q	6554 V1Q	----	6555 V1Q	
	(code H1R)	1	6554 V1R	6554 V1R	----	6555 V1R	
	(code H1T)	1	6554 V1T	6554 V1T	----	6555 V1T	
	(code H1U)	1	6554 V1U	6554 V1U	----	6555 V1U	
	(code H4B)	1	6557 V4B	6557 V4B	6558 V4B	6559 V4B	6570 V4B
	(code H4Q)	1	6557 V4Q	6557 V4Q	6558 V4Q	6559 V4Q	6570 V4Q
	(code H4R)	1	6557 V4R	6557 V4R	6558 V4R	6559 V4R	6570 V4R
	(code H4T)	1	6557 V4T	----	6558 V4T		
	(code H4U)	1	----	6557 V4U	----	6559 V4U	6570 V4U
	(code H4X)	1	----	6557 V4X	----	6559 V4X	6570 V4X
	P2-H (3rd seat)						
	(spring and cover)						
	(code H4B)	1	----	----	7018 V4B		
	(code H4Q)	1	----	----	7018 V4Q		

★ Indicates use as required.

⊠ Indicates parts not listed in any previous parts book.

Right and left part numbers are on same line,

first number is right, second number is left.

CODE	REMARKS	PER CAR	SED.	4D H.T	STA. WGN.	STA. WGN.	CV. CP.
23-109-3	BACK, Rear Seat - Cont'd P2-H (3rd seat) (spring and cover)						
	(code H4R)	1	----	----	7018 V4R		
	(code H4T)	1	----	----	7018 V4T		
	P2-P						
	(code P4B)	1	----	----		6564 VAB	6565 V4B
	(code P4Q)	1	----	----		6564 V4Q	6565 V4Q
	(code P4R)	1	----	----		6564 V4R	6565 V4R
	(code P4U)	1	----	----		6564 V4U	6565 V4U
	(code P4X)	1	----	----		6564 V4X	6565 V4X
23-109-4	COVER, Rear Seat Back P1-L, P2-L (2nd seat)						
	(codes L1B, K1B)	1	6750 V1B				
	(codes L1R, K1R)	1	6750 V1R				
	(codes L1T, K1T)	1	6750 V1T				
	(codes L2A, K2A)	1	6764 V2A				
	(codes L8A, K8A, T8A)	1	6765 V8A				
	(codes L5B, L4B)	1	6761 V5B	----	6755 V4B		
	(codes L5R, L4R)	1	6761 V5R	----	6755 V4R		
	(codes L5T, L4T)	1	6761 V5T	----	6755 V4T		
	P1-L, P2-L (3rd seat)						
	(code L4B)	1	----	----	7015 V4B		
	(code L4R)	1	----	----	7015 V4R		
	(code L4T)	1	----	----	7015 V4T		
	P1-M, P2-M (2nd seat)						
	(codes M1B, M4B)	1	6751 V1B	----	6760 V4B	6752 V1B	
	(codes M1Q, M4Q)	1	6751 V1Q	----	6760 V4Q	6752 V1Q	
	(codes M1R, M4R)	1	6751 V1R	----	6760 V4R	6752 V1R	
	(codes M1T, M4T)	1	6751 V1T	----	6760 V4T	6752 V1T	
	(code M8A)	1	6765 V8A				
	(code M5B)	1	6761 V5B				
	(code M5R)	1	6761 V5R				
	(code M5T)	1	6761 V5T				
	P2-M (3rd seat)						
	(code M4B)	1	----	----	7023 V4B		
	(code M4Q)	1	----	----	7023 V4Q		
	(code M4R)	1	----	----	7023 V4R		
	(code M4T)	1	----	----	7023 V4T		
	P1-H, P2-H (2nd seat)						
	(code H1B)	1	6753 V1B	6753 V1B	----	6754 V1B	
	(code H1Q)	1	6753 V1Q	6753 V1Q	----	6754 V1Q	
	(code H1R)	1	6753 V1R	6753 V1R	----	6754 V1R	
	P1-H, P2-H						
	(code H1T)	1	6753 V1T	6753 V1T	----	6754 V1T	
	(code H1U)	1	6753 V1U	6753 V1U	----	6754 V1U	
	(code H4B)	1	6756 V4B	6756 V4B	6757 V4B	6758 V4B	6759 V4B
	(code H4Q)	1	6756 V4Q	6756 V4Q	6757 V4Q	6758 V4Q	6759 V4Q
	(code H4R)	1	6756 V4R	6756 V4R	6757 V4R	6758 V4R	6759 V4R
	(code H4T)	1	6756 V4T	6756 V4T	6757 V4T	6758 V4T	6759 V4T
	(code H4U)	1	----	6756 V4U	----	6758 V4U	6759 V4U
	(code H4X)	1	----	6756 V4X	----	6758 V4X	6759 V4X
	P2-H (3rd seat)						
	(code H4B)	1	----	----	7019 V4B		
	(code H4Q)	1	----	----	7019 V4Q		
	(code H4R)	1	----	----	7019 V4R		
	(code H4T)	1	----	----	7019 V4T		

★ Indicates use as required.

□ Indicates parts not listed in any previous parts book.

March 15, 1965 Supersedes May 22, 1964.

Printed in U.S.A.
Prices and specifications subject to change without notice.
Right and left part numbers are on same line,
first number is right, second number is left.

* Indicates change or addition.

CODE	REMARKS	PER CAR	SED.	4D H.T	STA. WGN.	2D H.T	CV. CP.
23-109-4	COVER, Rear Seat Back - Cont'd P2-P (code P4B)	1	----	----	----	6762 V4B	6763 V4B
	(code P4Q)	1	----	----	----	6762 V4Q	6763 V4Q
	(code P4R)	1	----	----	----	6762 V4R	6763 V4R
	(code P4U)	1	----	----	----	6762 V4U	6763 V4U
	(code P4X)	1	----	----	----	6762 V4X	6763 V4X
23-109-5	INSERT or COVER, Rear Seat Back Rear Panel P1, P2 (2nd seat) (codes L4B, K4B, M4B, H4B)	1	----	----	1804 VB8		
	(codes M4Q, H4Q)	1	----	----	1804 VQ8		
	(codes L4R, K4R, M4R, H4R)	1	----	----	1804 TR6		
	(codes L4T, K4T, M4T, H4T)	1	----	----	1804 VT8		
	P1, P2 (3rd seat) (codes L4B, M4B, H4B)	1	----	----	1805 VB8		
	(codes M4Q, H4Q)	1	----	----	1805 VQ8		
	(codes L4R, K4R, M4R, H4R)	1	----	----	1805 TR6		
	(codes L4T, K4T, M4T, H4T)	1	----	----	*1805 VT8		
	P1, P2 (3rd seat) (back support panel) (codes L4B, K4B, M4B, H4B)	1	----	----	1806 VB8		
	(codes M4Q, H4Q)	1	----	----	1806 VQ8		
	(codes L4R, K4R, M4R, H4R)	1	----	----	B1806 TR6		
	(codes L4T, K4T, M4T, H4T, L4N, K4N) (heavy duty spring and air foam pad) (code K1B)	1	6254 V1B			*1806 VT8	
(code K1R)	1	6254 V1R					
(code K1T)	1	6254 V1T					
(code K2A)	1	6283 V2A					
23-109-6	FOUNDATION, Back of Rear Seat Back Upper P2 (paint as required)	1	----	----	----	----	4364 VT6
23-109-35	CUSHION, Rear Seat P1, P2 (2nd seat) (codes L4B, K4B)	1	----	----	6265 V4B		
	(codes L4R, K4R)	1	----	----	6265 V4R		
	(codes L4T, K4T)	1	----	----	6265 V4T		
	(code M4B)	1	----	----	6273 V4B		
	(code M4Q)	1	----	----	6273 V4Q		
	(code M4R)	1	----	----	6273 V4R		
	(code M4T)	1	----	----	6273 V4T		
	(code H4B)	1	----	----	6268 V4B		
	(code H4Q)	1	----	----	6268 V4Q		
	(code H4R)	1	----	----	6268 V4R		
	(code H4T)	1	----	----	6268 V4T		
	P1, P2 (code L1B)	1	6251 V1B				
	(code L1R)	1	6251 V1R				
	(code L1T)	1	6251 V1T				
	(code L2A)	1	6280 V2A				
	(codes L8A, M8A) (w, heavy duty spring)	1	6284 T8A				
	(codes L5B, M5B)	1	6275 V5B				
	(codes L5R, M5R)	1	6275 V5R				
(codes L5T, M5T)	1	6275 V5T					
(codes L1B, K1B)	1	6253 V1B					

* Indicates use as required.
 B Indicates parts not listed in any previous parts book.
 Right and left part numbers are on same line,
 first number is right, second number is left.

1964 PASSENGER CAR PARTS CATALOG

INTERIOR TRIM

CODE	REMARKS	PER CAR	SED.	4D H.T.	STA. WGN.	2D H.T.	CV. CP.
23-109-35	CUSHION, Rear Seat - Cont'd P1, P2 (w/heavy duty spring)						
	(codes L1R, K1R)	1	6253 V1R				
	(codes L1T, K1T)	1	6253 V1T				
	(codes L2A, K2A)	1	6282 V2A				
	(codes L8A, K8A, M8A)	1	6286 T8A				
	(codes K8A, T8A)	1	6287 T8A				
	P1-L, P2-L (2nd seat)						
	(codes L4B, L5B, M5B, K4B)	1	6274 V5B	----	6265 V4B		
	(codes L4R, L5R, M5R, K4R)	1	6274 V5R	----	6265 V4R		
	(codes L4T, L5T, M5T, K4T)	1	6274 V5T	----	6265 V4T		
	P1-L, P2-L (3rd seat)						
	(code L4B)	1	----	----	7012 V4B		
	(code L4R)	1	----	----	7012 V4R		
	(code L4T)	1	----	----	7012 V4T		
	P1-M, P2-M (2nd seat)						
	(codes M1B, M4B)	1	6255 V1B	----	6273 V4B	6258 V1B	
	(codes M1Q, M4Q)	1	6255 V1Q	----	6273 V4Q	6258 V1Q	
	(codes M1R, M4R)	1	6255 V1R	----	6273 V4R	6258 V1R	
	(codes M1T, M4T)	1	6255 V1T	----	6273 V4T	6258 V1T	
	(w/heavy duty spring)						
	(code M1B)	1	6256 V1B	----	----	6259 V1B	
	(code M1Q)	1	6256 V1Q	----	----	6259 V1Q	
	(code M1R)	1	6256 V1R	----	----	6259 V1R	
	(code M1T)	1	6256 V1T	----	----	6259 V1T	
	P1-M, P2-M (3rd seat)						
	(code M4B)	1	----	----	7020 V4B		
	(code M4Q)	1	----	----	7020 V4Q		
	(code M4R)	1	----	----	7020 V4R		
	(code M4T)	1	----	----	7020 V4T		
	P1-H, P2-H						
	(code H1B)	1	6261 V1B	6261 V1B	----	6263 V1B	
	(code H1Q)	1	6261 V1Q	6261 V1Q	----	6263 V1Q	
	(code H1R)	1	6261 V1R	6261 V1R	----	6263 V1R	
	(code H1T)	1	6261 V1T	6261 V1T	----	6263 V1T	
	(code H1U)	1	6261 V1U	6261 V1U	----	6263 V1U	
	(code H4B)	1	----	----	----	6269 V4B	6271 V4B
	(code H4Q)	1	----	----	----	6269 V4Q	6271 V4Q
	(code H4R)	1	----	----	----	6269 V4R	6271 V4R
	(code H4U)	1	----	----	----	6269 V4U	6271 V4U
	(code H4X)	1	----	----	----	6269 V4X	6271 V4X
	(w/air foam pad)						
	(code H1B)	1	6262 V1B	6262 V1B	----	6264 V1B	
	(code H1Q)	1	6262 V1Q	6262 V1Q	----	6264 V1Q	
	(code H1R)	1	6262 V1R	6262 V1R	----	6264 V1R	
	(code H1T)	1	6262 V1T	6262 V1T	----	6264 V1T	
	(code H1U)	1	6262 V1U	6262 V1U	----	6264 V1U	
	(code H4B)	1	----	----	----	6270 V4B	6272 V4B
	(code H4Q)	1	----	----	----	6270 V4Q	6272 V4Q
	(code H4R)	1	----	----	----	6270 V4R	6272 V4R
	(code H4U)	1	----	----	----	6270 V4U	6272 V4U
	(code H4X)	1	----	----	----	6270 V4X	6272 V4X
	P1-H, P2-H (2nd seat)						
	(code H4B)	1	6266 V4B	6266 V4B	6268 V4B		
	(code H4Q)	1	6266 V4Q	6266 V4Q	6268 V4Q		
	(code H4R)	1	6266 V4R	6266 V4R	6268 V4R		
	(code H4T)	1	6266 V4T				
	(code H4U)	1	----	6266 V4U			
	(code H4X)	1	----	6266 V4X			

★ Indicates use as required.

⊠ Indicates parts not listed in any previous parts book.
 March 15, 1965 Supersedes May 22, 1964.

Printed in U.S.A.
 Prices and specifications subject to change without notice.
 Right and left part numbers are on same line,
 first number is right, second number is left.
 * Indicates change or addition.

CODE	REMARKS	PER CAR	SED.	4D H.T	STA. WGN.	2D H.T	CV. CP.
23-109-35	CUSHION, Rear Seat - Cont'd P1-H, P2-H (2nd seat) (w/air foam pad)						
	(code H4B)	1	----	6267 V4B	6257 V4B		
	(code H4Q)	1	----	6267 V4Q	6257 V4Q		
	(code H4R)	1	----	6267 V4R	6257 V4R		
	(code H4T)	1	----	-----	6257 V4T		
	(code H4U)	1	----	6267 V4U			
	(code H4X)	1	----	6267 V4X			
	P2-H (3rd seat)						
	(code H4B)	1	----	-----	7016 V4B		
	(code H4Q)	1	----	-----	7016 V4Q		
	(code H4R)	1	----	-----	7016 V4R		
	(code H4T)	1	----	-----	7016 V4T		
	P1-P, P2-P						
	(code P4B)	1	----	-----	-----	6278 V4B	6279 V4B
	(code P4Q)	1	----	-----	-----	6278 V4Q	6279 V4Q
	(code P4R)	1	----	-----	-----	6278 V4R	6279 V4R
	(code P4U)	1	----	-----	-----	6278 V4U	6279 V4U
	(code P4X)	1	----	-----	-----	6278 V4X	6279 V4X
23-109-36	COVER, Rear Seat Cushion						
	P1-L, P2-L, (2nd seat)						
	(codes L1B, K1B)	1	6422 V1B				
	(codes L1R, K1R)	1	6422 V1R				
	(codes L1T, K1T)	1	6422 V1T				
	(codes L2A, K2A)	1	6436 V2A				
	(codes L5B, L4B, L4B)	1	6433 V5B	-----	6426 V4B		
	(codes L5R, L4R, K4R)	1	6433 V5R	-----	6426 V4R		
	(codes L5T, L4T, K4T)	1	6433 V5T	-----	6426 V4T		
	(codes L8A, K8A, T8A, M8A)	1	6437 T8A				
	P1-L, P2-L (3rd seat)						
	(code L4B)	1	----	-----	7013 V4B		
	(code L4R)	1	----	-----	7013 V4R		
	(code L4T)	1	----	-----	7013 V4T		
	P1-M, P2-M (2nd seat)						
	(codes M1B, M4B)	1	6423 V1B	-----	6432 V4B	6424 V1B	
	(codes M1Q, M4Q)	1	6423 V1Q	-----	6432 V4Q	6424 V1Q	
	(codes M1R, M4R)	1	6423 V1R	-----	6432 V4Q	6424 V1R	
	(codes M1T, M4T)	1	6423 V1T	-----	6432 V4T	6424 V1T	
	(code M5B)	1	6433 V5B				
	(code M5R)	1	6433 V5R				
	(code M5T)	1	6433 V5T				
	P2-M (3rd seat)						
	(code M4B)	1	----	-----	E7021 V4B		
	(code M4Q)	1	----	-----	E7021 V4Q		
	(code M4R)	1	----	-----	E7021 V4R		
	(code M4T)	1	----	-----	E7021 V4T		
	P1-H, P2-H (2nd seat)						
	(code H1B)	1	6425 V1B	6425 V1B	-----	6428 V1B	
	(code H1Q)	1	6425 V1Q	6425 V1Q	-----	6428 V1Q	
	(code H1R)	1	6425 V1R	6425 V1R	-----	6428 V1R	
	(code H1T)	1	6425 V1T	6425 V1T	-----	6428 V1T	
	(code H1U)	1	6425 V1U	6425 V1U	-----	6428 V1U	
	(code H4B)	1	6427 V4B	6427 V4B	6429 V4B	6430 V4B	6431 V4B
	(code H4Q)	1	6427 V4Q	6427 V4Q	6429 V4Q	6430 V4Q	6431 V4Q
	(code H4R)	1	6427 V4R	6427 V4R	6429 V4R	6430 V4R	6431 V4R
	(code H4T)	1	6427 V4T	-----	6429 V4T		

* Indicates use as required.

⊠ Indicates parts not listed in any previous parts book.

Right and left part numbers are on same line,

first number is right, second number is left.

Printed in U.S.A.

Prices and specifications subject to change without notice.

March 15, 1965 Supersedes May 22, 1964.

1964 PASSENGER CAR PARTS CATALOG

INTERIOR TRIM

CODE	REMARKS	PER CAR	SED.	4D H.T	STA. WGN.	2D H.T	CV. CP.
23-109-36	COVER, Rear Seat Cushion P1-H, P2-H (2nd seat) (code HVU) (code H4X)	1	----	6427 V4U	----	6430 V4U	6431 V4U
		1	----	6427 V4X	----	6430 V4X	6431 V4X
	P2-H (3rd seat) (code H4B) (code H4Q) (code H4R) (code H4T)	1	----	----	7017 V4B		
		1	----	----	7017 V4Q		
		1	----	----	7017 V4R		
		1	----	----	7017 V4T		
	P2-P (code P4B) (code P4Q) (code P4R) (code P4U) (code P4X)	1	----	----	----	6434 V4B	6435 V4B
		1	----	----	----	6434 V4Q	6435 V4Q
		1	----	----	----	6434 V4R	6435 V4R
		1	----	----	----	6434 V4U	6435 V4U
		1	----	----	----	6434 V4X	6435 V4X
	23-109-38	RETAINER, Rear Seat Cushion Floor Pan P1, P2 P1, P2 (3rd seat)					
2			*1810 037	*1810 037	*1810 037	*1810 037	*1810 037
2			----	----	*2251 674	----	----
	Front	2	----	----	*2482 956	----	----
	Rear	2	----	----	----	----	----
23-112-12	BOOT, Folding Top Dust P2 (codes H4B, P4B) (codes H4Q, P4Q) (codes H4R, P4R) (codes H4U, P4U) (codes H4X, P4X)	1	----	----	----	----	1915 VB6
		1	----	----	----	----	1915 VQ6
		1	----	----	----	----	1915 VR6
		1	----	----	----	----	1915 VU6
		1	----	----	----	----	1915 VX9
		1	----	----	----	----	1915 VX9
23-112-18	RETAINER, Rear Seat Back Dust Boot P2	1	----	----	----	----	*2410 006
23-112-45	CURTAIN, Folding Top P2 (blue) (white) (black) (back-lite) P2 (blue) (white) (black)	1	----	----	----	----	1925 VB1
		1	----	----	----	----	1925 VW1
		1	----	----	----	----	1925 TX9
		1	----	----	----	----	1926 VB1
		1	----	----	----	----	1926 VW1
		1	----	----	----	----	1926 TX9
23-112-46	ZIPPER, Folding Top Curtain P2 (white)	1	----	----	----	----	1923 VW2
23-112-50	TAPE, closure (serviced by the inch) P1 (black) (hook half) (loop half)	*	----	----	----	----	2440 030
		*	----	----	----	----	2440 029
		*	----	----	----	----	2440 029
23-112-75	TIP, Folding Top Wire-on Binding End P1, P2 Screw (attaching)	1	----	----	----	----	*1158 976-7
		2	----	----	----	----	*6024 438
		2	----	----	----	----	----
23-112-88	CABLE, Folding Top to Rear Bow Tension P1, P2 (black) (white) Bolt (attaching)	2	----	----	----	----	*1970 VX8
		2	----	----	----	----	*1970 VW2
		2	----	----	----	----	*6022 169

* Indicates use as required.

□ Indicates parts not listed in any previous parts book.

March 15, 1965 Supersedes May 22, 1964.

Page IT-48F

Printed in U.S.A.
Prices and specifications subject to change without notice.
Right and left part numbers are on same line,
first number is right, second number is left.

CODE	REMARKS	PER CAR	SED.	4D H.T	STA. WGN.	2D H.T	CV. CP.
23-112-108	DECK and SIDE QUARTER, Folding, Top						
	P2 (blue)	1	----	----	----	----	1937 VB1
	(white)	1	----	----	----	----	1937 VW1
	(black)	1	----	----	----	----	1937 VX9
23-112-112	PAD, Folding Top Side Quarter Stay						
	P2 (blue)	1	----	----	----	----	1952-3 VB1
	(white)	1	----	----	----	----	1952-3 VW1
	(black)	1	----	----	----	----	1952-3 VX9
23-112-153	COVER, Folding Top Well						
	(codes H4B, P4B)	1	----	----	----	----	1942 VB6
	(codes H4Q, P4Q)	1	----	----	----	----	1942 VQ6
	(codes H4R, P4R)	1	----	----	----	----	1942 VR6
	(codes H4U, P4U)	1	----	----	----	----	1942 VU6
	(codes H4X, P4X)	1	----	----	----	----	1942 VX9
	Cap	★	----	----	----	----	*6000 434
	Socket	★	----	----	----	----	* 141 998
Panel and Reinforcement Folding Top Pocket							
P2 (paint as required)	1	----	----	----	----	----	2050-1 VT6
23-112-160	PAD, Folding Top Pocket Panel Arm Rest						
	P2-H, P2-P						
	(codes H4B, P4B)	1	----	----	----	----	1202-3 VB6
	(codes H4Q, P4Q)	1	----	----	----	----	1202-3 VQ6
	(codes H4R, P4R)	1	----	----	----	----	1202-3 VR6
(codes H4U, P4U)	1	----	----	----	----	1202-3 VU6	
(codes H4X, P4X)	1	----	----	----	----	1202-3 VX9	
23-113-45	WEATHERCORD, Quarter Window Opening						
	P1, P2, (2 D.)						
	(codes L1B, K1B, M1B)	1	1515 VB6				
	(code M1Q)	1	1515 VQ6				
(codes L1T, K1T, M1T)	1	1515 VT6					
23-113-56	WEATHERCORD, Folding Top Header						
	P2-H, P2-P						
	(blue)	1	----	----	----	----	1946 VB1
(white)	1	----	----	----	----	1946 VW1	
(black)	1	----	----	----	----	1946 VX9	
23-113-84	WELT, Folding Top Header						
	P2						
	(white)	1	----	----	----	----	1959 VW2
(black)	1	----	----	----	----	1959 VX8	
(dust boot filler)	1	----	----	----	----	*2572 166	

NOTE: For Specific References to Body Cloth and Trim Material, Part Type Codes 23-114-2 and 23-114-15 See Illustrated Section.

23-114-2 See Note

23-114-10	BINDING, 5/8" Wire-on						
	P1, P2 (blue)	1	----	----	----	----	*1903 VB1
	(white)	1	----	----	----	----	*1903 VW1
	(black)	1	----	----	----	----	*1903 TX8
23-114-15	See Note						
23-115-4	PUSH-NUT, Front Seat Back to Cushion Mounting						
	P1-P, P2-P	4	*2410 102	*2410 102	*2410 102	*2410 102	*2410 102

★ Indicates use as required.

☐ Indicates parts not listed in any previous parts book.

1964 PASSENGER CAR PARTS CATALOG

INTERIOR TRIM

CODE	REMARKS	PER CAR	SED.	SP. 4 D.	SUB.	SP. CL. CP.	CV. CP.
23-115-8	PIN, Seat Back Frame to Cushion Mounting P2-P	4	-----	-----	-----	*2410 054	*2410 054

NOTES

★ Indicates use as required.
 ☐ Indicates parts not listed in any previous parts book.
 March 15, 1965

Printed in U.S.A.
 Prices and specifications subject to change without notice.
 Right and left part numbers are on same line,
 first number is right, second number is left.
 * Indicates change or addition.

1964 VALIANT

INTERIOR TRIM

HOW TO USE INTERIOR TRIM ILLUSTRATIONS

The illustrations in this section are actual and each body style showing the Interior Trim is included.

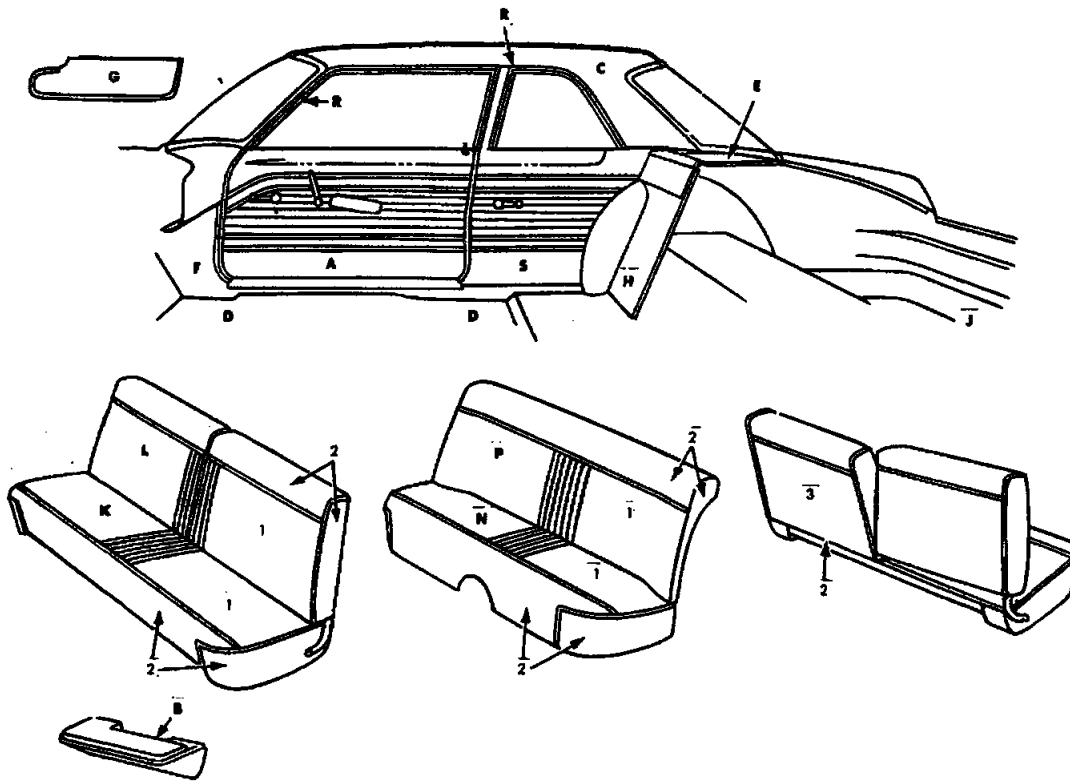
The letters shown on the illustration indicate the description of the part and the part type code when referred to the legend which appears preceding the listing of the parts. The letters are consistent throughout the illustrations as "A" is always a Door Trim Panel, Code 23-92-5.

The numbers on the illustration indicate the distribution of material and type of material used. The numbers may vary with each illustration. The legend appears on the illustration.

Appearing throughout this section are part numbers containing both letters and numbers. These are good serviceable part numbers. The combination of letters and numbers merely indicates the parts are keyed to the interior color of the vehicles on which they are used.

For complete information on "How to Order" Trim Parts, see Master Parts Price List.

V
A
L
I
A
N
T



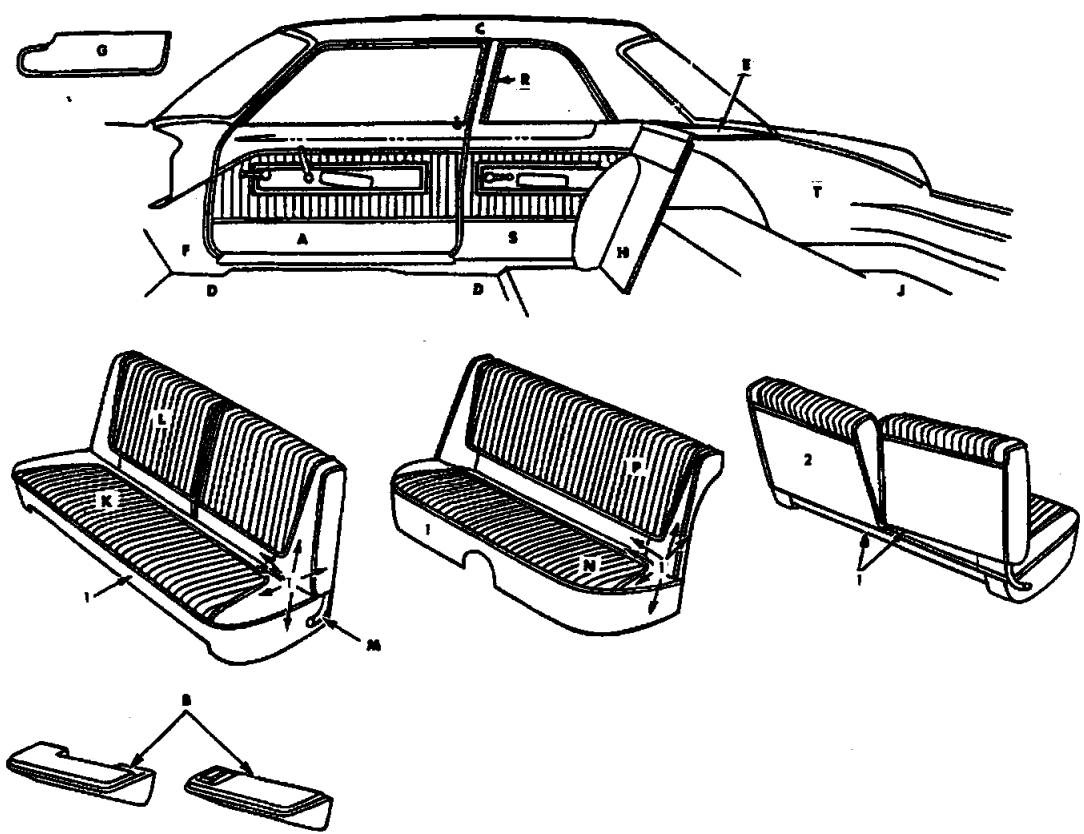
19T0057A

ITEM	TYPE OF MATERIAL	PART TYPE CODE	MATERIAL WIDTH	PART NUMBERS AND COLORS					
				BLUE	YELLOW TAN	RED			
1	Body Cloth	23-114-2	49"	0124VBB	0124VTT	0124VRR			
2	Vinyl 32 oz.	23-114-15	54"	0405VB6	0405VT6	0405VR6			
3	Vinyl 37 oz.	23-114-15	58"	0413VB6	0413VT6	0413VR6			

Distribution Drawing Legend Page Appears Following Illustration Section

CLOTH AND VINYL TRIM
 1964 VALIANT VV1-L 2 DOOR SEDAN
 CODES L1B, L1T, L1R

● Indicates use as required.
 ☐ Indicates parts not listed in any previous parts book.
 March 15, 1965 Supersedes May 22, 1964.



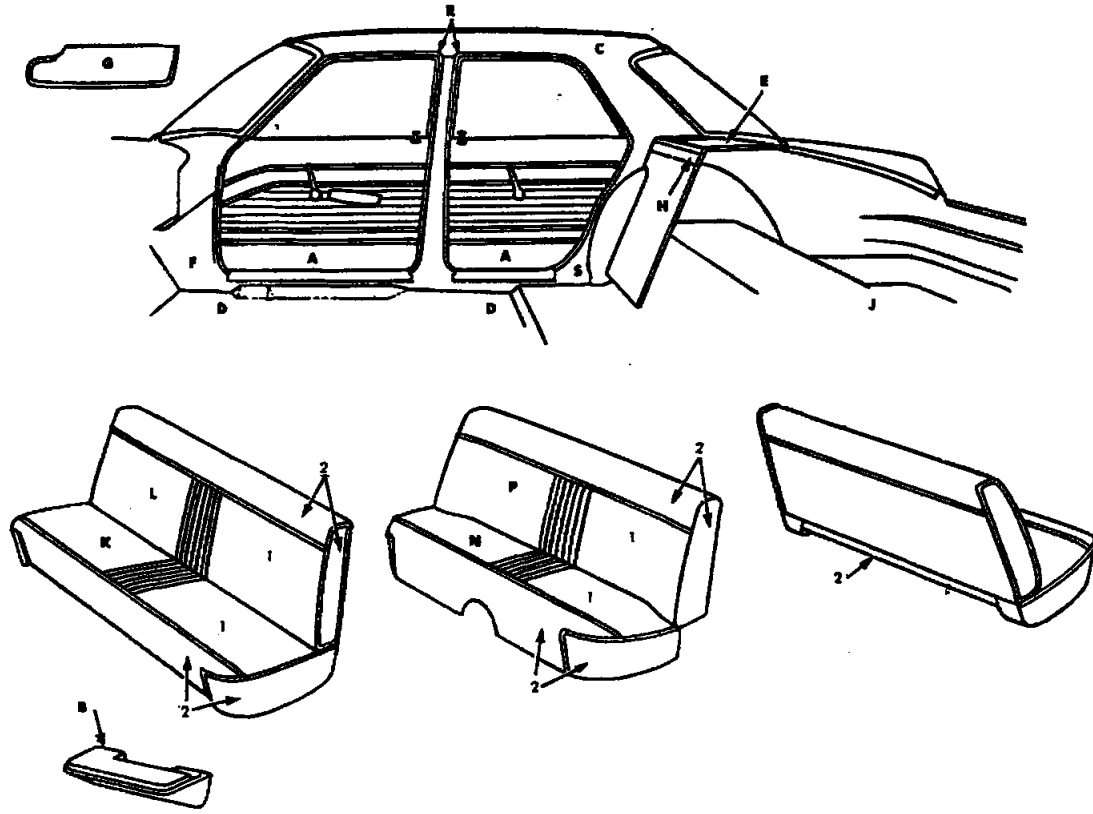
19T0058A

ITEM	TYPE OF MATERIAL	PART TYPE CODE	MATERIAL WIDTH	PART NUMBERS AND COLORS						
				BLUE	TUR-QUOISE	RED	YELLOW TAN			
1	Vinyl 32 oz.	23-114-15	54"	0405VB6	0405VQ6	0405VR6	0405VT6			
2	Vinyl 37 oz.	23-114-15	58"	0413VB6	0413VQ6	0413VR6	0413VT6			

Distribution Drawing Legend Page Appears Following Illustration Section

1964 VALIANT VV1-H 2 DOOR SEDAN
CLOTH AND VINYL TRIM
CODES H1B, H1Q, H1R, H1T

● Indicates use as required.
 □ Indicates parts not listed in any previous parts book.
 * Indicates change or addition.



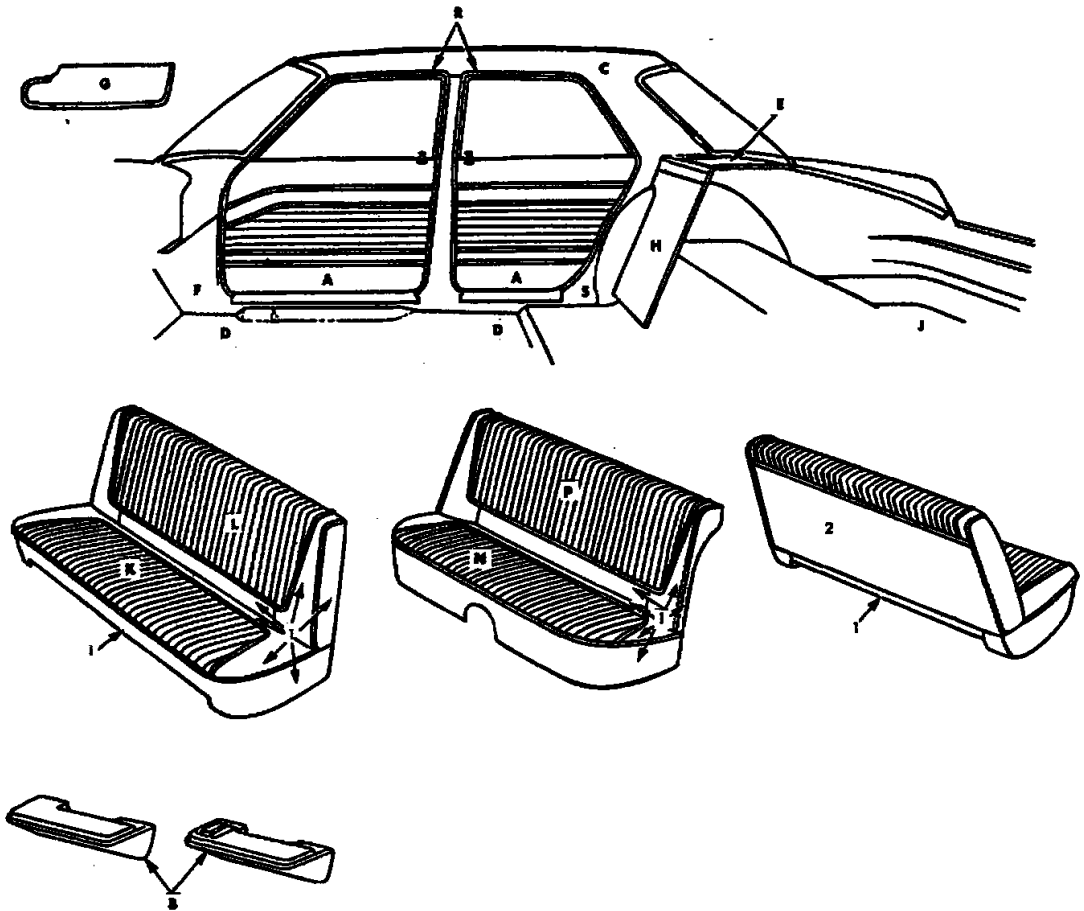
19T0059A

ITEM	TYPE OF MATERIAL	PART TYPE CODE	MATERIAL WIDTH	PART NUMBERS AND COLORS						
				BLUE	RED	YELLOW	TAN			
1	Body Cloth	23-114-2	49"	0124VBB	0124VRR	0124VTT				
2	Vinyl 32 oz.	23-114-15	54"	0405VB6	0405VR6	0405VT6				

Distribution Drawing Legend Page Appears Following Illustration Section

1964 VALIANT VV1-L 4 DOOR SEDAN
 CLOTH AND VINYL TRIM
 CODES LIB, LIT, LIR

* Indicates use as required.
 ☐ Indicates parts not listed in any previous parts book.
 March 15, 1965 Supersedes May 22, 1964.



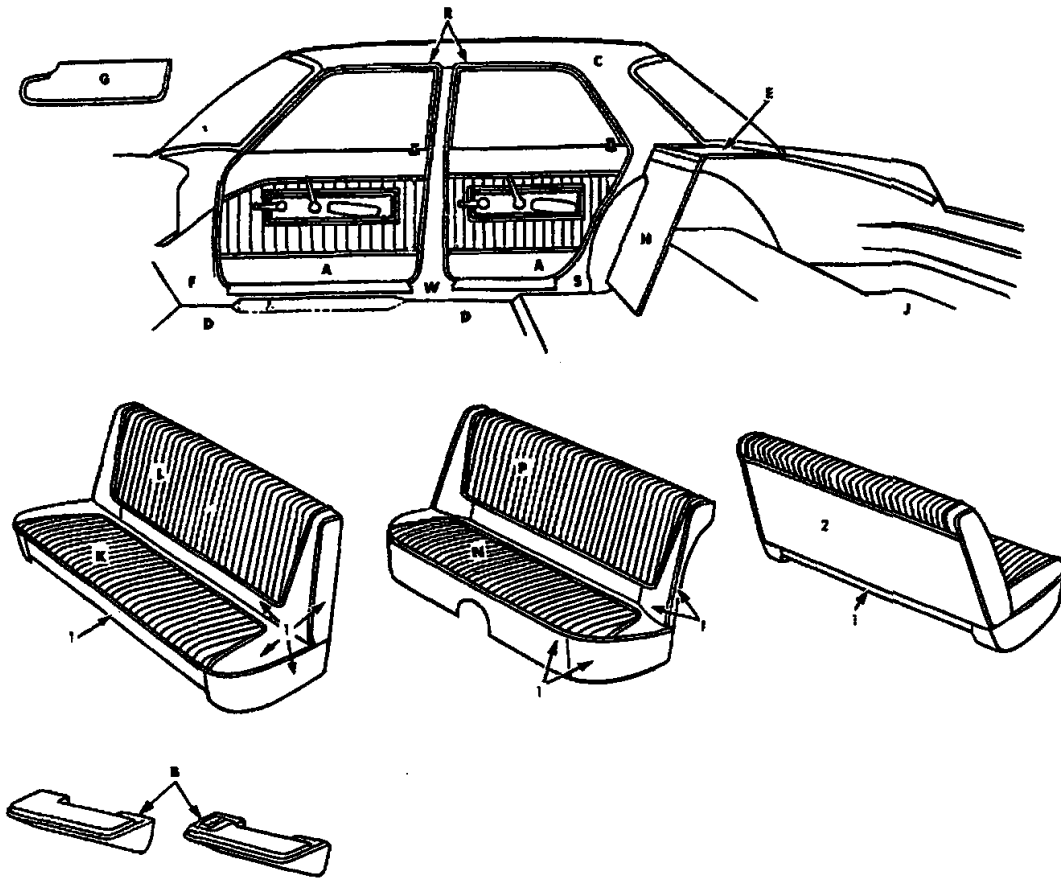
19T0060A

ITEM	TYPE OF MATERIAL	PART TYPE CODE	MATERIAL WIDTH	PART NUMBERS AND COLORS					
				BLUE	YELLOW TAN	RED			
1	Vinyl 32 oz.	23-114-15	54"	0405VB6	0405VT6	0405VR6			
2	Vinyl 37 oz.	23-114-15	58"	0413VB6	0413VT6	0413VR6			

Distribution Drawing Legend Page Appears Following Illustration Section

1964 VALIANT VV1-L 4 DOOR SEDAN
VINYL TRIM
CODES L5B, L5T, L5R

● Indicates use as required.
 ☐ Indicates parts not listed in any previous parts book.
 • Indicates change or addition.



19T0061A

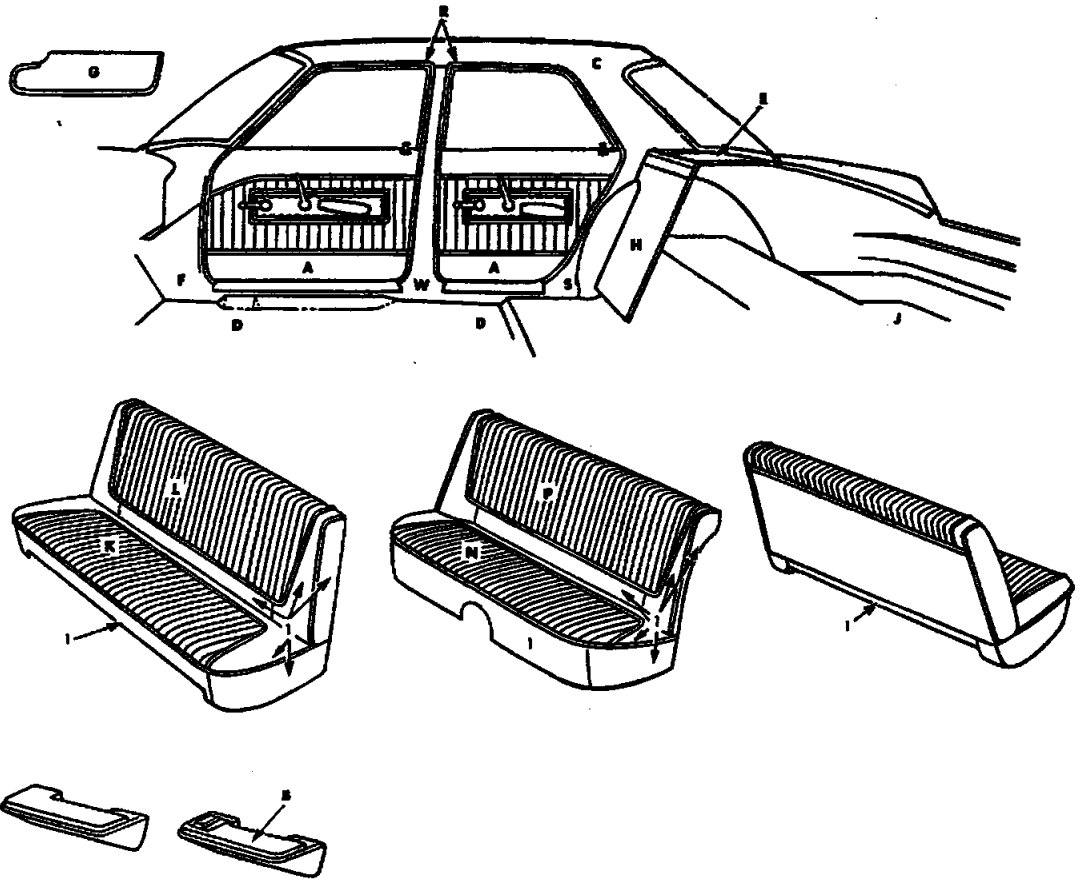
ITEM	TYPE OF MATERIAL	PART TYPE CODE	MATERIAL WIDTH	PART NUMBERS AND COLORS							
				BLUE	TUR-QUOISE	RED	YELLOW TAN				
1	Vinyl 32 oz.	23-114-15	54"	0405VB6	0405VQ6	0405VR6	0405VT6				
2	Vinyl 37 oz.	23-114-15	58"	0413VB6	0413VQ6	0413VR6	0413VT6				

Distribution Drawing Legend Page Appears Following Illustration Section

1964 VALIANT VV1-H 4 DOOR SEDAN
CLOTH AND VINYL TRIM
CODES H1B, H1Q, H1T

● Indicates use as required.

⊠ Indicates parts not listed in any previous parts book.
March 15, 1965 Supersedes May 22, 1964.



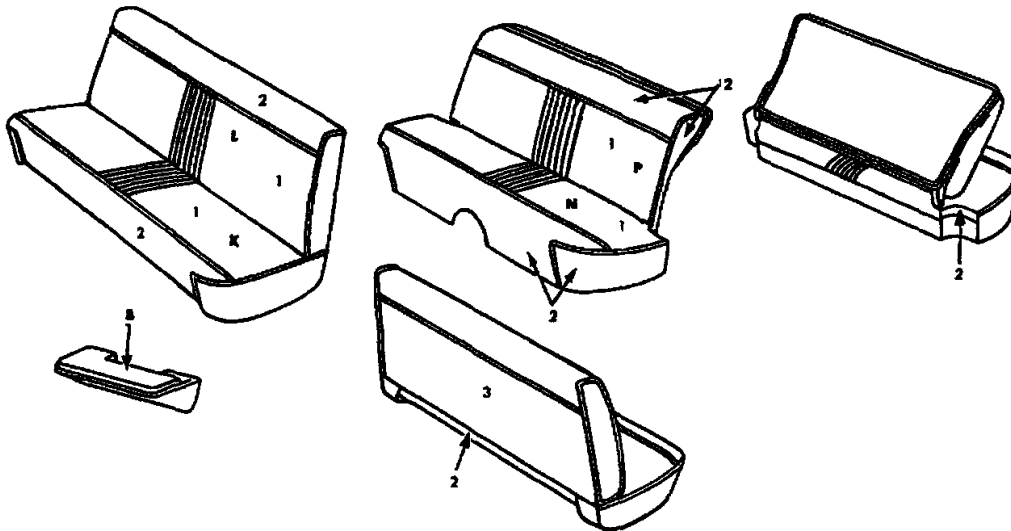
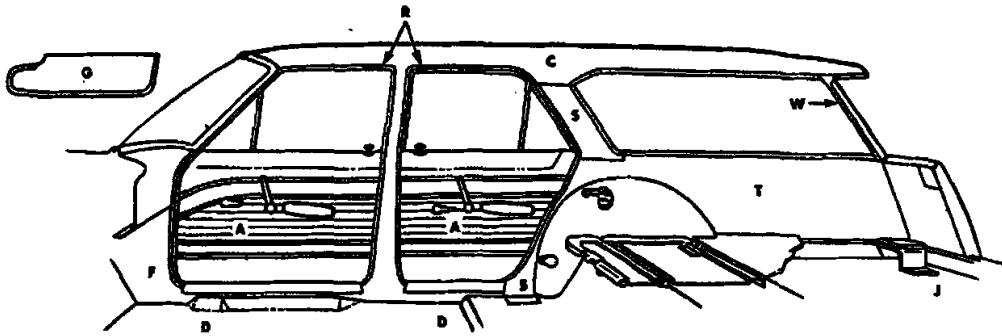
19T0062A

ITEM	TYPE OF MATERIAL	PART TYPE CODE	MATERIAL WIDTH	PART NUMBERS AND COLORS						
				BLUE	TUR-QUOISE	RED				
1	Vinyl 32 oz.	23-114-15	54"	0405VB6	0405VQ6	0405VT6				
2	Vinyl 37 oz.	23-114-15	58"	0413VB6	0413VQ6	0413VT6				

Distribution Drawing Legend Page Appears Following Illustration Section

1964 VALIANT VV1-H 4 DOOR SEDAN
VINYL TRIM
CODES H4B, H4Q, H4R, H4T

★ Indicates use as required.
 ☐ Indicates parts not listed in any previous parts book.
 * Indicates change or addition.



19T0063A

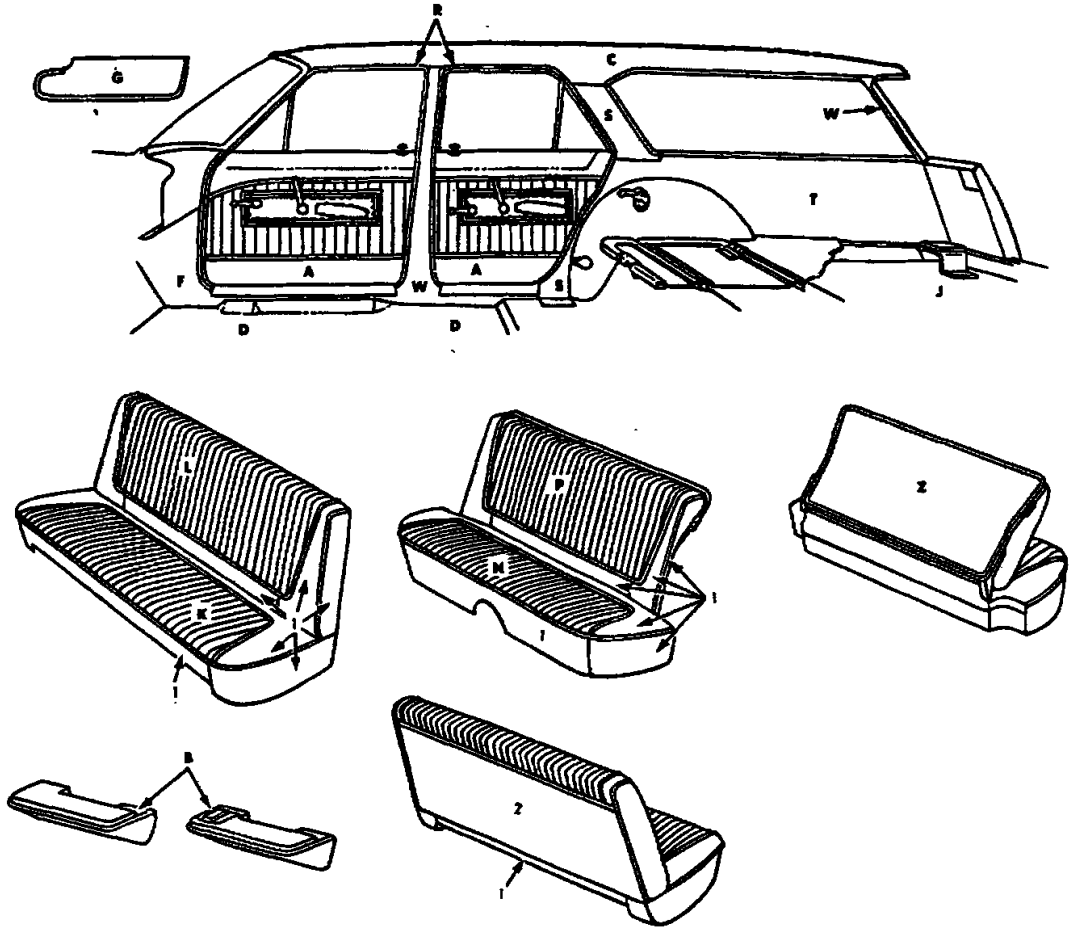
ITEM	TYPE OF MATERIAL	PART TYPE CODE	MATERIAL WIDTH	PART NUMBERS AND COLORS					
				BLUE	YELLOW TAN	RED			
1	Vinyl 28 oz.	23-114-15	47"	0431VB6	0431VT6	0431VR6			
2	Vinyl 32 oz.	23-114-15	54"	0405VB6	0405VT6	0405VR6			
3	Vinyl 37 oz.	23-114-15	58"	0413VB6	0413VT6	0413VR6			
4	Vinyl 38 oz.	23-114-15	54"	0400VB8	0400VT8	0400VR6			

Distribution Drawing Legend Page Appears Following Illustration Section

1964 VALIANT VV1-L STATION WAGON
VINYL TRIM
CODES L4B, L4T, L4R

* Indicates use as required.

☐ Indicates parts not listed in any previous parts book.
May 22, 1964 Supersedes Sept. 6, 1963.



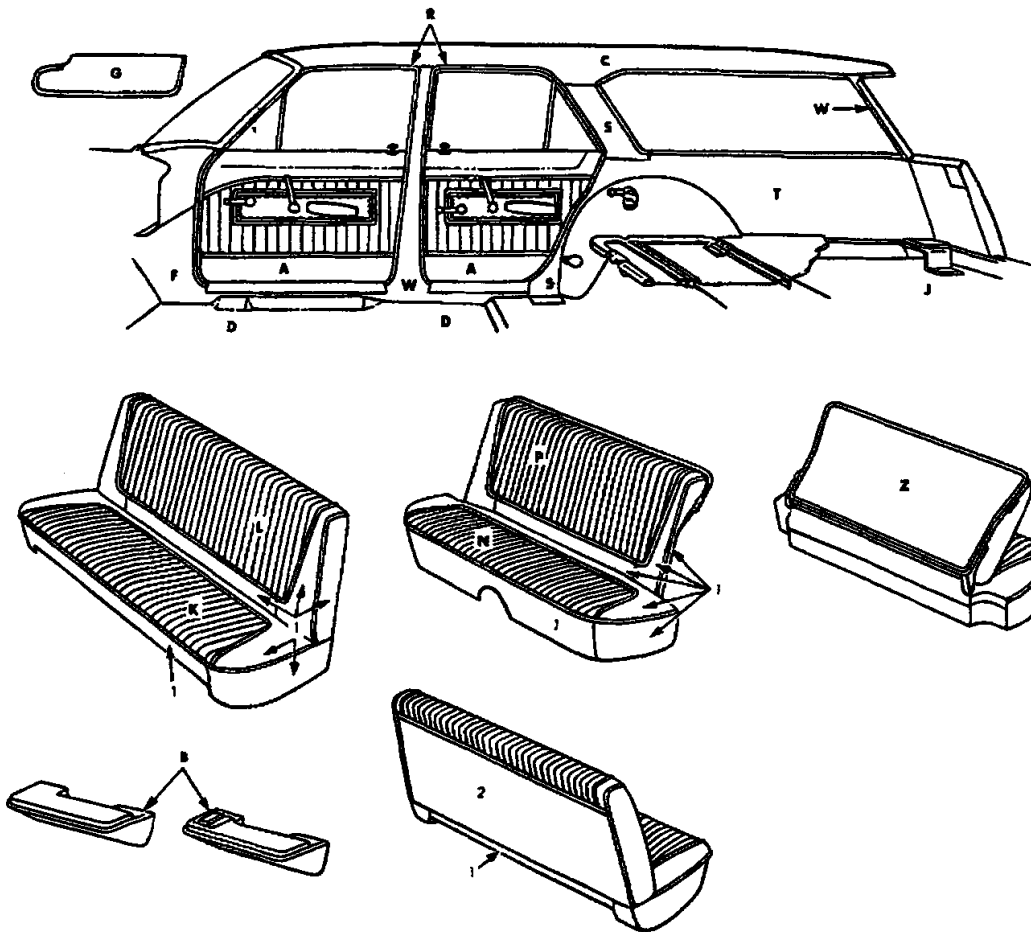
19T0064A

ITEM	TYPE OF MATERIAL	PART TYPE CODE	MATERIAL WIDTH	PART NUMBERS AND COLORS						
				BLUE	TUR-QUOISE	RED	YELLOW TAN			
1	Vinyl 38 oz.	23-114-15	54"	0441VB6	0441VQ6	0441VR6	0441VT6			
2	Vinyl 37 oz.	23-114-15	58"	0413VB6	0413VQ6	0413VR6	0413VT6			

Distribution Drawing Legend Page Appears Following Illustration Section

1964 VALIANT VV1-L STATION WAGON
CLOTH AND VINYL TRIM
CODES H1B, H1Q, H1R, H1T

★ Indicates use as required.
 □ Indicates parts not listed in any previous parts book.
 * Indicates change or addition.



19T0065A

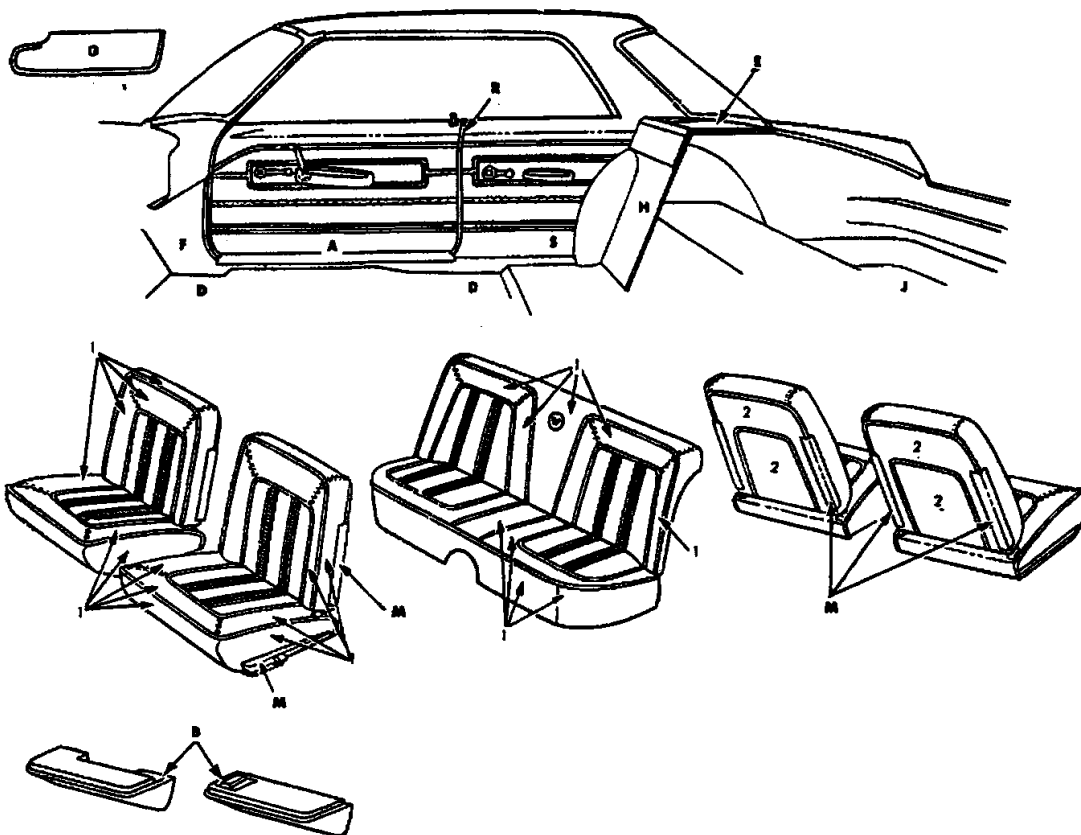
ITEM	TYPE OF MATERIAL	PART TYPE CODE	MATERIAL WIDTH	PART NUMBERS AND COLORS						
				BLUE	TUR- QUOISE	RED	YELLOW TAN			
1	Vinyl 32 oz.	23-114-15	54"	0405VB6	0405VQ6	0405VR6	0405VT6			
2	Vinyl 37 oz.	23-114-15	58"	0413VB6	0413VQ6	0413VR6	0413VT6			

Distribution Drawing Legend Page Appears Following Illustration Section

1964 VALIANT VV1-H STATION WAGON
VINYL TRIM
CODES H4B, H4Q, H4R, H4T

★ Indicates use as required.

□ Indicates parts not listed in any previous parts book.
March 15, 1965 Supersedes May 22, 1964.



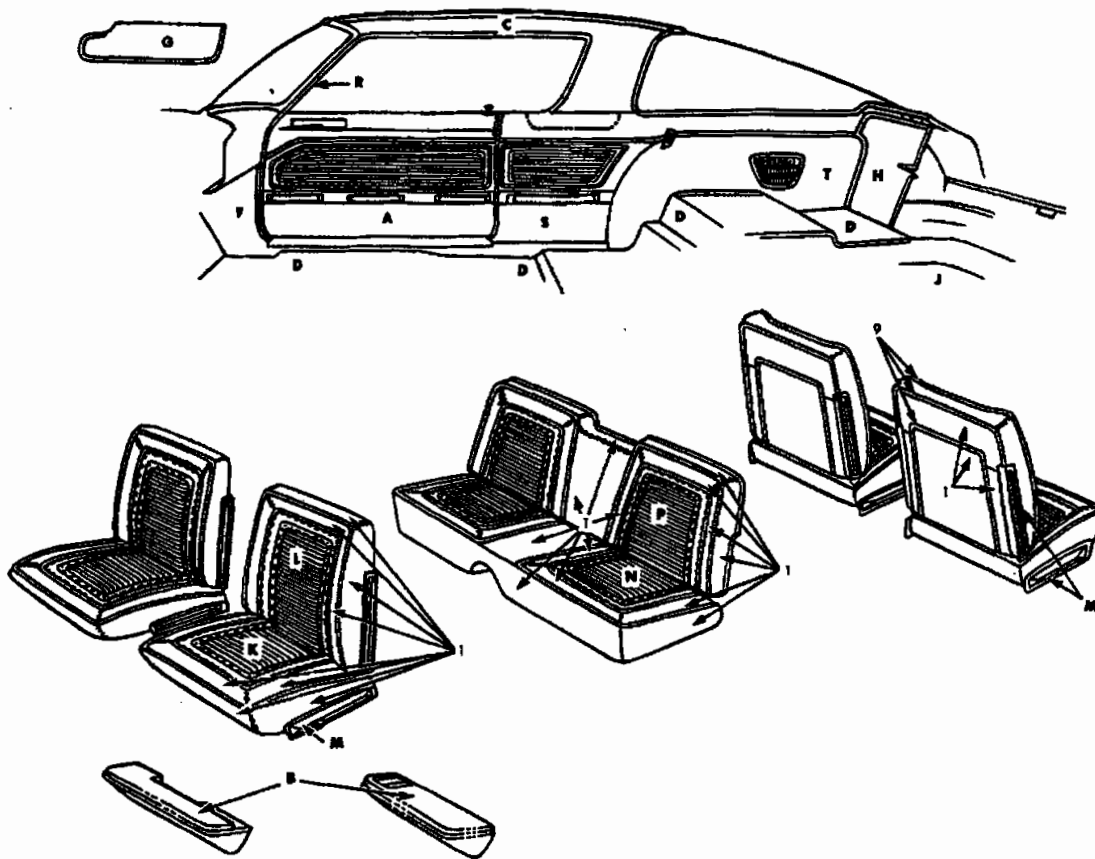
19T0066a

ITEM	TYPE OF MATERIAL	PART TYPE CODE	MATERIAL WIDTH	PART NUMBERS AND COLORS						
				BLUE	RED	YELLOW TAN	BLACK			
1	Vinyl 38 oz.	23-114-15	50"	0441VB6	0441VR6	0441VT6	0441VX9			
2	Vinyl 20 oz.	23-114-15	58"	0440VB8	0440VR8	0440VT8	0441VX9			

Distribution Drawing Legend Page Appears Following Illustration Section

1964 VALIANT VV1-P 2 DOOR HARD TOP
VINYL TRIM
CODES P4B, P4R, P4T, P4X

* Indicates use as required.
 ☐ Indicates parts not listed in any previous parts book.
 * Indicates change or addition.



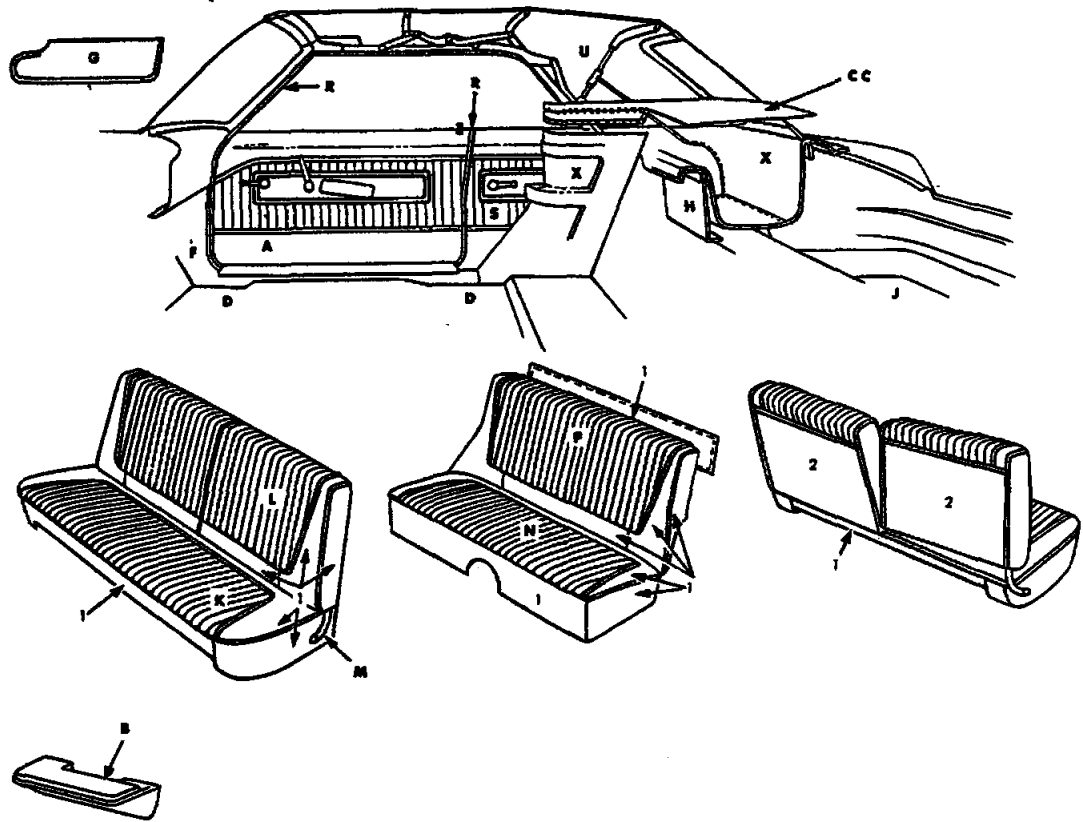
19T0235

ITEM	TYPE OF MATERIAL	PART TYPE CODE	MATERIAL WIDTH	PART NUMBERS AND COLORS								
				BLUE	RED	BLACK	GOLD					
1	Vinyl 35.5 oz.	23-114-15	54"	*0441VB4	*0441VR6	*0441VX9	*0441AY8					

Distribution Drawing Legend Page Appears Following Illustration Section

1964 VALIANT BARRACUDA VV1-P, VV2-P 2 DOOR HARD TOP
VINYL TRIM
CODES P5B, P5R, P5X, P5Y

★ Indicates use as required.
 ☐ Indicates parts not listed in any previous parts book.
 March 15, 1965 Supersedes May 22, 1964.



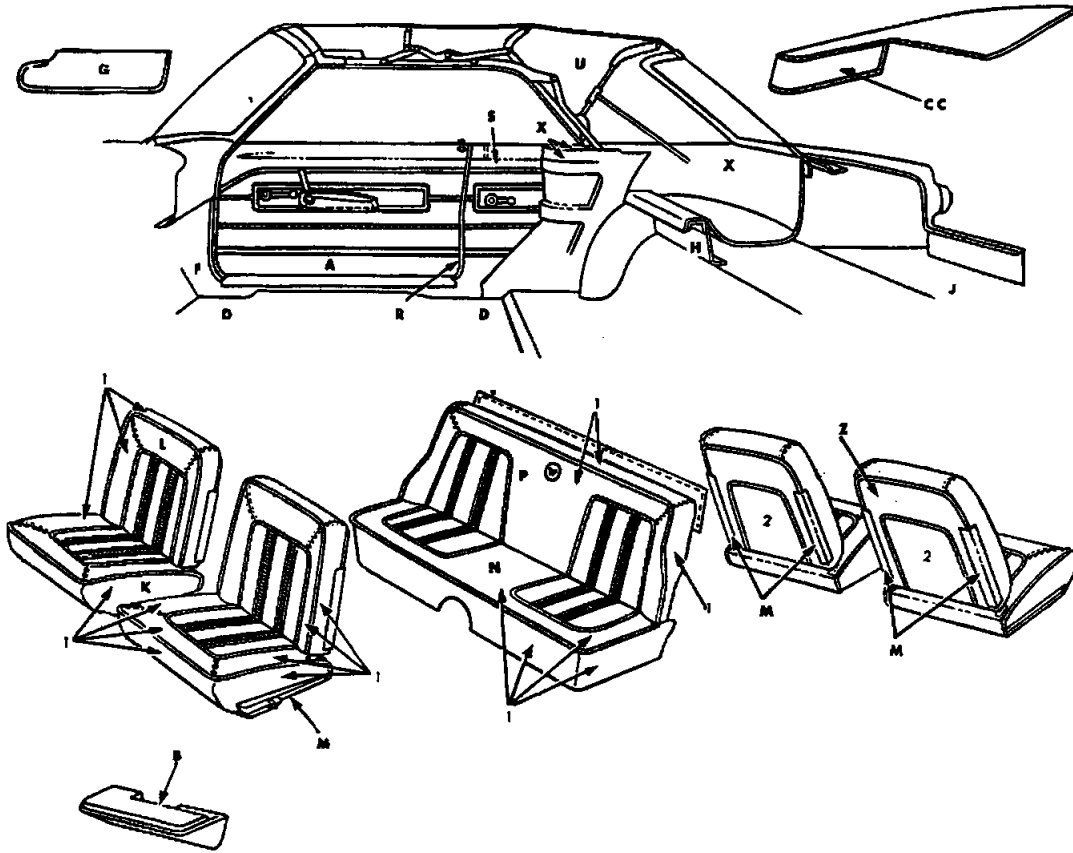
19T0067.

ITEM	TYPE OF MATERIAL	PART TYPE CODE	MATERIAL WIDTH	PART NUMBERS AND COLORS					
				BLUE	TUR-QUOISE	RED	YELLOW TAN		
1	Vinyl 32 oz.	23-114-15	54"	0405VB6	0405VQ6	0405VR6	0405VT6		
2	Vinyl 37 oz.	23-114-15	58"	0413VB6	0413VQ6	0413VR6	0413VT6		

Distribution Drawing Legend Page Appears Following Illustration Section

1964 VALIANT VV1-H CONVERTIBLE
VINYL TRIM
CODES H4B, H4Q, H4R, H4T

★ Indicates use as required.
 ☐ Indicates parts not listed in any previous parts book.
 * Indicates change or addition.



19T0068A

ITEM	TYPE OF MATERIAL	PART TYPE CODE	MATERIAL WIDTH	PART NUMBERS AND COLORS							
				BLUE	RED	YELLOW TAN	BLACK				
1	Vinyl 38 oz.	23-114-15	50"	0441VB6	0441VR6	0441VT6	*0441VX9				
2	Vinyl 20.5 oz.	23-114-15	58"	0440VB8	0440VR8	0440VT8	0440VX9				

Distribution Drawing Legend Page Appears Following Illustration Section

1964 VALIANT VV1-P CONVERTIBLE
VINYL TRIM
CODES P4B, P4R, P4T, P4X

★ Indicates use as required.
 ☐ Indicates parts not listed in any previous parts book.
 March 15, 1965 Supersedes May 22, 1964.

1964 VALIANT - V SERIES

Distribution Drawing Legend

See Illustration For Letter Identification

Letter	Description	Code
A	Panel, Door Trim	23-92-5
B	Arm Rest, Front Door Pad and Plate	23-76-11
	Base	23-76-9
	Arm Rest, Rear Door Pad and Plate	23-76-63
	Base	23-76-9
	Arm Rest, Rear Quarter	23-76-66
	Pad and Plate	23-76-76
	Base	23-76-9
C	Headlining	23-86-3
D	Floor Cover, Front, Carpet	23-79-3
	Rubber	23-20-8
	Rear, Carpet	23-79-33
	Rubber	23-20-41
E	Panel, Shelf Trim	23-102-3
F	Panel, Cowl Trim	23-91-6
G	Panel, Visor	23-103-3
H	Panel, Luggage Compartment, Front	23-96-3
J	Cover, Luggage Compartment Floor	23-20-29
K	Cover, Front Seat Cushion	23-108-5
L	Cover, Front Seat Back	23-108-16
M	Shield, Front Seat Side	23-108-98
N	Cover, Rear Seat Cushion	23-109-36
P	Cover, Rear Seat Back	23-109-4
Q	Cover, Rear Seat Cushion Bottom Panel	23-109-40
R	Weathercord, Door	23-113-2
	Hinge Pillar	23-113-25
	Lock Pillar	23-113-30
	w/Weatherstrip	23-66-33
S	Panel, Quarter Trim	23-101-3
T	Cover, Wheelhouse	23-96-8
U	Top Deck and Side Quarter	23-112-108
V	Curtain, Folding Top Back	23-112-45
W	Cover, Center Pillar	23-99-4
	Cover, Rear Upper Pillar	23-99-38
X	Panel, Folding Top Well Pocket	23-112-153

1964 PASSENGER CAR PARTS CATALOG

BODY CODE

COLUMN LEGEND

VV1-L, VV2-L (V-100)

111, V11 (21)	2 D. Sedan
113, V13 (41)	4 D. Sedan
156, V56 (45A)	Station Wagon (6 Pass.)

VV1-H, VV2-H (V-200)

131, V31 (21)	2 D. Sedan
133, V33 (41)	4 D. Sedan
135, V35 (27)	Convertible
176, V76 (45A)	Station Wagon (6 Pass.)

VV1-H, VV2-H (V-200)

142, V42 (23)	2 D. Hard Top
145, V45 (27)	Convertible
149, V49 (29)	2 D. Hard Top

CONVERTIBLE TOP COLOR LEGEND

6 Black	7 White	8 Blue	9 Special
---------	---------	--------	-----------

STARTING SERIAL NUMBERS

	Detroit Built	St. Louis Built	Newark Built	Los Angeles Built
VV1-L (V100)	1142-500001	1147-100001	1146-100001	1145-100001
VV2-L (V100)	V142-500001	V147-100001	V146-100001	V145-100001
VV1-L (V100 Station Wagon)	1542-500001	1547-100001	1546-100001	1545-100001
VV2-L (V100 Station Wagon)	V542-500001	V547-100001	V546-100001	V545-100001
VV1-H (V200)	1342-500001	1347-100001	1346-100001	1345-100001
VV2-H (V200)	V342-500001	V347-100001	V346-100001	V345-100001
VV1-H (V200 Station Wagon)	1742-500001	1747-100001	1746-100001	1745-100001
VV2-H (V200 Station Wagon)	V742-500001	V747-100001	V746-100001	V745-100001
VV1-P (Signet 200)	1442-500001	1447-100001	1446-100001	1445-100001
VV2-P (Signet 200)	V442-500001	V447-100001	V446-100001	V445-100001

TRIM CODE	MODEL	MATERIAL			COLOR	SED.	4D H.T.	STA. WGN.	2D H.T.	CV. CR.
		Cloth	Vinyl	Leather						
L1B	V1-L, V2-L	*	*	-	Blue	*	-	-	-	-
L1T	V1-L, V2-L	*	*	-	Yellow Tan	*	-	-	-	-
L1R	V1-L, V2-L	*	*	-	Red	*	-	-	-	-
L4B	V1-L, V2-L	-	*	-	Blue	-	*	-	-	-
L4T	V1-L, V2-L	-	*	-	Yellow Tan	-	*	-	-	-
L4R	V1-L, V2-L	-	*	-	Red	-	*	-	-	-
L5B	V1-L, V2-L (Export)	-	*	-	Blue	*	-	-	-	-
L5R	V1-L, V2-L (Export)	-	*	-	Red	*	-	-	-	-
L5T	V1-L, V2-L (Export)	-	*	-	Tan	*	-	-	-	-
H1B	V1-H, V2-H	*	*	-	Blue	*	-	*	-	-
H1Q	V1-H, V2-H	*	*	-	Turquoise	*	-	*	-	-
H1T	V1-H, V2-H	*	*	-	Yellow Tan	*	-	*	-	-
H1R	V1-H, V2-H	*	*	-	Red	*	-	*	-	-
H4B	V1-H, V2-H	-	*	-	Blue	*	-	*	-	*
H4Q	V1-H, V2-H	-	*	-	Turquoise	*	-	*	-	*
H4T	V1-H, V2-H	-	*	-	Yellow Tan	*	-	*	-	*
H4R	V1-H, V2-H	-	*	-	Red	*	-	*	-	*
P4B	V1-P, V2-P	-	*	-	Blue	-	-	-	*	*

* Indicates use as required.

⊠ Indicates parts not listed in any previous parts book.

March 15, 1965 Supersedes May 22, 1964.

Printed in U.S.A. Prices and specifications subject to change without notice.

Right and left part numbers are on same line, first number is right, second number is left.

TRIM CODE	MODEL	MATERIAL			COLOR	SED.	4D H.T.	STA. WGN.	2D H.T.	CV. CP.
		Cloth	Vinyl	Leather						
P4T	V1-P, V2-P	-	★	-	Yellow Tan	-	-	-	★	★
P4R	V1-P, V2-P	-	★	-	Red	-	-	-	★	★
P4X	V1-P, V2-P	-	★	-	Black	-	-	-	★	★
P5B	V1-P, V2-P	-	★	-	Blue	-	-	-	★	★
P5R	V1-P, V2-P	-	★	-	Red	-	-	-	★	★
P5X	V1-P, V2-P	-	★	-	Black	-	-	-	★	★
P5Y	V1-P, V2-P	-	★	-	Yellow Gold	-	-	-	★	★

CODE	REMARKS	PER CAR	SED.	4D H.T.	STA. WGN.	2D H.T.	CV. CP.
------	---------	---------	------	---------	-----------	---------	---------

NOTE: RIGHT HAND AND LEFT HAND PARTS LISTED ON THE SAME LINE. Whenever right and left hand parts are identified by consecutive part numbers, they will be listed as in the following example: PANEL, Door Trim 3164-5V
 Interpreted, this indicates that Panel, right is Part No. 3164V and Panel, Left is Part No. 3165V.

23-76-9	BASE, Door and Quarter Arm Rest						
	V1, V2 (short)						
	(codes L1B, L4B, L5B, H1B, H4B)	1	1208-9 VB6	----	1208-9 VB6	1208-9 VB6	1208-9 VB6
	(codes L1R, L4R, L5R, H1R, H4R)	1	1208-9 VR6	----	1208-9 VR6	1208-9 VR6	1208-9 VR6
	(codes H1Q, H4Q)	1	1208-9 VQ6	----	1208-9 VQ6	1208-9 VQ6	1208-9 VQ6
	(codes L1T, L4T, L5T, H1T, H4T)	1	1208-9 VT6	----	1208-9 VT6	1208-9 VT6	1208-9 VT6
	(codes P4B, P4R, P4T, P4X)	1	----	----	----	1208-9 VZ1	1208-9 VZ1
(codes P4B, P4R, P4T, P4X) (medium)	1	----	----	----	1210-1 VZ1	1210-1 VZ1	
Screw (arm rest attaching)	4	162 090	----	162 090	162 090	162 090	
23-76-11	PAD and PLATE, Front Door Arm Rest						
	V1, V2 (w/o ash receiver)(short)						
	(codes L1B, L4B, L5B, H1B, H4B)	1	1216-7 VB6	----	1216-7 VB6	----	1216-7 VB6
	(codes H1Q, H4Q)	1	1216-7 VQ6	----	1216-7 VQ6	----	1216-7 VQ6
	(codes L1R, L4R, L5R, H1R, H4R)	1	1216-7 VR6	----	1216-7 VR6	----	1216-7 VR6
	(codes L1T, L4T, L5T, H1T, H4T)	1	1216-7 VT6	----	1216-7 VT6	----	1216-7 VT6
	(medium and long)						
	(code P4B)	1	----	----	----	1222-3 VB6	1222-3 VB6
	(code P4R)	1	----	----	----	1222-3 VR6	1222-3 VR6
	(code P4T)	1	----	----	----	1222-3 VT6	1222-3 VT6
(code P4X)	1	----	----	----	1222-3 VX9	1222-3 VX9	
(w/o ash receiver)(med & long)							
(code P5Y)	1	----	----	----	1222-3 AY3	1222-3 AY3	
Screw (arm rest attaching)	4	162 090	----	162 090	162 090	162 090	
Screw (pad attaching)	4	142 611	----	142 611	142 611	142 611	
23-76-16	NUT, Door and Quarter Arm Rest Attaching						
V1, V2	4	1280 134	1280 134	1280 134	1280 134	1280 134	
23-76-63	PAD and PLATE, Rear Door Arm Rest						
	V1, V2 (w/ash receiver)(short)						
	(codes L1B, L4B, L5B, H1B, H4B)	1	1214-5 VB6	----	1214-5 VB6	----	1214-5 VB6
	(codes H1Q, H4Q)	1	1214-5 VQ6	----	1214-5 VQ6	----	1214-5 VQ6
	(codes L1R, L4R, L5R, H1R, H4R)	1	1214-5 VR6	----	1214-5 VR6	----	1214-5 VR6

★ Indicates use as required.

⊠ Indicates parts not listed in any previous parts book. Right and left part numbers are on same line, first number is right, second number is left.

1964 PASSENGER CAR PARTS CATALOG

INTERIOR TRIM

CODE	REMARKS	PER CAR	SED.	4D H.T.	STA. WGN.	2D H.T.	CV. CP.
23-76-63	PAD and PLATE, Rear Door Arm Rest - Cont'd. V1, V2 (codes L1T, L4T, L5T, H1T, H4T)	1	1214-5 VT6	----	1214-5 VT6		
	Screw (attaching)	4	162 090	----	162 090		
	Screw (pad attaching)	4	142 611	----	142 611		
23-76-76	PAD and PLATE, Quarter Arm Rest V1, V2 (w/ash receiver)(short) (codes L1B, H1B, P4B)	1	1214-5 VB6	----	----	1214-5 VB6	
	(code H1Q)	1	1214-5 VQ6	----	----	1214-5 VQ6	
	(codes L1R, H1R, P4R)	1	1214-5 VR6	----	----	1214-5 VR6	
	(codes L1T, H1T, P4T)	1	1214-5 VT6	----	----	1214-5 VT6	
	(code P4X)	1	----	----	----	1214-5 VX9	
	(code P5Y)	1	----	----	----	1214-5 AY3	
	Screw (pad attaching)	4	142 611	----	----	142 611	
23-79-3	CARPET, Front Floor V1-H, V2-H (codes H1B, H4B)	1	1716 VB8	----	1716 VB8	----	1716 VB8
	(blue)						
	(codes H1Q, H4Q)	1	1716 VQ8	----	1716 VQ8	----	1716 VQ8
	(turquoise)						
	(codes H1R, H4R)	1	1716 VR8	----	1716 VR8	----	1716 VR8
	(red)						
	(codes H1T, H4T)	1	1716 VT8	----	1716 VT8	----	1716 VT8
	(yellow tan)						
	V1-L, V2-L, V1-H, V2-H (floor mounted shift transmission) (codes L1B, L4B, L5B, H1B, H4B) (blue)	1	1736 VB8	----	1736 VB8	----	1736 VB8
	(codes H1Q, H4Q)	1	1736 VQ8	----	1736 VQ8	----	1736 VQ8
	(turquoise)						
	(codes L1R, L4R, L5R, H1R, H4R) (red)	1	1736 VR8	----	1736 VR8	----	1736 VR8
	(codes L1T, L4T, L5T, H1T, H4T) (yellow tan)	1	1736 VT8	----	1736 VT8	----	1736 VT8
	V1-P, V2-P (code P4B)	1	----	----	----	1715 VB8	1715 VB8
	(blue)						
	(code P4R)	1	----	----	----	1715 VR8	1715 VR8
	(red)						
	(code P4T)	1	----	----	----	1715 VT8	1715 VT8
	(yellow tan)						
	(code P4X)	1	----	----	----	1715 VX8	1715 VX8
	(black)						
	(code P4Y)	1	----	----	----	1715 VY8	1715 VY8
	(yellow gold)						
	(code P5B)	1	----	----	----	1715 VB8	
	(code P5R)	1	----	----	----	1715 VR6	
	(code P5X)	1	----	----	----	1715 VX8	
	(code P5Y)	1	----	----	----	1715 AY8	
	V1-P, V2-P (floor mounted shift transmission) (code P4B)	1	----	----	----	1740 VB8	1740 VB8
	(blue)						
	(code P4R)	1	----	----	----	1740 VR8	1740 VR8
	(red)						
	(code P4T)	1	----	----	----	1740 VT8	1740 VT8
	(yellow tan)						

★ Indicates use as required.

E Indicates parts not listed in any previous parts book.
March 15, 1965 Supersedes May 22, 1964.

Page IT-66

Printed in U.S.A.
Prices and specifications subject to change without notice.
Right and left part numbers are on same line,
first number is right, second number is left.
* Indicates change or addition.

CODE	REMARKS	PER CAR	SED.	4D H.T.	STA. WGN.	2D H.T.	CV. CP.
23-79-3	CARPET, Front Floor - Cont'd V1-P, V2-P (floor mounted shift transmission) (code P4X) (black)	1	----	----	----	1740 VX8	1740 VX8
	(code P5B)	1	----	----	----	1740 VB8	
	(code P5R)	1	----	----	----	1740 VR6	
	(code P5X)	1	----	----	----	1740 VX8	
	(code P5Y)	1	----	----	----	1740 AY8	
23-79-4	PLATE, Front Floor Carpet Accelerator Pedal Scuff V1	1	2499 135	----	2499 135	2499 135	2499 135
23-79-5	WASHER, Front Floor Carpet Scuff Plate Retaining V1, V2 (floor shift)	10	*2572 486	----	*2572 486	*2572 486	
23-79-33	CARPET, Rear Floor V1-L, V2-L, V1-H, V2-H (codes L1B, L5B, H1B, H4B) (blue)	1	1709 VB8	----	1709 VB8		
	(codes H1Q, H4Q) (turquoise)	1	1709 VQ8	----	1709 VQ8		
	(codes L1R, L5R, H1R, H4R) (red)	1	1709 VR8	----	1709 VR8		
	(codes L1T, L5T, H1T, H4T) (yellow tan)	1	1709 VT8	----	1709 VT8		
	(axle pick-up rear panel)(paint as required) (black)	1	----	----	4314 VX9		
	V1-H, V2-H (code H4B) (blue)	1	----	----	----	----	1710 VB8
	(code H4Q) (turquoise)	1	----	----	----	----	1710 VQ8
	(code H4R) (red)	1	----	----	----	----	1710 VR8
	(code H4T) (yellow tan)	1	----	----	----	----	1710 VT8
	V1-P, V2-P (code P4B) (blue)	1	----	----	----	1711 VB8	1712 VB8
	(code P4R) (red)	1	----	----	----	1711 VR8	1712 VR8
	(code P4T) (yellow tan)	1	----	----	----	1711 VT8	1712 VT8
	(code P4X) (black)	1	----	----	----	1711 VX8	1712 VX8
	(code P5B)	1	----	----	----	1750 VB8	
	(code P5R)	1	----	----	----	1750 VR6	
	(code P5X)	1	----	----	----	1750 VX8	
	(code P5Y)	1	----	----	----	1750 VY8	
	(code P5B)	1	----	----	----	6545 VB8	
	(code P5R)	1	----	----	----	6545 VR6	
	(code P5X)	1	----	----	----	6545 VX8	
	(code P5Y)	1	----	----	----	6545 VY8	
23-79-64	CARPET, Luggage Compartment Floor V1-P, V2-P (code P5B)	1	----	----	----	E6119 VB8	
	(code P5R)	1	----	----	----	E6119 VR6	
	(code P5X)	1	----	----	----	E6119 AX8	
	(code P5Y)	1	----	----	----	E6119 VY8	

★ Indicates use as required.

⊠ Indicates parts not listed in any previous parts book.
Right and left part numbers are on same line.

1964 PASSENGER CAR PARTS CATALOG

INTERIOR TRIM

CODE	REMARKS	PER CAR	SED.	4D H.T	STA. WGN.	2D H.T	CV. CP.
23-82-30	HOOK, Coat Hanger V1, V2	2	2165 837	----	2165 837	2165 837	
23-82-39	BRACKET, Coat Hook Support V1, V2 V1-P, V2-P	2 2	2481 175 ----	2481 175 ----	2481 175 ----	2481 175 2528 314	
23-84-3	PAD, Instrument Panel Trim V1-L, V2-L (codes L1B, L5B) (blue)	1	4239 VB6				
	(codes L1R, L5R) (red)	1	4239 VB6				
	(code L1T) (yellow tan)	1	4239 VT6				
	(code L4B) (blue)	1	----	----	4239 VB6		
	(code L4R) (red)	1	4239 VR6				
	(codes L4T, L5T) (yellow tan)	1	----	----	4239 VT6		
	V1-H, V2-H (codes H1B, H4B) (blue)	1	4239 VB6	----	4239 VB6	----	4239 VB6
	(codes H1Q, H4Q) (turquoise)	1	4239 VQ6	----	4239 VQ6	----	4239 VB6
	(codes H1R, H4R) (red)	1	4239 VR6	----	4239 VR6	----	4239 VR6
	(codes H1T, H4T) (yellow tan)	1	4239 VT6	----	4239 VT6	----	4239 VT6
	V1-P, V2-P (codes P4B, P5B) (blue)	1	----	----	----	4239 VB6	4239 VB6
	(codes P4R, P5R) (red)	1	----	----	----	4239 VR6	4239 VR6
	(code P4T) (yellow tan)	1	----	----	----	4239 VT6	4239 VT6
	(codes P4X, P5X) (black)	1	----	----	----	4239 VX8	4239 VX8
	(code P5Y) (yellow gold)	1	----	----	----	4239 VY6	
	Nut (attaching)	5	116 000	116 000	116 000	116 000	
23-86-2	COVER, Top Deck V1-P, V2-P (white)	1	----	----	----	4925 VW1	
	(black)	1	----	----	----	4925 VX8	
23-86-3	HEADLINING and LISTING V1, V2 (codes L1B, L5B, H1B, H4B)	1	7100 VB2				
	(codes L1T, H1T, H4T)	1	7100 VT2				
	(codes L1R, L5R, H1R, H4R)	1	7100 VW2				
	(codes H1Q, H4Q)	1	7100 VQ2				
	(codes L4B, H1B, H4B)	1	----	----	7102 VB2		
	(codes L4T, H1T, H4T)	1	----	----	7102 VT2		
	(codes L4R, H1R, H4R)	1	----	----	7102 VW2		
	(codes H1Q, H4Q)	1	----	----	7102 VQ2		
	V1-P, V2-P (code P4B)	1	----	----	----	7100 VB2	
	(code P4T)	1	----	----	----	7100 VT2	
	(codes P4R, P4X)	1	----	----	----	7100 VW2	
	(code P5B)	1	----	----	----	7106 VB3	

★ Indicates use as required.

☐ Indicates parts not listed in any previous parts book.

March 15, 1965 Supersedes May 22, 1964.

Page IT-68

Prices and specifications subject to change without notice.

Printed in U.S.A.
Right and left part numbers are on same line,

CODE	REMARKS	PER CAR	SED.	4D H.T.	STA. WGN.	2D H.T.	CV. CP.
23-86-3	HEADLINING and LISTING - Cont'd V1-P, V2-P (code P5R) (code P5X) (code P5Y)	1	----	----	----	7106 VX9	
		1	----	----	----	7106 VY3	
		1	----	----	----		
23-86-8	RETAINER, Roof Outside Cover V1-P, V2-P (side front) (side rear)	1	----	----	----	----	2483 780-1
		1	----	----	----	----	2484 164-5
23-86-10	SUPPORT, Roof Bow V1, V2 No. 1 Bow (barracuda)	1	2242 504	----	----	2242 504	
		5	----	----	2243 251		
		1	----	----	----	E2526 775	
23-86-19	STRIP, Headlining Retaining V1, V2 (2 D.)	Front 1	2242 996-7				
		Rear 1	2243 668-9				
	(4 D.)	Front 1	2242 996-7	----	2223 636-7	2243 868-9	
		Rear 1	2243 224-5	----	2223 638-9		
	V1-P, V2-P	1	----	----	----	2526 788-9	
		★	6000 922	----	6000 922	6000 922	
Fastener Screw	Front 2	142 908	----	142 908	142 908		
23-91-6	PANEL, Cowl Trim V1, V2 (paint as required) (black)	1	1402-3 VX8	----	1402-3 VX8	1402-3 VX8	1402-3 VX8
23-92-5	PANEL, Door Trim V1-L, V2-L (2 D.) (code L1B) (code L1R) (code L1T)	1	3166-7 VBB				
		1	3166-7 VOR				
		1	3166-7 VTT				
V1-H, V2-H (2 D.) (code H1B) (code H1Q) (code H1R) (code H1T)	1	3170-1 VBB					
	1	3170-1 VQQ					
	1	3170-1 VRR					
	1	3170-1 VTT					
V1-L, V2-L (4 D.) (codes L1B, L5B) (codes L1R, L5R) (codes L1T, L5T)	Front 1	3162-3 VBB					
	Rear 1	3240-1 VBB					
	Front 1	3162-3 VOR					
	Rear 1	3240-1 VOR					
	Front 1	3162-3 VTT					
	Rear 1	3240-1 VTT					
V1-H, V2-H (code H1B) (code H1Q) (code H1R) (code H1T)	Front 1	3164-5 VBB	----	3164-5 VBB			
	Rear 1	3242-3 VBB	----	3242-3 VBB			
	Front 1	3164-5 VQQ	----	3164-5 VQQ			
	Rear 1	3242-3 VQQ	----	3242-3 VQQ			
	Front 1	3164-5 VRR	----	3164-5 VRR			
	Rear 1	3242-3 VRR	----	3242-3 VRR			
	Front 1	3164-5 VTT	----	3164-5 VTT			
	Rear 1	3242-3 VTT	----	3242-3 VTT			

★ Indicates use as required.

E Indicates parts not listed in any previous parts book.
Right and left part numbers are on same line,
first number is right, second number is left.

1964 PASSENGER CAR PARTS CATALOG

INTERIOR TRIM

CODE	REMARKS	PER CAR	SED.	4D H.T	STA. WGN.	2D H.T	CV. CP.
23-92-5	PANEL, Door Trim - Cont'd V1-H, V2-H						
	(code H4B) Front	1	3164-5 VBB	----	3164-5 VBB		
	Rear	1	3242-3 VBB	----	3242-3 VBB		
	(code H4Q) Front	1	3164-5 VQQ	----	3164-5 VQQ		
	Rear	1	3242-3 VQQ	----	3242-3 VQQ		
	(code H4R) Front	1	3164-5 VRR	----	3164-5 VRR		
	Rear	1	3242-3 VRR	----	3242-3 VRR		
	(code H4T) Front	1	3164-5 VTT	----	3164-5 VTT		
	Rear	1	3242-3 VTT	----	3242-3 VTT		
	V1-L, V2-L						
	(code L4B) Front	1	----	----	3162-3 VBB		
	Rear	1	----	----	3240-1 VBB		
	(code L4R) Front	1	----	----	3162-3 VOR		
	Rear	1	----	----	3240-1 VOR		
	(code L4T) Front	1	----	----	3162-3 VTT		
	Rear	1	----	----	3240-1 VTT		
	V1-P, V2-P						
	(code P4B)	1	----	----	----	3168-9 VBB	3168-9 VBB
	(code P4R)	1	----	----	----	3168-9 VRR	3168-9 VRR
	(code P4T)	1	----	----	----	3168-9 VTT	3168-9 VTT
	(code P4X)	1	----	----	----	3168-9 VOX	3168-9 VOX
	(code P5B)	1	----	----	----	3172-3 VOB	
	(code P5R)	1	----	----	----	3172-3 VOR	
	(code P5X)	1	----	----	----	3172-3 VOX	
	(code P5Y)	1	----	----	----	3172-3 VOY	
	V1-H, V2-H						
	(code H4B)	1	----	----	----	----	3170-1 VBB
	(code H4Q)	1	----	----	----	----	3170-1 VQQ
	(code H4R)	1	----	----	----	----	3170-1 VRR
	(code H4T)	1	----	----	----	----	3170-1 VTT
	Fastener	★	6000 365	----	6000 365	6000 365	6000 365
23-96-3	PANEL, Luggage Compartment Front Lining						
	V1, V2	1	2419 102	----	----	2419 102	2440 956
	Clip (front lining to seat back support)	2	----	----	----	----	6000 903
	Screw (panel to floor) (rear compt. security cover) (barracuda)	2	----	----	----	----	6024 229
	(code P5B)	1	----	----	----	*2951 VB8	
	(code P5R)	1	----	----	----	*2951 VR6	
	(code P5X)	1	----	----	----	E2951 VX8	
	(code P5Y)	1	----	----	----	*2951 VY8	
	(panel)						
	(code P5B)	1	----	----	----	E4858 V5B	
	(code P5R)	1	----	----	----	E4858 V5R	
	(code P5X)	1	----	----	----	E4858 V5X	
	(code P5Y)	1	----	----	----	E4858 V5Y	
23-96-8	CARPET, Wheelhouse V1-P, V2-P						
	(code P4B)	1	----	----	----	E4452-3 VB8	
	(code P4R)	1	----	----	----	E4452-3 VR6	
	(code P4X)	1	----	----	----	E4452-3 AX8	
	(code P4Y)	1	----	----	----	E4452-3 VY8	
23-96-10	PANEL, Luggage Compartment Deck Opening Lower Rear V1-P, V2-P (paint as required) (deck opening upper inner extension)						
	Fastener	4	----	----	----	*4450 VX9	
		1	----	----	----	*4448-9 VX9	
		1	----	----	----	*6000 903	

★ Indicates use as required.

E Indicates parts not listed in any previous parts book.
March 15, 1965 Supersedes May 22, 1964.

Printed in U.S.A.

INTERIOR TRIM **1964 PASSENGER CAR PARTS CATALOG**

CODE	REMARKS	PER CAR	SED.	4D H.T	STA. WGN.	2D H.T	CV. CP.
23-96-16	COVER, Deck Lid Access Hole V1-P, V2-P Fastener	1 4	----	----	----	B4107 VX8 *6000 903	
23-99-17	RETAINER, Front Pillar Cover V1-P, V2-P	1	----	----	----	2527 910-1	
23-99-38	PANEL, Rear Upper Pillar Reinforcement Trim V1, V2 (codes L4B, H1B, H4B) (codes L4T, H1T, H4T) (codes H4Q, H1Q) (codes L4R, H1R, H4B)	1 1 1 1	----	----	2016-7 VB6 2016-7 VT6 2016-7 VQ6 2016-7 TR6		
23-101-3	PANEL, Rear Quarter Trim V1-L, V2-L (2 D.) (code L1B) (code L1R) (code L1T)	1 1 1	3340-1 VBB 3340-1 VOR 3340-1 VTT				
	V1-H, V2-H (2 D.) (code H1B) (code H1Q) (code H1R) (code H1T)	1 1 1 1	3346-7 VBB 3346-7 VQ6 3346-7 VRR 3346-7 VTT				
	V1, V2 (upper) (codes L4B, H1B, H4B) (code L4V) (codes L4R, H1R, H4R) (codes L4T, H1T, H4T) (codes H1Q, H4Q)	1 1 1 1 1	----	----	2018-9 VB6 2018-9 VX9 2018-9 VRR 2018-9 VT6 2018-9 VQ6		
	V1, V2 (paint as required) (less hole for retaining screw) (lower) (w/hole for retaining screw) Screw & Washer (retaining)	1 1 1 1	2012-3 VT8 2054-5 AT6 6023 381	----	2012-3 VT8 2054-5 AT6 6023 381		
	V1-P, V2-P (code P4B) (code P4R) (code P4T) (code P4X) (code P5B) (code P5R) (code P5X) (code P5Y)	1 1 1 1 1 1 1 1	----	----	3342-3 VBB 3342-3 VRR 3342-3 VTT 3342-3 VOX 4578-9 VOB 4578-9 VOR 4578-9 VOX 4578-9 VOY	3344-5 VBB 3344-5 VRR 3344-5 VTT 3344-5 VOX	
	V1-H, V2-H (code H4B) (code H4Q) (code H4R) (code H4T) Fastener Screw (attaching)	1 1 1 1 * 4	6000 365 162 090	----	----	3348-9 VBB 3348-9 VQ6 3348-9 VRR 3348-9 VTT 6000 365 162 090	
23-102-3	PANEL, Shelf Trim V1, V2 (codes L1B, L5B, H1B, H4B) (codes H1Q, H4Q) (codes L1R, L5R, H1R, H4R) (codes L1T, L5T, H1T, H4T)	1 1 1 1	1301 VB6 1301 VQ6 1301 VRR 1301 VT6				

★ Indicates use as required.

⊠ Indicates parts not listed in any previous parts book.

Right and left part numbers are on same line,

first number is right, second number is left.

* Indicates change or addition.

1964 PASSENGER CAR PARTS CATALOG

INTERIOR TRIM

CODE	REMARKS	PER CAR	SED.	4D H.T	STA. WGN.	2D H.T	CV. CP.
23-102-3	PANEL, SHELF TRIM - Cont'd V1-P, V2-P (code P4B) (code P4R) (code P4T) (code P4X) Clip	1 1 1 1 2	---- ---- ---- ---- 6000 903	---- ---- ---- ---- ----	---- ---- ---- ---- ----	1301 VB6 1301 VR6 1301 VT6 1301 VX8 6000 903	
23-103-3	PANEL, Visor Trim V1-L, V2-L (code L1B) (codes L1T, L4T, L5T) (codes L1R, L4R, L5R, L1P)	2 2 2	1101 VB2 1101 VT2 1101 VW2	---- ---- ----	1101 VB2 1101 VT2 1101 VW2		
	V1-H, V2-H (codes H1B, H4B) (codes H1R, H4R) (codes H1Q, H4Q) (codes H1T, H4T) (code H5B) (code H5R) (code H5T)	2 2 2 2 2 2 2	1101 VB2 1101 VW2 1101 VQ2 1101 VT2 1101 VB2 1101 VW2 1101 VT2	---- ---- ---- ---- ---- ---- ----	1101 VB2 1101 VW2 1101 VQ2 1101 VT2 1101 VB2 1101 VW2 1101 VT2	---- ---- ---- ---- ---- ---- ----	1100 VB6 1100 VR6 1100 VQ6 1100 VT6
	V1-P, V2-P (code P4B) (code P4T) (code P4R) (code P4X) (code P5B) (code P5R) (code P5X) (code P5Y)	2 2 2 2 1 1 1 1	---- ---- ---- ---- ---- ---- ---- ----	---- ---- ---- ---- ---- ---- ---- ----	---- ---- ---- ---- ---- ---- ---- ----	1102 VB2 1102 VT2 1102 VW2 1102 VW2 1102 AB3 1102 AR6 1102 AX9 1102 AY3	1100 VB6 1100 VT6 1100 VR6 1100 VX9
23-103-10	ARM and BRACKET, Visor V1, V2 (anti-rattler and lock catch) Washer, tension spring	1 1 2	2292 580-1 ---- 6000 106	---- ---- 6000 106	2292 580-1 ---- 6000 106	2292 580-1 ---- 6000 106	2424 470-1
23-103-48	SUPPORT, Visor Inner V1, V2	2	----	----	----	----	2162 628
23-108-4	CUSHION, Front Seat V1-L, V2-L (2 D.) (3/4" airfoam pad) (code L1B) (code L1R) (code L1T) (1 3/4" airfoam pad) (code L1B) (code L1R) (code L1T) (less ash receiver and air foam pad) (code L1B) (code L1R) (code L1T) (1 3/4" airfoam pad w/heavy duty spring) (code L1B) (code L1R) (code L1T)	1 1 1 1 1 1 1 1 1 1 1 1 1 1 1	5304 V1B 5304 V1R 5304 V1T 5305 V1B 5305 V1R 5305 V1T 5306 V1B 5306 V1R 5306 V1T 5307 V1B 5307 V1R 5307 V1T				

★ Indicates use as required.

☐ Indicates parts not listed in any previous parts book.
March 15, 1965 Supersedes May 22, 1964.Prices and specifications subject to change without notice.
Right and left part numbers are on same line,
first number is right, second number is left.
* Indicates change or addition.

Printed in U.S.A.

CODE	REMARKS	PER CAR	SED.	4D H.T	STA. WGN.	2D H.T	CV. CP.
23-108-4	CUSHION, Front Seat - Cont'd. V1-H, V2-H (2 D.) (w/insert welt) (3/4" airfoam pad) (code H1B) (code H1Q) (code H1R) (code H1T) (1 3/4" airfoam pad) (code H1B) (code H1Q) (code H1R) (code H1T)	1 1 1 1 1 1 1 1 1 1	5310 V1B 5310 V1Q 5310 V1R 5310 V1T 5311 V1B 5311 V1Q 5311 V1R 5311 V1T				
	V1-H, V2-H (2 D.)(w/o insert welt)(3/4" airfoam pad) (code H1B) (code H1Q) (code H1R) (code H1T) (1 3/4" airfoam pad) (code H1B) (code H1Q) (code H1R) (code H1T)	1 1 1 1 1 1 1 1 1	5704 V1B 5704 V1Q 5704 V1R 5704 V1T 5705 V1B 5705 V1Q 5705 V1R 5705 V1T				
	V1-L, V2-L (4 D.) (3/4" airfoam pad) (code L1B) (code L1R) (code L1T) (1 3/4" airfoam pad) (code L1B) (code L1R) (code L1T)	1 1 1 1 1 1 1	5300 V1B 5300 V1R 5300 V1T 5301 V1B 5301 V1R 5301 V1T				
	(3/4" airfoam pad w/heavy duty spring) (code L1B) (code L1R) (code L1T) (1 3/4" airfoam pad w/heavy duty spring) (code L1B) (code L1R) (code L1T)	1 1 1 1 1 1 1	5302 V1B 5302 V1R 5302 V1T 5303 V1B 5303 V1R 5303 V1T				
	V1-L, V2-L (w/insert welt) (3/4" airfoam pad) (code L5B) (code L5R) (code L5T) (1 3/4" airfoam pad) (code L5B) (code L5R) (code L5T)	1 1 1 1 1 1 1	5318 V4B 5318 V4R 5318 V4T 5319 V4B 5319 V4R 5319 V4T				
	(3/4" airfoam pad and heavy duty springs) (code L5B) (code L5R) (code L5T) (1 3/4" airfoam pad and heavy duty springs) (code L5B) (code L5R) (code L5T)	1 1 1 1 1 1 1	5322 V5B 5322 V5R 5322 V5T 5323 V5B 5323 V5R 5323 V5T				

★ Indicates use as required.

⊠ Indicates parts not listed in any previous parts book.
Right and left part numbers are on same line,
first number is right, second number is left.

CODE	REMARKS	PER CAR	SED.	4D H.T	STA. WGN.	2D H.T	CV. CP.	
23-108-4	CUSHION, Front Seat, - Cont'd V1-L, V2-L (w/o insert welt) (3/4" airfoam pad) (code L5B) (code L5R) (code L5T) (1 3/4" airfoam pad) (code L5B) (code L5R) (code L5T)	1 1 1 1 1 1 1	5706 V4B 5706 V4R 5708 V4T 5707 V4B 5707 V4R 5707 V4T					
	(3/4" airfoam pad and heavy duty springs) (code L5B) (code L5R) (code L5T) (1 3/4" airfoam pad and heavy duty springs) (code L5B) (code L5R) (code L5T)	1 1 1 1 1 1 1	5708 V5B 5708 V5R 5708 V5T 5709 V5B 5709 V5R 5709 V5T					
	V1-H, V2-H (4 D.) (w/insert welt) (3/4" airfoam pad) (code H1B) (code H1Q) (code H1R) (code H1T) (1 3/4" airfoam pad) (code H1B) (code H1Q) (code H1R) (code H1T)	1 1 1 1 1 1 1 1 1 1	5308 V1B 5308 V1Q 5308 V1R 5308 V1T 5309 V1B 5309 V1Q 5309 V1R 5309 V1T	---- ---- ---- ---- ---- ---- ---- ----	5308 V1B 5308 V1Q 5308 V1R 5308 V1T 5309 V1B 5309 V1Q 5309 V1R 5309 V1T			
	V1-H, V2-H (w/o insert welt) (3/4" airfoam pad) (code H1B) (code H1Q) (code H1R) (code H1T) (1 3/4" airfoam pad) (code H1B) (code H1Q) (code H1R) (code H1T)	1 1 1 1 1 1 1 1 1 1	5702 V1B 5702 V1Q 5702 V1R 5702 V1T 5703 V1B 5703 V1Q 5703 V1R 5703 V1T	---- ---- ---- ---- ---- ---- ---- ----	5702 V1B 5702 V1Q 5702 V1R 5702 V1T 5703 V1B 5703 V1Q 5703 V1R 5703 V1T			
	V1-H, V2-H (4 D.) (w/insert welt) (3/4" airfoam pad) (code H4B) (code H4Q) (code H4R) (code H4T) (1 3/4" airfoam pad) (code H4B) (code H4Q) (code H4R) (code H4T)	1 1 1 1 1 1 1 1 1 1	5318 V4B 5318 V4Q 5318 V4R 5318 V4T 5319 V4B 5319 V4Q 5319 V4R 5319 V4T	---- ---- ---- ---- ---- ---- ---- ----	5318 V4B 5318 V4Q 5318 V4R 5318 V4T 5319 V4B 5319 V4Q 5319 V4R 5319 V4T			
	V1, V2 (w/o insert welt) (3/4" airfoam pad) (code H4B) (code H4Q) (code H4R) (code H4T)	1 1 1 1	5706 V4B 5706 V4Q 5706 V4R 5706 V4T	---- ---- ---- ----	5706 V4B 5706 V4Q 5706 V4R 5706 V4T			

★ Indicates use as required.

□ Indicates parts not listed in any previous parts book.
March 15, 1965 Supersedes May 22, 1964.

INTERIOR TRIM 1964 PASSENGER CAR PARTS CATALOG

CODE	REMARKS	PER CAR	SED.	4D H.T	STA. WGN.	2D H.T	CV. CP.
23-108-4	CUSHION, Front Seat - Cont'd V1, V2 (w/o insert welt) (1 3/4" airfoam pad)						
	(code H4B)	1	5707 V4B	----	5707 V4B		
	(code H4Q)	1	5707 V4Q	----	5707 V4Q		
	(code H4R)	1	5707 V4R	----	5707 V4R		
	(code H4T)	1	5707 V4T	----	5707 V4T		
	V1-L, V2-L(3/4" airfoam pad)						
	(code L4B)	1	----	----	5314 V4B		
	(code L4R)	1	----	----	5314 V4R		
	(code L4T)	1	----	----	5314 V4T		
	(1 3/4" airfoam pad)						
	(code L4B)	1	----	----	5315 V4B		
	(code L4R)	1	----	----	5315 V4R		
	(code L4T)	1	----	----	5315 V4T		
	(3/4" airfoam pad w/heavy duty spring)						
	(code L4B)	1	----	----	5316 V4B		
	(code L4R)	1	----	----	5316 V4R		
	(code L4T)	1	----	----	5316 V4T		
	(1 3/4" airfoam pad w/heavy duty spring)						
	(code L4B)	1	----	----	5317 V4B		
	(code L4R)	1	----	----	5317 V4R		
	(code L4T)	1	----	----	5317 V4T		
	V1-H, V2-H (w/insert welt)						
	(3/4" airfoam pad)						
	(code H4B)	1	----	----	----	----	5320 V4B
	(code H4Q)	1	----	----	----	----	5320 V4Q
	(code H4R)	1	----	----	----	----	5320 V4R
	(code H4T)	1	----	----	----	----	5320 V4T
	(1 3/4" airfoam pad)						
	(code H4B)	1	----	----	----	----	5321 V4B
	(code H4Q)	1	----	----	----	----	5321 V4Q
	(code H4R)	1	----	----	----	----	5321 V4R
	(code H4T)	1	----	----	----	----	5321 V4T
	V1-H, V2-H (w/o insert welt)						
	(3/4" airfoam pad)						
	(code H4B)	1	----	----	----	----	5710 V4B
	(code H4Q)	1	----	----	----	----	5710 V4Q
	(code H4R)	1	----	----	----	----	5710 V4R
	(code H4T)	1	----	----	----	----	5710 V4T
	(1 3/4" airfoam pad)						
	(code H4B)	1	----	----	----	----	5711 V4B
	(code H4Q)	1	----	----	----	----	5711 V4Q
	(code H4R)	1	----	----	----	----	5711 V4R
	(code H4T)	1	----	----	----	----	5711 V4T
	V1-P, V2-P						
	(1 3/4" airfoam pad)						
	(code P4B)	1	----	----	----	5312-3 V4B	5312-3 V4B
	(code P4R)	1	----	----	----	5312-3 V4R	5312-3 V4R
	(code P4T)	1	----	----	----	5312-3 V4T	5312-3 V4T
	(code P4X)	1	----	----	----	5312-3 V4X	5312-3 V4X
	(code P5B)	1	----	----	----	5134-5 V5B	
	(code P5R)	1	----	----	----	*5134-5 V5R	
	(code P5X)	1	----	----	----	5134-5 V5X	
	(code P5Y)	1	----	----	----	*5134-5 V5Y	
	Nut (cush. to back wedge adj.)	4	----	----	----	327 072	327 072

* Indicates use as required.
 □ Indicates parts not listed in any previous parts book.
 Right and left part numbers are on same line,
 first number is right, second number is left.
 * Indicates change or addition.

CODE	REMARKS	PER CAR	SED.	4D H.T	STA. WGN.	2D H.T	CV. CP.
23-108-5	COVER, Front Seat Cushion V1-L, V2-L (2 D.) , (code L1B) (code L1R) (code L1T)	1 1 1	5801 V1B 5801 V1R 5801 V1T				
	V1-H, V2-H (2 D.) (w/insert welt) (code H1B) (code H1Q) (code H1R) (code H1T)	1 1 1 1	5803 V1B 5803 V1Q 5803 V1R 5803 V1T				
	V1-H, V2-H (2 D.) (w/o insert welt) (code H1B) (code H1Q) (code H1R) (code H1T)	1 1 1 1	6900 V1B 6900 V1Q 6900 V1R 6900 V1T				
	V1-L, V2-L (4 D.) (code L1B) (code L1R) (code L1T) (code L5B)(w/insert welt) (code L5R)(w/insert welt) (code L5T)(w/insert welt)	1 1 1 1 1 1	5800 V1B 5800 V1R 5800 V1T 5807 V4B 5807 V4R 5807 V4T				
	V1-H, V2-H (4D.) (w/insert welt) (code H1B) (code H1Q) (code H1R) (code H1T)	1 1 1 1	5802 V1B 5802 V1Q 5802 V1R 5802 V1T	---- ---- ---- ----	5802 V1B 5802 V1Q 5802 V1R 5802 V1T		
	V1-H, V2-H (4 D.) (w/o insert welt) (code H1B) (code H1Q) (code H1R) (code H1T)	1 1 1 1	5811 V1B 5811 V1Q 5811 V1R 5811 V1T	---- ---- ---- ----	5811 V1B 5811 V1Q 5811 V1R 5811 V1T		
	V1-H, V2-H(w/insert welt) (code H4B) (code H4Q) (code H4R) (code H4T)	1 1 1 1	5807 V4B 5807 V4Q 5807 V4R 5807 V4T	---- ---- ---- ----	5807 V4B 5807 V4Q 5807 V4R 5807 V4T		
	V1, V2 (w/o insert welt) (codes L5B, H4B) (code H4Q) (codes L5R, H4R) (codes L5T, H4T)	1 1 1 1	6901 V4B 6901 V4Q 6901 V4R 6901 V4T	---- ---- ---- ----	6901 V4B 6901 V4Q 6901 V4R 6901 V4T		
	V1-L, V2-L (code L4B) (code L4R) (code L4T)	1 1 1	---- ---- ----	---- ---- ----	5806 V4B 5806 V4R 5806 V4T		
	V1-P, V2-P (code P4B) (code P4R) (code P4T) (code P4X) (code P5B) (code P5R) (code P5X) (code P5Y)	2 2 2 2 2 2 2 2	---- ---- ---- ---- ---- ---- ---- ----	---- ---- ---- ---- ---- ---- ---- ----	---- ---- ---- ---- ---- ---- ---- ----	5804 V4B 5804 V4R 5804 V4T 5804 V4X 5809 V5B 5809 V5R 5809 V5X 5809 V5Y	5804 V4B 5804 V4R 5804 V4T 5804 V4X

● Indicates use as required.

□ Indicates parts not listed in any previous parts book.
March 15, 1965 Supersedes May 22, 1964.

INTERIOR TRIM **1964 PASSENGER CAR PARTS CATALOG**

CODE	REMARKS	PER CAR	SED.	4D H.T	STA. WGN.	2D H.T	CV. CP.
23-108-5	COVER, Front Seat Cushion - Cont'd.						
	V1-H, V2-H (w/insert welt)						
	(code H4B)	1	----	----	----	----	5808 V4B
	(code H4Q)	1	----	----	----	----	5808 V4Q
	(code H4R)	1	----	----	----	----	5808 V4R
	(code H4T)	1	----	----	----	----	5808 V4T
	V1-H, V2-H (w/o insert welt)						
	(code H4B)	1	----	----	----	----	6902 V4B
(code H4Q)	1	----	----	----	----	6902 V4Q	
(code H4B)	1	----	----	----	----	6902 V4R	
(code H4T)	1	----	----	----	----	6902 V4T	
23-108-12	BACK, Front Seat						
	V1-L, V2-L (2 D.)						
	(code L1B)	1	5504-5 V1B				
	(code L1R)	1	5504-5 V1R				
	(code L1T)	1	5504-5 V1T				
	(w/heavy duty spring)						
	(code L1B)	1	5506-7 V1B				
	(code L1R)	1	5506-7 V1R				
	(code L1T)	1	5506-7 V1T				
	V1-H, V2-H (w/insert welt)						
	(code H1B)	1	5508-9 V1B				
	(code H1Q)	1	5508-9 V1Q				
	(code H1R)	1	5508-9 V1R				
	(code H1T)	1	5508-9 V1T				
	Push Nut (seat back to cushion)	2	6024 203				
	V1-H, V2-H (w/o insert welt)						
	(code H1B)	1	5522-3 V1B				
	(code H1Q)	1	5522-3 V1Q				
	(code H1R)	1	5522-3 V1R				
	(code H1T)	1	5522-3 V1T				
	V1-L, V2-L (4 D.)						
	(w/heavy duty springs)						
	(code L1B)	1	5502 V1B				
	(code L1R)	1	5502 V1R				
(code L1T)	1	5502 V1T					
V1-L, V2-L (w/insert welt)							
(code L5B)	1	5516 V5B					
(code L5R)	1	5516 V5R					
(code L5T)	1	5516 V4T					
(w/heavy duty springs)							
(code L5B)	1	5517 V5B					
(code L5R)	1	*5517 V5R					
(code L5T)	1	5517 V5T					
V1-L, V2-L (w/o insert welt)							
(code L5B)	1	5524 V4B					
(code L5R)	1	*5524 V4R					
(code L5T)	1	5524 V4T					
(w/heavy duty springs)							
(code L5B)	1	6905 V5B					
(code L5R)	1	6905 V5R					
(code L5T)	1	6905 V5T					
V1-H, V2-H (w/insert welt)							
(code H1B)	1	5503 V1B	----	5503 V1B			
(code H1Q)	1	5503 V1Q	----	5503 V1Q			
(code H1R)	1	5503 V1R	----	5503 V1R			
(code H1T)	1	5503 V1T	----	5503 V1T			

★ Indicates use as required.

⊞ Indicates parts not listed in any previous parts book. Right and left part numbers are on same line, first number is right, second number is left.

1964 PASSENGER CAR PARTS CATALOG

INTERIOR TRIM

CODE	REMARKS	PER CAR	SED.	4D H.T	STA WGN.	2D H.T	CV. CP.
23-108-12	BACK, Front Seat - Cont'd.						
	V1-H, V2-H (w/o insert welt)						
	(code H1B)	1	5521 V1B	----	5521 V1B		
	(code H1Q)	1	5521 V1Q	----	5521 V1Q		
	(code H1R)	1	5521 V1R	----	5521 V1R		
	(code H1T)	1	5521 V1T	----	5521 V1T		
	V1-L, V2-L						
	(std. spring w/ash receiver)						
	(code L4B)	1	----	----	5512 V4B		
	(code L4R)	1	----	----	5512 V4R		
	(code L4T)	1	----	----	5512 V4T		
	(std. spring less ash receiver)						
	(code L4B)	1	----	----	5511 V4B		
	(code L4R)	1	----	----	5511 V4R		
	(code L4T)	1	----	----	5511 V4T		
	(heavy duty spring less air-foam and ash receiver)						
	(code L4B)	1	----	----	5513 V4B		
	(code L4R)	1	----	----	5513 V4R		
	(code L4T)	1	----	----	5513 V4T		
	V1-H, V2-H (w/insert welt)						
	(code H4B)	1	5516 V4B	----	5516 V4B	----	5514-5 V4B
	(code H4Q)	1	5516 V4Q	----	5516 V4Q	----	5514-5 V4Q
	(code H4R)	1	5516 V4R	----	5516 V4R	----	5514-5 V4R
	(code H4T)	1	5516 V4T	----	5516 V4T	----	5514-5 V4T
	V1-H, V2-H (w/o insert welt)						
	(code H4B)	1	----	----	----	----	6906-7 V4B
	(code H4Q)	1	----	----	----	----	6906-7 V4Q
	(code H4R)	1	----	----	----	----	6906-7 V4R
	(code H4T)	1	----	----	----	----	6906-7 V4T
23-108-15	SPRING and COVER, Front Seat Back						
	V1-P, V2-P						
	(code P4B)	2	----	----	----	5700 V4B	5700 V4B
	(code P4R)	2	----	----	----	5700 V4R	5700 V4R
	(code P4T)	2	----	----	----	5700 V4T	5700 V4T
	(code P4X)	2	----	----	----	5700 V4X	5700 V4X
	(code P5B)	2	----	----	----	5701 V5B	
	(code P5R)	2	----	----	----	5701 V5R	
	(code P5X)	2	----	----	----	5701 V5X	
	(code P5Y)	2	----	----	----	5701 V5Y	
	Screw (seat back to cushion wedge)	2	----	----	----	6016 005	6016 005
	Push Nut (seat back to cushion)	2	----	----	----	6024 203	6024 203
23-108-16	COVER, Front Seat Back						
	V1-L, V2-L (2 D.)						
	(code L1B)	1	5902-3 V1B				
	(code L1R)	1	5902-3 V1R				
	(code L1T)	1	5902-3 V1T				
	V1-H, V2-H (2 D.)						
	(w/insert welt)						
	(code H1B)	1	5904-5 V1B				
	(code H1Q)	1	5904-5 V1Q				
	(code H1R)	1	5904-5 V1R				
	(code H1T)	1	5904-5 V1T				

● Indicates use as required.

□ Indicates parts not listed in any previous parts book.
March 15, 1965 Supersedes May 22, 1964.

CODE	REMARKS	PER CAR	SED.	4D H.T	STA. WGN.	2D H.T	CV. CP.
23-108-16	COVER, Front Seat Back - Cont'd V1-H, V2-H (2 D.) (w/o insert welt)						
	(code H1B)	1	5916-7 V1B				
	(code H1Q)	1	5916-7 V1Q				
	(code H1R)	1	5916-7 V1R				
	(code H1T)	1	5916-7 V1T				
	V1-L, V2-L (4 D.)						
	(code L1B)	1	5900 V1B				
	(code L1R)	1	5900 V1R				
	(code L1T)	1	5900 V1T				
	(code L5B)(w/insert welt)	1	5910 V4B				
	(code L5R)(w/insert welt)	1	5910 V4R				
	(code L5T)	1	5910 V4T				
	(code L4B)	1	----	----	5907 V4B		
	(code L4R)	1	----	----	5907 V4R		
	(code L4T)	1	----	----	5907 V4T		
	V1-L (4 D.)(w/o insert welt)						
	(code L5B)	1	5915 V4B				
	(code L5R)	1	5915 V4R				
	(code L5T)	1	5915 V4T				
	V1-H, V2-H (4 D.) (w/insert welt)						
	(code H1B)	1	5901 V1B	----	5901 V1B		
	(code H1Q)	1	5901 V1Q	----	5901 V1Q		
	(code H1R)	1	5901 V1R	----	5901 V1R		
	(code H1T)	1	5901 V1T	----	5901 V1T		
	(code H4B)	1	5910 V4B	----	5910 V4B		
	(code H4Q)	1	5910 V4Q	----	5910 V4Q		
	(code H4R)	1	5910 V4R	----	5910 V4R		
	(code H4T)	1	5910 V4T	----	5910 V4T		
	V1-H, V2-H (4D.) (w/o insert welt)						
	(code H1B)	1	5914 V1B	----	5914 V1B		
	(code H1Q)	1	5914 V1Q	----	5914 V1Q		
	(code H1R)	1	5914 V1R	----	5914 V1R		
	(code H1T)	1	5914 V1T	----	5914 V1T		
	(code H4B)	1	5915 V4B	----	5915 V4B		
	(code H4Q)	1	5915 V4Q	----	5915 V4Q		
	(code H4R)	1	5915 V4R	----	5915 V4R		
	(code H4T)	1	5915 V4T	----	5915 V4T		
	V1-P, V2-P						
	(code P4B)	2	----	----	----	5906 V4B	5906 V4B
	(code P4R)	2	----	----	----	5906 V4R	5906 V4R
	(code P4T)	2	----	----	----	5906 V4T	5906 V4T
	(code P4X)	2	----	----	----	5906 V4X	5906 V4X
	(code P5B)	2	----	----	----	5911 V5B	
	(code P5R)	2	----	----	----	5911 V5R	
	(code P5X)	2	----	----	----	5911 V5X	
	(code P5Y)	2	----	----	----	5911 V5Y	
	V1-H, V2-H(w/insert welt)						
	(code H4B)	1	----	----	----	----	5908-9 V4B
	(code H4Q)	1	----	----	----	----	5908-9 V4Q
	(code H4R)	1	----	----	----	----	5908-9 V4R
	(code H4T)	1	----	----	----	----	5908-9 V4T
	V1-H, V2-H (w/o insert welt)						
	(code H4B)	1	----	----	----	----	5918-9 V4B
	(code H4Q)	1	----	----	----	----	5918-9 V4Q
	(code H4R)	1	----	----	----	----	5918-9 V4R
	(code H4T)	1	----	----	----	----	5918-9 V4T

★ Indicates use as required.

□ Indicates parts not listed in any previous parts book.

Right and left part numbers are on same line,

First number is right, second number is left.

Printed in U.S.A.

Prices and specifications subject to change without notice.

1964 PASSENGER CAR PARTS CATALOG

INTERIOR TRIM

CODE	REMARKS	PER CAR	SED.	4D H.T	STA. WGN.	2D H.T	CV. CP.
23-108-32	PANEL, Back of Front Seat Back Rear V1-P, V2-P (code P4B) (code P4R) (code P4T) (code P4X) (code P5B) (code P5R) (code P5X) (code P5Y) Fastener	2 2 2 2 2 2 2 2 12	---- ---- ---- ---- ---- ---- ---- ---- ----	---- ---- ---- ---- ---- ---- ---- ---- ----	---- ---- ---- ---- ---- ---- ---- ---- ----	6100 V4B 6100 V4R 6100 V4T 6100 V4X 6102 V5B 6102 V5R 6102 V5X 6102 V5Y 6000 365	6100 V4B 6100 V4R 6100 V4T 6100 V4X 6000 365
23-108-84	COVER, Front Seat Back Outer Hinge Arm (paint as required) V1-H, V2-H (codes H1B, H1Q, H1R, H1T, H4B, H4Q, H4R, H4T) (plastic) V1-P, V2-P	1 4	E4326-7 VT6 ----	---- ----	---- ----	---- 4390 VT6	4326-7 VT6 4390 VT6
23-108-98	SHIELD, Front Seat Side V1, V2 (back frame)(chrome) (cushion side)(chrome) Nut and Washer (bracket to frame)	4 4 2 4	---- ---- ---- ----	---- ---- ---- ----	---- ---- ---- ----	2440 219 2440 219 2440 340 120 375	2440 219 2440 219 2440 340 120 375
23-109-3	BACK, Rear Seat V1-L, V2-L (code L1B) (code L1R) (code L1T) (w/heavy duty spring) (code L1B) (code L1R) (code L1T) V1-L, V2-L (w/insert welt) (code L5B) (code L5R) (code L5T) (w/heavy duty springs) (code L5B) (code L5R) (code L5T) V1-L, V2-L (w/o insert welt) (code L5B) (code L5R) (code L5T) (w/heavy duty springs) (code L5B) (code L5R) (code L5T) V1-L, V2-L (code L4B) (code L4R) (code L4T) V1-H, V2-H (2nd. seat) (code H1B) (code H1Q)	1 1 1 1 1 1 1 1 1 1 1 1 1 1 1 1 1 1 1 1 1 1 1 1 1 1	6500 V1B 6500 V1R 6500 V1T 6501 V1B 6501 V1R 6501 V1T 6506 V4B 6506 V4R 6506 V4T 6509 V5B 6509 V5R 6509 V5T 6517 V4B 6517 V4R 6517 V4T 6578 V5B 6578 V5R 6578 V5T 6505 V4B 6505 V4R 6505 V4T 6502 V1B 6502 V1Q	---- ---- ---- ---- ---- ---- ---- ---- ---- ---- ---- ---- ---- ---- ---- ---- ---- ---- ---- ---- ---- ---- ---- ----	---- ---- ---- ---- ---- ---- ---- ---- ---- ---- ---- ---- ---- ---- ---- ---- ---- ---- ---- ---- ---- ---- ---- ----	6505 V4B 6505 V4R 6505 V4T 6510 V1B 6510 V1Q	

★ Indicates use as required.

⊠ Indicates parts not listed in any previous parts book.

March 15, 1965 Supersedes May 22, 1964.

Prices and specifications subject to change without notice.

Right and left part numbers are on same line,
first number is right, second number is left.

Printed in U.S.A.

CODE	REMARKS	PER CAR	SED.	4D H.T	STA. WGN.	2D H.T	CV. CP.	
23-109-3	BACK, Rear Seat - Cont'd							
	V1-H, V2-H (2nd seat)							
	(code H1B)	1	6502 V1R	----	6510 V1R			
	(code H1T)	1	6502 V1T	----	6510 V1T			
	(code H4B)	1	6506 V4B	----	6507 V4B	----	6512 V4B	
	(code H4Q)	1	6506 V4Q	----	6507 V4Q	----	6512 V4Q	
(code H4R)	1	6506 V4R	----	6507 V4R	----	6512 V4R		
(code H4T)	1	6506 V4T	----	6507 V4T	----	6512 V4T		
V1-H, V2-H (2nd seat) (w/o insert welt)	(code H1B)	1	6515 V1B	----	6516 V1B			
	(code H1Q)	1	6515 V1Q	----	6516 V1Q			
	(code H1R)	1	6515 V1R	----	6516 V1R			
	(code H1T)	1	6515 V1T	----	6516 V1T			
	(code H4B)	1	6517 V4B	----	6519 V4B	----	6520 V4B	
	(code H4Q)	1	6517 V4Q	----	6519 V4Q	----	6520 V4Q	
	(code H4R)	1	6517 V4R	----	6519 V4R	----	6520 V4R	
	(code H4T)	1	6517 V4T	----	6519 V4T	----	6520 V4T	
	Nut (spring attaching)	2	6000 234	----	6000 234	----	6000 234	
	V1-P, V2-P	(code P4B)	1	----	----	----	6503 V4B	6511 V4B
		(code P4R)	1	----	----	----	6503 V4R	6511 V4R
(code P4T)		1	----	----	----	6503 V4T	6511 V4T	
(code P4X)		1	----	----	----	6503 V4X	6511 V4X	
(spring and cover)								
(code P5B)		1	----	----	----	6513 V5B		
(code P5R)		1	----	----	----	6513 V5R		
(code P5X)		1	----	----	----	6513 V5X		
(code P5Y)		1	----	----	----	6513 V5Y		
Screw and Washer (spring attaching)		2	----	----	----	6023 545	6023 545	
23-109-4		COVER, Rear Seat Back						
	V1-L, V2-L							
	(code L1B)	1	6700 V1B					
	(code L1R)	1	6700 V1R					
(code L1T)	1	6700 V1T						
V1-H, V2-H (w/insert welt)	(code H1B)	1	6701 V1B					
	(code H1Q)	1	6701 V1Q					
	(code H1R)	1	6701 V1R					
	(code H1T)	1	6701 V1T					
	(code H4B)	1	6705 V4B					
	(code H4Q)	1	6705 V4Q					
	(code H4R)	1	6705 V4R					
	(code H4T)	1	6705 V4T					
	V1-L, V2-L (w/insert welt)	(code L5B)	1	6705 V4B				
(code L5R)		1	6705 V4R					
(code L5T)		1	6705 V4T					
V1, V2 (w/o insert welt)	(code H1B)	1	6716 V1B					
	(code H1Q)	1	6716 V1Q					
	(code H1R)	1	6716 V1R					
	(code H1T)	1	6716 V1T					
	(codes L5B, H4B)	1	6718 V4B					
	(code H4Q)	1	6718 V4Q					
	(codes L5R, H4R)	1	6718 V4R					
	(codes L5T, H4T)	1	6718 V4T					

★ Indicates use as required.

⊠ Indicates parts not listed in any previous parts book.

Right and left part numbers are on same line,

first number is right, second is left.

1964 PASSENGER CAR PARTS CATALOG

INTERIOR TRIM

CODE	REMARKS	PER CAR	SED.	4D H.T	STA. WGN.	2D H.T	CV. CP.
23-109-4	COVER, Rear Seat Back - Cont'd V1-L (2nd. seat)						
	(code L4B)	1	----	----	6704 V4B		
	(code L4R)	1	----	----	6704 V4R		
	(code L4T)	1	----	----	6704 V4T		
	V1-H, V2-H (2nd. seat) (w/insert welt)						
	(code H1B)	1	----	----	6708 V1B		
	(code H1Q)	1	----	----	6708 V1Q		
	(code H1R)	1	----	----	6708 V1R		
	(code H1T)	1	----	----	6708 V1T		
	(code H4B)	1	----	----	6706 V4B	----	6710 V4B
	(code H4Q)	1	----	----	6706 V4Q	----	6710 V4Q
	(code H4R)	1	----	----	6706 V4R	----	6710 V4R
	(code H4T)	1	----	----	6706 V4T	----	6710 V4T
	V1-H, V2-H (2nd seat) (w/o insert welt)						
	(code H1B)	1	----	----	6717 V1B		
	(code H1Q)	1	----	----	6717 V1Q		
	(code H1R)	1	----	----	6717 V1R		
	(code H1T)	1	----	----	6717 V1T		
	(code H4B)	1	----	----	6719 V4B	----	6720 V4B
	(code H4Q)	1	----	----	6719 V4Q	----	6720 V4Q
	(code H4R)	1	----	----	6719 V4R	----	6720 V4R
	(code H4T)	1	----	----	6719 V4T	----	6720 V4T
	V1-P, V2-P						
	(code P4B)	1	----	----	----	6702 V4B	6709 V4B
	(code P4R)	1	----	----	----	6702 V4R	6709 V4R
	(code P4T)	1	----	----	----	6702 V4T	6709 V4T
	(code P4X)	1	----	----	----	6702 V4X	6709 V4X
	(code P5B)	1	----	----	----	6715 V5B	
	(code P5R)	1	----	----	----	6715 V5R	
	(code P5X)	1	----	----	----	6715 V5X	
	(code P5Y)	1	----	----	----	6715 V5Y	
23-109-6	CARPET and FOUNDATION, Rear Seat Back						
	V1-P, V2-P						
	(code P5B)	1	----	----	----	4859 VB8	
	(code P5R)	1	----	----	----	4859 VR6	
	(code P5X)	1	----	----	----	4859 VX8	
	(code P5Y)	1	----	----	----	4859 VY8	
	V1, V2 (paint as required) (upper)	1	----	----	----	----	4410 VT6
23-109-35	CUSHION, Rear Seat						
	V1-L, V2-L						
	(code L1B)	1	6200 V1B				
	(code L1R)	1	6200 V1R				
	(code L1T)	1	6200 V1T				
	(code L5B) (w/insert welt)	1	6211 V5B				
	(code L5R) (w/insert welt)	1	6211 V5R				
	(code L5T) (w/insert welt)	1	6211 V5T				
	(w/heavy duty spring)						
	(code L1B)	1	6202 V1B				
	(code L1R)	1	6202 V1R				
	(code L1T)	1	6202 V1T				
	(code L5B) (w/insert welt)	1	6216 V5B				
	(code L5R) (w/insert welt)	1	6216 V5R				
	(code L5T) (w/insert welt)	1	6216 V5T				

★ Indicates use as required.

⊠ Indicates parts not listed in any previous parts book.
 March 15, 1965 Supersedes May 22, 1964.

Printed in U.S.A.
 Prices and specifications subject to change without notice.
 Right and left part numbers are on same line,
 first number is right, second number is left.

CODE	REMARKS	PER CAR	SED.	4D H.T	STA. WGN.	2D H.T	CV. CP.
23-109-35	CUSHION, Rear Seat - Cont'd						
	V1-L, V2-L (w/o insert welt)						
	(code L5B)	1	6212 V4B				
	(code L5R)	1	6212 V4R				
	(code L5T)	1	6212 V4T				
	(w/heavy duty springs)						
	(code L5B)	1	7000 V5B				
	(code L5R)	1	7000 V5R				
	(code L5T)	1	7000 V5T				
	V1-L, V2-L (2nd. seat)						
	(code L4B)	1	----	----	6210 V4B		
	(code L4R)	1	----	----	6210 V4R		
	(code L4T)	1	----	----	6210 V4T		
	V1-H, V2-H (2nd. seat)						
	(w/insert welt)						
	(code H1B)	1	----	----	6205 V1B		
	(code H1Q)	1	----	----	6205 V1Q		
	(code H1R)	1	----	----	6205 V1R		
	(code H1T)	1	----	----	6205 V1T		
	V1-H, V2-H (2nd. seat)						
	(w/o insert welt)						
	(code H1B)	1	----	----	6209 V1B		
	(code H1Q)	1	----	----	6209 V1Q		
	(code H1R)	1	----	----	6209 V1R		
	(code H1T)	1	----	----	6209 V1T		
	V1-H, V2-H (2nd. seat)						
	(w/insert welt)						
	(code H4B)	1	----	----	6213 V4B		
	(code H4Q)	1	----	----	6213 V4Q		
	(code H4R)	1	----	----	6213 V4R		
	(code H4T)	1	----	----	6213 V4T		
	(w/o insert welt)						
	(code H4B)	1	----	----	7001 V4B		
	(code H4Q)	1	----	----	7001 V4Q		
	(code H4R)	1	----	----	7001 V4R		
	(code H4T)	1	----	----	7001 V4T		
	V1-P, V2-P						
	(code P4B)	1	----	----	----	6206 V4B	6208 V4B
	(code P4R)	1	----	----	----	6206 V4R	6208 V4R
	(code P4T)	1	----	----	----	6206 V4T	6208 V4T
	(code P4X)	1	----	----	----	6206 V4X	6208 V4X
	(code P5B)	1	----	----	----	6207 V5B	
	(code P5R)	1	----	----	----	6207 V5R	
	(code P5X)	1	----	----	----	6207 V5X	
	(code P5Y)	1	----	----	----	6207 V5Y	
	Screw and Washer (2nd. seat cushion to floor)	2	----	----	6023 545		
	V1-H, V2-H (w/insert welt)						
	(code H1B)	1	6204 V1B				
	(code H1Q)	1	6204 V1Q				
	(code H1R)	1	6204 V1R				
	(code H1T)	1	6204 V1T				
	(code H4B)	1	6211 V4B	----	----	----	6214 V4B
	(code H4Q)	1	6211 V4Q	----	----	----	6214 V4Q
	(code H4R)	1	6211 V4R	----	----	----	6214 V4R
	(code H4T)	1	6211 V4T	----	----	----	6214 V4T

★ Indicates use as required.

⊠ Indicates parts not listed in any previous parts book.

Right and left part numbers are on same line,

1964 PASSENGER CAR PARTS CATALOG INTERIOR TRIM

CODE	REMARKS	PER CAR	SED.	4D H.T	STA. WGN.	2D H.T	CV. CP.
23-109-35	CUSHION, Rear Seat - Cont'd. V1-H, V2-H (w/o insert welt)						
	(code H1B)	1	6223 V1B				
	(code H1Q)	1	6223 V1Q				
	(code H1R)	1	6223 V1R				
	(code H1T)	1	6223 V1T				
	(code H4B)	1	6212 V4B	----	----	----	7002 V4B
	(code H4Q)	1	6212 V4Q	----	----	----	7002 V4Q
	(code H4R)	1	6212 V4R	----	----	----	7002 V4R
	(code H4T)	1	6212 V4T	----	----	----	7002 V4T
23-109-36	COVER, Rear Seat Cushion V1-L, V2-L						
	(code L1B)	1	6400 V1B				
	(code L1R)	1	6400 V1R				
	(code L1T)	1	6400 V1T				
	(code L5B) (w/insert welt)	1	6405 V4B				
	(code L5R) (w/insert welt)	1	6405 V4R				
	(code L5T) (w/insert welt)	1	6405 V4T				
	V1-L, V2-L (w/o insert welt)						
	(code L5B)	1	6106 V4B				
	(code L5R)	1	6106 V4R				
	(code L5T)	1	6106 V4T				
	V1-H, V2-H (w/insert welt)						
	(code H1B)	1	6401 V1B				
	(code H1Q)	1	6401 V1Q				
	(code H1R)	1	6401 V1R				
	(code H1T)	1	6401 V1T				
	V1, V2 (2nd. seat)						
	(code L4B)	1	----	----	6404 V4B		
	(code L4R)	1	----	----	6404 V4R		
	(code L4T)	1	----	----	6404 V4T		
	V1-H, V2-H (w/insert welt)						
	(code H1B)	1	----	----	6408 V1B		
	(code H1Q)	1	----	----	6408 V1Q		
	(code H1R)	1	----	----	6408 V1R		
	(code H1T)	1	----	----	6408 V1T		
	(code H4B)	1	6405 V4B	----	6406 V4B	----	6407 V4B
	(code H4Q)	1	6405 V4Q	----	6406 V4Q	----	6407 V4Q
	(code H4R)	1	6405 V4R	----	*6406 V4R	----	6407 V4R
	(code H4T)	1	6405 V4T	----	*6406 V4T	----	6407 V4T
	V1-H, V2-H (w/o insert welt) (2nd. seat)						
	(code H1B)	1	6104 V1B	----	6105 V1B		
	(code H1Q)	1	6104 V1Q	----	6105 V1Q		
	(code H1R)	1	6104 V1R	----	6105 V1R		
	(code H1T)	1	6104 V1T	----	6105 V1T		
	(code H4B)	1	6106 V4B	----	6107 V4B		
	(code H4Q)	1	6106 V4Q	----	6107 V4Q		
	(code H4R)	1	6106 V4R	----	6107 V4R		
	(code H4T)	1	6106 V4T	----	6107 V4T		
	V1-P, V2-P						
	(code P4B)	1	----	----	----	6402 V4B	6403 V4B
	(code P4R)	1	----	----	----	6402 V4R	6403 V4R
	(code P4T)	1	----	----	----	6402 V4T	6403 V4T
	(code P4X)	1	----	----	----	6402 V4X	6403 V4X
	(code P5B)	1	----	----	----	6215 V5B	
	(code P5R)	1	----	----	----	6215 V5R	
	(code P5K)	1	----	----	----	6215 V5X	
	(code P5Y)	1	----	----	----	6215 V5Y	

★ Indicates use as required.

□ Indicates parts not listed in any previous parts book.
March 15, 1965 Supersedes May 22, 1964.Printed in U.S.A.
Prices and specifications subject to change without notice.
Right and left part numbers are on same line,
first number is right, second number is left.

CODE	REMARKS	PER CAR	SED.	4D H.T	STA. WGN.	2D H.T	CV. CP.
23-109-38	RETAINER, Center Floor Pan Rear Seat Cushion V1, V2	2	1810 037	1810 037	----	1810 037	1810 037
23-109-54	STRAP, Rear Seat Hold-Down V1-P, V2-P (code P5B) (code P5R) (code P5X) (code P5Y)	1 1 1 1	----- ----- ----- -----	----- ----- ----- -----	----- ----- ----- -----	4454 VB8 4454 VR6 4454 VX9 4454 VY8	
23-111-37	STRIP, Folding Top Bar Tacking V1, V2 (No's 1 and 2 bow) Rear Bow	1 1	----- -----	----- -----	----- -----	----- -----	2424 591 2424 607
23-112-4	RETAINER, Folding Top Header Top Material V1, V2	1	-----	-----	-----	-----	2424 262-3
23-112-12	BOOT, Folding Top Dust V1-H, V1-P (codes H4B, P4B) (codes H4T, P4T) (code H4Q) (codes H4R, P4R) (code P4X) Cap (to pocket panel)(to belt moulding)(top well to top) Socket (to pocket panel)(to belt moulding)(top well to top) Fastener (to pocket panel)	1 1 1 1 1 ★ ★ 4	----- ----- ----- ----- ----- ----- ----- -----	----- ----- ----- ----- ----- ----- ----- -----	----- ----- ----- ----- ----- ----- ----- -----	----- ----- ----- ----- ----- ----- ----- -----	1954 VB6 1954 VT6 1954 VQ6 1954 VR6 1954 VX9 6000 434 141 998 *6000 432
23-112-18	RETAINER, Channel Rear Seat Back Dust Boot V1, V2	1	-----	-----	-----	-----	2410 047
23-112-23	COVER, Folding Top Rear Bow to Link Joint V1, V2 (black) (white)	2 2	----- -----	----- -----	----- -----	----- -----	1968 VX9 1968 VW2
23-112-45	CURTAIN, Folding Top Rear V1, V2 (blue) (white) (black) (back-lite) (blue) (white) (black)	1 1 1 1 1 1 1	----- ----- ----- ----- ----- ----- -----	----- ----- ----- ----- ----- ----- -----	----- ----- ----- ----- ----- ----- -----	----- ----- ----- ----- ----- ----- -----	1929 VB1 1929 VW1 1929 TX9 1930 VB1 1930 VW1 1930 VX8
23-112-46	ZIPPER, Folding Top Rear Curtain V1, V2 (full) (white) (black)	1 1	----- -----	----- -----	----- -----	----- -----	1920 VW2 1920 TX8

★ Indicates use as required.
 □ Indicates parts not listed in any previous parts book.
 Right and left part numbers are on same line,
 first number is right, second number is left.

1964 PASSENGER CAR PARTS CATALOG

INTERIOR TRIM

CODE	REMARKS	PER CAR	SED.	4D H.T.	STA. WGN.	2D H.T.	CV. CP.
23-112-50	TAPE (sold by the inch)						
	V1, V2 (folding top rear curtain to top closure)	★	----	----	----	----	1934 TX8
	(folding top cover to rear curtain closure)	★	----	----	----	----	1933 TX8
	(folding top side rear reinforcement closure loop)	★	----	----	----	----	1933 VW2
	(folding top rear curtain closure hook)	★	----	----	----	----	1934 VW2
23-112-70	RETAINER, Folding Top to Belt Bar Trim						
	V1, V2 (side)	1	----	----	----	----	2448 101-2
	(center)	1	----	----	----	----	2448 100
23-112-75	TIP, Folding Top Wire-on Binding End						
	V1, V2	1	----	----	----	----	1158 976-7
	Screw	2	----	----	----	----	6024 438
23-112-88	CABLE, Folding Top Rear Bow Tension						
	V1, V2 (white)	2	----	----	----	----	1970 VW2
	(black)	2	----	----	----	----	1970 VX8
	Bolt	2	----	----	----	----	6022 169
	(front cover cable and spring)	2	----	----	----	----	2490 179
23-112-108	DECK and SIDE QUARTER, Folding Top						
	V1, V2 (blue)	1	----	----	----	----	1935 VB1
	(white)	1	----	----	----	----	1935 VW1
	(black)	1	----	----	----	----	1935 TX9
	Eyelet (side quarter to well cover)	2	----	----	----	----	141 991
23-112-112	PAD, Folding Top Stay						
	V1, V2 (white)	1	----	----	----	----	1948-9 VW1
	(black)	1	----	----	----	----	1948-9 TX9
23-112-153	WELL, Well COVER, Pocket PANEL, Pocket Panel COVER, Pocket Shelf PANEL, Folding Top						
	V1, V2 (paint as required)						
	(pocket panel)	1	----	----	----	----	2010-1 VT6
	(pocket panel cover)	1	----	----	----	----	2022-3 VT6
	(pocket panel cover)(inner)	1	----	----	----	----	2020-1 VT6
	(well cover)						
	(codes H4B, P4B)	1	----	----	----	----	1940 VB6
	(code H4Q)	1	----	----	----	----	1940 VQ6
	(codes H4R, P4R)	1	----	----	----	----	1940 VR6
	(codes H4T, P4T)	1	----	----	----	----	1940 VT6
	(code P4X)	1	----	----	----	----	1940 VX9
Socket (well cover to folding top)	2	----	----	----	----	141 998	
Cap (well cover to folding top)	2	----	----	----	----	6000 434	

★ Indicates use as required.

☐ Indicates parts not listed in any previous parts book.
March 15, 1965 Supersedes May 22, 1964.Printed in U.S.A.
Prices and specifications subject to change without notice.Right and left part numbers are on same line,
first number is right, second number is left.

• Indicates change or addition.

CODE	REMARKS	PER CAR	SED.	4D H.T	STA. WGN.	2D H.T	CV. CP.	
23-112-160	PAD, Folding Top Pocket Panel Arm Rest V1, V2 (codes H4B, P4B) (code H4Q) (codes H4R, P4R) (codes H4T, P4T) (code P4X) Nut (pad attaching)	1 1 1 1 1 6	----- ----- ----- ----- ----- -----	----- ----- ----- ----- ----- -----	----- ----- ----- ----- ----- -----	----- ----- ----- ----- ----- -----	----- ----- ----- ----- ----- -----	1204-5 VB6 1204-5 VQ6 1204-5 VR6 1204-5 VT6 1204-5 VX9 120 622
23-113-45	WEATHERCORD, Quarter Window Opening V1, V2 (2 D.) (codes L1B, H1B) (codes L1T, H1T) (codes L1R, H1R) (code H1Q)	2 2 2 2	1515 VB6 1515 VT6 1515 TR6 1515 VQ6					
23-113-52	STRIP, Windshield Lower Inside Trim V1, V2 (codes H4B, P4B) (codes H4T, P4T) (code H4Q) (codes H4R, P4R) (code P5B) (code P5R) (code P5Y)	1 1 1 1 1 1 1	----- ----- ----- ----- ----- ----- -----	----- ----- ----- ----- ----- ----- -----	----- ----- ----- ----- ----- ----- -----	4249 VB8 4249 VT8 ----- 4249 VR8 4249 VB8 4249 AR9 4249 AY8	4249 VB8 4249 VT8 4249 VQ8 4249 VR8	
23-113-56	WEATHERCORD, Folding Top Header V1, V2 (blue) (white) (black)	1 1 1	----- ----- -----	----- ----- -----	----- ----- -----	----- ----- -----	*1947 VB1 1947 VW1 1947 VX8	
23-113-84	WELT, Folding Top Header V1, V2 (black) (white) (dust boot filler)	1 1 1	----- ----- -----	----- ----- -----	----- ----- -----	----- ----- -----	1959 VX8 1945 VW2 *2572 166	
23-114-10	BINDING, 5/8 Wire-on V1, V2 (blue) (white) (black)	1 1 1	----- ----- -----	----- ----- -----	----- ----- -----	----- ----- -----	1903 VB1 1903 VW1 1903 TX8	
23-115-4	PUSHNUT, Front Seat Back to Cushion Mounting V1-L, V2-L (2 D.) V1-P, V2-P	2 4	*2160 648 -----	----- -----	----- -----	2410 102	2410 102	
23-115-6	PIN, Front Seat Back to Cushion Mounting V1-P, V2-P	4	-----	-----	-----	2410 054	2410 054	

NOTES

★ Indicates use as required.
 □ Indicates parts not listed in any previous parts book.
 Right and left part numbers are on same line.

Printed in U.S.A.
 Prices and specifications subject to change without notice.

March 15, 1965.

1964 PASSENGER CAR PARTS CATALOG

INTERIOR TRIM

CODE	REMARKS	PER CAR	SED.	4D H.T	STA. WGN.	2D H.T	CV. CP.
------	---------	---------	------	--------	-----------	--------	---------

NOTES

★ Indicates use as required.
 ☒ Indicates parts not listed in any previous parts book.
 March 15, 1965.

Printed in U.S.A.
 Prices and specifications subject to change without notice.
 Right and left part numbers are on same line,
 first number is right, second number is left.
 * Indicates change or addition.

1964 DODGE 1964 DART

INTERIOR TRIM

HOW TO USE INTERIOR TRIM ILLUSTRATIONS

The illustrations in this section are actual and each body style showing the Interior Trim is included.

The letters shown on the illustration indicate the description of the part and the part type code when referred to the legend which appears preceding the listing of the parts. The letters are consistent throughout the illustrations as "A" is always a Door Trim Panel, Code 23-92-5.

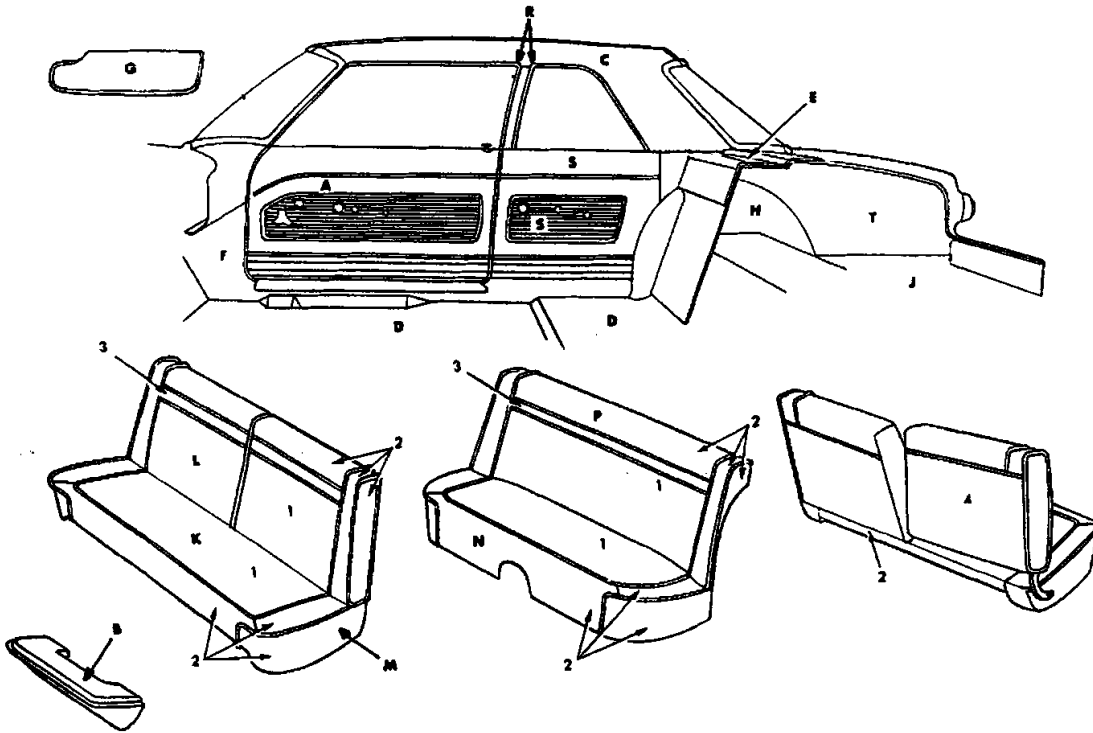
The numbers on the illustration indicate the distribution of material and type of material used. The numbers may vary with each illustration. The legend appears on the illustration.

Appearing throughout this section are part numbers containing both letters and numbers. These are good serviceable part numbers. The combination of letters and numbers merely indicates the parts are keyed to the interior color of the vehicles on which they are used.

For complete information on "How to Order" Trim Parts, see Master Parts Price List.

D
O
D
G
E

D
A
R
T



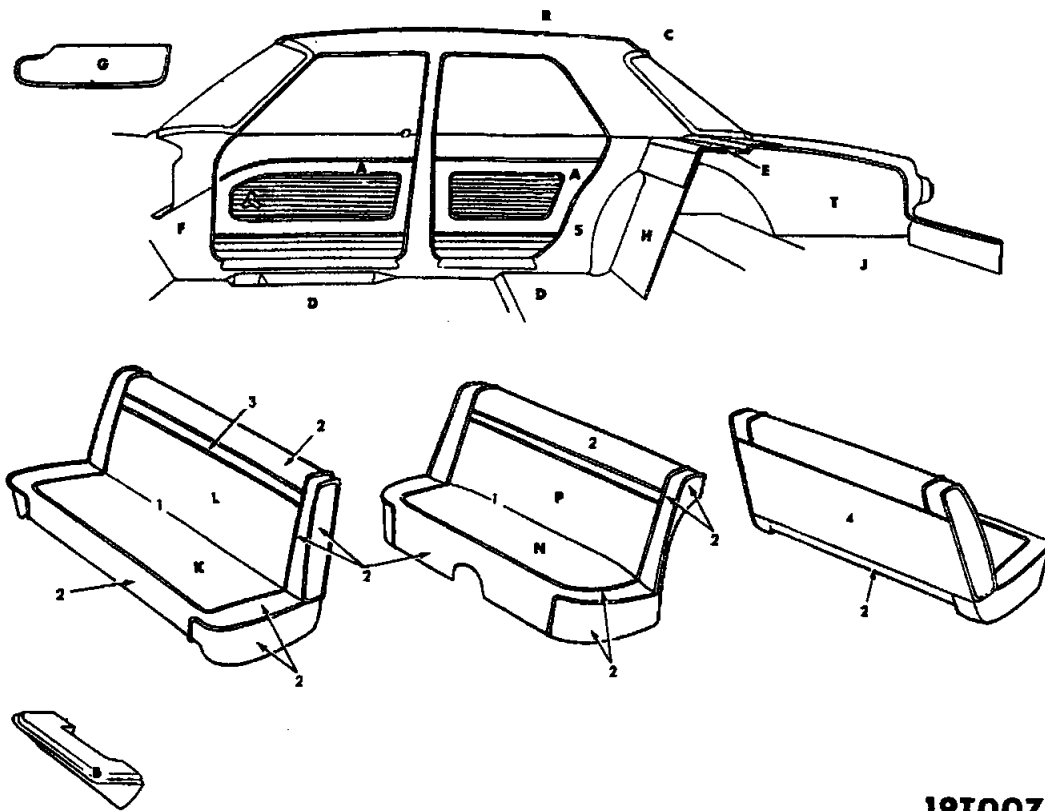
19T0069

ITEM	TYPE OF MATERIAL	PART TYPE CODE	MATERIAL WIDTH	PART NUMBERS AND COLORS							
				BLUE	TUR-QUOISE	RED	TAN				
1	Body Cloth	23-114-2	48"	0102VB6	0102VQ6	0102VR6	0102VT6				
2	Vinyl 32 oz.	23-114-15	54"	0405VB6	0405VQ6	0405VR6	0405VT6				
3	Vinyl 32 oz.	23-114-15	54"	0405VB1	0405VQ1	0405VW3	0405VW3				
4	Vinyl 37 oz.	23-114-15	58"	0413VB6	0413VQ6	0413VR6	0413VT6				

Distribution Drawing Legend Page Appears Following Illustration Section

1964 DART VL-1, 2 DOOR SEDAN
 CLOTH AND VINYL TRIM
 CODES L1B, L1Q, L1R, L1T

● Indicates use as required.
 □ Indicates parts not listed in any previous parts book.
 March 15, 1965 Supersedes May 22, 1964.



19T0070

ITEM	TYPE OF MATERIAL	PART TYPE CODE	MATERIAL WIDTH	PART NUMBERS AND COLORS									
				BLUE	TUR-QUOISE	RED	TAN						
1	Body Cloth	23-114-2	48"	0102VB6	0102VQ6	0102VR6	0102VT6						
2	Vinyl 32 oz.	23-114-15	54"	0405VB6	0405VQ6	0405VR6	0405VT6						
3	Vinyl 32 oz.	23-114-15	54"	0405VB1	0405VQ1	0405VW3	0405VW3						
4	Vinyl 37 oz.	23-114-15	58"	0413VB6	0413VQ6	0413VR6	0413VT6						

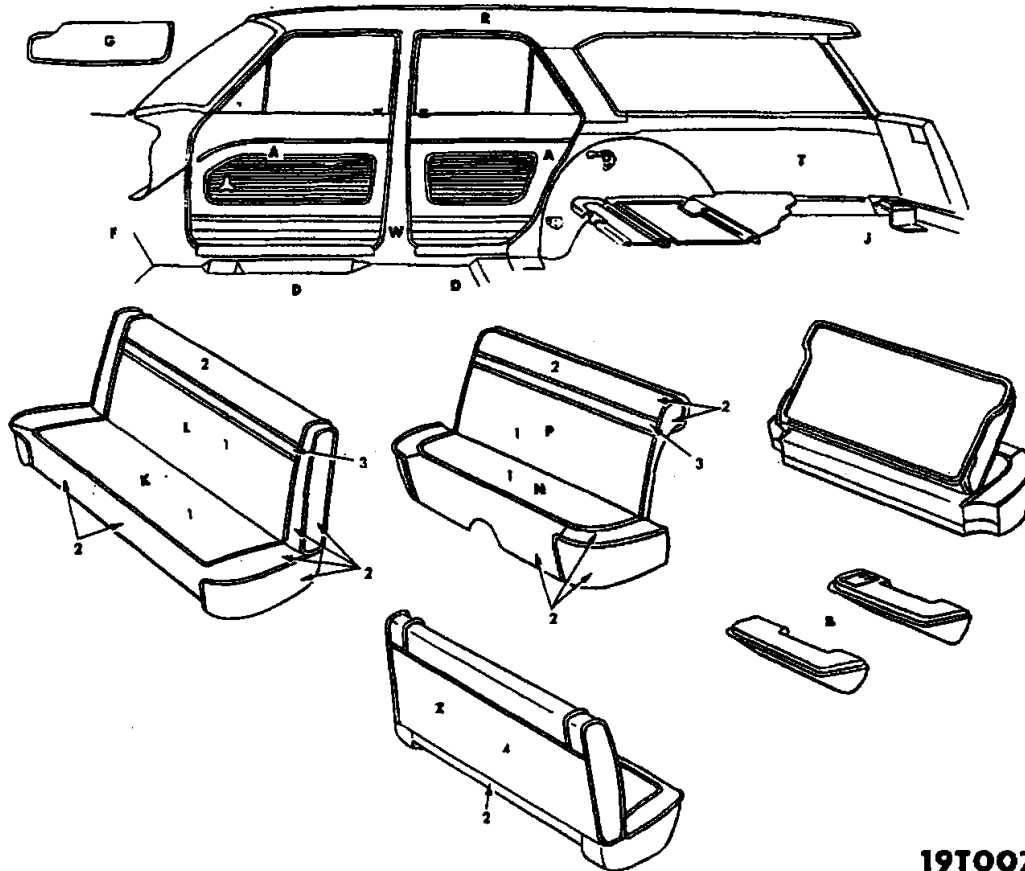
Distribution Drawing Legend Page Appears Following Illustration Section

1964 DART VL-1, 4 DOOR SEDAN
CLOTH AND VINYL TRIM
CODES L1B, L1Q, L1R, L1T

★ Indicates use as required.

☐ Indicates parts not listed in any previous parts book.

Prices and specifications subject to change without notice.



19T0071

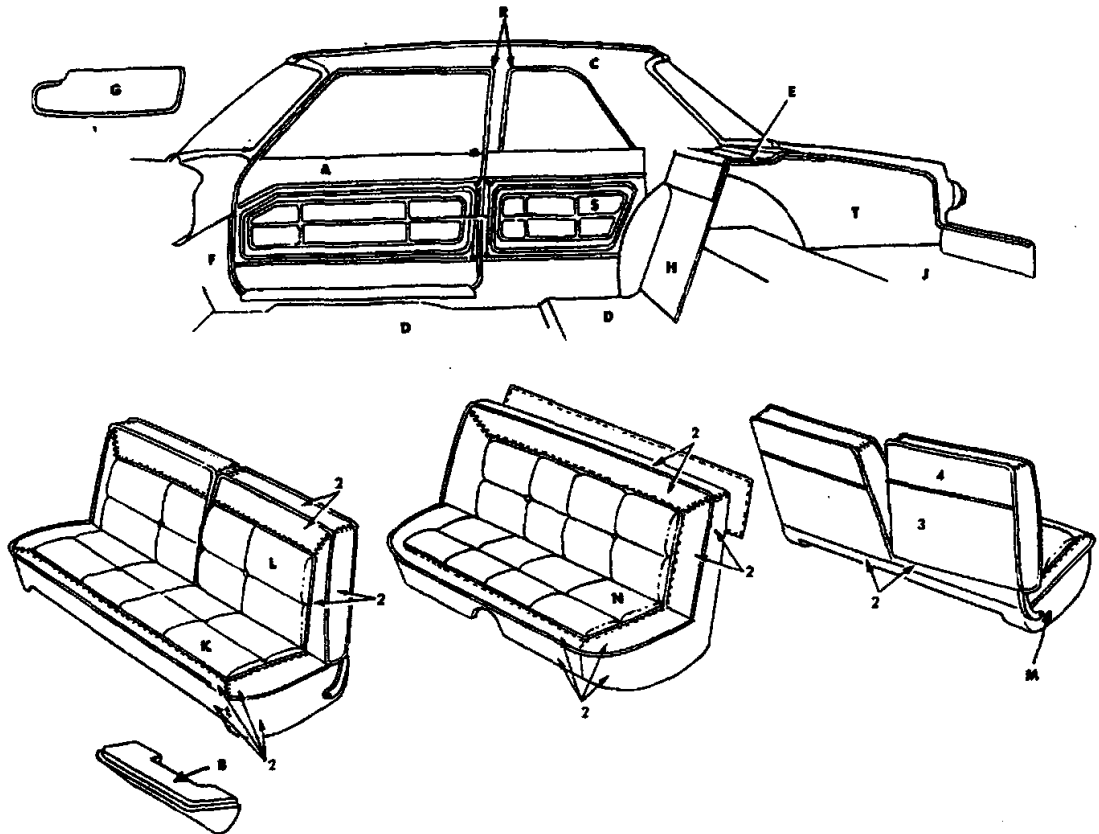
PART NUMBERS AND COLORS

ITEM	TYPE OF MATERIAL	PART TYPE CODE	MATERIAL WIDTH	PART NUMBERS AND COLORS							
				BLUE	TUR-QUOISE	RED	TAN				
1	Vinyl 33.5 oz.	23-114-15	56"	0437VB6	0437VQ6	0437VR6	0437VT6				
2	Vinyl 32 oz.	23-114-15	54"	0405VB6	0405VQ6	0405VR6	0405VT6				
3	Vinyl 32 oz.	23-114-15	54"	0405VB1	0405VQ1	0405VR3	0405VT3				
4	Vinyl 37 oz.	23-114-15	58"	0413VB6	0413VQ6	0413VR6	0413VT6				

Distribution Drawing Legend Page Appears Following Illustration Section

1964 DART VLI-L, 4 DOOR STATION WAGON
VINYL TRIM
CODES L5B, L5Q, L5R, L5T

* Indicates use as required.
 □ Indicates parts not listed in any previous parts book.
 March 15, 1965 Supersedes May 22, 1964.



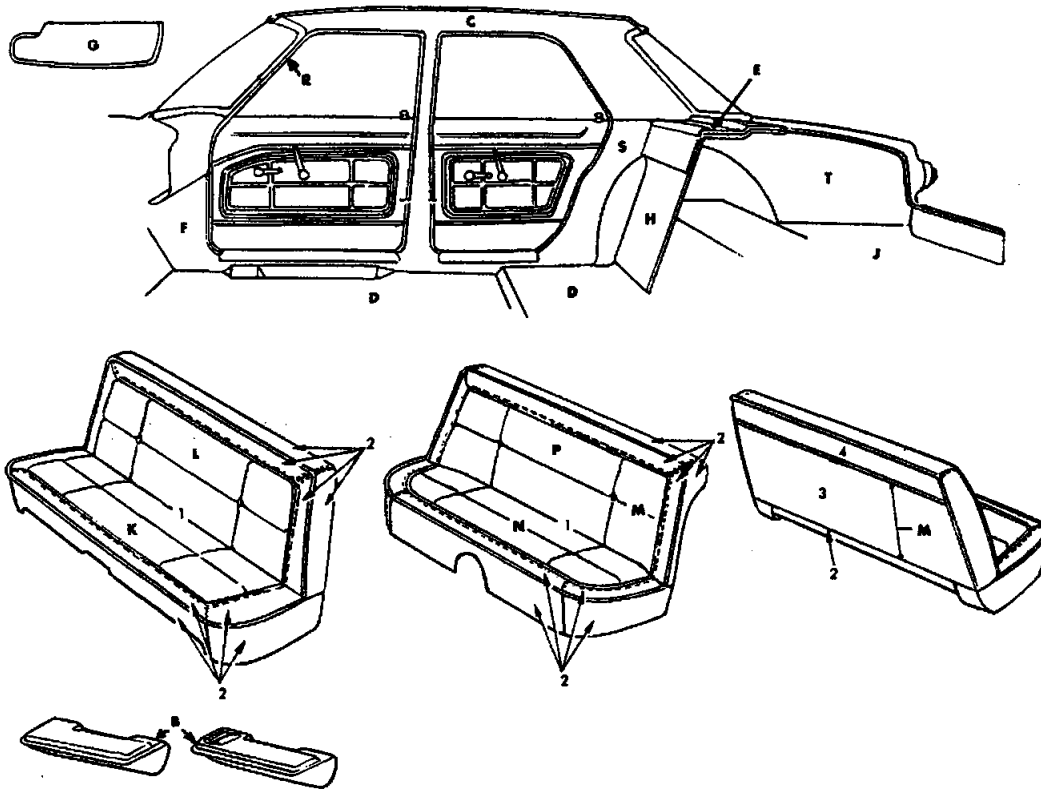
19T0072

ITEM	TYPE OF MATERIAL	PART TYPE CODE	MATERIAL WIDTH	PART NUMBERS AND COLORS							
				BLUE	TUR-QUOISE	RED	TAN				
2	Vinyl 32 oz.	23-114-15	54"	0405VB6	0405VQ6	0405VR6	0405VT6				
3	Vinyl 37 oz.	23-114-15	58"	0413VB6	0413VQ6	0413VR6	0413VT6				
4	Vinyl 37 oz.	23-114-15	58"	0417VB6	0417VQ6	0417VR6	0417VT6				

Distribution Drawing Legend Page Appears Following Illustration Section

1964 DART VL1-H 2 DOOR SEDAN
CLOTH AND VINYL TRIM
CODES H1B, H1Q, H1R, H1T

★ Indicates use as required.
 ☐ Indicates parts not listed in any previous parts book.
 * Indicates change or addition.



19T0073

PART NUMBERS AND COLORS

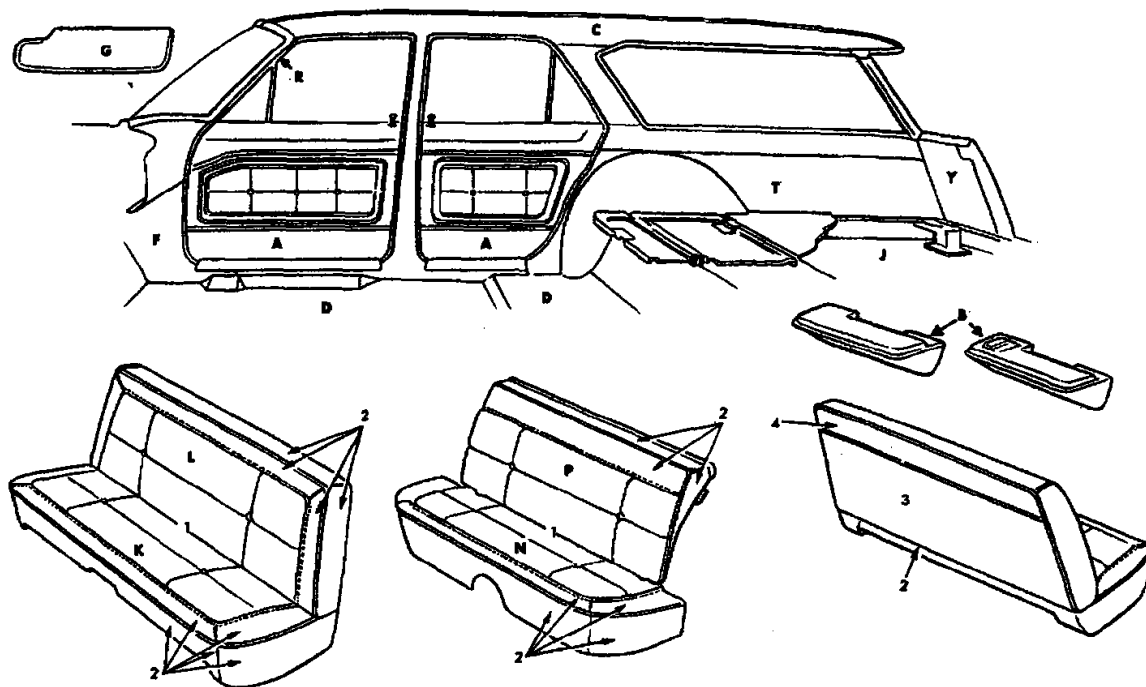
ITEM	TYPE OF MATERIAL	PART TYPE CODE	MATERIAL WIDTH	PART NUMBERS AND COLORS							
				BLUE	RED	TAN					
1	Vinyl 25 oz.	23-114-15	42"	0422VB8	0422VR8	0422VT8					
2	Vinyl 32 oz.	23-114-15	54"	0405VB6	0405VR6	0405VT6					
3	Vinyl 37 oz.	23-114-15	58"	0413VB6	0413VR6	0413VT6					
4	Vinyl 37 oz.	23-114-15	58"	0417VB6	0417VR6	0417VT6					

Distribution Drawing Legend Page Appears Following Illustration Section

1964 DART VL1-H 4 DOOR SEDAN
VINYL TRIM
CODES H4B, H4Q, H4R, H4T

★ Indicates use as required.

⊠ Indicates parts not listed in any previous parts book.
March 15, 1965 Supersedes May 22, 1964.



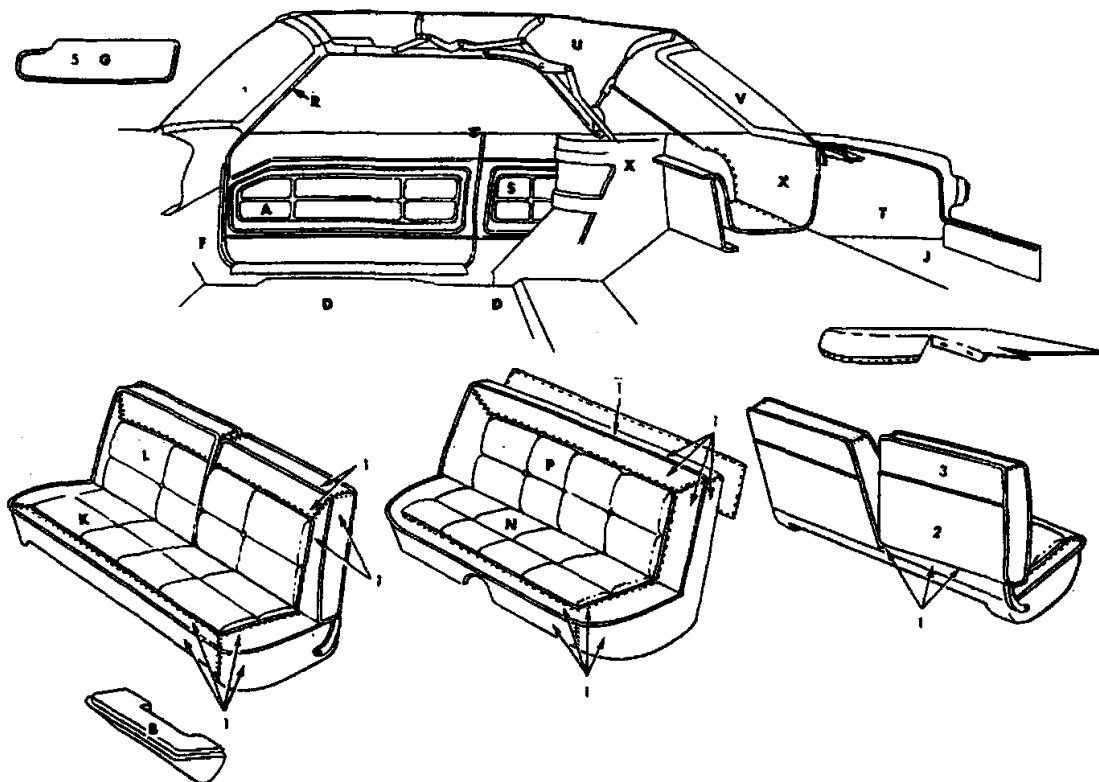
19T0074

ITEM	TYPE OF MATERIAL	PART TYPE CODE	MATERIAL WIDTH	PART NUMBERS AND COLORS							
				BLUE	TUR-QUOISE	RED	TAN				
1	Vinyl 25 oz.	23-114-15	42"	0422VQ8	0422VQ8	0422VR8	0422VT8				
2	Vinyl 32 oz.	23-114-15	54"	0405VB6	0405VQ6	0405VR6	0405VT6				
3	Vinyl 37 oz.	23-114-15	58"	0413VB6	0413VQ6	0413VR6	0413VT6				
4	Vinyl 37 oz.	23-114-15	58"	0417VB6	0417VQ6	0417VR6	0417VT6				

Distribution Drawing Legend Page Appears Following Illustration Section

1964 DART VL-1 STATION WAGON
VINYL TRIM
CODES H4B, H4Q, H4R, H4T

★ Indicates use as required.
 □ Indicates parts not listed in any previous parts book.
 * Indicates change or addition.



19T0075

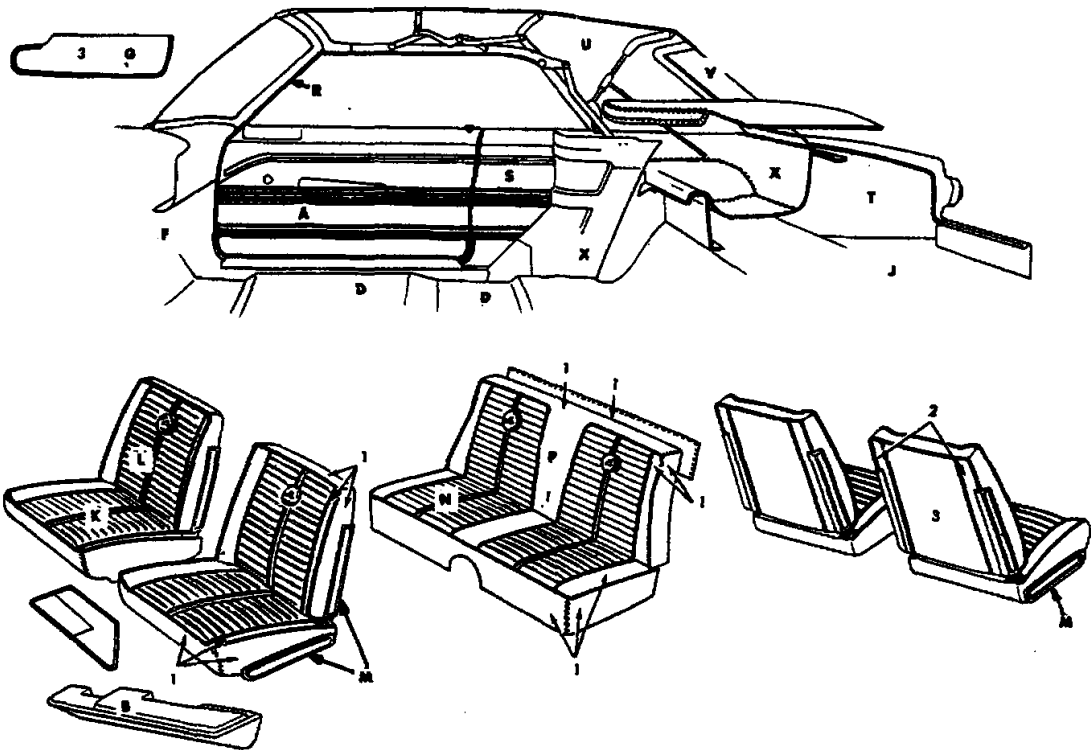
ITEM	TYPE OF MATERIAL	PART TYPE CODE	MATERIAL WIDTH	PART NUMBERS AND COLORS						
				BLUE	TUR-QUOISE	RED	TAN			
1	Vinyl 32 oz.	23-114-15	54"	0405VB6	0405VQ6	0405VR6	0405VT6			
2	Vinyl 37 oz.	23-114-15	58"	0413VB6	0413VQ6	0413VR6	0413VT6			
3	Vinyl 37 oz.	23-114-15	58"	0417VB6	0417VQ6	0417VR6	0417VT6			

Distribution Drawing Legend Page Appears Following Illustration Section

DART VL1-H CONVERTIBLE
VINYL TRIM
CODES H4B, H4Q, H4R, H4T

* Indicates use as required.

⊠ Indicates parts not listed in any previous parts book.
March 15, 1965 Supersedes May 22, 1964.



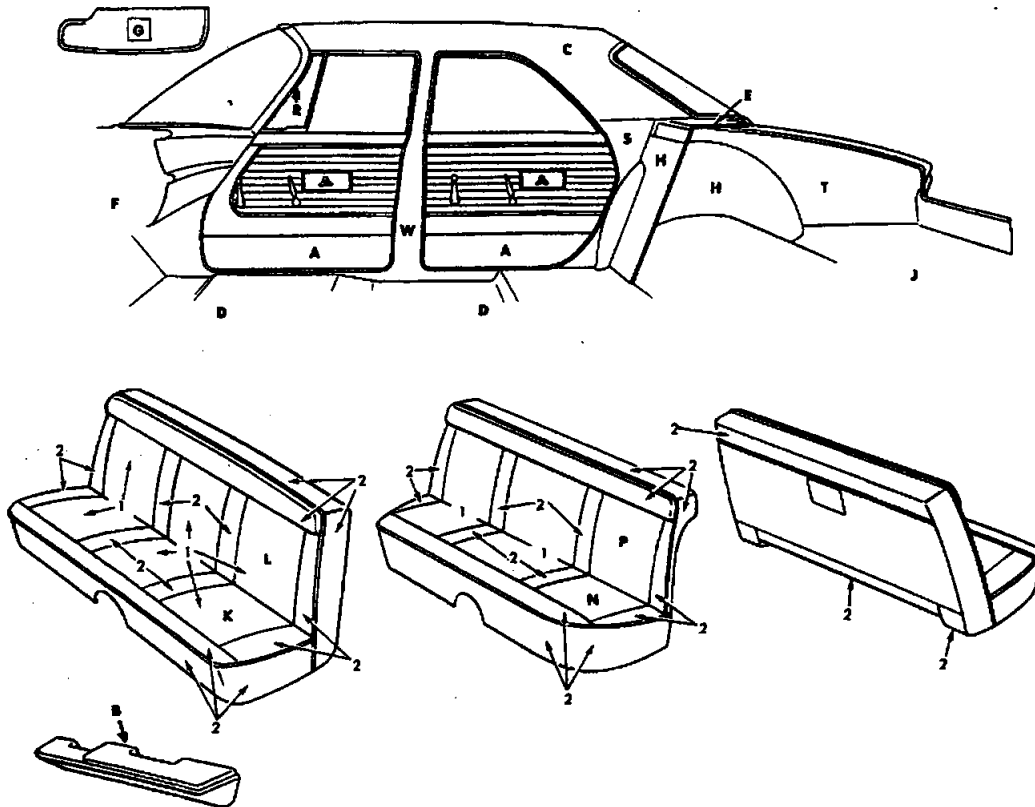
19T0076

ITEM	TYPE OF MATERIAL	PART TYPE CODE	MATERIAL WIDTH	PART NUMBERS AND COLORS						
				BLUE	BLACK	RED	YELLOW TAN	YELLOW GOLD		
1	Vinyl 28 oz.	23-114-15	50"	*0441VB6	*0441VX9	0441VR6	*0441VT6	0441VY5		
2	Vinyl 28 oz.	23-114-15	54"	*0441VB6	*0441VX9	0441VR6	0400VT8			
3	Vinyl 28 oz.	23-114-15	54"	0400VB8	*0441VX9	0400VR8	0400VT8			

Distribution Drawing Legend Page Appears Following Illustration Section

1964 DART VLI-P CONVERTIBLE
VINYL TRIM
CODES P4B, P4X, P4R, P4T, P4Y

● Indicates use as required.
 □ Indicates parts not listed in any previous parts book.
 * Indicates change or addition.



19T0077

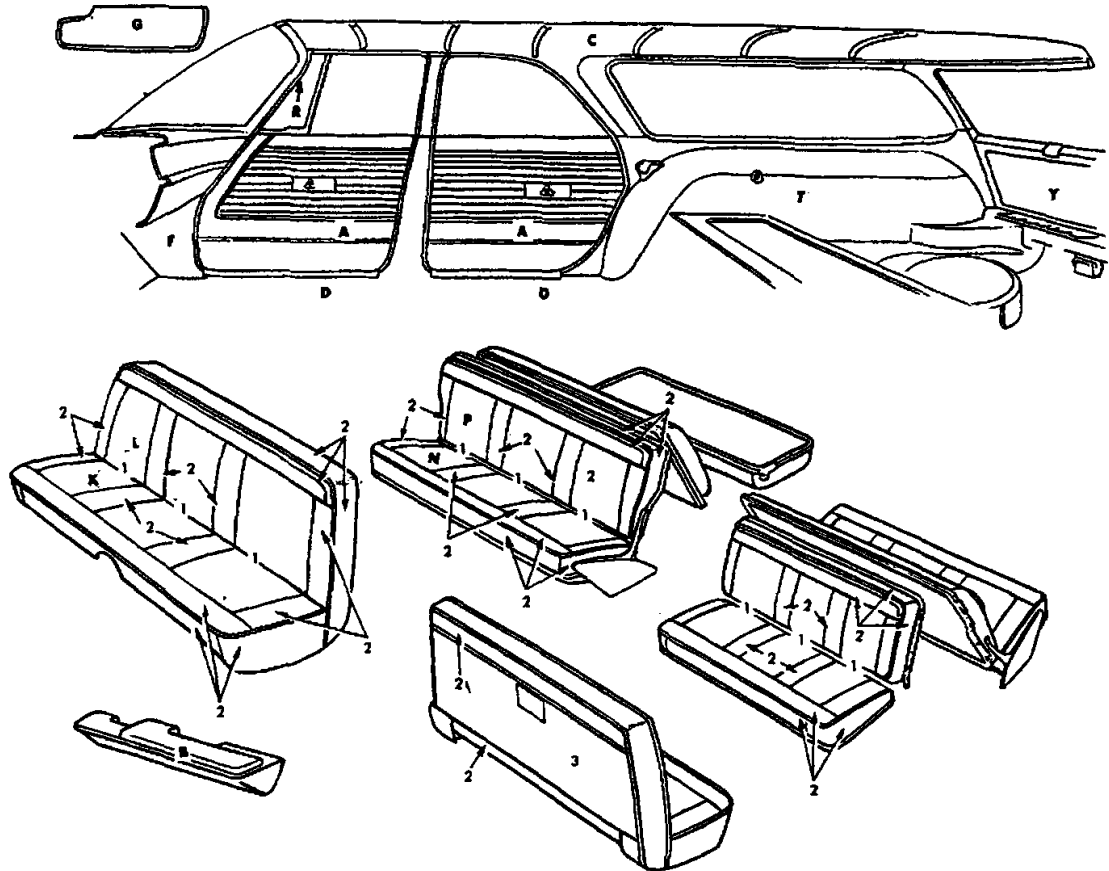
PART NUMBERS AND COLORS

ITEM	TYPE OF MATERIAL	PART TYPE CODE	MATERIAL WIDTH	PART NUMBERS AND COLORS								
				BLUE	TUR- QUOISE	TAN	GOLD					
1	Body Cloth	23-114-2	57"	0115VBB	0115VQQ	0115VTT	0115VYY					
2	Vinyl 28 oz.	23-114-15	50"	*0441VB6	0400VQ5	*0441VT6	0441VY5					

Distribution Drawing Legend Page Appears Following Illustration Section

1964 DODGE 880 4 DOOR SEDAN
 CLOTH AND VINYL TRIM
 CODES E1B, E1Q, E1T, E1Y
 K1B, K1Q, K1T, K1Y,

★ Indicates use as required.
 ☐ Indicates parts not listed in any previous parts book.
 March 15, 1965 Supersedes May 22, 1964.



19T0078

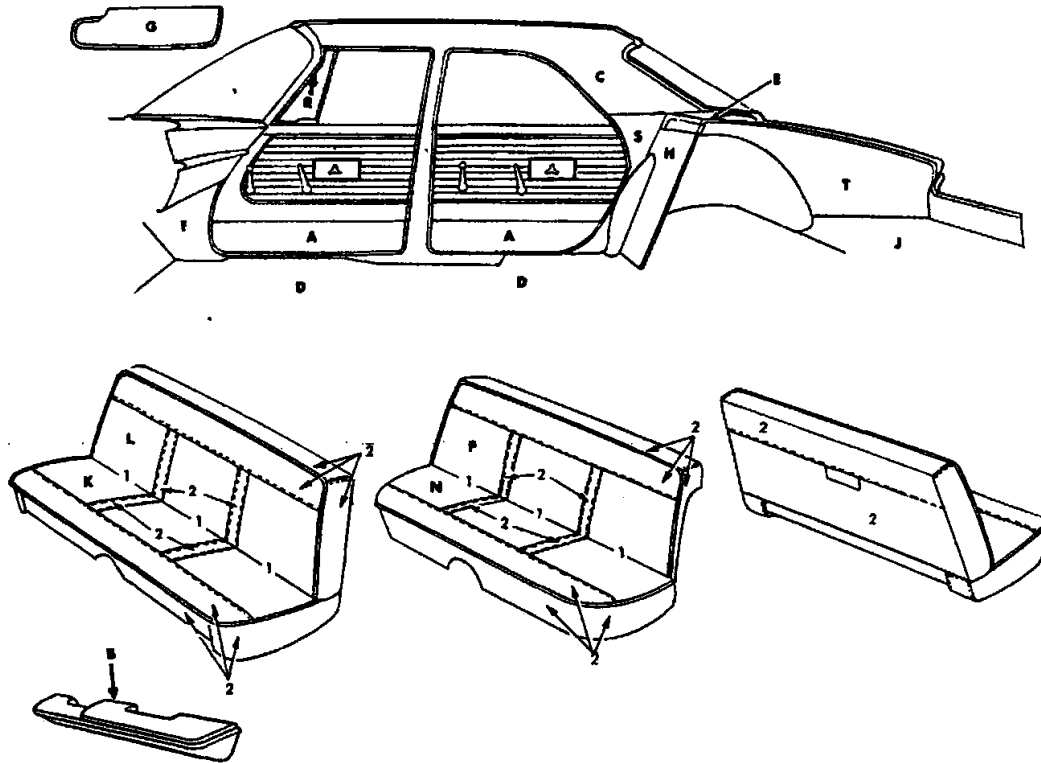
PART NUMBERS AND COLORS

ITEM	TYPE OF MATERIAL	PART TYPE CODE	MATERIAL WIDTH	PART NUMBERS AND COLORS						
				BLUE	TUR-QUOISE	TAN	GOLD			
1	Body Cloth	23-114-2	57"	0115VBB	0115VQQ	0115VTT	0115VYY			
2	Vinyl 28 oz.	23-114-15	50"	*0441VB6	0400VQ5	*0441VT6	0441VY5			
3	Vinyl 20.5 oz.	23-114-15	58"	0432VB8	0432VQ8	0432VT8	0432VY8			

Distribution Drawing Legend Page Appears Following Illustration Section

1964 DODGE 880 STATION WAGON
CLOTH AND VINYL TRIM
CODES K1B, K1Q, K1T, K1Y,
E1B, E1Q, E1T, E1Y

★ Indicates use as required.
⊠ Indicates parts not listed in any previous parts book.
**Indicates change or addition.



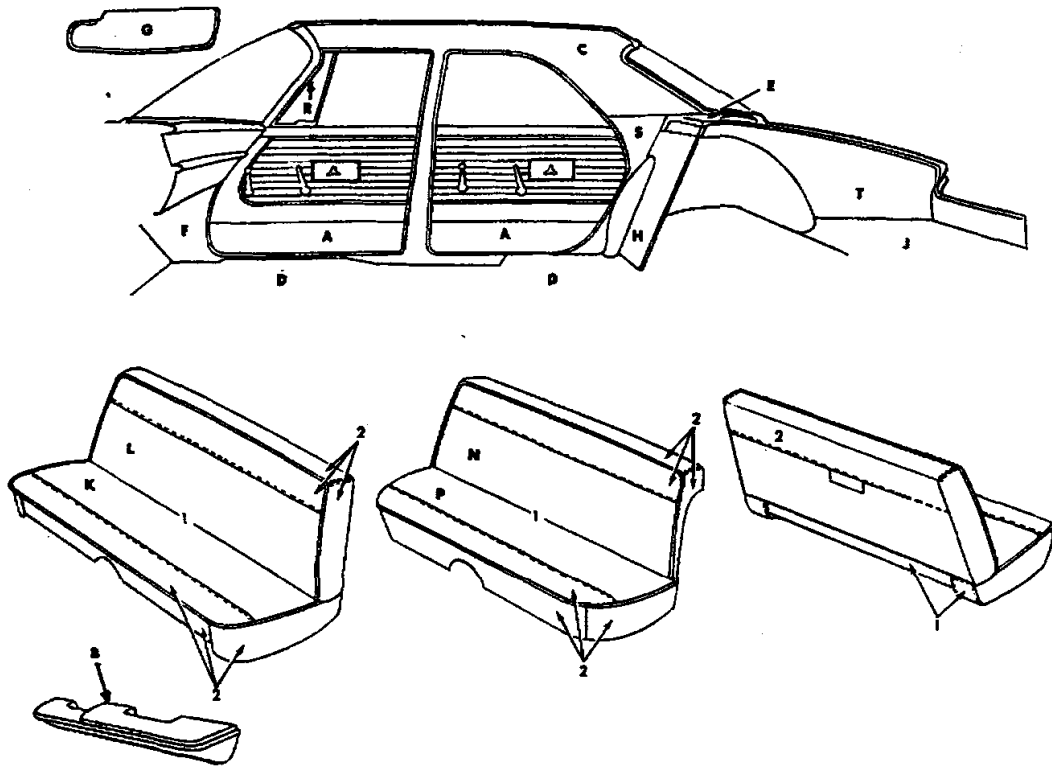
19T0079

ITEM	TYPE OF MATERIAL	PART TYPE CODE	MATERIAL WIDTH	PART NUMBERS AND COLORS							
				GRAY							
1	Body Cloth	23-114-2	50"	0112VA9							
2	Vinyl 28 oz.	23-114-15	50"	0400TA6							

Distribution Drawing Legend Page Appears Following Illustration Section

1964 DODGE 880 4 DOOR SEDAN
CLOTH AND VINYL TRIM
CODE K2A

★ Indicates use as required.
 Ⓜ Indicates parts not listed in any previous parts book.
 March 15, 1965 Supersedes Sept. 6, 1963.



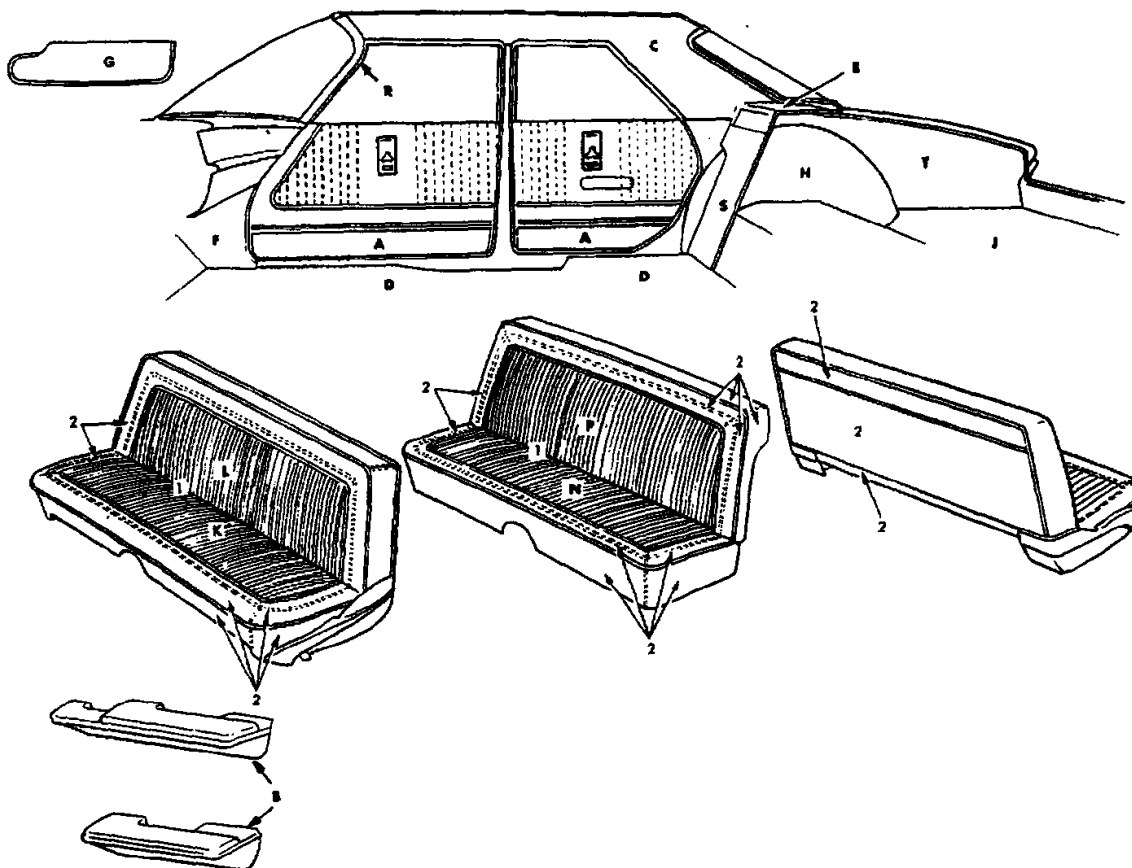
19T0080

ITEM	TYPE OF MATERIAL	PART TYPE CODE	MATERIAL WIDTH	PART NUMBERS AND COLORS							
				GRAY							
1	Vinyl 37 oz.	23-114-15	50"	0445TA9							
2	Vinyl 37 oz.	23-114-15	50"	0445TA6							

Distribution Drawing Legend Page Appears Following Illustration Section

1964 DODGE 880 4 DOOR SEDAN
VINYL TRIM
CODE K4A

★ Indicates use as required.
 ☐ Indicates parts not listed in any previous parts book.
 • Indicates change or addition.



1970081

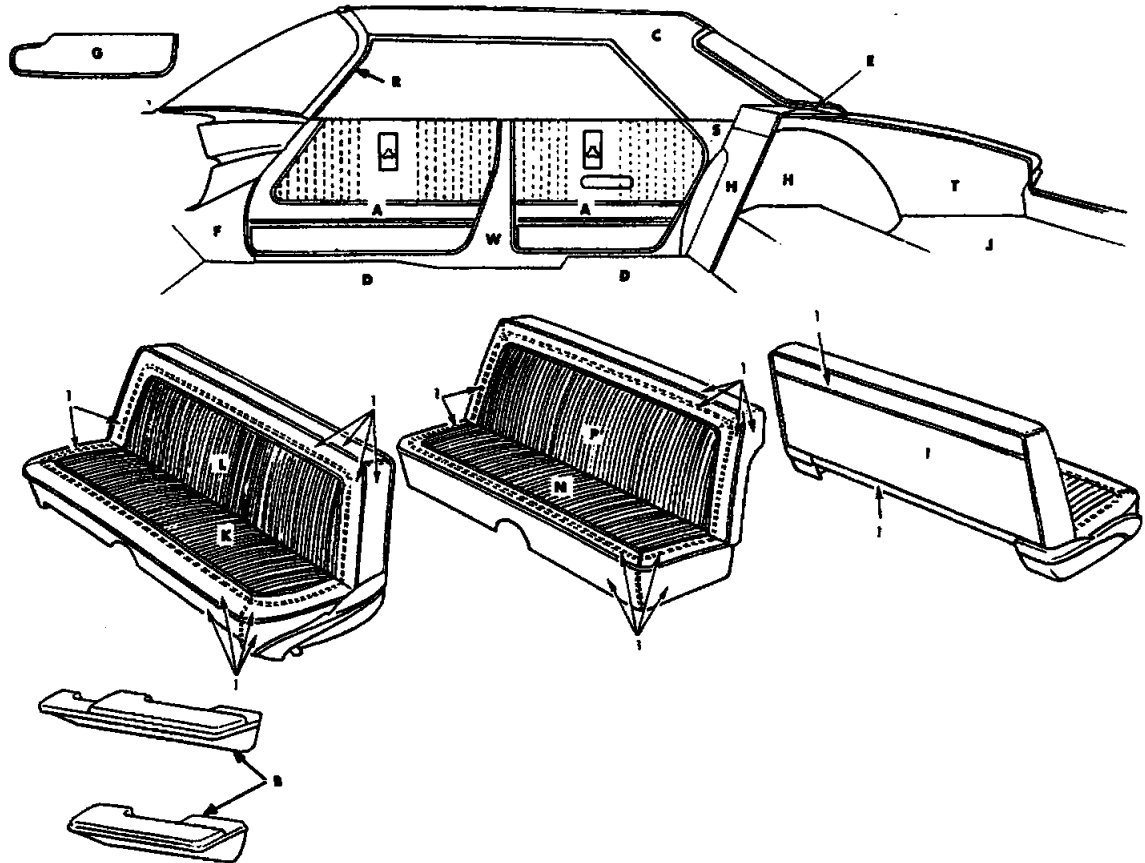
PART NUMBERS AND COLORS

ITEM	TYPE OF MATERIAL	PART TYPE CODE	MATERIAL WIDTH	PART NUMBERS AND COLORS							
				BLUE	TUR- QUOISE	RED	TAN	GOLD			
1	Body Cloth	23-114-2	63"	0116VBB	0116VQQ	0116VRR	0116VTT	0116VYY			
2	Vinyl 28 oz.	23-114-15	50"	*0441VB6	0400VQ5	0400VR7	*0441VT6	*0441VY5			

Distribution Drawing Legend Page Appears Following Illustration Section

1964 DODGE 880 4 DOOR SEDAN
CLOTH AND VINYL TRIM
CODES L1B, L1Q, L1R, L1T, L1Y

★ Indicates use as required.
 □ Indicates parts not listed in any previous parts book.
 March 15, 1965 Supersedes Sept. 6, 1963.



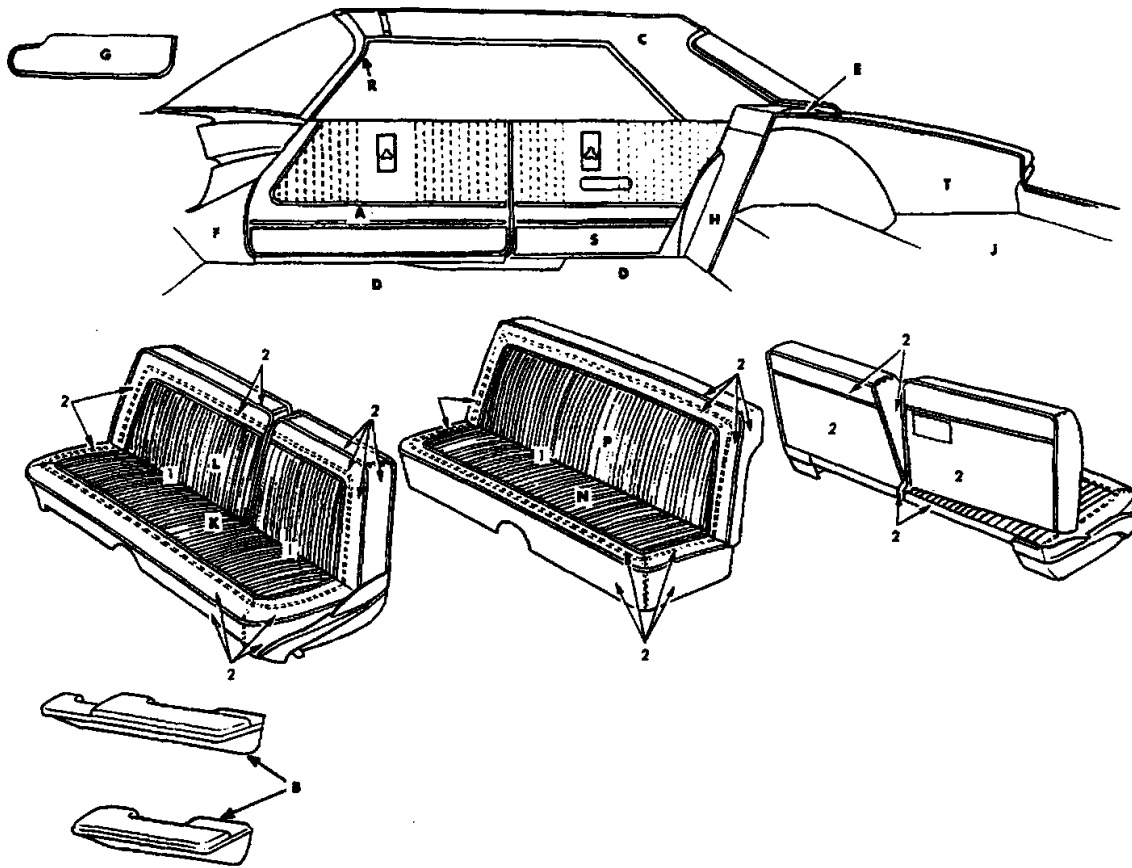
19T0082

ITEM	TYPE OF MATERIAL	PART TYPE CODE	MATERIAL WIDTH	BLUE	TUR- QUOISE	RED	TAN	GOLD			
				1	Vinyl 28 oz.	23-114-15	50"	*0441VB6	0400VQ5	0400VR7	*0441VT6

Distribution Drawing Legend Page Appears Following Illustration Section

1964 DODGE 880 4 DOOR HARD TOP
VINYL TRIM
CODES L4B, L4Q, L4R, L4T, L4Y

* Indicates use as required.
 ☐ Indicates parts not listed in any previous parts book.
 * Indicates change or addition.



19T0083

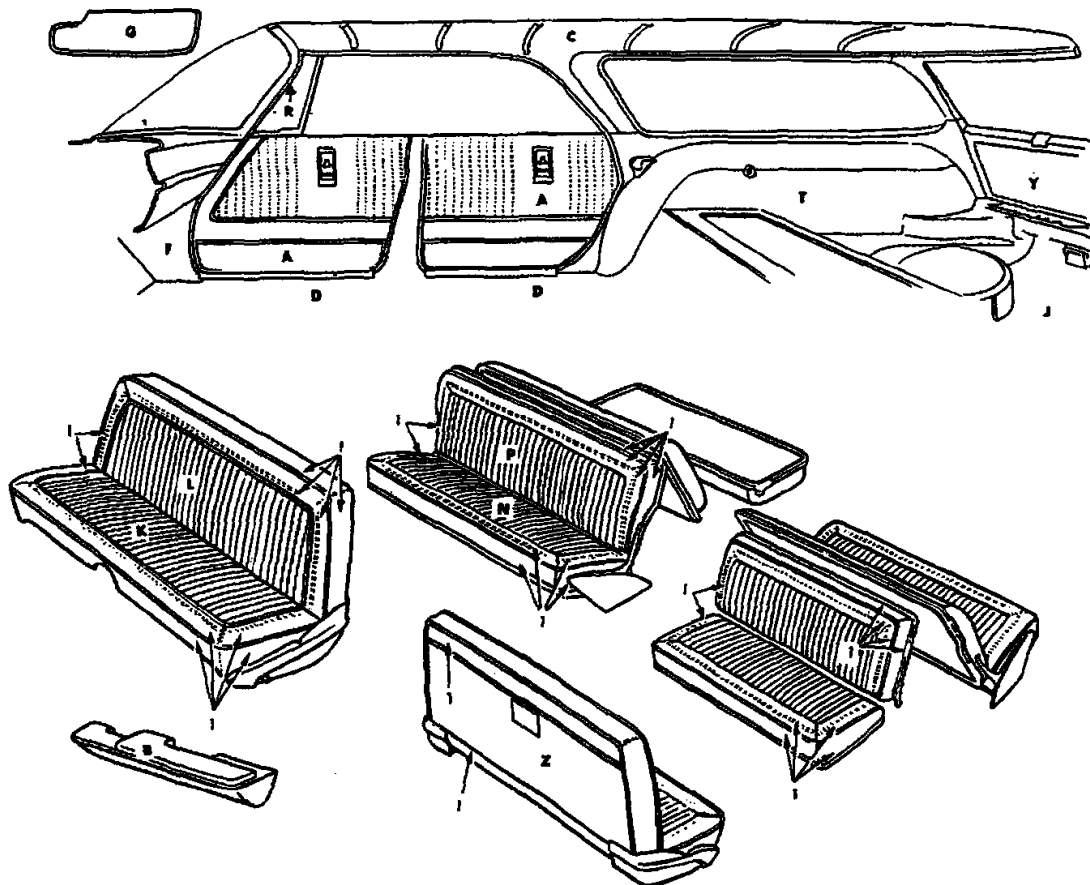
PART NUMBERS AND COLORS

ITEM	TYPE OF MATERIAL	PART TYPE CODE	MATERIAL WIDTH	PART NUMBERS AND COLORS							
				BLUE	TUR- QUOISE	RED	TAN	GOLD			
1	Body Cloth	23-114-2	63"	0116VBB	0116VQQ	0116VRR	0116VTT	0116VYY			
2	Vinyl 28 oz.	23-114-15	50"	*0441VB6	0400VQ5	0400VR7	*0441VT6	*0441VY5			

Distribution Drawing Legend Page Appears Following Illustration Section

1964 DODGE 880 2 DOOR HARD TOP
CLOTH AND VINYL TRIM
CODES L1B, L1Q, L1R, L1T, L1Y

★ Indicates use as required.
☐ Indicates parts not listed in any previous parts book.
March 15, 1965 Supersedes Sept. 6, 1963.



19T0084

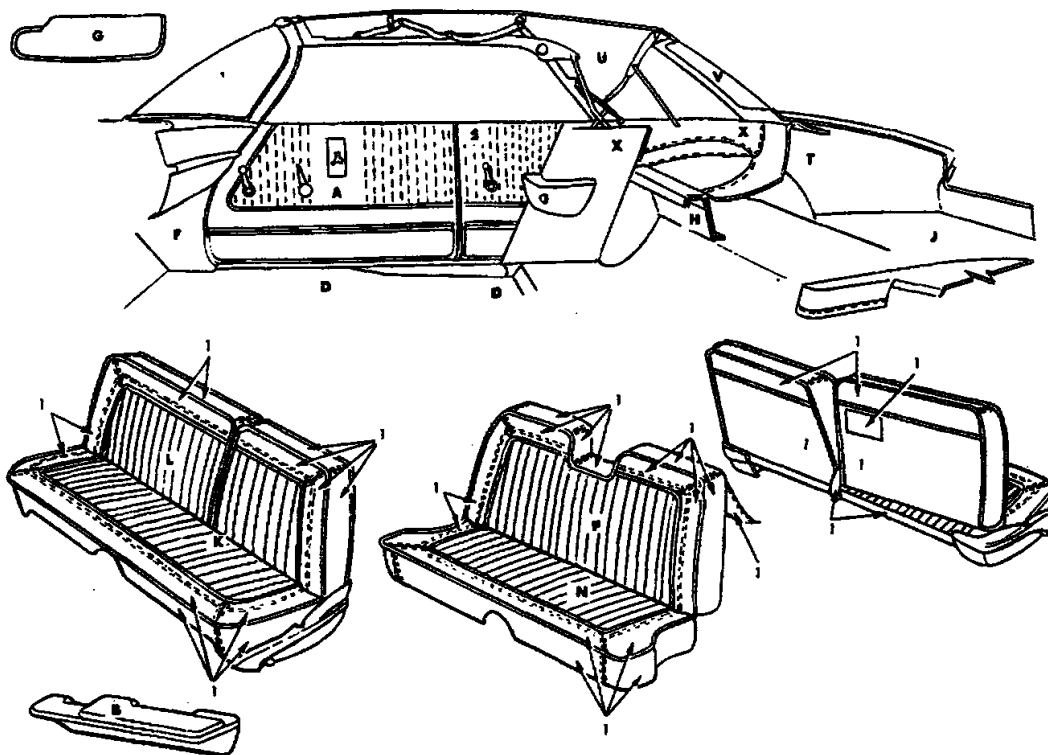
PART NUMBERS AND COLORS

ITEM	TYPE OF MATERIAL	PART TYPE CODE	MATERIAL WIDTH	PART NUMBERS AND COLORS								
				BLUE	TUR-QUOISE	RED	TAN	GOLD				
1	Vinyl 28 oz.	23-114-15	50"	*0441VB6	0400VQ5	0400VR7	*0441VT6	0441VY5				

Distribution Drawing Legend Page Appears Following Illustration Section

1964 DODGE 880 STATION WAGON
VINYL TRIM
CODES L4B, L4Q, L4R, L4T, L4Y

★ Indicates use as required.
 □ Indicates parts not listed in any previous parts book.
 * Indicates change or addition.



19T0085

ITEM	TYPE OF MATERIAL	PART TYPE CODE	MATERIAL WIDTH	PART NUMBERS AND COLORS							
				BLUE	TUR- QUOISE	RED		GOLD			
1	Vinyl 28 oz.	23-114-15	50"	*0441VB6	*0441VQ5	*0441VT6	0441VY5				

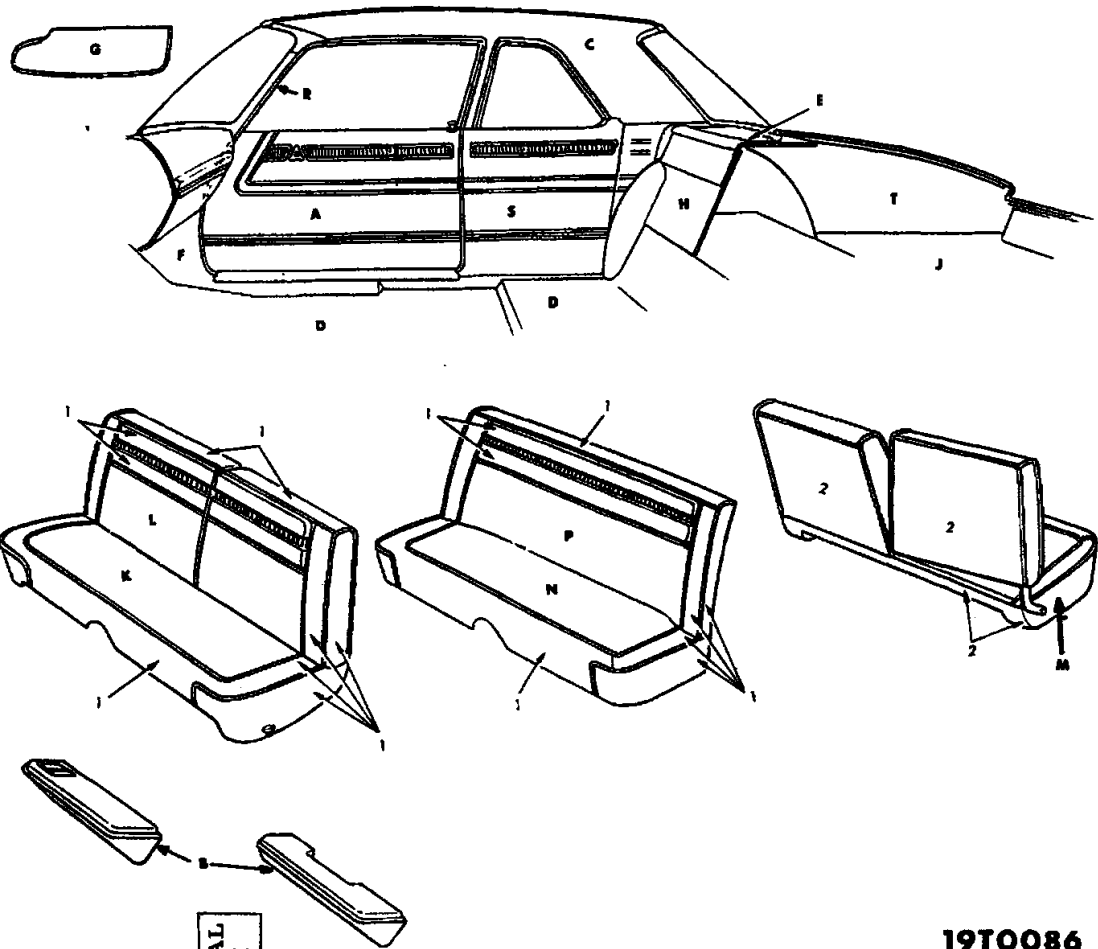
Distribution Drawing Legend Page Appears Following Illustration Section

1964 DODGE 880 CONVERTIBLE
VINYL TRIM
CODES L4B, L4Q, L4R, L4T, L4Y

★ Indicates use as required.

☐ Indicates parts not listed in any previous parts book.

March 15, 1965 Supersedes May 22, 1964.



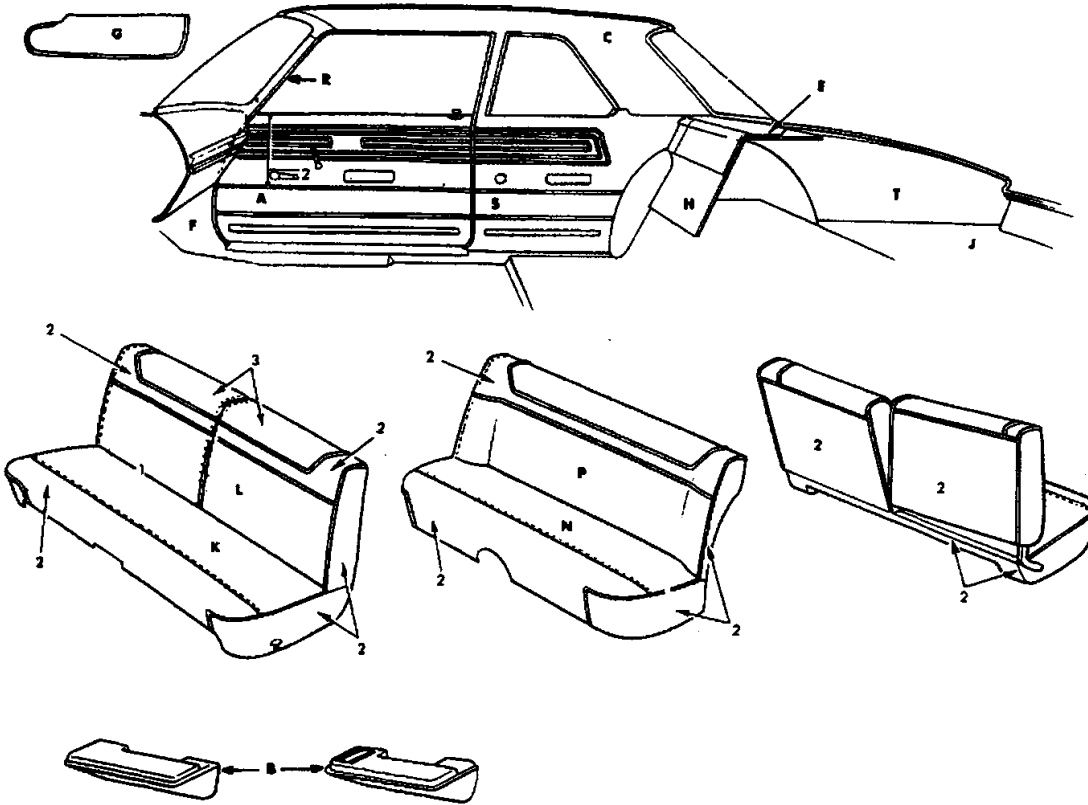
19T0086

ITEM	TYPE OF MATERIAL	PART TYPE CODE	MATERIAL WIDTH	BLUE	TUR- QUOISE	RED	TAN				
1	Vinyl 28 oz.	23-114-15	50"	*0441VB6	*0441VQ6	*0441VR6	*0441VT6				
2	Vinyl 28 oz.	23-114-15	55"	0435VB6	0435VQ6	0435VR6					

Distribution Drawing Legend Page Appears Following Illustration Section

1964 DODGE VD1 AND VD2 2 DOOR SEDAN
 CLOTH AND VINYL TRIM
 CODES L1B, L1Q, L1R, L1T,
 K1B, K1Q, K1R, K1T

● Indicates use as required.
 □ Indicates parts not listed in any previous parts book.
 * Indicates change or addition.



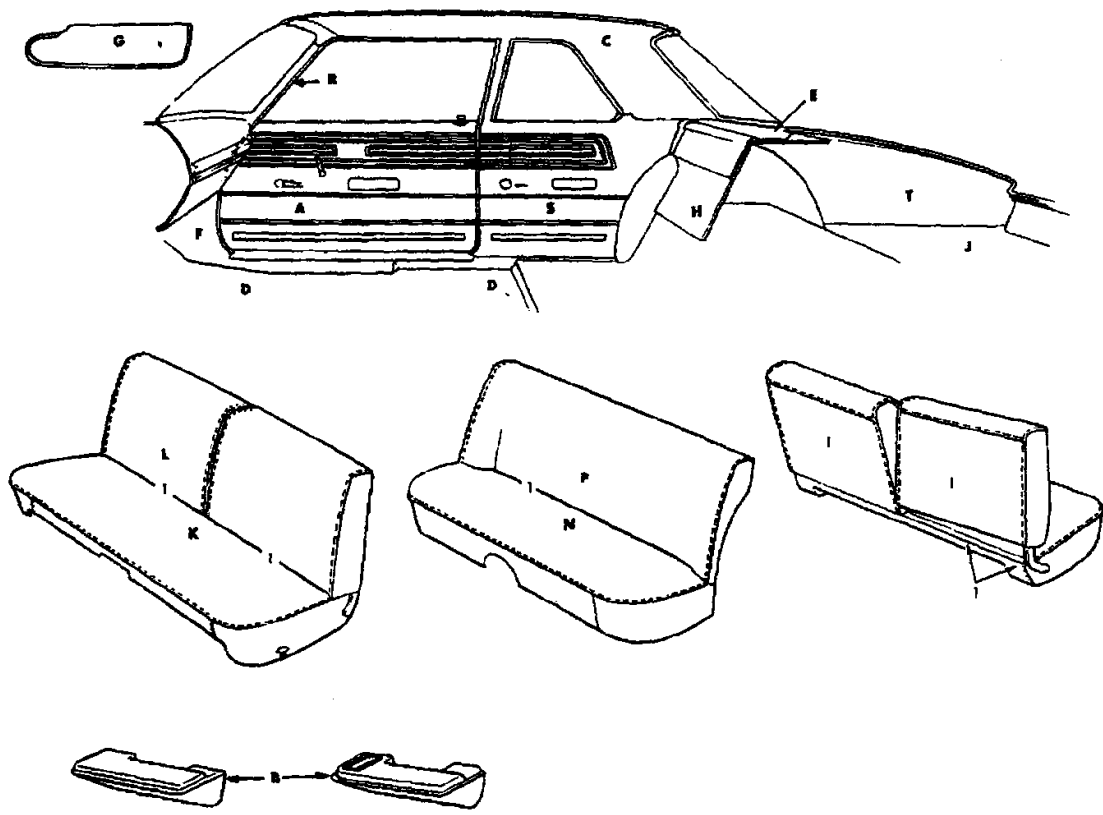
19T0087

ITEM	TYPE OF MATERIAL	PART TYPE CODE	MATERIAL WIDTH	PART NUMBERS AND COLORS							
				GRAY							
1	Body Cloth	23-114-15	50"	0112VA9							
2	Vinyl 28 oz.	23-114-15	50"	0400TA6							
3	Vinyl 28 oz.	23-114-15	50"	0400TA9							

Distribution Drawing Legend Page Appears Following Illustration Section

1964 DODGE VD-1 AND VD-2 2 DOOR SEDAN
 CLOTH AND VINYL TRIM
 CODES L2A, F2A, K2A

★ Indicates use as required.
 ☐ Indicates parts not listed in any previous parts book.
 March 15, 1965 Supersedes Sept. 6, 1963.



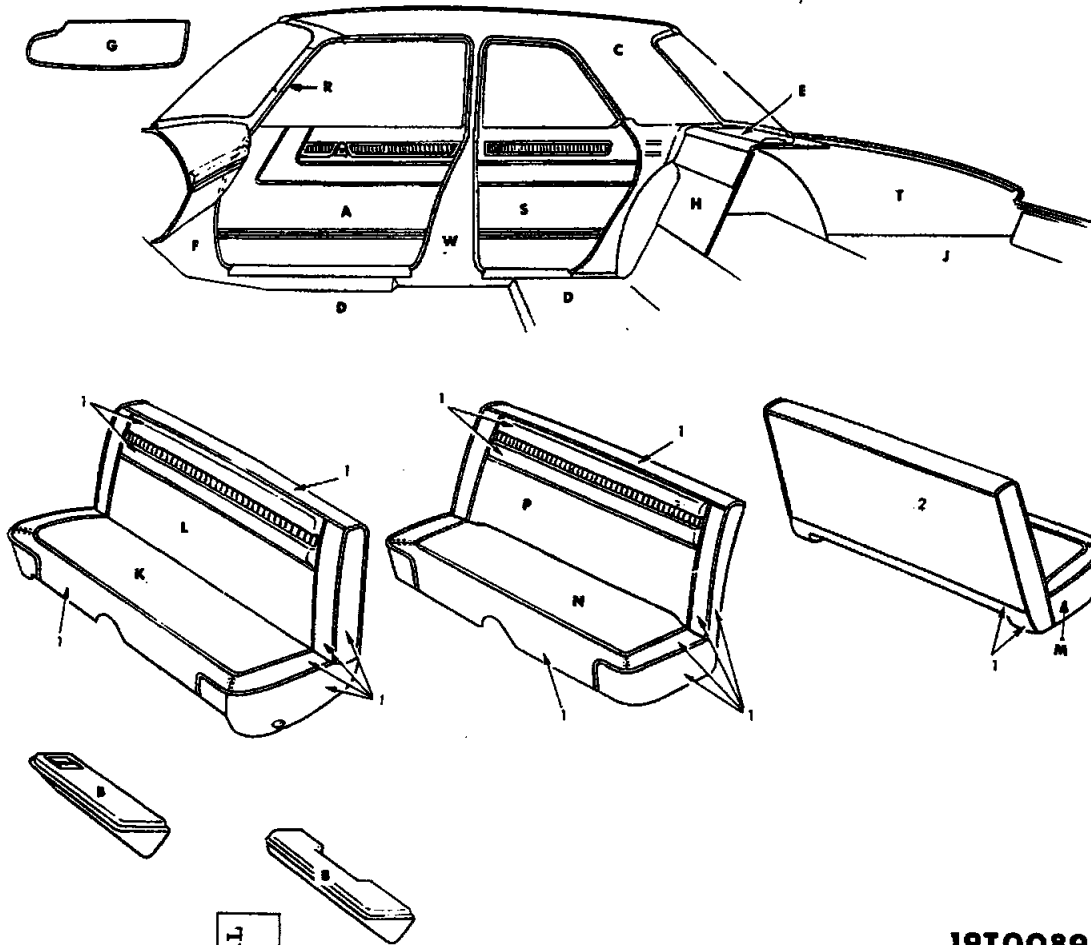
19T0088

ITEM	TYPE OF MATERIAL	PART TYPE CODE	MATERIAL WIDTH	PART NUMBERS AND COLORS							
				GRAY	BLACK						
1	Vinyl 37 oz.	23-114-15	50"	0445TA9							

Distribution Drawing Legend Page Appears Following Illustration Section

1964 DODGE VD1 AND VD2 2 DOOR SEDAN
VINYL TRIM
CODES L8A, F8A, K8A

★ Indicates use as required.
 ☐ Indicates parts not listed in any previous parts book.
 * Indicates change or addition.



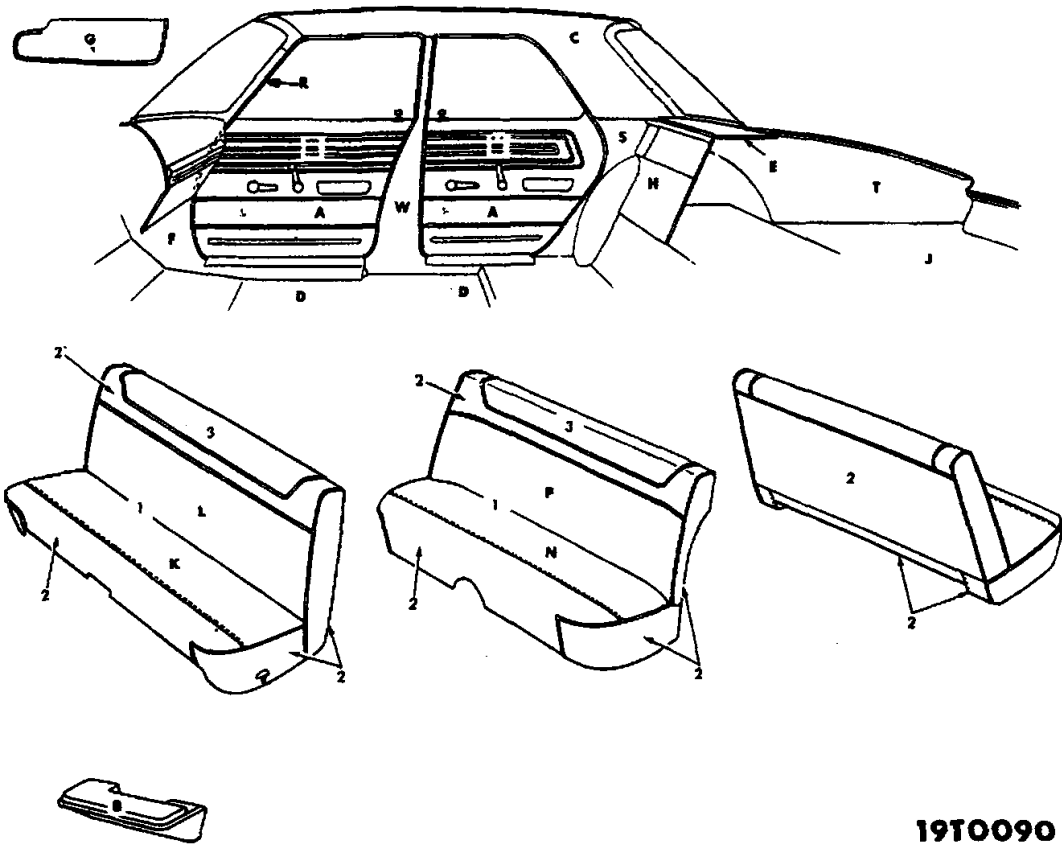
19T0089

ITEM	TYPE OF MATERIAL	PART TYPE CODE	MATERIAL WIDTH	BLUE	TUR-QUOISE	RED	TAN				
				0400VB6	0400VQ6	0400VR6	0400VT6				
1	Vinyl 28 oz.	23-114-15	50"	0400VB6	0400VQ6	0400VR6	0400VT6				
2	Vinyl 28 oz.	23-114-15	50"	0435VB6	0435VQ6	0435VR6	0435VT6				

Distribution Drawing Legend Page Appears Following Illustration Section

1964 DODGE VDI AND VD2 4 DOOR SEDAN
 CLOTH AND VINYL TRIM
 CODES L1B, L1Q, L1R, L1T,
 K1B, K1Q, K1R, K1T

★ Indicates use as required.
 B Indicates parts not listed in any previous parts book.
 March 15, 1965 Supersedes May 22, 1964.



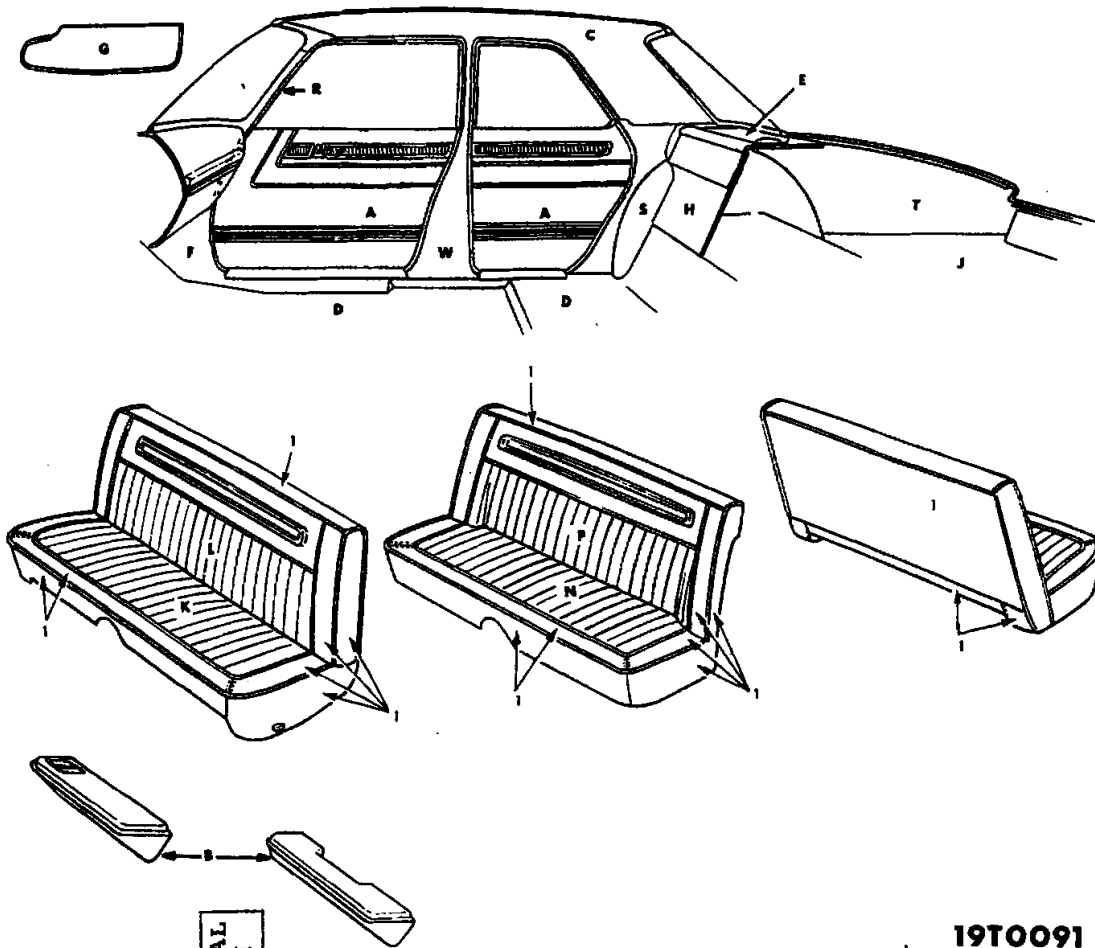
19T0090

ITEM	TYPE OF MATERIAL	PART TYPE CODE	MATERIAL WIDTH	PART NUMBERS AND COLORS							
				GRAY	BLACK						
1	Body Cloth	23-114-2	50"	0112VA9							
2	Vinyl 28 oz.	23-114-15	50"	0400TA6							
3	Vinyl 28 oz.	23-114-15	50"	0400TA9							

Distribution Drawing Legend Page Appears Following Illustration Section

1964 DODGE VDI AND VD2 4 DOOR SEDAN
CLOTH AND VINYL TRIM
CODES L2A, F2A, K2A

* Indicates use as required.
 □ Indicates parts not listed in any previous parts book.
 * Indicates change or addition.



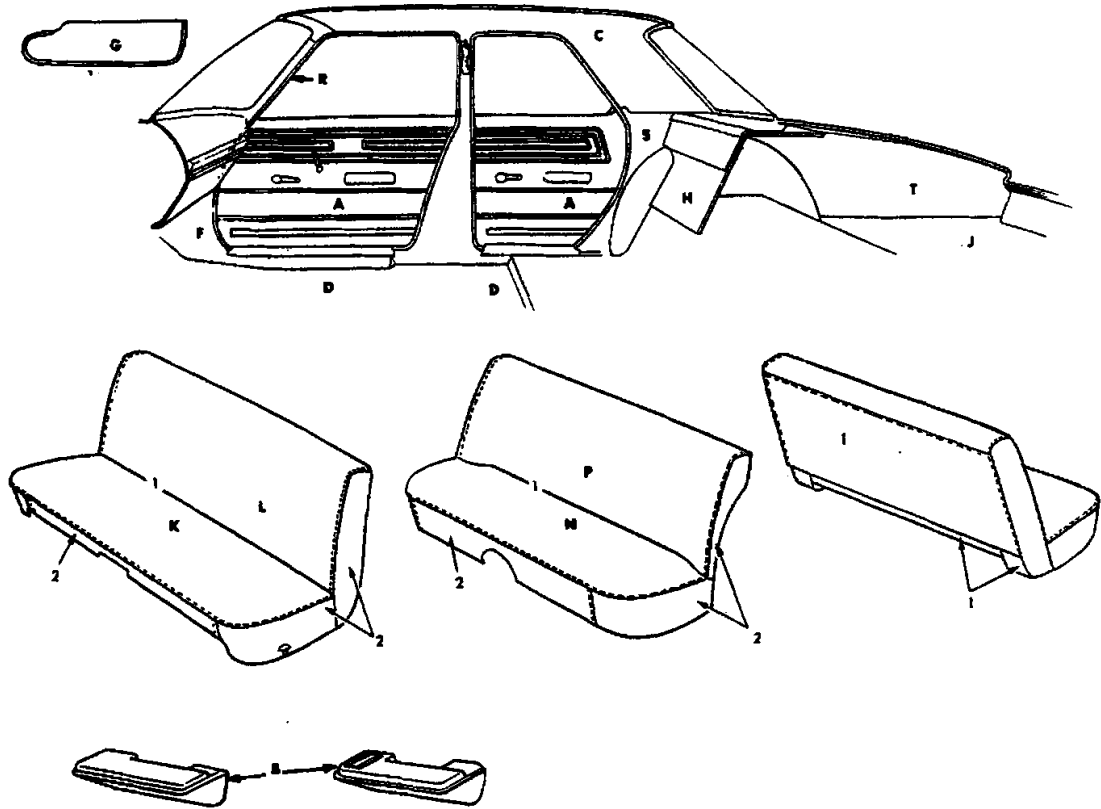
19T0091

ITEM	TYPE OF MATERIAL	PART TYPE CODE	MATERIAL WIDTH	BLUE	RED	TAN						
1	Vinyl 28 oz.	23-114-15	50"	*0441VB6	*0441VR6	*0441VT6						

Distribution Drawing Legend Page Appears Following Illustration Section

1964 DODGE VD1 AND VD2-L, 4 DOOR SEDAN
 VINYL TRIM
 CODES L5B, L5R, L5T

• Indicates use as required.
 □ Indicates parts not listed in any previous parts book.
 March 15, 1965 Supersedes Sept. 6, 1963.



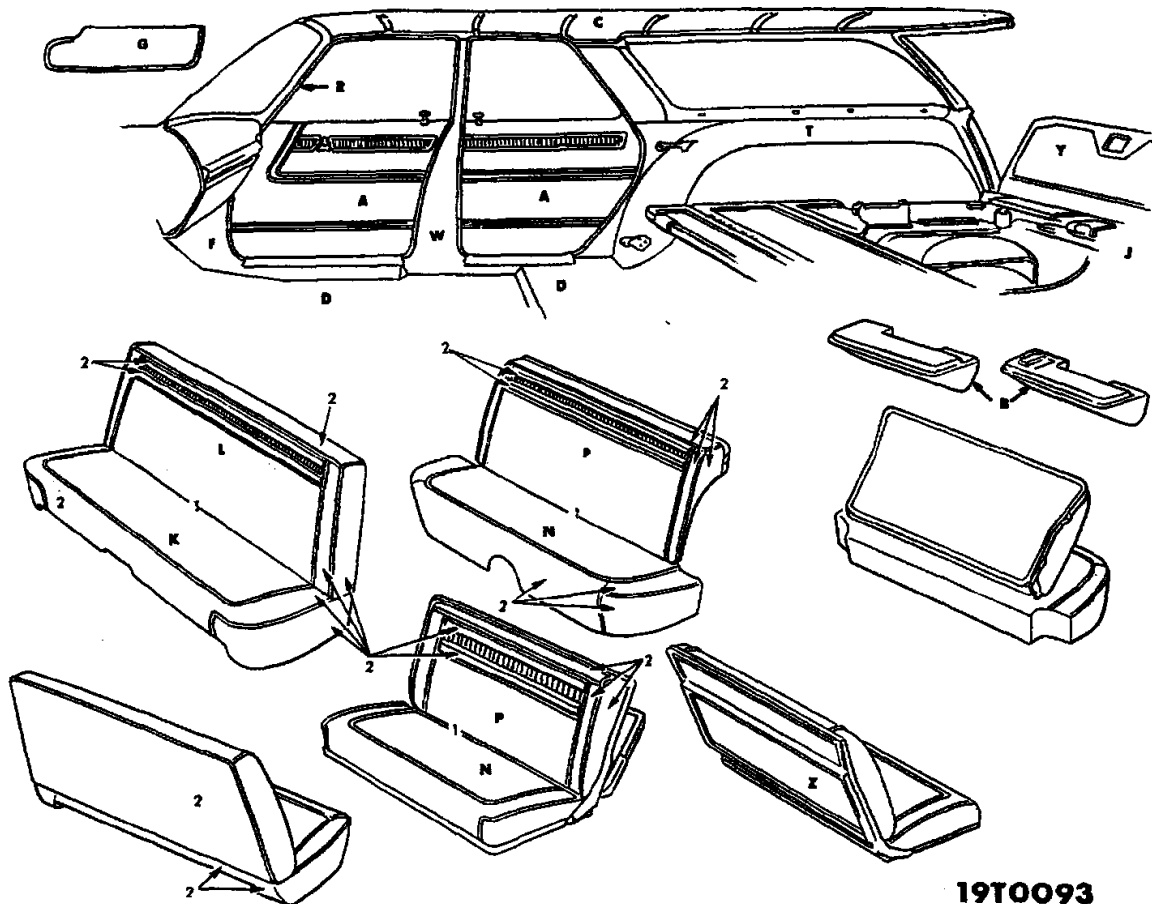
19T0092

ITEM	TYPE OF MATERIAL	PART TYPE CODE	MATERIAL WIDTH	PART NUMBERS AND COLORS							
				GRAY	BLACK						
1	Vinyl 37 oz.	23-114-15	50"	0445TA9							
2	Vinyl 28 oz.	23-114-15	50"	0400TA9							

Distribution Drawing Legend Page Appears Following Illustration Section

1964 DODGE VD1-L AND VD2-L, 4 DOOR SEDAN
 VINYL TRIM
 CODES L8A, F8A, K8A, T8A

★ Indicates use as required.
 ☐ Indicates parts not listed in any previous parts book.
 * Indicates change or addition.



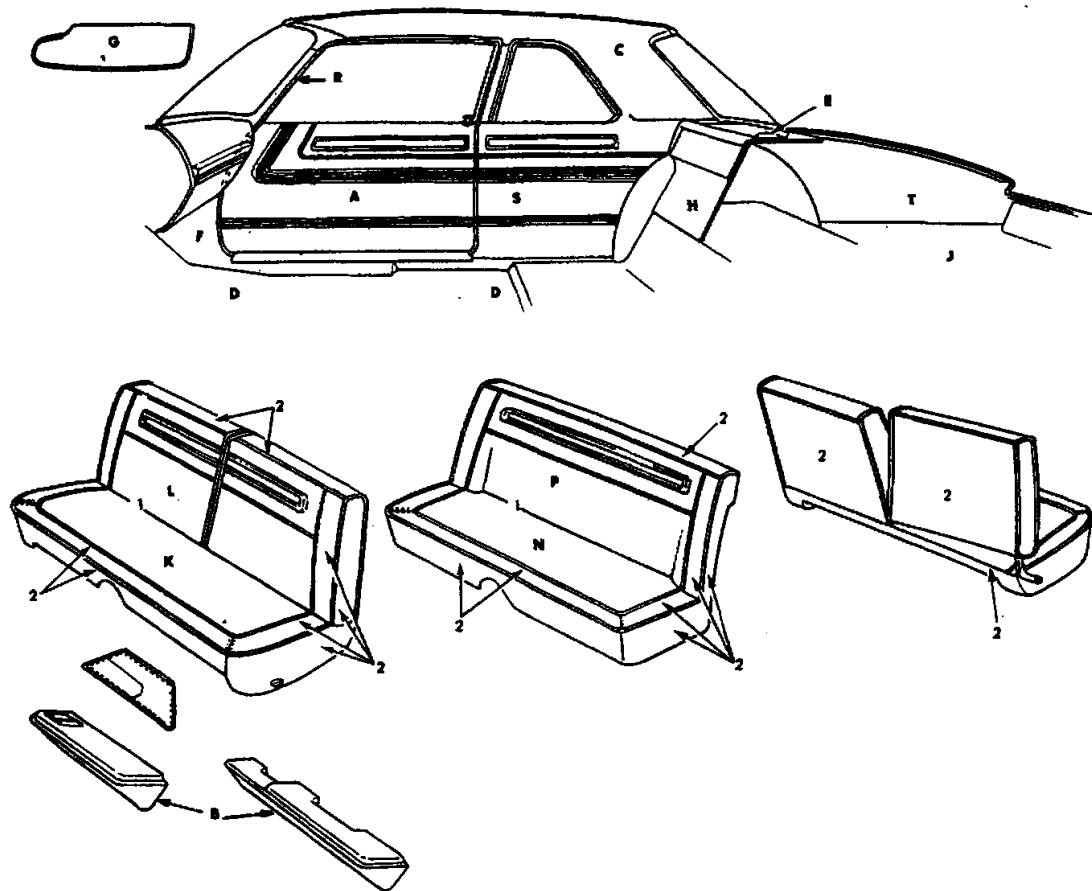
19T0093

PART NUMBERS AND COLORS

ITEM	TYPE OF MATERIAL	PART TYPE CODE	MATERIAL WIDTH	PART NUMBERS AND COLORS							
				BLUE	TUR-QUOISE	RED	TAN				
1	Vinyl 31 oz.	23-114-15	55"	0459VBX	0459VQX	0459VRX	0459VTX				
2	Vinyl 28 oz.	23-114-15	50"	*0441VB6	*0441VQ6	*0441VR6	*0441VT6				

Distribution Drawing Legend Page Appears Following Illustration Section

1964 DODGE VDI and 2-L STATION WAGON
 VINYL TRIM
 CODES L4B, L4Q, L4R, L4T
 K4B, K4Q, K4R, K4T



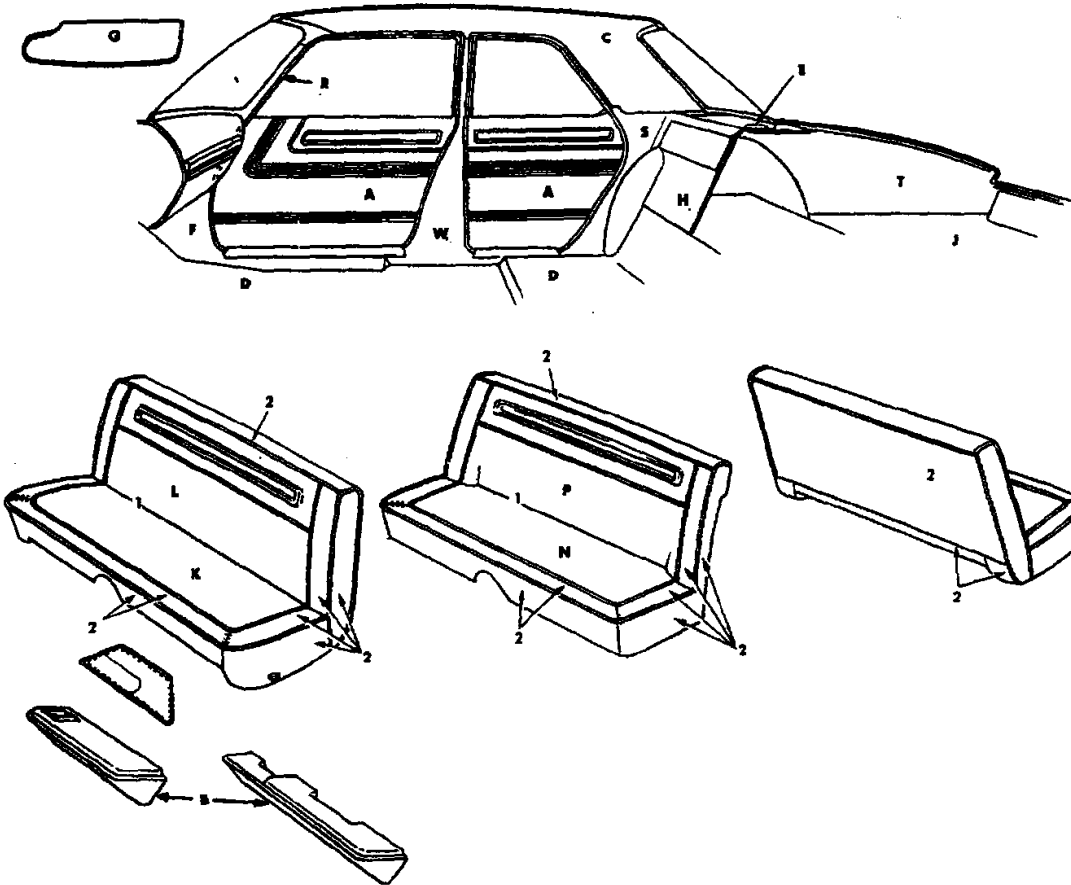
19T0094

ITEM	TYPE OF MATERIAL	PART TYPE CODE	MATERIAL WIDTH	PART NUMBERS AND COLORS					
				BLUE	TUR- QUOISE	RED	TAN	GOLD	
1	Body Cloth	23-114-2	55"	0109VB8	0109VQ8	0109VR8	0109VT8	0109VY8	
2	Vinyl 28 oz.	23-114-15	50"	*0441VB6	*0441VQ6	*0441VR6	*0441VT6	0441VY5	

Distribution Drawing Legend Page Appears Following Illustration Section

1964 DODGE TD1 AND 2-M 2 DOOR SEDAN
CLOTH AND VINYL TRIM
CODES M1B, M1Q, M1R, M1T, M1Y

★ Indicates use as required.
 □ Indicates parts not listed in any previous parts book.
 * Indicates change or addition.



19T0095

PART NUMBERS AND COLORS

ITEM	TYPE OF MATERIAL	PART TYPE CODE	MATERIAL WIDTH	PART NUMBERS AND COLORS							
				BLUE	TUR- QUOISE	RED	TAN	GOLD			
1	Body Cloth	23-114-2	55"	0109VB8	0109VQ8	0109VR8	0109VR8	0109VY8			
2	Vinyl 28 oz.	23-114-15	50"	*0441VB6	*0441VQ6	*0441VR6	*0441VT6	0441VY5			

Distribution Drawing Legend Page Appears Following Illustration Section

1964 DODGE VD1 AND 2M 4 DOOR SEDAN
CLOTH AND VINYL TRIM
CODES M1B, M1Q, M1R, M1T, M1Y

★ Indicates use as required.

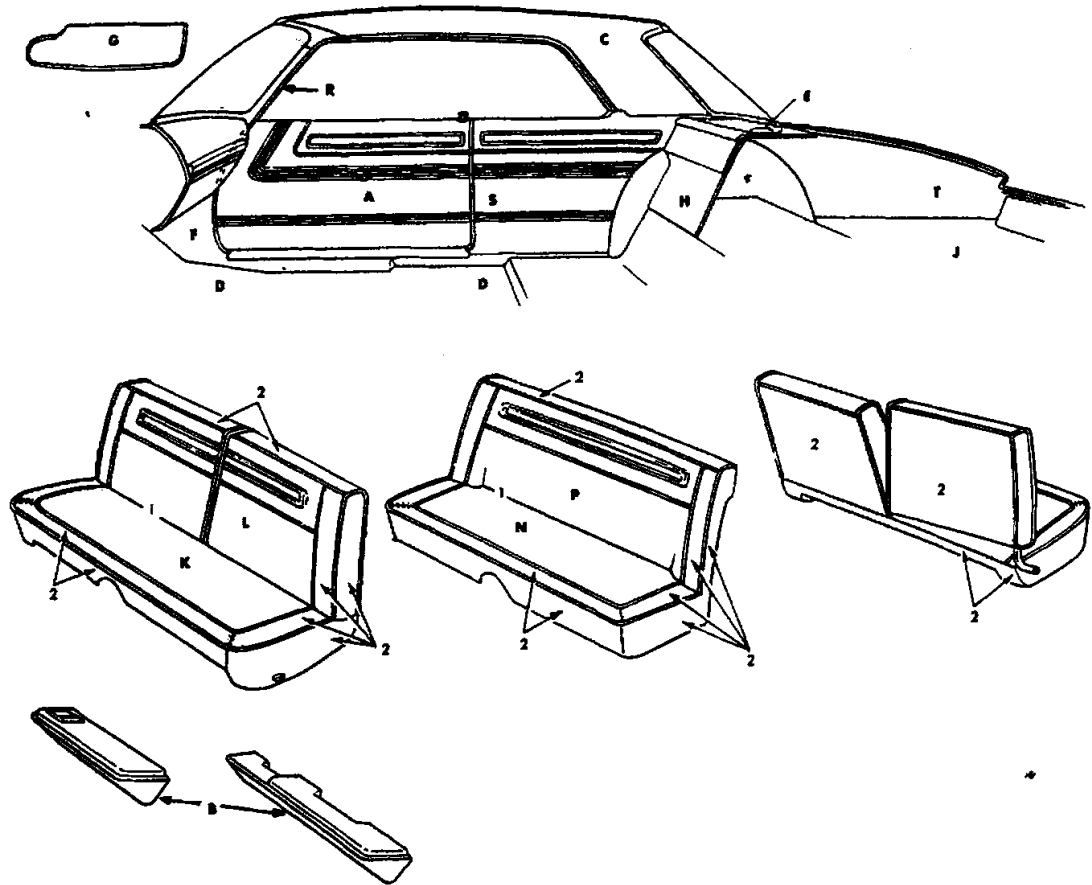
☐ Indicates parts not listed in any previous parts book.

March 15, 1965 Supersedes May 22, 1964.

Printed in U.S.A.

Prices and specifications subject to change without notice.

* Indicates change or addition.



19T0096

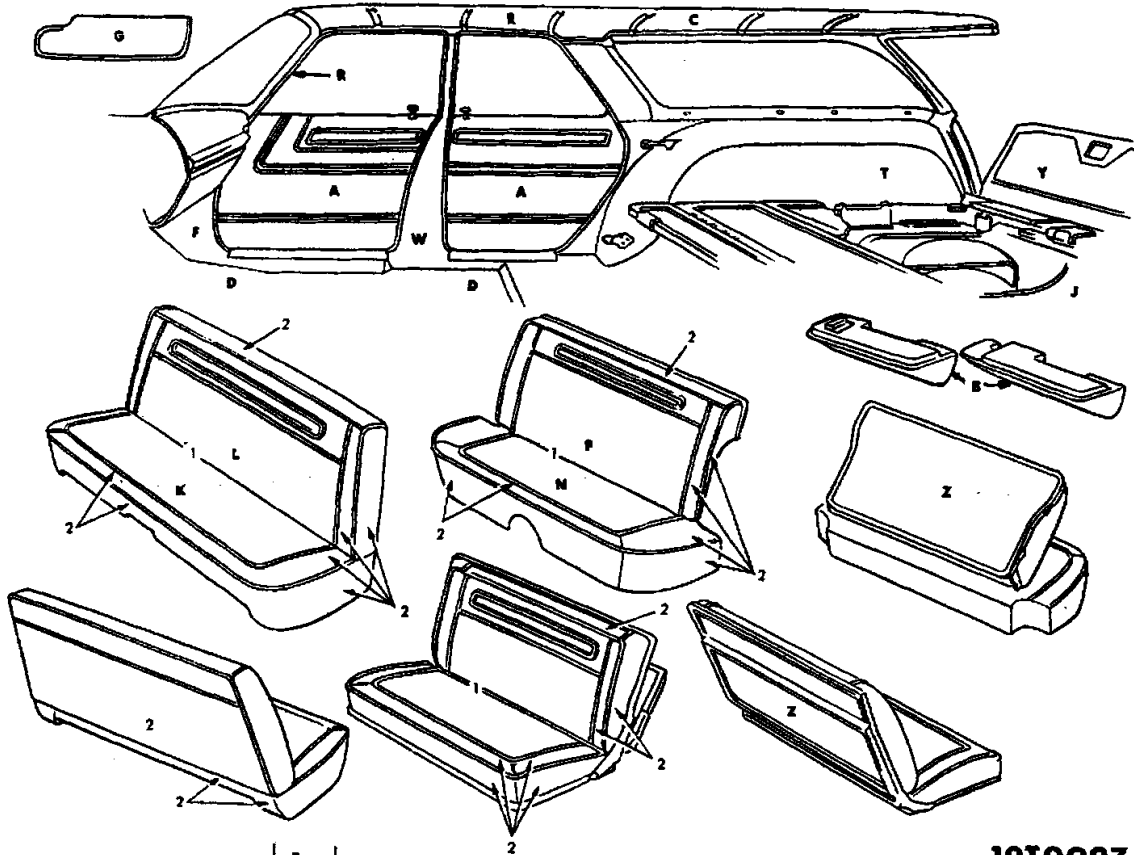
PART NUMBERS AND COLORS

ITEM	TYPE OF MATERIAL	PART TYPE CODE	MATERIAL WIDTH	PART NUMBERS AND COLORS						
				BLUE	TUR- QUOISE	RED	TAN	GOLD		
1	Body Cloth	23-114-2	55"	0109VB8	0109VQ8	0109VR8	0109VT8	0109VY8		
2	Vinyl 28 oz.	23-114-15	50"	*0441VB6	*0441VQ6	*0441VR6	*0441VT6	*0441VY5		

Distribution Drawing Legend Page Appears Following Illustration Section

1964 DODGE VDI AND 2-M 2 DOOR HARDTOP
CLOTH AND VINYL TRIM
CODES M1B, M1Q, M1R, M1T, M1Y

★ Indicates use as required.
 □ Indicates parts not listed in any previous parts book.
 * Indicates change or addition.



19T0097

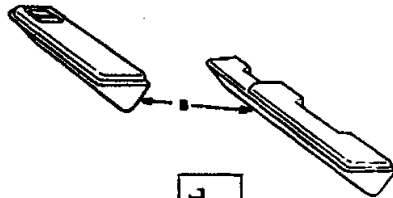
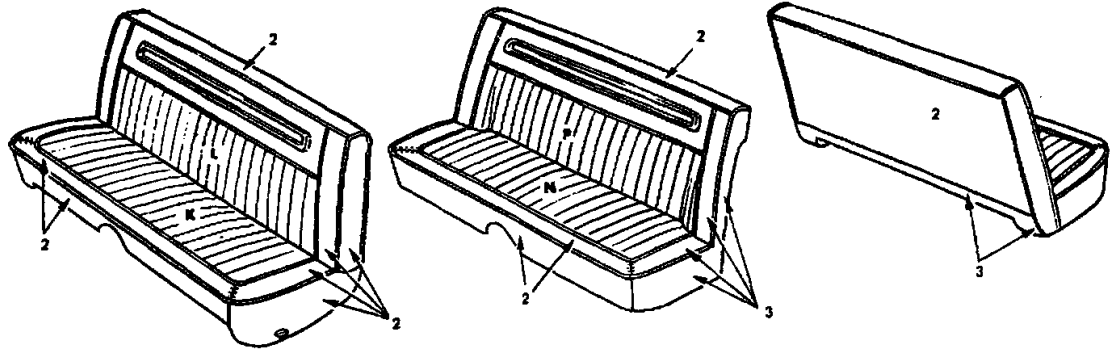
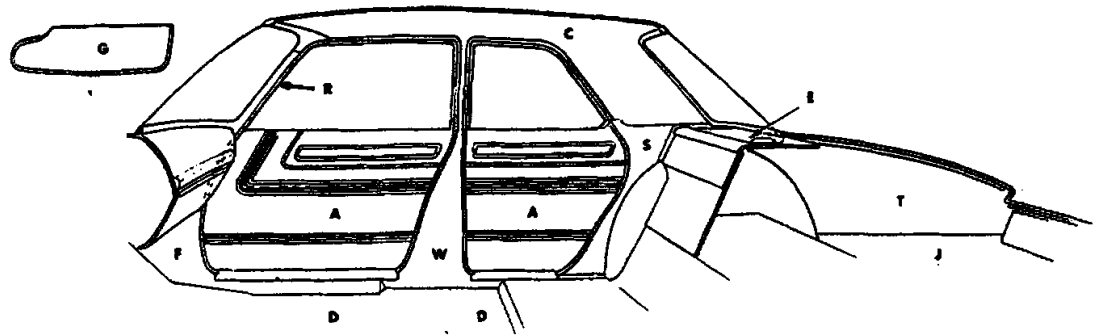
PART NUMBERS AND COLORS

ITEM	TYPE OF MATERIAL	PART TYPE CODE	MATERIAL WIDTH	PART NUMBERS AND COLORS							
				BLUE	TUR-QUOISE	RED	TAN	GOLD			
1	Vinyl 26.5 oz.	23-114-15	47"	0424VB8	0424VQ8	0424VR8	0424VT8	0424VY8			
2	Vinyl 28 oz.	23-114-15	50"	*0441VB6	*0441VQ6	*0441VR6	*0441VT6	0441VY5			

Distribution Drawing Legend Page Appears Following Illustration Section

1964 DODGE VDI AND 2-M STATION WAGON
VINYL TRIM
CODES M4B, M4Q, M4R, M4T, M4Y

★ Indicates use as required.
 ☐ Indicates parts not listed in any previous parts book.
 March 15, 1965 Supersedes May 22, 1964.



PART NUMBERS AND COLORS

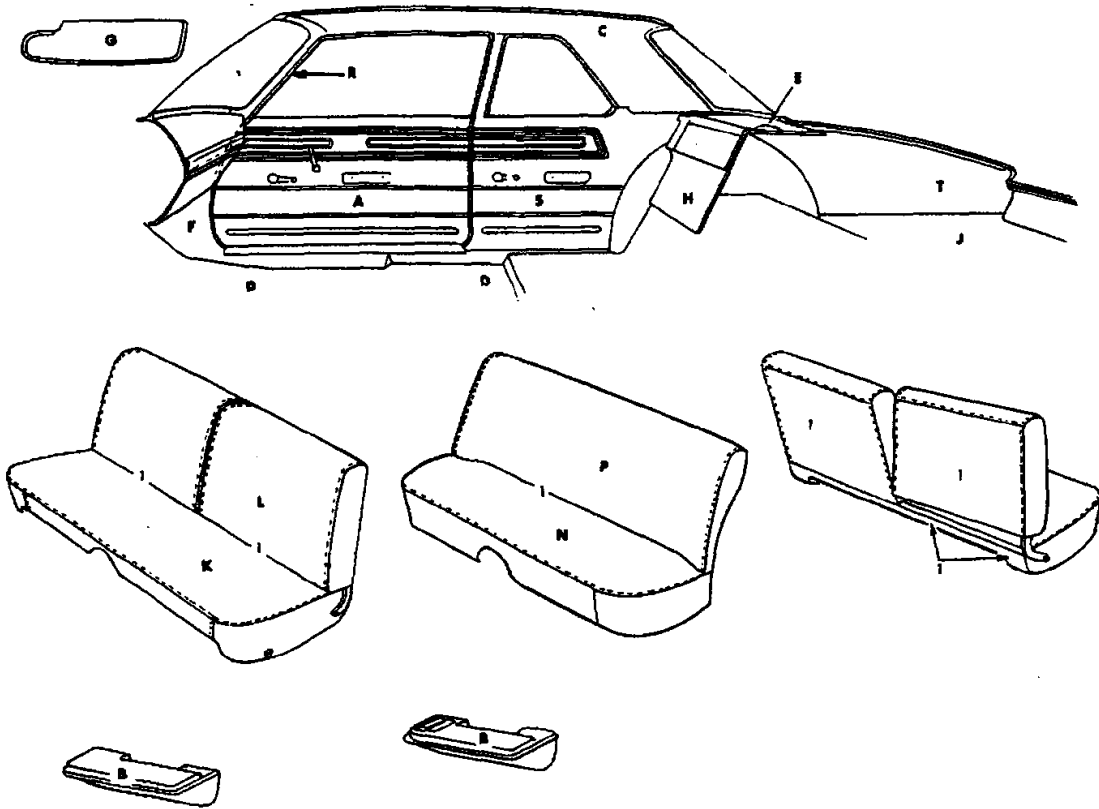
19T0098

ITEM	TYPE OF MATERIAL	PART TYPE CODE	MATERIAL WIDTH	PART NUMBERS AND COLORS							
				BLUE	RED	TAN					
1	Vinyl 28 oz.	23-114-15	50"	0400VB8	0400VR8	0400VT8					
2	Vinyl 28 oz.	23-114-15	50"	*0441VB6	*0441VR6	*0441VT6					

Distribution Drawing Legend Page Appears Following Illustration Section

1964 DODGE VDI AND 2-M 4 DOOR SEDAN
VINYL TRIM
CODES M5B, M5R, M5T

● Indicates use as required.
 □ Indicates parts not listed in any previous parts book.
 • Indicates change or addition.



19T0099

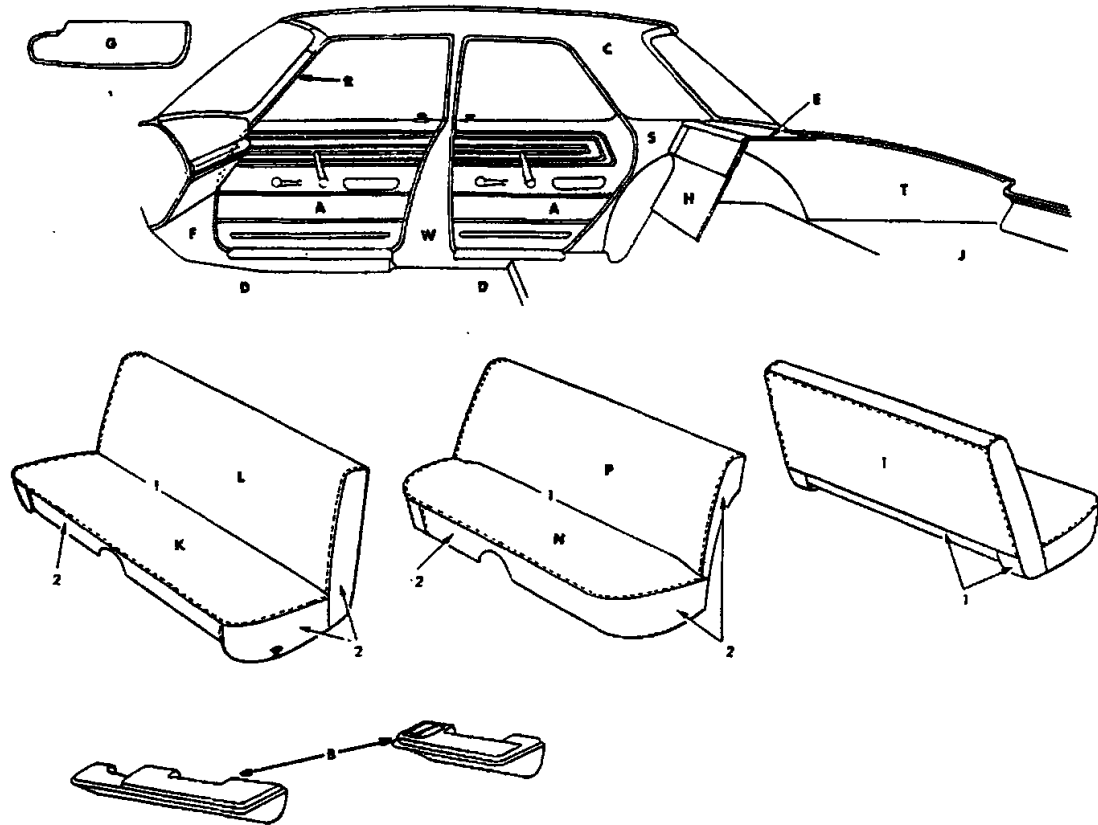
ITEM	TYPE OF MATERIAL	PART TYPE CODE	MATERIAL WIDTH	PART NUMBERS AND COLORS							
				GRAY	BLACK						
1	Vinyl 37 oz.	23-114-15	50"	0445TA9							

Distribution Drawing Legend Page Appears Following Illustration Section

1964 DODGE VDI AND 2-M 2 DOOR SEDAN
VINYL TRIM
CODE M8A

● Indicates use as required.
 ☐ Indicates parts not listed in any previous parts book.
 March 15, 1965 Supersedes Sept. 6, 1963.

Printed in U.S.A.
 Prices and specifications subject to change without notice.
 • Indicates change or addition.



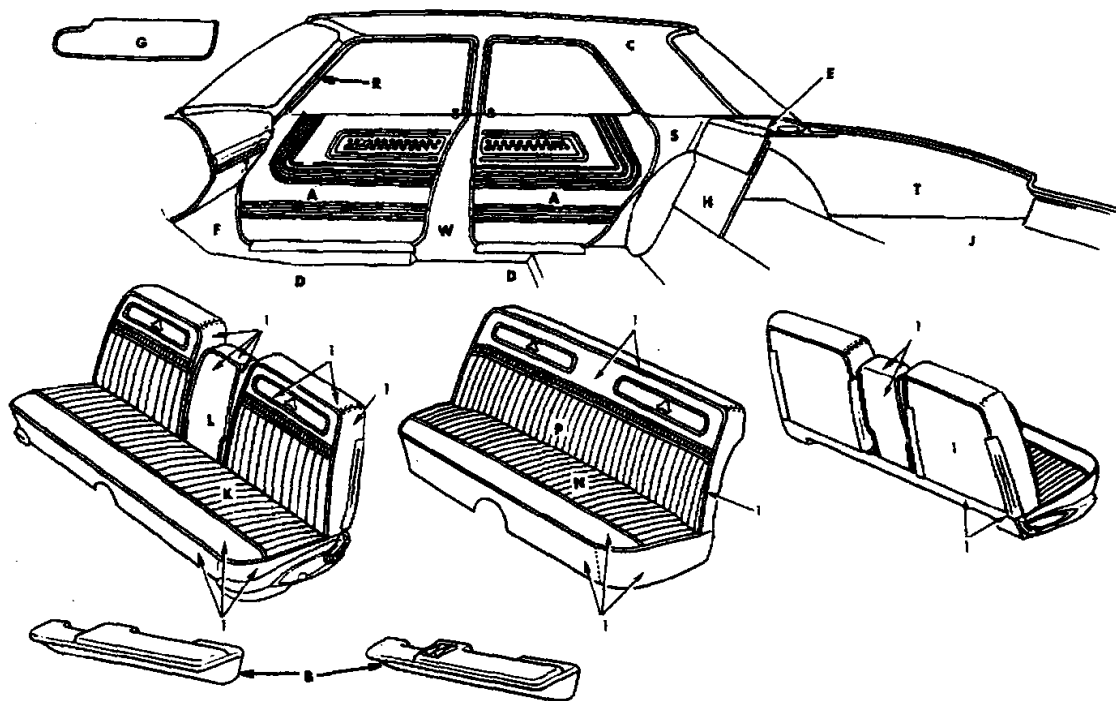
19T0100

ITEM	TYPE OF MATERIAL	PART TYPE CODE	MATERIAL WIDTH	PART NUMBERS AND COLORS							
				GRAY	BLACK						
1	Vinyl 37 oz.	23-114-15	50"	0445TA9							
2	Vinyl 28 oz.	23-114-15	50"	0400TA9	*0441VX9						

Distribution Drawing Legend Page Appears Following Illustration Section

1964 DODGE VDI AND 2-M 4 DOOR SEDAN
VINYL TRIM
CODE M8A

★ Indicates use as required.
 □ Indicates parts not listed in any previous parts book.
 ● Indicates change or addition.



19T0101

ITEM	TYPE OF MATERIAL	PART TYPE CODE	MATERIAL WIDTH	PART NUMBERS AND COLORS							
				BLUE	TUR- QUOISE	RED	TAN	GOLD			
1	Vinyl 28 oz.	23-114-15	50"	*0441VB6	*0441VQ6	*0441VR6	*0441VT6	0441VY5			

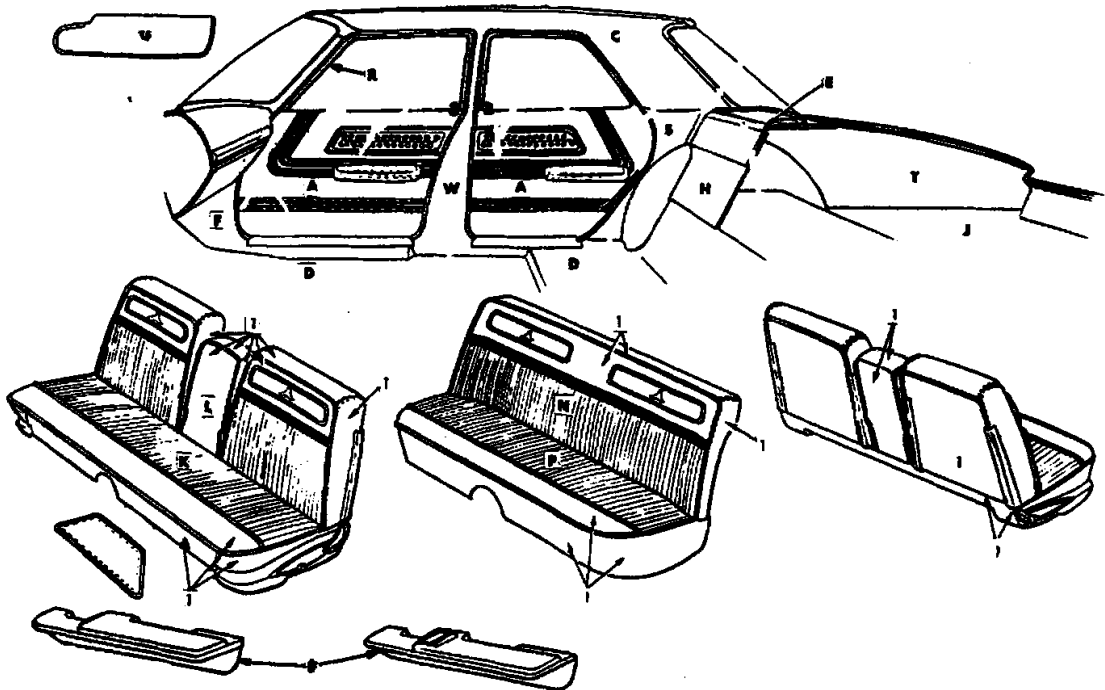
Distribution Drawing Legend Page Appears Following Illustration Section

1964 DODGE VD1 AND 2-H 4 DOOR SEDAN
 CLOTH AND VINYL TRIM
 CODES H1B, H1Q, H1R, H1T, H1Y

★ Indicates use as required.

☐ Indicates parts not listed in any previous parts book.

March 15, 1965 Supersedes May 22, 1964.



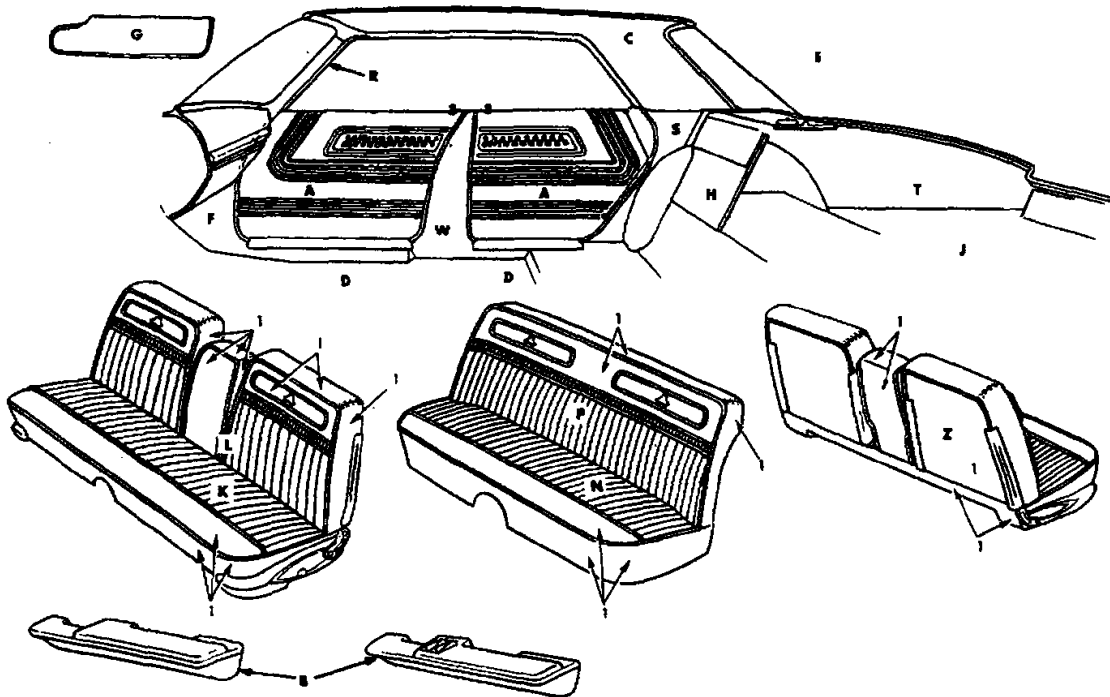
19T0102

ITEM	TYPE OF MATERIAL	PART TYPE CODE	MATERIAL WIDTH	PART NUMBERS AND COLORS								
				BLUE	TUR- QUOISE	RED	TAN	GOLD				
1	Vinyl 28 oz.	23-114-15	50"	*0441VB6	*0441VQ6	*0441VR6	*0441VT6	0441VY5				

Distribution Drawing Legend Page Appears Following Illustration Section

1964 DODGE VD1 AND 2-H 4 DOOR SEDAN
VINYL TRIM
CODES H4B, H4Q, H4R, H4T, H4Y

★ Indicates use as required.
 Ⓜ Indicates parts not listed in any previous parts book.
 • Indicates change or addition.

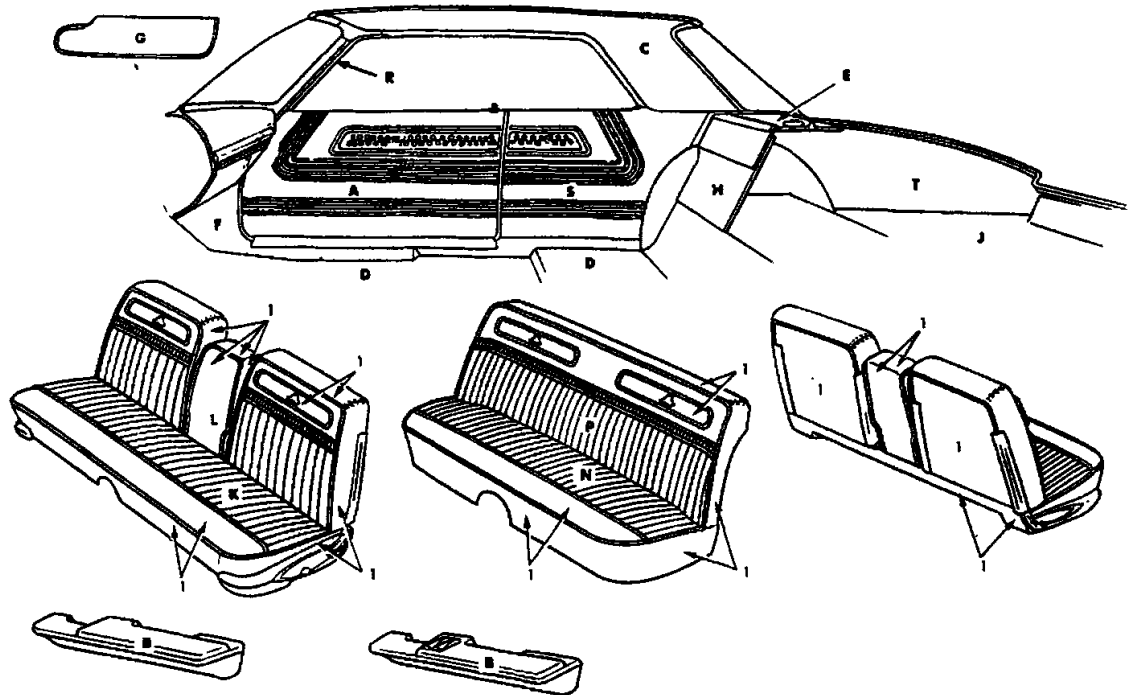


19T0103

ITEM	TYPE OF MATERIAL	PART TYPE CODE	MATERIAL WIDTH	PART NUMBERS AND COLORS							
				BLUE	TUR- QUOISE	RED	TAN	GOLD			
1	Vinyl 28 oz.	23-114-15	50"	*0441VB6	*0441VQ6	*0441VR6	*0441VT6	0441VY6			

Distribution Drawing Legend Page Appears Following Illustration Section

1964 DODGE VDI AND 2-H. 4 DOOR HARDTOP
VINYL TRIM
CODES H4B, H4Q, H4R, H4T, H4Y



19T0104

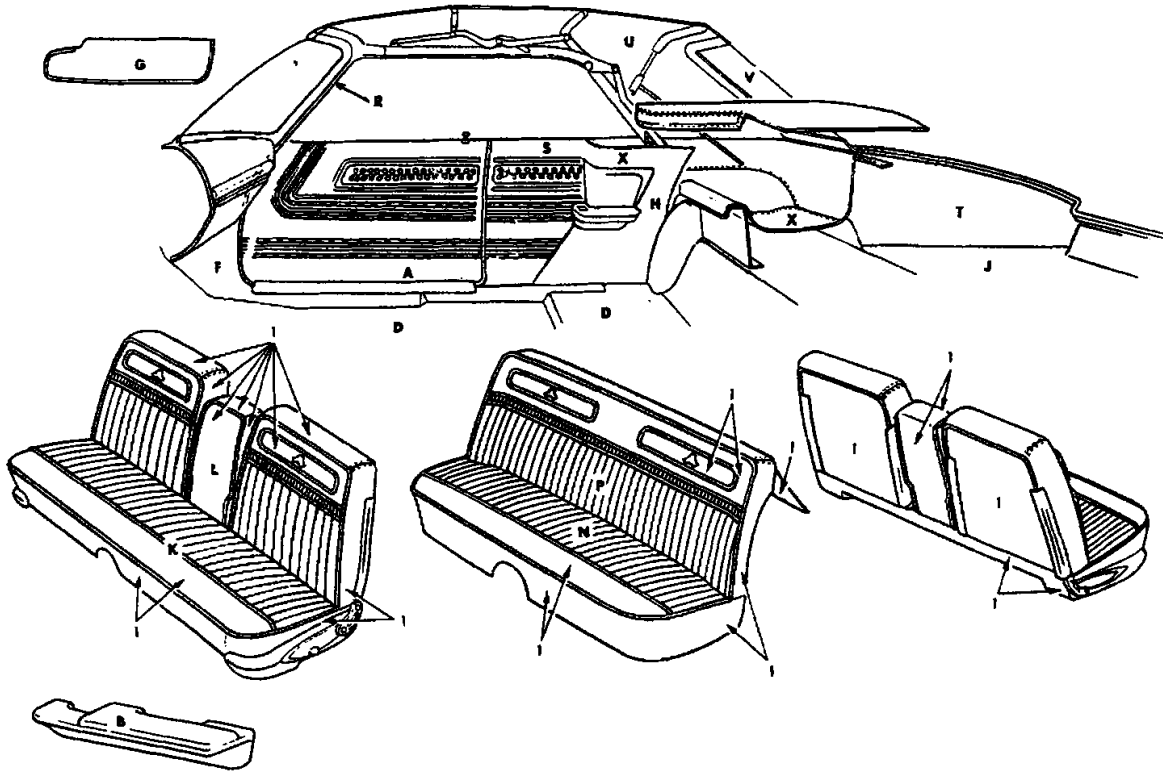
ITEM	TYPE OF MATERIAL	PART TYPE CODE	MATERIAL WIDTH	PART NUMBERS AND COLORS					
				BLUE	TUR- QUOISE	RED	TAN	GOLD	
1	Vinyl 28 oz.	23-114-15	50"	*0441VB6	*0441VQ6	*0441VR6	*0441VT6	0441VY5	

Distribution Drawing Legend Page Appears Following Illustration Section

1964 DODGE VDI AND 2-H, 2 DOOR HARDTOP
VINYL TRIM
CODES H4B, H4Q, H4R, H4T, H4Y

★ Indicates use as required.
 ☐ Indicates parts not listed in any previous parts book.
 * Indicates change or addition.

Printed in U.S.A.
 Prices and specifications subject to change without notice.
 March 15, 1965 Supersedes May 22, 1964.



19T0105

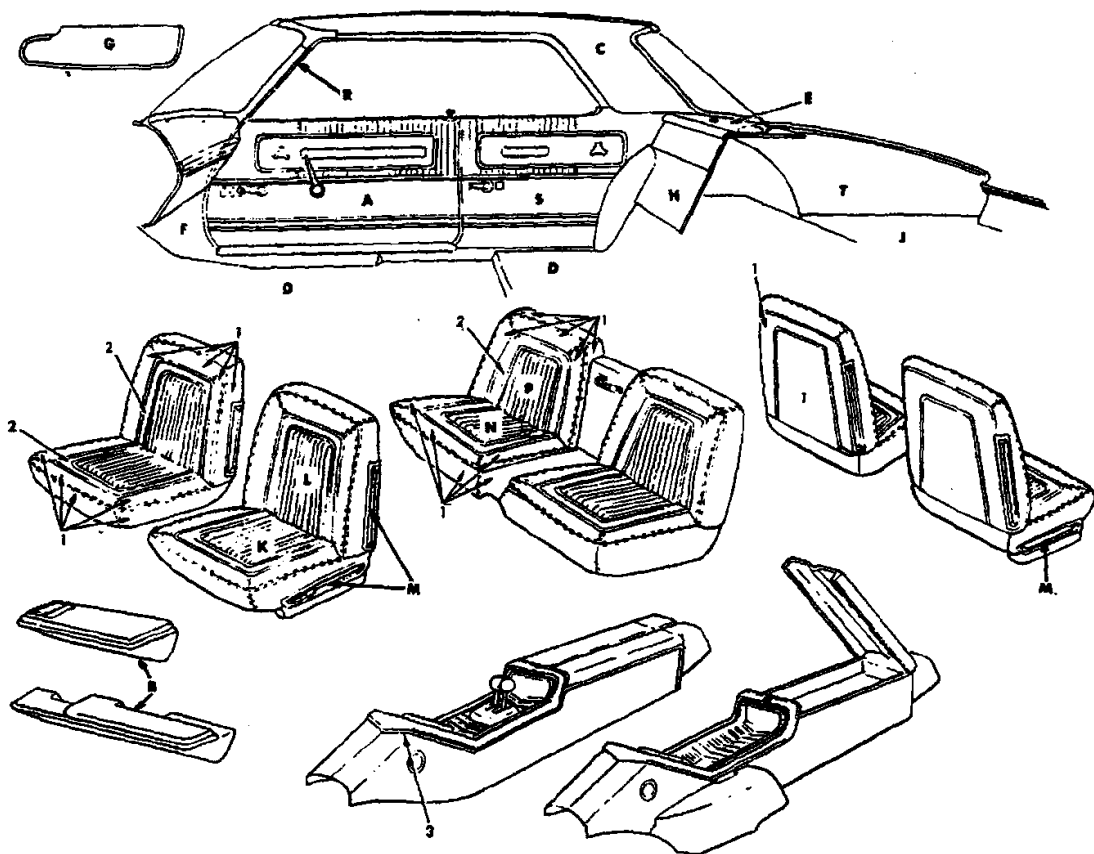
ITEM	TYPE OF MATERIAL	PART TYPE CODE	MATERIAL WIDTH	PART NUMBERS AND COLORS								
				BLUE	TUR- QUOISE	RED	TAN	GOLD				
1	Vinyl 28 oz.	23-114-15	50"	*0441VB6	0441VQ6	0441VR6	0441VT6	0441VY5				

Distribution Drawing Legend Page Appears Following Illustration Section

1964 DODGE D2-H. CONVERTIBLE
VINYL TRIM
CODES H4B, H4Q, H4R, H4T, H4Y, H4X

* Indicates use as required.

☐ Indicates parts not listed in any previous parts book.
March 15, 1965 Supersedes May 22, 1964.

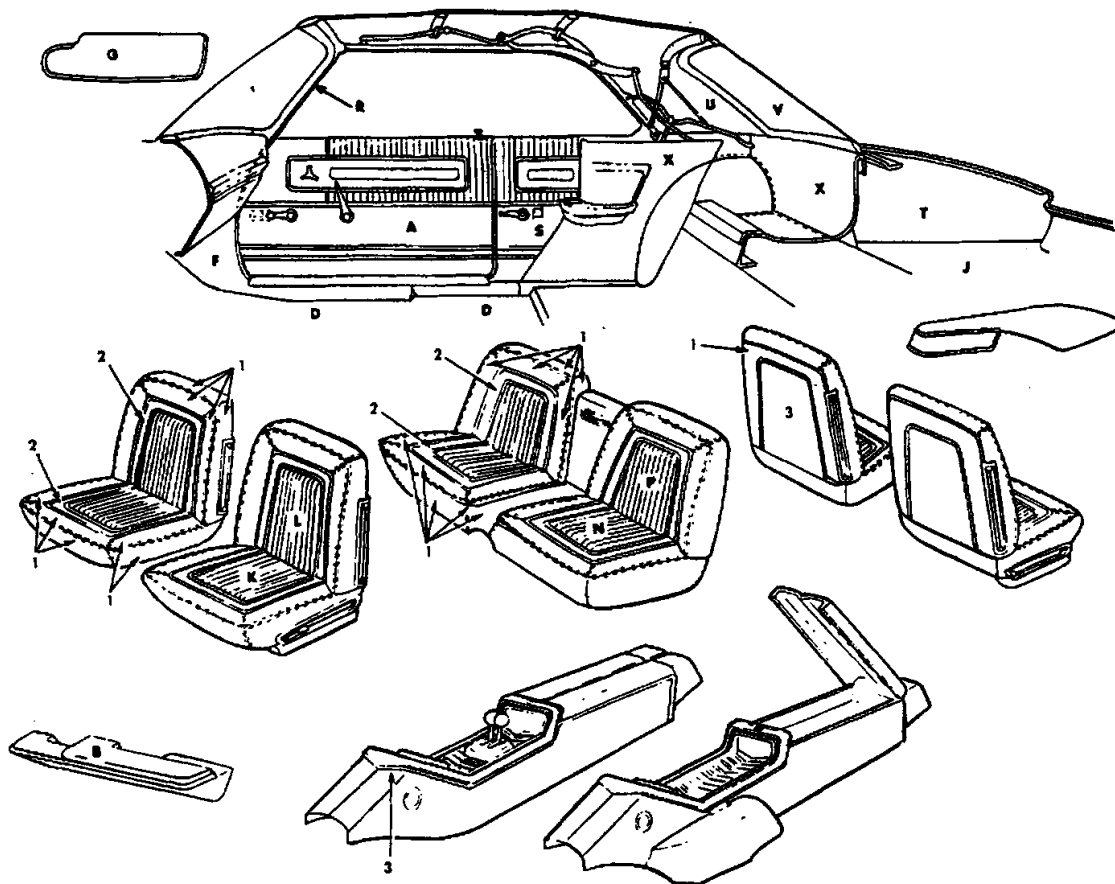


19T0106

ITEM	TYPE OF MATERIAL	PART TYPE CODE	MATERIAL WIDTH	PART NUMBERS AND COLORS							
				BLUE	TUR-QUOISE	RED	TAN	GOLD			
1	Vinyl 28 oz.	23-114-15	50"	*0441VB6	*0441VQ6	*0441VR6	*0441VT6	0441VY5			
2	Vinyl 28 oz.	23-114-15	50"	0400VB1	0400VQ1	0400VR3	0400VT3	0400VW3			

Distribution Drawing Legend Page Appears Following Illustration Section

1964 DODGE VD2-P 2 DOOR HARDTOP
VINYL TRIM
CODES P4B, P4Q, P4R, P4T, P4Y, P4X



19T0107

PART NUMBERS AND COLORS

ITEM	TYPE OF MATERIAL	PART TYPE CODE	MATERIAL WIDTH	PART NUMBERS AND COLORS							
				BLUE	TUR- QUOISE	RED	TAN	GOLD			
1	Vinyl 28 oz.	23-114-15	50"	*0441VB6	*0441VQ6	*0441VR6	*0441VT6	*0441VY5			
2	Vinyl 28 oz.	23-114-15	50"	0400VB1	0400VQ1	*0441VR6	*0441VT6	*0441VY5			
3	Vinyl 28 oz.	23-114-15	50"	0400VB8	0400VQ8	0400VR8	0400VT8				

Distribution Drawing Legend Page Appears Following Illustration Section

1964 DODGE VD2-P CONVERTIBLE
VINYL TRIM
CODES P4B, P4Q, P4R, P4T, P4Y, P4X

★ Indicates use as required.

⊠ Indicates parts not listed in any previous parts book.

March 15, 1965 Supersedes May 22, 1964.

1964 DODGE, DART and 880 V SERIES

Distribution Drawing Legend

See Illustrations For Letter Identification

Letter	Description	Code
A	Panel, Door Trim	23-92-5
B	Base, Arm Rest	23-76-9
	Pad and Plate, Arm Rest, Front Door	23-76-11
	Pad and Plate, Arm Rest, Rear Door	23-76-63
	Pad and Plate, Arm Rest, Quarter Panel	23-76-76
C	Headlining	23-86-3
D	Floor Cover, Front, Carpet	23-79-3
	Rubber	23-20-8
	Rear, Carpet	23-79-33
	Rubber	23-20-41
E	Panel, Shelf Trim	23-102-3
F	Panel, Cowl Trim	23-91-6
G	Visor	23-103-3
H	Panel, Luggage Compartment Front	23-96-3
J	Cover, Luggage Compartment Floor	23-20-29
K	Cover, Front Seat Cushion	23-108-5
L	Cover, Front Seat Back	23-108-16
M	Cover, Front Seat Hinge	23-108-84
N	Cover, Rear Seat Cushion	23-109-36
P	Cover, Rear Seat Back	23-109-4
R	Weathercord, Door	23-113-2
	Quarter Window	23-113-45
	Folding Top Header	23-113-56
S	Panel, Quarter Trim	23-101-3
T	Cover, Wheelhouse	23-96-8
U	Top Deck and Side Quarter	23-112-108
V	Curtain, Folding Top Back	23-112-45
W	Cover, Center Pillar	23-99-4
X	Panel, Folding Top Well Pocket	23-112-153
Y	Cover, Tailgate Inside Panel	23-79-79
Z	Cover, Rear Seat Back Panel	23-109-5

1964 DART - DODGE V SERIES

BODY CODE	COLUMN LEGEND
VL1-L (170)	
711 (21)	2 D. Sedan
713 (41)	4 D. Sedan
756 (45A)	4 D. Station Wagon (2 Seat)
VL1-H (770)	
731 (21)	2 D. Sedan
733 (41)	4 D. Sedan
735 (27)	Convertible
776 (45A)	4 D. Station Wagon (2 Seat)
VL1-P (GT)	
742 (23)	2 D. Hard Top
745 (27)	Convertible
VD1-L	
411 (21)	2 D. Sedan
413 (41)	4 D. Sedan
456 (45A)	4 D. Station Wagon (2 Seat)
457 (45B)	4 D. Station Wagon (3 Seat)
483 (41)	4 D. Sedan (Taxi)
491 (21)	2 D. Sedan (Police)
493 (41)	4 D. Sedan (Police)
496 (45A)	4 D. Station Wagon (Police) (2 Seat)
VD2-L	
611 (21)	2 D. Sedan
613 (41)	4 D. Sedan
656 (45A)	4 D. Station Wagon (2 Seat)
657 (45B)	4 D. Station Wagon (3 Seat)
683 (41)	4 D. Sedan (Taxi)
691 (21)	2 D. Sedan (Police)
693 (41)	4 D. Sedan (Police)
696 (45A)	4 D. Sedan (Police) (2 Seat)
VD1-M (440)	
421 (21)	2 D. Sedan
422 (23)	2 D. Hard Top
423 (41)	4 D. Sedan
VD2-M (440)	
621 (21)	2 D. Sedan
622 (23)	2 D. Hard Top
623 (41)	4 D. Sedan
666 (45A)	4 D. Station Wagon (2 Seat)
667 (45B)	4 D. Station Wagon (3 Seat)

★ Indicates use as required.

☐ Indicates parts not listed in any previous parts book.

May 22, 1964 Supersedes Sept. 6, 1963.

Printed in U.S.A.

Prices and specifications subject to change without notice.

• Indicates change or addition.

BODY CODE COLUMN LEGEND

VD1-H (440)

432 (23) 2 D. Hard Top
433 (41) 4 D. Sedan

POLARA VD2-H

632 (23) 2 D. Hard Top
633 (41) 4 D. Sedan
634 (43) 4 D. Hard Top
635 (27) Convertible

POLARA VD2-P (500)

642 (23) 2 D. Hard Top
645 (27) Convertible

VA3-E (880)

513 (41) 4 D. Sedan
556 (45A) 4 D. Station Wagon (2 Seat)
557 (45B) 4 D. Station Wagon (3 Seat)
593 (41) 4 D. Sedan (Police)
596 (45A) 4 D. Station Wagon (2 Seat)

VA3-L (880)

522 (23) 2 D. Hard Top
523 (41) 4 D. Sedan
524 (43) 4 D. Hard Top
525 (27) Convertible
568 (46A) 4 D. Station Wagon (2 Seat)
569 (46B) 4 D. Station Wagon (3 Seat)

CONVERTIBLE TOP COLOR LEGEND

VD2-H	6 Black	7 White
VD2-P	6 Black	8 Blue

STARTING SERIAL NUMBERS

	Detroit Built	St. Louis Built	Newark Built	Los Angeles Built
VL1-L (Dart 170)	7142-500001	7147-100001	7146-100001	7145-100001
VL1-L (Dart Sub. 170)	7542-500001	7547-100001	7546-100001	7545-100001
VL1-H (Dart 770)	7342-500001	7347-100001	7346-100001	7345-100001
VL1-H (Dart Sub. 770)	7742-500001	7747-100001	7746-100001	7745-100001
VL1-P (G. T.)	7442-500001	7447-100001	7446-100001	7445-100001
VD1-L (Dodge)	4142-100001	4147-100001	4146-100001	4145-100001
VD1-L (Dodge Sub.)	4542-100001	4547-100001	4546-100001	4545-100001
VD1-M (Dodge 330)	4242-100001	4247-100001	4246-100001	4245-100001
VD1-M (Dodge 330 Sub.)	4642-100001	4647-100001	4646-100001	4645-100001
VD1-H (Dodge 440)	4342-100001	4347-100001	4346-100001	4345-100001
VD2-L (Dodge)	6142-100001	6147-100001	6146-100001	6145-100001
VD2-L (Dodge Sub.)	6542-100001	6547-100001	6546-100001	6545-100001
VD2-M (Dodge 330)	6242-100001	6247-100001	6246-100001	6245-100001
VD2-M (Dodge 330 Sub.)	6642-100001	6647-100001	6646-100001	6645-100001
VD2-H (Dodge 440)	6342-100001	6347-100001	6346-100001	6345-100001
VD2-H (Dodge 440 Sub.)	6742-100001	6747-100001	6746-100001	6745-100001
VD2-P (Polara 500)	6442-100001			
VA3-E (Custom 880)	5143-100001			
VA3-L (Custom 880)	5143-100001			

* Indicates use as required.

† Indicates parts not listed in any previous parts book.

* Indicates change or addition.

Printed in U.S.A.

Prices and specifications subject to change without notice.

May 22, 1964 Supersedes Sept. 6, 1963.

1964 PASSENGER CAR PARTS CATALOG

INTERIOR TRIM

TRIM CODE	MODEL	MATERIAL			COLOR	SED.	4D H.T.	STA WGN.	2D H.T.	CV. CP.
		Cloth	Vinyl	Leather						
L1B, L4B	L1-L	★	★	-	Blue	★	-	-	-	-
L1Q	L1-L	★	★	-	Turquoise	★	-	-	-	-
L1R, L4R	L1-L	★	★	-	Red	★	-	-	-	-
L1T, L4T	L1-L	★	★	-	Yellow Tan	★	-	-	-	-
L5B	L1-L	-	●	-	Blue	-	-	★	-	-
L5Q	L1-L	-	★	-	Turquoise	-	-	★	-	-
L5R	L1-L	-	★	-	Red	-	-	★	-	-
L5T	L1-L	-	●	-	Yellow Tan	-	-	★	-	-
H1B, H4B	L1-H	★	★	-	Blue	★	-	-	-	-
H1Q	L1-H	★	★	-	Turquoise	★	-	-	-	-
H1R, H4R	L1-H	●	★	-	Red	★	-	-	-	-
H1T, H4T	L1-H	★	★	-	Yellow Tan	★	-	-	-	-
H4B	L1-H	-	★	-	Blue	-	-	★	-	★
H4Q	L1-H	-	●	-	Turquoise	-	-	★	-	★
H4R	L1-H	-	★	-	Red	-	-	★	-	★
H4T	L1-H	-	●	-	Yellow Tan	-	-	★	-	★
P4B	L1-P	-	●	-	Blue	-	-	-	★	★
P4R	L1-P	-	★	-	Red	-	-	-	★	★
P4T	L1-P	-	★	-	Yellow Tan	-	-	-	★	★
P4Y	L1-P	-	★	-	Gold	-	-	-	★	★
P4X	L1-P	-	★	-	Black	-	-	-	★	★
L1B, K1B	D1-L, D2-L	★	★	-	Blue	★	-	-	-	-
L1Q, K1Q	D1-L, D2-L	★	★	-	Turquoise	★	-	-	-	-
L1R, K1R	D1-L, D2-L	★	★	-	Red	★	-	-	-	-
L1T, K1T	D1-L, D2-L	★	●	-	Yellow Tan	★	-	-	-	-
L4B, K4B	D1-L, D2-L	-	★	-	Blue	-	-	★	-	-
L4Q, K4Q	D1-L, D2-L	-	★	-	Turquoise	-	-	★	-	-
L4R, K4R	D1-L, D2-L	-	★	-	Red	-	-	★	-	-
L4T, K4T	D1-L, D2-L	-	★	-	Yellow Tan	-	-	★	-	-
L5B	D1-L, D2-L	-	★	-	Blue	★	-	-	-	-
L5R	D1-L, D2-L	-	★	-	Red	★	-	-	-	-
L5T	D1-L, D2-L	-	★	-	Yellow Tan	★	-	-	-	-
L2A, K2A, L8A, K8A, T8A	D1-L, D2-L	★	★	-	Gray	★	-	-	-	-
X1P	D2-L	★	★	-	Black and Gray	★	-	-	-	-
M1B, M5B	D1-M, D2-M	★	★	-	Blue	★	-	-	★	-
M1Q	D1-M, D2-M	★	★	-	Turquoise	★	-	-	★	-
M1R, M5R	D1-M, D2-M	●	★	-	Red	★	-	-	★	-
M1T, M5T	D1-M, D2-M	★	★	-	Yellow Tan	★	-	-	★	-
M1Y	D1-M, D2-M	★	★	-	Gold	★	-	-	★	-
M4B	D2-M	-	★	-	Blue	-	-	★	-	-
M4Q	D2-M	-	●	-	Turquoise	-	-	★	-	-
M4R	D2-M	-	★	-	Red	-	-	★	-	-
M4T	D2-M	-	★	-	Yellow Tan	-	-	★	-	-
M4Y	D2-M	-	★	-	Gold	-	-	★	-	-
M8A	D1-M, D2-M	-	★	-	Gray	★	-	-	-	-
H1B	D1-H, D2-H	●	★	-	Blue	★	-	-	-	-
H1Q	D1-H, D2-H	★	★	-	Turquoise	★	-	-	-	-
H1R	D1-H, D2-H	★	★	-	Red	★	-	-	-	-
H1T	D1-H, D2-H	★	★	-	Yellow Tan	★	-	-	-	-
H1Y	D1-H, D2-H	★	★	-	Gold	★	-	-	-	-

● Indicates use as required.

□ Indicates parts not listed in any previous parts book.

May 22, 1964 Supersedes Sept. 6, 1963.

Printed in U.S.A.

Prices and specifications subject to change without notice.

TRIM CODE	MODEL	MATERIAL			COLOR	SED.	4D H.T.	STA. WGN.	2D H.T.	Conv. Cpe.
		Cloth	Viny.	Leather						
H4B	D1-H, D2-H	-	★	-	Blue	★	-	-	★	★
H4Q	D1-H, D2-H	-	★	-	Turquoise	★	★	-	★	★
H4R	D1-H, D2-H	-	★	-	Red	★	★	-	★	★
H4T	D1-H, D2-H	-	★	-	Yellow Tan	★	★	-	★	★
H4Y	D1-H, D2-H	-	★	-	Gold	★	★	-	★	★
P4B	D2-P	-	★	-	Blue	-	-	-	★	★
P4Q	D2-P	-	★	-	Turquoise	-	-	-	★	★
P4R	D2-P	-	★	-	Red	-	-	-	★	★
P4T	D2-P	-	★	-	Yellow Tan	-	-	-	★	★
P4Y	D2-P	-	★	-	Gold	-	-	-	★	★
E1B, K1B	A3-E	★	★	-	Blue	★	-	★	-	-
E1Q, K1Q	A3-E	★	★	-	Turquoise	★	-	★	-	-
E1T, K1T	A3-E	★	★	-	Yellow Tan	★	-	★	-	-
E1Y, K1Y	A3-E	★	★	-	Gold	★	-	★	-	-
K2A, K4A	A3-E	-	★	-	Gray	★	-	-	-	-
L1B	A3-L	-	★	-	Blue	★	-	-	★	-
L1Q	A3-L	-	★	-	Turquoise	★	-	-	★	-
L1R	A3-L	-	★	-	Red	★	-	-	★	-
L1T	A3-L	-	★	-	Yellow Tan	★	-	-	★	-
L1Y	A3-L	-	★	-	Gold	★	-	-	★	-
L4B	A3-L	-	★	-	Blue	-	-	★	-	★
L4Q	A3-L	-	★	-	Turquoise	-	-	★	-	★
L4R	A3-L	-	★	-	Red	-	-	★	-	★
L4T	A3-L	-	★	-	Yellow Tan	-	-	★	-	★
L4Y	A3-L	-	★	-	Gold	-	-	★	-	★
L4X	A3-L	-	★	-	Black	-	★	★	★	★

NOTES

1964 PASSENGER CAR PARTS CATALOG

INTERIOR TRIM

CODE	REMARKS	PER CAR	SED.	4D H.T	STA. WGN.	2D H.T	CV. CP.
------	---------	---------	------	--------	-----------	--------	---------

NOTE: RIGHT HAND AND LEFT HAND PARTS LISTED ON THE SAME LINE. Whenever right and left hand parts are identified by consecutive part numbers, they will be listed as in the following example: PANEL, Door Trim 3400-1VAA
Interpreted, this indicates that Panel, right is Part 3400VAA and Panel, left is Part No. 3401VAA.

23-70-5	COVER, Wheelhouse Second Seat Back Hinge Bracket A3						
	(codes E1B, K1B, L4B)	1	----	----	2028-9 VB6		
	(codes E1Q, K1Q, L1Q)	1	----	----	2028-9 VQ5		
	(code L4R)	1	----	----	2028-9 VR7		
	(codes E1T, K1T, L4T)	1	----	----	2028-9 VT6		
	(codes E1Y, K1Y, L4Y)	1	----	----	2028-9 VY5		
23-70-6	COVER, Second Seat Back Hinge A3-L	6	----	----	2094 882-3		
23-70-7	WASHER, 2nd. Seat Back Hinge Bracket Cover A3L	2	----	----	2490 517		
23-71-1	PANEL or CARPET, Floor Console Side D2-P Right						
	(code P4B)	1	----	----	----	4821 VB8	4821 VB8
	(code P4Q)	1	----	----	----	4821 VQ8	4821 VQ8
	(code P4R)	1	----	----	----	4821 VR6	4821 VR6
	(code P4T)	1	----	----	----	4821 VU8	4821 VU8
	(code P4X)	1	----	----	----	4821 VX8	4821 VX8
	(code P4Y)	1	----	----	----	4821 VY8	4821 VY8
	Left						
	(code P4B)	1	----	----	----	4824 VB8	4824 VB8
	(code P4Q)	1	----	----	----	4824 VQ8	4824 VQ8
	(code P4R)	1	----	----	----	4824 VR6	4824 VR6
	(code P4T)	1	----	----	----	4824 VU8	4824 VU8
	(code P4X)	1	----	----	----	⊠6920 VX8	⊠6920 VX8
	(code P4Y)	1	----	----	----	4824 VY8	4824 VY8
	D2-P Left						
	(side rear)						
	(code P4B)	1	----	----	----	4827 VB8	4827 VB8
	(code P4Q)	1	----	----	----	4827 VQ8	4827 VQ8
	(code P4R)	1	----	----	----	4827 VR6	4827 VR6
	(code P4T)	1	----	----	----	4827 VT8	4827 VT8
(code P4Y)	1	----	----	----	4827 VY8	4827 VY8	
(code P4X)	1	----	----	----	4827 VX8	4827 VX8	
23-71-3	LID, Floor Console Compartment D2-P						
	(code P4B)	1	----	----	4404 VB6	4404 VB6	
	(code P4Q)	1	----	----	4404 VQ6	4404 VQ6	
	(code P4R)	1	----	----	4404 VR6	4404 VR6	
	(code P4T)	1	----	----	4404 VT6	4404 VT6	
	(code P4Y)	1	----	----	4404 VY5	4404 VY5	
	(code P4X)	1	----	----	4404 VX9	4404 VX9	
23-71-7	COVER, Console Floor Pan Filler D2-P						
	(code P4B)	1	----	----	4832 VB8	4832 VB8	
	(code P4Q)	1	----	----	4832 VQ8	4832 VQ8	
	(code P4R)	1	----	----	4832 VR6	4832 VR6	
	(code P4T)	1	----	----	4832 VT8	4832 VT8	
	(code P4Y)	1	----	----	4832 VY8	4832 VY8	
	(code P4X)	1	----	----	4832 VX8	4832 VX8	
	Fastener	18	----	----	⊠6001 560	⊠6001 560	

★ Indicates use as required.

⊠ Indicates parts not listed in any previous parts book
March 15, 1965 Supersedes May 22, 1964.Printed in U.S.A.
Prices and specifications subject to change without notice.Right and left part numbers are on same line,
first number is right, second number is left.

CODE	REMARKS	PER CAR	SED.	4D H.T	STA. WGNL	2D H.T	CV. CP.	
23-76-9	BASE, Front Door Arm Rest							
	L1, L2 (short) (codes L1B, L4B, L5B, H1B, H4B)	1	*1208-9 VB6	----	*1208-9 VB6	----	*1208-9 VB6	
	(codes L1Q, L5Q, H1Q, H4Q)	1	1208-9VQ6	----	1208-9 VQ6	----	1208-9 VQ6	
	(codes L1R, L4R, L5R, H1R, H4R)	1	1208-9 VR6	----	1208-9 VR6	----	1208-9 VR6	
	(codes L1T, L4T, L5T, H1T, H4T)	1	1208-9 VT6	----	1208-9 VT6	----	1208-9 VT6	
L1-P, L2-P (long) (codes P4B, P4R, P4T, P4X, P4Y)	1	----	----	----	----	*1212-3 VZ1	*1212-3 VZ1	
BASE, Rear Quarter Arm Rest	L1, L2 (short) (codes L1B, H1B)	1	*1208-9 VB6					
	(codes L1Q, H1Q)	1	1208-9 VQ6					
	(codes L1R, H1R)	1	1208-9 VR6					
	(codes L1T, H1T)	1	1208-9 VT6					
	(codes P4B, P4R, P4T, P4X, P4Y)	1	----	----	----	1208-9 VZ1		
L1-P, L2-P (medium) (codes P4B, P4R, P4T, P4X, P4Y)	1	----	----	----	----	*1210-1 VZ1	*1210-1 VZ1	
BASE, Rear Quarter Arm Rest	D1, D2 (2 D.) (short) (codes L1B, F1B, K1B, M1B)	1	1208-9 VB6					
	(codes L1Q, F1Q, K1Q, M1Q)	1	1208-9 VQ6					
	(codes L1R, F1R, K1R, M1R)	1	1208-9 VR6					
	(codes L1T, F1T, K1T, M1T)	1	1208-9 VT6					
	(codes L2A, K2A, L8A, K8A, M8A)	1	*1208-9 VX9					
	(code M1Y)	1	1208-9 VY5	----	----	1208-9 VY5		
BASE, Front Door Arm Rest	D1, D2 (long) (codes M1B, M4B, M5B)	1	1212-3 VB6	----	1212-3 VB6	1212-3 VB6		
	(codes M1Q, M4Q)	1	1212-3 VQ6	----	1212-3 VQ6	1212-3 VQ6		
	(codes M1R, M4R, M5R)	1	1212-3 VR6	----	1212-3 VR6	1212-3 VR6		
	(codes M1T, M4T, M5T)	1	1212-3 VT6	----	1212-3 VT6	1212-3 VT6		
	(codes M1Y, M4Y)	1	1212-3 VY5	----	1212-3 VY5	1212-3 VY5		
	(code M8A)	1	1212-3 VX9					
	(codes H1B, H1Q, H1R, H1T, H1Y, H4B, H4Q, H4R, H4T, H4Y, P4B, P4Q, P4R, P4T, P4Y, P4X)	1	*1212-3 VZ1	*1212-3 VZ1	----	----	*1212-3 VZ1	*1212-3 VZ1
	D1, D2 (short) (codes L1B, K1B, L4B, K4B, L5B)	(codes L1Q, K1Q, L4Q, K4Q)	1	1208-9 VB6	----	1208-9 VB6		
		(codes L1R, K1R, L4R, K4R, L5R)	1	1208-9 VQ6	----	1208-9 VQ6		
(codes L1T, K1T, L4T, K4T, L5T)		1	1208-9 VR6	----	1208-9 VR6			
(code X1P)		1	1208-9 VT6	----	1208-9 VT6			
(codes L2A, K2A, L8A, F8A, K8A, T8A, M8A)		1	1208-9 VA9					
(code M8A)		1	1208-9 VX9					
BASE, Rear Door Arm Rest	D1, D2 (short) (codes L1B, K1B, L4B, K4B, L5B, M1B, M4B, M5B)	1	1208-9 VB6	----	1208-9 VB6			

* Indicates use as required.

☐ Indicates parts not listed in any previous parts book.

Right and left part numbers are on same line,

first number is right, second number is left.

Printed in U.S.A.

Prices and specifications subject to change without notice.

May 22, 1964 Supersedes Sept. 6, 1963.

CODE	REMARKS	PER CAR	SED.	4D H.T	STA. WGN.	2D H.T	CV. CP.
23-76-9	BASE, Rear Door Arm Rest - Cont'd						
	D1, D2 (short) (codes L1Q, K1Q, L4Q, K4Q, M1Q, M4Q)	1	1208-9 VQ6	----	1208-9 VQ6		
	(codes L1R, K1R, L4R, K4R, L5R, M1R, M4R, M5R)	1	1208-9 VR6	----	1208-9 VR6		
	(codes L1T, K1T, L4T, K4T, L5T, M1T, M4T, M5T)	1	1208-9 VT6	----	1208-9 VT6		
	(codes L2A, F2A, K2A, L8A, F8A, K8A, T8A, M8A)	1	1208-9 VX9				
	(codes M1Y, M4Y)	1	1208-9 VY5	----	1208-9 VY5		
	(code X1P) RHD.	1	1208-9 VA9				
	BASE, Door Arm Rest						
	D1, D2 (long) (codes H1B, H1Q, H1R, H1T, H1Y, H4B, H4Q, H4R, H4T, H4Y)	1	1212-3 VZ1	1212-3 VZ1			
	BASE, Rear Quarter Arm Rest						
	D1-H, D2-H, D2-P (medium) (codes H4B, H4Q, H4R, H4T, H4X, H4Y, P4B, P4Q, P4R, P4T, P4Y, P4X)	1	----	----	----	1210-1 VZ1	
	BASE, Door Arm Rest						
	A3 (long) (codes K2A, K4A)	1	1212-3 VX9				
	BASE, Rear Quarter Arm Rest						
	A3 (medium) (codes L1B, L1Q, L1R, L1T, L1Y)	1	----	----	----	1210-1 VZ1	
	BASE, Door Arm Rest						
	A3 (long)						
	(code E1B)	1	1212-3 VB6	----	1212-3 VB6		
	(code E1Q)	1	1212-3 VQ6	----	1212-3 VQ6		
	(code E1T)	1	1212-3 VT6	----	1212-3 VT6		
	(code E1Y)	1	1212-3 VY5	----	1212-3 VY5		
	(codes L1B, L1Q, L1R, L1T, L1Y, L4B, L4Q, L4R, L4Y)	1	1212-3 VZ1	1212-3 VZ1	1212-3 VZ1		
	(code K1B)	1	1212-3 VB6	----	1212-3 VB6		
	(code K1Q)	1	1212-3 VQ6	----	1212-3 VQ6		
	(code K1T)	1	1212-3 VT6	----	1212-3 VT6		
	(code K1Y)	1	1212-3 VY5	----	1212-3 VY5		
	(codes K2A, K4A)	1	1212-3 VX9	----			
	Screw (attaching)	4	* 162 090	* 162 090	* 162 090	* 162 090	* 162 090
23-76-11	PAD and PLATE, Front Door Arm Rest (w/o ash receiver)						
	L1, L2 (short) (codes L1B, L4B, L5B, H1B, H4B)	1	1216-7 VB6	----	1216-7 VB6	----	1216-7 VB6
	(codes L1Q, L5Q, H1Q, H4Q)	1	1216-7 VQ6	----	1216-7 VQ6	----	1216-7 VQ6
	(codes L1R, L4R, L5R, H1R, H4R)	1	1216-7 VR6	----	1216-7 VR6	----	1216-7 VR6
	(codes L1T, L4T, L5T, H1T, H4T)	1	1216-7 VT6	----	1216-7 VT6	----	1216-7 VT6
	L1, L2 (medium and long) (w/o ash receiver)						
	(code P4B)	1	----	----	----	1222-3 VB6	1222-3 VB6
	(code P4R)	1	----	----	----	1222-3 VR6	1222-3 VR6
	(code P4T)	1	----	----	----	1222-3 VT6	1222-3 VT6
	(code P4X)	1	----	----	----	1222-3 VX9	1222-3 VX9
	(code P4Y)	1	----	----	----	1222-3 VY5	1222-3 VY5

★ Indicates use as required.

⊞ Indicates parts not listed in any previous parts book.

March 15, 1965 Supersedes May 22, 1964.

Page IT-128

Printed in U.S.A.
Prices and specifications subject to change without notice.Right and left part numbers are on same line,
first number is right, second number is left.

INTERIOR TRIM 1964 PASSENGER CAR PARTS CATALOG

CODE	REMARKS	PER CAR	SED.	4D H.T	STA. WGN.	2D H.T	CV. CP.
23-76-11	PAD and PLATE, Front Door Arm Rest (w/o ash receiver) D1, D2 (medium and long) (codes M1B, M4B, M5B, H1B, H4B, P4B) (codes M1Q, M4Q, H1Q, H4Q, P4Q)	1	1222-3 VB6	1222-3 VB6	1222-3 VB6	1222-3 VB6	1222-3 VB6
		1	1222-3 VQ6	1222-3 VQ6	1222-3 VQ6	1222-3 VQ6	1222-3 VQ6
	(codes M1R, M4R, M5R, H1R, H4R, P4R) (codes M1T, M4T, M5T, H1T, H4T, P4T) (codes M1Y, M4Y, H1Y, H4Y, P4Y) (code M8A) (codes H4X, P4X)	1	1222-3 VR6	1222-3 VR6	1222-3 VR6	1222-3 VR6	1222-3 VR6
		1	1222-3 VT6	1222-3 VT6	1222-3 VT6	1222-3 VT6	1222-3 VT6
		1	1222-3 VY5	1222-3 VY5	1222-3 VY5	1222-3 VY5	1222-3 VY5
		1	1222-3 VA9				
		1	----	----	----	*1222-3 VX9	*1222-3 VX9
	D1, D2 (codes L1B, K1B, L4B, K4B, L5B) (codes L1Q, K1Q, L4Q, K4Q) (codes L1R, K1R, L4R, K4R, L5R) (codes L1T, K1T, L4T, K4T, L5T) (code X1P) RHD.	1	1216-7 VB6	----	1216-7 VB6		
		1	1216-7 VQ6	----	1216-7 VQ6		
		1	1216-7 VR6	----	1216-7 VR6		
		1	1216-7 VT6	----	1216-7 VT6		
		1	1216-7 VA9				
	PAD and PLATE, Front Door Arm Rest (w/o ash receiver) A3 (medium and long) (codes E1B, K1B, L1B, L4B) (codes E1T, K1T, L1T, L4T) (codes E1Y, K1Y, L1Y, L4Y) (codes E1Q, K1Q, L1Q, L4Q) (codes L1R, L4R) (codes K2A, K4A)	1	1222-3 VB6	1222-3 VB6	1222-3 VB6	1222-3 VB6	1222-3 VB6
		1	1222-3 VT6	1222-3 VT6	1222-3 VT6	1222-3 VT6	1222-3 VT6
		1	1222-3 VY5	1222-3 VY5	1222-3 VY5	1222-3 VY5	1222-3 VY5
		1	1222-3 VQ5	1222-3 VQ5	1222-3 VQ5	1222-3 VQ5	1222-3 VQ5
		1	1222-3 VR7	1222-3 VR7	1222-3 VR7	1222-3 VR7	1222-3 VR7
		1	1222-3 VA9				
23-76-16	NUT, Quarter Arm Rest Attaching L1, L2, D1, D2, A3	4	*1280 134	----	----	*1280 134	
23-76-18	ARM REST, Front Back Center D1-H, D2-H (codes H1B, H4B, H5B) (codes H1Q, H4Q, H5Q) (codes H1R, H4R, H5R) (codes H1T, H4T, H5T) (codes H1Y, H4Y, H5Y) (code H4X)	1	E6926 VB6	E6926 VB6	----	E6926 VB6	E6926 VB6
		1	E6926 VQ6	E6926 VQ6	----	E6926 VQ6	E6926 VQ6
		1	E6926 VR6	E6926 VR6	----	E6926 VR6	E6926 VR6
		1	E6926 VT6	E6926 VT6	----	E6926 VT6	E6926 VT6
		1	E6926 VY5	E6926 VY5	----	E6926 VY5	E6926 VY5
		1	----	E6926 VX9	----	E6926 VX9	E6926 VX9
23-76-27	RETAINER, Front Seat Center Arm Rest Frame Hook D1-H, D2-H	1	1918 588	1918 568	----	1918 568	
23-76-28	LOCK BAR, Front Seat Back Center Arm Rest Frame D1, D2	1	2270 102	2270 102	2270 102	2270 102	2270 102

* Indicates use as required.

E Indicates parts not listed in any previous parts book.

Right and left part numbers are on same line,

first number is right, second number is left.

* Indicates change or addition.

Printed in U.S.A.

Prices and specifications subject to change without notice.

May 22, 1964 Supersedes Sept. 6, 1963.

CODE	REMARKS	PER CAR	SED.	4D H.T	STA. WGN.	2D H.T	CV. CP.
23-76-34	COVER, Front Back Center Arm Rest D1-H, D2-H (codes H1B, H4B) (codes H1Q, H4Q) (codes H1R, H4R) (codes H1T, H4T) (codes H1Y, H4Y) (code H4X)	1 1 1 1 1 1	6927 VB6 6927 VQ6 6927 VR6 6927 VT6 6927 VY5 6927 VX9	6927 VB6 6927 VQ6 6927 VR6 6927 VT6 6927 VY5 6927 VX9	---- ---- ---- ---- ---- ----	6927 VB6 6927 VQ6 6927 VR6 6927 VT6 6927 VY5 6927 VX9	6927 VB6 6927 VQ6 6927 VR6 6927 VT6 6927 VY5 6927 VX9
23-76-63	PAD and PLATE, Rear Door Arm Rest (w/ash receiver) L1, L2 (codes L1B, L4B, L5B, H1B, H4B) (codes L1Q, L5Q, H1Q, H4Q) (codes L1R, L4R, L5R, H1R, H4R) (codes L1T, L4T, L5T, H1T, H4T)	1 1 1 1	1214-5 VB6 1214-5 VQ6 1214-5 VR6 1214-5 VT6	---- ---- ---- ----	1214-5 VB6 1214-5 VQ6 1214-5 VR6 1214-5 VT6		
	PAD and PLATE, Rear Door Arm Rest (w/ash receiver) D1, D2 (short) (codes L1B, K1B, L4B, K4B, L5B, M1B, M4B, M5B) (codes L1Q, K1Q, L4Q, K4Q, M1Q, M4Q) (codes L1R, K1R, L4R, K4R, L5R, M1R, M4R, M5R) (codes L1T, K1T, L4T, K4T, L5T, M1T, M4T, M5T) (codes L2A, K2A, L8A, K8A, T8A, M8A) (codes M1Y, M4Y) (code X1P) RHD.	1 1 1 1 1 1 1	1214-5 VB6 1214-5 VQ6 1214-5 VR6 1214-5 VT6 1214-5 VA9 1214-5 VY5 1214-5 VA9	---- ---- ---- ---- ---- ---- ----	1214-5 VB6 1214-5 VQ6 1214-5 VR6 1214-5 VT6 1214-5 VA9 1214-5 VY5		
	PAD and PLATE, Rear Door Arm Rest (w/ash receiver) D1, D2 (medium and long) (codes H1B, H4B) (codes H1Q, H4Q) (codes H1R, H4R) (codes H1T, H4T) (codes H1Y, H4Y) (code H4X)	1 1 1 1 1 1	1224-5 VB6 1224-5 VQ6 1224-5 VR6 1224-5 VT6 1224-5 VY5 1224-5 VX9	1224-5 VB6 1224-5 VQ6 1224-5 VR6 1224-5 VT6 1224-5 VY5 1224-5 VX9			
	PAD and PLATE, Rear Door Arm Rest A3 (codes E1B, L1B, L4B, K1B) (codes E1Q, L1Q, L4Q, K1Q) (codes L1R, L4R) (codes E1T, L1T, L4T, K1T) (codes E1Y, L1Y, L4Y, K1Y) (codes K2A, K4A) (code L4X)	1 1 1 1 1 1 1	1222-3 VB6 1222-3 VQ5 1222-3 VR7 1222-3 VT6 1222-3 VY5 1222-3 VA9 ----	1222-3 VB6 1222-3 VQ5 1222-3 VR7 1222-3 VT6 1222-3 VY5 1222-3 VY5 *1222-3 VX9	1222-3 VB6 1222-3 VQ5 1222-3 VR7 1222-3 VT6 1222-3 VY5	1222-3 VB6 1222-3 VQ5 1222-3 VR7 1222-3 VT6 1222-3 VY5	

★ Indicates use as required.

☐ Indicates parts not listed in any previous parts book.
March 15, 1965 Supersedes May 22, 1964.Printed in U.S.A.
Prices and specifications subject to change without notice.
Right and left part numbers are on same line,
first number is right, second number is left.

* Indicates change or addition.

CODE	REMARKS	PER CAR	SED.	4D H.T	STA. WGN.	2D H.T	CV. CP.
23-76-66	ARM REST, Rear Quarter						
	A3-L						
	(codes L4B, M4B)	1	----	----	----	----	4928-9 VB6
	(code L4Q)	1	----	----	----	----	4928-9 VQ5
23-76-76	PAD and PLATE, Quarter Arm Rest (w/ash receiver)						
	L1, L2 (short)						
	(codes L1B, H1B, P4B)	1	1214-5 VB6	----	----	1214-5 VB6	
	(codes L1Q, H1Q)	1	1214-5 VQ6	----	----		
23-76-76	(codes L1R, H1R, P4R)	1	1214-5 VR6	----	----	1214-5 VR6	
	(codes L1T, H1T, P4T)	1	1214-5 VT6	----	----	1214-5 VT6	
	(code P4X)	1	----	----	----	1214-5 VX9	
	(code P4Y)	1	----	----	----	1214-5 VY5	
23-76-76	D1, D2						
	(codes L1B, K1B, M1B)	1	1214-5 VB6	----	----	1214-5 VB6	
	(codes L1Q, K1Q, M1Q)	1	1214-5 VQ6	----	----	1214-5 VQ6	
	(codes L1R, K1R, M1R)	1	1214-5 VR6	----	----	1214-5 VR6	
23-76-76	(codes L1T, K1T, M1T)	1	1214-5 VT6	----	----	1214-5 VT6	
	(code M1Y)	1	1214-5 VU6	----	----	1214-5 VU6	
	(codes L2A, K2A, L8A, K8A, M8A)	1	1214-5 VA9	----	----		
	PAD and PLATE, Rear Quarter Arm Rest (w/ash receiver)						
23-76-76	D1, D2 (medium and long)						
	(codes H4B, P4B)	1	----	----	----	1224-5 VB6	
	(codes H4Q, P4Q)	1	----	----	----	1224-5 VQ6	
	(codes H4R, P4R)	1	----	----	----	1224-5 VR6	
23-76-76	(codes H4T, P4T)	1	----	----	----	1224-5 VT6	
	(codes H4Y, P4Y)	1	----	----	----	1224-5 VY5	
	(codes H4X, P4X)	1	----	----	----	1224-5 VX9	
	A3-L						
23-76-76	(code L1B)	1	----	----	----	*1222-3 VB6	
	(code L1Q)	1	----	----	----	*1222-3 VQ5	
	(code L1R)	1	----	----	----	*1222-3 VR7	
	(code L1T)	1	----	----	----	*1222-3 VT6	
	(code L1Y)	1	----	----	----	*1222-3 VY5	
	(code L4X)	1	----	----	----	*1222-3 VX9	
23-77-3	STRAP, Assist						
	D1-L, D2-L (4 D.)						
	(code T8A)	2	4312 VX9				
23-77-3	Screw	2	6024 134				
	Eyelet	2	*6000 272				
	23-77-17	SPACER, Center Pillar Assist Strap to Garnish Mldg. D1, D2 (4 D.)	2	2292 201			
23-79-3	CARPET, Front Floor						
	L1-L, L1-H, L2-L, L2-H						
	(codes L1B, L4B, L5B, H1B, H4B) (blue)	1	1716 VB8	----	1716 VB8	----	1716 VB8
	(codes H1Q, H4Q) (turquoise)	1	1716 VQ8	----	1716 VQ8	----	1716 VQ8
	(codes L1R, L4R, L5R, H1R, H4R) (red)	1	1716 VR8	----	1716 VR8	----	1716 VR8
(codes L1T, L4T, L5T, H1T, H4T) (tan)	1	1716 VT8	----	1716 VT8	----	1716 VT8	

★ Indicates use as required.

☐ Indicates parts not listed in any previous parts book. Right and left part numbers are on same line, first number is right, second number is left.

* Indicates change or addition.

Printed in U.S.A.

Prices and specifications subject to change without notice.

CODE	REMARKS	PER CAR	SED.	4D H.T	STA. WGN.	2D H.T	CV. CP.
23-79-3	CARPET, Front Floor - Cont'd						
	L1-P, L2-P						
	(code P4B) (blue)	1	----	----	----	1715 VB8	1715 VB8
	(code P4R) (red)	1	----	----	----	1715 VR8	1715 VR8
	(code P4T) (tan)	1	----	----	----	1715 VT8	1715 VT8
	(code P4X) (black)	1	----	----	----	1715 VX8	1715 VX8
	(code P4Y) (gold)	1	----	----	----	1715 VY8	1715 VY8
	(floor mounted shift)						
	(code P4B) (blue)	1	----	----	----	1740 VB8	1740 VB8
	(code P4R) (red)	1	----	----	----	1740 VR8	1740 VR8
	(code P4T) (tan)	1	----	----	----	1740 VT8	1740 VT8
	(code P4X) (black)	1	----	----	----	1740 VX8	1740 VX8
	(code P4Y) (gold)	1	----	----	----	1740 VY8	1740 VY8
	L1-H, L2-H						
	(floor mounted shift)						
	(codes L1B, L4B, H1B, H4B, L5B) (blue)	1	1736 VB8	----	1736 VB8	----	1736 VB8
	(codes L1Q, L5Q, H1Q, H4Q) (turquoise)	1	1736 VQ8	----	1736 VQ8	----	1736 VQ8
	(codes L1R, L4R, L5R, H1R, H4R) (red)	1	1736 VR8	----	1736 VR8	----	1736 VR8
	(codes L1T, L4T, L5T, H1T, H4T) (tan)	1	1736 VT8	----	1736 VT8	----	1736 VT8
	D1, D2						
	(codes M1B, M4B, M5B, H1B, H4B)	1	1730 VB8	1730 VB8	1730 VB8	1730 VB8	1730 VB8
	(codes M1Q, M4Q, H1Q, H4Q)	1	1730 VQ8	1730 VQ8	1730 VQ8	1730 VQ8	1730 VQ8
	(codes M1R, M4R, M5R, H1R, H4R)	1	1730 VR6	1730 VR6	1730 VR6	1730 VR6	1730 VR6
	(codes M1T, M4T, M5T, H1T, H4T)	1	1730 VT8	1730 VT8	1730 VT8	1730 VT8	1730 VT8
	(codes M1Y, M4Y, H1Y, H4Y)	1	1730 VY8	1730 VY8	1730 VY8	1730 VY8	1730 VY8
	(code H4X)	1	----	----	----	1730 VX8	1730 VX8
	D1, D2						
	(floor mounted shift)						
	(codes L1B, L4B, L5B, M1B, M4B, M5B, H1B, H4B)	1	1734 VB8	1734 VB8	1734 VB8	1734 VB8	1734 VB8
	(codes L1Q, L4Q, M1Q, M4Q, H1Q, H4Q)	1	1734 VQ8	1734 VQ8	1734 VQ8	1734 VQ8	1734 VQ8
	(codes L1R, L4R, L5R, M1R, M4R, M5R, H1R, H4R)	1	1734 VR6	1734 VR6	1734 VR6	1734 VR6	1734 VR6
	(codes L1T, L4T, L5T, M1T, M4T, M5T, H1T, H4T)	1	1734 VT8	1734 VT8	1734 VT8	1734 VT8	1734 VT8
	(codes M1Y, M4Y, H1Y, H4Y)	1	1734 VY8	1734 VY8	1734 VY8	1734 VY8	1734 VY8
	(codes L2A, L8A, M8A)	1	1734 VX8				
	D2-P (bucket seat w/console)						
	(code P4B)	1	----	----	----	1748 VB8	1748 VB8
	(code P4Q)	1	----	----	----	1748 VQ8	1748 VQ8
	(code P4R)	1	----	----	----	1748 VR6	1748 VR6
	(code P4T)	1	----	----	----	1748 VT8	1748 VT8
	(code P4Y)	1	----	----	----	1748 VY8	1748 VY8
	(code P4X)	1	----	----	----	1748 VX8	1748 VX8
	D2-P (bucket seat w/console with 3 and 4 speed floor shift trans.)						
	(code P4B)	1	----	----	----	1749 VB8	1749 VB8
	(code P4Q)	1	----	----	----	1749 VQ8	1749 VQ8
	(code P4R)	1	----	----	----	1749 VR6	1749 VR6
	(code P4T)	1	----	----	----	1749 VT8	1749 VT8
	(code P4Y)	1	----	----	----	1749 VY8	1749 VY8
	(code P4X)	1	----	----	----	1749 VX8	1749 VX8

★ Indicates use as required.

☐ Indicates parts not listed in any previous parts book.

March 15, 1965 Supersedes May 22, 1964.

Printed in U.S.A.
 Prices and specifications subject to change without notice.
 Right and left part numbers are on same line,
 first number is right, second number is left.

* Indicates change or addition.

CODE	REMARKS	PER CAR	SED.	4D H.T	STA. WGN.	2D H.T.	CV. CP.
23-79-3	CARPET, Front Floor - Cont'd						
	A3 (3 speed)						
	(use with std. transmission)						
	(codes E1B, L1B, L4B)	1	1737 VB8	1737 VB8	1737 VB8	1737 VB8	1737 VB8
	(codes E1Q, L1Q, L4Q)	1	1737 VQ8	1737 VQ8	1737 VQ8	1737 VQ8	1737 VQ8
	(codes L1R, L4R)	1	1737 VR7	1737 VR7	1737 VR7	1737 VR7	1737 VR7
	(codes E1T, L1T, L4T)	1	1737 VT8	1737 VT8	1737 VT8	1737 VT8	1737 VT8
(codes E1Y, L1Y, L4Y)	1	1737 VY8	1737 VY8	1737 VY8	1737 VY8	1737 VY8	
(code L4X)	1	----	*1737 VX8	----	----	*1737 VX8	*1737 VX8
A3 (4 speed)	(use with std. transmission)						
	(codes E1B, L1B, L4B)	1	1738 VB8	1738 VB8	1738 VB8	1738 VB8	1738 VB8
	(codes L1R, L4R)	1	1738 VR7	1738 VR7	----	1738 VR7	1738 VR7
	(codes E1T, L1T, L4T)	1	1738 VT8	1738 VT8	1738 VT8	1738 VT8	1738 VT8
	(codes E1Q, L1Q, L4Q)	1	1738 VQ8	1738 VQ8	1738 VQ8	1738 VQ8	1738 VQ8
	(codes E1Y, L1Y, L4Y)	1	1738 VY8	1738 VY8	1738 VY8	1738 VY8	1738 VY8
	(code L4X)	1	----	*1738 VX8	----	----	*1738 VX8
A3 (4 speed)	(floor mounted shift)						
	(codes E1B, L1B, L4B)	1	1738 VB8	1738 VB8	1738 VB8	1738 VB8	1738 VB8
	(codes E1Q, L1Q, L4Q)	1	1738 VQ8	1738 VQ8	1738 VQ8	1738 VQ8	1738 VQ8
	(codes L1R, L4R)	1	1738 VR7	1738 VR7	1738 VR7	1738 VR7	1738 VR7
	(codes E1T, L1T, L4T)	1	1738 VT8	1738 VT8	1738 VT8	1738 VT8	1738 VT8
	(codes E1Y, L1Y, L4Y)	1	1738 VY8	1738 VY8	1738 VY8	1738 VY8	1738 VY8
	(code L4X)	1	----	*1738 VX8	----	----	*1738 VX8
A3	(use with auto. transmission)						
	(codes E1B, L1B, L4B)	1	1732 VB8	1732 VB8	1732 VB8	1732 VB8	1732 VB8
	(codes E1Q, L1Q, L4Q)	1	1732 VQ8	1732 VQ8	1732 VQ8	1732 VQ8	1732 VQ8
	(codes L1R, L4R)	1	1732 VR7	1732 VR7	1732 VR7	1732 VR7	1732 VR7
	(codes E1T, L1T, L4T)	1	1732 VT8	1732 VT8	1732 VT8	1732 VT8	1732 VT8
	(codes E1Y, L1Y, L4Y)	1	1732 VY8	1732 VY8	1732 VY8	1732 VY8	1732 VY8
	(code L4X)	1	----	*1732 VX8	----	----	*1732 VX8
23-79-4	SCUFF PLATE, Front Floor Carpet Accelerator Pedal L1	1	2499 135	2499 135	2499 135	2499 135	2499 135
23-79-5	WASHER, Front Floor Carpet Scuff Plate Retaining L1, L2 (4 speed trans. floor shift)	10	*2572 486	*2572 486	*2572 486	*2572 486	*2572 486
23-79-33	CARPET, Rear Floor						
	L1-L, L1-H, L2-L, L2-H						
	(blue)						
	(codes L1B, L4B, H1B, H4B)	1	1707 VB8				
	(codes L1Q, H1Q) (turquoise)	1	1707 VQ8				
	(codes L1R, L4R, H1R, H4R)	1	1707 VR8				
	(red)						
	(codes L1T, L4T, H1T, H4T)	1	1707 VT8				
	(tan)						
	(codes L5B, H4B) (blue)	1	1709 VB8	----	1709 VB8		
	(codes L5Q, H4Q) (turquoise)	1	1709 VQ8	----	1709 VQ8		
	(codes L5R, H4R) (red)	1	1709 VR8	----	1709 VR8		
	(codes L5T, H4T) (tan)	1	1709 VT8	----	1709 VT8		
L1-H, L2-H							
(code H4B)	1	----	----	----	----	1708 VB8	
(code H4Q)	1	----	----	----	----	1708 VQ8	
(code H4R)	1	----	----	----	----	1708 VR8	
(code H4T)	1	----	----	----	----	1708 VT8	

★ Indicates use as required.
 □ Indicates parts not listed in any previous parts book.
 Right and left part numbers are on same line,
 first number is right, second number is left.
 * Indicates change or addition.

1964 PASSENGER CAR PARTS CATALOG

INTERIOR TRIM

CODE	REMARKS	PER CAR	SED.	4D H.T	STA. WGN.	2D H.T.	CV. CP.
23-79-33	CARPET, Rear Floor - Cont'd						
	L1-P, L2-P						
	(code P4B) (blue)	1	----	----	----	1713 VB8	1714 VB8
	(code P4R) (red)	1	----	----	----	1713 VR8	1714 VR8
	(code P4T) (tan)	1	----	----	----	1713 VT8	1714 VT8
	(code P4X) (black)	1	----	----	----	1713 VX8	1714 VX8
	(code P4Y) (gold)	1	----	----	----	1713 VY8	1714 VY8
	D1, D2						
	(codes L1B, L4B, L5B, M1B, M4B, H1B, H4B)	1	1718 VB8	1718 VB8	1703 VB8	1733 VB8	1717 VB8
	(codes L1Q, L4Q, L5Q, M1Q, M4Q, H1Q, H4Q)	1	1718 VQ8	1718 VQ8	1703 VQ8	1733 VQ8	1717 VQ8
	(codes L1R, L4R, L5R, M1R, M4R, H1R, H4R)	1	1718 VR8	1718 VR8	1703 VR8	1733 VR8	1717 VR8
	(codes L1T, L4T, L5T, M1T, M4T, H1T, H4T)	1	1718 VT8	1718 VT8	1703 VT8	1733 VT8	1717 VT8
	(codes H1Y, H4Y, M4Y, M1Y)	1	1718 VY8	1718 VY8	1703 VY8	1733 VY8	1717 VY8
	(codes L2A, L8A, M8A)	1	1718 VX8	----	----	----	----
	(code H4X)	1	----	----	----	1733 VX8	1717 VX8
	(rear floor pan insert)						
	D1, D2						
	(codes L4B, K4B, M4B)	1	----	----	1801 VB8		
	(codes L4Q, K4Q, M4Q)	1	----	----	1801 VQ8		
	(codes L4T, K4T, M4T)	1	----	----	1801 VT8		
	(code M4Y)	1	----	----	1801 VY8		
	(rear floor pan cover panel insert)						
	D1, D2						
	(codes L4B, K4B, M4B)	1	----	----	1802 VB8		
	(codes L4Q, K4Q, M4Q)	1	----	----	1802 VQ8		
	(codes L4T, K4T, M4T)	1	----	----	1802 VT8		
	(code M4Y)	1	----	----	1802 VY8		
	(center floor pan cover panel insert)						
	D1, D2						
	(codes L4B, K4B, M4B)	1	----	----	1800 VB8		
	(codes L4Q, K4Q, M4Q)	1	----	----	1800 VQ8		
	(codes L4T, K4T, M4T)	1	----	----	1800 VT8		
	(code M4Y)	1	----	----	1800 VY8		
	(floor pan axle kick-up front trim panel)						
	D1, D2, (paint as required)	1	----	----	E2292 901		
	A3 (rear floor pan cover) (vinoleum)						
	(codes E1B, K1B, L4B)	1	----	----	*1819 VB8		
	(codes E1Q, K1Q, L4Q)	1	----	----	E1819 VQ8		
	(code L4R)	1	----	----	*1819 VR7		
	(codes E1T, K1T, L4T)	1	----	----	*1819 VT8		
	(codes E1Y, K1Y, L4Y)	1	----	----	E1819 VY8		
	D2-H						
	(code H4B)	1	----	----	----	----	1717 VB8
	(code H4Q)	1	----	----	----	----	1717 VQ8
	(code H4R)	1	----	----	----	----	1717 VR8
	(code H4T)	1	----	----	----	----	1717 VT8
	(code H4X)	1	----	----	----	----	1717 VX8
	(code H4Y)	1	----	----	----	----	1717 VY8
	D2-P (bucket seat, w/console)						
	(code P4B)	1	----	----	----	1746 VB8	1747 VB8
	(code P4Q)	1	----	----	----	1746 VQ8	1747 VQ8
	(code P4R)	1	----	----	----	1746 VR8	1747 VR8

* Indicates use as required.

E Indicates parts not listed in any previous parts book.

March 15, 1965 Supersedes May 22, 1964.

Page IT-134

Prices and specifications subject to change without notice.

Right and left part numbers are on same line, first number is right, second number is left.

* Indicates change or addition.

Printed in U.S.A.

CODE	REMARKS	PER CAR	SED.	4D H.T	STA WGN.	2D H.T	CV. CP.
23-79-33	CARPET, Rear Floor - Cont'd (D2-P (bucket seat, w/console) (code P4T)	1	----	----	----	1746 VT8	1747 VT8
	(code P4Y)	1	----	----	----	1746 VY8	1747 VY8
	(code P4X)	1	----	----	----	1746 VX8	1747 VX8
A3	(codes E1B, L1B, L4B)	1	1726 VB8	1726 VB8	1701 VB8	1724 VB8	1724 VB8
	(codes E1Q, L1Q, L4Q)	1	1726 VQ8	1726 VQ8	1701 VQ8	1724 VQ8	1724 VQ8
	(codes L1R, L4R)	1	1726 VR7	1726 VR7	1701 VR7	1724 VR7	1724 VR7
	(codes E1T, L1T, L4T)	1	1726 VT8	1726 VT8	1701 VT8	1724 VT8	1724 VT8
	(codes E1Y, L1Y, L4Y)	1	1726 VY8	1726 VY8	1701 VY8	1724 VY8	1724 VY8
	(code L4X)	1	----	*1726 VX8	----	*1724 VX8	*1724 VX8
COVER, Back of Second Seat Floor Pan (vinoleum) A3	(codes E1B, L4B)	1	----	----	4994 VB8		
	(code L4R)	1	----	----	4994 VR7		
	(codes E1T, L4T)	1	----	----	4994 VT8		
23-79-62	INSERT, 2nd Seat Cushion Panel A3						
	(codes E1B, K1B, L4B, K4B)	*	----	----	1814 VB8		
	(codes L4Q, K4Q, M4Q)	1	----	----	1814 VQ8		
	(codes L4R, K4R)	*	----	----	1814 VR7		
	(codes E1T, K1T, L4T, K4T)	*	----	----	1814 VT8		
(code M4Y)	1	----	----	1814 VY8			
23-79-79	INSERT, Tailgate Panel Cover D1, D2 (tailgate access hole cover)						
	(codes L4B, K4B, M4B)	1	----	----	1803 VB8		
	(codes L4Q, K4Q, M4Q)	1	----	----	1803 VQ8		
	(codes L4R, K4R, M4R)	1	----	----	1803 TR6		
	(codes L4T, K4T, M4T)	1	----	----	1803 VT8		
	(code M4Y)	1	----	----	1803 VY8		
	A3 (tailgate cover)						
	(codes E1B, K1B, L4B)	1	----	----	1820 VB8		
	(codes E1Q, K1Q, L4Q)	1	----	----	1820 VQ8		
	(code L4R)	1	----	----	1820 VR7		
(codes E1T, K1T, L4T)	1	----	----	1820 VT8			
(codes E1Y, K1Y, L4Y)	1	----	----	1820 VY8			
23-81-3	HANDLE, Rear Door Pull-To D1, D2	1	1697 413				
23-82-30	HOOK, Coat Hanger L1, L2, D1, D2, A3	2	2165 837	2165 837	2165 837	2165 837	2165 837
23-82-39	BRACKET, Coat Hook Support L1, L2, D1, D2	2	2481 175	2481 175	2481 175	2482 876	
	A3	2	1964 072				
23-84-3	PAD, Instrument Panel Trim L1-L, L2-L						
	(codes L1B, L4B, L5B, H1B, H4B, P4B)	1	4239 VB6	----	4239 VB6	4239 VB6	4239 VB6
	(codes L1Q, L5Q, H1Q, H4Q)	1	4239 VQ6	----	4239 VQ6	----	4239 VQ6
	(codes L1R, L4R, L5R, H1R, H4R, P4R)	1	4239 VR6	----	4239 VR6	4239 VR6	4239 VR6
	(codes L1T, L4T, L5T, H1T, H4T, P4T)	1	4239 VT6	----	4239 VT6	4239 VT6	4239 VT6
	(code P4X)	1	----	----	----	4239 VX8	4239 VX8
	(code P4Y)	1	----	----	----	4239 VY5	4239 VY5

* Indicates use as required.
 □ Indicates parts not listed in any previous parts book.
 Right and left part numbers are on same line,
 first number is right, second number is left.
 • Indicates change or addition.

CODE	REMARKS	PER CAR	SED.	4D H.T.	STA. WGN.	2D H.T.	CV. CP.
23-84-3	PAD, Instrument Panel Trim - Cont'd						
	D1, D2 (blue) LHD	1	4219 VB8	4219 VB8	4219 VB8	4219 VB8	4219 VB8
	(turquoise)	1	4219 VQ8	4219 VQ8	4219 VQ8	4219 VQ8	4219 VQ8
	(red)	1	4219 VR9	4219 VR9	4219 VR9	4219 VR9	4219 VR9
	(tan)	1	4219 VT8	4219 VT8	4219 VT8	4219 VT8	4219 VT8
	(gold)	1	4219 VY8	4219 VY8	4219 VY8	4219 VY8	4219 VY8
	(black)	1	4219 VX8	4219 VX8	----	4219 VX8	4219 VX8
	D1, D2 (4 D.) RHD						
	(codes L1B, K1B, L5B, M1B, M5B, H1B, H4B)	1	4246 VB8	4246 VB8			
	(blue)	1	4246 VQ8	4246 VQ8			
	(codes L1Q, K1Q, M1Q, H1Q, H4Q) (turquoise)	1	4246 VR9	4246 VR9			
	(codes L1R, K1R, L5R, M1R, M5R, H1R, H4R)	1	4246 VT8	4246 VT8			
	(red)	1	4246 VY8	4246 VY8			
	(codes L1T, K1T, L5T, M1T, M5T, H1T, H4T)	1	4246 VX8	4246 VX8			
	(tan)	1					
	A3						
	(codes E1B, K1B, L1B, L4B)	1	4236 VB8	4236 VB8	4236 VB8	4236 VB8	4236 VB8
	(blue)	1	4236 VQ8	4236 VQ8	4236 VQ8	4236 VQ8	4236 VQ8
	(codes E1Q, K1Q, L1Q, L4Q)	1	4236 VR7	4236 VR7	4236 VR7	4236 VR7	4236 VR7
	(turquoise)	1	4236 VT8	4236 VT8	4236 VT8	4236 VT8	4236 VT8
	(codes E1T, K1T, L1T, L4T)	1	4236 VX8	4236 VX8	----	4236 VX8	4236 VX8
	(tan)	1	4236 VY8	4236 VY8	4236 VY8	4236 VY8	4236 VY8
	(codes L1R, L4R)	1	6008 200	6008 200	6008 200	6008 200	6008 200
	(red)	1					
	(codes K2A, K4A, L4X)	1					
	(black)	1					
	(codes E1Y, K1Y, L1Y, L4Y)	1					
	(gold)	1					
	Clip (attaching)	6					
23-84-11	CLIP, Instrument Panel Trim Pad						
	D1, D2	8	2571 275	2571 275	2571 275	2571 275	2571 275
23-86-2	COVER, Roof Outside						
	D1, D2 (white)	1	----	----	----	6109 VW1	
	(black)	1	----	----	----	6109 VX8	
23-86-3	HEADLINING and LISTING						
	L1, L2						
	(codes L1B, L4B, H1B, H4B, P4B, L5B)	1	7115 VB2	----	7102 VB2	7115 VB2	
	(codes L1Q, H1Q, L5Q, H4Q)	1	7115 VQ2	----	7102 VQ2		
	(codes L1R, L4R, H1R, H4R, P4R, L5R, P4X)	1	7115 VW2	----	7102 VW2	7115 VW2	
	(codes L1T, L4T, H1T, H4T, P4T, L5T)	1	7115 VT2	----	7102 VT2	7115 VT2	
	(code P4Y)	1	----	----	----	7115 VY2	
	D1, D2						
	(codes L2A, K2A, L8A, K8A, T8A, M8A)	1	7130 VA2				
	(codes L1B, K1B, L5B, M1B, M5B, H1B, H4B)	1	7130 VB2	7130 VB2			
	(codes L1Q, K1Q, M1Q, H1Q, H4Q)	1	7130 VQ2	7130 VQ2			
	(codes L1T, K1T, L5T, M1T, M5T, H1T, H4T)	1	7130 VT2	7130 VT2			

* Indicates use as required.

E Indicates parts not listed in any previous parts book.
March 15, 1965 Supersedes May 22, 1964.Printed in U.S.A.
Prices and specifications subject to change without notice.
Right and left part numbers are on same line,
first number is right, second number is left.
* Indicates change or addition.

CODE	REMARKS	PER CAR	SED.	4D H.T	STA. WGN.	2D H.T	CV. CP.
23-86-3	HEADLINING and LISTING - Cont'd						
	D1, D2 (codes L1R, K1R, L5R, M1R, M5R, H1R, H4R, H4Y, H4X) (codes M1Y, H1Y) (codes L4B, L4Q, L4R, L4T, K4B, K4Q, K4R, K4T, M4B, M4Q, M4R, M4T, M4Y)	1 1	7130 VW2 7130 VY2	7130 VW2			
	(No. 1)	1	-----	-----	1002 VWW		
	(No. 2)	1	-----	-----	1003 VWW		
	(No. 3)	1	-----	-----	1004 VWW		
	(No. 4)	1	-----	-----	1005 VWW		
	(No. 5)	1	-----	-----	1006 VWW		
	(No. 6)	1	-----	-----	1007 VWW		
	(No. 7)	1	-----	-----	1008 VWW		
	D1, D2 (codes M1B, H4B, P4B) (codes M1Q, H4Q, P4Q) (codes M1R, H4R, H4Y, P4R, P4Y, H4X, P4X) (codes M1T, H4T, P4T) (code M1Y)	1 1 1 1 1	----- ----- ----- ----- -----	----- ----- ----- ----- -----	----- ----- ----- ----- -----	7148 VB2 *7146 VQ2 *7148 VW2 *7146 VT2 7146 VY2	
	A3E (codes E1B, K1B)	1 1 1 1 1 1 1	----- ----- ----- ----- ----- ----- -----	----- ----- ----- ----- ----- ----- -----	1010 VBB 1011 VBB 1012 VBB 1001 VBB 1022 VBB *1025 VBB 1026 VBB		
	(codes E1Q, K1Q)	1 1 1 1 1 1 1	----- ----- ----- ----- ----- ----- -----	----- ----- ----- ----- ----- ----- -----	1010 VQQ 1011 VQQ 1012 VQQ 1001 VQQ 1022 VQQ *1025 VQQ 1026 VQQ		
	A3E (codes E1T, K1T)	1 1 1 1 1 1 1	----- ----- ----- ----- ----- ----- -----	----- ----- ----- ----- ----- ----- -----	1010 VTT 1011 VTT 1012 VTT 1001 VTT 1022 VTT *1025 VTT 1026 VTT		
	(codes E1Y, K1Y)	1 1 1 1 1 1 1	----- ----- ----- ----- ----- ----- -----	----- ----- ----- ----- ----- ----- -----	1010 VWW 1011 VWW 1012 VWW 1001 VWW 1022 VWW *1025 VWW 1026 VWW		

* Indicates use as required.

☐ Indicates parts not listed in any previous parts book.
Right and left part numbers are on same line,
first number is right, second number is left.

Printed in U.S.A.
Prices and specifications subject to change without notice.

1964 PASSENGER CAR PARTS CATALOG

CODE	REMARKS	PER CAR	SED.	4D H.T	STA. WGN.	2D H.T	CV. CP.
23-86-3	HEADLINING and LISTING - Cont'd						
	A3-L (code L4B)						
	(No. 1)	1	----	----	1013 VBB		
	(No. 2)	1	----	----	1016 VBB		
	(No. 3)	1	----	----	1018 VBB		
	(No. 4)	1	----	----	1020 VBB		
	(No. 5)	1	----	----	1022 VBB		
	(No. 6)	1	----	----	1025 VBB		
	(No. 7)	1	----	----	1026 VBB		
	(code L4Q)						
	(No. 1)	1	----	----	1013 VQQ		
	(No. 2)	1	----	----	1016 VQQ		
	(No. 3)	1	----	----	1018 VQQ		
	(No. 4)	1	----	----	1020 VQQ		
	(No. 5)	1	----	----	1022 VQQ		
	(No. 6)	1	----	----	1025 VQQ		
	(No. 7)	1	----	----	1026 VQQ		
	(code L4T)						
	(No. 1)	1	----	----	1013 VTT		
	(No. 2)	1	----	----	1016 VTT		
	(No. 3)	1	----	----	1018 VTT		
	(No. 4)	1	----	----	1020 VTT		
	(No. 5)	1	----	----	1022 VTT		
	(No. 6)	1	----	----	1025 VTT		
	(No. 7)	1	----	----	1026 VTT		
	(codes L4R, L4Y)						
	(No. 1)	1	----	----	1013 VWW		
	(No. 2)	1	----	----	1016 VWW		
	(No. 3)	1	----	----	1018 VWW		
	(No. 4)	1	----	----	1020 VWW		
	(No. 5)	1	----	----	1022 VWW		
	(No. 6)	1	----	----	1025 VWW		
	(No. 7)	1	----	----	1026 VWW		
	(codes L1B, L1Q, L1R, L1T, L1Y, L4B, L4Q, L4R, L4T, L4Y, L4X)						
	(No. 1)	1	----	*1062 VW2	----	*1051 VW2	
	(No. 2)	1	----	1063 VW2	----	1052 TW2	
	(No. 3)	1	----	1064 VW2	----	1053 TW2	
	(No. 4)	1	----	1065 VW2	----	1054 TW2	
	(No. 4) (extension)	1	----	1066-7 VW2	----	1056-7 TW2	
	A3						
	(codes E1B, K1B, L1B, L4B)	1	7158 VB2				
	(codes E1Q, K1Q, L1Q, L4Q)	1	7158 VQ2				
	(codes E1T, K1T, L1T, L4T)	1	7158 VT2				
	(codes E1Y, K1Y, L1Y)	1	7158 VY2				
	(codes L1R, L4R, L4Y)	1	7158 VW2				
23-86-8	RETAINER, Roof Outside Cover D1, D2						
	Rear	1	----	----	----	E2573 042-3	
		1	----	----	----	E2573 040-1	
23-86-10	SUPPORT, Roof Bow L1, L2						
	(Nos. 1 and 2)	3	----	----	2243 251		
		2	2242 504	----	----	2242 504	
	D1, D2 (4 D.)						
	(Nos. 2 and 3)	2	*2424 805	*2424 805			

★ Indicates use as required.

⊠ Indicates parts not listed in any previous parts book.

March 15, 1965 Supersedes May 22, 1964

Printed in U.S.A.

Prices and specifications subject to change without notice.

Right and left part numbers are on same line,

first number is right, second number is left.

• Indicates change or addition.

INTERIOR TRIM 1964 PASSENGER CAR PARTS CATALOG

CODE	REMARKS	PER CAR	SED.	4D H.T	STA WGN.	2D H.T	CV. CP.
23-86-14	PAD, Air Conditioning Roof Evaporator Unit Trim A3	1	----	----	2171 580		
23-86-19	STRIP, Headlining Retaining L1, L2 (2 D.)	Front 1 Rear 1	2242 996-7 *2243 348-9	----	----	*2243 868-9 *2244 346-7	
	(4 D.)	Front 1 Rear 1	2242 996-7 2243 224-5	----	2423 636-7 2423 638-9		
	Fastener	* 1	6000 922	----	6000 922	6000 922	
23-86-24	RETAINER, Roof Inside Finish Moulding D1, D2						
	(Nos. 1 and 4)	2	----	----	2499 084		
	(Nos. 2 and 3)	2	----	----	2499 083		
	(No. 5)	1	----	----	2499 084		
	(No. 6)	1	----	----	2499 086		
	A3 (Nos. 1, 2 and 3)	1	----	----	*2499 505		
23-86-35	MOULDING, Roof Inside Finish Panel						
	D1-L, D2-L (No. 1 thru 6) (white)	* 1	----	----	1047 VW2		
	D2-M (No. 1 thru 6) (bright)	* 1	----	----	2440 144		
	D1, D2 (No. 1 thru 4) (bright)	* 1	----	2440 144	----	2440 144	
	A3 (No. 1 thru 6) (bright)	* 1	----	2440 144	2440 144	2440 144	
	MOULDING, Rear Window Headlining Trim D1, D2						
	(blue)	2	3700 VB2	3700 VB2			
	(turquoise)	2	3700 VQ2	3700 VQ2			
	(tan)	2	3700 VT2	3700 VT2			
	(gold)	2	3700 VY2	3700 VY2			
	(white)	2	3700 VW2	3700 VW2			
	(gray)	2	3700 VA2				
23-86-36	CAP, Roof Inside Finish Moulding D1, D2 (white)	12	----	----	1030 VW2		
	(side retainer strip)	1	----	----	2251 808-9		
	A3 (chrome)	12	----	----	*1759 636		
	CAP, Rear Window Headlining Trim Moulding, Center D1, D2						
	(blue)	1	E3711 VB2	E3711 VB2			
	(turquoise)	1	E3711 VQ2	E3711 VQ2			
	(tan)	1	E3711 VT2	E3711 VT2			
	(gold)	1	E3711 VY2	E3711 VY2			
	(white)	1	E3711 VW2	E3711 VW2			
	(gray)	1	E3711 VA2	E3711 VA2			
23-86-37	COVER, Roof Inside Finish Panel Joint A3-L	2	----	E1058 VW2	----	E1058 VW2	
23-91-6	PANEL, Cowl Trim L1, L2 (paint as required)	1	1402-3 VX8	----	1402-3 VX8	1402-3 VX8	1402-3 VX8

● Indicates use as required.
 E Indicates parts not listed in any previous parts book.
 Right and left part numbers are on same line, first number is right, second number is left.
 * Indicates change or addition.

CODE	REMARKS	PER CAR	SED.	4D H.T	STA. WGN.	2D H.T	CV. CP.
23-91-6	PANEL, Cowl Trim - Cont'd						
	D1, D2						
	(codes L1B, K1B, L4B, L5B, M1B, M4B, M5B, H1B, H4B, P4B)	1	1410-1 VBB	1410-1 VBB	1410-1 VBB	1410-1 VBB	1410-1 VBB
	(codes L1Q, K1Q, L4Q, K4Q, M1Q, M4Q, H1Q, H4Q, P4Q)	1	1410-1 VQQ	1410-1 VQQ	1410-1 VQQ	1410-1 VQQ	1410-1 VQQ
	(codes L1R, K1R, L4R, K4R, L5R, M1R, M4R, M5R, H1R, H4R, P4R)	1	1410-1 VRR	1410-1 VRR	1410-1 VRR	1410-1 VRR	1410-1 VRR
	(codes L1T, K1T, L4T, K4T, L5T, M1T, M4T, M5T, H1T, H4T, P4T)	1	1410-1 VTT	1410-1 VTT	1410-1 VTT	1410-1 VTT	1410-1 VTT
	(codes L2A, K2A, L8A, K8A, T8A, M8A, H4X, P4X)	1	1410-1 VX9	1410-1 VX9	----	1410-1 VX9	1410-1 VX9
	(codes H1U, H4U, P4U)	1	1410-1 VU6	1410-1 VU6	----	1410-1 VU6	1410-1 VU6
	(codes M1Y, M4Y, H1Y, H4Y, P4Y)	1	1410-1 VY5	1410-1 VY5	----	1410 VY5	1410-1 VY5
	Screw (attaching)	4	B6025 819	B6025 819	B6025 819	B6025 819	B6025 819
A3	1	2086 612-3	2086 612-3	2086 612-3	2086 612-3	2086 612-3	
Screw (attaching)	4	*6024 400	*6024 400	*6024 400	*6024 400	*6024 400	
23-92-5	PANEL, Door Trim						
	L1L, L2L (2 D.)						
	(code L1B)	1	3150-1 VBB				
	(code L1Q)	1	3150-1 VQQ				
	(code L1R)	1	3150-1 VRR				
	(code L1T)	1	3150-1 VTT				
	L1L, L2L (4 D.)						
	(codes L1B, L4B, L5B) Front	1	3152-3 VBB	----	3152-3 VBB		
	Rear	1	3234-5 VBB	----	3234-5 VBB		
	(codes L1Q, L5Q) Front	1	3152-3 VQQ	----	3152-3 VQQ		
	Rear	1	3234-5 VQQ	----	3234-5 VQQ		
	(codes L1R, L4R, L5R) Front	1	3152-3 VRR	----	3152-3 VRR		
	Rear	1	3234-5 VRR	----	3234-5 VRR		
	(codes L1T, L4T, L5T) Front	1	3152-3 VTT	----	3152-3 VTT		
	Rear	1	3234-5 VTT	----	3234-5 VTT		
	L1-H, L2-H (2 D.)						
	(codes H1B, H4B)	1	3154-5 VBB	----	----	----	3154-5 VBB
	(codes H1Q, H4Q)	1	3154-5 VQQ	----	----	----	3154-5 VQQ
	(codes H1R, H4R)	1	3154-5 VRW	----	----	----	3154-5 VRW
	(codes H1T, H4T)	1	3154-5 VTT	----	----	----	3154-5 VTT
L1-H, L2-H (4 D.)							
(codes H1B, H4B) Front	1	3156-7 VBB	----	3156-7 VBB			
Rear	1	3236-7 VBB	----	3236-7 VBB			
(codes H1Q, H4Q) Front	1	3156-7 VQQ	----	3156-7 VQQ			
Rear	1	3236-7 VQQ	----	3236-7 VQQ			
(codes H1R, H4R) Front	1	3156-7 VRW	----	3156-7 VRW			
Rear	1	3236-7 VRW	----	3236-7 VRW			
(codes H1T, H4T) Front	1	3156-7 VTT	----	3156-7 VTT			
Rear	1	3236-7 VTT	----	3236-7 VTT			
L1-P, L2-P							
(code P4B)	1	----	----	----	3160-1 VOB	3160-1 VOB	
(code P4X)	1	----	----	----	3160-1 VXX	3160-1 VXX	
(code P4R)	1	----	----	----	3160-1 VRR	3160-1 VRR	
(code P4T)	1	----	----	----	3160-1 VOT	3160-1 VOT	
(code P4Y)	1	----	----	----	3160-1 VOY	3160-1 VOY	
D1-L, D2-L (2 D.) (with painted bead w/strip)							
(codes L1B, K1B)	1	3132-3 VBB					
(codes L1Q, K1Q)	1	3132-3 VQQ					

★ Indicates use as required.

B Indicates parts not listed in any previous parts book.
March 15, 1965 Supersedes May 22, 1964.Printed in U.S.A.
Prices and specifications subject to change without notice.
Right and left part numbers are on same line,
first number is right, second number is left.

* Indicates change or addition.

CODE	REMARKS	PER CAR	SED.	4D H.T	STA. WGN.	2D H.T	CV. CP.
23-92-5	PANEL, Door Trim-Cont'd						
	D1-L, D2-L (2 D.) (with painted bead w/strip)						
	(codes L1R, K1R)	1	3132-3 VRR				
	(codes L1T, K1T)	1	3132-3 VTT				
	(codes L2A, K2A, L8A, K8A)	1	3402-3 VAA				
	D1-L, D2-L (2 D.) (with cloth covered w/strip)						
	(codes L1B, K1B)	1	3440-1 VBB				
	(codes L1Q, K1Q)	1	3440-1 VQQ				
	(codes L1R, K1R)	1	3440-1 VRR				
	(codes L1T, K1T)	1	3440-1 VTT				
	(codes L2A, K2A, L8A, K8A)	1	3420-1 VAA				
	D1-L, D2-L (4 D.) (with painted bead w/strip)						
	(codes L1B, K1B, L4B, K4B, L5B)						
	Front	1	3130-1 VBB	----	3130-1 VBB		
	Rear	1	3224-5 VBB	----	3224-5 VBB		
	(codes L1Q, K1Q, L4Q, K4Q)						
	Front	1	3130-1 VQQ	----	3130-1 VQQ		
	Rear	1	3224-5 VQQ	----	3224-5 VQQ		
	(codes L1R, K1R, L4R, K4R, L5R)						
	Front	1	3130-1 VRR	----	3130-1 VRR		
	Rear	1	3224-5 VRR	----	3224-5 VRR		
	(codes L1T, K1T, L4T, K4T, L5T)						
	Front	1	3130-1 VTT	----	3130-1 VTT		
Rear	1	3224-5 VTT	----	3224-5 VTT			
(codes L2A, L8A, K2A, K8A, M8A)							
Front	1	3400-1 VAA					
Rear	1	3254-5 VAA					
	D1-L, D2-L (4 D.) (with cloth covered w/strip)						
	(codes L1B, K1B, L4B, K4B, L5B)						
	Front	1	3438-9 VBB	----	3438-9 VBB		
	Rear	1	3282-3 VBB	----	3282-3 VBB		
	(codes L1Q, K1Q, L4Q, K4Q)						
	Front	1	3438-9 VQQ	----	3438-9 VQQ		
	Rear	1	3282-3 VQQ	----	3282-3 VQQ		
	(codes L1R, K1R, L4R, K4R, L5R)						
	Front	1	3438-9 VRR	----	3438-9 VRR		
	Rear	1	3282-3 VRR	----	3282-3 VRR		
	(codes L1T, K1T, L4T, K4T, L5T)						
	Front	1	3438-9 VTT	----	3438-9 VTT		
Rear	1	3282-3 VTT	----	3282-3 VTT			
(codes L2A, L8A, K8A, M8A, T8A)							
Front	1	3416-7 VAA					
Rear	1	3272-3 VAA					
	D1-M, D2-M (2 D.) (with painted bead w/strip)						
	(code M1B)	1	3136-7 VBB				
	(code M1Q)	1	3136-7 VQQ				
	(code M1R)	1	3136-7 VRR				
	(code M1T)	1	3136-7 VTT				
	(code M1Y)	1	3136-7 VYY				
(code M8A)	1	3420-1 VAA					
	D1-M, D2-M (2 D.) (with cloth covered w/strip)						
	(code M1B)	1	3442-3 VBB				
	(code M1Q)	1	3442-3 VQQ				

★ Indicates use as required.
 ☐ Indicates parts not listed in any previous parts book.
 Right and left part numbers are on same line,
 first number is right, second number is left.

1964 PASSENGER CAR PARTS CATALOG

INTERIOR TRIM

CODE	REMARKS	PER CAR	SED.	4D H.T	STA. WGN.	2D H.T	CV. CP.
23-92-5	PANEL, Door Trim - Cont'd D1-M, D2-M (2 D. (with cloth covered w/strip) (code M1R) (code M1T) (code M1Y)	1 1 1	3442-3 VRR 3442-3 VTT 3442-3 VYY				
	D1-M, D2-M (2 D.) (with flat bead w/strip) (code M1B) Right Left (code M1Q) (code M1R) (code M1T) (code M1Y) Right Left	1 1 1 1 1 1 1	----- ----- ----- ----- ----- ----- -----	----- ----- ----- ----- ----- ----- -----	----- ----- ----- ----- ----- ----- -----	*3138 VBB *3445 VBB 3138-9 VQQ *3444-5 VRR *3138-9 VTT *3444 VYY *3139 VYY	
	D1-M, D2-M (2 D.) (with round bead w/strip) (code M1B) (code M1Q) (code M1R) (code M1T) (code M1Y)	1 1 1 1 1	----- ----- ----- ----- -----	----- ----- ----- ----- -----	----- ----- ----- ----- -----	3444-5 VBB 3444-5 VQQ 3444-5 VRR 3444-5 VTT 3444-5 VYY	
	D1-M, D2-M (4 D.) (with painted bead w/strip) (codes M1B, M5B, M4B) Front Rear (codes M1Q, M4Q) Front Rear (codes M1R, M5R, M4R) Front Rear (codes M1T, M5T, M4T) Front Rear (codes M1Y, M4Y) Front Rear	1 1 1 1 1 1 1 1 1 1	3134-5 VBB 3226-7 VBB 3134-5 VQQ 3226-7 VQQ 3134-5 VRR 3226-7 VRR 3134-5 VTT 3226-7 VTT 3134-5 VYY 3226-7 VYY	----- ----- ----- ----- ----- ----- ----- ----- ----- -----	3134-5 VBB 3226-7 VBB 3134-5 VQQ 3226-7 VQQ 3134-5 VRR 3226-7 VRR 3134-5 VTT 3226-7 VTT 3134-5 VYY 3226-7 VYY		
	D1-M, D2-M (4 D.) (with cloth covered w/strip) (codes M1B, M5B, M4B) Front Rear (codes M1Q, M4Q) Front Rear (codes M1R, M5R, M4R) Front Rear (codes M1T, M5T, M4T) Front Rear (codes M1Y, M4Y) Front Rear	1 1 1 1 1 1 1 1 1 1	3436-7 VBB 3280-1 VBB 3436-7 VQQ 3280-1 VQQ 3436-7 VRR 3280-1 VRR 3436-7 VTT 3280-1 VTT 3436-7 VYY 3280-1 VYY	----- ----- ----- ----- ----- ----- ----- ----- ----- -----	3436-7 VBB 3280-1 VBB 3436-7 VQQ 3280-1 VQQ 3436-7 VRR 3280-1 VRR 3436-7 VTT 3280-1 VTT 3436-7 VYY 3280-1 VYY		
	D1-H, D2-H (with painted bead w/strip) (codes H1B, H4B) Front Rear (codes H1Q, H4Q) Front Rear (codes H1R, H4R) Front Rear (codes H1T, H4T) Front Rear (codes H1Y, H4Y) Front Rear	1 1 1 1 1 1 1 1 1 1	3140-1 VBB 3228-9 VBB 3140-1 VQQ 3228-9 VQQ 3140-1 VRR 3228-9 VRR 3140-1 VTT 3228-9 VTT 3140-1 VYY 3228-9 VYY	----- ----- ----- ----- ----- ----- ----- ----- ----- -----			

● Indicates use as required.

☐ Indicates parts not listed in any previous parts book.
March 15, 1965 Supersedes May 22, 1964.Printed in U.S.A.
Prices and specifications subject to change without notice.
Right and left part numbers are on same line,
first number is right, second number is left.
● Indicates change or addition.

CODE	REMARKS	PER CAR	SED.	4D H.T	STA. WGNL	2D H.T	CV. CP.
23-92-5	PANEL, Door Trim - Cont'd D1-H, D2-H (with cloth covered w/strip)						
	(codes H1B, H4B) Front	1		3446-7 VBB			
	Rear	1		3284-5 VBB			
	(codes H1Q, H4Q) Front	1		3446-7 VQQ			
	Rear	1		3284-5 VQQ			
	(codes H1R, H4R) Front	1		3446-7 VRR			
	Rear	1		3284-5 VRR			
	(codes H1T, H4T) Front	1		3446-7 VTT			
	Rear	1		3284-5 VTT			
	(codes H1Y, H4Y) Front	1		3446-7 VYY			
	Rear	1		3284-5 VYY			
	D1-H, D2-H (with flat bead w/strip)						
	(code H4B) Front	1	----	3142-3 VBB	----	3144-5 VBB	3144-5 VBB
	Rear	1	----	3230-1 VBB	----		
	(codes H4Q) Front	1	----	3142-3 VQQ	----	3144-5 VQQ	3144-5 VQQ
	Rear	1	----	3230-1 VQQ	----		
	(code H4R) Front	1	----	3142-3 VRR	----	3144-5 VRR	3144-5 VRR
	Rear	1	----	3230-1 VRR	----		
	(code H4T) Front	1	----	3142-3 VTT	----	3144-5 VTT	3144-5 VTT
	Rear	1	----	3230-1 VTT	----		
	(code H4X) Front	1	----	3142-3 VOX	----	3144-5 VOX	3144-5 VOX
	Rear	1	----	3230-1 VOX	----		
	D1-H, D2-H (with round bead w/strip)						
	(code H4B) Front	1	----	3448-9 VBB	----	3454-5 VBB	3454-5 VBB
	Rear	1	----	3286-7 VBB	----		
	(code H4Q) Front	1	----	3448-9 VQQ	----	3454-5 VQQ	3454-5 VQQ
	Rear	1	----	3286-7 VQQ	----		
	(code H4R) Front	1	----	3448-9 VRR	----	3454-5 VRR	3454-5 VRR
	Rear	1	----	3286-7 VRR	----		
	(code H4T) Front	1	----	3448-9 VTT	----	3454-5 VTT	3454-5 VTT
	Rear	1	----	3286-7 VTT	----		
	(code H4Y) Front	1	----	3448-9 VYY	----	3454-5 VYY	3454-5 VYY
	Rear	1	----	3286-7 VYY	----		
	(code H4X) Front	1	----	3448-9 VOX	----	3454-5 VOX	3454-5 VOX
	Rear	1	----	3286-7 VOX	----		
	D2-P (with flat bead w/strip)						
	(code P4B)	1	----	----	----	3146-7 VBB	3146-7 VBB
	(code P4Q)	1	----	----	----	3146-7 VQQ	3146-7 VQQ
	(code P4R)	1	----	----	----	3146-7 VRW	3146-7 VRW
	(code P4T)	1	----	----	----	3146-7 VTW	3146-7 VTW
	(code P4Y)	1	----	----	----	3146-7 VYW	3146-7 VYW
	(code P4X)	1	----	----	----	3146-7 VXX	3146-7 VXX
	D2-P (with round bead w/strip)						
	(code P4B)	1	----	----	----	3456-7 VBB	3456-7 VBB
	(code P4Q)	1	----	----	----	3456-7 VQQ	3456-7 VQQ
	(code P4R)	1	----	----	----	3456-7 VRW	3456-7 VRW
	(code P4T)	1	----	----	----	E3456-7 VTW	E3456-7 VTW
	(code P4Y)	1	----	----	----	3456-7 VYW	3456-7 VYW
	(code P4X)	1	----	----	----	E3456-7 VXX	E3456-7 VXX
	A3-L (2 D.)						
	(codes L1B, L4B)	1	----	----	----	3118-9 VBB	3118-9 VBB
	(codes L1Q, L4Q)	1	----	----	----	3118-9 VQQ	3118-9 VQQ

★ Indicates use as required.
 □ Indicates parts not listed in any previous parts book.
 Right and left part numbers are on same line,
 first number is right, second number is left.

1964 PASSENGER CAR PARTS CATALOG

INTERIOR TRIM

CODE	REMARKS	PER CAR	SED.	4D H.T	STA. WGN.	2D H.T	CV. CP.
23-92-5	PANEL, Door Trim-Cont'd A3-L (2 D.) (codes L1R, L4R) (codes L1T, L4T) (codes L1Y, L4Y) (code L4X)	1 1 1 1	---- ---- ---- ----	---- ---- ---- ----	---- ---- ---- ----	3118-9 VOR 3118-9 VTT 3118-9 VYY E3118-9 VOX	3118-9 VOR 3118-9 VTT 3118-9 VYY E3118-9 VOX
	A3-L (4 D.) (codes L1B, L4B) Front Rear (codes L1Q, L4Q) Front Rear (codes L1R, L4R) Front Rear (codes L1T, L4T) Front Rear (codes L1Y, L4Y) Front Rear (code L4X) Front Rear	1 1 1 1 1 1 1 1 1 1 1 1	3120-1 VBB 3216-7 VBB 3120-1 VQQ 3216-7 VQQ 3120-1 VOR 3216-7 VOR 3120-1 VTT 3216-7 VTT 3120-1 VYY 3216-7 VYY ---- ----	3122-3 VBB 3218-9 VBB 3122-3 VQQ 3218-9 VQQ 3122-3 VOR 3218-9 VOR 3122-3 VTT 3218-9 VTT 3122-3 VYY 3218-9 VYY E3122-3 VOX E3218-9 VOX	3122-3 VBB 3218-9 VBB 3122-3 VQQ 3218-9 VQQ 3122-3 VOR 3218-9 VOR 3122-3 VTT 3218-9 VTT 3122-3 VYY 3218-9 VYY		
	A3-E (4 D.) (codes E1B, K1B) Front Rear (codes E1Q, K1Q) Front Rear (codes E1T, K1T) Front Rear (codes E1Y, K1Y) Front Rear (codes K2A, K4A) Front Rear Fastener	1 1 1 1 1 1 1 1 1 1 ★	3128-9 VBB 3258-9 VBB 3128-9 VQQ 3258-9 VQQ 3128-9 VTT 3258-9 VTT 3128-9 VYY 3258-9 VYY 3128-9 VAA 3258-9 VAA *6000 365	---- ---- ---- ---- ---- ---- ---- ---- ---- ----	3128-9 VBB 3258-9 VBB 3128-9 VQQ 3258-9 VQQ 3128-9 VTT 3258-9 VTT 3128-9 VYY 3258-9 VYY	*6000 365 *6000 365 *6000 365 *6000 365 *6000 365 *6000 365 *6000 365 *6000 365 *6000 365 *6000 365	*6000 365 *6000 365 *6000 365 *6000 365 *6000 365 *6000 365 *6000 365 *6000 365 *6000 365 *6000 365
23-96-3	PANEL, Luggage Compartment Front Lining L1, L2 D1, D2 Screw (attaching) A3 A3 (side lining) COVER, Rear Sill A3 (w/3 seater) (codes E1B, L4B) (codes E1Q, L4Q) (code L4R) (codes E1Y, L4Y) Fastener	1 1 1 2 1 1 1 1 1 1 ★	2419 639 2162 831 ---- E2499 290 2499 200-1 ---- ---- ---- ---- ---- *6000 903	---- 2162 831 ---- E2499 290 2499 200-1 ---- ---- ---- ---- ---- *6000 903	---- ---- ---- ---- ---- ---- ---- ---- ---- ---- *6000 903	2419 639 2499 117 ---- 2181 357 ---- ---- ---- ---- ---- ---- *6000 903	2440 956 2440 963 *6024 229 2181 358 2499 202-3 ---- ---- ---- ---- ---- *6000 903
	FILLER, Luggage Compartment Floor to Quarter D1, D2	1	2490 852-3	2490 852-3	----	2490 852-3	2490 852-3
23-96-8	COVER, Wheelhouse and Lower Quarter Trim (paint as required) D1, D2 (for 3 seater) EXTENSION, Wheelhouse and Lower Quarter Trim Cover (paint as required) D1, D2 (for 3 seater) (codes L4B, M4B) (codes L4Q, M4Q)	1 1 1 1	---- ---- ---- ----	---- ---- ---- ----	2032-3 VT6 E2058-9 VT6 2042-3 VB6 2042-3 VQ6		

★ Indicates use as required.
E Indicates parts not listed in any previous parts book.
March 15, 1965 Supersedes May 22, 1964.

Printed in U.S.A.
Prices and specifications subject to change without notice.
Right and left part numbers are on same line,
first number is right, second number is left.
* Indicates change or addition.

CODE	REMARKS	PER CAR	SED.	4D H.T	STA. WGN.	2D H.T	CV. CP.
23-96-8	EXTENSION, Wheelhouse and Lower Quarter Trim Cover (paint as required) D1, D2 (for 3 seater) (codes L4R, M4R) (codes L4T, M4T) (code M4Y)	1	----	----	2042-3 VR6		
		1	----	----	2042-3 VT6		
		1	----	----	2042-3 VY5		
23-96-9	COVER, Wheelhouse Inner Panel A3 (codes E1B, K1B, L4B) (codes E1Q, K1Q, L4Q) (codes E1R, K1R, L4R) (codes E1T, K1T, L4T) (codes E1Y, K1Y, L4Y)	1	----	----	2024-5 VB6		
		1	----	----	2024-5 VQ5		
		1	----	----	2024-5 VR7		
		1	----	----	2024-5 VT6		
		1	----	----	2024-5 VY5		
23-96-9	CLIP, Luggage Compartment Side Liner to Deck Opening Reinforcement A3 Fastener	★	2165 272	2165 272	----	2165 272	2165 272
		2	*6000 903	*6000 903	----	*6000 903	*6000 903
23-99-4	COVER, Center Pillar Trim D2H (code H4B) (code H4Q) (code H4R) (code H4T) (code H4Y) (code H4X) A3 (paint as required)	1	----	2804-5 VB6			
		1	----	2804-5 VQ6			
		1	----	2804-5 VR6			
		1	----	2804-5 VT6			
		1	----	2804-5 VY5			
		1	----	2804-5 VX9			
		1	----	*2802-3 VT8	*2802-3 VT8		
23-99-9	RETAINER, Body Rear Lock Pillar Quarter Trim D1, D2	1	----	----	2162 508-9		
23-99-38	PANEL, Rear Upper Pillar Trim L1, L2 (paint as required)	1	----	----	*2016-7VT6		
23-101-3	PANEL, Rear Quarter Trim L1-L, L2-L (2 D.) (code L1B) (code L1Q) (code L1R) (code L1T)	1	3330-1 VBB				
		1	3330-1 VQQ				
		1	3330-1 VRR				
		1	3330-1 VTT				
	L1-L, L2-L, L1-H, L2-H (4 D.) (lower) (paint as required)	Right	1	----	----	2012 VT8	
		Left	1	----	----	2013 VT8	
	L1-L, L2-L, L1-H, L2-H (upper) (codes L5B, H4B) (codes L5R, H4R) (codes L5Q, H4Q) (codes L5T, H4T)	1	----	----	2018-9 VB6		
		1	----	----	2018-9 TR6		
		1	----	----	2018-9 VQ6		
		1	----	----	2018-9 VT6		
	L1-H, L2-H (2 D.) (codes H1B, H4B) (codes H1Q, H4Q) (codes H1R, H4R) (codes H1T, H4T)	1	*3332-3 VBB	----	----	----	*3334-5 VBB
		1	*3332-3 VQQ	----	----	----	*3334-5 VQQ
		1	*3332-3 VRW	----	----	----	*3334-5 VRW
		1	*3332-3 VTT	----	----	----	*3334-5 VTT

★ Indicates use as required.

□ Indicates parts not listed in any previous parts book.
Right and left part numbers are on same line, first number is right, second number is left.

1964 PASSENGER CAR PARTS CATALOG

INTERIOR TRIM

CODE	REMARKS	PER CAR	SED.	4D H.T	STA. WGN.	2D H.T	CV. CP.
23-101-3	PANEL, Rear Quarter Trim - Cont'd						
	L1-P, L2-P (code P4B)	1	----	----	----	3336-7 VOB	3338-9 VOB
	(code P4X)	1	----	----	----	3336-7 VXX	3338-9 VXX
	(code P4R)	1	----	----	----	3336-7 VRR	3338-9 VRR
	(code P4T)	1	----	----	----	3336-7 VOT	3338-9 VOT
	(code P4Y)	1	----	----	----	3336-7 VOY	3338-9 VOY
	D1-L, D2-L (2 D.) (with painted bead w/strip)						
	(codes L1B, K1B)	1	3314-5 VBB				
	(codes L1Q, K1Q)	1	3314-5 VQQ				
	(codes L1R, K1R)	1	3314-5 VRR				
	(codes L1T, K1T)	1	3314-5 VTT				
	(codes L2A, K2A, L3A, K3A, M3A)	1	3328-9 VAA				
	D1-L, D2-L (2 D.) (with cloth covered w/strip)						
	(codes L1B, K1B)	1	3392-3 VBB				
	(codes L1Q, K1Q)	1	3392-3 VQQ				
	(codes L1R, K1R)	1	3392-3 VRR				
	(codes L1T, K1T)	1	3392-3 VTT				
	D1-M, D2-M (2 D.) (with painted bead w/strip)						
	(code M1B)	1	3316-7 VBB				
	(code M1Q)	1	3316-7 VQQ				
	(code M1R)	1	3316-7 VRR				
	(code M1T)	1	3316-7 VTT				
	(code M1Y)	1	3316-7 VYY				
	D1-M, D2-M (2 D.) (with cloth covered w/strip)						
	(code M1B)	1	3394-5 VBB				
	(code M1Q)	1	3394-5 VQQ				
	(code M1R)	1	3394-5 VRR				
	(code M1T)	1	3394-5 VTT				
	(code M1Y)	1	3394-5 VYY				
	D1-M, D2-M (2 D.) (with flat bead w/strip)						
	(code M1B)	1	----	----	----	3318-9 VBB	
	(code M1Q)	1	----	----	----	3318-9 VQQ	
	(code M1R)	1	----	----	----	3318-9 VRR	
	(code M1T)	1	----	----	----	3318-9 VTT	
	(code M1Y)	1	----	----	----	3318-9 VYY	
	D1-M, D2-M (2 D.) (with round bead w/strip)						
	(code M1B)	1	----	----	----	3396-7 VBB	
	(code M1Q)	1	----	----	----	3396-7 VQQ	
	(code M1R)	1	----	----	----	3396-7 VRR	
	(code M1T)	1	----	----	----	3396-7 VTT	
	(code M1Y)	1	----	----	----	3396-7 VYY	
	D1-H, D2-H (with flat bead w/strip)						
	(code H4X)	1	----	----	----	3320-1 VOX	3322-3 VOX
	(code H4Q)	1	----	----	----	3320-1 VQQ	3322-3 VQQ
	(code H4R)	1	----	----	----	3320-1 VRR	3322-3 VRR
	(code H4T)	1	----	----	----	3320-1 VTT	3322-3 VTT
	(code H4Y)	1	----	----	----	3320-1 VYY	3322-3 VYY
	(code H4B)	1	----	----	----	3320-1 VBB	3322-3 VBB

★ Indicates use as required.

☐ Indicates parts not listed in any previous parts book.
 March 15, 1965 Supersedes May 22, 1964.

Printed in U.S.A.
 Prices and specifications subject to change without notice.
 Right and left part numbers are on same line,
 first number is right, second number is left.

* Indicates change or addition.

CODE	REMARKS	PER CAR	SED.	4D H.T	STA. WGN.	2D H.T	CV. CP.
23-101-3	PANEL, Rear Quarter Trim -- Cont'd D1-H, D2-H (with round bead w/strip)						
	(code H4B)	1	----	----	----	3398-9 VBB	4512-3 VBB
	(code H4Q)	1	----	----	----	3398-9 VQQ	4512-3 VQQ
	(code H4R)	1	----	----	----	3398-9 VRR	4512-3 VRR
	(code H4T)	1	----	----	----	3398-9 VTT	4512-3 VTT
	(code H4Y)	1	----	----	----	3398-9 VYY	4512-3 VYY
	(code H4X)	1	----	----	----	3398-9 VOX	4512-3 VOX
	D1, D2 (4 D.) (lower)						
	(codes L1B, K1B, L5B, M1B, M5B, H1B, H4B)	1	7616-7 VB6	7616-7 VB6			
	(codes L1Q, K1Q, M1Q, H1Q, H4Q)	1	7616-7 VQ6	7616-7 VQ6			
	(codes L1R, K1R, L5R, M1R, M5R, H1R, H4R)	1	7616-7 VR6	7616-7 VR6			
	(codes L1T, K1T, L5T, M1T, M5T, H1T, H4T)	1	7616-7 VT6	7616-7 VT6			
	(codes M1Y, H1Y, H4Y)	1	7616-7 VY5	7616-7 VY5			
	(codes L2A, K2A, L8A, K8A, T8A, M8A)	1	7616-7 VA6				
	(code H4X)	1	----	7616-7 VX9			
	D2-P (with flat bead w/strip)						
	(code P4B)	1	----	----	----	3324-5 VBB	3326-7 VBB
	(code P4Q)	1	----	----	----	3324-5 VQQ	3326-7 VQQ
	(code P4R)	1	----	----	----	3324-5 VRW	3326-7 VRW
	(code P4T)	1	----	----	----	3324-5 VTW	3326-7 VTW
	(code P4Y)	1	----	----	----	3324-5 VYW	3326-7 VYW
	(code P4X)	1	----	----	----	3324-5 VXX	3326-7 VXX
	(w/round bead w/strip)						
	(code P4B)	1	----	----	----	E4514-5 VBB	E4516-7 VBB
	(code P4Q)	1	----	----	----	E4514-5 VQQ	E4516-7 VQQ
	(code P4R)	1	----	----	----	E4514-5 VRW	E4516-7 VRW
	(code P4T)	1	----	----	----	E4514-5 VTW	E4516-7 VTW
	(code P4Y)	1	----	----	----	E4514-5 VYW	E4516-7 VYW
	(code P4X)	1	----	----	----	E4514-5 VXX	E4516-7 VXX
	A3						
	(codes K1B, E1B, L1B, L4B)	1	7684-5 VB6	*4856-7 VB6	----	3310-1 VBB	3312-3 VBB
	(codes K1Q, E1Q, L1Q, L4Q)	1	7684-5 VQ5	*4856-7 VQ5	----	3310-1 VQQ	3312-3 VQQ
	(codes L1R, L4R)	1	7684-5 VR7	*4856-7 VR7	----	3310-1 VOR	3312-3 VOR
	(codes K1T, E1T, L1T, L4T)	1	7684-5 VT6	*4856-7 VT6	----	3310-1 VTT	3312-3 VTT
	(codes K1Y, E1Y, L1Y)	1	7684-5 VY5	*4856-7 VY5	----	3310-1 VYY	3312-3 VYY
	(code K2A)	1	7684-5 VA6				
	(code L4X)	1		E4856-7 VX9	----	E3310-1 VOX	E3312-3 VOX
	Fastener	*	6000 365	*6000 365	----	*6000 365	*6000 365
23-101-14	COVER, Upper Quarter Front Trim D1, D2 (paint as required)	1	----	----	2044-5 VT6		
23-101-33	BRACKET, Quarter Trim Panel Support D2	2	----	----			2490 484
23-102-3	PANEL, Shelf Trim L1, L2						
	(blue)	1	1304 VB6	----	----	1304 VB6	
	(turquoise)	1	1304 VQ6	----	----		
	(red)	1	1304 VR6	----	----	1304 VR6	
	(tan)	1	1304 VT6	----	----	1304 VT6	

* Indicates use as required.

E Indicates parts not listed in any previous parts book.
Right and left part numbers are on same line,
first number is right, second number is left.

Printed in U.S.A.
Prices and specifications subject to change without notice.
March 15, 1965 Supersedes May 22, 1964.

1964 PASSENGER CAR PARTS CATALOG

INTERIOR TRIM

CODE	REMARKS	PER CAR	SED.	4D H.T.	STA WGN.	2D H.T.	CV. CP.
23-102-3	PANEL, Shelf Trim - Cont'd L1, L2						
	(gold)	1	----	----	----	1304 VY5	
	(black)	1	----	----	----	1304 VX8	
	Clip	★	*6000 903	----	----	*6000 903	
	D1, D2 (codes L1B, K1B, L5B, M1B, M5B, H1B, H4B, P4B) (codes L1Q, K1Q, M1Q, H1Q, H4Q, P4Q) (codes L1R, K1R, M1R, M5R, H1R, H4R, P4R) (codes L1T, K1T, L5T, M1T, M5T, H1T, H4T, P4T) (codes L2A, K2A, L8A, K8A, T8A, M8A) (codes M1Y, H1Y, H4Y, P4Y) (codes H4X, P4X)	1 1 1 1 1 1 1	1306 VB6 1306 VQ6 1306 VR6 1306 VT6 1306 VX8 1306 VY5 ----	1306 VB6 1306 VQ6 1306 VR6 1306 VT6 1306 VX8 1306 VY5 ----	---- ---- ---- ---- ---- ---- ----	1307 VB6 1307 VQ6 1307 VR6 1307 VT6 1307 VY5 1307 VX8 ----	
	A3 (paint as required) Clip	1 ★	*1302 VT6 *6000 903	*1302 VT6 *6000 903	---- ----	*1303 VT6 *6000 903	
23-103-3	PANEL, Visor Trim L1-L, L2-L, L1-H, L2-H (codes L1B, L4B, L5B, H1B, H4B) (blue) (codes L1R, L4R, L5R, H1R, H4R) (codes L1Q, L5Q, H1Q, H4Q) (turquoise) (codes L1T, L4T, H1T, H4T) (tan) (code P4Y) (code P4X)	2 2 2 2 2 2	1101 VB2 1101 VW2 1101 VQ2 1101 VT2 ---- ----	---- ---- ---- ---- ---- ----	1101 VB2 1101 VW2 1101 VQ2 1101 VT2 ---- ----	1102 VB2 ---- ---- ---- ---- ----	1100 VB6 1100 VR6 1100 VQ6 1100 VT6 1100 VY5 1100 VX9
	L1-P (code P4B) (blue) (code P4T) (tan) (codes P4R, P4X) (white) (code P4Y) (yellow gold)	2 2 2 2	---- ---- ---- ----	---- ---- ---- ----	---- ---- ---- ----	1102 VB2 1102 VT2 1102 VW2 1102 VY2	1100 VB6 1100 VT6 1100 VR6 1100 VY5
	D1, D2 (codes L2A, K2A, L8A, K8A, T8A, M8A, X1P) (gray) (codes L1B, L5B, M1B, M4B, M5B, H1B, H4B, K1B, P4B) (blue) (codes L1Q, K1Q, M1Q, H1Q, H4Q, P4Q) (turquoise) (codes L1R, L4B, L4Q, L4R, L4T, L5R, M1R, M4B, M4Q, M4R, M4T, M4Y, M5R, H1R, H4R, K4B, K4Q, K4R, K4T, H4X, P4X, P4R) (white) (codes L1T, L5T, M1T, M5T, H1T, H4T, P4T) (yellow tan) (codes M1Y, H1Y, H4Y, P4Y) (yellow gold)	2 2 2 2 2 2 2	1118 TA2 1119 VB2 *1119 VQ2 1119 VW2 1119 VT2 1119 VY2	1119 VB2 *1119 VQ2 1119 VW2 1119 VT2 1119 VY2	1119 VB2 *1119 VQ2 1119 VW2 1119 VT2 ----	1119 VB2 *1119 VQ2 1119 VW2 1119 VT2 1119 VY2	

★ Indicates use as required.

☐ Indicates parts not listed in any previous parts book.
March 15, 1965 Supersedes May 22, 1964.

Printed in U.S.A.
Prices and specifications subject to change without notice.
Right and left part numbers are on same line,
first number is right, second number is left.
* Indicates change or addition.

CODE	REMARKS	PER CAR	SED.	4D H.T	STA. WGN.	2D H.T	CV. CP.	
23-103-3	PANEL, Visor Trim - Cont'd D1, D2 (codes H4B, P4B) (codes H4Q, P4Q) (codes H4R, P4R) (codes H4T, P4T) (codes H4Y, P4Y) (codes H4X, P4X)	2 2 2 2 2 2	---- ---- ---- ---- ---- ----	---- ---- ---- ---- ---- ----	---- ---- ---- ---- ---- ----	---- ---- ---- ---- ---- ----	---- ---- ---- ---- ---- ----	1120 VB6 1120 VQ6 1120 VR6 1120 VT6 1120 VY5 1120 VX9
A3	(blue) (turquoise) (red) (white) (black) (yellow tan) (yellow gold) (codes K2A, K4A)	2 2 2 2 2 2 2	1104 VB2 1104 VQ2 ---- *1104 VW2 ---- 1104 VT2 1104 VY2 1104 VA2	1104 VB2 1104 VQ2 ---- ---- ---- 1104 VT2 1104 VY2 ----	*1104 VB2 *1104 VQ2 ---- *1104 VW2 ---- *1104 VT2 ---- ----	---- ---- ---- ---- ---- ---- ---- ----	1107 VB6 1107 VQ5 1107 VR7 *1107 VX9 1107 VT6 1107 VY5	
A3	(w/air conditioning)	2	----	----	1113 VW2			
A3-L	(codes L1B, L4B, L1Q, L4Q, L1R, L4R, L1T, L4T, L1Y, L4Y, L4X)	2	----	*1121 VW2	----	*1121 VW2		
23-103-10	ARM and BRACKET, Visor L1, L2 D1, D2 (chrome) A3 (chrome) A3 (w/air conditioning) Screw	1 1 1 1 1 6	2292 580-1 2490 788-9 2292 946-7 ---- ---- 274 411	---- 2490 788-9 2292 946-7 ---- ---- 274 411	2292 580-1 2490 788-9 2292 946-7 2292 108 1909 517 274 411	2292 580-1 2490 788-9 2292 946-7 ---- ---- 274 411	2424 470-1 2483 082-3 1954 926-7 ---- ---- *6025 281	
23-103-18	SPACER, Windshield Visor Bracket D1, D2	2	----	----	B2581 373			
23-103-48	SUPPORT, Visor Inner L1, L2, D1, D2 A3 (w/air conditioning)	2 2	2162 628 ----	2162 628 ----	2162 628 2193 096	2162 628	2162 628	
23-108-4	CUSHION, Front Seat L1-L, L2-L (2 D.) (code L1B) (code L1Q) (code L1R) (code L1T) (w/rubber pad) (code L1B) (code L1Q) (code L1R) (code L1T)	1 1 1 1 1 1 1 1 1	5330 V1B 5330 V1Q 5330 V1R 5330 V1T 5331 V1B 5331 V1Q 5331 V1R 5331 V1T					
	L1-L, L2-L (2 D.) (w/heavy duty spring) (code L1B) (code L1Q) (code L1R) (code L1T)	1 1 1 1	5332 V1B 5332 V1Q 5332 V1R 5332 V1T					

* Indicates use as required.

⊠ Indicates parts not listed in any previous parts book.

Right and left part numbers are on same line,
first number is right, second number is left.

CODE	REMARKS	PER CAR	SED.	4D H.T	STA. WGN.	2D H.T	CV. CP.
23-108-4	CUSHION, Front Seat - Conr'd L1-L, L2L (2 D.) (w/heavy duty spring and rubber pad) (code L1B) (code L1Q) (code L1R) (code L1T)	1 1 1 1	5333 V1B 5333 V1Q 5333 V1R 5333 V1T				
	L1-L, L2-L (4 D.) (codes L1B, L4B) (code L1Q) (codes L1R, L4R) (codes L1T, L4T)	1 1 1 1	5326 V1B 5326 V1Q 5326 V1R 5326 V1T	---- -- ---- -- ---- --	5341 V4B 5341 V4R 5341 V4T		
	(w/rubber pad) (codes L1B, L4B) (code L1Q) (codes L1R, L4R) (codes L1T, L4T)	1 1 1 1	5327 V1B 5327 V1Q 5327 V1R 5327 V1T	---- -- ---- -- ---- --	5342 V4B 5342 V4R 5342 V4T		
	(w/heavy duty spring) (codes L1B, L5B) (codes L1Q, L5Q) (codes L1R, L5R) (codes L1T, L5T)	1 1 1 1	5328 V1B 5328 V1Q 5328 V1R 5328 V1T	---- -- ---- -- ---- --	5345 V5B 5345 V5Q 5345 V5R 5345 V5T		
	(w/heavy duty spring and rubber pad) (codes L1B, L5B) (codes L1Q, L5Q) (codes L1R, L5R) (codes L1T, L5T) (code L5B) (code L5Q) (code L5R) (code L5T)	1 1 1 1 1 1 1 1	5329 V1B 5329 V1Q 5329 V1R 5329 V1T ---- -- ---- -- ---- -- ---- --	---- -- ---- -- ---- -- ---- --	5346 V5B 5346 V5Q 5346 V5R 5346 V5T 5343 V5B 5343 V5Q 5343 V5R 5343 V5T		
	(w/rubber pad) (code L5B) (code L5Q) (code L5R) (code L5T)	1 1 1 1	---- -- ---- -- ---- -- ---- --	---- -- ---- -- ---- -- ---- --	5344 V5B 5344 V5Q 5344 V5R 5344 V5T		
	L1-H, L2-H (2 D.) (code H1B) (code H1Q) (code H1R) (code H1T) (w/rubber pad) (code H1B) (code H1Q) (code H1R) (code H1T)	1 1 1 1 1 1 1 1	5336 V1B 5336 V1Q 5336 V1R 5336 V1T 5337 V1B 5337 V1Q 5337 V1R 5337 V1T				
	L1-H (4 D.) (code H1B) (code H1Q) (code H1R) (code H1T) (w/rubber pad) (code H1B) (code H1Q) (code H1R) (code H1T)	1 1 1 1 1 1 1 1	5334 V1B 5334 V1Q 5334 V1R 5334 V1T 5335 V1B 5335 V1Q 5335 V1R 5335 V1T				

★ Indicates use as required.

☐ Indicates parts not listed in any previous parts book.

March 15, 1965 Supersedes May 22, 1964.

Printed in U.S.A.
Prices and specifications subject to change without notice.
Right and left part numbers are on same line,
first number is right, second number is left.
* Indicates change or addition.

CODE	REMARKS	PER CAR	SED.	4D H.T	STA. WGN.	2D H.T	CV. CP.
23-108-4	CUSHION, Front Seat - Cont'd						
	L1-H, L2-H (4 D.)						
	(code H4B)	1	5341 V4B	----	5341 V4B	----	5339 V4B
	(code H4Q)	1	----	----	5341 V4Q	----	5339 V4Q
	(code H4R)	1	5341 V4R	----	5341 V4R	----	5339 V4R
	(code H4T)	1	5341 V4T	----	5341 V4T	----	5339 V4T
	(w/rubber pad)						
	(code H4B)	1	5342 V4B	----	5342 V4B	----	5339 V4B
	(code H4Q)	1	----	----	5342 V4Q	----	5339 V4Q
	(code H4R)	1	5342 V4R	----	5342 V4R	----	5339 V4R
	(code H4T)	1	5342 V4T	----	5342 V4T	----	5339 V4T
	L1-P, L2-P						
	(code P4B)	1	----	----	----	5348-9 V4B	5348-9 V4B
	(code P4R)	1	----	----	----	5348-9 V4R	5348-9 V4R
	(code P4T)	1	----	----	----	5348-9 V4T	5348-9 V4T
	(code P4X)	1	----	----	----	5348-9 V4X	5348-9 V4X
	(code P4Y)	1	----	----	----	5348-9 V4Y	5348-9 V4Y
	D1, D2 (2 D.)						
	(code L1B)	1	5393 V1B				
	(code L1Q)	1	5393 V1Q				
	(code L1R)	1	5393 V1R				
	(code L1T)	1	5393 V1T				
	(code L2A)	1	5380 V2A				
	(code L8A)	1	5389 V8A				
	(w/rubber pad)						
	(code L1B)	1	5394 V1B				
	(code L1Q)	1	5394 V1Q				
	(code L1R)	1	5394 V1R				
	(code L1T)	1	5394 V1T				
	(code L2A)	1	5381 V2A				
	(codes L8A, M8A)	1	5409 V8A				
	(w/heavy duty spring and rubber pad)						
	(code L1B)	1	5395 V1B				
	(code L1Q)	1	5395 V1Q				
	(code L1R)	1	5395 V1R				
	(code L1T)	1	5395 V1T				
	(code L2A)	1	5382 V2A				
	(codes L8A, M8A)	1	5410 V8A				
	D1, D2 (2 D.)						
	(code M1B)	1	5401 V1B	----	----	*5401 V1B	
	(code M1Q)	1	5401 V1Q	----	----	*5401 V1Q	
	(code M1R)	1	5401 V1R	----	----	*5401 V1R	
	(code M1T)	1	5401 V1T	----	----	*5401 V1T	
	(code M1Y)	1	5401 V1Y	----	----	*5401 V1Y	
	(w/heavy duty spring)						
	(code M1B)	1	5402 V1B	----	----	*5402 V1B	
	(code M1Q)	1	5402 V1Q	----	----	*5402 V1Q	
	(code M1R)	1	5402 V1R	----	----	*5402 V1R	
	(code M1T)	1	5402 V1T	----	----	*5402 V1T	
	(code M1Y)	1	5402 V1Y	----	----	*5402 V1Y	
	D1, D2 (4 D.)						
	(codes L1B, L4B)	1	5390 V1B	----	5396 V4B		
	(codes L1Q, L4Q)	1	5390 V1Q	----	5396 V4Q		
	(codes L1R, L4R)	1	5390 V1R	----	5396 V4R		
	(codes L1T, L4T)	1	5390 V1T	----	5396 V4T		
	(codes L5B, M5B)	1	5405 V5B				
	(codes L4R, M5R)	1	5405 V5R				
	(codes L5T, M5T)	1	5405 V5T				
	(code L2A)	1	5383 V2A				

* Indicates use as required.

□ Indicates parts not listed in any previous parts book.

Right and left part numbers are on same line, first number is right, second number is left.

• Indicates change or addition.

Printed in U.S.A.

Prices and specifications subject to change without notice.

1964 PASSENGER CAR PARTS CATALOG

INTERIOR TRIM

CODE	REMARKS	PER CAR	SED.	4D H.T	STA. WGN.	2D H.T	CV. CP.
23-108-4	CUSHION, Front Seat - Cont'd D1, D2 (4 D.)						
	(w/rubber pad)						
	(codes L1B, L4B)	1	5391 V1B	----	5397 V4B		
	(codes L1Q, L4Q)	1	5391 V1Q	----	5397 V4Q		
	(codes L1R, L4R)	1	5391 V1R	----	5397 V4R		
	(codes L1T, L4T)	1	5391 V1T	----	5397 V4T		
	(codes L8A, M8A)	1	5387 T8A				
	(code L2A)	1	5384 V2A				
	(codes M1B, M4B)	1	5399 V1B	----	5403 V4B		
	(codes M1Q, M4Q)	1	5399 V1Q	----	5403 V4Q		
	(codes M1R, M4R)	1	5399 V1R	----	5403 V4R		
	(codes M1T, M4T)	1	5399 V1T	----	5403 V4T		
	(codes M1Y, M4Y)	1	5399 V1Y	----	5403 V4Y		
	(w/heavy duty spring)						
	(codes M1B, M4B)	1	5400 V1B	----	5404 V4B		
	(codes M1Q, M4Q)	1	5400 V1Q	----	5404 V4Q		
	(codes M1R, M4R)	1	5400 V1R	----	5404 V4R		
	(codes M1T, M4T)	1	5400 V1T	----	5404 V4T		
	(codes M1Y, M4Y)	1	5400 V1Y	----	5404 V4Y		
	(codes L5B, M5B)	1	5406 V5B				
	(codes L5R, M5R)	1	5406 V5R				
	(codes L5T, M5T)	1	5406 V5T				
	(w/heavy duty spring and rubber pad)						
	(codes L4B, L1B, K1B)	1	5392 V1B	----	5398 V4B		
	(codes L4Q, L1Q, K1Q)	1	5392 V1Q	----	5398 V4Q		
	(codes L4R, L1R, K1R)	1	5392 V1R	----	5398 V4R		
	(codes L4T, L1T, K1T)	1	5392 V1T	----	5398 V4T		
	(codes L2A, K2A)	1	5385 V2A				
	(codes L8A, K8A, T8A, M8A)	1	5388 T8A				
	D1-H, D2-H						
	(code H1B)	1	5407 V1B				
	(code H1Q)	1	5407 V1Q				
	(code H1R)	1	5407 V1R				
	(code H1T)	1	5407 V1T				
	(code H1Y)	1	5407 V1Y				
	(code H4B)	1	*5411 V4B	*5411 V4B	----	*5415 V4B	*5415 V4B
	(code H4Q)	1	*5411 V4Q	*5411 V4Q	----	*5415 V4Q	*5415 V4Q
	(code H4R)	1	*5411 V4R	*5411 V4R	----	*5415 V4R	*5415 V4R
	(code H4T)	1	*5411 V4T	*5411 V4T	----	*5415 V4T	*5415 V4T
	(code H4Y)	1	*5411 V4Y	*5411 V4Y	----	*5415 V4Y	*5415 V4Y
	(code H4X)	1	----	5411 V4X	----	5415 V4X	5415 V4X
	(w/electric seat)						
	(code H1B)	1	5408 V1B				
	(code H1Q)	1	5408 V1Q				
	(code H1R)	1	5408 V1R				
	(code H1T)	1	5408 V1T				
	(code H1Y)	1	5408 V1Y				
	(code H4B)	1	*5414 V4B	*5414 V4B			
	(code H4Q)	1	*5414 V4Q	*5414 V4Q			
	(code H4R)	1	*5414 V4R	*5414 V4R			
	(code H4T)	1	*5414 V4T	*5414 V4T			
	(code H4Y)	1	*5414 V4Y	*5414 V4Y			
	(code H4X)	1	----	5414 V4X			
	D2-P						
	(code P4B)	1	----	----	----	5412-3 V4B	5412-3 V4B
	(code P4Q)	1	----	----	----	5412-3 V4Q	5412-3 V4Q

● Indicates use as required.

□ Indicates parts not listed in any previous parts book.
March 15, 1965 Supersedes May 22, 1964.Prices and specifications subject to change without notice.
Right and left part numbers are on same line,
first number is right, second number is left.

* Indicates change or addition.

Printed in U.S.A.

CODE	REMARKS	PER CAR	SED.	4D H.T	STA. WGN.	2D H.T	CV. CP.
23-108-4	CUSHION, Front Seat - Cont'd D2-P						
	(code P4R)	1	----	----	----	5412-3 V4R	5412-3 V4R
	(code P4T)	1	----	----	----	5412-3 V4T	5412-3 V4T
	(code P4Y)	1	----	----	----	5412-3 V4Y	5412-3 V4Y
	(code P4X)	1	----	----	----	5412-3 V4X	5412-3 V4X
A3-L							
	(codes L1B, L4B)	1	5437 V1B	5441 V4B	5441 V4B	5428 V1B	5426 V4B
	(codes L1Q, L4Q)	1	5437 V1Q	5441 V4Q	5441 V4Q	5428 V1Q	5426 V4Q
	(codes L1R, L4R)	1	5437 V1R	5441 V4R	5441 V4R	5428 V1R	5426 V4R
	(codes L1T, L4T)	1	5437 V1T	5441 V4T	5441 V4T	5428 V1T	5426 V4T
	(codes L1Y, L4Y)	1	5437 V1Y	5441 V4Y	5441 V4Y	5428 V1Y	5426 V4Y
	(code L4X)	1	----	B5441 V4X	B5441V4X	*5426 V4X	*5426 V4X
	(w/airfoam pad)						
	(code L1B)	1	5439 V1B	----	----	5429 V1B	
	(code L1Q)	1	5439 V1Q	----	----	5429 V1Q	
	(code L1R)	1	5439 V1R	----	----	5429 V1R	
	(code L1T)	1	5439 V1T	----	----	5429 V1T	
	(code L1Y)	1	5439 V1Y	----	----	5429 V1Y	
	(w/electric seat)						
	(codes L1B, L4B)	1	5438 V1B	5442 V4B	5442 V4B	5430 V1B	5427 V4B
	(codes L1Q, L4Q)	1	5438 V1Q	5442 V4Q	5442 V4Q	5430 V1Q	5427 V4Q
	(codes L1R, L4R)	1	5438 V1R	5442 V4R	5442 V4R	5430 V1R	5427 V4R
	(codes L1T, L4T)	1	5438 V1T	5442 V4T	5442 V4T	5430 V1T	5427 V4T
	(codes L1Y, L4Y)	1	5438 V1Y	5442 V4Y	5442 V4Y	5430 V1Y	5427 V4Y
	(code L4X)	1	----	*5442 V4X	B5442 V4X	B5430 V4X	B5427 V4X
	(w/electric seat and airfoam pad)						
	(code L1B)	1	5440 V1B	----	----	5431 V1B	
	(code L1Q)	1	5440 V1Q	----	----	5431 V1Q	
	(code L1R)	1	5440 V1R	----	----	5431 V1R	
	(code L1T)	1	5440 V1T	----	----	5431 V1T	
	(code L1Y)	1	5440 V1Y	----	----	5431 V1Y	
A3-E							
	(w/electric seat and rubber pad)						
	(code E1B)	1	5435 V1B	----	5435 V1B		
	(code E1Q)	1	5435 V1Q	----	5435 V1Q		
	(code E1T)	1	5435 V1T	----	5435 V1T		
	(code E1Y)	1	5435 V1Y	----	5435 V1Y		
	(police)						
	(code K1B)	1	5436 V1B	----	5436 V1B		
	(code K1Q)	1	5436 V1Q	----	5436 V1Q		
	(code K1T)	1	5436 V1T	----	5436 V1T		
	(code K1Y)	1	5436 V1Y	----	5436 V1Y		
	(code K2A)	1	*5467 V8A				
	(code K4A)	1	*5468 V5A				
A3-E							
	(code E1B)	1	5432 V1B	----	5432 V1B		
	(code E1Q)	1	5432 V1Q	----	5432 V1Q		
	(code E1T)	1	5432 V1T	----	5432 V1T		
	(code E1Y)	1	5432 V1Y	----	5432 V1Y		
	(w/electric seat)						
	(code E1B)	1	5433 V1B	----	5433 V1B		
	(code E1Q)	1	5433 V1Q	----	5433 V1Q		
	(code E1T)	1	5433 V1T	----	5433 V1T		
	(code E1Y)	1	5433 V1Y	----	5433 V1Y		

★ Indicates use as required.
 □ Indicates parts not listed in any previous parts book.
 Right and left part numbers are on same line, first number is right, second number is left.

Printed in U.S.A.
 Prices and specifications subject to change without notice.
 March 15, 1965 Supersedes May 22, 1964.

Page IT-153

1964 PASSENGER CAR PARTS CATALOG

INTERIOR TRIM

CODE	REMARKS	PER CAR	SED.	4D H.T	STA. WGN.	2D H.T	CV. CP.
23-108-4	CUSHION, Front Seat - Cont'd A3-E (w/rubber pad)						
	(code E1B)	1	5434 V1B	----	5434 V1B		
	(code E1Q)	1	5434 V1Q	----	5434 V1Q		
	(code E1T)	1	5434 V1T	----	5434 V1T		
	(code E1Y)	1	5434 V1Y	----	5434 V1Y		
23-108-5	COVER, Front Seat Cushion L1, L2 (2 D.)						
	(code L1B)	1	5813 V1B				
	(code L1Q)	1	5813 V1Q				
	(code L1R)	1	5813 V1R				
	(code L1T)	1	5813 V1T				
	(code H1B)	1	5815 V1B				
	(code H1Q)	1	5815 V1Q				
	(code H1R)	1	5815 V1R				
	(code H1T)	1	5815 V1T				
	L1, L2 (4 D.)						
	(codes L1B, L5B)	1	5812 V1B	----	5818 V5B		
	(codes L1Q, L5Q)	1	5812 V1Q	----	5818 V5Q		
	(codes L1R, L5R)	1	5812 V1R	----	5818 V5R		
	(codes L1T, L5T)	1	5812 V1T	----	5818 V5T		
	(code H1B)	1	5814 V1B				
	(code H1Q)	1	5814 V1Q				
	(code H1R)	1	5814 V1R				
	(code H1T)	1	5814 V1T				
	(codes L4B, H4B)	1	5817 V4B	----	5817 V4B	----	5816 V4B
	(code H4Q)	1	5817 V4Q	----	5817 V4Q	----	5816 V4Q
	(codes L4R, H4R)	1	5817 V4R	----	5817 V4R	----	5816 V4R
	(codes L4T, H4T)	1	5817 V4T	----	5817 V4T	----	5816 V4T
	(code P4B)	2	----	----	----	5819 V4B	5819 V4B
	(code P4X)	2	----	----	----	5819 V4X	5819 V4X
	(code P4R)	2	----	----	----	5819 V4R	5819 V4R
	(code P4T)	2	----	----	----	5819 V4T	5819 V4T
	(code P4Y)	2	----	----	----	5819 V4Y	5819 V4Y
	D1-L, D2-L (2 D.)						
	(codes L1B, K1B)	1	5844 V1B				
	(codes L1Q, K1Q)	1	5844 V1Q				
	(codes L1R, K1R)	1	5844 V1R				
	(codes L1T, K1T)	1	5844 V1T				
	(codes L2A, K2A)	1	5836 V2A				
	(codes L8A, K8A)	1	5838 V8A				
	D1-L, D2-L (4 D.)						
	(codes L1B, K1B)	1	5843 V1B				
	(codes L1Q, K1Q)	1	5843 V1Q				
	(codes L1R, K1R)	1	5843 V1R				
	(codes L1T, K1T)	1	5843 V1T				
	(codes L2A, K2A)	1	5835 V2A				
	(codes L4B, K4B)	1	----	----	5845 V4B		
	(codes L4Q, K4Q)	1	----	----	5845 V4Q		
	(codes L4R, K4R)	1	----	----	5845 V4R		
	(codes L4T, K4T)	1	----	----	5845 V4T		
	(code L5B)	1	5849 V5B				
	(code L5R)	1	5849 V5R				
	(code L5T)	1	5849 V5T				
	D1-M, D2-M (2 D.)						
	(code M8A)	1	5838 V8A				
	(code M1B)	1	5847 V1B	----	----	5847 V1B	
	(code M1Q)	1	5847 V1Q	----	----	5847 V1Q	

* Indicates use as required.

⊠ Indicates parts not listed in any previous parts book.
March 15, 1965 Supersedes May 22, 1964.

Printed in U.S.A.
Prices and specifications subject to change without notice.
Right and left part numbers are on same line,
first number is right, second number is left.
* Indicates change or addition.

CODE	REMARKS	PER CAR	SED.	4 D H.T	STA. WGN.	2 D H.T	CV. CP.
23-108-5	COVER, Front Seat Cushion-Cont'd						
	D1-M, D2-M (2 D.)						
	(code M1R)	1	5847 V1R	----	----	5847 V1R	
	(code M1T)	1	5847 V1T	----	----	5847 V1T	
	(code M1Y)	1	5847 V1Y	----	----	5847 V1Y	
	D1-M, D2-M (4 D.)						
	(codes M1B, M4B)	1	5846 V1B	----	5848 V4B		
	(codes M1Q, M4Q)	1	5846 V1Q	----	5848 V4Q		
	(codes M1R, M4R)	1	5846 V1R	----	5848 V4R		
	(codes M1T, M4T)	1	5846 V1T	----	5848 V4T		
	(codes M1Y, M4Y)	1	5846 V1Y	----	5848 V4Y		
	(code M5B)	1	5849 V5B				
	(code M5R)	1	5849 V5R				
	(code M5T)	1	5849 V5T				
	D1-H, D2-H (4 D.)						
	(code H1B)	1	5850 V1B				
	(code H1Q)	1	5850 V1Q				
	(code H1R)	1	5850 V1R				
	(code H1T)	1	5850 V1T				
	(code H1Y)	1	5850 V1Y				
	(code H4B)	1	5852 V4B	5852 V4B	----	5852 V4B	5852 V4B
	(code H4Q)	1	5852 V4Q	5852 V4Q	----	5852 V4Q	5852 V4Q
	(code H4R)	1	5852 V4R	5852 V4R	----	5852 V4R	5852 V4R
	(code H4T)	1	5852 V4T	5852 V4T	----	5852 V4T	5852 V4T
	(code H4Y)	1	5852 V4Y	5852 V4Y	----	5852 V4Y	5852 V4Y
		(code H4X)	1	----	----	5852 V4X	5852 V4X
	D2-P						
	(code P4B)	2	----	----	----	5851 V4B	5851 V4B
	(code P4Q)	2	----	----	----	5851 V4Q	5851 V4Q
	(code P4R)	2	----	----	----	5851 V4R	5851 V4R
	(code P4T)	2	----	----	----	5851 V4T	5851 V4T
	(code P4Y)	2	----	----	----	5851 V4Y	5851 V4Y
	(code P4X)	2	----	----	*5851 V4X	*5851 V4X	
	A3-E						
	(codes E1B, K1B)	1	5861 V1B	----	5861 V1B		
	(codes E1Q, K1Q)	1	5861 V1Q	----	5861 V1Q		
	(codes E1T, K1T)	1	5861 V1T	----	5861 V1T		
	(codes E1Y, K1Y)	1	5861 V1Y	----	5861 V1Y		
	(code K2A)	1	5875 V8A				
	(code K4A)	1	5876 V5A				
	A3-L						
	(codes L1B, L4B)	1	5862 V1B	5863 V4B	5863 V4B	5860 V1B	5859 V4B
	(codes L1Q, L4Q)	1	5862 V1Q	5863 V4Q	5863 V4Q	5860 V1Q	5859 V4Q
	(codes L1R, L4R)	1	5862 V1R	5863 V4R	5863 V4R	5860 V1R	5859 V4R
	(codes L1T, L4T)	1	5862 V1T	5863 V1T	5863 V4T	5860 V1T	5859 V4T
	(codes L1Y, L4Y)	1	5862 V1Y	5863 V4Y	5863 V4Y	5860 V1Y	5859 V4Y
		(code L4X)	1	----	⊠5863 V4X	⊠5863 V4X	⊠5859 V4X
23-108-12	BACK, Front Seat						
	L1-L, L2-L (2 D.)						
	(code L1B)	1	5528-9 V1B				
	(code L1Q)	1	5528-9 V1Q				
	(code L1R)	1	5528-9 V1R				
	(code L1T)	1	5528-9 V1T				
	(w/heavy duty spring)						
	(code L1B)	1	5530-1 V1B				
	(code L1Q)	1	5530-1 V1Q				
	(code L1R)	1	5530-1 V1R				
	(code L1T)	1	5530-1 V1T				

* Indicates use as required.

⊠ Indicates parts not listed in any previous parts book.

Right and left part numbers are on same line,

first number is right, second number is left.

Printed in U.S.A.

Prices and specifications subject to change without notice.

1964 PASSENGER CAR PARTS CATALOG

INTERIOR TRIM

CODE	REMARKS	PER CAR	SED.	4D H.T	STA. WGN.	2D H.T	CV. CP.
23-108-12	BACK, Front Seat - Cont'd L1-L, L2-L (4 D.) (codes L1B, L5B)	1	5525 V1B	----	5537 V5B		
	(codes L1Q, L5Q)	1	5525 V1Q	----	5537 V5Q		
	(codes L1R, L5R)	1	5525 V1R	----	5537 V5R		
	(codes L1T, L5T)	1	5525 V1T	----	5537 V5T		
	(code L4B)	1	5536 V4B				
	(code L4R)	1	5536 V4R				
	(code L4T)	1	5536 V4T				
	(w/heavy duty spring)						
	(codes L1B, L5B)	1	5526 V1B	----	5538 V5B		
	(codes L1Q, L5Q)	1	5526 V1Q	----	5538 V5Q		
	(codes L1R, L5R)	1	5526 V1R	----	5538 V5R		
	(codes L1T, L5T)	1	5526 V1T	----	5538 V5T		
	(code L4B)	1	5540 V4B				
	(code L4R)	1	5540 V4R				
	(code L4T)	1	5540 V4T				
L1-H, L2-H (2 D.)	(codes H1B, H4B)	1	5532-3 V1B	----	----	----	5534-5 V4B
	(codes H1Q, H4Q)	1	5532-3 V1Q	----	----	----	5534-5 V4Q
	(codes H1R, H4R)	1	5532-3 V1R	----	----	----	5534-5 V4R
	(codes H1T, H4T)	1	5532-3 V1T	----	----	----	5534-5 V4T
L1-L, L2-L (4 D.)	(code H1B)	1	5527 V1B				
	(code H1Q)	1	5527 V1Q				
	(code H1R)	1	5527 V1R				
	(code H1T)	1	5527 V1T				
	(code H4B)	1	5536 V4B	----	5536 V4B		
	(code H4Q)	1	----	----	5536 V4Q		
	(code H4R)	1	5536 V4R	----	5536 V4R		
	(code H4T)	1	5536 V4T	----	5536 V4T		
D1-L, D2-L (2 D.)	(code L1B)	1	5602-3 V1B				
	(code L1Q)	1	5602-3 V1Q				
	(code L1R)	1	5602-3 V1R				
	(code L1T)	1	5602-3 V1T				
	(code L2A)	1	5576-7 V2A				
	(code L8A)	1	5584-5 V8A				
	(w/heavy duty spring)						
	(codes L1B, K1B)	1	5604-5 V1B				
	(codes L1Q, K1Q)	1	5604-5 V1Q				
	(codes L1R, K1R)	1	5604-5 V1R				
	(codes L1T, K1T)	1	5604-5 V1T				
	(codes L2A, K2A)	1	5580-1 V2A				
	(codes L8A, K8A)	1	5588-9 V8A				
D1-L, D2-L (4 D.)	(codes L1B, L4B)	1	----	----	5597 V4B		
	(codes L1Q, L4Q)	1	----	----	5597 V4Q		
	(codes L1R, L4R)	1	----	----	5597 V4R		
	(codes L1T, L4T)	1	----	----	5597 V4T		
	(code L5B)	1	5614 V5B				
	(code L5R)	1	5614 V5R				
	(code L5T)	1	5614 V5T				
	(code L2A)	1	5572 V2A				
	(code L8A)	1	5575 T8A				
	(code L2A) (w/ash receiver)	1	5573 V2A				
	(w/heavy duty spring)						
	(codes L4B, L1B, K1B, K4B)	1	5596 V1B	----	5598 V4B		
	(codes L4Q, L1Q, K1Q, K4Q)	1	5596 V1Q	----	5598 V4Q		

★ Indicates use as required.

E Indicates parts not listed in any previous parts book.

March 15, 1965 Supersedes May 22, 1964.

Page IT-156

Printed in U.S.A.
 Prices and specifications subject to change without notice.
 Right and left part numbers are on same line,
 first number is right, second number is left.
 * Indicates change or addition.

CODE	REMARKS	PER CAR	SED.	4D H.T	STA. WGN.	2D H.T	CV. CP.
23-108-12	BACK, Front Seat - Cont'd D1-L, D2-L, (4 D.) (w/heavy duty spring) (codes L4R, L1R, K1R, K4R) (codes L4T, L1T, K1T, K4T) (code L5B) (code L5R) (code L5T) (codes L2A, K2A) (codes L8A, K8A, T8A)	1 1 1 1 1 1 1	5596 V1R 5596 V1T 5614 V5B 5614 V5R 5614 V5T 5574 V2A 5582 T8A	---- ---- ---- ---- ---- ---- ----	5598 V4R 5598 V4T		
	D1-M, D2-M (2 D.) (code M1B) (code M1Q) (code M1R) (code M1T) (code M1Y) (code M8A)	1 1 1 1 1 1	5608-9 V1B 5608-9 V1Q 5608-9 V1R 5608-9 V1T 5608-9 V1Y 5584-5 V8A	---- ---- ---- ---- ---- ----	---- ---- ---- ---- ---- ----	5608-9 V1B 5608-9 V1Q 5608-9 V1R 5608-9 V1T 5608-9 V1Y	
	(w/heavy duty spring) (code M1B) (code M1Q) (code M1R) (code M1T) (code M1Y) (code M8A)	1 1 1 1 1 1	5610-1 V1B 5610-1 V1Q 5610-1 V1R 5610-1 V1T 5610-1 V1Y 5588-9 V8A	---- ---- ---- ---- ---- ----	---- ---- ---- ---- ---- ----	5610-1 V1B 5610-1 V1Q 5610-1 V1R 5610-1 V1T 5610-1 V1Y	
	D1-M, D2-M (4 D.) (codes M1B, M4B) (codes M1Q, M4Q) (codes M1R, M4R) (codes M1T, M4T) (codes M1Y, M4Y) (code M5B) (code M5R) (code M5T) (code M8A)	1 1 1 1 1 1 1 1 1	5606 V1B 5606 V1Q 5606 V1R 5606 V1T 5606 V1Y 5614 V5B 5614 V5R 5614 V5T 5575 T8A	---- ---- ---- ---- ---- ---- ---- ---- ----	5612 V4B 5612 V4Q 5612 V4R 5612 V4T 5612 V4Y		
	(w/heavy duty spring) (codes M1B, M4B) (codes M1Q, M4Q) (codes M1R, M4R) (codes M1T, M4T) (codes M1Y, M4Y) (code M5B) (code M5R) (code M5T) (code M8A)	1 1 1 1 1 1 1 1 1	5607 V1B 5607 V1Q 5607 V1R 5607 V1T 5607 V1Y 5615 V5B 5615 V5R 5615 V5T 5582 T8A	---- ---- ---- ---- ---- ---- ---- ---- ----	5613 V4B 5613 V4Q 5613 V4R 5613 V4T 5613 V4Y		
	D1-H, D2-H (code H1B) (code H1Q) (code H1R) (code H1T) (code H1Y) (code H4B) (code H4Q) (code H4R) (code H4T) (code H4Y) (code H4X)	1 1 1 1 1 1 1 1 1 1 1	5616-7 V1B 5616-7 V1Q 5616-7 V1R 5616-7 V1T 5616-7 V1Y 5618-9 V4B 5618-9 V4Q 5618-9 V4R 5618-9 V4T 5618-9 V4Y ----	5618-9 V4B 5618-9 V4Q 5618-9 V4R 5618-9 V4T 5618-9 V4Y 5618-9 V4X	---- ---- ---- ---- ---- ---- ---- ---- ---- ---- ----	5620-1 V4B 5620-1 V4Q 5620-1 V4R 5620-1 V4T 5620-1 V4Y 5620-1 V4X	5620-1 V4B 5620-1 V4Q 5620-1 V4R 5620-1 V4T 5620-1 V4Y 5620-1 V4X
	D2-P (code P4B) (code P4Q)	2 2	---- ----	---- ----	---- ----	5599 V4B 5599 V4Q	5599 V4B 5599 V4Q

★ Indicates use as required.

□ Indicates parts not listed in any previous parts book.

Right and left part numbers are on same line, first number is right, second number is left.

Printed in U.S.A.

Prices and specifications subject to change without notice.

1964 PASSENGER CAR PARTS CATALOG

INTERIOR TRIM

CODE	REMARKS	PER CAR	SED.	4D H.T	STA. WGN.	2D H.T	CV. CP.
23-108-12	BACK, Front Seat - Cont'd D2-P (code P4R) (code P4T) (code P4Y) (code P4X)	2 2 2 2	---- ---- ---- ----	---- ---- ---- ----	---- ---- ---- ----	5599 V4R 5599 V4T 5599 V4Y 5599 V4X	5599 V4R 5599 V4T 5599 V4Y 5599 V4X
	A3-E (code E1B) (code E1Q) (code E1T) (code E1Y) (code K1B) (code K1Q) (code K1T) (code K1Y) (code K2A) (code K4A)	1 1 1 1 1 1 1 1 1 1	5642 V1B 5642 V1Q 5642 V1T 5642 V1Y 5643 V1B 5643 V1Q 5643 V1T 5643 V1Y 5660 V8A 5661 V5A	---- ---- ---- ---- ---- ---- ---- ---- ---- ----	5642 V1B 5642 V1Q 5642 V1T 5642 V1Y 5643 V1B 5643 V1Q 5643 V1T 5643 V1Y		
	A3-L (codes L1B, L4B) (codes L1Q, L4Q) (codes L1R, L4R) (codes L1T, L4T) (codes L1Y, L4Y) (code L4X)	1 1 1 1 1 1	5640 V1B 5640 V1Q 5640 V1R 5640 V1T 5640 V1Y ----	5641 V4B 5641 V4Q 5641 V4R 5641 V4T 5641 V4Y B5641 V4X	5641 V4B 5641 V4Q 5641 V4R 5641 V4T 5641 V4Y B5641 V4X	5636-7 V1B 5636-7 V1Q 5636-7 V1R 5636-7 V1T 5636-7 V1Y	
	A3-L (code L4B) (code L4Q) (code L4R) (code L4T) (code L4Y) (code L4X) (code L4B) (code L4Q) (code L4R) (code L4T) (code L4Y) (code L4X) Push-nut (back to cushion mounting)	1 1 1 1 1 1 1 1 1 1 1 2	---- ---- ---- ---- ---- ---- ---- ---- ---- ---- ---- *6024 203	---- ---- ---- ---- ---- ---- ---- ---- ---- ---- ---- *6024 203	---- ---- ---- ---- ---- ---- B5639 V4X ---- ---- ---- ---- ---- B5638 V4X	5639 V4B 5639 V4Q 5639 V4R 5639 V4T 5639 V4Y B5639 V4X 5638 V4B 5638 V4Q 5638 V4R 5638 V4T 5638 V4Y B5638 V4X *6024 203	
23-108-15	SPRING and COVER, Front Seat Back L1-P, L2-P (code P4B) (code P4R) (code P4T) (code P4Y) (code P4X)	2 2 2 2 2	---- ---- ---- ---- ----	---- ---- ---- ---- ----	---- ---- ---- ---- ----	5713 V4B 5713 V4R 5713 V4T 5713 V4Y 5713 V4X	5713 V4B 5713 V4R 5713 V4T 5713 V4Y 5713 V4X
	D2-P (code P4B) (code P4Q) (code P4R) (code P4T) (code P4Y) (code P4X)	2 2 2 2 2 2	---- ---- ---- ---- ---- ----	---- ---- ---- ---- ---- ----	---- ---- ---- ---- ---- ----	5740 V4B 5740 V4Q 5740 V4R 5740 V4T 5740 V4Y 5740 V4X	5740 V4B 5740 V4Q 5740 V4R 5740 V4T 5740 V4Y 5740 V4X
23-108-16	COVER, Front Seat Back L1, L2 (2 D.) (code L1B) (code L1Q) (code L1R)	1 1 1	5928-9 V1B 5928-9 V1Q 5928-9 V1R				

* Indicates use as required.
 B Indicates parts not listed in any previous parts book.
 March 15, 1965 Supersedes May 22, 1964.

Printed in U.S.A.
 Prices and specifications subject to change without notice.
 Right and left part numbers are on same line,
 first number is right, second number is left.
 * Indicates change or addition.

CODE	REMARKS	PER CAR	SED.	40 H.T	STA. WGN.	20 H.T	CV. CP.
23-108-16	COVER, Front Seat Back - Cont'd						
	L1, L2 (2 D.)						
	(code L1T)	1	5928-9 V1T				
	(code H1B)	1	5930-1 V1B				
	(code H1Q)	1	5930-1 V1Q				
	(code H1R)	1	5930-1 V1R				
	(code H1T)	1	5930-1 V1T				
	L1, L2 (4 D.)						
	(codes L1B, L5B)	1	5926 V1B	----	5935 V5B		
	(codes L1Q, L5Q)	1	5926 V1Q	----	5935 V5Q		
	(codes L1R, L5R)	1	5926 V1R	----	5935 V5R		
	(codes L1T, L5T)	1	5926 V1T	----	5935 V5T		
	(code H1B)	1	5927 V1B				
	(code H1Q)	1	5927 V1Q				
	(code H1R)	1	5927 V1R				
	(code H1T)	1	5927 V1T				
	(codes L4B, H4B)	1	5934 V4B	----	5934 V4B	----	5932-3 V4B
	(code H4Q)	1	5934 V4Q	----	5934 V4Q	----	5932-3 V4Q
	(codes L4R, H4R)	1	5934 V4R	----	5934 V4R	----	5932-3 V4R
	(codes L4T, H4T)	1	5934 V4T	----	5934 V4T	----	5932-3 V4T
	(code P4B)	2	----	----	----	5936 V4B	5936 V4B
	(code P4X)	2	----	----	----	5936 V4X	5936 V4X
	(code P4R)	2	----	----	----	5936 V4R	5936 V4R
	(code P4T)	2	----	----	----	5936 V4T	5936 V4T
	(code P4Y)	2	----	----	----	5936 V4Y	5936 V4Y
	D1, D2 (2 D.)						
	(codes L1B, K1B)	1	5994-5 V1B				
	(codes L1Q, K1Q)	1	5994-5 V1Q				
	(codes L1R, K1R)	1	5994-5 V1R				
	(codes L1T, K1T)	1	5994-5 V1T				
	(codes L2A, K2A)	1	5968-9 V2A				
	(codes L8A, K8A, M8A)	1	5972-3 V8A				
	(code M1B)	1	5998-9 V1B	----	----	5998-9 V1B	
	(code M1Q)	1	5998-9 V1Q	----	----	5998-9 V1Q	
	(code M1R)	1	5998-9 V1R	----	----	5998-9 V1R	
	(code M1T)	1	5998-9 V1T	----	----	5998-9 V1T	
	(code M1Y)	1	5998-9 V1Y	----	----	5998-9 V1Y	
	(code P4B)	2	----	----	----	6004 V4B	6004 V4B
	(code P4Q)	2	----	----	----	6004 V4Q	6004 V4Q
	(code P4R)	2	----	----	----	6004 V4R	6004 V4R
	(code P4T)	2	----	----	----	6004 V4T	6004 V4T
	(code P4Y)	2	----	----	----	6004 V4Y	6004 V4Y
	(code P4X)	1	----	----	----	6004 V4X	6004 V4X
	(code H4B)	1	----	----	----	6006-7 V4B	6006-7 V4B
	(code H4Q)	1	----	----	----	6006-7 V4Q	6006-7 V4Q
	(code H4R)	1	----	----	----	6006-7 V4R	6006-7 V4R
	(code H4T)	1	----	----	----	6006-7 V4T	6006-7 V4T
	(code H4Y)	1	----	----	----	6006-7 V4Y	6006-7 V4Y
	(code H4X)	1	----	----	----	6006-7 V4X	6006-7 V4X
	D1, D2 (4 D.)						
	(codes L1B, K1B)	1	5993 V1B				
	(codes L1Q, K1Q)	1	5993 V1Q				
	(codes L1R, K1R)	1	5993 V1R				
	(codes L1T, K1T)	1	5993 V1T				
	(codes L2A, K2A)	1	5967 V2A				
	(codes L8A, K8A, T8A, M8A)	1	5970 T8A				
	(codes L5B, M5B)	1	*6001 V5B				
	(codes L5R, M5R)	1	*6001 V5R				

★ Indicates use as required.

☐ Indicates parts not listed in any previous parts book.
Right and left part numbers are on same line,
first number is right, second number is left.

Printed in U.S.A.
Prices and specifications subject to change without notice.

1964 PASSENGER CAR PARTS CATALOG

INTERIOR TRIM

CODE	REMARKS	PER CAR	SED.	4D H.T	STA. WGN.	2D H.T	CV. CP.	
23-108-16	COVER, Front Seat Back-Cont'd D1, D2 (4 D.) (codes L5T, M5T) (codes L4B, K4B) (codes L4Q, K4Q) (codes L4R, K4R) (codes L4T, K4T) (codes M1B, M4B) (codes M1Q, M4Q) (codes M1R, M4R) (codes M1T, M4T) (codes M1Y, M4Y)	1 1 1 1 1 1 1 1 1 1	*6001 V5T ----- ----- ----- ----- 5997 V1B 5997 V1Q 5997 V1R 5997 V1T 5997 V1Y	----- ----- ----- ----- ----- ----- ----- ----- ----- -----	----- ----- ----- ----- ----- ----- ----- ----- ----- -----	5996 V4B 5996 V4Q 5996 V4R 5996 V4T 6000 V4B 6000 V4Q 6000 V4R 6000 V4T 6000 V4Y		
	(code H1B) (code H1Q) (code H1R) (code H1T) (code H1Y) (code H4B) (code H4Q) (code H4R) (code H4T) (code H4Y)	1 1 1 1 1 1 1 1 1 1	6002-3 V1B 6002-3 V1Q 6002-3 V1R 6002-3 V1T 6002-3 V1Y 6006-7 V4B 6006-7 V4Q 6006-7 V4R 6006-7 V4T 6006-7 V4Y	----- ----- ----- ----- ----- 6006-7 V4B 6006-7 V4Q 6006-7 V4R 6006-7 V4T 6006-7 V4Y				
	A3-E (codes E1B, K1B) (codes E1Q, K1Q) (codes E1T, K1T) (codes E1Y, K1Y) (code K2A) (code K4A)	1 1 1 1 1 1	6032 V1B 6032 V1Q 6032 V1T 6032 V1Y 6056 V8A 6057 V5A	----- ----- ----- ----- ----- -----	6032 V1B 6032 V1Q 6032 V1T 6032 V1Y			
	A3-L (codes L1B, L4B) (codes L1Q, L4Q) (codes L1R, L4R) (codes L1T, L4T) (codes L1Y, L4Y)	1 1 1 1 1	6030 V1B 6030 V1Q 6030 V1R 6030 V1T 6030 V1Y	6031 V4B 6031 V4Q 6031 V4R 6031 V4T 6031 V4Y	6031 V4B 6031 V4Q 6031 V4R 6031 V4T 6031 V4Y	6026-7 V1B 6026-7 V1Q 6026-7 V1R 6026-7 V1T 6026-7 V1Y	6028-9 V4B 6028-9 V4Q 6028-9 V4R 6028-9 V4T 6028-9 V4Y	
	(code L4B) (code L4Q) (code L4R) (code L4T) (code L4Y) (code L4X)	1 1 1 1 1 1	----- ----- ----- ----- ----- -----	*6031 V4B *6031 V4Q *6031 V4R *6031 V4T *6031 V4Y B6031 V4X	*6031 V4B *6031 V4Q *6031 V4R *6031 V4T *6031 V4Y B6031 V4X	----- ----- ----- ----- ----- B6028-9 V4X	*6028-9 V4B *6028-9 V4Q *6028-9 V4R *6028-9 V4T *6028-9 V4Y B6028-9 V4X	
23-108-32	PANEL or COVER, Back of Front Seat Back L1-P (code P4B) (code P4R) (code P4T) (code P4Y) (code P4X)	2 2 2 2 2	----- ----- ----- ----- -----	----- ----- ----- ----- -----	----- ----- ----- ----- -----	*6112 V4B *6112 V4R *6112 V4T *6112 V4Y *6112 V4X	6112 V4B 6112 V4R 6112 V4T 6112 V4Y 6112 V4X	
	D2-P (code P4B) (code P4Q) (code P4R) (code P4T) (code P4Y) (code P4X)	2 2 2 2 2 2	----- ----- ----- ----- ----- -----	----- ----- ----- ----- ----- -----	----- ----- ----- ----- ----- -----	*6133 V4B *6133 V4Q *6133 V4R *6133 V4T *6133 V4Y *6133 V4X	*6133 V4B *6133 V4Q *6133 V4R *6133 V4T *6133 V4Y *6133 V4X	

* Indicates use as required.

B Indicates parts not listed in any previous parts book.
March 15, 1965 Supersedes May 22, 1964.Printed in U.S.A.
Prices and specifications subject to change without notice.
Right and left part numbers are on same line,
first number is right, second number is left.
* Indicates change or addition.

CODE	REMARKS	PER CAR	SED.	4D H.T	STA. WGN.	2D H.T	CV. CP.
23-108-57	NUT, Front Seat Cushion Bumper to Rear Rail D1, D2	4	*2094 869				
23-108-84	COVER, Front Seat Back Hinge L1, L2 (2 D.) (outer)	1	4326-7 TZ1	----	----	----	4326-7 TZ1
	D1, D2 (4 D.) (outer)	1	4382-3 VZ1	----	----	4382-3 VZ1	4382-3 VZ1
	D1, D2 (2 D.) (side) Right	1	B4338 VX9	----	----	B4338 VX9	B4338 VX9
	(side) Left	1	B4337 VX9	----	----	B4337 VX9	B4337 VX9
	Clip	2	*6008 221	----	----	*6008 221	*6008 221
23-108-98	SHIELD, Front Seat Side L1, L2 (back)	4	----	----	----	2440 219	2440 219
	(cushion)	2	----	----	----	2440 340	2440 340
	D1, D2 (cushion) Right (manual and electric)	1	2419 412	2419 412	----	2419 412	2419 412
	Left (manual)	1	2419 413	2419 413	----	2419 413	2419 413
	Left (electric) (back)	1	2419 969	2419 969	----	2419 969	2419 969
	D2-P (bucket seats) (back)	4	*2494 106	*2494 106	----	*2494 106	*2494 106
	(cushion)	2	----	----	----	2440 219	2440 219
						2440 340	2440 340
A3-L	(manual and power) Right	1	2080 732	2080 732	2080 732	2080 732	2080 732
	(power) Left	1	2080 733	2080 733	2080 733	2080 733	2080 733
	(manual) Left	1	2080 737	2080 737	2080 737	2080 737	2080 737
	Clip	2	*6008 217	*6008 217	*6008 217	*6008 217	*6008 217
23-108-100	CUP WASHER, Front Seat Side Shield to Seat Frame D1-H, D2-H	2	*2419 974	2419 974	----	*2419 974	*2419 974
	Nut	2	*6024 162	*6024 162	----	*6024 162	*6024 162
	Nut and Washer	2	* 120 375	* 120 375	----	* 120 375	* 120 375
23-108-142	BRACKET, Front Seat Side Shield to Seat Frame D1-H, D2-H	2	*2419 957	*2419 957	----	*2419 957	*2419 957
23-109-3	BACK, Rear Seat L1-L, L2-L (codes L1B, L5B) (codes L1Q, L5Q) (codes L1R, L5R) (codes L1T, L5T) (code L4B) (code L4R) (code L4T)	1 1 1 1 1 1 1	6525 V1B 6525 V1Q 6525 V1R 6525 V1T 6529 V4B 6529 V4R 6529 V4T	----	6530 V5B 6530 V5Q 6530 V5R 6530 V5T		
	(w/heavy duty spring) (code L1B) (code L1Q) (code L1R) (code L1T) (code L4B) (code L4R) (code L4T)	1 1 1 1 1 1 1	6533 V1B 6533 V1Q 6533 V1R 6533 V1T 6534 V4B 6534 V4R 6534 V4T				
	L1-H, L2-H (code H1B) (code H1Q)	1 1	6526 V1B 6526 V1Q				

* Indicates use as required.
 B Indicates parts not listed in any previous parts book.
 Right and left part numbers are on same line,
 first number is right, second number is left.
 * Indicates change or addition.

1964 PASSENGER CAR PARTS CATALOG

INTERIOR TRIM

CODE	REMARKS	PER CAR	SED.	4D H.T	STA. WGN.	2D H.T	CV. CP.
23-109-3	BACK, Rear Seat - Cont'd						
	L1H, L2H						
	(code H1R)	1	6526 V1R				
	(code H1T)	1	6526 V1T				
	(code H4B)	1	6529 V4B	----	6528 V4B	----	6535 V4B
	(code H4Q)	1	----	----	6528 V4Q	----	6535 V4Q
	(code H4R)	1	6529 V4R	----	6528 V4R	----	6535 V4R
	(code H4T)	1	6529 V4T	----	6528 V4T	----	6535 V4T
	L1-P, L2-P						
	(code P4B)	1	----	----	----	6531 V4B	6536 V4B
	(code P4X)	1	----	----	----	6531 V4X	6536 V4X
	(code P4R)	1	----	----	----	6531 V4R	6536 V4R
	(code P4T)	1	----	----	----	6531 V4T	6536 V4T
	(code P4Y)	1	----	----	----	6531 V4Y	6536 V4Y
	D1-L, D2-L						
	(code L1B)	1	6586 V1B				
	(code L1Q)	1	6586 V1Q				
	(code L1R)	1	6586 V1R				
	(code L1T)	1	6586 V1T				
	(code L2A)	1	6600 V2A				
	(codes L5B, L4B, K4B)	1	6593 V5B	----	6592 V4B		
	(codes L4Q, K4Q)	1	----	----	6592 V4Q		
	(codes L5R, L4R, K4R)	1	6593 V5R	----	6592 V4R		
	(codes L5T, L4T, K4T)	1	6593 V5T	----	6592 V4T		
	(code L8A)	1	6602 V8A				
	(w/heavy duty spring)						
	(codes L1B, K1B)	1	6587 V1B				
	(codes L1Q, K1Q)	1	6587 V1Q				
	(codes L1R, K1R)	1	6587 V1R				
	(codes L1T, K1T)	1	6587 V1T				
	(codes L2A, K2A)	1	6601 V2A				
	(codes L8A, K8A, T8A)	1	6603 V8A				
	(code L5B)	1	6594 V5B				
	(code L5R)	1	6594 V5R				
	(code L5T)	1	6594 V5T				
	(3rd seat)(spring and cover)						
	(code L4B)	1	----	----	7056 V4B		
	(code L4Q)	1	----	----	7056 V4Q		
	(code L4R)	1	----	----	7056 V4R		
	(code L4T)	1	----	----	7056 V4T		
	D1-M, D2-M						
	(codes M1B, M4B)	1	6588 V1B	----	6591 V4B	6590 V1B	
	(codes M1Q, M4Q)	1	6588 V1Q	----	6591 V4Q	6590 V1Q	
	(codes M1R, M4R)	1	6588 V1R	----	6591 V4R	6590 V1R	
	(codes M1T, M4T)	1	6588 V1T	----	6591 V4T	6590 V1T	
	(codes M1Y, M4Y)	1	6588 V1Y	----	6591 V4Y	6590 V1Y	
	(code M8A)	1	6602 V8A				
	(code M5B)	1	6593 V5B				
	(code M5R)	1	6593 V5R				
	(code M5T)	1	6593 V5T				
	(w/heavy duty spring)						
	(code M1B)	1	6589 V1B				
	(code M1Q)	1	6589 V1Q				
	(code M1R)	1	6589 V1R				
	(code M1T)	1	6589 V1T				
	(code M1Y)	1	6589 V1Y				
	(code M8A)	1	6603 V8A				
	(code M5B)	1	6594 V5B				
	(code M5R)	1	6594 V5R				
	(code M5T)	1	6594 V5T				

★ Indicates use as required.

☐ Indicates parts not listed in any previous parts book.
March 15, 1965 Supersedes May 22, 1964.Printed in U.S.A.
Prices and specifications subject to change without notice.
Right and left part numbers are on same line,
first number is right, second number is left.

CODE	REMARKS	PER CAR	SED.	4D H.T	STA. WGN.	2D H.T	CV. CP.
23-109-3	BACK, Rear Seat - Cont'd						
	D2-M (3rd seat)						
	(code M4B)	1	----	----	7054 V4B		
	(code M4Q)	1	----	----	7054 V4Q		
	(code M4R)	1	----	----	7054 V4R		
	(code M4T)	1	----	----	7054 V4T		
	(code M4Y)	1	----	----	7054 V4Y		
	D1-H, D2-H						
	(code H1B)	1	6595 V1B				
	(code H1Q)	1	6595 V1Q				
	(code H1R)	1	6595 V1R				
	(code H1T)	1	6595 V1T				
	(code H1Y)	1	6595 V1Y				
	(code H4B)	1	6598 V4B	6598 V4B	----	6597 V4B	6606 V4B
	(code H4Q)	1	6598 V4Q	6598 V4Q	----	6597 V4Q	6606 V4Q
	(code H4R)	1	6598 V4R	6598 V4R	----	6597 V4R	6606 V4R
	(code H4T)	1	6598 V4T	6598 V4T	----	6597 V4T	6606 V4T
	(code H4Y)	1	6598 V4Y	6598 V4Y	----	6597 V4Y	6606 V4Y
	(code H4X)	1	----	6598 V4X	----	6597 V4X	6606 V4X
	D2-P						
	(code P4B)	1	----	----	----	6604 V4B	6599 V4B
	(code P4Q)	1	----	----	----	6604 V4Q	6599 V4Q
	(code P4R)	1	----	----	----	6604 V4R	6599 V4R
	(code P4T)	1	----	----	----	6604 V4T	6599 V4T
	(code P4Y)	1	----	----	----	6604 V4Y	6599 V4Y
	(code P4X)	1	----	----	----	6604 V4X	
	A3-E (2nd seat Sta. Wgn.)						
	(code E1B)	1	6624 V1B	----	6626 V1B		
	(code E1Q)	1	6624 V1Q	----	6626 V1Q		
	(code E1T)	1	6624 V1T	----	6626 V1T		
	(code E1Y)	1	6624 V1Y	----	6626 V1Y		
	(code K1B)	1	6625 V1B	----	6626 V1B		
	(code K1Q)	1	6625 V1Q	----	6626 V1Q		
	(code K1T)	1	6625 V1T	----	6626 V1T		
	(code K1Y)	1	6625 V1Y	----	6626 V1Y		
	(code K2A)	1	6657 V8A				
	(code K4A)	1	6658 V5A				
	A3-E (3rd seat)						
	(code E1B)	1	----	----	7076 V1B		
	(code E1Q)	1	----	----	7076 V1Q		
	(code E1T)	1	----	----	7076 V1T		
	(code E1Y)	1	----	----	7076 V1Y		
	A3-L						
	(codes L1B, L4B)	1	6620 V1B	6621 V4B	6623 V4B	6622 V1B	6627 V4B
	(codes L1Q, L4Q)	1	6620 V1Q	6621 V4Q	6623 V4Q	6622 V1Q	6627 V4Q
	(codes L1R, L4R)	1	6620 V1R	6621 V4R	6623 V4R	6622 V1R	6627 V4R
	(codes L1T, L4T)	1	6620 V1T	6621 V4T	6623 V4T	6622 V1T	6627 V4T
	(codes L1Y, L4Y)	1	6620 V1Y	6621 V4Y	6623 V4Y	6622 V1Y	6627 V4Y
	(code L4X)	1	----	⊕6621 V4X	----	⊕7737 V4X	⊕6627 V4X
	A3-L (3rd seat)						
	(code L4B)	1	----	----	7072 V4B		
	(code L4Q)	1	----	----	7072 V4Q		
	(code L4R)	1	----	----	7072 V4R		
	(code L4T)	1	----	----	7072 V4T		
	(code L4Y)	1	----	----	7072 V4Y		
23-109-4	COVER, Rear Seat Back						
	L1 (2nd seat Sta. Wgn.)						
	(codes L1B, L5B)	1	6726 V1B	----	6731 V5B		
	(codes L1Q, L5Q)	1	6726 V1Q	----	6731 V5Q		

* Indicates use as required.

⊕ Indicates parts not listed in any previous parts book.

Right and left part numbers are on same line,

first number is right, second number is left.

Printed in U.S.A.

Prices and specifications subject to change without notice.

March 15, 1965 Supersedes May 22, 1964.

1964 PASSENGER CAR PARTS CATALOG

INTERIOR TRIM

CODE	REMARKS	PER CAR	SED.	4D H.T.	STA. WGN.	2D H.T.	CV. CP.
23-109-4	COVER, Rear Seat Back - Cont'd						
	L1 (2nd seat Sta. Wgn.)						
	(codes L1R, L5R)	1	6726 V1R	----	6731 V5R		
	(codes L1T, L5T)	1	6726 V1T	----	6731 V5T		
	(codes L4B, H4B)	1	6730 V4B				
	(codes L4R, H4R)	1	6730 V4R				
	(codes L4T, H4T)	1	6730 V4T				
	(codes H1B, H4B)	1	6727 V1B	----	6729 V4B	----	6728 V4B
	(codes H1Q, H4Q)	1	6727 V1Q	----	6729 V4Q	----	6728 V4Q
	(codes H1R, H4R)	1	6727 V1R	----	6729 V4R	----	6728 V4R
	(codes H1T, H4T)	1	6727 V1T	----	6729 V4T	----	6728 V4T
	L1-P						
	(code P4B)	1	----	----	----	6732 V4B	6733 V4B
	(code P4X)	1	----	----	----	6732 V4X	6733 V4X
	(code P4R)	1	----	----	----	6732 V4R	6733 V4R
	(code P4T)	1	----	----	----	6732 V4T	6733 V4T
	(code P4Y)	1	----	----	----	6732 V4Y	6733 V4Y
	D1-L, D2-L (2nd seat)						
	(codes L1B, K1B)	1	*6781 V1B				
	(codes L1Q, K1Q)	1	6781 V1Q				
	(codes L1R, K1R)	1	6781 V1R				
	(codes L1T, K1T)	1	6781 V1T				
	(codes L2A, K2A)	1	6791 V2A				
	(codes L8A, K8A, T8A)	1	6792 V8A				
	(codes L5B, L4B, K4B)	1	*6786 V5B	----	*6785 V4B		
	(codes L4Q, K4Q)	1	----	----	*6785 V4Q		
	(codes L5R, L4R, K4R)	1	*6786 V5R	----	*6785 V4R		
	(codes L5T, L4T, K4T)	1	*6786 V5T	----	*6785 V4T		
	D1-L, D2-L (3rd seat)						
	(code L4B)	1	----	----	7055 V4B		
	(code L4Q)	1	----	----	7055 V4Q		
	(code L4R)	1	----	----	7055 V4R		
	(code L4T)	1	----	----	7055 V4T		
	D1-M, D2-M (2nd seat Sta. Wgn.)						
	(codes M1B, M4B)	1	6782 V1B	----	6784 V4B	6783 V1B	
	(codes M1Q, M4Q)	1	6782 V1Q	----	6784 V4Q	6783 V1Q	
	(codes M1R, M4R)	1	6782 V1R	----	6784 V4R	6783 V1R	
	(codes M1T, M4T)	1	6782 V1T	----	6784 V4T	6783 V1T	
	(codes M1Y, M4Y)	1	6782 V1Y	----	6784 V4Y	6783 V1Y	
	(code M8A)	1	6792 V8A				
	(code M5B)	1	6786 V5B				
	(code M5R)	1	6786 V5R				
	(code M5T)	1	6786 V5T				
	D2-M (3rd seat)						
	(code M4B)	1	----	----	7053 V4B		
	(code M4Q)	1	----	----	7053 V4Q		
	(code M4R)	1	----	----	7053 V4R		
	(code M4T)	1	----	----	7053 V4T		
	(code M4Y)	1	----	----	7053 V4Y		
	D1-H, D2-H						
	(code H1B)	1	6787 V1B				
	(code H1Q)	1	6787 V1Q				
	(code H1R)	1	6787 V1R				
	(code H1T)	1	6787 V1T				
	(code H1Y)	1	6787 V1Y				
	(code H4B)	1	6790 V4B	6790 V4B	----	6789 V4B	6788 V4B
	(code H4Q)	1	6790 V4Q	6790 V4Q	----	6789 V4Q	6788 V4Q

★ Indicates use as required.

□ Indicates parts not listed in any previous parts book.
March 15, 1965 Supersedes May 22, 1964.

Printed in U.S.A.
Prices and specifications subject to change without notice.
Right and left part numbers are on same line,
first number is right, second number is left.
* Indicates change or addition

INTERIOR TRIM 1964 PASSENGER CAR PARTS CATALOG

CODE	REMARKS	PER CAR	SED.	4D H.T	STA. WGN.	2D H.T	CV. CP.
23-109-4	COVER, Rear Seat Back - Cont'd						
	D1-H, D2-H (code H4R)	1	6790 V4R	6790 V4R	---- --	6789 V4R	6788 V4R
	(code H4T)	1	6790 V4T	6790 V4T	---- --	6789 V4T	6788 V4T
	(code H4Y)	1	6790 V4Y	6790 V4Y	---- --	6789 V4Y	6788 V4Y
	(code H4X)	1	6790 V4X	6790 V4X	---- --	6789 V4X	6788 V4X
	D2-P						
	(code P4B)	1	----	----	----	6794 V4B	6793 V4B
	(code P4Q)	1	----	----	----	6794 V4Q	6793 V4Q
	(code P4R)	1	----	----	----	6794 V4R	6793 V4R
	(code P4T)	1	----	----	----	6794 V4T	6793 V4T
	(code P4Y)	1	----	----	----	6794 V4Y	6793 V4Y
	(code P4X)	1	----	----	----	6794 V4X	6793 V4X
	A3-E (2nd seat Sta. Wgn.)						
	(codes E1B, K1B)	1	6813 V1B	----	6814 V1B		
	(codes E1Q, K1Q)	1	6813 V1Q	----	6814 V1Q		
	(codes E1T, K1T)	1	6813 V1T	----	6814 V1T		
	(codes E1Y, K1Y)	1	6813 V1Y	----	6814 V1Y		
	A3-E (3rd seat)						
	(code E1B)	1	----	----	7075 V1B		
	(code E1Q)	1	----	----	7075 V1Q		
	(code E1T)	1	----	----	7075 V1T		
	(code E1Y)	1	----	----	7075 V1Y		
	A3-L						
	(codes L1B, L4B)	1	6809 V1B	6810 V4B	6812 V4B	6811 V1B	6815 V4B
	(codes L1Q, L4Q)	1	6809 V1Q	6810 V4Q	6812 V4Q	6811 V1Q	6815 V4Q
	(codes L1R, L4R)	1	6809 V1R	6810 V4R	6812 V4R	6811 V1R	6815 V4R
	(codes L1T, L4T)	1	6809 V1T	6810 V4T	6812 V4T	6811 V1T	6815 V4T
	(codes L1Y, L4Y)	1	6809 V1Y	6810 V4Y	6812 V4Y	6811 V1Y	6815 V4Y
	(code L4X)	1	----	E6810 V4X	----	E7736 V4X	E6815 V4X
	A3-L (3rd seat)						
	(code L4B)	1	----	----	7071 V4B		
	(code L4Q)	1	----	----	7071 V4Q		
	(code L4R)	1	----	----	7071 V4R		
	(code L4T)	1	----	----	7071 V4T		
	(code L4Y)	1	----	----	7071 V4Y		
23-109-5	INSERT or COVER, Rear Seat Back Rear Panel						
	D1, D2 (Sta. Wgn. 2nd seat)						
	(codes L4B, K4B, M4B)	1	----	----	1804 VB8		
	(codes L4Q, K4Q, M4Q)	1	----	----	1804 VQ8		
	(codes L4T, K4T, M4T)	1	----	----	1804 VT8		
	(code M4Y)	1	----	----	1804 VY8		
	(codes L4R, M4R, K4R)	1	----	----	*1804 TR8		
	D1, D2 (Sta. Wgn. 3rd seat)						
	(codes L4B, M4B)	1	----	----	1805 VB8		
	(codes L4Q, M4Q)	1	----	----	1805 VQ8		
	(codes L4T, M4T)	1	----	----	1805 VT8		
	(code M4Y)	1	----	----	1805 VY8		
	(codes L4R, M4R, K4R)	1	----	----	*1805 TR8		
	D1, D2 (Sta. Wgn. 3rd seat) (back support panel)						
	(codes L4B, K4B, M4B)	1	----	----	1806 VB8		
	(codes L4Q, K4Q, M4Q)	1	----	----	1806 VQ8		
	(codes L4T, K4T, M4T)	1	----	----	1806 VT8		
	(code M4Y)	1	----	----	1806 VY8		
	(codes L4R, M4R, K4R)	1	----	----	E1806 TR6		

★ Indicates use as required.

⊠ Indicates parts not listed in any previous parts book.
Right and left part numbers are on same line,
first number is right, second number is left.

* Indicates change or addition

Printed in U.S.A.
Prices and specifications subject to change without notice.
March 15, 1965 Supersedes May 22, 1964.

CODE	REMARKS	PER CAR	SED.	4D H.T.	STA. WGN.	2D H.T.	CV. CP.
23-109-5	INSERT or COVER, Rear Seat Back Rear Panel - Cont'd A3 (2nd seat Sta. Wgn.) (codes E1B, K1B, L4B) (codes L4R) (codes E1T, K1T, L4T) (codes E1Q, K1Q, L4Q) (codes E1Y, K1Y, L4Y)	1 1 1 1 1	----- ----- ----- ----- -----	----- ----- ----- ----- -----	1816 VB8 1816 VR7 1816 VT8 1816 VQ8 1816 VY8		
	A3 (3rd seat Sta. Wgn.) (codes E1B, K1B, L4B) (code L4R) (codes E1T, K1T, L4T) (codes E1Q, K1Q, L4Q) (codes E1Y, K1Y, L4Y)	1 1 1 1 1	----- ----- ----- ----- -----	----- ----- ----- ----- -----	1815 VB8 1815 VR7 1815 VT8 1815 VQ8 1815 VY8		
23-109-6	FOUNDATION, Back of Rear Seat Back, Upper D2 (paint as required)	1	-----	-----	-----	-----	4364 VT6
23-109-19	PLATE and COVER, Radio Speaker Grill, Rear Back A3-L (code L4B) (code L4Q) (code L4R) (code L4T) (code L4Y)	1 1 1 1 1	----- ----- ----- ----- -----	----- ----- ----- ----- -----	----- ----- ----- ----- -----	----- ----- ----- ----- -----	*4917 VB6 E4917 VQ5 *4917 VR7 *4917 VT6 E4917 VY5
23-109-35	CUSHION, Rear Seat L1-L, L2-L (code L1B) (code L1Q) (code L1R) (code L1T) (w/heavy duty spring) (code L1B) (code L1Q) (code L1R) (code L1T)	1 1 1 1 1 1 1 1 1	6227 V1B 6227 V1Q 6227 V1R 6227 V1T 6235 V1B 6235 V1Q 6235 V1R 6235 V1T				
	L1-L, L2-L (4 D.) (codes L4B, H4B) (codes L4R, H4R) (codes L4T, H4T) (w/heavy duty spring) (codes L4B, H4B) (codes L4R, H4R) (codes L4T, H4T)	1 1 1 1 1 1 1	6231 V4B 6231 V4R 6231 V4T 6236 V4B 6236 V4R 6236 V4T				
	L1, L2 (Sta. Wgn. 2nd seat) (code L5B) (code L5Q) (code L5R) (code L5T) (code H4B) (code H4Q) (code H4R) (code H4T)	1 1 1 1 1 1 1 1	----- ----- ----- ----- ----- ----- ----- -----	----- ----- ----- ----- ----- ----- ----- -----	6232 V5B 6232 V5Q 6232 V5R 6232 V5T 6230 V4B 6230 V4Q 6230 V4R 6230 V4T		
	L1-H, L2-H (codes H1B, H4B) (codes H1Q, H4Q) (codes H1R, H4R) (codes H1T, H4T) Y1-M (fw/hex. Design in body cloth) C3-H, Y1 (paint as required)	1 1 1 1 2	6228 V1B 6228 V1Q 6228 V1R 6228 V1T E2702 VT4	----- ----- ----- ----- E2702 VT4	----- ----- ----- ----- -----	----- ----- ----- ----- E2702 VT4	6229 V4B 6229 V4Q 6229 V4R 6229 V4T

★ Indicates use as required.

E Indicates parts not listed in any previous parts book.
March 15, 1965 Supersedes May 22, 1964.

Printed in U.S.A.

Prices and specifications subject to change without notice.
Right and left part numbers are on same line,
first number is right, second number is left.

CODE	REMARKS	PER CAR	SED.	4D H.T	STA. WGN.	2D H.T	CV. CP.
23-109-35	CUSHION, Rear Seat - Cont'd						
	L1-P, L2-P						
	(code P4B)	1	----	----	----	6233 V4B	6234 V4B
	(code P4X)	1	----	----	----	6233 V4X	6234 V4X
	(code P4R)	1	----	----	----	6233 V4R	6234 V4R
	(code P4T)	1	----	----	----	6233 V4T	6234 V4T
	(code P4Y)	1	----	----	----	6233 V4Y	6234 V4Y
	D1-L, D2-L (Sta. Wgn. 2nd seat)						
	(code L1B)	1	6289 V1B				
	(code L1Q)	1	6289 V1Q				
	(code L1R)	1	6289 V1R				
	(code L1T)	1	6289 V1T				
	(code L2A)	1	6308 V2A				
	(codes L8A, M8A)	1	6312 T8A				
	D1-L, D2-L (w/airfoam pad)						
	(code L1B)	1	6290 V1B				
	(code L1Q)	1	6290 V1Q				
	(code L1R)	1	6290 V1R				
	(code L1T)	1	6290 V1T				
	(code L2A)	1	6310 V2A				
	(codes L8A, M8A)	1	6313 T8A				
	D1-L, D2-L (2nd seat Sta. Wgn.)						
	(codes L4B, L5B)	1	6298 V5B	----	6293 V4B		
	(code L4Q)	1	6298 V5Q	----	6293 V4Q		
	(codes L4R, L5R)	1	6298 V5R	----	6293 V4R		
	(codes L4T, L5T)	1	6298 V5T	----	6293 V4T		
	D1-L, D2-L (3rd seat)						
	(code L4B)	1	----	----	7050 V4B		
	(code L4Q)	1	----	----	7050 V4Q		
	(code L4R)	1	----	----	7050 V4R		
	(code L4T)	1	----	----	7050 V4T		
	D1-L, D2-L (w/heavy duty spring)						
	(codes L1B, K1B)	1	6291 V1B				
	(codes L1Q, K1Q)	1	6291 V1Q				
	(codes L1R, K1R)	1	6291 V1R				
	(codes L1T, K1T)	1	6291 V1T				
	(codes L2A, K2A)	1	6309 V2A				
	(code L5B)	1	6299 V5B				
	(code L5R)	1	6299 V5R				
	(code L5T)	1	6299 V5T				
	(codes L2A, K2A)	1	6309 V2A				
	(codes L8A, K8A, T8A, M8A)	1	6314 T8A				
	(w/heavy duty spring and airfoam pad)						
	(code K1B)	1	6292 V1B				
	(code K1Q)	1	6292 V1Q				
	(code K1R)	1	6292 V1R				
	(code K1T)	1	6292 V1T				
	(codes L2A, K2A)	1	6311 V2A				
	(codes L8A, K8A, T8A, M8A)	1	6315 T8A				
	D1-L, D2-L (w/airfoam pad)						
	(code L5B)	1	6322 V5B				
	(code L5R)	1	6322 V5R				
	(code L5T)	1	6322 V5T				

* Indicates use as required.

B Indicates parts not listed in any previous parts book.
Right and left part numbers are on same line,
first number is right, second number is left.

* Indicates change or addition.

Printed in U.S.A.
Prices and specifications subject to change without notice.

March 15, 1965 Supersedes May 22, 1964.

1964 PASSENGER CAR PARTS CATALOG

INTERIOR TRIM

CODE	REMARKS	PER CAR	SED.	4D H.T	STA. WGN.	2D H.T	CV. CP.
23-109-35	CUSHION, Rear Seat - Cont'd D1-L, D2-L (w/airfoam pad and heavy duty spring) (code L5B) (code L5R) (code L5T)	1 1 1	6323 V5B 6323 V5R 6323 V5T				
	D1-M, D2-M (2nd. seat Sta. Wgn.) (codes M1B, M4B) (codes M1Q, M4Q) (codes M1R, M4R) (codes M1T, M4T) (codes M1Y, M4Y) (code M5B) (code M5R) (code M5T)	1 1 1 1 1 1 1 1	6295 V1B 6295 V1Q 6295 V1R 6295 V1T 6295 V1Y 6298 V5B 6298 V5R 6298 V5T	---- ---- ---- ---- ----	6294 V4B 6294 V4Q 6294 V4R 6294 V4T 6294 V4Y	6297 V1B 6297 V1Q 6297 V1R 6297 V1T 6297 V1Y	
	D2-M (3rd seat) (code M4B) (code M4Q) (code M4R) (code M4T) (code M4Y)	1 1 1 1 1	---- ---- ---- ---- ----	---- ---- ---- ---- ----	7052 V4B 7052 V4Q 7052 V4R 7052 V4T 7052 V4Y		
	D1-M, D2-M (w/heavy duty spring and airfoam pad) (code M1B) (code M1Q) (code M1R) (code M1T) (code M1Y)	1 1 1 1 1	6321 V1B 6321 V1Q 6321 V1R 6321 V1T 6321 V1Y				
	D1-M, D2-M (w/airfoam pad) (code M5B) (code M5R) (code M5T)	1 1 1	6322 V5B 6322 V5R 6322 V5T				
	D1-M, D2-M (w/airfoam pad and heavy duty spring) (code M5B) (code M5R) (code M5T)	1 1 1	6323 V5B 6323 V5R 6323 V5T				
	D1-M, D2-M (w/heavy duty spring) (code M1B) (code M1Q) (code M1R) (code M1T) (code M1Y) (code M5B) (code M5R) (code M5T)	1 1 1 1 1 1 1 1	6296 V1B 6296 V1Q 6296 V1R 6296 V1T 6296 V1Y 6299 V5B 6299 V5R 6299 V5T	---- ---- ---- ---- ----	---- ---- ---- ---- ----	6319 V1B 6319 V1Q 6319 V1R 6319 V1T 6319 V1Y	
	D1-H, D2-H (code H1B) (code H1Q) (code H1R) (code H1T) (code H1Y) (code H4B) (code H4Q) (code H4R) (code H4T) (code H4Y)	1 1 1 1 1 1 1 1 1 1	6300 V1B 6300 V1Q 6300 V1R 6300 V1T 6300 V1Y 6306 V4B 6306 V4Q 6306 V4R 6306 V4T 6306 V4Y				
				6306 V4B 6306 V4Q 6306 V4R 6306 V4T 6306 V4Y	---- ---- ---- ---- ----	6304 V4B 6304 V4Q 6304 V4R 6304 V4T 6304 V4Y	6302 V4B 6302 V4Q 6302 V4R 6302 V4T 6302 V4Y

★ Indicates use as required.

□ Indicates parts not listed in any previous parts book.
March 15, 1965 Supersedes May 22, 1964.Printed in U.S.A.
Prices and specifications subject to change without notice.
Right and left part numbers are on same line,
first number is right, second number is left.

* Indicates change or addition.

CODE	REMARKS	PER CAR	SED.	4D H.T	STA. WGN.	2D H.T	CV. CP.
23-109-35 CUSHION, Rear Seat - Cont'd							
D1-H, D2-H (w/airfoam pad)							
(code H1B)		1	6301 V1B	----	----	6305 V4B	6302 V4B
(code H1Q)		1	6301 V1Q	----	----	6305 V4Q	6302 V4Q
(code H1R)		1	6301 V1R	----	----	6305 V4R	6302 V4R
(code H1T)		1	6301 V1T	----	----	6305 V4T	6302 V4T
(code H1Y)		1	6301 V1Y	----	----	6305 V4Y	6302 V4Y
(code H4X)		1	----	----	----	6305 V4X	6302 V4X
(code H4B)		1	6307 V4B	6307 V4B	----	6305 V4B	6303 V4B
(code H4Q)		1	6307 V4Q	6307 V4Q	----	6305 V4Q	6303 V4Q
(code H4R)		1	6307 V4R	6307 V4R	----	6305 V4R	6303 V4R
(code H4T)		1	6307 V4T	6307 V4T	----	6305 V4T	6303 V4T
(code H4Y)		1	6307 V4Y	6307 V4Y	----	6305 V4Y	6303 V4Y
D2-P							
(code P4B)		1	----	----	----	6317 V4B	6316 V4B
(code P4Q)		1	----	----	----	6317 V4Q	6316 V4Q
(code P4R)		1	----	----	----	6317 V4R	6316 V4R
(code P4T)		1	----	----	----	6317 V4T	6316 V4T
(code P4Y)		1	----	----	----	6317 V4Y	6316 V4Y
(code P4X)		1	----	----	----	6317 V4X	6316 V4X
A3-E (2nd seat Sta. Wgn.)							
(code E1B)		1	6331 V1B	----	6336 V1B		
(code E1Q)		1	6331 V1Q	----	6336 V1Q		
(code E1T)		1	6331 V1T	----	6336 V1T		
(code E1Y)		1	6331 V1Y	----	6336 V1Y		
(code K1B)		1	6333 V1B	----	6336 V1B		
(code K1Q)		1	6333 V1Q	----	6336 V1Q		
(code K1T)		1	6333 V1T	----	6336 V1T		
(code K1Y)		1	6333 V1Y	----	6336 V1Y		
A3-E (3rd seat)							
(code E1B)		1	----	----	7074 V1B		
(code E1Q)		1	----	----	7074 V1Q		
(code E1T)		1	----	----	7074 V1T		
(code E1Y)		1	----	----	7074 V1Y		
(w/airfoam pad) (2nd seat Sta. Wgn.)							
(code E1B)		1	6332 V1B	----	6335 V1B		
(code E1Q)		1	6332 V1Q	----	6335 V1Q		
(code E1T)		1	6332 V1T	----	6335 V1T		
(code E1Y)		1	6332 V1Y	----	6335 V1Y		
(code K1B)		1	6334 V1B	----	6335 V1B		
(code K1Q)		1	6334 V1Q	----	6335 V1Q		
(code K1T)		1	6334 V1T	----	6335 V1T		
(code K1Y)		1	6334 V1Y	----	6335 V1Y		
A3-L							
(codes L1B, L4B)		1	6326 V1B	6328 V4B	6329 V4B	6324 V1B	6330 V4B
(codes L1Q, L4Q)		1	6326 V1Q	6328 V4Q	6329 V4Q	6324 V1Q	6330 V4Q
(codes L1R, L4R)		1	6326 V1R	6328 V4R	6329 V4R	6324 V1R	6330 V4R
(codes L1T, L4T)		1	6326 V1T	6328 V4T	6329 V4T	6324 V1T	6330 V4T
(codes L1Y, L4Y)		1	6326 V1Y	6328 V4Y	6329 V4Y	6324 V1Y	6330 V4Y
(code L4X)		1	----	6328 V4X	----	67739 V4X	6330 V4X
(w/airfoam pad)							
(code L1B)		1	6327 V1B	----	----	6325 V1B	
(code L1Q)		1	6327 V1Q	----	----	6325 V1Q	
(code L1R)		1	6327 V1R	----	----	6325 V1R	
(code L1T)		1	6327 V1T	----	----	6325 V1T	
(code L1Y)		1	6327 V1Y	----	----	6325 V1Y	
(code L4X)		1	----	----	----	67740 V4X	

★ Indicates use as required.

⊠ Indicates parts not listed in any previous parts book.

Right and left part numbers are on same line,

Star numbers indicate special instructions.

Printed in U.S.A.

Prices and specifications subject to change without notice.

March 15, 1965 Supersedes May 22, 1964.

1964 PASSENGER CAR PARTS CATALOG

INTERIOR TRIM

CODE	REMARKS	PER CAR	SED.	4D H.T	STA. WGN.	2D H.T	CV. CP.
23-109-35	CUSHION, Rear Seat - Cont'd A3-L (3rd seat) (spring and cover) (code L4B)	1	----	----	7070 V4B		
	(code L4Q)	1	----	----	7070 V4Q		
	(code L4R)	1	----	----	7070 V4R		
	(code L4Y)	1	----	----	7070 V4Y		
23-109-36	COVER, Rear Seat Cushion L1-L (code L1B)	1	6412 V1B				
	(code L1Q)	1	6412 V1Q				
	(code L1R)	1	6412 V1R				
	(code L1T)	1	6412 V1T				
	(codes L8A, K8A, T8A)	1	⊕6451 T8A				
	L1, L2 (2nd seat Sta. Wgn.) (codes H1B, H4B)	1	6413 V1B	----	6415 V4B	----	6414 V4B
	(codes H1Q, H4Q)	1	6413 V1Q	----	6415 V4Q	----	6414 V4Q
	(codes H1R, H4R)	1	6413 V1R	----	6415 V4R	----	6414 V4R
	(codes H1T, H4T)	1	6413 V1T	----	6415 V4T	----	6414 V4T
	(codes L4B, H4B)	1	6418 V4B				
	(codes L4R, H4R)	1	6416 V4R				
	(codes L4T, H4T)	1	6416 V4T				
	(2nd seat Sta. Wgn.) (code L5B)	1	----	----	6417 V5B		
	(code L5Q)	1	----	----	6417 V5Q		
	(code L5R)	1	----	----	6417 V5R		
	(code L5T)	1	----	----	6417 V5T		
	L1-P, L2-P (code P4B)	1	----	----	----	6418 V4B	6419 V4B
	(code P4X)	1	----	----	----	6418 V4X	6419 V4X
	(code P4R)	1	----	----	----	6418 V4R	6419 V4R
	(code P4T)	1	----	----	----	6418 V4T	6419 V4T
	(code P4Y)	1	----	----	----	6418 V4Y	6419 V4Y
	D1-L, D2-L (2nd seat Sta. Wgn.) (codes L1B, K1B, L4B, K4B)	1	6440 V1B	----	6441 V4B		
	(codes L1Q, K1Q, L4Q, K4Q)	1	6440 V1Q	----	6441 V4Q		
	(codes L1R, K1R, L4R, K4R)	1	6440 V1R	----	6441 V4R		
	(codes L1T, K1T, L4T, K4T)	1	6440 V1T	----	6441 V4T		
	(codes L2A, K2A)	1	6450 V2A				
	(code L5B)	1	6445 V5B				
	(code L5R)	1	6445 V5R				
	(code L5T)	1	6445 V5T				
	(codes L8A, K8A, T8A, M8A)	1	⊕6451 T8A				
	D1-L, D2-L (3rd seat) (code L4B)	1	----	----	7049 V4B		
	(code L4Q)	1	----	----	7049 V4Q		
	(code L4R)	1	----	----	7049 V4R		
	(code L4T)	1	----	----	7049 V4T		
	D1-M, D2-M (2nd seat Sta. Wgn.) (codes M1B, M4B)	1	6443 V1B	----	6442 V4B	6444 V1B	
	(codes M1Q, M4Q)	1	6443 V1Q	----	6442 V4Q	6444 V1Q	
	(codes M1R, M4R)	1	6443 V1R	----	6442 V4R	6444 V1R	
	(codes M1T, M4T)	1	6443 V1T	----	6442 V4T	6444 V1T	
	(codes M1Y, M4Y)	1	6443 V1Y	----	6442 V4Y	6444 V1Y	
	(code M5B)	1	6445 V5B				
	(code M5R)	1	6445 V5R				
	(code M5T)	1	6445 V5T				

* Indicates use as required.

⊕ Indicates parts not listed in any previous parts book.
March 15, 1965 Supersedes May 22, 1964.

Printed in U.S.A.

Prices and specifications subject to change without notice.

Right and left part numbers are on same line,

first number is right, second number is left.

* Indicates change or addition.

CODE	REMARKS	PER CAR	SED.	4D H.T	STA. WGN.	2D H.T	CV. CP.
23-109-36 COVER, Rear Seat Cushion-Cont'd							
	D1-M, D2-M (3rd seat)						
	(code M4B)	1	----	----	7051 V4B		
	(code M4Q)	1	----	----	7051 V4Q		
	(code M4R)	1	----	----	7051 V4R		
	(code M4T)	1	----	----	7051 V4T		
	(code M4Y)	1	----	----	7051 V4Y		
D1-H, D2-H							
	(code H1B)	1	6446 V1B				
	(code H1Q)	1	6446 V1Q				
	(code H1R)	1	6446 V1R				
	(code H1T)	1	6446 V1T				
	(code H1Y)	1	6446 V1Y				
	(code H4B)	1	6449 V4B	6449 V4B	----	6448 V4B	6447 V4B
	(code H4Q)	1	6449 V4Q	6449 V4Q	----	6448 V4Q	6447 V4Q
	(code H4R)	1	6449 V4R	6449 V4R	----	6448 V4R	6447 V4R
	(code H4T)	1	6449 V4T	6449 V4T	----	6448 V4T	6447 V4T
	(code H4Y)	1	6449 V4Y	6449 V4Y	----	6448 V4Y	6447 V4Y
	(code H4X)	1	----	----	----	6448 V4X	6447 V4X
D2-P							
	(code P4B)	1	----	----	----	6453 V4B	6452 V4B
	(code P4Q)	1	----	----	----	6453 V4Q	6452 V4Q
	(code P4R)	1	----	----	----	6453 V4R	6452 V4R
	(code P4T)	1	----	----	----	6453 V4T	6452 V4T
	(code P4Y)	1	----	----	----	6453 V4Y	6452 V4Y
	(code P4X)	1	----	----	----	6453 V4X	6452 V4X
A3-L (2nd seat)							
	(codes L1B, L4B)	1	6457 V1B	6458 V4B	6459 V4B	6456 V1B	6460 V4B
	(codes L1Q, L4Q)	1	6457 V1Q	6458 V4Q	6459 V4Q	6456 V1Q	6460 V4Q
	(codes L1R, L4R)	1	6457 V1R	6458 V4R	6459 V4R	6456 V1R	6460 V4R
	(codes L1T, L4T)	1	6457 V1T	6458 V4T	6459 V4T	6456 V1T	6460 V4T
	(codes L1Y, L4Y)	1	6457 V1Y	6458 V4Y	6459 V4Y	6456 V1Y	6460 V4Y
	(code L4X)	1	----	E6458 V4X	----	E7738 V4X	E6460 V4X
A3-L (3rd seat)							
	(code L4B)	1	----	----	7069 V4B		
	(code L4Q)	1	----	----	7069 V4Q		
	(code L4R)	1	----	----	7069 V4R		
	(code L4T)	1	----	----	7069 V4T		
	(code L4Y)	1	----	----	7069 V4Y		
A3-E (2nd seat)							
	(codes E1B, K1B)	1	6461 V1B	----	6462 V1B		
	(codes E1Q, K1Q)	1	6461 V1Q	----	6462 V1Q		
	(codes E1T, K1T)	1	6461 V1T	----	6462 V1T		
	(codes E1Y, K1Y)	1	6461 V1Y	----	6462 V1Y		
A3-E (3rd seat)							
	(code E1B)	1	----	----	7073 V1B		
	(code E1Q)	1	----	----	7073 V1Q		
	(code E1T)	1	----	----	7073 V1T		
	(code E1Y)	1	----	----	7073 V1Y		
23-109-38 RETAINER, Center Floor Pan							
Rear Seat Cushion							
	L1, L2, D1, D2	2	*1810 037	*1810 037	----	*1810 037	*1810 037
	D1, D2	2	----	----	*2251 674		
		2	----	----	E2482 956		
			Front				
			Rear				

* Indicates use as required.
 □ Indicates parts not listed in any previous parts book.
 Right and left part numbers are on same line,
 first number is right, second number is left.

1964 PASSENGER CAR PARTS CATALOG

INTERIOR TRIM

CODE	REMARKS	PER CAR	SED.	4D H.T.	STA. WGN.	2D H.T.	CV. CP.
23-109-40	INSERT, 3rd Seat Cushion Bottom Panel A3 (codes E1B, K1B, L4B) (codes E1Q, K1Q, L4Q) (code L4R) (codes E1Y, K1Y, L4Y).	1 1 1 1	----- ----- ----- -----	----- ----- ----- -----	*1817VB8 E1817VQ8 *1817VR7 E1817VY8		
23-111-31	RETAINER, Folding Top Header Outer Panel Tacking Strip A3-L	1	-----	-----	-----	-----	*1952 194
23-111-37	STRIP, Folding Top Bow Tacking L1, L2 A3-L	2 2	----- -----	----- -----	----- -----	----- -----	2424 591 *2424 591
23-112-4	RETAINER, Folding Top Header Top Material L1, L2	1	-----	-----	-----	-----	2424 262-3
23-112-12	BOOT, Folding Top Dust L1, L2 (codes H4B, P4B) (code H4Q) (codes H4R, P4R) (codes H4T, P4T) (code P4Y) (code P4X) Cap (attaching) Fastener	1 1 1 1 1 1 3 ★	----- ----- ----- ----- ----- ----- ----- -----	----- ----- ----- ----- ----- ----- ----- -----	----- ----- ----- ----- ----- ----- ----- -----	----- ----- ----- ----- ----- ----- ----- -----	1922 V4B 1922 V4Q 1922 V4R 1922 V4T 1922 V4Y 1922 V4X *6000 434 *6000 432
	D2 (codes H4B, P4B) (codes H4Q, P4Q) (codes H4R, P4R) (codes H4T, P4T) (codes H4Y, P4Y) (codes H4X, P4X)	1 1 1 1 1 1	----- ----- ----- ----- ----- -----	----- ----- ----- ----- ----- -----	----- ----- ----- ----- ----- -----	----- ----- ----- ----- ----- -----	1915 VB6 1915 VQ6 1915 VR6 1915 VT6 1915 VY5 *1915 VX9
	A3 (code L4B) (code L4Q) (code L4R) (code L4T) (code L4Y) (code L4X) Fastener Socket	1 1 1 1 1 1 ★ ★	----- ----- ----- ----- ----- ----- ----- -----	----- ----- ----- ----- ----- ----- ----- -----	----- ----- ----- ----- ----- ----- ----- -----	----- ----- ----- ----- ----- ----- ----- -----	E1912 V4B E1912 V4Q E1912 V4R E1912 V4T E1912 V4Y E1912 V4X *6000 434 * 141 998
23-112-18	RETAINER, Channel Rear Seat Back Dust Boot L1, L2 D1, D2 A3	1 1 1	----- ----- -----	----- ----- -----	----- ----- -----	----- ----- -----	2410 047 2410 006 *2410 007
23-112-23	COVER, Folding Top Rear Bow to Link Joint L1, L2	2	-----	-----	-----	-----	2483 740
23-112-45	CURTAIN, Folding Top L1-H, L1-P, L2-H, L2-P (blue) (white) (black)	1 1 1	----- ----- -----	----- ----- -----	----- ----- -----	----- ----- -----	1927 VB1 1927 VW1 1927 TX9

★ Indicates use as required.

E Indicates parts not listed in any previous parts book.

March 15, 1965 Supersedes May 22, 1964.

Printed in U.S.A.
Prices and specifications subject to change without notice.Right and left part numbers are on same line,
first number is right, second number is left.
To check change on addition

CODE	REMARKS	PER CAR	SED.	4D H.T.	STA. WGN.	2D H.T.	CV. CP.
23-112-45	CURTAIN, Folding Top - Cont'd L1-H, L1-P, L2-H, L2-P (back-lite)						
	(blue)	1	----	----	----	----	1928 VB1
	(white)	1	----	----	----	----	1928 VW1
	(black)	1	----	----	----	----	1928 TX9
	(curtain)						
D2	(blue)	1	----	----	----	----	1925 VB1
	(white)	1	----	----	----	----	1925 VW1
	(black)	1	----	----	----	----	1925 TX9
A3-L	(blue)	1	----	----	----	----	1904 VB1
	(white)	1	----	----	----	----	1904 VW1
	(black)	1	----	----	----	----	1904 VX8
	(back-lite)						
D2	(blue)	1	----	----	----	----	1926 VB1
	(white)	1	----	----	----	----	1926 VW1
	(black)	1	----	----	----	----	1926 TX9
23-112-46	ZIPPER, Folding Top Curtain L1, L2						
	(white)	1	----	----	----	----	1920 VW2
	D2-H, D2-P (white)	1	----	----	----	----	1923 VW2
	A3 (white)	1	----	----	----	----	1958 VW2
23-112-50	TAPE, Folding Top Back Curtain Quarter Stay Closure Hook (serviced by the inch)						
	L1, L2, D2 (black) (side closure loop)	★	----	----	----	----	2440 030
	L1, L2, D2 (black)	★	----	----	----	----	2440 029
23-112-70	RETAINER, Folding Top to Belt Bar Trim L1						
	(center)	1	----	----	----	----	2448 103
	(side)	1	----	----	----	----	2448 104-5
	(rear)	1	----	----	----	----	2421 939
23-112-75	TIP, Folding Top Wire - on Binding End L1, L2, D1, D2, A3						
		1	----	----	----	----	1158 976-7
	Screw (attaching)	2	----	----	----	----	*6024 438
23-112-88	CABLE, Folding Top Rear Bow Tension						
	L1, L2, D1, D2, A3 (black)	2	----	----	----	----	*1970 VX8
	(white)	2	----	----	----	----	E1971 VW2
	Bolt (attaching)	2	----	----	----	----	*6022 169
23-112-108	TOP DECK and SIDE QUARTER L1, L2 (blue)	1	----	----	----	----	1936 VB1
	(white)	1	----	----	----	----	1936 VW1
	(black)	1	----	----	----	----	1936 TX9
	D2 (blue)	1	----	----	----	----	1937 VB1
	(white)	1	----	----	----	----	1937 VW1
	(black)	1	----	----	----	----	1937 VX9
	A3-L (blue)	1	----	----	----	----	1908 VB1
	(white)	1	----	----	----	----	1908 VW1
	(black)	1	----	----	----	----	1908 VX8

★ Indicates use as required.

⊠ Indicates parts not listed in any previous parts book.

Right and left part numbers are on same line,

first number is right, second number is left.

Printed in U.S.A.

Prices and specifications subject to change without notice.

March 15, 1965 Supersedes May 22, 1964.

CODE	REMARKS	PER CAR	SED.	4D H.T.	STA. WGN.	2D H.T.	CV. CP.
23-112-112 PAD,	Folding Top Stay						
L1, L2	(white)	1	-----	-----	-----	-----	1948-9 VW1
	(black)	1	-----	-----	-----	-----	1948-9 TX9
D2	(white)	1	-----	-----	-----	-----	1952-3 VW1
	(black)	1	-----	-----	-----	-----	1952-3 VX9
A3	(white)	1	-----	-----	-----	-----	1916-7 VW1
23-112-153 WELL,	Pocket PANEL, Pocket						
	Panel COVER, Pocket Shelf						
	PANEL, Pocket Shelf Panel						
	COVER, Folding Top						
	L1, L2 (paint as required)						
	(pocket panel)	1	-----	-----	-----	-----	*2010-1 VT6
	L1, L2 (pocket panel cover)						
	(codes H4B, P4B)	1	-----	-----	-----	-----	*2022-3 VB6
	(code H4Q)	1	-----	-----	-----	-----	2022-3 VQ6
	(codes H4R, P4R)	1	-----	-----	-----	-----	2022-3 VR6
	(codes H4T, P4T)	1	-----	-----	-----	-----	2022-3 VT6
	(code P4X)	1	-----	-----	-----	-----	2022-3 VX8
	(code P4Y)	1	-----	-----	-----	-----	2022-3 VY5
	(upper inner)						
	(code H4B, P4B)	1	-----	-----	-----	-----	2020-1 VB6
	(code H4Q)	1	-----	-----	-----	-----	2020-1 VQ6
	(codes H4R, P4R)	1	-----	-----	-----	-----	2020-1 VR6
	(codes H4T, P4T)	1	-----	-----	-----	-----	2020-1 VT6
	(code P4X)	1	-----	-----	-----	-----	2020-1 VX8
	(code P4Y)	1	-----	-----	-----	-----	2020-1 VY5
	Screw (attaching)	14	-----	-----	-----	-----	* 161 871
L1, L2 (well lining cover)	(cover H4B, P4B)	1	-----	-----	-----	-----	*1941 VB6
	(code H4Q)	1	-----	-----	-----	-----	1941 VQ6
	(codes H4R, P4R)	1	-----	-----	-----	-----	1941 VR6
	(codes H4T, P4T)	1	-----	-----	-----	-----	1941 VT6
	(code P4Y)	1	-----	-----	-----	-----	1941 VY5
	(code P4X)	1	-----	-----	-----	-----	1941 VX9
D2-H, D2-P (paint as required)	(panel w/reinforcement)						
	(textured paint over smooth plastic)	1	-----	-----	-----	-----	E2052-3 VT6
	(gloss paint over textured plastic)	1	-----	-----	-----	-----	E2080-1 VT6
D2-H, D2-P (well lining panel)	(codes H4B, P4B)	1	-----	-----	-----	-----	*1943 VB6
	(codes H4Q, P4Q)	1	-----	-----	-----	-----	1943 VQ6
	(codes H4R, P4R)	1	-----	-----	-----	-----	1943 VR6
	(codes H4T, P4T)	1	-----	-----	-----	-----	1943 VT6
	(codes H4Y, P4Y)	1	-----	-----	-----	-----	1943 VY5
	(codes H4X, P4X)	1	-----	-----	-----	-----	1943 VX9
A3-L (pocket panel)	(code L4B)	1	-----	-----	-----	-----	E4932-3 VB6
	(code L4Q)	1	-----	-----	-----	-----	E4932-3 VQ5
	(code L4R)	1	-----	-----	-----	-----	E4932-3 VR7
	(code L4T)	1	-----	-----	-----	-----	E4932-3 VT6
	(code L4Y)	1	-----	-----	-----	-----	E4932-3 VY5
	(code L4X)	1	-----	-----	-----	-----	E4932-3 VX9

● Indicates use as required.

☐ Indicates parts not listed in any previous parts book.
March 15, 1965 Supersedes May 22, 1964.

INTERIOR TRIM **1964 PASSENGER CAR PARTS CATALOG**

CODE	REMARKS	PER CAR	SED.	4D H.T	STA. WGN.	2D H.T	CV. CP.
23-112-153	WELL, Pocket PANEL, Pocket Panel COVER, Pocket Shelf PANEL, Pocket Shelf Panel COVER, Folding Top - Cont'd A3-L (pocket shelf panel)						
	(code L4B)	1	----	----	----	----	B4936-7VB6
	(code L4Q)	1	----	----	----	----	B4936-7VQ5
	(code L4R)	1	----	----	----	----	B4936-7VR7
	(code L4T)	1	----	----	----	----	B4936-7VT6
	(code L4Y)	1	----	----	----	----	B4936-7VY5
	(code L4X)	1	----	----	----	----	B4936-7VX9
	(well lining cover)						
	(code L4B)	1	----	----	----	----	*1944VB6
	(code L4Q)	1	----	----	----	----	*1944VQ5
	(code L4R)	1	----	----	----	----	*1944VR7
	(code L4T)	1	----	----	----	----	*1944VT6
	(code L4Y)	1	----	----	----	----	*1944VY5
	(code L4X)	1	----	----	----	----	E1944VX9
	Cap (attaching)	★	----	----	----	----	*6000 434
	Eyelet (attaching)	★	----	----	----	----	* 141 991
23-112-160	PAD, Folding Top Pocket Panel Arm Rest						
	L1, L2						
	(codes H4B, P4B)	1	----	----	----	----	1204-5VB6
	(code H4Q)	1	----	----	----	----	1204-5VQ6
	(codes H4R, P4R)	1	----	----	----	----	1204-5VR6
	(codes H4T, P4T)	1	----	----	----	----	1204-5VT6
	(code P4X)	1	----	----	----	----	1204-5VX9
	(code P4Y)	1	----	----	----	----	1204-5VY5
	D2-H, D2-P						
	(codes H4B, P4B)	1	----	----	----	----	1202-3VB6
	(codes H4Q, P4Q)	1	----	----	----	----	1202-3VQ6
	(codes H4R, P4R)	1	----	----	----	----	1202-3VR6
	(codes H4T, P4T)	1	----	----	----	----	1202-3VT6
	(codes H4Y, P4Y)	1	----	----	----	----	1202-3VY5
	Nut (attaching)	6	----	----	----	----	* 120 622
23-113-2	WEATHERCORD, Door A3 (sold by the inch)						
	(codes E1B, K1B, L1B, L4B)	★	E1536 VB6	E1536 VB6	E1536 VB6	E1536 VB6	E1536 V36
	(codes E1Q, K1Q, L1Q, L4Q)	★	E1536 VQ6	E1536 VQ6	E1536 VQ6	E1536 VQ6	E1536 VQ6
	(codes L1R, L4R)	★	*1536 VR7	*1536 VR7	*1536 VR7	*1536 VR7	*1536 VR7
	(codes E1T, K1T, L1T, L4T)	★	E1536 VT6	E1536 VT6	E1536 VT6	E1536 VT6	E1536 VT6
	(codes E1Y, K1Y, L1Y, L4Y)	★	E1536 VY5	E1536 VY5	E1536 VY5	E1536 VY5	E1536 VY5
	(codes K2A, K4A)	★	E1536 TL4				
	(code L4X)	★	----	E1536 TX8	----	E1536 TX8	E1536 TX8
23-113-45	WEATHERCORD, Quarter Window Opening						
	L1, L2 (2 D.)						
	(codes L1B, H1B)	2	1515 VB6				
	(codes L1Q, H1Q)	2	1515 VQ6				
	(codes L1R, H1R)	2	1515 TR6				
	(codes L1T, H1T)	2	1515 VT6				
	D1, D2 (2 D.)						
	(codes L1B, K1B, M1B)	2	1515 VB6				
	(codes L1Q, K1Q, M1Q)	2	1515 VQ6				
	(codes L1R, K1R, M1R)	2	1515 TR6				
	(codes L1T, K1T, M1T)	2	1515 VT6				
	(code M1Y)	2	1512-3 VY5				
	(codes L2A, K2A, L8A, K8A, M8A)	2	1512-3 TX8				

★ Indicates use as required.
 E Indicates parts not listed in any previous parts book.
 * Indicates change or addition.

1964 PASSENGER CAR PARTS CATALOG

INTERIOR TRIM

CODE	REMARKS	PER CAR	SED.	4D H.T	STA. WGN.	2D H.T	CV. CP.
23-113-50	WELT, Windshield Garnish Moulding to Instrument Panel Pad (paint as required) D1, D2, A3	2	1758 241	1758 241	1758 241	1758 241	1758 241
23-113-52	STRIP, Windshield Weatherstrip Lower Inside Trim L1, L2 (codes H4B, P4B) (code H4Q) (codes H4R, P4R) (codes H4T, P4T) (code P4Y)	1 1 1 1 1	----- ----- ----- ----- -----	----- ----- ----- ----- -----	----- ----- ----- ----- -----	4249 VB8 ----- 4249 VR8 4249 VT8 4249 VY8	4249 VB8 4249 VQ8 4249 VR8 4249 VT8 4249 VY8
23-113-56	WEATHERCORD, Folding Top Header L1, L2 (blue) (white) (black) D2-H, D2-P (blue) (white) (black)	1 1 1 1 1 1	----- ----- ----- ----- ----- -----	----- ----- ----- ----- ----- -----	----- ----- ----- ----- ----- -----	----- ----- ----- ----- ----- -----	1947 VB1 1947 VW1 1947 TX9 1946 VB1 1946 VW1 1946 VX9
23-113-84	WELT, Folding Top Header D2-H, D2-P (white) (black) A3 (white) (dust boot filler channel) L1, L2, D2, A3 Screw (attaching)	1 1 2 1 18	----- ----- ----- ----- -----	----- ----- ----- ----- -----	----- ----- ----- ----- -----	----- ----- ----- ----- -----	1959 VW2 1959 VX8 1902 VW2 *2572 166 * 125 978
23-114-2	NOTE: For Specific References to Body Cloth see Illustrated Section.						
23-114-10	BINDING, Wire on (5/8") L1, L2, D1, D2, A3 (blue) (white) (black)	1 1 1	----- ----- -----	----- ----- -----	----- ----- -----	----- ----- -----	1903 VB1 1903 VW1 1903 TX8
23-114-15	NOTE: For Specific References to Vinyl Material see Illustrated Section.						
23-115-4	PUSH NUT, Front Seat Back to Cushion Mounting L1, L2, D1, D2, A3	★ 2	410 102 *6024 203	2410 102 *6024 203	2410 102 *6024 203	2410 102 *6024 203	2410 102 *6024 203
23-115-5	WASHER, Front Seat Center Arm Rest Trim D1-H, D2-H	2	1918 299	1918 299	1918 299	1918 299	1918 299
23-115-6	PIN, Seat Back Frame to Cushion Mounting L1, L2, D2-P Fastener	4 ★	----- -----	----- -----	----- -----	2410 054 -----	2410 054 6024 477
23-115-10	SCREW, Front Seat Center Arm Rest	2	2092 212	2092 212	2092 212	2092 212	2092 212

★ Indicates use as required.

□ Indicates parts not listed in any previous parts book.
March 15, 1965.

Printed in U.S.A.

Prices and specifications subject to change without notice.

* Indicates change or addition.

1964 CHRYSLER 1964 IMPERIAL

INTERIOR TRIM

HOW TO USE INTERIOR TRIM ILLUSTRATIONS

The illustrations in this section are actual and each body style showing the Interior Trim is included.

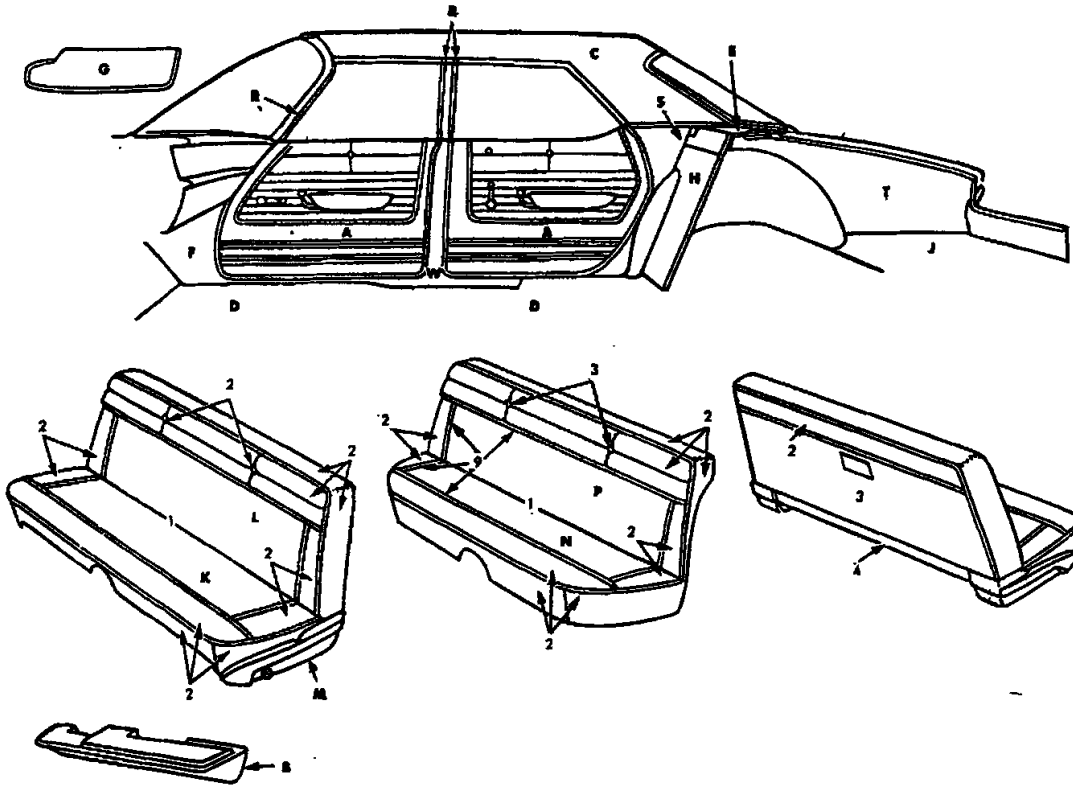
The letters shown on the illustration indicate the description of the part and the part type code when referred to the legend which appears preceding the listing of the parts. The letters are consistent throughout the illustrations as "A" is always a Door Trim Panel, Code 23-92-5.

The numbers on the illustration indicate the distribution of material and type of material used. The numbers may vary with each illustration. The legend appears on the illustration.

Appearing throughout this section are part numbers containing both letters and numbers. These are good serviceable part numbers. The combination of letters and numbers merely indicates the parts are keyed to the interior color of the vehicles on which they are used.

For complete information on "How to Order" Trim Parts, see Master Parts Price List.

C
H
R
Y
S
L
E
R



19T0025

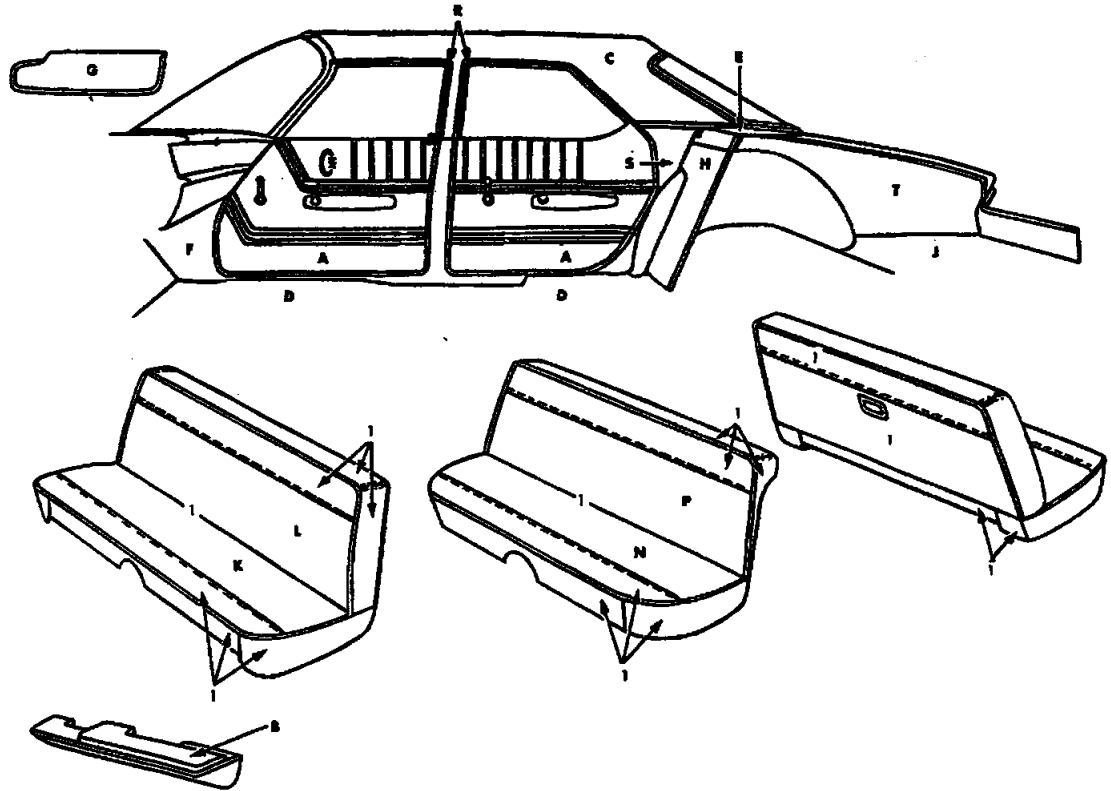
TYPE OF MATERIAL	PART TYPE CODE	MATERIAL WIDTH	PART NUMBERS AND COLORS						
			BLUE	YELLOW GREEN	MAROON OR MAUVE	WHITE	BLACK	TUR-QUOISE	YELLOW TAN
Vinyl 28 oz.	23-114-15	50"	0441VB6	0400VF6	0400VM6	0400VW3	0400TX8	0400VQ5	0441VT6
Vinyl 19 oz.	23-114-15	54"	0412VB8	0412VF9	0412VM9	-----	0412VX9	0412VQ8	0412VT8
Vinyl 28 oz.	23-114-15	50"	0400VB8	0400VF9	0400VM9	-----	0400VX8	0400VQ8	0400VT8

Distribution Drawing Legend Page Appears Following Illustration Section

1964 CHRYSLER VC1-L 4 DOOR SEDAN
 CLOTH AND VINYL TRIM
 CODES L1B, L1F, L1M, L1N, L1Q, L1T
 K1B, K1F, K1M, K1N, K1Q, K1T

required.
 listed in any previous parts book.
 Supersedes May 22, 1964.

Printed in U.S.A.
 Prices and specifications subject to change without notice.
 * Indicates change or addition.



19T0026

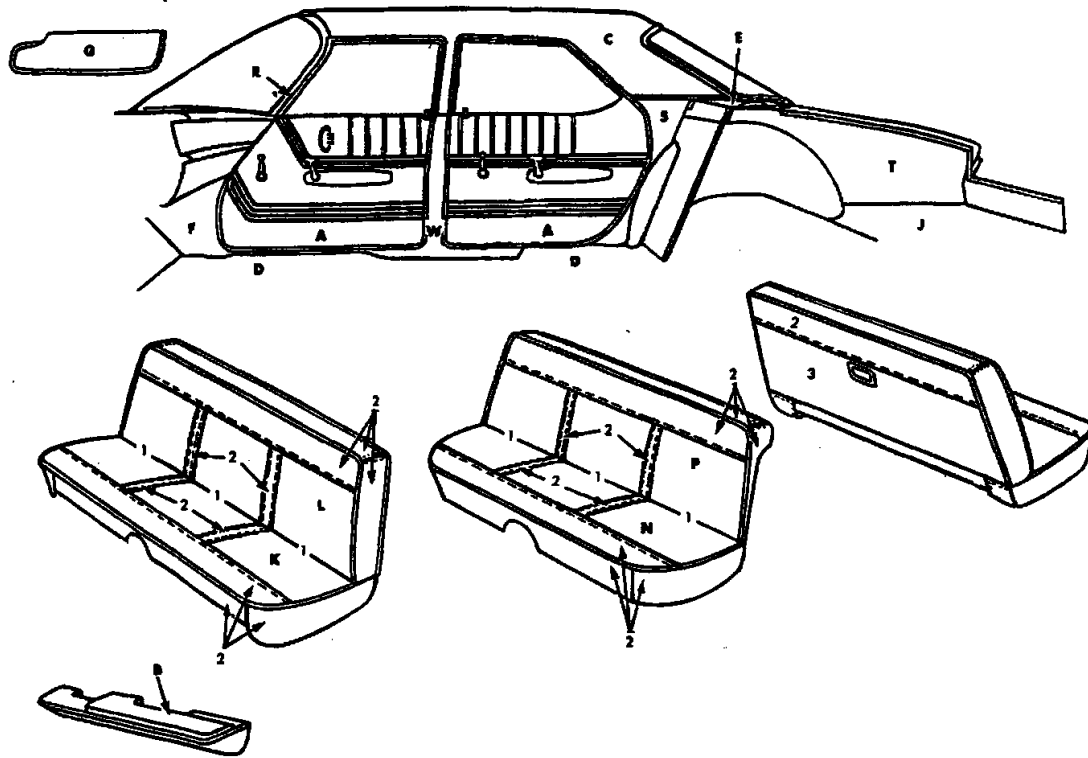
ITEM	TYPE OF MATERIAL	PART TYPE CODE	MATERIAL WIDTH	PART NUMBERS AND COLORS							
				GRAY							
1	Vinyl 37 oz.	23-114-15	50"	0445TA9							

1 Vinyl 37 oz. 23-114-15 50" 0445TA9

Distribution Drawing Legend Page Appears Following Illustration Section

1964 CHRYSLER VC1-L 4 DOOR SEDAN
VINYL TRIM
CODE K5A

★ Indicates use as required.
 ☐ Indicates parts not listed in any previous parts book.
 * Indicates change or addition.



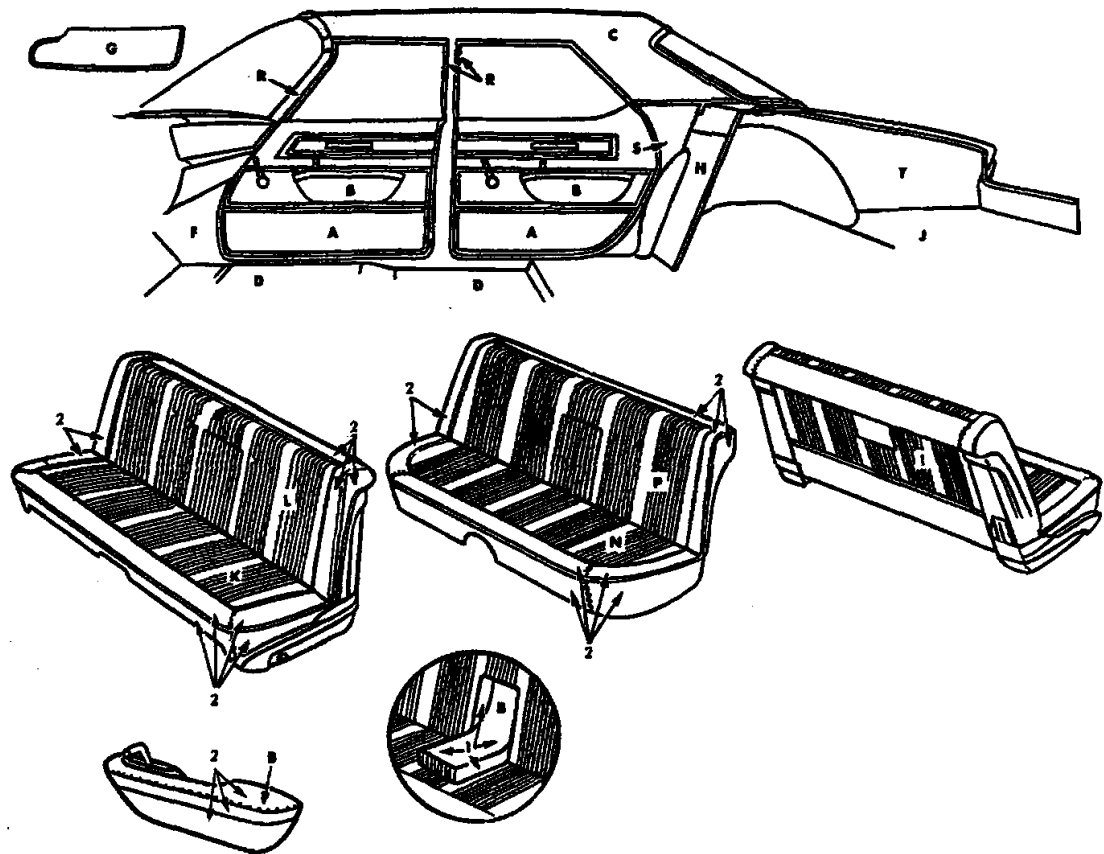
19T0027

ITEM	TYPE OF MATERIAL	PART TYPE CODE	MATERIAL WIDTH	PART NUMBERS AND COLORS							
				GRAY							
1	Body Cloth	23-114-2	50"	0112VA9							
2	Vinyl 28 oz.	23-114-15	50"	0400TA6							
3	Vinyl 28 oz.	23-114-15	50"	0400TA9							

Distribution Drawing Legend Page Appears Following Illustration Section

1964 CHRYSLER VC1-L 4 DOOR SEDAN
CLOTH AND VINYL TRIM
CODE K8A

★ Indicates use as required.
 ☒ Indicates parts not listed in any previous parts book.
 March 15, 1965 Supersedes May 22, 1964.



19T0028

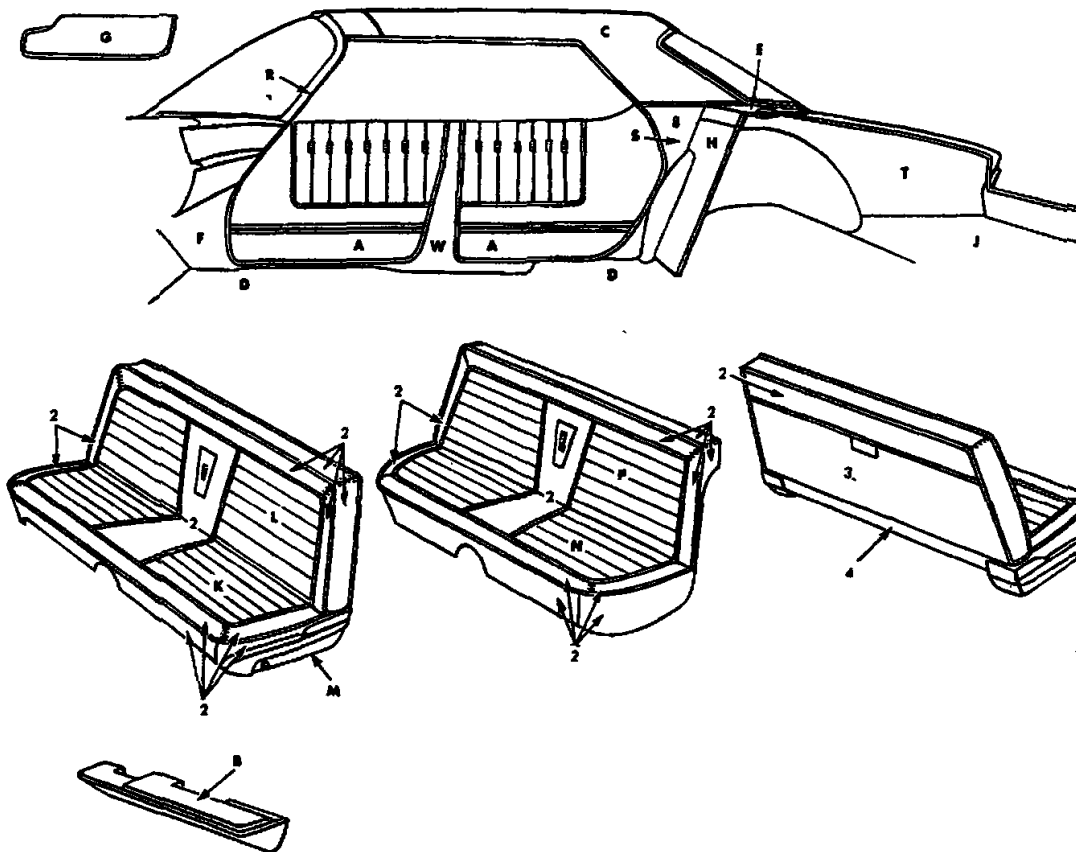
ITEM	TYPE OF MATERIAL	PART TYPE CODE	MATERIAL WIDTH	PART NUMBERS AND COLORS						
				BLUE	YELLOW GREEN	MAROON OR MAUVE	BLACK	WHITE	TUR-QUOISE	YELLOW TAN
1	Body Cloth	23-114-2	68"	0123VB4	0123VF6	0123VM4	0123VXW	-----	0123VQ4	0123VT4
2	Vinyl 38 oz.	23-114-15	50"	0441VB4	0441VF6	0400VM4	-----	0400VW3	0400VQ4	0400VT4

Distribution Drawing Legend Page Appears Following Illustration Section

1964 CHRYSLER VC3-H 4 DOOR SEDAN
CLOTH AND VINYL TRIM
CODES H1B, H1F, H1M, H1N, H1Q, H1T

★ Indicates use as required.
 □ Indicates parts not listed in any previous parts book.
 • Indicates change or addition.

Printed in U.S.A.
 Prices and specifications subject to change without notice.
 March 15, 1965 Supersedes May 22, 1964.

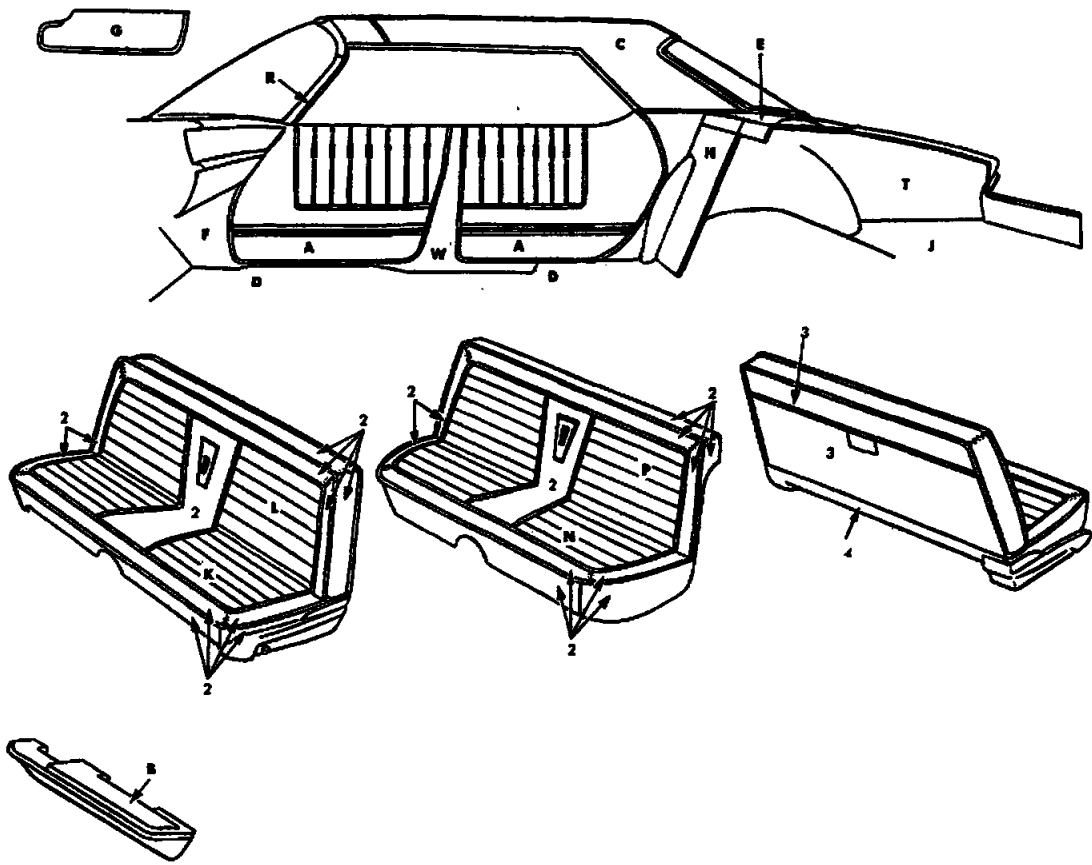


19T0029

ITEM	TYPE OF MATERIAL	PART TYPE CODE	MATERIAL WIDTH	PART NUMBERS AND COLORS							
				BLUE	YELLOW GREEN	MAROON OR MAUVE	TUR-QUOISE	YELLOW TAN			
1	Body Cloth	23-114-2	50"	0112VB6	0112VF6	0112VM6	0112VQ5	0112VT6			
2	Vinyl 28 oz.	23-114-15	50"	0441VB6	E0441VF6	E0441VM6	E0441VQ5	*0441VT6			
3	Vinyl 28 oz.	23-114-15	50"	0412VB8	0412VF9	0412VM9	0412VQ8	0412VT8			
4	Vinyl 28 oz.	23-114-15	50"	0400VB8	0400VF9	0400VM9	0400VQ8	0400VT8			

Distribution Drawing Legend Page Appears Following Illustration Section

1964 CHRYSLER VC1-L 4 DOOR HARD TOP
CLOTH AND VINYL TRIM
CODES L2B, L2F, L2M, L2Q, L2T



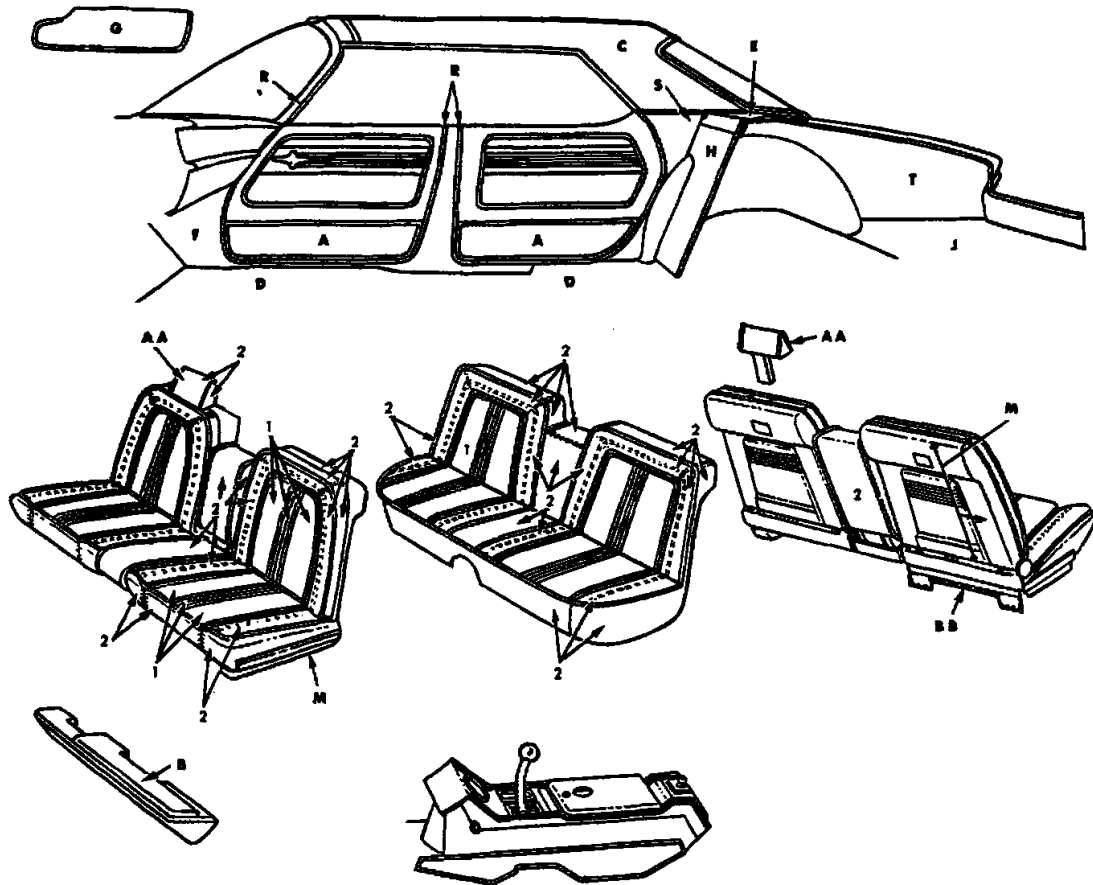
19T0030

ITEM	TYPE OF MATERIAL	PART TYPE CODE	MATERIAL WIDTH	PART NUMBERS AND COLORS							
				BLUE	BLACK	WHITE	RED				
1	Vinyl 38 oz.	23-114-15	50"	0447BV6	0447VX8	-----	0447VR7				
2	Vinyl 28 oz.	23-114-15	50"	0441VB6	-----	0400VW3	0400VR7				
3	Vinyl 19 oz.	23-114-15	50"	0412VB8	0412VX9	-----	0412VR7				
4	Vinyl 28 oz.	23-114-15	50"	0400VB8	0441VX9	-----	0400VR7				

Distribution Drawing Legend Page Appears Following Illustration Section

1964 CHRYSLER VC1-L 4 DOOR HARD TOP
VINYL TRIM
CODES L4B, L4N, L4R

● Indicates use as required.
 □ Indicates parts not listed in any previous parts book.
 • Indicates change or addition.



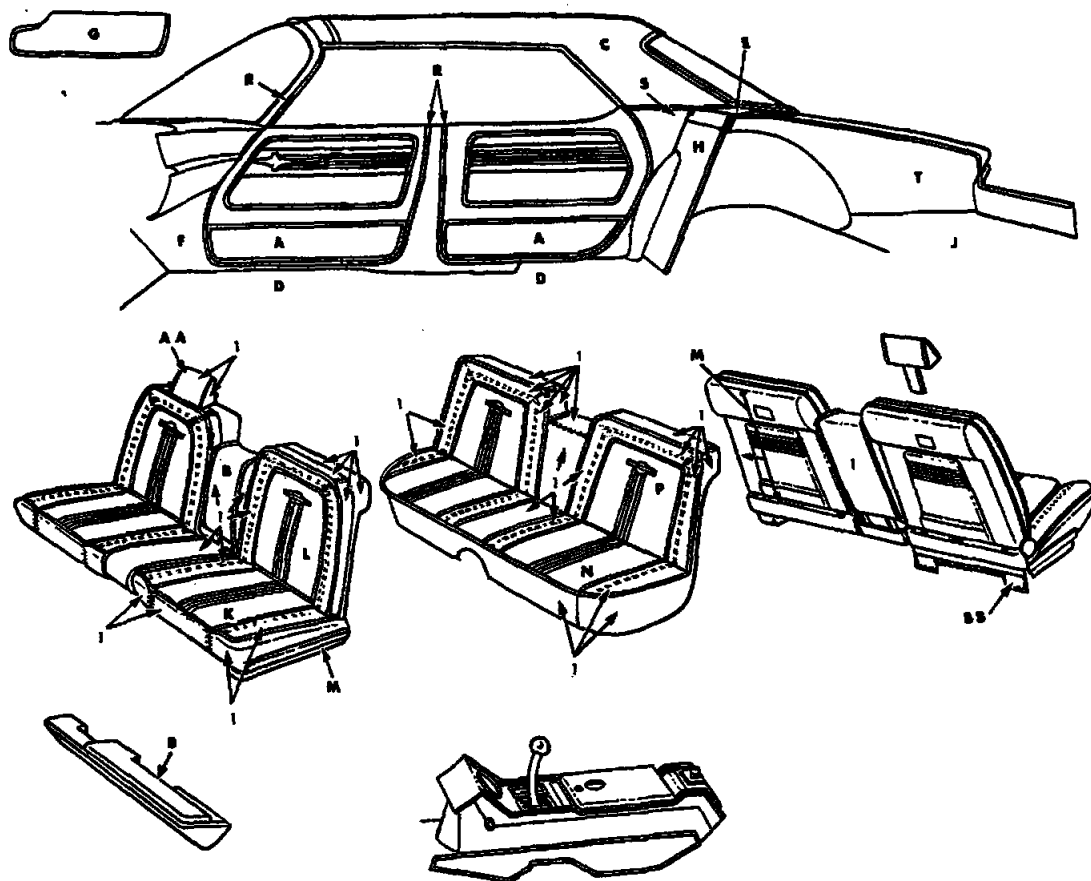
19T0031

ITEM	TYPE OF MATERIAL	PART TYPE CODE	MATERIAL WIDTH	PART NUMBERS AND COLORS						
				BLUE	MAROON OR MAUVE	BLACK	WHITE	YELLOW TAN		
1	Body Cloth	23-114-2	68"	0113VB6	0113VM6	0113VX8	-----	0113VT6		
2	Vinyl 28 oz.	23-114-15	50"	0441VB6	0400VM6	-----	0400VW3	0441VT6		
3	Vinyl 28 oz.	23-114-15	50"	0400VB8	0400VM9	0441VX9	-----	0400VT8		

Distribution Drawing Legend Page Appears Following Illustration Section

1964 CHRYSLER VC2-M 4 DOOR HARD TOP
CLOTH AND VINYL TRIM
CODES M1B, M1M, M1N, M1T

★ Indicates use as required.
 ☐ Indicates parts not listed in any previous parts book.
 March 15, 1965 Supersedes May 22, 1964.



19T0032

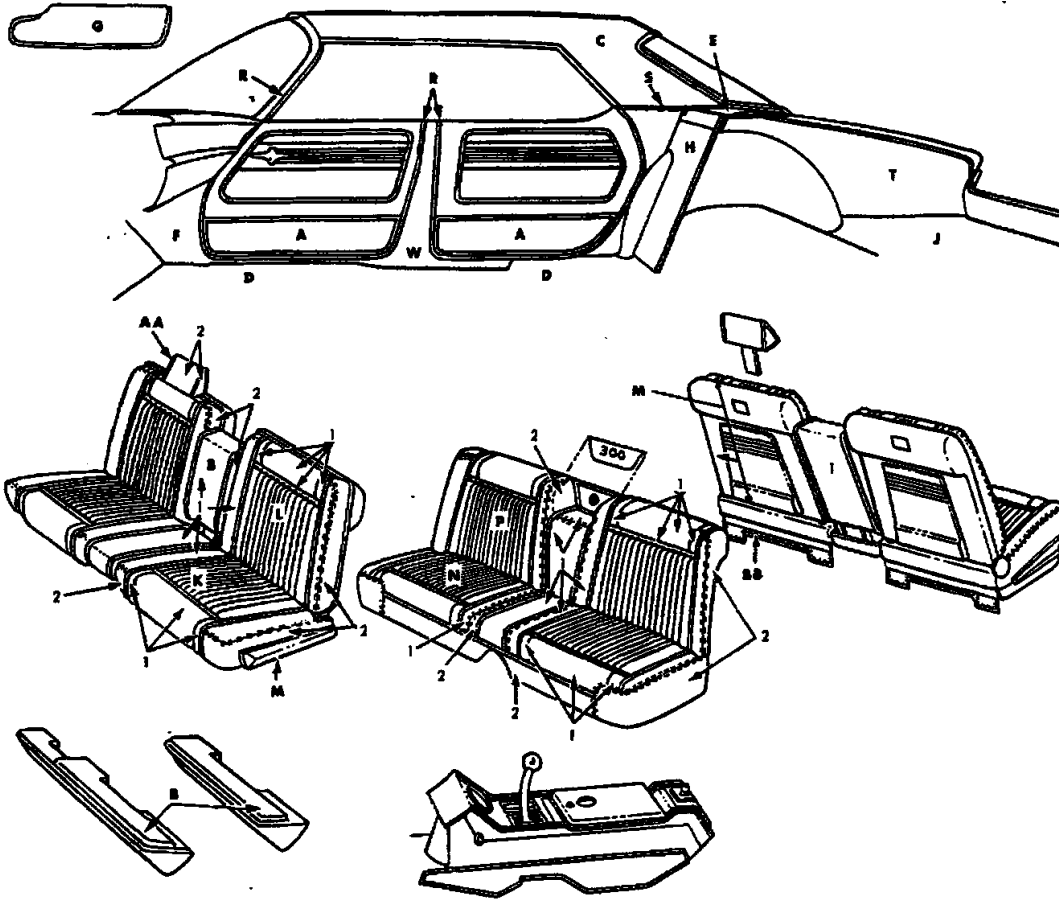
ITEM	TYPE OF MATERIAL	PART TYPE CODE	MATERIAL WIDTH	PART NUMBERS AND COLORS					
				BLUE	RED	BLACK	WHITE	YELLOW TAN	

1 Vinyl 28 oz. 23-114-15 50" 0441VB6 0400VR7 0441VX9 0400VW3 0441VT6

Distribution Drawing Legend Page Appears Following Illustration Section

1964 CHRYSLER VC2-M 4 DOOR HARD TOP
VINYL TRIM
CODES M4B, M4X, M4R, M4T, M4W

★ Indicates use as required.
 ☐ Indicates parts not listed in any previous parts book.
 * Indicates change or addition.



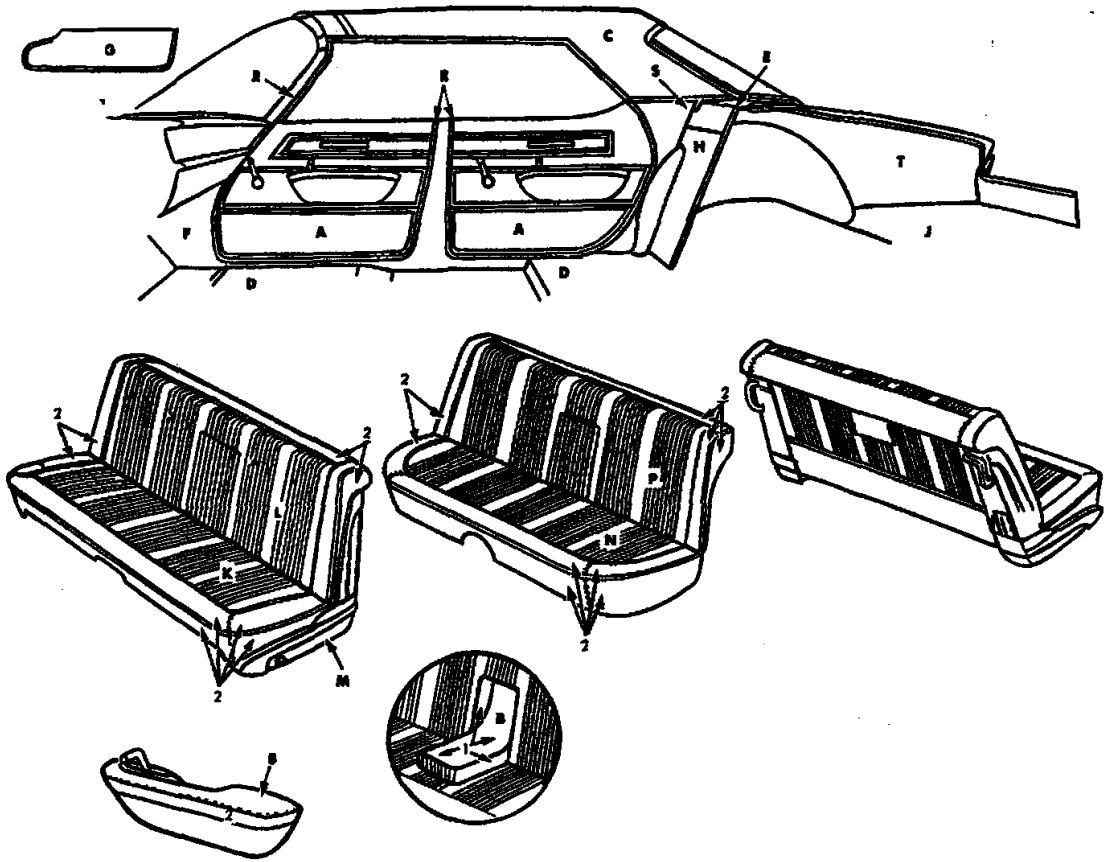
19T0033

ITEM	TYPE OF MATERIAL	PART TYPE CODE	MATERIAL WIDTH	PART NUMBERS AND COLORS					
				WHITE	BLACK				
1	Leather	23-114-14	Ride	0301VW3	0301VX9				
2	Vinyl 38 oz.	23-114-15	50"	0400VW3	0441VX9				
3	Vinyl 38 oz.	23-114-15	50"	-----	0441VX9				

Distribution Drawing Legend Page Appears Following Illustration Section

1964 CHRYSLER VC2-M 4 DOOR HARD TOP
LEATHER AND VINYL TRIM
CODES M8X, M8W

★ Indicates use as required.
 ☐ Indicates parts not listed in any previous parts book.
 March 15, 1965 Supersedes May 22, 1964.



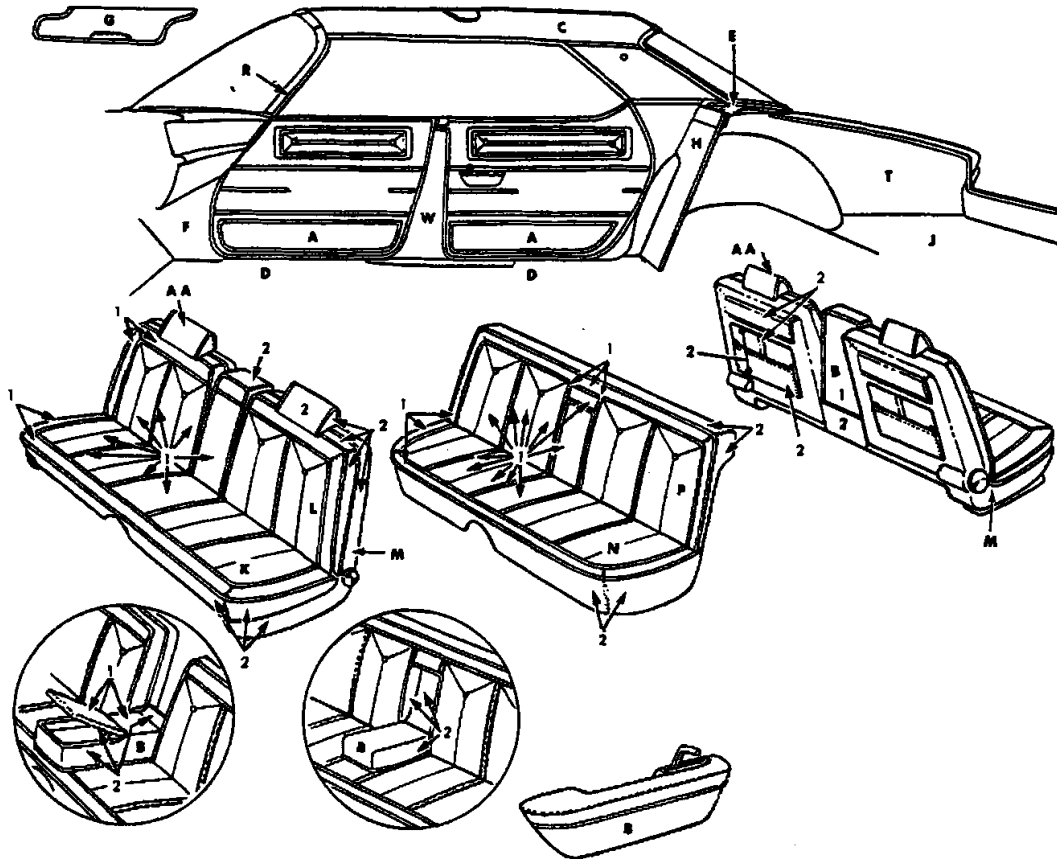
19T0034

ITEM	TYPE OF MATERIAL	PART TYPE CODE	MATERIAL WIDTH	PART NUMBERS AND COLORS							
				BLUE	YELLOW GREEN	MAROON OR MAUVE	WHITE	TUR-QUOISE	YELLOW TAN		
1	Body Cloth	23-114-2	63"	0123VB4	0123VF6	0123VM4	0123VXW	0123VQ4	0123VT4		
2	Vinyl 28 oz.	23-114-15	50"	0441VB4	0400VF6	0400VM4	0400VW3	0400VQ4	0400VT4		

Distribution Drawing Legend Page Appears Following Illustration Section

1964 CHRYSLER VC3-H 4 DOOR HARD TOP
CLOTH AND VINYL TRIM
CODES H1B, H1F, H1M, H1N, H1T

★ Indicates use as required.
 ☐ Indicates parts not listed in any previous parts book.
 * Indicates change or addition.

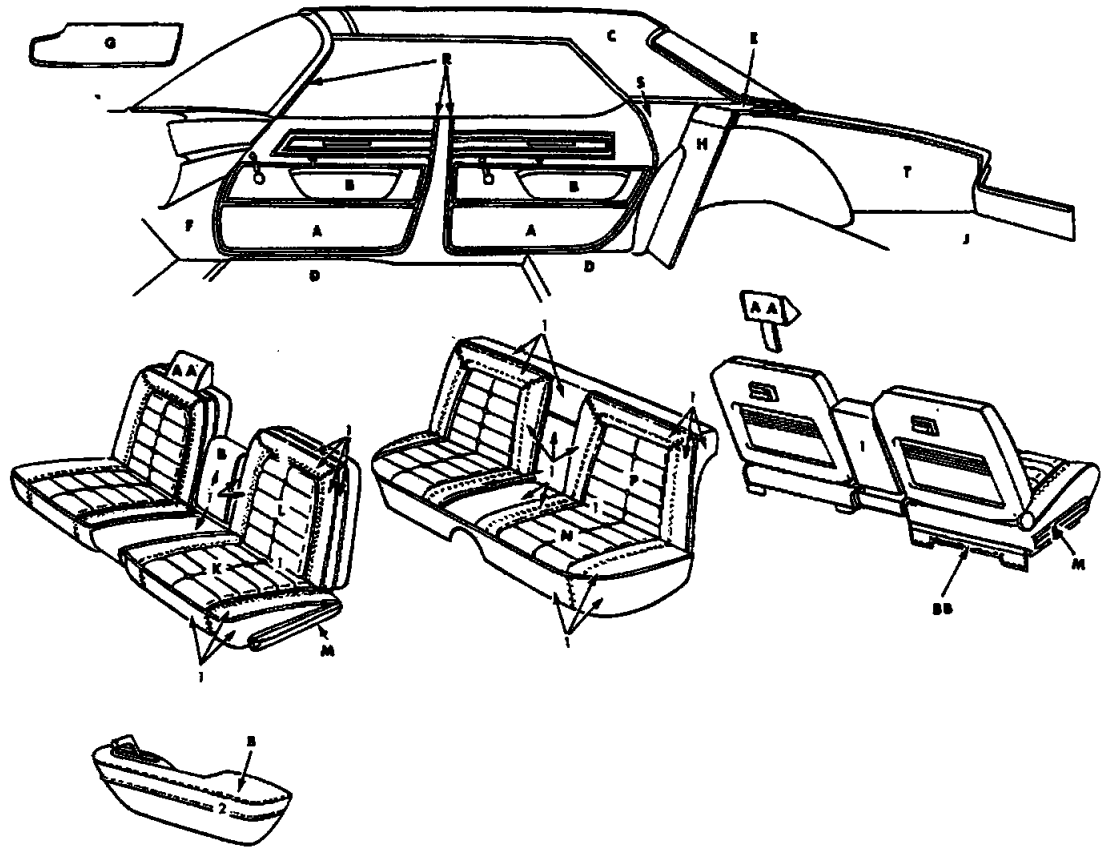


19T0035

ITEM	TYPE OF MATERIAL	PART TYPE CODE	MATERIAL WIDTH	PART NUMBERS AND COLORS					
				BLUE	ORANGE YELLOW GOLD	BLACK			
1	Leather	23-114-14	Hide	0301VB4	0301TL4				
2	Vinyl 38 oz.	23-114-15	54"	0441VB4	0441TL4				

Distribution Drawing Legend Page Appears Following Illustration Section

1964 CHRYSLER VC3-H 4 DOOR HARD TOP
LEATHER AND VINYL TRIM
CODES H3B, H3L



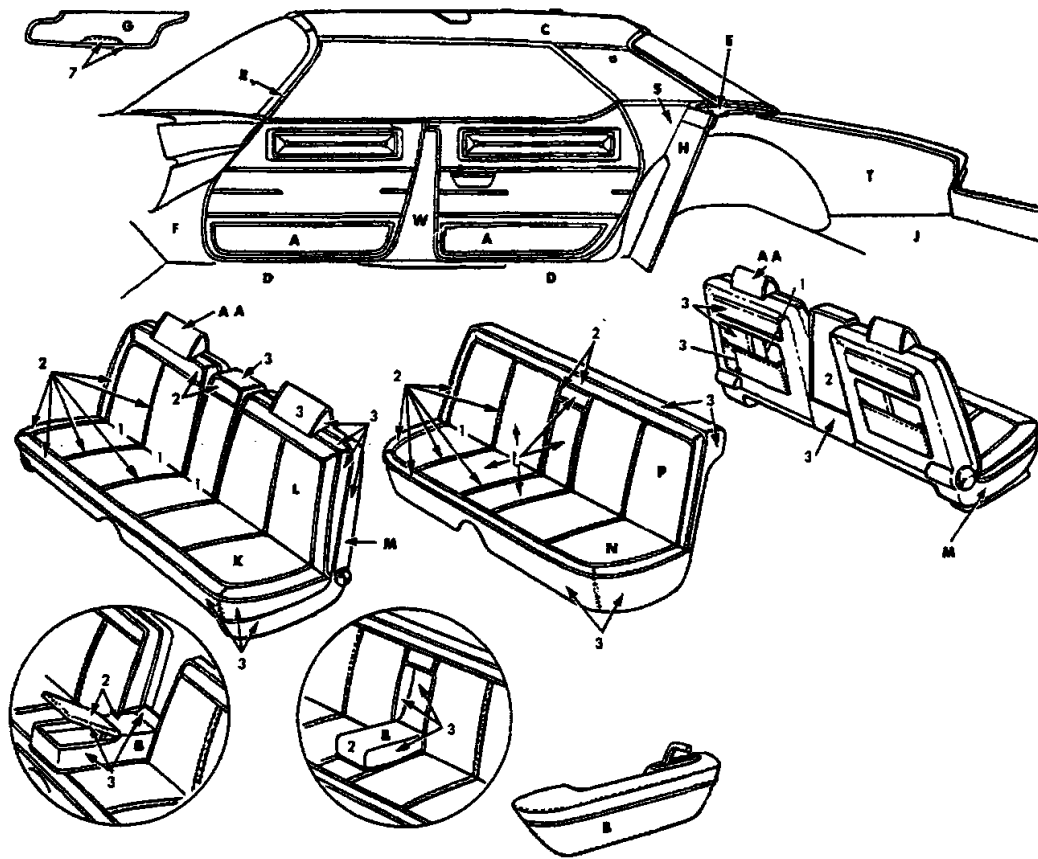
19T0036

ITEM	TYPE OF MATERIAL	PART TYPE CODE	MATERIAL WIDTH	PART NUMBERS AND COLORS						
				BLUE	TUR- QUOISE	RED	WHITE	BLACK		
1	Vinyl 28 oz.	23-114-15	50"	0441VB4	0400VQ4	0400VR7	0400VW3			

Distribution Drawing Legend Page Appears Following Illustration Section

1964 CHRYSLER VC3-H 4 DOOR HARD TOP
VINYL TRIM
CODES H4B, H4Q, H4R, H4W

★ Indicates use as required.
 ☐ Indicates parts not listed in any previous parts book.
 * Indicates change or addition.



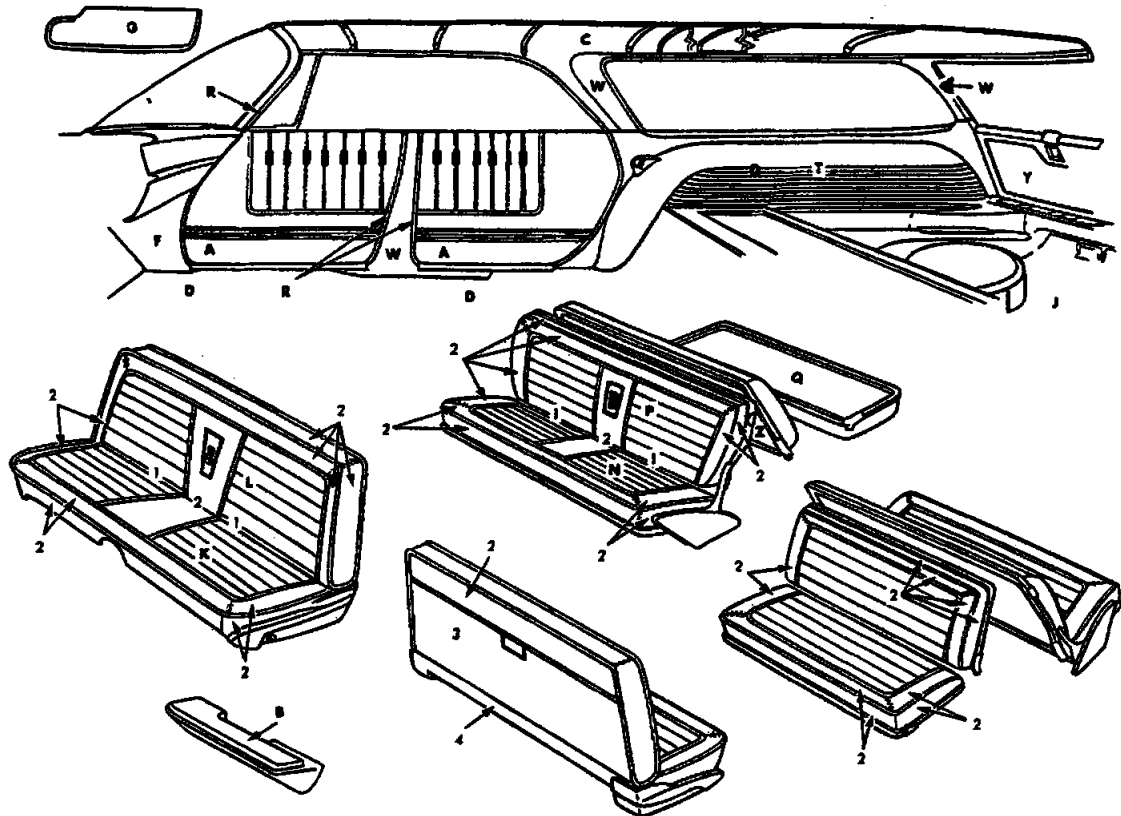
19T0037

ITEM	TYPE OF MATERIAL	PART TYPE CODE	MATERIAL WIDTH	PART NUMBERS AND COLORS							
				BLUE	ORANGE YELLOW GOLD						
1	Body Cloth	23-114-2	47"	0122TB4	0122TL4						
2	Leather	23-114-14	Hide	0301VB4	0301TL4						
3	Vinyl 38 oz.	23-114-15	54"	0441VB4	0441TL4						

Distribution Drawing Legend Page Appears Following Illustration Section

1964 CHRYSLER VC3-H 4 DOOR HARD TOP
CLOTH, LEATHER AND VINYL TRIM
CODES H7B, H7L

★ Indicates use as required.
 ☐ Indicates parts not listed in any previous parts book.
 * Indicates change or addition.



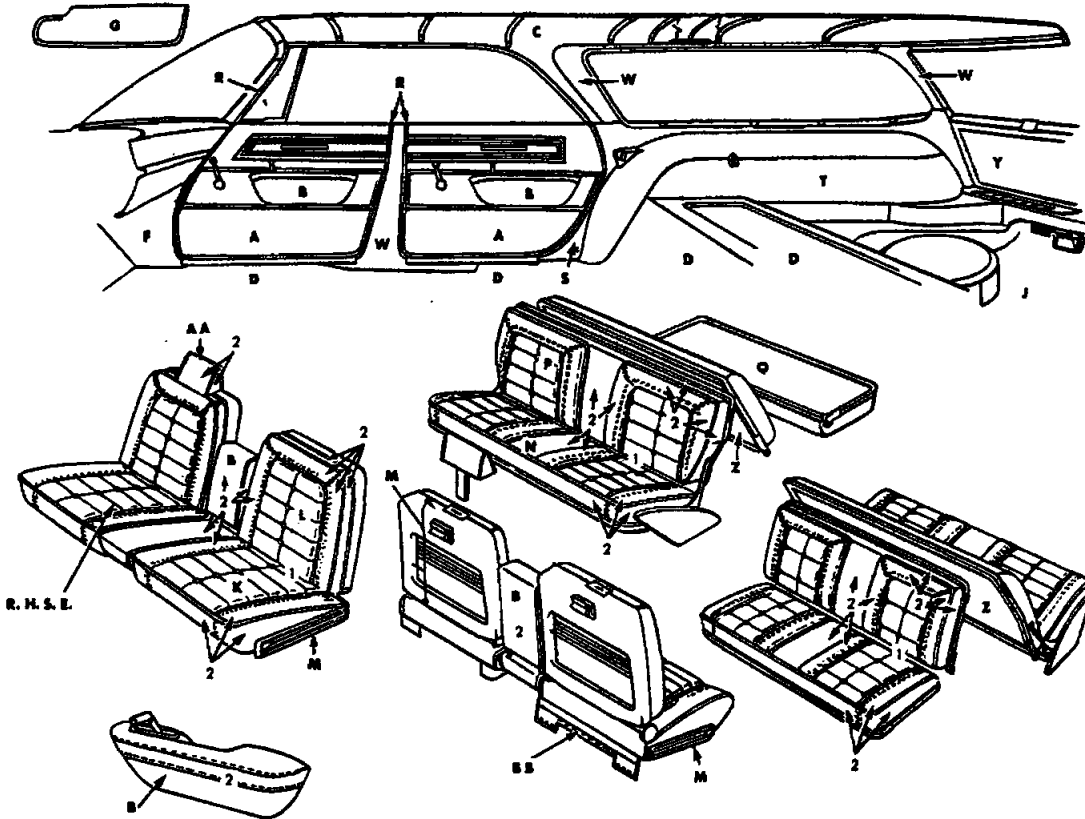
19T0038

ITEM	TYPE OF MATERIAL	PART TYPE CODE	MATERIAL WIDTH	PART NUMBERS AND COLORS						
				BLUE	BLACK	WHITE	RED	YELLOW TAN		
1	Vinyl 36 oz.	23-114-15	47"	0448VB6	0448VX8	-----	0448VR7	0448VT6		
2	Vinyl 28 oz.	23-114-15	50"	0441VB6	-----	0400VW3	0400VR7	0441VT6		
3	Vinyl 19 oz.	23-114-15	54"	0412VB8	0412VX9	-----	0412VR7	0412VT8		
4	Vinyl 28 oz.	23-114-15	50"	0400VB8	0441VX9	-----	0400VR7	0400VT8		

Distribution Drawing Legend Page Appears Following Illustration Section

1964 CHRYSLER VC1-L 4 DOOR STATION WAGON
 VINYL TRIM
 CODES L4B, L4N, L4R, L4T, K4B, K4R, K4N, K4T

★ Indicates use as required.
 ☐ Indicates parts not listed in any previous parts book.
 * Indicates change or addition,



19T0039

ITEM	TYPE OF MATERIAL	PART TYPE CODE	MATERIAL WIDTH	PART NUMBERS AND COLORS							
				WHITE	BLACK						
1	Body Cloth	23-114-2	63"	0123VXW							
2	Vinyl 28 oz.	23-114-15	50"	0400VW3							
3	Vinyl 28 oz.	23-114-15	50"	-----	0441VX9						

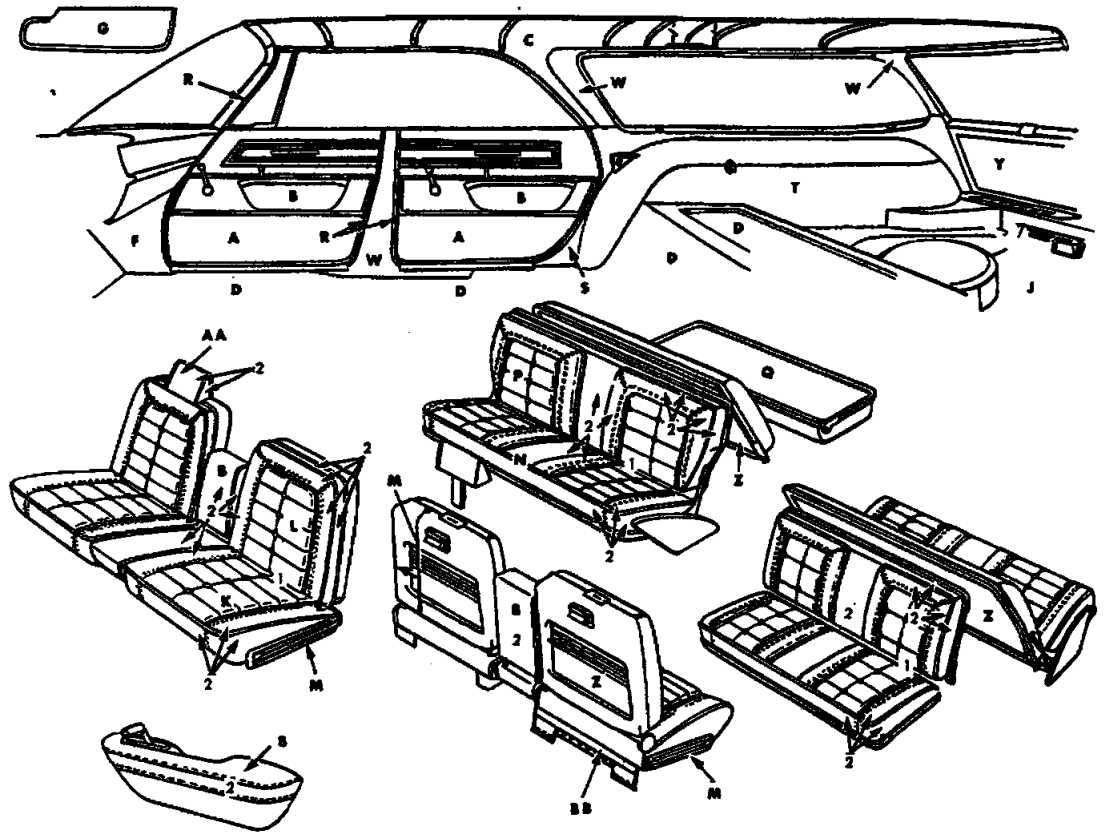
Distribution Drawing Legend Page Appears Following Illustration Section

1964 CHRYSLER VC3-H 4 DOOR STATION WAGON

CLOTH AND VINYL TRIM
CODE H2N

● Indicates use as required.
 ☐ Indicates parts not listed in any previous parts book.
 March 15, 1965 Supersedes May 22, 1964.

Printed in U.S.A.
 Prices and specifications subject to change without notice.
 * Indicates change or addition.



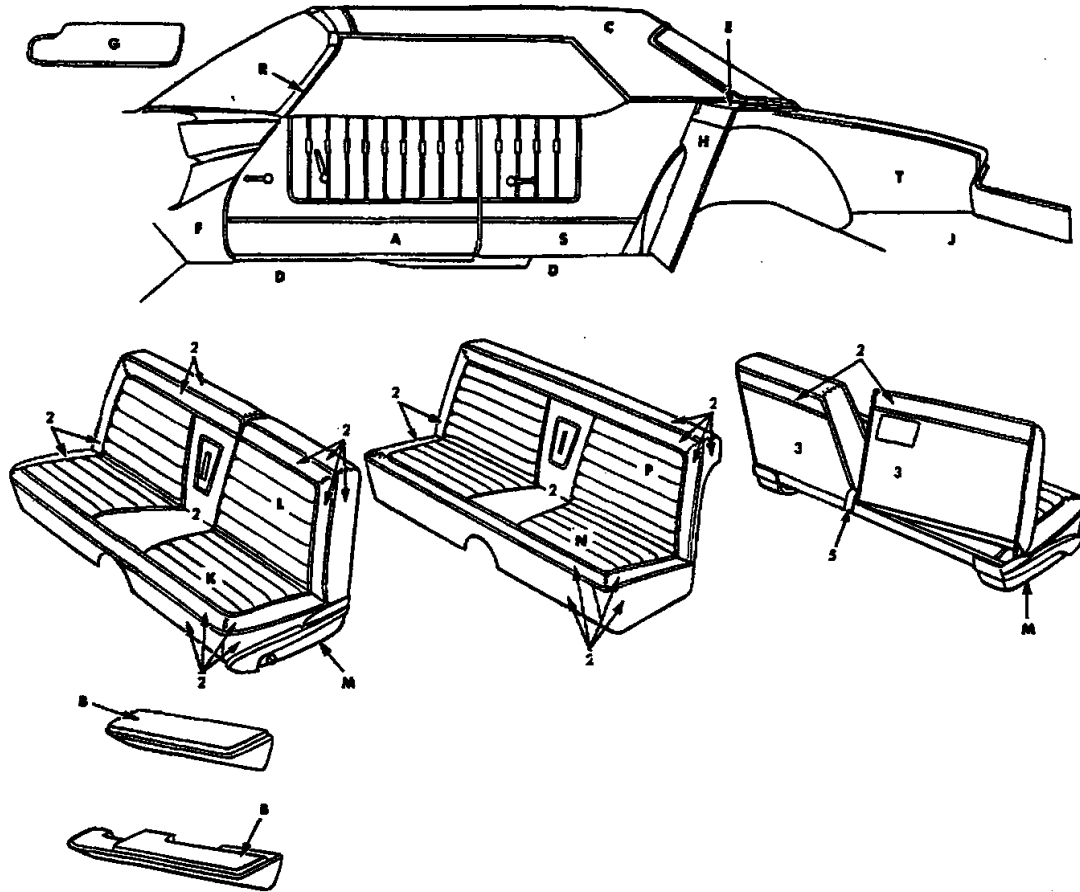
19T0040

ITEM	TYPE OF MATERIAL	PART TYPE CODE	MATERIAL WIDTH	PART NUMBERS AND COLORS							
				BLUE	RED	YELLOW TAN	WHITE	BLACK			
1	Vinyl 41 oz.	23-114-15	54"	0449VB6	0449VR7	0449VT6	0449VW2				
2	Vinyl 28 oz.	23-114-15	50"	0441VB4	0400VR7	0400VT4	0400VW3				

Distribution Drawing Legend Page Appears Following Illustration Section

1964 CHRYSLER VC3-H 4 DOOR STATION WAGON
VINYL TRIM
CODES H4B, H4R, H4T, H4W

★ Indicates use as required.
 ☐ Indicates parts not listed in any previous parts book.
 * Indicates change or addition.



19T0041

ITEM	TYPE OF MATERIAL	PART TYPE CODE	MATERIAL WIDTH	PART NUMBERS AND COLORS							
				BLUE	YELLOW GREEN	MAROON OR MAUVE	TUR-QUOISE	YELLOW TAN			
1	Body Cloth	23-114-2	50"	0112VB6	0112VF6	0112VM6	0112VQ5	0112VT6			
2	Vinyl 28 oz.	23-114-15	50"	0441VB6	0400VF6	0400VM6	0400VQ5	0441VT6			
3	Vinyl 19 oz.	23-114-15	54"	0412VB8	0412VF9	0412VM9	0412VQ8	0412VT8			

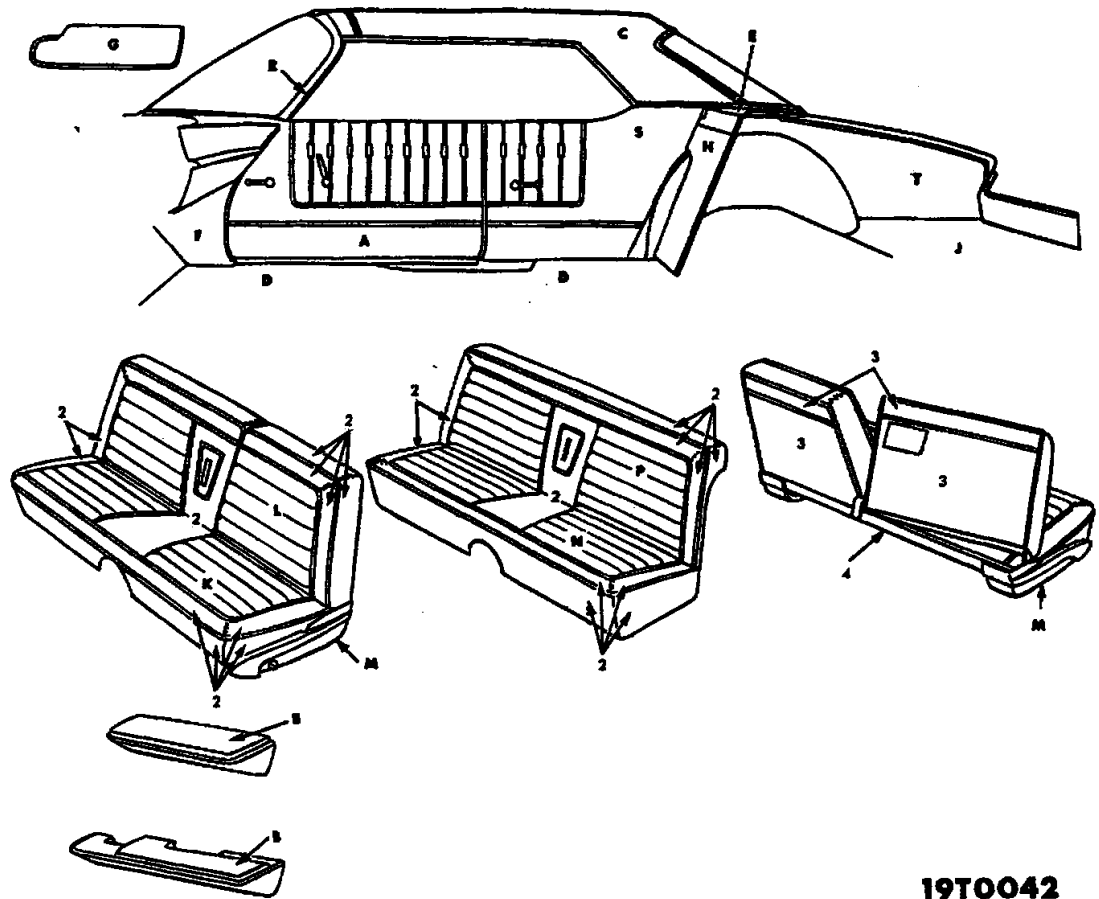
Distribution Drawing Legend Page Appears Following Illustration Section

1964 CHRYSLER VC1-L 2 DOOR HARD TOP
CLOTH AND VINYL TRIM
CODES L2B, L2F, L2M, L2Q, L2T

★ Indicates use as required.

⊞ Indicates parts not listed in any previous parts book.

March 15, 1965 Supersedes May 22, 1964.



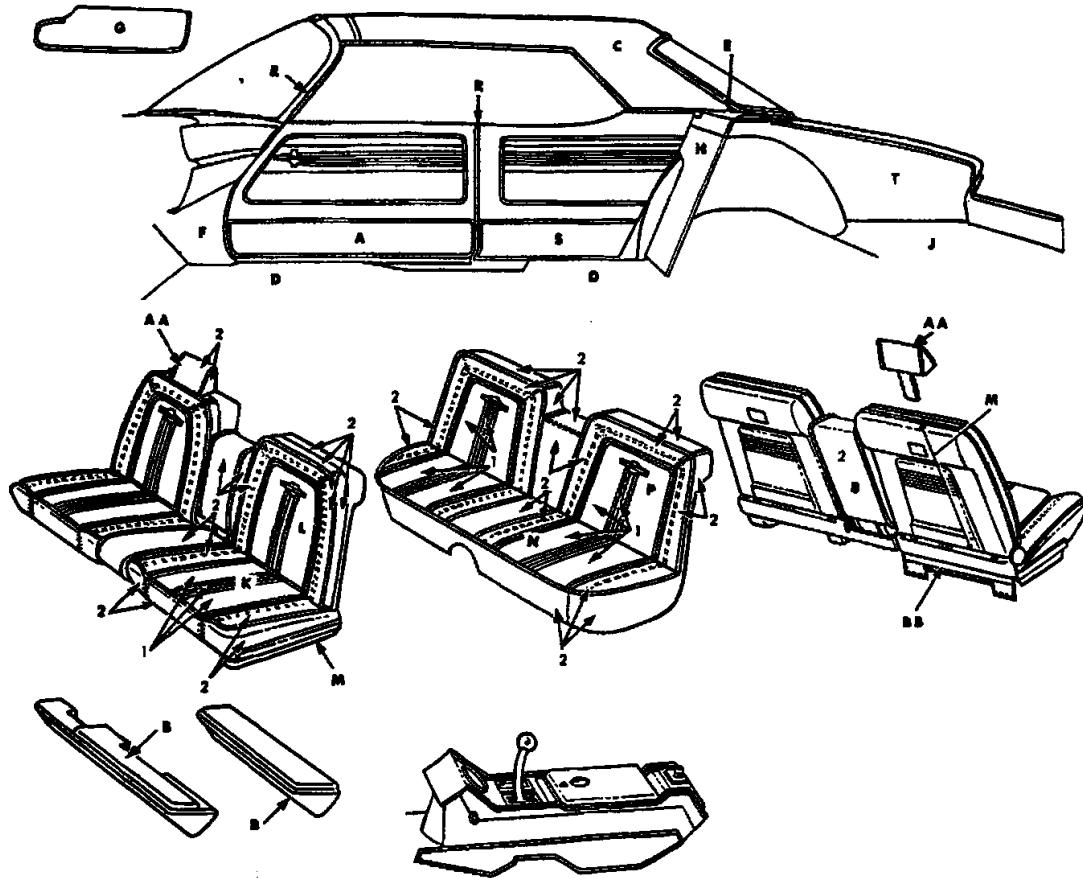
19T0042

ITEM	TYPE OF MATERIAL	PART TYPE CODE	MATERIAL WIDTH	PART NUMBERS AND COLORS							
				BLUE	WHITE	BLACK	RED				
1	Vinyl 38 oz.	23-114-15	50"	0447VB6	-----	0447VX8	0447VR7				
2	Vinyl 28 oz.	23-114-15	50"	0441VB6	0400VW3	-----	0400VR7				
3	Vinyl 19 oz.	23-114-15	54"	0412VB8	-----	0412VX9	0412VR7				
4	Vinyl 28 oz.	23-114-15	50"	0400VB8	-----	0441VX9	0400VR7				

Distribution Drawing Legend Page Appears Following Illustration Section

1964 CHRYSLER VC1-L 2 DOOR HARD TOP
VINYL TRIM
CODES LAB, LAN, LAR

● Indicates use as required.
 □ Indicates parts not listed in any previous parts book.
 * Indicates change or addition.



19T0043

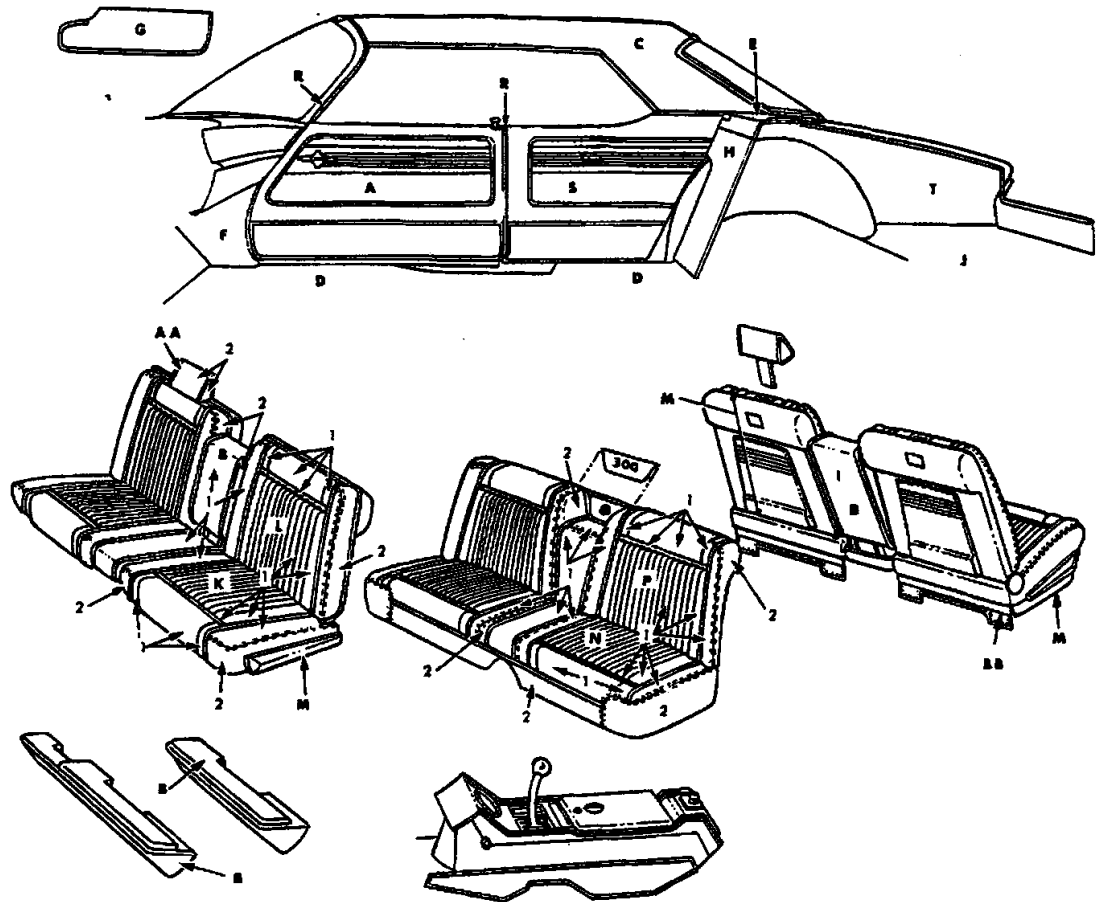
ITEM	TYPE OF MATERIAL	PART TYPE CODE	MATERIAL WIDTH	PART NUMBERS AND COLORS						
				BLUE	BLACK	WHITE	RED	YELLOW TAN		
1	Vinyl 36 oz.	23-114-15	47"	0448VB6	0448VX8	0448VW2	0448VR7	0448VT6		
2	Vinyl 38 oz.	23-114-15	50"	*0441VB6	*0441VX9	0400VW3	0400VR7	*0441VT6		

Distribution Drawing Legend Page Appears Following Illustration Section

1964 CHRYSLER VC2-M 2 DOOR HARD TOP
VINYL TRIM
CODES M4B, M4X, M4R, M4T, M4W

★ Indicates use as required.
 ☐ Indicates parts not listed in any previous parts book.
 March 15, 1965 Supersedes May 22, 1964.

Printed in U.S.A.
 Prices and specifications subject to change without notice.
 * Indicates change or addition.



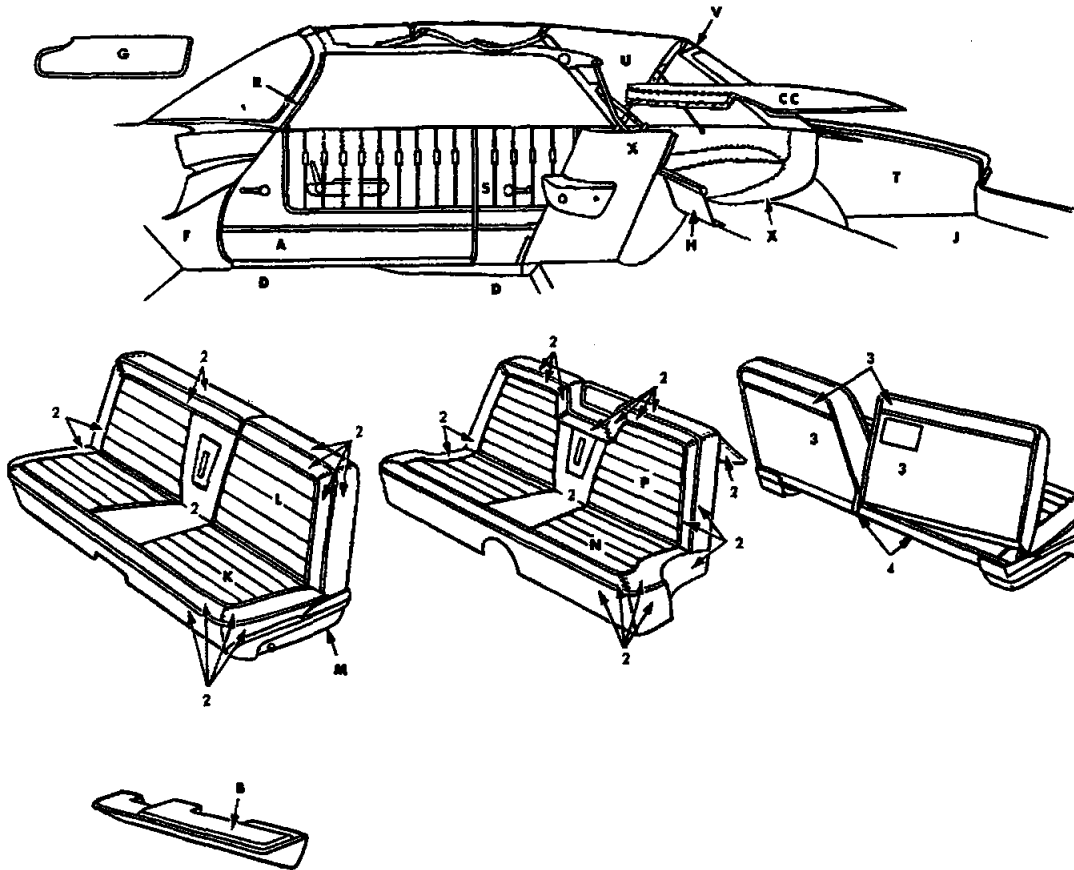
19T0044

ITEM	TYPE OF MATERIAL	PART TYPE CODE	MATERIAL WIDTH	PART NUMBERS AND COLORS					
				WHITE	BLACK				
1	Leather	23-114-14	Hide*	*0301VW3	*0301VX9				
2	Vinyl 38 oz.	23-114-15	50"	*0400VW3	*0441VX9				

Distribution Drawing Legend Page Appears Following Illustration Section

1964 CHRYSLER VC2-M 2 DOOR HARD TOP
LEATHER AND VINYL TRIM
CODES M8W, M8X

* Indicates use as required.
 □ Indicates parts not listed in any previous parts book.
 * Indicates change or addition.



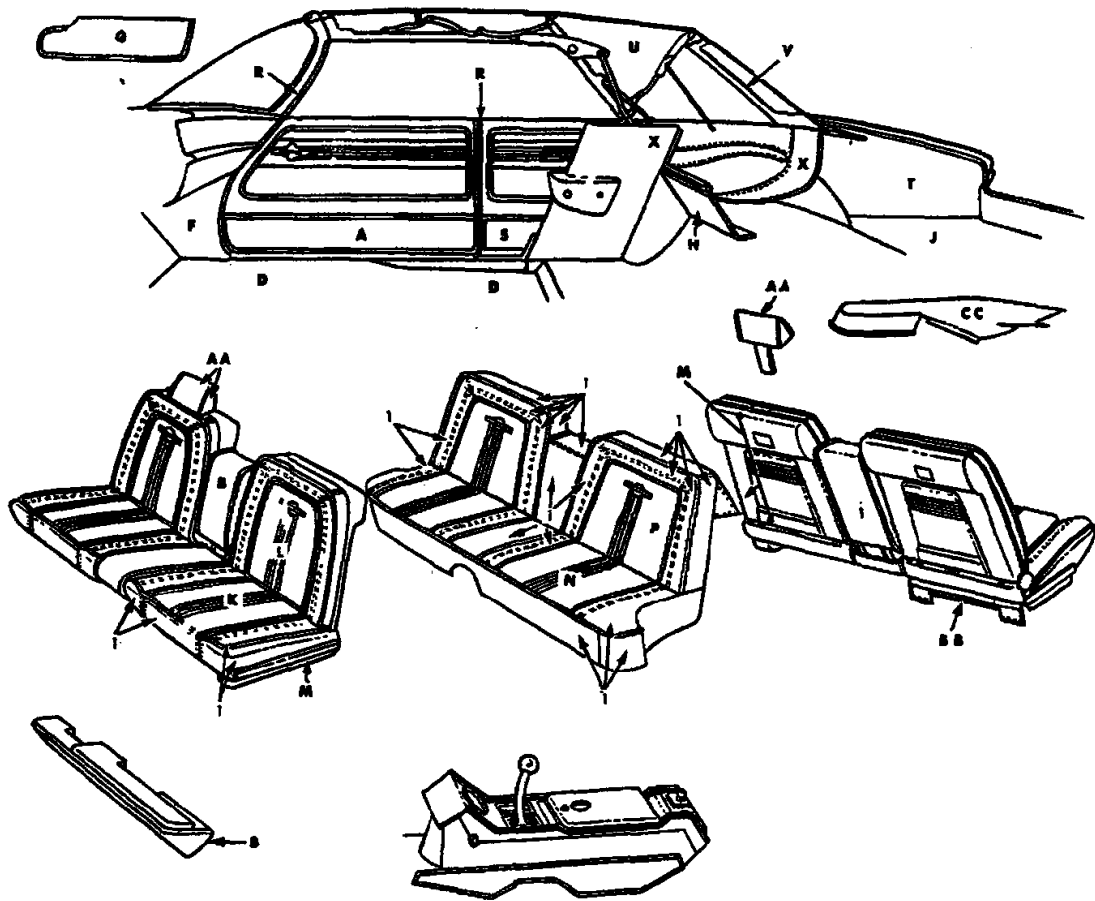
19T0045

ITEM	TYPE OF MATERIAL	PART TYPE CODE	MATERIAL WIDTH	PART NUMBERS AND COLORS						
				BLUE	BLACK	WHITE	TUR- QUOISE	RED	YELLOW TAN	MAROON OR MAUVE
1	Vinyl 38 oz.	23-114-15	50"	0447VB6	0447VX8	-----	0447VQ5	0447VR7	0447VT6	
2	Vinyl 28 oz.	23-114-15	50"	0441VB6	-----	0400VW3	0400VQ5	0400VR7	0441VT6	
3	Vinyl 28 oz.	23-114-15	50"	0412VB8	0412VX9	-----	0412VQ8	0412VR7	0412VT6	
4	Vinyl 28 oz.	23-114-15	50"	0400VB8	0441VX9	-----	0400VQ8	0400VR7	0400VT8	0400VM9

Distribution Drawing Legend Page Appears Following Illustration Section

1964 CHRYSLER VC1-L CONVERTIBLE
VINYL TRIM
CODES L4B, L4N, L4Q, L4R, L4T

★ Indicates use as required.
 □ Indicates parts not listed in any previous parts book.
 March 15, 1965 Supersedes May 22, 1964.



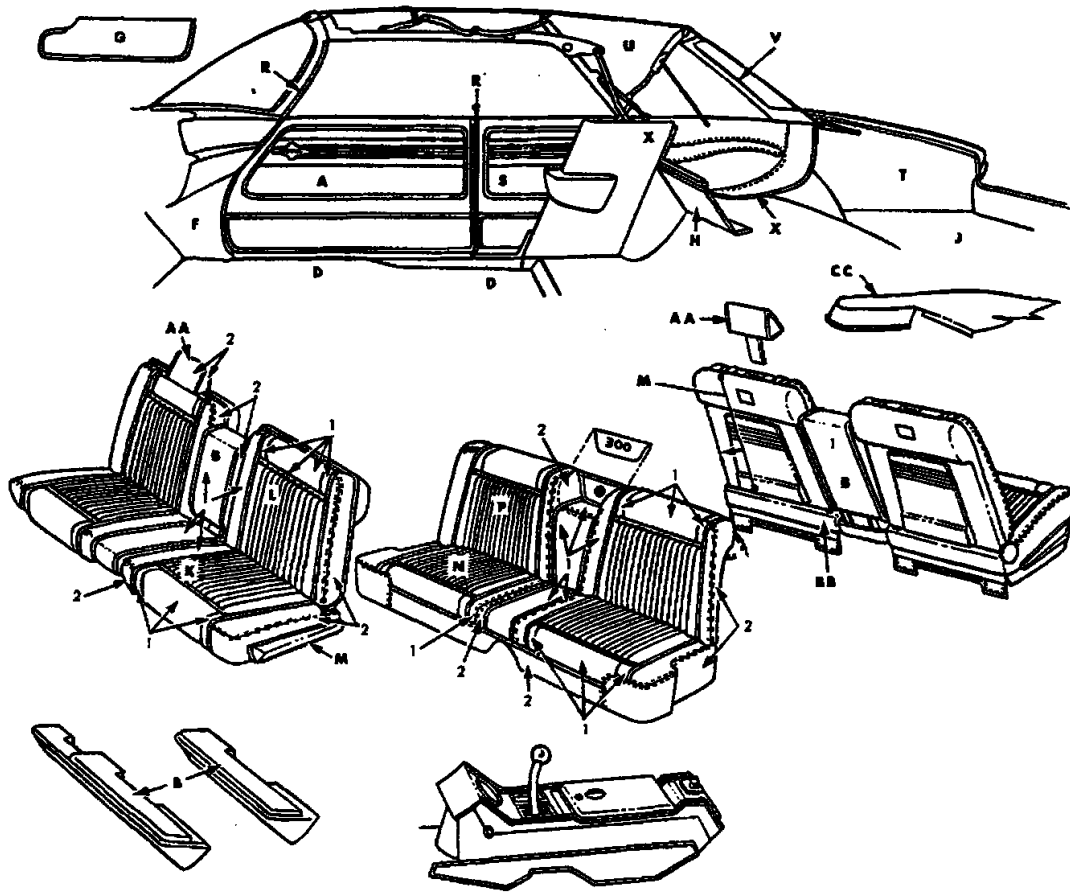
19T0046

ITEM	TYPE OF MATERIAL	PART TYPE CODE	MATERIAL WIDTH	PART NUMBERS AND COLORS							
				BLUE	BLACK	WHITE	RED	YELLOW TAN			
1	Vinyl 38 oz.	23-114-15	50"	0447VB6	0447VX8	0447VW2	0447VR7	0447VT6			

Distribution Drawing Legend Page Appears Following Illustration Section

1964 CHRYSLER VC2-M CONVERTIBLE
VINYL TRIM
CODES M4B, M4X, M4R, M4T, M4W

★ Indicates use as required.
 □ Indicates parts not listed in any previous parts book.
 * Indicates change or addition.



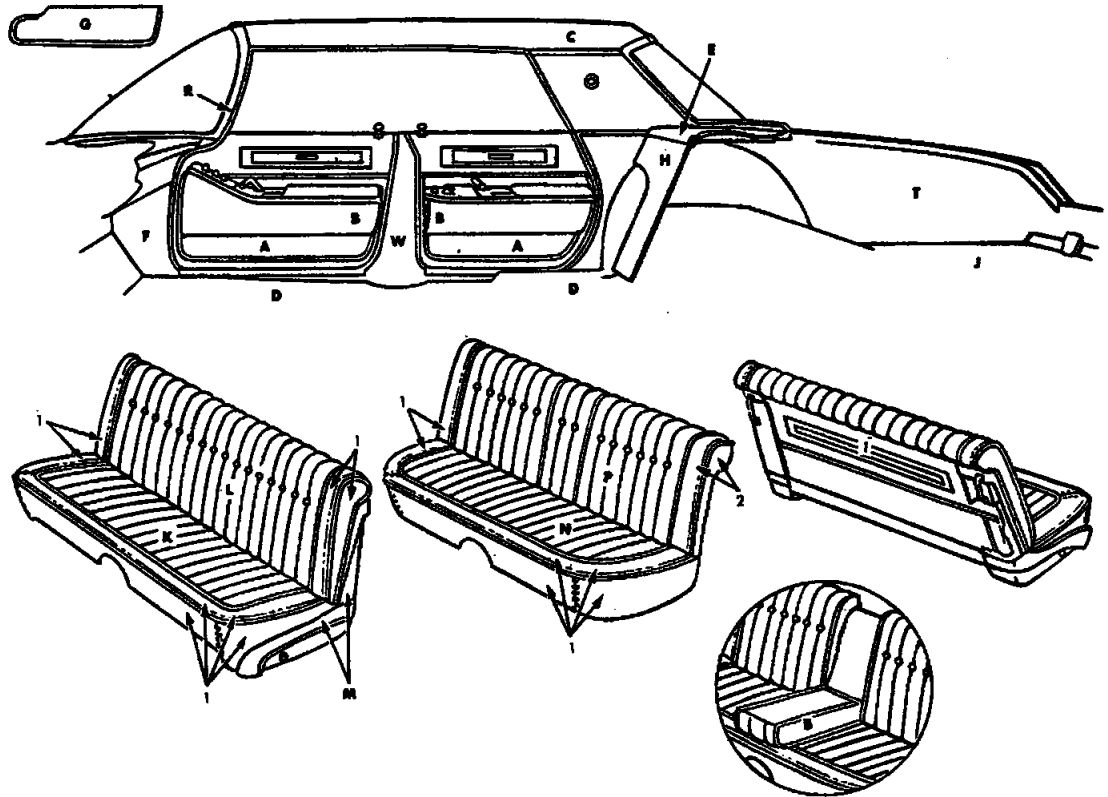
19T0047

ITEM	TYPE OF MATERIAL	PART TYPE CODE	MATERIAL WIDTH	PART NUMBERS AND COLORS					
				WHITE	BLACK				
1	Leather	23-114-14	Hide	0301VW3	0301VX9				
2	Vinyl 38 oz.	23-114-15	50"	0400VW3	0441VX9				

Distribution Drawing Legend Page Appears Following Illustration Section

1964 CHRYSLER VC2-M CONVERTIBLE
LEATHER AND VINYL TRIM
CODES M8W, M8X

* Indicates use as required.
 ☐ Indicates parts not listed in any previous parts book.
 March 15, 1965 Supersedes May 22, 1964.



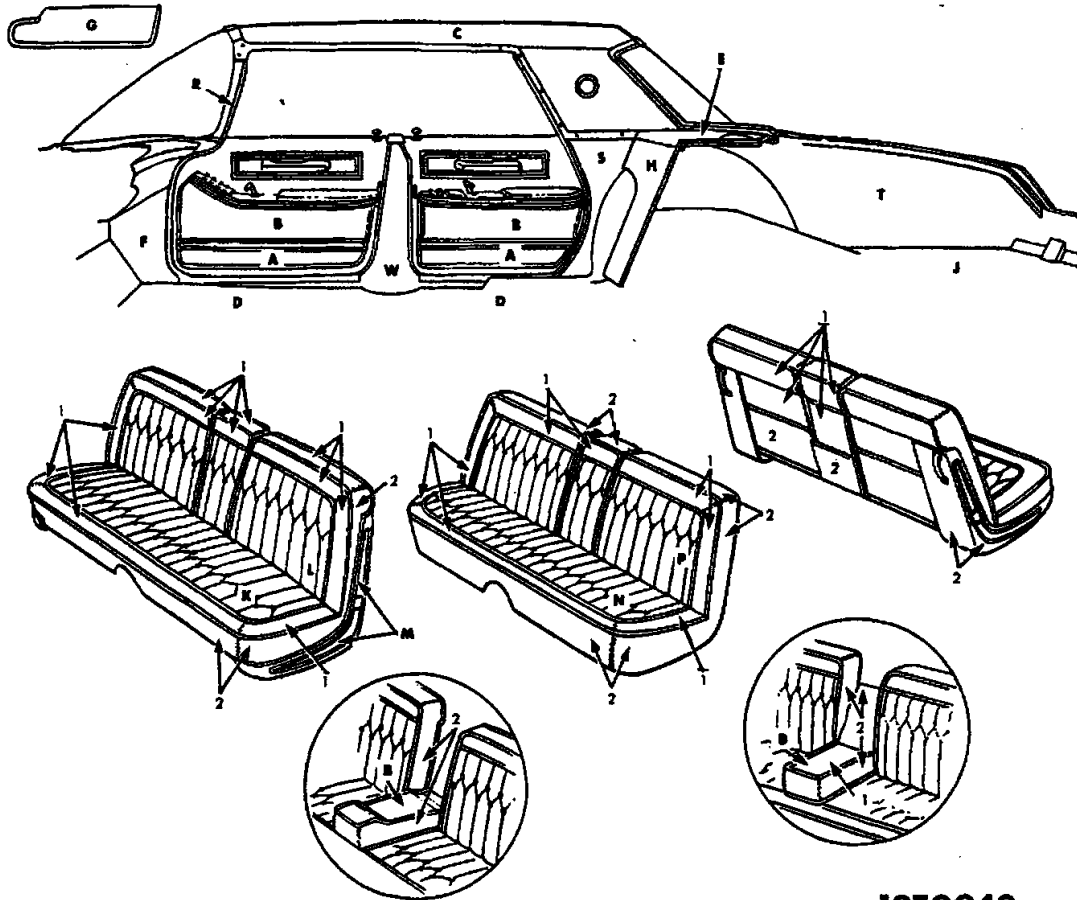
19T0048

ITEM	TYPE OF MATERIAL	PART TYPE CODE	MATERIAL WIDTH	PART NUMBERS AND COLORS						
				BLUE	MAROON OR MAUVE	WHITE	BLACK	TUR-QUOISE	YELLOW TAN	YELLOW GREEN
1	Vinyl 28 oz.	23-114-15	50"	0441VB4	0400VM4	0400VW3	-----	0400VO4	0400VT4	

Distribution Drawing Legend Page Appears Following Illustration Section

1964 IMPERIAL VY1-L 4 DOOR HARD TOP
CLOTH AND VINYL TRIM
CODES L1B, L1M, L1N, L1Q, L1T, L1H

* Indicates use as required.
 □ Indicates parts not listed in any previous parts book.
 * Indicates change or addition.



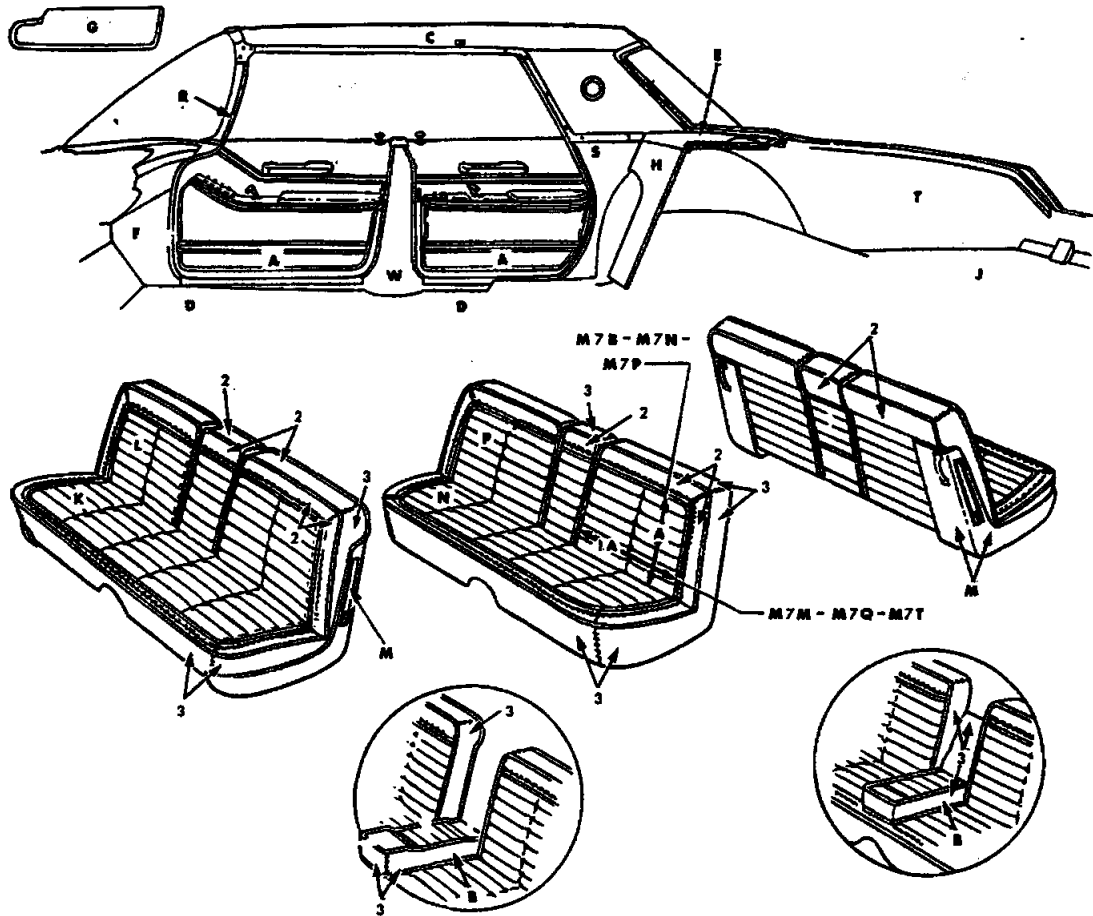
19T0049

ITEM	TYPE OF MATERIAL	PART TYPE CODE	MATERIAL WIDTH	PART NUMBERS AND COLORS							
				BLUE	BLACK	WHITE	YELLOW GREEN	RED	YELLOW TAN		
1	Leather	23-114-14	Hide	0301VB4	0301VX9	0301VW3	0301VF9	0301VR5	0301VT4		
2	Vinyl 28 oz.	23-114-15	50"	0441VB4	0441VX9	0400VW3	0400VF9	0400VR5	0400VT4		

Distribution Drawing Legend Page Appears Following Illustration Section

1964 IMPERIAL VY1-M 4 DOOR HARD TOP
 LEATHER AND VINYL TRIM
 CODES M3B, M3C, M3F, M3R, M3T, M3V, M3W, M3X

* Indicates use as required.
 □ Indicates parts not listed in any previous parts book.
 March 15, 1965 Supersedes May 22, 1964.



19T0050

ITEM	TYPE OF MATERIAL	PART TYPE CODE	MATERIAL WIDTH	PART NUMBERS AND COLORS							
				BLUE	MAROON OR MAUVE	WHITE	BLACK	YELLOW TAN	TUR-QUOISE	YELLOW GREEN	GRAY
A	Body Cloth	23-114-2	56"	0120VB4	-----	-----	0119VX8	-----	-----	-----	0120VA3
1A	Body Cloth	23-114-2	61"	-----	0118VM4	-----	-----	0118VT4	0118VQ4	0118VF9	-----
2	Leather	23-114-14	Hide	0301VB4	0301VM4	0301VW3	0301VX9	0301VT4	0301VQ4	0301VF9	-----
3	Vinyl 28 oz.	23-114-15	50"	0441VB4	0400VM4	0400VW3	0441VX9	0441VT6	0400VQ4	0400VF9	-----

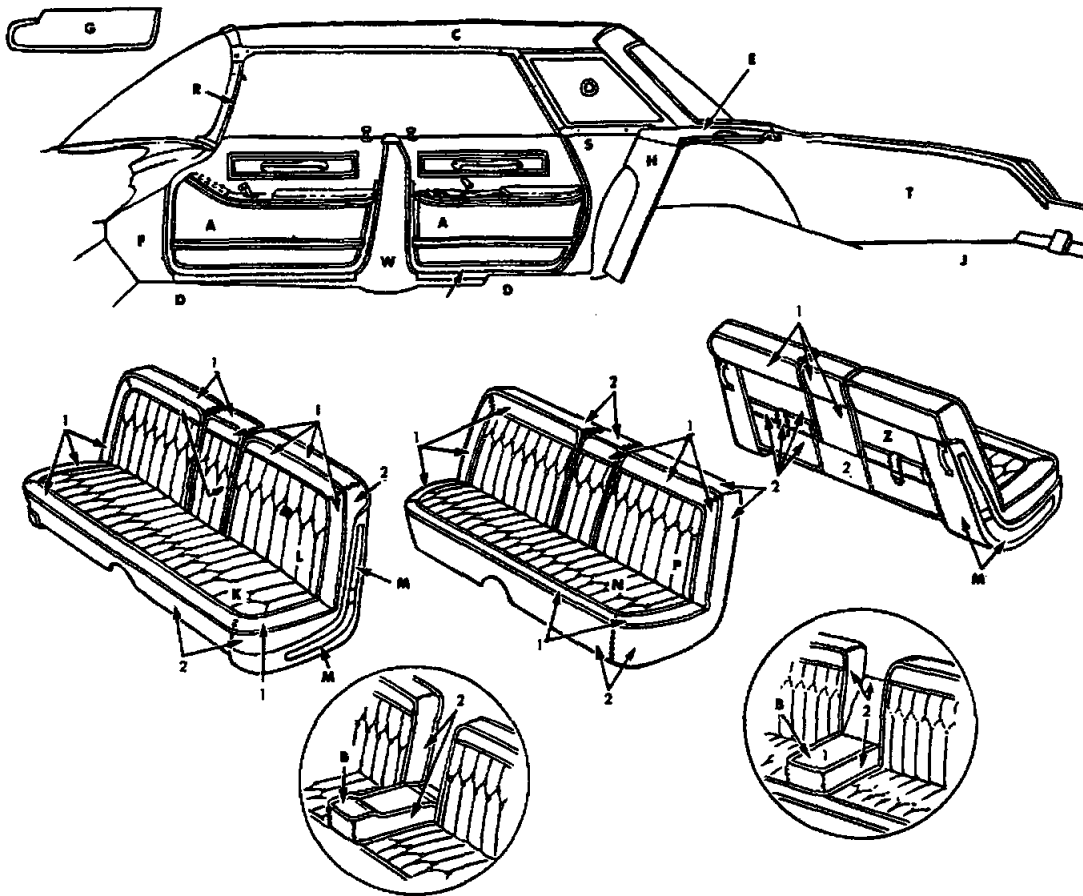
Distribution Drawing Legend Page Appears Following Illustration Section

1964 IMPERIAL VY1-M 4 DOOR HARD TOP
CLOTH, VINYL AND LEATHER TRIM
CODES M7B, M7M, M7N, M7P, M7Q, M7T, M7H

★ Indicates use as required.

☒ Indicates parts not listed in any previous parts book.

• Indicates change or addition.



19T0051

ITEM	TYPE OF MATERIAL	PART TYPE CODE	MATERIAL WIDTH	PART NUMBERS AND COLORS						
				BLUE	RED	WHITE	BLACK	YELLOW GREEN	MAROON OR MAUVE	
1	Leather	23-114-14	H3ide	0301VB4	0301VR5	0301VW3	0301VX9	0301VF9		
2	Vinyl 28 oz.	23-114-15	50"	0441VB4	0400VR5	0400VW3	0441VX9	0400VF9		

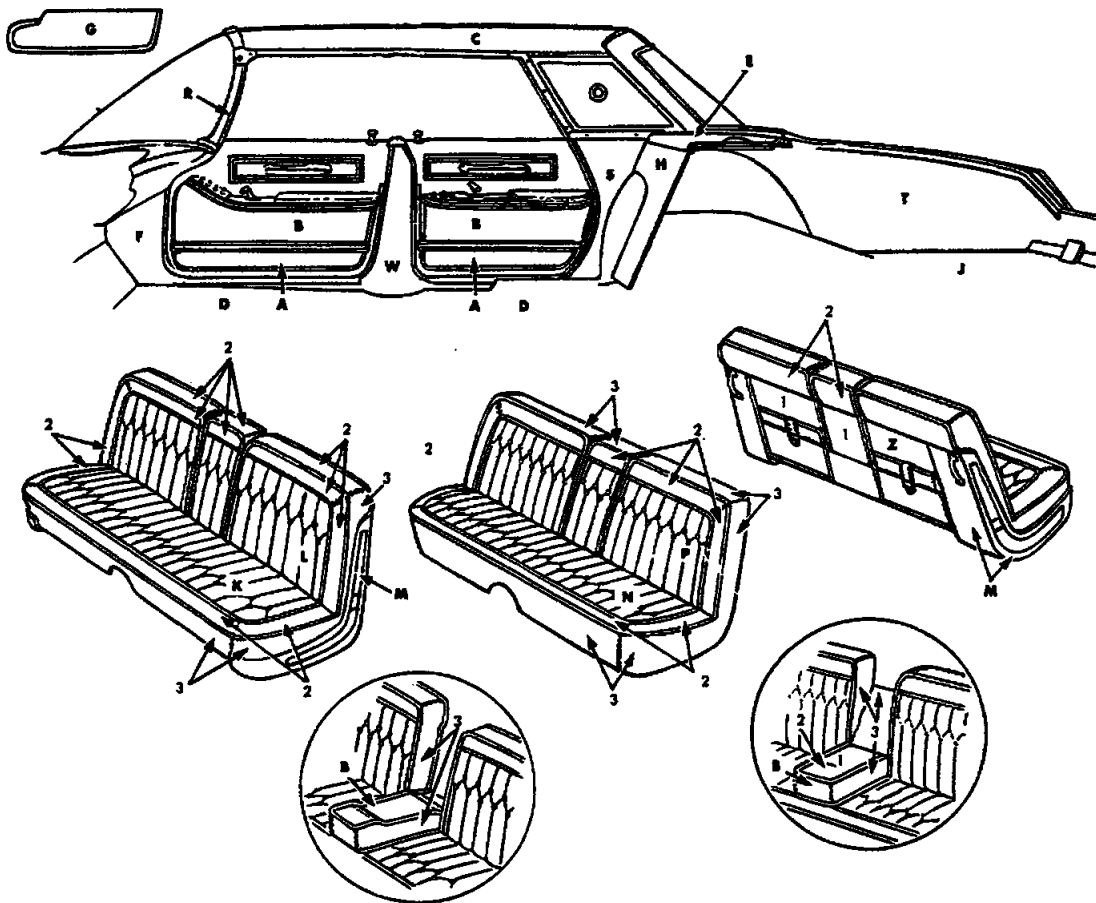
Distribution Drawing Legend Page Appears Following Illustration Section

1964 IMPERIAL VY1-H 4 DOOR HARD TOP
 LEATHER AND VINYL TRIM
 CODES H3B, H3R, H3W, H3X, H3F, H3C, H3V

⊙ Indicates use as required.

⊠ Indicates parts not listed in any previous parts book.

March 15, 1965 Supersedes May 22, 1964.



19T0052

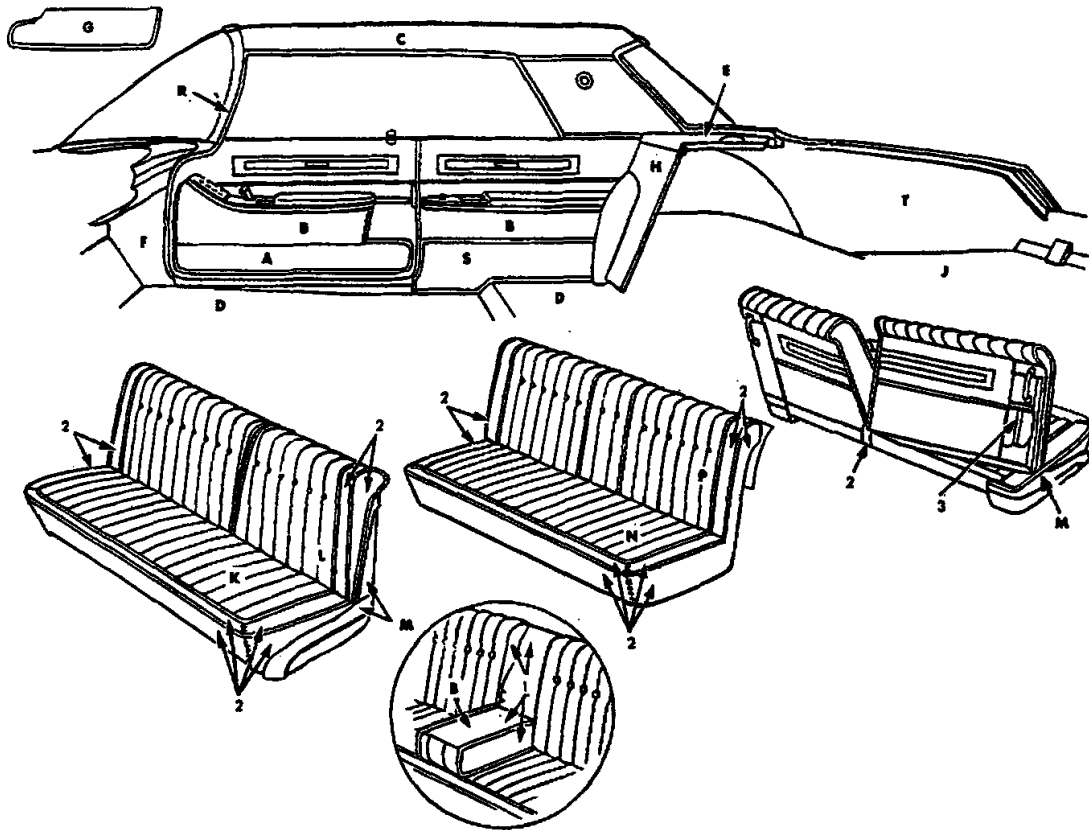
ITEM	TYPE OF MATERIAL	PART TYPE CODE	MATERIAL WIDTH	PART NUMBERS AND COLORS						
				BLUE	MAROON OR MAUVE	BLACK	GRAY	YELLOW TAN	YELLOW GREEN	
1	Body Cloth	23-114-2	65"	0120VB4	0120VM4	-----	0120VA3	0120VT4		
2	Leather	23-114-14	Hide	0301VB4	0301VM4	-----	-----	0301VT4	0301VF9	
3	Vinyl 28 oz.	23-114-15	50"	0441VB4	0400VM4	0441VX9	-----	0400VT4	0400VF9	

Distribution Drawing Legend Page Appears Following Illustration Section

1964 IMPERIAL VY1-H 4 DOOR HARD TOP
CLOTH, VINYL AND LEATHER TRIM
CODES H7B, H7M, H7P, H7T, H7H

★ Indicates use as required.
 □ Indicates parts not listed in any previous parts book.
 * Indicates change or addition.

Printed in U.S.A.
 Prices and specifications subject to change without notice.
 March 15, 1965 Supersedes May 22, 1964.



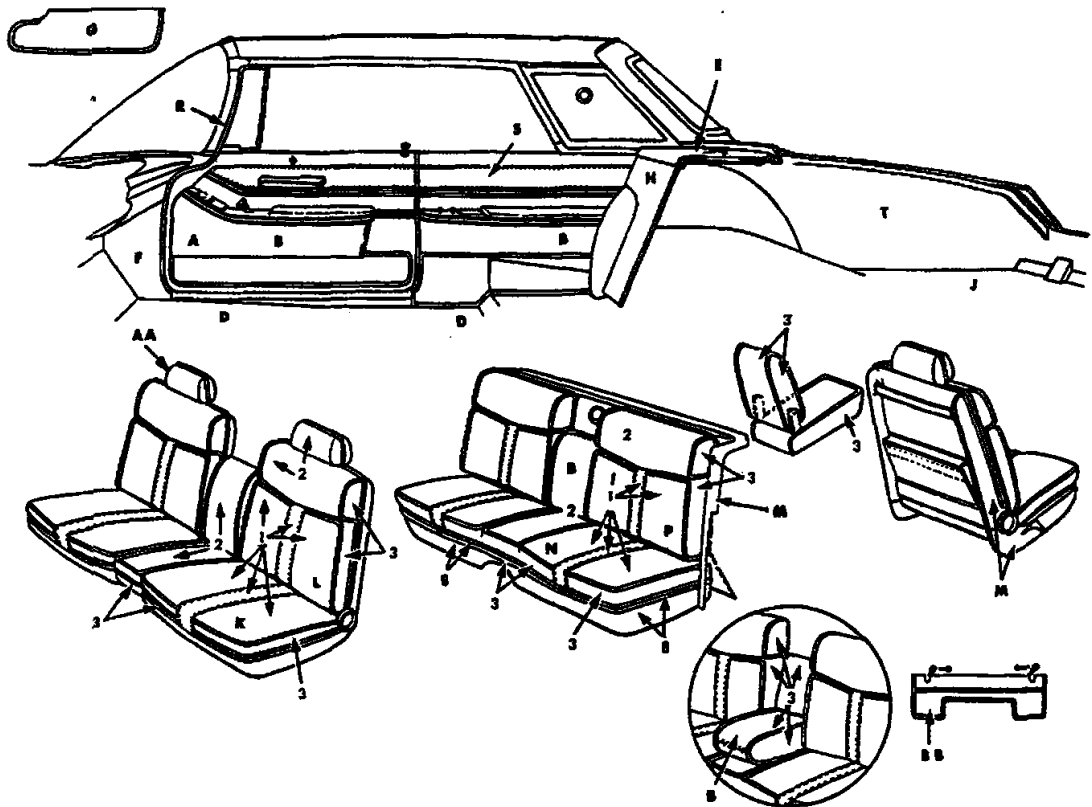
19T0053

ITEM	TYPE OF MATERIAL	PART TYPE CODE	MATERIAL WIDTH	PART NUMBERS AND COLORS						
				BLUE	MAROON OR MAUVE	WHITE	BLACK	TUR-QUOISE	YELLOW TAN	YELLOW GREEN
1	Body Cloth	23-114-2	62"	-----	0117VM4	-----	-----	0117VQ4	0117VT4	
2	Vinyl 28 oz.	23-114-15	50"	0441VB4	0400VM4	0400VW3	-----	0400VQ4	0400VT4	0400VF9

Distribution Drawing Legend Page Appears Following Illustration Section

1964 IMPERIAL VY1-L 2 DOOR HARD TOP
CLOTH AND VINYL TRIM
CODES L1B, L1M, L1N, L1Q, L1T, L1H

* Indicates use as required.
 □ Indicates parts not listed in any previous parts book.
 March 15, 1965 Supersedes May 22, 1964.



19T0054

ITEM	TYPE OF MATERIAL	PART TYPE CODE	MATERIAL WIDTH	PART NUMBERS AND COLORS						
				BLUE	MAROON OR MAUVE	BLACK	WHITE	TUR-QUOISE	YELLOW TAN	YELLOW GREEN
1	Body Cloth	23-114-2	56"	0121VB4	0121VM4	0121VX8	-----	0121VQ4	0121VT4	
2	Leather	23-114-14	Hide	0301VB4	0301VM4	-----	0301VW3	0301VQ4	-----	0301VF9
3	Vinyl 28 oz.	23-114-15	50"	0441VB4	0400VM4	-----	0400VW3	0400VQ4	-----	0400VF9
4	Vinyl 28 oz.	23-114-15	50"	0400VB8	0400VM9	-----	0400VW3	0400VQ8	-----	0400VF9

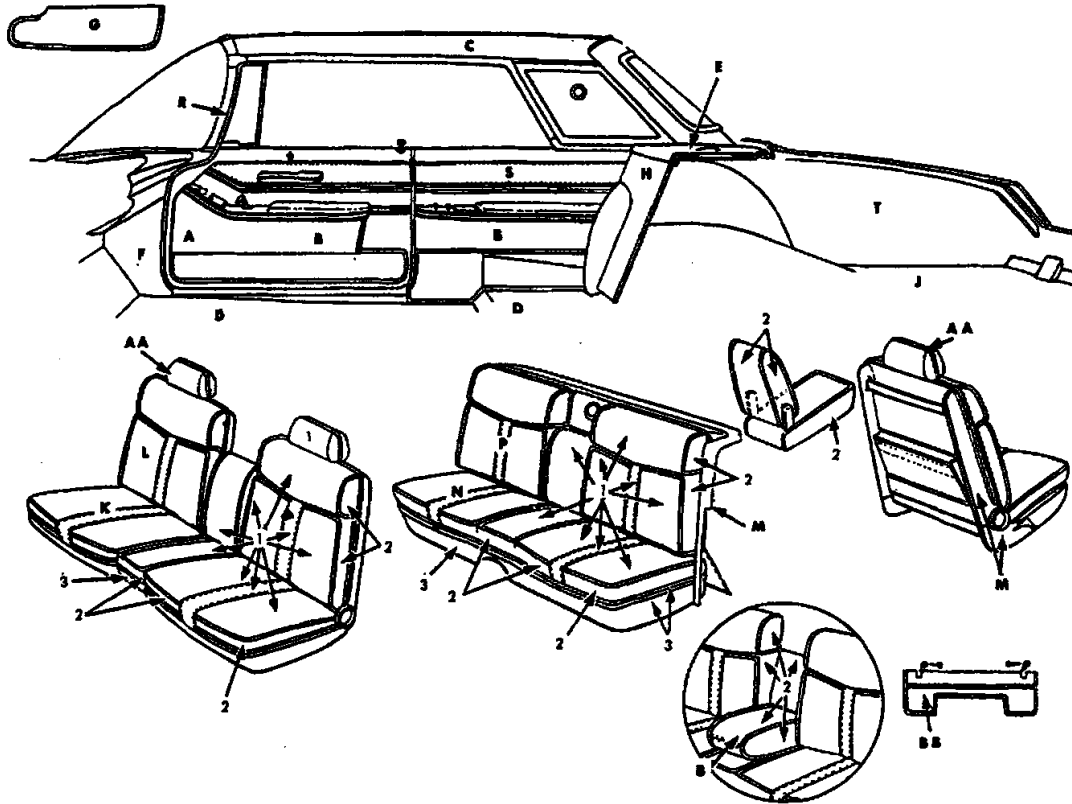
Distribution Drawing Legend Page Appears Following Illustration Section

1964 IMPERIAL VY1-M 2 DOOR HARD TOP
CLOTH, VINYL AND LEATHER TRIM
CODES M8B, M8M, M8N, M8Q, M8H

★ Indicates use as required.

⊠ Indicates parts not listed in any previous parts book.

• Indicates change or addition.



19T0055

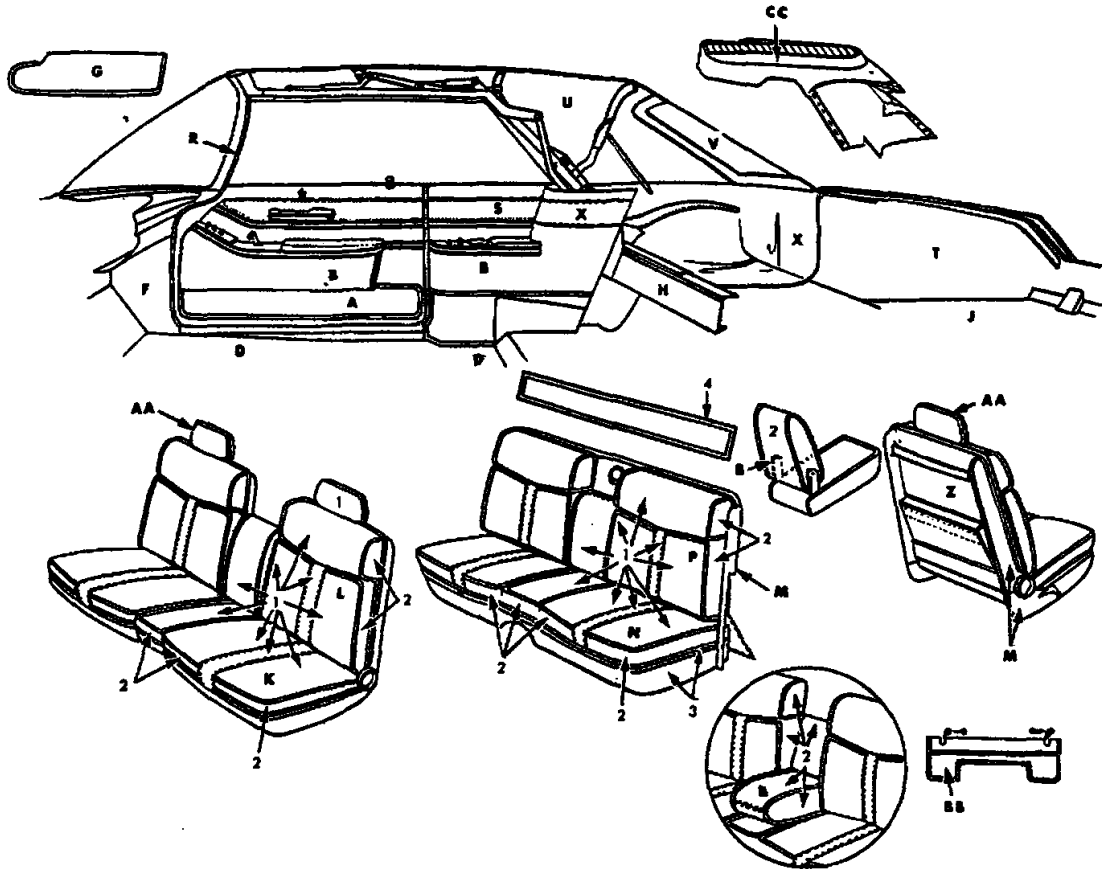
ITEM	TYPE OF MATERIAL	PART TYPE CODE	MATERIAL WIDTH	PART NUMBERS AND COLORS						
				BLUE	RED	YELLOW TAN	WHITE	BLACK	YELLOW GREEN	MAROON OR MAUVE
1	Leather	23-114-14	Hide	0301VB4	0301VR5	0301VT4	0301VW3	0301VX9	0301VF9	
2	Vinyl 28 oz.	23-114-15	50"	0441VB4	0400VR5	0400VT4	0400VW3	0400VX9	0400VF9	0403VM2
3	Vinyl 28 oz.	23-114-15	50"	0400VB8	0400VR5	0400VT8	0400VW3	0441VX9	0400VF9	

Distribution Drawing Legend Page Appears Following Illustration Section

1964 IMPERIAL VY1-M 2 DOOR HARD TOP
 LEATHER AND VINYL TRIM
 CODES M9B, M9C, M9R, M9T, M9W, M9X, M9F

● Indicates use as required.

⊠ Indicates parts not listed in any previous parts book.
 March 15, 1965 Supersedes May 22, 1964.



19T0056

ITEM	TYPE OF MATERIAL	PART TYPE CODE	MATERIAL WIDTH	PART NUMBERS AND COLORS							
				BLUE	YELLOW TAN	RED	WHITE	BLACK	YELLOW GREEN		
1	Leather	23-114-14	Hide	0301VB4	0301VT4	0301VR5	0301VW3	0301VX9	0301VF9		
2	Vinyl 28 oz.	23-114-15	50"	0441VB4	0400VT4	0400VR5	0400VW3	0441VX9	0400VF9		
3	Vinyl 28 oz.	23-114-15	50"	0400VB8	0400VT8	0400VR5	0400VW3	0441VX9	0400VF9		

Distribution Drawing Legend Page Appears Following Illustration Section

1964 IMPERIAL VY1-M CONVERTIBLE
LEATHER AND VINYL TRIM
CODES M9B, M9R, M9T, M9W, M9X, M9F

★ Indicates use as required.
 ☐ Indicates parts not listed in any previous parts book.
 * Indicates change or addition.

1964 CHRYSLER-IMPERIAL - V SERIES

Distribution Drawing Legend

See Illustration For Letter Identification

Letter	Description	Code
A	Panel, Door Trim	23-92-5
B	Arm Rest, Front Door Pad & Plate	23-76-11
	Base	23-76-9
	Arm Rest, Rear Door Pad & Plate	23-76-63
	Base	23-76-9
	Arm Rest, Rear Quarter Pad & Plate	23-76-76
	Base	23-76-9
	Arm Rest, Front Seat Back Center	23-76-34
	Rear Seat Back Center	23-76-40
C	Headlining	23-86-3
D	Floor Cover, Front, Carpet	23-79-3
	Rubber	23-20-8
	Rear, Carpet	23-79-33
	Rubber	23-20-41
E	Panel, Shelf Trim	23-102-3
F	Panel, Cowl Trim	23-91-6
G	Visor	23-103-3
H	Panel, Luggage Compartment Front	23-96-3
J	Cover, Luggage Compartment Floor	23-20-29
K	Cover, Front Seat Cushion	23-108-5
L	Cover, Front Seat Back	23-108-16
M	Shield, Front Seat Side	23-108-98
N	Cover, Rear Seat Cushion	23-109-36
P	Cover, Rear Seat Back	23-109-4
Q	Cover, Rear Seat Cushion Bottom Panel	23-109-40
R	Weathercord, Door	23-113-2
	Hinge Pillar	23-113-25
	Lock Pillar	23-113-30
S	Panel, Quarter Trim	23-101-3
T	Cover, Wheelhouse	23-96-8
U	Top Deck and Side Quarter	23-112-108
V	Curtain, Folding Top Back	23-112-45
W	Cover, Center Pillar	23-99-4
	Cover, Rear Upper Pillar	23-99-38
X	Well, Pocket Panel, Pocket Panel	
	Cover, Pocket Shelf Panel,	
	Folding Top	23-112-153
Y	Cover, Tailgate Inside Panel	23-79-79
Z	Cover, Rear Seat Back Panel	23-109-5
	Cover, Front Seat Back Panel	23-108-32
AA	Headrest	23-108-19
BB	Flap, Front Seat Cushion Rear	23-108-6
CC	Boot, Folding Top Dust	23-112-12

BODY CODE COLUMN LEGEND

NEWPORT (VC1-L)

812 (23)	2 D. Hard Top
813 (41)	4 D. Sedan
814 (43)	4 D. Hard Top
815 (27)	Convertible
858 (46A)	Station Wagon (6 Pass.)
859 (46B)	Station Wagon (9 Pass.)
893 (41)	4 D. Sedan (Police)
898 (45A)	Station Wagon (6 Pass.) (Police)

NEWPORT (300) (VC2-M)

822 (23)	2 D. Hard Top
824 (43)	4 D. Hard Top
825 (27)	Convertible

NEWPORT (300-K) (VC2-M)

842 (23)	2 D. Hard Top
845 (27)	Convertible

NEW YORKER (VC3-H)

833 (41)	4 D. Sedan
834 (43)	4 D. Hard Top
878 (46)	Station Wagon (6 Pass.)
879 (46)	Station Wagon (9 Pass.)
884 (41)	4 D. Hard Top (Salon)

CROWN IMPERIAL (VY1-M)

922 (23)	2 D. Hard Top
924 (43)	4 D. Hard Top
925 (27)	Convertible

LE BARON (VY1-H)

934 (43)	4 D. Hard Top
----------	---------------

CONVERTIBLE TOP COLOR LEGEND

6. Black	7. White	8. Blue	9. Special
----------	----------	---------	------------

STARTING SERIAL NUMBERS

DETROIT BUILT

VC1-L	(Newport)	8143-100001
VC1-L	(Newport Station Wagon)	8543-100001
VC2-M	(300)	8243-100001
VC2-M	(300-J)	8443-100001
VC3-H	(New Yorker)	8343-100001
VC3-H	(New Yorker Station Wagon)	8743-100001
VY1-M	(Imperial Crown)	9243-100001
VY1-H	(Imperial LeBaron)	9343-100001

★ Indicates use as required.
 ☐ Indicates parts not listed in any previous parts book.

Printed in U.S.A.
 Prices and specifications subject to change without notice.
 May 22, 1964 Supersedes Sept. 6, 1963.

1964 PASSENGER CAR PARTS CATALOG

INTERIOR TRIM

TRIM CODE	MODEL	MATERIAL			COLOR	SED.	4D H.T.	STA. WGN.	2D H.T.	CV. CP.
		Cloth	Vinyl	Leather						
L1B, L2B, L4B	C1-L	★	★	-	Blue	★	★	★	★	★
L1F, L2F	C1-L	★	★	-	Yellow Green	★	★	-	★	-
L1M, L2M	C1-L	★	★	-	Mauve or Maroon	★	★	-	★	-
L1N, L4N	C1-L	★	★	-	Black & White	★	★	★	★	★
L1Q, L2Q, L4Q	C1-L	★	★	-	Turquoise	★	★	-	★	★
L1T, L2T, L4T	C1-L	★	★	-	Yellow Tan	★	★	★	★	★
L4R	C1-L	-	★	-	Red	-	★	★	★	★
K1B, K4B	C1-L	★	★	-	Blue	★	-	★	-	-
K1F	C1-L	★	★	-	Yellow Green	★	-	-	-	-
K1M	C1-L	★	★	-	Mauve or Maroon	★	-	-	-	-
K1N, K4N	C1-L	★	★	-	Black & White	★	-	★	-	-
K1T, K4T	C1-L	★	★	-	Yellow Tan	★	-	★	-	-
K4R	C1-L	-	★	-	Red	★	-	★	-	-
K5A, K8A	C1-L	★	★	-	Gray	★	-	-	-	-
M1B, M4B	C2-M	★	★	-	Blue	-	★	-	★	-
M1M	C2-M	★	★	-	Mauve or Maroon	-	★	-	-	-
M1N	C2-M	★	★	-	Black & White	-	★	-	-	-
M1T, M4T	C2-M	★	★	-	Yellow Tan	-	★	-	★	★
M4X, M8X	C2-M - C300-K	★	★	★	Black	-	★	-	★	★
M4W, M8W	C2-M - C300-K	-	★	★	White	-	★	-	★	★
M4R	C2-M	-	★	-	Red	-	★	-	★	★
H1B, H4B	C3-H	★	★	-	Blue	★	★	-	-	-
H3B, H7B	C3-H - Salon	★	-	★	Blue	-	★	-	-	-
H1F	C3-H	★	★	-	Yellow Green	★	★	-	-	-
H3L, H7L	C3-H - Salon	★	-	★	Yellow Gold	-	★	-	-	-
H1M	C3-H	★	★	-	Mauve or Maroon	★	★	-	-	-
H1N, H2N	C3-H	★	★	-	Black & White	★	★	★	-	-
H1Q, H4Q	C3-H	★	★	-	Turquoise	★	★	-	-	-
H4R	C3-H	-	★	-	Red	-	★	★	-	-
H1T, H4T	C3-H	★	★	-	Yellow Tan	★	★	★	-	-
H4W	C3-H	-	★	-	White	-	★	★	-	-
M3B, M9B	Y1-M	-	★	★	Blue	-	★	-	★	★
M7B, M8B	Y1-M	★	★	★	Blue	-	★	-	★	★
M9C	Y1-M	-	★	★	Blue & White	-	-	-	★	★
M3R, M9R	Y1-M	-	★	★	Red	-	★	-	★	★
M3T, M9T	Y1-M	-	★	★	Yellow Tan	-	★	-	★	★
M3W, M9W	Y1-M	-	★	★	White	-	★	-	★	★
M3X, M9X	Y1-M	-	★	★	Black	-	★	-	★	★
M3F, M9F	Y1-M	-	★	★	Green	-	★	-	★	★
M3V, M9V, M9W	Y1-M	-	★	★	Red & White	-	★	-	★	★
M7H, M8H	Y1-M	★	★	★	Green & Tan	-	★	-	★	-
M7M, M8M	Y1-M	★	★	★	Mauve or Maroon	-	★	-	★	-
M7V, M8N	Y1-M	★	★	★	Black & White	-	★	-	★	-
M7Q, M8Q	Y1-M	★	★	★	Turquoise	-	★	-	★	-
M7P	Y1-M	★	★	★	Black & Gray	-	★	-	-	-
H3B, H7B	Y1-H	★	★	★	Blue	-	★	-	-	-
H3C	Y1-H	-	★	★	Blue & White	-	★	-	-	-
H3R	Y1-H	-	★	★	Red	-	★	-	-	-
H3W	Y1-H	-	★	★	White	-	★	-	-	-
H3X	Y1-H	-	★	★	Black	-	★	-	-	-
H3F	Y1-H	-	★	★	Green	-	★	-	-	-
H3V	Y1-H	-	★	★	Red & White	-	★	-	-	-
H7H	Y1-H	★	★	★	Green & Tan	-	★	-	-	-
H7M	Y1-H	★	★	★	Mauve or Maroon	-	★	-	-	-
H7T	Y1-H	★	★	★	Yellow Tan	-	★	-	-	-
H7P	Y1-H	★	★	★	Black & Gray	-	★	-	-	-

★ Indicates use as required.

☐ Indicates parts not listed in any previous parts book.

May 22, 1964 Supersedes Sept. 6, 1963.

Printed in U.S.A.

Prices and specifications subject to change without notice.

CODE	REMARKS	PER CAR	SED.	4D H.T	STA. WGN.	2D H.T	CV. CP.
------	---------	---------	------	--------	-----------	--------	---------

NOTE: RIGHT HAND AND LEFT HAND PARTS LISTED ON THE SAME LINE. Whenever right and left hand parts are identified by consecutive part numbers, they will be listed as in the following example:
 PANEL, Door Trim 3108-9V
 Interpreted, this indicates that Panel, right is Part No. 3108 V and Panel, left is Part No. 3109 V

23-70-5	COVER, Wheelhouse 2nd Seat Back Hinge Bracket C1-L, C3-H						
	(codes L4B, H4B)	1	----	----	2028-9 VB8		
	(codes L4R, H4R)	1	----	----	2028-9 VM9		
	(codes L4T, H4T)	1	----	----	2028-9 VT8		
	(codes L4N, H4W, H2N)	1	----	----	2028-9 VX8		
	(Police)						
	(code K4B)	1	----	----	2028-9 VB8		
	(code K4R)	1	----	----	2028-9 VM9		
(code K4T)	1	----	----	2028-9 VT8			
(code K4N)	1	----	----	2028-9 VX8			
23-70-6	COVER, 2nd Seat Back Hinge C1, C3 (seat half)	1	----	----	2094 822-3		
	WASHER	2	----	----	2490 517		
23-71-1	CARPET and FOUNDATION, Floor Console Side C2-M (manual transmission)						
	(codes M1B, M4B)(blue)	1	----	4391-2 VB8	----	4391-2 VB8	4391-2 VB8
	(code M1M)						
	(mauve or maroon)	1	----	4391-2 VM9	----	4391-2 VM9	4391-2 VM9
	(codes M1N, M4W, M4X, M8W, M8X) (black)	1	----	4391-2 VX8	----	4391-2 VX8	4391-2 VX8
	(codes M1T, M4T)(yellow tan)	1	----	4391-2 VT8	----	4391-2 VT8	4391-2 VT8
	(code M4B) (red)	1	----	4391-2 VR7	----	4391-1 VR7	4291-2 VR7
	(automatic transmission)						
	(codes M1B, M4B)(blue) Right	1	----	4391 VB8	----	4391 VB8	4391 VB8
	Left	1	----	4393 VB8	----	4393 VB8	4393 VB8
	(code M1M)						
	(mauve or maroon)						
	Right	1	----	4391 VM9	----	4391 VM9	4391 VM9
	Left	1	----	4393 VM9	----	4393 VM9	4393 VM9
23-71-3	(codes M1N, M4W, M4X, M8W, M8X) (mauve or maroon)						
	Right	1	----	4391 VX8	----	4391 VX8	4391 VX8
	Left	1	----	4393 VX8	----	4393 VX8	4393 VX8
	(codes M1T, M4T)						
	(yellow tan) Right	1	----	4391 VT8	----	4391 VT8	4391 VT8
	Left	1	----	4393 VT8	----	4393 VT8	4393 VT8
	(code M4R)						
	(red) Right	1	----	4391 VB7	----	4391 VR7	4391 VR7
Left	1	----	4393 VR7	----	4393 VR7	4393 VR7	
23-71-3	LID, Floor Tunnel Console Compartment C2-M						
	(codes M1B, M4B)	1	----	4340 VB6	----	4340 VB6	4340 VB6
	(code M1M)	1	----	4340 VM6	----	4340 VM6	4340 VM6
	(code M4R)	1	----	4340 VR7	----	4340 VR7	4340 VR7
	(codes M1T, M4T)	1	----	4340 VT6	----	4340 VT6	4340 VT6
	(code M4W)	1	----	4340 VW3	----	4340 VW3	4340 VW3
	(codes M1N, M4X)	1	----	4340 VX9	----	4340 VX9	4340 VX9
23-71-4	RETAINER, Floor Tunnel Console Lid Pad C2-M	1	----	2490 458	----	2490 458	2490 458

★ Indicates use as required.

⊞ Indicates parts not listed in any previous parts book.

Right and left part numbers are on same line,

first number is right, second number is left.

Printed in U.S.A.

Prices and specifications subject to change without notice.

May 22, 1964 Supersedes Sept. 6, 1963.

1964 PASSENGER CAR PARTS CATALOG

INTERIOR TRIM

CODE	REMARKS	PER CAR	SED.	4D H.T.	STA. WGN.	2D H.T.	CV. CP.
23-71-5	PAD, Floor Tunnel Console Side C2-M (codes M1B, M4B) (code M1M) (code M4R) (codes M1T, M4T) (codes M1N, M4W, M8W) (codes M4X, M8X)	1 1 1 1 1 1	----- ----- ----- ----- ----- -----	4380-1 VB6 4380-1 VM6 4380-1 VR7 4380-1 VT6 4380-1 VW3 4380-1 VX9	----- ----- ----- ----- ----- -----	4380-1 VB6 4380-1 VR7 4380-1 VT6 4380-1 VW3 4380-1 VX9	4380-1 VB6 4380-1 VR7 4380-1 VT6 4380-1 VW3 4380-1 VX9
23-71-8	FASTENER, Floor Tunnel Console Side Carpet C2-M	16	-----	* 975 633	-----	* 975 633	* 975 633
23-76-1	BUTTON, Door Arm Rest Lid Y1	2	-----	*2499 591	-----	*2499 591	*2499 591
23-76-2	CATCH, Front Door Arm Rest Y1	1	-----	*2490 556-7	-----	*2490 556-7	*2490 556-7
23-76-5	PULL, Door Arm Rest C3-H	2	*2080 114-5	*2080 114-5	*2080 114-5		
23-76-6	BOX, Front Door Arm Rest Storage Compartment Y1 (gray)	1	-----	2490 122-3	-----	2490 122-3	2490 122-3
23-76-7	BRACKET, Door Arm Rest Support C3-H	4	2086 210	2086 210	2086 210		
23-76-9	BASE, Door and Quarter Arm Rest C1, C2 (door arm rest)(long) (quarter arm rest) (medium) Screw (arm rest attaching)	2 1 4	1212-3 VZ1 ----- * 162 090	1212-3 VZ1 ----- * 162 090	1212-3 VZ1 ----- * 162 090	1212-3 VZ1 1210-1 VZ1 * 162 090	1212-3 VZ1 * 162 090
23-76-10	PAD, Front Door Arm Rest Storage Compartment Y1-M, Y1-H (codes M3B, M7B, M8B, M9B, H3B, H7B) (codes M7M, M8M, H7M) (codes M7H, M8H, M3F, M9F, H3F, H7H) (codes M3T, M7T, M9T, H7T) (codes M7Q, M8Q) (codes M3R, M9R, H3R) (codes M8N, M3C, M3V, M3W, M7N, M9C, M9V, M9W, H3C, H3V, H3W) (codes M3X, M7P, M9X, H3X, H7X)	1 1 1 1 1 1 1 1	----- ----- ----- ----- ----- ----- ----- -----	*1230-1 VB4 *1230-1 VM4 *1230-1 VF9 *1230-1 VT4 *1230-1 VQ4 1230-1 VR5 *1230-1 VW3 1230-1 VX9	----- ----- ----- ----- ----- ----- ----- -----	*1230-1 VB4 *1230-1 VM4 *1230-1 VF9 *1230-1 VT4 *1230-1 VQ4 1230-1 VR5 *1230-1 VW3 1230-1 VX9	*1230-1 VB4 *1230-1 VF9 *1230-1 VT4 *1230-1 VQ4 1230-1 VR5 *1230-1 VW3 1230-1 VX9
23-76-11	PAD and PLATE, Front Door Arm Rest C1, C2 (w/o ash receiver) (medium and long) (codes L1B, L2B, L4B, M1B, M4B) (codes L1T, L2T, L4T, M1T) (code M4X) (code L1F, L2F) (codes L1Q, L2Q, L4Q) (codes L4R, M4R) (codes L1N, L4N, M1N, M4W) (codes L1M, L2M, M1M)	1 1 1 1 1 1 1 1	1222-3 VB6 *1222-3 VT6 ----- 1222-3 VFG 1222-3 VQ5 ----- ----- 1222-3 VW3 1222-3 VM6	1222-3 VB6 *1222-3 VT6 ----- 1222-3 VF6 1222-3 VR7 1222-3 VW3 1222-3 VM6	1222-3 VB6 *1222-3 VT6 ----- ----- 1222-3 VR7 1222-3 VW3 -----	1222-3 VB6 *1222-3 VT6 ----- 1222-3 VF6 1222-3 VR7 1222-3 VW3 1222-3 VM6	1222-3 VB6 *1222-3 VT6 1222-3 VX9 1222-3 VF6 1222-3 VR7 1222-3 VW3 1222-3 VM6

★ Indicates use as required.

B Indicates parts not listed in any previous parts book.
May 22, 1964 Supersedes Sept. 8, 1963.Printed in U.S.A.
Prices and specifications subject to change without notice.
Right and left part numbers are on same line,
first number is right, second number is left.

CODE	REMARKS	PER CAR	SED.	4D H.T	STA WGN.	2D H.	CV. CP.	
23-76-11	PAD and PLATE, Front Door Arm Rest - Cont'd C1, C2 (Police) (codes K1B, K4B) (codes K1T, K4T) (code K1Q) (codes K1N, K4N) (code K1M) (codes K5A, K8A) (code K4R) (code K1F) Screw (pad attaching)	1 1 1 1 1 1 1 1 4	1222-3 VB6 1222-3 VT6 1222-3 VQ5 1222-3 VW3 1222-3 VM6 1222-3 VA9 ----- 1222-3 VF6 161 904	----- ----- ----- ----- ----- ----- ----- ----- 161 904	1222-3 VB6 1222-3 VT6 ----- 1222-3 VW3 ----- ----- ----- 1222-3 VR7 -----	----- ----- ----- ----- ----- ----- ----- ----- 161 904	----- ----- ----- ----- ----- ----- ----- ----- 161 904	----- ----- ----- ----- ----- ----- ----- ----- 161 904
	Y1 (pad) (codes M3B, M7B, M8B, M9B, H3B, H7B) (codes M7M, M8M, H7M) (codes M3C, M3V, M3W, M7N, M8N, M9C, M9V, M9W, H3V, H3W) (codes M7Q, M8Q) (codes M3T, M7T, M9T, H7T) (codes M3F, M7H, M8H, M9F, H3F, H7H) (codes M3R, M9R, H3R) (codes M3X, M7P, M9X, H3X, H7P)	1 1 1 1 1 1 1 1	----- ----- ----- ----- ----- ----- ----- -----	1230-1 VB4 1230-1 VM4 ----- 1230-1 VW3 1230-1 VQ4 1230-1 VT4 ----- 1230-1 VF9 1230-1 VR5 ----- 1230-1 VX9	----- ----- ----- ----- 1230-1 VQ4 ----- ----- ----- ----- ----- -----	1230-1 VB4 1230-1 VM4 ----- 1230-1 VW3 1230-1 VQ4 1230-1 VT4 ----- 1230-1 VF9 1230-1 VR5 ----- 1230-1 VX9	1230-1 VB4 1230-1 VM4 ----- 1230-1 VW3 1230-1 VQ4 1230-1 VT4 ----- 1230-1 VF9 1230-1 VR5 ----- 1230-1 VX9	
23-76-14	PLATE, Front Door Arm Rest Storage Compartment Lid Pad Finish Y1	1	-----	2490 248-9	-----	2490 248-9	2490 248-9	
23-76-16	NUT, Door Trim Panel and Arm Rest C1, C2, C3 (quarter and door arm rest, support bracket) Y1 (door trim panel)	8 6	1280 134 -----	1280 134 1280 134	1280 134 -----	1280 134 1280 134	1280 134 1280 134	
23-76-17	HINGE, Front Seat Back Center Arm Rest C3-H Screw and Washer (hinge to lid) Y1 (door arm rest compartment lid)	1 4 1	2494 262-3 6024 281 -----	2494 262-3 6024 281 *2572 734-5	----- ----- -----	----- ----- *2572 734-5	----- ----- *2572 734-5	
23-76-18	ARM REST, Front Seat Back Center C2-M, C3-H (codes M1B, M4B) (code M1M) (codes M1N, M4W, H2N, H4W) (codes M1T, M4T) (code H4T) (code M4X) (codes M4R, H4R) (code H4B) (code H4Q) (code M8W) (code M8X)	1 1 1 1 1 1 1 1 1 1	----- ----- ----- ----- ----- ----- ----- ----- ----- -----	6945 VB6 6945 VM6 6945 VW3 6945 VT6 ----- 6945 VX9 6945 VR7 6945 VB4 6945 VQ4 6936 V8W 6936 V8X	----- ----- 6945 VW3 ----- ----- ----- 6945 VB4 ----- ----- ----- -----	6945 VB6 ----- 6945 VW3 6945 VT6 6945 VT4 6945 VX9 6945 VR7 6945 VB4 ----- 6936 V8W 6936 V8X	6945 VB6 ----- 6945 VW3 6945 VT6 6945 VX9 6945 VR7 6945 VB4 ----- 6936 V8W 6936 V8X	
	C3-H (code H1B) (code H3B) (code H7B)	1 1 1	----- ----- -----	6949 V1B 6949 V3B 6949 V7B	----- ----- -----	----- ----- -----	----- ----- -----	

* Indicates use as required.

□ Indicates parts not listed in any previous parts book.
Right and left part numbers are on same line,

Prices and specifications subject to change without notice.

Printed in U.S.A.

1964 PASSENGER CAR PARTS CATALOG INTERIOR TRIM

CODE	REMARKS	PER CAR	SED.	4D H.T.	STA. WGN.	2D H.T.	CV. CP.
23-76-18	ARM REST, Front Seat Back Center - Cont'd C3-H						
	(code H1F)	1	----	6949 V1F			
	(code H1M)	1	----	6949 V1M			
	(code H1N)	1	----	6949 V1N			
	(code H1Q)	1	----	6949 V1Q			
	(code H1T)	1	----	6949 V1T			
	Washer (hinge to bracket)	2	----	6024 290			
	Screw and Washer (arm rest catch to compt.)	2	----	6024 281			
	Y1-M, Y1-H (codes M3B, H3B) (codes M3C, M3V, M3W, H3C, H3V, H3W)	1	----	6978 V3B			
	(codes M3F, H3F)	1	----	*6978 V3W			
	(codes M3R, H2R)	1	----	6978 V3F			
	(code M3T)	1	----	6978 V3R			
	(codes M3X, H3X)	1	----	6978 V3T			
		1	----	6978 V3X			
	Y1-M (w/hex. design in body cloth)						
	(code M7B)	1	----	*6976 V7B			
	(code M7M)	1	----	*6976 V7M			
	(code M7Q)	1	----	*6976 V7Q			
	(code M7T)	1	----	*6976 V7T			
	(code M7H)	1	----	*6976 V7H			
	(w/diamond design in body cloth)						
	(code M7M)	1	----	66994 V7M			
	(code M7Q)	1	----	66994 V7Q			
	(code M7T)	1	----	66994 V7T			
	(code M7H)	1	----	66994 V7H			
	Y1-M						
	(code M7N)	1	----	6976 V7N			
	(code M7P)	1	----	6976 V7P			
	(code M7Q)	1	----	6976 V7Q			
	(code M7T)	1	----	6976 V7T			
	Y1-H						
	(code H7B)	1	----	----	6980 V7B		
	(code H7H)	1	----	----	6980 V7H		
	(code H7M)	1	----	----	6980 V7M		
	(code H7P)	1	----	----	6980 V7P		
	(code H7T)	1	----	----	6980 V7T		
	Y1-M						
	(codes M8B, M9B)	1	----	----	----	6991 VB4	6991 VB4
	(codes M8H, M9F)	1	----	----	----	6991 VF9	6991 VF9
	(code M8M)	1	----	----	----	6991 VM4	6991 VM4
	(codes M8N, M9C, M9V, M9W)	1	----	----	----	6991 VW3	6991 VW3
	(code M8Q)	1	----	----	----	6991 VQ4	6991 VQ4
	(code M9R)	1	----	----	----	6991 VR5	6991 VR5
	(code M9T)	1	----	----	----	6991 VT4	6991 VT4
	(code M9X)	1	----	----	----	6991 VX9	6991 VX9
23-76-19	FLAP, Front Seat Back Center Arm Rest C3-H						
	(code H1B)	1	6951 V1B	6951 V1B			
	(code H1T)	1	6951 V1T	6951 V1T			
	(code H1F)	1	6951 V1F	6951 V1F			

★ Indicates use as required.

E1 Indicates parts not listed in any previous parts book.
March 15, 1965 Supersedes May 22, 1964.Printed in U.S.A.
Prices and specifications subject to change without notice.
Right and left part numbers are on same line,
first number is right, second number is left.
* Indicates change or addition.

CODE	REMARKS	PER CAR	SED.	4D H.T	STA. WGN.	2D H.T	CV. CP.
23-76-19	FLAP, Front Seat Back Center Arm Rest - Cont'd (code H1Q) (code H1M) (code H1N)	1 1 1	6951 V1Q 6951 V1M 6951 V1N	6951 V1Q 6951 V1M 6951 V1N			
23-76-26	SPRING, Arm Rest Button to Arm Rest Moulding Y1	2	----	2499 590	----	2499 590	2499 590
23-76-27	RETAINER, Front Seat Center Arm Rest Frame Hook C2, C3, Y1	1	1918 568	1918 568	1918 568	1918 568	1918 568
23-76-28	LOCK BAR, Front Seat Center Arm Rest Frame C3-H, Y1	3	----	2410 033			
23-76-31	LINER, Front Seat Center Arm Rest Lid C3-H (codes H3B, H7B) (codes H3L, H7L)	1 1	----	4353 VB4 4949 TL4			
23-76-34	COVER, Front Seat Back Center Arm Rest C2-M (codes M1B, M4B) (code M1M) (codes M1N, M3W, M4W) (codes M1T, M4T) (code M4X) (code M4R) (code M4W) (code M8X)	1 1 1 1 1 1 1 1	----	6946 VB6 6946 VM6 6946 VW3 6946 VT6 6946 VX9 6946 VR7 6937 V8W 6937 V8X	----	6946 VB6 6946 VW3 6946 VT6 6946 VX9 6946 VR7 6937 V8W 6937 V8X	6946 VB6 6946 VW3 6946 VT6 6946 VX9 6946 VR7 6937 V8W 6937 V8X
	C3-H (code H4B) (code H4T) (code H4Q) (code H4R) (codes H4N, H4W) (storage compt. type arm rest liner and cover) (codes H3B, H7B) (codes H3L, H7L) (lower panel) (codes H3B, H7B) (codes H3L, H7L) (lid cover) (codes H3B, H7B) (codes H3L, H7L)	1 1 1 1 1 1 1 1 1 1 1 1	----	6946 VB4 ----- 6946 VQ4 6946 VR7 6946 VW3 4350 VB4 4350 TL4 4951 VB4 4951 TL4 4949 VB4 4949 TL4	6946 VB4 6946 VT4 6946 VR7 6946 VW3		
	C3-H (code H1B) (code H3B) (code H7B) (code H1F) (code H1M) (code H1N) (code H1Q) (code H1T) (code H3L) (code H7L)	1 1 1 1 1 1 1 1 1 1	6950 V1B ----- ----- 6950 V1F 6950 V1M 6950 V1N 6950 V1Q 6950 V1T ----- -----	6950 V1B 6956 V3B 6960 V7B 6950 V1F 6950 V1M 6950 V1N 6950 V1Q 6950 V1T 6956 T3L 6960 T7L			

* Indicates use as required.
 □ Indicates parts not listed in any previous parts book.
 Right and left part numbers are on same line,
 first number is right, second number is left.
 * Indicates change or addition.

CODE	REMARKS	PER CAR	SED.	4D H.T.	STA. WGN.	2D H.T.	CV. CP.
23-76-34	COVER, Front Seat Back Center Arm Rest - Cont'd Y1-M, Y1-H						
	(codes M3B, H3B)	1	----	6977 V3B			
	(codes M3C, H3C)	1	----	6977 V3C			
	(codes M3R, H3R)	1	----	6977 V3R			
	(code M3T)	1	----	6977 V3T			
	(codes M3V, H3V)	1	----	6977 V3V			
	(codes M3W, H3W)	1	----	6977 V3W			
	(codes M3F, H3F)	1	----	6977 V3F			
	(codes M3X, H3X)	1	----	6977 V3X			
	Y1-M						
	(code M7B)	1	----	6975 V7B			
	(code M7N)	1	----	6975 V7N			
	(code M7P)	1	----	6975 V7P			
	Y1-M (w/hex. design in body-cloth)						
	(code M7M)	1	----	*6975 V7M			
	(code M7Q)	1	----	*6975 V7Q			
	(code M7T)	1	----	*6975 V7T			
	(code M7H)	1	----	*6975 V7H			
	(w/diamond design in body-cloth)						
	(code M7M)	1	----	E6995 V7M			
	(code M7Q)	1	----	E6995 V7Q			
	(code M7T)	1	----	E6995 V7T			
	(code M7H)	1	----	E6995 V7H			
	Y1-H						
	(code H7B)	1	----	6979 V7B			
	(code H7H)	1	----	6979 V7H			
	(code H7M)	1	----	6979 V7M			
	(code H7P)	1	----	6979 V7P			
	(code H7T)	1	----	6979 V7T			
	Y1-M						
	(codes M8M, M9B)	1	----	----	----	6990 VB4	6990 VB4
	(codes M8H, M9F)	1	----	----	----	6990 VF9	6990 VF9
	(code M3M)	1	----	----	----	6990 VM4	6990 VM4
	(codes M8N, M9C, M9V, M9W)	1	----	----	----	6990 VW3	6990 VW3
	(code M8Q)	1	----	----	----	6990 VQ4	6990 VQ4
	(code M9R)	1	----	----	----	6990 VR5	6990 VR5
	(code M9T)	1	----	----	----	6990 VT4	6990 VT4
	(code M9X)	1	----	----	----	6990 VX9	6990 VX9
23-76-35	PANEL, Front Seat Back Center Arm Rest Lower Y1-M						
	(codes M3B, M7B)	1	----	6974 VB4			
	(codes M3F, M7H)	1	----	6974 VF9			
	(codes M3C, M3V, M3W, M7N)	1	----	6974 VW3			
	(codes M3X, M7P)	1	----	6974 VX9			
	(codes M3T, M7T)	1	----	6974 VT4			
	(code M7Q)	1	----	6974 VQ4			
	(code M3R)	1	----	6974 VR5			
	Y1-H						
	(codes H3B, H7B)	1	----	6974 VB4			
	(codes H3F, H7H)	1	----	6974 VF9			
	(codes H3C, H3W, H3V)	1	----	6974 VW3			
	(codes H3X, H7P)	1	----	6974 VX9			
	(code H7T)	1	----	6974 VT4			
	(code H7M)	1	----	6974 VR5			

* Indicates use as required.

E Indicates parts not listed in any previous parts book.
March 15, 1965 Supersedes May 22, 1964.

CODE	REMARKS	PER CAR	SED.	4D H.T	STA. WGN.	2D H.T	CV. CP.
23-76-36	COVER, Front Seat Center Arm Rest Stanchion C2, Y1 (paint as required) (black)	1	----	4388-9 TX8	----	4388-9 TX8	4388-9 TX8
23-76-37	COVER, Front Seat Center Arm Rest Lower Panel Y1-M (codes M3B, M7B) (codes M3F, M7H) (codes M3C, M3V, M3W, M7N) (codes M3X, M7P) (codes M3T, M7T) (code M3R) (code M7Q) (code M7M)	1 1 1 1 1 1 1 1	----	6974 VB4 6974 VF9 6974 VW3 6974 VX9 6974 VT4 6974 VR5 6974 VQ4 6974 VM4			
	Y1-H (codes H3B, H7B) (codes H3F, H7H) (codes H3C, H3V, H3W) (codes H3X, H7P) (code H7T) (code H3R)	1 1 1 1 1 1	----	6974 VB4 6974 VF9 6974 VW3 6974 VX9 6974 VT4 6974 VR5			
23-76-40	ARM REST, Rear Seat Back Center C3-H (code H1B) (code H1F) (code H1M) (code H1N) (code H1Q) (code H1T)	1 1 1 1 1 1	6952 V1B 6952 V1F 6952 V1M 6952 V1N 6952 V1Q 6952 V1T	6952 V1B 6952 V1F 6952 V1M 6952 V1N 6952 V1Q 6952 V1T			
	(code H3B) (code H4B) (code H4Q) (code H4R) (code H4W) (code H7B) (code H3L) (code H7L) Screw and Washer	1 1 1 1 1 1 1 1 4	----	6957 V3B 6940 V4B 6940 V4Q 6940 V4R 6940 V4W 6961 V7B 6957 T3L 6961 T7L 180 022			
	Y1-M (code M7B) (code M7N) (code M7P)	1 1 1	----	6972 V7B 6972 V7N 6972 V7P			
	Y1-M (w/hex. design in bodycloth) (code M7M) (code M7Q) (code M7T) (code M7H) (w/diamond design in bodycloth) (code M7M) (code M7Q) (code M7T) (code M7H)	1 1 1 1 1 1 1 1 1	----	*6972 V7M *6972 V7Q *6972 V7T *6972 V7H E6996 V7M E6996 V7Q E6996 V7T E6996 V7H			
	Y1-M, Y1-H (codes M3B, H3B) (codes M3C, H3C) (codes M3F, H3F)	1 1 1	----	6984 V3B 6984 V3C 6984 V3F			

★ Indicates use as required.

□ Indicates parts not listed in any previous parts book.
Right and left part numbers are on same line,
first number is right, second number is left.

1964 PASSENGER CAR PARTS CATALOG

INTERIOR TRIM

CODE	REMARKS	PER CAR	SED.	4D H.T	STA. WGN.	2D H.T	CV. CP.
23-76-40	ARM REST, Rear Seat Back Center - Cont'd Y1-M, Y1-H						
	(codes M3R, H3R)	1	----	6984 V3R			
	(codes M3X, H3X)	1	----	6984 V3X			
	(codes M3V, H3V)	1	----	6984 V3V			
	(codes M3W, H3W)	1	----	6984 V3W			
	(code M3T)	1	----	6984 V3T			
	Y1-H						
	(code H7B)	1	----	6983 V7B			
	(code H7H)	1	----	6983 V7H			
	(code H7M)	1	----	6983 V7M			
	(code H7P)	1	----	6983 V7P			
	(code H7T)	1	----	6983 V7T			
	Y1-M						
	(codes M8B, M9B)	1	----	----	----	6987 VB4	
	(codes M8H, M9F)	1	----	----	----	6987 VF9	
	(code M8N, M9C, M9V, M9W)	1	----	----	----	6987 VW3	
	(code M8M)	1	----	----	----	6987 VM4	
	(code M8Q)	1	----	----	----	6987 VQ4	
	(code M9R)	1	----	----	----	6987 VR5	
	(code M9T)	1	----	----	----	6987 VT4	
	(code M9X)	1	----	----	----	6987 VX9	
	(code M9B)	1	----	----	----	----	6989 VB4
	(codes M9C, M9V, M9W)	1	----	----	----	----	6989 VW3
	(code M9F)	1	----	----	----	----	6989 VF9
	(code M9R)	1	----	----	----	----	6989 VR5
	(code M9T)	1	----	----	----	----	6989 VT4
	Y1-M						
	(code M9X)	1	----	----	----	----	6989 VX9
	Nut and Retainer (frame attaching)	4	6010 006	6010 006	----	6010 006	
	Bolt (bracket to board)	4	180 024	180 024	----	180 024	
	(bracket to board)	4	180 022	180 022	----	180 022	
	Fastener (tufting button)	5	----	6023 724	----	----	
23-76-45	COVER, Rear Seat Back Center Arm Rest C3-H						
	(code H1B)	1	6953 V1B	6953V1B			
	(code H1F)	1	6953 V1F	6953 V1F			
	(code H1M)	1	6953 V1M	6953 V1M			
	(code H1N)	1	6953 V1N	6953 V1N			
	(code H1Q)	1	6953 V1Q	6953 V1Q			
	(code H1T)	1	6953 V1T	6953 V1T			
	(code H3B)	1	----	6958 V3B			
	(code H7B)	1	----	6962 V7B			
	(code H4B)	1	----	6941 V4B			
	(code H4Q)	1	----	6941 V4Q			
	(code H4R)	1	----	6941 V4R			
	(code H4W)	1	----	6941 V4W			
	(code H7L)	1	----	6962 T7L			
	(code H3L)	1	----	6958 T3L			
	Y1-M						
	(code M7B)	1	----	6971 V7B			
	(code M7N)	1	----	6971 V7N			
	(code M7P)	1	----	6971 V7P			

★ Indicates use as required.

⊠ Indicates parts not listed in any previous parts book.

March 15, 1965 Supersedes May 22, 1964.

Prices and specifications subject to change without notice.

Right and left part numbers are on some line,
first number is right, second number is left.

* Indicates change or addition.

Printed in U.S.A.

INTERIOR TRIM 1964 PASSENGER CAR PARTS CATALOG

CODE	REMARKS	PER CAR	SED.	4D H.T	STA. WGN.	2D H.T	CV. CP.
23-76-45	COVER, Rear Seat Back Center Arm Rest - Cont'd Y1-M (w/hex. design in body cloth) (code M7M) (code M7Q) (code M7T) (code M7H) (w/diamond design in body cloth) (code M7M) (code M7Q) (code M7T) (code M7H)	1 1 1 1 1 1 1 1 1	----- ----- ----- ----- ----- ----- ----- ----- -----	*6971 V7M *6971 V7Q *6971 V7T *6971 V7H E6997 V7M E6997 V7Q E6997 V7T E6997 V7H			
	Y1-M, Y1-H (codes M3B, H3B) (codes M3C, H3C) (codes M3F, H3F) (codes M3R, H3R) (code M3T) (codes M3V, H3V) (codes M3W, H3W)	1 1 1 1 1 1 1	----- ----- ----- ----- ----- ----- -----	6982 V3B 6982 V3C 6982 V3F 6982 V3R 6982 V3T 6982 V3V 6982 V3W			
	(codes M3X, H3X) (code H7B) (code H7H) (code H7M) (code H7P) (code H7T)	1 1 1 1 1 1	----- ----- ----- ----- ----- -----	6982 V3X 6981 V7B 6981 V7H 6981 V7M 6981 V7P 6981 V7T			
	Y1-M (codes M8B, M9B) (codes M8H, M9F) (code M8M) (codes M8N, M9C, M9V, M9W) (code M8Q) (code M9R) (code M9T) (code M9X)	1 1 1 1 1 1 1 1	----- ----- ----- ----- ----- ----- ----- -----	----- ----- ----- ----- ----- ----- ----- -----	----- ----- ----- ----- ----- ----- ----- -----	6986 VB4 6986 VF9 6986 VM4 6986 VW3 6986 VQ4 6986 VR5 6986 VT4 6986 VX9	6986 VB4 6986 VF9 6986 VM4 6986 VW3 6986 VQ4 6986 VR5 6986 VT4 6986 VX9
23-76-53	FLAP, Rear Seat Back Center Arm Rest C3-H (code H1B) (code H1F) (code H1M) (code H1N) (code H1Q)	1 1 1 1 1	6954 V1B 6954 V1F 6954 V1M 6954 V1N 6954 V1Q	6954 V1B 6954 V1F 6954 V1M 6954 V1N 6954 V1Q			
	(code H1T) (code H4B) (code H4Q) (code H4R) (code H4W) (codes H3B, H7B) (codes H3L, H7L)	1 1 1 1 1 1 1	6954 V1T ----- ----- ----- ----- ----- -----	6954 V1T 6942 V4B 6942 V4Q 6942 V4R 6942 V4W 6963 VB4 6963 TL4			
	Y1-M, Y1-H (codes M3B, M7B, H3B, H7B) (codes M3F, M7H, H3F) (codes M7M, H7M) (codes M3C, M3V, M3W, M7N, H3C, H3V, H3W) (codes M3X, M7P, H3X)	1 1 1 1 1	----- ----- ----- ----- -----	6993 VB4 6993 VF9 6993 VM4 6993 VW3 6993 VX9			

* Indicates use as required.
E Indicates parts not listed in any previous parts book.
Right and left part numbers are on same line,
first number is right, second number is left.
* Indicates change or addition.

1964 PASSENGER CAR PARTS CATALOG

INTERIOR TRIM

CODE	REMARKS	PER CAR	SED.	4D H.T	STA. WGN.	2D H.T	CV. CP.
23-76-53	FLAP, Rear Seat Back Center Arm Rest - Cont'd Y1-M, Y1-H (code M7Q) (codes M3T, M7T, H7T, H7H) (code H7P) (codes M3R, H3R)	1 1 1 1	----- ----- ----- -----	6993 VQ4 6993 VT4 6993 VA3 6993 VR5			
	Y1-M (codes M8B, M9B) (codes M8H, M9F) (code M8M) (codes M8N, M9C, M9V, M9W) (code M8Q) (code M9R) (code M9T) (code M9X)	1 1 1 1 1 1 1 1	----- ----- ----- ----- ----- ----- ----- -----	----- ----- ----- ----- ----- ----- ----- -----	----- ----- ----- ----- ----- ----- ----- -----	6985 VB4 6985 VF9 6985 VM4 6985 VW3 6985 VQ4 6985 VR5 6985 VT4 6985 VX9	
	(w/o hardboard foundation and pad) (code M9B) (code M9F) (code M9R) (code M9T) (codes M9C, M9V, M9W) (code M9X) (w/hardboard foundation and pad) (code M9B) (code M9F) (code M9R) (code M9T) (codes M9C, M9V, M9W) (code M9X)	1 1 1 1 1 1 1 1 1 1 1 1	----- ----- ----- ----- ----- ----- ----- ----- ----- ----- ----- -----	----- ----- ----- ----- ----- ----- ----- ----- ----- ----- ----- -----	----- ----- ----- ----- ----- ----- ----- ----- ----- ----- ----- -----	----- ----- ----- ----- ----- ----- ----- ----- ----- ----- ----- -----	6988 VB4 6988 VF9 6988 VR5 6988 VT4 6988 VW3 6988 VX9 E6999 VB4 E6999 VF9 E6999 VR5 E6999 VT4 E6999 VW3 E6999 VX9
23-76-63	PAD and PLATE, Rear Door Arm Rest C1, C2 (w/o ash receiver)(medium and long) (codes L1B, L2B, L4B, M1B, M4B) (codes L1T, L2T, L4T, M1T, M4T) (code M4X) (codes L1F, L2F) (codes L1M, L2M, M1M) (codes L1N, L4N, M1N, M4W) (codes L1Q, L2Q) (codes L4R, M4R) (police) (codes K1B, K4B) (code K1F) (code K1M)	1 1 1 1 1 1 1 1 1 1 1 1 1 1 1 1 1 1 1	1222-3 VBC 1222-3 VT6 ----- 1222-3 VF6 1222-3 VM6 1222-3 VW3 1222-3 VQ5 ----- 1222-3 VB6 1222-3 VF6 1222-3 VM6	1222-3 VB6 1222-3 VT6 1222-3 VX9 1222-3 VF6 1222-3 VM6 1222-3 VW3 1222-3 VQ5 1222-3 VR7 ----- ----- -----	1222-3 VB6 ----- ----- ----- ----- 1222-3 VW3 ----- 1222-3 VR7 ----- 1222-3 VB6 ----- -----		
	(code K1Q) (code K4R) (codes K1T, K4T) (codes K1N, K4N) (codes K5A, K8A) Screw (arm rest attaching) Screw (pad attaching)	1 1 1 1 1 4 4	1222-3 VQ5 ----- 1222-3 VT6 1222-3 VW3 1222-3 VX9 162 090 161 904	----- ----- ----- ----- ----- 162 090 161 904	----- ----- ----- ----- ----- 132 090 161 904		
	Y1 (pad) (codes M3B, M7B, H3B, H7B) (codes M7M, H7M)	1 1	----- -----	1234-5 VB4 1234-5 VM4			

● Indicates use as required.

□ Indicates parts not listed in any previous parts book.

March 15, 1965 Supersedes May 22, 1964.

Page IT-206

Printed in U.S.A.
Prices and specifications subject to change without notice.

Right and left part numbers are on same line,

first number is right, second number is left.

* Indicates change or addition.

CODE	REMARKS	PER CAR	SED.	4D H.T	STA. WGN.	2D H.T	CV. CP.
23-76-63	PAD and PLATE, Rear Door Arm Rest - Cont'd Y1 (pad)						
	(codes M3C, M3V, M3W, M7N, H3C, H3V, H3W)	1	----	1234-5 VW3			
	(code M7Q)	1	----	1234-5 VQ4			
	(codes M3T, M7T, H7T)	1	----	1234-5 VT4			
	(codes M3R, H3R)	1	----	1234-5 VR5			
	(codes M3X, M7P, H3X, H7P)	1	----	1234-5 VX9			
	(code M3F)	1	----	1234-5 VF9			
23-76-66	ARM REST, Rear Quarter C1, C2						
	(code L4B)	1	----	----	----	----	4928-9 VB8
	(codes LAN, L4X)	1	----	----	----	----	4928-9 VX9
	(code L4R)	1	----	----	----	----	4928-9 VM9
	(code L4Q)	1	----	----	----	----	4928-9 VQ8
	(code L4T)	1	----	----	----	----	4928-9 VT8
	(code M4T)	1	----	----	----	----	4928-9 VT6
	(codes M3W, M4W)	1	----	----	----	----	4928-9 VW3
	(code M4R)	1	----	----	----	----	4928-9 VR7
	(code M4B)	1	----	----	----	----	4928-9 VB6
23-76-76	PAD and PLATE, Quarter Arm Rest C1, C2						
	(codes L2B, L4B, M4B)	1	----	----	----	1222-3 VB6	
	(code L2F)	1	----	----	----	1222-3 VF6	
	(code L2Q)	1	----	----	----	1222-3 VQ5	
	(codes L2T, M4T)	1	----	----	----	1222-3 VT6	
	(codes L4N, M4W, M8W)	1	----	----	----	1222-3 VW3	
	(code L2M)	1	----	----	----	1222-3 VM6	
	(codes L4R, M4R)	1	----	----	----	1222-3 VR7	
	(codes M4X, M8X)	1	----	----	----	1222-3 VX9	
	Y1 (pad)						
	(codes M8B, M9B)	1	----	----	----	1240-1 VB4	
	(code M8M)	1	----	----	----	1240-1 VM4	
	(codes M8N, M9C, M9V, M9W)	1	----	----	----	1240-1 VW3	
	(code M8Q)	1	----	----	----	1240-1 VQ4	
	(code M9T)	1	----	----	----	1240-1 VT4	
	(codes M8H, M9F)	1	----	----	----	1240-1 VF9	
	(code M9R)	1	----	----	----	1240-1 VR5	1242-3 VR5
(code M9X)	1	----	----	----	1240-1 VX9	1242-3 VX9	
(code M9B)	1	----	----	----	----	1242-3 VB4	
(code M9T)	1	----	----	----	----	1242-3 VT4	
(codes M9C, M9V, M9W)	1	----	----	----	----	1242-3 VW3	
(code M9F)	1	----	----	----	----	1242-3 VF9	
23-76-79	BRACKET, Quarter Arm Rest Panel Attaching Y1-H	2	----	----	----	2490 079	2490 079
23-76-86	COVER, Quarter Arm Rest Y1-M						
	(codes M8B, M9B)	1	----	----	----	4800-1 VBB	
	(code M8M)	1	----	----	----	4800-1 VMM	
	(codes M8N, M9C, M9V, M9W)	1	----	----	----	4800-1 VWX	
	(code M8Q)	1	----	----	----	4800-1 VQQ	
	(code M9T)	1	----	----	----	4800-1 VTT	
	(codes M8H, M9F)	1	----	----	----	4800-1 VFF	
	(code M9R)	1	----	----	----	4800-1 VRR	
(code M9X)	1	----	----	----	4800-1 VXX		

★ Indicates use as required.

□ Indicates parts not listed in any previous parts book.

Right and left part numbers are on same line,

first number is right, second number is left.

1964 PASSENGER CAR PARTS CATALOG

INTERIOR TRIM

CODE	REMARKS	PER CAR	SED.	4D H.T	STA WGN.	2D H.T	CV. CP.
23-76-86	COVER, Quarter Arm Rest - Cont'd Y1-M						
	(code M9B)	1	----	----	----	----	4808-9 VBB
	(code M9R)	1	----	----	----	----	4808-9 VRR
	(code M9T)	1	----	----	----	----	4808-9 VTT
	(code M9W)	1	----	----	----	----	4808-9 VWX
	(code M9X)	1	----	----	----	----	4808-9 VXX
	(code M9F)	1	----	----	----	----	4808-9 VFF
	(code M9C)	1	----	----	----	----	4808-9 VWB
	(code M9V)	1	----	----	----	----	4808-9 VWR
23-78-2	BUTTON, Seat Cushion and Back Tufting C1-L, C3-H						
	(codes L1B, K1B, H3B, H4B)	★	4321 VB4	4321 VB4	4321 VB4		
	(codes L1F, K1F)	★	4321 VF6				
	(codes L1M, K1M)	★	4321 VM6				
	(codes L1Q, K1Q, H4Q)	★	4321 VQ4	4321 VQ4			
	(codes L1T, K1T, H4T)	★	4321 VT6	----	4321 VT6		
	(codes L1N, K1N, H2N, H4W)	★	4321 VW3	4321 VW3	4321 VW3		
	(code H4R)	★	----	4321 VR7	4321 VR7		
	(code H3L)	★	----	4321 VL4			
	C3-H (rectangular head)						
	(code H1B)	8	4325 VB4	4325 VB4			
	(code H1F)	8	4325 VF6	4325 VF6			
	(code H1M)	8	4325 VM4	4325 VM4			
	(code H1Q)	8	4325 VQ4	4325 VQ4			
	(code H1T)	8	4325 VT4	4325 VT4			
	(code H1N)	8	4325 VX9	4325 VX9			
	(round head)						
	(code H1B)	8	4445 VB4	4445 VB4			
	(code H1F)	8	4445 VF6	4445 VF6			
	(code H1M)	8	4445 VM4	4445 VM4			
	(code H1Q)	8	4445 VQ4	4445 VQ4			
	(code H1T)	8	4445 VT4	4445 VT4			
	(code H1N)	8	4445 VX9	4445 VX9			
	Fastener	8	*6025 526	*6025 526			
	Y1-M, Y1-H (cushion, back and center arm rest) (prong type button w/washers)						
	(codes M3B, H3B)	★	----	4394 VB4			
	(codes M3C, M3V, M3W, H3C, H3V, H3W)	★	----	4394 VW3			
	(codes M3F, H3F)	★	----	4394 VF9			
	(code M3T)	★	----	4394 VT4			
	(codes M3R, H3R)	★	----	4394 VR5			
	(codes M3X, H3X)	★	----	4394 VX9			
	(stud type shaft button w/cup washers)						
	(codes M3B, H3B)	★	----	4444 VB4			
	(codes M3C, M3V, M3W, H3C, H3V, H3W)	★	----	4444 VW3			
	(codes M3F, H3F)	★	----	4444 VF9			
	(code M3T)	★	----	4444 VT4			
	(codes M3R, H3R)	★	----	4443 VR5			
	(codes M3X, H3X)	★	----	4444 VX9			
	Y1-M (cushion and back) (prong type button w/washers)						
	(code M7B)	★	----	4373 VB4			
	(code M7H)	★	----	4373 VF9			
	(code M7M)	★	----	4373 VM4			

★ Indicates use as required.

☐ Indicates parts not listed in any previous parts book.
March 15, 1965 Supersedes May 22, 1964.Printed in U.S.A.
Prices and specifications subject to change without notice.
Right and left part numbers are on same line,
first number is right, second number is left.
* Indicates change or addition.

CODE	REMARKS	PER CAR	SED.	4D H.T	STA WGN	2D H.T	CV. CP.
23-78-2	BUTTON, Seat Cushion and Back Tufting - Cont'd Y1-M (cushion and back prong type button w/washers) (code M7N) (code M7Q) (code M7T) (code M7P)	★ ★ ★ ★	----- ----- ----- -----	4373 VW3 4373 VQ4 *4373 VT4 4373 VX9			
	(stud type shaft button w/cup washers) (code M7B) (code M7H) (code M7M) (code M7N) (code M7Q) (code M7T) (code M7P)	★ ★ ★ ★ ★ ★ ★	----- ----- ----- ----- ----- ----- -----	4444 VB4 4444 VF9 4444 VM4 4444 VW3 4444 VQ4 *4444 VT4 4444 VX9			
23-78-3	FASTENER, Tufting Button Y1	★	-----	2577 194			
23-79-3	CARPET, Front Floor C1, C2, C3 (automatic transmission) (codes L1B, L2B, L4B, M1B, M4B, H1B, H4B) (blue) (codes L1F, L2F, H1F) (yellow green) (codes L1M, L2M, M1M, H1M) (mauve or maroon)	1 1 1 1	1732 VB8 1732 VF9 1732 VM9	1732 VB8 1732 VF9 1732 VM9	1732 VB8 1732 VF9 1732 VM9	1732 VB8 1732 VF9 1732 VM9	1732 VB8 1732 VF9 1732 VM9
	(codes L1Q, L2Q, L4Q, H1Q, H4Q) (turquoise) (codes L1R, L4R, M4R, H4R) (red) (codes L1T, L2T, L4T, M1T, M4T, H4T) (yellow tan) (codes L1N, L4N, M1N, M3W, M4X, M4W, H1N, H2N, H4W) (black) (codes H3B, H7B) (blue) (codes H3L, H7L) (orange yellow gold)	1 1 1 1 1 1 1 1	1732 VQ8 1732 VR7 1732 VT8 1732 VX8 ----- -----	1732 VQ8 1732 VR7 1732 VT8 1732 VX8 1731 VB8 1731 VL6	1732 VQ8 1732 VR7 1732 VT8 1732 VX8	1732 VQ8 1732 VR7 1732 VT8 1732 VX8	1732 VQ8 1732 VR7 1732 VT8 1732 VX8
	(std. transmission)(3 speed) (codes L1B, L2B, L4B, M1B, M4B) (blue) (codes L1F, L2F) (yellow green) (codes L1M, L2M, M1M) (mauve or maroon) (codes L1Q, L2Q, L4Q) (turquoise) (codes L4R, M4R) (red)	1 1 1 1 1 1 1	1737 VB8 1737 VF9 1737 VM9 1737 VQ8 ----- -----	1737 VB8 1737 VF9 1737 VM9 1737 VQ8	1737 VB8 ----- -----	1737 VB8 1737 VF9 1737 VM9 1737 VQ8	1737 VB8 1737 VF9 1737 VM9 1737 VQ8
	(codes L1T, L2T, L4T, M1T, M4T) (yellow tan) (codes L1N, L4N, M1N, M4X, M4W, M8X, M8W) (black)	1 1	1737 VT8 1737 VX8	1737 VT8 1737 VX8	1737 VT8 1737 VX8	1737 VT8 1737 VX8	1737 VT8 1737 VX8

★ Indicates use as required.

☐ Indicates parts not listed in any previous parts book.
Right and left part numbers are on same line,
first number is right, second number is left.

* Indicates change or addition.

Printed in U.S.A.

Prices and specifications subject to change without notice.

CODE	REMARKS	PER CAR	SED.	4D H.T	STA WGN.	2D H.T	CV. CP.
23-79-3	CARPET, Front Floor - Cont'd C1, C2, C3 (std. transmission)(4 speed) (codes M1B, M4B) (blue)	1	----	1738 VB8	----	1738 VB8	1738 VB8
	(code M4R) (red)	1	----	1738 VR7	----	1738 VR7	1738 VR7
	(code M1M) (mauve or maroon)	1	----	1738 VM9	----	1738 VM9	1738 VM9
	(codes M1T, M4T) (yellow tan)	1	----	1738 VT8	----	1738 VT8	1738 VT8
	(codes M1N, M4X, M4W, M8X, M8W) (black)	1	----	1738 VX8	----	1738 VX8	1738 VX8
	(automatic transmission w/console) (codes M1B, M4B) (blue)	1	----	1719 VB8	----	1719 VB8	1719 VB8
	(code M4R) (red)	1	----	1719 VR7	----	1719 VR7	1719 VR7
	(codes M1T, M4T) (yellow tan)	1	----	1719 VT8	----	1719 VT8	1719 VT8
	(codes M1N, M4X, M4W, M8X, M8W) (black)	1	----	1719 VX8	----	1719 VX8	1719 VX8
	(code M1M)	1	----	1719 VM9	----		
	(std. transmission w/console) (codes M1B, M4B) (blue)	1	----	1739 VB8	----	1739 VB8	1739 VB8
	(code M4R) (red)	1	----	1739 VR7	----	1739 VR7	1739 VR7
	(code M1M) (mauve or maroon)	1	----	1739 VM9	----	1739 VM9	1739 VM9
	(codes M1T, M4T) (yellow tan)	1	----	1739 VT8	----	1739 VT8	1739 VT8
	(codes M1N, M4W, M4X, M8W, M8X) (black)	1	----	1739 VX8	----	1739 VX8	1739 VX8
	(codes M3B, M3C, M7B, H3B, H3C, H7B) (blue)	1	----	1754 VB6			
	(codes M7M, H7M, H3R) (mauve or maroon)	1	----	1754 VM6			
	(codes M3W, M3X, M7N, M7P, H3W, H7P) (black)	1	----	1754 VX8			
	(code M7Q) (turquoise)	1	----	1754 VQ6			
	(codes M3T, M7T, H7T) (yellow tan)	1	----	1754 VT6			
Y1	(codes M3R, M3V) (red)	1	----	1754 VR5			
	(codes M3F, M7H, H3F, H7H) (yellow green)	1	----	1754 VF9			
	(codes M8B, M9B, M9C) (blue)	1	----	----	----	1754 VB6	1754 VB6
	(code M8M) (mauve or maroon)	1	----	----	----	1754 VM6	1754 VM6
	(codes M8N, M9W, M9X) (black)	1	----	----	----	1754 VX8	1754 VX8
	(code M8Q) (turquoise)	1	----	----	----	1754 VQ6	1754 VQ6
	(code M9T) (yellow tan)	1	----	----	----	1754 VT6	1754 VT6

★ Indicates use as required.

B Indicates parts not listed in any previous parts book.

March 15, 1965 Supersedes May 22, 1964.

Printed in U.S.A.
Prices and specifications subject to change without notice.

Right and left part numbers are on same line,

first number is right, second number is left.

* Indicates change or addition.

CODE	REMARKS	PER CAR	SED.	4D H.T	STA. WGN.	2D H.T	CV. CP.
23-79-3	CARPET, Front Floor - Cont'd Y1 (codes M9R, M9V) (red)	1	----	----	----	1754 VR5	1754 VR5
	(codes M8H, M9F) (yellow green)	1	----	----	----	1754 VF9	1754 VF9
23-79-33	CARPET, Rear Floor C1, C2, C3 (codes L1B, L2B, L4B, H1B)	1	1726 VB8	1726 VB8			
	(codes L1Q, L2Q, H1Q)	1	1726 VQ8	1726 VQ8			
	(codes L1T, L2T, H1T)	1	1726 VT8	1726 VT8			
	(codes L1F, L2F, H1F)	1	1726 VF9	1726 VF9			
	(codes L1M, L2M, H1M)	1	1726 VM9	1726 VM9			
	(codes L1N, L4N, H1N)	1	1726 VX8	1726 VX8			
	(code L4R)	1	----	1726 VR7			
	(codes M1B, M4B, H4B)	1	----	1722 VB8			
	(code M1M)	1	----	1722 VM9			
	(codes M4R, H4R)	1	----	1722 VR7			
	(codes M1T, M4T)	1	----	1722 VT8			
	(codes M1N, M8W, M4X, M8X, M4W, H4W)	1	----	1722 VX8			
	(code H4Q)	1	----	1722 VQ8			
	(codes H3B, H7B)	1	----	----	1706 VB8		
	(codes H3L, H7L)	1	----	1706 VL6			
(code L4B)	1	----	----	1701 VB8	1725 VB8		
(code L4R)	1	----	----	1701 VR7	1725 VR7		
(code L4T)	1	----	----	1701 VT8	1725 VT8		
(code L4N)	1	----	----	1701 VX8	1725 VX8		
(codes H2B, H4B)	1	----	----	1700 VB8			
(code H4R)	1	----	----	1700 VR7			
(code H4T)	1	----	----	1700 VT8			
(codes H2N, H4W)	1	----	----	1700 VX8			
(2nd seat back to rear floor pan insert)							
(code L4B)	1	----	----	1818 VB8			
(code L4R)	1	----	----	1818 VR7			
(code L4T)	1	----	----	1818 VT8			
(code L4N)	1	----	----	1818 TX8			
(code H4B)	1	----	----	1810 VB8			
(code H4R)	1	----	----	1810 VR7			
(code H4T)	1	----	----	1810 VT8			
(codes H2N, H4W)	1	----	----	1810 VX8			
(back of 2nd seat floor pan cover)							
(codes L4B, H4B)	1	----	----	4994 VB8			
(codes L4N, H2N, H4N)	1	----	----	4994 VX9			
(codes L4R, H4R)	1	----	----	4994 VR7			
(codes L4T, H4T)	1	----	----	4994 VT8			
(police)							
(code K4B)	1	----	----	4994 VB8			
(code K4N)	1	----	----	4994 VX9			
(code K4R)	1	----	----	4994 VR7			
(code K4T)	1	----	----	4994 VT8			
(rear floor pan cover insert)							
(code L4B)	1	----	----	1819 VB8			
(code L4R)	1	----	----	1819 VR7			
(code L4T)	1	----	----	1819 VT8			
(code L4N)	1	----	----	1819 TX8			
(code H4B)	1	----	----	1813 VB8			
(code H4R)	1	----	----	1813 VR7			
(code H4T)	1	----	----	1813 VT8			
(codes H2N, H4W)	1	----	----	1813 VX8			

★ Indicates use as required.

☐ Indicates parts not listed in any previous parts book.
Right and left part numbers are on same line,
first number is right, second number is left.

Prices and specifications subject to change without notice.
March 15, 1965 Supersedes May 22, 1964.

1964 PASSENGER CAR PARTS CATALOG

INTERIOR TRIM

CODE	REMARKS	PER CAR	SED.	4D H.T	STA. WGN.	2D H.T	CV. CP.
23-79-33	CARPET, Rear Floor - Cont'd C1, C2, C3 (axle kick-up rear panel)						
	(code L4B)	1	----	----	4320 VX9		
	(code L4R)	1	----	----	4320 VM9		
	(code L4T)	1	----	----	4320 VT8		
	(code L4N)	1	----	----	4320 VX9		
	(code H4B)	1	----	----	4319 VOB		
	(code H4R)	1	----	----	4319 VOR		
	(code H4T)	1	----	----	4319 VOT		
	(codes H2N, H4W)	1	----	----	4319 VOX		
	(spare tire compartment riser)						
	(code H4B)	1	----	----	4322-3 VOB		
	(code H4R)	1	----	----	4322-3 VOR		
	(code H4T)	1	----	----	4322-3 VOT		
	(codes H2N, H4W)	1	----	----	4322-3 VOX		
	(spare tire or 3rd seat compartment floor)						
	(code H4B)	1	----	----	1735 VOB		
	(code H4R)	1	----	----	1735 VOR		
	(code H4T)	1	----	----	1735 VOT		
	(codes H2N, H4W)	1	----	----	1735 VOX		
	(spare tire compartment well riser panel)						
	(police)	1	----	----	2490 992-3		
	(2nd seat back to rear floor pan insert)						
	(code K4B)	1	----	----	1818 VB8		
	(code K4R)	1	----	----	1818 VR7		
	(code K4T)	1	----	----	1818 VT8		
	(code K4N)	1	----	----	1818 TX8		
	(rear floor pan cover insert)						
	(code K4B)	1	----	----	1819 VB8		
	(code K4R)	1	----	----	1819 VR7		
	(code K4T)	1	----	----	1819 VT8		
	(code K4N)	1	----	----	1819 TX8		
	(axle kick-up rear panel)						
	(code K4B)	1	----	----	*4320 VB8		
	(code K4R)	1	----	----	4320 VR7		
	(code K4T)	1	----	----	*4320 VT8		
	(code K4N)	1	----	----	*4320 VX9		
	(codes L2B, L4B)	1	----	----		1725 VB8	
	(code L2F)	1	----	----		1725 VF9	
	(code L2M)	1	----	----		1725 VM9	
	(code L2Q)	1	----	----		1725 VQ8	
	(code L4R)	1	----	----		1725 VR7	
	(code L2T)	1	----	----		1725 VT8	
	(code L4N)	1	----	----		1725 VX8	
	(code M4B)	1	----	----		1721 VB8	
	(code M4R)	1	----	----		1721 VR7	
	(code M4T)	1	----	----		1721 VT8	
	(codes M8X, M8W, M4X, M4W)	1	----	----		1721 VX8	
	(code L4B)	1	----	----			1724 VB8
	(code L4R)	1	----	----			1724 VR7
	(code L4T)	1	----	----			1724 VT8
	(code L4Q)	1	----	----			1724 VQ8

* Indicates use as required.

⊠ Indicates parts not listed in any previous parts book.
March 15, 1965 Supersedes May 22, 1964.

Printed in U.S.A.
Prices and specifications subject to change without notice.
Right and left part numbers are on same line,
first number is right, second number is left.

* Indicates change or addition.

CODE	REMARKS	PER CAR	SED.	4D H.T.	STA. WGN.	2D H.T.	CV. CP.
23-79-33	CARPET, Rear Floor - Cont'd C1, C2, C3 (axle kick-up rear panel)						
	(code L4N)	1	----	----	----	----	1724 VX8
	(code M4B)	1	----	----	----	----	1720 VB8
	(code M4R)	1	----	----	----	----	1720 VR7
	(code M4T)	1	----	----	----	----	1720 VT8
	(codes M8X, M8W, M4X, M4W)	1	----	----	----	----	1720 VX8
	Y1-M, Y1-H						
	(codes M3B, M3C, M7B, H3B, H3C)	1	----	1753 VB6			
	(codes M7M, H7M)	1	----	1753 VM6			
	(codes M3W, M3X, M7N, M7P, H3W, H3X, H7P)	1	----	1753 VX8			
	(code M7Q)	1	----	1753 VQ6			
	(codes M3T, M7T, H7T)	1	----	1753 VT6			
	(codes M3F, M7H, H3F, H7H)	1	----	1753 VF9			
	(codes M3R, M3V, H3R, H3V)	1	----	1753 VR5			
	(codes M8B, M9B, M9C)	1	----	----	----	1751 VB6	
	(code M8M)	1	----	----	----	1751 VM6	
	(codes M3N, M9W, M9X)	1	----	----	----	1751 VX8	
	(code M8Q)	1	----	----	----	1751 VQ6	
	(codes M8H, M9F)	1	----	----	----	1751 VF9	
	(codes M9R, M9V)	1	----	----	----	1751 VR5	
	(code M9T)	1	----	----	----	1751 VT6	
	(codes M9B, M9C)	1	----	----	----	----	1752 VB6
	(codes M9R, M9V)	1	----	----	----	----	1752 VR5
	(code M9T)	1	----	----	----	----	1752 VT6
	(codes M9W, M9X)	1	----	----	----	----	1752 VX8
	(code M9F)	1	----	----	----	----	1752 VF9
23-79-62	INSERT, 2nd Seat Cushion Bottom Panel						
	C1-L						
	(code L4B)	1	----	----	1814 VB8		
	(code L4R)	1	----	----	1814 VR7		
	(code L4T)	1	----	----	1814 VT8		
	(police)						
	(code K4B)	1	----	----	1814 VB8		
	(code K4R)	1	----	----	1814 VR7		
	(code K4T)	1	----	----	1814 VT8		
	C3-H						
	(code H4B)	1	----	----	1807 VB8		
	(code H4R)	1	----	----	1807 VR7		
	(code H4T)	1	----	----	1807 VT8		
	(codes H2N, H4W)	1	----	----	1807 VX8		
23-79-64	CARPET, Luggage Compartment Floor						
	C2, C3						
	(black)	1	4995 VOX	4995 VOX	----	4995 VOX	4995 VOX
	(w/dual air cond.)						
	(black)	1	4996 VOX	4996 VOX	----	4996 VOX	4996 VOX
	Y1						
	(black)	1	----	4924 VX8	----	4924 VX8	4924 VX8
	C3-H (spare tire cover)						
	(black)	1	----	4997 VOX			
	(w/dual air cond.)						
	(black)	1	----	4998 VOX			
	Washer (attaching)	1	----	120 394			

★ Indicates use as required.

⊠ Indicates parts not listed in any previous parts book.

Right and left part numbers are on same line,

first number is right, second number is left.

* Indicates change or addition.

1964 PASSENGER CAR PARTS CATALOG INTERIOR TRIM

CODE	REMARKS	PER CAR	SED.	4D H.T	STA. WGN.	2D H.T	CV. CP.
23-79-64	CARPET, Luggage Compartment Floor - Cont'd Y1-H (spare tire cover) (black)	1	----	4919 VX8			
23-79-79	INSERT, Tailgate Inside Panel C1-L (code L4B) (code L4R) (code L4T) (code L4N) (police) (code K4B) (code K4R) (code K4T) (code K4N)	1 1 1 1 1 1 1 1	----	----	1820 VB8 1820 VR7 1820 VT8 1820 TX8 1820 VB8 1820 VR7 1820 VT8 1820 TX8		
	C3-H (code H4B) (code H4R) (code H4T) (codes H2N, H4W)	1 1 1 1	----	----	1809 VB8 1809 VR7 1809 VT8 1809 VX8		
23-82-3	ROBE CORD, Front Seat Back Y1-M (codes M8B, M9B) (codes M8N, M9C, M9V, M9W) (code M8M) (code M8Q) (codes M8H, M9F) (code M9R) (code M9T) (code M9X)	1 1 1 1 1 1 1 1	----	----	----	4339 VB8 4339 VW3 4339 VM9 4339 VQ8 4339 VF9 4339 VR5 4339 VT8 4339 VX9	4339 VB8 4339 VW3
23-82-14	HANDLE, Front Seat Back Grab C3-H, Y1 (paint as required)	2	E2702 VT4	E2702 VT4	----	E2702 VT4	
23-82-20	ESCUTCHEON, Front Seat Back Grab Handle Mounting C3-H, Y1 (upper) (lower) Y1 (w/cover plate) (upper)	2 2 2	2292 800 2292 798 ----	2292 800 2292 798 2577 124			
23-82-30	HOOK, Coat Hanger C1, C2, C3 Y1	2 2	2165 837 ----	2165 837 2490 011	2165 837 ----	2165 837 2490 011	
23-84-3	PAD, Instrument Panel Trim C1, C2, C3 (upper) (w/o air conditioning) (codes L1N, L4N, M1N, M4X, M4W, H1N, H2N, H4W) (black) (codes L1B, L2B, L4B, M1B, M4B, H1B, H4B) (blue) (codes L1F, L2F, H1F) (yellow green) (codes L1M, L2M, L4R, M1M, M4R, H1M, H4R) (maroon) (codes L1Q, L2Q, L4Q, H1Q, H4Q) (turquoise) (codes L1T, L2T, L4T, M1T, M4T, H1T, H4T, H3L) (yellow tan)	1 1 1 1 1 1	4237 VX8 4237 VB8 4237 VF9 4237 VM9 4237 VQ8 4237 VT8	4237 VX8 4237 VB8 4237 VF9 4237 VM9 4237 VQ8 4237 VT8	4237 VX8 4237 VB8 4237 VF9 4237 VM9 4237 VQ8 4237 VT8	4237 VX8 4237 VB8 4237 VF9 4237 VM9 4237 VQ8 4237 VT8	4237 VX8 4237 VB8 4237 VF9 4237 VM9 4237 VQ8 4237 VT8

★ Indicates use as required.

⊠ Indicates parts not listed in any previous parts book.
March 15, 1965 Supersedes May 22, 1964.Printed in U.S.A.
Prices and specifications subject to change without notice.
Right and left part numbers are on same line,
first number is right, second number is left.

CODE	REMARKS	PER CAR	SED.	4D H.T	STA. WGNL	2D H.T	CV. CP.
23-84-3	PAD, Instrument Panel Trim - Cont'd C1, C2, C3 (upper) (w/air conditioning) (codes L1N, L4N, M1N, M4X, M8X, M4W, M8W, H1N, H2N, H4W) (black)	1	4241 VX8	4241 VX8	4241 VX8	4241 VX8	4241 VX8
	(codes L1B, L2B, L4B, M1B, M4B, H1B, H4B) (blue)	1	4241 VB8	4241 VB8	4241 VB8	4241 VB8	4241 VB8
	(codes L1F, L2F, H1F) (yellow green)	1	4241 VF9	4241 VF9	4241 VF9	4241 VF9	4241 VF9
	(codes L1M, L2M, L4R, M1M M4R, H1M, H4R) (maroon)	1	4241 VM9	4241 VM9	4241 VM9	4241 VM9	4241 VM9
	(codes L1Q, L2Q, L4Q, H1Q, H4Q) (turquoise)	1	4241 VQ8	4241 VQ8	4241 VQ8	4241 VQ8	4241 VQ8
	(codes L1T, L2T, L4T, M1T, M4T, H1T, H3L, H4T) (yellow tan)	1	4241 VT8	4241 VT8	4241 VT8	4241 VT8	4241 VT8
	(police)(w/o air conditioning) (codes K1N, K5A, K8A) (black)	1	4237 VX8				
(code K1B) (blue)	1	4237 VB8					
(code K1F) (yellow green)	1	4237 VF9					
(code K1M) (maroon)	1	4237 VM9					
(code K1Q) (turquoise)	1	4237 VQ8					
(code K1T) (yellow tan)	1	4237 VT8					
(code K4N) (black)	1	----	----		4237 VX8		
(code K4B) (blue)	1	----	----		4237 VB8		
(code K4R) (maroon)	1	----	----		4237 VM9		
(code K4T) (yellow tan)	1	----	----		4237 VT8		
(police)(w/air conditioning) (codes K1N, K5A, K8A) (black)	1	4241 VX8					
	(code K1B) (blue)	1	4241 VB8				
	(code K1F) (yellow green)	1	4241 VF9				
	(code K1M) (maroon)	1	4241 VM9				
	(code K1Q) (turquoise)	1	4241 VQ8				
	(code K1T) (yellow tan)	1	4241 VT8				
C1, C2, C3 (lower) (codes L1B, L2B, L4B, M1B, M4B, H1B, H3B, H7B) (blue)	1	4238 VB8	4238 VB8	4238 VB8	4238 VB8	4238 VB8	
	(codes L1F, L2F, H1F) (yellow green)	1	4238 VF9	4238 VF9	4238 VF9	4238 VF9	
	(codes L1M, L2M, L4R, M1M, M4R, H1M, H4R) (maroon)	1	4238 VM9	4238 VM9	4238 VM9	4238 VM9	

★ Indicates use as required.

☐ Indicates parts not listed in any previous parts book.

Right and left part numbers are on same line,

Set number and description are on same line.

1964 PASSENGER CAR PARTS CATALOG

INTERIOR TRIM

CODE	REMARKS	PER CAR	SED.	4D H.T.	STA. WGN.	2D H.T.	CV. CP.
23-84-3	PAD, Instrument Panel Trim - Cont'd C1, C2, C3 (lower) (codes L1Q, L2Q, L4Q, H1Q, H4Q) (turquoise)	1	4238 VQ8	4238 VQ8	4238 VQ8	4238 VQ8	4238 VQ8
	(codes L1T, L2T, L4T, M1T, M4T, H1T, H3L, H4T) (yellow tan)	1	4238 VT8	4238 VT8	4238 VT8	4238 VT8	4238 VT8
	(codes L1N, L4N, M1N, M4X, M8X, M4W, M8W, H1N, H2N, H4W) (black)	1	4238 VX8	4238 VX8	4238 VX8	4238 VX8	4238 VX8
	(police) (codes K1N, K5A, K8A) (black)	1	4238 VX8				
	(code K1B) (blue)	1	4238 VB8				
	(code K1F) (yellow green)	1	4238 VF9				
	(code K1M) (maroon)	1	4238 VM9				
	(code K1Q) (turquoise)	1	4238 VQ8				
	(code KIT) (yellow tan)	1	4238 VT8				
	(code K4N) (black)	1	-----	-----	4238 VX8		
	(code K4B) (blue)	1	-----	-----	4238 VB8		
	(code K4R) (maroon)	1	-----	-----	4238 VM9		
	(code K4T) (yellow tan)	1	-----	-----	4238 VT8		
	Fastener	7	6000 365	6000 365	6000 365	6000 365	6000 365
	Fastener (upper)	7	6008 222	6008 222	6008 222	6008 222	6008 222
	Y1 (upper) (codes M3B, M7B, M8B, M9B, H3B, H7B, M3C, M9C, H3C) (blue)	1	-----	4218 VB8	-----	4218 VB8	4218 VB8
	(codes M7M, M8M, M9R, H3R, H7M) (maroon or mauve)	1	-----	4218 VM9	-----	4218 VM9	4218 VM9
	(codes M7Q, M8Q) (turquoise)	1	-----	4218 VQ8	-----	4218 VQ8	
	(codes M3T, M7T, H7T) (yellow tan)	1	-----	4218 VT8	-----	4218 VT8	4218 VT8
	(codes M3X, M3W, M7N, M8N, M9X, M9W, M7P, H3X, H3W, H7P) (black)	1	-----	4218 VX8	-----	4218 VX8	4218 VX8
	(codes M3F, M7H, M8H, M9F, H3F, H7H) (yellow green)	1	-----	4218 VF9	-----	4218 VF9	4218 VF9
	(codes M3V, M3R, M9R, M9V, H3V, H3R) (red)	1	-----	4218 VR7	-----	4218 VR7	4218 VR7
	Y1 (lower) (codes M3B, M3C, M7B, M8B, M9B, M9C, H3B, H3C, H7B) (blue)	1	-----	4212 VB8	-----	4212 VB8	4212 VB8
	(codes M7R, M8M, H7M) (maroon or mauve)	1	-----	4212 VM9	-----	4212 VM9	4212 VM9
	(codes M7Q, M8Q) (turquoise)	1	-----	4212 VQ8	-----	4212 VQ8	

★ Indicates use as required.

□ Indicates parts not listed in any previous parts book.

March 15, 1965 Supersedes May 22, 1964.

Page IT-216

Printed in U.S.A.

Prices and specifications subject to change without notice.

Right and left part numbers are on same line,

first number is right, second number is left.

* Indicates change or addition.

CODE	REMARKS	PER CAR	SED.	4D H.T	STA. WGN.	2D H.T	CV. CP.
23-84-3	PAD, Instrument Panel Trim - Cont'd						
	Y1 (lower)						
	(codes M3T, M7T, M9T, H7T) (yellow tan)	1	----	4212 VT8	----	4212 VT8	4212 VT8
	(codes M3X, M3W, M7N, M8N, M9X, M9W, H3X, H3W, M7P, H7P) (black)	1	----	4212 VX8	----	4212 VX8	4212 VX8
	(codes M3F, M8H, M9F, H3X, H3W, H7H, M7H) (yellow green)	1	----	4212 VF9	----	4212 VF9	4212 VF9
	(codes M3V, M3R, M9V, M9R, H3V, H3R) (red)	1	----	4212 VR7	----	4212 VR7	4212 VR7
	Fastener (attaching)	10	----	6008 222	----	6008 222	6008 222
	Nut (attaching)	10	----	116 000	----	116 000	116 000
	(ash receiver pad w/support) (codes M3B, M3C, M7B, M8B, M9B, M9C, H3B, H3C, H7B) (blue)	1	----	4206 VB8	----	4206 VB8	4206 VB8
	(codes M7M, M8M, H7M) (maroon or mauve)	1	----	4206 VM9	----	4206 VM9	4206 VM9
	(codes M7Q, M8Q) (turquoise)	1	----	4206 VQ8	----	4206 VQ8	4206 VQ8
	(codes M3T, M7T, M9T, H7T) (yellow tan)	1	----	4206 VT8	----	4206 VT8	4206 VT8
	Y1 (ash receiver pad w/support) (codes M3X, M3W, M7P, M7N, M8N, M9X, M9W, H3X, H3W, H7P) (black)	1	----	4206 VX8	----	4206 VX8	4206 VX8
	(codes M3F, M7H, M8H, M9F, H3F, H7H) (yellow green)	1	----	4206 VF9	----	4206 VF9	4206 VF9
	(codes M3V, M3R, M9V, M9R, H3V, H3R) (red)	1	----	4206 VR7	----	4206 VR7	4206 VR7
	Nut and Washer (attaching) (lower switch plate)	2	----	116 000	----	116 000	116 000
	(codes M3B, M3C, M7B, M8B, M9B, M9C, H3B, H3C, H7B) (blue)	1	----	4226-7 VB8	----	4226-7 VB8	4226-7 VB8
	(codes M3R, M7M, M8M, M9R, H3R, H7M) (maroon or mauve)	1	----	4226-7 VM9	----	4226-7 VM9	4226-7 VM9
	(codes M7Q, M8Q) (turquoise)	1	----	4226-7 VQ8	----	4226-7 VQ8	4226-7 VQ8
	(codes M3T, M7T, M9T, H7T) (yellow tan)	1	----	4226-7 VT8	----	4226-7 VT8	4226-7 VT8
	(codes M3X, M3W, M7N, M7P, M8N, M9X, M9W, H3X, H3W, H7P) (black)	1	----	4226-7 VX8	----	4226-7 VX8	4226-7 VX8
	(codes M3F, M7H, M8H, M9F, H3F, H7H) (yellow green)	1	----	4226-7 VF9	----	4226-7 VF9	4226-7 VF9
	(codes M3V, M3R, M9R, M9V, H3V, H3R) (red)	1	----	4226-7 VR7	----	4226-7 VR7	4226-7 VR7
	Fasteners	2	----	6024 274	----	6024 274	6024 274
	Screw (attaching)	★	----	125 978	----	125 978	125 978
	(steering column trim)	1	----	2492 766	----	2492 766	2492 766

★ Indicates use as required.

⊠ Indicates parts not listed in any previous parts book.

Right and left part numbers are on same line,

first number is right, second number is left

1964 PASSENGER CAR PARTS CATALOG

INTERIOR TRIM

CODE	REMARKS	PER CAR	SED.	4D H.T	STA. WGN.	2D H.T	CV. CP.
23-84-31	ORNAMENT, Folding Top Dust Boot and Steering Wheel Cushion Y1-M Fastener	2 2	----- -----	----- -----	----- -----	----- -----	2401 231 6001 422
23-86-2	COVER, Top of Roof C2, C3 (codes H3B, H3L) (black)	1	-----	2182 098	-----	2182 098	
	Y1 (blue)	1	-----	4975 VB1	-----	4975 VB1	
	(white)	1	-----	4975 VW1	-----	4975 VW1	
	(black)	1	-----	4975 VX8	-----	4975 VX8	
23-86-3	HEADLINING and LISTING C1-L (code L1B) (code L1F) (code L1M) (code L1N) (code L1Q) (code L1T)	1 1 1 1 1 1	7165 VB2 7165 VF2 7165 VM2 7165 VW2 7165 VQ2 7165 VT2				
	C3-H (code H1B) (code H1F) (code H1M) (code H1N) (code H1Q) (code H1T)	1 1 1 1 1 1	7165 VB2 7165 VF2 7165 VM2 7165 VW2 7165 VQ2 7165 VT2				
	C1-L (police) (code K1B) (code K1F) (code K1M) (code K1N) (code K1Q) (code K1T) (code K5A) (code K8A)	1 1 1 1 1 1 1 1	7165 VB2 7165 VF2 7165 VM2 7165 VW2 7165 VQ2 7165 VT2 7165 VA2 7165 VA2				
	C3-H (codes H1B, H4B) (code H1F) (codes H1M, H4R) (codes H1Q, H4Q) (code H1T) (codes H1N, H4W) (codes H3B, H7B) (codes H3L, H7L)	1 1 1 1 1 1 1	----- ----- ----- ----- ----- ----- -----	7167 VB2 7167 VF2 7167 VM2 7167 VQ2 7167 VT2 7167 VW2 7169 VB4 7169 VL4			
	C1-L, C3-H (panel) (up to serial No. 196034) (codes L4B, H4B) (No. 1) (No. 2) (No. 3) (No. 4) (No. 5) (No. 6) (No. 7)	1 1 1 1 1 1 1	----- ----- ----- ----- ----- ----- -----	----- ----- ----- ----- ----- ----- -----	1013 VBB 1016 VBB 1018 VBB 1020 VBB 1022 VBB 1025 VBB 1026 VBB		

★ indicates use as required.

☐ indicates parts not listed in any previous parts book.
March 15, 1965 Supersedes May 22, 1964.Prices and specifications subject to change without notice.
Right and left part numbers are on same line,
first number is right, second number is left.
• Indicates change or addition.

Printed in U.S.A.

CODE	REMARKS	PER CAR	SED.	4D H.T	STA. WGN	2D H.T	CV. CP.
23-86-3	HEADLINING and LISTING - Cont'd C1-L, C3-H (panel) (up to serial No. 196034) (codes L4T, H4T)						
	(No. 1)	1	----	----	1013 VTT		
	(No. 2)	1	----	----	1016 VTT		
	(No. 3)	1	----	----	1018 VTT		
	(No. 4)	1	----	----	1020 VTT		
	(No. 5)	1	----	----	1022 VTT		
	(No. 6)	1	----	----	1025 VTT		
	(No. 7)	1	----	----	1026 VTT		
	(codes L4R, L4N, H2N, H4R, H4W)						
	(No. 1)	1	----	----	1013 VWW		
	(No. 2)	1	----	----	1016 VWW		
	(No. 3)	1	----	----	1018 VWW		
	(No. 4)	1	----	----	1020 VWW		
	(No. 5)	1	----	----	1022 VWW		
	(No. 6)	1	----	----	1025 VWW		
	(No. 7)	1	----	----	1026 VWW		
	C1-L (panel) (police) (code K4B)						
	(No. 1)	1	----	----	1013 VBB		
	(No. 2)	1	----	----	1016 VBB		
	(No. 3)	1	----	----	1018 VBB		
	(No. 4)	1	----	----	1020 VBB		
	(No. 5)	1	----	----	1022 VBB		
	(No. 6)	1	----	----	1025 VBB		
	(No. 7)	1	----	----	1026 VBB		
	(code K4T)						
	(No. 1)	1	----	----	1013 VTT		
	(No. 2)	1	----	----	1016 VTT		
	(No. 3)	1	----	----	1018 VTT		
	(No. 4)	1	----	----	1020 VTT		
	(No. 5)	1	----	----	1022 VTT		
	(No. 6)	1	----	----	1025 VTT		
	(No. 7)	1	----	----	1026 VTT		
	(codes K4R, K4N)						
	(No. 1)	1	----	----	1013 VWW		
	(No. 2)	1	----	----	1016 VWW		
	(No. 3)	1	----	----	1018 VWW		
	(No. 4)	1	----	----	1020 VWW		
	(No. 5)	1	----	----	1022 VWW		
	(No. 6)	1	----	----	1025 VWW		
	(No. 7)	1	----	----	1026 VWW		
	C1-L, C3-H (panel) (after serial No. 196034)						
	(No. 1)	1	----	----	1013 VWW		
	(No. 2)	1	----	----	1016 VWW		
	(No. 3)	1	----	----	1018 VWW		
	(No. 4)	1	----	----	1020 VWW		
	(No. 5)	1	----	----	1022 VWW		
	(No. 6)	1	----	----	1025 VWW		
	(No. 7)	1	----	----	1026 VWW		
	Clip	6	----	----	6000 373		
	C1-L (code L2B)	1	----	7167 VB2	----	7167 VB2	
	(code L2F)	1	----	7167 VF2	----	7167 VF2	
	(code L2M)	1	----	7167 VM2	----	7167 VM2	
	(code L2Q)	1	----	7167 VQ2	----	7167 VQ2	

★ Indicates use as required.

⊠ Indicates parts not listed in any previous parts book.
Right and left part numbers are on same line,
first number is right, second number is left.

* Indicates change or addition.

1964 PASSENGER CAR PARTS CATALOG

INTERIOR TRIM

CODE	REMARKS	PER CAR	SED.	4D H.T.	STA. WGN.	2D H.T.	CV. CP.
23-86-3	HEADLINING and LISTING - Cont'd						
	C1-L						
	(code L2T)	1	----	7167 VT2	----	7167 VT2	
	(code L4B)	1	----	7167 VB2	----	7167 VB2	
	(code L4R)	1	----	7167 VM2	----	7167 VM2	
	(code L4N)	1	----	7167 VW2	----	7167 VW2	
	C2-M						
	(codes M1B, M4B)	1	----	7167 VB2	----	7167 VB2	
	(codes M1M, M4R)	1	----	7167 VM2	----	7167 VM2	
	(codes M1T, M4T)	1	----	7167 VT2	----	7167 VT2	
	(codes M1N, M4W, M8W, M4X, M8X)	1	----	7167 VW2	----	7167 VW2	
	C3-H						
	(codes H1B, H4B)	1	----	7167 VB2			
	(code H1F)	1	----	7167 VF2			
	(codes H1M, H4R)	1	----	7167 VM2			
	(codes H1Q, H4Q)	1	----	7167 VQ2			
	(code H1T)	1	----	7167 VT2			
	(codes H1N, H4W)	1	----	7167 VW2			
	(codes H3B, H7B)	1	----	7169 VB4			
	(codes H3L, H7L)	1	----	7169 VL4			
	Y1-M						
	(codes M3B, M7B)	1	----	7186 VB2	----	7186 VB2	
	(codes M3R, M7M)	1	----	7186 VM2	----	7186 VM2	
	(codes M3C, M3V, M3W, M7N)	1	----	7186 VW2	----	7186 VW2	
	(code M7Q)	1	----	7186 VQ2	----	7186 VQ2	
	(codes M3T, M7T, M7H)	1	----	7186 VT2	----	7186 VT2	
	(codes M3X, M7P)	1	----	7186 VA2	----		
	(code M3F)	1	----	7186 VF2	----		
	(codes M8B, M9B)	1	----	----	----	7188 VB2	
	(codes M8H, M9T)	1	----	----	----	7188 VT2	
	(codes M8M, M9R)	1	----	----	----	7188 VM2	
	(code M8Q)	1	----	----	----	7188 VQ2	
	(code M9X)	1	----	----	----	7188 VA2	
	(code M9F)	1	----	----	----	7188 VF2	
	(codes M8N, M9W, M9C, M9V)	1	----	----	----	7188 VW2	
	Y1-H						
	(codes H3B, H7B)	1	----	7188 VB2			
	(codes H7T, H7H)	1	----	7188 VT2			
	(codes H3R, H7M)	1	----	7188 VM2			
	(codes H3X, H7P)	1	----	7188 VA2			
	(code H3F)	1	----	7188 VF2			
	(codes H3C, H3V, H3W)	1	----	7188 VW2			
	Fastener	6	----	6000 365	----	6000 365	
	Retainer (listing wire to roof rail or support)	12	----	6006 071	----	6006 071	
	Y1 (rear window opening panel)						
	(codes M8B, M9B, H3B, H7B)	1	----	*7185 VB2	----	7185 VB2	
	(codes M8H, M9T, H7H, H7T)	1	----	*7185 VT2	----	7185 VT2	
	(code M8Q)	1	----	*7185 VQ2	----	7185 VQ2	
	(codes M9X, H7X, H7P)	1	----	*7185 VA2	----	7185 VA2	
	(codes M9F, H3F)	1	----	*7185 VF2	----	7185 VF2	
	(codes M8M, M9R, H3R, H7M)	1	----	*7185 VM2	----	7185 VM2	
	(codes M8N, M9W, M9C, M9V, H3C, H3V, H3W)	1	----	*7185 VW2	----	*7185 VW2	
23-86-8	RETAINER, Roof Outside Cover						
	C2, C3						
	(side)	1	----	2480 204-5	----	2480 204-5	
	(rear)	1	----	2480 002	----	2480 002	

* Indicates use as required.

E Indicates parts not listed in any previous parts book.

March 15, 1965 Supersedes May 22, 1964.

Page IT-220

Prices and specifications subject to change without notice.

Right and left part numbers are on same line,

first number is right, second number is left.

* Indicates change or addition.

Printed in U.S.A.

CODE	REMARKS	PER CAR	SED.	4D H.T.	STA. WGN.	2D H.T.	CV. CP.
23-86-8	RETAINER, Roof Outside Cover - Cont'd,						
	Y1 (side front)	1	----	*2483 788-9	----	*2483 788-9	
	(side rear)	1	----	*2483 790-1	----	*2483 790-1	
	Screw	8	----	6024 659	----	6024 659	
23-86-10	SUPPORT, Roof Bow C1, C2, C3						
	(No. 1)	1	----	----	1954 682		
	(No. 2)	1	----	----	1961 243		
	(Nos. 3 and 4)	2	----	----	1961 244		
	(Nos. 1 and 2)	2	2242 874	2242 874			
	Screw and Washer Y1 (front and rear)	★ 2	----	----	180 020		
				2218 749	----	2218 749	
23-86-14	PAD, Air Conditioning Roof Evaporator Unit Trim C1, C3	1	----	----	2171 580		
23-86-19	STRIP, Roof Headlining Retaining C1, C2, C3						
	Front	1	2244 428-9	2244 428-9			
	Rear	1	2244 430-1	2244 430-1			
	Y1	2	----	2492 339	----	2492 339	
	Fastener	★	6000 922				
23-86-24	RETAINER, Windshield Header Trim Y1	1	----	2188 680-1	----	2188 680-1	
	RETAINER, Roof Inside Finish Panel C1, C2, C3 (to roof moulding)						
	(No. 1)	1	----	----	2086 143		
	(No. 2)	1	----	----	2086 142		
	(No. 3)	1	----	----	2086 145		
	(No. 4)	1	----	----	2086 146		
	(No. 5)	1	----	----	2086 146		
(No. 6)	1	----	----	2086 148			
23-86-35	MOULDING, Roof Head Lining Finish C1, C2, C3						
	(No. 1)	1	----	2419 531	----	2419 531	
	(No. 2)	1	----	2419 532	----	2419 532	
	(No. 3)	1	----	2419 533	----	2419 533	
	(chrome) (Nos. 1, 2, 3, 4, 5, 6)	1	----	----	2440 144		
23-86-33	CAP, Roof Inside Finish Moulding C1, C3	12	----	----	1759 636		
23-86-38	WELT, Folding Top Header Y1-M	1	----	----	----	2192 739	
23-91-6	PANEL, Cowl Trim C1, C2 (paint as required) (white)	1	E2217 556-7	E2217 556-7	E2217 556-7	E2217 556-7	E2217 556-7
	C3 (primed)	1	E2571 550-1	----	E2571 550-1		
	Y1 (paint as required) (primed)	1	----	2492 000-1	----	2492 000-1	
	Screw and Washer	4	6023 381	6023 381	6023 381	6023 381	6023 381

★ Indicates use as required.

⊞ Indicates parts not listed in any previous parts book.

Right and left part numbers are on same line,

first number is right, second number is left.

1964 PASSENGER CAR PARTS CATALOG

INTERIOR TRIM

CODE	REMARKS	PER CAR	SED.	4D H.T	STA. WGN.	2D H.T.	CV. CP.
23-91-6	PANEL, Cowl Trim - ,Cont'd C3-H (w/carpet and insulator) (codes H1B, H2B, H4B) (codes H3B, H7B) (code H1F) (codes H3L, H7L) (code H1M) (codes H1N, H2N, H4W) (codes H1Q, H4Q) (codes H1T, H4T) (code H4R)	1 1 1 1 1 1 1 1 1	1416-7 VB8 ---- 1416-7 VF9 ---- 1416-7 VM9 1416-7 VOX 1416-7 VQ8 1416-7 VT8 ----	1416-7 VB8 1400-1 VBB 1416-7 VF9 1400-1 VLL 1416-7 VM9 1416-7 VOX 1416-7 VQ8 1416-7 VT8 1416-7 VR7	1416-7 VB8		
	Y1-M (w/carpet and insulator) (codes M3B, M3C, M7B, M8B, M9B, M9C) (codes M7M, M8M) (codes M3X, M3W, M7N, M7P, M8N, M9W, M9X) (codes M7Q, M8Q) (codes M3T, M7T, M9T) (codes M3F, M7H, M8H, M9F) (codes M3R, M3V, M9R, M9V)	1 1 1 1 1 1 1	---- ---- ---- ---- ---- ---- ----	1414-5 VB6 1414-5 VM6 1414-5 VX8 1414-5 VQ6 1414-5 VT6 1414-5 VF9 1414-5 VR5	---- ---- ---- ---- ---- ---- ----	1414-5 VB6 1414-5 VM6 1414-5 VX8 1414-5 VQ6 1414-5 VT6 1414-5 VF9 1414-5 VR5	1414-5 VB6 1414-5 VM6 1414-5 VX8 1414-5 VQ6 1414-5 VT6 1414-5 VF9 1414-5 VR5
	Y1-H (codes H3B, H3C, H7B) (codes H3R, H7M) (codes H3W, H3X, H7P) (codes H3F, H7H) (code H3V) (code H7T)	1 1 1 1 1 1	---- ---- ---- ---- ---- ----	1414-5 VB6 1414-5 VM6 1414-5 VX8 1414-5 VF9 1414-5 VR5 1414-5 VT6			
23-92-5	PANEL, Door Trim C1-L (code L1B) Front Rear (code L1F) Front Rear (code L1M) Front Rear (code L1N) Front Rear (code L1Q) Front Rear (code L1T) Front Rear (police) (code K1B) Front Rear (code K1F) Front Rear (code K1M) Front Rear (code K1N) Front Rear (code K1Q) Front Rear (code K1T) Front Rear (codes K5A, K8A) Front Rear	1 1	3100-1 VOB 3200-1 VOB 3100-1 VOF 3200-1 VOF 3100-1 VOM 3200-1 VOM 3100-1 VOW 3200-1 VOW 3100-1 VOQ 3200-1 VOQ 3100-1 VOT 3200-1 VOT 3100-1 VOB 3200-1 VOB 3100-1 VOF 3200-1 VOF 3100-1 VOM 3200-1 VOM 3100-1 VOW 3200-1 VOW 3100-1 VOQ 3200-1 VOQ 3100-1 VOT 3200-1 VOT 3192-3 VAA 3260-1 VAA				

★ Indicates use as required.

☐ Indicates parts not listed in any previous parts book.
March 15, 1965 Supersedes May 22, 1964.

Printed in U.S.A.
Prices and specifications subject to change without notice.
Right and left part numbers are on same line,
first number is right, second number is left.
* Indicates change or addition.

CODE	REMARKS	PER CAR	SED.	4D H.T	STA. WGN.	2D H.T	CV. CP.
23-92-5	PANEL, Door Trim - Cont'd						
	C1-L						
	(code L2B)	Front	1	----	3102-3 VBB	----	3104-5 VBB
		Rear	1	----	3202-3 VBB		
	(code L2F)	Front	1	----	3102-3 VFF	----	3104-5 VFF
		Rear	1	----	3202-3 VFF		
	(code L2M)	Front	1	----	3102-3 VMM	----	3104-5 VMM
		Rear	1	----	3202-3 VMM		
	(code L2Q)	Front	1	----	3102-3 VQQ	----	3104-5 VQQ
		Rear	1	----	3202-3 VQQ		
	(code L2T)	Front	1	----	3102-3 VTT	----	3104-5 VTT
		Rear	1	----	3202-3 VTT		
	(code L4B)	Front	1	----	3102-3 VBB	3102-3 VBB	3104-5 VBB
		Rear	1	----	3202-3 VBB	3204-5 VBB	
	(code L4N)	Front	1	----	3102-3 VXW	3102-3 VXW	3104-5 VXW
		Rear	1	----	3202-3 VXW	3204-5 VXW	
	(code L4R)	Front	1	----	3102-3 VRM	3102-3 VRM	3104-5 VRM
		Rear	1	----	3202-3 VRM	3204-5 VRM	
	(code L4T)	Front	1	----	----	3102-3 VTT	----
		Rear	1	----	----	3204-5 VTT	
	(code L4Q)		1	----	----	----	3104-5 VQQ
	C3-H						
	(code H1B)	Front	1	3112-3 VBB			
		Rear	1	3208-9 VBB			
	(code H1F)	Front	1	3112-3 VFF			
		Rear	1	3208-9 VFF			
	(code H1M)	Front	1	3112-3 VMM			
		Rear	1	3208-9 VMM			
	(code H1N)	Front	1	3112-3 VXW			
		Rear	1	3208-9 VXW			
	(code H1Q)	Front	1	3112-3 VQQ			
		Rear	1	3208-9 VQQ			
	(code H1T)	Front	1	3112-3 VTT			
		Rear	1	3208-9 VTT			
	(w/elec. window lift)						
	(code H1B)	Front	1	3124-5 VBB			
		Rear	1	3220-1 VBB			
	(code H1F)	Front	1	3124-5 VFF			
		Rear	1	3220-1 VFF			
	(code H1M)	Front	1	3124-5 VMM			
		Rear	1	3220-1 VMM			
	(code H1N)	Front	1	3124-5 VXW			
		Rear	1	3220-1 VXW			
	(code H1Q)	Front	1	3124-5 VQQ			
		Rear	1	3220-1 VQQ			
	(code H1T)	Front	1	3124-5 VTT			
		Rear	1	3220-1 VTT			
	C2-M						
	(code M1B)	Front	1	----	3106-7 VBB		
		Rear	1	----	3206-7 VBB		
	(code M1M)	Front	1	----	3106-7 VMM		
		Rear	1	----	3206-7 VMM		
	(code M1T)	Front	1	----	3106-7 VTT		
		Rear	1	----	3206-7 VTT		
	(code M1N)	Front	1	----	3106-7 VXN		
		Rear	1	----	3206-7 VXN		
	(codes M4W, M8W)	Front	1	-----	3106-7 VXW	----	3108-9 VXW
		Rear	1	-----	3206-7 VXW		
	(code M4B)	Front	1	----	3106-7 VBB	----	3108-9 VBB
		Rear	1	----	3206-7 VBB		

★ Indicates use as required.

□ Indicates parts not listed in any previous parts book. Right and left part numbers are on same line, first number is right, second number is left.

• Indicates change or addition.

1964 PASSENGER CAR PARTS CATALOG

INTERIOR TRIM

CODE	REMARKS	PER CAR	SED.	4D H.T	STA. WGN.	2D H.T	CV. CP.
23-92-5	PANEL, Door Trim - Cont'd (w/elec. window lift)						
	C2-M						
	(code M4R) Front	1	----	3106-7 VRR	----	3108-9 VRR	3108-9 VRR
	Rear	1	----	3206-7 VRR			
	(code M4T) Front	1	----	3106-7 VTT	----	3108-9 VTT	3108-9 VTT
	Rear	1	----	3206-7 VTT			
	(codes M4X, M8X) Front	1	----	3106-7 VOX	----	3108-9 VOX	3108-9 VOX
	Rear	1	----	3206-7 VOX			
	C3-H						
	(codes H1B, H4B) Front	1	----	3114-5 VBB			
	Rear	1	----	3210-1 VBB			
	(code H1F) Front	1	----	3114-5 VFF			
	Rear	1	----	3210-1 VFF			
	(code H1M) Front	1	----	3114-5 VMM			
	Rear	1	----	3210-1 VMM			
	(code H1N) Front	1	----	3114-5 VXW			
	Rear	1	----	3210-1 VXW			
	(code H4W) Front	1	----	3114-5 VXW			
	Rear	1	----	3210-1 VXW			
	(codes H1Q, H4Q) Front	1	----	3114-5 VQQ			
	Rear	1	----	3210-1 VQQ			
	(code H1T) Front	1	----	3114-5 VTT			
	Rear	1	----	3210-1 VTT			
	(code H4R) Front	1	----	3114-5 VOR			
	Rear	1	----	3210-1 VOR			
	(codes H3B, H7B) Front	1	----	3116-7 VBB			
	Rear	1	----	3214-5 VBB			
	Rear	1	----	3214-5 VLL			
	(codes H3L, H7L) Front Rt.	1	----	3116 TLL			
	Lt.	1	----	3117 TLL			
	Rear	1	----	3214-5 VLL			
	(codes H1B, H4B) Front	1	----	3126-7 VBB			
	Rear	1	----	3222-3 VBB			
	(code H1F) Front	1	----	3126-7 VFF			
	Rear	1	----	3222-3 VFF			
	(code H1M) Front	1	----	3126-7 VMM			
	Rear	1	----	3222-3 VMM			
	(code H1N) Front	1	----	3126-7 VXW			
	Rear	1	----	3222-3 VXW			
	(code H4W) Front	1	----	3126-7 VXW			
	Rear	1	----	3222-3 VXW			
	(codes H1Q, H4Q) Front	1	----	3126-7 VQQ			
	Rear	1	----	3222-3 VQQ			
	(code H1T) Front	1	----	3126-7 VTT			
	Rear	1	----	3222-3 VTT			
	(code H4R) Front	1	----	3126-7 VOR			
	Rear	1	----	3222-3 VOR			
	C1-L (police)						
	(code K4B) Front	1	----	----	3102-3 VBB		
	Rear	1	----	----	3204-5 VBB		
	(code K4T) Front	1	----	----	3102-3 VTT		
	Rear	1	----	----	3204-5 VTT		
	(code K4N) Front	1	----	----	3102-3 VXW		
	Rear	1	----	----	3204-5 VXW		
	(code K4R) Front	1	----	----	3102-3 VRM		
	Rear	1	----	----	3204-5 VRM		

★ Indicates use as required.

⊠ Indicates parts not listed in any previous parts book.

March 15, 1965 Supersedes May 22, 1964.

Page IT-224

Printed in U.S.A.
 Prices and specifications subject to change without notice.
 Right and left part numbers are on same line,
 first number is right, second number is left.
 * Indicates change or addition.

CODE	REMARKS	PER CAR	SED.	4D H.T	STA. WGN.	2D H.T	CV. CP.
23-92-5	PANEL, Door Trim - Cont'd						
	C3-H						
	(code H2N) Front	1	----	----	3114-5 VXW		
	Rear	1	----	----	3212-3 VXW		
	(code H4B) Front	1	----	----	3114-5 VBB		
	Rear	1	----	----	3212-3 VBB		
	(code H4W) Front	1	----	----	3114-5 VXW		
	Rear	1	----	----	3212-3 VXW		
	(code H4T) Front	1	----	----	3114-5 VTT		
	Rear	1	----	----	3212-3 VTT		
	(code H4R) Front	1	----	----	3114-5 VOR		
	Rear	1	----	----	3212-3 VOR		
	(w/elec. window lift)						
	(code H2N) Front	1	----	----	3126-7 VXW		
	Rear	1	----	----	3232-3 VXW		
	(code H4B) Front	1	----	----	3126-7 VBB		
	Rear	1	----	----	3232-3 VBB		
	(code H4W) Front	1	----	----	3126-7 VXW		
	Rear	1	----	----	3232-3 VXW		
	(code H4T) Front	1	----	----	3126-7 VTT		
	Rear	1	----	----	3232-3 VTT		
	(code H4R) Front	1	----	----	3126-7 VOR		
	Rear	1	----	----	3232-3 VOR		
	Screw and Washer (attaching)	4	----	6023 476	----	6023 476	6023 476
Y1-M							
	(codes M3B, M7B) Front	1	----	3462-3 VBB			
	Rear	1	----	3266-7 VBB			
	(code M7M) Front	1	----	3462-3 VMM			
	Rear	1	----	3266-7 VMM			
Y1-M, Y1-H							
	(code M7N) Front	1	----	3462-3 VWX			
	Rear	1	----	3266-7 VWX			
	(codes M3X, M7P) Front	1	----	3462-3 VXX			
	Rear	1	----	3266-7 VXX			
	(code M7Q) Front	1	----	3462-3 VQQ			
	Rear	1	----	3266-7 VQQ			
	(codes M3T, M7T) Front	1	----	3462-3 VTT			
	Rear	1	----	3266-7 VTT			
	(codes M3F, M7H) Front	1	----	3462-3 VOF			
	Rear	1	----	3266-7 VOF			
	(code M3R) Front	1	----	3462-3 VOR			
	Rear	1	----	3266-7 VOR			
	(codes H3B, H3C, H7B) Front	1	----	3466-7 VBB			
	Rear	1	----	3268-9 VBB			
	(code H3C) Front	1	----	3466-7 VBW			
	(code H3C) Front	1	----	3466-7 VMM			
	Rear	1	----	3268-9 VBW			
	(codes H3F, H7H) Front	1	----	3466-7 VOF			
	Rear	1	----	3268-9 VOF			
	(codes H3R, H3V) Front	1	----	3466-7 VOR			
	Rear	1	----	3268-9 VOR			
	(code H3W) Front	1	----	3466-7 VWX			
	Rear	1	----	3268-9 VWX			
	(code H3V) Front	1	----	3466-7 VRW			
	Rear	1	----	3268-9 VRW			
	(codes H3X, H7P) Front	1	----	3466-7 VXX			
	Rear	1	----	3268-9 VXX			

★ Indicates use as required.
 □ Indicates parts not listed in any previous parts book.
 Right and left part numbers are on same line,
 first number is right, second number is left.
 * Indicates change or addition.

1964 PASSENGER CAR PARTS CATALOG

INTERIOR TRIM

CODE	REMARKS	PER CAR	SED.	4D H.T	STA. WGN.	2D H.T	CV. CP.
23-92-5	PANEL, Door Trim - Cont'd Y1-M, Y1-H (code H7T)						
	Front	1	----	3466-7 VTT			
	Rear	1	----	3268-9 VTT			
	(codes M3M, H7M)	1	----	3466-7 VMM			
	Rear	1	----	3268-9 VMM			
	Y1-M (code M8B)	1	----	----		3464-5 VOB	
	(code M8M)	1	----	----		3464-5 VOM	
	(code M8N)	1	----	----		3464-5 VOW	
	(code M8Q)	1	----	----		3464-5 VQQ	
	(code M8H)	1	----	----		3464-5 VOF	
	(code M9B)	1	----	----		3464-5 VOB	3464-5 VOB
	(codes M9W, M9C, M9V)	1	----	----		3464-5 VOW	3464-5 VOW
	(code M9F)	1	----	----		3464-5 VOF	3464-5 VOF
	(code M9T)	1	----	----		3464-5 VOT	3464-5 VOT
	(code M9X)	1	----	----		3464-5 VOX	3464-5 VOX
	(code M9R)	1	----	----		3464-5 VOR	3464-5 VOR
	Screw and Washer (attaching)	4	----	6023 476		6023 476	6023 476
	Screw (nut attaching)	4	----	144 759		144 759	144 759
	Screw (door trim panel stop attaching)	4	----	161 378			
	Screw (attaching)(front door)	2	----	6000 364		6000 364	6000 364
23-92-8	FASTENER, Floor Tunnel Side Carpet Attaching C2-M	*	----	975 633		975 633	975 633
23-96-3	PANEL, Luggage Compartment Front Lining C1, C2 (paint as required) (black)	1	2180 880	2180 880		2180 880	2499 217
	Y1 (paint as required) (black)	1	----	----		----	2499 059
	(w/silencer)	1	----	2572 328		2572 328	
23-96-8	PANEL or COVER, Luggage Compartment Side Lining C1, C2 (paint as required) (black)	1	2499 212-3	2499 212-3		2499 212-3	2440 012-3
	C1-L (code L4B)	1	----	----	2024-5 VB8		
	(code L4R)	1	----	----	2024-5 VR7		
	(code L4T)	1	----	----	2024-5 VT8		
	(code L4N)	1	----	----	2024-5 VX9		
	(police) (code K4B)	1	----	----	2024-5 VB8		
	(code K4R)	1	----	----	2024-5 VR7		
	(code K4T)	1	----	----	2024-5 VT8		
	(code K4N)	1	----	----	2024-5 VX9		
	C3-H (code H4B)	1	----	----	2026-7 VOB		
	(code H4R)	1	----	----	2026-7 VOR		
	(code H4T)	1	----	----	2026-7 VOT		
	(codes H4W, H2N)	1	----	----	2026-7 VOX		
	(ledge cover) (code H4B)	1	----	----	4972-3 VB8		
	(code H4R)	1	----	----	4972-3 VR8		
	(code H4T)	1	----	----	4972-3 VT8		
	(codes H2N, H4W)	1	----	----	4972-3 VX9		

★ Indicates use as required.

E Indicates parts not listed in any previous parts book.
March 15, 1965 Supersedes May 22, 1964.

Page IT-226

Printed in U.S.A.
Prices and specifications subject to change without notice.
Right and left part numbers are on same line,
first number is right, second number is left.
* Indicates change or addition.

CODE	REMARKS	PER CAR	SED.	4D H.T	STA. WGN.	2D H.T	CV. CP.
23-96-8	PANEL or COVER, Luggage Compartment Side Lining - Cont'd						
	C1, C3 (rear sill cover)						
	(codes L4B, H4B)	1	----	----	4969 VB8		
	(code L4R)	1	----	----	4969 VM9		
	(codes L4T, H4T)	1	----	----	4969 VT8		
	(code H4R)	1	----	----	4969 VR7		
	(codes L4N, H4N, H4W)	1	----	----	4969 VX9		
	C3-H (wheelhouse ledge cover)						
	(code H4B)	1	----	----	4972 VB8		
	(code H4R)	1	----	----	4972 VR7		
	(code H4T)	1	----	----	4972 VT8		
	(codes H2N, H4W)	1	----	----	4972 VX9		
	Y1 (paint as required)						
	(1 piece) (black) Right	1	----	*2490 420	----	*2490 420	*2581 490
	Left	1	----	E2581 496	----	*2581 491	*2490 423
	(2 piece) (black)	1	----	*2581 490-1	----	*2581 490-1	E2581 492-3
	(side lower front)	1	----	*2581 558-9	----	*2581 558-9	2581 556-7
23-96-10	COVER, Luggage Compartment Deck Opening Lower						
	Y1-L, Y1-M, Y1-H (black)	1	----	4920-1 VX8	----	4920-1 VX8	
	Screw (attaching)	6	----	*6023 381	----	*6023 381	*6023 381
23-96-15	PANEL, Luggage Compartment Rear Air Conditioning Trim						
	C1, C2, C3	1	2499 366	2499 366	----	2499 366	2499 366
	Y1	1	----	2499 367	----	2499 367	2499 367
23-99-4	COVER, Center Pillar						
	C1, C2, C3 (paint as required)	1	----	2802-3 VT8	2802-3 VT8		
	Y1 (paint as required)	1	----	*2808-9 VT4			
(For air cond. hoses and wiring see part type code 24-28-3)							
23-101-3	PANEL, Rear Quarter Trim						
	C1-L						
	(code L1B)	1	7654-5 VB6				
	(code L1F)	1	7654-5 VF6				
	(code L1M)	1	7654-5 VM6				
	(code L1W)	1	7654-5 VW3				
	(code L1Q)	1	7654-5 VQ5				
	(code L1T)	1	7654-5 VT6				
	(police)						
	(code K1B)	1	7654-5 VB6				
	(code K1F)	1	7654-5 VF6				
(code K1M)	1	7654-5 VM6					
(code K1W)	1	7654-5 VW3					
(code K1Q)	1	7654-5 VQ5					
(code K1T)	1	7654-5 VT6					
(code K5A)	1	7658-9 VA6					
(code K8A)	1	7654-5 TA6					
	C3-H						
	(code H1B)	1	7654-5 VB4				
	(code H1F)	1	7654-5 VF6				
	(code H1M)	1	7654-5 VM4				
	(code H1Q)	1	7654-5 VQ4				
	(code H1T)	1	7654-5 VT4				
	(code H1W)	1	7654-5 VW3				

★ Indicates use as required.

⊠ Indicates parts not listed in any previous parts book.

Right and left part numbers are on same line,

first number is right, second number is left.

Printed in U.S.A.

Prices and specifications subject to change without notice.

March 15, 1965 Supersedes May 22, 1964.

1964 PASSENGER CAR PARTS CATALOG

INTERIOR TRIM

CODE	REMARKS	PER CAR	SED.	4D H.T.	STA. WGN.	2D H.T.	CV. CP.
23-101-3	PANEL, Rear Quarter Trim - Cont'd						
	C1-L						
	(code L2B)	1	----	*3300-1 VBB	----	3300-1 VBB	
	(code L2F)	1	----	*3300-1 VFF	----	3300-1 VFF	
	(code L2M)	1	----	*3300-1 VMM	----	3300-1 VMM	
	(code L2Q)	1	----	*3300-1 VQQ	----	3300-1 VQQ	
	(code L2T)	1	----	*3300-1 VTT	----	3300-1 VTT	
	(code L4B)	1	----	*3300-1 VBB	----	3300-1 VBB	
	(code L4N)	1	----	*3300-1 VXW	----	3300-1 VXW	
	(code L4R)	1	----	*3300-1 VRM	----	3300-1 VRM	
	C3-H						
	(code H1B)	1	----	7662-3 VB4			
	(code H1M)	1	----	7662-3 VM4			
	(code H1Q)	1	----	7662-3 VQ4			
	(code H1T)	1	----	7662-3 VT4			
	(code H1F)	1	----	7662-3 VF6			
	C3-H						
	(code H3L)	1	----	7662-3 VL4			
	(code H4R)	1	----	7662-3 VR7			
	(code H4B)	1	----	7662-3 VB4			
	(code H4Q)	1	----	7662-3 VQ4			
	(code H7L)	1	----	7662-3 VL4			
	(code H4W)	1	----	7662-3 VW3			
	(code H1N)	1	----	7662-3 VW3			
	(codes H3B, H7B)	1	----	7664-5 VB4			
	(codes H3L, H7L) (upper)	1	----	7664-5 TL4			
	Screw and Washer (attaching)	4	----	6023 476	----	6023 476	6023 476
	C1-L						
	(code L4B)	1	----	7662-3 VB8	----	3300-1 VBB	3302-3 VBB
	(code LAN)	1	----	7662-3 VX9	----	3300-1 VXW	3302-3 VXW
	(code LAQ)	1	----	----	----	----	3302-3 VQQ
	(code L4R)	1	----	7662-3 VM9	----	3300-1 VRM	3302-3 VRM
	(code LAT)	1	----	----	----	----	3302-3 VTT
	C2-M						
	(code M1B)	1	----	7662-3 VB6			
	(code M1M)	1	----	7662-3 VM6			
	(code MIN)	1	----	7662-3 VW3			
	(code M1T)	1	----	7662-3 VT6			
	(code M8W)	1	----	7662-3 VX9	----	3304-5 VXW	3306-7 VXW
	(code M4B)	1	----	7662-3 VB6	----	3304-5 VBB	3306-7 VBB
	(code M4R)	1	----	7662-3 VR7	----	3304-5 VRR	3306-7 VRR
	(code M4T)	1	----	7662-3 VT6	----	3304-5 VTT	3306-7 VTT
	(codes M4X, M8X)	1	----	7662-3 VX9	----	3304-5 VOX	3306-7 VOX
	(codes M4W, M4N, M8W)	1	----	7662-3 VW3	----	3304-5 VXW	3306-7 VXW
	Fastener	★	6000 365	6000 365	----	6000 365	6000 365
	Screw (attaching)	4	162 090	162 090	----	162 090	162 090
	Y1						
	(code M3B)	1	----	7676-7 VB4			
	(code M3T)	1	----	7676-7 VT4			
	(code M3F)	1	----	7676-7 VF9			
	(code M3X)	1	----	7676-7 VX9			
	(code M3R)	1	----	7676-7 VR5			
	(code M3C)	1	----	7676-7 VW3			
	(code M3V)	1	----	7676-7 VW3			
	(code M3W)	1	----	7676-7 VW3			
	(code M8B)	1	----	----	----	3372-3 VOB	
	(code M8M)	1	----	----	----	3372-3 VOM	
	(code M8N)	1	----	----	----	3372-3 VOW	

★ Indicates use as required.

☐ Indicates parts not listed in any previous parts book.
March 15, 1965 Supersedes May 22, 1964.Prices and specifications subject to change without notice.
Right and left part numbers are on same line,
first number is right, second number is left.
• Indicates change or addition.

Printed in U.S.A.

CODE	REMARKS	PER CAR	SED.	4D H.T	STA. WGN.	2D H.T	CV. CP.
23-101-3	PANEL, Rear Quarter Trim - Cont'd Y1 (code M8Q) (code M8H) (code M9B) (codes M9W, M9C, M9V) (code M9F)	1 1 1 1 1	----- ----- ----- ----- -----	----- ----- ----- ----- -----	----- ----- ----- ----- -----	3372-3 VOQ 3372-3 VOF 3372-3 VOB 3372-3 VOW 3372-3 VOF	3374-5 VOB 3374-5 VOW 3374-5 VOF
	Y1-M (code M9T) (code M9X) (code M9R) Screw and Washer (attaching)	1 1 1 2	----- ----- ----- -----	----- ----- ----- -----	----- ----- ----- -----	3372-3 VOT 3372-3 VOX 3372-3 VOR 6023 381	3374-5 VOT 3374-5 VOX 3374-5 VOR 6023 381
	Y1-M (upper) (above belt line) (codes M3B, M7B) (code M3F) (codes L1H, M3T, M7T) (code M7Q) (codes M3R, M7M) (codes M3C, M3V, M3W, M7N) (codes M3X, M7P)	1 1 1 1 1 1 1	----- ----- ----- ----- ----- ----- -----	7192-3 VB2 7192-3 VF2 7192-3 VT2 7192-3 VQ2 7192-3 VM2 7192-3 VW2 7192-3 VA2			
	Y1-H (upper) (above belt line) (codes H3B, H7B) (codes H7T, H7H) (codes H3R, H7M) (codes H3X, H7P) (code H3F) (codes H3C, H3V, H3W)	1 1 1 1 1 1	----- ----- ----- ----- ----- -----	7196-7 VB2 7196-7 VT2 7196-7 VM2 7196-7 VA2 7196-7 VF2 7196-7 VW3			
	Y1-M (upper) (above belt line) (codes M8B, M9B) (codes M8H, M9T) (codes M8M, M9R) (code M8Q) (code M9X) (codes M8N, M9C, M9V, M9W) (code M9F) Fastener	1 1 1 1 1 1 1 ★	----- ----- ----- ----- ----- ----- ----- -----	----- ----- ----- ----- ----- ----- ----- 6000 365		7194-5 VB2 7194-5 VT2 7194-5 VM2 7194-5 VQ2 7194-5 VA2 7194-5 VW2 7194-5 VF2 6000 365	6000 365
23-101-14	COVER, Rear Quarter Trim Panel Lower Outer C1-L (code K5A) (code K8A)	1 1	----- -----	2918-9 VA6 2916-7 VA6			
	Y1-M, Y1-H (codes M3B, M7B, H3B, H7B) (codes M7M, H7M) (codes M3C, M3V, M3W, M7N, H3C, H3V, H3W) (code M7Q) (codes M3T, M7T, H7T) (codes M3F, M7F, H3F, H7H) (codes M3R, H3R) (codes M3X, M7P, H3X, H7P) Screw (attaching)	1 1 1 1 1 1 1 1 2	----- ----- ----- ----- ----- ----- ----- ----- -----	2046-7 VB4 2046-7 VM4 2046-7 VW3 2046-7 VQ4 2046-7 VT4 2046-7 VF9 2046-7 VR5 2046-7 VX9 6024 271			
23-101-38	PANEL, Rear Quarter Side Filler Y1-M (codes M8B, M9B, M9C) (codes M8H, M9F) (code M8M) (code M8Q)	1 1 1 1	----- ----- ----- -----	----- ----- ----- -----		4978-9 VB4 4978-9 VF9 4978-9 VM4 4978-9 VQ4	4806-7 VB8 4806-7 VF9

★ Indicates use as required.

⊠ Indicates parts not listed in any previous parts book.

Right and left part numbers are on same line,

first number is right, second number is left.

1964 PASSENGER CAR PARTS CATALOG

INTERIOR TRIM

CODE	REMARKS	PER CAR	SED.	4D H.T	STA. WGN.	2D H.T	CV. CP.
23-101-38	PANEL, Rear Quarter Side Filler - Cont'd Y1-M (code M8N) (codes M9R, M9V) (code M9T) (codes M9X, M9W)	1 1 1 1	----- ----- ----- -----	----- ----- ----- -----	----- ----- ----- -----	4978-9 VW3 4978-9 VR5 4978-9 VT4 4978-9 VX9	4806-7 VR5 4806-7 VT8 4806-7 VX9
23-101-39	COVER, Rear Quarter Side Filler Y1-M (codes M8B, M9B) (codes M8H, M9F) (code M8M) (code M8Q) (codes M8N, M9C, M9V, M9W) (code M9R) (code M9T) (code M9X)	1 1 1 1 1 1 1 1	----- ----- ----- ----- ----- ----- ----- -----	----- ----- ----- ----- ----- ----- ----- -----	----- ----- ----- ----- ----- ----- ----- -----	4976-7 VB4 4976-7 VF9 4976-7 VM4 4976-7 VQ8 4976-7 VW3 4976-7 VR5 4976-7 VT4 4976-7 VX9	*4806-7 VB8 *4806-7 VF9 *4806-7 VR5 *4806-7 VT8 *4806-7 VX9
23-102-3	PANEL, Shelf Trim C1, C2, C3 (paint as required) Y1 (codes M3B, M3C, M7B) (codes M3W, M3X, M7N, M7P) (code M7Q) (codes M3T, M7H) (codes M3F, M7H) (code M7M) (codes M3R, M3V) (codes M8B, M9B, M9C, H3C, H7B) (codes M8M, H3R, H7M) (codes M8N, M9W, M9X, H3W, H3X, H7P) (code M8Q) (codes M9T, H7T) (codes M8H, M9F, H3F, H7H) (codes M9R, M9V, H3V) Fastener Fastener	1 1 1 1 1 1 1 1 1 1 4 2	1300 VX8 ----- ----- ----- ----- ----- ----- ----- ----- ----- ----- ----- -----	1300 VX8 1309 VB8 1309 VX8 1309 VQ8 1309 VT8 1309 VF9 1309 VM9 1308 VR5 1308 VB8 1308 VM9 1308 VX8 1308 VQ8 1308 VT8 1308 VF9 1308 VR5 6000 903 *6000 096	----- ----- ----- ----- ----- ----- ----- ----- ----- ----- ----- ----- -----	1300 VX8 1308 VB8 1308 VM9 1308 VX8 1308 VQ8 1308 VT8 1308 VF9 1308 VR5 6000 903 *6000 096	
23-102-8	BRACKET, Rear Seat Back Shroud to Quarter Panel Lower Y1-M	4	-----	-----	-----	2490 477	
23-103-3	PANEL, Visor Trim C1, C2, C3 (vinyl covered) (codes L1B, L2B, L4B, M1B, M4B, H1B, H4B) (codes L1F, L2F, H1F) (codes L1M, L2M, M1M, H1M) (codes L1Q, L2Q, H1Q, H4Q) (codes L1T, L2T, L4T, M1T, M4T, H1T, H4T) (codes L1N, L4N, M1N, H1N, H2N) (codes L4R, M4R, H4R) (codes M8W, M4W, H4W, M4X, M8X) (codes H3L, H7L) (codes H3B, H7B)	2 2 2 2 2 2 2 2 2 2 2 2 2 2	1104 VB2 1104 VF2 1104 VM2 1104 VQ2 1104 VT2 ----- ----- ----- ----- ----- ----- ----- -----	1104 VB2 1104 VF2 1104 VM2 1104 VQ2 1104 VT2 1104 VW2 1104 VM2 1104 VW2 1117 VLL 1117 VBB	1104 VB2 1104 VF2 1104 VM2 1104 VQ2 1104 VT2 ----- ----- ----- ----- ----- ----- ----- -----	1104 VB2 1104 VF2 1104 VM2 1104 VQ2 1104 VT2 1104 VW2 1104 VM2 1104 VW2	

* Indicates use as required.

□ Indicates parts not listed in any previous parts book.
March 15, 1965 Supersedes May 22, 1964.Printed in U.S.A.
Prices and specifications subject to change without notice.
Right and left part numbers are on same line,
first number is right, second number is left.
• Indicates change or addition.

CODE	REMARKS	PER CAR	SED.	4D H.T.	STA. WGN.	2D H.T.	CV. CP.
23-103-3	PANEL, Visor Trim - Cont'd C1-L, G3-H (vinyl covered) (w/o air cond.) (up to serial No. 196034) (codes L4B, K4B, H4B) (codes L4T, K4T, H4T) (codes L4N, K4N, L4R, K4R, H2N, H4W)	2 2 2	----	----	1104 VB2 1104 VT2 1104 VW2		
	(perf. cardboard) (w/o air cond.) (after serial No. 196034) (codes L4B, K4B, H4B) (codes L4T, K4T, H4T) (codes L4N, K4N, L4R, K4R, H2N, H4W)	2 2 2	----	----	1105 VBB 1105 VTT 1105 VWW		
	C1-L (police) (code K1B) (code K1F) (code K1M) (code K1T) (code K1Q) (code K1N) (codes K5A, K8A)	1 1 1 1 1 1 1	1104 VB2 1104 VF2 1104 VM2 1104 VT2 1104 VQ2 1104 VW2 1104 VA2				
	C1-L (w/air cond. front unit) (codes L4B, K4B) (codes L4R, K4R) (codes L4T, K4T) (codes L4N, K4N)	2 2 2 2	----	----	1113 VB2 1113 VM2 1113 VT2 1113 VW2		
	C3-H (w/air cond. front unit) (code H2N) (code H4E) (code H4R) (code H4T) (code H4W)	2 2 2 2 2	----	----	1113 VW2 1113 VB2 1113 VM2 1113 VT2 1113 VW2		
	C1-L, C3-H (w/air cond. rear unit) (up to serial No. 196034) (codes L4B, K4B, H4B) (codes L4T, K4T, H4T) (codes L4N, K4N, H4N, H4W) (after serial No. 196034) (codes L4B, K4B, H4B, L4T, K4T, H4T, L4N, K4N, H4N, H4W)	2 2 2 2	----	----	1166 VBB 1166 VTT 1166 VWW 1166 VWW		
	C1-L, C2-M (codes L4B, M4B) (code L4Q) (codes L4R, M4R) (codes L4T, M4T) (codes L4N, M8W, M4W) (codes M4X, M8X)	2 2 2 2 2 2	----	----	----	----	1107 VB6 1107 VQ5 1107 VR7 1107 VT6 1107 VW3 1107 VX9
	Y1 (codes M3B, M7B, M8B, M9B, H3B, H7B) (codes M3R, M7M, M8M, M9R, H3R, H7M) (codes M3C, M3V, M3W, M7N, M8N, M9W, M9C, M9V, H3W, H3C, H3V)	1 1 1	----	1124-5 VB2 1124-5 VM2 1124-5 VW3	----	1124-5 VB2 1124-5 VM2 1124-5 VW3	

★ Indicates use as required.
 □ Indicates parts not listed in any previous parts book.
 Right and left part numbers are on same line,
 first number is right, second number is left.

1964 PASSENGER CAR PARTS CATALOG

INTERIOR TRIM

CODE	REMARKS	PER CAR	SED.	4D H.T	STA. WGNL	2D H.T	CV. CP.
23-103-3	PANEL, Visor Trim - Cont'd						
	Y1						
	(codes M7Q, M8Q)	1	----	1124-5 VQ2	----	1124-5 VQ2	
	(codes M3T, M7T, M7H, M9T, H7T, H7H)	1	----	1124-5 VT2	----	1124-5 VT2	
	(codes M3F, M9F, H3F)	1	----	1124-5 VF2	----	1124-5 VF2	
	(codes M3X, M7P, M9X, H3X, H7P)	1	----	1124-5 VA2	----	1124-5 VA2	
	Y1-M						
	(codes M3B, M7B)	1	----	1124-5 VB2			
	(codes M3R, M7M)	1	----	1124-5 VM2			
	(codes M3C, M3V, M3W, M7N, M7H)	1	----	1124-5 VW3			
	(codes M3T, M7T)	1	----	1124-5 VT2			
	(code M3F)	1	----	1124-5 VF2			
	(codes M3X, M7P)	1	----	1124-5 VA2			
	(code M7Q)	1	----	1124-5 VQ2			
	(codes H3B, H7B)	1	----	1124-5 VB2			
	(codes H3R, H7M)	1	----	1124-5 VM2			
	(codes H3W, H3C, H3V)	1	----	1124-5 VW3			
	(code H3F)	1	----	1124-5 VF2			
	(codes H3X, H7P)	1	----	1124-5 VA2			
	(codes H7T, H7H)	1	----	1124-5 VT2			
	Y1-M (w/o mirror)						
	(codes M8B, M9B)	1	----	----	----	1124-5 VB2	
	(codes M8M, M9R)	1	----	----	----	1124-5 VM2	
	(codes M8N, M9W, M9C, M9V)	1	----	----	----	1124-5 VW3	
	(code M8Q)	1	----	----	----	1124-5 VQ2	
	(codes M8T, M9T)	1	----	----	----	1124-5 VT2	
	(code M9F)	1	----	----	----	1124-5 VF2	
	(code M9X)	1	----	----	----	1124-5 VA2	
	(w/o mirror)						
	(code M9B)	1	----	----	----	----	1122-3 VB4
	(code M9R)	1	----	----	----	----	1122-3 VR5
	(code M9T)	1	----	----	----	----	1122-3 VT4
	(code M9X)	1	----	----	----	----	1122-3 VX9
	(code M9F)	1	----	----	----	----	1122-3 VF9
	(codes M9C, M9V, M9W)	1	----	----	----	----	1122-3 VW3
23-103-10	ARM and BRACKET, Visor						
	C1, C2, C3						
	(chrome)	1	2292 946-7	2292 946-7	2292 946-7	2292 946-7	1954 926-7
	Y1	1	----	2085 242-3	----	2085 242-3	B2161 588-9
	Washer (tension spring)	2	6000 106	6000 106	6000 106	6000 106	6000 106
23-103-34	HOOK and SPRING, Visor Support						
	C1, C3	1	----	----	1964 262		
	Y1	2	----	----	----	1900 776	2161 810
23-103-37	SPACER, Visor Support Hook						
	C1, C3	1	----	----	2165 039		
23-103-48	SUPPORT, Visor Inner						
	C1, C3						
	(w/air conditioning)	2	----	----	2193 096		
	Y1	2	*2162 628	*2162 628	2162 628	*2162 628	*2162 628
		2	----	2161 687	----	2161 687	2490 478
23-108-4	CUSHION, Front Seat						
	C1-L (manual)(1 1/4" airfoam pad)						
	(code L1B)	1	5449 V1B				
	(code L1F)	1	5449 V1F				
	(code L1M)	1	5449 V1M				

★ Indicates use as required.

□ Indicates parts not listed in any previous parts book.
 March 15, 1965 Supersedes May 22, 1964.

Printed in U.S.A.
 Prices and specifications subject to change without notice.
 Right and left part numbers are on same line,
 first number is right, second number is left.
 * Indicates change or addition.

CODE	REMARKS	PER CAR	SED.	4D H.T	STA. WGN.	2D H.T	CV. CP.
23-108-4	CUSHION, Front Seat - Cont'd C1-L (manual) (1 1/4" airfoam pad)						
	(code L1N)	1	5449 V1N				
	(code L1Q)	1	5449 V1Q				
	(code L1T)	1	5449 V1T				
	C1-L (manual)(1 3/4" airfoam pad)						
	(code L1B)	1	5451 V1B				
	(code L1F)	1	5451 V1F				
	(code L1M)	1	5451 V1M				
	(code L1N)	1	5451 V1N				
	(code L1Q)	1	5451 V1Q				
	(code L1T)	1	5451 V1T				
	(6 way elect.)(1 1/4" airfoam pad)						
	(code L1B)	1	5450 V1B				
	(code L1F)	1	5450 V1F				
	(code L1M)	1	5450 V1M				
	(code L1N)	1	5450 V1N				
	(code L1Q)	1	5450 V1Q				
	(code L1T)	1	5450 V1T				
	(6 way elect.)(1 3/4" airfoam pad)						
	(code L1B)	1	5452 V1B				
	(code L1F)	1	5452 V1F				
	(code L1M)	1	5452 V1M				
	(code L1N)	1	5452 V1N				
	(code L1Q)	1	5452 V1Q				
	(code L1T)	1	5452 V1T				
	(police)(1 1/4" airfoam pad)						
	(code K1B)	1	5453 V1B				
	(code K1F)	1	5453 V1F				
	(code K1M)	1	5453 V1M				
	(code K1N)	1	5453 V1N				
	(code K1Q)	1	5453 V1Q				
	(code K1T)	1	5453 V1T				
	(code K5A)	1	5468 V5A				
	(code K8A)	1	5467 V8A				
	C3-H (1 3/4" airfoam pad)						
	(code H1B)	1	5470 V1B				
	(code H1F)	1	5470 V1F				
	(code H1M)	1	5470 V1M				
	(code H1N)	1	5470 V1N				
	(code H1Q)	1	5470 V1Q				
	(code H1T)	1	5470 V1T				
	C1-L (w/1 3/4" airfoam pad) (8 way elect.)						
	(code H1B)	1	5469 V1B	5469 V1B			
	(code H1F)	1	5469 V1F	5469 V1F			
	(code H1M)	1	5469 V1M	5469 V1M			
	(code H1N)	1	5469 V1N	5469 V1N			
	(code H1Q)	1	5469 V1Q	5469 V1Q			
	(code H1T)	1	5469 V1T	5469 V1T			
	(w/1 1/4" airfoam pad)						
	(code L2B)	1	-----	5454 V2B			
	(code L2F)	1	-----	5454 V2F			
	(code L2M)	1	-----	5454 V2M			
	(code L2Q)	1	-----	5454 V2Q			
	(code L2T)	1	-----	5454 V2T			

★ Indicates use as required.

☐ Indicates parts not listed in any previous parts book.

Right and left part numbers are on same line,

first number is right, second number is left.

1964 PASSENGER CAR PARTS CATALOG

INTERIOR TRIM

CODE	REMARKS	PER CAR	SED.	4D H.T	STA. WGN.	2D H.T	CV. CP.
23-108-4	CUSHION, Front Seat - Cont'd C1-L (manual)(1 3/4" airfoam pad)						
	(code L2B)	1	----	5456 V2B			
	(code L2F)	1	----	5456 V2F			
	(code L2M)	1	----	5456 V2M			
	(code L2Q)	1	----	5456 V2Q			
	(code L2T)	1	----	5456 V2T			
	(6 way elect.)(1 1/4" airfoam pad)						
	(code L2B)	1	----	5455 V2B			
	(code L2F)	1	----	5455 V2F			
	(code L2M)	1	----	5455 V2M			
	(code L2Q)	1	----	5455 V2Q			
	(code L2T)	1	----	5455 V2T			
	(6 way elect.)(1 3/4" airfoam pad)						
	(code L2B)	1	----	5457 V2B			
	(code L2F)	1	----	5457 V2F			
	(code L2M)	1	----	5457 V2M			
	(code L2Q)	1	----	5457 V2Q			
	(code L2T)	1	----	5457 V2T			
	C2-M (8" airfoam pad)						
	(code M1B)	1	----	5474-5 V1B			
	(code M1M)	1	----	5474-5 V1M			
	(code M1N)	1	----	5474-5 V1N			
	(code M1T)	1	----	5474-5 V1T			
	C1-L (manual) (1 3/4" airfoam pad)						
	(code L4B)	1	----	5458 V4B	5458 V4B		
	(code L4N)	1	----	5458 V4N	5458 V4N		
	(code L4R)	1	----	5458 V4R	5458 V4R		
	(code L4T)	1	----	---	5458 V4T		
	(6 way elect.)(1 3/4" airfoam pad)						
	(code L4B)	1	----	5459 V4B	5459 V4B		
	(code L4N)	1	----	5459 V4N	5459 V4N		
	(code L4R)	1	----	5459 V4R	5459 V4R		
	(code L4T)	1	----	----	5459 V4T		
	C1-L (police)(1 3/4" airfoam pad)						
	(code K4B)	1	----	----	5460 V4B		
	(code K4N)	1	----	----	5460 V4N		
	(code K4R)	1	----	----	5460 V4R		
	(code K4T)	1	----	----	5460 V4T		
	C3-H (2 1/4" airfoam pad)						
	(code H3B)	1	----	5471 V3B			
	(code H7B)	1	----	5471 V7B			
	(8" airfoam pad)						
	(code H4B)	1	----	5480-1 V4B	5480-1 V4B		
	(code H4Q)	1	----	5480-1 V4Q			
	(code H4R)	1	----	5480-1 V4R	5480-1 V4R		
	(code H4W)	1	----	5480-1 V4W	5480-1 V4W		
	(code H4T)	1	----	5480-1 V4T	5480-1 V4T		
	(code H2N)	1	----	5478-9 V2N	5478-9 V2N		
	C2-M (8" airfoam pad)						
	(code M4B)	1	----	5476-7 V4B	----	5476-7 V4B	5476-7 V4B
	(code M4X)	1	----	5476-7 V4X	----	5476-7 V4X	5476-7 V4X
	(code M4R)	1	----	5476-7 V4R	----	5476-7 V4R	5476-7 V4R
	(code M4T)	1	----	5476-7 V4T	----	5476-7 V4T	5476-7 V4T
	(code M4W)	1	----	5476-7 V4W	----	5476-7 V4W	5476-7 V4W
	(code M8W)	1	----	5446-7 V8W	----	5446-7 V8W	5446-7 V8W
	(code M8X)	1	----	5446-7 V8X	----	5446-7 V8X	5446-7 V8X

★ Indicates use as required.

⊠ Indicates parts not listed in any previous parts book.
March 15, 1965 Supersedes May 22, 1964.

Prices and specifications subject to change without notice.

Right and left part numbers are on same line,
first number is right, second number is left.

* Indicates change or addition.

Printed in U.S.A.

CODE	REMARKS	PER CAR	SED.	4D H.T	STA. WGN.	2D H.T	CV. CP.
23-108-4	CUSHION, Front Seat - Cont'd						
	C2-M (center)						
	(code M1B)	1	----	6947 VB6	----	6947 VB6	6947 VB6
	(code M1M)	1	----	6947 VM6	----	6947 VM6	6947 VM6
	(code M1N)	1	----	6947 VW3	----	6947 VW3	6947 VW3
	(code M1T)	1	----	6947 VT6	----	6947 VT6	6947 VT6
	(code M4W)	1	----	6947 VW3	----	6947 VW3	6947 VW3
	(code M4T)	1	----	6947 VT6	----	6947 VT6	6947 VT6
	(code M4B)	1	----	6947 VB6	----	6947 VB6	6947 VB6
	(code M4X)	1	----	6947 VX9	----	6947 VX9	6947 VX9
	(code M4R)	1	----	6947 VR7	----	6947 VR7	6947 VR7
	(code M8W)	1	----	6939 V8W	----	6939 V8W	6939 V8W
	(code M8X)	1	----	6939 V8X	----	6939 V8X	6939 V8X
	C3-H (center)						
	(code H4B)	1	----	----	*6947 VB4		
	(code H4T)	1	----	----	*6947 VT4		
	(code H4R)	1	----	6947 VR7	6947 VR7		
	(code H4X)	1	----	6947 VB4	*6947 VX9		
	C1-L (manual) (1 1/4" airfoam pad)						
	(code L2B)	1	----	----	----	5461 V2B	
	(code L2F)	1	----	----	----	5461 V2F	
	(code L2M)	1	----	----	----	5461 V2M	
	(code L2Q)	1	----	----	----	5461 V2Q	
	(code L2T)	1	----	----	----	5461 V2T	
	(manual)(1 3/4" airfoam pad)						
	(code L2B)	1	----	----	----	5462 V2B	
	(code L2F)	1	----	----	----	5462 V2F	
	(code L2M)	1	----	----	----	5462 V2M	
	(code L2Q)	1	----	----	----	5462 V2Q	
	(code L2T)	1	----	----	----	5462 V2T	
	(6 way elect.)(1 1/4" airfoam pad)						
	(code L2B)	1	----	----	----	5463 V2B	
	(code L2F)	1	----	----	----	5463 V2F	
	(code L2M)	1	----	----	----	5463 V2M	
	(code L2Q)	1	----	----	----	5463 V2Q	
	(code L2T)	1	----	----	----	5463 V2T	
	(6 way elect.)(1 3/4" airfoam pad)						
	(code L2B)	1	----	----	----	5464 V2B	
	(code L2F)	1	----	----	----	5464 V2F	
	(code L2M)	1	----	----	----	5464 V2M	
	(code L2Q)	1	----	----	----	5464 V2Q	
	(code L2T)	1	----	----	----	5464 V2T	
	(6 way elect.)(1 3/4" airfoam pad)						
	(code L4B)	1	----	----	----	5465 V4B	5465 V4B
	(code L4N)	1	----	----	----	5465 V4N	5465 V4N
	(code L4Q)	1	----	----	----	5465 V4Q	5465 V4Q
	(code L4R)	1	----	----	----	5465 V4R	5465 V4R
	(code L4T)	1	----	----	----	5465 V4T	5465 V4T
	(manual)(1 3/4" airfoam pad)						
	(code L4B)	1	----	----	----	5466 V4B	5466 V4B
	(code L4N)	1	----	----	----	5466 V4N	5466 V4N
	(code L4Q)	1	----	----	----	5466 V4Q	5466 V4Q
	(code L4R)	1	----	----	----	5466 V4R	5466 V4R
	(code L4T)	1	----	----	----	5466 V4T	5466 V4T
	Y1-M (6 way elect.)						
	(code M3B)	1	----	5489 V3B			
	(code M3F)	1	----	5489 V3F			
	(code M3R)	1	----	5489 V3R			

★ Indicates use as required.

⊠ Indicates parts not listed in any previous parts book.

Right and left part numbers are on same line, first number is right, second number is left.

Printed in U.S.A.

Prices and specifications subject to change without notice.

1964 PASSENGER CAR PARTS CATALOG

INTERIOR TRIM

CODE	REMARKS	PER CAR	SED.	4D H.T.	STA. WGN.	2D H.T.	CV. CP.
23-108-4	CUSHION, Front Seat'- Cont'd Y1-M (6 way elect.) (code M3T) (codes M3W, M3C, M3V) (codes M3X, H3X) (code M7B) (code M7N)	1 1 1 1 1	----- ----- ----- ----- -----	5489 V3T 5489 V3W 5489 V3X 5487 V7B 5487 V7N			
	Y1-M (w/hex. design in body cloth) (code M7M) (code M7Q) (code M7T) (code M7H) (w/diamond design in body cloth) (code M7M) (code M7Q) (code M7T) (code M7H)	1 1 1 1 1 1 1 1 1 1	----- ----- ----- ----- ----- ----- ----- ----- ----- -----	*5487 V7M *5487 V7Q *5487 V7T *5487 V7H E5496 V7M E5496 V7Q E5496 V7T E5496 V7H			
	Y1-M (manual) (code M3B) (code M3F) (code M3R) (code M3T) (codes M3C, M3V, M3W) (code M3X) (code M7B) (code M7H) (code M7M) (code M7N) (code M7Q) (code M7T)	1 1 1 1 1 1 1 1 1 1 1 1	----- ----- ----- ----- ----- ----- ----- ----- ----- ----- ----- -----	5495 V3B 5495 V3F 5495 V3R 5495 V3T 5495 V3W 5495 V3X 5494 V7B 5494 V7H 5494 V7M 5494 V7N 5494 V7Q 5494 V7T			
	Y1-M (w/hex. design in body cloth) (code M7M) (code M7Q) (code M7T) (code M7H) (w/diamond design in body cloth) (code M7M) (code M7Q) (code M7T) (code M7H)	1 1 1 1 1 1 1 1 1 1	----- ----- ----- ----- ----- ----- ----- ----- ----- -----	E5497 V7M E5497 V7Q E5497 V7T E5497 V7H E5497 V7M E5497 V7Q E5497 V7T E5497 V7H			
	Y1-H (code H7B) (code H7H) (code H7M) (code H7P) (code H7T)	1 1 1 1 1	----- ----- ----- ----- -----	5488 V7B 5488 V7H 5488 V7M 5488 V7P 5488 V7T			
	Y1-M (UP TO approx. serial No. 204489, 2 D. H. T. and UP TO approx. serial No. 219456 Cv. Cp.) (code M8B) (code M8H) (code M8M) (code M8N) (code M8Q) (code M9B)	1 1 1 1 1 1	----- ----- ----- ----- ----- -----	----- ----- ----- ----- ----- -----	----- ----- ----- ----- ----- -----	5490-1 V8B 5490-1 V8H 5490-1 V8M 5490-1 V8N 5490-1 V8Q 5492-3 V9B	5492-3 V9B

★ Indicates use as required.

⊠ Indicates parts not listed in any previous parts book.
March 15, 1965 Supersedes May 22, 1964.

Printed in U.S.A.
Prices and specifications subject to change without notice.
Right and left part numbers are on same line,
first number is right, second number is left.
* Indicates change on addition

CODE	REMARKS	PER CAR	SED.	4D H.T	STA. WGN	2D H.T	CV. CP.
23-108-4	CUSHION, Front Seat - Cont'd						
	Y1-M						
	(code M9F)	1	----	----	----	5492-3 V9F	5492-3 V9F
	(code M9R)	1	----	----	----	5492-3 V9R	5492-3 V9R
	(code M9T)	1	----	----	----	5492-3 V9T	5492-3 V9T
	(codes M9W, M9C, M9V)	1	----	----	----	5492-3 V9W	5492-3 V9W
	(code M9X)	1	----	----	----	5492-3 V9X	5492-3 V9X
	Y1-M						
	(AFTER approx. serial No. 204489 2 D. H. T., and AFTER approx. serial No. 219456 Cv. Cp.)						
	(code M8B)	1	----	----	----	B7704-5 V8B	
	(code M8H)	1	----	----	----	B7704-5 V8H	
	(code M8M)	1	----	----	----	B7704-5 V8M	
	(code M8N)	1	----	----	----	B7704-5 V8N	
	(code M8Q)	1	----	----	----	B7704-5 V8Q	
	(code M9B)	1	----	----	----	B7706-7 V9B	B7706-7 V9B
	(code M9F)	1	----	----	----	B7706-7 V9F	B7706-7 V9F
	(code M9R)	1	----	----	----	B7706-7 V9R	B7706-7 V9R
	(code M9T)	1	----	----	----	B7706-7 V9T	B7706-7 V9T
	(codes M9W, M9C, M9V)	1	----	----	----	B7706-7 V9W	B7706-7 V9W
	(code M9X)	1	----	----	----	B7706-7 V9X	B7706-7 V9X
	Nut (attaching back wedge spring adjusting)	2	----	327 072	327 072	327 072	327 072
	Y1-M (center)						
	(codes M8B, M9B)	1	----	----	----	5443 VB4	5443 VB4
	(code M8M)	1	----	----	----	5443 VM4	
	(codes M8N, M9C, M9V, M9W)	1	----	----	----	5443 VW3	5443 VW3
	(code M8Q)	1	----	----	----	5443 VQ4	
	(codes M8H, M9F)	1	----	----	----	5443 VF9	5443 VF9
	(code M9R)	1	----	----	----	5443 VR5	5443 VR5
	(code M9T)	1	----	----	----	5443 VT4	5443 VT4
	(code M9X)	1	----	----	----	5443 VX9	5443 VX9
23-108-5	COVER, Front Seat Cushion						
	C1-L (manual) (1 3/4" airfoam pad)						
	(code L1B)	1	5869	V1B			
	(code L1F)	1	5869	V1F			
	(code L1M)	1	5869	V1M			
	(code L1N)	1	5869	V1N			
	(code L1Q)	1	5869	V1Q			
	(code L1T)	1	5869	V1T			
	(6 way elect.) (1 3/4" airfoam pad)						
	(code L1B)	1	5874	V1B			
	(code L1F)	1	5874	V1F			
	(code L1M)	1	5874	V1M			
	(code L1N)	1	5874	V1N			
	(code L1Q)	1	5874	V1Q			
	(code L1T)	1	5874	V1T			
	(police)						
	(code K1B)	1	5874	V1B			
	(code K1F)	1	5874	V1F			
	(code K1M)	1	5874	V1M			
	(code K1N)	1	5874	V1N			
	(code K1Q)	1	5874	V1Q			
	(code K1T)	1	5874	V1T			
	(code K8A)	1	5875	V8A			
	(code K5A)	1	5876	V5A			

★ Indicates use as required.

⊠ Indicates parts not listed in any previous parts book.

Right and left part numbers are on same line,

first number is right, second number is left.

1964 PASSENGER CAR PARTS CATALOG

INTERIOR TRIM

CODE	REMARKS	PER CAR	SED.	4D H.T.	STA. WGN.	2D H.T.	CV. CP.
23-108-5	COVER, Front Seat Cushion - Cont'd						
	C3-H						
	(code H1B)	1	5877 V1B	5877 V1B			
	(code H1F)	1	5877 V1F	5877 V1F			
	(code H1M)	1	5877 V1M	5877 V1M			
	(code H1N)	1	5877 V1N	5877 V1N			
	(code H1Q)	1	5877 V1Q	5877 V1Q			
	(code H1T)	1	5877 V1T	5877 V1T			
	C1-L						
	(code L2B)	1	----	5870 V2B	----	5872 V2B	
	(code L2F)	1	----	5870 V2F	----	5872 V2F	
	(code L2M)	1	----	5870 V2M	----	5872 V2M	
	(code L2Q)	1	----	5870 V2Q	----	5872 V2Q	
	(code L2T)	1	----	5870 V2T	----	5872 V2T	
	(code L4B)	1	----	5871 V4B	5871 V4B	5873 V4B	5873 V4B
	(code L4N)	1	----	5871 V4N	5871 V4N	5873 V4N	5873 V4N
	(code L4Q)	1	----	----	----	----	5873 V4Q
	(code L4R)	1	----	5871 V4R	5871 V4R	5873 V4R	5873 V4R
	(code L4T)	1	----	5871 V4T	5871 V4T	----	5873 V4T
	(police)						
	(code K4B)	1	----	----	5871 V4B		
	(code K4N)	1	----	----	5871 V4N		
	(code K4R)	1	----	----	5871 V4R		
	(code K4T)	1	----	----	5871 V4T		
	C2-M						
	(code M1B)	1	----	5880-1 V1B			
	(code M1M)	1	----	5880-1 V1M			
	(code M1N)	1	----	5880-1 V1N			
	(code M1T)	1	----	5880-1 V1T			
	C3-H						
	(code H3B)	1	----	5878 V3B			
	(code H7B)	1	----	5879 V7B			
	(code H3L)	1	----	5878 T3L			
	(code H7L)	1	----	5879 T7L			
	(code H4B)	1	----	5886-7 V4B	5886-7 V4B		
	(code H4Q)	1	----	5886-7 V4Q			
	(code H4R)	1	----	5886-7 V4R	5886-7 V4R		
	(code H4W)	1	----	5886-7 V4W	5886-7 V4W		
	(code H4T)	1	----	----	5886-7 V4T		
	(code H2N)	1	----	----	5884-5 V2N		
	C2-M						
	(code M4B)	1	----	5882-3 V4B	----	5882-3 V4B	5882-3 V4B
	(code M4X)	1	----	5882-3 V4X	----	5882-3 V4X	5882-3 V4X
	(code M4R)	1	----	5882-3 V4R	----	5882-3 V4R	5882-3 V4R
	(code M4T)	1	----	5882-3 V4T	----	5882-3 V4T	5882-3 V4T
	(code M4W)	1	----	5882-3 V4W	----	5882-3 V4W	5882-3 V4W
	(code M8W)	1	----	5888-9 V8W	----	5888-9 V8W	5888-9 V8W
	(code M8X)	1	----	5888-9 V8X	----	5888-9 V8X	5888-9 V8X
	C2-M (center cushion)						
	(codes M1B, M4B)	1	----	6948 VB6	----	6948 VB6	6948 VB6
	(code M1M)	1	----	6948 VM6	----	6948 VM6	6948 VM6
	(codes M1N, M4W)	1	----	6948 VW3	----	6948 VW3	6948 VW3
	(codes M1T, M4T)	1	----	6948 VT6	----	6948 VT6	6948 VT6
	(code M4X)	1	----	6948 VX9	----	6948 VX9	6948 VX9
	(code M4R)	1	----	6948 VR7	----	6948 VR7	6948 VR7
	(code M3W)	1	----	6939 V8W	----	6939 V8W	6939 V8W
	(code M8X)	1	----	6939 V8X	----	6939 V8X	6939 V8X

● Indicates use as required.

□ Indicates parts not listed in any previous parts book.
March 15, 1965 Supersedes May 22, 1964.Prices and specifications subject to change without notice.
Right and left part numbers are on same line,
first number is right, second number is left.

Printed in U.S.A.

CODE	REMARKS	PER CAR	SED.	4D H.T.	STA. WGN.	2D H.T.	CV. CP.
23-108-5	COVER, Front Seat Cushion - Cont'd C3-H (center cushion)						
	(code H4B)	1	----	6948 VB4	6948 VB4		
	(code H4Q)	1	----	6948 VQ4			
	(code H2N)	1	----	----	4843 VW3		
	(code H4W)	1	----	6948 VW3	6948 VW3		
	(code H4R)	1	----	6948 VR7	6948 VR7		
	(code H4T)	1	----	----	6948 VT4		
Y1-M							
	(code M7B)	1	----	5893 V7B			
	(code M7N)	1	----	5893 V7N			
	(code M7P)	1	----	5893 V7P			
Y1-M (w/hex. design in body cloth)							
	(code M7M)	1	----	*5893 V7M			
	(code M7Q)	1	----	*5893 V7Q			
	(code M7T)	1	----	*5893 V7T			
	(code M7H)	1	----	*5893 V7H			
(w/diamond design in body cloth)							
	(code M7M)	1	----	E5867 V7M			
	(code M7Q)	1	----	E5867 V7Q			
	(code M7T)	1	----	E5867 V7T			
	(code M7H)	1	----	E5867 V7H			
Y1-M, Y1-H							
	(codes M3B, H3B)	1	----	5895 V3B			
	(codes M3F, H3F)	1	----	5895 V3F			
	(codes M3R, H3R)	1	----	5895 V3R			
	(code M3T)	1	----	5895 V3T			
	(codes M3V, H3V)	1	----	5895 V3V			
Y1-M, Y1-H							
	(codes M3W, H3W, M3C, H3C)	1	----	5895 V3W			
	(codes M3X, H3X)	1	----	5895 V3X			
	(code H7B)	1	----	5894 V7B			
	(code H7H)	1	----	5894 V7H			
	(code H7M)	1	----	5894 V7M			
	(code H7P)	1	----	5894 V7P			
	(code H7T)	1	----	5894 V7T			
Y1-M							
	(UP TO approx. serial No. 204489 2 D. H. T., and UP TO approx. serial No. 219456 Cv. Cp.)						
	(code M8B)	1	----	----	----	5896-7 V8B	
	(code M8H)	1	----	----	----	5896-7 V8H	
	(code M8M)	1	----	----	----	5896-7 V8M	
	(code M8N)	1	----	----	----	5896-7 V8N	
	(code M8Q)	1	----	----	----	5896-7 V8Q	
	(code M9B)	1	----	----	----	5898-9 V9B	5898-9 V9B
	(code M9F)	1	----	----	----	5898-9 V9F	
	(code M9R)	1	----	----	----	5898-9 V9R	5898-9 V9R
	(code M9T)	1	----	----	----	5898-9 V9T	5898-9 V9T
	(codes M9C, M9V, M9W)	1	----	----	----	5898-9 V9W	5898-9 V9W
	(code M9X)	1	----	----	----	5898-9 V9X	5898-9 V9X

★ Indicates use as required.
 ☐ Indicates parts not listed in any previous parts book.
 Right and left part numbers are on same line,
 first number is right, second number is left.

1964 PASSENGER CAR PARTS CATALOG

INTERIOR TRIM

CODE	REMARKS	PER CAR	SED.	4D H.T.	STA. WGN.	2D H.T.	CV. CP.
23-108-5	COVER, Front Seat Cushion - Cont'd Y1-M (AFTER approx. serial No. 204489 2D. H. T., and AFTER approx. serial No. 219456 Cv. Cp.)						
	(code M8B)	1	-----	-----	-----	E7708-9 V8B	
	(code M8H)	1	-----	-----	-----	E7708-9 V8H	
	(code M8M)	1	-----	-----	-----	E7708-9 V8M	
	(code M8N)	1	-----	-----	-----	E7708-9 V8N	
	(code M8Q)	1	-----	-----	-----	E7708-9 V8Q	
	(code M9B)	1	-----	-----	-----	E7710-1 V9B	E7710-1 V9B
	(code M9F)	1	-----	-----	-----	E7710-1 V9F	E7710-1 V9F
	(code M9R)	1	-----	-----	-----	E7710-1 V9R	E7710-1 V9R
	(code M9T)	1	-----	-----	-----	E7710-1 V9T	E7710-1 V9T
	(codes M9W, M9C, M9V)	1	-----	-----	-----	E7710-1 V9W	E7710-1 V9W
	(code M9X)	1	-----	-----	-----	E7710-1 V9X	E7710-1 V9X
	Y1-M (center cushion) (codes M8B, M9B)	1	-----	-----	-----	5864 VB4	5864 VB4
	(code M8M)	1	-----	-----	-----	5864 VM4	
	(codes M8N, M9C, M9V, M9W)	1	-----	-----	-----	5864 VW3	5864 VW3
	(code M8Q)	1	-----	-----	-----	5864 VQ4	5864 VQ4
	(codes M8H, M9F)	1	-----	-----	-----	5864 VF9	5864 VF9
	(code M9R)	1	-----	-----	-----	5864 VR5	5864 VR5
	(code M9X)	1	-----	-----	-----	5864 VX9	5864 VX9
	(code M9T)	1	-----	-----	-----	*5864 VT4	*5864 VT4
23-108-6	FLAP, Back of Front Seat Cushion C2-M, C3-H (codes M1B, M4B, H4B) (code M1M) (codes M1N, M4W, M4X, H2N, H4W, H8W, H8X) (codes M4R, H4R) (code H4Q) (codes M1T, M4T, H4T)	2 2 2 2 2 2	----- ----- ----- ----- ----- -----	4833 VBB 4833 VMM 4833 VXX 4833 VOR 4833 VQQ 4833 VTT	----- ----- ----- ----- ----- -----	4833 VBB 4833 VMM 4833 VXX 4833 VOR 4833 VQQ 4833 VTT	4833 VBB 4833 VMM 4833 VXX 4833 VOR 4833 VQQ 4833 VTT
	Y1-M (codes M8B, M9B) (codes M8H, M9F) (code M8M) (code M9X) (code M8Q) (code M9R) (code M9T) (code M8N) (codes M9C, M9V, M9W)	2 2 2 2 2 2 2 2	----- ----- ----- ----- ----- ----- ----- -----	----- ----- ----- ----- ----- ----- ----- -----	----- ----- ----- ----- ----- ----- ----- -----	5890 VBB 5890 VFF 5890 VMM 5890 VXX 5890 VQQ 5890 VRR 5890 VTT 5890 VWX 5890 VWW	5890 VBB 5890 VFF 5890 VXX 5890 VRR 5890 VTT 5890 VWX 5890 VWW
23-108-12	BACK, Front Seat C1-L (code L1B) (code L1F) (code L1M) (code L1N) (code L1Q) (code L1T)	1 1 1 1 1 1	5650 V1B 5650 V1F 5650 V1M 5650 V1N 5650 V1Q 5650 V1T				
	C1-L (police)(heavy duty spring) (code K1B) (code K1F) (code K1M) (code K1N) (code K1Q)	1 1 1 1 1	5651 V1B 5651 V1F 5651 V1M 5651 V1N 5651 V1Q				

★ Indicates use as required.

☐ Indicates parts not listed in any previous parts book.
March 15, 1965 Supersedes May 22, 1964.Printed in U.S.A.
Prices and specifications subject to change without notice.
Right and left part numbers are on same line,
first number is right, second number is left.
* Indicates change or addition.

CODE	REMARKS	PER CAR	SED.	4D H.T.	STA. WGN.	2D H.T.	CV. CP.	
23-108-12	BACK, Front Seat - Cont'd							
	C1-L (police)							
	(heavy duty spring)							
	(code K1T)	1	5651 V1T					
	(code K5A)	1	5661 V5A					
	(code K8A)	1	5660 V8A					
C1-L	(code L2B)	1	----	5652 V2B	----	5656-7 V2B		
	(code L2F)	1	----	5652 V2F	----	5656-7 V2F		
	(code L2M)	1	----	5652 V2M	----	5656-7 V2M		
	(code L2Q)	1	----	5652 V2Q	----	5656-7 V2Q		
	(code L2T)	1	----	5652 V2T	----	5656-7 V2T		
	(code L4B)	1	----	5653 V4B	5653 V4B	5658-9 V4B	5658-9 V4B	
	(code L4N)	1	----	5653 V4N	5653 V4N	5658-9 V4N	5658-9 V4N	
	(code L4R)	1	----	5653 V4R	5653 V4R	5658-9 V4R	5658-9 V4R	
	(code L4T)	1	----	----	5653 V4T	5658-9 V4T	5658-9 V4T	
	(code L4Q)	1	----	----	----	----	5658-9 V4Q	
	C1-L	(police)						
		(code K4B)	1	----	----	5654 V4B		
(code K4N)		1	----	----	5654 V4N			
(code K4R)		1	----	----	5654 V4R			
(code K4T)		1	----	----	5654 V4T			
Screw (back to cushion wedge								
spring adjusting)		2	----	6016 005	6016 005	6016 005	6016 005	
(stop washer)		2	----	----	----	6008 077	6008 077	
(push nut)(back to cushion)		2	----	----	----	6024 203	6024 203	
23-108-15		SPRING and COVER, Front Seat Back						
		C2-M (w/o headrest)						
		(code M1B)	1	----	5772-3 V1B			
	(code M1M)	1	----	5772-3 V1M				
	(code M1N)	1	----	5772-3 V1N				
	(code M1T)	1	----	5772-3 V1T				
	(w/headrest)							
	(code M1B)	1	----	5774-5 V1B				
	(code M1M)	1	----	5774-5 V1M				
	(code M1N)	1	----	5774-5 V1N				
	(code M1T)	1	----	5774-5 V1T				
	(w/o headrest)							
	(code M4B)	1	----	5776-7 V4B	----	5776-7 V4B	5776-7 V4B	
	(code M4R)	1	----	5776-7 V4R	----	5776-7 V4R	5776-7 V4R	
	(code M4T)	1	----	5776-7 V4T	----	5776-7 V4T	5776-7 V4T	
	(code M4W)	1	----	5776-7 V4W	----	5776 V4W	5776-7 V4W	
	(code M4X)	1	----	5776-7 V4X	----	5776-7 V4X	5776-7 V4X	
	(w/headrest)							
	(code M4B)	1	----	5778-9 V4B	----	5778-9 V4B	5778-9 V4B	
	(code M4R)	1	----	5778-9 V4R	----	5778-9 V4R	5778-9 V4R	
	(code M4T)	1	----	5778-9 V4T	----	5778-9 V4T	5778-9 V4T	
	(code M4W)	1	----	5778-9 V4W	----	5778-9 V4W	5778-9 V4W	
	(code M4X)	1	----	5778-9 V4X	----	5778-9 V4X	5778-9 V4X	
	(w/o headrest)							
	(code M8W)	1	----	5754-5 V8W	----	5754-5 V8W	5754-5 V8W	
	(code M8X)	1	----	5754-5 V8X	----	5754-5 V8X	5754-5 V8X	
	(w/headrest)							
	(code M8W)	1	----	5756-7 V8W	----	5756-7 V8W	5756-7 V8W	
	(code M8X)	1	----	5756-7 V8X	----	5756-7 V8X	5756-7 V8X	
	C3-H (w rectangular tufting button)	(code H1B)	1	5767 V1B	5767 V1B			
		(code H1F)	1	5767 V1F	5767 V1F			
		(code H1M)	1	5767 V1M	5767 V1M			

★ Indicates use as required.

□ Indicates parts not listed in any previous parts book.

Right and left part numbers are on same line,

first number is right

CODE	REMARKS	PER CAR	SED.	4D H.T	STA. WGN.	2D H.T	CV. CP.
23-108-15	SPRING and COVER, Front Seat Back - Cont'd C3-H (w/rectangular tufting button)						
	(code H1N)	1	5767 V1N	5767 V1N			
	(code H1Q)	1	5767 V1Q	5767 V1Q			
	(code H1T)	1	5767 V1T	5767 V1T			
	(code H3B)	1	-----	5768-9 V3B			
	(code H7B)	1	-----	5770-1 V7B			
	(w/round head tufting button)						
	(code H1B)	1	5753 V1B	5753 V1B			
	(code H1F)	1	5753 V1F	5753 V1F			
	(code H1M)	1	5753 V1M	5753 V1M			
	(code H1N)	1	5753 V1N	5753 V1N			
	(code H1Q)	1	5753 V1Q	5753 V1Q			
	(code H1T)	1	5753 V1T	5753 V1T			
	C3-H						
	(code H4B)	1	-----	5762-3 V4B	5762-3 V4B		
	(code H4Q)	1	-----	5762-3 V4Q			
	(code H4R)	1	-----	5762-3 V4R	5762-3 V4R		
	(code H4W)	1	-----	5762-3 V4W	5762-3 V4W		
	(code H4T)	1	-----	5762-3 V4T	5762-3 V4T		
	(code H2N)	1	-----	-----	5758-9 V2N		
	(manual or elec. adjusting, w/headrest on left side)						
	C3-H						
	(code H4B)	1	-----	5764-5 V4B	5764-5 V4B		
	(code H4Q)	1	-----	5764-5 V4Q			
	(code H4R)	1	-----	5764-5 V4R	5764-5 V4R		
	(code H4W)	1	-----	5764-5 V4W	5764-5 V4W		
	(code H4T)	1	-----	5764-5 V4T	5764-5 V4T		
	(code H2N)	1	-----	-----	5760-1 V2N		
	Y1-M						
	(code M7B)	1	-----	5784-5 V7B			
	(code M7N)	1	-----	5784-5 V7N			
	(code M7P)	1	-----	5784-5 V7P			
	Y1-M (w/hex. design in body cloth)						
	(code M7M)	1	-----	*5784-5 V7M			
	(code M7Q)	1	-----	*5784-5 V7Q			
	(code M7T)	1	-----	*5784-5 V7T			
	(code M7H)	1	-----	*5784-5 V7H			
	(w/diamond design in body cloth)						
	(code M7M)	1	-----	B5794-5 V7M			
	(code M7Q)	1	-----	B5794-5 V7Q			
	(code M7T)	1	-----	B5794-5 V7T			
	(code M7H)	1	-----	B5794-5 V7H			
	Y1						
	(codes M3B, H3B)	1	-----	5786-7 V3B			
	(codes M3C, H3C)	1	-----	5786-7 V3C			
	(codes M3F, H3F)	1	-----	5786-7 V3F			
	(codes M3R, H3R)	1	-----	5786-7 V3R			
	(code M3T)	1	-----	5786-7 V3T			
	(codes M3V, H3V)	1	-----	5786-7 V3V			
	(codes M3W, H3W)	1	-----	5786-7 V3W			
	Y1-H						
	(code H7B)	1	-----	5788-9 V7B			
	(code H7H)	1	-----	5788-9 V7H			
	(code H7M)	1	-----	5788-9 V7M			
	(code H7P)	1	-----	5788-9 V7P			
	(code H7T)	1	-----	5788-9 V7T			

★ Indicates use as required.

B Indicates parts not listed in any previous parts book.

March 15, 1965 Supersedes May 22, 1964.

CODE	REMARKS	PER CAR	SED.	4D H.T.	STA. WGN.	2D H.T.	CV. CP.
23-108-15	SPRING and COVER, Front Seat Back - Cont'd						
	Y1-H						
	Push Nut (seat back to cushion mounting)	2	----	6024 203	----	6024 203	
	Screw (adjusting) (to cushion wedge)	2	----	6016 005	----	6016 005	
	Bolt (reclining back to cushion)	1	----	6024 148	----	6024 148	
	Bolt and Washer (reclining back to cushion)	1	----	180 121	----	180 121	
	Nut (reclining seat back tube)	1	----	6024 144	----	6024 144	
	Y1-M						
	(code M8B)	1	----	----	----	5790-1 V8B	
	(code M8H)	1	----	----	----	5790-1 V8H	
	(code M8N)	1	----	----	----	5790-1 V8N	
	(code M8Q)	1	----	----	----	5790-1 V8Q	
	(code M8M)	1	----	----	----	5790-1 V8M	
	(code M9B)	1	----	----	----	5792-3 V9B	5792-3 V9B
	(code M9C)	1	----	----	----	5792-3 V9C	5792-3 V9C
	(code M9F)	1	----	----	----	5792-3 V9F	5792-3 V9F
	(code M9R)	1	----	----	----	5792-3 V9R	5792-3 V9R
	(code M9T)	1	----	----	----	5792-3 V9T	5792-3 V9T
	(code M9V)	1	----	----	----	5792-3 V9V	5792-3 V9V
	(code M9W)	1	----	----	----	5792-3 V9W	5792-3 V9W
	(code M9X)	1	----	----	----	5792-3 V9X	5792-3 V9X
23-108-16	COVER, Front Seat Back						
	C1-L						
	(code L1B)	1	6048 V1B				
	(code L1F)	1	6048 V1F				
	(code L1M)	1	6048 V1M				
	(code L1N)	1	6048 V1N				
	(code L1Q)	1	6048 V1Q				
	(code L1T)	1	6048 V1T				
	(police)						
	(code K1B)	1	6048 V1B				
	(code K1F)	1	6048 V1F				
	(code K1M)	1	6048 V1M				
	(code K1N)	1	6048 V1N				
	(code K1Q)	1	6048 V1Q				
	(code K1T)	1	6048 V1T				
	(code K5A)	1	6057 V5A				
	(code K8A)	1	6056 V8A				
	C1-L						
	(code L4B)	1	----	6050 V4B	6050 V4B	6054-5 V4B	6054-5 V4B
	(code L4N)	1	----	6050 V4N	6050 V4N	6054-5 V4N	6054-5 V4N
	(code L4R)	1	----	----	6050 V4R	6054-5 V4R	6054-5 V4R
	(code L4T)	1	----	6050 V4T	6050 V4T	----	6054-5 V4T
	(code L4Q)	1	----	----	----	----	6054-5 V4Q
	(police)						
	(code K4B)	1	----	----	6050 V4B		
	(code K4N)	1	----	----	6050 V4N		
	(code K4R)	1	----	----	6050 V4R		
	(code K4T)	1	----	----	6050 V4T		
	C2-M						
	(code M1B)	1	----	6064-5 V1B			
	(code M1M)	1	----	6064-5 V1M			
	(code M1N)	1	----	6064-5 V1N			
	(code M1T)	1	----	6064-5 V1T			
	(code M4B)	1	----	6066-7 V4B	----	6066-7 V4B	6066-7 V4B
	(code M4X)	1	----	6066-7 V4X	----	6066-7 V4X	6066-7 V4X

★ indicates use as required.

⊠ indicates parts not listed in any previous parts book.

Right and left part numbers are on same line,

first number is right, second number is left.

Printed in U.S.A.

Prices and specifications subject to change without notice.

March 15, 1965 Supersedes May 22, 1964.

1964 PASSENGER CAR PARTS CATALOG

INTERIOR TRIM

CODE	REMARKS	PER CAR	SED.	4D H.T	STA. WGN.	2D H.T	CV. CP.
23-108-16	COVER, Front Seat Back - Cont'd C2-M						
	(code M4R)	1	----	6066-7 V4R	----	6066-7 V4R	6066-7 V4R
	(code M4T)	1	----	6066-7 V4T	----	6066-7 V4T	6066-7 V4T
	(code M4W)	1	----	6066-7 V4W	----	6066-7 V4W	6066-7 V4W
	(code M8W)	1	----	6072-3 V8W	----	6072-3 V8W	6072-3 V8W
	(code M8X)	1	----	6072-3 V8X	----	6072-3 V8X	6072-3 V8X
	C3-H (w/rectangular tufting button)						
	(code H1B)	1	6058 V1B	6058 V1B			
	(code H1F)	1	6058 V1F	6058 V1F			
	(code H1M)	1	6058 V1M	6058 V1M			
	(code H1N)	1	6058 V1N	6058 V1N			
	(code H1Q)	1	6058 V1Q	6058 V1Q			
	(code H1T)	1	6058 V1T	6058 V1T			
	(code H3B)	1	----	6080-1 V3B			
	(w/round head tufting button)						
	(code H1B)	1	6051 V1B	6051 V1B			
	(code H1F)	1	6051 V1F	6051 V1F			
	(code H1M)	1	6051 V1M	6051 V1M			
	(code H1N)	1	6051 V1N	6051 V1N			
	(code H1Q)	1	6051 V1Q	6051 V1Q			
	(code H1T)	1	6051 V1T	6051 V1T			
	C3-H						
	(code H7B)	1	----	6062-3 V7B			
	(code H3L)	1	----	6060-1 T3L			
	(code H7L)	1	----	6062-3 T7L			
	C1-L						
	(code L2B)	1	----	6049 V2B	----	6052-3 V2B	
	(code L2F)	1	----	6049 V2F	----	6052-3 V2F	
	(code L2M)	1	----	6049 V2M	----	6052-3 V2M	
	(code L2Q)	1	----	6049 V2Q	----	6052-3 V2Q	
	(code L2T)	1	----	6049 V2T	----	6052-3 V2T	
	C3-H						
	(code H4B)	1	----	6070-1 V4B	6070-1 V4B		
	(code H4Q)	1	----	6070-1 V4Q			
	(code H4R)	1	----	6070-1 V4R	6070-1 V4R		
	(code H4W)	1	----	6070-1 V4W	6070-1 V4W		
	(code H4T)	1	----	----	6070-1 V4T		
	(code H2N)	1	----	----	6068-9 V2N		
	Y1-M, Y1-H						
	(codes M3B, H3B)	1	----	6080-1 V3B			
	(codes M3C, H3C)	1	----	6080-1 V3C			
	(codes M3F, H3F)	1	----	6080-1 V3F			
	(codes M3R, H3R)	1	----	6080-1 V3R			
	(code M3T)	1	----	6080-1 V3T			
	(codes M3V, H3B)	1	----	6080-1 V3V			
	(codes M3W, H3W)	1	----	6080-1 V3W			
	(codes M3X, H3X)	1	----	6080-1 V3X			
	Y1-H						
	(code H7B)	1	----	6082-3 V7B			
	(code H7M)	1	----	6082-3 V7M			
	(code H7T)	1	----	6082-3 V7T			
	(code H7H)	1	----	6082-3 V7H			
	(code H7P)	1	----	6082-3 V7P			
	Y1-M						
	(code M7B)	1	----	6078-9 V7B			
	(code M7N)	1	----	6078-9 V7N			
	(code M7P)	1	----	6078-9 V7P			

★ Indicates use as required.

☐ Indicates parts not listed in any previous parts book.
March 15, 1965 Supersedes May 22, 1964.

Prices and specifications subject to change without notice.

Right and left part numbers are on same line,
first number is right, second number is left.

* Indicates change or addition.

Printed in U.S.A.

CODE	REMARKS	PER CAR	SED.	4D H.T.	STA. WGN.	2D H.T.	CV. CP.
23-108-16	COVER, Front Seat Back - Cont'd Y1-M (w/hex. design in body cloth)						
	(code M7M)	1	----	*6078-9 V7M			
	(code M7Q)	1	----	*6078-9 V7Q			
	(code M7T)	1	----	*6078-9 V7T			
	(code M7H)	1	----	*6078-9 V7H			
	(w/diamond design in body cloth)						
	(code M7M)	1	----	E6088-9 V7M			
	(code M7Q)	1	----	E6088-9 V7Q			
	(code M7T)	1	----	E6088-9 V7T			
	(code M7H)	1	----	E6088-9 V7H			
	(code M8B)	1	----	----		6084-5 V8B	6084-5 V8B
	(code M8H)	1	----	----		6084-5 V8H	6084-5 V8H
	(code M8M)	1	----	----		6084-5 V8M	6084-5 V8M
	(code M8N)	1	----	----		6084-5 V8N	6084-5 V8N
	(code M8Q)	1	----	----		6084-5 V8Q	6084-5 V8Q
	(code M9B)	1	----	----		6086-7 V9B	6086-7 V9B
	(code M9C) Rt.	1	----	----		*6086 V9C	*6086 V9C
	(code M9C) Lt.	1	----	----		*6087 V9C	*6087 V9C
	(code M9F)	1	----	----		6086-7 V9F	6086-7 V9F
	(code M9R)	1	----	----		6086-7 V9R	6086-7 V9R
	(code M9T)	1	----	----		6086-7 V9T	6086-7 V9T
	(code M9V) Rt.	1	----	----		*6086 V9V	*6086 V9V
	(code M9V) Lt.	1	----	----		*6087 V9V	*6087 V9V
	(code M9W)	1	----	----		6086-7 V9W	6086-7 V9W
	(code M9X)	1	----	----		6086-7 V9X	6086-7 V9X
23-108-18	CASING, Front Seat Back Headrest C2-M, C3-H (luxury)	2	----	2446 954	----	2446 954	2446 954
	Y1-M	2	----	2446 657	----	2494 001	2494 001
23-108-19	HEADREST, Front Seat Back C2, C3						
	(codes H3B, H7B)	1	----	4946 VB4			
	(codes M1N, M4W, H2N, H4W)	1	----	4838 VW3	4838 VW3	4838 VW3	4838 VW3
	(codes M1T, M4T, H4T)	1	----	4838 VT6	4838 VT6	4838 VT6	4838 VT6
	(codes M4R, H4R)	1	----	E4838 VR7	E4838 VR7	E4838 VR7	E4838 VR7
	(codes M1B, M4B, H4B)	1	----	4838 VB6	4838 VB6	4838 VB6	4838 VB6
	(code M4X)	1	----	4946 VX9	----	4946 VX9	4946 VX9
	(code H4Q)	1	----	4838 VQ4			
	(code M8W)	1	----	4838 VW3	----	4838 VW3	4838 VW3
	(code M8X)	1	----	4946 VX9	----	4946 VX9	4946 VX9
	(codes H3L, H7L)	1	----	4946 TL4			
	Y1-M						
	(codes M8B, M9B)	1	----	----	----	4813 VB4	4813 VB4
	(codes M8H, M9F)	1	----	----	----	4813 VF9	4813 VF9
	(code M8M)	1	----	----	----	4813 VM4	4813 VM4
	(codes M8N, M9C, M9V, M9W)	1	----	----	----	4813 VW3	4813 VW3
	(code M8Q)	1	----	----	----	4813 VQ4	4813 VQ4
	(code M9R)	1	----	----	----	4813 VR5	4813 VR5
	(code M9T)	1	----	----	----	4813 VT4	4813 VT4
	(code M9X)	1	----	----	----	4813 VX9	4813 VX9
	Screw (headrest to bracket)	●	----	9414 732	9414 732	9414 732	9414 732
23-108-20	COVER, Front Seat Back Headrest C2, C3						
	(codes H3B, H7B)	1	----	E4839 VB6			
	(codes M1N, H4W, H2N, H4W)	1	----	E4839 VW3	E4839 VW3		
	(codes M1T, M4T, H4T)	1	----	E4839 VT6	E4839 VT6	E4839 VT6	E4839 VT6

★ Indicates use as required.

E Indicates parts not listed in any previous parts book.

Right and left part numbers are on same line,

first number is right, second number is left.

1964 PASSENGER CAR PARTS CATALOG

INTERIOR TRIM

CODE	REMARKS	PER CAR	SED.	4D H.T	STA. WGN.	2D H.T	CV. CP.
23-108-20	COVER, Front Seat Back Headrest - Cont'd C2, C3						
	(codes M4R, H4R)	1	----	4947 VR7	4947 VR7	4947 VR7	4947 VR7
	(codes M1B, H4B, H4B)	1	----	4947 VB6	4947 VB6	4947 VB6	4947 VB6
	(code M1M)	1	----	4947 VM6			
	(code M4X)	1	----	4947 VX9	----	4947 VX9	4947 VX9
	(code H4Q)	1	----	4947 VQ4			
	(code M8W)	1	----	E4839 VW3	----	E4839 VW3	E4839 VW3
	(code M8X)	1	----	4947 VX9	----	4947 VX9	4947 VX9
	(codes H3L, H7L)	2	----	4947 TL4			
	(codes H3L, H7L)(finish cover)	2	----	4345 TL4			
	Y1-M						
	(codes M8B, M9B)	1	----	----	----	4812 VB4	4812 VB4
	(codes M8H, M9F)	1	----	----	----	4812 VF9	4812 VF9
	(code M8M)	1	----	----	----	4812 VM4	4812 VM4
	(codes M8N, M9C, M9V, M9W)	1	----	----	----	4812 VW3	4812 VW3
	(code M8Q)	1	----	----	----	4812 VQ4	4812 VQ4
	(code M9R)	1	----	----	----	4812 VR5	4812 VR5
	(code M9T)	1	----	----	----	4812 VT4	4812 VT4
	(code M9X)	1	----	----	----	4812 VX9	4812 VX9
	(bottom cover)	2	----	----	----	2494 374	2494 374
	C3-H (finish cover) (codes H3B, H7B)	2	----	4345 VB4			
	C2-M, Y1-M (paint as required) (2 1/2" wide)	2	----	4317 VX9	----	4317 VX9	4317 VX9
	(1.62" wide)	2	----	4310 VX9	----	4310 VX9	4310 VX9
23-108-22	COVER, Front Seat Reclining Mechanism C2-M, C3-H						
	(codes M1B, M4B)	1	----	2717 VB6			
	(codes M1T, M4T)	1	----	2717 VT6	----	2717 VT6	2717 VT6
	(codes M1N, M4X, M8W, M8X)	1	----	2717 VX9	----	2717 VX9	2717 VX9
	(code M1M)	1	----	2717 VM6			
	(code M4R)	1	----	2717 VR7	----	2717 VR7	2717 VR7
	(codes M4W, H4W, H2N)	1	----	2717 VW3	----	2717 VW3	2717 VW3
	C3-H						
	(code H4B)	1	----	2717 VB4	2717 VB4		
	(code H4T)	1	----	----	2717 VT4		
	(code H4Q)	1	----	2717 VQ4			
	(code H4R)	1	----	2717 VR7	2717 VR7	2717 VR7	2717 VR7
	(codes H3B, H7B)	1	----	2703 VB4			
	(codes H3L, H7L)	1	----	2703 TL4			
	Nut (attaching)	2	----	6024 214	6024 214	6024 214	6024 214
	Y1-M (paint as req'd)	1	----	----	----	2726 VX8	2726 VX8
23-108-23	INSULATOR, Front Seat Back Headrest C2, C3, Y1	2	----	2494 608	2494 608	2494 608	2494 608
23-108-24	PANEL, w/BRACKET, Front Seat Back Headrest (paint as required)						
	Y1-M	1	----	2494 371	----	2494 371	2494 371
23-108-32	PANEL, Back of Front Seat Back C3-H						
	(code H1B)	1	4363 VBB	4363 VBB			
	(code H1F)	1	4363 VFF	4363 VFF			
	(code H1M)	1	4363 VMM	4363 VMM			

★ Indicates use as required.

E Indicates parts not listed in any previous parts book.
March 15, 1965 Supersedes May 22, 1964.Printed in U.S.A.
Prices and specifications subject to change without notice.Right and left part numbers are on same line,
first number is right, second number is left.

* Indicates change or addition.

CODE	REMARKS	PER CAR	SED.	4D H.T	STA. WGNL	2D H.T	CV. CP.
23-108-32	PANEL, Back of Front Seat Back - Cont'd						
	C3-H (code H1N)	1	4363 VXW	4363 VXW			
	(code H1Q)	1	4363 VQQ	4363 VQQ			
	(code H1T)	1	4363 VTT	4363 VTT			
	C3-H (luxury) (upper) (codes H3B, H7B)	2	----	4354 VB4			
	(codes H3L, H7L)	2	----	4354 TLA			
	Fastener	14	----	6000 365			
	Y1-M (code M3B)	1	----	4378-9 V3B			
	(code M3C)	1	----	4378-9 V3C			
	(code M3F)	1	----	4378-9 V3F			
	(code M3R)	1	----	4378-9 V3R			
	(code M3T)	1	----	4378-9 V3T			
	(code M3V)	1	----	4378-9 V3V			
	(code M3W)	1	----	4378-9 V3W			
	(code M3X)	1	----	4378-9 V3X			
	(code M7B)	1	----	4376-7 V7B			
	(code M7N)	1	----	4376-7 V7N			
	(code M7P)	1	----	4376-7 V7P			
	Y1-M (w/hex design in body cloth) (code M7M)	1	----	*4376-7 V7M			
	(code M7Q)	1	----	*4376-7 V7Q			
	(code M7T)	1	----	*4376-7 V7T			
	(code M7H) (w/diamond design in body cloth)	1	----	*4376-7 V7H			
	(code M7M)	1	----	E4416-7 V7M			
	(code M7Q)	1	----	E4416-7 V7Q			
	(code M7T)	1	----	E4416-7 V7T			
	(code M7H)	1	----	E4416-7 V7H			
	Y1-H (code H3B)	1	----	6180-1 V3B			
	(code H3F)	1	----	6180-1 V3F			
	(code H3R)	1	----	6180-1 V3R			
	(codes H3C, H3V, H3W)	1	----	6180-1 V3W			
	(code H3X)	1	----	6180-1 V3X			
	(code H7B)	1	----	6182-3 V7B			
	(code H7H)	1	----	6182-3 V7H			
	(code H7M)	1	----	6182-3 V7M			
	(code H7P)	1	----	6182-3 V7P			
	(code H7T)	1	----	6182-3 V7T			
	Fastener	★	----	6000 365			
	Y1-M (codes M8B, M9B)	2	----	----	6167 VB4	6167 VB4	
	(codes M8H, M9F)	2	----	----	6167 VF9	6167 VF9	
	(code M8M)	2	----	----	6167 VM4	6167 VM4	
	(codes M8N, M9C, M9V, M9W)	2	----	----	6167 VW3	6167 VW3	
	(code M8Q)	2	----	----	6167 VQ4	6167 VQ4	
	(code M9T)	2	----	----	6167 VT4	6167 VT4	
	(code M9R)	2	----	----	6167 VR5	6167 VR5	
	Y1-M (cover) (codes M8B, M9B)	2	----	----	6167 VB4	6167 VB4	
	(codes M8H, M9F)	2	----	----	6167 VF9	6167 VF9	
	(code M8M)	2	----	----	6167 VM4	6167 VM4	

★ Indicates use as required.

⊠ Indicates parts not listed in any previous parts book.
Right and left part numbers are on same line,
first number is right, second number is left.

* Indicates change or addition.

1964 PASSENGER CAR PARTS CATALOG

INTERIOR TRIM

CODE	REMARKS	PER CAR	SED.	4D H.T	STA. WGN	2D H.T	CV. CP.
23-108-32	PANEL, Back of Front Seat Back - Cont'd , Y1-M (cover) (codes M8N, M9C, M9V, M9W) (code M8Q) (code M9R) (code M9T) (code M9X)	2 2 2 2 2	----	----	----	6167 VW3 6167 VQ4 6167 VR5 6167 VT4 6167 VX9	6167 VW3 6167 VQ4 6167 VR5 6167 VT4 6167 VX9
	(panel) (codes M8B, M9B) (codes M8H, M9F) (code M8M) (codes M8N, M9C, M9V, M9W) (code M8Q) (code M9R) (code M9T) (code M9X)	2 2 2 2 2 2 2 2	----	----	----	6184 VB4 6184 VF9 6184 VM4 6184 VW3 6184 VQ4 6184 VR5 6184 VT4 6184 VX9	6184 VB4 6184 VF9 6184 VM4 6184 VW3 6184 VQ4 6184 VR5 6184 VT4 6184 VX9
23-108-33	COMPARTMENT, Back of Front Seat C3-H (code H3L) (code H7L) (code H7B) Fastener	1 1 1 ★	----	4348-9 T1A 4346-7 T1A 4346-7 VB4 6000 365			
23-108-66	COVER, Front Seat Center Arm Rest Stanchion C2, C3, Y1	1	----	4388-9 TX8	4388-9 TX8	4388-9 TX8	4388-9 TX8
23-108-84	COVER, Front Seat Cushion to Back Hinge C2, C3, Y1 (paint as req'd) (reclining seat)	2 2	----	*4390 VT6 *4329 VX8	*4390 VT6 *4329 VX8	*4390 VT6 *4329 VX8	*4390 VT6 *4329 VX8
23-108-98	SHIELD, Front Seat Side or Back C3-H (back shield w/cover) (codes H3B, H7B) (codes H3L, H7L) (cushion side w/cover) (codes H3B, H7B) (codes H3L, H7L)	1 1 1 1	----	2704-5 VB4 2704-5 TL4 2706-7 VB4 2706-7 TL4			
	C2-M, C3-H (back of front seat back) (codes M1B, M4B) (code M1M) (codes M1N, M4W, M8W, H2N, H4W) (codes M4R, H4R) (codes M4X, M8X) (code H4B) (code H4Q) (code H4T) Screw (attaching)	1 1 1 1 1 1 1 1 12	----	2714-5 VB6 2714-5 VM6 2714-5 VW3 2714-5 VR7 2714-5 VX9 148 109	---- ---- ---- ---- 2714-5 VB4 2714-5 VQ4 2714-5 VT4 148 109	2714-5 VB6 2714-5 VM6 2714-5 VW3 2714-5 VR7 2714-5 VX9 148 109	2714-5 VB6 2714-5 VM6 2714-5 VW3 2714-5 VR7 2714-5 VX9 148 109
	C2-M, C3-H (bucket seats) (back frame) (chrome) (cushion side)(chrome) Right Left	4 1 1	----	2440 219 2494 164 2440 340	2440 219 2494 164 2440 340	2440 219 2494 164 2440 340	2440 219 2494 164 2440 340

★ Indicates use as required.
 ☐ Indicates parts not listed in any previous parts book.
 March 15, 1965 Supersedes May 22, 1964.

CODE	REMARKS	PER CAR	SED.	4D H.T	STA. WGN.	2D H.T	CV. CP.
23-108-98	SHIELD, Front Seat Side or Back - Cont'd C3-H (upper)(anodized) (w/two upper holes) (cushion)(manual and power) (anodized) Right	1	2446 958-9	2446 958-9	----	2446 958-9	
	(cushion)(manual) (anodized) Left	1	2080 732	2080 732	2080 732	2080 732	2080 732
	(cushion)(power) (anodized) Left	1	2080 737	2080 737	2080 737	2080 737	2080 737
	Nut and Washer (bracket to frame)	4	----	120 375	120 375	120 375	120 375
	Screw (lower shield - frame)	4	161 928	161 928	161 928	161 928	161 928
Y1-M.	Right	1	----	2522 658			
	(manual) Left	1	----	2522 659			
	(power) Left	1	----	2522 661			
Y1-H (side shield comp.)							
	(codes H3B, H7B)	1	----	2710-1 VB4			
	(code H3R)	1	----	2710-1 VR5			
	(codes H3C, H3V, H3W)	1	----	2710-1 VW3			
	(codes H3X, H7P)	1	----	2710-1 VX9			
	(code H7M)	1	----	2710-1 VF9			
	(code H7T)	1	----	2710-1 VT4			
Y1-M (cushion)(passengers side)							
	(painted fibre glass) (codes M8B, M9B)	1	----	----	----	2720-1 VB8	2720-1 VB8
	(code M8M)	1	----	----	----	2720-1 VM9	2720-1 VM9
	(codes M8N, M9C, M9W, M9V)	1	----	----	----	2720-1 VW3	2720-1 VW3
	(code M8Q)	1	----	----	----	2720-1 VQ8	2720-1 VQ8
	(codes M8H, M9F)	1	----	----	----	2720-1 VF9	2720-1 VF9
	(code M9R)	1	----	----	----	2720-1 VR5	2720-1 VR5
	(code M9T)	1	----	----	----	2720-1 VT8	2720-1 VT8
	(code M9X)	1	----	----	----	2720-1 VX8	2720-1 VX8
(cushion)(drivers side)							
	(codes M8B, M9B)	1	----	----	----	2722-3 VB8	2722-3 VB8
	(code M8M)	1	----	----	----	2722-3 VM9	2722-3 VM9
	(codes M8N, M9C, M9W, M9V)	1	----	----	----	2722-3 VW3	2722-3 VW3
	(code M8Q)	1	----	----	----	2722-3 VQ8	2722-3 VQ8
	(codes M8H, M9F)	1	----	----	----	2722-3 VF9	2722-3 VF9
	(code M9R)	1	----	----	----	2722-3 VR5	2722-3 VR5
	(code M9T)	1	----	----	----	2722-3 VT8	2722-3 VT8
	(code M9X)	1	----	----	----	2722-3 VX8	2722-3 VX8
Washer (attaching)		4	----	----	----	6023 059	6023 059
Y1-M (back)							
	(w/moulding and finish plate) (painted) (codes M8B, M9B)	1	----	----	----	2724-5 VB8	2724-5 VB8
	(code M8M)	1	----	----	----	2724-5 VM9	2724-5 VM9
	(codes M8N, M9C, M9W, M9V)	1	----	----	----	2724-5 VW3	2724-5 VW3
	(code M8Q)	1	----	----	----	2724-5 VQ8	2724-5 VQ8
	(codes M8H, M9F)	1	----	----	----	2724-5 VF9	2724-5 VF9
	(code M9R)	1	----	----	----	2724-5 VR5	2724-5 VR5
	(code M9T)	1	----	----	----	2724-5 VT8	2724-5 VT8
	(code M9X)	1	----	----	----	2724-5 VX8	2724-5 VX8
Clip		2	6008 217	6008 217	6008 217	6008 217	6008 217
23-108-99	COVER, Front Seat Side Shield C3-H (back) (codes H3L, H7L) (codes H3B, H7B)	1	----	4952-3 TLA			
		1	----	4952-3 VB4			

* Indicates use as required.

☐ Indicates parts not listed in any previous parts book.

Right and left part numbers are on same line,

first number is right, second number is left.

1964 PASSENGER CAR PARTS CATALOG

INTERIOR TRIM

CODE	REMARKS	PER CAR	SED.	4D H.T	STA. WGN.	2D H.T	CV. CP.
23-108-99	COVER, Front Seat Side Shield - Cont'd C3-H (cushion) (codes H3L, H7L)	1	----	4954-5 TL4			
	Y1-H (codes H3B, H7B)	1	----	4960-1 VB4			
	(code H3B)	1	----	4960-1 VR5			
	(codes H3C, H3V, H3W)	1	----	4960-1 VW3			
	(codes H3X, H7P)	1	----	4960-1 VX9			
	(code H7M)	1	----	4960-1 VM4			
	(code H7T)	1	----	4960-1 VT4			
	(codes H3F, H7H)	1	----	4960-1 VF9			
23-109-3	BACK, Rear Seat C1-L						
	(code L1B)	1	6642 V1B				
	(code L1F)	1	6642 V1F				
	(code L1M)	1	6642 V1M				
	(code L1N)	1	6642 V1N				
	(code L1Q)	1	6642 V1Q				
	(code L1T)	1	6642 V1T				
	(police)						
	(code K1B)	1	6643 V1B				
	(code K1F)	1	6643 V1F				
	(code K1M)	1	6643 V1M				
	(code K1N)	1	6643 V1N				
	(code K1Q)	1	6643 V1Q				
	(code K1T)	1	6643 V1T				
	(code K5A)	1	6658 V5A				
	(code K8A)	1	6657 V8A				
	C1-L						
	(code L2B)	1	----	6644 V2B	----	6644 V2B	
	(code L2F)	1	----	6644 V2F	----	6644 V2F	
	(code L2M)	1	----	6644 V2M	----	6644 V2M	
	(code L2Q)	1	----	6644 V2Q	----	6644 V2Q	
	(code L2T)	1	----	6644 V2T	----	6644 V2T	
	C1-L (2nd. seat)						
	(code L4B)	1	----	*6645 V4B	*6646 V4B	*6645 V4B	*6647 V4B
	(code L4N)	1	----	6645 V4N	6646 V4N	6645 V4N	6647 V4N
	(code L4R)	1	----	6645 V4R	6646 V4R	6645 V4R	6647 V4R
	(code L4T)	1	----	----	6646 V4T	----	6647 V4T
	(code L4Q)	1	----	----	----	----	6647 V4Q
	(police)						
	(code K4B)	1	----	----	6646 V4B		
	(code K4N)	1	----	----	6646 V4N		
	(code K4R)	1	----	----	6646 V4R		
	(code K4T)	1	----	----	6646 V4T		
	C1-L (3rd seat)						
	(code L4B)	1	----	----	7083 V4B		
	(code L4N)	1	----	----	7083 V4N		
	(code L4R)	1	----	----	7083 V4R		
	(code L4T)	1	----	----	7083 V4T		
	(code L4B)	1	----	----	----	----	6647 V4B
	(code L4N)	1	----	----	----	----	6647 V4N
	(code L4Q)	1	----	----	----	----	6647 V4Q
	(code L4R)	1	----	----	----	----	6647 V4R
	(code L4T)	1	----	----	----	----	6647 V4T
	C3-H (2nd seat)						
	(code H4B)	1	----	----	6668 V4B		
	(code H4R)	1	----	----	6668 V4R		

★ Indicates use as required.

⊠ Indicates parts not listed in any previous parts book.

March 15, 1965 Supersedes May 22, 1964.

Prices and specifications subject to change without notice.

Right and left part numbers are on same line,

first number is right, second number is left.

Printed in U.S.A.

CODE	REMARKS	PER CAR	SED.	4D H.T	STA. WGN.	2D H.T	CV. CP.
23-109-3	BACK, Rear Seat - Cont'd C3-H (2nd seat)						
	(code H4T)	1	----	----	6668 V4T		
	(code H4W)	1	----	----	6668 V4W		
	(code H2N)	1	----	----	6667 V2N		
	(3rd seat)						
	(code H4B)	1	----	----	7091 V4B		
	(code H4R)	1	----	----	7091 V4R		
	(code H4T)	1	----	----	7091 V4T		
	(code H4W)	1	----	----	7091 V4W		
	(code H2N)	1	----	----	7087 V2N		
	Nut (spring attaching)	2	----	----	8000 234		
	C3-H (spring and cover) (w/rectangular tufting button)						
	(code H1B)	1	6660 V1B	6660 V1B			
	(code H1F)	1	6660 V1F	6660 V1F			
	(code H1M)	1	6660 V1M	6660 V1M			
	(code H1N)	1	6660 V1N	6660 V1N			
	(code H1Q)	1	6660 V1Q	6660 V1Q			
	(code H1T)	1	6660 V1T	6660 V1T			
	(w/round head tufting button)						
	(code H1B)	1	6619 V1B				
	(code H1F)	1	6619 V1F				
	(code H1M)	1	6619 V1M				
	(code H1N)	1	6619 V1N				
	(code H1Q)	1	6619 V1Q				
	(code H1T)	1	6619 V1T				
	(code H3B)	1	----	6662 V3B			
	(code H3L)	1	----	6662 V3L			
	(code H4B)	1	----	6666 V4B			
	(code H4Q)	1	----	6666 V4Q			
	(code H4R)	1	----	6666 V4R			
	(code H4W)	1	----	6666 V4W			
	(code H7B)	1	----	6664 V7B			
	(code H7L)	1	----	6664 V7L			
	C2-M						
	(code M1B)	1	----	6650 V1B			
	(code M1M)	1	----	6650 V1M			
	(code M1N)	1	----	6650 V1N			
	(code M1T)	1	----	6650 V1T			
	C2-M						
	(code M4B)	1	----	6652 V4B	----	6652 V4B	
	(code M4X)	1	----	6652 V4X	----	6652 V4X	
	(code M4R)	1	----	6652 V4R	----	6652 V4R	
	(code M4T)	1	----	6652 V4T	----	6652 V4T	
	(code M4W)	1	----	6652 V4W	----	6652 V4W	
	(code M4B)	1	----	----	----	----	6655 V4B
	(code M4X)	1	----	----	----	----	6655 V4X
	(code M4R)	1	----	----	----	----	6655 V4R
	(code M4T)	1	----	----	----	----	6655 V4T
	(code M4W)	1	----	----	----	----	6655 V4W
	(code M8W)	1	----	6670 V8W	----	6670 V8W	6671 V8W
	(code M8X)	1	----	6670 V8X	----	6670 V8X	6671 V8X

* Indicates use as required.

⊠ Indicates parts not listed in any previous parts book.

Right and left part numbers are on same line.

1964 PASSENGER CAR PARTS CATALOG

INTERIOR TRIM

CODE	REMARKS	PER CAR	SED.	4D H.T	STA. WGN.	2D H.T	CV. CP.
23-109-3	BACK, Rear Seat - Cont'd Y1-M (spring and cover)						
	(code M7B)	1	----	6679 V7B			
	(code M7H)	1	----	6679 V7H			
	(code M7M)	1	----	6679 V7M			
	(code M7N)	1	----	6679 V7N			
	(code M7P)	1	----	6679 V7P			
	(code M7Q)	1	----	6679 V7Q			
	(code M7T)	1	----	6679 V7T			
	(code M3B)	1	----	6683 V3B			
	(code M3C)	1	----	6683 V3C			
	(code M3F)	1	----	6683 V3F			
	(code M3R)	1	----	6683 V3R			
	(code M3T)	1	----	6683 V3T			
	(code M3V)	1	----	6683 V3V			
	(code M3W)	1	----	6683 V3W			
	(code M3X)	1	----	6683 V3X			
	(code M8B)	1	----	----	----	6688 V8B	
	(code M8H)	1	----	----	----	6688 V8H	
	(code M8M)	1	----	----	----	6688 V8M	
	(code M8N)	1	----	----	----	6688 V8N	
	(code M8Q)	1	----	----	----	6688 V8Q	
	(code M9B)	1	----	----	----	6689 V9B	6692 V9B
	(code M9C)	1	----	----	----	6689 V9C	6692 V9C
	(code M9F)	1	----	----	----	6689 V9F	6692 V9F
	(code M9R)	1	----	----	----	6689 V9R	6692 V9R
	(code M9T)	1	----	----	----	6689 V9T	6692 V9T
	(code M9V)	1	----	----	----	6689 V9V	
	(code M9X)	1	----	----	----	6689 V9X	
	(code M9W)	1	----	----	----	6689 V9W	6692 V9W
	Y1-H (spring and cover)						
	(code H3B)	1	----	6683 V3B			
	(code H3C)	1	----	6683 V3C			
	(code H3F)	1	----	6683 V3F			
	(code H3R)	1	----	6683 V3R			
	(code H3V)	1	----	6683 V3V			
	(code H3W)	1	----	6683 V3W			
	(code H3X)	1	----	6683 V3X			
	(code H7B)	1	----	6684 V7B			
	(code H7H)	1	----	6684 V7H			
	(code H7M)	1	----	6684 V7M			
	(code H7P)	1	----	6684 V7P			
	(code H7T)	1	----	6684 V7T			
	Screw and Washer (spring attaching)	★	----	274 888	----	274 888	274 888
	Screw (for back less radio speaker)	4	----	6000 364	----	6000 364	6000 364

★ Indicates use as required.

☐ Indicates parts not listed in any previous parts book.

March 15, 1965 Supersedes May 22, 1964.

Prices and specifications subject to change without notice.

Right and left part numbers are on same line, first number is right, second number is left.

★ Indicates change or addition

Printed in U.S.A.

CODE	REMARKS	PER CAR	SED.	4D H.T	STA. WGN.	2D H.T	CV. CP.
23-109-4	COVER, Rear Seat Back C1-L						
	(code L1B)	1	6834 V1B				
	(code L1F)	1	6834 V1F				
	(code L1M)	1	6834 V1M				
	(code L1N)	1	6834 V1N				
	(code L1Q)	1	6834 V1Q				
	(code L1T)	1	6834 V1T				
	(police)						
	(code K1B)	1	6834 V1B				
	(code K1F)	1	6834 V1F				
	(code K1M)	1	6834 V1M				
	(code K1N)	1	6834 V1N				
	(code K1Q)	1	6834 V1Q				
	(code K1T)	1	6834 V1T				
	(code K5A)	1	6843 V5A				
	(code K8A)	1	6842 V8A				
	C3-H (w/rectangular tufting button)						
	(code H1B)	1	6844 V1B	6844 V1B			
	(code H1F)	1	6844 V1F	6844 V1F			
	(code H1M)	1	6844 V1M	6844 V1M			
	(code H1N)	1	6844 V1N	6844 V1N			
	(code H1Q)	1	6844 V1Q	6844 V1Q			
	(code H1T)	1	6844 V1T	6844 V1T			
	C3-H (w/round head tufting button)						
	(code H1B)	1	6859 V1B	6859 V1B			
	(code H1F)	1	6859 V1F	6859 V1F			
	(code H1M)	1	6859 V1M	6859 V1M			
	(code H1N)	1	6859 V1N	6859 V1N			
	(code H1Q)	1	6859 V1Q	6859 V1Q			
	(code H1T)	1	6859 V1T	6859 V1T			
	(code H3B)	1	-----	6845 V3B			
	(code H4B)	1	-----	6848 V4B			
	(code H4Q)	1	-----	6848 V4Q			
	(code H4R)	1	-----	6848 V4R			
	(code H4W)	1	-----	6848 V4W			
	(code H3L)	1	-----	6845 T3L			
	(code H7L)	1	-----	6847 T7L			
	(code H7B)	1	-----	6847 V7B			
	C2-M						
	(code M1B)	1	-----	6839 V1B			
	(code M1M)	1	-----	6839 V1M			
	(code M1N)	1	-----	6839 V1N			
	(code M1T)	1	-----	6839 V1T			
	C1-L						
	(code L2B)	1	-----	6835 V2B	-----	6835 V2B	
	(code L2F)	1	-----	6835 V2F	-----	6835 V2F	
	(code L2M)	1	-----	6835 V2M	-----	6835 V2M	
	(code L2Q)	1	-----	6835 V2Q	-----	6835 V2Q	
	(code L2T)	1	-----	6835 V2T	-----	6835 V2T	
	(code L4B)	1	-----	6836 V4B	-----	6836 V4B	
	(code L4N)	1	-----	6836 V4N	-----	6836 V4N	
	(code L4R)	1	-----	6836 V4R	-----	6836 V4R	
	C2-M						
	(code M4B)	1	-----	6840 V4B	-----	6840 V4B	
	(code M4X)	1	-----	6840 V4X	-----	6840 V4X	
	(code M4R)	1	-----	6840 V4R	-----	6840 V4R	

★ Indicates use as required.

⊠ Indicates parts not listed in any previous parts book.

Right and left part numbers are on same line,

first number is right, second number is left.

1964 PASSENGER CAR PARTS CATALOG

INTERIOR TRIM

CODE	REMARKS	PER CAR	SED.	4D H.T	STA. WGN.	2D H.T	CV. CP.
23-109-4	COVER, Rear Seat Back - Cont'd C2-M (code M4T) (code M4W) (code M8W) (code M8X)	1 1 1 1	---- ---- ---- ----	6840 V4T 6840 V4W 6851 V8W 6851 V8X	---- ---- ---- ----	6840 V4T 6840 V4W 6851 V8W 6851 V8X	
	C1-L (2nd seat) (code L4B) (code L4N) (code L4R) (code L4T) (police) (code K4B) (code K4N) (code K4R) (code K4T)	1 1 1 1 1 1 1 1 1	---- ---- ---- ---- ---- ---- ---- ---- ----	---- ---- ---- ---- ---- ---- ---- ---- ----	6837 V4B 6837 V4N 6837 V4R 6837 V4T 6837 V4B 6837 V4N 6837 V4R 6837 V4T		
	C3-H (2nd. seat) (code H2N) (code H4B) (code H4R) (code H4T) (code H4W)	1 1 1 1 1	---- ---- ---- ---- ----	---- ---- ---- ---- ----	6849 V2N 6850 V4B 6850 V4R 6850 V4T 6850 V4W		
	C1-L (3rd seat) (code L4B) (code L4N) (code L4R) (code L4T)	1 1 1 1	---- ---- ---- ----	---- ---- ---- ----	7084 V4B 7084 V4N 7084 V4R 7084 V4T		
	C3-H (3rd seat) (code H4B) (code H4R) (code H4T) (code H4W) (code H2N)	1 1 1 1 1	---- ---- ---- ---- ----	---- ---- ---- ---- ----	7092 V4B 7092 V4R 7092 V4T 7092 V4W 7088 V2N		
	C1-L (code L4B) (code L4N) (code L4Q) (code L4R) (code L4T)	1 1 1 1 1	---- ---- ---- ---- ----	---- ---- ---- ---- ----	---- ---- ---- ---- ----	---- ---- ---- ---- ----	6838 V4B 6838 V4N 6838 V4Q 6838 V4R 6838 V4T
	C2-M (code M4B) (code M4X) (code M4R) (code M4T) (code M4W) (code M8W) (code M8X)	1 1 1 1 1 1 1	---- ---- ---- ---- ---- ---- ----	---- ---- ---- ---- ---- ---- ----	---- ---- ---- ---- ---- ---- ----	---- ---- ---- ---- ---- ---- ----	6841 V4B 6841 V4X 6841 V4R 6841 V4T 6841 V4W 6852 V8W 6852 V8X
	Y1-M (code M7B) (code M7H) (code M7M) (code M7N) (code M7P) (code M7Q) (code M7T)	1 1 1 1 1 1 1	---- ---- ---- ---- ---- ---- ----	6866-7 V7B 6866-7 V7H 6866-7 V7M 6866-7 V7N 6866-7 V7P 6866-7 V7Q 6866-7 V7T			

★ Indicates use as required.

⊗ Indicates parts not listed in any previous parts book.
March 15, 1965 Supersedes May 22, 1964.Prices and specifications subject to change without notice.
Right and left part numbers are on same line,
first number is right, second number is left.

• Indicates change or addition.

Printed in U.S.A.

CODE	REMARKS	PER CAR	SED.	4D H.T	STA. WGNL	2D H.T	CV. CP.	
23-109-4	COVER, Rear Seat Back - Cont'd Y1-M, Y1-H (codes M3B, H3B) (codes M3C, H3C) (codes M3F, H3F) (codes M3R, H3R) (code M3T) (codes M3V, H3V) (codes M3W, H3W) (codes M3X, H3X)	1 1 1 1 1 1 1 1	---- ---- ---- ---- ---- ---- ----		6870-1 V3B 6870-1 V3C 6870-1 V3F 6870-1 V3R 6870-1 V3T 6870-1 V3V 6870-1 V3W 6870-1 V3X			
	Y1-H (code H7B) (code H7H) (code H7M) (code H7P) (code H7T)	1 1 1 1 1	---- ---- ---- ---- ----		6872-3 V7B 6872-3 V7H 6872-3 V7M 6872-3 V7P 6872-3 V7T			
	Y1-M (code M8B) (code M8H) (code M8M) (code M8Q) (code M8N) (code M9B) (code M9F) (code M9R) (code M9T) (codes M9C, M9V, M9W) (code M9X)	1 1 1 1 1 1 1 1 1 1 1	---- ---- ---- ---- ---- ---- ---- ---- ---- ---- ----			6874-5 V8B 6874-5 V8H 6874-5 V8M 6874-5 V8Q 6874-5 V8N 6876-7 V9B 6876-7 V9F 6876-7 V9R 6876-7 V9T 6876-7 V9W 6876-7 VX9	6878-9 V9B 6878-9 V9F 6878-9 V9R 6878-9 V9T 6878-9 V9W 6878-9 V9X	
23-109-5	INSERT or COVER, Rear Seat Back Panel C1-L (2nd seat) (code L4B) (code L4R) (code L4T) (code L4N) (police) (code K4B) (code K4R) (code K4T) (code K4N)	1 1 1 1 1 1 1 1 1 1	---- ---- ---- ---- ---- ---- ---- ---- ---- ----		1816 VB8 1816 VR7 1816 VT8 1816 TX8 1816 VB8 1815 VR7 1816 VT8 1816 TX8			
	C3-H (code H4B) (code H4R) (code H4T) (codes H2N, H4W)	1 1 1 1	---- ---- ---- ----		1808 VB8 1808 VR7 1808 VT8 1808 VX8			
	C1-L (3rd seat) (code L4B) (code L4R) (code L4T) (code L4N) (police) (code K4B) (code K4R) (code K4T) (code K4N)	1 1 1 1 1 1 1 1 1	---- ---- ---- ---- ---- ---- ---- ---- ----		1815 VB8 1815 VR7 1815 VT8 1815 TX8 1815 VB8 1815 VR7 1815 VT8 1815 TX8			

★ Indicates use as required.

⊠ Indicates parts not listed in any previous parts book.

Right and left part numbers are on same line,

first number is right, second number is left.

CODE	REMARKS	PER CAR	SED.	4D H.T.	STA. WGN.	2D H.T.	CV. CP.
23-109-5	INSERT or COVER, Rear Seat Back Panel - Cont'd C3-H (3rd. seat) (code H4B) (code H4R) (code H4T) (codes H2N, H4W)	1 1 1 1	----- ----- ----- -----	----- ----- ----- -----	1811 VB8 1811 VR7 1811 VT8 1811 VX8		
	Y1-M (panel) (code M9B) (code M9F) (code M9T) (code M9R) (codes M9C, M9V, M9W) (code M9X) Screw	1 1 1 1 1 1 4	----- ----- ----- ----- ----- ----- -----	----- ----- ----- ----- ----- ----- -----	----- ----- ----- ----- ----- ----- -----	----- ----- ----- ----- ----- ----- -----	6687 VB4 6687 VF9 6687 VT4 6687 VR5 6687 VW3 6687 VX9 6000 364
23-109-8	FLAP, Back of Rear Seat Back Lower Y1-M (codes M8B, M9B) (code M8M) (code M8Q) (code M9R) (code M9T) (codes M8H, M9F) (codes M8N, M9C, M9V, M9W) (code M9X)	1 1 1 1 1 1 1 1	----- ----- ----- ----- ----- ----- ----- -----	----- ----- ----- ----- ----- ----- ----- -----	----- ----- ----- ----- ----- ----- ----- -----	6880 VB4 6880 VM4 6880 VQ4 6880 VR5 6880 VT4 6880 VF9 6880 VW3 6880 VX9	6880 VB4 6880 VR5 6880 VT4 6880 VF9 6880 VW3 6880 VX9
23-109-11	SHROUD, Rear Seat Back Y1-M (codes M8B, M9B, M9C) (codes M8H, M9F) (code M8M) (code M8Q) (codes M9R, M9V) (code M9T) (codes M9W, M9X) Screw (shroud to seat) Screw and washer (to pocket panel)	1 1 1 1 1 1 1 9 2	----- ----- ----- ----- ----- ----- ----- ----- -----	----- ----- ----- ----- ----- ----- ----- ----- -----	----- ----- ----- ----- ----- ----- ----- ----- -----	4365 VB8 4365 VF9 4365 VM9 4365 VQ8 4365 VR5 4365 VT8 4365 VX8 ----- -----	4366 VB8 4366 VF9 4366 VR5 4366 VT8 4366 VX8 161 871 180 018
23-109-16	COVER, Rear Seat Back Radio Speaker Y1-M (code M9B) (code M9F) (code M9R) (code M9T) (codes M9C, M9V, M9W) (code M9X)	1 1 1 1 1 1	----- ----- ----- ----- ----- -----	----- ----- ----- ----- ----- -----	----- ----- ----- ----- ----- -----	----- ----- ----- ----- ----- -----	4967 VB4 4967 VF9 4967 VR5 4967 VT4 4967 VW3 4967 VX9
23-109-17	PANEL, Rear Speaker Opening Cover Y1-M (code M9B) (code M9F) (code M9R) (code M9T) (codes M9C, M9V, M9W) (code M9X)	1 1 1 1 1 1	----- ----- ----- ----- ----- -----	----- ----- ----- ----- ----- -----	----- ----- ----- ----- ----- -----	----- ----- ----- ----- ----- -----	4966 VB4 4966 VF9 4966 VR5 4966 VT4 4966 VW3 4966 VX9
23-109-19	PLATE and COVER, Rear Radio Speaker Grille C1-L, C2-M (codes L4B, M4B) (codes L4T, M4T)	1 1	----- -----	----- -----	----- -----	----- -----	4917 VB6 4917 VT6

* Indicates use as required.

□ Indicates parts not listed in any previous parts book.

March 15, 1965 Supersedes May 22, 1964.

CODE	REMARKS	PER CAR	SED.	4D H.T	STA. WGN.	2D H.T	CV. CP.
23-109-19	PLATE and COVER, Rear Radio Speaker Grille - Cont'd C1-L, C2-M (codes LAN, M4W, M8W) (codes L4R, M4R) (codes M4X, M8X)	1 1 1	---- ---- ----	---- ---- ----	---- ---- ----	---- ---- ----	4917 VW3 4917 VR7 4917 VX9
23-109-35	CUSHION, Rear Seat C1-L (w/o airfoam pad) (code L1B) (code L1F) (code L1M) (code L1N) (code L1Q) (code L1T) (w/airfoam pad) (code L1B) (code L1F) (code L1M) (code L1N) (code L1Q) (code L1T)	1 1 1 1 1 1 1 1 1 1 1 1 1 1	6346 V1B 6346 V1F 6346 V1M 6346 V1N 6346 V1Q 6346 V1T 6347 V1B 6347 V1F 6347 V1M 6347 V1N 6347 V1Q 6347 V1T				
	C1-L (police) (heavy duty spring) (code K1B) (code K1F) (code K1M) (code K1N) (code K1Q) (code K1T)	1 1 1 1 1 1	6348 V1B 6348 V1F 6348 V1M 6348 V1N 6348 V1Q 6348 V1T				
	(airfoam pad and heavy duty spring) (code K1B) (code K1F) (code K1M) (code K1N) (code K1Q) (code K1T) (w/o airfoam pad) (code K5A) (code K8A)	1 1 1 1 1 1 1 1 1	6349 V1B 6349 V1F 6349 V1M 6349 V1N 6349 V1Q 6349 V1T 6364 V5A 6362 V8A				
	C1-L (w/airfoam pad) (code K5A) (code K8A)	1 1	6365 V5A 6363 V8A				
	C3-H (code H1B) (code H1F) (code H1M) (code H1N) (code H1Q) (code H1T) (code H4B) (code H4Q) (code H4R) (code H4W) (code H3L) (code H7L)	1 1 1 1 1 1 1 1 1 1 1 1	6366 V1B 6366 V1F 6366 V1M 6366 V1N 6366 V1Q 6366 V1T 6369 V4B 6369 V4Q 6369 V4R 6369 V4W ---- ----	6366 V1B 6366 V1F 6366 V1M 6366 V1N 6366 V1Q 6366 V1T 6369 V4B 6369 V4Q 6369 V4R 6369 V4W 6367 T3L 6368 T7L			
	C1-L (w/o airfoam pad) (code L2B) (code L2F) (code L2M)	1 1 1	---- ---- ----	6350 V2B 6350 V2F 6350 V2M			

★ Indicates use as required.

⊠ Indicates parts not listed in any previous parts book.

Right and left part numbers are on same line,

first number is right, second number is left.

CODE	REMARKS	PER CAR	SED.	4D H.T	STA. WGN.	2D H.T	CV. CP.
23-109-35	CUSHION, Rear Seat - Cont'd						
	C1-L (w/o airfoam pad)						
	(code L2Q)	1	----	6350 V2Q			
	(code L2T)	1	----	6350 V2T			
	(w/airfoam pad)						
	(code L2B)	1	----	6351 V2B			
	(code L2F)	1	----	6351 V2F			
	(code L2M)	1	----	6351 V2M			
	(code L2Q)	1	----	6351 V2Q			
	(code L2T)	1	----	6351 V2T			
	(code L4B)	1	----	6352 V4B			
	(code L4N)	1	----	6352 V4N			
	(code L4R)	1	----	6352 V4R			
	C2-M						
	(code M1B)	1	----	6358 V1B			
	(code M1M)	1	----	6358 V1M			
	(code M1N)	1	----	6358 V1N			
	(code M1T)	1	----	6358 V1T			
	(code M4B)	1	----	6359 V4B			
	(code M4X)	1	----	6359 V4X			
	(code M4R)	1	----	6359 V4R			
	(code M4T)	1	----	6359 V4T			
	(code M4W)	1	----	6359 V4W			
	(code M8W)	1	----	6372 V8W			
	(code M8X)	1	----	6372 V8X			
	C3-H						
	(code H3B)	1	----	6367 V3B			
	(code H7B)	1	----	6368 V7B			
	C1-L (2nd seat)						
	(code L4B)	1	----	----	6353 V4B		
	(code L4N)	1	----	----	6353 V4N		
	(code L4R)	1	----	----	6353 V4R		
	(code L4T)	1	----	----	6353 V4T		
	C1-L (2nd seat)						
	(police)						
	(code K4B)	1	----	----	6353 V4B		
	(code K4N)	1	----	----	6353 V4N		
	(code K4R)	1	----	----	6353 V4R		
	(code K4T)	1	----	----	6353 V4T		
	C3-H (2nd seat)						
	(code H2N)	1	----	----	6370 V2N		
	(code H4B)	1	----	----	6371 V4B		
	(code H4R)	1	----	----	6371 V4R		
	(code H4T)	1	----	----	6371 V4T		
	(code H4W)	1	----	----	6371 V4W		
	C1-L (3rd seat)						
	(code L4B)	1	----	----	7081 V4B		
	(code L4N)	1	----	----	7081 V4N		
	(code L4R)	1	----	----	7081 V4R		
	(code L4T)	1	----	----	7081 V4T		
	C3-H						
	(code H2N)	1	----	----	7085 V2N		
	(code H4B)	1	----	----	7089 V4B		
	(code H4R)	1	----	----	7089 V4R		
	(code H4T)	1	----	----	7089 V4T		
	(code H4W)	1	----	----	7089 V4W		
	Nut (spring attaching)	4	----	----	6000 234		

★ Indicates use as required.

⊠ Indicates parts not listed in any previous parts book.
March 15, 1965 Supersedes May 22, 1964.

CODE	REMARKS	PER CAR	SED.	4D H.T	STA. WGN.	2D H.T	CV. CP.
23-109-35	CUSHION, Rear Seat - Cont'd						
	C1-L						
	(code L2B)	1	----	----	----	6355 V2B	
	(code L2F)	1	----	----	----	6355 V2F	
	(code L2M)	1	----	----	----	6355 V2M	
	(code L2Q)	1	----	----	----	6355 V2Q	
	(code L2R)	1	----	----	----	6355 V2R	
	(code L4B)	1	----	----	----	6356 V4B	
	(code L4N)	1	----	----	----	6356 V4N	
	(code L4R)	1	----	----	----	6356 V4R	
	(code L2B)	1	----	----	----	6354 V2B	
	(code L2F)	1	----	----	----	6354 V2F	
	(code L2M)	1	----	----	----	6354 V2M	
	(code L2Q)	1	----	----	----	6354 V2Q	
	(code L2T)	1	----	----	----	6354 V2T	
	(w/airfoam pad)						
	(code L2B)	1	----	----	----	6355 V2B	
	(code L2F)	1	----	----	----	6355 V2F	
	(code L2M)	1	----	----	----	6355 V2M	
	(code L2Q)	1	----	----	----	6355 V2Q	
	(code L2T)	1	----	----	----	6355 V2T	
	(code L4B)	1	----	----	----	-----	6357 V4B
	(code L4N)	1	----	----	----	-----	6357 V4N
	(code L4Q)	1	----	----	----	-----	6357 V4Q
	(code L4R)	1	----	----	----	-----	6357 V4R
	(code L4T)	1	----	----	----	-----	6357 V4T
	C2-M						
	(code M4B)	1	----	----	----	6360 V4B	6361 V4B
	(code M4X)	1	----	----	----	6360 V4X	6361 V4X
	(code M4R)	1	----	----	----	6360 V4R	6361 V4R
	(code M4T)	1	----	----	----	6360 V4T	6361 V4T
	(code M4W)	1	----	----	----	6360 V4W	6361 V4W
	(code M8W)	1	----	----	----	6373 V8W	6374 V8W
	(code M8X)	1	----	----	----	6373 V8X	6374 V8X
	Y1-M						
	(codes M3B, H3B)	1	----	6383 V3B			
	(codes M3C, H3C)	1	----	6383 V3C			
	(codes M3F, H3F)	1	----	6383 V3F			
	(code M3T)	1	----	6383 V3T			
	(codes M3V, H3V)	1	----	6383 V3V			
	(codes M3W, H3W)	1	----	6383 V3W			
	(codes M3X, H3X)	1	----	6383 V3X			
	(codes M3R, H3R)	1	----	6383 V3R			
	(code M7B)	1	----	6382 V7B			
	(code M7N)	1	----	6382 V7N			
	(code M7P)	1	----	6382 V7P			
	Y1-M(w/hex. design in body cloth)						
	(code M7M)	1	----	*6382 V7M			
	(code M7Q)	1	----	*6382 V7Q			
	(code M7T)	1	----	*6382 V7T			
	(code M7H)	1	----	*6382 V7H			
	(w/diamond design in body cloth)						
	(code M7M)	1	----	E6388 V7M			
	(code M7Q)	1	----	E6388 V7Q			
	(code M7T)	1	----	E6388 V7T			
	(code M7H)	1	----	E6388 V7H			

★ Indicates use as required.

⊠ Indicates parts not listed in any previous parts book.

Right and left part numbers are on same line,

first number is right, second number is left.

1964 PASSENGER CAR PARTS CATALOG

INTERIOR TRIM

CODE	REMARKS	PER CAR	SED.	4D H.T.	STA. WGN.	2D H.T.	CV. CP.
23-109-35	CUSHION, Rear Seat - Cont'd Y1-M (UP TO approx. serial No. 204489 2 D. H. T., and UP TO approx. serial No. 219456 Cv. Cp.)						
	(code M8B)	1	----	----	----	6385 V8B	
	(code M8H)	1	----	----	----	6385 V8H	
	(code M8M)	1	----	----	----	6385 V8M	
	(code M8N)	1	----	----	----	6385 V8N	
	(code M8Q)	1	----	----	----	6385 V8Q	
	(code M9B)	1	----	----	----	6386 V9B	6387 V9B
	(code M9F)	1	----	----	----	6386 V9F	6387 V9F
	(code M9R)	1	----	----	----	6386 V9R	6387 V9R
	(code M9T)	1	----	----	----	6386 V9T	6387 V9T
	(code M9W, M9C, M9V)	1	----	----	----	*6386 V9W	*6387 V9W
	(code M9X)	1	----	----	----	6386 V9X	6387 V9X
	Y1-M (AFTER approx. serial No. 204489 2 D. H. T., and AFTER approx. serial No. 219456 Cv. Cp.)						
	(code M8B)	1	----	----	----	E7712 V8B	
	(code M8H)	1	----	----	----	E7712 V8H	
	(code M8M)	1	----	----	----	E7712 V8M	
	(code M8N)	1	----	----	----	E7712 V8N	
	(code M8Q)	1	----	----	----	E7712 V8Q	
	(code M9B)	1	----	----	----	E7713 V9B	E7714 V9B
	(code M9F)	1	----	----	----	E7713 V9F	E7714 V9F
	(code M9R)	1	----	----	----	E7713 V9R	E7714 V9R
	(code M9T)	1	----	----	----	E7713 V9T	E7714 V9T
	(codes M9W, M9C, M9V)	1	----	----	----	E7713 V9W	E7714 V9W
	(code M9X)	1	----	----	----	E7713 V9X	E7714 V9X
	Y1-H						
	(code H7B)	1	----	6384 V7B			
	(code H7H)	1	----	6384 V7H			
	(code H7M)	1	----	6384 V7M			
	(code H7P)	1	----	6384 V7P			
	(code H7T)	1	----	6384 V7T			
23-109-36	COVER, Rear Seat Cushion C1-L (w/o airfoam pad)						
	(code L1B)	1	6464 V1B				
	(code L1F)	1	6464 V1F				
	(code L1M)	1	6464 V1M				
	(code L1N)	1	6464 V1N				
	(code L1Q)	1	6464 V1Q				
	(code L1T)	1	6464 V1T				
	(w/airfoam pad)						
	(code L1B)	1	6465 V1B				
	(code L1F)	1	6465 V1F				
	(code L1M)	1	6465 V1M				
	(code L1N)	1	6465 V1N				
	(code L1Q)	1	6465 V1Q				
	(code L1T)	1	6465 V1T				
	C1-L (police) (w/o airfoam pad)						
	(code K1B)	1	6464 V1B				
	(code K1F)	1	6464 V1F				
	(code K1M)	1	6464 V1M				
	(code K1N)	1	6464 V1N				
	(code K1Q)	1	6464 V1Q				
	(code K1T)	1	6464 V1T				
	(code K5A)	1	6477 V5A				
	(code K8A)	1	6476 V8A				

* Indicates use as required.

B Indicates parts not listed in any previous parts book.
March 15, 1965 Supersedes May 22, 1964.

Page IT-260

Printed in U.S.A.
Prices and specifications subject to change without notice.Right and left part numbers are on same line,
first number is right, second number is left.

* Indicates change or addition

CODE	REMARKS	PER CAR	SED.	4D H.T	STA. WGN.	2D H.T	CV. CP.
23-109-36	COVER, Rear Seat Cushion - Cont'd C1-L (police) (w/airfoam pad)						
	(code K1B)	1	6565 V1B				
	(code K1F)	1	6565 V1F				
	(code K1M)	1	6565 V1M				
	(code K1N)	1	6565 V1N				
	(code K1Q)	1	6565 V1Q				
	(code K1T)	1	6565 V1T				
	C3-H						
	(code H1B)	1	6478 V1B	6478 V1B			
	(code H1F)	1	6478 V1F	6478 V1F			
	(code H1M)	1	6478 V1M	6478 V1M			
	(code H1N)	1	6478 V1N	6478 V1N			
	(code H1Q)	1	6478 V1Q	6478 V1Q			
	(code H1T)	1	6478 V1T	6478 V1T			
	(code H3L)	1	-----	6479 T3L			
	C1-L						
	(code L2B)	1	-----	6466 V2B			
	(code L2F)	1	-----	6466 V2F			
	(code L2M)	1	-----	6466 V2M			
	(code L2Q)	1	-----	6466 V2Q			
	(code L2T)	1	-----	6466 V2T			
	(code L4B)	1	-----	6467 V4B			
	(code L4N)	1	-----	6467 V4N			
	(code L4R)	1	-----	6467 V4R			
	C2-M						
	(code M1B)	1	-----	6472 V1B			
	(code M1M)	1	-----	6472 V1M			
	(code M1N)	1	-----	6472 V1N			
	(code M1T)	1	-----	6472 V1T			
	(code M4B)	1	-----	6473 V4B			
	(code M4X)	1	-----	6473 V4X			
	(code M4R)	1	-----	6473 V4R			
	(code M4T)	1	-----	6473 V4T			
	(code M4W)	1	-----	6473 V4W			
	(code M8W)	1	-----	6484 V8W			
	(code M8X)	1	-----	6484 V8X			
	C3-H						
	(code H3B)	1	-----	6479 V3B			
	(code H4B)	1	-----	6481 V4B			
	(code H4Q)	1	-----	6481 V4Q			
	(code H4R)	1	-----	6481 V4R			
	(code H4W)	1	-----	6481 V4W			
	(code H7B)	1	-----	6480 V7B			
	(code H7L)	1	-----	6480 T7L			
	C1-L (2nd seat)						
	(code L4B)	1	-----	-----	6468 V4B		
	(code L4N)	1	-----	-----	6468 V4N		
	(code L4R)	1	-----	-----	6468 V4R		
	(code L4T)	1	-----	-----	6468 V4T		
	(police)						
	(code K4B)	1	-----	-----	6468 V4B		
	(code K4N)	1	-----	-----	6468 V4N		
	(code K4R)	1	-----	-----	6468 V4R		
	(code K4T)	1	-----	-----	6468 V4T		
	C3-H (2nd seat)						
	(code H2N)	1	-----	-----	6482 V2N		
	(code H4B)	1	-----	-----	6483 V4B		

★ Indicates use as required.

☐ Indicates parts not listed in any previous parts book.
Right and left part numbers are on same line,
first number is right, second number is left.

1964 PASSENGER CAR PARTS CATALOG

INTERIOR TRIM

CODE	REMARKS	PER CAR	SED.	4D H.T	STA. WGN.	2D H.T	CV. CP.
23-109-36	COVER, Rear Seat Cushion - Cont'd C3-H (2nd seat)						
	(code H4R)	1	-----	-----	6483 V4R		
	(code H4T)	1	-----	-----	6483 V4T		
	(code H4W)	1	-----	-----	6483 V4W		
	C1-L (3rd seat)						
	(code L4B)	1	-----	-----	7082 V4B		
	(code L4N)	1	-----	-----	7082 V4N		
	(code L4R)	1	-----	-----	7082 V4R		
	(code L4T)	1	-----	-----	7082 V4T		
	C3-H (3rd seat)						
	(code H4B)	1	-----	-----	7090 V4B		
	(code H4R)	1	-----	-----	7090 V4R		
	(code H4T)	1	-----	-----	7090 V4T		
	(code H4W)	1	-----	-----	7090 V4W		
	(code H2N)	1	-----	-----	7086 V2N		
	C1-L						
	(code L2B)	1	-----	-----	-----	6469 V2B	
	(code L2F)	1	-----	-----	-----	6469 V2F	
	(code L2M)	1	-----	-----	-----	6469 V2M	
	(code L2Q)	1	-----	-----	-----	6469 V2Q	
	(code L2T)	1	-----	-----	-----	6469 V2T	
	(code L4B)	1	-----	-----	-----	6470 V4B	
	(code L4N)	1	-----	-----	-----	6470 V4N	
	(code L4R)	1	-----	-----	-----	6470 V4R	
	C2-M						
	(code M4B)	1	-----	-----	-----	6474 V4B	6475 V4B
	(code M4X)	1	-----	-----	-----	6474 V4X	6475 V4X
	(code M4R)	1	-----	-----	-----	6474 V4R	6475 V4R
	(code M4T)	1	-----	-----	-----	6474 V4T	6475 V4T
	(code M4W)	1	-----	-----	-----	6474 V4W	6475 V4W
	(code M8W)	1	-----	-----	-----	6486 V8W	6487 V8W
	(code M8X)	1	-----	-----	-----	6486 V8X	6487 V8X
	C1-L						
	(code L4B)	1	-----	-----	-----	-----	6471 V4B
	(code L4N)	1	-----	-----	-----	-----	6471 V4N
	(code L4Q)	1	-----	-----	-----	-----	6471 V4Q
	(code L4R)	1	-----	-----	-----	-----	6471 V4R
	(code L4T)	1	-----	-----	-----	-----	6471 V4T
	Y1-M						
	(code M7B)	1	-----	6491 V7B			
	(code M7N)	1	-----	6491 V7N			
	(code M7P)	1	-----	6491 V7P			
	Y1-M (w/hex. design in body cloth)						
	(code M7M)	1	-----	*6491 V7M			
	(code M7Q)	1	-----	*6491 V7Q			
	(code M7T)	1	-----	*6491 V7T			
	(code M7H)	1	-----	*6491 V7H			
	(w/diamond design in body cloth)						
	(code M7M)	1	-----	*6491 V7M			
	(code M7Q)	1	-----	*6491 V7Q			
	(code M7T)	1	-----	*6491 V7T			
	(code M7H)	1	-----	*6491 V7H			

★ Indicates use as required.

☐ Indicates parts not listed in any previous parts book.
March 15, 1965 Supersedes May 22, 1964.Printed in U.S.A.
Prices and specifications subject to change without notice.
Right and left part numbers are on same line,
first number is right, second number is left.

* Indicates change or addition.

CODE	REMARKS	PER CAR	SED.	4D H.T	STA. WGN.	2D H.T	CV. CP.
23-109-36	COVER, Rear Seat Cushion - Cont'd Y1-M, Y1-H (codes M3B, H3B) (codes M3C, H3C) (codes M3F, H3F) (codes M3R, H3R) (code M3T) (codes M3V, H3V) (codes M3W, H3W) (codes M3X, H3X) (code H7B) (code H7H) (code H7M) (code H7P) (code H7T)	1 1 1 1 1 1 1 1 1 1 1 1 1	---- ---- ---- ---- ---- ---- ---- ---- ---- ---- ---- ---- ----	6492 V3B 6492 V3C 6492 V3F 6492 V3R 6492 V3T 6492 V3V 6492 V3W 6492 V3X 6493 V7B 6493 V7H 6493 V7M 6493 V7P 6493 V7T			
	Y1-M (UP TO approx. serial No. 204489 2 D. H. T., and UP TO serial No. 219456 Cv. Cp.) (code M8B) (code M8H) (code M8M) (code M8Q) (code M8N) (code M9B) (code M9C) (code M9F) (code M9T) (code M9V) (code M9W) (code M9X) (code M9R)	1 1 1 1 1 1 1 1 1 1 1 1 1	---- ---- ---- ---- ---- ---- ---- ---- ---- ---- ---- ---- ----	---- ---- ---- ---- ---- ---- ---- ---- ---- ---- ---- ---- ----	---- ---- ---- ---- ---- ---- ---- ---- ---- ---- ---- ---- ----	6494 V8B 6494 V8H 6494 V8M 6494 V8Q 6494 V8N 6495 V9B 6495 V9C 6495 V9F 6495 V9T 6495 V9V 6495 V9W 6495 V9X 6495 V9R	6496 V9B 6496 V9C 6496 V9F 6496 V9T 6496 V9V 6496 V9W 6496 V9X
	Y1-M (AFTER approx. serial No. 204489 2 D. H. T., and AFTER approx. serial No. 219456 Cv. Cp.) (code M8B) (code M8H) (code M8M) (code M8N) (code M8Q) (code M9B) (code M9F) (code M9R) (code M9T) (codes M9W, M9C, M9V) (code M9X)	1 1 1 1 1 1 1 1 1 1 1	---- ---- ---- ---- ---- ---- ---- ---- ---- ---- ----	---- ---- ---- ---- ---- ---- ---- ---- ---- ---- ----	---- ---- ---- ---- ---- ---- ---- ---- ---- ---- ----	E7715 V8B E7715 V8H E7715 V8M E7715 V8N E7715 V8Q E7716 V9B E7716 V9F E7716 V9R E7716 V9T E7716 V9W E7716 V9X	E7717 V9B E7717 V9F E7717 V9R E7717 V9T E7717 V9W E7717 V9X
23-109-38	RETAINER, Center Floor Pan Rear Seat Cushion C1, C2, C3, Y1	2	1810 037	1810 037	----	1810 037	1810 037
23-109-40	INSERT, Rear Seat Cushion Bottom Panel C1-L (3rd seat) (code L4B) (code L4R) (code L4T) (police) (code K4B) (code K4R) (code K4T) (code K4N)	1 1 1 1 1 1 1 1	---- ---- ---- ---- ---- ---- ---- ----	---- ---- ---- ---- ---- ---- ---- ----	1817 VB8 1817 VR7 1817 VT8 1817 VB8 1817 VR7 1817 VT8 1817 TX8		

★ Indicates use as required.

⊠ Indicates parts not listed in any previous parts book.

Right and left part numbers are on same line,
first number is right, second number is left.

1964 PASSENGER CAR PARTS CATALOG

INTERIOR TRIM

CODE	REMARKS	PER CAR	SED.	4D H.T	STA. WGN.	2D H.T	CV. CP.
23-109-40	INSERT, Rear Seat Cushion Bottom Panel - Cont'd C3-H (3rd seat) (code H4B) (code H4R) (code H4T) (codes H2N, H4W)	1 1 1 1	----- ----- ----- -----	----- ----- ----- -----	1812 VB8 1812 VR7 1812 VT8 1812 VX8		
23-111-10	STRIP, Front Pillar Upper Tacking Y1	2	-----	1878 174	-----	1878 174	1878 174
23-111-30	STRIP, Folding Top Header Y1 (front) (side)	1 2	----- -----	----- -----	----- -----	----- -----	1750 628 1691 923
23-111-31	STRIP, Folding Top Header Outer Panel C1, C2	1	-----	-----	-----	-----	1952 194
23-111-37	STRIP, Folding Top Bow Tacking C1, C2 Nos. 1 and 2 Y1 No. 1 No. 2	 4 1 2 2 1	 ----- ----- ----- ----- -----	 ----- ----- ----- ----- -----	 ----- ----- ----- ----- -----	 ----- ----- ----- ----- -----	 1950 509 2424 607 2424 591 2424 591 2424 607
23-112-12	BOOT, Folding Top Dust C1, C2 (codes L4B, M4B) (codes L4N, M4W, M8W) (code L4Q) (codes L4R, M4R) (codes L4T, M4T) (codes M4X, M8X) Fastener (stud) Fastener (cap) Screw (channel attaching)	1 1 1 1 1 1 4 4 7	----- ----- ----- ----- ----- ----- ----- ----- -----	----- ----- ----- ----- ----- ----- ----- ----- -----	----- ----- ----- ----- ----- ----- ----- ----- -----	----- ----- ----- ----- ----- ----- ----- ----- -----	1909 VB6 1909 VW3 1909 VQ5 1909 VR7 1909 VT6 1909 VX9 6000 432 6000 434 119 941
	Y1-M (side cover) (code M9B) (code M9T) (codes M9C, M9W, M9V, M9Y) (code M9R) (code M9F) (code M9X)	1 1 1 1 1 1	----- ----- ----- ----- ----- -----	----- ----- ----- ----- ----- -----	----- ----- ----- ----- ----- -----	----- ----- ----- ----- ----- -----	1956-7 VB4 1956-7 VT4 1956-7 VW3 1956-7 VR5 1956-7 VF9 1956-7 VX9
	(center) (code M9B) (code M9R) (code M9T) (codes M9C, M9V, M9W) (code M9X) (code M9F) Fastener (cover) Fastener (cap) Socket (to pocket panel) Fastener (stud) (to pocket panel)	1 1 1 1 1 1 8 8 2 2	----- ----- ----- ----- ----- ----- ----- ----- ----- -----	----- ----- ----- ----- ----- ----- ----- ----- ----- -----	----- ----- ----- ----- ----- ----- ----- ----- ----- -----	----- ----- ----- ----- ----- ----- ----- ----- ----- -----	1955 VB4 1955 VR5 1955 VT4 1955 VW3 1955 VX9 1955 VF9 6006 180 6000 434 141 998 *6000 432

* Indicates use as required.

† Indicates parts not listed in any previous parts book.
March 15, 1965 Supersedes May 22, 1964.

Printed in U.S.A.
Prices and specifications subject to change without notice.

Right and left part numbers are on same line,
first number is right, second number is left.

* Indicates change or addition.

CODE	REMARKS	PER CAR	SED.	4D H.T.	STA. WGN.	2D H.T.	CV. CP.
23-112-14	COVER, Folding Top Dust Boot Side						
	(code M9B)	1	----	----	----	----	1956-7 VB4
	(code M9F)	1	----	----	----	----	1956-7 VF9
	(codes M9W, M9C, M9V)	1	----	----	----	----	1956-7 VW3
	(code M9T)	1	----	----	----	----	1956-7 VT4
	(code M9R)	1	----	----	----	----	1956-7 VR5
	(code M9X)	1	----	----	----	----	1956-7 VX9
23-112-18	RETAINER, Rear Seat Back Dust Boot						
	C1, C2	1	----	----	----	----	2270 929
	Y1-M	1	----	----	----	----	2446 139
23-112-21	FASTENER and PLATE, Folding Top Boot to Moulding						
	C1, C2	19	----	----	----	----	2572 131
	Y1	9	----	----	----	----	2440 389
23-112-45	CURTAIN, Folding Top Rear C1-L, C2-M						
	(blue)	1	----	----	----	----	1910 VB1
	(white)	1	----	----	----	----	1910 VW1
	(black)	1	----	----	----	----	1910 VX8
	(backlite)						
	(blue)	1	----	----	----	----	1911 VB1
	(white)	1	----	----	----	----	1911 VW1
	(black)	1	----	----	----	----	1911 VX8
	Y1-M						
	(blue)	1	----	----	----	----	1931 VB1
	(white)	1	----	----	----	----	1931 VW1
	(black)	1	----	----	----	----	1931 VX8
(yellow tan)	1	----	----	----	----	1931 VT1	
Cap (rear curtain check strap to 3rd bow attaching)	1	----	----	----	----	6000 434	
(backlite)							
	(blue)	1	----	----	----	----	*1932 AB1
	(white)	1	----	----	----	----	*1932 VW1
	(black)	1	----	----	----	----	*1932 AX9
	(yellow tan)	1	----	----	----	----	*1932 AL1
Fastener (cap)	★	----	----	----	----	----	*6000 434
Fastener (socket)	★	----	----	----	----	----	* 141 998
23-112-46	ZIPPER, Folding Top Rear Curtain C1-L, C2-M						
	(white)	1	----	----	----	----	1913 VW2
	Y1 (full) (white)	1	----	----	----	----	1918 VW2
23-112-50	TAPE, Folding Top Rear Curtain C1-L, C2-M, Y1 (sold by the inch)						
	(closure hook)						
	(white)	★	----	----	----	----	1934 VW2
	(closure loop)						
	(white)	★	----	----	----	----	1933 VW2
	(rear curtain to top closure)	★	----	----	----	----	2440 030
	(side cover to rear curtain closure)	★	----	----	----	----	2440 029
Y1 (dust boot center to side closure)	★	----	----	----	----	1973 VX8	
(side rear reinforcement closure loop)	★	----	----	----	----	1933 VW2	
(dust boot center to side roll)	★	----	----	----	----	2499 291	

★ Indicates use as required.

☐ Indicates parts not listed in any previous parts book.

Right and left part numbers are on same line, first number is right, second number is left.

1964 PASSENGER CAR PARTS CATALOG

CODE	REMARKS	PER CAR	SED.	4D H.T	STA. WGNL	2D H.T	CV. CP.
23-112-70	RETAINER, Folding Top to Belt Bar C1, C2						
	(end)	2	----	----	----	----	2424 348
	(side)	1	----	----	----	----	2243 922-3
	(side rear)	1	----	----	----	----	2244 426-7
	(center)	1	----	----	----	----	2243 924
	Y1						
	(side)	1	----	----	----	----	2448 138-9
	(center)	1	----	----	----	----	2448 137
	(corner)	2	----	----	----	----	2448 136
	(qtr. belt bar trim)	2	----	----	----	----	2484 403
23-112-75	TIP, Folding Top Wire-On Binding End C1, C2, Y1	1	----	----	----	----	1158 976-7
	Screw (attaching)	2	----	----	----	----	6024 438
23-112-88	CABLE, Folding Top Rear Bow Tension C1, C2, Y1						
	(black)	2	----	----	----	----	1970 VX8
	(white)	2	----	----	----	----	1970 VW2
	(cable and spring)	2	----	----	----	----	2490 182
	Y1-M						
	(white)	2	----	----	----	----	1972 VW2
	Bolt (to rear bow)	2	----	----	----	----	6022 169
	(front cover cable and spring)	2	----	----	----	----	2490 891
	Screw (spring attaching)	2	----	----	----	----	9416 684
23-112-108	DECK and SIDE QUARTER, Folding Top C1-L, C2-M						
	(blue)	1	----	----	----	----	1905 VB1
	(white)	1	----	----	----	----	1905 VW1
	(black)	1	----	----	----	----	1905 VX8
	Y1-M						
	(blue)	1	----	----	----	----	1938 VB1
	(white)	1	----	----	----	----	1938 VW1
	(black)	1	----	----	----	----	1938 VX8
	(yellow tan)	1	----	----	----	----	1938 VT1
	Eyelet (to well cover)	2	----	----	----	----	141 991
	Screw (front cover tension spring attaching)	2	----	----	----	----	154 987
23-112-112	PAD, Folding Top Side Quarter Stay C1-L, C2-M						
	(white)	1	----	----	----	----	1906-7 VW1
	Screw (to header)	4	----	----	----	----	6000 223
	Y1-M						
	(white)	1	----	----	----	----	1950-1 VW1
23-112-153	WELL, Pocket PANEL, Pocket Panel COVER, Pocket Shelf PANEL, Folding Top C1-L, C2-M (pocket panel)						
	(code L4B)	1	----	----	----	----	4940-1 VB8
	(code M4B)	1	----	----	----	----	4940-1 VB6
	(codes L4N, M4X, M8X)	1	----	----	----	----	4940-1 VX9

★ Indicates use as required.

E Indicates parts not listed in any previous parts book.
March 15, 1965 Supersedes May 22, 1964.

CODE	REMARKS	PER CAR	SED.	4D H.T	STA. WGNL	2D H.T	CV. CP.
23-112-153	WELL, Pocket PANEL, Pocket Panel COVER, Pocket Shelf PANEL, Folding Top - Cont'd C1-L, C2-M (pocket panel)						
	(code L4Q)	1	----	----	----	----	4940-1 VQ8
	(code L4R)	1	----	----	----	----	4940-1 VM9
	(code M4R)	1	----	----	----	----	4940-1 VR7
	(code L4T)	1	----	----	----	----	4940-1 VT8
	(code M4T)	1	----	----	----	----	4940-1 VT6
	(codes M4W, M8W)	1	----	----	----	----	4940-1 VW3
	(pocket shelf panel)						
	(code L4B)	1	----	----	----	----	4944-5 VB8
	(code M4B)	1	----	----	----	----	4944-5 VB6
	(codes L4N, M4X, M8X)	1	----	----	----	----	4944-5 VX9
	(code L4Q)	1	----	----	----	----	4944-5 VQ8
	(code L4T)	1	----	----	----	----	4944-5 VT8
	(code L4R)	1	----	----	----	----	4944-5 VM9
	(code M4R)	1	----	----	----	----	4944-5 VR7
	(codes M4W, M8W)	1	----	----	----	----	4944-5 VW3
	Screw (pocket shelf panel to bracket)	2	----	----	----	----	161 904
	(folding top well)						
	(codes L4B, M4B)	1	----	----	----	----	1960 VB6
	(codes L4N, M4W, M8W)	1	----	----	----	----	1960 VW3
	(code L4Q)	1	----	----	----	----	1960 VQ5
	(codes L4R, M4R)	1	----	----	----	----	1960 VR7
	(codes L4T, M4T)	1	----	----	----	----	1960 VT6
	(codes M4X, M8X)	1	----	----	----	----	1960 VX9
	Socket (well cover to folding top)	2	----	----	----	----	141 998
	Cap (well cover to folding top well)	2	----	----	----	----	6000 434
Y1-M	(inner shelf cover)						
	(code M9B)	1	----	----	----	----	4814-5 VB4
	(code M9F)	1	----	----	----	----	4814-5 VF9
	(code M9R)	1	----	----	----	----	4814-5 VR5
	(code M9T)	1	----	----	----	----	4814-5 VT4
	(codes M9C, M9V, M9W)	1	----	----	----	----	4814-5 VW3
	(code M9X)	1	----	----	----	----	4814-5 VX9
	(pocket panel)						
	(code M9B)	1	----	----	----	----	4818-9 VB4
	(code M9F)	1	----	----	----	----	4818-9 VF9
	(code M9R)	1	----	----	----	----	4818-9 VR5
	(code M9T)	1	----	----	----	----	4818-9 VT4
	(codes M9C, M9V, M9W)	1	----	----	----	----	4818-9 VW3
	(code M9X)	1	----	----	----	----	4818-9 VX9
	(pocket panel cover)						
	(code M9B)	1	----	----	----	----	4816-7 VB4
	(code M9F)	1	----	----	----	----	4816-7 VF9
	(code M9R)	1	----	----	----	----	4816-7 VR5
	(code M9T)	1	----	----	----	----	4816-7 VT4
	(codes M9C, M9V, M9W)	1	----	----	----	----	4816-7 VW3
	(code M9X)	1	----	----	----	----	4816-7 VX9
	(code M9B)	1	----	----	----	----	1961 VB4
	(code M9F)	1	----	----	----	----	1961 VF9
	(code M9R)	1	----	----	----	----	1961 VR9
	(code M9T)	1	----	----	----	----	1961 VT4
	(codes M9C, M9V, M9W)	1	----	----	----	----	1961 VW3

★ Indicates use as required.

☐ Indicates parts not listed in any previous parts book.

Right and left part numbers are as shown.

Prices and specifications subject to change without notice.

Printed in U.S.A.

1964 PASSENGER CAR PARTS CATALOG

INTERIOR TRIM

CODE	REMARKS	PER CAR	SED.	4D H.T	STA. WGN.	2D H.T	CV. CP.
23-112-153	WELL, Pocket PANEL, 'Pocket Panel COVER, Pocket Shelf PANEL, Folding Top - Cont'd Y1-M (pocket panel cover) (code M9X)	1	----	-----	-----	-----	1961 VX9
	Screw and Washer (front lower)	2	----	-----	-----	-----	6023 476
	Screw (cover, flap to body)	4	----	-----	-----	-----	6000 223
23-113-2	WEATHERCORD, Door C1, C2, C3 (sold by the inch) (codes L1N, L4N, M1N, M4X, M4W, H1N, H2N, H4W, M8W) (codes M8W, M8X, H3L, H7L) (police) (codes K1N, K4N, K5A, K3A) (codes K2A, K4A) C1, C2, C3 (codes L1B, L2B, L4B, M1B, M4B) (codes L1F, L2F) (codes L1M, L2M, M1M) (codes L1Q, L2Q) (codes L1T, L2T, L4T, M1T, M4T) (codes L4R, M4R, H4R) (codes H1B, H3B, H4B, H7B) (code H1F) (code H1M) (codes H1Q, H4Q) (codes H1T, H4T) Clip	*	*1536 TX8	*1536 TX8	*1536 TX8	*1536 TX8	*1536 TX8
		*	----	1536 TL4	----	1536 TL4	1536 TL4
		*	1536 TX8	----	1536 TX8		
		*	1536 TL4				
		*	1536 VB8	1536 VB8	1536 VB8	1536 VB8	1536 VB8
		*	1536 VF9	1536 VF9	1536 VF9	1536 VF9	1536 VF9
		*	1536 VM9	1536 VM9	1536 VM9	1536 VM9	1536 VM9
		*	1536 VQ8	1536 VQ8	1536 VQ8	1536 VQ8	1536 VQ8
		*	1536 VT8	1536 VT8	1536 VT8	1536 VT8	1536 VT8
		*	1536 VR7	1536 VR7	1536 VR7	1536 VR7	1536 VR7
		*	1536 VB4	1536 VB4	1536 VB4		
		*	1536 VF6	1536 VF6	1536 VF6		
		*	1536 VM4	1536 VM4	1536 VM4		
		*	1536 VQ4	1536 VQ4	1536 VQ4		
		*	1536 VT4	1536 VT4	1536 VT4		
		*	6000 622	6000 622	6000 622	6000 622	6000 622
23-113-25	WEATHERCORD, Door Hinge Pillar Y1 (codes M3B, M7B, M8B, M9B, H3B, H7B) (codes M7M, M8M) (codes M3W, M7N, M8N, M9W, H3C, H3W, H3V) (codes M7Q, M8Q) (codes M3T, M7T, M9T, H7T) (codes M3X, M7P, H3X, H7P) (codes M3R, M9R, H3R) (codes M3F, M7H, M8H, M9F, H3F, H7H)	*	----	1536 VB4	----	1536 VB4	1536 VB4
		*	----	1536 VM4	----	1536 VM4	1536 VM4
		*	----	1536 VW2	----	1536 VW2	1536 VW2
		*	----	1536 VQ4	----	1536 VQ4	1536 VQ4
		*	----	1536 VT4	----	1536 VT4	1536 VT4
		*	----	1536 VX8	----	1536 VX8	1536 VX8
		*	----	1536 VR7	----	1536 VR7	1536 VR7
		*	----	1536 VF9	----	1536 VF9	1536 VF9
23-113-30	WEATHERCORD, Door Lock Pillar Y1 (codes M8B, M9B) (code M8M) (codes M8N, M9W, M9C, M9V) (code M8Q) (code M9T) (codes M8H, M9F) (code M9R) (code M9X)	*	----	----	----	*1536 VB4	*1536 VB4
		*	----	----	----	*1536 VM4	*1536 VM4
		*	----	----	----	*1536 VW2	*1536 VW2
		*	----	----	----	*1536 VQ4	*1536 VQ4
		*	----	----	----	*1536 VT4	*1536 VT4
		*	----	----	----	*1536 VF9	*1536 VF9
		*	----	----	----	*1536 VR7	*1536 VR7
		*	----	----	----	*1517 TX8	*1517 TX8
23-113-50	WELT, Windshield Side Garnish Moulding to Instrument Panel C1, C2, C3 (paint as required) Y1 (black)	2	1758 241	1758 241	1758 241	1758 241	1758 241
		1	----	4252-3 VX8	----	4252-3 VX8	4252-3 VX8

* Indicates use as required.

☐ Indicates parts not listed in any previous parts book.
March 15, 1965.

Printed in U.S.A.

Prices and specifications subject to change without notice.
Right and left part numbers are on same line,
first number is right, second number is left.

* Indicates change or addition.

CODE	REMARKS	PER CAR	SED.	4D H.T	STA. WGN.	2D H.T	CV. CP.
23-113-84	WELT, Folding Top Header C1, C2 (white) Y1-M (sold by the foot)	2 ★	-----	-----	-----	-----	1902 VW2 2192 739
23-113-102	WELT, Instrument Panel End Extension Y1 (black) (dust boot filler)	2 1	-----	4255 VX8	-----	4255 VX8	4255 VX8 *2572 166
23-114-2	MATERIAL, Seat Cloth Trim Refer to Material and Color Specification Drawings						
23-114-10	BINDING, 5/8" Wire-On C1-L, C2-M (blue) (white) Y1-M (blue) (white) (yellow tan) (black)	1 1 1 1 1 1	-----	-----	-----	-----	1903 VB1 1903 VW1 1903 VB1 1903 VW1 1903 VT1 1903 TX8
23-114-14	HIDE, Leather Refer to Material and Color Specification Drawings						
23-115-4	PUSHNUT, Front Seat Back to Cushion Mounting C2, C3, Y1-M	3	-----	2410 102	2410 102	2410 102	2410 102
23-115-5	WASHER, Front Seat Center Arm Rest Trim C2, C3, Y1	2	1918 299	1918 299	1918 299	1918 299	1918 299
23-115-6	PIN, Front Seat Back Frame to Cushion Mounting C2, C3, Y1	3	-----	2410 054	2410 054	2410 054	2410 054
23-115-10	SCREW, Front Seat Center Arm Rest to Center Cushion C3-H, Y1	2	-----	2092 212	-----	2092 212	2092 212

NOTES

★ Indicates use as required.
 □ Indicates parts not listed in any previous parts book.
 Right and left part numbers are on same line,
 first number is right, second number is left.

