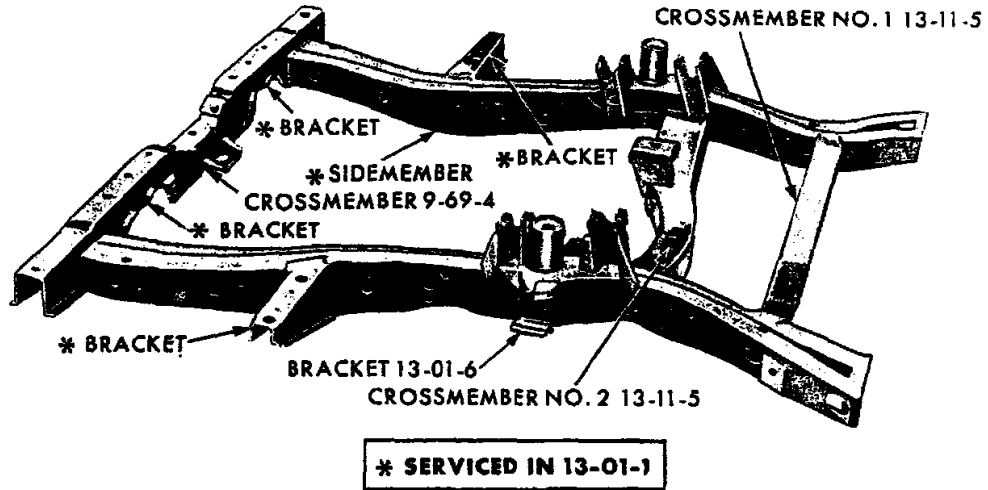
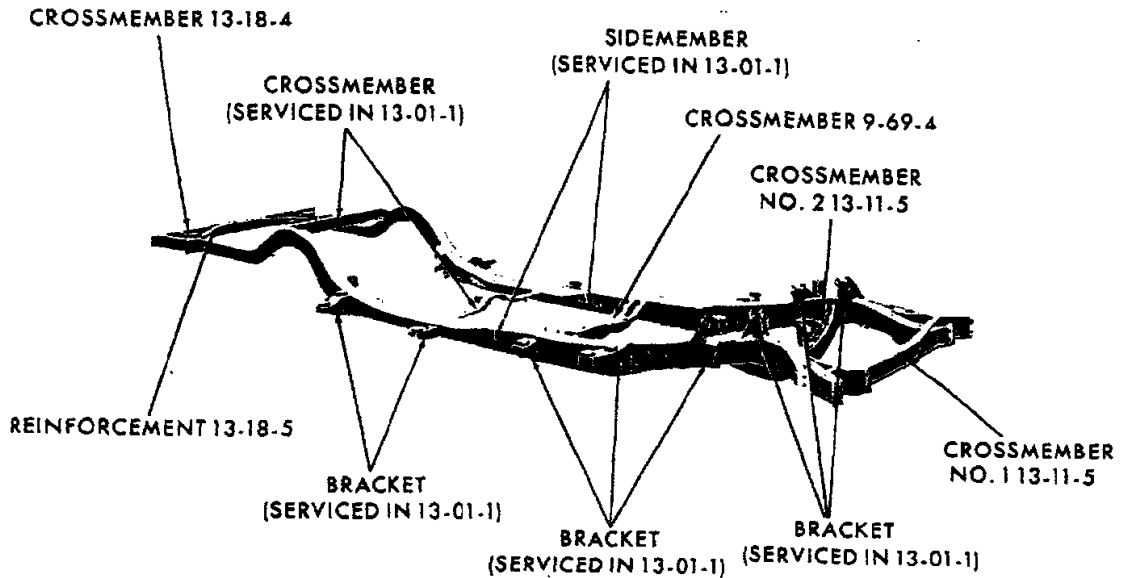


GROUP 13 - FRAME



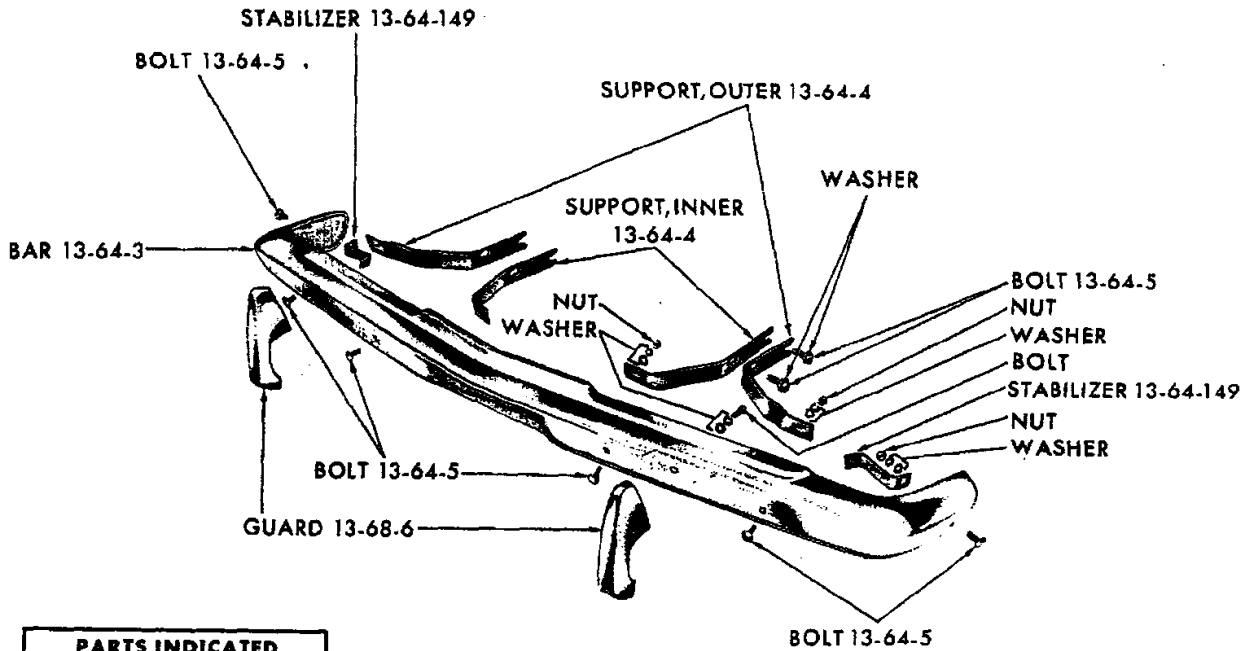
19x9053E

FRAME - DODGE VA3 AND CHRYSLER VC1-2-3



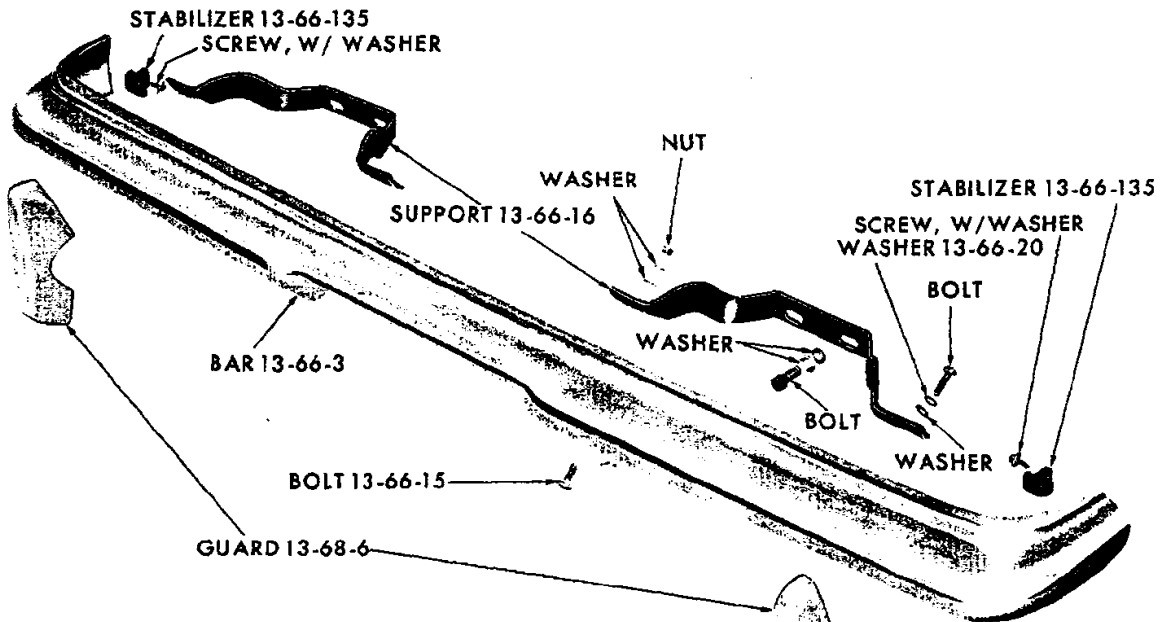
19x9943

FRAME - IMPERIAL VY1



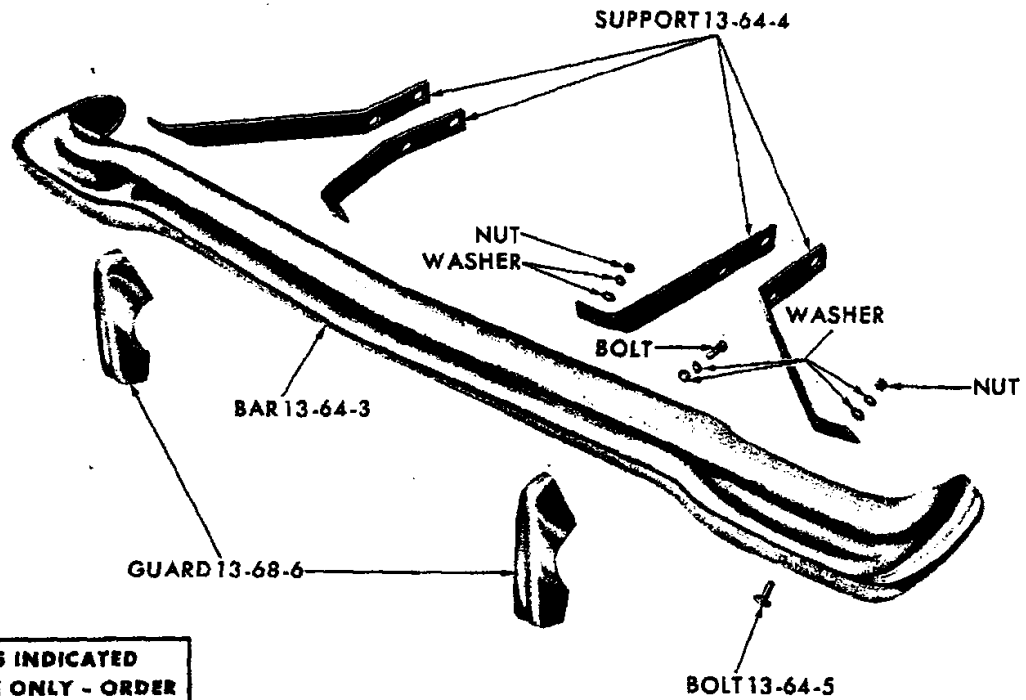
19x9779

FRONT BUMPER - VALIANT VV1-2



19x9493A

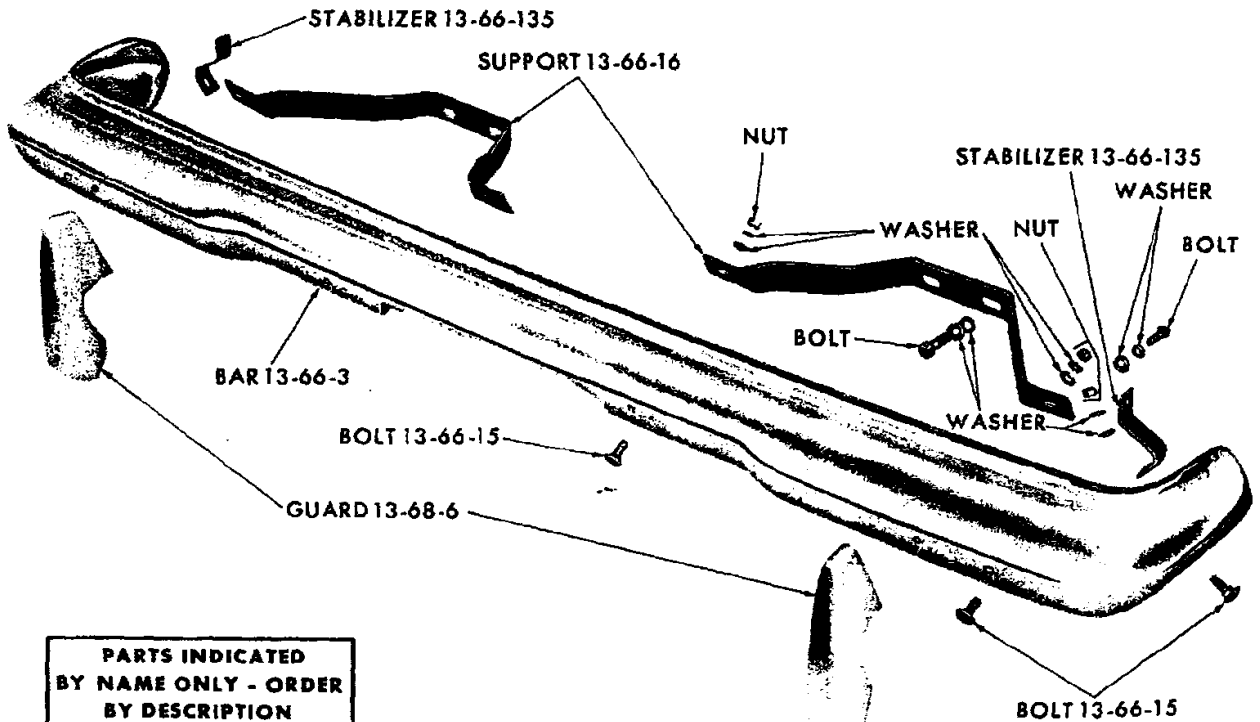
REAR BUMPER - VALIANT VV1-2 (ALL) AND DART VV1-2 (STATION WAGON)



**PARTS INDICATED
BY NAME ONLY - ORDER
BY DESCRIPTION**

19x9452A

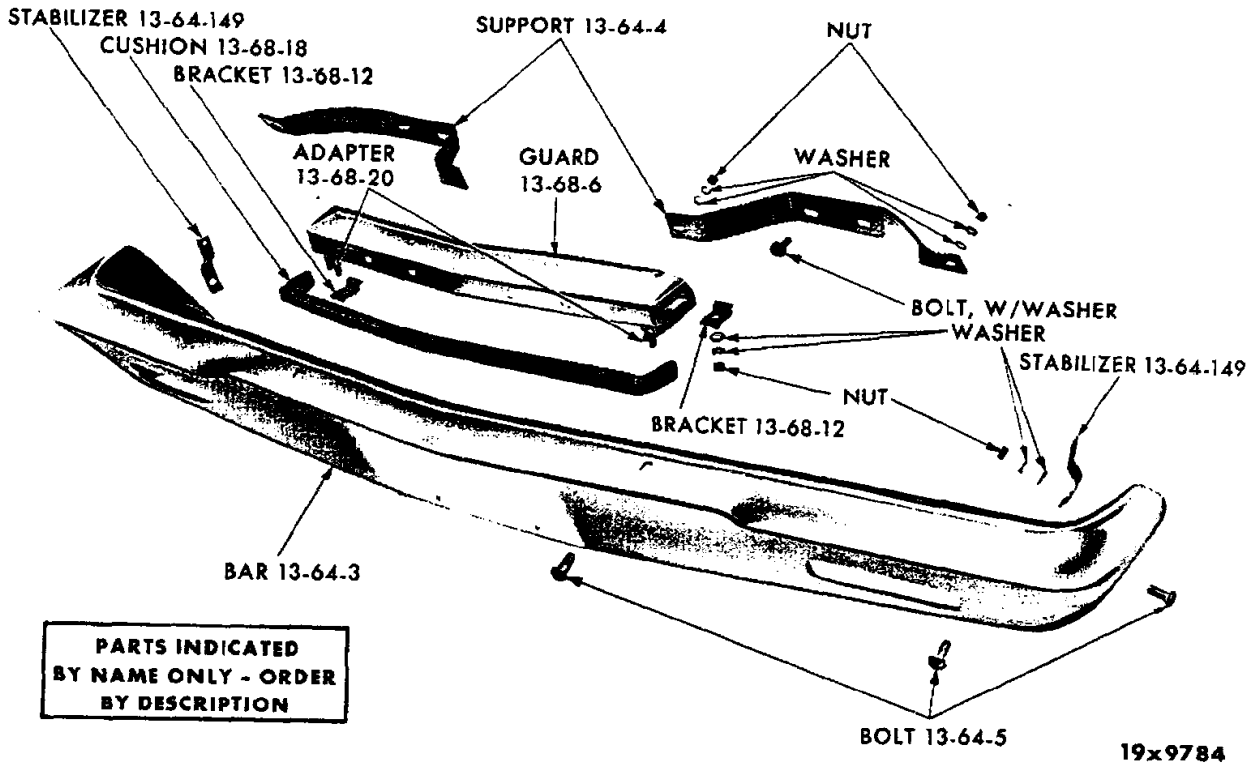
FRONT BUMPER - DART VL1-2



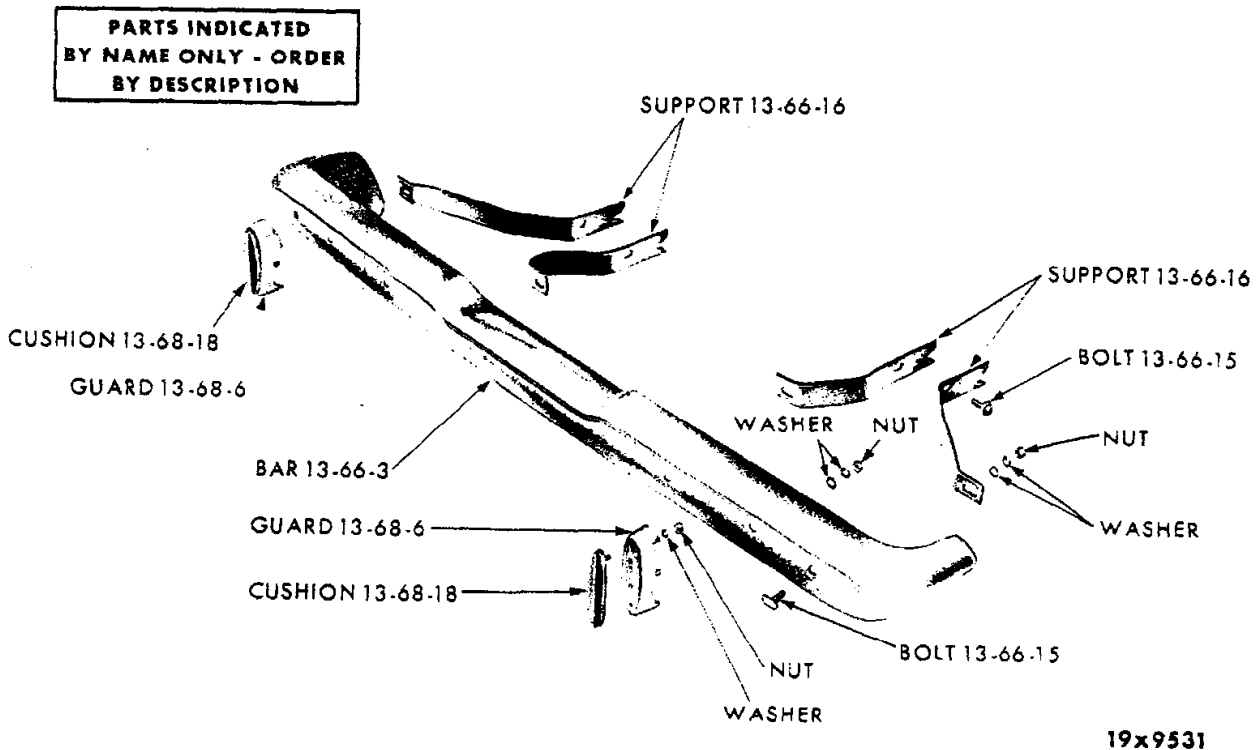
**PARTS INDICATED
BY NAME ONLY - ORDER
BY DESCRIPTION**

19x9494

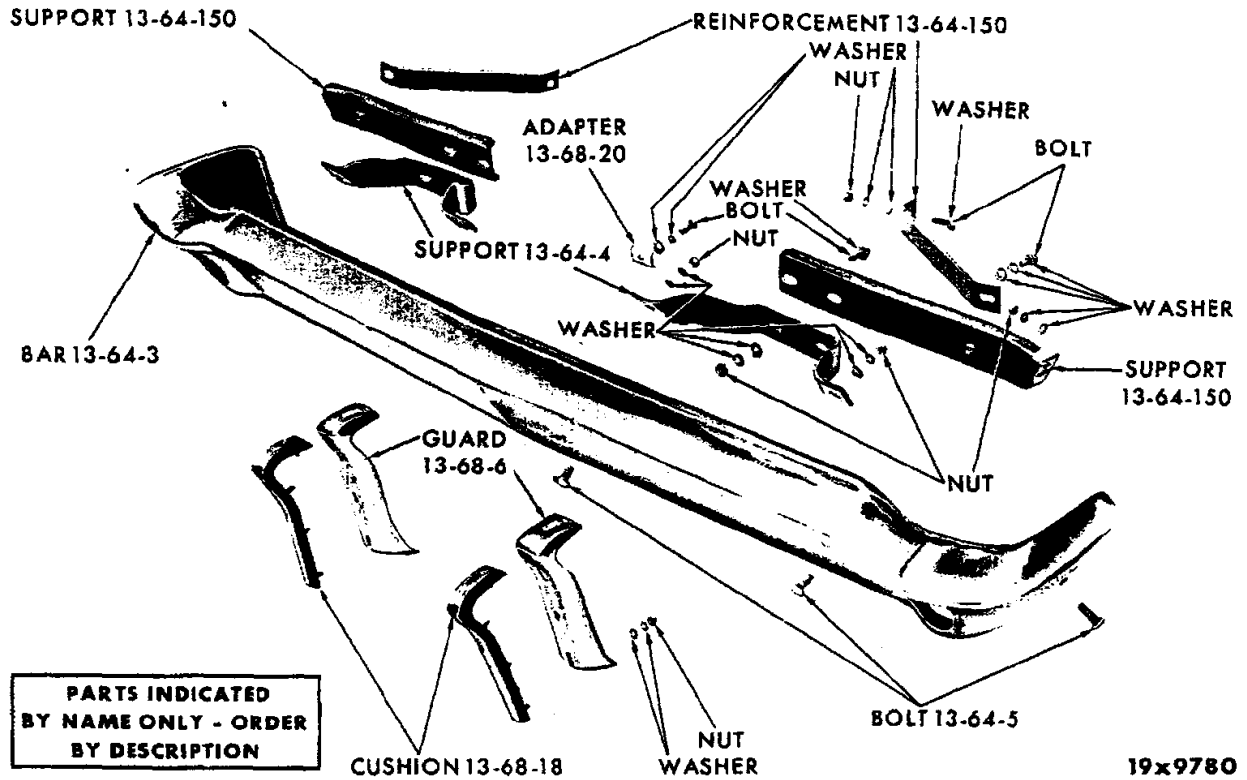
REAR BUMPER - DART VL1-2 (EXCEPT STATION WAGON)



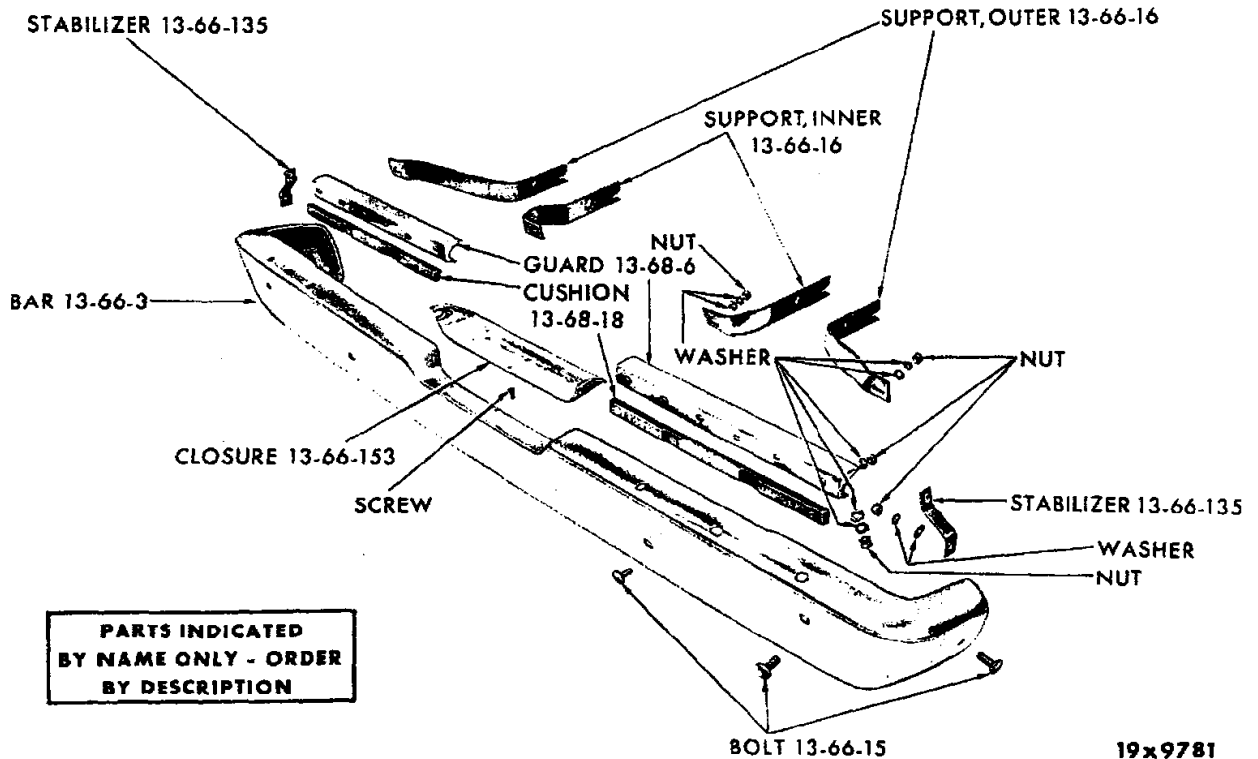
FRONT BUMPER - PLYMOUTH VP1-2



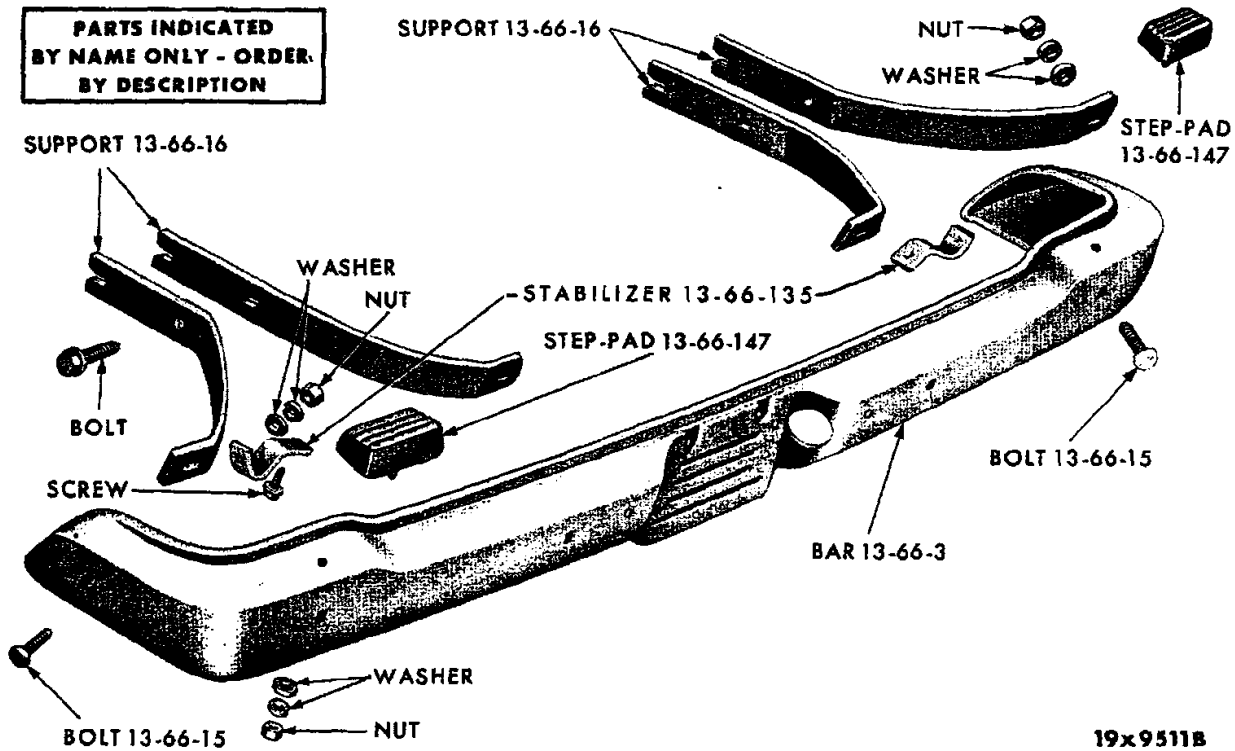
REAR BUMPER - PLYMOUTH VP1-2



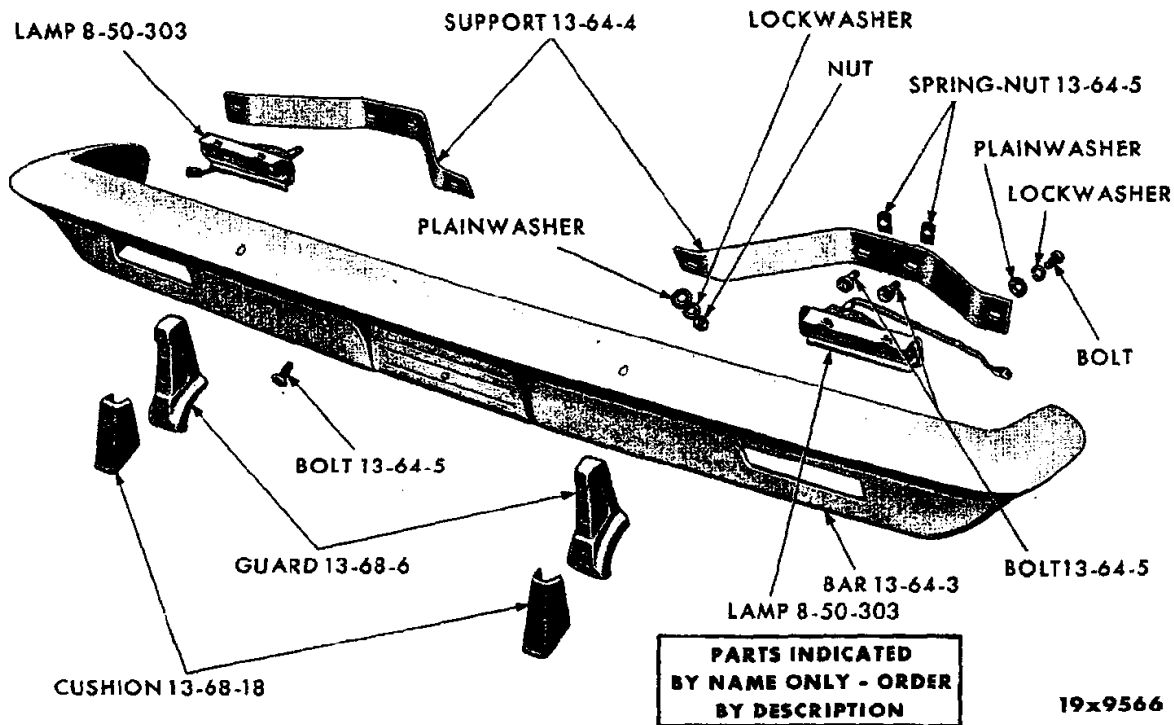
FRONT BUMPER - DODGE VD1-2



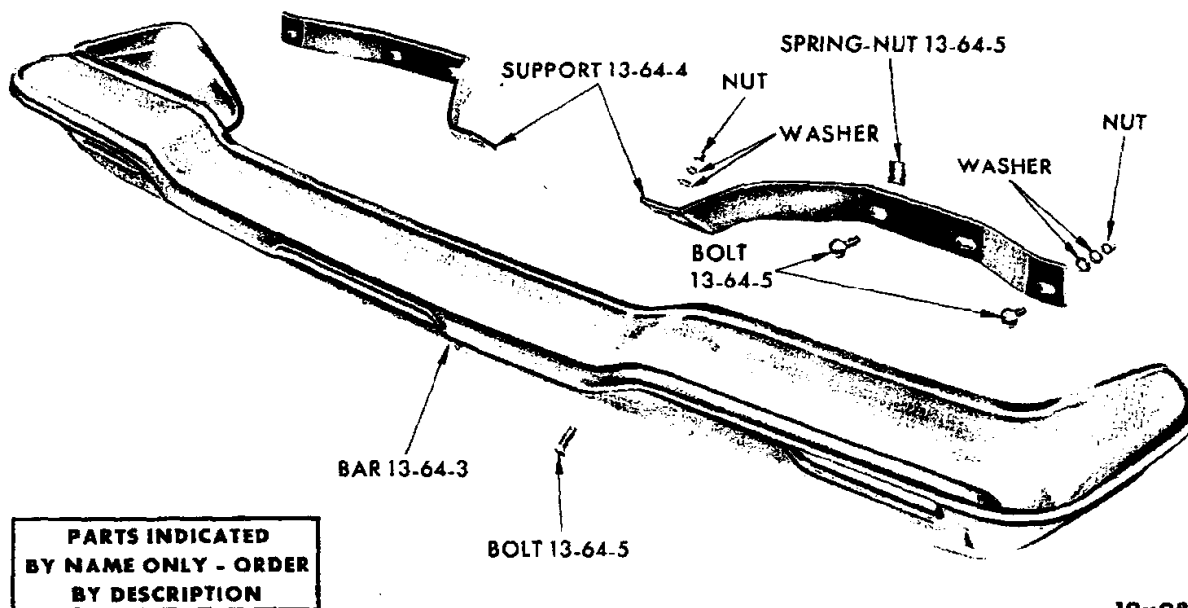
REAR BUMPER - DODGE VD1-2



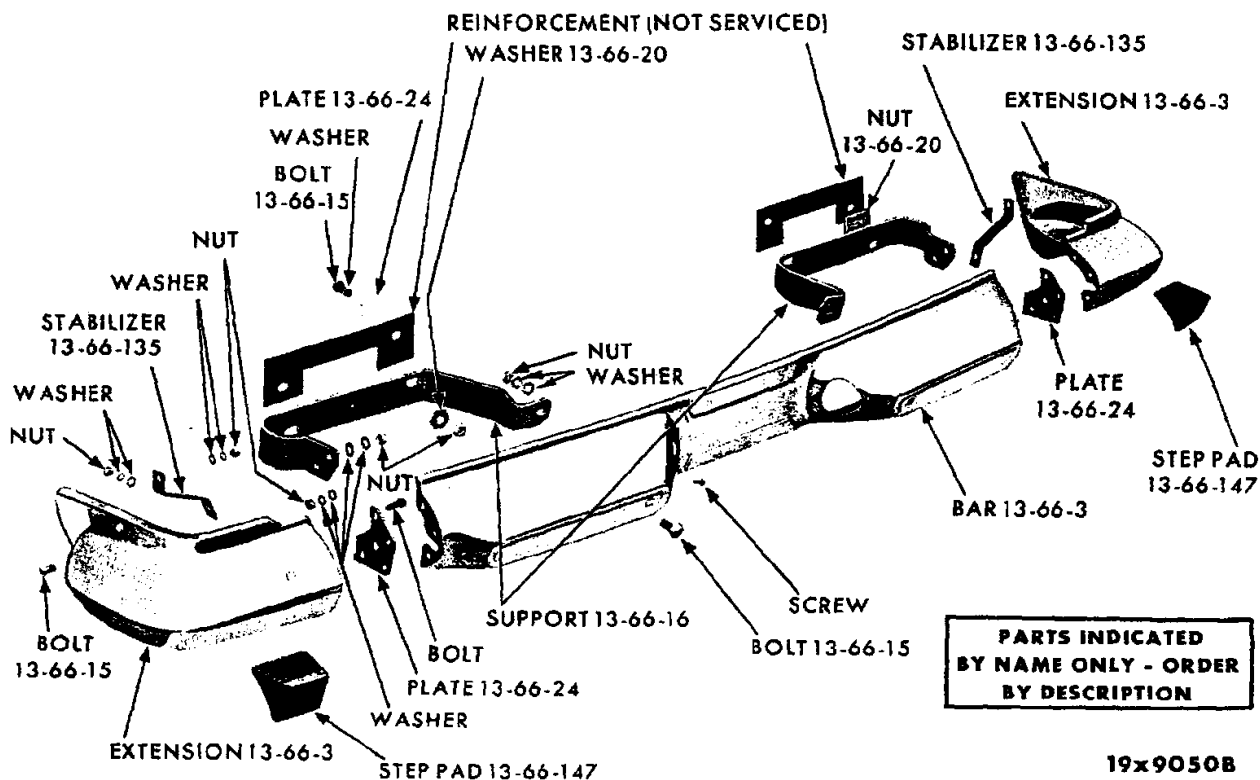
REAR BUMPER - PLYMOUTH VP1-2 AND DODGE VD1-2 (STATION WAGON)



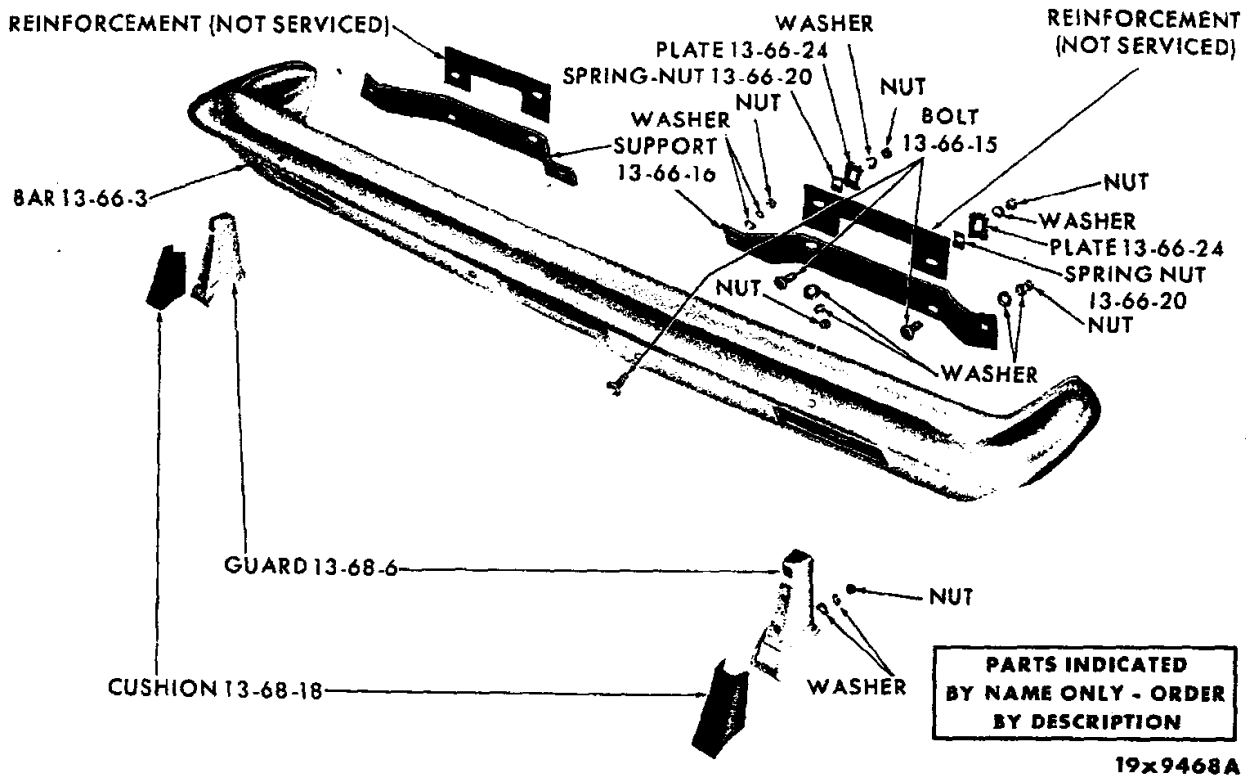
FRONT BUMPER - DODGE VA3



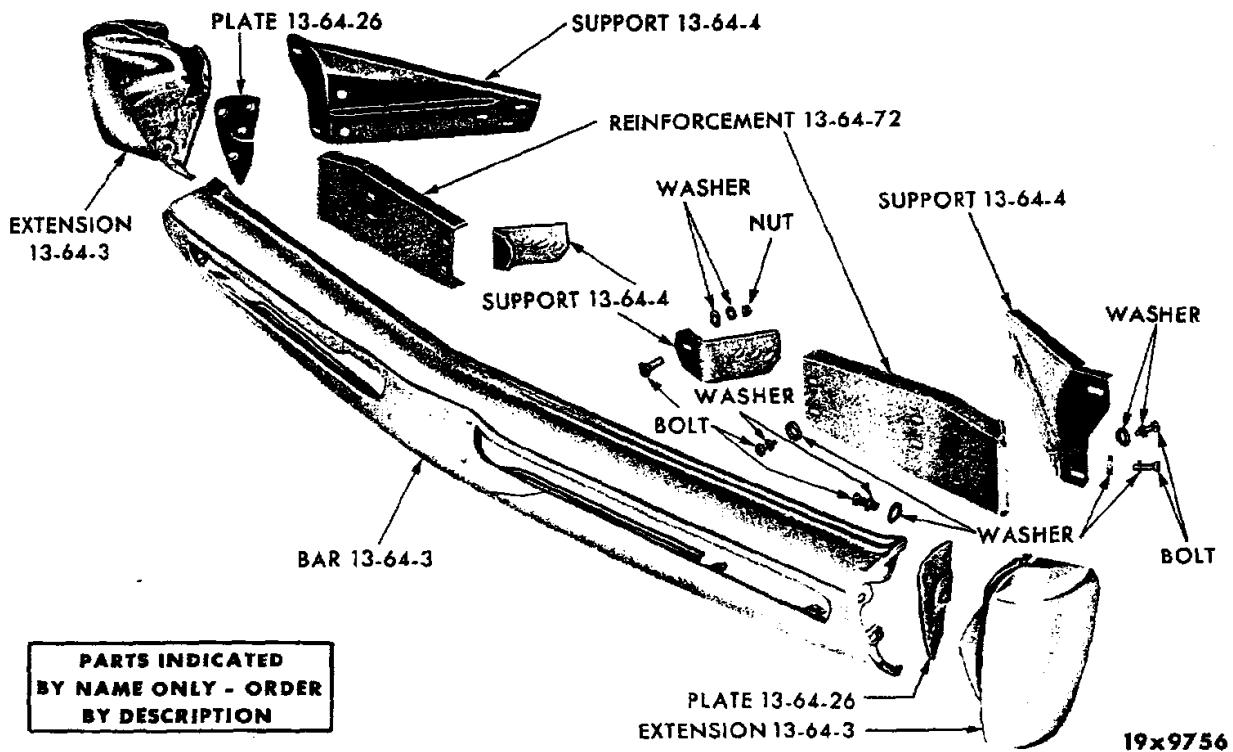
FRONT BUMPER - CHRYSLER VC1-2-3



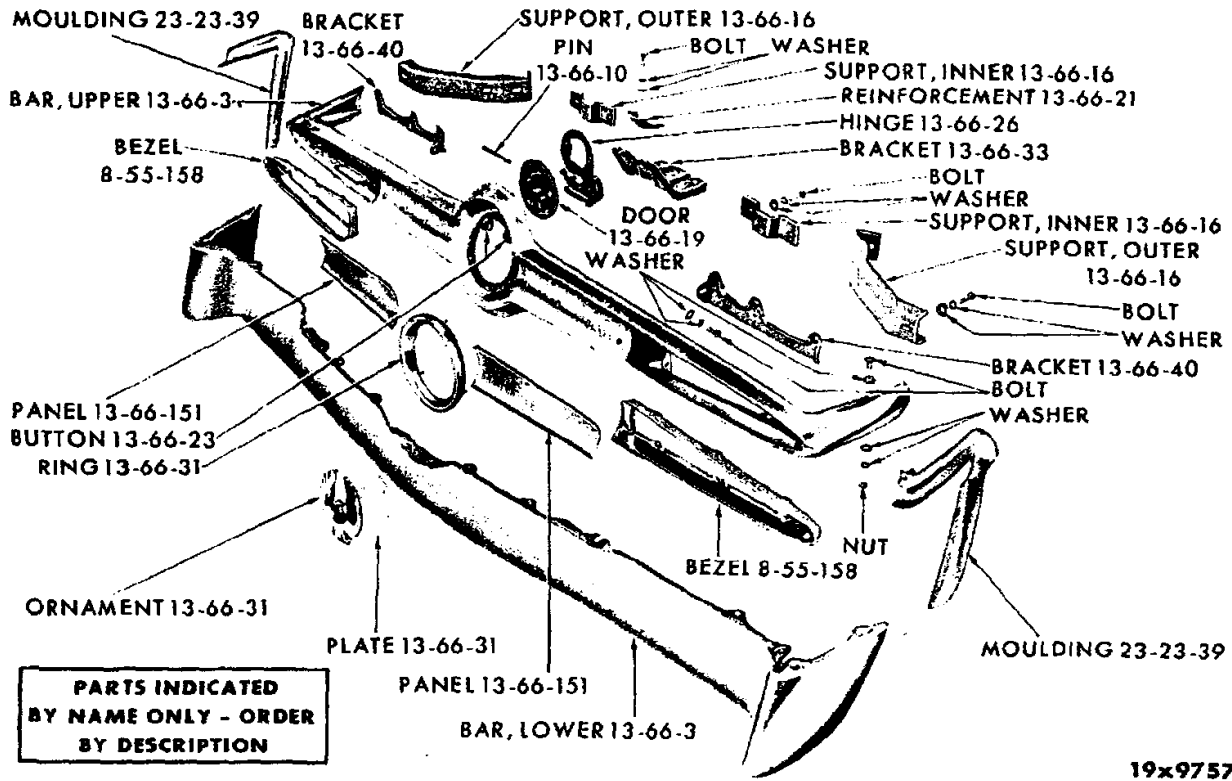
REAR BUMPER - DODGE VA3 AND CHRYSLER VC1-3 (STATION WAGON)



REAR BUMPER - DODGE VA3 AND CHRYSLER VC1-2-3 (EXCEPT STATION WAGON)



FRONT BUMPER - IMPERIAL VY1



**PARTS INDICATED
BY NAME ONLY - ORDER
BY DESCRIPTION**

19x9757 A

REAR BUMPER - IMPERIAL VY1

NOTES

CODE	PART NAME AND DESCRIPTION	CYL	PER CAR	VALIANT DART	PLYMOUTH DODGE	CHRYSLER IMPERIAL
13-01-0 FRAME ASSEMBLY						
13-01-1	FRAME, w/Auto. Trans., VA3, VC1, VC2, VC3 . . .	8	1	----	2409 076	2409 076
	w/Manual Trans., VA3, VC1, VC2	8	1	----	2409 077	2409 077
	Except Cv. Cp., VY1	8	1	----	----	2409 089
	Cv. Cp., VY1	8	1	----	----	2409 090
13-01-6	BRACKET, Front Control Arm Jounce and Rebound, Right, VA3, VC1, VC2, VC3	8	1	----	1734 526	1734 526
	Left, VA3, VC1, VC2, VC3	8	1	----	1734 527	1734 527
13-04-0 FRAME SUB-SIDEMEMBER						
13-04-20	SHIELD, Front Sidemember Splash, VY1, Right . . .	8	1	----	----	2461 822
	Left	8	1	----	----	2461 823
13-11-0 FRAME FRONT CROSSMEMBER						
13-11-5	CROSSMEMBER, No. 1, VA3, VC1, VC2, VC3 . . .	8	1	----	1940 961	1940 961
	VY1	8	1	----	----	2200 801
	No. 2, VA3, VC1, VC2	8	1	----	2122 620	2122 620
	VY1	8	1	----	----	2122 621
13-18-0 FRAME REAR CROSSMEMBER						
13-18-4	CROSSMEMBER, VY1	8	1	----	----	2409 084
13-18-5	REINFORCEMENT, VY1	8	1	----	----	2409 083
13-33-0 BATTERY SUPPORT TRAY						
NOTE: Battery Support Tray, and Related Parts, are illustrated in Group 12 - Fenders and Sheet Metal.						
13-33-61	TRAY		1	2260 463		
	Except VA3		1	----	2201 536	
	VP2, VD2 w/426 cu.in. Eng., use w/Trunk Mounted Battery	8	1	----	1796 450	
	BOLT, w/WASHER, Tray to Support Bracket . . .		4	6022 777		
	Tray to Fender Shield, except VA3		2	----	6022 895	
13-33-62	BRACKET, Support	6	2	2208 591		
13-33-68	BRACE, Support, VY1, 2 D. H. T., 4 D. H. T. . . .	8	1	----	----	2260 435
	VC2-300K	8	1	----	----	2405 069
	NUT, w/RETAINER, to Upper Control Arm, VA3, VC1, VC2, VC3	8	1	----	6022 870	6022 870
	VY1	8	1	----	----	6022 869
	J-NUT, to Frame		1	----	6023 171	
	To Battery Tray		1	6023 171	6023 171	6023 171
	To Support Bracket	6	1	6023 170		
	Brace to Front Crossmember		1	6023 169	6023 169	
13-33-69	STRUT, Battery Tray to Yoke, VY1, Cv. Cp. . . .	8	1	----	----	2461 813
13-34-0 BATTERY HOLD-DOWN STRAP						
13-34-3	STRAP, except VP2, VD2, w/426 cu.in. Eng. . . .		1	1828 352	1828 352	1828 352
	VP2, VD2 w/426 cu.in. Eng., use w/Trunk Mounted Battery	8	1	----	2409 374	
13-34-12	BRACE, Battery Hold-Down Strap to Fender, VY1, Cv. Cp.	8	1	----	----	2461 811

★ Indicates use as required.

⊠ Indicates parts not listed in any previous parts book.

* Indicates change or addition.

Numerals in parentheses () refer to notes.

Prices and specifications subject to change without notice.

Printed in U.S.A.

1964 PASSENGER CAR PARTS CATALOG

FRAME

CODE	PART NAME AND DESCRIPTION	CYL	PER CAR	VALIANT DART	PLYMOUTH DODGE	CHRYSLER IMPERIAL
13-35-0 BATTERY HEAT SHIELD						
13-35-1	SHIELD, except VA3		1	----	2201 525	
	VA3, VC1, VC2	8	1	----	2122 198	2122 198
	J-CLIP, w/NUT		2	6023 167	6023 167	
13-36-0 BATTERY HOLD-DOWN STUD						
13-36-5	STUD, Outer, except VA3		1	2074 090	2260 437	
	VP2, VD2, w/426 cu.in. Eng., use w/Trunk Mounted Battery	8	2	----	2409 362	
	Outer, VA3	8	1	----	1408 915	1408 915
	Inner, except VA3		1	2074 089	2074 089	
	Inner, VA3	8	1	----	1408 918	1408 918
	WING-NUT, except VA3		2	6023 523	6023 523	
13-54-0 FRAME REAR SPRING HANGER						
13-54-4	HANGER, Front	6	2	2403 187		
		8	2	2403 768		
	Except Sta. Wag., except VA3		2	----	2403 742	
	Sta. Wag., except VA3		2	----	2403 746	
	Except Sta. Wgn., VA3, VC1, VC2, VC3	8	2	----	1948 359	1948 359
	Sta. Wgn., VA3, VC1, VC3	8	2	----	1948 867	1948 867
	VY1	8	2	----	----	2260 310
13-54-11	BOLT, Front Hanger, except VA3		8	2403 247	2403 247	
13-54-15	HANGER, Rear		2	2071 764		
	Except Sta. Wgn., VA3, VC1, VC2, VC3	8	2	----	1948 354	1948 354
	Sta. Wgn., VA3, VC1, VC3	8	2	----	1948 377	1948 377
	VY1	8	2	----	----	1735 128
13-64-0 FRONT BUMPER FACE BAR						
13-64-3	BAR, Face, VV1, VV2		1	*2404 520		
	VL1, VL2		1	*2266 468		
	Use w/o Guards, VP1, VP2		1	----	2404 540	
	Use w/Guards, VP1, VP2		1	----	2404 541	
	Use w/o Guards, VD1, VD2		1	----	2404 580	
	Use w/Guards, VD1, VD2		1	----	2404 581	
	VA3	8	1	----	2266 491	
	VC1, VC2, VC3	8	1	----	----	2404 600
	Center, VY1	8	1	----	----	2404 621
	Extension, Right, VY1	8	1	----	----	2404 622
	Extension, Left VY1	8	1	----	----	2404 623
13-64-4	SUPPORT, Inner, Right, VV1, VV2		1	2404 530		
	Inner, Left, VV1, VV2		1	2404 531		
	Outer, Right, VV1, VV2		1	2404 532		
	Outer, Left, VV1, VV2		1	2404 533		
	Inner, Right, VL1, VL2		1	2266 470		
	Inner, Left, VL1, VL2		1	2266 471		
	Outer, Right, VL1, VL2		1	2266 472		
	Outer, Left, VL1, VL2		1	2266 473		
	Right, VP1, VP2		1	----	2404 550	
	Left, VP1, VP2		1	----	2404 551	
	Right, VD1, VD2		1	----	2404 590	
	Left, VD1, VD2		1	----	2404 591	
	Right, VA3	8	1	----	2266 520	
	Left, VA3	8	1	----	2266 521	
	Right, VC1, VC2, VC3	8	1	----	----	2404 610
	Left, VC1, VC2, VC3	8	1	----	----	2404 611

★ Indicates use as required.

Numerals in parentheses () refer to notes.

Printed in U.S.A.

⊠ Indicates parts not listed in any previous parts book.

Prices and specifications subject to change without notice.

March 15, 1965 Supersedes March 16, 1964.

Page 13-12

* Indicates change or addition.

CODE	PART NAME AND DESCRIPTION	CYL	PER CAR	VALIANT DART	PLYMOUTH DODGE	CHRYSLER IMPERIAL
13-64-0 FRONT BUMPER FACE BAR - Cont'd						
13-64-4	SUPPORT - Cont'd					
	Inner, Right, VY1	8	1	-----	-----	2404 630
	Inner, Left, VY1	8	1	-----	-----	2404 631
	Outer, Right, VY1	8	1	-----	-----	2404 636
	Outer, Left, VY1	8	1	-----	-----	2404 637
	CROSSMEMBER, VA3, VC1, VC2, w/Manual Trans.	8	1	-----	-----	1944 399
13-64-5	BOLT, Bumper to Support, except VA3	8	★	2074 225	1737 430	
	VA3, VC1, VC2, VC3	8	★	-----	2123 898	2123 898
	Bumper to Stabilizer, VV1, VV2		2	2074 225		
	Except VA3		2	-----	1737 430	
	Support to Frame, except VA3		4	6023 148	6023 148	
	VA3, VC1, VC2, VC3	8	4	-----	6022 905	6022 902
	VY1	8	12	-----	-----	1948 970
	Bumper Bracket to Support, VY1	8	2	-----	-----	1551 766
	SPRING-NUT, Support to Crossmember, VA3, VC1, VC2, VC3	8	4	-----	6023 850	6023 850
13-64-6	WASHER, Support to Frame, except VA3	8	★	-----	574 812	
	VA3, VC1, VC2, VC3	8	★	-----	6022 899	6022 899
	VY1	8	★	-----	-----	1948 969
	Bumper Bracket to Support, VY1	8	★	-----	-----	6022 898
13-64-9	SHIM, Bumper		★	-----	2404 685	
13-64-26	PLATE, VY1, Right	8	1	-----	-----	2404 624
	VY1, Left	8	1	-----	-----	2404 625
13-64-38	TAPE, Front Bumper, VY1	8	★	-----	-----	2404 741
13-64-56	SPEED-NUT, Support to Frame, except VA3		4	-----	1323 958	
	VA3, VC1, VC2, VC3	8	4	-----	6023 850	6023 850
	Bumper Bracket to Support, VC1, VC2, VC3	8	2	-----	-----	1323 958
13-64-72	REINFORCEMENT, Bumper Support, Right, VY1	8	1	-----	-----	2404 638
	Left, VY1	8	1	-----	-----	2404 639
13-64-149	STABILIZER, Right, VV1, VV2		1	2404 536		
	Left, VV1, VV2		1	2404 537		
	VP1, VP2		2	-----	2404 547	
	NUT, w/WASHER, VV1, VV2, VP1, VP2		2	6012 008	6012 008	
	SCREW, Shoulder, VV1, VV2		2	6023 977		
	VL1, VL2, Sta. Wgn.		2	6023 977		
13-64-150	REINFORCEMENT, Bumper to Stabilizer Support, Right, VD1, VD2		1	-----	2404 594	
	Left, VD1, VD2		1	-----	2404 595	
	SUPPORT, Bumper to Stabilizer, Right, VD1, VD2		1	-----	2404 592	
	Left, VD1, VD2		1	-----	2404 593	
13-66-0 REAR BUMPER FACE BAR						
13-66-3	BAR, Face, VV1, VV2		1	*2266 602		
	Use w/o Guards, except Sta. Wgn., VL1, VL2		1	2266 534		
	Use w/Guards, except Sta. Wgn., VL1, VL2		1	2266 535		
	Sta. Wgn., VL1, VL2		1	*2266 602		
	Except Sta. Wgn., VP1, VP2		1	-----	2404 659	
	Except Sta. Wgn., VD1, VD2		1	-----	2404 660	
	Use w/o Step-Pads, Sta. Wgn., except VA3		1	-----	2266 566	
	Use w/Step-Pads, Sta. Wgn., except VA3		1	-----	2266 567	
	VA3	8	1	-----	*2266 624	
	Use w/o Guards, w/Back-Up Lights, except Sta. Wgn., VC1, VC2, VC3	8	1	-----	-----	2266 624

★ Indicates use as required.

Numerals in parentheses () refer to notes.

Printed in U.S.A.

⊘ Indicates parts not listed in any previous parts book.

Prices and specifications subject to change without notice.

* Indicates change or addition.

1964 PASSENGER CAR PARTS CATALOG

FRAME

CODE	PART NAME AND DESCRIPTION	C Y L	PER CAR	VALIANT DART	PLYMOUTH DODGE	CHRYSLER IMPERIAL
13-66-O REAR BUMPER FACE BAR - Cont'd						
13-66-3	BAR - Cont'd Use w/o Guards, w/o Back-Up Lights, except Sta. Wgn., VC1, VC2	8	1	-----	-----	2266 588
	Center, Sta. Wgn., VA3, VC1, VC3	8	1	-----	2123 860	2123 860
	Extension, Sta. Wgn., Right, VA3, VC1, VC3	8	1	-----	2123 814	2123 814
	Extension, Sta. Wgn., Left, VA3, VC1, VC3	8	1	-----	2123 813	2123 813
	Upper, VY1	8	1	-----	-----	2404 700
	Lower, VY1	8	1	-----	-----	2404 701
13-66-9	DOOR, Rear Bumper Filler, VY1	8	1	-----	-----	2404 725
13-66-10	PIN, Rear Bumper Filler Door, VY1	8	1	-----	-----	2404 730
13-66-14	COVER, w/STUDS, Rear Bumper Back-Up Lamp Opening, except Sta. Wgn., VA3	8	2	-----	2483 188	
13-66-15	BOLT, Bumper to Support	8	★	2074 225	1737 430	1737 430
	VA3, VC1, VC2, VC3	8	★	-----	2123 898	2123 898
	Bumper to Stabilizer, VL1, VL2	8	2	2074 225	1737 430	
	Sta. Wgn., VA3, VC1, VC3	8	2	-----	2074 225	2074 225
	Support to Crossmember, VA3, VC1, VC2, VC3	8	4	-----	6022 902	6022 902
	Stabilizer to Bumper, except Sta. Wgn., VA3	8	2	-----	2123 898	
	Sta. Wgn., VC1, VC3	8	2	-----	-----	2074 225
	Support to Frame, except VA3	8	4	-----	6023 148	
	PLUG, Step-Pad Hole, Sta. Wgn., VA3, VC1, VC3	8	2	-----	6012 070	6012 070
13-66-16	SUPPORT, Right, except Sta. Wgn., VV1, VV2		1	2266 530		
	Left, except Sta. Wgn., VV1, VV2		1	2266 531		
	Right, except Sta. Wgn., VL1, VL2		1	2266 536		
	Left, except Sta. Wgn., VL1, VL2		1	2266 537		
	Right, Sta. Wgn.		1	2266 542		
	Left, Sta. Wgn.		1	2266 543		
	Right, Outer, except Sta. Wgn., VP1, VP2		1	-----	2405 442	
	Left, outer, except Sta. Wgn., VP1, VP2		1	-----	2405 443	
	Right, Inner, except Sta. Wgn., VP1, VP2		1	-----	*2405 436	
	Left, Inner, except Sta. Wgn., VP1, VP2		1	-----	*2405 437	
	Right, Outer, except Sta. Wgn., VD1, VD2		1	-----	2404 672	
	Left, Outer, except Sta. Wgn., VD1, VD2		1	-----	2404 673	
	Right, Inner, except Sta. Wgn., VD1, VD2		1	-----	2404 670	
	Left, Inner, except Sta. Wgn., VD1, VD2		1	-----	2404 671	
	Right, Outer, Sta. Wgn., except VA3		1	-----	2266 572	
	Left, Outer, Sta. Wgn., except VA3		1	-----	2266 573	
	Right, Inner, Sta. Wgn., except VA3		1	-----	2266 574	
	Left, Inner, Sta. Wgn., except VA3		1	-----	2266 575	
	Right, except Sta. Wgn., VA3, VC1, VC2, VC3	8	1	-----	2405 426	2266 590
	Left, except Sta. Wgn., VA3, VC1, VC2, VC3	8	1	-----	2405 427	2266 591
	Right, Sta. Wgn., VA3, VC1, VC3	8	1	-----	2123 856	2123 856
	Left, Sta. Wgn., VA3, VC1, VC3	8	1	-----	2123 857	2123 857
	Right, Outer, VY1	8	1	-----	-----	2404 717
	Left, Outer, VY1	8	1	-----	-----	2404 718
	Inner, VY1	8	2	-----	-----	2404 712
	Center, VY1	8	1	-----	-----	2404 714
13-66-18	SHIM, Support to Frame, 1/8" thk., VY1	8	★	-----	-----	6024 383
13-66-20	WASHER, Support to Frame	6	★	6023 225		
	VY1	8	★	-----	-----	1948 969
	BOLT, w/WASHER, Support to Frame, except VA3		★	-----	6023 148	
	WASHER, Support to Crossmember, VA3	8	4	-----	6022 899	6022 899

★ Indicates use as required.

Numerals in parentheses () refer to notes.

Printed in U.S.A.

□ Indicates parts not listed in any previous parts book.

Prices and specifications subject to change without notice.

March 15, 1965 Supersedes March 16, 1964.

Page 13-14

* Indicates change or addition.

CODE	PART NAME AND DESCRIPTION	CYL	PER CAR	VALIANT DART	PLYMOUTH DODGE	CHRYSLER IMPERIAL
13-66-O REAR BUMPER FACE BAR - Cont'd						
13-66-20	SPRING-NUT, Support to Crossmember, VA3, VC1, VC2, VC3	8	4	----	6023 850	6023 850
	Inner, Support to Frame, VY1	8	4	----	----	1323 958
13-66-21	REINFORCEMENT, Bumper to Center, VY1	8	1	----	----	2404 716
13-66-23	BUTTON, Bumper Filler Door, VY1	8	2	----	----	1943 547
13-66-24	PLATE, Bumper to Frame Support, VA3, VC1, VC2, VC3	8	4	----	2123 938	2123 938
	Bumper to Support, Sta. Wgn., VA3, VC1, VC3	8	2	----	*1948 015	*1948 015
13-66-25	SPRING, Rear Bumper Filler Door, VY1	8	1	----	----	2404 731
13-66-26	HINGE, Rear Bumper Filler Door, VY1	8	1	----	----	2404 728
13-66-31	ORNAMENT, Bumper Door Filler, VY1	8	1	----	----	2404 734
	SCREW, Bumper Filler Door Ornament, VY1	8	1	----	----	6024 893
	PLATE, Bumper Filler Door Ornament, VY1	8	1	----	----	2404 732
	RING, Bumper Door Filler, VY1	8	1	----	----	2404 737
	NUT, Bumper Filler Door Ornament Ring, VY1	8	1	----	----	6006 144
13-66-33	BRACKET, Bumper Filler Door, VY1	8	1	----	----	2404 729
13-66-40	BRACKET, Bumper Light, Right, VY1	8	1	----	----	2404 702
	Left, VY1	8	1	----	----	2404 703
13-66-106	DEFLECTOR, Stone, except Sta. Wgn., VL1, VL2		1	2483 630		
	Except Sta. Wgn., VP1, VP2		1	----	2255 670	
	Except Sta. Wgn., VD1, VD2		1	----	*2603 574	
	Deck Opening, Lower Panel, VY1	8	1	----	----	*2588 054
	CLIP		*	----	6006 104	
	NOTE: For Valiant see Code 23-34-167.					
13-66-116	SEAL, w/CLIP, Stone Deflector, except Sta. Wgn., VP1, VP2		1	----	2424 994	
13-66-123	FASTENER, Jacking Bracket Panel, Sta. Wgn., VA3, VC1, VC3	8	2	----	6006 456	6006 456
13-66-135	STABILIZER, VV1, VV2		2	2266 525		
	Except Sta. Wgn., VL1, VL2		2	2266 547		
	Sta. Wgn., VL1, VL2		2	2266 525		
	Except Sta. Wgn., VD1, VD2		2	----	2404 676	
	Sta. Wgn., VA3, VC1, VC3, Right	8	1	----	2123 940	*2123 940
	Sta. Wgn., VA3, VC1, VC3, Left	8	1	----	2123 939	2123 939
	SCREW, w/WASHER, to Quarter Panel, except VL1, VL2, VD1, VD2		2	6024 243	6024 243	
	NUT, w/RETAINER, Bumper to Stabilizer, VV1		2	6000 123		
	Sta. Wgn., VL1, VL2		2	6000,123		
13-66-147	STEP-PAD, Sta. Wgn., except VA3		2	----	2266 623	
	VA3, VC1, VC3	8	2	----	2123 885	2123 885
13-66-151	PANEL, Texture Bumper Upper, VY1	8	2	----	----	2404 706
	NUT, Bumper to Panel Stud, VY1	8	8	----	----	6024 481
	WASHER, Bumper to Panel Stud, VY1	8	8	----	----	6024 482
13-66-153	CLOSURE, Bumper Center, VD1, VD2, except Sta. Wgn.		1	----	2404 678	
	NUT, w/WASHER, VD1, VD2, except Sta. Wgn.		3	----	5025 002	

* Indicates use as required.

Numerals in parentheses () refer to notes.

Printed in U.S.A.

⊠ Indicates parts not listed in any previous parts book.

Prices and specifications subject to change without notice.

* Indicates change or addition.

1964 PASSENGER CAR PARTS CATALOG

FRAME

CODE	PART NAME AND DESCRIPTION	CYL	PER CAR	VALIANT DART	PLYMOUTH DODGE	CHRYSLER IMPERIAL
13-68-O BUMPER GUARDS						
13-68-6	GUARD, Front Right, VV1, VV2		1	*2404 524		
	Left, VV1, VV2		1	*2404 525		
	Front, VL1, VL2		2	*2266 476		
	Front, VP1, VP2		1	----	E2404 543	
	Front, VD1, VD2		2	----	F2404 584	
	Front, VA3	8	2	----	2266 500	
	Rear, VV1, VV2		2	*2266 450		
	Rear, except Sta. Wgn., VL1, VL2		2	*2266 540		
	Rear, Sta. Wgn., VL1, VL2		2	*2266 450		
	Rear, except Sta. Wgn., VP1, VP2		2	----	*2405 444	
	Rear, except Sta. Wgn., VD1, VD2		2	----	*2404 664	
	Rear, except Sta. Wgn., VA3, VC1, VC2, VC3	8	2	----	*2266 500	2266 500
13-68-12	BRACKET, Front Bumper Guard, VP1, VP2		2	----	E2404 553	
13-68-18	CUSHION, Guard, Front, VP1, VP2		1	----	E2404 546	
	Front, VD1, VD2		2	----	F2404 585	
	Front, VA3	8	2	----	2266 504	
	Rear, except Sta. Wgn., VP1, VP2		2	----	*2266 466	
	Rear, except Sta. Wgn., VD1, VD2		2	----	*2404 666	
	Rear, except Sta. Wgn., VA3, VC1, VC2, VC3	8	2	----	*2266 504	*2266 504
	PAD, Impact, VY1	8	2	----	----	E2404 709
	STUD, Bracket to Pad, VY1	8	2	----	----	F6024 398
13-68-20	ADAPTER, Guard, Front, use w/Guards, VP1,VP2		2	----	2404 549	
	Use w/Guards, VD1, VD2		2	----	2404 586	
13-72-O BUMPER JACK						
13-72-1	JACK		1	*2201 039		
13-72-2	JACK HANDLE, VC1, VC2, VC3		1	2201 009	2201 009	2201 009
	VY1	8	1	----	----	2201 010
13-72-3	HOOK, Jack, VP1, VP2		1	----	2460 148	
	VD1, VD2, except Sta. Wgn.		1	----	*2460 149	
	VD1, VD2, Sta. Wgn.		1	----	*2460 150	
	VA3, VC1, VC2, VC3	8	1	----	*2460 151	*2460 151
	VY1	8	1	----	----	E2460 152
13-72-4	BAR and BASE PACKAGE, Rack		1	----	2275 450	2275 450

NOTES
