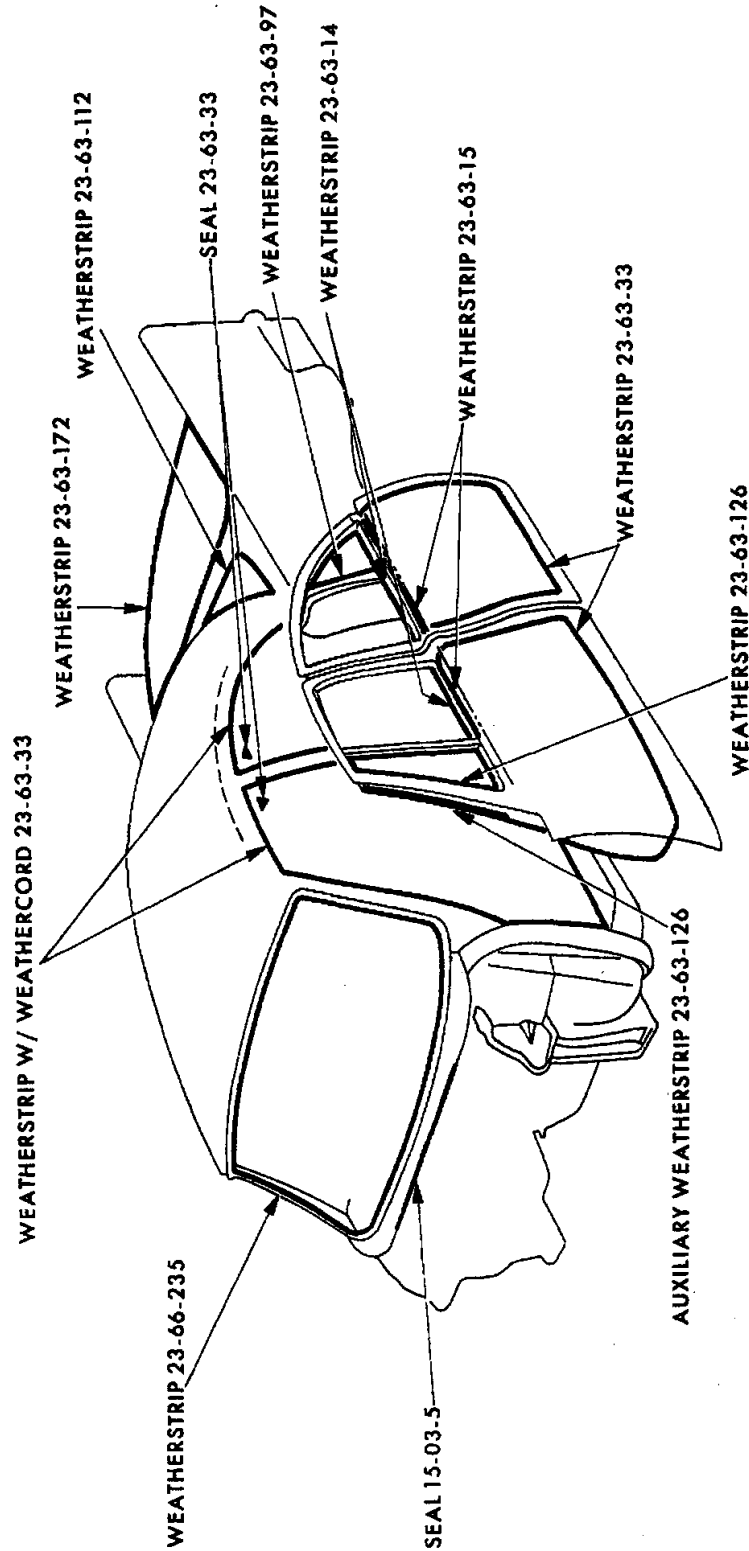
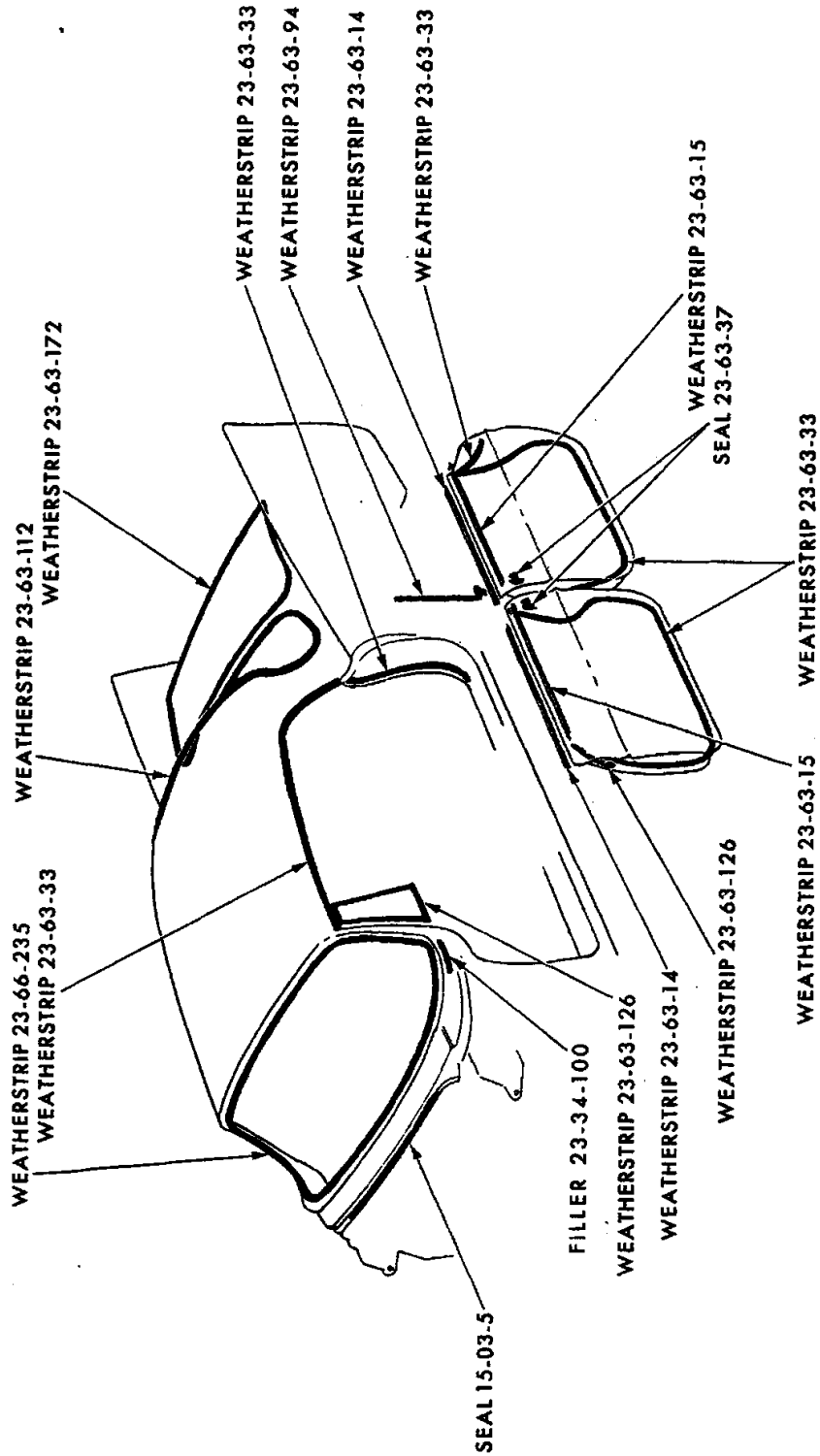


GROUP 23 - BODY



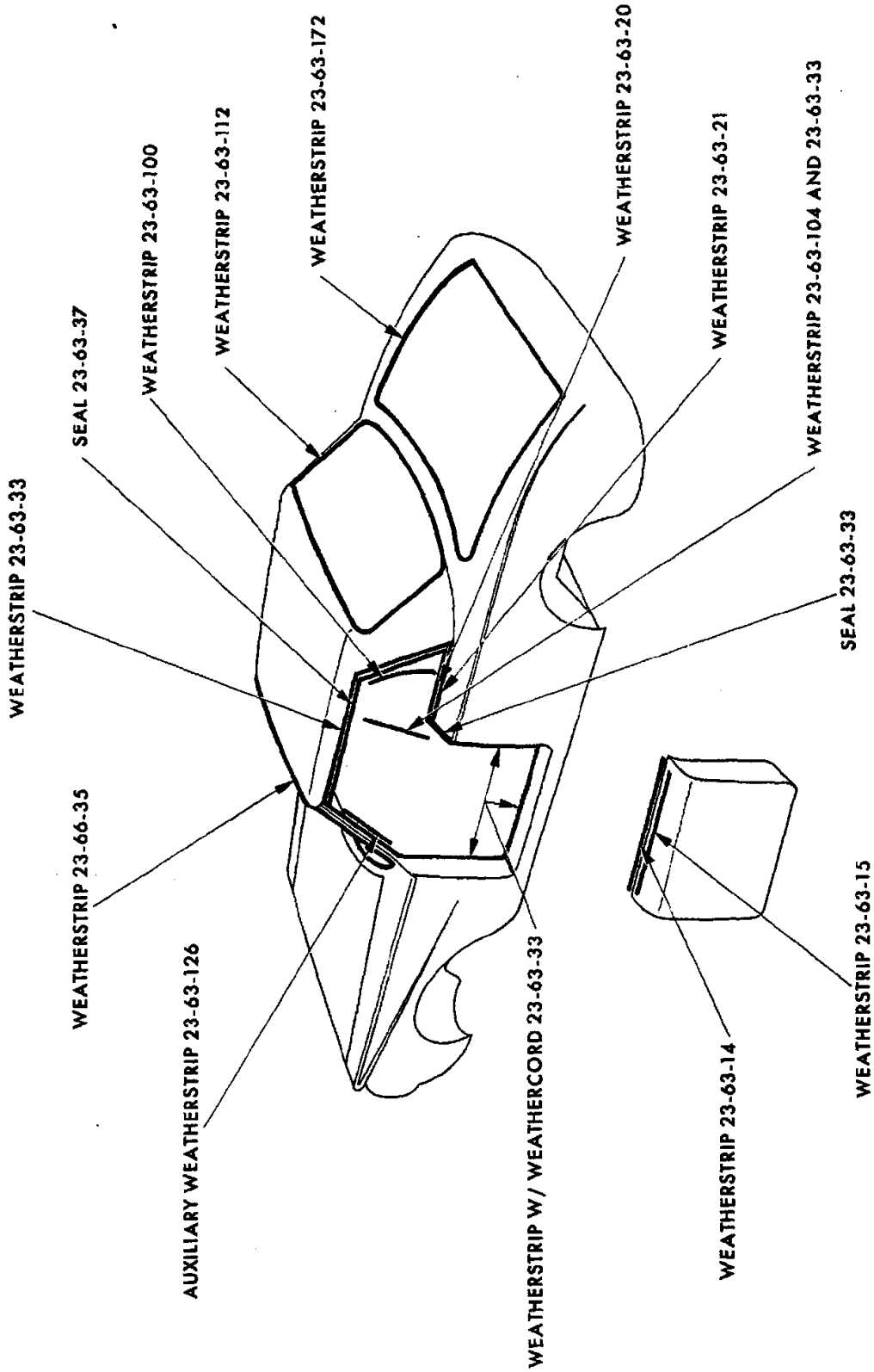
19x9836

WEATHERSTRIPS AND SEALS - TYPICAL OF 4 DOOR AND 2 DOOR SEDANS



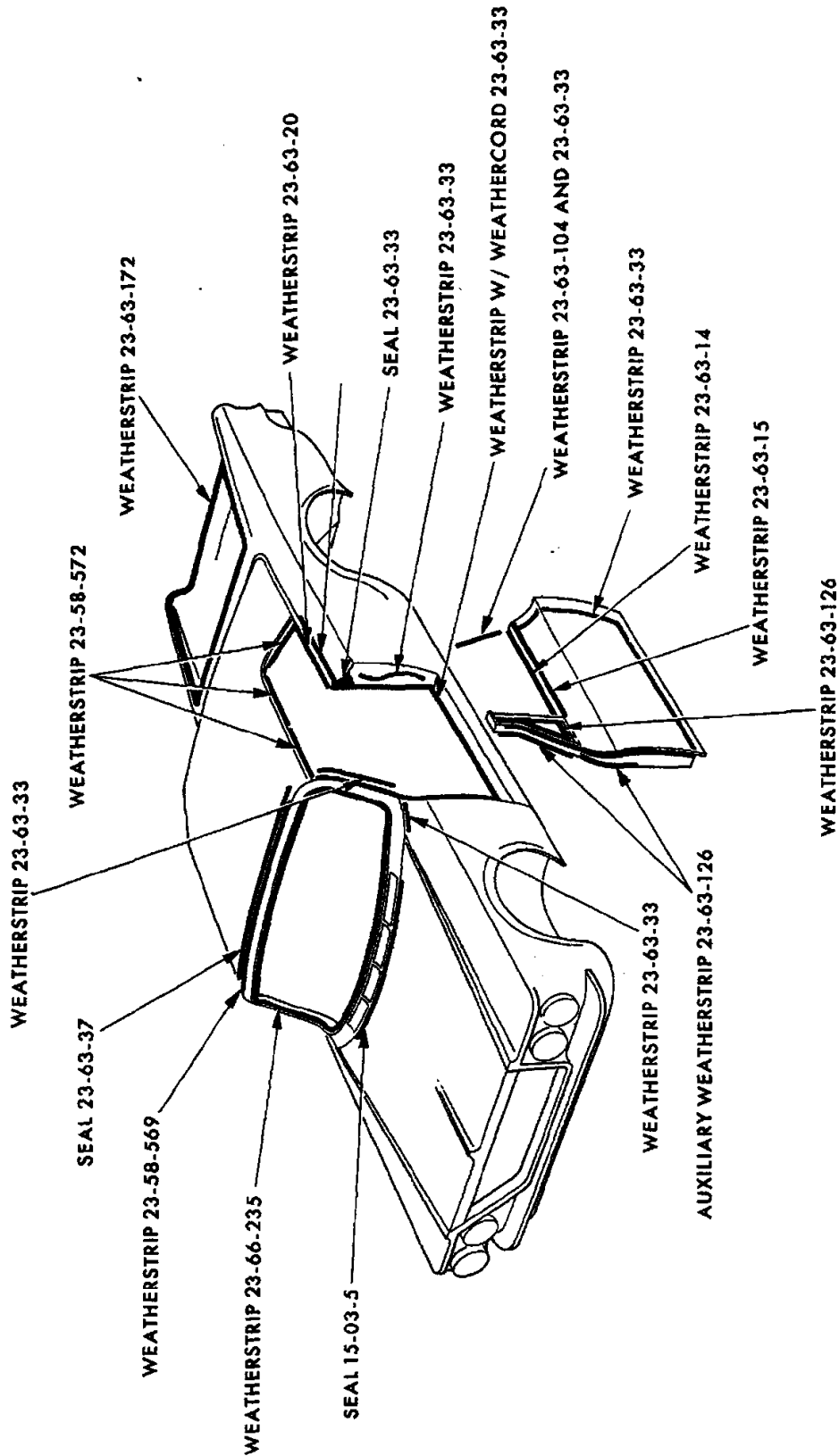
19x9835A

WEATHERSTRIPS AND SEALS - TYPICAL OF 4 DOOR HARDTOPS



19x9834

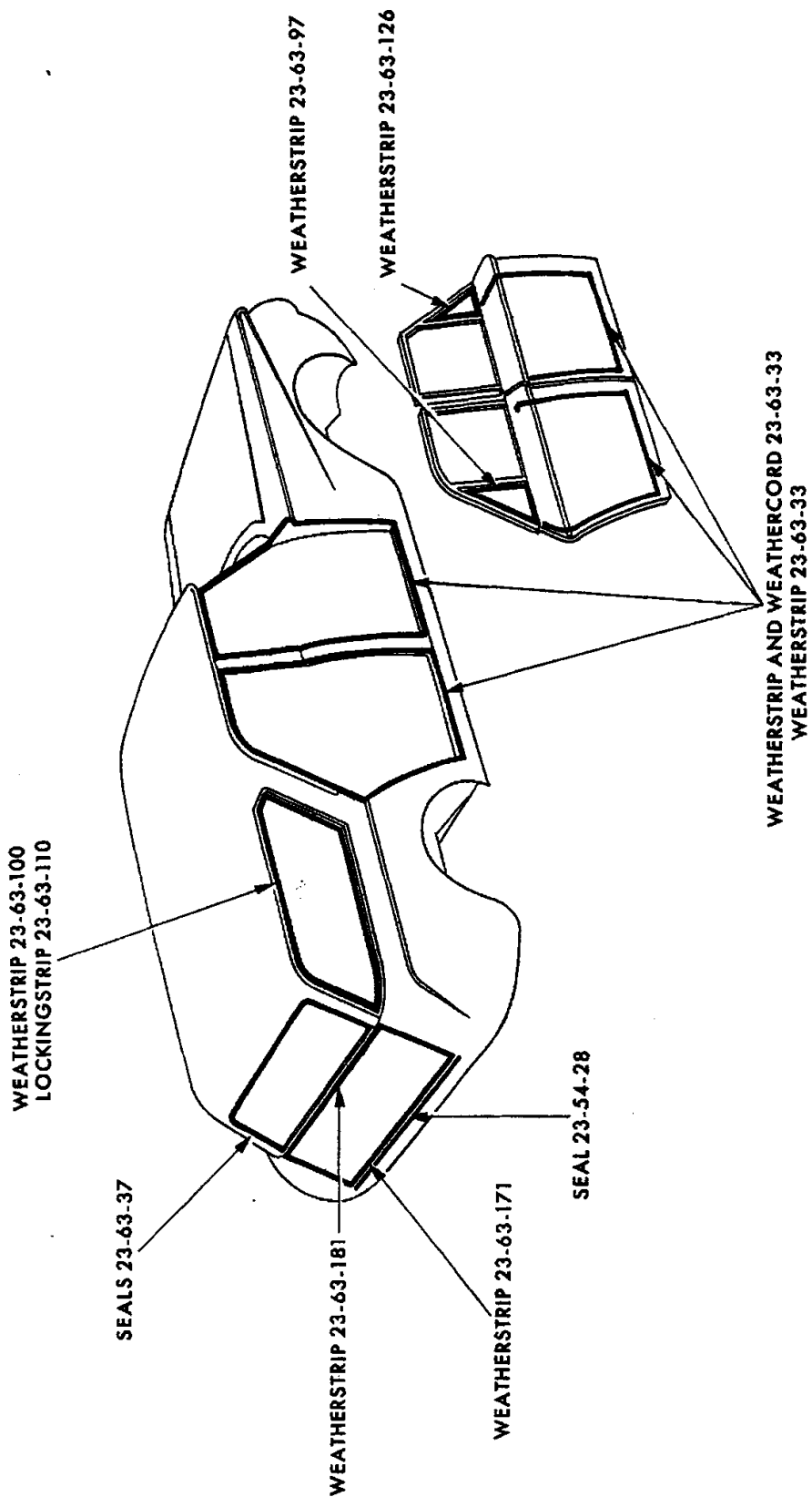
WEATHERSTRIPS AND SEALS - TYPICAL OF 2 DOOR HARDTOPS



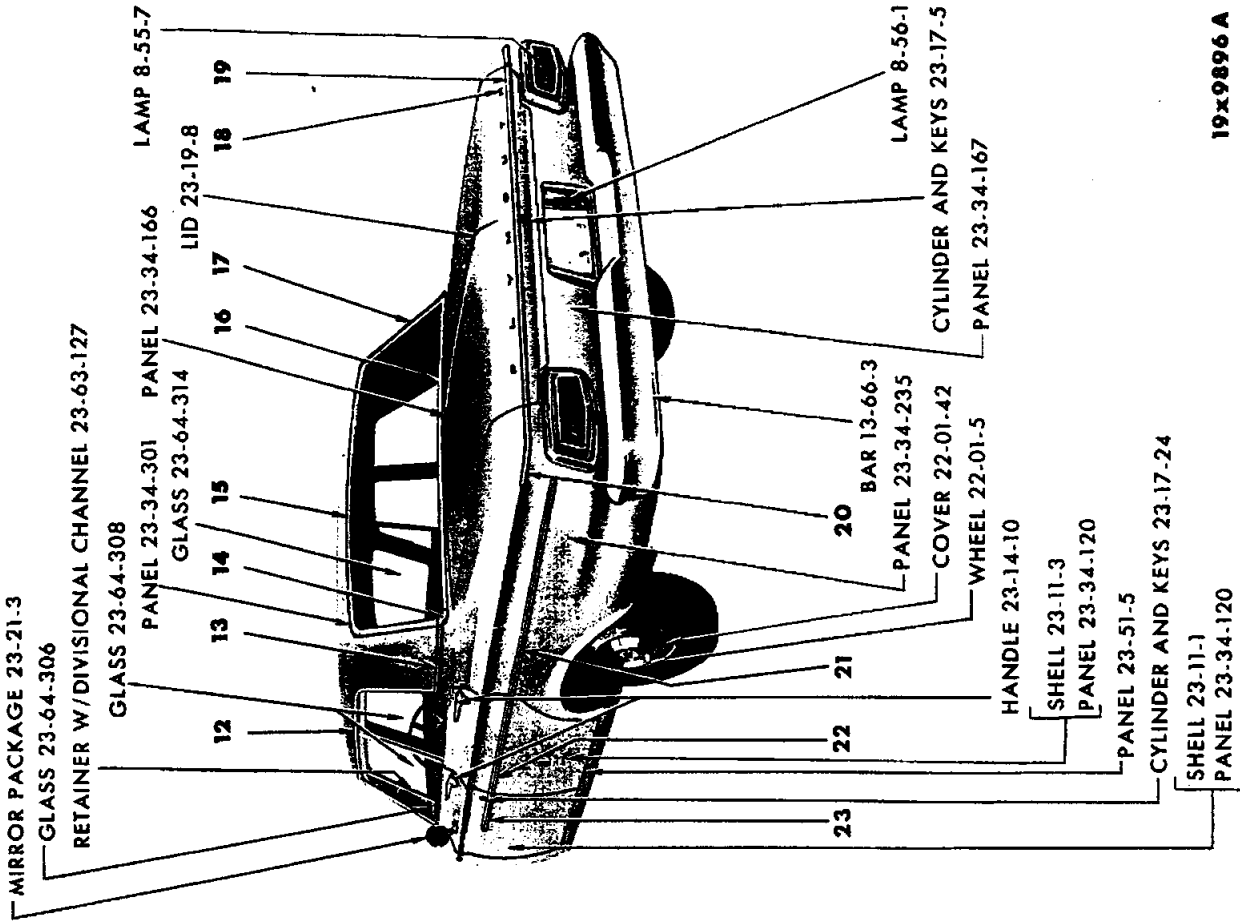
19X9833

WEATHERSTRIPS AND SEALS - TYPICAL OF CONVERTIBLE COUPES

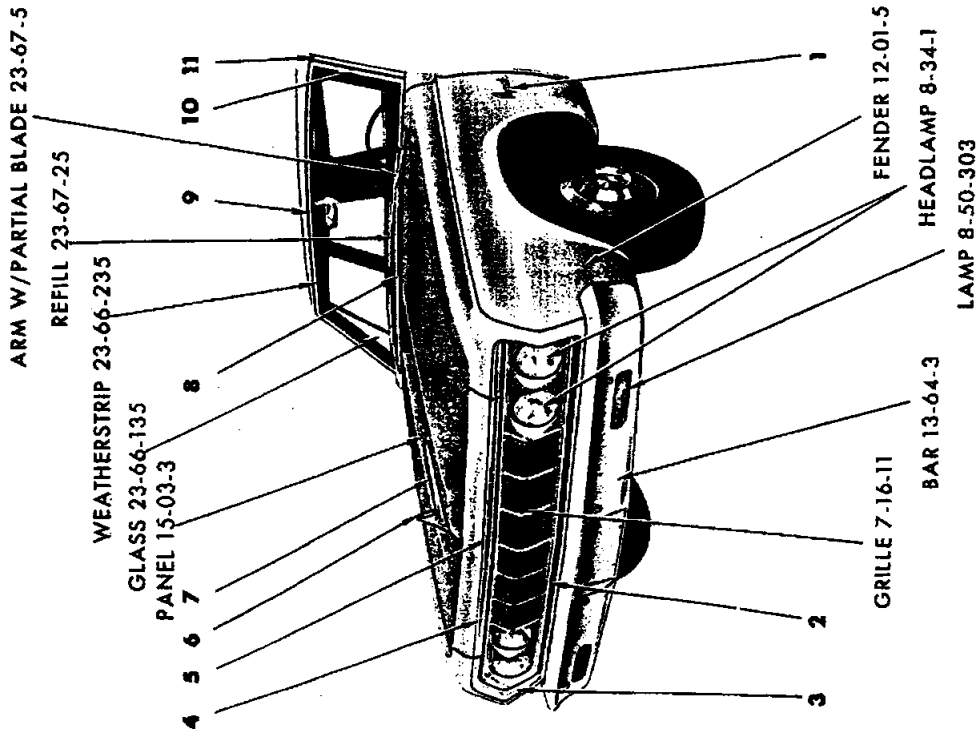
19x9837



WEATHERSTRIPS AND SEALS - TYPICAL OF STATION WAGONS



19x9896A



EXTERIOR VIEW - PLYMOUTH VP1-2(L) 4 DOOR SEDAN

1964 PASSENGER CAR PARTS CATALOG

BODY

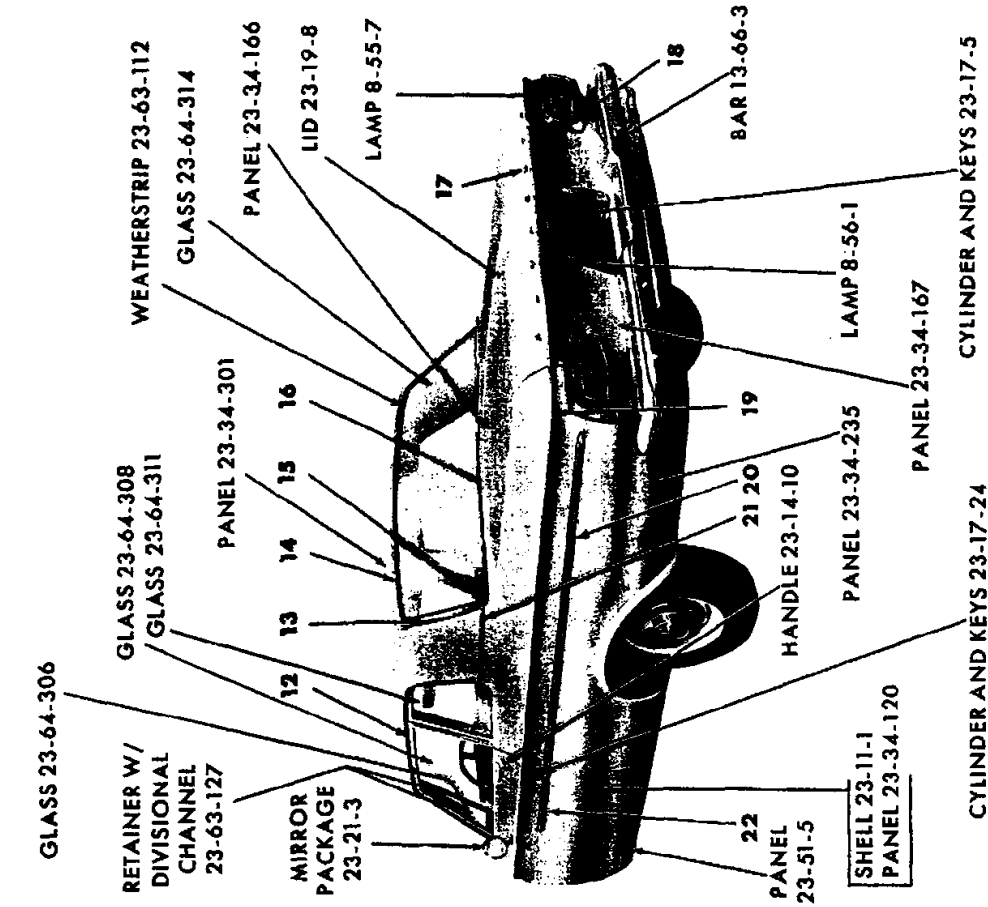
Page 23-7

REF. NO.	QTY	PART NUMBER	DESCRIPTION	REF. NO.	QTY	PART NUMBER	DESCRIPTION
1	2	2417 375	NAME PLATE, Fender Side (12-15-21)	14	1	2480 920-1	MOULDING, Rear Window Outside Lower Corner (23-23-52)
	6	152 259	Nut		2	6023 693	Screw
2	1	2495 195	MOULDING PACKAGE, Radiator Stone Deflector (7-36-20)	15	1	2495 269	MOULDING PACKAGE, Rear Window Outside Upper (23-23-52)
	8	6001 467	Retainer		6	6001 525	Retainer and Screw
	8	6000 616	Nut	16	1	2480 922	MOULDING, Rear Window Outside Lower (23-23-52)
3	1	2495 196-7	MOULDING PACKAGE, Fender Front (12-15-2)		6	6023 693	Screw
	4	6001 466	Retainer	17	1	2480 918-9	MOULDING, Rear Window Outside Side (23-23-53)
	4	-----	Clip		6	6001 525	Retainer and Screw
	8	6024 563	Screw	18	1	2417 367	"P", Deck Lid Letter (23-19-114)
	4	-----	Nut		1	2417 368	"L"
4	1	2495 194	MOULDING PACKAGE, Hood Front (15-25-2)		1	2417 369	"Y"
	8	-----	Nut		1	2417 370	"M"
	2	6001 465	Retainer		1	2423 369	"O"
	4	6001 466	Retainer		1	2423 370	"U"
5	1	2417 367	LETTER, Hood Front Name "P" (15-06-16)		1	2417 373	"T"
	1	2417 368	"L"		1	2417 374	"H"
	1	2417 369	"Y"		16	152 259	Nut
	1	2417 370	"M"	19	1	2448 179	MOULDING PACKAGE, Deck Lid (23-23-30)
	1	2423 369	"O"		2	6001 433	Retainer
	1	2423 370	"U"		1	2424 098-9	Spacer
	1	2417 373	"T"		2	9417 621	Nut
	1	2417 374	"H"		6	6001 439	Retainer
6	16	9415 250	Nut		6	6006 264	Nut
	1	2417 713	ORNAMENT, Hood Top (15-03-18)	20	1	2448 184-5	MOULDING PACKAGE, Quarter Panel Lower Rear (23-23-39)
	1	6023 912	Screw		6	-----	Nut
7	1	2495 756	MOULDING PACKAGE, Hood Top (15-25-2)		6	6001 112	Clip
	3	6023 097	Nut	21	1	2495 766-7	MOULDING PACKAGE, Quarter Panel (23-23-39)
8	1	2218 595	MOULDING, Windshield Outside Finish Lower (23-23-65)		2	6024 271	Screw
	10	6001 537	Retainer and Screw		12	6001 580	Retainer
9	1	2218 594	MOULDING, Windshield Outside Upper (23-23-65)		2	6001 579	Retainer
	8	6001 537	Retainer and Screw		2	6024 679	Nut
10	1	2218 596-7	MOULDING, Windshield Outside Finish Side (23-23-65)	22	1	2495 762-3	MOULDING PACKAGE, Rear Door (23-23-33)
	6	6023 247	Screw		4	6001 711	Retainer
11	1	2491 014-5	MOULDING, Windshield Outside Side Upper Extension (23-23-65)		4	9417 621	Nut
	6	6024 271	Screw		10	6001 580	Retainer
12	1	2483 436-7	MOULDING, Roof Drain Trough Side (23-59-81)	23	1	2525 952-3	MOULDING PACKAGE, Front Door (23-23-32)
	6	6024 271	Screw		2	-----	Retainer
13	1	2448 150-1	MOULDING PACKAGE, Quarter Panel Belt (23-23-39)		2	-----	Nut
	6	6001 030	Retainer		6	6001 580	Retainer
	6	152 259	Nut		2	6001 711	Retainer
					2	9417 621	Nut

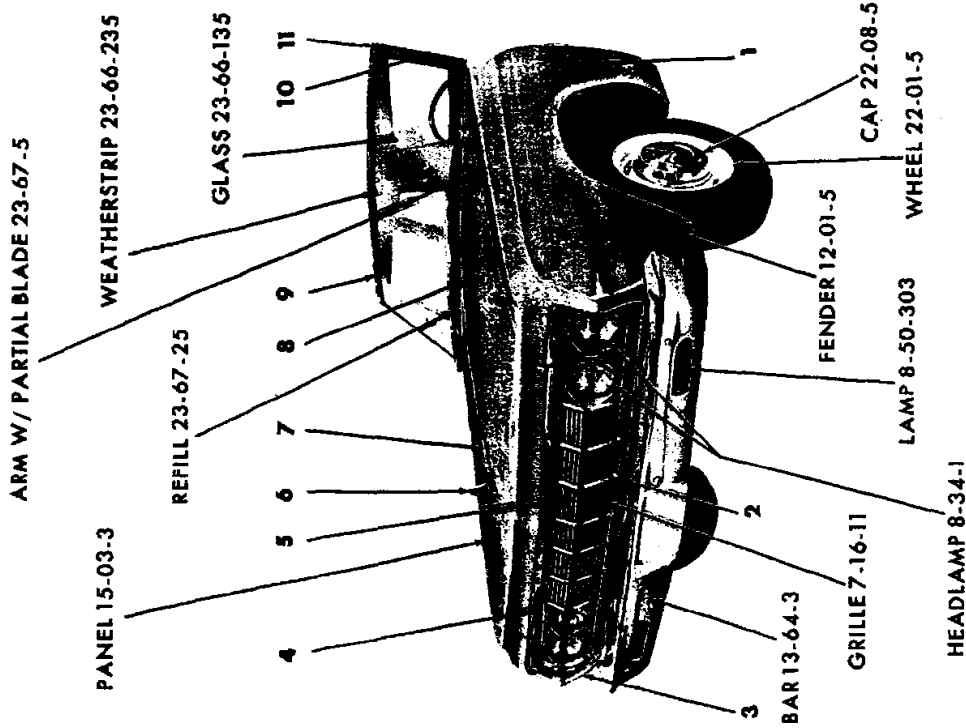
All Packages Include Attaching Parts

Part Type Code is Indicated in Parentheses

EXTERIOR VIEW - PLYMOUTH VP1-2(L) 4 DOOR SEDAN



19x9946A



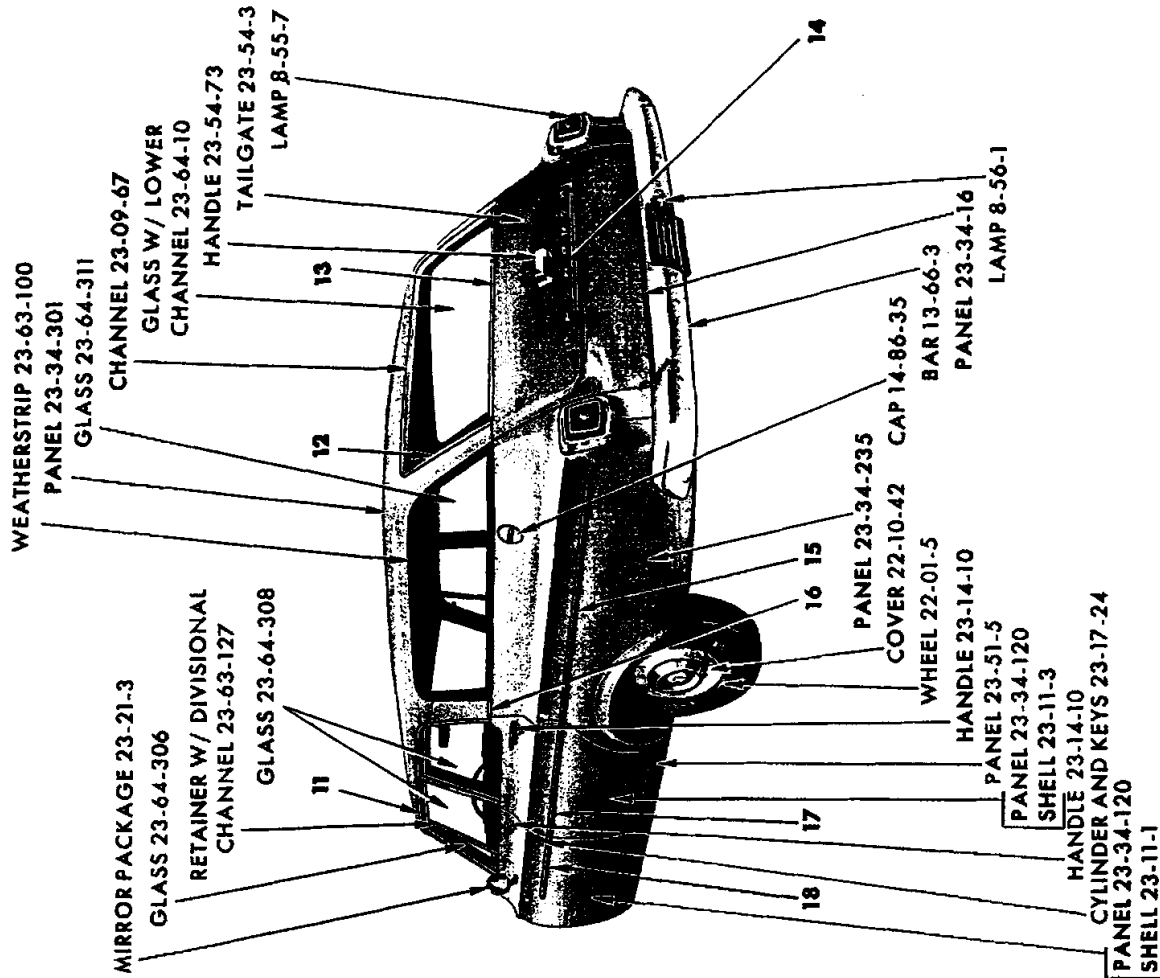
EXTERIOR VIEW - PLYMOUTH VPI-2(L) 2 DOOR SEDAN

REF. NO.	QTY	PART NUMBER	DESCRIPTION	REF. NO.	QTY	PART NUMBER	DESCRIPTION
1	2	2417 375	NAME PLATE, Fender Side (12-15-21)	14	1	2495 269	MOULDING PACKAGE, Rear Window Outside Upper (23-23-52)
	6	152 259	Nut		6	6001 525	Retainer and Screw
2	1	2495 195	MOULDING PACKAGE, Radiator Stone Deflector (7-35-20)	15	1	2480 920-1	MOULDING, Rear Window Outside Lower Corner (23-23-52)
	8	6001 467	Retainer		2	6023 693	Screw
	8	6000 616	Nut	16	1	2480 922	MOULDING, Rear Window Outside Lower (23-23-52)
3	1	2495 196-7	MOULDING PACKAGE, Fender Front (12-15-2)		6	6024 299	Screw
	4	6001 466	Retainer	17	1	2417 367	"P", Deck Lid Letter (23-19-114)
	4	-----	Clip		1	2417 368	"L"
	8	6024 563	Screw		1	2417 369	"Y"
	4	-----	Nut		1	2417 370	"M"
4	1	2495 194	MOULDING PACKAGE, Hood Front (15-25-2)		1	2423 369	"O"
	8	-----	Nut		1	2423 370	"U"
	2	6001 468	Retainer		1	2417 373	"T"
	6	6001 466	Retainer		1	2417 374	"H"
5	1	2417 367	LETTER, Hood Front Name, "P" (15-06-16)	16	16	152 259	Nut
	1	2417 368	"L"	18	1	2448 179	MOULDING PACKAGE, Deck Lid (23-23-30)
	1	2417 369	"Y"		2	6001 433	Retainer
	1	2417 370	"M"		1	2424 098-9	Spacer
	1	2423 369	"O"		6	6001 439	Retainer
	1	2423 370	"U"		2	9417 621	Nut
	1	2417 373	"T"		6	6008 264	Nut
	1	2417 374	"H"	19	1	2448 184-5	MOULDING PACKAGE, Quarter Panel Rear (23-23-39)
	16	9415 250	Nut		6	6001 112	Clip
6	1	2417 713	ORNAMENT, Hood Top (15-03-18)		6	-----	Nut
	1	6023 912	Screw	20	1	2495 764-5	MOULDING PACKAGE, Quarter Panel (23-23-39)
7	1	2495 756	MOULDING PACKAGE, Hood Top (15-25-2)		2	6024 271	Screw
	3	6023 097	Nut		10	6001 580	Retainer
8	1	2218 595	MOULDING, Windshield Outside Finish Lower (23-23-65)		2	6001 579	Retainer
	10	6001 537	Retainer and Screw		2	6024 679	Nut
9	1	2218 594	MOULDING, Windshield Outside Upper (23-23-65)	21	1	2448 150-1	MOULDING PACKAGE, Quarter Panel Belt (23-23-39)
	8	6001 537	Retainer and Screw		6	6001 030	Retainer
10	1	2218 596-7	MOULDING, Windshield Outside Finish Side (23-23-65)		6	152 259	Nut
	6	6023 247	Screw	22	1	2525 954-5	MOULDING PACKAGE, Door (23-23-32)
11	1	2491 014-5	MOULDING, Windshield Outside Side Upper Extension (23-23-65)		2	6001 711	Retainer
	6	6024 271	Screw		2	9417 621	Nut
12	1	2483 436-7	MOULDING, Roof Drain Trough Side (23-59-61)		2	-----	Retainer
	2	-----			2	-----	Nut
13	1	2480 918-9	MOULDING, Rear Window Outside Side (23-23-52)		8	6001 580	Retainer
	6	6001 525	Retainer and Screw				

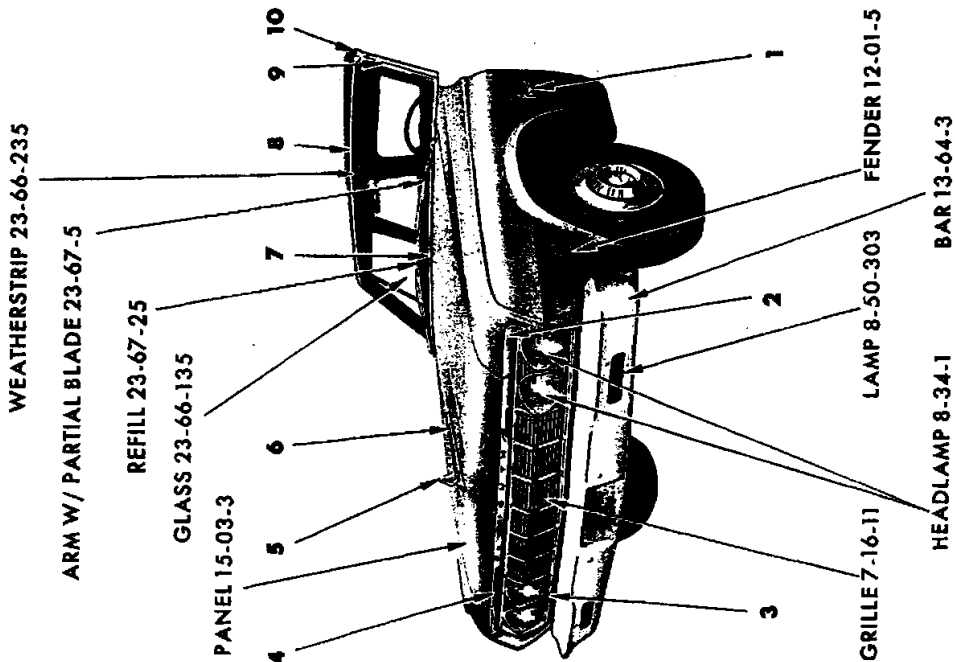
All Packages Include Attaching Parts

Part Type Code is Indicated in Parentheses

EXTERIOR VIEW - PLYMOUTH VP1-2(L) 2 DOOR SEDAN



19x9913 A



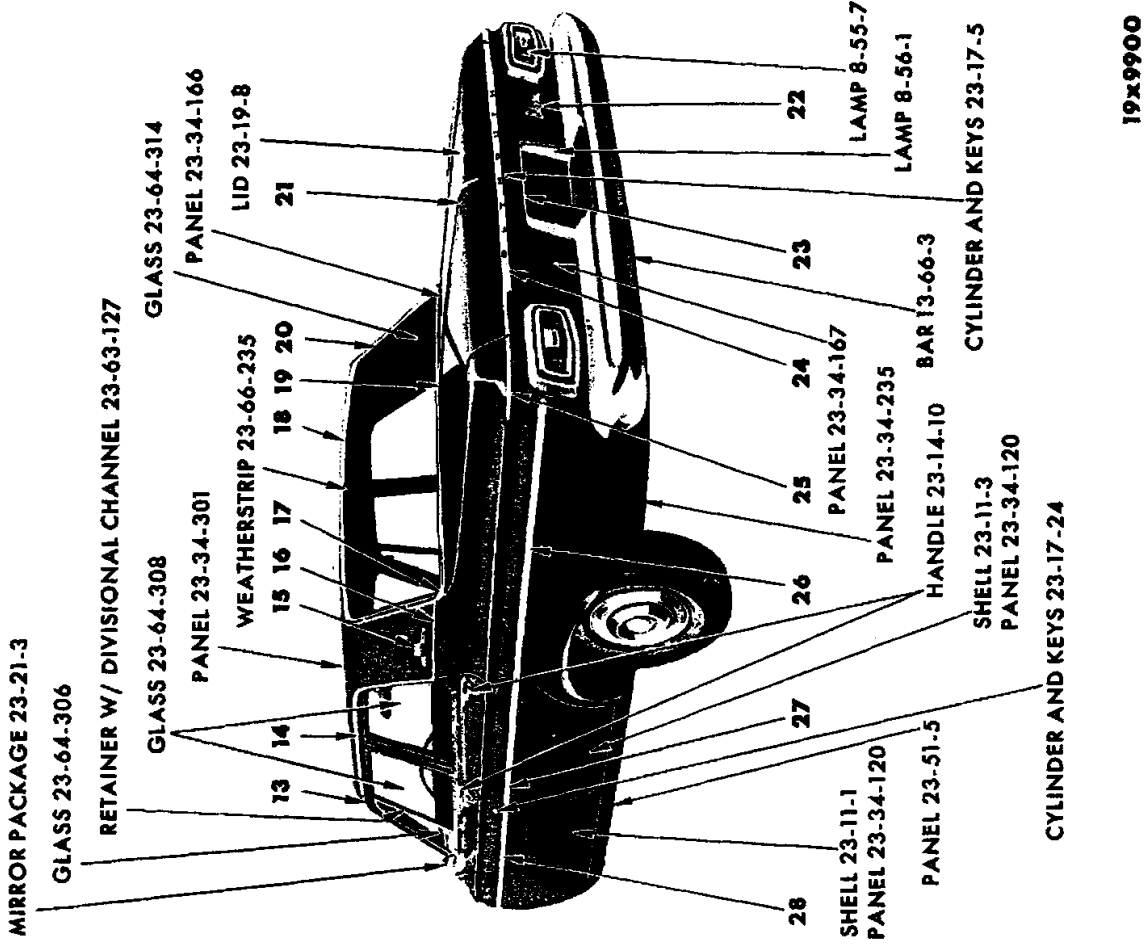
EXTERIOR VIEW - PLYMOUTH VPI-2(L) 4 DOOR STATION WAGON

REF. NO.	QTY	PART NUMBER	DESCRIPTION	REF. NO.	QTY	PART NUMBER	DESCRIPTION
1	2	2417 375	NAME PLATE, Fender Side (12-15-21)	13	1	2448 488	MOULDING PACKAGE; Tailgate Outside Panel Belt (23-23-61)
	6	152 259	Nut		6	6001 435	Clip
2	1	2495 196-7	MOULDING PACKAGE, Fender Front (12-15-2)		6	-----	Screw
	4	6001 466	Retainer	14	1	2417 367	LETTER "P", Tailgate Outside Panel (23-54-11)
	4	-----	Clip		1	2417 368	"L"
	8	6024 563	Screw		1	2417 369	"Y"
	4	-----	Nut		1	2417 370	"M"
3	1	2495 195	MOULDING PACKAGE, Radiator Stone Deflector (7-35-20)		1	2423 369	"O"
	8	6001 467	Retainer		1	2423 370	"U"
	8	6000 616	Nut		1	2417 373	"T"
4	1	2495 194	MOULDING PACKAGE, Hood Front (15-25-2)		1	2417 374	"H"
	8	-----	Nut	15	16	6001 254	Clip
	2	6001 465	Retainer		1	2495 768-9	MOULDING PACKAGE, Quarter Panel (23-23-39)
	4	6001 466	Retainer		2	6024 271	Screw
5	1	2417 713	ORNAMENT, Hood Top (15-03-18)		14	6001 580	Retainer
	1	6023 912	Screw		2	6001 579	Retainer
6	1	2495 756	MOULDING PACKAGE, Hood Top (15-25-2)		2	-----	Nut
	3	6023 097	Nut	16	1	2299 374	MOULDING PACKAGE, Quarter Panel Belt, Right (23-23-39)
7	1	2218 595	MOULDING, Windshield Outside Finish Lower (23-23-65)		1	2299 399	MOULDING PACKAGE, Quarter Panel Belt, Left
	10	6001 537	Retainer and Screw		4	6001 071	Clip
8	1	2218 594	MOULDING, Windshield Outside Upper (23-23-65)	17	1	2495 762-3	MOULDING PACKAGE, Rear Door (23-23-33)
	8	6001 537	Retainer and Screw		4	6001 711	Retainer
9	1	2218 596-7	MOULDING, Windshield Outside Finish Side (23-23-65)		4	9417 621	Nut
	6	6023 247	Screw		10	6001 580	Retainer
10	1	2491 014-5	MOULDING, Windshield Outside Side Upper Extension (23-23-65)	18	1	2525 952-3	MOULDING PACKAGE, Front Door (23-23-32)
	6	6024 271	Screw		2	-----	Retainer
11	1	2483 436-7	MOULDING, Roof Side Drain Trough (23-59-61)		2	-----	Nut
	6	6024 271	Screw		6	6001 580	Retainer
12	1	2480 976-7	MOULDING, Rear Upper Pillar Outside (23-23-60)		2	6001 711	Retainer
	8	9417 732	Screw		2	9417 621	Nut

All Packages Include Attaching Parts

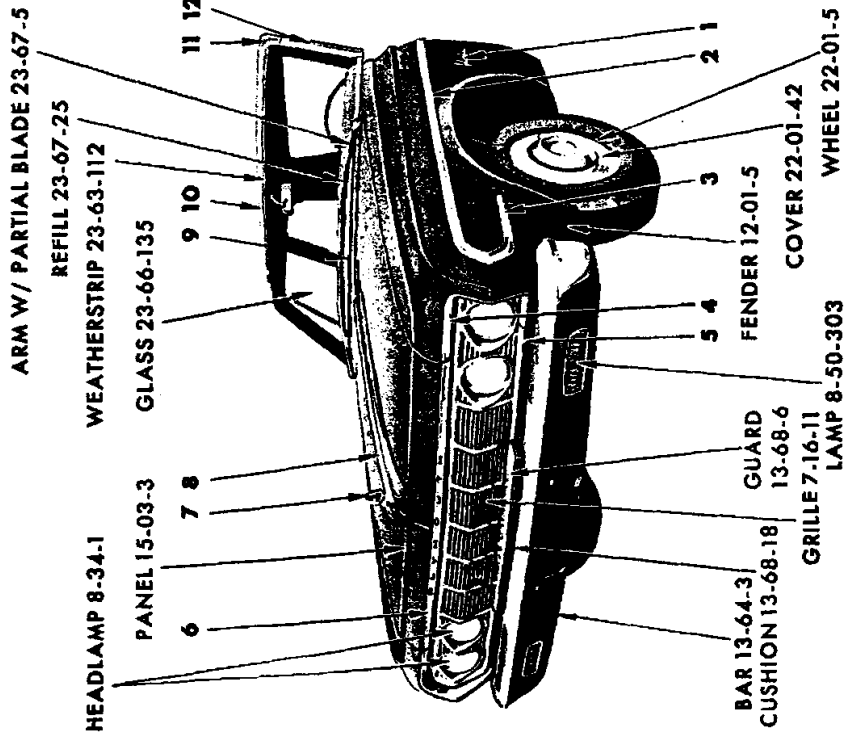
Part Type Code is Indicated in Parentheses

EXTERIOR VIEW - PLYMOUTH VP1-2(L) 4 DOOR STATION WAGON



19x9900

EXTERIOR VIEW - PLYMOUTH VPI-2(M) 4 DOOR SEDAN

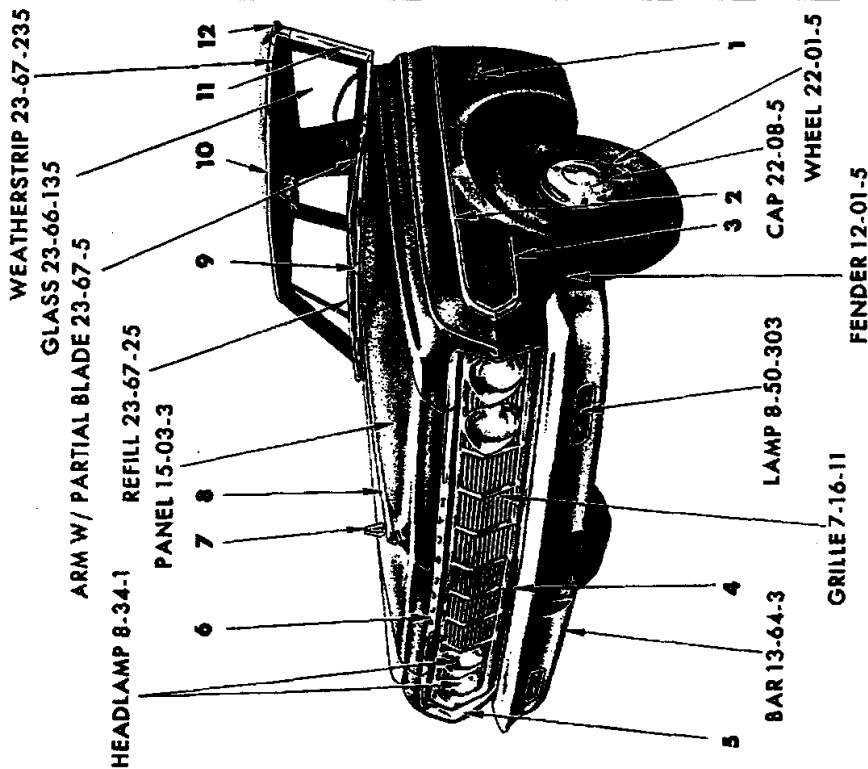
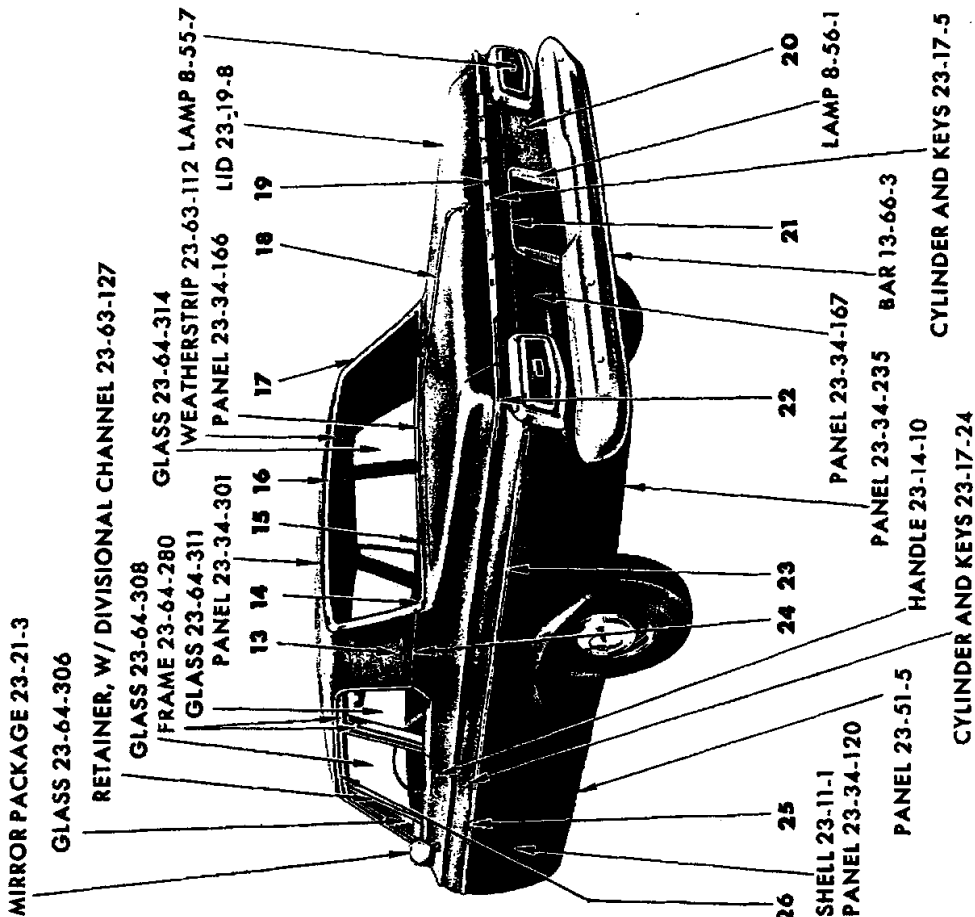


REF. NO.	QTY	PART NUMBER	DESCRIPTION	REF. NO.	QTY	PART NUMBER	DESCRIPTION
1	2	2422 891	NAME PLATE, Fender Side (12-15-21)	17	1	2480 920-1	MOULDING, Rear Window Outside Lower Corner (23-23-52)
	6	152 259	Nut		2	6023 693	Screw
2	1	2495 198-9	MOULDING PACKAGE, Fender Side Rear (12-15-2)	18	1	2495 269	MOULDING PACKAGE, Rear Window Outside Upper (23-23-53)
	4	6001 713	Retainer		6	6001 525	Retainer and Screw
	10	6001 503	Clip	19	1	2480 922	MOULDING, Rear Window Outside Lower (23-23-52)
	4	----	Nut		6	6023 693	Screw
3	1	2495 192-3	MOULDING PACKAGE, Fender Side Front (12-15-2)	20	1	2480 918-9	MOULDING, Rear Window Outside Side (23-23-52)
	8	6001 713	Retainer		6	6001 525	Retainer and Screw
	10	----	Nut	21	1	2448 180	MOULDING PACKAGE, Deck Lid Center (23-23-30)
4	1	2495 196-7	MOULDING PACKAGE, Fender Front (12-15-2)		6	6001 098	Retainer
	4	6001 466	Retainer		6	1839 995	Nut
	4	----	Clip	22	1	2422 891	NAME PLATE, Deck Opening Lower Panel (23-34-184)
	8	6024 563	Screw		3	6023 260	Nut
	4	----	Nut	23	1	2448 178	MOULDING PACKAGE, Deck Lower Panel License Depression (23-23-23)
5	1	2495 195	MOULDING PACKAGE, Radiator Stone Deflector (7-35-20)		4	1839 995	Nut
	8	6001 467	Retainer		3	6000 050	Clip
	8	6000 616	Nut	24	1	2448 590	MOULDING PACKAGE, Deck Lid Lower (23-23-30)
6	1	2495 194	MOULDING PACKAGE, Hood Front (15-25-2)		2	6001 433	Retainer
	2	6001 465	Retainer		2	9417 621	Nut
	4	6001 466	Retainer		1	2424 098-9	Spacer
7	1	2417 713	ORNAMENT, Hood Top (15-03-18)		6	6001 469	Retainer
	1	6023 912	Screw		6	6006 264	Nut
8	1	2495 757	MOULDING PACKAGE, Hood Top (15-25-2)	25	1	2448 184-5	MOULDING PACKAGE, Quarter Panel Upper Rear (23-23-39)
	6	6023 097	Nut		6	6001 112	Clip
9	1	2218 595	MOULDING, Windshield Outside Finish Lower (23-23-65)		6	----	Nut
	10	6001 537	Retainer and Screw	26	1	2495 766-7	MOULDING PACKAGE, Quarter Panel Lower (23-23-39)
10	1	2218 594	MOULDING, Windshield Outside Upper (23-23-65)		2	6024 271	Screw
	8	6001 537	Retainer and Screw		12	6001 503	Retainer
11	1	2491 014-5	MOULDING, Windshield Outside Side Upper Extension (23-23-65)		2	6000 029	Retainer
	6	6024 271	Screw		2	6024 679	Nut
12	1	2218 596-7	MOULDING, Windshield Outside Finish Side (23-23-65)	27	1	2495 762-3	MOULDING PACKAGE, Rear Door (23-23-33)
	6	6023 247	Screw		10	6001 503	Retainer
13	2	2422 976	CAP, Roof Drain Trough Moulding Front End (23-59-57)		4	6001 477	Retainer
14	1	2483 436-7	MOULDING, Roof Drain Trough Side (23-59-61)		4	9417 621	Nut
15	2	2480 515	MEDALLION, Quarter Outside (23-34-334)	28	1	2495 760-1	MOULDING PACKAGE, Front Door (23-23-32)
	4	152 259	Nut		8	6001 503	Retainer
16	1	2448 150-1	MOULDING PACKAGE, Quarter Panel Belt (23-23-39)		4	6001 477	Retainer
	6	6001 030	Retainer		4	9417 621	Nut
	6	152 259	Nut				

All Packages Include Attaching Parts

Part Type Code is Indicated in Parentheses

EXTERIOR VIEW - PLYMOUTH VP1-2(M) 4 DOOR SEDAN



EXTERIOR VIEW - PLYMOUTH VPI-2(M) 2 DOOR SEDAN

19x9910

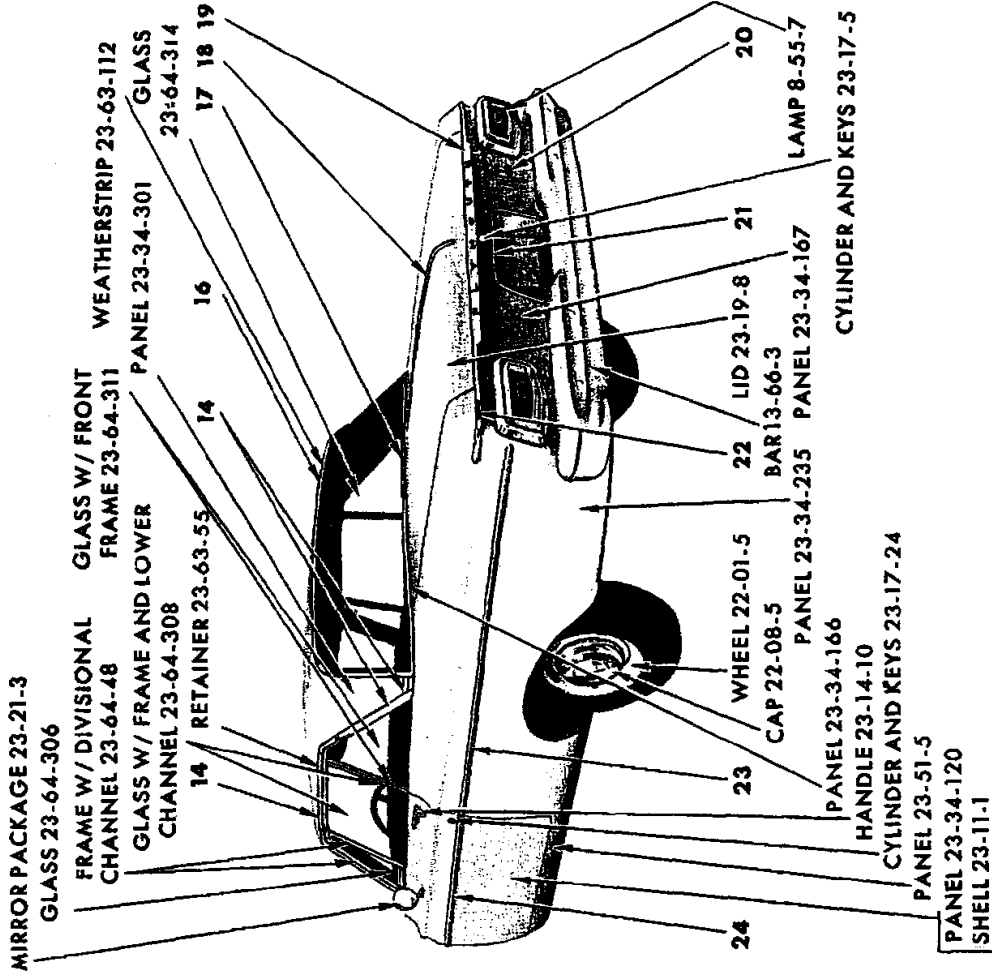
REF. NO.	QTY	PART NUMBER	DESCRIPTION
1	2	2422 891	NAME PLATE, Fender Side (12-15-21)
	6	152 259	Nut
2	1	2495 198-9	MOULDING PACKAGE, Fender Side Rear (12-15-2)
	4	6001 713	Retainer
	10	6001 503	Clip
	4	----	Nut
3	1	2495 192-3	MOULDING PACKAGE, Fender Side Front (12-15-2)
	8	6001 713	Retainer
	10	----	Nut
4	1	2495 195	MOULDING PACKAGE, Radiator Stone Deflector (7-35-20)
	8	6001 467	Retainer
	8	6000 616	Nut
5	1	2495 196-7	MOULDING PACKAGE, Fender Front (12-15-2)
	4	6001 466	Retainer
	4	----	Clip
	8	6024 563	Screw
	4	----	Nut
6	1	2495 194	MOULDING PACKAGE, Hood Front (15-25-2)
	8	----	Nut
	2	6001 465	Retainer
	4	6001 466	Retainer
7	1	2417 713	ORNAMENT, Hood Top (15-03-18)
	1	6023 912	Screw
8	1	2495 757	MOULDING PACKAGE, Hood Top (15-25-2)
	6	6023 097	Nut
9	1	2218 595	MOULDING, Windshield Outside Finish Lower (23-23-65)
	10	6001 537	Retainer and Screw
10	1	2218 594	MOULDING, Windshield Outside Upper (23-23-65)
	8	6001 537	Retainer and Screw
11	1	2218 596-7	MOULDING, Windshield Outside Finish Side (23-23-65)
	6	6023 247	Screw
12	1	2491 014-5	MOULDING, Windshield Outside Side Upper Extension (23-23-65)
	6	6024 271	Screw
13	2	2480 515	MEDALLION, Quarter Outside (23-34-334)
	4	152 259	Nut
14	1	2480 920-1	MOULDING, Rear Window Outside Lower Corner (23-23-52)
	2	6023 693	Screw

REF. NO.	QTY	PART NUMBER	DESCRIPTION
15	1	2480 922	MOULDING, Rear Window Outside Lower (23-23-52)
	6	6023 693	Screw
16	1	2495 269	MOULDING PACKAGE, Rear Window Outside Upper (23-23-52)
	6	6001 525	Retainer and Screw
17	1	2480 918-9	MOULDING, Rear Window Outside Side (23-23-52)
	6	6001 525	Retainer and Screw
18	1	2448 180	MOULDING PACKAGE, Deck Lid Center (23-23-30)
	6	8001 098	Retainer
	6	1839 995	Nut
19	1	2448 590	MOULDING PACKAGE, Deck Lid Lower (23-23-30)
	2	6001 433	Retainer
	2	9417 621	Nut
	1	2424 098-9	Spacer
	6	6001 469	Retainer
	6	6006 264	Nut
20	1	2422 891	NAME PLATE, Deck Opening Lower Panel (23-34-154)
	3	6023 260	Nut
21	1	2448 178	MOULDING PACKAGE, Quarter Panel License Depression (23-23-23)
	4	1839 995	Nut
	3	6000 050	Clip
22	1	2448 184-5	MOULDING PACKAGE, Quarter Panel Lower Rear (23-23-39)
	6	6001 112	Clip
	6	----	Nut
23	1	2495 764-5	MOULDING PACKAGE, Quarter Panel Lower (23-23-39)
	2	6024 271	Screw
	20	6001 503	Retainer
	2	6000 029	Retainer
	2	6024 679	Nut
24	1	2448 150-1	MOULDING PACKAGE, Quarter Panel Belt (23-23-39)
	6	6001 030	Retainer
	6	152 259	Nut
25	1	2495 758-9	MOULDING PACKAGE, Door (23-23-32)
	4	8001 477	Retainer
	4	9417 621	Nut
	8	6001 503	Retainer
26	1	2483 436-7	MOULDING, Roof Drain Trough Side (23-59-61)

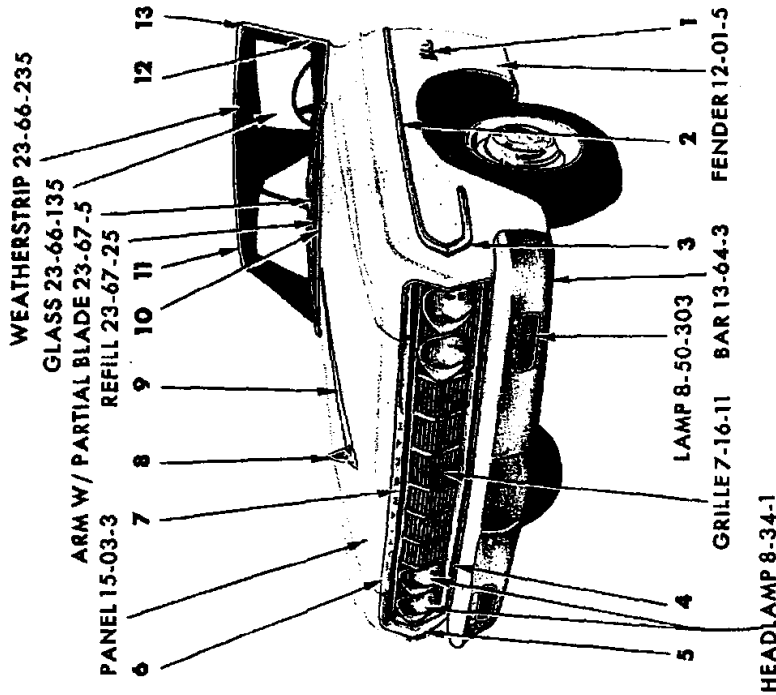
All Packages include Attaching Parts

Part Type Code is Indicated in Parentheses

EXTERIOR VIEW - PLYMOUTH VP1-2(M) 2 DOOR SEDAN



19x9911 A



EXTERIOR VIEW - PLYMOUTH VP1-2(M) 2 DOOR HARDTOP

REF. NO.	QTY	PART NUMBER	DESCRIPTION
1	2	2422 891	NAME PLATE, Fender Side (12-15-21)
	6	152 259	Nut
2	1	2495 198-9	MOULDING PACKAGE, Fender Side Rear (12-15-2)
	4	6001 713	Retainer
	10	6001 503	Clip
	4	-----	Nut
3	1	2495 192-3	MOULDING PACKAGE, Fender Side Front (12-15-2)
	8	6001 713	Retainer
	10	-----	Nut
4	1	2495 195	MOULDING PACKAGE, Radiator Stone Deflector (7-35-20)
	8	6001 467	Retainer
	8	6000 616	Nut
5	1	2495 196-7	MOULDING PACKAGE, Fender Front (12-15-2)
	4	6001 466	Retainer
	4	-----	Clip
	8	6024 563	Screw
	4	-----	Nut
6	1	2495 194	MOULDING PACKAGE, Hood Front (15-25-2)
	8	-----	Nut
	2	6001 465	Retainer
	4	6001 466	Retainer
7	1	2417 367	NAME LETTER, Hood Front, "P" (15-06-16)
	1	2417 368	"L"
	1	2417 369	"Y"
	1	2417 370	"M"
	1	2423 369	"O"
	1	2423 370	"U"
	1	2417 373	"T"
	1	2417 374	"H"
	16	9415 250	Nut
8	1	2417 713	ORNAMENT, Hood Top (15-03-18)
	1	6023 912	Screw
9	1	2495 757	MOULDING PACKAGE, Hood Top (15-25-2)
	6	6023 097	Nut
10	1	2218 595	MOULDING, Windshield Outside Finish Lower (23-23-65)
	10	6001 537	Retainer and Screw
11	1	2218 594	MOULDING, Windshield Outside Upper (23-23-65)
	8	6001 537	Retainer and Screw
12	1	2218 596-7	MOULDING, Windshield Outside Finish Side (23-23-65)
	6	6023 247	Screw
13	1	2491 012-3	MOULDING, Windshield Outside Side Upper Extension (Wide Type) (23-23-65)
	1	2492 712-3	MOULDING, Windshield Outside Side Upper Extension (Narrow Type) (23-23-65)
	6	6024 271	Screw

REF. NO.	QTY	PART NUMBER	DESCRIPTION
14	1	2525 556-7	MOULDING, Roof Side Drain Trough Front and Rear (23-59-61)
	6	2483 716	Clip (w/Vinyl Roof)
	6	2573 062	Clip (w/o Vinyl Roof)
	6	6024 271	Screw
	2	-----	Nut
16	1	2495 276-7	MOULDING PACKAGE, Rear Window Outside Upper and Side (23-23-52)
	14	6001 084	Retainer and Screw
17	1	2495 274-5	MOULDING PACKAGE, Rear Window Outside Lower (23-23-52)
	10	6001 084	Retainer and Screw
18	1	2448 180	MOULDING PACKAGE, Deck Lid Center (23-23-30)
	6	6001 098	Retainer
	6	1839 995	Nut
19	1	2448 590	MOULDING PACKAGE, Deck Lid Lower (23-23-30)
	2	6001 433	Retainer
	2	9417 621	Nut
	1	2424 098-9	Spacer
	6	6001 469	Retainer
	6	6006 264	Nut
20	1	2422 891	NAME PLATE, Deck Opening Lower Panel (23-34-184)
	3	6023 260	Nut
21	1	2448 178	MOULDING PACKAGE, Deck Lower Panel License Depression (23-23-23)
	4	1839 995	Nut
	3	6000 050	Clip
22	1	2448 184-5	MOULDING PACKAGE, Quarter Panel Upper Rear (23-23-39)
	6	6001 112	Clip
	6	-----	Nut
23	1	2495 764-5	MOULDING PACKAGE, Quarter Panel Lower (23-23-39)
	2	6024 271	Screw
	20	6001 503	Retainer
	2	6000 029	Retainer
	2	6024 679	Nut
24	1	2495 758-9	MOULDING PACKAGE, Door (23-23-32)
	4	6001 477	Retainer
	4	9417 621	Nut
	8	6001 503	Retainer

All Packages Include Attaching Parts

Part Type Code is Indicated in Parentheses

EXTERIOR VIEW - PLYMOUTH VP1-2(M) 2 DOOR HARDTOP

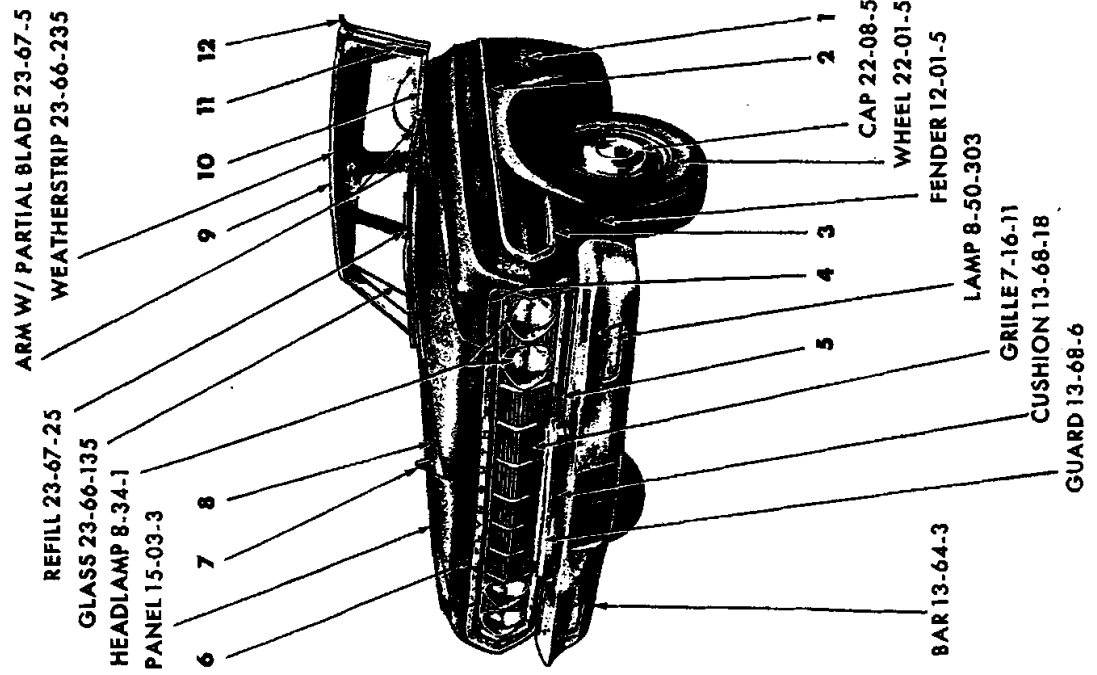
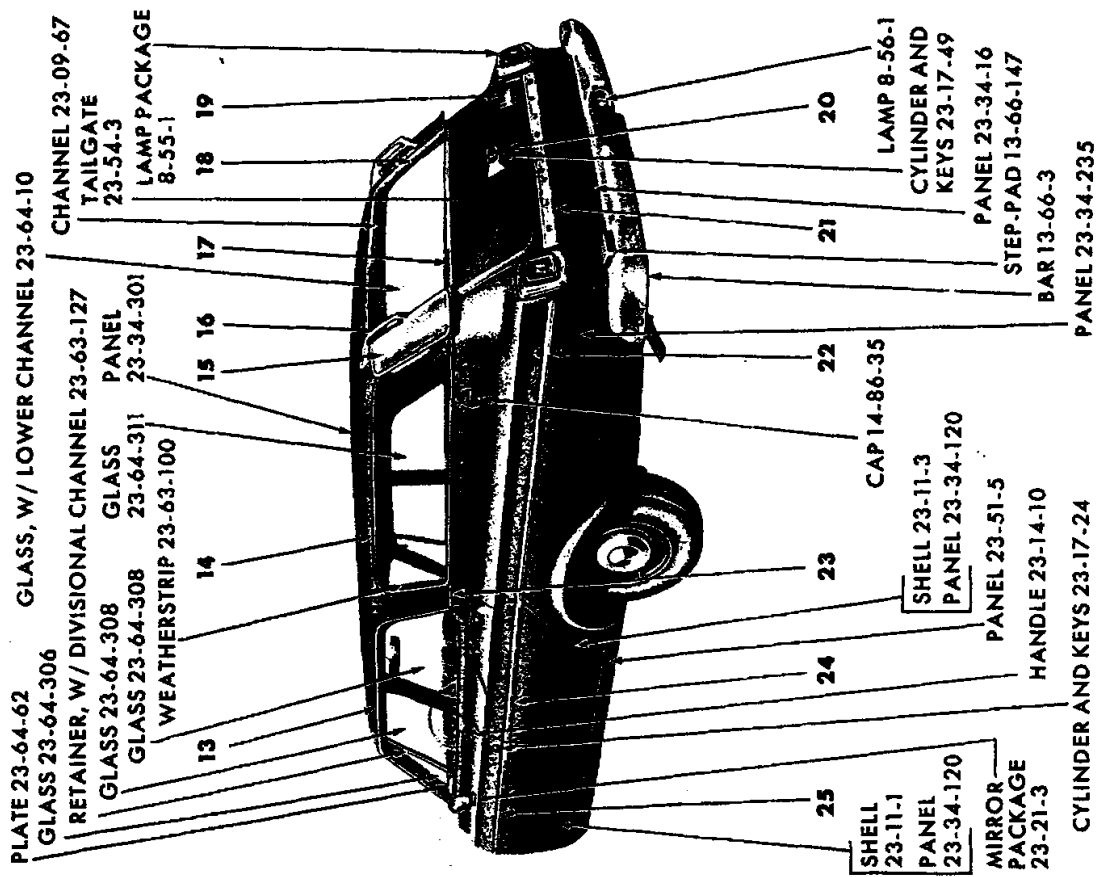


PLATE 23-64-62
 GLASS 23-64-306
 RETAINER, W/ DIVISIONAL CHANNEL 23-63-127
 GLASS 23-64-308
 GLASS 23-64-308
 GLASS 23-64-308
 WEATHERSTRIP 23-63-100
 CHANNEL 23-09-67
 TAILGATE 23-54-3
 LAMP PACKAGE 8-55-1
 13 14 15 16 17 18 19
 20 21 22 23 24 25
 SHELL 23-11-1
 PANEL 23-34-120
 MIRROR PACKAGE 23-21-3
 SHELL 23-11-3
 PANEL 23-34-120
 PANEL 23-51-5
 HANDLE 23-14-10
 CAP 14-86-35
 LAMP 8-56-1
 CYLINDER AND KEYS 23-17-49
 PANEL 23-34-16
 STEP-PAD 13-66-147
 BAR 13-66-3
 PANEL 23-34-235
 CYLINDER AND KEYS 23-17-24
 19x9847

ARM W/ PARTIAL BLADE 23-67-5
 WEATHERSTRIP 23-66-235
 REFILL 23-67-25
 GLASS 23-66-135
 HEADLAMP 8-34-1
 PANEL 15-03-3
 6 7 8 9 10 11 12
 BAR 13-64-3
 LAMP 8-50-303
 GRILLE 7-16-11
 CUSHION 13-68-18
 GUARD 13-68-6
 CAP 22-08-5
 WHEEL 22-01-5
 FENDER 12-01-5

EXTERIOR VIEW - PLYMOUTH VPI-2(M) 4 DOOR STATION WAGON

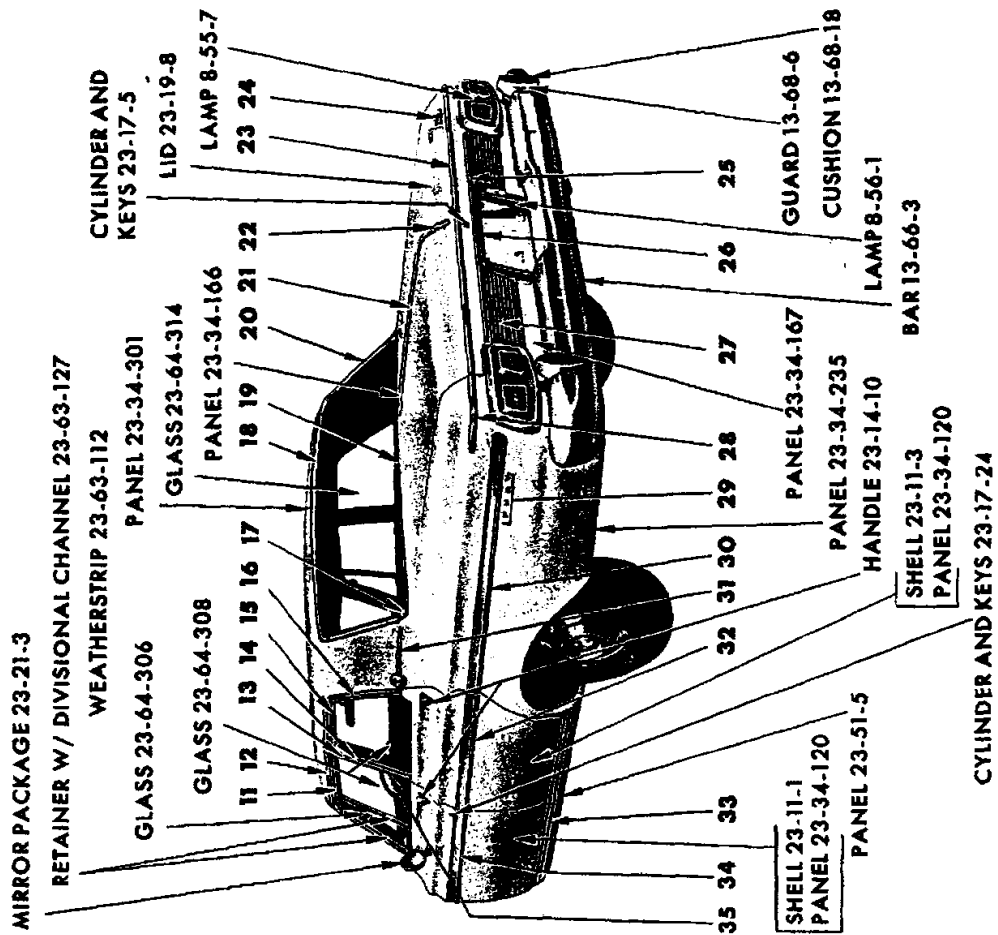
REF. NO.	QTY	PART NUMBER	DESCRIPTION
1	2	2422 891	NAME PLATE, Fender Side (Belvedere) (12-15-21)
	6	152 259	Nut
2	1	2495 198-9	MOULDING PACKAGE, Fender Side Rear (12-15-2)
	10	6001 713	Clip
	4	6000 029	Retainer
	4	----	Nut
3	1	2495 192-3	MOULDING PACKAGE, Fender Side Front (12-15-2)
	8	6001 713	Retainer
	10	----	Nut
4	1	2495 196-7	MOULDING PACKAGE, Fender Front (12-15-2)
	8	6024 563	Screw
	4	6001 466	Retainer
	4	----	Clip
	4	----	Nut
5	1	2495 195	MOULDING PACKAGE, Radiator Stone Deflector (7-35-20)
	8	6001 487	Retainer
	8	6000 616	Nut
6	1	2495 194	MOULDING PACKAGE, Hood Front (15-25-2)
	8	----	Nut
	2	6001 485	Retainer
	4	6001 466	Retainer
7	1	2417 713	ORNAMENT, Hood Top (15-03-18)
	1	6023 912	Screw
8	1	2495 757	MOULDING PACKAGE, Hood Top (15-25-2)
	6	6023 097	Nut
9	1	2218 594	MOULDING, Windshield Outside Upper (23-23-65)
	8	6001 537	Retainer and Screw
10	1	2218 595	MOULDING, Windshield Outside Finish Lower (23-23-65)
	10	6001 537	Retainer and Screw
11	1	2218 596-7	MOULDING, Windshield Outside Finish Side (23-23-65)
	6	6023 247	Screw
12	1	2491 014-5	MOULDING, Windshield Outside Side Upper Extension (23-23-65)
	6	6024 271	Screw
13	1	2483 436-7	MOULDING, Roof Drain Trough Side (23-59-61)
14	1	2422 471	LOCKINGSTRIP, Quarter Window Glass Weatherstrip Mylar (23-63-110)

REF. NO.	QTY	PART NUMBER	DESCRIPTION
15	1	2252 254-5	DEFLECTOR, Roof Panel Outside Air (23-36-134)
	2	167 079	Screw
	4	9418 381	Screw
16	1	2482 768-9	HANDLE, Roof Panel Outside Assist (23-36-123)
	4	6023 204	Nut and Coned Washer
	1	2480 980-1	Lower Seal
	2	2482 848-9	Upper Seal
17	1	2448 488	MOULDING PACKAGE, Tailgate Outside Panel Belt (23-23-61)
	6	6001 435	Clip
	6	----	Screw
18	1	2480 976-7	MOULDING, Rear Upper Pillar Outside (23-23-60)
	8	9417 732	Screw
19	1	2422 891	NAME PLATE, Tailgate Outside Panel (Belvedere) (23-54-11)
	3	152 259	Nut
20	1	2428 221	BASE, w/Stud, Electric Window Regulator Outside Panel (23-54-18)
21	1	2495 913	MOULDING PACKAGE, Tailgate Outside Lower, (w/Letters) (23-23-61)
	7	6001 555	Retainer
	7	116 000	Nut
22	1	2495 768-9	MOULDING PACKAGE, Quarter Panel Lower (23-23-39)
	14	6001 503	Retainer
	2	6000 029	Retainer
	2	----	Nut
	2	6024 271	Screw
23	1	2299 374	MOULDING PACKAGE, Quarter Panel Belt, Right (23-23-39)
	1	2299 399	MOULDING PACKAGE, Quarter Panel Belt, Left (23-23-39)
	4	6001 071	Clip
24	1	2495 762-3	MOULDING PACKAGE, Rear Door (23-23-33)
	10	6001 503	Retainer
	4	6001 477	Retainer
	4	9417 621	Nut
25	1	2495 760-1	MOULDING PACKAGE, Front Door (23-23-32)
	8	6001 503	Retainer
	4	6001 477	Retainer
	4	9417 621	Nut

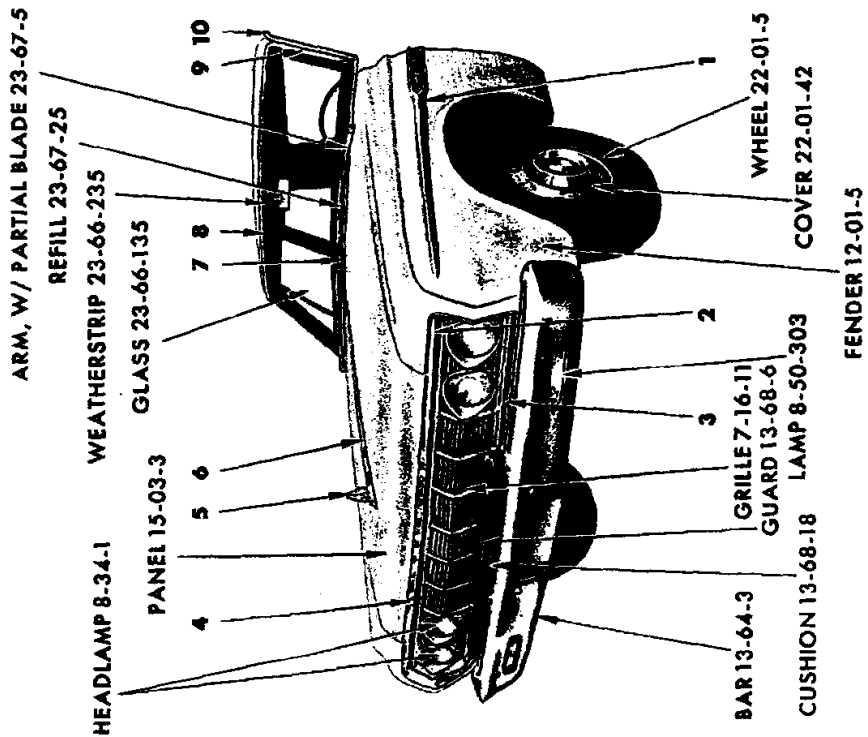
All Packages Include Attaching Parts

Part Type Code is Indicated in Parentheses

EXTERIOR VIEW - PLYMOUTH VP1-2(M) 4 DOOR STATION WAGON



19x9904 A



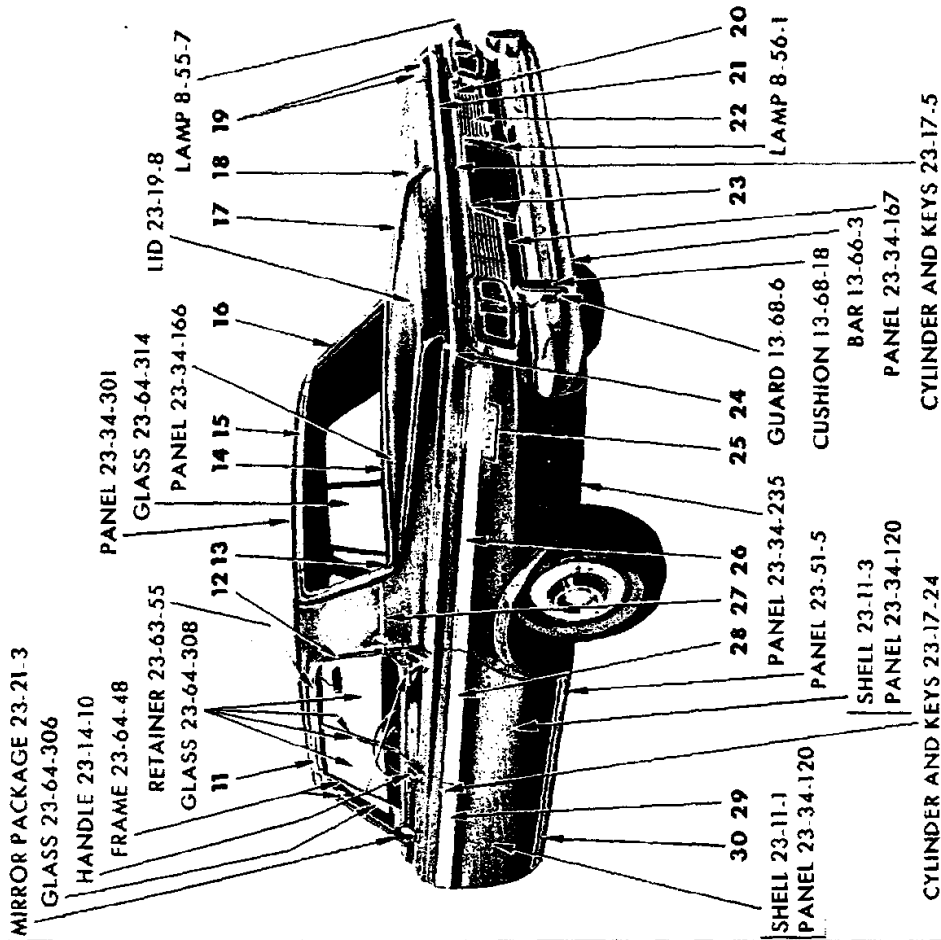
EXTERIOR VIEW - PLYMOUTH VP1-2(H) 4 DOOR SEDAN

REF. NO.	QTY	PART NUMBER	DESCRIPTION	REF. NO.	QTY	PART NUMBER	DESCRIPTION
1	1	2495 838-9	MOULDING PACKAGE, Fender Side, "Red" (12-15-2)	22	1	2490 060	ORNAMENT, Deck Lid (23-19-114)
	1	2495 840-1	"White"		1	6022 013	Seal
	1	2495 842-3	"Blue"		1	1839 995	Nut 1 152 259 Nut
	1	2495 844-5	"Tan"	23	1	2448 179	MOULDING PACKAGE, Deck Lid Upper (23-23-30)
	1	2495 846-7	"Black"		2	6001 433	Retainer
	8	6001 474	Clip		1	2424 098-9	Spacer 6 6006 264 Nut
	2	6001 581	Retainer 2 6001 548 Clip		2	9417 621	Nut 6 6001 439 Retainer
	2	6001 582	Retainer 14 ---- Nut	24	1	2480 526	NAME PLATE, Deck Lid (23-19-114)
2	1	2495 196-7	MOULDING PACKAGE, Fender Front (12-15-2)		5	6000 050	Clip
	4	6001 466	Retainer 8 6024 563 Screw	25	1	2448 591	MOULDING PACKAGE, Deck Lid Lower (23-23-30)
	4	----	Clip 4 ---- Nut		6	6001 058	Retainer 6 9417 621 Nut
3	1	2495 195	MOULDING PACKAGE, Radiator Stone Deflector (7-35-20)	26	1	2448 592	MOULDING PACKAGE, Deck Lower Panel License Depression (23-23-23)
	8	6001 467	Retainer 8 6000 616 Nut		3	6023 687	Seal
4	1	2495 194	MOULDING PACKAGE, Hood Front (15-25-2)		3	6023 682	Screw 2 1839 995 Nut
	2	6001 465	Retainer 8 ---- Nut	27	1	2480 020-1	PANEL, Deck Lower Panel Finish (23-23-28)
	4	6001 466	Retainer		2	6000 050	Clip
5	1	2417 713	ORNAMENT, Hood Top (15-03-18)		6	6001 566	Retainer 4 1839 995 Nut
	1	6023 912	Screw		8	6001 430	Retainer 8 6023 265 Nut
6	1	2495 757	MOULDING PACKAGE, Hood Top (15-25-2)	28	1	2448 184-5	MOULDING PACKAGE, Quarter Panel Upper Rear (23-23-39)
	6	6023 097	Nut		6	6001 112	Clip 6 ---- Nut
7	1	2218 595	MOULDING, Windshield Outside Finish Lower (23-23-65)	29	2	2480 489	NAME LETTER, Quarter Panel "F", (23-34-238)
	10	6001 537	Retainer and Screw		2	2480 490	"U"
8	1	2218 594	MOULDING, Windshield Outside Upper (23-23-65)		2	2480 491	"R"
	8	6001 537	Retainer and Screw		2	2480 492	"Y"
9	1	2218 596-7	MOULDING, Windshield Outside Finish Side (23-23-65)		16	6023 260	Nut
	6	6023 247	Screw	30	1	2495 818-9	MOULDING PACKAGE, Quarter Panel Lower, "Red" (23-23-39)
10	1	2491 016-7	MOULDING, Windshield Outside Side Upper Extension (23-23-65)		1	2495 820-1	"White"
	6	6024 271	Screw		1	2495 822-3	"Blue"
11	1	2218 444-5	MOULDING, Front Door Window Frame Upper & Front (23-23-32)		1	2495 824-5	"Tan"
	1	2495 688-9	MOULDING PACKAGE, Roof Side Drain Trough Front (23-59-61)		1	2495 826-7	"Black"
12	1	2495 688-9	MOULDING PACKAGE, Roof Side Drain Trough Front (23-59-61)		10	6001 535	Retainer 10 6024 679 Nut
	8	2483 179	Clip 8 6024 271 Screw		2	6024 271	Screw 4 6001 542 Clip
13	1	2216 356-7	PANEL, Center Upper Pillar Finish (23-23-16)	31	1	2495 770-1	MOULDING PACKAGE, Quarter Panel Belt (23-23-39)
	4	6022 890	Screw		6	6022 013	Seal
14	1	2167 998-9	MOULDING, Rear Door Window Frame Front (23-23-33)		6	6006 264	Nut 2 6000 960 Clip
	1	2216 036-7	MOULDING, Rear Door Window Frame Rear (23-23-23)	32	1	2495 772-3	MOULDING PACKAGE, Rear Door, "Red" (23-23-33)
15	1	2480 620-1	MOULDING, Roof Side Drain Trough Rear (23-59-61)		1	2495 774-5	"White"
	4	6024 271	Screw		1	2495 776-7	"Blue"
17	1	2480 920-1	MOULDING, Rear Window Outside Lower Corner (23-23-52)		1	2495 778-9	"Tan"
	2	6023 693	Screw		1	2495 780-1	"Black"
18	1	2495 269	MOULDING PACKAGE, Rear Window Outside Upper (23-23-52)		2	6001 549	Retainer 8 6001 541 Clip
	6	6001 525	Retainer and Screw		2	6001 534	Retainer 4 9417 621 Nut
19	1	2480 922	MOULDING, Rear Window Outside Lower (23-23-52)	33	1	2495 904-5	MOULDING PACKAGE, Body Side Sill (23-23-2)
	6	6023 693	Screw		8	6001 431	Retainer 4 6023 681 Screw
20	1	2480 918-9	MOULDING, Rear Window Outside Side (23-23-52)	34	1	2495 794-5	MOULDING PACKAGE, Front Door, "Red" (23-23-32)
	6	6001 525	Retainer and Screw		1	2495 796-7	"White"
21	1	2448 593	MOULDING PACKAGE, Deck Lid Center (23-23-30)		1	2495 800-1	"Blue"
	5	6022 013	Seal 5 1839 995 Nut		1	2495 802-3	"Tan"
					1	2495 804-5	"Black"
					2	6001 532	Retainer 8 6001 540 Clip
					2	6001 549	Retainer 4 9417 621 Nut
				35	1	2167 998-9	MOULDING, Front Door Window Frame Rear (23-23-32)

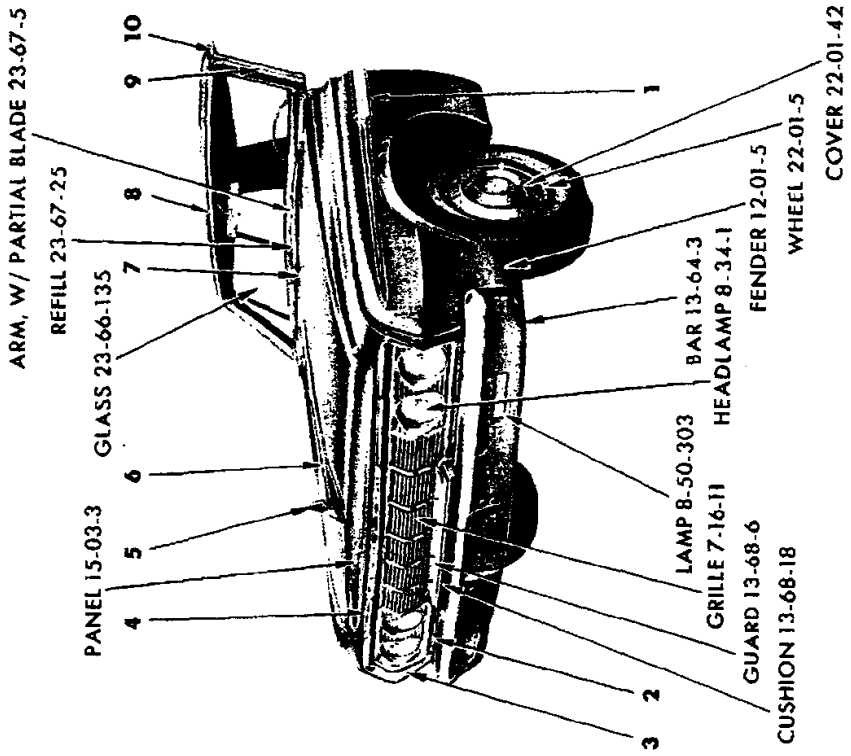
All Packages Include Attaching Parts

Part Type Code is Indicated in Parentheses

EXTERIOR VIEW - PLYMOUTH VP1-2(H) 4 DOOR SEDAN



19x9815 A



EXTERIOR VIEW - PLYMOUTH VP1-2(H) 4 DOOR HARDTOP

1964 PASSENGER CAR PARTS CATALOG

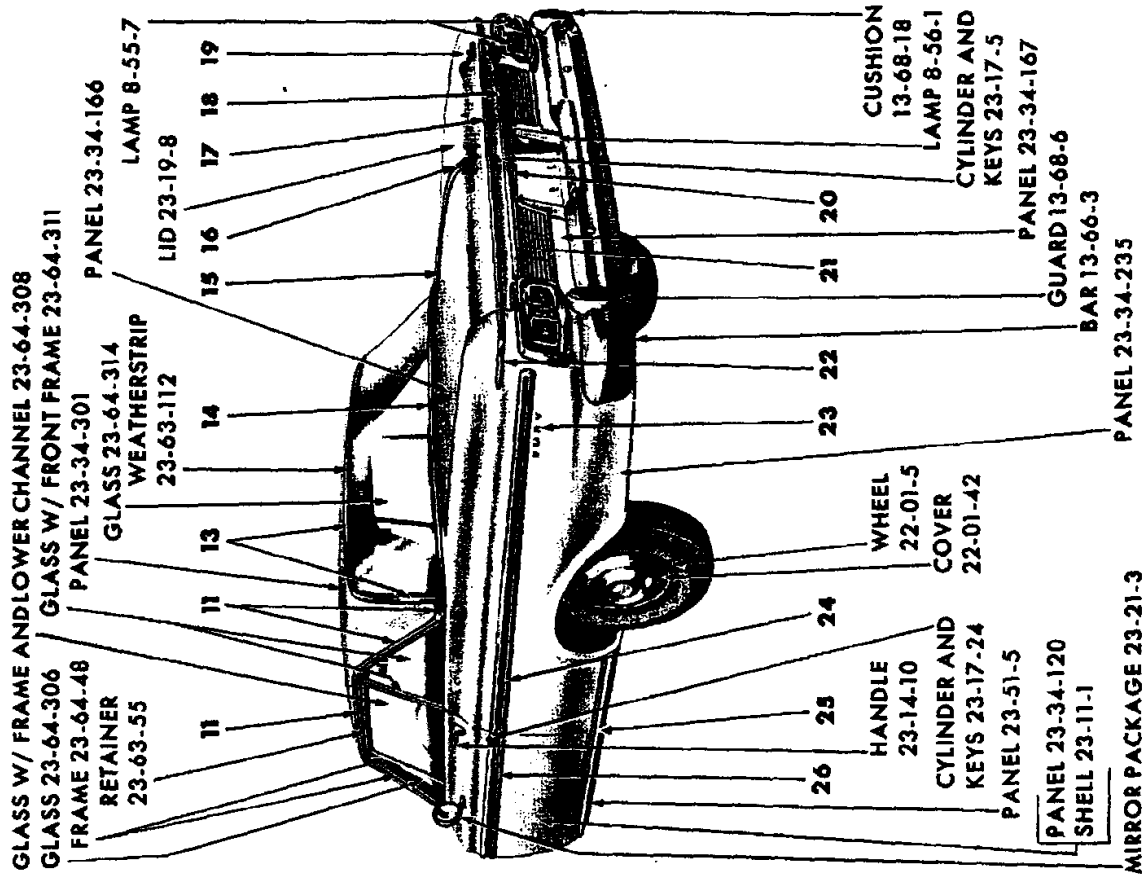
BODY

REF. NO.	QTY	PART NUMBER	DESCRIPTION	REF. NO.	QTY	PART NUMBER	DESCRIPTION
1	1	2495 838-9	MOULDING PACKAGE, Fender Side, Red (12-15-2)	19	1	2480 528	NAME PLATE, Deck Lid (23-19-114)
	1	2495 840-1	White		5	6000 050	Clip
	1	2495 842-3	Blue	20	1	2448 591	MOULDING PACKAGE, Deck Lid Lower (23-23-30)
	1	2495 844-5	Tan		6	6001 058	Retainer 6 9417 621 Nut
	1	2495 846-7	Black	21	1	2448 179	MOULDING PACKAGE, Deck Lid Upper (23-23-30)
	2	6001 581	Retainer 8 6001 474 Clip		2	6001 433	Retainer
	2	6001 582	Retainer 2 6001 548 Clip		1	2424 098-9	Spacer 2 9417 621 Nut
	14	-----	Nut		6	6001 439	Retainer 6 6006 264 Nut
2	1	2495 195	MOULDING PACKAGE, Radiator Stone Deflector (7-35-20)	22	1	2480 020-1	PANEL, Deck Lower Panel Finish (23-23-28)
	8	6001 467	Retainer		8	6001 430	Retainer
3	1	2495 196-7	MOULDING PACKAGE, Fender Front (12-15-2)		4	6001 566	Retainer 2 168 474 Nut
	4	6001 466	Retainer 8 6024 402 Screw		8	6024 679	Nut 2 6000 050 Clip
	4	-----	Clip 4 ----- Nut	23	1	2448 592	MOULDING PACKAGE, Deck Lower Panel License Depression (23-23-23)
4	1	2495 194	MOULDING PACKAGE, Hood Front (15-25-2)		3	6023 687	Seal
	2	6001 465	Retainer 8 ----- Nut		3	6023 682	Screw 2 168 474 Nut
	4	6001 466	Retainer	24	1	2448 184-5	MOULDING PACKAGE, Quarter Panel Upper Rear (23-23-39)
5	1	2417 713	ORNAMENT, Hood Top (15-03-18)		6	6001 112	Clip 6 ----- Nut
	1	6023 912	Screw	25	2	2480 489	NAME LETTER, Quarter Panel F (23-34-238)
6	1	2495 757	MOULDING PACKAGE, Hood Top (15-25-2)		2	2480 490	U
	10	6001 537	Retainer and Screw		2	2480 491	R
7	1	2218 595	MOULDING, Windshield Outside Finish Lower (23-23-65)		2	2480 492	Y
	1	2218 594	MOULDING, Windshield Outside Upper (23-23-65)		16	6023 260	Nut
	8	6001 537	Retainer and Screw	26	1	2495 818-9	MOULDING PACKAGE, Quarter Panel, Lower, Red (23-23-39)
8	1	2218 596-7	MOULDING, Windshield Outside Finish Side (23-23-65)		1	2495 820-1	White
	6	6023 247	Screw		1	2495 822-3	Blue
10	1	2491 016-7	MOULDING, Windshield Outside Side Upper Extension (23-23-65)		1	2495 824-5	Tan
	6	6024 271	Screw		1	2495 826-7	Black
11	1	2495 688-9	MOULDING PACKAGE, Roof Side Drain Trough Front (23-59-61)		2	6024 271	Screw 4 6001 542 Clip
	8	6024 271	Screw 8 2483 179 Clip		10	6001 535	Retainer 10 6024 679 Nut
12	1	2480 620-1	MOULDING, Roof Side Drain Trough Rear (23-59-61)	27	1	2495 770-1	MOULDING PACKAGE, Quarter Panel Belt (23-23-39)
	4	6024 271	Screw		6	6022 013	Seal
13	1	2480 920-1	MOULDING, Rear Window Outside Lower Corner (23-23-52)		7	6006 264	Nut 2 6000 960 Clip
	2	6023 693	Screw	28	1	2495 772-3	MOULDING PACKAGE, Rear Door, Red (23-23-33)
14	1	2480 922	MOULDING, Rear Window Outside Lower (23-23-52)		1	2495 774-5	White
	6	6023 693	Screw		1	2495 776-7	Blue
15	1	2495 269	MOULDING PACKAGE, Rear Window Outside Upper (23-23-52)		1	2495 778-9	Tan
	6	6001 525	Retainer and Screw		1	2495 780-1	Black
16	1	2480 918-9	MOULDING, Rear Window Outside Side (23-23-52)		2	6001 549	Retainer 4 9417 621 Nut
	6	6001 525	Retainer and Screw		2	6001 534	Retainer 8 6001 541 Clip
17	1	2448 593	MOULDING PACKAGE, Deck Lid Top (23-23-30)	29	1	2495 794-5	MOULDING PACKAGE, Front Door, Red (23-23-32)
	5	6022 013	Seal 5 168 474 Nut		1	2495 796-7	White
18	1	2480 060	ORNAMENT, Deck Lid (23-19-114)		1	2495 800-1	Blue
	1	6022 013	Seal		1	2495 802-3	Tan
	1	168 474	Nut 1 152 259 Nut		1	2495 804-5	Black
					2	6001 532	Retainer 4 9417 621 Nut
					2	6001 549	Retainer 8 6001 540 Clip
				30	1	2495 904-5	MOULDING PACKAGE, Body Side Sill (23-23-2)
					4	6025 187	Screw
					8	6001 431	Retainer

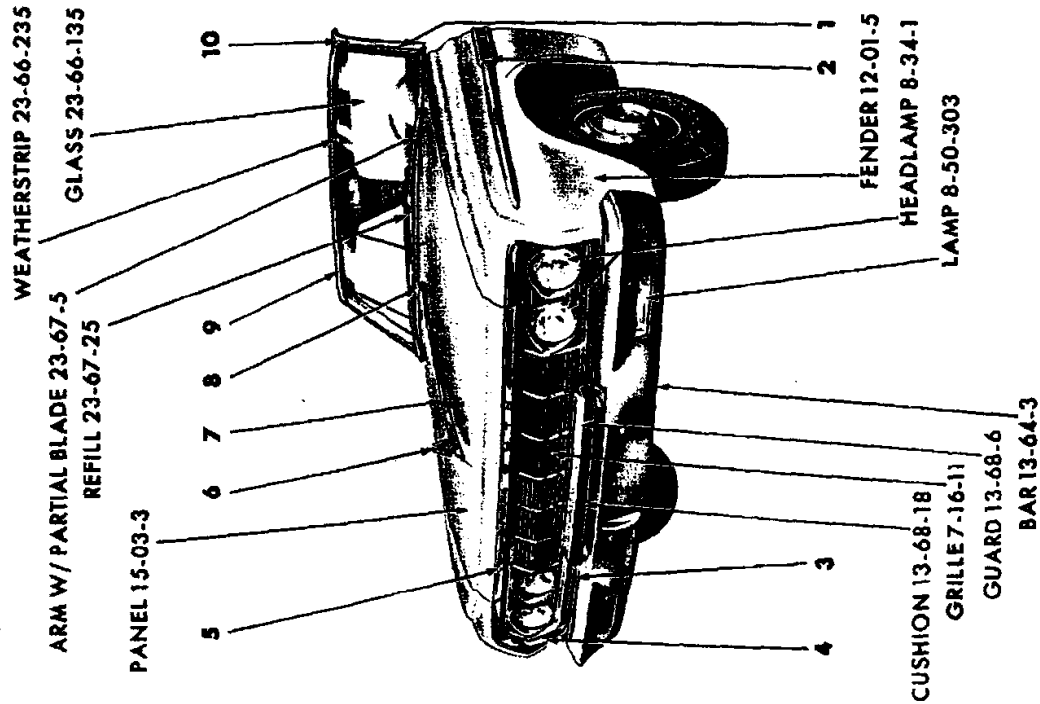
All Packages Include Attaching Parts

Part Type Code is Indicated in Parentheses

EXTERIOR VIEW - PLYMOUTH VP1-2(H) 4 DOOR HARDTOP



19x9909 B



EXTERIOR VIEW - PLYMOUTH VPI-2(H) 2 DOOR HARDTOP

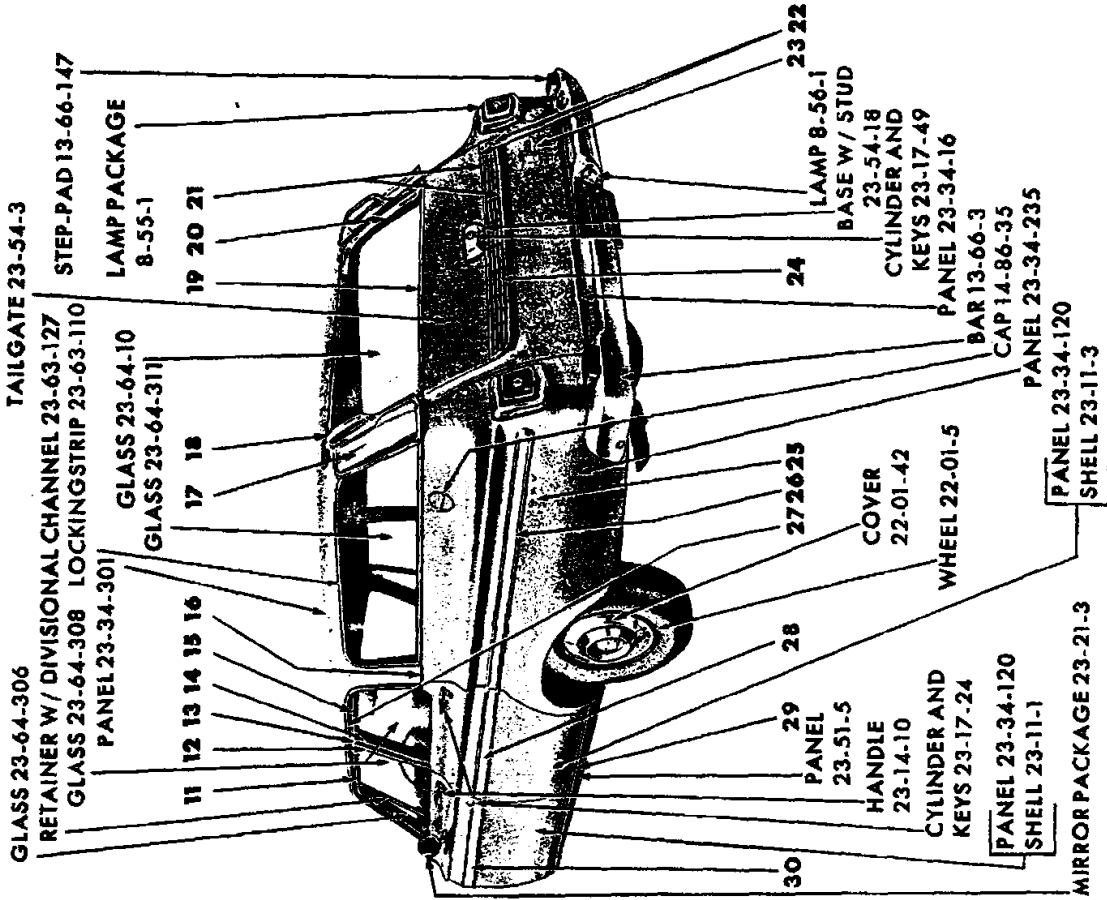
REF. NO.	QTY	PART NUMBER	DESCRIPTION
1	1	2218 596-7	MOULDING, Windshield Outside Finish Side (23-23-65)
	6	6023 247	Screw
2	1	2495 838-9	MOULDING PACKAGE, Fender Side, "Red" (12-15-2)
	1	2495 840-1	"White"
	1	2495 842-3	"Blue"
	1	2495 844-5	"Tan"
	1	2495 846-7	"Black"
	8	6001 474	Clip
	2	6001 581	Retainer 2 6001 548 Clip
	2	6001 582	Retainer 14 ---- Nut
3	1	2495 195	MOULDING PACKAGE, Radiator Stone Deflector (7-35-20)
	8	6001 467	Retainer 8 6000 616 Nut
4	1	2495 196-7	MOULDING PACKAGE, Fender Front (12-15-2)
	4	6001 466	Retainer 8 8024 563 Screw
	4	-----	Clip 4 ---- Nut
5	1	2495 194	MOULDING PACKAGE, Hood Front (15-25-2)
	8	-----	Nut
	2	6001 465	Retainer 2 6001 466 Retainer
6	1	2417 713	ORNAMENT, Hood Top (15-03-18)
	1	6023 912	Screw
7	1	2495 757	MOULDING PACKAGE, Hood Top (15-25-2)
	6	6023 097	Nut
8	1	2218 595	MOULDING, Windshield Outside Finish Lower (23-23-65)
	10	6001 537	Retainer and Screw
9	1	2218 594	MOULDING, Windshield Outside Upper (23-23-65)
	8	6001 537	Retainer and Screw
10	1	2491 012-3	MOULDING, Windshield Outside Side Upper Extension (wide type) (23-23-65)
	1	2495 712-3	MOULDING, Windshield Outside Side Upper Extension (narrow type)
	6	6024 271	Screw
11	1	2525 556-7	MOULDING, Roof Side Drain Trough (23-59-61)
	6	2483 716	Clip (w/Vinyl Roof)
	6	2573 062	Clip (w/o Vinyl Roof)
	6	6024 271	Screw
	2	-----	Nut
13	1	2495 276-7	MOULDING PACKAGE, Rear Window Outside Upper and Side (23-23-52)
	14	6001 084	Retainer and Screw
14	1	2495 274-5	MOULDING PACKAGE, Rear Window Outside Lower (23-23-52)
	10	6001 084	Retainer and Screw
15	1	2448 593	MOULDING PACKAGE, Deck Lid Center (23-23-30)
	5	6022 013	Seal
	5	1839 995	Nut

REF. NO.	QTY	PART NUMBER	DESCRIPTION
16	1	2480 060	ORNAMENT, Deck Lid (23-19-114)
	1	6022 013	Seal
	1	1839 995	Nut 1 152 259 Nut
17	1	2448 179	MOULDING PACKAGE, Deck Lid Upper (23-23-30)
	2	6001 433	Retainer
	1	2424 098-9	Spacer
	2	9417 621	Nut
	6	6001 439	Retainer 6 6008 264 Nut
18	1	2448 591	MOULDING PACKAGE, Deck Lid Lower (23-23-30)
	6	6001 058	Retainer 6 9417 621 Nut
19	1	2480 528	NAME PLATE, Deck Lid (23-19-114)
	5	6000 050	Clip
20	1	2448 592	MOULDING PACKAGE, Deck Lower Panel License Depression (23-23-23)
	3	6023 687	Seal
	3	6023 682	Screw 2 1839 995 Nut
21	1	2480 020-1	PANEL, Deck Lower Panel Finish (23-23-28)
	8	6001 430	Retainer
	8	6023 265	Nut 4 1839 995 Nut
	4	6001 566	Retainer 2 6000 050 Clip
22	1	2448 184-5	MOULDING PACKAGE, Quarter Panel Upper Rear (23-23-39)
	6	6001 112	Clip
	6	-----	Nut
23	2	2480 489	NAME LETTER, Quarter Panel "F" (23-34-238)
	2	2480 490	"U"
	2	2480 491	"R"
	2	2480 492	"Y"
	16	6023 280	Nut
24	1	2495 808-9	MOULDING PACKAGE, Quarter Panel Lower, "Red" (23-23-39)
	1	2495 810-1	"White"
	1	2495 812-3	"Blue"
	1	2495 814-5	"Tan"
	1	2495 816-7	"Black"
	2	6024 271	Screw
	6	6001 541	Clip
	6	6001 542	Clip
	10	6001 535	Retainer
	10	6024 679	Nut
25	1	2495 904-5	MOULDING PACKAGE, Body Side Sill (23-23-2)
	4	6025 187	Screw
	8	6001 431	Retainer
26	1	2495 784-5	MOULDING PACKAGE, Door, "Red" (23-23-32)
	1	2495 786-7	"White"
	1	2495 788-9	"Blue"
	1	2495 790-1	"Tan"
	1	2495 792-3	"Black"
	10	6001 540	Clip
	2	6001 532	Retainer
	2	6001 549	Retainer
	4	9417 621	Nut

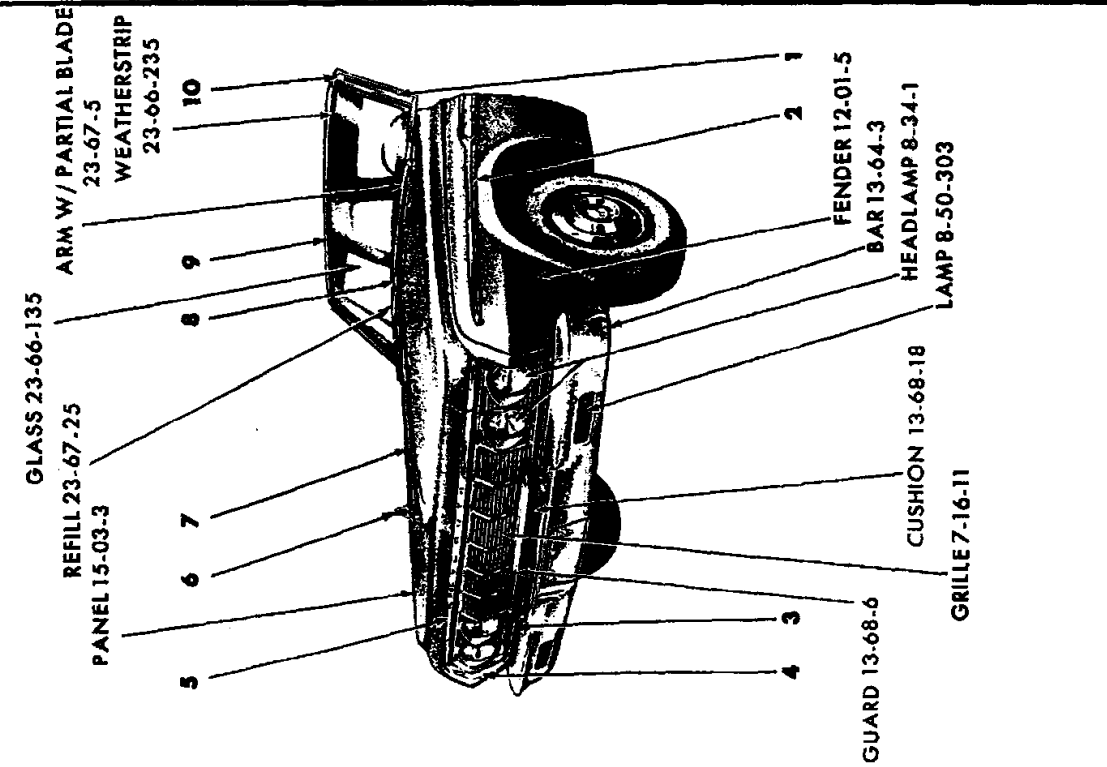
All Packages include Attaching Parts

Part Type Code is indicated in Parentheses

EXTERIOR VIEW - PLYMOUTH VP1-2(H) 2 DOOR HARDTOP



19x9914 A



EXTERIOR VIEW - PLYMOUTH VP2(H) 4 DOOR STATION WAGON

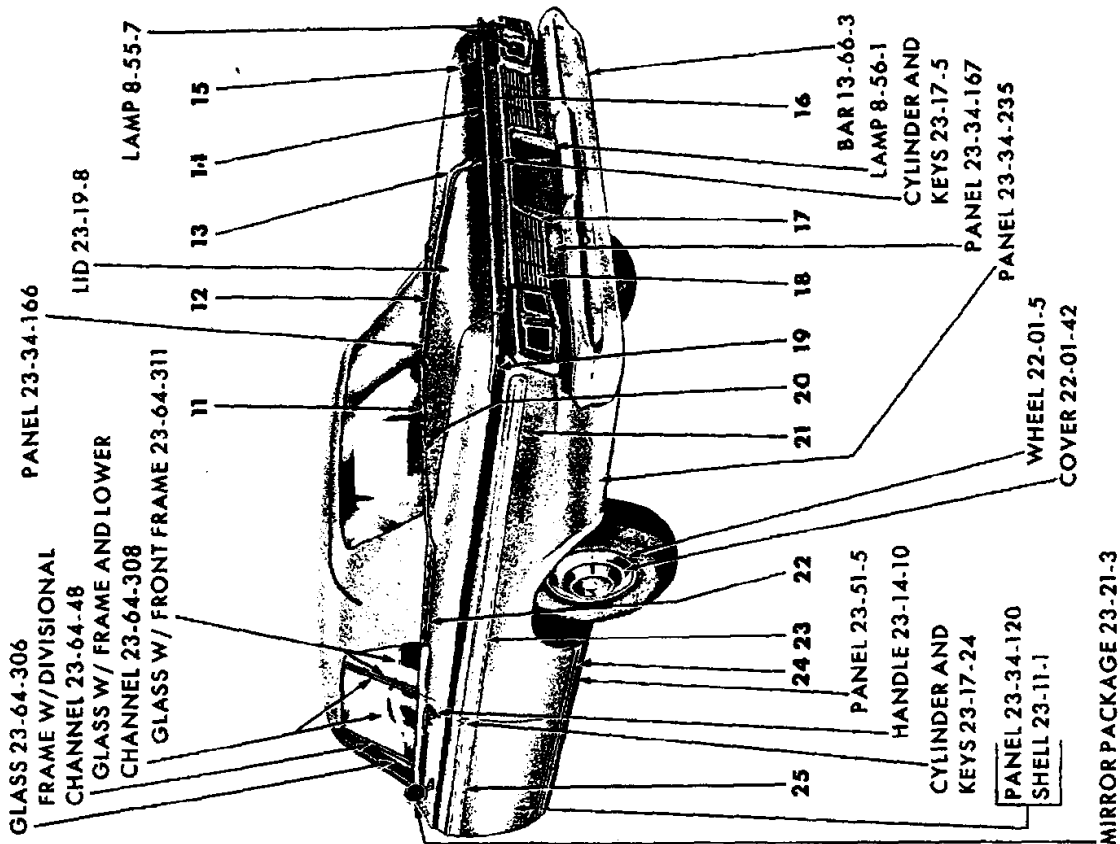
REF. NO.	QTY	PART NUMBER	DESCRIPTION
1	1	2218 596-7	MOULDING, Windshield Outside Finish Side (23-23-65)
	6	6023 247	Screw
2	1	2495 838-9	MOULDING PACKAGE, Fender Side, Red (12-15-2)
	1	2495 840-1	White
	1	2495 842-3	Blue
	1	2495 844-5	Tan
	1	2495 846-7	Black
	8	6001 474	Clip 2 6001 548 Clip
	2	6001 581	Retainer
	2	6001 582	Retainer
	14	-----	Nut
3	1	2495 195	MOULDING PACKAGE, Radiator Stone Deflector (7-35-20)
	8	6001 467	Retainer
	8	6000 616	Nut
4	1	2495 196-7	MOULDING PACKAGE, Fender Front (12-15-2)
	4	6001 466	Retainer 4 ----- Clip
	8	6024 563	Screw 4 ----- Nut
5	1	2495 194	MOULDING PACKAGE, Hood Front (15-25-2)
	8	-----	Nut
	2	6001 465	Retainer
	4	6001 466	Retainer
6	1	2417 713	ORNAMENT, Hood Top (15-03-18)
	1	6023 912	Screw
7	1	2495 757	MOULDING PACKAGE, Hood Top (15-25-2)
	6	6023 097	Nut
8	1	2218 595	MOULDING, Windshield Outside Finish Lower (23-23-65)
	10	6001 537	Retainer and Screw
9	1	2218 594	MOULDING, Windshield Outside Upper (23-23-65)
	8	6001 537	Retainer and Screw
10	1	2491 014-5	MOULDING, Windshield Outside Upper Extension (23-23-65)
	6	6024 271	Screw
11	1	2218 444-5	MOULDING, Front Door Window Frame Upper and Front (23-23-32)
12	1	2167 998-9	MOULDING, Front Door Window Frame Rear (23-23-32)
13	1	2216 356-7	PANEL, Center Upper Pillar Finish
	4	6022 890	Screw
14	1	2167 998-9	MOULDING, Rear Door Window Frame Front (23-23-33)
15	1	2216 036-7	MOULDING, Rear Door Window Frame Upper (23-23-33)
16	1	2299 374	MOULDING PACKAGE, Quarter Panel Belt, Right (23-23-39)
	1	2299 399	MOULDING PACKAGE, Quarter Panel Belt, Left (23-23-39)
	4	6001 071	Clip

REF. NO.	QTY	PART NUMBER	DESCRIPTION
17	1	2252 254-5	DEFLECTOR, Roof Panel Outside Air (23-36-134)
	2	167 079	Screw 4 9418 381 Screw
18	1	2482 768-9	HANDLE, Roof Panel Outside Assist (23-36-123)
	4	6023 204	Nut and Washer
	1	2480 980-1	Lower Seal
	2	2482 848-9	Upper Seal
19	1	2448 488	MOULDING PACKAGE, Tailgate Outside Panel Belt (23-23-61)
	5	6001 435	Clip 5 6024 564 Screw
20	1	2480 976-7	MOULDING, Rear Upper Pillar Outside (23-23-60)
	8	9417 732	Screw
21	2	2448 400	MOULDING PACKAGE, Tailgate Outside Panel (23-23-61)
	7	6001 497	Retainer
22	1	2448 198-9	MOULDING PACKAGE, Tailgate Outside Panel Upper and Lower End (23-23-61)
	4	-----	Nut
23	1	2480 526	NAME PLATE, Tailgate (Fury) (23-54-11)
24	1	2481 239	PANEL, Tailgate Outside Finish Panel (23-23-77)
	4	116 000	Nut
	4	6001 106	Retainer
25	2	2480 489	"F", Quarter Panel Name Letter (23-34-238)
	2	2480 490	"U"
	2	2480 491	"R"
	2	2480 492	"Y"
	16	6023 260	Nut
26	1	2495 828-9	MOULDING PACKAGE, Quarter Panel, Red (23-23-39)
	1	2495 830-1	White
	1	2495 832-3	Blue
	1	2495 834-5	Tan
	1	2495 836-7	Black
	2	6024 271	Screw 4 6001 542 Clip
	8	6001 556	Clip 2 6024 279 Nut
	2	6001 535	Retainer
27	1	2483 436-7	MOULDING, Roof Drain Trough Side (23-59-61)
28	1	2495 772-3	MOULDING PACKAGE, Rear Door, Red (23-23-33)
	1	2495 774-5	White
	1	2495 776-7	Blue
	1	2495 778-9	Tan
	1	2495 780-1	Black
	2	6001 549	Retainer 4 9417 621 Nut
	2	6001 534	Retainer 8 6001 541 Clip
29	1	2495 904-5	MOULDING PACKAGE, Body Side Sill (23-23-2)
	4	6025 187	Screw
	8	6001 431	Retainer
30	1	2495 794-5	MOULDING PACKAGE, Front Door, Red (23-23-32)
	1	2495 796-7	White
	1	2495 800-1	Blue
	1	2495 802-3	Tan
	1	2495 804-5	Black
	2	6001 532	Retainer 4 9417 621 Nut
	2	6001 549	Retainer 8 6001 540 Clip

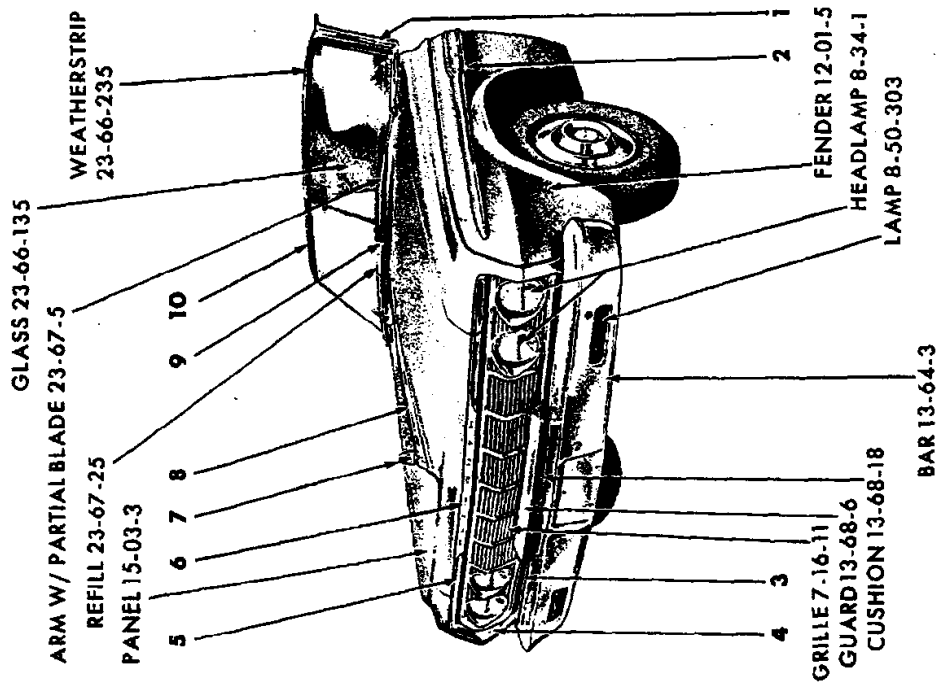
All Packages Include Attaching Parts

Part Type Code is Indicated in Parentheses

EXTERIOR VIEW - PLYMOUTH VP2(H) 4 DOOR STATION WAGON



19x9912 A



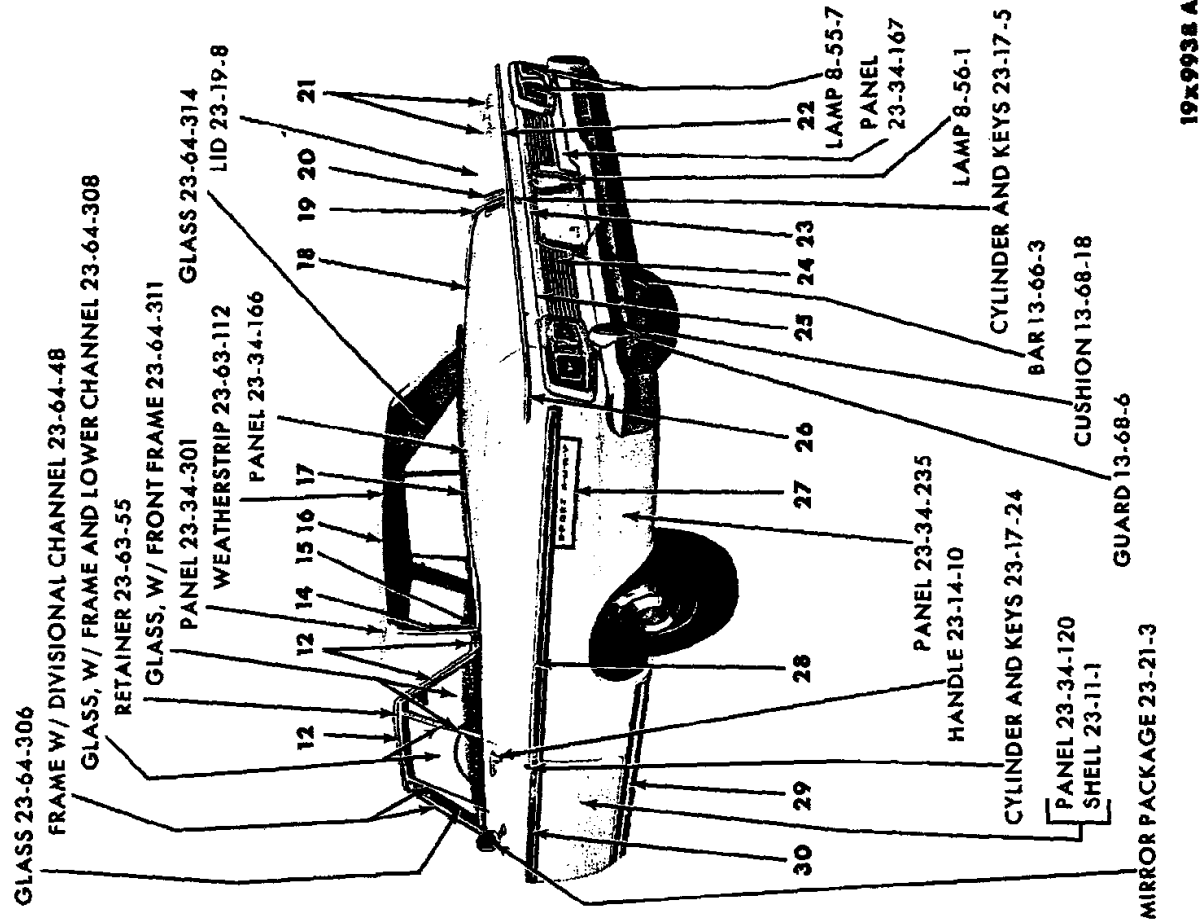
EXTERIOR VIEW - PLYMOUTH VP2(H) CONVERTIBLE COUPE

REF. NO.	QTY	PART NUMBER	DESCRIPTION	REF. NO.	QTY	PART NUMBER	DESCRIPTION
1	1	2218 596-7	MOULDING, Windshield Outside Finish Side (23-23-65)	14	1	2448 179	MOULDING PACKAGE, Deck Lid Upper (23-23-30)
	6	6023 247	Screw	2	6001 433		Retainer
2	1	2495 838-9	MOULDING PACKAGE, Fender Side, "Red" (12-15-2)	1	2424 098-9		Spacer
	1	2495 840-1	"White"	2	9417 621		Nut
	1	2495 842-3	"Blue"	6	6001 439		Retainer
	1	2495 844-5	"Tan"	6	6006 264		Nut
	1	2495 846-7	"Black"	15	1	2480 526	NAME PLATE, Deck Lid (23-19-114)
	8	6001 474	Clip	5	6000 050		Clip
	2	6001 581	Retainer	16	1	2448 591	MOULDING PACKAGE, Deck Lid Lower (23-23-30)
	2	6001 582	Retainer	6	6001 058		Retainer
	2	6001 546	Clip	6	9417 621		Nut
	14	----	Nut	17	1	2448 592	MOULDING PACKAGE, Deck Lower Panel License Depression (23-23-23)
3	1	2495 195	MOULDING PACKAGE, Radiator Stone Deflector (7-35-20)	3	6023 687		Seal
	8	6001 467	Retainer	3	6023 682		Screw
	8	6000 616	Nut	2	1839 995		Nut
4	1	2495 196-7	MOULDING PACKAGE, Fender Front (12-15-2)	18	1	2480 020-1	PANEL, Deck Lower Panel Finish (23-23-28)
	4	6001 466	Retainer	8	6001 430		Retainer
	4	----	Clip	8	6023 265		Nut
	8	6024 563	Screw	4	6001 566		Retainer
	4	----	Nut	4	1839 995		Nut
5	1	2495 194	MOULDING PACKAGE, Hood Front (15-25-2)	2	6000 050		Clip
	8	----	Nut	19	1	2448 184-5	MOULDING PACKAGE, Quarter Panel Upper Rear (23-23-39)
	2	6001 465	Retainer	6	6001 112		Clip
	4	6001 466	Retainer	6	----		Nut
6	1	2417 367	NAME LETTER, Hood Front, "P" (15-06-16)	20	1	2448 458-9	MOULDING PACKAGE, Deck Upper Panel (23-23-31)
	1	2417 368	"L"	10	6024 477		Fastener
	1	2417 369	"Y"	21	2	2480 489	F, Quarter Panel Name Letter (23-34-238)
	1	2417 370	"M"	2	2480 490		U
	1	2423 369	"O"	2	2480 491		R
	1	2423 370	"U"	2	2480 492		Y
	1	2417 373	"T"	16	6023 260		Nut
	1	2417 374	"H"	22	1	2495 366-7	MOULDING PACKAGE, Quarter Panel Belt Rear (23-23-39)
	16	9415 250	Nut	14	6024 472		Fastener
7	1	2417 713	ORNAMENT, Hood Top (15-03-18)	23	1	2495 808-9	MOULDING PACKAGE, Quarter Panel Lower, Red (23-23-39)
	1	6023 912	Screw	1	2495 810-1		White
8	1	2495 757	MOULDING PACKAGE, Hood Top (15-25-2)	1	2495 812-3		Blue
	6	6023 097	Nut	1	2495 814-5		Tan
9	1	2218 595	MOULDING, Windshield Outside Finish Lower (23-23-65)	1	2495 816-7		Black
	10	6001 537	Retainer and Screw	2	6024 271		Screw
10	1	2482 898-9	MOULDING, Windshield Header Outside (23-23-65)	6	6001 541		Clip
	7	162 402	Screw	6	6001 542		Clip
	7	----	Seal	10	6001 535		Retainer
11	1	2448 456	COVER PACKAGE, Deck Opening Upper Panel Moulding Joint (23-23-41)	10	6024 679		Nut
	1	6024 477	Fastener	24	1	2495 904-5	MOULDING PACKAGE, Body Side Sill (23-23-2)
12	1	2448 593	MOULDING PACKAGE, Deck Lid Center (23-23-30)	4	6025 187		Screw
	5	6022 013	Seal	8	6001 431		Retainer
	5	1839 995	Nut	25	1	2495 784-5	MOULDING PACKAGE, Door, Rcd (23-23-32)
13	1	2480 060	ORNAMENT, Deck Lid (23-19-114)	1	2495 786-7		White
	1	6022 013	Seal	1	2495 788-9		Blue
	1	1839 995	Nut	1	2495 790-1		Tan
	1	152 259	Nut	1	2495 792-3		Black
				2	8001 549		Retainer
				2	6001 532		Retainer

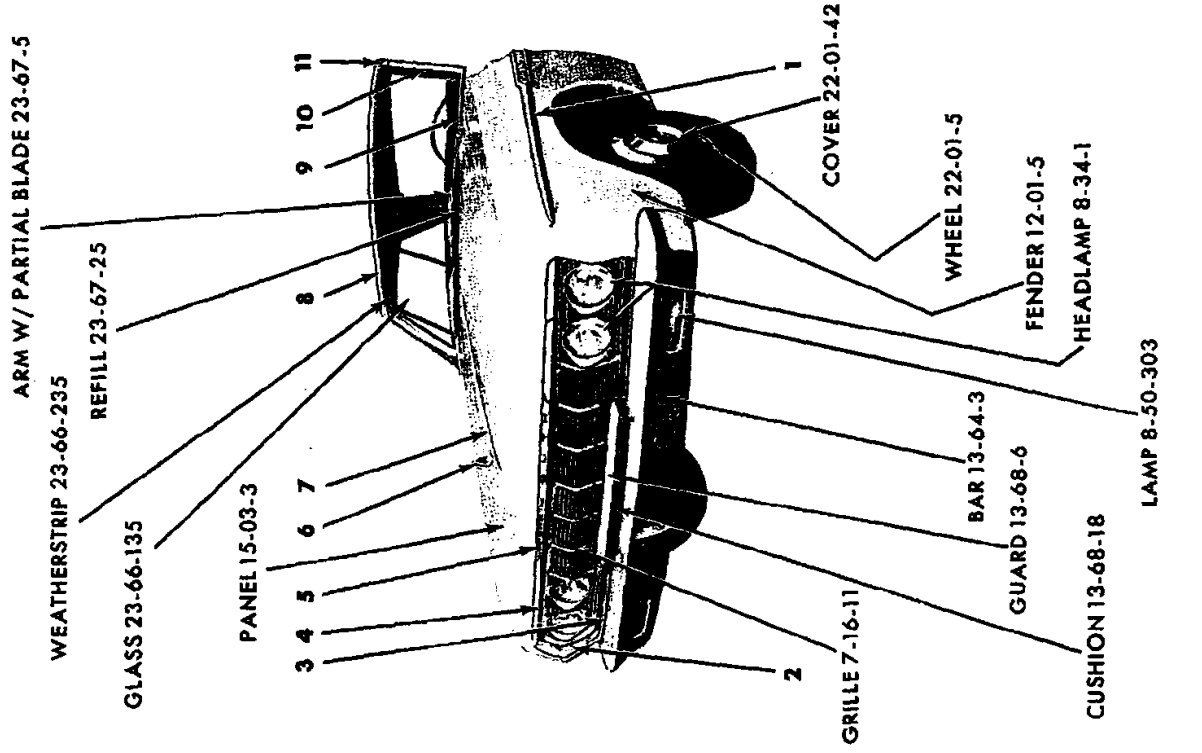
All Packages Include Attaching Parts

Part Type Code is Indicated in Parentheses

EXTERIOR VIEW - PLYMOUTH VP2(H) CONVERTIBLE COUPE



19x9938 A



EXTERIOR VIEW - PLYMOUTH VP2(P) 2 DOOR HARDTOP

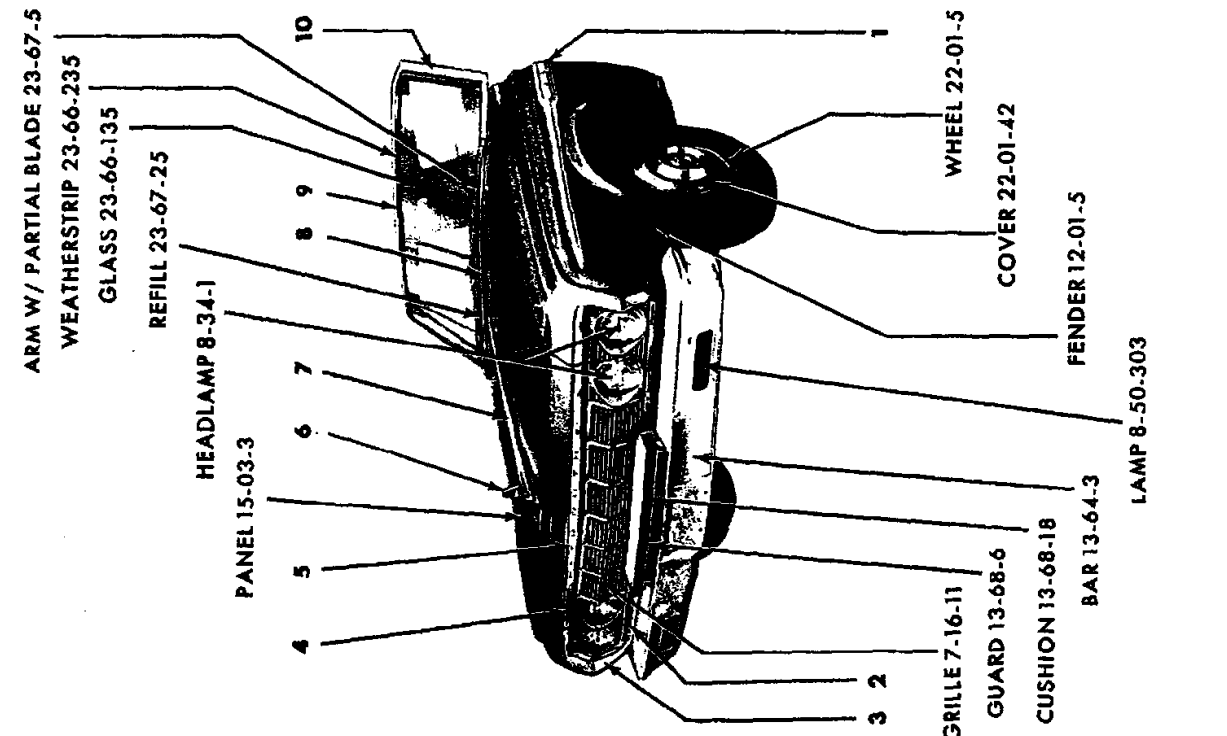
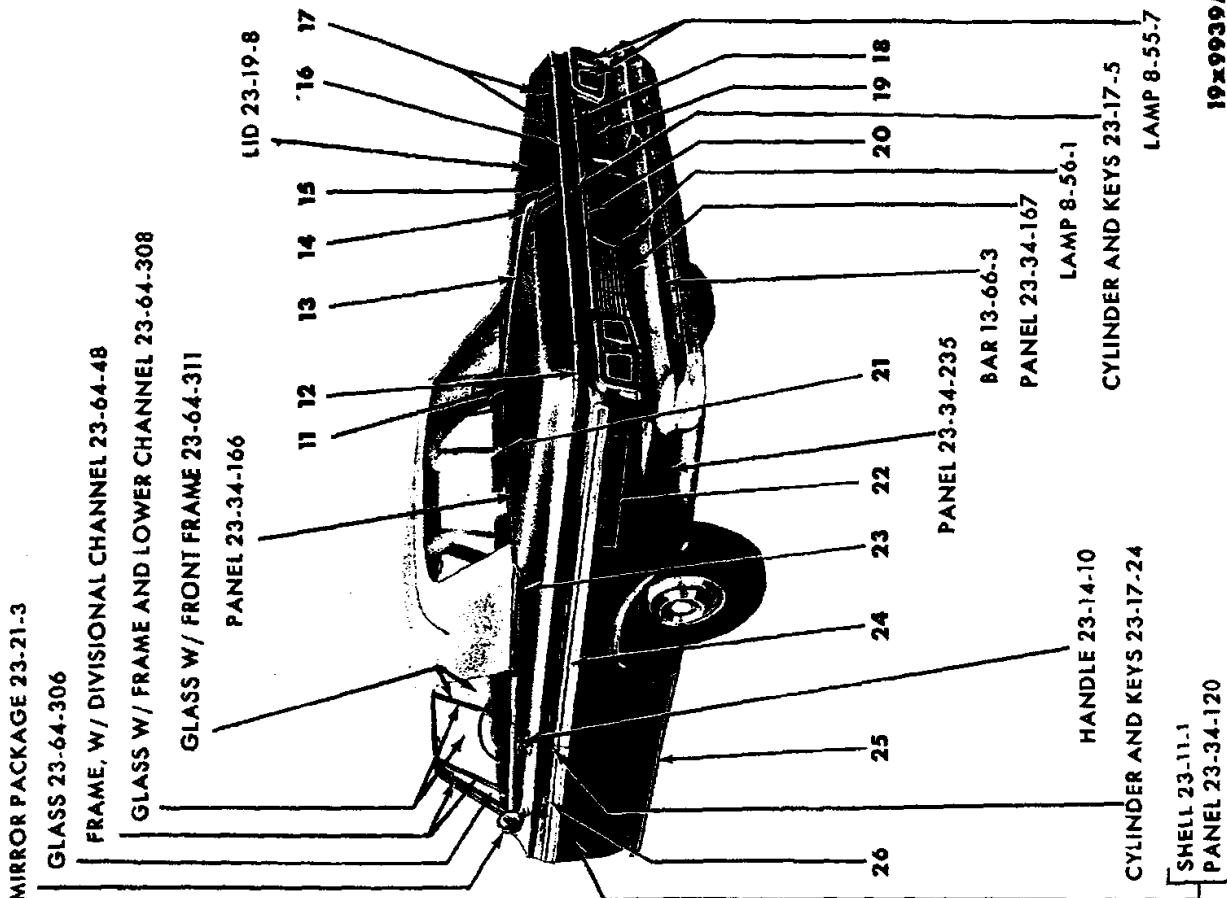
REF. NO.	QTY	PART NUMBER	DESCRIPTION
1	1	2495 848-9	MOULDING PACKAGE, Fender Side (12-15-2)
	8	6001 474	Clip
	2	6001 581	Retainer 14 ---- Nut
	2	6001 582	Retainer 2 6001 548 Clip
2	1	2495 196-7	MOULDING PACKAGE, Fender Front (12-15-2)
	4	6001 466	Retainer 8 6024 563 Screw
	4	----	Clip 4 ---- Nut
3	1	2495 195	MOULDING PACKAGE, Radiator Stone Deflector (7-35-20)
	8	6001 467	Retainer 8 6000 616 Nut
4	1	2495 194	MOULDING PACKAGE, Hood Front (15-25-2)
	2	6001 485	Retainer
	4	6001 466	Retainer 8 ---- Nut
5	1	2417 367	LETTER, Hood Front Name, P (15-06-16)
	1	2417 368	L
	1	2417 369	Y
	1	2417 370	M
	1	2423 369	O
	1	2423 370	U
	1	2417 373	T
	1	2417 374	H
	16	9415 250	Nut
6	1	2417 713	ORNAMENT, Hood Top (15-03-18)
	1	6023 912	Screw
7	1	2495 757	MOULDING PACKAGE, Hood Top (15-25-2)
	6	6023 097	Nut
8	1	2218 594	MOULDING, Windshield Outside Upper (23-23-65)
	8	6001 537	Retainer and Screw
9	1	2218 595	MOULDING, Windshield Outside Finish Lower (23-23-65)
	10	6001 537	Retainer and Screw
10	1	2218 596-7	MOULDING, Windshield Outside Finish Side (23-23-65)
	6	6023 247	Screw
11	1	2491 012-3	MOULDING, Windshield Outside Side Upper Extension (Wide Type) (23-23-65)
	1	2492 712-3	MOULDING, Windshield Outside Side Upper Extension (Narrow Type)
	6	6024 271	Screw
12	1	2525 556-7	MOULDING, Roof Side Drain Trough Front and Rear (23-59-61)
	6	2483 716	Clip (w/Vinyl Roof)
	6	2573 082	Clip (w/o Vinyl Roof)
	6	6024 271	Screw
	2	----	Nut
14	1	2480 918-9	MOULDING, Rear Window Outside Side (23-23-52)
	6	6001 525	Retainer and Screw
15	1	2480 920-1	MOULDING, Rear Window Outside Lower Corner (23-23-52)
	2	6023 693	Screw

REF. NO.	QTY	PART NUMBER	DESCRIPTION
16	1	2495 269	MOULDING PACKAGE, Rear Window Outside Upper (23-23-52)
	6	6001 525	Retainer and Screw
17	1	2480 922	MOULDING, Rear Window Outside Lower (23-23-52)
	6	6023 693	Screw
18	1	2448 593	MOULDING PACKAGE, Deck Lid Center (23-23-30)
	5	6022 013	Seal 5 1839 995 Nut
19	1	2480 283	ORNAMENT, Deck Lid Center (23-19-114)
	1	6022 013	Seal
	1	1839 995	Nut 1 152 259 Nut
20	1	2480 288-9	ORNAMENT, Deck Lid Outer (23-19-114)
	4	152 259	Nut
21	1	2422 955	NAME PLATE, Deck Lid (23-19-114)
	3	152 259	Nut 1 6001 254 Clip
22	1	2448 179	MOULDING PACKAGE, Deck Lid Upper (23-23-30)
	2	6001 433	Retainer
	1	2424 098-9	Spacer 2 9417 621 Nut
	6	6001 439	Retainer 6 6006 264 Nut
23	1	2448 592	MOULDING PACKAGE, Deck Lower Panel License Depression (23-23-23)
	3	6023 687	Seal
	3	6023 682	Screw 2 1839 995 Nut
24	1	2480 020-1	PANEL, Deck Lower Panel Finish (23-23-28)
	8	6001 430	Retainer
	4	6001 566	Retainer 4 1839 995 Nut
	8	6023 265	Nut 2 6000 050 Clip
25	1	2448 591	MOULDING PACKAGE, Deck Lid Lower (23-23-30)
	6	6001 058	Retainer 6 9417 621 Nut
26	1	2448 184-5	MOULDING PACKAGE, Quarter Panel Upper Rear (23-23-39)
	6	6001 112	Clip 6 ---- Nut
27	2	2483 443	NAME PLATE, Quarter Outside Sport (23-34-238)
	2	2483 444	NAME PLATE, Quarter Outside Fury (23-34-238)
	10	6023 260	Nut
28	1	2495 806-7	MOULDING PACKAGE, Quarter Panel Lower (23-23-39)
	2	6024 271	Screw
	6	6001 541	Clip 6 6001 542 Clip
	10	6001 535	Retainer 10 6024 679 Nut
29	1	2495 904-5	MOULDING PACKAGE, Body Side Sill (23-23-2)
	8	6001 431	Retainer 4 6025 187 Screw
30	1	2495 782-3	MOULDING PACKAGE, Door (23-23-32)
	2	6001 532	Retainer 10 6001 540 Clip
	2	6001 549	Retainer 4 9417 621 Nut

All Packages Include Attaching Parts

Part Type Code is Indicated in Parentheses

EXTERIOR VIEW - PLYMOUTH VP2(P) 2 DOOR HARDTOP



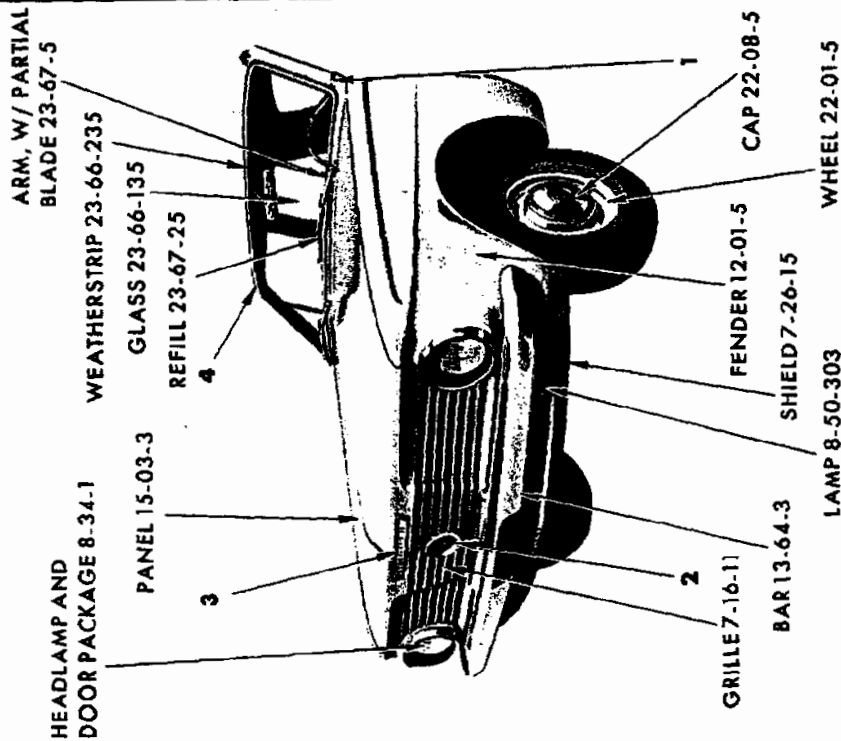
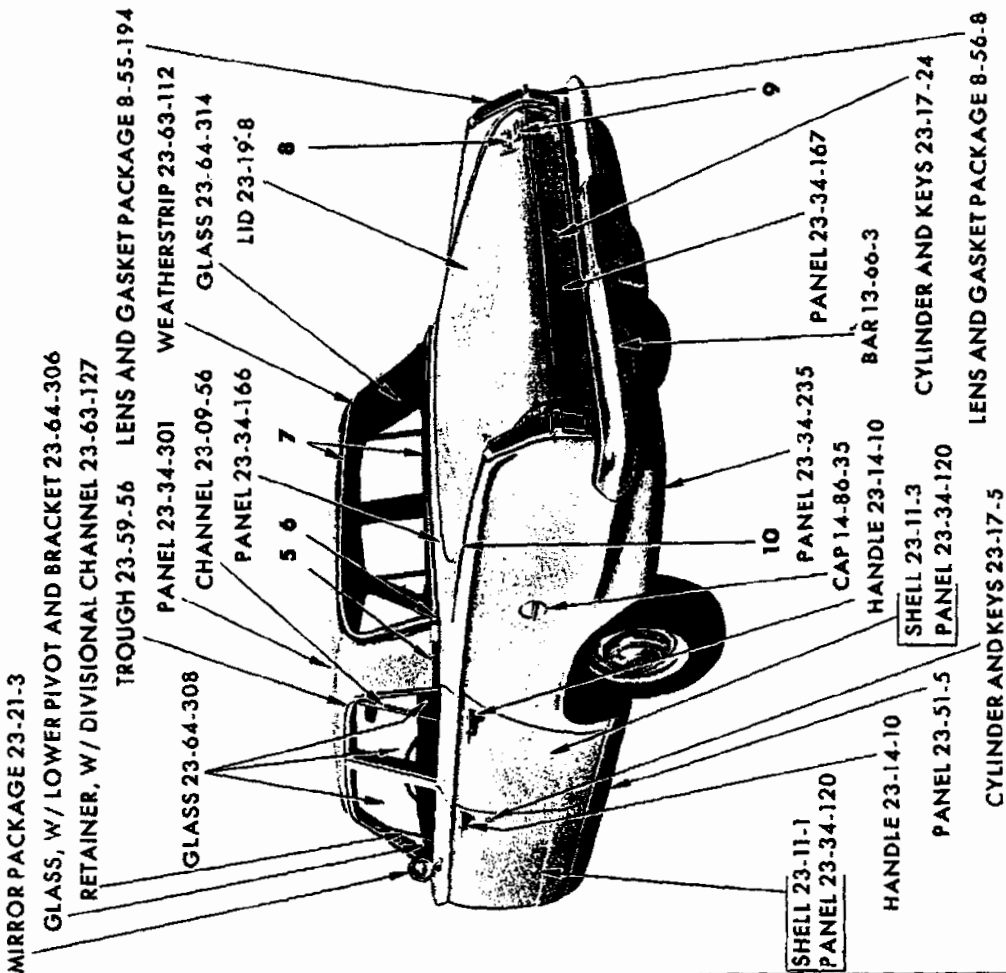
EXTERIOR VIEW - PLYMOUTH VP2(P) CONVERTIBLE COUPE

REF. NO.	QTY	PART NUMBER	DESCRIPTION	REF. NO.	QTY	PART NUMBER	DESCRIPTION
1	1	2495 848-9	MOULDING PACKAGE, Fender Side (12-15-2)	14	1	2480 283	ORNAMENT, Deck Lid Center (23-19-114)
	8	6001 474	Clip		1	6022 013	Seal
	2	6001 581	Retainer		1	1839 995	Nut
	2	6001 582	Retainer		1	152 259	Nut
	2	6001 548	Clip	15	1	2480 288-9	ORNAMENT, Deck Lid Outer (23-19-114)
	14	-----	Nut		4	152 259	Nut
2	1	2495 195	MOULDING PACKAGE, Radiator Stone Deflector (7-35-20)	16	1	2448 179	MOULDING PACKAGE, Deck Lid Upper (23-23-30)
	8	6001 467	Retainer		2	6001 433	Retainer
	8	6000 616	Nut		1	2424 098-9	Spacer
3	1	2495 196-7	MOULDING PACKAGE, Fender Front (12-15-2)		2	9417 621	Nut
	4	6001 466	Retainer		6	6001 439	Retainer
	4	-----	Clip		6	6006 264	Nut
	8	6024 563	Screw	17	1	2422 955	NAME PLATE, Deck Lid (23-19-114)
	4	-----	Nut		3	152 259	Nut
4	1	2495 194	MOULDING PACKAGE, Hood Front (15-25-2)		1	6001 254	Clip
	8	-----	Nut	18	1	2448 591	MOULDING PACKAGE, Deck Lid Lower (23-23-30)
	2	6001 465	Retainer		6	6001 058	Retainer
	4	6001 466	Retainer		6	9417 621	Nut
5	1	2417 367	LETTER, Hood Front Name, "P" (15-06-16)	19	1	2480 020-1	PANEL, Deck Lower Panel Finish (23-23-28)
	1	2417 368	"L"		8	6001 430	Retainer
	1	2417 369	"Y"		8	6024 679	Nut
	1	2417 370	"M"		4	6001 566	Retainer
	1	2423 369	"O"		4	1839 995	Nut
	1	2423 370	"U"		2	6000 050	Clip
	1	2417 370	"T"	20	1	2448 592	MOULDING PACKAGE, Deck Lower Panel License Depression (23-23-23)
	1	2417 374	"H"		3	6023 687	Seal
	16	9415 250	Nut		3	6023 682	Screw
6	1	2417 713	ORNAMENT, Hood Top (15-03-18)		2	1839 995	Nut
	1	6023 912	Screw	21	1	2448 458-9	MOULDING PACKAGE, Deck Upper Panel (23-23-31)
7	1	2495 757	MOULDING PACKAGE, Hood Top (15-25-2)		10	6024 477	Fastener
	6	6023 097	Nut	22	2	2483 443	NAME PLATE, Quarter Outside Sport (23-34-238)
8	1	2218 595	MOULDING, Windshield Outside Finish Lower (23-23-65)		2	2483 444	NAME PLATE, Quarter Outside Fury
	10	6001 537	Retainer and Screw		10	6023 260	Nut
9	1	2482 898-9	MOULDING, Windshield Header Outside (23-23-65)	23	1	2495 366-7	MOULDING PACKAGE, Quarter Panel Belt Rear (23-23-39)
	7	162 402	Screw		14	6024 472	Fastener
	7	-----	Seal	24	1	2495 806-7	MOULDING PACKAGE, Quarter Panel Lower (23-23-39)
10	1	2218 596-7	MOULDING, Windshield Outside Finish Side (23-23-65)		2	6024 271	Screw
	6	6023 247	Screw		6	6001 541	Clip
11	1	2448 456	COVER PACKAGE, Deck Opening Upper Panel Moulding Joint (23-23-41)		6	6001 542	Clip
	1	6024 477	Fastener		10	6001 535	Retainer
12	1	2448 184-5	MOULDING PACKAGE, Quarter Panel Upper Rear (23-23-39)		10	6024 679	Nut
	6	6001 112	Clip	25	1	2495 904-5	MOULDING PACKAGE, Body Side Sill (23-23-2)
	6	-----	Nut		4	6025 187	Screw
13	1	2448 593	MOULDING PACKAGE, Deck Lid Center (23-23-30)		8	6001 431	Retainer
	5	6022 013	Seal	26	1	2495 782-3	MOULDING PACKAGE, Door (23-23-32)
	5	1839 995	Nut		2	6001 532	Retainer
					4	9417 621	Nut
					2	6001 549	Retainer
					10	6001 540	Clip

All Packages Include Attaching Parts

Part Type Code is Indicated in Parentheses

EXTERIOR VIEW - PLYMOUTH VP2(P) CONVERTIBLE COUPE



19x9862

EXTERIOR VIEW - VALIANT VV1-2(L) 4 DOOR SEDAN

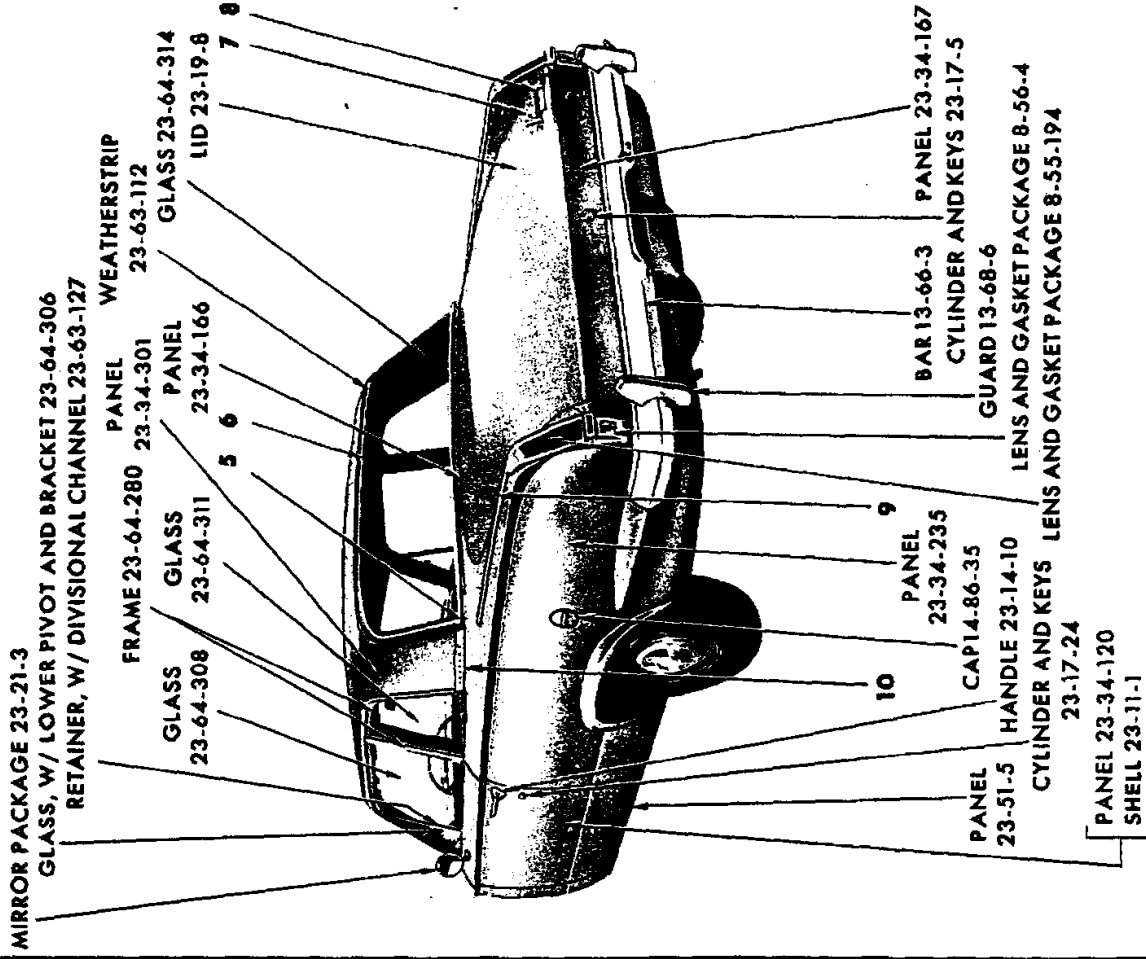
REF. NO.	QTY	PART NUMBER	DESCRIPTION
1	1	2480 384-5	MOULDING, Front Upper Pillar (23-23-14)
	4	9419 261	Screw
2	1	2417 697	MEDALLION, Radiator Grille (7-17-1)
	3	6023 202	Nut
3	1	2445 143	NAME PLATE, Hood Front (15-06-3)
	2	6006 264	Nut
4	1	2082 278	LOCKINGSTRIP, Windshield Glass Weatherstrip (23-66-239)
5	1	2423 846-7	NAME PLATE, Roof Panel Extension (23-34-238)
	6	6023 097	Nut and Seal
6	2	2424 350	CAP, Rear Window Glass Weatherstrip Lockingstrip (23-63-117)

REF. NO.	QTY	PART NUMBER	DESCRIPTION
7	2	2424 426	LOCKINGSTRIP, Rear Window Glass Weatherstrip (23-63-114)
8	1	2423 850	NAME PLATE, Deck Lid (23-19-114)
	3	152 259	Nut
9	1	2422 639	NAME PLATE, Deck Lid (23-19-114)
	1	6000 050	Clip
	1	152 259	Nut
10	2	2448 576	MOULDING PACKAGE, Quarter Panel (23-23-39)
	10	6001 565	Retainer
	10	116 000	Nut

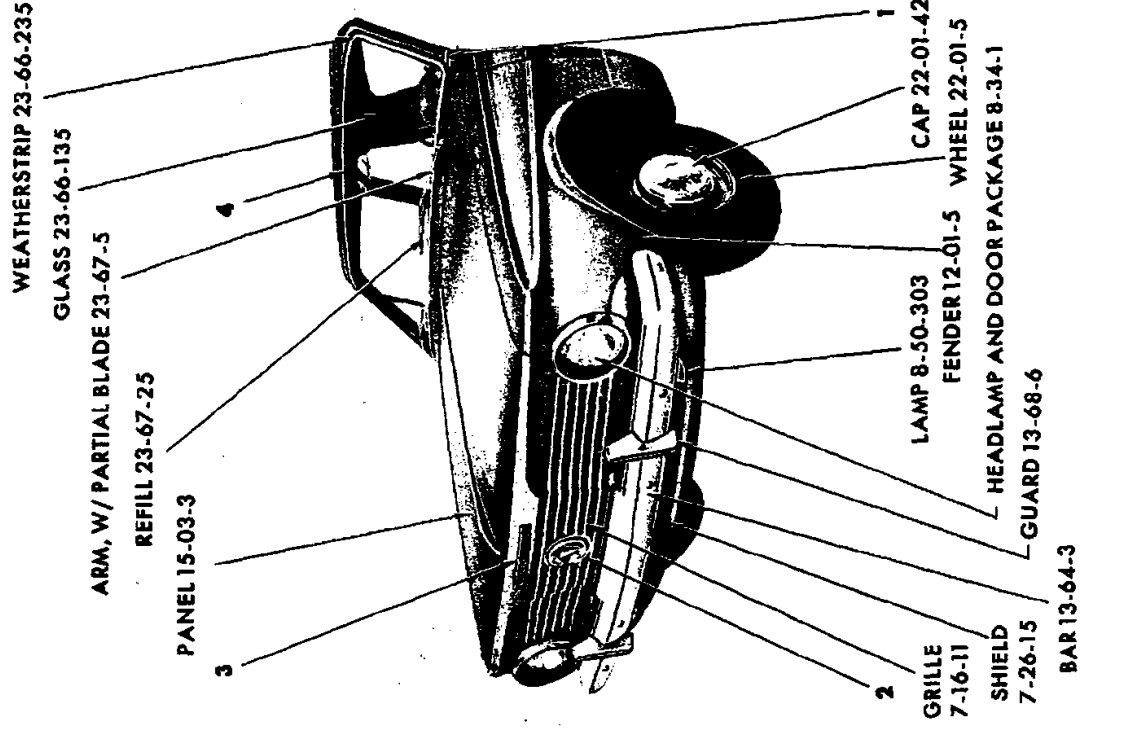
All Packages Include Attaching Parts

Part Type Code is Indicated in Parentheses

EXTERIOR VIEW - VALIANT VV1-2(L) 4 DOOR SEDAN



19x9887



EXTERIOR VIEW - VALLANT VV1-2(L) 2 DOOR SEDAN

REF. NO.	QTY	PART NUMBER	DESCRIPTION
1	1	2480 384-5	MOULDING, Front Upper Pillar (23-23-14)
	4	9419 261	Screw
2	1	2417 697,	MEDALLION, Radiator Grille (7-17-1)
	3	6023 202	Nut
3	1	2445 143	NAME PLATE, Hood Front (15-06-3)
	2	6006 264	Nut
4	1	2082 278	LOCKINGSTRIP, Windshield Glass Weatherstrip (23-66-239)
5	2	2424 350	CAP, Rear Window Glass Weatherstrip Lockingstrip (23-63-117)
6	2	2424 426	LOCKINGSTRIP, Rear Window Glass Weatherstrip (23-63-114)

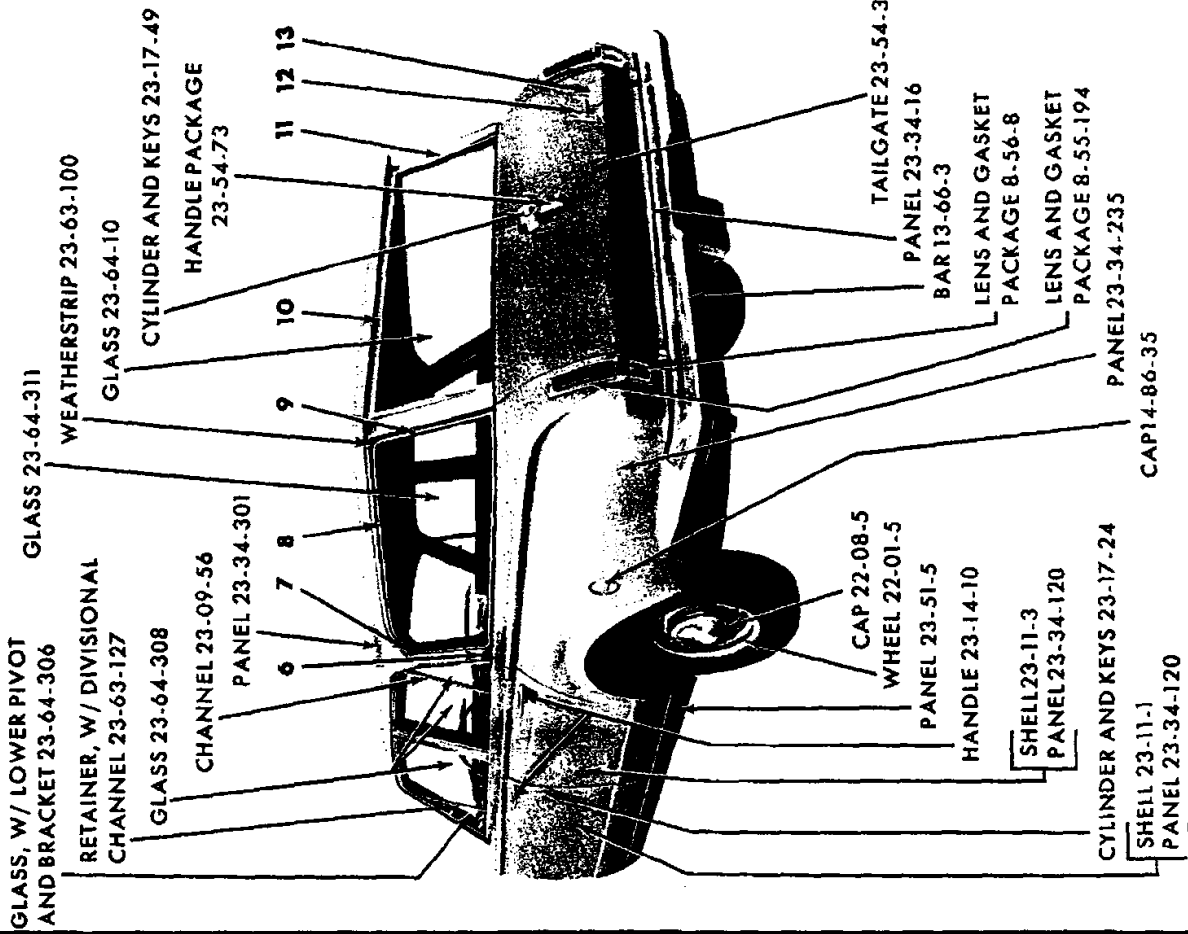
REF. NO.	QTY	PART NUMBER	DESCRIPTION
7	1	2423 850	NAME PLATE, Deck Lid (23-19-114)
	3	152 259	Nut
8	1	2422 639	NAME PLATE, Deck Lid (23-19-114)
	1	6000 050	Clip
	1	152 259	Nut
9	2	2448 576	MOULDING PACKAGE, Quarter Panel Peak (23-23-39)
	10	6001 565	Retainer
	10	116 000	Nut
10	1	2423 846-7	NAME PLATE, Roof Panel Extension (23-34-238)
	6	6023 097	Nut and Seal

All Packages Include Attaching Parts

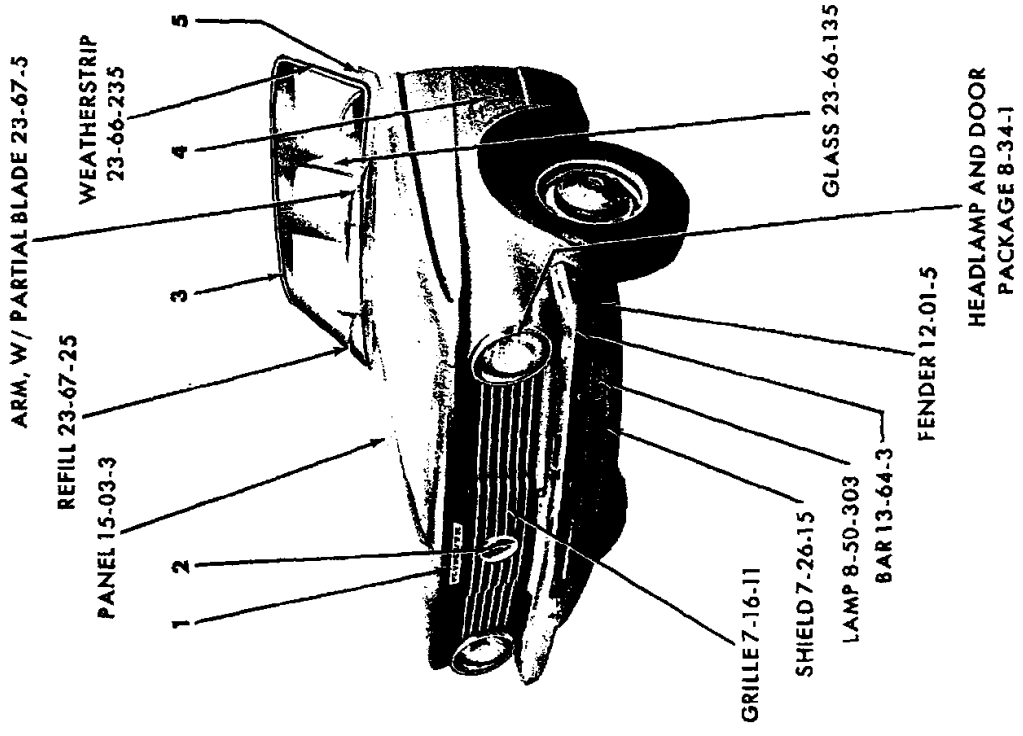
Part Type Code is Indicated in Parentheses

EXTERIOR VIEW - VALIANT VV1-2(L) 2 DOOR SEDAN

1964 PASSENGER CAR PARTS CATALOG



19x9863



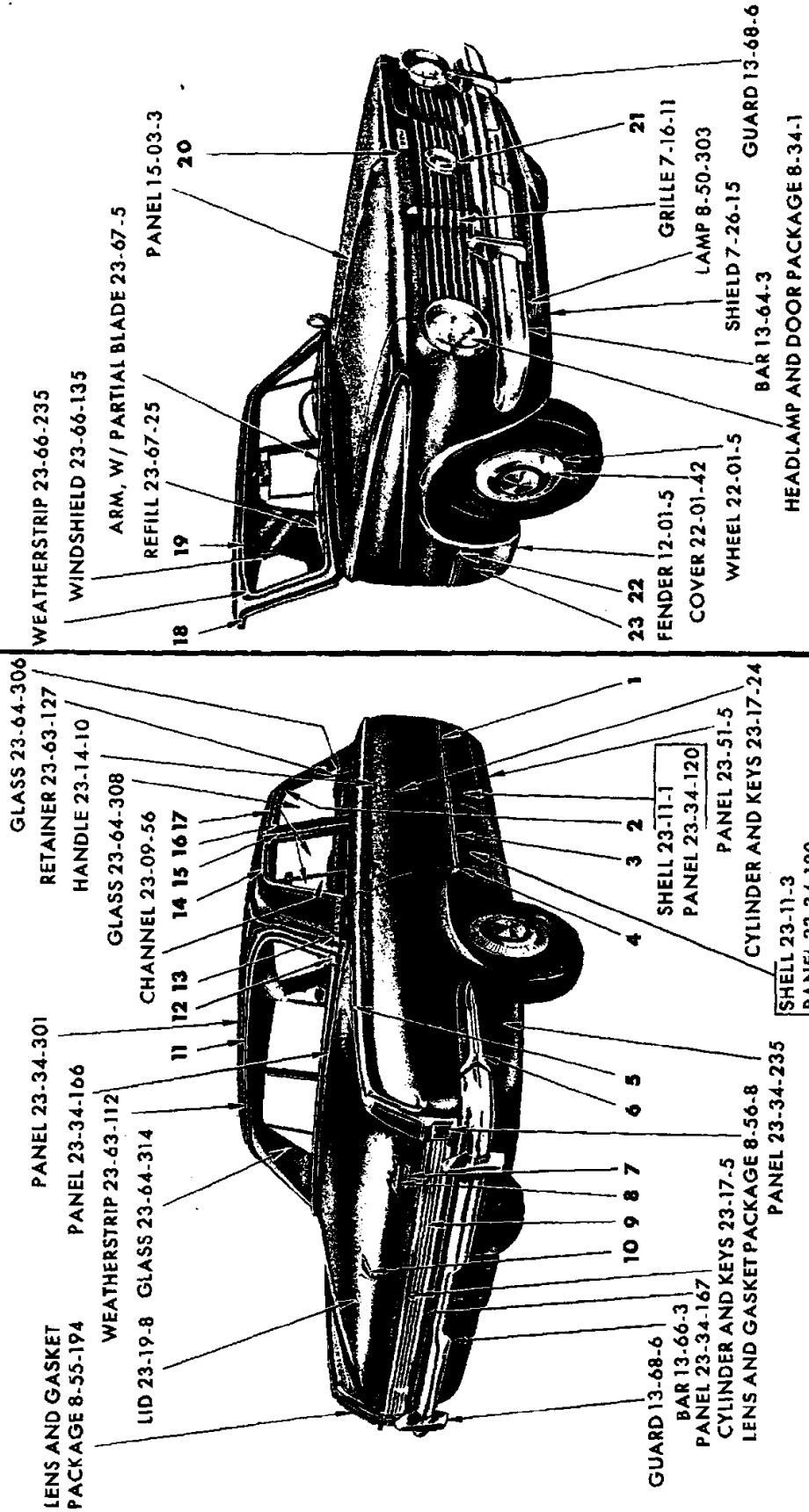
EXTERIOR VIEW - VALIANT VV1-2(L) 4 DOOR STATION WAGON

REF. NO.	QTY	PART NUMBER	DESCRIPTION	REF. NO.	QTY	PART NUMBER	DESCRIPTION
1	1	2445 143	NAME PLATE, Hood Front (15-06-3)	9	2	2424 624	CAP, Quarter Window Locking- strip Lower Rear (23-63-117)
	2	6006 264	Nut	10	1	2448 401	MOULDING PACKAGE, Tailgate Opening Upper (23-23-60)
2	1	2417 697	MEDALLION, Radiator Grille (7-17-1)		5	6001 451	Clip
	3	6023 202	Nut	11	1	2421 577-8	MOULDING PACKAGE, Rear Upper Pillar Outside (23-23-60)
3	1	2082 278	LOCKINGSTRIP, Windshield Glass Weatherstrip (23-66-239)		6	6001 076	Clip
	2	2417 702	NAME PLATE, Fender Side (12-15-21)		4	6024 271	Screw
	6	6000 616	Nut		4	6001 077	Clip
5	1	2480 384-5	MOULDING, Front Upper Pillar (23-23-14)	12	1	2255 629	NAME PLATE, Tailgate Outside Panel (Valiant) (23-54-11)
	4	9419 261	Screw		3	152 259	Nut
6	1	2422 778-9	NAME PLATE, Roof Panel Extension (23-34-238)	13	1	2422 639	NAME PLATE, Tailgate Outside Panel (By Plymouth) (23-54-11)
	6	6023 097	Nut and Seal		2	152 259	Nut
7	2	2424 625	CAP, Quarter Window Locking- strip Upper Front (23-63-117)				
8	2	2243 513	LOCKINGSTRIP, Quarter Window Glass Weatherstrip (23-63-110)				

All Packages Include Attaching Parts

Part Type Code is Indicated in Parentheses

EXTERIOR VIEW - VALIANT VV1-2(L) 4 DOOR STATION WAGON



19x9817A

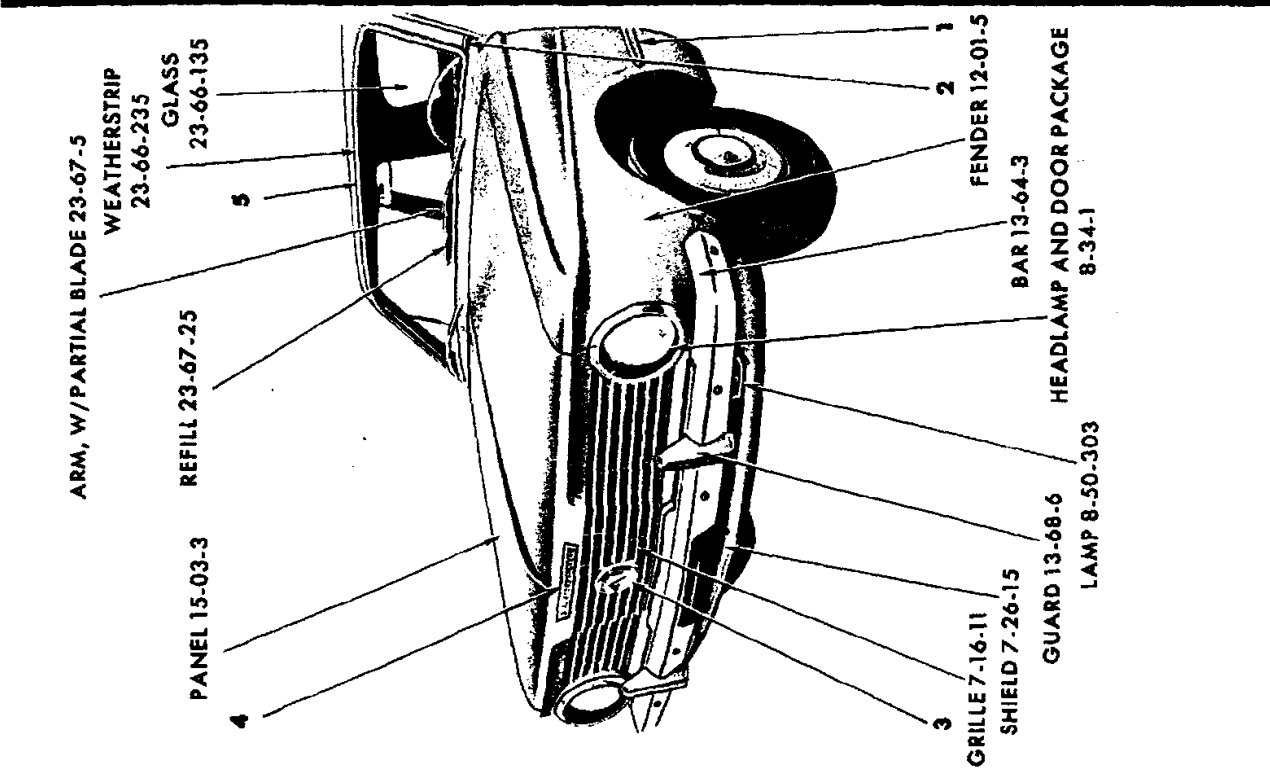
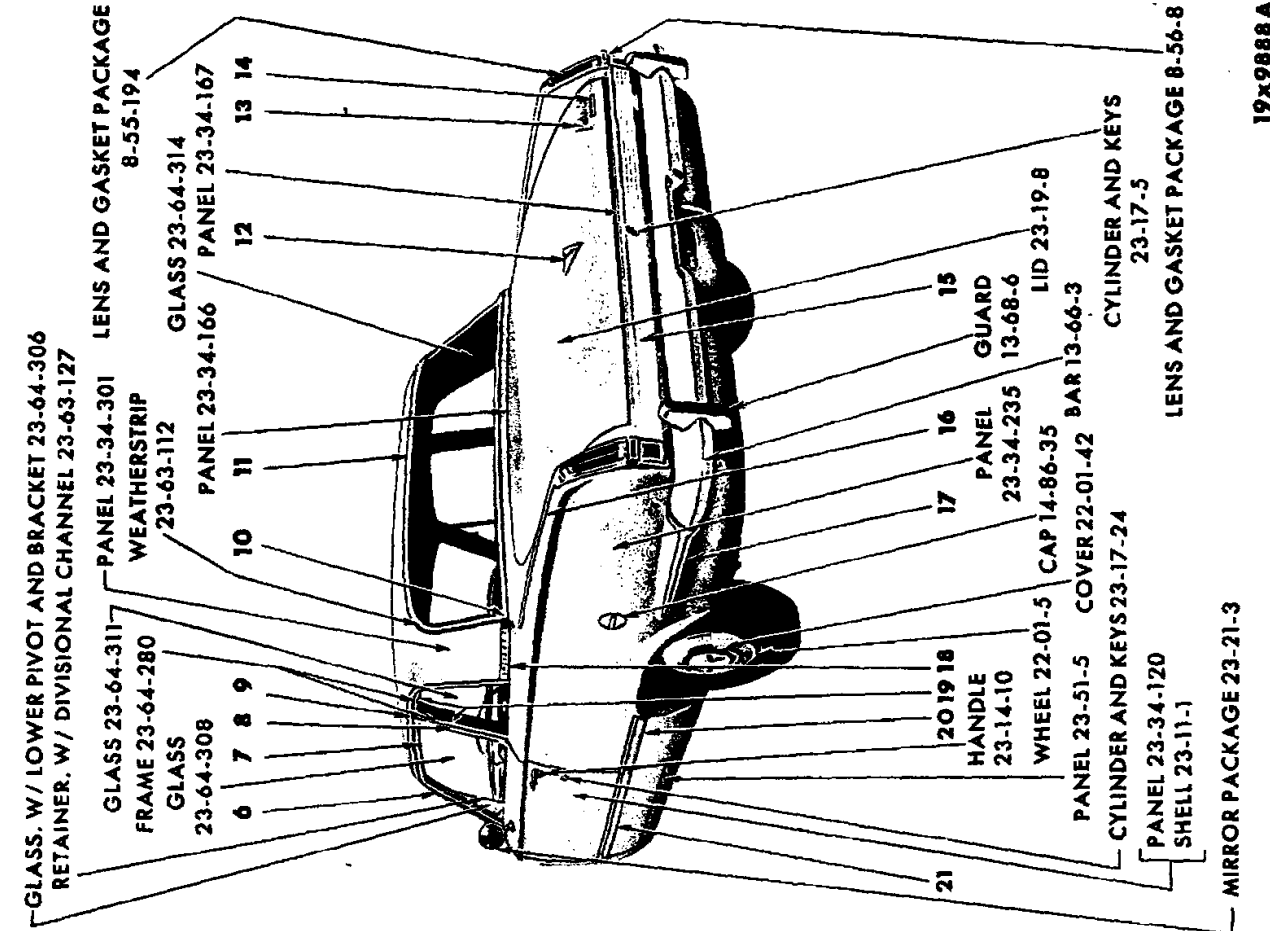
EXTERIOR VIEW - VALIANT VV1-2(H) 4 DOOR SEDAN

REF. NO.	QTY	PART NUMBER	DESCRIPTION	REF. NO.	QTY	PART NUMBER	DESCRIPTION
1	1	2448 570-1	MOULDING PACKAGE, Front Door (23-23-32)	11	2	2424 426	LOCKINGSTRIP, Rear Window Glass Weatherstrip (23-63-114)
	10	6001 563	Retainer	12	2	2424 350	CAP, Rear Window Glass Weatherstrip Lockingstrip (23-63-117)
	2	6001 113	Retainer	13	1	2423 846-7	NAME PLATE, Roof Panel Extension
	2	9417 621	Nut		6	6023 097	Nut and Seal
2	1	2216 946-7	MOULDING, Front Door Window Opening Frame Upper (23-23-32)	14	1	2217 014-5	MOULDING, Rear Door Window Opening Frame Upper (23-23-33)
3	1	2448 564-5	MOULDING PACKAGE, Rear Door (23-23-33)	15	1	2216 950-1	MOULDING, Rear Door Window Opening Frame Front (23-23-33)
	8	6001 563	Retainer	16	1	2216 950-1	MOULDING, Front Door Window Opening Frame Rear (23-23-32)
	2	6001 113	Retainer	17	1	2255 936-7	MOULDING, Roof Side Drain Trough Rear (23-59-61)
	2	9417 621	Nut	18	1	2484 424-5	MOULDING, Roof Side Drain Trough Front (23-59-61)
4	1	2448 574-5	MOULDING PACKAGE, Quarter Panel Lower Front (23-23-39)	19	1	2082 278	LOCKINGSTRIP, Windshield Glass Weatherstrip (23-66-234)
	4	6022 013	Washer	20	1	2445 143	NAME PLATE, Hood Front (15-06-3)
	4	6000 800	Clip		2	6006 264	Nut
5	2	2448 576	MOULDING PACKAGE, Quarter Panel Peak (23-23-39)	21	1	2417 697	MEDALLION, Radiator Grille (7-17-1)
	10	6001 434	Retainer	22	2	2495 161	MOULDING PACKAGE, Fender Side (12-15-2)
	10	116 000	Nut		4	6001 563	Retainer
6	1	2448 560-1	MOULDING PACKAGE, Quarter Panel Lower Rear (23-23-39)		4	6001 474	Retainer
	8	-----	Washer		4	-----	Nut
	6	6023 778	Nut	23	1	2445 182	MEDALLION, Fender Side Pentastar, Right Side (12-15-21)
7	1	2422 639	NAME PLATE, Deck Lid (23-19-114)		1	152 259	Nut
	1	6000 050	Clip				
	1	152 259	Nut				
8	1	2423 850	NAME PLATE, Deck Lid (23-19-114)				
	3	152 259	Nut				
9	1	2483 490	PANEL, Deck Lower Panel Finish (23-23-28)				
	14	6024 679	Nut				
10	1	2423 848	MEDALLION, Deck Lid (23-19-114)				
	1	6022 013	Seal				
	1	6000 960	Clip				
	2	6023 097	Nut				

All Packages include Attaching Parts

Part Type Code is Indicated in Parentheses

EXTERIOR VIEW - VALIANT VV1-2(H) 4 DOOR SEDAN



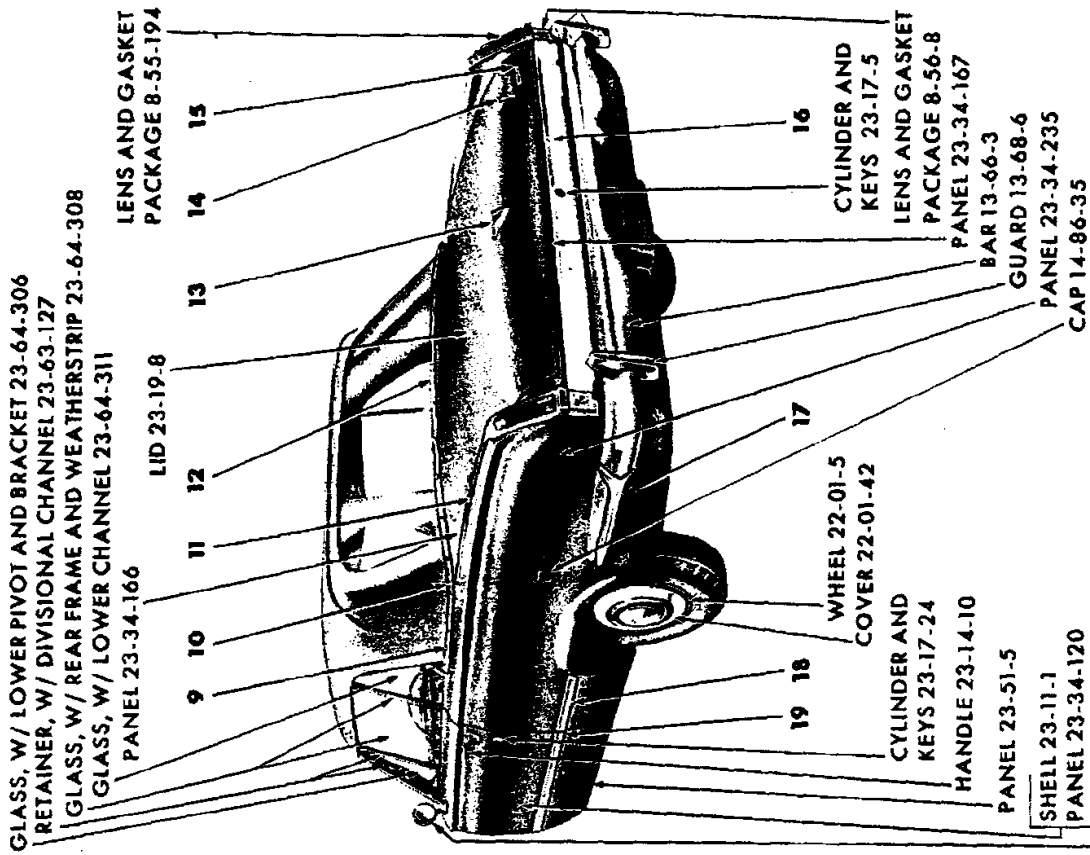
EXTERIOR VIEW - VALIANT VV1-2(H) 2 DOOR SEDAN

REF. NO.	QTY	PART NUMBER	DESCRIPTION	REF. NO.	QTY	PART NUMBER	DESCRIPTION
1	2	2495 161	MOULDING PACKAGE, Fender Side (12-15-2)	13	1	2423 850	NAME PLATE, Deck Lid (23-19-114)
	4	6001 563	Retainer		3	152 259	Nut
	4	6001 474	Retainer	14	1	2422 639	NAME PLATE, Deck Lid (23-19-114)
	4	----	Nut		1	6000 050	Clip
2	1	2480 384-5	MOULDING, Front Upper Pillar (23-23-14)		1	152 259	Nut
	4	9419 261	Screw	15	1	2483 490	PANEL, Deck Lower Panel Finish (23-23-28)
3	1	2417 697	MEDALLION, Radiator Grille (7-17-1)		14	6024 679	Nut
	3	6023 202	Nut	16	2	2448 576	MOULDING PACKAGE, Quarter Panel Peak (23-23-39)
4	1	2445 143	NAME PLATE, Hood Front (15-06-3)		10	6001 565	Retainer
	2	6006 264	Nut		10	116 000	Nut
5	1	2082 278	LOCKINGSTRIP, Windshield Glass Weatherstrip (23-66-239)	17	1	2448 560-1	MOULDING PACKAGE, Quarter Panel Lower Rear (23-23-39)
6	1	2484 424-5	MOULDING, Roof Side Drain Trough Front (23-59-61)		6	----	Washer
7	1	2216 944-5	MOULDING, Door Window Opening Frame Upper and Front (23-23-32)		6	6023 778	Nut
8	1	2216 950-1	MOULDING, Door Window Opening Frame Rear (23-23-32)	18	1	2423 846-7	NAME PLATE, Roof Panel Extension (23-34-238)
9	1	2255 936	MOULDING, Roof Side Drain Trough Rear (23-59-61)		6	6023 097	Nut and Seal
10	2	2424 350	CAP, Rear Window Glass Weatherstrip Lockingstrip (23-63-117)	19	1	2216 950-1	MOULDING, Quarter Window Opening Frame Outside Front (23-23-73)
11	2	2424 426	LOCKINGSTRIP, Rear Window Glass Weatherstrip (23-63-114)		1	2244 374-5	MOULDING, Quarter Window Opening Frame Outside Upper (23-23-73)
12	1	2423 848	MEDALLION, Deck Lid (23-19-114)	20	1	2448 566-7	MOULDING PACKAGE, Quarter Panel Lower Front (23-23-39)
	1	6022 013	Seal		6	6001 563	Retainer
	1	6000 960	Clip		2	6024 271	Screw
	2	6023 097	Nut	21	1	2448 568-9	MOULDING PACKAGE, Door Lower (23-23-32)
					12	6001 563	Retainer
					2	6001 562	Retainer
					2	9417 621	Nut

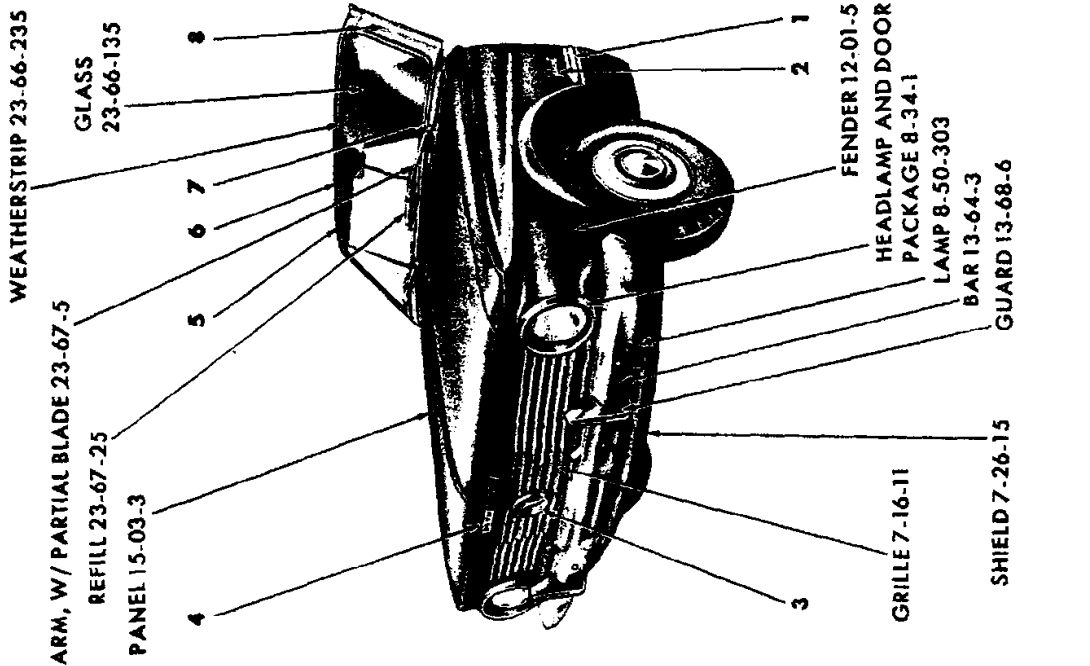
All Packages Include Attaching Parts

Part Type Code is Indicated in Parentheses

EXTERIOR VIEW - VALIANT VV1-2(H) 2 DOOR SEDAN



19x9889



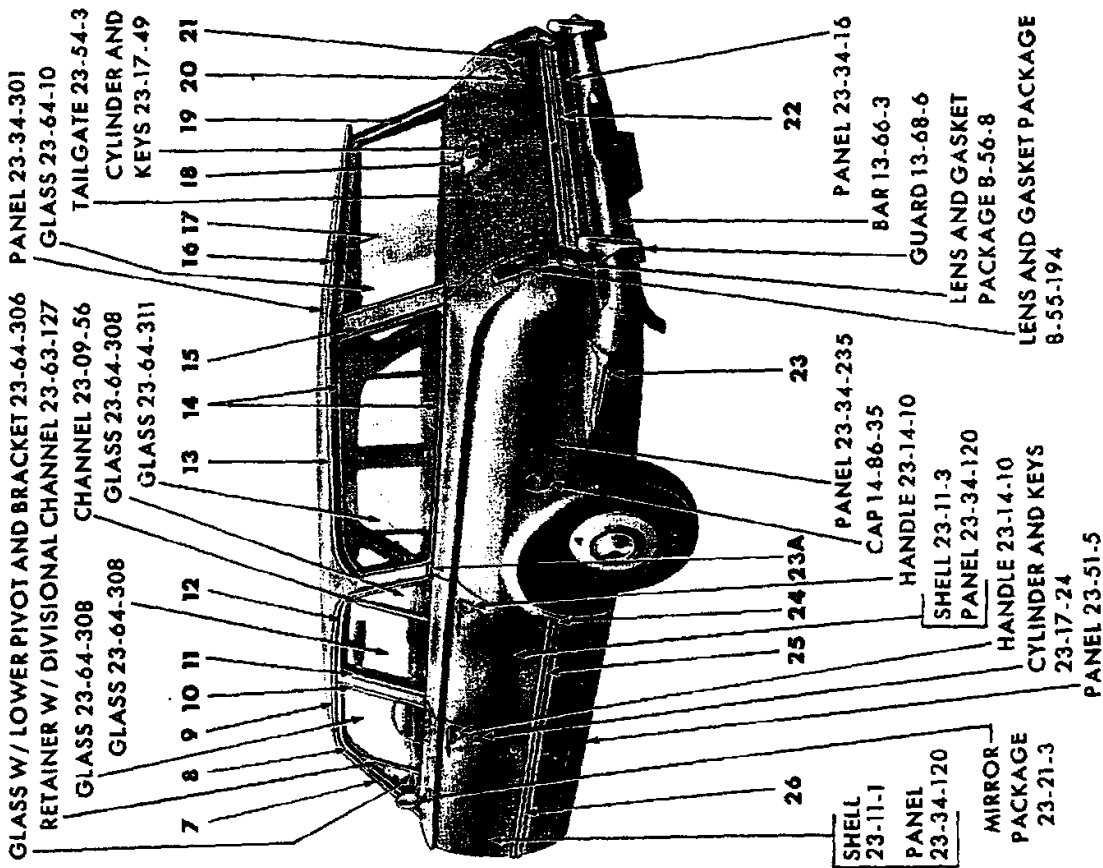
EXTERIOR VIEW - VALIANT VV1-2(H) CONVERTIBLE COUPE

REF. NO.	QTY	PART NUMBER	DESCRIPTION	REF. NO.	QTY	PART NUMBER	DESCRIPTION	
1	2	2495 161	MOULDING PACKAGE, Fender Side (12-15-2)	11	2	2448 576	MOULDING PACKAGE, Quarter Panel Peak (23-23-39)	
	4	6001 563	Retainer		10	6001 565	Retainer	
	4	6001 474	Retainer		10	116 000	Nut	
	4	-----	Nut	12	1	2424 105	COVER, Quarter Outside Panel Rear Belt Moulding Joint (23-23-41)	
2	2	2417 702	NAME PLATE, Fender Side (12-15-21)		1	2094 394	Fastener	
	6	6000 616	Nut	13	1	2423 848	MEDALLION, Deck Lid (23-19-114)	
3	1	2417 697	MEDALLION, Radiator Grille (7-17-1)		1	6022 013	Seal	
	3	6023 202	Nut		1	6000 960	Clip	
4	1	2445 143	NAME PLATE, Hood Front (15-06-3)		2	6023 097	Nut	
	2	6006 264	Nut	14	1	2423 850	NAME PLATE, Deck Lid (23-19-114)	
5	1	2422 180-1	MOULDING, Windshield Header Outside Upper (23-23-65)		3	152 259	Nut	
	7	6024 400	Screw and Sealer	15	1	2422 639	NAME PLATE, Deck Lid (23-19-114)	
6	1	2082 278	LOCKINGSTRIP, Windshield Glass Weatherstrip (23-66-239)		1	6000 050	Clip	
	7	1	2424 106	MOULDING, Windshield Outside Lower (23-23-65)		1	152 259	Nut
	7	6001 524	Clip and Seal	16	1	2483 490	PANEL, Deck Lower Panel Finish (23-23-28)	
8	1	2484 406-7	MOULDING, Windshield Opening Frame Outside Side (23-23-65)		14	6024 679	Nut	
	8	6024 271	Screw	17	1	2448 560-1	MOULDING PACKAGE, Quarter Panel Lower Rear (23-23-39)	
9	1	2424 164-5	MOULDING, Quarter Panel Belt Front (23-23-39)		6	-----	Washer	
	2	6024 472	Fastener		6	6023 778	Nut	
	2	6023 898	Screw	18	1	2448 566-7	MOULDING PACKAGE, Quarter Panel Lower Front (23-23-39)	
10	1	2422 188-9	MOULDING, Quarter Panel Belt Rear (23-23-39)		6	6001 563	Retainer	
	2	6024 472	Fastener		2	6024 271	Screw	
	16	6024 477	Fastener	19	1	2448 568-9	MOULDING PACKAGE, Door (23-23-32)	
					12	6001 563	Retainer	
					2	6001 562	Retainer	
					2	9417 621	Nut	

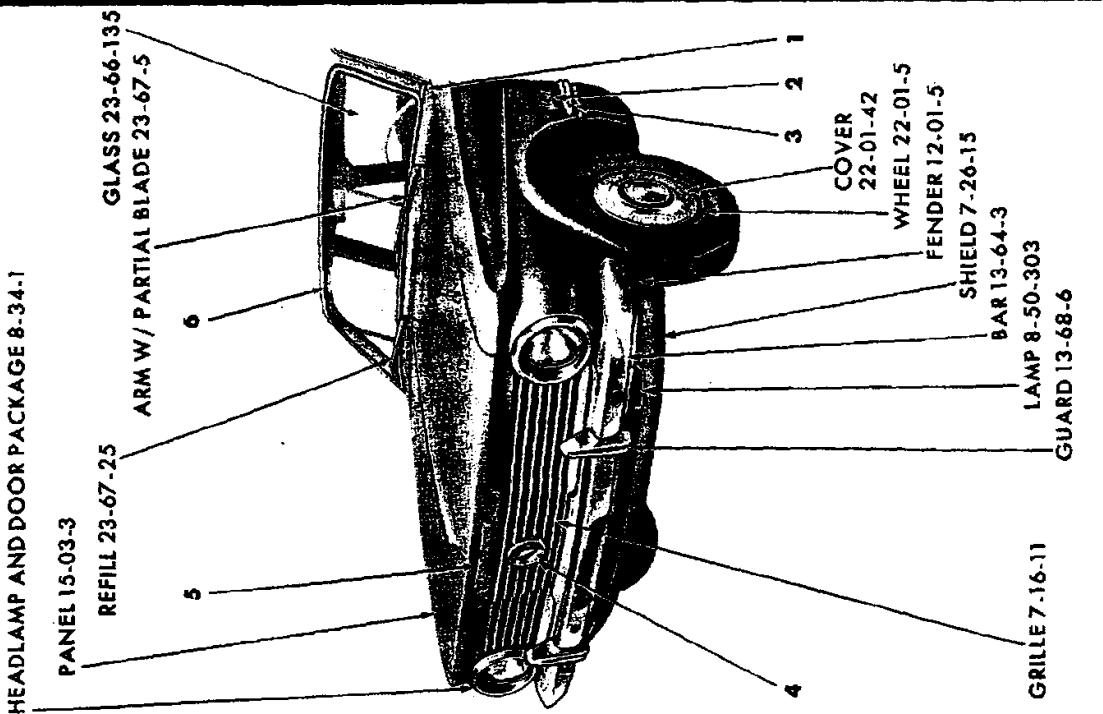
All Packages Include Attaching Parts

Part Type Code is Indicated in Parentheses

EXTERIOR VIEW - VALIANT VV1-2(H) CONVERTIBLE COUPE



19x9848B



EXTERIOR VIEW - VALIANT VV1-2(H) 4 DOOR STATION WAGON

1964 PASSENGER CAR PARTS CATALOG

BODY

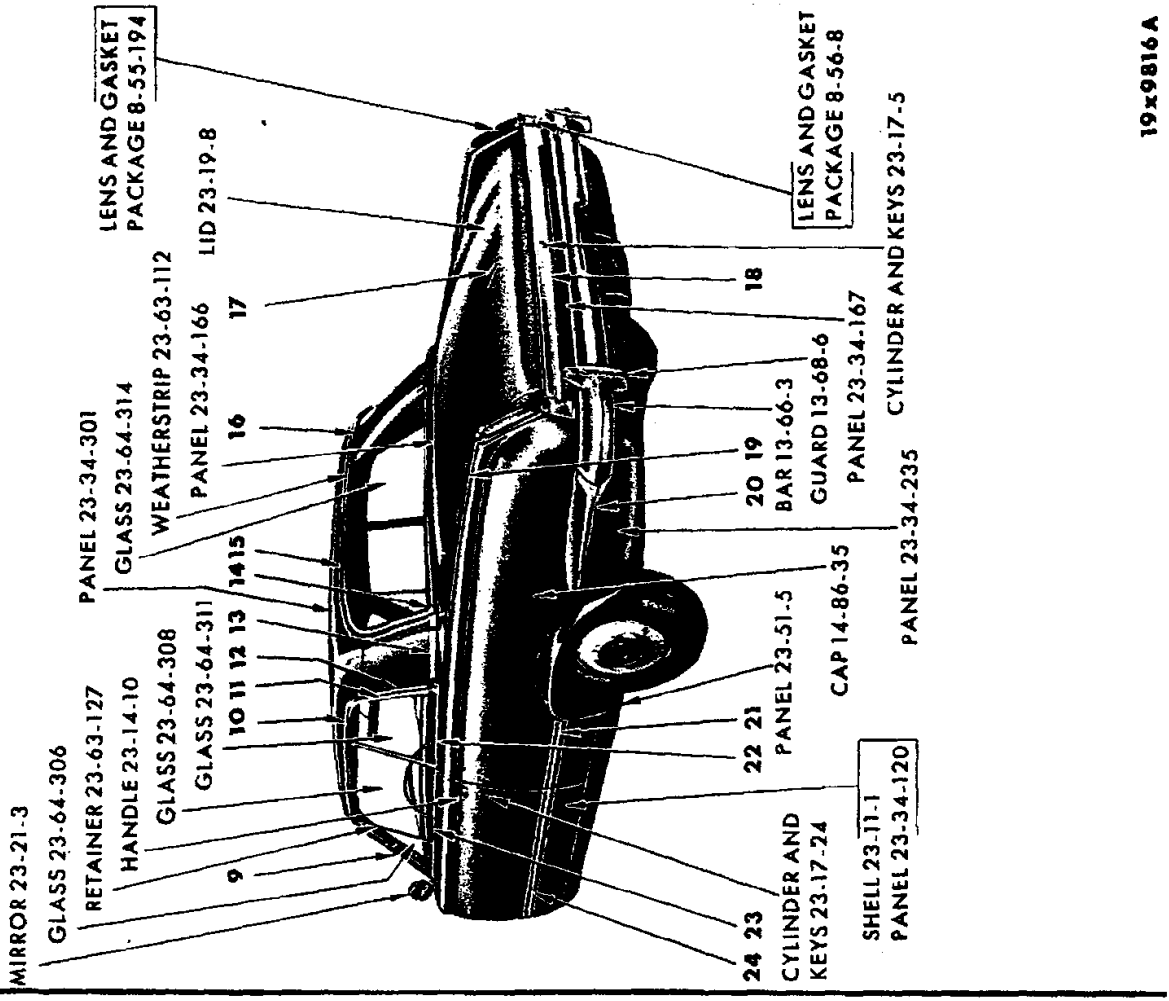
Page 23-47

REF. NO.	QTY	PART NUMBER	DESCRIPTION	REF. NO.	QTY	PART NUMBER	DESCRIPTION
1	1	2480 384-5	MOULDING, Front Pillar (23-23-14)	16	1	2484 162-3	MOULDING, Roof Rear Drain Trough (23-59-61)
	4	9419 261	Screw	17	1	2448 401	MOULDING PACKAGE, Tailgate Opening Upper (23-23-60)
2	2	2417 702	NAME PLATE, Fender Side (12-15-21)		5	6001 451	Clip
	6	6023 260	Nut	18	1	2299 752	ORNAMENT, w/Stud, Tailgate Electric Window Regulator (23-54-11)
3	2	2495 161	MOULDING PACKAGE, Fender Side (12-15-2)	19	1	2421 577-8	MOULDING PACKAGE, Rear Upper Pillar Outside (23-23-60)
	4	6001 563	Retainer		6	6001 076	Clip
	4	6001 474	Retainer		4	6024 271	Screw
	4	-----	Nut		4	6001 077	Clip
4	1	2417 697	MEDALLION, Radiator Grille (7-17-1)	20	1	2255 629	NAME PLATE, Tailgate Outside Panel (Valiant) (23-59-61)
	3	6023 202	Nut		3	152 259	Nut
5	1	2445 143	NAME PLATE, Hood Front (15-06-3)	21	1	2422 639	NAME PLATE, Tailgate Outside Panel (By Plymouth) (23-54-11)
	2	6006 264	Nut		2	152 259	Nut
6	1	2082 278	LOCKINGSTRIP, Windshield Glass Weatherstrip (23-66-239)	22	1	2483 576	PANEL, Tailgate Outside Finish (23-23-77)
7	1	2484 424-5	MOULDING, Roof Side Drain Trough Front (23-59-61)		12	-----	Nut
8	1	2216 946-7	MOULDING, Front Door Window Frame Upper and Front (23-23-32)		12	-----	Stud
9	1	2255 936-7	MOULDING, Roof Side Drain Trough Rear (23-59-61)	23	1	2448 562-3	MOULDING PACKAGE, Quarter Panel Lower Rear (23-23-39)
10	1	2216 950-1	MOULDING, Front Door Window Frame Rear (23-23-32)		6	6001 515	Clip
11	1	2216 950-1	MOULDING, Rear Door Window Frame Front (23-23-33)	23A	1	2422 780-1	NAME PLATE, Roof Panel Extension (23-34-238)
12	1	2217 014-5	MOULDING, Rear Door Window Frame Upper and Rear (23-23-33)		2	6001 105	Clip
13	1	2422 650-1	MOULDING, Roof Side Drain Trough (23-59-61)	24	1	2448 574-5	MOULDING PACKAGE, Quarter Panel Lower Front (23-23-39)
14	2	2243 513	LOCKINGSTRIP, Quarter Window Glass Weatherstrip (23-63-110)		4	6022 013	Washer
15	1	2421 579-80	MOULDING PACKAGE, Rear Upper Pillar Outside (23-23-60)		4	6000 800	Clip
	4	6001 077	Clip	25	1	2448 564-5	MOULDING PACKAGE, Rear Door Lower (23-23-33)
	4	6024 271	Screw		8	6001 563	Retainer
	2	9418 471	Screw		2	6001 113	Retainer
					2	9417 621	Nut
				26	1	2448 570-1	MOULDING PACKAGE, Front Door Lower (23-23-32)
					10	6001 563	Retainer
					2	6001 113	Retainer
					2	9417 621	Nut

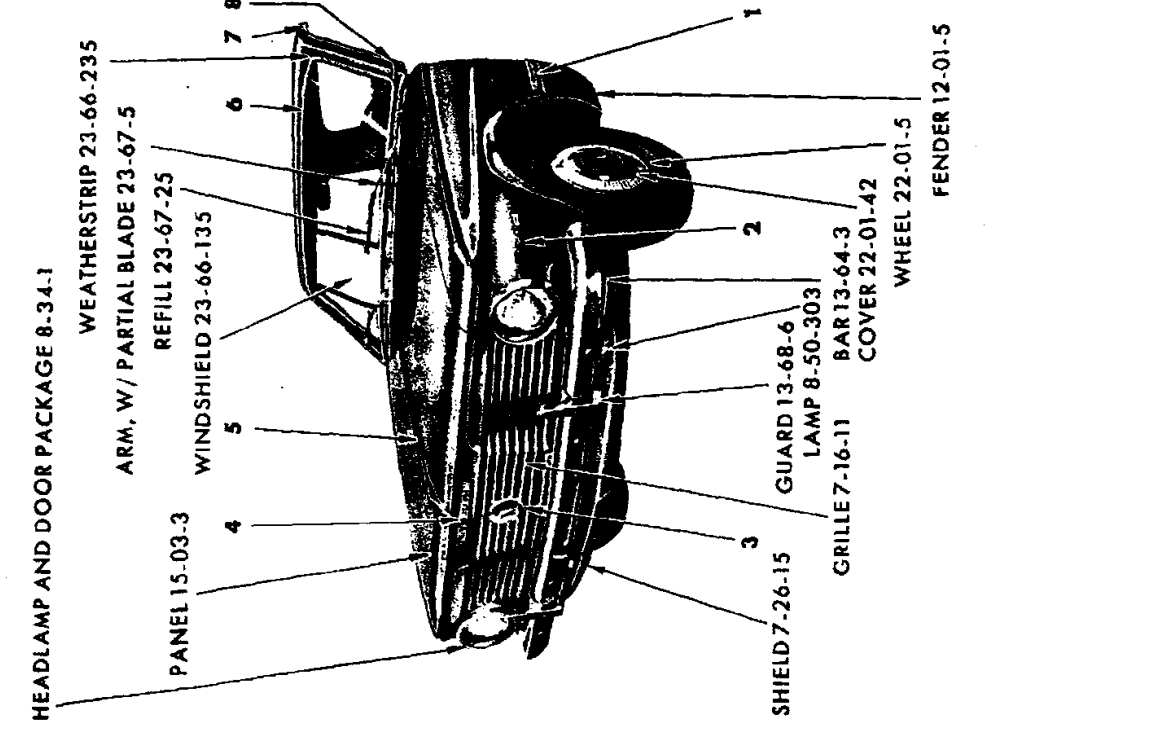
All Packages include Attaching Parts

Part Type Code is indicated in Parentheses

EXTERIOR VIEW - VALIANT VV1-2(H) 4 DOOR STATION WAGON



19x9816A



EXTERIOR VIEW - VALIANT VVI-2(P) 2 DOOR HARDTOP

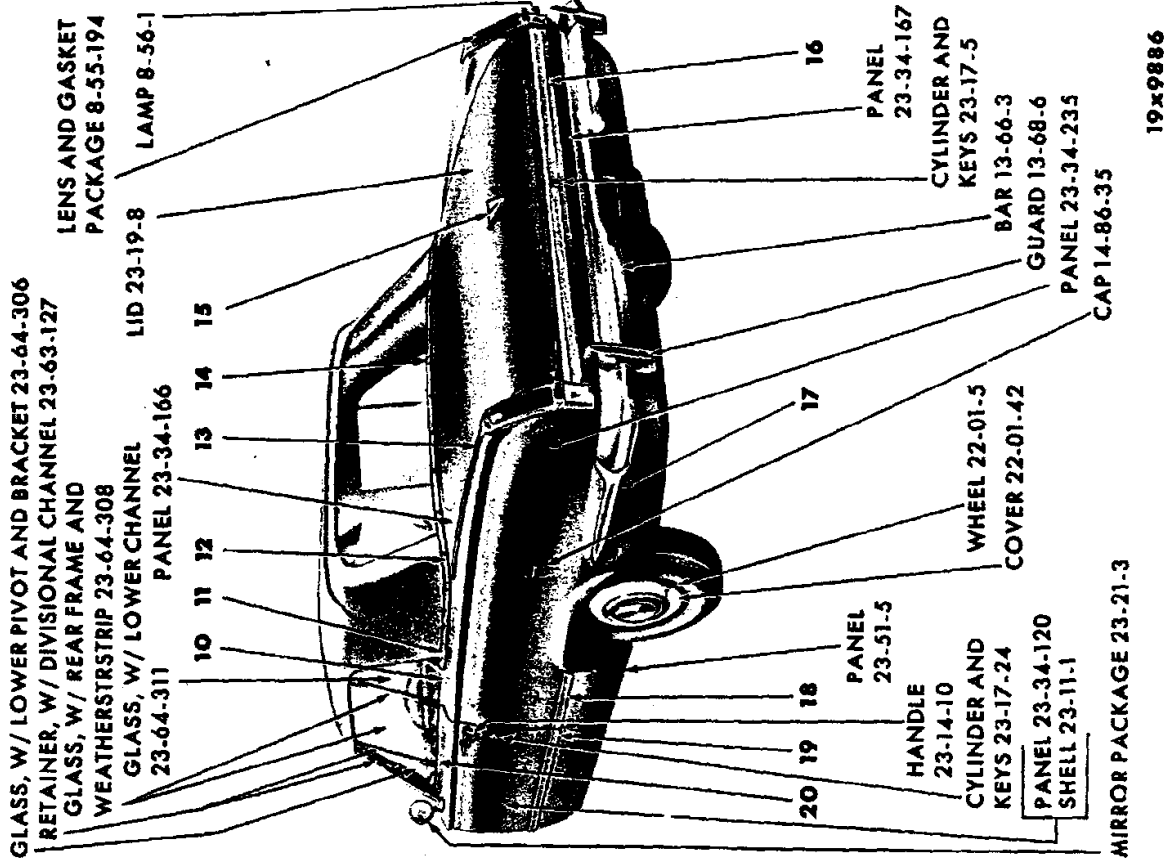
REF. NO.	QTY	PART NUMBER	DESCRIPTION
1	2	2495 161	MOULDING PACKAGE, Fender Side (12-15-2)
	4	6001 563	Retainer
	4	6001 474	Retainer
	4	-----	Nut
2	2	2417 703	NAME PLATE PACKAGE, Fender Side (Signet 200) (12-15-21)
	10	6023 260	Nut
3	1	2417 954	MEDALLION, Radiator Grille (7-17-1)
4	1	2445 143	NAME PLATE, Hood Front (Plymouth) (15-06-3)
	2	6006 264	Nut
5	1	2495 160	MOULDING and CAP PACKAGE, Hood Top (15-25-2)
	1	8000 050	Clip
	6	6000 616	Nut
	7	6001 467	Retainer
6	1	2082 278	LOCKINGSTRIP, Windshield Glass Weatherstrip (23-66-239)
7	1	2484 424-5	MOULDING, Roof Side Drain Trough Front (use w/o Vinyl Roof) (23-59-61)
8	1	2528 332-3	MOULDING, Front Upper Pillar (23-23-14)
	2	-----	Screw
9	1	2484 166-7	MOULDING, Roof Outside Front (Sp. Equip.) (23-23-42)
	2	6024 135	Screw
10	1	2255 936-7	MOULDING, Roof Side Drain Trough Rear (use w/o Vinyl Roof) (23-59-61)
	1	2495 902-3	MOULDING PACKAGE, Roof Side Drain Trough Front (use w/Vinyl Roof)(23-59-61)
	16	2483 717	Clip
	16	6024 568	Screw
11	1	2480 916-7	MOULDING and Weatherstrip RETAINER, Quarter Window Outside (23-23-73)
	10	6024 653	Screw
12	1	2495 900	MOULDING PACKAGE, Roof Side Drain Trough (use w/Vinyl Roof) (23-59-61)
	6	2483 717	Clip
	6	6024 568	Screw

REF. NO.	QTY	PART NUMBER	DESCRIPTION
13	1	2484 172-3	NAME PLATE, Roof Panel Extension (Sp. Equip.) (23-34-238)
	1	2423 846-7	NAME PLATE, Roof Panel Extension (Std.)(23-34-238)
	6	6023 097	Nut and Seal
14	2	2424 350	CAP, Rear Window Glass Weatherstrip Lockingstrip (23-63-117)
15	1	2525 588-9	MOULDING, Roof Panel Outside Rear (23-23-42)
	14	6017 000	Retainer and Screw
16	2	2424 426	LOCKINGSTRIP, Rear Window Glass Weatherstrip (23-63-114)
17	1	2422 631	MEDALLION, Deck Lid (23-19-114)
	3	6006 263	Nut
18	1	2483 490	PANEL, Deck Lower Panel Finish (23-23-28)
	14	6024 679	Nut
19	2	2448 576	MOULDING PACKAGE, Quarter Panel Peak (23-23-39)
	10	6001 434	Retainer
	10	116 000	Nut
20	1	2448 560-1	MOULDING PACKAGE, Quarter Panel Lower Rear (23-23-39)
	6	-----	Washer
	6	6023 778	Nut
21	1	2448 566-7	MOULDING PACKAGE, Quarter Panel Lower Front (23-23-39)
	6	6001 563	Retainer
	2	6024 271	Screw
22	1	2448 432-3	MOULDING PACKAGE, Quarter Panel Belt (23-23-39)
	6	6001 490	Retainer
	2	6024 405	Screw
	2	9418 471	Screw
23	1	2448 430-1	MOULDING PACKAGE, Door Belt (23-23-32)
	10	6001 490	Retainer
	2	6001 440	Retainer
	2	9415 312	Nut
24	1	2448 568-9	MOULDING PACKAGE, Door Lower (23-23-32)
	12	6001 563	Retainer
	2	6001 113	Retainer
	2	9417 621	Nut

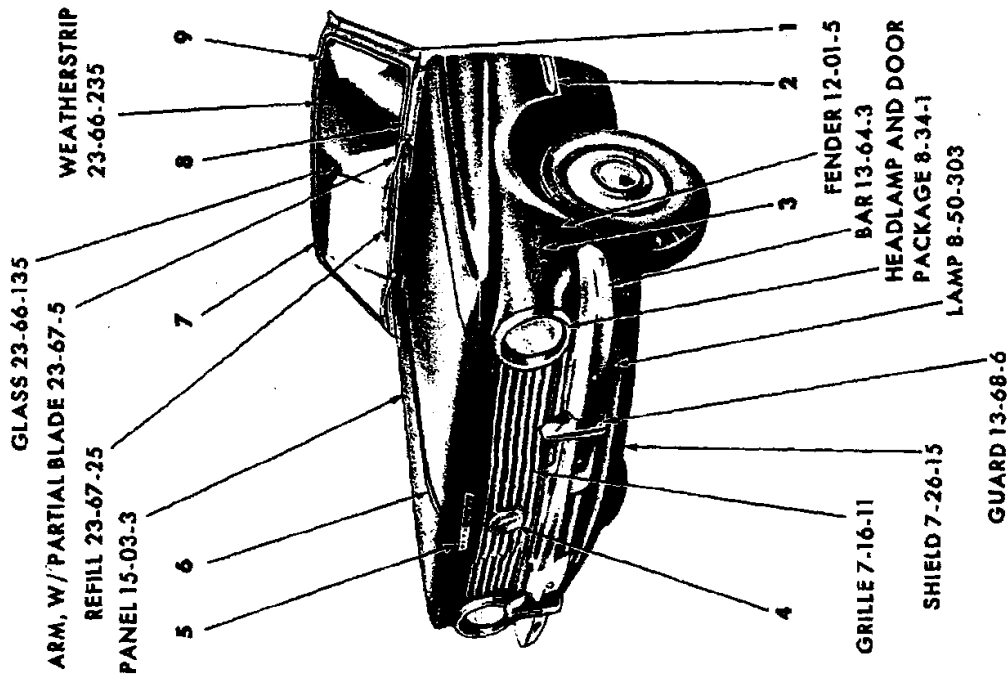
All Packages Include Attaching Parts

Part Type Code is Indicated in Parentheses

EXTERIOR VIEW - VALIANT VV1-2(P) 2 DOOR HARDTOP



19x9886



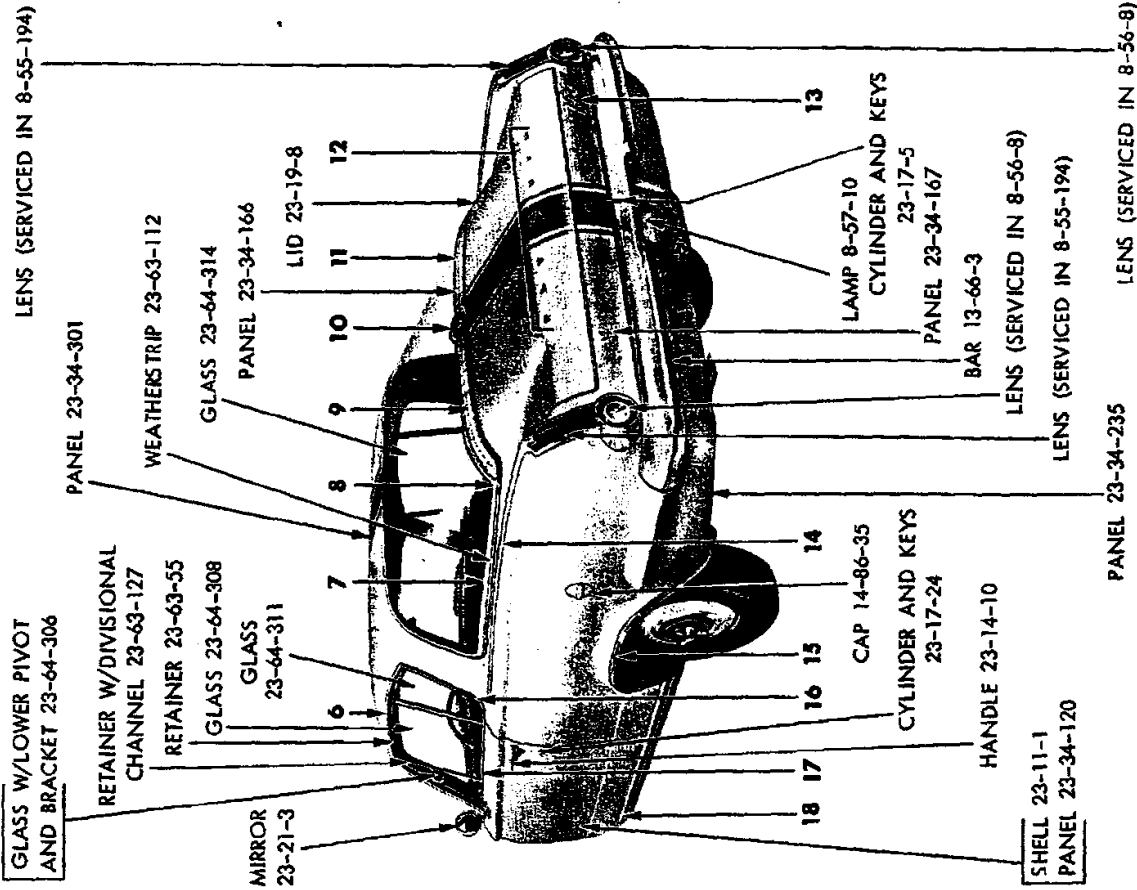
EXTERIOR VIEW - VALIANT VV1-2(P) CONVERTIBLE COUPE

REF. NO.	QTY	PART NUMBER	DESCRIPTION	REF. NO.	QTY	PART NUMBER	DESCRIPTION
1	1	2484 406-7	MOULDING, Windshield Opening Frame Outside (23-23-65)	12	1	2422 188-9	MOULDING, Quarter Panel Belt Rear (23-23-39)
	8	6022 890	Screw		2	6024 472	Fastener
2	2	2495 181	MOULDING PACKAGE, Fender Side (12-15-2)		16	6024 477	Fastener
	4	6001 563	Retainer	13	2	2448 576	MOULDING PACKAGE, Quarter Panel Peak (23-23-39)
	4	6001 474	Retainer		10	6001 565	Retainer
	4	-----	Nut		10	116 000	Nut
3	2	2417 703	NAME PLATE, Fender Side (12-15-21)	14	1	2424 105	COVER, Quarter Outside Panel Rear Belt Moulding Joint (23-23-41)
	10	6023 260	Nut		1	2094 394	Fastener
4	1	2417 954	MEDALLION, Radiator Grille, w/Ring (7-17-1)	15	1	2422 631	MEDALLION, Deck Lid (23-19-114)
	3	6023 202	Nut		3	-----	Retainer
5	1	2445 143	NAME PLATE, Hood Front (15-06-3)	16	1	2483 490	PANEL, Deck Lower Panel Finish (23-23-28)
	2	6006 264	Nut		14	6024 679	Nut
6	1	2495 160	MOULDING and CAP PACKAGE, Hood Top (15-25-2)	17	1	2448 560-1	MOULDING PACKAGE, Quarter Panel Lower Rear (23-23-39)
	1	6000 050	Clip		6	-----	Washer
	6	6000 616	Nut, w/Seal		6	6023 777	Nut
	7	6001 467	Retainer	18	1	2448 566-7	MOULDING PACKAGE, Quarter Panel Lower Front (23-23-39)
7	1	2422 180-1	MOULDING, Windshield Header Outside Upper (23-23-65)		6	6001 563	Retainer
	7	6024 400	Screw		2	6024 271	Screw
	7	2254 766	Seal	19	1	2448 568-9	MOULDING PACKAGE, Door Lower (23-23-32)
8	1	2424 106	MOULDING, Windshield Outside Lower (23-23-65)		12	6001 563	Retainer
	7	9416 136	Screw		2	6001 562	Retainer
	7	6001 442	Retainer		2	9417 621	Nut
9	1	2082 278	LOCKINGSTRIP, Windshield Glass Weatherstrip (23-66-239)	20	1	2448 430-1	MOULDING PACKAGE, Door Belt (23-23-32)
	1	2525 582-3	MOULDING PACKAGE, Quarter Panel Belt Front (23-23-39)		10	6001 490	Retainer
	6	6001 490	Retainer		2	6001 440	Retainer
	2	168 474	Screw		2	9415 312	Nut
11	1	2424 168-9	MOULDING, Quarter Panel Belt Intermediate (23-23-39)				
	2	6024 638	Screw				

All Packages Include Attaching Parts

Part Type Code is Indicated in Parentheses

EXTERIOR VIEW - VALIANT VV1-2(P) CONVERTIBLE COUPE



19a0004 A

EXTERIOR VIEW - VALIANT VV1-2(P) BARRACUDA SPECIAL 2 DOOR HARDTOP

1964 PASSENGER CAR PARTS CATALOG

BODY

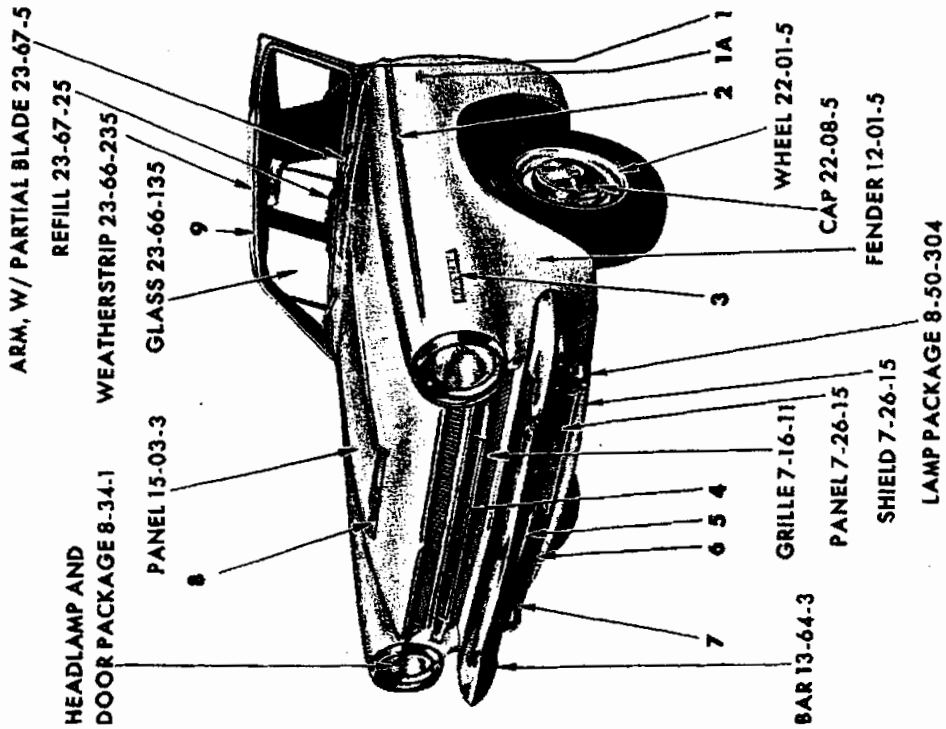
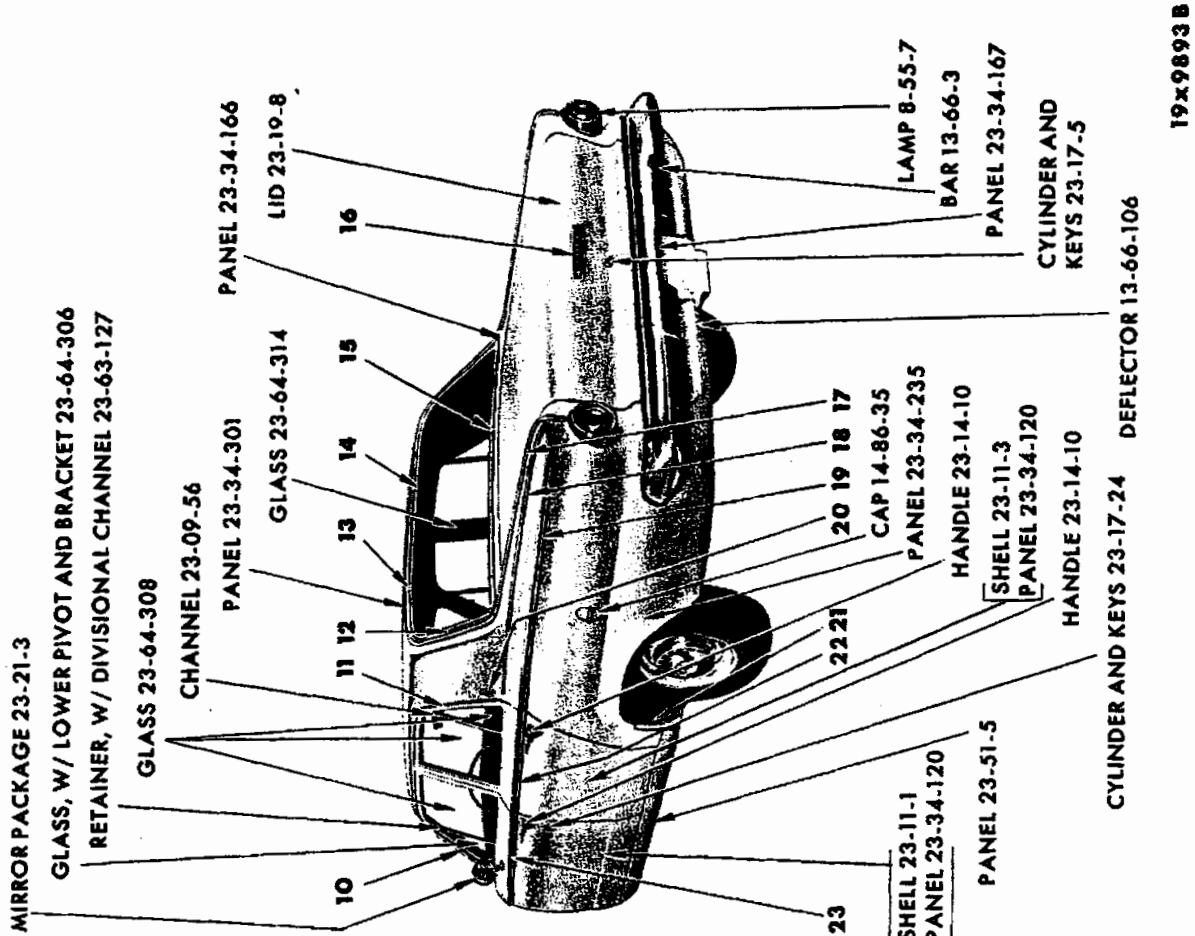
Page 23-51B

REF. NO.	QTY	PART NUMBER	DESCRIPTION	REF. NO.	QTY	PART NUMBER	DESCRIPTION
1	1	2524 888-9	NAME PLATE, Fender Side (12-15-21)	11	1	2525 584-5	PANEL PACKAGE, Deck Opening Upper Panel Finish (23-23-17)
	6	6001 711	Nut		2	---- ---	Nut
2	1	2449 706-7	MOULDING, Fender Wheel Opening (12-15-2)		2	116 000	Nut
	16	6024 271	Screw	12	1	2528 974	"P", Deck Lid Name Letter (23-19-114)
3	2	2524 054	ORNAMENT, Fender Side (12-15-21)		1	2528 975	"L"
	4	6023 685	Nut		1	2528 976	"Y"
3A	1	2524 148-9	FRAME, Radiator Grille (7-16-36)		1	2528 977	"M"
					1	2528 978	"O"
4	1	2583 215	NAME PLATE, Hood Front (Plymouth) (15-06-3)		1	2528 979	"U"
					1	2528 980	"T"
5	1	2082 278	LOCKINGSTRIP, Windshield Glass Weatherstrip (23-66-239)		1	2528 981	"H"
					12	152 259	Nut
5A	1	2484 424-5	MOULDING, Roof Side Drain Trough Front (23-59-61)	13	1	2528 776	NAME PLATE, Deck Opening Lower Panel (61" Long) (23-34-184)
6	1	2526 900-1	MOULDING, Roof Side Drain Trough (23-59-61)		3	6023 260	Nut
				14	2	2525 978	MOULDING PACKAGE, Quarter Panel Peak (23-23-39)
7	1	2424 426	LOCKINGSTRIP, Rear Window Glass Weatherstrip (23-63-114)		6	6001 647	Retainer
					6	116 000	Nut
					10	6001 723	Retainer
8	2	2424 350	CAP, Rear Window Glass Weatherstrip Lockingstrip (23-63-117)		2	2584 635	MOULDING PACKAGE, Quarter Panel Peak (67" Long) (23-23-39)
9	1	2526 824-5	MOULDING, Deck Opening Upper Panel Hinge (23-23-31)		2	6001 647	Retainer
	4	121 752	Washer		2	116 000	Nut
	4	---- ---	Screw		18	6001 723	Retainer
10	1	2525 586	PANEL PACKAGE, Deck Opening Upper Panel Finish (23-23-17)	15	1	2526 262-3	MOULDING, Quarter Panel Wheel Opening (23-23-39)
	4	---- ---	Washer		16	6024 271	Screw
	4	---- ---	Nut	16	1	2529 112-3	MOULDING, Quarter Window Outside (23-23-73)
				17	1	2448 430-1	MOULDING PACKAGE, Door Belt (23-23-32)
					10	6001 490	Retainer
					2	6001 440	Retainer
					2	9415 312	Nut
				18	1	2525 976-7	MOULDING PACKAGE, Body Side Sill (23-23-2)
					20	6001 790	Retainer

All Packages Include Attaching Parts

Part Type Code is Indicated in Parentheses

EXTERIOR VIEW - VALIANT VV1-2(P) BARRACUDA SPECIAL 2 DOOR HARDTOP



EXTERIOR VIEW - DART VL1-2(L) 4 DOOR SEDAN

REF. NO.	QTY	PART NUMBER	DESCRIPTION
1	1	2480 384-5	MOULDING, Front Upper Pillar (23-23-14)
	4	9419 261	Screw
1A	2	2524 008	ORNAMENT, Fender Side V8, VL2 Only (12-15-21)
2	1	2495 166-7	MOULDING PACKAGE, Fender Side (12-15-2)
	4	6001 030	Retainer
	16	6001 456	Retainer 4 6000 616 Nut
3	2	2417 849	NAME PLATE, Fender Side (12-15-21)
	4	6024 705	Washer 4 6006 263 Nut
4	1	2417 877	NAME LETTER, Radiator Grille, "D" (7-16-61)
	1	2417 678	"O"
	1	2417 679	"D"
	1	2417 680	"G"
	1	2417 681	"E" 10 9415 250 Nut
5	1	2495 162	MOULDING PACKAGE, Radiator Air Shield Upper (7-26-14)
	6	6001 663	Clip
6	1	2495 163	MOULDING PACKAGE, Radiator Air Shield Lower (7-26-14)
	6	6001 519	Clip
7	1	2495 702-3	MOULDING PACKAGE, Radiator Air Shield Outer (7-26-14)
	2	116 000	Nut
	2	6000 616	Nut
8	1	2495 178	MOULDING PACKAGE, Hood Top Front (15-25-2)
	4	6023 934	Nut
9	1	2082 278	LOCKINGSTRIP, Windshield Glass Weatherstrip (23-66-239)
10	1	2484 424-5	MOULDING, Roof Side Drain Trough Front (23-59-61)
11	1	2255 936-7	MOULDING, Roof Side Drain Trough Rear (23-59-61)
12	1	2495 284-5	MOULDING PACKAGE, Rear Window Outside Side (23-23-52)
	8	6001 084	Retainer and Screw
13	1	2481 050-1	MOULDING, Roof Panel Outside Rear (23-23-42)
	16	6001 084	Retainer
14	1	2495 279	MOULDING PACKAGE, Rear Window Outside Upper (23-23-52)
	8	6001 084	Retainer and Screw

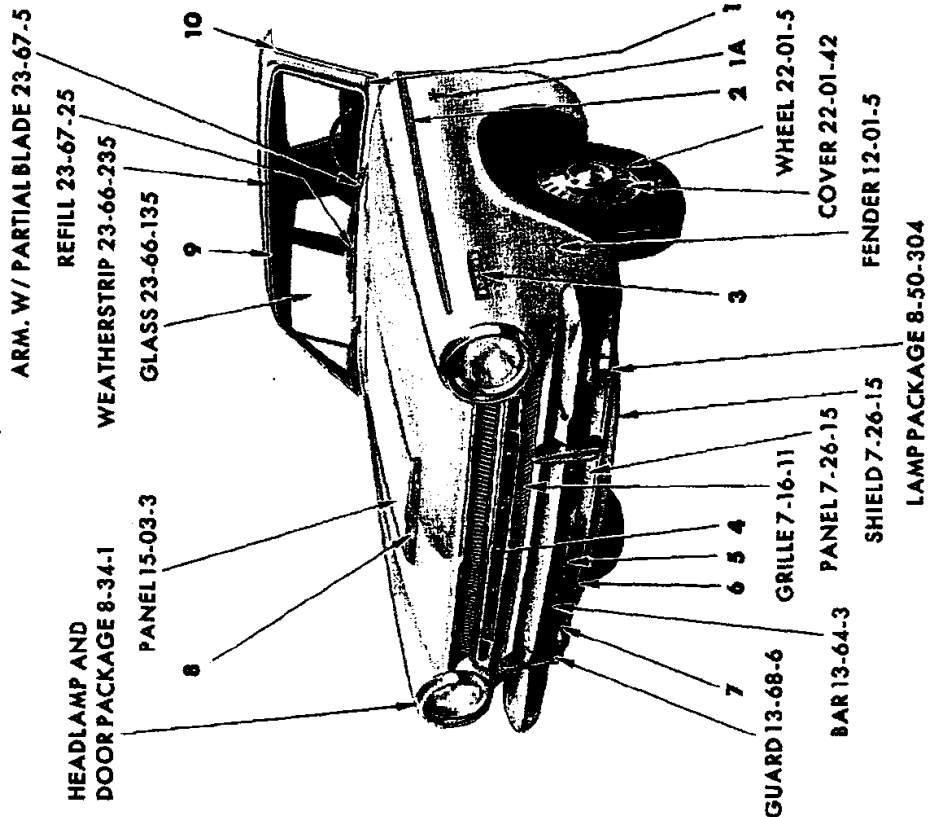
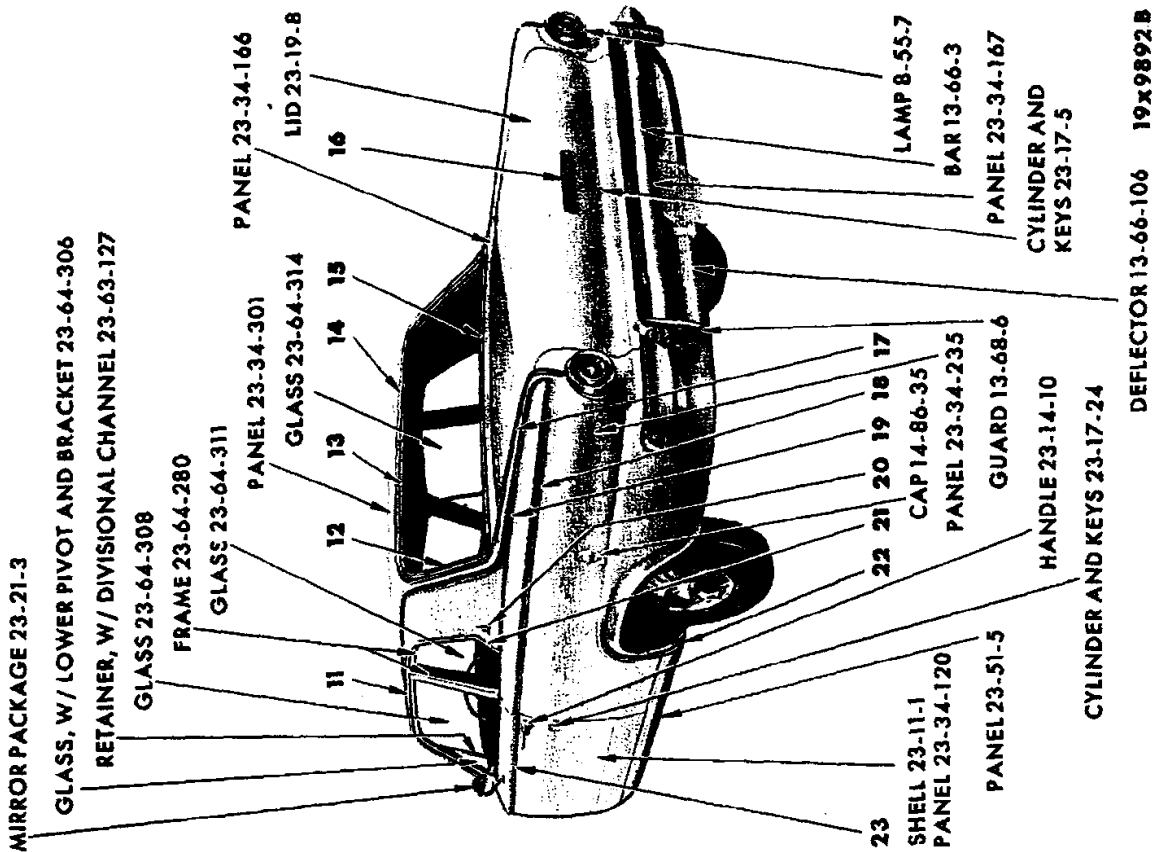
REF. NO.	QTY	PART NUMBER	DESCRIPTION
15	1	2495 286	MOULDING PACKAGE, Rear Window Outside Lower (23-23-52)
	5	6001 084	Retainer and Screw
16	1	2480 292	NAME PLATE, Deck Lid (23-19-114)
	2	6022 013	Washer
	2	----	Nut
17	1	2495 376-7	MOULDING PACKAGE, Quarter Panel Peak (23-23-39)
	14	6001 097	Retainer
	14	----	Nut
18	1	2495 408-9	MOULDING PACKAGE, Quarter Panel Upper (23-23-32)
	10	6001 456	Retainer
	10	6001 432	Retainer
	10	6023 260	Nut
19	1	2495 392-3	MOULDING PACKAGE, Quarter Panel Lower (23-23-39)
	6	6001 443	Retainer
	12	6001 456	Retainer
	12	6001 460	Clip
	2	6024 271	Screw
	2	6001 432	Retainer
	2	6023 260	Nut
20	2	2480 206	MEDALLION, Quarter Outside (23-34-334)
	4	152 259	Nut
21	1	2526 976-7	DEFLECTOR, Quarter Panel Wheel Opening Stone (23-34-240)
	6	6024 288	Screw
22	1	2495 388-9	MOULDING PACKAGE, Rear Door (23-23-33)
	10	6001 456	Retainer
	6	6001 458	Retainer
	2	6001 432	Retainer
	2	9418 877	Nut
23	2	2495 369	MOULDING PACKAGE, Front Door (23-23-32)
	14	6001 456	Retainer
	4	6001 432	Retainer
	4	9418 877	Nut

All Packages include Attaching Parts

Part Type Code is indicated in Parentheses

EXTERIOR VIEW - DART VL1-2(L) 4 DOOR SEDAN

1964 PASSENGER CAR PARTS CATALOG



EXTERIOR VIEW - DART VL1-2(L) 2 DOOR SEDAN

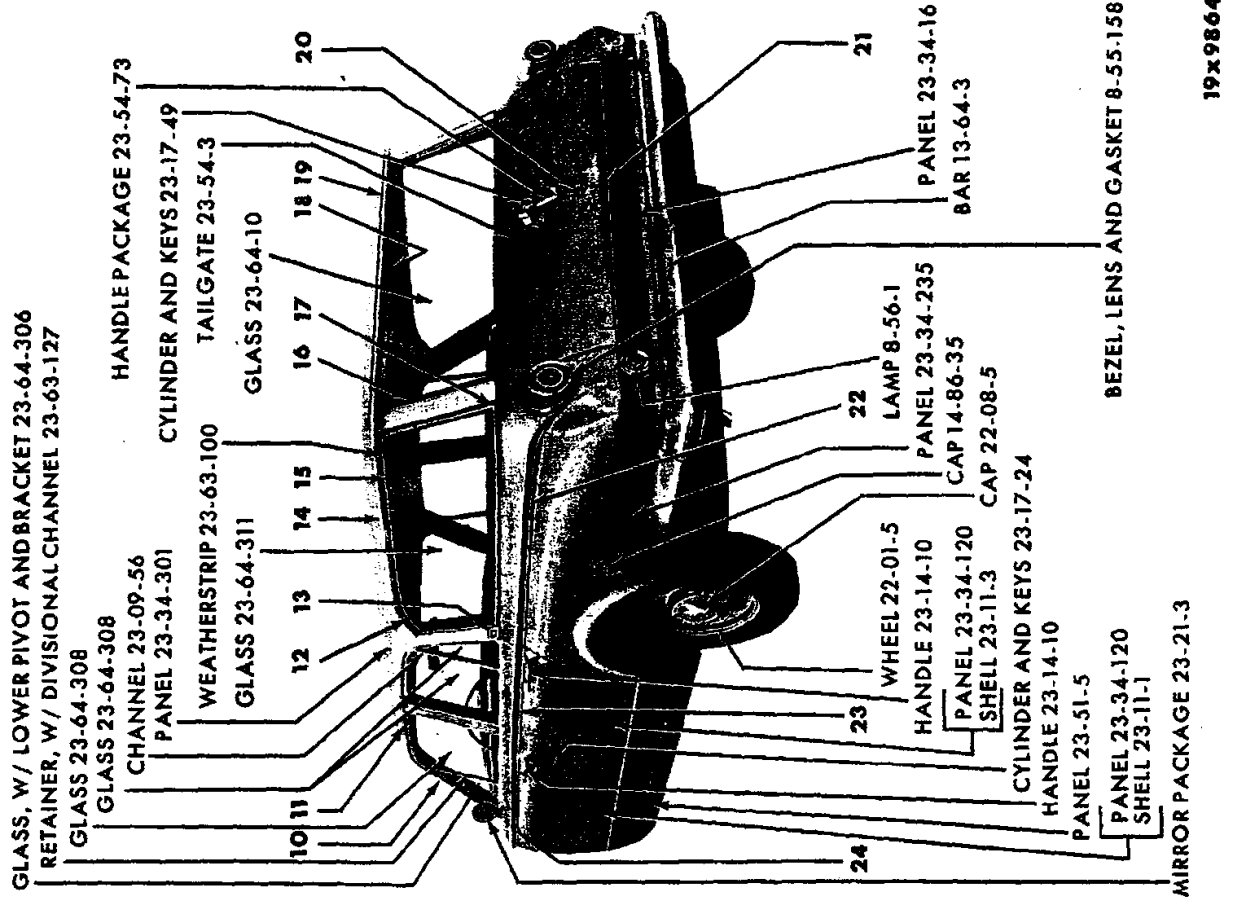
REF. NO.	QTY	PART NUMBER	DESCRIPTION
1	1	2480 384-5	MOULDING, Front Upper Pillar (23-23-14)
	4	9419 261	Screw
1A	2	2524 008	ORNAMENT, Fender Side V8, VL2 Only (12-15-21)
2	1	2495 166-7	MOULDING PACKAGE, Fender Side (12-15-2)
	4	6000 616	Nut
	4	6001 030	Retainer
	16	6001 456	Retainer
3	2	2417 849	NAME PLATE, Fender Side (12-15-21)
	4	6006 263	Nut
	4	6024 705	Washer
4	1	2417 677	NAME LETTER, Radiator Grille, "D" (7-16-61)
	1	2417 678	"O"
	1	2417 679	"D"
	1	2417 680	"G"
	1	2417 681	"E"
	10	9415 250	Nut
5	1	2495 162	MOULDING PACKAGE, Radiator Air Shield Upper (7-26-14)
	6	6001 663	Clip
6	1	2495 163	MOULDING PACKAGE, Radiator Air Shield Lower (7-26-14)
	6	6001 519	Clip
7	1	2495 702-3	MOULDING PACKAGE, Radiator Air Shield Outer (7-26-14)
	2	116 000	Nut
	2	6000 616	Nut
8	1	2495 178	MOULDING PACKAGE, Hood Top Front (15-25-2)
	4	6023 934	Nut
9	1	2082 278	LOCKINGSTRIP, Windshield Glass Weatherstrip (23-66-239)
10	1	2484 424-5	MOULDING, Roof Side Drain Trough Front (23-59-61)
11	1	2422 432-3	MOULDING, Roof Side Drain Trough Rear (23-59-61)
12	1	2495 284-5	MOULDING PACKAGE, Rear Window Outside Side (23-23-52)
	6	6001 084	Retainer and Screw

REF. NO.	QTY	PART NUMBER	DESCRIPTION
13	1	2495 279	MOULDING PACKAGE, Rear Window Outside Upper (23-23-52)
	8	6001 084	Retainer and Screw
14	1	2481 050-1	MOULDING, Roof Panel Outside Rear (23-23-42)
	16	6001 084	Retainer
15	1	2495 286	MOULDING PACKAGE, Rear Window Outside Lower (23-23-52)
	5	6001 084	Retainer and Screw
16	1	2480 292	NAME PLATE, Deck Lid (23-19-114)
	2	6022 013	Washer
	2	----	Nut
17	1	2495 376-7	MOULDING PACKAGE, Quarter Panel Peak (23-23-39)
	14	6001 097	Retainer
	14	----	Nut
18	1	2495 390-1	MOULDING PACKAGE, Quarter Panel Lower (23-23-39)
	2	6024 271	Screw
	14	6001 456	Retainer
	12	8001 443	Retainer
	2	6001 432	Retainer
	2	6023 260	Nut
19	1	2495 374-5	MOULDING PACKAGE, Quarter Panel Upper Rear (23-23-39)
	10	6001 443	Retainer
	10	6001 030	Retainer
	10	6023 260	Nut
20	2	2480 206	MEDALLION, Quarter Outside (23-34-334)
	4	152 259	Nut
21	1	2495 372-3	MOULDING PACKAGE, Quarter Panel Upper Front (23-23-39)
	2	6023 574	Screw
	2	120 622	Nut
22	1	2526 976-7	DEFLECTOR, Quarter Panel Wheel Opening Stone (23-34-240)
	6	6024 288	Screw
23	2	2495 370	MOULDING PACKAGE, Door (23-23-32)
	14	6001 456	Retainer
	6	6001 432	Retainer
	6	9418 877	Nut

All Packages Include Attaching Parts

Part Type Code is Indicated in Parentheses

EXTERIOR VIEW - DART VL1-2(L) 2 DOOR SEDAN



GLASS, W/ LOWER PIVOT AND BRACKET 23-64-306
 RETAINER, W/ DIVISIONAL CHANNEL 23-63-127
 GLASS 23-64-308
 GLASS 23-64-308

HANDLE PACKAGE 23-54-73

CYLINDER AND KEYS 23-17-49
 TAILGATE 23-54-3

GLASS 23-64-10

WEATHERSTRIP 23-63-100
 GLASS 23-64-311

CHANNEL 23-09-56
 PANEL 23-34-301

WHEEL 22-01-5
 HANDLE 23-14-10

PANEL 23-34-120
 SHELL 23-11-3

CYLINDER AND KEYS 23-17-24
 HANDLE 23-14-10

PANEL 23-34-120
 SHELL 23-11-1

MIRROR PACKAGE 23-21-3

BEZEL, LENS AND GASKET 8-55-158

PANEL 23-34-16
 BAR 13-64-3

LAMP 8-56-1
 PANEL 23-34-235

CAP 14-86-35
 CAP 22-08-5

10 11

12 13

14 15

16 17

18 19

20

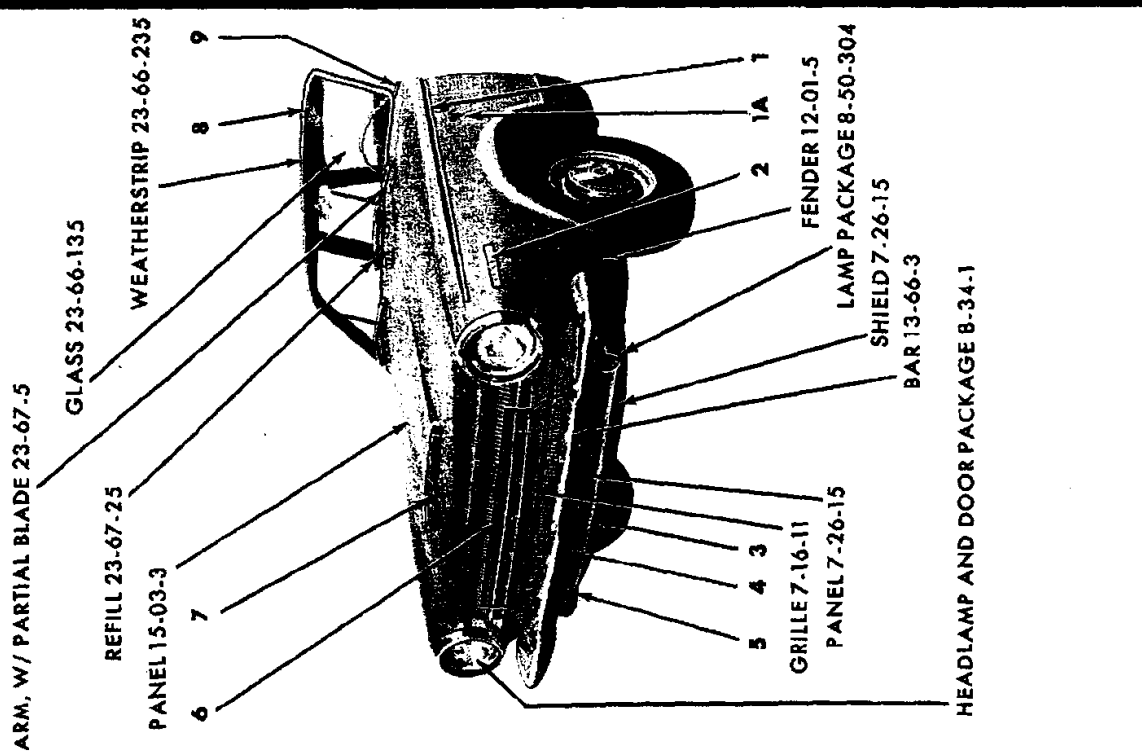
21

22

23

24

19X9864A



ARM, W/ PARTIAL BLADE 23-67-5

GLASS 23-66-135

REFILL 23-67-25

PANEL 15-03-3

WEATHERSTRIP 23-66-235

6

7

8

9

2

1A

1

FENDER 12-01-5

LAMP PACKAGE 8-50-304

SHIELD 7-26-15

BAR 13-66-3

HEADLAMP AND DOOR PACKAGE 8-34-1

EXTERIOR VIEW - DART VLI-2(L) 4 DOOR STATION WAGON

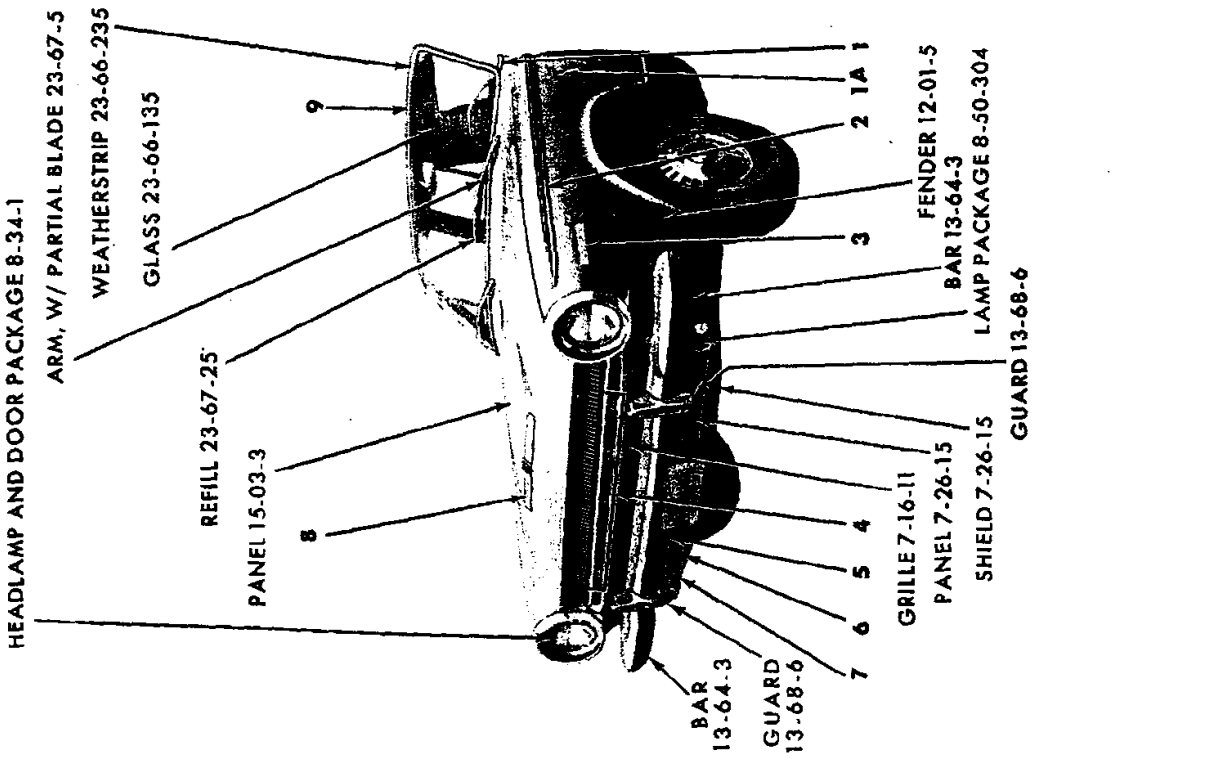
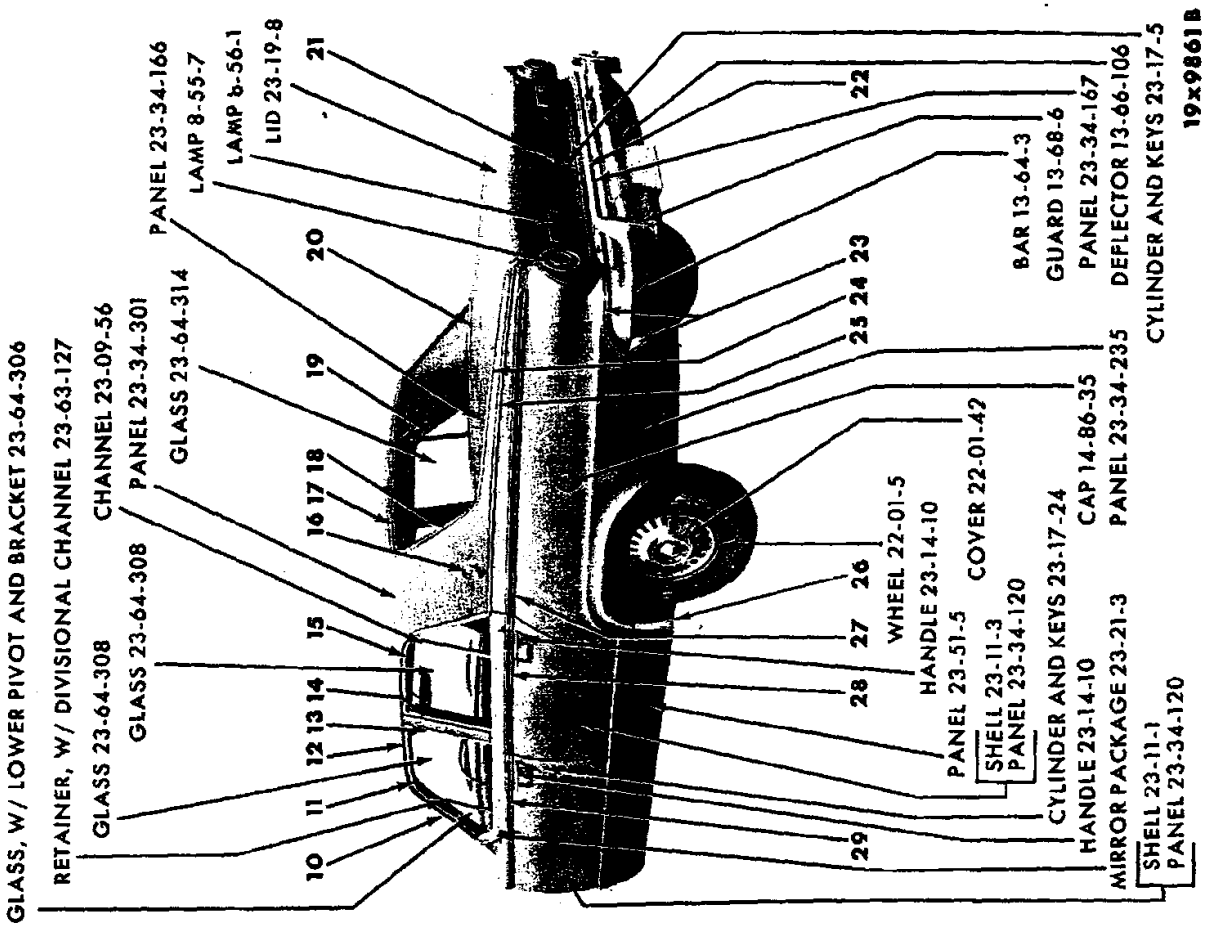
REF. NO.	QTY	PART NUMBER	DESCRIPTION	REF. NO.	QTY	PART NUMBER	DESCRIPTION
1	1	2495 166-7	MOULDING PACKAGE, Fender Side (12-15-2)	15	1	2422 650-1	MOULDING, Roof Side Drain Trough (23-59-61)
	4	6000 616	Nut	16	1	2421 577-8	MOULDING PACKAGE, Rear Upper Pillar Outside (23-23-60)
	4	6001 030	Retainer		6	6001 076	Clip
	16	6001 456	Retainer		4	6024 271	Screw
1A	2	2524 008	ORNAMENT, Fender Side, V8, VL2 Only (12-15-21)		4	6001 077	Clip
2	2	2417 849	NAME PLATE, Fender Side (12-15-21)	17	2	2424 624	CAP, Quarter Window Glass Weatherstrip Lockingstrip Lower Rear (23-63-117)
	4	6006 263	Nut	18	1	2448 401	MOULDING PACKAGE, Tailgate Opening (23-23-60)
	4	6024 705	Washer		5	6001 451	Clip
3	1	2495 163	MOULDING PACKAGE, Radiator Air Shield Lower (7-26-14)	19	1	2484 162-3	MOULDING, Roof Rear Drain Trough (23-59-61)
	6	6001 519	Clip	20	1	2480 206 (1)	MEDALLION, Tailgate Outside (170) (23-54-11)
4	1	2495 162	MOULDING PACKAGE, Radiator Air Shield Upper (7-26-14)		1	2527 832 (2)	MEDALLION, Tailgate Outside (170) (23-54-11)
	6	6001 663	Clip		2	9415 250	Nut
5	1	2495 702-3	MOULDING PACKAGE, Radiator Air Shield Outer (7-26-14)	21	2	2417 677	LETTER "D", Tailgate Outside Panel (23-54-11)
	2	116 000	Nut		1	2417 678	"O"
	2	6000 616	Nut		1	2417 680	"G"
6	1	2417 677	NAME LETTER, Radiator Grille, "D" (7-16-61)		1	2417 681	"E"
	1	2417 678	"O"		5	9415 250	Nut
	1	2417 679	"D"	22	1	2495 404-5	MOULDING PACKAGE, Quarter Panel (23-23-39)
	1	2417 680	"G"		10	6001 460	Clip
	1	2417 681	"E"		8	6001 456	Retainer
	10	9415 250	Nut		6	6001 443	Retainer
7	1	2495 178	MOULDING PACKAGE, Hood Top Front (15-25-2)		2	6024 271	Screw
	4	6023 934	Nut		2	6001 432	Retainer
8	1	2082 278	LOCKINGSTRIP, Windshield Glass Weatherstrip (23-66-239)		2	6023 260	Nut
	1	2480 384-5	MOULDING, Front Upper Pillar (23-23-14)	23	1	2495 388-9	MOULDING PACKAGE, Rear Door (23-23-33)
	4	9419 261	Screw		10	6001 456	Retainer
10	1	2484 424-5	MOULDING, Roof Side Drain Trough Front (23-59-61)		6	6001 458	Retainer
11	1	2255 936-7	MOULDING, Roof Side Drain Trough Rear (23-59-61)		2	6001 432	Retainer
12	2	2424 625	CAP, Quarter Window Glass Weatherstrip Lockingstrip Upper Front (23-63-117)		2	9418 877	Nut
13	1	2422 782-3	NAME PLATE, Roof Panel Extension (23-34-238)	24	2	2495 369	MOULDING PACKAGE, Front Door (23-23-32)
	2	6001 105	Clip		14	6001 456	Retainer
14	2	2243 513	LOCKINGSTRIP, Quarter Window Glass Weatherstrip (23-63-110)		4	6001 432	Retainer
					4	9418 877	Nut

NOTE 1: Back Side Painted Black
NOTE 2: Back Side Painted Green

All Packages Include Attaching Parts

Part Type Code is Indicated in Parentheses

EXTERIOR VIEW - DART VL1-2(L) 4 DOOR STATION WAGON



EXTERIOR VIEW - DART VL1-2(H) 4 DOOR SEDAN

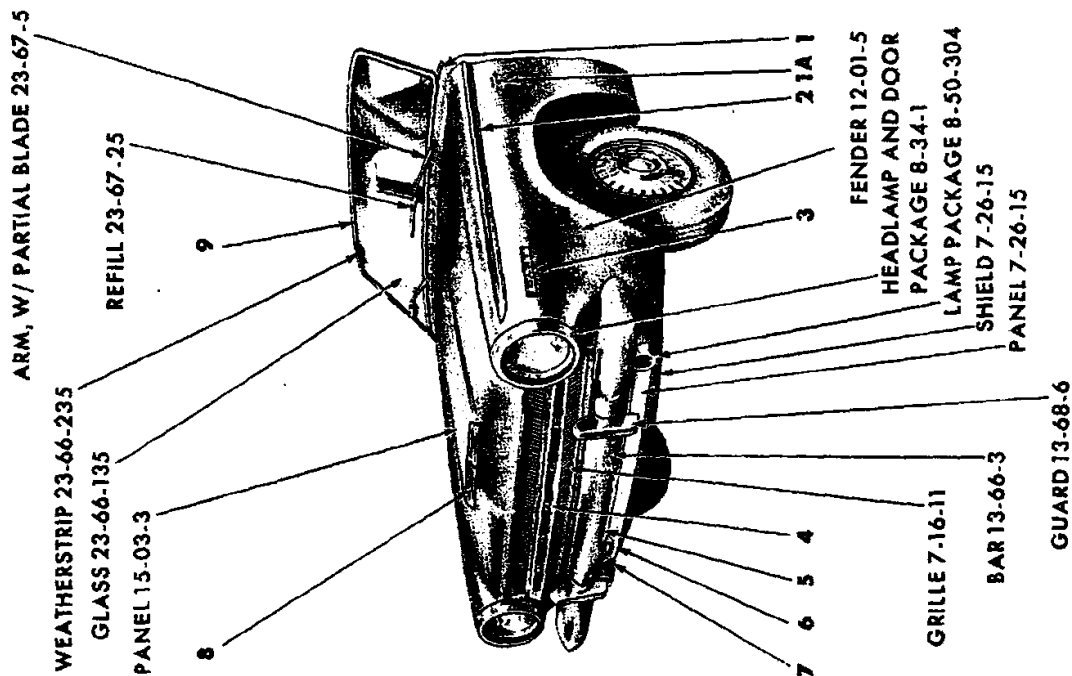
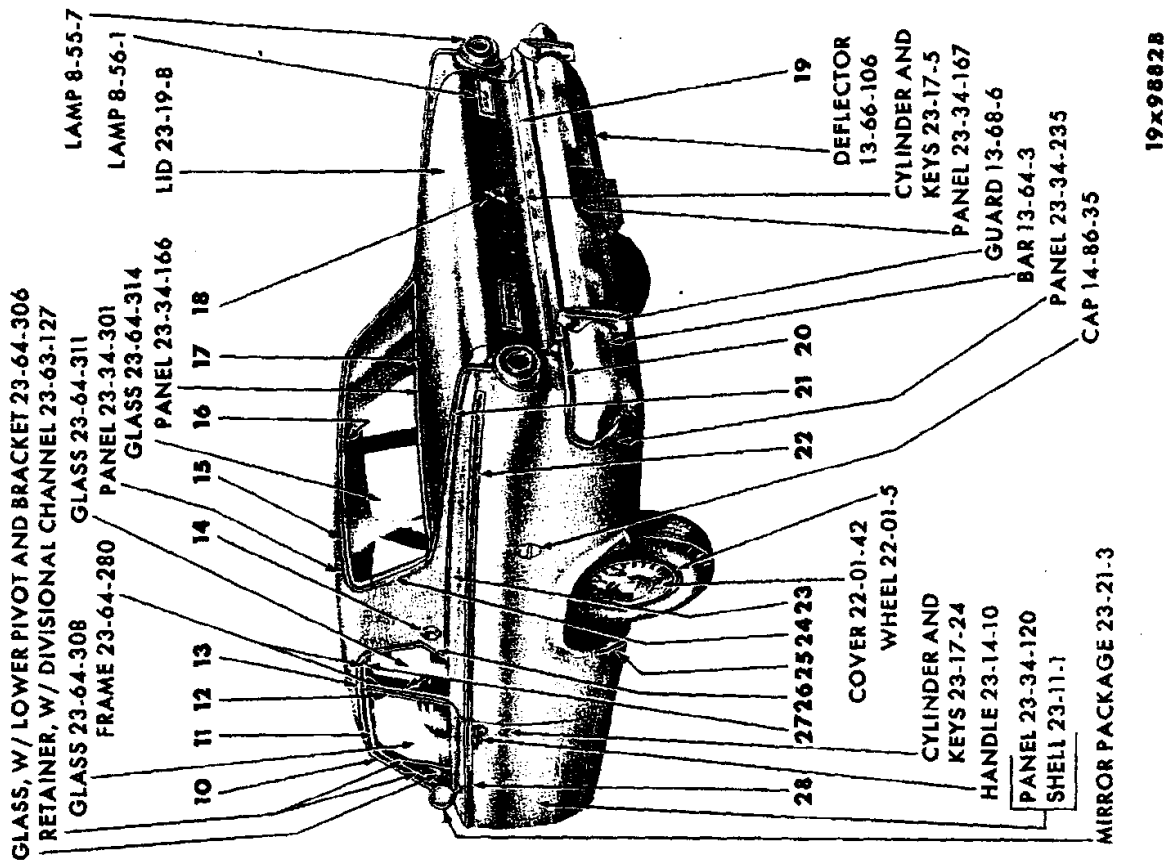
REF. NO.	QTY	PART NUMBER	DESCRIPTION
1	1	2480 384-5	MOULDING, Front Upper Pillar (23-23-14)
	4	9419 261	Screw
1A	2	2524 008	ORNAMENT, Fender Side V8, VL2 Only (12-15-21)
2	1	2495 170-1	MOULDING PACKAGE, Fender Side (12-15-2)
	4	6000 705	Clip
	8	6001 458	Clip
	2	6001 736	Clip
	6	-----	Nut
3	2	2417 849	NAME PLATE, Fender Side (12-15-21)
	4	6006 283	Nut
	4	6024 705	Washer
4	1	2417 677	NAME LETTER, Radiator Grille, "D" (7-16-61)
	1	2417 678	"O"
	1	2417 679	"D"
	1	2417 680	"G"
	1	2417 691	"E"
	10	9415 250	Nut
5	1	2495 182	MOULDING PACKAGE, Radiator Air Shield Upper (7-26-14)
	6	6001 663	Clip
6	1	2495 183	MOULDING PACKAGE, Radiator Air Shield Lower (7-26-14)
	6	6001 519	Clip
7	1	2495 702-3	MOULDING PACKAGE, Radiator Air Shield Outer (7-26-14)
	2	116 000	Nut
	2	6000 616	Nut
8	1	2495 179	MOULDING PACKAGE, Hood Front (15-25-2)
	4	6023 934	Nut
9	1	2082 278	LOCKINGSTRIP, Windshield Glass Weatherstrip (23-66-239)
10	1	2484 424-5	MOULDING, Roof Side Drain Trough Front (23-59-61)
11	1	2216 946-7	MOULDING, Front Door Window Frame Upper and Front (23-23-32)
12	1	2255 936-7	MOULDING, Roof Side Drain Trough Rear (23-59-61)
13	1	2216 950-1	MOULDING, Front Door Window Frame Rear (23-23-32)
14	1	2216 950-1	MOULDING, Rear Door Window Frame Front (23-23-33)
15	1	2217 014-5	MOULDING, Rear Door Window Frame Upper and Rear (23-23-33)
16	2	2423 898	MEDALLION, Quarter Outside Panel (23-34-334)
	4	152 259	Nut

REF. NO.	QTY	PART NUMBER	DESCRIPTION
17	1	2481 050-1	MOULDING, Roof Panel Outside Rear (23-23-42)
	18	6001 084	Retainer
18	1	2495 284-5	MOULDING PACKAGE, Rear Window Outside Side (23-23-52)
	6	6001 084	Retainer and Screw
19	1	2495 279	MOULDING PACKAGE, Rear Window Outside Upper (23-23-52)
	8	6001 084	Retainer and Screw
20	1	2495 286	MOULDING PACKAGE, Rear Window Outside Lower (23-23-52)
	5	6001 084	Retainer and Screw
21	1	2424 453	MEDALLION, Deck Lid (23-19-114)
	1	2424 455	MEDALLION, Deck Lid, w/Base (23-19-114)
	2	6023 097	Nut
22	1	2448 595	MOULDING PACKAGE, Deck Lid (23-23-30)
	7	6001 473	Retainer
	7	446 618	Nut
23	1	2495 406-7	MOULDING PACKAGE, Quarter Panel Lower Rear (23-23-39)
	4	6001 572	Retainer
	8	-----	Nut
	2	6023 574	Screw
24	1	2495 376-7	MOULDING PACKAGE, Quarter Panel Peak (23-23-39)
	14	6001 097	Retainer
	14	-----	Nut
25	1	2495 408-9	MOULDING PACKAGE, Quarter Panel Upper (23-23-39)
	10	6001 456	Retainer
	10	6001 030	Retainer
	10	6023 260	Nut
26	1	2526 976-7	DEFLECTOR, Quarter Panel Wheel Opening Stone (23-34-240)
	6	6024 288	Screw
27	1	2495 402-3	MOULDING PACKAGE, Quarter Panel Lower (23-23-39)
	2	6024 271	Screw
	12	6001 460	Clip
	2	6000 705	Clip
	2	6024 679	Nut
	12	6001 456	Retainer
	6	6001 443	Retainer
28	1	2495 398-9	MOULDING PACKAGE, Rear Door Lower (23-23-33)
	6	6001 458	Retainer
	8	6001 459	Retainer
	8	9418 877	Nut
29	1	2495 396-7	MOULDING PACKAGE, Front Door Lower (23-23-32)
	8	6001 458	Retainer
	8	6001 459	Retainer
	8	9418 877	Nut

All Packages Include Attaching Parts

Part Type Code is Indicated in Parentheses

EXTERIOR VIEW - DART VL1-2(H) 4 DOOR SEDAN



EXTERIOR VIEW - DART VL1-2(H) 2 DOOR SEDAN

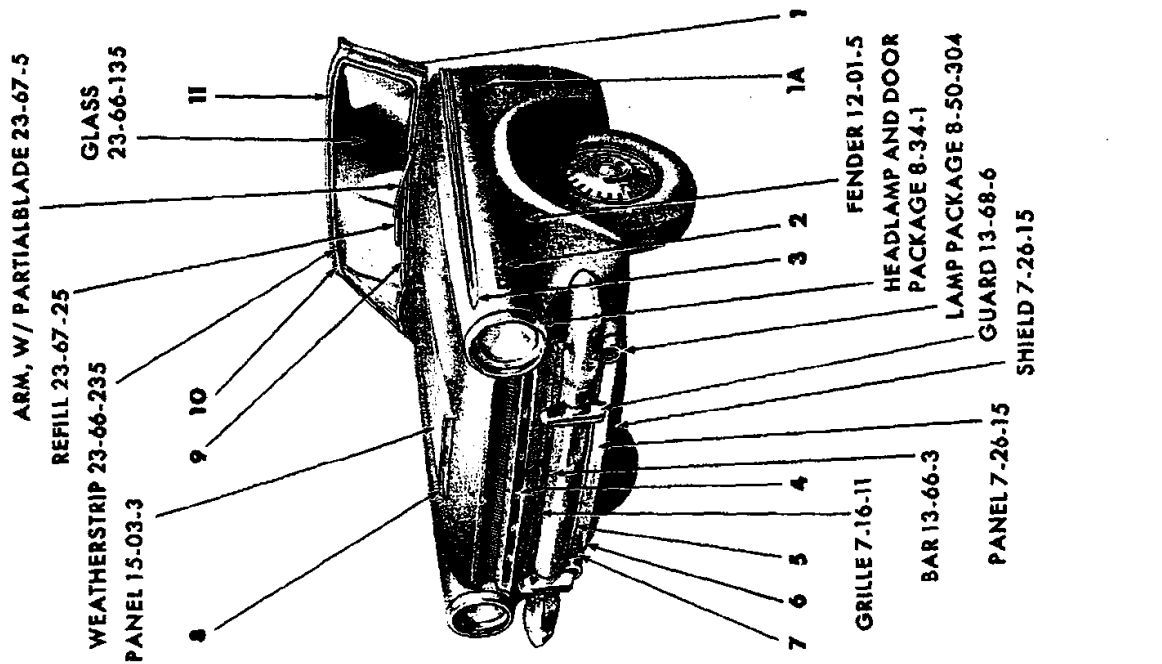
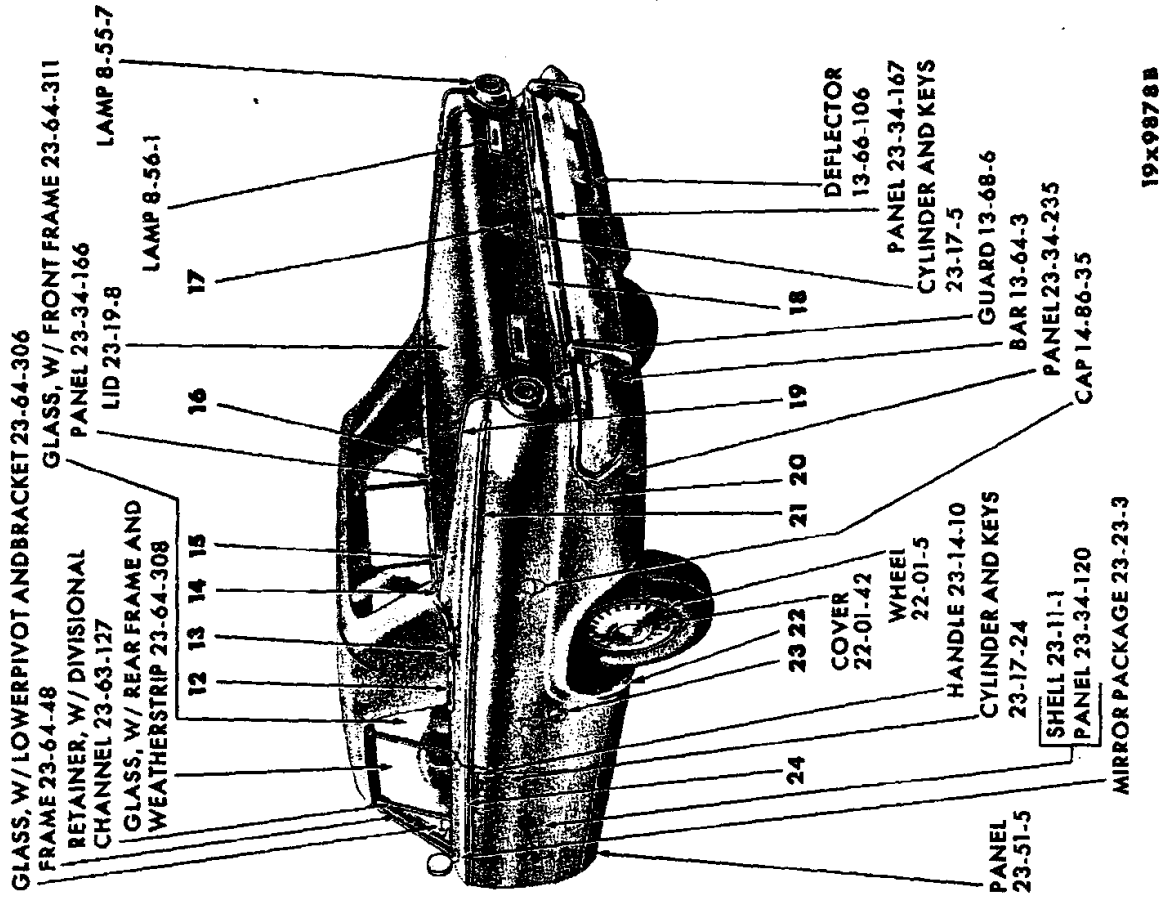
REF. NO.	QTY	PART NUMBER	DESCRIPTION
1	1	2480 384-5	MOULDING, Front Pillar Upper (23-23-14)
	4	9419 261	Screw
1A	2	2524 008	ORNAMENT, Fender Side V8, VL2 Only (12-15-21)
2	1	2495 170-1	MOULDING PACKAGE, Fender Side (12-15-2)
	4	6000 705	Clip 2 6001 736 Clip
	8	6001 458	Clip 68 ---- --- Nut
3	2	2417 849	NAME PLATE, Fender Side (12-15-21)
	4	6024 705	Washer 4 6006 263 Nut
4	1	2417 677	NAME LETTER, Radiator Grille, "D" (7-16-61)
	1	2417 678	"O"
	1	2417 679	"D"
	1	2417 680	"G"
	1	2417 681	"E"
	10	9415 250	Nut
5	1	2495 162	MOULDING PACKAGE, Radiator Air Shield Upper (7-26-14)
	6	6001 663	Clip
6	1	2495 163	MOULDING PACKAGE, Radiator Air Shield Lower (7-26-14)
	6	6001 519	Clip
7	1	2495 702-3	MOULDING PACKAGE, Radiator Air Shield Outer (7-26-14)
	2	116 000	Nut
	2	6000 616	Nut
8	1	2495 179	MOULDING PACKAGE, Hood Front (15-25-2)
	4	6023 934	Nut
9	1	2082 278	LOCKINGSTRIP, Windshield Glass Weatherstrip (23-66-239)
10	1	2484 424-5	MOULDING, Roof Side Drain Trough Front (23-59-61)
11	1	2216 944-5	MOULDING, Door Window Opening Frame Upper and Front (23-23-32)
12	1	2216 950-1	MOULDING, Door Window Opening Frame Rear (23-23-32)
13	1	2422 432-3	MOULDING, Roof Side Drain Trough Rear (23-59-61)
14	2	2423 898	MEDALLION, Quarter Outside 270 (23-34-334)
	4	152 259	Nut
15	1	2481 050-1	MOULDING, Roof Panel Outside Rear (23-23-42)
	16	6001 084	Retainer
16	1	2495 279	MOULDING PACKAGE, Rear Window Outside Upper (23-23-52)
	8	6001 084	Retainer and Screw
17	1	2495 286	MOULDING PACKAGE, Rear Window Outside Lower (23-23-52)
	5	6001 084	Retainer and Screw

All Packages include Attaching Parts

REF. NO.	QTY	PART NUMBER	DESCRIPTION
18	1	2424 453	MEDALLION, Deck Lid (23-19-114)
	1	2424 455	MEDALLION and BASE, Deck Lid (23-19-114)
	2	6023 097	Nut
19	1	2448 595	MOULDING PACKAGE, Deck Lid, w/Name (23-23-30)
	7	6001 473	Retainer
	7	446 618	Nut
20	1	2495 406-7	MOULDING PACKAGE, Quarter Panel Lower Rear (23-23-39)
	4	6001 572	Retainer
	8	---- ---	Nut
	2	6023 574	Screw
21	1	2495 376-7	MOULDING PACKAGE, Quarter Panel Peak (23-23-39)
	14	6001 097	Retainer
	14	---- ---	Nut
22	1	2495 400-1	MOULDING PACKAGE, Quarter Panel Lower (23-23-39)
	12	6001 571	Clip
	6	6001 576	Retainer
	2	6024 271	Screw
	2	6000 705	Clip
	2	6024 679	Nut
23	1	2495 374-5	MOULDING PACKAGE, Quarter Panel Upper Rear (23-23-39)
	10	6001 443	Retainer
	10	6001 030	Retainer
	10	6023 260	Nut
24	1	2495 284-5	MOULDING PACKAGE, Rear Window Outside Side (23-23-52)
	6	6001 084	Retainer and Screw
25	1	2526 976-7	DEFLECTOR, Quarter Panel Wheel Opening Stone (23-34-240)
	6	6024 288	Screw
26	1	2495 372-3	MOULDING PACKAGE, Quarter Panel Upper Front (23-23-39)
	2	6023 574	Screw
	2	120 622	Nut
27	1	2216 950-1	MOULDING, Quarter Window Opening Frame Outside Front (23-23-73)
	1	2244 376-7	MOULDING, Quarter Window Opening Frame Outside Upper (23-23-73)
28	1	2495 394-5	MOULDING PACKAGE, Door Lower (23-23-32)
	10	6001 567	Retainer
	4	6001 570	Retainer
	4	9418 877	Nut

Part Type Code is Indicated in Parentheses

EXTERIOR VIEW - DART VL1-2(H) 2 DOOR SEDAN



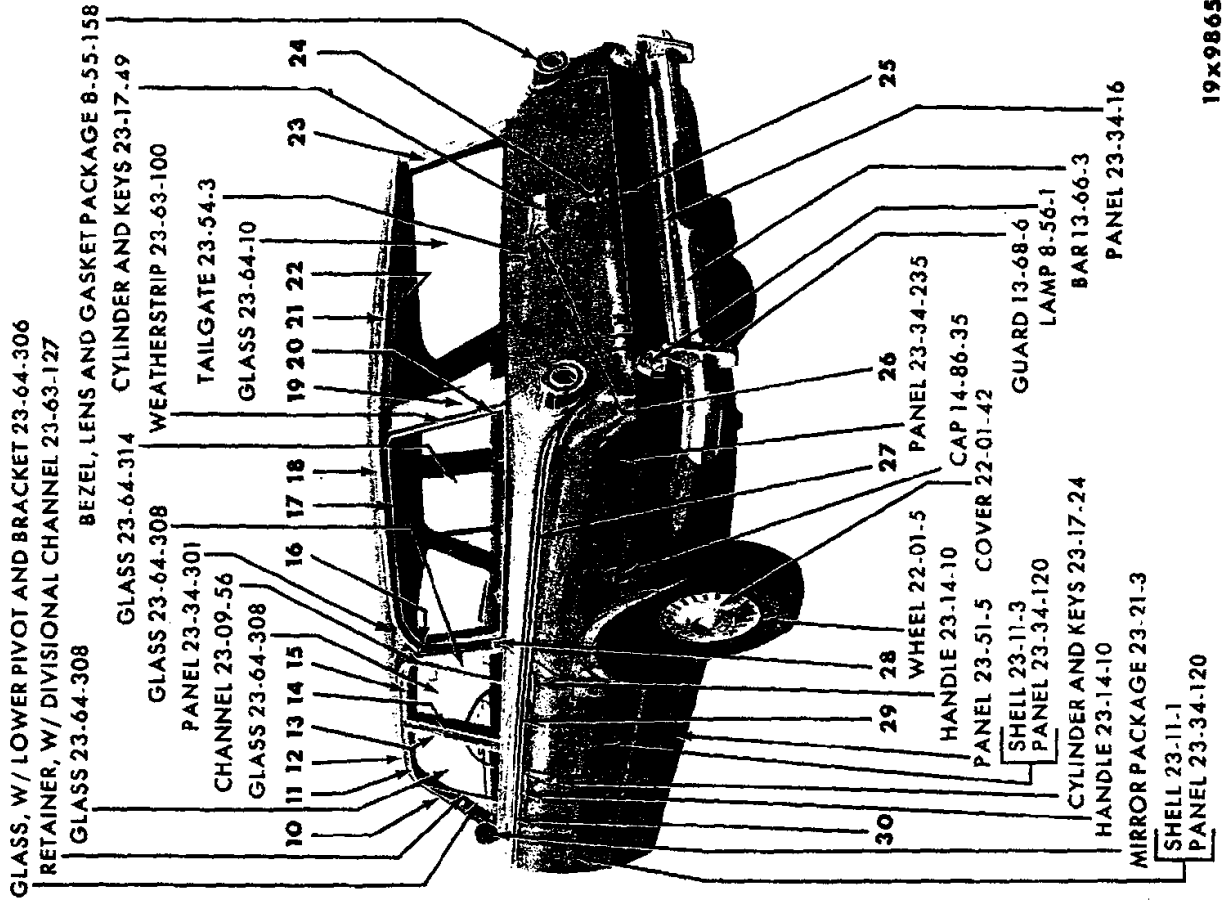
EXTERIOR VIEW - DART VLi-2(H) CONVERTIBLE COUPE

REF. NO.	QTY	PART NUMBER	DESCRIPTION	REF. NO.	QTY	PART NUMBER	DESCRIPTION
1	1	2484 406-7	MOULDING, Windshield Opening Frame Outside Side (23-23-65)	13	1	2422 190-1	MOULDING, Quarter Panel Belt Rear (23-23-39)
	8	6024 271	Screw	2	6024 472	Fastener	
1A	2	2524 008	ORNAMENT, Fender Side V8, VL2 Only (12-15-21)	6	6024 477	Fastener	
2	2	2417 849	NAME PLATE, Fender Side (12-15-21)	14	1	2484 104-5	COVER, Quarter Belt to Deck Opening Upper Panel Moulding Joint (23-23-41)
	4	6006 263	Nut 4 6024 705 Washer	2	6024 477	Stud Fastener	
3	1	2495 170-1	MOULDING PACKAGE, Fender Side (12-15-2)	15	1	2495 754-5	MOULDING PACKAGE, Quarter Panel Peak Front (23-23-39)
	4	6000 705	Clip	4	6001 097	Retainer	
	8	6001 458	Clip	4	-----	Nut	
	2	6001 736	Clip 6 ----- Nut	16	1	2255 948	MOULDING, Deck Upper Panel (23-23-31)
4	1	2417 677	NAME LETTER, Radiator Grille "D" (7-16-61)	9	6024 477	Fastener	
	1	2417 678	"O"	17	1	2424 453	MEDALLION, Deck Lid (23-19-114)
	1	2417 679	"D"	1	2424 455	MEDALLION and BASE, Deck Lid (23-19-114)	
	1	2417 680	"G"	2	6023 097	Nut	
	1	2417 681	"E"	18	1	2448 595	MOULDING PACKAGE, Deck Lid, w/Name (23-23-30)
5	10	9415 250	Nut	7	6001 473	Retainer	
5	1	2495 162	MOULDING PACKAGE, Radiator Air Shield Upper (7-26-14)	7	446 618	Nut	
	6	6001 663	Clip	19	2	2495 368	MOULDING PACKAGE, Quarter Panel Peak Rear (23-23-39)
6	1	2495 163	MOULDING PACKAGE, Radiator Air Shield Lower (7-26-14)	14	6001 097	Retainer	
	6	6001 519	Clip	16	-----	Nut	
7	1	2495 702-3	MOULDING PACKAGE, Radiator Air Shield Outer (7-26-14)	20	1	2495 406-7	MOULDING PACKAGE, Quarter Panel Lower Rear (23-23-39)
	2	116 000	Nut	4	6001 572	Retainer	
	2	6000 616	Nut	8	-----	Nut	
8	1	2495 179	MOULDING PACKAGE, Hood Front, w/Medallion (15-25-2)	2	6023 574	Screw	
	4	6023 934	Nut	21	1	2495 400-1	MOULDING PACKAGE, Quarter Panel Lower (23-23-39)
9	1	2424 106	MOULDING, Windshield Outside Lower (23-23-65)	12	6001 571	Clip	
	7	6001 524	Clip and Seal	6	6001 567	Retainer	
10	1	2082 278	LOCKINGSTRIP, Windshield Glass Weatherstrip (23-66-239)	2	6024 271	Screw	
	2	6000 705	Clip	2	6024 679	Nut	
11	1	2422 180-1	MOULDING, Windshield Header Outside Upper (23-23-65)	22	1	2526 976-7	DEFLECTOR, Quarter Panel Wheel Opening Stone (23-34-240)
	7	6024 400	Screw and Sealer	6	6024 288	Screw	
12	1	2424 170-1	MOULDING, Quarter Panel Belt Front (23-23-39)	23	2	2423 898	MEDALLION, Quarter Outside 270 (23-34-334)
	2	6024 472	Fastener	4	152 259	Nut	
	2	6023 898	Screw	24	1	2495 394-5	MOULDING PACKAGE, Door (23-23-32)
				10	6001 567	Retainer	
				4	6001 570	Retainer	
				4	9418 877	Nut	

All Packages Include Attaching Parts

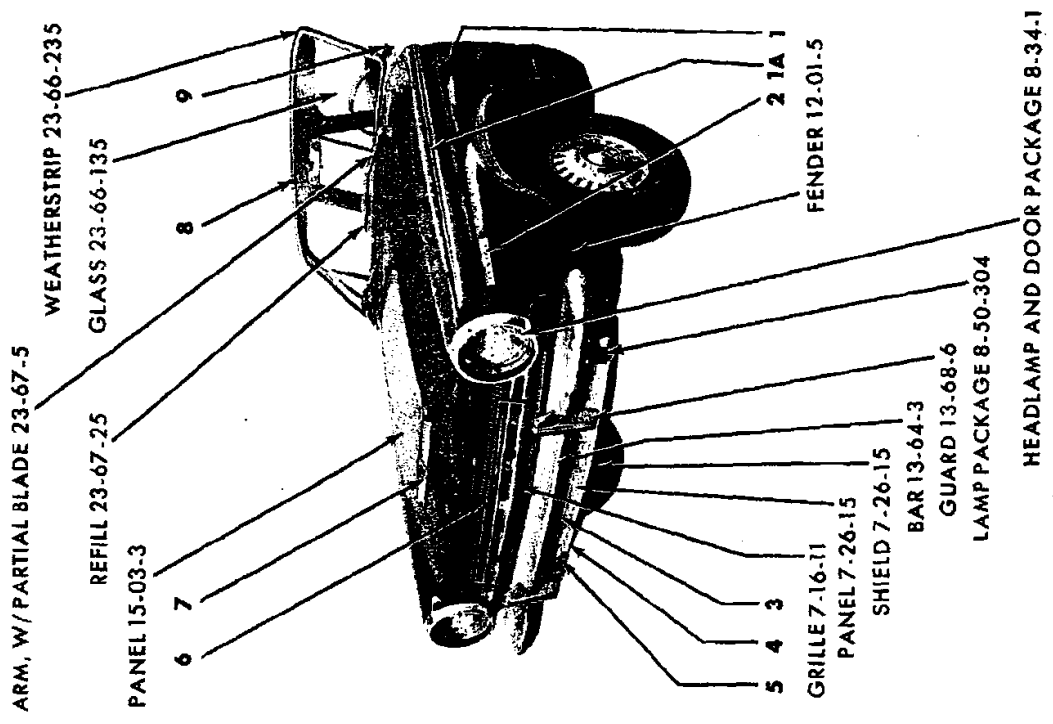
Part Type Code is Indicated in Parentheses

EXTERIOR VIEW - DART VL1-2(H) CONVERTIBLE COUPE



19X9865A

EXTERIOR VIEW - DART VL1-2(H) 4 DOOR STATION WAGON



REF. NO.	QTY	PART NUMBER	DESCRIPTION	REF. NO.	QTY	PART NUMBER	DESCRIPTION
1	2	2524 008	ORNAMENT, Fender Side V8, VL2 Only (12-15-21)	18	1	2422 650-1	MOULDING, Roof Side Drain Trough (23-59-61)
1A	1	2495 170-1	MOULDING PACKAGE, Fender Side (12-15-2)	19	1	2421 579-80	MOULDING PACKAGE, Rear Upper Pillar Outside (23-23-60)
	4	6000 705	Clip 2 6001 736 Clip		4	6001 077	Clip
	8	6001 458	Clip 6 ---- --- Nut		4	6024 271	Clip
2	2	2417 849	NAME PLATE, Fender Side (12-15-21)		2	9418 471	Screw
	4	6024 705	Washer 4 6006 263 Nut	20	2	2424 624	CAP, Quarter Window Locking-strip Lower Rear (23-63-117)
3	1	2495 162	MOULDING PACKAGE, Radiator Air Shield Upper (7-26-14)	21	1	2484 162-3	MOULDING, Roof Rear Drain Trough (23-59-61)
	6	6001 663	Clip	22	1	2448 401	MOULDING PACKAGE, Tailgate Opening Upper (23-23-60)
4	1	2495 163	MOULDING PACKAGE, Radiator Air Shield Lower (7-26-14)		5	6001 451	Clip
	6	6001 519	Clip	23	1	2421 577-8	MOULDING PACKAGE, Rear Upper Pillar Outside (23-23-60)
5	1	2495 702-3	MOULDING PACKAGE, Radiator Air Shield Outer (7-26-14)		6	6001 076	Clip
	2	116 000	Nut		4	6024 271	Clip
	2	6000 516	Nut		4	6001 077	Screw
6	1	2417 677	NAME LETTER, Radiator Grille, "D" (7-16-61)	24	1	2480 207 (1)	MEDALLION, Tailgate Outside (270) (23-54-11)
	1	2417 678	"O"		1	2527 831 (2)	MEDALLION, Tailgate Outside (270) (23-54-11)
	1	2417 679	"D"		2	9415 250	Nut
	1	2417 680	"G"	25	2	2417 677	"D", Tailgate Outside Panel Letter (23-54-11)
	1	2417 681	"E"		1	2417 678	"O"
	10	9415 250	Nut		1	2417 680	"G"
7	1	2495 179	MOULDING PACKAGE, Hood Front (15-25-2)		1	2417 681	"E"
	4	6023 934	Nut		5	9415 250	Nut
8	1	2082 278	LOCKINGSTRIP, Windshield Glass Weatherstrip (23-66-239)	26	1	2299 752	ORNAMENT, w/Stud, Tailgate Electric Window Regulator Outside (23-54-11)
	1	2480 384-5	MOULDING, Front Upper Pillar (23-23-14)		3	116 000	Nut, w/Washer
	4	9419 261	Screw	27	1	2495 384-5	MOULDING PACKAGE, Quarter Panel (23-23-39)
10	1	2484 424-5	MOULDING, Roof Side Drain Trough Front (23-59-61)		6	6001 443	Retainer
	1	2216 946-7	MOULDING, Front Door Window Frame Upper and Front (23-23-32)		2	6024 271	Screw
	1	2255 936-7	MOULDING, Roof Side Drain Trough Rear (23-59-61)		10	6001 460	Clip
	1	2216 950-1	MOULDING, Front Door Window Frame Rear (23-23-32)		2	6000 705	Clip
	1	2216 950-1	MOULDING, Rear Door Window Frame Front (23-23-33)		2	6024 679	Nut
	1	2217 014-5	MOULDING, Rear Door Window Frame Upper and Rear (23-23-33)		8	6001 456	Retainer
	2	2424 625	CAP, Quarter Window Locking-strip Upper Front (23-63-117)	28	1	2422 784-5	NAME PLATE, Roof Panel Extension (23-34-238)
	2	2243 513	LOCKINGSTRIP, Quarter Window Glass Weatherstrip (23-63-110)		2	6001 105	Clip
				29	1	2495 398-9	MOULDING PACKAGE, Rear Door Lower (23-23-33)
					8	6001 567	Retainer
					8	6001 570	Retainer
					8	9418 877	Nut
				30	1	2495 396-7	MOULDING PACKAGE, Front Door Lower (23-23-32)
					8	6001 567	Retainer
					8	6001 570	Retainer
					8	9418 877	Nut

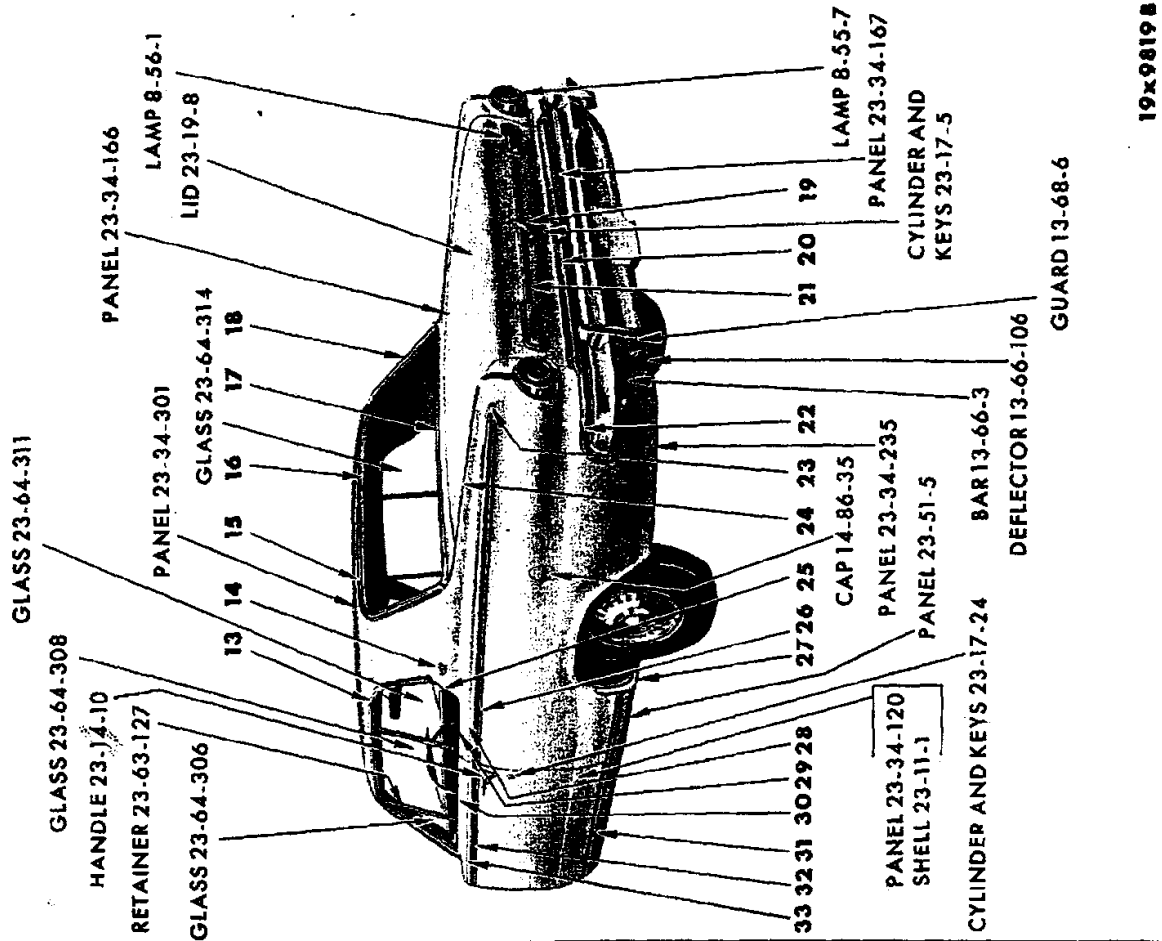
NOTE 1: Back Side Painted Black

NOTE 2: Back Side Painted Green

All Packages include Attaching Parts

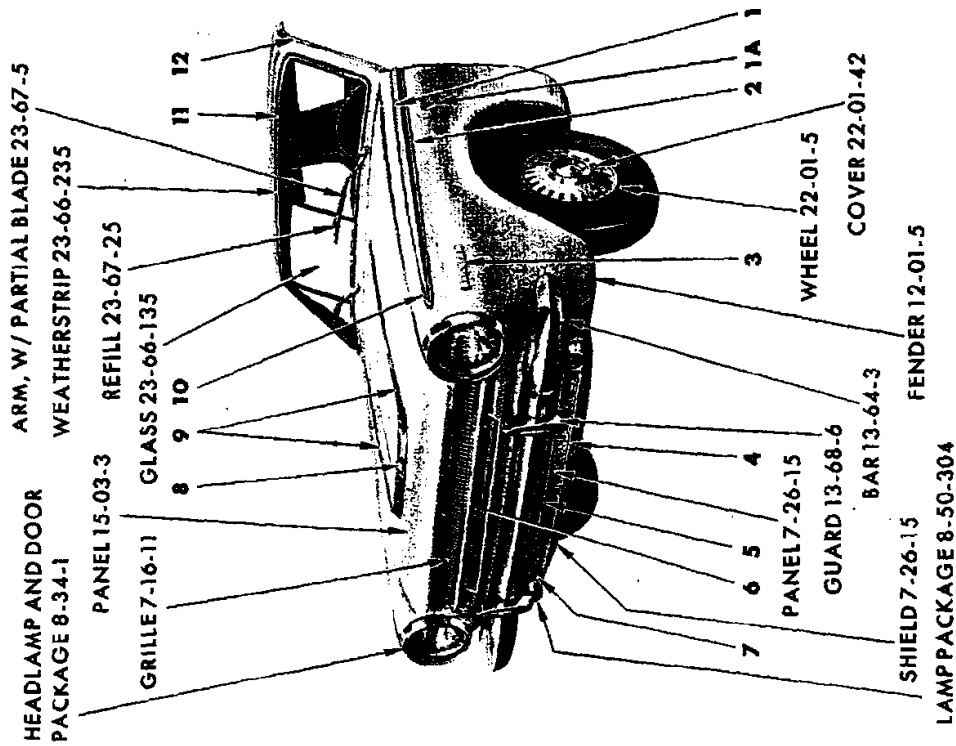
Part Type Code is Indicated in Parentheses

EXTERIOR VIEW - DART VL1-2(H) 4 DOOR STATION WAGON



GLASS 23-64-308
HANDLE 23-14-10
RETAINER 23-63-127
GLASS 23-64-306
GLASS 23-64-311
PANEL 23-34-301
GLASS 23-64-314
13 14 15 16 17 18
LAMP 8-56-1
LID 23-19-8
PANEL 23-34-166
21 20 19
LAMP 8-55-7
PANEL 23-34-167
CYLINDER AND KEYS 23-17-5
GUARD 13-68-6
27 26 25 24 23 22
CAP 14-86-35
PANEL 23-34-235
PANEL 23-51-5
CYLINDER AND KEYS 23-17-24
BAR 13-66-3
DEFLECTOR 13-66-106
33 32 31 30 29 28
PANEL 23-34-120
SHELL 23-11-1
PANEL 23-34-301

19x98198



HEADLAMP AND DOOR PACKAGE 8-34-1
GRILLE 7-16-11
PANEL 15-03-3
ARM, W/ PARTIAL BLADE 23-67-5
WEATHERSTRIP 23-66-235
REFILL 23-67-25
GLASS 23-66-135
8 9 10
11 12
2 1A 1
3
WHEEL 22-01-5
COVER 22-01-42
PANEL 7-26-15
GUARD 13-68-6
BAR 13-64-3
FENDER 12-01-5
SHIELD 7-26-15
LAMP PACKAGE 8-50-304

EXTERIOR VIEW - DART VLI-2(P) 2 DOOR HARDTOP

1964 PASSENGER CAR PARTS CATALOG

BODY

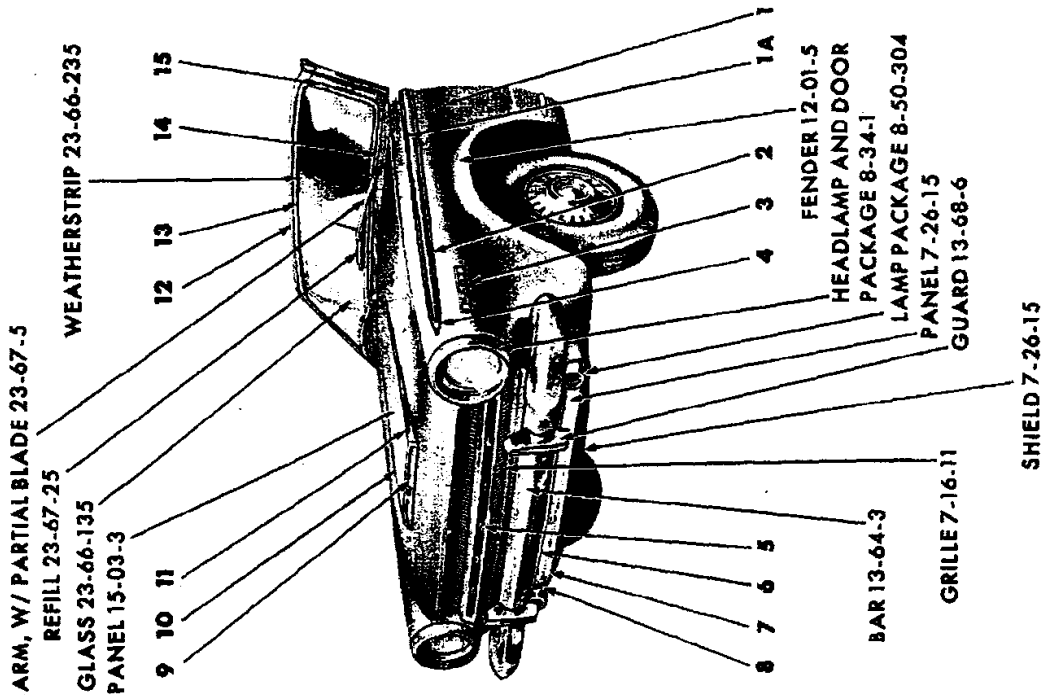
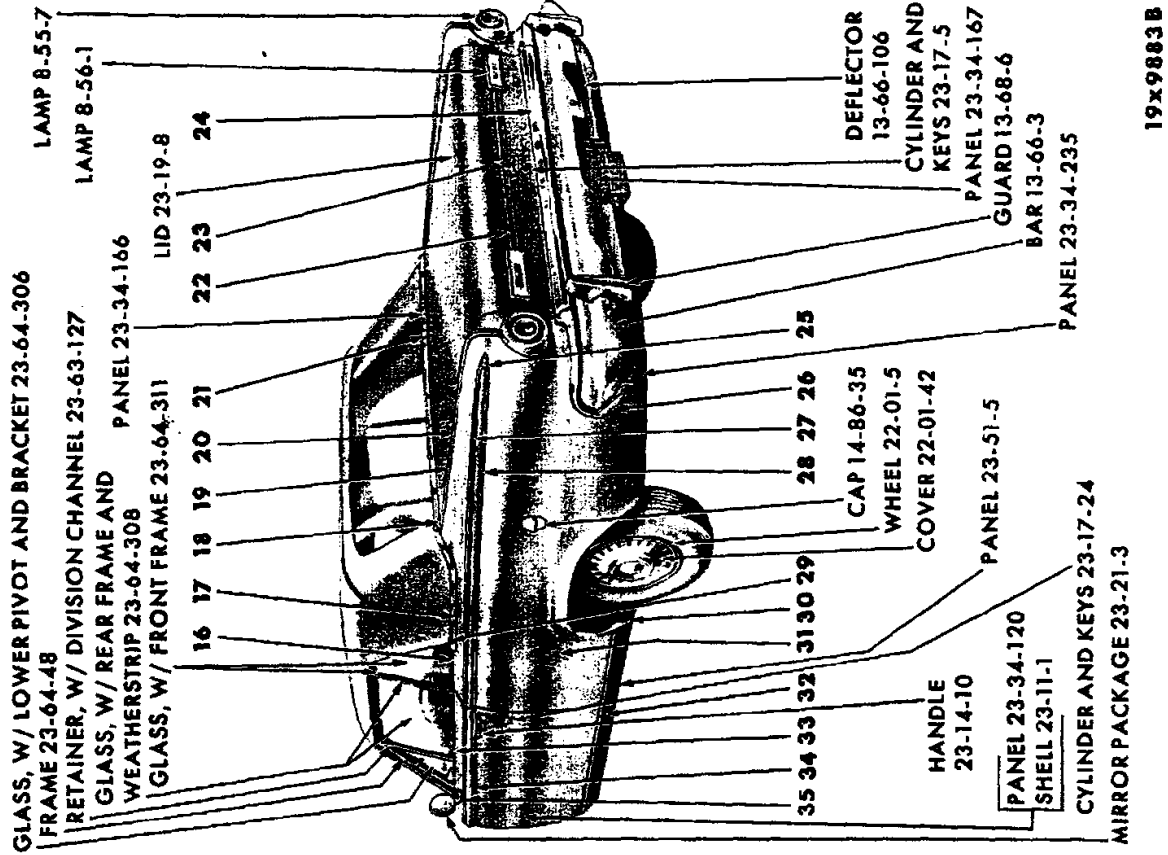
Page 23-67

REF. NO.	QTY	PART NUMBER	DESCRIPTION	REF. NO.	QTY	PART NUMBER	DESCRIPTION
1	1	2495 174-5	MOULDING PACKAGE, Fender-Side Upper (12-15-2)	19	1	2424 454	MEDALLION and BASE, Deck Lid (23-19-114)
	14	6001 443	Retainer		2	6023 097	Nut
	4	6001 030	Retainer 4 6000 616 Nut		1	2424 452	MEDALLION, Deck Lid (23-19-114)
1A	2	2524 008	ORNAMENT, Fender Side V8, VL2 Only (12-15-21)	20	1	2448 595	MOULDING PACKAGE, Deck Lid (23-23-30)
2	2	2495 172	MOULDING PACKAGE, Fender Side Lower (12-15-2)		7	6001 473	Retainer
	14	6001 456	Retainer		7	446 618	Nut
	4	6001 030	Retainer 4 6000 616 Nut	21	1	2448 594	MOULDING PACKAGE, Deck Lid (23-23-30)
3	2	2417 849	NAME PLATE, Fender Side (12-15-21)		4	6023 097	Nut
	4	6006 263	Nut 4 6024 705 Washer	22	1	2495 406-7	MOULDING PACKAGE, Quarter Panel Lower Rear (23-23-39)
4	1	2495 163	MOULDING PACKAGE, Radiator Air Shield Lower (7-26-14)		4	6001 572	Retainer
	6	6001 519	Clip		8	----	Nut
5	1	2495 162	MOULDING PACKAGE, Radiator Air Shield Upper (7-26-14)		2	6023 574	Screw
	6	6001 663	Clip	23	1	2495 382-3	MOULDING PACKAGE, Quarter Panel End (23-23-39)
6	1	2417 877	NAME LETTER, Radiator Grille, "D" (7-16-61)		2	6022 013	Washer
	1	2417 878	"O"		2	6023 260	Nut
	1	2417 879	"D"	24	1	2495 376-7	MOULDING PACKAGE, Quarter Panel Peak (23-23-39)
	1	2417 680	"G"		14	6001 097	Retainer
	1	2417 681	"E"		14	----	Nut
7	1	2495 702-3	MOULDING PACKAGE, Radiator Air Shield Outer (7-26-14)	25	1	2448 176-7	MOULDING PACKAGE, Quarter Panel Belt Rear (23-23-39)
	2	116 000	Nut 2 6000 616 Nut		2	6024 135	Screw
8	1	2495 173	MOULDING PACKAGE, Hood Front, w/Medallion (15-25-2)		2	168 474	Screw
	4	6023 934	Nut	26	2	2495 386	MOULDING PACKAGE, Quarter Panel Lower (23-23-39)
9	1	2495 178	MOULDING PACKAGE, Hood Top, Right (15-25-2)		4	6024 271	Screw
	1	2495 177	MOULDING PACKAGE, Hood Top, Left (15-25-2)		14	6001 456	Retainer
	6	6023 934	Nut 4 116 000 Nut		10	6001 443	Retainer
10	1	2495 168-9	CAP PACKAGE, Fender Side Upper to Lower Moulding (12-15-9)	27	1	2526 976-7	DEFLECTOR, Quarter Panel Wheel Opening Stone (23-34-240)
	4	6000 616	Nut		6	6024 288	Screw
11	1	2082 278	LOCKINGSTRIP, Windshield Glass Weatherstrip (23-66-239)	28	1	2495 378-9	MOULDING PACKAGE, Quarter Panel Upper (23-23-39)
12	1	2484 424-5	MOULDING, Roof Side Drain Trough Front (23-59-61)		24	6001 443	Retainer
13	1	2422 432-3	MOULDING, Roof Side Drain Trough Rear (23-59-61)		4	6024 271	Screw
14	2	2255 116	MEDALLION, Quarter Outside Medallion (23-34-334)	29	1	2525 582	MOULDING PACKAGE, Quarter Panel Belt Front (23-23-39)
	4	6001 254	Clip		6	6001 490	Retainer
15	1	2481 050-1	MOULDING, Roof Panel Outside Rear (23-23-42)		2	168 474	Screw
	16	6001 084	Retainer	30	1	2448 430-1	MOULDING PACKAGE, Door Belt (23-23-39)
16	1	2495 279	MOULDING PACKAGE, Rear Window Outside Upper (23-23-52)		10	6001 490	Retainer
	8	6001 084	Retainer		2	6001 440	Retainer
17	1	2495 286	MOULDING PACKAGE, Rear Window Outside Lower (23-23-52)		2	9415 312	Nut
	5	6001 084	Retainer	31	2	2495 371	MOULDING PACKAGE, Body Side Sill (23-23-2)
18	1	2495 284-5	MOULDING PACKAGE, Rear Window Outside Side (23-23-52)		2	----	Clip and Bolt
	6	6001 084	Retainer		2	6000 955	Retainer
					18	6001 428	Clip
				32	2	2495 370	MOULDING PACKAGE, Door Lower (23-23-32)
					6	6001 432	Retainer
					6	9418 877	Nut
					14	6001 456	Retainer
				33	1	2495 380-1	MOULDING PACKAGE, Door Upper (23-23-32)
					8	6001 432	Retainer
					8	9418 877	Nut
					14	6001 456	Retainer

All Packages include Attaching Parts

Part Type Code is Indicated in Parentheses

EXTERIOR VIEW - DART VL1-2(P) 2 DOOR HARDTOP



EXTERIOR VIEW - DART VLi-2(P) CONVERTIBLE COUPE

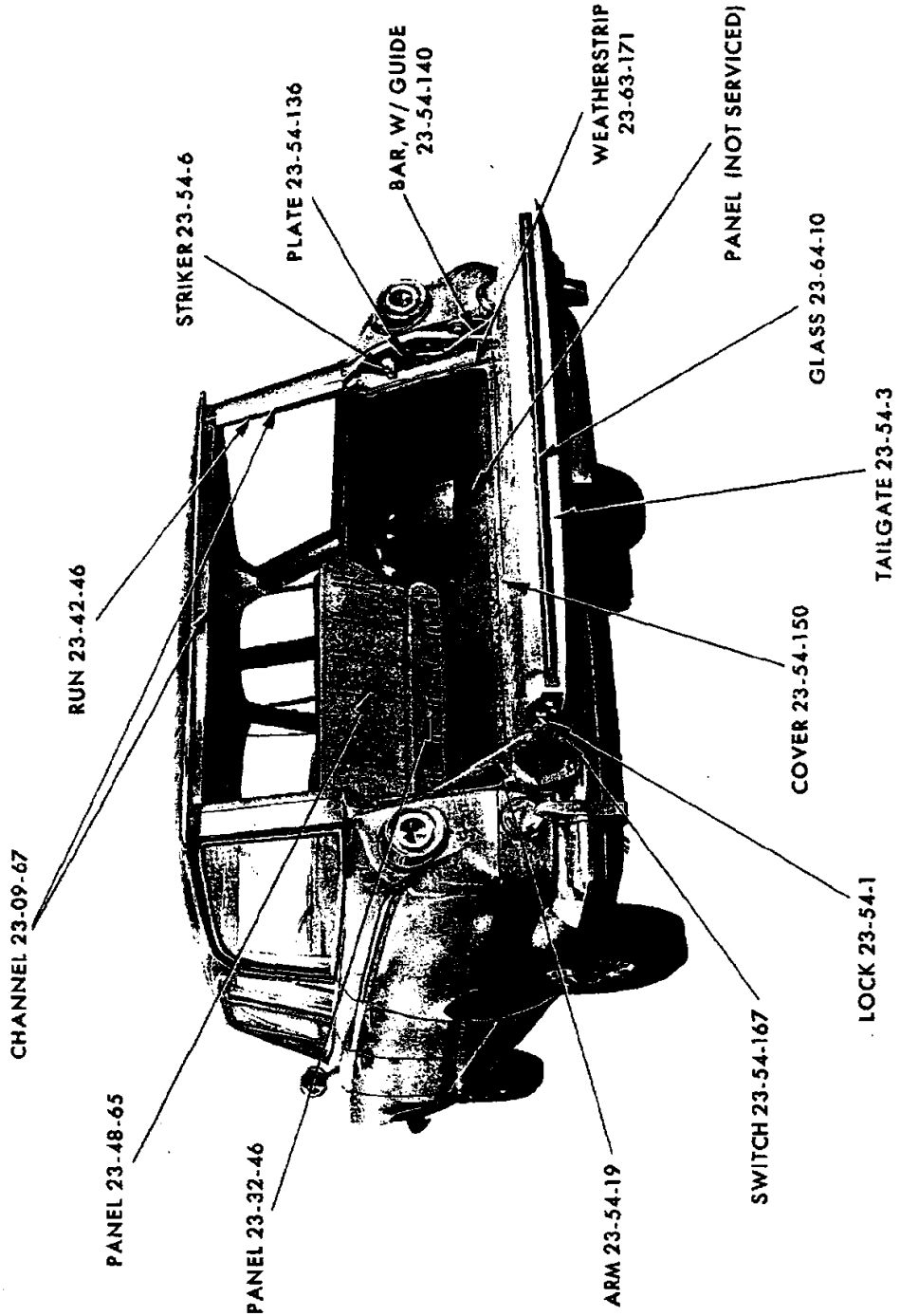
REF. NO.	QTY	PART NUMBER	DESCRIPTION	REF. NO.	QTY	PART NUMBER	DESCRIPTION
1	2	2524 008	ORNAMENT, Fender Side V8, VL2 Only (12-15-21)	19	1	2495 754-5	MOULDING PACKAGE, Quarter Panel Peak Front (23-23-39)
1A	1	2495 174-5	MOULDING PACKAGE, Fender Side Upper (12-15-2)		4	6001 097	Retainer 4 ---- Nut
	4	6001 030	Retainer	20	2	2495 368	MOULDING PACKAGE, Quarter Panel Peak Rear (23-23-39)
	14	6001 443	Retainer 4 6000 616 Nut		14	6001 097	Retainer 16 ---- Nut
2	2	2495 172	MOULDING PACKAGE, Fender Side Lower (12-15-2)	21	1	2255 948	MOULDING, Deck Upper Panel (23-23-31)
	4	6001 430	Retainer		9	6024 477	Fastener
	14	6001 456	Retainer 4 6000 616 Nut	22	1	2448 594	MOULDING PACKAGE, Deck Lid Upper (23-23-30)
3	2	2417 849	NAME PLATE, Fender Side (12-15-21)		4	6023 097	Nut
	4	6006 263	Nut 4 6024 705 Washer	23	1	2424 452	MEDALLION, Deck Lid (23-19-114)
4	1	2495 168-9	CAP PACKAGE, Fender Side Upper to Lower Moulding (12-15-9)		1	2424 454	MEDALLION and BASE, Deck Lid (23-19-114)
	4	6000 616	Nut		2	6023 097	Nut
5	1	2417 677	NAME LETTER, Radiator Grille, "D" (7-16-61)	24	1	2448 595	MOULDING PACKAGE, Deck Lid, w/Name (23-23-30)
	1	2417 678	"O"		7	6001 473	Retainer 7 446 618 Nut
	1	2417 679	"D"	25	1	2495 382-3	MOULDING PACKAGE, Quarter Panel End (23-23-39)
	1	2417 680	"G"		2	6022 013	Washer 2 6023 260 Nut
	1	2417 681	"E" 10 9415 250 Nut	26	1	2495 406-7	MOULDING PACKAGE, Quarter Panel Lower Rear (23-23-39)
6	1	2495 162	MOULDING PACKAGE, Radiator Air Shield Upper (7-26-14)		4	6001 572	Retainer
	6	6001 663	Clip		2	6023 574	Screw 8 ---- Nut
7	1	2495 163	MOULDING PACKAGE, Radiator Air Shield Lower (7-26-14)	27	1	2495 378-9	MOULDING PACKAGE, Quarter Panel Upper (23-23-39)
	6	6001 519	Clip		24	6001 443	Retainer 2 6024 271 Screw
8	1	2495 702-3	MOULDING PACKAGE, Radiator Air Shield Outer (7-26-14)	28	2	2495 386	MOULDING PACKAGE, Quarter Panel Lower (23-23-39)
	2	116 000	Nut 2 6000 616 Nut		14	6001 456	Retainer
9	1	2495 173	MOULDING PACKAGE, Hood Front, w/Medallion (15-25-2)		12	6001 443	Retainer 4 6024 271 Screw
	4	6023 934	Nut	29	1	2424 174-5	MOULDING, Quarter Panel Belt Intermediate (23-23-39)
10	1	2495 177	MOULDING PACKAGE, Hood Top, Left (15-25-2)		2	6024 472	Fastener 2 ---- Screw
	6	6023 934	Nut 4 ---- Nut	30	1	2526 976-7	DEFLECTOR, Quarter Panel Wheel Opening Stone (23-34-240)
11	1	2495 176	MOULDING PACKAGE, Hood Top, Right (15-25-2)		6	6024 288	Screw
	6	6023 934	Nut 4 ---- Nut	31	2	2255 116	MEDALLION, Quarter Outside Panel (23-34-334)
12	1	2422 180-1	MOULDING, Windshield Header Outside Upper (23-23-65)		4	6001 254	Clip
	7	6024 400	Screw and Sealer	32	2	2495 371	MOULDING PACKAGE, Body Side Sill (23-23-2)
13	1	2082 278	LOCKINGSTRIP, Windshield Glass Weatherstrip (23-66-239)		2	6000 955	Retainer
	18	6001 428	Clip 2 ---- Clip	33	1	2448 430-1	MOULDING PACKAGE, Door Belt (23-23-32)
14	1	2424 106	MOULDING, Windshield Outside Lower (23-23-65)		10	6001 490	Retainer
	7	6001 524	Clip and Seal		2	6001 440	Retainer 2 9415 312 Nut
15	1	2422 182-3	MOULDING, Windshield Opening Frame Outside Side (23-23-65)	34	1	2495 370	MOULDING PACKAGE, Door Lower (23-23-32)
	8	6024 271	Screw		14	6001 456	Retainer
16	1	2525 582-3	MOULDING PACKAGE, Quarter Panel Belt Front (23-23-39)		6	6001 432	Retainer 6 9418 877 Nut
	6	6001 490	Retainer 2 168 474 Screw	35	1	2495 380-1	MOULDING PACKAGE, Door Upper (23-23-32)
17	1	2422 190-1	MOULDING, Quarter Panel Belt Rear (23-23-39)		14	6001 456	Retainer
	2	6024 472	Fastener		8	6001 432	Retainer 8 9418 877 Nut
	6	6024 477	Fastener				
18	1	2484 104-5	COVER, Quarter Belt to Deck Opening Upper Panel Moulding Joint (23-23-41)				
	2	6024 477	Stud Fastener				

All Packages Include Attaching Parts

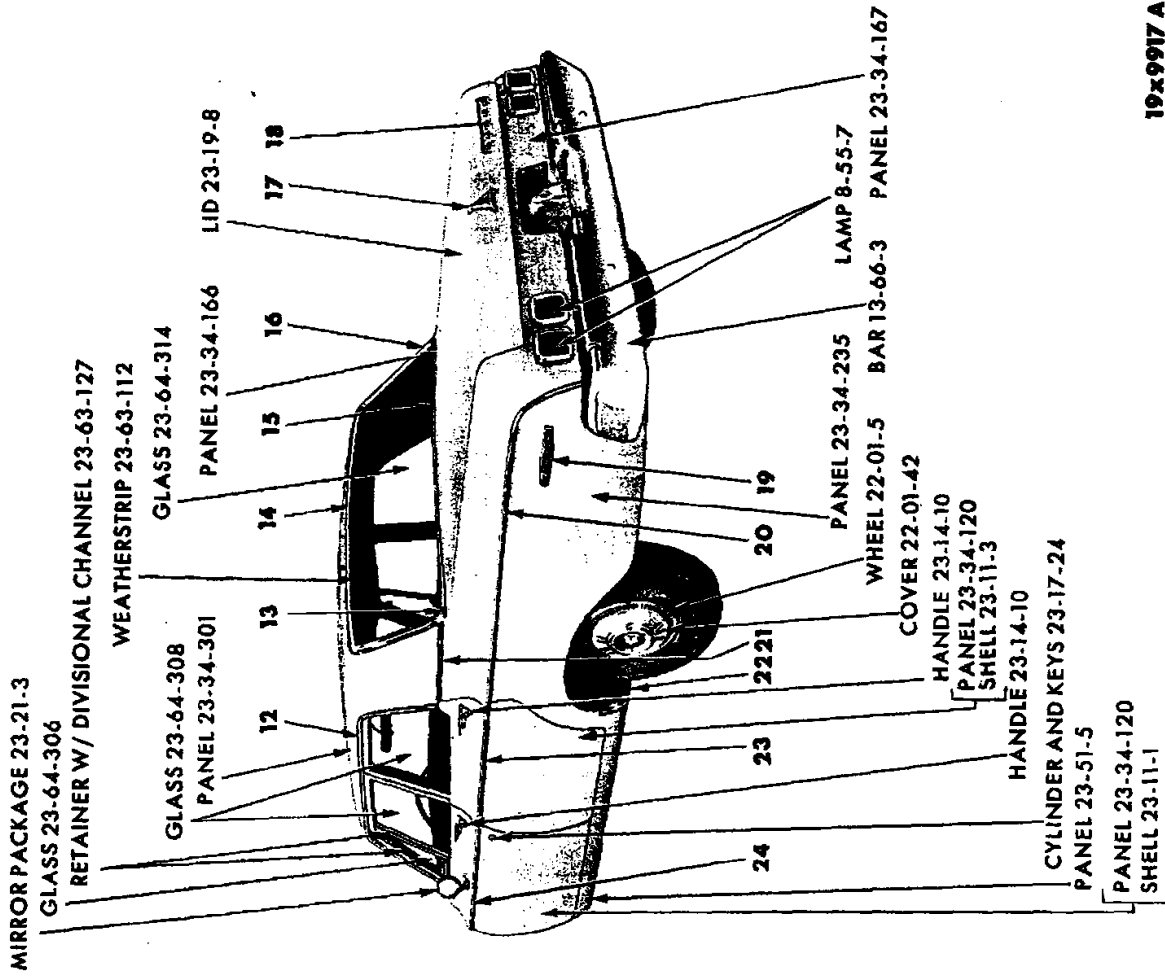
Part Type Code is Indicated in Parentheses

EXTERIOR VIEW - DART VL1-2(P) CONVERTIBLE COUPE

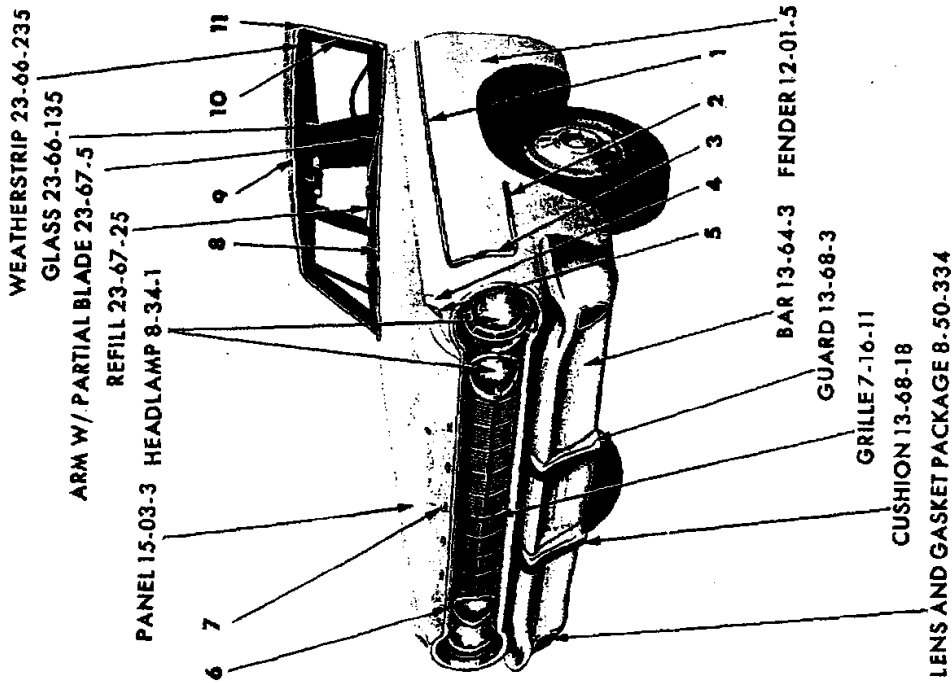
19x9874



REAR INTERIOR VIEW - DART VLI-2 STATION WAGON



19x9917 A



EXTERIOR VIEW - DODGE VDI-2(L) 4 DOOR SEDAN

REF. NO.	QTY	PART NUMBER	DESCRIPTION	REF. NO.	QTY	PART NUMBER	DESCRIPTION
1	1	2495 266-7	MOULDING PACKAGE, Fender Side Upper (12-15-2)	13	1	2480 920-1	MOULDING, Rear Window Outside Lower Corner (23-23-52)
	4	6001 591	Retainer		2	6023 693	Screw
	14	6001 497	Retainer	14	1	2495 269	MOULDING PACKAGE, Rear Window Outside Upper (23-23-52)
	4	6023 685	Nut		6	6001 525	Retainer and Screw
2	1	2525 552-3	MOULDING PACKAGE, Fender Side Lower (12-15-2)	15	1	2480 922	MOULDING, Rear Window Outside Lower (23-23-52)
	4	6001 591	Retainer		6	6023 693	Screw
	4	6023 685	Nut	16	1	2480 918-9	MOULDING, Rear Window Outside Side (23-23-52)
3	1	2495 716-7	CAP PACKAGE, Fender Side Moulding Front (12-15-9)		6	6001 525	Retainer and Screw
	8	6023 685	Nut	17	1	2486 313	ORNAMENT, Deck Lid Lock Cylinder (23-17-19)
4	1	2445 112-3	BASE, Fender Top Medallion (12-15-23)	18	2	2417 825	"D", Deck Lid Letter (23-19-114)
	2	-----	Nut		1	2417 826	"O"
5	2	2449 534	MEDALLION, Fender Top (12-15-21)		1	2417 828	"G"
6	1	2495 253	MOULDING PACKAGE, Hood Front (15-25-2)		1	2417 829	"E"
	8	-----	Nut		10	152 259	Nut
	8	6001 087	Retainer	19	2	2526 914	NAME PLATE, Quarter Outside (23-34-238)
7	1	2417 825	NAME LETTER, Hood Front "D" (15-08-16)		4	6023 260	Nut
	1	2417 826	"O"	20	1	2495 304-5	MOULDING PACKAGE, Quarter Panel Lower (23-23-39)
	1	2417 827	"D"		16	6001 497	Clip
	1	2417 828	"G"		4	6001 474	Retainer
	1	2417 829	"E"		4	-----	Washer
	10	1839 995	Nut		4	6024 679	Nut
8	1	2218 595	MOULDING, Windshield Outside Finish Lower (23-23-65)	21	1	2448 150-1	MOULDING PACKAGE, Quarter Panel Belt (23-23-39)
	10	6001 537	Retainer and Screw		6	6001 030	Retainer
9	1	2218 594	MOULDING, Windshield Outside Upper (23-23-65)		6	152 259	Nut
	8	6001 537	Retainer and Screw	22	1	2526 994-5	DEFLECTOR, Quarter Panel Wheel Opening (23-34-240)
10	1	2218 596-7	MOULDING, Windshield Outside Finish Side (23-23-65)		6	6024 288	Screw
	6	6023 247	Screw	23	1	2495 322-3	MOULDING PACKAGE, Rear Door (23-23-33)
11	1	2491 014-5	MOULDING, Windshield Outside Side Upper Extension (23-23-65)		10	6001 497	Clip
	6	6024 271	Screw		2	6001 108	Retainer
12	1	2483 436	MOULDING, Roof Drain Trough Side (23-59-61)		2	9418 877	Nut
				24	1	2495 326-7	MOULDING PACKAGE, Front Door (23-23-32)
					10	6001 497	Clip
					2	6001 108	Retainer
					2	9418 877	Nut

All Packages Include Attaching Parts

Part Type Code is Indicated in Parentheses

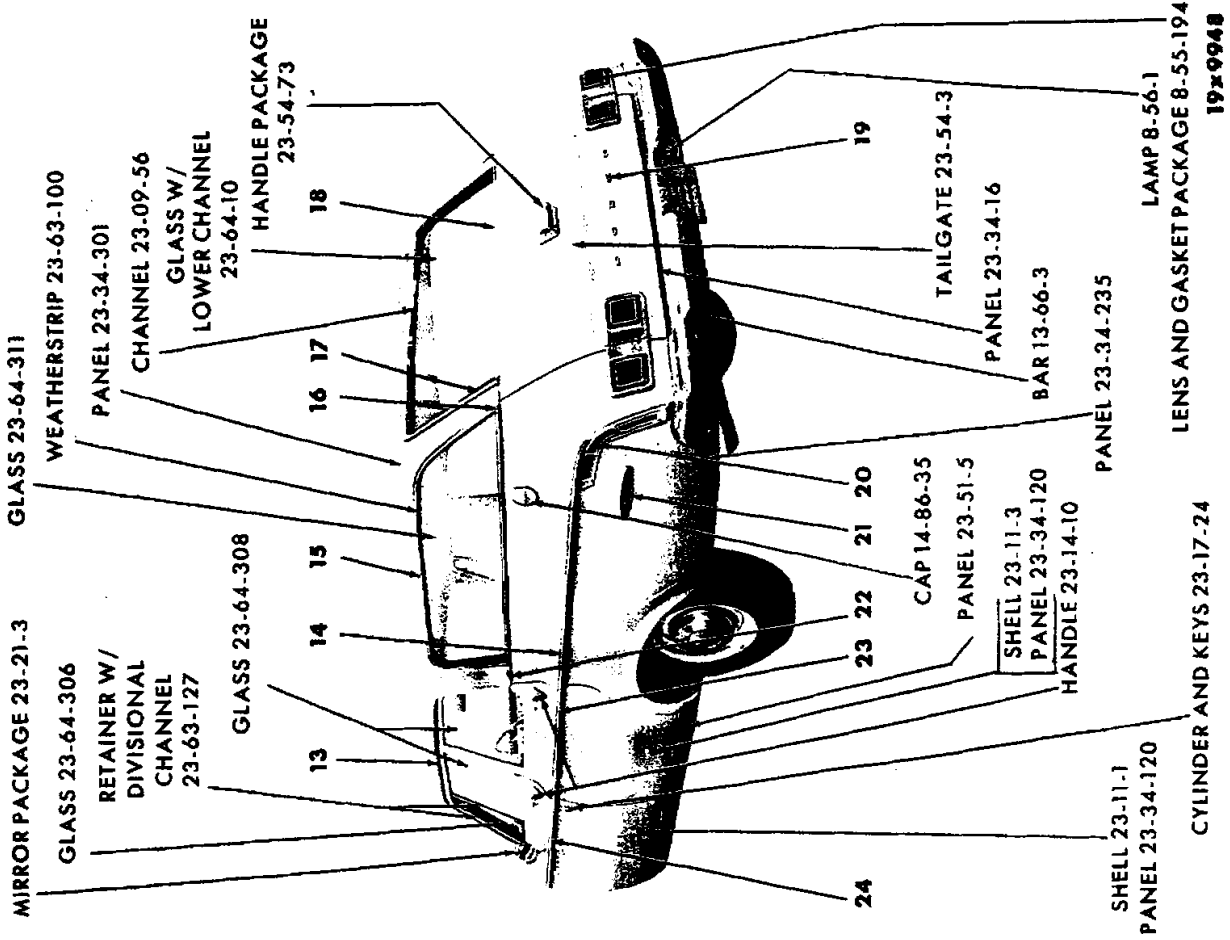
EXTERIOR VIEW - DODGE VD1-2(L) 4 DOOR SEDAN

REF. NO.	QTY	PART NUMBER	DESCRIPTION	REF. NO.	QTY	PART NUMBER	DESCRIPTION
1	1	2495 266-7	MOULDING PACKAGE, Fender Side Upper (12-15-2)	13	2	2422 976	CAP, Roof Drain Trough Moulding Front End (23-59-57)
	4	6001 591	Retainer	14	1	2483 436-7	MOULDING, Roof Drain Trough Side (23-59-61)
14		8001 497	Retainer	15	1	2448 150-1	MOULDING PACKAGE, Quarter Panel Belt (23-23-39)
	4	6023 685	Nut		6	6001 030	Retainer
2	1	2525 552-3	MOULDING PACKAGE, Fender Side Lower (12-15-2)		6	152 259	Nut
	4	6001 591	Retainer	16	1	2480 918-9	MOULDING, Rear Window Outside Side (23-23-52)
	4	6023 685	Nut		6	6001 525	Retainer and Screw
3	1	2495 716-7	CAP PACKAGE, Fender Side Moulding Front (12-15-2)	17	1	2480 920-1	MOULDING, Rear Window Outside Lower Corner (23-23-52)
	8	6023 685	Nut		2	6023 693	Screw
4	1	2495 253	MOULDING PACKAGE, Hood Front (15-25-2)	18	1	2495 269	MOULDING PACKAGE, Rear Window Outside Upper (23-23-52)
	8	-----	Nut		6	6001 525	Retainer and Screw
	8	8001 087	Retainer	19	1	2480 922	MOULDING, Rear Window Outside Lower (23-23-52)
5	1	2417 825	LETTER, Hood Front Name, "D", Front (15-06-16)		6	6023 693	Screw
	1	2417 826	"O"	20	1	2486 313	ORNAMENT, Deck Lid Lock Cylinder (23-17-19)
	1	2417 827	"D", Center	21	2	2417 825	"D", Deck Lid Letter (23-19-114)
	1	2417 828	"G"		1	2417 826	"O"
	1	2417 829	"E"		1	2417 828	"G"
	10	1839 995	Nut		1	2417 829	"E"
6	1	2495 252	MOULDING PACKAGE, Hood Top (15-25-2)		10	152 259	Nut
	5	9414 977	Nut	22	2	2526 914	NAME PLATE, Quarter Outside (23-34-238)
	4	2445 120	Spacer		4	6023 260	Nut
7	2	2445 112-3	BASE, Fender Top Medallion (12-15-23)	23	1	2495 302-3	MOULDING PACKAGE, Quarter Panel Lower (23-23-39)
	2	-----	Nut		24	6001 497	Clip
8	2	2449 534	MEDALLION, Fender Top (12-15-21)	24	1	2526 994-5	DEFLECTOR, Quarter Panel Wheel Opening Stone (23-34-240)
9	1	2218 595	MOULDING, Windshield Outside Finish Lower (23-23-65)		6	6024 288	Screw
	10	6001 537	Retainer and Screw	25	1	2495 324-5	MOULDING PACKAGE, Door (23-23-32)
10	1	2218 594	MOULDING, Windshield Outside Upper (23-23-65)		12	6001 497	Clip
	8	6001 537	Retainer and Screw		2	6001 108	Retainer
11	1	2491 014-5	MOULDING, Windshield Outside Side Upper Extension (23-23-65)		2	9418 877	Nut
	6	6024 271	Screw				
12	1	2218 596-7	MOULDING, Windshield Outside Finish Side (23-23-65)				
	6	6023 247	Screw				

All Packages include Attaching Parts

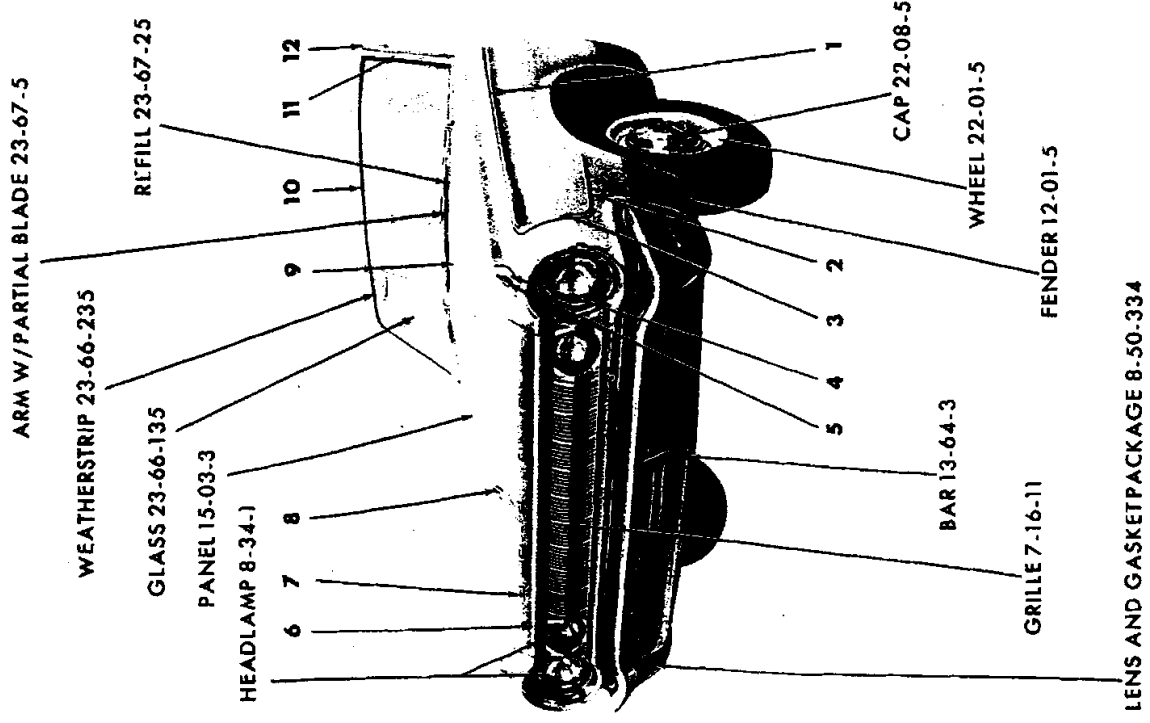
Part Type Code is indicated in Parentheses

EXTERIOR VIEW - DODGE VD1-2(L) 2 DOOR SEDAN



CYLINDER AND KEYS 23-17-24

EXTERIOR VIEW - DODGE VDI-2(L) 4 DOOR STATION WAGON



REF. NO.	QTY	PART NUMBER	DESCRIPTION
1	1	2495 266-7	MOULDING PACKAGE, Fender Side Upper (12-15-2)
	4	6001 591	Retainer
	14	6001 497	Retainer
	4	6023 685	Nut
2	1	2525 552-3	MOULDING PACKAGE, Fender Side Lower (12-15-2)
	4	6001 591	Retainer
	4	6023 685	Nut
3	1	2495 716-7	CAP PACKAGE, Fender Side Moulding Front (12-15-9)
	8	6023 685	Nut
4	1	2445 112-3	BASE, Fender Top Medallion (12-15-23)
	2	-----	Nut
5	2	2449 534	MEDALLION, Fender Top (12-15-21)
6	1	2495 253	MOULDING PACKAGE, Hood Front (15-25-2)
	8	-----	Nut
	8	6001 087	Retainer
7	1	2417 825	LETTER, Hood Front Name, "D" Front (15-06-16)
	1	2417 826	"O"
	1	2417 827	"D", Center
	1	2417 828	"G"
	1	2417 829	"E"
	10	1839 995	Nut
8	1	2495 252	MOULDING PACKAGE, Hood Top (15-25-2)
	5	9414 977	Nut
	4	2445 120	Spacer
9	1	2218 595	MOULDING, Windshield Outside Finish Lower (23-23-65)
	10	6001 537	Retainer and Screw
10	1	2218 594	MOULDING, Windshield Outside Upper (23-23-65)
	8	6001 537	Retainer and Screw
11	1	2218 596-7	MOULDING, Windshield Outside Finish Side (23-23-65)
	6	6023 247	Screw
12	1	2491 014-5	MOULDING, Windshield Outside Side Upper Extension (23-23-65)
	6	6024 271	Screw
13	1	2483 436-7	MOULDING, Roof Drain Trough Side (23-59-61)

REF. NO.	QTY	PART NUMBER	DESCRIPTION
14	1	2495 442-3	MOULDING PACKAGE, Quarter Panel Front (23-23-39)
	10	6001 497	Clip
	4	6024 679	Nut
	4	-----	Washer
	4	6001 474	Retainer
15	2	2422 471	LOCKINGSTRIP, Quarter Window Glass Weatherstrip (23-63-110)
16	2	2424 626	CAP, Quarter Window Locking-strip (23-63-117)
17	1	2480 976-7	MOULDING, Rear Upper Pillar Outside (23-23-60)
	8	9417 732	Screw
18	1	2448 488	MOULDING PACKAGE, Tailgate Outside Panel Belt (23-23-61)
	6	6001 436	Clip
	6	-----	Screw
19	2	2417 825	LETTER "D", Tailgate Outside Panel (23-54-11)
	1	2417 826	"O"
	1	2417 828	"G"
	1	2417 829	"E"
	10	6000 050	Speed Clip
20	1	2495 480-1	MOULDING PACKAGE, Quarter Panel Rear (23-23-39)
	4	6023 898	Screw
	4	6000 960	Clip
	2	6024 651	Screw
21	2	2526 914	NAME PLATE, Quarter Outside (23-34-238)
	4	6023 260	Nut
22	1	2299 374	MOULDING PACKAGE, Quarter Panel Belt, Right (23-23-39)
	1	2299 399	MOULDING PACKAGE, Quarter Panel Belt, Left (23-23-39)
	4	6001 071	Clip
23	1	2495 322-3	MOULDING PACKAGE, Rear Door (23-23-32)
	10	6001 497	Clip
	2	6001 108	Retainer
	2	9148 877	Nut
24	1	2495 326-7	MOULDING PACKAGE, Front Door (23-23-32)
	10	6001 497	Clip
	2	6001 108	Retainer
	2	9418 877	Nut

All Packages Include Attaching Parts

Part Type Code is Indicated in Parentheses

EXTERIOR VIEW - DODGE VD1-2(L) 4 DOOR STATION WAGON

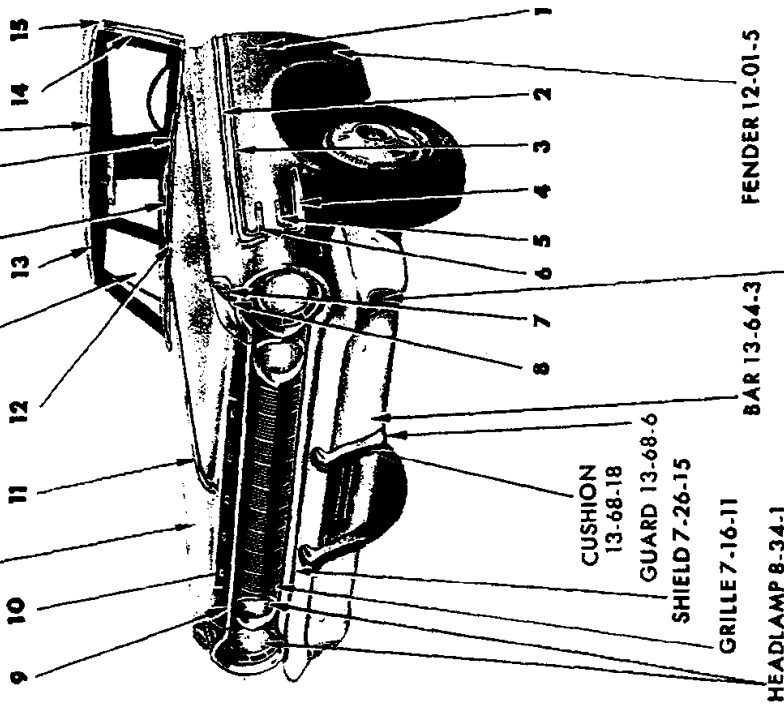
WEATHERSTRIP 23-66-235

ARM W/ PARTIAL BLADE 23-67-5

REFILL 23-67-25

GLASS 23-66-135

PANEL 15-03-3



CUSHION 13-68-18

GUARD 13-68-6

SHIELD 7-26-15

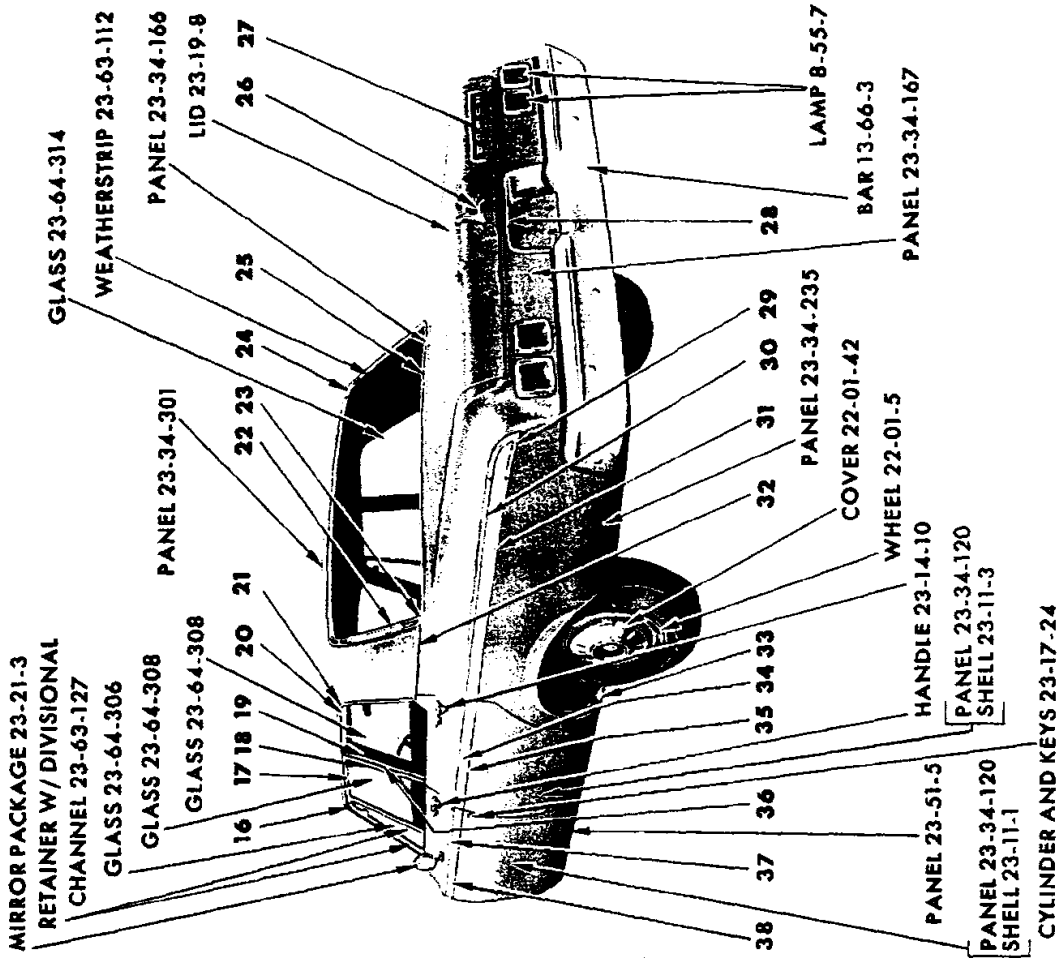
GRILLE 7-16-11

HEADLAMP 8-34-1

BAR 13-64-3

FENDER 12-01-5

LENS AND GASKET PACKAGE 8-50-334



MIRROR PACKAGE 23-21-3
RETAINER W/ DIVISIONAL CHANNEL 23-63-127
GLASS 23-64-306

GLASS 23-64-308

GLASS 23-64-308

PANEL 23-34-301

GLASS 23-64-314

WEATHERSTRIP 23-63-112

PANEL 23-34-166

LID 23-19-8

LAMP 8-55-7

BAR 13-66-3

PANEL 23-34-167

PANEL 23-34-235

COVER 22-01-42

WHEEL 22-01-5

HANDLE 23-14-10

PANEL 23-34-120

SHELL 23-11-3

PANEL 23-51-5

PANEL 23-34-120

SHELL 23-11-1

CYLINDER AND KEYS 23-17-24

19x9905A

EXTERIOR VIEW - DODGE VDI-2(M) 4 DOOR SEDAN

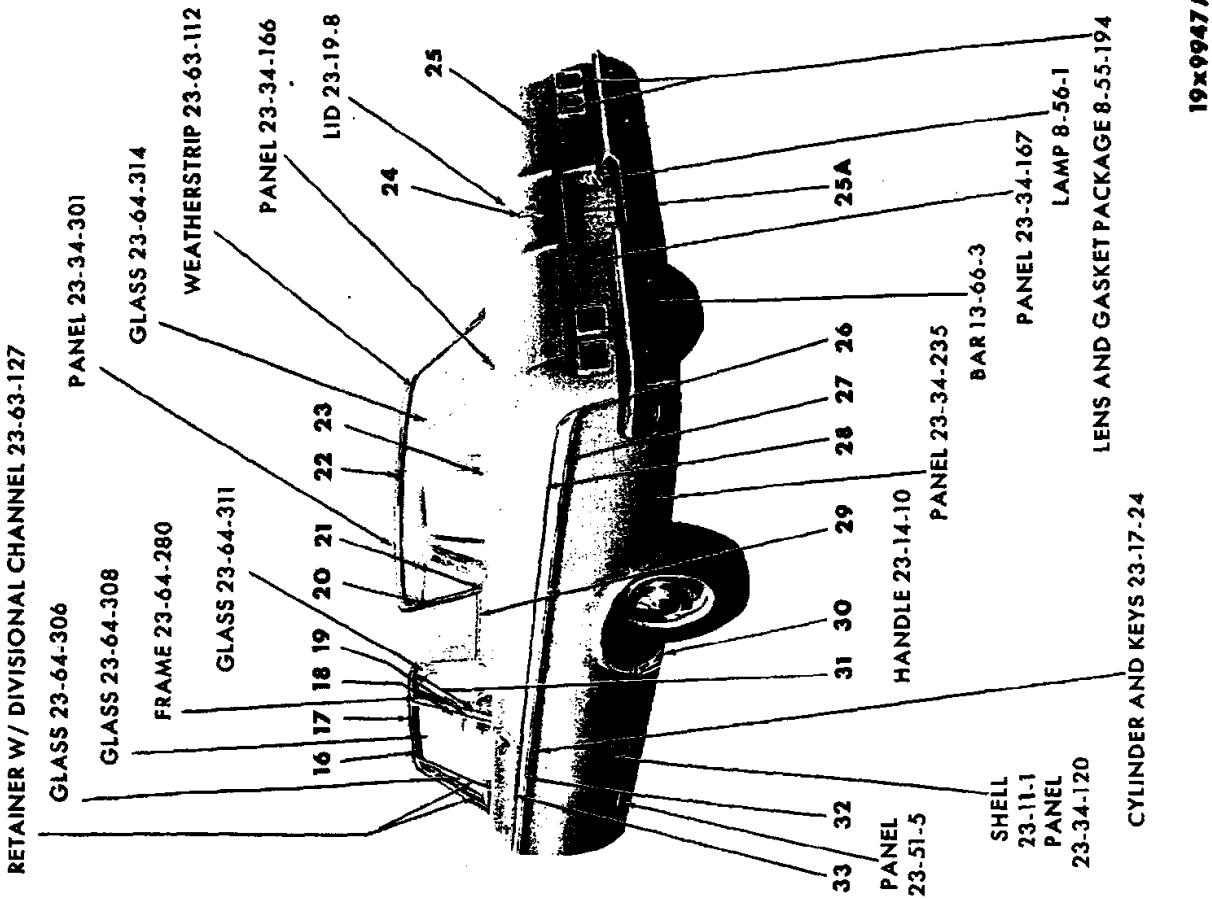
REF. NO.	QTY	PART NUMBER	DESCRIPTION
1	2	2445 097	NAME PLATE, Fender Side (12-15-21)
	8	6001 254	Clip
2	1	2495 266-7	MOULDING PACKAGE, Fender Side Upper (12-15-2)
	4	6001 591	Retainer
	14	6001 497	Retainer 4 6023 685 Nut
3	1	2495 720-1	MOULDING PACKAGE, Fender Side Lower (12-15-2)
	4	6001 591	Retainer
	14	6001 497	Retainer 4 6023 685 Nut
4	1	2495 722-3	CAP PACKAGE, Fender Side Moulding Rear (12-15-9)
	8	6023 685	Nut
5	1	2495 724-5	ORNAMENT PACKAGE, Fender Side (12-15-21)
	10	6023 685	Nut
6	1	2495 716-7	CAP PACKAGE, Fender Side Moulding Front (12-15-9)
	8	6023 685	Nut
7	2	2449 534	MEDALLION, Fender Top (12-15-21)
8	1	2445 112-3	BASE, Fender Top Medallion (12-15-23)
	2	----	Nut
9	1	2495 253	MOULDING PACKAGE, Hood Front (15-25-2)
	8	----	Nut
	8	6001 087	Retainer, w/Stud
10	1	2417 825	LETTER, Hood Front Name, "D", Front (15-06-16)
	1	2417 826	"O"
	1	2417 827	"D", Center
	1	2417 828	"G"
	1	2417 829	"E"
	10	1839 995	Nut
11	1	2495 252	MOULDING PACKAGE, Hood Top (15-25-2)
	5	9414 977	Nut
	4	2445 120	Spacer
12	1	2218 595	MOULDING, Windshield Outside Finish Lower (23-23-65)
	10	6001 537	Retainer and Screw
13	1	2218 594	MOULDING, Windshield Outside Upper (23-23-65)
	8	6001 537	Retainer and Screw
14	1	2218 596-7	MOULDING, Windshield Outside Finish Side (23-23-65)
	6	6023 247	Screw
15	1	2491 014-5	MOULDING, Windshield Outside Upper Extension (23-23-65)
	6	6024 271	Screw
16	2	2422 976	CAP, Roof Drain Trough Moulding Front End (23-59-57)
17	1	2218 444-5	MOULDING, Front Door Frame Upper and Front (23-23-32)
18	1	2167 998-9	MOULDING, Front Door Window Frame Rear (23-23-32)
19	1	2167 998-9	MOULDING, Rear Door Window Frame Front (23-23-33)
20	1	2216 036-7	MOULDING, Rear Door Window Frame Upper (23-23-33)
21	1	2483 436-7	MOULDING, Roof Drain Trough Side Front (23-59-61)

All Packages include Attaching Parts

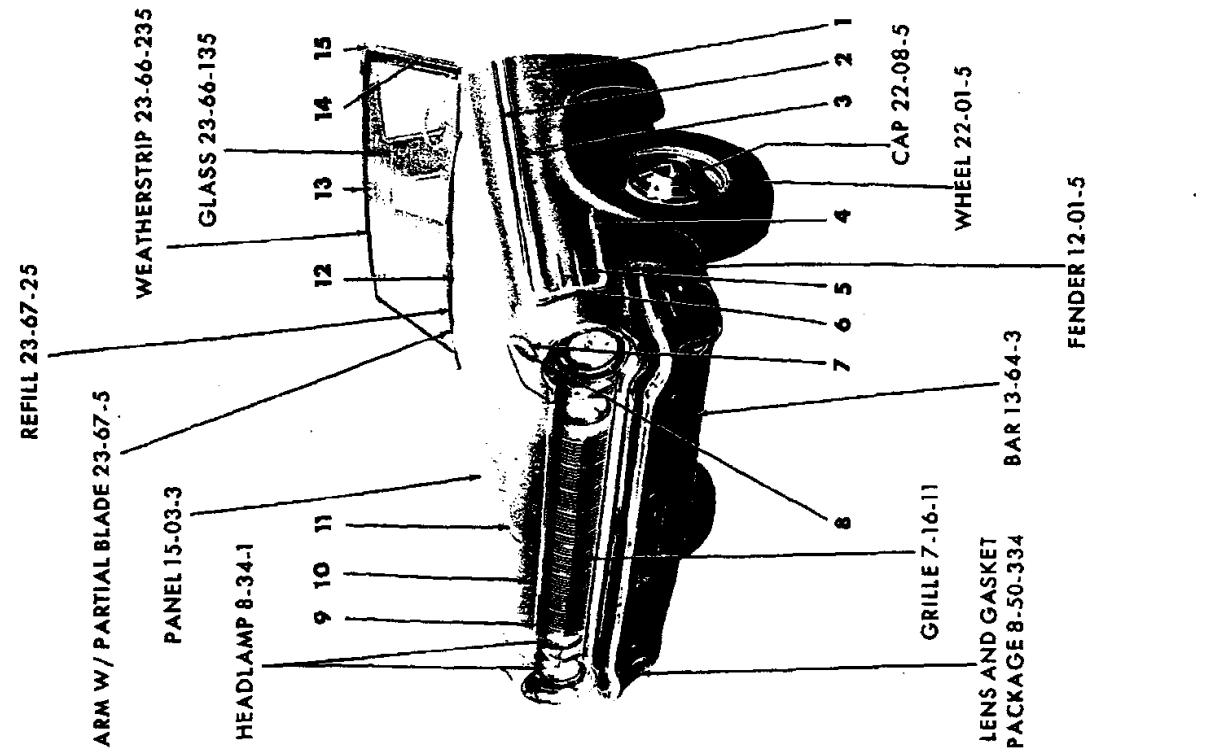
REF. NO.	QTY	PART NUMBER	DESCRIPTION
22	1	2480 918-9	MOULDING, Rear Window Outside Side (23-23-52)
	6	6001 525	Retainer and Screw
23	1	2480 920-1	MOULDING, Rear Window Outside Lower Corner (23-23-52)
	2	6023 693	Screw
24	1	2495 269	MOULDING PACKAGE, Rear Window Outside Upper (23-23-52)
	6	6001 525	Retainer and Screw
25	1	2480 922	MOULDING, Rear Window Outside Lower (23-23-52)
	6	6023 693	Screw
26	1	2486 313	ORNAMENT, Deck Lid Lock Cylinder (23-17-19)
27	2	2417 825	"D", Deck Lid Letter (23-19-114)
	1	2417 826	"O"
	1	2417 828	"G"
	1	2417 829	"E"
	10	152 259	Nut
28	1	2484 994-5	MOULDING, Deck Lower Panel License Depression, use w/Back-Up Lamp (23-23-23)
	1	2495 946-7	MOULDING PACKAGE, Deck Lower Panel License Depression, use w/o Back-Up Lamp (23-23-23)
	*	6024 245	Nut * 6024 271 Screw
29	1	2495 478-9	MOULDING PACKAGE, Quarter Panel End (23-23-39)
	6	6023 260	Nut
30	1	2495 440-1	MOULDING PACKAGE, Quarter Panel Upper (23-23-39)
	12	6001 497	Clip 4 ---- --- Washer
	4	6001 474	Retainer 4 6023 678 Nut
31	1	2495 474-5	MOULDING PACKAGE, Quarter Panel Lower (23-23-39)
	4	6001 467	Retainer 14 6001 497 Clip
32	1	2448 150-1	MOULDING PACKAGE, Quarter Panel Belt (23-23-39)
	6	6001 030	Retainer 6 152 259 Nut
33	1	2526 994-5	DEFLECTOR, Quarter Panel Wheel Opening Stone (23-34-240)
	6	6024 288	Screw
34	1	2495 322-3	MOULDING PACKAGE, Rear Door Upper (23-23-33)
	2	6001 108	Retainer
	10	6001 497	Clip 2 9417 383 Nut
35	1	2495 470-1	MOULDING PACKAGE, Rear Door Lower (23-23-33)
	10	6001 497	Clip
	2	6001 056	Retainer 2 9417 383 Nut
36	1	2216 356-7	PANEL, Center Upper Pillar Finish (23-23-16)
	4	6022 890	Screw
37	1	2495 326-7	MOULDING PACKAGE, Front Door Upper (23-23-32)
	10	6001 497	Clip
	2	6001 108	Retainer 2 9417 383 Nut
38	1	2495 468-9	MOULDING PACKAGE, Front Door Lower (23-23-32)
	12	6001 497	Clip
	2	6001 056	Retainer 2 9417 383 Nut

Part Type Code is Indicated in Parentheses

EXTERIOR VIEW - DODGE VD1-2(M) 4 DOOR SEDAN



19x9947A



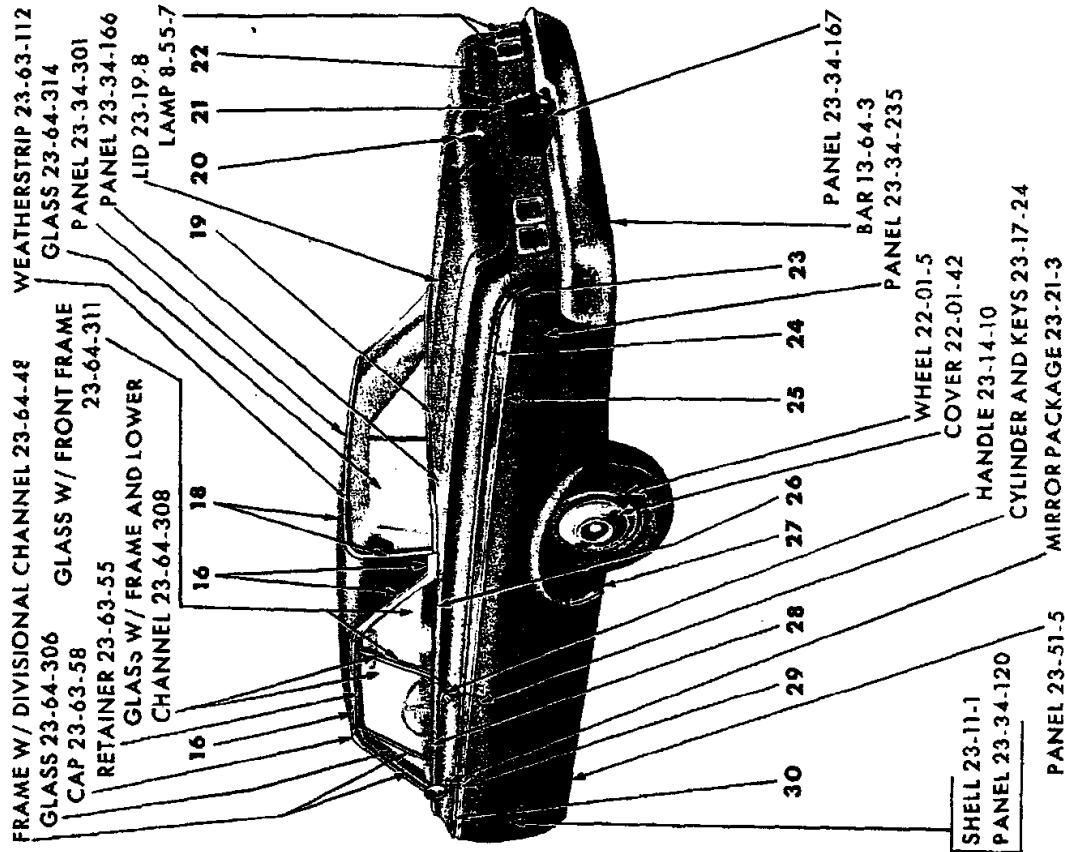
EXTERIOR VIEW - DODGE VDI-2(M) 2 DOOR SEDAN

REF. NO.	QTY	PART NUMBER	DESCRIPTION	REF. NO.	QTY	PART NUMBER	DESCRIPTION
1	2	2445 097	NAME PLATE, Fender Side (12-15-21)	22	1	2495 269	MOULDING PACKAGE, Rear Window Outside Upper (23-23-52)
	8	6001 254	Clip		6	6001 525	Retainer and Screw
2	1	2495 266-7	MOULDING PACKAGE, Fender Side Upper (12-15-2)	23	1	2480 922	MOULDING, Rear Window Outside Lower (23-23-52)
	4	6001 591	Retainer		6	6023 693	Screw
	14	6001 497	Retainer	24	1	2486 313	ORNAMENT, Deck Lid Lock Cylinder (23-17-19)
	4	6023 685	Nut	25	2	2417 825	"D", Deck Lid Letter (23-19-114)
3	1	2495 720-1	MOULDING PACKAGE, Fender Side Lower (12-15-2)		1	2417 826	"O"
	4	6001 591	Retainer		1	2417 828	"G"
	14	6001 497	Retainer		1	2417 829	"E"
	4	6023 685	Nut		10	152 259	Nut
4	1	2495 722-3	CAP PACKAGE, Fender Side Moulding Rear (12-15-9)	25A	1	2484 994-5	MOULDING, Deck Lower Panel License Depression, use w/Back-Up Lamp (23-23-23)
	8	6023 685	Nut		1	2495 946-7	MOULDING PACKAGE, Deck Lower Panel License Depression, use w/o Back-Up Lamp (23-23-23)
5	1	2495 724-5	ORNAMENT PACKAGE, Fender Side (12-15-21)		★	6024 245	Nut
	10	6023 685	Nut		★	6024 271	Screw
6	1	2495 716-7	CAP PACKAGE, Fender Side Moulding Front (12-15-2)	26	1	2495 478-9	MOULDING PACKAGE, Quarter Panel End (23-23-39)
	8	6023 685	Nut		6	6023 260	Nut
7	1	2445 112-3	BASE, Fender Top Medallion (12-15-23)	27	1	2495 472-3	MOULDING PACKAGE, Quarter Panel Lower (23-23-39)
	2	----	Nut		4	----	Retainer
8	2	2449 534	MEDALLION, Fender Top (12-15-21)		2	6001 595	Retainer
9	1	2495 253	MOULDING PACKAGE, Hood Front (15-25-2)		2	6024 679	Nut
	8	----	Nut	28	1	2495 438-9	MOULDING PACKAGE, Quarter Panel Upper (23-23-39)
10	1	2417 825	LETTER, Hood Front Name, "D", Front (15-06-16)		4	6001 474	Retainer
	1	2417 826	"O"		4	----	Washer
	1	2417 827	"D", Center		20	6001 497	Clip
	1	2417 828	"G"		4	6024 679	Nut
	1	2417 829	"E"	29	1	2448 150-1	MOULDING PACKAGE, Quarter Panel Belt (23-23-39)
	10	1839 995	Nut		6	6001 030	Retainer
11	1	2495 252	MOULDING PACKAGE, Hood Top (15-25-2)		6	152 259	Nut
	4	2445 120	Spacer	30	1	2526 994-5	DEFLECTOR, Quarter Panel Wheel Opening Stone (23-34-240)
	5	9414 977	Nut		6	6024 288	Screw
12	1	2218 595	MOULDING, Windshield Outside Finish Lower (23-23-65)	31	1	2422 438-9	MOULDING, Quarter Window Opening Frame Outside Upper (23-23-73)
	10	6001 537	Retainer and Screw		2	2422 534	Retainer
13	1	2218 594	MOULDING, Windshield Outside Upper (23-23-65)		1	2422 440-1	MOULDING, Quarter Window Opening Frame Outside Front (23-23-73)
	8	6001 537	Retainer and Screw	32	1	2495 466-7	MOULDING PACKAGE, Door Lower (23-23-32)
14	1	2218 596-7	MOULDING, Windshield Outside Finish Side (23-23-65)		2	6001 576	Retainer
	6	6023 247	Screw		2	6024 676	Washer
15	1	2491 014-5	MOULDING, Windshield Outside Side Upper Extension (23-23-65)		14	6001 497	Clip
	6	6024 271	Screw		2	9419 629	Screw
16	1	2491 716-7	MOULDING, Door Window Frame Upper and Front (23-23-32)	33	1	2495 324-5	MOULDING, Door Upper (23-23-32)
17	1	2493 436-7	MOULDING, Roof Drain Trough Side (23-59-61)		2	6001 108	Retainer
18	1	2218 724-5	MOULDING, Door Window Frame Rear (23-23-32)		2	6001 576	Retainer
19	1	2480 222-3	PANEL, Lock Pillar Upper Finish (23-23-16)		2	6024 676	Washer
20	1	2480 918-9	MOULDING, Rear Window Outside Side (23-23-52)		2	9418 877	Nut
	6	6001 525	Retainer and Screw		14	6001 497	Clip
21	1	2480 920-1	MOULDING, Rear Window Outside Lower Corner (23-23-52)		2	9419 629	Screw
	2	6023 693	Screw				

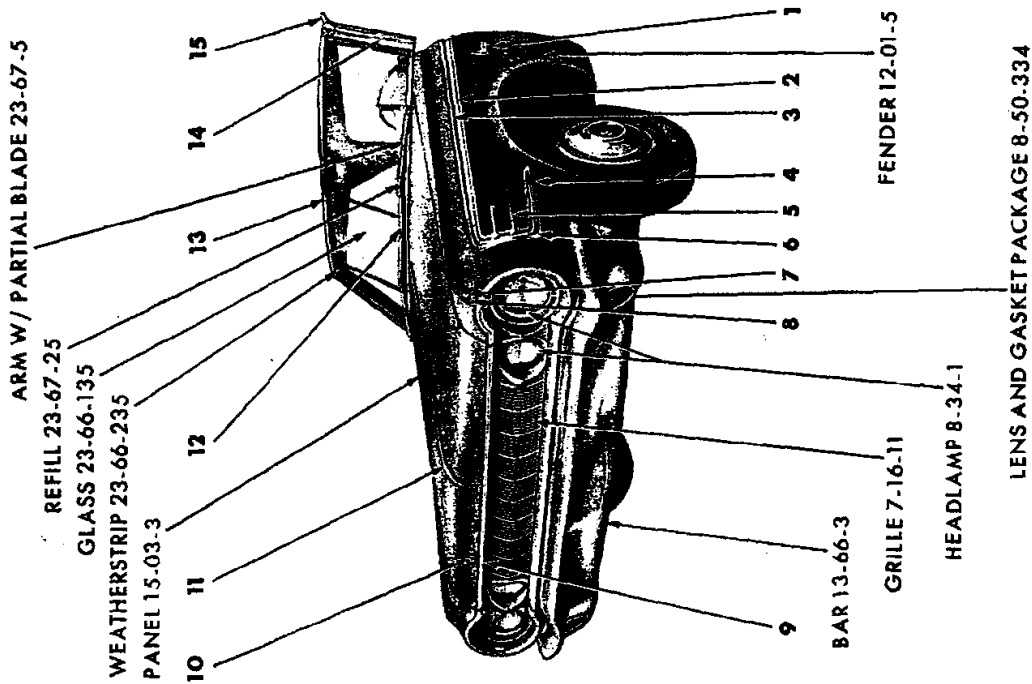
All Packages Include Attaching Parts

Part Type Code is Indicated in Parentheses

EXTERIOR VIEW - DODGE VD1-2(M) 2 DOOR SEDAN



19x9851B



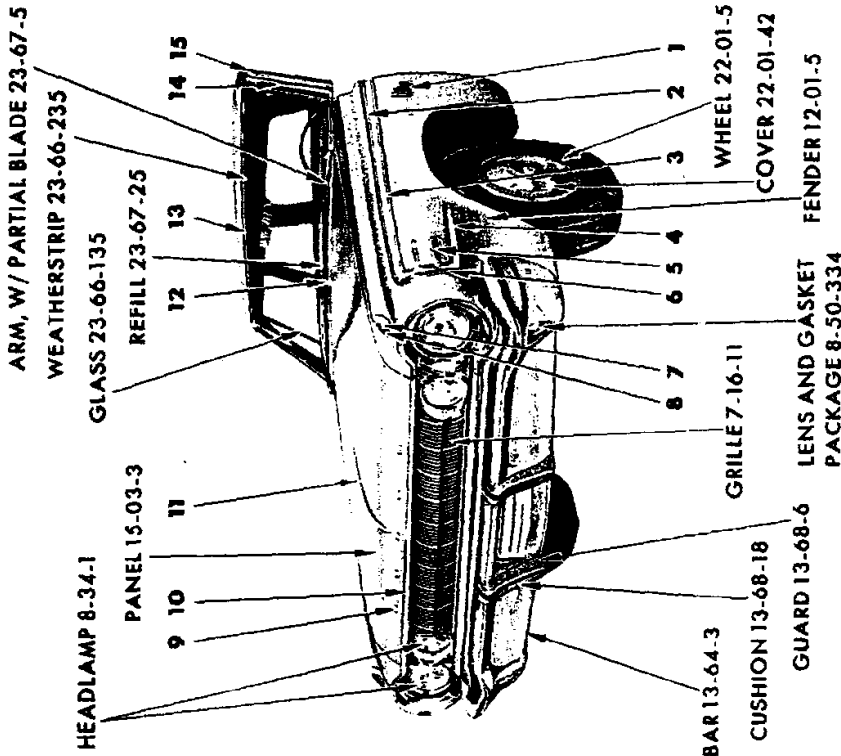
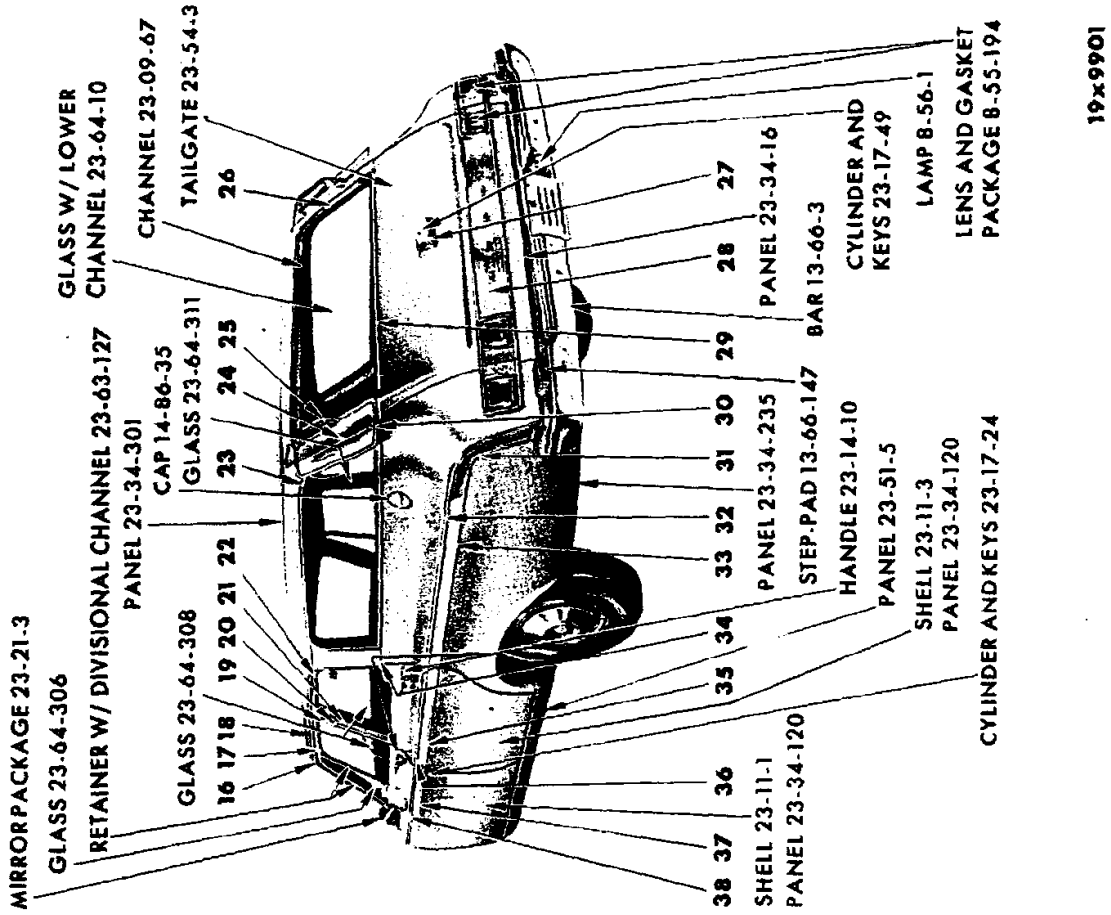
EXTERIOR VIEW - DODGE VDI-2(M) 2 DOOR HARDTOP

REF. NO.	QTY	PART NUMBER	DESCRIPTION	REF. NO.	QTY	PART NUMBER	DESCRIPTION
1	2	2446 097	NAME PLATE, Fender Side (12-15-21)	18	1	2495 276-1	MOULDING PACKAGE, Rear Window Outside Upper and Side (23-23-52)
	8	6001 254	Clip		14	6001 084	Retainer and Screw
2	1	2495 720-1	MOULDING PACKAGE, Fender Side Lower (12-15-2)	19	1	2495 274-1	MOULDING PACKAGE, Rear Window Outside Lower (23-23-52)
	4	6001 591	Retainer		10	6001 084	Retainer and Screw
	14	6001 497	Retainer	20	1	2486 313	ORNAMENT, Deck Lid Lock Cylinder (23-17-19)
	4	6023 685	Nut	21	1	2495 945-7	MOULDING PACKAGE, Deck Lower Panel License Depression (23-23-23)
3	1	2495 266-7	MOULDING PACKAGE, Fender Side Upper (12-15-2)		1	2484 994-5	MOULDING, Deck Lower Panel License Depression, w/Back-Up Lamp Hole (23-23-23)
	4	6001 591	Retainer		★	6024 245	Nut
	14	6001 497	Retainer		★	6024 271	Screw
	4	6023 685	Nut	22	2	2417 825	"D" LETTER, Deck Lid Name (23-19-114)
4	1	2495 722-3	CAP PACKAGE, Fender Side Moulding Rear (12-15-9)		1	2417 826	"O"
	8	6023 685	Nut		1	2417 828	"G"
5	1	2495 724-5	ORNAMENT PACKAGE, Fender Side (12-15-21)		1	2417 829	"E"
	10	6023 685	Nut		10	152 259	Nut
6	1	2495 716-7	CAP PACKAGE, Fender Side Moulding Front (12-15-9)	23	1	2495 478-9	MOULDING PACKAGE, Quarter Panel End (23-23-39)
	8	6023 685	Nut		6	6023 280	Nut
7	2	2449 534	MEDALLION, Fender Top (12-15-21)	24	1	2495 434-9	MOULDING PACKAGE, Quarter Panel Upper (23-23-39)
	2	-----	Nut		20	6001 497	Clip
8	1	2445 112-3	BASE, Fender Top Medallion (12-15-23)		4	6001 474	Retainer
9	1	2495 253	MOULDING PACKAGE, Hood Front (15-25-2)		4	-----	Washer
	8	-----	Nut		4	6024 679	Nut
	8	6001 087	Retainer, w/Stud	25	1	2495 471-3	MOULDING PACKAGE, Quarter Panel Lower (23-23-39)
10	1	2417 825	LETTER, Hood Front Name, "D" (15-06-16)		22	6001 497	Clip
	1	2417 826	"O"		4	6001 487	Retainer
	1	2417 827	"D" Center		2	6001 595	Retainer
	1	2417 828	"G"		2	6024 579	Nut
	1	2417 829	"E"	26	1	2495 320-1	MOULDING PACKAGE, Quarter Panel Belt (23-23-39)
	10	1839 995	Nut		10	6001 500	Clip
11	1	2495 252	MOULDING PACKAGE, Hood Top (15-25-2)		2	6001 438	Clip
	5	9414 977	Nut	27	1	2526 994-5	DEFLECTOR, Quarter Panel Wheel Opening Stone (23-34-240)
	4	2445 120	Spacer		6	6024 282	Screw
12	1	2218 595	MOULDING, Windshield Outside Finish Lower (23-23-65)	28	1	2495 318-9	MOULDING PACKAGE, Door Belt (23-23-32)
	10	6001 537	Retainer and Screw		14	6001 500	Clip
13	1	2218 594	MOULDING, Windshield Outside Upper (23-23-65)	29	1	2495 465-7	MOULDING PACKAGE, Door Lower (23-23-32)
	8	6001 537	Retainer and Screw		12	6001 497	Clip
14	1	2218 596-7	MOULDING, Windshield Outside Finish Side (23-23-65)		4	6001 056	Retainer
	6	6023 247	Screw		4	9418 877	Nut
15	1	2492 712-3	MOULDING, Windshield Outside Side Upper Extension (Narrow Type) (23-23-65)	30	1	2495 324-5	MOULDING PACKAGE, Door Upper (23-23-32)
	1	2491 012-3	MOULDING, Windshield Outside Side Extension (Wide Type) (23-23-65)		16	6001 497	Clip
16	1	2525 556-7	MOULDING, Roof Side Drain Trough Front and Rear (23-59-61)		2	6001 108	Retainer
	6	2483 716	Clip (w/Vinyl Roof)		2	9418 877	Nut
	6	2573 062	Clip (w/o Vinyl Roof)				
	6	6024 271	Screw				
	2	-----	Nut				

All Packages Include Attaching Parts

Part Type Code is Indicated in Parentheses

EXTERIOR VIEW - DODGE VD1-2(M) 2 DOOR HARDTOP



EXTERIOR VIEW - DODGE VDI-2(M) 4 DOOR STATION WAGON

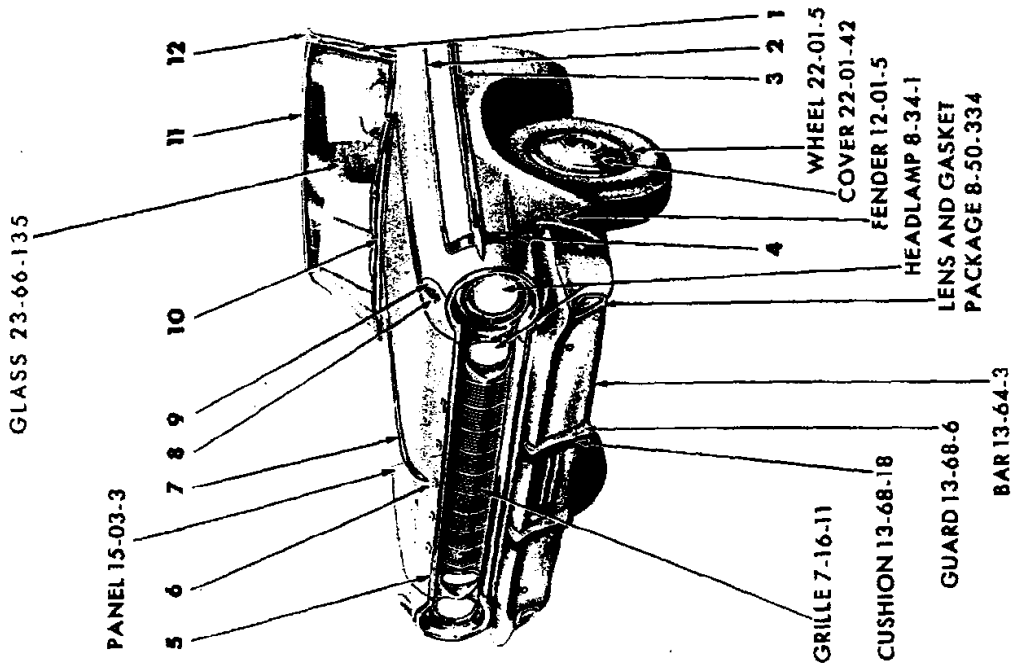
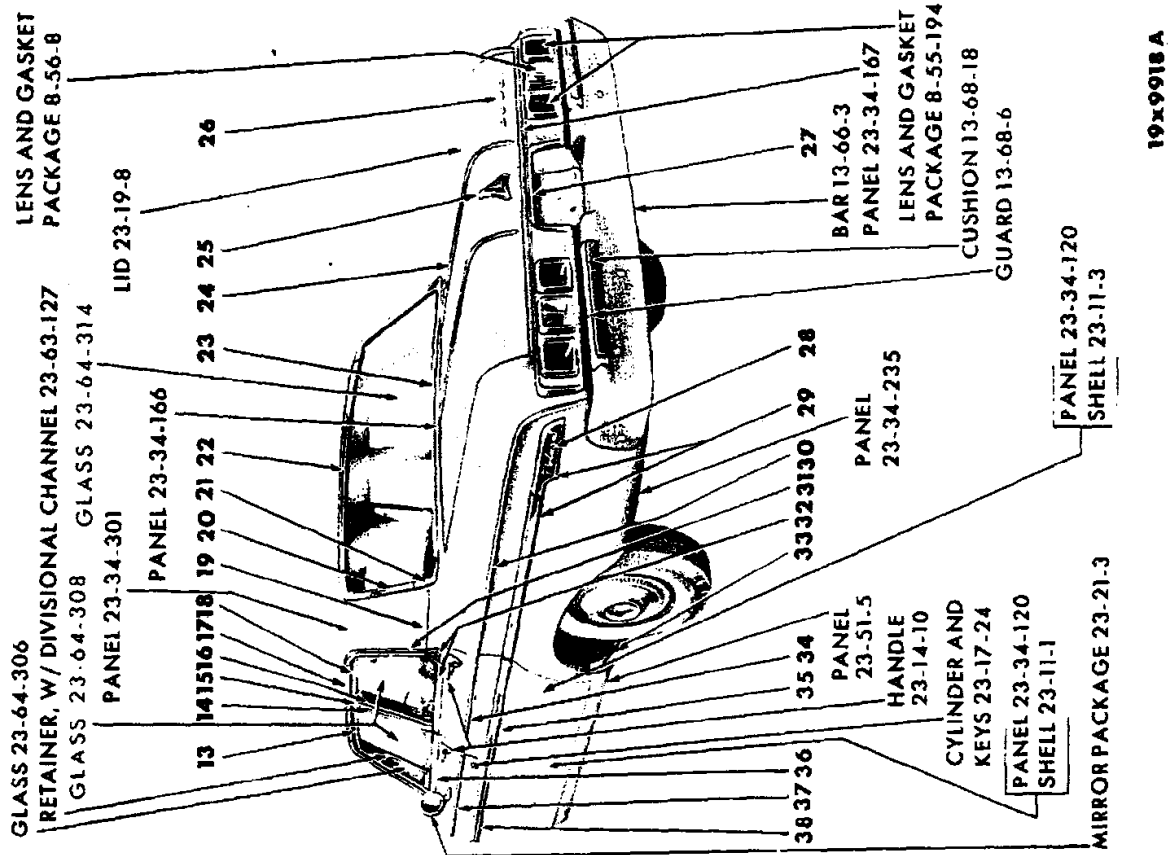
19x9901

REF. NO.	QTY	PART NUMBER	DESCRIPTION	REF. NO.	QTY	PART NUMBER	DESCRIPTION
1	2	2445 097	NAME PLATE, Fender Side (12-15-21)	22	1	2216 036-7	MOULDING, Rear Door Frame Upper (23-23-33)
	8	6001 254	Clip	23	2	2422 471	LOCKINGSTRIP, Quarter Window Glass Weatherstrip Mylar (23-63-110)
2	1	2495 266-7	MOULDING PACKAGE, Fender Side Upper (12-15-2)	24	1	2252 254-5	DEFLECTOR, Roof Panel Outside Air (23-36-134)
	14	6001 497	Retainer	2	167 079	Screw 4 9418 381	Screw
	4	6001 591	Retainer 4 6023 685 Nut	25	1	2482 768-9	HANDLE, Roof Panel Outside Assist (23-36-123)
3	1	2495 720-1	MOULDING PACKAGE, Fender Side Lower (12-15-21)	4	6023 204	Nut and Washer	
	14	6001 497	Retainer	1	2480 980-1	Lower Seal	
	4	6001 591	Retainer 4 6023 685 Nut	2	2482 848-9	Upper Seal	
4	1	2495 722-3	CAP PACKAGE, Fender Side Moulding Rear (12-15-9)	26	1	2480 976-7	MOULDING, Rear Upper Pillar Outside (23-23-60)
	8	6023 685	Nut	8	9417 732	Screw	
5	1	2495 724-5	ORNAMENT PACKAGE, Fender Side Moulding (12-15-21)	27	1	2428 221	BASE, w/Stud, Tailgate Electric Window Regulator Outside Panel (23-54-18)
	10	6023 685	Nut	28	1	2481 257	PANEL and NAME LETTERS, Tailgate Outside Finish Panel (23-23-77)
6	1	2495 716-7	CAP PACKAGE, Fender Side Moulding Front (12-15-9)	5	6000 960	Clip 5 9411 618	Nut
	8	6023 685	Nut	29	1	2448 488	MOULDING PACKAGE, Tailgate Outside Panel Belt (23-23-61)
7	1	2445 112-3	BASE, Fender Top Medallion (12-15-23)	5	6001 435	Clip 5 6024 564	Screw
	2	-----	Nut	30	2	2424 626	CAP, Quarter Window Lockingstrip (23-63-117)
8	2	2449 534	MEDALLION, Fender Top (12-15-21)	31	1	2495 480-1	MOULDING PACKAGE, Quarter Panel End (23-23-39)
9	1	2417 825	LETTER, Hood Front Name, Front, "D" (15-06-16)	4	6000 960	Clip	
	1	2417 826	"O"	4	6023 898	Screw 2 6024 651	Screw
	1	2417 827	"D" Center	32	1	2495 442-3	MOULDING PACKAGE, Quarter Panel Upper Front (23-23-39)
	1	2417 828	"G"	10	6001 497	Clip 4 -----	Washer
	1	2417 829	"E"	4	6001 474	Retainer 4 6023 678	Nut
	10	1839 995	Nut	33	1	2495 476-7	MOULDING PACKAGE, Quarter Panel Lower Front (23-23-39)
10	1	2495 253	MOULDING PACKAGE, Hood Front (15-25-2)	14	6001 497	Clip 4 6023 898	Screw
	8	-----	Nut	34	1	2299 374	MOULDING PACKAGE, Quarter Panel Belt, Right (23-23-39)
11	1	2495 252	MOULDING PACKAGE, Hood Top (15-25-2)	1	2299 399	MOULDING PACKAGE, Quarter Panel Belt, Left	
	5	9414 977	Nut	4	6001 071	Clip	
	4	2445 120	Spacer	35	1	2495 470-1	MOULDING PACKAGE, Rear Door Rear (23-23-33)
12	1	2218 595	MOULDING, Windshield Outside Finish Lower (23-23-65)	10	6001 497	Clip	
	10	6001 537	Retainer and Screw	2	6001 056	Retainer 2 9417 383	Nut
13	1	2218 594	MOULDING, Windshield Outside Upper (23-23-65)	36	1	2495 322-3	MOULDING PACKAGE, Rear Door Upper (23-23-33)
	8	6001 537	Retainer and Screw	10	6001 497	Clip	
14	1	2218 596-7	MOULDING, Windshield Outside Finish Side (23-23-65)	2	6001 108	Retainer 2 9417 383	Nut
	6	6023 247	Screw	37	1	2495 468-9	MOULDING PACKAGE, Front Door Lower (23-23-39)
15	1	2491 014-5	MOULDING, Windshield Outside Upper Extension (23-23-65)	12	6001 497	Clip	
	6	6024 271	Screw	2	6001 056	Retainer 2 9417 383	Nut
16	2	2422 976	CAP, Roof Drain Trough Moulding Front End (23-59-57)	38	1	2495 326-7	MOULDING PACKAGE, Front Door Upper (23-23-32)
17	1	2218 444-5	MOULDING, Front Door Frame Upper and Front (23-23-32)	10	6001 497	Clip	
18	1	2483 436-7	MOULDING, Roof Drain Trough Side (23-59-61)	2	6001 108	Retainer 2 9417 383	Nut
19	1	2167 998-9	MOULDING, Front Door Frame Rear (23-23-32)	38	1	2495 326-7	MOULDING PACKAGE, Front Door Upper (23-23-32)
20	1	2216 356-7	PANEL, Center Pillar Upper Finish (23-23-16)	10	6001 497	Clip	
21	1	2167 998-9	MOULDING, Rear Door Frame Front (23-23-33)	2	6001 108	Retainer 2 9417 383	Nut

All Packages Include Attaching Parts

Part Type Code is Indicated in Parentheses

EXTERIOR VIEW - DODGE VD1-2(M) 4 DOOR STATION WAGON



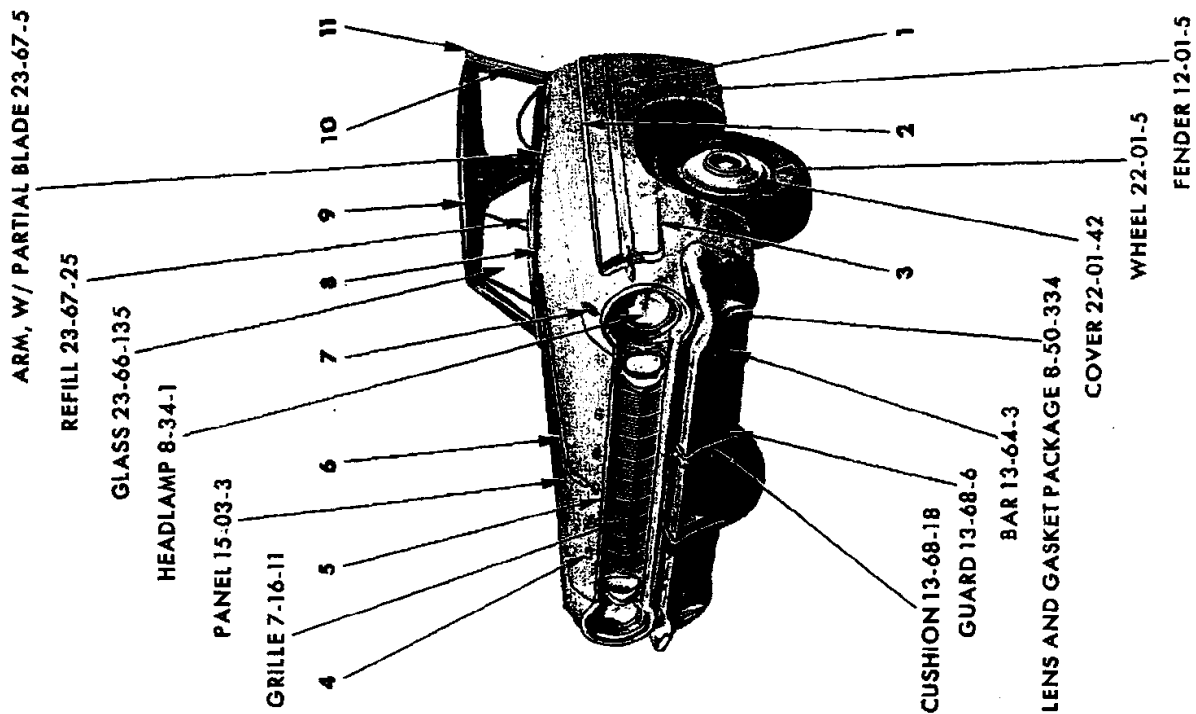
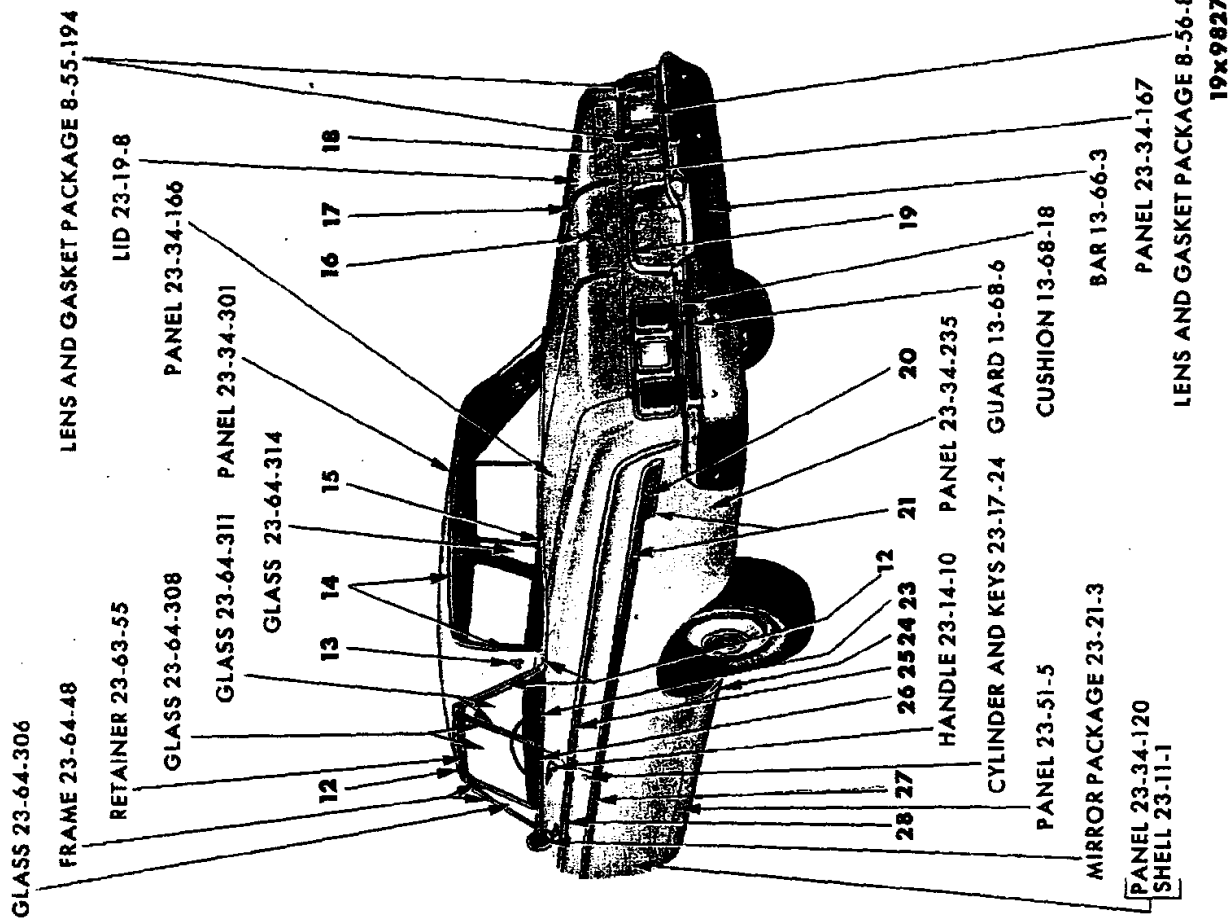
EXTERIOR VIEW - DODGE VDI-2(H) 4 DOOR SEDAN

REF. NO.	QTY	PART NUMBER	DESCRIPTION	REF. NO.	QTY	PART NUMBER	DESCRIPTION
1	1	2218 596-7	MOULDING, Windshield Outside Finish Side (23-23-65)	22	1	2495 269	MOULDING PACKAGE, Rear Window Outside Upper (23-23-52)
	6	6023 247	Screw		6	6001 525	Retainer and Screw
2	1	2495 266-7	MOULDING PACKAGE, Fender Side Upper (12-15-2)	23	1	2480 922	MOULDING, Rear Window Outside Lower (23-23-52)
	4	6001 591	Retainer		6	6023 693	Screw
	14	6001 497	Retainer 4 6023 685 Nut	24	2	2448 583	MOULDING PACKAGE, Deck Lid (23-23-30)
3	1	2495 254-5	MOULDING PACKAGE, Fender Side Intermediate (12-15-2)		12	6001 479	Retainer
	10	6001 563	Retainer		12	9418 877	Nut
	4	6001 595	Clip 4 6023 685 Nut	25	1	2486 313	ORNAMENT, Deck Lid Lock Cylinder (23-17-19)
4	1	2584 128-9	CAP PACKAGE, Fender Side Moulding Front (12-15-9)	26	2	2417 815	"D", Deck Lid Letter (23-19-114)
	12	6023 685	Nut		1	2417 826	"O"
5	1	2495 253	MOULDING PACKAGE, Hood Front (15-25-2)		1	2417 828	"G"
	8	----	Nut		1	2417 829	"E"
	8	6001 087	Retainer, w/Stud		10	152 259	Nut
6	1	2417 825	LETTER, Hood Front Name, D (15-06-16)	27	1	2495 944-5	MOULDING PACKAGE, Deck Lower Panel License Depression (23-23-23)
	1	2417 826	O		6	6024 245	Nut 6 6024 271 Screw
	1	2417 827	D, Center	28	1	2495 698-9	MOULDING PACKAGE, Quarter Panel Lower End (23-23-39)
	1	2417 828	G		4	6001 548	Retainer 4 6023 678 Nut
	1	2417 829	E	29	1	2495 312-3	MOULDING PACKAGE, Quarter Panel Lower, w/Name (23-23-39)
	10	1839 995	Nut		8	6001 563	Clip
7	1	2495 252	MOULDING PACKAGE, Hood Top (15-25-2)		2	6001 595	Retainer
	5	9414 977	Nut 4 2445 120 Spacer		2	6024 279	Nut
8	2	2449 534	MEDALLION, Fender Top (12-15-21)	30	1	2495 304-5	MOULDING PACKAGE, Quarter Panel Upper (23-23-39)
	2	----	Nut		16	6001 497	Clip 4 6024 279 Nut
9	1	2445 112-3	BASE, Fender Top Medallion (12-15-23)		4	6001 474	Retainer 4 ---- Washer
	2	----	Nut	31	1	2480 620-1	MOULDING, Roof Side Drain Trough Rear (23-59-61)
10	1	2218 595	MOULDING, Windshield Outside Finish Lower (23-23-65)		4	6024 271	Screw
11	1	2218 594	MOULDING, Windshield Outside Upper (23-23-65)	32	1	2495 294-5	MOULDING PACKAGE, Rear Door Belt (23-23-33)
	8	6001 537	Retainer and Screw		8	6001 495	Clip
12	1	2491 016-7	MOULDING, Windshield Outside Side Upper Extension (23-23-65)		2	6001 488	Clip 2 116 000 Nut
	6	6024 271	Screw		4	6022 077	Washer 2 9417 621 Nut
13	1	2218 444-5	MOULDING, Front Door Window Frame, Upper and Front (23-23-32)	33	1	2526 994-5	DEFLECTOR, Quarter Panel Wheel Opening Stone (23-34-240)
14	1	2167 998-9	MOULDING, Front Door Window Frame, Rear (23-23-32)		6	6024 288	Screw
15	1	2216 356-7	PANEL, Center Pillar Upper Finish (23-23-16)	34	1	2495 322-3	MOULDING PACKAGE, Rear Door Upper (23-23-33)
	4	6022 890	Screw		10	6001 497	Clip
16	1	2167 998-9	MOULDING, Rear Door Window Frame, Front (23-23-33)		2	6001 108	Retainer 2 9418 877 Nut
17	1	2495 688-9	MOULDING PACKAGE, Roof Side Drain Trough Front (23-59-61)	35	1	2495 300-1	MOULDING PACKAGE, Rear Door Lower (23-23-33)
	4	6024 271	Screw 8 2484 195 Clip		10	6001 563	Clip
18	1	2216 036-7	MOULDING, Rear Door Window Frame, Upper (23-23-33)		2	6001 562	Retainer 2 9417 621 Nut
19	1	2495 360-1	MOULDING PACKAGE, Quarter Panel Belt (23-23-39)	36	1	2495 316-7	MOULDING PACKAGE, Front Door Belt (23-23-32)
	6	6001 432	Retainer 6 152 259 Nut		10	6001 495	Clip
20	1	2480 918-9	MOULDING, Rear Window Outside Side (23-23-52)	37	1	2495 326-7	MOULDING PACKAGE, Front Door Upper (23-23-32)
	6	6001 525	Retainer and Screw		10	6001 497	Clip
21	1	2480 920-1	MOULDING, Rear Window Outside Lower Corner (23-23-52)		2	6001 108	Retainer 2 9418 877 Nut
	2	6023 693	Screw	38	1	2495 332-3	MOULDING PACKAGE, Front Door Lower (23-23-32)
					8	6001 563	Clip
					4	6001 562	Retainer
					4	9417 621	Nut

All Packages Include Attaching Parts

Part Type Code is Indicated in Parentheses

EXTERIOR VIEW - DODGE VD1-2(H) 4 DOOR SEDAN



EXTERIOR VIEW - DODGE VDI-2(H) 2 DOOR HARDTOP

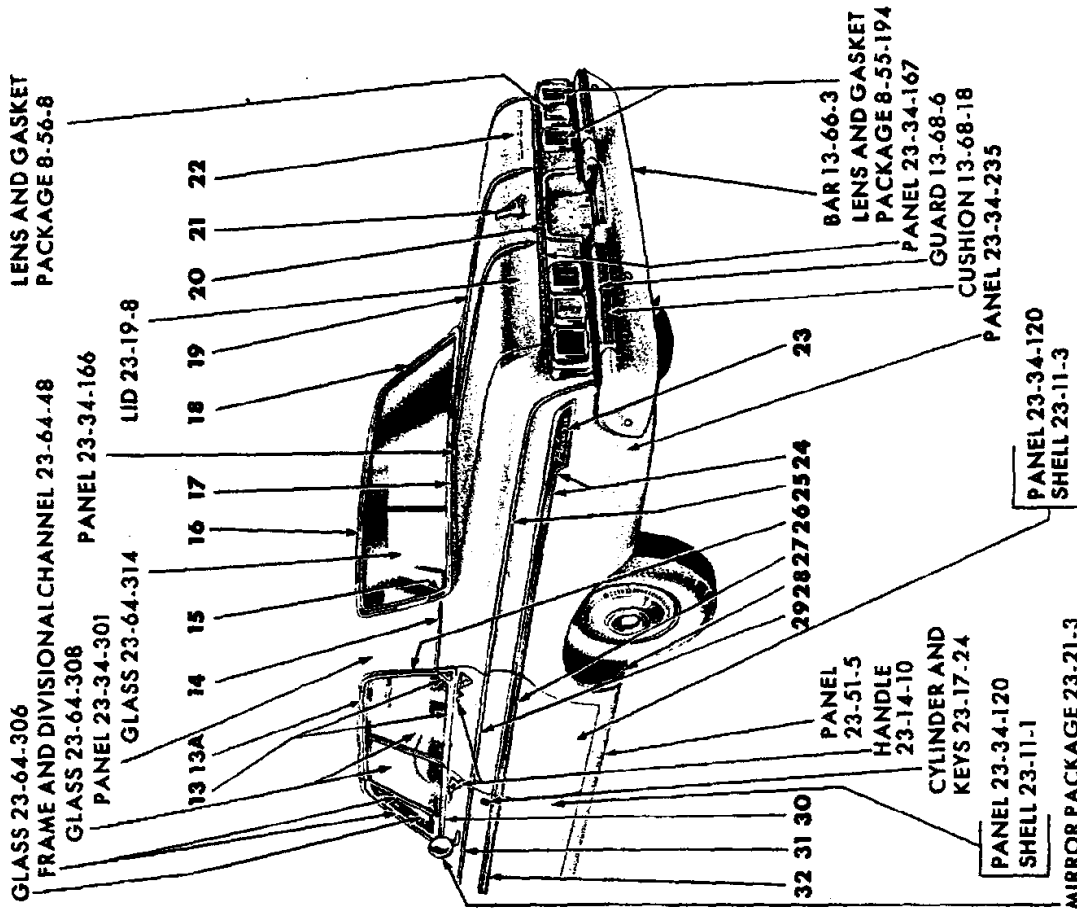
REF. NO.	QTY	PART NUMBER	DESCRIPTION
1	1	2495 254-5	MOULDING PACKAGE, Fender Side Intermediate (12-15-2)
	10	6001 563	Retainer
	4	6001 595	Clip
	4	6023 685	Nut
2	1	2495 266-7	MOULDING PACKAGE, Fender Side Upper (12-15-2)
	4	6001 591	Clip
	14	6001 497	Retainer
	4	6023 685	Nut
3	1	2584 128-9	CAP PACKAGE, Fender Side Moulding (12-15-9)
	12	6023 685	Nut
4	1	2417 825	LETTER, Hood Front Name, "D", Front (15-06-16)
	1	2417 826	"O"
	1	2417 827	"D", Center
	1	2417 828	"G"
	1	2417 829	"E"
	10	1839 995	Nut
5	1	2495 253	MOULDING PACKAGE, Hood Front (15-25-2)
	8	----	Nut
	8	6001 087	Retainer, w/Stud
6	1	2495 252	MOULDING PACKAGE, Hood Top (15-25-2)
	5	9414 977	Nut
	4	2445 120	Spacer
7	2	2449 534	MEDALLION, Fender Top (12-15-21)
8	1	2218 595	MOULDING, Windshield Outside Finish Lower (23-23-65)
	10	6001 537	Retainer and Screw
9	1	2218 594	MOULDING, Windshield Outside Upper (23-23-65)
	8	6001 537	Retainer and Screw
10	1	2218 596-7	MOULDING, Windshield Outside Finish Side (23-23-65)
	6	6023 247	Screw
11	1	2492 712-3	MOULDING, Windshield Outside Upper Extension (Narrow Type) (23-23-65)
	6	6024 271	Screw
	1	2491 012-3	MOULDING, Windshield Outside Side Upper Extension (Wide Type) (23-23-65)
12	1	2525 556-7	MOULDING, Roof Side Drain Trough Front and Rear (23-59-61)
	6	2483 716	Clip (w/Vinyl Roof)
	6	2573 062	Clip (w/o Vinyl Roof)
13	2	2482 868	ORNAMENT, Roof Panel Side (23-34-334)
	6	152 259	Nut
14	1	2495 276-7	MOULDING PACKAGE, Rear Window Outside Upper and Side (23-23-52)
	14	6001 084	Retainer and Screw
15	1	2495 274-5	MOULDING PACKAGE, Rear Window Outside Lower (23-23-52)
	10	6001 084	Retainer and Screw
16	1	2486 313	ORNAMENT, Deck Lid Lock Cylinder (23-17-19)

REF. NO.	QTY	PART NUMBER	DESCRIPTION
17	2	2448 583	MOULDING PACKAGE, Deck Lid (23-23-30)
	12	6001 479	Retainer
	12	9418 877	Nut
18	2	2417 825	"D", Deck Lid Letter (23-19-114)
	1	2417 828	"O"
	1	2417 828	"G"
	1	2417 829	"E"
	10	152 259	Nut
19	1	2495 944-5	MOULDING PACKAGE, Deck Lower Panel License Depression (23-23-23)
	6	6024 271	Screw
	6	6024 245	Nut
20	1	2495 698-9	MOULDING PACKAGE, Quarter Panel Lower Rear, w/Name Plate (23-23-39)
	4	6001 548	Retainer
	4	6024 679	Nut
21	1	2495 310-1	MOULDING PACKAGE, Quarter Panel Lower, w/Name Plate (23-23-39)
	16	6001 563	Clip
	2	6024 271	Screw
	2	6024 679	Nut
23	1	2495 320-1	MOULDING PACKAGE, Quarter Panel Belt (23-23-39)
	10	6001 500	Clip
	2	6001 488	Clip
24	1	2526 994-5	DEFLECTOR, Quarter Panel Wheel Opening Stone (23-34-240)
	6	6024 288	Screw
25	1	2495 302-3	MOULDING PACKAGE, Quarter Panel Upper (23-23-39)
	12	6001 497	Clip
	4	6001 474	Retainer
	4	----	Washer
	4	6024 679	Nut
26	1	2495 318-9	MOULDING PACKAGE, Door Belt (23-23-32)
	14	6001 500	Clip
27	1	2495 330-1	MOULDING PACKAGE, Door Lower (23-23-32)
	4	6001 113	Retainer
	4	9417 621	Nut
	10	6001 563	Clip
28	1	2495 324-5	MOULDING PACKAGE, Door Upper (23-23-32)
	2	6001 108	Retainer
	2	9418 877	Nut
	12	6001 497	Clip

All Packages Include Attaching Parts

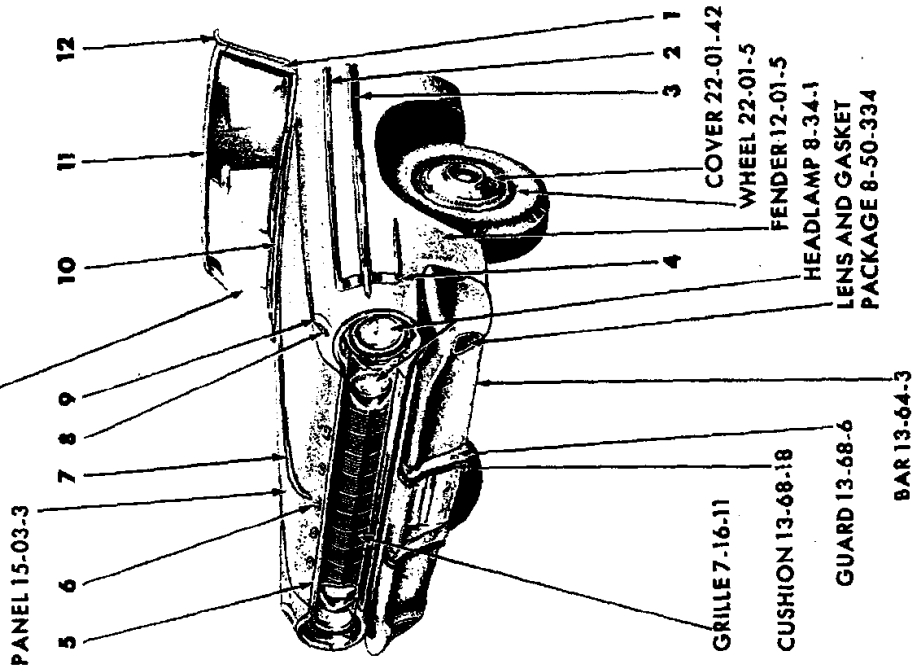
Part Type Code is Indicated in Parentheses

EXTERIOR VIEW - DODGE VD1-2(H) 2 DOOR HARDTOP



19x9919A

EXTERIOR VIEW - DODGE VD1-2(H) 4 DOOR HARDTOP

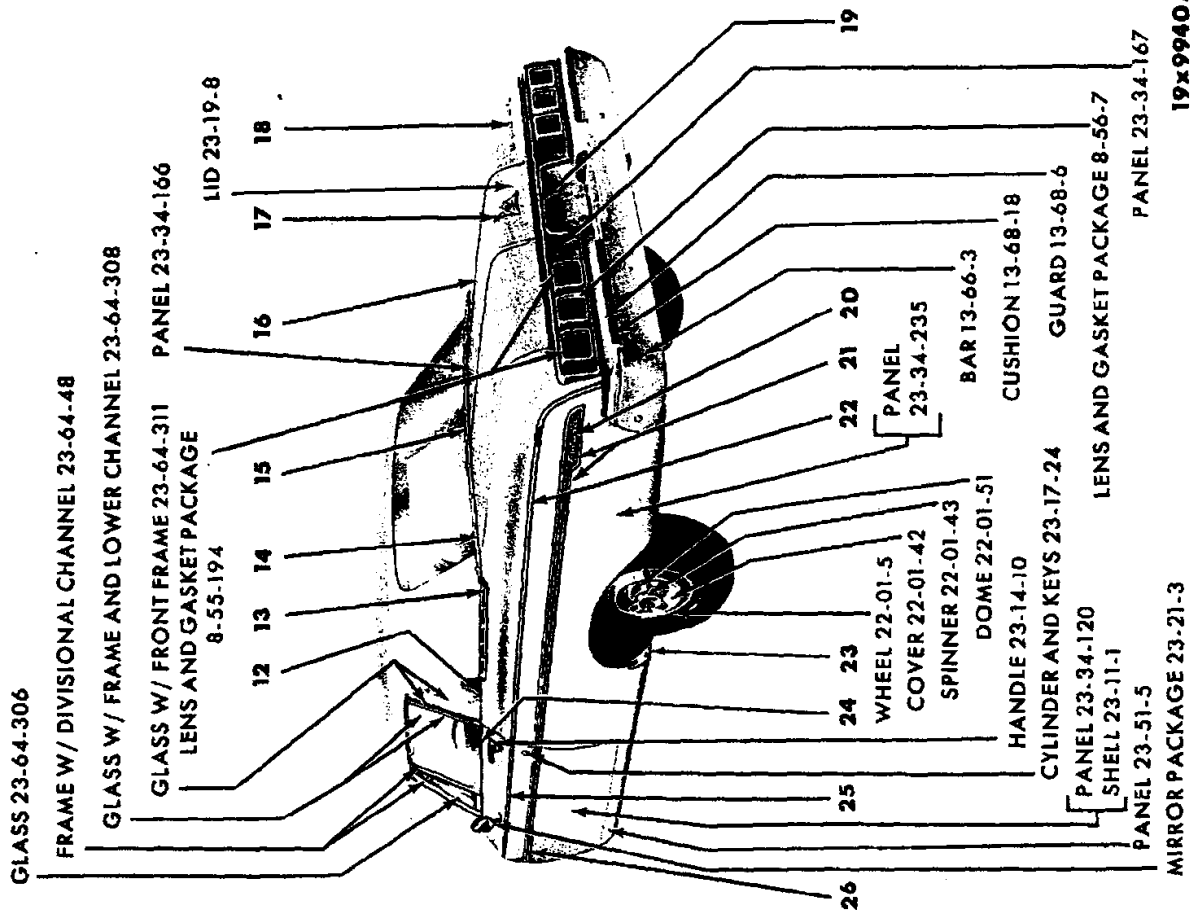


REF. NO.	QTY	PART NUMBER	DESCRIPTION	REF. NO.	QTY	PART NUMBER	DESCRIPTION
1	1	2218 596-7	MOULDING, Windshield Outside Finish Side (23-23-65)	17	1	2480 922	MOULDING, Rear Window Outside Lower (23-23-52)
	6	6023 247	Screw		6	6023 693	Screw
2	1	2495 266-7	MOULDING PACKAGE, Fender Side Upper (12-15-2)	18	1	2480 918-9	MOULDING, Rear Window Outside Side (23-23-52)
	4	6001 591	Retainer		6	6001 525	Retainer and Screw
	14	6001 497	Retainer 4 6023 685 Nut	19	2	2448 583	MOULDING PACKAGE, Deck Lid (23-23-30)
3	1	2495 254-5	MOULDING PACKAGE, Fender Side Intermediate (12-15-2)		12	6001 479	Retainer 12 9417 383 Nut
	10	6001 563	Retainer	20	1	2495 944-5	MOULDING PACKAGE, Deck Lower Panel License Depression (23-23-23)
	4	6001 595	Clip 4 6023 685 Nut		6	6024 271	Screw 6 6024 245 Nut
4	1	2584 128-9	CAP PACKAGE, Fender Side Moulding (12-15-9)	21	1	2486 313	ORNAMENT, Deck Lid Lock Cylinder (23-17-19)
	12	6023 685	Nut	22	2	2417 825	"D", Deck Lid Letter (23-19-114)
5	1	2495 253	MOULDING PACKAGE, Hood Front (15-25-2)		1	2417 826	"O"
	8	-----	Nut 8 6001 087 Retainer		1	2417 827	"D" Center
6	1	2417 825	LETTER, Hood Front Name, "D", Front (15-06-16)		1	2417 828	"G"
	1	2417 826	"O"		1	2417 829	"E"
	1	2417 827	"D" Center		10	152 259	Nut
	1	2417 828	"G"	23	1	2495 698-9	MOULDING PACKAGE, Quarter Panel Lower Rear (23-23-39)
	1	2417 829	"E"		4	6001 548	Retainer 4 6023 678 Nut
	10	1839 995	Nut	24	1	2495 312-3	MOULDING PACKAGE, Quarter Panel Lower, w/Name (23-23-39)
7	1	2495 252	MOULDING PACKAGE, Hood Top (15-25-2)		8	6001 563	Clip
	5	9414 977	Nut 4 2445 120 Spacer		2	6001 595	Retainer 2 6023 678 Nut
8	2	2449 534	MEDALLION, Fender Top (12-15-21)	25	1	2495 304-5	MOULDING PACKAGE, Quarter Panel Upper (23-23-39)
9	1	2445 112-3	BASE, Fender Top Medallion (12-15-23)		6	6001 497	Clip 4 ----- Washer
	2	-----	Nut		4	6001 474	Retainer 4 6023 678 Nut
10	1	2218 595	MOULDING, Windshield Outside Finish Lower (23-23-65)	26	1	2480 620-1	MOULDING, Roof Side Drain Trough Rear (23-59-61)
	10	6001 537	Retainer and Screw		4	6024 271	Screw
11	1	2218 594	MOULDING, Windshield Outside Upper (23-23-65)	27	1	2495 300-1	MOULDING PACKAGE, Rear Door Lower (23-23-33)
	8	6001 537	Retainer and Screw		10	6001 563	Clip
12	1	2491 014-5	MOULDING, Windshield Outside Side Upper Extension (23-23-65)		2	6001 562	Retainer 2 9417 621 Nut
	6	6024 271	Screw	28	1	2526 994-5	DEFLECTOR, Quarter Panel Wheel Opening Stone (23-34-240)
13	1	2495 292-3	MOULDING PACKAGE, Rear Door Belt (23-23-33)		6	6024 288	Screw
	8	6001 495	Clip	29	1	2495 322-3	MOULDING PACKAGE, Rear Door Upper (23-23-33)
	2	6001 488	Clip 2 116 000 Nut		10	6001 497	Clip
	4	6022 077	Washer 2 9417 621 Nut		2	6001 108	Retainer 2 9417 383 Nut
13A	1	2495 688-9	MOULDING PACKAGE, Roof Side Train Trough Front (23-59-61)	30	1	2495 314-5	MOULDING PACKAGE, Front Door Belt (23-23-32)
	4	6024 271	Screw		10	6001 495	Clip
	8	2484 195	Clip	31	1	2495 326-7	MOULDING PACKAGE, Front Door Upper (23-23-32)
14	1	2495 360-1	MOULDING PACKAGE, Quarter Panel Belt (23-23-39)		10	6001 497	Clip
	6	6001 432	Retainer 6 152 259 Nut		2	6001 108	Retainer 2 9417 383 Nut
15	1	2480 920-1	MOULDING, Rear Window Outside Lower Corner (23-23-52)	32	1	2495 332-3	MOULDING PACKAGE, Front Door Lower (23-23-32)
	2	6023 693	Screw		8	6001 563	Clip
16	1	2495 269	MOULDING PACKAGE, Rear Window Outside Upper (23-23-52)		4	6001 562	Retainer 4 9417 621 Nut
	6	6001 525	Retainer and Screw				

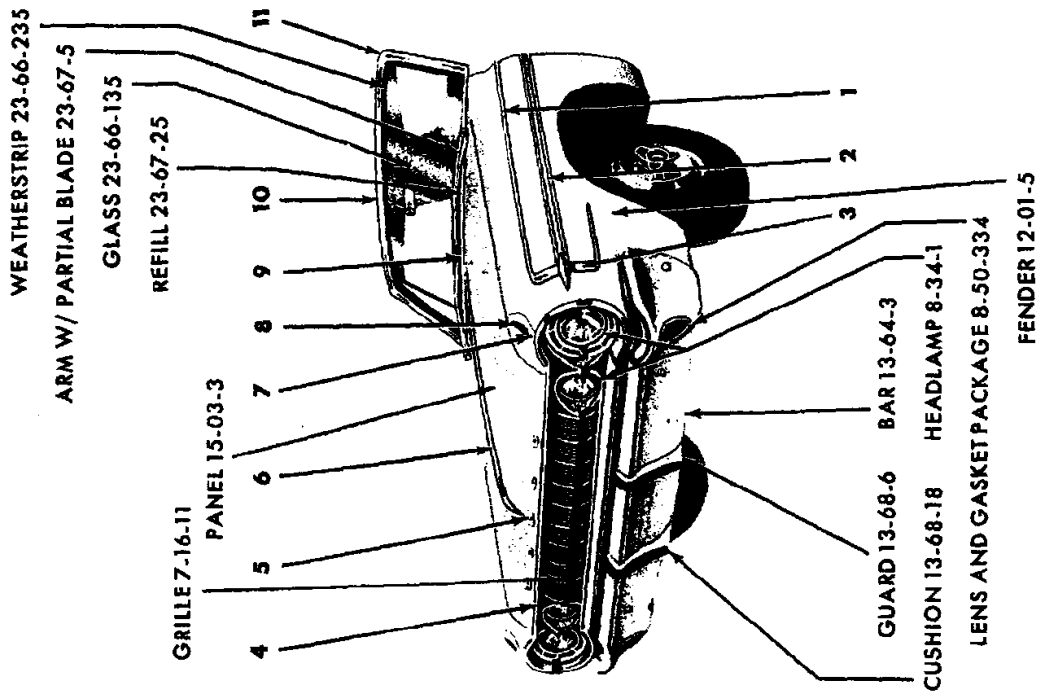
All Packages Include Attaching Parts

Part Type Code is Indicated in Parentheses

EXTERIOR VIEW - DODGE VD1-2(H) 4 DOOR HARDTOP



19x9940A



EXTERIOR VIEW - DODGE VD2(H) CONVERTIBLE COUPE

REF. NO.	QTY	PART NUMBER	DESCRIPTION
1	1	2495 266-7	MOULDING PACKAGE, Fender Side Upper (12-15-2)
	4	6001 591	Retainer
	14	6001 497	Retainer
	4	6023 685	Nut
2	1	2495 254-5	MOULDING PACKAGE, Fender Side Intermediate (12-15-2)
	10	6001 563	Retainer
	4	6001 595	Clip
	4	6023 685	Nut
3	1	2495 128-9	CAP PACKAGE, Fender Side Moulding Front (12-15-9)
	12	6023 685	Nut
4	1	2495 253	MOULDING PACKAGE, Hood Front (15-25-2)
	8	-----	Nut
	8	6001 087	Retainer
5	1	2417 825	LETTER, Hood Front Name, "D", Front (15-06-16)
	1	2417 826	"O"
	1	2417 827	"D", Center
	1	2417 828	"G"
	1	2417 829	"E"
	10	1839 995	Nut
6	1	2495 252	MOULDING PACKAGE, Hood Top (15-25-2)
	5	9414 977	Nut
	4	2445 120	Spacer
7	1	2445 112-3	BASE, Fender Top Medallion (12-15-23)
	2	-----	Nut
8	2	2449 534	MEDALLION, Fender Top (12-15-21)
9	1	2218 595	MOULDING, Windshield Outside Finish Lower (23-23-65)
	10	6001 537	Retainer and Screw
10	1	2482 898-9	MOULDING, Windshield Header Outside (23-23-65)
	7	162 402	Screw
	7	-----	Seal
11	1	2218 596-7	MOULDING, Windshield Outside Finish Side (23-23-65)
	6	6023 247	Screw
12	1	2495 362-3	MOULDING PACKAGE, Quarter Panel Belt Front (23-23-39)
	8	6001 500	Retainer
13	1	2495 364-5	MOULDING PACKAGE, Quarter Panel Belt Rear (23-23-39)
	14	6024 472	Fastener
14	1	2448 458-9	MOULDING PACKAGE, Deck Upper Panel (23-23-31)
	10	6024 477	Fastener
15	1	2448 456	COVER PACKAGE, Deck Opening Upper Panel Moulding Joint (23-23-41)
	1	6024 477	Fastener

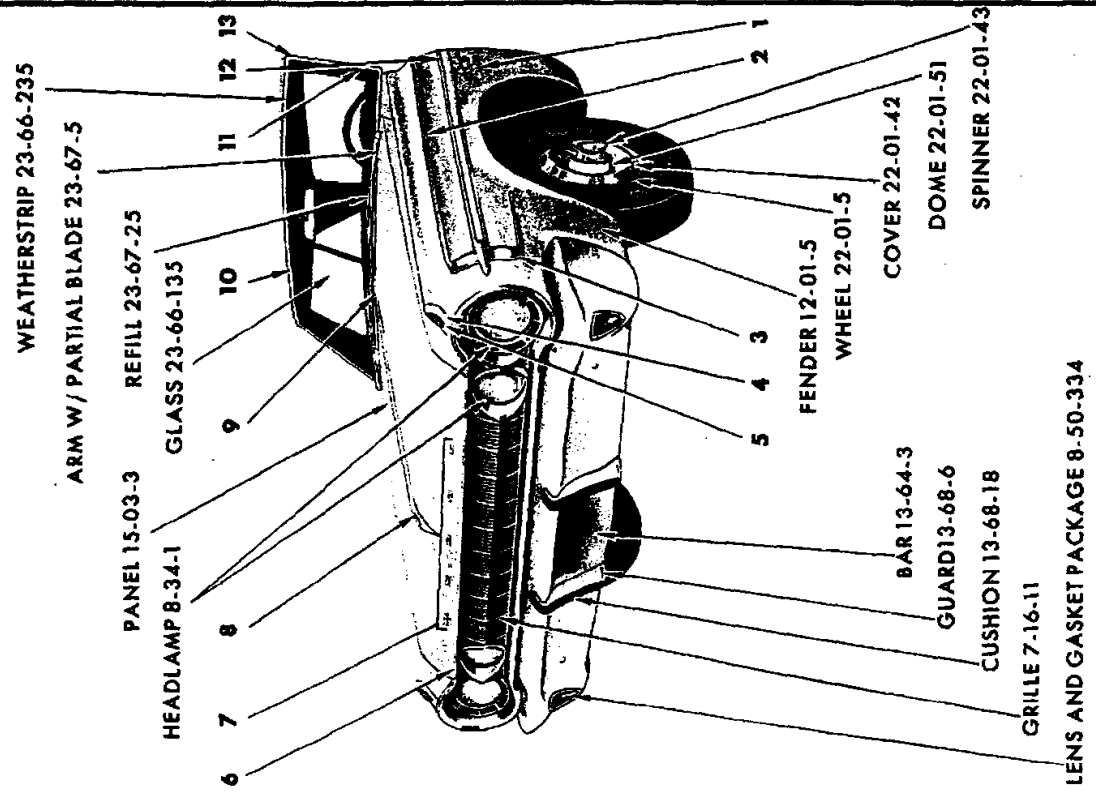
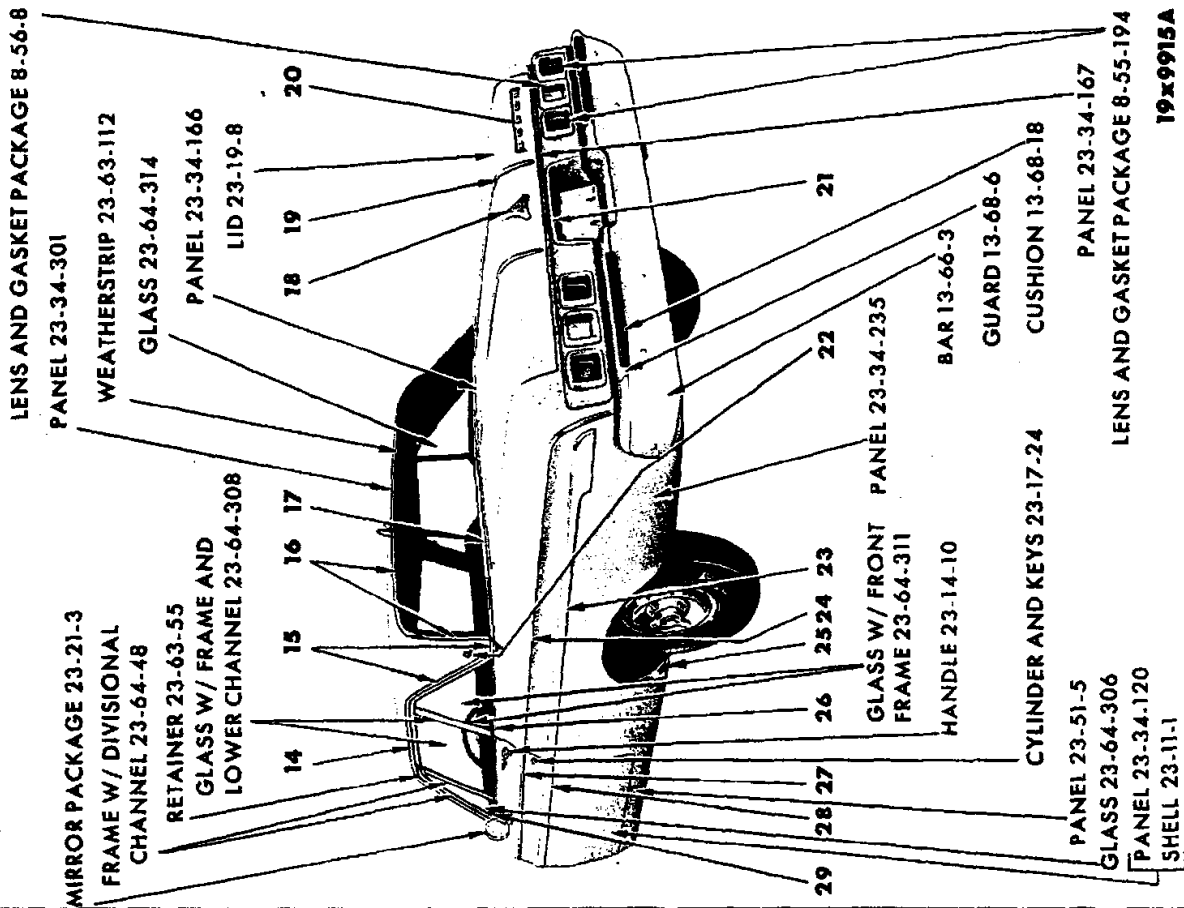
All Packages include Attaching Parts

REF. NO.	QTY	PART NUMBER	DESCRIPTION
16	2	2448 583	MOULDING PACKAGE, Deck Lid Top (23-23-30)
	12	6001 479	Retainer
	12	9418 877	Nut
17	1	2486 313	ORNAMENT, Deck Lid Lock Cylinder (23-17-19)
18	2	2417 825	"D", Deck Lid Letter (23-19-114)
	1	2417 826	"O"
	1	2417 828	"G"
	1	2417 829	"E"
	10	152 259	Nut
19	1	2495 944-5	MOULDING PACKAGE, Deck Lower Panel License Depression (23-23-23)
	6	6024 245	Nut
	6	6024 271	Screw
20	1	2495 698-9	MOULDING PACKAGE, Quarter Panel Lower Rear, w/Name (23-23-39)
	4	6001 548	Retainer
	4	6024 679	Nut
21	1	2495 310-1	MOULDING PACKAGE, Quarter Panel Lower, w/Name (23-23-39)
	2	6024 271	Screw
	2	6001 595	Retainer
	16	6001 563	Clip
	2	6024 279	Nut
22	1	2495 302-3	MOULDING PACKAGE, Quarter Panel Upper (23-23-39)
	4	-----	Washer
	4	6001 474	Retainer
	24	6001 497	Clip
	4	6024 279	Nut
23	1	2526 994-5	DEFLECTOR, Quarter Panel Wheel Opening Stone (23-34-240)
	6	6024 288	Screw
24	1	2495 318-9	MOULDING PACKAGE, Door Belt (23-23-32)
	14	6001 500	Clip
25	1	2495 324-5	MOULDING PACKAGE, Door Upper (23-23-32)
	2	6001 108	Retainer
	2	6001 576	Retainer
	2	6024 676	Washer
	14	6001 497	Clip
	2	9418 877	Nut
	2	9419 629	Screw
26	1	2495 330-1	MOULDING PACKAGE, Door Lower (23-23-32)
	4	6001 113	Retainer
	2	6001 578	Retainer
	2	6024 676	Washer
	4	9417 621	Nut
	10	6001 563	Clip
	2	9419 629	Screw

Part Type Code is Indicated in Parentheses

EXTERIOR VIEW - DODGE VD2(H) CONVERTIBLE COUPE

1964 PASSENGER CAR PARTS CATALOG



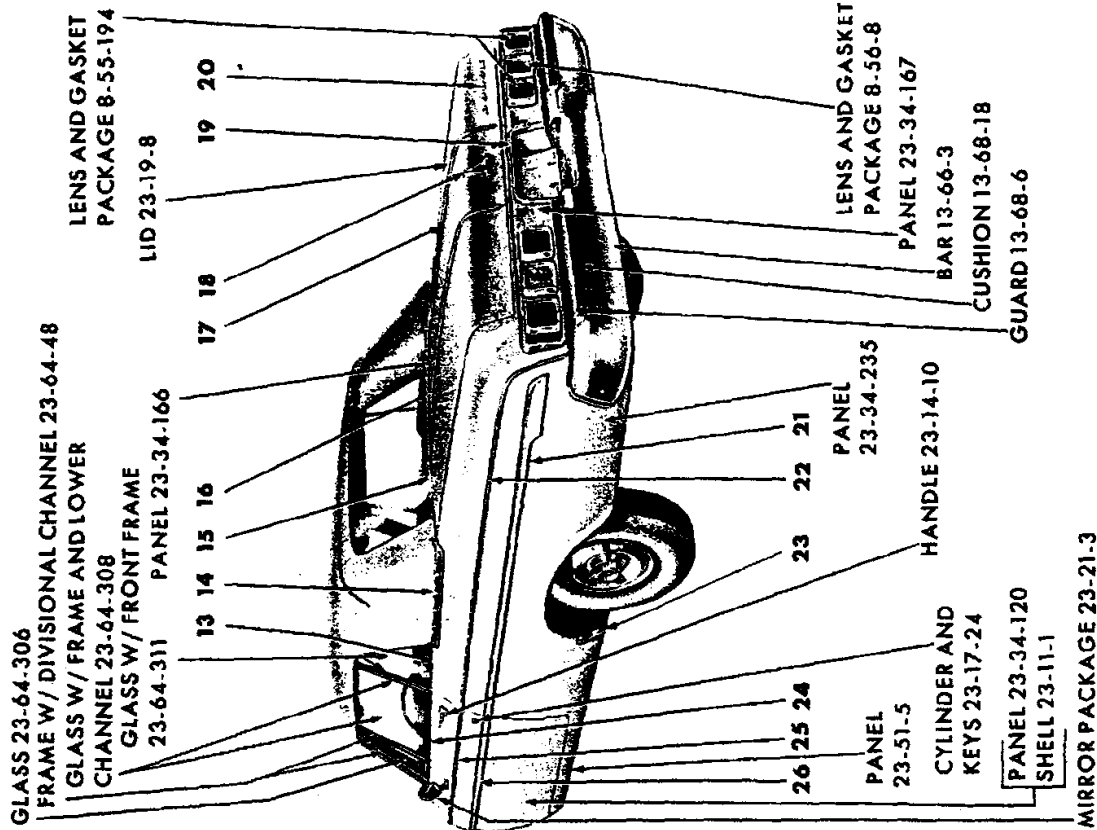
EXTERIOR VIEW - DODGE VD2(P) 2 DOOR HARTTOP

REF. NO.	QTY	PART NUMBER	DESCRIPTION	REF. NO.	QTY	PART NUMBER	DESCRIPTION
1	2	2255 628	NAME PLATE, Fender Side (12-15-21)	15	1	2525 556	MOULDING PACKAGE, Roof Side Drain Trough Rear (23-59-61)
	2	6000 960	Clip		6	6024 271	Screw 2 ---- Nut
	2	-----	Washer 2 6023 097 Nut	16	1	2495 276-7	MOULDING PACKAGE, Rear Window Outside Upper and Side (23-23-52)
2	1	2495 266-7	MOULDING PACKAGE, Fender Side Upper (12-15-2)		14	6001 084	Retainer and Screw
	4	6001 591	Retainer	17	1	2495 274-5	MOULDING PACKAGE, Rear Window Outside Lower (23-23-52)
	14	6001 497	Retainer 4 6023 685 Nut		10	6001 084	Retainer and Screw
3	1	2584 130-1	CAP PACKAGE, Fender Side Moulding Front (12-15-9)	18	1	2486 313	ORNAMENT, Deck Lid Lock Cylinder (23-17-19)
	12	6023 685	Nut	19	2	2448 583	MOULDING PACKAGE, Deck Lid (23-23-30)
4	1	2445 112-3	BASE, Fender Top Medallion (12-15-23)		12	6001 479	Retainer 12 9417 383 Nut
	2	-----	Nut	20	2	2417 825	"D", Deck Lid Letter (23-19-114)
5	2	2449 534	MEDALLION, Fender Top (12-15-21)		1	2417 826	"O"
6	1	2495 253	MOULDING PACKAGE, Hood Front (15-25-2)		1	2417 828	"G"
	8	6001 087	Retainer 8 ---- Nut		1	2417 829	"E"
7	1	2417 825	LETTER, Hood Front Name, "D", Front (15-06-16)		10	152 259	Nut
	1	2417 826	"O"	21	1	2495 944-5	MOULDING PACKAGE, Deck Lower Panel License Depression (23-23-23)
	1	2417 827	"D" Center		6	6024 245	Nut
	1	2417 828	"G"		6	6024 271	Screw
	1	2417 829	"E"	22	2	2482 868	ORNAMENT, Roof Panel Side (23-34-334)
	10	1839 995	Nut		6	152 259	Nut
8	1	2495 252	MOULDING PACKAGE, Hood Top (15-25-2)	23	1	2495 916-7	MOULDING PACKAGE, Quarter Panel Lower (23-23-39)
	5	9414 977	Nut 4 2445 120 Spacer		20	6001 563	Retainer
9	1	2218 595	MOULDING, Windshield Outside Finish Lower (23-23-65)		2	6001 595	Retainer
	10	6001 537	Retainer and Screw		4	6001 548	Retainer 6 6023 678 Nut
10	1	2218 594	MOULDING, Windshield Outside Upper (23-23-65)	24	1	2495 302-3	MOULDING PACKAGE, Quarter Panel Upper (23-23-39)
	8	6001 537	Retainer and Screw		24	6001 497	Clip 4 ---- Washer
11	1	2218 596-7	MOULDING, Windshield Outside Finish Side (23-23-65)		4	6001 474	Retainer 4 6023 678 Nut
	6	6023 247	Screw	25	1	2526 994-5	DEFLECTOR, Quarter Panel Wheel Opening Stone (23-34-240)
12	1	2525 550-1	MOULDING PACKAGE, Fender Side Intermediate (12-15-2)		6	6024 288	Screw
	10	6001 563	Retainer	26	1	2495 320-1	MOULDING PACKAGE, Quarter Panel Belt (23-23-39)
	4	6001 595	Clip 4 ---- Nut		10	6001 500	Clip 2 6001 488 Clip
13	1	2492 712-3	MOULDING, Windshield Outside Side Upper Extension (Narrow Type) (23-23-65)	27	1	2495 324-5	MOULDING PACKAGE, Door Upper (23-23-32)
	1	2491 012-3	MOULDING, Windshield Outside Side Upper Extension (Wide Type)		14	6001 497	Clip 2 9417 383 Nut
	6	6024 271	Screw		2	6001 108	Retainer 2 9417 629 Screw
14	1	2495 906-7	MOULDING, Roof Side Drain Trough Front (23-59-61)		2	6001 576	Retainer 2 6024 676 Washer
	6	2483 716	Clip (w/Vinyl Roof)	28	1	2495 918-9	MOULDING PACKAGE, Door Lower (23-23-32)
	6	2573 062	Clip (w/o Vinyl Roof)		2	6001 562	Retainer 2 9417 621 Nut
					10	6001 563	Retainer 2 9419 629 Screw
					2	6001 578	Retainer 2 6024 676 Washer
				29	1	2495 318-9	MOULDING PACKAGE, Door Belt (23-23-32)
					14	6001 500	Clip

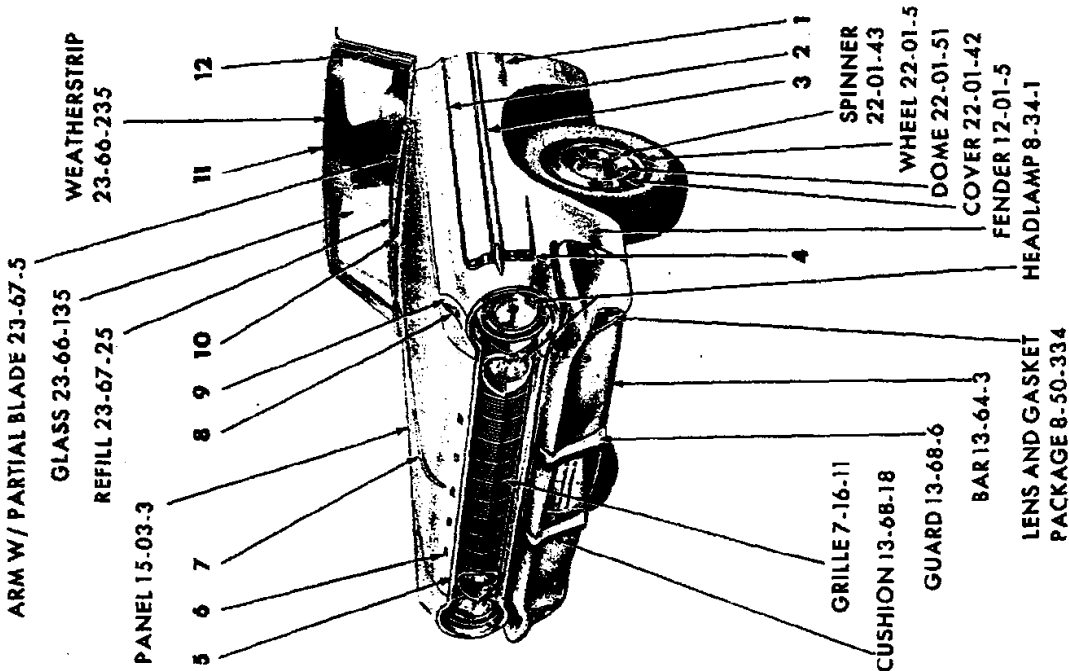
All Packages Include Attaching Parts

Part Type Code is Indicated in Parentheses

EXTERIOR VIEW - DODGE VD2(P) 2 DOOR HARDTOP



19x9916A



EXTERIOR VIEW - DODGE VD2(P) CONVERTIBLE COUPE

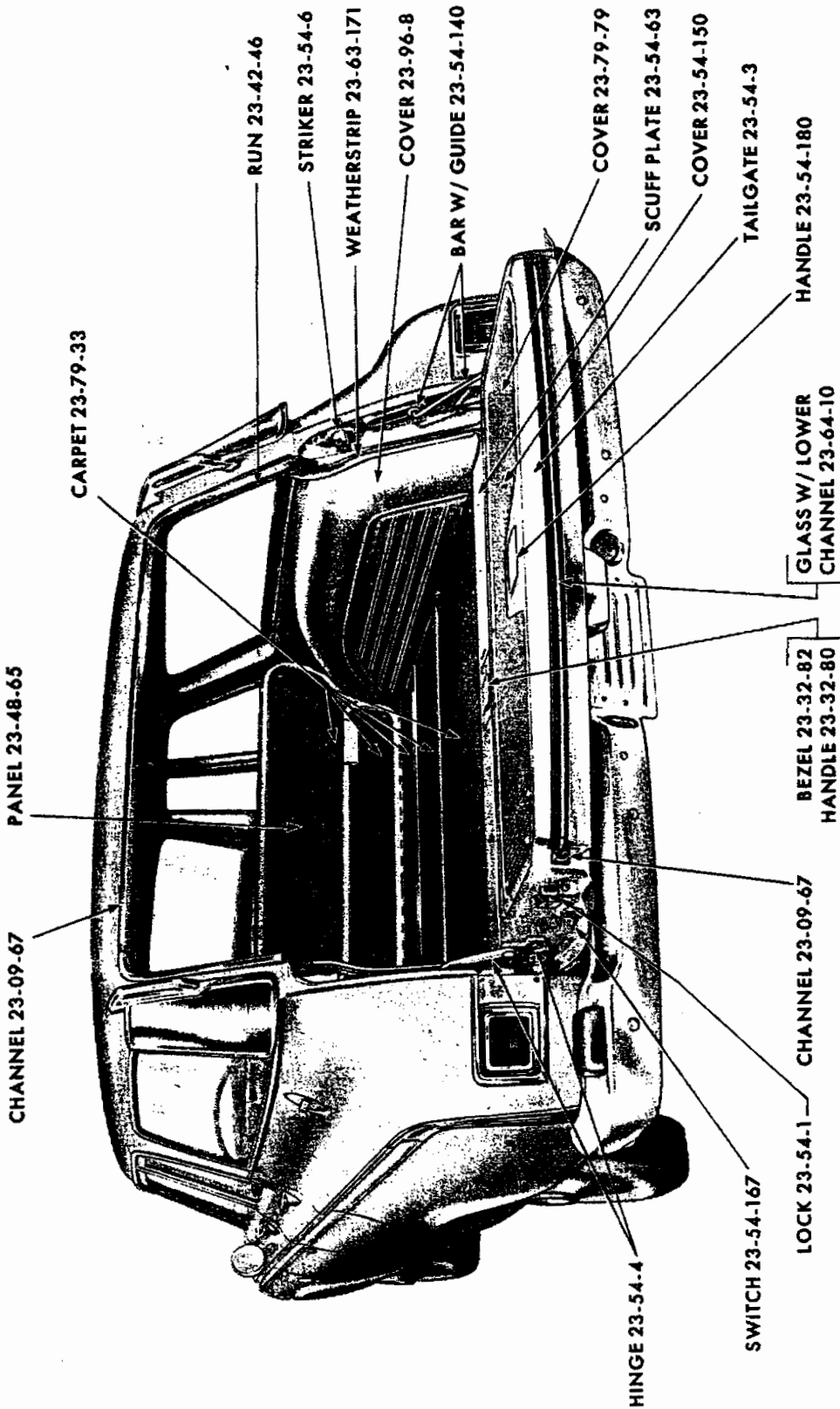
REF. NO.	QTY	PART NUMBER	DESCRIPTION
1	2	2255 628	NAME PLATE, Fender Side (12-15-21)
	2	6000 960	Clip
	2	-----	Washer 2 6023 097 Nut
2	1	2495 266-7	MOULDING PACKAGE, Fender Side Upper (12-15-2)
	4	6001 591	Retainer
	14	6001 497	Retainer 4 6023 685 Nut
3	1	2525 550-1	MOULDING PACKAGE, Fender Side Intermediate (12-15-2)
	10	6001 563	Retainer
	4	6001 595	Clip 4 ----- Nut
4	1	2584 130-1	CAP PACKAGE, Fender Side Moulding Front (12-15-9)
	12	6023 685	Nut
5	1	2495 253	MOULDING PACKAGE, Hood Front (15-25-2)
	8	-----	Nut
	8	6001 087	Retainer, w/Stud
6	1	2417 825	LETTER, Hood Front Name, Front, "D" (15-06-16)
	1	2417 826	"O"
	1	2417 827	"D", Center
	1	2417 828	"G"
	1	2417 829	"E"
	10	1839 995	Nut
7	1	2495 252	MOULDING PACKAGE, Hood Top (15-25-2)
	4	2445 120	Spacer 5 9414 977 Nut
8	2	2449 534	MEDALLION, Fender Top (12-15-21)
9	1	2445 112-3	BASE, Fender Top Medallion (12-15-23)
	2	-----	Nut
10	1	2218 595	MOULDING, Windshield Outside Finish Lower (23-23-65)
	10	6001 537	Retainer and Screw
11	1	2482 898-9	MOULDING, Windshield Header Outside (23-23-65)
	7	162 402	Screw 7 2480 766 Seal
12	1	2218 596-7	MOULDING, Windshield Outside Finish Side (23-23-65)
	6	6023 247	Screw
13	1	2495 362-3	MOULDING PACKAGE, Quarter Panel Belt Front (23-23-39)
	8	6001 500	Retainer

REF. NO.	QTY	PART NUMBER	DESCRIPTION
14	1	2495 364-5	MOULDING PACKAGE, Quarter Panel Belt Rear (23-23-39)
	14	6024 472	Fastener
15	1	2448 458-9	MOULDING PACKAGE, Deck Upper Panel (23-23-31)
	10	6024 477	Fastener
16	1	2448 456	COVER PACKAGE, Deck Opening Upper Panel Moulding Joint (23-23-41)
	1	6024 477	Fastener
17	2	2448 538	MOULDING PACKAGE, Deck Lid (23-23-30)
	12	6001 479	Retainer 12 9418 877 Nut
18	1	2486 313	ORNAMENT, Deck Lid (23-17-19)
19	1	2495 944-5	MOULDING PACKAGE, Deck Lower Panel License Depression (23-23-23)
	6	6024 245	Nut 6 6024 271 Screw
20	2	2417 825	"D", Deck Lid Letter (23-19-114)
	1	2417 826	"O"
	1	2417 828	"G"
	1	2417 829	"E"
	10	152 259	Nut
21	1	2495 916-7	MOULDING PACKAGE, Quarter Panel Lower (23-23-39)
	20	6001 563	Retainer
	2	6001 595	Retainer
	4	6001 548	Retainer 6 6024 679 Nut
22	1	2495 302-3	MOULDING PACKAGE, Quarter Panel Upper (23-23-39)
	24	6001 497	Clip 4 ----- Washer
	4	6001 474	Retainer 4 6024 679 Nut
23	1	2526 994-5	DEFLECTOR, Quarter Panel Wheel Opening Stone (23-34-240)
	6	6024 288	Screw
24	1	2495 318-9	MOULDING PACKAGE, Door Belt (23-23-32)
	14	6001 500	Clip
25	1	2495 324-5	MOULDING PACKAGE, Door Upper (23-23-32)
	2	6001 108	Retainer 2 9418 877 Nut
	2	6001 576	Retainer 14 6001 497 Clip
	2	6024 676	Washer 2 9419 629 Screw
26	1	2495 918-9	MOULDING PACKAGE, Door Lower (23-23-32)
	2	6001 562	Retainer 2 9417 621 Nut
	10	6001 563	Retainer 2 9419 629 Screw
	2	6001 578	Retainer 2 6024 676 Washer

All Packages Include Attaching Parts

Part Type Code is Indicated in Parentheses

EXTERIOR VIEW - DODGE VD2(P) CONVERTIBLE COUPE



19x9897

REAR INTERIOR VIEW - DODGE VD1-2(M) STATION WAGON

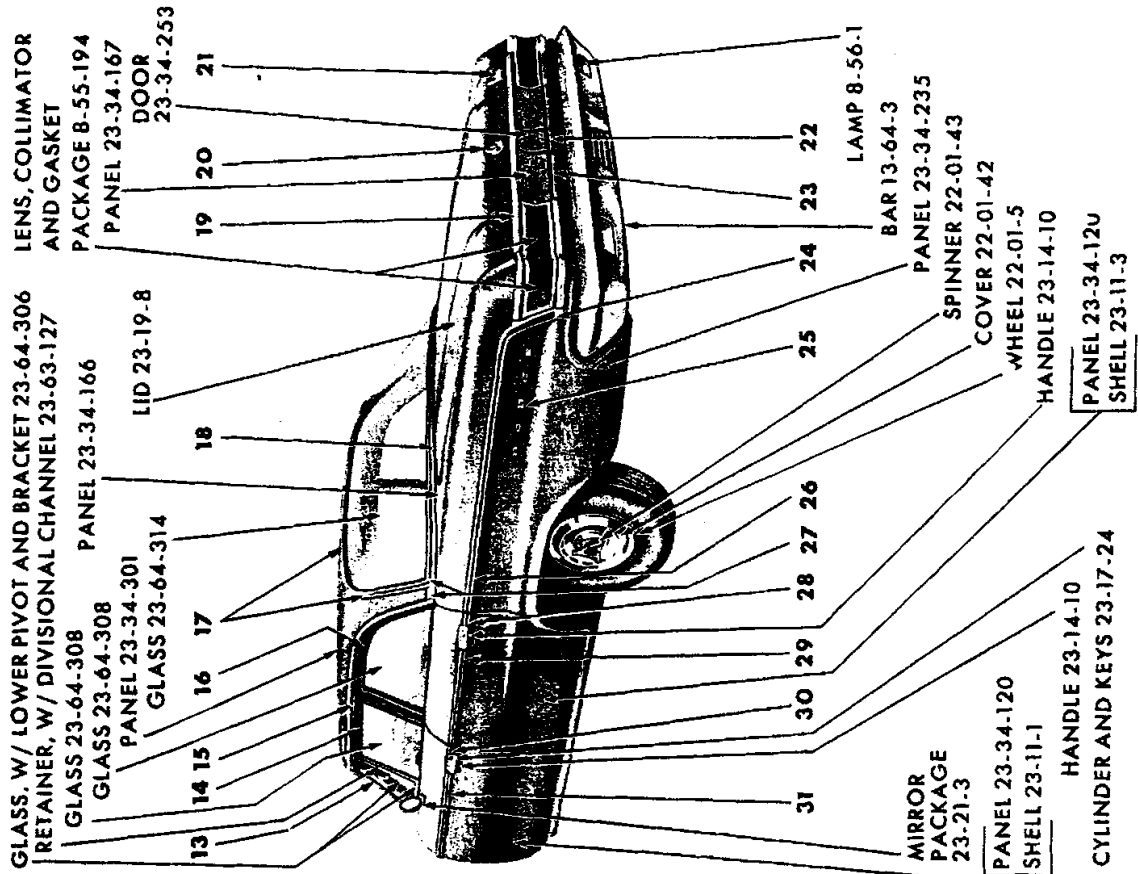
1964 PASSENGER CAR PARTS CATALOG

CODE	PART NAME AND DESCRIPTION	C Y L	PER CAR	VALIANT DART	PLYMOUTH DODGE	CHRYSLER IMPERIAL
------	---------------------------	-------------	------------	-----------------	-------------------	----------------------

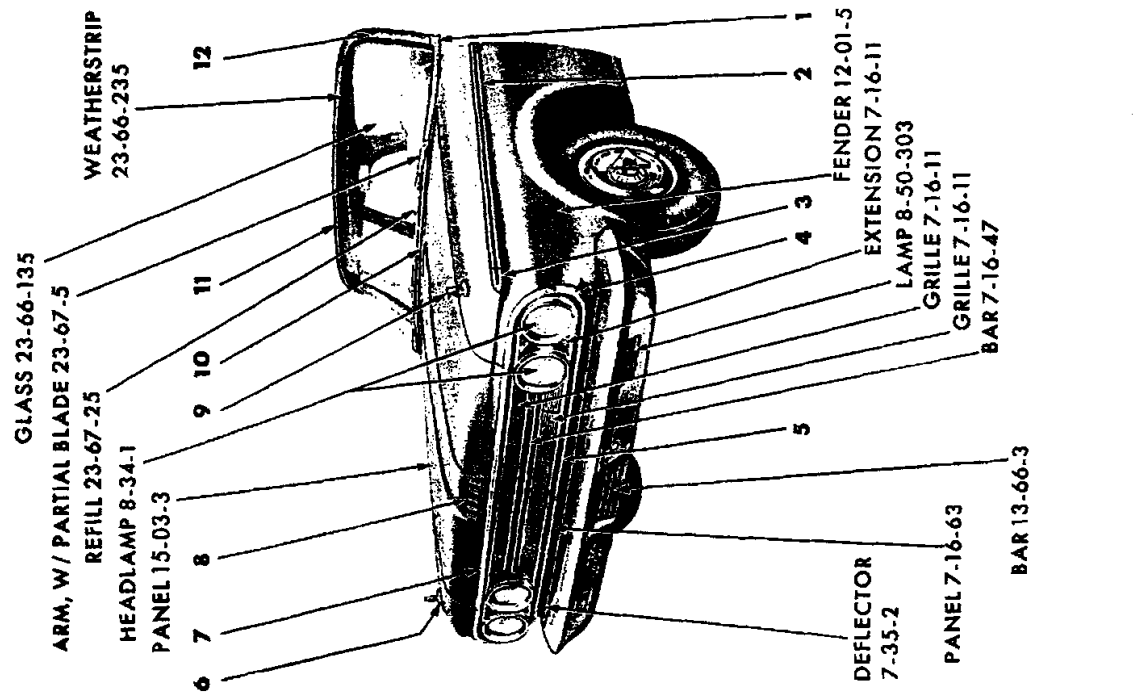
NOTES

Handwritten notes area consisting of 25 horizontal lines.

★ Indicates use as required.
□ Indicates parts not listed in any previous parts book.



19x9857A



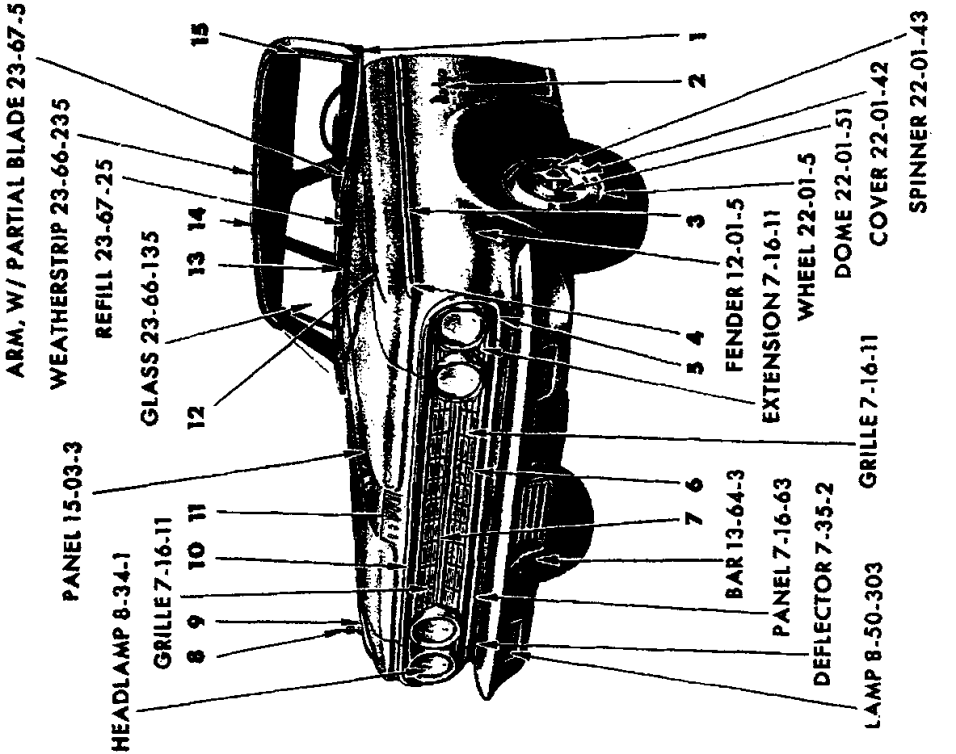
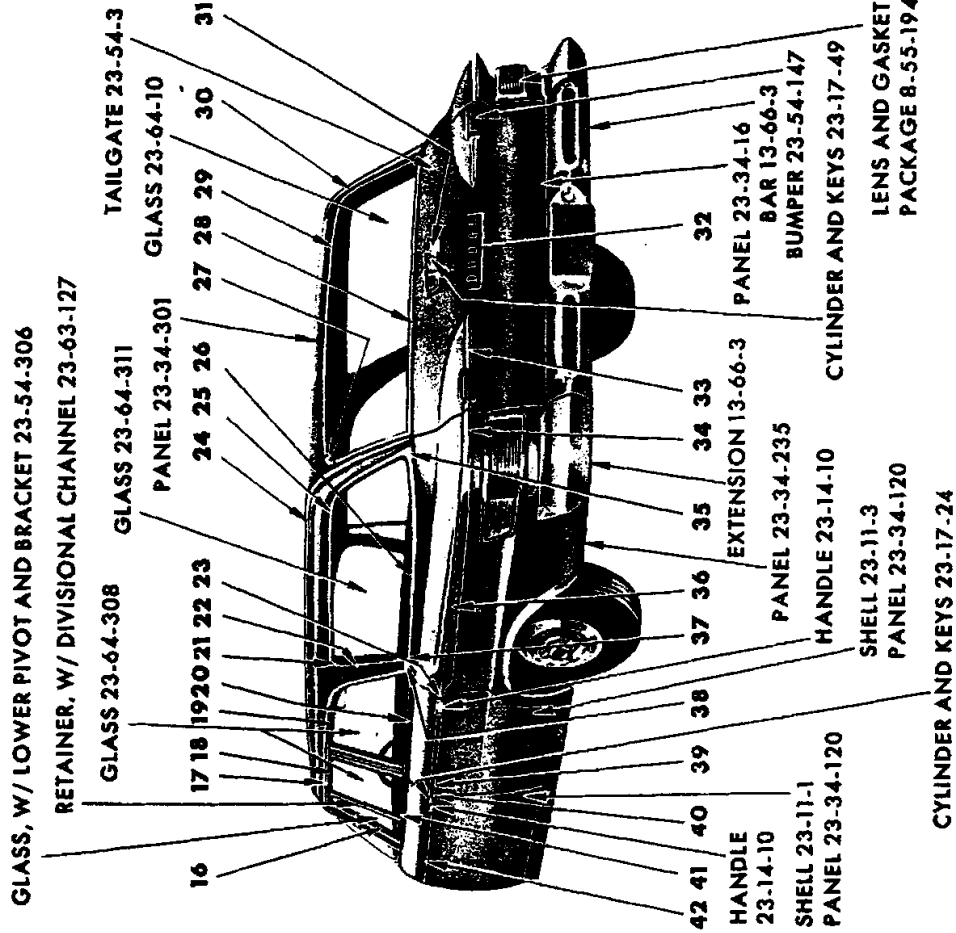
EXTERIOR VIEW - DODGE V8(E) 4 DOOR SEDAN

REF. NO.	QTY	PART NUMBER	DESCRIPTION	REF. NO.	QTY	PART NUMBER	DESCRIPTION
1	1	2196 272-3	MOULDING PACKAGE, Windshield Outside Finish Lower End (23-23-65)	18	1	2495 278	MOULDING PACKAGE, Rear Window Lower (23-23-52)
	2	274 411	Screw		7	6001 528	Clip
	8	6022 010	Screw	19	1	2495 287	MOULDING PACKAGE, Deck Lid (23-23-30)
2	1	2495 186-7	MOULDING PACKAGE, Fender Side (12-15-2)		10	6001 518	Retainer
	4	6001 613	Retainer		10	----	Nut
	10	6001 522	Retainer	20	1	2486 344	ORNAMENT, Deck Lid Lock Cylinder (23-17-17)
	10	----	Nut	21	1	2445 097	NAME PLATE, Deck Lid (23-19-114)
3	2	2495 186	CAP PACKAGE, Fender Side Moulding (12-15-9)		3	152 259	Nut
	2	----	Nut		1	6000 050	Clip
4	1	2448 532-3	MOULDING PACKAGE, Fender Radiator Grille Opening (12-15-2)	22	1	2495 453	MOULDING PACKAGE, Deck Lower Panel Filler Door (23-23-23)
	12	116 000	Nut		2	6001 517	Retainer
	2	----	Nut		2	446 618	Nut
	2	187 121	Screw	23	1	2495 288-9	MOULDING PACKAGE, Deck Lower Panel (23-23-23)
5	1	2495 152	MOULDING PACKAGE, Radiator Grille Lower Panel (7-16-36)		4	6001 517	Retainer
	8	6001 450	Retainer		4	446 618	Nut
6	1	2445 132-3	BASE, Fender Top Ornament (12-15-23)	24	1	2495 422-3	MOULDING PACKAGE, Quarter Panel Rear (23-23-39)
	2	6023 201	Nut		6	6022 052	Seal
7	1	2448 530	MOULDING PACKAGE, Hood Front (15-25-2)		6	----	Nut
	6	----	Nut	25	4	2417 825	"D", Quarter Panel Name Letter (23-34-238)
	6	6001 472	Retainer		2	2417 826	"O"
8	2	2424 905	LETTER, Hood Front Name, "D" (15-06-16)		2	2417 828	"G"
	1	2424 906	"O"		2	2417 829	"E"
	1	2424 907	"G"		20	6023 260	Nut
	1	2424 908	"E"	26	1	2495 428-9	MOULDING PACKAGE, Quarter Panel Front (23-23-39)
	5	152 259	Nut		14	6001 611	Clip
9	2	2445 131	ORNAMENT, Fender Top (12-15-21)		2	6000 745	Clip
	2	9419 633	Screw		2	116 000	Nut
	1	2445 132-3	BASE, Fender Top Ornament	27	1	2495 282-3	MOULDING PACKAGE, Rear Window Outside Lower Corner (23-23-52)
	2	6023 201	Nut		2	6024 617	Screw
10	1	2084 997	MOULDING PACKAGE, Windshield Outside Finish Lower Center (23-23-65)		2	6001 529	Clip
	5	6000 685	Clip		2	6023 682	Screw
11	1	2299 418	MOULDING PACKAGE, Windshield Outside Finish Upper (23-23-65)	28	1	2495 420-1	MOULDING PACKAGE, Rear Door Rear (23-23-33)
	5	6000 927	Clip		2	6000 808	Clip
	1	2240 769-70	MOULDING PACKAGE, Windshield Outside Finish Side (23-23-65)		2	6022 983	Seal
	8	6000 009	Screw		2	----	Nut
13	1	2240 873-4	MOULDING PACKAGE, Front Door Window Frame Front (23-23-32)	29	1	2495 424-5	MOULDING PACKAGE, Rear Door Front (23-23-33)
	6	6023 098	Screw		8	6001 611	Clip
14	1	2240 866-7	MOULDING PACKAGE, Front Door Window Frame Upper (23-23-32)		2	6000 754	Clip
	6	6023 098	Screw		2	116 000	Nut
15	1	2093 648-9	MOULDING, Roof Drain Trough Side (23-59-61)	30	1	2495 418-9	MOULDING PACKAGE, Front Door Rear (23-23-32)
16	1	2240 868-9	MOULDING PACKAGE, Rear Door Window Frame (23-23-33)		2	6022 983	Seal
	8	6023 098	Screw		2	6000 808	Clip
17	1	2495 280-1	MOULDING PACKAGE, Rear Window Outside Upper (23-23-52)	31	1	2495 416-7	MOULDING PACKAGE, Front Door Front (23-23-32)
	14	6000 692	Clip		8	6001 611	Clip
					2	6000 745	Clip
					2	116 000	Nut

All Packages Include Attaching Parts

Part Type Code is Indicated in Parentheses

EXTERIOR VIEW - DODGE VA3(E) 4 DOOR SEDAN



EXTERIOR VIEW - DODGE VA3(E) 4 DOOR STATION WAGON

19x9890 A

1964 PASSENGER CAR PARTS CATALOG

BODY

Page 23-103

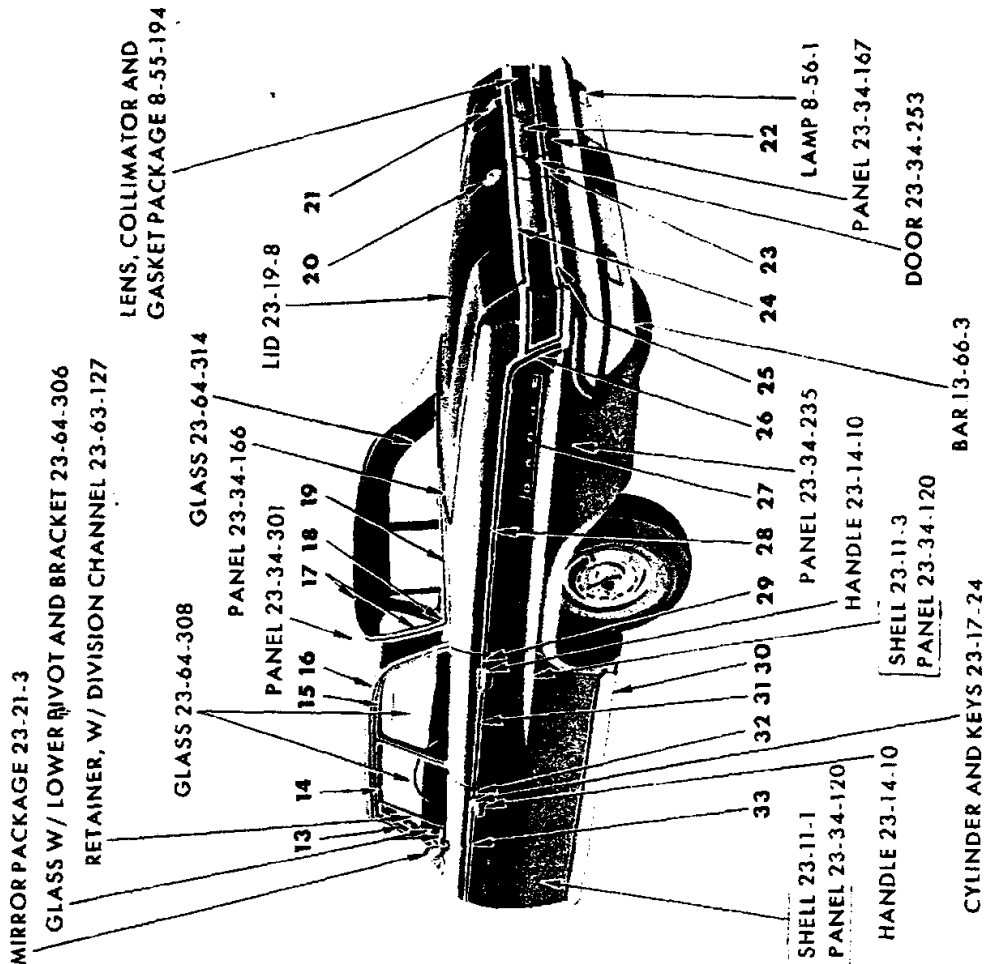
REF. NO.	QTY	PART NUMBER	DESCRIPTION
1	1	2196 272-3	MOULDING PACKAGE, Wind-shield Lower End (23-23-65)
	2	274 411	Screw 8 6022 010 Screw
2	2	2445 097	NAME PLATE, Fender Side (12-15-21)
	8	6000 050	Clip
3	1	2495 186-7	MOULDING PACKAGE, Fender Side (12-15-2)
	4	8001 613	Retainer
	10	6001 522	Retainer 10 ---- Nut
4	2	2495 186	CAP PACKAGE, Fender Side Moulding (12-15-9)
	2	----	Nut
5	1	2448 532-3	MOULDING PACKAGE, Fender Radiator Grille Opening (12-15-2)
	2	6000 943	Nut
	2	167 121	Screw 12 116 000 Nut
6	1	2495 152	MOULDING PACKAGE, Radiator Grille Lower Panel (7-16-36)
	8	6001 450	Retainer
7	1	2445 081	BAR, Radiator Grille (7-16-47)
	5	8025 001	Nut
8	2	2445 131	ORNAMENT, Fender Top (12-15-21)
	2	9419 633	Screw
9	1	2445 132-3	BASE, Fender Top Ornament (12-15-23)
	2	6023 201	Nut
10	1	2448 530	MOULDING PACKAGE, Hood Front (15-25-2)
	6	6001 472	Retainer 6 ---- Nut
11	2	2424 905	LETTER, Hood Front Name, "D" (15-06-16)
	1	2424 906	"O"
	1	2424 907	"G"
	1	2424 908	"E" 5 152 259 Nut
12	1	2445 132-3	BASE, Fender Top Ornament (12-15-23)
	2	6023 201	Nut
13	1	2084 997	MOULDING PACKAGE, Wind-shield Lower Center (23-23-65)
	5	6000 685	Clip
14	1	2299 418	MOULDING PACKAGE, Wind-shield Upper (23-23-65)
	5	6000 927	Clip 2 9414 754 Screw
15	1	2240 769-70	MOULDING PACKAGE, Wind-shield Side (23-23-65)
	8	6000 009	Screw
16	1	2240 873-4	MOULDING PACKAGE, Front Door Window Frame Front (23-23-32)
	6	6023 098	Screw
17	1	2093 648-9	MOULDING, Roof Side Drain Trough (23-59-61)
18	1	2240 866-7	MOULDING PACKAGE, Front Door Window Frame Upper (23-23-32)
	6	6023 098	Screw
19	1	2240 868-9	MOULDING PACKAGE, Rear Door Window Frame (23-23-33)
	8	6023 098	Screw
20	1	2298 616-7	MOULDING PACKAGE, Rear Door Belt (23-23-33)
	10	6001 264	Clip
21	1	2094 018-7	CAP, Quarter Window Outside Finish Upper, w/Retainer (23-23-74)

REF. NO.	QTY	PART NUMBER	DESCRIPTION
22	1	2094 018-9	MOULDING, Quarter Window Outside Finish (23-23-73)
23	1	2495 420-1	MOULDING PACKAGE, Rear Door Lower Rear (23-23-33)
	2	6000 808	Clip
	2	6022 983	Seal 2 ---- Nut
24	2	2196 252	MOULDING PACKAGE, Roof Panel Outside Finish, used w/Assist Handle (23-23-42)
	2	2196 253	MOULDING PACKAGE, Roof Panel Outside Finish, used w/o Assist Handle
	28	6006 301	Clip
25	1	1961 212-3	MOULDING, Quarter Window Outside Finish Upper (23-23-73)
26	1	1961 214-5	MOULDING, Quarter Window Outside Finish Lower (23-23-73)
27	1	2196 464-5	CAP PACKAGE, Roof Rear Tailgate Opening Moulding (23-23-60)
	2	6006 451	Clip
28	1	2196 460	MOULDING PACKAGE, Tailgate Outside Finish Belt (23-23-61)
	2	6006 441	Clip 2 151 306 Screw
29	1	2196 466	MOULDING PACKAGE, Tailgate Opening Outside Finish Roof Rear (23-23-60)
	7	6006 451	Clip
30	1	2196 462-3	MOULDING PACKAGE, Rear Pillar Outside Finish (23-23-60)
	★	6006 451	Clip
21	1	2188 389	ORNAMENT, Tailgate Outside Panel (23-54-11)
	3	116 000	Nut, w/Washer
32	2	2424 905	LETTER "D", Tailgate (23-54-11)
	1	2424 906	"O"
	1	2424 907	"G"
	1	2424 908	"E" 10 6000 050 Clip
33	1	2275 031-2	MOULDING PACKAGE, Tailgate Outside Panel Bumper (23-23-61)
	4	116 000	Nut
34	2	2448 507	MOULDING PACKAGE, Quarter Panel Rear (23-23-39)
	2	6024 654	Screw 4 6000 820 Clip
35	1	2196 816-7	CAP PACKAGE, Quarter Window Outside Finish Lower Rear (23-23-74)
	2	125 978	Screw
36	1	2495 410-1	MOULDING PACKAGE, Quarter Panel Front (23-23-39)
	2	9416 042	Screw 12 6001 547 Clip
37	2	1961 210	CAP, Quarter Window Outside Finish Front (23-23-74)
38	1	2299 430-1	MOULDING PACKAGE, Quarter Panel Belt (23-23-39)
	2	6024 401	Screw
39	1	2495 424-5	MOULDING PACKAGE, Rear Door Lower Front (23-23-33)
	8	6001 611	Clip
	2	6000 745	Clip 2 116 000 Nut
40	1	2495 418-9	MOULDING PACKAGE, Front Door Lower Rear (23-23-32)
	2	6022 983	Seal 2 6000 808 Clip
41	1	2298 610-1	MOULDING PACKAGE, Front Door Belt (23-23-32)
	8	6001 264	Clip
42	1	2495 416-7	MOULDING PACKAGE, Front Door Lower Front (23-23-32)
	8	6001 611	Clip
	2	6000 745	Clip 2 116 000 Nut

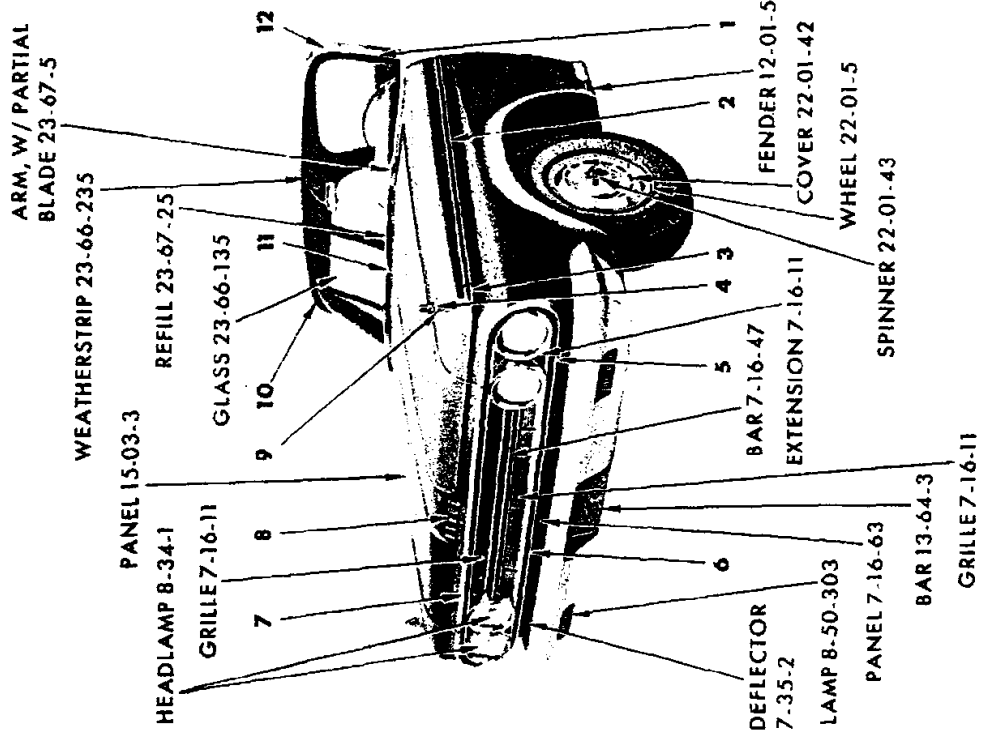
All Packages Include Attaching Parts

Part Type Code is Indicated in Parentheses

EXTERIOR VIEW - DODGE VA3(E) 4 DOOR STATION WAGON



19x9850A



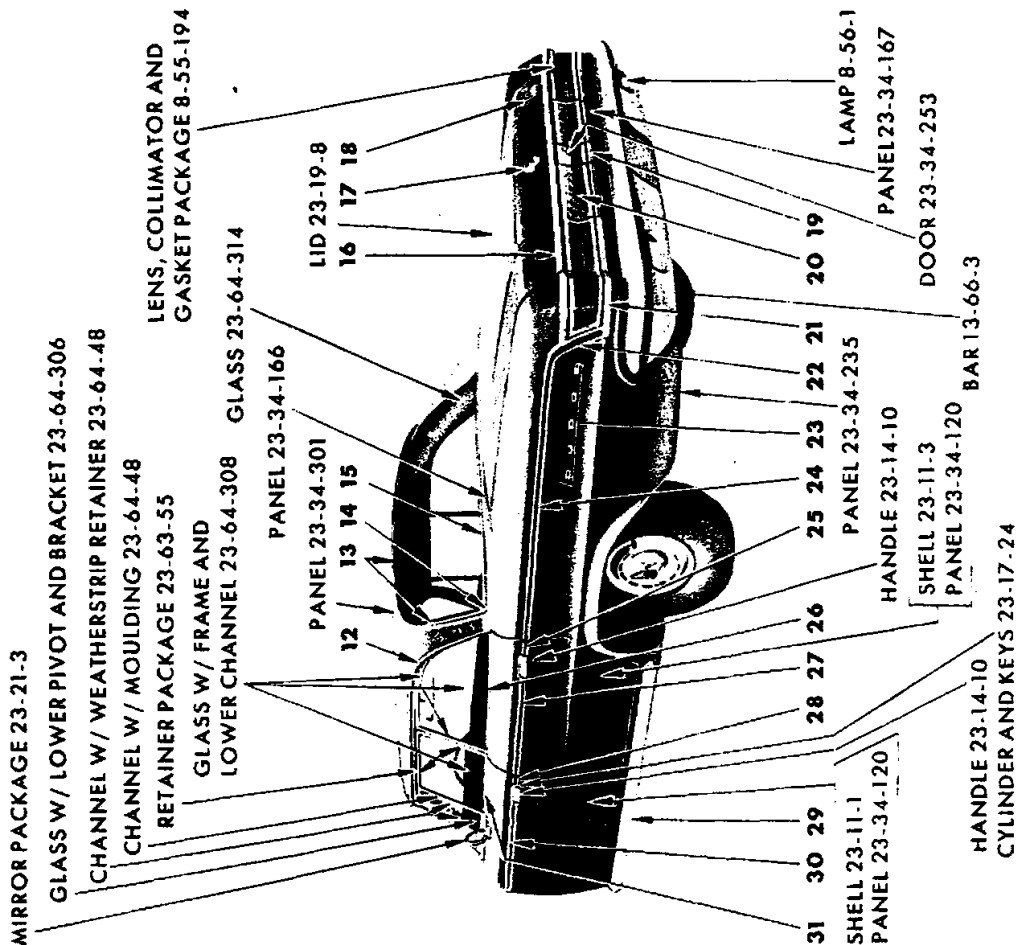
EXTERIOR VIEW - DODGE VAS(L) 4 DOOR SEDAN

REF. NO.	QTY	PART NUMBER	DESCRIPTION	REF. NO.	QTY	PART NUMBER	DESCRIPTION
1	1	2196 272-3	MOULDING PACKAGE, Windshield Outside Finish Lower End (23-23-65)	18	1	2495 282-3	MOULDING PACKAGE, Rear Window Outside Lower Corner (23-23-52)
	2	274 411	Screw		2	6024 617	Screw
	8	6022 010	Screw		2	6023 682	Screw 2 6001 529 Clip
2	1	2495 186-7	MOULDING PACKAGE, Fender Side (12-15-2)	19	1	2495 278	MOULDING PACKAGE, Rear Window Lower (23-23-52)
	4	6001 613	Retainer		7	6001 528	Clip
	10	6001 522	Retainer 10 ---- --- Nut	20	1	2486 344	ORNAMENT, Deck Lid Lock Cylinder (23-17-19)
3	2	2495 186	CAP PACKAGE, Fender Side Moulding (12-15-9)	21	1	2445 097	NAME PLATE, Deck Lid (23-19-114)
	2	----	Nut		3	152 259	Nut
4	2	2445 131	ORNAMENT, Fender Top (12-15-21)		1	6000 050	Clip
	2	9419 633	Screw	22	1	2482 912-3	PANEL, Deck Lower Panel Finish (23-23-28)
5	1	2448 532-3	MOULDING PACKAGE, Fender Radiator Grille Opening (12-15-2)		8	----	Washer 8 ---- --- Nut
	2	6000 943	Nut	23	1	2495 453	MOULDING PACKAGE, Deck Lower Panel Filler Door (23-23-23)
	2	167 121	Screw 12 116 000 Nut		2	6001 517	Retainer 2 446 618 Nut
6	1	2495 152	MOULDING PACKAGE, Radiator Grille Lower Panel (7-16-36)	24	1	2495 287	MOULDING PACKAGE, Deck Lid (23-23-30)
	8	6001 450	Retainer		10	6001 518	Retainer
7	1	2448 530	MOULDING PACKAGE, Hood Front (15-25-2)		10	9417 621	Nut
	6	6001 472	Retainer	25	1	2495 288-9	MOULDING PACKAGE, Deck Lower Panel (23-23-23)
	6	----	Nut		4	6001 517	Retainer 4 446 618 Nut
8	2	2424 905	LETTER, Hood Front Name, "D" (15-06-16)	26	1	2495 422-3	MOULDING PACKAGE, Quarter Panel Rear (23-23-39)
	1	2424 906	"O"		6	6022 052	Seal 6 ---- --- Nut
	1	2424 907	"G"	27	4	2417 825	NAME LETTER, Quarter Panel, "D" (23-34-238)
	1	2424 908	"E"		2	2417 826	"O"
	5	152 259	Nut		2	2417 828	"G"
9	1	2445 132-3	BASE, Fender Top Ornament (12-15-23)		2	2417 829	"E"
	2	6023 201	Nut		20	6023 260	Nut
10	1	2299 418	MOULDING PACKAGE, Windshield Outside Finish Upper (23-23-65)	28	1	2495 428-9	MOULDING PACKAGE, Quarter Panel Front (23-23-39)
	2	9414 754	Screw 5 6000 927 Clip		14	6001 611	Clip
11	1	2084 997	MOULDING PACKAGE, Windshield Outside Finish Lower Center (23-23-65)		2	6000 745	Clip 2 116 000 Nut
	5	6000 685	Clip	29	1	2495 420-1	MOULDING PACKAGE, Rear Door Rear (23-23-33)
12	1	2240 769-70	MOULDING PACKAGE, Windshield Outside Finish Side (23-23-66)		2	6000 808	Clip
	8	6000 009	Screw		2	6022 983	Seal 2 ---- --- Nut
13	1	2240 873-4	MOULDING PACKAGE, Front Door Window Frame Front (23-23-32)	30	2	2421 588	MOULDING PACKAGE, Body Side Sill (23-23-2)
	6	6023 098	Screw		4	9413 197	Screw
14	1	2240 866-7	MOULDING PACKAGE, Front Door Window Frame Upper (23-23-32)		4	6024 268	Screw 8 6000 942 Clip
	6	6023 098	Screw	31	1	2495 424-5	MOULDING PACKAGE, Rear Door Front (23-23-33)
15	1	2240 868-9	MOULDING PACKAGE, Rear Door Window Frame (23-23-33)		8	6001 541	Clip
	8	6023 098	Screw		2	6000 745	Clip 2 116 000 Nut
16	1	2093 648-9	MOULDING, Roof Drain Trough Side (23-59-61)	32	1	2495 418-9	MOULDING PACKAGE, Front Door Rear (23-23-32)
17	1	2495 280-1	MOULDING PACKAGE, Rear Window Outside Upper (23-23-52)		2	6022 983	Seal
	14	6000 692	Clip		2	6000 808	Clip
				33	1	2495 416-7	MOULDING PACKAGE, Front Door Front (23-23-32)
					8	6001 611	Clip
					2	6000 745	Clip
					2	116 000	Nut

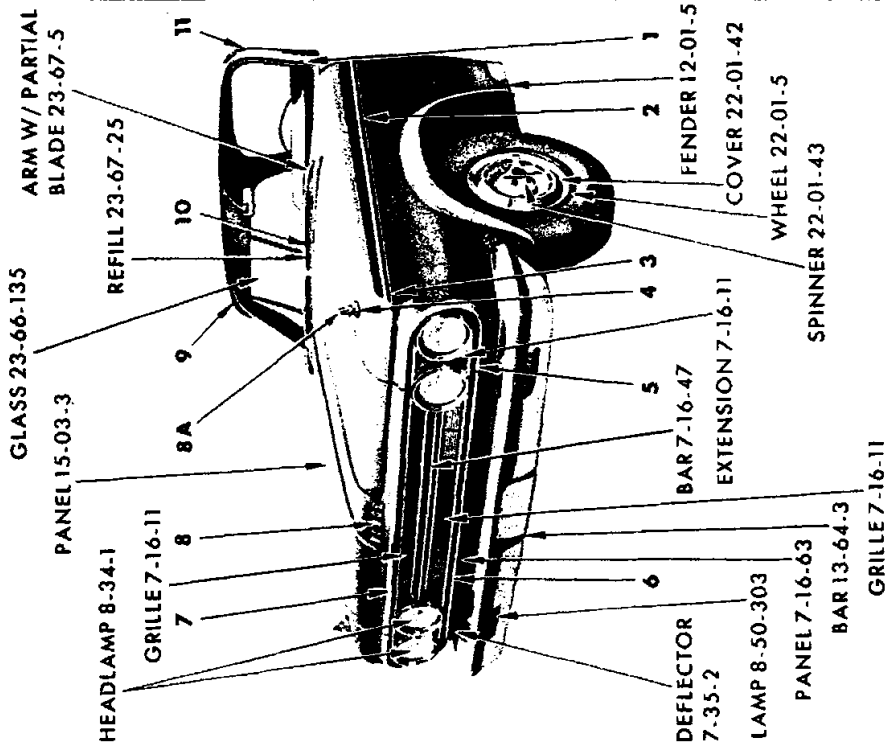
All Packages Include Attaching Parts

Part Type Code is Indicated in Parentheses

EXTERIOR VIEW - DODGE VA3(L) 4 DOOR SEDAN



19x9849 A



EXTERIOR VIEW - DODGE VA3(L) 4 DOOR HARDTOP

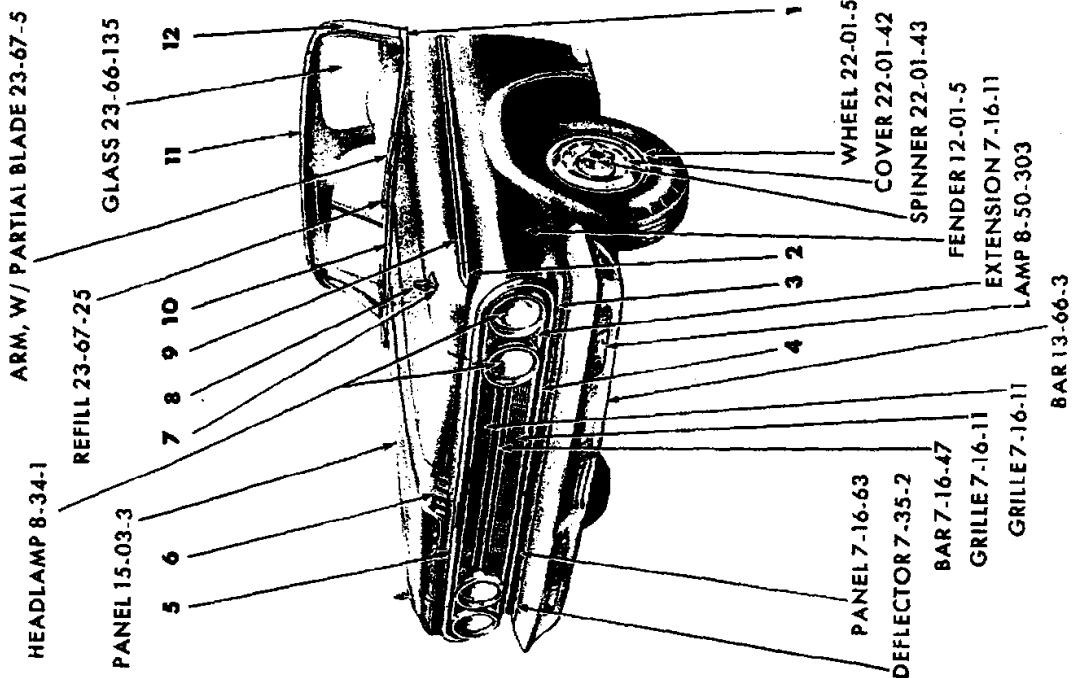
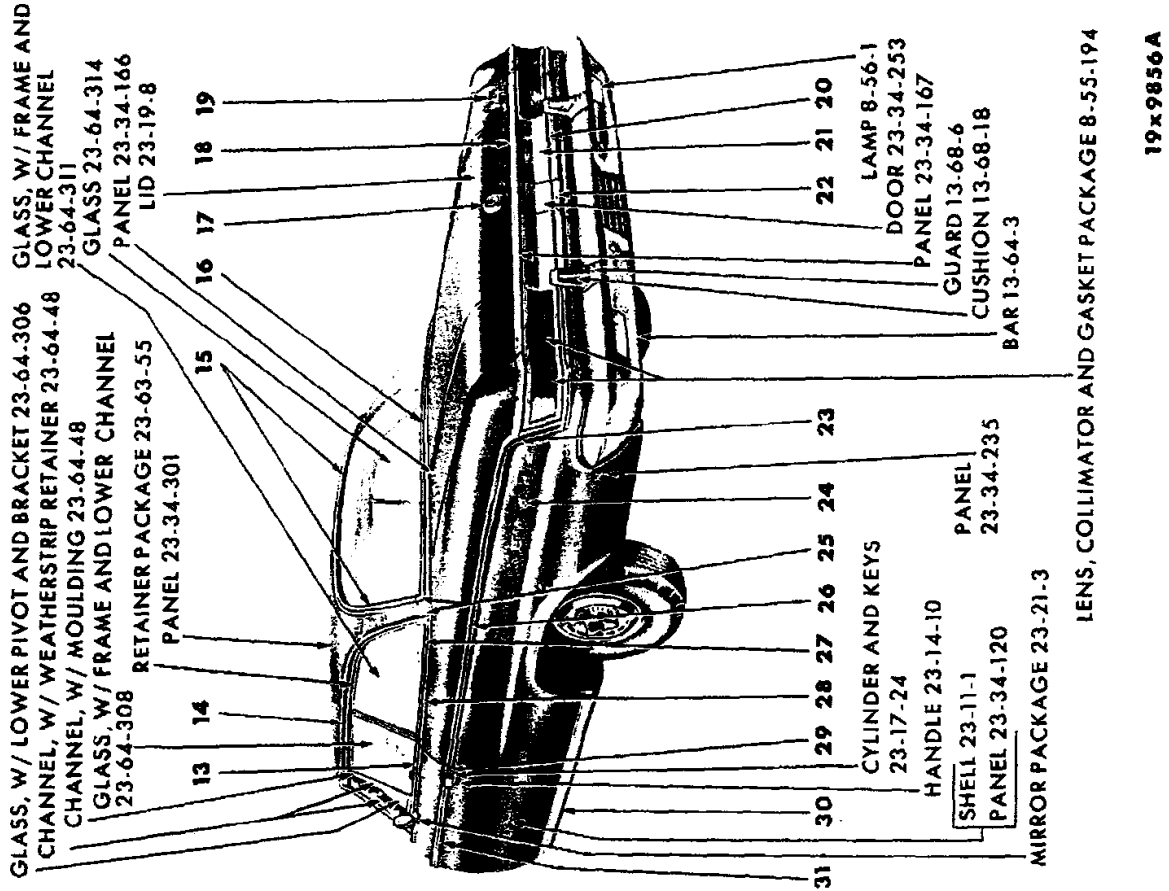
REF. NO.	QTY	PART NUMBER	DESCRIPTION
1	1	2196 272-3	MOULDING PACKAGE, Windshield Outside Finish Lower End (23-23-65)
	2	274 411	Screw
	8	6022 010	Screw
2	1	2495 186-7	MOULDING PACKAGE, Fender Side (12-15-2)
	4	6001 613	Retainer
	10	6001 522	Retainer 10 ---- Nut
3	2	2495 186	CAP PACKAGE, Fender Side Moulding (12-15-9)
	2	----	Nut
4	1	2445 132-3	BASE, Fender Top Ornament (12-15-23)
	2	9419 633	Screw
5	1	2448 532-3	MOULDING PACKAGE, Fender Radiator Grille Opening (12-15-2)
	2	6000 943	Nut
	2	187 121	Screw 12 111 600 Nut
6	1	2495 152	MOULDING PACKAGE, Radiator Grille Lower Panel (7-16-36)
	8	6001 450	Retainer
7	1	2448 530	MOULDING PACKAGE, Hood Front (15-25-2)
	6	6001 472	Retainer 6 ---- Nut
8	2	2424 905	LETTER, Hood Front "D" (15-06-16)
	1	2424 906	"O"
	1	2424 907	"G"
	1	2424 908	"E"
	5	152 259	Nut
8A	2	2445 131	ORNAMENT, Fender Top (12-15-21)
	2	9419 633	Screw
9	1	2299 418	MOULDING PACKAGE, Windshield Outside Finish Upper (23-23-65)
	5	6000 927	Clip
	2	9414 754	Screw
10	1	2084 997	MOULDING PACKAGE, Windshield Outside Finish Lower Center (23-23-65)
	5	6000 685	Clip
11	1	2240 769-70	MOULDING PACKAGE, Windshield Outside Finish Side (23-23-65)
	8	6000 009	Screw
12	1	2093 848-9	MOULDING, Roof Side Drain Trough (23-59-61)
13	1	2495 280-1	MOULDING PACKAGE, Rear Window Outside Upper (23-23-52)
	14	6000 692	Clip
14	1	2495 282-3	MOULDING PACKAGE, Rear Window Outside Lower Corner (23-23-52)
	2	6024 617	Screw
	2	6001 529	Clip
	2	6023 682	Screw
15	1	2495 278	MOULDING PACKAGE, Rear Window Lower (23-23-52)
	7	6001 528	Clip
16	1	2495 287	MOULDING PACKAGE, Deck Lid (23-23-30)
	10	6001 518	Retainer
	10	9417 621	Nut

All Packages include Attaching Parts

REF. NO.	QTY	PART NUMBER	DESCRIPTION
17	1	2486 344	ORNAMENT, Deck Lid Lock Cylinder (23-17-19)
18	1	2445 097	NAME PLATE, Deck Lid (23-19-114)
	3	152 259	Nut
	1	6000 050	Clip
19	1	2495 453	MOULDING PACKAGE, Deck Lower Panel Filler Door (23-23-23)
	2	6001 517	Retainer
	2	446 618	Nut
20	1	2482 912-3	PANEL, Deck Lower Panel Finish (23-23-28)
	8	----	Washer
	8	----	Nut
21	1	2495 288-9	MOULDING PACKAGE, Deck Lower Panel (23-23-23)
	4	6001 517	Retainer
	4	446 618	Nut
22	1	2495 422-3	MOULDING PACKAGE, Quarter Panel Rear (23-23-39)
	6	6022 052	Seal
	6	----	Nut
23	4	2417 825	NAME LETTER, Quarter Panel, "D" (23-34-238)
	2	2417 826	"O"
	2	2417 828	"G"
	2	2417 829	"E"
	20	6023 260	Nut
24	1	2495 428-9	MOULDING PACKAGE, Quarter Panel Front (23-23-39)
	14	6001 611	Clip
	2	6000 745	Clip
	2	116 000	Nut
25	1	2495 420-1	MOULDING PACKAGE, Rear Door Lower Rear (23-23-33)
	2	6000 808	Clip
	2	6022 983	Seal
	2	----	Nut
26	1	2298 616-7	MOULDING PACKAGE, Rear Door Belt (23-23-33)
	10	6001 247	Clip
27	1	2495 424-5	MOULDING PACKAGE, Rear Door Lower Front (23-23-33)
	8	6001 611	Clip
	2	6000 745	Clip
	2	116 000	Nut
28	1	2495 418-9	MOULDING PACKAGE, Front Door Lower Rear (23-23-32)
	2	6022 983	Seal
	2	6000 808	Clip
29	2	2421 588	MOULDING PACKAGE, Body Side Sill (23-23-2)
	8	6000 942	Clip
	8	9413 197	Screw
	4	6024 268	Screw
30	1	2495 416-7	MOULDING PACKAGE, Front Door Lower Front (23-23-32)
	8	6001 611	Clip
	2	6000 745	Clip
	2	116 000	Nut
31	1	2298 610-1	MOULDING PACKAGE, Front Door Belt (23-23-32)
	8	6001 264	Clip

Part Type Code is Indicated in Parentheses

EXTERIOR VIEW - DODGE VA3(L) 4 DOOR HARDTOP



EXTERIOR VIEW - DODGE VA3(L) 2 DOOR HARDTOP

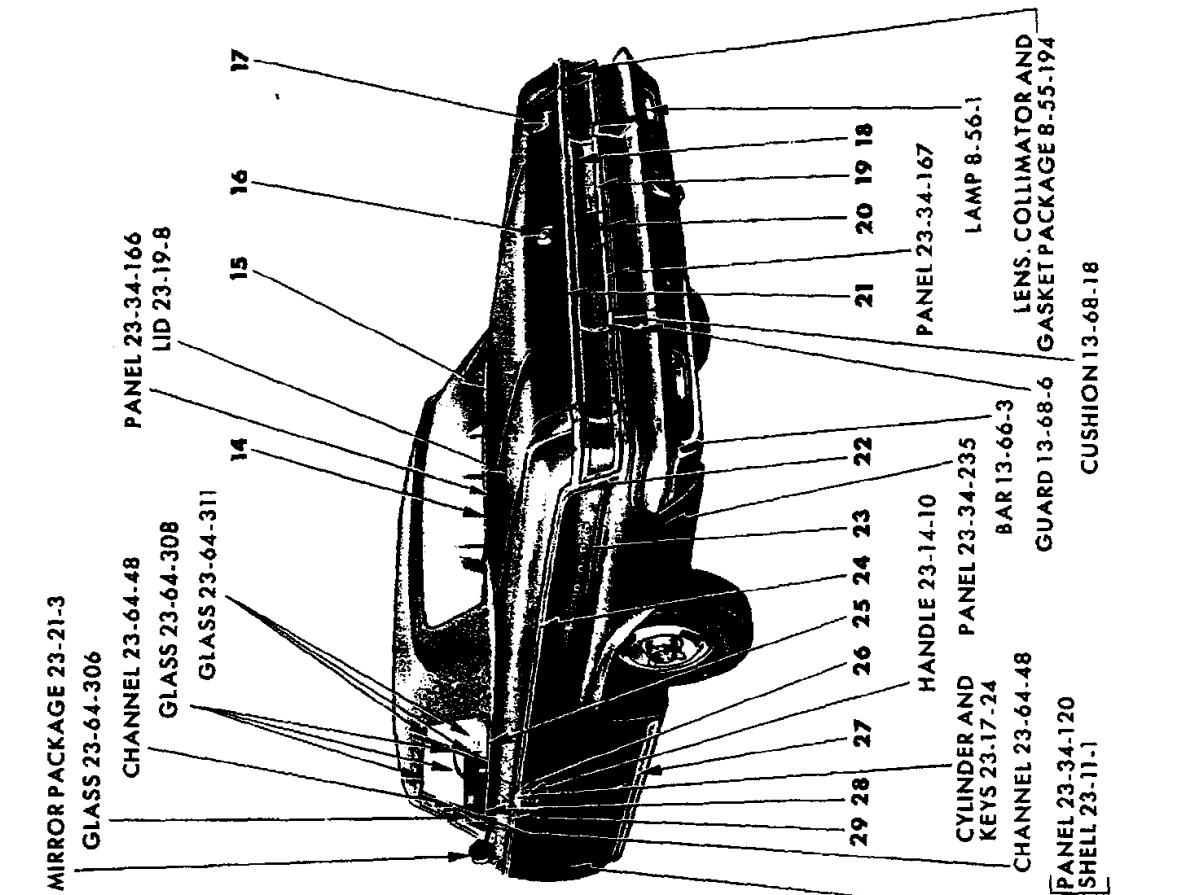
REF. NO.	QTY	PART NUMBER	DESCRIPTION
1	1	2196 272-3	MOULDING PACKAGE, Windshield Outside Finish Lower End (23-23-85)
	2	274 411	Screw
	8	6022 010	Screw
2	2	2495 185	CAP PACKAGE, Fender Side Moulding (12-15-9)
	2	----	Nut
3	1	2448 532-3	MOULDING PACKAGE, Fender Radiator Grille Opening (12-15-2)
	12	116 000	Nut
	2	----	Nut
	2	167 121	Screw
4	1	2495 152	MOULDING PACKAGE, Radiator Grille Lower Panel (7-16-36)
	8	6001 450	Retainer
5	1	2448 530	MOULDING PACKAGE, Hood Front (15-25-2)
	6	----	Nut
	6	6001 472	Retainer
6	2	2424 906	LETTER, Hood Front Name, "D" (15-06-16)
	1	2424 906	"O"
	1	2424 907	"G"
	1	2424 908	"E"
	5	152 259	Nut
7	1	2445 132-3	BASE, Fender Top Ornament (12-15-23)
	2	9419 633	Screw
8	2	2445 131	ORNAMENT, Fender Top (12-15-21)
	2	9419 633	Screw
9	1	2495 186-7	MOULDING PACKAGE, Fender Side (12-15-2)
	4	6001 613	Retainer
	10	6001 522	Retainer
	10	----	Nut
10	1	2084 997	MOULDING PACKAGE, Windshield Outside Finish Lower Center (23-23-85)
	5	6000 685	Clip
11	1	2299 418	MOULDING PACKAGE, Windshield Outside Finish Upper (23-23-85)
	5	6000 927	Clip
	2	9414 754	Screw
12	1	2240 769-70	MOULDING PACKAGE, Windshield Outside Finish Side (23-23-85)
	8	6000 009	Screw
13	1	2298 612-3	MOULDING PACKAGE, Door Belt (23-23-32)
	10	6001 264	Clip
14	1	2093 174	MOULDING, Roof Drain Trough Side (23-59-61)
15	1	2495 270-1	MOULDING PACKAGE, Rear Window Outside Upper (23-23-52)
	14	6000 692	Clip
16	1	2495 268	MOULDING PACKAGE, Rear Window Lower (23-23-52)
	6	6001 528	Clip
	2	6023 682	Screw

All Packages Include Attaching Parts

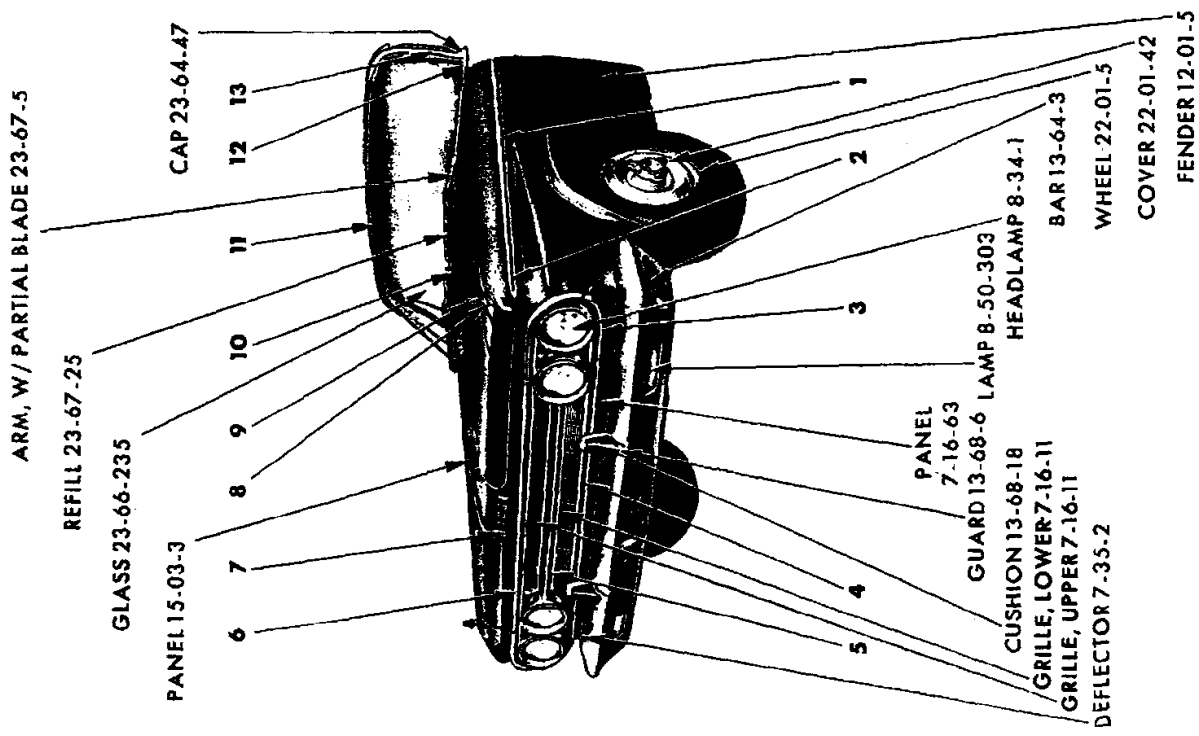
REF. NO.	QTY	PART NUMBER	DESCRIPTION
17	1	2486 344	ORNAMENT, Deck Lid Lock Cylinder (23-17-19)
18	1	2495 287	MOULDING PACKAGE, Deck Lid (23-23-30)
	10	6001 518	Retainer
	10	----	Nut
19	1	2445 097	NAME PLATE, Deck Lid (23-19-114)
	3	152 259	Nut
	1	6000 050	Clip
20	1	2495 288-9	MOULDING PACKAGE, Deck Lower Panel (23-23-23)
	4	6001 517	Retainer
	4	446 618	Nut
21	1	2482 912-3	PANEL, Deck Lower Panel Finish (23-23-28)
	8	----	Washer
	8	----	Nut
22	1	2495 453	MOULDING PACKAGE, Deck Lower Panel Filler Door (23-23-23)
	2	6001 517	Retainer
	2	446 618	Nut
23	1	2495 422-3	MOULDING PACKAGE, Quarter Panel Lower Rear (23-23-39)
	6	6022 052	Seal
	6	----	Nut
24	4	2417 825	"D", Quarter Panel Name Letter (23-34-238)
	2	2417 826	"O"
	2	2417 828	"G"
	2	2417 829	"E"
	20	6023 260	Nut
25	1	2495 272-3	MOULDING PACKAGE, Rear Window Lower Corner (23-23-52)
	2	6001 528	Clip
	2	6024 616	Screw
26	1	2495 426-7	MOULDING PACKAGE, Quarter Panel Lower Front (23-23-39)
	24	6001 611	Clip
	2	6000 745	Clip
	2	116 000	Nut
27	1	2421 919-20	MOULDING PACKAGE, Quarter Panel Belt Rear (23-23-39)
	2	6001 264	Clip
	2	180 075	Screw
28	1	2421 921-2	MOULDING PACKAGE, Quarter Panel Belt Front (23-23-39)
	10	6001 284	Clip
29	1	2495 412-3	MOULDING PACKAGE, Door Lower Rear (23-23-32)
	2	6022 983	Seal
	2	6000 808	Clip
30	2	2421 588	MOULDING PACKAGE, Body Side Sill (23-23-2)
	8	6000 942	Clip
	4	9413 197	Screw
	4	6024 268	Screw
31	1	2495 414-5	MOULDING PACKAGE, Door Lower Front (23-23-32)
	10	6001 611	Clip
	2	6000 745	Clip
	2	116 000	Nut

Part Type Code is Indicated in Parentheses

EXTERIOR VIEW - DODGE VA3(L) 2 DOOR HARDTOP



19x9818 A



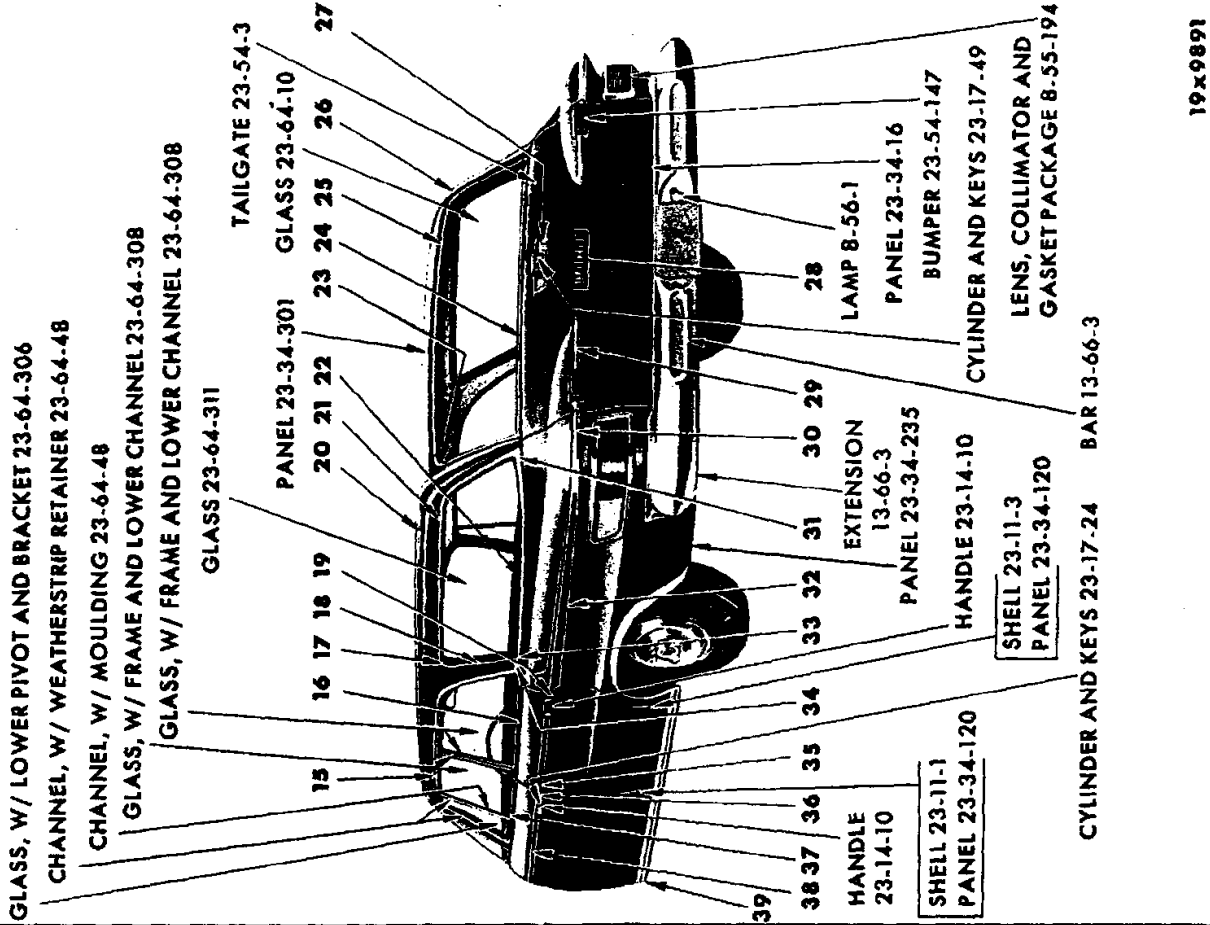
EXTERIOR VIEW - DODGE VA3(L) CONVERTIBLE COUPE

REF. NO.	QTY	PART NUMBER	DESCRIPTION	REF. NO.	QTY	PART NUMBER	DESCRIPTION
1	1	2495 186-7	MOULDING PACKAGE, Fender Side (12-15-2)	17	1	2445 097	NAME PLATE, Deck Lid (23-19-114)
	4	6001 613	Retainer		2	152 259	Nut
	10	6001 522	Retainer		1	6000 050	Clip
	10	-----	Nut	18	1	2482 912-3	PANEL, Deck Lower Panel Finish (23-23-28)
2	2	2495 187	CAP PACKAGE, Fender Side Moulding (12-15-9)		8	-----	Washer
	2	-----	Nut		8	-----	Nut
3	1	2448 532-3	MOULDING PACKAGE, Fender Radiator Grille Opening (12-15-2)	19	1	2495 288-9	MOULDING PACKAGE, Deck Lower Panel (23-23-23)
	2	6000 943	Nut		4	6001 517	Retainer
	2	167 121	Screw		4	446 618	Nut
	12	116 000	Nut	20	1	2495 453	MOULDING PACKAGE, Deck Lower Panel Filler Door (23-23-23)
4	1	2495 152	MOULDING PACKAGE, Radiator Grille Lower Panel (7-16-36)		2	6001 517	Retainer
	8	6001 450	Retainer		2	446 618	Nut
5	1	2445 081	BAR, Radiator Grille (7-16-47)	21	1	2495 287	MOULDING PACKAGE, Deck Lid (23-23-30)
	3	-----	Screw		10	6001 518	Retainer
	2	-----	Screw		10	446 618	Nut
6	1	2448 530	MOULDING PACKAGE, Hood Front (15-25-2)	22	1	2495 422-3	MOULDING PACKAGE, Quarter Panel Lower Rear Extension (23-23-39)
	6	-----	Nut		6	6022 052	Seal
	6	6001 472	Retainer		6	-----	Nut
7	2	2424 905	LETTER, Hood Front Name, "D" (15-06-16)	23	4	2417 825	LETTER, Quarter Panel, "D" (23-34-238)
	1	2424 906	"O"		2	2417 826	"O"
	1	2424 907	"G"		2	2417 828	"G"
	1	2424 908	"E"		2	2417 829	"E"
	5	152 259	Nut		20	6023 260	Nut
8	1	2445 132-3	BASE, Fender Top Ornament (12-15-23)	24	1	2495 426-7	MOULDING PACKAGE, Quarter Panel Lower Front (23-23-39)
	2	9419 633	Screw		24	6001 611	Clip
9	2	2445 131	ORNAMENT, Fender Top (12-15-21)		2	6000 745	Clip
	2	9419 633	Screw		2	116 000	Nut
10	1	2084 997	MOULDING PACKAGE, Windshield Outside Finish Lower Center (23-23-65)	25	1	2298 590-1	MOULDING PACKAGE, Quarter Panel (23-23-39)
	5	6000 685	Clip		6	6001 264	Clip
11	1	2196 119	PANEL PACKAGE, Windshield Header Outside Finish (23-23-64)	26	1	2495 412-3	MOULDING PACKAGE, Door Lower Rear (23-23-32)
	5	6024 400	Screw		2	6022 983	Seal
12	1	2196 272-3	MOULDING PACKAGE, Windshield Outside Finish Lower End (23-23-65)		2	6000 808	Clip
	2	274 411	Screw	27	2	2421 588	MOULDING PACKAGE, Body Side Sill (23-23-2)
	8	6022 010	Screw		8	6000 942	Clip
13	1	2084 998-9	MOULDING PACKAGE, Windshield Outside Finish Side, w/Extension (23-23-65)		8	9413 197	Screw
	2	6024 400	Screw		4	6024 288	Screw
14	1	2165 704-5	MOULDING, Folding Top Belt Outside (23-23-49)	28	1	2298 612-3	MOULDING PACKAGE, Door Belt (23-23-32)
	22	6000 433	Stud		10	6001 264	Clip
15	1	1963 336	COVER, Folding Top Belt Bar Outside Finish Moulding (23-23-41)	29	1	2495 414-5	MOULDING, Door Lower Front (23-23-32)
	1	6000 433	Stud		10	6001 611	Clip
16	1	2486 344	ORNAMENT, Deck Lid Lock Cylinder (23-17-19)		2	6000 745	Clip
					2	116 000	Nut

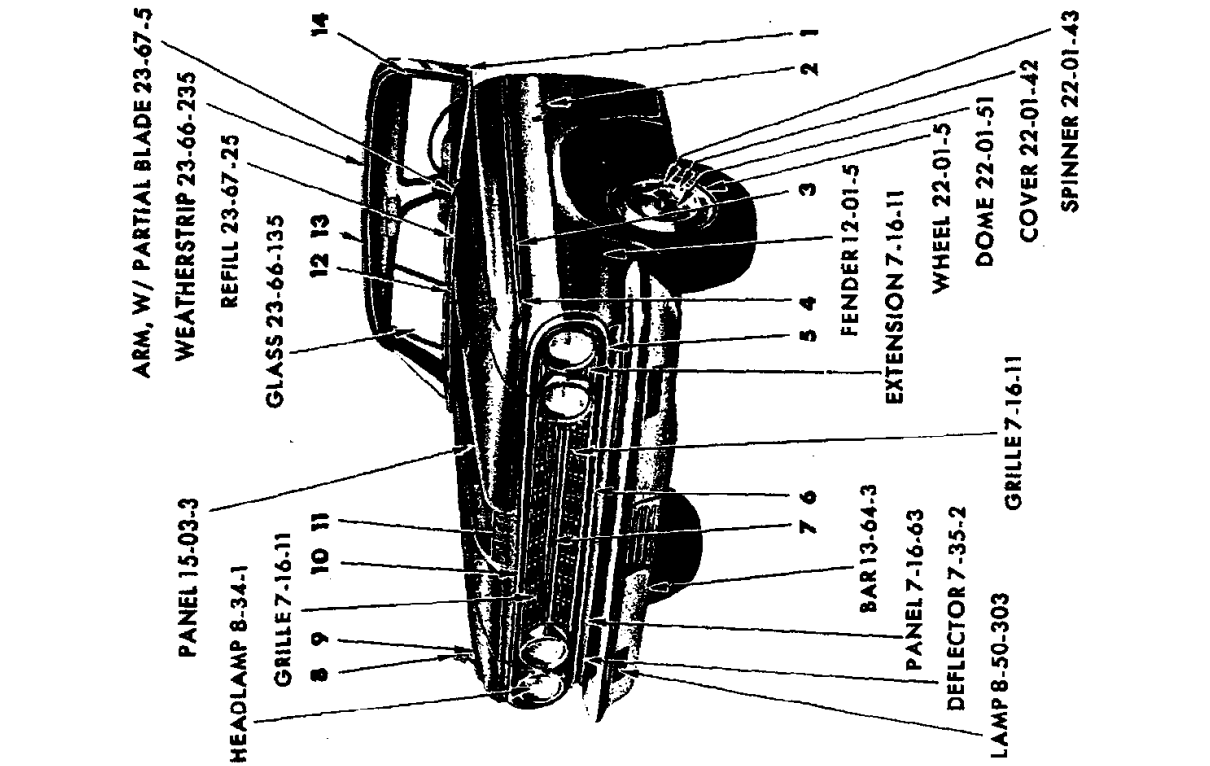
All Packages include Attaching Parts

Part Type Code is Indicated in Parentheses

EXTERIOR VIEW - DODGE VA3(L) CONVERTIBLE COUPE



19x9891



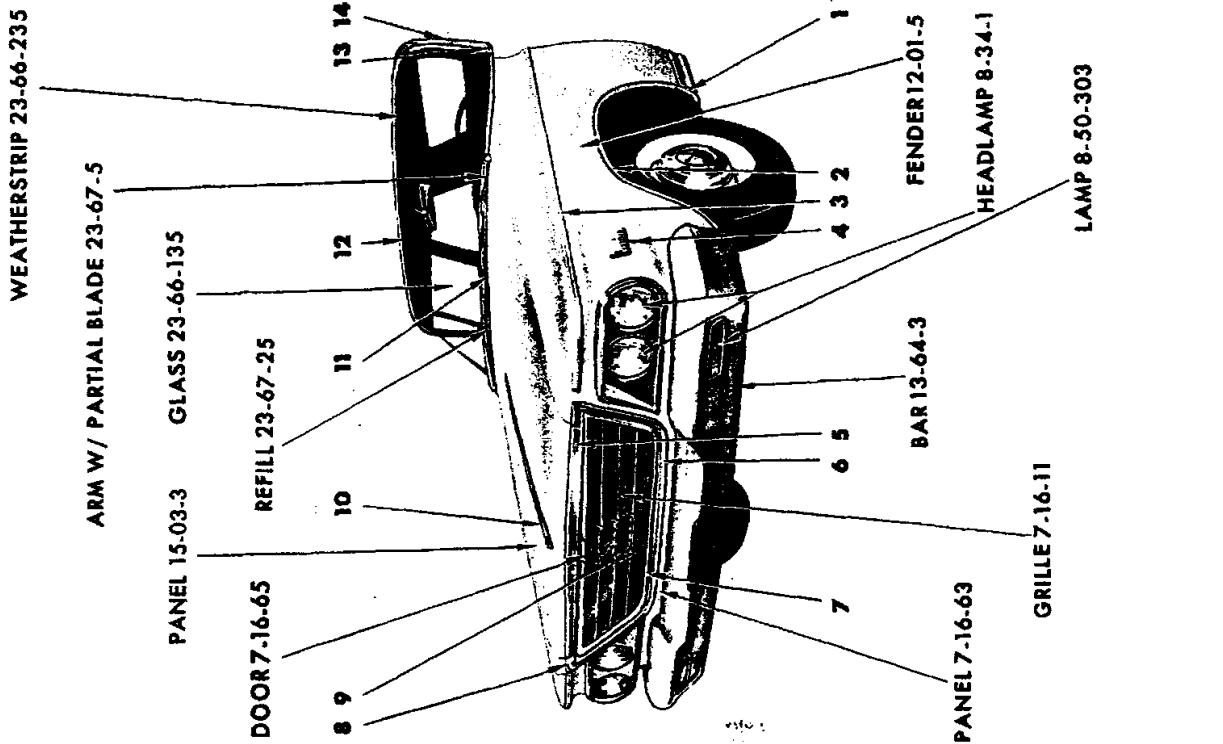
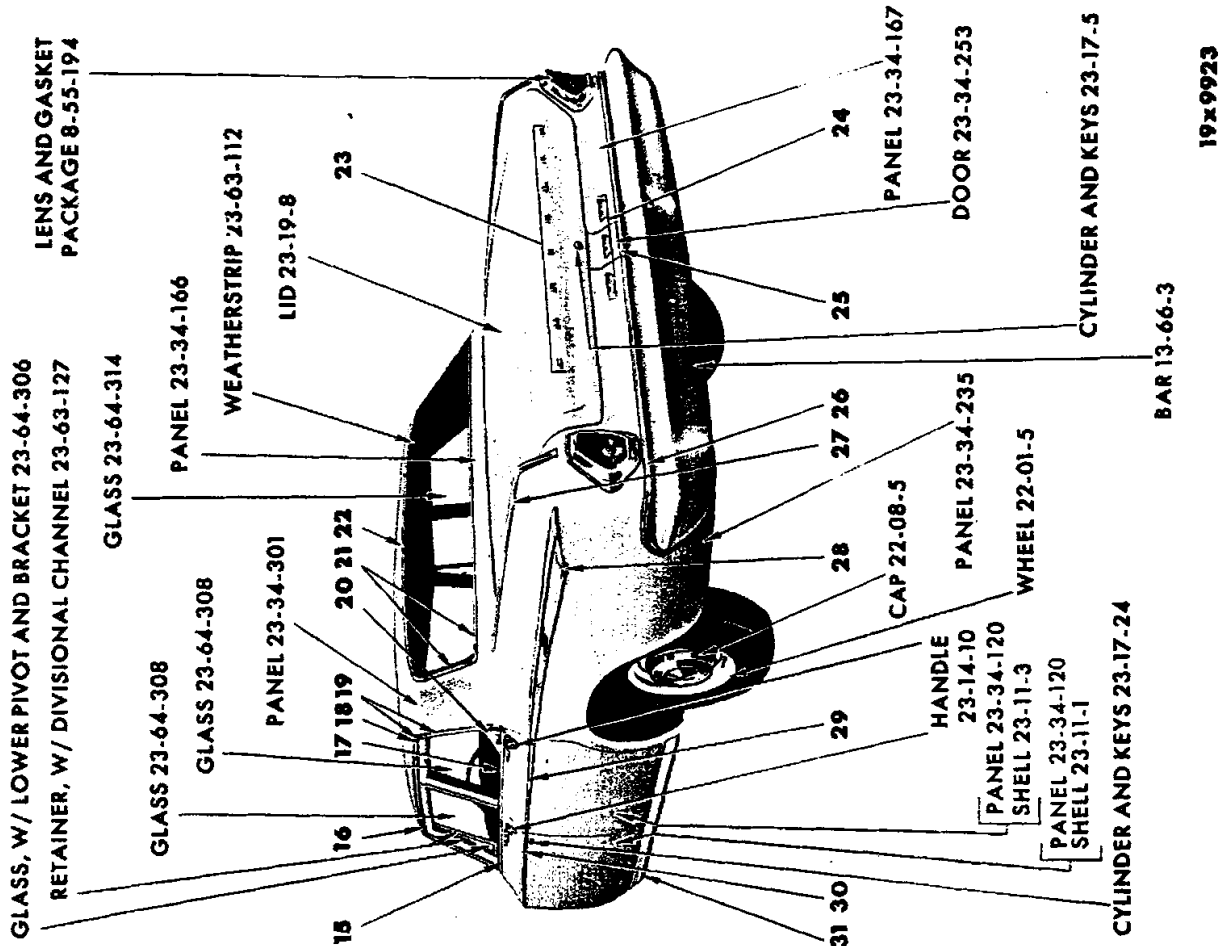
EXTERIOR VIEW - DODGE VA3(L) 4 DOOR HARDTOP STATION WAGON

REF. NO.	QTY	PART NUMBER	DESCRIPTION	REF. NO.	QTY	PART NUMBER	DESCRIPTION
1	1	2196 272-3	MOULDING PACKAGE, Windshield Lower End (23-23-65)	21	1	1961 212-3	MOULDING, Quarter Window Outside Finish Upper (23-23-73)
	8	6022 010	Screw 2 274 411 Screw	22	1	1961 214-5	MOULDING, Quarter Window Outside Finish Lower (23-23-73)
2	2	2445 097	NAME PLATE, Fender Side (12-15-21)	23	1	2196 464-5	CAP PACKAGE, Roof Rear Tailgate Opening Moulding (23-23-60)
	8	6001 254	Clip		2	6006 451	Clip
3	1	2495 186-7	MOULDING PACKAGE, Fender Side (12-15-2)	24	1	2196 460	MOULDING PACKAGE, Tailgate Outside Finish Belt (23-23-61)
	4	6001 613	Retainer		2	6006 441	Clip 2 151 306 Screw
	10	6001 522	Retainer 10 ---- --- Nut	25	1	2196 466	MOULDING PACKAGE, Tailgate Opening Outside Finish Roof Rear (23-23-60)
4	2	2495 187	CAP PACKAGE, Fender Side Moulding (12-15-2)		7	6006 451	Clip
	2	---- ---	Nut	26	1	2196 462-3	MOULDING PACKAGE, Rear Pillar Outside Finish (23-23-60)
5	1	2448 532-3	MOULDING PACKAGE, Fender Radiator Grille Opening (12-15-2)		★	6006 451	Clip
	2	6000 943	Nut	27	1	2188 389	ORNAMENT, Tailgate Outside Panel (23-54-11)
	2	167 121	Screw 12 116 000 Nut		3	116 000	Nut, w/Washer
6	1	2495 152	MOULDING PACKAGE, Radiator Grille Lower Panel (7-16-36)	28	2	2424 905	LETTER "D", Tailgate (23-54-11)
	8	6001 450	Retainer		1	2424 906	"O"
7	1	2445 081	BAR, Radiator Grille (7-16-47)		1	2424 907	"G"
	5	6025 001	Nut		1	2424 908	"E" 10 6000 050 Clip
8	2	2445 131	ORNAMENT, Fender Top (12-15-21)	29	1	2275 031-2	MOULDING PACKAGE, Tailgate Outside Panel Bumper (23-23-61)
	2	9419 633	Screw		4	116 000	Nut
9	1	2445 132-3	BASE, Fender Top Ornament (12-15-23)	30	2	2448 507	MOULDING PACKAGE, Quarter Panel Rear (23-23-39)
	2	6023 201	Nut		2	6024 654	Screw 4 6000 820 Clip
10	1	2448 530	MOULDING PACKAGE, Hood Front (15-25-2)	31	1	2196 816-7	CAP PACKAGE, Quarter Window Outside Finish Lower Rear (23-23-74)
	6	6001 472	Retainer 6 ---- --- Nut		2	125 978	Screw
11	2	2424 905	LETTER, Hood Front Name, "D" (15-06-16)	32	1	2495 410-1	MOULDING PACKAGE, Quarter Panel Front (23-23-39)
	1	2424 906	"O"		2	9416 042	Screw 12 6001 547 Clip
	1	2424 907	"G"	33	2	1961 210	CAP, Quarter Window Outside Finish Front (23-23-74)
	1	2424 908	"E" 5 152 259 Nut	34	1	2299 430-1	MOULDING PACKAGE, Quarter Panel Belt (23-23-39)
12	1	2084 997	MOULDING PACKAGE, Windshield Lower Center (23-23-65)		2	6024 401	Screw
	5	6000 885	Clip	35	1	2495 424-5	MOULDING PACKAGE, Rear Door Lower Front (23-23-33)
13	1	2299 418	MOULDING PACKAGE, Windshield Upper (23-23-65)		8	6001 611	Clip
	2	9414 754	Screw 5 6000 927 Clip		2	6000 745	Clip 2 116 000 Nut
14	1	2240 769-70	MOULDING PACKAGE, Windshield Side (23-23-65)	36	1	2495 418-9	MOULDING PACKAGE, Front Door Lower Rear (23-23-32)
	8	6000 009	Screw		2	6022 983	Seal 2 6000 808 Clip
15	1	2093 648-9	MOULDING, Roof Side Drain Trough (23-59-61)	37	1	2298 610-1	MOULDING PACKAGE, Front Door Belt (23-23-32)
16	1	2298 616-7	MOULDING PACKAGE, Rear Door Belt (23-23-33)		8	6001 264	Clip
	10	6001 264	Clip	38	1	2495 416-7	MOULDING PACKAGE, Front Door Lower Front (23-23-32)
17	1	2094 016-7	CAP, Quarter Window Outside Finish Upper, w/Retainer (23-23-74)		8	6001 611	Clip
18	1	2094 018-9	MOULDING, Quarter Window Outside Finish Front (23-23-73)		2	6000 745	Clip 2 116 000 Nut
19	1	2495 420-1	MOULDING PACKAGE, Rear Door Lower Rear (23-23-33)	39	2	2421 588	MOULDING PACKAGE, Side Sill (23-23-2)
	2	6000 808	Clip		8	6000 942	Clip 4 9413 197 Screw
	2	6022 983	Seal 2 ---- --- Nut		4	6024 268	Screw
20	2	2196 252	MOULDING PACKAGE, Roof Panel Outside Finish used w/Assist Handle (23-23-42)				
	2	2196 253	MOULDING PACKAGE, Roof Panel Outside Finish, used w/o Assist Handle				
	28	6006 301	Clip				

All Packages include Attaching Parts

Part Type Code is Indicated in Parentheses

EXTERIOR VIEW - DODGE VA3(L) 4 DOOR HARDTOP STATION WAGON



EXTERIOR VIEW - CHRYSLER VC1(L) 4 DOOR SEDAN

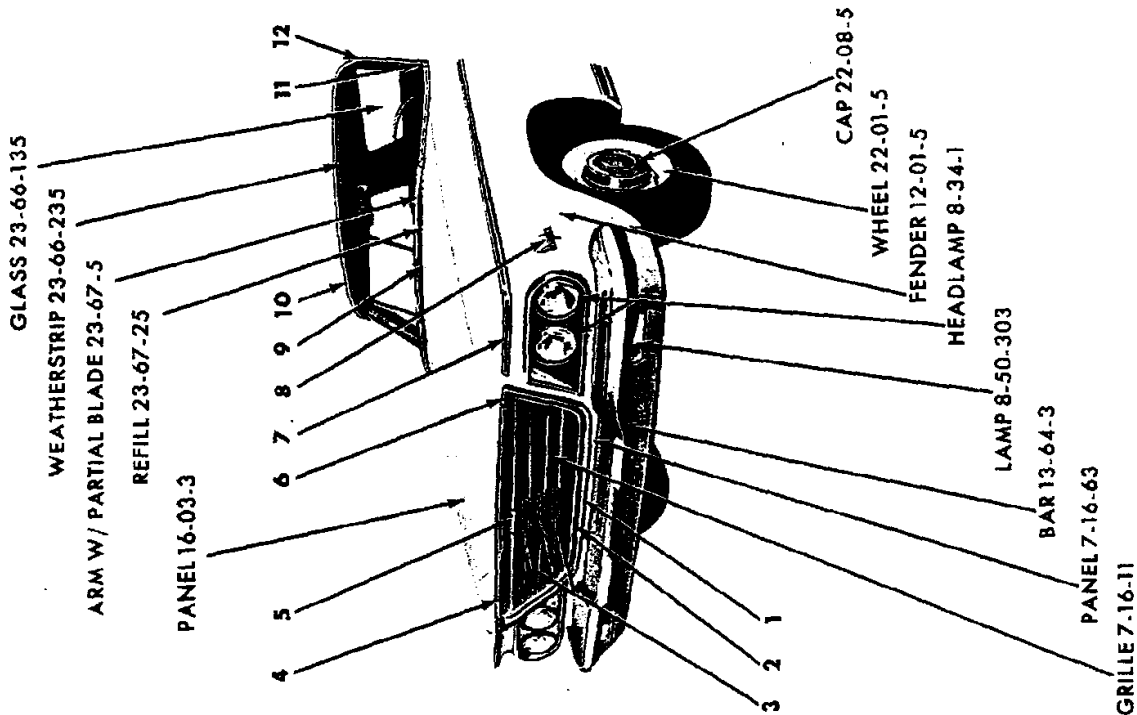
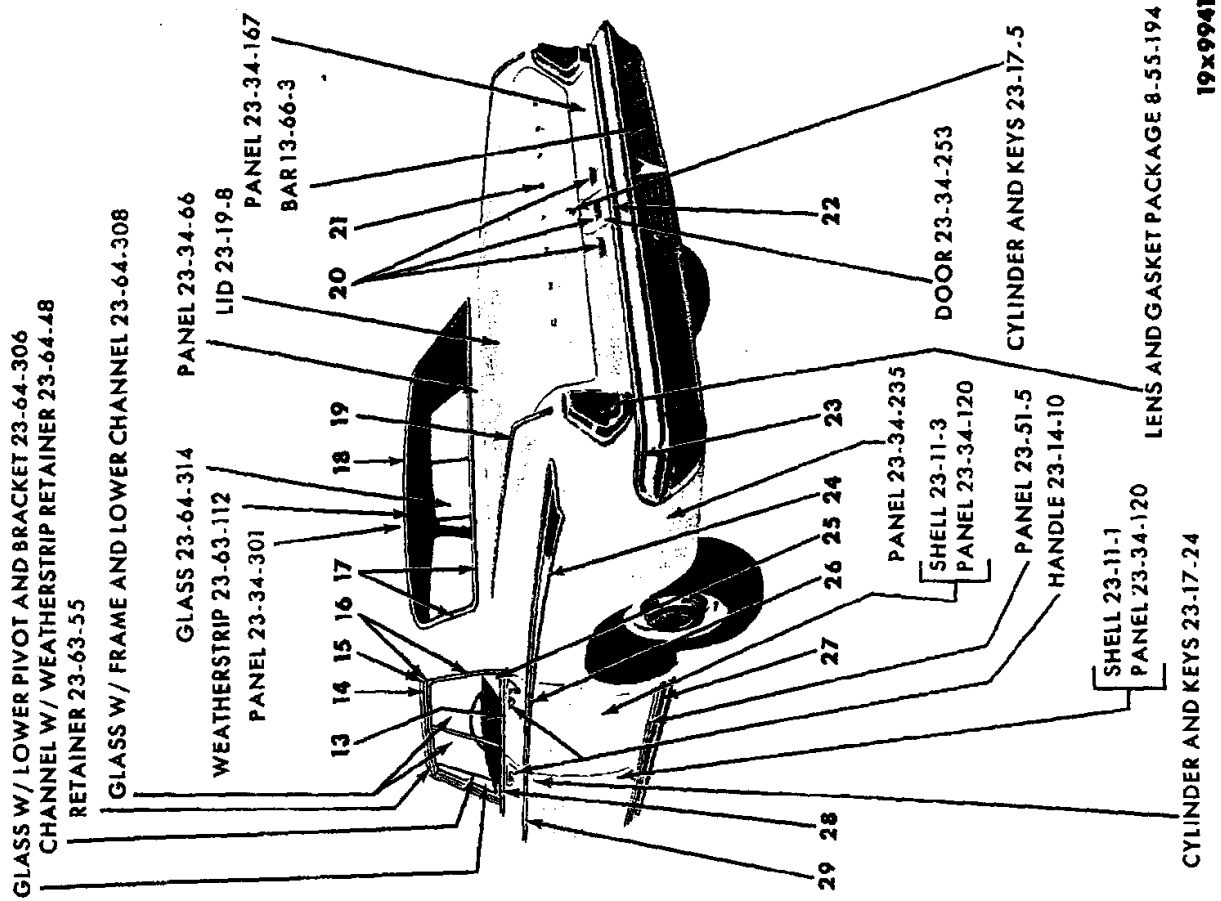
REF. NO.	QTY	PART NUMBER	DESCRIPTION
1	1	2448 556-7	MOULDING PACKAGE, Fender Wheel Opening to Sill (12-15-2)
	2	-----	Clip
	2	6008 438	Nut
	2	6023 247	Screw
2	1	2276 470-1	MOULDING PACKAGE, Fender Wheel Opening (12-15-2)
	16	6023 247	Screw
3	1	2495 706-7	MOULDING PACKAGE, Fender Side (12-15-2)
	10	6001 605	Retainer
	12	6001 462	Retainer
	4	6001 557	Clip
	12	6024 679	Nut
4	2	2276 474	NAME PLATE, Fender Side (12-15-21)
	8	152 259	Nut
5	1	2495 180	MOULDING PACKAGE, Hood Front (15-25-2)
	6	9411 618	Nut
6	1	2495 726	MOULDING PACKAGE, Radiator Grille Opening Frame (7-16-36)
	9	6001 070	Clip
	9	6023 284	Nut
	9	9415 921	Screw
7	1	2276 410	FRAME, Radiator Grille Opening (7-16-36)
8	1	2495 730-1	MOULDING PACKAGE, Radiator Grille Opening Corner (7-16-36)
	4	6024 689	Nut
9	3	2417 747	MEDALLION, Radiator Grille (7-17-1)
	6	6025 434	Nut
10	1	2495 181	MOULDING PACKAGE, Hood Top (15-25-2)
	7	6023 097	Nut
11	1	2084 997	MOULDING PACKAGE, Windshield Outside Finish Lower Center (23-23-65)
	5	6000 685	Clip
12	1	2495 694	MOULDING PACKAGE, Windshield Outside Finish Upper Center (23-23-65)
	2	6023 277	Screw
13	1	2495 696-7	MOULDING, Windshield Outside Finish Lower End (23-23-65)
	2	274 411	Screw
14	1	2216 870-1	MOULDING, Windshield Outside Finish Side (23-23-65)
	8	6023 247	Screw
15	1	2448 552-3	MOULDING PACKAGE, Front Door Belt (23-23-32)
	8	6001 497	Retainer
	2	6001 087	Retainer
	2	9417 621	Nut
16	1	2243 734-5	MOULDING, Roof Side Drain Trough Front (23-59-61)
17	1	2448 490-1	MOULDING PACKAGE, Rear Door Belt Front (23-23-33)
	6	6001 497	Retainer

REF. NO.	QTY	PART NUMBER	DESCRIPTION
18	1	2243 738-9	CAP, Roof Side Drain Trough Moulding Joint (23-59-57)
19	1	2424 498-9	MOULDING w/Cap, Roof Side Drain Trough Rear (23-59-61)
	6	6024 271	Screw w/Sealer
20	1	2424 292-3	MOULDING, Rear Door Belt Rear (23-23-33)
	2	6024 638	Screw
	6	-----	Washer
	2	6000 960	Clip
	4	9415 312	Nut
21	1	2423 092-3	MOULDING, Rear Window Outside Side and Lower (23-23-52)
	12	6001 084	Retainer and Screw
22	1	2423 091	MOULDING, Rear Window Outside Upper (23-23-52)
	7	6001 084	Retainer and Screw
23	1	2423 504	"C", Deck Lid Letter (23-19-114)
	1	2423 505	"H"
	2	2423 506	"R"
	1	2423 507	"Y"
	1	2423 508	"S"
	1	2423 509	"L"
	1	2423 510	"E"
	8	152 259	Nut
24	3	2480 703	MEDALLION and STUDS, Deck Opening Lower Panel (23-34-184)
	6	9418 877	Nut
	6	6022 077	Seal
25	1	2421 448	MOULDING PACKAGE, Deck Lower Panel Filler Door (23-23-23)
	2	6000 709	Clip 2 6023 265 Nut
26	1	2448 428-9	MOULDING PACKAGE, Quarter Panel Lower Rear (23-23-39)
	10	6001 099	Retainer 4 ----- Nut
	10	6024 679	Nut 2 188 973 Screw
27	1	2525 560-1	MOULDING PACKAGE, Quarter Panel Upper (23-23-39)
	14	6024 656	Washer
	14	9411 618	Nut
28	1	2495 490-1	MOULDING PACKAGE, Quarter Panel Lower (23-23-39)
	2	6024 271	Screw
	4	6001 506	Clip 8 6001 548 Clip
	8	6024 679	Nut 2 6001 507 Clip
29	1	2495 484-5	MOULDING PACKAGE, Rear Door Lower (23-23-33)
	10	6001 505	Retainer 2 ----- Clip
	2	9417 621	Nut
30	2	2495 449	MOULDING PACKAGE, Front Door Lower (23-23-32)
	4	6001 544	Clip 4 9417 621 Nut
	8	6001 605	Retainer
31	1	2421 571-2	MOULDING PACKAGE, Body Side Sill (23-23-2)
	14	6001 100	Retainer
	2	2422 576	Clip 4 ----- Washer
	1	2422 574-5	Clip 4 ----- Nut

All Packages Include Attaching Parts

Part Type Code is Indicated in Parentheses

EXTERIOR VIEW - CHRYSLER VC1(L) 4 DOOR SEDAN



EXTERIOR VIEW - CHRYSLER VCI(L) 4 DOOR HARDTOP

1964 PASSENGER CAR PARTS CATALOG

BODY

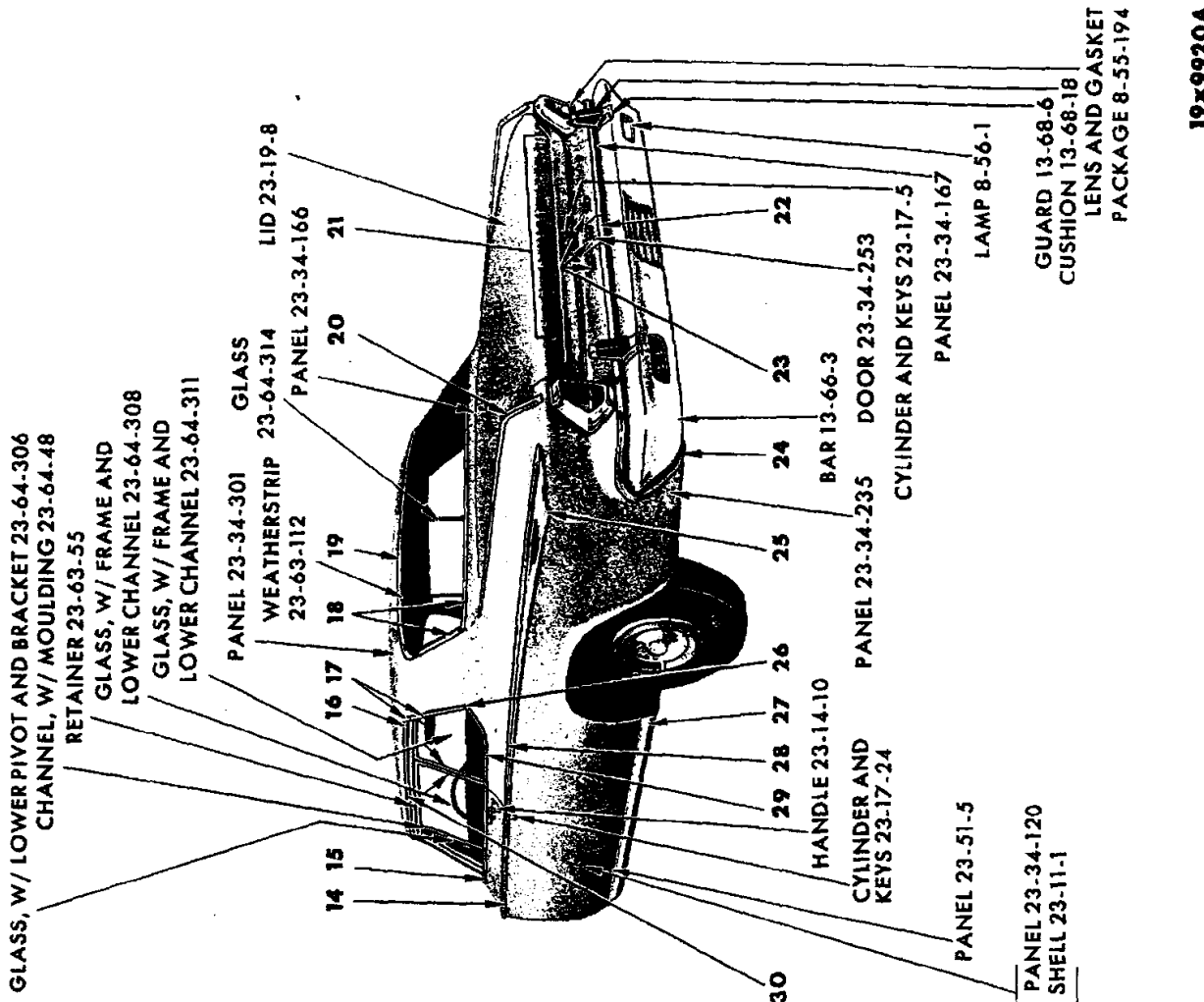
REF. NO.	QTY	PART NUMBER	DESCRIPTION
1	1	2495 726	MOULDING PACKAGE; Radiator Grille Opening Frame (7-16-36)
	9	6001 070	Clip
	9	6023 284	Nut 9 9415 921 Screw
2	1	2276 410	FRAME, Radiator Grille Opening (7-16-36)
3	3	2417 747	MEDALLION, Radiator Grille (7-17-1)
	6	6025 434	Nut
4	1	2495 180	MOULDING PACKAGE, Hood Front (15-25-2)
	6	9411 618	Nut
5	1	2417 874	DOOR, Radiator Grille Hood Lock Access (7-16-65)
6	1	2495 730-1	MOULDING PACKAGE, Radiator Grille Opening Corner (7-16-36)
	4	6024 889	Nut
7	1	2495 706-7	MOULDING PACKAGE, Fender Side (12-15-2)
	10	6001 605	Retainer 4 6001 557 Clip
	12	6001 462	Retainer 12 6024 679 Nut
8	2	2276 474	NAME PLATE, Fender Side (12-15-21)
	8	152 259	Nut
9	1	2084 997	MOULDING PACKAGE, Windshield Outside Finish Lower Center (23-23-65)
	5	6000 685	Clip
10	1	2495 694	MOULDING PACKAGE, Windshield Outside Finish Upper Center (23-23-65)
	5	6000 927	Clip 2 6023 277 Screw
11	1	2495 696-7	MOULDING, Windshield Outside Finish Lower End (23-23-65)
	2	274 411	Screw
12	1	2216 870-1	MOULDING, Windshield Outside Finish Side (23-23-65)
	8	6023 247	Screw
13	1	2448 490-1	MOULDING PACKAGE, Rear Door Belt Front (23-23-33)
	6	6001 497	Retainer
14	1	2243 734-5	MOULDING, Roof Side Drain Trough Front (23-59-61)
15	1	2243 738-9	CAP, Roof Side Drain Trough Moulding Joint (23-59-57)
16	1	2424 498-9	MOULDING w/JOINT CAP, Roof Side Train Trough Rear (23-59-61)
	6	6024 271	Screw w/Sealer
17	1	2423 092-3	MOULDING, Rear Window Outside Side and Lower (23-23-52)
	12	6001 084	Retainer and Screw

REF. NO.	QTY	PART NUMBER	DESCRIPTION
18	1	2423 091	MOULDING, Rear Window Outside Upper (23-23-52)
	7	6001 084	Retainer and Screw
19	1	2525 560-1	MOULDING PACKAGE, Quarter Panel Peak (23-23-39)
	14	6024 656	Washer 14 9411 618 Nut
20	3	2480 703	MEDALLION and STUDS, Deck Opening Lower Panel (23-34-184)
	6	9418 877	Nut 6 6022 077 Seal
21	1	2423 504	"C", Deck Lid Letter (23-19-114)
	1	2423 505	"H"
	2	2423 506	"R"
	1	2423 507	"Y"
	1	2423 508	"S"
	1	2423 509	"L"
	1	2423 510	"E"
	10	152 259	Nut
22	1	2421 448	MOULDING PACKAGE, Deck Lower Panel Filler Door (23-23-23)
	2	6000 709	Clip 2 6024 679 Nut
23	1	2448 428-9	MOULDING PACKAGE, Quarter Panel Lower Rear (23-23-39)
	10	6001 099	Retainer
	2	6024 679	Nut
	4	----	Nut 2 188 973 Screw
24	1	2495 490-1	MOULDING PACKAGE, Quarter Panel Upper (23-23-39)
	2	6024 271	Screw
	4	6001 506	Clip 8 6024 679 Nut
	8	6001 548	Clip 2 6001 570 Clip
25	1	2424 292-3	MOULDING, Rear Door Belt Rear (23-23-33)
	2	6024 638	Screw 2 6000 960 Clip
	6	----	Washer 4 9415 312 Nut
26	1	2495 484-5	MOULDING PACKAGE, Rear Door Lower (23-23-33)
	10	6001 505	Retainer
	2	----	Clip 2 9417 621 Nut
27	1	2421 571-2	MOULDING PACKAGE, Body Side Sill (23-23-2)
	14	6001 100	Retainer
	4	----	Washer 1 2422 574-5 Clip
	2	2422 576	Clip 4 ---- Nut
28	1	2448 552-3	MOULDING PACKAGE, Front Door Belt (23-23-32)
	8	6001 497	Retainer
	2	6001 087	Retainer 2 9417 621 Nut
29	2	2495 449	MOULDING PACKAGE, Front Door Lower (23-23-32)
	8	6001 605	Retainer
	4	6001 544	Clip 4 9417 621 Nut

All Packages Include Attaching Parts

Part Type Code Is Indicated in Parentheses

EXTERIOR VIEW - CHRYSLER VC1(L) 4 DOOR HARDTOP



19x9920A

EXTERIOR VIEW - CHRYSLER VCI(L) 2 DOOR HARDTOP

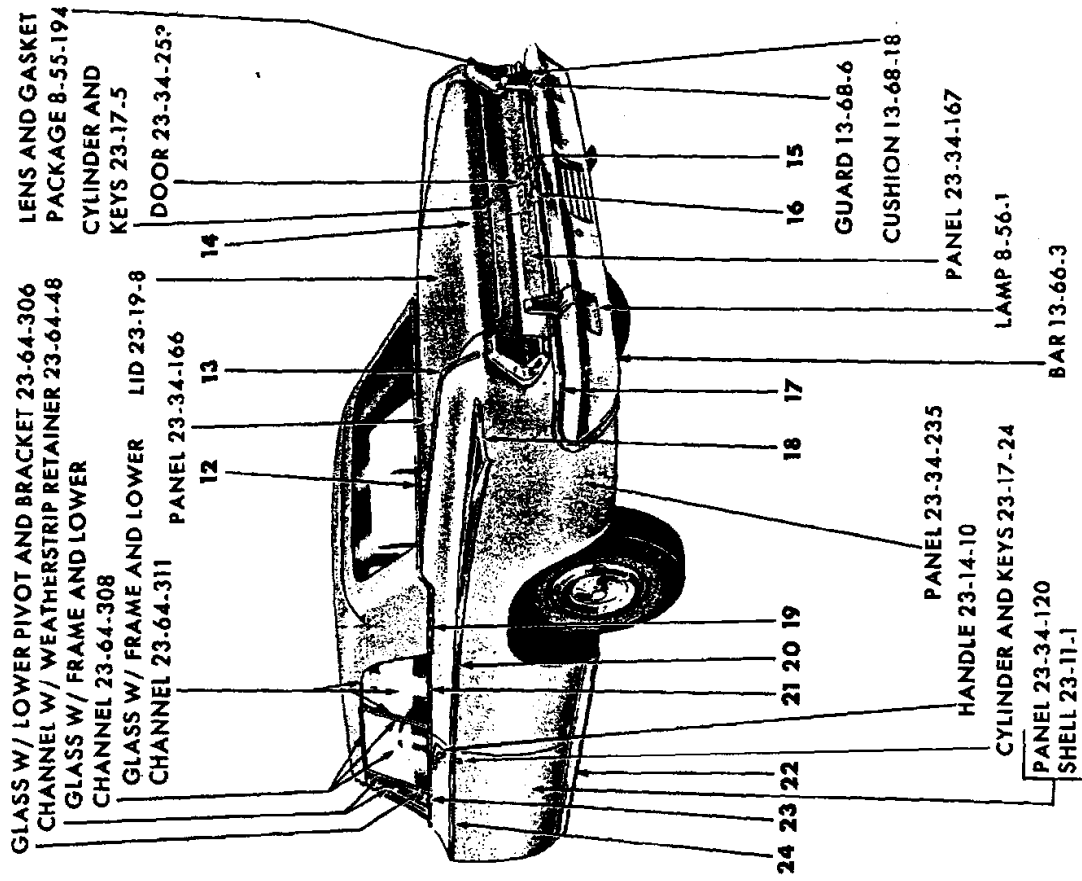
REF. NO.	QTY	PART NUMBER	DESCRIPTION
1	1	2495 706-7	MOULDING PACKAGE, Fender Side (12-15-2)
	10	6001 605	Retainer
	12	6001 462	Retainer
	4	6001 557	Clip
	12	6024 679	Nut
2	2	2276 474	NAME PLATE, Fender Side (12-15-21)
	8	152 259	Nut
3	1	2495 726	MOULDING PACKAGE, Radiator Grille Opening Frame (7-16-36)
	9	6001 070	Clip 9 6023 284 Nut
	9	9415 921	Screw
4	1	2276 410	FRAME, Radiator Grille Opening (7-16-36)
5	3	2417 747	MEDALLION, Radiator Grille (7-17-1)
	6	6025 434	Nut
6	1	2495 180	MOULDING PACKAGE, Hood Front (15-25-2)
	6	9411 618	Nut
7	1	2417 874	DOOR, Radiator Grille Hood Lock Access (7-16-65)
8	1	2495 181	MOULDING PACKAGE, Hood Top (15-25-2)
	7	6023 097	Nut
9	1	2495 730-1	MOULDING PACKAGE, Radiator Grille Opening Corner (7-16-36)
	4	6024 689	Nut
10	1	2084 997	MOULDING PACKAGE, Windshield Outside Finish Lower Center (23-23-65)
	5	6000 685	Clip
11	1	2495 694	MOULDING PACKAGE, Windshield Outside Finish Upper Center (23-23-65)
	5	6000 927	Clip 2 6023 277 Screw
12	1	2495 696-7	MOULDING, Windshield Outside Finish Lower End (23-23-65)
	2	274 411	Screw
13	1	2216 870-1	MOULDING, Windshield Outside Finish Side (23-23-65)
	8	6023 247	Screw
14	2	2495 450	MOULDING PACKAGE, Door Lower (23-23-32)
	2	6001 544	Clip
	2	9417 621	Nut
	12	6001 545	Retainer
15	1	2448 550-1	MOULDING PACKAGE, Door Belt (23-23-32)
	10	6001 497	Retainer
	2	6001 087	Retainer
	2	9417 621	Nut

REF. NO.	QTY	PART NUMBER	DESCRIPTION
16	1	2243 738-9	CAP, Roof Side Drain Trough Moulding Joint (23-59-57)
17	1	2482 782-3	MOULDING, w/Joint Cap, Roof Side Drain Trough (23-59-61)
	6	6024 271	Screw, w/Sealer
18	1	2423 092-3	MOULDING, Rear Window Outside Side and Lower (23-23-52)
19	1	2423 091	MOULDING, Rear Window Outside Upper (23-23-52)
	7	6001 084	Retainer and Screw
20	1	2525 560-1	MOULDING PACKAGE, Quarter Panel Peak (23-23-39)
	14	6024 656	Washer 14 9411 618 Nut
21	1	2423 504	"C", Deck Lid Letter (23-19-114)
	1	2423 505	"H"
	2	2423 506	"R"
	1	2423 507	"Y"
	1	2423 508	"S"
	1	2423 509	"L"
	1	2423 510	"E"
	8	152 259	Nut
22	1	2421 448	MOULDING PACKAGE, Deck Lower Panel License Depression (23-23-23)
	2	6000 709	Clip 2 6024 679 Nut
23	3	2480 703	MEDALLION and STUDS, Deck Opening Lower Panel (23-34-184)
	6	9418 877	Nut 6 6022 077 Seal
24	1	2448 428-9	MOULDING PACKAGE, Quarter Panel Lower Rear (23-23-39)
	10	6001 099	Retainer
	10	6024 679	Nut
	4	----	Nut 2 188 973 Screw
25	1	2495 496-7	MOULDING PACKAGE, Quarter Panel Upper Rear (23-23-39)
	2	6024 271	Screw 4 6001 506 Clip
	8	6001 548	Clip 8 6024 679 Nut
	2	6001 507	Clip
26	1	2528 992-3	MOULDING, Roof Side Drain Trough Rear Lower (23-59-61)
27	1	2421 571-2	MOULDING PACKAGE, Body Side Sill (23-23-2)
	14	6001 100	Retainer
	1	2422 574-5	Clip 2 2422 576 Clip
	4	----	Nut 4 ---- Washer
28	1	2495 700-1	MOULDING PACKAGE, Quarter Panel Upper Front (23-23-39)
	8	6001 505	Clip
	2	6024 271	Screw 2 6024 679 Nut
29	1	2421 554-5	MOULDING PACKAGE, Quarter Panel Belt (23-23-39)
	8	6001 497	Retainer
30	1	2243 734-5	MOULDING, Roof Side Drain Trough Front (23-59-61)

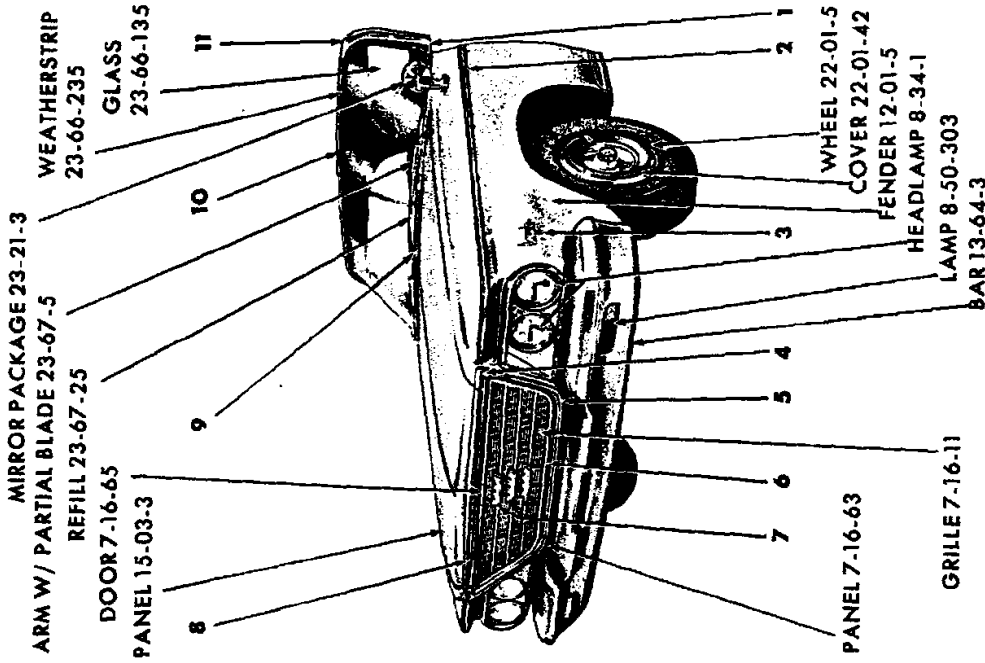
All Packages Include Attaching Parts

Part Type Code is Indicated in Parentheses

EXTERIOR VIEW - CHRYSLER VC1(L) 2 DOOR HARDTOP



19K9932



EXTERIOR VIEW - CHRYSLER VCI(L) CONVERTIBLE COUPE

1964 PASSENGER CAR PARTS CATALOG

BODY

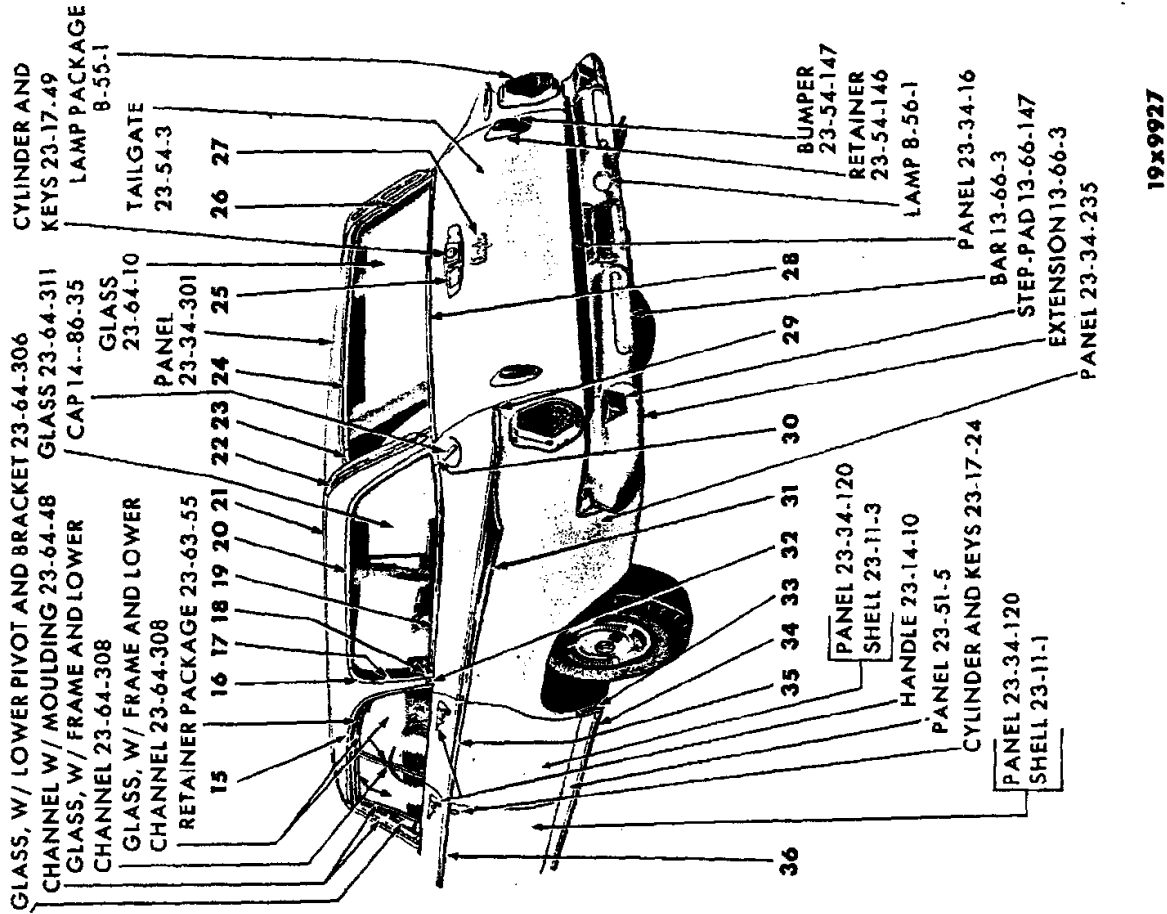
Page 23-121

REF. NO.	QTY	PART NUMBER	DESCRIPTION	REF. NO.	QTY	PART NUMBER	DESCRIPTION
1	1	2495 696-7	MOULDING, Windshield Outside Finish Lower End (23-23-65)	15	3	2480 703	MEDALLION and STUDS, Deck Opening Lower Panel (23-34-184)
	2	274 211	Screw		6	9418 877	Nut 6 6022 077 Seal
2	1	2495 706-7	MOULDING PACKAGE, Fender Side (12-15-2)	16	1	2421 448	MOULDING PACKAGE, Deck Lower Panel Filler Door (23-23-23)
	10	6001 605	Retainer 4 6001 557 Clip		2	6000 709	Clip 2 6024 679 Nut
	12	6001 462	Retainer 12 6024 679 Nut	17	1	2448 428-9	MOULDING PACKAGE, Quarter Panel Lower Rear (23-23-39)
3	2	2276 474	NAME PLATE, Fender Side (12-15-21)		10	6001 099	Retainer 4 ---- --- Nut
	8	152 259	Nut		10	6024 679	Nut 2 188 973 Screw
4	1	2495 730-1	MOULDING PACKAGE, Radiator Grille Opening Corner (7-16-36)	18	1	2495 496-7	MOULDING PACKAGE, Quarter Panel Upper Rear (23-23-39)
	4	6024 689	Nut		2	6024 271	Screw
5	1	2495 726	MOULDING PACKAGE, Radiator Grille Opening Frame (7-16-36)		4	6001 506	Clip 8 6024 679 Nut
	9	6001 070	Clip		8	6001 548	Clip 2 6001 507 Clip
	9	6023 284	Nut 9 9415 921 Screw	19	1	2244 648-9	MOULDING, Quarter Panel Belt Intermediate (23-23-39)
6	1	2276 410	FRAME, Radiator Grille Opening (7-16-36)		8	6024 478	Fastener
7	3	2417 747	MEDALLION, Radiator Grille (7-17-1)	20	1	2495 700-1	MOULDING PACKAGE, Quarter Panel Upper Front (23-23-39)
	6	6025 434	Nut		8	6001 501	Clip
8	1	2495 180	MOULDING PACKAGE, Hood Front (15-25-2)		2	6024 271	Screw 2 6024 679 Nut
	6	9411 618	Nut	21	1	2421 550-1	MOULDING PACKAGE, Quarter Panel Belt Front (23-23-39)
9	1	2084 997	MOULDING PACKAGE, Windshield Outside Finish Lower Center (23-23-65)		6	6001 497	Retainer
	5	6000 960	Clip	22	1	2421 571-2	MOULDING PACKAGE, Body Side Sill (23-23-2)
10	1	2196 119	PANEL PACKAGE, Windshield Header Outside Finish (23-23-64)		14	6001 100	Retainer
	5	6024 400	Screw		2	2422 576	Clip 4 ---- --- Nut
11	1	2255 710-11	MOULDING and EXTENSION, Windshield Outside Finish Side (23-23-65)		1	2422 574-5	Clip 4 ---- --- Washer
	8	6023 247	Screw	23	1	2448 550-1	MOULDING PACKAGE, Door Belt (23-23-32)
12	1	2243 913	MOULDING, Deck Opening Upper Panel (23-23-31)		10	6001 497	Retainer
	11	6024 478	Fastener		2	6001 087	Retainer 2 9417 621 Nut
13	1	2525 560-1	MOULDING PACKAGE, Quarter Panel Peak (23-23-39)	24	2	2495 450	MOULDING PACKAGE, Front Door Outside (23-23-32)
	14	6024 656	Washer 14 9411 618 Nut		2	6001 544	Clip
14	1	2423 504	"C", Deck Lid Letter (23-19-114)		2	9417 621	Nut 12 6001 545 Retainer
	1	2423 505	"H"				
	2	2423 508	"R"				
	1	2423 507	"Y"				
	1	2423 508	"S"				
	1	2423 509	"L"				
	1	2423 510	"E"				
	8	152 259	Nut				

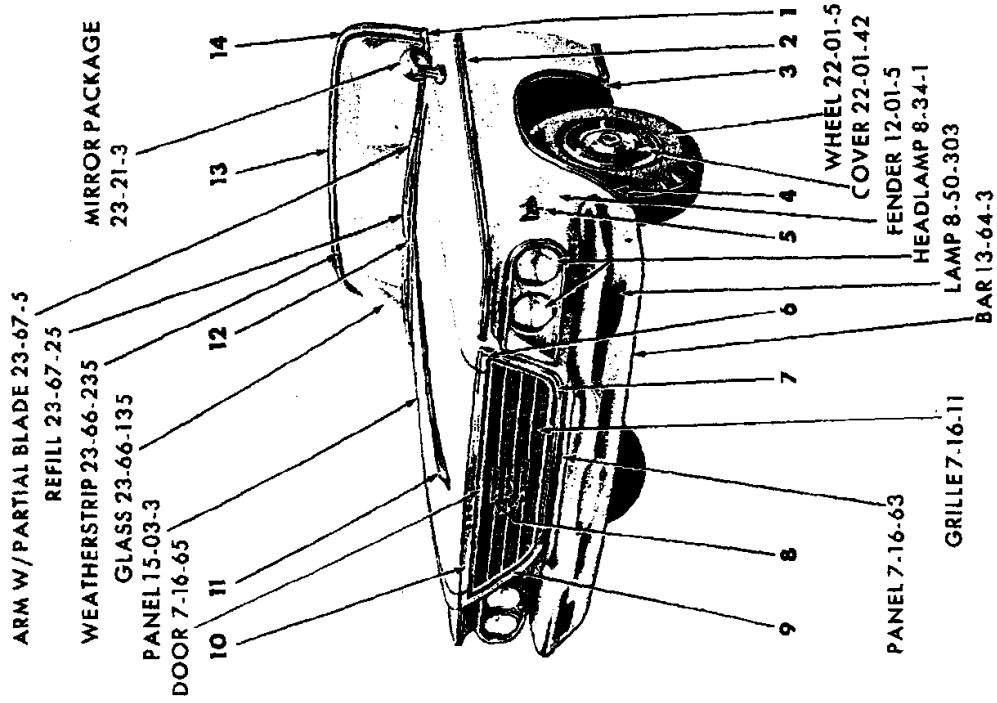
All Packages include Attaching Parts

Part Type Code is Indicated in Parentheses

EXTERIOR VIEW - CHRYSLER VC1(L) CONVERTIBLE COUPE



19x9927



EXTERIOR VIEW - CHRYSLER VCI(L) 4 DOOR HARDTOP STATION WAGON

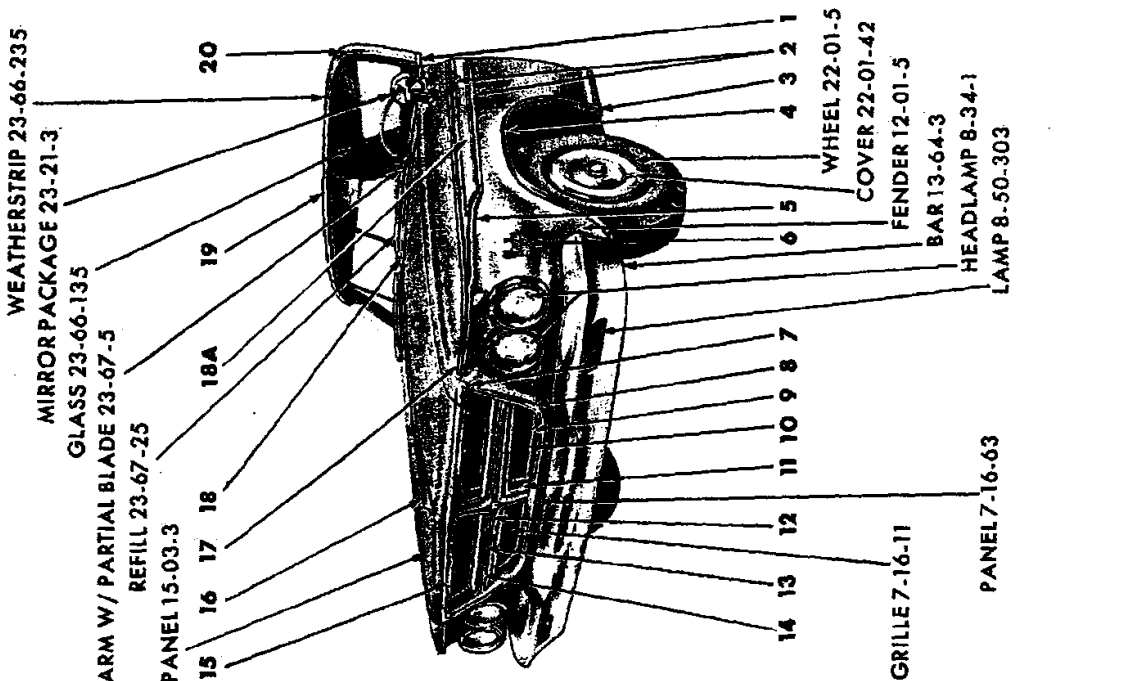
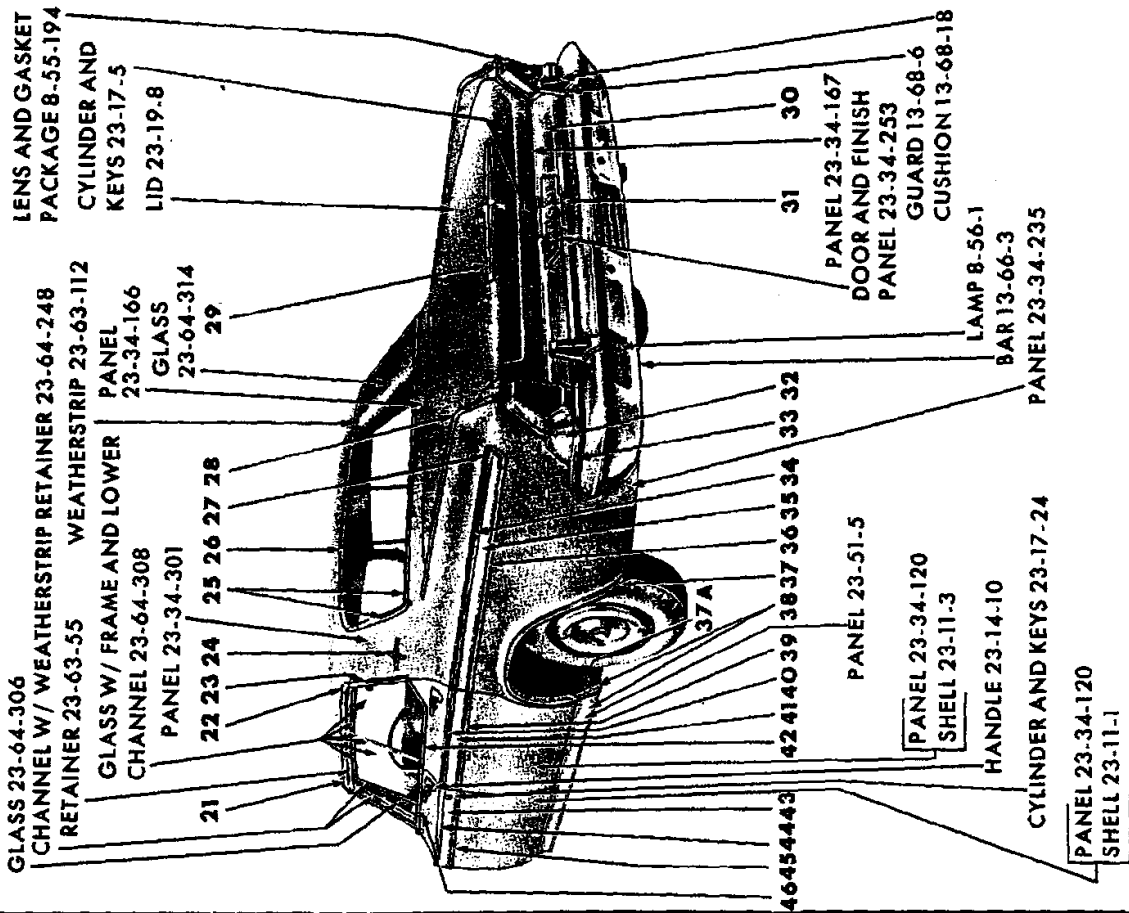
REF. NO.	QTY	PART NUMBER	DESCRIPTION
1	1	2495 696-7	MOULDING, Windshield Outside Finish Lower End (23-23-65)
	2	274 411	Screw
2	1	2495 706-7	MOULDING PACKAGE, Fender Side (12-15-2)
	10	6001 605	Retainer 4 6001 557 Clip
	12	6001 462	Retainer 12 6024 679 Nut
3	1	2448 556-7	MOULDING PACKAGE, Fender Wheel Opening to Sill (12-15-2)
	2	-----	Clip
	2	6023 247	Screw 2 6006 438 Nut
4	1	2276 470-1	MOULDING PACKAGE, Fender Wheel Opening (12-15-2)
	16	6023 247	Screw
5	2	2276 474	NAME PLATE, Fender Side (12-15-21)
	8	152 259	Nut
6	1	2495 730-1	MOULDING PACKAGE, Radiator Grille Opening Frame Corner (7-16-36)
	4	9411 618	Nut
7	1	2495 726	MOULDING PACKAGE, Radiator Grille Opening Frame (7-16-36)
	9	6001 070	Clip
	9	9415 921	Screw 9 6023 284 Nut
8	3	2417 747	MEDALLION, Radiator Grille (7-17-1)
	6	6025 434	Nut
9	1	2276 410	FRAME, Radiator Grille Opening (7-16-36)
10	1	2495 180	MOULDING PACKAGE, Hood Front (15-25-2)
	6	6023 097	Nut
11	1	2495 181	MOULDING PACKAGE, Hood Top (see print) (15-25-2)
	7	6023 097	Nut
12	1	2084 997	MOULDING PACKAGE, Windshield Outside Finish Lower Center (23-23-65)
	5	6000 685	Clip
13	1	2299 418	MOULDING PACKAGE, Windshield Outside Finish Upper (23-23-65)
	5	6000 927	Clip 2 9414 754 Screw
14	1	2480 458-9	MOULDING, Windshield Outside Finish Side Upper and Lower (23-23-65)
	8	6023 247	Screw
15	1	2093 648-9	MOULDING, Roof Drain Trough Side (23-59-61)
16	1	2094 016-7	CAP, Quarter Window Outside Finish Upper, w/Retainer (23-23-74)
17	1	2094 018-9	MOULDING, Quarter Window Outside Finish Front (23-23-73)
18	2	1961 210	CAP, Quarter Window Outside Finish Lower (23-23-74)
19	1	1961 214-5	MOULDING, Quarter Window Outside Finish Lower (23-23-73)
20	1	1961 212-3	MOULDING, Quarter Window Finish Upper (23-23-73)
21	2	2196 252	MOULDING PACKAGE, Roof Top, used w/Rear Pillar Assist Handle (23-23-42)
	20	6000 923	Clip

REF. NO.	QTY	PART NUMBER	DESCRIPTION
	2	2196 253	MOULDING PACKAGE, Roof Panel Outside Finish, used w/o Assist Handle (23-23-42)
	28	6006 301	Clip
22	2	2196 839	HANDLE PACKAGE, Roof Panel Rear Pillar Assist (23-36-123)
	8	6006 035	Nut
	2	681 135	Bolt
23	1	2196 464-5	CAP PACKAGE, Roof Rear Tailgate Opening Moulding (23-23-60)
	2	6006 451	Clip
24	1	2196 466	MOULDING PACKAGE, Tailgate Opening Outside Finish Roof Rear (23-23-60)
	7	6006 451	Clip
25	1	2188 389	ORNAMENT, Tailgate Outside Panel Electric (23-54-11)
26	1	2196 462-3	MOULDING PACKAGE, Rear Pillar Outside Finish (23-23-60)
	2	6006 451	Clip
27	1	2244 238	NAME PLATE, Tailgate Outside Panel (23-54-11)
	3	6000 604	Speed Clip
28	1	2196 460	MOULDING PACKAGE, Tailgate Outside Finish Belt (23-23-61)
	2	151 306	Screw 2 6006 441 Clip
29	1	2495 482-3	MOULDING PACKAGE, Quarter Panel Lower Rear (23-23-39)
	6	6001 099	Clip
30	1	2196 816-7	CAP PACKAGE, Quarter Window Outside Finish Lower Rear (23-23-74)
	2	125 978	Screw
31	1	2495 488-9	MOULDING PACKAGE, Quarter Panel Lower Front (23-23-39)
	14	6001 547	Clip 2 274 114 Screw
32	1	2299 430-1	MOULDING PACKAGE, Quarter Panel Belt (23-23-39)
	2	6024 401	Screw
33	1	2422 446-7	STONE DEFLECTOR, Quarter Outside Panel Wheel Opening (23-34-240)
	4	6024 564	Screw
34	2	2448 537	MOULDING PACKAGE, Body Side Sill (23-23-2)
	18	6001 605	Retainer
	4	-----	Washer 1 2422 574-5 Clip
	2	2422 576	Clip 4 ----- Nut
35	1	2495 484-5	MOULDING PACKAGE, Rear Door (23-23-33)
	10	6001 505	Retainer
	2	-----	Clip 2 9417 621 Nut
36	2	2495 449	MOULDING PACKAGE, Front Door (23-23-32)
	8	6001 605	Retainer
	4	6001 544	Clip 4 9417 621 Nut

All Packages Include Attaching Parts

Part Type Code is Indicated in Parentheses

EXTERIOR VIEW - CHRYSLER VC1(L) 4 DOOR HARDTOP STATION WAGON



19x9925 B

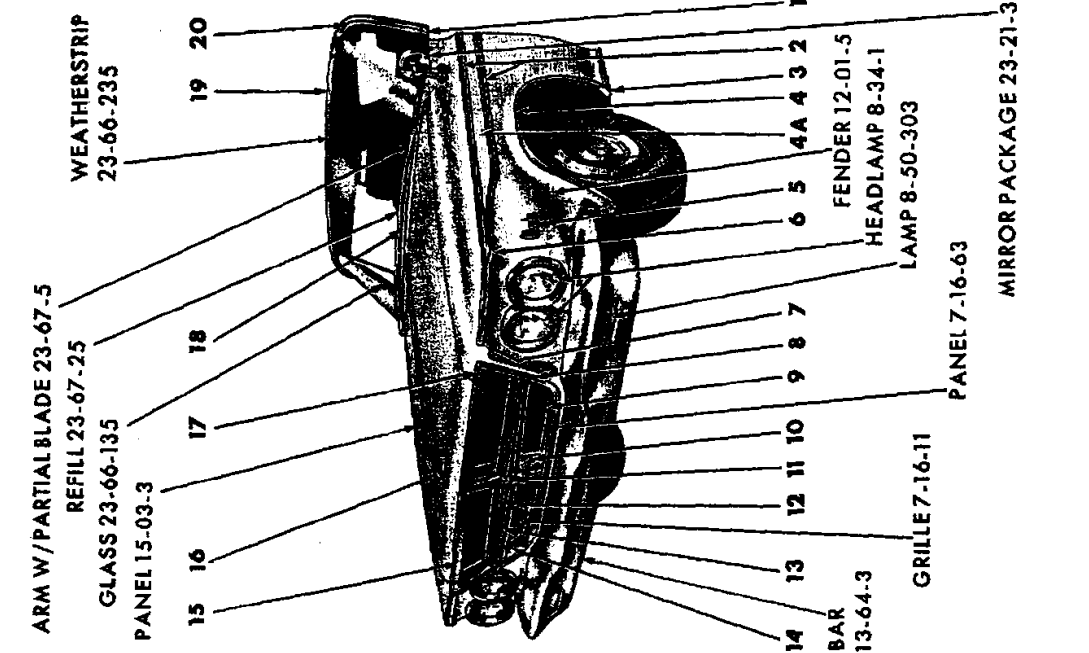
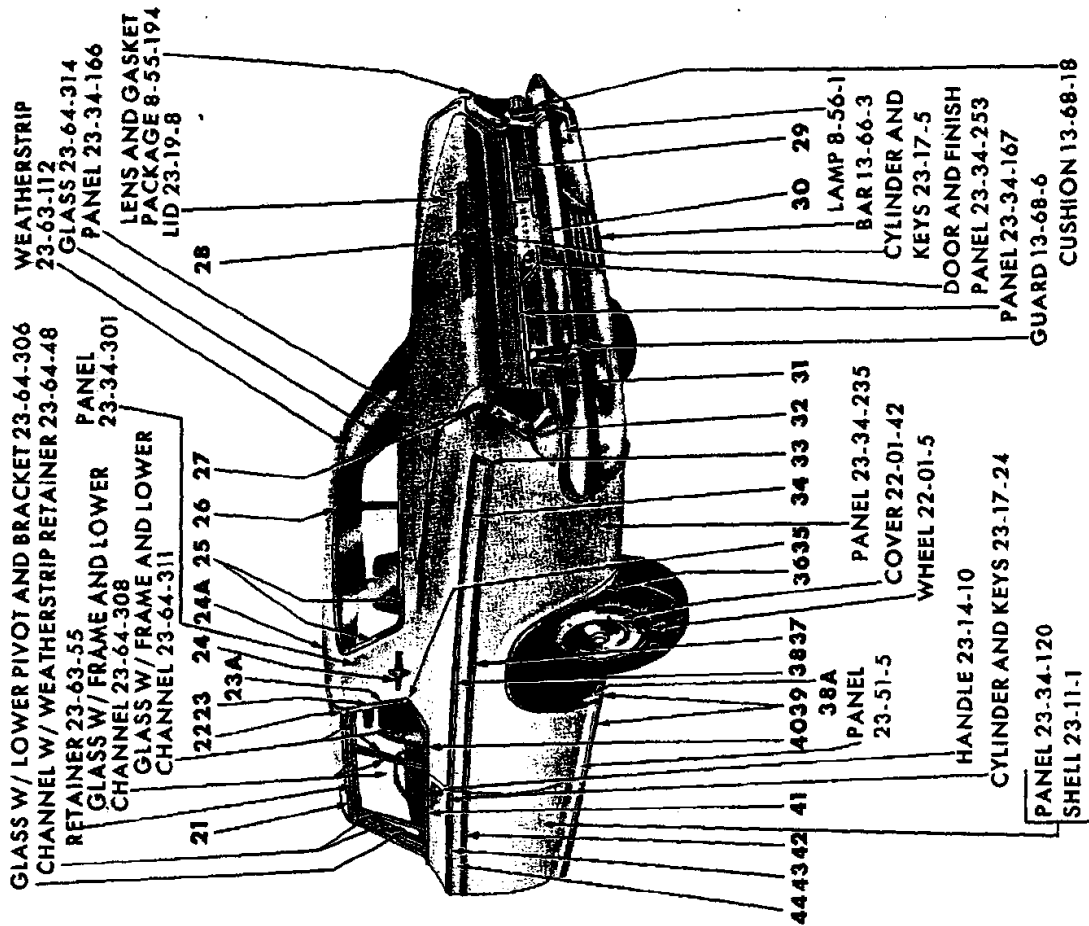
EXTERIOR VIEW - CHRYSLER V2(M) 4 DOOR HARTOP

REF. NO.	QTY	PART NUMBER	DESCRIPTION	REF. NO.	QTY	PART NUMBER	DESCRIPTION
1	1	2495 696-7	MOULDING, Windshield Outside Finish Lower End (23-23-65)	25	1	2423 092-3	MOULDING, Rear Window Outside Side and Lower (23-23-52)
	2	274 411	Screw		12	6001 084	Retainer and Screw
2	2	2495 708-9	MOULDING PACKAGE, Fender Side (12-15-2)	26	1	2423 091	MOULDING, Rear Window Outside Upper (23-23-52)
	6	6001 544	Retainer 6 6024 711 Washer	27	7	6001 084	Retainer and Screw
	4	6001 604	Retainer 6 6023 202 Nut	27	1	2495 464-5	MOULDING PACKAGE, Quarter Panel End (23-23-39)
3	1	2448 556-7	MOULDING PACKAGE, Fender Wheel Opening to Sill (12-15-2)		6	6023 260	Nut
	2	----	Clip	28	1	2525 560-1	MOULDING PACKAGE, Quarter Panel Peak (23-23-39)
	2	6006 438	Nut 2 6023 247 Screw		14	6024 656	Washer 14 9411 618 Nut
4	1	2276 470-1	MOULDING PACKAGE, Fender Wheel Opening (12-15-2)	29	1	2481 225	MEDALLION, Deck Lid (23-19-114)
	16	6023 247	Screw		5	-----	Washer 5 ----- Nut
5	1	2495 710-1	CAP PACKAGE, Fender Side Moulding (12-15-2)	30	1	2424 990-1	PANEL, Deck Lower Panel Finish (23-23-28)
	8	152 272	Nut		12	6022 997	Washer 12 6023 685 Nut
6	2	2276 474	NAME PLATE, Fender Side (12-15-21)	31	1	2421 448	MOULDING PACKAGE, Deck Lower Panel Filler Door (23-23-23)
	8	152 259	Nut		2	6000 709	Clip 2 6024 679 Nut
7	1	2495 730-1	MOULDING PACKAGE, Radiator Grille Opening Corner (7-16-36)	32	1	2424 988-9	PANEL, Quarter Outside Finish (23-23-85)
	4	6025 434	Nut		2	6023 682	Screw 2 ----- Seal
8	1	2495 726	MOULDING PACKAGE, Radiator Grille Opening Frame (7-16-36)	33	1	2448 428-9	MOULDING PACKAGE, Quarter Panel Lower Rear (23-23-39)
	9	6001 070	Clip		10	6001 099	Retainer 10 6024 679 Nut
	9	6023 284	Nut 9 9415 921 Screw		2	188 973	Screw 4 ----- Nut
9	1	2495 728-9	MOULDING PACKAGE, Radiator Grille (7-16-36)	34	1	2495 460-1	MOULDING PACKAGE, Quarter Panel Upper (23-23-39)
	8	6001 496	Retainer		2	6001 462	Retainer 2 6024 271 Screw
10	1	2276 410	FRAME, Radiator Grille Opening (7-16-36)		12	6001 545	Retainer 2 6024 679 Nut
11	1	2417 749	BAR, Radiator Grille (7-16-47)	35	2	2483 142	PANEL, Quarter Outside Finish (23-23-85)
12	1	2417 751	MEDALLION, Radiator Grille Center (7-17-1)	36	1	2495 462-3	MOULDING PACKAGE, Quarter Panel Lower (23-23-39)
13	1	2445 002-3	MEDALLION, Radiator Grille Outer (7-17-1)		2	6001 462	Retainer 2 6024 271 Screw
14	1	2445 001	BASE, Radiator Grille Medallion (7-17-2)		12	6001 545	Retainer 2 6024 279 Nut
15	1	2495 180	MOULDING PACKAGE, Hood Front (15-25-2)	37	1	2423 740-1	MOULDING, Quarter Panel Wheel Opening (23-23-39)
	6	9411 618	Nut		16	6024 271	Screw
16	1	2495 181	MOULDING PACKAGE, Hood Top (15-25-2)	37A	1	2243 712-3	MOULDING, Quarter Panel Wheel Opening to Sill (23-23-39)
	7	6023 097	Nut	38	1	2421 573-4	MOULDING PACKAGE, Body Side Sill, w/Cap (23-23-2)
17	1	2495 704-5	MOULDING PACKAGE, Fender Front (12-15-2)		18	6001 605	Retainer
	12	6001 544	Retainer		2	6022 052	Washer 2 ----- Nut
	12	6024 711	Washer 12 6023 202 Nut	39	1	2495 456-7	MOULDING PACKAGE, Rear Door Lower (23-23-33)
18	1	2084 997	MOULDING PACKAGE, Windshield Outside Lower Center (23-23-65)		10	6001 545	Retainer
	5	6000 685	Clip		2	6001 544	Clip 2 9417 621 Nut
18A	2	2445 592	INSERT, Fender Side Moulding (12-15-4)	40	1	2495 454-5	MOULDING PACKAGE, Rear Door Upper (23-23-33)
19	1	2495 694	MOULDING PACKAGE, Windshield Outside Finish Upper Center (23-23-65)		10	6001 545	Retainer 2 6001 544 Clip
	5	6000 927	Clip 2 6023 277 Screw		6	6001 497	Retainer 2 9417 621 Nut
20	1	2216 870-1	MOULDING, Windshield Outside Finish Side (23-23-85)	41	2	2483 138	PANEL, Rear Door Outside Finish (23-23-80)
	8	6023 247	Screw	42	1	2421 559-659	MOULDING PACKAGE, Rear Door Belt (23-23-33)
21	1	2243 734-5	MOULDING, Roof Side Drain Trough Front (23-59-61)		8	6001 497	Retainer
22	1	2243 738-9	CAP, Roof Side Drain Trough Moulding Joint (23-59-57)	43	2	2483 136	PANEL, Front Door Outside Finish (23-23-80)
23	1	2482 782-3	MOULDING, w/Joist Cap, Roof Side Drain Trough Rear (23-59-61)	44	2	2495 448	MOULDING PACKAGE, Front Door Upper (23-23-32)
	6	6024 271	Screw w/Washer		4	6001 544	Clip 4 9417 621 Nut
24	2	2417 890	MEDALLION, Quarter Outside (23-34-334)	45	2	2495 452	MOULDING PACKAGE, Front Door Lower (23-23-32)
	2	2445 005	BASE, Quarter Outside Medallion (23-34-340)		4	6001 544	Clip 4 9417 621 Nut
	8	6000 050	Speed Clip	46	1	2448 552-3	MOULDING PACKAGE, Front Door Belt (23-23-32)
					8	6001 497	Retainer
					2	6001 087	Retainer 2 9417 621 Nut

All Packages include Attaching Parts

Part Type Code is Indicated in Parentheses

EXTERIOR VIEW - CHRYSLER VC2(M) 4 DOOR HARDTOP



19x9921 B

EXTERIOR VIEW - CHRYSLER VC2(M) 2 DOOR HARDTOP

REF. NO.	QTY	PART NUMBER	DESCRIPTION	REF. NO.	QTY	PART NUMBER	DESCRIPTION
1	1	2495 696-7	MOULDING, Windshield Outside Finish Lower End(23-23-65)	20	1	2216 870-1	MOULDING, Windshield Outside Finish Side (23-23-65)
	2	274 411	Screw	8	6023 247		Screw
2	2	2495 708-9	MOULDING PACKAGE, Fender Side (12-15-2)	21	1	2243 734-5	MOULDING, Roof Side Drain Trough Front (w/o Vinyl Roof) (23-59-61)
	12	6001 544	Retainer	1	2480 000-1		MOULDING, Roof Side Drain Trough (w/Vinyl Roof) (23-59-61)
	4	6001 604	Retainer	22	1	2243 738	CAP, Roof Side Drain Trough Moulding Joint (23-59-57)
	2	6001 557	Clip	23	1	2482 782-3	MOULDING, w/Joint Cap, Roof Side Drain Trough Rear (23-59-61)
	6	6024 711	Washer	6	6024 271		Screw w/Sealer
	6	6023 202	Nut	23A	1	2424 066-7	MOULDING, Roof Panel Outside Side (23-23-42)
3	1	2448 556-7	MOULDING PACKAGE, Fender Wheel Opening to Sill (12-15-2)	4	6024 271		Screw and Sealer
	2	-----	Clip	24	2	2417 890	MEDALLION, Quarter Outside (23-34-334)
	2	6006 438	Nut	2	2445 005		BASE, Quarter Outside Medallion (23-34-340)
	2	6023 247	Screw	24A	1	2448 549	MOULDING PACKAGE, Roof Panel Outside Rear (23-23-42)
4	1	2276 470-1	MOULDING PACKAGE, Fender Wheel Opening (12-15-2)	4	6001 455		Clip
	16	6023 247	Screw	4	-----		Nut
4A	2	2445 592	INSERT, Fender Side Moulding (12-15-4)	25	1	2423 092-3	MOULDING, Rear Window Outside Side and Lower (23-23-52)
5	2	2276 474	NAME PLATE, Fender Side (12-15-21)	12	6001 084		Retainer and Screw
	8	152 259	Nut	26	1	2423 091	MOULDING, Rear Window Outside Upper (23-23-52)
6	1	2495 710-1	CAP PACKAGE, Fender Side Moulding (12-15-9)	7	6001 084		Retainer and Screw
	8	152 272	Nut	27	1	2525 560-1	MOULDING PACKAGE, Quarter Panel Peak (23-23-39)
7	1	2495 704-5	MOULDING PACKAGE, Fender Front (12-15-2)	14	6024 656		Washer
	12	6001 544	Retainer	14	9411 618		Nut
	12	6024 711	Washer	28	1	2481 225	MEDALLION, Deck Lid (23-19-114)
	12	6023 202	Nut	5	-----		Washer
8	1	2495 726	MOULDING PACKAGE, Radiator Grille Opening Frame(7-16-36)	5	-----		Nut
	9	6001 070	Clip	29	1	2424 990-1	PANEL, Deck Lower Panel Finish (23-23-28)
	9	6023 284	Nut	12	6022 997		Washer
	9	9415 921	Screw	12	6023 885		Nut
9	1	2495 728-9	MOULDING PACKAGE, Radiator Grille (7-16-36)	30	1	2421 448	MOULDING PACKAGE, Deck Lower Panel Filler Door (23-23-23)
	8	6001 496	Retainer	2	6000 709		Clip
10	1	2417 749	BAR, Radiator Grille (7-16-47)	2	6024 679		Nut
11	1	2417 751	MEDALLION, Radiator Grille Center (7-17-1)	31	1	2448 428-9	MOULDING PACKAGE, Quarter Panel Lower Rear(23-23-39)
12	1	2445 001	BASE, Radiator Grille Medallion (7-17-2)	10	6001 099		Retainer
13	1	2445 002-3	MEDALLION, Radiator Grille Outer (7-17-1)	10	6024 679		Nut
14	1	2276 410	FRAME, Radiator Grille Opening (7-16-36)	2	188 973		Screw
15	1	2495 180	MOULDING PACKAGE, Hood Front (15-25-2)	4	-----		Nut
	6	9411 618	Nut	32	1	2424 988-9	PANEL, Quarter Outside Finish (23-23-85)
16	1	2495 181	MOULDING PACKAGE, Hood Top (15-25-2)	2	6023 682		Screw
	7	6023 097	Nut	2	-----		Seal
17	1	2495 730-1	MOULDING PACKAGE, Radiator Grille Opening Corner(7-16-36)	33	1	2495 464-5	MOULDING PACKAGE, Quarter Panel End (23-23-39)
	4	6025 434	Nut	6	6023 260		Nut
18	1	2084 997	MOULDING PACKAGE, Windshield Outside Finish Lower Center (23-23-65)	34	2	2483 140	PANEL, Quarter Outside Finish (23-23-85)
	5	6000 685	Clip				
19	1	2495 694	MOULDING PACKAGE, Windshield Outside Finish Upper Center (23-23-65)				
	5	6000 927	Clip				
	2	6023 277	Screw				

All Packages include Attaching Parts

Part Type Code is Indicated in Parentheses

EXTERIOR VIEW - CHRYSLER VC2(M) 2 DOOR HARDTOP

1964 PASSENGER CAR PARTS CATALOG

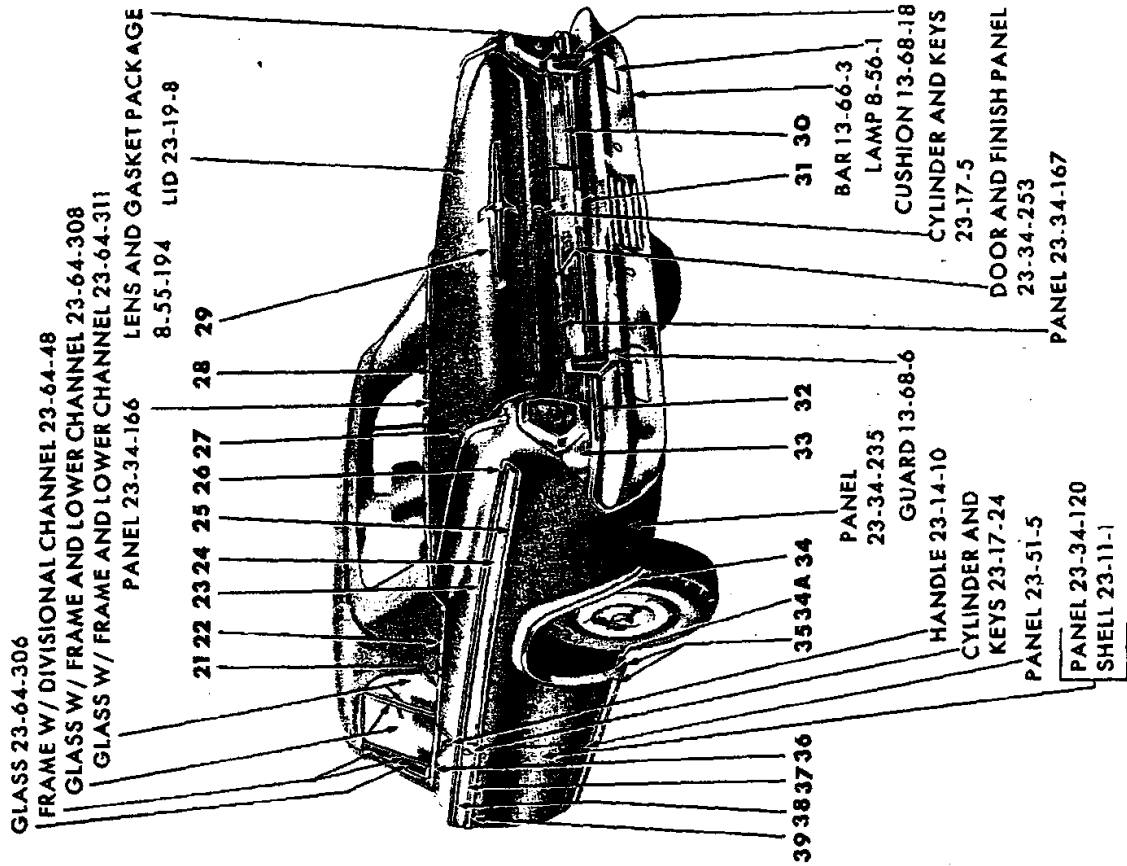
BODY

REF. NO.	QTY	PART NUMBER	DESCRIPTION	REF. NO.	QTY	PART NUMBER	DESCRIPTION
35	1	2528 992	MOULDING, Roof Side Drain Trough Rear Lower (23-59-61)	40	1	2421 554-5	MOULDING PACKAGE, Quarter Panel Belt (23-23-39)
36	1	2423 740-1	MOULDING, Quarter Panel Wheel Opening (23-23-39)		8	6001 497	Retainer
	16	6024 271	Screw	41	1	2448 550-1	MOULDING PACKAGE, Door Belt (23-23-32)
37	1	2495 458-9	MOULDING PACKAGE, Quarter Panel Lower (23-23-39)		10	6001 497	Retainer
	2	8001 544	Retainer		2	6001 087	Retainer
20	20	6001 545	Retainer	42	2	9417 621	Nut
	2	6024 271	Screw		2	2495 451	MOULDING PACKAGE, Door Lower (23-23-32)
	2	6024 679	Nut		2	9417 621	Nut
38	1	2495 458-9	MOULDING PACKAGE, Quarter Panel Upper (23-23-39)		12	6001 545	Retainer
	2	6001 544	Retainer	43	2	6001 544	Clip
20	20	6001 545	Retainer		2	2495 451	MOULDING PACKAGE, Door Upper (23-23-32)
	2	6024 271	Screw		2	9417 621	Nut
	2	6024 679	Nut		12	6001 545	Retainer
38A	1	2243 712-3	MOULDING, Quarter Panel Wheel Opening to Sill (23-23-39)		2	6001 544	Clip
	2	6001 544	Retainer	44	2	2483 134	PANEL, Door Outside Finish (23-23-80)
39	1	2421 573-4	MOULDING PACKAGE, Body Side Sill, w/Cap (23-23-2)		2	9417 621	Nut
	18	6001 605	Retainer		12	6001 545	Retainer
	2	6022 052	Washer		2	6001 544	Clip
	2	-----	Nut		2	2483 134	PANEL, Door Outside Finish (23-23-80)

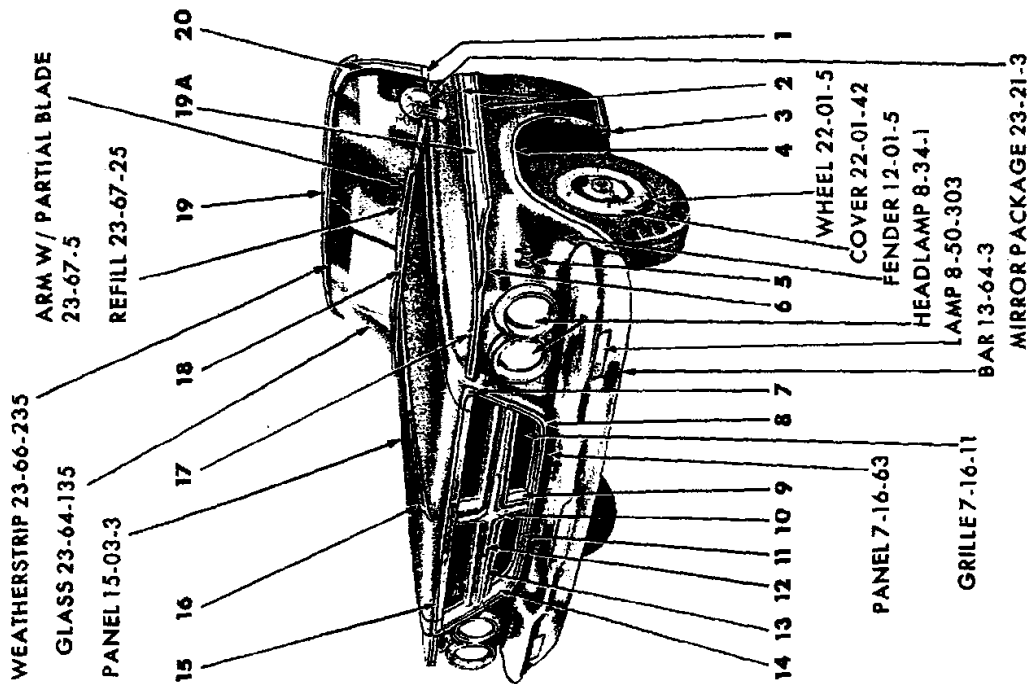
All Packages Include Attaching Parts

Part Type Code is Indicated in Parentheses

EXTERIOR VIEW - CHRYSLER VC2(M) 2 DOOR HARDTOP



19x9922B



EXTERIOR VIEW - CHRYSLER VC3(M) CONVERTIBLE COUPE

1964 PASSENGER CAR PARTS CATALOG

BODY

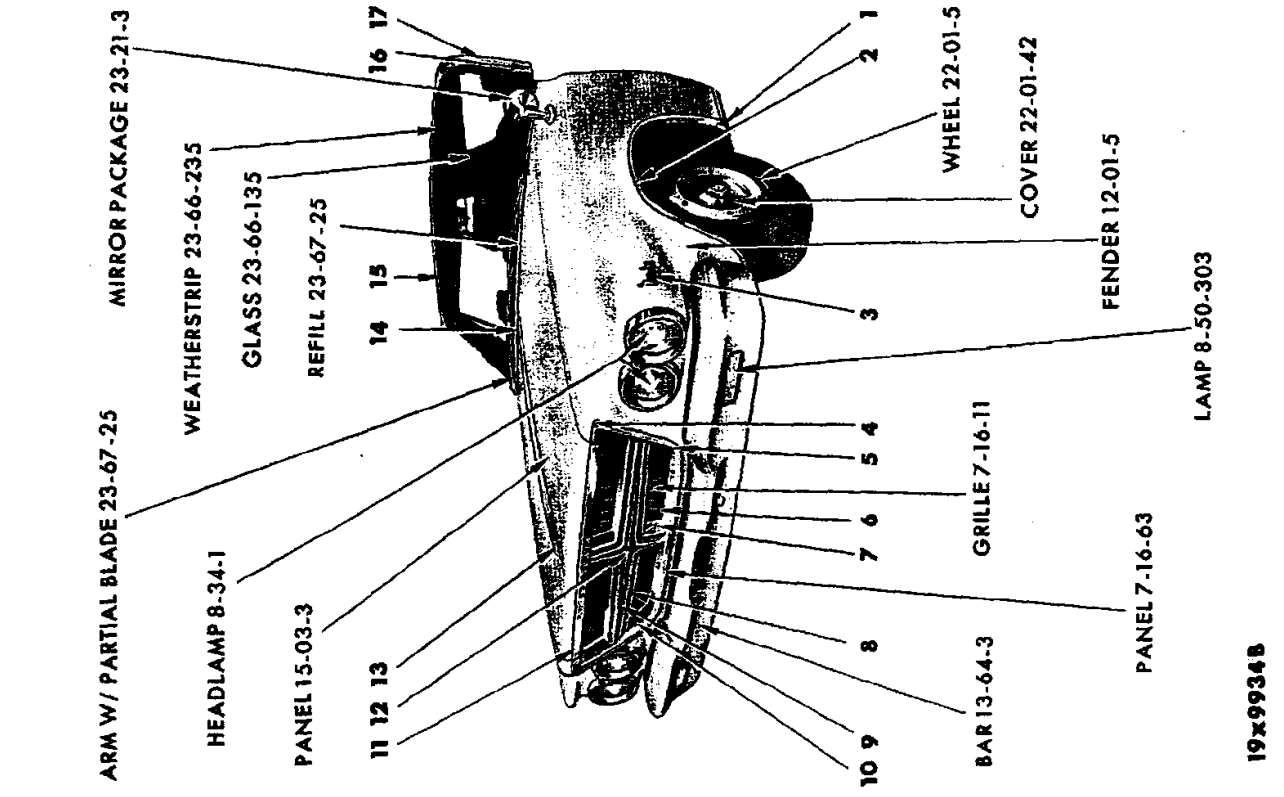
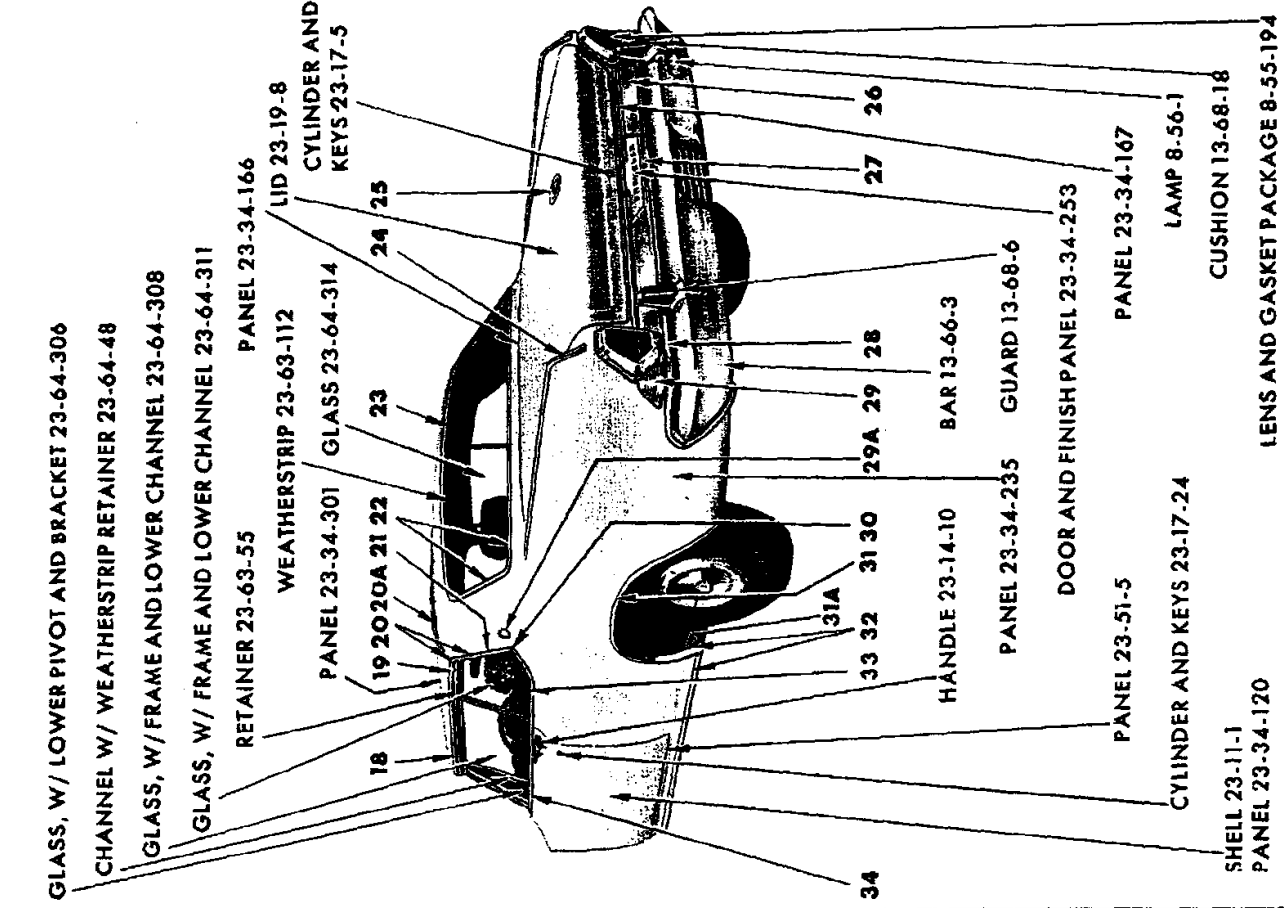
Page 23-129

REF. NO.	QTY	PART NUMBER	DESCRIPTION	REF. NO.	QTY	PART NUMBER	DESCRIPTION
1	1	2495 696-7	MOULDING, Windshield Outside Finish Lower End (23-23-65)	21	1	2421 550-1	MOULDING PACKAGE, Quarter Panel Belt Front (23-23-39)
	2	274 211	Screw		6	6001 497	Retainer
2	2	2495 708-9	MOULDING PACKAGE, Fender Side (12-15-2)	22	1	2244 648-9	MOULDING, Quarter Panel Belt Intermediate (23-23-39)
	12	6001 544	Retainer 12 6024 711 Washer		8	6024 478	Fastener
	8	6001 604	Retainer 12 6023 202 Nut	23	1	2495 458-9	MOULDING PACKAGE, Quarter Panel Upper (23-23-39)
3	1	2448 556-7	MOULDING PACKAGE, Fender Wheel Opening to Sill (12-15-2)		2	6024 271	Screw
	2	----	Clip		2	6001 544	Retainer
	2	6006 438	Nut 2 6023 247 Screw		20	6001 545	Retainer 2 6024 679 Nut
4	1	2276 470-1	MOULDING PACKAGE, Fender Wheel Opening (12-15-2)	24	2	2483 140	PANEL, Quarter Outside Finish (23-23-85)
	16	6023 247	Screw	25	1	2495 458-9	MOULDING PACKAGE, Quarter Panel Lower (23-23-39)
5	2	2276 474	NAME PLATE, Fender Side (12-15-21)		2	6001 544	Retainer 2 6024 271 Screw
	8	152 259	Nut	20	6001 545	Retainer 2 6024 679 Nut	
6	1	2495 710-1	CAP PACKAGE, Fender Side Moulding (12-15-9)	26	1	2495 464-5	MOULDING PACKAGE, Quarter Panel End (23-23-39)
	8	152 272	Nut		6	6023 260	Nut
7	1	2495 730-1	MOULDING PACKAGE, Radiator Grille Opening Corner (7-16-36)	27	1	2525 560-1	MOULDING PACKAGE, Quarter Panel Peak (23-23-39)
	4	6025 434	Nut		14	6024 656	Washer 14 9411 618 Nut
8	1	2495 726	MOULDING PACKAGE, Radiator Grille Opening Frame (7-16-36)	28	1	2243 913	MOULDING, Deck Upper Panel (23-23-31)
	9	6001 070	Clip		11	6024 478	Fastener
	9	6023 284	Nut 9 9415 921 Screw	29	1	2481 225	MEDALLION, Deck Lid (23-19-114)
9	1	2417 749	BAR, Radiator Grille (7-16-47)		5	----	Washer 5 ---- Nut
10	1	2417 751	MEDALLION, Radiator Grille Center (7-17-1)	30	1	2424 990-1	PANEL, Deck Lower Panel Finish (23-23-28)
11	1	2495 728-9	MOULDING PACKAGE, Radiator Grille (7-16-36)		12	6022 997	Washer 12 6023 685 Nut
	8	6001 496	Retainer	31	1	2421 448	MOULDING PACKAGE, Deck Lower Filler Door (23-23-23)
12	1	2445 001	BASE, Radiator Grille Medallion (7-17-2)		2	6000 709	Clip 2 6023 265 Nut
13	1	2445 002-3	MEDALLION, Radiator Grille Outer (7-17-1)	32	1	2448 428-9	MOULDING PACKAGE, Quarter Panel Lower Rear (23-23-39)
14	1	2276 410	FRAME, Radiator Grille Opening (7-16-36)		10	6001 099	Retainer 10 6024 679 Nut
15	1	2495 180	MOULDING PACKAGE, Hood Front (15-25-2)		2	188 973	Screw 4 ---- Nut
	6	9411 618	Nut	33	1	2424 988-9	PANEL, Quarter Outside Finish (23-23-85)
16	1	2495 181	MOULDING PACKAGE, Hood Top (15-25-2)		2	6023 682	Screw 2 ---- Seal
	7	6023 097	Nut	34	1	2423 740-1	MOULDING, Quarter Panel Wheel Opening (23-23-39)
17	1	2495 704-5	MOULDING PACKAGE, Fender Front (12-15-2)		16	6024 271	Screw
	12	6001 544	Retainer	34A	1	2243 712-3	MOULDING, Quarter Panel Wheel Opening to Sill (23-23-39)
	12	6023 202	Nut 12 6024 711 Washer	35	1	2421 573-4	MOULDING PACKAGE, Body Side Sill, w/Cap (23-23-2)
18	1	2084 997	MOULDING PACKAGE, Windshield Outside Finish Lower Center (23-23-85)		18	6001 605	Retainer
	5	6000 960	Clip		2	6022 052	Washer 2 ---- Nut
19	1	2196 119	PANEL PACKAGE, Windshield Header Outside Finish (23-23-64)	36	1	2448 550-1	MOULDING PACKAGE, Door Belt (23-23-32)
	5	6024 400	Screw		10	6001 497	Retainer
19A	2	2445 592	INSERT, Fender Side Moulding (12-15-4)		2	6001 087	Retainer 2 9417 621 Nut
20	1	2255 710-1	MOULDING and EXTENSION, Windshield Outside Finish Side (23-23-65)	37	2	2483 134	PANEL, Door Outside Finish (23-23-80)
	8	6023 247	Screw	38	2	2495 451	MOULDING PACKAGE, Quarter Panel Upper (23-23-39)
					2	9417 621	Nut
					2	6001 544	Clip 12 6001 545 Retainer
				39	2	2495 451	MOULDING PACKAGE, Quarter Panel Lower (23-23-32)
					2	9417 621	Nut
					12	6001 545	Retainer 2 6001 544 Clip

All Packages include Attaching Parts

Part Type Code is Indicated in Parentheses

EXTERIOR VIEW - CHRYSLER VC2(M) CONVERTIBLE COUPE



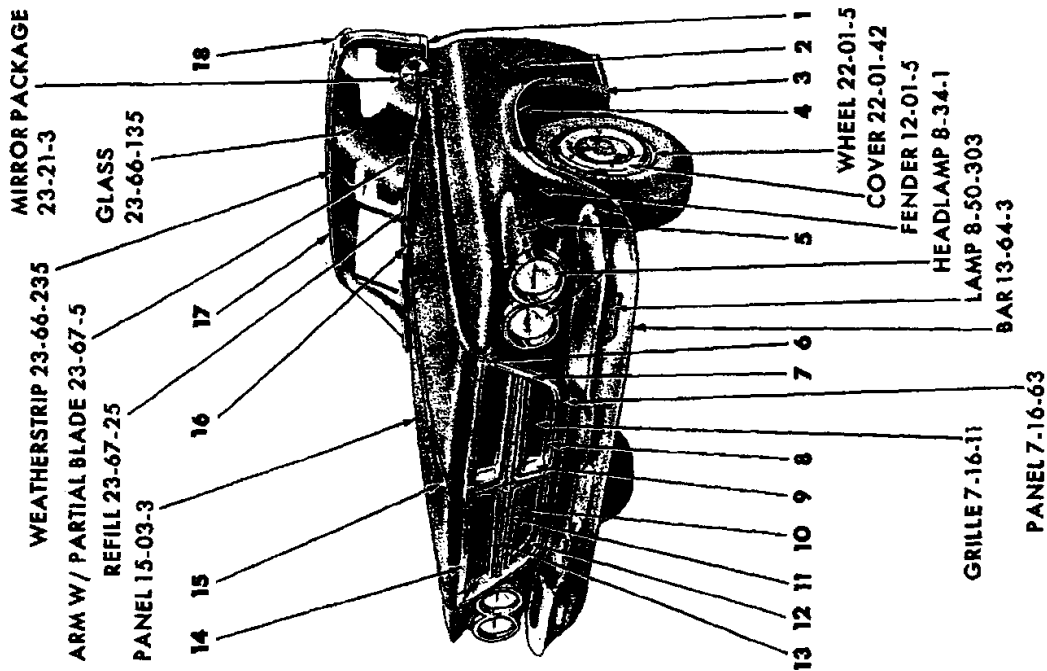
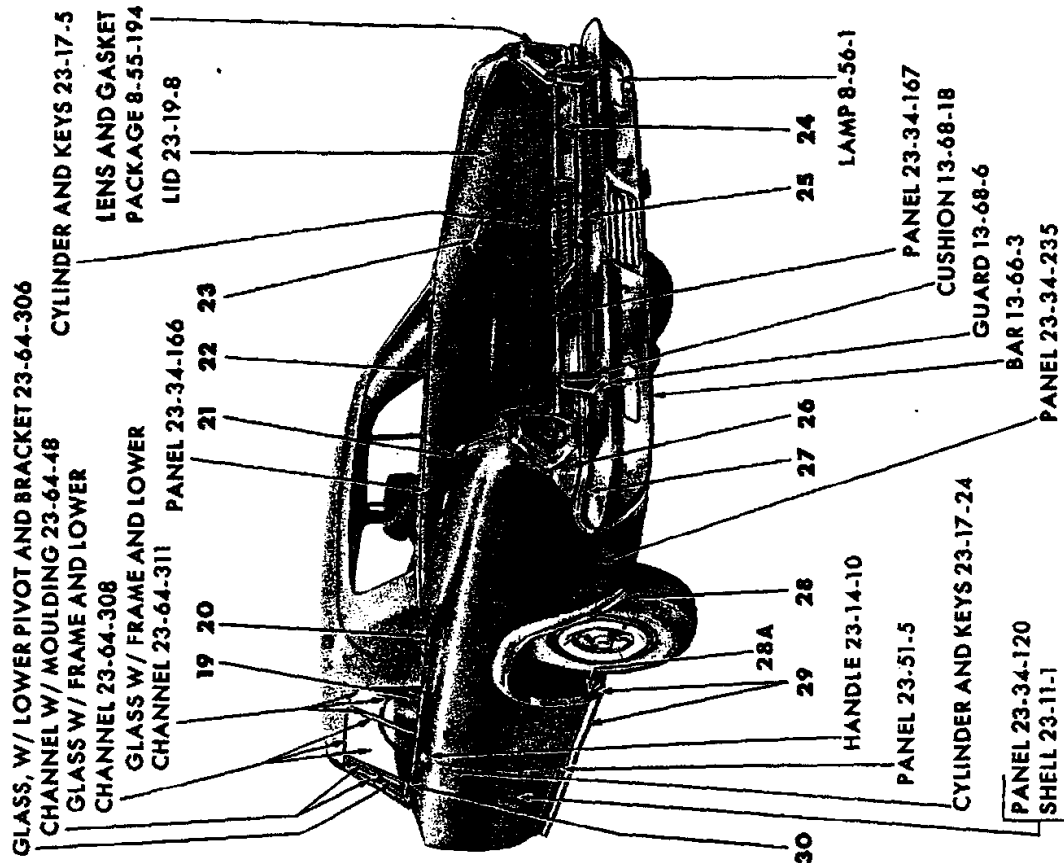
EXTERIOR VIEW - CHRYSLER VC2-300K 2 DOOR HARTDOP

REF. NO.	QTY	PART NUMBER	DESCRIPTION
1	1	2448 556-7	MOULDING PACKAGE, Fender Wheel Opening to Sill (12-15-2)
	2	-----	Clip
	2	6006 438	Nut
	2	6023 247	Screw
2	1	2276 470-1	MOULDING PACKAGE, Fender Wheel Opening (12-15-2)
	16	6023 247	Screw
3	2	2276 474	NAME PLATE, Fender Side (12-15-21)
	8	152 259	Nut
4	1	2495 730-1	MOULDING PACKAGE, Radiator Grille Opening Corner (7-16-36)
	4	6024 689	Nut
5	1	2495 726	MOULDING PACKAGE, Radiator Grille Opening Frame (7-16-36)
	9	6001 070	Clip
	9	6023 284	Nut
	9	9415 921	Screw
6	1	2495 728-9	MOULDING PACKAGE, Radiator Grille (7-16-36)
	8	6001 496	Retainer
7	1	2417 749	BAR, Radiator Grille (7-16-47)
8	1	2445 001	BASE, Radiator Grille Medallion (7-17-2)
9	1	2445 002-3	MEDALLION, Radiator Grille Outer (7-17-1)
10	1	2276 410	FRAME, Radiator Grille Opening (7-16-36)
11	1	2495 180	MOULDING PACKAGE, Hood Front (15-25-2)
	6	9411 618	Nut
12	1	2417 751	MEDALLION, Radiator Grille Center (7-17-1)
13	1	2495 181	MOULDING PACKAGE, Hood Top (15-25-2)
	7	6023 097	Nut
14	1	2084 997	MOULDING PACKAGE, Windshield Outside Finish Lower Center (23-23-65)
	5	6000 685	Clip
15	1	2495 694	MOULDING PACKAGE, Windshield Outside Finish Upper Center (23-23-65)
	5	6000 927	Clip
	2	6023 277	Screw
16	1	2495 696-7	MOULDING, Windshield Outside Finish Lower End (23-23-65)
	2	274 411	Screw
17	1	2216 870-1	MOULDING, Windshield Outside Finish Side (23-23-65)
	8	6023 247	Screw
18	1	2243 734-5	MOULDING, Roof Side Drain Trough Front (23-59-61)
19	1	2243 738-9	CAP, Roof Side Drain Trough Moulding Joint (23-59-57)
20	1	2482 782-3	MOULDING w/Joint Cap, Roof Side Drain Trough Rear (23-59-61)

All Packages include Attaching Parts

REF. NO.	QTY	PART NUMBER	DESCRIPTION
20A	1	2448 549	MOULDING PACKAGE, Roof Panel Outside Rear (23-23-42)
	4	6001 455	Clip and Seal
	4	-----	Nut
21	1	2424 066-7	MOULDING, Roof Panel Outside Side (23-23-42)
	4	6024 271	Screw and Sealer
22	1	2423 092-3	MOULDING, Rear Window Outside Side and Lower (23-23-52)
	12	6001 084	Retainer and Screw
23	1	2423 091	MOULDING, Rear Window Outside Upper (23-23-52)
	7	6001 084	Retainer and Screw
24	1	2525 560-1	MOULDING PACKAGE, Quarter Panel Peak (23-23-39)
	14	6024 656	Washer
	14	9411 618	Nut
25	1	2482 755	MEDALLION, Deck Lid (23-19-114)
	1	6022 013	Washer
	1	116 000	Nut
26	1	2424 990-1	PANEL, Deck Lower Panel Finish (23-23-28)
	12	6022 987	Washer
	12	6023 685	Nut
27	1	2421 448	MOULDING PACKAGE, Deck Lower Panel Filler Door (23-23-23)
	2	6000 709	Clip
	2	6024 679	Nut
28	1	2448 428-9	MOULDING PACKAGE, Quarter Panel Lower Rear (23-23-39)
	10	6001 099	Retainer
	2	188 973	Screw
	10	6024 679	Nut
	4	-----	Nut
29	1	2424 988-9	PANEL, Quarter Outside Finish (23-23-85)
	2	6023 682	Screw
	2	-----	Seal
29A	2	2482 755	MEDALLION, Quarter Outside Panel (23-34-334)
	2	1946 415	Seal
	2	116 000	Nut
	2	6022 013	Seal
30	1	2528 992-3	MOULDING, Roof Side Drain Trough Rear Lower (23-59-61)
31	1	2423 740-1	MOULDING, Quarter Panel Wheel Opening (23-23-39)
	16	6024 271	Screw
31A	1	2243 712-3	MOULDING, Quarter Panel Wheel Opening to Sill (23-23-39)
32	1	2421 573-4	MOULDING PACKAGE, Body Side Sill, w/Cap (23-23-2)
	18	6001 605	Retainer
	2	-----	Washer
	2	-----	Nut
33	1	2421 554-5	MOULDING PACKAGE, Quarter Panel Belt (23-23-39)
	6	6001 497	Retainer
34	1	2448 550-1	MOULDING PACKAGE, Door Belt (23-23-32)
	10	6001 497	Retainer
	2	6001 087	Retainer
	2	9417 621	Nut

Part Type Code is Indicated in Parentheses



EXTERIOR VIEW - CHRYSLER VC2-300K CONVERTIBLE COUPE

19x9935 A

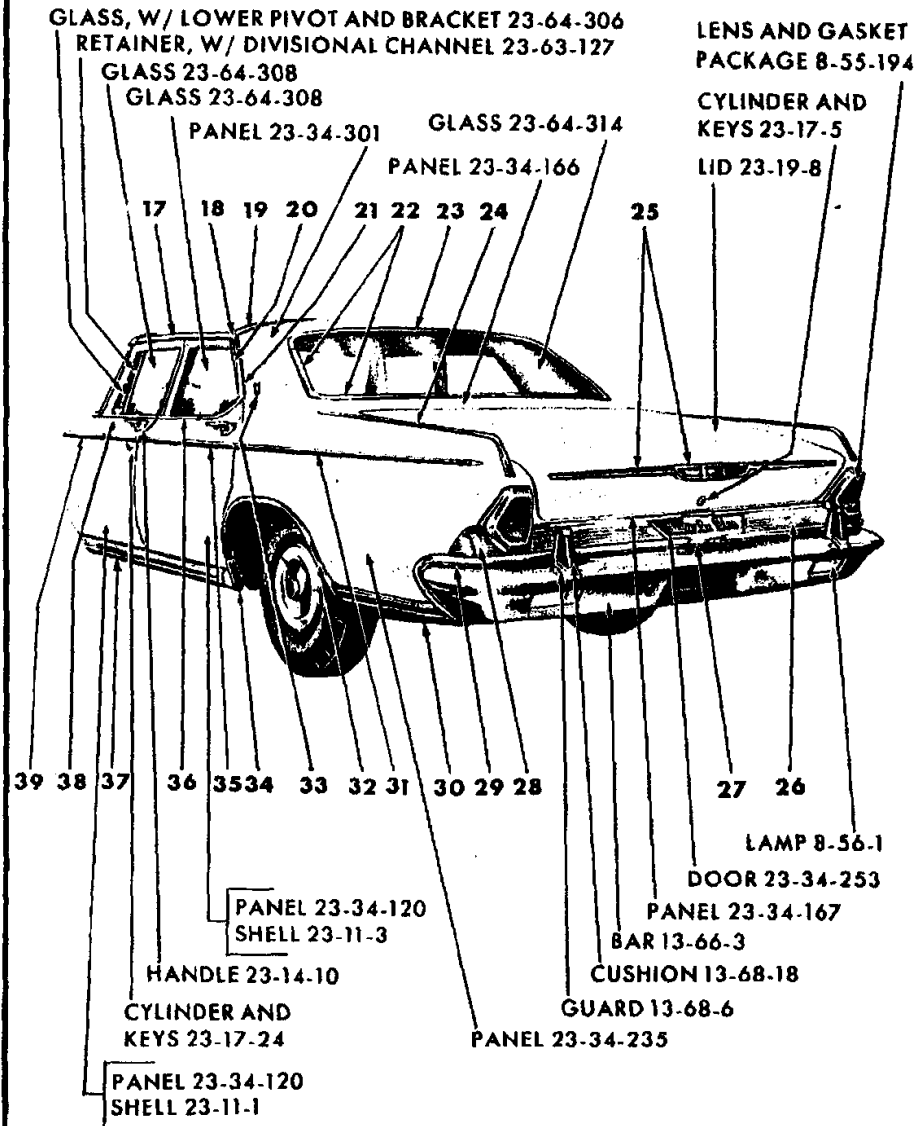
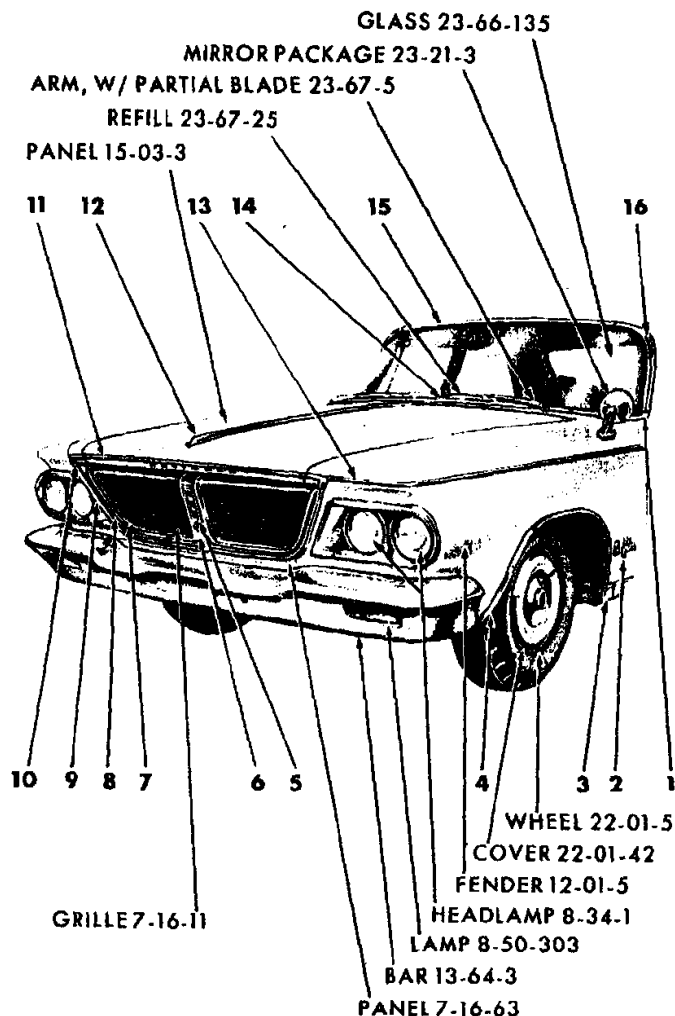
REF. NO.	QTY	PART NUMBER	DESCRIPTION
1	1	2495 696-7	MOULDING, Windshield Outside Finish Lower End (23-23-65)
	2	274 411	Screw
2	2	2527 978	MEDALLION, Fender Side (12-15-21)
	2	6000 960	Clip
3	1	2448 556-7	MOULDING PACKAGE, Fender Wheel Opening to Sill (12-15-2)
	2	6001 062	Clip
	2	6023 247	Screw 2 6006 438 Nut
4	1	2276 470-1	MOULDING PACKAGE, Fender Wheel Opening (12-15-2)
	16	6023 247	Screw
5	2	2276 474	NAME PLATE, Fender Side (12-15-21)
	8	152 259	Nut
6	1	2495 730-1	MOULDING PACKAGE, Radiator Grille Opening Frame Corner (7-16-36)
	4	9411 618	Nut
7	1	2495 726	MOULDING PACKAGE, Radiator Grille Opening Frame (7-16-36)
	9	6001 070	Clip
	9	6023 284	Nut 9 9415 921 Screw
8	1	2276 410	FRAME, Radiator Grille Opening (7-16-36)
9	1	2417 749	BAR, Radiator Grille (7-16-47)
10	1	2445 001	BASE, Radiator Grille Bar Medallion (7-17-2)
11	1	2417 751	MEDALLION, Radiator Grille Bar Center (7-17-1)
12	1	2495 728-9	MOULDING PACKAGE, Radiator Grille (7-16-36)
	8	6001 496	Retainer
13	1	2445 002-3	MEDALLION, Radiator Grille Bar Outer (7-17-1)
14	1	2495 180	MOULDING PACKAGE, Hood Front (15-25-2)
	6	9411 618	Nut
15	1	2495 181	MOULDING PACKAGE, Hood Top (15-25-2)
	7	6023 097	Nut
16	1	2084 997	MOULDING PACKAGE, Windshield Outside Finish Lower Center (23-23-65)
	5	6006, 685	Clip

REF. NO.	QTY	PART NUMBER	DESCRIPTION
17	1	2196 119	PANEL PACKAGE, Windshield Header Outside Finish (23-23-64)
	5	6024 400	Screw
18	1	2255 710-11	MOULDING and EXTENSION, Windshield Outside Finish Side (23-23-65)
	8	6023 247	Screw
19	1	2421 550-1	MOULDING PACKAGE, Quarter Panel Belt Front (23-23-39)
	6	6001 497	Retainer
20	1	2244 648-9	MOULDING, Quarter Panel Belt Rear (23-23-39)
	8	6024 478	Fastener
21	1	2525 560-1	MOULDING PACKAGE, Quarter Panel Upper (23-23-39)
	14	6024 656	Washer 14 9411 618 Nut
22	1	2243 913	MOULDING, Deck Upper Panel (23-23-31)
	11	6024 478	Fastener
23	1	2482 755	MEDALLION, Deck Lid (23-19-114)
	1	6022 013	Washer 1 116 000 Nut
24	1	2424 990-1	PANEL, Deck Lower Panel Finish (23-23-28)
	12	6022 997	Washer 12 6023 685 Nut
25	1	2421 448	MOULDING PACKAGE, Deck Lower Panel Filler Door (23-23-23)
	2	6010 093	Clip 2 6024 679 Nut
26	1	2424 988-9	PANEL, Quarter Outside Finish (23-23-85)
	2	6023 682	Screw 2 ---- --- Seal
27	1	2448 428-9	MOULDING PACKAGE, Quarter Panel Lower Rear (23-23-39)
	10	6001 099	Retainer 10 6024 679 Nut
	2	188 973	Screw 4 ---- --- Nut
28	1	2423 740-1	MOULDING, Quarter Panel Wheel Opening (23-23-39)
	16	6024 271	Screw
28A	1	2243 712-3	MOULDING, Quarter Panel Wheel Opening to Sill (23-23-39)
29	1	2421 573-4	MOULDING PACKAGE, Body Side Sill, w/Cap (23-23-2)
	18	6001 605	Retainer
	2	6022 052	Washer 2 ---- --- Nut
30	1	2448 550-1	MOULDING PACKAGE, Door Belt (23-23-32)
	10	6001 497	Retainer
	2	6001 087	Retainer 2 9417 621 Nut

All Packages Include Attaching Parts

Part Type Code is Indicated in Parentheses

EXTERIOR VIEW - CHRYSLER VC2-300K CONVERTIBLE COUPE



19x9924B

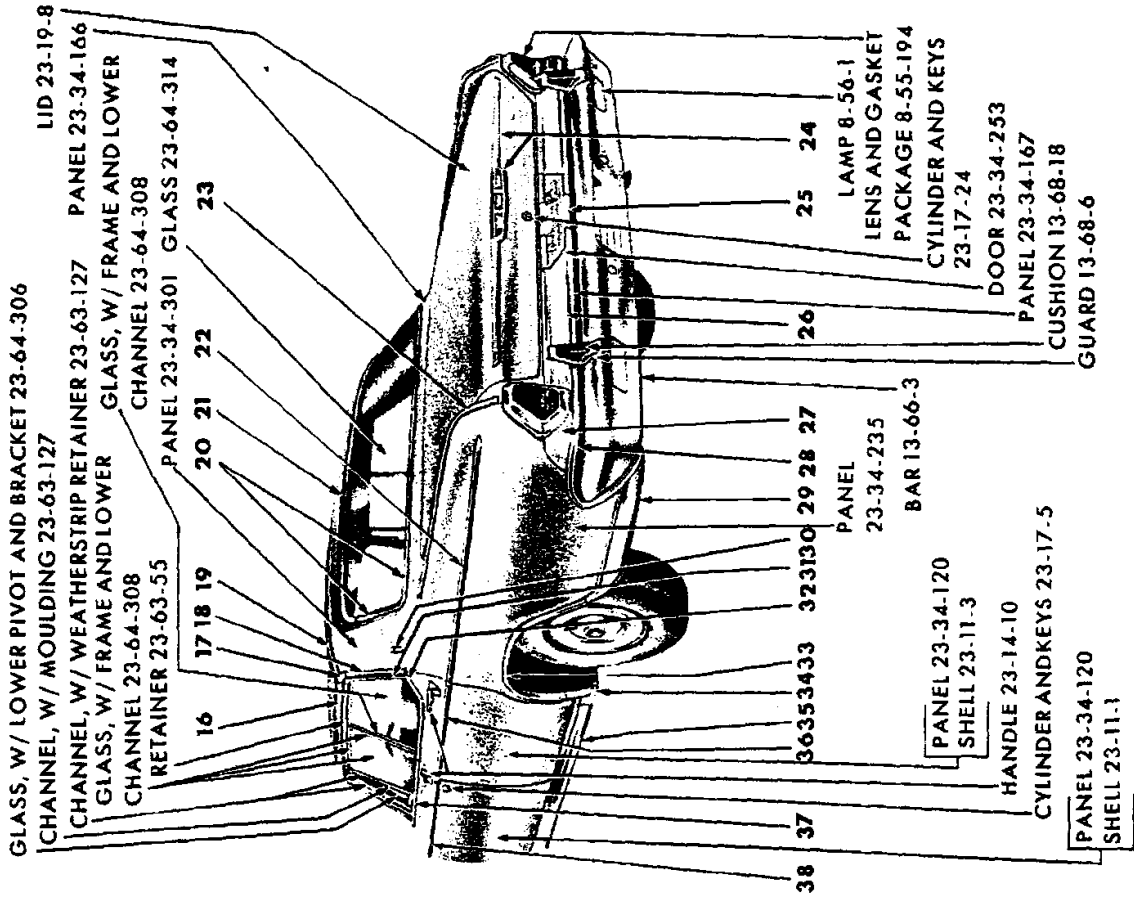
EXTERIOR VIEW - CHRYSLER VC3(H) 4 DOOR SEDAN

REF. NO.	QTY	PART NUMBER	DESCRIPTION	REF. NO.	QTY	PART NUMBER	DESCRIPTION
1	1	2495 896-7	MOULDING, Windshield Outside Finish Lower End (23-23-65)	22	1	2423 092-3	MOULDING, Rear Window Outside Side and Lower (23-23-52)
	2	274 411	Screw	12	6001 084		Retainer and Screw
2	2	2255 082	NAME PLATE, Fender Side, "New" (12-15-21)	23	1	2423 091	MOULDING, Rear Window Outside Upper (23-23-52)
	2	2255 083	"Yorker"	7	6001 084		Retainer and Screw
	10	6000 050	Clip	24	1	2525 560-1	MOULDING PACKAGE, Quarter Panel Peak (23-23-39)
3	1	2495 714-5	MOULDING PACKAGE, Fender Wheel Opening to Sill (12-15-2)	14	6024 656		Washer 14 9411 618 Nut
	2	6023 247	Screw 2 ---- Nut	25	1	2484 405	ORNAMENT and MEDALLION, Deck Lid (23-19-114)
4	1	2445 834-5	MOULDING PACKAGE, Fender Wheel Opening (12-15-2)	8	6023 097		Nut
	16	6023 247	Screw	26	1	2424 990-1	PANEL, Deck Lower Panel Finish (23-23-28)
5	1	2417 999	MEDALLION, Radiator Grille (7-17-1)	12	6022 997		Washer 12 6023 685 Nut
6	1	2445 048	MEDALLION, Radiator Grille, w/Base (7-17-1)	27	1	2421 448	MOULDING PACKAGE, Deck Lower Panel Filler Door (23-23-23)
7	1	2417 754-5	FRAME, Radiator Grille (7-16-36)	2	6000 709		Clip 2 6024 679 Nut
8	1	2276 410	FRAME, Radiator Grille Opening (7-16-36)	28	1	2424 988-9	PANEL, Quarter Outside Finish (23-23-85)
9	1	2495 726	MOULDING PACKAGE, Radiator Grille Opening Frame (7-16-36)	2	----	---	Seal 2 6023 682 Screw
	9	6001 070	Clip	29	1	2448 428-9	MOULDING PACKAGE, Quarter Panel Lower Rear (23-23-39)
	9	6023 284	Nut 9 9415 921 Screw	10	6001 099		Retainer
10	1	2495 730-1	MOULDING PACKAGE, Radiator Grille Opening Frame Corner (7-16-36)	10	6024 679		Nut 4 ---- Nut
	4	9411 618	Nut	30	1	2483 150-1	MOULDING, Quarter Panel Lower Front (23-23-39)
11	1	2495 180	MOULDING PACKAGE, Hood Front (15-25-2)	12	6024 271		Screw
	6	9411 618	Nut	6	6001 430		Retainer 6 ---- Nut
12	1	2495 181	MOULDING PACKAGE, Hood Top (15-25-2)	31	1	2421 567-8	MOULDING PACKAGE, Quarter Panel Lower (23-23-39)
	7	6023 097	Nut	2	6024 679		Nut 2 6000 709 Clip
13	1	2495 712-3	MOULDING PACKAGE, Fender Side (12-15-2)	12	6001 048		Retainer 4 6024 271 Screw
	14	6001 048	Retainer	32	1	2483 714-5	MOULDING, Quarter Panel Wheel Opening (23-23-39)
	6	6001 059	Retainer 6 6024 679 Nut	14	6024 271		Screw
14	1	2084 997	MOULDING PACKAGE, Windshield Outside Finish Lower Center (23-23-65)	33	2	2445 586	MEDALLION, Quarter Outside Panel (23-34-334)
	5	6000 685	Clip	2	6000 050		Clip 2 152 259 Nut
15	1	2495 694	MOULDING PACKAGE, Windshield Outside Finish Upper Center (23-23-65)	34	1	2483 146-7	MOULDING, Body Side Sill to Quarter Panel Wheel Opening (23-23-39)
	5	6000 927	Clip 2 6023 277 Screw	35	1	2421 561-2	MOULDING PACKAGE, Rear Door Lower (23-23-33)
16	1	2216 870-1	MOULDING, Windshield Outside Finish Side (23-23-65)	8	6001 048		Retainer
	8	6023 247	Screw	8	6001 058		Clip 2 446 618 Nut
17	1	2243 740-1	MOULDING, Roof Side Drain Trough Front (23-59-61)	36	1	2421 559-60	MOULDING PACKAGE, Rear Door Belt (23-23-33)
	12	6023 559	Screw w/Washer	12	6001 497		Retainer
	12	2255 633	Clip	37	1	2495 436-7	MOULDING PACKAGE, Body Side Sill (23-23-2)
18	1	2243 744-5	CAP, Roof Side Drain Trough Moulding Joint (23-59-57)	14	6001 546		Retainer 2 6024 288 Screw
19	1	2448 549	MOULDING PACKAGE, Roof Panel Outside Rear (23-23-42)	38	1	2448 552-3	MOULDING PACKAGE, Front Door Belt (23-23-32)
20	1	2424 066-7	MOULDING, Roof Panel Outside Side (23-23-42)	8	6001 497		Retainer
	4	6024 271	Screw and Sealer	2	6001 087		Retainer 2 9417 621 Nut
21	1	2483 588-9	MOULDING, Roof Side Drain Trough Rear (23-59-61)	39	2	2421 558	MOULDING PACKAGE, Front Door Lower (23-23-32)
	4	6024 271	Screw w/Sealer	8	6001 048		Retainer
				8	6001 058		Clip 8 446 618 Nut

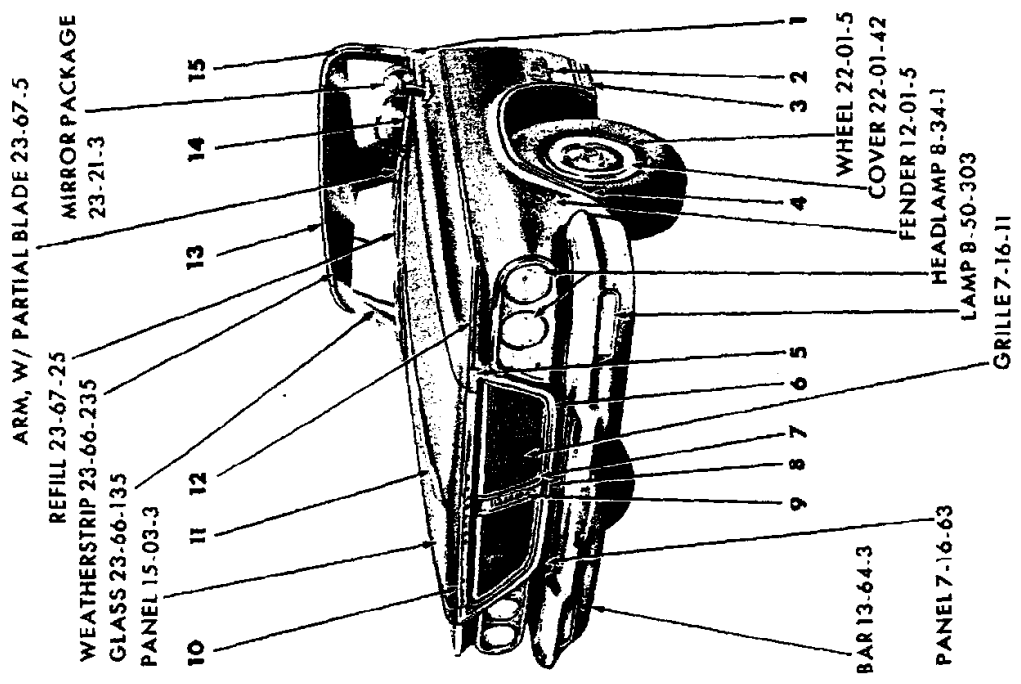
All Packages Include Attaching Parts

Part Type Code is indicated in Parentheses

EXTERIOR VIEW - CHRYSLER VC3(H) 4 DOOR SEDAN



19x99268



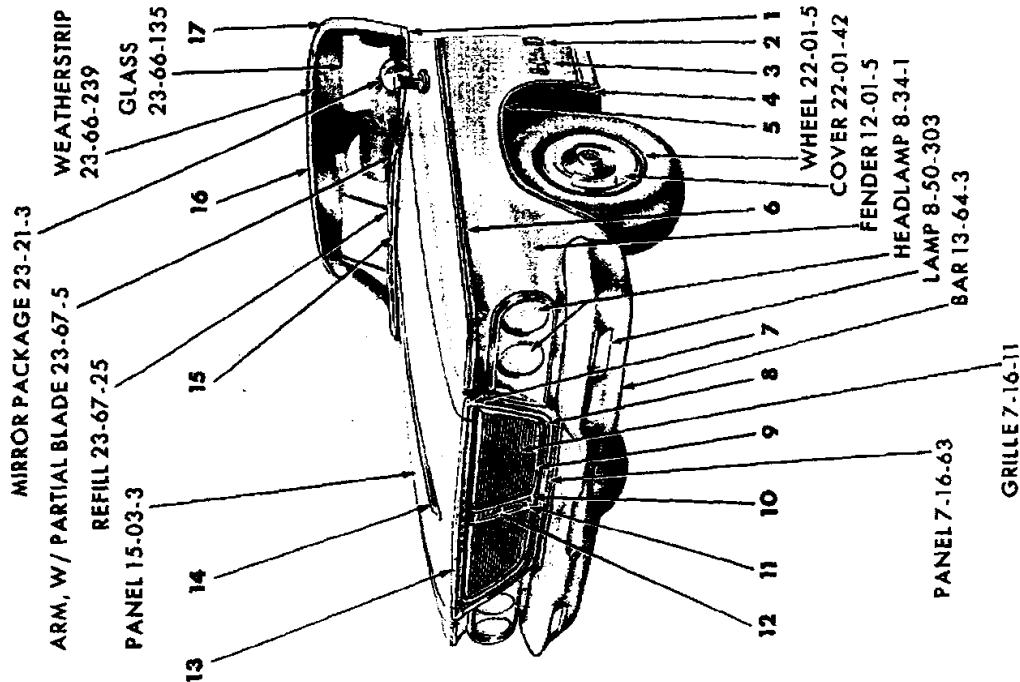
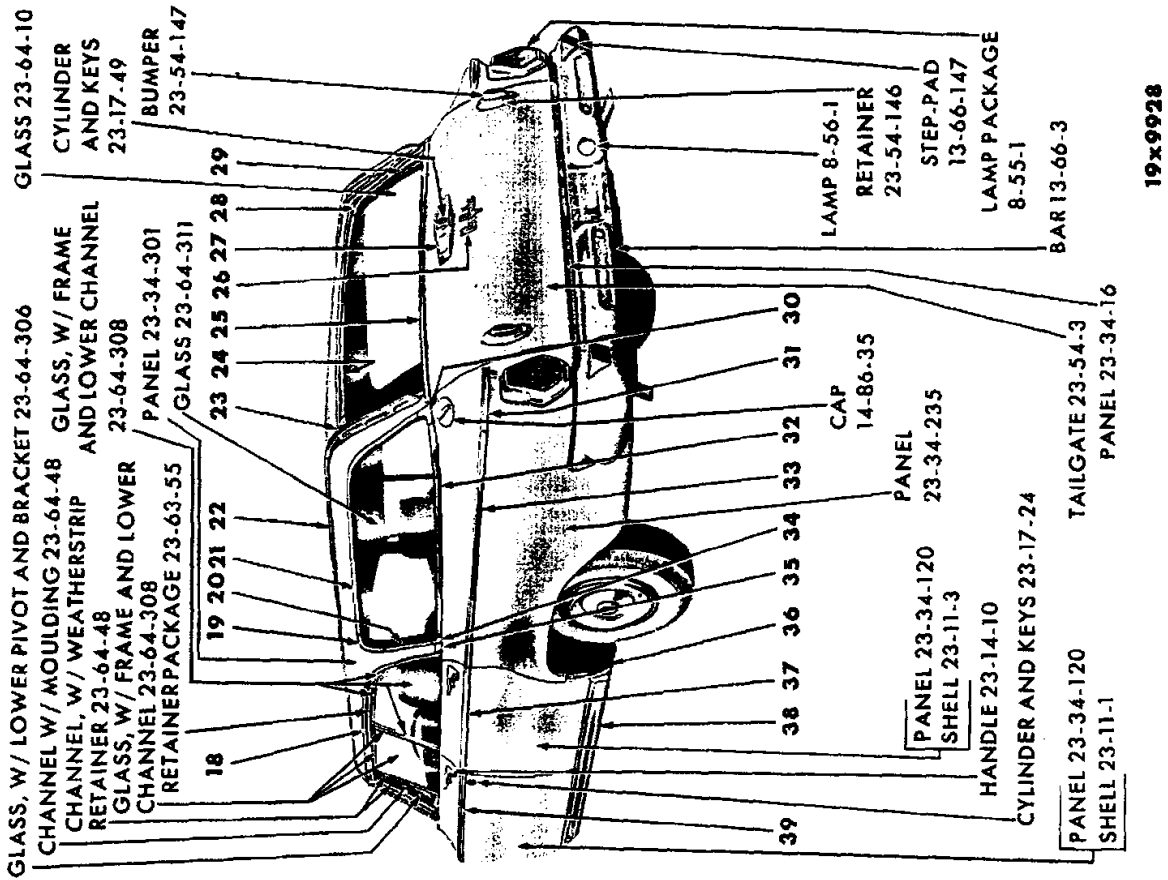
EXTERIOR VIEW - CHRYSLER VCS(H) 4 DOOR HARDTOP

REF. NO.	QTY	PART NUMBER	DESCRIPTION
1	1	2495 596-7	MOULDING, Windshield Outside Finish Lower End (23-23-65)
	2	274 411	Screw
2	2	2255 082	NAME PLATE, Fender Side, "New" (12-15-21)
	2	2255 083	"Yorker"
	10	6000 050	Clip
3	1	2495 714-5	MOULDING PACKAGE, Fender Wheel Opening to Sill (12-15-2)
	2	6023 247	Screw 2 ---- Nut
4	1	2445 834-5	MOULDING PACKAGE, Fender Wheel Opening (12-15-2)
	16	6023 247	Screw
5	1	2495 730-1	MOULDING PACKAGE, Radiator Grille Corner (7-16-36)
	4	9411 618	Nut
6	1	2495 726	MOULDING PACKAGE, Radiator Grille Opening Frame (7-16-36)
	9	6001 070	Clip
	9	6023 284	Nut 9 9415 921 Screw
7	1	2417 754-5	FRAME, Radiator Grille (7-16-36)
8	1	2276 410	FRAME, Radiator Grille Opening (7-16-36)
9	1	2417 999	MEDALLION, Radiator Grille (7-17-1)
	1	2445 048	MEDALLION, w/Base, Radiator Grille
	4	6006 264	Nut
10	1	2495 180	MOULDING PACKAGE, Hood Front (15-25-2)
	6	9411 618	Nut
11	1	2495 181	MOULDING PACKAGE, Hood Top (15-25-2)
	7	6023 097	Nut
12	1	2495 712-3	MOULDING PACKAGE, Fender Side (12-15-2)
	14	6001 048	Retainer
	6	6001 059	Clip 6 6024 679 Nut
13	1	2495 694	MOULDING PACKAGE, Windshield Outside Finish Upper Center (23-23-65)
	5	6000 927	Clip 2 6023 277 Screw
14	1	2084 997	MOULDING PACKAGE, Windshield Outside Finish Lower Center (23-23-65)
	5	6000 685	Clip
15	1	2216 870-1	MOULDING, Windshield Outside Finish Side (23-23-65)
	8	6023 247	Screw
16	1	2243 740-1	MOULDING, Roof Side Drain Trough Front (23-59-61)
	12	2255 633	Clip
	12	6023 559	Screw w/Washer
17	1	2243 744-5	CAP, Roof Side Drain Trough Moulding Joint (23-59-57)
18	1	2483 588-9	MOULDING, Roof Side Drain Trough Rear (23-59-61)
	4	6024 271	Screw, w/Sealer
19	1	2448 549	MOULDING PACKAGE, Roof Panel Outside Rear (23-23-42)
	4	6001 455	Clip and Seal
	4	----	Nut
20	1	2423 092-3	MOULDING, Rear Window Outside Side and Lower (23-23-52)
	12	6001 084	Retainer and Screw

All Packages Include Attaching Parts

REF. NO.	QTY	PART NUMBER	DESCRIPTION
21	1	2423 091	MOULDING, Rear Window Outside Upper (23-23-52)
	7	6001 084	Retainer and Screw
22	1	2421 567-8	MOULDING PACKAGE, Quarter Panel Lower (23-23-39)
	2	6024 679	Nut 2 6000 709 Clip
	12	6001 048	Retainer 4 6024 271 Screw
23	1	2525 560-1	MOULDING PACKAGE, Quarter Panel Peak (23-23-39)
	14	6024 656	Washer 14 9411 618 Nut
24	1	2484 405	ORNAMENT and MEDALLION, Deck Lid (23-19-114)
	8	6023 097	Nut
25	1	2421 448	MOULDING PACKAGE, Deck Lower Panel Filler Door (23-23-23)
	2	6010 093	Clip
	2	6024 679	Nut
26	1	2424 990-1	PANEL, Deck Lower Panel Finish (23-23-28)
	12	6022 997	Washer
	12	6023 685	Nut
27	1	2424 988-9	PANEL, Quarter Outside Finish (23-23-85)
	2	----	Seal 2 6023 682 Screw
28	1	2448 428-9	MOULDING PACKAGE, Quarter Panel Lower Rear (23-23-39)
	10	6001 099	Retainer 4 ---- Nut
	10	6024 679	Nut 2 188 973 Screw
29	1	2483 150-1	MOULDING, Quarter Panel Lower Front (23-23-39)
	12	6024 271	Screw
	6	6001 430	Retainer 6 ---- Nut
30	2	2445 586	MEDALLION, Quarter Outside Panel (23-34-334)
	2	6000 050	Clip 2 152 259 Nut
31	1	2424 066-7	MOULDING, Roof Panel Outside Side (23-23-42)
	4	6024 271	Screw and Sealer
32	1	2421 559-60	MOULDING PACKAGE, Rear Door Belt (23-23-33)
	12	6001 497	Retainer
33	1	2483 714-5	MOULDING, Quarter Panel Wheel Opening (23-23-39)
	14	6024 271	Screw
34	1	2483 146-7	MOULDING, Body Side Sill to Quarter Panel Wheel Opening (23-23-39)
35	1	2495 436-7	MOULDING PACKAGE, Body Side Sill (23-23-2)
	14	6001 546	Retainer 2 6024 288 Screw
36	1	2421 561-2	MOULDING PACKAGE, Rear Door Lower (23-23-33)
	8	6001 048	Retainer
	2	446 618	Nut 8 6001 058 Clip
37	1	2448 552-3	MOULDING PACKAGE, Front Door Belt (23-23-32)
	8	6001 497	Retainer
	2	6001 087	Retainer 2 9417 621 Nut
38	2	2421 558	MOULDING PACKAGE, Front Door Lower (23-23-32)
	8	6001 048	Retainer
	8	446 618	Nut
	8	6001 058	Clip

Part Type Code is Indicated in Parentheses



EXTERIOR VIEW - CHRYSLER VC3(H) 4 DOOR HARDTOP STATION WAGON

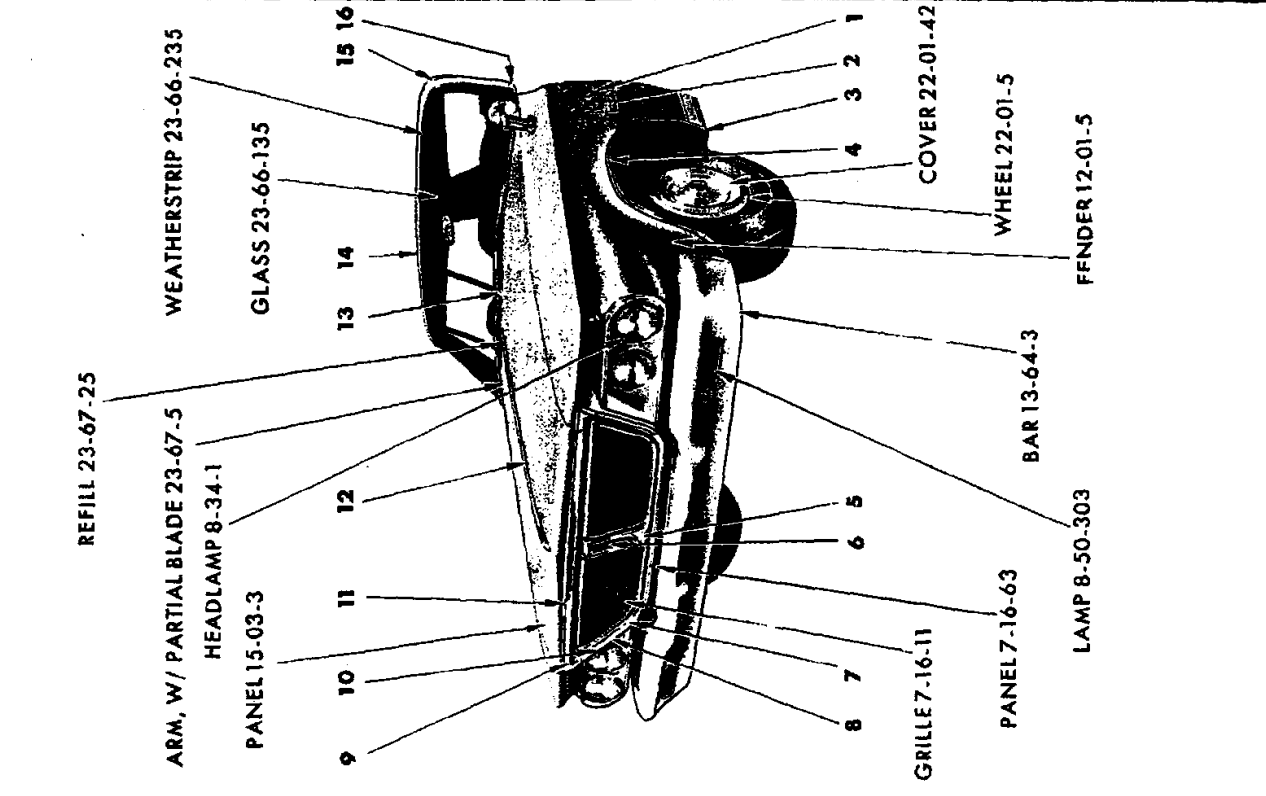
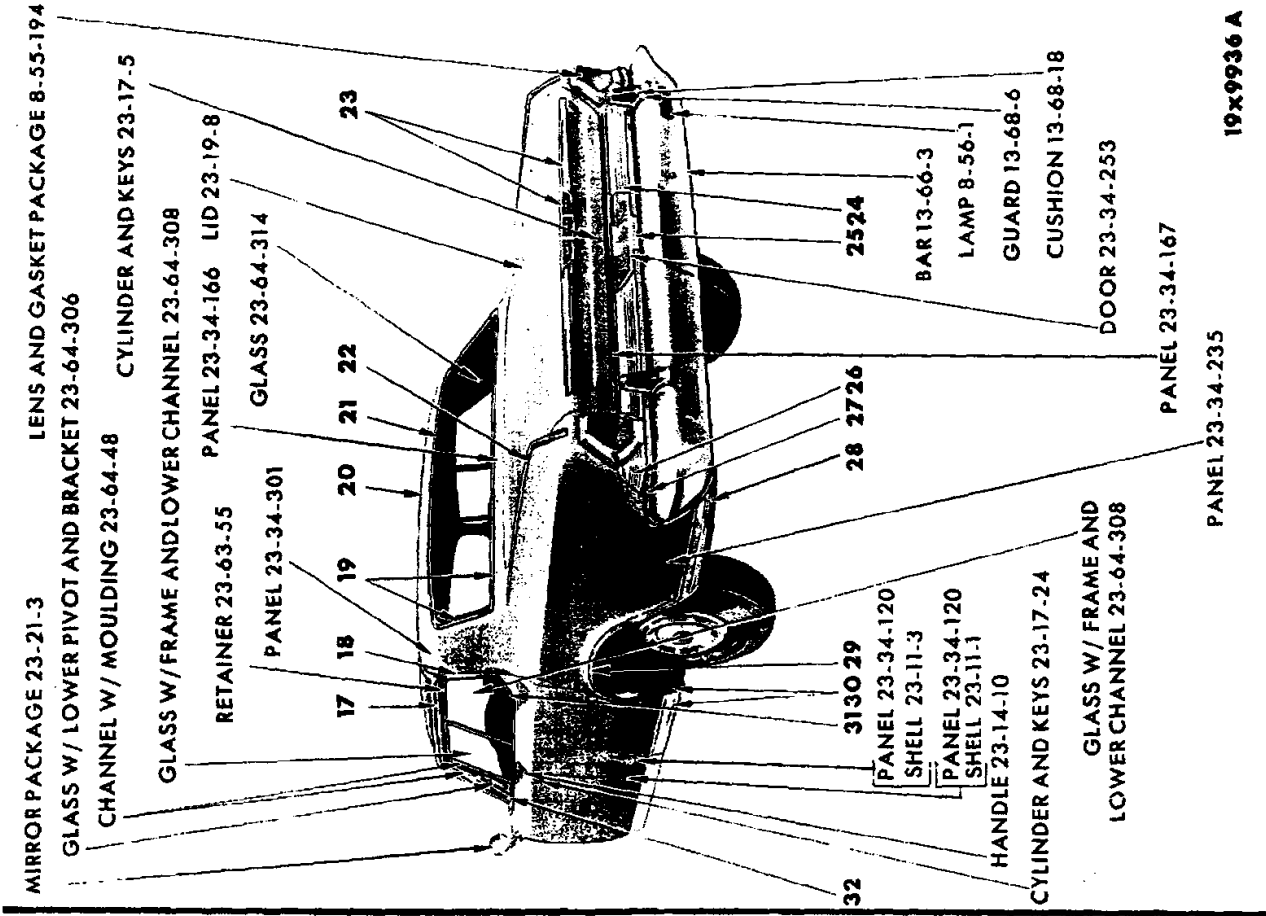
REF. NO.	QTY	PART NUMBER	DESCRIPTION
1	1	2495 696-7	MOULDING, Windshield Outside Finish Lower End (23-23-65)
	2	274 411	Screw
2	2	2445 586	MEDALLION, Fender Side (12-15-21)
	4	6000 050	Clip
3	2	2255 082	NAME PLATE, Fender Side, "New" (12-15-21)
	2	2255 083	"Yorker"
	10	6000 050	Clip
4	1	2495 714-5	MOULDING PACKAGE, Fender Wheel Opening to Sill (12-15-2)
	2	6023 247	Screw 2 ---- Nut
5	1	2445 834-5	MOULDING PACKAGE, Fender Wheel Opening (12-15-2)
	16	6023 247	Screw
6	1	2495 706-7	MOULDING PACKAGE, Fender Side (12-15-2)
	10	6001 605	Retainer 12 6024 679 Nut
	12	6001 462	Retainer 4 6001 557 Clip
7	1	2495 730-1	MOULDING PACKAGE, Radiator Grille Opening Corner (7-16-36)
	4	6025 434	Nut
8	1	2495 726	MOULDING PACKAGE, Radiator Grille Opening Frame (7-16-36)
	9	6001 070	Clip
	9	6023 284	Nut 9 9415 921 Screw
9	1	2417 754-5	FRAME, Radiator Grille (7-16-36)
10	1	2276 410	FRAME, Radiator Grille Opening (7-16-36)
11	1	2445 048	MEDALLION, Radiator Grille, w/Base (7-17-1)
12	1	2417 999	MEDALLION, Radiator Grille (7-17-1)
13	1	2495 180	MOULDING PACKAGE, Hood Front (15-25-2)
	6	9411 618	Nut
14	1	2495 181	MOULDING PACKAGE, Hood Top (15-25-2)
	7	6023 097	Nut
15	1	2084 997	MOULDING PACKAGE, Windshield Outside Finish Lower Center (23-23-65)
	5	6000 685	Clip
16	1	2299 418	MOULDING PACKAGE, Windshield Outside Finish Upper (23-23-65)
	5	6000 927	Clip 2 9414 754 Screw
17	1	2480 458-9	MOULDING, Windshield Outside Finish Side Upper and Lower (23-23-65)
	8	6023 247	Screw
18	1	2093 648-9	MOULDING, Roof Side Drain Trough (23-59-61)
19	1	2094 016-7	CAP and RETAINER, Quarter Window Outside Front Upper (23-23-74)
20	1	2094 018-9	MOULDING, Quarter Window Front Outside Finish (23-23-73)
21	1	1961 212-3	MOULDING, Quarter Window Upper Outside Finish (23-23-73)
22	2	2196 252	MOULDING PACKAGE, Roof Top, used w/Rear Pillar Assist Handle (23-23-42)
	20	6006 301	Clip

REF. NO.	QTY	PART NUMBER	DESCRIPTION
22	2	2196 253	MOULDING PACKAGE, Roof Panel Outside Finish, used w/o Assist Handle (23-23-42)
	28	6006 301	Clip
23	2	2196 839	HANDLE PACKAGE, Roof Panel Rear Pillar Assist (23-36-123)
	8	6006 035	Nut 2 681 135 Bolt
24	1	2196 466	MOULDING PACKAGE, Roof Peak Tailgate Opening (23-23-60)
	7	6006 451	Clip
25	1	2196 460	MOULDING PACKAGE, Tailgate Outside Finish Belt (23-23-61)
	2	6006 441	Clip 2 151 306 Screw
26	1	2255 082	NAME PLATE "New", Tailgate Outside Panel (23-54-11)
	1	2255 083	"Yorker"
	5	6000 604	Clip
27	1	2188 389	ORNAMENT, Tailgate Outside Panel (23-54-11)
28	1	2196 464-5	CAP PACKAGE, Roof Rear Tailgate Opening Moulding (23-23-60)
	2	6006 451	Clip
29	1	2196 462-3	MOULDING PACKAGE, Rear Pillar Tailgate Opening (23-23-60)
	4	6006 451	Clip
30	1	2196 816-7	CAP PACKAGE, Quarter Window Outside Finish Lower Rear (23-23-74)
	2	125 978	Screw
31	1	2495 482-3	MOULDING PACKAGE, Quarter Panel Rear (23-23-39)
	6	6001 099	Clip
32	1	1961 214-5	MOULDING, Quarter Window Lower Outside Finish (23-23-73)
33	1	2495 488-9	MOULDING PACKAGE, Quarter Panel Front (23-23-39)
	14	6001 547	Clip 2 274 411 Screw
34	2	1961 210	CAP, Quarter Window Outside Finish Lower Front Moulding (23-23-74)
35	1	2299 430-1	MOULDING PACKAGE, Quarter Panel Belt (23-23-39)
	2	6024 401	Screw
36	1	2483 600-1	STONE DEFLECTOR, Quarter Outside Wheel Opening (23-34-240)
	4	6024 271	Screw
37	1	2495 484-5	MOULDING PACKAGE, Rear Door (23-23-39)
	10	6001 505	Retainer
	2	6001 516	Clip 2 9417 621 Nut
38	2	2495 924	MOULDING PACKAGE, Body Side Sill (23-23-2)
	14	6001 546	Retainer
39	2	2495 449	MOULDING PACKAGE, Front Door (23-23-39)
	4	6001 544	Clip
	8	6001 049	Retainer
	4	9417 621	Nut

All Packages include Attaching Parts

Part Type Code is indicated in Parentheses

EXTERIOR VIEW - CHRYSLER VC3(H) 4 DOOR HARDTOP STATION WAGON



EXTERIOR VIEW - CHRYSLER SALON VC3(H) 4 DOOR HARDTOP

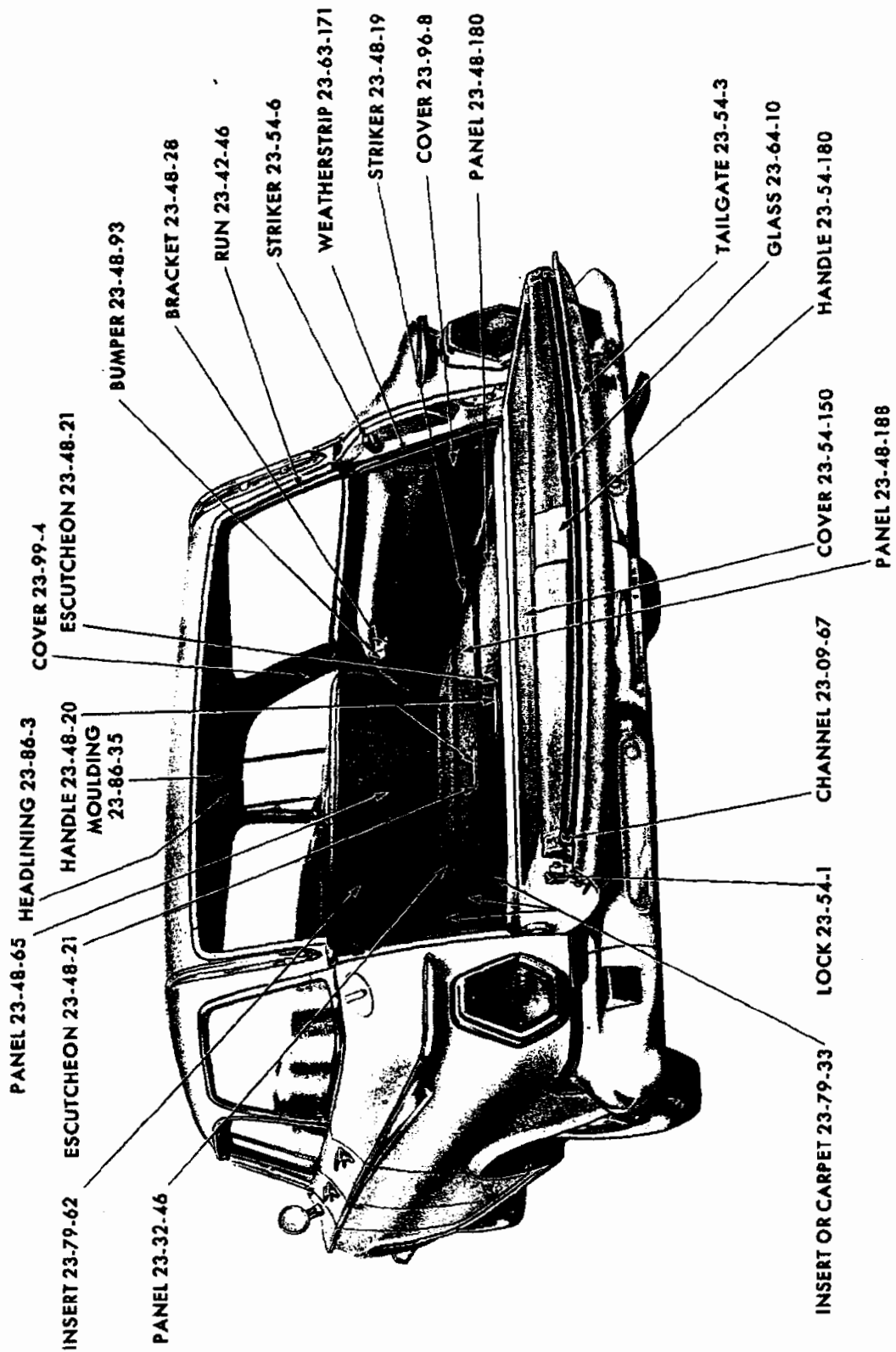
REF. NO.	QTY	PART NUMBER	DESCRIPTION
1	2	2255 082	NAME PLATE, Fender Side, "New" (12-15-21)
	2	2255 083	"Yorker"
	10	6000 050	Clip
2	2	2445 042	NAME LETTER, Fender Side, "S" (12-15-21)
	2	2445 043	"A"
	2	2445 044	"L"
	2	2445 045	"O"
	2	2445 046	"N"
	10	6000 050	Clip
3	1	2495 714-5	MOULDING PACKAGE, Fender Wheel Opening to Sill (12-15-2)
	2	6023 247	Screw 2 ---- Nut
4	1	2445 834-5	MOULDING PACKAGE, Fender Wheel Opening (12-15-2)
	16	6023 247	Screw
5	1	2445 048	MEDALLION, Radiator Grille, w/Base (7-17-1)
6	1	2417 999	MEDALLION, Radiator Grille (7-17-1)
7	1	2417 754-5	FRAME, Radiator Grille (7-16-36)
8	1	2276 410	FRAME, Radiator Grille Opening (7-16-36)
9	1	2495 730-1	MOULDING PACKAGE, Radiator Grille Opening Frame Corner (7-16-36)
	4	9411 618	Nut
10	1	2495 726	MOULDING PACKAGE, Radiator Grille Opening Frame (7-16-36)
	9	6001 070	Clip
	9	6023 234	Nut 9 9415 921 Screw
11	1	2495 180	MOULDING PACKAGE, Hood Front (15-25-2)
	6	9411 618	Nut
12	1	2495 181	MOULDING PACKAGE, Hood Top (15-25-2)
	7	6023 097	Nut
13	1	2084 997	MOULDING PACKAGE, Windshield Outside Lower Center (23-23-65)
	5	6000 685	Clip
14	1	2495 694	MOULDING PACKAGE, Windshield Outside Finish Upper Center (23-23-65)
	5	6000 927	Clip 2 6023 277 Screw
15	1	2216 870-1	MOULDING, Windshield Outside Finish Side (23-23-65)
	8	6023 247	Screw
16	1	2495 696-7	MOULDING, Windshield Outside Finish Lower End (23-23-65)
	2	274 411	Screw
17	1	2480 000-1	MOULDING, Roof Side Drain Trough (23-59-61)
	20	6023 559	Screw w/Washer
	12	2480 004	Clip

REF. NO.	QTY	PART NUMBER	DESCRIPTION
18	1	2424 066-7	MOULDING, Roof Panel Outside Side (23-23-42)
	4	6024 271	Screw and Sealer
19	1	2423 092-3	MOULDING, Rear Window Outside Side and Lower (23-23-52)
	12	6001 084	Retainer and Screw
20	1	2448 549	MOULDING PACKAGE, Roof Panel Outside Rear (23-23-42)
	4	6001 455	Clip and Seal
	4	-----	Nut
21	1	2423 091	MOULDING, Rear Window Outside Upper (23-23-52)
	7	6001 084	Retainer and Screw
22	1	2525 560-1	MOULDING PACKAGE, Quarter Panel Peak (23-23-39)
	14	6024 656	Washer 14 9411 618 Nut
23	1	2484 405	ORNAMENT and MEDALLION, Deck Lid (23-19-114)
	8	6023 097	Nut
24	1	2424 990-1	PANEL, Deck Lower Panel Finish (23-23-28)
	12	6022 997	Washer 12 6023 685 Nut
25	1	2421 448	MOULDING PACKAGE, Deck Lower Panel Filler Door (23-23-23)
	2	6000 709	Clip 2 6024 679 Nut
26	1	2424 988-9	PANEL, Quarter Outside Finish (23-23-85)
	2	-----	Seal 2 6023 682 Screw
27	1	2448 428-9	MOULDING PACKAGE, Quarter Panel Lower Rear (23-23-39)
	10	6001 099	Retainer 4 ---- Nut
	10	6024 679	Nut 2 188 973 Screw
28	1	2483 150-1	MOULDING, Quarter Panel Lower Front (23-23-39)
	12	6024 271	Screw 6 ---- Nut
	6	6001 430	Retainer
29	1	2483 714-5	MOULDING, Quarter Panel Wheelhouse (23-23-39)
	14	6024 271	Screw
30	1	2495 436-7	MOULDING PACKAGE, Body Side Sill (23-23-2)
	14	6001 546	Retainer
	2	6024 288	Screw
31	1	2421 559-60	MOULDING PACKAGE, Rear Door Belt (23-23-33)
	12	6001 497	Retainer
32	1	2448 552-3	MOULDING PACKAGE, Front Door Belt (23-23-32)
	8	6001 497	Retainer
	2	6001 087	Retainer
	2	9417 621	Nut

All Packages Include Attaching Parts

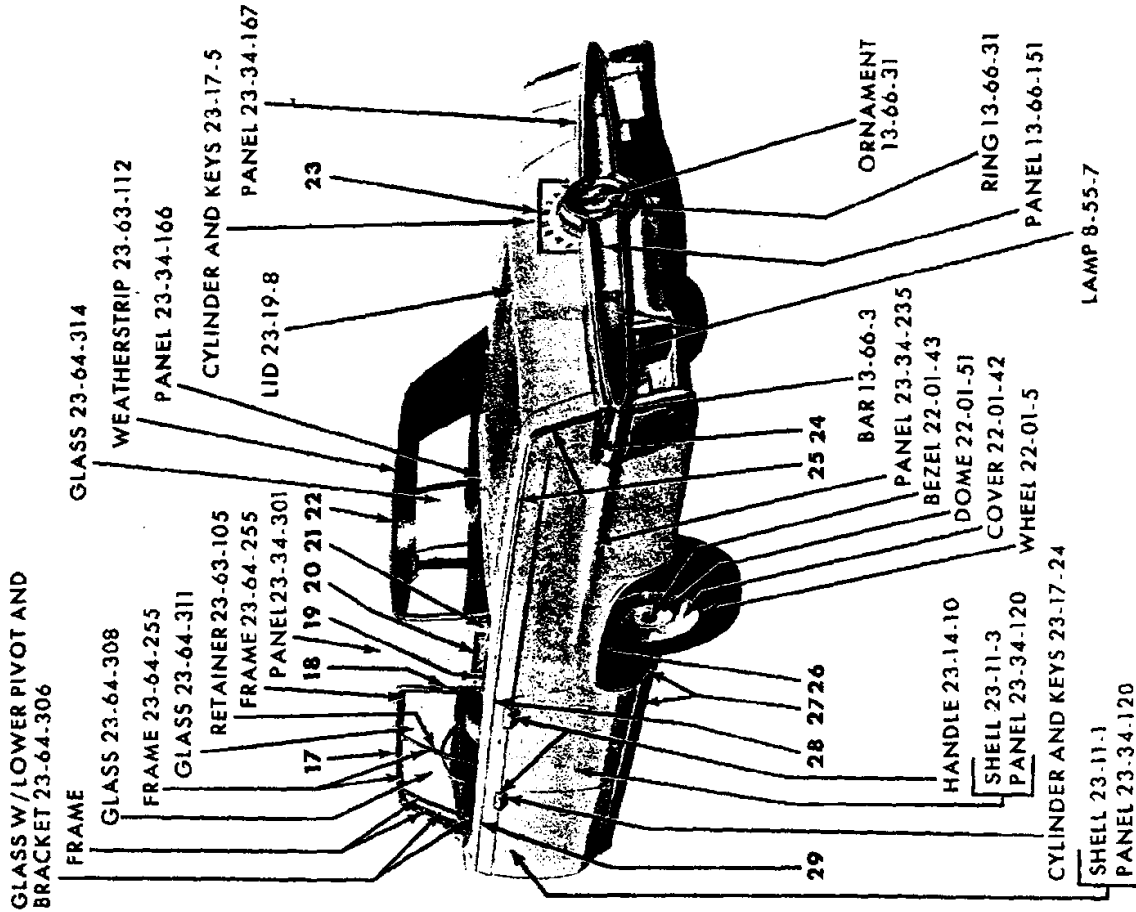
Part Type Code is Indicated in Parentheses

EXTERIOR VIEW - CHRYSLER SALON VC3(H) 4 DOOR HARDTOP

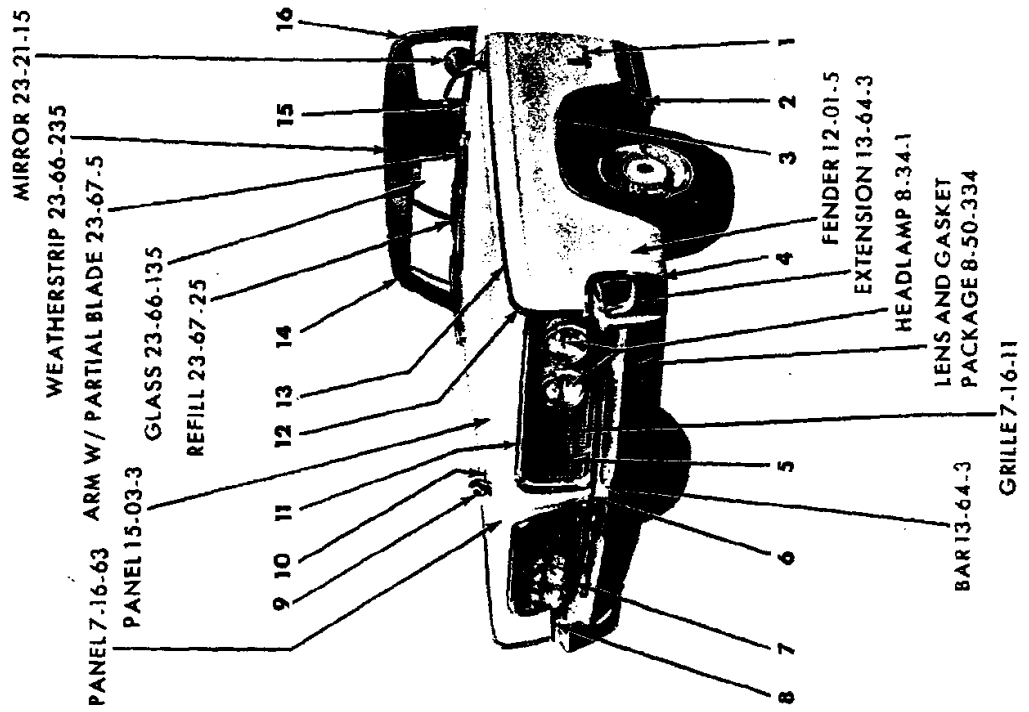


19x9898

REAR INTERIOR VIEW - CHRYSLER VCI-L STATION WAGON (3 SEATER)



19x9871



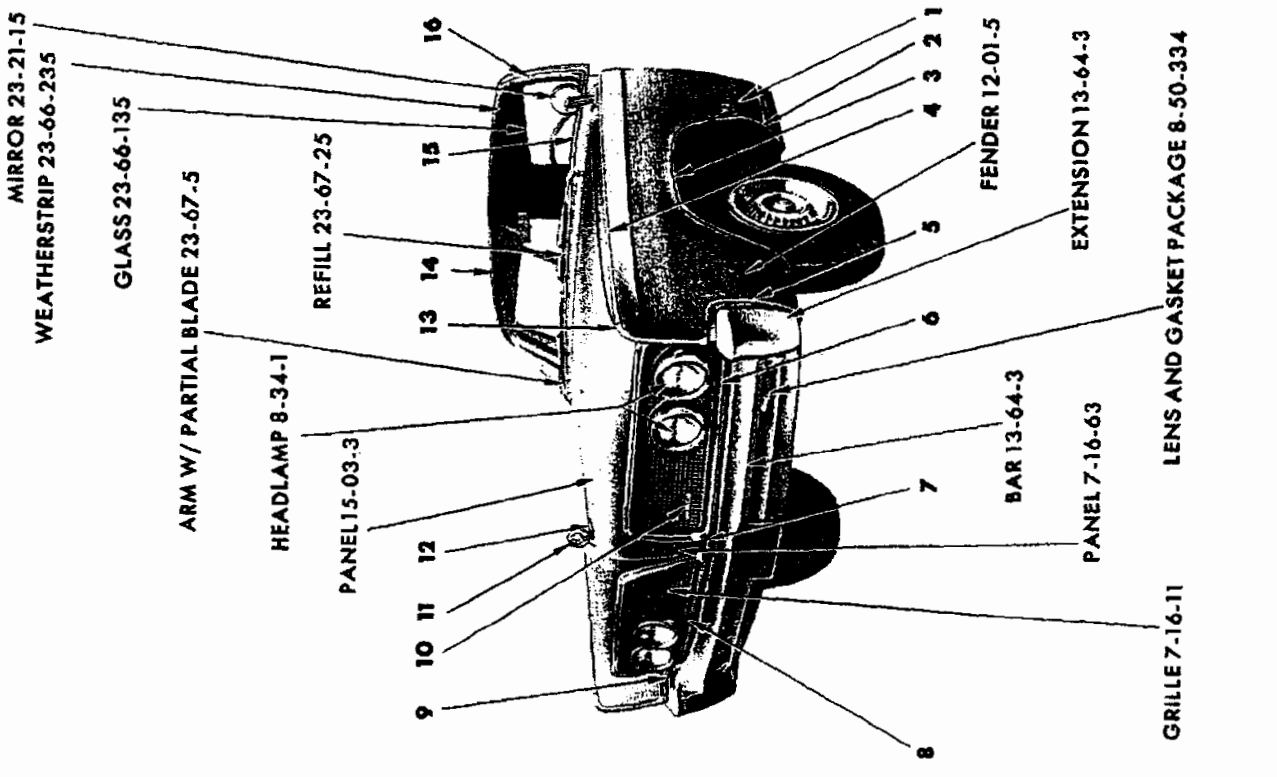
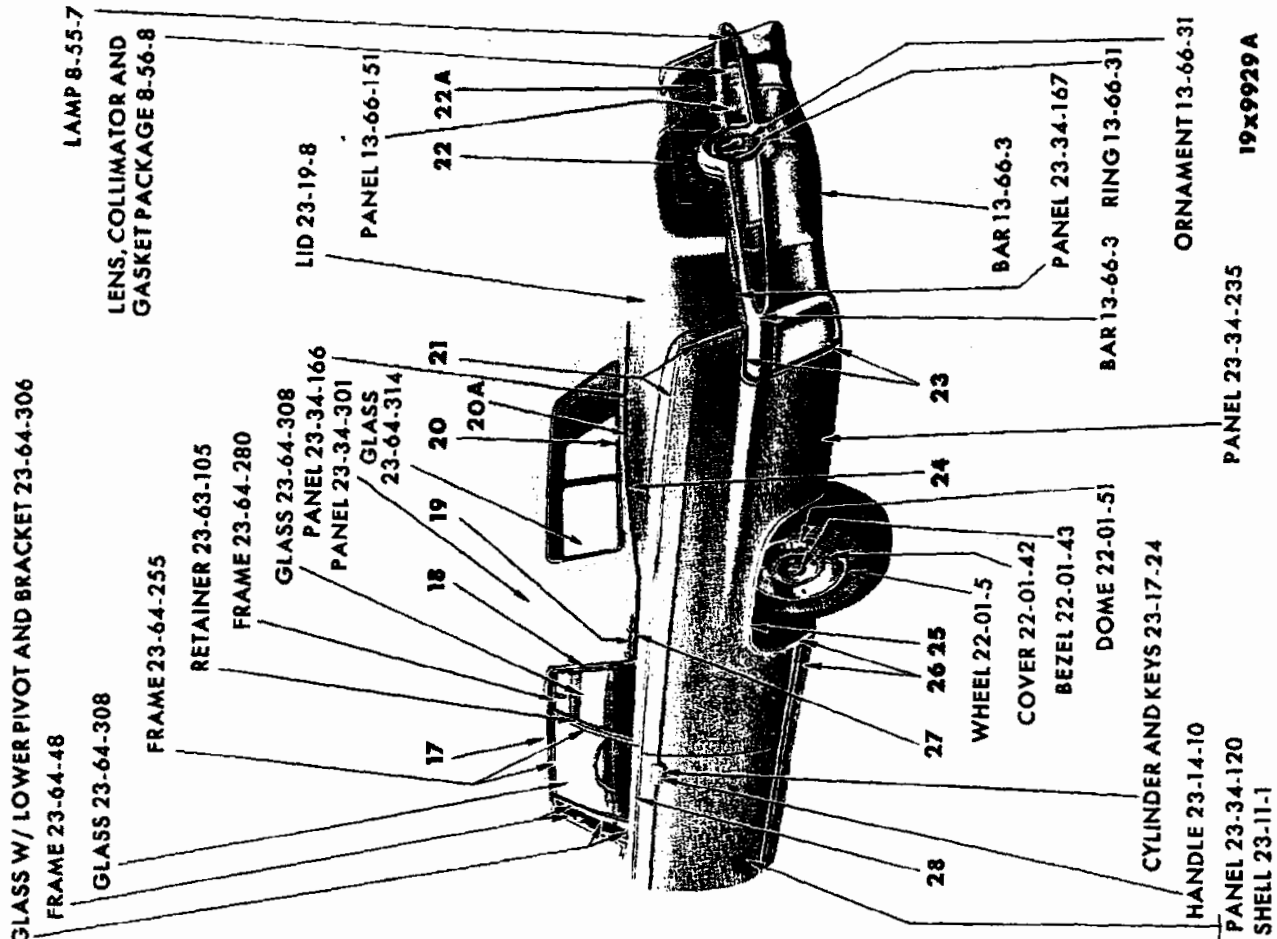
EXTERIOR VIEW - IMPERIAL VY1(M) 4 DOOR HARDTOP

REF. NO.	QTY	PART NUMBER	DESCRIPTION	REF. NO.	QTY	PART NUMBER	DESCRIPTION
1	2	2445 848	NAME PLATE, Fender Side Imperial (12-15-21)	18	1	2480 986-7	MOULDING, Roof Side Drain Trough Rear (23-59-61)
	12	6000 616	Nut		4	6023 370	Screw
2	1	2445 054-5	CAP PACKAGE, Fender Wheel Opening to Sill Moulding (12-15-9)	19	2	2480 716	MEDALLION, Quarter Outside Inner Panel Upper Extension Moulding (23-34-334)
	2	6023 247	Screw	20	2	2480 711	"C", LETTER, Quarter Outside Inner Panel Upper Extension Moulding (23-34-238)
3	1	2417 896-7	MOULDING PACKAGE, Fender Wheel Opening (12-15-2)		2	2480 712	"R"
	16	6023 247	Screw		2	2480 713	"O"
4	1	2417 656-7	MOULDING PACKAGE, Fender Side Lower Front (12-15-2)		2	2480 714	"W"
	6	6024 421	Screw		2	2480 715	"N"
5	1	2445 869	NAME PLATE, Radiator Grille (7-16-81)	21	1	2480 770-1	MOULDING, Quarter Panel Belt, w/Letters and Medallion (23-23-39)
	2	-----	Screw		2	6022 077	Seal
6	1	2448 596	MOULDING PACKAGE, Radiator Grille Panel Center (7-16-36)		2	6000 960	Clip
	2	6024 494	Screw	22	1	2495 752-3	MOULDING PACKAGE, Rear Window Outside Finish (23-23-52)
	2	6000 943	Nut		14	6001 084	Retainer and Screw
	1	-----	Nut	23	2	2480 759	"P", Deck Lid Name Letter (23-19-114)
7	2	2448 597	MOULDING PACKAGE, Radiator Grille Panel (7-16-36)		1	2480 760	"M"
	8	6024 421	Screw		1	2480 761	"p"
8	1	2495 250-1	MOULDING PACKAGE, Radiator Grille Panel Side (7-16-36)		1	2480 762	"E"
	2	6024 421	Screw		1	2480 763	"R"
	4	-----	Nut		1	2480 764	"A"
	2	-----	Washer		1	2480 765	"L"
9	1	2417 893	ORNAMENT, Radiator Grille Top (7-17-1)		16	6000 050	Clip
	1	6023 202	Nut	24	1	2495 744-5	MOULDING PACKAGE, Quarter Panel Lower Rear (23-23-39)
10	1	2445 064	EXTENSION, Hood Panel Radiator Grille Ornament Base (15-03-21)		6	6022 007	Seal
	1	6023 202	Nut		8	-----	Nut
11	1	2417 778-9	FRAME, Radiator Grille (7-16-36)		2	6023 898	Screw
	8	6023 940	Nut	25	1	2495 738-9	MOULDING PACKAGE, Quarter Panel Upper, w/Cap (23-23-39)
	4	116 000	Nut		12	6001 476	Retainer
12	1	2448 598-9	MOULDING PACKAGE, Fender Top Front (12-15-2)		14	6001 475	Retainer
	4	-----	Nut		4	6000 505	Clip
13	1	2495 150-1	MOULDING PACKAGE, Fender Top Rear (12-15-2)	26	1	2480 080-1	MOULDING, Quarter Panel Wheel Opening (23-23-39)
	2	6001 547	Clip		14	6024 271	Screw
	16	6001 647	Retainer	27	1	2495 740-1	MOULDING PACKAGE, Body Side Sill, w/Cap (23-23-2)
	4	-----	Nut		18	6001 492	Clip
14	1	2492 039	MOULDING, Windshield Outside Upper (23-23-65)		20	6023 975	Screw
	5	6001 553	Retainer and Screw	28	1	2495 734-5	MOULDING PACKAGE, Rear Door (23-23-33)
15	1	2495 695	MOULDING PACKAGE, Windshield Outside Lower (23-23-65)		4	6000 505	Clip
	10	6006 200	Clip		4	6022 007	Seal
16	1	2492 040-1	MOULDING, Windshield Outside Side (23-23-65)		4	9417 621	Nut
	2	180 077	Screw and Seal		2	-----	Nut
	8	6024 373	Screw and Sealer	29	1	2495 732-3	MOULDING PACKAGE, Front Door (23-23-32)
17	1	2480 528-9	MOULDING, Roof Side Drain Trough Front (use w/o Vinyl Roof) (23-59-61)		6	6000 505	Clip
	4	6023 370	Screw		4	6022 007	Seal
					4	9417 621	Nut
					2	-----	Nut

All Packages Include Attaching Parts

Part Type Code is Indicated in Parentheses

EXTERIOR VIEW - IMPERIAL VY1(M) 4 DOOR HARDTOP



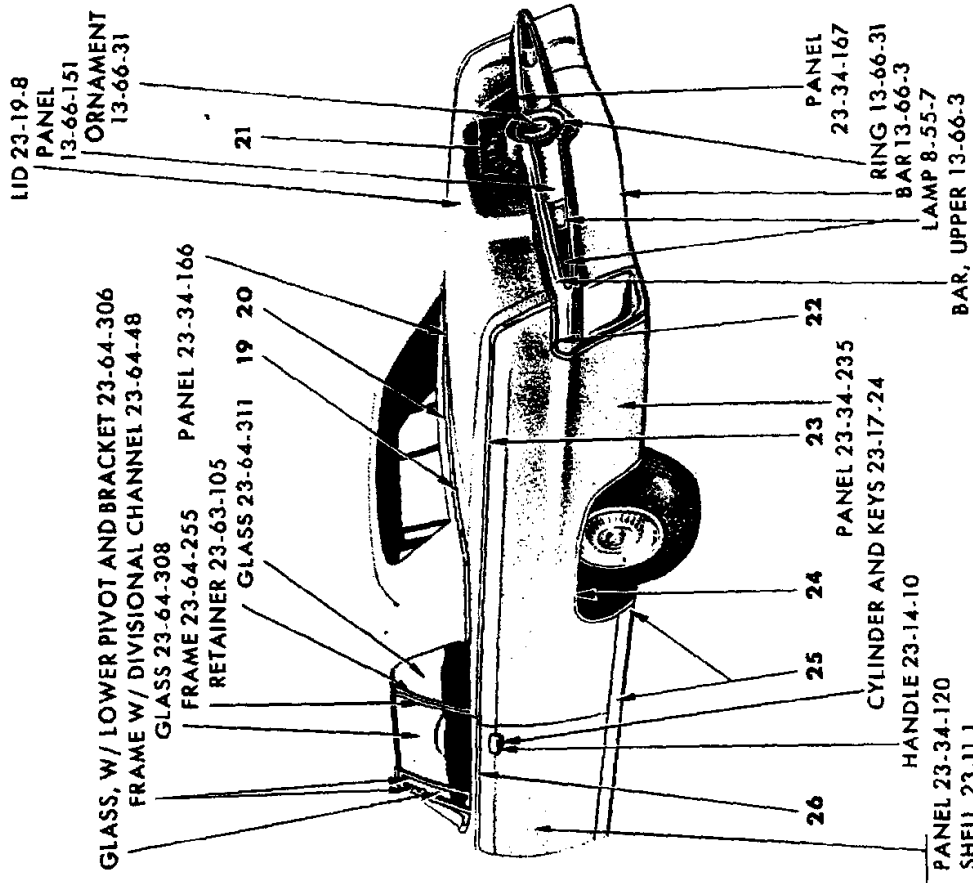
EXTERIOR VIEW - IMPERIAL VY1(M) 2 DOOR HARDTOP

REF. NO.	QTY	PART NUMBER	DESCRIPTION	REF. NO.	QTY	PART NUMBER	DESCRIPTION	
1	2	2445 848	NAME PLATE, Fender Side, w/Ornament (12-15-21)	18	1	2480 986-7	MOULDING, Roof Drain Trough Side Rear (width 1" x 3/4") (23-59-61)	
	12	6000 616	Nut		2	6023 370	Screw	
2	1	2445 054-5	CAP PACKAGE, Fender Wheel Opening to Sill Moulding (12-15-9)	1	2483 784-5	MOULDING, Roof Side Drain Trough Rear (width 1" x 1 1/4") (23-59-61)		
	2	6023 247	Screw		2	6023 370	Screw	
3	1	2417 896-7	MOULDING PACKAGE, Fender Wheel Opening (12-15-2)	19	2	2483 445	NAME PLATE, Quarter Outside Inner Panel Upper Extension Crown Coupe (23-34-238)	
	16	6023 247	Screw	20	1	2495 752-3	MOULDING PACKAGE, Rear Window Outside Finish (23-23-52)	
4	1	2495 150-1	MOULDING PACKAGE, Fender Top Rear (12-15-2)		14	6001 084	Retainer and Screw	
	2	6001 547	Clip	20A	1	2481 193	COVER, Deck Opening Upper Panel Extension Moulding Joint (23-23-41)	
	16	6001 647	Retainer		21	1	2495 736-7	MOULDING PACKAGE, Quarter Panel Upper, w/Cap (23-23-39)
	4	----	Nut		12	6001 476	Retainer	
5	1	2417 656-7	MOULDING PACKAGE, Fender Side Lower Front (12-15-2)		16	6001 475	Retainer	
	6	6024 421	Screw		18	----	Nut	
6	1	2417 778-9	FRAME, Radiator Grille (7-16-36)	22	2	2480 759	"T", Deck Lid Name Letter (23-19-114)	
7	1	2448 596	MOULDING PACKAGE, Radiator Grille Panel Center (7-16-36)		1	2480 760	"M"	
	2	6024 494	Screw		1	2480 761	"P"	
	2	6000 943	Nut		1	2480 762	"E"	
	1	----	Nut		1	2480 763	"R"	
8	2	2448 597	MOULDING PACKAGE, Radiator Grille Panel (7-16-36)		1	2480 764	"A"	
	4	6024 421	Screw		1	2480 765	"L"	
9	1	2495 250-1	MOULDING PACKAGE, Radiator Grille Panel Side (7-16-36)		16	6000 050	Clip	
	2	6024 421	Screw	22A	1	2483 446	NAME PLATE, Deck Lid (23-19-114)	
	4	----	Nut		4	152 259	Nut	
	2	----	Washer	23	1	2495 744-5	MOULDING PACKAGE, Quarter Panel Lower Rear (23-23-39)	
10	1	2445 869	NAME PLATE, Radiator Grille (7-16-61)		6	6022 007	Seal	
	2	----	Screw		6	----	Nut	
11	1	2417 893	ORNAMENT, Radiator Grille Panel Top (7-17-1)		2	6023 898	Screw	
	1	6023 202	Nut	24	1	2495 746-7	MOULDING PACKAGE, Deck Upper Panel (23-23-31)	
12	1	2445 064	EXTENSION, Hood Panel Radiator Grille Ornament Base		2	6024 271	Screw	
	1	6023 202	Nut		10	6022 013	Seal	
13	1	2448 598-9	MOULDING PACKAGE, Fender Top Front (12-15-2)		10	9411 618	Nut	
	4	----	Nut	25	1	2480 080-1	MOULDING, Quarter Panel Wheel Opening (23-23-39)	
14	1	2492 039	MOULDING, Windshield Outside Upper (23-23-65)		14	6024 271	Screw	
	5	6001 553	Retainer and Screw	26	1	2495 740-1	MOULDING PACKAGE, Body Side Sill, w/Cap (23-23-2)	
15	1	2495 695	MOULDING PACKAGE, Windshield Outside Lower (23-23-65)		18	6001 492	Clip	
	10	6006 200	Clip		20	6023 975	Screw	
16	1	2492 040-1	MOULDING, Windshield Outside Side (23-23-65)	27	1	2495 742-3	MOULDING PACKAGE, Quarter Outside Inner Panel Upper Extension (23-23-39)	
	2	180 077	Screw and Seal		6	9411 618	Nut	
17	1	2480 528-9	MOULDING, Roof Drain Trough Side Front (width 1" x 3/4") (23-59-61)		6	6022 013	Seal	
	4	6023 370	Screw		2	116 000	Nut	
	1	2483 782-3	MOULDING, Roof Side Drain Trough Front (width 1" x 1 1/4") (23-59-61)		2	6024 729	Seal	
	4	6023 370	Screw	28	2	2495 727	MOULDING PACKAGE, Door (23-23-32)	
					14	6001 547	Clip	
					4	6022 007	Seal	
					2	----	Nut	
					4	9417 621	Nut	

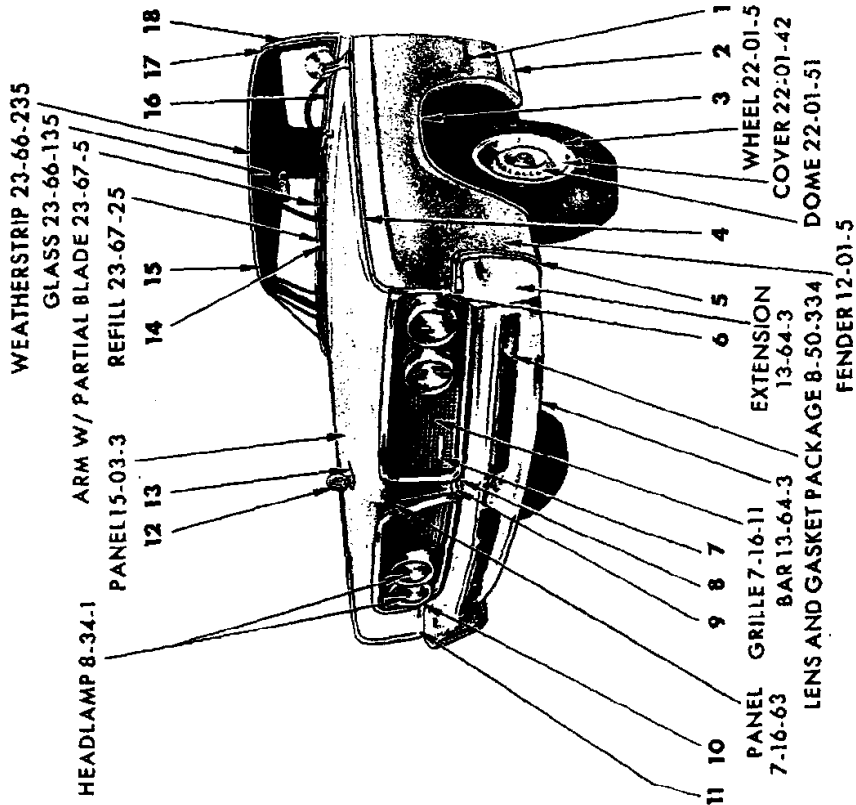
All Packages Include Attaching Parts

Part Type Code is Indicated in Parentheses

EXTERIOR VIEW - IMPERIAL VY1(M) 2 DOOR HARDTOP



19x9930



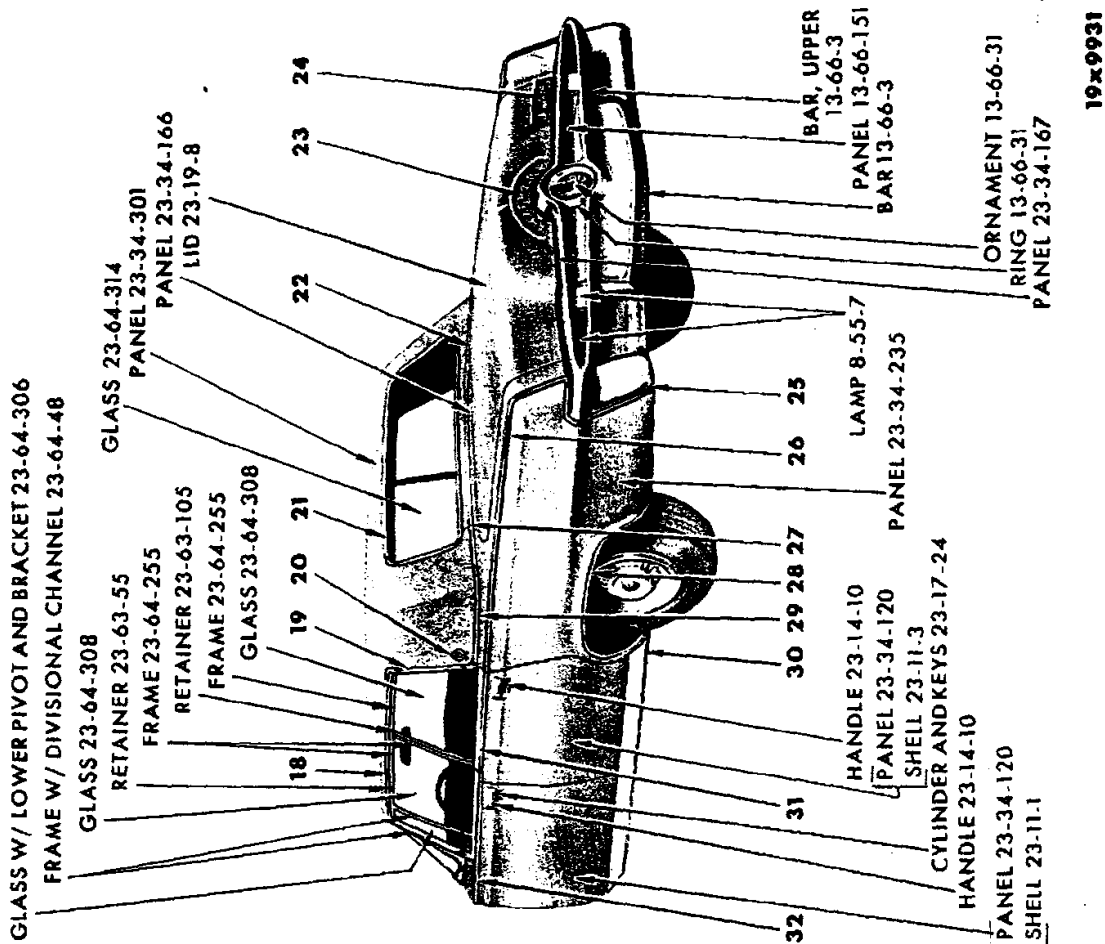
EXTERIOR VIEW - IMPERIAL VY1(N) CONVERTIBLE COUPE

REF. NO.	QTY	PART NUMBER	DESCRIPTION	REF. NO.	QTY	PART NUMBER	DESCRIPTION
1	2	2445 848	NAME PLATE, Fender Side (12-15-21)	16	1	2196 477-8	MOULDING PACKAGE, Windshield Outside Finish Lower (23-23-85)
	12	6000 616	Nut		20	6006 200	Clip
2	1	2445 054-5	CAP PACKAGE, Fender Opening to Sill Moulding (12-15-9)	17	1	2196 673-4	MOULDING PACKAGE, Windshield Header Upper Corner (23-23-65)
	2	6023 247	Screw		4	-----	Screw
3	1	2417 896-7	MOULDING PACKAGE, Fender Wheel Opening (12-15-2)	18	1	2196 481-2	MOULDING PACKAGE, Windshield Outside Finish Side (23-23-85)
	16	6023 247	Screw		6	6000 000	Screw
4	1	2495 150-1	MOULDING PACKAGE, Fender Top (12-15-2)		2	-----	Screw
	2	6001 547	Clip	19	1	2481 210-1	MOULDING, Belt (23-23-49)
	16	6001 647	Retainer		24	2094 380	Fastener
	4	-----	Nut	20	1	2480 843	COVER, Belt Moulding (23-23-41)
5	1	2417 656-7	MOULDING PACKAGE, Fender Side Lower (12-15-2)		1	2094 380	Fastener
	6	6024 421	Screw	21	2	2480 759	"T", Deck Lid Letter (23-19-114)
6	1	2448 598-9	MOULDING PACKAGE, Fender Front (12-15-2)		1	2480 760	"M"
	4	-----	Nut		1	2480 761	"P"
7	1	2445 869	NAME PLATE, Radiator Grille (7-16-61)		1	2480 762	"E"
	2	-----	Screw		1	2480 763	"R"
8	1	2417 778-9	FRAME, Radiator Grille (7-16-36)		1	2480 764	"A"
9	1	2448 596	MOULDING PACKAGE, Radiator Grille Panel Center (7-16-36)		1	2480 765	"L"
	2	6024 494	Screw		16	6000 050	Clip
	2	6000 943	Nut	22	1	2495 744-5	MOULDING PACKAGE, Quarter Panel Lower Rear (23-23-39)
	1	-----	Nut		6	6022 007	Seal
10	2	2448 597	MOULDING PACKAGE, Radiator Grille Panel (7-16-36)		6	-----	Nut
	4	6024 421	Screw		2	6023 898	Screw
11	1	2495 250-1	MOULDING PACKAGE, Radiator Grille Panel Side (7-16-36)	23	1	2495 736-7	MOULDING PACKAGE, Quarter Panel Upper (23-23-39)
	2	6024 421	Screw		12	6001 476	Retainer
	4	-----	Nut		16	6001 477	Retainer
	2	-----	Washer		18	-----	Nut
12	1	2417 893	ORNAMENT, Radiator Grille Panel Top (7-17-1)	24	1	2480 080-1	MOULDING, Quarter Panel Wheel Opening (23-23-39)
	1	6023 202	Nut		14	6024 271	Screw
13	1	2445 064	EXTENSION, Hood Top Panel Radiator Grille Ornament Base (15-03-21)	25	1	2495 740-1	MOULDING PACKAGE, Body Side Sill, w/Cap (23-23-2)
	1	6023 202	Nut		18	6001 492	Clip
14	1	1692 191	CAP, Windshield Moulding Lower Center Joint (23-23-66)		20	6023 875	Screw
15	1	2196 749	MOULDING PACKAGE, Windshield Outside Finish Moulding Upper (23-23-85)	26	2	2495 727	MOULDING PACKAGE, Door (23-23-32)
	10	6006 176	Stud		14	6001 547	Clip
	10	6006 434	Retainer		2	-----	Nut
					4	6022 007	Seal
					4	9417 621	Nut

All Packages include Attaching Parts

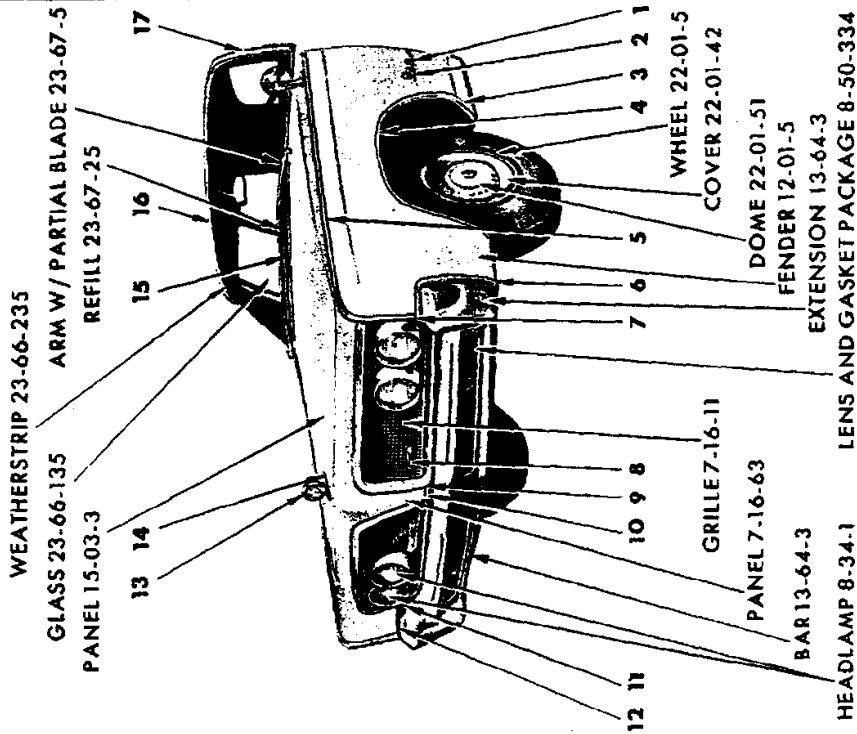
Part Type Code is Indicated in Parentheses

EXTERIOR VIEW - IMPERIAL VY1(M) CONVERTIBLE COUPE



19x9931

EXTERIOR VIEW - IMPERIAL VY1(H) 4 DOOR HARDTOP

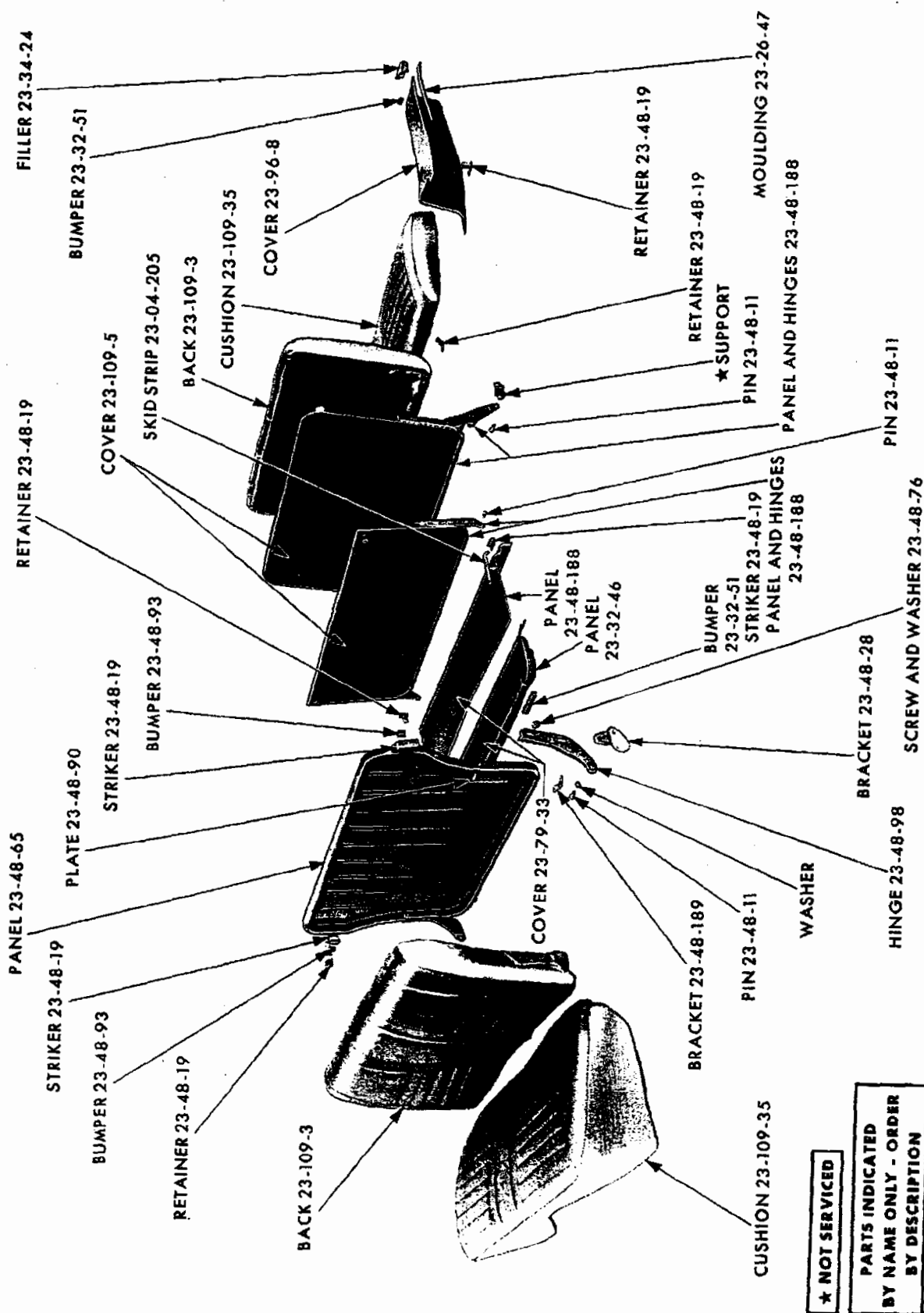


REF. NO.	QTY	PART NUMBER	DESCRIPTION	REF. NO.	QTY	PART NUMBER	DESCRIPTION
1	2	2445 855	NAME PLATE, Fender Side, "Le" (12-15-21)	19	1	2483 784-5	MOULDING, Roof Side Drain Trough Rear (width 1" x 1 1/4") (23-59-61)
	2	2417 902	"Baron"		1	2480 986-7	MOULDING, Roof Drain Trough Side Rear (width 1" x 3/4") (23-59-61)
	12	6000 816	Nut		2	6023 370	Screw
2	2	2445 853	BASE, Fender Side Name Plate, "Le" (12-15-23)	20	2	2480 485	MEDALLION, Roof Panel Side Extension (23-34-334)
	2	2445 178	"Baron"		4	152 259	Nut
3	1	2445 054-5	CAP PACKAGE, Fender Wheel Opening to Sill Moulding (12-15-9)	21	1	2492 046-7	MOULDING, Rear Window Outside Finish (23-23-52)
	2	6023 247	Screw		18	6001 084	Retainer and Screw
4	1	2417 896-7	MOULDING PACKAGE, Fender Wheel Opening (12-15-2)	22	1	2481 193	COVER, Deck Opening Upper Panel Extension Moulding Joint (23-23-41)
	16	6023 247	Screw	23	2	2480 759	"I", Deck Lid Letter (23-19-114)
5	1	2495 150-1	MOULDING PACKAGE, Fender Top (12-15-2)		1	2480 760	"M"
	2	6001 547	Clip		1	2480 761	"P"
	16	6001 647	Retainer 16 ---- Nut		1	2480 762	"E"
6	1	2417 656-7	MOULDING PACKAGE, Fender Side Lower (12-15-2)		1	2480 763	"R"
	6	6024 421	Screw		1	2480 764	"A"
7	1	2448 598-9	MOULDING PACKAGE, Fender Front (12-15-2)		1	2480 765	"L"
	4	----	Nut		16	6000 050	Clip
8	1	2445 869	NAME PLATE, Radiator Grille (7-16-61)	24	1	2480 882	NAME PLATE, Deck Lid, Le (23-19-114)
	2	----	Screw		1	2480 883	NAME PLATE, Deck Lid, Baron (23-19-114)
9	1	2417 778-9	FRAME, Radiator Grille (7-16-36)		4	152 259	Nut
10	1	2448 596	MOULDING PACKAGE, Radiator Grille Panel Center (7-16-36)	25	1	2495 744-5	MOULDING PACKAGE, Quarter Panel Lower Rear (23-23-39)
	2	6024 494	Screw		6	6022 007	Seal
	1	----	Nut 2 6000 943 Nut		6	----	Nut 2 6023 898 Screw
11	2	2448 597	MOULDING PACKAGE, Radiator Grille Panel (7-16-36)	26	1	2495 738-9	MOULDING PACKAGE, Quarter Panel Upper (23-23-39)
	4	6024 421	Screw		12	6001 476	Retainer
12	1	2495 250-1	MOULDING PACKAGE, Radiator Grille Panel Side (7-16-36)		14	6001 475	Retainer 4 6000 505 Clip
	2	6024 421	Screw	27	1	2495 746-7	MOULDING PACKAGE, Deck Upper Panel (23-23-31)
	2	----	Washer 4 ---- Nut		2	6024 271	Screw 10 6022 013 Seal
13	1	2417 893	ORNAMENT, Radiator Grille Panel Top (7-17-1)		10	9411 618	Nut
	1	6023 202	Nut	28	1	2480 080-1	MOULDING, Quarter Panel Wheel Opening (23-23-39)
14	1	2445 064	EXTENSION, Hood Top Panel Radiator Grille Ornament Base (15-03-21)		14	6024 271	Screw
	1	6023 202	Nut	29	1	2495 742-3	MOULDING PACKAGE, Quarter Panel Belt (23-23-39)
15	1	2495 695	MOULDING PACKAGE, Windshield Outside Lower (23-23-65)		6	9411 618	Nut 2 116 000 Nut
	10	6008 200	Clip		6	6022 013	Seal 2 6024 729 Seal
16	1	2492 039	MOULDING, Windshield Outside Upper (23-23-65)	30	1	2495 740-1	MOULDING PACKAGE, Body Side Sill, w/Cap (23-23-39)
	5	6001 553	Retainer and Screw		18	6001 492	Clip 20 6023 975 Screw
17	1	2492 040-1	MOULDING, Windshield Outside Side (23-23-65)	31	1	2495 734-5	MOULDING PACKAGE, Rear Door (23-23-33)
	2	180 077	Screw and Seal		4	6000 505	Clip 4 6022 007 Seal
	8	6024 373	Screw and Sealer		4	9417 621	Nut 2 ---- Nut
18	1	2483 782-3	MOULDING, Roof Side Drain Trough Front (width 1" x 1 1/4") (23-59-61)	32	1	2495 732-3	MOULDING PACKAGE, Front Door (23-23-32)
	4	6023 370	Screw		6	6000 505	Clip 4 6022 007 Seal
	1	2480 528-9	MOULDING, Roof Drain Trough Side Front (width 1" x 3/4") (23-59-61)		4	9417 621	Nut 2 ---- Nut
	4	6023 370	Screw				

All Packages Include Attaching Parts

Part Type Code is Indicated in Parentheses

EXTERIOR VIEW - IMPERIAL VY1(H) 4 DOOR HARDTOP

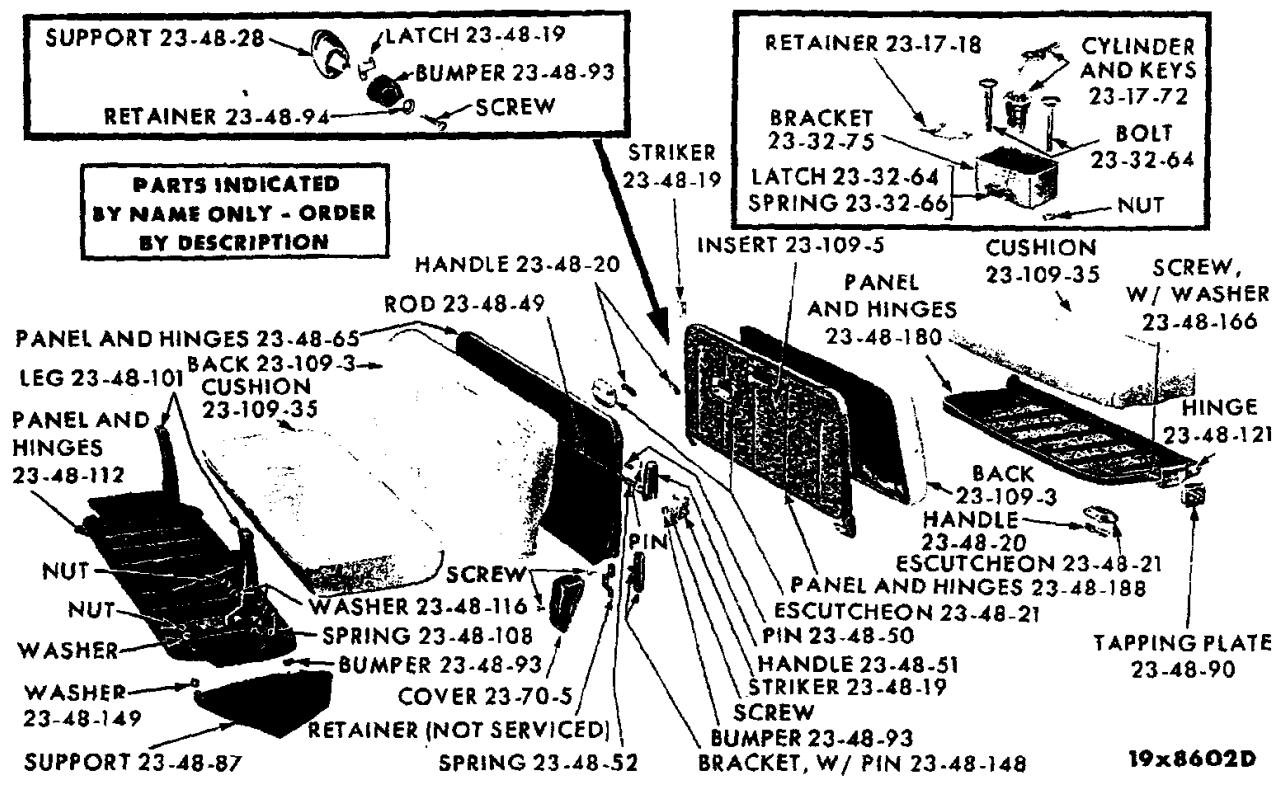


19x9416A

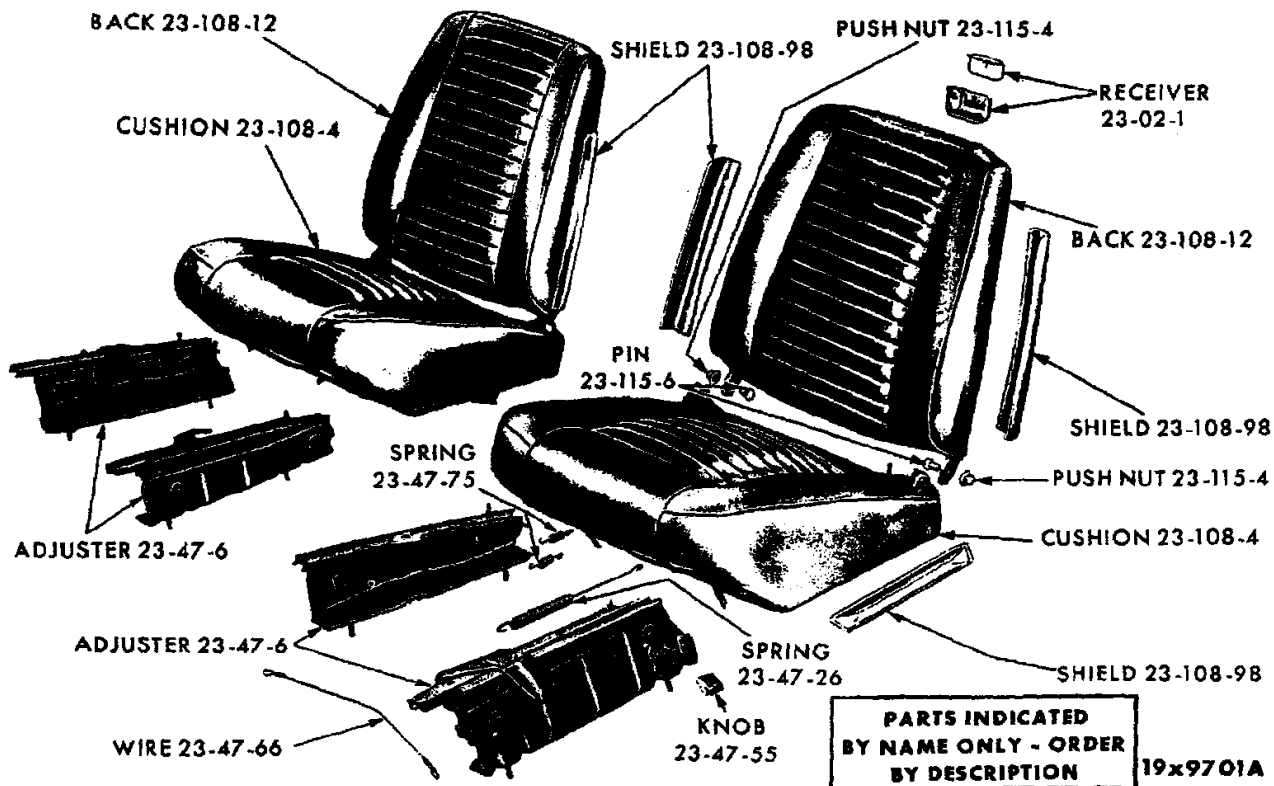
STATION WAGON SEATS - PLYMOUTH VP1-2 AND DODGE VD1-2

★ NOT SERVICED

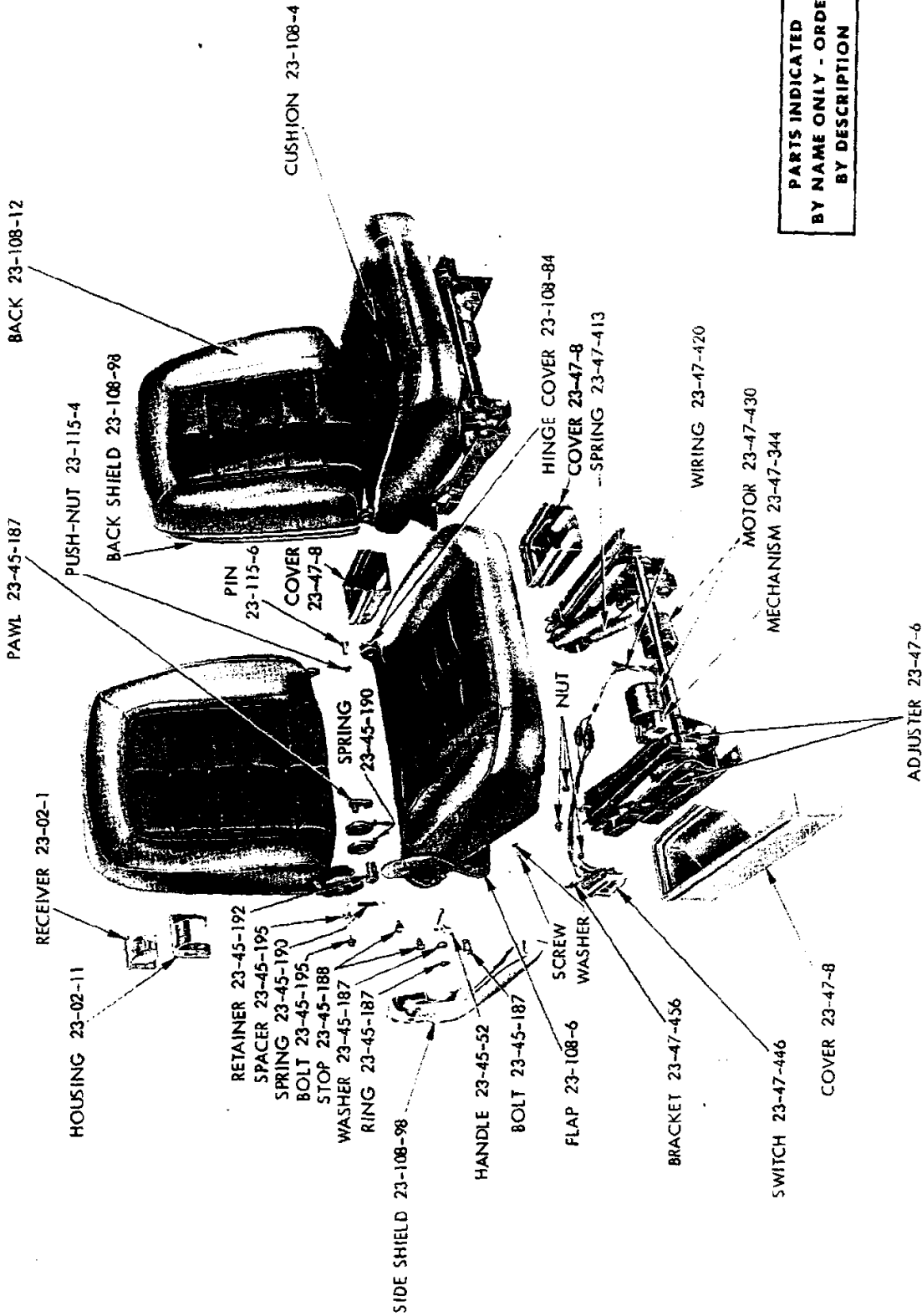
PARTS INDICATED
BY NAME ONLY - ORDER
BY DESCRIPTION



STATION WAGON SEATS - DODGE VA3 AND CHRYSLER VC1-3



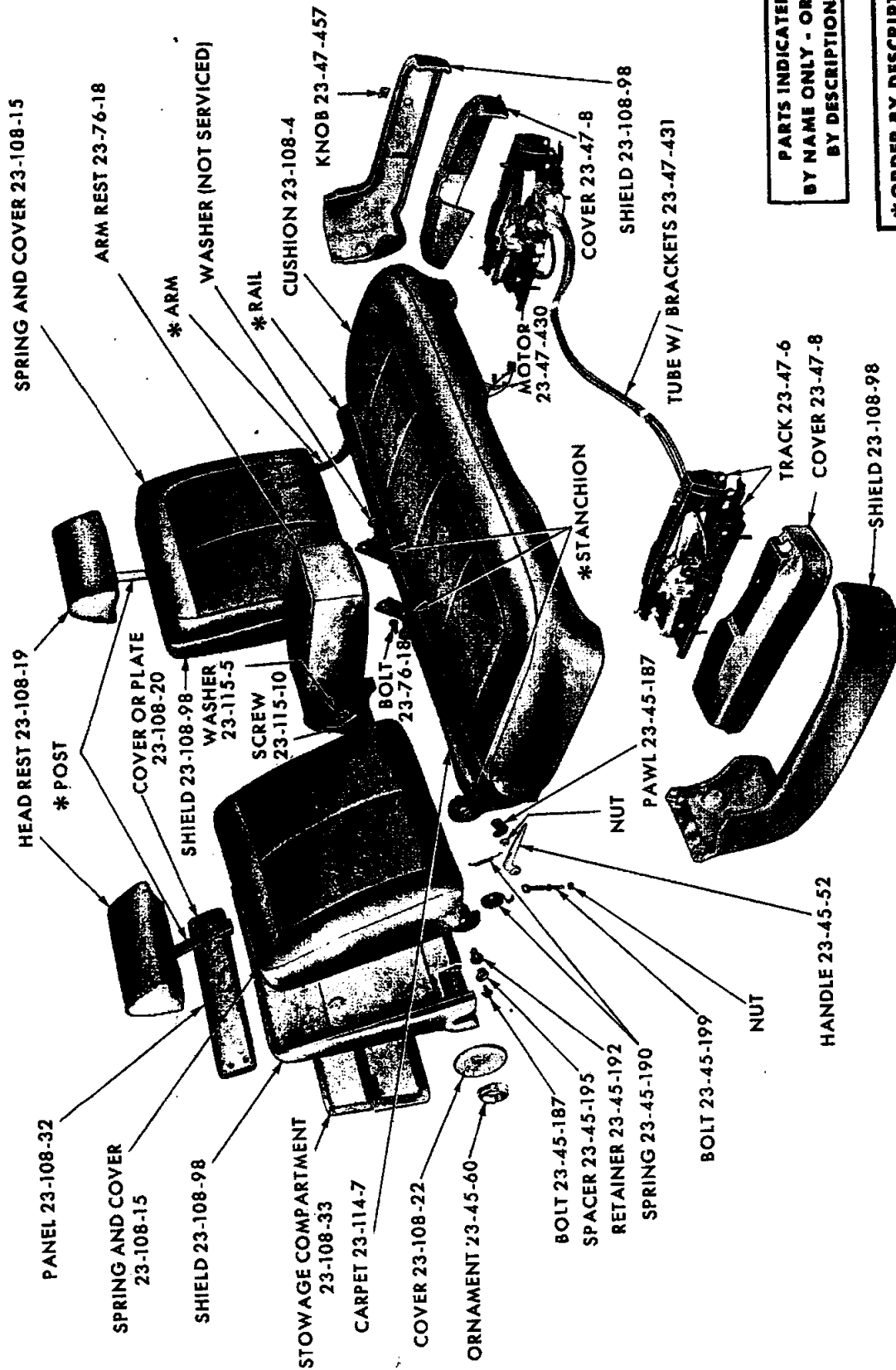
BUCKET SEATS - VALIANT VV1-2 AND DART VL1-2



PARTS INDICATED
BY NAME ONLY - ORDER
BY DESCRIPTION

19x9962

BUCKET SEATS (RECLINING TYPE) - CHRYSLER VC3 NEW YORKER AND IMPERIAL VVI

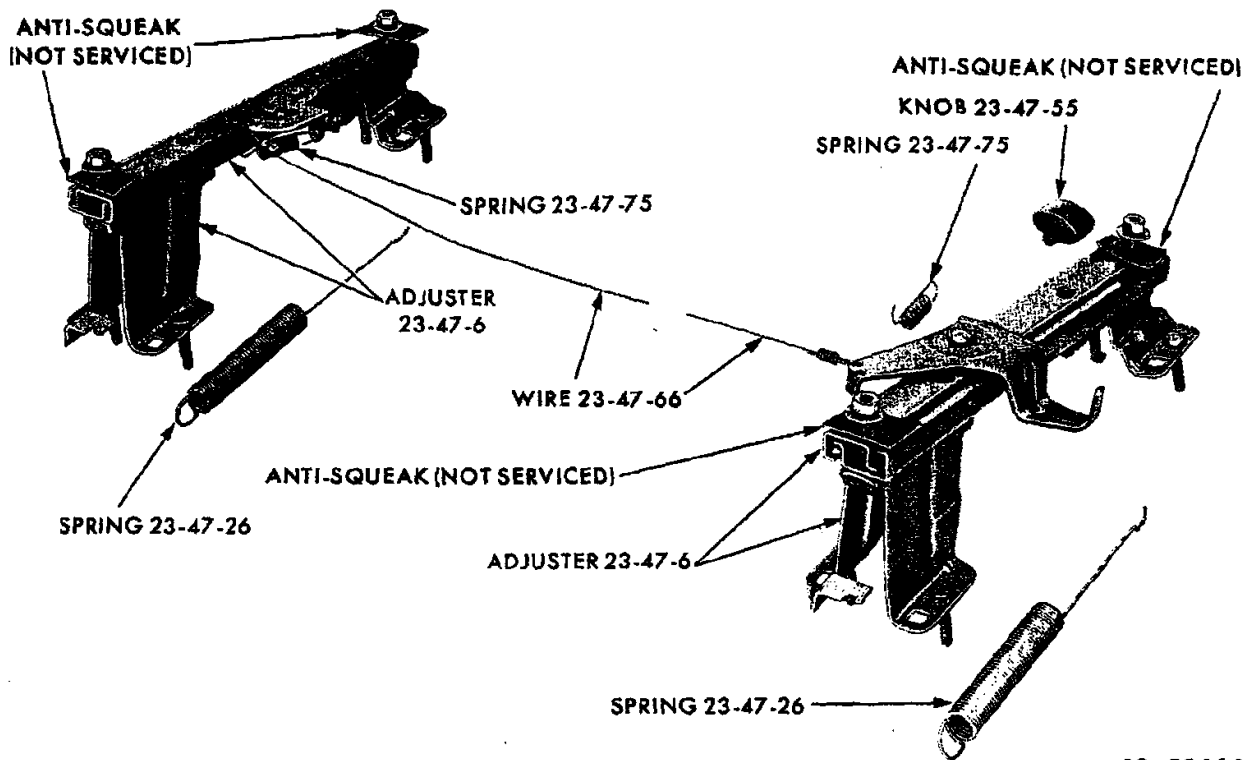


PARTS INDICATED BY NAME ONLY - ORDER BY DESCRIPTION

*ORDER BY DESCRIPTION

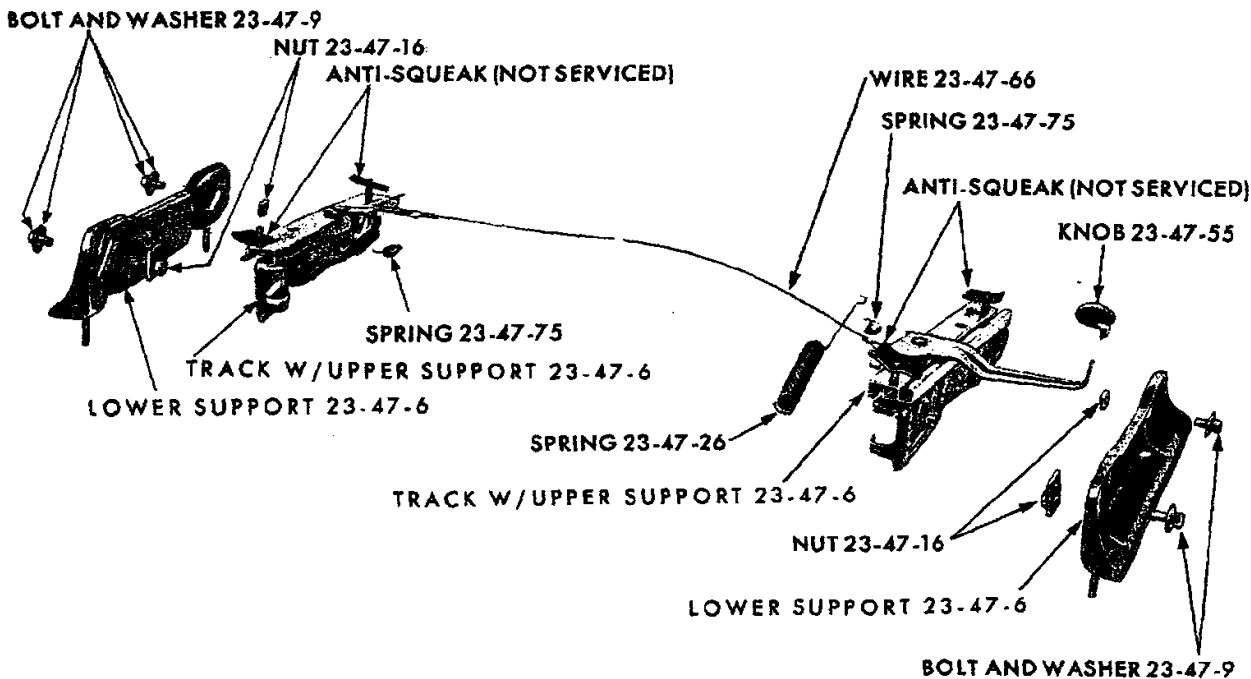
19x9751

RECLINING SEATS - CHRYSLER NEW YORKER SALON



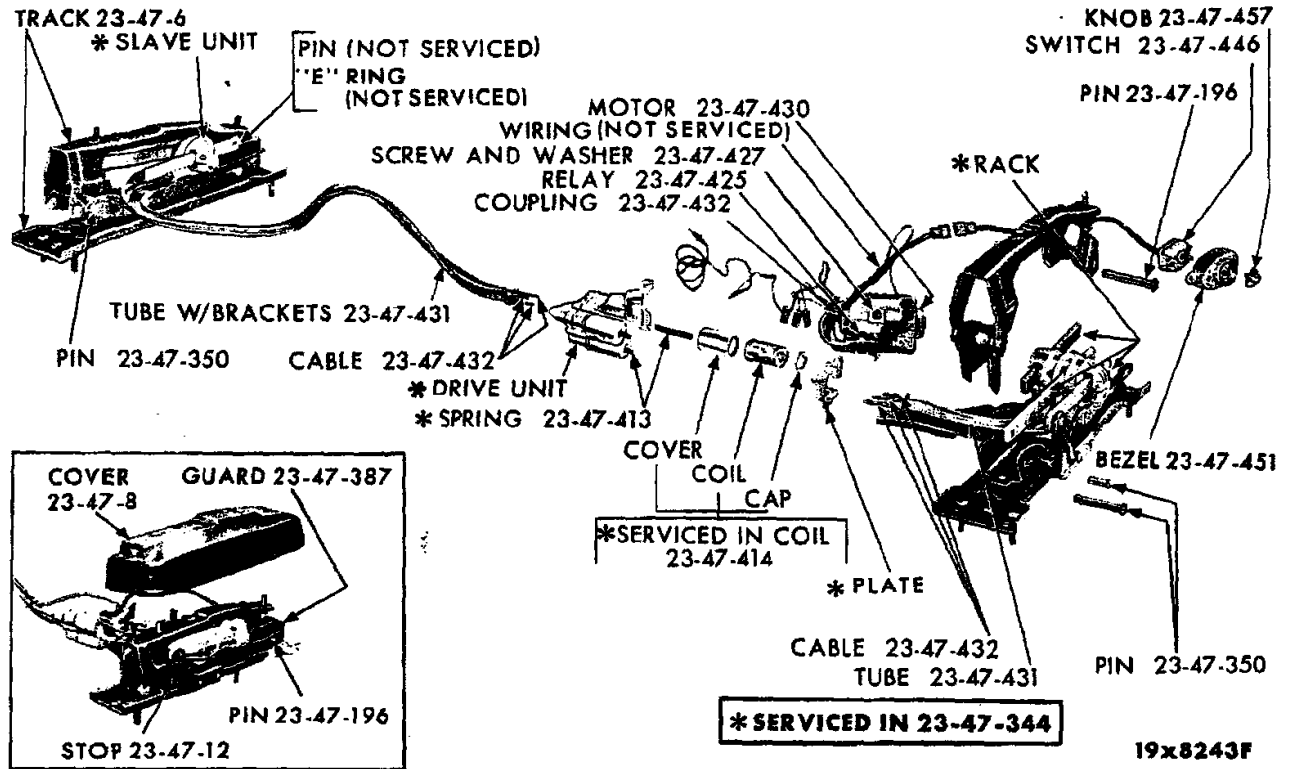
19x8866A

MANUAL SEAT ADJUSTER - VALIANT VV1 AND DART VV1



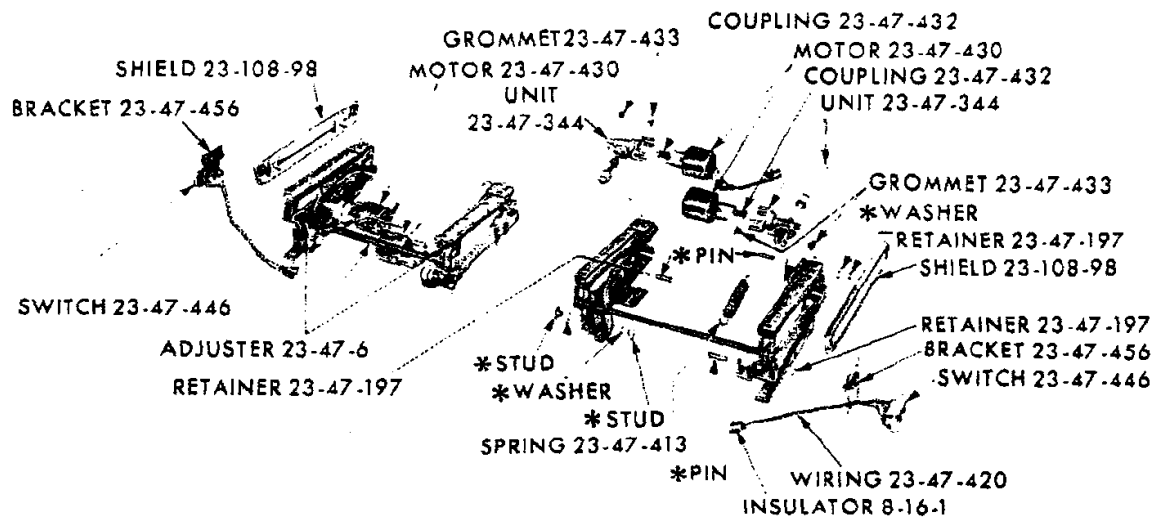
19x8815A

MANUAL SEAT ADJUSTER - PLYMOUTH VP1-2 AND DODGE VD1-2



ELECTRIC SEAT ADJUSTER (EXCEPT BUCKET SEATS)

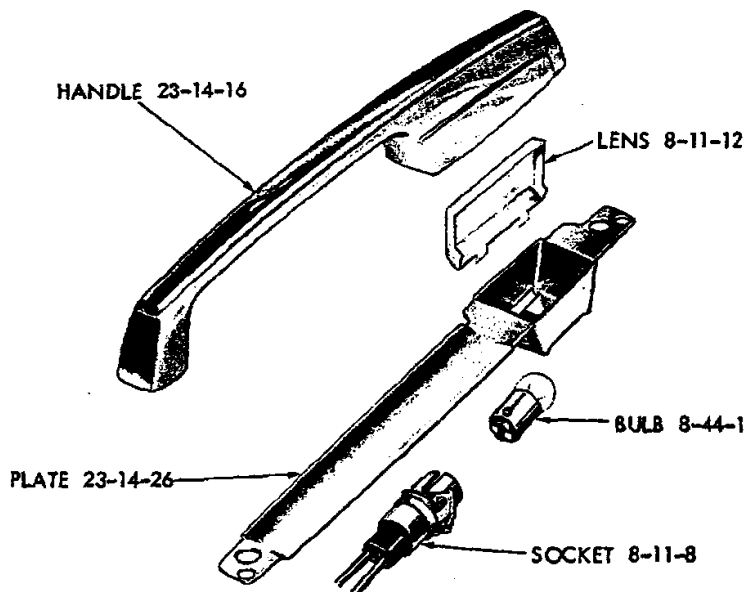
NOTES



*** SERVICED IN 23-47-6**

19x9710B

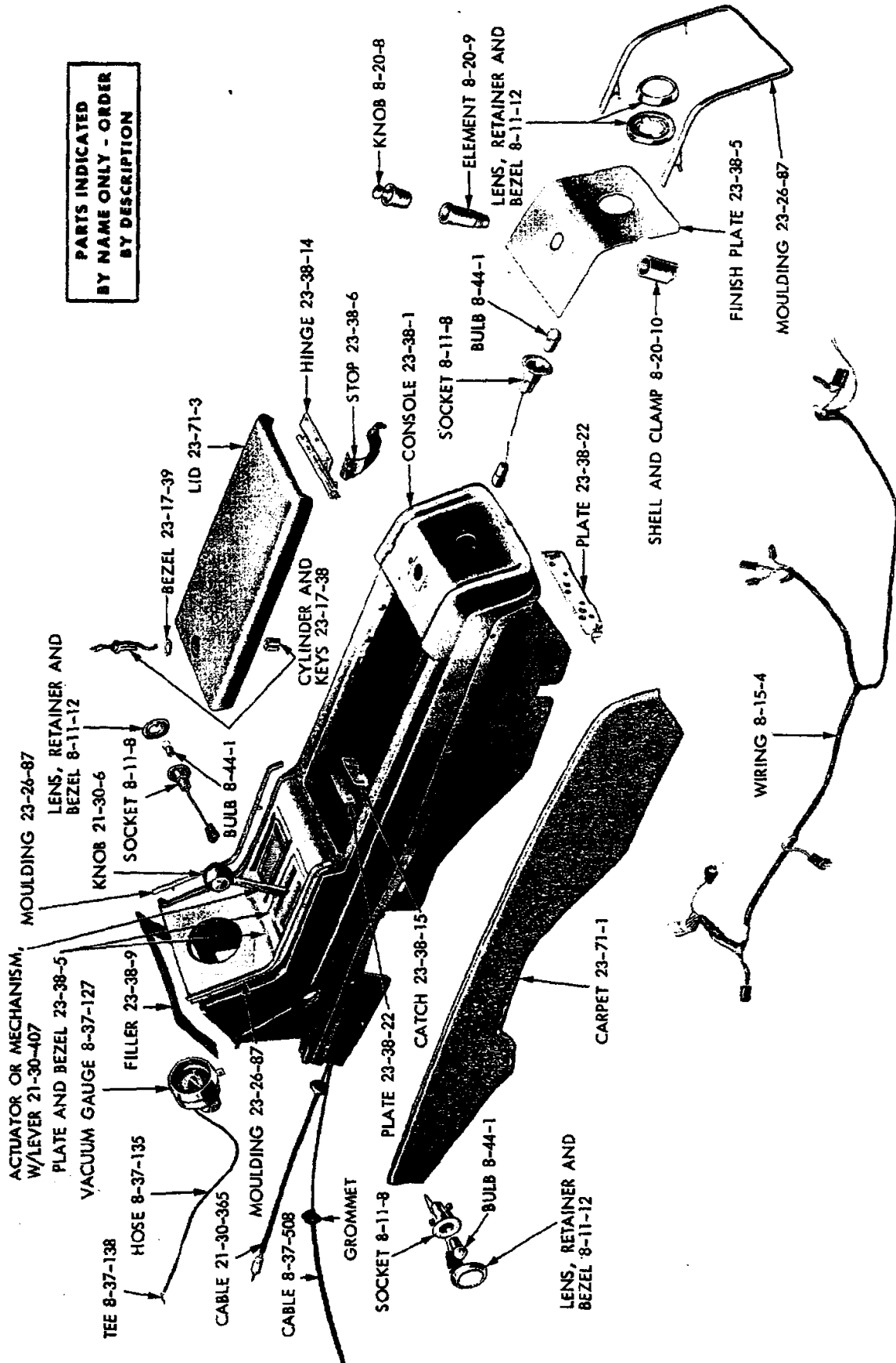
ELECTRIC SEAT ADJUSTER (BUCKET SEATS) - CHRYSLER VC2-3



19x9968

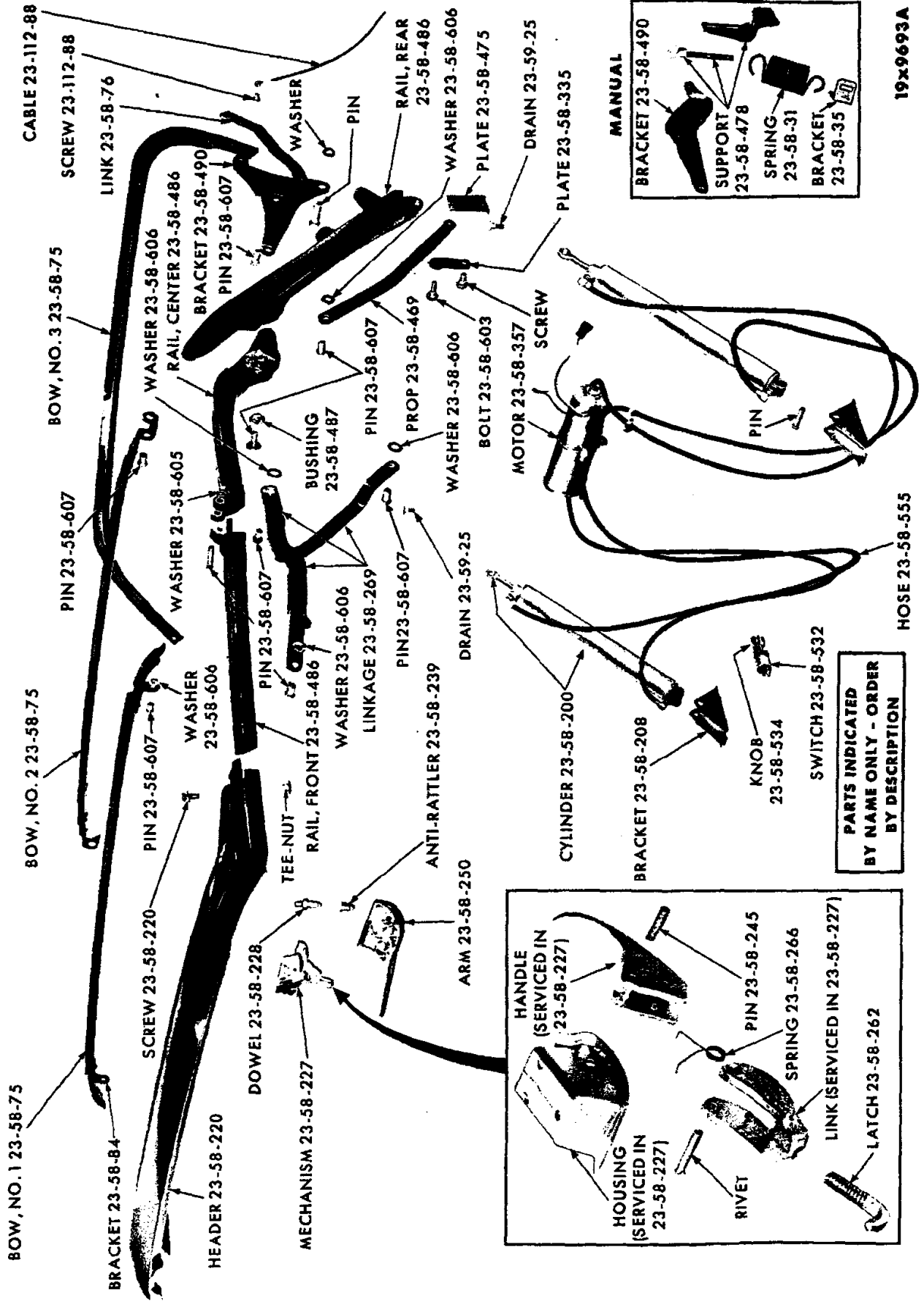
DOOR PULL HANDLE - IMPERIAL VY1

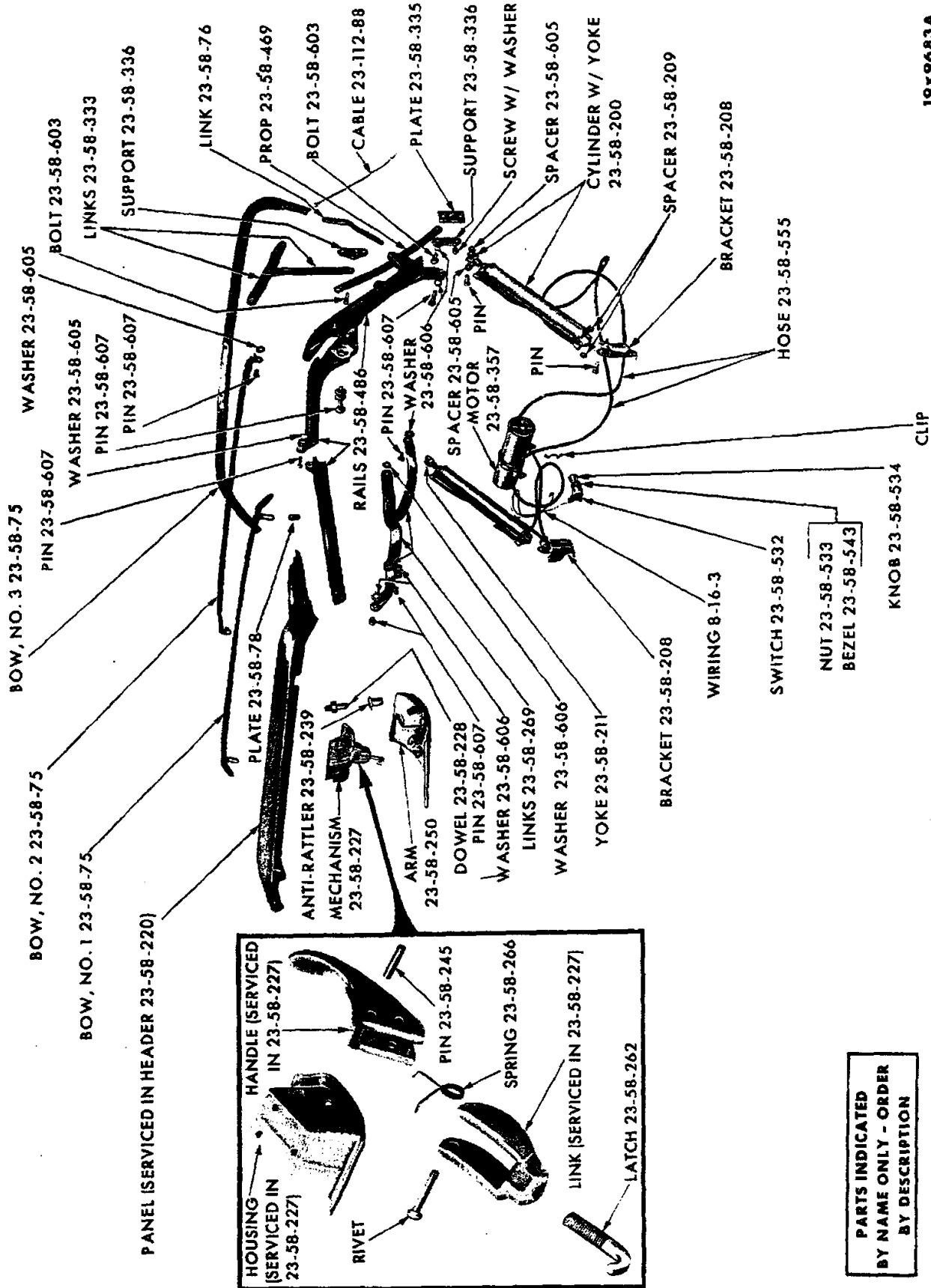
PARTS INDICATED
BY NAME ONLY - ORDER
BY DESCRIPTION



19x8976

CONSOLE - CHRYSLER VC2-M AND VC2-300K

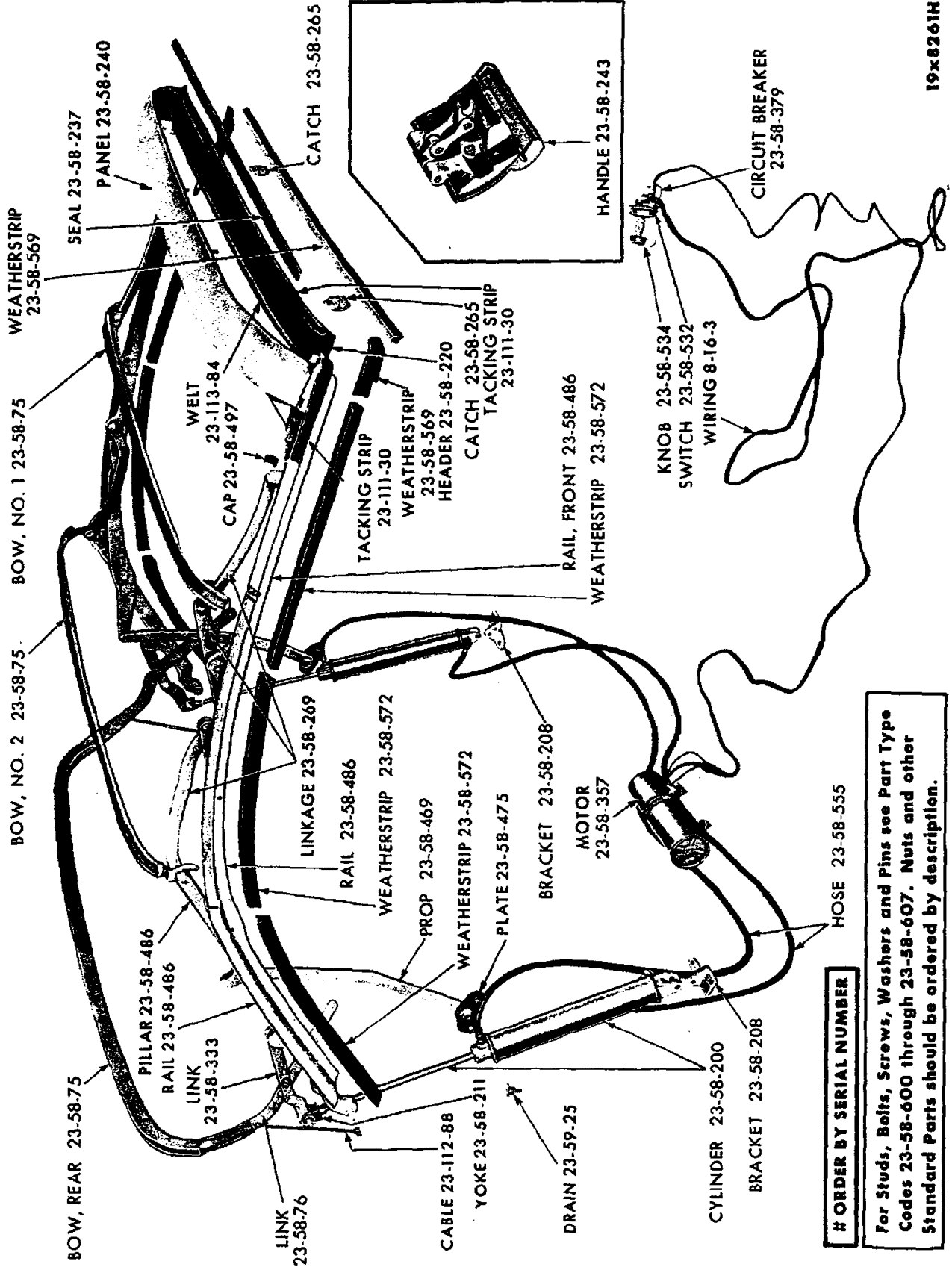




19x9683A

FOLDING TOP - PLYMOUTH VP2 AND DODGE VD2

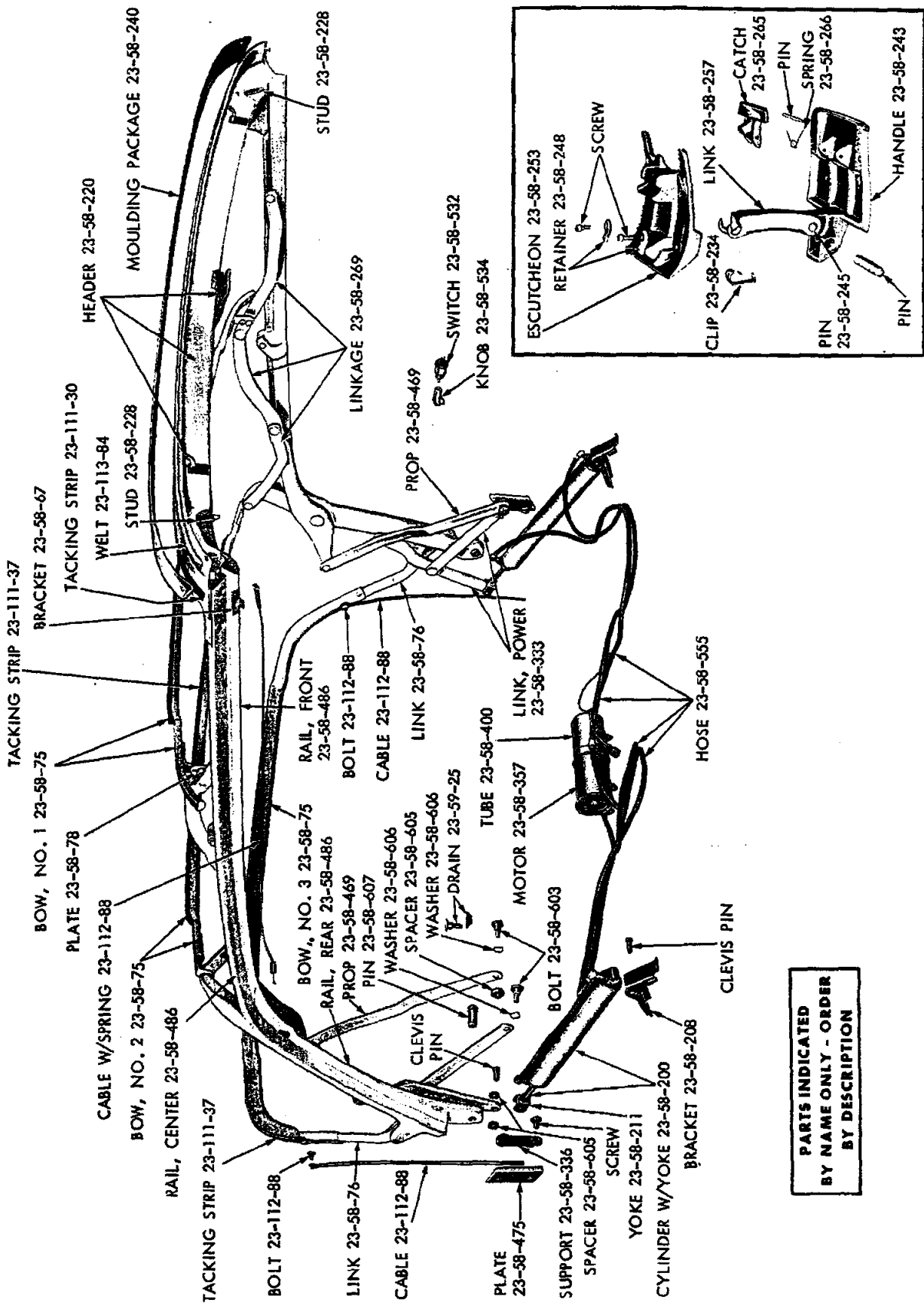
**PARTS INDICATED
BY NAME ONLY - ORDER
BY DESCRIPTION**



ORDER BY SERIAL NUMBER
 For Studs, Bolts, Screws, Washers and Pins see Part Type Codes 23-58-600 through 23-58-607. Nuts and other Standard Parts should be ordered by description.

FOLDING TOP - DODGE VAS AND CHRYSLER VC1-2

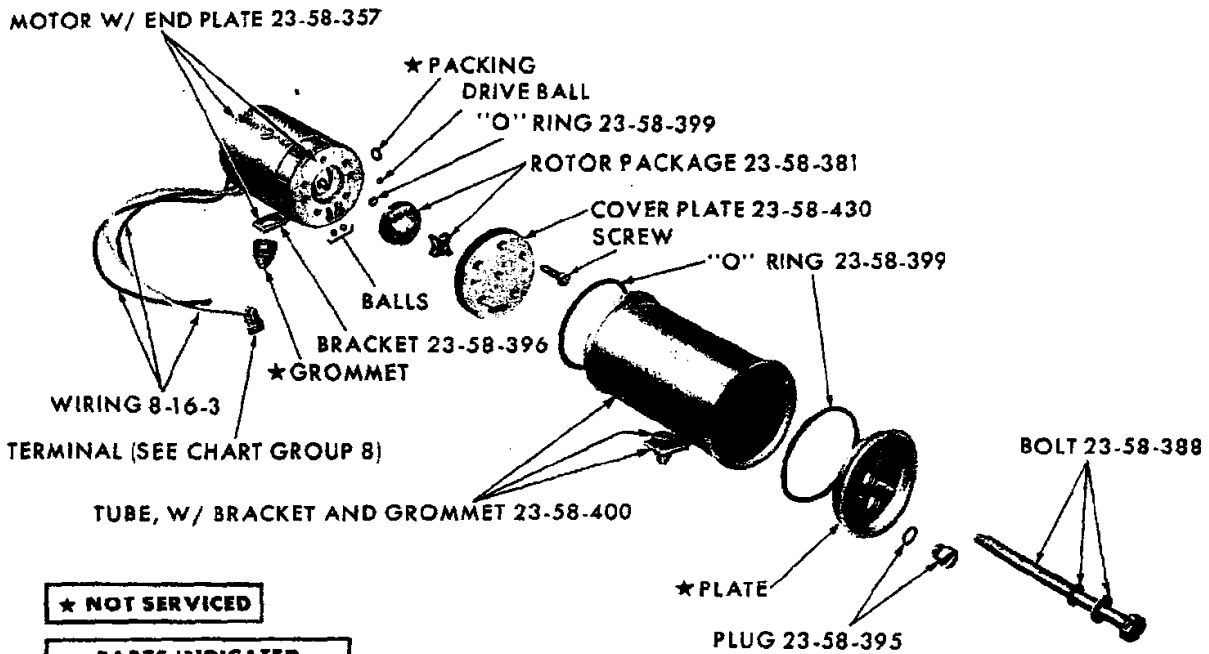
19x8261H



PARTS INDICATED
BY NAME ONLY - ORDER
BY DESCRIPTION

19x9972

FOLDING TOP - IMPERIAL VY1 CONVERTIBLE COUPE

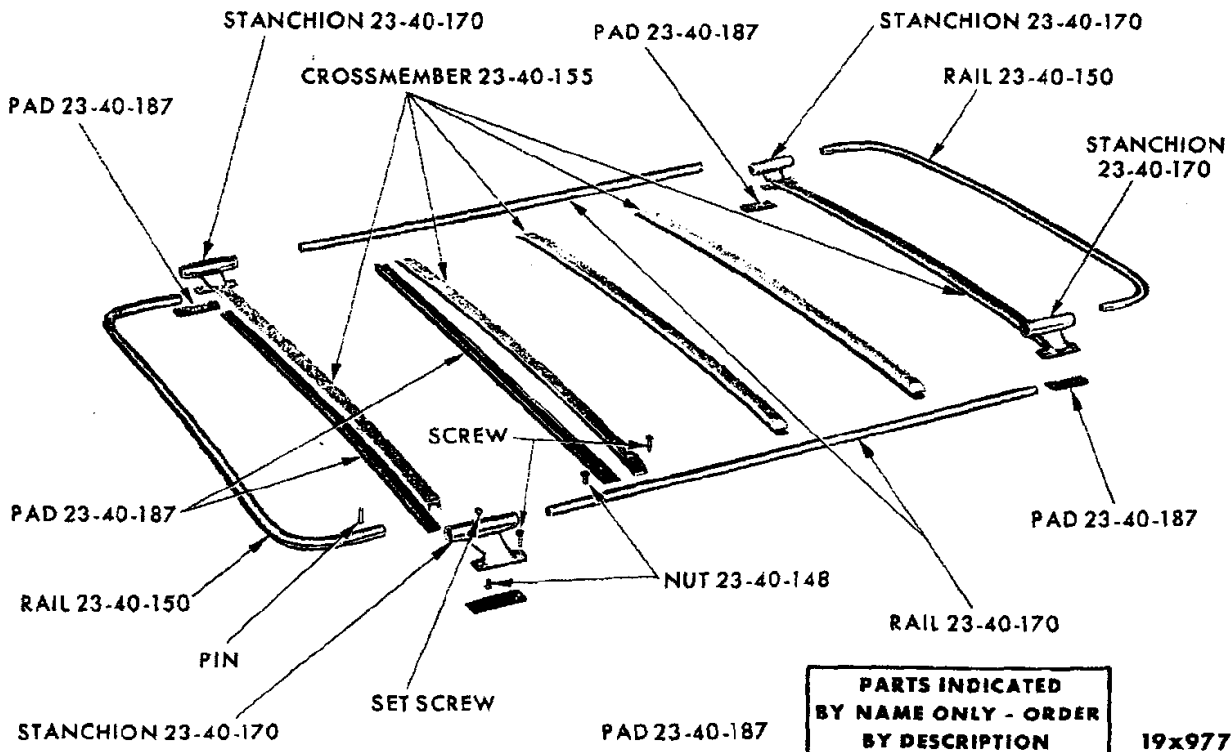


★ NOT SERVICED

PARTS INDICATED BY NAME ONLY - ORDER BY DESCRIPTION

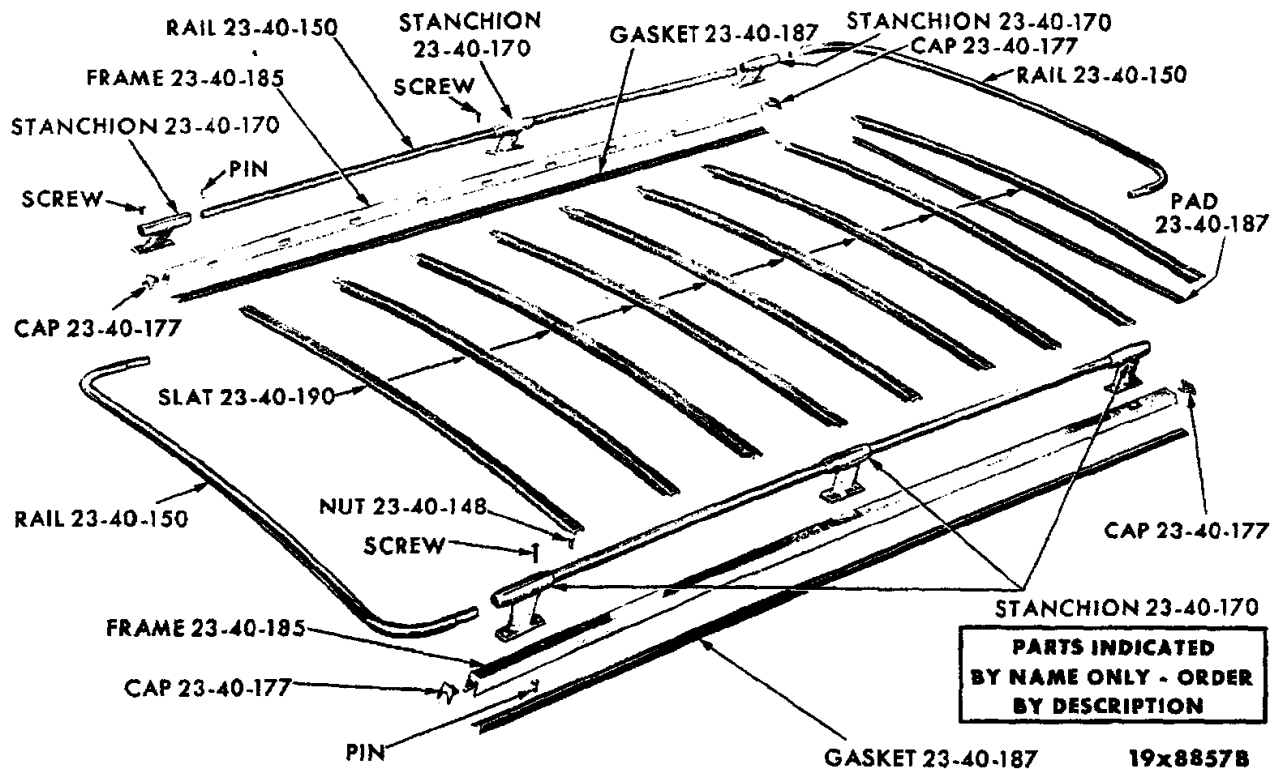
19x9685A

FOLDING TOP MOTOR



19x9771

ROOF LUGGAGE RACK - VALIANT VV1-2, DART VL1-2, PLYMOUTH VP1-2 AND DODGE VD1-2

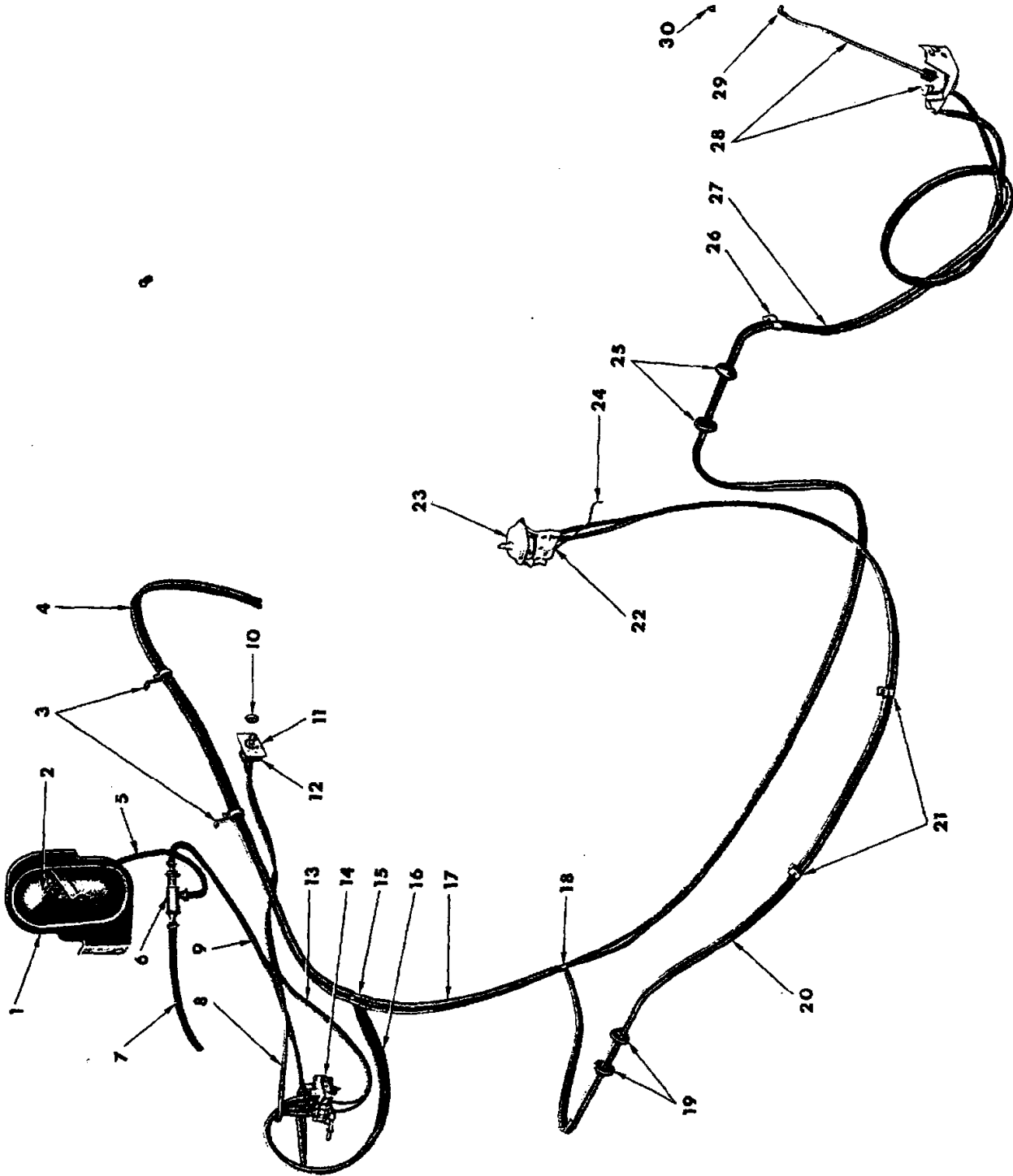


ROOF LUGGAGE RACK - DODGE VA3 AND CHRYSLER VC1-2-3

NOTES

19-9019B

VACUUM DOOR LOCK SYSTEM

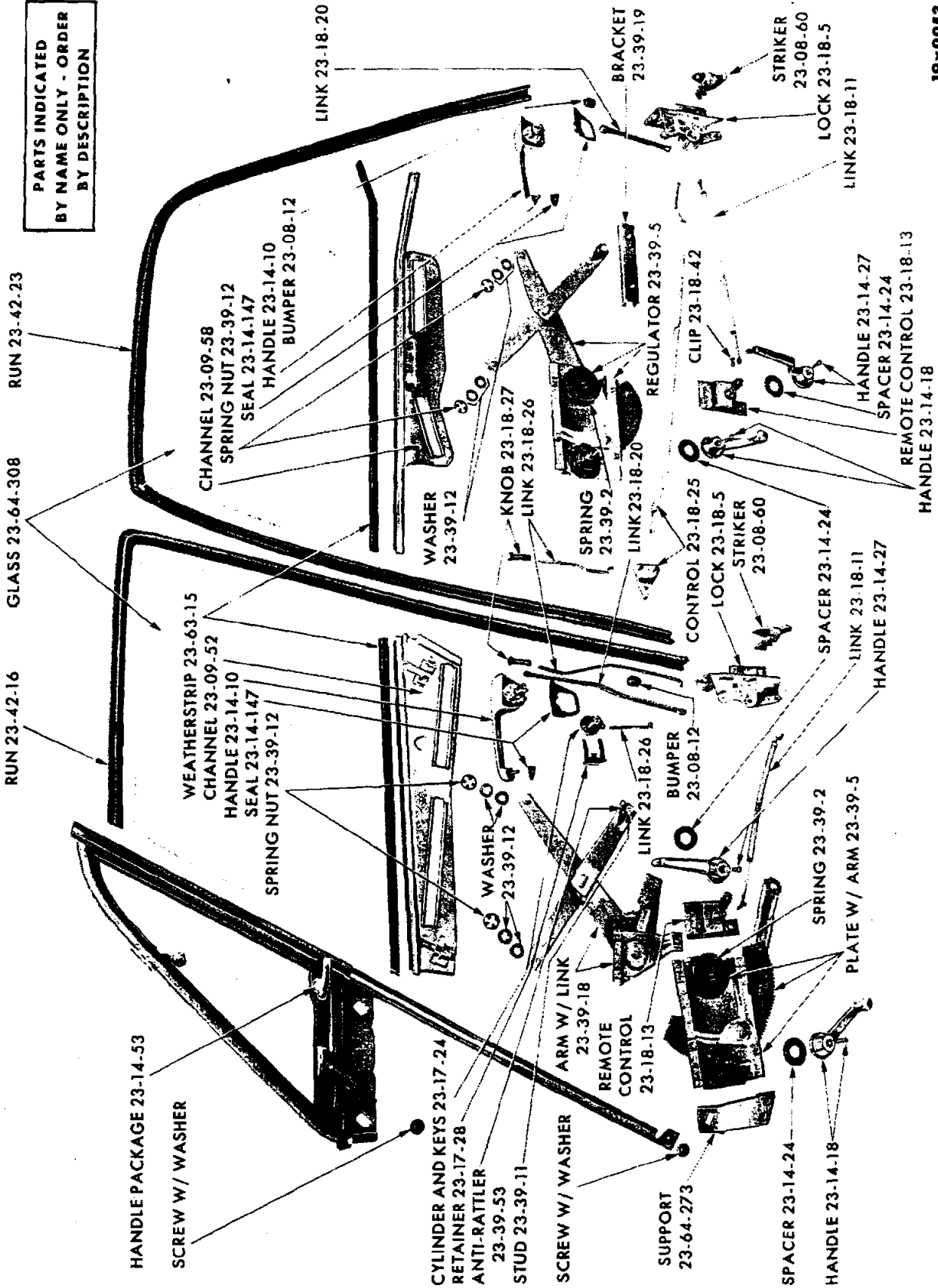


VACUUM DOOR LOCK SYSTEM

Ref. No.	Name	Part No.	Part Type Code
1	Connector, Tank Hose	2258 043	23-13-52
2	Tank, w/Bracket	2198 539	23-13-45
	Washer	2- 138 489	
	Nut	2- 120 377	
3	Clip	Not Serviced	
4	Tube, Floor Pan (see note)	2254 553	23-13-10
5	Tube, Check Valve to Tank (see note)	2254 553	23-13-10
6	Valve, Tank Check, w/Hose	2258 044	23-13-47
7	Tube, Check Valve to Manifold (see note)	2254 553	23-13-10
8	Tube, Instrument Panel Control to Valve (see note)	2254 554	23-13-10
9	Tube, Check Valve to Distributor Valve (see note)	2254 553	23-13-10
10	Nut, Control and Bezel Mounting	2096 490	23-13-36
11	Bezel, Instrument Panel Control	2096 488	23-13-35
12	Control, Instrument Panel (or Switch)	2096 487	23-13-31
13	Tube, Instrument Panel Control to Valve (see note)	2254 552	23-13-10
14	Valve, Distributor	2258 080	23-13-41
15	Tee, Main	2-1964 609	23-13-13
16	Tube, Distributor to Main Tee (see note)	2254 553	23-13-10
17	Tube, Main Tee to Side Tee (see note)	2254 553	23-13-10
18	Tee, Side	4-1964 610	23-13-13
19	Grommet, Front Door	2-2166 678	23-13-11
20	Tube, Front Door (see note)	2254 554	23-13-10
21	Clamp, Front Door	4-2165 090	23-13-25
		2-1963 960	23-13-25
22	Clip, Front Door	2-2218 199	23-13-17
23	Unit, Front Door Power VA3.	1963 196-7	23-13-6
	VC1, VC3, 4 D.	2217 594-5	23-13-6
	VC1, VC2, VC3, 4 D. H.T., 4 D. H.T. Sub.	2217 644-5	23-13-6
24	Rod, Front Door Power Unit to Door Lock . . VC1, VC2, VC3.	2-1963 673	23-13-20
	VA3.	2-1963 671	23-13-20
25	Grommet, Rear Door and Center Pillar	4-2166 678	23-13-11
26	Clamp, Rear Door	4-2165 090	23-13-25
		2-1963 960	23-13-25
27	Tube, Rear Door (see note)	2254 554	23-13-10
28	Unit, Rear Door Power, w/Rod	2491 098-9	23-13-6
29	Clip, Rear Door Rod End to Door Lock	6008 144-5	23-13-17
30	Knob, Rear Door Lock Locking Control	2-1964 394	23-13-37

NOTE: Tube sold by the inch.

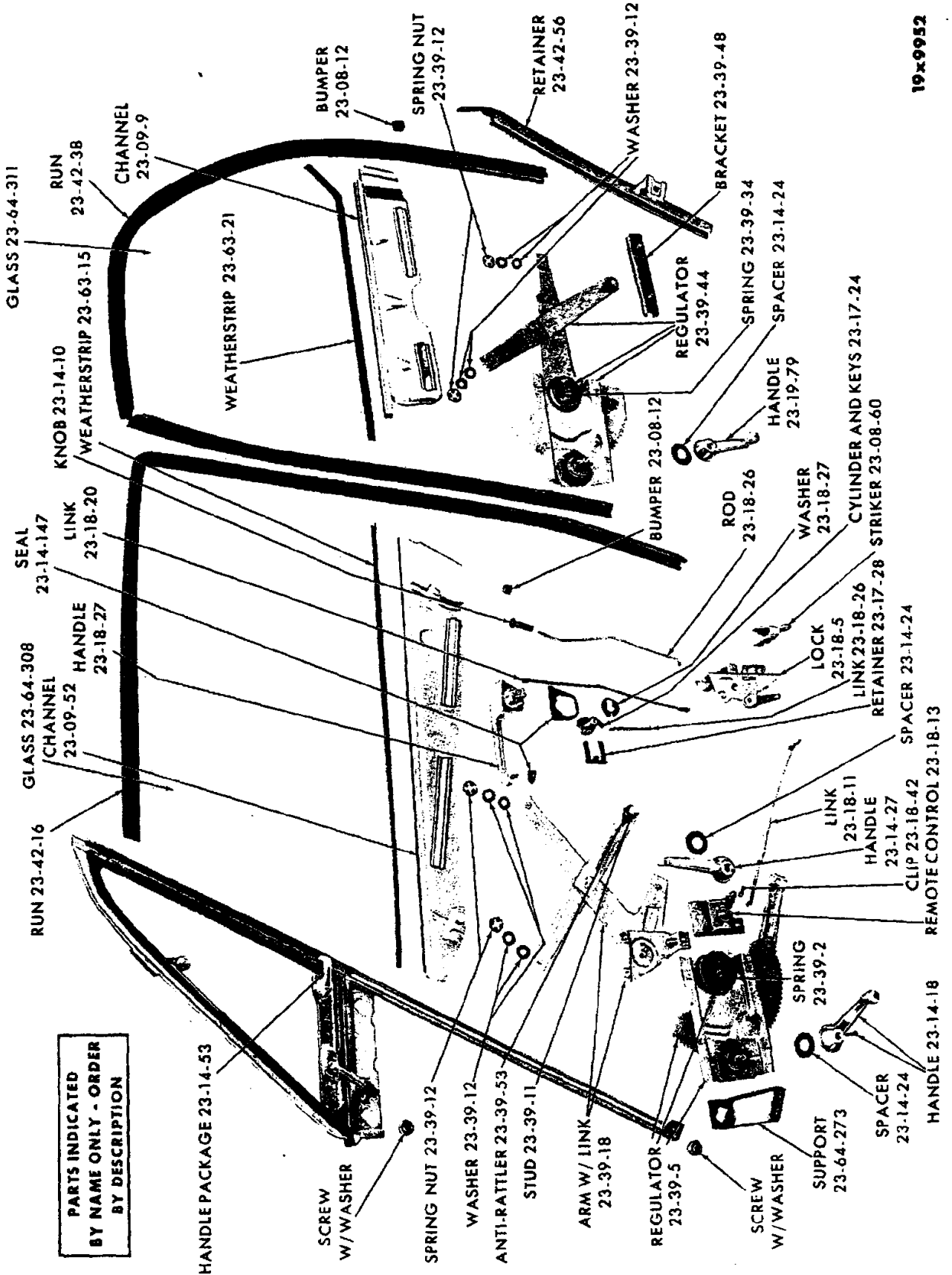
1964 PASSENGER CAR PARTS CATALOG



PARTS INDICATED BY NAME ONLY - ORDER BY DESCRIPTION

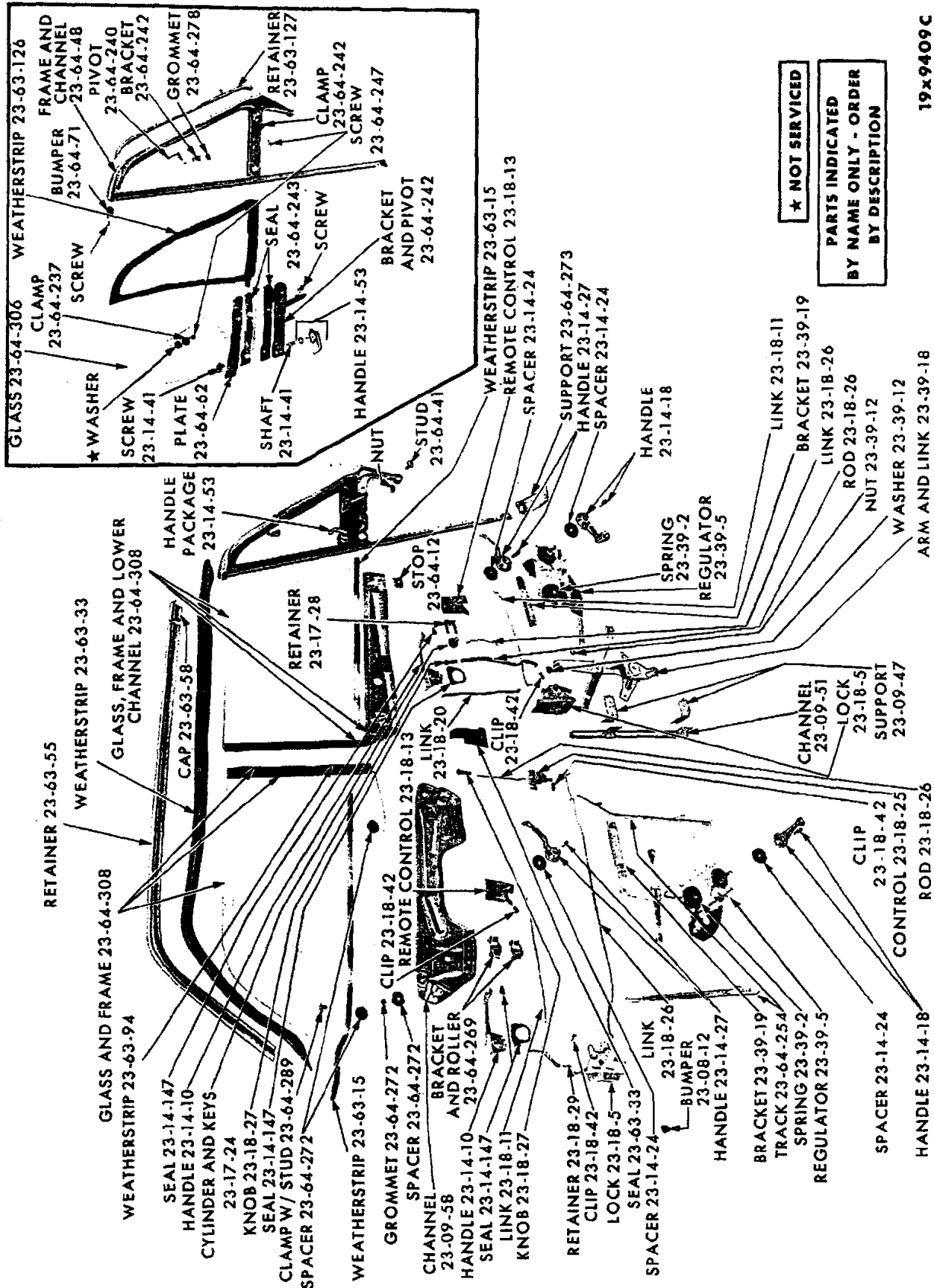
19x9953

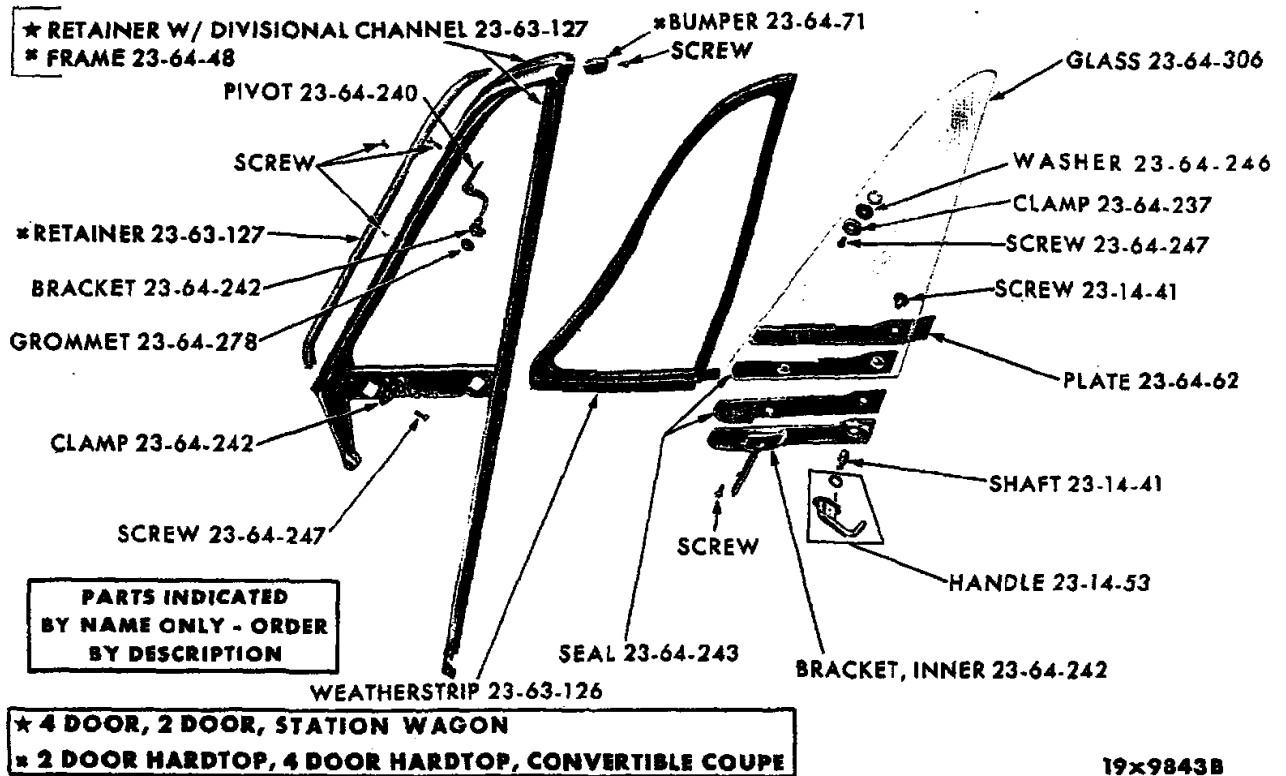
DOOR WINDOW REGULATORS AND RUNS - PLYMOUTH VP1-2 AND DODGE VDI-2 4 DOOR SEDAN AND STATION WAGON



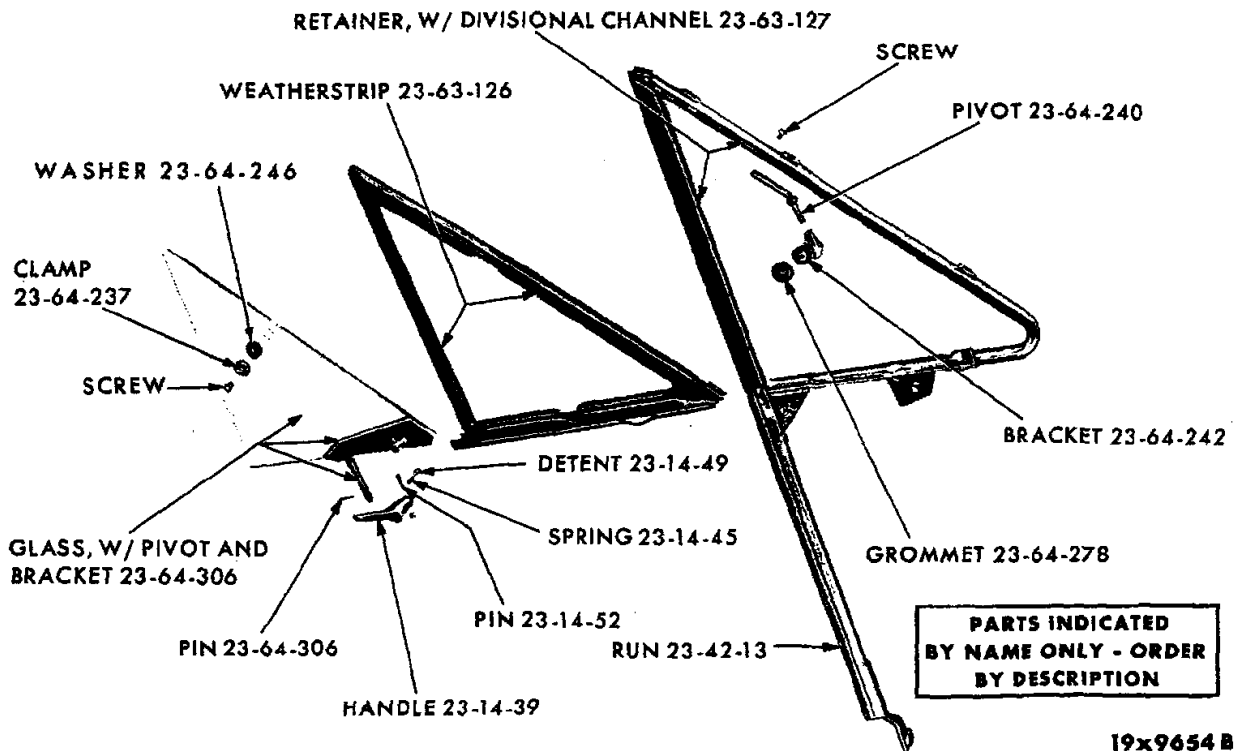
19x9952

DOOR WINDOW REGULATORS AND RUNS - PLYMOUTH VP1-2 AND DODGE VD1-2 2 DOOR SEDAN

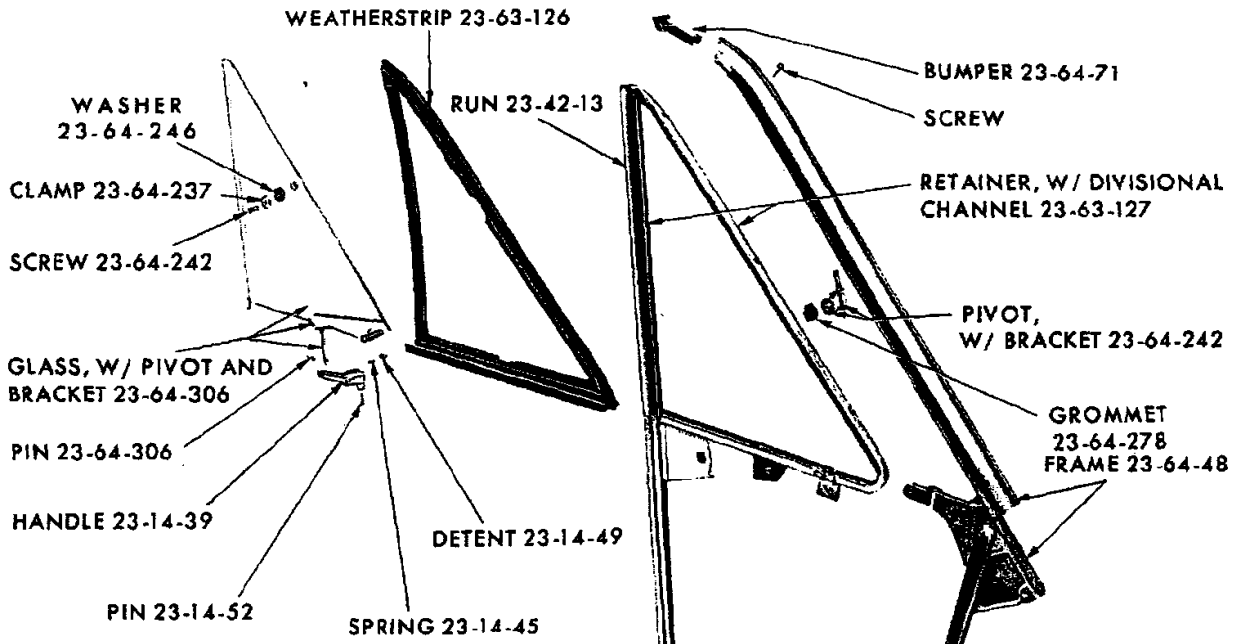




DOOR VENT WING AND GLASS - PLYMOUTH VP1-2 AND DODGE VD1-2



FRONT DOOR VENT WING - VALIANT VV1-2 AND DART VL1-2
 4 DOOR SEDAN, 2 DOOR SEDAN AND STATION WAGON



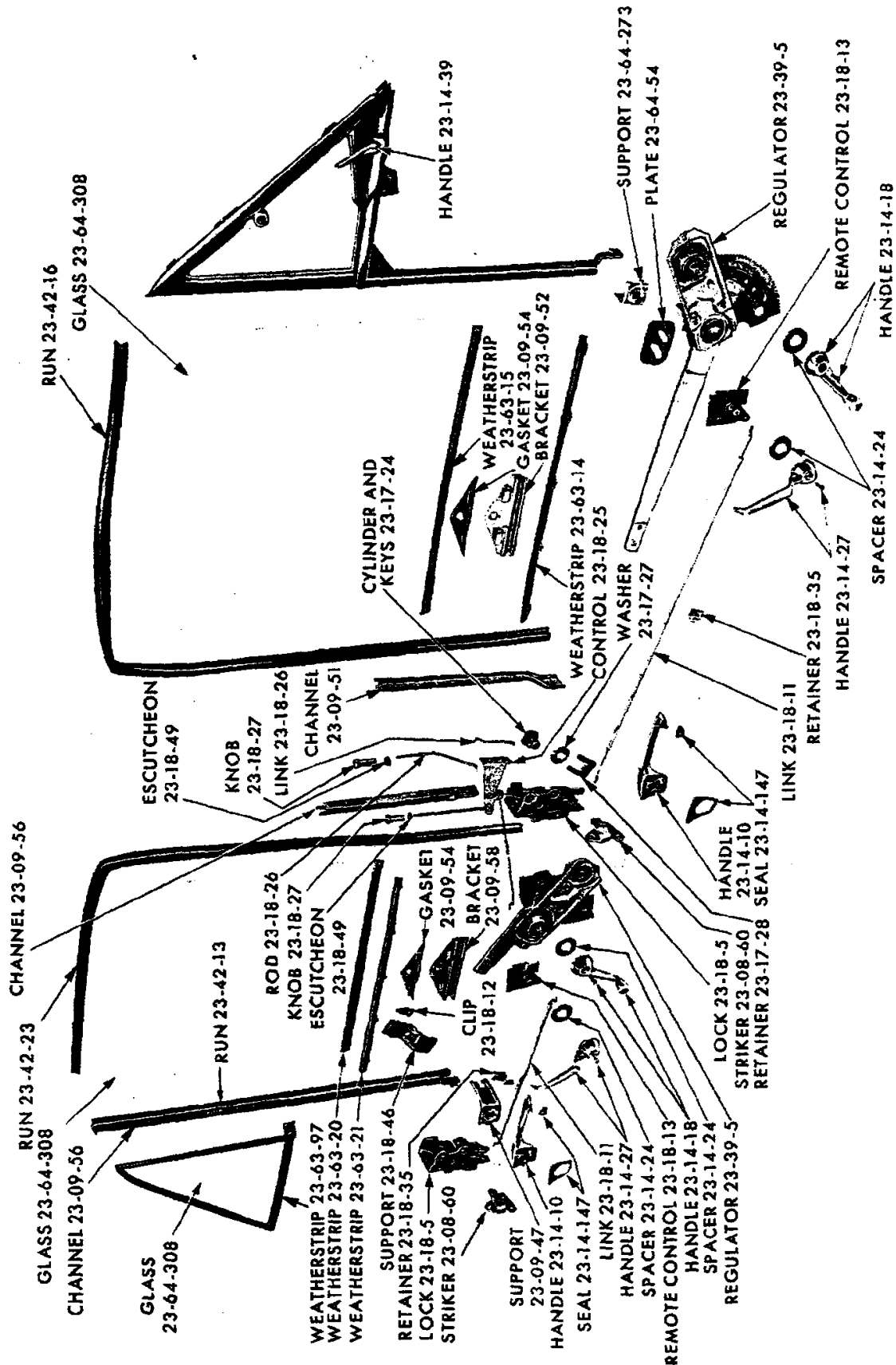
**PARTS INDICATED
BY NAME ONLY - ORDER
BY DESCRIPTION**

19x9653B

**FRONT DOOR VENT WING - VALIANT VV1-2 AND DART VL1-2
2 DOOR HARDTOP AND CONVERTIBLE COUPE**

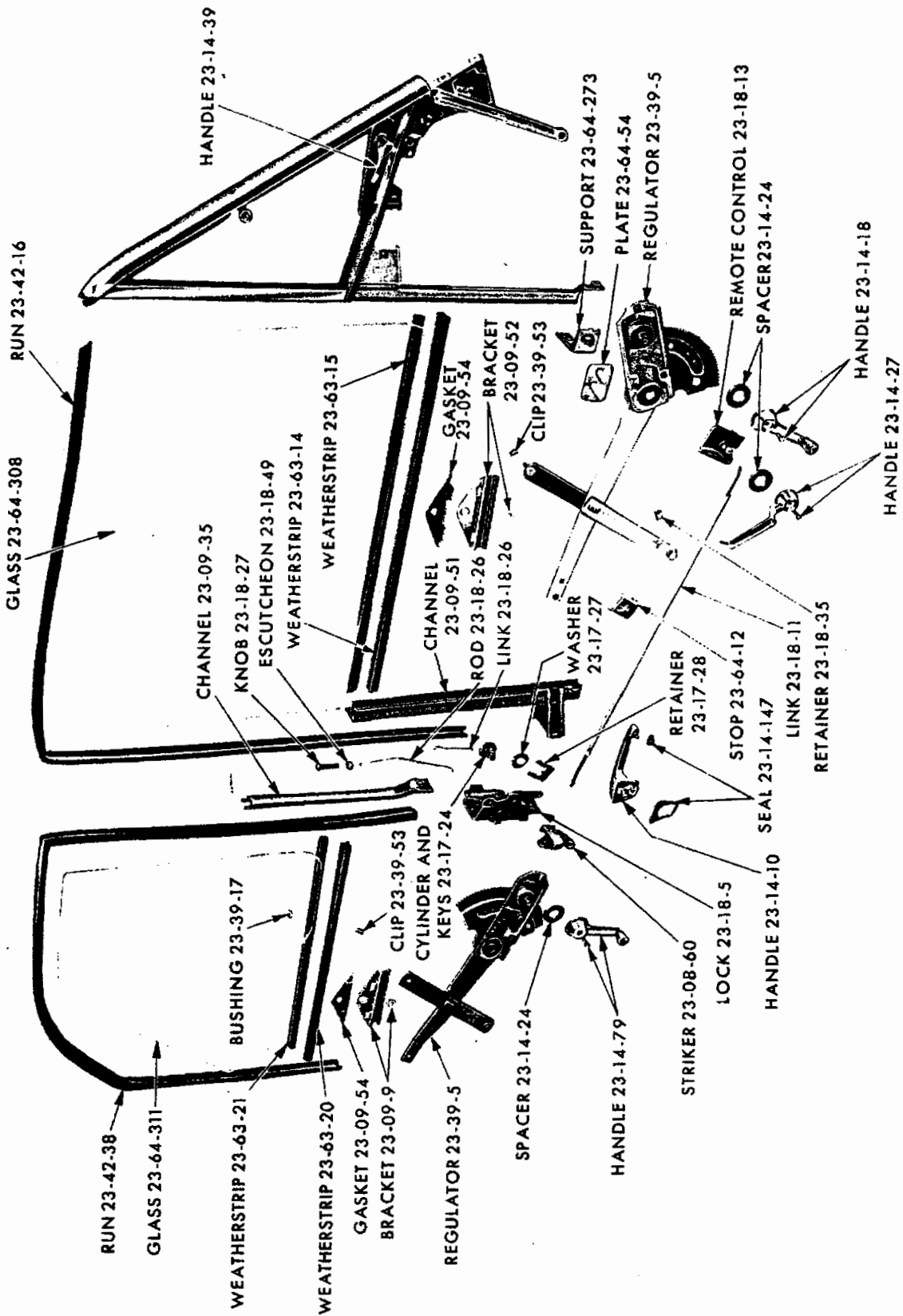
NOTES

Series of horizontal lines for handwritten notes.



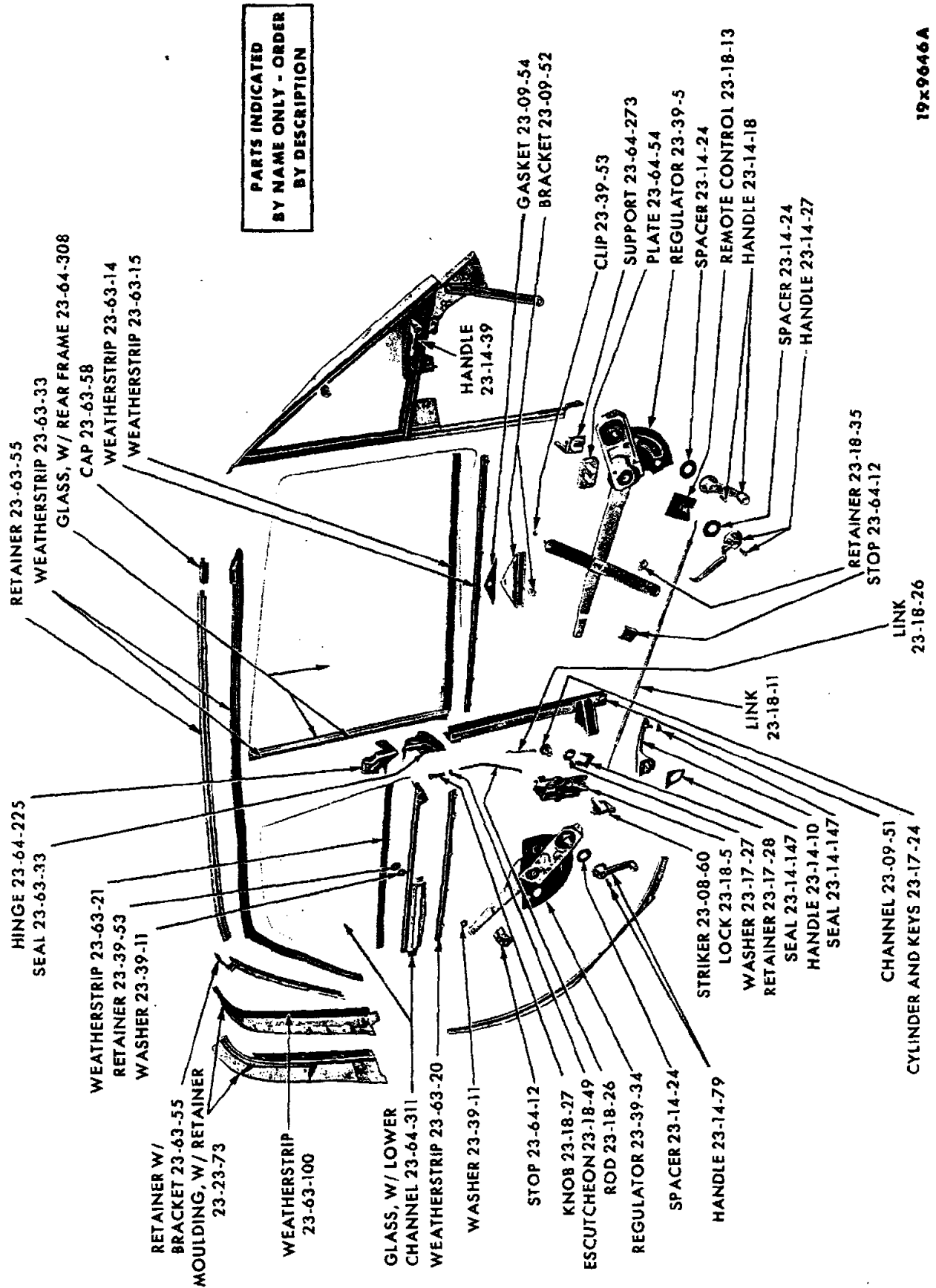
19x9647A

DOOR LOCK WINDOW REGULATORS AND RUNS - VALIANT VVA-2 AND DART VL1-2 4 DOOR SEDAN AND STATION WAGON



19x9648

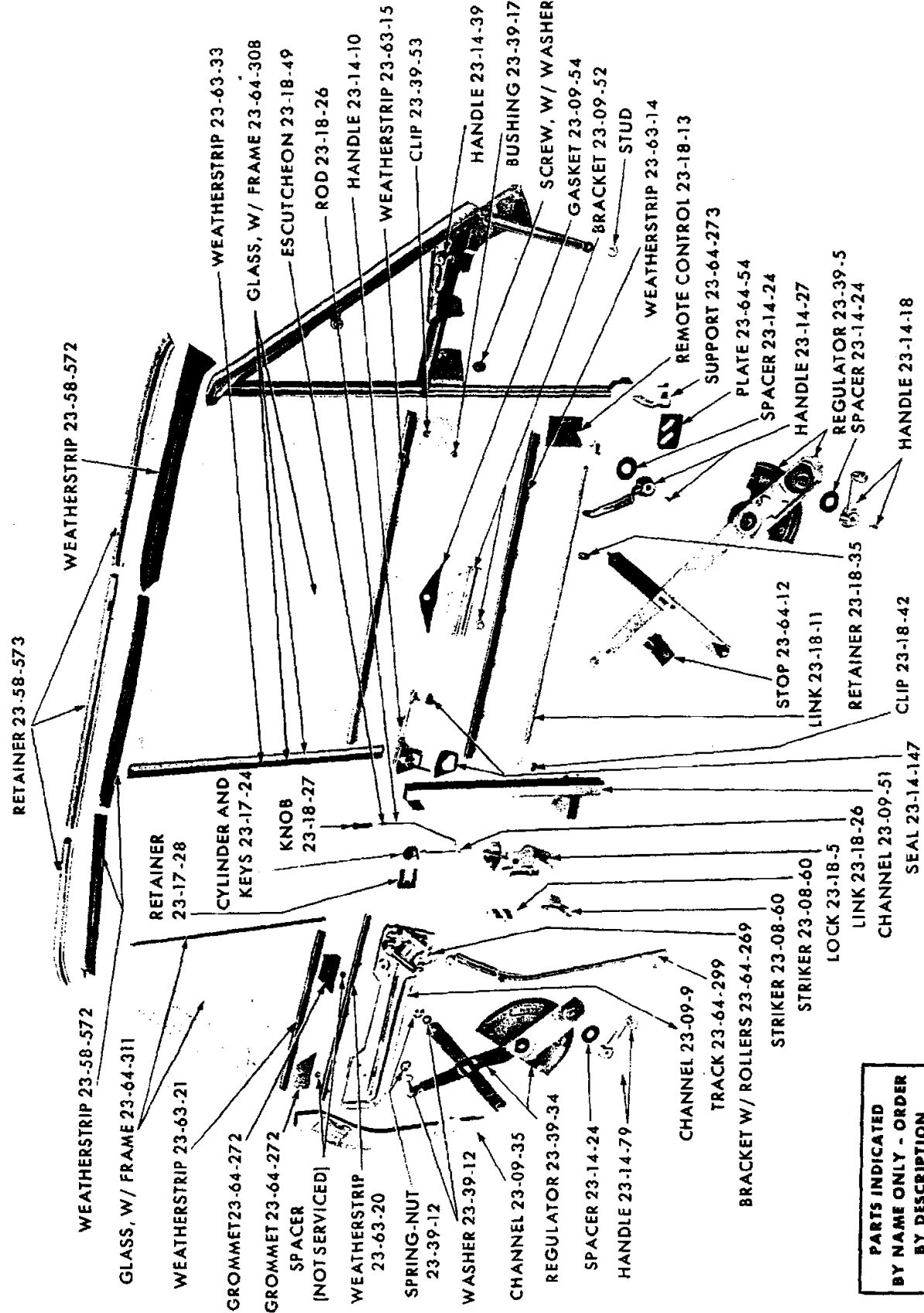
DOOR LOCK WINDOW REGULATORS AND RUNS - VALIANT VV1-2 2 DOOR SEDAN



19x9646A

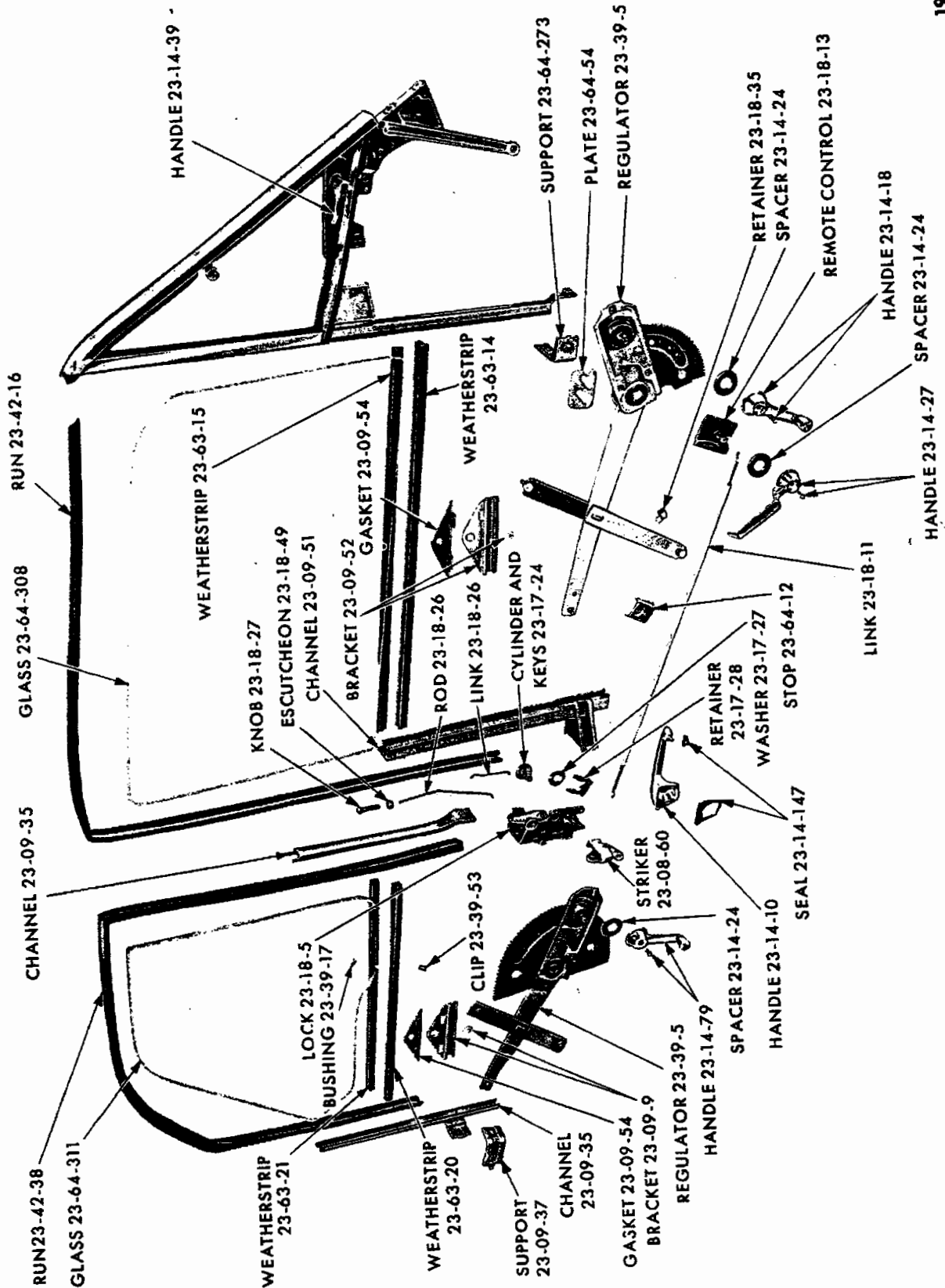
DOOR LOCK WINDOW REGULATORS AND RUNS - VALIANT VV1-2 2 DOOR HARDTOP

19x9703A



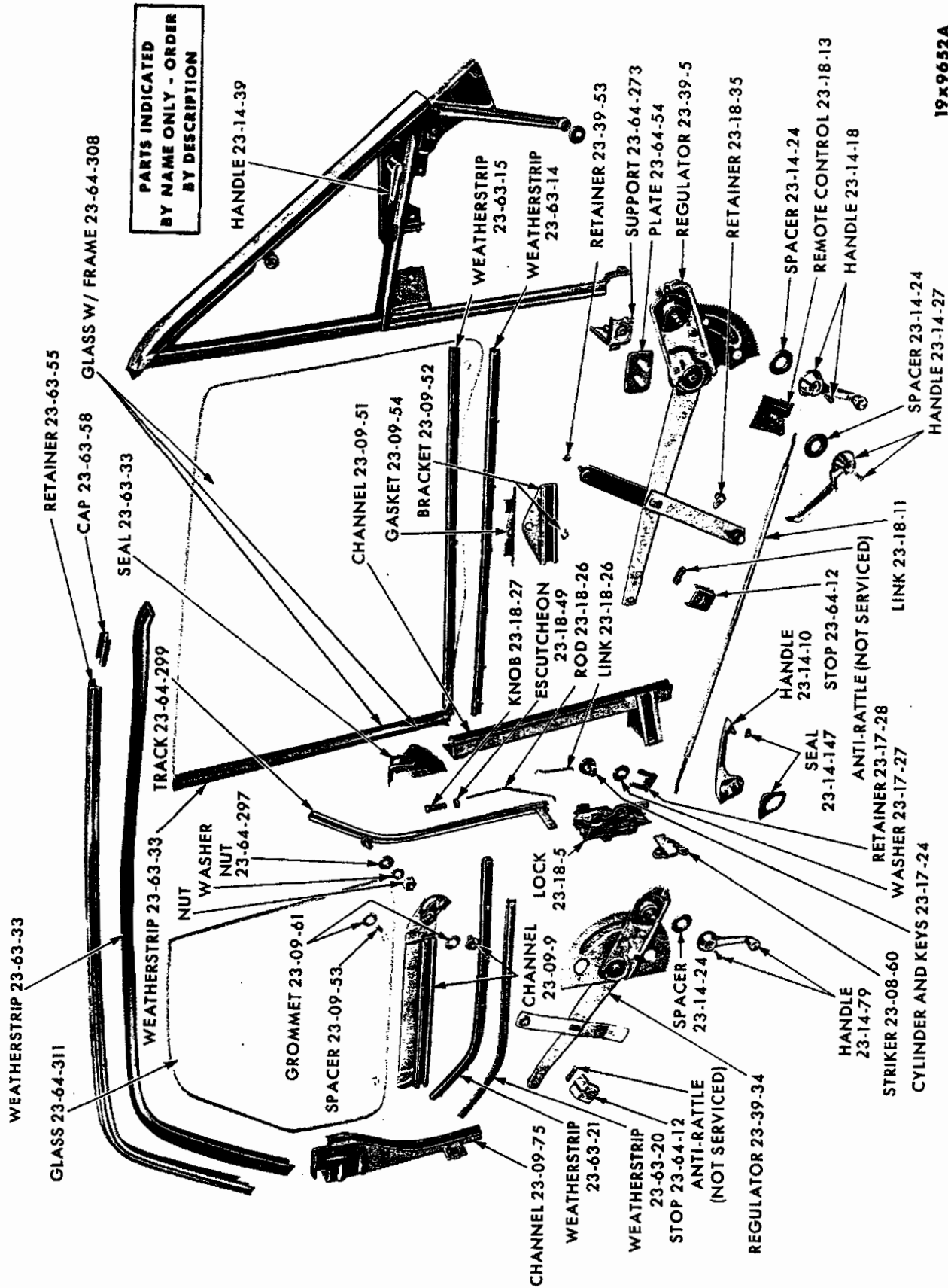
PARTS INDICATED
BY NAME ONLY - ORDER
BY DESCRIPTION

DOOR WINDOW REGULATORS AND RUNS - VALIANT VV1-2 AND DART VV1-2 CONVERTIBLE COUPE



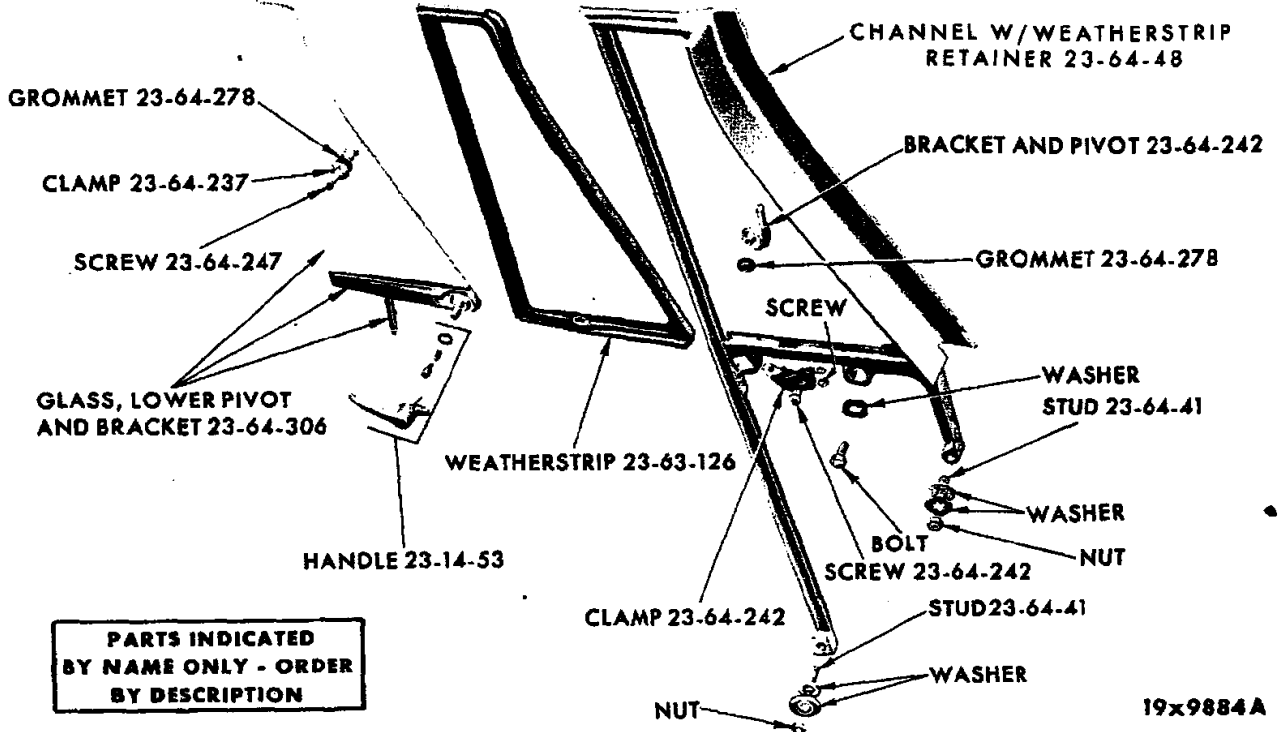
19x9649

DOOR WINDOW REGULATORS AND RUNS - DART VL1-2 2 DOOR SEDAN



19x9652A

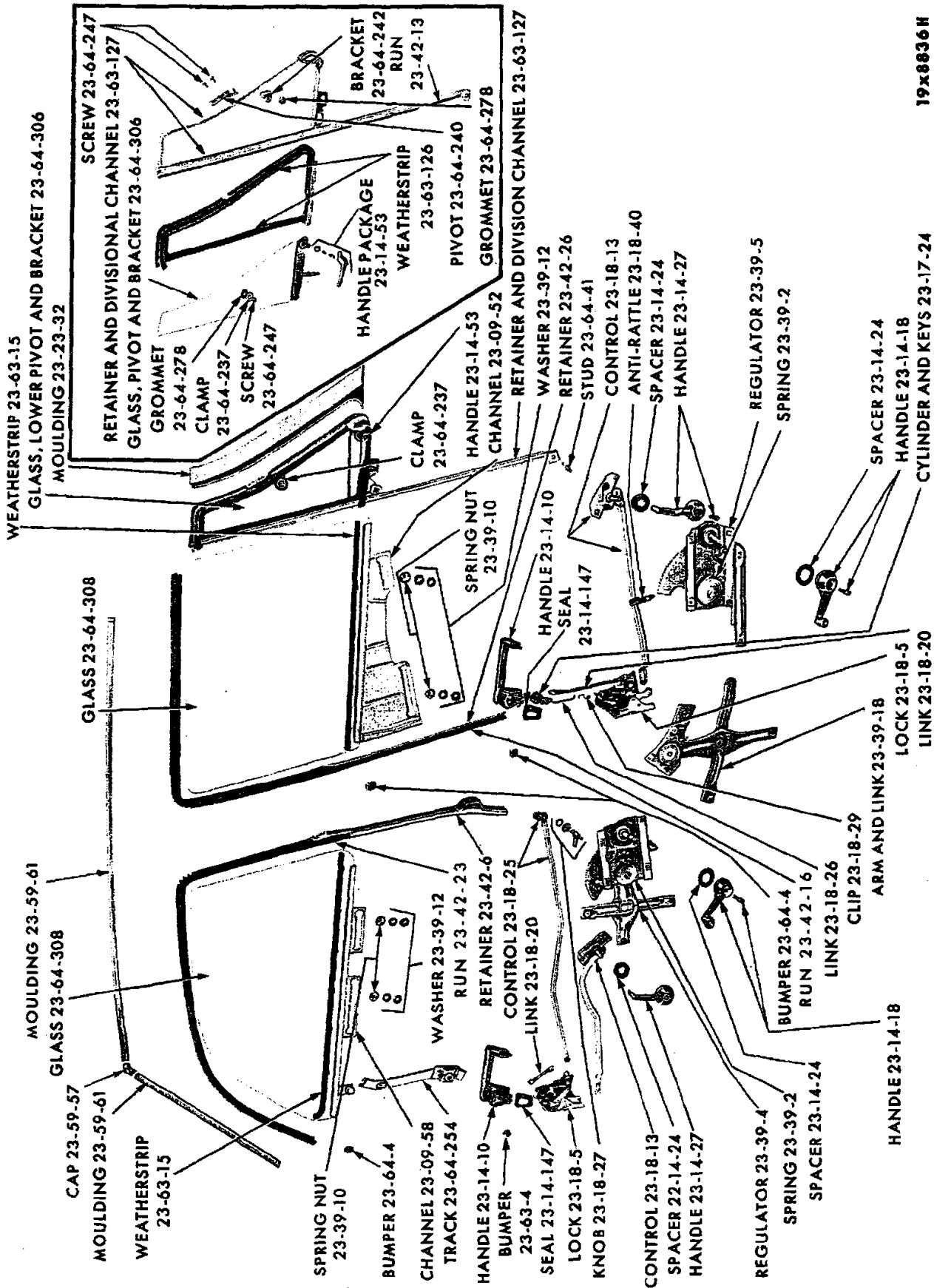
DOOR WINDOW REGULATORS AND RUNS - DART VL1-2 2 DOOR HARDTOP



DOOR VENT WING AND GLASS - DODGE VA3-L AND CHRYSLER VC1-2-3
 2 DOOR HARDTOP, CONVERTIBLE COUPE AND STATION WAGON

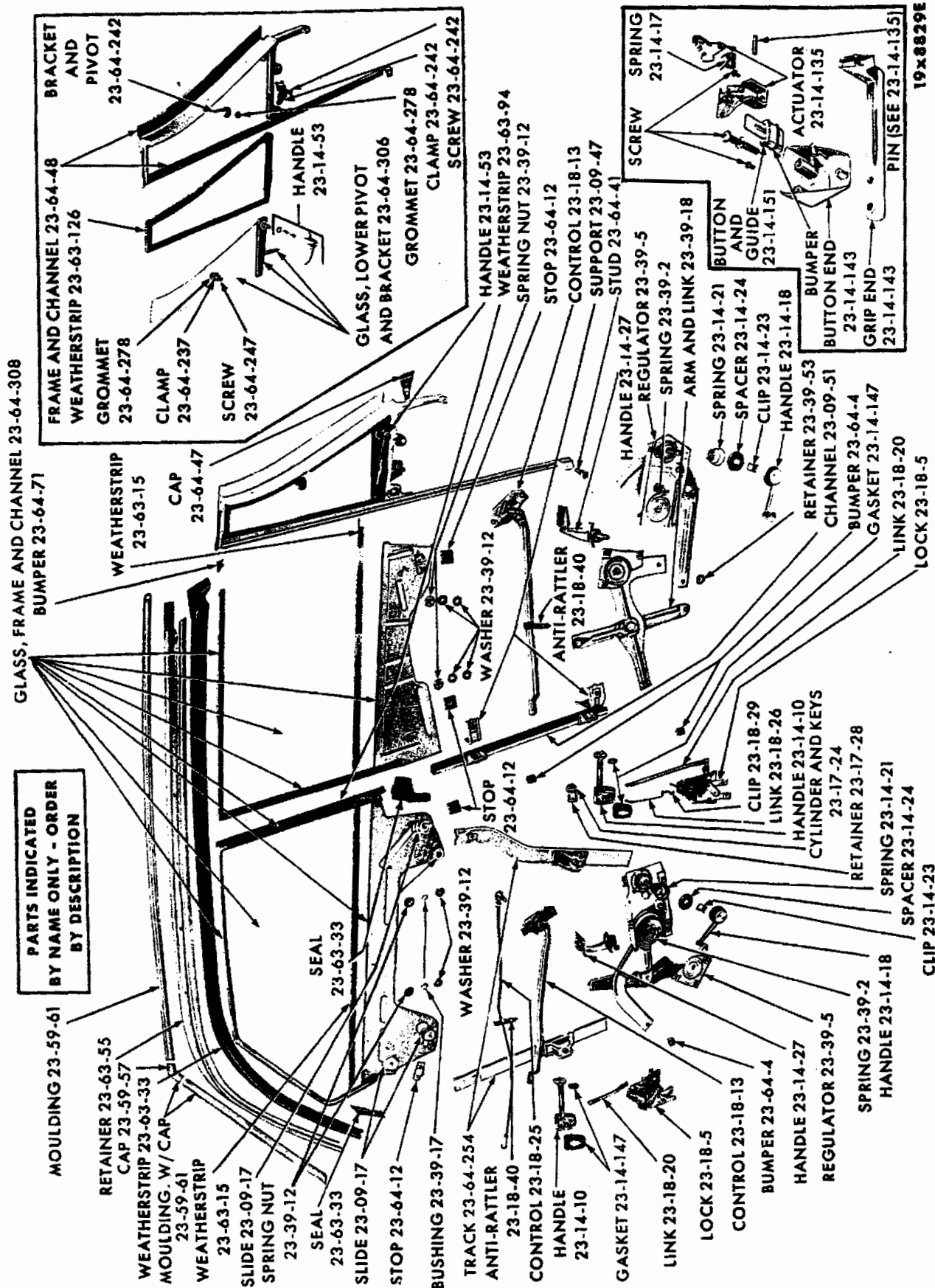
NOTES

Lined area for notes, consisting of multiple horizontal lines.



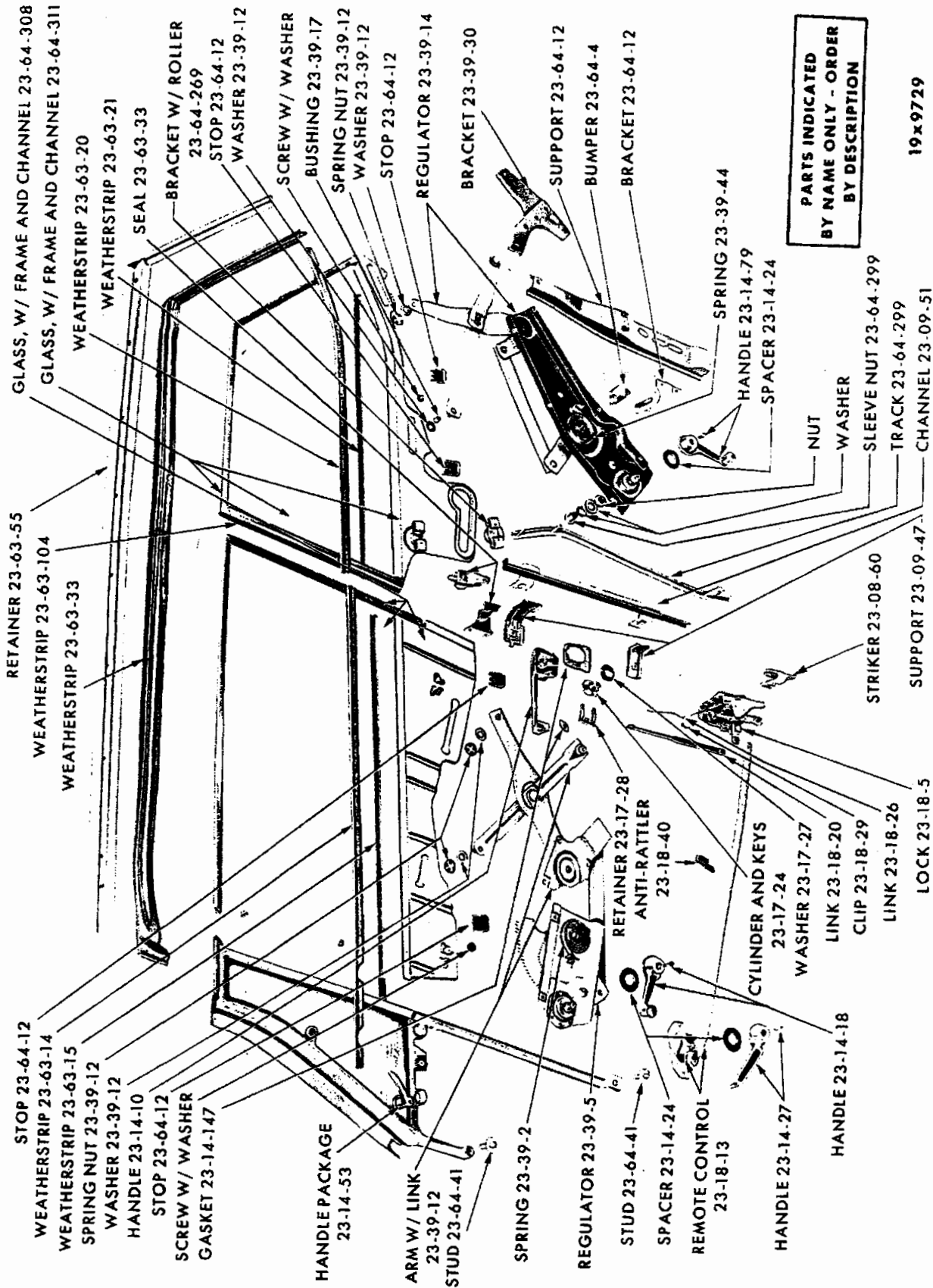
19x8836H

DOOR WINDOW REGULATORS AND RUNS - DODGE VAS AND CHRYSLER VC1-3 4 DOOR SEDAN; DODGE VAS-E STATION WAGON

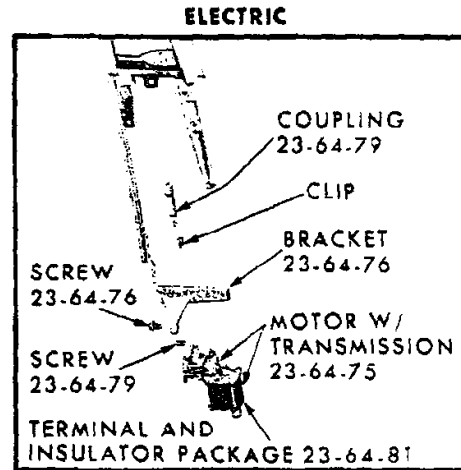
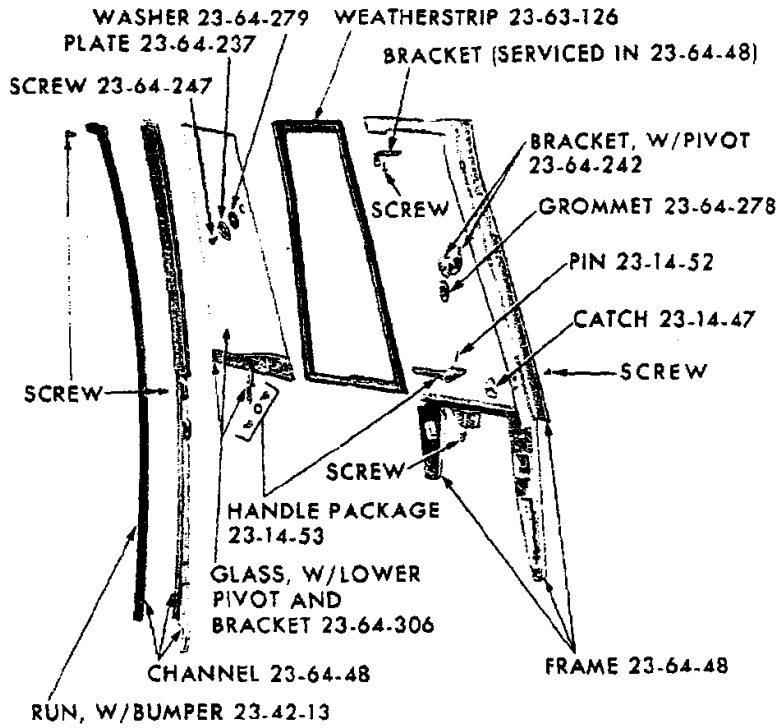


PARTS INDICATED BY NAME ONLY - ORDER BY DESCRIPTION

DOOR WINDOW REGULATORS AND RUNS - DODGE VA3-L AND CHRYSLER VC1-2-3 4 DOOR HARDTOP AND STATION WAGON



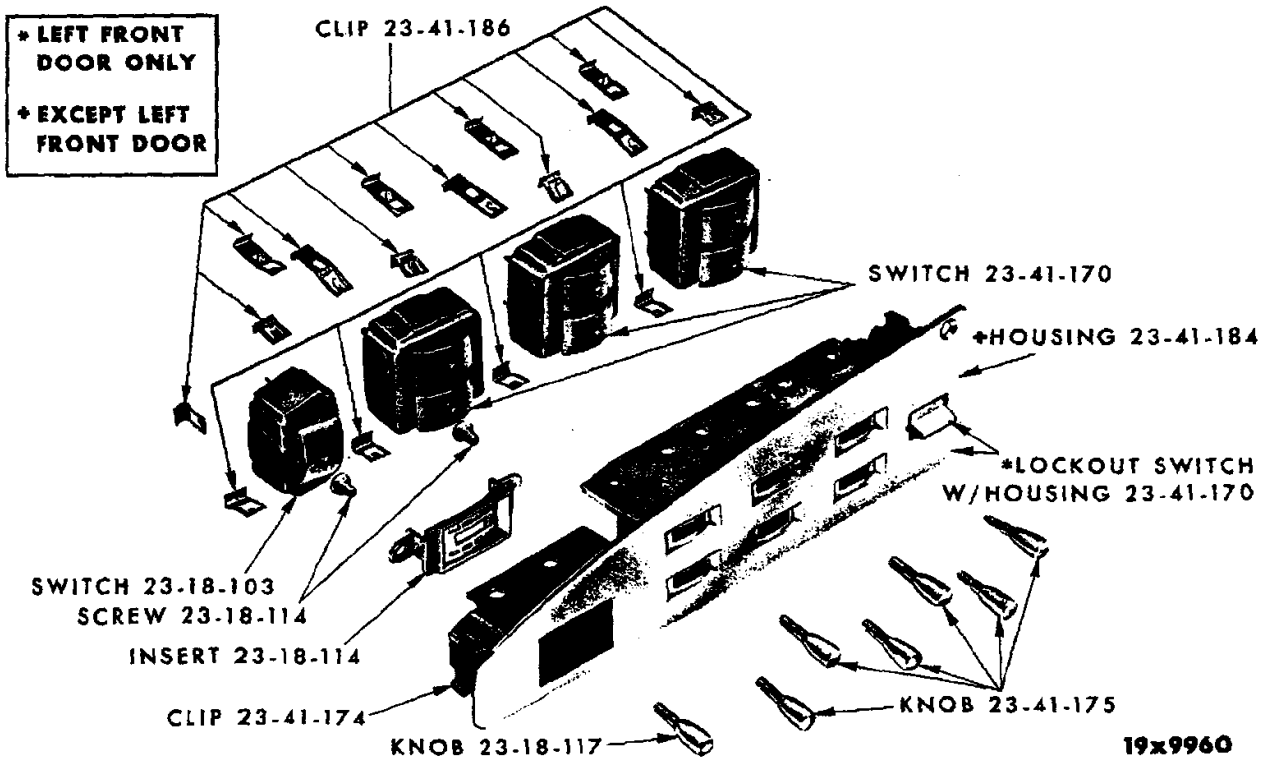
DOOR WINDOW REGULATORS AND RUNS - DODGE VA3 AND CHRYSLER VC1-2 2 DOOR HARTTOP



**PARTS INDICATED
 BY NAME ONLY - ORDER
 BY DESCRIPTION**

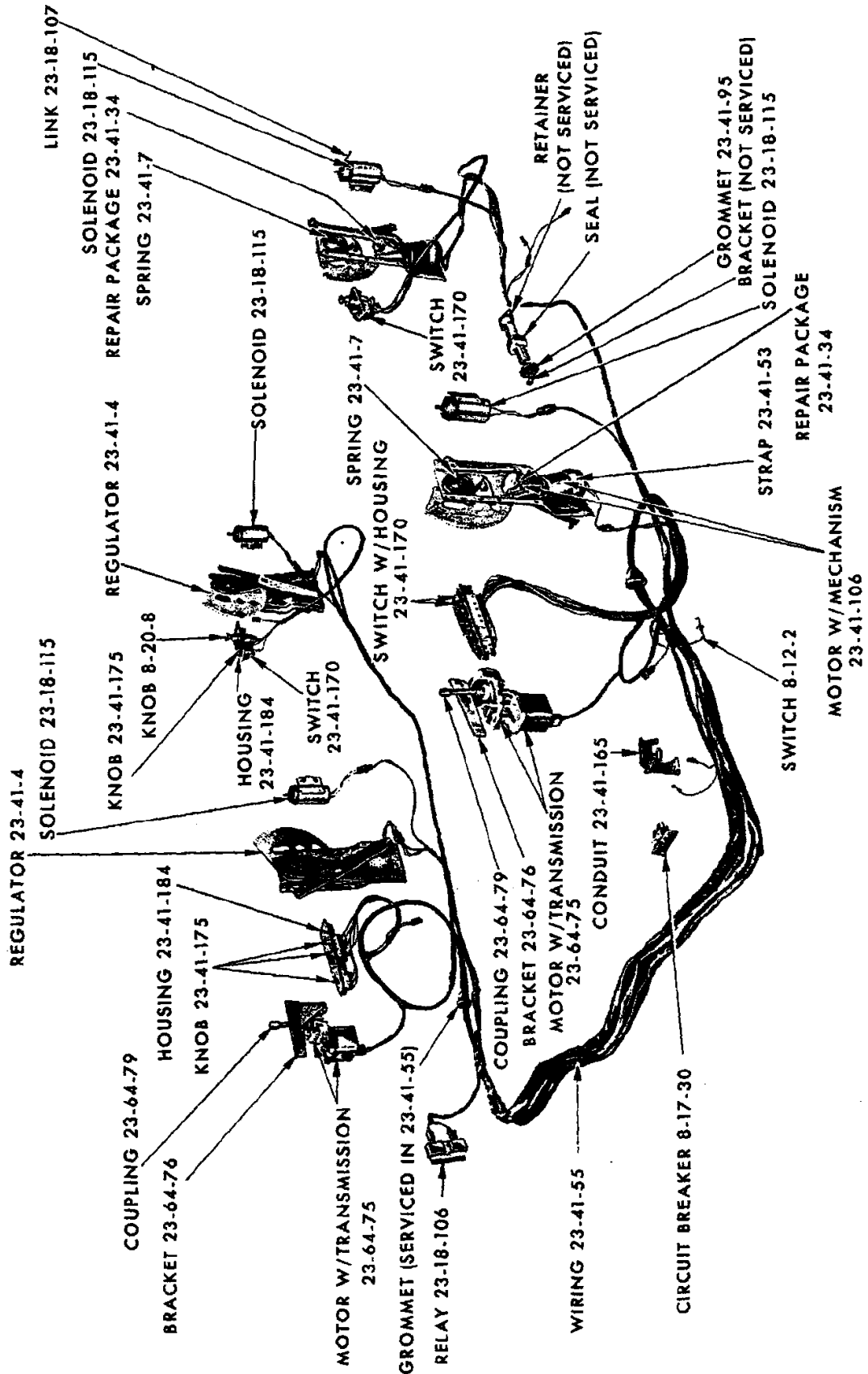
19x9956

FRONT DOOR VENT WING AND GLASS - IMPERIAL VY1



19x9960

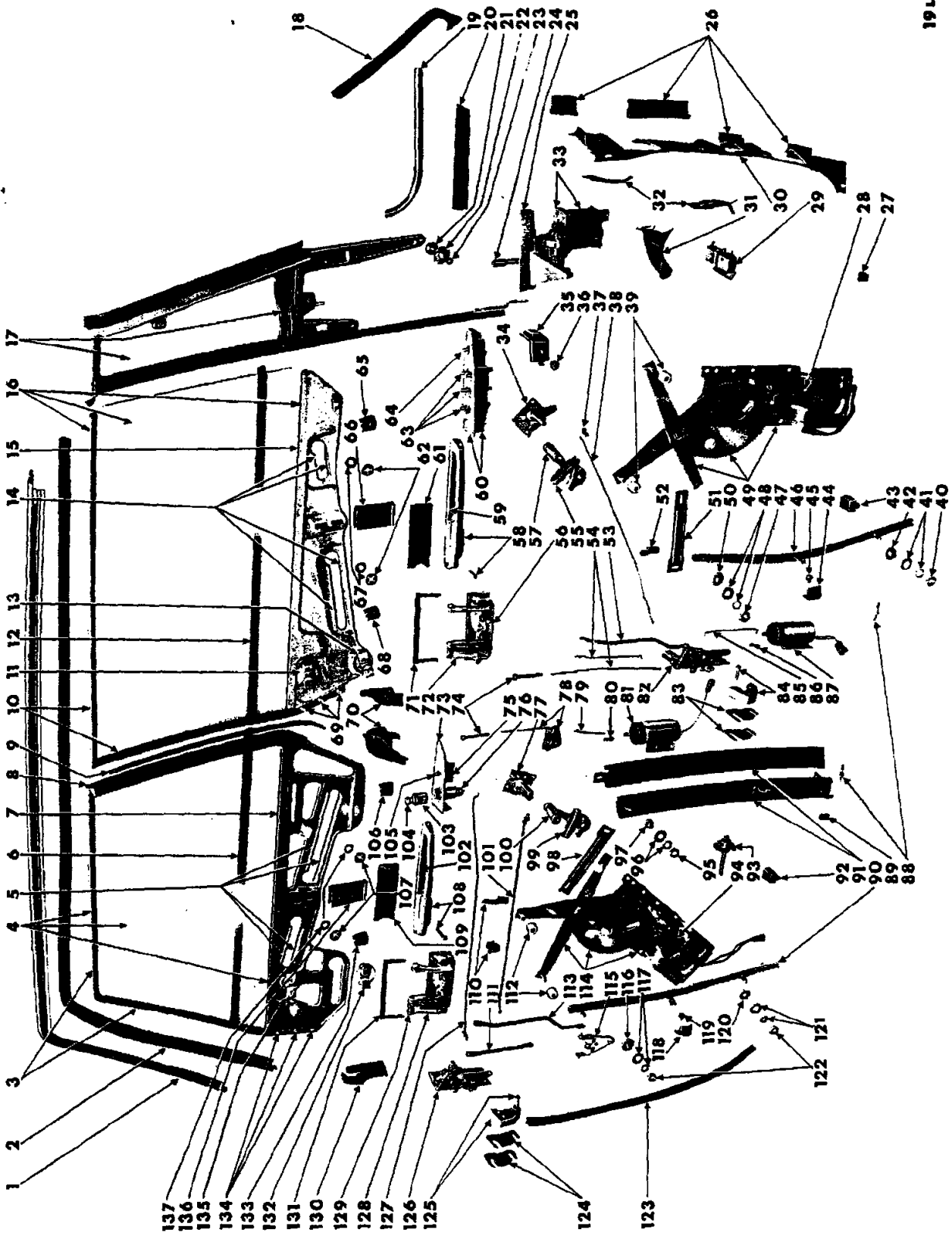
ELECTRIC WINDOW LIFT AND DOOR LOCK SWITCH - IMPERIAL VY1



19x9961

ELECTRIC WINDOW LIFT AND DOOR LOCK SYSTEM - IMPERIAL VYL

1919904



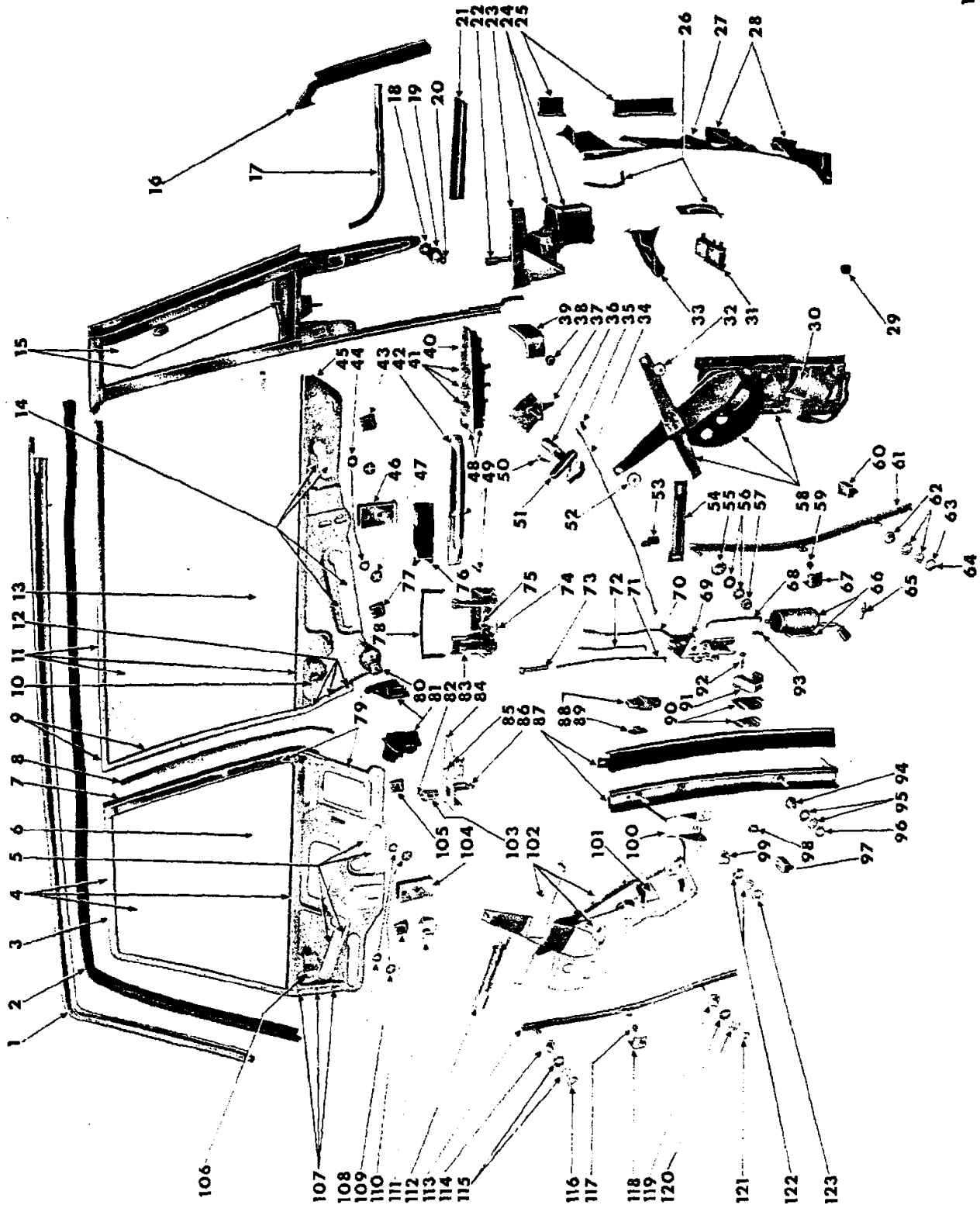
DOOR LOCKS, WINDOW REGULATORS AND RUNS - IMPERIAL VY1 4 DOOR HARDTOP

DOOR LOCKS, WINDOW REGULATORS AND RUNS - IMPERIAL VY1 4 DOOR HARDTOP

Ref. No.	Name	Part Type Code	Ref. No.	Name	Part Type Code
1	Retainer	23-63-55	69	Sleeve Nut	23-64-255
2	Weatherstrip	23-63-33	70	Seal	23-63-33
3	Frame	23-64-255	71	Gasket	23-14-147
4	Glass w/Frame and Lower Channel.	23-64-308	72	Spring	23-14-17
5	Cap	23-09-27	73	Housing	23-41-184
6	Weatherstrip	23-63-14	74	Knob	23-18-27
		23-63-15	75	Switch	23-41-170
7	Channel	23-09-58	76	Shell and Clamp	8-20-10
8	Weatherstrip	23-63-94	77	Remote Control	23-18-13
9	Retainer	23-63-105	78	Control	23-18-25
10	Frame	23-64-255	79	Link	23-18-107
11	Bracket w/Roller	23-64-269	80	Clip	23-18-109
12	Weatherstrip	23-63-14	81	Solenoid	23-18-115
		23-63-15	82	Lock	23-18-5
13	Bracket w/Roller	23-64-269	83	Spacer	23-08-54
14	Cap	23-09-27	84	Striker	23-08-60
15	Channel	23-09-52	85	Link	23-18-107
16	Glass w/Frame and Lower Channel.	23-64-308	86	Clip	23-18-109
17	Glass w/Lower Pivot and Bracket .	23-64-306	87	Solenoid	23-18-115
18	Auxiliary Weatherstrip	23-63-126	88	Switch	8-12-2
19	Cover Package	23-34-85	89	Bumper	23-08-12
20	Filler	23-34-100	90	Channel	23-09-56
21	Stud	23-64-275	91	Channel	23-64-198
22	Washer		92	Bumper	23-64-4
23	Nut		93	Arm	23-10-1
24	Coupling	23-64-79	94	Motor w/Mechanism	23-41-106
25	Bracket	23-64-76	95	Nut	
26	Anti Rattler	23-36-25	96	Washer	
27	Bumper	23-08-12	97	Sleeve Nut	23-64-297
28	Motor w/Mechanism	23-41-106	98	Channel w/Support	23-41-19
29	Relay	23-18-106	99	Grommet	23-14-51
30	Cover	23-36-21	100	Handle	23-14-27
31	Conduit	23-41-166	101	Link	23-18-26
32	Seal	23-15-22	102	Plate	23-14-26
33	Motor w/Transmission	23-64-75	103	Element	8-20-9
34	Remote Control	23-18-13	104	Knob	8-20-8
35	Support	23-64-273	105	Knobs	23-41-175
36	Screw		106	Stop	23-64-12
37	Clip	23-18-42	107	Spring Nut	23-41-4
38	Link	23-18-11	108	Handle	23-14-16
39	Roller	23-41-250	109	Shield	Not Serviced
40	Nut		110	Clip	23-18-42
41	Washer		111	Link	23-18-26
42	Sleeve Nut	23-64-297	112	Roller	23-41-250
43	Bumper	23-64-4	113	Link	23-18-20
44	Support	23-64-269	114	Regulator	23-41-4
45	Screw		115	Bracket	23-18-51
46	Channel	23-09-51	116	Sleeve Nut	23-64-297
47	Nut		117	Washer	
48	Washer		118	Support	23-64-269
49	Regulator	23-41-4	119	Screw	
50	Sleeve Nut	23-64-297	120	Sleeve Nut	23-64-297
51	Channel w/Support	23-41-19	121	Washer	
52	Clip	23-18-42	122	Nut	
53	Link	23-18-20	123	Weatherstrip	23-63-33
54	Link	23-18-26	124	Spacer	23-08-54
55	Grommet	23-14-51	125	Striker	23-08-60
56	Handle	23-14-10	126	Lock	23-18-5
57	Handle	23-14-27	127	Link	23-18-11
58	Handle	23-14-16	128	Spring	23-14-17
59	Plate	23-14-26	129	Handle	23-14-10
60	Lockout Switch w/Housing	23-41-170	130	Seal	23-63-33
61	Shield	Not Serviced	131	Gasket	23-14-147
62	Spring Nut	23-41-4	132	Bracket w/Roller	23-64-269
63	Knobs	23-41-175	133	Stop	23-64-12
64	Knob	23-18-117	134	Screw	23-64-255
65	Stop	23-64-12	135	Bracket w/Roller	23-64-269
66	Bracket	23-64-12	136	Bracket	23-64-12
67	Washer		137	Washer	
68	Stop	23-64-12			

PARTS INDICATED BY NAME ONLY - ORDER BY DESCRIPTION

19-9965



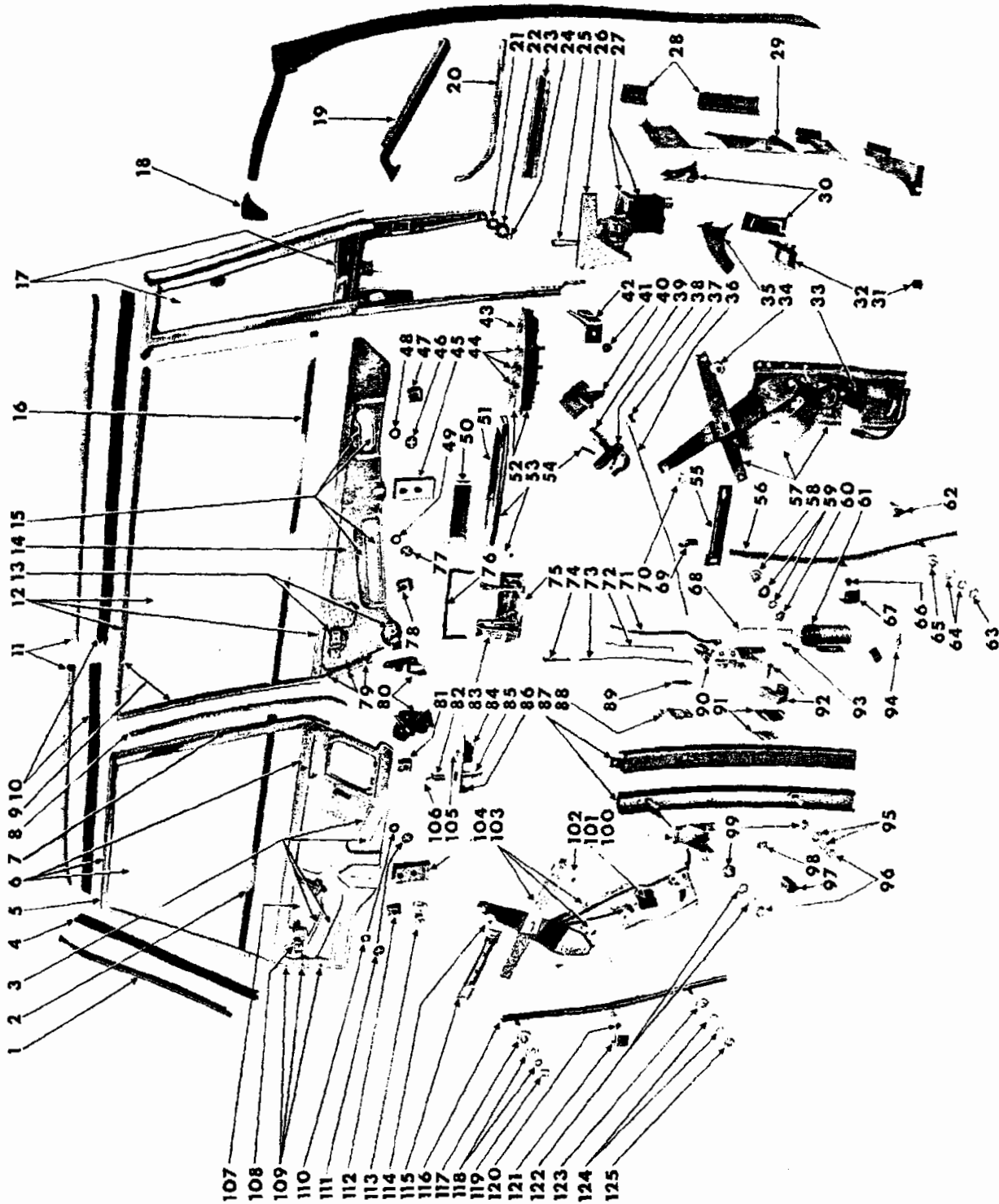
DOOR AND QUARTER WINDOW REGULATORS AND LOCKS - IMPERIAL VY1 2 DOOR HARDTOP

DOOR AND QUARTER WINDOW REGULATORS AND LOCKS - IMPERIAL VY1 2 DOOR HARDTOP

Ref. No.	Name	Part Type Code	Ref. No.	Name	Part Type Code
1	Retainer	23-63-55	62	Sleeve Nut	23-64-297
2	Weatherstrip	23-63-33	63	Washer	
3	Frame	23-64-280	64	Nut	
4	Glass w/Frame and Lower Channel.	23-64-311	65	Switch	8-12-2
5	Cap	23-09-27	66	Solenoid	23-18-115
6	Weatherstrip	23-63-20	67	Support	23-64-269
		23-63-21	68	Link	23-18-107
7	Weatherstrip	23-63-104	69	Lock	23-18-5
8	Retainer	23-63-105	70	Link	23-18-20
9	Frame	23-64-255	71	Link	23-18-26
10	Bracket w/Roller	23-64-269	72	Link	23-18-26
11	Glass w/Frame and Lower Channel.	23-64-308	73	Knob	23-18-27
12	Sleeve Nut	23-64-255	74	Handle	23-14-10
13	Weatherstrip	23-63-14	75	Bumper	23-14-153
		23-63-15	76	Shield	Not Serviced
14	Cap	23-09-27	77	Stop	23-64-12
15	Glass w/Lower Pivot and Bracket .	23-64-306	78	Gasket	23-14-147
16	Auxiliary Weatherstrip	23-63-126	79	Channel	23-09-9
17	Cover Package	23-34-85	80	Bracket w/Roller	23-64-269
18	Stud	23-64-275	81	Seal	23-63-33
19	Washer		82	Knob	8-20-8
20	Nut		83	Spring	23-14-17
21	Filler	23-34-100	84	Housing	23-41-184
22	Coupling	23-64-79	85	Knob	23-41-175
23	Bracket	23-64-76	86	Shell and Clamp	8-20-10
24	Motor w/Transmission	23-64-75	87	Channel	23-64-198
25	Anti Rattler	23-36-25	88	Wedge	23-08-12
26	Seal	23-15-22	89	Bumper	23-08-12
27	Cover	23-36-21	90	Spacer	23-08-54
28	Anti Rattler	23-36-25	91	Striker	23-08-60
29	Bumper	23-08-12	92	Screw	
30	Motor w/Mechanism	23-41-106	93	Clip	23-18-109
31	Relay	23-18-106	94	Sleeve Nut	23-64-297
32	Roller	23-41-250	95	Washer	
33	Conduit	23-41-165	96	Nut	
34	Link	23-18-11	97	Bumper	23-64-4
35	Clip	23-18-42	98	Bumper	23-08-12
36	Handle	23-14-27	99	Sleeve Nut	23-64-297
37	Remote Control	23-18-13	100	Support	23-64-200
38	Screw		101	Motor w/Mechanism	23-41-106
39	Support	23-64-273	102	Regulator	23-41-4
40	Knob	23-18-117	103	Element	8-20-9
41	Knob	23-41-175	104	Bracket	23-64-12
42	Plate	23-14-26	105	Stop	23-64-12
43	Stop	23-64-12	106	Bracket w/Roller	23-64-269
44	Washer		107	Screw	23-64-280
45	Channel	23-09-52	108	Washer	
46	Bracket	23-64-12	109	Spring Nut	23-41-4
47	Spring Nut	23-41-4	110	Stop	23-64-12
48	Lockout Switch w/Housing	23-41-170	111	Bracket w/Roller	23-64-269
49	Handle	23-14-16	112	Channel w/Support	23-41-19
50	Screw		113	Channel	23-09-75
51	Grommet	23-14-51	114	Sleeve Nut	23-64-297
52	Roller	23-41-250	115	Washer	
53	Clip	23-18-42	116	Nut	
54	Channel w/Support	23-41-19	117	Screw	
55	Sleeve Nut	23-64-297	118	Support	23-64-269
56	Washer		119	Sleeve Nut	23-64-297
57	Nut		120	Washer	
58	Regulator	23-41-4	121	Nut	
59	Screw		122	Washer	
60	Bumper	23-64-4	123	Nut	
61	Channel	23-09-51			

PARTS INDICATED BY NAME ONLY - ORDER BY DESCRIPTION

19.9966

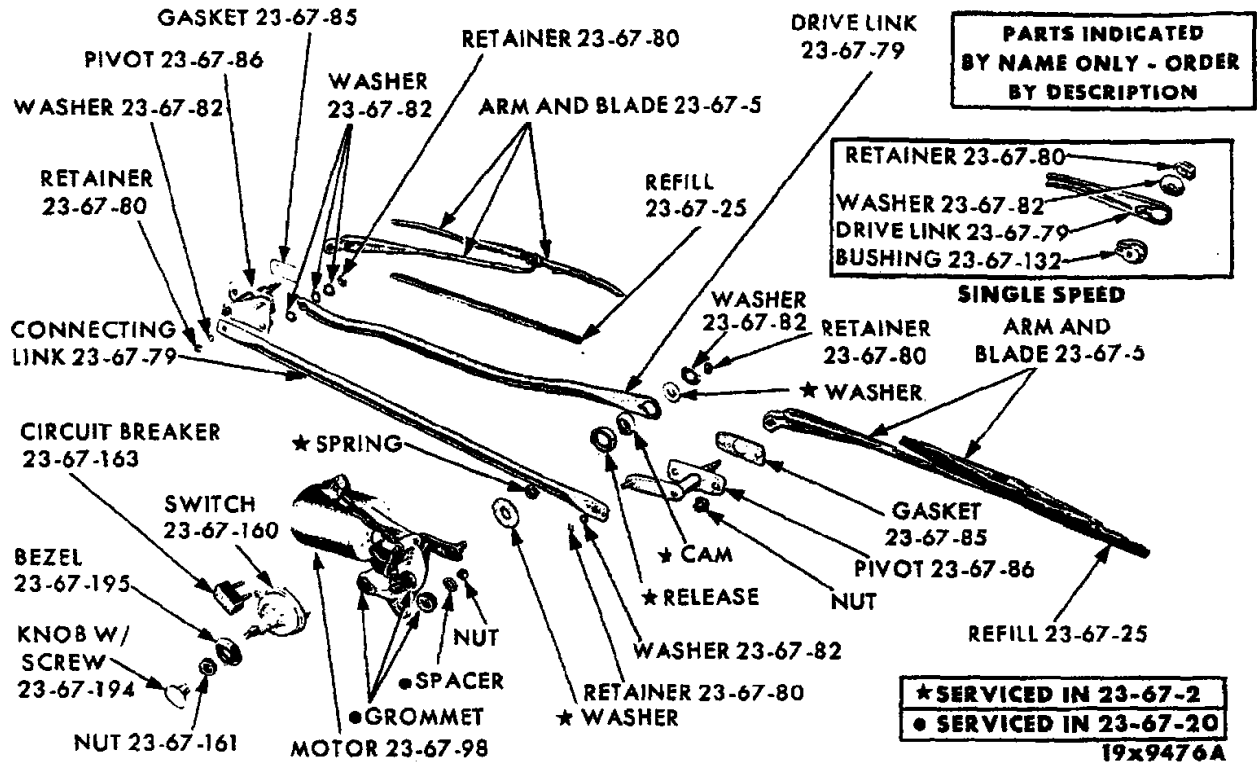


DOOR AND QUARTER WINDOW REGULATORS AND LOCKS - IMPERIAL VY1 CONVERTIBLE COUPE

DOOR AND QUARTER WINDOW REGULATORS AND LOCKS - IMPERIAL VY1 CONVERTIBLE COUPE

Ref. No.	Name	Part Type Code	Ref. No.	Name	Part Type Code
1	Retainer	23-58-573	63	Nut	
2	Weatherstrip	23-63-20	64	Washer	
		23-63-21	65	Sleeve Nut	23-64-297
3	Cap	23-09-27	66	Screw	
4	Weatherstrip	23-58-572	67	Support	23-64-269
5	Frame	23-64-280	68	Link	23-18-107
6	Glass w/Frame and Lower Channel .	23-64-311	69	Clip	23-18-42
7	Weatherstrip	23-63-104	70	Roller	23-41-250
8	Retainer	23-63-105	71	Link	23-18-20
9	Frame	23-64-255	72	Link	23-18-26
10	Weatherstrip	23-58-572	73	Link	23-18-26
11	Retainer	23-58-573	74	Knob	23-18-27
12	Glass w/Frame and Lower Channel .	23-64-308	75	Handle	23-14-10
13	Bracket w/Roller	23-64-269	76	Gasket	23-14-147
14	Channel	23-09-52	77	Spring Nut	23-41-4
15	Cap	23-09-27	78	Stop	23-64-12
16	Weatherstrip	23-63-14	79	Sleeve Nut	23-64-255
		23-63-15	80	Seal	23-63-33
17	Glass w/Lower Pivot and Bracket .	23-64-306	81	Stop	23-64-12
18	Weatherstrip	23-58-569	82	Element	8-20-9
19	Auxiliary Weatherstrip	23-63-126	83	Spring	23-14-17
20	Cover Package	23-34-85	84	Switch	23-41-170
21	Stud	23-64-275	85	Shell and Clamp	8-20-10
22	Washer		86	Housing	23-41-184
23	Filler	23-34-100	87	Channel	23-64-198
24	Nut		88	Wedge	23-08-12
25	Coupling	23-64-79	89	Bumper	23-08-12
26	Bracket	23-64-78	90	Lock	23-18-5
27	Motor w/Transmission	23-64-75	91	Spacer	23-08-54
28	Anti Rattler	23-36-25	92	Striker	23-08-60
29	Cover	23-36-21	93	Clip	23-18-109
30	Seal	23-15-22	94	Switch	8-12-2
31	Bumper	23-08-12	95	Washer	
32	Relay	23-18-106	96	Nut	
33	Motor w/Mechanism	23-41-106	97	Bumper	23-64-4
34	Roller	23-41-250	98	Bumper	23-08-12
35	Conduit	23-41-185	99	Sleeve Nut	23-64-297
36	Link	23-18-11	100	Support	23-64-200
37	Clip	23-18-42	101	Motor w/Mechanism	23-41-106
38	Grommet	23-14-51	102	Roller	23-41-250
39	Handle	23-14-27	103	Regulator	23-41-4
40	Remote Control	23-18-13	104	Bracket	23-64-12
41	Screw		105	Knob	23-41-175
42	Support	23-64-273	106	Knob	8-20-8
43	Knob	23-18-117	107	Channel	23-09-9
44	Knob	23-41-175	108	Bracket w/Roller	23-64-269
45	Bracket	23-64-12	109	Screw	23-64-280
46	Spring Nut	23-41-4	110	Washer	
47	Stop	23-64-12	111	Spring Nut	23-41-4
48	Washer		112	Stop	23-64-12
49	Washer		113	Bracket w/Roller	23-64-269
50	Shield	Not Serviced	114	Roller	23-41-250
51	Plate	23-14-26	115	Channel w/Support	23-41-19
52	Lockout Switch w/Housing	23-41-170	116	Channel	23-09-75
53	Handle	23-14-16	117	Sleeve Nut	23-64-297
54	Screw		118	Washer	
55	Channel w/Support	23-41-19	119	Nut	
56	Channel	23-09-51	120	Screw	
57	Regulator	23-41-4	121	Support	23-64-269
58	Sleeve Nut	23-64-297	122	Washer	
59	Washer		123	Sleeve Nut	23-64-297
60	Nut		124	Washer	
61	Solenoid	23-18-115	125	Nut	
62	Bumper	23-64-4			

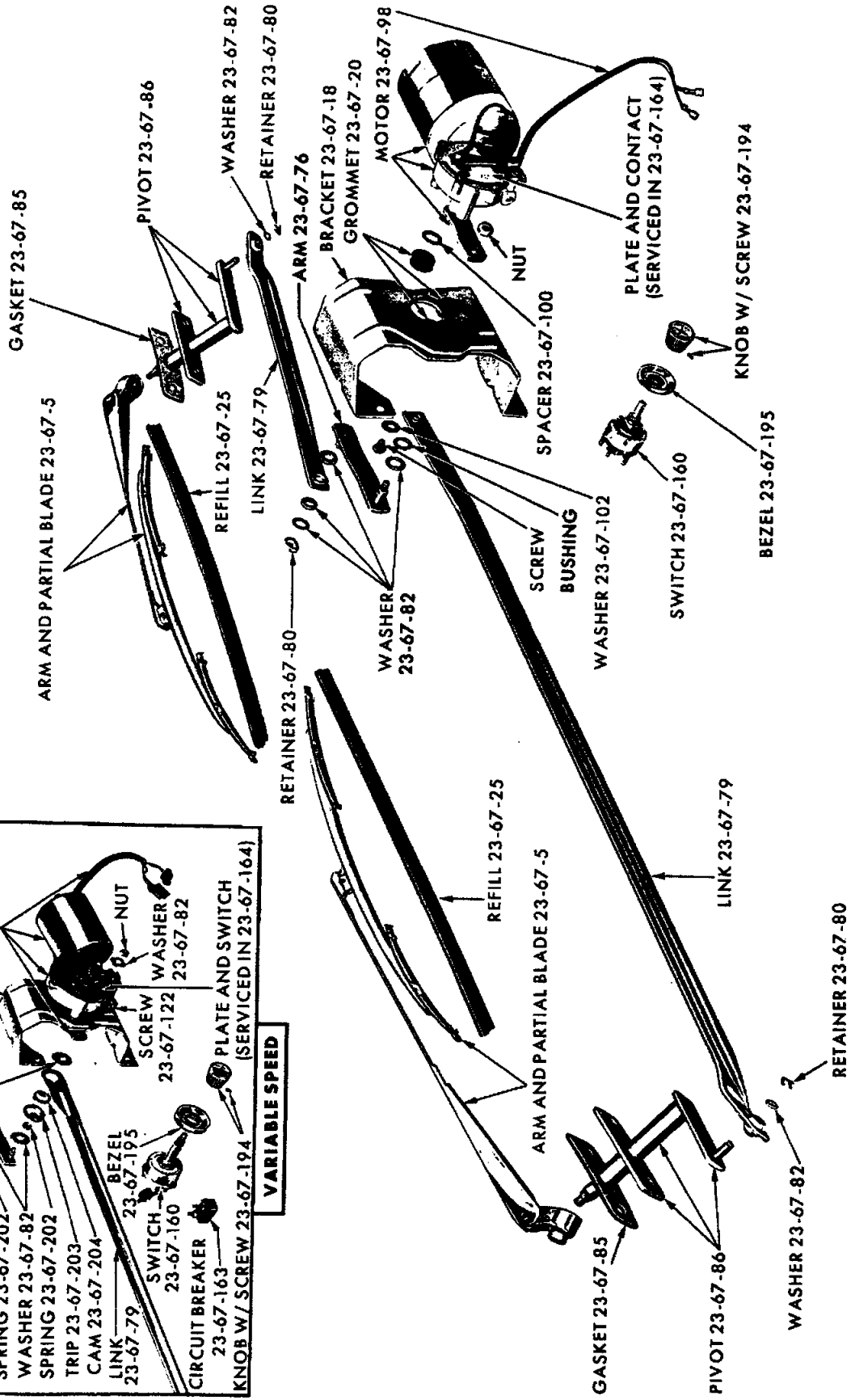
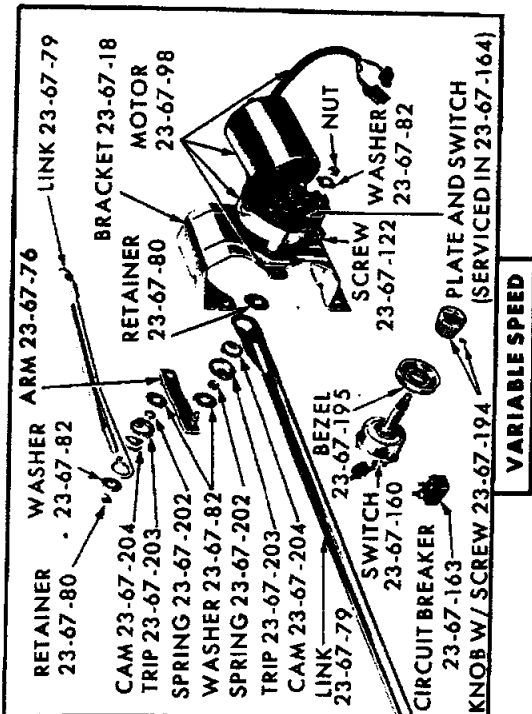
PARTS INDICATED BY NAME ONLY - ORDER BY DESCRIPTION



WINDSHIELD WIPER - VALIANT VV1-2 AND DART VL1-2

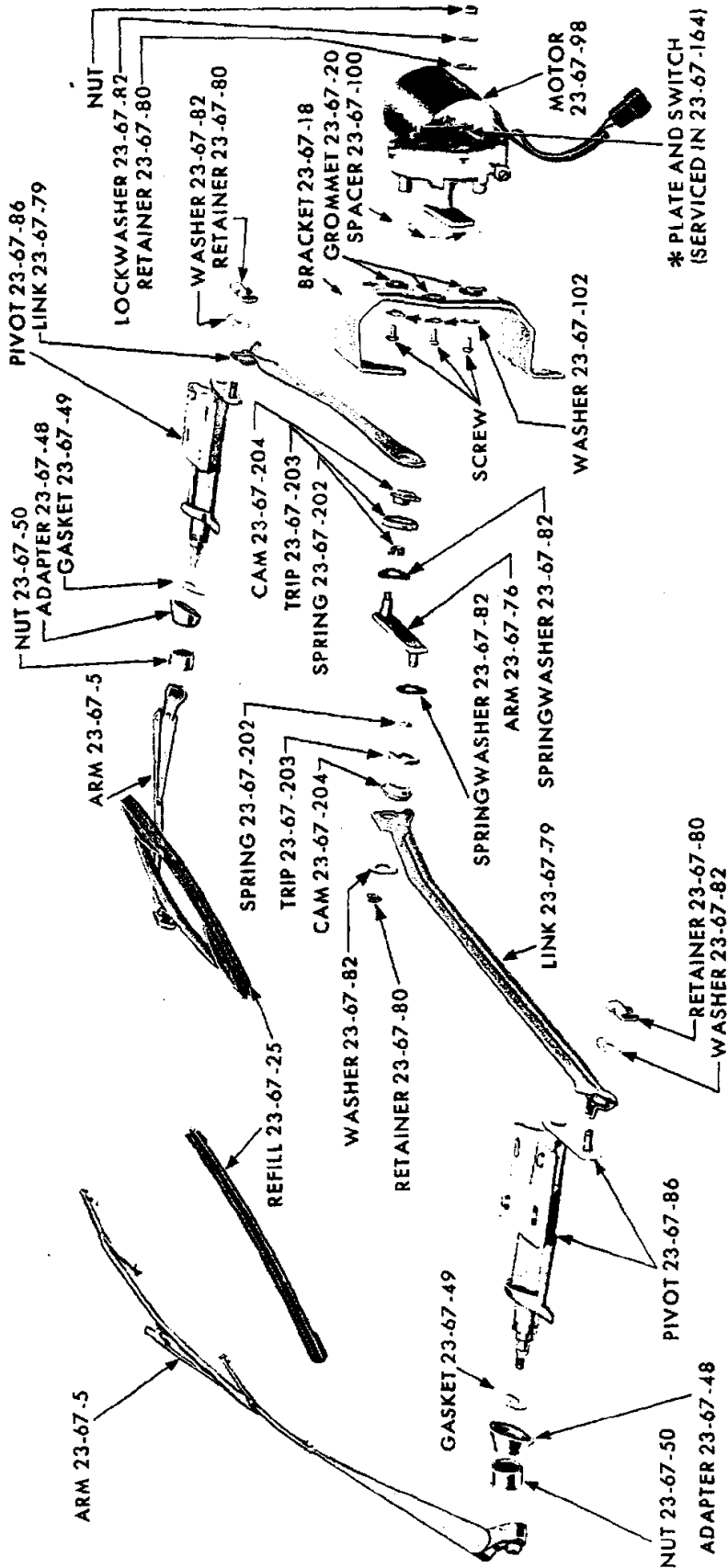
NOTES

**PARTS INDICATED
BY NAME ONLY - ORDER
BY DESCRIPTION**



19x9107C

WINDSHIELD WIPER - DODGE VA3 AND CHRYSLER VC1-2-3 (TYPICAL OF PLYMOUTH VP1-2 AND DODGE VD1-2)

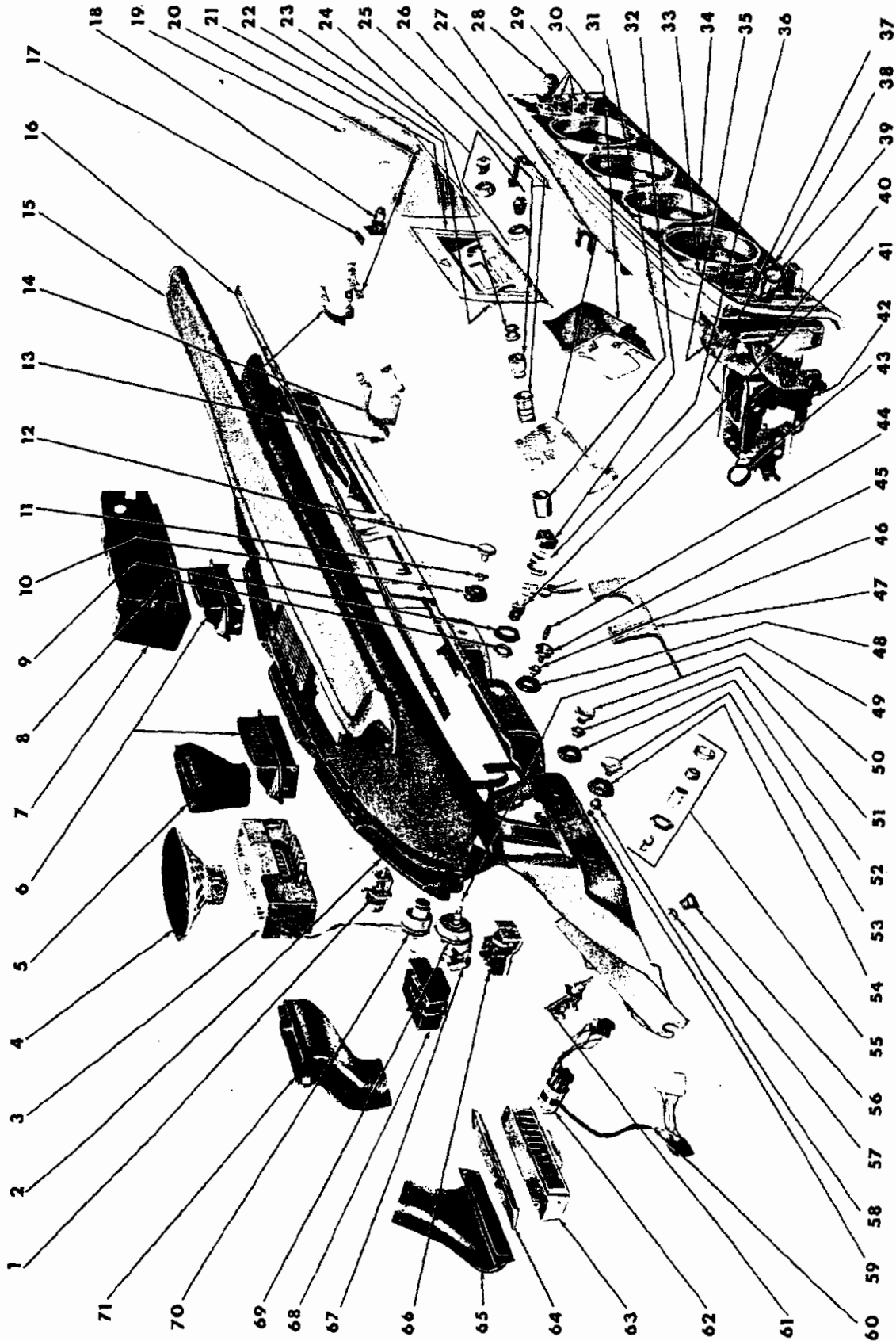


* ALSO SERVICED IN 23-67-98

PARTS INDICATED BY NAME ONLY - ORDER BY DESCRIPTION

WINDSHIELD WIPER - IMPERIAL VY1

19x8542E



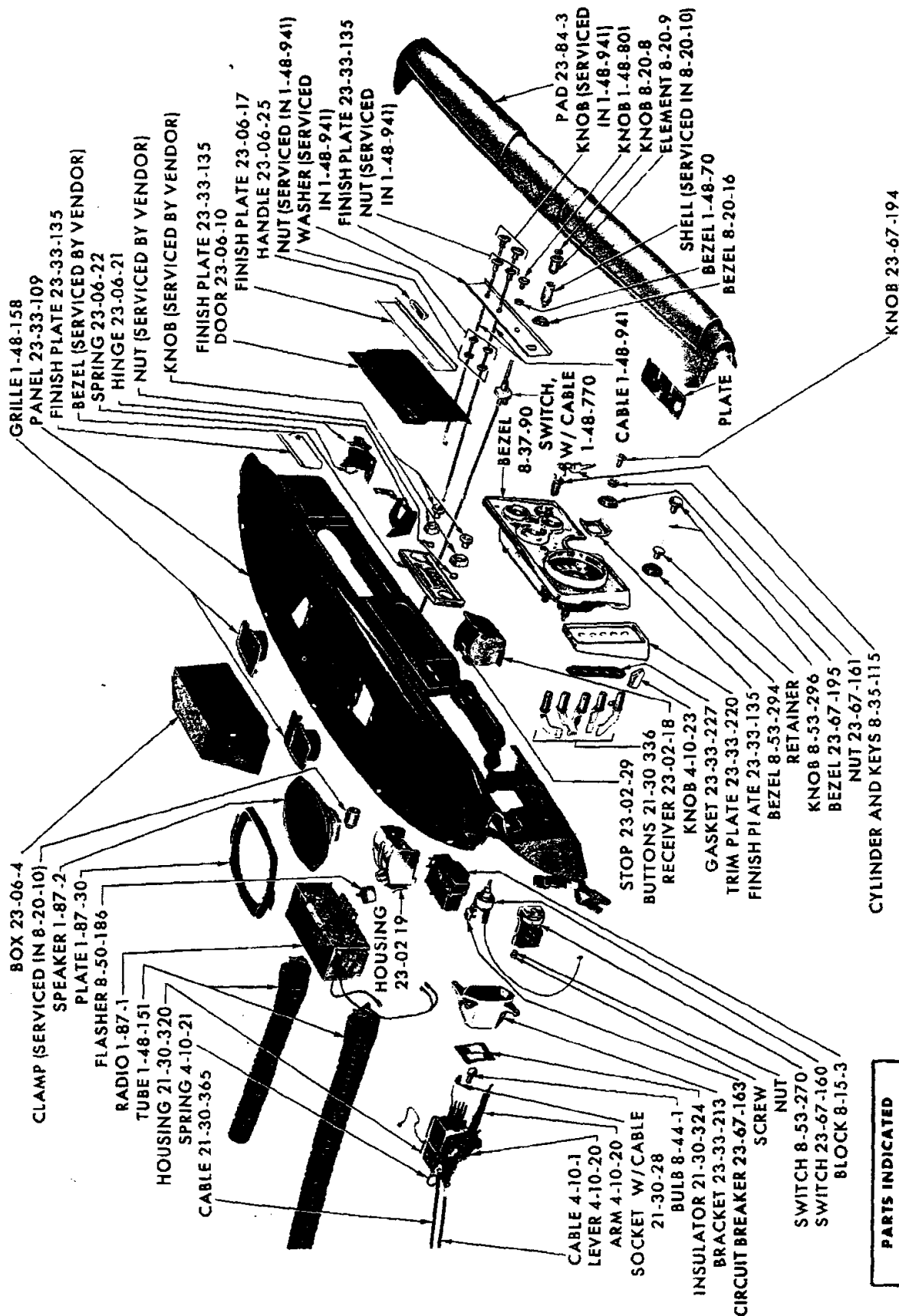
19.9950A

INSTRUMENT PANEL - PLYMOUTH VP1-2

INSTRUMENT PANEL - PLYMOUTH VP1-2

Ref. No.	Name	Part Type Code	Ref. No.	Name	Part Type Code
1	Switch	1-48-770	36	Flasher	8-50-186
2	Panel	23-33-109	37	Housing	21-30-320
3	Radio	1-87-1	38	Buttons	21-30-336
4	Speaker	1-87-2	39	Knob	4-10-23
5	Connector		40	Arm	4-10-20
6	Louver	24-28-78	41	Cylinder and Key	8-35-115
7	Box	23-06-4	42	Lever	4-10-20
8	Retainer	8-35-95	43	Spring	4-10-21
9	Bezel	8-35-85	44	Button	1-82-43
10	Bezel		45	Knob	23-67-194
11	Nut	1-48-779	46	Nut	23-67-161
12	Knob	1-48-801	47	Cover	23-33-132
13	Bumper	23-06-14	48	Bezel	23-67-195
14	Hinge	23-06-21	49	Switch	1-82-14
15	Pad	23-84-3	50	Knob	8-53-296
16	Moulding	23-33-86	51	Retainer	8-53-312
17	Catch	23-06-15	52	Bezel	8-53-294
18	Latch	23-06-28	53	Knob	4-25-3
19	Door	23-06-10	54	Bezel	23-33-231
20	Retainer	23-06-68	55	Lamp Package	1-09-1
21	Face Plate	23-33-135	56	Knob	1-06-4
22	Bezel (Serviced by Vendor)		57	Nut (Serviced in 1-06-3)	
23	Knob	8-20-8	58	Nut	23-33-236
24	Knob (Serviced by Vendor)		59	Washer	4-25-5
25	Element	8-20-9	60	Wiring	1-06-10
26	Shell (Serviced in 8-20-10)		61	Switch	1-06-3
27	Housing	23-02-19	62	Flasher	1-06-2
28	Knob	1-48-942	63	Spot Cooler	24-28-387
29	Button	1-48-12	64	Spacer (Serviced in 24-28-387)	
30	Receiver	23-02-18	65	Connector	
31	Clamp (Serviced in 8-20-10)		66	Switch	8-53-270
32	Clip	8-50-191	67	Circuit Breaker	23-67-163
33	Trim Plate	23-33-220	68	Block	8-15-3
34	Bezel	8-37-90	69	Switch	23-67-160
35	Bracket	23-33-213	70	Switch	8-35-59
			71	Connector	

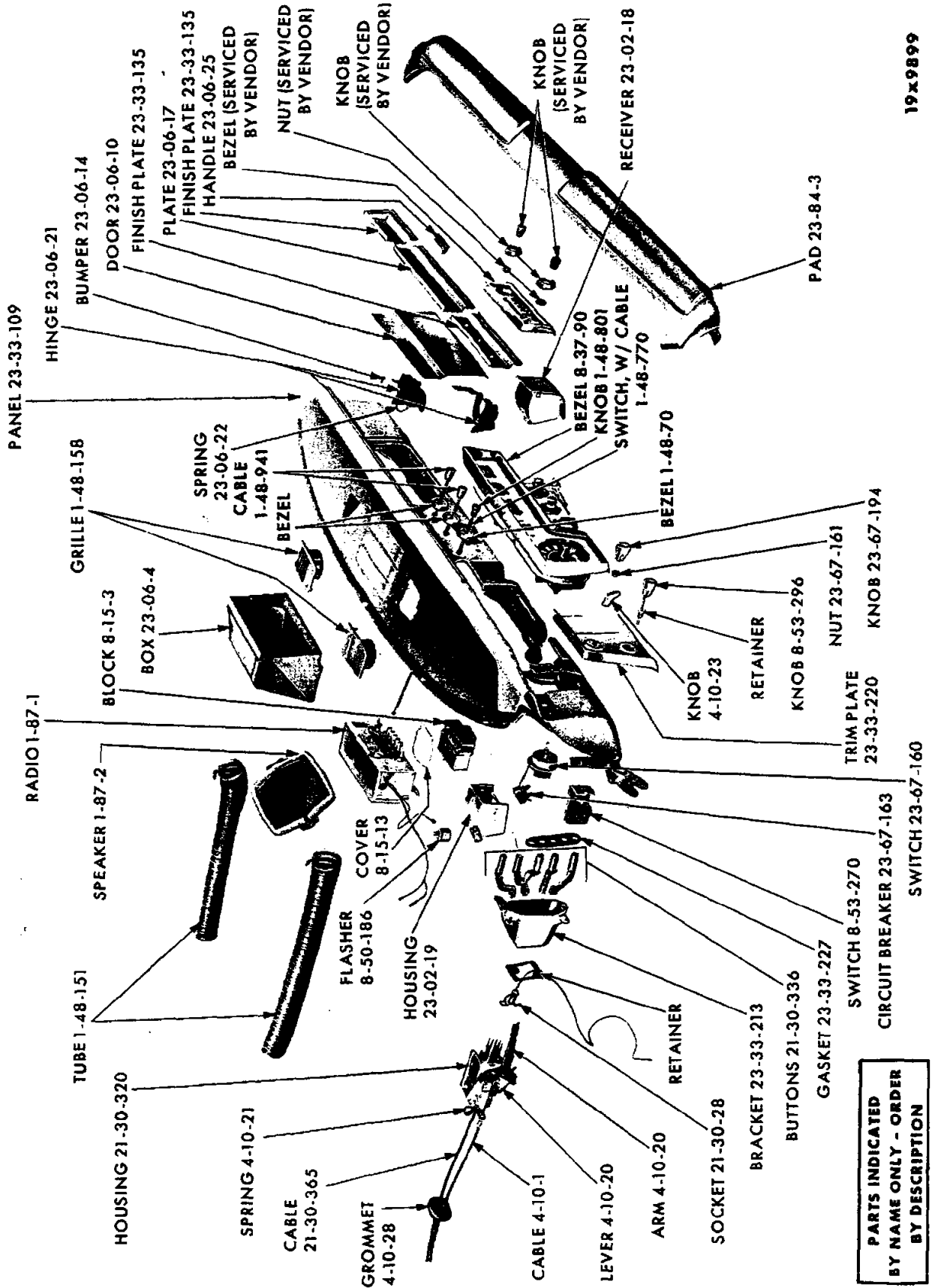
PARTS INDICATED BY NAME ONLY - ORDER BY DESCRIPTION



19x9877

INSTRUMENT PANEL - VALIANT VV1-2

PARTS INDICATED
 BY NAME ONLY - ORDER
 BY DESCRIPTION

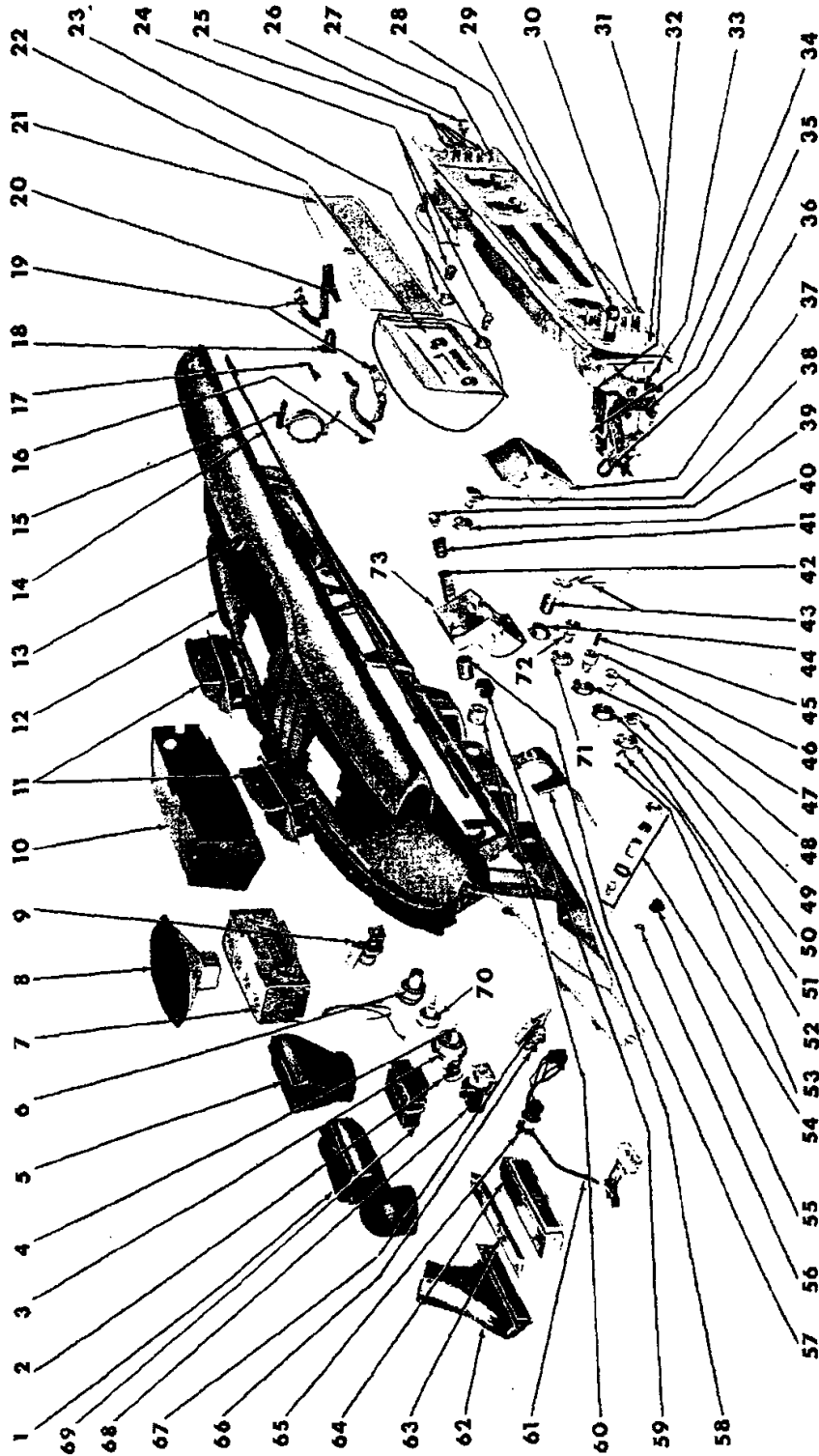


PARTS INDICATED
BY NAME ONLY - ORDER
BY DESCRIPTION

19x9899

INSTRUMENT PANEL - DART VL1-2

19-9951A

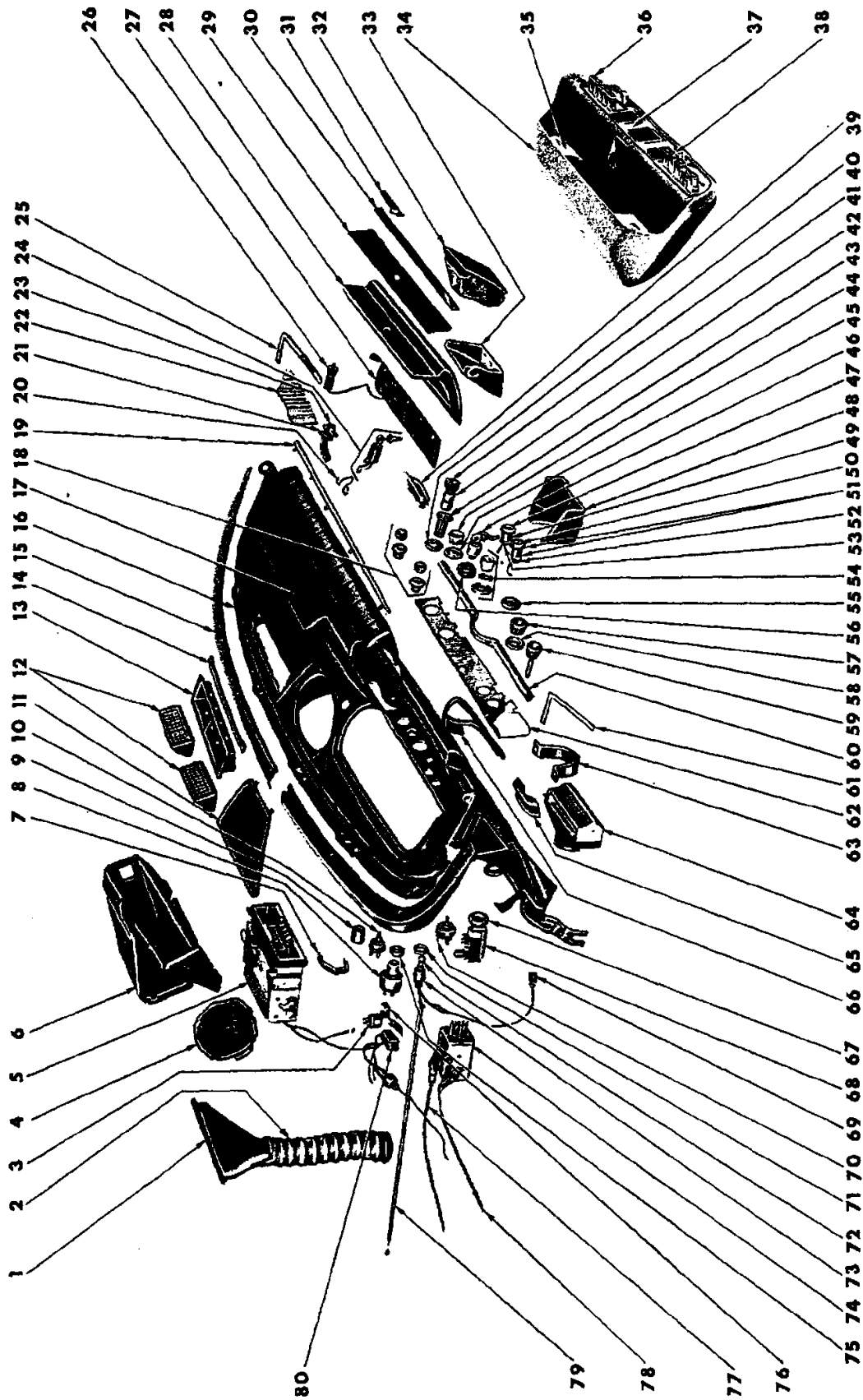


INSTRUMENT PANEL - DODGE VD1-2

INSTRUMENT PANEL - DODGE VD1-2

Ref. No.	Name	Part Type Code	Ref. No.	Name	Part Type Code
1	Connector		39	Knob	8-20-8
2	Circuit Breaker	23-67-163	40	Bezel	1-48-70
3	Switch	23-67-160	41	Element	8-20-9
4	Switch	1-82-14	42	Shell (Serviced in 8-20-10)	
5	Connector		43	Cylinder and Key	8-35-115
6	Switch	8-35-59	44	Bezel	8-35-85
7	Radio	1-87-1	45	Button	1-82-43
8	Speaker	1-87-2	46	Knob	23-67-194
9	Switch	1-48-770	47	Knob	8-53-296
10	Box	23-06-4	48	Bezel	23-67-195
11	Louver	24-28-78	49	Knob	4-25-3
12	Panel	23-33-109	50	Bezel	8-53-294
13	Pad	23-84-3	51	Bezel	23-33-231
14	Moulding	23-33-86	52	Nut	23-33-236
15	Lamp, w/Switch	8-38-23	53	Washer	4-25-5
16	Bumper	23-06-14	54	Lamp Package	1-09-1
17	Catch	23-06-15	55	Knob	1-06-4
18	Latch	23-06-28	56	Nut (Serviced in 1-06-3)	
19	Hinge	23-06-21	57	Clamp (Serviced in 8-20-10)	
20	Retainer	23-06-68	58	Cover	23-33-132
21	Door	23-06-10	59	Clip	8-50-191
22	Bezel (Serviced by Vendor)		60	Flasher	8-50-186
23	Knob (Serviced by Vendor)		61	Wiring	1-06-10
24	Knob (Serviced by Vendor)		62	Connector	
25	Button	1-48-12	63	Spacer (Serviced in 24-28-387)	
26	Knob	1-48-942	64	Spot Cooler	24-28-387
27	Bezel	1-48-70	65	Flasher	1-06-2
28	Bezel	8-37-90	66	Switch	1-06-3
29	Knob	4-10-23	67	Nut (Serviced in 1-06-3)	
30	Buttons	21-30-336	68	Switch	8-53-270
31	Trim Plate	23-33-220	69	Block	8-15-3
32	Bracket	23-33-213	70	Switch	1-47-7
33	Arm	4-10-20			23-54-167
34	Housing	21-30-320	71	Bezel	1-47-9
35	Lever	4-10-20			23-54-170
36	Spring	4-10-21	72	Knob	1-47-8
37	Receiver	23-02-18			23-54-169
38	Knob	1-48-801	73	Housing	23-02-19

PARTS INDICATED BY NAME ONLY - ORDER BY DESCRIPTION



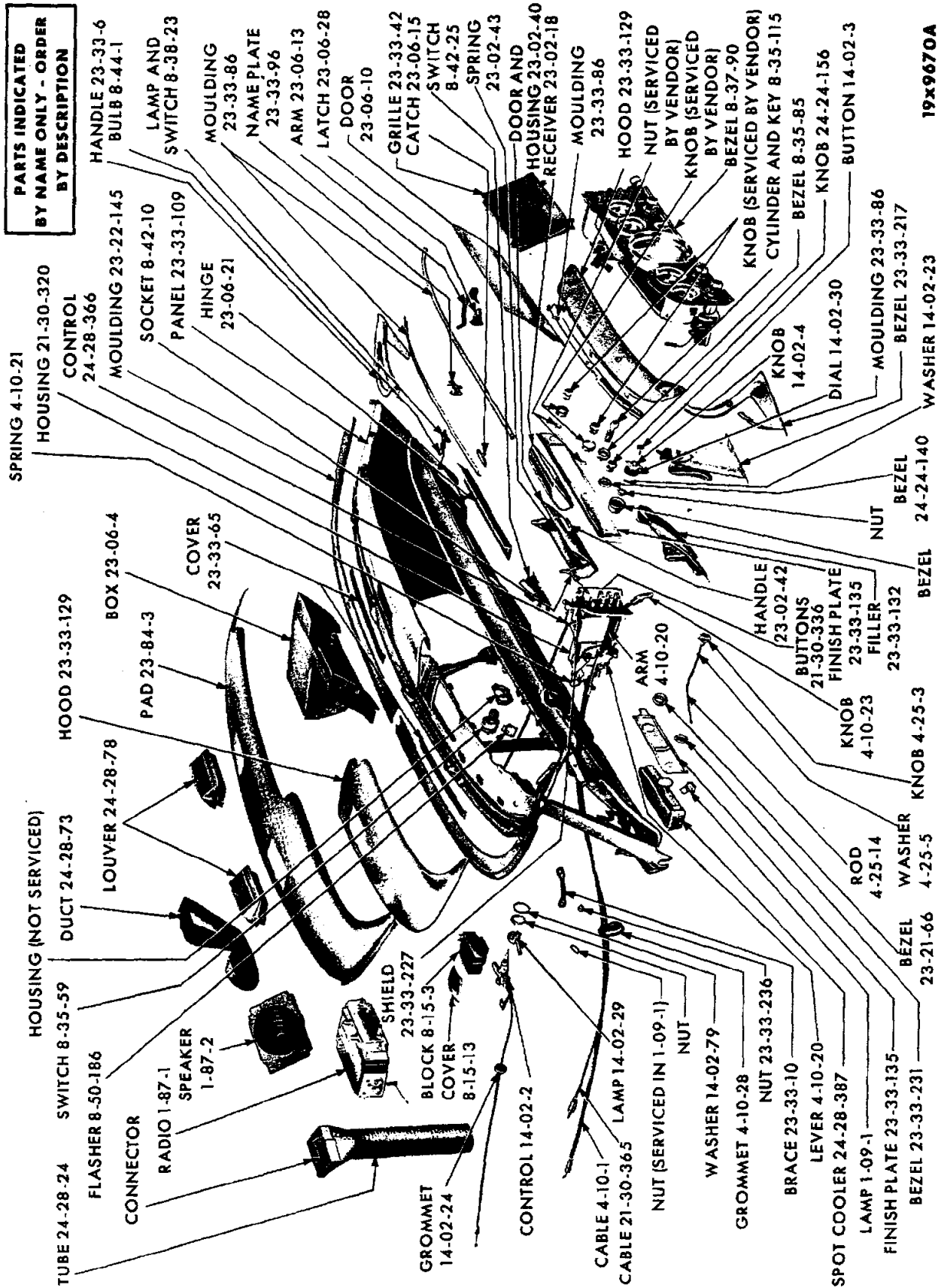
1919949

INSTRUMENT PANEL - DODGE VA3

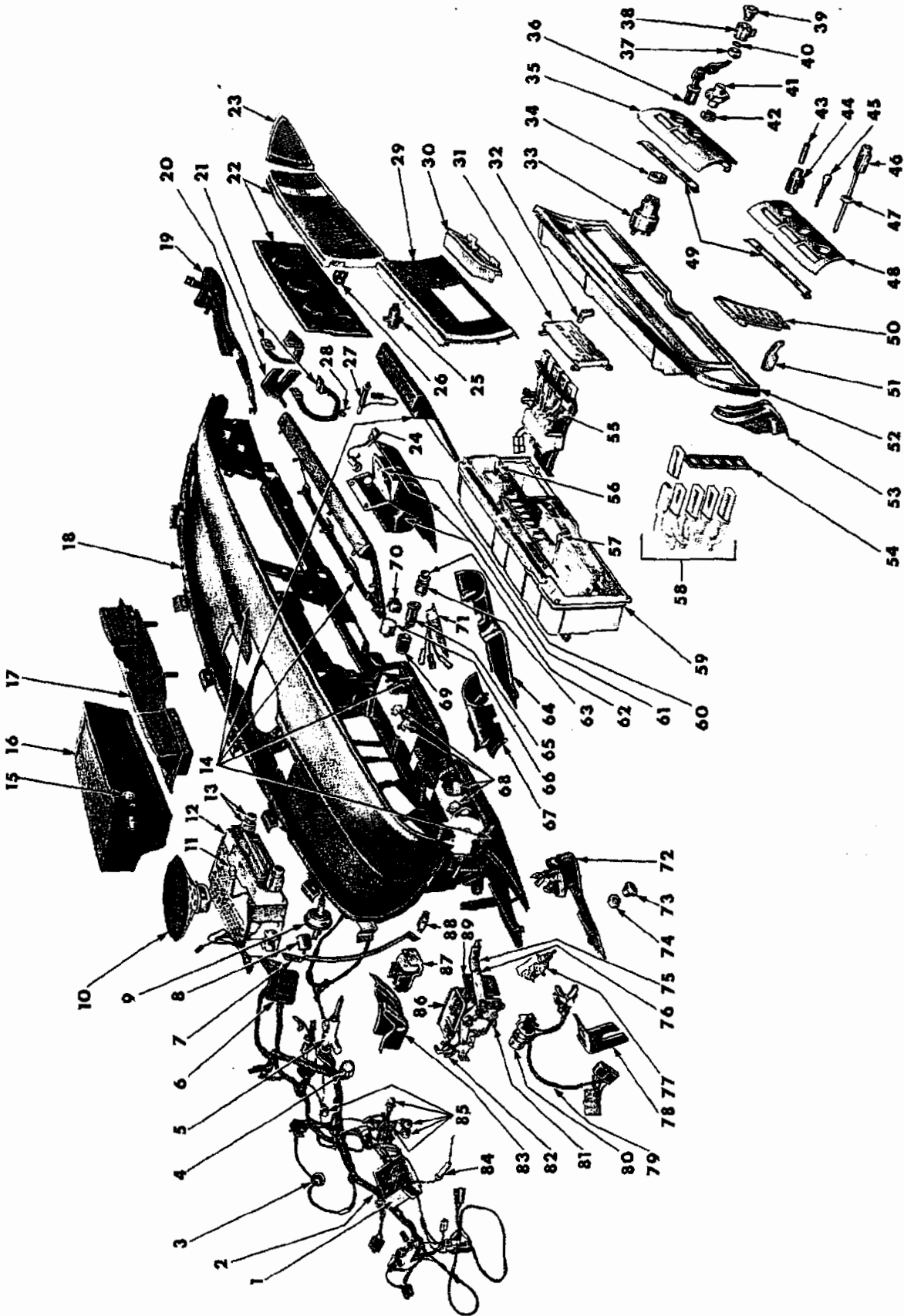
INSTRUMENT PANEL - DODGE VA3

Ref. No.	Name	Part Type Code	Ref. No.	Name	Part Type Code
1	Nozzle	1-48-144	42	Element	8-20-9
2	Tube	1-48-151	43	Shell (Serviced in 8-20-10)	
3	Flasher	8-50-156	44	Knob	8-42-31
4	Speaker	1-87-2	45	Bezel	8-42-29
5	Radio	1-87-1	46	Cylinder and Keys Package	8-35-111
6	Box	23-06-4	47	Lamp	Not Serviced
7	Brace	Not Serviced	48	Shield	Not Serviced
8	Switch	8-35-59	49	Bezel and Housing	8-50-171
9	Clamp (Serviced in 8-20-10)		50	Lamp	8-39-3
10	Switch	8-42-25	51	Bezel and Housing	
11	Grille	23-33-42	52	Socket and Cable	8-39-15
12	Louver	24-28-78	53	Socket and Cable	8-39-15
13	Bezel	24-28-75		Bezel	24-24-140
14	Cover	23-33-65	54	Nut	24-28-357
15	Moulding	23-22-145		Knob	24-24-156
16	Panel	23-33-109	55	Lamp	8-31-2
17	Pad	23-84-3	56	Bezel	8-35-85
18	Knobs (Serviced by Vendor)		57	Knob	23-67-194
19	Moulding	23-33-86	58	Bezel	23-67-195
20	Catch	23-06-15	59	Knob	8-53-296
21	Grommet	23-06-41	60	Moulding	23-33-86
22	Plate	23-33-135	61	Moulding	23-33-86
23	Arm	23-06-13	62	Plate	23-33-135
24	Latch	23-06-28	63	Cap	19-31-24
25	Moulding	23-33-86	64	Cooler	24-28-387
26	Switch	8-38-23	65	Bracket	19-31-1
27	Hinge	23-06-21	66	Filler	23-33-132
28	Door	23-06-10	67	Bezel	8-53-294
29	Plate	23-06-17	68	Switch	8-53-270
30	Moulding	23-06-49	69	Terminal and Insulator (see Chart Group 8)	
31	Name Plate	23-06-53	70	Switch	23-67-160
32	Receiver	23-02-18	71	Nut	
33	Housing	23-02-19	72	Bulb	8-44-1
34	Housing	8-37-178	73	Socket	8-31-16
35	Bezel	8-37-90	74	Housing	21-30-320
36	Buttons	1-48-12	75	Spacer	Not Serviced
		24-24-164	76	Clip	8-50-191
37	Bezel	8-37-90	77	Cable	21-30-365
38	Buttons	21-30-336	78	Cable	4-10-1
39	Housing (Serviced by Vendor)		79	Cable	1-48-941
40	Bezel	8-20-16	80	Block	8-21-1
41	Knob	8-20-8			

PARTS INDICATED BY NAME ONLY - ORDER BY DESCRIPTION



INSTRUMENT PANEL - CHRYSLER VCI-2-3



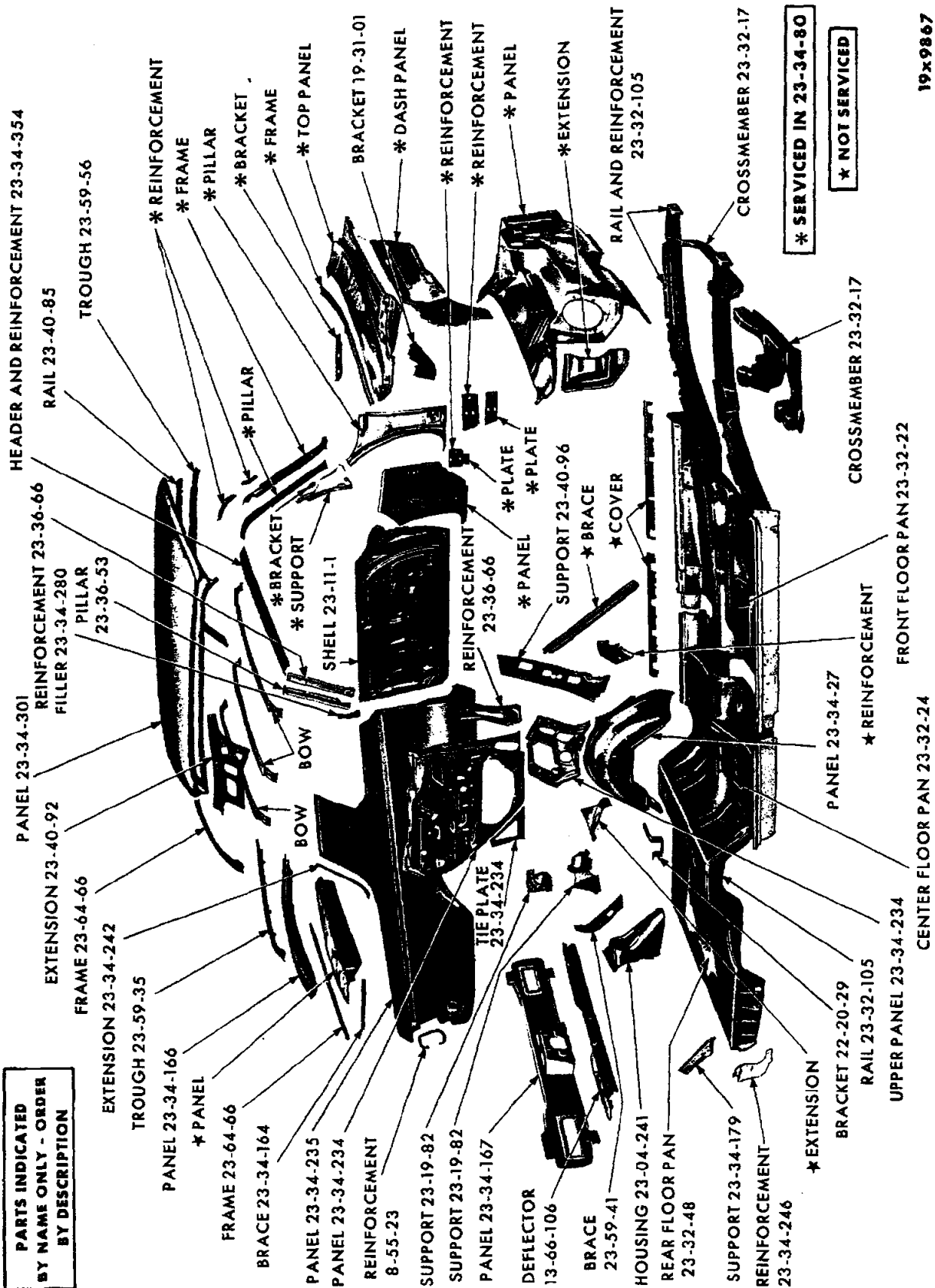
1919902A

INSTRUMENT PANEL - IMPERIAL VVI

INSTRUMENT PANEL - IMPERIAL VY1

Ref. No.	Name	Part Type Code	Ref. No.	Name	Part Type Code
1	Block	8-15-3	46	Knob	8-53-296
2	Wiring	8-19-3	47	Nut	8-53-271
3	Grommet		48	Finish Plate	23-33-135
4	Insulator	8-16-6	49	Name Plate	23-33-96
5	Control	14-02-2	50	Trim Plate	23-33-220
6	Cover	8-15-13	51	Knob	4-10-23
7	Brace	23-33-10	52	Bezel	8-37-90
8	Circuit Breaker	23-67-163	53	Finish Plate	23-33-135
9	Switch	23-67-160	54	Gasket	23-33-227
10	Speaker	1-87-2	55	Controls	1-48-4
11	Lamp (Serviced in 1-87-1)		56	Knob	1-21-24
12	Radio	1-87-1	57	Knob	8-37-454
13	Knob (Serviced by Vendor)		58	Button, w/Cover	21-30-336
14	Pad	23-84-3	59	Cluster	8-37-371
15	Lamp	8-38-23	60	Receiver	23-02-18
16	Box	23-06-4	61	Door and Housing	23-02-40
17	Grille	23-33-42	62	Knob	8-20-8
18	Panel	23-33-109	63	Element	8-20-9
19	Extension	23-33-109	64	Housing, Lower	19-14-25
20	Bracket	23-07-169	65	Shell (Serviced in 8-20-10)	
21	Hinge	23-06-21	66	Flasher	8-50-186
22	Door	23-06-10	67	Housing, Upper	19-14-25
23	Finish Plate	23-33-135	68	Diffuser	8-41-35
24	Socket	8-19-83	69	Clamp (Serviced in 8-20-10)	
25	Latch	23-06-28	70	Clip	8-50-191
26	Catch	23-06-15	71	Bezel	8-42-29
27	Lamp, w/Switch	8-38-23	72	Extension	23-33-109
28	Spring	23-06-22	73	Knob	1-06-4
29	Finish Plate	23-33-135	74	Switch Mfg. Nut (Serviced in 1-06-3)	
30	Bezel	1-87-22	75	Sleeve	Not Serviced
31	Plate	1-48-40	76	Arm	4-10-20
32	Knob	1-48-942	77	Switch	1-06-3
33	Switch	8-35-59	78	Bracket	23-07-169
34	Nut	8-35-61	79	Wiring	1-06-10
35	Finish Plate	23-33-135	80	Flasher	1-06-2
36	Cylinder and Key Package	8-35-115	81	Lever	4-10-20
37	Collar	14-02-8	82	Spring	4-10-21
38	Knob	14-02-4	83	Brace	19-31-7
39	Button	14-02-3	84	Fuse	8-17-2
40	Washer	14-02-23	85	Bulb	8-44-1
41	Dial	14-02-30	86	Housing	21-30-320
42	Nut	Not Serviced	87	Switch	8-53-270
43	Button	1-82-43	88	Retainer	
44	Knob	23-67-194	89	Insulator	21-30-324
45	Knob	23-21-32			

PARTS INDICATED BY NAME ONLY - ORDER BY DESCRIPTION



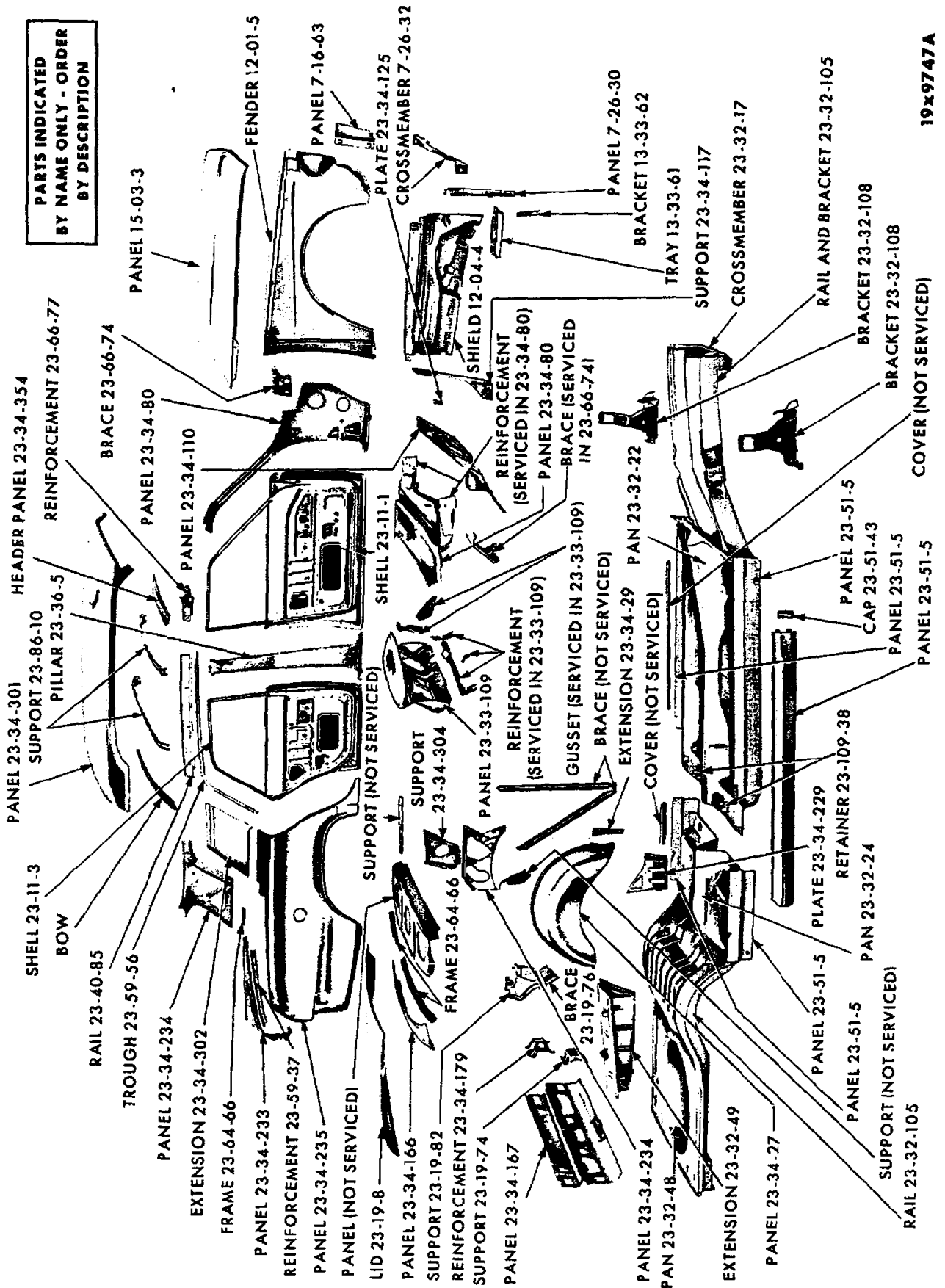
**PARTS INDICATED
BY NAME ONLY - ORDER
BY DESCRIPTION**

*** SERVICED IN 23-34-80**

*** NOT SERVICED**

19x9867

BODY - PLYMOUTH VP1-2 2 DOOR SEDAN

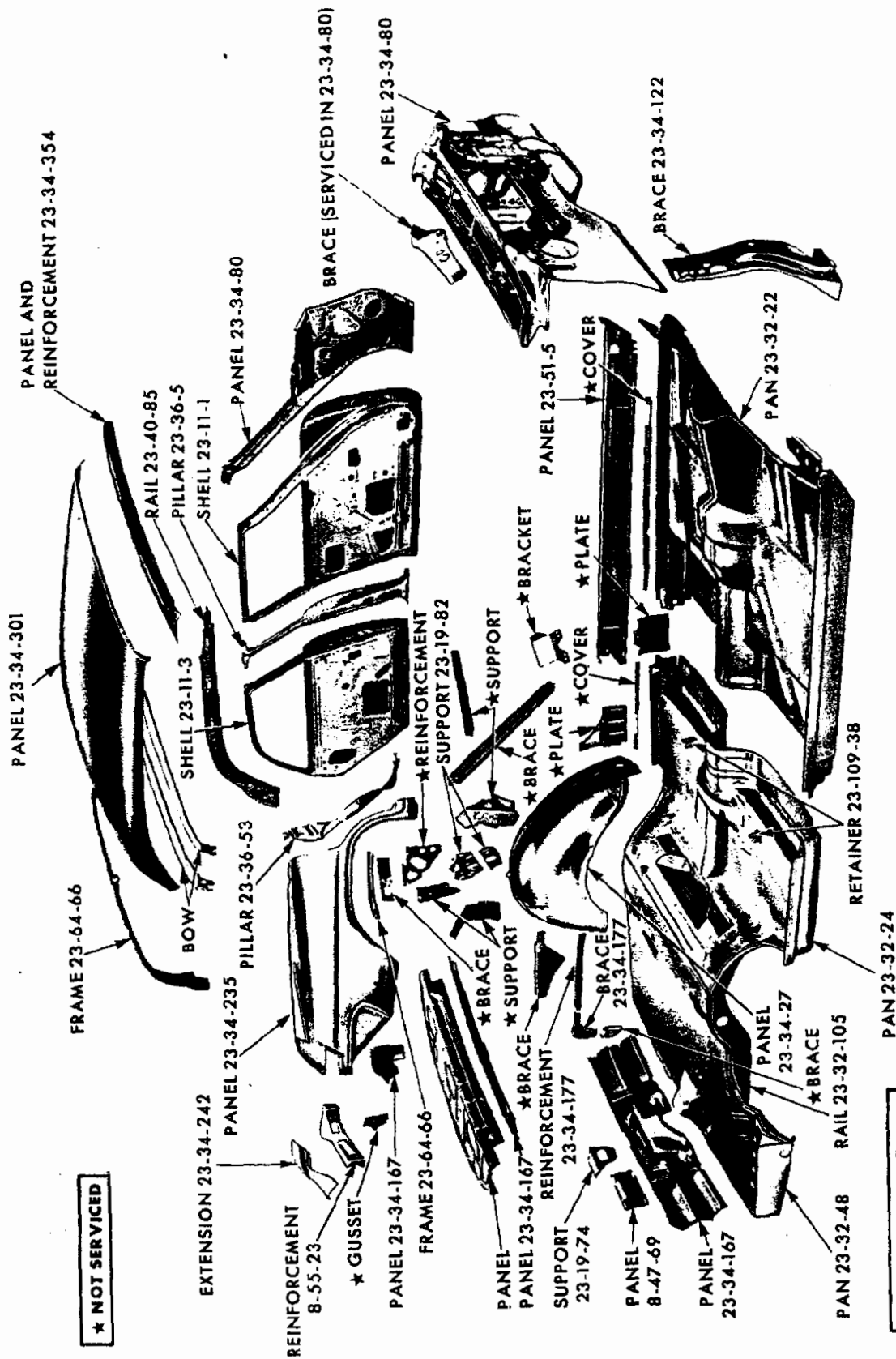


PARTS INDICATED
BY NAME ONLY - ORDER
BY DESCRIPTION

19x9747A

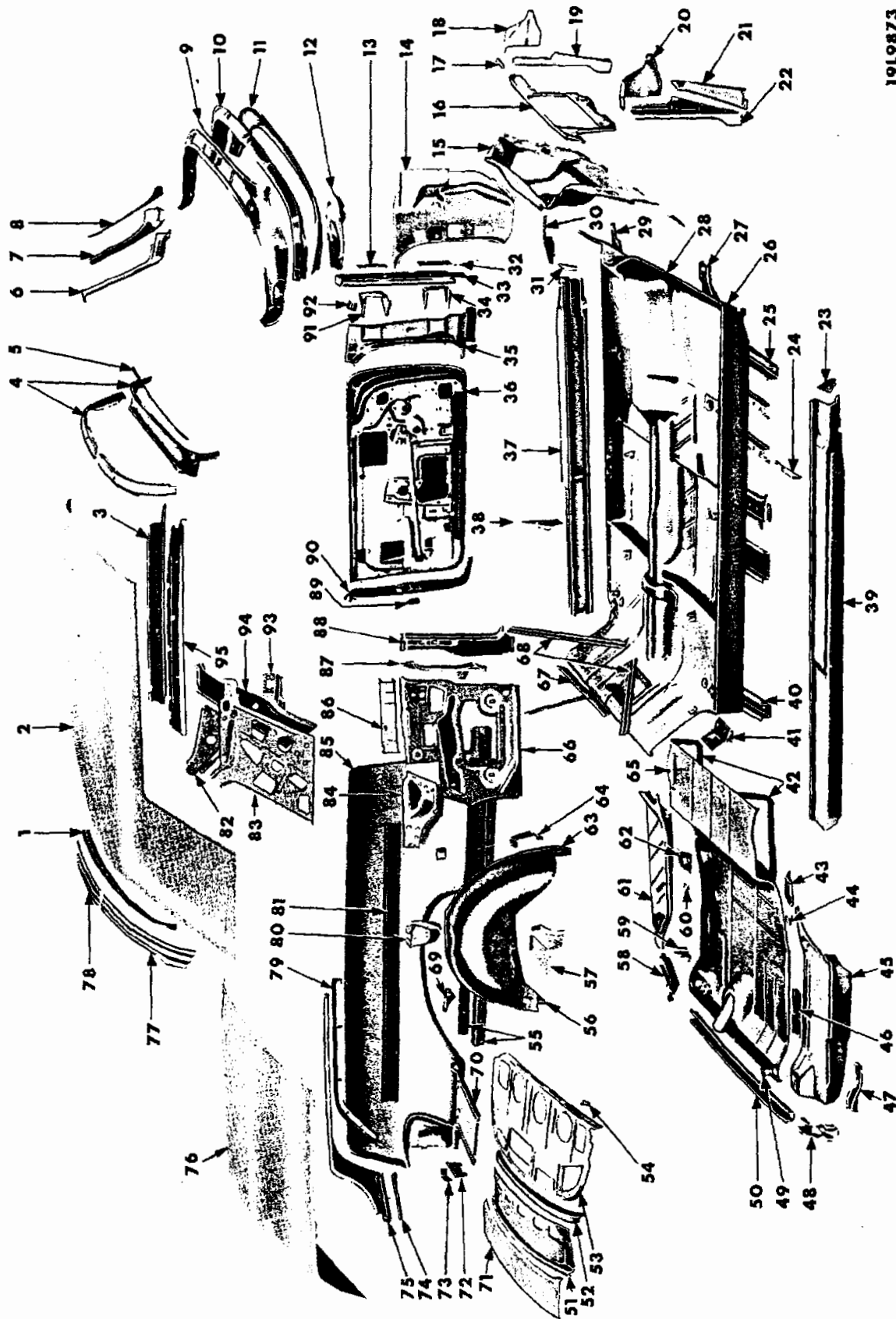
BODY - VALIANT VV1-2 4 DOOR SEDAN

19x9790



**PARTS INDICATED
 BY NAME ONLY - ORDER
 BY DESCRIPTION**

BODY - DODGE VA3 4 DOOR SEDAN

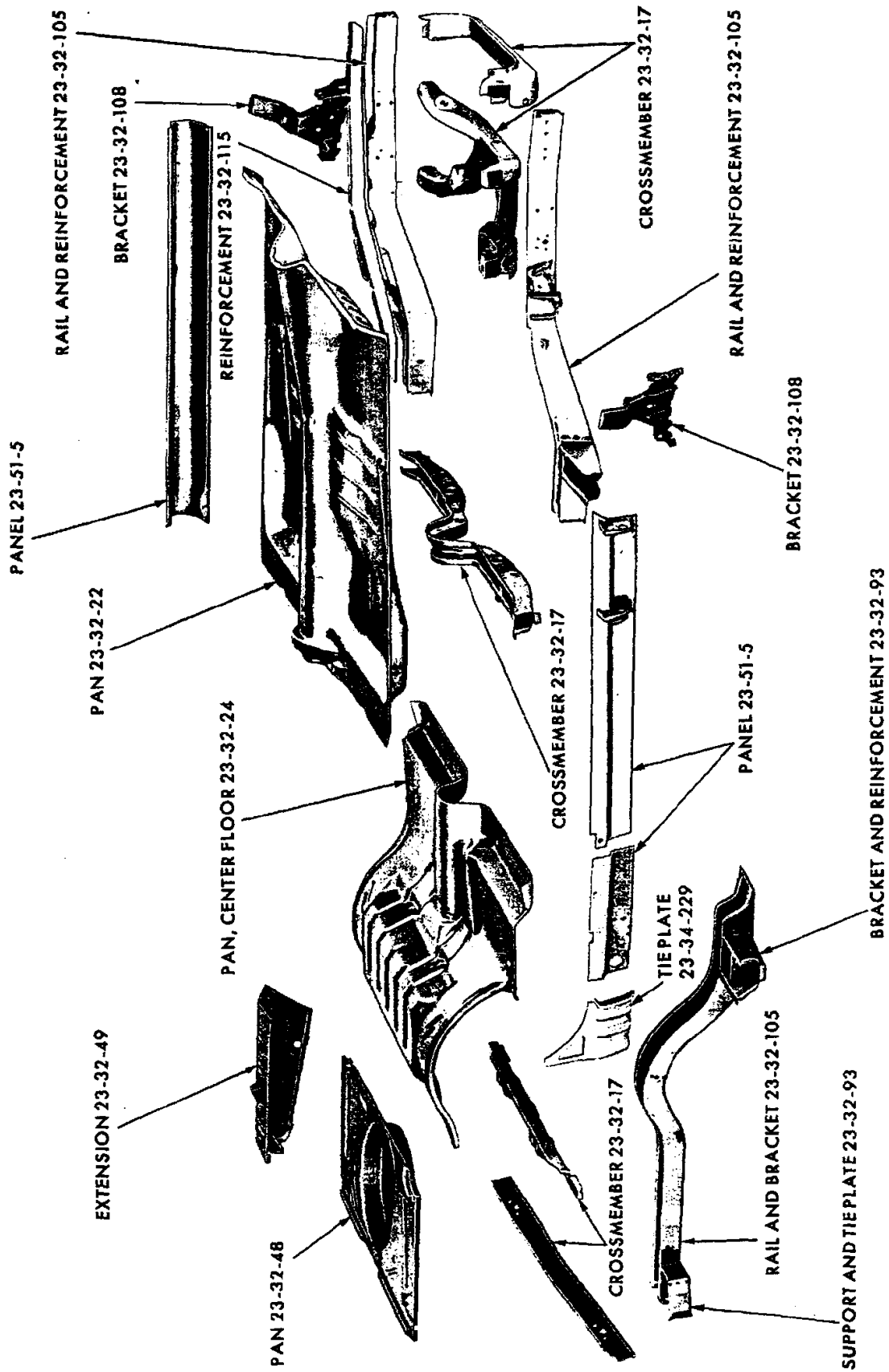


1919873

BODY - IMPERIAL VY1 2 DOOR HARDTOP

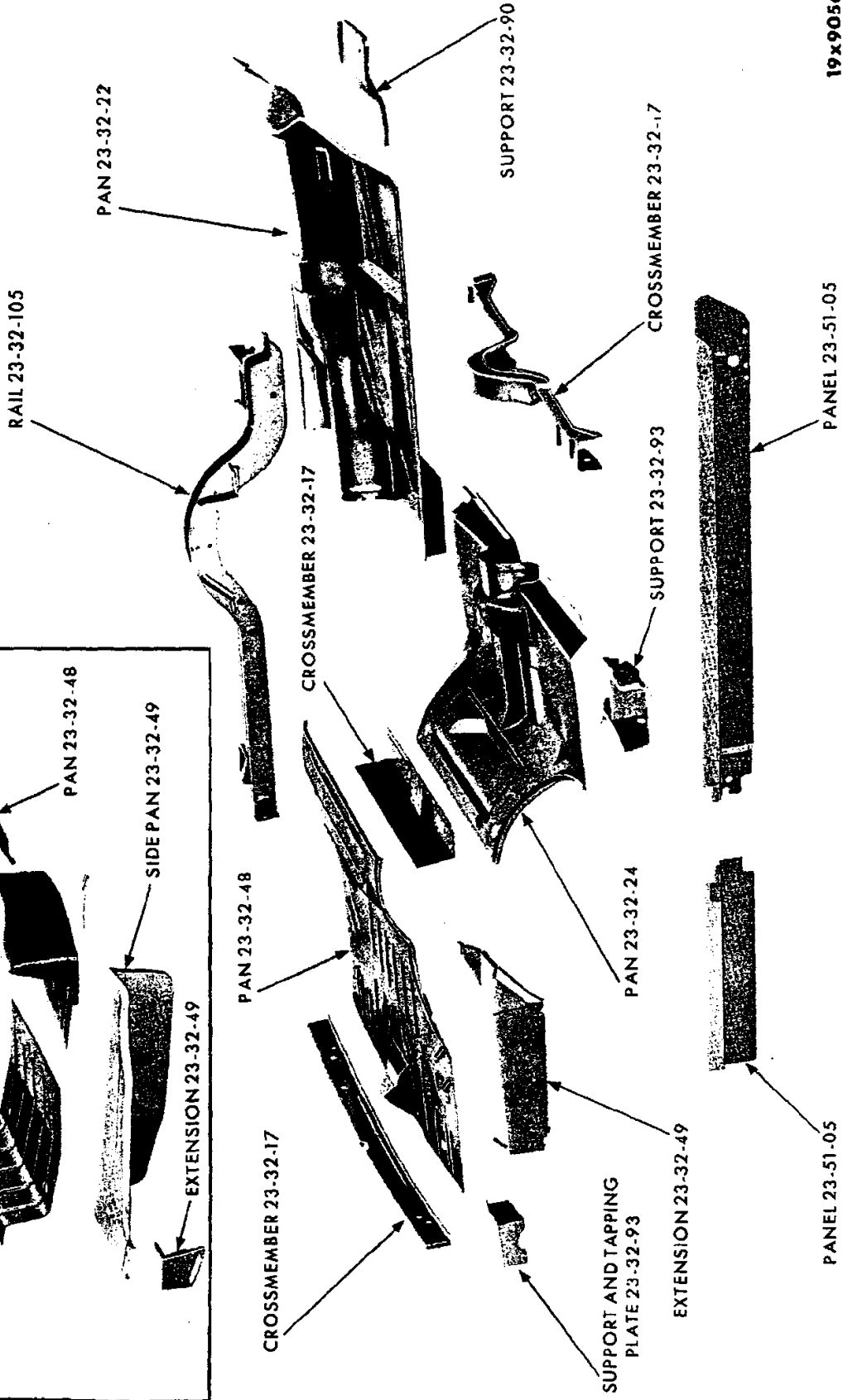
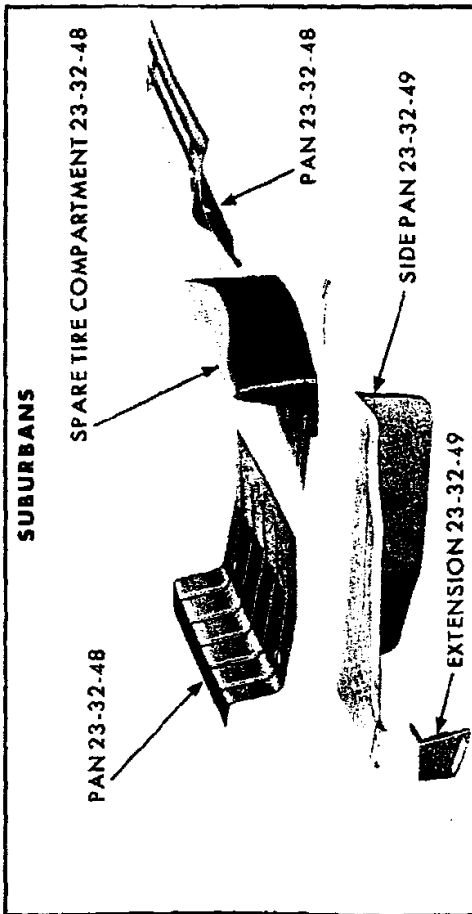
BODY - IMPERIAL VY1 2 DOOR HARDTOP

Ref. No.	Name	Part Type Code	Ref. No.	Name	Part Type Code
1	Rear Window Opening Upper Frame.	23-64-66	44	Fuel Tank Hanger	Not Serviced
2	Roof Panel	23-34-301	45	Rear Floor Pan Side Extension . .	23-32-49
3	Roof Side Rail	23-40-85	46	Floor Pan Spare Wheel Bracket Reinforcement	Not Serviced
4	Windshield Opening Upper Frame (Serviced in 23-34-80)		47	Fuel Tank Rear Floor Pan Reinforcement Extension	Not Serviced
5	Windshield Header Trim Retainer (Serviced in 23-34-80)		48	No. 6 Body Bolt Floor Pan Reinforcement Extension	Not Serviced
6	Front Hinge Pillar Extension (Serviced in 23-34-80)		49	No. 6 Body Bolt Reinforcement to Floor Pan Spacer	23-05-36
7	Windshield Opening Side Frame (Serviced in 23-34-80)		50	No. 6 Body Bolt Floor Pan Reinforcement	Not Serviced
8	Cowl Top Panel Extension (Serviced in 23-34-80)		51	Deck Opening Upper Panel Reinforcement (Serviced in 23-34-166)	
9	Cowl Top Panel (Serviced in 23-34-80)		52	Belt Center Bar (Serviced in 23-34-166)	
10	Windshield Opening Lower Frame (Serviced in 23-34-80)		53	Shelf Panel	Not Serviced
11	Windshield Opening Lower Frame Reinforcement (Serviced in 23-34-80)		54	Rear Seat Back Hanger	Not Serviced
12	Front Pillar to Cowl Side Filler (Serviced in 23-34-80)		55	Strainer	23-34-280
13	Front Pillar Door Tapping Plate . .	23-15-13	56	Panel	23-34-27
14	Cowl Side Panel	23-34-80	57	Extension	Not Serviced
15	Dash Panel	23-34-110	58	No. 6 Body Bolt Floor Pan Reinforcement	Not Serviced
16	Dash Panel Air Duct Cover	23-34-116	59	Rear Floor Pan Jack Stowage Bracket	Not Serviced
17	Cowl Top Panel Hood Seal Support (Serviced in 23-34-80)		60	Spare Wheel Anchor Stud Bracket	Not Serviced
18	Hood Hinge Support and Clinch Nut (Serviced in 23-34-80)		61	Extension	23-32-49
19	Dash Panel No. 1 and 1A Body Bolt Brace and C/Nut	23-34-122	62	No. 5 Body Bolt Floor Pan Reinforcement	Not Serviced
20	Hood Hinge Support and Clinch Nut (Serviced in 23-34-80)		63	Panel	23-34-27
21	Dash Panel No. 1 and 1A Body Bolt Brace and C/Nut Reinforcement . .	23-34-126	64	Bracket	23-34-346
22	Dash Panel No. 1 and 1A Body Bolt Brace and C/Nut	23-34-122	65	Rear Floor Pan	23-32-48
23	Body Side Sill Front End Cover . . .	23-51-43	66	Quarter Inner Panel	23-34-234
24	Body Floor Seat Track Reinforcement	Not Serviced	67	Shelf Panel to Floor Center Brace Support	Not Serviced
25	Floor Pan Reinforcement	Not Serviced	68	Shelf Panel to Floor Pan Brace Reinforcement	Not Serviced
26	Body Side Inner Sill	23-51-5	69	Panel	23-34-233
27	No. 1 and 2 Body Bolt Strainer . . .	Not Serviced	70	Deck Opening Upper Panel	23-34-166
28	Front Floor Pan	Not Serviced	71	Bracket	Not Serviced
29	No. 1 and No. 2 Body Bolt Strainer	Not Serviced	72	Bracket and W/Nut	Not Serviced
30	Dash Panel Hood Hinge Support to Front Cowl Filler Reinforcement .	Not Serviced	73	Extension	23-34-176
31	Body Side Sill End Cover	23-51-43	74	Panel	23-34-233
32	Front Pillar Door Hinge Tapping Plate	23-15-13	75	Deck Lid	23-19-8
33	Front Pillar Front Half (Serviced in 23-34-80)		76	Rear Window Upper Frame Reinforcement Right	23-64-67
34	Front Pillar Lower Hinge Reinforcement (Serviced in 23-34-80)		77	Rear Window Upper Frame Reinforcement Left	23-64-67
35	Front Pillar Rear Half (Serviced in 23-34-80)		78	Reinforcement	23-59-37
36	Door Shell	23-11-1	79	Support	23-19-82
37	Body Side Sill Outer Panel	23-51-5	80	Anti-Rattler	Not Serviced
38	Quarter Inside Panel to Seat Riser Brace	Not Serviced	81	Reinforcement	23-64-67
39	Body Side Outer Sill	23-51-5	82	Panel	23-34-234
40	Body Floor Pan Reinforcement . . .	Not Serviced	83	Panel	23-34-234
41	Axle Drive Pinion Carrier Bumper Reinforcement	Not Serviced	84	Quarter Panel	23-34-235
42	Fuel Tank Rear Floor Pan Reinforcement	Not Serviced	85	Support	23-41-8
43	No. 5 Body Bolt Reinforcement . . .	Not Serviced	86	Reinforcement	23-36-66
			87	Extension	23-34-236
			88	Door Lock Striker Tapping Plate .	23-08-75
			89	Body Lock Pillar	23-36-53
			90	Front Pillar Upper Hinge Reinforcement (Serviced in 23-34-80) .	
			91	Windshield Opening Lower Frame to Upper Strg. Col. Bracket (Serviced in 23-34-80)	
			92	Extension	23-34-236
			93	Frame	23-64-66
			94	Roof Side Rail	23-40-85
			95		



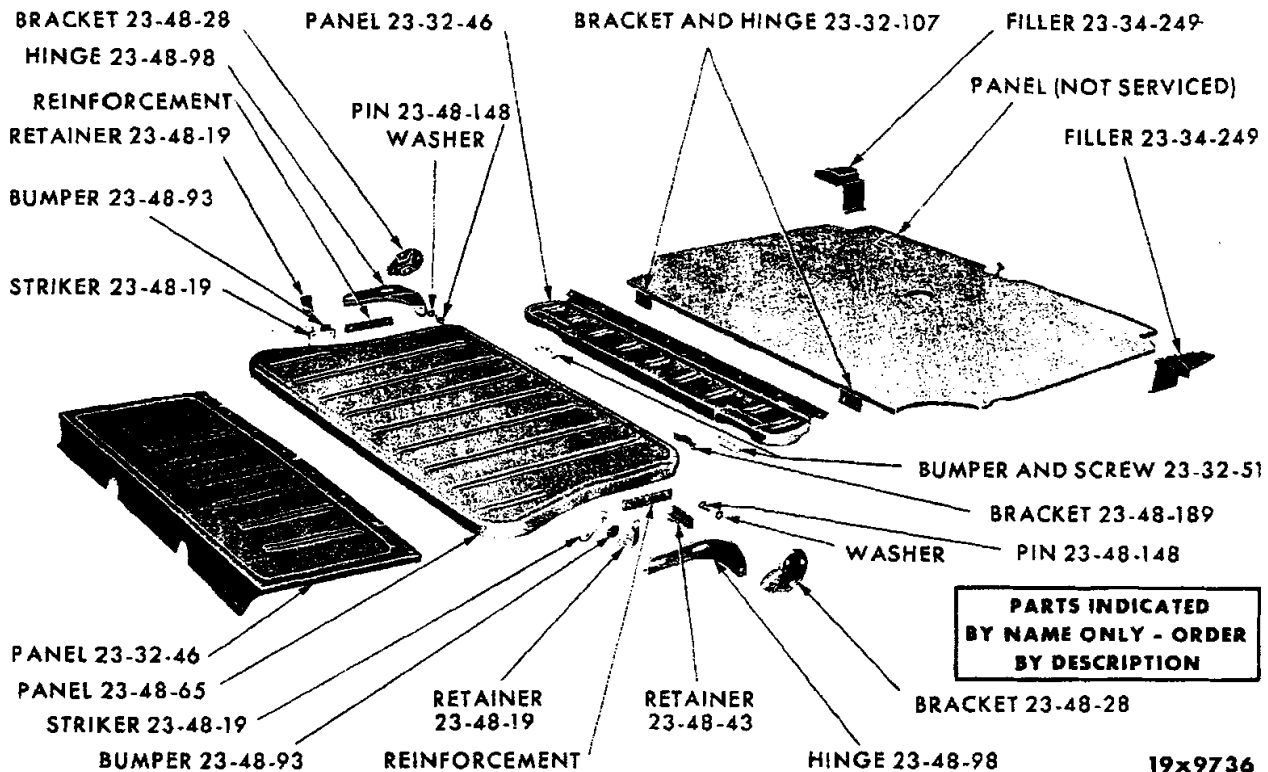
19x9797

UNDERBODY - VALIANT VV1-2 AND DART VL1-2



19x9056

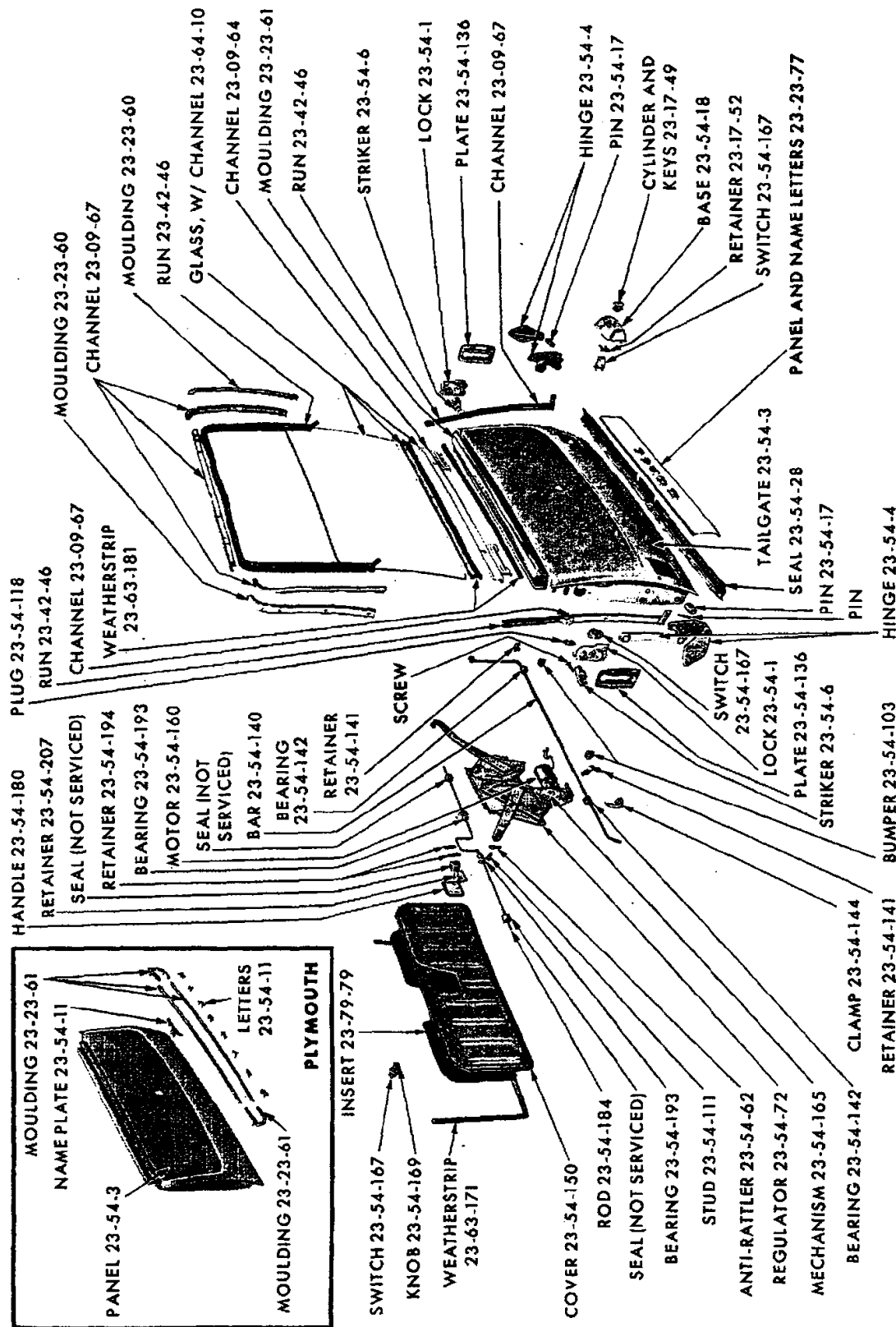
UNDERBODY - DODGE VAS AND CHRYSLER VC1-2-3



STATION WAGON FLOOR PANELS - VALIANT VV1-2 AND DART VL1-2

NOTES

Blank lined area for notes.



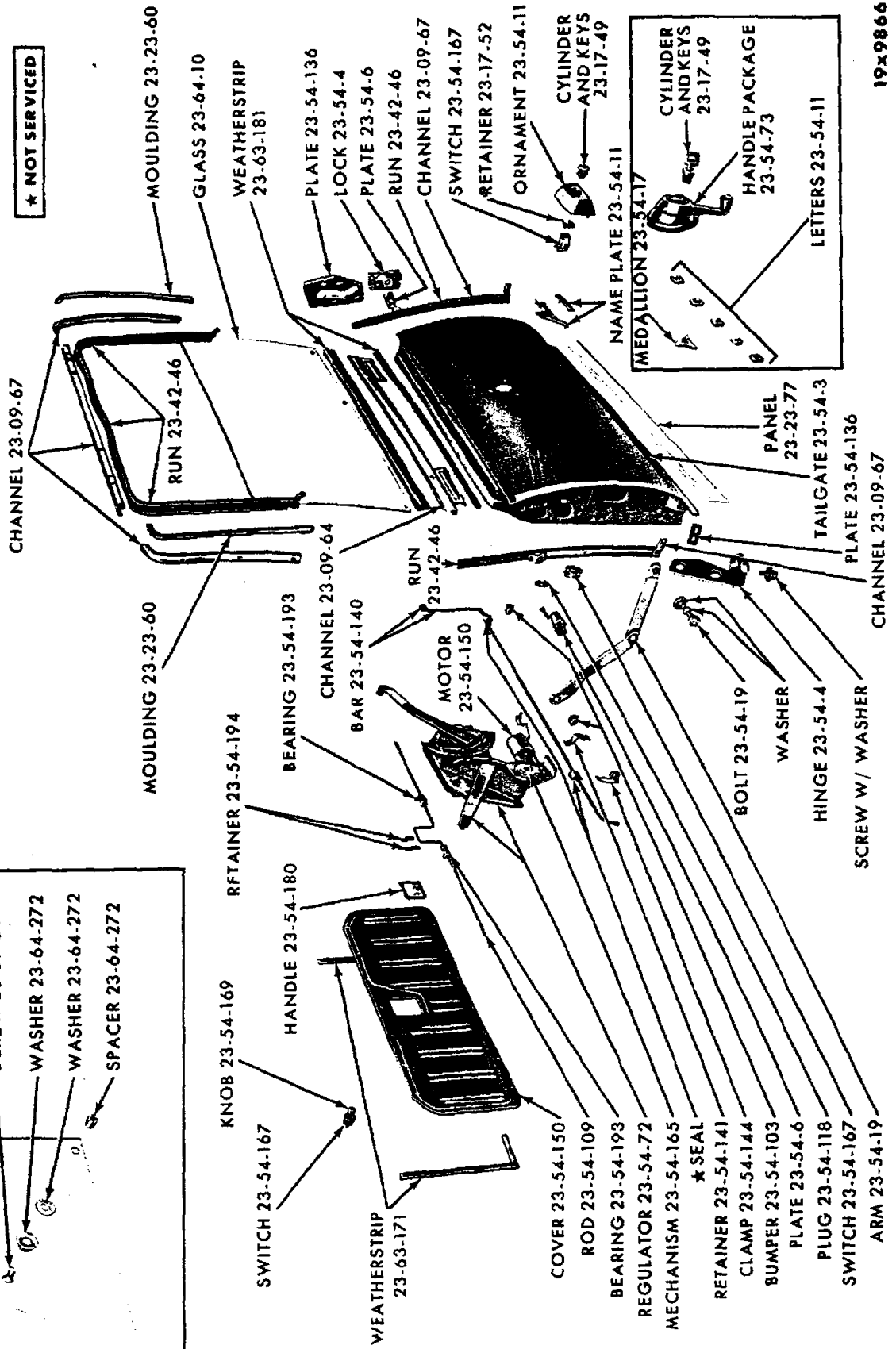
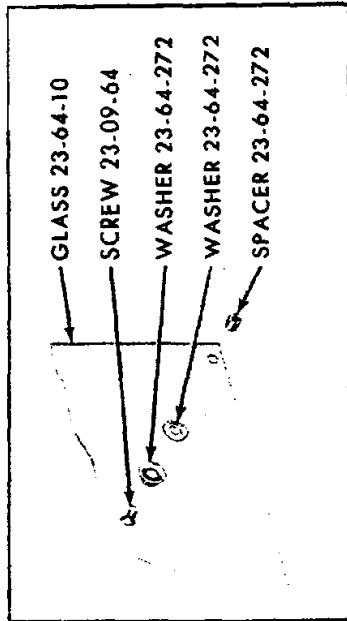
19x9688A

TAILGATE - PLYMOUTH VP1-2 AND DODGE VDI-2

**PARTS INDICATED
BY NAME ONLY - ORDER
BY DESCRIPTION**

PARTS INDICATED BY NAME ONLY - ORDER BY DESCRIPTION

★ NOT SERVICED

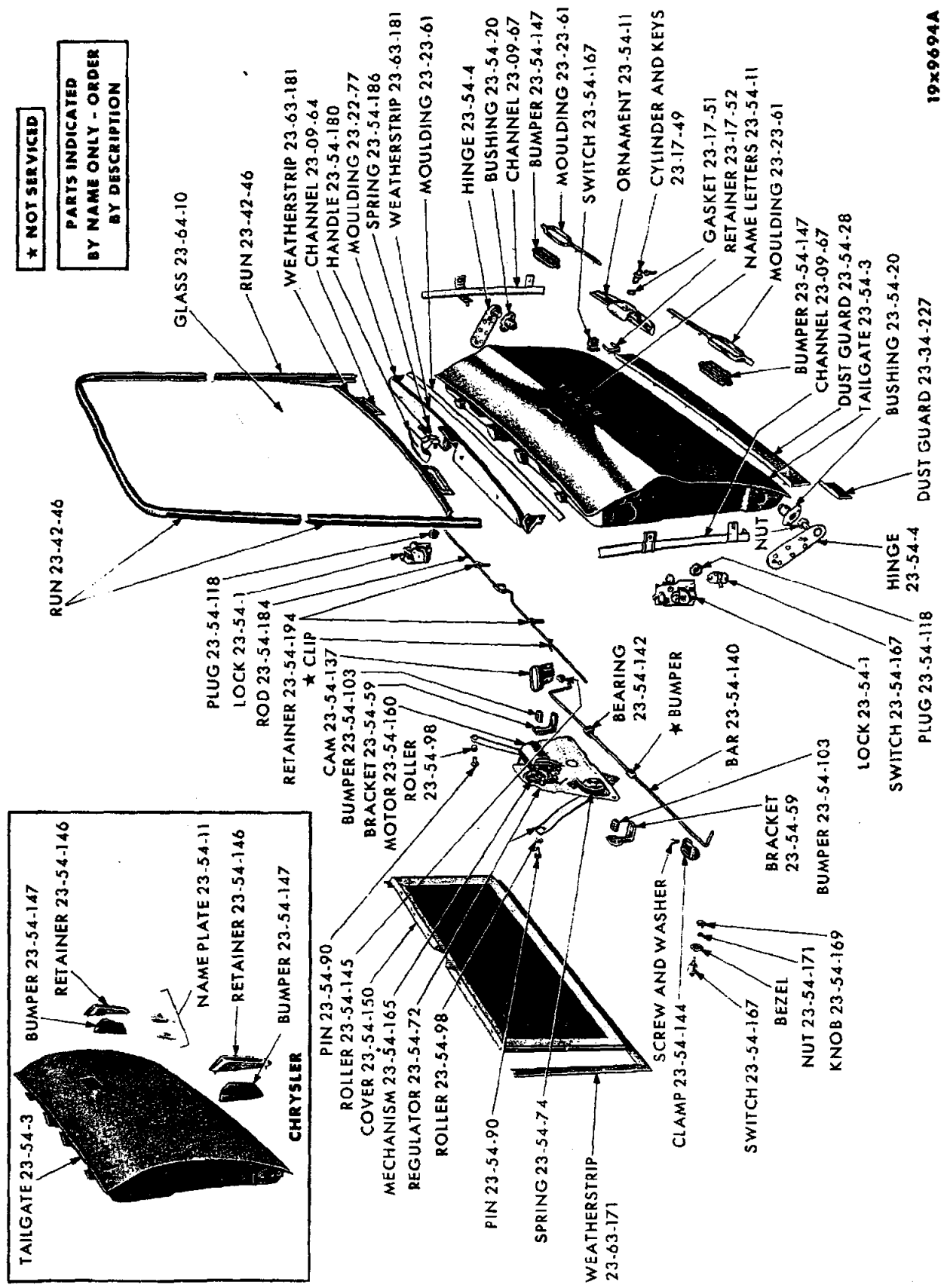


19x9866

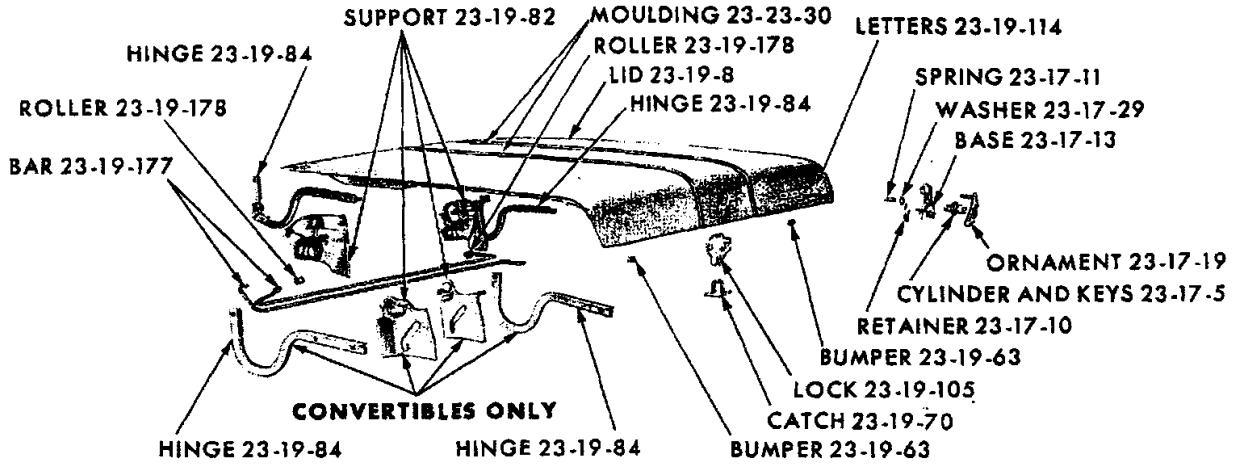
TAILGATE - VALIANT VV1-2 AND DART VL1-2

★ NOT SERVICED
PARTS INDICATED
BY NAME ONLY - ORDER
BY DESCRIPTION

19x9694A

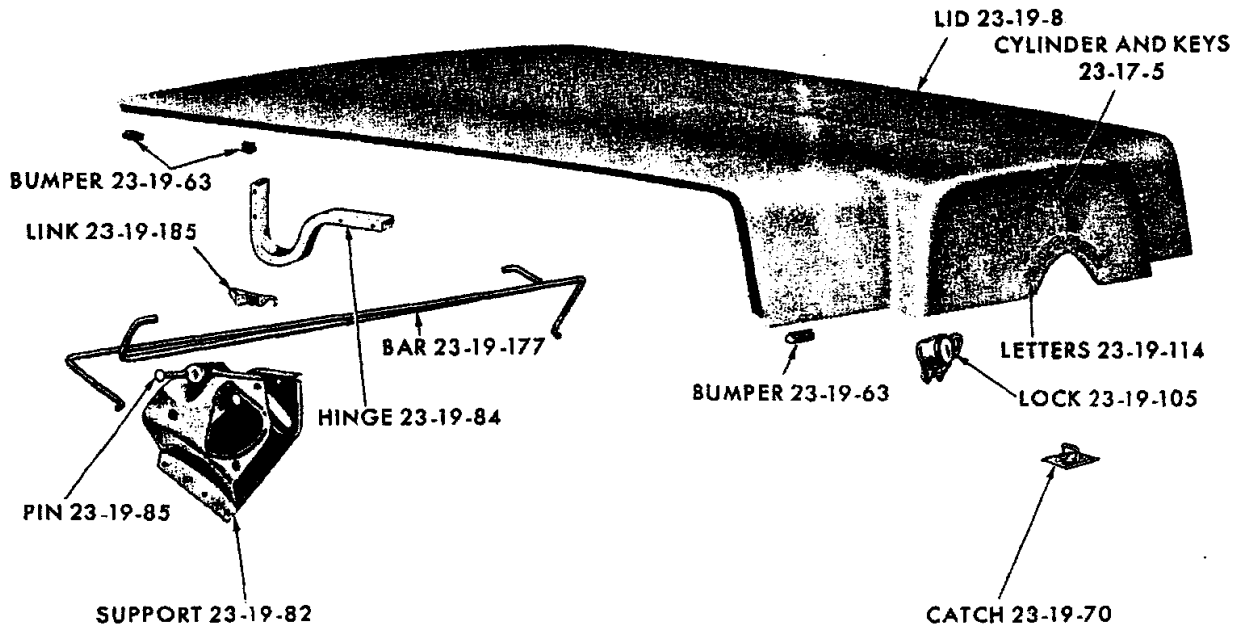


TAILGATE - DODGE VAS AND CHRYSLER VC1-3



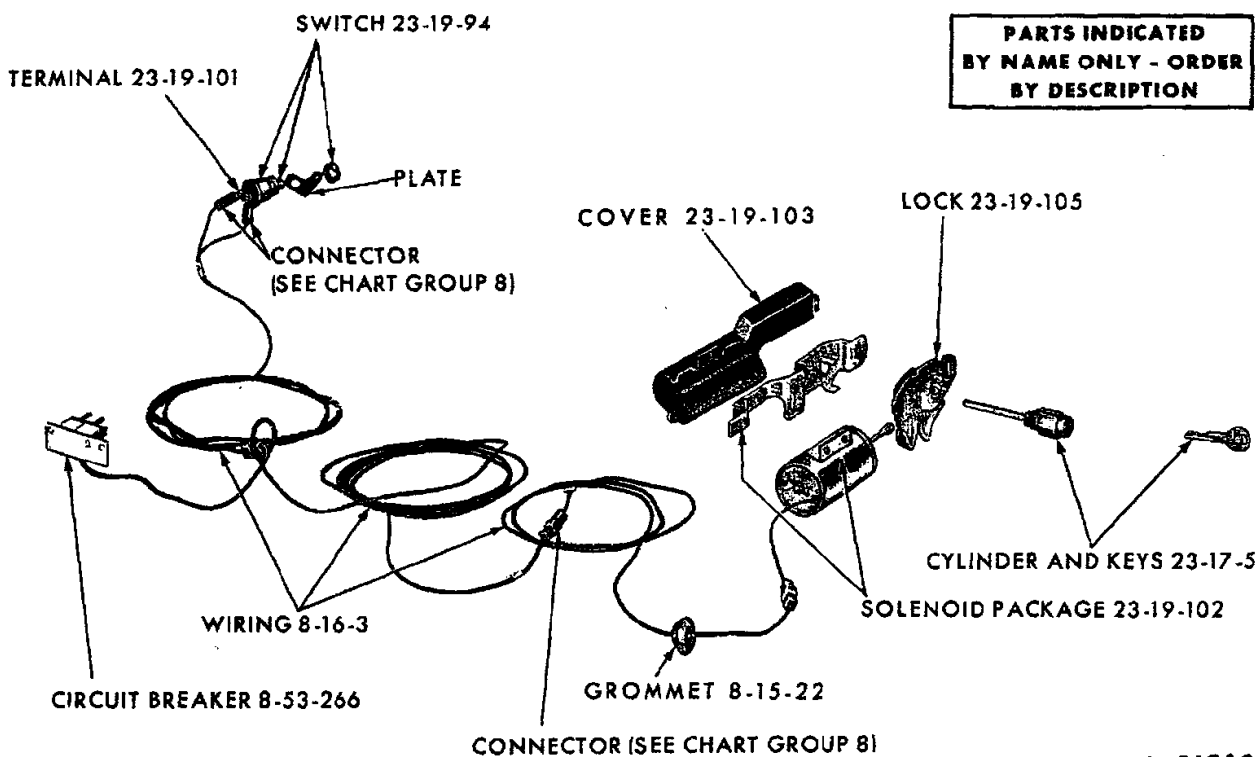
19x9875

DECK LID AND HINGES - DODGE VD1-2

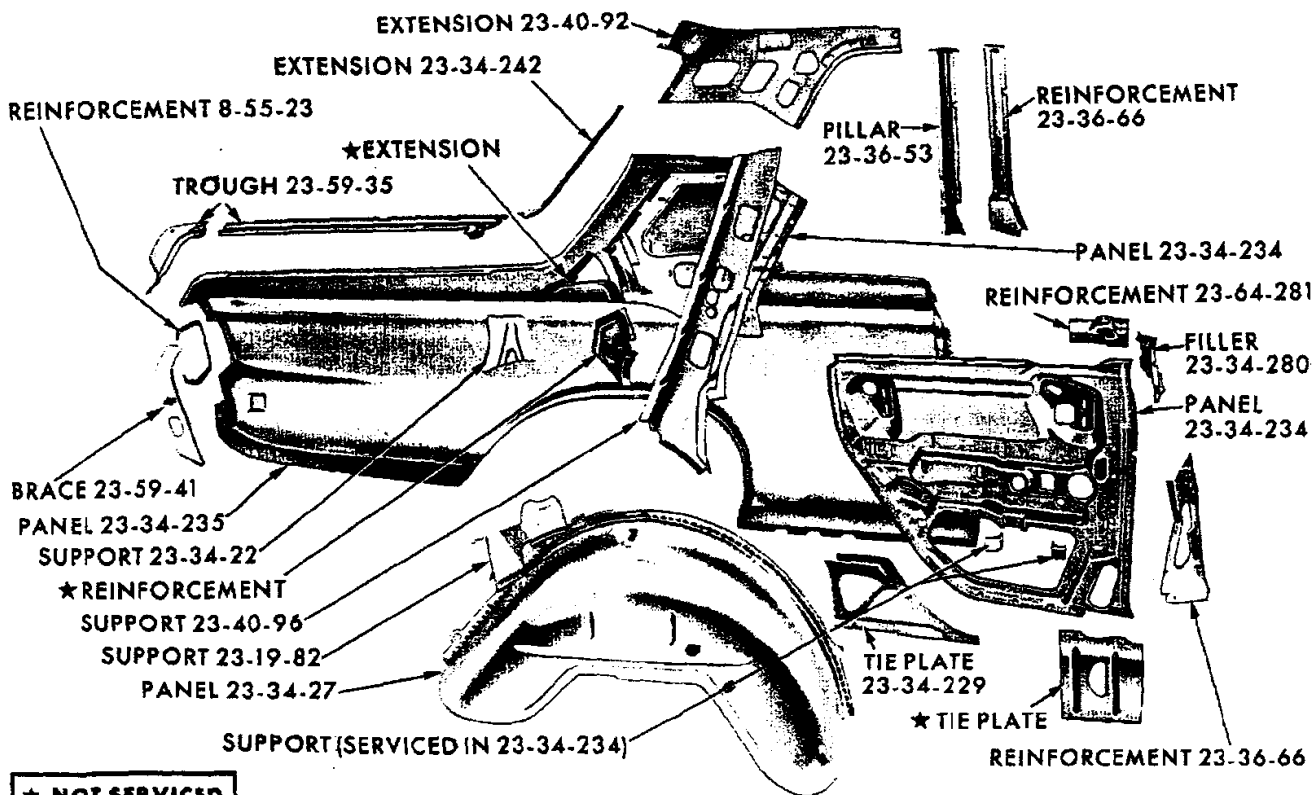


19x9872 A

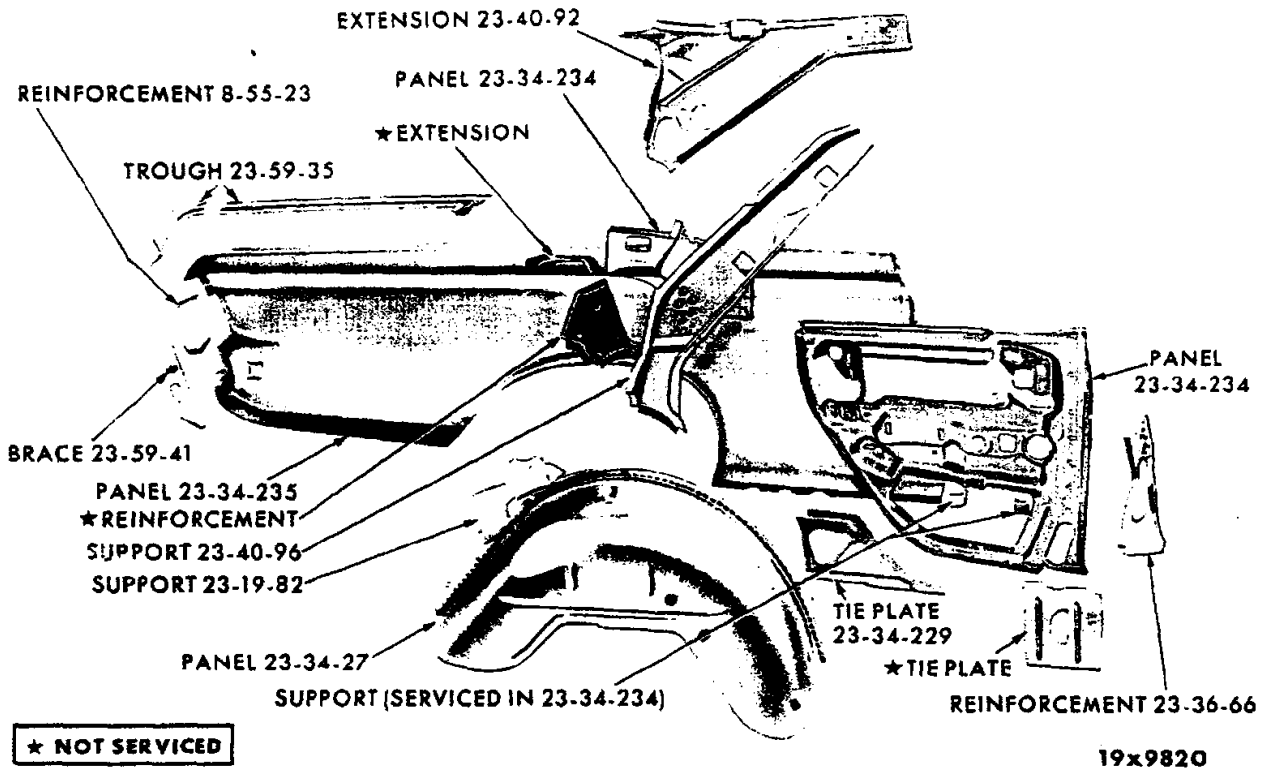
DECK LID AND HINGES - IMPERIAL VY1



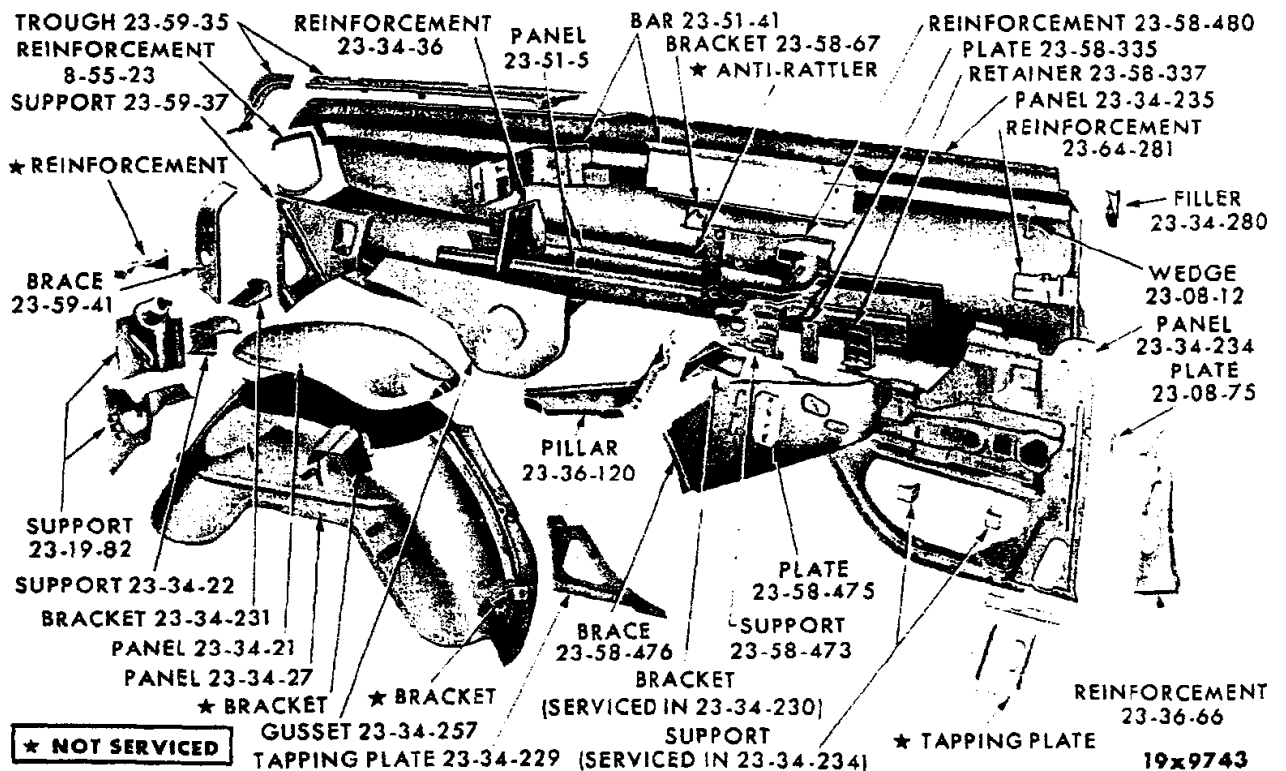
ELECTRIC DECK LID LOCK - IMPERIAL VY1



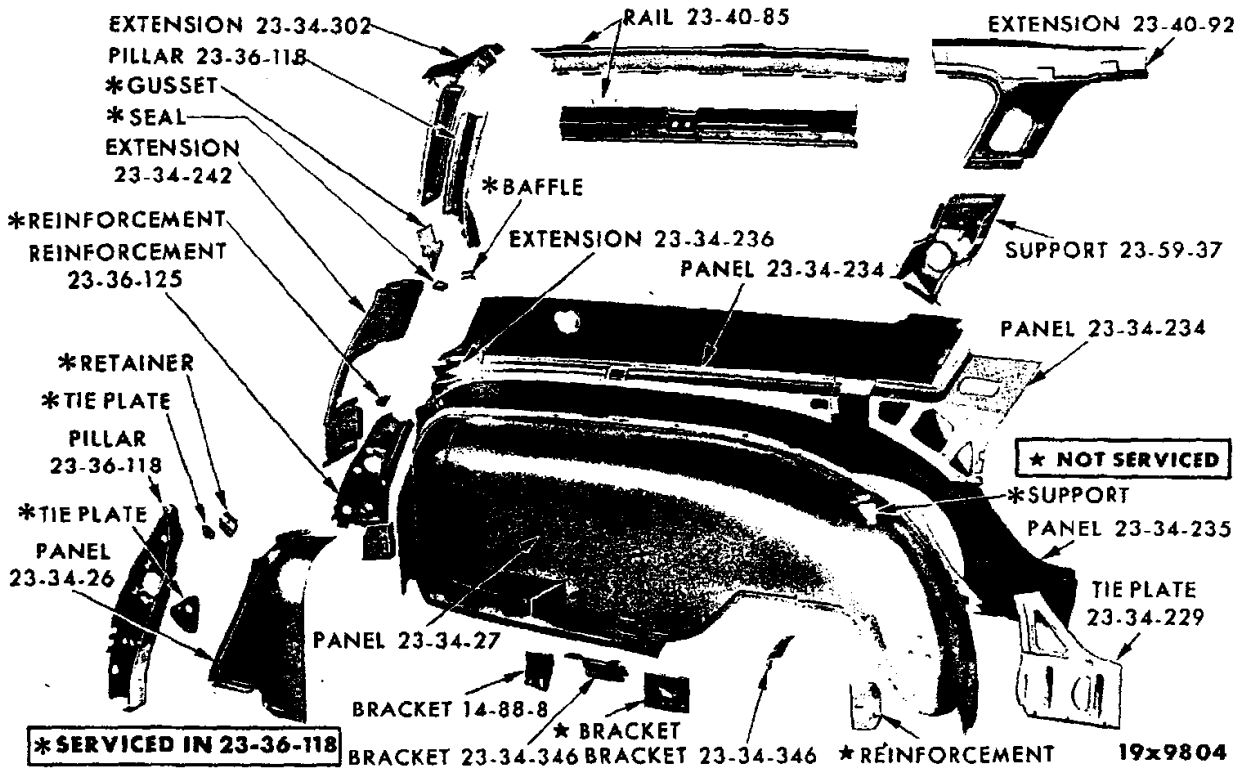
REAR QUARTER PANEL - PLYMOUTH VP1-2 2 DOOR SEDAN



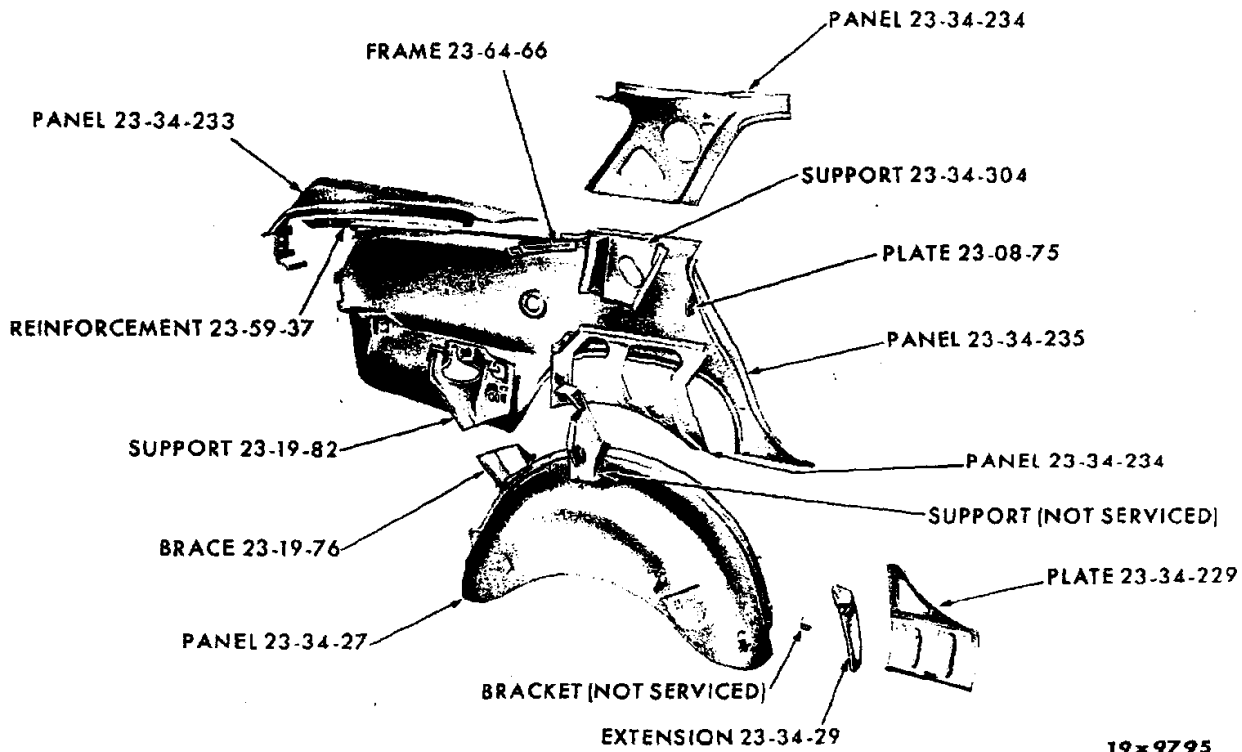
REAR QUARTER PANEL - PLYMOUTH VP1-2 2 DOOR HARDTOP



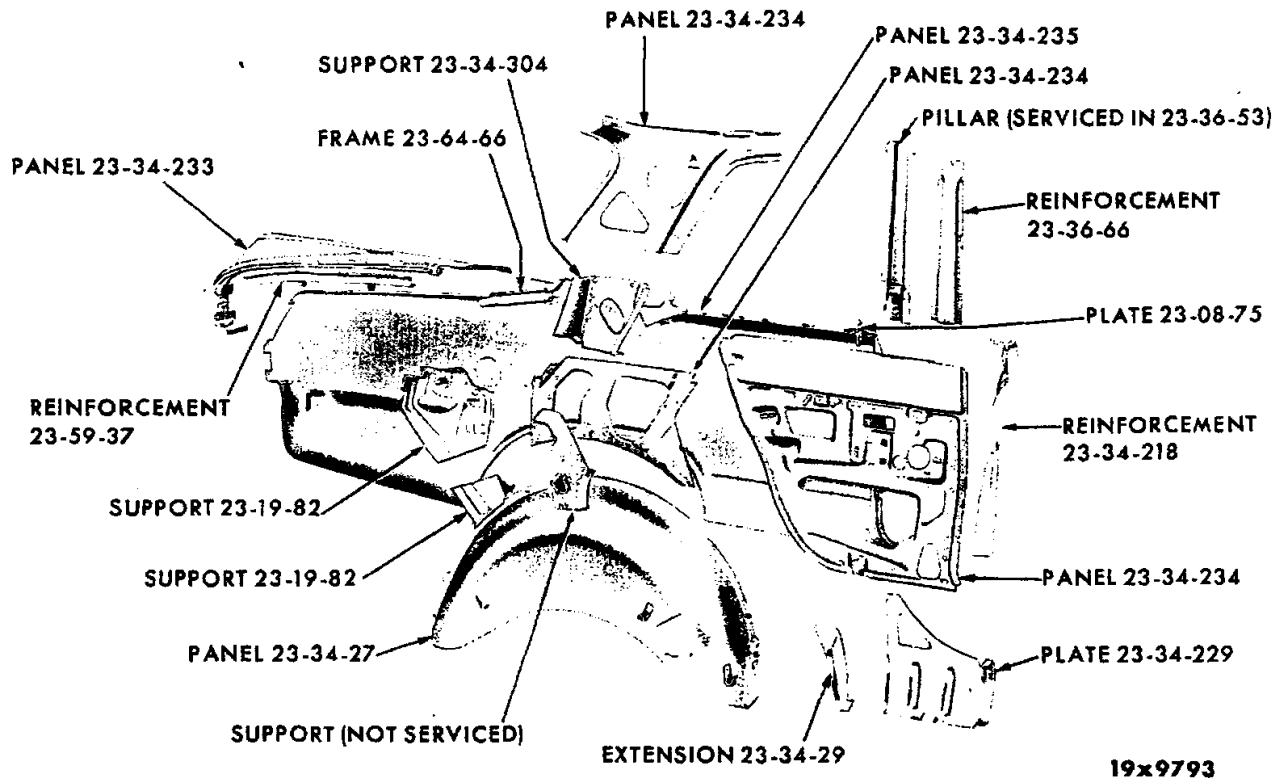
REAR QUARTER PANEL - PLYMOUTH VP2 CONVERTIBLE COUPE



REAR QUARTER PANEL - PLYMOUTH VP1-2 4 DOOR STATION WAGON

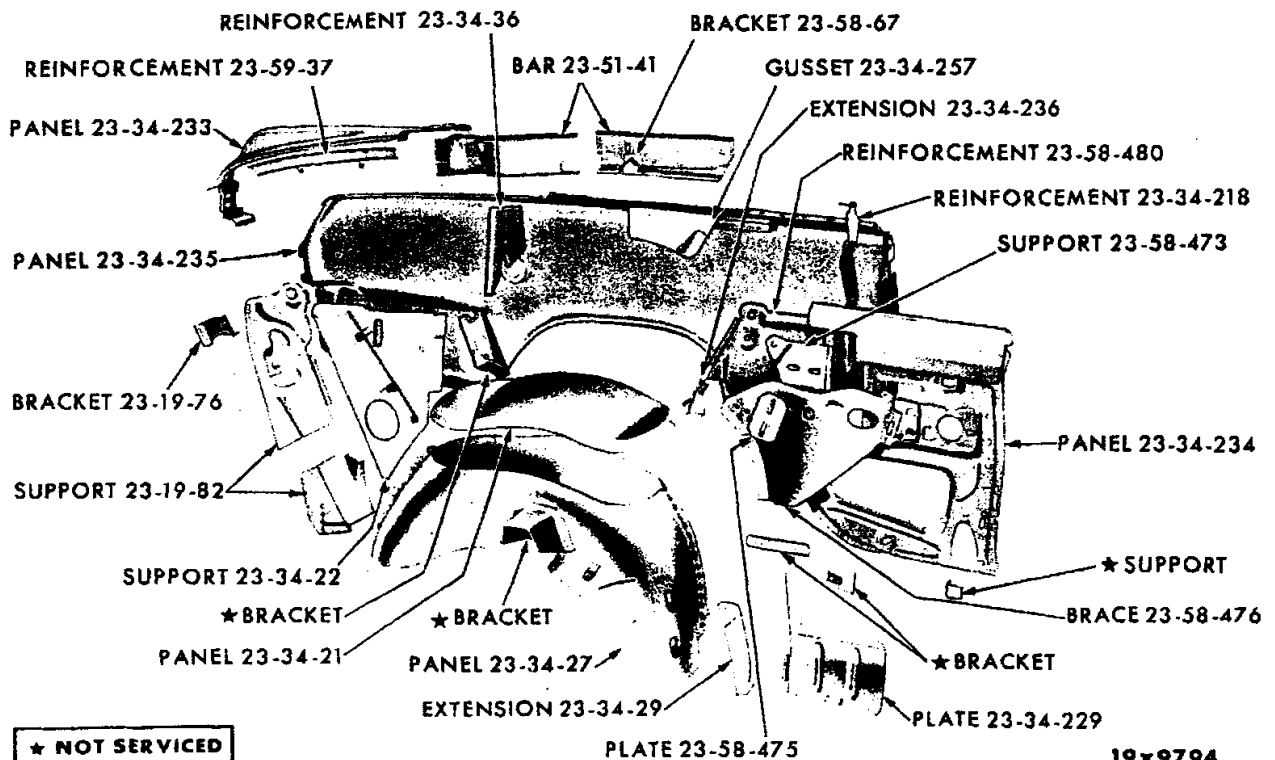


REAR QUARTER PANEL - VALIANT VV1-2 4 DOOR SEDAN



19x9793

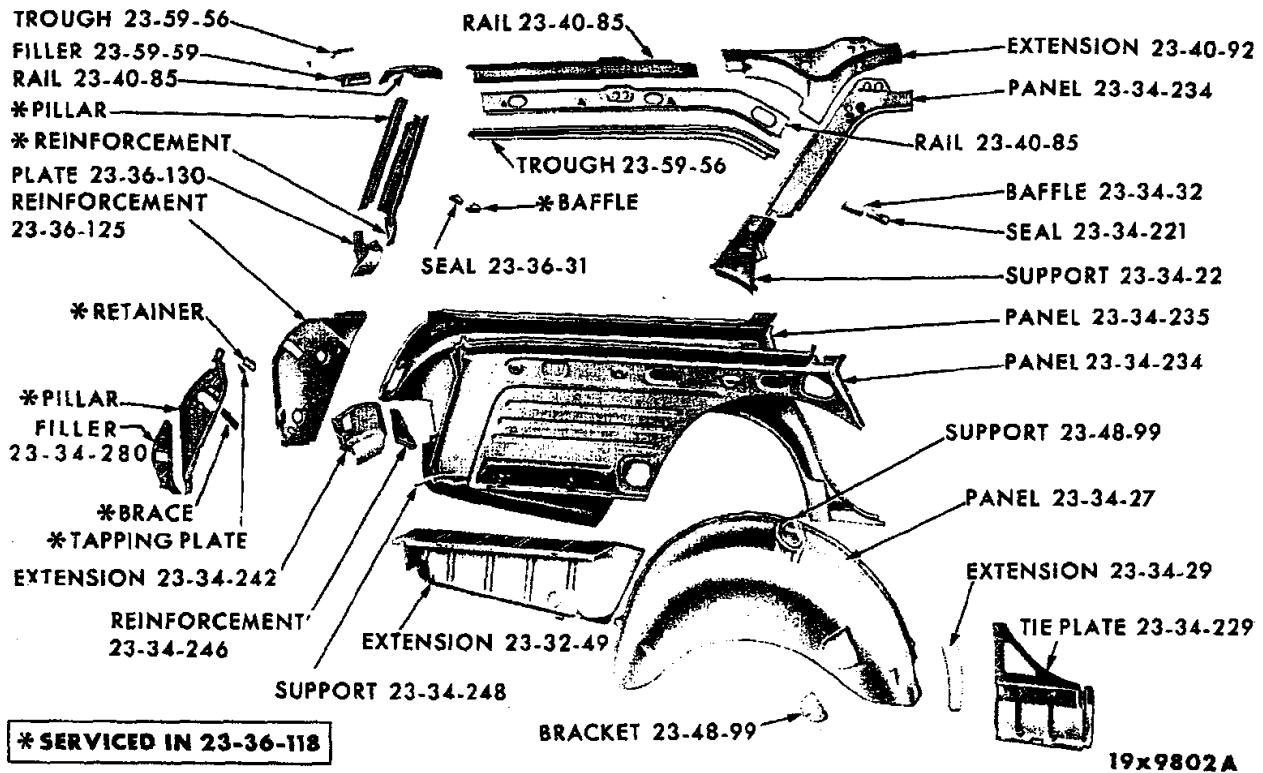
REAR QUARTER PANEL - VALIANT VV1-2 2 DOOR SEDAN AND 2 DOOR HARDTOP



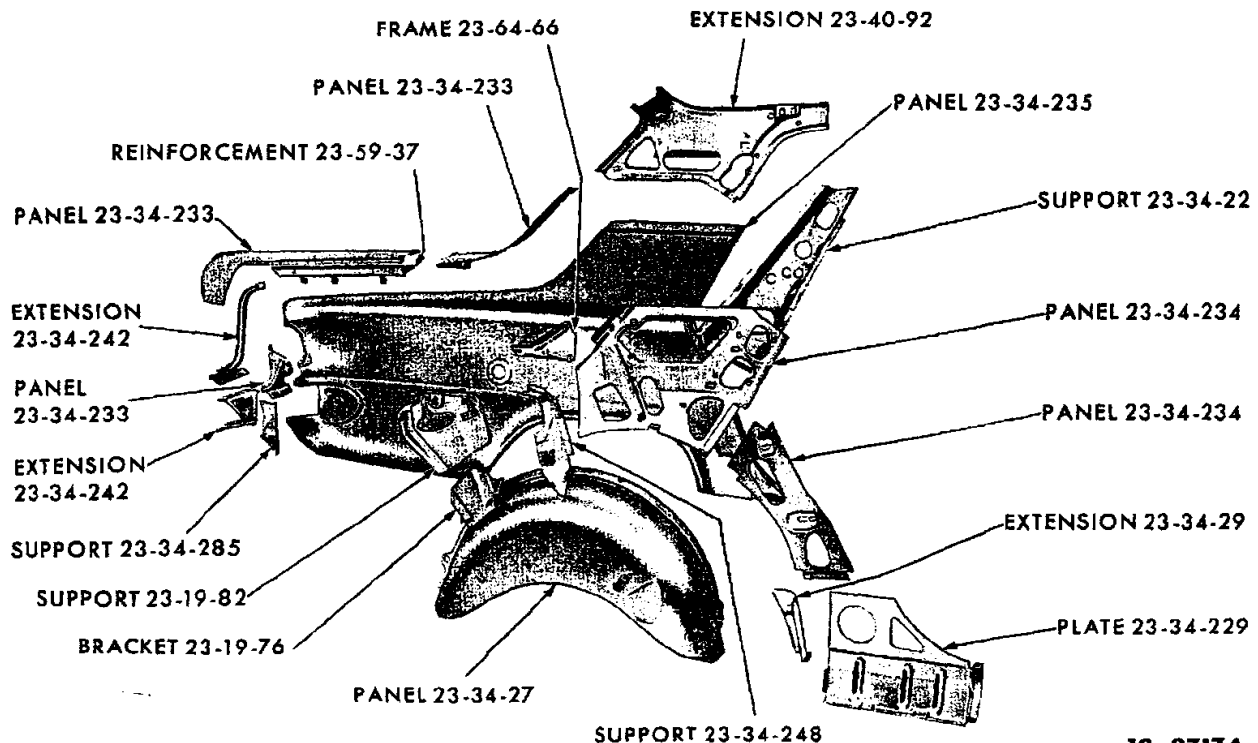
★ NOT SERVICED

19x9794

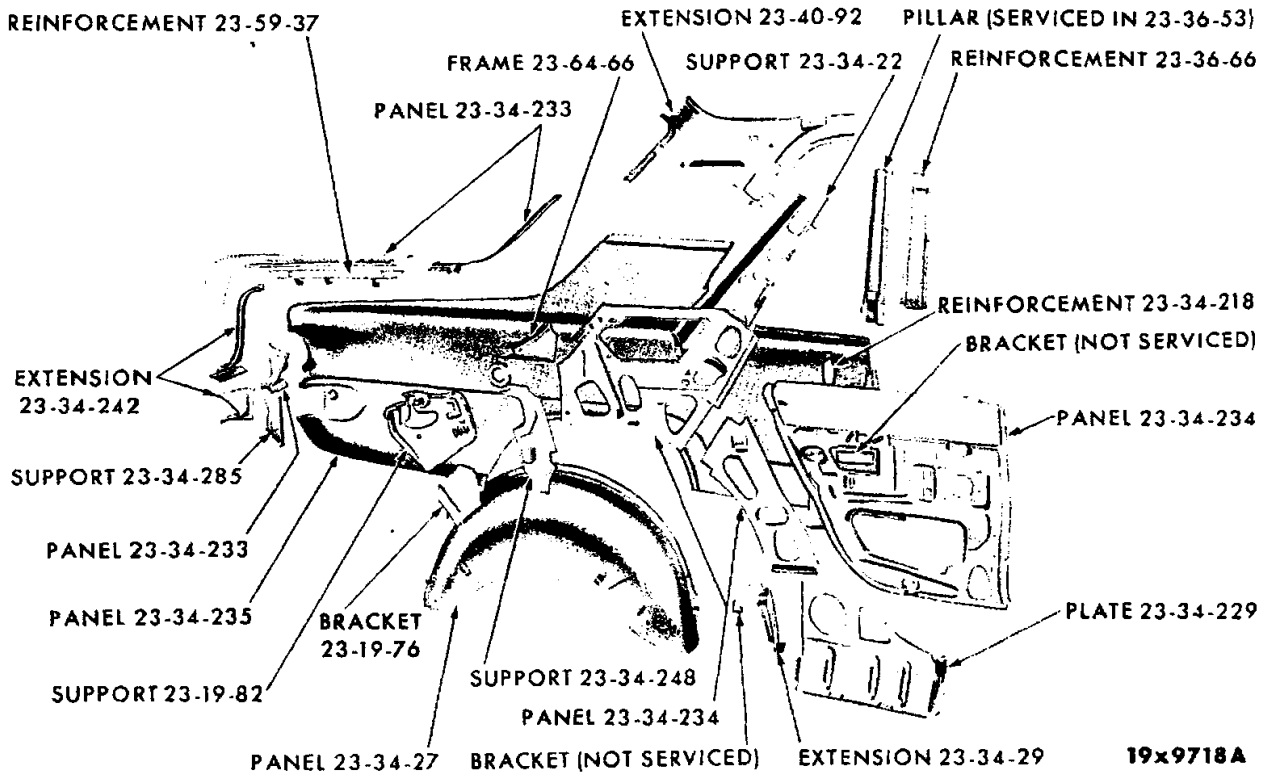
REAR QUARTER PANEL - VALIANT VV1-2 CONVERTIBLE COUPE



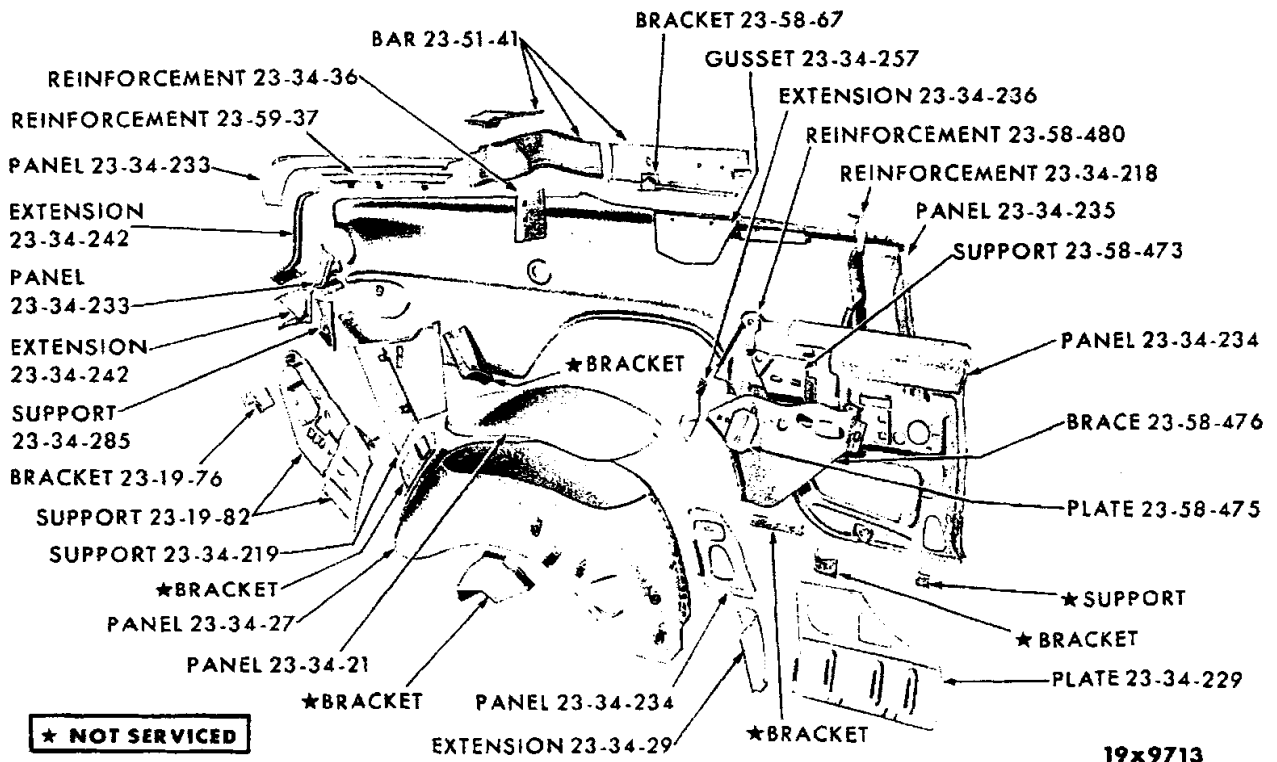
REAR QUARTER PANEL - VALIANT VV1-2 4 DOOR STATION WAGON



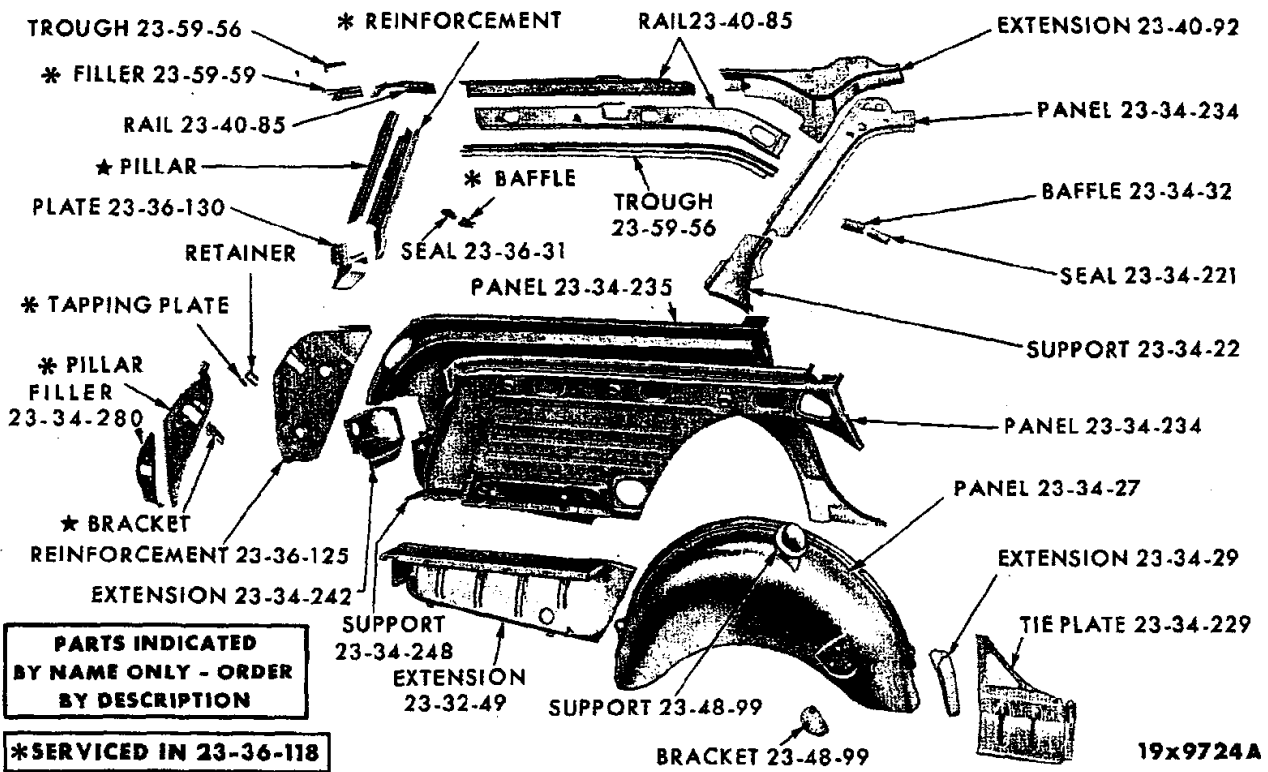
REAR QUARTER PANEL - DART VL1-2 4 DOOR SEDAN



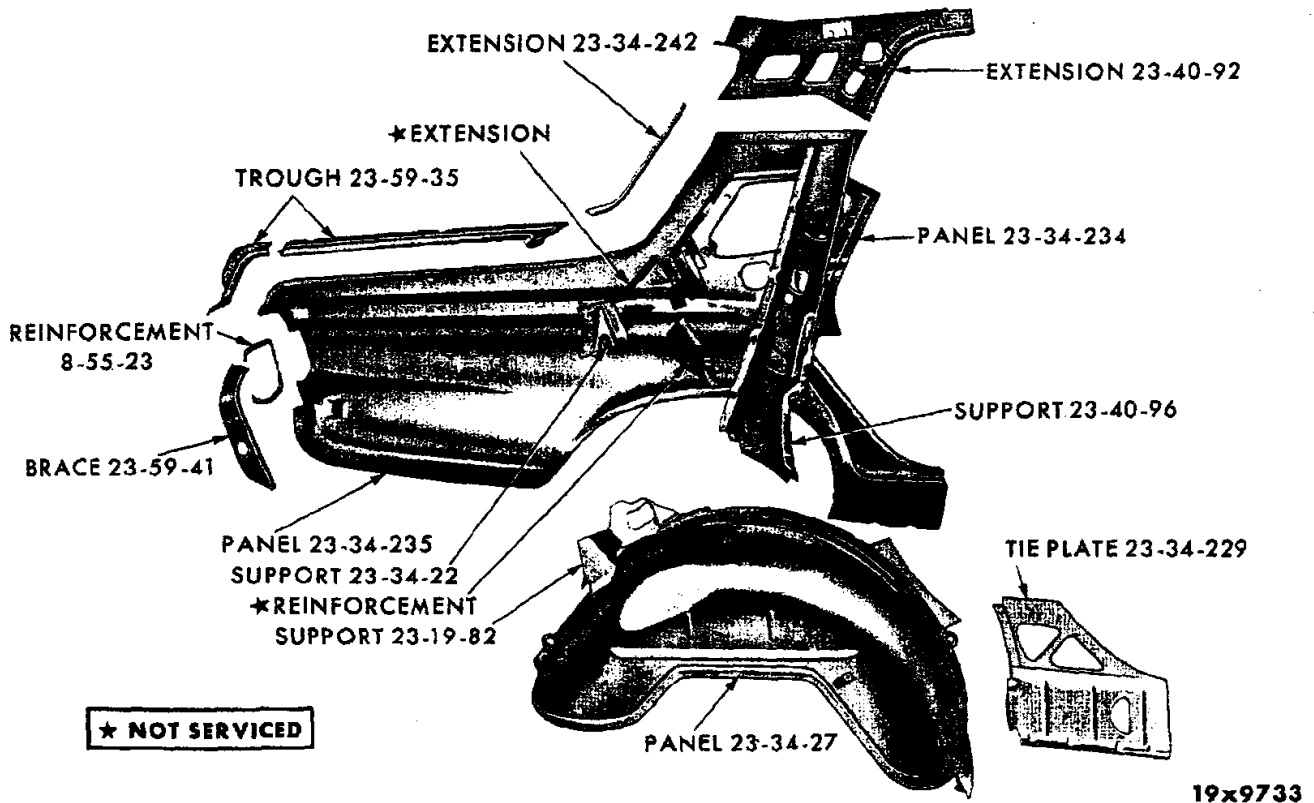
REAR QUARTER PANEL - DART VL1-2 2 DOOR SEDAN AND 2 DOOR HARDTOP



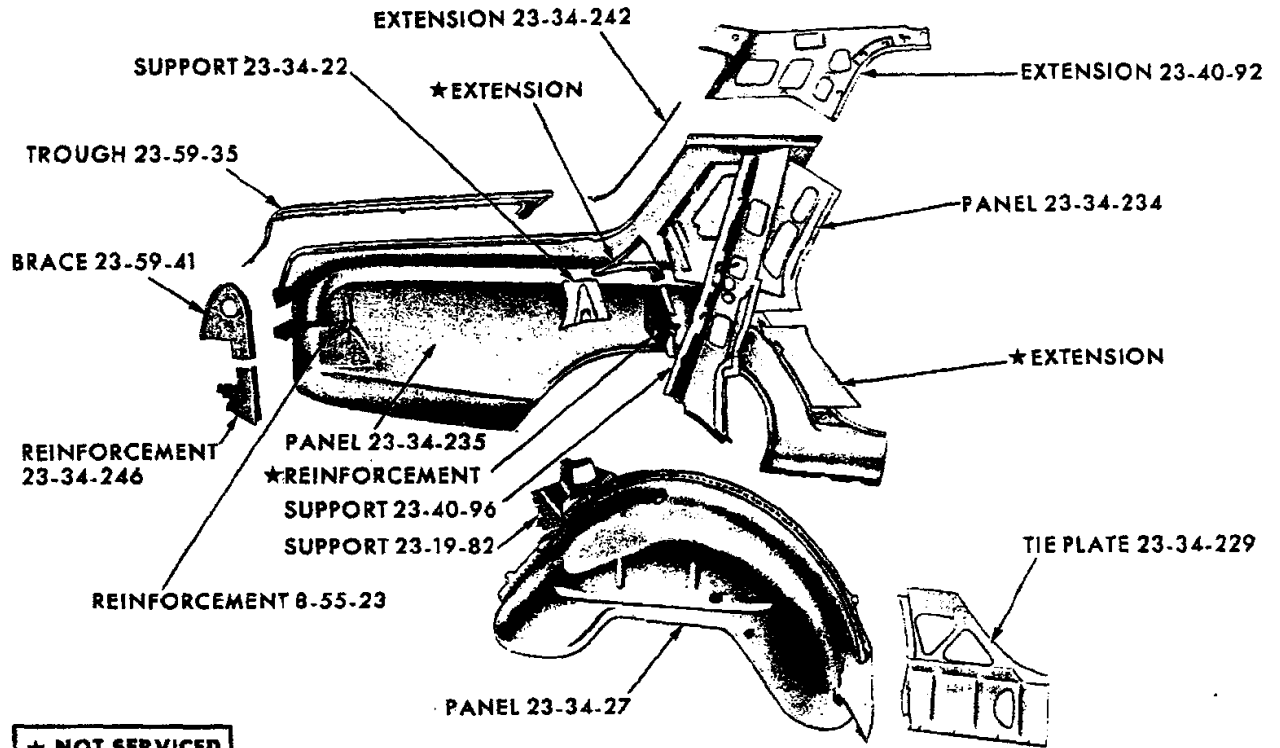
REAR QUARTER PANEL - DART VL1-2 CONVERTIBLE COUPE



REAR QUARTER PANEL - DART VL1-2 4 DOOR STATION WAGON

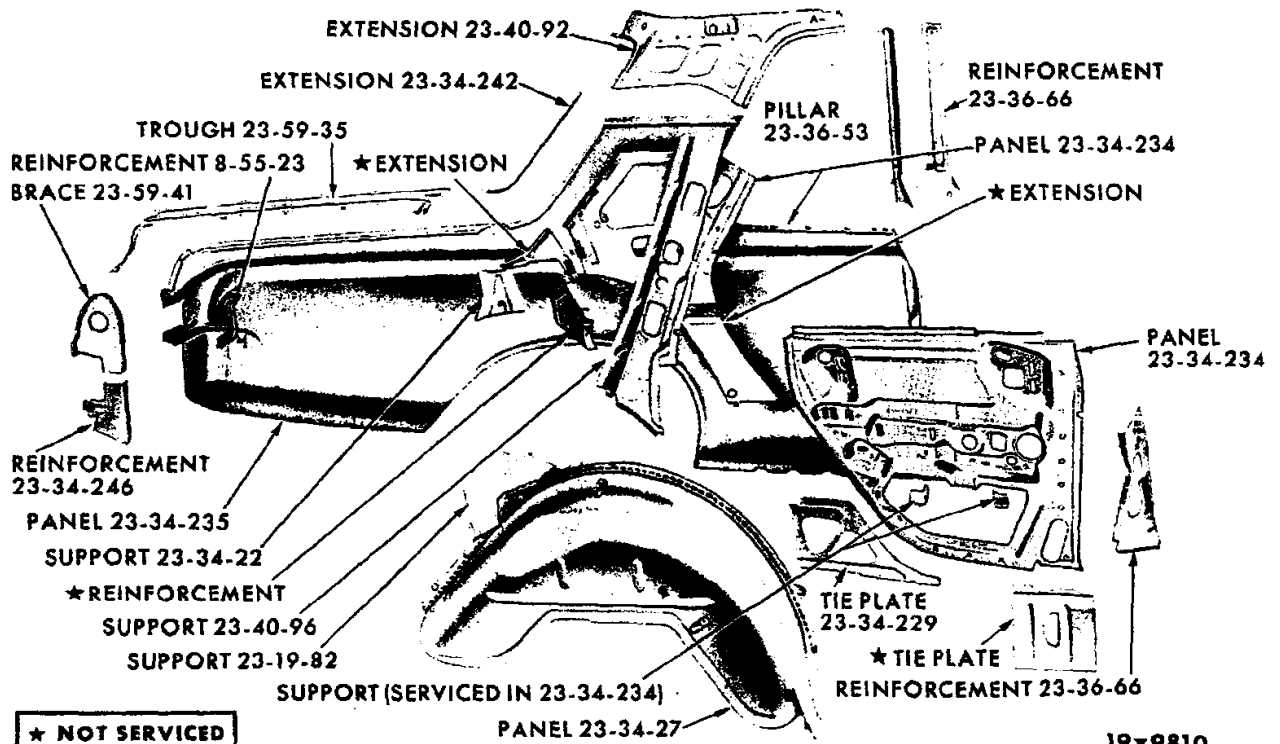


REAR QUARTER PANEL - PLYMOUTH VP1-2 4 DOOR SEDAN AND 4 DOOR HARDTOP



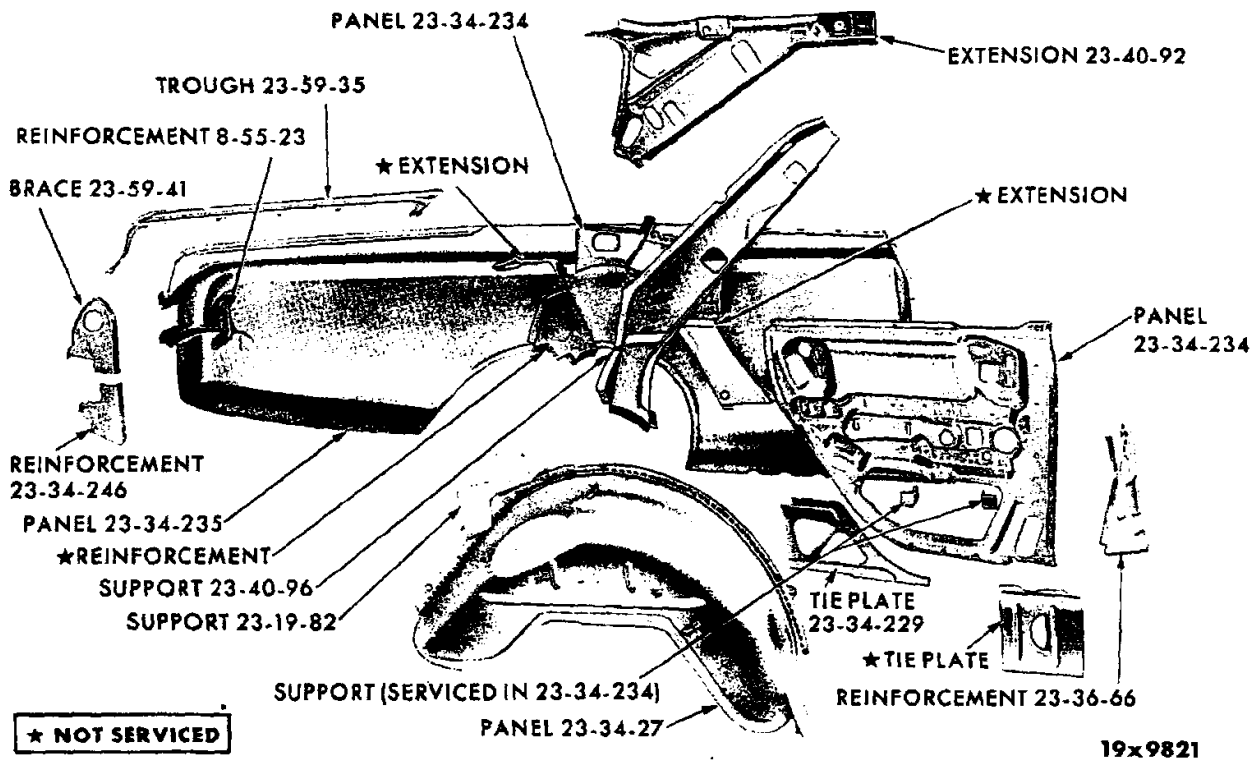
19x9811

REAR QUARTER PANEL - DODGE VD1-2 4 DOOR SEDAN AND 4 DOOR HARDTOP

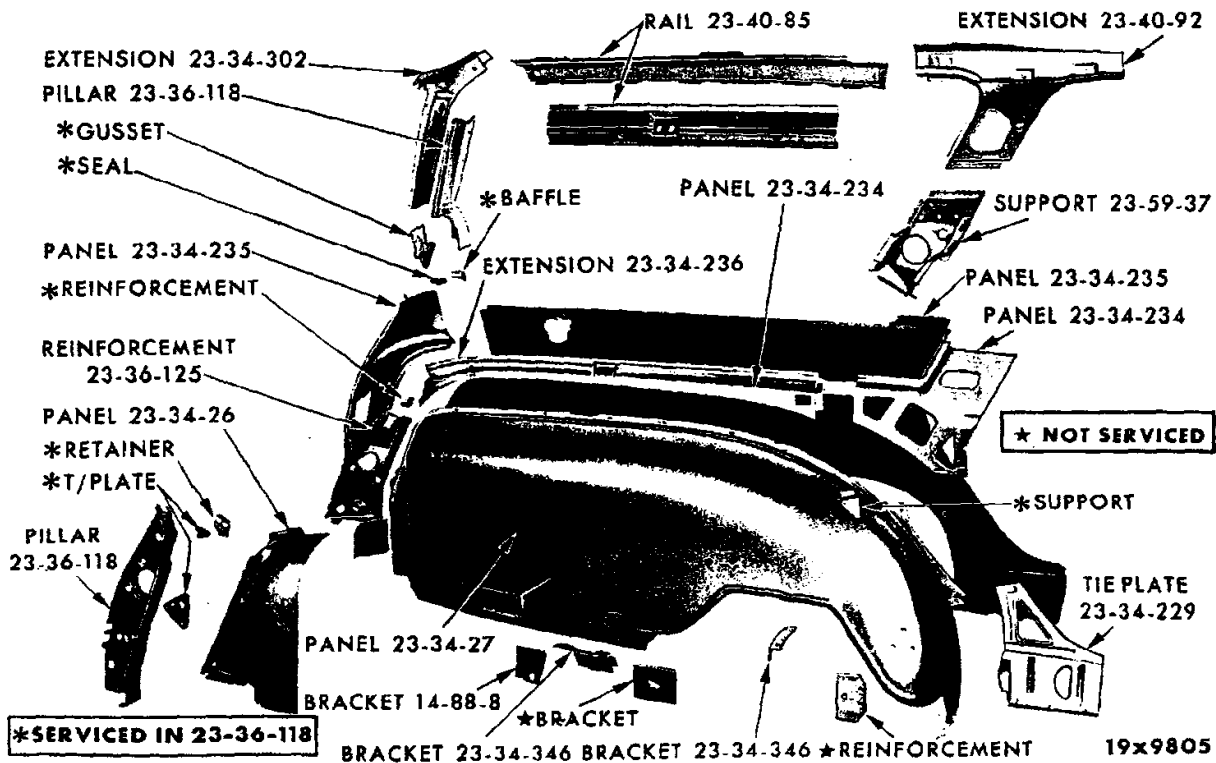


19x9810

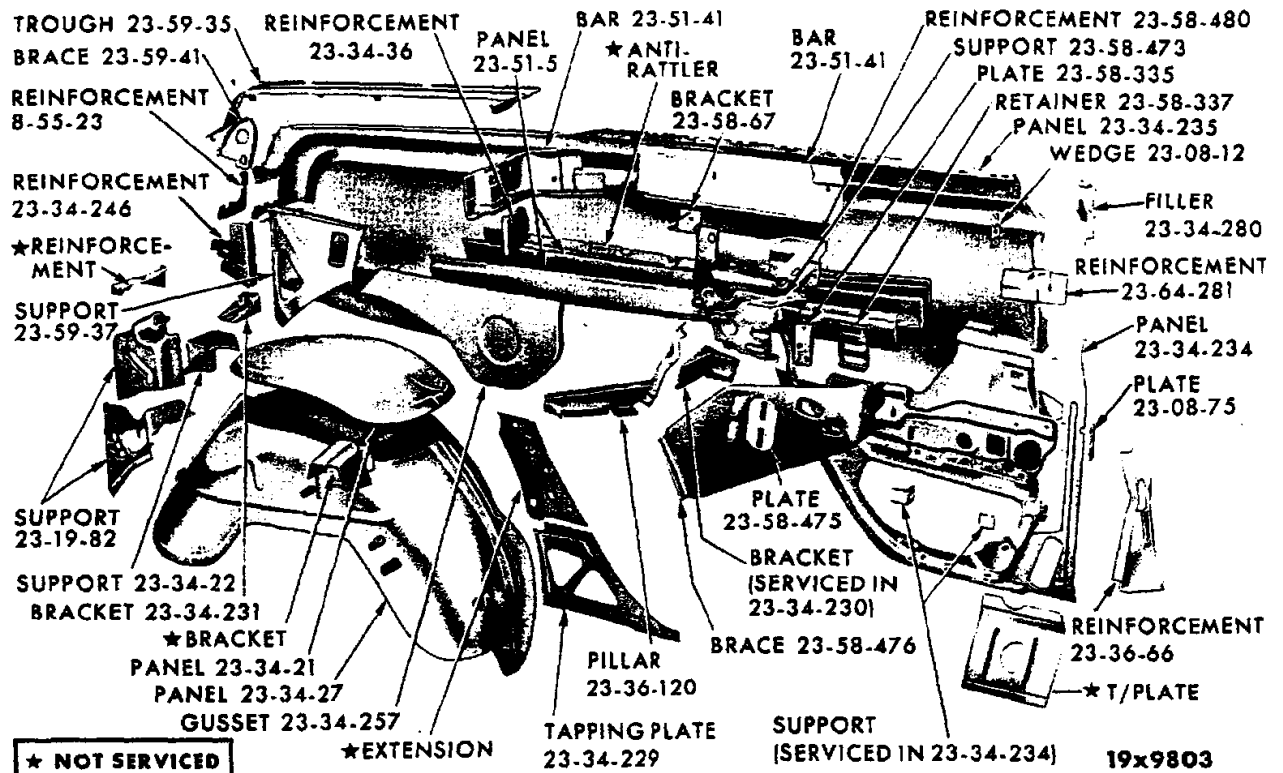
REAR QUARTER PANEL - DODGE VD1-2 2 DOOR SEDAN



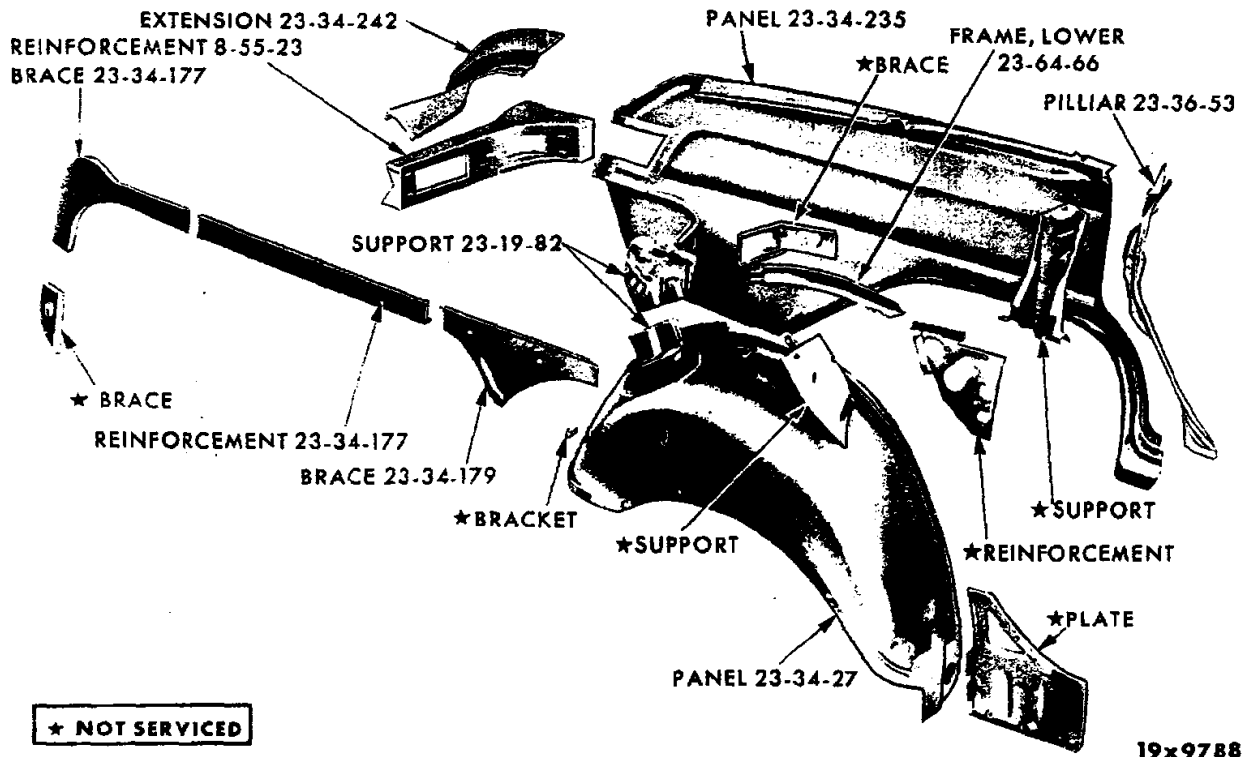
REAR QUARTER PANEL - DODGE VDI-2 2 DOOR HARDTOP



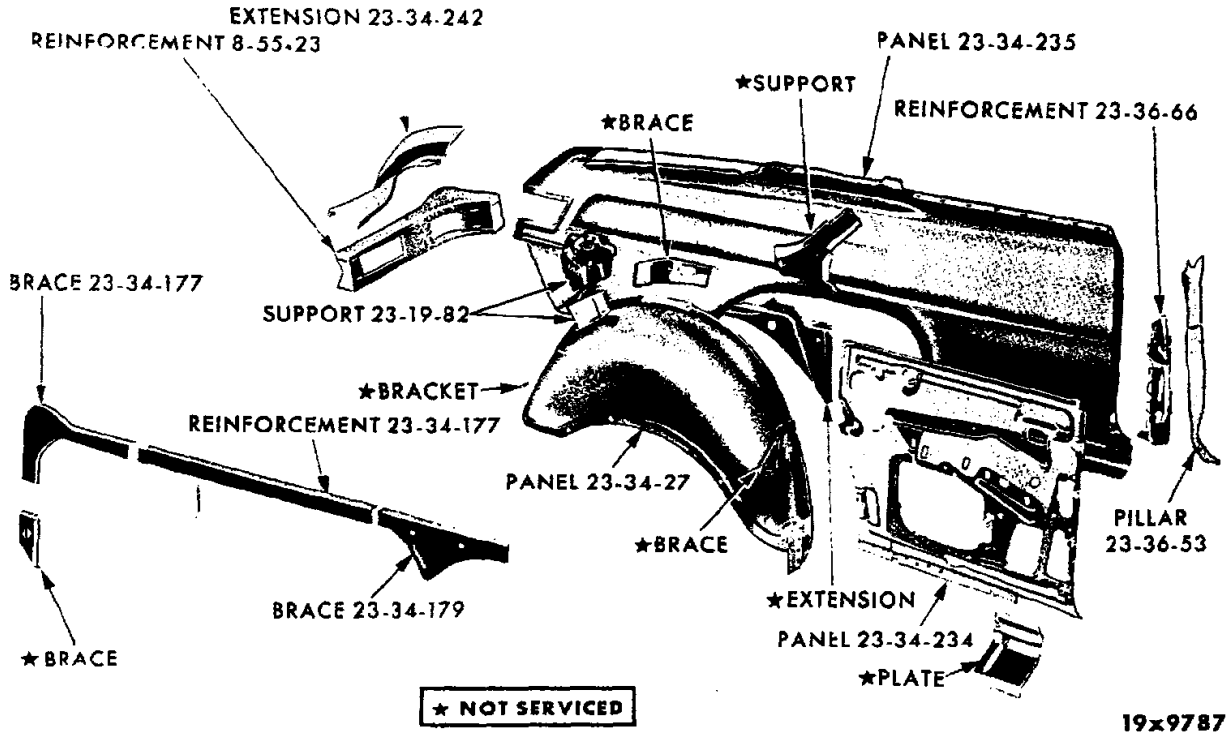
REAR QUARTER PANEL - DODGE VDI-2 4 DOOR STATION WAGON



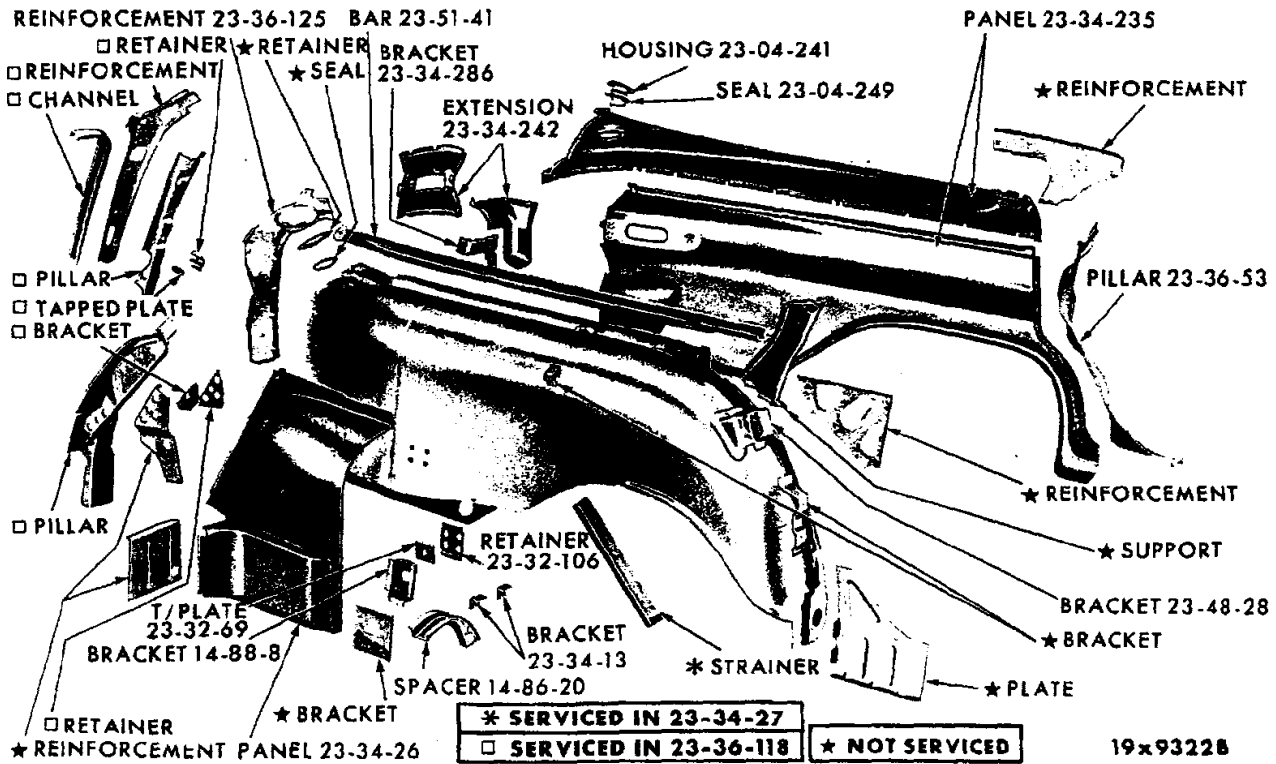
REAR QUARTER PANEL - DODGE VD2 CONVERTIBLE COUPE



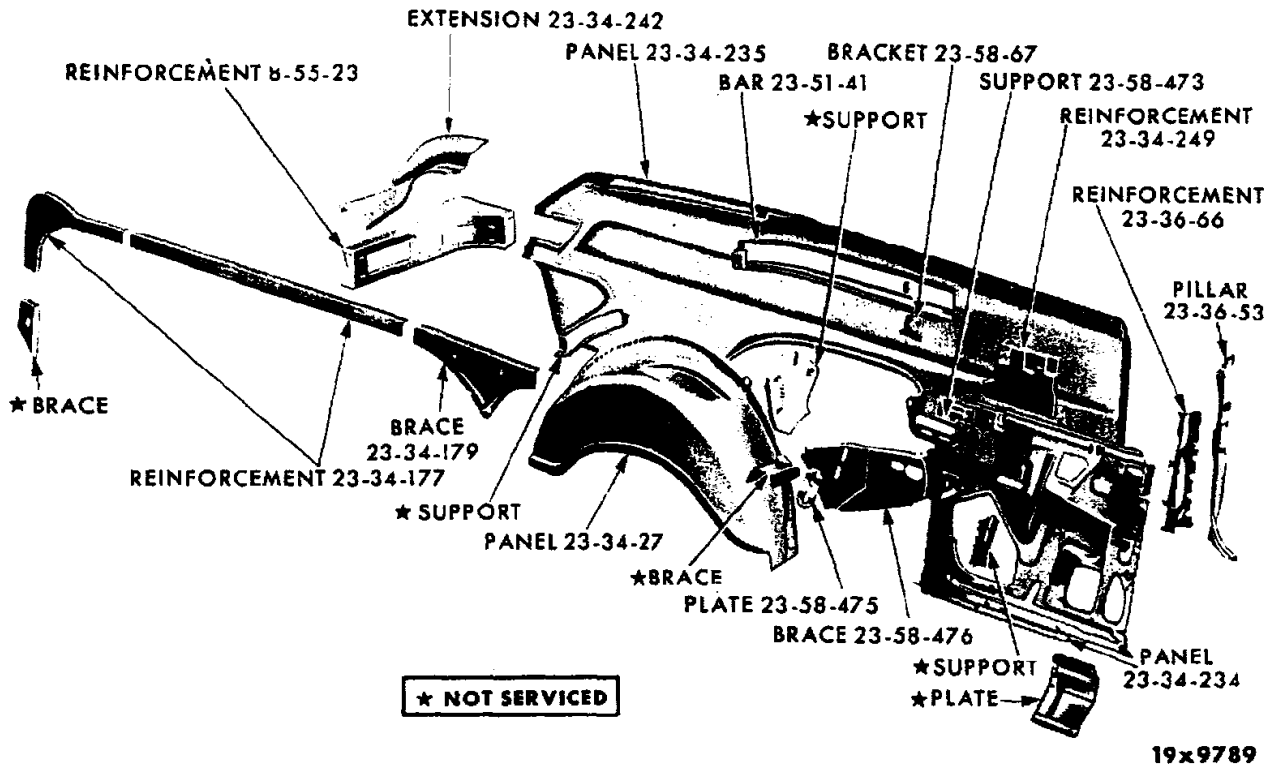
REAR QUARTER PANEL - DODGE VA3 4 DOOR SEDAN AND 4 DOOR HARDTOP



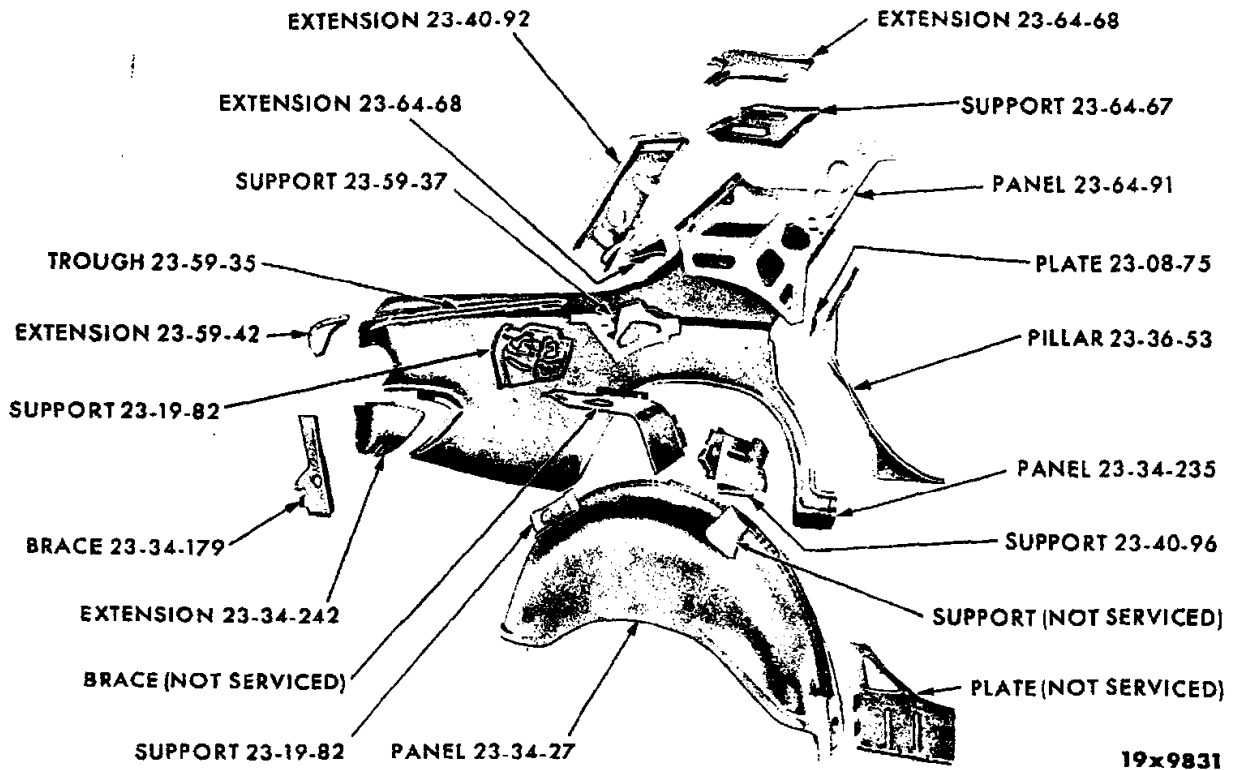
REAR QUARTER PANEL - DODGE VA3 2 DOOR HARDTOP



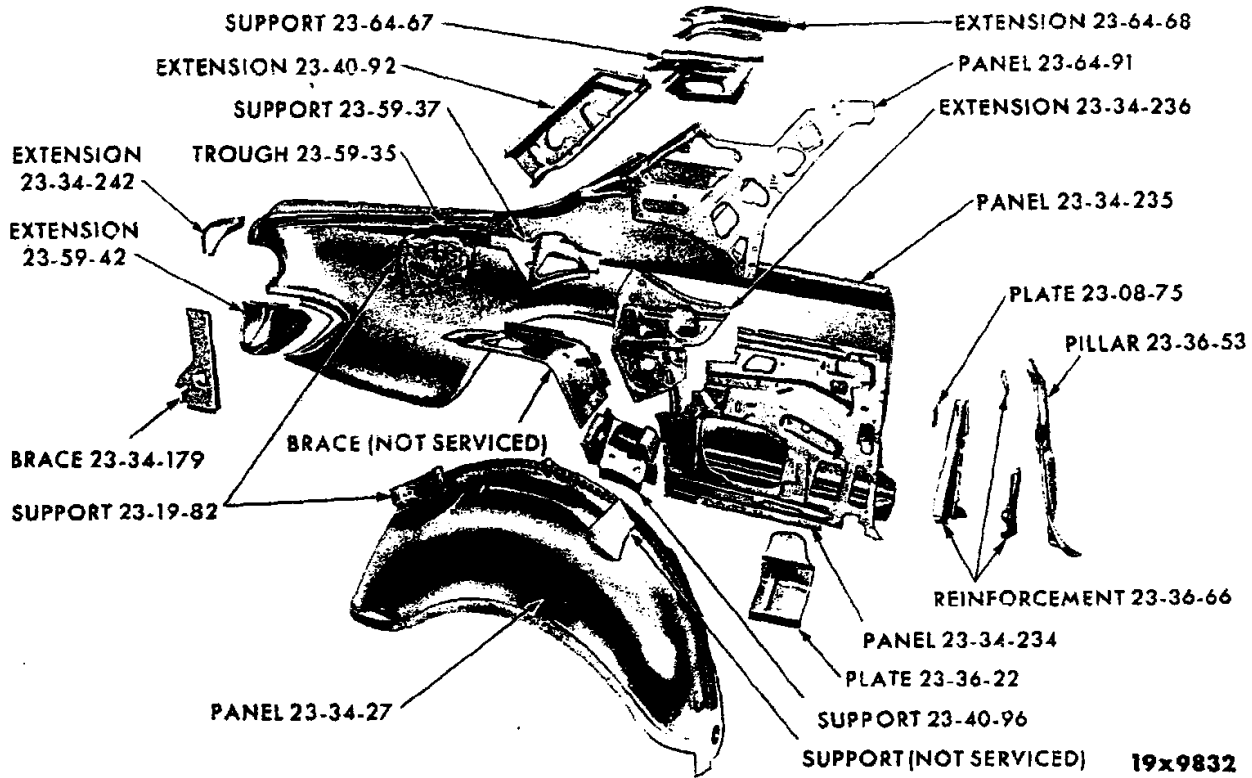
REAR QUARTER PANEL - DODGE VA3 4 DOOR STATION WAGON



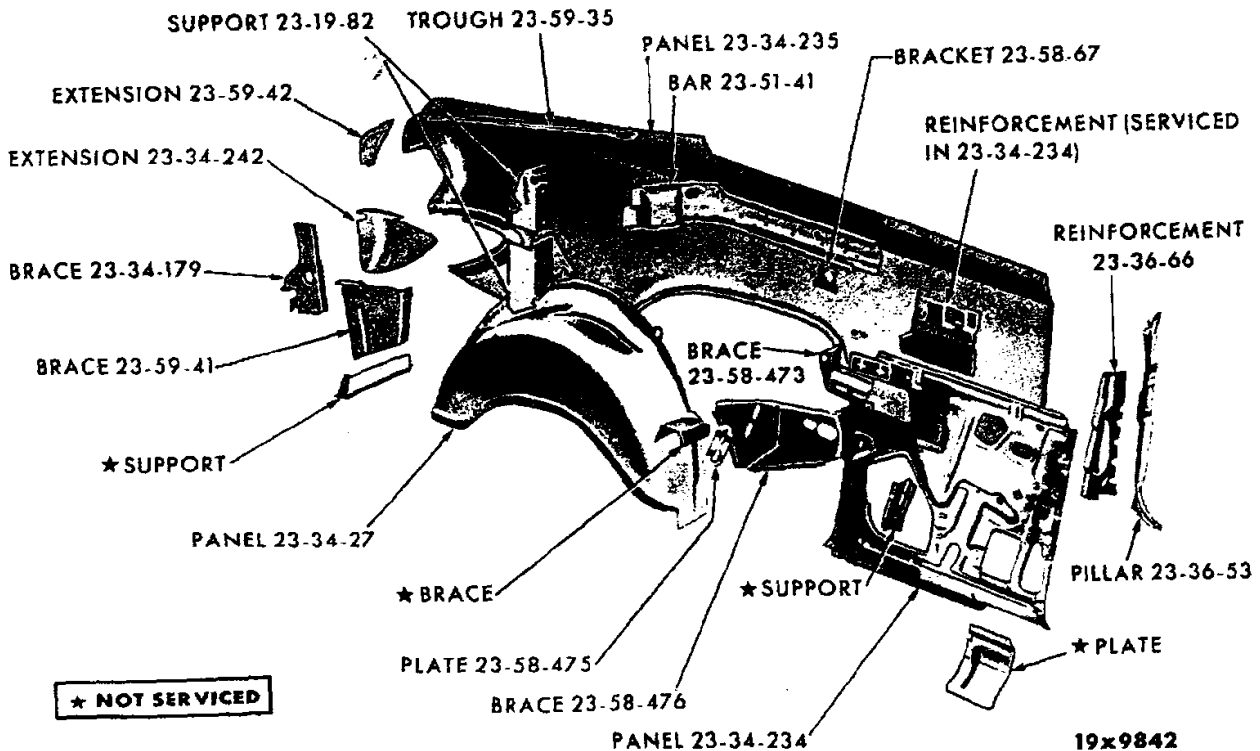
REAR QUARTER PANEL - DODGE VA3 CONVERTIBLE COUPE



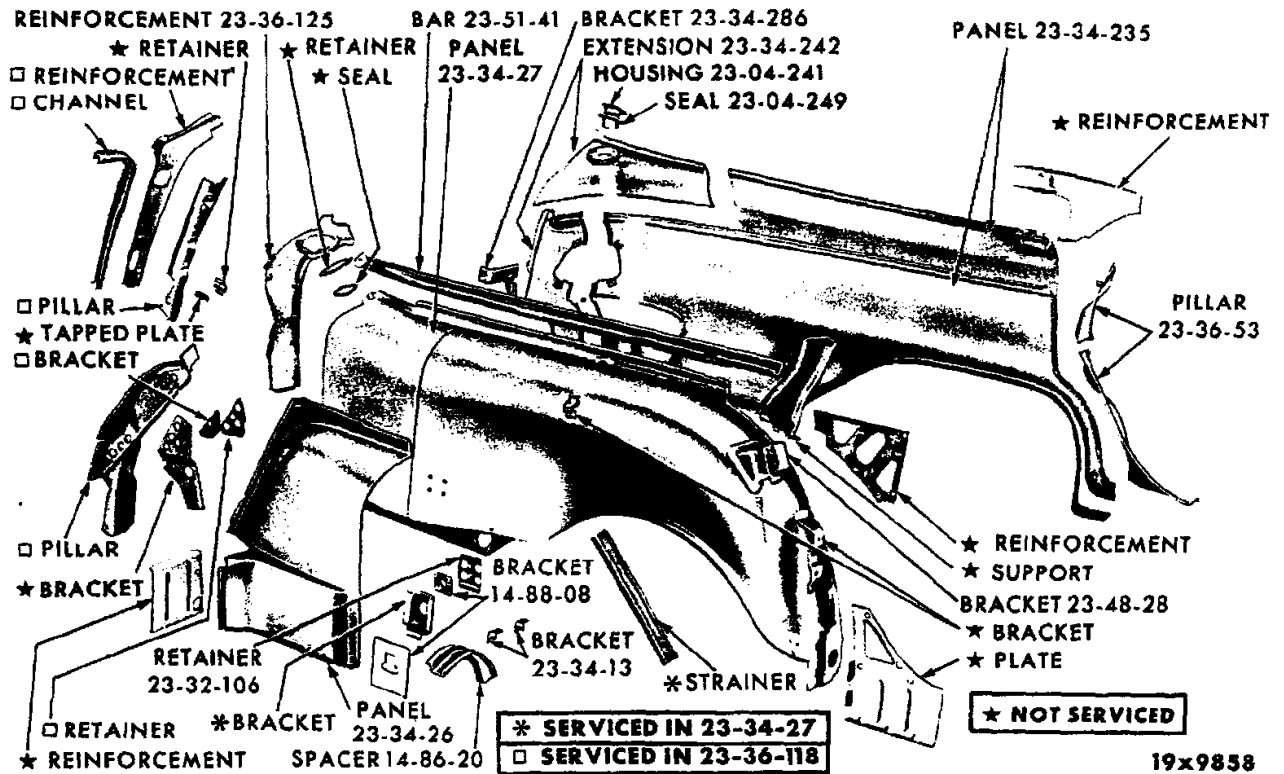
REAR QUARTER PANEL - CHRYSLER VC1-2-3 4 DOOR SEDAN AND 4 DOOR HARDTOP



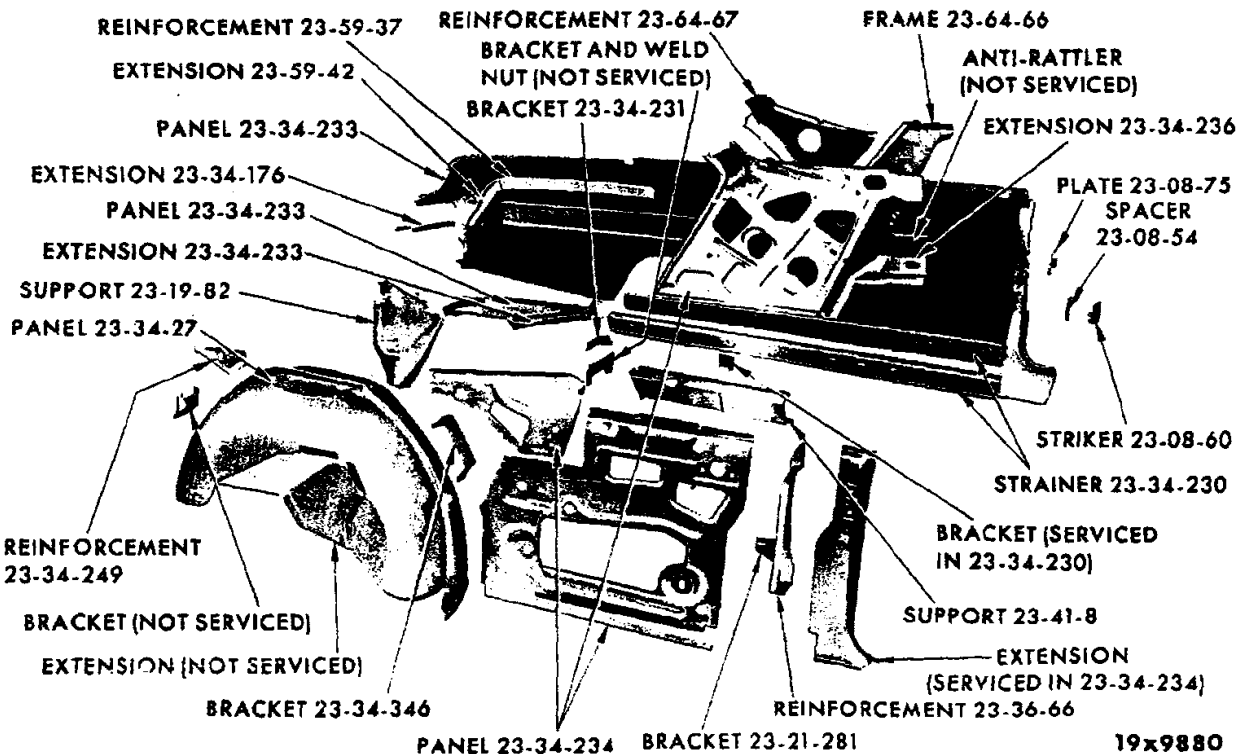
REAR QUARTER PANEL - CHRYSLER VC1-2 2 DOOR HARDTOP



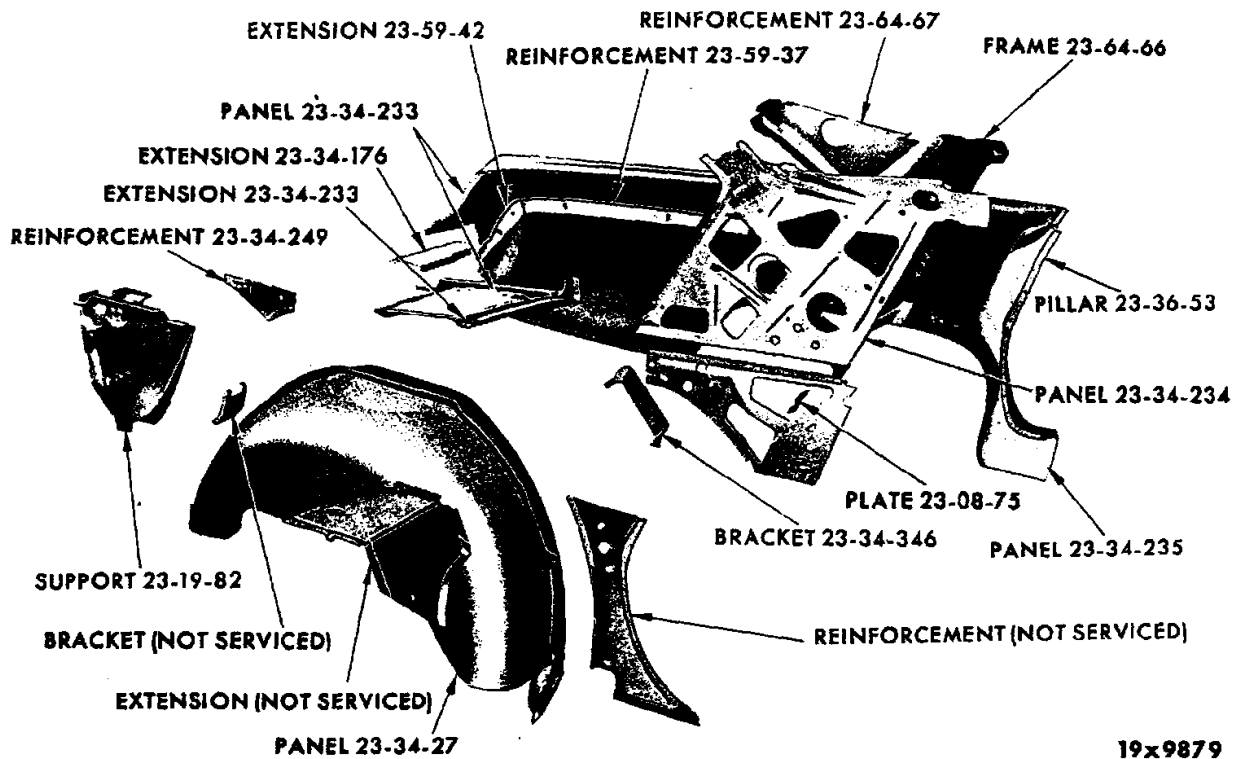
REAR QUARTER PANEL - CHRYSLER VC1-2 CONVERTIBLE COUPE



REAR QUARTER PANEL - CHRYSLER VC1-3 4 DOOR HARDTOP STATION WAGON

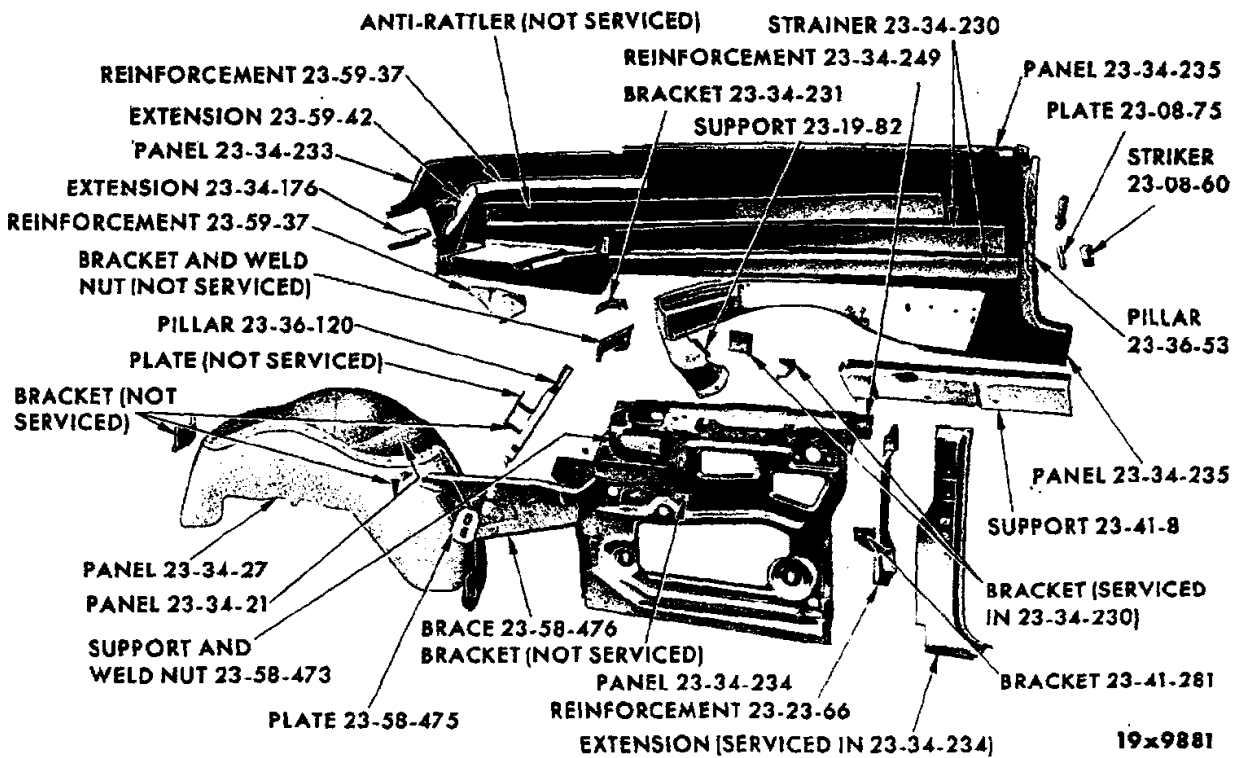


REAR QUARTER PANEL - IMPERIAL VY1(L-M) 2 DOOR HARDTOP



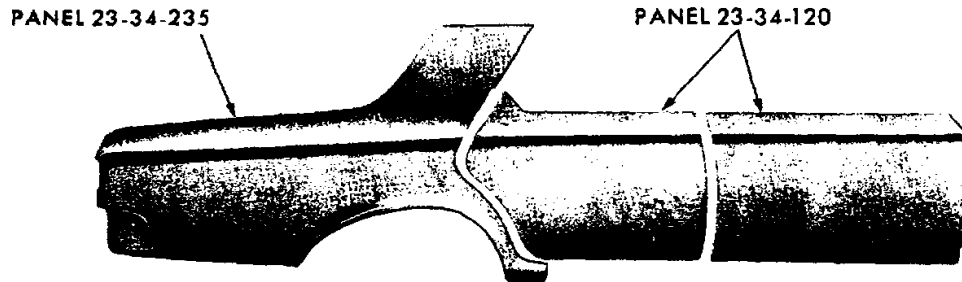
19x9879

REAR QUARTER PANEL - IMPERIAL VY1(M-H) 4 DOOR HARDTOP



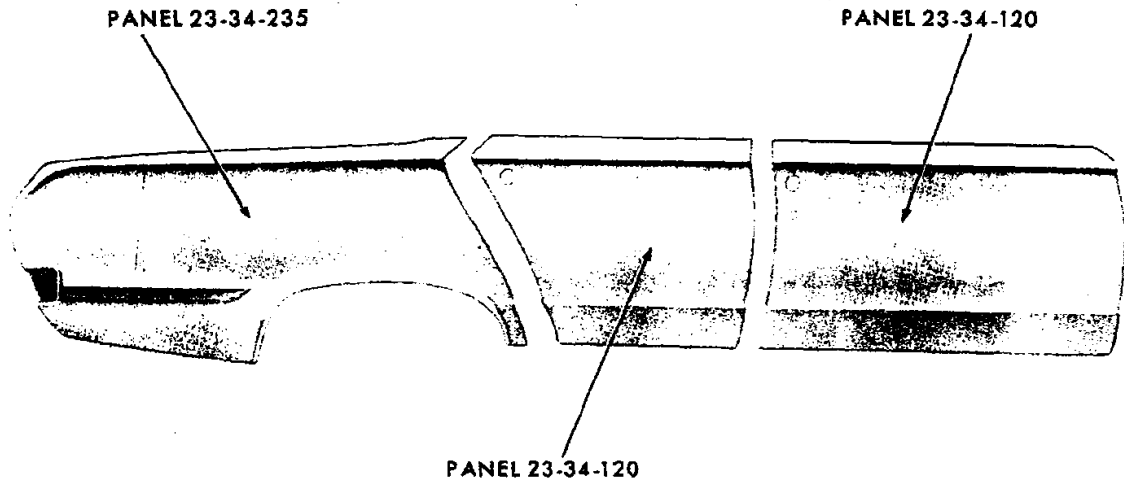
19x9881

REAR QUARTER PANEL - IMPERIAL VY1-M CONVERTIBLE COUPE



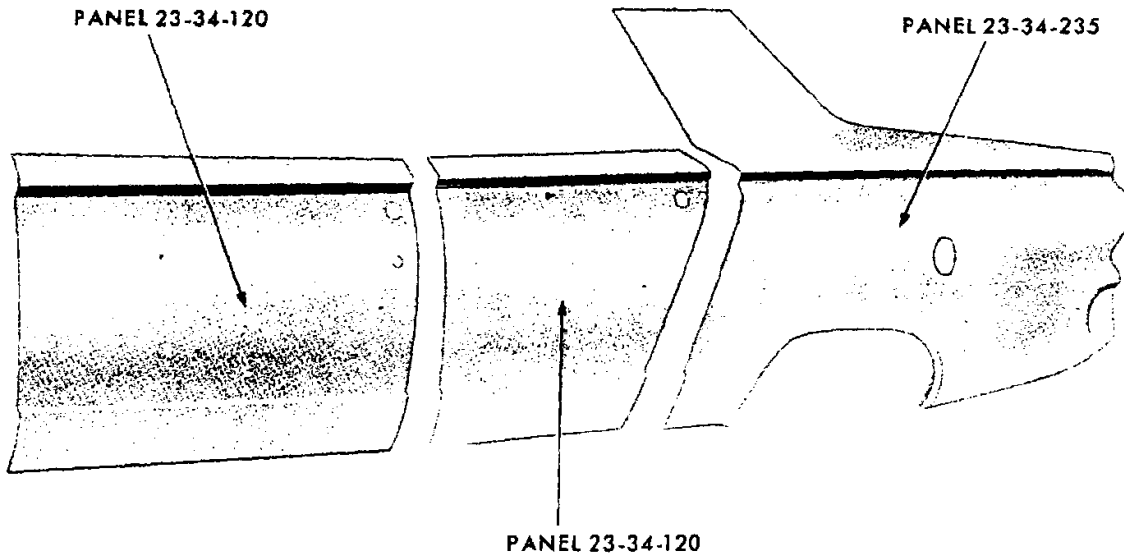
19x9556

REPAIR PANELS - PLYMOUTH VP1-2



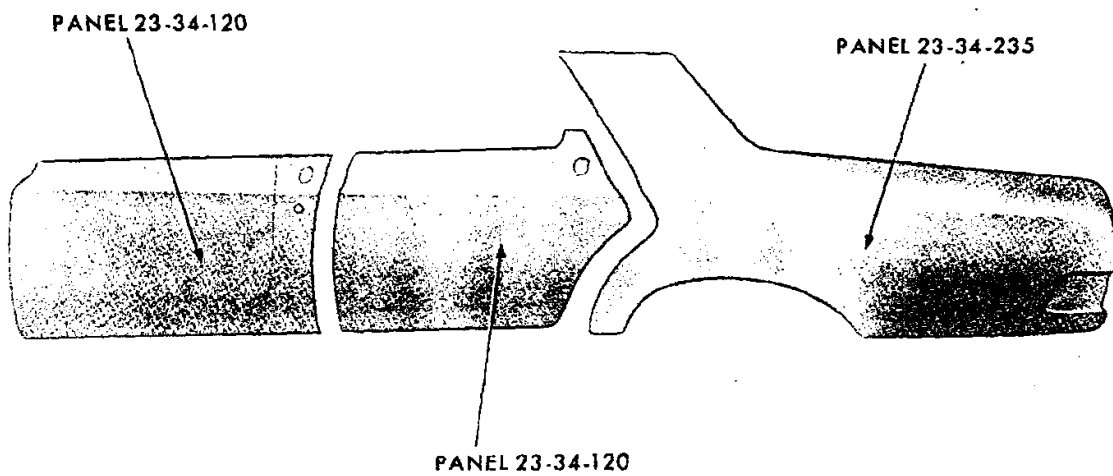
19x9792

REPAIR PANELS - VALIANT VV1-2



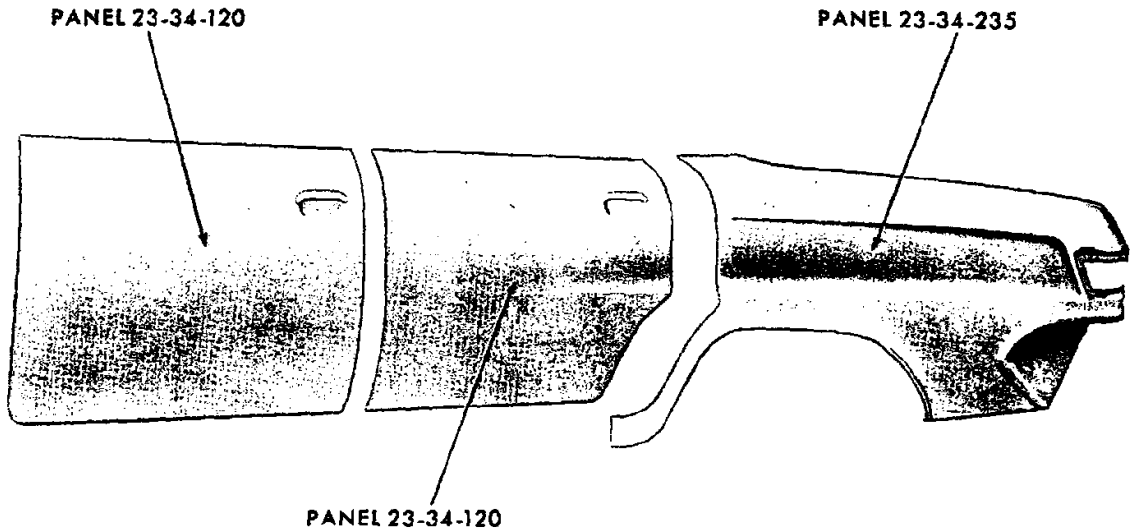
19x9557

REPAIR PANELS - DART VL1-2



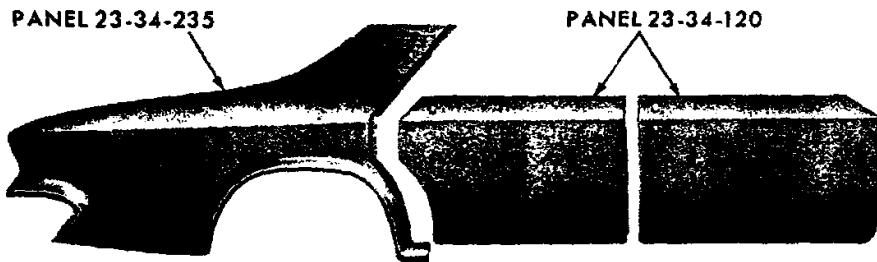
19x9558

REPAIR PANELS - DODGE VD1-2



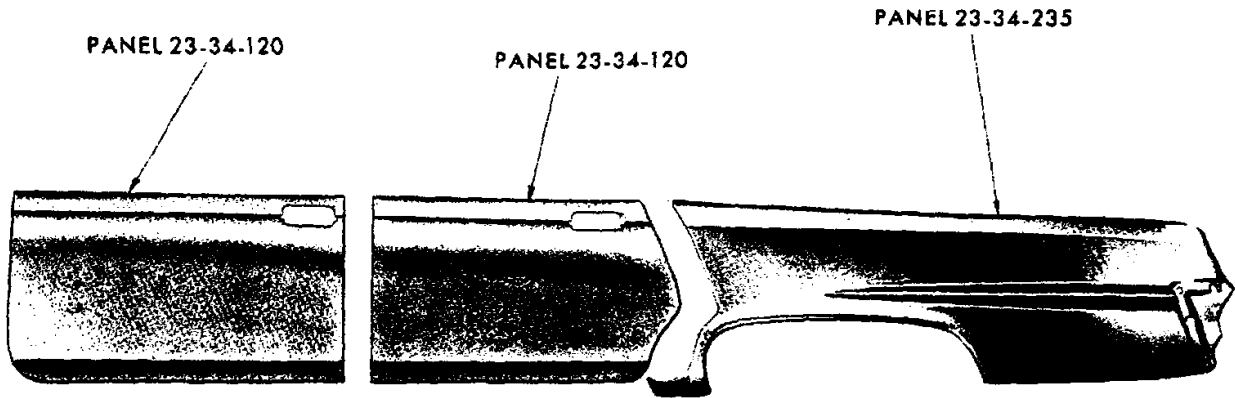
19x9796

REPAIR PANELS - DODGE VA3



19x9559

REPAIR PANELS - CHRYSLER VC1-2-3



19x9852

REPAIR PANELS - IMPERIAL VY1

NOTES

A series of horizontal lines for taking notes, starting below the 'NOTES' header and extending to the bottom of the page.

CODE	PART NAME AND DESCRIPTION	PER CAR	VALIANT DART	PLYMOUTH DODGE	CHRYSLER IMPERIAL
23-02-0 ASH RECEIVERS					
23-02-1	RECEIVER, Front Seat Back Ash VA3, VC1 Use w/o Lighter	1	----	2080 184	2080 184
	VA3, VC1 Complete, use w/o Lighter . .	1	----	2419 836	2419 836
	VC2, VC3 Complete	2	----	----	2161 115
	VC3 Use w/Lighter	2	----	----	2161 119
		1	----	----	2080 181
23-02-2	RETAINER, Front Seat Back Ash Receiver, w/BEZEL VC2, VC3	2	----	----	2080 784
23-02-6	BUMPER, Front Seat Back Ash Receiver VA3, VC1, VC2, VC3 Housing	2	----	2419 620	2419 620
	Spring	★	----	2419 621	2419 621
23-02-11	HOUSING, Front Seat Back Ash Receiver 4 D., 4 D. H. T., VC3 Use w/Lighter	1	----	----	2419 626
23-02-12	SNUFFER, Third Seat Back Ash Receiver Sta. Wgn., VA3	1	----	*1902 374	*1902 374
23-02-18	RECEIVER, Instrument Panel Ash VV1, VV2, VL1-L, VL2-L VL1-H, VL2-H, VL1-P, VL2-P, VY1 except VA3 VA3, VC1, VC2, VC3	1 1 1	*2218 864 *2491 683 ----	*2218 995 1901 938	*1901 826 2217 106
23-02-19	HOUSING, Instrument Panel Ash Receiver Except VA3 VA3	1 1	2292 183 ----	2217 738 1901 944	
23-02-22	PLATE, Front Seat Back Ash Receiver Mounting 4 D., 4 D. H. T., VC3	1	----	----	2419 592
23-02-29	STOP, Instrument Panel Ash Receiver Except VA3	1	2218 847	2217 746	
23-02-38	BUMPER, Instrument Panel Ash Receiver Door VY1	2	----	----	2218 683
23-02-40	DOOR and HOUSING, Instrument Panel Ash Receiver VC1, VC2, VC3 Complete VY1	1 1	----	----	2492 864 2492 816
23-02-42	HANDLE, Instrument Panel Ash Receiver VC1, VC2, VC3 SCREW	1 2	----	----	2217 107 9418 471
23-02-43	SPRING, Instrument Panel Ash Receiver Door VC1, VC2, VC3 Right Left	1 1	----	----	2080 234 *2080 898
23-02-50	FINISH PLATE, Instrument Panel Ash Receiver VL-P, VL-H	1	2491 539		
23-02-62	RECEIVER, Rear Quarter Arm Rest Ash 2 D. H. T., 2 D., except VA3 2 D. H. T., Cv. Cp., VY1	2 2	2490 462 ----	2490 462 ----	2440 270
23-02-78	RECEIVER, Rear Door Ash Except VA3 4 D. H. T., VC3 Salon, VY1	2 2	2490 462 ----	2490 462 ----	*2440 270
23-02-79	RECEIVER, Folding Top Pocket Panel Ash, w/LID Cv. Cp., except VA3	2	2490 481	2490 482	

★ Indicates use as required.
 □ Indicates parts not listed in any previous parts book.
 Right and left part numbers are on same line,
 first number is right, second number is left.

1964 PASSENGER CAR PARTS CATALOG

BODY

CODE	PART NAME AND DESCRIPTION	PER CAR	VALIANT DART	PLYMOUTH DODGE	CHRYSLER IMPERIAL
23-02-0 ASH RECEIVERS - Cont'd					
23-02-80	HOUSING, Rear Door Ash Receiver 4 D. H. T., VC3 Salon	2	-----	-----	2440 271
23-02-82	SPRING, Folding Top Panel Ash Receiver Cv. Cp., except VA3	2	2292 503	2440 386	
	SPRING, Rear Quarter Arm Rest Ash Receiver 2 D. H. T., 2 D., VC1, VC2	2	E2499 590	E2499 590	E2499 590
	2 D. H. T., Cv. Cp., VY1	2	-----	-----	E2572 163
	SPRING, Rear Door Ash Receiver VY1	2	E2499 590	E2499 590	E2572 163
	VC1, VC2, VC3	2	-----	-----	E2499 590
23-02-84	BUMPER, Door Ash Receiver Cover 4 D. H. T., VC3 Salon Front	2	-----	-----	*1639 961
	Rear	2	-----	-----	*2490 491
	BUMPER, Rear Door and Quarter Arm Rest Ash Receiver Lid				
	VY1 Front	*	-----	-----	*1639 961
	Rear	*	-----	-----	E2490 491
23-02-85	LID, Rear Door and Quarter Arm Rest Ash Receiver, w/BRACKET				
	VY1	*	-----	-----	2490 586-7
23-02-89	COVER and LID, Rear Door Ash Receiver 4 D. H. T., VC3 Salon	1	-----	-----	*2440 382-3
23-02-105	RECEIVER, Floor Console Ash, w/BEZEL All Front	1	-----	-----	*2490 126
23-02-107	BEZEL, Folding Top Panel Ash Receiver Cv. Cp.	2	1623 104		
23-02-109	PLATE, Floor Console Front Ash Receiver Mounting All Use w/Man. Trans.	1	-----	-----	E2490 939
23-02-149	BRACKET, Third Seat Ash Receiver Mounting Sta. Wgn., VA3	1	-----	*2080 596	*2080 596
23-02-150	HOUSING, Third Seat Ash Receiver Sta. Wgn., VA3	1	-----	*1902 375	*1902 375
23-04-0 FLOOR BOARDS					
23-04-205	MOULDING, Rear Floor Pan Cover Panel VV1, VV2, Barracuda Front	1	E2527 922		
	Side	1	E2527 924-5		
	Sta. Wgn., except VA3 Prime	1	-----	*2254 668	
	SKID STRIP, Center Floor Pan Third Seat Back Sta. Wgn., except VA3	2	-----	*2251 868	
	MOULDING, Spare Tire Compartment Floor Mat Sta. Wgn. w/3 Screw Holes	1	-----	*2419 781	2419 781
	Sta. Wgn., VA3 w/4 Screw Holes	1	-----	*2440 273	2440 273
23-04-207	Cap, Rear Floor Pan Cover Panel Moulding VV1, VV2, Barracuda	1	E2527 936-7		
23-04-229	COVER, Floor Pan Spare Tire, Hard Board Except Sta. Wgn.	1	*2419 361		
	COVER, Spare Tire Sta. Wgn. Plastic, Paint as Required	1	-----	*4318 TX8	*4318 TX8
	VP2-P, VD2-P Rubber	1	-----	2499 300	
	PANEL, Spare Tire VY1	1	-----	-----	1708 248
23-04-241	HOUSING, Fuel Tank Filler Tube VP1, VP2, except Sta. Wgn.	1	-----	*2425 394	
	VD1, VD2, except Sta. Wgn.	1	-----	*2244 123	
	VA3, VC1, VC2, VC3, except Sta. Wgn.	1	-----	*2481 026	*2482 859
	Sta. Wgn., VA3 w/COLLAR	1	-----	*1960 501	*2243 889
	VY1	1	-----	-----	2480 577

* Indicates use as required.

E Indicates parts not listed in any previous parts book.
March 16, 1964 Supersedes Sept. 6, 1963.

Printed in U.S.A.
Prices and specifications subject to change without notice.

Right and left part numbers are on same line,
first number is right, second number is left.

CODE	PART NAME AND DESCRIPTION	PER CAR	VALIANT DART	PLYMOUTH DODGE	CHRYSLER IMPERIAL
23-04-0 FLOOR BOARDS - Cont'd					
23-04-249	SEAL, Fuel, Tank Filler Tube All Sta. Wgn., VA3	1 1	2242 359 -----	1833 900	1833 900
23-06-0 GLOVE BOX					
23-06-4	BOX, Glove VC1, VC2, VC3, except VA3 Except VA3 Use w/Air Conditioning VA3, VY1	1 1 1	2218 914 ----- -----	2217 723 2492 201 2161 268	2292 010 2492 086
23-06-10	DOOR, Glove Box Except VP2-H, VP2-P, VD2-H, VD2-P VP2-H, VP2-P VD2-H, VD2-P VA3, VC1, VC2, VC3 VY1 Inner VYH Outer VY-M Outer, w/MEDALLION	1 1 1 1 1 1 1	2162 513 ----- ----- ----- ----- ----- -----	2217 724 2492 268 2491 549 1901 931 ----- ----- -----	2216 939 2217 791 2492 737 2492 735
23-06-13	ARM, Glove Box Door Check VA3, VC1, VC2, VC3	1	-----	1901 790	2292 011
23-06-14	BUMPER, Glove Box Door VC1, VC2, except VA3 VA3, VY1 VA3, VC1, VC2, VC3 w/o Light BUMPER, Glove Box Door Hinge Except VA3	2 2 1 2	----- 1698 868 ----- 2292 257	2080 201 729 152 1298 930 2292 257	2080 201 2080 480 1298 930
23-06-15	CATCH, Glove Box Door Lock VC1, VC2, VC3, except VA3 VA3, VY1	1 1	----- -----	2162 692 2161 217	2217 277 2492 716
23-06-17	FINISH PLATE, Glove Box Door VV-H, VV-P NUT VL-H, VL-P NUT VA3-L	1 2 1 4 1	2491 537 6023 565 2491 542 6023 565 -----	2218 202	
23-06-21	HINGE, Glove Box Door VY1 Except VA3 Door Half Panel Half VA3, VC1, VC2, VC3	1 1 1 1	2292 246-7 ----- ----- -----	----- 2491 000-1 2491 002-3 2161 621	2217 784-5 2216 957
23-06-22	SPRING, Glove Box Door Hinge VY1 Hinge VY1, except VA3 Release	1 ★	2217 175 -----	----- 2492 831	2492 171 2492 817
23-06-25	HANDLE, Glove Box Door All SCREW	1 2	1698 140 456 867		
23-06-28	LATCH, Glove Box Door VC1, VC2, VC3, except VA3 VA3, VY1	1 1	----- -----	1830 415 2080 321	1830 415 2499 377
23-06-41	GROMMET, Glove Box Door Check Arm VA3	★	-----	*2080 488	*2080 488
23-06-42	MEDALLION, Glove Box Door VYM	1	-----	-----	2491 912

★ Indicates use as required.
 E Indicates parts not listed in any previous parts book.
 Right and left part numbers are on same line,
 first number is right, second number is left.
 * Indicates change or addition.

1964 PASSENGER CAR PARTS CATALOG

BODY

CODE	PART NAME AND DESCRIPTION	PER CAR	VALIANT DART	PLYMOUTH DODGE	CHRYSLER IMPERIAL
23-06-0 GLOVE BOX - Cont'd					
23-06-49	MOULDING, Glove Box Door				
	VA3	1	----	1902 313	
	NUT	3	----	6008 128	
23-06-53	NAME PLATE, Glove Box Door				
	VP1-M, VP2-M "Belvedere"	1	----	2492 198	
	VP1-H, VP2-H "Fury"	1	----	2217 761	
	VD1-L, VD2-L "DODGE 330"	1	----	2492 199	
	VD1-M, VD2-M "DODGE 440"	1	----	2492 200	
	VD1-H, VD2-H "Polara"	1	----	2491 728	
	VD2-P "Polara 500"	1	----	2491 729	
	VA3-E "880"	1	----	2218 810	
	VA3-L "Custom 880"	1	----	2218 283	
	VY-M "Crown Coupe"	1	----	----	2492 247
	VY-H "Le Baron"	1	----	----	2491 883
	NUT	4	----	----	1839 995
23-06-88	RETAINER, Glove Box Door Hinge Rivet Except VA3	2	6008 041	6008 041	
23-07-0 BRACKETS AND REINFORCEMENTS					
23-07-169	BRACKET, Instrument Panel Lower Reinforcement to Pillar				
	VY1	1	----	----	2080 652-3
23-08-0 BUMPERS AND STRIKERS					
23-08-12	BUMPER or WEDGE, Door				
	Cv. Cp., VC1, VC2 Door	2	----	989 513	989 513
	Body	2	----	1544 841	1544 841
	2 D. H. T., Cv. Cp., VY1				
	Door	2	----	----	989 513
	Body	2	----	----	2520 004
	VY1, except VA3	*	2255 231	2255 231	2255 231
	VA3, VC1, VC2, VC3, except 2 D. H. T., Cv. Cp.	*	----	1883 740	1883 740
	2 D. H. T., Cv. Cp., VA3, VC1, VC2	*	----	1954 393	1954 393
	4 D. H. T., VY1 On Lower Center Pillar	1	----	----	2490 944-5
	w/o Grove	1	----	----	*2572 892-3
	SCREW	4	----	----	9416 049
	WEDGE, Door Sliding				
	Cv. Cp.	2	2428 191		
23-08-54	SPACER, Door Lock Striker				
	VY1, except VA3 Thick	*	2486 279	2486 279	2486 279
	Thin	*	2486 280	2486 280	2486 280
	VA3, VC1, VC2, VC3 Thin	*	----	1954 717	1954 717
23-08-60	STRIKER, Door Lock				
	VY1, except VA3	*	2486 178-9	2486 178-9	2486 178-9
	SCREW	*	6024 828	6024 828	6024 828
	VA3, VC1, VC2, VC3	*	----	1954 234-5	1954 234-5
	SCREW	*	----	6024 187	6024 187
	STRIKER, Door Sliding Wedge				
	Cv. Cp.	1	2520 692-3		
23-08-75	PLATE, Door Lock Striker Tapping				
	All	*	2218 956	2218 956	2218 956
23-09-0 GLASS CHANNELS					
23-09-2	ROLLER, Rear Door Glass Lower Channel				
	4 D., VA3, VC1, VC2, VC3	2	----	1697 607	1697 607
	Sta. Wgn., VA3-E	2	----	1697 607	
	4 D. H. T., 4 D. H. T. Sta. Wgn., VA3-L, VC1, VC2, VC3	6	----	*1883 819	*1883 819

* Indicates use as required.
 □ Indicates parts not listed in any previous parts book.
 March 15, 1965 Supersedes March 16, 1964.

Printed in U.S.A.
 Prices and specifications subject to change without notice.
 Right and left part numbers are on same line,
 first number is right, second number is left.
 * Indicates change or addition.

CODE	PART NAME AND DESCRIPTION	PER CAR	VALIANT DART	PLYMOUTH DODGE	CHRYSLER IMPERIAL
23-09-0 GLASS CHANNELS - Cont'd					
23-09-9	BRACKET, Quarter Window Glass Lift	2	2217 369		
	2 D.	2	6023 546		
	RIVET				
	CHANNEL, Quarter Window Glass Lower (1)				
	VV1, VV2, Barracuda	1	*2528 770-1		
	Cv. Cp., VY1, except VA3	1	2422 422-3	2244 902-3	2424 708-9
	2 D. H. T., VL1, VL2, VY1, except VA3	1	2245 092-3	2481 602-3	2424 708-9
	SCREW and WASHER	4	6023 553		
	2 D.	1	----	*2245 002-3	
23-09-17	ROLLER, Quarter Window Glass Lower Channel and Track				
	VV1, VV2, Barracuda				
	Slide	2	E2423 789		
	2 D. H. T., Cv. Cp., VA3, VC1, VC2				
	Double	*	----	*1883 819	*1883 819
	Cv. Cp., VA3, VC1, VC2				
	Single	2	----	1697 607	1697 607
23-09-27	CAP, Door and Quarter Window Glass Lower Channel Regulator Roller Slot				
	VY1	*	----	----	2218 301
23-09-35	CHANNEL, Quarter Window Glass Run, w/BRACKET				
	2 D. Front	2	2216 506		
	2 D., VL1, VL2 Rear	1	2255 542-3		
	Cv. Cp.	1	2424 970-1		
23-09-37	SUPPORT, Quarter Window Glass Rear Run Channel				
	2 D. H. T., 2 D., VL1, VL2	2	2243 035		
23-09-47	SUPPORT, Door Glass Rear Run Channel				
	4 D. H. T., 2 D. H. T., Cv. Cp., except VA3				
	Front, Upper	2	----	2216 485	
	Lower	2	----	2216 111	
	VA3, VC1, VC2, VC3, except 4 D.				
	Front, Upper	2	----	1963 732	1963 732
	Lower	2	----	1954 446	1954 446
23-09-51	CHANNEL, Front Door Window Glass Rear Run				
	4 D., 2 D. Sta. Wgn.	2	2216 506		
	2 D. H. T., Cv. Cp.	1	2217 530-1		
	4 D. H. T., 2 D. H. T., Cv. Cp., except VA3	1	----	2166 936-7	
	VA3-L, VC1, VC2, VC3, except 4 D.	1	----	1950 812-3	1950 812-3
	VY1	2	----	----	*2491 530
23-09-52	BRACKET, Front Door Glass Lift				
	4 D., 2 D. Sta. Wgn.	2	2217 369		
	RIVET	2	6023 546		
	2 D. H. T., Cv. Cp.	2	2217 429		
	RIVET	2	6023 546		
	CHANNEL, Front Door Glass Lower (1)				
	4 D., Sta. Wgn., except VA3	1	----	2167 780-1	
	2 D.	1	----	2166 916-7	
	4 D., VA3, VC1, VC2, VC3	1	----	2165 712-3	2165 712-3
	Sta. Wgn., VA3-E	1	----	2165 712-3	
	2 D. H. T., Cv. Cp., VY1	1	----	----	2491 054-5
	4 D. H. T., VY1	1	----	----	2217 974-5

NOTE 1: See Exterior Moulding Illustrations and Moulding Legends in Front of Group 23 Body Section.

★ Indicates use as required.
 □ Indicates parts not listed in any previous parts book.
 Right and left part numbers are on same line,
 first number is right, second number is left.
 * Indicates change or addition.

Printed in U.S.A.
 Prices and specifications subject to change without notice.
 March 15, 1965 Supersedes March 16, 1964.

1964 PASSENGER CAR PARTS CATALOG

BODY

CODE	PART NAME AND DESCRIPTION	PER CAR	VALIANT DART	PLYMOUTH DODGE	CHRYSLER IMPERIAL
23-09-0 GLASS CHANNELS - Cont'd					
23-09-53	SPACER, Quarter Window Glass Lower Channel 2 D. H. T., VL1, VL2	4	2216 544		
23-09-54	GASKET, Door and Quarter Window Glass Lift Bracket All	★	2217 351		
23-09-56	CHANNEL, Rear Door Window Glass Run 4 D., Sta. Wgn. Front Rear 4 D., VC1, VC2, VC3 4 D. H. T., VY1	1 2 1 1	2216 818-9 2216 844 ---- ----		2216 928-9 2493 096-7
23-09-58	BRACKET, Rear Door Glass Lift All RIVET CHANNEL, Rear Door Glass Lower (1) 4 D. Sta. Wgn., except VA3 4 D. H. T., VY1, except VA3 4 D., VA3, VC1, VC3 Sta. Wgn., VA3-E	2 2 1 1 1 1	2217 369 6023 546 ---- ---- ---- ----	2421 215-6 2217 208-9 1950 648-9 1950 648-9	2491 720-1 2216 900-1
23-09-61	GROMMET, Quarter Window Glass Lower Channel 2 D. H. T., VL1, VL2	8	2216 546		
23-09-64	CHANNEL, Tailgate Glass Lower Sta. Wgn., except VA3 RIVET Sta. Wgn., VA3 SCREW	1 2 1 ★	---- ---- 2423 575 133 781	2217 511 6023 695 2423 555 133 781	2423 555 133 781
23-09-65	BRACKET, Tailgate Glass Run Lower Channel Upper Sta. Wgn., VA3, VC1, VC3	2	----	2493 685	2493 685
23-09-67	CHANNEL, Tailgate Glass Run Sta. Wgn., except VA3 Upper Side Upper Side Lower Sta. Wgn., VA3 Side Lower	1 1 1 1	2244 889 2480 274-5 2423 492-3 ----	2480 975 2251 772-3 2252 152-3 2189 354-5	2189 354-5
23-09-75	CHANNEL, Quarter Window Rear Guide V1, V2, Barracuda 2 D. H. T., VV1, VV2, except Barracuda 2 D. H. T., VL1, VL2 2 D. H. T., Cv. Cp., VY1	1 1 1 1	*2573 114-5 *2244 192-3 2255 414-5 ----		2493 096-7
23-10-0 DOOR CHECK					
23-10-1	ARM, Door Check VY1 Front, w/RIVET RIVET Rear PIN	2 2 2 2	---- ---- ---- ----	---- ---- ---- ----	2520 341 104 102 1860 829 6000 130
23-10-2	BRACKET, Rear Door Check Arm VY1	2	----	----	1750 686
23-10-17	GUIDE, Rear Door Check Arm VY1	2	----	----	1758 076
23-10-18	SPRING, Front Door Check Arm Tension VY1	2	----	----	1691 275

NOTE: See Exterior Moulding Illustrations and Moulding Legends in Front of Group 23 Body Section.

★ indicates use as required.
 □ indicates parts not listed in any previous parts book.
 March 15, 1965 Supersedes March 16, 1964.

Printed in U.S.A.
 Prices and specifications subject to change without notice.
 Right and left part numbers are on same line,
 first number is right, second number is left.
 * Indicates change or addition.

CODE	PART NAME AND DESCRIPTION	PER CAR	VALIANT DART	PLYMOUTH DODGE	CHRYSLER IMPERIAL
23-11-0 DOORS					
23-11-1	SHELL, Front Door				
	4 D., Sta. Wgn., except VA3	1	2425 814-5	2425 766-7	
	2 D. H. T., CV. Cp., VY1, except VA3	1	2425 818-9	2425 772-3	2425 630-1
	2 D.	1	2425 816-7	2425 770-1	
	4 D. H. T., VY1, except VA3	1	----	2425 768-9	2425 632-3
	4 D., Sta. Wgn., VA3-E	1	----	1964 118-9	
	4 D., VA3-L, VC1, VC3	1	----	1964 118-9	2493 172-3
	2 D. H. T., Cv. Cp., VA3, VC1, VC2	1	----	1964 124-5	2425 696-7
	4 D. H. T., 4 D. H. T. Sta. Wgn., VA3-L, VC1, VC2, VC3	1	----	2165 328-7	2425 848-9
23-11-2	DOOR, Front, Trimmed, Includes HARDWARE and GLASS, All Codes				
	NOTE: Door assemblies complete, will no longer be listed by part number in the parts books. Door assemblies complete will be available during the production run of the car model and will be furnished on special order only. The vehicle SERIAL NUMBER must be noted on the order.				
23-11-3	SHELL, Rear Door				
	4 D., Sta. Wgn., except VA3	1	2425 834-5	2425 796-7	
	4 D. H. T., VC1, VC2, VC3, except VA3	1	----	2425 798-9	2425 704-5
	4 D., VA3, VC1, VC3	1	----	1964 130-1	2493 202-3
	Sta. Wgn., VA3-E	1	----	1964 130-1	
	4 D. H. T., 4 D. H. T. Sta. Wgn., VA3-L	1	----	1964 136-7	
	4 D. H. T., VY1	1	----	----	2425 634-5
	4 D. H. T. Sta. Wgn., VC1, VC3	1	----	----	2425 874-5
23-11-4	DOOR, Rear, Trimmed, includes HARDWARE and GLASS, All Codes				
	NOTE: Door assemblies complete, will no longer be listed by part numbers in the parts books. Door assemblies complete will be available during the production run of the car model and will be furnished on special order only. The vehicle SERIAL NUMBER must be noted on the order.				
23-11-19	COVER, Rear Door Inside Panel Upper Front				
	4 D. H. T., except VA3	1	----	2217 352-3	
23-14-0 DOOR REGULATOR AND REMOTE CONTROL HANDLES					
23-14-10	HANDLE, Door Outside				
	VC1, VC2, VC3, except VA3				
	Front	1	2242 848-9	2167 408-9	2299 550-1
	Rear	1	2242 988-9	2167 408-9	2299 550-1
	VA3, VY1				
	Front	1	----	1961 600-1	2428 448-9
	Rear	1	----	1961 606-7	2428 450-1
23-14-16	HANDLE, Door Pull				
	VY1	★	----	----	2490 160-1
	SCREW	★	----	----	9419 774
23-14-17	SPRING, Door Outside Handle Over Travel				
	VY1	★	----	----	2486 191
	SPRING, Door Outside Handle Actuator				
	VC1, VC2, VC3	★	----	----	2428 118
	SPRING, Door Outside Handle Shutter				
	VY1	★	----	----	2486 054-5
23-14-18	HANDLE, Door Window Regulator				
	VC1, VC2, VC3	★	*2495 914	*2495 914	*2495 914
	SCREW	★	6023 538	6023 538	6023 538
23-14-21	SPRING, Front Door Window Regulator Handle				
	VA3, VC1, VC2	2	----	1695 431	1695 431

★ Indicates use as required.
 □ Indicates parts not listed in any previous parts book.
 Right and left part numbers are on same line, first number is right, second number is left.
 * Indicates change or addition.

1964 PASSENGER CAR PARTS CATALOG

BODY

CODE	PART NAME AND DESCRIPTION	PER CAR	VALIANT DART	PLYMOUTH DODGE	CHRYSLER IMPERIAL
23-14-0 DOOR REGULATOR AND REMOTE CONTROL HANDLES - Cont'd					
23-14-24	SPACER, Regulator and Remote Control Handle VC1, VC2, VC3 Flat	★	2428 012	2428 012	2428 012
	w/Shoulder	★	2486 621	2486 621	2486 621
23-14-26	PLATE, Door Pull Handle Mounting VY1	★	----	----	2490 162-3
23-14-27	HANDLE, Door Remote Control VC1, VC2	★	2299 973	2299 973	2299 973
	SCREW	★	6023 538	6023 538	6023 538
	VC3 Black	★	----	----	3452-3 VX9
	VY1 Blue	★	----	----	3450-1 VB4
	Yellow Green	★	----	----	3450-1 VF9
	Maroon	★	----	----	3450-1 VM4
	Turquoise	★	----	----	3450-1 VQ4
	Yellow Tan	★	----	----	3450-1 VT4
	Red Tan	★	----	----	3450-1 VUU
	White	★	----	----	3450-1 VW2
	Black	★	----	----	3450-1 VX9
	Red	★	----	----	3450-1 VR7
23-14-39	HANDLE, Door Vent Wing All	1	2216 618-9		
23-14-41	SHAFT, Front Door Vent Wing Handle Except VA3	2	----	2167 634	
	WASHER	2	----	6022 858	
	SCREW	2	----	6022 988	
23-14-45	SPRING, Front Door Vent Wing Handle All	2	2217 039		
23-14-47	CATCH, Front Door Vent Wing Handle VY1	1	----	----	2093 828-9
23-14-49	DETENT, Front Door Vent Wing Handle All	2	2217 044		
23-14-51	GROMMET, Door Remote Control Handle, w/CLIP VC3	★	----	----	2085 899
	VY1	★	----	----	2490 588
23-14-52	PIN, Front Door Vent Wing Handle VA3	2	9409 639	6000 116	6000 116
23-14-53	HANDLE PACKAGE, Front Door Vent Wing VY1, except VA3	1	----	2299 433-4	1954 110-1
	VA3, VC1, VC2, VC3	1	----	2167 916-7	2167 916-7
23-14-64	SLEEVE, Door Outside Handle Spring VY1	★	----	----	2520 665
23-14-79	HANDLE, Quarter Window Regulator 2 D. H. T., Cv. Cp., 2 D., except VA3	2	2495 915	2495 915	
	SCREW	2	6023 538	6023 538	
	2 D. H. T., Cv. Cp., VA3, VC1, VC2	2	----	*2495 914	*2495 914
	SCREW	2	----	6023 538	6023 538
23-14-135	ACTUATOR, Door Outside Handle VC1, VC2, VC3	★	----	----	2299 636-7
	PIN	★	----	----	9417 374
23-14-136	SHUTTER, Front Door Outside Handle VY1	1	----	----	2486 044-5

★ Indicates use as required.

☐ Indicates parts not listed in any previous parts book.
March 15, 1965 Supersedes March 16, 1964.

Printed in U.S.A.
Prices and specifications subject to change without notice.
Right and left part numbers are on same line,
first number is right, second number is left.
• Indicates change or addition.

CODE	PART NAME AND DESCRIPTION	PER CAR	VALIANT DART	PLYMOUTH DODGE	CHRYSLER IMPERIAL
------	---------------------------	---------	--------------	----------------	-------------------

23-14-0 DOOR REGULATOR AND REMOTE CONTROL HANDLES - Cont'd

23-14-143	BUTTON END, Door Outside Handle, w/STUD VC1, VC2, VC3	1	-----	-----	2428 276-7
	GRIP END, Door Outside Handle, w/STUD VC1, VC2, VC3	1	-----	-----	2428 252-3
23-14-147	GASKET or SEAL, Door Outside Handle Except VA3				
	To Front	★	2216 289	2216 289	
	To Rear	★	2252 040-1	2252 040-1	
	VC1, VC2, VC3	★	-----	-----	2299 594
	VY1	★	-----	-----	2299 595
23-14-151	BUTTON and GUIDE, Door Outside Handle Push VC1, VC2, VC3	★	-----	-----	2428 458
					2299 610
23-14-153	BUMPER, Door Outside Handle VA3, VY1	★	-----	1651 493	1651 493
	Center	★	-----	1707 384	1707 384

23-15-0 DOOR HINGE

23-15-1	HINGE, Door Upper				
	All				
	Except VA3				
	Front	2	2298 649		
	Front	1	-----	2216 458-9	
	Rear	1	2254 258-9	2299 698-9	
	Sta. Wgn., VA3-E	1	-----	1950 610-1	
	VA3, VC1, VC2, VC3				
	Front	1	-----	1882 028-9	1882 028-9
	4 D. H. T., 4 D. H. T. Sta. Wgn., VA3-L, VC1, VC2, VC3	1	-----	1882 400-1	1882 400-1
	Rear	1	-----	1950 610-1	1950 610-1
	4 D., VA3, VC1, VC2, VC3				
Rear	1	-----	1950 610-1	1950 610-1	
VY1					
Front	1	-----	-----	2520 338-9	
Rear, Right	1	-----	-----	1651 400	
Left	1	-----	-----	1750 565	
23-15-3	HINGE, Door Lower				
	VY1, except VA3				
	Front	1	2254 226-7	2188 554-5	1651 396-7
	Rear	1	2254 680-1	2299 694-5	
	Sta. Wgn., VA3-E	1	-----	2166 452-3	
	VA3, VC1, VC2, VC3				
	Front	1	-----	1882 048-9	1882 048-9
	4 D. H. T., 4 D. H. T. Sta. Wgn., VA3-L, VC1, VC2, VC3	1	-----	2166 466-7	2166 466-7
	Rear	1	-----	2166 452-3	2166 452-3
	4 D., VA3, VC1, VC2, VC3				
Rear	1	-----	-----	1651 400	
VY1					
Right	1	-----	-----	1750 565	
Left	1	-----	-----		
23-15-6	ROLLER and BUSHING PACKAGE, Door Hinge Integral Check				
	All	★	2525 562		
	Except VA3	★	2525 563	2525 563	
	ROLLER, Door Hinge Integral Check				
	VA3, VC1, VC2, VC3				
Front Upper	2	-----	1883 802	1883 802	
Rear Lower	2	-----	1882 967	1882 967	
23-15-7	SHIM, Rear Door Upper Hinge VA3, VC1, VC2, VC3	★	-----	-----	1950 670
	VY1	★	-----	-----	2189 408
23-15-9	PIN, Door Hinge				
	VC1, VC2, VC3				
	Front Lower	2	6022 891	6000 209	6000 209
	VC1, VC2, VC3, except VA3				
Front Upper	2	6023 576	6022 891	1882 054	
VC1, VC2, VC3					
Rear Lower	2	6022 891	6022 891	1882 965	

★ Indicates use as required.

⊠ Indicates parts not listed in any previous parts book.

Right and left part numbers are on same line,

first number is right, second number is left.

† Indicates change or addition.

1964 PASSENGER CAR PARTS CATALOG

BODY

CODE	PART NAME AND DESCRIPTION	PER CAR	VALIANT DART	PLYMOUTH DODGE	CHRYSLER IMPERIAL
23-15-0 DOOR HINGE - Cont'd					
23-15-9	PIN - Cont'd VC1, VC2, VC3, except VA3				
	VA3	2	6023 576	6000 209	6000 282
	VY1	2	----	1882 054	
	Rear Upper	2	----	6000 282	
	Front Upper	2	----	----	6006 043
	Rear Lower	4	----	----	6006 047
	Front	4	----	----	
	Rear	4	----	----	
23-15-10	SCREW and WASHER, Rear Door Upper Hinge Body Half 4 D. H. T., Sta. Wgn., VA3L, VC1, VC2, VC3	8	----	E1950 299	E1950 299
	4 D., VA3, VC1, VC2, VC3	6	----	E1964 743	E1964 743
	Sta. Wgn., VA3E	6	----	E1964 743	
	VY1	6	----	----	E1961 975
	SCREW and WASHER, Rear Door Lower Hinge w/Integral Check				
	4 D., 4 D. H. T., Sta. Wgn., VA3, VC1, VC2, VC3	8	----	E1964 743	E1964 743
	SCREW and WASHER, Door Upper and Lower Hinge VA3	★	----	*1964 747	*1964 747
	Front and Rear				
23-15-11	RING, Door Hinge Integral Check Roller Retainer VA3, VC1, VC2, VC3				
	Front	2	----	1884 405	1884 405
	Rear	2	----	1882 961	1882 961
23-15-13	PLATE, Door Hinge Tapping				
	All	2	2254 242		
	Except VA3	2	2254 242	2217 349	
	Rear Upper	2	2252 607		
	Rear Lower	2			
23-15-14	SPRING, Door Hinge Integral Check Pin VA3, VC1, VC2, VC3				
	Front	2	----	1882 055	1882 055
	Rear	2	----	2166 462	2166 462
23-15-17	SPACER, Front Door Upper Hinge Spring VA3, VC1, VC2, VC3	4	----	1909 975	1909 975
	SPACER, Rear Door Lower Hinge Pin VA3, VC1, VC2, VC3	2	----	1950 559	1950 559
23-15-21	RETAINER, Center Pillar Rear Door Hinge Tapping Plate				
	VY1	1	----	----	1750 602-3
	Upper	2	----	----	1750 484
	Lower				
	RETAINER, Center Pillar Rear Door Upper Hinge Seal, except VA3	2	----	2254 799	
23-15-22	SEAL, Front Door Hinge VY1	4	----	----	1961 262
23-15-30	BAR, Door Lower Hinge Torsion				
	All	2	2254 686		
	Front	2	2254 687		
	Rear				
23-15-32	RETAINER, Door Hinge Torsion Bar Roller Grease				
	All	2	2428 179		
	Except VA3	2	2428 179	2428 179	
	Except VA3	2	----	2428 179	
	Front Lower				
	Rear Lower				
	Front Upper				
23-15-38	BUSHING, Door Hinge Roller				
	Except VA3	2	2520 132	2520 133	
	Front	2	2520 133	2520 133	
	Rear				
	BUSHING, Door Hinge (body half) VC1, VC2, VC3	4	----	2486 468	2486 468
	Front	4	2486 468	2486 468	2486 468
	Rear	4			

★ Indicates use as required.

E Indicates parts not listed in any previous parts book.
March 15, 1965 Supersedes March 16, 1964.Printed in U.S.A.
Prices and specifications subject to change without notice.
Right and left part numbers are on same line,
first number is right, second number is left.
* Indicates change or addition.

CODE	PART NAME AND DESCRIPTION	PER CAR	VALIANT DART	PLYMOUTH DODGE	CHRYSLER IMPERIAL
23-17-0 LOCK CYLINDER AND KEYS					
NOTE: For Glove Box see Part Type Code 23-06-28					
23-17-2	CYLINDER and KEYS, Door and Ignition Lock	1	2161 192	2161 192	2499 023
	VY1, except VA3	1	-----	2161 503	2161 192
	VA3, VC1, VC2, VC3				
	CYLINDER and KEYS, Door, Ignition and Tailgate Lock	1	2419 183	2162 531	
	Except VA3 Manual	1	*2076 533	*2076 533	*2076 533
23-17-4	CYLINDER and KEYS, Deck Lid and Glove Box Lock	1	-----	2490 184	2499 149
	VA3, VY1	1	-----	2490 185	
23-17-5	CYLINDER and KEYS, Deck Lid Lock	1	-----		2490 169
	Police, VA3	1	-----		
	CYLINDER and KEYS, Deck Lid, Glove Box and Center Arm Rest Lock	1	-----		
23-17-9	VC3, Salon	1	-----		
	VP1, VP2, VC1, VC2, VC3, except Baracuda	1	2581 160		
	Taxi and Police, VP1-L, VP2-L	1	*2162 613	*2440 019	*2162 613
	w/o Key	1	-----	2428 245	
	Taxi and Police, VD1-L, VD2-L	1	-----	2419 220	
23-17-10	VD1, VD2, VA3, VY1	1	-----	2440 020	2490 154
23-17-9	GASKET, Deck Lid Lock Cylinder	1	2162 610	2162 610	2162 610
	VC1, VC2, VC3	1	-----	2486 329	
	GASKET, Deck Lid Lock Cylinder Ornament	1	-----	2486 349	
	VD1, VD2	1	-----	-----	2486 198
23-17-10	VA3	1	-----	-----	
	SEAL, Deck Lid Lock Cylinder Housing	1	-----	-----	
23-17-10	VY1	1	-----	-----	
	RETAINER, Deck Lid Lock Cylinder	1	2162 605	2162 605	2162 605
23-17-11	VC1, VC2, VC3, except VP1, VP2	1	-----	2428 175	
	VP1, VP2	1	-----	-----	
23-17-11	SPRING, Deck Lid Lock Cylinder Ornament	1	-----	2255 653	
	VD1, VD2	1	-----	2486 963	
23-17-13	VA3				
	BASE, Deck Lid Lock Cylinder Ornament	1	-----	2486 287	
	VD1, VD2	1	-----	-----	2486 199
23-17-18	HOUSING, Deck Lid Lock Cylinder Mounting	1	-----	-----	*2520 952
	VY1	1	-----	-----	
23-17-18	w/Countersunk Screw Holes . .	1	-----	-----	
	RETAINER, Rear Floor Pan Cover Lock Cylinder	1	-----	1866 686	1866 686
23-17-19	Sta. Wgn., VA3	1	-----	-----	
	ORNAMENT, Deck Lid Lock Cylinder (1)				
23-17-24	CYLINDER and KEYS, Door Lock (consists of 2 cylinders and 2 keys)	1	2161 356	2161 356	2161 356
	VC1, VC2, VC3, except VA3	1	-----	2086 048	2499 027
23-17-27	VA3, VY1				
	GASKET, Front Door Lock Cylinder Sealing	2	2520 585	2520 585	2520 585
23-17-28	VC1, VC2, VC3, except VA3				
	RETAINER, Door Lock Cylinder	2	2162 351	2162 351	2162 351
23-17-28	VC1, VC2, VC3, except VA3				

NOTE: See Exterior Moulding Illustrations and Moulding Legends in Front of Group 23 Body Section.

* Indicates use as required.
 □ Indicates parts not listed in any previous parts book.
 Right and left part numbers are on same line,
 first number is right, second number is left.
 • Indicates change or addition.

1964 PASSENGER CAR PARTS CATALOG

BODY

CODE	PART NAME AND DESCRIPTION	PER CAR	VALIANT DART	PLYMOUTH DODGE	CHRYSLER IMPERIAL
23-17-0 LOCK CYLINDER AND KEYS - Cont'd					
23-17-33	CYLINDER and KEYS Front Seat Center Arm Rest Lock VC3	1	-----	-----	2490 155
23-17-34	CATCH, Front Seat Center Arm Rest Lock VC3	1	-----	-----	2446 670
23-17-38	CYLINDER and KEYS, Floor Console Lock All SCREW	1 ★	-----	2499 275 167 056	2419 706 9416 684
23-17-39	BEZEL, Lock Cylinder VC2 Floor Console 4 D. H. T., VC3 Salon, Center Arm Rest	1 1	----- -----	----- -----	2419 986 2419 986
23-17-41	SLIDE, Deck Lid Lock Cylinder Ornament VA3	1	-----	2486 912	
23-17-45	CYLINDER and KEYS, Manual Tailgate, Tire Well and Glove Box Lock Sta. Wgn., VA3-E	1	-----	2440 399	
23-17-49	CYLINDER and KEYS, Tailgate Lock Sta. Wgn., except VA3 Manual Sta. Wgn. Electric Sta. Wgn., VA3-E Manual	1 1 1	2419 271 2161 423 -----	2162 536 2161 423 2161 599	2161 423
23-17-51	GASKET, Electric Tailgate Lock Cylinder Mounting Sta. Wgn.	1	2486 493	2486 493	2486 493
23-17-52	RETAINER, Electric Tailgate Lock Cylinder Mounting Sta. Wgn.	1	1819 317	1819 317	1819 317
23-17-66	KEY, Deck Lid and Glove Box Lock Cylinder Blank VY1	1	-----	-----	1520 798
23-17-72	CYLINDER and KEYS, Tirewell Cover Lock Sta. Wgn., except VA3 Sta. Wgn., VA3	1 1	----- -----	2292 051 2161 615	2161 615
23-18-0 DOOR LOCKS AND REMOTE CONTROLS					
23-18-5	LOCK, Door VY1, except VA3 Front Rear VA3, VC1, VC2, VC3 Front Rear VA3, VC1, VC2, VC3, use w/Safe-T-Matic Front	1 1 1 1 1	----- ----- 2486 260-1 2486 270-1 -----	2486 240-1 2486 250-1 2166 694-5 1954 058-9 2428 164-5	2486 240-1 2486 250-1 2166 694-5 1954 058-9 2428 164-5
23-18-11	LINK, Door Lock Remote Control 4 D., 4 D. H. T., Sta. Wgn., except VA3 Front Rear 2 D. H. T., Cv. Cp., 2 D., VY1 4 D. H. T., VY1 Front Rear	2 2 2 1 1	2428 212 2428 211 2428 210 ----- -----	2252 044 2299 839 2252 046 ----- -----	2486 000 2486 002-3 2486 012-3
23-18-13	REMOTE CONTROL, Door Lock VC3, except VA3 Front Rear VA3, VC1, VC2 Front Rear 2 D. H. T., Cv. Cp., VA3, VC1, VC2 VY1 Front Rear	1 1 1 1 1 1 1	2299 516-7 2299 516-7 ----- ----- ----- ----- -----	2428 052-3 2428 052-3 2428 110-1 2428 112-3 2428 092-3 ----- -----	2165 224-5 2165 232-3 2428 110-1 2428 112-3 2428 092-3 2428 318-9 2428 318-9

★ Indicates use as required.

⊞ Indicates parts not listed in any previous parts book.
March 15, 1965 Supersedes March 16, 1964.

Printed in U.S.A.
Prices and specifications subject to change without notice.
Right and left part numbers are on same line,
first number is right, second number is left.
* Indicates change or addition.

CODE	PART NAME AND DESCRIPTION	PER CAR	VALIANT DART	PLYMOUTH DODGE	CHRYSLER IMPERIAL
23-18-0 DOOR LOCKS AND REMOTE CONTROLS - Cont'd					
23-18-20	LINK, Door Outside Handle to Lock				
	4 D., 4 D. H. T., Sta. Wgn., except VA3				
	Front	1	-----	2520 680-1	
	Rear	2	-----	2520 682	
	VA3, VC1, VC2, VC3				
	Front	2	-----	1963 638	2520 677
	Rear	2	-----	1954 910	2520 683
	4 D. H. T., VY1	2	-----	-----	2428 492
	2 D. H. T., Cv. Cp., 2 D., VY1, except VA3	*	-----	2520 678-9	2428 488
	LINK, Rear Door Outside Handle to Bell Crank				
VY1	2	-----	-----	2486 008	
23-18-21	SPRING, Door Lock Remote Control Lever				
	Except VA3	*	-----	2167 643	
	VA3, VC1, VC2, VC3	*	-----	849 517	849 517
23-18-25	CONTROL, Rear Door Lock Locking				
	VA3, VC1, VC2, VC3	1	2486 634-5	1884 488-9	1884 488-9
	VY1, except VA3	1	-----	2486 036-7	2486 642-3
23-18-26	LINK or ROD, Front Door Lock to Lock Cylinder				
	VA3	1	2243 348-9	1954 818-9	
	4 D., 4 D. H. T., Sta. Wgn., VC1, VC2, VC3, except VA3	1	-----	2299 634-5	2428 242-3
	4 D. H. T., VY1	1	-----	-----	*2428 498-9
	2 D. H. T., Cv. Cp., VY1	1	-----	-----	*2428 496-7
	LINK or ROD, Door Lock Locking Control Push				
	All	2	*2520 160		
	2 D. H. T., Cv. Cp., 2 D., VC1, VC2, except VA3	1	-----	2299 628-9	2428 240-1
	2 D. H. T., Cv. Cp., 2 D., except VA3	1	-----	2520 162-3	
	4 D., 4 D. H. T., Sta. Wgn., except VA3				
Front	1	-----	2520 172-3		
Rear, w/Eye	2	-----	2486 216		
w/o Eye	2	-----	2486 034		
4 D. H. T., VY1	2	-----	-----	2486 006	
2 D. H. T., Cv. Cp., VY1	2	-----	-----	2486 004	
LINK, Rear Door Lock Locking Control					
Except VA3					
Right	1	-----	2486 638		
Left	1	-----	2486 637		
VA3, VC1, VC2, VC3	1	-----	2486 202-3	2486 202-3	
VY1	2	-----	-----	2486 014	
LINK, Rear Door Bell Crank to Lock					
VY1	2	-----	-----	2486 574	
23-18-27	KNOB, Door Lock Locking Control				
	VV1-P, VV2-P, Barracuda				
	Yellow Gold	2	4313 AY4		
	Except VA3				
	Red	*	4313 TR6	4313 TR6	
	Blue	*	4313 VB5	4313 VB5	
	Turquoise	*	4313 VQ7	4313 VQ7	
	Yellow Tan	*	4313 VT5	4313 VT5	
	Black	*	4313 TX9	4313 TX9	
	VL1, VL2, VD1, VD2	*	4313 VY6	4313 VY6	
VP1, VP2	*	-----	4313 VU5		
VA3, VC1, VC2, VC3					
Chrome	2	-----	2486 581	2486 581	
VY1	*	-----	-----	2486 660	
23-18-28	SPRING, Door Lock Actuator				
	VA3, VC1, VC2, VC3	*	-----	1458 246-7	1458 246-7

* Indicates use as required.

⊠ Indicates parts not listed in any previous parts book. Right and left part numbers are on same line, first number is right, second number is left.

* Indicates change or addition.

1964 PASSENGER CAR PARTS CATALOG

BODY

CODE	PART NAME AND DESCRIPTION	PER CAR	VALIANT DART	PLYMOUTH DODGE	CHRYSLER IMPERIAL
23-18-0 DOOR LOCKS AND REMOTE CONTROLS - Cont'd					
23-18-29	CLIP, Front Door Lock Cylinder to Locking Lever VA3, VC1, VC2, VC3 Except VA3	2	2251 812	2166 622	2166 622
		1	----	2520 178-9	
	RETAINER, Door Outside Handle to Lock Rod All	*	----	2520 600	2520 600
	CLIP, Door Lock Locking Control Knob Except VA3	*	2216 276	2216 276	
	CLIP, Rear Door Lock Locking Control Link to Lever Except VA3	*	2216 276	2486 040	
	CLIP, Front Door Lock Locking Lever VY1, except VA3	4	2486 327	2486 327	2486 327
	RETAINER, Rear Door Bell Crank To Lock Link VY1	4	----	----	2520 600
	RETAINER, Rear Door Outside Handle to Bell Crank Link VY1	4	----	----	2520 600
23-18-35	RETAINER or CLIP, Door Lock Remote Control Link to Inside Panel 4 D., Sta. Wgn. 2 D. H. T., Cv. Cp., 2 D., except VA3 VY1 Front	4	*2428 087		
		2	2428 086	2428 163	
		2	----	----	*2520 864
23-18-37	SEAL, Door Lock Locking Control Push Link VY1	*	----	----	*2492 960
23-18-40	ANTI-RATTLER, Door Lock Remote Control Link VA3, VC1, VC2, VC3	*	----	1952 778	1952 778
23-18-42	CLIP, Door Lock to Remote Control Link VY1, except VA3 CLIP, Rear Door Lock to Remote Control Link Anti-Rattle	*	2520 565	2520 565	2520 565
	All	2	2486 685		
23-18-49	ESCUTCHEON, Door Lock Locking Control All	*	2428 178		
23-18-51	BRACKET, Rear Door Outside Handle to Lock Idler VY1	2	----	----	2486 608
23-18-54	GROMMET, Door Lock Locking Lever Except VA3 Clear	*	----	2440 177	
23-18-102	CLIP, Electric Door Lock Switch and Connector Retaining VY1	*	----	----	2427 860
23-18-103	SWITCH, Electric Door Lock VY1 Front	2	----	----	2427 184
23-18-106	RELAY, Electric Door Lock VY1	1	----	----	2257 703
23-18-107	LINK, Electric Door Lock Solenoid to Lock 4 D. H. T., VY1 Front Rear 2 D. H. T., Cv. Cp., VY1	2	----	----	2427 948
		2	----	----	2496 100
		2	----	----	2427 947
23-18-109	CLIP, Electric Door Lock Solenoid to Link VY1	*	----	----	629 782
23-18-114	INSERT, Electric Door Lock Switch VY1 SCREW	2	----	----	2427 726
		2	----	----	9417 273
23-18-115	SOLENOID, Electric Door Lock, w/BRACKET VY1 Right Left	1	----	----	*2427 870
		1	----	----	*2427 869
23-18-117	KNOB, Electric Door Lock Switch, VY1	1	----	----	2427 292

★ Indicates use as required.
 □ Indicates parts not listed in any previous parts book.
 March 15, 1965 Supersedes March 16, 1964.

Printed in U.S.A.
 Prices and specifications subject to change without notice.
 Right and left part numbers are on same line,
 first number is right, second number is left.
 * Indicates change or addition.

CODE	PART NAME AND DESCRIPTION	PER CAR	VALIANT DART	PLYMOUTH DODGE	CHRYSLER IMPERIAL
23-19-0 DECK LID					
23-19-8	LID, Deck				
	VV1, VV2, VP1, VP2, except VV1, VV2, Barracuda	1	2493 035	2425 555	
	VV1, VV2, Barracuda	1	2493 872		
	VL1, VL2 w/Back-Up Lamp Holes	1	2253 591		
	w/o Back-Up Lamp Holes . . .	1	2425 616		
	VD1, VD2, VC1, VC2, VC3	1	----	2425 614	2253 487
	VA3, VY1	1	----	2425 866	2425 636
23-19-9	ROD, Deck Lid Lift Assist				
	VV1, VV2, Barracuda	1	E2583 290		
23-19-21	PLUG, Deck Lid Drain Hole				
	VC1, VC2, VC3	2	----	1878 752	1878 752
23-19-30	SUPPORT, Deck Lid (or Prop)				
	VV1, VV2, Barracuda	1	2520 496		
	RETAINER	2	6006 324		
	BRACKET, Deck Lid Support				
	VV1, VV2, Barracuda	1	2528 837		
23-19-52	WELT, Deck Opening Lower Panel Finish Panel				
	VA3L	2	----	2486 181	
	WELT, Deck Lid Moulding				
	VA3	1	----	2483 029	
23-19-59	SPACER, Deck Lid Inside Panel to Deck Upper Panel				
	Cv. Cp., except VA3	2	----	2480 387	
	SCREW	2	----	274 114	
23-19-63	BUMPER, Deck Lid				
	V1, V2, Barracuda	2	*2484 307		
	VC1, VC2, VC3, except Barracuda	2	*1954 763	*1964 563	*1954 763
	VY1 Side	2	----	----	2218 817
	Lower	2	----	----	2571 225
23-19-70	CATCH, Deck Lid Lock				
	All	1	2244 149	2244 149	2244 149
23-19-74	SUPPORT, Deck Lid Lower Panel Lock				
	VV1, VV2, Barracuda	1	2576 050		
	VV1, VV2, VA3, VC1, VC2, VC3, except VV1, VV2, Barracuda	1	2425 106	2493 876	2425 858
	VL1, VL2, VD1, VD2, VY1	1	2425 041	2425 146	2491 690
23-19-76	BRACKET or BRACE, Deck Lid Hinge Support to Wheelhouse				
	VL1, VL2, except Cv. Cp.	2	2243 594		
	Cv. Cp., VV1, VV2	1	2423 650-1		
	Cv. Cp., VL1, VL2	1	2423 652-3		
	VV, VC1, VC2, VC3, except Cv. Cp.	*	2243 222-3	----	2244 644
	COVER, Deck Lid Lock Support				
	VV1, VV2, Barracuda				
23-19-78	COVER, Deck Lid Lock Support				
	VV1, VV2, Barracuda	1	E4458 VX9		
23-19-82	SUPPORT, Deck Lid Hinge				
	VV1, VV2, except Cv. Cp., Barracuda	1	*2243 546-7		
	Cv. Cp., VV1, VV2, VP2				
	Upper	1	2424 396-7	2422 844-5	
	Lower	1	2255 978-9	2255 696-7	
	Cv. Cp., VL1, VL2, VD2, VC1, VC2				
	Upper	1	2424 398-9	2422 844-5	2245 036-7
	Lower	1	2422 622-3	2255 770-1	2242 630-1
	VL1, VL2, VY1, except Cv. Cp.	1	2245-098-9	----	2495 146-7

★ Indicates use as required.

⊠ Indicates parts not listed in any previous parts book.

March 15, 1965 Supersedes March 16, 1964.

Printed in U.S.A.
 Prices and specifications subject to change without notice.
 Right and left part numbers are on same line,
 first number is right, second number is left.

1964 PASSENGER CAR PARTS CATALOG

BODY

CODE	PART NAME AND DESCRIPTION	PER CAR	VALIANT DART	PLYMOUTH DODGE	CHRYSLER IMPERIAL
23-19-0 DECK LID - Cont'd					
23-19-82	SUPPORT - Cont'd				
	4 D., 4 D. H. T., 2 D., except VA3				
	Upper	1	----	2255 384-5	
	VP1, VP2, except Cv. Cp.				
	Lower	1	----	2255 782-3	
	2 D. H. T., except VA3				
	Upper	1	----	2481 342-3	
	VD1, VD2, except Cv. Cp.				
	Lower	1	----	2244 022-3	
	VA3, VC1, VC2, VC3, except Cv. Cp.				
	Upper	1	----	1909 410-1	2244 584-5
	Lower	★	----	1884 636-7	2242 690
	Cv. Cp., VY1	1	----	----	2495 148-9
23-19-84	HINGE, Deck Lid				
	VV1, VV2, Barracuda	2	2520 429		
	VC1, VC2, VC3, except Cv. Cp., VA3, VV1, VV2, Barracuda	2	2243 598	2253 988	2244 948
	Cv. Cp., VV1, VV2, VA3, VC1, VC2	★	2424 340	2165 572-3	2244 522-3
	Cv. Cp., VL1, VL2, except VA3	2	2424 341	2255 527	
	VA3, except Cv. Cp.	1	----	2424 632-3	
	VY1	2	----	----	2422 384
23-19-85	PIN, Deck Lid Hinge				
	VV1, VV2, Barracuda VY1	★	6024 965	----	2492 253
	NUT	1	----	----	B6023 350
23-19-92	SPRING, Deck Lid Hinge				
	Cv. Cp., VA3	4	----	2165 590	
23-19-94	SWITCH, Electric Deck Lid Lock Release				
	VY1	1	----	----	2426 836
23-19-99	TAPPING PLATE, Deck Lid Hinge				
	VC1, VC2, VC3, except VA3	2	2243 327	2243 327	2243 327
	VY1	2	----	----	2491 804
23-19-101	TERMINAL, Electric Deck Lid Release Switch				
	VY1	1	----	----	1770 660
23-19-102	SOLENOID and MOUNTING BRACKET, Electric Deck Lid Lock				
	VY1	1	----	----	2486 614
23-19-103	COVER, Electric Deck Lid Lock Solenoid				
	VY1	1	----	----	2499 258
	SCREW	2	----	----	*6024 493
23-19-105	LOCK, Deck Lid				
	All	1	2167 260	2167 260	2167 260
	VY1 Electric	1	----	----	2428 275
23-19-114	NAME PLATE, Medallion or Ornament, Deck Lid (1)				
23-19-117	PLATE, Deck Lid Name Plate Backing				
	VYH "Le"	1	----	----	2480 884
	"Baron"	1	----	----	2480 885
23-19-121	BEZEL, Deck Lid Medallion				
	VC2-300K	1	----	----	2424 300
23-19-124	SEAL, Deck Lid Lock Cylinder Ornament				
	VD1, VD2	1	----	2486 973	

NOTE 1: See Exterior Moulding Illustrations and Moulding Legends in Front of Group 23 Body Section.

★ Indicates use as required.

☐ Indicates parts not listed in any previous parts book.
March 15, 1965 Supersedes March 16, 1964.

Printed in U.S.A.
Prices and specifications subject to change without notice.
Right and left part numbers are on same line,
first number is right, second number is left.
* Indicates change or addition.

CODE	PART NAME AND DESCRIPTION	PER CAR	VALIANT DART	PLYMOUTH DODGE	CHRYSLER IMPERIAL
23-19-0 DECK LID - Cont'd					
23-19-177	BAR, Deck Lid Hinge Torsion	1	2242 534-5	2244 118-9	2242 698-9
	VV1, VV2, VC1, VC2, VC3, except Cv. Cp., VA3	1	2243 804-5	1964 512-3	
	VL1, VL2, VA3, except Cv. Cp.	1	2424 214-5	2255 722-3	
	Cv. Cp., VV1, VV2, except VA3	1	2424 216-7	----	2244 582-3
	Cv. Cp., VL1, VL2, VC1, VC2	1	----	----	2422 390-1
23-19-178	SLIDE, Deck Lid Hinge Torsion Bar End	2	2480 230	2480 230	2480 230
	VC1, VC2, VC3, except Cv. Cp.	2	2480 646	----	2480 231
	Cv. Cp., VV, VC1, VC2	2	2480 230	2480 230	
	Cv. Cp., VL, except VA3	1	2259 413		
	RETAINER, Deck Lid Hinge Torsion Bar	1	6000 594		
	Cv. Cp., VV1, VV2	1	----		
	Cv. Cp., VL1, VL2	1	----	6000 594	6000 594
23-19-185	LINK, Deck Lid Hinge to Torsion Bar	1	----	----	2570 542-3
	VY1				
23-19-188	STOP, Center Belt Bar Deck Lid Hinge to Torsion Bar	2	----	2423 784	2423 785
	Cv. Cp., VC1, VC2, except VA3				
23-19-198	HINGE, Rear Compartment Security Panel	1	*2527 714		
	V1, V2, Barracuda				
23-19-200	STRIKER, Rear Compartment Security Panel Lock	2	*2520 650		
	V1, V2, Barracuda	2	* 456 867		
	SCREW				
23-19-204	LOCK, Rear Compartment Security Panel	2	*2520 645		
23-19-206	BUMPER, Rear Compartment Security Panel	2	*2528 577		
	V1, V2, Barracuda				
	BUMPER, Deck Opening Upper Inner Panel to Rear Compartment Security Panel	3	E2529 117		
23-20-0 FLOOR MATS					
23-20-8	MAT, Front Floor				
	All	1	1618 TX8		
	VV1-L, VV2-L	1	1615 TX8		
	VL1-L, VL2-L	1	*1643 AB8		
		1	*1643 AQ8		
		1	*1643 AR7		
		1	*1643 AT8		
	VP1-L, VP2-L, VD1-L, VD2-L				
	Blue	1	----	1600 VBB	
	Red and Black	1	----	1600 VRX	
	Yellow Tan	1	----	1600 VTT	
VD1-L, VD2-L	1	----	1601 VX8		
	1	----	1600 VQ8		
VD1-M, VD2-M	1	----	1601 VX8		
VA3-E, VC1					
	1	----	1625 VX8	1625 VX8	
	1	----	1629 TX8	1629 TX8	
23-20-11	MAT, Intermediate Floor				
	Sta. Wgn.	1	1619 TX8		
	Sta. Wgn., VL-L	1	*1619 AB8		
		1	*1619 AQ8		
		1	*1619 AR7		
		1	1619 VT8		

* Indicates use as required.
 E Indicates parts not listed in any previous parts book.
 Right and left part numbers are on same line,
 first number is right, second number is left.
 * Indicates change or addition.

1964 PASSENGER CAR PARTS CATALOG

BODY

CODE	PART NAME AND DESCRIPTION	PER CAR	VALIANT DART	PLYMOUTH DODGE	CHRYSLER IMPERIAL
23-20-0 FLOOR MATS - Cont'd					
23-20-11	MAT - Cont'd Sta. Wgn., VP1-L, VP2-L, VD1-L, VD2-L				
	Black	1	----	1603 VX8	
	Blue	1	----	1603 VBB	
	Yellow Tan	1	----	1603 VTT	
	Red and Black	1	----	1603 VRX	
	Turquoise	1	----	1603 VQQ	
	Sta. Wgn., VA3, VC1 Black	1	----	1609 VX8	1609 VX8
	VP1-L, VP2-L, VD1-L, VD2-L				
	Heavy Duty, Black	1	----	1604 VX8	
23-20-14	PLATE, Door Sill Inner Scuff VV1, VV2, Barracuda 4 D., 4 D. H. T., Sta. Wgn., except VA3	1	2572 668-9		
	Front	1	2292 054-5	2251 404-5	
	Rear	1	2292 056-7	2251 490-1	
	2 D. H. T., 2 D., VC1, VC2, except VA3, VV1, VV2, Barracuda	1	2490 092-3	2251 328-9	1882 900-1
	Cv. Cp., VC1, VC2, except VA3	1	2490 092-3	2572 910-1	1882 900-1
	4 D., VA3, VC1, VC2, VC3				
	Front	1	----	1882 888-9	1882 892-3
	Rear	1	----	1884 454-5	1884 454-5
	Sta. Wgn., VA3-E				
	Front	1	----	1882 888-9	
	Rear	1	----	1884 454-5	
	4 D. H. T., 4 D. H. T. Sta. Wgn., VA3-L, VC1, VC2, VC3				
	Front	1	----	1884 422-3	1884 426-7
	Rear	1	----	1884 456-7	1884 456-7
	2 D. H. T., Cv. Cp., VA3, VY1	1	----	1882 896-7	2162 140-1
	4 D. H. T., VY1	1	----	----	2162 136-7
	Rear	1	----	----	2490 880-1
	PLATE, Door Sill Outer Scuff 4 D., 4 D. H. T., Sta. Wgn., except VA3				
	Front	2	2419 664	2419 667	
	SCREW	8	6023 247		
	Rear	2	2419 665	2419 668	
	SCREW	4	6023 247		
	2 D. H. T., Cv. Cp., 2 D., except VA3	2	2419 663	2419 666	
	SCREW	10	6023 247		
23-20-16	INSERT, Door Sill Scuff Plate Tread VY1	★	----	----	1839 956
23-20-19	SUPPORT, Door Sill Scuff Plate 4 D., 4 D. H. T., Sta. Wgn., VA3, VC1, VC2, VC3				
	Front	1	----	1954 286-7	1954 286-7
	Rear	1	----	1954 288-9	1954 288-9
	Cv. Cp., VA3, VC1, VC2	1	----	1954 316-7	1954 316-7
	2 D. H. T., VA, VC1, VC2, VC3				
	Right	1	----	*1954 316	*1954 316
	Left	1	----	*2292 823	2292 823
	4 D. H. T., VY1				
	Front	2	----	----	1692 173
	Rear, Right	1	----	----	1692 172
	Left	1	----	----	1810 910
	2 D. H. T., Cv. Cp., VY1	2	----	----	1690 742
23-20-20	EXTENSION, Rear Door Sill Scuff Plate Support Sta. Wgn., VA3	1	----	1963 380-1	1963 380-1
23-20-24	EXTENSION, Door Sill Scuff Plate VV1, VV2, Barracuda Sta. Wgn., VA3	1	2499 970-1		
	Rear	1	----	1963 378-9	1963 378-9
	w/Air Conditioning, Rear	1	----	2094 276-7	2094 276-7

★ Indicates use as required.

⊠ Indicates parts not listed in any previous parts book.
March 15, 1965 Supersedes March 16, 1964.

Prices and specifications subject to change without notice.
Right and left part numbers are on same line,
first number is right, second number is left.
* Indicates change or addition.

Printed in U.S.A.

CODE	PART NAME AND DESCRIPTION	PER CAR	VALIANT DART	PLYMOUTH DODGE	CHRYSLER IMPERIAL
23-20-0 FLOOR MATS - Cont'd					
23-20-24	EXTENSION - Cont'd				
	4 D., 4 D. H. T., VA3, VC1, VC2, VC3				
	Rear	1	----	1963 308-9	1963 308-9
	Cv. Cp., VA3, VC1, VC2	1	----	2166 024-5	2166 024-5
	2 D. H. T., VA3	1	----	2166 024-5	1963 352-3
23-20-29	MAT, Rear Deck Floor				
	Except Cv. Cp., Barracuda				
	Gray	1	*1613 TA7		
	VP1, VP2, except Cv. Cp.				
	Gray Black	1	----	2499 089	
	VD1, VD2, except Cv. Cp.				
	Gray Black	1	----	2499 087	
	Cv. Cp.	1	1614 TA7		
	Cv. Cp., VP2	1	----	2499 374	
	Cv. Cp., VD2	1	----	2499 375	
	VA3, VC1, VC2, except Cv. Cp.				
	Black	1	----	2499 152	2499 154
	Cv. Cp., VA3, VC1, VC2				
	Black	1	----	2499 153	2499 165
	4 D. H. T., 2 D. H. T., C2				
	w/Air Conditioning, Black	1	----	----	*2499 155
23-20-32	RETAINER, Floor Covering				
	Except VA3				
	In Accel. Shaft Area	1	----	2419 931	
	1/2" x 2 1/4"	*	----	2292 379	
23-20-41	MAT, Rear Floor				
	4 D., 2 D., VV-L, VL-L				
	Black	1	1619 TX8		
	VL-L				
	Blue	1	*1617 AB8		
	Turquoise	1	*1617 AQ8		
	Red	1	*1617 AR7		
	Yellow Tan	1	*1617 AT8		
	Black	1	1617 TX8		
	VP1-L, VP2-L				
	Blue	1	----	1603 VBB	
	Yellow Tan	1	----	1603 VTT	
	Red and Black	1	----	1603 VRX	
	VP1-L, VP2-L, VD1-L, VD2-L				
	Black	1	----	1603 VX8	
	VP1-L, VP2-L, VP1-M, VP2-M				
	Heavy Duty Black	1	----	1604 VX8	
	VD1-L, VD2-L				
	Blue	1	----	1621 VBB	
	Black	1	----	1621 VX8	
	Turquoise	1	----	1621 VQQ	
	Yellow Tan	1	----	1621 VTT	
	VD1-L, VD2-L, VD1-M, VD2-M				
	Red and Black	1	----	1621 VRX	
	Heavy Duty Black	1	----	1622 VX8	
	4 D., VA3, VC1	1	----	1610 VX8	1610 VX8
	Sta. Wgn.				
	Cargo, Blue	1	1612 VB8		
	Turquoise	1	1612 VQ8		
	Red	1	1612 VR8		
	Yellow Tan	1	1612 VT8		
	Black	1	1612 TX8		
	Sta. Wgn., VA3, Spare Tire Compartment				
	Jute, Blue	1	----	1627 VB8	
	Yellow Gold	1	----	1627 VY8	
	Yellow Tan	1	----	1627 VT8	
	Turquoise	1	----	1627 VQ8	
	Rubber, Red	1	----	1627 VR7	
	Black	1	----	1627 TX8	

* Indicates use as required.

⊠ Indicates parts not listed in any previous parts book.

Right and left part numbers are on same line,

first number is right, second number is left.

* 1-1/2" shorter change on 1965 edition.

1964 PASSENGER CAR PARTS CATALOG

BODY

CODE	PART NAME AND DESCRIPTION	PER CAR	VALIANT DART	PLYMOUTH DODGE	CHRYSLER IMPERIAL
23-20-0 FLOOR MAT - Cont'd					
23-20-41	MAT - Cont'd Sta. Wgn., VC1, except VA3, Spare Tire Compartment				
	Rubber, Black	1	----	1608 TX8	1627 TX8
	Jute, Black and Gray	1	----	1607 TXA	
23-20-65	PLATE, Center Pillar Scuff 4 D., Sta. Wgn., VA3-E	2	2292 274	1954 648	
	4 D. H.T., 4 D. H.T. Sta. Wgn., VA3-L, VC1, VC2, VC3	1	----	1954 650-1	1954 650-1
	4 D., VA3	2	----	1954 648	1954 648
23-21-0 MIRRORS					
23-21-3	MIRROR PACKAGE, Rear View Taxi and Police				
	Outside, Clear	1	2292 194	2292 194	2292 194
	Non-Glare	1	2292 195	2292 195	2292 195
	Consists of:				
	1 - ---- Mirror				
	1 - ---- Gasket				
	1 - ---- Set Screw				
	1 - ---- Clip				
	All, Replaceable Glass Type Outside	1	2299 574	2299 574	
	Consists of:				
	1 - ---- Mirror				
	1 - ---- Gasket				
	2 - 9417 530 Screw				
	All Remote Control	1	2495 878	2495 878	
	Consists of:				
	1 - ---- Mirror and Gasket				
	1 - 2486 371 Control				
	1 - 1901 838 Nut, Attaching				
	1 - ---- Washer				
	1 - ---- Seal				
	VC1, VC2 Drivers Side	1	----	----	2421 990
	Consists of:				
	1 - ---- Mirror				
	1 - 2161 931 Anti-Squeak				
	2 - 9411 860 Screw				
	VC1, VC2, VC3 Remote Control	1	----	----	2421 989
	Consists of:				
	1 - ---- Mirror				
	2 - 8023 901 Screw				
	1 - 2161 931 Anti-Squeak				
	1 - 2299 967 Bezel				
	1 - ---- Bracket				
	2 - ---- Screw				
	1 - ---- Gasket				
	1 - ---- Adapter				
	VC1, VC2, VC3 Passenger Side	1	----	----	2495 121
	Consists of:				
	1 - ---- Mirror				
	1 - ---- Anti-Squeak				
	1 - ---- Adapter				
	2 - 9419 409 Screw				
	VY1 Passenger Side	1	----	----	2275 015
	Consists of:				
	1 - ---- Mirror				
	1 - 2161 931 Anti-Squeak				
	2 - 274 791 Screw				

* Indicates use as required.
 ☐ Indicates parts not listed in any previous parts book.
 March 15, 1965 Supersedes March 16, 1964.

Printed in U.S.A.
 Prices and specifications subject to change without notice.
 Right and left part numbers are on same line,
 first number is right, second number is left.
 * Indicates change or addition.

CODE	PART NAME AND DESCRIPTION	PER CAR	VALIANT DART	PLYMOUTH DODGE	CHRYSLER IMPERIAL
23-21-0 MIRRORS - Cont'd					
23-21-5	GLASS and RETAINER SPRING PACKAGE, Rear View Outside Mirror All Use w/2299 574	1	2299 575	2299 575	
	Consists of:				
	1 - ---- Glass				
	1 - ---- Spring, Retainer				
23-21-8	MIRROR, Rear View Inside				
	VA3 Chrome	1	----	1876 331	
	Except VY1 Prismatic	1	2299 846	2299 846	2299 846
	VY1 Prismatic	1	----	----	2421 208
	VC1, VC2 Stainless Steel	1	2428 246	2428 246	2428 246
	VY1 Visor Vanity	1	----	----	*2490 772
23-21-14	BASE or BRACKET, Rear View Inside VA3, VC1, VC2, VC3, except Cv. Cp. Chrome	1	2299 817	2299 672	2299 672
	SCREW	3	----	----	456 744
	Cv. Cp., VA3, VY1 Chrome	1	2428 235	2086 275	2080 897
	SCREW	3	----	----	9414 327
	Cv. Cp., VC1, VC2, except VA3 Chrome	1	----	2486 607	2299 547
	SCREW	3	----	----	9414 765
	Except Cv. Cp., VA3 Chrome	1	----	2486 025	
	4 D. H. T., 2 D. H. T. Chrome	1	----	----	2080 774
	SCREW	3	----	----	9416 684
	Sta. Wgn., VA3 Inst. Panel, Mounted Chrome	1	----	----	*2086 275
	Prime	1	----	*1876 046	*1876 046
23-21-15	MIRROR, Rear View Outside Remote Control VY1	1	----	----	2520 397
23-21-18	GASKET, Rear View Outside Remote Control Mirror Adapter VY1	1	2486 363	2486 363	2520 386
23-21-26	RETAINER, Rear View Inside Mirror Base or Bracket VA3, VY1	1	----	1839 965	2080 776
23-21-30	PLATE, Windshield Opening Upper Frame Mirror Mounting Cv. Cp.	1	2423 997		
23-21-32	HANDLE, Rear View Outside Remote Control Mirror VC1, VC2, VC3 VY1	1 1	---- ----	---- ----	2162 165 2161 428
23-21-45	SHAFT, Rear View Inside Mirror VA3, VY1 Sta. Wgn.	1 1	---- ----	2080 874 ----	2161 329 *2161 467
23-21-46	SPRING, Rear View Inside Mirror Base Sta. Wgn., VA3	1	----	*1839 966	*1839 966
23-21-47	PLUG, Rear View Inside Mirror Base Sta. Wgn., VA3	1	----	*1839 967	*1839 967
23-21-48	REINFORCEMENT, Rear View Inside Mirror Base Sta. Wgn., VA3	1	----	*2161 788	

★ Indicates use as required.
 E Indicates parts not listed in any previous parts book.
 Right and left part numbers are on same line,
 first number is right, second number is left.
 * Indicates change or addition.

1964 PASSENGER CAR PARTS CATALOG

BODY

CODE	PART NAME AND DESCRIPTION	PER CAR	VALIANT DART	PLYMOUTH DODGE	CHRYSLER IMPERIAL
23-21-0 MIRRORS - Cont'd					
23-21-66	BEZEL, Rear View Outside Mirror Remote Control Handle VC1, VC2, VC3	1	*2486 556	*2080 541	2299 967
23-21-74	NUT, Rear View Outside Remote Control Mirror Attaching VY1	1	----	B6025 708	6024 510
23-22-0 GARNISH MOULDINGS					
23-22-7	MOULDING, Door Garnish 4 D., Sta. Wgn., VA3-E				
	Prime, Front	1	----	1883 148-9	
	Rear	1	----	1883 168-9	
	4 D., VA3, VC1, VC3				
	Prime, Front	1	----	1883 148-9	1883 156-7
	Rear	1	----	1883 168-9	2216 696-7
23-22-53	MOULDING, Quarter Window Garnish VV1, VV2, Barracuda Prime	1	2526 782-3		
	4 D. H. T., VA3 Prime	1	----	1952 976-7	
	2 D. H. T., VA3	1	----	2080 314-5	
	4 D., 4 D. H. T., 2 D. H. T., VC1, VC2, VC3				
	Prime	1	----	----	2480 394-5
	4 D. H. T., 2 D. H. T., VC2, VC3				
	Chrome	1	----	----	2480 398-9
	2 D. H. T., VY1 Chrome	1	----	----	2491 828-9
	4 D. H. T., VY1 Chrome	1	----	----	2571 266-7
	Sta. Wgn., except VA3	1	----	2424 402-3	
	Sta. Wgn., VA3-E Front to Roof Rail	1	----	1902 304-5	
	4 D. H. T. Sta. Wgn., VA3-L				
	Front to Roof Rail	1	----	1902 306-7	1902 306-7
	Sta. Wgn., VA3				
	Front	1	----	1839 926-7	1839 926-7
	Upper Center	1	----	1839 928-9	1839 928-9
	Upper Rear	1	----	1839 932-3	1839 932-3
	Lower Center	1	----	1839 930-1	1839 930-1
	Lower Rear	1	----	1839 934-5	1839 934-5
23-22-74	CAP, Quarter Belt Garnish Moulding 4 D., VC1, VC3 Prime	1	----	----	2244 716-7
	4 D. H. T., VC1, VC2, VC3				
	Prime	1	----	----	2244 718-9
	Chrome	1	----	----	2244 772-3
	2 D. H. T., VC1, VC2				
	Prime	1	----	----	2244 714-5
	Chrome	1	----	----	2245 038-9
23-22-75	MOULDING, Quarter Panel Belt 2 D. H. T., except VA3				
	Prime	1	----	2481 258-9	
	Chrome	1	----	2481 588-9	
23-22-77	MOULDING, Tailgate Belt Garnish Sta. Wgn., VA3	1	----	1839 977	1839 977
23-22-78	MOULDING, Tailgate Opening Garnish Sta. Wgn., except VA3, Paint as Required				
	Upper	1	----	2249 810-1	
	Lower	1	----	2484 832-3	
	Sta. Wgn., VA3 Upper	1	----	1839 976	1839 976
23-22-80	SPACER, Tailgate Belt Garnish Moulding Sta. Wgn., VA3				
	Outer	2	----	2094 449	2094 449
	Inner	2	----	2094 448	2094 448

● Indicates use as required.

□ Indicates parts not listed in any previous parts book.
March 15, 1965 Supersedes March 16, 1964.

Page 23-252

Printed in U.S.A.
Prices and specifications subject to change without notice.
Right and left part numbers are on same line,
first number is right, second number is left.
* Indicates change or addition.

CODE	PART NAME AND DESCRIPTION	PER CAR	VALIANT DART	PLYMOUTH DODGE	CHRYSLER IMPERIAL
23-22-0 GARNISH MOULDINGS - Cont'd					
23-22-81	SEAL, Tailgate Garnish Moulding End Sta. Wgn., VA3	2	-----	2162 547	2162 547
23-22-85	COVER, Rear Window Garnish Moulding Joint VA3 Chrome	1	-----	2086 168	
23-22-86	MOULDING, Rear Window Garnish V1, V2, Barracoda Paint as Required VL1, VL2, except Cv. Cp., Barracuda Prime, Side and Upper 2 D. H. T., except VA3, Upper and Side Chrome Prime 4 D., 4 D. H. T., VA3 Prime, Upper and Side 2 D. H. T., VA3 Prime, Upper	1 1 1 1 1 1	E4128-9 VX9 *2484 136-7 ----- ----- -----	 2424 838-9 2424 834-5 1952 654-5 1839 940-1	
	4 D., 4 D. H. T., 2 D. H. T., VC1, VC2, VC3 Prime, Upper Side Lower Corner 4 D. H. T., 2 D. H. T., VC2, VC3 Chrome, Upper Side Lower Corner	1 1 1 1 1 1 1	----- ----- ----- ----- ----- ----- -----	----- ----- ----- ----- ----- ----- -----	2244 614 2423 094-5 2423 096-7 2244 757 2480 326-7 2480 404-5
	4 D. H. T., VYM Chrome, Upper Side 2 D. H. T., VYM Upper, Side and Lower, Chrome VYH Upper, Side and Lower, Chrome	1 1 1 1	----- ----- ----- -----	----- ----- ----- -----	2492 110-1 2492 112-3 2492 232-3 2492 232-3
23-22-90	SUPPORT, Rear Window Garnish Moulding VY1 "L" Shaped "U" Shaped	18 10	----- -----	----- -----	2492 148 2492 149
23-22-145	MOULDING, Windshield Garnish 2 D. H. T., Cv. Cp. Prime, Side Chrome, Upper Side	1 1 1	2217 118-9 2422 428 2424 108-9		
	4 D. H. T., 2 D. H. T., except VA3 Chrome, Upper Upper Corner Side Except Cv. Cp., VA3 Prime, Upper Corner Cv. Cp., except VA3 Chrome, Upper Upper Corner Side, w/EXTENSION Except VA3 Prime, Lower Except Cv. Cp., VA3 Prime, Upper	1 1 1 1 1 1 1 1 1 1	----- ----- ----- ----- ----- ----- ----- ----- -----	2491 902 2218 610-1 2218 616-7 2218 606-7 2480 171 2480 176-7 2528 020-1 2217 752-3 2218 612	
	4 D., 2 D., Sta. Wgn., except VA3 Prime, Upper Corner Except Cv. Cp., VA3 Prime, Side Cv. Cp., VA3, VC1, VC2 Chrome, Upper Side Cv. Cp., VA3, VC1, VC2 Prime, Upper	1 1 1 1 1 1	----- ----- ----- ----- ----- -----	*2570 538-9 2218 620-1 2244 305 1963 346-7 2244 304	2244 305 1963 346-7 2244 304

★ Indicates use as required.
 □ Indicates parts not listed in any previous parts book.
 Right and left part numbers are on same line,
 first number is right, second number is left.
 * Indicates change or addition.

1964 PASSENGER CAR PARTS CATALOG

BODY

CODE	PART NAME AND DESCRIPTION	PER CAR	VALIANT DART	PLYMOUTH DODGE	CHRYSLER IMPERIAL
23-22-0 GARNISH MOULDINGS - Cont'd					
23-22-145 MOULDING - Cont'd.					
	VA3, VC1, VC2, VC3, except Cv. Cp., Prime, Upper	1	----	2165 504	2165 504
	Side	1	----	2165 498-9	2165 498-9
	VA3, VC1, VC2, VC3 Prime, Lower	1	----	1839 548-7	1839 558-9
	4 D. H. T., 2 D. H. T., 4 D. H. T. Sta. Wgn., VC2, VC3 Chrome, Upper	1	----	----	2165 500
	Side	1	----	----	2165 494-5
	4 D. H. T., 2 D. H. T., VY1 Chrome, Upper	1	----	----	2080 782-3
	Upper, Corner	1	----	----	1901 974-5
	Side	1	----	----	1901 996-7
	Cv. Cp., VY1 Chrome, Upper	1	----	----	2093 619
	Side	1	----	----	1901 998-9
	VY1 Prime, Lower	1	----	----	2218 890-1
	CLIP, except VA3 Upper	4	----	*6000 967	
23-22-148	COVER, Windshield Garnish Moulding Center Joint VY1 Prime, Lower	1	----	----	2218 892
23-22-151	SUPPORT, Windshield Garnish Moulding VA3, VC1, VC2, VC3 Side Upper	4	----	1963 956	1963 956
	Cv. Cp., VA3-L Upper Right	1	----	1964 348	
23-22-152	SPACER, Windwhield Upper Garnish Moulding 4 D. H. T., 2 D. H. T., VY1	3	----	----	1901 973
23-22-155	EXTENSION, Windshield Side Garnish Moulding Lower Except VA3 Prime	1	----	2492 032-3	
	4 D. H. T., 2 D. H. T., Cv. Cp., except VA3 Chrome	1	----	2492 036-7	
23-22-160	NAME PLATE, Windshield Lower Garnish Moulding VY1 "Imperial"	1	----	----	2218 893

NOTES

★ Indicates use as required.
 ☒ Indicates parts not listed in any previous parts book.
 March 15, 1965 Supersedes March 16, 1964.

Printed in U.S.A.
 Prices and specifications subject to change without notice.
 Right and left part numbers are on same line,
 first number is right, second number is left.
 * Indicates change or addition.

CODE	PART NAME AND DESCRIPTION	PER CAR	VALIANT DART	PLYMOUTH DODGE	CHRYSLER IMPERIAL
23-23-0 OUTSIDE FINISH MOULDINGS					
23-23-2	MOULDING, Body Side Sill Finish (1)				
23-23-11	SPACER, Deck Opening Upper Finish Panel VV1, VV2, Barracuda	2	2529 110		
23-23-14	MOULDING, Front Pillar Finish (1) Cv. Cp., VY1	1	-----	-----	2093 136-7
23-23-16	PANEL, Center Pillar Upper Finish (1)				
23-23-22	SUPPORT, Rear Window Outside Lower Moulding Clip VA3	*	-----	*1954 662	
23-23-23	MOULDING, Deck Opening Lower Panel Finish (1)				
23-23-28	PANEL, Deck Opening Lower Panel Finish (1)				
23-23-30	MOULDING, Deck Lid Finish (1)				
23-23-31	MOULDING, Deck Opening Upper Panel Finish (1)				
23-23-32	MOULDING, Front Door Outside Finish (1)				
23-23-33	MOULDING, Rear Door Outside Finish (1)				
23-23-39	MOULDING, Quarter Panel Outside Finish (1)				
23-23-41	CAP or COVER, Body Outside Finish Moulding (1)				
23-23-42	MOULDING, Roof Panel Outside Finish (1)				
23-23-49	MOULDING, Folding Top Outside Finish (1)				
23-23-52	MOULDING, Rear Window Outside Finish (1)				
23-23-60	MOULDING, Tailgate Opening Outside Finish (1)				
23-23-61	MOULDING PACKAGE, Tailgate Outside Finish (1)				
23-23-65	MOULDING, Windshield Outside Finish (1)				
23-23-66	CAP, Windshield Outside Finish Moulding Joint (1)				
23-23-73	MOULDING, Quarter Window Outside Finish (1)				
23-23-74	CAP, Quarter Window Outside Finish (1)				
23-23-77	PANEL and NAME LETTERS, Tailgate Outside Finish (1)				
23-23-80	PANEL, Front Door Outside Panel Finish (1)				
23-23-85	PANEL, Quarter Outside Panel Finish (1)				

NOTE 1: See Exterior Moulding Illustrations and Moulding Legends in Front of Group 23 Body Section.

★ indicates use as required.
 □ indicates parts not listed in any previous parts book.
 Right and left part numbers are on same line,
 first number is right, second number is left.
 * Indicates change or addition.

1964 PASSENGER CAR PARTS CATALOG

BODY

CODE	PART NAME AND DESCRIPTION	PER CAR	VALIANT DART	PLYMOUTH DODGE	CHRYSLER IMPERIAL
23-26-0 TRIM FINISH MOULDINGS					
23-26-2	MOULDING, Quarter Arm Rest Cv. Cp., VY1 2 D. H.T., VY1 All, Front Door Arm Rest	1 1 1	---- ---- ----	---- ---- ----	2440 796-7 2440 794-5 E2440 790-1
23-26-16	EXTENSION, Rear Body Lock Pillar Inside Moulding Support 4 D. H.T., VC1, Vc2, VC3	1	----	----	2254 718-9
23-26-18	PANEL, Body Lock Pillar Inside Finish 2 D., VP1, VP2, VD1, VD2 Prime	1	----	2216 448-9	
23-26-23	MOULDING, Door Trim Panel 2 D., VV1-L, VV2-L, VV1-H, VV2-H, VL-L, VL-H VL-H Upper 2 D. H.T., VV1-P, VV2-P, VL1-P, VL2-P Upper Cv. Cp., VV1-H, VV2-H, VV1-P, VV2-P, VL1-H, VL2-H, VL1-P, VL2-P Upper 4 D., Sta. Wgn., VV1-L, VV2-L, VV1-H, VV2-H, VL1-L, VL2-L, VL1-H, VL2-H Front Upper	1 1 1 1	2292 736-7 2292 736-7 2292 736-7 2292 744-5		
	4 D., Sta. Wgn., VV1-L, VV2-L, VV1-H, VV2-H, VL1-L, VL2-L, VL1-H, VL2-H Rear Upper 2 D. H.T., Cv. Cp., VL1-P, VL2-P Lower VV1, VV2, Barracuda Upper Retainer 2 D. H.T., Cv. Cp., VP2-P 4 D., VP1-M, VP2-M Front, Upper 4 D., Sub., VD1-M, VD2-M Front, Upper 4 D., VP1-M, VP2-M, VD1-M, VD2-M Front, Upper	1 2 1 2 1 1 1	2292 742-3 *2419 310 2292 736-7 ---- ---- ---- ----	E2440 534 E2440 518-9 E2440 518-9 E2440 518-9	
	4 D., 4 D. H.T., VD1-H, VD2-H Front Lower 4 D. H.T., Sta. Wgn., VC1 Front 4 D. H.T., Sta. Wgn., VC1 Rear 4 D. H.T., VC3 Salon Rear, Lower Rear 4 D. H.T., VC3 Salon Rear, Lower Front 4 D. H.T., VC3 Salon Front, Lower Front	2 1 1 1 1 1 1	---- ---- ---- ---- ---- ---- ----	2085 778 ---- ---- ---- ---- ---- ----	E2440 642-3 E2440 644-5 2440 264-5 2440 262-3 2440 254-5
	4 D. H.T., VC3 Salon Front, Lower Rear 4 D. H.T., VC3 Salon Rear, Intermediate 4 D. H.T., VC3 Salon Front, Intermediate 4 D. H.T., VC3 Salon Rear, Upper 4 D. H.T., VC3 Salon Front, Upper	1 1 1 1 1 2	---- ---- ---- ---- ---- ----	---- ---- ---- ---- ---- ----	2440 256-7 2440 252-3 2440 250-1 2440 248-9 2440 247

★ Indicates use as required.
 ☐ Indicates parts not listed in any previous parts book.
 March 15, 1965 Supersedes March 16, 1964.

Printed in U.S.A.
 Prices and specifications subject to change without notice.
 Right and left part numbers are on same line,
 first number is right, second number is left.
 ● Indicates change or addition.

CODE	PART NAME AND DESCRIPTION	PER CAR	VALIANT DART	PLYMOUTH DODGE	CHRYSLER IMPERIAL
23-26-0 TRIM FINISH MOULDINGS - Cont'd					
23-26-23	MOULDING - Cont'd				
	4 D. H. T., VC3 Salon				
	Rear, Finish Plate	1	----	----	2490 540-1
	4 D. H. T., VC3 Salon				
	Front, Finish Plate, Right . .	1	----	----	2440 258
	Left	1	----	----	2440 259
	4 D. H. T., VC3 Salon				
	Rear, Finish Plate	1	----	----	2490 540-1
	4 D., 4 D. H. T., Sta. Wgn., VC3				
	Rear, Finish Plate	1	----	----	2490 396-7
	4 D., VC3, Front, Finish Plate	1	----	----	2440 730-1
	4 D. H. T., Sta. Wgn., VC3, Front, Finish Plate	1	----	----	2490 096-7
	2 D. H. T., Cv. Cp., 4 D. H. T., VY				
	Front Arm Rest	1	----	----	E2572 742-3
	All, Front Door Arm Rest Storage Compartment				
	Lid Pad Finish Plate	1	----	----	*2490 248-9
	4 D. H. T., VY1-M, VY1-H				
	Front, Finish Plate, w/INSERT	1	----	----	2490 806-7
	4 D. H. T., VY1-M, VY1-H				
	Rear, Finish Plate, w/INSERT	1	----	----	2490 806-7
	4 D. H. T., VY1-M, VY1-H				
	Rear Arm Rest	1	----	----	2440 792-3
	2 D. H. T., Cv. Cp., VY1-M				
	Arm Rest Extension	1	----	----	2440 798-9
	4 D. H. T., VY1-M				
	Front, Finish Plate	1	----	----	2440 858-9
	4 D. H. T., VY1-M				
	Rear, Finish Plate	1	----	----	2440 860-1
	2 D. H. T., Cv. Cp., VY1-M				
	Finish Plate Upper	1	----	----	2440 856-7
	2 D. H. T., Cv. Cp., VY1-M				
	Finish Plate Lower	1	----	----	2440 864-5
23-26-27	MEDALLION, Rear Seat Back				
	2 D. H. T., Cv. Cp., VD2-P	1	----	2494 233	
23-26-33	ORNAMENT, Front Seat Side Shield				
	2 D. H. T., Cv. Cp., VY1-M	2	----	----	2494 142
23-26-41	MOULDING, Roof Side Rail Inside Finish				
	2 D. H. T., VV1, VV2, Prime	1	2243 870-1		
	2 D. H. T., VL1, VL2, Prime	1	2244 180-1		
	VV1, VV2, Barracuda				
	Prime	1	2526 780-1		
	2 D. H. T., VP1-H, VP2-H, VP1-P, VP2-P, VD1-H, VD2-H, VD1-P, VD2-P				
	Chrome	1	----	2481 584-5	
	2 D. H. T., VP1-M, VP2-M, VD1-M, VD2-M				
	Prime	1	----	2482 846-7	
	2 D. H. T., VP1, VP2, VD1, VD2				
	Rear, Prime	1	----	2481 580-1	
	4 D. H. T., VP1, VP2, VD1, VD2				
	Prime	1	----	2424 852-3	
	4 D. H. T., VP1, VP2, VD1, VD2				
	Chrome	1	----	2482 894-5	
	2 D. H. T., VP1-H, VP2-H, VP1-P, VP2-P, VD1-H, VD2-H, VD1-P, VD2-P				
	Rear, Chrome	1	----	2424 850-1	
	2 D. H. T., VA3-L				
	Prime	1	----	1839 936-7	
	Sta. Wgn., VA3-E				
	Prime	1	----	1902 308-9	
	4 D. H. T., 4 D. H. T. Sta. Wgn., VA3-L				
	Prime	1	----	2482 948-9	

● Indicates use as required.
 □ Indicates parts not listed in any previous parts book.
 Right and left part numbers are on same line,
 first number is right, second number is left.
 * Indicates change or addition.

1964 PASSENGER CAR PARTS CATALOG

BODY

CODE	PART NAME AND DESCRIPTION	PER CAR	VALIANT DART	PLYMOUTH DODGE	CHRYSLER IMPERIAL
23-26-0 TRIM FINISH MOULDINGS - Cont'd					
23-26-41	MOULDING - Cont'd				
	4 D. H. T., Sta. Wgn., VC1, VC3 Prime	1	----	----	1882 946-7
	2 D. H. T., 4 D. H. T., VC1, VC2, VC3 Rear, Prime	1	----	----	2244 264-5
	2 D. H. T., 4 D. H. T., VC1, VC2, VC3 Front, Prime	1	----	----	2244 258-9
	2 D. H. T., VC2 Front, Chrome	1	----	----	2244 262-3
	2 D. H. T., VC2 Rear, Chrome	1	----	----	2244 268-9
	4 D. H. T., VC2, VC3 Front, Chrome	1	----	----	2244 262-3
	4 D. H. T., VC2, VC3 Rear, Chrome	1	----	----	2244 268-9
	2 D. H. T., VY1 Rear, Chrome	1	----	----	2491 832-3
	4 D. H. T., VY1 Rear, Chrome	1	----	----	2491 834-5
	2 D. H. T., 4 D. H. T., VY1 Front, Chrome	1	----	----	2492 240-1
	EXTENSION, Roof Side Rail Inside Finish Moulding Sta. Wgn., VA3-E Front, Prime	1	----	1902 348-9	
	2 D. H. T., 4 D. H. T., 4 D. H. T. Sta. Wgn., VA3-L, VC1, VC2, VC3 Front, Prime	1	----	1952 880-1	1952 880-1
	2 D. H. T., 4 D. H. T., VC2, VC3 Front, Chrome	1	----	----	2483 902-3
23-26-42	COVER, Roof Side Rail Inside Moulding Joint				
	2 D. H. T., 4 D. H. T., VC1, VC2, VC3 Prime	2	----	----	2255 203
	Chrome	2	----	----	2255 073
23-26-44	SUPPORT, Roof Rail Inside Moulding				
	2 D. H. T., VA3-L	1	----	1878 440-1	
	4 D. H. T., 4 D. H. T. Sta. Wgn., VA3-L	1	----	1869 564-5	
	4 D. H. T. Sta. Wgn., VC1, VC3	1	----	----	1869 564-5
	2 D. H. T., 4 D. H. T., VC1, VC2, VC3 Front	1	----	----	2242 876-7
	Rear	1	----	----	2254 716-7
23-26-45	MOULDING, Front Seat Back Shield				
	2 D. H. T., Cv. Cp., 4 D. H. T., VC2 Sta. Wgn., 4 D. H. T., VC3	1	----	----	2494 166-7
	2 D. H. T., Cv. Cp., VY1-M	1	----	----	2494 166-7
	VV1, VV2, Barracuda	1	----	----	2494 121-2
	Rear Seat Back Side	1	2528 008-9		
	VV1, VV2 Barracuda, Rear Seat Back, Upper	1	2528 010		
	VV1, VV2 Barracuda, Rear Seat Back Side, Upper	1	*2581 442-3		
23-26-46	PANEL, Quarter Inside Finish				
	2 D., 2 D. H. T., VL1, VL2, Prime	1	2244 416-7		
	2 D. H. T., VV1, VV2, Prime	1	2422 462-3		
	2 D., VV1, VV2 Prime	1	2422 458-9		
	Sta. Wgn. Prime	1	2292 488-9		
	2 D. H. T., VY1-M Finish Plate, Upper	1	----	----	2440 862-3
	Cv. Cp., VY1-M Finish Plate, Upper	1	----	----	2440 684-5
	PANEL, Quarter Belt Inside Finish VV1, VV2, Barracuda	1	*2526 776-7		
	VV1, VV2, Barracuda Rear Prime	1	2526 778-9		
	PANEL, Rear Compartment Inner Side, V Barracuda	1	*2528 306-7		
	PANEL, Quarter Belt Inside Finish Rear, V Barracuda	1	*2526 778-9		
	MOULDING and FINISH PLATE, Front Seat Side Shield 4 D. H. T., VY1-M	1	----	----	2494 204-5
	4 D. H. T., VY1-H	1	----	----	2494 202-3

★ Indicates use as required.

⊠ Indicates parts not listed in any previous parts book.

March 15, 1965 Supersedes March 16,

Printed in U.S.A.

Prices and specifications subject to change without notice.

Right and left part numbers are on same line,

first number is right, second number is left.

• Indicates change or addition.

CODE	PART NAME AND DESCRIPTION	PER CAR	VALIANT DART	PLYMOUTH DODGE	CHRYSLER IMPERIAL
23-26-0 TRIM FINISH MOULDINGS - Cont'd					
23-26-47	MOULDING, Rear Quarter Trim Panel Finish 2 D., 2 D. H.T. Upper	1	2292 738-9		
	2 D. H.T., VL1-P, VL2-P Cv. Cp., VL1-P, VL2-P	2	2419 311		
	2 D. H.T., VP2-P	1	2440 064-5		
	MOULDING, Security Compartment VV1, VV2, Barracuda, Side Prime	1	2527 926-7	E2440 535-6	
	VV1, VV2, Barracuda, Upper Prime	1	2527 930-1		
	MOULDING, Wheelhouse Extension Panel Trim VV1, VV2, Barracuda Sta. Wgn., VP1, VP2, VD1, VD2 Wheelhouse and Lower Quarter Trim Cover and Extension Joint	1	E2581 286-7		
	Sta. Wgn., VA3-E Wheelhouse Front Upper . . .	1	2419 516-7		
	Sta. Wgn., VA3-L, VC1, VC3 Wheelhouse Front Upper	1	2080 440-1		
	Sta. Wgn., VA3, VC1, VC3 Wheelhouse Front Upper	1	2080 644-5		2080 644-5
	Wheelhouse Front Lower . . .	1	*2080 438-9		*2080 438-9
23-26-49	WASHER, Front Seat Side Shield Moulding Shield Cup 4 D. H.T., VY1-M	4			2080 881
23-26-53	SPACER, Roof Rail Inside Finish Moulding 2 D. H.T., 4 D. H.T.	12		2423 670	
23-26-62	CAP, Rear Door Trim Panel Rear Finish Sta. Wgn., VA3-L, VC1, VC3 Chrome	1		2241 494-5	2241 494-5
	4 D. H.T., VA3-L, VC1, VC2, VC3	1		2241 494-5	2419 166-7
23-26-64	PLATE, Center Pillar Upper Finish 4 D. H.T. Prime	2		2217 177	
23-26-77	MOULDING, Seat Back Shroud Finish Cv. Cp., VY1-M Rear	1			2490 754-5
	2 D. H.T., VY1-M, Rear	1			2490 752-3
	2 D. H.T., Cv. Cp., VY1-M Rear, Center	1			2490 756
23-26-80	NAMEPLATE, Door Garnish Cv. Cp., VV1-H, VV2-H "Valiant Two Hundred"	2	2218 192		
	Cv. Cp., 2 D. H.T., VV1-P, VV2-P "Signet Two Hundred"	2	2217 483		
	Cv. Cp., VL1-H, VL2-H "Dart 270"	2	2218 194		
	Cv. Cp., 2 D. H.T., VL1-P, VL2-P "Dart GT"	2	2218 196		
	NAMEPLATE, Door Garnish VV1, VV2 "Barracuda"	2	2571 292		
	NAMEPLATE, Door Trim Panel 2 D.H.T., Cv. Cp., VP2-P	2		2440 533	
	4 D., 4 D. H.T., Sta. Wgn., VC3	4			2440 715
	MEDALLION, Quarter Trim Panel 2 D. H.T., VD2-P, VA3	2		2292 452	
	Cv. Cp., VA3	2		2292 452	
	MEDALLION, Door Trim Panel 2 D. H.T., Cv. Cp., 4 D., 4 D. H.T., Sta. Wgn., VP1-H, VP2-H	2		2440 687	
	2 D. H.T., Cv. Cp., VD2-P	2		2292 452	
	4 D., 4 D. H.T., Sta. Wgn., VA3-L Rear	2		2292 452	
	2 D. H.T., Cv. Cp., 4 D. H.T., VC2 "300"	2			2440 623

★ Indicates use as required.
 E Indicates parts not listed in any previous parts book.
 Right and left part numbers are on same line,
 first number is right, second number is left.

1964 PASSENGER CAR PARTS CATALOG

BODY

CODE	PART NAME AND DESCRIPTION	PER CAR	VALIANT DART	PLYMOUTH DODGE	CHRYSLER IMPERIAL
23-26-0 TRIM FINISH MOULDINGS - Cont'd					
23-26-80	MEDALLION - Cont'd				
	All, VA3-L	2	----	2292 452	
	2 D. H.T., Cv.Cp., VY1-M				
	"CROWN"	2	----	----	2490 972
23-26-85	MOULDING, Folding Top Pocket Panel Finish				
	Cv.Cp., VV1, VV2, VL1, VL2, VY1-M				
	Upper	1	2440 006-7	----	2490 750-1
	Cv.Cp., VL1-P, VL2-P, VY1-M				
	Lower	★	2440 008-9	----	2499 100
23-26-87	MOULDING, Floor Tunnel Console				
	2 D. H.T., Cv.Cp., 4 D. H.T., VC2				
	Front	2	----	----	2499 228
	Rear	1	----	----	2419 489
	2 D. H.T., Cv.Cp. Side, w/Auto. Trans., Complete	1	----	2499 289	
	2 D. H.T., Cv.Cp. Side, w/Manual Trans., Complete	1	----	2490 615	
	2 D. H.T., Cv.Cp., VP2-P, VD2-P				
	Rear End Cap	1	----	2490 632	
	2 D. H.T., Cv.Cp., VP2-P, VD2-P				
	Center Lid	1	----	2490 609	
	Front of Lid	1	----	2490 610	
23-31-0 PADS, LINERS, INSULATORS, SEALS, ANTI-SQUEAK					
23-31-33	LINER, Dash				
	VP1, VP2, VD1, VD2, w/ or w/o Heater	1	2492 516		
	Right	1	----	2241 944	
	Left	1	----	2492 003	
	VP1, VP2, VD1, VD2, Center	1	----	2241 943	
	VA3, VC1, VC2, VC3, w/ or w/o Heater	1	----	2241 592	2241 592
	VY1 w/ or w/o Heater	1	----	----	2492 388
23-31-52	PAD, Quarter Outside Panel to Support				
	2 D. H.T., Cv.Cp., VY1	2	----	----	2492 566
23-31-119	PAD, Dash Panel to Steering Column Seal Finish				
	4 D. H.T., VC3 Salon	1	----	----	2080 938
	4 D. H.T., VC3 Salon				
	w/LINER	1	----	----	2218 848
	VC1 w/o Power Steering,				
	w/Auto. Trans.	1	----	----	2080 936
	VC1 w/o Power Steering, w/Manual				
	Trans., w/LINER	1	----	----	2162 293
	VC1, VC2 w/Power Steering, w/Manual				
	Trans., w/LINER	1	----	----	2162 545
	VY1	1	----	----	2492 766
23-31-124	SEAL, Steering Column to Floor				
	VA3, VC1 w/o Power Steering,				
	w/Auto. Trans.	1	----	2080 766	2080 766
	SEAL, Dash Panel to Steering Column				
	VA3, VC1, VC2, VC3, w/Power Steering,				
	w/Auto. Trans.	1	----	2080 768	2080 768
	VA3, VC1 w/o Power Steering,				
	w/Manual Trans.	1	----	2162 290	2162 290
	VA3, VC1, VC2 w/Power Steering,				
	w/Manual Trans.	1	----	2162 544	2162 544
23-31-145	WEATHERSTRIP, Cowl to Hood				
	VY1	1	----	----	1751 182

★ Indicates use as required.

⊠ Indicates parts not listed in any previous parts book.
March 15, 1965 Supersedes March 16, 1964.

Printed in U.S.A.
Prices and specifications subject to change without notice.
Right and left part numbers are on same line,
first number is right, second number is left.
* Indicates change or addition.

CODE	PART NAME AND DESCRIPTION	PER CAR	VALIANT DART	PLYMOUTH DODGE	CHRYSLER IMPERIAL
------	---------------------------	---------	--------------	----------------	-------------------

23-31-O PADS, LINERS, INSULATORS, SEALS, ANTI-SQUEAK - Cont'd

23-31-146	SEAL, Dash Panel to Fender Splash w/FASTENER	2	2216 790		
	VP1, VP2 Upper	2	2216 742	2217 315	
	VP1, VP2	1	----	2218 754-5	
	VD1, VD2	1	----	*2218 148-9	
23-31-157	SEAL, Instrument Panel Gear Selector Housing Light All, VC1, VC2, VC3, Upper	1	----	----	2218 175
	All, VC1, VC2, VC3, Lower	1	----	----	2218 174
23-31-205	SILENCER, Roof Panel All, 1/2" x 25 1/2" x 67"	★	1774 621	1774 621	1774 621

23-32-O PANS, PLUGS AND BODY BUMPERS

23-32-15	PLUG or BUTTON, Floor Pan 3/4" x 1 3/4" Hole	★	2093 981		
	1/2" Hole	★	2094 984		2094 984
	1" Hole, VA3, VC1, VC2, VC3	★	2094 985	2094 985	2094 985
	1 3/4" Hole, VC1, VC2, VC3	★	2189 098	2189 098	2189 098
	2 1/2" Hole	★	2483 571	2483 571	2483 571
	7/8" Hole, VA3, VC1, VC2, VC3	★	----	2094 631	2094 631
	2 1/2" Hole, VC1, VC2, VC3	★	----	----	2083 111
	1 " Hole, VA3	★	1695 998	1695 998	1695 998
23-32-17	CROSSMEMBER, Shock Absorber and Reinforcement, Floor Pan Rear Center Pan	1	2253 665		
	CROSSMEMBER, Front Side Rail Front VP1, VP2, VD1, VD2, Complete	1	2081 018	2409 058	
	CROSSMEMBER, Front Suspension VP1, VD1 Complete	1	2260 609	2204 199	
	VP2, VD2 Complete w/o Hemispherical Eng.	1	----	*2401 057	
	VP2, VD2 w/ Hemispherical Eng.	1	----	*2460 975	
	CROSSMEMBER, Rear Floor Pan Rear Shock Absorber VP1, VP2, VD1, VD2	1	----	2188 048	
	CROSSMEMBER, Rear Floor Pan Rear Center VP1, VP2, VD1, VD2	1	2423 719	2166 051	
	CROSSMEMBER, Rear Floor Pan Rear All, VA3	1	----	*1960 180	*1960 180
	Sta. Wgn., VC1, VC3	1	----	----	
	CROSSMEMBER, Front Floor Pan Transmission Mounting All, VA3, VC1, VC2, VC3	1	----	2244 908	2244 908
	CROSSMEMBER, Center Floor Pan Pinion Carrier Bumper All, VA3, VC1, VC2, VC3	1	----	1919 129	1919 129
	CROSSMEMBER and REINFORCEMENT, Rear Floor Pan Rear VC1, VC2, VC3, except Sta. Wgn.	1	----	----	2243 516
	CROSSMEMBER and Upper STUD, Rear Floor Pan Rear Shock All, VA3, VC1, VC2, VC3	1	----	2253 586	2253 586
	CROSSMEMBER and REINFORCEMENT, Rear Floor Pan Rear VA3, except Sta. Wgn.	1	----	1960 180	
	CROSSMEMBER, Front Rail Torsion Bar Anchor VP1, VP2, VD1, VD2, Complete	1	----	2253 384	
	CROSSMEMBER and SPACER, Front Floor Pan Transmission Mounting All	1	2425 278		

★ Indicates use as required.
 ☐ Indicates parts not listed in any previous parts book.
 Right and left part numbers are on same line,
 first number is right, second number is left.
 • Indicates change or addition.

1964 PASSENGER CAR PARTS CATALOG

BODY

CODE	PART NAME AND DESCRIPTION	PER CAR	VALIANT DART	PLYMOUTH DODGE	CHRYSLER IMPERIAL
23-32-0 PANS, PLUGS AND BODY BUMPERS - Cont'd					
23-32-18	BOLT, Front Suspension Crossmember 1 7/8" length	4	----	*2467 693	
23-32-20	WASHER, Front Suspension Crossmember Bolt Lock	4	2074 386	2074 386	
23-32-22	PAN, Front Floor All, VV, VP1, VP2, VD1, VD2 Sta. Wgn., VL1, VL2 VL1, VL2, except Sta. Wgn. All, VA3, VC1, VC2, VC3	1 1 1 1	2483 608 2483 608 2483 610 ----	*2529 986 2483 410	2483 410
23-32-24	PAN, Center Floor All, VP1, VP2, VD1, VD2, VC1, VC2, VC3 All, VA3	1 1	*2484 674 ----	2165 811 1861 001	1861 001
23-32-25	EXTENSION, Center Floor Pan 2 D., 2 D. H.T., Cv.Cp., 4 D., VL VD1, VC2, except Sta. Wgn. Sta. Wgn., VD1, VD2 All, VP1, VP2	1 1 1 1	2244 618-9 ---- ---- ----	2483 422-3 2483 420-1 2483 420-1	
23-32-27	REINFORCEMENT, Front Floor Pan Seat Guide All, VP1, VP2, VD1, VD2, Front. Rear REINFORCEMENT, Front Floor Pan Seat Track VA3, VC1, VC2, VC3, Front. Rear REINFORCEMENT, Front Floor Pan Seat Attaching 2 D. H.T., Cv.Cp., VP2-P, VD2-P Front. Rear REINFORCEMENT, Front Floor Pan Seat Attaching Bucket Seat 2 D. H.T., Cv.Cp., 4 D. H.T., Sta. Wgn., VC2, VC3 Rear	1 1 1 1 1 1 1 1 1	2081 808-9 2081 810-1 ---- ---- ---- ---- ---- ----	2166 082-3 2166 084-5 1960 198-9 1960 200-1 2252 284-5 2252 286-7 ----	1960 198-9 1960 200-1 2424 472-3
23-32-29	COVER, Front Floor Pan Gearshift Opening VP1, VP2, VD1, VD2 VA3, VC1, VC2	1 1	2481 593 ----	2481 594 2481 753	2481 753
23-32-31	BRACE, Front Crossmember to Front Suspension Crossmember VP1, VP2, VD1, VD2	1	2401 036	2401 041	
23-32-33	BRACKET, Floor Pan Diagonal Brace 2 D., 2 D. H.T., 4 D., VL1, VL2 2 D. H.T., VP1, VP2 2 D. H.T., VD1, VD2 2 D., 4 D., 4 D. H.T., VD1, VD2	1 1 1 1	2422 960 ---- ---- ----	2480 634 2424 909 2243 931	
23-32-35	BRACKET, Front Floor Pan Transmission Selector 2 D. H.T., Cv.Cp., VP2-P, VD2-P 2 D. H.T., Cv.Cp., 4 D. H.T., VC2	1 1	---- ----	2484 169 ----	2484 169
23-32-36	COVER, Fuel Gauge Inspection Hole Sta. Wgn., VA3, VC1, VC3	1	----	1846 668	1846 668
23-32-39	BRACKET, Front Floor Pan to Center Cushion Side 2 D. H.T., Cv.Cp., VY1-M	2	----	----	2484 145
23-32-40	BRACKET, Rear Floor Pan Seat Back Attaching Cv.Cp., VD2 Cv.Cp., VL1, VL2, VP2	2 2	---- 2255 822	2244 411 2254 097	

* Indicates use as required.

⊠ Indicates parts not listed in any previous parts book.
March 15, 1965 Supersedes March 16, 1964.

Printed in U.S.A.
Prices and specifications subject to change without notice.
Right and left part numbers are on same line,
first number is right, second number is left.
• Indicates change or addition.

CODE	PART NAME AND DESCRIPTION	PER CAR	VALIANT DART	PLYMOUTH DODGE	CHRYSLER IMPERIAL
23-32-0 PANS, PLUGS AND BODY BUMPERS - Cont'd					
23-32-40	BRACKET, Center Floor Pan Rear Suspension Front Hanger Bracket Support and Second Seat Fastening Sta. Wgn., VA3, VC1, VC3	1	----	1960 084-5	1960 084-5
	BRACKET, Floor Pan Rear Seat Back Outer Mounting 2 D. H.T., 4 D. H.T., VY1 w/Weld NUT	2	----	----	2480 342
23-32-46	PANEL, Center Floor Pan Cover				
	Sta. Wgn. Front	1	2243 886		
	VV1, VV2, Barraduca, Center	1	2484 914		
	Rear	1	2484 150		
	Sta. Wgn., VP1, VP2, VD1, VD2 Center	1	----	2251 902	
PANEL, 2nd Seat Back to Rear Floor Pan Cover	Sta. Wgn., VA3, VC1, VC3 Prime	1	----	1878 636	1878 636
	PANEL, Rear and Center Floor Pan Insert Sta. Wgn., VP1, VP2, VD1, VD2 Prime w/HINGE	1 1	---- ----	2254 676 2254 677	
23-32-48	PAN, Rear Floor All	1	2423 718		
	VP1, VP2, VD1, VD2, except Sta. Wgn.	1	----	2484 495	
	Sta. Wgn., VP1, VP2, VD1, VD2	1	----	2166 065	
	Except Sta. Wgn., VA3, VC1, VC2, VC3	1	----	1861 002	1861 002
Sta. Wgn., VA3, VC1, VC3	Center, Front	1	----	2093 702	2093 702
	Sta. Wgn., VA3, VC1, VC3 Center, Rear	1	----	2093 703	2093 703
	Sta. Wgn., VA3, VC1, VC3 Center	1	----	1861 041	1861 041
	All, VY1	1	----	----	2480 576
	Sta. Wgn., VA3, VC1, VC3 Spare Tire Compartment . . .	1	----	1973 211	1973 211
	23-32-49	EXTENSION, Rear Floor Pan Side Sta. Wgn., VP1, VP2, VD1, VD2	1	----	2251 526
Sta. Wgn., VA3, VC1, VC3		1	----	1960 080-1	1960 080-1
VC1, VC2, VC3, except Sta. Wgn.		1	----	----	2242 550-1
VA3, except Sta. Wgn.		1	----	2481 000-1	
VD1, VD2, except Sta. Wgn.		1	----	2482 842-3	
All, VY1		1	----	----	2480 572-3
All, VY1 Top		1	----	----	*2480 574-5
Pan, Rear Floor Side Sta. Wgn., VA3, VC1, VC3		1	----	1877 830-1	1877 830-1
EXTENSION and CROSSMEMBER, Rear Floor Pan Side Outer Sta. Wgn.	VV1, VV2, except Sta. Wgn.	1	2425 288-9		
	EXTENSION and CROSSMEMBER, Quarter Panel to Rear Floor Pan Rear Outer				
	VL1, VL2, except Sta. Wgn.	1	2425 274-5		
23-32-50	BRACE, Rear Floor Pan Cover Panel at Tailgate Opening Sill Reinforcement Sta. Wgn., VP1, VP2, VD1, VD2 2 Seater	2	----	2254 666	
23-32-51	BUMPER, Floor Pan Cover Panel 2nd Seat Back Sta. Wgn., VP1, VP2, VD1, VD2	2	2482 908	2482 908	

* Indicates use as required.
 □ Indicates parts not listed in any previous parts book.
 Right and left part numbers are on same line,
 first number is right, second number is left.

1964 PASSENGER CAR PARTS CATALOG

BODY

CODE	PART NAME AND DESCRIPTION	PER CAR	VALIANT DART	PLYMOUTH DODGE	CHRYSLER IMPERIAL
23-32-0 PANS, PLUGS AND BODY BUMPERS - Cont'd					
23-32-51	BUMPER, Tailgate Opening Sill Panel to Rear Floor Pan Cover Sta. Wgn., VP1, VP2, VD1, VD2 2 Seater	2	----	2254 661	
	Sta. Wgn., VP1, VP2, VD1, VD2 3 Seater	2	----	2255 231	2484 493
	Sta. Wgn., VA3, VC1, VC3 Sta. Wgn., VA3, VC1, VC3 To 3rd Seat Bottom	2	----	2484 493	2484 493
	BUMPER, Rear Floor Pan Cover Panel Sta. Wgn., VP1, VP2, VD1, VD2 2 Seater	9	----	2254 661	
23-32-53	REINFORCEMENT, Rear Floor Pan Extension Sta. Wgn., VP1, VP2, VD1, VD2	1	----	2252 332-3	
23-32-56	COVER, Rear Floor Pan Sta. Wgn., VA3, VC1, VC3 2 Seater, Prime	1	----	1878 889	1878 889
	PANEL and T/NUTS, Rear Floor Pan Cover Sta. Wgn., except VA3, 2 Seater Prime	1	----	*2254 788	
23-32-58	STRIKER, Rear Floor Pan Cover Lock Latch Sta. Wgn., VA3, VC1, VC3 2 Seater	1	----	1960 476	1960 476
	Std. Wgn., VP1, VP2, VD1, VD2	1	----	2254 667	
23-32-64	LATCH, Rear Floor Pan Cover Lock Sta. Wgn., VA3, VC1, VC3	1	----	1866 685	1866 685
23-32-65	HINGE, Center Floor Pan Front Cover Panel Sta. Wgn. HINGE, Rear Floor Pan Cover Panel Sta. Wgn., VP1, VP2, VD1, VD2 2 Seater	1	2243 320		
	Sta. Wgn., VA3, VC1, VC3 2 Seater, Body Half	1	----	2254 675	
		1	----	1878 170-1	1878 170-1
23-32-66	SPRING, Rear Floor Pan Cover Lock Latch Sta. Wgn., VA3, VC1, VC3 2 Seater	1	----	1866 682	1866 682
23-32-67	SUPPORT, Wheelhouse Rear Floor Pan Cover Sta. Wgn., VA3, VC1, VC3	2	----	1878 014	1878 014
23-32-69	T/PLATE, Center Floor Pan Cover Panel Hinge Sta. Wgn., VP1, VP2, VD1, VD2 T/PLATE, Wheelhouse Rear Floor Pan Cover Support Sta. Wgn., VA3, VC1, VC2	1	----	2423 540	
		2	----	2189 290	2189 290
23-32-70	SUPPORT and WELD NUTS, Center Floor Pan Rear Cover Panel Sta. Wgn. SUPPORT and NUT, Center Floor Pan Cover Panel Center, VV1, VV2 Barracuda SUPPORT, Center Floor Pan Cover Panel VV1, VV2 Barracuda REINFORCEMENT, Rear Floor Pan Rear Center VP1, VP2, VD1, VD2, except Sta. Wgn. REINFORCEMENT, Rear Floor Pan to Center Pan Sta. Wgn., VA3, VC1, VC3	1	2243 526		
		1	*2529 997		
		1	2528 416-7		
		1	----	2166 935	
		1	----	1961 325	1961 325

★ Indicates use as required.

☐ Indicates parts not listed in any previous parts book.

March 15, 1965 Supersedes March 16, 1964.

Printed in U.S.A.
 Prices and specifications subject to change without notice.
 Right and left part numbers are on same line,
 first number is right, second number is left.
 * Indicates change or addition.

CODE	PART NAME AND DESCRIPTION	PER CAR	VALIANT DART	PLYMOUTH DODGE	CHRYSLER IMPERIAL
23-32-0 PANS, PLUGS AND BODY BUMPERS - Cont'd					
23-23-70	REINFORCEMENT, Front Floor Pan to Center Floor Pan All, VA3, VC1, VC2, VC3	1	----	2422 849	2422 849
	REINFORCEMENT, Floor Pan to Stone Deflector All, VY1	2	----	----	2481 344
23-32-73	PIN, Rear Floor Pan Cover Hinge Sta. Wgn., VA3, VC1, VC3 2 Seater, Body Half	2	----	1960 627	1960 627
	PIN, Rear Floor Pan Cover Panel Prop Rod Sta. Wgn., VP1, VP2, VD1, VD2 2 Seater	1	----	*6000 130	
23-32-75	BRACKET, Rear Floor Pan Cover Lock Latch Sta. Wgn., VA3, VC1, VC3 2 Seater	1	----	1866 683	1866 683
23-32-77	BOLT, Rear Floor Pan Cover Lock Latch Bracket Sta. Wgn., VA3, VC1, VC3 2 Seater	2	----	1883 654	1883 654
23-32-79	BRACKET and RETAINER, Rear Floor Pan Cover Prop Rod Sta. Wgn., VA3, VC1, VC3 2 Seater	1	----	*2254 810	*2254 810
	Sta. Wgn., VP1, VP2, VD1, VD2 2 Seater	1	----	2254 810	
	BRACKET, Rear Floor Pan Cover Panel Release Handle Sta. Wgn., VP1, VP2, VD1, VD2 w/Locked Luggage Compartment	1	----	2251 433	
	BRACKET, Rear Floor Pan Cover Prop Rod Pivot Sta. Wgn., VA3, VC1, VC2 2 Seater	1	----	1432 929	1432 929
23-32-80	HANDLE, Rear Floor Pan Cover Panel Release Sta. Wgn., VP1, VP2, VD1, VD2 w/Locked Luggage Compartment	1	----	2251 680	
	PIN Sta. Wgn., VA3, VC1, VC3 2 Seater, Chrome	1	----	6023 039	
		1	----	1833 596	1833 596
23-32-82	ESCUTCHEON, Rear Floor Pan Cover Lift Handle Sta. Wgn., VA3, VC1, VC3 2 Seater	1	----	1833 597	1833 597
	BEZEL, Rear Floor Pan Cover Panel Grip Sta. Wgn., VP1, VP2, VD1, VD2 2 Seater, w/Locked Luggage Compartment	1	----	2252 183	
23-32-87	SPRING, Center Floor Pan Cover Panel Hinge Sta. Wgn., VP1, VP2, VD1, VD2	3	*2423 448	2423 449	
23-32-88	ROD, Rear Floor Pan Cover Prop Sta. Wgn., VP1, VP2, VD1, VD2, VA3, VC1, VC3	1	----	1960 061	1960 061
23-32-90	SUPPORT, Front Floor Pan No. 1 and No. 1A Body Hold Down Brace Bolt All, VA3, VC1, VC2, VC3	1	----	1878 136-7	1878 136-7
23-32-92	GUSSET, Center Floor Pan Rear Suspension Front Hanger Bracket Support to Rail VP1, VP2, VD1, VD2	1	----	2251 688-9	

* Indicates use as required.
 B Indicates parts not listed in any previous parts book.
 Right and left part numbers are on same line,
 first number is right, second number is left.
 * Indicates change or addition.

1964 PASSENGER CAR PARTS CATALOG

BODY

CODE	PART NAME AND DESCRIPTION	PER CAR	VALIANT DART	PLYMOUTH DODGE	CHRYSLER IMPERIAL
23-32-0 PANS, PLUGS AND BODY BUMPERS - Cont'd					
23-32-92	GUSSET, Center Floor Pan Rear Suspension Front Hanger Bracket Support to Sill VP1, VP2, VD1, VD2	1	----	2251 686-7	
23-32-93	SUPPORT and T/PLATE, Rear Floor Pan Rear Suspension Front Hanger Bracket All SUPPORT, Center Floor Pan Rear Suspension Front Hanger Bracket VA3, VC1, VC2, VC3 VP1, VP2, VD1, VD2	1 1 1 1	2081 004-5 ---- ----	1883 320-1 2480 910-1	1883 320-1
	SUPPORT and T/PLATE, Rear Floor Pan Rear Suspension Rear Hanger Bracket VA3, VC1, VC2, VC3 BRACKET and SUPPORT, Rear Floor Pan Rear Suspension Rear Hanger Bracket Sta. Wgn., VP1, VP2, VD1, VD2 VP1, VP2, VD1, VD2, except Sta. Wgn.	1 1 1 1	---- ---- ----	1878 236-7 2253 108-9 2253 106-7	1878 236-7
23-32-98	PLUG, Dash Panel Extension VP1, VP2, VD1, VD2, VA3 PLUG, Dash Panel Heater Hose Hole VP1, VP2, VD1, VD2 PLUG, Dash Panel Push Button Control and Parking Sprag Cable Hole VP2-P, VD2-P	1 2 1	2254 626 2094 985 ----	2254 626 2094 985 2254 110	
23-32-105	RAIL and Front Hanger GUSSET, Rear Floor Pan Side All RAIL, Front Floor Pan Side All, VP1, VP2, VD1, VD2 Complete RAIL and SPACER, Rear Floor Pan Side Sta. Wgn., VP1, VP2, VD1, VD2 VP1, VP2, VD1, VD2, except Sta. Wgn. RAIL, Rear Floor Pan Inner and Outer Side Sta. Wgn., VA3, VC1, VC2 (also use 1 of 1960 084-5 Reinforcement) VA3, VC1, VC2, VC3, except Sta. Wgn.	1 1 1 1 1 1 1 1	2253 644-5 2425 414-5 ---- ---- ---- ----	2493 058-9 2425 610-1 2425 604-5 2425 350-1 2425 350-1	2425 350-1 2425 350-1
23-32-106	RETAINER, Wheelhouse Inner Rear Floor Pan Cover Support T/Plate Sta. Wgn., VA3, VC1, VC3 RETAINER, Rear Floor Pan Spare Tire Cover Panel All Prime RETAINER, Wheelhouse Inner 3rd. Seat Bottom Hinge T/Plate Sta. Wgn., VA3, VC1, VC3	2 1 1 2	---- 2259 173 ----	1960 496 1960 496	1960 496 1960 496
23-32-107	BRACKET and HINGE, Rear Floor Pan Cover Panel Sta. Wgn.	2	2494 147		
23-32-108	BRACKET, Front Side Rail Front Suspension Upper Control Arm Mounting All Except VA3	1 1	2081 840-1 ----	2204 184-5	
23-32-110	SHIELD, Front Suspension Crossmember to Front Side Rail Splash All Left VP1, VP2, VD1, VD2 SHIELD, Front Side Rail Lower Splash VP1, VP2, VD1, VD2 Prime, Left	1 1 1 1	2260 469 ---- ----	2260 472-3 2405 041	

★ Indicates use as required.
 ☐ Indicates parts not listed in any previous parts book.
 March 15, 1965 Supersedes March 16, 1964.

Printed in U.S.A.
 Prices and specifications subject to change without notice.
 Right and left part numbers are on same line,
 first number is right, second number is left.
 • Indicates change or addition.

CODE	PART NAME AND DESCRIPTION	PER CAR	VALIANT DART	PLYMOUTH DODGE	CHRYSLER IMPERIAL
23-32-O PANS, PLUGS AND BODY BUMPERS- Cont'd					
23-32-112	REINFORCEMENT, Center Floor Pan to Inner Sill and Rear Rail and Spring Hanger Support Cv.Cp., VP2, VD2	1	----	2254 618-9	
	All, VL1, VL2	1	2422 568-9		
	REINFORCEMENT, Front Floor Pan to Inner Sill Front Reinforcement to Front Side Rail Cv.Cp.	1	2422 564-5		
	REINFORCEMENT, Center Floor Pan Rear Suspension Front Hanger Bracket Support VP1, VP2, VD1, VD2	1	----	2481 204-5	
23-32-113	CLIP, Front Side Rail Splash Shield VP1, VD1, VA3, VC1, VC2, VC3	★	2405 049	2405 049	2405 049
23-32-114	BRACKET, Front Floor Pan to Inner Sill and Front Reinforcement to Front Side Rail Cv.Cp., VP2, VD2	1	----	2254 620-1	
23-32-115	REINFORCEMENT, Front Side Rail All, VP1, VP2, VD1, VD2	1	2467 652-3	2204 170-1	
	VP1, VP2, VD1, VD2 w/Radiator Yoke BRACKET	1	----	2493 044-5	
	REINFORCEMENT, Front Side Side Rail to Side Sill Inner All	1	2242 460-1		
23-33-O INSTRUMENT PANEL					
23-33-6	HANDLE, Instrument Panel Assist VC1, VC2, VC3	1	----	----	2216 916
23-33-10	BRACE, Instrument Panel Lower Reinforcement to Pedal Bracket VP1, VP2, VD1, VD2, VC1, VC2, VC3	1	----	2217 704	2217 302
	BRACE, Instrument Panel Lower Reinforcement to Windshield Wiper Motor Mounting VP1, VP2, VD1, VD2, VY1	1	----	2217 703	2292 327
	VC1, VC2, VC3	1	----	----	2292 023
	BRACE, Instrument Panel Lower Reinforcement to Windshield Frame VA3, VC1, VC2, VC3	1	----	2080 869	2080 679
	BRACE, Instrument Panel Lower Reinforcement to Center Gusset VY1	1	----	----	2492 327
23-33-12	COVER, Instrument Panel Radio Opening VP1, VP2, VD1, VD2 VA3	1	2161 973	2217 747	
	FILLER, Instrument Panel Radio Opening VC1, VC2, VC3	1	----	1901 789	
23-33-20	COVER, Instrument Panel Clock Hole VP1, VP2 VD1, VD2 VA3 VC1, VC2	1 1 1 1	---- ---- ---- ----	2426 491 2426 887 2426 881 ----	2426 034
23-33-39	PLATE, Instrument Panel Housing Access VA3	1	----	2491 758	
23-33-42	GRILLE, Instrument Panel Radio Speaker VA3, VC1, VC2, VC3, Prime VY1 w/Air Conditioning, Prime . . . VY1, w/o Air Conditioning, Prime . .	1 1 1	---- ---- ----	1839 727 ---- ----	2218 734 2218 639 2491 871 2491 872

★ Indicates use as required.
 B Indicates parts not listed in any previous parts book.
 Right and left part numbers are on same line,
 first number is right, second number is left.

1964 PASSENGER CAR PARTS CATALOG

BODY

CODE	PART NAME AND DESCRIPTION	PER CAR	VALIANT DART	PLYMOUTH DODGE	CHRYSLER IMPERIAL
23-33-0 INSTRUMENT PANEL - Cont'd					
23-33-65	COVER, Instrument Panel Defroster Opening VA3, VC1, VC2, VC3 VP1, VP2, VD1, VD2	2 2	---- ----	2080 238 2492 517	2080 238
23-33-86	MOULDING, Instrument Panel VP1, VP2, VD1, VD2 w/Tie Plate, Horizontal, w/or w/o Trim Pad	1	----	2492 473	
	VA3 w/Trim Pad	1	----	2218 295	
	VA3, Finish Plate, Horizontal, End	1	----	1902 310-11	
	VA3 Finish Plate, Horizontal	1	----	2217 656	
	VC1, VC2, VC3 Horizontal, Upper	1	----	----	2218 335
	VC1, VC2, VC3 Horizontal, Lower	1	----	----	2218 336
	VC1, VC2, VC3 Intermediate, Left	1	----	----	2292 317
	VC1, VC2, VC3 Instruments Hood	1	----	----	2217 054
23-33-89	CAP, Instrument Panel End Red. Blue Yellow Tan Turquoise Black Yellow Gold Barracuda, Yellow Gold	1 1 1 1 1 1 1	4242-3 TR6 4242-3 VB6 4242-3 VT6 4242-3 VQ6 4242-3 VX9 4242-3 VY5 4242-3 AY6		
23-33-96	NAMEPLATE, Instrument Panel 2 D., 4 D., Sta. Wgn., VL1-H, VL2-H Dart 270, Right w/Decal, Newport VC1 w/Mounting Plate, 300 VC2 w/Decal, New Yorker VC3 Cv. Cp., VY1 Switch Plate, Right 2 D. H.T., 4 D. H.T., VY1 Switch Plate, Right VY1 Switch Plate, Left	1 1 1 1 1 1 1	2217 936 ---- ---- ---- ---- ---- ----		2491 812 2492 421 2491 811 2218 271 2218 270 2218 269
23-33-109	PANEL, Instrument VV1, VV2 w/Auto. Transmission VV1, VV2 w/Manual Transmission VL1, VL2 VP1, VP2, VD1, VD2 VA3 VC1, VC2, VC3 VY1	1 1 1 1 1 1 1	2492 465 2492 463 2492 467 ---- ---- ---- ----	2492 193 2492 276 ----	2493 391 2425 830
	EXTENSION, Instrument Panel End VY1 Red. Black. Yellow Tan Blue Turquoise Yellow Green Maroon Prime	1 1 1 1 1 1 1 1	---- ---- ---- ---- ---- ---- ---- ----		4200-1 VR5 4200-1 VX8 4200-1 VT8 4200-1 VB8 4200-1 VQ8 4200-1 VF9 4200-1 VM9 2492 818-9
23-33-129	HOOD, Instrument Panel Instrument VC1, VC2, VC3 Upper, w/Air Conditioning, Prime VC1, VC2, VC3 Upper, w/o Air Conditioning, Prime VC1, VC2, VC3 Lower	1 1 1	---- ---- ----		2217 318 2217 072 2217 078

* Indicates use as required.

⊠ Indicates parts not listed in any previous parts book.
March 15, 1965 Supersedes March 16, 1964.

Printed in U.S.A.
Prices and specifications subject to change without notice.
Right and left part numbers are on same line,
first number is right, second number is left.
* Indicates change or addition.

CODE	PART NAME AND DESCRIPTION	PER CAR	VALIANT DART	PLYMOUTH DODGE	CHRYSLER IMPERIAL
23-33-0 INSTRUMENT PANEL - Cont'd					
23-33-132	FILLER, Steering Column Opening				
	VA3 Lower, Prime	1	----	2218 265	
	VA3 Upper, Prime	1	----	1902 399	
	VC1, VC2, VC3 Prime	1	----	----	2217 052
	COVER, Instrument Panel Steering Column Opening				
	VP1, VP2, VD1, VD2, Yellow Tan	1	----	4231 VT5	
	VP1, VP2, VD1, VD2, Turquoise	1	----	4231 VQ7	
	VP1, VP2, VD1, VD2, Blue	1	----	4231 VB5	
	VP1, VP2, VD1, VD2, Red	1	----	4231 VR6	
	VP1, VP2 Red Tan	1	----	4231 VU5	
	VP1, VP2, VD1, VD2, Black	1	----	4231 VX9	
	VD1, VD2 Yellow Gold	1	----	4231 VY6	
23-33-135	FINISH PLATE, Instrument Panel				
	VV1-H, VV2-H w/V200, Right	1	2491 538		
	VV1-P, VV2-P w/o V200, Right	1	2491 698		
	VL1-H, VL1-P, VL2-H, VL2-P, w/Radio	1	2491 096		
	VL1-H, VL2-H, VL1-P, VL2-P Center, w/o Radio	1	2491 540		
	VL1-H, VL1-P, VL2-H, VL2-P Right	1	2491 543		
	VV1-H, VV2-H, VV1-P, VV2-P w/Heater, Left	1	E2491 536		
	VV1-H, VV2-H, VV1-P, VV2-P w/o Heater, Left	1	*2491 535		
	VP1-H, VP2-H, VP1-P, VP2-P Center, w/Radio	1	----	*2525 652	
	VP1-H, VP2-H, VP1-P, VP2-P Center, w/o Radio	1	----	*2492 243	
	VD1-M, VD1-H, VD1-P, VD2-M, VD2-H, VD2-P Center, w/o Radio	1	----	2492 146	
	VA3 Right	1	----	2218 204	
	VA3 Left	1	----	2218 203	
	VC1, VC2, VC3 Controls, w/AM/FM Ratio and Air Cond.	1	----	----	2491 882
	VC1, VC2, VC3 Controls, w/o Radio, w/STUD	1	----	----	2217 066
	VC1, VC2, VC3 Controls, w/Radio, Right	1	----	----	2292 320
	VC1, VC2, VC3 Controls, Left	1	----	----	2292 319
	VC3, Salon Controls	1	----	----	2218 732-3
	VY1 Right	1	----	----	2571 666
	VY1 End, Left	1	----	----	2571 667
	VY1 Center, w/o Radio	1	----	----	2492 738
	VY1 Switch, w/Air Conditioning Switch and Auto. Pilot, Right	1	----	----	2491 602
	VY1 Switch, Right	1	----	----	2217 820
	VY1 Switch, Left	1	----	----	2217 821
	VY1 Switch, w/Air Conditioning, Right	1	----	----	2491 601
	2 D. H.T., 4 D. H.T., VY1 w/Automatic Pilot, Right	1	----	----	2491 600
	VY1 Center, w/AM Radio	1	----	----	2492 740
	VY1 Center, w/AM/FM Radio	1	----	----	2492 739
23-33-147	COVER, Instrument Panel End Extension				
	VY1	1	----	----	2218 888-9
23-33-209	SLEEVE NUT, Instrument Panel Gear Selector Housing to Instrument Panel				
	VC1, VC2, VC3	*	----	----	2162 495

★ Indicates use as required.
 ☐ Indicates parts not listed in any previous parts book.
 Right and left part numbers are on same line, first number is right, second number is left.
 * Indicates change or addition.

1964 PASSENGER CAR PARTS CATALOG

BODY

CODE	PART NAME AND DESCRIPTION	PER CAR	VALIANT DART	PLYMOUTH DODGE	CHRYSLER IMPERIAL
23-33-O INSTRUMENT PANEL - Cont'd					
23-33-213	BRACKET, Transmission Push Button Control Box VL1, VL2 w/SOCKET VV1, VV2 w/SOCKET VP1, VP2 VD1, VD2 w/SOCKET. VA3	1 1 1 1 1	2427 735 2427 826 ---- ---- ----	2426 505 2427 778 2427 884	
23-33-216	COVER, Instrument Panel Map Light Opening VA3, VC1, VC3	1	----	2080 152	2217 282
23-33-217	BEZEL, Instrument Panel Gear Selector VC1, VC2, VC3 Prime HOUSING, Instrument Panel Gear Selector VC1, VC2, VC3 Prime	1 1	---- ----	---- ----	2570 997 2571 313
23-33-220	TRIM PLATE, Instrument Panel VV1-L, VV2-L w/Auto. Trans. VV1-H, VV2-H, VV1-P, VV2-P w/Auto. Trans. VV1-H, VV2-H, VV1-P, VV2-P w/Manual Trans. TRIM PLATE, Instrument Cluster VL1, VL2 w/Auto. Trans. VL1, VL2 w/o Auto. Trans. VP1, VP2 w/Auto. Trans. VP1, VP2 w/o Auto. Trans. VD1, VD2 w/Auto. Trans. VD1, VD2 w/o Auto. Trans.	1 1 1 1 1 1 1 1 1 1 1	2426 071 2427 196 2427 195 2427 493 2427 494 ---- ---- ---- ---- 2426 120	2426 367 2426 366 2426 119 2426 120	
	COVER, Instrument Panel Gear Selector Opening VC1, VC2 w/Manual Trans. COVER, Instrument Panel Gear Selector Buttons and Parking Sprag Opening VA3 w/Manual Trans. COVER, Instrument Panel Heater and Air Cond. Control Push Buttons VA3 w/o Heater or Air Cond. TRIM PLATE, Transmission Control VY1	1 1 1 1 1	---- ---- ---- ---- ----	---- 2492 714 2492 715	2218 385 2426 937
23-33-221	NUT, Instrument Panel Heater and Air Conditioning Control Push Button Cover VA3 NUT, Instrument Panel Gear Selector Push Button and Parking Sprag Opening Cover VA3	3 ★	---- ----	1839 995 1839 995	
23-33-227	GASKET, Transmission Push Button Control VY1 GASKET, Gearshift Control Slide Button Cover All	1 1	---- 2266 424	---- ----	2427 140
	SHIELD, Instrument Panel Transmission Control Lamp VC1, VC2, VC3 w/Auto. Trans., Felt. PAD, Instrument Panel Push Button Control VA3	1 1	---- ----	---- 2427 988	2217 568
23-33-231	BEZEL, Parking Brake Lever Release Rod VP1, VP2, VC1, VC2, VC3 VD1, VD2 VA3	1 1 1	---- ---- ----	2071 159 2256 616 1887 789	2290 700
23-33-236	NUT, Parking Brake Lever Release Rod Bezel VP1, VP2, VC1, VC2, VC3 VD1, VD2, VA3	1 1	---- ----	2401 314 2071 146	2401 325 2071 146

★ Indicates use as required.

☐ Indicates parts not listed in any previous parts book.
March 15, 1965 Supersedes March 16, 1964.

Page 23-270

Printed in U.S.A.
Prices and specifications subject to change without notice.
Right and left part numbers are on same line,
first number is right, second number is left.
* Indicates change or addition.

CODE	PART NAME AND DESCRIPTION	PER CAR	VALIANT DART	PLYMOUTH DODGE	CHRYSLER IMPERIAL
23-33-0 INSTRUMENT PANEL - Cont'd					
23-33-237	DECAL, Parking Brake Lever Release Rod Bezel VC1, VC2, VC3	1	-----	-----	2291 065
23-33-240	GROMMET, Instrument Panel Gear Selector Housing to Instrument Panel VC1, VC2, VC3	*	-----	-----	2161 522
23-34-0 BODY PANELS					
23-34-10	COVER, Tailgate Sill Panel Latch Opening Sta. Wgn., VP1, VP2, VD1, VD2 Prime	1	-----	2254 801	
23-34-13	BRACKET, Wheelhouse Inner and Outer to Fuel Tank Stone Deflector Sta. Wgn., VA3, VC1, VC3	2	-----	1961 131	1961 131
23-34-16	PANEL, Tailgate Opening Sill Sta. Wgn. w/EXTENSION Sta. Wgn., VP1, VP2, VD1, VD2 Sta. Wgn., VA3, VC1, VC3	1 1 1	2493 351 ----- -----	2251 477 1877 833	1877 833
23-34-17	REINFORCEMENT, Tailgate Opening Sill Panel Sta. Wgn., VP1, VP2, VD1, VD2 w/FILLER Sta. Wgn., VA3, VC1, VC3	1 1	----- -----	2253 175 1877 834	1877 834
23-34-20	DEFLECTOR, Quarter Inside Panel Reinforcement Water Cv. Cp., VV1-H, VV2-H, VV1-P, VV2-P Cv. Cp., VL1-H, VL2-H, VL1-P, VL2-P Cv. Cp., VA3, VC1, VC2	2 2 1	2480 416 2480 417 -----	2165 406-7	2165 406-7
23-34-21	PANEL, Wheelhouse Cap Cv. Cp., VP2, VD2 Cv. Cp., VY1	1 1	2423 266-7 -----	2422 040-1 -----	2424 692-3
23-34-22	SUPPORT, Wheelhouse to Quarter Panel 2 D., 2 D. H.T., 4 D., VL1, VL2 SUPPORT, Quarter Outside Panel to Wheelhouse Outer Panel Sta. Wgn. 2 D. H.T., VP1, VP2 2 D. H.T., VD1, VD2 SUPPORT, Wheelhouse Panel to Shelf Extension Panel 2 D. H.T., VP1, VP2 2 D. H.T., VD1, VD2	1 1 1 1 1 1 1 1	2243 582-3 2242 792-3 ----- ----- ----- -----	2424 920-1 2424 922-3 2424 926-7 2424 928-9	
	SUPPORT and WELD NUTS, Wheelhouse Panel to Quarter Outside Panel Straining Bracket Cv. Cp., VP2, VD2	1	-----	2424 466-7	
	SUPPORT, Quarter Outside Panel to Wheelhouse Cv. Cp., VV1, VV2 2 D., 4 D., 4 D. H.T., VP1, VP2 2 D., 4 D., 4 D. H.T., VD1, VD2	1 1 1	2423 646-7 ----- -----	2255 790-1 2423 544-5	
23-34-24	FILLER, Wheelhouse to Rear Pillar Panel Sub., VP1, VP2, VD1, VD2	1	-----	2251 830-1	
23-34-26	PANEL, Wheelhouse to Rear Pillar Sta. Wgn., VP1, VP2, VD1, VD2 Sta. Wgn., VA3, VC1, VC3	1 1	----- -----	2251 586-7 1960 090-1	1960-090-1

★ Indicates use as required.
 □ Indicates parts not listed in any previous parts book.
 Right and left part numbers are on same line,
 first number is right, second number is left.
 * Indicates change or addition.

1964 PASSENGER CAR PARTS CATALOG

BODY

CODE	PART NAME AND DESCRIPTION	PER CAR	VALIANT DART	PLYMOUTH DODGE	CHRYSLER IMPERIAL
23-34-0 BODY PANELS - Cont'd					
23-34-27	PANEL, Wheelhouse Sta. Wgn., VV1, VV2, VL1, VL2				
	Inner	1	2243 494-5		
	Outer	1	2481 198-9		
	2 D., 2 D. H. T., 4 D.,				
	Inner, Right	1	2244 942		
	Left	1	2081 163		
	2 D., 2 D. H. T., 4 D., VL1, VL2				
	Outer	1	2243 564-5		
	2 D., 2 D. H. T., 4 D., VV1, VV2				
	Outer	1	2481 194-5		
	Cv. Cp. Inner	1	2255 968-9		
	Cv. Cp., VV1, VV2 Outer	1	2255 958-9		
	Cv. Cp., VL1, VL2 Outer	1	2255 960-1		
	VV1, VV2, Barracuda Inner	1	2243 494-5		
	VV1, VV2, Barracuda Outer	1	2481 194-5		
	Sta. Wgn., VP1, VP2, VD1, VD2				
	Inner	1	----	2165 832-3	
	Outer	1	----	2422 038-9	
	2 D., 2 D. H. T., 4 D., 4 D. H. T., VP1, VP2, VD1				
	VD2 Inner	1	----	2165 828-9	
	2 D., 2 D. H. T., 4 D., 4 D. H. T., VP1, VP2				
	Outer	1	----	2422 032-3	
	2 D., 2 D. H. T., 4 D., 4 D. H. T., VD1, VD2				
	Outer	1	----	2481 202-3	
	Cv. Cp., VP2, VD2, Inner	1	----	2166 258-9	
	Cv. Cp., VP2 Outer	1	----	2422 034-5	
	Cv. Cp., VD2 Outer	1	----	2422 036-7	
	Cv. Cp., VA3, VC1, VC2				
	Inner	1	----	1869 752-3	2243 608-9
	Outer	1	----	1950 348-9	2254 514-5
	Sta. Wgn., VA3, VC1, VC3				
	Inner	1	----	1861 062-3	1861 062-3
	Sta. Wgn., VA3, VC1, VC3				
	Outer, Right	1	----	1861 056	1861 056
	Left	1	----	2188 769	2188 769
	2 D. H. T., 4 D., 4 D. H. T., VA3, VC1, VC2, VC3				
	Inner	1	----	1869 748-9	1869 748-9
	2 D. H. T., 4 D., 4 D. H. T., VA3				
	Outer	1	----	1869 744-5	
	2 D. H. T., 4 D., 4 D. H. T., VC1, VC2, VC3				
	Outer	1	----	----	2242 572-3
	Cv. Cp., VY1 Inner	1	----	----	2424 690-1
	Outer	1	----	----	2424 688-9
	2 D. H. T., 4 D. H. T., VY1				
	Inner	1	----	----	1651 300-1
	Outer	1	----	----	2255 458-9
23-34-29	EXTENSION, Wheelhouse Outer Panel				
	Sta. Wgn.	1	2242 928-9		
	2 D., 2 D. H. T., Cv. Cp., 4 D., VL1, VL2	1	2243 802-3		
	2 D., 2 D. H. T., Cv. Cp., 4 D., VV1, VV2	1	2422 612-3		
23-34-32	BAFFLE, Quarter Inside Upper Panel to Roof Panel Side Extension				
	Sta. Wgn.	2	2243 832		
23-34-36	REINFORCEMENT, Wheelhouse Panel to Belt Lower				
	Cv. Cp., VV1, VV2, VP2	1	2423 642-3	2422 840-1	
	Cv. Cp., VL1, VL2, VD2	*	2423 644	2422 838-9	

★ Indicates use as required.
 ☐ Indicates parts not listed in any previous parts book.
 March 15, 1965 Supersedes March 16, 1964.

Printed in U.S.A.
 Prices and specifications subject to change without notice.
 Right and left part numbers are on same line,
 first number is right, second number is left.
 * Indicates change or addition.

CODE	PART NAME AND DESCRIPTION	PER CAR	VALIANT DART	PLYMOUTH DODGE	CHRYSLER IMPERIAL
23-34-0 BODY PANELS - Cont'd					
23-34-36	REINFORCEMENT, Wheel to Center Floor Pan VV1, VV2, Barracuda	1	2526 830-1	2214580	
23-34-80	PANEL, Cowl Top and Plenum Chamber All	1	2493 684		
	PANEL, Cowl Top and Dash VA3, VC1, VC2, VC3, w/or w/o Air Conditioning. . . VP1, VP2, VD1, VD2	1 1	---- -- ---- --	2493 126 2421 991	2493 126
	PANEL, Cowl Side Cv.Cp., VP2, VD2, Complete. VP1, VP2, VD1, VD2, except Cv.Cp. Complete	1 1	2425 416-7 2425 164-5	2425 840-1 2425 838-9	
	Cv.Cp., VA3, VC1, VC2 Complete	1	---- --	2425 122-3	2425 122-3
	VA3, VC1, VC2, VC3, except Cv.Cp. Complete	1	---- --	2425 104-5	2425 104-5
	VY1 Less Extension	1	---- --	---- --	2448 140-1
	FRAME, Windshield Cv.Cp., VY1 Complete Except Cv.Cp., VY1, Complete	1 1	---- -- ---- --	---- -- ---- --	2495 693 2495 692
23-34-85	COVER PACKAGE, Cowl Upper Panel to Front Pillar Joint VY1 SCREW	1 2	---- -- ---- --	---- -- ---- --	2196 479-80 9413 268
23-34-100	FILLER, Cowl Side to Door at Belt VY1	1	---- --	---- --	E2492 810-11
23-34-110	PANEL, Dash VY1 w/NUT	1 1	---- -- 2492 720	---- --	2492 104
23-34-116	COVER, Dash Panel Heater Motor Opening w/o Heater COVER, Dash Panel Air Duct All, VA3 VY1 w/Heater. COVER, Dash Panel Air Duct Drain Hole VA3	1 1 1 2	2242 439 ---- -- ---- -- ---- --	1750 445 ---- -- 1810 565	1750 445 2216 902 1810 565
23-34-117	SUPPORT, Dash Panel to Fender Side Shield All Right Left SUPPORT, Dash Panel to Fender Side Shield and Hood Hinge Upper Support VP2, VD2 w/426 cu.in. Eng., Right.	1 1 1 1	2242 426 2492 741 ---- --		2492 651
23-34-119	GASKET, Dash Panel Heater Motor Opening Cover w/o Heater GASKET, Heater to Dash w/Heater.	1 1	2242 425 2242 425		
23-34-120	PANEL, Front Door Outside Repair 2 D., VP1, VP2, VD1, VD2 2 D. H.T., Cv.Cp. 4 D., Sta. Wgn., VP1, VP2, VD1, VD2 2 D. H.T., Cv.Cp., VP1, VP2, VD1, VD2 4 D. H.T., VP1, VP2, VD1, VD2 4 D., Sta.Wgn., VA3-E	1 1 1 1 1 1	2253 842-3 2253 844-5 2253 840-1 ---- -- ---- -- ---- --	2425 792-3 2425 788-9 2425 794-5 2425 790-1 2253 344-5	

★ Indicates use as required.
 ☐ Indicates parts not listed in any previous parts book.
 Right and left part numbers are on same line,
 first number is right, second number is left.
 * Indicates change or addition.

1964 PASSENGER CAR PARTS CATALOG

BODY

CODE	PART NAME AND DESCRIPTION	PER CAR	VALIANT DART	PLYMOUTH DODGE	CHRYSLER IMPERIAL
23-34-O BODY PANELS - Cont'd					
23-34-120	PANEL - Cont'd				
	4 D., VA3-L, VC1, VC2, VC3	1	----	2253 344-5	2493 394-5
	2 D. H.T., Cv.Cp., VA3, VC1, VC2	1	----	1884 680-1	2425 670-1
	4 D., Sta. Wgn., VA3-L	1	----	2165 320-1	
	4 D. H.T., Sta.Wgn., VC1, VC3	1	----	----	2425 850-1
	2 D. H.T., Cv.Cp., VY1	1	----	----	2425 618-9
	4 D. H.T., VY1	1	----	----	2425 620-1
	PANEL, Rear Door Outside Repair				
	4 D., Sta. Wgn., VA3-E	1	2425 168-9	2253 346-7	
	4 D., VA3-L, VC1, VC2, VC3	1	----	2253 346-7	2493 396-7
	4 D. H.T., Sta.Wgn., VA3-L	1	----	1950 636-7	
	4 D. H.T., VC1, VC2, VC3	1	----	----	2254 290-1
	Sta. Wgn., VC1, VC3	1	----	----	2254 596-7
	4D. H.T., VY1	1	----	----	2425 812-3
	4 D. H.T., VP1, VP2, VD1, VD2	1	----	2425 114-5	
	4 D., Sta. Wgn., VP1, VP2, VD1, VD2	1	----	2425 112-3	
23-34-121	SHIELD, Dash Panel to Front Fender				
	VP1, VP2	1	2242 442-3	*2571 478-9	
	VD1, VD2	1	----	2218 152-3	
23-34-122	BRACE and C/NUT, Dash Panel No. 1 and No. 1A				
	Body Hold-Down				
	VY1	1	----	----	2491 710-11
	BRACE, Dash Panel Body Front Hold-Down				
	VA3, VC1, VC2, VC3	1	----	1909 326-7	1909 326-7
23-34-123	PLUG, Dash Panel				
	VP1, VP2, VD1, VD2, w/o Heater	3	----	1777 881	
	PLUG, Dash Panel Auto. Trans. and Parking Sprag				
	Opening				
	VA3, VC1, VC2	1	----	2082 962	2082 962
23-34-125	T/PLATE, Dash Panel Accelerator Linkage Bracket				
	All	1	2217 287		
23-34-126	REINFORCEMENT, Dash Panel No. 1 and No. 1A				
	Body Hold-Down Bolt Brace				
	VY1	1	----	----	2491 730-1
23-34-164	BRACE, Deck Opening Upper Panel				
	2 D. H.T., VP1, VP2, VD1, VD2	2	----	2424 546	
	2 D., 4 D., 4 D. H.T., VP1, VP2, VD1, VD2	2	----	2244 027	
23-34-166	PANEL, Deck Opening Upper				
	Cv. Cp., VV1, VV2, VA3, VY1	1	2255 860	1869 636	2424 696
	Cv. Cp., VL1, VL2, VP2, VD2, VC1, VC2	1	2255 861	2243 939	2242 596
	2 D., 2 D. H.T., 4 D., VV1, VV2	1	2242 493		
	2 D., 2 D. H.T., 4 D., VL1, VL2	1	2480 705		
	VV1, VV2, Barracuda	1	2525 590		
	2 D. H.T., VP1, VP2, VD1, VD2	1	----	2422 067	
	2 D., 4 D., 4 D. H.T., VP1, VP2, VD1, VD2	1	----	2482 818	
	2 D. H.T., VA3	1	----	2189 298	
	4 D., 4 D. H.T., VA3	1	----	1909 316	
	2 D. H.T., 4 D., 4 D. H.T., VC1, VC2, VC3	1	----	----	2423 026
	2 D. H.T., 4 D. H.T., VY1	1	----	----	
	w/Shelf Panel	1	----	----	2422 287
	2 D. H.T., 4 D. H.T., VY1	1	----	----	2425 665
23-34-187	PANEL, Deck Opening Lower				
	VV1, VV2, except Sta. Wgn.	1	2422 006		
	VL1, VL2, except Sta. Wgn.	1	2243 589		

★ Indicates use as required.

☐ Indicates parts not listed in any previous parts book.
March 15, 1965 Supersedes March 18, 1964.

Printed in U.S.A.
Prices and specifications subject to change without notice.
Right and left part numbers are on same line,
first number is right, second number is left.
* Indicates change or addition.

CODE	PART NAME AND DESCRIPTION	PER CAR	VALIANT DART	PLYMOUTH DODGE	CHRYSLER IMPERIAL
23-34-0 BODY PANELS - Cont'd					
23-34-167	PANEL - Cont'd				
	VP1, VP2, except Sta. Wgn. w/License Plate Insert PANEL.	1	----	2425 679	
	2 D., 2 D. H.T., 4 D., VD1-L, VD2-L, VD1-M. VD2-M w/License Plate Insert PANEL, w/Back-Up Light Holes	1	----	2425 739	
	2 D., 2 D. H.T., 4 D., VD1-L, VD2-L, VD1-M, VD2-M w/License Plate Insert PANEL, w/o Back-Up Light Holes	1	----	2425 736	
	2 D. H.T., Cv.Cp., 4 D., 4 D. H.T., VD1-H, VD2-H w/License Plate Insert PANEL, w/Back-Up Light Holes	1	----	2425 737	
	2 D. H.T., Cv.Cp., VD2-P w/License Plate Insert PANEL, w/Back-Up Light Holes	1	----	2425 737	
	VA3, except Sta.Wgn. w/Holes	1	----	2481 281	
	VC1, VC2, VC3, except Sta.Wgn., w/Holes	1	----	----	2423 790-1
	All, VY1	1	----	----	2255 495
23-34-176	EXTENSION, Deck Opening Lower Panel Side				
	VY1	1	----	----	2422 296-7
	4 D. H.T., VY1-H, Upper Panel to Rear Window . .	1	----	----	2218 700
	2 D. H.T., VY1-M, Upper Panel to Rear Window . .	1	----	----	2218 700
	VV1, VV2, Barracuda, Upper Inner Panel	1	*2574 020-1		
23-34-177	REINFORCEMENT, Quarter Panel Deck Opening				
	Side Flange				
	VA3, except Sta.Wgn.	1	----	2481 012-3	
	BRACE, Quarter Panel Deck Opening Side Flange to Floor Pan Upper				
	VA3 except Sta. Wgn.	1	----	2481 004-5	
23-34-178	PLUG, Deck Opening Upper Inner Panel				
	V Barracuda Black	4	B4163 VX9		
23-34-179	REINFORCEMENT, Deck Opening Upper or Lower Panel				
	VV1, VV2, except Sta.Wgn.				
	Lower	2	2423 214		
	Cv.Cp., VA3, VC1, VC2				
	Upper	1	----	1882 393	2242 597
	2 D. H.T., VA3 Upper	1	----	2189 299	
	VC1, VC2, VC3, except Sta.Wgn.				
	Lower	1	----	----	2423 630
	Cv.Cp., VY1-M to Belt Bar	1	----	----	2480 189
	2 D. H.T., 4 D. H.T., VY1				
	Shelf and Deck Opening, Upper .	1	----	----	2255 499
	SUPPORT, Deck Opening Lower Panel				
	VL, except Sta.Wgn.	2	2243 596		
	VD1, VD2, except Sta. Wgn.	2	----	2423 239	
	VP1, VP2, except Sta.Wgn.	2	----	2423 238	
	BRACE, Quarter Panel Deck Opening Side Flange to Wheelhouse				
	VA3, except Sta.Wgn.	1	----	2481 006-7	
	BRACE, Deck Opening Lower Panel to Floor Pan				
	VC1, VC2, VC3, except Sta.Wgn.	1	----	----	2423 634-5
	REINFORCEMENT, Deck Opening Lower Panel				
	VV1, VV2, except Sta.Wgn.	2	2423 214		

23-34-184 LETTER, NAMEPLATE or MEDALLION, Deck
Opening Lower Panel (1)

NOTE: See Exterior Moulding Illustrations in Front of Group 23 Body.

* Indicates use as required.
 ☐ Indicates parts not listed in any previous parts book.
 Right and left part numbers are on same line,
 first number is right, second number is left.

1964 PASSENGER CAR PARTS CATALOG

BODY

CODE	PART NAME AND DESCRIPTION	PER CAR	VALIANT DART	PLYMOUTH DODGE	CHRYSLER IMPERIAL
23-34-0 BODY PANELS - Cont'd					
23-34-187	COVER, Deck Opening Upper Panel Air Exhaust VV1, VV2, Barracuda	2	*2573 606		
23-34-190	FILLER, Deck Opening Upper Panel Center Moulding to Window Glass VV1, VV2, Barracuda	1	2528 391		
23-34-218	REINFORCEMENT, Quarter Outside Panel Lock Face 2 D. H.T., Cv.Cp.	1	2481 200-1		
23-34-219	SUPPORT, Quarter Outside Inner Upper Panel to Brace Cv.Cp., VL1, VL2	1	2423 648-9		
23-34-221	SEAL, Quarter Inside Upper Panel to Roof Panel Side Extension Baffle Sta. Wgn.	2	2243 834		
23-34-227	GUARD, Quarter Panel Rear Lower Dust Sta. Wgn., VA3, VC1, VC3	2	----	2252 212	2252 212
23-34-228	RETAINER, Quarter Panel Rear Lower Dust Guard Sta. Wgn., VA3, VC1, VC3	2	----	2188 745	2188 745
23-34-229	TIE PLATE, Quarter Panel to Wheelhouse to Side Sill Outer Panel All, VV1, VV2 All, VL1, VL2 TIE PLATE, Quarter Inside Panel to Wheelhouse 2 D., 2 D. H.T., Cv.Cp., VP1, VP2 2 D., 2 D. H.T., Cv.Cp., VD1, VD2 TIE PLATE, Body Side Sill to Wheelhouse 4 D., 4 D. H.T., Sta. Wgn., VP1, VP2 Sta. Wgn., VD1, VD2 4 D., 4 D. H.T., VD1, VD2	1 1 1 1 1 1 1	2242 470-1 2243 566-7 ---- ---- ---- ---- ----	2422 578-9 2244 098-9 2167 180-1 2167 180-1 2243 998-9	
23-34-230	STRAINER, Quarter Outside Panel Cv.Cp., VP2 w/BRACKET Cv.Cp., VD2 w/BRACKET 2 D. H.T., Cv.Cp., VY1	1 1 1	---- ---- ----	2424 388-9 2424 390-1 ----	2495 908-9
23-34-231	BRACKET, Quarter Outside Panel Strainer to Wheelhouse Support Cv.Cp., VP2, VD2 BRACKET, Quarter Outside Outer Panel Support Rear 2 D. H.T., Cv.Cp., VY1	2 1	---- ----	2424 386 ----	2492 214-5
23-34-232	PLUG, Quarter Panel to Wheelhouse to Side Sill Outer Tie Plate 2 D., 2 D. H.T., Cv.Cp., VL1, VL2 PLUG, Body Side Sill to Wheelhouse Tie Plate Sta. Wgn., VP1, VP2, VD1, VD2 Right	2 1	*2423 815 ----	2480 148	
23-34-233	PANEL, Quarter Outside Inner 2 D., 2 D. H.T., 4 D., VV1, VV2 2 D., 2 D. H.T., 4 D., VL1, VL2 Upper 2 D., 2 D. H.T., 4 D., VL1, VL2 Lower 2 D., 2 D. H.T., Cv.Cp., 4 D., VL1, VL2 Center Cv.Cp., VL1, VL2 Upper VC1, VC2, VC3, except Sta. Wgn. Cv.Cp., VV1, VV2 VV1, VV2, Barracuda	1 1 1 1 1 1 1 1 1 1	2480 116-7 2480 706-7 2423 232-3 2480 350-1 2255 986-7 ---- 2424 998-9 2484 584-5		2484 410-11

★ Indicates use as required.

⊞ Indicates parts not listed in any previous parts book.
March 15, 1965 Supersedes March 16, 1964.

Printed in U.S.A.
Prices and specifications subject to change without notice.

Right and left part numbers are on same line,
first number is right, second number is left.

CODE	PART NAME AND DESCRIPTION	PER CAR	VALIANT DART	PLYMOUTH DODGE	CHRYSLER IMPERIAL
23-34-0 BODY PANELS - Cont'd					
23-34-233	PANEL - Cont'd				
	Cv. Cp., VY1	1	----	----	2424 694-5
	4 D. H.T., VY1	1	----	----	2255 464-5
	4 D. H.T., VY1-H, Upper	1	----	----	2422 330-1
	2 D. H.T., VY1	1	----	----	2255 462-3
	2 D. H.T., VY1-M, Upper Extension	1	----	----	2422 330-1
	4 D. H.T., VY1-L, VY1-M Upper	1	----	----	2422 334-5
	2 D. H.T., 4 D. H.T., VY1 Extension	1	----	----	2422 292-3
23-34-234	PANEL, Quarter Inside				
	Cv. Cp. Front	1	2255 984-5		
	2 D. Front	1	2242 736-7		
	2 D. H.T. Front	1	2243 000-1		
	Cv. Cp., VL1, VL2 Rear	1	2424 000-1		
	Sta. Wgn. Upper	1	2242 740-1		
	Sta. Wgn. w/Upper Rear EXTENSION, Lower	1	2493 448-9		
	2 D., 2 D. H.T., 4 D., VL1, VL2 Upper	1	2481 046-7		
	2 D., 2 D. H.T., Cv. Cp., 4 D., VL1, VL2 Lower	1	2243 568-9		
	2 D., 2 D. H.T., 4 D., VV1, VV2 Upper	1	2242 868-9		
	2 D., 2 D. H.T., 4 D., VV1, VV2 Lower	1	2242 464-5		
	VV1, VV2, Barracuda	1	2484 802-3		
	Cv. Cp., VP2, VD2	1	----	2244 224-5	
	2 D. H.T., VP1, VP2, VD1, VD2	1	----	2422 072-3	
	2 D., VP1, VP2, VD1, VD2	1	----	2244 880-1	
	2 D. H.T., VP1, VP2 Rear	1	----	2422 046-7	
	2 D. H.T., VD1, VD2 Rear	1	----	2481 214-5	
	2 D., 4 D., 4 D. H.T., VP1, VP2 Upper	1	----	2422 044-5	
	2 D., 4 D., 4 D. H.T., VV1, VD2 Upper	1	----	2482 700-1	
	Sta. Wgn., VP1, VP2, VD1, VD2 Front	1	----	2166 182-3	
	Sta. Wgn., VP1, VP2, VD1, VD2 Rear	1	----	2166 184-5	
	2 D. H.T., VA3, VY1	1	----	1963 740-1	2255 468-9
	Cv. Cp., VA3, VC1, VC2	1	----	1964 186-7	1964 182-3
	2 D. H.T., 4 D. H.T., VY1 Upper	1	----	----	2218 750-1
	2 D. H.T., 4 D. H.T., VY1 Lower	1	----	----	2422 276-7
	Cv. Cp., VY1	1	----	----	2424 678-9
	2 D. H.T., VC1, VC2, w/Front EXTENSION	1	----	----	2425 232-3
23-34-235	PANEL, Quarter Outside Repair				
	2 D., VV1, VV2, VP1, VP2	1	2424 634-5	2482 976-7	
	2 D. H.T., VV1, VV2, VP1, VP2	1	2424 636-7	2482 978-9	
	4 D., VV1, VV2	1	2424 640-1		
	Cv. Cp., VV1, VV2, VP1, VP2	1	2424 638-9	2482 980-1	
	Sta. Wgn., VV1, VV2, VP1, VP2	1	2480 218-9	2422 022-3	
	2 D., VL1, VL2, VD1, VD2	1	2480 886-7	2422 024-5	
	2 D. H.T., VL1, VL2, VD1, VD2	1	2480 888-9	2422 026-7	
	4 D., VL1, VL2	1	2480 892-3		

* Indicates use as required.
 □ Indicates parts not listed in any previous parts book.
 Right and left part numbers are on same line, first number is right, second number is left.
 • Indicates change or addition.

1964 PASSENGER CAR PARTS CATALOG

BODY

CODE	PART NAME AND DESCRIPTION	PER CAR	VALIANT DART	PLYMOUTH DODGE	CHRYSLER IMPERIAL
23-34-0 BODY PANELS - Cont'd					
23-34-235	PANEL - Cont'd				
	Cv. Cp., VL1, VL2, VD1, VD2	1	2480 890-1	2422 028-9	
	Sta. Wgn., VL1, VL2	1	2480 420-1		
	VV1, VV2, Barracuda	1	2484 580-1		
	4 D., 4 D. H.T., VP1, VP2	1	----	2482 982-3	
	4 D., 4 D. H.T., VD1, VD2	1	----	2422 030-1	
	Sta. Wgn., VD1, VD2 Front	1	----	2481 710-11	
	Sta. Wgn., VD1, VD2 Rear	1	----	2217 380-1	
	2 D. H.T., VA3, VC1, VC2	1	----	2480 650-1	*2482 804-5
	4 D., 4 D. H.T., VA3, VC1, VC2, VC3	1	----	2480 654-5	2423 242-3
	Cv. Cp., VA3, VC1, VC2	1	----	2480 652-3	2484 420-1
	Sta. Wgn., VA3 Upper	1	----	2424 476-7	
	Sta. Wgn., VA3 Lower	1	----	2483 618-9	
	Sta. Wgn., VC1, VC3	1	----	----	2482 864-5
	4 D. H.T., VY1	1	----	----	2481 794-5
	2 D. H.T., Cv. Cp., VY1	1	----	----	2481 792-3
23-34-236	EXTENSION, Quarter Inside Panel				
	Sta. Wgn. Lower Panel Upper Rear	1	2244 900-1		
	Cv. Cp., VV1, VV2 Reinf. to Wheelhouse	1	2424 100-1		
	Cv. Cp., VL1, VL2 Reinf. to Wheelhouse	1	2424 102-3		
	Sta. Wgn., VP1, VP2, VD1, VD2 to Rear Upper Pillar	1	----	2254 608-9	
	2 D. H.T., VC1, VC2, VC3	1	----	----	2242 622-3
	2 D. H.T., VY1 Rear	1	----	----	2422 358-9
	2 D. H.T., VY1 Belt Reinf.	1	----	----	2218 988-9
	2 D. H.T., Cv. Cp., VY1 To Lock Pillar	1	----	----	E2424 722-3
23-34-237	PLUG, Quarter Inside Lower Panel				
	Sta. Wgn.	2	2423 829		
	PLUG, Quarter Inside Panel to Wheelhouse Tie Plate V Barracuda	2	E2602 110		
	2 D., 2 D. H.T., Cv. Cp., VP1, VP2, VD1, VD2 To Wheelhouse Tie Plate	2	----	*2573 869	
23-34-238	NAMEPLATE, Quarter Panel Outside (1)				
23-34-240	DEFLECTOR, Quarter Outside Panel (1)				
23-34-242	EXTENSION, Quarter Outside Panel				
	Sta. Wgn., VV1, VV2	1	2422 002-3		
	Sta. Wgn., VL1, VL2	1	2422 988-9		
	2 D., 2 D. H.T., Cv. Cp., 4 D., VL1, VL2 Inner Center Panel	1	2244 252-3		
	2 D., 2 D. H.T., Cv. Cp., 4 D., VL1, VL2 to Deck Opening Lower Panel	1	2244 406-7		
	Sta. Wgn., VP1, VP2	1	----	2422 096-7	
	2 D., 4 D., 4 D. H.T., VP1, VP2, VD1, VD2 to Rear Window Side Frame	1	----	2424 936-7	
	2 D. H.T., Cv. Cp., 4 D., 4 D. H.T., VA3	1	----	2480 656-7	
	Sta. Wgn., VA3 Rear Upper	1	----	2481 020-1	
	Sta. Wgn., VA3 Rear Lower	1	----	2093 776-7	
	Sta. Wgn., VC1, VC3 Upper	1	----	----	2482 862-3
	Lower	1	----	----	2481 180-1
	2 D. H.T., Cv. Cp., 4 D., 4 D. H.T., VC1, VC2, VC3 Lower	1	----	----	2244 372-3
23-34-248	REINFORCEMENT, Quarter Outside Panel at Belt				
	Cv. Cp., VV1, VV2	1	2422 128-9		
	2 D., 2 D. H.T., VV1, VV2	1	2243 672-3		

NOTE 1: See Exterior Moulding Illustrations and Moulding Legends in Front of Group 23 Body Section.

★ Indicates use as required.

⊠ Indicates parts not listed in any previous parts book.

March 15, 1965 Supersedes March 16, 1964.

Prices and specifications subject to change without notice.

Right and left part numbers are on same line,

first number is right, second number is left.

* Indicates change or addition.

Printed in U.S.A.

CODE	PART NAME AND DESCRIPTION	PER CAR	VALIANT DART	PLYMOUTH DODGE	CHRYSLER IMPERIAL
23-34-0 BODY PANELS - Cont'd					
23-34-246	REINFORCEMENT - Cont'd Cv. Cp., VL1, VL2	1	2422 130-1		
	2 D. H.T., VP1, VP2, VD1, VD2	1	----	2424 910-11	
	REINFORCEMENT, Quarter Outside Panel to Floor Pan VP1, VP2, except Sta. Wgn.	1	----	2255 776-7	
	VD1, VD2, except Sta. Wgn.	1	----	2423 072-3	
	REINFORCEMENT, Quarter Outside Panel to Belt Bar Side Upper				
	Cv. Cp., VP2, VD2	1	----	2423 594-5	
23-34-248	SUPPORT, Quarter Inside Panel Rear to Rear Floor Pan Filler				
	Sta. Wgn.	1	2243 838-9		
	BRACE, Wheelhouse Inner to Shelf Panel				
	2 D. H.T., 4 D., 4 D. H.T., VC1, VC2, VC3	1	----	----	2423 086-7
23-34-249	FILLER, Quarter Inside Panel Rear to Rear Floor Pan Sta. Wgn.	1	2484 112-3		
	REINFORCEMENT, Quarter Inside Panel to Folding Top Folding Pillar Support				
	Cv. Cp., VA3	1	----	1954 094-5	
	REINFORCEMENT, Quarter Outside Inner Panel to Wheelhouse				
	2 D. H.T., 4 D. H.T., VY1	1	----	----	2218 760-1
	REINFORCEMENT, Quarter Inside Panel				
	2 D. H.T., Cv. Cp., VY1 Upper	1	----	----	2424 748-9
	REINFORCEMENT, Quarter Inside Panel Extension to Inside Panel				
	2 D. H.T., VC1, VC2	1	----	----	2423 726-7
23-34-253	DOOR, Deck Opening Lower Panel Fuel Filler VA3-L, VC1, except Sta. Wgn.				
	w/HINGE	1	----	2481 088	2482 869
	VC2 w/Finish PLATE	1	----	----	2481 328
	4 D., 4 D. H.T., VC3				
	w/Finish PLATE	1	----	----	2481 327
	VA3-E, except Sta. Wgn.				
	w/HINGE	1	----	2483 712	
23-34-255	SPRING, Deck Opening Lower Panel Fuel Filler Door VA3, VC1, VC2, VC3	1	----	2481 089	1877 486
23-34-257	GUSSET, Quarter Belt Bar to Wheelhouse to Rear Quarter Pillar				
	Cv. Cp., VV1, VV2	1	2255 988-9		
	Cv. Cp., VL1, VL2	1	2255 090-1		
	Cv. Cp., VP2	1	----	2255 718-9	
	Cv. Cp., VD2	1	----	2243 944-5	
23-34-259	SEAL, Fuel Tank Filler Tube Sta. Wgn., VP1, VP2, VD1, VD2	1	2242 360	2123 856	
	SEALING WASHER, Deck Opening Lower Panel Fuel Filler Door Hinge				
	VA3, VCI	3	----	2526 989	2526 989
23-34-265	WELT, Fuel Filler Door Finish Panel Mounting Bumper VC2, VC3, except Sta. Wgn.	2	----	----	E2528 774
23-34-270	STOP, Deck Opening Lower Panel Fuel Filler Door VA3, VC1	1	----	2255 344	2255 344
	BUMPER, Fuel Filler Finish Door VC2, VC3	1	----	----	2481 329
	BUMPER, Deck Opening Lower Panel Fuel Filler Door VC2, VC3	1	----	----	2481 330

* Indicates use as required.
 □ Indicates parts not listed in any previous parts book.
 Right and left part numbers are on same line,
 first number is right, second number is left.

1964 PASSENGER CAR PARTS CATALOG

BODY

CODE	PART NAME AND DESCRIPTION	PER CAR	VALIANT DART	PLYMOUTH DODGE	CHRYSLER IMPERIAL
23-34-0 BODY PANELS - Cont'd					
23-34-275	BUMPER, Quarter Outside Panel Jack VV1, VV2, except Sta. Wgn. VL1, VL2, except Sta. Wgn. Sta. Wgn. VD1, VD2, except Sta. Wgn. BUMPER, Deck Opening Lower Panel Jack VA3, VC1, VC2, VC3, except Sta. Wgn.	1 1 1 1 1	2243 220-1 2243 800-1 2244 130-1 ---- -- ---- --	2255 604-5 2481 082-3	2243 624-5
23-34-279	BRACKET, Rear Stone Deflector to Rear Floor Pan Attaching Sta. Wgn., VP1, VP2, VD1, VD2	1	---- --	2252 111	
23-34-280	FILLER, Quarter Outside Panel to Rear Lower Pillar Sta. Wgn. FILLER, Quarter Outside Panel Front Upper Corner Cv. Cp., VP2, VD2	1 1	2244 350-1 ---- --	2244 706-7	
23-34-285	SUPPORT, Quarter Outside Inner Panel Jacking 2 D., 2 D. H.T., Cv. Cp., 4 D., VL1, VL2	1	2244 904-5		
23-34-286	BRACKET, Rear Bumper Support Bar Jacking Sta. Wgn., VA3, VC1, VC3	1	---- --	1961 022-3	1961 022-3
23-34-301	PANEL, Roof 2 D., 2 D. H.T., 4 D., VV1, VV2 2 D., 2 D. H.T., 4 D., VL1, VL2 Sta. Wgn., VP1, VP2, VD1, VD2 VV1, VV2, Barracuda 2 D., 4 D., 4 D. H.T., VP1, VP2, VD1, VD2 2 D. H.T., VP1, VP2, VD1, VD2 2 D. H.T., VA3 4 D., 4 D. H.T., VA3 Sta. Wgn., VA3, VC1, VC3 2 D. H.T., 4 D., 4 D. H.T., VC1, VC2, VC3 2 D. H.T., VY1-M 4 D. H.T., VY1-M 4 D. H.T., VY1-H	1 1 1 1 1 1 1 1 1 1 1 1 1 1 1 1	2481 072 2480 704 2242 780 2484 562 ---- -- ---- -- ---- -- ---- -- ---- -- ---- -- ---- -- ---- -- ---- -- ---- -- ---- -- ---- --	2480 729 2422 059 2422 058 1861 118 2481 209 2188 713 ---- -- ---- -- ---- -- ---- --	2188 713 2423 050 2422 234 2422 233 2422 234
23-34-302	EXTENSION, Roof Panel Side 2 D., 2 D. H.T., 4 D., VV1, VV2 Sta. Wgn., VP1, VP2, VD1, VD2 VV1, VV2, Barracuda 2 D. H.T., VA3 Sta. Wgn., VA3, VC1, VC3	1 1 1 1 1	2242 548-9 2242 776-7 2484 582-3 ---- -- ---- --	2217 534-5 1878 444-5 1861 222-3	1861 222-3
23-34-304	SUPPORT, Roof Panel Extension to Wheelhouse Quarter Panel 2 D., 2 D. H.T., 4 D., VV1, VV2 REINFORCEMENT, Roof Panel to Quarter Outside Panel Joint 2 D., 4 D., 4 D. H.T., VP1, VP2, VD1, VD2	1 1	2242 528-9 ---- --	2424 524-5	
23-34-334	MEDALLION, ORNAMENT or LOUVER, Quarter Panel (1)				
23-34-340	BASE, Quarter Outside Panel Medallion (1)				
23-34-344	PLATE, Roof Panel Side Extension Medallion Backing 4 D. H.T., VY1-H	2	---- --	---- --	2480 815
23-34-346	BRACKET, Wheelhouse to Fuel Tank Stone Deflector Sta. Wgn., VP1, VP2, VD1, VD2 BRACKET, Wheelhouse to Roof Side Rail Support 2 D. H.T., 4 D. H.T., VY1	1 1	---- -- ---- --	2251 724 ---- --	2422 376-7

NOTE 1: See Exterior Moulding Illustrations and Moulding Legends in Front of Group 23 Body Section.

★ Indicates use as required.

⊠ Indicates parts not listed in any previous parts book.
March 15, 1965 Supersedes March 16, 1964.

Page 23-280

Printed in U.S.A.
Prices and specifications subject to change without notice.
Right and left part numbers are on same line,
first number is right, second number is left.
* Indicates change or addition.

CODE	PART NAME AND DESCRIPTION	PER CAR	VALIANT DART	PLYMOUTH DODGE	CHRYSLER IMPERIAL
23-34-0 BODY PANELS - Cont'd					
23-34-354	PANEL, Windshield Header Except Cv.Cp. VA3, VC1, VC2, VC3, except Cv.Cp. w/REINFORCEMENT	1	2253 956		
	Cv.Cp., VA3, VC1, VC2 VA3, VC1, VC2, VC3, except Cv.Cp. End	1 1 1	---- ---- ----	2253 804 2253 675 ----	2253 804 2253 675 1883 524-5
23-36-0 PILLARS					
23-36-5	PILLAR, Body Center 4 D., Sta. Wgn., VP1, VP2, VD1, VD2 4 D. H.T., VP2, VD2 4 D., Sta. Wgn., VA3, VC1, VC2, VC3 4 D. H.T., 4 D. H.T. Sta.Wgn., VA3, VC1, VC2, VC3 4 D. H.T., VY1	1 1 1 1 1	2425 854-5 ---- ---- ---- ----	2425 888-9 2425 882-3 2253 512-3 1952 204-5 ----	2253 512-3 1952 204-5 2425 892-3
23-36-6	PANEL, Center Pillar Trim 4 D., Sta. Wgn., VP1, VP2, VD1, VD2 4 D., VA3, VC1, VC2, VC3 Sta.Wgn., VA3-E	1 1 1	---- ---- ----	2241 790-1 1882 884-5 1882 884-5	1882 884-5
23-36-10	REINFORCEMENT, Body Center Pillow Lower 4 D. H. T.	1	----	E2216 480-1	
23-36-14	EXTENSION, Front Hinge Pillar Cv.Cp., VY1 2 D. H.T., 4 D. H.T., VY1	1 1	---- ----	---- ----	1960 726-7 1877 318-9
23-36-21	COVER, Center Pillar Hinge 4 D., Sta.Wgn. Lower 4 D. H.T., VY1 COVER, Front Body Pillar Hinge VY1	2 4 1	2217 218 ---- ----	---- ---- ----	1751 793 2422 240-1
23-36-22	PLATE, Body Center Pillar Tapping 4 D. Sta.Wgn. Lower Hinge 4 D., Sta.Wgn. Upper Hinge 4 D., 4 D. H.T., Sta.Wgn., VA3, VC1, VC2, VC3 Center Front Pillar TIE PLATE, Body Lock Pillar to Body Side Sill Inner Panel 2 D. H.T., VC1, VC2 TIE PLATE, Lock Pillar to Wheelhouse and Roof Rail Support VY1	2 2 2 1 2	2254 270 2254 271 ---- ---- ----	2252 631 ---- ----	2252 631 2424 054-5 2218 956
23-36-25	ANTI-RATTLER, Front Pillar Hinge Cover VY1, 2" long VY1, 5" long	8 2	---- ----	---- ----	2492 234 2492 108
23-36-31	SEAL, Rear Upper Pillar to Rear Upper Pillar Reinforcement Baffle Sta. Wgn. SEAL, Rear Upper Pillar Sta.Wgn., VP1, VP2, VD1, VD2 SEAL, Body Center Pillar Top 4 D. H.T., VP1, VP2, VD1, VD2	2 2 1	2243 835 ---- ----	2251 905 2254 132-3	
23-36-53	PILLAR, Rear Body Lock 2 D., VP1, VP2, VD1, VD2 Upper 4 D., 4 D. H.T., VA3, VC1, VC2, VC3	1 1	2425 396-7 ----	2252 370-1 1964 496-7	2493 398-9

● Indicates use as required.
 □ Indicates parts not listed in any previous parts book.
 Right and left part numbers are on same line,
 first number is right, second number is left.
 * Indicates change or addition.

1964 PASSENGER CAR PARTS CATALOG

BODY

CODE	PART NAME AND DESCRIPTION	PER CAR	VALIANT DART	PLYMOUTH DODGE	CHRYSLER IMPERIAL
23-36-0 PILLARS - Cont'd					
23-36-53	PILLAR - Cont'd				
	Cv.Cp., VA3	1	----	1954 878-7	
	2 D. H.T., VA3	1	----	1869 772-3	
	2 D. H.T., Cv.Cp., VC1, VC2, VC3	1	----	----	2242 558-9
	Sta.Wgn., VA3, VC1, VC3	1	----	1964 496-7	2243 828-9
	Sta. Wgn., VA3 w/Tapping PLATE	1	----	2493 402-3	
	2 D. H. T., Cv.Cp., VY1 w/Tapping PLATE	1	----	----	2493 844-5
	4 D. H. T., VY1	1	----	----	2255 466-7
	EXTENSION, Rear Body Lock Pillar				
	Sta. Wgn., VC1, VC3	1	----	----	2244 164-5
23-36-66	REINFORCEMENT, Body Lock Pillar				
	2 D. Upper	1	2242 764-5		
	2 D. H.T., Cv.Cp., VA3, VY1	1	----	1950 220-1	2424 686-7
	2 D. H.T., VC1, VC2, VC3	1	----	----	2424 056-7
	Cv.Cp., VC1, VC2	1	----	----	2243 610-11
	REINFORCEMENT and T/PLATE, Rear Body Lock Pillar Lower				
	2 D., 2 D. H.T., Cv.Cp., VP1, VP2, VD1, VD2	1	----	2493 032-3	
	REINFORCEMENT, Rear Body Lock Pillar Belt				
	2 D. H. T., Cv.Cp., VC1, VC2	1	----	----	2244 418-9
	REINFORCEMENT, Front Pillar to Side Cowl Panel VY1	1	----	----	2218 802-3
	REINFORCEMENT, Rear Body Lock Pillar Upper				
	2 D., VP1, VP2, VD1, VD2	1	----	2166 230-1	
	REINFORCEMENT, Body Lock Pillar to Outer Sill Cv.Cp., VV1, VV2	1	2423 810-11		
	2 D. H. T., Cv. Cp., VL1, VL2	1	2423 810-11		
	2 D. H. T., VC1, VC2	1	----	----	2423 808-9
	REINFORCEMENT, Center Inner Pillar and Safety Seat Belt				
	4 D. H. T., VY1	1	----	----	2493 322-3
	SUPPORT and Weld NUTS, Front Pillar to Cowl Side Panel Reinforcement				
	VY1	1	----	----	2491 736-7
23-36-118	PILLAR, Body Rear				
	Sta.Wgn., VP1, VP2, VD1, VD2				
	Upper	1	2425 174-5	2493 030-1	
	Lower	1	2425 210-11	2253 210-11	
	Sta.Wgn., VA3, VC1, VC3				
	Complete	1	----	1973 174-5	1973 174-5
23-36-120	PILLAR, Rear Quarter				
	Cv.Cp., VP2	1	----	2255 720-1	
	Cv.Cp., VD2, VY1	1	----	2244 560-1	2424 680-1
	Cv.Cp., VA3, VC1, VC2				
	Upper	1	----	1884 524-5	2242 638-9
23-36-121	PANEL, Rear Pillar Roof Rail Joint Cover				
	Sta. Wgn., VA3, VC1, VC3	1	----	1878 254-5	1878 254-5
23-36-123	HANDLE, Roof Panel Outside Assist				
	Sta. Wgn., VP1, VP2, VD1, VD2	1	----	2482 768-9	
	Sta. Wgn., VA3, VC1, VC3				
	Pkg.	2	----	2196 839	2196 839
	NUT	8	----	6006 035	6006 035
	BOLT	2	----	681 135	681 135
	WASHER	4	----	----	*1961 741
23-36-125	REINFORCEMENT, Rear Lower Pillar to Quarter Inside Panel				
	Sta. Wgn.	1	2242 768-9		

★ Indicates use as required.
 ☐ Indicates parts not listed in any previous parts book.
 March 15, 1965 Supersedes March 16, 1964.

Printed in U.S.A.
 Prices and specifications subject to change without notice.
 Right and left part numbers are on same line,
 first number is right, second number is left.
 * Indicates change or addition.

CODE	PART NAME AND DESCRIPTION	PER CAR	VALIANT DART	PLYMOUTH DODGE	CHRYSLER IMPERIAL
23-36-0 PILLARS - Cont'd					
23-36-125	REINFORCEMENT, Rear Pillar Lower Corner Sta. Wgn., VP1, VP2, VD1, VD2	1	----	2252 300-1	
	REINFORCEMENT, Rear Pillar to Wheelhouse Sta. Wgn., VA3, VC1, VC3	1	----	1877 840-1	1877 840-1
	Sta. Wgn., VP1, VP2, VD1, VD2	1	----	2251 588-9	
23-36-130	PLATE, Rear Pillar to Quarter Panel at Belt Sta. Wgn	1	2243 258-9		
23-36-134	DEFLECTOR, Roof Panel Outside Air Sta. Wgn., VP1, VP2, VD1, VD2	1	2484 444-5	2252 254-5	
	SCREW	2	*6024 814	167 079	
	SCREW	4	*6024 815	9418 381	
	SEAL, Upper and Lower	4	E6025 285		
	SPRING PIN	4	E9421 238		
23-36-138	SEAL, Roof Panel Outside Assist Handle Sta. Wgn., VP1, VP2, VD1, VD2				
	Upper	1	----	2482 848-9	
	Lower	1	----	2480 980-1	
23-36-141	BASE, Rear Upper Pillar Air Deflector Sta. Wgn.				
	Upper	1	2484 752-3		
	Lower	1	2484 754-5		
23-36-142	GASKET, Rear Upper Pillar Air Deflector Sta. Wgn.	4	2529 118		
23-38-0 FLOOR TUNNEL CONSOLE					
23-38-1	CONSOLE, Floor Tunnel 2 D. H. T., Cv. Cp.	1	----	2490 600	
	2 D. H. T., Cv. Cp., 4 D. H. T., VC2	1	----	----	E2490 934
23-38-3	LID and TAPPING PLATE, Floor Tunnel Console Compartment 2 D. H. T., Cv. Cp., 4 D. H. T., VC2	1	----	----	*2440 045
23-38-5	PLATE, Floor Tunnel Console Finish 2 D. H. T., Cv. Cp., VP2-P, VD2-P Rear	1	----	2490 668	
	2 D. H. T., Cv. Cp., VP2-P, VD2-P w/Auto. Trans.	1	----	2490 625	
	2 D. H. T., Cv. Cp., VP2-P, VD2-P w/Floor Mounted Trans. . . .	1	----	2490 626	
	2 D. H. T., Cv. Cp., VP2-P, VD2-P w/3 Speed Trans. Manual Column Mtg.	1	----	2490 646	
	2 D. H. T., Cv. Cp., VC2, 300K Aluminum, Rear	1	----	----	2440 993
	2 D. H. T., Cv. Cp., 4 D. H. T., VC2, except 300K Anodized, Rear	1	----	----	2440 991
	2 D. H. T., Cv. Cp., 4 D. H. T., VC2, Front Manual Trans., except 300K	1	----	----	2490 942
	PLATE and BEZEL, Console Finish 2 D. H. T., Cv. Cp., 4 D. H. T., VC2, except 300K, w/Auto. Trans.	1	----	----	2499 323
	2 D. H. T., Cv. Cp., 4 D. H. T., VC2, 300K, w/Auto. Trans.	1	----	----	2499 324
23-38-6	STOP, Floor Tunnel Console Compartment Lid VC2	1	----	----	2419 499

* Indicates use as required.
 □ Indicates parts not listed in any previous parts book.
 Right and left part numbers are on same line,
 first number is right, second number is left.
 • Indicates change or addition.

1964 PASSENGER CAR PARTS CATALOG

BODY

CODE	PART NAME AND DESCRIPTION	PER CAR	VALIANT DART	PLYMOUTH DODGE	CHRYSLER IMPERIAL
23-38-0 FLOOR TUNNEL CONSOLE - Cont'd					
23-38-7	CAP, Floor Console Rear 2 D. H.T., Cv.Cp.; VP2-P, VD2-P	1	----	2490 602	
	Blue	1	----	4405 VB6	
	Red	1	----	4405 VR6	
	Yellow Tan	1	----	4405 VT6	
	Turquoise	1	----	4405 VQ6	
	Red Tan	1	----	4405 VU6	
	Black	1	----	4405 VX9	
	Yellow Gold	1	----	4405 VY5	
23-38-9	FILLER, Floor Tunnel Console to Instrument Panel 2 D. H.T., Cv.Cp., 4 D. H.T., VC2	1	----	----	2440 927
23-38-14	HINGE, Floor Tunnel Console Compartment Lid 2 D. H.T., Cv.Cp., VP2-P, VD2-P 2 D. H.T., Cv.Cp., 4 D. H.T., VC2	1 1	----	2490 649 ----	2419 482
23-38-15	CATCH, Floor Tunnel Console Compartment VC2	1	----	2490 608	2298 698
23-38-17	PLATE, Console Left Hand Side Access Hole 2 D. H.T., Cv.Cp., w/Auto. Trans.	1	----	2490 639	
23-38-18	MOULDING, Floor Carpet Heel Pad 2 D. H.T., Cv.Cp., 4 D. H.T., VC2	14	----	----	2499 352
23-38-22	PLATE, Floor Tunnel Console Compartment Lid Hinge 2 D. H.T., Cv.Cp., 4 D. H.T., VC2 T/PLATE, Floor Tunnel Console Compartment Lid Catch 2 D. H.T., Cv.Cp., 4 D. H.T., VC2	1 1 1	----	----	2217 523 2419 500
23-38-26	RETAINER, Floor Carpet Heel Pad Moulding 2 D. H.T., Cv.Cp., 4 D. H.T., VC2	14	----	----	2499 353
23-38-27	BRACKET, Floor Tunnel Console and Radio Support 2 D. H.T., Cv.Cp., 4 D. H.T., VC2 BRACKET, Floor Tunnel Console to Floor Mounting 2 D. H.T., Cv.Cp., 4 D. H.T., VC2 Front. Rear BRACKET, Console Base to Floor 2 D. H.T., Cv.Cp., Front Rear BRACKET, Console to Floor Pan Rear	1 1 1 1 1 1 1	----	----	2440 171 2490 119 2490 121 2490 628 2490 630 2572 895
23-38-29	BUMPER, Console Side Moulding to Finish Plate 2 D. H.T., Cv.Cp.	1	----	1651 493	
23-38-30	MEDALLION, Floor Console Tachometer Opening	1	----	2490 631	
23-38-31	RETAINER, Floor Console Tachometer Opening Medallion	1	----	2490 627	
23-38-32	LENS, Floor Console Tachometer Opening Medallion	1	----	2490 622	
23-38-36	SPRING, Console Compartment Lid Positioning 2 D. H.T., Cv.Cp.	1	----	2499 346	
23-38-40	WASHER, Floor Console Compartment to Console Floor Bracket Attaching 2 D. H.T., Cv.Cp.	2	----	2572 931	

★ Indicates use as required.

⊠ Indicates parts not listed in any previous parts book.
March 15, 1965 Supersedes March 16, 1964.

Printed in U.S.A.
Prices and specifications subject to change without notice.
Right and left part numbers are on same line,
first number is right, second number is left.
* Indicates change or addition.

CODE	PART NAME AND DESCRIPTION	PER CAR	VALIANT DART	PLYMOUTH DODGE	CHRYSLER IMPERIAL
23-39-0 WINDOW LIFT (MANUAL)					
23-39-2	SPRING, Door Window Regulator Assist				
	4 D., Sta. Wgn. Front	2	2299 755		
	2 D., 2 D. H.T., Cv.Cp. Front.	2	2299 819		
	4 D., 4 D. H.T., Sta. Wgn., except VA3 Front	2	----	2166 851	
	VA3, VC1, VC2, VC3, All Front.	2	----	1256 337	1256 337
	4 D., 4 D. H.T., Sta. Wgn., except VA3 Rear	2	----	2166 851	
	4 D. H.T., Sta. Wgn., VA3L, VC1, VC2, VC3 Rear	2	----	1690 329	1690 329
	4 D., VA3 Rear	2	2299 693	1256 337	1256 337
	Sta. Wgn., VA3E Rear	2	----	1256 337	
23-39-5	REGULATOR or PLATE, w/ARM, Door Window				
	4 D., Sta. Wgn. Front	1	2242 854-5		
	2 D. H.T., Cv.Cp., Front.	1	2299 560-1		
	2 D. Front.	1	2299 820-1		
	4 D., 4 D. H.T., Sta. Wgn., except VA3 Front	1	----	2428 016-7	
	2 D., 2 D. H.T., Cv.Cp., except VA3 Front.	1	----	2428 014-5	
	4 D., 4 D. H.T., Sta. Wgn., VA3, VC1, VC2, VC3 Front	1	----	2428 056-7	2428 056-7
	2 D. H.T., Cv.Cp., VA3, VC1, VC2 Front	1	----	2428 054-5	2428 054-5
	4 D., Sta. Wgn., except VA3 Rear	1	2242 866-7	2299 564-5	
	4 D. H.T., except VA3 Rear	1	----	2299 564-5	
	4 D., VA3, VC1, VC2, VC3 Rear	1	----	2428 262-3	2299 562-3
	4 D. H.T., Sta. Wgn., VA3L, VC1, VC2, VC3 Rear	1	----	2428 058-9	2428 058-9
	Sta. Wgn., VA3E Rear	1	----	2428 262-3	
23-39-11	STUD, Window Regulator Pivot Arm VC1, VC2, VC3	★	6000 211	6000 211	6000 211
23-39-12	WASHER, Window Regulator Arm to Glass Lower Channel				
	Leather	★	6000 141	6000 141	6000 141
	SPRINGWASHER, Window Regulator Arm to Connecting Link	★	----	1954 125	1954 125
	SPRING NUT, Regulator Pivot Arm Stud	★	6000 305	6000 305	6000 305
23-39-15	STOP, Manual Window Regulator Down Position on Regulator				
	VC1, VC2, VC3 Front.	2	----	1909 918	1909 918
	Rear	2	----	1909 918	
	4 D., VC1, VC2, VC3, Rear	2	----	----	1909 918
	2 D. H.T., Cv.Cp., Quarter.	2	----	1909 918	1909 918
	2 D. Quarter.	2	----	1909 918	
	NUT Quarter.	2	----	6023 096	6023 096
23-39-17	BUSHING, Window Regulator to Glass				
	2 D. H.T., Cv.Cp. Front.	2	2299 809		
	2 D. Quarter.	2	2299 809		
	VA3, VC1, VC2 Quarter.	★	----	2166 511	2166 511
	VA3, VC1, VC2, VC3, Rear	★	----	2166 511	2166 511
23-39-18	ARM, w/LINK, Door Manual Window Regulator				
	Except VA3 Front.	1	----	2216 152-3	
	VA3, VC1, VC2, VC3, Front.	1	----	1954 342-3	1954 342-3

★ Indicates use as required.
 E Indicates parts not listed in any previous parts book.
 Right and left part numbers are on same line,
 first number is right, second number is left.
 * Indicates change or addition.

1964 PASSENGER CAR PARTS CATALOG

BODY

CODE	PART NAME AND DESCRIPTION	PER CAR	VALIANT DART	PLYMOUTH DODGE	CHRYSLER IMPERIAL
23-39-0 WINDOW LIFT(MANUAL)- Cont'd					
23-39-18	ARM, w/Mounting PLATE Except VA3 Quarter.	1	----	2486 222-3	
23-39-19	BRACKET, Door Manual Window Regulator Pivot Arm 2 D. H.T., Cv.Cp. Front. Except VA3 Front. VA3, VC1, VC2, VC3, Front. Except VA3 Rear	2 2 2 2	2167 318 ---- ---- ----	2167 318 1245 581 2167 318	1245 581
23-39-30	BRACKET, Window Regulator Adjusting, Includes Pivot BRACKET 2 D. H.T., VC1, VC2, VC3 Quarter.	1	----	----	2244 532-3
23-39-34	REGULATOR, Quarter Window 2 D., VV1, VV2 2 D.H.T., VV1, VV2, except Barracuda VV1, VV2, Barracuda 2 D., VL1, VL2 2 D. H.T., VL1, VL2 Cv.Cp. 2 D., Cv.Cp., except VA3 2 D. H.T., except VA3 2 D. H.T., VA3, VC1, VC2 Cv.Cp., VA3, VC1, VC2	1 1 1 1 1 1 1 1 1 1	2242 762-3 2299 570-1 2520 418-9 2299 844-5 2299 572-3 2428 208-9 ---- ---- ---- ----	2299 974-5 2428 470-1 2428 254-5 2428 060-1	2243 446-7 2428 060-1
23-39-44	SPRING, Manual Quarter Window Regulator Assist 2 D., VV1, VV2 2 D.H.T., VV1, VV2, except Barracuda VV1, VV2, Barracuda 2 D., 2 D.H.T., VL1, VL2 Cv.Cp. 2 D. H.T., except VA3 2 D., Cv.Cp., except VA3 2 D. H.T., VA3, VC1, VC2 Cv.Cp., VA3, VC1, VC2	2 2 2 2 2 2 2 2 2	2299 901 2299 843 2520 537 2299 901 2299 693 ---- ---- ---- ----	2299 693 2216 172 1690 329 1256 337	2166 851 1256 337
23-39-45	ROLLER, Quarter Window Regulator Pivot Arm VV1, VV2, Barracuda	2	*1697 607		
23-39-48	BRACKET, Quarter Window Regulator Arm Pivot VV1, VV2, Barracuda Except VA3	2 2	2528 546 ----	2422 449	
23-39-53	CLIP, Quarter Window Regulator Front Pivot Arm Pin 2 D. CLIP, Front Door Window Regulator Link to Glass Pin ANTI-RATTLER, Window Regulator to Pivot Bracket ANTI-RATTLER, Window Regulator Arm Stud	2 2 ★ ★	2243 390 2243 390 ---- 1336 419	1336 419 1336 419	1336 419
23-40-0 ROOF RAIL AND LUGGAGE RACK					
23-40-82	SUPPORT, Rear Window Frame to Headlining Bow VV1, VV2, except Barracuda VV1, VV2, Barracuda 4 D., 2 D., 2 D. H.T., VL1, VL2 Sta. Wgn., VL1, VL2 4 D., 4 D. H.T., 2 D., except VA3 2 D. H.T., except VA3 4 D., Sta. Wgn., VA3 4 D., 4 D. H.T., 2 D. H.T., VC1, VC2, VC3 VY1	2 2 2 2 2 2 2 2 2	2082 226 2581 074 2490 591 2082 226 ---- ---- ---- ---- ----	2490 579 2499 116 2419 770 ---- ----	2419 725 2490 568

● Indicates use as required.

E Indicates parts not listed in any previous parts book.
March 15, 1965 Supersedes March 16, 1964.

Page 23-286

Printed in U.S.A.
Prices and specifications subject to change without notice.
Right and left part numbers are on same line,
first number is right, second number is left.
* Indicates change or addition.

CODE	PART NAME AND DESCRIPTION	PER CAR	VALIANT DART	PLYMOUTH DODGE	CHRYSLER IMPERIAL
23-40-0 ROOF RAIL AND LUGGAGE RACK - Cont'd					
23-40-85	RAIL, Roof Side				
	4 D., 2 D., 2 D. H.T., Sta. Wgn., except Barracuda	1	2242 520-1		
	2 D. H.T., Sta. Wgn., except Barracuda				
	Outer	1	2244 652-3		
	VV1, VV2, Barracuda				
	Outer	1	2484 566-7		
	VV1, VV2, Barracuda				
	Inner	1	2484 564-5		
	Sta. Wgn., except VA3				
	Rear Inner	1	2242 784-5	2166 304-5	
	Sta. Wgn., except VA3				
	Rear Outer	1	2242 782-3	2166 302-3	
	4 D., 4 D. H.T., 2 D., Sta. Wgn., except VA3				
	Inner	1	----	2166 298-9	
	2 D. H.T., except VA3				
	Inner	1	----	2424 518-9	
	2 D. H.T., except VA3				
	Outer	1	----	2424 522-3	
	4 D. H.T., Sta. Wgn., except VA3				
	Outer	1	----	2481 596-7	
	4 D., VA3	1	----	1959 570-1	
	4 D. H.T., VA3	1	----	1959 572-3	
	2 D. H.T., VA3	1	----	1961 618-9	
	Sta. Wgn., VA3L	1	----	1959 572-3	1959 572-3
	Sta. Wgn., VA3E	1	----	1959 578-9	
	4 D. H.T., 2 D. H.T., VC1, VC2, VC3				
	Front	1	----	----	2243 644-5
	4 D., VC1, VC2, VC3, Front	1	----	----	2242 606-7
	Sta. Wgn., VA3, VC1, VC3				
	Rear	1	----	1961 468-9	1961 468-9
	4 D., 4 D. H.T., 2 D. H.T., VC1, VC2, VC3				
	Rear	1	----	----	E2483 062-3
	VY1	1	----	----	2422 328-9
	Outer	1	----	----	2422 326-7
	RAIL, Roof Rear				
	Sta. Wgn., VA3, VC1, VC3	1	----	1960 636	1960 636
	Sta. Wgn., except VA3				
	Inner	1	2242 790	2166 308	
	Sta. Wgn., except VA3				
	Outer	1	2242 781	2166 306	
	Sta. Wgn. Inner Corner	1	2242 788-9		
	Sta. Wgn. Outer Corner	1	2242 786-7		
	Sta. Wgn., except VA3				
	Corner	1	----	2251 584-5	
23-40-86	REINFORCEMENT, Roof Side Rail				
	4 D., 4 D. H.T., VA3, VC1, VC2, VC3	1	----	1869 556-7	2242 612-3
	2 D. H.T., VA3, VC1, VC2	1	----	1878 338-9	2242 612-3
	Sta. Wgn., VA3, VC1, VC3	1	----	1869 556-7	1869 556-7
	Sta. Wgn., VA3, VC1, VC3				
	Rear	1	----	1861 128-9	1861 128-9
	2 D. H.T., VA3	1	----	1878 340-1	
	REINFORCEMENT, Roof Side Outer Rail to Roof Side				
	Outer Rail Extension				
	Sta. Wgn., except VA3	1	----	2252 298-9	
	EXTENSION, Roof Side Rail Reinforcement				
	4 D., 4 D. H.T., VA3	1	----	1952 648-9	
	Sta. Wgn., VA3, VC1, VC3	1	----	1960 064-5	1960 064-5
23-40-92	EXTENSION, Roof Side Rail				
	4 D., 2 D., 2 D. H.T., VL1, VL2	1	2481 040-1		
	Sta. Wgn.	1	2243 256-7		

* Indicates use as required.

E Indicates parts not listed in any previous parts book.

Right and left part numbers are on same line,

Part number in right, second number is left.

1964 PASSENGER CAR PARTS CATALOG

BODY

CODE	PART NAME AND DESCRIPTION	PER CAR	VALIANT DART	PLYMOUTH DODGE	CHRYSLER IMPERIAL
23-40-0 ROOF RAIL AND LUGGAGE RACK - Cont'd					
23-40-92	EXTENSION - Cont'd				
	4 D., 4 D. H.T., VA3	1	----	1952 650-1	
	Sta. Wgn., VA3, VC1, VC3	1	----	1961 422-3	1961 422-3
	VV1, VV2, Barracuda Inner	1	2484 568-9		
	4 D., 4 D. H.T., 2 D., except VA3				
	Inner	1	----	2424 512-3	
	2 D. H.T., except VA3				
	Inner	1	----	2424 514-5	
	Sta. Wgn., except VA3				
	Inner	1	----	2251 582-3	
	VV1, VV2, except Barracuda				
	Outer	1	2243 842-3		
	VV1, VV2, Barracuda				
	Outer	1	E2576 174-5		
	2 D. H.T., except VA3				
	Outer	1	----	2424 504-5	
	4 D. H.T., except VA3				
	Outer	1	----	2244 704-5	
	Sta. Wgn., except VA3				
	Outer	1	----	2251 572-3	
	4 D. H.T., 2 D. H.T., VY1				
	Rear, Outer	1	----	----	2422 236-7
	Sta. Wgn., VA3				
	Quarter Window Front Frame	1	----	1961 018-9	1961 018-9
	4 D., 4 D. H.T., 2 D. H.T., VC1, VC2, VC3				
	Side Rail to Wheelhouse	1	----	2242 618-9	2242 618-9
23-40-96	SUPPORT, Wheelhouse to Roof Side Outer Rail				
	Extension				
	VV1, VV2, Barracuda	1	2484 588-9		
	SUPPORT, Roof Side Rail to Wheelhouse				
	2 D. H.T., VP1, VP2	1	----	2424 810-1	
	2 D. H.T., VD1, VD2	1	----	2424 814-5	
	4 D., 4 D. H.T., 2 D., VP1, VP2	1	----	2255 688-9	
	4 D., 4 D. H.T., 2 D., VD1, VD2	1	----	2244 700-1	
	4 D., 4 D. H.T., 2 D. H.T., VC1, VC2, VC3	1	----	----	2244 074-5
	4 D. H.T., 2 D. H.T., VY1	1	----	----	2491 030-1
23-40-103	BRACKET, Roof Side Rail to Quarter Window				
	Weatherstrip Retainer				
	VV1, VV2, Barracuda	1	2528 376-7		
	BRACKET, Roof Side Rail No. 4 Bow Attaching				
	Sta. Wgn., except VA3	2	----	2422 274	
	BRACKET, Roof Side Rail Front Bow Attaching				
	VY1	2	----	----	2422 274
	BRACKET, Roof Side Rail Rear Bow Attaching				
	VY1	2	----	----	2422 274
	Front	2	----	----	2422 274
	Rear	2	----	----	2422 274
23-40-148	NUT, Roof Luggage Rack Slats or Crossmember Blind				
	Sta. Wgn.	★	2094 869	2094 869	2094 869
23-40-150	RAIL, Roof Luggage Rack				
	Sta. Wgn., except VA3				
	Front	1	2243 472	2243 472	
	Side	2	2243 470	2243 470	
	Rear	1	2243 472	2243 472	
	Sta. Wgn., VA3				
	Front	1	----	2093 388	2093 388
	Side	2	----	2093 387	2093 387
	Rear	1	----	2093 388	2093 388
23-40-155	CROSSMEMBER, Roof Luggage Rack				
	Sta. Wgn., except VA3				
	Front	1	2243 476	2243 476	
	Center	3	2243 477	2243 477	
	Rear	1	2243 476	2243 476	

★ Indicates use as required.
 □ Indicates parts not listed in any previous parts book.
 March 15, 1965 Supersedes March 16, 1964.

Printed in U.S.A.
 Prices and specifications subject to change without notice.
 Right and left part numbers are on same line,
 first number is right, second number is left.
 * Indicates change or addition.

CODE	PART NAME AND DESCRIPTION	PER CAR	VALIANT DART	PLYMOUTH DODGE	CHRYSLER IMPERIAL
23-40-O ROOF RAIL AND LUGGAGE RACK - Cont'd					
23-40-157	SPACER, Roof Luggage Rack Intermediate Crossmember to Roof Sta. Wgn., except VA3	6	----	2527 923	
23-40-170	STANCHION, Roof Luggage Rack Rail Sta. Wgn., except VA3 Sta. Wgn., VA3	2 3	2255 354-5 ----	2255 354-5 2093 390-1	2093 390-1
23-40-177	CAP, Roof Luggage Rack Slats Frame Sta. Wgn., VA3	2	----	2093 382-3	2093 382-3
23-40-185	FRAME, Roof Luggage Rack Slats Sta. Wgn., VA3	1	----	2093 380-1	2093 380-1
23-40-187	PAD, Roof Luggage Rack Sta. Wgn., except VA3				
	Front	1	2094 874	2094 874	
	Center	3	2094 874	2094 874	
	Rear	1	2094 874	2094 874	
	To Stanchions	★	*2243 473	*2243 473	
	PAD, Roof Luggage Rack Slats Sta. Wgn., VA3	3	----	2094 874	2094 874
	GASKET, Roof Luggage Rack Slats Frame Sta. Wgn., VA3	2	----	2093 394	2093 394
23-40-190	SLATS, Roof Luggage Rack Sta. Wgn., VA3	6	----	2093 386	2093 386
23-41-O WINDOW LIFT (ELECTRIC)					
23-41-4	REGULATOR, Electric Window 4 D., 4 D. H. T., Sta. Wgn., except VA3				
	Front	1	----	2299 678-9	
	2 D. H. T., Cv. Cp., except VA3 Front	1	----	2299 680-1	
	4 D., 4 D. H. T., Sta. Wgn., VA3, VC1, VC2, VC3 Front	1	----	1964 364-5	1964 364-5
	2 D. H. T., Cv. Cp., VA3, VC1, VC2 Front	1	----	1964 360-1	1964 360-1
	VY1 Front Right	1	----	----	*2486 693
	Left	1	----	----	2486 692
	2 D. H. T., except VA3 Quarter	1	----	2486 676-7	
	Cv. Cp., except VA3 Quarter	1	----	2428 230-1	
	2 D. H. T., VA3, VC1, VC2 Quarter	1	----	1964 356-7	2428 232-3
	Cv. Cp., VA3, VC1, VC2 Quarter	1	----	1964 354-5	1964 354-5
	2 D. H. T., Cv. Cp., VY1 Quarter	1	----	----	2486 688-9
	4 D., 4 D. H. T., Sta. Wgn., except VA3 Rear	1	----	2428 226-7	
	4 D., VA3, VC1, VC2, VC3 Rear	1	----	1964 362-3	2428 228-9
	4 D. H. T., Sta. Wgn., VA3L, VC1, VC2, VC3 Rear	1	----	1964 352-3	1964 352-3
	Sta. Wgn., VA3E Rear	1	----	1964 362-3	
	4 D. H. T., VY1 Rear	1	----	----	2520 514-5
	SCREW Quarter	★	----	*6024 813	*6024 813
	SPRING NUT Quarter	★	----	6000 305	6000 305

★ Indicates use as required.
 ☐ Indicates parts not listed in any previous parts book.
 Right and left part numbers are on same line,
 first number is right, second number is left.
 * Indicates change or addition.

1964 PASSENGER CAR PARTS CATALOG

BODY

CODE	PART NAME AND DESCRIPTION	PER CAR	VALIANT DART	PLYMOUTH DODGE	CHRYSLER IMPERIAL
23-41-0 WINDOW LIFT (ELECTRIC) - Cont'd					
23-41-4	REGULATOR, Electric Window, used in Dura Type Assembly 4 D., 4 D.H.T., Sta.Wgn., VA3, VC1, VC2, VC3				
	Front	1	----	1964 596-7	1964 596-7
	2 D. H.T., Cv.Cp., VA3, VC1, VC2				
	Front	1	----	1964 598-9	1964 598-9
	4 D., VA3			1964 594-5	
	Sta.Wgn., VA3E	1	----	1964 594-5	
23-41-7	SPRING, Electric Window Regulator Assist 4 D., 4 D. H.T., Sta.Wgn., except VA3				
	Front	2	----	2251 930	
	2 D. H.T., Cv.Cp., except VA3				
	Front	2	----	2251 939	
	VA3, VC1, VC2, VC3, Front	2	----	1964 289	1964 289
	4 D. H.T., VY1	2	----	----	2216 173
	2 D. H.T., Cv.Cp., VY1				
	Front	2	----	----	2486 312
	2 D. H.T., except VA3				
	Quarter	2	----	2299 693	
	Cv.Cp., except VA3, Quarter	2	----	2216 172	
	2 D.,H.T., VA3, VC1, VC3				
	Quarter	2	----	2216 172	2216 172
	Cv.Cp., VA3, VC1, VC2				
	Quarter	2	----	1964 289	1964 289
	2 D. H.T., Cv.Cp., VY1				
	Quarter	2	----	----	2486 348
	4 D., 4 D. H.T., Sta.Wgn., except VA3				
	Rear	2	----	2166 851	
	4 D., VA3, VC1, VC2, VC3				
	Rear	2	----	1964 289	2251 930
	4 D. H.T., Sta.Wgn., VA3, VC1, VC2, VC3				
	Rear	2	----	1964 289	1964 289
	4 D. H.T., VY1	2	----	----	2486 312
	SPRING, Electric Window Regulator Counterbalance, used in Dura Type Assembly				
	VA3, VC1, VC2, VC3, Front	2	----	2165 768	2165 768
	Cv.Cp., VA3, VC1, VC2				
	Quarter	2	----	2165 768	2165 768
	4 D., VA3	2	----	2165 768	
	Sta.Wgn., VA3E	2	----	2165 768	
23-41-8	SUPPORT, Quarter Window Regulator 2 D. H.T., Cv.Cp., VY1				
	Front	1	----	----	2480 768-9
	2 D. H.T., Cv.Cp., VY1				
	Rear	1	----	----	2424 726-7
23-41-9	BOLT, w/WASHER, Electric Window Regulator to Plate Attaching VA3, VC1, VC2, VC3	★	----	1963 851	1963 851
	BOLT, w/WASHER, Electric Window Regulator Motor to Mounting Bracket VA3, VC1, VC2, VC3	★	----	1963 949	1963 949
	STUD, Regulator to Pivot Bracket				
	Front	2	--	6000 211	6000 211
	SCREW, Regulator to Glass VY1	4	----	----	6006 172
23-41-19	CHANNEL, w/SUPPORT, Door Window Regulator Pivot VY1				
	Front	2	----	----	2218 294
	Quarter	2	----	----	2218 294
	Rear	2	----	----	2218 294

★ Indicates use as required.
 E Indicates parts not listed in any previous parts book.
 March 15, 1965 Supersedes March 16, 1964.

Printed in U.S.A.
 Prices and specifications subject to change without notice.
 Right and left part numbers are on same line,
 first number is right, second number is left.
 * Indicates change or addition.

CODE	PART NAME AND DESCRIPTION	PER CAR	VALIANT DART	PLYMOUTH DODGE	CHRYSLER IMPERIAL
23-41-O WINDOW LIFT (ELECTRIC) - Cont'd					
23-41-25	RETAINER, Electric Window Lift Wiring Conduit VC1, VC2, VC3 Front.	2	----	2290 048	2290 048
23-41-33	MECHANISM, Electric Window Lift Regulator Except VA3 Front.	1	----	2252 048-9	
	Rear	1	----	2252 050-1	
	Cv. Cp. Only Quarter	1	----	2252 050-1	
	VA3 Front.	2	----	1963 827	
	Rear	2	----	1963 828	
	Quarter	2	----	1963 828	
	VC1, VC2, VC3 Front.	2	----	----	1963 827
	4 D. Rear	1	----	----	2252 050-1
	4 D. H. T., Sta. Wgn., Rear	2	----	----	1963 827
	Quarter	2	----	----	1963 828
NOTE: The Mechanisms for the Plymouth and Dodge 2 D. H. T. Quarter Window Regulators and All Imperial Window Regulators are part of the Motor Assembly Part Type Code 23-41-106. To service these Mechanisms use Repair Packages located in Part Type Code 23-41-34.					
23-41-34	REPAIR PACKAGE, Electric Window Lift Regulator Mechanism 2 D. H. T., except VA3 Quarter	2	----	2495 249	
	VA3, VC1, VC2, VC3, Use for 1963 827 Mechanism . .	★	----	2275 142	2275 142
	Use for 1963 828 Mechanism . .	★	----	2275 143	2275 143
	VY1	4	----	----	2495 249
23-41-53	BRACKET, Electric Window Regulator Motor Mounting 4 D., 4 D. H. T., 2 D. H. T., Cv. Cp., Sta. Wgn., except VA3 Front	2	----	2428 225	
	4 D., 4 D. H. T., Sta. Wgn., VA3, VC1, VC2, VC3 Front	1	----	1963 874-5	1963 874-5
	4 D., 4 D. H. T., Sta. Wgn., except VA3 Rear	1	----	2251 954-5	
	4 D., VC1, VC3, VC3, Rear	1	----	----	2251 954-5
	4 D. H. T., Sta. Wgn., VA3L, VC1, VC2, VC3 Rear	1	----	1964 818-9	1964 818-9
	BRACKET, Electric Window Regulator Mounting Except VA3 Front.	2	----	2251 982	
	STRAP, Motor Mounting VY1	★	----	----	2486 587
23-41-55	WIRING, Electric Window Lift 4 D., 4 D. H. T., Sta. Wgn., except VA3	1	----	2291 736	
	2 D. H. T., except VA3	1	----	2496 738	
	Cv. Cp., except VA3	1	----	2291 735	
	4 D., VA3, VC1, VC2, VC3	1	----	2291 370	2291 369
	4 D., 4 D. H. T., Sta. Wgn., VA3, VC1, VC2, VC3	1	----	2291 370	2291 370
	2 D. H. T., Cv. Cp., VA3, VC1, VC2	1	----	E2497 204	E2497 204
	VY1M	1	----	----	2427 269
	WIRING, Electric Window Lift, Power Vent and Door Lock VY1	1	----	----	2427 275
	CLIP, Snap On	★	----	6015 377	-6015 377
23-41-95	GROMMET, Electric Window Lift Wiring Conduit VC1, VC2, VC3 Front.	2	----	----	2257 299
	Except VA3 Rear	2	----	2258 361	
	VA3, VC1, VC2, VC3, Rear	2	----	2257 744	2257 744
	4 D. H. T., VY1 Rear	2	----	----	1753 681
23-41-106	MOTOR, Electric Window Lift Except VA3 Front.	2	----	2252 001	
	VA3, VC1, VC2, VC3, Front.	2	----	2084 445	2084 445
	VY1 w/MECHANISM, Front	2	----	----	2486 597

★ Indicates use as required.
 □ Indicates parts not listed in any previous parts book.
 Right and left part numbers are on same line,
 first number is right, second number is left.
 * Indicates change or addition.

1964 PASSENGER CAR PARTS CATALOG

BODY

CODE	PART NAME AND DESCRIPTION	PER CAR	VALIANT DART	PLYMOUTH DODGE	CHRYSLER IMPERIAL
23-41-0 WINDOW LIFT (ELECTRIC) - Cont'd					
23-41-106	MOTOR - Cont'd				
	2 D. H.T., except VA3				
	w/MECHANISM, Quarter	2	----	2486 597	
	Cv.Cp., except VA3, Quarter	2	----	2252 001	
	2 D. H.T., VA3, VC1, VC2				
	Quarter	2	----	2084 445	2084 445
	Cv.Cp., VA3, VC1, VC2				
	Quarter	2	----	2084 446	2084 446
	VY1	2	----	----	2486 597
	4 D., 4 D. H.T., Sta. Wgn., except VA3				
	Rear	2	----	2252 001	
	4 D., VA3, VC1, VC3, Rear	2	----	2084 445	2252 001
	Sta. Wgn., VA3E Rear	2	----	2084 445	
	VY1	2	----	----	2486 597
	w/MECHANISM, Rear	★	----	6024 273	6024 273
	SCREW, w/WASHER, Motor w/Mechanism				
	MOTOR, used in Dura Type Assembly				
	VA3, VC1, VC2, VC3, Front.	2	----	2196 343	2196 343
	Cv.Cp., VA3, VC1, VC2				
	Quarter	2	----	2196 343	2196 343
	4 D., VA3	2	----	2196 343	
	Sta. Wgn., VA3E	2	----	2196 343	
	Rear	2	----	2196 343	
23-41-138	COUPLING, Electric Window Lift Motor to Mechanism				
	Except VA3				
	Front.	2	----	1778 955	
	Rear	2	----	1778 955	
	Cv.Cp.	2	----	1778 955	
	VA3, VC1, VC2, VC3, Front.	2	----	1688 919	1688 919
	Rear	2	----	1688 919	1688 919
	Quarter	2	----	1440 489	1440 489
	COUPLING, w/DRIVE CABLE, used in Dura Type				
	Assembly				
	VA3, VC1, VC2, VC3, Front.	2	----	1810 641	1810 641
	Quarter	2	----	1810 641	1810 641
	Rear	2	----	1810 641	1810 641
23-41-139	SHIELD, Electric Window Lift Motor Drive Shaft, Plastic	★	----	1689 167	1689 167
23-41-167	CONDUIT, Electric Window Lift Wiring				
	VC1, VC2, VC3				
	Front.	2	----	2290 047	2290 047
	VY1				
	Front, Right	1	----	----	2426 151
	Left	1	----	----	2426 161
	Except VA3				
	Rear	2	----	2291 976	
	VA3, VC1, VC2, VC3, Rear	2	----	1971 314	1971 314
	VY1	2	----	----	1972 092
23-41-170	SWITCH, w/BEZEL, Electric Window Lift				
	VC1, VC2, VC3				
	4 Gang	1	----	2096 089	2096 089
	Single	★	----	2096 399	2096 399
	SWITCH, Electric Window Lift				
	VC3 Salon				
	Rear Right	1	----	----	2427 144
	Rear Left	1	----	----	2427 814
	VY1	★	----	----	2427 184
	VY1	★	----	----	2427 213
	SWITCH, Electric Vent Wing				
	VY1				
	Single, Right	1	----	----	2427 184
	Double, Left	1	----	----	2427 213
	SWITCH, Lockout, w/Left Front Door Window				
	Lift Switch HOUSING				
	VY1	1	----	----	2496 356

★ Indicates use as required.

☐ Indicates parts not listed in any previous parts book.
 March 15, 1965 Supersedes March 16, 1964.

Printed in U.S.A.
 Prices and specifications subject to change without notice.
 Right and left part numbers are on same line,
 first number is right, second number is left.
 * Indicates change or addition.

CODE	PART NAME AND DESCRIPTION	PER CAR	VALIANT DART	PLYMOUTH DODGE	CHRYSLER IMPERIAL
23-41-0 WINDOW LIFT (ELECTRIC) - Cont'd					
23-41-170	SWITCH, Lockout, w/Left Front Door Window Lift and Door Lock Switch HOUSING VY1 Use w/5 Knobs	1	----	----	2496 358
	SWITCH, Lockout, w/Left Front Door Window Lift and Vent Wing Switch HOUSING VY1 Use w/6 Knobs	1	----	----	2496 357
	SWITCH, Lockout, w/Left Front Door Window Lift, Door Lock and Vent Wing Switch HOUSING VY1 Use w/7 Knobs	1	----	----	2496 359
23-41-171	HINGE, Electric Window Lift Wiring Conduit to Door Except VA3 Rear	2	----	2291 984	
23-41-174	SPRING, Electric Window Lift Switch and Bezel Retaining VC1, VC2, VC3 CLIP, VY1	16 16	---- ----	2496 571 *2496 571	2496 571 *2496 571
23-41-175	KNOB, Door, Quarter or Vent Wing Switch VY1	*	----	----	2427 292
23-41-176	CONNECTOR, Electric Window Lift Switch Single, Right Front, Right Rear, Left Rear Single, Left Front, for Power Vent Single, Right Front, for Power Vent 4-Way, Left Front Down 5-Way, Left Front Up CONNECTOR and TERMINAL PACKAGE VY1 3 Way 5 Way w/Lockout Switch, 6 Way w/o Lockout Switch, 6 Way	3 1 1 1 1 1 * * * *	---- ---- ---- ---- ---- ---- ---- ---- ---- ----	2096 905 ---- ---- 2096 908 2096 911 ---- ---- ---- ---- ----	2096 905 2096 905 2096 905 2096 908 2096 911 2495 234 2495 235 2495 236 2495 237
23-41-179	BUMPER, Arm Rest Window Lift Switch VY1 Doors and Quarter	*	----	----	1639 961
23-41-184	RETAINER, Electric Window Lift Switch and Bezel VC1, VC2, VC3 Single RETAINER, Electric Left Front Door Window Lift Switch VC1, VC2, VC3 4 Gang HOUSING, Door Window Lift Switch VY1 Front Right HOUSING, Door Window Lift and Door Lock Switch VY1 Front Right	3 1 1 1 1	---- ---- ---- ---- ----	1971 478 2427 324 ---- ---- ----	1971 478 2427 324 2427 555 2427 788
	HOUSING, Door Window Lift and Vent Wing Switch VY1 Front Right HOUSING, Door Window Lift, Vent Wing and Door Lock Switch VY1 Front Right HOUSING, Window Lift Switch VY1 Rear VY1 Quarter	1 1 1 1 1	---- ---- ---- ---- ----	---- ---- ---- ---- ----	2427 553 2427 790 2427 730-1 2427 880-1
23-41-186	CLIP, Electric Window Lift Switch and Connector VY1 Long Short	* *	---- ----	---- ----	2427 860 1779 901
23-41-250	ROLLER, Electric Window Regulator Pivot Arm VY1 To Pivot Bracket To Glass Frame	4 4	---- ----	---- ----	1697 607 2486 982
23-41-255	BRACKET, w/REINFORCEMENT, Electric Window Regulator Arm Pivot 2 D. H.T., except VA3 Quarter	1	----	2482 710-1	

* Indicates use as required.
 B Indicates parts not listed in any previous parts book.
 Right and left part numbers are on same line,
 first number is right, second number is left.

1964 PASSENGER CAR PARTS CATALOG

BODY

CODE	PART NAME AND DESCRIPTION	PER CAR	VALIANT DART	PLYMOUTH DODGE	CHRYSLER IMPERIAL
23-41-O WINDOW LIFT (ELECTRIC) - Cont'd					
23-41-270	HOUSING, PINION and CABLE PACKAGE, Electric Window Regulator, used in Dura-Type Assembly VA3, VC1, VC2, VC3, Front. Cv. Cp., VA3, VC1, VC2	2	----	2166 926-7	2166 926-7
	Quarter	2	----	2166 926-7	2166 926-7
	4 D., VA3 Rear	2	----	2166 926-7	2166 926-7
	Sta. Wgn., VA3E Rear	2	----	2166 926-7	2166 926-7
23-41-273	BUSHING, Electric Window Lift Mechanism Gear Shaft, used in Dura-Type Assembly VA3, VC1, VC2, VC3, Front. Cv. Cp., VA3, VC1, VC2	2	----	1810 635	1810 635
	Quarter	2	----	1810 648	1810 648
	4 D., VA3 Rear	2	----	1810 635	
	Sta. Wgn., VA3E Rear	2	----	1810 635	
23-41-281	BRACE, Front Door Inside Panel Electric Window Regulator Lower 4 D., 4 D. H. T., Sta. Wgn., VA3, VC1, VC2, VC3 2 D. H. T., Cv. Cp., VA3, VC1, VC2	2 2	----	1964 823 1964 821	1964 823 1964 821
	REINFORCEMENT, Rear Door Inside Panel Electric Window Regulator Lower 4 D., VA3 Front.	1	----	1964 696-7	
	Sta. Wgn., VA3E Front	1	----	1964 696-7	
	4 D., VA3 Upper.	1	----	1964 690-1	
	Sta. Wgn., VA3E Upper	1	----	1964 690-1	
	BRACKET, Quarter Window Regulator to Body Lock Pillar Reinforcement Mounting VY1	2	----	----	2480 382
23-41-286	SEAL, Electric Window Regulator Mechanism Except VA3 Front. Cv. Cp., except VA3, Quarter. 4 D., 4 D. H. T., Sta. Wgn., except VA3 Rear 4 D., VC1, VC2, VC3, Rear VY1 Doors and Quarter	2 2 2 2 6	----	2252 029 2252 029 2252 029 ---- ----	2252 029 *2583 178
23-42-O WINDOW GLASS RUN					
23-42-13	RUN, Front Door Window Glass on Vent Wing Divisional Channel 4 D., 2 D., Sta. Wgn. 2 D. H. T., Cv. Cp. VY1 Includes Upper Bumper	2 2 1	2216 645 2217 420 ----	----	*2571 010-1
	RUN, Rear Door Window Glass on Divisional Channel 4 D., Sta. Wgn.	2	2216 645		
23-42-16	RUN, Front Door Window Glass 4 D., Sta. Wgn., except VA3 2 D., except VA3 4 D., VA3, VC1, VC2, VC3 Sta. Wgn., VA3E	2 2 2 2	2254 934 2254 932 ---- ----	2167 622 2167 620 2216 406 2216 406	2216 406
23-42-23	RUN, Rear Door Window Glass 4 D., Sta. Wgn., except VA3 4 D., VA3, VC1, VC2, VC3 Sta. Wgn., VA3E	2 2 2	2216 780 ---- ----	2218 134 2216 404 2216 404	2216 938
23-42-26	RETAINER, Door Window Glass Run 4 D., VA3, VC1, VC2, VC3 Front Sta. Wgn., VA3E Front Rear Sta. Wgn., VA3E Rear	1 1 1 1	----	1952 378-9 1952 378-9 1954 144-5 1954 144-5	1952 378-9 1954 144-5

★ Indicates use as required.

◻ Indicates parts not listed in any previous parts book.

March 15, 1965 Supersedes March 16, 1964.

Page 23-294

Printed in U.S.A.
Prices and specifications subject to change without notice.Right and left part numbers are on same line,
first number is right, second number is left.

* Indicates change or addition.

CODE	PART NAME AND DESCRIPTION	PER CAR	VALIANT DART	PLYMOUTH DODGE	CHRYSLER IMPERIAL
23-42-O WINDOW GLASS RUN - Cont'd					
23-42-38	RUN, Quarter Window Glass 2 D. RUN; Quarter Window Glass Guide Rear Channel 2 D. H.T., VL1, VL2	2	*2245 091	*2167 196	
	Inner	1	2244 742-3		
	Outer Right	1	2244 743		
	Outer Left	1	2244 742		
23-42-46	RUN, Tailgate Window Glass Except VA3	1	2423 720	2484 829	
	Upper	1	2423 456	2189 353	
	Lower	2	----	2189 351	2189 351
	VA3	1	----	2189 353	2189 353
	Upper	1	----	2189 353	2189 353
	Lower	2	----	2189 353	2189 353
23-42-48	SPACER, Tailgate Glass Run, on Rear Pillar VA3	1	----	2483 798	2483 798
23-42-51	INSERT, Tailgate Window Glass Run VA3	2	----	2255 333	2255 333
23-42-56	RETAINER, Quarter Window Glass Run 2 D. Rear	1	----	2424 132-3	
23-42-59	SUPPORT, Quarter Window Glass Run Retainer 2 D. Rear	2	----	2216 415	
23-45-O FRONT SEAT					
23-45-29	PLATE, Front Seat Back Hinge Stop 2 D., Cv.Cp.	2	2160 502		
23-45-30	BUMPER, Front Seat Back Stop 2 D., Cv. Cp. 2 D., 2 D. H.T., except VA3 w/Heavy Duty Springs	2	*2160 500	*2446 018	
	2 D. H.T., except VA3	2	----	2270 579	
	2 D. H.T., VA3	2	----	2446 018	
		2	----	*2446 018	*2446 018
23-45-33	BRACKET, Front Seat Outer Hinge Arm Cover 2 D., Cv. Cp. 2 D., 2 D. H.T., Cv. Cp., except VA3 Lower	1	2080 944-5		
	4 D., 4 D. H.T., Sta. Wgn., VP1H, VP2H Lower	2	----	*2494 146	
	2 D., VD1, VD2 Lower	2	----	2494 115	
		2	*2494 146	*2494 146	
23-45-52	HANDLE, Reclining Seat Operating or Actuator Except VC3 Salon VC3 Salon	1	----	----	2446 629
		1	----	----	2440 951
23-45-55	SPRING, Front Seat Cushion to Back Retarder w/Bucket Seats	2	3092 242	2092 242	2092 242
23-45-60	ORNAMENT, w/STUD, Front Seat Side Shield VC3 Salon STUD	1	----	----	2490 049
		1	----	----	6010 020
23-45-187	PAWL, w/SHAFT, Reclining Seat Except VC3 Salon VC3 Salon BOLT, Return WASHER, Retaining RING, Retaining, except Salon	1	----	----	2446 631
		1	----	----	2446 742
		1	----	----	6024 366
		1	----	----	6024 439
		1	----	----	6024 440

* Indicates use as required.
 Ⓜ Indicates parts not listed in any previous parts book.
 Right and left part numbers are on same line,
 first number is right, second number is left.
 * Indicates change or addition.

1964 PASSENGER CAR PARTS CATALOG

BODY

CODE	PART NAME AND DESCRIPTION	PER CAR	VALIANT DART	PLYMOUTH DODGE	CHRYSLER IMPERIAL
23-45-0 FRONT SEAT - Cont'd					
23-45-188	STOP, Reclining Seat Back Forward Tilt	1	----	----	2494 509
23-45-190	SPRING, Reclining Seat Pawl Return				
	Except VC3 Salon	1	----	----	2446 630
	VC3 Salon	1	----	----	2446 068
	SPRING, Reclining Seat Back Return				
	Except VC3 Salon	2	----	----	2446 633
	VC3 Salon	1	----	----	2446 039
23-45-192	RETAINER, Reclining Seat Back Return Spring				
	Except VC3 Salon	1	----	----	2446 634
	VC3 Salon	1	----	----	2446 064
	RETAINER, Reclining Seat Cushion Arch				
	VC3 Salon	1	----	----	2446 074
	CLIP, Reclining Seat Return Spring	1	----	----	*2577 349
23-45-195	SPACER, Reclining Seat Back to Cushion Mounting	1	----	----	2446 066
23-45-197	BRACKET, Reclining Seat Return Spring Adjuster				
	Except VC3 Salon	1	----	----	2446 636
	SUPPORT, Reclining Seat Return Spring Adjuster				
	VC3 Salon Right	1	----	----	2446 028
23-45-199	BOLT, Reclining Seat Return Spring Adjuster				
	VC3 Salon	1	----	----	2446 137
23-47-0 FRONT SEAT ADJUSTER					
23-47-6	ADJUSTER, Manual Seat				
	w/o Bucket Seats	1	2520 256-7		
	Except Barracuda, Passenger's Side,				
	w/ Bucket Seats Outer	1	2428 094	2486 880	2428 100
	Inner	1	2428 096	2486 878	2428 098
	Driver's Side Outer	1	2486 883	4423 VX9	2428 101
	Inner	1	2486 877	2486 879	2428 099
	VV1, VV2, Barracuda, Passenger's Side				
	Outer	1	E2428 094		
	Inner	1	2486 984		
	Driver's Side Outer	1	2486 987		
	Inner	1	2486 985		
	ADJUSTER, Front Seat Electric				
	w/ Bucket Seats	1	----	----	2520 154-5
	TRACK, w/Upper SUPPORT, Manual Seat Adjuster				
	w/o Bucket Seats, Right	1	----	2189 900	2189 900
	Except VA3 Left	1	----	2182 307	
	VA3, VC1, VC2, VC3				
	Left	1	----	2189 901	2189 901
	VY1 Left	1	----	----	2520 403
	SUPPORT, Manual Seat Adjuster				
	w/o Bucket Seats, Lower	1	----	2251 966-7	2251 966-7
	TRACK, Electric Seat Adjuster				
	w/o Bucket Seats, Right	1	----	2080 828	2080 828
	Left	1	----	2080 827	2080 827
23-47-8	COVER, Electric Front Seat Adjuster				
	w/o Bucket Seats	1	----	2708-9 VT6	2708-9 VT6
	w/ Bucket Seats, Passenger's Side				
	VC2, VC3, VY1 Black, Inner	1	----	----	4398 TX9
	Outer	1	----	----	4398 TX9
	Blue, Inner	1	----	----	4398 VB6
	Outer	1	----	----	4398 VB6
	Maroon, Inner	1	----	----	4398 VM6
	Outer	1	----	----	4398 VM6

★ Indicates use as required.

⊠ Indicates parts not listed in any previous parts book.
 March 15, 1965 Supersedes March 16, 1964.

Printed in U.S.A.
 Prices and specifications subject to change without notice.
 Right and left part numbers are on same line,
 first number is right, second number is left.
 * Indicates change or addition.

CODE	PART NAME AND DESCRIPTION	PER CAR	VALIANT DART	PLYMOUTH DODGE	CHRYSLER IMPERIAL
23-47-O FRONT SEAT ADJUSTER - Cont'd					
23-47-8	COVER - Cont'd				
	Red, Inner	1	----	----	4398 VR7
	Outer	1	----	----	4396 VR7
	Turquoise, Inner	1	----	----	4398 VQ5
	Outer	1	----	----	4396 VQ5
	Yellow Tan, Inner	1	----	----	4398 VT6
	Outer	1	----	----	4396 VT6
VY1	Yellow Green, Inner	1	----	----	4398 VF9
	Outer	1	----	----	4396 VF9
<hr/>					
	Driver's Side				
VC2, VC3, VY1	Black, Inner	1	----	----	4399 TX9
	Outer	1	----	----	4397 TX9
	Blue, Inner	1	----	----	4399 VB6
	Outer	1	----	----	4397 VB6
	Maroon, Inner	1	----	----	4399 VM6
	Outer	1	----	----	4397 VM6
	Red, Inner	1	----	----	4399 VR7
<hr/>					
	Outer	1	----	----	4397 VR7
	Turquoise, Inner	1	----	----	4399 VQ5
	Outer	1	----	----	4397 VQ5
	Yellow Tan, Inner	1	----	----	4399 VT6
	Outer	1	----	----	4397 VT6
VY1	Yellow Green, Inner	1	----	----	4399 VF9
	Outer	1	----	----	4397 VF9
<hr/>					
23-47-9	STUD, Electric Seat Adjuster to Floor w/o Bucket Seats	8	----	6008 111	6008 111
	BOLT, w/WASHER, Manual Seat Adjuster Support	4	----	6008 220	6008 220
23-47-12	STOP, Electric Seat Adjuster Track Horizontal, w/o Bucket Seats	1	----	1830 236-7	1830 236-7
23-47-15	SPACER, Front Seat Adjuster Base to Floor, VL1, VL2		1839 303		
	w/o Bucket Seats	4	----		2428 362
	w/ Bucket Seats, Right	1	----		
23-47-16	NUT, Manual Seat Adjuster Support	★	2080 951	2080 951	2080 951
<hr/>					
23-47-22	ROLLER, Seat Adjuster Track Guide w/ Bucket Seats	4	----	----	1520 675
23-47-26	SPRING, Manual Seat Guide Tension w/o Bucket Seats	2	1902 350	1902 350	1902 350
23-47-28	HOOK, Manual Front Bucket Seat Guide Wire Tension	2	2494 549	2494 549	2494 549
23-47-35	NUT, w/WASHER, Seat Adjuster to Floor Except VA3	★	6024 431	6024 431	
	VA3, VC1, VC2, VC3	4	----	6008 243	6008 243
	Electric	8	----	6024 430	6024 430
	Adjuster to Seat w/ Bucket Seats	4	6024 165	6024 165	6024 165
<hr/>					
23-47-55	KNOB, Manual Seat Adjuster Latch Control	★	2161 291	2161 291	2161 291
23-47-64	CLIP, Manual Seat Guide Latch Connecting Wire VA3	1	----	2410 070	2410 070
23-47-66	WIRE, Manual Seat Guide Latch Connecting w/ Bucket Seats, Right	1	2520 066		
	WIRE, Manual Seat Adjuster Latch Lever Connecting w/ Bucket Seats	★	2299 661	2299 661	2299 661
	Except VA3 w/o Bucket Seats	1	2082 545	2270 067	
	VA3 w/o Bucket Seats	1	----	1592 654	1592 654

★ Indicates use as required.

⊠ Indicates parts not listed in any previous parts book.

Right and left part numbers are on same line,

first number is right, second number is left.

1964 PASSENGER CAR PARTS CATALOG

BODY

CODE	PART NAME AND DESCRIPTION	PER CAR	VALIANT DART	PLYMOUTH DODGE	CHRYSLER IMPERIAL
23-47-O FRONT SEAT ADJUSTER - Cont'd					
23-47-67	GUIDE, Manual Front Seat Adjuster Latch Connecting Wire Side w/ Bucket Seats, Right	1	2486 993	*2486 994	*2486 994
23-47-75	SPRING, Manual Seat Adjuster Latching Lever SPRING, Manual Seat Adjuster Latch	★	2428 388	2428 388	2428 388
		2	----	1645 615	1645 615
23-47-196	PIN, Electric Seat Adjuster Track w/o Bucket Seats, Front Lever . Rear Lever	2	----	6008 050	6008 050
		2	----	6008 216	6008 216
23-47-197	RETAINER, Front Seat Electric Vertical Adjusting Lever Pin w/ Bucket Seats	4	----	----	1539 430
		4	----	----	1539 430
23-47-344	UNIT or MECHANISM, Electric Seat Adjuster w/o Bucket Seats Drive Slave, Right Left w/ Bucket Seats Horizontal Vertical	1	----	1819 228	1819 228
		1	----	1819 240	1819 240
		1	----	1819 239	1819 239
		★	----	----	2520 157
		★	----	----	2520 156
23-47-350	PIN, Electric Seat Adjuster Drive w/o Bucket Seats Dowel VY1 Front Lever VY1 Rear Lever	2	----	6008 051	6008 051
		2	----	----	6008 050
		2	----	----	6008 216
23-47-352	SCREW, Electric Seat Adjuster Drive Unit	4	----	----	6008 126
23-47-353	LEVER, w/SHAFT, Electric Seat Adjuster Drive Unit w/o Bucket Seats	3	----	1830 289	1830 289
23-47-375	STUD, Electric Seat Stabilizer to Floor VC3, VY1 w/o Bucket Seats	1	----	----	2080 456
23-47-383	PIVOT END, Electric Seat Adjuster Stabilizer VC3, VY1 w/o Bucket Seats	2	----	----	2080 329
23-47-384	STRUT, Electric Seat Adjuster Stabilizer VC3, VY1 w/o Bucket Seats, Female . . . Male	2	----	----	2080 330
		2	----	----	2080 331
23-47-386	WASHER, Electric Seat Adjuster Stabilizer VC3, VY1 w/o Bucket Seats	2	----	----	2080 466
23-47-387	GUARD, Electric Seat Adjuster Rear Lever w/o Bucket Seats	2	----	2080 478	2080 478
23-47-413	SPRING, Electric Seat Adjuster Solenoid w/o Bucket Seats w/ Bucket Seats	3	----	1819 230	1819 230
		1	----	----	2486 173
23-47-414	COIL PACKAGE, Electric Seat Adjuster Drive Unit Solenoid w/o Bucket Seats	3	----	1830 290	1830 290
23-47-420	WIRING, Electric Seat Adjuster VC2, VC3 w/ Bucket Seats	★	----	----	2426 961
23-47-425	RELAY, Electric Seat Adjuster Motor w/o Bucket Seats	1	----	2291 927	2291 927
23-47-427	SCREW, w/WASHER, Front Seat Electric Adjuster Motor Relay Mounting SCREW, w/WASHER, Electric Seat Adjuster Motor Relay Mounting w/o Bucket Seats	2	----	6008 110	6008 110
		2	----	6008 110	6008 110

★ Indicates use as required.

⊠ Indicates parts not listed in any previous parts book.

March 15, 1965 Supersedes March 16, 1964.

Printed in U.S.A.

Prices and specifications subject to change without notice.

Right and left part numbers are on same line,

first number is right, second number is left.

* Indicates change or addition.

CODE	PART NAME AND DESCRIPTION	PER CAR	VALIANT DART	PLYMOUTH DODGE	CHRYSLER IMPERIAL
23-47-O FRONT SEAT ADJUSTER - Cont'd					
23-47-430	MOTOR, Electric Seat Adjuster w/o Bucket Seats	1	----	2448 625	2448 625
	w/ Bucket Seats	*	----	----	2428 372
23-47-431	TUBE, Electric Seat Adjuster Drive Unit to Slave Unit Cable, w/o Bucket Seats				
	Front Control, Left, Short . . .	1	----	1830 216	1830 216
	Rear Control, Left, Short . . .	1	----	1830 217	1830 217
	Horizontal Control, Left, Short	1	----	1830 218	1830 218
Except VA3	w/BRACKETS, Right, Long . . .	1	----	2162 390	
VA3	w/BRACKETS, Right, Long . . .	1	----	2486 296	2486 296
23-47-432	COUPLING, Electric Seat Adjuster Drive Unit to Motor w/o Bucket Seats	1	----	1594 834	1594 834
	w/ Bucket Seats	*	----	----	2428 377
	CABLE, Electric Seat Adjuster Drive to Slave Unit, w/o Bucket Seats				
Except VA3	Front Control, Long	1	----	2162 391	
	Short	1	----	1830 345	
	Rear Control, Long	1	----	2162 392	
	Short	1	----	1830 347	
	Horizontal Control, Long	1	----	2162 393	
	Short	1	----	1830 349	
VA3	Front Control, Long	1	----	2486 300	2486 300
	Short	1	----	1830 345	1830 345
	Rear Control, Long	1	----	2486 301	2486 301
	Short	1	----	1830 347	1830 347
	Horizontal Control, Long	1	----	2486 302	2486 302
	Short	1	----	1830 349	1830 349
23-47-433	GROMMET, Electric Seat Adjuster Transmission w/ Bucket Seats	4	----	----	2428 459
23-47-448	SWITCH, Electric Seat Adjuster w/o Bucket Seats	1	----	2427 365	2427 365
VC2, VC3	w/ Bucket Seats	2	----	----	2096 177
VY1	w/ Bucket Seats	1	----	----	2496 134-5
23-47-451	BEZEL PACKAGE, Electric Seat Adjuster Switch Except VA3L	1	----	2421 142	
VA3E		1	----	2421 142	
BEZEL, Switch VY1	w/ Bucket Seats	2	----	----	2496 129
23-47-456	PLATE, Electric Seat Adjuster Switch Mounting VC3 Salon	1	----	----	2490 086
	BRACKET, Electric Seat Adjuster Switch Mounting w/ Bucket Seats	1	----	----	2440 212
23-47-457	KNOB, Electric Seat Adjuster Switch	1	----	2096 022	2096 022
23-47-460	CLAMP, w/SPACER, Electric Seat Adjuster Switch Except VA3	1	----	2440 001	
23-47-462	ADAPTER, Electric Seat Adjuster Switch to Seat Frame VD1, VD2	1	----	2419 932	

* Indicates use as required.
 B Indicates parts not listed in any previous parts book.
 Right and left part numbers are on same line,
 first number is right, second number is left.
 * Indicates change or addition.

1964 PASSENGER CAR PARTS CATALOG

BODY

CODE	PART NAME AND DESCRIPTION	PER CAR	VALIANT DART	PLYMOUTH DODGE	CHRYSLER IMPERIAL
23-48-0 SECOND AND THIRD SEAT					
23-48-6	SPACER, Third Seat Back to Cushion Down Position Sta. Wgn., VA3	2	----	1884 737	1884 737
23-48-11	PIN, Seat Back Hinge Sta. Wgn., except VA3	2	2251 544	2251 544	
	Second Seat	2	----	1960 627	1960 627
	Sta. Wgn., VA3 Third Seat	2	----		
	PIN, Rear Seat Back Hinge to Wheelhouse Inner Panel Bracket	2	*2251 544		
	VV1, VV2, Barracuda				
23-48-19	STRIKER, Third Seat Back Support Sta. Wgn., except VA3	2	----	2251 539	
	STRIKER, Seat Back Latch Sta. Wgn., except VA3				
	Second Seat	1	2422 516-7	2423 560-1	
	Sta. Wgn., VA3 Second Seat	1	----	1961 438-9	1961 438-9
	Sta. Wgn., except VA3				
	Third Seat	2	----	2251 678	
	Sta. Wgn., VA3 Third Seat	2	----	1960 503	1960 503
	RETAINER, Second Seat Back-Up Position on Wheelhouse Sta. Wgn., except VA3				
	Right	1	2255 617	1961 488	
	Left	1	2422 519	2422 519	
	RETAINER, Rear Seat Back Release Handle on Wheelhouse				
	VV1, VV2 Barracuda	2	2520 438		
	LATCH, Third Seat Back Retainer Sta. Wgn., VA3	2	----	1775 440	1775 440
23-48-20	HANDLE, Third Seat Back Release Sta. Wgn., except VA3	1	----	2251 325	
	HANDLE, Third Seat Back and Bottom Lift Sta. Wgn., VA3	2	----	1833 596	1833 596
	HANDLE, Rear Seat Back Release VV1, VV2, Barracuda	1	2520 582-3		
	CLEVIS PIN, except VA3	1	----	6023 039	
23-48-21	ESCUTCHEON, Third Seat Back and Bottom Lift Handle Sta. Wgn., VA3	2	----	1833 597	1833 597
	Chrome	2	----	1775 814	1775 814
	White				
23-48-24	BRACKET, Third Seat Back Release Sta. Wgn., except VA3	1	----	2251 433	
23-48-28	BRACKET, w/Tapping PLATE, Second Seat Back Latch, Up Position Sta. Wgn., VA3	1	----	1961 230-1	1961 230-1
	SUPPORT, Third Seat Up Position on Wheelhouse Latch Sta. Wgn., VA3	2	----	1878 641	1878 641
23-48-31	BAR, Rear Seat Back Release Handle VV1, VV2, Barracuda	1	2520 435		
23-48-32	HOUSING, Rear Seat Back Release Handle Striker Barracuda				
	Black	1	E4135-6 VX9		
	Blue	1	E4135-6 VB6		
	Red	1	E4135-6 VR6		
	Yellow Gold	1	E4135-6 VY3		
23-48-43	RETAINER, Second Seat Back Spring Sta. Wgn., except VA3	2	2254 575	2254 575	
	Sta. Wgn., except VA3				
	End	2	----	2254 575	

★ Indicates use as required.
 E Indicates parts not listed in any previous parts book.
 March 15, 1965 Supersedes March 16, 1964.

Printed in U.S.A.
 Prices and specifications subject to change without notice.
 Right and left part numbers are on same line,
 first number is right, second number is left.
 * Indicates change or addition.

CODE	PART NAME AND DESCRIPTION	PER CAR	VALIANT DART	PLYMOUTH DODGE	CHRYSLER IMPERIAL
23-48-0 SECOND AND THIRD SEAT - Cont'd					
23-48-49	ROD, Second Seat Back Latch Actuating Sta. Wgn., VA3	1	----	1961 091	1961 091
23-48-80	PIN, Second Seat Back Latch Handle Stop Sta. Wgn., VA3	2	----	1961 085	1961 085
23-48-51	HANDLE, Second Seat Back Latch Sta. Wgn. VA3	1	----	1961 436-7	1961 436-7
23-48-52	SPRING, Second Seat Back Latch Handle Retainer Sta. Wgn., except VA3 Sta. Wgn., VA3	1 1	---- ----	*2251 876 1961 692-3	1961 692-3
23-48-65	PANEL, Second Seat Back Sta. Wgn., except VA3 Sta. Wgn., VA3 WASHER, Finish	1 1 5	2423 825 ---- 6024 655	2423 180 1878 652 6024 855	1878 652
23-48-76	BOLT, Third Seat Back Hinge Sta. Wgn., except VA3	2	----	2484 426	
23-48-87	SUPPORT, w/PIN, Second Seat Bottom Hinge Sta. Wgn., VA3 SCREW, w/WASHER	1 6	---- ----	1877 926-7 6023 140	1877 926-7 6023 140
23-48-90	TAPPING PLATE, Seat Hinge Support Sta. Wgn., except VA3 Sta. Wgn., except VA3 Sta. Wgn., VA3	2 1 2	---- ---- ----	2423 174 2423 541 2189 290	2189 290
23-48-93	BUMPER, Third Seat Back Support Upper Frame Sta. Wgn., except VA3 BUMPER, Seat Back-Up Position, on Wheelhouse Sta. Wgn., except VA3 Sta. Wgn., VA3 Sta. Wgn. VA3 BUMPER, Second Seat Bottom Hinge Support Sta. Wgn. VA3	2 2 2 2 2	---- 1960 719 ---- ---- ----	2252 184 1960 719 2484 492 1835 109 2484 493	2484 492 1835 109 2484 493
23-48-94	RETAINER, Third Seat Back Bumper Bolt Sta. Wgn., VA3	2	----	6000 177	6000 177
23-48-98	HINGE, Second Seat Back Panel Sta. Wgn. except VA3 WASHER, Coned, except VA3 HINGE, w/BEARING, Second Seat Bottom Seat Half Sta. Wgn., VA3 HINGE, Rear Seat Back Panel VV1, VV2, Barracuda	1 2 1 1	2243 312-3 6022 190 ---- 2528 782-3	2423 176-7 6022 190 1878 910-1	1878 910-1
23-48-99	SUPPORT, Seat Back Hinge on Wheelhouse Sta. Wgn. Second Seat Sta. Wgn., except VA3 Third Seat BRACKET, Second Seat Back Hinge on Wheelhouse Sta. Wgn., except VA3 REINFORCEMENT, Second Seat Back on Wheelhouse Bracket, Sta. Wgn. WASHER, Coned BRACKET, Rear Seat Back to Wheelhouse Inner Panel Hinge VV1, VV2, Barracuda	1 2 2 2 6 1	2255 400-1 ---- 2483 637 2244 150 6022 185 E2603 436-7	2255 627 2483 639	E2603 436-7

● Indicates use as required.
 □ Indicates parts not listed in any previous parts book.
 Right and left part numbers are on same line,
 first number is right, second number is left.
 * Indicates change or addition.

1964 PASSENGER CAR PARTS CATALOG

BODY

CODE	PART NAME AND DESCRIPTION	PER CAR	VALIANT DART	PLYMOUTH DODGE	CHRYSLER IMPERIAL
23-48-0 SECOND AND THIRD SEAT - Cont'd					
23-48-99	REINFORCEMENT, Rear Seat Back to Wheelhouse Inner Panel Hinge Bracket VV1, VV2, Barracuda	2	*2573 873		
23-48-101	LEG, Second Seat Bottom Sta. Wgn., VA3 SPRING WASHER, to Pivot Bolt	1 2	---- ----	2093 236-7 6022 153	2093 236-7 6022 153
23-48-105	SPACER, Second Seat Bottom Hinge Support to Floor Pan Front Sta. Wgn., VA3	2	----	2188 616	2188 616
23-48-108	SPRING, Second Seat Bottom Leg Sta. Wgn., VA3	1	----	2093 646-7	2093 646-7
23-48-112	PANEL, w/HINGES, Second Seat Bottom Sta. Wgn., VA3	1	----	1878 769	1878 769
23-48-121	HINGE, Third Seat Body Half Sta. Wgn., VA3 Bottom Sta. Wgn., VA3 Back	1 1	---- ----	2094 130-1 1878 170-1	2094 130-1 1878 170-1
23-48-148	PIN, Third Seat Back Support Hinge Sta. Wgn., except VA3 Sta. Wgn., VA3 w/BRACKET	2 1	---- ----	6022 839 1878 600-1	1878 600-1
23-48-149	WASHER, Third Seat Back Hinge Sta. Wgn., except VA3 WASHER, Second Seat Bottom Hinge Support Pivot Pin Sta. Wgn., VA3	5 2	---- ----	2484 985 6022 968	6022 968
23-48-180	PANEL, w/HINGES, Third Seat Bottom Sta. Wgn., VA3 WASHER, Finish	1 5	---- ----	1878 755 6024 655	1878 755 6024 655
23-48-188	PANEL, Third Seat Back Sta. Wgn., except VA3 Sta. Wgn., VA3 PANEL, Third Seat Back Support Sta. Wgn., except VA3 BACK, Rear Seat VV1, VV2, Barracuda	1 1 1 1	---- ---- ---- ----	2493 800 1878 592 2493 794 *2493 975	1878 592
23-48-189	BRACKET, Second Seat Back Panel Sta. Wgn., except VA3	2	2251 534	2251 534	
23-51-0 SIDE SILL AND BELT BAR					
23-51-3	SILL, Body Side VY1 Inner	1	----	----	2189 314-5
23-51-5	PANEL, Body Side Sill Outer Except Cv. Cp., VV1, VV2 Cv. Cp., VV1, VV2 4 D., 2 D., 2 D. H. T., VL1, VL2 Cv. Cp., VL1, VL2 Sta. Wgn., VL1, VL2	1 1 1 1 1	2242 452-3 2255 836-7 2243 556-7 2255 838-9 2242 452-3		
	4 D., Sta. Wgn., VP1, VP2 4 D. H. T., VP2 2 D., 2 D. H. T., VP1, VP2 Cv. Cp., VP1, VP2 4 D., VDI, VD2	1 1 1 1 1	---- ---- ---- ---- ----	2255 676-7 2425 252-3 2255 674-5 2422 528-9 2243 986-7	

★ Indicates use as required.
 † Indicates parts not listed in any previous parts book.
 March 15, 1965 Supersedes March 16, 1964.

Printed in U.S.A.
 Prices and specifications subject to change without notice.
 Right and left part numbers are on same line,
 first number is right, second number is left.
 * Indicates change or addition.

CODE	PART NAME AND DESCRIPTION	PER CAR	VALIANT DART	PLYMOUTH DODGE	CHRYSLER IMPERIAL
23-51-O SIDE SILL AND BELT BAR - Cont'd					
23-51-5	PANEL - Cont'd				
	4 D. H. T., VD2	1	----	2425 046-7	
	2 D., 2 D. H. T., VD1, VD2	1	----	2243 984-5	
	Cv. Cp., VD2	1	----	2255 562-3	
	Sta. Wgn., VD1, VD2	1	----	2255 676-7	
	2 D. H. T., VA3, VC1, VC2	1	----	2425 310-1	2425 310-1
	Cv. Cp., VA3, VC1, VC2	1	----	2425 312-3	2425 312-3
	4 D., VA3, VC1, VC2, VC3	1	----	2425 306-7	2425 306-7
	4 D. H. T., Sta. Wgn., VA3L, VC1, VC2, VC3	1	----	2425 308-9	2425 308-9
	2 D. H. T., Cv. Cp., VY1	1	----	----	2482 900-1
	4 D. H. T., VY1	1	----	----	2255 452-3
	PANEL, Body Side Sill Inner				
	Except VA3 Front.	1	2483 198-9	2483 184-5	
	VA3, VC1, VC2, VC3, Front.	1	----	2483 404-5	2483 404-5
	VV1, VV2 Rear	1	2242 390-1		
	Except Sta. Wgn., VL1, VL2				
	Rear	1	2243 552-3		
	Sta. Wgn., VL1, VL2 Rear	1	2242 390-1		
	VP1, VP2 Rear	1	----	2480 912-3	
	Except Sta. Wgn., VD1, VD2				
	Rear	1	----	2480 914-5	
	Sta. Wgn., VD1, VD2 Rear	1	----	2480 912-3	
	VA3, VC1, VC2, VC3, Rear	1	----	1861 014-5	1861 014-5
23-51-6	REINFORCEMENT, Body Side Sill Outer Panel				
	Cv. Cp.	1	2425 428-9		
	4 D. H. T., except VA3	1	----	2254 020-1	
	Cv. Cp., except VA3	1	----	2424 030-1	
	4 D. H. T., VY1 Right	1	----	----	1878 031
	Left	1	----	----	1878 227
	2 D. H. T., Cv. Cp., VY1				
	Right	1	----	----	1861 418
	Left	1	----	----	1878 228
	2 D. H. T., Cv. Cp., at No. 2 and No. 2A				
	Hold-Down Bolt				
	VY1 Right	1	----	----	1861 416
	Left	1	----	----	1878 226
	4 D. H. T., at No. 3 and No. 3A Body				
	Hold-Down Bolt				
	VY1 Front.	1	----	----	2483 750-1
	4 D. H. T., at No. 3 and No. 3A Body				
	Hold-Down Bolt				
	VY1 Rear	1	----	----	2483 752-3
	Body Side Sill Inner Panel				
	Except Cv. Cp.	1	2242 394-5		
	Cv. Cp., VP2, VD2	1	----	2483 192-3	
	Body Side Sill Outer to Cowl Side Inner				
	Cv. Cp.	1	2255 946-7		
	2 D. H. T., Cv. Cp., at No. 2 and No. 2A				
	Hold-Down Bolt Right	1	----	----	1861 416
	Left	1	----	----	1878 226
	REINFORCEMENT, Body Side Sill Outer to Cowl Side				
	Inner				
	Cv. Cp.	1	2255 946-7		
	REINFORCEMENT, Body Side Sill Inner Panel				
	Except Cv. Cp.	1	2242 394-5		
	Cv. Cp., except VA3	1	----	2483 192-3	
23-51-12	PLATE, Body Side Sill to Center Pillar Tie				
	4 D. H. T., except VA3	1	----	2483 194-5	

★ Indicates use as required.

□ Indicates parts not listed in any previous parts book.

Right and left part numbers are on same line,

first number is right, second number is left.

* Indicates change or addition.

Printed in U.S.A.

Prices and specifications subject to change without notice.

1964 PASSENGER CAR PARTS CATALOG

BODY

CODE	PART NAME AND DESCRIPTION	PER CAR	VALIANT DART	PLYMOUTH DODGE	CHRYSLER IMPERIAL
23-51-O SIDE SILL AND BELT BAR - Cont'd					
23-51-19	GUSSET, Body Side Sill Outer Panel				
	2 D. H. T., VL1, VL2	1	2423 812-3		
	VV1, VV2, Barracuda	1	2423 812-3		
	4 D. H. T., except VA3				
	Front	1	----	2254 014-5	
	Rear	1	----	2254 016-7	
	Rear Intermediate	1	----	2254 018-9	
	Front and Center Intermediate	1	----	2254 126-7	
23-51-41	BAR, Belt Side				
	2 D. H. T., VA3	1	----	1878 428-9	
	Sta. Wgn., VA3	1	----	*1878 238-9	*1878 238-9
	Cv. Cp., VY1	1	----	----	2424 698-9
	BAR, Belt Center				
	2 D. H. T., VA3	1	----	1877 975	
	Cv. Cp., VY1	1	----	----	2424 697
	BAR, Quarter Panel Belt Side				
	Cv. Cp., VA3	1	----	1964 626-7	
	Cv. Cp., except VA3, Upper and Lower	1	----	2422 748-9	
	Cv. Cp., VC1, VC2, VC3				
	Upper and Lower	1	----	----	2255 204-5
	Cv. Cp., VV1, VV2	1	2480 150-1		
	Cv. Cp., VL1, VL2	1	2480 152-3		
	Cv. Cp., VP2, VD2, Upper and Lower Center	1	----	2422 866-7	
	Cv. Cp., VV1, VV2	1	2255 954-5		
	Cv. Cp., VL1, VL2	1	2423 778-9		
	Cv. Cp., VA3	1	----	1963 996-7	
	BAR, Rear Belt				
	Cv. Cp., VA3	1	----	1950 584	
	BAR, Deck Opening Belt Center				
	Cv. Cp., VV1, VV2	1	2255 862		
	Cv. Cp., VL1, VL2	1	2255 863		
	Cv. Cp., except VA3, Upper	1	----	2243 938	
	Cv. Cp., VV1, VV2	1	2255 864		
	Cv. Cp., VL1, VL2	1	2255 865		
	Cv. Cp., except VA3, Lower	1	----	2243 942	
	Cv. Cp., VC1, VC2	1	----	----	2255 202
23-51-42	RESERVOIR, Belt Bar				
	VV1, VV2	1	*2573 178-9		
23-51-43	CAP, Body Side Sill Front End				
	Except VA3	1	2423 654-5	2254 428-9	
	VA3, VC1, VC2, VC3	1	----	2484 470-1	2484 470-1
	VY1	1	----	----	1861 270-1
23-51-45	PLUG, Belt Side Bar Sealing				
	Sta. Wgn., VA3	3	----	2093 981	2093 981
	PLUG, Side Sill Inner Drain Hole	2	----	2094 985	2094 985
23-51-48	SUPPORT, Belt Side Bar to Wheelhouse Panel Cap				
	Cv. Cp., VY1	1	----	----	2424 742-3
23-54-O TAILGATE					
23-54-1	LOCK, Tailgate				
	Except VA3	1	2251 466-7	2251 466-7	
	VA3	1	----	2189 116-7	2189 116-7
	SCREW	6	6023 365	6023 365	6023 365
23-54-3	TAILGATE				
	Manual	1	2425 411		
	Electric	1	2425 412		
	VP1, VP2	1	----	2493 166	
	VD1, VD2	1	----	2493 342	

* Indicates use as required.

E Indicates parts not listed in any previous parts book.
 March 15, 1965 Supersedes March 16, 1964.

Printed in U.S.A.
 Prices and specifications subject to change without notice.
 Right and left part numbers are on same line,
 first number is right, second number is left.
 * Indicates change or addition.

CODE	PART NAME AND DESCRIPTION	PER CAR	VALIANT DART	PLYMOUTH DODGE	CHRYSLER IMPERIAL
23-54-0 TAILGATE - Cont'd					
23-54-3	TAILGATE - Cont'd				
	VA3 Electric	1	----	2425 420	2425 592
	VA3E Manual	1	----	2425 758	
23-54-4	HINGE, Tailgate				
	VA3	1	2242 818-9	2188 934-5	2188 934-5
	Except VA3	2	----	2251 304	
	Body Half	1	----	2251 302	
	Tailgate Half, Right	1	----	2251 300	
	Left	1	----	6025 063	
	SCREW, w/WASHER, except VA3	★	----	6006 056	
	SCREW, w/WASHER, VA3	6	----	6022 991	
	SET-SCREW, except VA3	1	----		
23-54-6	STRIKER, Tailgate Lock	1	1774 024-5	1774 024-5	1774 024-5
	SCREW, w/WASHER	4	6022 147	6022 147	6022 147
23-54-11	NAMEPLATES, NAMELETTERS, ORNAMENTS and MEDALLIONS, Tailgate (1)				
23-54-17	PIN, Hinge				
	Except VA3				
	Right	1	----	2251 738	
	Left	1	----	2251 737	
23-54-18	BASE, w/STUD, Electric Window Regulator Outside Panel Ornament				
	Except VA3	1	----	2428 221	
23-54-19	ARM, Support	1	2243 343		
	BOLT	2	6023 363		
	WASHER, Coned	2	6022 191		
	WASHER, Spring	2	6006 217		
23-54-20	BUSHING, Hinge Mounting				
	VA3				
	Right	1	----	2188 836	2188 836
	Left	1	----	2188 628	2188 628
23-54-27	SHIM, Lock Striker	★	*1777 928	1777 928	1777 928
	SPACER, Hinge	2	1706 470		
23-54-28	SEAL, Sill Panel to Rear Bumper				
	Except VA3	1	----	2252 169	
	DUST GUARD, Tailgate Lower				
	VA3	1	----	2188 504	2188 504
23-54-29	CLIP, Sill Panel to Rear Bumper Seal				
	Except VA3	11	----	2252 170	
23-54-30	SPACER, Hinge	2	1706 470		
23-54-31	SPRING, Lock Detent				
	Except VA3	2	2299 984	2299 984	
	VA3	2	----	1777 458	1777 458
23-54-46	STOP, Roof Rail Tailgate Glass				
	VA3	1	----	2483 798	2483 798
23-54-50	BUMPER, Inside Panel	1	2423 001		
	Support Arm Rear Lower Pillar	1	2423 001		
23-54-53	SEAL, Insert Panel to Inner Panel				
	Except VA3	2	2254 763	2254 763	
	VA3	1	----	2241 219	2241 219

NOTE 1: See Exterior Moulding Illustrations and Moulding Legends in Front of Group 23 Body Section.

★ Indicates use as required.
 E Indicates parts not listed in any previous parts book.
 Right and left part numbers are on same line,
 first number is right, second number is left.
 * Indicates change or addition.

1964 PASSENGER CAR PARTS CATALOG

BODY

CODE	PART NAME AND DESCRIPTION	PER CAR	VALIANT DART	PLYMOUTH DODGE	CHRYSLER IMPERIAL
23-54-0 TAILGATE - Cont'd					
23-54-59	BRACKET, Glass Channel Down Stop Except VA3 VA3	2 2	---- ----	2255 067 2423 557	2423 557
23-54-62	ANTI-RATTLER, Window Regulator Arm Stud Except VA3	2	----	1336 419	
23-54-63	SCUFF PLATE, Tailgate Opening Sill Except VA3 VA3	2 1	---- ----	2162 499 2080 012	2080 012
23-54-72	REGULATOR, Window Except VA3 Manual Electric VA3E Manual VA3 Electric SCREW, w/WASHER	1 1 1 1 4	2243 338 2299 761 ---- ---- ----	2251 270 2428 132 1878 450 2188 767 *6024 813	2188 767
23-54-73	HANDLE PACKAGE, Manual Window Regulator Outside HANDLE, Complete Except VA3 VA3E	1 1 1	---- ---- ----	2299 444 2428 234 1960 493	
23-54-74	SPRING, Window Regulator Counterbalance Except VA3 VA3	1 1	2082 989 ----	2251 358 1779 645	1779 645
23-54-75	FLAP, Handle VA3	1	----	2080 673	2080 673
23-54-77	RING, Window Regulator Outside Handle Interlocking	1	2428 071	2428 071	
23-54-79	RETAINER, Window Manual Regulator Handle Except VA3 VA3E	1 1	---- ----	1775 164 1775 164	
23-54-90	PIN, Electric Window Regulator to Glass VA3	2	----	1960 969	1960 969
23-54-92	GASKET, Window Regulator Outside Handle Base Manual Electric	1 1	2299 715 2486 181		
23-54-98	ROLLER, Window Regulator to Glass Lower Channel VA3	2	----	1878 310	1878 310
23-54-100	HOUSING, Window Regulator Outside Handle Shaft Except VA3	1	2299 746	2299 746	
23-54-102	SET SCREW, Manual Window Regulator Handle Pivot	2	----	*1980 017	
23-54-103	BUMPER, Window Glass Stop Down Except VA3 Manual Electric VA3	2 2 2	2244 581 2244 581 ----	2255 207 2255 206 2423 519	2423 519
23-54-107	PLATE, Window Regulator Mounting Except VA3	1	----	2251 710-1	
23-54-109	ROD, Inside Handle Lock Actuating	1	2242 827		
23-54-111	STUD, Window Regulator Arm to Glass Except VA3 BOLT, Window Regulator Arm Tee VA3	2 2	---- ----	2251 790 1960 968	1960 968

★ Indicates use as required.

☐ Indicates parts not listed in any previous parts book.

March 15, 1965 Supersedes March 16, 1964.

Page 23-306

Prices and specifications subject to change without notice.

Right and left part numbers are on same line,
first number is right, second number is left.

* Indicates change or addition.

Printed in U.S.A.

CODE	PART NAME AND DESCRIPTION	PER CAR	VALIANT DART	PLYMOUTH DODGE	CHRYSLER IMPERIAL
23-54-0 TAILGATE - Cont'd					
23-54-125	SPACER, Manual Window Regulator Outside Handle Shaft Housing Except VA3 VD1, VD2	1 1	*2520 938 ----	*2520 938 2290 270	
23-54-127	BRACKET, Electric Window Regulator Support to Inside Panel Except VA3 SCREW, W/WASHER	1 2	---- ----	2428 075 *6024 813	
23-54-128	CLIP, Manual Window Regulator Handle Lock Pawl Spring Retainer Except VA3 VA3E	1 1	1961 318 ----	1961 318 1961 318	
23-54-136	PLATE, Hinge Tapping Torsion Bar Guide Except VA3	2 1 2	2243 336 2243 346 ----	2251 269	
23-54-137	CAM, Torsion Bar VA3	1	----	1960 197	1960 197
23-54-140	BAR, w/GUIDE, Torsion Except VA3 BAR, Torsion VA3	1 1	2299 608 ----	2251 795 1960 194	1960 194
23-54-141	RETAINER, Torsion Bar Torsion Bar Bearing Except VA3 End Center SCREW, w/WASHER	2 1 1 2	2242 825 ---- ---- *6024 813	2251 694 2251 372	
23-54-142	BEARING, Torsion Bar VA3 Except VA3 End Center	1 1 1	---- ---- ----	1960 187 2251 695 2251 293	1960 187
23-54-144	CLAMP, Torsion Bar Except VA3 VA3	1 1	2242 810 ----	2299 811 1960 195	1960 195
23-54-145	ROLLER, Hinge Torsion Bar VA3	1	----	1960 196	1960 196
23-54-146	RETAINER, Bumper NUT, w/WASHER	2 4	---- ----	---- ----	2196 467 6010 048
23-54-147	BUMPER, Outside Panel VA3 Right Left	1 1	---- ----	2188 466 2188 467	1877 931 1877 931
23-54-150	COVER, Inside Panel Regulator Access Hole Except VA3 VA3	1 1	2242 812 ----	2251 312 1877 855	1877 855
23-54-152	COUPLING, Electric Window Lift Motor to Mechanism Except VA3 VA3	1 1	1778 955 ----	2486 072 1778 955	1778 955
23-54-160	MOTOR, Electric Window Regulator Except VA3 VA3	1 1	2448 639 ----	2448 640 2448 639	2448 639

★ Indicates use as required.
 E Indicates parts not listed in any previous parts book.
 Right and left part numbers are on same line,
 first number is right, second number is left.
 * Indicates change or addition.

CODE	PART NAME AND DESCRIPTION	PER CAR	VALIANT DART	PLYMOUTH DODGE	CHRYSLER IMPERIAL
23-54-0 TAILGATE - Cont'd					
23-54-165	MECHANISM, Electric Window Regulator Except VA3	1	2188 735	2486 071	
	VA3	1	----	2188 735	2188 735
	SCREW, except VA3	1	----	6023 598	
23-54-167	SWITCH, Electric Window Lift Limit, on Tailgate	1	2291 430	2291 430 ✓	2291 430
	Lock, on Tailgate	1	2196 313	2196 313 ✓	2196 313
	On Instrument Panel	1	1972 316	1972 316	1972 316
23-54-169	KNOB, Electric Window Lift Instrument Panel Switch VP1, VP2	1	2291 282	2291 282	
	VD1, VD2	1	----	2256 628	
	VA3	1	----	2197 379	2197 075
23-54-170	BEZEL, Electric Window Lift Switch, on Instrument Panel VP1, VP2	1	----	1972 898	
	VD1, VD2	1	----	2256 816	
	VA3	1	----	2197 500	2290 700
	DECAL, Electric Window Lift Instrument Panel	1	----	----	2290 865
23-54-171	NUT, Electric Window Lift Instrument Panel Switch VP1, VP2	1	6008 060	1887 603	
	VA3	1	----	1972 548	
23-54-178	WIRING, Window Lift Except VA3				
	Switch	1	2291 061		
	Tailgate	1	2291 099	2291 865	
	Body	1	2290 976		
	VA3	1	----	2198 213	2198 213
23-54-180	HANDLE, Lock Remote Control Except VA3	1	2251 344	2251 344	
	VA3	1	----	1902 406	1902 406
23-54-184	ROD, Lock Remote Control Handle Actuating Except VA3	1	----	2251 345	
	VA3	1	----	2189 074	2189 074
23-54-186	SPRING, Lock Remote Control Handle Return VA3	1	----	1902 409	1902 409
23-54-190	PIN, Lock Remote Control Handle Mounting VA3	1	----	1902 410	1902 410
23-54-191	RING, Inside Handle Mounting Pin Retainer VA3	1	----	1626 749	1626 749
23-54-193	BEARING, Lock Remote Control Handle Actuating Rod Except VA3	2	2242 800	2251 360	
	VA3	2	----	2189 067	2189 067
23-54-194	RETAINER, Lock Remote Control Handle Actuating Rod Bearing Except VA3	2	2243 337	2251 746	
	VA3	2	----	1961 119	1961 119
	SCREW, w/WASHER, except VA3	2	----	*6024 813	
23-54-195	SCREW, Lock Remote Control Handle VA3	2	----	1902 297	1902 297
23-54-205	BUMPER, Lock Remote Control Handle Except VA3	2	2251 461	2251 461	
23-54-207	RETAINER, Lock Remote Control Handle	1	----	2251 747	
23-54-208	GROMMET, Electric Window Lift Wiring	1	2291 872		

★ Indicates use as required.

⊠ Indicates parts not listed in any previous parts book.
March 15, 1965 Supersedes March 16, 1964.

Page 23-308

Printed in U.S.A.
Prices and specifications subject to change without notice.
Right and left part numbers are on same line,
first number is right, second number is left.

* Indicates change or addition.

CODE	PART NAME AND DESCRIPTION	PER CAR	VALIANT DART	PLYMOUTH DODGE	CHRYSLER IMPERIAL
23-58-0 FOLDING TOP					
23-58-3	TOP, Folding, w/o Lift Mechanism and Trim				
	Manual	1	*1962 VW2		
	Power	1	*1963 VW2		
	Except VA3	1	----	1964 VW2	
	VA3, VC1, VC2	1	----	2482 933	2483 037
	VY1	1	----	----	1967 VW2
23-58-31	SPRING, Folding Top Counter Balance Manual Lift	2	2424 079		
23-58-35	BRACKET, Counter Balance Spring Anchor Manual Lift	2	2424 078		
23-58-67	BRACKET, Rear Bow to Quarter Belt Bar Tension Cable	2	1954 604	1954 604	1954 604
	VC1, VC2	2	----	----	2424 777
	VY1				
	BRACKET, Folding Top Cover Side Tension Cable Front Attaching	2	----	----	2572 191
	VY1	2	*6025 207	*6025 207	*6025 207
	PIVOT, Folding Top Cover Side Tension Cable Front	2	*6025 206	*6025 206	*6025 206
	SCREW	2	*6025 208	*6025 208	*6025 208
	RETAINER	2			
	PIVOT w/BRACKET, Folding Top Cover Side Tension Cable Front	2			2572 889
	VY1	2	----	----	
23-58-75	BOW, Folding Top				
	Except VA3	1	2422 173	2481 188	
	No. 1.	1	2422 174	2481 182	
	No. 2.	1	2255 866	2481 237	
	No. 3.	1	----	1964 078	1964 078
	VA3, VC1, VC2	1	----	1964 073	1964 073
	No. 1.	1	----	1952 195	2243 605
	No. 2.	1	----	----	2424 798
	No. 3.	1	----	----	2424 831
	VY1	1	----	----	2424 859
	No. 1.	1	----	----	
	No. 2.	1	----	----	
	No. 3.	1	----	----	
23-58-76	LINK, Rear Bow	1	2255 888-9	2251 128-9	
	Except VA3	1	----	1950 500-1	2243 606-7
	VA3, VC1, VC2	1	----	----	2424 588-9
	VY1	1			
23-58-78	PLATE, Number One Bow Bracket to Link Adjusting	2	----	1909 914	1909 914
23-58-84	BRACKET, Number One Bow	2	2255 876		
23-58-85	BRACKET, Rear Bow Down Stop	2	----	2165 669	
	VA3	2			
23-58-189	WIRING, Top Lift Switch	1	2291 061		
	WIRING, Top Lift and Courtesy Lamp	1	----	2427 138	
	Except VA3	1	----	----	
	WIRING, Top Lift and Pocket Panel Lamp	1	----	----	2426 750
	VY1	1			
23-58-200	CYLINDER, w/YOKE, Top Lift Operating	2	2422 142	2483 432	2483 432
	VC1, VC2	2	----	----	2424 995
	VY1	2			
23-58-208	BRACKET, Top Lift Operating Cylinder Mounting	2	2424 092		
	VV1, VV2	2	2424 094		
	VL1, VL2	1	----	2253 024-5	
	VP2	1	----	2425 190-1	
	VD2	1	----	1952 939	1952 939
	VA3, VC1, VC2	2	----	----	2482 819
	VY1	2			
23-58-211	YOKE, Top Lift Operating Cylinder to Power Link	2	----	2483 432	2483 432

* Indicates use as required.
 E Indicates parts not listed in any previous parts book.
 Right and left part numbers are on same line,
 first number is right, second number is left.

1964 PASSENGER CAR PARTS CATALOG

BODY

CODE	PART NAME AND DESCRIPTION	PER CAR	VALIANT DART	PLYMOUTH DODGE	CHRYSLER IMPERIAL
23-58-0 FOLDING TOP - Cont'd					
23-58-220	HEADER, Complete , Except VA3 VA3, VC1, VC2 VY1	1 1 1	2424 659 ---- ----	2482 919 2166 338 ----	2166 338 2480 824
23-58-224	RETAINER, Folding Top to Belt Bar VY1 Corner Center Side	2 1 1	---- ---- ----	---- ---- ----	2448 138 2448 137 2448 138-9
23-58-227	MECHANISM, Folding Top Header Locking Cv.Cp., except VA3	2	1950 413	1950 413	
23-58-228	DOWEL, Header Except VA3 VA3, VC1, VC2 VY1 Lower	2 2 2	1758 839 ---- ----	1758 839 2251 647 ----	2251 647 6006 235
23-58-229	RETAINER, Lower Dowel Lock Nut VY1	2	----	----	1691 911
23-58-232	COVER, Header Lock Access Hole VY1 7 3/8" long COVER, Header Lock Mechanism Access Hole VY1 6 7/16" long.	1 1	----- ----	---- ----	1750 854-5 1750 777
23-58-234	CLIP, Header Lock Handle Torsion Bar to Link VY1	1	----	----	6006 221
23-58-236	SCREW, Header Link Adjusting Bracket VA3, VC1, VC2	2	----	1964 896	1964 896
23-58-237	SEAL, Windshield Header VA3 Length 60"	1	----	2094 559	2094 559
23-58-239	ANTI-RATTLER, Lock Bracket Dowel Except VA3	2	2484 635	2484 635	
23-58-240	PANEL, Header Outside Finish VA3, VC1, VC2 MOULDING PACKAGE, Header Finish VY1	1 1	---- ----	1954 020 ----	1954 020 2196 483
23-58-242	CLIP, Header Outside Finish Panel VA3, VC1, VC2 End	5 2	---- ----	6000 680 6000 681	6000 680 6000 681
23-58-243	HANDLE, Header Lock VA3, VC1, VC2 VY1	1 1	---- ----	2166 049 ----	2166 049 1751 156
23-58-245	PIN, Locking Mechanism Handle to Housing Except VA3 PIN, Header Lock Handle to Link VY1	2 1	6000 321 ----	6000 321 ----	6006 222
23-58-248	RETAINER, Header Lock Handle to Escutcheon Pin VY1	2	----	----	1750 724
23-58-250	ARM, w/ANTI-RATTLER and Lock CATCH, Header Except VA3	1	2424 470-1	2483 082-3	
23-58-253	ESCUTCHEON, Header Lock Handle VY1	1	----	----	1751 173

★ Indicates use as required.

⊔ Indicates parts not listed in any previous parts book.
March 15, 1965 Supersedes March 16, 1964.

Printed in U.S.A.
Prices and specifications subject to change without notice.
Right and left part numbers are on same line,
first number is right, second number is left.
• Indicates change or addition.

CODE	PART NAME AND DESCRIPTION	PER CAR	VALIANT DART	PLYMOUTH DODGE	CHRYSLER IMPERIAL
23-58-0 FOLDING TOP - Cont'd					
23-58-257	LINK, Header Lock Handle to Torsion Bar VY1	1	----	----	1750 619
23-58-262	LATCH, Header Lock Mechanism Handle Except VA3	2	2251 117	2251 117	
23-58-265	CATCH, Header Lock VA3, VC1, VC2 VY1	2 1	---- ----	1964 895 ----	1964 895 1751 264
23-58-266	SPRING, Locking Mechanism Except VA3 VY1	2 1	1759 368 ----	1759 368 ----	1751 262
23-58-269	LINKAGE, Side Rail Except VA3 VA3, VC1, VC2 VY1	1 1 1	2483 578-9 ---- ----	2484 958-9 1964 078-7 ----	1964 074-5 2480 388-9
23-58-333	LINK, Power Guide Except VA3 VA3, VC1, VC2 w/Power Link LINK, Power VY1	2 1 2	---- ---- ----	*2484 888 2166 610-1 ----	2166 612-3 2526 621
23-58-335	TAPPING PLATE, Top Control Prop Support Except VA3 TAPPING PLATE, Power Guide Link Support Except VA3 VA3, VC1, VC2	2 2 4	2189 735 ---- ----	2189 735 2254 714 6000 388	6000 388
23-58-336	SUPPORT, Top Control Prop VP2, VD2, VY1 PLATE, Power Guide Link Support Except VA3 SUPPORT, Power Guide Link and Prop VA3, VC1, VC2	2 2 4	1708 914 ---- ----	1708 914 2254 712 1708 914	1708 914 1708 914
23-58-337	RETAINER, Power Guide Link Support Tapping Plate, on Quarter Inside Panel Except VA3	2	----	2254 715	
23-58-357	MOTOR, w/End PLATE SCREW, Ground, VY1	1 1	2480 447 ----	2480 447 ----	2480 447 6000 160
23-58-381	ROTOR PACKAGE, Top Lift Motor Pump Cv. Cp.	1	2480 448	2484 183	2484 183
23-58-388	BOLT PACKAGE, Top Lift Reservoir	1	2480 444	2480 444	2480 444
23-58-393	SUPPORT, Motor and Pump on Floor Pan VY1	1	----	----	1878 112
23-58-395	PLUG, Motor Pump Reservoir	1	1641 579	1641 579	1641 579
23-58-396	BRACKET, Motor Mounting	1	1641 578	1641 578	1641 578
23-58-399	"O" RING, Motor Pump Rotor Motor Pump Reservoir Tube	1 2	2480 451 1605 298	2480 451 1605 298	2480 451 1605 298
23-58-400	TUBE, w/BRACKET and GROMMET, Motor Pump Reservoir	1	2480 445	2480 445	2480 445
23-58-430	PLATE, Motor Pump Cover	1	2480 453	2480 453	2480 453

★ Indicates use as required.
 □ Indicates parts not listed in any previous parts book.
 Right and left part numbers are on same line,
 first number is right, second number is left.
 * Indicates change or addition.

1964 PASSENGER CAR PARTS CATALOG

BODY

CODE	PART NAME AND DESCRIPTION	PER CAR	VALIANT DART	PLYMOUTH DODGE	CHRYSLER IMPERIAL
23-58-0 FOLDING TOP - Cont'd					
23-58-434	BRACKET, Pocket, Panel Rear VY1	1	----	----	2490 076-7
23-58-437	LOOP, Top Well Cover Footman VY1	2	----	----	2499 102
23-58-469	PROP, Main Control Except VA3 VA3, VC1, VC2 VY1	1 1 1	2526 908-9 ---- ----	2251 142-3 1884 580-1 ----	1884 582-3 2424 598-9
23-58-473	SUPPORT, Rear Side Rail to Quarter Inside Panel Reinforcement Except VA3 VA3, VC1, VC2 VY1	1 1 1	2255 966-7 ---- ----	2244 228-9 1884 608-9 ----	1884 608-9 2480 536-7
23-58-475	PLATE, Main Control Prop Support Except VA3 VA3, VC1, VC2 VY1 PLATE, Tapping VY1	2 2 2 2	2189 711 ---- ---- ----	2189 711 1954 824 ---- ----	1954 824 2189 711 2480 816
23-58-476	BRACE, Main Control Prop Body VV1, VV2, VP2 VL1, VL2, VD2 VA3, VC1, VC2 VY1	1 1 1 1	2255 956-7 2423 728-9 ---- ----	2422 572-3 2244 230-1 1884 506-7 ----	1884 508-9 2424 732-3
23-58-478	SUPPORT, w/CATCH, Prop Brace on Quarter Panel Manual	1	2424 492-3		
23-58-480	REINFORCEMENT, Rear Side Rail to Quarter Inside Panel Support Except VA3 VC1, VC2 VY1	1 1 1	2255 962-3 ---- ----	2244 226-7 ---- ----	2243 612-3 2424 768-9
23-58-486	RAIL, Side Except VA3 Front Center Rear VA3, VC1, VC2 Front Rear VY1 Front Center Rear PILLAR, Folding VA3, VC1, VC2	1 1 1 1 1 1 1 1 1 1 1 1	2422 178-9 2424 158-9 2255 868-9 ---- ---- ---- ---- ---- ---- ---- ---- ----	2482 786-7 2482 910-1 2483 574-5 1884 588-9 2483 076-7 ---- ---- ---- 2483 074-5	1884 592-3 2482 940-1 2480 276-7 2483 796-7 2483 770-1 2482 934-5
23-58-487	BUSHING, Center and Rear Side Rail	2	2481 718	2481 718	2481 718
23-58-490	BRACKET, Rear Side Rail Manual Power	1 1	2480 722-3 2480 720-1		
23-58-497	CAP, Side Rail to Header Joint VA3, VC1, VC2 SCREW	2 2	---- ----	1950 486 6000 223	1950 486
23-58-532	SWITCH, Top Lift	1	1972 316	1972 316	1972 316
23-58-533	NUT, Switch Mounting VP2 VA3, VY1	1 1	6008 060 ----	1887 603 1972 548	6008 060

★ Indicates use as required.
 ☐ Indicates parts not listed in any previous parts book.
 March 15, 1965 Supersedes March 16, 1964.

Printed in U.S.A.
 Prices and specifications subject to change without notice.
 Right and left part numbers are on same line,
 first number is right, second number is left.
 * Indicates change or addition.

CODE	PART NAME AND DESCRIPTION	PER CAR	VALIANT DART	PLYMOUTH DODGE	CHRYSLER IMPERIAL
23-58-O FOLDING TOP - Cont'd					
23-58-534	KNOB, Switch VP2	1	2291 282	2291 282	
	VD2	1	----	2256 614	
	VA3, VC1, VC2	1	----	2197 379	2197 075
	VY1	1	----	----	2426 651
23-58-543	BEZEL, Switch Knob Mounting VD2	1	----	2256 616	
	VA3, VC1, VC2	1	----	2197 501	2290 700
	DECAL, Switch Title VC1, VC2	1	----	----	2290 867
23-58-546	SPACER, Switch Mounting VD2	1	----	2290 270	
23-58-555	HOSE				
	Upper	★	2422 143	2422 143	2422 143
	Lower	★	2422 143	2422 143	2422 143
23-58-569	WEATHERSTRIP, Header Except VA3	1	2422 416	2480 187	
	VA3, VC1, VC2				
	End	1	----	2166 960-1	2166 960-1
	Center	1	----	2166 958	2166 958
	VY1	1	----	----	2482 833
	Front	1	----	----	2482 838
	Rear	1	----	----	2482 968-9
	Upper Corner Moulding	1	----	----	2482 968-9
23-58-570	RETAINER, Header Weatherstrip Center	1	2422 401		
	Except VA3	1	----	2483 478-9	
	Except VA3	1	----	2484 116-7	
23-58-571	SEAL, Header Weatherstrip Retainer	1	2484 159		
23-58-572	WEATHERSTRIP, Side Rail Except VA3				
	Front	1	2422 408-9	2189 798-9	
	Center	1	2422 410-1	2480 198-9	
	Rear	1	2422 412-3	2244 234-5	
	VA3, VC1, VC2				
	Front	1	----	2484 434-5	2484 438-9
	Center	1	----	2484 436-7	2484 440-1
	Folding Pillar	1	----	1950 852-3	1950 854-5
	VY1	1	----	----	2424 614-5
	Front	1	----	----	2424 616-7
	Center	1	----	----	2424 618-9
	Rear	1	----	----	2424 618-9
23-58-573	RETAINER, Side Rail Weatherstrip Except VA3				
	Front	1	2422 196-7	2480 182-3	
	Center	1	2422 194-5	2480 196-7	
	Rear	1	2422 192-3	2251 152-3	
	VA3, VC1, VC2				
	Front	1	----	2482 800-1	2482 714-5
	Center	1	----	1954 938-9	1954 940-1
	Folding Pillar	1	----	1954 934-5	1954 936-7
	VY1	1	----	----	2424 608-9
	Front	1	----	----	2424 610-1
	Center	1	----	----	2424 612-3
	Rear	1	----	----	2424 612-3
23-58-600	FASTENER, Rear Bow Stud	1	6000 432	6000 432	6000 432
23-58-601	SET-SCREW, Side Rail Power Guide Link, VC1, VC2 Main Control Prop, VY1	★ 2 2	1964 260 ---- ----	1964 260 6000 182 6000 182	1964 260 6000 182 6000 182
23-58-603	BOLT, Prop Link to Quarter Panel Tapping Plate Power Guide Link, except VA3 VA3, VC1, VC2	2 2 2	6024 218 ---- ----	6024 218 6024 218 6024 218	6024 218 6024 218 6024 218

★ Indicates use as required.
 □ Indicates parts not listed in any previous parts book.
 Right and left part numbers are on same line,
 first number is right, second number is left.
 * Indicates change or addition.

1964 PASSENGER CAR PARTS CATALOG

BODY

CODE	PART NAME AND DESCRIPTION	PER CAR	VALIANT DART	PLYMOUTH DODGE	CHRYSLER IMPERIAL
23-58-0 FOLDING TOP - Cont'd					
23-58-603	BOLT - Cont'd				
	Power Guide Link Pivot, except VA3	2	----	6024 218	
	Main Control Prop Shoulder, VC1, VC2	2	----	6024 218	6024 218
	Main Control Prop to Support, VP2, VD2, VY1	2	----	6024 218	6001 010
	VA3	2	----	1954 765	
	Power Guide Link to Inside Panel, VY1	2	----	----	6024 456
	SCREW, Header Lock Handle Torsion Bar Adjusting VY1	2	----	----	1750 726
23-58-605	SPACER, No. 1 Bow Bracket	2	8022 858		
	Front Rail Link to Center Rail Link	2	1952 983		
	No. 1 Bow Bracket Link to Side Front and Center Control Link	2	1952 983		
	Rear Rail Bracket	2	1706 470		
	No. 1 Bow Side and Center Rail Link, except VA3	2	----	1952 983	
	No. 1 Bow Bracket to Control Links, except VA3	2	----	1952 983	
	Link, VA3	4	----	1952 983	1952 983
	Link to Side Rail, VA3, VC1, VC2	6	----	1706 470	1706 470
	Cylinder Yoke to Power Link, VA3, VC1, VC2	4	----	6006 204	6006 204
	Forward Links, VY1	4	----	----	1952 983
	Power Guide Link to Power Link, VP2, VD2	2	----	1706 470	
	Power Guide Link, VY1	2	----	----	1706 470
	Power Guide Link to Support, VY1	2	----	----	6023 926
	Cylinder Yoke to Rear Side Rail Power Link, VP2, VD2, VY1	4	----	2251 617	2251 617
	WASHER, No. 1 Bow Bracket, VA3, VC1, VC2	2	8022 858	6000 106	6000 106
	Front and Center Side Rail, VP2, VD2, VY1	2	6000 320	6000 320	6000 320
	Center to Rear Rail, VC1, VC2	2	6024 126	6024 126	6024 126
	No. 1 Bow Bracket to Side Center Rail Link, VC1, VC2	2	----	6022 858	6022 858
	Rear Side Rail, VA3, VC1, VC2	2	----	6000 320	6000 320
	No. 1 Bow Bracket to Center Side Rail Link, VY1	2	----	----	6000 106
	PUSH-NUT, Center to Rear Rail	2	6024 127	6024 127	6024 127
	Side Rear Rail to Power Links Pin, VP2, VD2, VY1	2	----	6024 128	6024 128
23-58-606	SPRING WASHER	★	6022 989	6022 117	6022 117
23-58-607	PIN,				
	VV1, VV2, VL1, VL2 No.1 Bow to Front Side Rail . . .	2	2251 600		
	Side Rail Front and Center Control to Center Side Rail	2	2251 600		
	Side Rear Rail	2	2251 600		
	Rear Bow to Rear Side Rail . . .	2	2480 637		
	Center and Rear Side Rail	2	2481 732		
	Front and Center Side Rail	2	6000 319		
	Rear Side Rail to Prop	2	2480 636		
	VV1, VV2, VL1, VL2 No. 1 Bow Bracket	2	2422 153		
	No. 2 Bow Bracket Attaching . .	2	2251 600		
	VP2, VD2 No. 1 Bow to Front Side Rail . . .	2	----	2251 600	
	Center and Rear Side Rail	2	----	2481 732	
	Rear Bow Link to Rear Side Rail .	2	----	2251 600	
	Main Control Prop to Center Side Rail	2	----	2251 600	
	Front and Center Side Rail	2	----	6000 319	
	Side Front and Center Rail Control Link to Side Rear Rail	2	----	2251 600	
	No. 1 Bow Link to Side Front Rail	2	----	2251 600	
	No. 1 Bow Bracket to Center Side Rail Link Clevis	2	----	1950 897	

★ Indicates use as required.

⊠ Indicates parts not listed in any previous parts book.

March 15, 1965 Supersedes March 16, 1964.

Printed in U.S.A.

Prices and specifications subject to change without notice.

Right and left part numbers are on same line,

first number is right, second number is left.

* Indicates change or addition.

CODE	PART NAME AND DESCRIPTION	PER CAR	VALIANT DART	PLYMOUTH DODGE	CHRYSLER IMPERIAL
23-58-O FOLDING TOP - Cont'd					
23-58-607	PIN - Cont'd.				
	VA3, VC1, VC2				
	Center and Rear Side Rail	2	----	2481 732	2481 732
	Rear Bow Link Shoulder	2	----	1952 984	1952 984
	No. 1 Bow Bracket Clevis	2	----	1950 897	1950 897
	Side Rail Front Rear Control Link	2	----	1952 315	1952 315
	Main Control Prop	2	----	1952 315	1952 315
	No. 1 Bow to Front Side Rail Link	2	----	1952 315	1952 315
	Folding Pillar	2	----	1952 482	1952 482
	Center and Rear Side Rail	2	----	2481 732	2481 732
	Operating Cylinder Mounting Floor Bracket Clevis	2	----	1952 936	1952 936
VY1	Power Links to Rear Side Rail	2	----	----	2251 600
	No. 1 Bow Bracket to Center Side Rail Link Clevis	2	----	----	1950 897
	Forward Links to Front Side Rail	2	----	----	2251 600
	Forward Links to Center Side Rail	2	----	----	2251 600
	No. 2 Bow Forward Links to Rear Side Rail	2	----	----	2251 600
	Rear Bow Link to Rear Side Rail	2	----	----	2251 600
	Center and Rear Side Rail	2	----	----	2481 732
	Side Center Rail to Side Rear Rail	2	----	----	1952 779
	Front and Center Side Rail	2	----	----	8000 319
	Main Control Prop to Center Side Rail	2	----	----	2251 600
23-59-O DRAIN TROUGH					
23-59-25	DRAIN, Folding Top Well HOSE, Top Well Drain Cv. Cp., VC1, VC2	2	2499 091	2499 091	2499 091
		2	2097 055	2097 055	2097 055
23-59-35	TROUGH, Quarter Panel Deck Drain VV1, VV2, Barracuda				
	Lower	1	2526 950-1		
	Upper Corner	1	2526 800-1		
	VD1, VD2, except Sta. Wgn.	1	----	2484 924-5	
	VP1, VP2, except Sta. Wgn.,				
	Upper	1	----	2255 682-3	
	Lower	1	----	2424 192-3	
	VC1, VC2, VC3, except Sta. Wgn.,				
	Side Right	1	----	----	2484 472
	Side Left	1	----	----	2242 649
23-59-37	REINFORCEMENT, Quarter Panel Deck Drain Trough Except Sta. Wgn., VV1, VV2, except Barracuda	1	2422 444-5		
	VV1, VV2, Barracuda				
	Side	1	2484 796-7		
	Except Sta. Wgn., VV1, VV2	2	2422 443		
	REINFORCEMENT, Deck Opening Side Drain Trough, VY1	1	----	----	2422 382-3
	SUPPORT, Roof Drain Trough to Wheelhouse Quarter Panel, Sta. Wgn., except VA3	1	----	2217 536-7	
	SUPPORT, Quarter Panel Deck Drain Trough to Wheelhouse				
	Cv. Cp., VP2	1	----	2423 780-1	
	Cv. Cp., VD2	1	----	2422 702-3	
	4 D., 4 D. H.T., 2 D. H.T., VC1, VC2, VC3	1	----	----	2242 646-7
	SUPPORT, Deck Drain Trough Reinforcement to Wheelhouse Cap Panel				
	Cv. Cp., VY1	1	----	----	2481 748-9

* Indicates use as required.
 □ Indicates parts not listed in any previous parts book.
 Right and left part numbers are on same line,
 first number is right, second number is left.
 • Indicates change or addition.

1964 PASSENGER CAR PARTS CATALOG

BODY

CODE	PART NAME AND DESCRIPTION	PER CAR	VALIANT DART	PLYMOUTH DODGE	CHRYSLER IMPERIAL
23-59-0 DRAIN TROUGH - Cont'd					
23-59-41	BRACE, Quarter Panel Deck Drain Trough to Floor Pan Reinforcement Except Sta. Wgn., VD1, VD2 Except Sta. Wgn., VP1, VP2	1 1	---- ----	2423 070-1 2423 030-1	
	BRACE, Quarter Panel Deck Opening Side Drain Trough to Wheelhouse Inner Panel Support Cv. Cp., VC1, VC2, VC3	1	----	----	2244 342-3
23-59-42	EXTENSION, Quarter Panel Deck Opening Side Drain Trough Except Sta. Wgn., VC1, VC2, VC3 VY1	1 1	---- ----	---- ----	2484 474-5 2218 818-9
23-59-56	TROUGH, Roof Side Drain 4 D., Sta. Wgn. 2 D., VV1, VV2 2 D., VL1, VL2 2 D. H. T., VV1, VV2, except Barracuda VV1, VV2, Barracuda 2 D. H. T., VL1, VL2 Sta. Wgn. Rear 4 D., 4 D. H. T., Sta. Wgn., except VA3 2 D. H. T., except VA3 2 D., except VA3 TROUGH, Roof Rear Drain Sta. Wgn., VA3 Sta. Wgn. Corner	1 1 1 1 1 1 1 1 1 1 1 1 1 1	2242 530-1 2243 820-1 2244 310-1 2243 822-3 2484 576-7 2244 312-3 2242 796-7 ---- ---- ---- 2243 274 2243 240-1	2481 356-7 2424 530-1 2424 532-3	2094 134 2094 134
23-59-57	CAP or COVER, Roof Side Drain Trough Moulding (1) COVER, Roof Drain Trough Joint 4 D., 2 D., Sta. Wgn., except VA3	2	2166 909	2166 909	
23-59-59	FILLER, Roof Rear Corner Drain Trough Sta. Wgn.	1	2243 242-3		
23-59-60	EXTENSION, Roof Drain Trough 4 D. H. T., VY1 2 D. H. T., VY1	1 1	---- ----	---- ----	E2588 630-1 E2588 628-9
23-59-61	MOULDING, Roof Side Drain Trough (1)				
23-59-63	CLIP, Roof Side Drain Trough 4 D. H. T., VC3 CLIP, Roof Side Drain Trough Front Moulding 4 D., 4 D. H. T., except VA3	12 8	---- ----	---- 2483 179	2480 004
23-61-0 COWL VENT OR AIR INTAKE					
23-61-39	DEFLECTOR, w/EXTENSION, Dash Panel Cowl Air Intake Water VY1 EXTENSION, VY1 (sold by inch)	1 1	---- ----	---- ----	1810 453 1242 974
23-61-99	CLIP, Cowl Vent Grille Cap VY1	1	----	----	6006 261
23-61-103	GRILLE, Cowl Vent VY1	1	----	----	2093 580-1
23-61-104	CAP, Cowl Vent Grille VY1	1	----	----	2189 985
23-61-116	PANEL, Cowl Top Fresh Air Opening Insert VA3, VC1, VC2, VC3	1	----	2218 580 2166 657	2166 657

NOTE 1: See Exterior Moulding Illustrations and Moulding Legends in front of Group 23 Body section.

● Indicates use as required.

□ Indicates parts not listed in any previous parts book.
March 15, 1965 Supersedes March 16, 1964.

Page 23-316

Printed in U.S.A.
Prices and specifications subject to change without notice.
Right and left part numbers are on same line,
first number is right, second number is left.
* Indicates change or addition.

CODE	PART NAME AND DESCRIPTION	PER CAR	VALIANT DART	PLYMOUTH DODGE	CHRYSLER IMPERIAL
23-63-0 WEATHERSTRIP					
23-63-14	WEATHERSTRIP, Front Door Window Belt Inner				
	4 D., Sta. Wgn.	2	2254 956		
	2 D.	2	2254 952		
	2 D. H. T., Cv. Cp.	1	2254 960-1		
	4 D., 2 D., Sta. Wgn., except VA3	2	----	2490 059	
	2 D. H. T., Cv. Cp., except VA3, length 32.8"	1	----	2499 140-1	
	4 D. H. T., 2 D. H. T., Cv. Cp., except VA3, Length 2.8", Front	2	----	2499 144	
	4 D. H. T., except VA3				
	Length 26.4", Rear	1	----	2499 142-3	
	4 D., VA3, VC1, VC3				
	Right	1	----	1883 500	2419 880
	Left	1	----	1883 500	2419 881
	2 D. H. T., Cv. Cp., VA3, VC1, VC2	1	----	2419 878-9	2419 878-9
	4 D. H. T., Sta. Wgn., VA3-L, VC1, VC2, VC3	1	----	2419 882-3	2419 882-3
	Sta. Wgn., VA3E	2	----	1883 500	
	VC3 Salon	1	----	----	2085 712-3
	VY1	1	----	----	2419 892-3
	WEATHERSTRIP, Rear Door Window Belt Inner				
	4 D. Sta. Wgn., except VA3				
	Right	1	2254 866	2490 062	
	Left	1	2254 866	2490 063	
	4 D. H. T., except VA3	1	----	2419 876-7	
	4 D., VA3, VC1, VC2, VC3	1	----	2490 230-1	2419 886-7
	4 D. H. T., VA3, VC1, VC2, VC3	1	----	2490 230-1	2419 888-9
	Sta. Wgn., VA3, VC1, VC3	1	----	2490 230-1	2490 230-1
	VC3 Salon	1	----	----	2292 472-3
	4 D. H. T., VY1	2	----	----	2490 387
23-63-15	WEATHERSTRIP, Front Door Window Belt Outer				
	4 D., Sta. Wgn., except VA3				
	Right	1	2254 956	*2218 980	
	Left	1	2254 956	*2218 981	
	2 D., except VA3, Right	1	2254 952	2216 374	
	Left	1	2254 952	2216 375	
	2 D. H. T., Cv. Cp., except VA3	1	2254 954-5	2167 686-7	
	4 D. H. T., except VA3	1	----	*2218 980-1	
	4 D., VA3, VC1, VC2, VC3	2	----	1883 500	1954 775
	Sta. Wgn., VA3E	2	----	1883 500	
	4 D. H. T., Sta. Wgn., VA3L, VC1, VC2, VC3	1	----	2166 558-9	2166 558-9
	2 D. H. T., Cv. Cp., VA3, VC1, VC2	1	----	2166 554-5	2166 554-5
	4 D. H. T., VY1	1	----	----	2491 942-3
	2 D. H. T., Cv. Cp., VY1	1	----	----	2491 940-1
	WEATHERSTRIP, Rear Door Window Belt Outer				
	4 D., Sta. Wgn., except VA3				
	Right	1	2254 866	*2218 982	
	Left	1	2254 866	*2218 983	
	4 D. H. T., except VA3	1	----	E2218 986-7	
	4 D. H. T., except VA3	1	E2218 986-7		
	4 D., VA3, VC1, VC2, VC3	1	----	1883 512-3	2254 860-1
	Sta. Wgn., VA3E	1	----	1883 512-3	
	4 D. H. T., VA3, VC1, VC2, VC3	1	----	2166 516-7	2254 858-9
	Sta. Wgn., VA3L	1	----	2166 516-7	2166 516-7
	4 D. H. T., VY1	1	----	----	2492 030-1
23-63-16	CLIP, Window Belt Weatherstrip				
	Quarter	*	2217 508		
	Front Outer	*	----	*2480 904	*2480 904
	2 D., 2 D. H. T., except VA3				
	Quarter Outer	*	----	*2480 904	
	VV1, VV2, Barracuda, Quarter Outer	10	2480 904		
	Cv. Cp., VP1, VP2, Quarter Outer	8	----	2480 904	

● Indicates use as required.
 □ Indicates parts not listed in any previous parts book.
 Right and left part number on same line,
 first number is right, second number is left.
 * Indicates change or revision.

1964 PASSENGER CAR PARTS CATALOG

BODY

CODE	PART NAME AND DESCRIPTION	PER CAR	VALIANT DART	PLYMOUTH DODGE	CHRYSLER IMPERIAL
23-63-0 WEATHERSTRIP - Cont'd					
23-63-16	CLIP - Cont'd Cv. Cp., VD1, VD2, VA3				
	Quarter Outer	★	---- ---	*2480 904	*2480 904
	Rear Outer	●	*2480 904	*2480 904	*2480 904
23-63-20	WEATHERSTRIP, Quarter Window Belt Inner				
	2 D., VV1, VV2	1	2483 196-7		
	2 D., VL1, VL2	1	2423 008-9		
	2 D. H. T., VV1, VV2, except Barracuda	1	*2423 010-1		
	Barracuda	2	E2602 312		
	2 D. H. T., VL1, VL2	1	2245 080-1		
	Cv. Cp.	1	2424 484-5		
	2 D., except VA3	1	---- ---	2490 064-5	
	2 D. H. T., except VA3	2	---- ---	2419 872	
	Cv. Cp., except VA3	2	---- ---	2419 874	
	2 D. H. T., VA3, VC1, VC2				
	Right	1	---- ---	2490 387	2419 884
	Left	1	---- ---	2490 387	2419 885
	Cv. Cp., VA3, VC1, VC2	2	---- ---	2490 388	2419 875
	2 D. H. T., Cv. Cp., VY1	2	---- ---	---- ---	2419 875
23-63-21	WEATHERSTRIP, Quarter Window Belt Outer				
	2 D., VV1, VV2	2	2243 830		
	2 D., VL1, VL2	1	2423 009		
	Right	1	2423 008		
	Left	1	2423 008		
	2 D. H. T., VV1, VV2, except Barracuda	1	2423 012-3		
	VV1, VV2, Barracuda	1	2484 808-9		
	2 D. H. T., VL1, VL2	1	2245 082-3		
	Cv. Cp.	1	2422 406-7		
	2 D., except VA3	1	---- ---	2423 582-3	
	2 D. H. T., except VA3	1	---- ---	2482 780-1	
	Cv. Cp., VP2	1	---- ---	2480 902-3	
	Cv. Cp., VD2	1	---- ---	2423 586-7	
	2 D. H. T., VA3, VC1, VC2	1	---- ---	2093 546-7	2423 776-7
	Cv. Cp., VA3, VC1, VC2	1	---- ---	2166 572-3	2480 570-1
	2 D. H. T., VY1	1	---- ---	---- ---	2492 084-5
	Cv. Cp., VY1	1	---- ---	---- ---	2424 784-5
23-63-22	CLIP, Quarter Window Belt Weatherstrip				
	Inner	★	2217 508		
	Outer	★	2217 508		
	2 D., 2 D. H. T., except VA3				
	Outer	★	---- ---	*2480 904	
	Cv. Cp., VP1, VP2, Outer	10	---- ---	2480 904	
	Cv. Cp., VD1, VD2, VA3,				
	Outer	★	---- ---	*2480 904	*2480 904
23-63-33	WEATHERSTRIP, w/WEATHERCORD, Front Door, on Door Opening except VA3				
	4 D., Black	2	---- ---	2413 652	
	4 D., Sta. Wgn., Blue	2	1522 VB6	1522 VB6	
	4 D., Sta. Wgn., Red	2	2413 615	2413 615	
	4 D., Red Tan, VP1, VP2	1	---- ---	1520-1 VU6	
	4 D., Sta. Wgn., Turquoise	2	1522 VQ6	1522 VQ6	
	4 D., Sta. Wgn., Yellow Gold, VD1, VD2	2	---- ---	1522 VY5	
	4 D., Sta. Wgn., Yellow Tan	2	1522 VT6	1522 VT6	
	2 D., except VA3				
	Black	2	---- ---	2413 652	
	Blue	2	1522 VB6	1522 VB6	
	Red	2	2413 615	2413 615	
	Turquoise	2	1522 VQ6	1522 VQ6	
	Yellow Gold, VD1, VD2	2	---- ---	1522 VY5	
	Yellow Tan	2	1522 VT6	1522 VT6	

★ Indicates use as required. Printed in U.S.A.
 □ Indicates parts not listed in any previous parts book. Prices and specifications subject to change without notice.
 March 15, 1965 Supersedes March 16, 1964. Right and left part numbers are on same line,
first number is right, second number is left.
● Indicates change or addition.

CODE	PART NAME AND DESCRIPTION	PER CAR	VALIANT DART	PLYMOUTH DODGE	CHRYSLER IMPERIAL
23-63-O WEATHERSTRIP - Cont'd					
23-63-33	WEATHERSTRIP, w/WEATHERCORD - Cont'd				
	2 D. H.T., except VA3				
	Black	2	1519 VX8	2413 692	
	Blue	2	1524 VB6	1524 VB6	
	2 D. H.T., except VA3				
	Red	2	2413 638	2413 638	
	Red Tan	2	----	1524 VU6	
	Turquoise	2	----	1524 VQ6	
	Yellow Gold, VV1, VV2, Barracuda	2	1519 VY3		
	Yellow Gold, VL1, VL2, VD1, VD2	2	1524 VY5	1524 VY5	
	Yellow Tan, except Barracuda . .	2	1524 VT6	1524 VT6	
	Cv. Cp., except VA3				
	Black, VP2	1	1530-1 VX8	1528-9 VX8	
	Blue	1	1530-1 VB6	1528-9 VB6	
	Red	1	1530-1 TR6	1528-9 VR6	
	Red Tan, VP2	1	----	1528-9 VU6	
	Turquoise	1	1530-1 VQ6	1528-9 VQ6	
	Yellow Gold, VL1, VL2, VD2 . .	1	1530-1 VY5	1528-9 VY5	
	Yellow Tan, VD2	1	1530-1 VT6	1528-9 VT6	
	4 D. H.T., except VA3				
	Black	2	----	*1532 VX8	
	Blue	2	----	1532 VB6	
	Red	2	----	2413 705	
	Red Tan, VP2	2	----	1532 VU6	
	Turquoise	2	----	1532 VQ6	
	Yellow Gold, VD2	2	----	1532 VY5	
	Yellow Tan	2	----	1532 VT6	
	Rear Door, except VA3				
	4 D. Black	2	----	2413 692	
	4 D., Sta. Wgn., Blue	2	1524 VB6	1524 VB6	
	4 D., Sta. Wgn., Red	2	2413 638	2413 638	
	4 D. Red Tan, VPi, VP2	2	----	1524 VU6	
	4 D., Sta. Wgn. Turquoise	2	1524 VQ6	1524 VQ6	
	4 D., Sta. Wgn. Yellow Gold, VD1, VD2	2	----	1524 VY5	
	4 D., Sta. Wgn. Yellow Tan	2	1524 VT6	1524 VT6	
	4 D. H.T., except VA3				
	Black, VP2	2	----	1532 VX8	
	Blue	2	----	1532 VB6	
	Red	2	----	2413 705	
	Red Tan, VP2	2	----	1532 VU6	
	Turquoise	2	----	1532 VQ6	
	Yellow Gold, VD2	2	----	1532 VY5	
	Yellow Tan	2	----	1532 VT6	
	WEATHERSTRIP, on Door				
	4 D., VA3, VC1, VC2, VC3, Front	2	----	1883 504	1883 504
	Sta. Wgn., VA3E Front	2	----	1883 504	
	4 D. H.T., Sta. Wgn., VA3L, VC1, VC2, VC3				
	Front	1	----	2165 304-5	2165 304-5
	2 D. H.T., Cv. Cp., VA3, VC1, VC2, Front	1	----	1952 852-3	2218 122-3
	4 D. H.T., VY1 Front	1	----	----	2491 948-9
	2 D. H.T., Cv. Cp., VY1, Front	1	----	----	2491 950-1
	4 D., VA3, VC1, VC2, VC3, Rear Right	1	----	2218 305	2218 305
	Rear Left	1	----	1883 520	1883 520
	Sta. Wgn., VA3E Rear Right	1	----	2218 305	2218 305
	Rear Left	1	----	1883 520	1883 520
	4 D. H.T., VA3 Rear	1	----	2165 488-9	
	Sta. Wgn., VA3L, VC1, VC3, Rear	1	----	2165 488-9	2165 488-9
	4 D. H.T., VC1, VC2, VC3, Rear	2	----	----	2217 828

* Indicates use as required.
 □ Indicates parts not listed in any previous parts book.
 Right and left part numbers are on same line,
 first number is right, second number is left.
 * Indicates change or addition.

1964 PASSENGER CAR PARTS CATALOG

BODY

CODE	PART NAME AND DESCRIPTION	PER CAR	VALIANT DART	PLYMOUTH DODGE	CHRYSLER IMPERIAL
23-63-O WEATHERSTRIP - Cont'd					
23-63-33	WEATHERSTRIP - Cont'd				
	4 D. H. T., VY1 Rear	1	----	----	2491 952-3
	Upper at Hinge Side				
	4 D. H. T., Sta. Wgn., VA3L, VC1, VC2, VC3				
	Rear	1	----	*2165 484-5	*2165 484-5
	Front Pillar to Vent Wing Upper Corner				
	Cv. Cp., VP2, VD2	1	E2218 876-7	2491 944-5	
	Cv. Cp., VA3, VC1, VC2	1	----	----	1954 718-9
	Front Door Glass Rear Frame				
	2 D. H. T., Cv. Cp.	1	2217 128-9		
	Front Door Hinge Pillar Auxiliary				
	2 D. H. T., Cv. Cp., VY1	1	----	----	1751 570
	On Rear Lock Pillar				
	4 D. H. T., VY1 lgh. 24 1/2"	2	----	----	1690 874
	4 D. H. T., except VA3, Front	1	----	2254 706-7	
	Rear	1	----	2254 706-7	
	WEATHERSTRIP, Roof Side Rail				
	2 D. H. T., VV1, VV2, except Barracuda	1	2243 874-5		
	VV1, VV2, Barracuda	1	2526 784-5		
	2 D. H. T., VL1, VL2	1	2244 244-5		
	4 D. H. T., except VA3	1	----	2424 544-5	
	2 D. H. T., except VA3	1	----	2424 542-3	
	4 D. H. T., VA3, VC1, VC2, VC3	1	----	2484 454-5	2484 452-3
	Sta. Wgn., VA3L, VC1, VC3	1	----	2484 454-5	2484 454-5
	2 D. H. T., VA3, VC1, VC2	1	----	2484 458-9	2484 456-7
	4 D. H. T., VY1	1	----	----	2491 932-3
	2 D. H. T., VY1	1	----	----	2491 922-3
	SEAL, on Door				
	Upper Corner Lock Side				
	4 D. H. T., except VA3, Rear	1	----	2254 124-5	
	2 D. H. T., Cv. Cp., VC1, VC2, Front	1	----	----	2217 906-7
	4 D. H. T., VC1, VC2, VC3, Rear	1	----	----	2217 672-3
	Lock Pillar Seal Belt to Door				
	2 D. H. T., Cv. Cp., VA3	1	----	1954 618-9	
	Inside Panel Upper Lock Side				
	4 D. H. T., VY1 Front	1	----	----	2491 972-3
	Hinge Pillar Upper				
	4 D. H. T., VY1, Rear	1	----	----	2491 976-7
	Outside Panel at Vent Wing Face				
	4 D., VA3, VC1, VC3				
	Front	2	----	2492 960	2492 960
	Sta. Wgn., VA3E Front	2	----	2492 960	
	SEAL, on Door Opening				
	Upper Rear Corner				
	4 D., 2 D., Sta. Wgn., except VA3				
	Front	2	2082 973	2082 973	
	4 D., Sta. Wgn., except VA3,				
	Rear	2	2082 974	2082 974	
	Quarter Outside Panel Lock Face				
	2 D. H. T., Cv. Cp., except VA3	1	2422 846-7	2167 198-9	
	2 D. H. T., Cv. Cp., VC1, VC2	1	----	----	2255 566-7
	Lock Pillar at Belt				
	2 D. H. T., Cv. Cp., VY1, Front	1	----	----	2491 962-3
	4 D. H. T., VY1 Rear	1	----	----	2491 980-1
	2 D. H. T., Cv. Cp., VY1, Quarter	1	----	----	2491 974-5
23-63-37	SEAL, Roof Side Rail Weatherstrip Retainer to Drain				
	Trough				
	2 D. H. T.	2	2244 321		
	Windshield Opening Upper Frame Reinforcement				
	Cv. Cp.	1	2254 766		

★ Indicates use as required.

E Indicates parts not listed in any previous parts book.
 March 15, 1965 Supersedes March 16, 1964.

Printed in U.S.A.
 Prices and specifications subject to change without notice.
 Right and left part numbers are on same line,
 first number is right, second number is left.
 * Indicates change or addition.

CODE	PART NAME AND DESCRIPTION	PER CAR	VALIANT DART	PLYMOUTH DODGE	CHRYSLER IMPERIAL
23-63-O WEATHERSTRIP - Cont'd					
23-63-37	SEAL - Cont'd				
	Roof Rear Rail Tailgate Glass Run Channel Sta. Wgn.	1	2254 766		
	Rear Upper Pillar Tailgate Glass Run Channel Sta. Wgn.	1	2254 767		
	Roof Rail Weatherstrip Retainer to Roof Rail				
	4 D. H. T., except VA3	2	----	2254 766	
	4 D. H. T., Sta. Wgn., VA3L, VC1, VC2, VC3	2	----	2424 675	2424 675
	2 D. H. T., VA3, VC1, VC2	2	----	2424 674	2424 675
	4 D. H. T., 2 D. H. T., VY1	2	----	----	2189 860
	Roof Rear Rail to Rear Upper Pillar Tailgate Glass Run Channel				
	Sta. Wgn., except VA3	2	----	2254 767	
	Roof Side Rail Weatherstrip to Body Front Pillar				
	2 D. H. T., 4 D. H. T., except VA3	2	----	*2529 050	
23-63-55	RETAINER, Roof Side Rail Weatherstrip				
	2 D. H. T., VV1, VV2, except Barracuda	1	2243 878-7		
	VV1, VV2, Barracuda	1	E2573 684-5		
	2 D. H. T., VL1, VL2	1	2480 286-7		
	4 D. H. T., except VA3	1	----	2484 174-5	
	2 D. H. T., except VA3, Complete	1	----	2482 796-7	
	2 D. H. T., except VA3, Rear	1	----	2482 826-7	
	2 D. H. T., VA3, Pkg., Right	1	----	2196 669	
	Left	1	----	2196 670	
	4 D. H. T., VA3, Pkg.	1	----	2196 671-2	
	Sta. Wgn., VA3L, VC1, VC3, Pkg.	1	----	2196 671-2	2196 671-2
	4 D. H. T., VC1, VC2, VC3	1	----	----	2423 694-5
	2 D. H. T., VC1, VC2	1	----	----	2423 692-3
	4 D. H. T., VY1	1	----	----	2492 588-9
	2 D. H. T., VY1	1	----	----	2491 918-9
	RETAINER, w/BRACKET, Roof Side Rail Quarter Window Glass Inner Weatherstrip				
	2 D. H. T., VV1, VV2, except Barracuda	1	2424 670-1		
	VV1, VV2, Barracuda	1	2526 792-3		
23-63-58	CAP, Roof Side Rail Weatherstrip Retainer				
	2 D. H. T.	1	2423 624-5		
	2 D. H. T., 4 D. H. T., except VA3	1	----	2252 608-9	
	4 D. H. T., VY1	2	----	----	2492 626
	COVER, Roof Side Front and Rear Weatherstrip Retainer Joint				
	2 D. H. T., 4 D. H. T., VC1, VC2, VC3	2	----	----	*2244 708
23-63-61	SUPPORT, Roof Side Rail Quarter Window Weatherstrip and Headlining Retainer				
	2 D. H. T., VV1, VV2, except Barracuda	1	2255 634-5		
	SUPPORT, Quarter Window Inner Weatherstrip Retainer				
	VV1, VV2, Barracuda	1	*2574 168-9		
23-63-94	WEATHERSTRIP, Rear Door Window Front Frame				
	4 D. H. T., except VA3	1	----	2166 964-5	
	4 D. H. T., Sta. Wgn., VA3L, VC1, VC2, VC3	1	----	1954 544-5	2217 544-5
	4 D. H. T., VY1	1	----	----	2492 358-9
23-63-97	WEATHERSTRIP, Rear Door Rear Glass Stationary				
	4 D., Sta. Wgn.	2	2217 250		
23-63-100	WEATHERSTRIP, Quarter Window Glass				
	Sta. Wgn., except VA3	1	2255 726-7	2251 320-1	
	Sta. Wgn., VA3	1	----	2259 417-8	2259 417-8
	WEATHERSTRIP, Quarter Window Glass Vertical Outer				
	2 D. H. T., VV1, VV2	1	2243 882-3		

* Indicates use as required.

E Indicates parts not listed in any previous parts book.
 Right and left part numbers are on same line,
 first number is right, second number is left.

1964 PASSENGER CAR PARTS CATALOG

BODY

CODE	PART NAME AND DESCRIPTION	PER CAR	VALIANT DART	PLYMOUTH DODGE	CHRYSLER IMPERIAL
23-63-O WEATHERSTRIP - Cont'd					
23-63-104	WEATHERSTRIP, Quarter Window Glass Front Frame 2 D. H. T., except VA3 2 D. H. T., Cv. Cp., VA3, VC1, VC2 VY1	1 1 1	---- ---- ----	2166 964-5 2217 544-5 ----	2217 544-5 2492 358-9
23-63-105	RETAINER, Window Glass Front Frame Weatherstrip VY1 Quarter Rear	1 1	---- ----	---- ----	2491 722-3 *2491 722-3
23-63-110	LOCKINGSTRIP, Quarter Window Glass Weatherstrip Sta. Wgn., except VA3 Mylar Sta. Wgn., except VA3 Rubber	2 2	2243 513 ----	2422 471 2255 027	
23-63-112	WEATHERSTRIP, Rear Window Glass 4 D., 2 D., 2 D. H. T., VV1, VV2, except Barracuda VV1, VV2, Barracuda 2 D. H. T., VV1P, VV2P, Use w/Vinyl Roof 4 D., 2 D., 2 D. H. T., VL1, VL2 4 D., 2 D., 4 D. H. T., except VA3 2 D. H. T., except VA3 4 D., 4 D. H. T., VA3, VC1, VC2, VC3 2 D. H. T., VA3, VC1, VC2 4 D. H. T., VY1M 4 D. H. T., VY1H 2 D. H. T., VY1M	1 1 1 1 1 1 1 1 1 1 1 1 1	2242 532 *2574 040 2480 825 2484 157 ---- ---- ---- ---- ---- ---- ---- ---- ----	2424 540 2424 541 1952 661 2093 652 ---- ---- ---- ----	2423 090 2423 090 2422 262 2422 263 2422 263
23-63-114	LOCKINGSTRIP, Rear Window Glass Weatherstrip VV1, VV2 Upper Lower	1 1	2424 426 2424 426		
23-63-117	CAP, Rear Window Glass Weatherstrip Lockingstrip VV1, VV2 CAP, Quarter Window Lockingstrip Sta. Wgn. Upper Front Sta. Wgn., except VA3 Lower Rear	2 2 2 2	2424 350 2424 625 2424 624	2424 626	
23-63-126	WEATHERSTRIP, Front Door Vent Wing 4 D., 2 D., Sta. Wgn. 2 D. H. T., Cv. Cp. 4 D., 2 D., Sta. Wgn., except VA3 4 D. H. T., 2 D. H. T., Cv. Cp., except VA3 4 D., VA3, VC1, VC2, VC3 Sta. Wgn., VA3E 4 D. H. T., 2 D. H. T., Cv. Cp., Sta. Wgn., VA3L, VC1, VC2, VC3 VY1	1 1 1 1 1 1 1 1	2216 638-9 2217 404-5 ---- ---- ---- ---- ---- ----	2218 450-1 2218 452-3 1950 594-5 1950 594-5 1950 592-3 ----	1950 594-5 1950 592-3 *2571 008-9
	WEATHERSTRIP, Front Door Vent Wing Auxiliary 2 D. H. T., Cv. Cp. 2 D. H. T., 4 D. H. T., Cv. Cp., except VA3 Length 30" 2 D. H. T., 4 D. H. T., Cv. Cp., except VA3 Length 38" 2 D., 4 D., Sta. Wgn., except VA3 VY1	2 2 2 2 1	*2571 670 ---- ---- ---- ----	*2571 670 *2217 908 *2217 908 ----	1751 570-1
23-63-127	RETAINER, w/Divisional CHANNEL, Front Door Vent Wing Weatherstrip 4 D., 2 D., Sta. Wgn. 2 D. H. T., Cv. Cp. 4 D., 2 D., Sta. Wgn., except VA3	1 1 1	2492 120-1 2492 122-3 ----	*2571 560-1	

* Indicates use as required.

⊠ Indicates parts not listed in any previous parts book.
March 15, 1965 Supersedes March 16, 1964.

Printed in U.S.A.
Prices and specifications subject to change without notice.
Right and left part numbers are on same line,
first number is right, second number is left.
* Indicates change or addition.

CODE	PART NAME AND DESCRIPTION	PER CAR	VALIANT DART	PLYMOUTH DODGE	CHRYSLER IMPERIAL
23-63-0 WEATHERSTRIP - Cont'd					
23-63-127	RETAINER - Cont'd				
	4 D. H. T., 2 D. H. T., Cv. Cp., except VA3				
	Upper	1	----	2218 512-3	
	4 D., VA3, VC1, VC2, VC3	1	----	2254 474-5	2254 474-5
	Sta. Wgn., VA3E	1	----	2254 474-5	
	RETAINER, Front Door Vent Wing Weatherstrip				
	VY1 Front	1	----	----	2491 696-7
23-63-131	CLIP, Front Door Weatherstrip Hold-Down, VY1	2	----	----	1643 721
23-63-171	WEATHERSTRIP, Tailgate Opening Lower				
	Except VA3	1	2242 836	2251 458	
	VA3	1	----	2189 350	2189 350
23-63-172	WEATHERSTRIP, Deck Lid Opening				
	VP1, VP2	1	*2422 201	*2422 201	
	VD1, VD2	1	----	2482 856	
	VA3	1	----	*2481 076	*2422 201
23-63-181	WEATHERSTRIP, Tailgate Glass				
	Except VA3 Inner	1	2242 837	2251 452	
	Outer	1	2423 533	2217 518	
	VA3 Inner	1	----	1878 650	1878 650
	Outer	1	----	2423 558	2423 558
23-63-183	CLIP, Tailgate Glass Inner Belt Weatherstrip				
	Except VA3	8	2217 508	2217 508	

23-64-0 WINDOW AND VENT WING

NOTE 1: PLACE ORDERS DIRECT WITH:

- A. YOUR USUAL SOURCE OF SUPPLY FOR CHRYSLER PARTS
- B. CHRYSLER "SAFEGUARD" DISTRIBUTOR
- C. CENTER LINE PARTS PLANTS

NOTE 2: PLACE ORDERS DIRECT WITH YOUR CHRYSLER "SAFEGUARD" DISTRIBUTOR

NOTE 3: PLACE ORDERS DIRECT WITH YOUR LOCAL GLASS SOURCE

23-64-4	BUMPER, Door and Quarter Window Glass Down				
	Position Stop				
	VC1, VC2, VC3, w/Electric Window Lift	★	----	1954 083	1954 083
	BUMPER, Window Glass Down Stop				
	VY1 Front and Rear	★	----	----	1954 083
	Quarter	2	----	----	2482 754
23-64-10	GLASS, w/Lower CHANNEL, Tailgate Window				
	(see Note 1)				
	Sta. Wgn., except VA3				
	Clear	1	----	2217 509	
	Tinted	1	----	2217 510	
	GLASS, Tailgate Window (see Note 1)				
	Sta. Wgn., VA3, VC1, VC3				
	Clear	1	2242 813	2423 428	2423 428
	Tinted	1	2242 814	2423 429	2423 429
NOTE: See Part Type Code 23-09-64 for Tailgate Glass Lower Channel.					
23-64-12	STOP, Front Door Window Glass Up Position				
	4 D. H. T., 4 D. H. T. Sta. Wgn., 2 D. H. T., Cv. Cp.	★	*2216 827	*2491 040	*2491 040
	Rear Door Window Up Position				
	4 D. H. T., except VA3	★	----	2491 040	

★ Indicates use as required.

□ Indicates parts not listed in any previous parts book.
 Right and left part numbers are on same line,
 first number is right, second number is left.

CODE	PART NAME AND DESCRIPTION	PER CAR	VALIANT DART	PLYMOUTH DODGE	CHRYSLER IMPERIAL
23-64-0 WINDOW AND VENT WING - Cont'd					
23-64-12	STOP - Cont'd				
	4 D. H. T., VY1	★	-----	-----	2491 040
	4 D. H. T., Sta. Wgn., VA3L, VC1, VC2, VC3				
	Front	★	-----	2491 040	2491 040
	Rear	★	-----	1909 530	1909 530
	Quarter Window Glass Up Position				
	2 D. H. T., VV1, VV2, except Barracuda	2	2255 228		
	Barracuda	2	2528 793		
	2 D. H. T., VL1, VL2	2	2255 339		
	2 D. H. T., except VA3	4	-----	2480 753	
	2 D. H. T., VA3, VC1, VC2, Front	2	-----	1963 222	1963 222
	Rear	2	-----	1909 530	1963 222
	2 D. H. T., VY1	4	-----	-----	2491 040
	Cv. Cp., except VA3	2	-----	2255 345	
	Cv. Cp., VA3	4	-----	*2491 040	*2491 040
	Quarter Window Glass Down Position				
	2 D. H. T., except VA3	2	-----	2486 656	
	BRACKET, Front Door Electric Window Lift Up Stop Reinforcement				
	2 D. H. T., Cv. Cp., except VA3				
	Rear	1	-----	*2571 996-7	
	Front	2	-----	*2588 055	
	BRACKET, Front Door Glass Down Position Stop Except VA3	2	-----	2217 193	
	VA3, VC1, VC2, VC3	2	-----	1963 393	1963 393
	VY1	2	-----	-----	2218 318
	BRACKET, Rear Door Glass Down Position Stop Except VA3	2	-----	2217 193	
	VA3, VC1, VC2, VC3	2	-----	1963 393	1963 393
	VY1	2	-----	-----	2218 318
	Quarter Window Glass Down Position				
	2 D. H. T., Cv. Cp., VC1, VC2	2	-----	1963 393	1963 393
	2 D. H. T., Cv. Cp., VY1	2	-----	-----	2218 318
	SUPPORT, Front Door Glass Electric Window Lift Down Stop Except VA3	1	-----	2217 182-3	
	Rear Door Glass Electric Window Lift Down Stop Except VA3	2	-----	2217 203	
	4 D., VC1, VC2, VC3	1	-----	-----	2217 002-3
	4 D. H. T., Sta. Wgn., VA3L, VC1, VC2, VC3	2	-----	1963 392	1963 392
	Quarter Window Glass Electric Window Lift Down Position Stop Bracket				
	Cv. Cp., except VA3	2	-----	2216 296	
	2 D. H. T., VA3	2	-----	1963 428	
	2 D. H. T., VC1, VC2	1	-----	-----	2423 732-3
	SUPPORT, Quarter Window Manual Lift Down Stop Bracket				
	2 D. H. T., VC1, VC2	1	-----	-----	2481 776-7
23-64-33	PLATE, Front Door Inside Panel to Vent Wing Bracket Upper Attaching				
	2 D. H. T., Cv. Cp.	2	2218 801		
23-64-41	STUD, Front Door Vent Wing to Inside Panel and Hinge Reinforcement				
	2 D. H. T., 4 D. H. T., Cv. Cp., Sta. Wgn., VA3L, VC1, VC2, VC3	2	-----	1950 830	1950 830
	STUD, Front Door Vent Wing Divisional Channel to Inside Panel Lower Support				
	VA3, VC1, VC2, VC3	2	-----	1950 830	1950 830

★ Indicates use as required.

⊠ Indicates parts not listed in any previous parts book.
 March 15, 1965 Supersedes March 16, 1964.

Page 23-324

Printed in U.S.A.
 Prices and specifications subject to change without notice.
 Right and left part numbers are on same line,
 first number is right, second number is left.
 * Indicates change or addition.

CODE	PART NAME AND DESCRIPTION	PER CAR	VALIANT DART	PLYMOUTH DODGE	CHRYSLER IMPERIAL
23-64-0 WINDOW AND VENT WING - Cont'd					
23-64-46	NUT, Front Door Vent Wing Frame Lower Corner Cap 2 D. H. T., 4 D. H. T., Cv. Cp., Sta. Wgn., VA3L, VC1, VC2, VC3	2	----	2165 703	2165 703
	WASHER, Front Door Vent Wing Frame Cap 4 D. H. T., 2 D. H. T., Cv. Cp., VA3, VC1, VC2, VC3	2	----	2571 104	2571 104
23-64-47	CAP, Front Door Vent Wing Frame Lower Corner 2 D. H. T., 4 D. H. T., Cv. Cp., Sta. Wgn., VA3L, VC1, VC2, VC3	1	----	2492 660-1	2165 996-7
23-64-48	FRAME, Door Vent Wing 2 D. H. T. Cv. Cp.	1 1	2216 640-1 2217 416-7		
	STUD, Adjusting FRAME, w/Divisional CHANNEL, Front Door Vent Wing	2	6023 264		
	2 D. H. T., 4 D. H. T., except VA3 Cv. Cp., except VA3	1 1	----	2218 484-5 2491 888-9	
	FRAME, w/o Divisional Channel, Front Door Vent Wing VY1	1	----		2571 018-9
	Manual Electric	1 1	----		2571 038-9
	CHANNEL, w/MOULDING, Front Door Vent Wing Divisional 2 D. H. T., 4 D. H. T., Cv. Cp., Sta. Wgn., VA3L, VC1, VC2, VC3	2	----	2254 627	2254 627
	CHANNEL, w/Weatherstrip RETAINER, Front Door Vent Wing Divisional 2 D. H. T., 4 D. H. T., Cv. Cp., Sta. Wgn., VA3L, VC1, VC2, VC3	1	----	2254 484-5	2254 484-5
	CHANNEL, Front Door Vent Wing Divisional VY1	1	----		2571 020-1
23-64-54	PLATE, Front Door Inside Panel Vent Wing Divisional Channel Attaching Bracket	2	2217 663		
23-64-60	RIVET, Front Door Vent Wing Frame to Lower Retainer 2 D. H. T., 4 D. H. T., Cv. Cp., Sta. Wgn., VA3L, VC1, VC2, VC3	2	----	1578 269	1578 269
23-64-62	PLATE, Front Door Vent Wing Glass Lower Attaching Outer Except VA3	1	----	2216 210-1	
	SCREW	2	----	*6022 988	
23-64-64	PANEL, Rear Window Frame to Roof Rail Extension VC1, VC2, VC3	1	----		2423 074-5
23-64-66	FRAME, Rear Window Opening Upper 4 D., 2 D., 2 D. H. T., VV1, VV2, except Barracuda VV1, VV2, Barracuda	1 1	2242 514 2576 133		
	4 D., 2 D., 2 D. H. T., VL1, VL2 4 D., 2 D., 4 D. H. T., except VA3	1 1	2481 056 ----	2424 508	
	2 D. H. T., except VA3 2 D. H. T., VA3, VC1, VC2	1 1	----	2424 509 1909 323	2423 082
	4 D. H. T., 4 D., VC1, VC2, VC3 VY1	1 1	----		2423 082 2422 271
	FRAME, Rear Window Opening 4 D., 4 D. H. T., VA3	1	----	1963 229	
	FRAME, Rear Window Upper VY1	1	----		*2525 877
	FRAME, Rear Window Opening Side VV1, VV2, Barracuda	1	2484 594-5		
	4 D., 4 D. H. T., VA3 2 D. H. T., VA3	1 1	----	1952 878-9 1861 142-3	
	4 D. H. T., 2 D. H. T., VY1	1	----		2491 906-7

★ Indicates use as required.
 □ Indicates parts not listed in any previous parts book.
 Right and left part numbers are on same line,
 first number is right, second number is left.

1964 PASSENGER CAR PARTS CATALOG

BODY

CODE	PART NAME AND DESCRIPTION	PER CAR	VALIANT DART	PLYMOUTH DODGE	CHRYSLER IMPERIAL
23-64-0 WINDOW AND VENT WING - Cont'd					
23-64-66	FRAME, Rear Window Opening Lower				
	4 D., 2 D., 2 D. H. T., VV1, VV2	1	2242 515		
	4 D., 2 D., 2 D. H. T., VL1, VL2,	1	2481 055		
	4 D., 2 D., 4 D. H. T., except VA3	1	----	2244 007	
	2 D. H. T., except VA3	1	----	2424 511	
	4 D., 4 D. H. T., 2 D. H. T., VC1, VC2, VC3	1	----	----	2423 083
	4 D. H. T., VY1M	1	----	----	2218 288
	4 D. H. T., VY1H	1	----	----	2218 699
	2 D. H. T., VY1M	1	----	----	2218 699
	4 D., 2 D., 2 D. H. T., VV1, VV2				
	End	1	2242 516-7		
	4 D., 2 D., 2 D. H. T., VL1, VL2				
	End	1	2481 044-5		
	4 D., 4 D. H. T., VA3, End	1	----	1954 668-9	
23-64-67	REINFORCEMENT, Rear Window Frame				
	4 D. H. T., 2 D. H. T., VY1, Side	1	----	----	2422 278-9
	Upper	1	----	----	2422 272
	SUPPORT, Rear Window Opening Upper Frame to Side				
	Roof Rail Extension Panel				
	4 D., 4 D. H. T., 2 D. H. T., VC1, VC2, VC3	1	----	----	2423 078-9
23-64-68	EXTENSION, Rear Window Frame				
	4 D., 4 D. H. T., 2 D. H. T., VC1, VC2, VC3, Lower.	1	----	----	2423 084-5
	4 D. H. T., 2 D. H. T., VY1, Upper	1	----	----	2218 795
	EXTENSION, Rear Window Upper Frame to Roof Side				
	Rail Reinforcement				
	4 D., 4 D. H. T., 2 D. H. T., VC1, VC2, VC3	1	----	----	2423 080-1
23-64-71	BUMPER, Front Door Vent Wing Frame				
	2 D. H. T., except VA3	1	2216 654-5	2167 326-7	
	Cv. Cp., except VA3	1	2217 572-3	2218 448-9	
	4 D. H. T., except VA3	1	----	2167 326-7	
	4 D. H. T., 2 D. H. T., Cv. Cp., Sta. Wgn., VA3L,				
	VC1, VC2, VC3	1	----	1964 228-9	1964 228-9
23-64-74	SEAL, Front Door Vent Wing Glass Upper				
	4 D., 2 D., Sta. Wgn.	2	2216 631		
	SEAL, Front Door Vent Wing to Door Inner Panel				
	4 D. H. T., 2 D. H. T., Cv. Cp., VA3L, VC1, VC2,				
	VC3	2	----	2165 519	2165 519
23-64-75	MOTOR, w/TRANSMISSION, Electric Vent Wing				
	VY1	1	----	----	2428 282-3
23-64-76	BRACKET, Electric Vent Wing Motor Mounting				
	VY1	1	----	----	2428 290-1
	SCREW, w/WASHER, Bracket to Transmission	3	----	----	180 020
23-64-79	COUPLING, Electric Vent Wing Drive Shaft to Pivot				
	VY1	1	----	----	2428 286-7
	SCREW	2	----	----	6023 852
23-64-81	TERMINAL and INSULATOR PACKAGE, Electric Vent				
	Wing Motor Wiring				
	VY1	*	----	----	2495 239
23-64-85	PLATE, Rear Window Opening Upper Frame				
	VV1, VV2, Barracuda	1	2528 534-5		
23-64-197	GUIDE, Quarter Window Lower Frame Stabilizer				
	2 D. H. T., VA3	4	----	1961 681	
23-64-198	CHANNEL, Rear Door Stabilizer				
	VY1				
	Outer	1	----	----	2218 704-5
	Inner	1	----	----	2218 702-3

★ Indicates use as required.

☐ Indicates parts not listed in any previous parts book.
 March 15, 1965 Supersedes March 16, 1964.

Printed in U.S.A.
 Prices and specifications subject to change without notice.
 Right and left part numbers are on same line,
 first number is right, second number is left.

CODE	PART NAME AND DESCRIPTION	PER CAR	VALIANT DART	PLYMOUTH DODGE	CHRYSLER IMPERIAL
23-64-O WINDOW AND VENT WING - Cont'd					
23-64-198	CHANNEL, Quarter Window Glass Stabilizer 2 D. H. T., VA3	1	----	2252 136	
	VY1	1	----	----	2482 738-9
	Outer	1	----	----	2482 736-7
	Inner	1	----	----	
23-64-200	SUPPORT, Quarter Window Glass Stabilizer Inner Channel VY1	2	----	----	2482 954
23-64-225	HINGE, Quarter Window Glass Pivot 2 D. H. T., VV1, VV2	1	2482 872-3		
23-64-233	PLATE, Front Door Inside Panel to Vent Wing Bracket Upper Attaching 4 D. H. T., 2 D. H. T., Cv. Cp., except VA3	2	2218 801	2218 801	
23-64-237	CLAMP, Front Door Vent Wing Upper Pivot VC1, VC2 VC3	2	1708 998	1708 998	1708 998
	PLATE, Front Door Vent Wing Upper Pivot Base Anchor VY1	2	----	----	1755 366
23-64-240	PIVOT, Front Door Vent Wing Upper 4 D., 2 D., Sta. Wgn. Except VA3	1	2216 626-7		
	PIVOT PACKAGE, Front Door Vent Wing Upper 4 D., VA3, VC1, VC2, VC3	1	----	2218 514-5	
	Sta. Wgn., VA3E	1	----	2216 344-5	2216 344-5
	SCREW	2	----	125 978	
23-64-242	BRACKET, Door Vent Wing Upper Pivot 4 D., 2 D., Sta. Wgn. 2 D. H. T., Cv. Cp. Except VA3	1	2216 620-1		
	VY1	1	2217 408-9		
	BRACKET, w/PIVOT, Door Vent Wing Upper 2 D. H. T., Cv. Cp.	1	----	2167 310-1	*2094 463-4
	4 D. H. T., 2 D. H. T., Cv. Cp., Sta. Wgn., VA3, VC1, VC2, VC3	1	2217 548-9		
	VY1	1	----	2166 680-1	2166 680-1
		1	----	----	2094 462-3
	BRACKET, Door Inside Panel Vent Wing Upper Attaching 2 D. H. T., Cv. Cp.	1	2218 806-7		
	BRACKET, Door Vent Wing Upper Pivot to Retainer VA3, VC1, VC2, VC3	1	----	1950 292-3	1950 292-3
	BRACKET, Door Vent Wing Handle Shaft Inner Except VA3 Includes Lower Pivot	1	----	*2167 628-9	
	CLAMP, Door Vent Wing Lower Pivot Tension VA3, VC1, VC2, VC3	1	----	*1776 504-5	*1776 504-5
	SCREW	2	6006 244	6006 244	6006 244
23-64-243	SEAL, Door Vent Wing Handle Bracket Except VA3	2	----	2216 220	
	Inner	2	----	2216 221	
	Outer	2	----		
23-64-246	SPACER, Door Vent Wing Upper Pivot 4 D., 2 D., Sta. Wgn., except VA3	2	----	2216 208	
	WASHER, Door Vent Wing Upper Clamp to Glass VC1, VC2, VC3	1	E1909 944	E1909 944	E1909 944
23-64-247	SCREW, Door Vent Wing Clamp to upper Pivot Bracket	2	6000 374	6000 374	6000 374
	SCREW, Door Vent Wing Lower Pivot Tension Clamp	2	6006 244	6006 244	6006 244
23-64-254	TRACK, Rear Door Window Roller 4 D., VA3, VC1, VC3	1	----	2253 914-5	2253 946-7
	Sta. Wgn., VA3E	1	----	2253 914-5	

★ Indicates use as required.
 E Indicates parts not listed in any previous parts book.
 Right and left part numbers are on same line,
 first number is right, second number is left.
 • Indicates change or addition.

1964 PASSENGER CAR PARTS CATALOG

BODY

CODE	PART NAME AND DESCRIPTION	PER CAR	VALIANT DART	PLYMOUTH DODGE	CHRYSLER IMPERIAL
23-64-0 WINDOW AND VENT WING - Cont'd					
23-64-254	TRACK - Cont'd				
	4 D. H. T., except VA3, Front	1	----	2253 974-5	
	4 D. H. T., Sta. Wgn., VA3L, VC1, VC2, VC3, Front	1	----		2253 942-3
	4 D. H. T., except VA3, Rear	2	----	2253 970	
	4 D. H. T., VA3L, VC1, VC2, VC3, Rear	2	----	2253 921	2253 937
	Sta. Wgn., VA3L, VC1, VC3, Rear	2	----	2253 921	2253 921
	4 D. H. T., VY1 Rear	1	----		E2491 574-5
	SLEEVE NUT	★	----	6023 139	6023 139
23-64-255	FRAME, Front Door Window Glass Upper and Rear				
	4 D. H. T., VY1	1	----		2491 840-1
	2 D. H. T., Cv. Cp., VY1	1	----		2491 838-9
	SLEEVE NUT	6	----		6024 319
	SCREW, Self Locking	6	----		6000 374
	FRAME, Rear Door Window Glass Upper				
	4 D. H. T., VY1	1	----		2491 088-9
	SLEEVE NUT	6	----		6024 319
	SCREW, Self Locking	6	----		6000 374
23-64-269	BRACKET, w/ROLLER, Rear Door Window Track				
	4 D. H. T., except VA3, Front and Rear	4	-----	2217 156	
	4 D. H. T., VY1 Rear	2	----		2217 156
	BRACKET, w/ROLLER, Quarter Window Track				
	Cv. Cp., except VA3	2	2255 973	2167 853	
	2 D. H. T., except VA3	2	----	2217 156	
	2 D. H. T., VC1, VC2	2	----		2167 853
	2 D. H. T., Cv. Cp., VY1	2	----		2217 156
	SUPPORT, w/STUD, Door or Quarter Inside Panel to Rear Track Center				
	VY1	4	----		2218 059
	4 D. H. T., VY1 Front and Rear	4	----		2218 059
	BRACKET, Quarter Inside Panel to Roller Track				
	2 D. H. T., except VA3	2	----	2481 700	
23-64-272	SPACER, Window Glass to Lower Frame or Channel, Rubber				
	4 D. H. T., except VA3, Rear	4	----	2167 856	
	Cv. Cp., except VA3, Quarter	4	----	2167 856	
	Sta. Wgn., VA3 Tailgate	4	2167 856	2167 856	2167 856
	GROMMET, Window Glass to Lower Frame or Channel				
	4 D. H. T., except VA3, Rear	8	----	2167 857	
	Cv. Cp., except VA3, Quarter	★	2424 850	2167 857	
	Sta. Wgn., VA3 Tailgate	8	2167 857	2167 857	2167 857
	WASHER, Window Glass to Lower Channel				
	VA3 Tailgate, Steel	★	2423 534	2423 534	2423 534
	VA3 Tailgate, Rubber	★	2423 535	2423 535	2423 535
23-64-273	SUPPORT, Door Vent Wing Divisional Channel Lower Except VA3	2	2216 673		
	VA3, VC1, VC2, VC3	1	----	2167 880-1	
	VY1	2	----	1909 856	1909 856
	BRACKET, Door Vent Wing Divisional Channel				
	VY1 Lower	2	----		2491 914
	Upper	1	----		2218 119
	SUPPORT, Rear Door Glass Rear Run Channel Lower	2	2216 673		2571 004-5
23-64-275	STUD, Window Roller Track Adjusting				
	VC1, VC2, VC3 Length 1 3/8"	★	6023 006	6023 006	6023 006
	VC1, VC2, VC3 Length 2"	★	----	1954 674	1954 674
	Vent Wing Lower Adjusting				
	VY1	2	----		6023 006
23-64-278	GROMMET, Door Vent Wing Upper Pivot to Glass				
	Outer				
	VC1, VC2, VC3	2	1909 917	1909 917	1909 917
	VY1	2	----		1751 492

★ Indicates use as required.

⊠ Indicates parts not listed in any previous parts book.

March 15, 1965 Supersedes March 16, 1964.

Printed in U.S.A.

Prices and specifications subject to change without notice.

Right and left part numbers are on same line, first number is right, second number is left

CODE	PART NAME AND DESCRIPTION	PER CAR	VALIANT DART	PLYMOUTH DODGE	CHRYSLER IMPERIAL
23-64-O WINDOW AND VENT WING - Cont'd					
23-64-279	WASHER or INSULATOR, Door Vent Wing Upper Pivot Bracket to Glass Inner VY1	2	----	----	1751 489
23-64-280	FRAME, Quarter Window Glass 2 D., except VA3 Opening Sta. Wgn., VA3, VC2, VC3, Opening	1	2243 012-3	2423 686-7	
	Front	1	----	1960 066-7	1960 066-7
	2 D. H.T., VY1 Upper	1	----	----	2492 026-7
	Cv. Cp., VY1 Upper	1	----	----	2481 338-9
	SCREW, VY1	6	----	----	6000 374
	SLEEVE NUT, VY1	6	----	----	6024 319
23-64-281	REINFORCEMENT, Quarter Inside Panel Front Roller Track Cv. Cp., except VA3	1	----	2255 214-5	
23-64-289	CLAMP, w/STUD, Window Glass to Lower Frame 4 D. H.T., except VA3, Rear Cv. Cp., except VA3, Quarter	4 4	----	2167 855 2167 855	
23-64-297	SLEEVE NUT, Window Roller Track VC1, VC2, VC3 Window Stabilizer Channel or Roller Track VY1	★ ★ ★	2216 371 ----	2216 371 ----	2216 371 2571 143 2218 401
23-64-299	TRACK, Quarter Window Roller Cv. Cp. 2 D. H.T., VL1 Barracuda Front 2 D. H.T., except VA3 Front Cv. Cp., except VA3 Front 2 D. H.T., VA3, VC1, VC2, Front, Right Front, Left Cv. Cp., VA3, VC1, VC2, Front 2 D. H.T., except VA3, Rear Cv. Cp., except VA3, Rear Cv. Cp., VA3, VC1, VC2, Rear 2 D. H.T., Cv. Cp., VY1 Rear SPACER, Cv. Cp., VP2, VD2, Front SLEEVE NUT, VA3	1 1 1 1 1 1 1 1 1 1 1 2 1 1 4 2	2425 916-7 2253 954-5 E2602 322-3 ----	*2481 574-5 *2253 964-5 2252 128 2252 128 2253 926-7 2493 108-9 2253 959 2252 138-9 ----	2253 950 2253 951 2253 926-7 2252 138-9 E2491 574-5 6023 575 6023 139
23-64-306	GLASS, Door Vent Wing (see Note 1) Except VA3 Clear Tinted GLASS, w/Lower PIVOT and BRACKET, Door Vent Wing (see Note 1) 4 D., 2 D., Sta. Wgn., Clear Tinted 2 D. H.T., Cv. Cp., Clear Tinted 4 D., VA3, VC1, VC2, VC3, Clear Tinted Sta. Wgn., VA3E Clear Tinted 4 D. H.T., 2 D. H.T., Cv. Cp., Sta. Wgn., VA3L, VC1, VC2, VC3 Clear Tinted	2 2 1 1 1 1 1 1 1 1 1 1 1	----	2218 504 2218 505 2216 660-1 2216 662-3 2217 478-9 2217 476-7 1954 104-5 1954 106-7 1954 104-5 1954 106-7 1954 100-1 1954 102-3	

★ Indicates use as required.
 ☐ Indicates parts not listed in any previous parts book.
 Right and left part numbers are on same line,
 first number is right, second number is left.
 * Indicates change or addition.

1964 PASSENGER CAR PARTS CATALOG

BODY

CODE	PART NAME AND DESCRIPTION	PER CAR	VALIANT DART	PLYMOUTH DODGE	CHRYSLER IMPERIAL
23-64-0 WINDOW AND VENT WING - Cont'd					
23-64-306	GLASS - Cont'd				
	VY1				
	w/o Power Vent, Clear	1	----	----	2218 218-9
	Tinted	1	----	----	2218 220-1
	w/Power Vent, Clear	1	----	----	2218 226-7
	Tinted	1	----	----	2218 228-9
FRONT DOOR WINDOW					
23-64-308	GLASS, Front Door Window (see Note 1)				
	4 D., Sta.Wgn., except VA3				
	Clear	2	2254 232	2167 766	
	Tinted	2	2254 233	2167 767	
	2 D.				
	Clear	2	2254 229	2166 888	
	Tinted	2	2254 230	2166 889	
	4 D., VA3, VC1, VC2, VC3				
	Clear	2	----	1883 268	1883 268
	Tinted	2	----	1883 269	1883 269
	Sta. Wgn., VA3E				
	Clear	2	----	1883 268	
	Tinted	2	----	1883 269	
GLASS (see Note 3)					
	4 D. H. T., VY1				
	Clear	1	----	----	2217 952-3
	Tinted	1	----	----	2217 954-5
	2 D. H. T., Cv. Cp., VY1				
	Clear	1	----	----	2217 956-7
	Tinted	1	----	----	2217 958-9
NOTE: For Lower Channel see Part Type Code 23-09-58.					
GLASS w/Rear FRAME and WEATHERSTRIP (see Note 1)					
	2 D. H. T., Cv. Cp., except Barracuda				
	Clear	1	2217 264-5		
	Tinted	1	2217 262-3		
	VV1, VV2, Barracuda				
	Clear	1	2570 548-9		
	Tinted	1	2570 550-1		
GLASS w/FRAME and Lower CHANNEL (see Note 1)					
	4 D. H. T., except VA3				
	Clear	1	----	2166 714-5	
	Tinted	1	----	2166 716-7	
	2 D. H. T., except VA3				
	Clear	1	----	2218 946-7	
	Tinted	1	----	2218 948-9	
	Cv. Cp., except VA3				
	Clear	1	----	2167 844-5	
	Tinted	1	----	2167 846-7	
	4 D. H. T., Sta. Wgn., VA3L, VC1, VC2, VC3				
	Clear	1	----	1909 694-5	1909 694-5
	Tinted	1	----	1909 696-7	1909 696-7
	2 D. H. T., VA3, VC1, VC2				
	Clear	1	----	1909 710-1	1909 710-1
	Tinted	1	----	1909 712-3	1909 712-3
	Cv. Cp., VA3, VC1, VC2				
	Clear	1	----	1909 302-3	1909 710-1
	Tinted	1	----	1909 304-5	1909 712-3
	2 D. H. T., Cv. Cp., VY1				
	Clear	1	----	----	2491 660-1
	Tinted	1	----	----	2491 662-3
	4 D. H. T., VY1				
	Clear	1	----	----	2218 326-7
	Tinted	1	----	----	2218 348-9

★ Indicates use as required.

☐ Indicates parts not listed in any previous parts book.
 March 15, 1965 Supersedes March 16, 1964.

Printed in U.S.A.
 Prices and specifications subject to change without notice.
 Right and left part numbers are on same line,
 first number is right, second number is left.

* Indicates change or addition.

CODE	PART NAME AND DESCRIPTION	PER CAR	VALIANT DART	PLYMOUTH DODGE	CHRYSLER IMPERIAL
23-64-0 WINDOW AND VENT WING - Cont'd					
REAR DOOR WINDOW					
23-64-308	GLASS - Cont'd				
	4 D., Sta. Wgn., except VA3				
	Clear	2	2254 260	2167 817	
	Tinted	2	2254 261	2167 818	
	Stationary, Clear	2	2254 264		
	Tinted	2	2254 265		
	4 D., VA3, VC1, VC2, VC3				
	Clear	2	----	1883 271	2254 842
	Tinted	2	----	1883 272	2254 843
	Sta. Wgn., VA3E				
	Clear	2	----	1883 271	
	Tinted	2	----	1883 272	
	GLASS (see Note 3)				
	4 D. H. T., VY1				
	Clear	1	----	----	2217 984-5
	Tinted	1	----	----	2217 986-7
	GLASS w/Front FRAME (see Note 1)				
	4 D. H. T., except VA3				
	Clear	1	----	2217 212-3	
	Tinted	1	----	2217 214-5	
	GLASS w/FRAME and Lower CHANNEL (see Note 1)				
	4 D. H. T., VA3, VC1, VC2, VC3				
	Clear	1	----	1909 698-9	2254 822-3
	Tinted	1	----	1909 700-1	2254 824-5
	Sta. Wgn., VA3L				
	Clear	1	----	1909 698-9	1909 698-9
	Tinted	1	----	1909 700-1	1909 700-1
	4 D. H. T., VY1				
	Clear	1	----	----	2218 328-9
	Tinted	1	----	----	2492 094-5
QUARTER WINDOW					
23-64-311	GLASS, Quarter Window (see Note 1)				
	2 D., except VA3				
	Clear	2	2242 734	2244 101	
	Tinted	2	2242 735	2244 102	
	VV1, VV2, Barracuda				
	Clear	2	*2484 678		
	Tinted	2	*2484 679		
	2 D. H. T., VL1, VL2				
	Clear	2	2243 788		
	Tinted	2	2243 789		
	Sta. Wgn., except VA3				
	Clear	1	2243 236-7	2251 220-1	
	Tinted	1	2243 238-9	2251 222-3	
	Sta. Wgn., VA3				
	Clear	1	----	1878 180-1	1878 180-1
	Tinted	1	----	1878 184-5	1878 184-5
	GLASS (see Note 3)				
	2 D. H. T., VY1				
	Clear	1	----	----	2491 080-1
	Tinted	1	----	----	2491 082-3
	Cv. Cp., VY1				
	Clear	1	----	----	2424 700-1
	Tinted	1	----	----	2424 702-3
	GLASS w/Lower CHANNEL (see Note 1)				
	2 D. H. T., VV1, VV2, except Barracuda				
	Clear	1	2245 070-1		
	Tinted	1	2245 072-3		
	GLASS w/Front FRAME (see Note 1)				
	2 D. H. T., except VA3				
	Clear	1	----	2480 868-9	
	Tinted	1	----	2480 870-1	
	Cv. Cp.				
	Clear	2	2424 656		
	Tinted	1	2424 657		
	Cv. Cp., except VA3				
	Clear	1	----	2245 048-9	
	Tinted	1	----	2245 050-1	

★ indicates use as required.

⊠ indicates parts not listed in any previous parts book.

Right and left part numbers are on same line, first number is right, second number is left.

1964 PASSENGER CAR PARTS CATALOG

BODY

CODE	PART NAME AND DESCRIPTION	PER CAR	VALIANT DART	PLYMOUTH DODGE	CHRYSLER IMPERIAL
23-64-0 WINDOW AND VENT WING - Cont'd					
QUARTER WINDOW - Cont'd					
23-64-311	GLASS w/FRAME and Lower CHANNEL (see Note 1) 2 D. H. T., VA3, VC1, VC2				
	Clear	1	----	2424 432-3	2243 810-1
	Tinted	1	----	2424 434-5	2243 812-3
	Cv. Cp., VA3, VC1, VC2				
	Clear	1	----	2422 856-7	2480 582-3
	Tinted	1	----	2422 858-9	2480 584-5
	2 D. H. T., VY1				
	Clear	1	----	----	2491 076-7
	Tinted	1	----	----	2491 078-9
	Cv. Cp., VY1				
	Clear	1	----	----	2480 958-9
	Tinted	1	----	----	2480 960-1
REAR WINDOW					
23-64-314	GLASS, Rear Window (see Note 2) 4 D., 2 D., 2 D. H. T., VV1, VV2, except Barracuda				
	Clear	1	2242 370		
	Tinted	1	2242 371		
	VV1, VV2, Barracuda				
	Tinted	1	2484 578		
	4 D., 2 D., 2 D. H. T., VL1, VL2				
	Clear	1	2480 708		
	Tinted	1	2481 027		
	4 D., 2 D., 4 D. H. T., except VA3, Clear	1	----	2424 536	
	Tinted	1	----	2424 537	
	2 D. H. T., except VA3, Clear	1	----	2424 538	
	Tinted	1	----	2424 539	
	4 D., 4 D. H. T., VA3, VC1, VC2, VC3,				
	Clear	1	----	----	2423 088
	Tinted	1	----	1952 643	2423 089
	2 D. H. T., VA3, VC1, VC2, Clear	1	----	----	2423 088
	Tinted	1	----	1878 161	2423 089
	GLASS (see Note 3)				
	2 D. H. T., VY1M				
	Clear	1	----	----	2422 264
	Tinted	1	----	----	2422 265
	4 D. H. T., VY1M				
	Clear	1	----	----	2422 255
	Tinted	1	----	----	2422 258
	4 D. H. T., VY1H				
	Clear	1	----	----	2422 264
	Tinted	1	----	----	2422 265

23-66-0 WINDSHIELD

NOTE 2: PLACE ORDERS DIRECT WITH YOUR CHRYSLER SAFEGUARD DISTRIBUTOR.

NOTE 3: PLACE ORDERS DIRECT WITH YOUR LOCAL GLASS SOURCE.

23-66-65	FRAME, Windshield Opening Upper Cv. Cp., except VA3	1	2255 832	2493 310	
	4 D., 2 D., 4 D. H. T., 2 D. H. T., Sta. Wgn., except VA3				
	Center	1	----	2425 763	
	End	1	----	2218 574-5	
23-66-74	BRACE, Windshield Lower Frame to Instrument Panel Lower Frame	1	2425 831		
23-66-77	REINFORCEMENT, Windshiled Opening Upper Frame Cv. Cp.	1	2255 823		
	REINFORCEMENT, Windshield Upper Frame Cv. Cp., except VA3	1	----	*2480 158	
	REINFORCEMENT, Windshield Upper Frame End 4 D., 2 D., 4 D. H. T., 2 D. H. T., Sta. Wgn., except VA3	1	2425 176-7	2218 584-5	

● Indicates use as required.

□ Indicates parts not listed in any previous parts book.

March 15, 1965 Supersedes March 16, 1964.

Printed in U.S.A.

Prices and specifications subject to change without notice.

Right and left part numbers are on same line,
first number is right, second number is left.

CODE	PART NAME AND DESCRIPTION	PER CAR	VALIANT DART	PLYMOUTH DODGE	CHRYSLER IMPERIAL
23-66-0 WINDSHIELD - Cont'd					
23-66-135	GLASS, Windshield (see Note 2)				
	Except VA3 Clear	1	2242 368	2218 626	
	Tinted	1	2242 369	2218 630	
	VA3, VC1, VC2, VC3, except Cv. Cp., Clear	1	----	2165 418	2165 418
	Tinted	1	----	2165 419	2165 419
	Cv. Cp., VA3, VC1, VC2, Clear	1	----	1869 627	1869 627
	Tinted	1	----	1954 216	1954 216
	GLASS, Windshield (see Note 3)				
	4 D. H. T., 2 D. H. T., VY1, Clear	1	----	----	2422 242
	Tinted	1	----	----	2422 246
	Cv. Cp., VY1 Clear	1	----	----	1651 431
	Tinted	1	----	----	1690 871
23-66-235	WEATHERSTRIP, Windshield Glass				
	Except Cv. Cp., except VA3	1	2242 450	2218 834	
	Cv. Cp., except VA3	1	2424 392	2482 893	
	VA3, VC1, VC2, VC3, except Cv. Cp.	1	----	2166 875	2166 875
	VA3, VC1, VC2, Cv. Cp.	1	----	1882 146	1882 146
	VY1	1	----	----	2093 538
	2 D. H. T., VV1, VV2				
	Use w/vinyl Roof	1	2218 960		
23-66-239	LOCKINGSTRIP, Windshield Glass Weatherstrip	1	2082 278		
23-67-0 WINDSHIELD WIPER					
23-67-2	CAM PACKAGE, Motor Parking				
	Variable Speed	1	2525 346		
NOTE: For Single Speed Motor see Part Type Code 23-67-132.					
23-67-5	ARM, w/Partial Blade				
	Except VA3 Right	1	2426 814	2427 598	
	Left	1	2426 814	2427 599	
	VA3, VC1 Single Speed	1	----	2426 826-7	2426 826-7
	VA3, VC1, VC2, VC3, Variable Speed	1	----	2426 828-9	2426 828-9
	VY1	1	----	----	2427 674-5
23-67-10	GEAR and GASKET PACKAGE, Motor Single Speed,				
	Except VA3 w/Auto Lite Motor	1	2448 282		
	w/General Industries Motor	1	----	2448 264	
	w/Leece Neville Motor	1	----	2448 666	
	Variable Speed, except VA3				
	w/Auto Lite Motor	1	2448 282		
	w/General Industries Motor	1	----	2448 267	
	w/Leece Neville Motor	1	----	2495 548	
	Single Speed, VA3, VC1				
	w/Auto Lite Motor	1	----	1879 601	1879 601
	w/Leece Neville Motor	1	----	2448 608	2448 608
	Variable Speed, VA3, VC1, VC2, VC3				
	w/Auto Lite Motor	1	----	1879 598	1879 598
	w/Leece Neville Motor	1	----	2495 548	2495 548
23-67-16	BRUSH and SPRING PACKAGE, Motor Single Speed,				
	except VA3 w/Auto Lite Motor	1	1752 518		
	w/General Industries Motor	1	----	2084 269	
	w/Leece Neville Motor	2	----	2448 606	
	Variable Speed, except VA3				
	w/Auto Lite Motor	1	1752 518		
	w/General Industries Motor	1	----	2448 265	
	w/Leece Neville Motor	1	----	2525 250	
	Single Speed, VA3, VC1				
	w/Auto Lite Motor	1	----	1752 518	1752 518
	w/Leece Neville Motor	1	----	2448 606	2448 606

* Indicates use as required.
 □ Indicates parts not listed in any previous parts book.
 Right and left part numbers are on some line,
 first number is right, second number is left.
 • Indicates change or addition.

1964 PASSENGER CAR PARTS CATALOG

BODY

CODE	PART NAME AND DESCRIPTION	PER CAR	VALIANT DART	PLYMOUTH DODGE	CHRYSLER IMPERIAL
23-67-0 WINDSHIELD WIPER - Cont'd					
23-67-16	BRUSH and SPRING PACKAGE - Cont'd Variable Speed, VA3, VC1, VC2, VC3				
	w/Auto Lite Motor	1	----	1627 273	1627 273
	w/Leece Neville Motor	1	----	2525 250	2525 250
23-67-18	BRACKET, Motor Mounting				
	Except VA3				
	Single Speed	1	----	2427 571	
	Variable Speed	1	----	2427 570	
	VA3				
	Single Speed	1	----	1838 293	1838 293
	Variable Speed	1	----	1838 289	1838 289
23-67-20	GROMMET, Motor Mounting	3	----	1594 992	1594 992
	GROMMET PACKAGE, Motor Mounting	1	2421 482		
23-67-25	REFILL, Blade				
	Except VA3	2	2291 909	2426 255	
	VA3, VC1, VC2, VC3	2	----	1818 892	1818 892
	VY1	2	----	----	2427 671
23-67-48	ADAPTOR, Pivot Mounting				
	VY1	1	----	----	1704 062-3
23-67-49	GASKET, Pivot Mounting				
	VY1	4	----	----	1704 066
23-67-50	NUT, Pivot Mounting				
	VY1	2	----	----	1770 140
23-67-76	ARM, Wiper Crank				
	VC1				
	Single Speed	1	----	2427 576	2427 576
	VC1, VC2, VC3				
	Variable Speed	1	----	2427 575	2427 575
	VY1	1	----	----	2427 923
23-67-79	LINK, Wiper				
	Except VA3	1	----	2427 584-5	
	VA3, VC1, VC2, VC3, except Cv. Cp., Right	1	----	2198 348	2198 348
	Left	1	----	2257 849	2257 849
	VA3, VC1, VC2, Cv. Cp., Right	1	----	1842 407	1842 407
	Left	1	----	2258 457	2258 457
	VY1				
	Right	1	----	----	1841 679
	Left	1	----	----	2198 099
	LINK, Drive	1	2496 140		
	LINK, Pivot Connecting	1	2496 139		
23-67-80	RETAINER, Link				
	To Pivot	2	1642 029	1605 299	1605 299
	To Crank Arm 1" x 1" x .05"	1	----	1886 202	1886 202
	To Crank Arm 11/16 x 1/2" x 1/4"	1	----	1642 029	1642 029
	Drive Link	2	1642 029		
23-67-82	WASHER, Link				
	Felt	2	1540 383		
	Steel	1	1770 289	1770 289	1770 289
	Brass	1	1622 352		
	SPRING WASHER	★	1770 290	1770 290	1770 290
23-67-83	BUSHING, Link to Crank Arm				
	VC1	2	----	2427 573	2427 573
23-67-85	GASKET, Pivot Mounting				
	Except VA3	2	2258 455	2258 455	
	VA3, VC1, VC2, VC3, except Cv. Cp.	2	----	2198 407	2198 407
	VA3, VC1, VC2, Cv. Cp.	2	----	1838 242	1838 242

★ Indicates use as required.

E Indicates parts not listed in any previous parts book.

March 15, 1965 Supersedes March 16, 1964.

Page 23-334

Printed in U.S.A.
 Prices and specifications subject to change without notice.
 Right and left part numbers are on same line,
 first number is right, second number is left.
 • Indicates change or addition.

CODE	PART NAME AND DESCRIPTION	PER CAR	VALIANT DART	PLYMOUTH DODGE	CHRYSLER IMPERIAL
23-67-O WINDSHIELD WIPER - Cont'd					
23-67-86	PIVOT				
	Except VA3 Right	1	2496 138	2427 583	
	Left	1	2496 137	2427 583	
	VA3, VC1, VC2, VC3, except Cv. Cp.	1	----	2240 526-7	2240 526-7
	VA3, VC1, VC2, Cv. Cp.,	2	----	1838 159	1838 159
	VY1	1	----	----	2427 548-9
23-67-91	SCREW, w/WASHER, Pivot Mounting				
	VY1	4	----	----	1704 061
23-67-95	NUT, w/WASHER, Pivot Mounting				
	VC1, VC2, VC3	4	----	2076 232	2076 232
	NUT, VY1	2	----	----	1770 140
23-67-98	MOTOR				
	Except VA3 Single Speed	1	2525 270	2495 200	
	Variable Speed	1	2525 269	2448 849	
	VA3, VC1 Single Speed	1	----	1879 583	1879 583
	VA3, VC1, VC2, VC3, Variable Speed	1	----	2495 201	2495 201
	VY1	1	----	----	2448 844
23-67-100	SPACER, Motor Mounting to Bracket	3	----	1594 995	1594 995
23-67-102	WASHER, Motor Mounting	3	2290 921	1594 993	1594 993
	NUT, Motor Mounting	3	B6025 413		
23-67-119	HOLDER, Motor Brush, Single Speed, except				
	VA3 w/General Industries Motor . . .	1	----	1495 160	
	w/Leece Neville Motor	1	----	2448 609	
	Variable Speed, except VA3				
	w/General Industries Motor . . .	2	----	1571 034	
	w/Leece Neville Motor	1	----	2495 547	
	Single Speed, VA3, VC1				
	w/Leece Neville Motor	1	----	2448 609	2448 609
	Variable Speed, VA3, VC1, VC2, VC3				
	w/Leece Neville Motor	1	----	2495 547	2495 547
23-67-129	REINFORCEMENT, Motor Mounting	1	----	1846 350	1846 350
23-67-132	BUSHING, Drive Link to Motor End				
	Single Speed	1	2291 853		
23-67-160	SWITCH				
	Use w/o Washers, Single Speed . . .	1	2421 195	2421 195	2421 195
	Except VA3 Use w/Washers, Single Speed . . .	1	2426 136	2426 136	2426 136
	Except VA3 Use w/o Washers, Variable Speed	1	2290 851	2426 314	
	VC1, VC2 Use w/o Washers, Variable Speed	1	----	----	2426 314
	VC1, VC2, VC3 Use w/Washers, Variable Speed	1	2426 664	2427 746	2427 746
	VY1	1	----	----	2496 528
23-67-161	NUT, Switch Mounting				
	VP1, VP2	1	1887 603	1887 603	
	VY1	1	----	----	6008 060
23-67-163	CURCUIT BREAKER, Switch	1	1642 384	1642 384	1642 384
23-67-164	PLATE and GASKET PACKAGE, Motor Switch				
	Single Speed, except VA3				
	w/Auto Lite Motor	1	2448 283		
	w/General Industries Motor . . .	1	----	2448 263	
	w/Leece Neville Motor	1	----	2448 607	
	Variable Speed, except VA3				
	w/Auto Lite Motor	1	2448 284		
	w/General Industries Motor . . .	1	----	2448 266	
	w/Leece Neville Motor	1	----	2495 549	

Ⓜ Indicates use as required.

Ⓟ Indicates parts not listed in any previous parts book.

Right and left part numbers are on same line,

first number is right, second number is left.

* Indicates change or addition.

1964 PASSENGER CAR PARTS CATALOG

BODY

CODE	PART NAME AND DESCRIPTION	PER CAR	VALIANT DART	PLYMOUTH DODGE	CHRYSLER IMPERIAL
23-67-0 WINDSHIELD WIPER - Cont'd					
23-67-164	PLATE and GASKET PACKAGE - Cont'd				
	Single Speed, VA3, VC1				
	w/Auto Lite Motor	1	----	1879 602	1879 602
	w/Leece Neville Motor	1	----	2448 607	2448 607
	Variable Speed, VA3, VC1, VC2, VC3				
	w/Auto Lite Motor	1	----	2298 876	2298 876
	w/Leece Neville Motor	1	----	2495 549	2495 549
23-67-166	TERMINAL, Circuit Breaker Feed				
	Variable Speed	1	1770 660	1770 660	1770 660
23-67-194	KNOB, Switch				
	VV1, VP1, VP2 Use w/o Washers	1	2291 282	2291 282	
	Use w/Washers	1	2291 284	2291 284	
	VL1, VD1, VD2 Use w/o Washers	1	2290 396	2290 396	
	Use w/Washers	1	2427 401	2427 401	
	VA3, VC1, VC2 Use w/o Washers	1	----	2197 379	2197 075
	VA3, VC1, VC2, VC3				
	Use w/Washers	1	----	2497 496	1887 989
	VY1	1	----	----	2426 653
23-67-195	BEZEL, Switch				
	VV1, VP1, VP2	1	1887 602	1887 602	
	VD1, VD2	1	----	2258 616	
	VA3, VC1, VC2, VC3	1	----	1887 789	2290 721
23-67-196	BUTTON, Switch Knob, use w/Washers				
	VV1, VV2, VP1, VP2, VC1, VC2, VC3	1	*2427 403	*2427 403	*2427 403
	VL1, VL2, VD1, VD2, VA3, VY1	1	2427 403	2427 403	2427 403
23-67-202	SPRING, Wiper Parking				
	Variable Speed	2	----	2427 917	2427 917
23-67-203	SPRING-TRIP, Wiper Parking				
	Variable Speed	2	----	1753 712	1753 712
23-67-204	CAM, Wiper Parking				
	Variable Speed	2	----	2496 861	2496 861

NOTES

★ Indicates use as required.

□ Indicates parts not listed in any previous parts book.

March 15, 1965 Supersedes March 16, 1964.

Page 23-336

Printed in U.S.A.
 Prices and specifications subject to change without notice.
 Right and left part numbers are on same line,
 first number is right, second number is left.

* Indicates change or addition.

59340