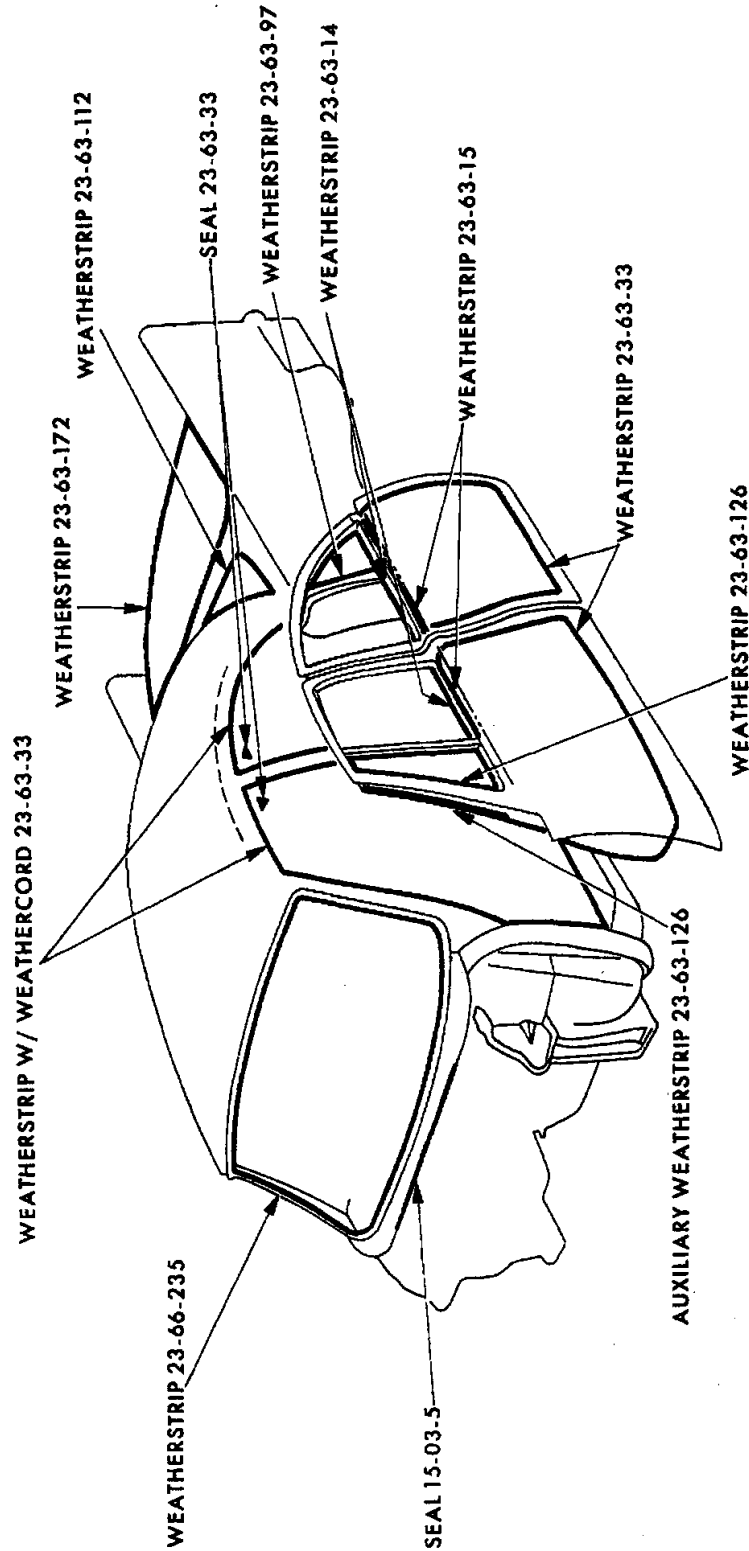
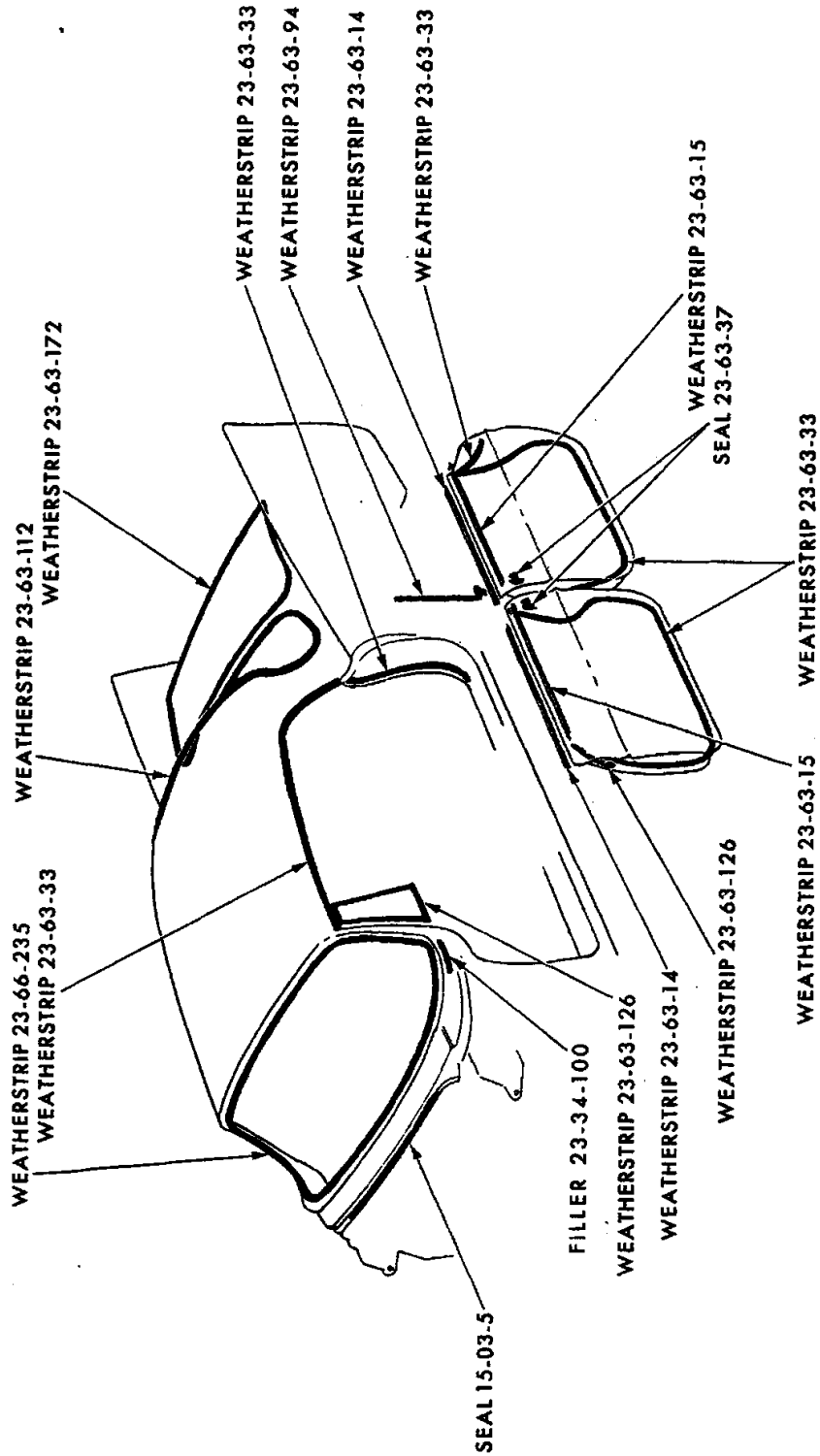


GROUP 23 - BODY



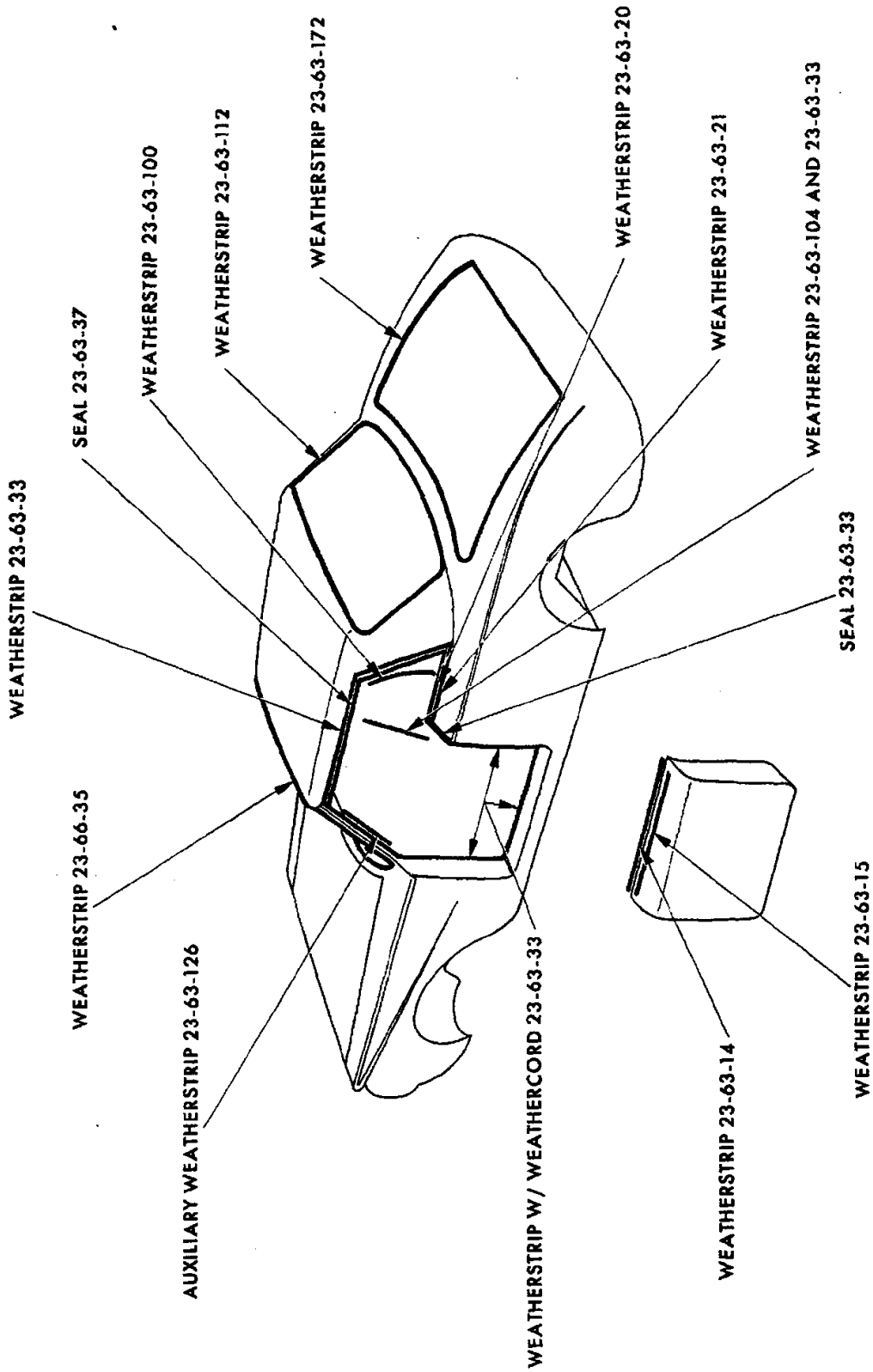
19x9836

WEATHERSTRIPS AND SEALS - TYPICAL OF 4 DOOR AND 2 DOOR SEDANS



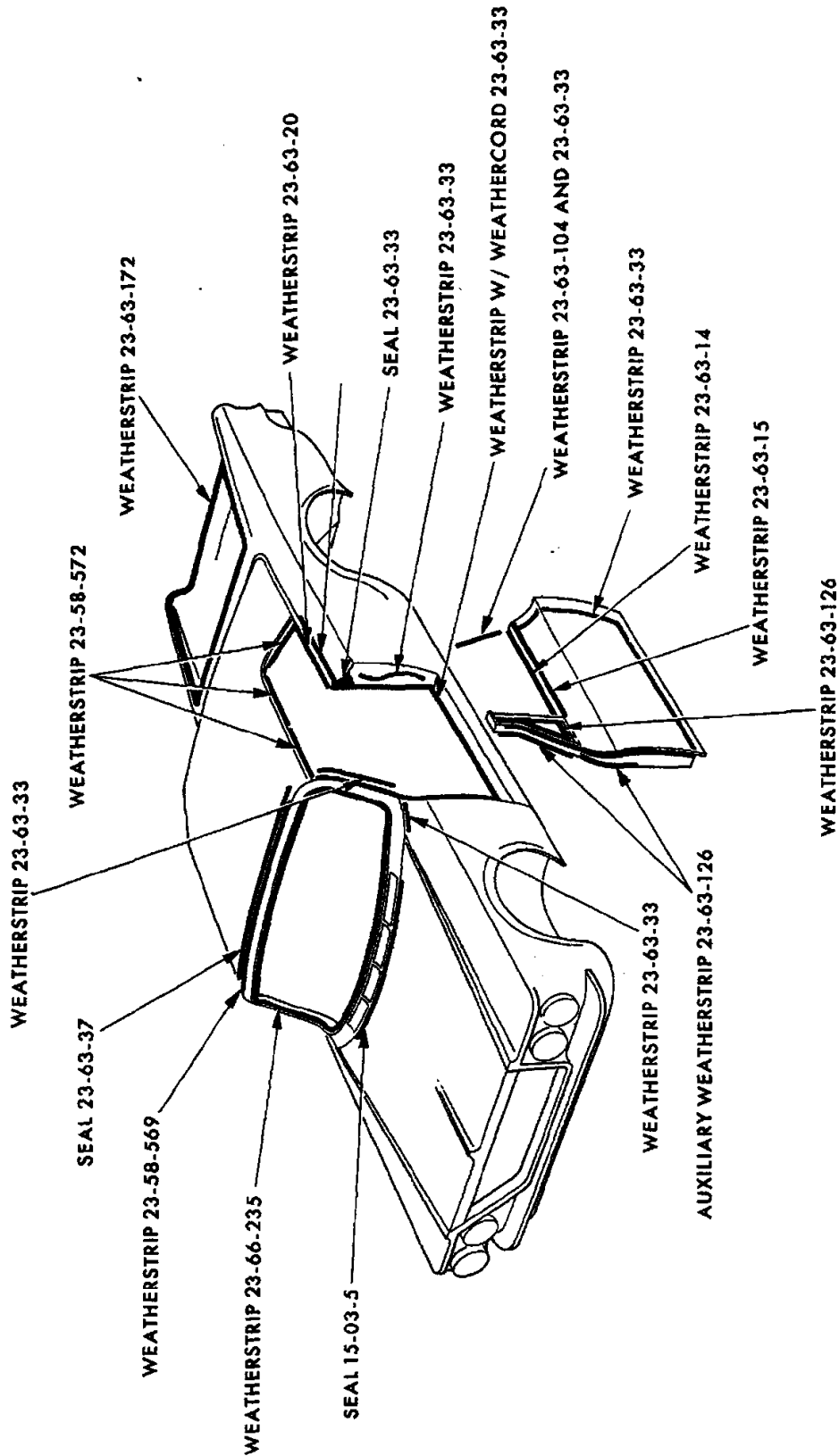
19x9835A

WEATHERSTRIPS AND SEALS - TYPICAL OF 4 DOOR HARDTOPS



19x9834

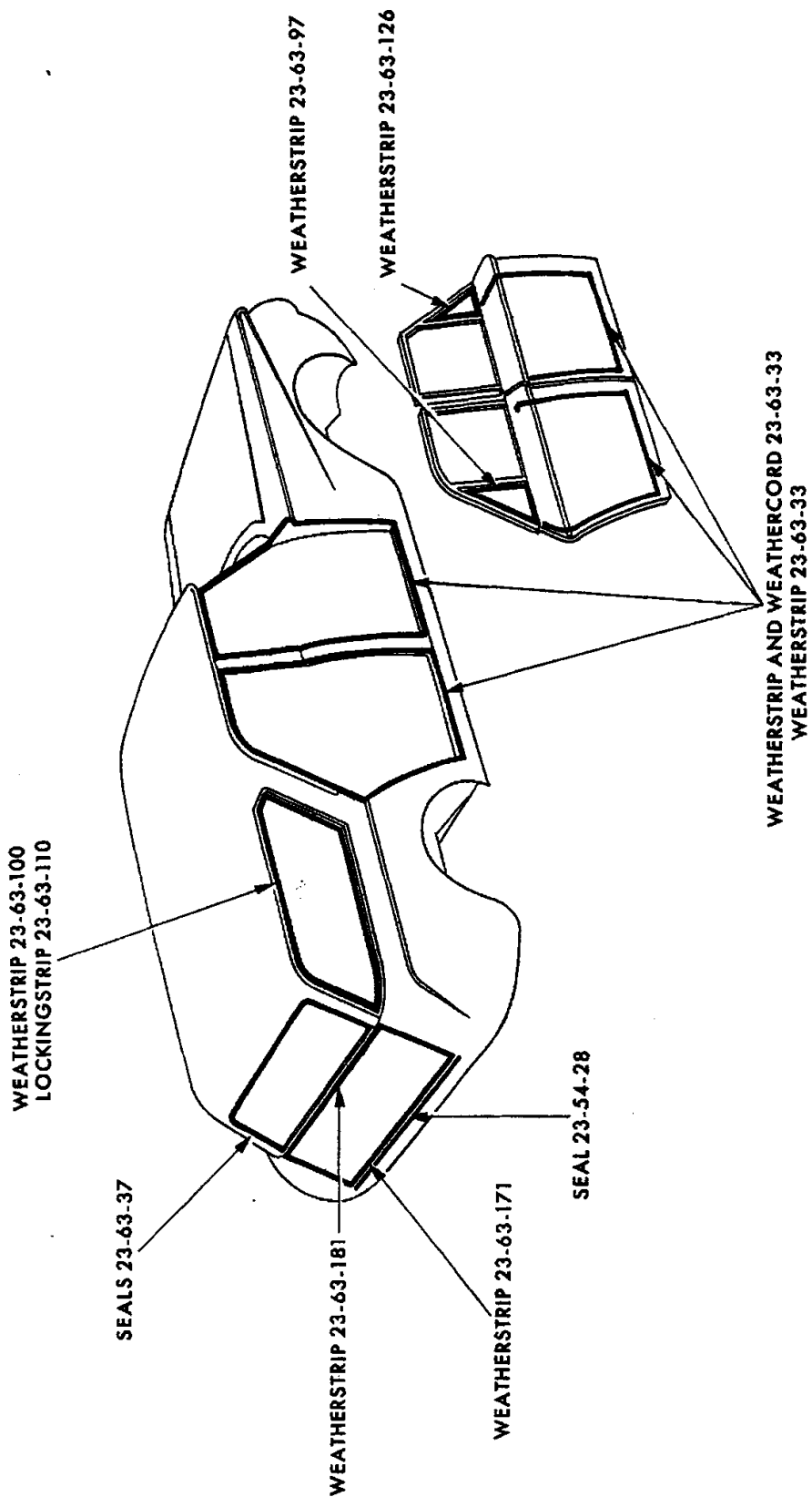
WEATHERSTRIPS AND SEALS - TYPICAL OF 2 DOOR HARDTOPS



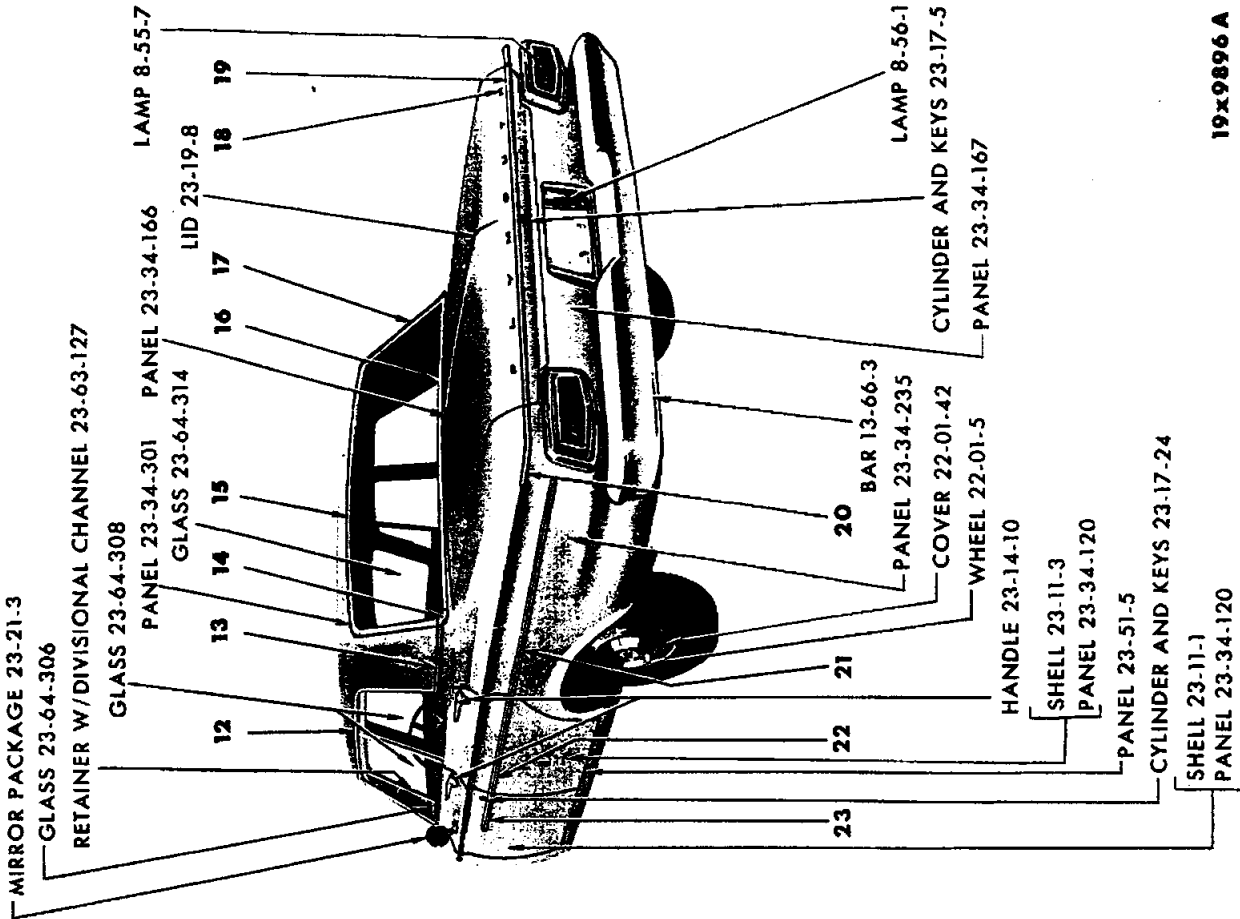
19X9833

WEATHERSTRIPS AND SEALS - TYPICAL OF CONVERTIBLE COUPES

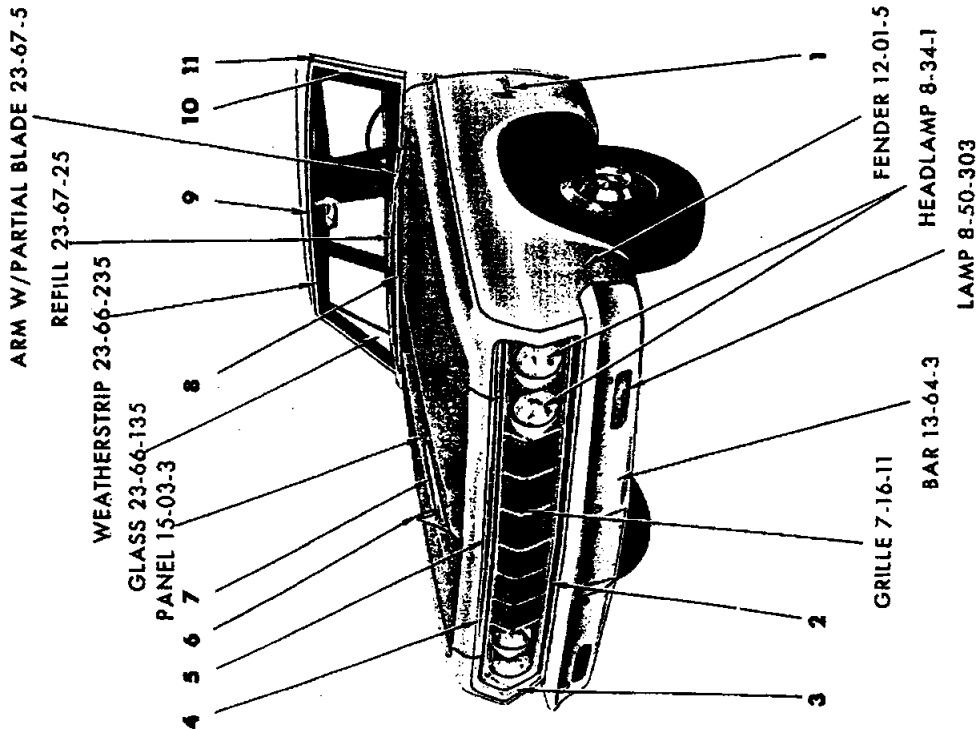
19x9837



WEATHERSTRIPS AND SEALS - TYPICAL OF STATION WAGONS



19x9896A



EXTERIOR VIEW - PLYMOUTH VP1-2(L) 4 DOOR SEDAN

# 1964 PASSENGER CAR PARTS CATALOG

BODY

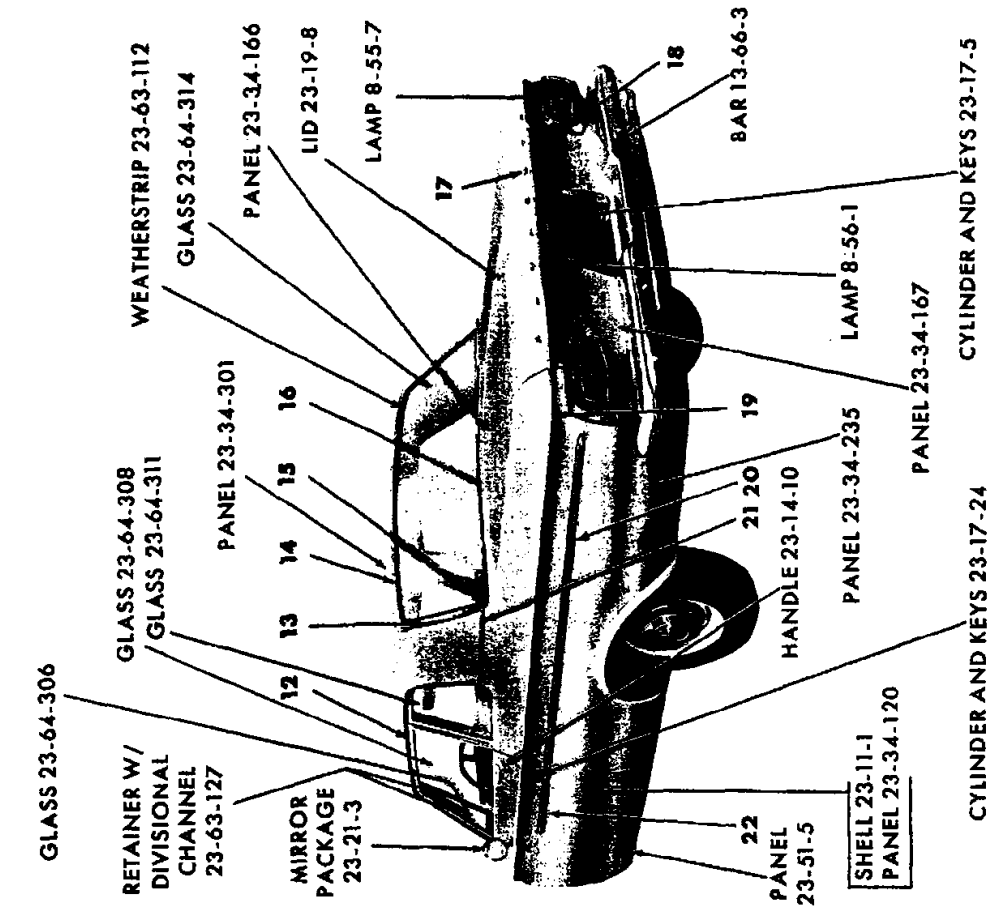
Page 23-7

REF. NO.	QTY	PART NUMBER	DESCRIPTION	REF. NO.	QTY	PART NUMBER	DESCRIPTION
1	2	2417 375	NAME PLATE, Fender Side (12-15-21)	14	1	2480 920-1	MOULDING, Rear Window Outside Lower Corner (23-23-52)
	6	152 259	Nut		2	6023 693	Screw
2	1	2495 195	MOULDING PACKAGE, Radiator Stone Deflector (7-36-20)	15	1	2495 269	MOULDING PACKAGE, Rear Window Outside Upper (23-23-52)
	8	6001 467	Retainer		6	6001 525	Retainer and Screw
	8	6000 616	Nut	16	1	2480 922	MOULDING, Rear Window Outside Lower (23-23-52)
3	1	2495 196-7	MOULDING PACKAGE, Fender Front (12-15-2)		6	6023 693	Screw
	4	6001 466	Retainer	17	1	2480 918-9	MOULDING, Rear Window Outside Side (23-23-53)
	4	-----	Clip		6	6001 525	Retainer and Screw
	8	6024 563	Screw	18	1	2417 367	"P", Deck Lid Letter (23-19-114)
	4	-----	Nut		1	2417 368	"L"
4	1	2495 194	MOULDING PACKAGE, Hood Front (15-25-2)		1	2417 369	"Y"
	8	-----	Nut		1	2417 370	"M"
	2	6001 465	Retainer		1	2423 369	"O"
	4	6001 466	Retainer		1	2423 370	"U"
5	1	2417 367	LETTER, Hood Front Name "P" (15-06-16)		1	2417 373	"T"
	1	2417 368	"L"		1	2417 374	"H"
	1	2417 369	"Y"		16	152 259	Nut
	1	2417 370	"M"	19	1	2448 179	MOULDING PACKAGE, Deck Lid (23-23-30)
	1	2423 369	"O"		2	6001 433	Retainer
	1	2423 370	"U"		1	2424 098-9	Spacer
	1	2417 373	"T"		2	9417 621	Nut
	1	2417 374	"H"		6	6001 439	Retainer
6	16	9415 250	Nut		6	6006 264	Nut
	1	2417 713	ORNAMENT, Hood Top (15-03-18)	20	1	2448 184-5	MOULDING PACKAGE, Quarter Panel Lower Rear (23-23-39)
	1	6023 912	Screw		6	-----	Nut
7	1	2495 756	MOULDING PACKAGE, Hood Top (15-25-2)		6	6001 112	Clip
	3	6023 097	Nut	21	1	2495 766-7	MOULDING PACKAGE, Quarter Panel (23-23-39)
8	1	2218 595	MOULDING, Windshield Outside Finish Lower (23-23-65)		2	6024 271	Screw
	10	6001 537	Retainer and Screw		12	6001 580	Retainer
9	1	2218 594	MOULDING, Windshield Outside Upper (23-23-65)		2	6001 579	Retainer
	8	6001 537	Retainer and Screw		2	6024 679	Nut
10	1	2218 596-7	MOULDING, Windshield Outside Finish Side (23-23-65)	22	1	2495 762-3	MOULDING PACKAGE, Rear Door (23-23-33)
	6	6023 247	Screw		4	6001 711	Retainer
11	1	2491 014-5	MOULDING, Windshield Outside Side Upper Extension (23-23-65)		4	9417 621	Nut
	6	6024 271	Screw		10	6001 580	Retainer
12	1	2483 436-7	MOULDING, Roof Drain Trough Side (23-59-81)	23	1	2525 952-3	MOULDING PACKAGE, Front Door (23-23-32)
	6	6024 271	Screw		2	-----	Retainer
13	1	2448 150-1	MOULDING PACKAGE, Quarter Panel Belt (23-23-39)		2	-----	Nut
	6	6001 030	Retainer		6	6001 580	Retainer
	6	152 259	Nut		2	6001 711	Retainer
					2	9417 621	Nut

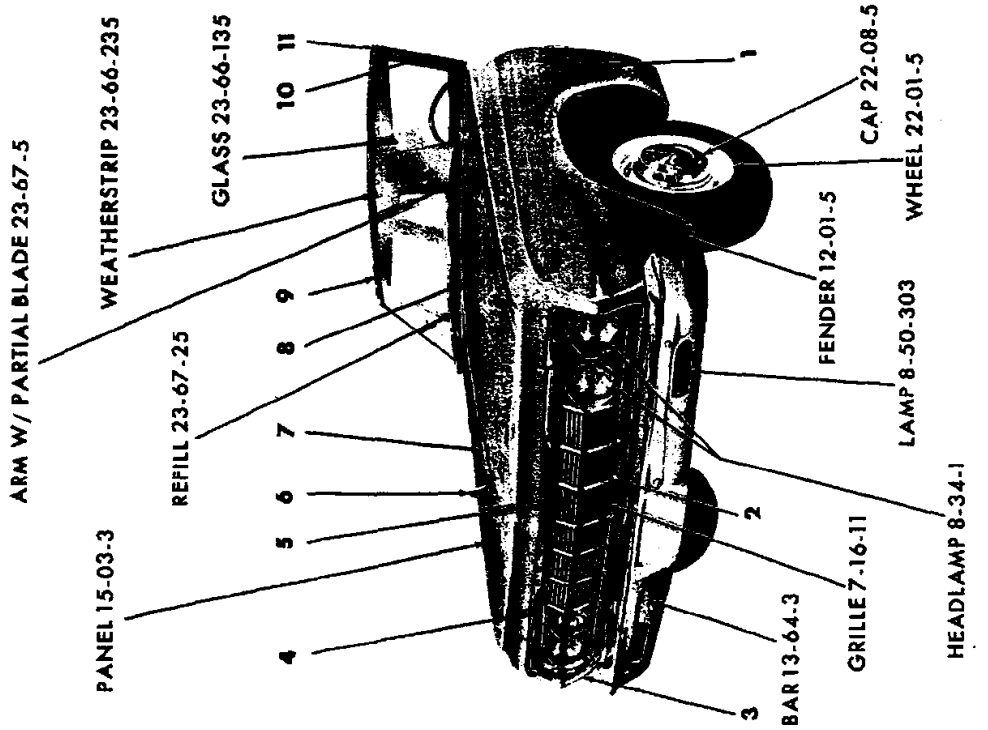
All Packages Include Attaching Parts

Part Type Code is Indicated in Parentheses

EXTERIOR VIEW - PLYMOUTH VP1-2(L) 4 DOOR SEDAN



19x9946A



EXTERIOR VIEW - PLYMOUTH VPI-2(L) 2 DOOR SEDAN

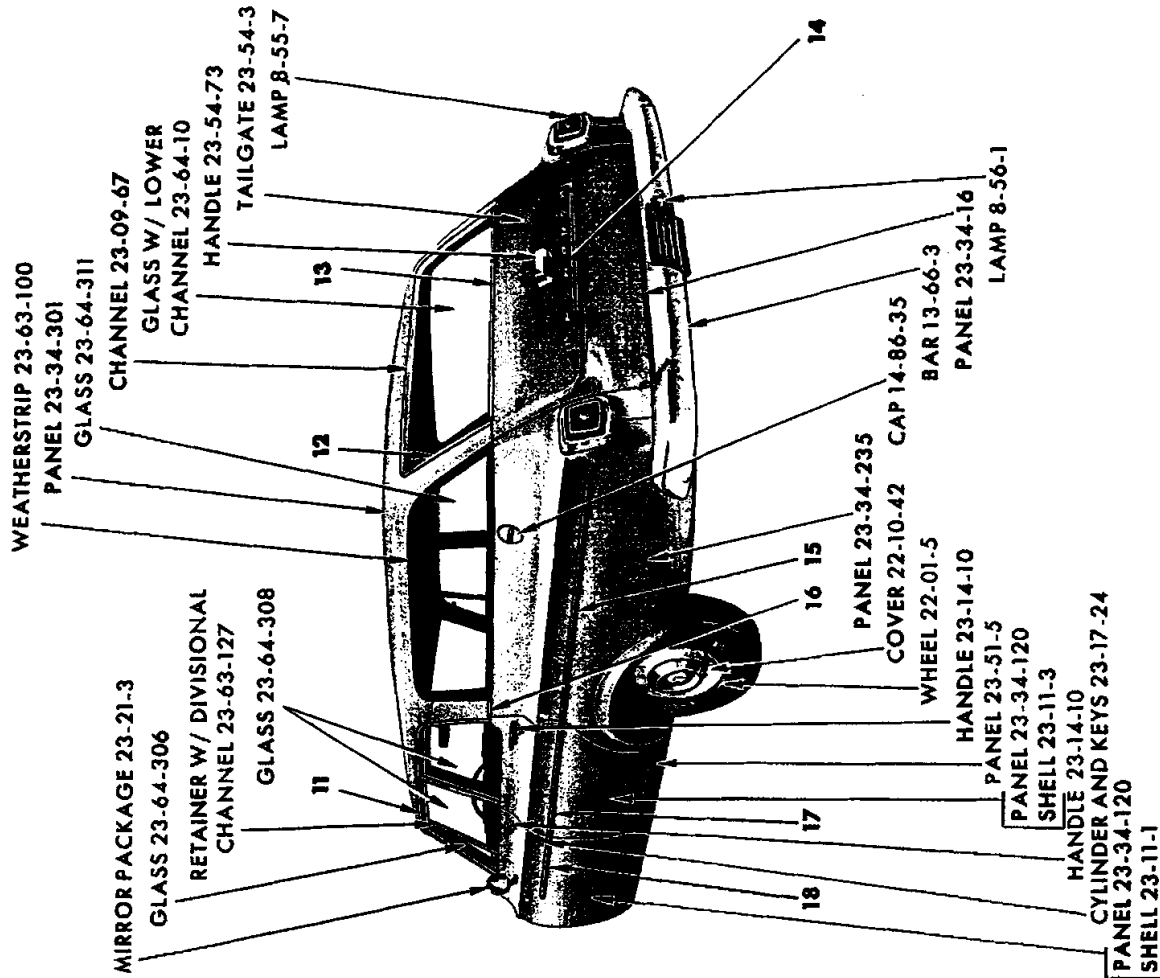


REF. NO.	QTY	PART NUMBER	DESCRIPTION	REF. NO.	QTY	PART NUMBER	DESCRIPTION
1	2	2417 375	NAME PLATE, Fender Side (12-15-21)	14	1	2495 269	MOULDING PACKAGE, Rear Window Outside Upper (23-23-52)
	6	152 259	Nut		6	6001 525	Retainer and Screw
2	1	2495 195	MOULDING PACKAGE, Radiator Stone Deflector (7-35-20)	15	1	2480 920-1	MOULDING, Rear Window Outside Lower Corner (23-23-52)
	8	6001 467	Retainer		2	6023 693	Screw
	8	6000 616	Nut	16	1	2480 922	MOULDING, Rear Window Outside Lower (23-23-52)
3	1	2495 196-7	MOULDING PACKAGE, Fender Front (12-15-2)		6	6024 299	Screw
	4	6001 466	Retainer	17	1	2417 367	"P", Deck Lid Letter (23-19-114)
	4	-----	Clip		1	2417 368	"L"
	8	6024 563	Screw		1	2417 369	"Y"
	4	-----	Nut		1	2417 370	"M"
4	1	2495 194	MOULDING PACKAGE, Hood Front (15-25-2)		1	2423 369	"O"
	8	-----	Nut		1	2423 370	"U"
	2	6001 468	Retainer		1	2417 373	"T"
	6	6001 466	Retainer		1	2417 374	"H"
5	1	2417 367	LETTER, Hood Front Name, "P" (15-06-16)	16	152 259	Nut	
	1	2417 368	"L"	18	1	2448 179	MOULDING PACKAGE, Deck Lid (23-23-30)
	1	2417 369	"Y"		2	6001 433	Retainer
	1	2417 370	"M"		1	2424 098-9	Spacer
	1	2423 369	"O"		6	6001 439	Retainer
	1	2423 370	"U"		2	9417 621	Nut
	1	2417 373	"T"		6	6008 264	Nut
	1	2417 374	"H"	19	1	2448 184-5	MOULDING PACKAGE, Quarter Panel Rear (23-23-39)
	16	9415 250	Nut		6	6001 112	Clip
6	1	2417 713	ORNAMENT, Hood Top (15-03-18)		6	-----	Nut
	1	6023 912	Screw	20	1	2495 764-5	MOULDING PACKAGE, Quarter Panel (23-23-39)
7	1	2495 756	MOULDING PACKAGE, Hood Top (15-25-2)		2	6024 271	Screw
	3	6023 097	Nut		10	6001 580	Retainer
8	1	2218 595	MOULDING, Windshield Outside Finish Lower (23-23-65)		2	6001 579	Retainer
	10	6001 537	Retainer and Screw		2	6024 679	Nut
9	1	2218 594	MOULDING, Windshield Outside Upper (23-23-65)	21	1	2448 150-1	MOULDING PACKAGE, Quarter Panel Belt (23-23-39)
	8	6001 537	Retainer and Screw		6	6001 030	Retainer
10	1	2218 596-7	MOULDING, Windshield Outside Finish Side (23-23-65)		6	152 259	Nut
	6	6023 247	Screw	22	1	2525 954-5	MOULDING PACKAGE, Door (23-23-32)
11	1	2491 014-5	MOULDING, Windshield Outside Side Upper Extension (23-23-65)		2	6001 711	Retainer
	6	6024 271	Screw		2	9417 621	Nut
12	1	2483 436-7	MOULDING, Roof Drain Trough Side (23-59-61)		2	-----	Retainer
	2	-----			2	-----	Nut
13	1	2480 918-9	MOULDING, Rear Window Outside Side (23-23-52)		8	6001 580	Retainer
	6	6001 525	Retainer and Screw				

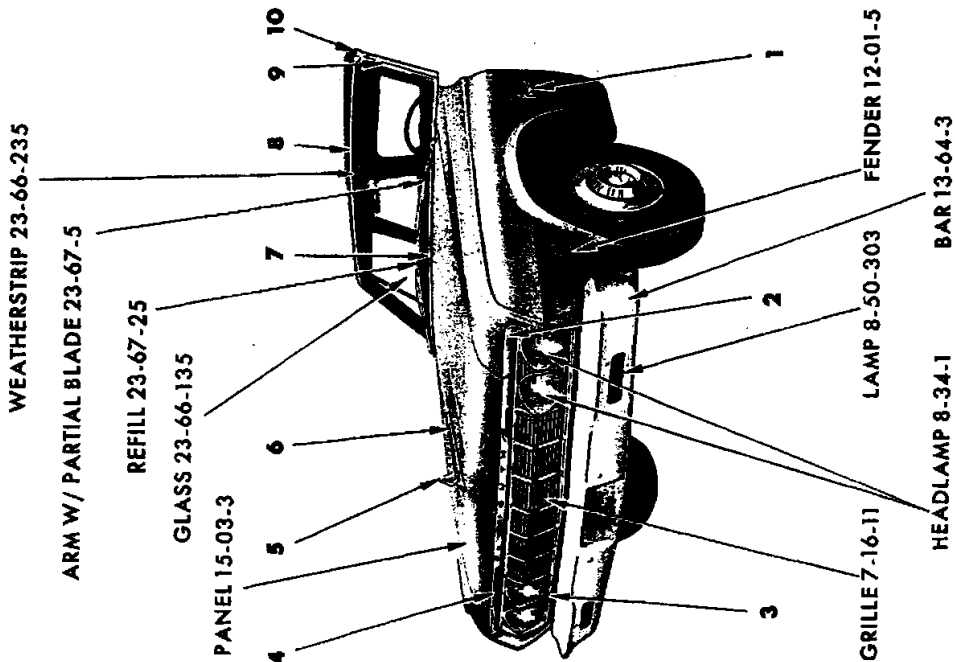
All Packages Include Attaching Parts

Part Type Code is Indicated in Parentheses

EXTERIOR VIEW - PLYMOUTH VP1-2(L) 2 DOOR SEDAN



19x9913 A



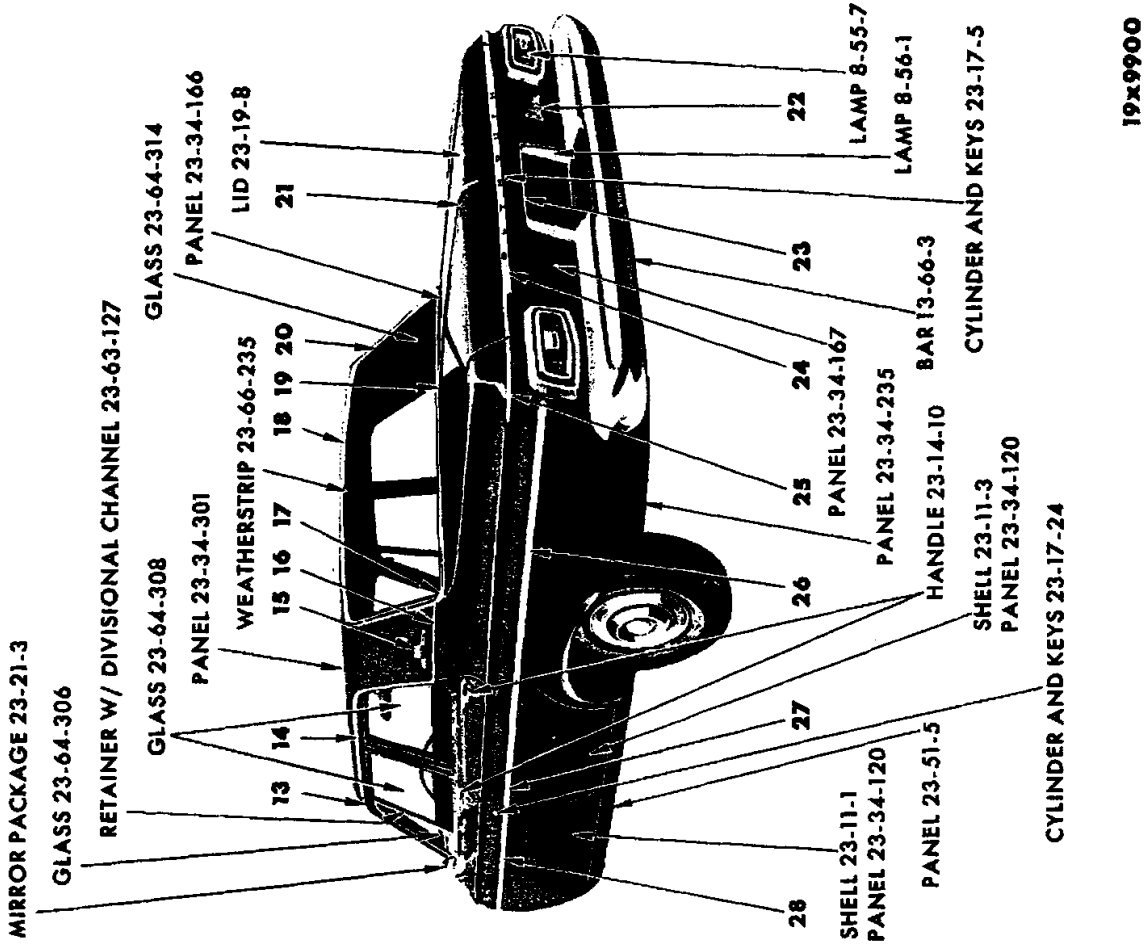
EXTERIOR VIEW - PLYMOUTH VPI-2(L) 4 DOOR STATION WAGON

REF. NO.	QTY	PART NUMBER	DESCRIPTION	REF. NO.	QTY	PART NUMBER	DESCRIPTION
1	2	2417 375	NAME PLATE, Fender Side (12-15-21)	13	1	2448 488	MOULDING PACKAGE; Tailgate Outside Panel Belt (23-23-61)
	6	152 259	Nut		6	6001 435	Clip
2	1	2495 196-7	MOULDING PACKAGE, Fender Front (12-15-2)		6	-----	Screw
	4	6001 466	Retainer	14	1	2417 367	LETTER "P", Tailgate Outside Panel (23-54-11)
	4	-----	Clip		1	2417 368	"L"
	8	6024 563	Screw		1	2417 369	"Y"
	4	-----	Nut		1	2417 370	"M"
3	1	2495 195	MOULDING PACKAGE, Radiator Stone Deflector (7-35-20)		1	2423 369	"O"
	8	6001 467	Retainer		1	2423 370	"U"
	8	6000 616	Nut		1	2417 373	"T"
4	1	2495 194	MOULDING PACKAGE, Hood Front (15-25-2)		1	2417 374	"H"
	8	-----	Nut	15	16	6001 254	Clip
	2	6001 465	Retainer		1	2495 768-9	MOULDING PACKAGE, Quarter Panel (23-23-39)
	4	6001 466	Retainer		2	6024 271	Screw
5	1	2417 713	ORNAMENT, Hood Top (15-03-18)		14	6001 580	Retainer
	1	6023 912	Screw		2	6001 579	Retainer
6	1	2495 756	MOULDING PACKAGE, Hood Top (15-25-2)		2	-----	Nut
	3	6023 097	Nut	16	1	2299 374	MOULDING PACKAGE, Quarter Panel Belt, Right (23-23-39)
7	1	2218 595	MOULDING, Windshield Outside Finish Lower (23-23-65)		1	2299 399	MOULDING PACKAGE, Quarter Panel Belt, Left
	10	6001 537	Retainer and Screw		4	6001 071	Clip
8	1	2218 594	MOULDING, Windshield Outside Upper (23-23-65)	17	1	2495 762-3	MOULDING PACKAGE, Rear Door (23-23-33)
	8	6001 537	Retainer and Screw		4	6001 711	Retainer
9	1	2218 596-7	MOULDING, Windshield Outside Finish Side (23-23-65)		4	9417 621	Nut
	6	6023 247	Screw		10	6001 580	Retainer
10	1	2491 014-5	MOULDING, Windshield Outside Side Upper Extension (23-23-65)	18	1	2525 952-3	MOULDING PACKAGE, Front Door (23-23-32)
	6	6024 271	Screw		2	-----	Retainer
11	1	2483 436-7	MOULDING, Roof Side Drain Trough (23-59-61)		2	-----	Nut
	6	6024 271	Screw		6	6001 580	Retainer
12	1	2480 976-7	MOULDING, Rear Upper Pillar Outside (23-23-60)		2	6001 711	Retainer
	8	9417 732	Screw		2	9417 621	Nut

All Packages Include Attaching Parts

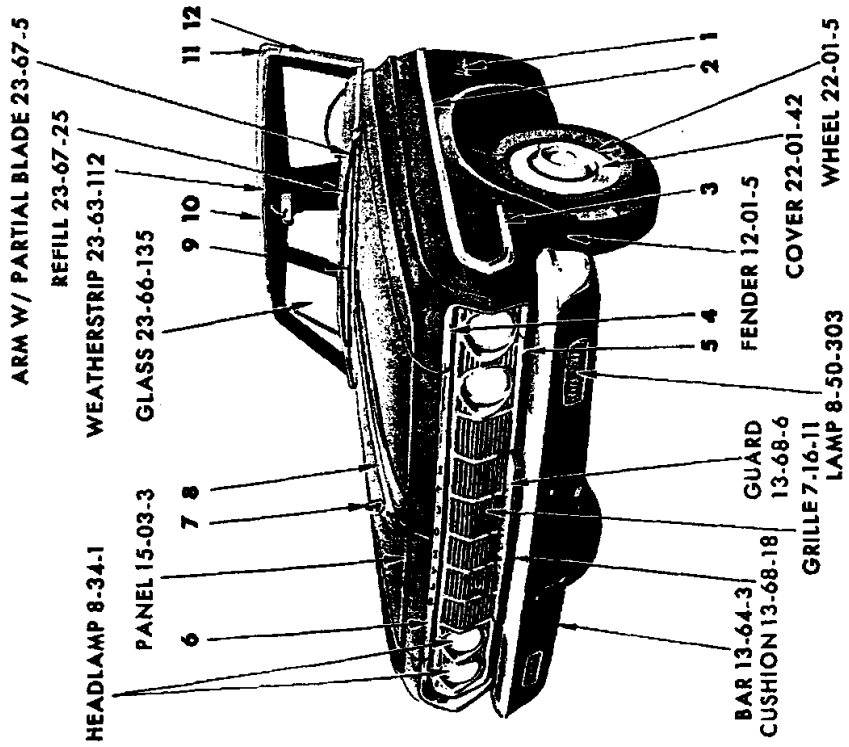
Part Type Code is Indicated in Parentheses

EXTERIOR VIEW - PLYMOUTH VP1-2(L) 4 DOOR STATION WAGON



19x9900

EXTERIOR VIEW - PLYMOUTH VPI-2(M) 4 DOOR SEDAN

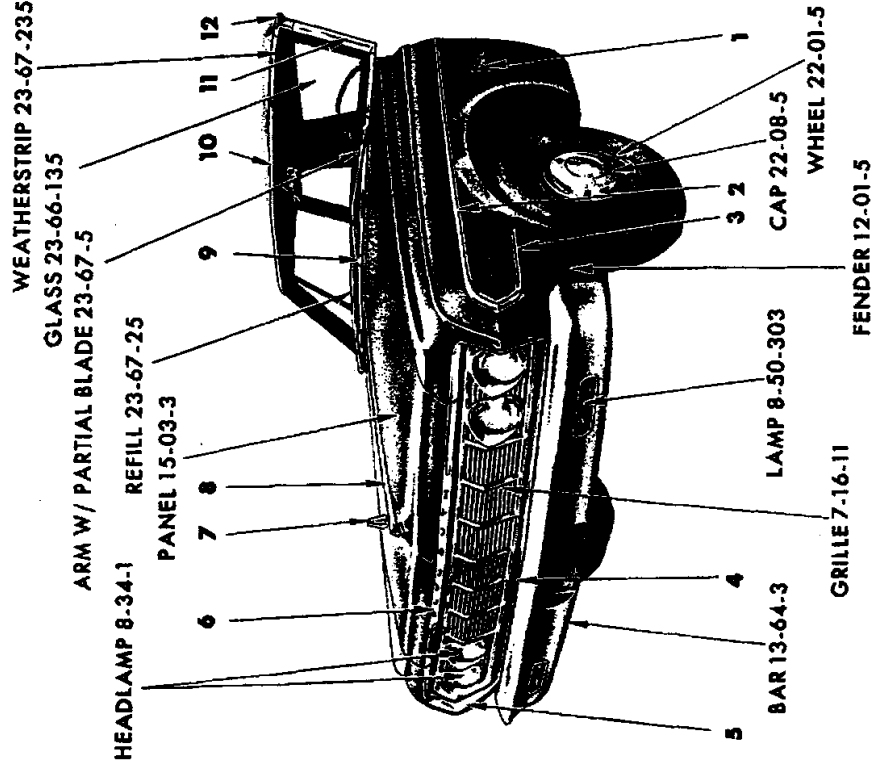
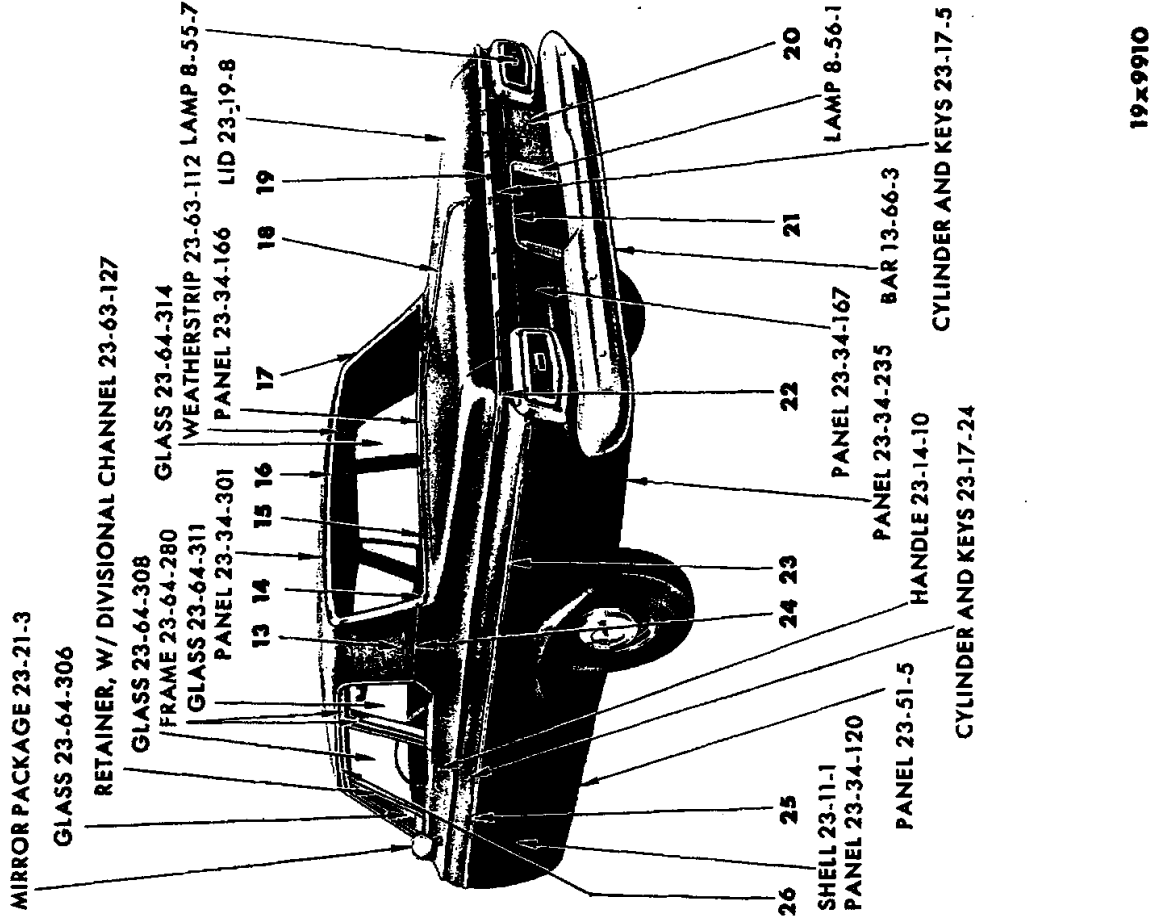


REF. NO.	QTY	PART NUMBER	DESCRIPTION	REF. NO.	QTY	PART NUMBER	DESCRIPTION
1	2	2422 891	NAME PLATE, Fender Side (12-15-21)	17	1	2480 920-1	MOULDING, Rear Window Outside Lower Corner (23-23-52)
	6	152 259	Nut		2	6023 693	Screw
2	1	2495 198-9	MOULDING PACKAGE, Fender Side Rear (12-15-2)	18	1	2495 269	MOULDING PACKAGE, Rear Window Outside Upper (23-23-53)
	4	6001 713	Retainer		6	6001 525	Retainer and Screw
	10	6001 503	Clip	19	1	2480 922	MOULDING, Rear Window Outside Lower (23-23-52)
	4	----	Nut		6	6023 693	Screw
3	1	2495 192-3	MOULDING PACKAGE, Fender Side Front (12-15-2)	20	1	2480 918-9	MOULDING, Rear Window Outside Side (23-23-52)
	8	6001 713	Retainer		6	6001 525	Retainer and Screw
	10	----	Nut	21	1	2448 180	MOULDING PACKAGE, Deck Lid Center (23-23-30)
4	1	2495 196-7	MOULDING PACKAGE, Fender Front (12-15-2)		6	6001 098	Retainer
	4	6001 466	Retainer		6	1839 995	Nut
	4	----	Clip	22	1	2422 891	NAME PLATE, Deck Opening Lower Panel (23-34-184)
	8	6024 563	Screw		3	6023 260	Nut
	4	----	Nut	23	1	2448 178	MOULDING PACKAGE, Deck Lower Panel License Depression (23-23-23)
5	1	2495 195	MOULDING PACKAGE, Radiator Stone Deflector (7-35-20)		4	1839 995	Nut
	8	6001 467	Retainer		3	6000 050	Clip
	8	6000 616	Nut	24	1	2448 590	MOULDING PACKAGE, Deck Lid Lower (23-23-30)
6	1	2495 194	MOULDING PACKAGE, Hood Front (15-25-2)		2	6001 433	Retainer
	2	6001 465	Retainer		2	9417 621	Nut
	4	6001 466	Retainer		1	2424 098-9	Spacer
7	1	2417 713	ORNAMENT, Hood Top (15-03-18)		6	6001 469	Retainer
	1	6023 912	Screw		6	6006 264	Nut
8	1	2495 757	MOULDING PACKAGE, Hood Top (15-25-2)	25	1	2448 184-5	MOULDING PACKAGE, Quarter Panel Upper Rear (23-23-39)
	6	6023 097	Nut		6	6001 112	Clip
9	1	2218 595	MOULDING, Windshield Outside Finish Lower (23-23-65)		6	----	Nut
	10	6001 537	Retainer and Screw	26	1	2495 766-7	MOULDING PACKAGE, Quarter Panel Lower (23-23-39)
10	1	2218 594	MOULDING, Windshield Outside Upper (23-23-65)		2	6024 271	Screw
	8	6001 537	Retainer and Screw		12	6001 503	Retainer
11	1	2491 014-5	MOULDING, Windshield Outside Side Upper Extension (23-23-65)		2	6000 029	Retainer
	6	6024 271	Screw		2	6024 679	Nut
12	1	2218 596-7	MOULDING, Windshield Outside Finish Side (23-23-65)	27	1	2495 762-3	MOULDING PACKAGE, Rear Door (23-23-33)
	6	6023 247	Screw		10	6001 503	Retainer
13	2	2422 976	CAP, Roof Drain Trough Moulding Front End (23-59-57)		4	6001 477	Retainer
14	1	2483 436-7	MOULDING, Roof Drain Trough Side (23-59-61)		4	9417 621	Nut
15	2	2480 515	MEDALLION, Quarter Outside (23-34-334)	28	1	2495 760-1	MOULDING PACKAGE, Front Door (23-23-32)
	4	152 259	Nut		8	6001 503	Retainer
16	1	2448 150-1	MOULDING PACKAGE, Quarter Panel Belt (23-23-39)		4	6001 477	Retainer
	6	6001 030	Retainer		4	9417 621	Nut
	6	152 259	Nut				

All Packages Include Attaching Parts

Part Type Code is Indicated in Parentheses

EXTERIOR VIEW - PLYMOUTH VP1-2(M) 4 DOOR SEDAN



19x9910

EXTERIOR VIEW - PLYMOUTH VPI-2(M) 2 DOOR SEDAN

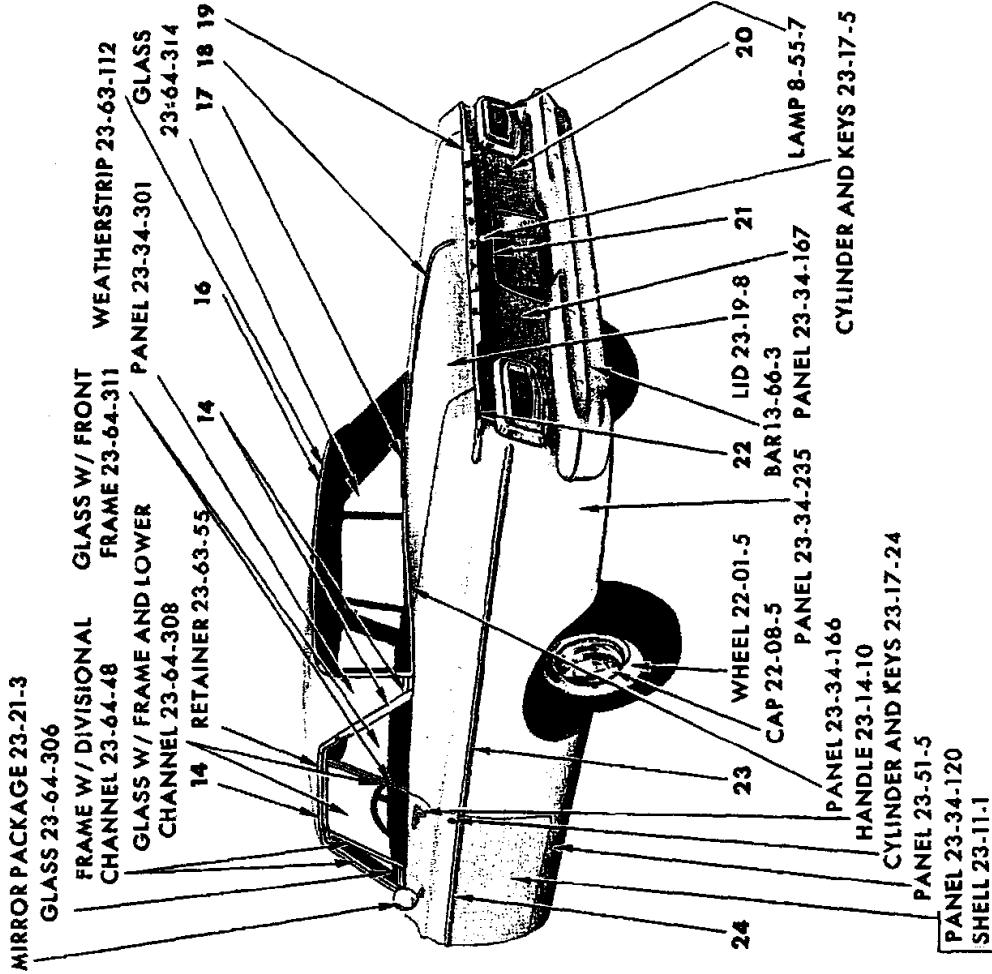
REF. NO.	QTY	PART NUMBER	DESCRIPTION
1	2	2422 891	NAME PLATE, Fender Side (12-15-21)
	6	152 259	Nut
2	1	2495 198-9	MOULDING PACKAGE, Fender Side Rear (12-15-2)
	4	6001 713	Retainer
	10	6001 503	Clip
	4	----	Nut
3	1	2495 192-3	MOULDING PACKAGE, Fender Side Front (12-15-2)
	8	6001 713	Retainer
	10	----	Nut
4	1	2495 195	MOULDING PACKAGE, Radiator Stone Deflector (7-35-20)
	8	6001 467	Retainer
	8	6000 616	Nut
5	1	2495 196-7	MOULDING PACKAGE, Fender Front (12-15-2)
	4	6001 466	Retainer
	4	----	Clip
	8	6024 563	Screw
	4	----	Nut
6	1	2495 194	MOULDING PACKAGE, Hood Front (15-25-2)
	8	----	Nut
	2	6001 465	Retainer
	4	6001 466	Retainer
7	1	2417 713	ORNAMENT, Hood Top (15-03-18)
	1	6023 912	Screw
8	1	2495 757	MOULDING PACKAGE, Hood Top (15-25-2)
	6	6023 097	Nut
9	1	2218 595	MOULDING, Windshield Outside Finish Lower (23-23-65)
	10	6001 537	Retainer and Screw
10	1	2218 594	MOULDING, Windshield Outside Upper (23-23-65)
	8	6001 537	Retainer and Screw
11	1	2218 596-7	MOULDING, Windshield Outside Finish Side (23-23-65)
	6	6023 247	Screw
12	1	2491 014-5	MOULDING, Windshield Outside Side Upper Extension (23-23-65)
	6	6024 271	Screw
13	2	2480 515	MEDALLION, Quarter Outside (23-34-334)
	4	152 259	Nut
14	1	2480 920-1	MOULDING, Rear Window Outside Lower Corner (23-23-52)
	2	6023 693	Screw

REF. NO.	QTY	PART NUMBER	DESCRIPTION
15	1	2480 922	MOULDING, Rear Window Outside Lower (23-23-52)
	6	6023 693	Screw
16	1	2495 269	MOULDING PACKAGE, Rear Window Outside Upper (23-23-52)
	6	6001 525	Retainer and Screw
17	1	2480 918-9	MOULDING, Rear Window Outside Side (23-23-52)
	6	6001 525	Retainer and Screw
18	1	2448 180	MOULDING PACKAGE, Deck Lid Center (23-23-30)
	6	8001 098	Retainer
	6	1839 995	Nut
19	1	2448 590	MOULDING PACKAGE, Deck Lid Lower (23-23-30)
	2	6001 433	Retainer
	2	9417 621	Nut
	1	2424 098-9	Spacer
	6	6001 469	Retainer
	6	6006 264	Nut
20	1	2422 891	NAME PLATE, Deck Opening Lower Panel (23-34-154)
	3	6023 260	Nut
21	1	2448 178	MOULDING PACKAGE, Quarter Panel License Depression (23-23-23)
	4	1839 995	Nut
	3	6000 050	Clip
22	1	2448 184-5	MOULDING PACKAGE, Quarter Panel Lower Rear (23-23-39)
	6	6001 112	Clip
	6	----	Nut
23	1	2495 764-5	MOULDING PACKAGE, Quarter Panel Lower (23-23-39)
	2	6024 271	Screw
	20	6001 503	Retainer
	2	6000 029	Retainer
	2	6024 679	Nut
24	1	2448 150-1	MOULDING PACKAGE, Quarter Panel Belt (23-23-39)
	6	6001 030	Retainer
	6	152 259	Nut
25	1	2495 758-9	MOULDING PACKAGE, Door (23-23-32)
	4	8001 477	Retainer
	4	9417 621	Nut
	8	6001 503	Retainer
26	1	2483 436-7	MOULDING, Roof Drain Trough Side (23-59-61)

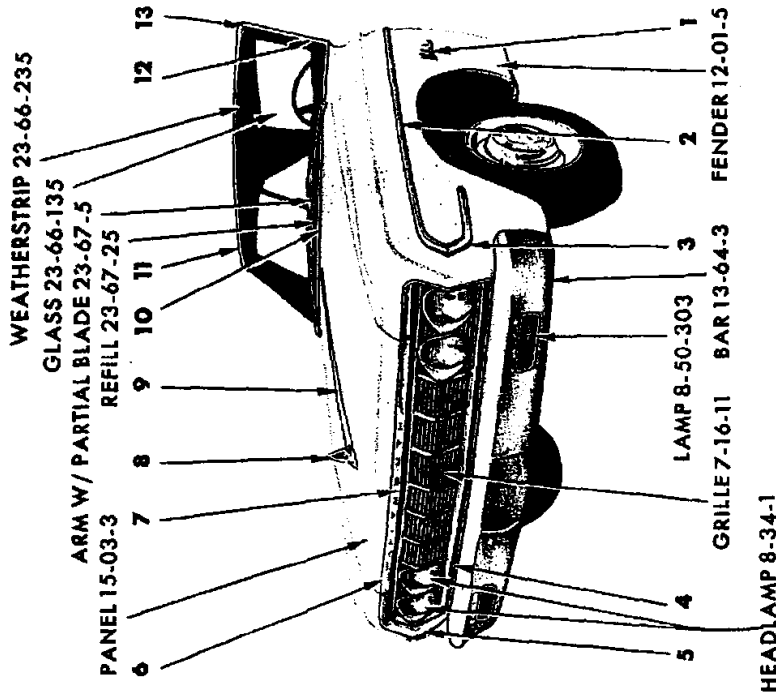
All Packages include Attaching Parts

Part Type Code is Indicated in Parentheses

EXTERIOR VIEW - PLYMOUTH VP1-2(M) 2 DOOR SEDAN



19x9911 A



EXTERIOR VIEW - PLYMOUTH VP1-2(M) 2 DOOR HARDTOP



REF. NO.	QTY	PART NUMBER	DESCRIPTION	REF. NO.	QTY	PART NUMBER	DESCRIPTION
1	2	2422 891	NAME PLATE, Fender Side (12-15-21)	14	1	2525 556-7	MOULDING, Roof Side Drain Trough Front and Rear (23-59-61)
	6	152 259	Nut		6	2483 716	Clip (w/Vinyl Roof)
2	1	2495 198-9	MOULDING PACKAGE, Fender Side Rear (12-15-2)		6	2573 062	Clip (w/o Vinyl Roof)
	4	6001 713	Retainer		6	6024 271	Screw
	10	6001 503	Clip		2	----	Nut
	4	----	Nut	16	1	2495 276-7	MOULDING PACKAGE, Rear Window Outside Upper and Side (23-23-52)
3	1	2495 192-3	MOULDING PACKAGE, Fender Side Front (12-15-2)		14	6001 084	Retainer and Screw
	8	6001 713	Retainer	17	1	2495 274-5	MOULDING PACKAGE, Rear Window Outside Lower (23-23-52)
	10	----	Nut		10	6001 084	Retainer and Screw
4	1	2495 195	MOULDING PACKAGE, Radiator Stone Deflector (7-35-20)	18	1	2448 180	MOULDING PACKAGE, Deck Lid Center (23-23-30)
	8	6001 467	Retainer		6	6001 098	Retainer
	8	6000 616	Nut		6	1839 995	Nut
5	1	2495 196-7	MOULDING PACKAGE, Fender Front (12-15-2)	19	1	2448 590	MOULDING PACKAGE, Deck Lid Lower (23-23-30)
	4	6001 466	Retainer		2	6001 433	Retainer
	4	----	Clip		2	9417 621	Nut
	8	6024 563	Screw		1	2424 098-9	Spacer
	4	----	Nut		6	6001 469	Retainer
6	1	2495 194	MOULDING PACKAGE, Hood Front (15-25-2)		6	6006 264	Nut
	8	----	Nut	20	1	2422 891	NAME PLATE, Deck Opening Lower Panel (23-34-184)
	2	6001 465	Retainer		3	6023 260	Nut
	4	6001 466	Retainer	21	1	2448 178	MOULDING PACKAGE, Deck Lower Panel License Depression (23-23-23)
7	1	2417 367	NAME LETTER, Hood Front, "P" (15-06-16)		4	1839 995	Nut
	1	2417 368	"L"		3	6000 050	Clip
	1	2417 369	"Y"	22	1	2448 184-5	MOULDING PACKAGE, Quarter Panel Upper Rear (23-23-39)
	1	2417 370	"M"		6	6001 112	Clip
	1	2423 369	"O"		6	----	Nut
	1	2423 370	"U"	23	1	2495 764-5	MOULDING PACKAGE, Quarter Panel Lower (23-23-39)
	1	2417 373	"T"		2	6024 271	Screw
	1	2417 374	"H"		20	6001 503	Retainer
	16	9415 250	Nut		2	6000 029	Retainer
8	1	2417 713	ORNAMENT, Hood Top (15-03-18)		2	6024 679	Nut
	1	6023 912	Screw	24	1	2495 758-9	MOULDING PACKAGE, Door (23-23-32)
9	1	2495 757	MOULDING PACKAGE, Hood Top (15-25-2)		4	6001 477	Retainer
	6	6023 097	Nut		4	9417 621	Nut
10	1	2218 595	MOULDING, Windshield Outside Finish Lower (23-23-65)		8	6001 503	Retainer
	10	6001 537	Retainer and Screw				
11	1	2218 594	MOULDING, Windshield Outside Upper (23-23-65)				
	8	6001 537	Retainer and Screw				
12	1	2218 596-7	MOULDING, Windshield Outside Finish Side (23-23-65)				
	6	6023 247	Screw				
13	1	2491 012-3	MOULDING, Windshield Outside Side Upper Extension (Wide Type) (23-23-65)				
	1	2492 712-3	MOULDING, Windshield Outside Side Upper Extension (Narrow Type) (23-23-65)				
	6	6024 271	Screw				

All Packages Include Attaching Parts

Part Type Code is Indicated in Parentheses

EXTERIOR VIEW - PLYMOUTH VP1-2(M) 2 DOOR HARDTOP

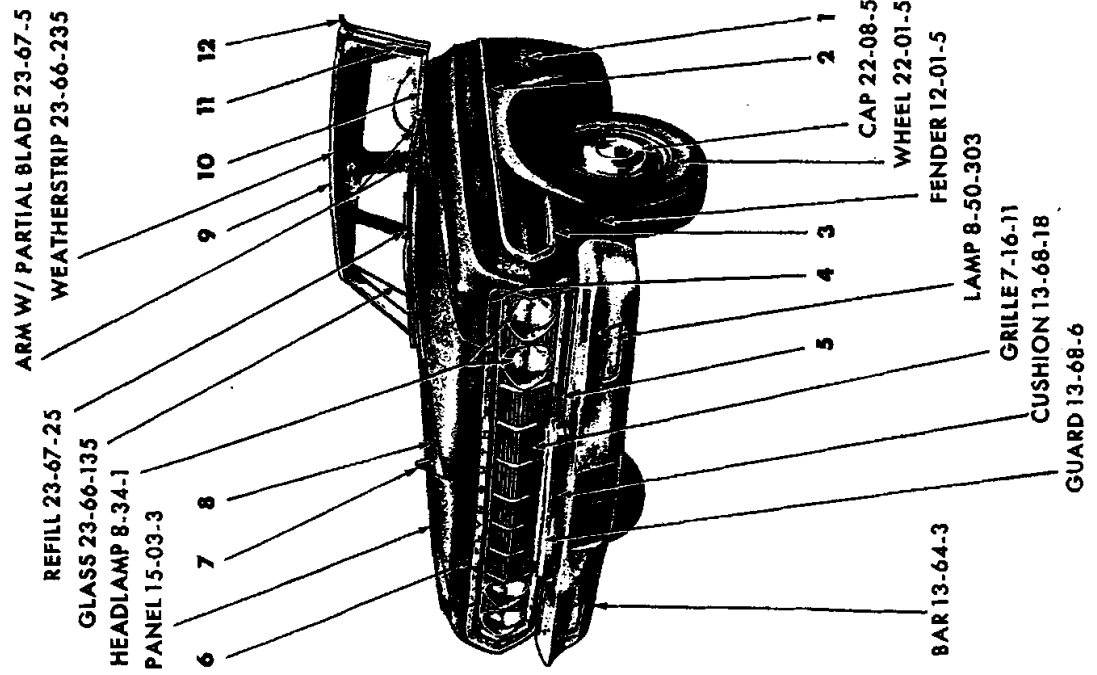
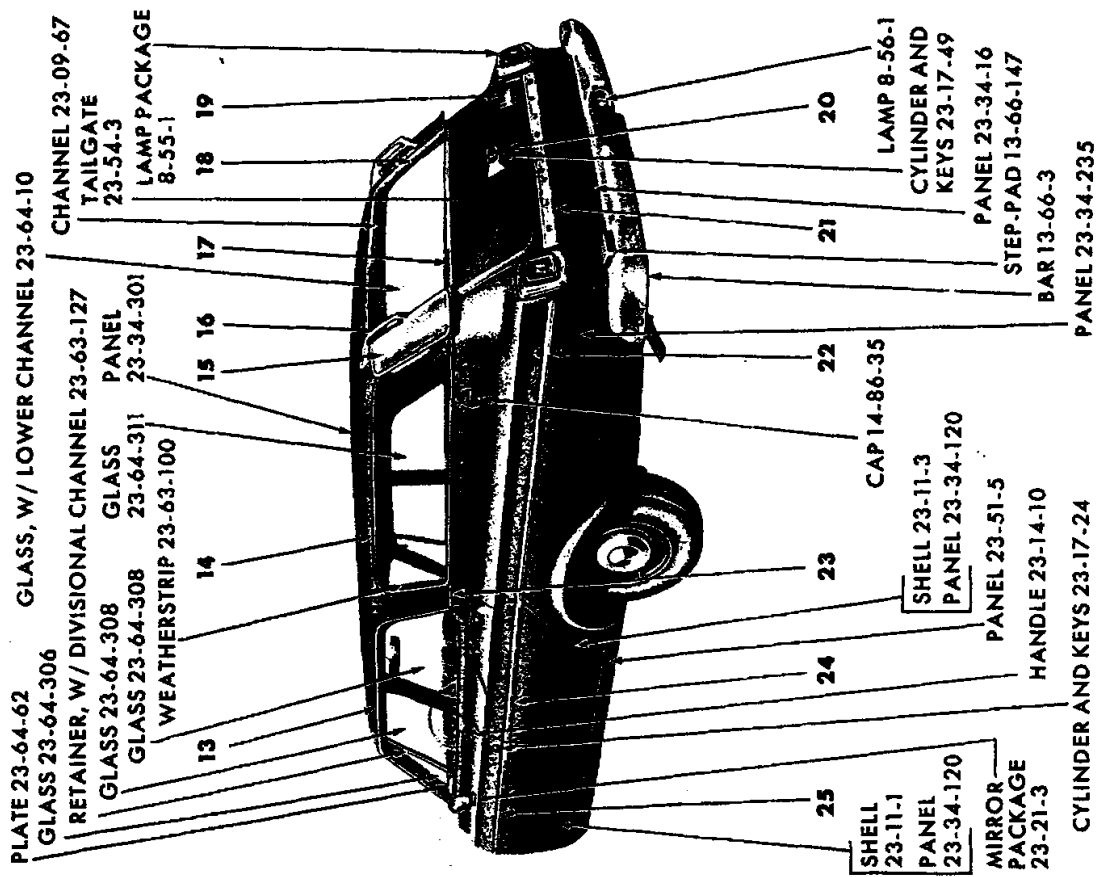


PLATE 23-64-62  
 GLASS 23-64-306  
 RETAINER, W/ DIVISIONAL CHANNEL 23-63-127  
 GLASS 23-64-308  
 GLASS 23-64-308  
 GLASS 23-64-311  
 WEATHERSTRIP 23-63-100  
 CHANNEL 23-09-67  
 TAILGATE 23-54-3  
 LAMP PACKAGE 8-55-1  
 13 14 15 16 17 18 19  
 20 21 22 23 24 25  
 SHELL 23-11-1  
 PANEL 23-34-120  
 MIRROR PACKAGE 23-21-3  
 SHELL 23-11-3  
 PANEL 23-34-120  
 PANEL 23-51-5  
 HANDLE 23-14-10  
 CAP 14-86-35  
 LAMP 8-56-1  
 CYLINDER AND KEYS 23-17-49  
 PANEL 23-34-16  
 STEP-PAD 13-66-147  
 BAR 13-66-3  
 PANEL 23-34-235  
 CYLINDER AND KEYS 23-17-24  
 CYLINDER AND KEYS 23-17-24

ARM W/ PARTIAL BLADE 23-67-5  
 WEATHERSTRIP 23-66-235  
 REFILL 23-67-25  
 GLASS 23-66-135  
 HEADLAMP 8-34-1  
 PANEL 15-03-3  
 6 7 8 9 10 11 12  
 BAR 13-64-3  
 LAMP 8-50-303  
 GRILLE 7-16-11  
 CUSHION 13-68-18  
 GUARD 13-68-6  
 CAP 22-08-5  
 WHEEL 22-01-5  
 FENDER 12-01-5

19x9847

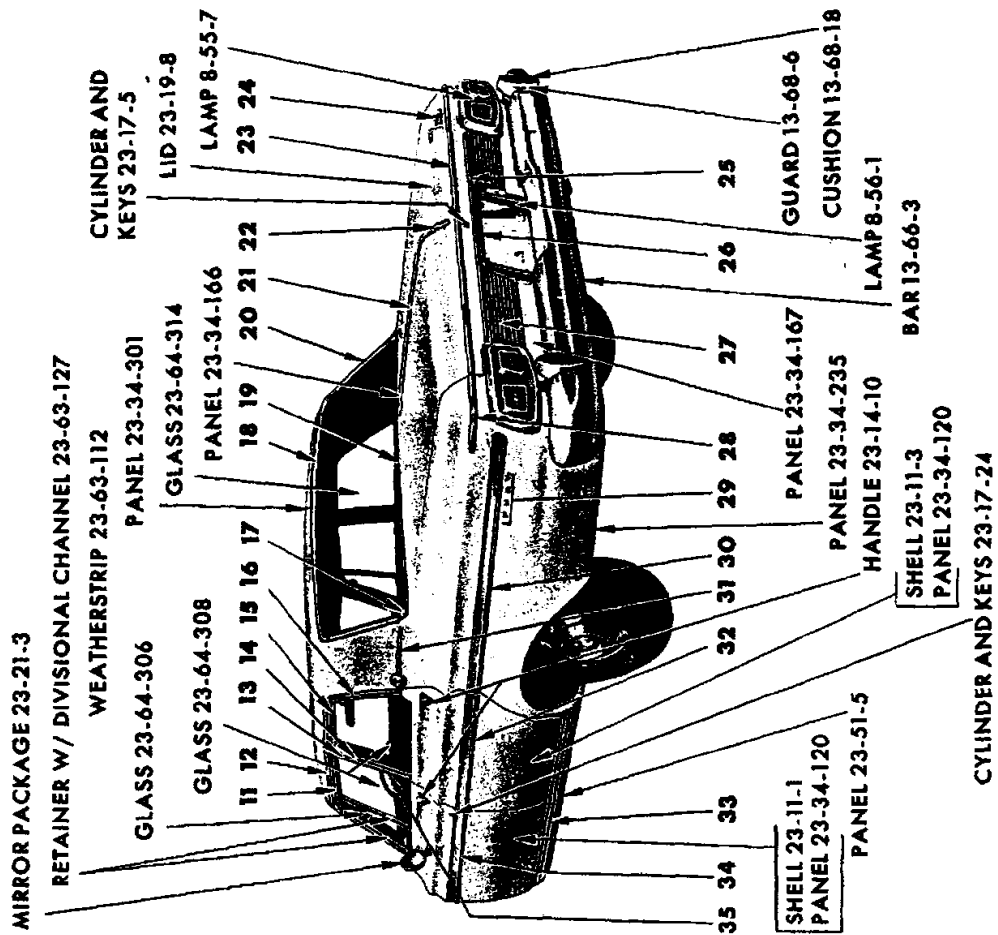
EXTERIOR VIEW - PLYMOUTH VPI-2(M) 4 DOOR STATION WAGON

REF. NO.	QTY	PART NUMBER	DESCRIPTION	REF. NO.	QTY	PART NUMBER	DESCRIPTION	
1	2	2422 891	NAME PLATE, Fender Side (Belvedere) (12-15-21)	15	1	2252 254-5	DEFLECTOR, Roof Panel Outside Air (23-36-134)	
	6	152 259	Nut		2	167 079	Screw	
2	1	2495 198-9	MOULDING PACKAGE, Fender Side Rear (12-15-2)		4	9418 381	Screw	
	10	6001 713	Clip	16	1	2482 768-9	HANDLE, Roof Panel Outside Assist (23-36-123)	
	4	6000 029	Retainer		4	6023 204	Nut and Coned Washer	
	4	-----	Nut		1	2480 980-1	Lower Seal	
3	1	2495 192-3	MOULDING PACKAGE, Fender Side Front (12-15-2)		2	2482 848-9	Upper Seal	
	8	6001 713	Retainer	17	1	2448 488	MOULDING PACKAGE, Tailgate Outside Panel Belt (23-23-61)	
	10	-----	Nut		6	6001 435	Clip	
4	1	2495 196-7	MOULDING PACKAGE, Fender Front (12-15-2)		6	-----	Screw	
	8	6024 563	Screw	18	1	2480 976-7	MOULDING, Rear Upper Pillar Outside (23-23-60)	
	4	6001 466	Retainer		8	9417 732	Screw	
	4	-----	Clip	19	1	2422 891	NAME PLATE, Tailgate Outside Panel (Belvedere) (23-54-11)	
	4	-----	Nut		3	152 259	Nut	
5	1	2495 195	MOULDING PACKAGE, Radiator Stone Deflector (7-35-20)	20	1	2428 221	BASE, w/Stud, Electric Window Regulator Outside Panel (23-54-18)	
	8	6001 487	Retainer		21	1	2495 913	MOULDING PACKAGE, Tailgate Outside Lower, (w/Letters) (23-23-61)
	8	6000 616	Nut		7	6001 555	Retainer	
6	1	2495 194	MOULDING PACKAGE, Hood Front (15-25-2)		7	116 000	Nut	
	8	-----	Nut	22	1	2495 768-9	MOULDING PACKAGE, Quarter Panel Lower (23-23-39)	
	2	6001 485	Retainer		14	6001 503	Retainer	
	4	6001 466	Retainer		2	6000 029	Retainer	
7	1	2417 713	ORNAMENT, Hood Top (15-03-18)		2	-----	Nut	
	1	6023 912	Screw		2	6024 271	Screw	
8	1	2495 757	MOULDING PACKAGE, Hood Top (15-25-2)	23	1	2299 374	MOULDING PACKAGE, Quarter Panel Belt, Right (23-23-39)	
	6	6023 097	Nut		1	2299 399	MOULDING PACKAGE, Quarter Panel Belt, Left (23-23-39)	
9	1	2218 594	MOULDING, Windshield Outside Upper (23-23-65)		4	6001 071	Clip	
	8	6001 537	Retainer and Screw	24	1	2495 762-3	MOULDING PACKAGE, Rear Door (23-23-33)	
10	1	2218 595	MOULDING, Windshield Outside Finish Lower (23-23-65)		10	6001 503	Retainer	
	10	6001 537	Retainer and Screw		4	6001 477	Retainer	
11	1	2218 596-7	MOULDING, Windshield Outside Finish Side (23-23-65)		4	9417 621	Nut	
	6	6023 247	Screw	25	1	2495 760-1	MOULDING PACKAGE, Front Door (23-23-32)	
12	1	2491 014-5	MOULDING, Windshield Outside Side Upper Extension (23-23-65)		8	6001 503	Retainer	
	6	6024 271	Screw		4	6001 477	Retainer	
13	1	2483 436-7	MOULDING, Roof Drain Trough Side (23-59-61)		4	9417 621	Nut	
14	1	2422 471	LOCKINGSTRIP, Quarter Window Glass Weatherstrip Mylar (23-63-110)					

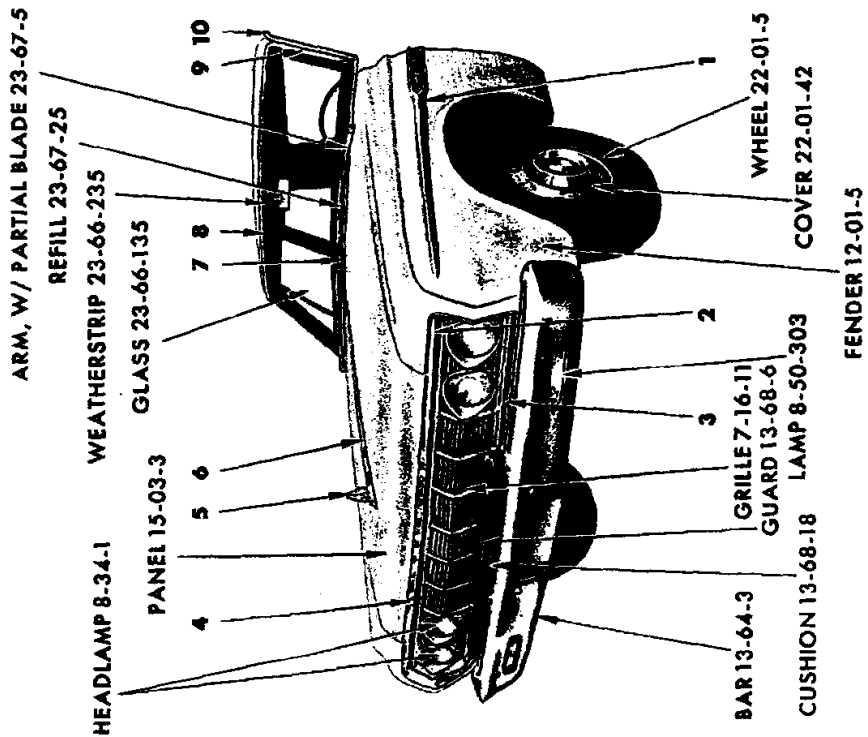
All Packages Include Attaching Parts

Part Type Code is Indicated in Parentheses

EXTERIOR VIEW - PLYMOUTH VP1-2(M) 4 DOOR STATION WAGON



19x9904 A



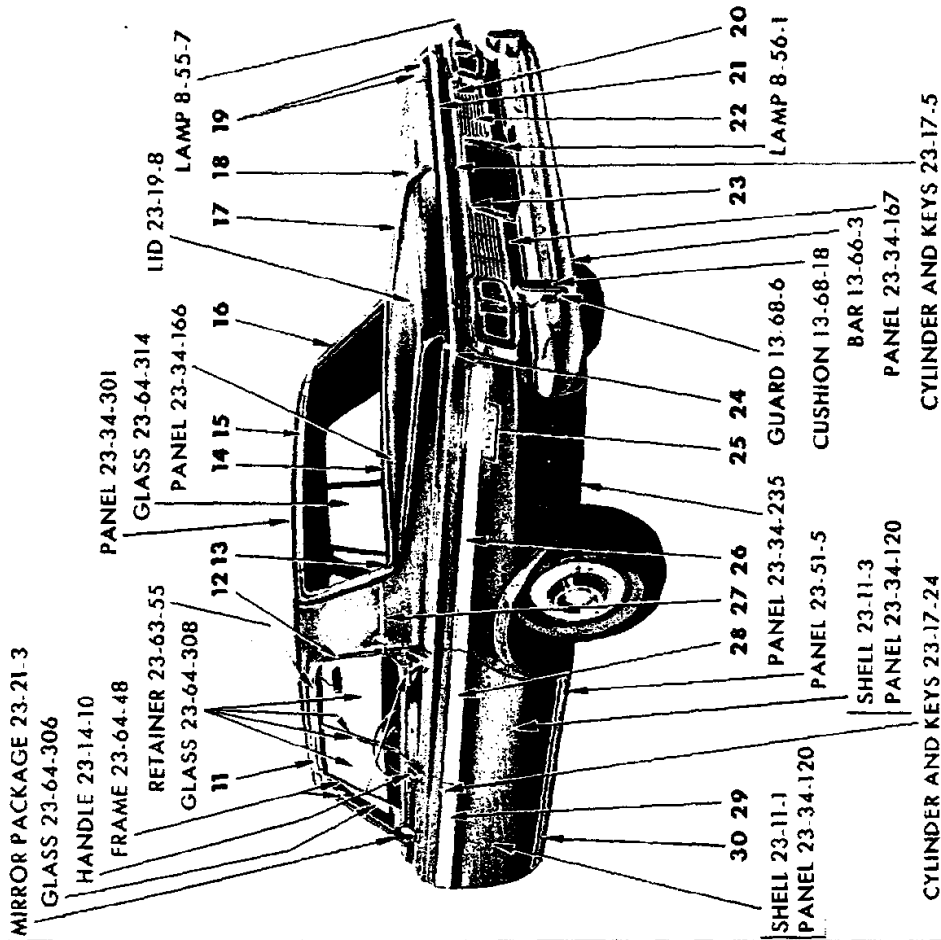
EXTERIOR VIEW - PLYMOUTH VP1-2(H) 4 DOOR SEDAN

REF. NO.	QTY	PART NUMBER	DESCRIPTION	REF. NO.	QTY	PART NUMBER	DESCRIPTION
1	1	2495 838-9	MOULDING PACKAGE, Fender Side, "Red" (12-15-2)	22	1	2490 060	ORNAMENT, Deck Lid (23-19-114)
	1	2495 840-1	"White"		1	6022 013	Seal
	1	2495 842-3	"Blue"		1	1839 995	Nut 1 152 259 Nut
	1	2495 844-5	"Tan"	23	1	2448 179	MOULDING PACKAGE, Deck Lid Upper (23-23-30)
	1	2495 846-7	"Black"		2	6001 433	Retainer
	8	6001 474	Clip		1	2424 098-9	Spacer 6 6006 264 Nut
	2	6001 581	Retainer 2 6001 548 Clip		2	9417 621	Nut 6 6001 439 Retainer
	2	6001 582	Retainer 14 ---- Nut	24	1	2480 526	NAME PLATE, Deck Lid (23-19-114)
2	1	2495 196-7	MOULDING PACKAGE, Fender Front (12-15-2)		5	6000 050	Clip
	4	6001 466	Retainer 8 6024 563 Screw	25	1	2448 591	MOULDING PACKAGE, Deck Lid Lower (23-23-30)
	4	----	Clip 4 ---- Nut		6	6001 058	Retainer 6 9417 621 Nut
3	1	2495 195	MOULDING PACKAGE, Radiator Stone Deflector (7-35-20)	26	1	2448 592	MOULDING PACKAGE, Deck Lower Panel License Depression (23-23-23)
	8	6001 467	Retainer 8 6000 616 Nut		3	6023 687	Seal
4	1	2495 194	MOULDING PACKAGE, Hood Front (15-25-2)		3	6023 682	Screw 2 1839 995 Nut
	2	6001 465	Retainer 8 ---- Nut	27	1	2480 020-1	PANEL, Deck Lower Panel Finish (23-23-28)
	4	6001 466	Retainer		2	6000 050	Clip
5	1	2417 713	ORNAMENT, Hood Top (15-03-18)		6	6001 566	Retainer 4 1839 995 Nut
	1	6023 912	Screw		8	6001 430	Retainer 8 6023 265 Nut
6	1	2495 757	MOULDING PACKAGE, Hood Top (15-25-2)	28	1	2448 184-5	MOULDING PACKAGE, Quarter Panel Upper Rear (23-23-39)
	6	6023 097	Nut		6	6001 112	Clip 6 ---- Nut
7	1	2218 595	MOULDING, Windshield Outside Finish Lower (23-23-65)	29	2	2480 489	NAME LETTER, Quarter Panel "F", (23-34-238)
	10	6001 537	Retainer and Screw		2	2480 490	"U"
8	1	2218 594	MOULDING, Windshield Outside Upper (23-23-65)		2	2480 491	"R"
	8	6001 537	Retainer and Screw		2	2480 492	"Y"
9	1	2218 596-7	MOULDING, Windshield Outside Finish Side (23-23-65)		16	6023 260	Nut
	6	6023 247	Screw	30	1	2495 818-9	MOULDING PACKAGE, Quarter Panel Lower, "Red" (23-23-39)
10	1	2491 016-7	MOULDING, Windshield Outside Side Upper Extension (23-23-65)		1	2495 820-1	"White"
	6	6024 271	Screw		1	2495 822-3	"Blue"
11	1	2218 444-5	MOULDING, Front Door Window Frame Upper & Front (23-23-32)		1	2495 824-5	"Tan"
	1	2495 688-9	MOULDING PACKAGE, Roof Side Drain Trough Front (23-59-61)		1	2495 826-7	"Black"
12	1	2495 688-9	MOULDING PACKAGE, Roof Side Drain Trough Front (23-59-61)		10	6001 535	Retainer 10 6024 679 Nut
	8	2483 179	Clip 8 6024 271 Screw		2	6024 271	Screw 4 6001 542 Clip
13	1	2216 356-7	PANEL, Center Upper Pillar Finish (23-23-16)	31	1	2495 770-1	MOULDING PACKAGE, Quarter Panel Belt (23-23-39)
	4	6022 890	Screw		6	6022 013	Seal
14	1	2167 998-9	MOULDING, Rear Door Window Frame Front (23-23-33)		6	6006 264	Nut 2 6000 960 Clip
	1	2216 036-7	MOULDING, Rear Door Window Frame Rear (23-23-23)	32	1	2495 772-3	MOULDING PACKAGE, Rear Door, "Red" (23-23-33)
15	1	2480 620-1	MOULDING, Roof Side Drain Trough Rear (23-59-61)		1	2495 774-5	"White"
	4	6024 271	Screw		1	2495 776-7	"Blue"
17	1	2480 920-1	MOULDING, Rear Window Outside Lower Corner (23-23-52)		1	2495 778-9	"Tan"
	2	6023 693	Screw		1	2495 780-1	"Black"
18	1	2495 269	MOULDING PACKAGE, Rear Window Outside Upper (23-23-52)		2	6001 549	Retainer 8 6001 541 Clip
	6	6001 525	Retainer and Screw		2	6001 534	Retainer 4 9417 621 Nut
19	1	2480 922	MOULDING, Rear Window Outside Lower (23-23-52)	33	1	2495 904-5	MOULDING PACKAGE, Body Side Sill (23-23-2)
	6	6023 693	Screw		8	6001 431	Retainer 4 6023 681 Screw
20	1	2480 918-9	MOULDING, Rear Window Outside Side (23-23-52)	34	1	2495 794-5	MOULDING PACKAGE, Front Door, "Red" (23-23-32)
	6	6001 525	Retainer and Screw		1	2495 796-7	"White"
21	1	2448 593	MOULDING PACKAGE, Deck Lid Center (23-23-30)		1	2495 800-1	"Blue"
	5	6022 013	Seal 5 1839 995 Nut		1	2495 802-3	"Tan"
					1	2495 804-5	"Black"
					2	6001 532	Retainer 8 6001 540 Clip
					2	6001 549	Retainer 4 9417 621 Nut
				35	1	2167 998-9	MOULDING, Front Door Window Frame Rear (23-23-32)

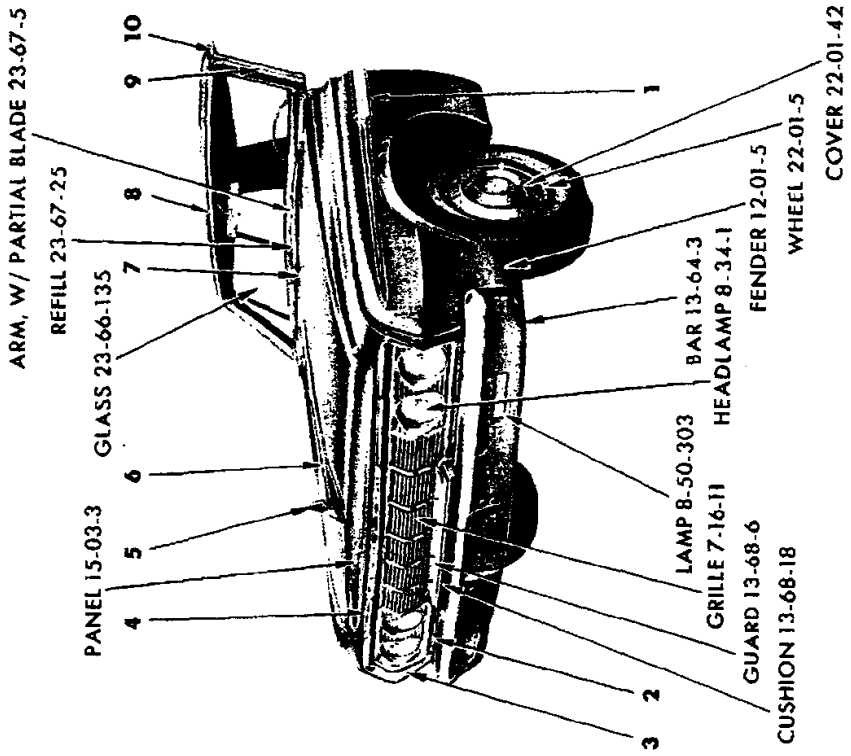
All Packages Include Attaching Parts

Part Type Code is Indicated in Parentheses

EXTERIOR VIEW - PLYMOUTH VP1-2(H) 4 DOOR SEDAN



19x9815 A



EXTERIOR VIEW - PLYMOUTH VP1-2(H) 4 DOOR HARDTOP

# 1964 PASSENGER CAR PARTS CATALOG

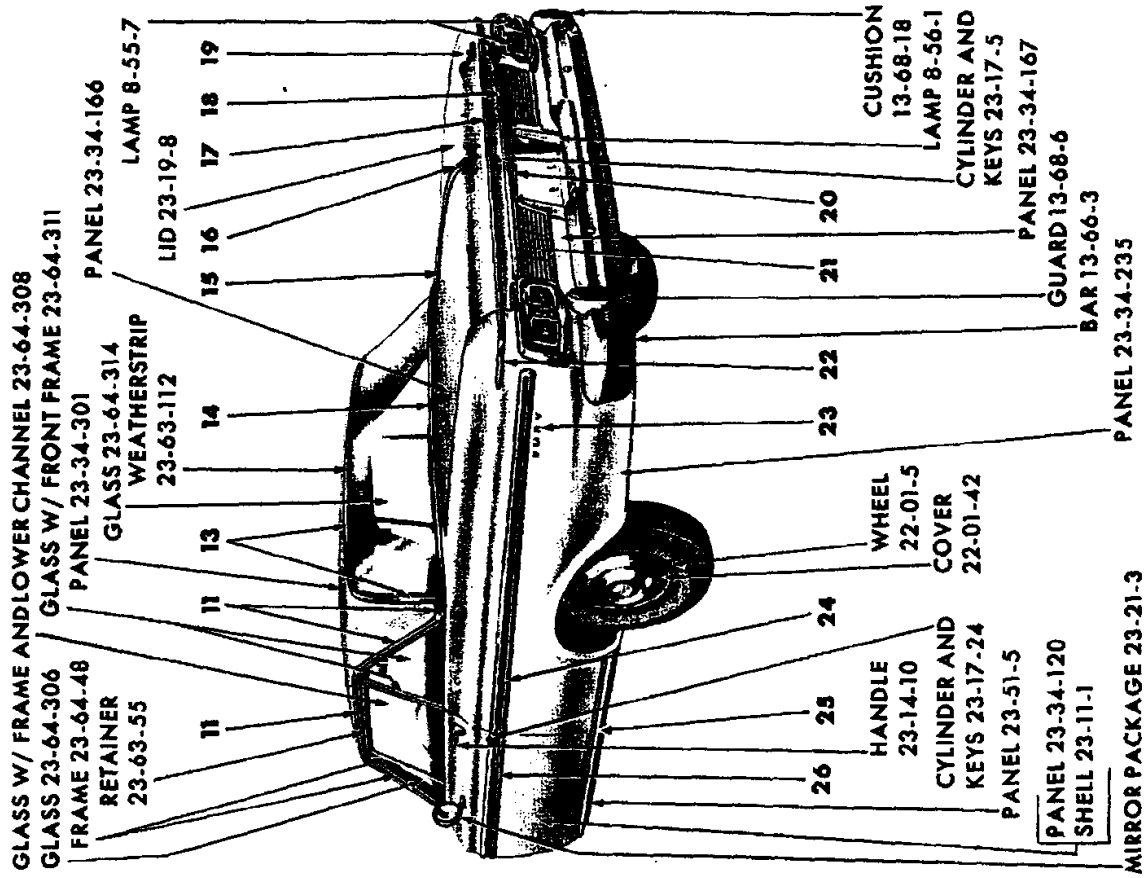
BODY

REF. NO.	QTY	PART NUMBER	DESCRIPTION	REF. NO.	QTY	PART NUMBER	DESCRIPTION
1	1	2495 838-9	MOULDING PACKAGE, Fender Side, Red (12-15-2)	19	1	2480 528	NAME PLATE, Deck Lid (23-19-114)
	1	2495 840-1	White		5	6000 050	Clip
	1	2495 842-3	Blue	20	1	2448 591	MOULDING PACKAGE, Deck Lid Lower (23-23-30)
	1	2495 844-5	Tan		6	6001 058	Retainer 6 9417 621 Nut
	1	2495 846-7	Black	21	1	2448 179	MOULDING PACKAGE, Deck Lid Upper (23-23-30)
	2	6001 581	Retainer 8 6001 474		2	6001 433	Retainer
	2	6001 582	Retainer 2 6001 548		1	2424 098-9	Spacer 2 9417 621 Nut
	14	-----	Nut		6	6001 439	Retainer 6 6006 264 Nut
2	1	2495 195	MOULDING PACKAGE, Radiator Stone Deflector (7-35-20)	22	1	2480 020-1	PANEL, Deck Lower Panel Finish (23-23-28)
	8	6001 467	Retainer		8	6001 430	Retainer
3	1	2495 196-7	MOULDING PACKAGE, Fender Front (12-15-2)		4	6001 566	Retainer 2 168 474 Nut
	4	6001 466	Retainer 8 6024 402		8	6024 679	Nut 2 6000 050 Clip
	4	-----	Clip 4 ----- Nut	23	1	2448 592	MOULDING PACKAGE, Deck Lower Panel License Depression (23-23-23)
4	1	2495 194	MOULDING PACKAGE, Hood Front (15-25-2)		3	6023 687	Seal
	2	6001 465	Retainer 8 ----- Nut		3	6023 682	Screw 2 168 474 Nut
	4	6001 466	Retainer	24	1	2448 184-5	MOULDING PACKAGE, Quarter Panel Upper Rear (23-23-39)
5	1	2417 713	ORNAMENT, Hood Top (15-03-18)		6	6001 112	Clip 6 ----- Nut
	1	6023 912	Screw	25	2	2480 489	NAME LETTER, Quarter Panel F (23-34-238)
6	1	2495 757	MOULDING PACKAGE, Hood Top (15-25-2)		2	2480 490	U
7	1	2218 595	MOULDING, Windshield Outside Finish Lower (23-23-65)		2	2480 491	R
	10	6001 537	Retainer and Screw		2	2480 492	Y
8	1	2218 594	MOULDING, Windshield Outside Upper (23-23-65)		16	6023 260	Nut
	8	6001 537	Retainer and Screw	26	1	2495 818-9	MOULDING PACKAGE, Quarter Panel, Lower, Red (23-23-39)
9	1	2218 596-7	MOULDING, Windshield Outside Finish Side (23-23-65)		1	2495 820-1	White
	6	6023 247	Screw		1	2495 822-3	Blue
10	1	2491 016-7	MOULDING, Windshield Outside Side Upper Extension (23-23-65)		1	2495 824-5	Tan
	6	6024 271	Screw		1	2495 826-7	Black
11	1	2495 688-9	MOULDING PACKAGE, Roof Side Drain Trough Front (23-59-61)		2	6024 271	Screw 4 6001 542 Clip
	8	6024 271	Screw 8 2483 179		10	6001 535	Retainer 10 6024 679 Nut
12	1	2480 620-1	MOULDING, Roof Side Drain Trough Rear (23-59-61)	27	1	2495 770-1	MOULDING PACKAGE, Quarter Panel Belt (23-23-39)
	4	6024 271	Screw		6	6022 013	Seal
13	1	2480 920-1	MOULDING, Rear Window Outside Lower Corner (23-23-52)		7	6006 264	Nut 2 6000 960 Clip
	2	6023 693	Screw	28	1	2495 772-3	MOULDING PACKAGE, Rear Door, Red (23-23-33)
14	1	2480 922	MOULDING, Rear Window Outside Lower (23-23-52)		1	2495 774-5	White
	6	6023 693	Screw		1	2495 776-7	Blue
15	1	2495 269	MOULDING PACKAGE, Rear Window Outside Upper (23-23-52)		1	2495 778-9	Tan
	6	6001 525	Retainer and Screw		1	2495 780-1	Black
16	1	2480 918-9	MOULDING, Rear Window Outside Side (23-23-52)		2	6001 549	Retainer 4 9417 621 Nut
	6	6001 525	Retainer and Screw		2	6001 534	Retainer 8 6001 541 Clip
17	1	2448 593	MOULDING PACKAGE, Deck Lid Top (23-23-30)	29	1	2495 794-5	MOULDING PACKAGE, Front Door, Red (23-23-32)
	5	6022 013	Seal 5 168 474		1	2495 796-7	White
18	1	2480 060	ORNAMENT, Deck Lid (23-19-114)		1	2495 800-1	Blue
	1	6022 013	Seal		1	2495 802-3	Tan
	1	168 474	Nut 1 152 259		1	2495 804-5	Black
					2	6001 532	Retainer 4 9417 621 Nut
					2	6001 549	Retainer 8 6001 540 Clip
				30	1	2495 904-5	MOULDING PACKAGE, Body Side Sill (23-23-2)
					4	6025 187	Screw
					8	6001 431	Retainer

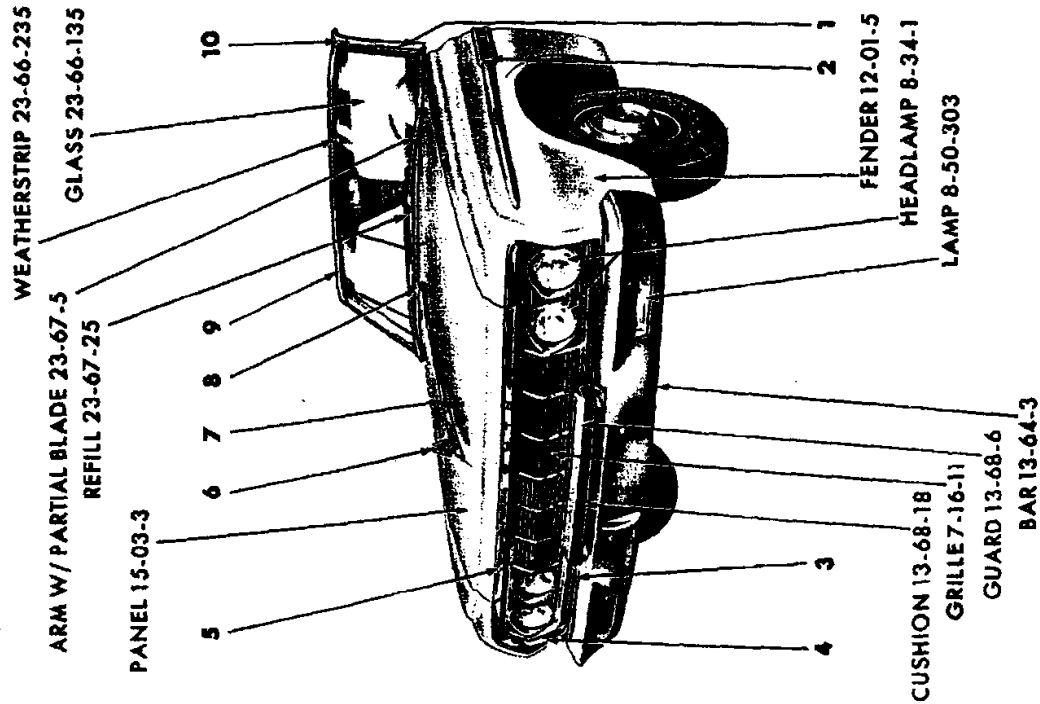
All Packages Include Attaching Parts

Part Type Code is Indicated in Parentheses

EXTERIOR VIEW - PLYMOUTH VP1-2(H) 4 DOOR HARDTOP



19x9909 B



EXTERIOR VIEW - PLYMOUTH VPI-2(H) 2 DOOR HARDTOP



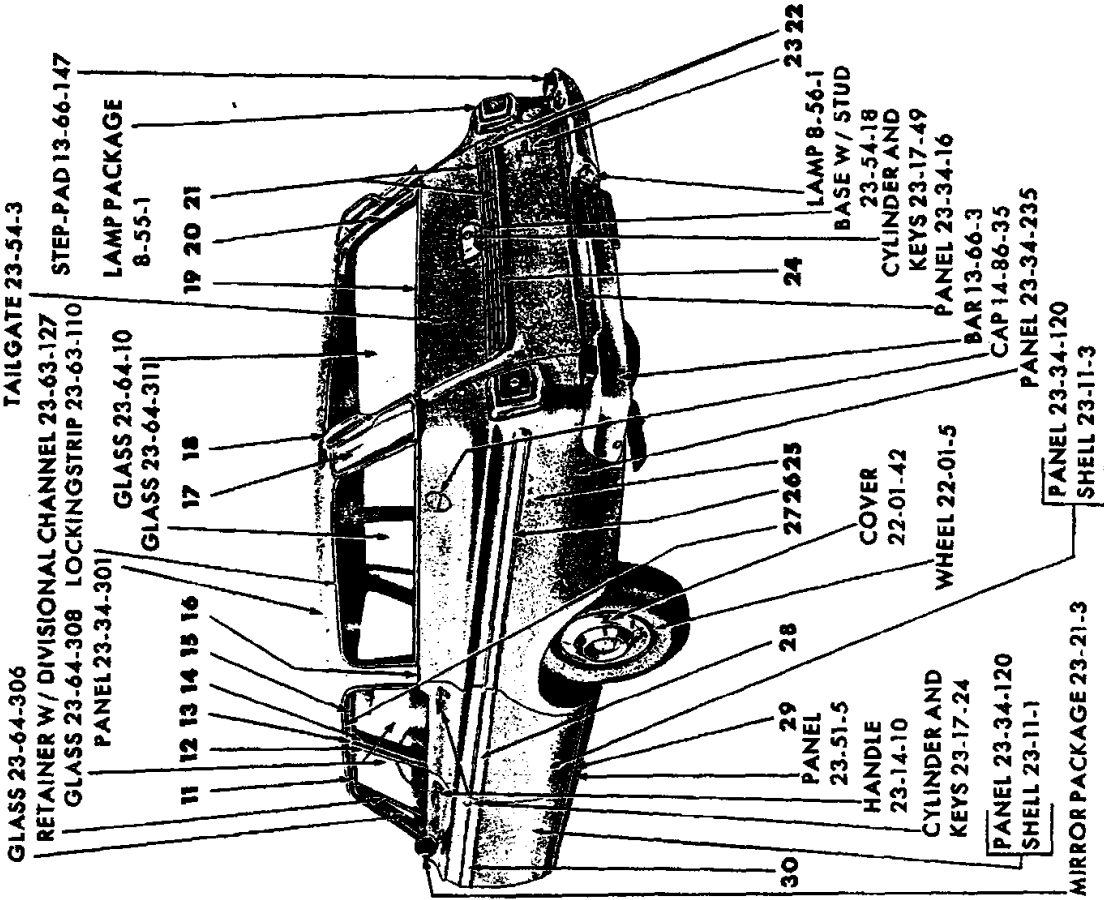
REF. NO.	QTY	PART NUMBER	DESCRIPTION
1	1	2218 596-7	MOULDING, Windshield Outside Finish Side (23-23-65)
	6	6023 247	Screw
2	1	2495 838-9	MOULDING PACKAGE, Fender Side, "Red" (12-15-2)
	1	2495 840-1	"White"
	1	2495 842-3	"Blue"
	1	2495 844-5	"Tan"
	1	2495 846-7	"Black"
	8	6001 474	Clip
	2	6001 581	Retainer 2 6001 548 Clip
	2	6001 582	Retainer 14 ---- Nut
3	1	2495 195	MOULDING PACKAGE, Radiator Stone Deflector (7-35-20)
	8	6001 467	Retainer 8 6000 616 Nut
4	1	2495 196-7	MOULDING PACKAGE, Fender Front (12-15-2)
	4	6001 466	Retainer 8 8024 563 Screw
	4	-----	Clip 4 ---- Nut
5	1	2495 194	MOULDING PACKAGE, Hood Front (15-25-2)
	8	-----	Nut
	2	6001 465	Retainer 2 6001 466 Retainer
6	1	2417 713	ORNAMENT, Hood Top (15-03-18)
	1	6023 912	Screw
7	1	2495 757	MOULDING PACKAGE, Hood Top (15-25-2)
	6	6023 097	Nut
8	1	2218 595	MOULDING, Windshield Outside Finish Lower (23-23-65)
	10	6001 537	Retainer and Screw
9	1	2218 594	MOULDING, Windshield Outside Upper (23-23-65)
	8	6001 537	Retainer and Screw
10	1	2491 012-3	MOULDING, Windshield Outside Side Upper Extension (wide type) (23-23-65)
	1	2495 712-3	MOULDING, Windshield Outside Side Upper Extension (narrow type)
	6	6024 271	Screw
11	1	2525 556-7	MOULDING, Roof Side Drain Trough (23-59-61)
	6	2483 716	Clip (w/Vinyl Roof)
	6	2573 062	Clip (w/o Vinyl Roof)
	6	6024 271	Screw
	2	-----	Nut
13	1	2495 276-7	MOULDING PACKAGE, Rear Window Outside Upper and Side (23-23-52)
	14	6001 084	Retainer and Screw
14	1	2495 274-5	MOULDING PACKAGE, Rear Window Outside Lower (23-23-52)
	10	6001 084	Retainer and Screw
15	1	2448 593	MOULDING PACKAGE, Deck Lid Center (23-23-30)
	5	6022 013	Seal
	5	1839 995	Nut

REF. NO.	QTY	PART NUMBER	DESCRIPTION
16	1	2480 060	ORNAMENT, Deck Lid (23-19-114)
	1	6022 013	Seal
	1	1839 995	Nut 1 152 259 Nut
17	1	2448 179	MOULDING PACKAGE, Deck Lid Upper (23-23-30)
	2	6001 433	Retainer
	1	2424 098-9	Spacer
	2	9417 621	Nut
	6	6001 439	Retainer 6 6008 264 Nut
18	1	2448 591	MOULDING PACKAGE, Deck Lid Lower (23-23-30)
	6	6001 058	Retainer 6 9417 621 Nut
19	1	2480 528	NAME PLATE, Deck Lid (23-19-114)
	5	6000 050	Clip
20	1	2448 592	MOULDING PACKAGE, Deck Lower Panel License Depression (23-23-23)
	3	6023 687	Seal
	3	6023 682	Screw 2 1839 995 Nut
21	1	2480 020-1	PANEL, Deck Lower Panel Finish (23-23-28)
	8	6001 430	Retainer
	8	6023 265	Nut 4 1839 995 Nut
	4	6001 566	Retainer 2 6000 050 Clip
22	1	2448 184-5	MOULDING PACKAGE, Quarter Panel Upper Rear (23-23-39)
	6	6001 112	Clip
	6	-----	Nut
23	2	2480 489	NAME LETTER, Quarter Panel "F" (23-34-238)
	2	2480 490	"U"
	2	2480 491	"R"
	2	2480 492	"Y"
	16	6023 280	Nut
24	1	2495 808-9	MOULDING PACKAGE, Quarter Panel Lower, "Red" (23-23-39)
	1	2495 810-1	"White"
	1	2495 812-3	"Blue"
	1	2495 814-5	"Tan"
	1	2495 816-7	"Black"
	2	6024 271	Screw
	6	6001 541	Clip
	6	6001 542	Clip
	10	6001 535	Retainer
	10	6024 679	Nut
25	1	2495 904-5	MOULDING PACKAGE, Body Side Sill (23-23-2)
	4	6025 187	Screw
	8	6001 431	Retainer
26	1	2495 784-5	MOULDING PACKAGE, Door, "Red" (23-23-32)
	1	2495 786-7	"White"
	1	2495 788-9	"Blue"
	1	2495 790-1	"Tan"
	1	2495 792-3	"Black"
	10	6001 540	Clip
	2	6001 532	Retainer
	2	6001 549	Retainer
	4	9417 621	Nut

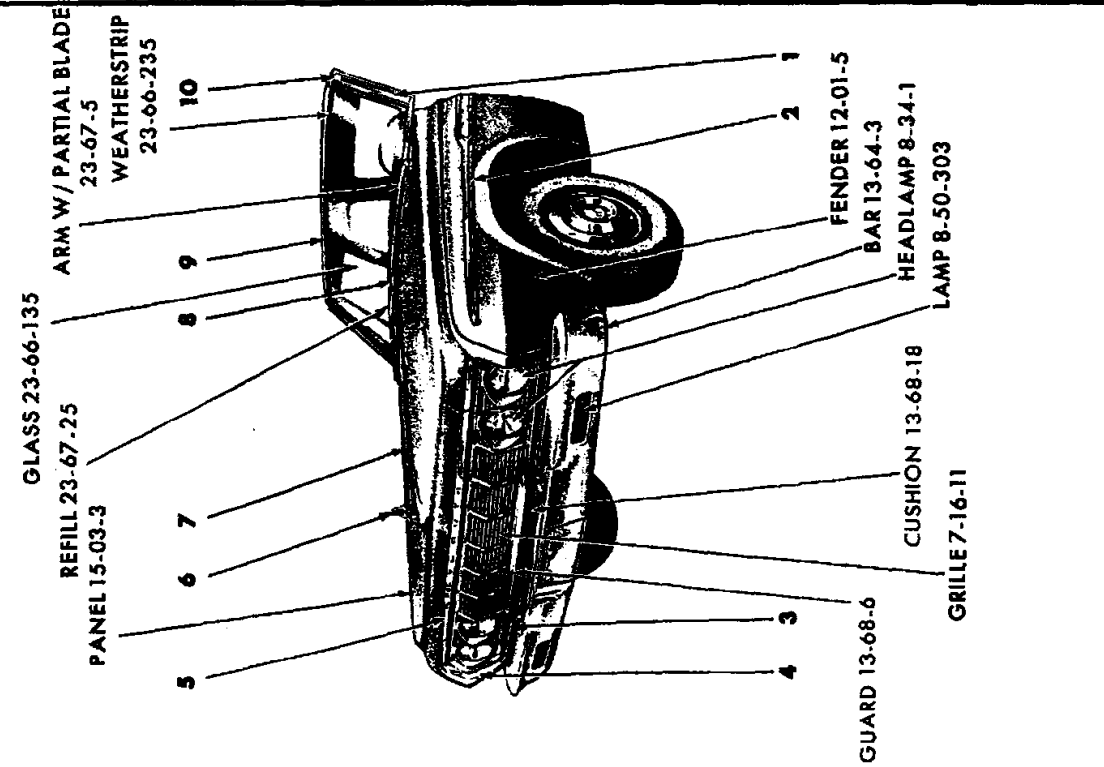
All Packages include Attaching Parts

Part Type Code is indicated in Parentheses

EXTERIOR VIEW - PLYMOUTH VP1-2(H) 2 DOOR HARDTOP



19x9914 A



EXTERIOR VIEW - PLYMOUTH VP2(H) 4 DOOR STATION WAGON

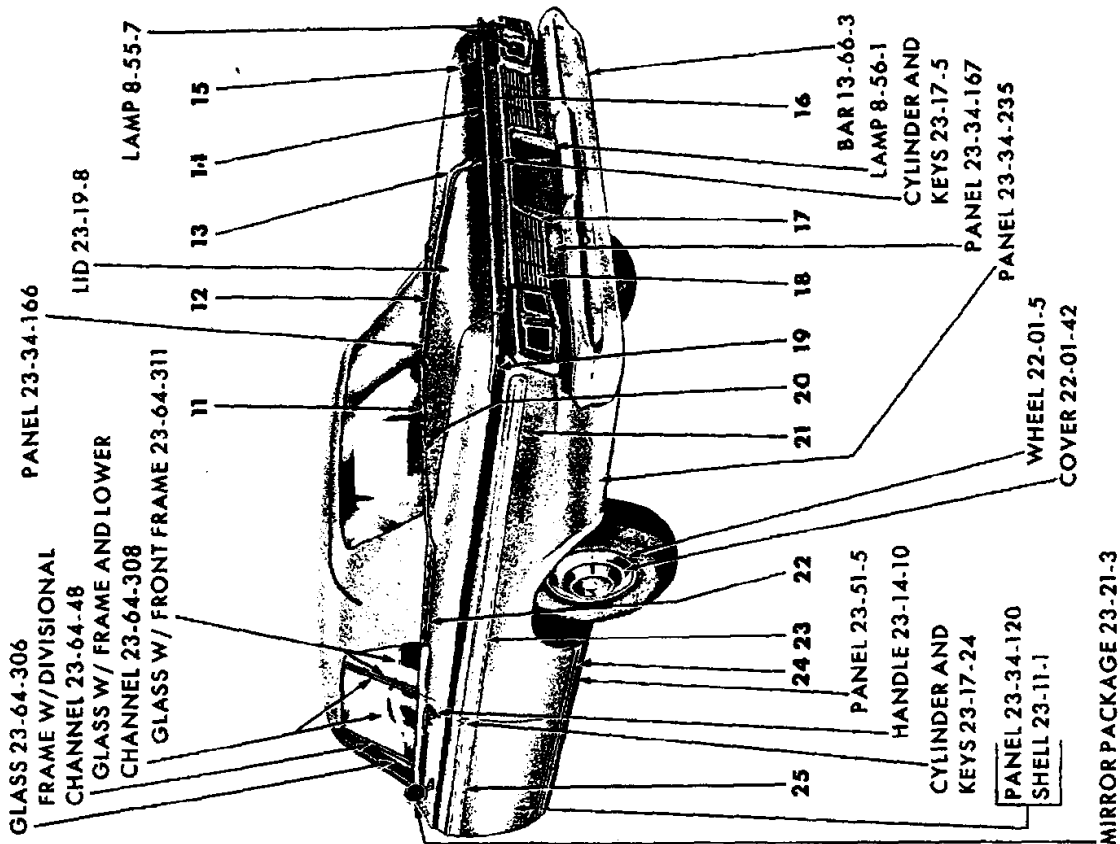
REF. NO.	QTY	PART NUMBER	DESCRIPTION
1	1	2218 596-7	MOULDING, Windshield Outside Finish Side (23-23-65)
	6	6023 247	Screw
2	1	2495 838-9	MOULDING PACKAGE, Fender Side, Red (12-15-2)
	1	2495 840-1	White
	1	2495 842-3	Blue
	1	2495 844-5	Tan
	1	2495 846-7	Black
	8	6001 474	Clip 2 6001 548 Clip
	2	6001 581	Retainer
	2	6001 582	Retainer
	14	-----	Nut
3	1	2495 195	MOULDING PACKAGE, Radiator Stone Deflector (7-35-20)
	8	6001 467	Retainer
	8	6000 616	Nut
4	1	2495 196-7	MOULDING PACKAGE, Fender Front (12-15-2)
	4	6001 466	Retainer 4 ----- Clip
	8	6024 563	Screw 4 ----- Nut
5	1	2495 194	MOULDING PACKAGE, Hood Front (15-25-2)
	8	-----	Nut
	2	6001 465	Retainer
	4	6001 466	Retainer
6	1	2417 713	ORNAMENT, Hood Top (15-03-18)
	1	6023 912	Screw
7	1	2495 757	MOULDING PACKAGE, Hood Top (15-25-2)
	6	6023 097	Nut
8	1	2218 595	MOULDING, Windshield Outside Finish Lower (23-23-65)
	10	6001 537	Retainer and Screw
9	1	2218 594	MOULDING, Windshield Outside Upper (23-23-65)
	8	6001 537	Retainer and Screw
10	1	2491 014-5	MOULDING, Windshield Outside Upper Extension (23-23-65)
	6	6024 271	Screw
11	1	2218 444-5	MOULDING, Front Door Window Frame Upper and Front (23-23-32)
12	1	2167 998-9	MOULDING, Front Door Window Frame Rear (23-23-32)
13	1	2216 356-7	PANEL, Center Upper Pillar Finish
	4	6022 890	Screw
14	1	2167 998-9	MOULDING, Rear Door Window Frame Front (23-23-33)
15	1	2216 036-7	MOULDING, Rear Door Window Frame Upper (23-23-33)
16	1	2299 374	MOULDING PACKAGE, Quarter Panel Belt, Right (23-23-39)
	1	2299 399	MOULDING PACKAGE, Quarter Panel Belt, Left (23-23-39)
	4	6001 071	Clip

REF. NO.	QTY	PART NUMBER	DESCRIPTION
17	1	2252 254-5	DEFLECTOR, Roof Panel Outside Air (23-36-134)
	2	167 079	Screw 4 9418 381 Screw
18	1	2482 768-9	HANDLE, Roof Panel Outside Assist (23-36-123)
	4	6023 204	Nut and Washer
	1	2480 980-1	Lower Seal
	2	2482 848-9	Upper Seal
19	1	2448 488	MOULDING PACKAGE, Tailgate Outside Panel Belt (23-23-61)
	5	6001 435	Clip 5 6024 564 Screw
20	1	2480 976-7	MOULDING, Rear Upper Pillar Outside (23-23-60)
	8	9417 732	Screw
21	2	2448 400	MOULDING PACKAGE, Tailgate Outside Panel (23-23-61)
	7	6001 497	Retainer
22	1	2448 198-9	MOULDING PACKAGE, Tailgate Outside Panel Upper and Lower End (23-23-61)
	4	-----	Nut
23	1	2480 526	NAME PLATE, Tailgate (Fury) (23-54-11)
24	1	2481 239	PANEL, Tailgate Outside Finish Panel (23-23-77)
	4	116 000	Nut
	4	6001 106	Retainer
25	2	2480 489	"F", Quarter Panel Name Letter (23-34-238)
	2	2480 490	"U"
	2	2480 491	"R"
	2	2480 492	"Y"
	16	6023 260	Nut
26	1	2495 828-9	MOULDING PACKAGE, Quarter Panel, Red (23-23-39)
	1	2495 830-1	White
	1	2495 832-3	Blue
	1	2495 834-5	Tan
	1	2495 836-7	Black
	2	6024 271	Screw 4 6001 542 Clip
	8	6001 556	Clip 2 6024 279 Nut
	2	6001 535	Retainer
27	1	2483 436-7	MOULDING, Roof Drain Trough Side (23-59-61)
28	1	2495 772-3	MOULDING PACKAGE, Rear Door, Red (23-23-33)
	1	2495 774-5	White
	1	2495 776-7	Blue
	1	2495 778-9	Tan
	1	2495 780-1	Black
	2	6001 549	Retainer 4 9417 621 Nut
	2	6001 534	Retainer 8 6001 541 Clip
29	1	2495 904-5	MOULDING PACKAGE, Body Side Sill (23-23-2)
	4	6025 187	Screw
	8	6001 431	Retainer
30	1	2495 794-5	MOULDING PACKAGE, Front Door, Red (23-23-32)
	1	2495 796-7	White
	1	2495 800-1	Blue
	1	2495 802-3	Tan
	1	2495 804-5	Black
	2	6001 532	Retainer 4 9417 621 Nut
	2	6001 549	Retainer 8 6001 540 Clip

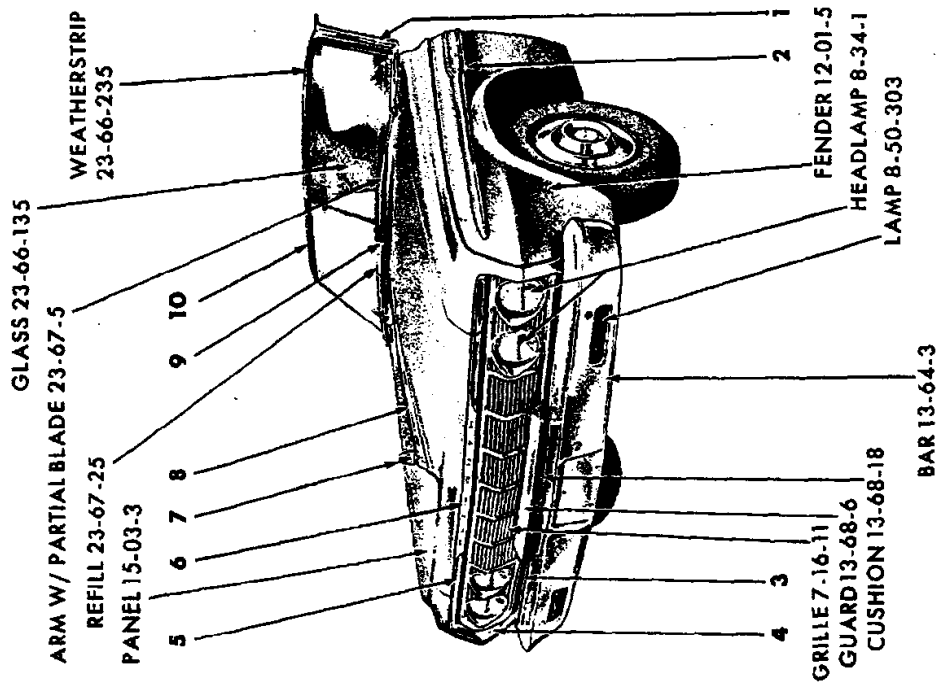
All Packages Include Attaching Parts

Part Type Code is Indicated in Parentheses

EXTERIOR VIEW - PLYMOUTH VP2(H) 4 DOOR STATION WAGON



19x9912 A



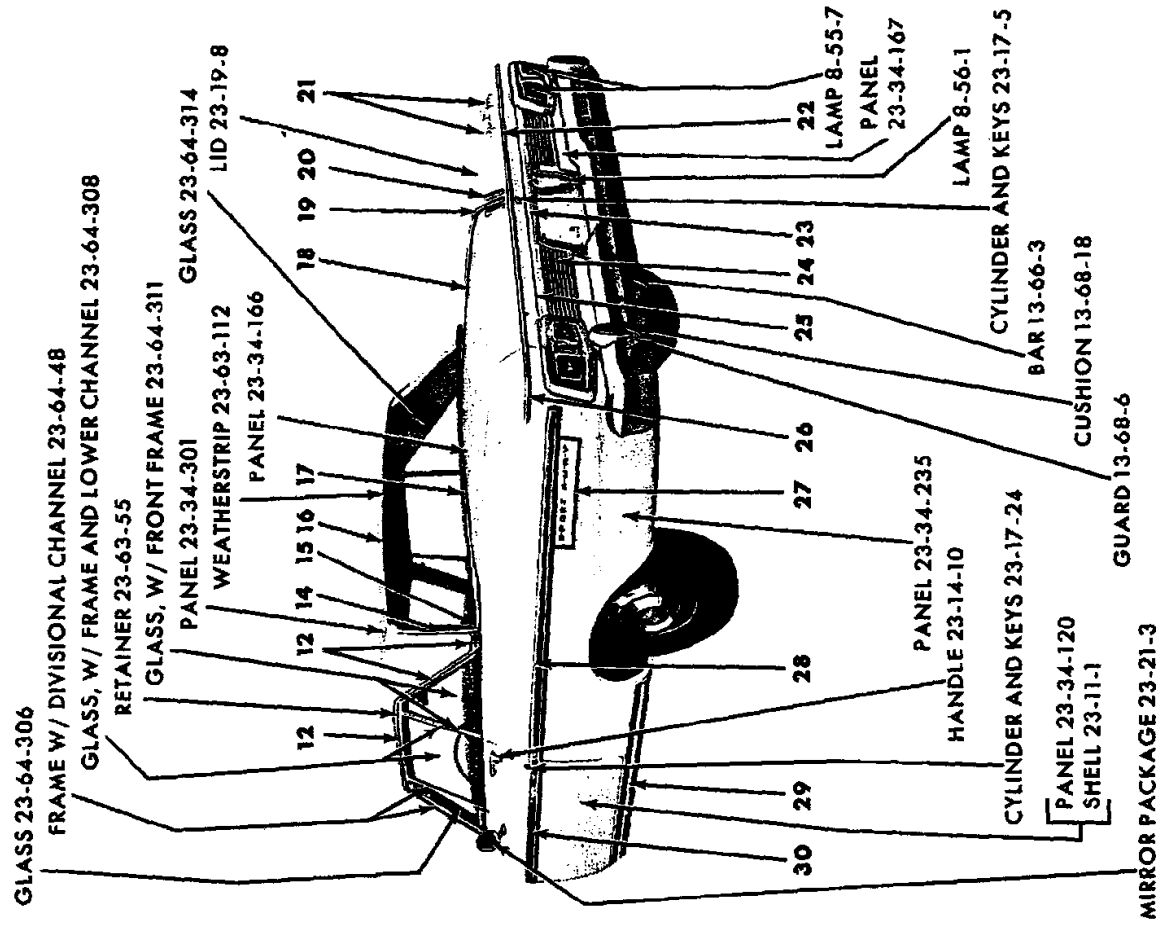
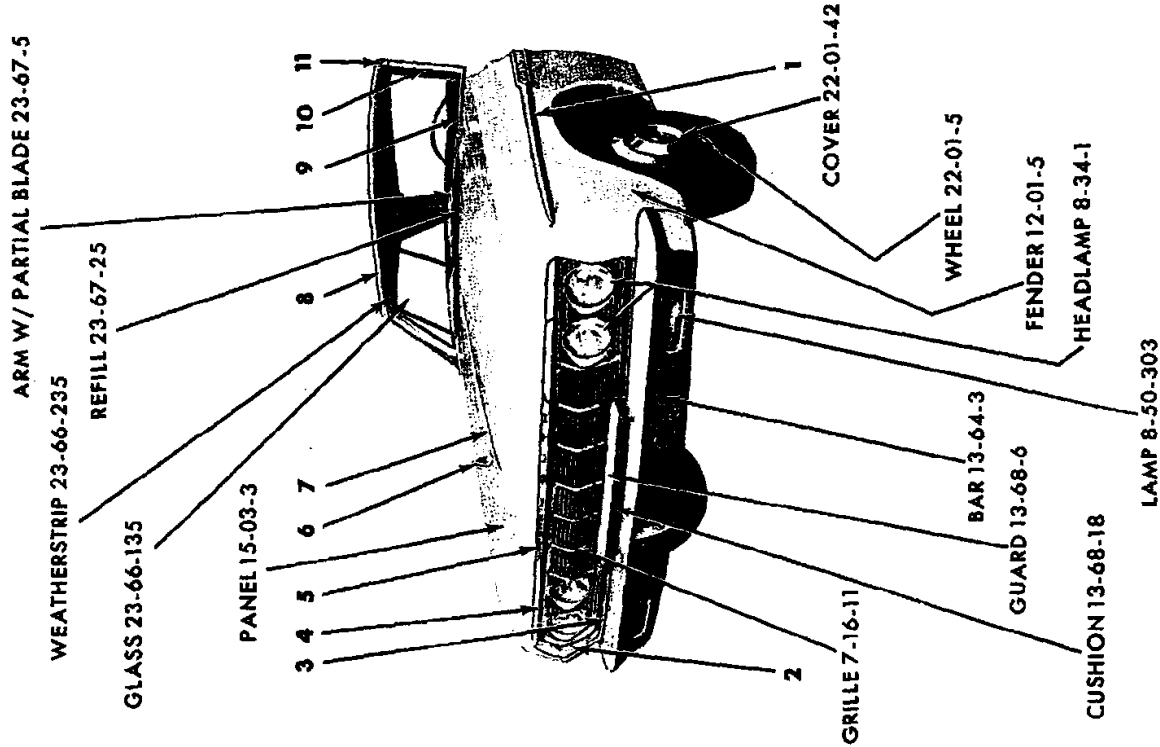
EXTERIOR VIEW - PLYMOUTH VP2(H) CONVERTIBLE COUPE

REF. NO.	QTY	PART NUMBER	DESCRIPTION	REF. NO.	QTY	PART NUMBER	DESCRIPTION	
1	1	2218 598-7	MOULDING, Windshield Outside Finish Side (23-23-65)	14	1	2448 179	MOULDING PACKAGE, Deck Lid Upper (23-23-30)	
	6	6023 247	Screw		2	6001 433	Retainer	
2	1	2495 838-9	MOULDING PACKAGE, Fender Side, "Red" (12-15-2)	1	2424 098-9		Spacer	
	1	2495 840-1	"White"	2	9417 621		Nut	
	1	2495 842-3	"Blue"	6	6001 439		Retainer	
	1	2495 844-5	"Tan"	6	6006 264		Nut	
	1	2495 846-7	"Black"	15	1	2480 526	NAME PLATE, Deck Lid (23-19-114)	
	8	6001 474	Clip		5	6000 050	Clip	
	2	6001 581	Retainer	16	1	2448 591	MOULDING PACKAGE, Deck Lid Lower (23-23-30)	
	2	6001 582	Retainer		6	6001 058	Retainer	
	2	6001 548	Clip		6	9417 621	Nut	
	14	----	Nut	17	1	2448 592	MOULDING PACKAGE, Deck Lower Panel License Depression (23-23-23)	
3	1	2495 195	MOULDING PACKAGE, Radiator Stone Deflector (7-35-20)		3	6023 687	Seal	
	8	6001 467	Retainer		3	6023 682	Screw	
	8	6000 616	Nut		2	1839 995	Nut	
4	1	2495 196-7	MOULDING PACKAGE, Fender Front (12-15-2)	18	1	2480 020-1	PANEL, Deck Lower Panel Finish (23-23-28)	
	4	6001 466	Retainer		8	6001 430	Retainer	
	4	----	Clip		8	6023 265	Nut	
	8	6024 563	Screw		4	6001 566	Retainer	
	4	----	Nut		4	1839 995	Nut	
5	1	2495 194	MOULDING PACKAGE, Hood Front (15-25-2)		2	6000 050	Clip	
	8	----	Nut	19	1	2448 184-5	MOULDING PACKAGE, Quarter Panel Upper Rear (23-23-39)	
	2	6001 465	Retainer		6	6001 112	Clip	
	4	6001 466	Retainer		6	----	Nut	
6	1	2417 367	NAME LETTER, Hood Front, "P" (15-06-16)	20	1	2448 458-9	MOULDING PACKAGE, Deck Upper Panel (23-23-31)	
	1	2417 368	"L"		10	6024 477	Fastener	
	1	2417 369	"Y"		21	2	2480 489	F, Quarter Panel Name Letter (23-34-238)
	1	2417 370	"M"		2	2480 490	U	
	1	2423 369	"O"		2	2480 491	R	
	1	2423 370	"U"		2	2480 492	Y	
	1	2417 373	"T"		16	6023 260	Nut	
	1	2417 374	"H"	22	1	2495 366-7	MOULDING PACKAGE, Quarter Panel Belt Rear (23-23-39)	
	16	9415 250	Nut		14	6024 472	Fastener	
7	1	2417 713	ORNAMENT, Hood Top (15-03-18)	23	1	2495 808-9	MOULDING PACKAGE, Quarter Panel Lower, Red (23-23-39)	
	1	6023 912	Screw		1	2495 810-1	White	
8	1	2495 757	MOULDING PACKAGE, Hood Top (15-25-2)		1	2495 812-3	Blue	
	6	6023 097	Nut		1	2495 814-5	Tan	
9	1	2218 595	MOULDING, Windshield Outside Finish Lower (23-23-65)		1	2495 816-7	Black	
	10	6001 537	Retainer and Screw		2	6024 271	Screw	
10	1	2482 898-9	MOULDING, Windshield Header Outside (23-23-65)		6	6001 541	Clip	
	7	162 402	Screw		6	6001 542	Clip	
	7	----	Seal		10	6001 535	Retainer	
11	1	2448 456	COVER PACKAGE, Deck Opening Upper Panel Moulding Joint (23-23-41)		10	6024 679	Nut	
	1	6024 477	Fastener	24	1	2495 904-5	MOULDING PACKAGE, Body Side Sill (23-23-2)	
12	1	2448 593	MOULDING PACKAGE, Deck Lid Center (23-23-30)		4	6025 187	Screw	
	5	6022 013	Seal		8	6001 431	Retainer	
	5	1839 995	Nut	25	1	2495 784-5	MOULDING PACKAGE, Door, Rcd (23-23-32)	
13	1	2480 060	ORNAMENT, Deck Lid (23-19-114)		1	2495 786-7	White	
	1	6022 013	Seal		1	2495 788-9	Blue	
	1	1839 995	Nut		1	2495 790-1	Tan	
	1	152 259	Nut		1	2495 792-3	Black	
					2	8001 549	Retainer	
					2	6001 532	Retainer	

All Packages Include Attaching Parts

Part Type Code is Indicated in Parentheses

EXTERIOR VIEW - PLYMOUTH VP2(H) CONVERTIBLE COUPE



19x9938 A

EXTERIOR VIEW - PLYMOUTH VP2(P) 2 DOOR HARDTOP

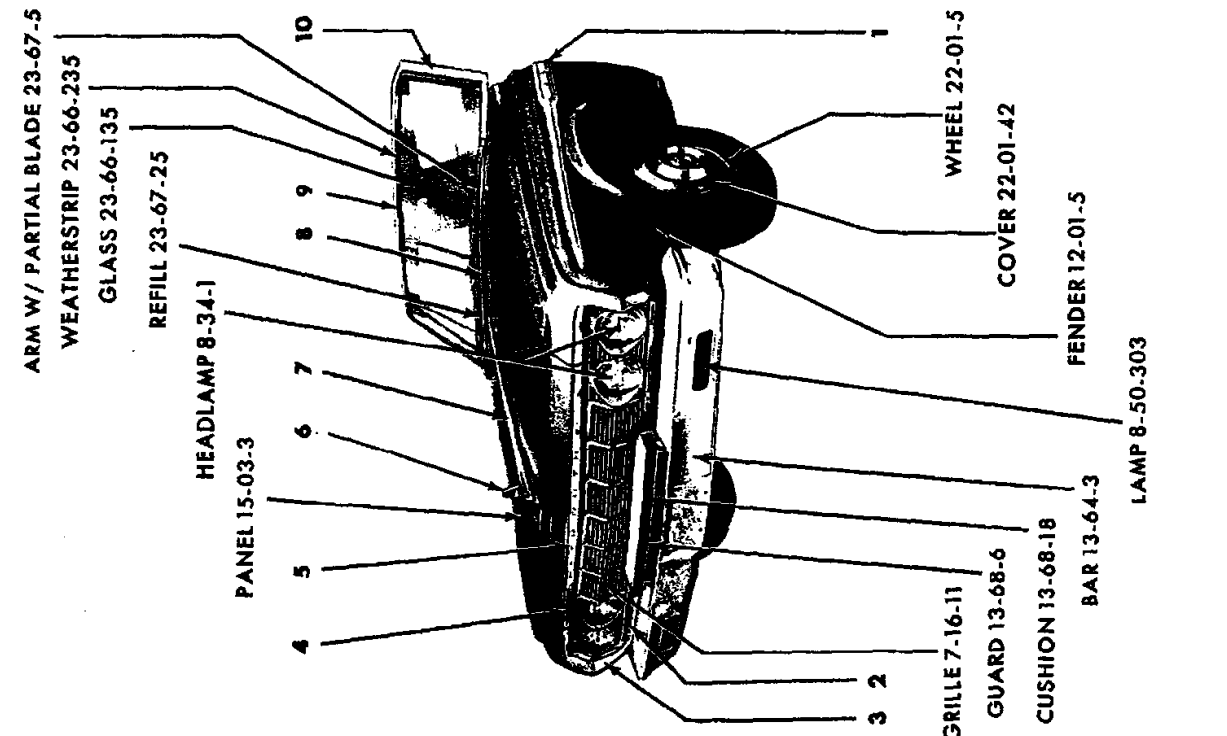
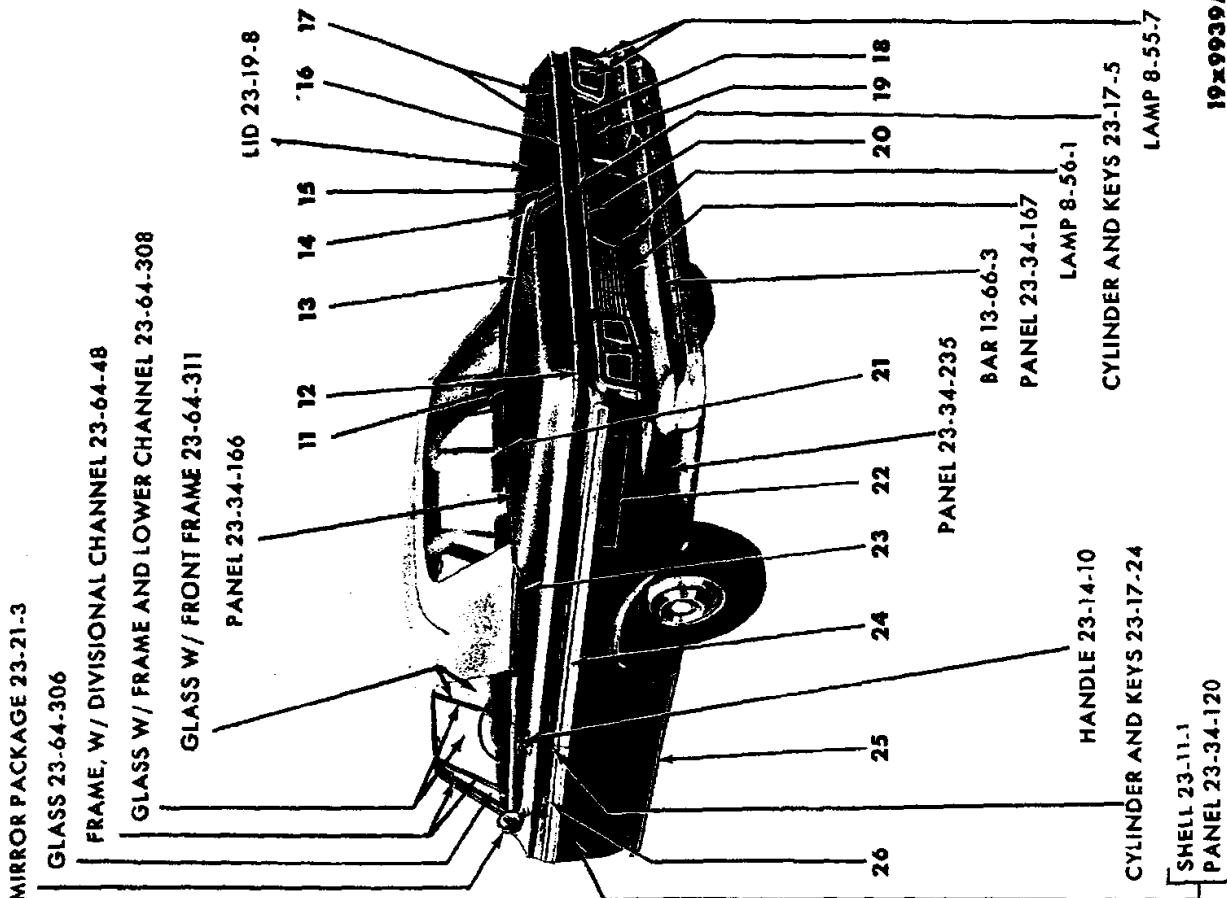
REF. NO.	QTY	PART NUMBER	DESCRIPTION
1	1	2495 848-9	MOULDING PACKAGE, Fender Side (12-15-2)
	8	6001 474	Clip
	2	6001 581	Retainer 14 ---- Nut
	2	6001 582	Retainer 2 6001 548 Clip
2	1	2495 196-7	MOULDING PACKAGE, Fender Front (12-15-2)
	4	6001 466	Retainer 8 6024 563 Screw
	4	----	Clip 4 ---- Nut
3	1	2495 195	MOULDING PACKAGE, Radiator Stone Deflector (7-35-20)
	8	6001 467	Retainer 8 6000 616 Nut
4	1	2495 194	MOULDING PACKAGE, Hood Front (15-25-2)
	2	6001 465	Retainer
	4	6001 466	Retainer 8 ---- Nut
5	1	2417 367	LETTER, Hood Front Name, P (15-06-16)
	1	2417 368	L
	1	2417 369	Y
	1	2417 370	M
	1	2423 369	O
	1	2423 370	U
	1	2417 373	T
	1	2417 374	H
	16	9415 250	Nut
6	1	2417 713	ORNAMENT, Hood Top (15-03-18)
	1	6023 912	Screw
7	1	2495 757	MOULDING PACKAGE, Hood Top (15-25-2)
	6	6023 097	Nut
8	1	2218 594	MOULDING, Windshield Outside Upper (23-23-65)
	8	6001 537	Retainer and Screw
9	1	2218 595	MOULDING, Windshield Outside Finish Lower (23-23-65)
	10	6001 537	Retainer and Screw
10	1	2218 596-7	MOULDING, Windshield Outside Finish Side (23-23-65)
	6	6023 247	Screw
11	1	2491 012-3	MOULDING, Windshield Outside Side Upper Extension (Wide Type) (23-23-65)
	1	2492 712-3	MOULDING, Windshield Outside Side Upper Extension (Narrow Type)
	6	6024 271	Screw
12	1	2525 556-7	MOULDING, Roof Side Drain Trough Front and Rear (23-59-61)
	6	2483 716	Clip (w/Vinyl Roof)
	6	2573 082	Clip (w/o Vinyl Roof)
	6	6024 271	Screw
	2	----	Nut
14	1	2480 918-9	MOULDING, Rear Window Outside Side (23-23-52)
	6	6001 525	Retainer and Screw
15	1	2480 920-1	MOULDING, Rear Window Outside Lower Corner (23-23-52)
	2	6023 693	Screw

REF. NO.	QTY	PART NUMBER	DESCRIPTION
16	1	2495 269	MOULDING PACKAGE, Rear Window Outside Upper (23-23-52)
	6	6001 525	Retainer and Screw
17	1	2480 922	MOULDING, Rear Window Outside Lower (23-23-52)
	6	6023 693	Screw
18	1	2448 593	MOULDING PACKAGE, Deck Lid Center (23-23-30)
	5	6022 013	Seal 5 1839 995 Nut
19	1	2480 283	ORNAMENT, Deck Lid Center (23-19-114)
	1	6022 013	Seal
	1	1839 995	Nut 1 152 259 Nut
20	1	2480 288-9	ORNAMENT, Deck Lid Outer (23-19-114)
	4	152 259	Nut
21	1	2422 955	NAME PLATE, Deck Lid (23-19-114)
	3	152 259	Nut 1 6001 254 Clip
22	1	2448 179	MOULDING PACKAGE, Deck Lid Upper (23-23-30)
	2	6001 433	Retainer
	1	2424 098-9	Spacer 2 9417 621 Nut
	6	6001 439	Retainer 6 6006 264 Nut
23	1	2448 592	MOULDING PACKAGE, Deck Lower Panel License Depression (23-23-23)
	3	6023 687	Seal
	3	6023 682	Screw 2 1839 995 Nut
24	1	2480 020-1	PANEL, Deck Lower Panel Finish (23-23-28)
	8	6001 430	Retainer
	4	6001 566	Retainer 4 1839 995 Nut
	8	6023 265	Nut 2 6000 050 Clip
25	1	2448 591	MOULDING PACKAGE, Deck Lid Lower (23-23-30)
	6	6001 058	Retainer 6 9417 621 Nut
26	1	2448 184-5	MOULDING PACKAGE, Quarter Panel Upper Rear (23-23-39)
	6	6001 112	Clip 6 ---- Nut
27	2	2483 443	NAME PLATE, Quarter Outside Sport (23-34-238)
	2	2483 444	NAME PLATE, Quarter Outside Fury (23-34-238)
	10	6023 260	Nut
28	1	2495 806-7	MOULDING PACKAGE, Quarter Panel Lower (23-23-39)
	2	6024 271	Screw
	6	6001 541	Clip 6 6001 542 Clip
	10	6001 535	Retainer 10 6024 679 Nut
29	1	2495 904-5	MOULDING PACKAGE, Body Side Sill (23-23-2)
	8	6001 431	Retainer 4 6025 187 Screw
30	1	2495 782-3	MOULDING PACKAGE, Door (23-23-32)
	2	6001 532	Retainer 10 6001 540 Clip
	2	6001 549	Retainer 4 9417 621 Nut

All Packages Include Attaching Parts

Part Type Code is Indicated in Parentheses

EXTERIOR VIEW - PLYMOUTH VP2(P) 2 DOOR HARDTOP



EXTERIOR VIEW - PLYMOUTH VP2(P) CONVERTIBLE COUPE



REF. NO.	QTY	PART NUMBER	DESCRIPTION	REF. NO.	QTY	PART NUMBER	DESCRIPTION
1	1	2495 848-9	MOULDING PACKAGE, Fender Side (12-15-2)	14	1	2480 283	ORNAMENT, Deck Lid Center (23-19-114)
	8	6001 474	Clip		1	6022 013	Seal
	2	6001 581	Retainer		1	1839 995	Nut
	2	6001 582	Retainer		1	152 259	Nut
	2	6001 548	Clip	15	1	2480 288-9	ORNAMENT, Deck Lid Outer (23-19-114)
	14	-----	Nut		4	152 259	Nut
2	1	2495 195	MOULDING PACKAGE, Radiator Stone Deflector (7-35-20)	16	1	2448 179	MOULDING PACKAGE, Deck Lid Upper (23-23-30)
	8	6001 467	Retainer		2	6001 433	Retainer
	8	6000 616	Nut		1	2424 098-9	Spacer
3	1	2495 196-7	MOULDING PACKAGE, Fender Front (12-15-2)		2	9417 621	Nut
	4	6001 466	Retainer		6	6001 439	Retainer
	4	-----	Clip		6	6006 264	Nut
	8	6024 563	Screw	17	1	2422 955	NAME PLATE, Deck Lid (23-19-114)
	4	-----	Nut		3	152 259	Nut
4	1	2495 194	MOULDING PACKAGE, Hood Front (15-25-2)		1	6001 254	Clip
	8	-----	Nut	18	1	2448 591	MOULDING PACKAGE, Deck Lid Lower (23-23-30)
	2	6001 465	Retainer		6	6001 058	Retainer
	4	6001 466	Retainer		6	9417 621	Nut
5	1	2417 367	LETTER, Hood Front Name, "P" (15-06-16)	19	1	2480 020-1	PANEL, Deck Lower Panel Finish (23-23-28)
	1	2417 368	"L"		8	6001 430	Retainer
	1	2417 369	"Y"		8	6024 679	Nut
	1	2417 370	"M"		4	6001 566	Retainer
	1	2423 369	"O"		4	1839 995	Nut
	1	2423 370	"U"		2	6000 050	Clip
	1	2417 370	"T"	20	1	2448 592	MOULDING PACKAGE, Deck Lower Panel License Depression (23-23-23)
	1	2417 374	"H"		3	6023 687	Seal
	16	9415 250	Nut		3	6023 682	Screw
6	1	2417 713	ORNAMENT, Hood Top (15-03-18)		2	1839 995	Nut
	1	6023 912	Screw	21	1	2448 458-9	MOULDING PACKAGE, Deck Upper Panel (23-23-31)
7	1	2495 757	MOULDING PACKAGE, Hood Top (15-25-2)		10	6024 477	Fastener
	6	6023 097	Nut	22	2	2483 443	NAME PLATE, Quarter Outside Sport (23-34-238)
8	1	2218 595	MOULDING, Windshield Outside Finish Lower (23-23-65)		2	2483 444	NAME PLATE, Quarter Outside Fury
	10	6001 537	Retainer and Screw		10	6023 260	Nut
9	1	2482 898-9	MOULDING, Windshield Header Outside (23-23-65)	23	1	2495 366-7	MOULDING PACKAGE, Quarter Panel Belt Rear (23-23-39)
	7	162 402	Screw		14	6024 472	Fastener
	7	-----	Seal	24	1	2495 806-7	MOULDING PACKAGE, Quarter Panel Lower (23-23-39)
10	1	2218 596-7	MOULDING, Windshield Outside Finish Side (23-23-65)		2	6024 271	Screw
	6	6023 247	Screw		6	6001 541	Clip
11	1	2448 456	COVER PACKAGE, Deck Opening Upper Panel Moulding Joint (23-23-41)		6	6001 542	Clip
	1	6024 477	Fastener		10	6001 535	Retainer
12	1	2448 184-5	MOULDING PACKAGE, Quarter Panel Upper Rear (23-23-39)		10	6024 679	Nut
	6	6001 112	Clip	25	1	2495 904-5	MOULDING PACKAGE, Body Side Sill (23-23-2)
	6	-----	Nut		4	6025 187	Screw
13	1	2448 593	MOULDING PACKAGE, Deck Lid Center (23-23-30)		8	6001 431	Retainer
	5	6022 013	Seal	26	1	2495 782-3	MOULDING PACKAGE, Door (23-23-32)
	5	1839 995	Nut		2	6001 532	Retainer
					4	9417 621	Nut
					2	6001 549	Retainer
					10	6001 540	Clip

All Packages Include Attaching Parts

Part Type Code is Indicated in Parentheses

EXTERIOR VIEW - PLYMOUTH VP2(P) CONVERTIBLE COUPE