

# 1963 VALIANT

## INTERIOR TRIM

### HOW TO USE INTERIOR TRIM ILLUSTRATIONS

The illustrations in this section are actual and each body style showing the Interior Trim is included.

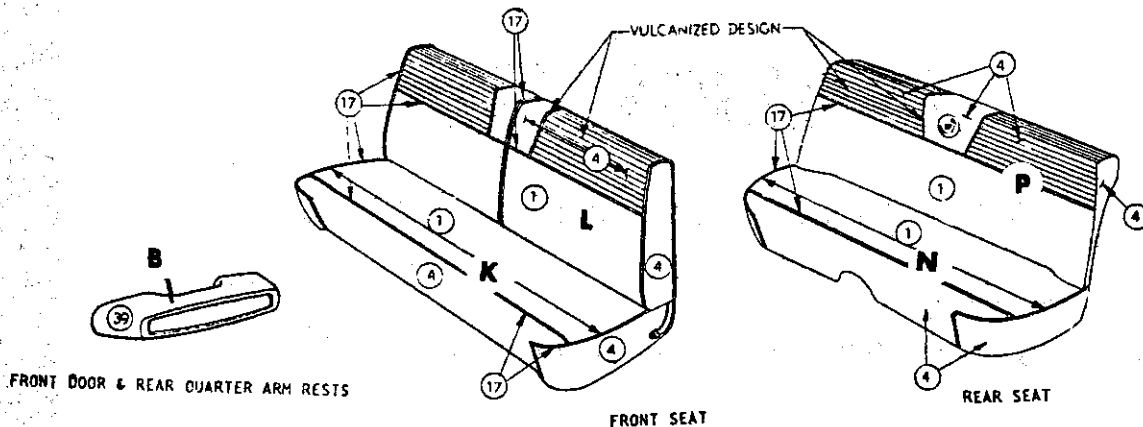
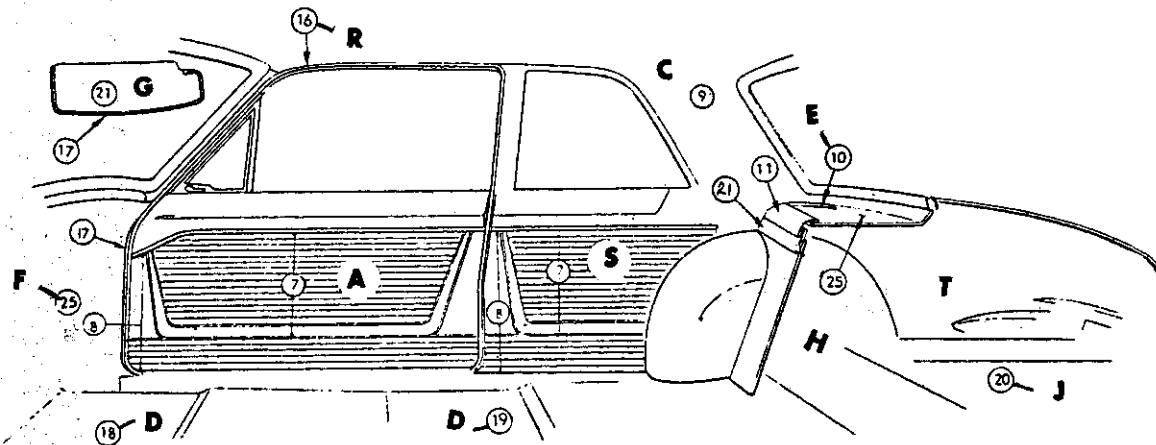
The letters shown on the illustration indicate the description of the part and the part type code when referred to the legend which appears preceding the listing of the parts. The letters are consistent throughout the illustrations as "A" is always a Door Trim Panel, Code 23-92-5.

The numbers on the illustration indicate the distribution of material and type of material used. The numbers may vary with each illustration. The legend appears on the illustration.

For complete information on "How to Order" Trim Parts, see Mopar Parts Price List.

V  
A  
L  
I  
A  
N  
T

## 1963 VALIANT - T SERIES



### DISTRIBUTION OF MATERIAL

1	BODY CLOTH	1
4	IMITATION LEATHER	32-CH-22
5	IMITATION LEATHER	34-DA-72
7	IMITATION LEATHER	18-DN-22
8	IMITATION LEATHER	.012-L-22
9	IMITATION LEATHER	17-C-81 OPT 15, 5-C-81
10	IMITATION LEATHER	19-C-22
11	IMITATION LEATHER	28-AM-22
16	LACE	
17	EXTRUDED VINYL	
18	FLOOR COVERING - FRONT RUBBER	
19	FLOOR COVERING - REAR RUBBER	
20	FLOOR COVERING - LUGG. COMPT. PRINTED JUTE	
25	HARDBOARD	
26	FELT	
30	PLASTIC	
31	PAINT	
32	METAL	
33	MOULDING	
35	THREE PLY JUTE CORD	
36	MYLAR	
38	MOULDED RESIN	
39	PLASTISOL	

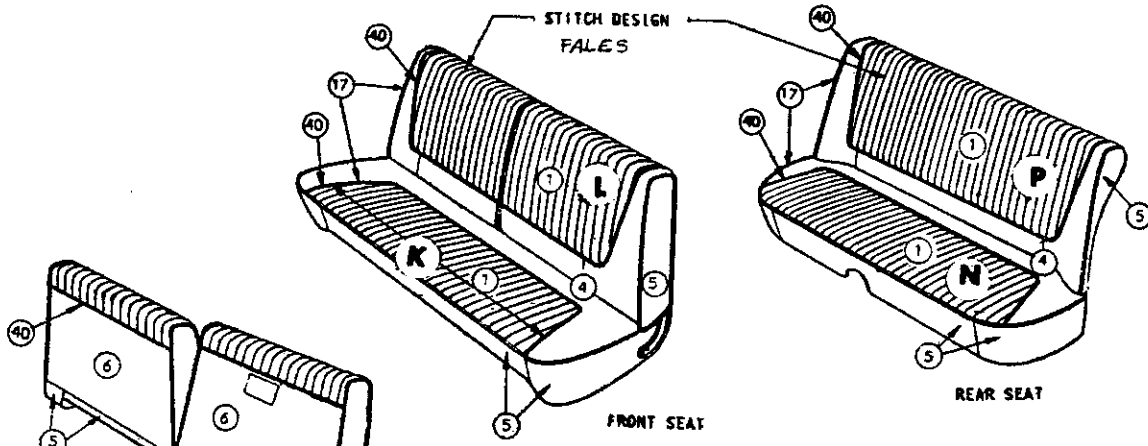
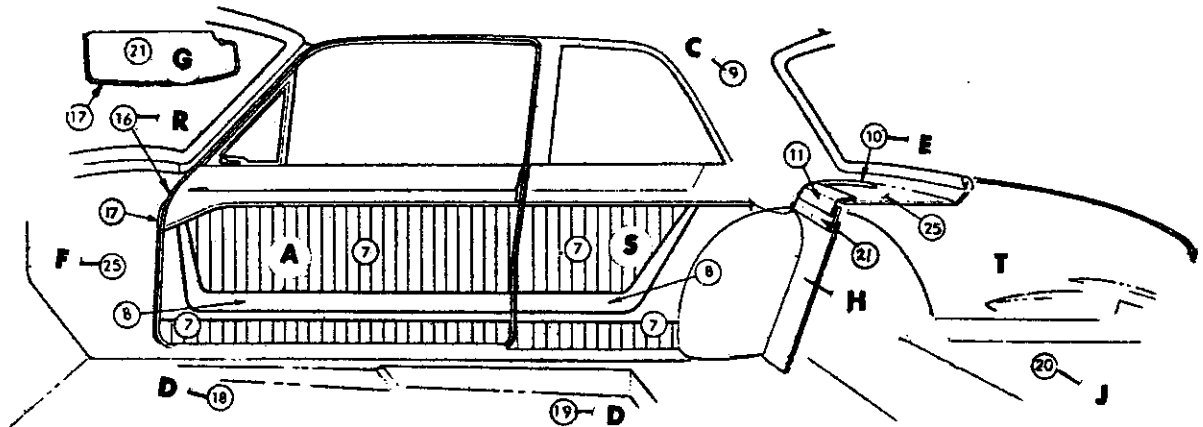
Distribution Drawing Legend Page Appears Following Illustration Section

Codes 701, 702, 704

TVL-211

1963 VALIANT TV1-L 2 DOOR SEDAN  
CLOTH AND IMITATION LEATHER COMBINATION

1963 VALIANT - T SERIES



DISTRIBUTION OF MATERIAL

- 1 BODY CLOTH I
- 4 IMITATION LEATHER 32-CH-22
- 5 IMITATION LEATHER 32A-CH-22
- 6 IMITATION LEATHER 34-DA-22
- 7 IMITATION LEATHER .012-L-22
- 8 IMITATION LEATHER 18-DN-22
- 9 IMITATION LEATHER 17-C-81-OPT 15, 5-C-81
- 10 IMITATION LEATHER 19-C-22
- 11 IMITATION LEATHER 28-AM-22
- 16 LACE
- 17 EXTRUDED VINYL
- 18 FLOOR COVERING-FRONT RUBBER
- 19 FLOOR COVERING-REAR RUBBER
- 20 FLOOR COVERING-LUGG. COMPT. PRINTED JUTE
- 25 HARDBOARD
- 26 FELT
- 30 PLASTIC
- 31 PAINT
- 32 METAL
- 33 MOULDING
- 36 MYLAR
- 38 MOULDED RESIN
- 39 PLASTISOL
- 40 EXTRUDED VINYL MYLAR FILLER

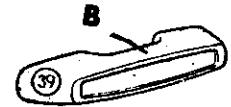
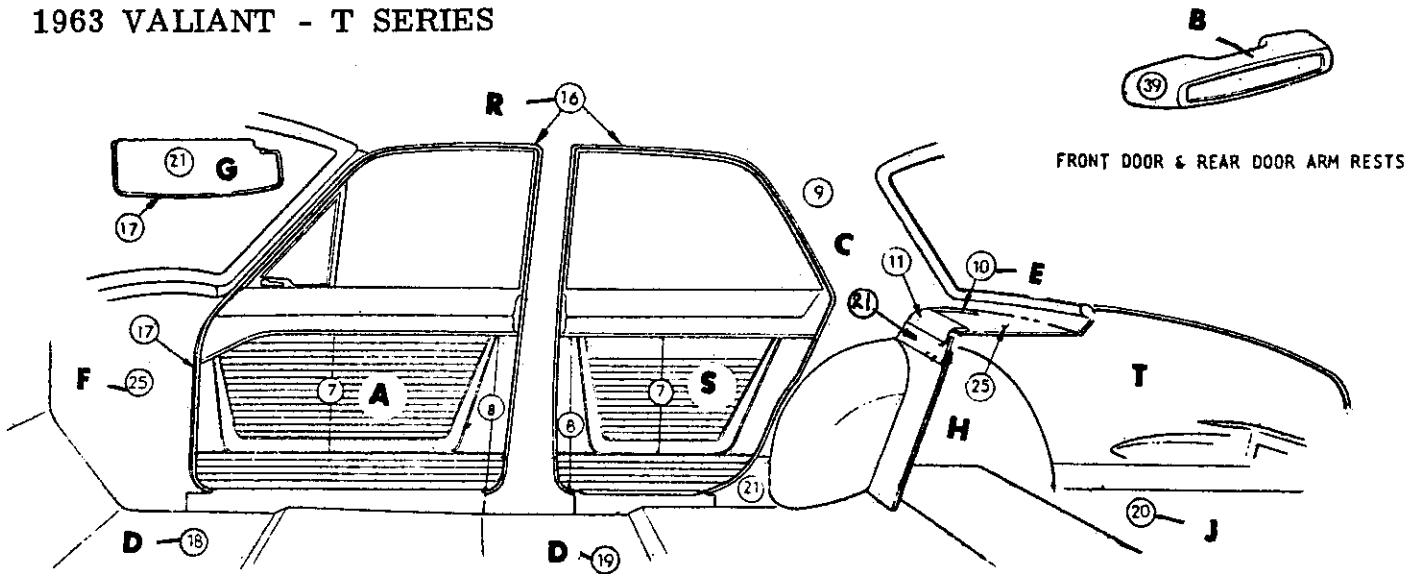
Distribution Drawing Legend Page Appears Following Illustration Section

Codes 721, 722, 725

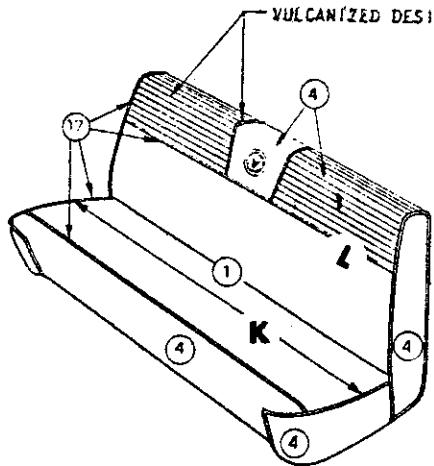
TVH-211

1963 VALIANT TV1-H 2 DOOR SEDAN  
CLOTH AND IMITATION LEATHER COMBINATION

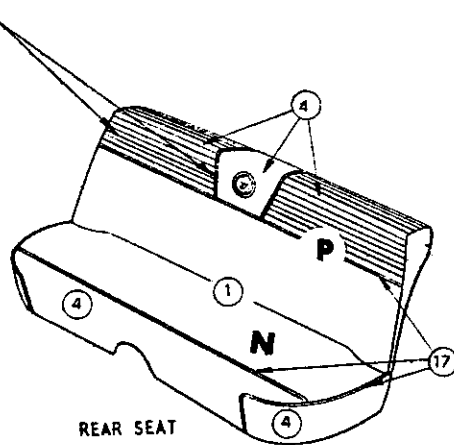
1963 VALIANT - T SERIES



FRONT DOOR & REAR DOOR ARM RESTS



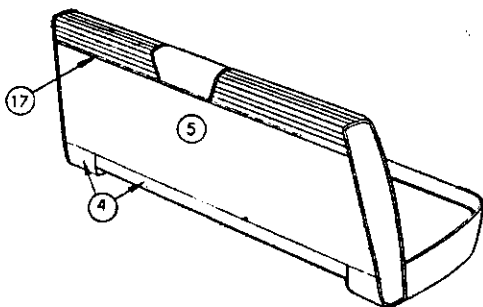
FRONT SEAT



REAR SEAT

DISTRIBUTION OF MATERIAL

- 1 BODY CLOTH 1
- 4 IMITATION LEATHER 32-CH-22
- 5 IMITATION LEATHER 34-DA-72
- 7 IMITATION LEATHER 18-DN-22
- 8 IMITATION LEATHER .012-L-22
- 9 IMITATION LEATHER 15.5-C-81
- 10 IMITATION LEATHER 19-C-22
- 11 IMITATION LEATHER 28-AM-22
- 16 LACE
- 17 EXTRUDED VINYL
- 18 FLOOR COVERING-FRONT RUBBER
- 19 FLOOR COVERING-REAR RUBBER
- 20 FLOOR COVERING-LUGG. COMPT. PRINTED JUTE
- 21 EMBOSSED CARDBOARD
- 25 HARDBOARD
- 26 FELT
- 30 PLASTIC
- 31 PAINT
- 32 METAL
- 33 MOULDING
- 36 MYLAR
- 38 MOULDED RESIN
- 39 PLASTISOL



FRONT SEAT (BACK)

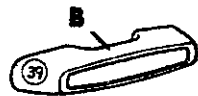
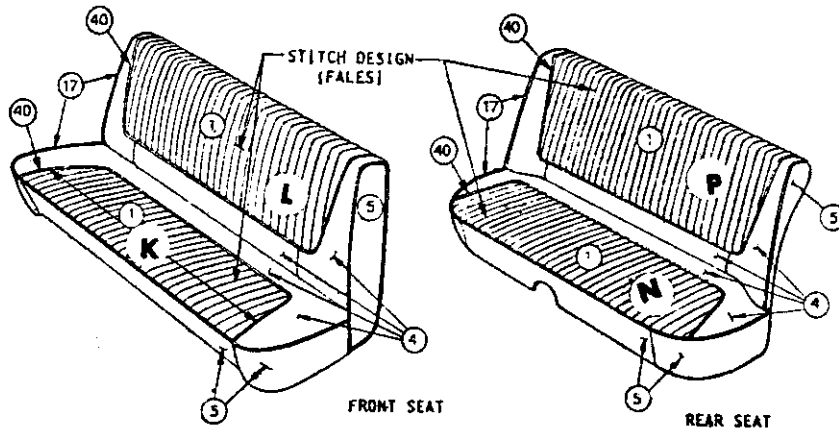
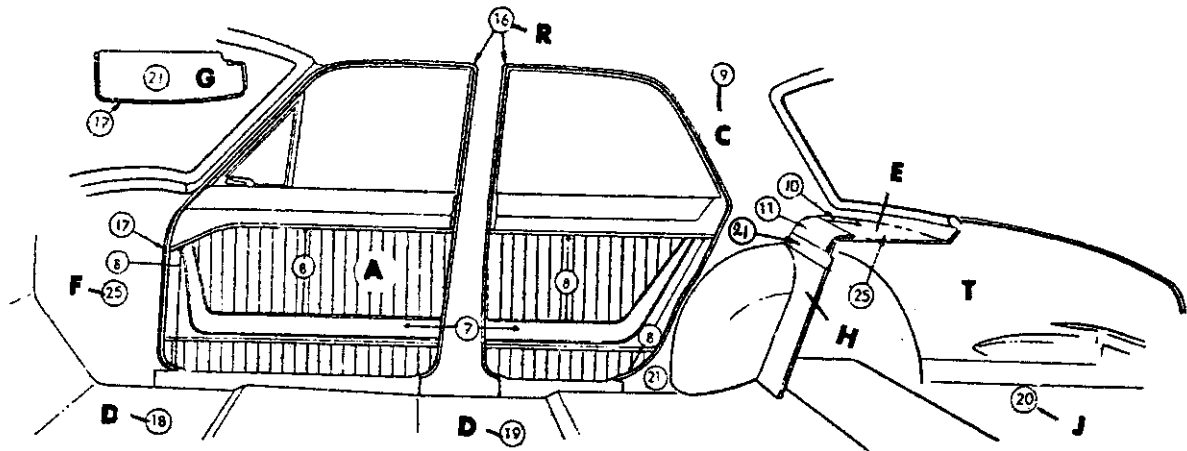
Distribution Drawing Legend Page Appears Following Illustration Section

Codes 701, 702, 704

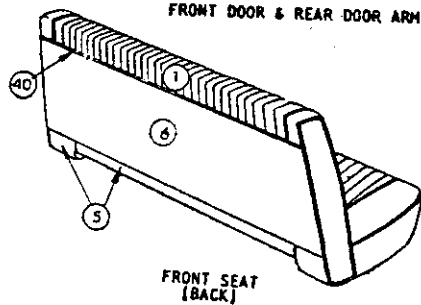
TVL-411

1963 VALIANT TV1-L 4 DOOR SEDAN  
CLOTH & IMITATION LEATHER COMBINATION

1963 VALIANT - T SERIES



FRONT DOOR & REAR DOOR ARM RESTS



DISTRIBUTION OF MATERIAL

- |    |  |                       |
|----|--|-----------------------|
| 1  | BODY CLOTH                               | 1                     |
| 4  | IMITATION LEATHER                        | 32-CH-22              |
| 5  | IMITATION LEATHER                        | 32A-CH-22             |
| 6  | IMITATION LEATHER                        | 34-DA-22              |
| 7  | IMITATION LEATHER                        | 18-DN-22              |
| 8  | IMITATION LEATHER                        | .012-L-22             |
| 9  | IMITATION LEATHER                        | 17-C-81 OPT 15.5-C-81 |
| 10 | IMITATION LEATHER                        | 19-C-22               |
| 11 | IMITATION LEATHER                        | 28-AM-22              |
| 16 | LACE                                     |                       |
| 17 | EXTRUDED VINYL                           |                       |
| 18 | FLOOR COVERING-FRONT RUBBER              |                       |
| 19 | FLOOR COVERING-REAR RUBBER               |                       |
| 20 | FLOOR COVERING-LUGG. COMPT, PRINTED JUTE |                       |
| 21 | EMBOSSED CARDBOARD                       |                       |
| 25 | HARDBOARD                                |                       |
| 30 | PLASTIC                                  |                       |
| 31 | PAINT                                    |                       |
| 32 | METAL                                    |                       |
| 33 | MOULDING                                 |                       |
| 36 | MYLAR                                    |                       |
| 38 | MOULDED RESIN                            |                       |
| 39 | PLASTISOL                                |                       |
| 40 | EXTRUDED VINYL MYLAR FILLER              |                       |

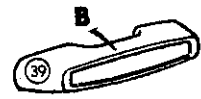
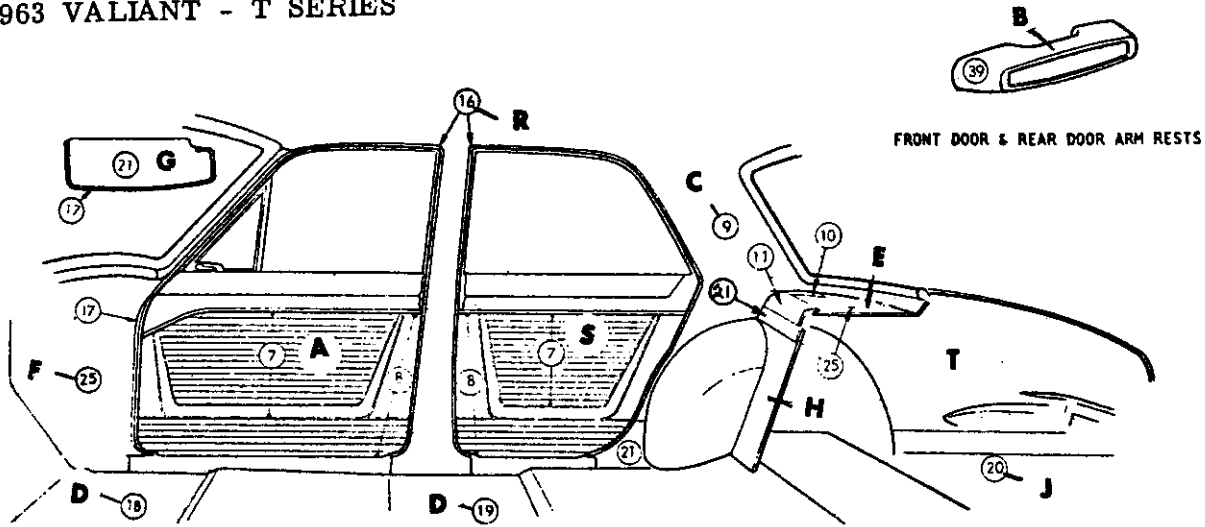
Distribution Drawing Legend Page Appears Following Illustration Section

Codes 721, 722, 725

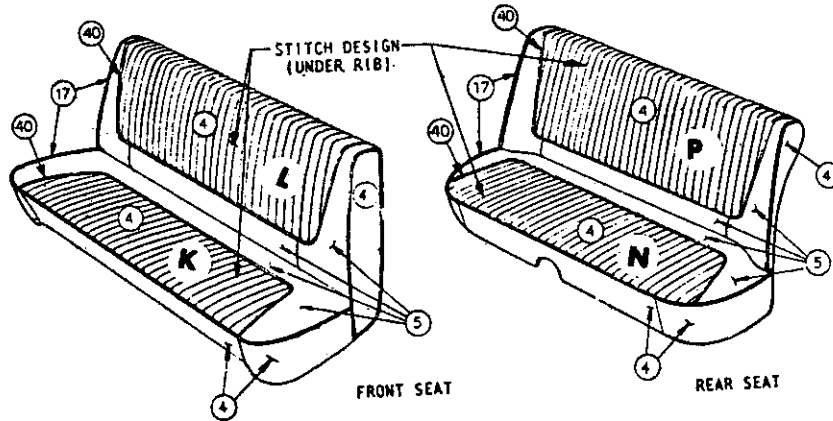
TVH-411

1963 VALIANT TV1-H 4 DOOR SEDAN  
CLOTH AND IMITATION LEATHER COMBINATION

1963 VALIANT - T SERIES

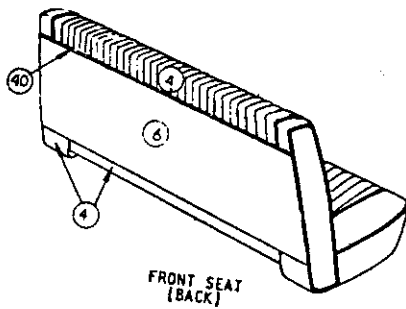


FRONT DOOR & REAR DOOR ARM RESTS



FRONT SEAT

REAR SEAT



FRONT SEAT (BACK)

DISTRIBUTION OF MATERIAL

4	IMITATION LEATHER	32-CH-22
5	IMITATION LEATHER	32-A-CH-22
6	IMITATION LEATHER	34-DA-22
7	IMITATION LEATHER	18-DN-22
8	IMITATION LEATHER	.012-L-22
9	IMITATION LEATHER	17-C-81 OPT 15, 5-C-81
10	IMITATION LEATHER	19-C-22
11	IMITATION LEATHER	28-AM-22
16	LACE	
17	EXTRUDED VINYL	
18	FLOOR COVERING-FRONT RUBBER	
19	FLOOR COVERING-REAR RUBBER	
20	FLOOR COVERING-LUGG. COMPT. PRINTED JUTE	
21	EMBOSSED CARDBOARD	
25	HARDBOARD	
30	PLASTIC	
31	PAINT	
32	METAL	
33	MOULDING	
36	MYLAR	
37	SALVAGE MATERIAL	
38	MOULDED RESIN	
39	PLASTISOL	
40	EXTRUDED VINYL MYLAR FILLER	

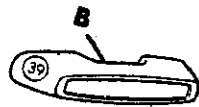
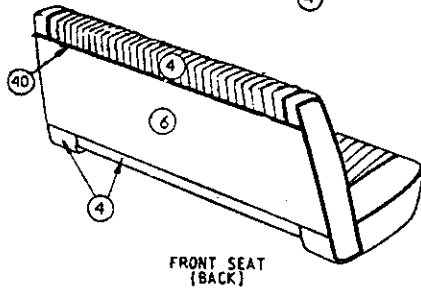
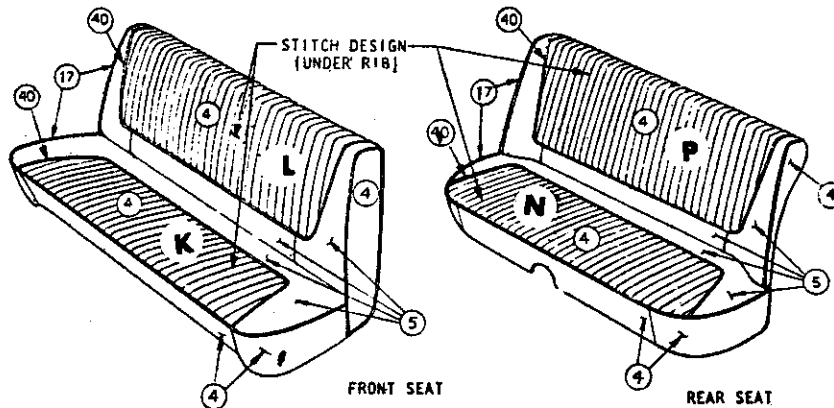
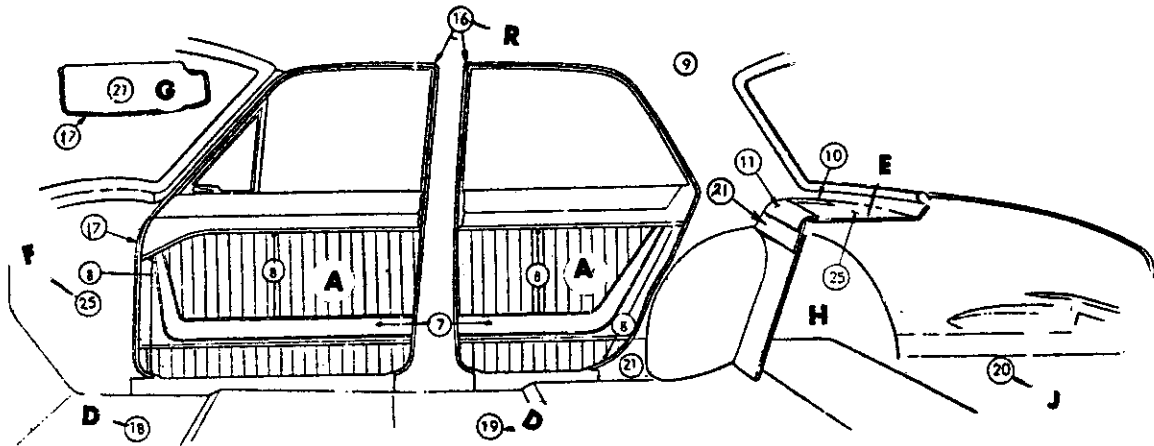
Distribution Drawing Legend Page Appears Following Illustration Section

Code 761

TVL-414

1963 VALIANT TV1-L 4 DOOR SEDAN  
IMITATION LEATHER COMBINATION

1963 VALIANT - T SERIES



DISTRIBUTION OF MATERIAL

4	IMITATION LEATHER	32-CH-22
5	IMITATION LEATHER	32A-CH-22
6	IMITATION LEATHER	34-DA-22
7	IMITATION LEATHER	18-DN-22
8	IMITATION LEATHER	.012-L-22
9	IMITATION LEATHER	15, 5-C-81
10	IMITATION LEATHER	19-C-22
11	IMITATION LEATHER	28-AM-22
16	LACE	
17	EXTRUDED VINYL	
18	FLOOR COVERING-FRONT RUBBER	
19	FLOOR COVERING-REAR RUBBER	
20	FLOOR COVERING-LUGG. COMPT. PRINTED JUTE	
21	EMBOSSED CARDBOARD	
25	HARDBOARD	
30	PLASTIC	
31	PAINT	
32	METAL	
33	MOULDING	
36	MYLAR	
38	MOULDED RESIN	
39	PLASTISOL	
40	EXTRUDED VINYL MYLAR FILLER	

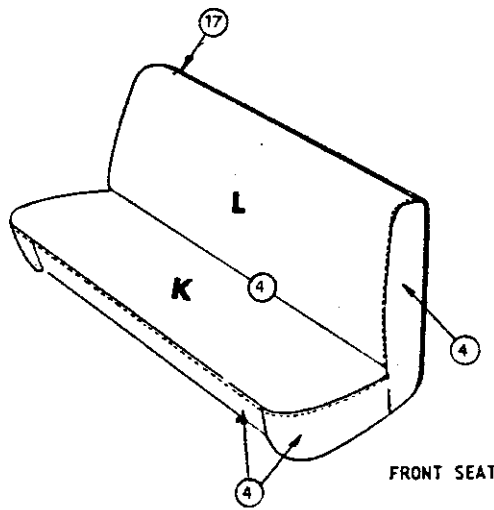
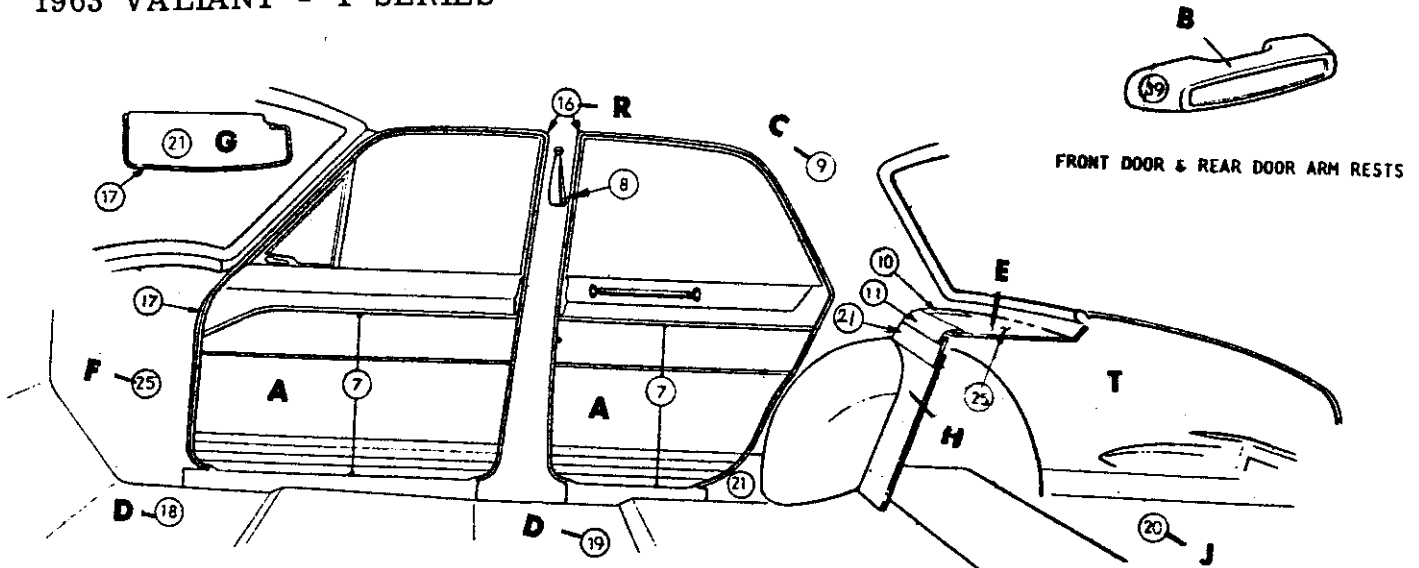
Distribution Drawing Legend Page Appears Following Illustration Section

Codes 771, 773, 775

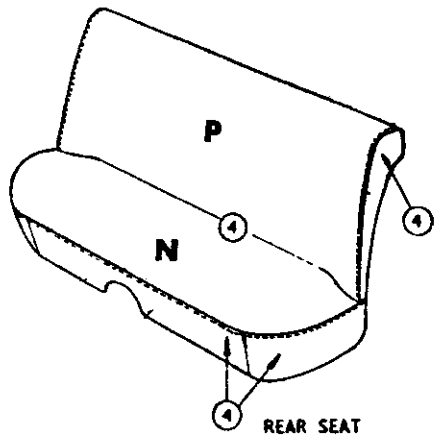
TVH-414

1963 VALIANT TV1-H 4 DOOR SEDAN  
IMITATION LEATHER COMBINATION

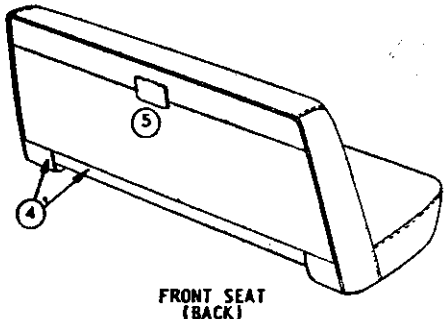
1963 VALIANT - T SERIES



FRONT SEAT



REAR SEAT



FRONT SEAT (BACK)

DISTRIBUTION OF MATERIAL

4	IMITATION LEATHER	32-CH-22
5	IMITATION LEATHER	34-DA-22
7	IMITATION LEATHER	21-CM-22
8	IMITATION LEATHER	19A-C-22
9	IMITATION LEATHER	15.5-C-81
10	IMITATION LEATHER	19-C-22
11	IMITATION LEATHER	28-AM-22
16	LACE	
17	EXTRUDED VINYL	
18	FLOOR COVERING-FRONT	RUBBER
19	FLOOR COVERING-REAR	RUBBER
20	FLOOR COVERING-LUGG. COMPT.	PRINTED JUTE
21	EMBOSSED CARDBOARD	
25	HARDBOARD	
30	PLASTIC	
31	PAINT	
32	METAL	
33	MOULDING	
36	MYLAR	
38	MOULDED RESIN	
39	PLASTISOL	

Distribution Drawing Legend Page Appears Following Illustration Section

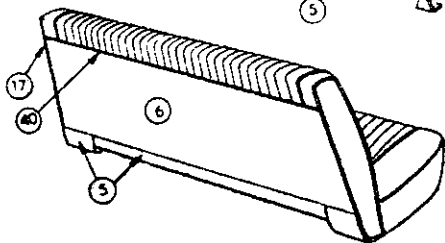
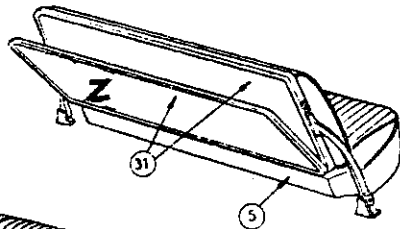
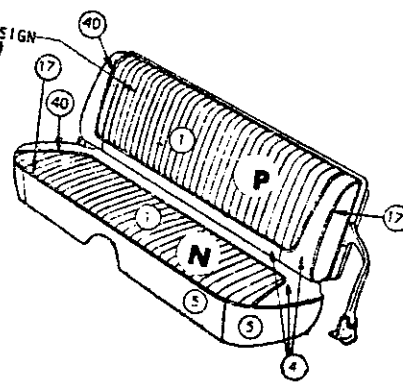
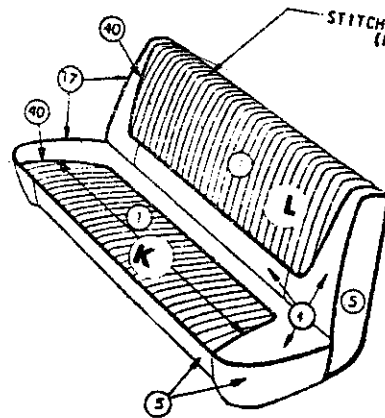
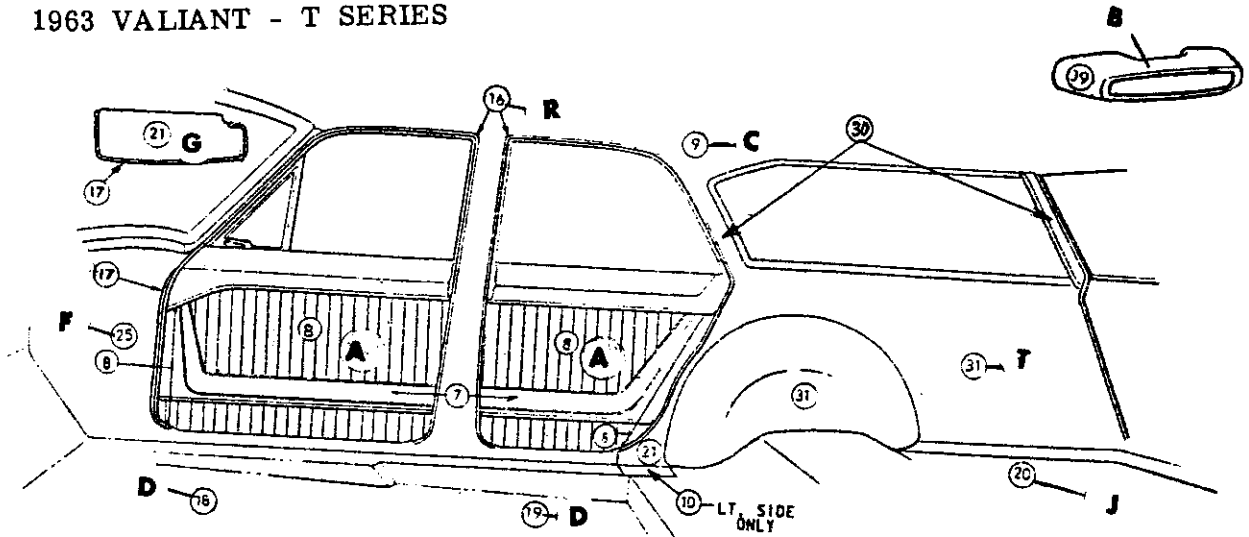
Code 794

TVL-414A

1963 VALIANT TV1-L 4 DOOR SEDAN  
IMITATION LEATHER COMBINATION



1963 VALIANT - T SERIES



DISTRIBUTION OF MATERIAL

- 1 BODY CLOTH
- 4 IMITATION LEATHER
- 5 IMITATION LEATHER
- 6 IMITATION LEATHER
- 7 IMITATION LEATHER
- 8 IMITATION LEATHER
- 9 IMITATION LEATHER
- 10 IMITATION LEATHER
- 16 LACE
- 17 EXTRUDED VINYL
- 18 FLOOR COVERING-FRONT RUBBER
- 19 FLOOR COVERING-REAR RUBBER
- 20 FLOOR COVERING-LUGG. COMPT. RUBBER
- 21 EMBOSSSED CARDBOARD
- 25 HARDBOARD
- 30 PLASTIC
- 31 PAINT
- 32 METAL
- 33 MOULDING
- 36 MYLAR
- 38 MOULDED RESIN
- 39 PLASTISOL
- 40 EXTRUDED VINYL MYLAR FILLER
- 45 POLYETHELENE
- 32-CH-22
- 32A-CH-22
- 34-DA-22
- 18-DN-22
- .012-L-22
- 15.5-C-81
- 19-C-22

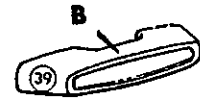
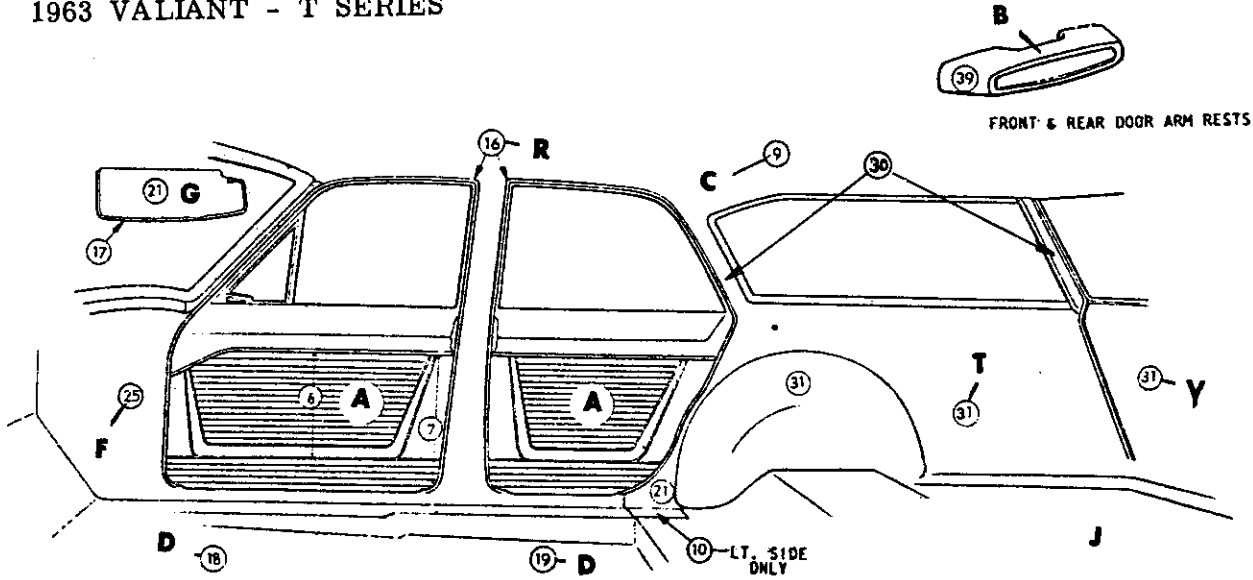
Distribution Drawing Legend Page Appears Following Illustration Section

Codes 721, 722, 725

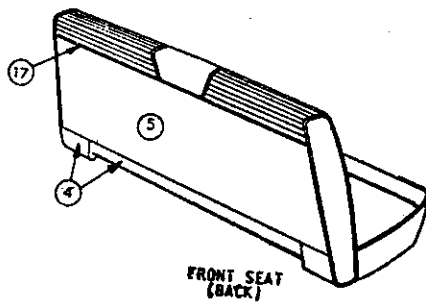
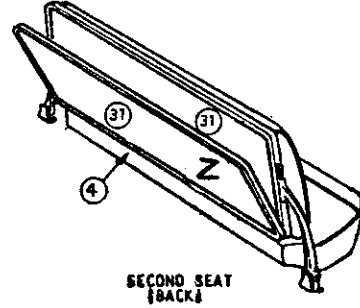
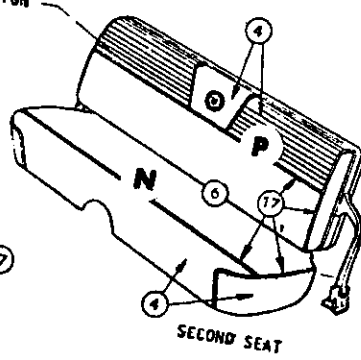
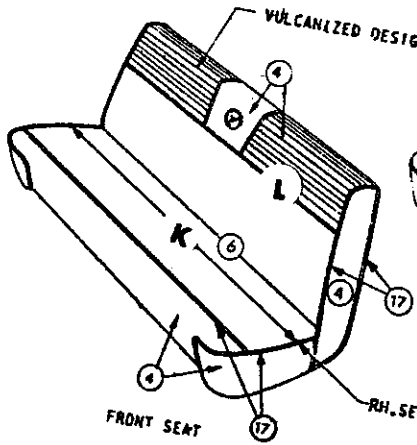
TVH-451

1963 VALIANT TV1-H 4 DOOR SUBURBAN  
CLOTH AND IMITATION LEATHER COMBINATION

1963 VALIANT - T SERIES



FRONT & REAR DOOR ARM RESTS



DISTRIBUTION OF MATERIAL

4	IMITATION LEATHER	32-CH-22
5	IMITATION LEATHER	34-DA-22
6	IMITATION LEATHER	34-DR-76
7	IMITATION LEATHER	.012-L-22
8	IMITATION LEATHER	18-DN-22
9	IMITATION LEATHER	15.5-C-81
10	IMITATION LEATHER	19-C-22
16	LACE	
17	EXTRUDED VINYL	
18	FLOOR COVERING-FRONT RUBBER	
19	FLOOR COVERING-REAR RUBBER	
20	FLOOR COVERING-LUGG. COMPT. RUBBER	
21	EMBOSSED CARDBOARD	
25	HARDBOARD	
30	PLASTIC	
31	PAINT	
32	METAL	
33	MOULDING	
36	MYLAR	
38	MOULDED RESIN	
39	PLASTISOL	

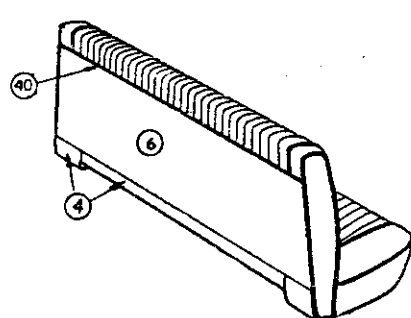
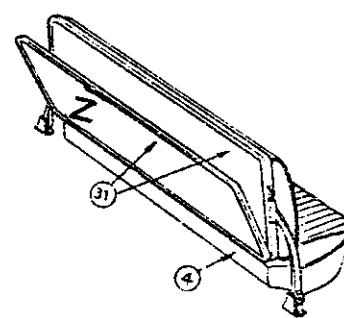
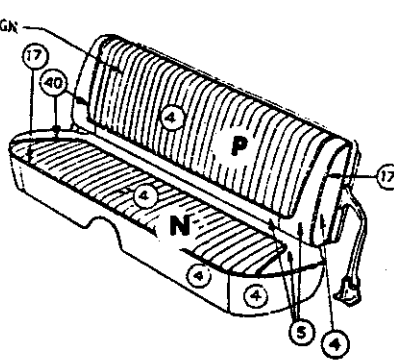
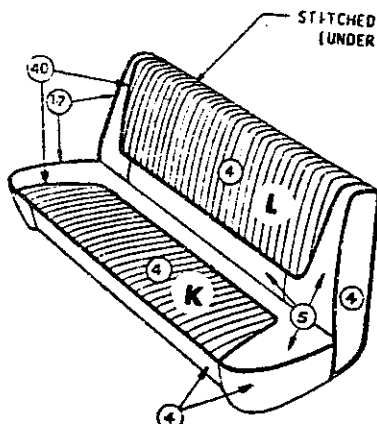
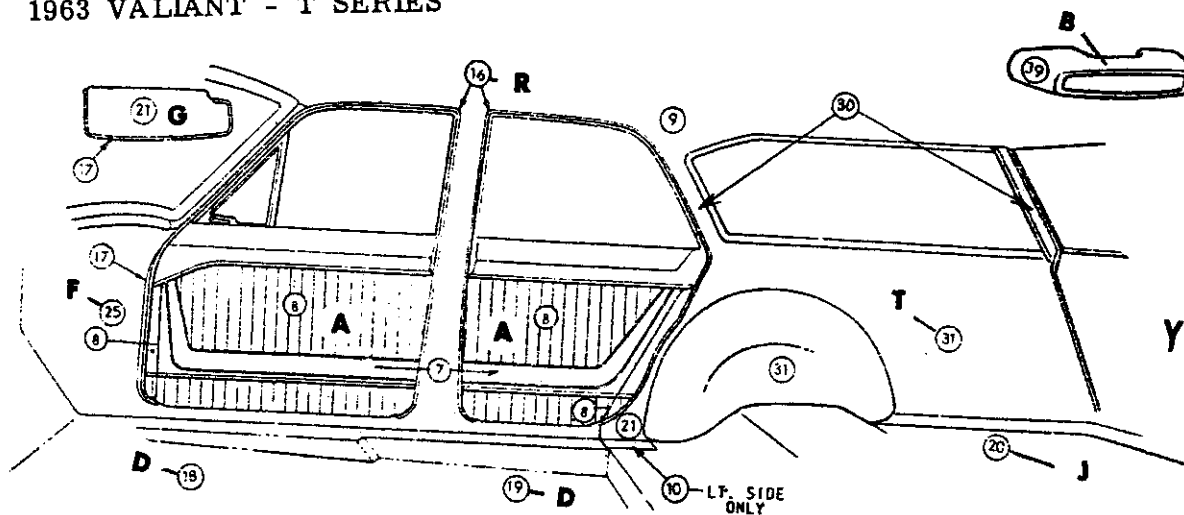
Distribution Drawing Legend Page Appears Following Illustration Section

Codes 751, 752, 754

TVL-454

1963 VALIANT TV1-L 4 DOOR SUBURBAN  
IMITATION LEATHER COMBINATION

1963 VALIANT - T SERIES



STITCHED DESIGN  
(UNDER RIB)

DISTRIBUTION OF MATERIAL

4	IMITATION LEATHER	32-CH-22
5	IMITATION LEATHER	32A-CH-22
6	IMITATION LEATHER	34-DA-22
7	IMITATION LEATHER	18-DN-22
8	IMITATION LEATHER	.012-L-22
9	IMITATION LEATHER	15, 5-C-81
10	IMITATION LEATHER	19-C-22
16	LACE	
17	EXTRUDED VINYL	
18	FLOOR COVERING-FRONT RUBBER	
19	FLOOR COVERING-REAR RUBBER	
20	FLOOR COVERING-LUGG. COMPT. PRINTED JUTE	
21	EMBOSSED CARDBOARD	
25	HARDBOARD	
30	PLASTIC	
31	PAINT	
32	METAL	
33	MOULDING	
36	MYLAR	
38	MOULDED RESIN	
39	PLASTISOL	
40	EXTRUDED VINYL MYLAR FILLER	
45	POLYETHELENE	

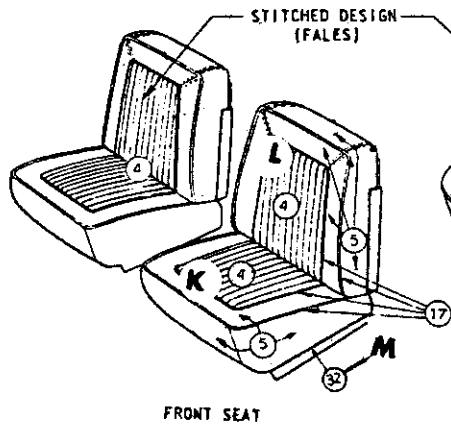
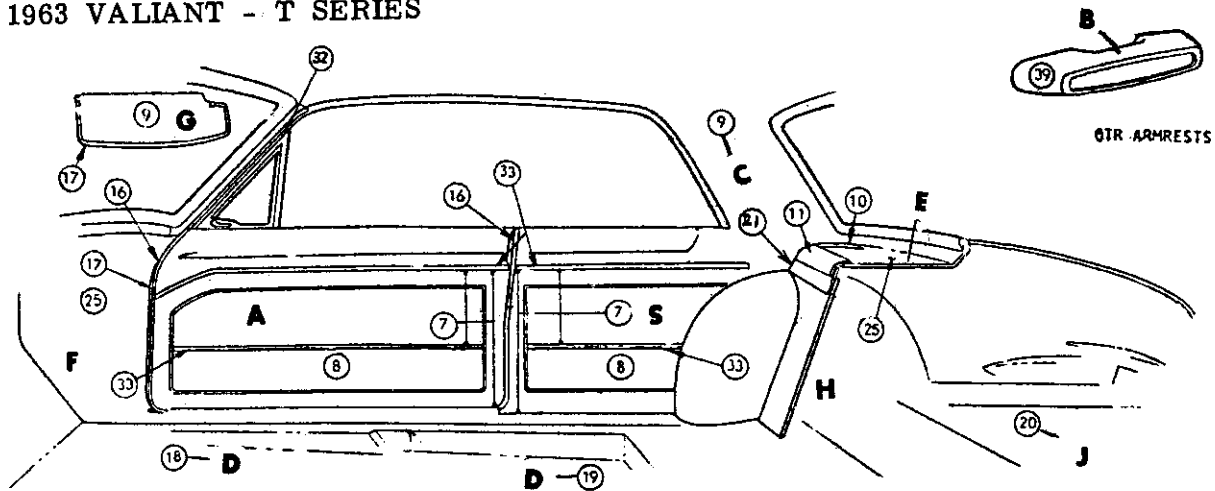
Distribution Drawing Legend Page Appears Following Illustration Section

Codes 771, 773, 775

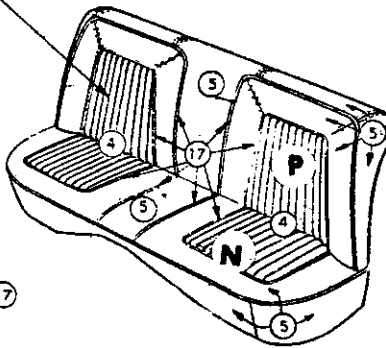
TVH-454

1963 VALIANT TV1-H 4 DOOR SUBURBAN  
IMITATION LEATHER COMBINATION

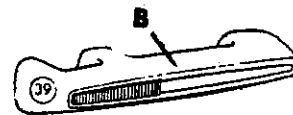
1963 VALIANT - T SERIES



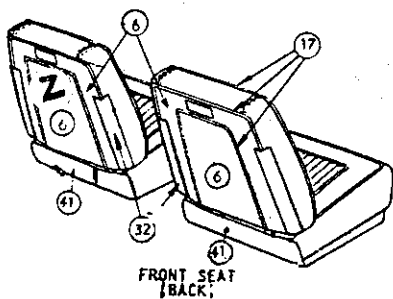
FRONT SEAT



REAR SEAT



DOOR ARMREST



FRONT SEAT (BACK)

DISTRIBUTION OF MATERIAL

4	IMITATION LEATHER	23-DW-79
5	IMITATION LEATHER	32-CH-22
6	IMITATION LEATHER	19-C-22
7	IMITATION LEATHER	19-DJ-22
8	IMITATION LEATHER	19-DJ-79
9	IMITATION LEATHER	15-S-C-81
10	IMITATION LEATHER	19A-C-22
11	IMITATION LEATHER	28A-AM-22
16	LACE	
17	EXTRUDED VINYL	
18	FLOOR COVERING-FRONT CARPET	
19	FLOOR COVERING-REAR CARPET	
20	FLOOR COVERING-LUGG. COMPT, PRINTED JUTE	
25	HARDBOARD	
26	FELT	
27	SEAMING TAPE	
30	PLASTIC	
31	PAINT	
32	METAL	
33	MOULDING	
36	MYLAR	
38	MOULDED RESIN	
39	PLASTISOL	
41	CARPET	

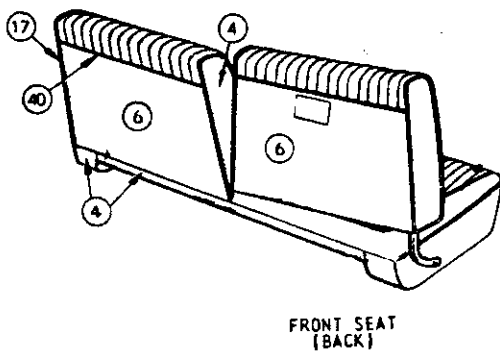
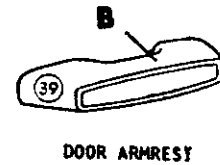
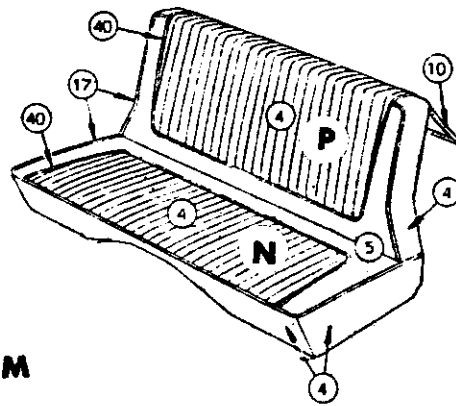
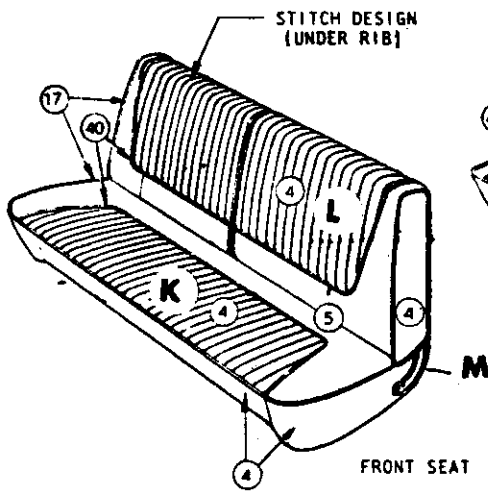
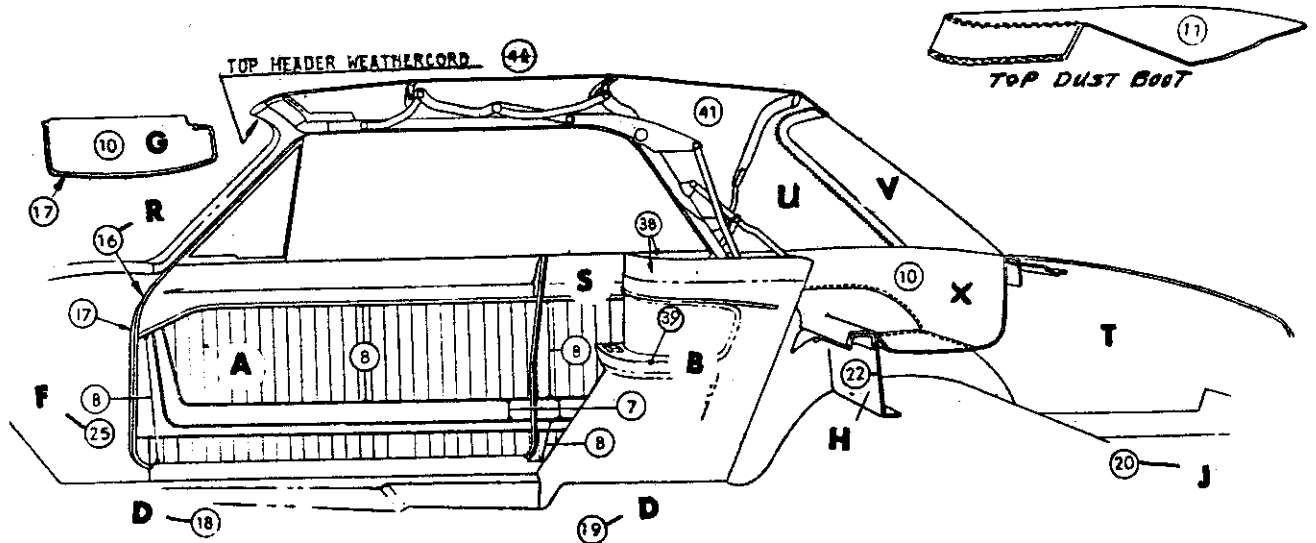
Distribution Drawing Legend Page Appears Following Illustration Section

Codes 791, 793, 795

TVP-234

1963 VALIANT TV1-P SPECIAL CLUB COUPE  
IMITATION LEATHER

1963 VALIANT - T SERIES



DISTRIBUTION OF MATERIAL

4	IMITATION LEATHER	32-CH-22
5	IMITATION LEATHER	32A-CH-22
6	IMITATION LEATHER	34-DA-22
7	IMITATION LEATHER	18-DN-22
8	IMITATION LEATHER	. 012-L-22
10	IMITATION LEATHER	19A-C-22
11	IMITATION LEATHER	32-EB-22
16	LACE	
17	EXTRUDED VINYL	
18	FLOOR COVERING-FRONT	CARPET
19	FLOOR COVERING-REAR	CARPET
20	FLOOR COVERING-LUGG.	PRINTED JUTE
25	HARDBOARD	
30	PLASTIC	
31	PAINT	
32	METAL	
33	MOULDING	
36	MYLAR	
38	MOULDED RESIN	
39	PLASTISOL	
40	EXTRUDED VINYL-MYLAR FILLER	
41	TOP MATERIAL	

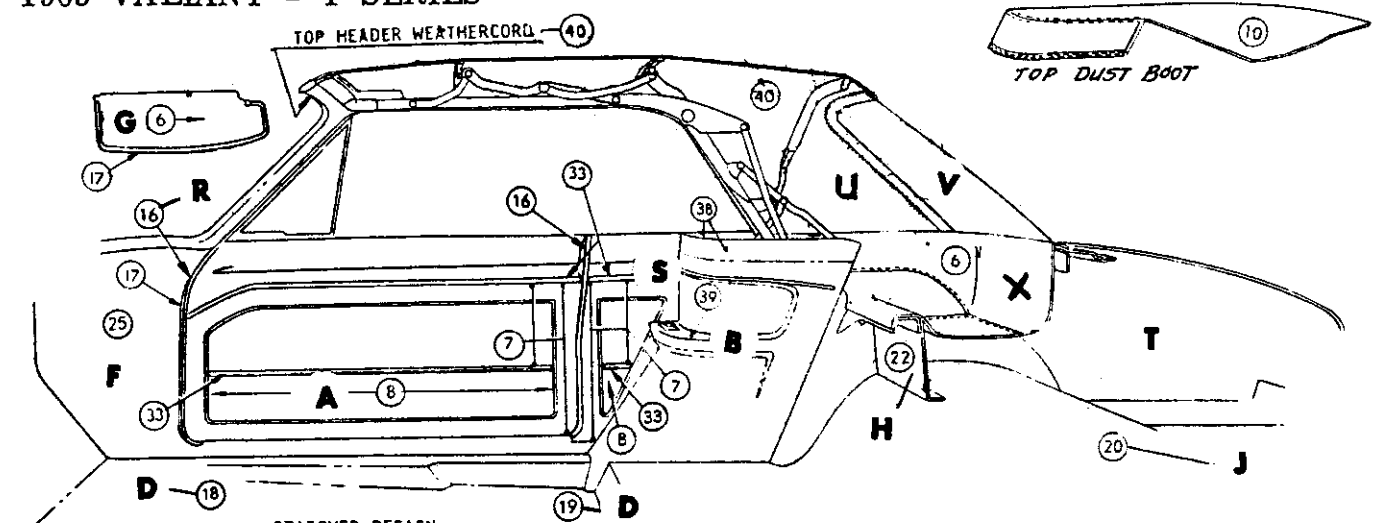
Distribution Drawing Legend Page Appears Following Illustration Section

Codes 771, 773, 775

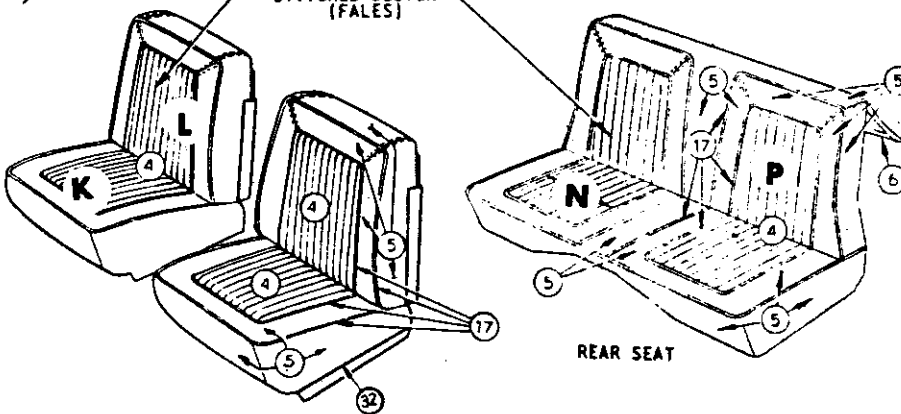
TVH-274

1963 VALIANT TV1-H CONVERTIBLE COUPE  
IMITATION LEATHER

1963 VALIANT - T SERIES



STITCHED DESIGN (FALES)

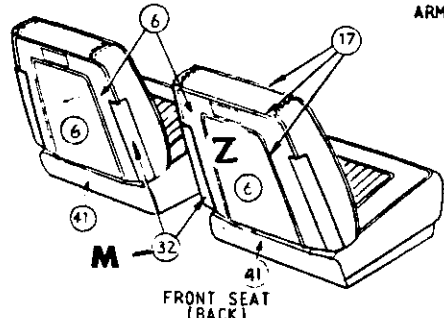


FRONT SEAT

REAR SEAT



ARMREST



FRONT SEAT (BACK)

DISTRIBUTION OF MATERIAL

- 4 IMITATION LEATHER 23-DW-79
- 5 IMITATION LEATHER 32-CH-22
- 6 IMITATION LEATHER 19-C-22
- 7 IMITATION LEATHER 19-DJ-22
- 8 IMITATION LEATHER 19-DJ-79
- 10 IMITATION LEATHER 33-EB-22
- 16 LACE
- 17 EXTRUDED VINYL
- 18 FLOOR COVERING-FRONT CARPET
- 19 FLOOR COVERING-REAR CARPET
- 20 FLOOR COVERING-LUGG. COMPT. PRINTED JUTE
- 22 EMBOSSED CARDBOARD
- 24 FACING FABRIC
- 25 HARDBOARD
- 26 FELT
- 30 PLASTIC
- 31 PAINT
- 32 METAL
- 33 MOULDING
- 36 MYLAR
- 38 MOULDED RESIN
- 39 PLASTISOL
- 40 TOP MATERIAL
- 41 CARPET

Distribution Drawing Legend Page Appears Following Illustration Section

Codes 791, 793, 795

TVP-274 1963 VALIANT TV1-P CONVERTIBLE COUPE  
IMITATION LEATHER

## 1963 VALIANT - T SERIES

## Distribution Drawing Legend

See Illustrations For Letter Identification

Letter	Description	Code
A	Panel, Door Trim	23-92-5
B	Arm Rest, Door, Front	23-76-3
	Center, Front Seat	23-76-34
	Door, Rear	23-76-59
	Quarter Panel	23-76-66
C	Headlining	23-86-3
D	Floor Cover, Front, Carpet	23-79-3
	Rubber	23-20-8
	Rear, Carpet	23-79-33
	Rubber	23-20-41
E	Panel, Shelf Trim	23-102-3
F	Panel, Cowl Trim	23-91-6
G	Visor	23-103-3
H	Panel, Luggage Compartment Front	23-96-3
J	Cover, Luggage Compartment Floor	23-20-29
K	Cover, Front Seat Cushion	23-108-5
L	Cover, Front Seat Back	23-108-16
M	Cover, Front Seat Hinge	23-108-84
N	Cover, Rear Seat Cushion	23-109-36
P	Cover, Rear Seat Back	23-109-4
Q	Cover, Rear Seat Cushion Bottom Panel	23-109-40
R	Weathercord, Door	23-113-2
	Hinge Pillar	23-113-25
	Lock Pillar	23-113-30
	w/Weatherstrip	23-66-33
S	Panel, Quarter Trim	23-101-3
T	Cover, Wheelhouse	23-96-8
U	Top Deck and Side Quarter	23-112-108
V	Curtain, Folding Top Back	23-112-45
W	Cover, Center Pillar	23-99-4
X	Well, Pocket Panel, Pocket Panel	
	Cover, Pocket Shelf Panel,	
	Folding Top	23-112-153
Y	Cover, Tailgate Inside Panel	23-79-79
Z	Cover, Rear Seat Back Panel	23-109-5
	Cover, Front Seat Back Panel	23-108-32

# 1963 PASSENGER CAR PARTS CATALOG

BODY CODE

COLUMN LEGEND

TV1-L (V-100)

111 (21)	2 D. Sedan
113 (41)	4 D. Sedan
156 (45A)	Suburban (6 Pass.)

TV1-H (V-200)

131 (21)	2 D. Sedan
133 (41)	4 D. Sedan
135 (27)	Convertible
176 (45A)	Suburban (6 Pass.)

TV1-P (V-200)

142 (23)	2 D. Hard Top
145 (27)	Convertible

STARTING SERIAL NUMBERS

		Detroit Built	St. Louis Built	Newark Built	Los Angeles Built
TV1-L	(V100)	1132-100001	1137-100001	1136-100001	1135-100001
TV1-L	(V100 Suburban)	1532-100001	1537-100001	1536-100001	1535-100001
TV1-H	(V200)	1332-100001	1337-100001	1336-100001	1335-100001
TV1-H	(V200 Suburban)	1732-100001	1737-100001	1736-100001	1735-100001
TV1-P	(Signet 200)	1432-100001	1437-100001	1436-100001	1435-100001

TRIM CODE	MODEL	MATERIAL			COLOR	SED.	SP. 4D.	SUB.	SP. CL. CP.	CV. CP.
		Cloth	Vinyl	Leather						
701	V1-L	*	*	-	Blue	*	-	-	-	-
702	V1-L	*	*	-	Green	*	-	-	-	-
704	V1-L	*	*	-	Gray	*	-	-	-	-
751	V1-L	-	*	-	Blue	-	-	*	-	-
752	V1-L	-	*	-	Green	-	-	*	-	-
754	V1-L	-	*	-	Gray	-	-	*	-	-
761	V1-L	-	*	-	Blue	*	-	-	-	-
721	V1-H	*	*	-	Blue	*	-	*	-	-
722	V1-H	*	*	-	Green	*	-	*	-	-
725	V1-H	*	*	-	Red	*	-	*	-	-
771	V1-H	-	*	-	Blue	*	-	*	-	*
773	V1-H	-	*	-	Tan	*	-	*	-	*
775	V1-H	-	*	-	Red	*	-	*	-	*
791	V1-P	-	*	-	Blue	-	-	*	-	*
793	V1-P	-	*	-	Tan	-	-	*	-	*
795	V1-P	-	*	-	Red	-	-	*	-	*

★ Indicates use as required.  
 □ Indicates parts not listed in any previous parts book.  
 September 4, 1962.

Printed in U.S.A.  
 Prices and specifications subject to change without notice.  
 Right and left part numbers are on same line,  
 first number is right, second number is left.



CODE	REMARKS	PER CAR	SED.	SP. 4 D.	SUB.	SP. CL. CP.	CV. CP.
<p>NOTE: RIGHT HAND AND LEFT HAND PARTS LISTED ON THE SAME LINE. Whenever right and left hand parts are identified by consecutive part numbers, they will be listed as in the following example:                      PANEL, Door Trim 2083 344-5                      Interpreted, this indicates that Panel, right is Part No. 2083 344 and Panel, left is Part No. 2083 345.</p>							
23-76-3	ARM REST, Front Door						
	V1-L						
	(code 701) (blue)	2	2413 934				
	(code 702) (green)	2	2413 935				
	(code 704) (gray)	2	2413 937				
	(code 751) (blue)	2	----	----	2413 934		
	(code 752) (green)	2	----	----	2413 935		
	(code 754) (gray)	2	----	----	2413 937		
	(code 761) (blue)	2	2413 934				
	V1-H						
	(code 721) (blue)	2	2413 934	----	2413 934		
	(code 722) (green)	2	2413 935	----	2413 935		
	(code 725) (red)	2	2413 938	----	2413 938		
	(code 771) (blue)	2	2413 934	----	2413 934	----	2413 934
	(code 773) (green)	2	2413 936	----	2413 936	----	2413 936
	(code 775) (red)	2	2413 938	----	2413 938	----	2413 938
	V1-P						
	(code 791) (blue)	1	----	----	----	2428 970-1	2428 970-1
	(code 793) (tan)	1	----	----	----	2428 974-5	2428 974-5
	(code 795) (red)	1	----	----	----	2428 976-7	2428 976-7
23-76-16	NUT, Door and Quarter Arm Rest						
	VI						
	(door arm rest to door and quarter arm rest to quarter panel)	★	1280 134	----	1280 134	1280 134	
23-76-59	ARM REST, Rear Door						
	V1-L						
	(code 701) (blue)	2	2413 934				
	(code 702) (green)	2	2413 935				
	(code 704) (gray)	2	2413 937				
	(code 751) (blue)	2	----	----	2413 934		
	(code 752) (green)	2	----	----	2413 935		
	(code 754) (gray)	2	----	----	2413 937		
	(code 761) (blue)	2	2413 934				
	V1-H						
	(code 721) (blue)	2	2413 934	----	2413 934		
	(code 722) (green)	2	2413 935	----	2413 935		
	(code 725) (red)	2	2413 938	----	2413 938		
	(code 771) (blue)	2	2413 934	----	2413 934	----	2413 934
	(code 773) (tan)	2	2413 936	----	2413 936	----	2413 936
	(code 775) (red)	2	2413 938	----	2413 938	----	2413 938
	(code 799) (gray)	2	*2413 944				
23-76-66	ARM REST, Rear Quarter						
	V1-L (2 D.)						
	(code 701) (blue)	2	2413 934				
	(code 702) (green)	2	2413 935				
	(code 704) (gray)	2	2413 937				
	V1-H						
	(code 721) (blue)	2	2413 934				
	(code 722) (green)	2	2413 935				
	(code 725) (red)	2	2413 938				
	(code 771) (blue)	2	----	----	----	----	2413 934
	(code 773) (tan)	2	----	----	----	----	2413 936
	(code 775) (red)	2	----	----	----	----	2413 938

★ Indicates use as required.  
 □ Indicates parts not listed in any previous parts book.  
 Right and left part numbers are on same line, first number is right, second number is left.  
 \* Indicates change or addition.

Printed in U.S.A.  
 Prices and specifications subject to change without notice.  
 Jan. 3, 1964 Supersedes Sept. 4, 1962.

# 1963 PASSENGER CAR PARTS CATALOG

INTERIOR TRIM

CODE	REMARKS	PER CAR	SED.	SP. 4 D.	SUB.	SP. CL. CP.	CV. CP.
23-76-66	ARM REST, REAR QUARTER - Cont'd VI-P						
	(code 791)	2	----	----	----	2413 934	
	(code 793)	2	----	----	----	2413 936	
	(code 795)	2	----	----	----	2413 938	
23-77-3	STRAP, Assist VI	2	2274 841				
	(attaching screw)	2	6022 072				
23-79-3	CARPET, Front Floor VI-H						
	(code 721) (blue)	1	2299 451	----	2299 451		
	(code 722) (green)	1	2299 455	----	2299 455		
	(code 725) (red)	1	2299 453	----	2299 453		
	(code 771) (blue)	1	2299 451	----	2299 451	----	2299 451
	(code 773) (tan)	1	2299 452	----	2299 452	----	2299 452
	(code 775) (red)	1	2299 453	----	2299 453	----	2299 453
	VI-P						
	(code 791) (blue)	1	----	----	----	2421 534	*2421 534
	(code 793) (tan)	1	----	----	----	2421 535	*2421 535
	(code 795) (red)	1	----	----	----	2421 536	*2421 536
23-79-33	CARPET, Rear Floor VI-H						
	(code 721) (blue)	1	2299 460	----	2299 460		
	(code 722) (green)	1	2299 461	----	2299 461		
	(code 725) (red)	1	2299 462	----	2299 462		
	(code 771) (blue)	1	2299 460	----	2299 460	----	2299 460
	(code 773) (tan)	1	2299 463	----	2299 463	----	2299 463
	(code 775) (red)	1	2299 462	----	2299 462	----	2299 462
	(axle kick-up front panel)		----	----	2413 582		
	VI-P (paint as required)						
	(code 791) (blue)	1	----	----	----	2448 115	2448 115
	(code 793) (tan)	1	----	----	----	2448 116	2448 116
	(code 795) (red)	1	----	----	----	2448 117	2448 117
23-82-30	HOOK, Coat Hanger VI	2	2165 837	----	2165 837	2165 837	2165 837
23-82-39	BRACKET, Coat Hook Support VI	1	2481 175	----	2481 175	2481 175	
23-84-3	PAD, Instrument Panel Trim (codes 701, 721, 751, 761, 771, 791)	1	2432 682	----	2432 682	2432 682	2432 682
	(code 702, 722, 752)(green)	1	2432 683	----	2432 683	----	2432 683
	(codes 704, 754, 799)(gray)	1	2432 684	----	2432 684	2432 684	2432 684
	(codes 725, 775, 795) (red)	1	2413 028	----	2413 028	2413 028	2413 028
	(codes 773, 793) (tan)	1	2432 685	----	2432 685	2432 685	2432 685
	Nut (attaching)	5	* 116 000	----	* 116 000	* 116 000	* 116 000
23-86-3	HEADLINING & LISTINGS VI-L, VI-H (2 D.)						
	(codes 701, 721)	1	2429 171				
	(codes 702, 722)	1	2429 333				
	(code 704)	1	2429 169				
	(code 725)	1	2429 170	----	----	2429 170	
	VI-L (code 761)	1	2429 171				

★ Indicates use as required.

☐ Indicates parts not listed in any previous parts book.  
Jan. 3, 1964 Supersedes Jan. 25, 1963.

Printed in U.S.A.

Prices and specifications subject to change without notice.  
Right and left part numbers are on same line,  
first number is right, second number is left.

\* Indicates change or addition.

CODE	REMARKS	PER CAR	SED.	SP. 4 D.	SUB.	SP. CL. CP.	CV. CP.
23-86-3	HEADLINING & LISTINGS - Cont'd						
	V1-H						
	(codes 771, 791)	1	2429 171	----	----	2429 171	
	(codes 773, 775, 793, 795)	1	2429 170	----	----	2429 170	
	V1-L, V1-H						
	(codes 721, 751, 771)	1	----	----	2429 343		
	(codes 722, 752)	1	----	----	2429 344		
	(code 754)	1	----	----	2429 345		
	(codes 725, 773, 775)	1	----	----	2429 346		
23-86-8	RETAINER, Roof Panel Cover						
	V1-P						
	(side front)	1	----	----	----	*2483 780-1	
	(side rear)	1	----	----	----	*2484 164-5	
23-86-10	SUPPORT, Roof Bow						
	V1	1	*2242 504				
		3	----	----	2243 251		
23-86-19	STRIP, Headlining Retaining						
	V1						
	(2 D.)	1	2243 668-9				
	(4 D.) (front)	1	2242 996-7	----	2423 636-7		
	(rear)	1	2243 224-5	----	2423 638-9		
	(fastener)	★	6000 922	----	6000 922	6000 922	
23-91-6	PANEL, Cowl Side Trim						
	V1 (paint as required)	1	2297 410-1	----	2297 410-1	2297 410-1	2297 410-1
	(screw)	4	6000 348	----	6000 348	6000 348	6000 348
23-92-5	PANEL, Door Trim						
	V1-L (2 D.)						
	(code 701)	1	2413 094-5				
	(code 702)	1	2413 096-7				
	(code 704)	1	2413 098-9				
	V1-H						
	(code 721)	1	2413 126-7	----	----	----	2413 126-7
	(code 722)	1	2413 128-9	----	----	----	2413 128-9
	(code 725)	1	2413 130-1	----	----	----	2413 130-1
	V1-L (4 D.)						
	(codes 701, 751, 761) Front	1	2413 110-1	----	2413 110-1		
	Rear	1	2413 116-7	----	2413 116-7		
	(codes 702, 752) Front	1	2413 112-3	----	2413 112-3		
	Rear	1	2413 118-9	----	2413 118-9		
	(codes 704, 754) Front	1	2413 114-5	----	2413 114-5		
	Rear	1	2413 120-1	----	2413 120-1		
	V1-H						
	(codes 721, 771) Front	1	2413 142-3	----	2413 142-3	*2413 126-7	*2413 126-7
	Rear	1	2413 150-1	----	2413 150-1		
	(code 722) Front	1	2413 144-5	----	2413 144-5		
	Rear	1	2413 152-3	----	2413 152-3		
	(code 733) Front	1	2413 146-7	----	2413 146-7	*2413 128-9	*2413 128-9
	Rear	1	2413 154-5	----	2413 154-5		
	(codes 725, 775) Front	1	2413 148-9	----	2413 148-9		
	Rear	1	2413 156-7	----	2413 156-7	*2413 130-1	*2413 130-1
	V1-P						
	(code 791)	1	----	----	----	2413 516-7	
	(code 793)	1	----	----	----	2413 518-9	
	(code 795)	1	----	----	----	2413 520-1	
	(fastener)	★	----	----	----	6000 365	6000 365
23-92-8	FASTENER, Quarter Trim Panel						
	V1	★	975 633	----	----	975 633	

★ Indicates use as required.  
 □ Indicates parts not listed in any previous parts book.  
 Right and left part numbers are on same line,  
 first number is right, second number is left.  
 \* Indicates change or addition.

# 1963 PASSENGER CAR PARTS CATALOG

INTERIOR TRIM

CODE	REMARKS	PER CAR	SED.	SP. 4 D.	SUB.	SP. CL. CP.	CV. CP.
23-96-3	PANEL, Luggage Compartment, Front						
	V1	1	2419 102	----	----	2419 102	
	(fastener)	2	*6000 903	----	----	*6000 903	
	Screw (to floor)	2	*6024 229	----	----	*6024 229	
23-99-38	PANEL, Rear Upper Pillar Reinforcing Trim						
	V1-L, V1-H						
	(codes 721, 751, 771)	1	----	----	2432 836-7		
	(codes 722, 752)	1	----	----	2432 838-9		
	(code 754)	1	----	----	2016-7 TA5		
	(codes 725, 775) Right	1	----	----	*2016 TR6		
Left	1	----	----	*2017 TR6			
	(code 773)	1	----	----	2432 840-1		
23-101-3	PANEL, Rear Quarter Trim						
	V1-L (2 D.)						
	(code 701)	1	2413 100-1				
	(code 702)	1	2413 102-3				
	(code 704)	1	2413 104-5				
	(4 D.) (paint as required)(lower)						
	Right	1	*2012 VT8	----		*2012 VT8	
	Left	1	*2413 747	----		*2413 747	
	(upper)	1	----	----		2432 710-1	
	V1-P						
(code 791)	1	----	----	----	2413 522-3	2432 760-1	
(code 793)	1	----	----	----	2413 524-5	2432 762-3	
(code 795)	1	----	----	----	2413 526-7	2432 764-5	
V1-H							
(code 771)	1	----	----	----	----	2432 750-1	
(code 773)	1	----	----	----	----	2432 752-3	
(code 775)	1	----	----	----	----	2432 754-5	
23-102-3	PANEL, Shelf Trim						
	(codes 701, 721, 761, 771, 791)	1	2413 970	----	----	2413 970	
	(blue)						
	(codes 702, 722)	1	2413 971	----	----	2413 971	
	(green)						
	(code 704)	1	2413 972	----	----	2413 972	
	(gray)						
	(codes 725, 775, 795)	1	2413 974	----	----	2413 974	
	(red)						
	(codes 773, 793)	1	2413 973	----	----	2413 973	
(tan)							
	(fastener)	★	6000 903	----	----	6000 903	
23-103-3	PANEL, Visor Trim						
	V1-L, V1-H (embossed cardboard)						
	(codes 701, 721, 751, 761, 771)	2	2413 805	----	2413 805		
	(blue)						

★ Indicates use as required.

⊠ Indicates parts not listed in any previous parts book.  
Jan. 3, 1964 Supersedes Jan. 25, 1963.

Printed in U.S.A.  
Prices and specifications subject to change without notice.

Right and left part numbers are on same line,  
first number is right, second number is left.

\* Indicates change or addition.

CODE	REMARKS	PER CAR	SED.	SP. 4 D.	SUB.	SP. CL. CP.	CV. CP.
23-103-3	PANEL, Visor Trim - Cont'd V1-L, V1-H (embossed cardboard) (codes 702, 722, 752)(green)	2	2413 806	----	2413 806		
	(codes 704, 754) (gray)	2	*2297 597	----	*2297 597		
	(codes 725, 773, 775)(alabaster)	2	2297 598	----	2297 598		
	V1-H, V1-P (vinyl covered) (codes 771, 791) (blue)	2	----	----	----	2413 441	2432 222
	(codes 773, 793) (tan)	2	----	----	----	2413 442	2432 223
	(codes 775, 795) (red)	2	----	----	----	----	2432 224
	(codes 793, 795) (alabaster)	2	----	----	----	2413 442	
	V1 (padded) (white)	2	2413 446	----	2413 446	2413 446	2413 446
23-103-10	ARM and BRACKET, Visor V1 (header folding top visor arm anti-rattler and lock catch)	1	2292 580-1	----	2292 580-1	2292 580-1	2292 580-1
	(tension spring washer)	2	6000 106	----	6000 106	6000 106	2424 470-1 6000 106
23-103-48	SUPPORT, Visor Inner V1	2	----	----	----	----	2162 628
23-108-4	CUSHION, Front Seat V1-L (2 D.) (code 701)	1	2411 748				
	(w/airfoam pad)	1	2411 751				
	(w/heavy duty spring)	1	2411 754				
	(w/heavy duty spring and airfoam pad)	1	2411 757				
	(code 702)	1	2411 749				
	(w/airfoam pad)	1	2411 752				
	(w/heavy duty spring)	1	2411 755				
	(w/heavy duty spring and airfoam pad)	1	2411 758				
	(code 704)	1	2411 750				
	(w/airfoam pad)	1	2411 752				
	(w/heavy duty spring)	1	2411 756				
	(w/heavy duty spring and airfoam pad)	1	2411 759				
	V1-L (4 D.) (code 701)	1	2411 673				
	(w/airfoam pad)	1	2411 676				
	(w/heavy duty spring)	1	2411 679				
	(w/heavy duty spring and airfoam pad)	1	2411 682				
	(code 702)	1	2411 674				
	(w/airfoam pad)	1	2411 677				
	(w/heavy duty spring)	1	2411 680				
	(w/heavy duty spring and airfoam pad)	1	2411 683				
	(code 704)	1	2411 675				
	(w/airfoam pad)	1	2411 678				
	(w/heavy duty spring)	1	2411 681				
	(w/heavy duty spring and airfoam pad)	1	2411 684				
	V1-H (2 D.) (code 721)	1	2411 929				
	(w/airfoam pad)	1	2411 932				
	(code 722)	1	2411 930				
	(w/airfoam pad)	1	2411 933				
	(code 725)	1	2411 931				
	(w/airfoam pad)	1	2411 934				

★ Indicates use as required.

☐ Indicates parts not listed in any previous parts book.

Right and left part numbers are on same line,  
first number is right, second number is left.

\* Indicates change or addition.

Printed in U.S.A.

Prices and specifications subject to change without notice.

Jan. 3, 1964 Supersedes Dec. 14, 1962.

# 1963 PASSENGER CAR PARTS CATALOG

CODE	REMARKS	PER CAR	SED.	SP. 4 D.	SUB.	SP. CL. CP.	CV. CP.
23-108-4	CUSHION, Front Seat - Cont'd						
	V1-H (4 D.)						
	(code 721)	1	2411 884	----	2411 884		
	(w/airfoam pad)	1	2411 887	----	2411 887		
	(code 722)	1	2411 885	----	2411 885		
	(w/airfoam pad)	1	2411 888	----	2411 888		
	(code 725)	1	2411 886	----	2411 886		
	(w/airfoam pad)	1	2411 889	----	2411 889		
	V1-L						
	(code 761)	1	2414 714				
	(w/airfoam pad)	1	2414 717				
	(w/heavy duty spring)	1	2433 624				
	(w/heavy duty spring and airfoam pad)	1	2433 625				
	V1-L						
	(code 751)	1	----	----	2411 811		
	(w/airfoam pad)	1	----	----	2411 814		
	(w/heavy duty spring)	1	----	----	2411 817		
	(w/heavy duty spring and airfoam pad)	1	----	----	2411 820		
	(code 752)	1	----	----	2411 812		
	(w/airfoam pad)	1	----	----	2411 815		
	(w/heavy duty spring)	1	----	----	2411 818		
	(w/heavy duty spring and airfoam pad)	1	----	----	2411 821		
	(code 754)	1	----	----	2411 813		
	(w/airfoam pad)	1	----	----	2411 816		
	(w/heavy duty spring)	1	----	----	2411 819		
	(w/heavy duty spring and airfoam pad)	1	----	----	2411 822		
	V1-H						
	(code 721)	1	----	----	2411 884		
	(w/airfoam pad)	1	----	----	2411 887		
	(code 722)	1	----	----	2411 885		
	(w/airfoam pad)	1	----	----	2411 888		
	(code 725)	1	----	----	2411 886		
	(w/airfoam pad)	1	----	----	2411 889		
	(code 771)	1	2414 714	----	2414 714	----	2429 716
	(w/airfoam pad)	1	2414 717	----	2414 717	----	2429 719
	(code 773)	1	2414 715	----	2414 715	----	2429 717
	(w/airfoam pad)	1	2414 718	----	2414 718	----	2429 720
	(code 775)	1	2414 716	----	2414 716	----	2429 718
	(w/airfoam pad)	1	2414 719	----	2414 719	----	2429 721
	V1-P						
	(code 791)	1	----	----	----	2414 966-7	2414 966-7
	(code 793)	1	----	----	----	2414 968-9	2414 968-9
	(code 795)	1	----	----	----	2414 970-1	2414 970-1
23-108-5	COVER, Front Seat Cushion						
	V1-L (2 D.)						
	(code 701)	1	2411 745				
	(code 702)	1	2411 746				
	(code 704)	1	2411 747				
	V1-L (4 D.)						
	(code 701)	1	2411 670				
	(code 702)	1	2411 671				
	(code 704)	1	2411 672				

★ Indicates use as required.

⊠ Indicates parts not listed in any previous parts book.

Dec. 14, 1962 Supersedes Sept. 4, 1962.

Printed in U.S.A.

Prices and specifications subject to change without notice.

Right and left part numbers are on same line, first number is right, second number is left.

\* Indicates change or addition.

CODE	REMARKS	PER CAR	SED.	SP. 4 D.	SUB.	SP. CL. CP.	CV. CP.
23-108-5	COVER, Front Seat Cushion - Cont'd						
	V1-H (2 D.)						
	(code 721)	1	2411 923				
	(code 722)	1	2411 924				
	(code 725)	1	2411 925				
	V1-L						
	(code 761)	1	2414 711				
	V1-H (4 D.)						
	(code 721)	1	*2411 878	----	2411 878		
	(code 722)	1	*2411 879	----	2411 879		
	(code 725)	1	*2411 880	----	2411 880		
	V1-L (4 D.)						
	(code 751)	1	----	----	2411 808		
	(code 752)	1	----	----	2411 809		
	(code 754)	1	----	----	2411 810		
	V1-H						
	(code 771)	1	2414 711	----	2414 711	----	B2429 713
	(code 773)	1	2414 712	----	2414 712	----	B2429 714
	(code 775)	1	2414 713	----	2414 713	----	B2429 715
	V1-P						
	(code 791)	2	----	----	----	2414 614	2414 614
	(code 793)	2	----	----	----	2414 615	2414 615
	(code 795)	2	----	----	----	2414 616	2414 616
23-108-12	BACK, Front Seat (less cushion)						
	V1-L (2 D.)						
	(code 701)	1	2411 772-3				
	(w/heavy duty springs)	1	2411 778-9				
	(code 702)	1	2411 774-5				
	(w/heavy duty springs)	1	2411 780-1				
	(code 704)	1	2411 776-7				
	(w/heavy duty springs)	1	2411 782-3				
	V1-L (4 D.)						
	(code 701) (w/ash receiver)	1	2411 691				
	(w/heavy duty spring)	1	2411 694				
	(code 702) (w/ash receiver)	1	2411 692				
	(w/heavy duty spring)	1	2411 695				
	(code 704) (w/ash receiver)	1	2411 693				
	(w/heavy duty spring)	1	2411 696				
	V1-L						
	(code 751) (w/ash receiver)	1	----	----	2411 829		
	(w/heavy duty spring)	1	----	----	2411 832		
	(code 752) (w/ash receiver)	1	----	----	2411 830		
	(w/heavy duty spring)	1	----	----	2411 833		
	(code 754) (w/ash receiver)	1	----	----	2411 831		
	(w/heavy duty spring)	1	----	----	2411 834		
	V1-H (2 D.)						
	(code 721)	1	2411 950-1				
	(code 722)	1	2411 952-3				
	(code 725)	1	2411 954-5				
	(4 D.)						
	(code 721)	1	2411 896	----	2411 896		
	(code 722)	1	2411 897	----	2411 897		
	(code 725)	1	2411 898	----	2411 898		
	V1-L						
	(code 761)	1	2414 726				
	(w/heavy duty spring)	1	2433 626				
	V1-H						
	(code 771)	1	2414 726	----	2414 726	----	2429 734-5
	(code 773)	1	2414 727	----	2414 727	----	2429 736-7
	(code 775)	1	2414 728	----	2414 728	----	2429 738-9

★ Indicates use as required.

☐ Indicates parts not listed in any previous parts book.

Right and left part numbers are on same line, first number is right, second number is left.

\* Indicates change or addition.

Printed in U.S.A.  
Prices and specifications subject to change without notice.  
Jan. 3, 1964 Supersedes Dec. 14, 1962.

## 1963 PASSENGER CAR PARTS CATALOG

INTERIOR TRIM

CODE	REMARKS	PER CAR	SED.	SP. 4 D.	SUB.	SP. CL. CP.	CV. CP.
23-108-15	SPRING and COVER, Front Seat Back V1-P						
	(code 791)	2	----	----	----	2414 975	2414 975
	(code 793)	2	----	----	----	2414 976	2414 976
	(code 795)	2	----	----	----	2414 977	2414 977
23-108-16	COVER, Front Seat Back V1-L (2 D.)						
	(code 701)	1	2411 760-1				
	(code 702)	1	2411 762-3				
	(code 704)	1	2411 764-5				
	V1-L (4 D.)						
	(code 701)	1	2411 685				
	(code 702)	1	2411 686				
	(code 704)	1	2411 687				
	V1-H (2 D.)						
	(code 721)	1	2411 938-9				
	(code 722)	1	2411 940-1				
	(code 725)	1	2411 942-3				
	V1-H						
	(code 721)	1	2411 890	----	2411 890		
	(code 722)	1	2411 891	----	2411 891		
	(code 725)	1	2411 892	----	2411 892		
	V1-L						
	(code 751)	1	----	----	2411 823		
	(code 752) (2nd. seat)	1	----	----	2411 865		
	(code 754) (2nd. seat)	1	----	----	2411 824		
	(code 754) (2nd. seat)	1	----	----	2411 866		
	(code 761) (2nd. seat)	1	----	----	2411 825		
	(code 761)	1	2414 723	----	2411 867		
	V1-H						
	(code 771)	1	2414 723	----	2414 723	----	2429 722-3
	(code 773)	1	2414 724	----	2414 724	----	2429 724-5
	(code 775)	1	2414 725	----	2414 725	----	2429 726-7
	V1-P						
	(code 791)	2	----	----	----	2414 972	2414 972
	(code 793)	2	----	----	----	2414 973	2414 973
	(code 795)	2	----	----	----	2414 974	2414 974
23-108-27	SPRING, Front Seat Cushion to Back Retarder V1-P	2	----	----	----	*2092 242	*2092 242
23-108-32	PANEL or COVER, Back of Front Seat Back V1-P						
	(code 791)	2	----	----	----	2414 987	2414 987
	(code 793)	2	----	----	----	2414 988	2414 988
	(code 795)	2	----	----	----	2414 989	2414 989
23-108-84	COVER, Front Seat Back Outer Hinge Arm V1-L, V1-H (chrome)	1	*4326 TZ1	----	----	----	*4326 TZ1
		1	*4327 TZ1	----	----	----	*4327 TZ1
23-108-98	SHIELD, Front Seat Side V1-P (back frame)	2	----	----	----	*2440 219	*2440 219
	(cushion)	1	----	----	----	2292 492-3	2292 492-3
	(nut & washer)	4	----	----	----	6023 201	6023 201

★ Indicates use as required.

☐ Indicates parts not listed in any previous parts book.  
Jan. 3, 1964 Supersedes Dec. 14, 1962.Printed in U.S.A.  
Prices and specifications subject to change without notice.  
Right and left part numbers are on same line,  
first number is right, second number is left.

\* Indicates change or addition.



CODE	REMARKS	PER CAR	SED.	SP. 4 D.	SUB.	SP. CL. CP.	CV. CP.
23-109-3	BACK, Rear Seat						
	V1-L						
	(code 701)	1	2411 739				
	(w/heavy duty springs)	1	2411 742				
	(code 702)	1	2411 740				
	(w/heavy duty springs)	1	2411 743				
	(code 704)	1	2411 741				
	(w/heavy duty springs)	1	2411 744				
	(code 751) (2nd. seat)	1	----	----		2411 871	
	(code 752) (2nd. seat)	1	----	----		2411 872	
	(code 754) (2nd. seat)	1	----	----		2411 873	
	(code 761)	1	2414 750				
	(w/heavy duty spring)	1	2433 634				
	V1-H (2 D.)						
	(code 721)	1	2411 920				
	(code 722)	1	2411 921				
	(code 725)	1	2411 922				
	V1-H (2nd seat)						
	(code 721)	1	----	----		2411 926	
	(code 722)	1	----	----		2411 927	
	(code 725)	1	----	----		2411 928	
	(code 771)	1	2414 750	----		2414 768	2429 859
	(code 773)	1	2414 751	----		2414 769	2429 860
	(code 775)	1	2414 752	----		2414 770	2429 861
	(attaching nut)	3	----	----		6000 234	
	V1-P						
	(code 791)	1	----	----		E2429 118	2429 868
	(code 793)	1	----	----		E2429 119	2429 869
	(code 795)	1	----	----		E2429 120	2429 870
23-109-4	COVER, Rear Seat Back						
	V1-L						
	(code 701)	1	2411 736				
	(code 702)	1	2411 737				
	(code 704)	1	2411 738				
	V1-H (2 D.)						
	(code 721) (2nd. seat)	1	2411 914	----		2411 968	
	(code 722) (2nd. seat)	1	2411 915	----		2411 969	
	(code 725) (2nd. seat)	1	2411 916	----		2411 970	
	V1-L						
	(code 751) (2nd. seat)	1	----	----		2411 865	
	(code 752) (2nd. seat)	1	----	----		2411 866	
	(code 754) (2nd. seat)	1	----	----		2411 867	
	(code 761)	1	2414 747				
	V1-P						
	(code 791)	1	----	----		2429 109	2429 865
	(code 793)	1	----	----		2429 110	2429 866
	(code 795)	1	----	----		2429 111	2429 867
	V1-H						
	(code 771) (2nd. seat)	1	2414 747	----		2414 762	2429 856
	(code 773) (2nd. seat)	1	2414 748	----		2414 763	2429 857
	(code 775) (2nd. seat)	1	2414 749	----		2414 764	2429 858
23-109-35	CUSHION, Rear Seat						
	V1-L						
	(code 701)	1	2411 724				
	(w/airfoam pad)	1	2411 727				
	(w/heavy duty springs)	1	2411 730				
	(w/heavy duty springs and airfoam pad)	1	2411 733				

★ Indicates use as required.

⊠ Indicates parts not listed in any previous parts book. Right and left part numbers are on same line, first number is right, second number is left.

\* Indicates change or addition.

Printed in U.S.A.  
Prices and specifications subject to change without notice.  
Jan. 3, 1964 Supersedes Dec. 14, 1962.

## 1963 PASSENGER CAR PARTS CATALOG

INTERIOR TRIM

CODE	REMARKS	PER CAR	SED.	SP. 4 D.	SUB.	SP. CL. CP.	CV. CP.
23-109-35	CUSHION, Rear Seat - Cont'd						
	V1-L						
	(code 702)	1	2411 725				
	(w/heavy duty springs)	1	2411 731				
	(w/heavy duty springs and airfoam pad)	1	2411 734				
	(code 704)	1	2411 726				
	(w/heavy duty springs)	1	2411 732				
	(w/heavy duty springs and airfoam pad)	1	2411 735				
	V1-H						
	(code 721)	1	*2411 911				
	(w/airfoam pad)	1	2433 635				
	(code 722)	1	2411 912				
	(w/airfoam pad)	1	2433 636				
	(code 725)	1	2411 913				
	(w/airfoam pad)	1	2433 637				
	V1-H						
	(code 721) (2nd. seat)	1	----	----	2411 965		
	(code 722) (2nd. seat)	1	----	----	2411 966		
	(code 725) (2nd. seat)	1	----	----	2411 967		
	V1-P						
	(code 791)	1	----	----	----	2429 330	2429 877
	(w/airfoam pad)	1	----	----	----	----	2429 880
	(code 793)	1	----	----	----	2429 331	2429 878
	(w/airfoam pad)	1	----	----	----	----	2429 881
	(code 795)	1	----	----	----	2429 332	2429 879
	(w/airfoam pad)	1	----	----	----	----	2429 882
	V1-L						
	(code 751) (2nd. seat)	1	----	----	2411 862		
	(code 752) (2nd. seat)	1	----	----	2411 863		
	(code 754) (2nd. seat)	1	----	----	2411 864		
	(code 761)	1	2414 741				
	(w/airfoam pad)	1	2433 629				
	(w/heavy duty spring)	1	2433 632				
	(w/heavy duty spring and airfoam pad)	1	2433 633				
	V1-H						
	(code 771) (2nd. seat)	1	2414 741	----	2414 759	----	2429 889
	(w/airfoam pad)	1	2433 629	----	----	----	2429 892
	(code 773) (2nd. seat)	1	2414 742	----	2414 760	----	2429 890
	(w/airfoam pad)	1	2433 630	----	----	----	2429 893
	(code 775) (2nd. seat)	1	2414 743	----	2414 761	----	2429 891
	(w/airfoam pad)	1	2433 631	----	----	----	2429 894
	(screw and washer) (2nd. seat to floor pan)	2	----	----	6023 545		
	(retainer) (center floor pan)	2	1810 037	----	1810 037		
23-109-36	COVER, Rear Seat Cushion						
	V1-L						
	(code 701)	1	2411 721				
	(code 702)	1	2411 722				
	(code 704)	1	2411 723				
	(code 751) (2nd. seat)	1	----	----	2411 959		
	(code 752) (2nd. seat)	1	----	----	2411 960		
	(code 754) (2nd. seat)	1	----	----	2411 961		
	(code 761)	1	2414 738				
	V1-H						
	(code 721) (2nd. seat)	1	2411 905	----	2411 959		
	(code 722) (2nd. seat)	1	2411 906	----	2411 960		
	(code 725) (2nd. seat)	1	2411 907	----	2411 961		

★ Indicates use as required.

☐ Indicates parts not listed in any previous parts book.  
Jan. 3, 1964 Supersedes Dec. 14, 1962.

Printed in U.S.A.

Prices and specifications subject to change without notice.  
Right and left part numbers are on same line,  
first number is right, second number is left.

\* Indicates change or addition.

CODE	REMARKS	PER CAR	SED.	SP. 4 D.	SUB.	SP. CL. CP.	CV. CP.
23-109-36	COVER, Rear Seat Cushion - Cont'd						
	V1-H						
	(code 771) (2nd. seat)	1	2414 738	----	2414 753	----	2429 886
	(code 773) (2nd. seat)	1	2414 739	----	2414 754	----	2429 887
	(code 775) (2nd. seat)	1	2414 740	----	2414 755	----	2429 888
	V1-P						
	(code 791)	1	----	----	----	2414 996	2429 874
	(code 793)	1	----	----	----	2414 997	2429 875
	(code 795)	1	----	----	----	2414 998	2429 876
23-109-38	RETAINER, Center Floor Pan Rear Seat Cushion	2	1810 037	----	----	1810 037	1810 037
23-111-37	STRIP, Folding Top Rear Bow	★	----	----	----	----	*2424 607
23-112-4	RETAINER, Folding Top Header Top Material	1	----	----	----	----	2424 262-3
23-112-12	BOOT, Folding Top Dust						
	V1						
	(codes 771,791)	1	----	----	----	----	E2432 378
	(codes 773,793)	1	----	----	----	----	E2432 379
	(codes 775,795)	1	----	----	----	----	E2432 380
23-112-18	RETAINER, Channel Rear Seat Back Dust Boot	1	----	----	----	----	2410 047
23-112-23	COVER, Folding Top Rear Bow to Link Joint	2	----	----	----	----	*2483 740
23-112-45	CURTAIN, Folding Top Back						
	V1 (white)	1	----	----	----	----	2432 833
	(black)	1	----	----	----	----	2432 824
	(backlight)	1	----	----	----	----	2432 825
23-112-46	ZIPPER, Folding Top Rear Curtain	1	----	----	----	----	*1920 TX8
	V1 (black)						
23-112-50	TAPE, Folding Top Cover						
	V1 (sold by the inch)						
	(side rear closure loop)	★	----	----	----	----	*1933 TX8
	(stay pad closure hook)	★	----	----	----	----	*1934 TX8
23-112-70	RETAINER, Folding Top to Belt Bar						
	V1 (side)	1	----	----	----	----	2448 101-2
	(center)	1	----	----	----	----	2448 100
23-112-75	TIP, Folding Top Wire - on Binding End	1	----	----	----	----	1158 976-7
23-112-88	CABLE, Folding Top Rear Bow Tension						
	V1	2	----	----	----	----	2166 660
	(cover cable w/spring)	2	----	----	----	----	*2490 179
	Screw	2	----	----	----	----	*6022 169
23-112-108	DECK and SIDE QUARTER, Folding Top						
	V1 (white)	1	----	----	----	----	2432 828
	(black)	1	----	----	----	----	2432 829

★ Indicates use as required.

E Indicates parts not listed in any previous parts book.  
Right and left part numbers are on same line,  
first number is right, second number is left.

\* Indicates change or addition.

Printed in U.S.A.  
Prices and specifications subject to change without notice.  
Jan. 3, 1964 Supersedes Dec. 14, 1962.

# 1963 PASSENGER CAR PARTS CATALOG

INTERIOR TRIM

CODE	REMARKS	PER CAR	SED.	SP. 4 D.	SUB.	SP. CL. CP.	CV. CP.
23-112-112	PAD, Folding Top Side Quarter Stay V1 (black)	1	---	---	---	---	2432 826-7
23-112-153	COVER, Folding Top Well Lining Panel V1-H, V1-P (codes 771, 791) (codes 773, 793) (codes 775, 795)	1 1 1	---	---	---	---	2429 824 2429 825 2429 826
	(pocket panel) (cut to fit)(paint as required) (pocket panel cover) (blue) (tan) (red) (pocket panel cover, upper inner) (blue) (tan) (red) Screw (to quarter belt bar)	1 1 1 1 1 1 1 2	---	---	---	---	2432 246-7 2432 796-7 2432 798-9 2432 800-1 2432 238-9 2432 240-1 2432 242-3 *6000 434
23-112-160	PAD, Folding Top Pocket Panel Arm Rest V1-P (blue) (tan) (red) (attaching nut)	1 1 1 6	---	---	---	---	2432 804-5 2432 806-7 2432 808-9 120 622
23-113-45	WEATHERCORD, Quarter Window Opening V1 (2 D.) (codes 701, 721) (blue) (codes 702, 722) (green) (code 704) (code 725) (red)	2 2 2 2	⊠2432 944 ⊠2432 945 2413 366 2413 367				
23-113-52	STRIP, Windshield Lower Inside Trim V1-P (codes 771, 791) (blue) (codes 773, 793) (tan)	1 1	---	---	---	2432 716 2432 717	*2432 716 *2432 717
23-113-56	WEATHERCORD, Folding Top Header V1-H, V1-P (top material)(black) (top material)(white)	1 1	---	---	---	---	2432 959 2432 958
23-114-2	MATERIAL, Seat Cloth Trim V1-L (59") (code 701) (blue) (code 702) (green) (code 704) (gray)	★ ★ ★	2185 884 2185 885 2185 886				
23-114-10	BINDING, 5/8" Wire-on V1	1	---	---	---	---	2177 529
23-114-15	MATERIAL, Leather (Imitation) V1 (codes 701, 721, 751, 761, 771, 791)(34-DA-76) (54") (1601-1 blue) (34-DA-72) (54") (1601 blue) (34-DR-22)(54") (1601 blue)	★ ★ ★	---	---	2185 794 *2185 666	---	*2185 666

★ Indicates use as required.  
⊠ Indicates parts not listed in any previous parts book.  
Jan. 3, 1964 Supersedes Dec. 14, 1962.

Printed in U.S.A.  
Prices and specifications subject to change without notice.  
Right and left part numbers are on same line,  
first number is right, second number is left.  
\* Indicates change or addition.

CODE	REMARKS	PER CAR	SED.	SP. 4 D.	SUB.	SP. CL. CP.	CV. CP.
23-114-15 MATERIAL, Leather (Imitation) - Cont'd							
VI							
	(32A-CH-22)(54") (1601 blue)	★	2185 660	----	2185 660		
	(codes 761, 771) (1600 blue)	★	2185 663	----	2185 663	----	2185 663
	(32-CH-22)(54") (1600 blue)	★	2185 663	----	2185 663		
	(codes 761, 771, 791)						
	(1601 blue)	★	2185 660	----	2185 660	2185 660	2185 660
	(28A-AM-22)(50") (1602 blue)	★	2185 647	----	2185 647	----	2185 647
	(28-AM-22)(50") (1602 blue)	★	2185 647	----	2185 647		
	(code 771) (1601 blue)	★	2185 615	----	2185 615	----	2185 615
	(19A-C-22)(54") (1602 blue)	★	2185 625	----	----	----	2185 625
	(code 771)	★	2185 620	----	2185 620	----	2185 620
	(19-C-22)(54") (1602 blue)	★	2185 625	----	2185 625	----	2185 625
	(code 791) (1601 blue)	★	----	----	----	2185 620	2185 620
	(23-DW-79) (1663 blue)	★	----	----	----	*2186 193	*2186 193
	(19-DJ-79)(54") (1663 blue)	★	----	----	----	2185 853	2185 853
	(19-DJ-22)(54") (1601 blue)	★	----	----	----	2185 798	2185 798
	(codes 702, 722, 752)						
	(34-DA-72)(54") (1604 green)	★	2185 695	----			
	(34-DR-76)(54") (1604-1 green)	★	----	----	2185 796		
	(codes 702, 722, 752)						
	(34-DA-22)(54") (1604 green)	★	2185 667	----	2185 667		
	(32-CH-22)(54") (1603 green)	★	2185 664	----	2185 664		
	(28-AM-22)(50") (1605 green)	★	2185 648	----	2185 648		
	(19-C-22)(54") (1605 green)	★	2185 626	----	2185 626		
	(codes 773, 793)						
	(34-DA-22)(54") (1607 tan)	★	2185 673	----	2185 673	----	2185 673
	(32A-CH-22)(54") (1606 tan)	★	2185 742	----	2185 742	----	2185 742
	(32-CH-22)(54") (1607 tan)	★	2185 672	----	2185 672	2185 672	2185 672
	(28A-AM-22)(50") (1608 tan)	★	----	----	----	2185 649	2185 649
	(28-AM-22)(50") (1607 tan)	★	2185 617	----	2185 617	2185 617	2185 617
	(19A-C-22)(54") (1602 blue)	★	----	----	----	2185 627	
	(code 773) (1607 tan)	★	2185 622	----	2185 622	----	2185 622
	(19-C-22)(54") (1608 tan)	★	2185 627	----	2185 627	----	2185 627
	(code 793) (1607 tan)	★	----	----	----	2185 622	2185 622
	(19-DJ-79)(54") (1607 tan)	★	----	----	----	2185 854	2185 854
	(19-DJ-22)(54") (1607 tan)	★	----	----	----	2185 800	2185 800
	(codes 704, 754)						
	(34-DR-76)(54") (1610-1 gray)	★	----	----	2185 795		
	(34-DA-72)(54") (1610 gray)	★	2185 696	----			
	(34-DA-22)(54") (1610 gray)	★	----	----	2185 679		
	(code 794) (902 gray)	★	⊠2185 336	----			
	(32-CH-22)(54") (1609 gray)	★	2186 092	----	2186 092		
	(28-AM-22)(50") (1611 gray)	★	2186 203	----			
	(19-C-22)(54") (1611 gray)	★	2185 849	----	2185 849		
	(21-CM-22)(54") (902 gray)	★	⊠2185 000	----			
	(codes 725, 775, 795)						
	(34-DA-22)(54") (1621 red)	★	2185 668	----	2185 668	----	2185 668
	(32A-CH-22)(54") (1621 red)	★	2185 665	----	2185 665	----	2185 665
	(32-CH-22)(54") (1621 red)	★	2185 665	----	2185 665	2185 665	2185 665
	(28A-AM-22)(54") (1621 red)	★	2185 721	----	2185 721	2185 721	2185 721
	(19A-C-22)(54") (1621 red)	★	----	----	----	----	2185 723
	(19-C-22)(54") (1621 red)	★	2185 723	----	2185 723	2185 723	2185 723
	(19-DJ-79)(54") (1669 red)	★	----	----	----	2185 930	2185 930
	(19-DJ-22)(54") (1621 red)	★	----	----	----	2185 801	2185 801
	(code 791, 793, 795)						
	(37-DX-84)(54") (1689 White)	★	----	----	----	2186 253	
	(1624 Black)	★	----	----	----	2186 254	
	VI-P						

★ Indicates use as required.

⊠ Indicates parts not listed in any previous parts book. Right and left part numbers are on same line, first number is right, second number is left.

\* Indicates change or addition.

Printed in U.S.A.

Prices and specifications subject to change without notice.

# 1963 PASSENGER CAR PARTS CATALOG

CODE	REMARKS	PER CAR	SED.	SP. 4 D.	SUB.	SP. CL. CP.	CV. CP.
23-115-4	PUSH NUT, Front Seat Back to Cushion Mounting V1	4	-----	-----	-----	2410 102	2410 102
23-115-6	PIN, Seat Back Frame to Cushion Mounting V1-P	4	-----	-----	-----	2410 054	2410 054

## NOTES

★ Indicates use as required.  
 ☐ Indicates parts not listed in any previous parts book.  
 Jan. 3, 1964 Supersedes Dec. 14, 1962.

Printed in U.S.A.  
 Prices and specifications subject to change without notice.  
 Right and left part numbers are on same line,  
 first number is right, second number is left.

\* Indicates change or addition.