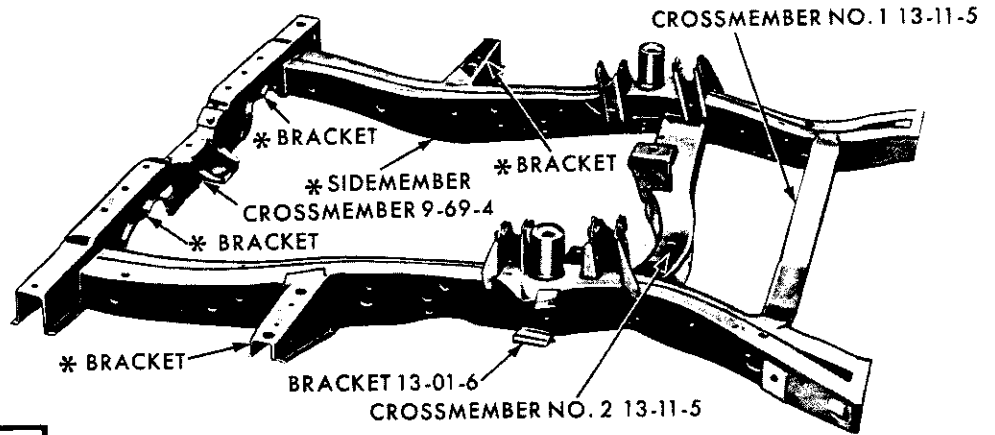


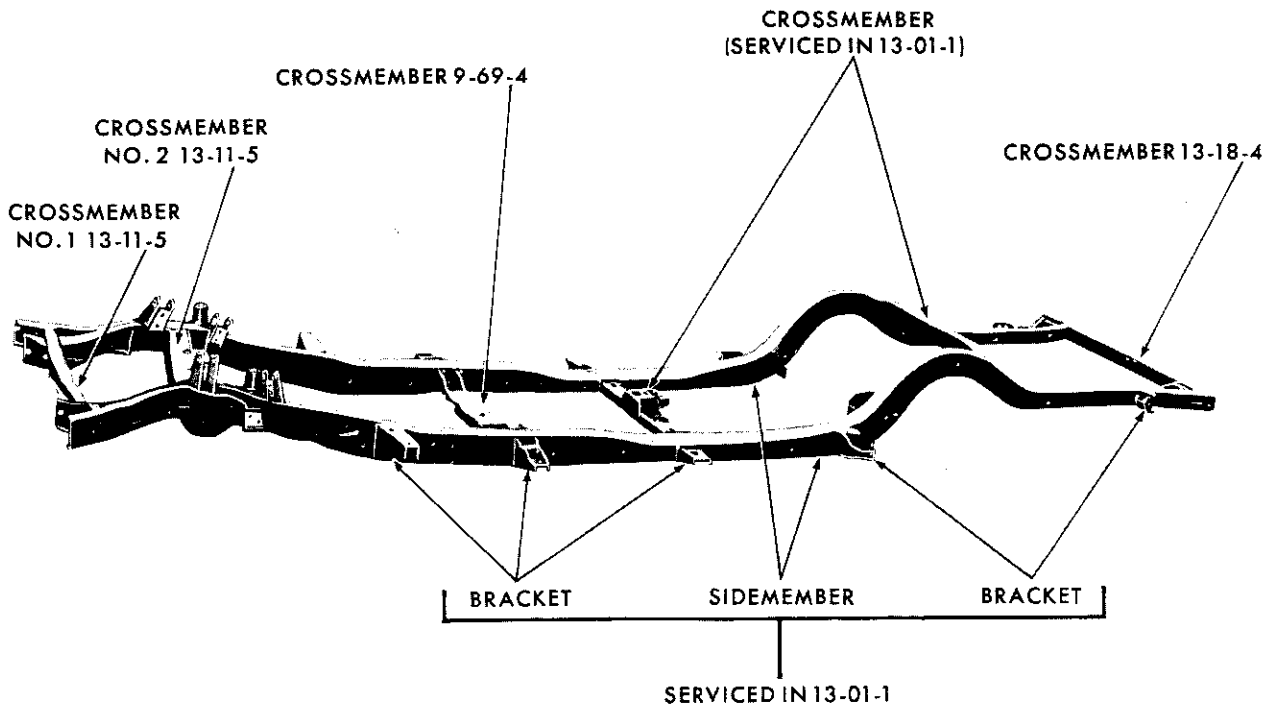
GROUP 13 - FRAME



\* SERVICED IN 13-01-1

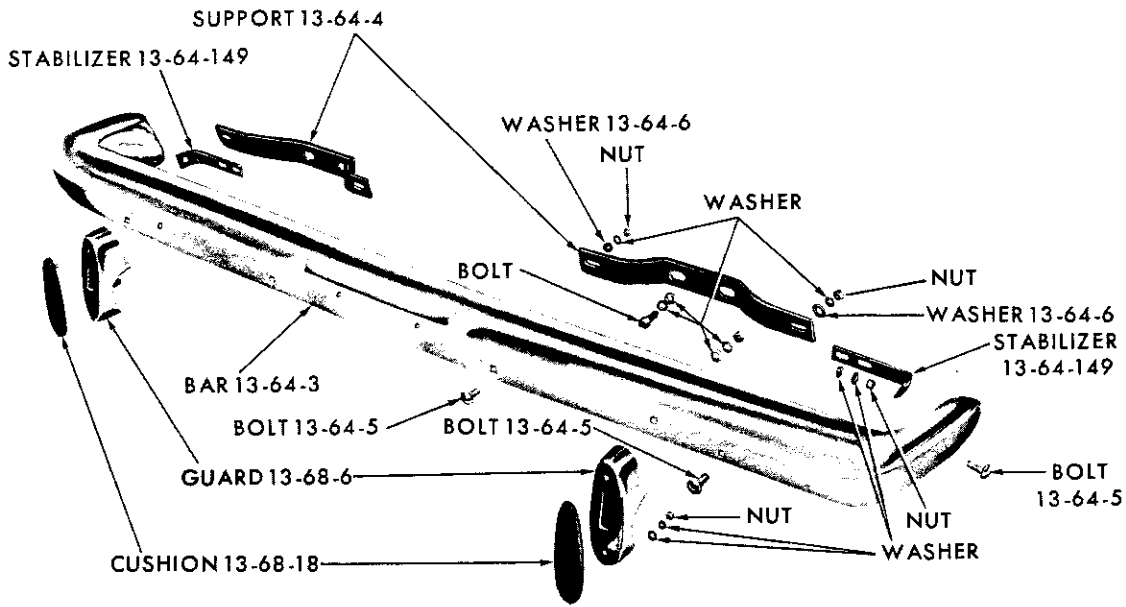
19x9053D

FRAME - DODGE TA3 AND CHRYSLER TC1-2-3



19x8824

FRAME (EXCEPT CONVERTIBLE COUPE) - IMPERIAL TY1

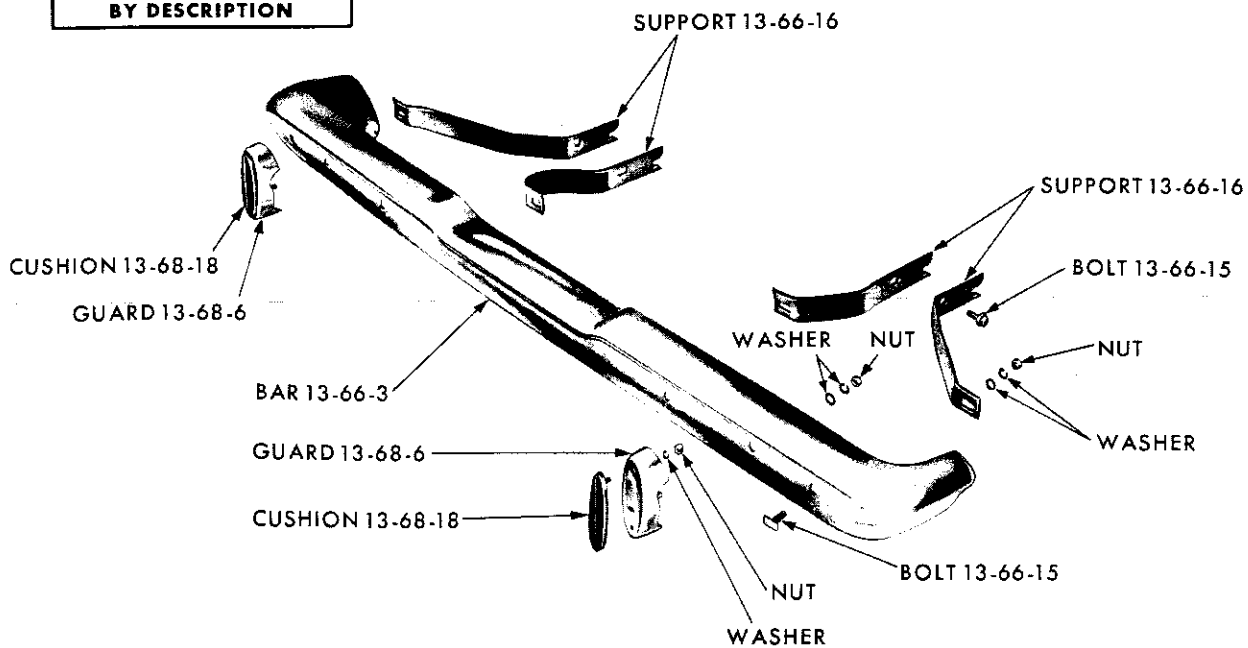


**PARTS INDICATED  
BY NAME ONLY - ORDER  
BY DESCRIPTION**

19x9451

FRONT BUMPER - PLYMOUTH TP1-2

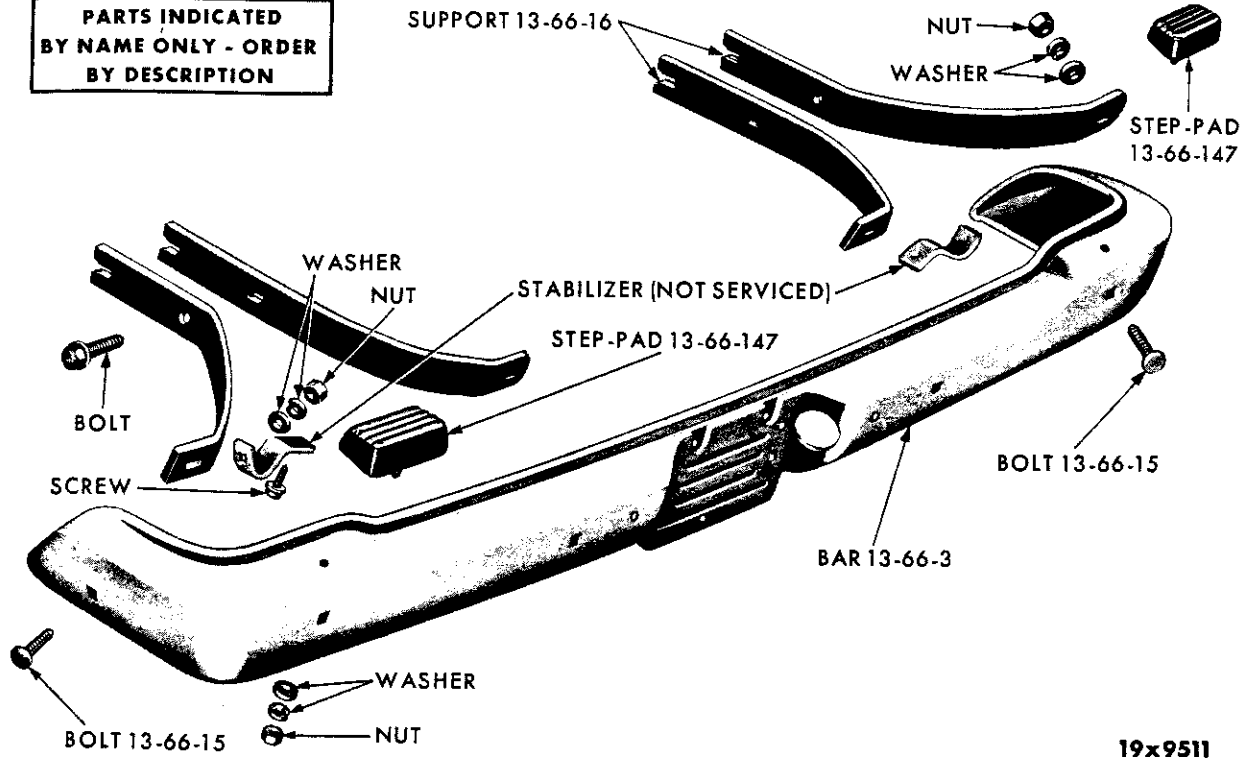
**PARTS INDICATED  
BY NAME ONLY - ORDER  
BY DESCRIPTION**



19x9531

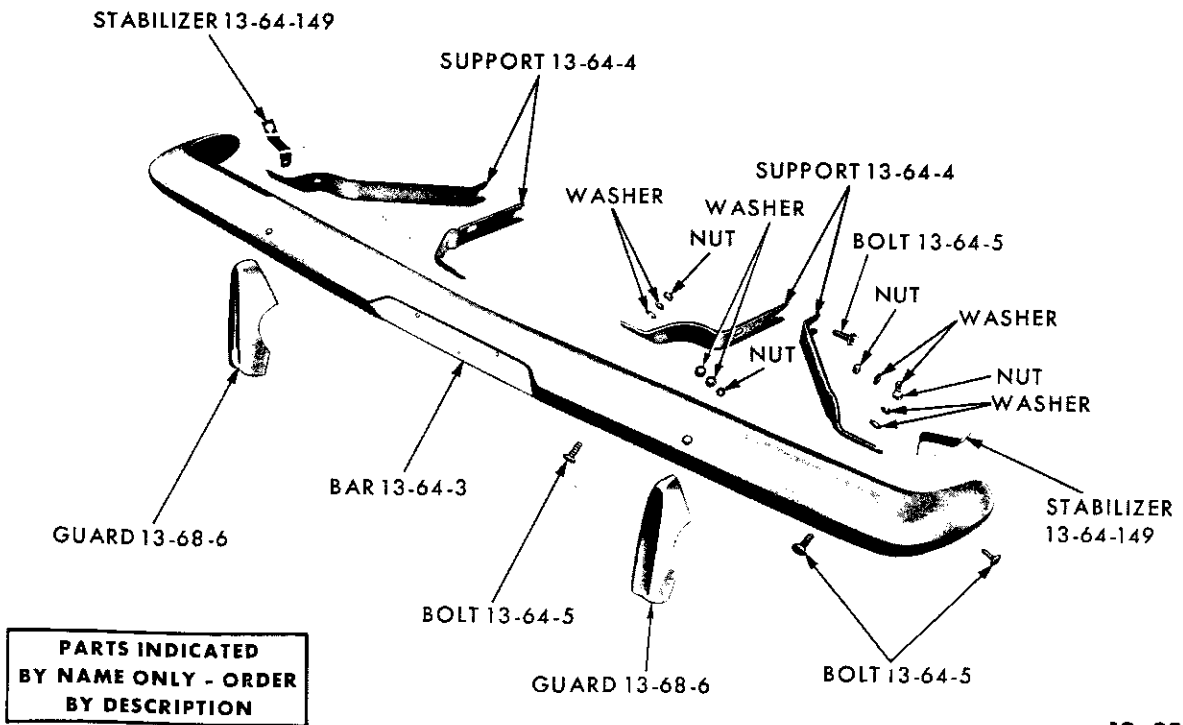
REAR BUMPER - PLYMOUTH TP1-2 (EXCEPT SUBURBAN)

PARTS INDICATED BY NAME ONLY - ORDER BY DESCRIPTION



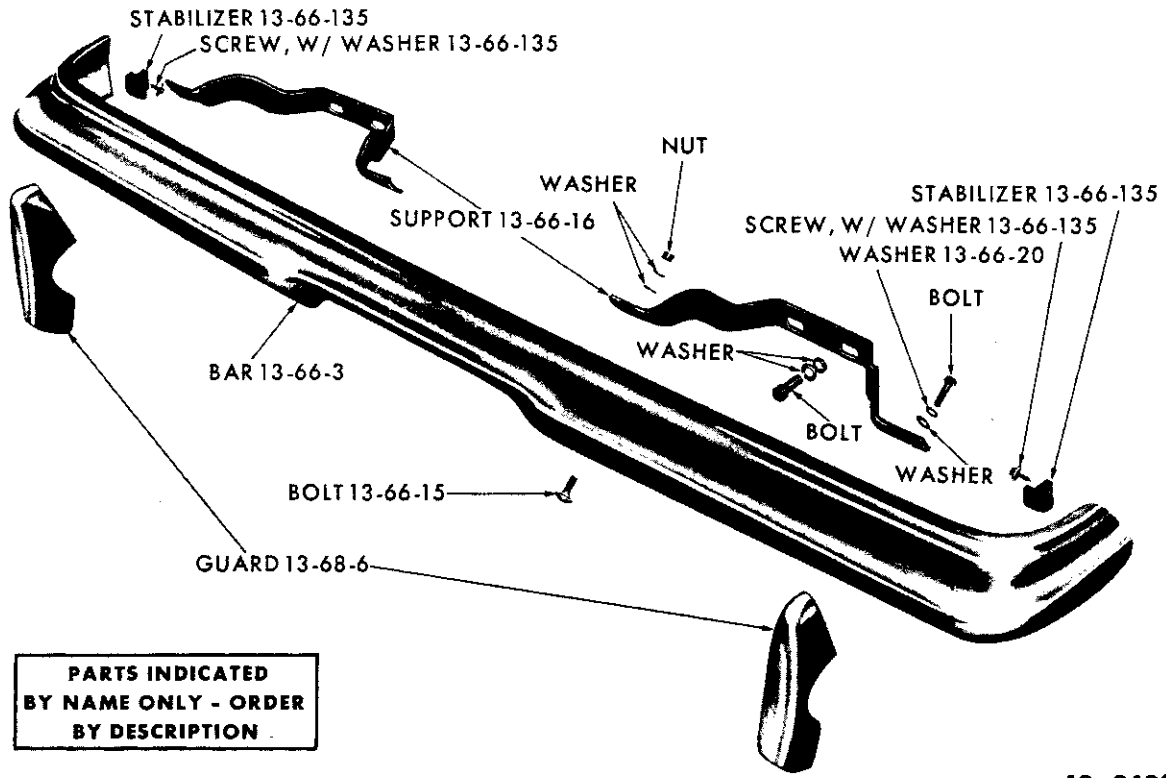
19x9511

REAR BUMPER - PLYMOUTH TP1-2 AND DODGE TD1-2 (SUBURBAN)

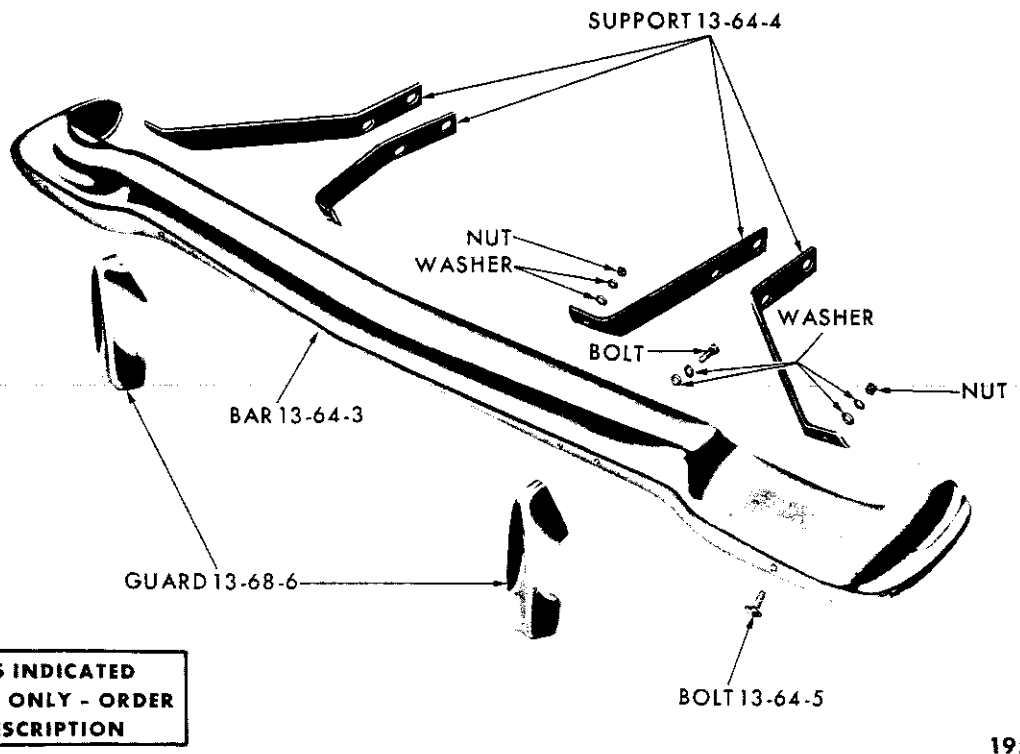


19x9516

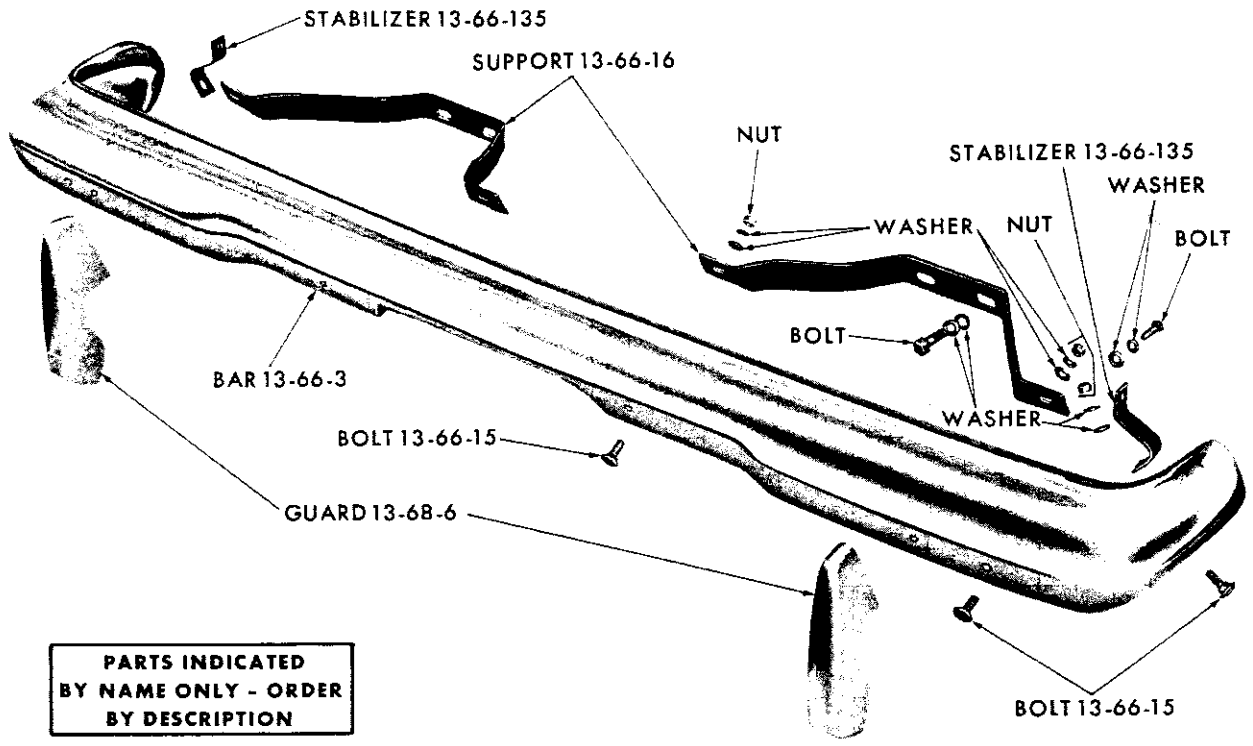
FRONT BUMPER - VALIANT TV1



REAR BUMPER - VALIANT TV1 (ALL) AND DART TL1 (SUBURBAN)



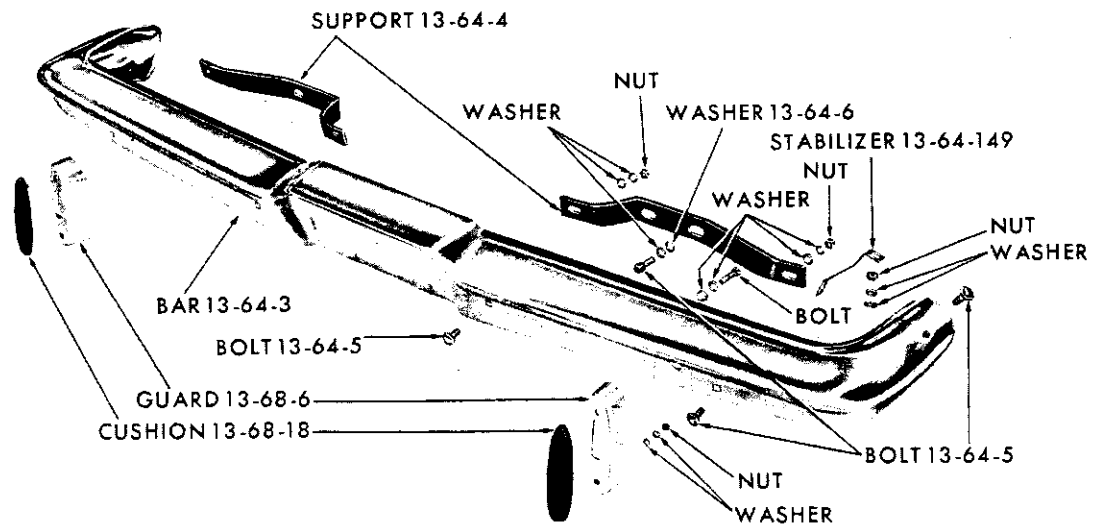
FRONT BUMPER - DART TL1



PARTS INDICATED  
BY NAME ONLY - ORDER  
BY DESCRIPTION

19x9494

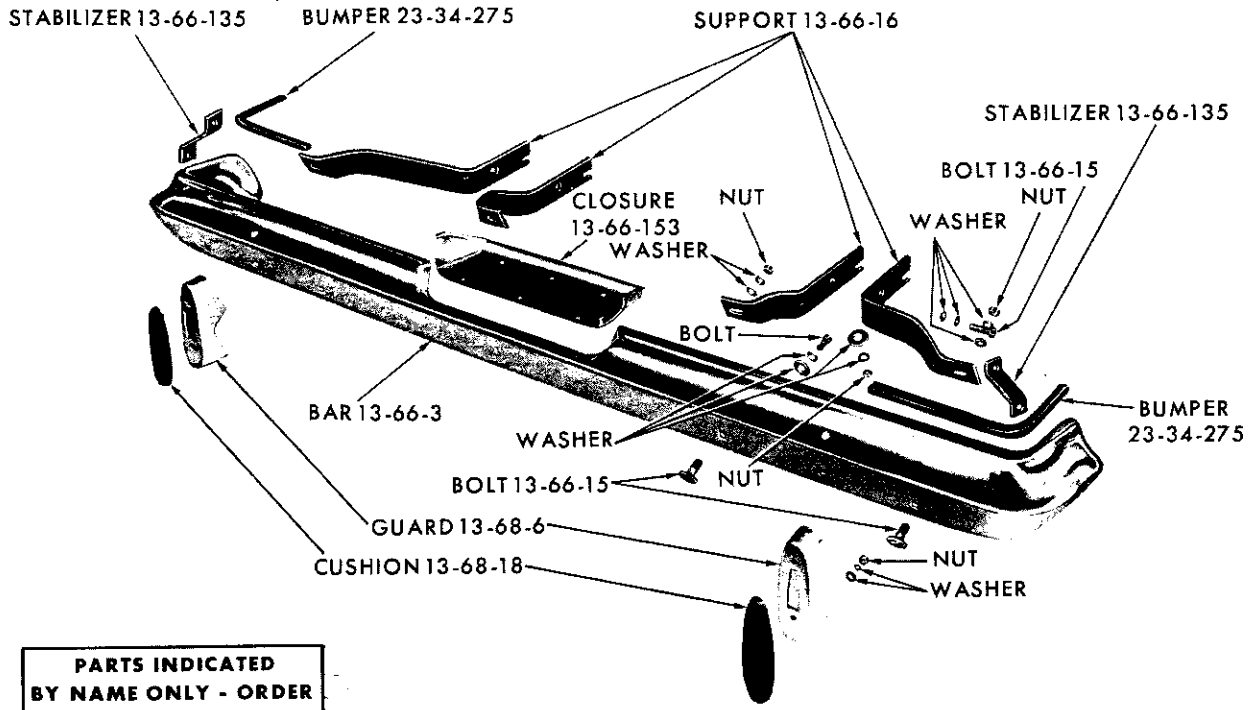
REAR BUMPER - DART TL1 (EXCEPT SUBURBAN)



PARTS INDICATED  
BY NAME ONLY - ORDER  
BY DESCRIPTION

19x9453

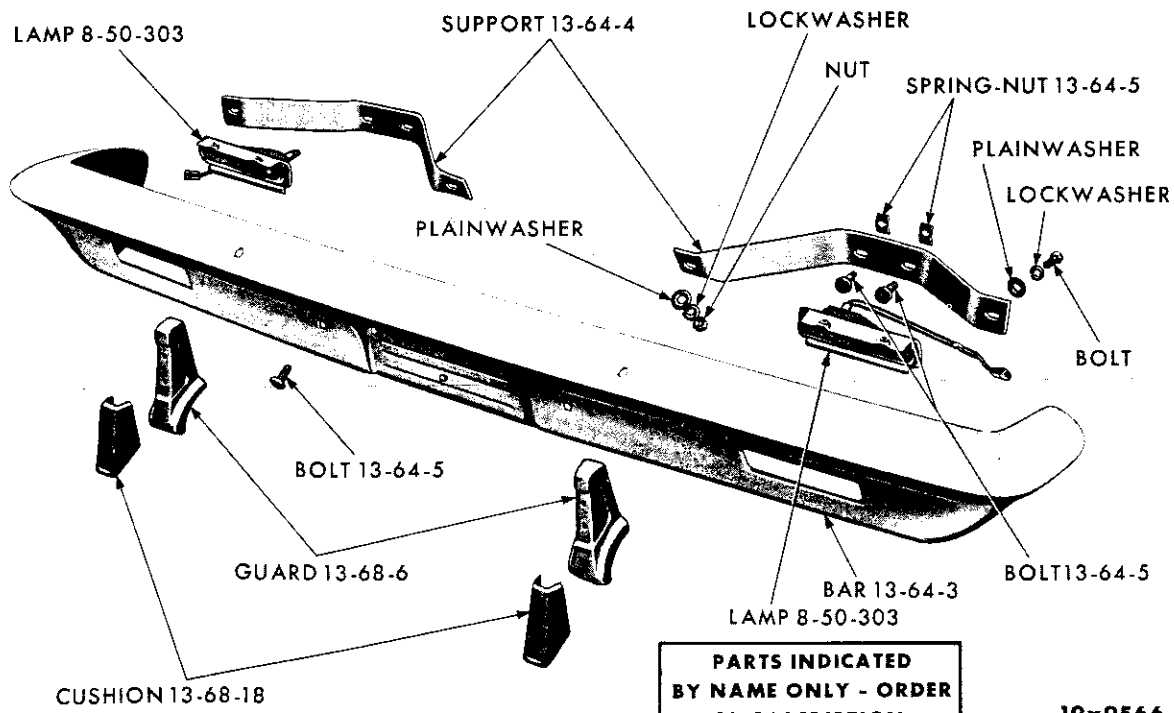
FRONT BUMPER - DODGE TD1-2



**PARTS INDICATED  
BY NAME ONLY - ORDER  
BY DESCRIPTION**

19x9465

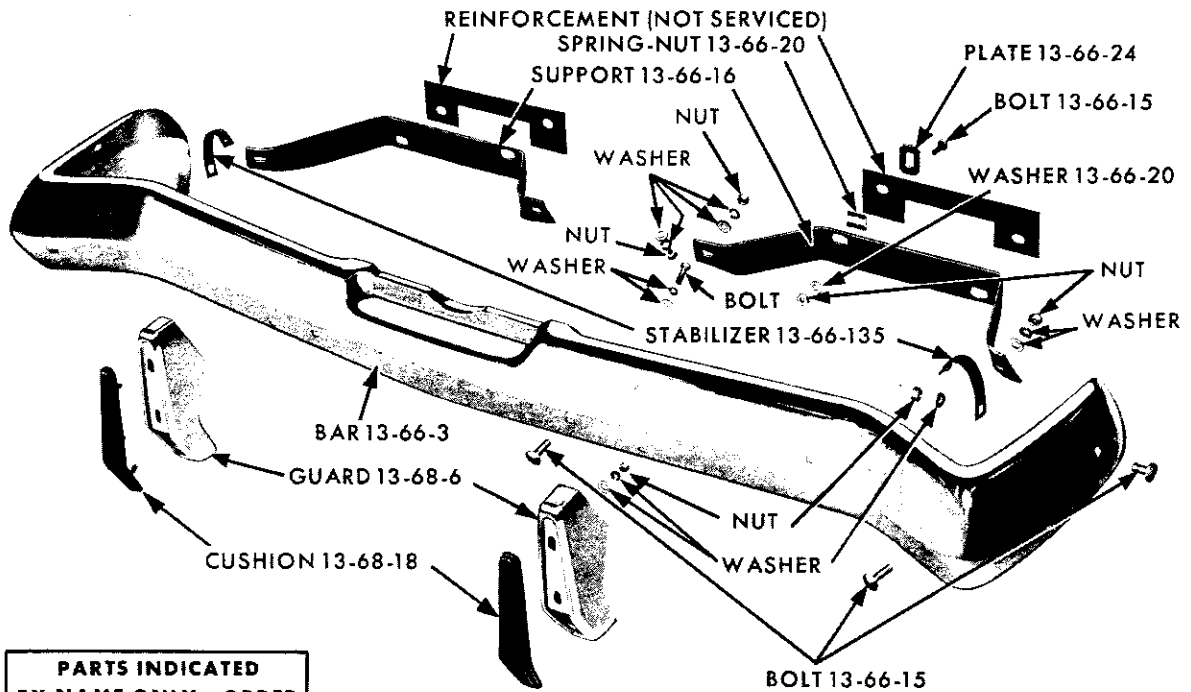
REAR BUMPER - DODGE TD1-2 (EXCEPT SUBURBAN)



**PARTS INDICATED  
BY NAME ONLY - ORDER  
BY DESCRIPTION**

19x9566

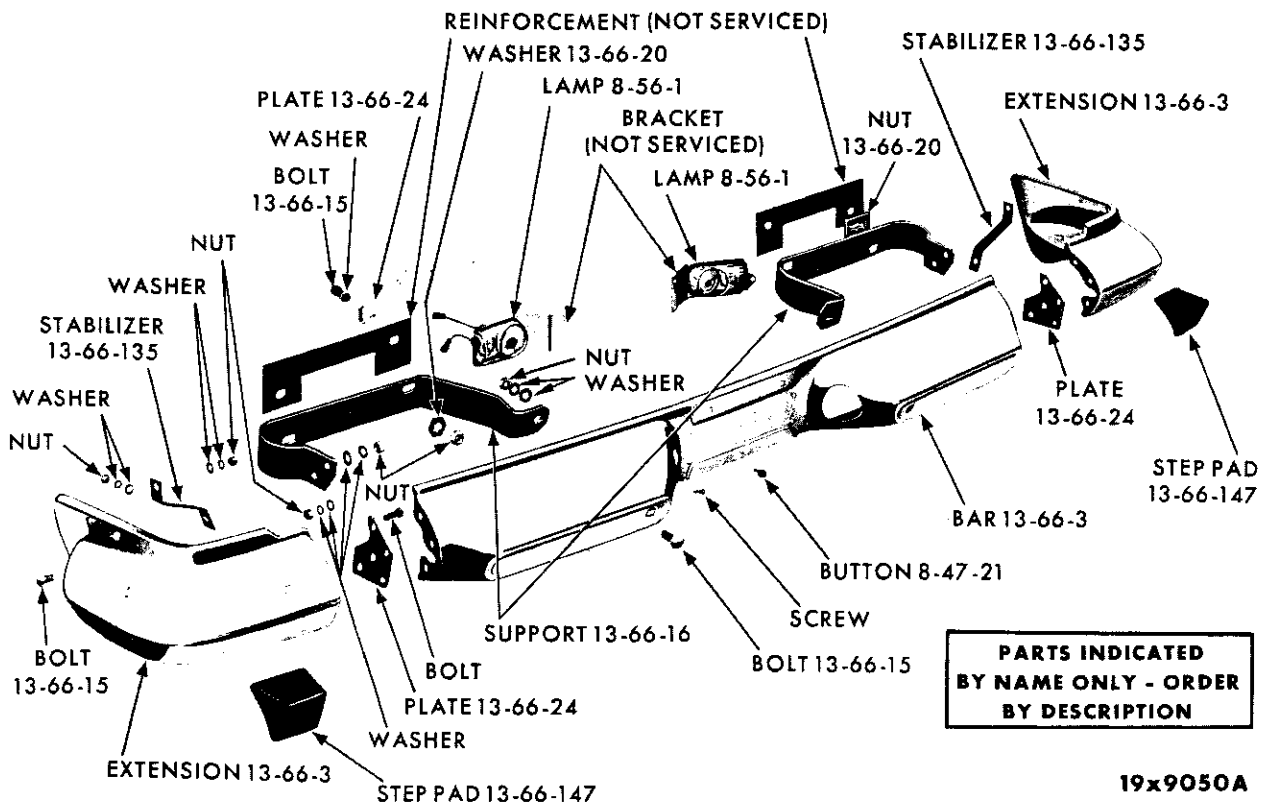
FRONT BUMPER - DODGE TA3



**PARTS INDICATED  
BY NAME ONLY - ORDER  
BY DESCRIPTION**

19x9209A

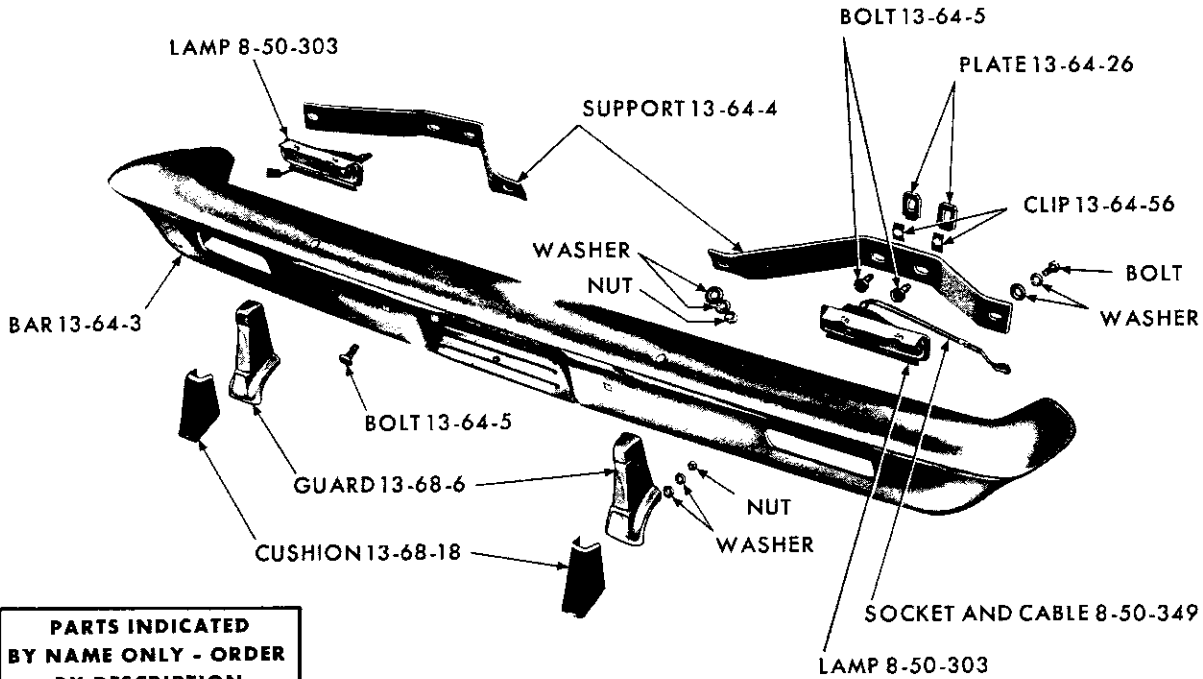
REAR BUMPER - DODGE TA3 (EXCEPT SUBURBAN)



**PARTS INDICATED  
BY NAME ONLY - ORDER  
BY DESCRIPTION**

19x9050A

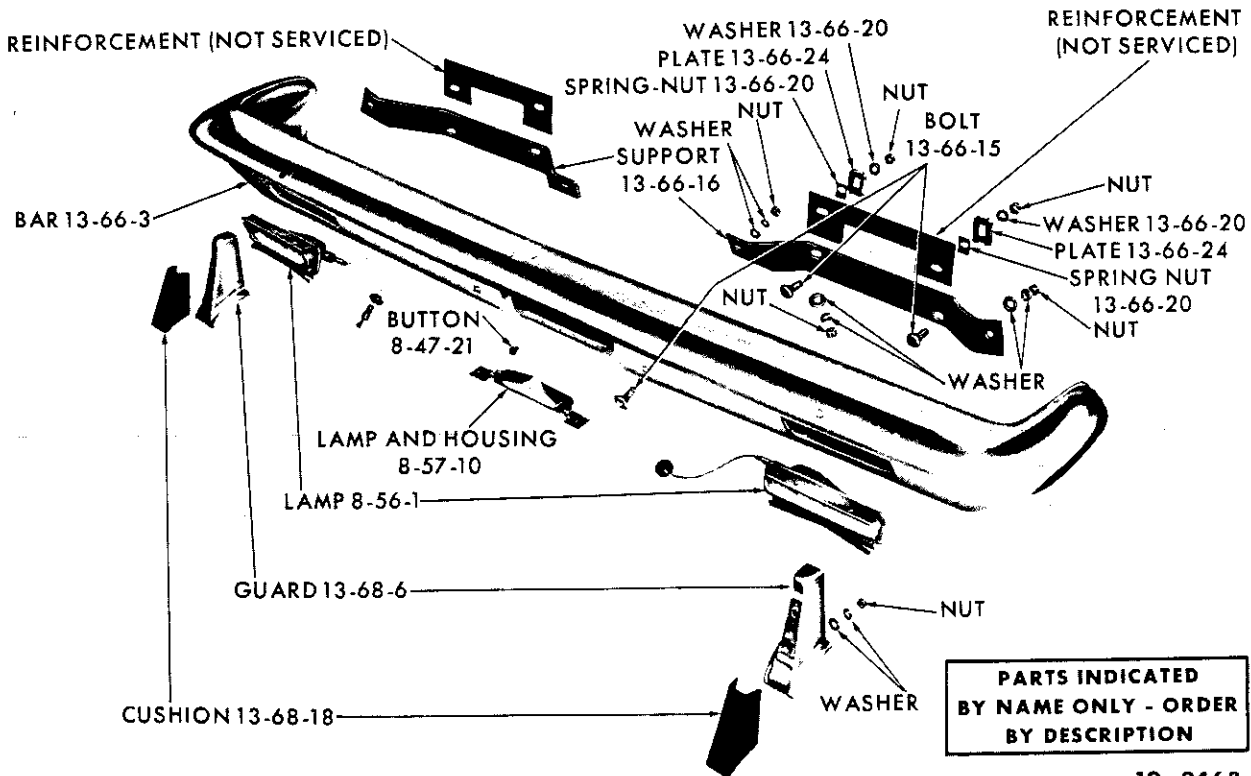
REAR BUMPER - DODGE TA3 AND CHRYSLER TC1-3 (SUBURBAN)



**PARTS INDICATED  
BY NAME ONLY - ORDER  
BY DESCRIPTION**

19x9464

FRONT BUMPER - CHRYSLER TC1-2-3

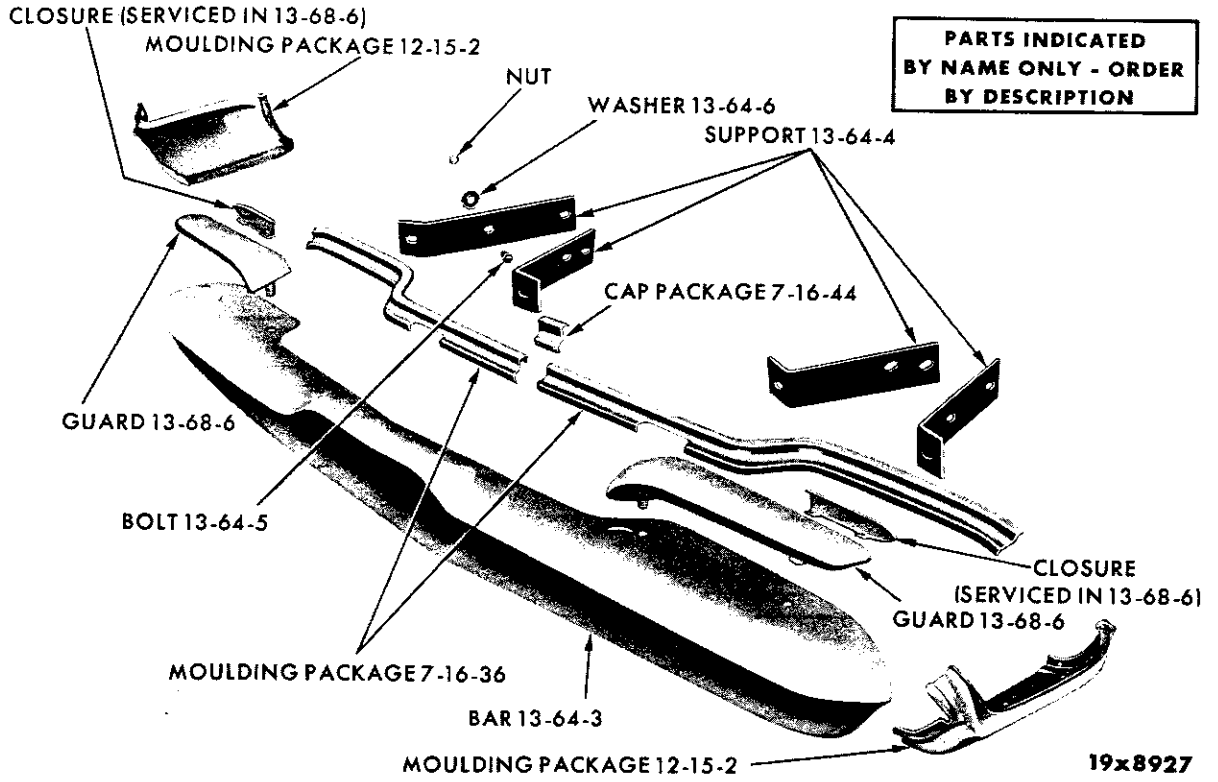


**PARTS INDICATED  
BY NAME ONLY - ORDER  
BY DESCRIPTION**

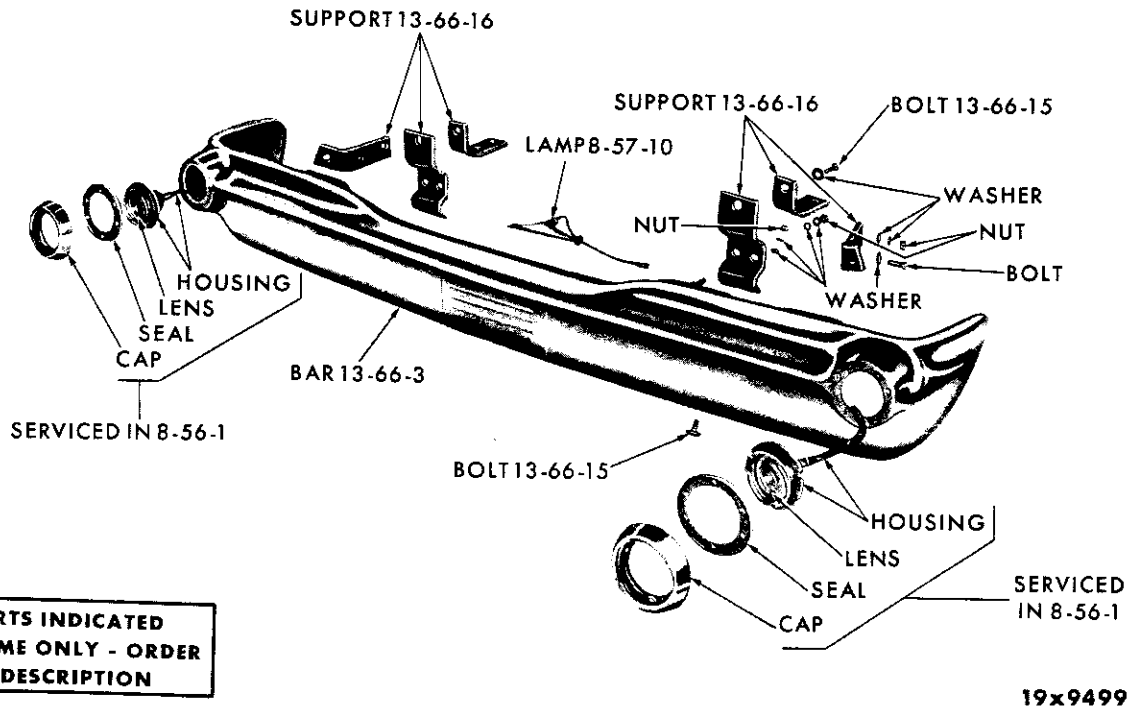
19x9468

REAR BUMPER - CHRYSLER TC1-2-3 (EXCEPT SUBURBAN)





FRONT BUMPER - IMPERIAL TY1



REAR BUMPER - IMPERIAL TY1



CODE	PART NAME AND DESCRIPTION	C Y L	PER CAR	VALIANT DART	PLYMOUTH DODGE	CHRYSLER IMPERIAL
<b>13-01-O FRAME ASSEMBLY</b>						
13-01-1	FRAME, w/Auto. Trans., TA3, TC1, TC2, TC3 . . .	8	1	----	2409 076	2409 076
	w/Manual Trans., TA3, TC1, TC2 . . . . .	8	1	----	*2409 077	*2409 077
	Except Cv. Cp., TY1 . . . . .	8	1	----	----	2260 290
	Cv. Cp., TY1 . . . . .	8	1	----	----	2260 299
13-01-6	BRACKET, Front Control Arm Jounce and Rebound, Right, TA3, TC1, TC2, TC3 . . . . .	8	1	----	1734 526	1734 526
	Left, TA3, TC1, TC2, TC3 . . . . .	8	1	----	1734 527	1734 527
<b>13-04-O FRAME SUB - SIDEMEMBER</b>						
13-04-20	SHIELD, Front Sidemember Splash, TY1, Right . .	8	1	----	----	*2461 822
	Left . . . . .	8	1	----	----	*2461 823
<b>13-11-O FRAME FRONT CROSSMEMBER</b>						
13-11-5	CROSSMEMBER, No. 1, TA3, TC1, TC2, TC3 . . .	8	1	----	1940 961	1940 961
	TY1 . . . . .	8	1	----	----	2200 801
	No. 2, TA3, TC1, TC2, TC3 . . . . .	8	1	----	2122 620	2122 620
	TY1 . . . . .	8	1	----	----	2122 621
<b>13-18-O FRAME REAR CROSSMEMBER</b>						
13-18-4	CROSSMEMBER, TY1 . . . . .	8	1	----	----	1944 407
13-18-32	CLIP, Sub-Sidemember Shield, TY1 . . . . .	8	1	----	----	*1674 082
<b>13-33-O BATTERY SUPPORT TRAY</b>						
13-33-61	TRAY, except TA3 . . . . .		1	2260 463	2201 536	
	TP2, TD2 w/426 cu.in. Eng., use w/Trunk Mounted Battery . . . . .	8	1	----	*1796 450	
	BOLT, w/WASHER, to Fender Shield . . . . .		2	----	6022 895	
13-33-62	BRACKET, Support . . . . .	6	2	2208 591		
13-33-68	BRACE, Support, TY1 . . . . .	8	1	----	----	2260 435
	TC2-300J . . . . .	8	1	----	----	2405 069
	NUT, w/RETAINER, to Upper Control Arm, TA3, TC1, TC2, TC3 . . . . .	8	1	----	6022 870	6022 870
	TY1 . . . . .	8	1	----	----	6022 869
	J-NUT, to Frame . . . . .		1	----	6023 171	
	To Battery Tray . . . . .		1	----	6023 171	6023 171
<b>13-34-O BATTERY HOLD-DOWN STRAP</b>						
13-34-3	STRAP . . . . .		1	1828 352	1828 352	1828 352
	TP2, TD2 w/426 cu.in. Eng., use w/Trunk Mounted Battery . . . . .	8	1	----	*2409 374	
<b>13-35-O BATTERY HEAT SHIELD</b>						
13-35-1	SHIELD, except TA3 . . . . .		1	----	2201 525	
	TA3, TC1, TC2 . . . . .	8	1	----	2122 198	2122 198
	J-CLIP, w/NUT . . . . .		2	6023 167	6023 167	6023 167
<b>13-36-O BATTERY HOLD-DOWN STUD</b>						
13-36-5	STUD, Outer, except TA3 . . . . .		1	2074 090	2260 437	
	Outer, TA3 . . . . .	8	1	----	1408 915	1408 915
	TP2, TD2 w/426 cu.in. Eng., use w/Trunk Mounted Battery . . . . .	8	2	----	*2409 362	
	Inner, except TA3 . . . . .		1	2074 089	2074 089	
	Inner, TA3 . . . . .	8	1	----	1408 918	1408 918
	WING NUT, except TA3 . . . . .		2	6023 523	6023 523	

★ Indicates use as required. Numerals in parentheses ( ) refer to notes. Printed in U.S.A.  
 ☐ Indicates parts not listed in any previous parts book. Prices and specifications subject to change without notice.  
 \* Indicates change or addition. Jan. 3, 1964 Supersedes Dec. 14, 1962.

# 1963 PASSENGER CAR PARTS CATALOG

CODE	PART NAME AND DESCRIPTION	C Y L.	PER CAR	VALIANT DART	PLYMOUTH DODGE	CHRYSLER IMPERIAL
<b>13-54-O FRAME REAR SPRING HANGER</b>						
13-54-4	HANGER, Front, except TA3, Std. . . . .		2	2403 187	2403 179	
	Heavy Duty, except TA3 . . . . .		2	----	2403 544	
	w/426 cu.in. Eng. . . . .	8	2	----	2403 544	
	Except Sub., TA3, TC1, TC2, TC3 . . . . .	8	2	----	1948 359	1948 359
	Sub., TA3, TC1, TC3 . . . . .	8	2	----	1948 867	1948 867
	TY1 . . . . .	8	2	----	----	2401 067
13-54-11	BOLT, Front Hanger, except TA3 . . . . .		8	2403 247	2403 247	
13-54-15	HANGER, Rear . . . . .	6	2	2071 764		
	Except Sub., TA3, TC1, TC2, TC3 . . . . .	8	2	----	1948 354	1948 354
	Sub., TA3, TC1, TC3 . . . . .	8	2	----	1948 377	1948 377
	TY1 . . . . .	8	2	----	----	1735 128
<b>13-64-O FRONT BUMPER FACE BAR</b>						
13-64-3	BAR, Face, use w/o Guards, TV1 . . . . .	6	1	2266 600		
	Use w/Guards, TV1 . . . . .	6	1	2266 601		
	Use w/o Guards, TL1 . . . . .	6	1	2266 468		
	Use w/Guards, TL1 . . . . .	6	1	2266 469		
	Use w/o Guards, TP1, TP2 . . . . .		1	----	2266 456	
	Use w/Guards, TP1, TP2 . . . . .		1	----	2266 457	
	Use w/o Guards, TD1, TD2 . . . . .		1	----	2266 480	
	Use w/Guards, TD1, TD2 . . . . .		1	----	2266 481	
	TA3, TC1, TC2, TC3 . . . . .	8	1	----	*2266 491	*2266 491
	TY1 . . . . .	8	1	----	----	2123 800
13-64-4	SUPPORT, Inner, Right, TV1 . . . . .	6	1	2266 446		
	Inner, Left, TV1 . . . . .	6	1	2266 447		
	Outer, Right, TV1 . . . . .	6	1	2266 448		
	Outer, Left, TV1 . . . . .	6	1	2266 449		
	Inner, Right, TL1 . . . . .	6	1	2266 470		
	Inner, Left, TL1 . . . . .	6	1	2266 471		
	Outer, Right, TL1 . . . . .	6	1	2266 472		
	Outer, Left, TL1 . . . . .	6	1	2266 473		
	Right, TP1, TP2 . . . . .		1	----	2266 458	
	Left, TP1, TP2 . . . . .		1	----	2266 459	
	Right, TD1, TD2 . . . . .		1	----	2266 482	
	Left, TD1, TD2 . . . . .		1	----	2266 483	
	Right, TA3 . . . . .	8	1	----	2266 520	
	Left, TA3 . . . . .	8	1	----	2266 521	
	Right, TC1, TC2, TC3, UP TO Serial No. 131925 .	8	1	----	----	⊠2266 494
	Left, TC1, TC2, TC3, UP TO Serial No. 131925 .	8	1	----	----	⊠2266 495
	Right, TC1, TC2, TC3, AFTER Serial No. 131925 .	8	1	----	----	*2266 496
	Left, TC1, TC2, TC3, AFTER Serial No. 131925 .	8	1	----	----	*2266 497
	Inner, Right, TY1 . . . . .	8	1	----	----	2123 798
	Inner, Left, TY1 . . . . .	8	1	----	----	2123 799
	Outer, Right, TY1 . . . . .	8	1	----	----	2123 796
	Outer, Left, TY1 . . . . .	8	1	----	----	2123 797
	Crossmember, TA3, TC1, TC2, w/Std. Trans. .	8	1	----	1944 399	1944 399
13-64-5	BOLT, Bumper to Support, except TA3 . . . . .		★	2074 225	1737 430	
	TA3, TC1, TC2, TC3 . . . . .	8	★	----	2123 898	2123 898
	Bumper to Stabilizer, TV1 . . . . .	6	2	2074 225		
	Except TA3 . . . . .		2	----	1737 430	
	Support to Frame, except TA3 . . . . .		4	6023 148	6023 148	
	TA3, TC1, TC2, TC3 . . . . .	8	4	----	6022 905	6022 902
	TY1 . . . . .	8	12	----	----	1948 970
	Bumper Bracket to Support, TY1 . . . . .	8	2	----	----	1551 766
	SPRING-NUT, Support to Crossmember, TA3, TC1, TC2, TC3 . . . . .	8	4	----	6023 850	6023 850
13-64-6	WASHER, Support to Frame, except TA3 . . . . .		★	----	574 812	
	TA3, TC1, TC2, TC3 . . . . .	8	★	----	6022 899	6022 899
	TY1 . . . . .	8	20	----	----	1948 969

★ Indicates use as required.      Numerals in parentheses ( ) refer to notes.      Printed in U.S.A.  
 ⊠ Indicates parts not listed in any previous parts book.      Prices and specifications subject to change without notice.  
 Jan. 3, 1964 Supersedes Dec. 14, 1962.      Page 13-12      \* Indicates change or addition.

CODE	PART NAME AND DESCRIPTION	C Y L	PER CAR	VALIANT DART	PLYMOUTH DODGE	CHRYSLER IMPERIAL
<b>13-64-O FRONT BUMPER FACE BAR - Cont'd</b>						
13-64-6	WASHER - Cont'd Bumper Bracket to Support, TY1 . . . . .	8	6	----	----	6022 898
13-64-26	PLATE, Support to Frame Bolt, TA3, TC1, TC2, TC3 . . . . .	8	2	----	2123 938	2123 938
13-64-56	SPEED-NUT, Support to Frame Bolt, TA3, TC1, TC2, TC3 . . . . .	8	4	----	6023 850	6023 850
	Bumper Bracket to Support, TY1 . . . . .	8	2	----	----	6023 850
13-64-149	STABILIZER, Right, TV1 . . . . .	6	1	2266 512		
	Left, TV1 . . . . .	6	1	2266 513		
	Right, TP1, TP2 . . . . .	1	1	----	2266 594	
	Left, TP1, TP2 . . . . .	1	1	----	2266 595	
	TD1, TD2 . . . . .	2	2	----	2266 484	
	NUT, w/WASHER, TV1, TD1, TD2 . . . . .	2	2	6012 008	6012 008	
	SCREW, Shoulder . . . . .	6	2	6023 977		
<b>13-66-O REAR BUMPER FACE BAR</b>						
13-66-3	BAR, Face, use w/o Guards, TV1 . . . . .	6	1	2266 602		
	Use w/Guards, TV1 . . . . .	6	1	2266 603		
	Use w/o Guards, except Sub., TL1 . . . . .	6	1	2266 534		
	Use w/Guards, except Sub., TL1 . . . . .	6	1	2266 535		
	Use w/o Guards, Sub., TL1 . . . . .	6	1	2266 602		
	Use w/Guards, Sub., TL1 . . . . .	6	1	2266 603		
	Use w/o Guards, except Sub., TP1, TP2 . . . . .	1	1	----	2266 562	
	Use w/Guards, except Sub., TP1, TP2 . . . . .	1	1	----	2266 563	
	Use w/o Guards, except Sub., TD1, TD2 . . . . .	1	1	----	2266 576	
	Use w/Guards, except Sub., TD1, TD2 . . . . .	1	1	----	2266 577	
	Use w/o Guards, except Sub., TA3 . . . . .	8	1	----	2123 792	
	Use w/Guards, except Sub., TA3 . . . . .	8	1	----	2203 815	
	Use w/o Step Pads, Sub., except TA3 . . . . .	1	1	----	2266 566	
	Use w/Step Pads, Sub., except TA3 . . . . .	1	1	----	2266 567	
	Use w/o Guards, w/o Back-Up Lights, except Sub., TC1, TC2 . . . . .	8	1	----	----	2266 588
	Use w/o Guards, w/Back-Up Lights, except Sub., TC1, TC2 . . . . .	8	1	----	----	2266 624
	Use w/Guards, w/Back-Up Lights, except Sub., TC1, TC2, TC3 . . . . .	8	1	----	----	2266 589
	TY1 . . . . .	8	1	----	----	2266 612
	Center, Sub., TA3, TC1, TC3 . . . . .	8	1	----	2123 860	2123 860
	EXTENSION, Sub., Right, TA3, TC1, TC3 . . . . .	8	1	----	2123 814	2123 814
	EXTENSION, Sub., Left, TA3, TC1, TC3 . . . . .	8	1	----	2123 813	2123 813
13-66-15	BOLT, Bumper to Support . . . . .		★	2074 225	1737 430	1737 430
	TA3, TC1, TC2, TC3 . . . . .	8	4	----	*2123 898	*2123 898
	Bumper to Stabilizer, TL1 . . . . .	2	2	2074 225	1737 430	
	Support to Crossmember, TA3, TC1, TC2, TC3 . . . . .	8	4	----	*6022 902	*6022 902
	Stabilizer to Bumper, except Sub., TA3 . . . . .	8	2	----	*2123 898	
	Sub., TC1, TC3 . . . . .	8	2	----	----	2074 225
	Support to Frame, except TA3 . . . . .	4	4	----	6023 148	
	Bumper to Vertical Support, TY1 . . . . .	8	2	----	----	6023 011
	Vertical Support to Frame, TY1 . . . . .	8	4	----	----	1945 945
	PLUG, Step Pad Hole, Sub., TA3, TC1, TC3 . . . . .	8	2	----	6012 070	6012 070
13-66-16	SUPPORT, Right, except Sub., TV1 . . . . .	6	1	2266 530		
	Left, except Sub., TV1 . . . . .	6	1	2266 531		
	Right, except Sub., TL1 . . . . .	6	1	2266 536		
	Left, except Sub., TL1 . . . . .	6	1	2266 537		
	Right, Sub. . . . .	6	1	2266 542		
	Left, Sub. . . . .	6	1	2266 543		

★ Indicates use as required.

Numerals in parentheses ( ) refer to notes.

Printed in U.S.A.

☐ Indicates parts not listed in any previous parts book.

Prices and specifications subject to change without notice.

\* Indicates change or addition.

# 1963 PASSENGER CAR PARTS CATALOG

CODE	PART NAME AND DESCRIPTION	C Y L.	PER CAR	VALIANT DART	PLYMOUTH DODGE	CHRYSLER IMPERIAL
<b>13-66-O REAR BUMPER FACE BAR - Cont'd</b>						
13-66-16	SUPPORT - Cont'd					
	Right, Outer, except Sub., TP1, TP2 . . . . .		1	----	2266 568	
	Left, Outer, except Sub., TP1, TP2 . . . . .		1	----	2266 569	
	Right, Inner, except Sub., TP1, TP2 . . . . .		1	----	2266 570	
	Left, Inner, except Sub., TP1, TP2 . . . . .		1	----	2266 571	
	Right, Outer, except Sub., TD1, TD2 . . . . .		1	----	2266 580	
	Left, Outer, except Sub., TD1, TD2 . . . . .		1	----	2266 581	
	Right, Inner, except Sub., TD1, TD2 . . . . .		1	----	2266 578	
	Left, Inner, except Sub., TD1, TD2 . . . . .		1	----	2266 579	
	Right, Outer, Sub., except TA3 . . . . .		1	----	2266 572	
	Left, Outer, Sub., except TA3 . . . . .		1	----	2266 573	
	Right, Inner, Sub., except TA3 . . . . .		1	----	2266 574	
	Left, Inner, Sub., except TA3 . . . . .		1	----	2266 575	
	Right, except Sub., TA3, TC1, TC2, TC3 . . . . .	8	1	----	2123 834	2266 590
	Left, except Sub., TA3, TC1, TC2, TC3 . . . . .	8	1	----	2123 835	2266 591
	Right, Sub., TA3, TC1, TC3 . . . . .	8	1	----	2123 856	2123 856
	Left, Sub., TA3, TC1, TC3 . . . . .	8	1	----	2123 857	2123 857
	Right, Outer, TY1 . . . . .	8	1	----	----	2266 616
	Left, Outer, TY1 . . . . .	8	1	----	----	2266 617
	Vertical, TY1 . . . . .	8	2	----	----	2266 620
	Upper, TY1 . . . . .	8	2	----	----	2266 614
13-66-18	SHIM, Support to Frame, .06" thk., TY1 . . . . .	8	★	----	----	6010 025
13-66-20	WASHER, Support to Frame, TA3 . . . . .		4	6023 225	6022 899	6022 899
	SPRING-NUT, Support to Crossmember, TA3, TC1, TC2, TC3 . . . . .	8	4	----	6023 850	6023 850
13-66-24	PLATE, Bumper to Frame Support, TA3, TC1, TC2, TC3 . . . . .	8	4	----	2123 938	2123 938
	Bumper to Support, Sub., TA3, TC1, TC3 . . . . .	8	2	----	1948 015	1948 015
13-66-106	DEFLECTOR, Stone, except Sub., TL1 . . . . .	6	1	E2483 630		
	Except Sub., TP1, TP2 . . . . .		1	----	2255 670	
	Except Sub., TD1, TD2 . . . . .		1	----	2244 018	
	NOTE: For Valiant See Code 23-34-167					
	CLIP . . . . .		14	----	6006 104	
13-66-116	SEAL, w/CLIP, Stone Deflector, TP1, TP2, except Sub. . . . .		1	----	2424 994	
13-66-123	FASTENER, Jacking Bracket Panel, TA3, TC1, TC3, Sub. . . . .	8	2	----	6006 456	6006 456
13-66-135	STABILIZER, TV1 . . . . .	6	2	2266 525		
	Except Sub., TL1 . . . . .	6	2	2266 547		
	Sub., TL1 . . . . .	6	2	2266 525		
	Except Sub., TD1, TD2 . . . . .		2	----	2266 586	
	Sub., TP1, TP2, TD1, TD2 . . . . .		2	----	E2266 608	
	Except Sub., TA3 . . . . .	8	2	----	2123 849	
	Sub., TA3, TC1, TC3, Right . . . . .	8	1	----	2123 940	2123 940
	Sub., TA3, TC1, TC3, Left . . . . .	8	1	----	2123 939	2123 939
	SCREW, w/WASHER . . . . .		2	6022 320	6022 307	6022 339
13-66-147	STEP-PAD, Sub., except TA3 . . . . .		2	----	2266 623	2123 885
	TA3 . . . . .	8	2	----	2123 885	
13-66-153	CLOSURE, Center, except Sub., TD1, TD2 . . . . .		1	----	2266 585	
	NUT, w/WASHER . . . . .		3	----	6025 002	

★ Indicates use as required. Numerals in parentheses ( ) refer to notes. Printed in U.S.A.  
 E Indicates parts not listed in any previous parts book. Prices and specifications subject to change without notice.  
 Jan. 3, 1964 Supersedes Dec. 14, 1962. Page 13-14 \* Indicates change or addition.



