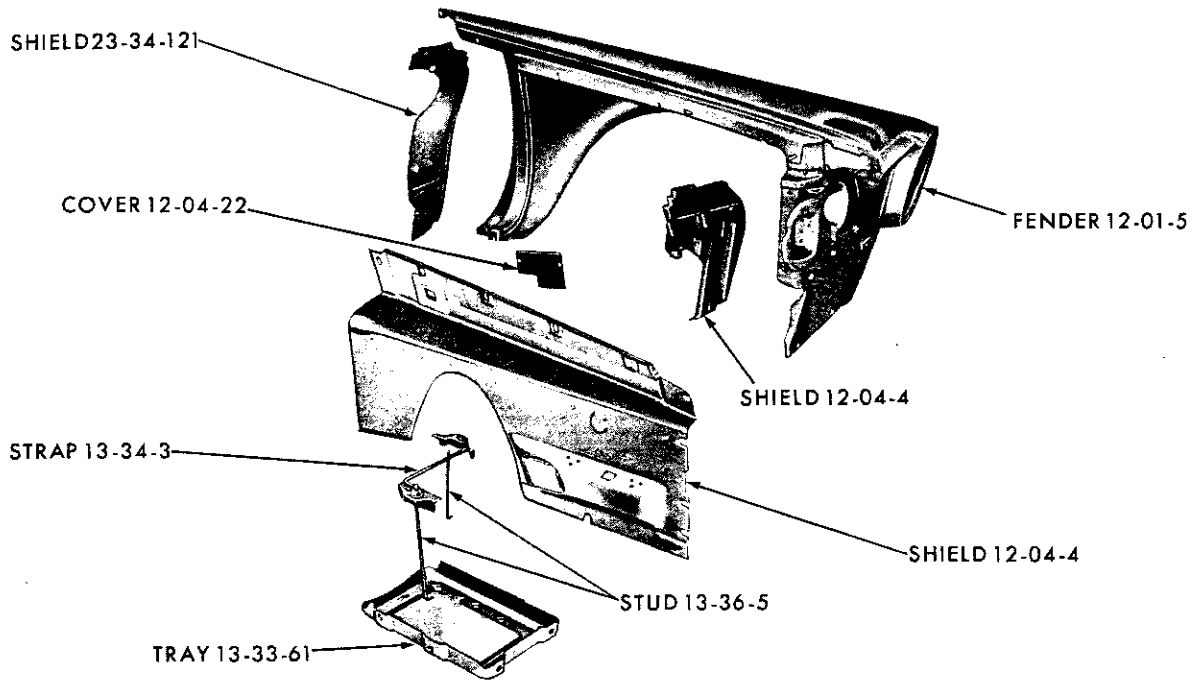
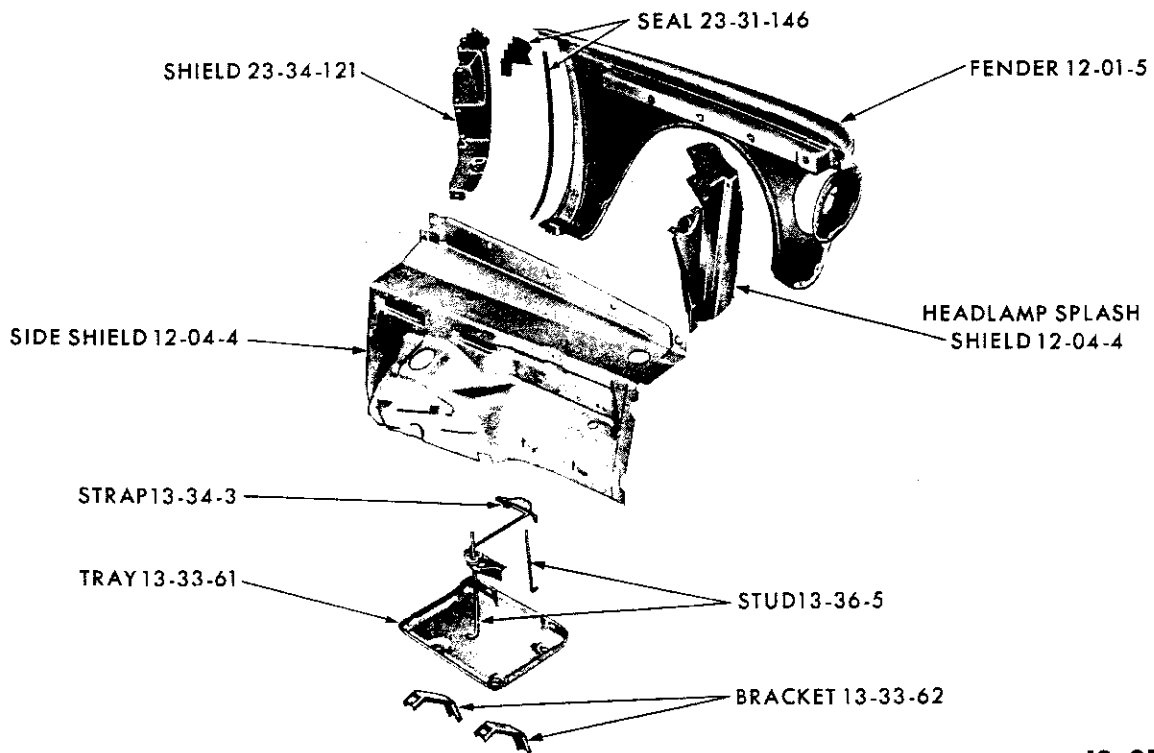


GROUP 12 - FENDERS AND SHEET METAL



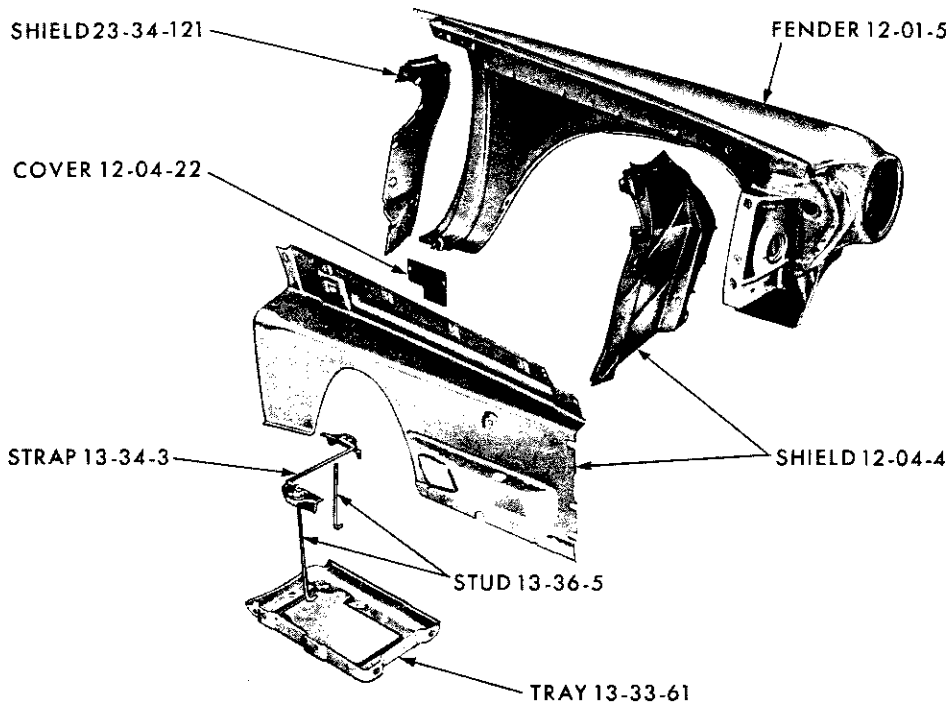
19x9535

FRONT FENDER - PLYMOUTH TP1-2



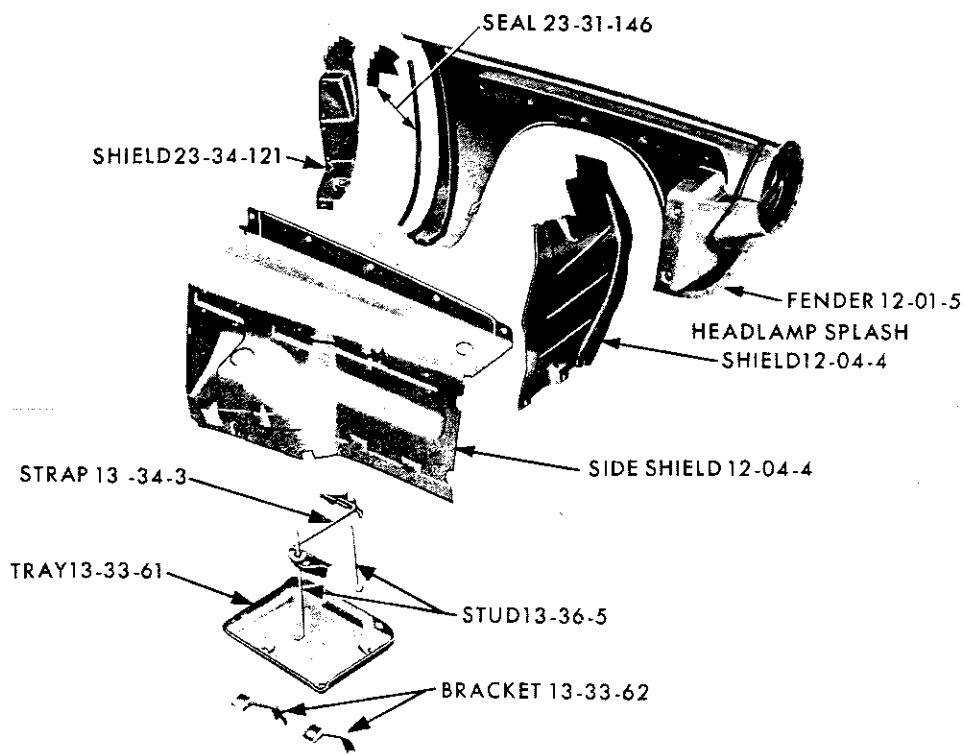
19x9567A

FRONT FENDER - VALIANT TV1



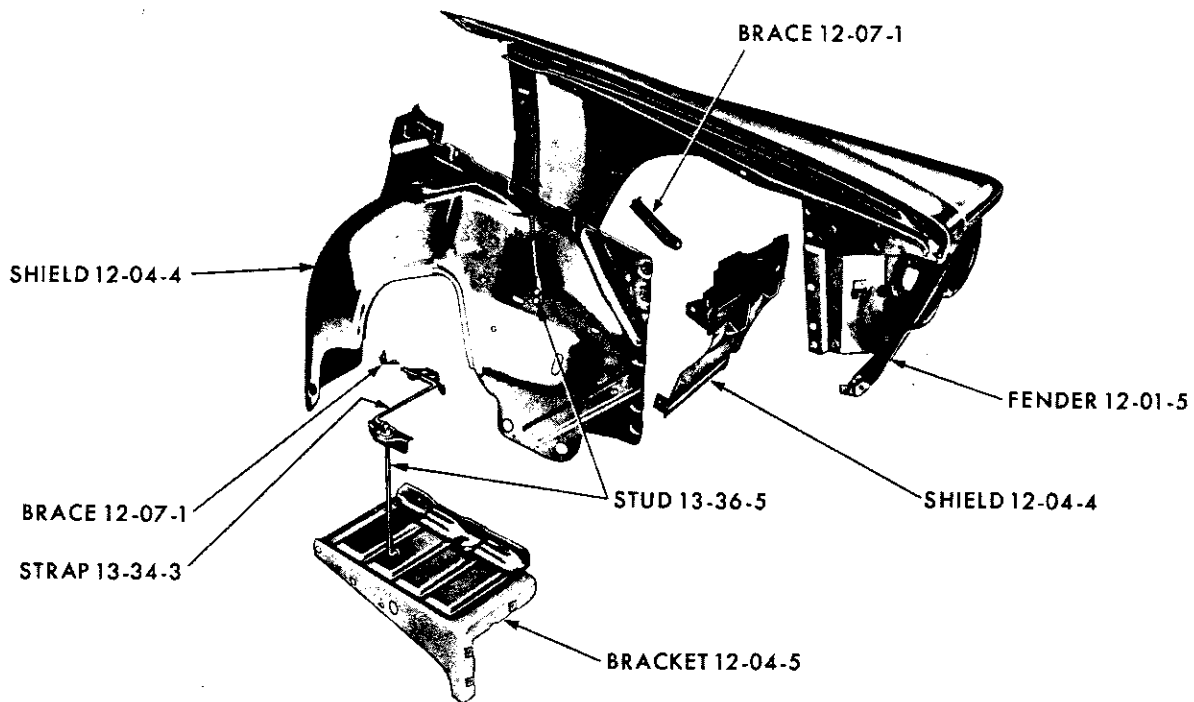
19x9536

FRONT FENDER - DODGE TD1-2



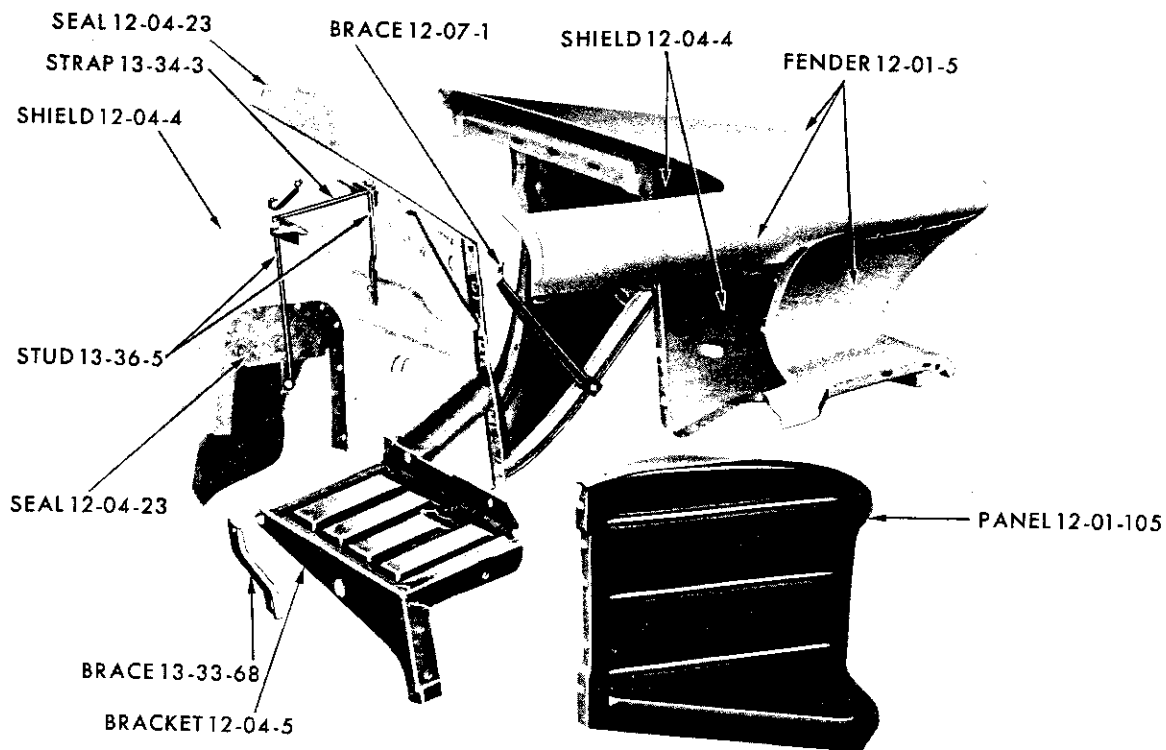
19x9542A

FRONT FENDER - DART TL1



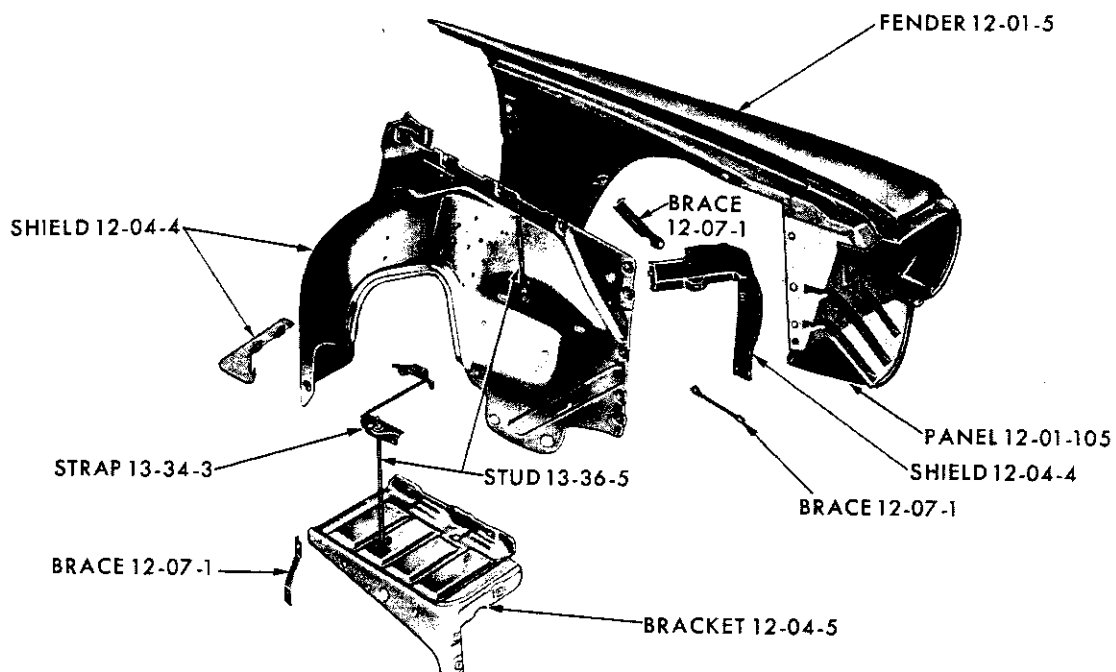
19x9523

FRONT FENDER - CHRYSLER TC1-2-3



19x8936B

FRONT FENDER - IMPERIAL TY1



19x9590A

FRONT FENDER - DODGE TA3

**NOTES**

---



---



---



---



---



---



---



---



---



---



---



---



---



---



---



---



---



---



---



---



---



---

CODE	PART NAME AND DESCRIPTION	C Y L	PER CAR	VALIANT DART	PLYMOUTH DODGE	CHRYSLER IMPERIAL
<b>12-01-0 FRONT FENDERS</b>						
12-01-5	FENDER, Right, TV1, TP1, TP2 (see Note below)		1	2253 504	2448 106	
	Left, TV1, TP1, TP2 . . . . .		1	2253 505	2448 107	
	Right, TL1, TD1, TD2 (see Note below) . . . . .		1	2253 506	2448 108	
	Left, TL1, TD1, TD2 . . . . .		1	2253 507	2448 109	
	Right, TA3, TC1, TC2 except 300J, TC3 except Luxury New Yorker (see Note below) . . . . .	8	1	----	2425 436	E2493 158
	Left, TA3, TC1, TC2 except 300J, TC3 except Luxury New Yorker . . . . .	8	1	----	2425 437	2253 521
	Right, TC2-300J, TC3 Luxury New Yorker (see Note below) . . . . .	8	1	----	----	E2493 158
	Left, TC2-300J, TC3 Luxury New Yorker . . . . .	8	1	----	----	2425 647
	Right, TY1 (see Note below) . . . . .	8	1	----	----	2425 268
	Left, TY1 . . . . .	8	1	----	----	2425 269
NOTE: Also specify one (1) 2445 182, Pentastar Medallion and 6000 049 Nut (code 12-15-21).						
12-01-7	PANEL, Front, Right, TD1, TD2 . . . . .		1	----	2276 192	
	Left, TD1, TD2 . . . . .		1	----	2276 193	
12-01-10	BRACKET, Fender to Pillar, TA3 . . . . .		2	----	*1686 914	*1686 914
12-01-12	STUD, to Fender Support . . . . .	6	2	6022 016		
	To Side Shield . . . . .		2	----	6022 016	
	To Cowl, TA3, TC1, TC2, TC3 . . . . .	8	4	----	6023 597	6023 597
	To Sill, TA3 . . . . .	8	★	*6022 016	6022 016	6022 016
	Fender Bracket to Pillar Support, TA3, TC1, TC2, TC3 . . . . .	8	2	----	6022 029	6022 029
	Headlamp Panel to Cross Bar, TC1, TC2, TC3 . . . . .	8	4	----	----	6022 802
	Headlamp Panel to Splash Shield, TC1, TC2, TC3 . . . . .	8	2	----	----	6022 802
	To Sill, TY1 . . . . .	8	2	----	----	6022 187
	Fender Bracket to Cowl, TY1 . . . . .	8	2	----	----	6022 009
12-01-15	NUT, to Grille Panel, TV1 . . . . .	6	★	6010 006		
	To Grille Panel . . . . .	6	★	6023 167		
	Fender Flange to Pillar Support . . . . .	6	★	6023 283		
	To Air Shield, TL1 . . . . .	6	★	6023 167		
	To Cowl, TP1, TP2, TD1, TD2 . . . . .	8	★	----	6023 170	
	To Cowl, TA3 . . . . .	8	★	----	6023 283	
	To Grille Panel, TA3 . . . . .	8	4	----	6023 168	
	To Dust Shield Brace, TC1, TC2, TC3 . . . . .	8	★	----	6023 168	6023 155
	To Sill Bracket, TY1 . . . . .	8	★	----	----	6023 171
	Top Panel to Grille Brace, TY1 . . . . .	8	★	----	----	6022 162
12-01-16	WASHER, to Sill . . . . .		★	----	6022 784	
	Fender to Yoke to Side Shield, TP1, TP2 . . . . .		★	----	6022 784	
	Dash Panel to Side Shield . . . . .		★	6023 291	6023 291	
	Fender Side Lower Sealing, TC1, TC2, TC3 . . . . .	8	★	----	----	6022 052
	To Sill, TY1 . . . . .	8	★	----	----	6022 187
	To Cowl, Upper, TC1, TC2, TC3 . . . . .	8	★	----	----	1903 478
12-01-92	REINFORCEMENT, Upper Flange, TY1 . . . . .	8	1	----	----	1904 180
12-01-105	EXTENSION, Fender Inner Front, Right, TP1, TP2		1	----	2276 336	
	Left, TP1, TP2 . . . . .		1	----	2276 337	
	PANEL, Fender Shear, Right, TA3, TY1 . . . . .	8	1	----	2417 292	1904 194
	Left, TA3, TY1 . . . . .	8	1	----	2417 293	1904 195

★ Indicates use as required. Numerals in parentheses ( ) refer to notes. Printed in U.S.A.  
 ☐ Indicates parts not listed in any previous parts book. Prices and specifications subject to change without notice.  
 \* Indicates change or addition. Jan. 3, 1964 Supersedes Jan. 25, 1963.

# 1963 PASSENGER CAR PARTS CATALOG

FENDERS AND SHEET METAL

CODE	PART NAME AND DESCRIPTION	CYL	PER CAR	VALIANT DART	PLYMOUTH DODGE	CHRYSLER IMPERIAL
<b>12-02-0 FENDER SEAL OR SHIM</b>						
12-02-5	SEAL, Fender to Pillar, Front, Lower, TA3. . . .	8	2	----	*2166 641	*2166 641
	Fender to Shear Panel, TY1 . . . . .	8	★	----	----	1242 974
	SHIM, to Pillar Support . . . . .	6	★	6010 031		
	To Fender Support . . . . .	6	★	6010 035		
	Fender Flange to Cowl . . . . .	6	★	6010 031		
	To Sill, TY1 . . . . .		★	6023 257	6023 257	6010 031
	To Yoke Shield . . . . .		★	----	6010 031	
	To Cowl, Front, TY1 . . . . .		★	----	2099 784	6010 037
	To Cowl, Rear . . . . .		★	----	6010 031	
	To Cowl, Upper, Front, TA3, TC1, TC2, TC3 . .		★	----	1863 926	1863 926
	To Cowl, Upper, Rear, TA3, TC1, TC2, TC3 . .		★	----	6010 035	6010 035
	To Cowl, Lower, Rear TA3, TC1, TC2, TC3 . .		★	----	6010 031	6010 031
12-02-8	GASKET, to Stone Deflector, Right, TP1, TP2 . .		1	----	2276 624	
	Left, TP1, TP2 . . . . .		1	----	2276 625	
12-02-12	FASTENER, Splash Shield Seal . . . . .		★	6006 104	6006 104	
<b>12-04-0 FRONT FENDER SHIELD</b>						
12-04-4	SIELD, Headlamp Splash, Right, TV1, TP1, TP2		1	2276 974	2276 736	
	Left, TV1, TP1, TP2 . . . . .		1	2276 975	2276 737	
	Right, TL1, TD1, TD2 . . . . .		1	2276 968	2276 972	
	Left, TL1, TD1, TD2 . . . . .		1	2276 969	2276 973	
	Right, TA3, TC1, TC2, TC3 . . . . .	8	1	----	2417 784	2276 902
	Left, TA3, TC1, TC2, TC3 . . . . .	8	1	----	2417 785	2276 903
	SIELD, Fender Side, Right, TP1, TP2, TD1, TD2.		1	2208 598	*2201 526	
	Left, TP1, TP2, TD1, TD2 . . . . .		1	2208 593	*2260 439	
	Right, TP2, TD2, w/426 cu.in.Engine . . . . .	8	1	----	E2405 676	
	Right, TA3, TC1, TC2, TC3 . . . . .	8	1	----	*2208 580	2208 580
	Left, TA3, TC1, TC2, TC3 . . . . .	8	1	----	*2208 581	2208 581
	Right, TY1 . . . . .	8	1	----	----	1948 440
	Left, TY1 . . . . .	8	1	----	----	1948 441
	Side Shield Lower Rear Splash, Right, TA3,					
	TC1, TC2, TC3 . . . . .	8	1	----	*2405 684	*2405 684
	Left, TA3, TC1, TC2, TC3 . . . . .	8	1	----	*2405 685	*2405 685
12-04-5	BRACKET, Upper Support, w/Battery TRAY, TA3 .	8	1	----	1940 892	1940 892
12-04-10	PLUG, 1 3/4" dia., TP1, TP2, TD1, TD2 . . . . .		1	----	*2409 373	
12-04-12	STUD, Side Shield to Yoke, TC1, TC2, TC3 . . .	8	2	----	----	1863 760
	Splash Shield to Headlamp Panel, TC1, TC2, TC3.	8	4	----	----	*6024 156
	Side Shield Cover . . . . .		★	----	6022 834	
	Dash Panel to Side Shield . . . . .		★	6022 951	6022 951	
	Side Shield to Sill Cap, TA3 . . . . .	8	★	----	*6024 329	*6024 329
12-04-22	COVER, Side Shield . . . . .		1	----	*2260 466	
	Right, TC2-300J . . . . .	8	1	----	----	1948 434
	Left, TC2-300J . . . . .	8	1	----	----	1948 435
12-04-23	SEAL, Fender Headlamp Splash Shield, Right, TA3	8	1	----	2417 506	
	Left, TA3 . . . . .	8	1	----	2417 507	
	Side Shield to Fender, TA3, TY1 . . . . .	8	2	----	2405 031	1940 859
	Side Shield to Upper Control Arm, Right, TA3,					
	TC1, TC2, TC3 . . . . .	8	1	----	*2405 682	*2405 682
	Left, TA3, TC1, TC2, TC3 . . . . .	8	1	----	*2405 683	*2405 683
	Right, TY1 . . . . .	8	1	----	----	E2405 688
	Left, TY1 . . . . .	8	1	----	----	E2405 689
12-04-24	CLIP, Seal, TA3 . . . . .	8	★	----	*2405 049	*2405 049

★ Indicates use as required. Numerals in parentheses ( ) refer to notes. Printed in U.S.A.  
 □ Indicates parts not listed in any previous parts book. Prices and specifications subject to change without notice.  
 Jan. 3, 1964 Supersedes Dec. 14, 1962. \* Indicates change or addition.



