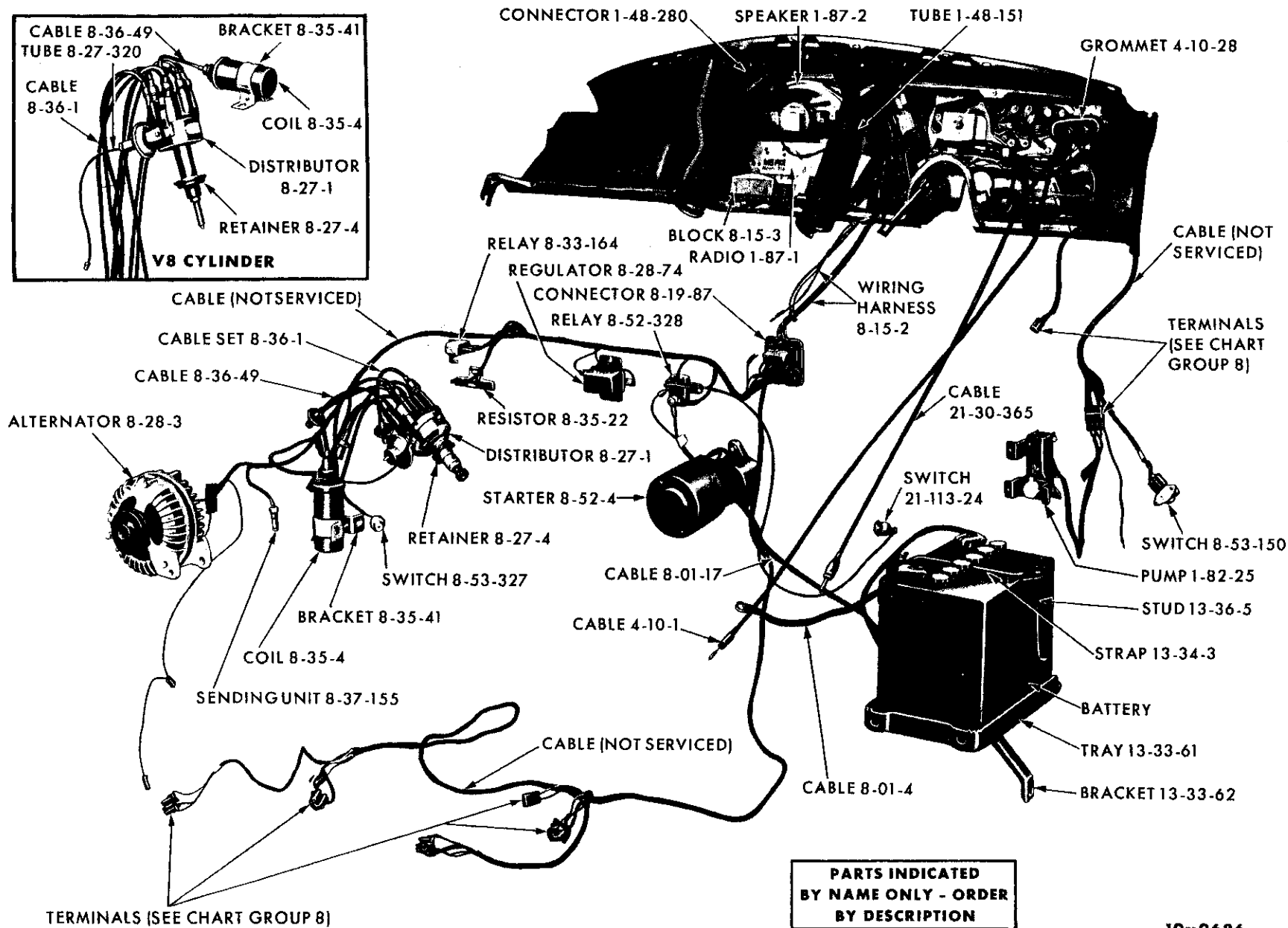
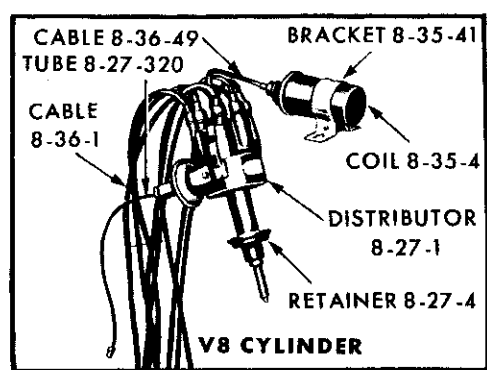


GROUP 8 - ELECTRICAL

19x9686



**PARTS INDICATED
BY NAME ONLY - ORDER
BY DESCRIPTION**

ELECTRICAL SYSTEM

1963 PASSENGER CAR PARTS CATALOG

ELECTRICAL

CODE	PART NAME AND DESCRIPTION	CYL	PER CAR	VALIANT DART	PLYMOUTH DODGE	CHRYSLER IMPERIAL
------	---------------------------	-----	------------	-----------------	-------------------	----------------------

NOTES

(This area contains 25 horizontal lines for handwritten notes.)

★ Indicates use as required.

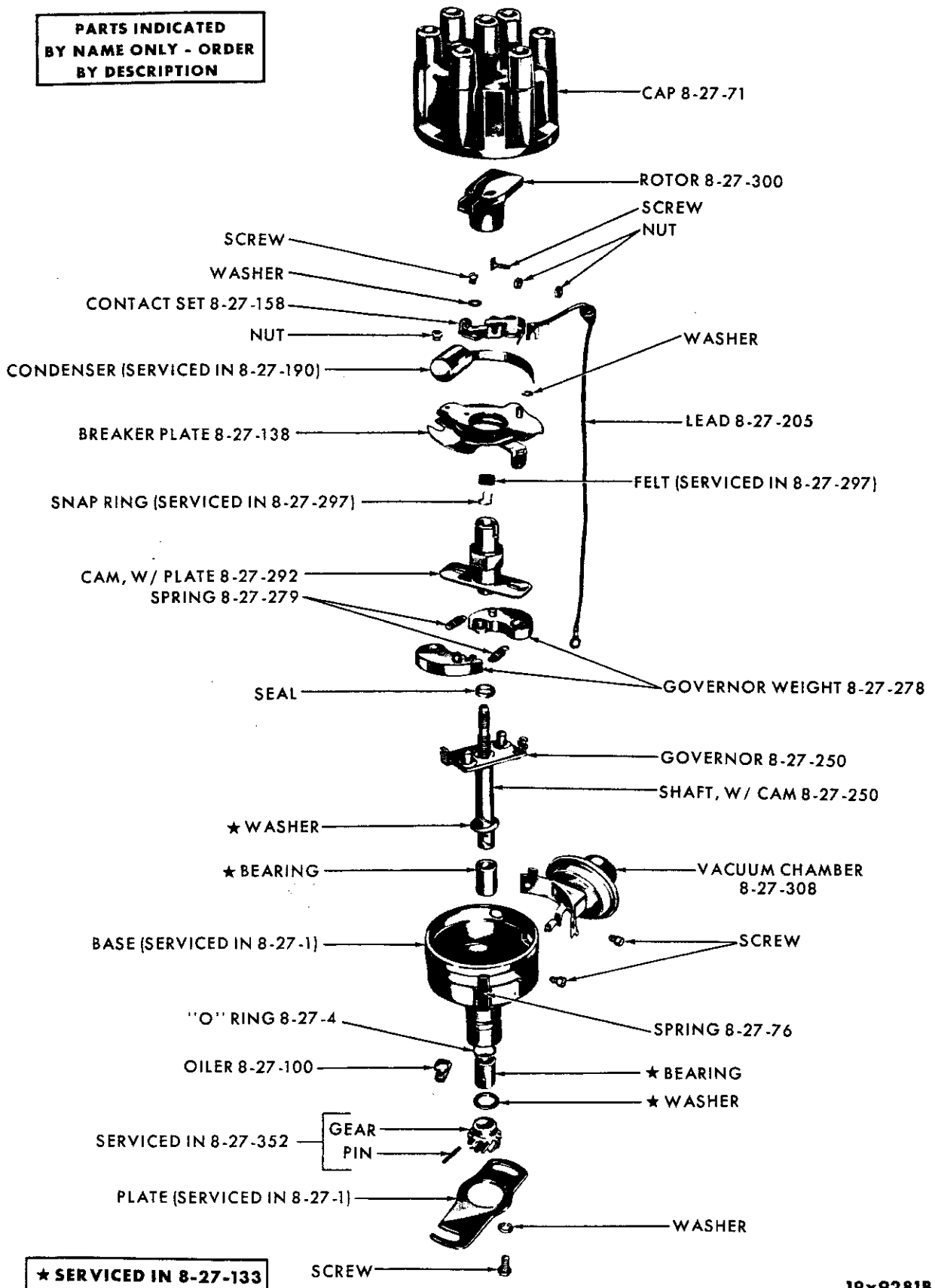
Numerals in parentheses () refer to notes.

Printed in U.S.A.

⊔ Indicates parts not listed in any previous parts book.

Prices and specifications subject to change without notice.

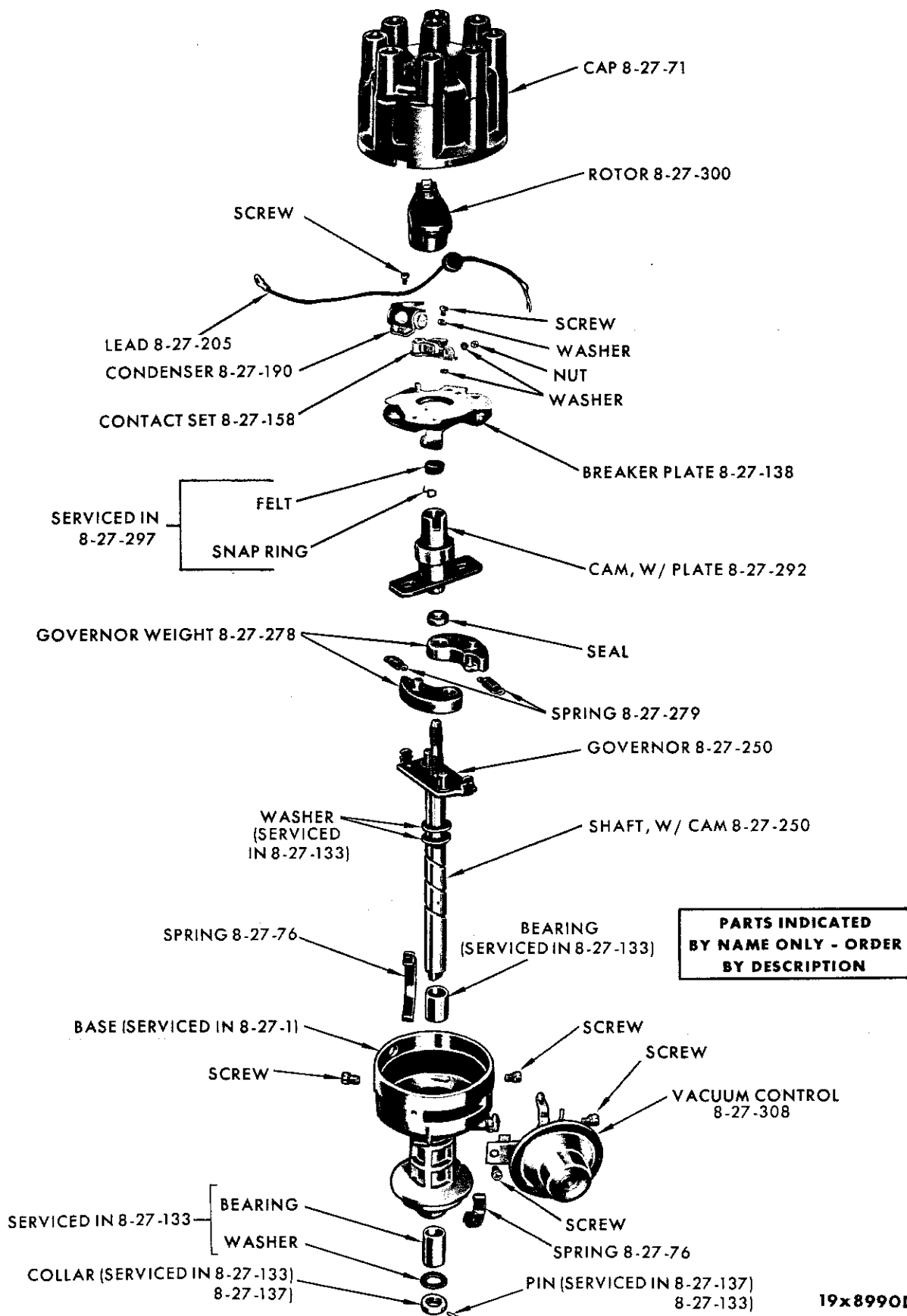
**PARTS INDICATED
BY NAME ONLY - ORDER
BY DESCRIPTION**



★ SERVICED IN 8-27-133

19x9281B

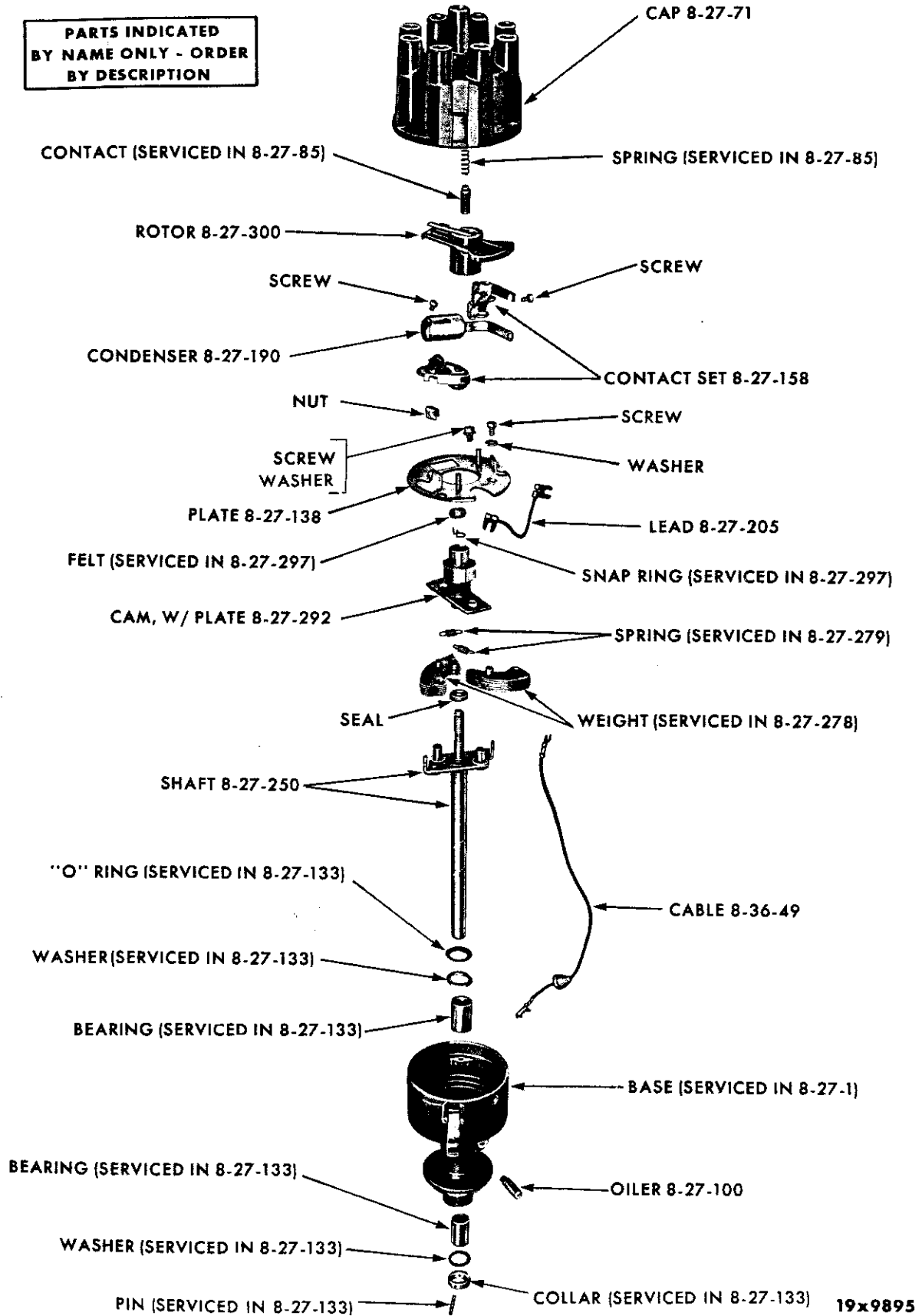
DISTRIBUTOR ASSEMBLY - 6 CYLINDER



19x8990D

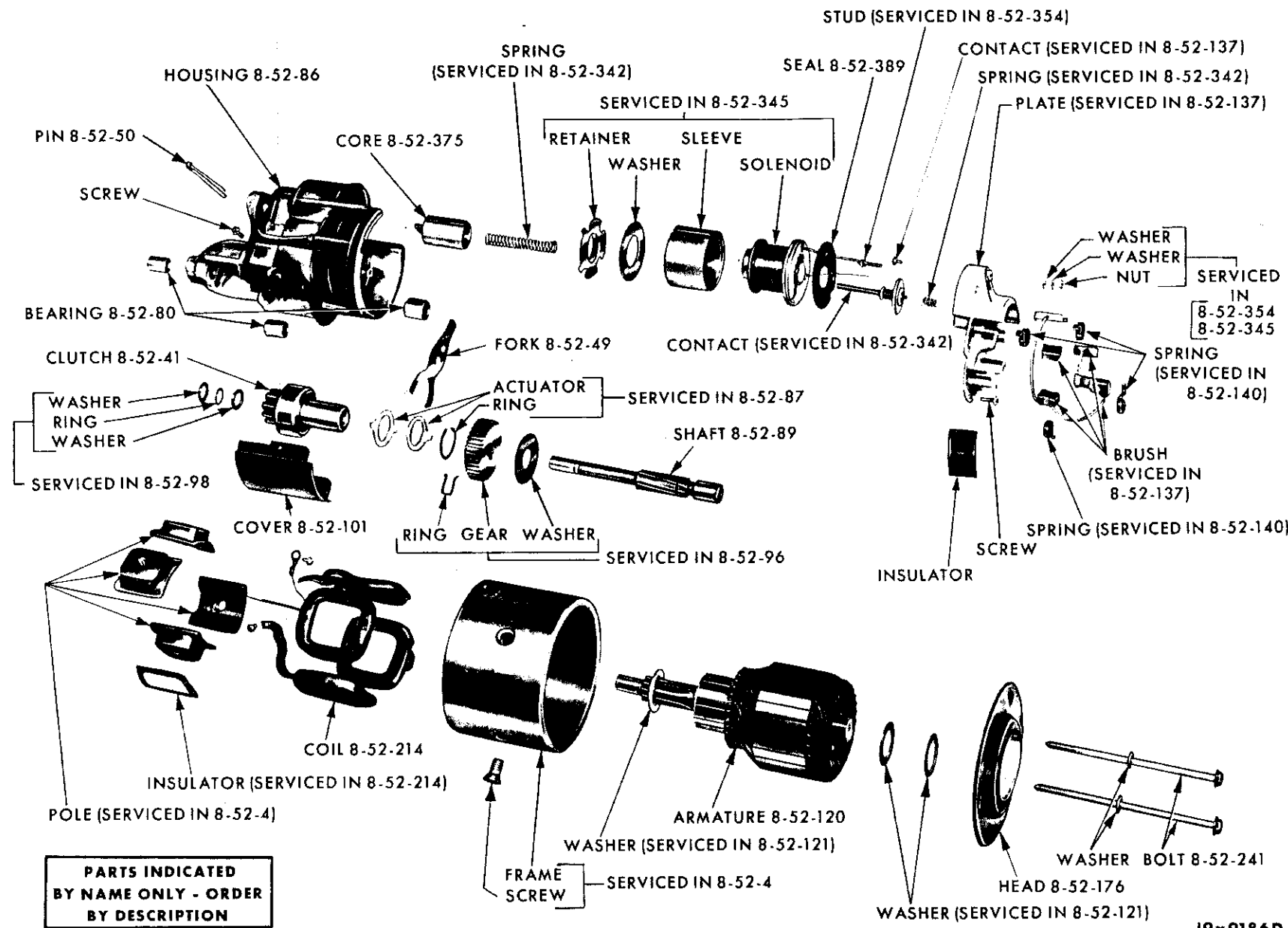
DISTRIBUTOR ASSEMBLY - V8 CYLINDER

PARTS INDICATED BY NAME ONLY - ORDER BY DESCRIPTION



19x9895

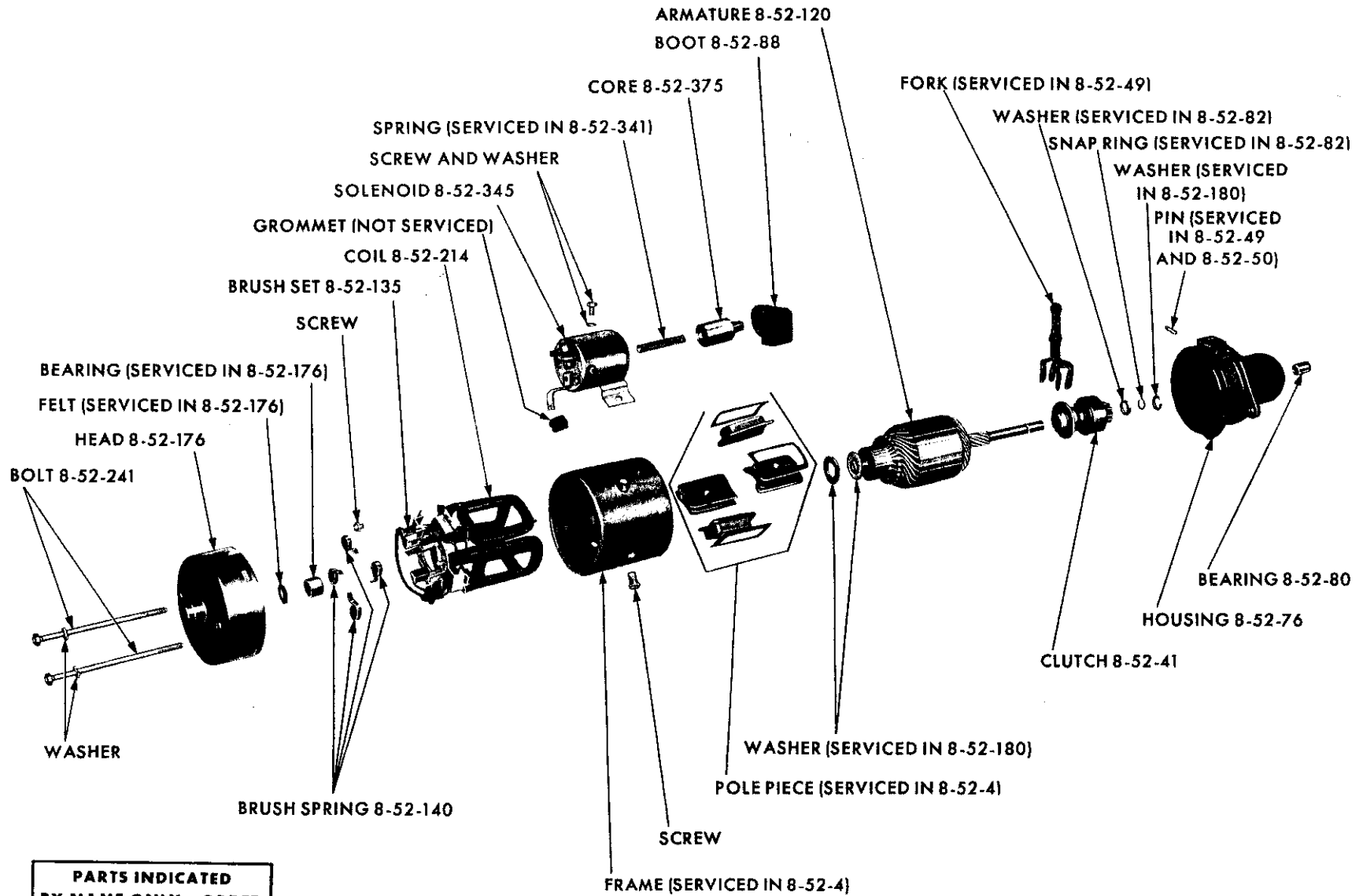
DISTRIBUTOR ASSEMBLY - PLYMOUTH VP2 AND DODGE VD2 (WITH 426 CU. IN. ENG.)



**PARTS INDICATED
BY NAME ONLY - ORDER
BY DESCRIPTION**

STARTER ASSEMBLY (2095 150) - V8 CYLINDER

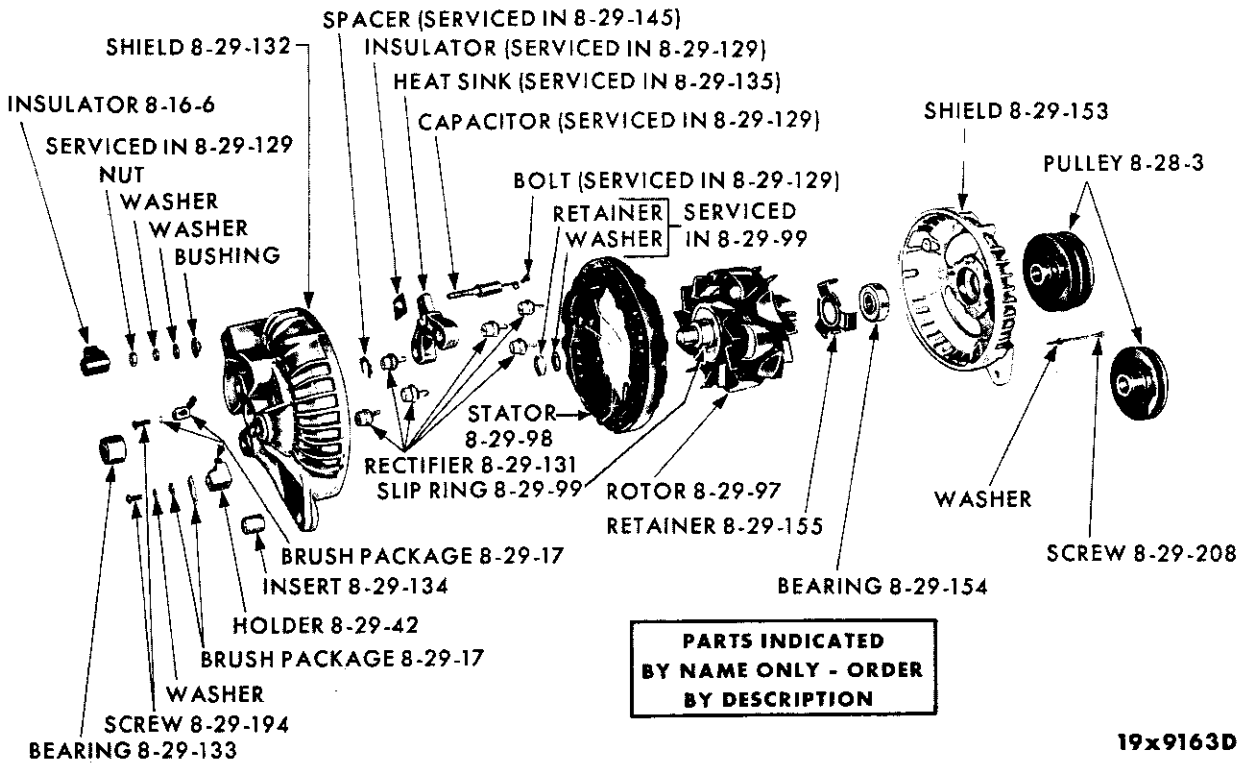
19x9186D



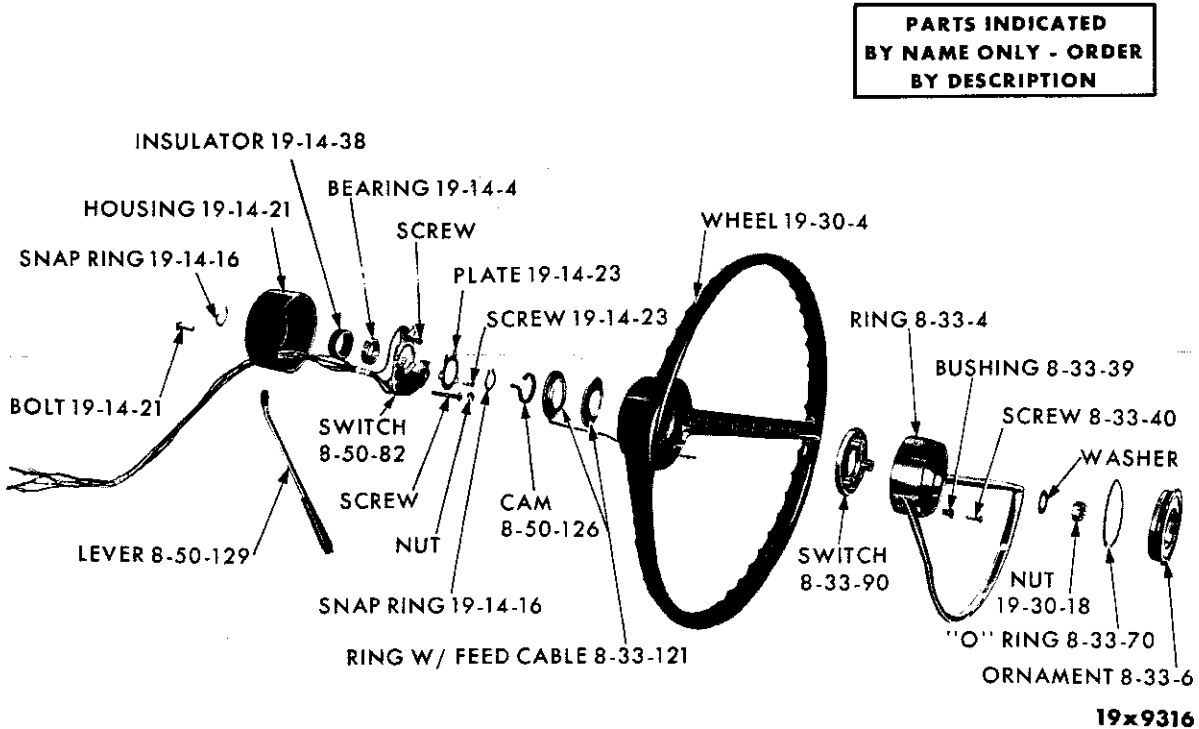
**PARTS INDICATED
BY NAME ONLY - ORDER
BY DESCRIPTION**

19x8726D

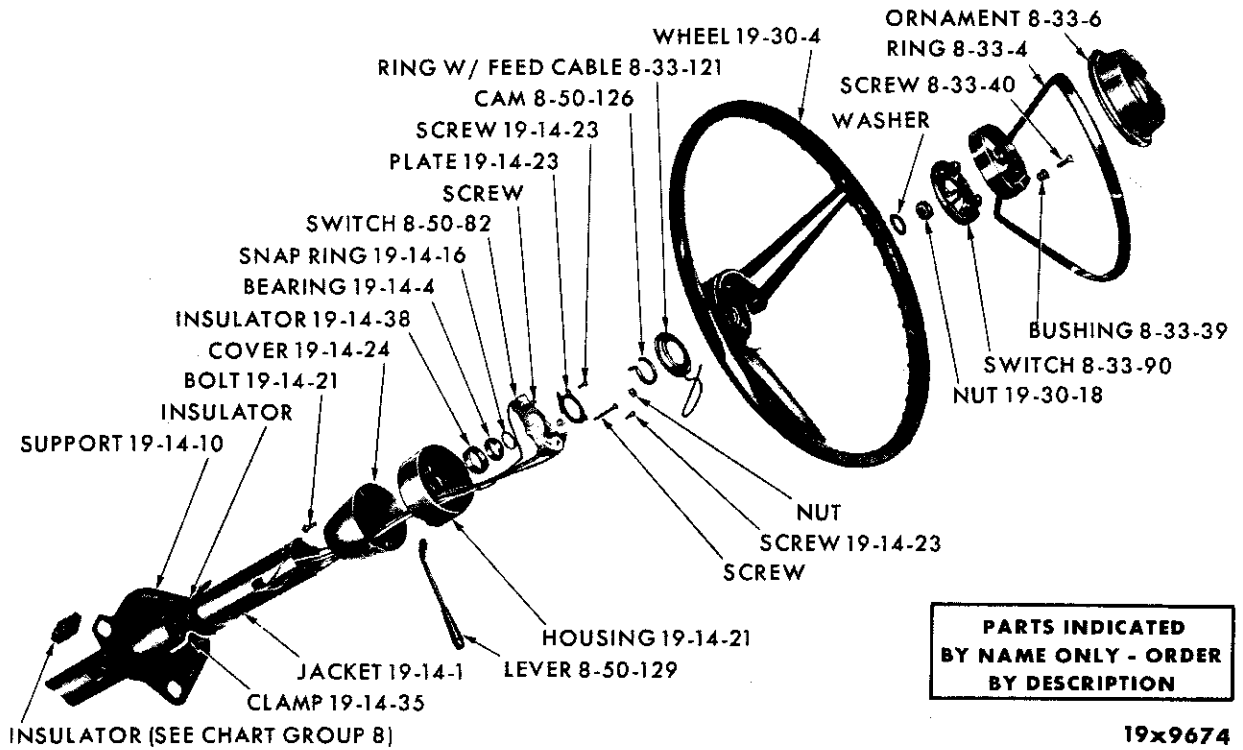
STARTER (STANDARD TRANSMISSION) - DODGE TA3 AND CHRYSLER TC1-2



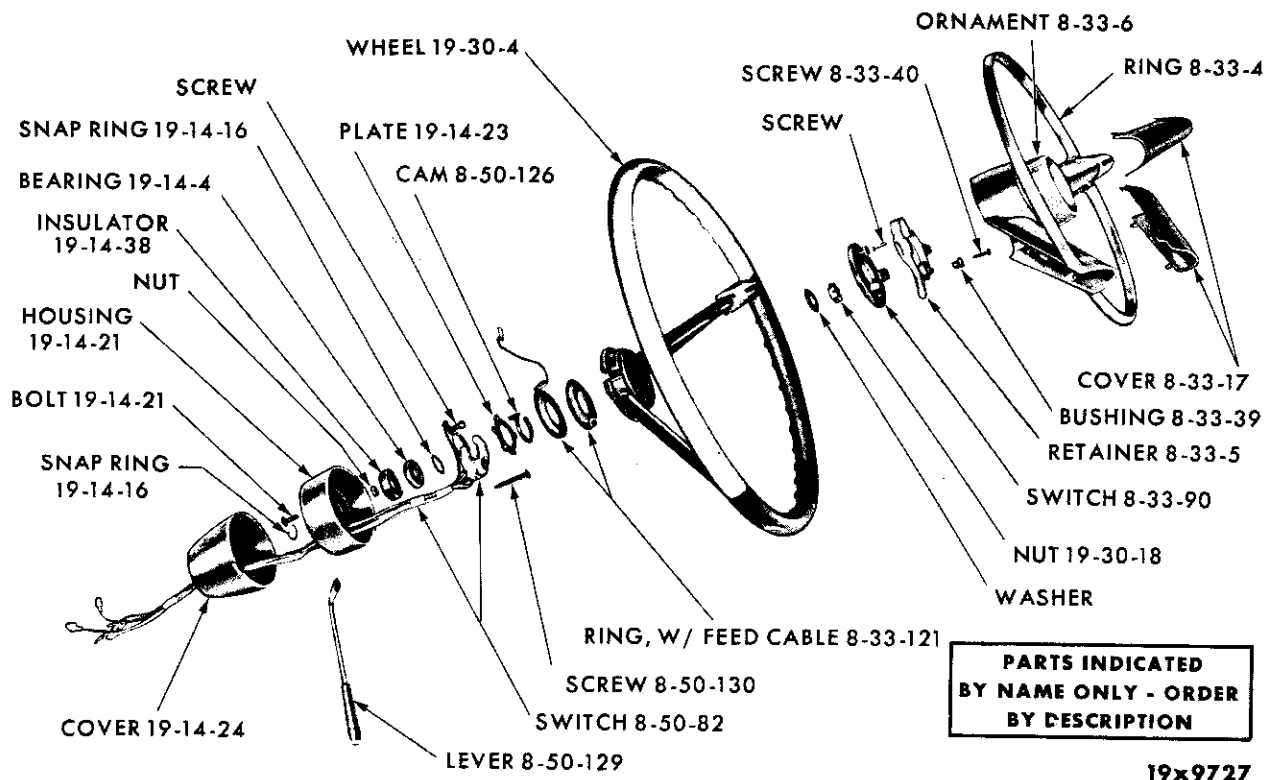
ALTERNATOR



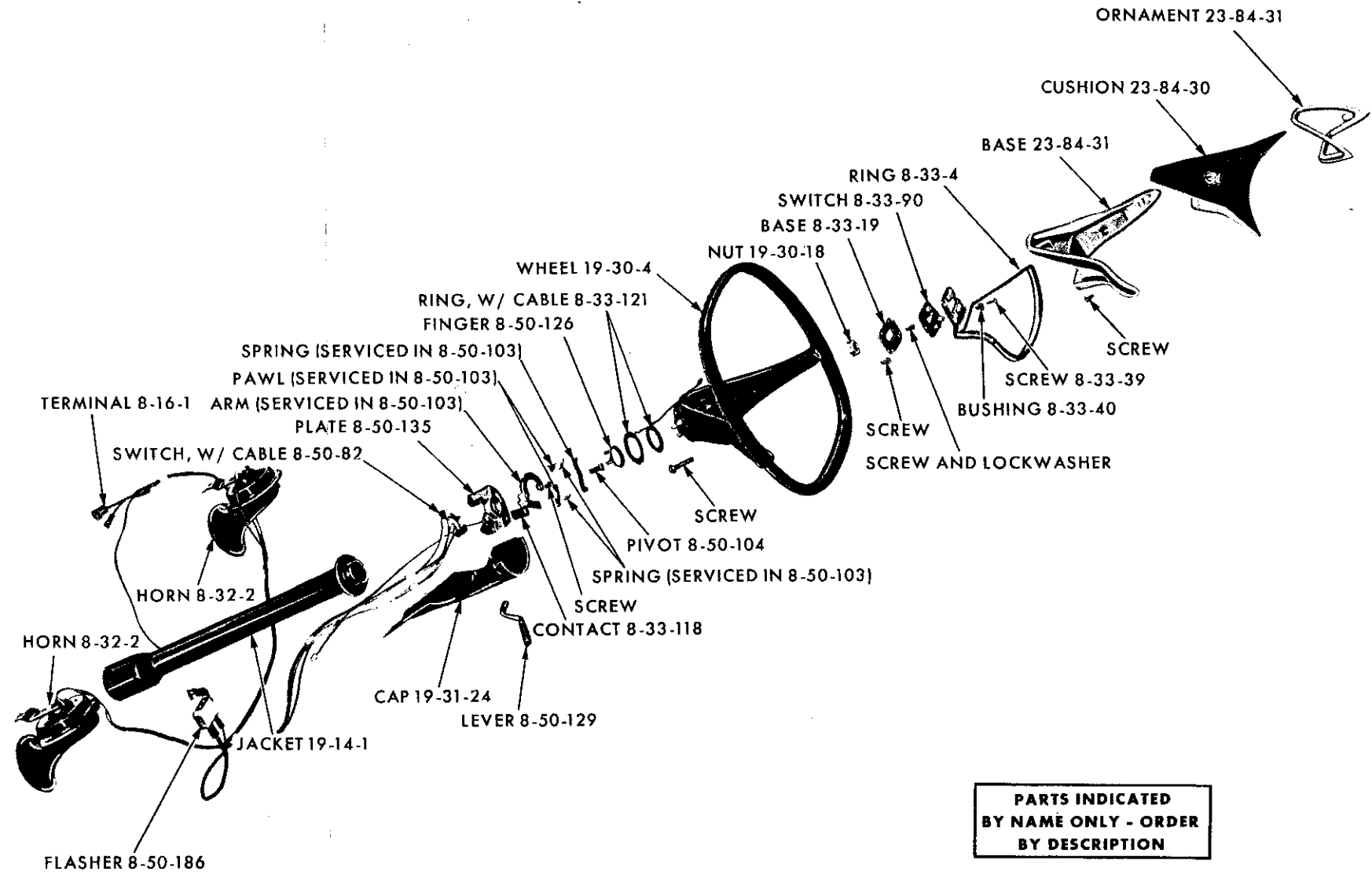
HORN AND DIRECTIONAL SIGNAL CONTROLS - VALIANT TV1



STEERING WHEEL TURN SIGNAL AND HORN CONTROLS - PLYMOUTH TP1-2

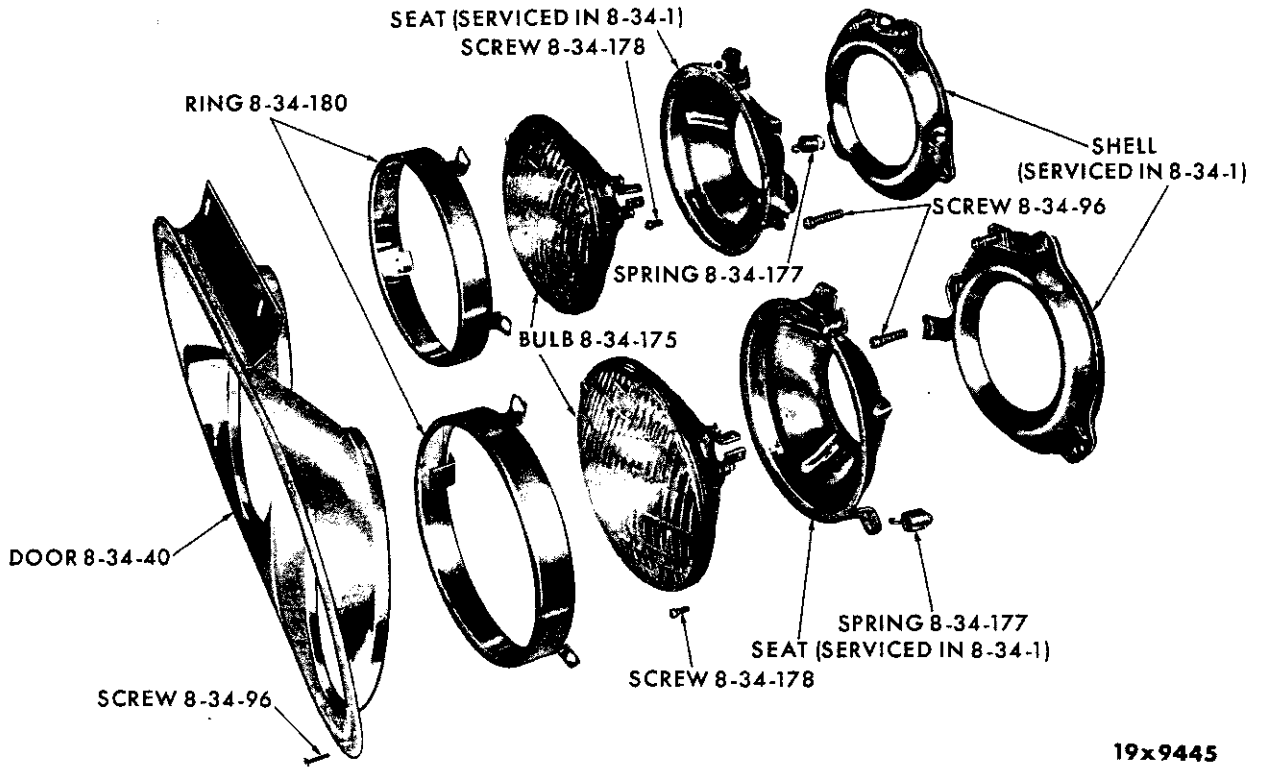


HORN AND DIRECTIONAL SIGNAL CONTROLS - PLYMOUTH TP1-2 (DELUXE)



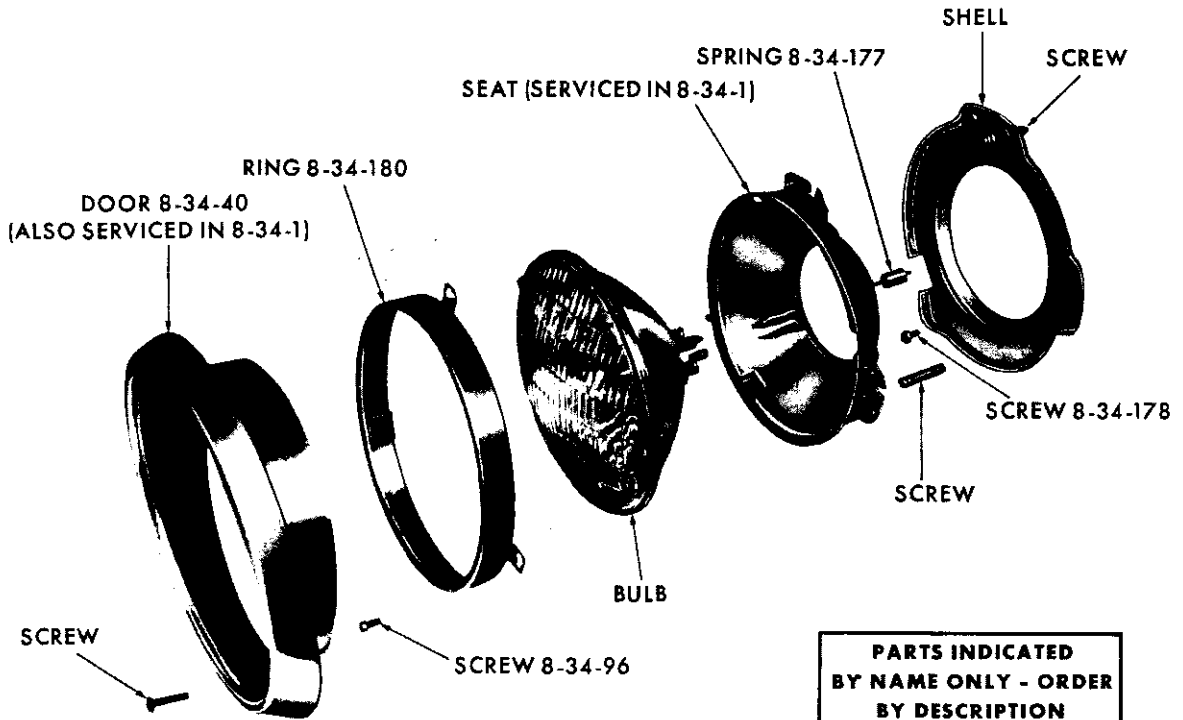
19x9363A

HORN AND DIRECTIONAL SIGNAL CONTROLS - IMPERIAL TY1



19x9445

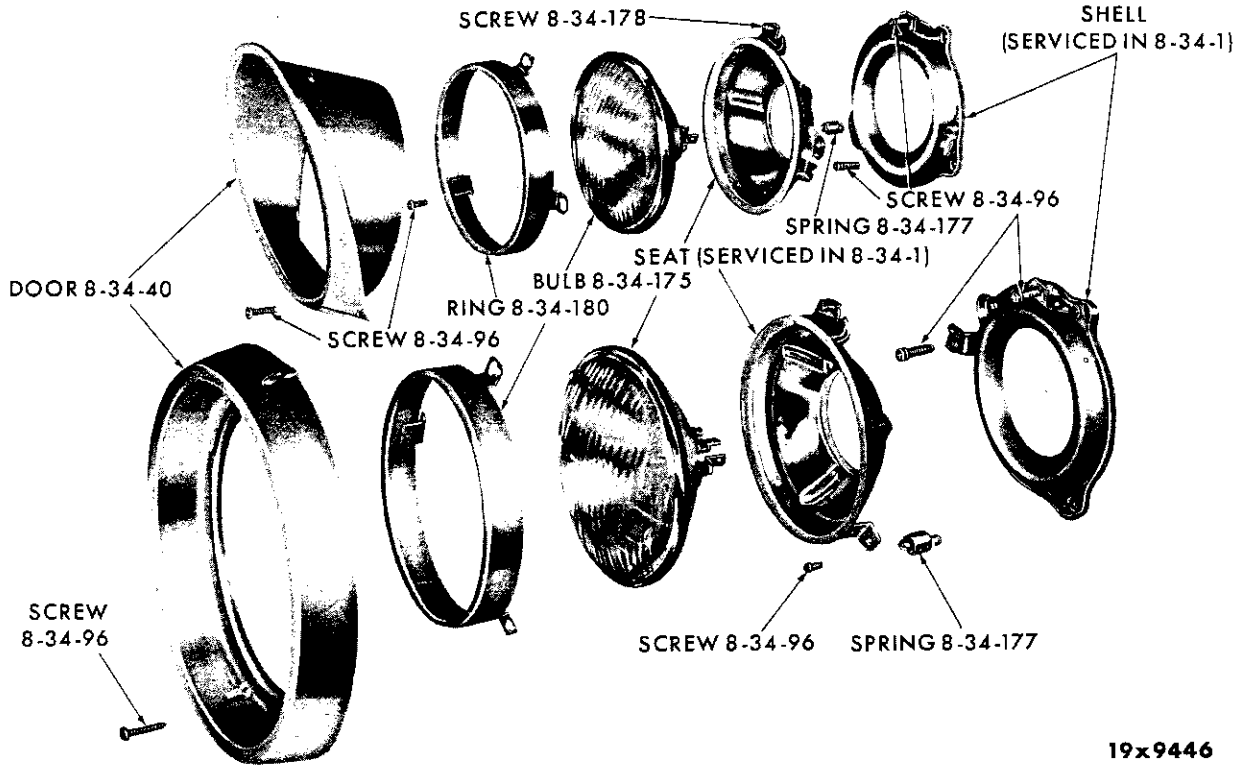
HEADLAMP - PLYMOUTH TP1-2



**PARTS INDICATED
BY NAME ONLY - ORDER
BY DESCRIPTION**

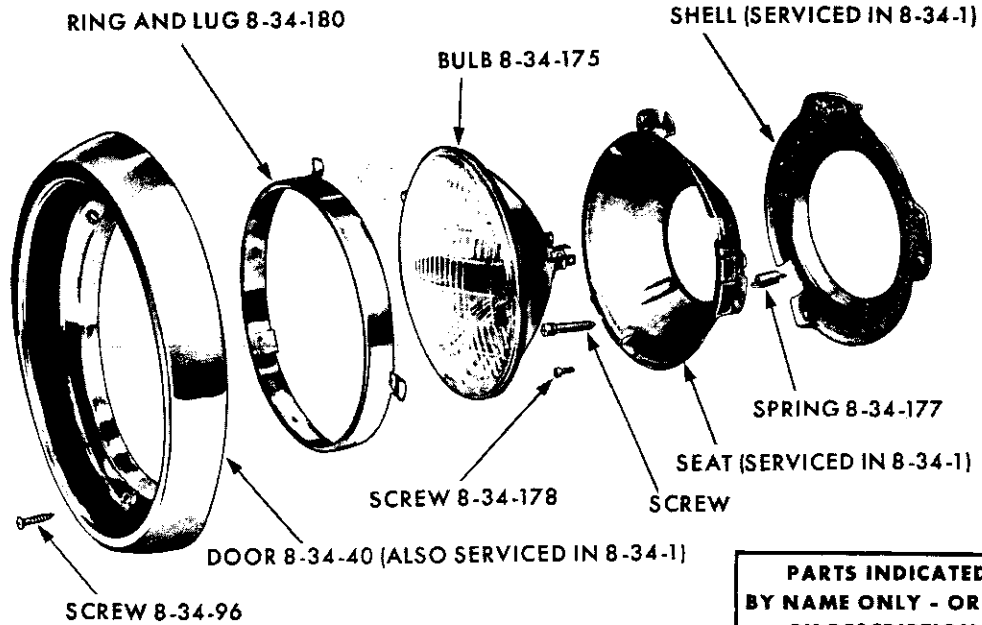
19x9444A

HEADLAMP - VALIANT TV1



19x9446

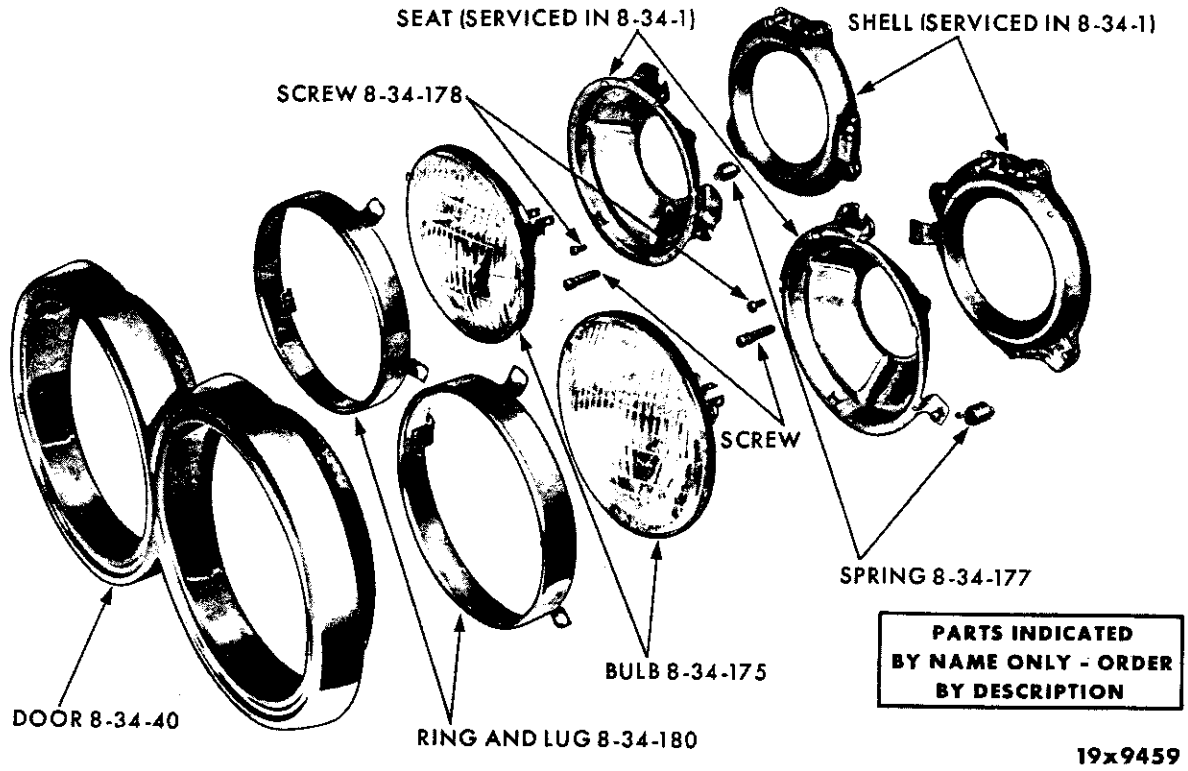
HEADLAMP - DODGE TD1-2



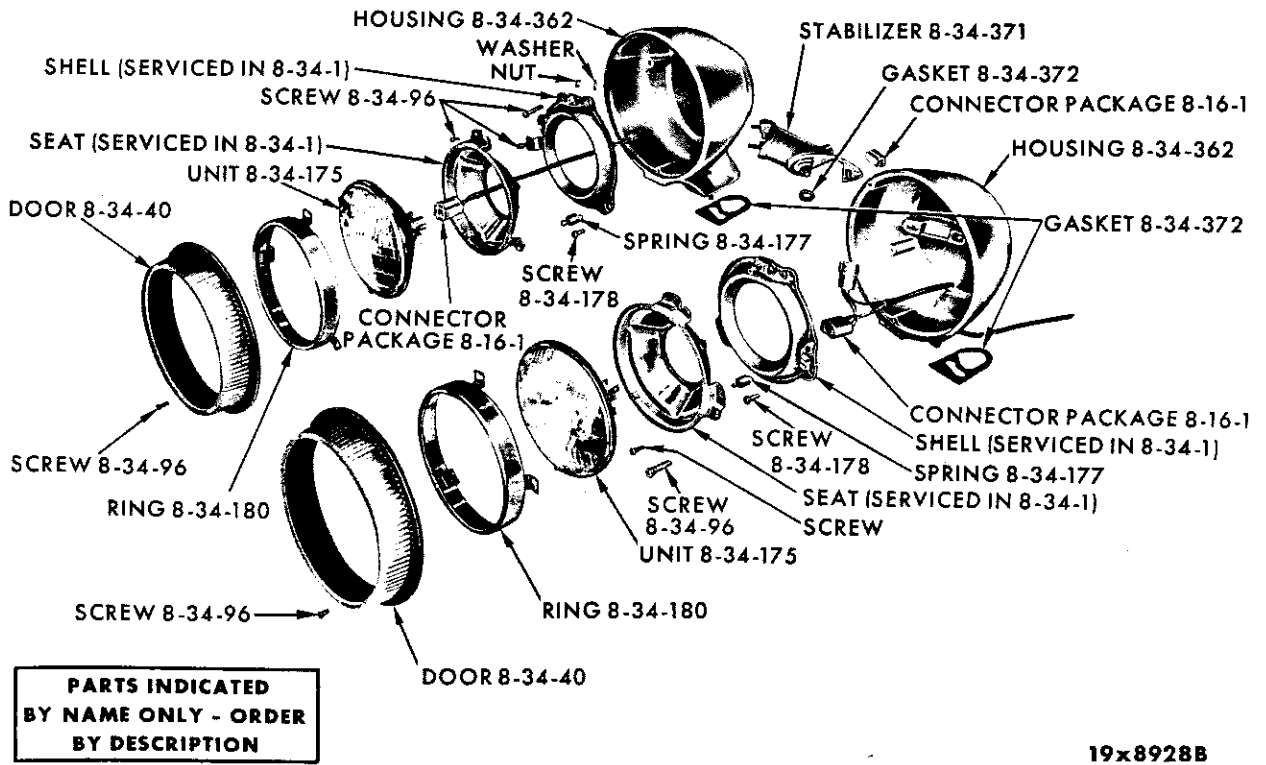
**PARTS INDICATED
BY NAME ONLY - ORDER
BY DESCRIPTION**

19x9458A

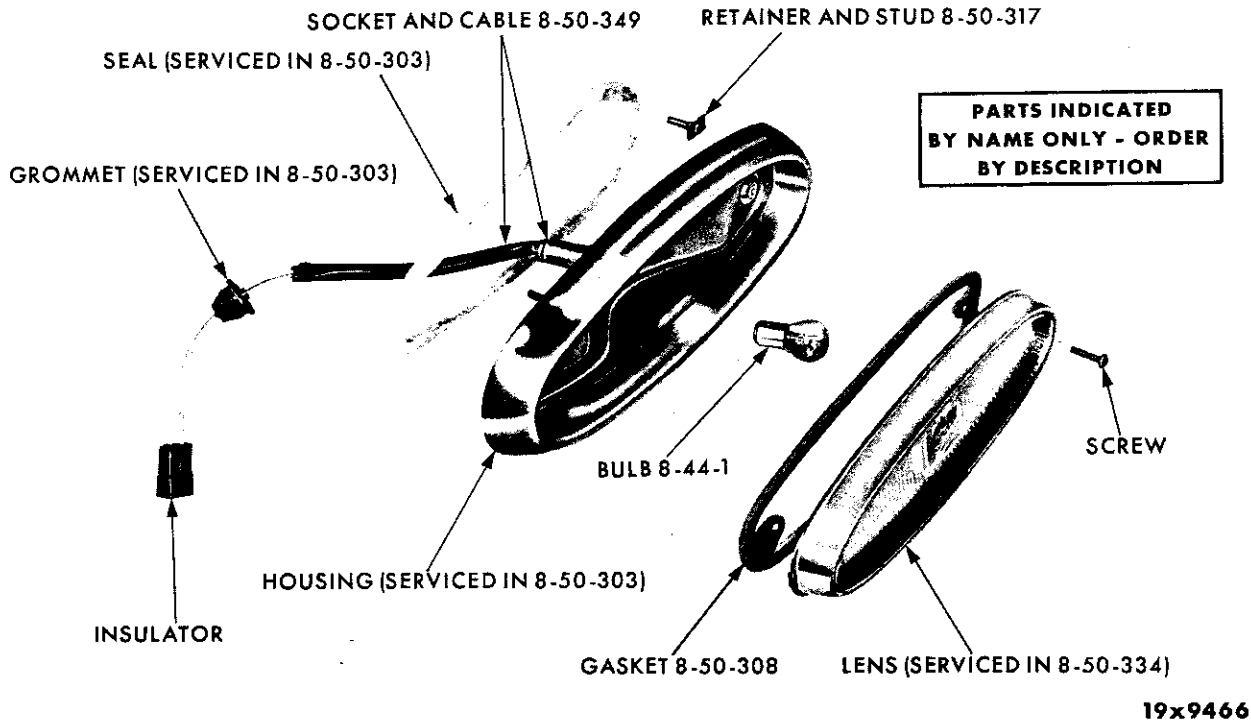
HEADLAMP - DART TL1



HEADLAMP - CHRYSLER TC1-2-3

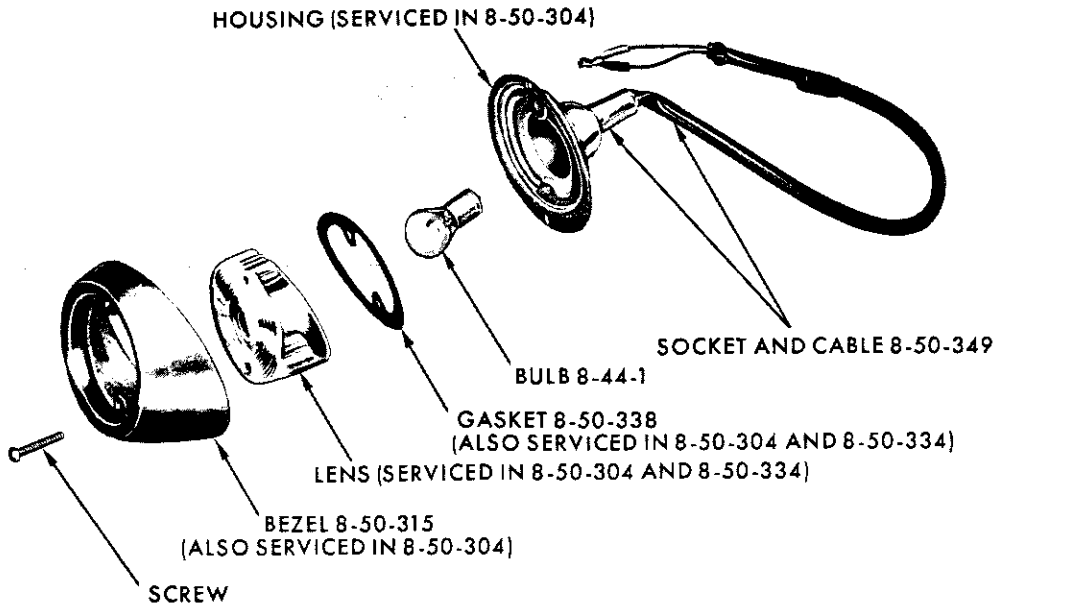


HEADLAMP - IMPERIAL TY1



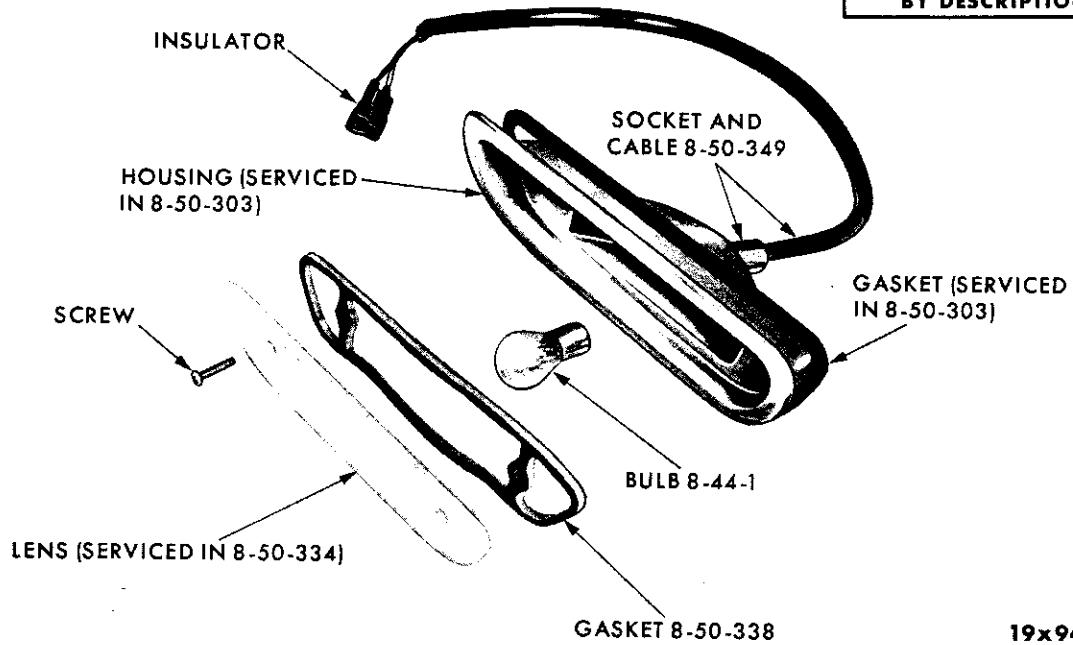
PARKING LAMP - PLYMOUTH TP1-2

PARTS INDICATED BY NAME ONLY - ORDER BY DESCRIPTION



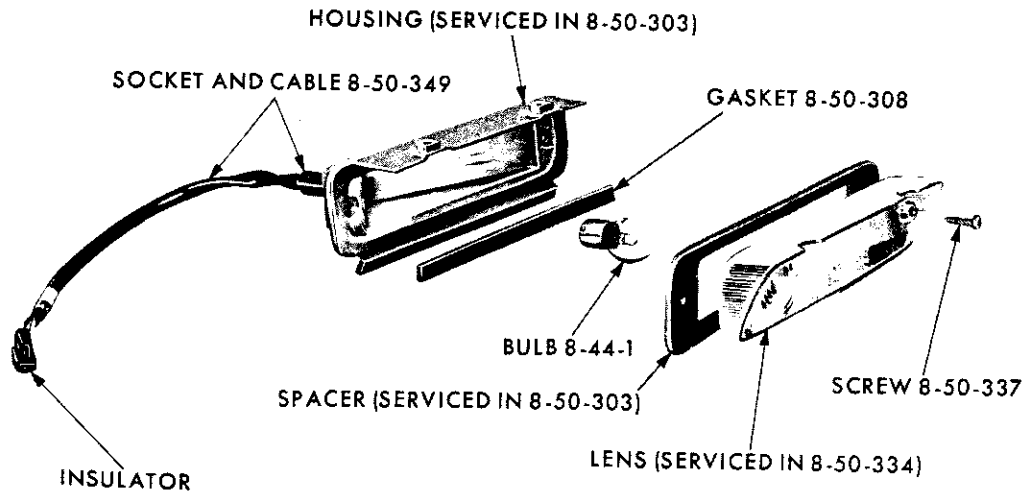
PARKING LAMP - VALIANT TV1 AND DART TL1

PARTS INDICATED
BY NAME ONLY - ORDER
BY DESCRIPTION



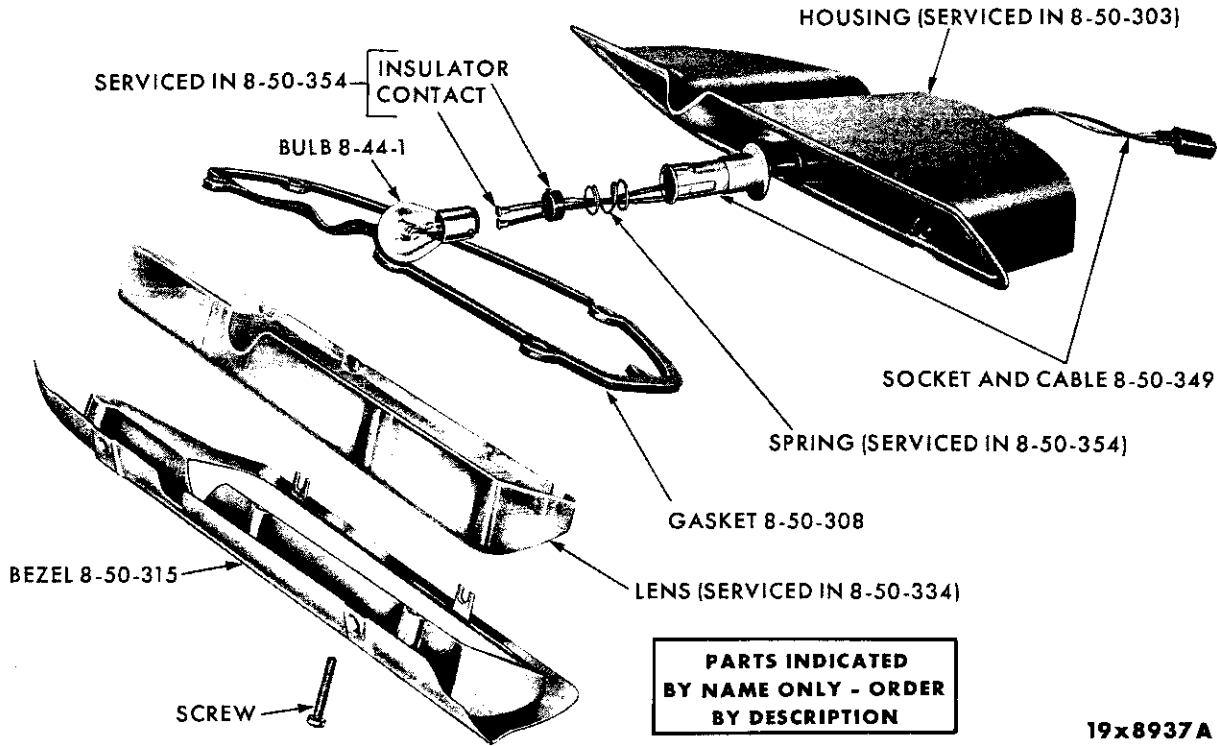
19x9460

PARKING LAMP - DODGE TD1-2

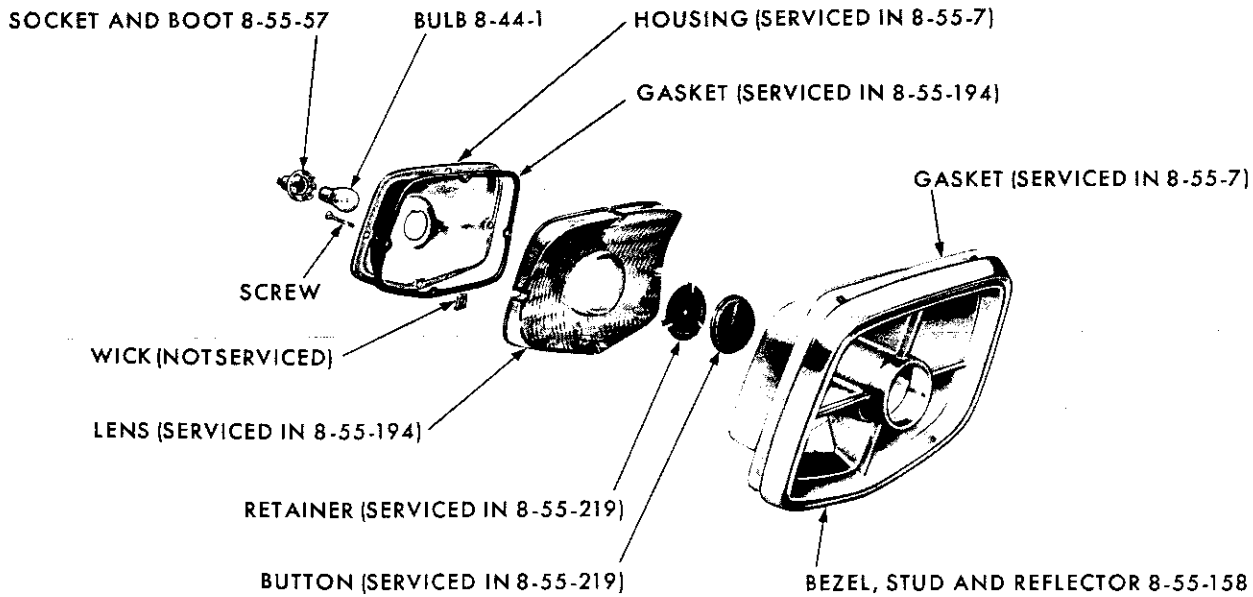


19x9461

PARKING LAMP - DODGE TA3 AND CHRYSLER TC1-2-3

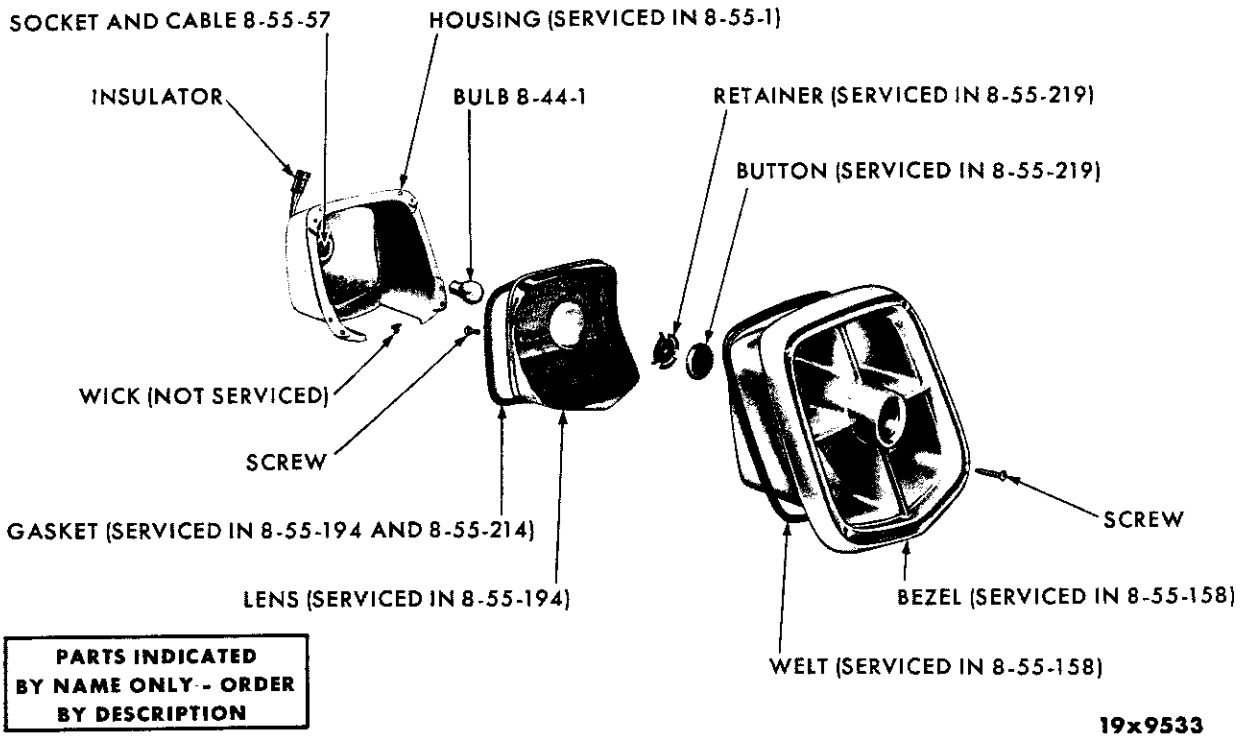


PARKING LAMP - IMPERIAL TY1

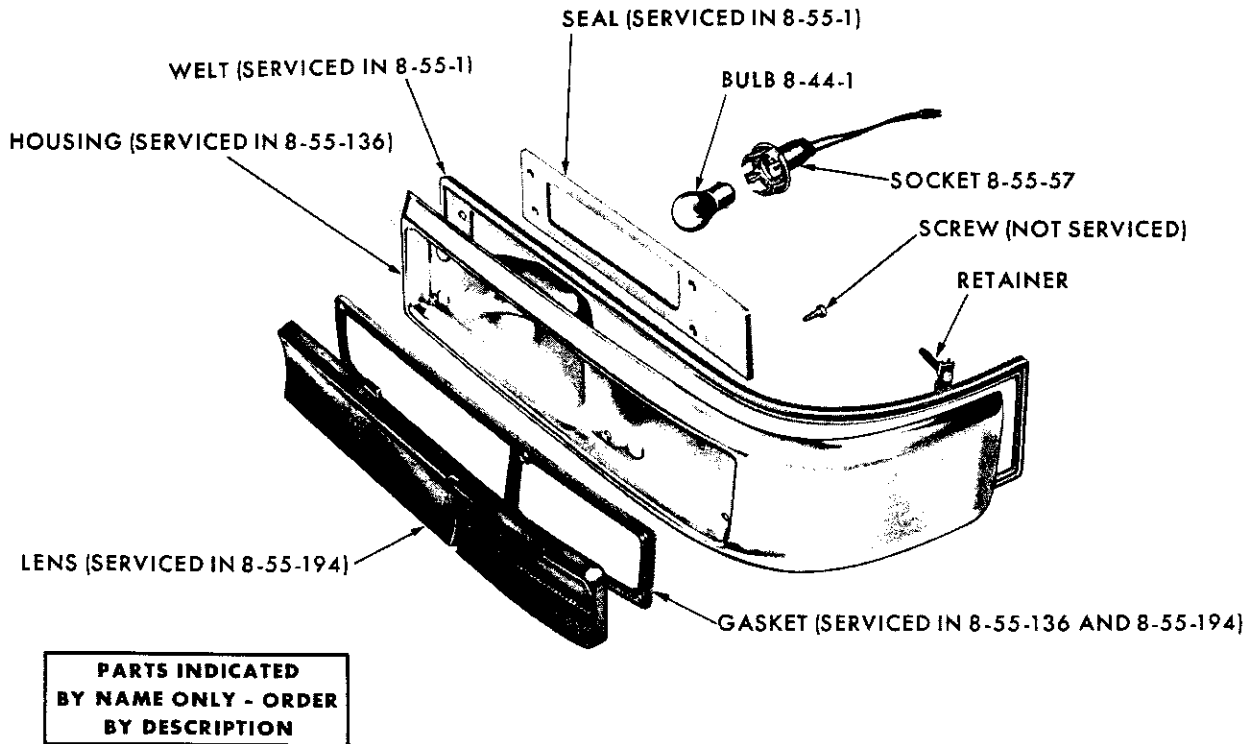


19x9532

TAIL AND STOP LAMP - PLYMOUTH TP1-2 (EXCEPT SUBURBAN)

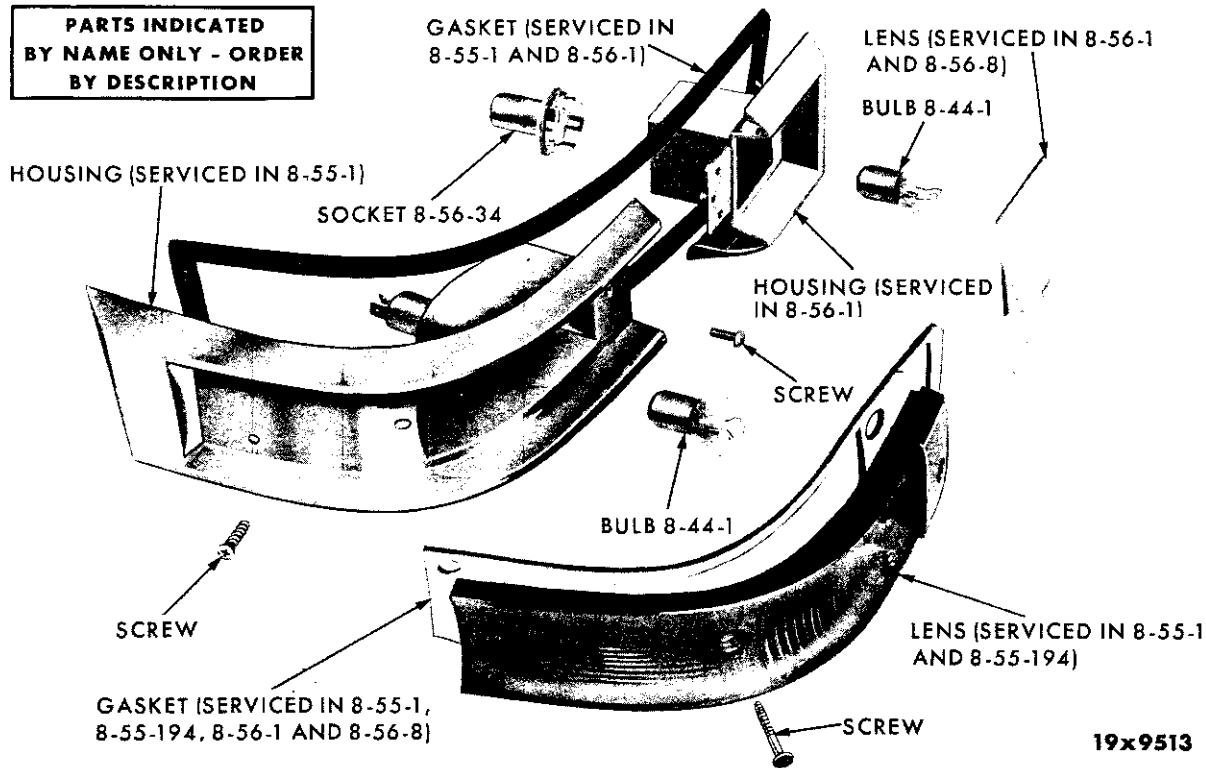


TAIL AND STOP LAMP - PLYMOUTH TP1-2 (SUBURBAN)

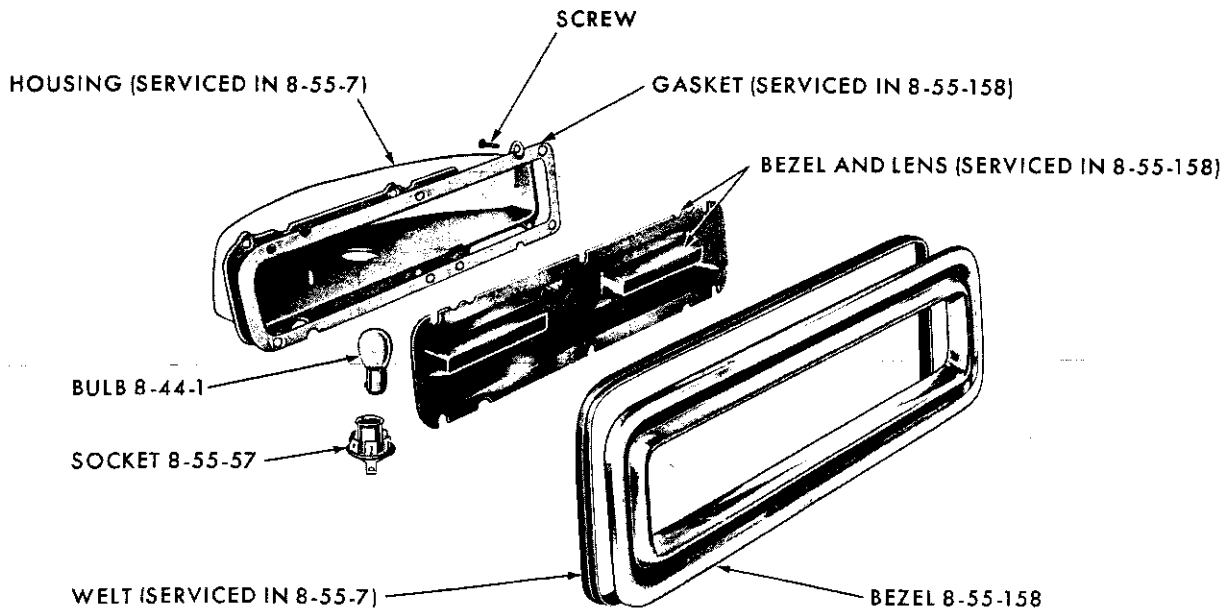


TAIL AND STOP LAMP - VALIANT TV1 (EXCEPT SUBURBAN)

**PARTS INDICATED
BY NAME ONLY - ORDER
BY DESCRIPTION**



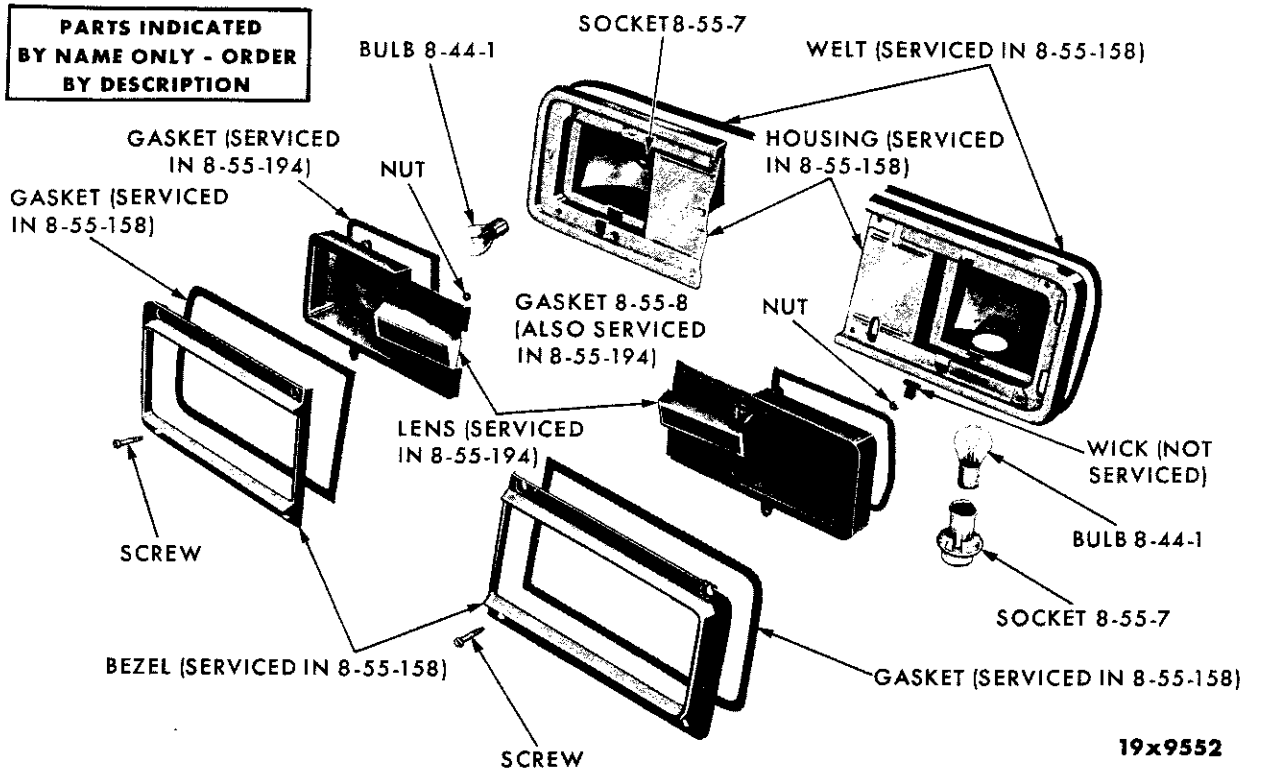
TAIL, STOP AND BACK-UP LAMP - VALIANT TV1 (SUBURBAN)



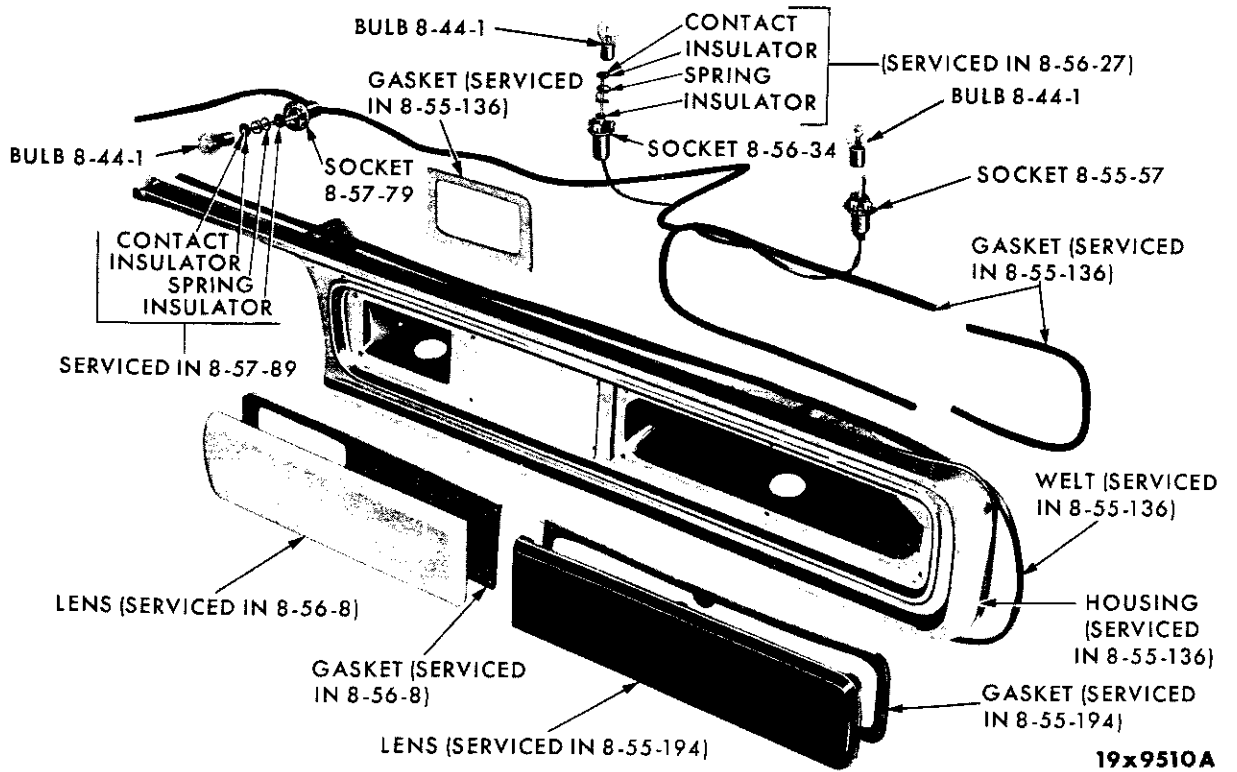
**PARTS INDICATED
BY NAME ONLY - ORDER
BY DESCRIPTION**

19x9514

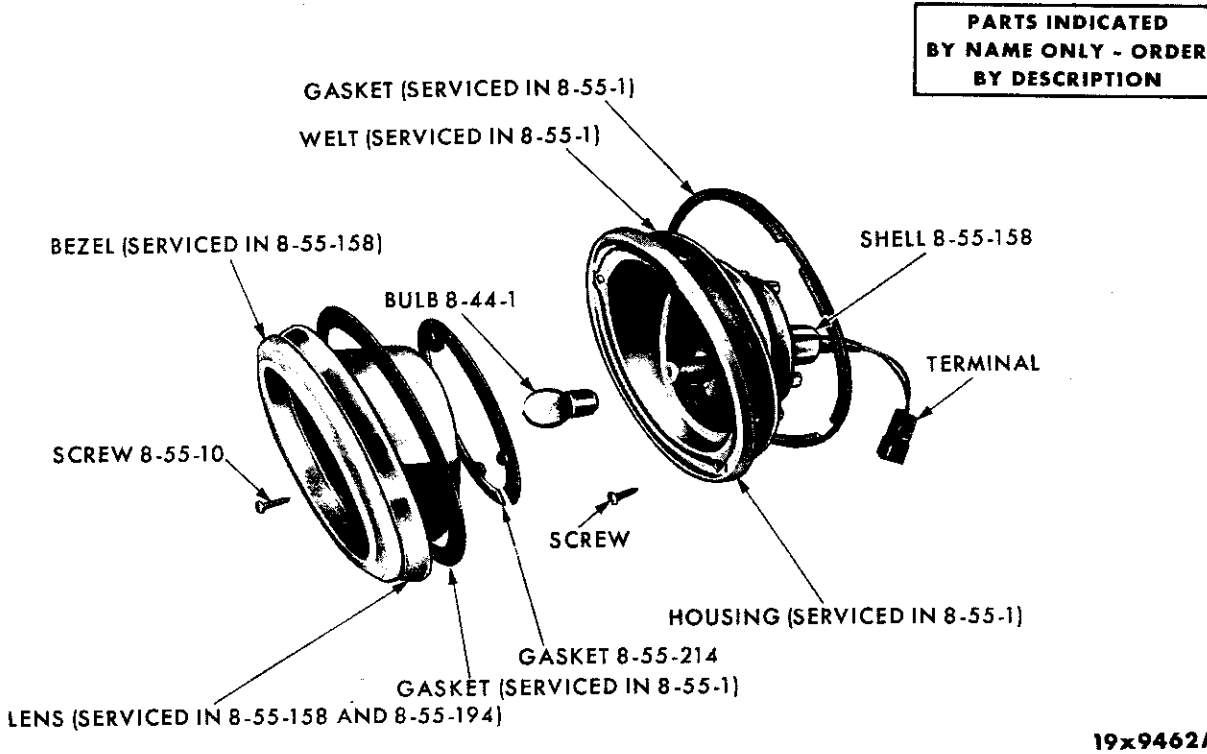
TAIL AND STOP LAMP - DODGE TD1-2 (EXCEPT SUBURBAN) (330 AND 440)



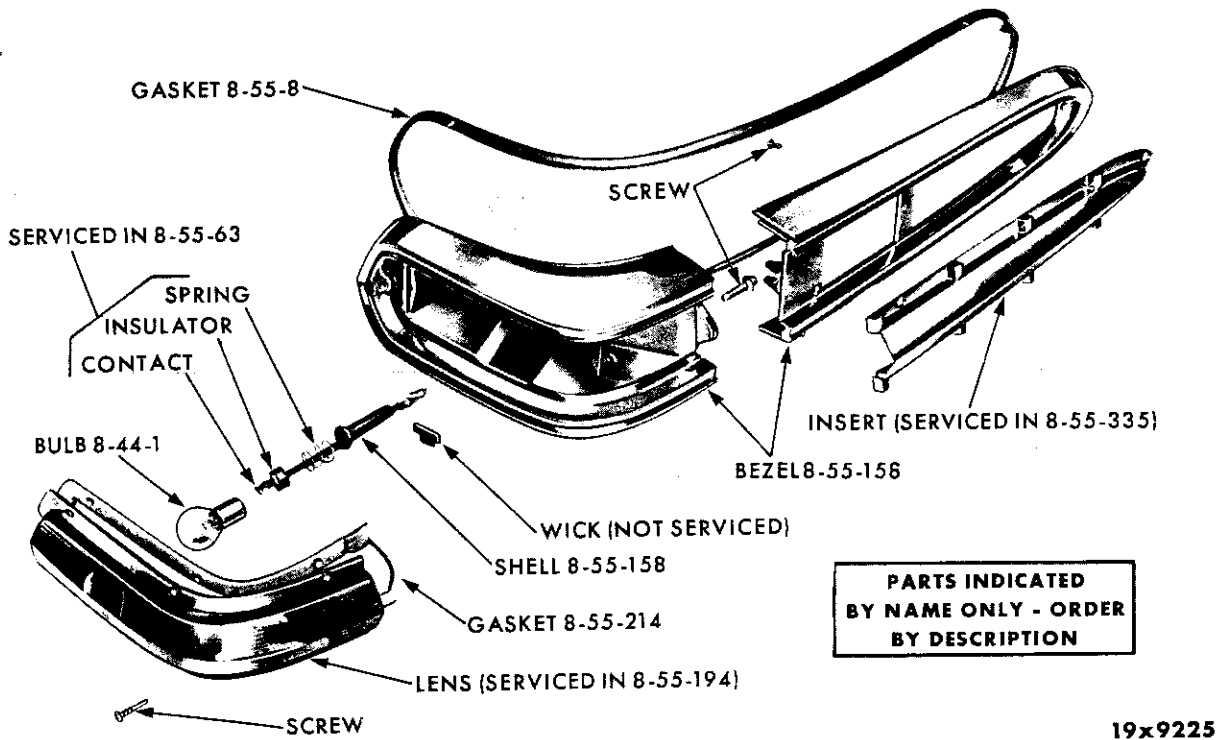
TAIL AND STOP LAMP - DODGE TD1-2 (SUBURBAN)



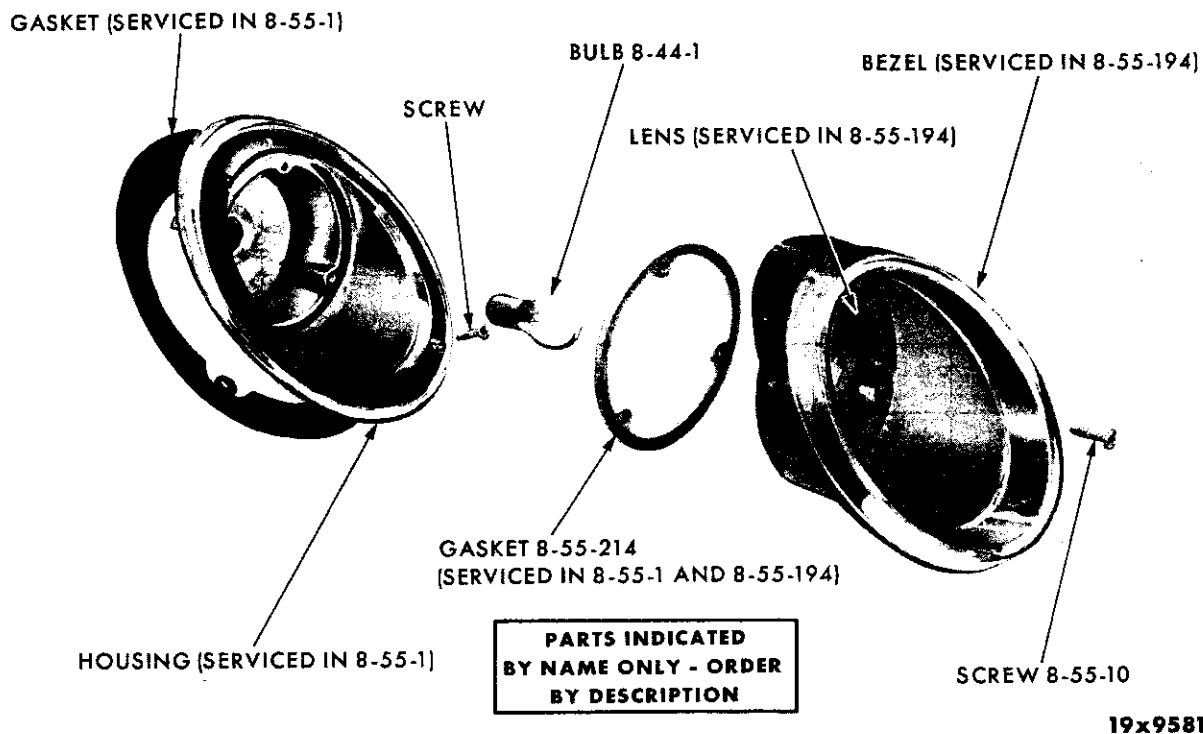
TAIL, STOP AND BACK-UP LAMP - DODGE TD1-2 (POLARA AND POLARA 500)



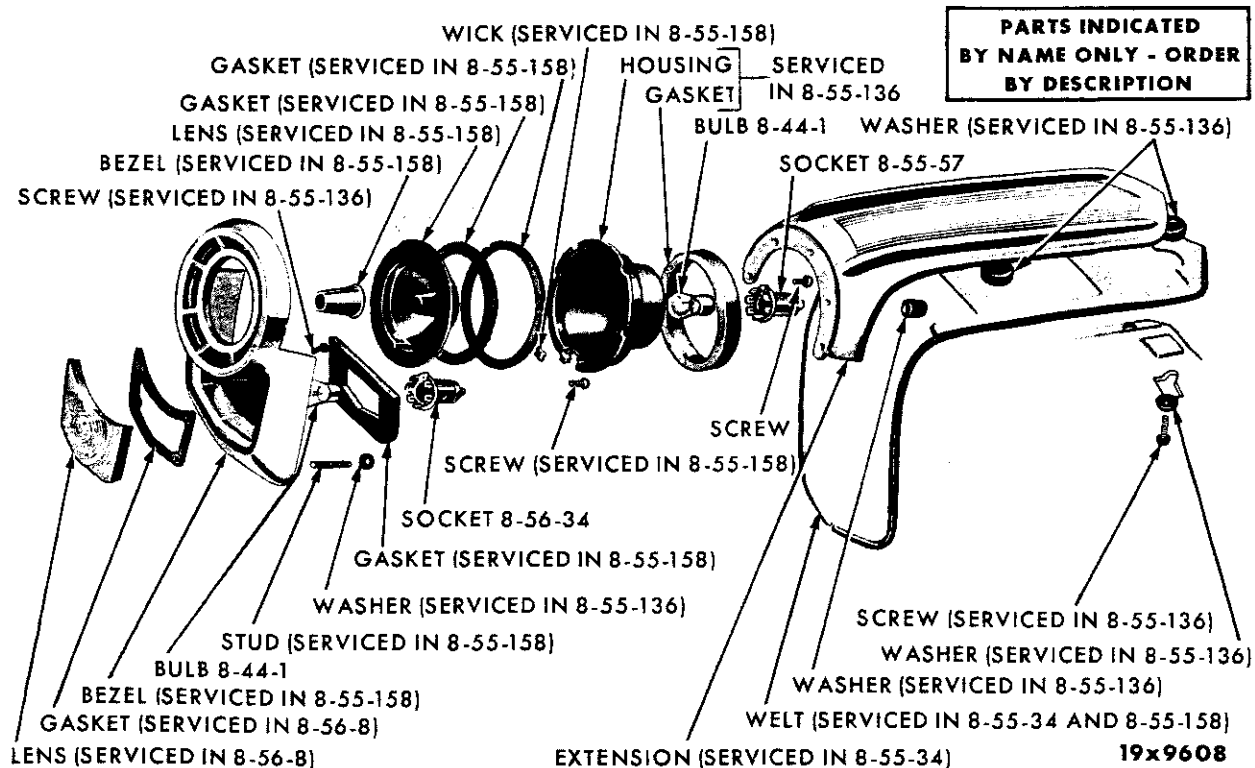
TAIL AND STOP LAMP - DART TL1 (EXCEPT SUBURBAN)



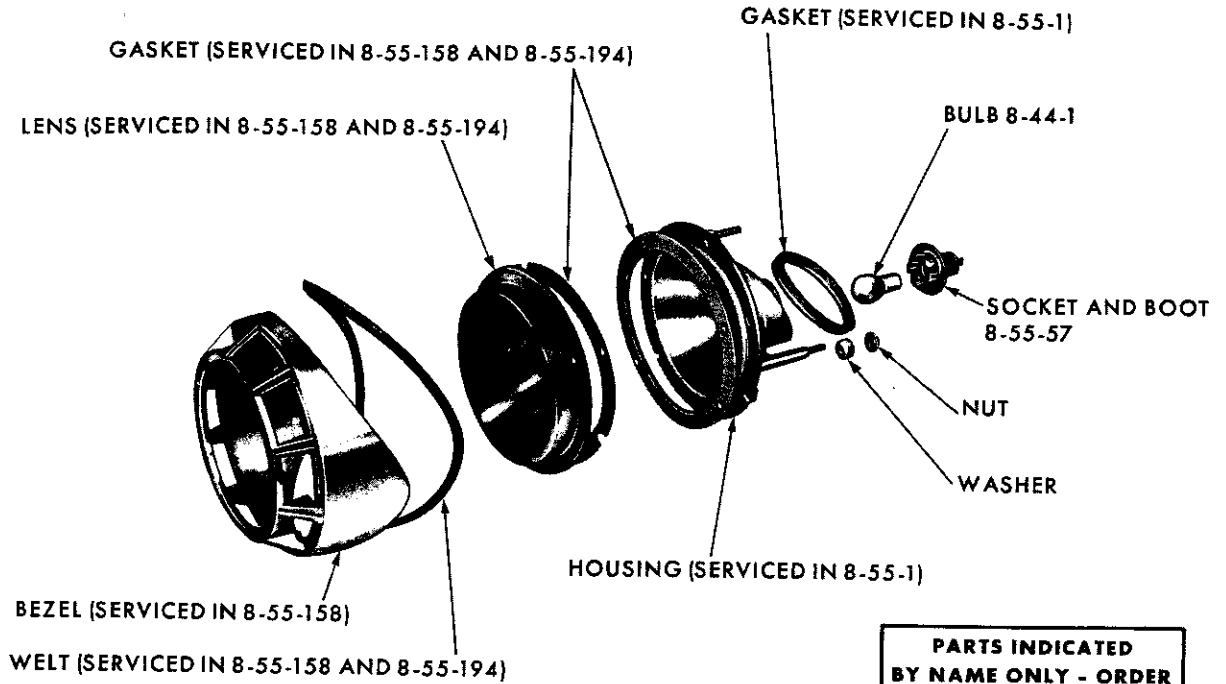
TAIL AND STOP LAMP - DODGE TA3 (SUBURBAN)



TAIL AND STOP LAMP - DART TL1 (SUBURBAN)



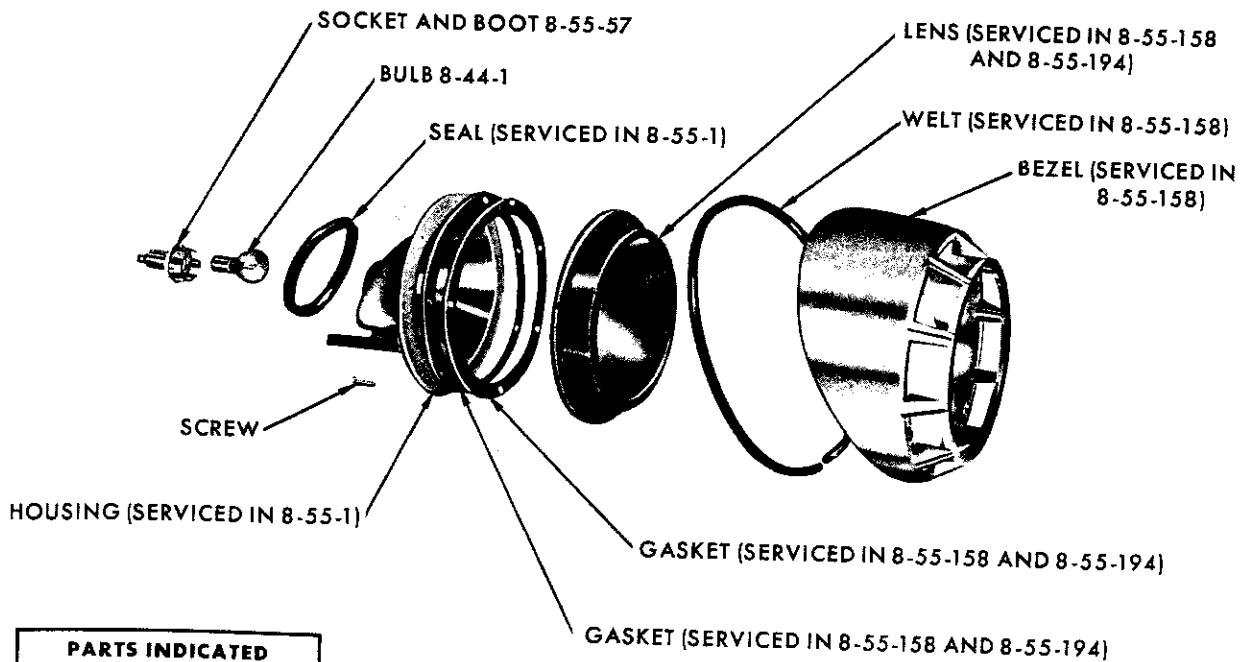
TAIL, STOP AND BACK-UP LAMP - DODGE TA3 (EXCEPT SUBURBAN)



**PARTS INDICATED
BY NAME ONLY - ORDER
BY DESCRIPTION**

19x9471

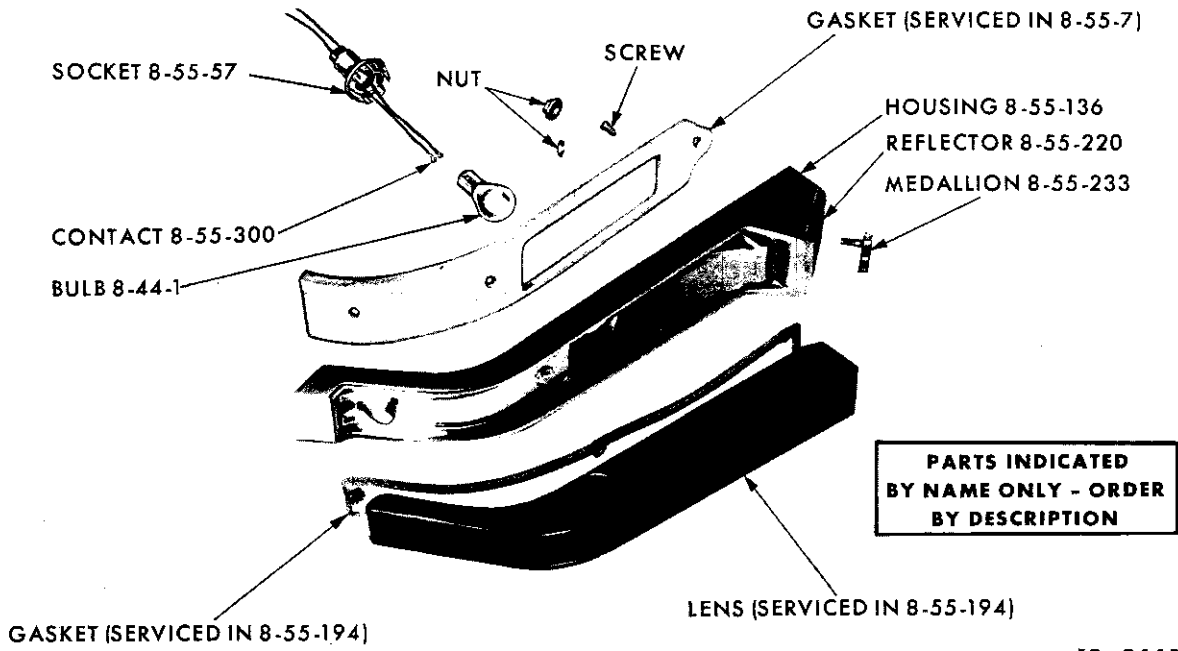
TAIL AND STOP LAMP - CHRYSLER TC1-2-3 (EXCEPT SUBURBAN)



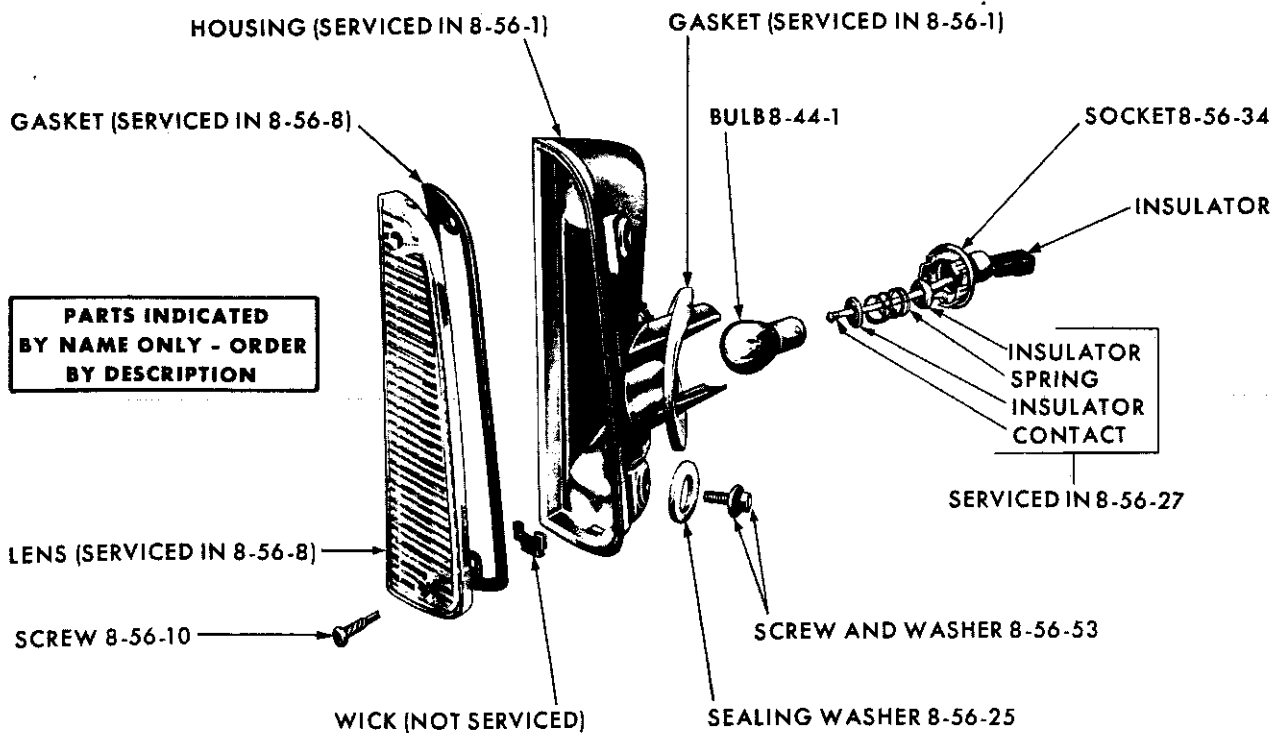
**PARTS INDICATED
BY NAME ONLY - ORDER
BY DESCRIPTION**

19x9477

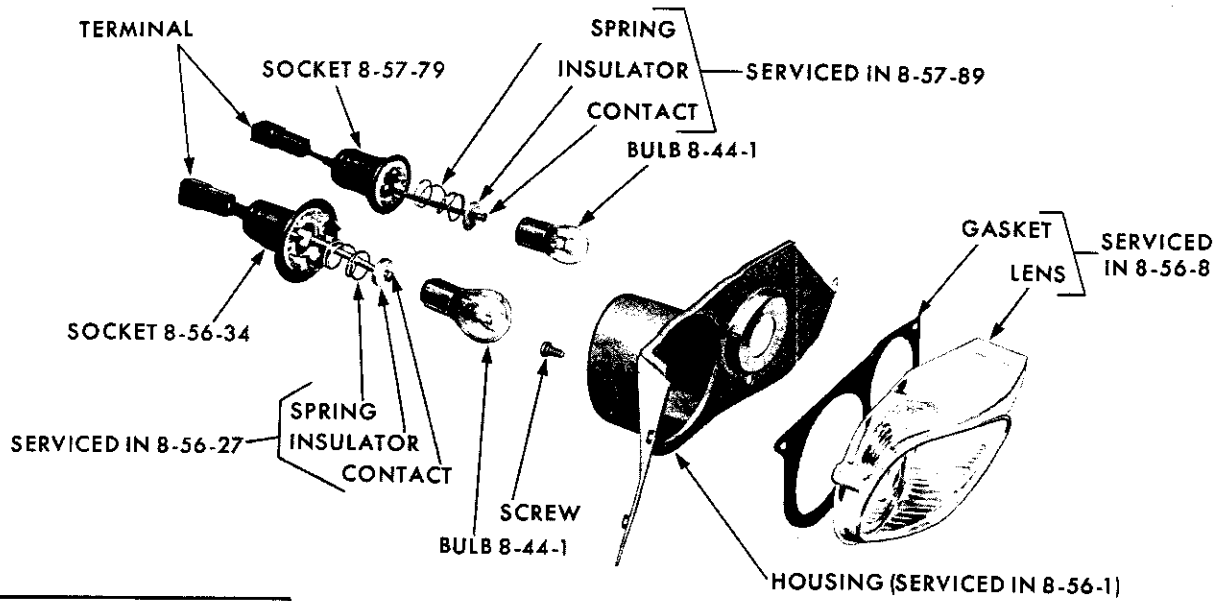
TAIL AND STOP LAMP - CHRYSLER TC1-3 (SUBURBAN)



TAIL AND STOP LAMP - IMPERIAL TY1



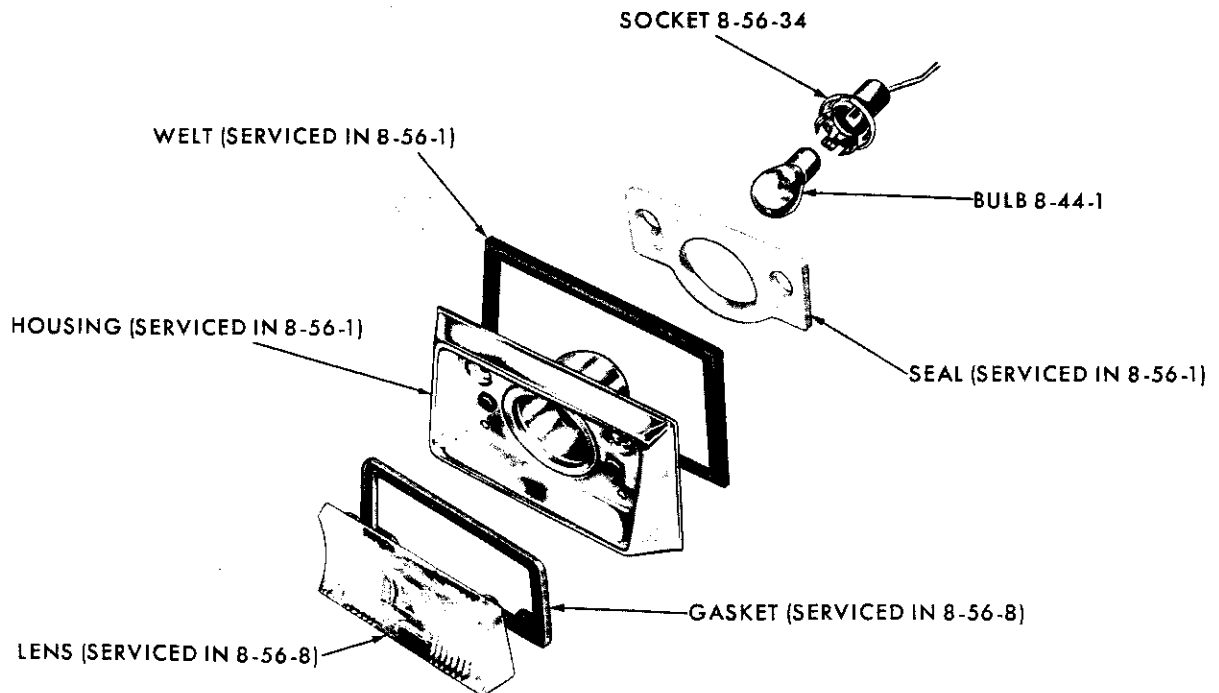
BACK-UP LAMP - PLYMOUTH TP1-2 (EXCEPT SUBURBAN)



**PARTS INDICATED
BY NAME ONLY - ORDER
BY DESCRIPTION**

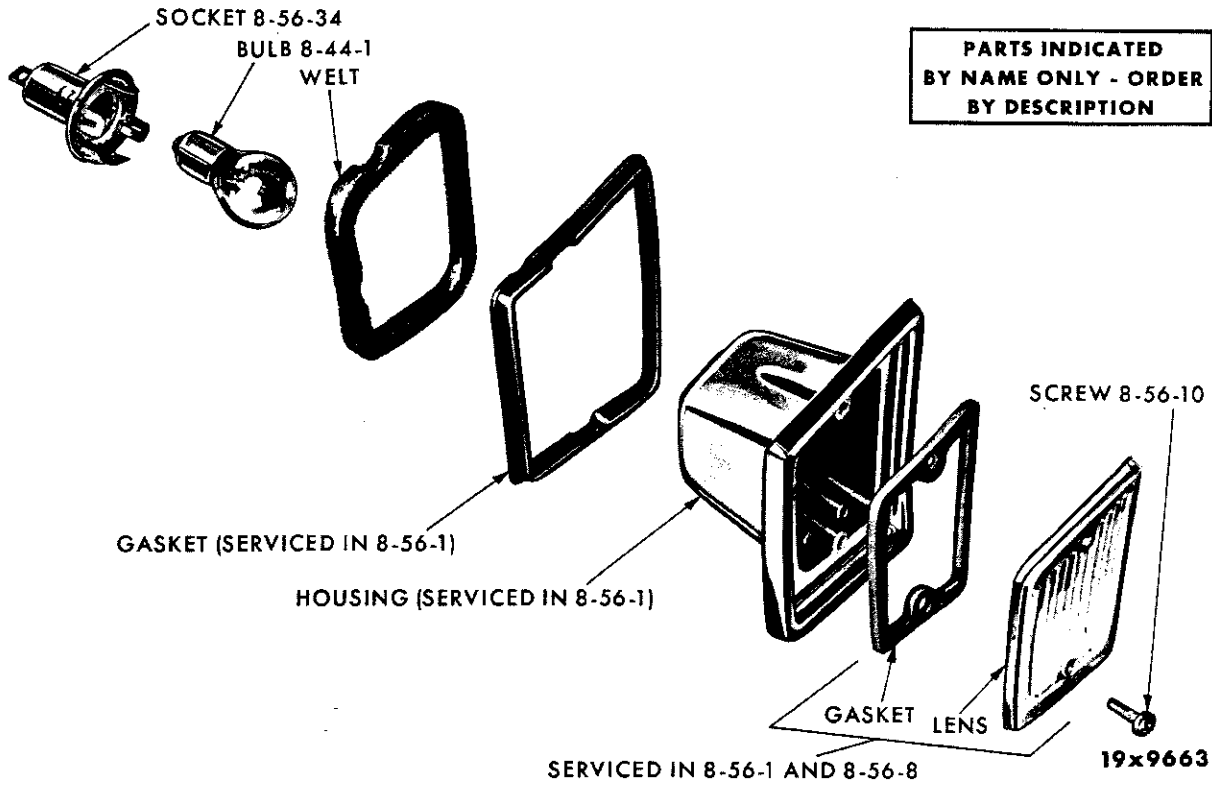
19x9171A

BACK-UP AND LICENSE LAMP - PLYMOUTH TP1-2 AND DODGE TD1-2 (SUBURBAN)

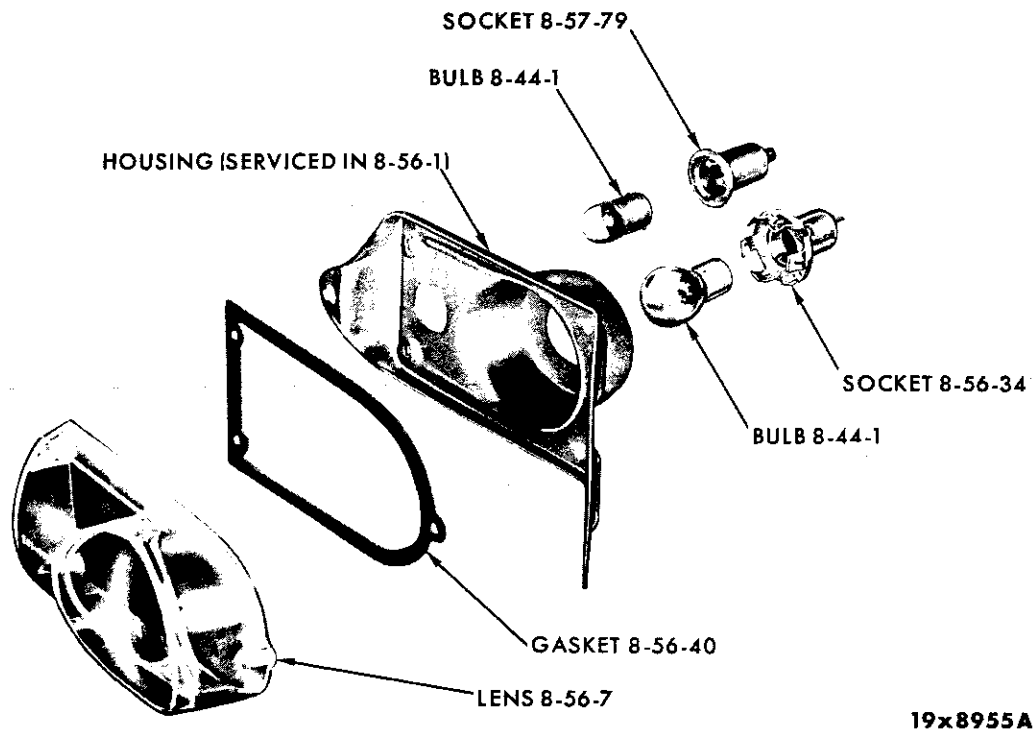


19x9472

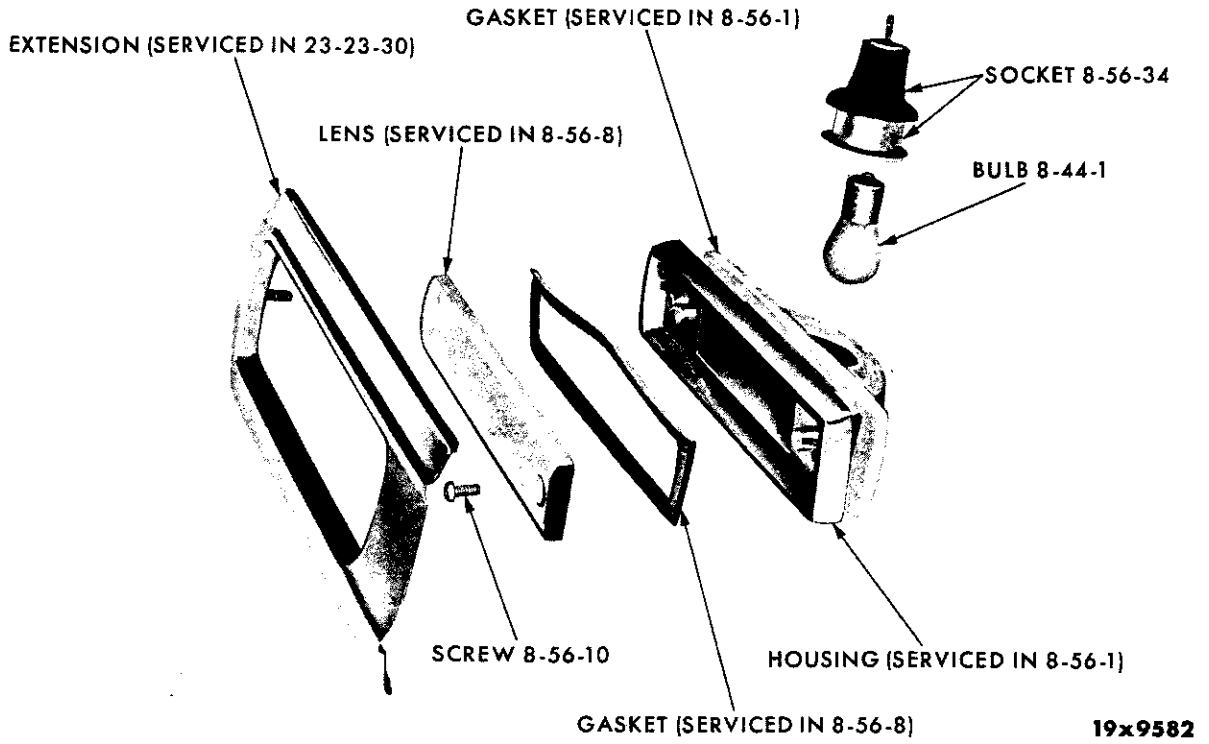
BACK-UP LAMP - VALIANT TV1 (EXCEPT SUBURBAN)



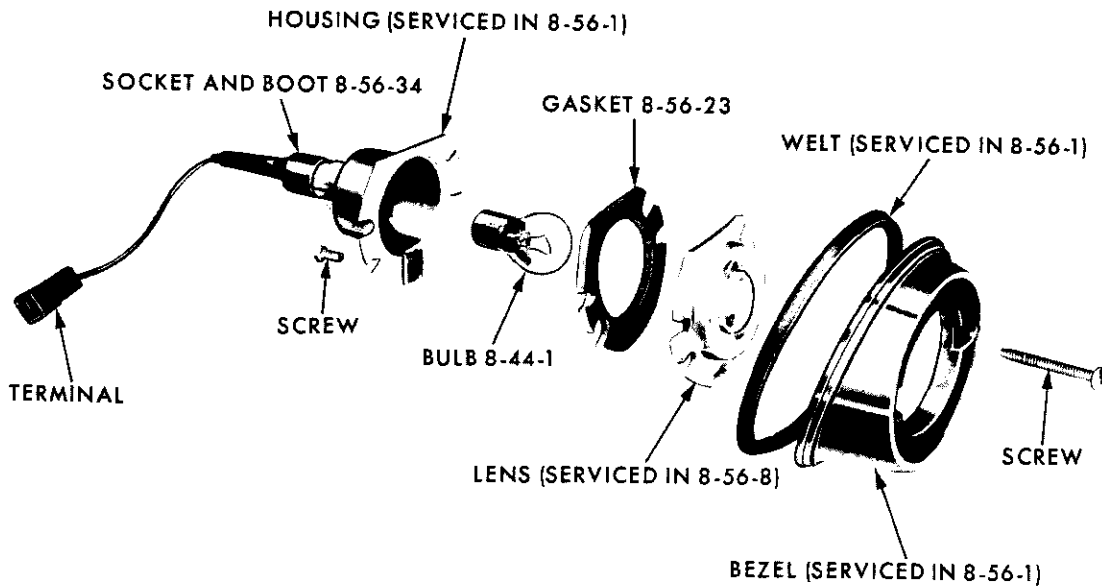
BACK-UP LAMP - DODGE TD1-2L, M (EXCEPT SUBURBAN)



BACK-UP AND LICENSE LAMP - DODGE TA3 AND CHRYSLER TC1-3 (SUBURBAN)



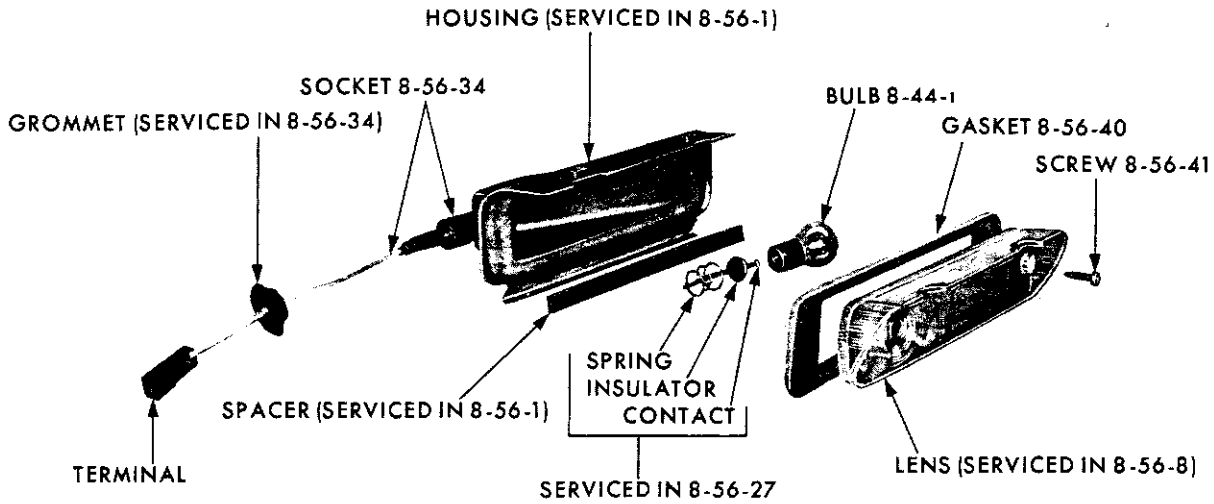
BACK-UP LAMP - DART TL1 (EXCEPT SUBURBAN)



PARTS INDICATED
BY NAME ONLY - ORDER
BY DESCRIPTION

19x9509

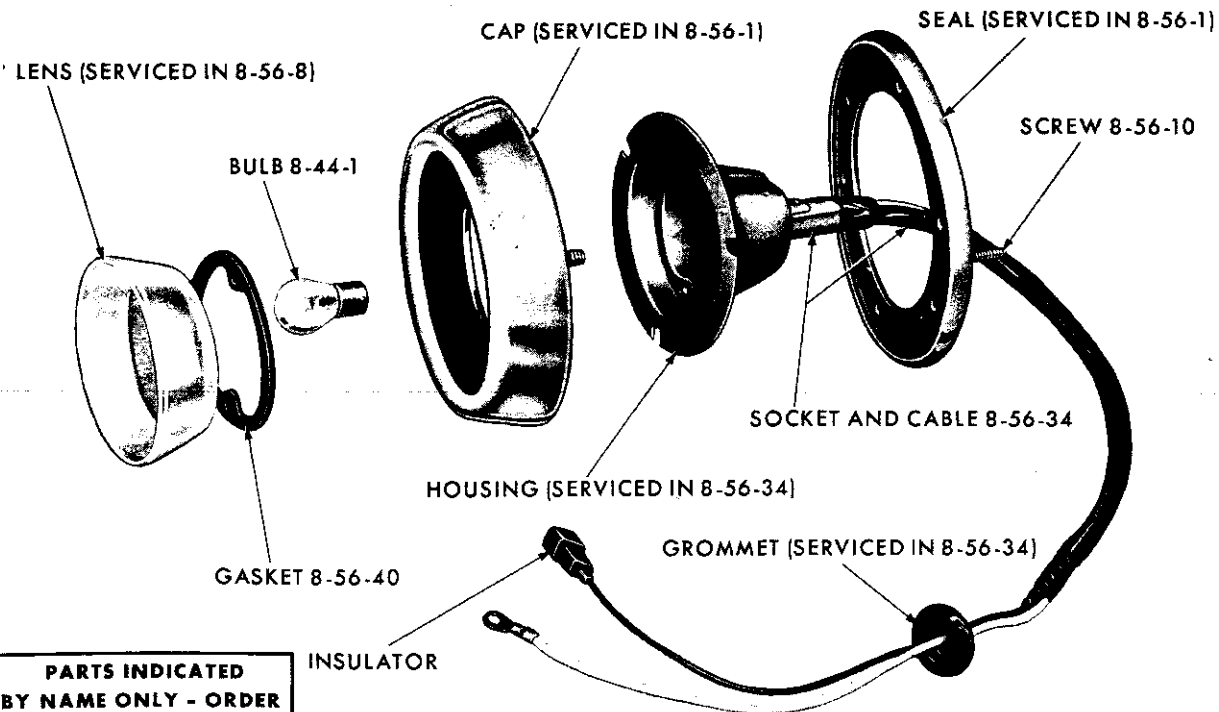
BACK-UP LAMP - DART TL1 (SUBURBAN)



**PARTS INDICATED
BY NAME ONLY - ORDER
BY DESCRIPTION**

19x9478

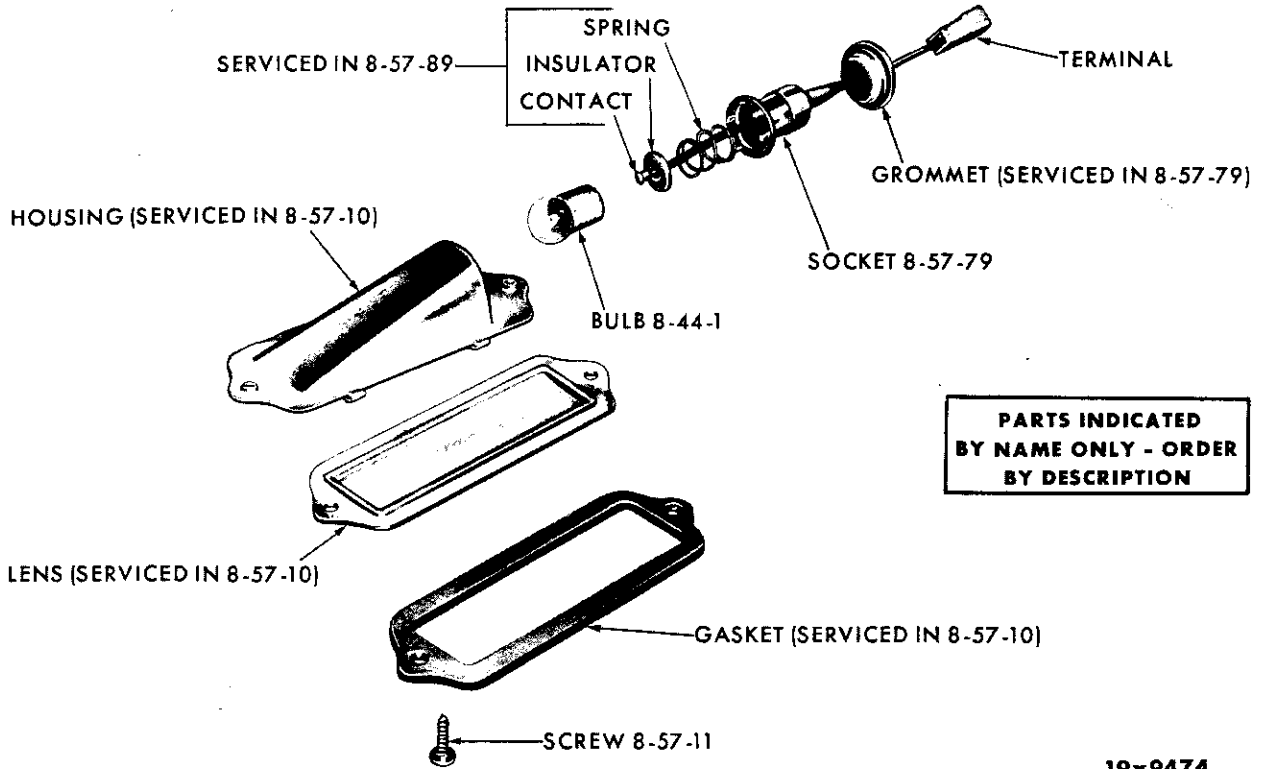
BACK-UP LAMP - CHRYSLER TC1-2-3 (EXCEPT SUBURBAN)



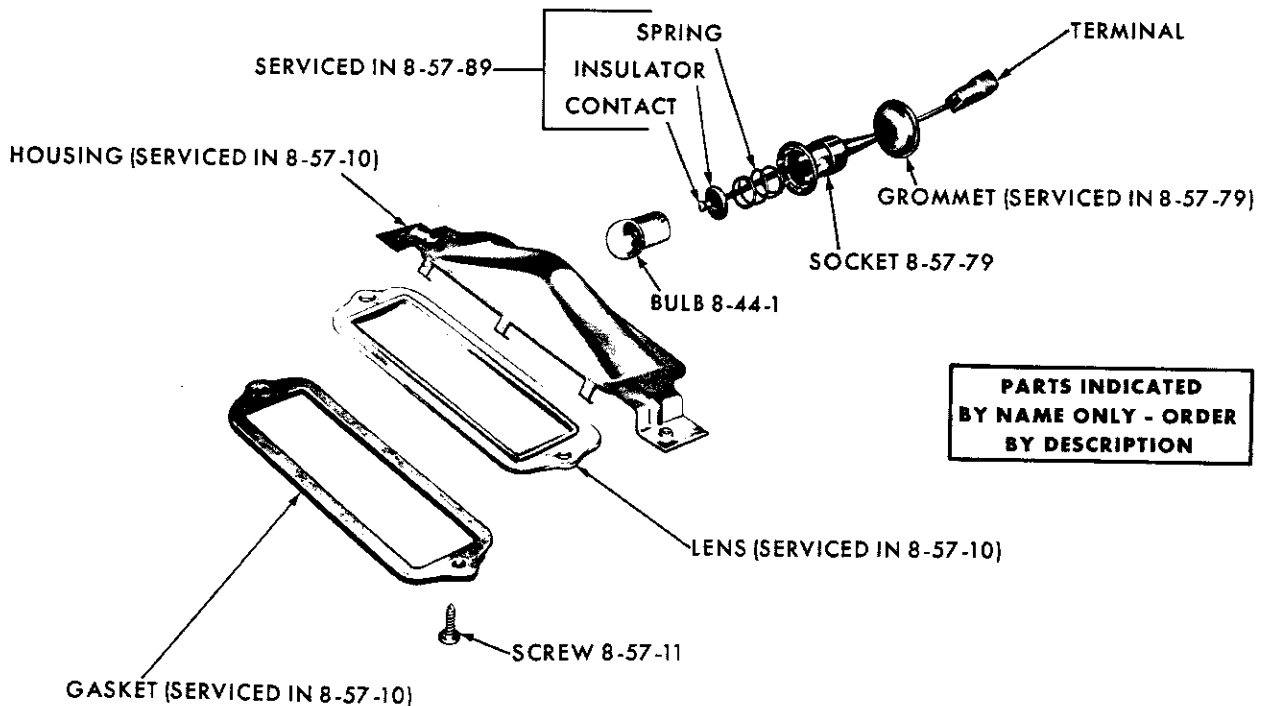
**PARTS INDICATED
BY NAME ONLY - ORDER
BY DESCRIPTION**

19x9469

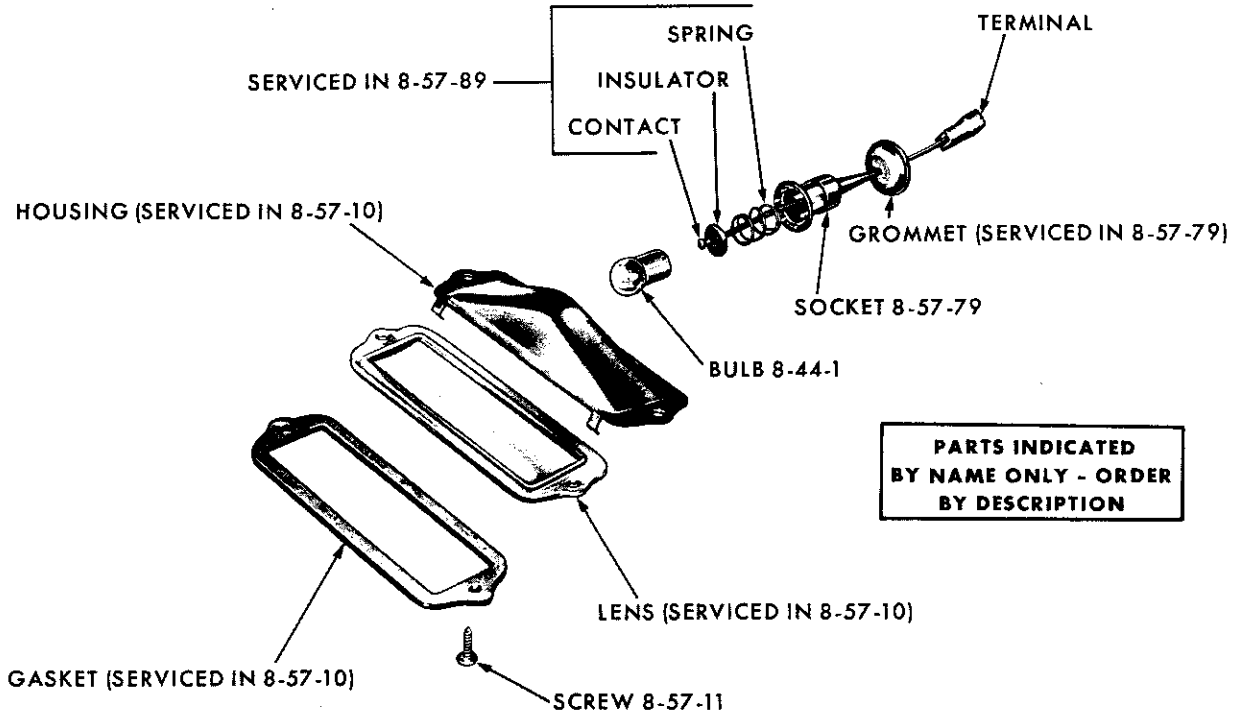
BACK-UP LAMP - IMPERIAL TY1



LICENSE LAMP - PLYMOUTH TP1-2 (EXCEPT SUBURBAN)

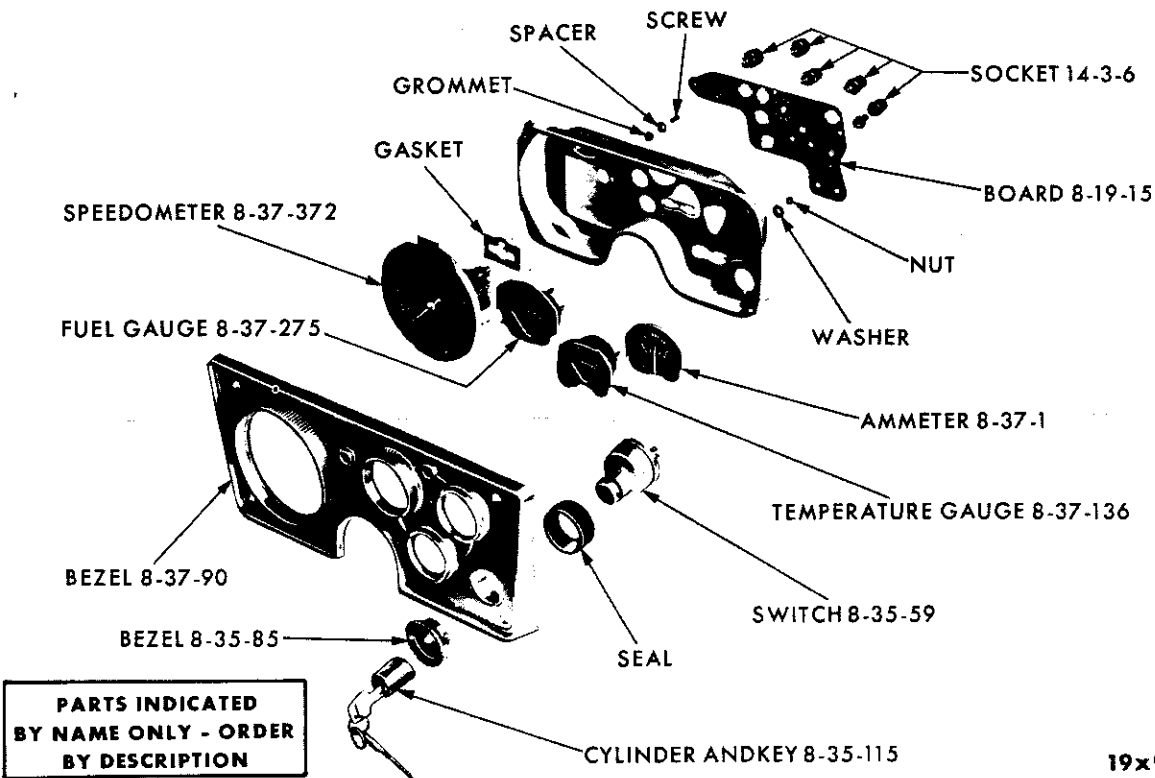


LICENSE LAMP - VALIANT TV1, DART TL1, IMPERIAL TY1 AND CHRYSLER TC1-2-3 (EXCEPT SUBURBAN)



19x9585

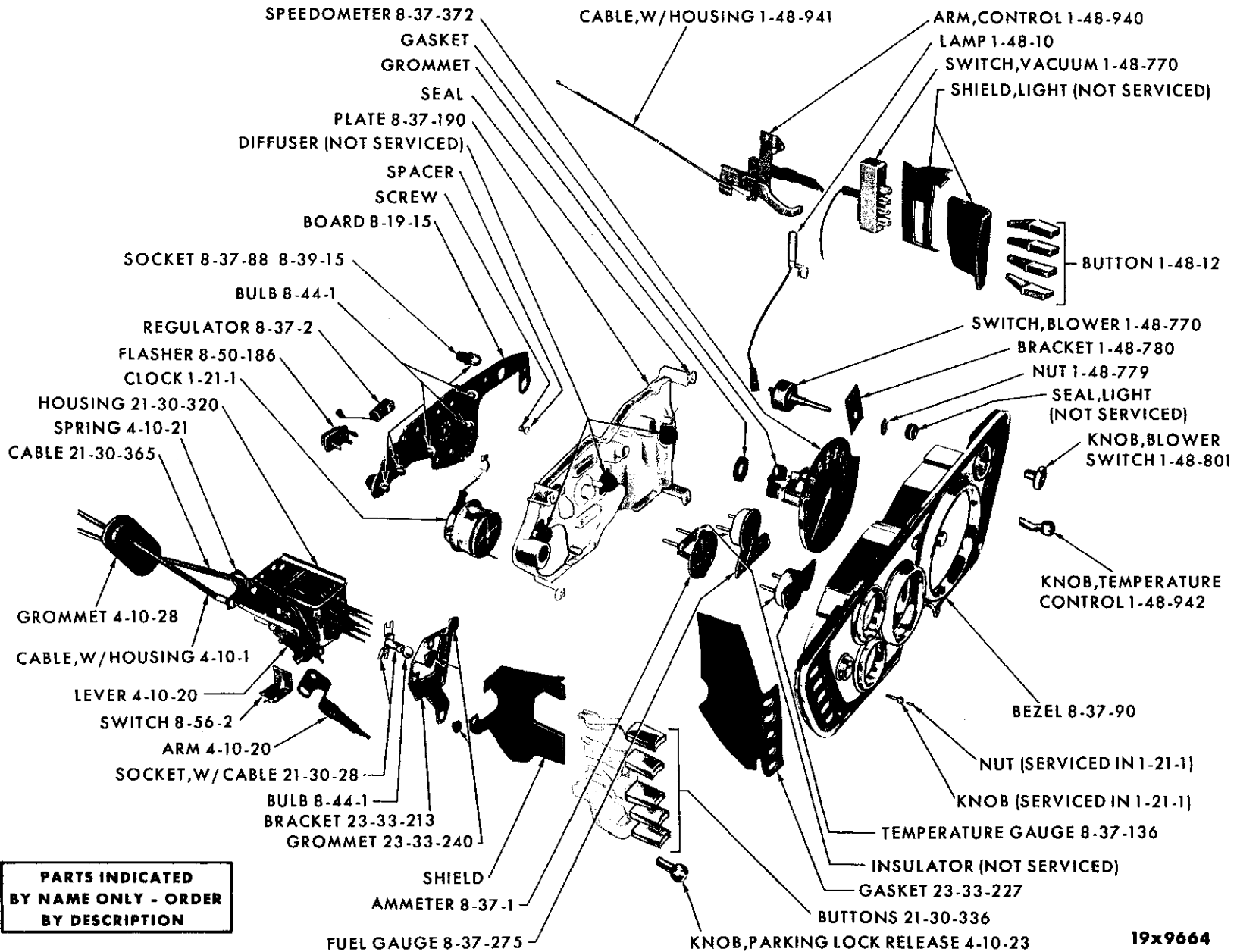
LICENSE LAMP - DODGE TD1-2, TA3 (EXCEPT SUBURBAN)



19x9599

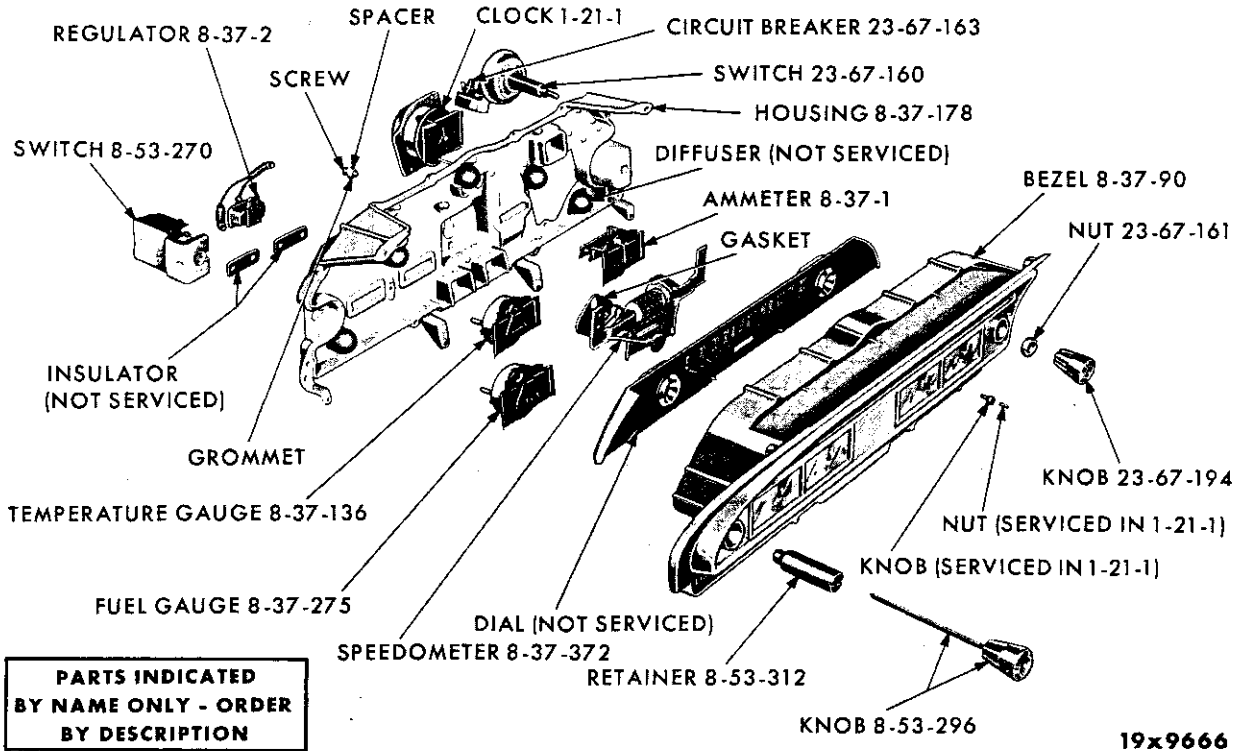
INSTRUMENT CLUSTER - VALIANT TV1

**PARTS INDICATED
BY NAME ONLY - ORDER
BY DESCRIPTION**

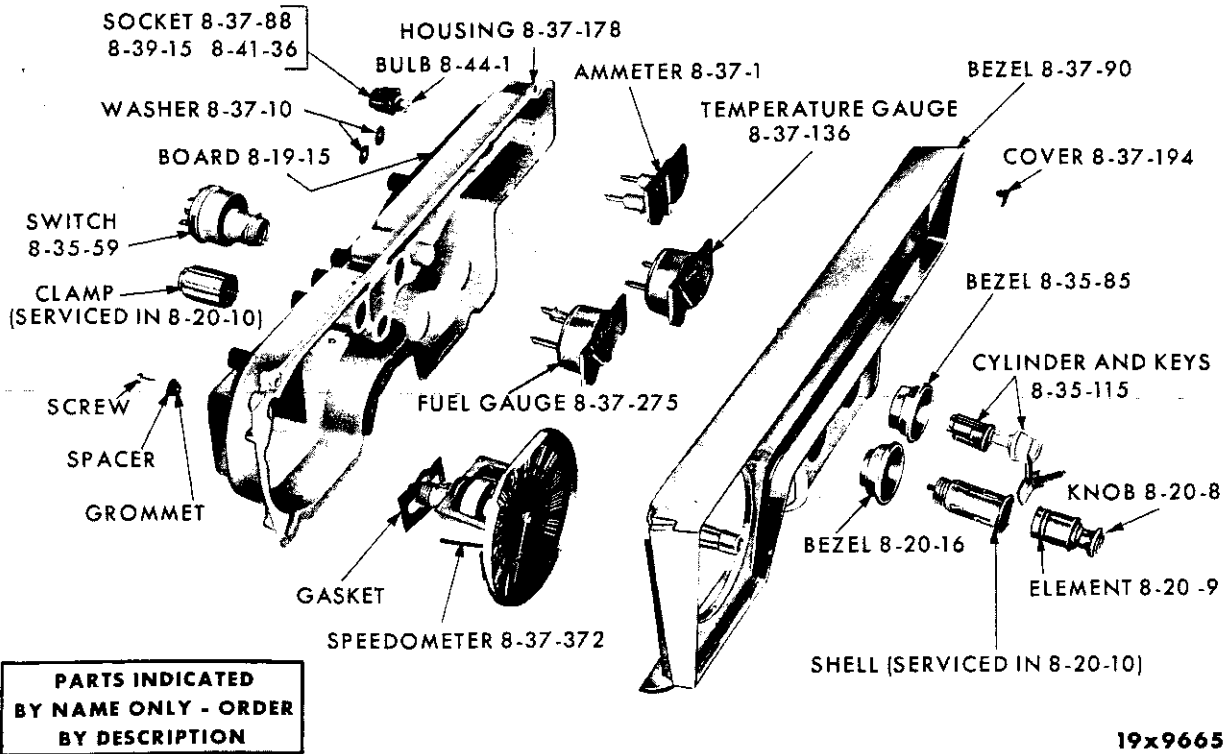


19x9664

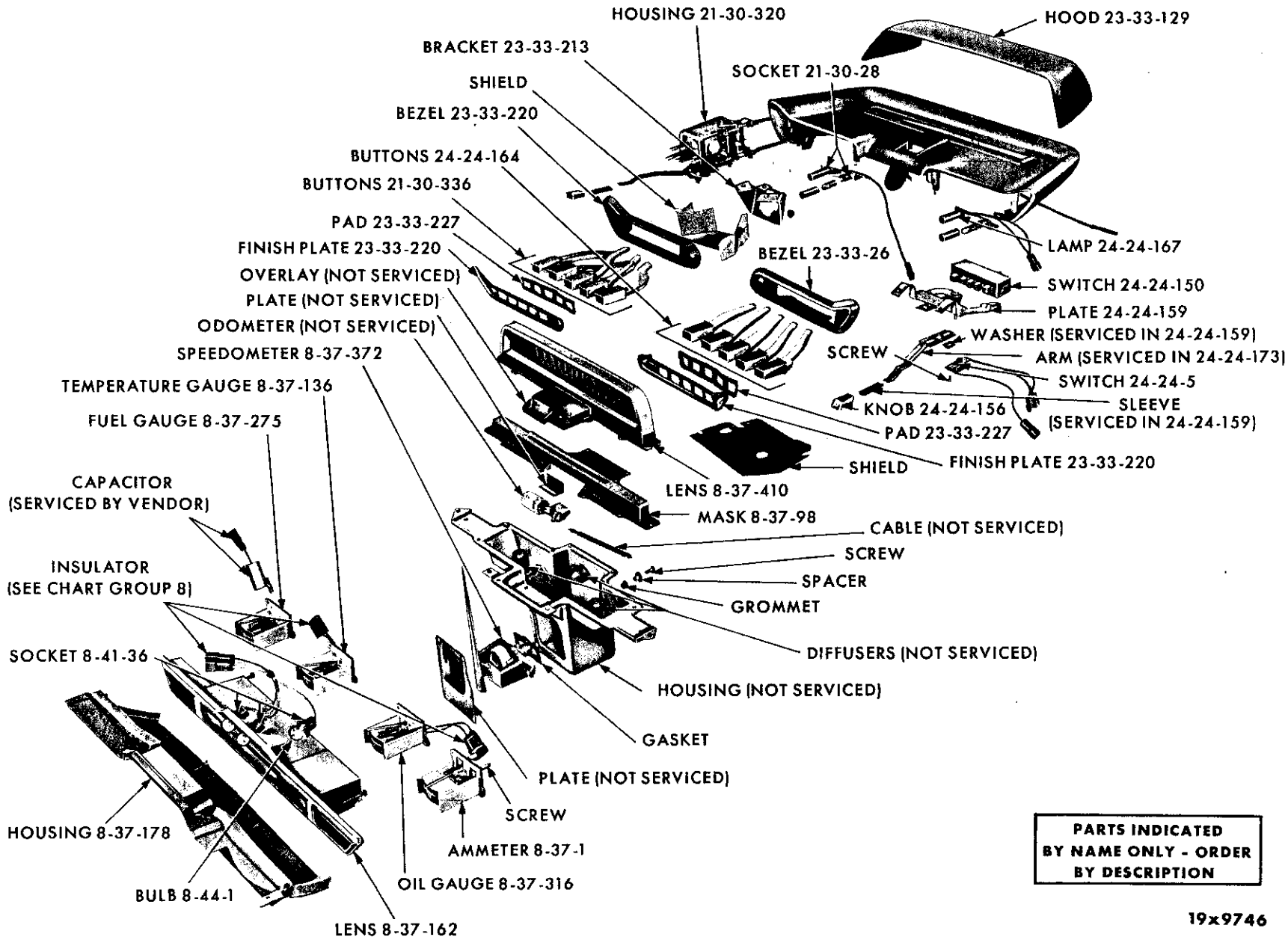
INSTRUMENT CLUSTER - PLYMOUTH TP1-2



INSTRUMENT CLUSTER - DODGE TD1-2



INSTRUMENT CLUSTER - DART TL1



**PARTS INDICATED
BY NAME ONLY - ORDER
BY DESCRIPTION**

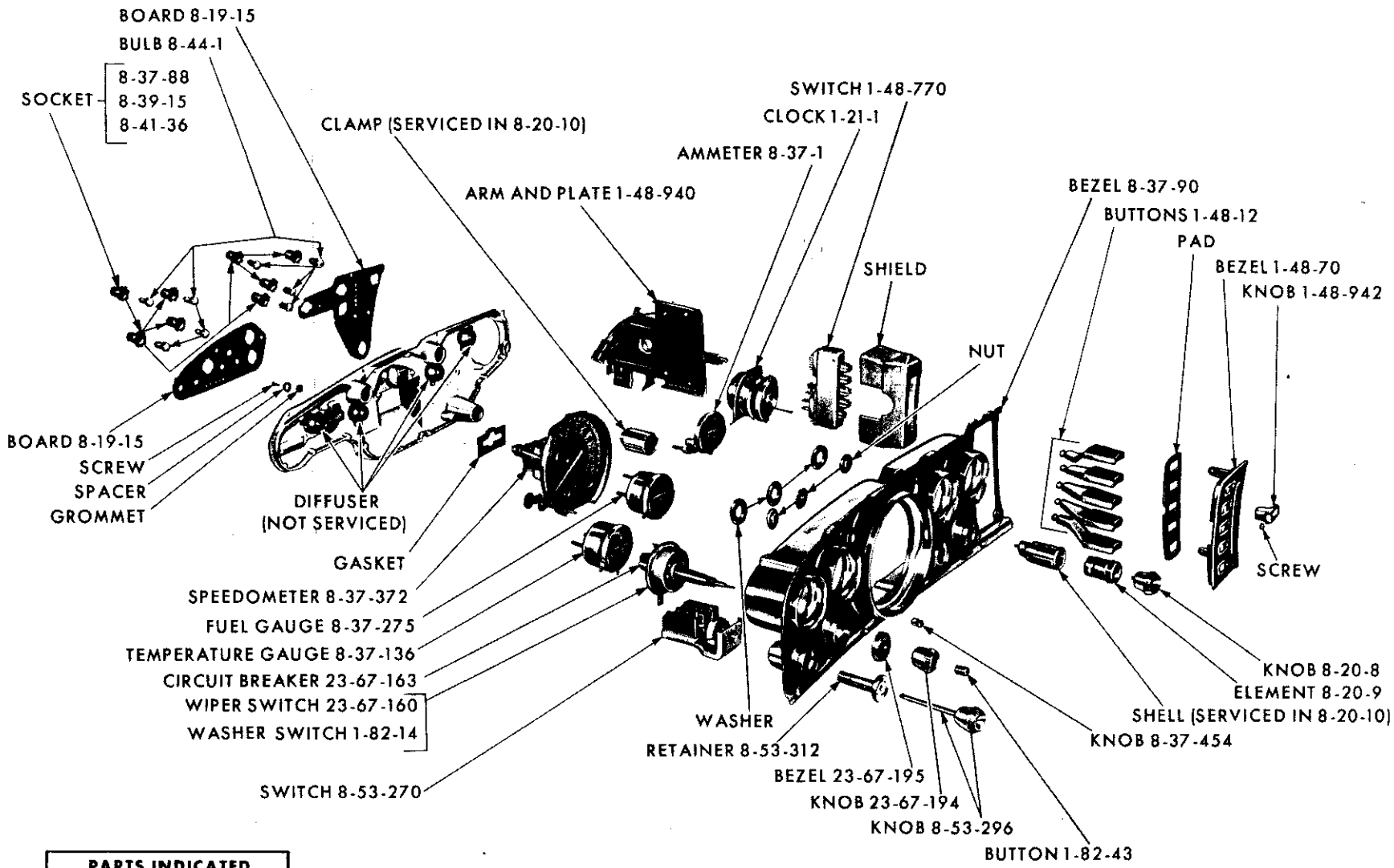
19x9746

INSTRUMENT CLUSTER - DODGE TA3

Jan. 3, 1964 Supersedes Dec. 14, 1962.

Page 8-20D

Printed in U.S.A.



**PARTS INDICATED
BY NAME ONLY - ORDER
BY DESCRIPTION**

19x9667

INSTRUMENT CLUSTER - CHRYSLER TC1-2-3

<p>CONNECTOR 1842003</p>  <p>1842009 TERMINAL</p>	<p>CONNECTOR (1)</p>  <p>TERMINAL (3) 1879609 PACKAGE</p>	<p>CONNECTOR</p>  <p>PART NO. A B 611898 1 3/8" 3/4"</p>	<p>TERMINAL</p>  <p>PART NO. A B 1753534 3/4" 1/4"</p>	<p>TERMINAL</p>  <p>PART NO. A B 1769280 1 3/4" 1/4"</p>	<p>TERMINAL</p>  <p>PART NO. A B 870821 3/4" 3/8"</p>
<p>TERMINAL 2291588</p> 	<p>TERMINAL</p>  <p>PART NO. A 221259 3/8"</p>	<p>TERMINAL 1770660</p> 	<p>TERMINAL 200156</p> 	<p>TERMINAL (10)</p>  <p>(SILVER PLATED) 1819836 PACKAGE</p>	<p>TERMINAL (10)</p>  <p>1779654 PACKAGE</p>
<p>TERMINAL 2258591</p> 	<p>TERMINAL 2258118</p> 	<p>TERMINAL 2290069</p> 	<p>TERMINAL 2258590</p> 	<p>TERMINAL 2290207</p> 	<p>TERMINAL AND CLIP 2291838</p> 
<p>TERMINAL (FEMALE)</p>  <p>INSULATOR (FEMALE) TERMINAL (MALE)</p>  <p>INSULATOR (MALE) 2298882 PACKAGE</p>	<p>INSULATOR 2291093</p> 	<p>INSULATOR 2291663</p> 	<p>INSULATOR 2258651</p> 	<p>INSULATOR 2258102</p> 	<p>INSULATOR (10)</p>  <p>TERMINAL (10) 2240264 PACKAGE</p>
<p>INSULATOR (1)</p>  <p>TERMINAL (6) 1843222 PACKAGE</p>	<p>INSULATOR (10)</p>  <p>TERMINAL (10) 2240536 PACKAGE</p>	<p>INSULATOR (10)</p>  <p>TERMINAL (10) 2084421 PACKAGE</p>	<p>INSULATOR (1)</p>  <p>TERMINAL (8) 2084424 PACKAGE</p>	<p>INSULATOR (1)</p>  <p>TERMINAL (8) 2084425 PACKAGE</p>	<p>INSULATOR (10)</p>  <p>TERMINAL (FEMALE 10) TERMINAL (MALE 10) 1843226 PACKAGE</p>
<p>INSULATOR (10)</p>  <p>TERMINAL (FEMALE 10) 1843227 PACKAGE</p>	<p>ADAPTER 1798521</p> 	<p>INSULATOR (1)</p>  <p>TERMINAL (6) INSULATOR (1) TERMINAL (6) 2448822 PACKAGE</p>			





19x9543A

CHART

MOPAR BATTERIES

- Longer Battery Life
- Greater Power
- Instant Power Under All Weather Extremes
- Dependable Power
- Economical Power

MODELS	GROUP NUMBER		
	20H	24H	27H
Valiant and Dart	Standard	Optional	
Plymouth and Dodge		Standard	Optional
Chrysler - Newport and "300" New Yorker		Standard	Optional All
Imperial			All

BATTERY TYPE	AABM GROUP NUMBER	PART NUMBERS		PLATES PER CELL	AMP HOURS
		WET CHARGED	DRY CHARGED		
 "SUPREME" 48 Months Pro-Rata Service Adjustment Super Performance	24H 27H	2098 029 2098 039	2098 030 2098 040	11 13	60 70
 "DELUXE" 36 Months Pro-Rata Service Adjustment Valued Dependability	20H 24H 24H 27H	2098 447 2098 041 2098 795 2098 051	2098 448 2098 042 2098 796 2098 052	7 9 11 13	38 48 59 70
 "CUSTOM" 24 Months Pro-Rata Service Adjustment Popular Priced Dependability	24H	2098 797	2098 798	7	41
 "SPECIAL" 12 Months Pro-Rata Service Adjustment Economical Quality	24H	2098 053	----	7	35

FOR COMPLETE PAST MODEL APPLICATION AND FOR OTHER MAKE
VEHICLES SEE MOPAR BATTERY PRICE AND APPLICATION GUIDE

19x9571

CODE	PART NAME AND DESCRIPTION	C Y L.	PER CAR	VALIANT DART	PLYMOUTH DODGE	CHRYSLER IMPERIAL
8-01-0 BATTERY AND CABLE						
8-01-4	CABLE, Battery Ground, 6 Gauge, 28" long		1	E2525 348	E2525 348	E2525 348
	Trunk Battery, except Sub., w/426 cu. in. Eng., TP2, TD2, 32" long	8	1	----	*1879 939	
	GROMMET, Battery Cable Dash, w/426 cu. in. Eng., except Sub., TP2, TD2	8	1	----	*1370 460	
8-01-7	CLIP, Battery Cable Left Side Rail Front Reinforcement, TP1, TP2, TD1, TD2		1	----	*6015 366	
8-01-10	WASHER, Intake Manifold Ground Cable	8	1	----	1536 242	1536 242
	Battery Cable Ground to Rear Floor Pan, except Sub., w/426 cu. in. Eng., TP2, TD2	8	4	----	E9417 793	
8-01-11	BOLT, Battery Ground Cable Clamp		1	1622 535	1622 535	1622 535
8-01-12	NUT, Battery Ground Cable Clamp Bolt		1	1622 536	1622 536	1622 536
8-01-13	SCREW, Battery Ground Cable, w/426 cu. in. Eng., except Sub., TP2, TD2	8	2	----	*6006 120	
8-01-16	TUBE, Battery Vent, w/426 cu. in. Eng., except Sub., TP2, TD2	8	1	----	*2409 372	
8-01-17	CABLE, Single Post to Starter Relay Safety Link, 40 Amp.		1	*2427 261	*2427 261	*2427 261
	Battery to Starter, 6 Gauge, 28" long	6	1	E2525 348		
	Battery to Starter, TP1, TP2, TD1, TD2, 6 Gauge, 42" long		1	----	E2525 512	
	Starting Motor to Battery, w/426 cu. in. Eng., except Sub., TP2, TD2, 224" long	8	2	----	*2427 809	
	Engine to Body Ground, w/426 cu. in. Eng., TP2, TD2, 15" long	8	2	----	*2427 807	
	Battery to Starter Relay, TA3, 6 Gauge, 12" long	8	1	----	E2525 347	E2525 347
	Starter Relay to Starter, VA3, 29" long	8	1	----	*1879 938	*1879 938
8-01-20	BOLT, Battery to Starter Cable Clamp.		1	1622 535	1622 535	1622 535
8-01-21	NUT, Battery to Starter Cable Clamp Bolt.		1	1622 536	1622 536	1622 536
8-01-23	SCREW, Engine to Body Ground Cable Dash		1	*6006 120	*6006 120	*6006 120
	SCREW, Front Fender Side Shield Wiring Clip Attaching Left for Battery Cable	8	1	----	----	6006 120
8-05-0 DOME LAMP AND SWITCH						
8-05-6	HOUSING, except Cv. Cp.	6	1	*2292 994		
	Except Cv. Cp. and Sub., TP1, TP2, TC1, TC2, TC3 Sub., TP1, TP2, TD1, TD2, TC1, TC3		1	----	2419 236	2419 236
	2 D. and 4 D., TD1, TD2		1	----	2292 871	2292 871
	Sp. Cl. Cp. and Sp. 4 D., TD1-M, TD2-M		1	----	2419 236	
	Sp. Cl. Cp. and Sp. 4 D., TD1-H, TD2-H-P, TY1 4 D., TA3	8	1	----	2292 871	1902 237
	Rear, Sub., TC1, TC3		1	----	1963 603	
	Rear, Sub., TC1, TC3		1	----	2161 308	2161 308
	Sp. Cl. Cp., Sp. 4 D. and Sub., TA3	8	1	----	2292 871	
	HOUSING and SEAL PACKAGE, Reading Lamp, TC3, Sp. 4 D.	8	1	----	----	2448 807
8-05-8	BEZEL, except Cv. Cp., TC1, TC2, TC3		1	----	*2166 743	*2166 743
	Rear, Sub., TC1, TC3		1	----	2161 307	2161 307

★ Indicates use as required.

Numerals in parentheses () refer to notes.

Printed in U.S.A.

☐ Indicates parts not listed in any previous parts book.

Prices and specifications subject to change without notice.

* Indicates change or addition.

1963 PASSENGER CAR PARTS CATALOG

ELECTRICAL

CODE	PART NAME AND DESCRIPTION	C Y L.	PER CAR	VALIANT DART	PLYMOUTH DODGE	CHRYSLER IMPERIAL
8-05-O DOME LAMP AND SWITCH - Cont'd						
8-05-10	SEAL, Dome Lamp Housing Precemented, except Cv. Cp., TY1	8	1	----	----	2440 373
8-05-11	RETAINER, Switch, TP1, TP2 TD1, TD2, TC1, TC2, TC3	1 1	1 1	*1887 604 ----	*1887 604 *2427 118	*2290 720
8-05-12	SOCKET, except Cv. Cp., TP1, TP2, TD1, TD2, TC1, TC2, TC3 4 D., TA3 Sp. Cl. Cp., Sp. 4 D. and Sub., TA3 Reading Lamp, TC3 Sp. 4 D. Sp. Cl. Cp. and Sp. 4 D., TY1	1 8 8 8 8	1 1 2 1	*1704 875 ---- ---- ---- ----	*2258 598 2096 499 2258 598 ---- ----	*2258 598 1704 875 1704 875
8-05-14	SWITCH, TP1, TP2, TD1, TD2, TC1, TC2, TC3 TA3 Reading Lamp, TC3 Sp. 4 D. Sp. Cl. Cp. and Sp. 4 D., TY1	1 8 8 8	1 1 2 1	*2448 823 ---- ---- ----	*2298 855 2421 453 ---- ----	*2298 855 2427 335 2096 180
8-05-16	KNOB, Switch, TL1, TD1, TD2 TV1, TP1, TP2, TC1, TC2, TC3 w/Spot Lamp, except Cv. Cp., TD1, TD2 TA3 KNOB and SEAL PACKAGE, Reading Lamp Switch, TC3 Sp. 4 D.	1 1 1 8 8	1 1 1 1 1	*2290 701 2291 288 ---- ---- ----	*2290 398 2291 288 2290 701 2426 398 ----	2290 824 2448 808
8-05-20	BEZEL, Switch, TV1, TP1, TP2 Sp. Cl. Cp. and Sp. 4 D., TY1	1 8	1 1	*2256 432 ----	*2256 432 ----	2096 181
8-05-23	LENS, except Cv. Cp., TC1, TC2, TC3 Sp. Cl. Cp. and Sp. 4 D., TY1 LENS and RETAINING RING PACKAGE, Reading Lamp, TC3 Sp. 4 D.	1 8 8	1 1 1	*2292 995 ---- ----	*2166 676 ---- ----	*2166 676 1902 298 2448 809
8-05-28	BRACKET, Mounting, Rear, Sub., TC1, TC3 SUPPORT, Sp. Cl. Cp. and Sp. 4 D., TY1	1 8	1 1	---- ----	*2086 597 ----	*2086 597 2419 844
8-05-31	CONTACT, Socket, except Cv. Cp. Reading Lamp Socket, TC3 Sp. 4 D.	* 8	4	*2256 966 ----	*2256 966 ----	*2256 966 2256 966
8-05-32	CORE, Socket, Rear, Sub., TC1, TC3	1	1	----	*2161 316	*2161 316
8-11-O QUARTER OR COURTESY LAMP						
8-11-5	PLATE, Attaching, Cv. Cp., TP2, TD2	8	2	----	*2440 355	
8-11-6	SWITCH, on Console TP2-P, TD2-P	8	1	----	*2291 106	
8-11-8	SOCKET and WIRES, Cv. Cp., TP2, TD2, TY1 Floor Tunnel Console, TD2-P, TP2-P Floor Tunnel Console, except 4 D., TC2 Quarter Arm Rest, TA3, TC1, TC2 SOCKET, Front Door, TY1-M-H Rear Door, Sp. 4 D., TY1-H	2 8 8 8 8 8	2 1 2 2 2 2	---- ---- ---- ---- ---- ----	*1963 479 *1963 479 ---- *1963 479 ---- ----	*1963 479 *1963 479 *1704 875 *1704 875
8-11-11	NUT, Switch, on Console, TP2-P, TD2-P	8	1	----	*2291 107	
8-11-12	LENS and RETAINER, Cv. Cp., TP2, TD2, TY1 Floor Tunnel Console Courtesy Lamp Bezel, TP2-P, TD2-P Quarter Arm Rest Courtesy Lamp Bezel, Cv. Cp., TA3, TC1, TC2 Floor Tunnel Console Courtesy Lamp Bezel, Sp. Cl. Cp., Cv. Cp. and Sp. 4 D., TC2	2 8 8 8 8	2 1 2 2 2	---- ---- ---- ---- ----	*1623 132 1623 132 1623 132 1623 132 ----	*1623 132 1623 132 1623 132

★ Indicates use as required.

Numeral in parentheses () refer to notes.

Printed in U.S.A.

⊕ Indicates parts not listed in any previous part book.

Prices and specifications subject to change without notice.

Jan. 3, 1964 Supersedes Dec. 14, 1962.

* Indicates change or addition.

CODE	PART NAME AND DESCRIPTION	C Y L	PER CAR	VALIANT DART	PLYMOUTH DODGE	CHRYSLER IMPERIAL
8-11-0 QUARTER OR COURTESY LAMP - Cont'd						
8-11-12	LENS and RETAINER - Cont'd					
	Front Door Arm Rest, TY1-M-H	8	2	----	----	*1887 954
	Rear Door Arm Rest, Sp. 4 D., TY1-H	8	2	----	----	*1887 954
8-11-15	HOUSING and SHIELD, Front Door Arm Rest, TY1-M-H	8	2	----	----	*2419 604
	Rear Door Arm Rest, Sp. 4 D., TY1-H	8	2	----	----	*2419 604
8-11-16	BEZEL, Front Door Arm Rest, TY1-M-H	8	2	----	----	*2419 232
	Rear Door Arm Rest, Sp. 4 D., TY1-H	8	2	----	----	*2419 232
8-11-18	CONTACT, Front Door Courtesy Lamp Socket, TY1-M-H	8	2	----	----	2256 966
	Rear Door Courtesy Lamp Socket, TY1-H Sp. 4 D.	8	4	----	----	2256 966
8-11-19	SPACER, Floor Tunnel Console Courtesy Lamp to Console, Sp. Cl. Cp., Cv. Cp. and Sp. 4 D., TC2 .	8	4	----	----	B2427 659
8-12-0 AUTOMATIC DOOR LAMP SWITCH						
8-12-2	SWITCH, w/Elbow Type Sleeve Connector		2	*1972 329	*1972 329	*1972 329
	w/Straight Type Sleeve Connector		2	1971 931	1971 931	1971 931
8-12-3	SOCKET, 4 D., TP1, TP2, TD1, TD2		1	----	*1753 632	
8-12-15	LENS, BEZEL and HOUSING, 4 D., TP1, TP2, TD1, TD2		1	----	*2426 179	
8-12-17	CONTACT, Socket, 4 D., TP1, TP2, TD1, TD2 . .		2	----	*2256 966	
8-13-0 TRUNK LAMP						
8-13-1	SWITCH, SOCKET and CABLE, TY1	8	1	----	----	*1770 786
8-13-2	SWITCH, except Sub., TC1, TC2, TC3		1	*2097 279	*2097 279	*2097 279
8-13-3	SOCKET and BRACKET, except Sub., TC1, TC2, TC3		1	*2096 857	*2096 857	*2096 857
8-13-4	SPRING, Socket, except Sub., TC1, TC2, TC3 . .		1	*1842 340	*1842 340	*1842 340
8-13-5	INSULATOR, Socket, except Sub., TC1, TC2, TC3 .		1	*1842 338	*1842 338	*1842 338
8-13-6	CONTACT, Socket, except Sub., TC1, TC2, TC3 .		1	*2256 966	*2256 966	*2256 966
8-15-0 CHASSIS AND BODY WIRING COMPARTMENT						
8-15-2	WIRING, Headlamp and Engine Compartment, TP1, TP2, TC1, TC2, TC3		1	2290 998	2290 902	2291 200
	Headlamp and Engine Compartment, TD1, TD2, TY1		1	----	2291 626	2291 899
	Headlamp and Engine Compartment, TA3	8	1	----	2426 688	
	Engine Compartment	6	1	----	2291 738	
	Engine Compartment, TP2, TD2	8	1	----	2290 903	
	Engine Compartment, w/426 cu. in. Eng., TP2, TD2	8	1	----	2291 923	
8-15-3	BLOCK and CLIP PACKAGE, Fuse		1	2421 834	2421 834	2421 834
8-15-4	WIRING, Body, except Sub., TV1	6	1	2290 862		
	Sub.	6	1	2290 970		
	Except Sub., TL1, TA3	1	1	2291 345	2426 320	
	Console Wiring Console, TP2-P, TD2-P, TC2 . .	8	1	----	2291 078	2291 753

★ Indicates use as required.

Numerals in parentheses () refer to notes.

Printed in U.S.A.

□ Indicates parts not listed in any previous parts book.

Prices and specifications subject to change without notice.

* Indicates change or addition.

1963 PASSENGER CAR PARTS CATALOG

CODE	PART NAME AND DESCRIPTION	C Y L.	PER CAR	VALIANT DART	PLYMOUTH DODGE	CHRYSLER IMPERIAL
------	---------------------------	--------------	------------	-----------------	-------------------	----------------------

8-15-0 CHASSIS AND BODY WIRING COMPARTMENT - Cont'd

8-15-4	WIRING - Cont'd					
	TD1 except Cv. Cp., Sp. 4 D. and Sub.,		1	----	2291 546	
	TD2-L-M-H except Sub.		1	----	2291 546	
	TD2-P	8	1	----	2427 461	
	w/Back-Up Lamp, except Sub., TP1, TP2 . . .		1	----	2290 762	
	w/o Back-Up Lamp, except Sub., TP1, TP2 . . .		1	----	2258 196	
	w/Electric Tail Gate Window Lift Switch, Sub.,		1	----	2258 076	
	TP1, TP2, TD1, TD2		1	----	2426 406	
	w/o Electric Tail Gate Window Lift Switch,		1	----	2427 238	
	Sub., TP1, TP2, TD1, TD2		1	----		
	w/Electric Tail Gate Window Lift Switch, Sub.,	8	1	----		
	TA3		1	----		
	w/o Electric Tail Gate Window Lift Switch,	8	1	----		
	Sub., TA3		1	----		
	Except Sub., TC1, TC2, TC3	8	1	----		2290 873
	Sub., TC1, TC3	8	1	----		2290 983
	Console Wiring, on Instrument Panel, TC2 . . .	8	1	----		2291 759
	TY1	8	1	----		2291 265
	GROMMET, Body Wiring, Sub.	6	2	*2291 672		
	GROMMET, Body Wiring Harness to Tie Plate,					
	Left Sub., TP1, TP2, TD1, TD2		1	----	*2480 149	
	GROMMET, Console Wiring, on Instrument					
	Panel, TC2	8	1	----		*2257 299
8-15-7	FUSE WIRE, Alternator Voltage Regulator		1	2275 242	2275 242	2275 242
	WIRING, Alternator, 60 Amp., w/o Safety Link . .	6	1	E2291 540		
	WIRING, Alternator, 60 Amp., w/ Safety LINK . .	6	1	E2427 899		
	CABLE, Safety Link, 60 Amp., TC1, TC2, TC3 . .		1	E2427 932	E2427 932	E2427 932
8-15-32	CLIP, Connector Retaining		4	2291 662	2291 662	2291 662
	Dome Lamp Wiring, TP1, TP2, TD1, TD2		1	*6015 288	*6015 288	
	Engine Wiring Locator		★	6015 288	6015 288	6015 288
	w/Bus Bar, Fuse Block Fuse, TP1, TP2, TD1, TD2		2	2291 842	2291 842	
	Dome Lamp Wiring, except Cv. Cp., TP1, TP2,					
	TD1, TD2		1	----	6015 288	
	w/Bus Bar, Fuse Block Fuse, TA3	8	1	----	2291 841	2291 841
	w/Bus Bar, Fuse Block Fuse, TA3	8	1	----	2291 842	2291 842
	Body Wiring Locator, TY1	8	1	----		*6015 288
	Headlamp Housing to Fender Stabilizer Wiring,					
	TY1	8	2	----		6015 271
8-15-33	SCREW and WASHER, Wiring Bulkhead					
	Disconnect Terminal		★	2426 920	2426 920	2426 920
8-15-52	WIRING, Rear Lamp, w/Electric Tail Gate					
	Window Lift Switch, Sub. TP1, TP2		1	----	2290 962	
	w/o Electric Tail Gate Window Lift Switch,					
	Sub., TP1, TP2		1	----	2290 957	
	w/Electric Tail Gate Window Lift Switch, Sub.,					
	TD1, TD2		1	----	2290 731	
	w/o Electric Tail Gate Window Lift Switch,					
	Sub., TD1, TD2		1	----	2290 756	
	Sub., TC1, TC3	8	1	----		2291 050
8-15-53	WIRING, Dome Lamp, TP1, TP2, TD1, TD2		1	----	2291 340	
	Rear, Sub., TP1, TP2, TD1, TD2		1	----	2291 340	
	Dome and Reading Lamp, TC3 Sp. 4 D.	8	1	----		2427 080

★ Indicates use as required.

Numerals in parentheses () refer to notes.

Printed in U.S.A.

⊠ Indicates parts not listed in any previous parts book.

Prices and specifications subject to change without notice.

Jan. 3, 1964 Supersedes Jan. 25, 1963.

* Indicates change or addition.

CODE	PART NAME AND DESCRIPTION	CYL.	PER CAR	VALIANT DART	PLYMOUTH DODGE	CHRYSLER IMPERIAL
------	---------------------------	------	---------	--------------	----------------	-------------------

8-16-0 CABLE AND CONNECTIONS

NOTE: For a more practical and economical method of servicing, only the more complicated Assemblies will be stocked for service. These will be found in their respective groups. On the more simple Assemblies the required length and size of Cable, necessary Terminals, etc. should be specified. For visual chart of Insulator and Terminal Packages see front of group.

8-16-1	CONNECTOR and TERMINAL PACKAGE, Headlamp Cable	★	1879 609	1879 609	1879 609
	TERMINAL and INSULATOR PACKAGE, 6 Pole Disconnect, Male	★	1843 222	1843 222	1843 222
	Single Pole, Long	★	1843 226	1843 226	1843 226
	Single Pole, Short	★	1843 227	1843 227	1843 227
	Female, Miniature	★	2084 421	2084 421	2084 421
	8 Pole, Male	★	2084 425	2084 425	2084 425
	8 Pole, Female	★	2084 424	2084 424	2084 424
	Female, Miniature	★	2240 264	2240 264	2240 264
	Male, Miniature	★	2240 536	2240 536	2240 536
	Male and Female	★	2298 882	2298 882	2298 882
	6 Pole, Male and Female	★	2448 822	2448 822	2448 822
8-16-3	CABLE, No. 8 Brown, 100 Foot Spool	★	2275 220	2275 220	2275 220
	No. 12 Red, 100 Foot Spool	★	1752 491	1752 491	1752 491
	No. 14 Green, 100 Foot Spool	★	1752 490	1752 490	1752 490
	No. 16 Blue, 100 Foot Spool	★	1752 489	1752 489	1752 489
	No. 18 Yellow, 100 Foot Spool	★	1752 488	1752 488	1752 488
	Horn Cable, No. 16 Black, 100 Foot Spool	★	1064 754	1064 754	1064 754
	Wire and Spool, Triple Conductor, No. 14 Gauge, Red, Green and Black, 100 Foot Spool	★	2298 769	2298 769	2298 769
	Wire and Spool, Double Conductor, No. 14 Gauge, Green and Black, 100 Foot Spool	★	2298 770	2298 770	2298 770
	Wire and Spool, Double Conductor, No. 14 Gauge, Red and Black, 100 Foot Spool	★	2298 768	2298 768	2298 768
	8-16-4	TERMINAL, Female Side Type	★	1842 009	1842 009
Cable Connector		★	870 821	870 821	870 821
Electrical Window Lift Safety Switch Wiring		★	903 895	903 895	903 895
Wiring, .910" long		★	2258 591	2258 591	2258 591
Printed Circuit Wiring, Female		★	2258 118	2258 118	2258 118
Female Hair Pin Wiring		★	1779 654	1779 654	1779 654
Wiring Fuse Clip		★	2290 207	2290 207	2290 207
Wiring, 1.36" long		★	2258 590	2258 590	2258 590
Wiring, 1.025" long		★	2290 069	2290 069	2290 069
Female, K-Type		★	1819 836	1819 836	1819 836
Male Blade		★	1770 660	1770 660	1770 660
Printed Circuit Board Wiring, Female		★	2291 259	2291 259	2291 259
w/CLIP, Fuse Block, Male		★	2291 838	2291 838	2291 838
Female, Cold Crimp	★	2291 588	2291 588	2291 588	
8-16-5	SLEEVE, Wiring Terminal, Black	★	1264 933	1264 933	1264 933
	Starting Motor Terminal	★	930 304	930 304	930 304
8-16-6	INSULATOR, Alternator Battery Terminal	1	2291 093	2291 093	2291 093
	Headlamp Switch, 7 Pole Female	★	2258 102	2258 102	2258 102
	Printed Circuit Wiring Terminal	★	2258 651	2258 651	2258 651
	Printed Circuit Board Wiring Terminal, 5 Pole Female	★	2291 258	2291 258	2291 258
8-16-8	CONNECTOR, 2 Way Polarized, Female	★	1842 003	1842 003	1842 003
	Single Cable	★	611 898	611 898	611 898
	Electric Window Lift Safety Switch Wiring	★	1345 871	1345 871	1345 871
8-16-10	PLUG, Cable Connector, No. 12 Cable	★	665 151	665 151	665 151

★ Indicates use as required.

Numerals in parentheses () refer to notes.

Printed in U.S.A.

□ Indicates parts not listed in any previous parts book.

Prices and specifications subject to change without notice.

* Indicates change or addition.

Jan. 3, 1964 Supersedes Dec. 14, 1962.

8-17-O FUSES

CODE		AMP.	SIZE	PART NO.
8-17-2	FUSES			
	All Models	1	5/8	* 149 559
	All Models	2	5/8	* 148 086
	All Models	2	1-1/4	* 145 511
	All Models	3	5/8	* 445 365
	All Models	3	1-1/4	* 106 652
	All Models	4	1-1/4	* 148 511
	All Models	5	5/8	* 126 049
	All Models	6	3/4	* 147 683
	All Models	7-1/2	7/8	* 150 866
	All Models	7-1/2	1-1/4	* 455 107
	All Models	9	7/8	* 147 684
	All Models	10	5/8	* 142 864
	All Models	10	1-1/4	* 117 142
	All Models	14	1-1/16	* 147 685
	All Models	15	1-1/4	* 120 151
	All Models	20	5/8	* 106 650
	All Models	30	1-1/4	* 120 114
	All Models	30	1-7/16	* 147 686
	All Models	60	43/50	*2258 284

CODE	PART NAME AND DESCRIPTION	C Y L.	PER CAR	VALIANT DART	PLYMOUTH DODGE	CHRYSLER IMPERIAL
8-19-O INSTRUMENT PANEL WIRING						
8-19-2	CONTACT, Ash Receiver Lamp Socket	8	1	----	----	2256 966
8-19-3	WIRING, Instrument Panel, TV1, TP1, TP2, TC1, TC2, TC3		1	2290 822	2290 964	2291 338
	TL1, TD1, TD2, TY1		1	2291 291	2291 048	2291 185
	CABLE, Temperature and Fuel Gauge Feed, TD1, TD2		1	----	1887 103	
	TA3	8	1	----	2426 484	
	GROMMET, Instrument Panel Dash, TP1, TP2, TD1, TD2		1	----	*2216 552	*2216 552
8-19-15	BOARD, Printed Circuit, TV1, TP1, TP2		1	*2427 427	*2427 139	
	TL1	6	1	2427 375		
	Right, TC1, TC2, TC3	8	1	----	----	2427 432
	Left, TC1, TC2, TC3	8	1	----	----	2427 430
8-19-16	CABLE, Printed Circuit Ground, TP1, TP2		1	----	2426 995	
8-19-83	SOCKET and CABLE, Ash Receiver Lamp	8	1	----	----	2291 751
8-19-87	CONNECTOR, CLIP and GASKET, Bulkhead		1	2258 497	2258 497	2258 497
8-20-O CIGAR LIGHTER						
8-20-3	CIRCUIT BREAKER, Thermal, Manual Reset, Cigar Lighter, Rear Console, TP2-P, TD2-P	8	1	----	1887 222	
	Rear Compartment, except 4 D., TC2	8	1	----	----	1887 222
	Front Seat Back, Sp.4 D. and Sub., TC3	8	1	----	----	1887 222
8-20-4	HOLDER, Fuse, 10 Amp., Console, TP2-P, TD2-P	8	1	----	*1971 742	
	Rear Compartment, Fuse, 10 Amp., TC2 except 4 D., TC3	8	1	----	----	*1971 742

* Indicates use as required. Numerals in parentheses () refer to notes. Printed in U.S.A.
 □ Indicates parts not listed in any previous parts book. Prices and specifications subject to change without notice.
 Jan. 3, 1964 Supersedes Jan. 25, 1963. * Indicates change or addition.

CODE	PART NAME AND DESCRIPTION	C Y L	PER CAR	VALIANT DART	PLYMOUTH DODGE	CHRYSLER IMPERIAL
8-20-0 CIGAR LIGHTER - Cont'd						
8-20-8	KNOB, Instrument Panel Cigar Lighter, TV1, TP1, TP2, TD1, TD2, TY1		1	2291 289	2290 188	2290 188
	TL1, TA3		1	2290 399	2426 397	
	Rear Console, TP2-P, TD2-P	8	1	----	2290 188	
	Instrument Panel Cigar Lighter, TC1, TC2, TC3	8	1	----	----	2257 952
	Rear Compartment, except 4 D., TC2	8	1	----	----	2290 188
	Rear Door, TC3 Sp. 4 D.	8	1	----	----	*2290 188
	Front Seat Back, TC3	8	1	----	----	2290 188
	Rear Door Arm Rest, Sp. 4 D., TY1	8	2	----	----	*2290 188
	Quarter Arm Rest, Sp. Cl. Cp. and Cv. Cp., TY1	8	2	----	----	*2290 188
8-20-9	ELEMENT, Instrument Panel Cigar Lighter Heat		1	1692 678	1692 678	1692 678
	Rear Console Cigar Lighter Heat, TP2-P, TD2-P	8	1	----	1692 678	
	Rear Compartment Cigar Lighter Heat, except 4 D., TC2	8	1	----	----	1692 678
	Front Seat Back Cigar Lighter Heat, TC3	8	1	----	----	1692 678
	Rear Door Cigar Lighter Heat, Sp. 4 D., TC3	8	1	----	----	1692 678
	Rear Door Arm Rest Cigar Lighter Heat, Sp. 4 D., TY1	8	2	----	----	1692 678
	Quarter Panel Arm Rest Cigar Lighter Heat, Sp. Cl. Cp. and Cv. Cp., TY1	8	2	----	----	1692 678
8-20-10	SHELL and CLAMP, Instrument Panel Cigar Lighter		1	2096 597	2096 599	2096 599
	Rear Console, TD2-P, TP2-P, Cuno	8	1	----	2198 192	
	Rear Compartment, w/Bucket Seat, w/Console, except 4 D., Cuno, TC2	8	1	----	----	2198 192
	Rear Compartment, w/Bucket Seat, w/Console, except 4 D., Casco, TC2	8	1	----	----	2291 997
	Rear Compartment, w/Bucket Seat, w/o Console, except 4 D., Casco, TC2	8	1	----	----	2096 599
	Rear Door, Sp. 4 D., TC3 Luxury, Casco	8	2	----	----	B2291 997
	Rear Door, Sp. 4 D., TC3 Luxury, Cuno	8	2	----	----	*2198 192
	Rear Door, Sp. 4 D., TC3 except TC3 Luxury	8	2	----	----	*2096 599
	Front Seat Back, TC3	8	1	----	----	2096 599
	Rear Door Arm Rest, SP. 4 D., TY1	8	1	----	----	2096 599
	Quarter Panel Arm Rest, Sp. Cl. Cp. and Cv. Cp., TY1	8	1	----	----	2096 599
8-20-12	INSULATOR, Rear Console Cigar Lighter Terminal, TP2-P, TD2-P.	8	1	----	1300 528	
8-20-16	BEZEL, Instrument Panel Cigar Lighter, TL1.	6	1	2291 062		
	TV1	6	1	1887 600		
	TA3	8	1	----	1887 787	
	Front Seat, except 4 D., TC2, TC3	8	1	----	----	*2080 996

NOTES

★ Indicates use as required.

Numerals in parentheses () refer to notes.

Printed in U.S.A.

□ Indicates parts not listed in any previous parts book.

Prices and specifications subject to change without notice.

* Indicates change or addition.

Jan. 3, 1964 Supersedes Jan. 25, 1963.

8-27-0 IGNITION DISTRIBUTOR

8-27-1 DISTRIBUTOR, Assembly

Models	Cyl.	Eng. (cu. in.)	Trans.	Breaker	Distributor Stamped	Distributor Partial (1) or Complete Assembly
TV1, TL1	6	170	Std.	Single	2098 665	*2098 667(1)
TV1, TL1	6	170	Auto	Single	2098 675	*2098 677(1)
TV1, TL1, TP, TD1	6	225	All	Single	2098 670	*2098 672(1)
TP2, TD2	8	318	Std.	Single	2098 680	*2098 679(1)
TP2, TD2	8	318	Auto	Single	2098 685	*2098 684(1)
TP2, TD2, w/o Air Conditioning	8	318	Auto	Single	2444 346 IBP-4003Z	*2444 371(1) IBP-4003ZS
TP2 w/Power Pack, TC1, One-2 Barrel Carburetor	8	361	All	Single	2095 836	*2095 836
TP2, TD2, One-4 Barrel Carburetor	8	383	All	Double	2095 832 IBS-4006G	*2095 832 IBS-4006G
TP2, TD2, Two-4 Barrel Carburetor	8	426	All	Double	2098 582 IBB-4202	*2098 725(1) IBB-4202S
TD2 w/Power Pack, TC2, One-2 Barrel Carburetor	8	383	All	Single	2095 836	*2095 836
TA3, One-2 Barrel Carburetor	8	361 and 383	All	Single	2095 836	*2095 836
TA3, TC1, TC2 w/Power Pack, One- 4 Barrel Carburetor	8	413	All	Double	2098 313 IBS-4011A	*2098 495(1) IBS-4011AS
TC2-300J, Two-4 Barrel Carburetor	8	413	All	Double	2098 620 IBS-4011B	*2098 726(1) IBS-4011BS
TC3, TY1, One-4 Barrel Carburetor	8	413	Auto	Single	2098 690	*2098 689(1)

(1) Partial Assemblies do not include the Cap and Rotor

CODE	PART NAME AND DESCRIPTION	CYL.	PER CAR	VALIANT DART	PLYMOUTH DODGE	CHRYSLER IMPERIAL
8-27-61	CAP, Rotor and Cable Package, Distributor . . .	6	1	*2448 273	*2448 273	
8-27-259	SPACER, Distributor Cam		1	1889 996	1889 996	1889 996
8-27-296	WICK, Distributor Cam Sleeve		1	643 899	643 899	643 899
8-27-320	TUBE, Carburetor to Distributor Vacuum Control .		1	2264 962	2264 962	2264 962

★ Indicates use as required.

Numerals in parentheses () refer to notes.

Printed in U.S.A.

⊠ Indicates parts not listed in any previous parts book.

Prices and specifications subject to change without notice.

Jan. 3, 1964 Supersedes Dec. 14, 1962.

* Indicates change or addition.

8-27-0 IGNITION DISTRIBUTOR - Cont'd

FOR MODEL APPLICATION SEE CODE 8-27-1

CODE	REMARKS	DISTRIBUTOR ASSEMBLIES			
		*2095 832 IBS-4006G	*2095 836	*2098 313 IBS-4011A	*2098 665
DISTRIBUTOR IDENTIFICATION STAMPED		*2095 832	*2095 836	*2098 313	*2098 665
REPLACEMENT ASSY'S (PARTIAL) (LESS CAPS)		IBS-4006G	IBS-4006G	IBS-4011A	IBS-4011AS
8-27-4	GASKET, Distributor Mounting Oil Retaining	1326 836	1326 836	1326 836	2095 630
	GASKET, Distributor Mounting to Cylinder Block . .	----	----	----	*2095 740
8-27-11	GEAR and PIN PACKAGE, Tachometer Drive	----	----	2084 869	----
8-27-18	FOLLOWER GEAR PACKAGE, Tachometer.	----	----	2084 870	----
8-27-26	CLAMP	1947 613	1947 613	1947 613	----
8-27-27	SCREW and WASHER, Clamp	6022 185	6022 185	6022 185	----
8-27-71	CAP	*1658 534	1838 514	*1658 534	2098 765
8-27-76	SPRING, Cap Attaching	----	1838 508	----	1838 508
8-27-77	SPRING and HINGE PACKAGE, Cap Clamp.	1879 606	----	1879 606	----
8-27-85	CONTACT and SPRING PACKAGE, Cap Plunger . . .	2084 655	----	2084 655	----
8-27-100	OILER.	953 717	----	1879 391	953 717
8-27-114	BEARING, Ball	----	----	623 207	----
8-27-133	BEARING and THRUST WASHER PACKAGE, Drive Shaft	1879 596	2275 229	2084 867	2275 228
8-27-137	COLLAR and PIN PACKAGE, Drive Shaft.	----	2084 448	----	----
8-27-138	PLATE, Breaker	2299 321	2095 922	2299 321	2095 922
8-27-158	CONTACT SET	2299 322	2098 244	----	2098 244
	CONTACT SET (2 used)	----	----	*2421 174	----
8-27-190	CONDENSER	1818 757	2098 058	1818 757	2098 058
8-27-205	LEAD, Primary	1383 958	2095 873	1383 958	2095 508
8-27-208	BREAKER and GROUND LEAD PACKAGE.	2299 320	----	2299 320	----
8-27-218	TERMINAL and STUD PACKAGE	1881 751	----	1881 751	----
8-27-250	SHAFT, GOVERNOR and CAM	----	2098 189	----	2098 663
8-27-278	WEIGHT PACKAGE, Governor.	1881 746	1881 955	1881 746	1881 945
8-27-279	SPRING SET, Governor Weight	2275 227	2298 765	2084 866	2448 259
8-27-292	CAM and STOP PLATE	----	2098 190	----	2098 175
8-27-297	FELT DISC and SNAP RING PACKAGE	1879 607	1879 607	1879 607	1879 607
8-27-300	ROTOR	1658 535	1838 516	1658 535	2098 770
8-27-308	CHAMBER PACKAGE, Vacuum	2084 857	----	2084 868	----
	CONTROL, Vacuum	----	2098 192	----	2098 664
8-27-315	PLUG and GASKET PACKAGE, Vacuum Chamber . .	2299 319	----	2299 319	----
8-27-316	SPRING and WASHER PACKAGE, Vacuum Chamber .	1881 750	----	1881 766	----
8-27-352	GEAR and PIN PACKAGE, Drive	----	----	----	2084 653

★ Indicates use as required.

Numerals in parentheses () refer to notes.

Printed in U.S.A.

ⓔ Indicates parts not listed in any previous parts book.

Prices and specifications subject to change without notice.

* Indicates change or addition.

Jan. 3, 1964 Supersedes Dec. 14, 1962.

8-27-0 IGNITION DISTRIBUTOR - Cont'd

FOR MODEL APPLICATION SEE CODE 8-27-1

CODE	REMARKS	DISTRIBUTOR ASSEMBLIES			
		*2098 670 *2098 672	*2098 675 *2098 677	*2098 680 *2098 679	*2098 685 *2098 684
	DISTRIBUTOR IDENTIFICATION STAMPED REPLACEMENT ASSY'S (PARTIAL) (LESS CAPS)				
8-27-4	GASKET, Distributor Mounting Retaining GASKET, Distributor Mounting to Cylinder Block . .	2095 630 2095 740	2095 630 2095 740	1326 836 -----	1326 836 -----
8-27-26	CLAMP	-----	-----	1947 612	1947 612
8-27-27	SCREW and WASHER, Clamp	-----	-----	1675 958	1675 958
8-27-71	CAP	2098 765	2098 765	1838 514	1838 514
8-27-76	SPRING, Cap Attaching	1838 508	1838 508	1838 508	1838 508
8-27-100	OILER	953 717	953 717	953 717	953 717
8-27-133	BEARING and THRUST WASHER PACKAGE, Drive Shaft	2275 228	2275 228	2275 229	2275 229
8-27-137	COLLAR and PIN PACKAGE, Drive Shaft	-----	-----	2084 448	2084 448
8-27-138	PLATE, Breaker	2095 922	2095 922	2095 922	2095 922
8-27-158	CONTACT SET	2098 244	2098 244	2098 244	2098 244
8-27-190	CONDENSER	2098 058	2098 058	2098 058	2098 058
8-27-205	LEAD, Primary	2095 508	2095 508	2095 873	2095 873
8-27-250	SHAFT, GOVERNOR and CAM, Drive	2098 673	2098 519	2098 727	2098 728
8-27-278	WEIGHT PACKAGE, Governor	1881 945	1881 945	1881 945	1881 945
8-27-279	SPRING SET, Governor Weight	2448 260	2421 473	2448 258	2448 257
8-27-292	CAM and STOP PLATE	2095 274	2098 175	2095 741	1889 320
8-27-297	FELT DISC and SNAP RING PACKAGE	1879 607	1879 607	1879 607	1879 607
8-27-300	ROTOR	2098 770	2098 770	1838 516	1838 516
8-27-308	CONTROL, Vacuum	2098 209	2098 664	2098 298	2098 184
8-27-352	GEAR and PIN PACKAGE, Drive	2084 653	2084 653	-----	-----

NOTES

★ Indicates use as required. Numerals in parentheses () refer to notes. Printed in U.S.A.
 ☐ Indicates parts not listed in any previous parts book. Prices and specifications subject to change without notice.
 Jan. 3, 1964 Supersedes Dec. 14, 1962. Page 8-32 * Indicates change or addition.

8-27-0 IGNITION DISTRIBUTOR - Cont'd

FOR MODEL APPLICATION SEE CODE 8-27-1

DISTRIBUTOR IDENTIFICATION STAMPED REPLACEMENT ASSY'S (PARTIAL) (LESS CAPS)		DISTRIBUTOR ASSEMBLIES			
		*2098 690 ---- *2098 689 ----	*2098 582 IBB-4202 *2098 725 IBB-4202S	*2098 620 IBS-4011B *2098 726 IBS-4011BS	*2444 346 IBP-4003Z *2444 371 IBP-4003ZS
CODE	REMARKS				
8-27-4	GASKET, Distributor Mounting Oil Retaining	*1326 836	*1326 836	*1326 836	*1326 836
8-27-11	GEAR and PIN PACKAGE, Tachometer Drive . . .	----	----	*2084 869	----
8-27-18	FOLLOWER GEAR PACKAGE, Tachometer	----	----	*2084 870	----
8-27-26	CLAMP	*1947 613	*2406 143	*1947 613	*1326 835
8-27-27	SCREW and WASHER, Clamp	*6022 185	*6022 185	*6022 185	----
8-27-71	CAP	*1838 514	*1658 534	*1658 534	*1658 534
8-27-76	SPRING, Cap Attaching	*1838 508	----	----	----
8-27-77	SPRING and HINGE PACKAGE, Cap Clamp	----	*2084 303	*1879 606	*1879 606
8-27-85	CONTACT and SPRING PACKAGE, Cap Plunger . .	----	*2084 655	*2084 655	*2084 655
8-27-100	OILER	----	* 953 717	*1879 391	* 953 717
8-27-114	BEARING, Ball	----	----	* 623 207	----
8-27-133	BEARING and THRUST WASHER PACKAGE, Drive Shaft	*2275 229	*1879 596	*2084 867	*1879 596
8-27-137	COLLAR and PIN PACKAGE, Drive Shaft	*2084 448	----	----	----
8-27-138	PLATE, Breaker	*2095 922	*2421 848	*2299 321	E2525 265
8-27-158	CONTACT SET	*2098 244	----	----	E2421 177
	CONTACT SET (2 used)	----	*2421 849	*2421 173	----
8-27-190	CONDENSER	*2098 058	*1818 757	*1818 757	*1818 757
8-27-205	LEAD, Primary	*2095 873	E2448 252	*1383 958	*2084 865
8-27-208	BREAKER and GROUND LEAD PACKAGE	----	----	*2299 320	----
8-27-218	TERMINAL and STUD PACKAGE	----	----	*1881 751	----
8-27-250	SHAFT, GOVERNOR AND CAM, Drive	*2095 648	----	----	----
	SHAFT, Drive	----	E2448 251	E2448 289	*1818 574
8-27-278	WEIGHT PACKAGE, Governor	*1881 955	*1881 746	*1881 746	*1879 595
8-27-279	SPRING SET, Governor Weight	*1881 956	E2448 250	E2448 634	E2525 266
8-27-292	CAM and STOP PLATE	*1889 709	E2448 805	----	----
8-27-297	FELT DISC and SNAP RING PACKAGE, Cam Sleeve	*1879 607	*1879 607	*1879 607	*1879 607
8-27-300	ROTOR	*1838 516	*1658 535	*1658 535	*1658 535
8-27-308	CONTROL, Vacuum	*2098 734	----	----	----
8-27-315	CHAMBER PACKAGE, Vacuum	----	----	*2084 868	*2299 324
	PLUG and GASKET PACKAGE, Vacuum Chamber .	----	----	*2299 319	*2299 319
8-27-316	SPRING and WASHER PACKAGE, Vacuum Chamber.	----	----	*1881 758	*2084 083

★ Indicates use as required.

Numerals in parentheses () refer to notes.

Printed in U.S.A.

⊠ Indicates parts not listed in any previous parts book.

Prices and specifications subject to change without notice.

* Indicates change or addition.

8-28-0 GENERATOR OR ALTERNATOR

NOTE: For Component Parts of Alternators see Part Type Code 8-29-0. Where Component Parts of a listed Alternator are not shown please order by description. Production Assemblies w/o Pulley are for identification purposes only. Order Service Alternators w/Pulley.

NOTE: Higher Ampere Leece-Neville Alternators and Alternator Regulators are used on some 1963 Vehicles. Chrysler Parts Plants do not stock Complete Replacement Assemblies or Repair Parts for Leece-Neville Units. When Complete Alternator or Alternator Regulator Assemblies or Repair Parts are required, they should be ordered by Description Direct from the nearest Leece-Neville Distributor or Leece-Neville, 1374 E. 51st Street, Cleveland 3, Ohio. Attaching Parts such as Bracket, Straps and Belts are available through your usual Chrysler Parts Source.

NOTE: Alternator 2098 830 includes No. 2095 430 Single Groove Pulley, if Double Groove Pulley is required change Pulley to No. 2095 662.

NOTE: Alternator 2098 850 includes No. 2095 059 Double Groove Pulley, when using on cars equipped with Single Groove Pulley, it is not necessary to change Pulley to Single Groove.

CODE	REMARKS	Alternator w/o Pulley	Pulley No.	Amp.	Alternator w/Pulley
8-28-3	TV1, TL1	*2098 530	*2095 430	S 30	*2098 835
	TP1, TP2, TD1, TD2, TA3, TC1, TC2, TC3, TY1	*2098 525	*2095 430	S 35	*2098 830
	TP2, TD2, w/426 cu. in. Eng., w/3-1/2" Pulley	*2098 525	*2095 662	D 35	*2098 830
	TV1, TL1, TP1, TP2, TD1, TD2, TA3, TC1, TC2, TC3	*2098 535	*2095 430	S 40	*2098 850
	TP2, TD2, TA3, TC1, TC2, TC3, TY1, w/Air Conditioning, w/3" Pulley	*2098 535	*2095 059	D 40	*2098 850

NOTE: Letter "S" and "D" in Pulley Margin represent Single Groove and Double Groove.

CODE	PART NAME AND DESCRIPTION	C Y L	PER CAR	VALIANT DART	PLYMOUTH DODGE	CHRYSLER IMPERIAL
8-28-14	SPACER, Alternator Adjusting Strap, to Water Pump Housing, w/o Air Conditioning, w/High Performance	8	1	----	2206 450	2206 450
8-28-15	STRAP, Alternator Adjusting	6	1	2202 767	2202 767	
	w/318 cu. in. Eng., TP2, TD2 except TD2-P	8	1	----	2202 942	
	w/Air Conditioning, Field Installation, TP1, TP2 except 318 cu. in. Eng., TD1, TD2 except 318 cu. in. Eng., TA3		1	----	E1999 184	E1999 184
	w/o Air Conditioning, w/318 cu. in. Eng., w/Leece-Neville Alternator, TP2, TD2 except TD2-P	8	1	----	2264 518	
	w/o Air Conditioning, TP2 w/361 and 383 cu. in. Eng., TD2 w/383 cu. in. Eng., TA3 w/361 and 383 cu. in. Eng., TC1 w/361 cu. in. Eng., TC2 w/383 cu. in. Eng., TC3 w/Trailer Package	8	1	----	2206 446	2206 446
	w/o Air Conditioning, w/413 cu. in. Eng., TA3 Police	8	1	----	2206 447	2206 447
	w/Air Conditioning, TP2 w/361 and 383 cu. in. Eng., TD2 w/383 cu. in. Eng.	8	1	----	2129 060	
	w/o Air Conditioning, w/Leece-Neville Alternator, TP2 w/361 and 383 cu. in. Eng., TD2 w/383 cu. in. Eng., TA3 Police w/361 and 383 cu. in. Eng., TC1 Police w/361 cu. in. Eng.	8	1	----	2206 348	2206 348
	w/o Air Conditioning, w/426 cu. in. Eng., TP2, TD2	8	1	----	2402 297	
	w/o Air Conditioning, w/Leece-Neville Alternator, w/413 cu. in. Eng., TA3 Police, TC1 Police	8	1	----	2268 928	2268 928
	w/Air Conditioning, w/Auto. Trans., TA3 w/361 and 383 cu. in. Eng.	8	1	----	2129 060	2129 060

* Indicates use as required.

Numerals in parentheses () refer to notes.

Printed in U.S.A.

E Indicates parts not listed in any previous parts book.

Prices and specifications subject to change without notice.

Jan. 3, 1964 Supersedes Dec. 14, 1962.

* Indicates change or addition.

CODE	PART NAME AND DESCRIPTION	C Y L.	PER CAR	VALIANT DART	PLYMOUTH DODGE	CHRYSLER IMPERIAL
8-28-0 GENERATOR OR ALTERNATOR - Cont'd						
8-28-36	BRACKET, Alternator and Coil Mounting	6	1	E2299 305	E2299 305	
	w/Leece-Neville Alternator	6	1	2406 526	2406 526	
	w/318 cu. in. Eng., TP2, TD2 except TD2-P	8	1	----	*2202 940	
	w/o Air Conditioning, w/Leece-Neville Alternator, w/318 cu. in. Eng., TP2, TD2 except TD2-P	8	1	----	2264 523	
	w/o Air Conditioning, TP2, TD2, except 318 cu. in. Eng., TA3	8	1	----	2206 445	2206 445
	w/Air Conditioning, TP2 w/361 and 383 cu. in. Eng., TD2 w/383 cu. in. Eng., TA3	8	1	----	2129 154	2129 154
	w/Air Conditioning, Field Installation, TP1, TP2 except 318 cu. in. Eng., TD1, TD2 except 318 cu. in. Eng., TA3		1	----	E2129 156	E2129 156
	w/o Air Conditioning, w/Leece-Neville Alternator, TP2 w/361 and 383 cu. in. Eng., TD2 w/383 cu. in. Eng., TA3 Police w/361 and 383 cu. in. Eng., TC1 Police w/361 cu. in. Eng.	8	1	----	2206 346	2206 346
	w/o Air Conditioning, w/Leece-Neville Alternator, Police w/413 cu. in. Eng., TA3, TC1	8	1	----	2268 927	2268 927
	w/Spring Anchor, w/o Air Conditioning, w/Leece- Neville Alternator, TP2 w/361 and 383 cu. in. Eng., TD2 w/383 cu. in. Eng., TA3 Police, TC1 Police w/361 and 413 cu. in. Eng.	8	1	----	2206 347	2206 347
8-28-74	REGULATOR, Alternator Voltage		1	2098 300	2098 300	2098 300
	SCREW, Mounting		2	6006 120	6006 120	6006 120
8-28-88	SCREW and CLAMP, Alternator Regulator Terminal, w/Leece-Neville Alternator.		4	1779 986	1779 986	1779 986
8-28-292	SPACER, Alternator to Cylinder Head, w/o Air Conditioning, TP2 High Performance, TD2 High Performance, TA3.	8	1	----	2206 448	2206 448
	SPACER, Alternator, w/o Air Conditioning, TP2 High Performance, TD2 High Performance, TA3.	8	1	----	2206 449	2206 449

8-29-0 ALTERNATOR COMPONENT PARTS

FOR MODEL APPLICATION SEE CODE 8-28-3

		ALTERNATOR ASSEMBLIES		
Alternator, w/o Pulley		*2098 525	*2098 530	*2098 535
Alternator, w/Pulley		2098 830	2098 835	2098 850

CODE	REMARKS			
ALTERNATOR COMPONENT PARTS				
8-29-17	BRUSH, Washer and Terminal Package	2084 673	2084 673	2084 673
8-29-42	HOLDER, Brush	2095 038	2095 038	2095 038
8-29-97	ROTOR	2098 511	2098 516	2098 511
8-29-98	STATOR	2095 427	2095 427	2095 427
8-29-99	RETAINER, WASHER and SLIP RING PACKAGE, Rotor Grease	2421 804	2421 804	2421 804
8-29-129	CAPACITOR and INSULATOR PACKAGE	2421 137	2421 137	2421 137
8-29-130	SCREW, Capacitor Ground.	6022 381	6022 381	6022 381

★ Indicates use as required. Numerals in parentheses () refer to notes. Printed in U.S.A.
 E Indicates parts not listed in any previous parts book. Prices and specifications subject to change without notice.
 * Indicates change or addition. Jan. 3, 1964 Supersedes Dec. 14, 1962.

CODE	PART NAME AND DESCRIPTION	C Y L	PER CAR	VALIANT DART	PLYMOUTH DODGE	CHRYSLER IMPERIAL
8-32-0 HORN - Cont'd						
8-32-18	SCREW, Horn Relay and Bracket Mounting, TP1, TP2, TD1, TD2, TC1, TC2, TC3		1	6006 120	6006 120	6006 120
	SCREW, Horn and Mounting Bracket, to Yoke, TA3		2	6023 253	6023 253	6023 253
	SCREW, Horn and Mounting Bracket, to Yoke, TP1, TP2, TD1, TD2		1	----	6023 253	
8-33-0 HORN CONTROLS						
8-33-4	RING, Steering Wheel Horn	6	1	2265 517		
	RING, w/Plastic Wheel, TP1, TP2		1	----	2401 255	
	RING, Partial, TP1-M-H, TP2-M-H, TD1, TD2-L-M-H, TY1		1	----	2204 104	2200 585
	RING, w/ORNAMENT, w/Plastic Wheel, TD1, TD2-L, M, H, TA3		1	----	2401 195	
	RING, w/ORNAMENT, w/Plastic Wheel, TD2-P	8	1	----	2401 704	
	RING, Partial, w/Oval Rim, w/Rubber Wheel, TC1, TC2, TC3	8	1	----	----	2266 764
	RING, w/Flat Rim, w/Rubber Wheel, TC1, TC2, TC3	8	1	----	----	2401 177
8-33-5	RETAINER, Horn Button Ornament Cap, Paint, TP1-L, TP2-L		1	----	2207 888	
	Horn Ring, w/Plastic Wheel		1	----	2260 511	
8-33-6	ORNAMENT, Steering Wheel, TV1	6	1	2266 209		
	TL1	6	1	2401 263		
	Plastic, TP1, TP2-L-M-H		1	----	2266 772	
	Chrome, Complete, TP1, TP2-L-M-H		1	----	2401 205	
	Chrome, Complete, TD1, TD2-L-M-H, TA3E		1	----	2401 206	
	Horn Ring, Complete, w/Rubber Wheel, TC1, TC2, TC3	8	1	----	----	2401 179
8-33-17	COVER, Horn Ring, TP1, TP2		1	----	2401 254	
8-33-19	BASE, Horn Button Ornament, TV1-L, TL1-L	6	1	2266 220		
	Horn Ring Mounting, TY1	8	1	----	----	1730 978
	SCREW and LOCKWASHER, TY1	8	4	----	----	6023 401
8-33-23	SPACER, Steering Wheel Ornament	6	1	*2401 209		
8-33-39	BUSHING PACKAGE, Horn Ring Spacer		1	2240 608	2240 608	2240 608
8-33-40	SCREW, Horn Ring Spacer Bushing		★	1325 906	1325 906	1325 906
8-33-70	"O" RING, Steering Wheel Ornament Retainer	6	1	6023 346		
8-33-90	SWITCH, Horn, Complete, TV1-L, TL1-L, TP1-L, TP2-L		1	2076 543	2076 543	
	w/Horn Ring, Export, TV1-L, TL1-L, TP1-L, TP2-L		1	1972 391	1972 391	
	w/Horn Ring, TV1-H-P, TL1-H-P, TP1-M-H, TP2-M-H-P, TD1, TD2, TA3, TC1, TC1, TC3		1	1972 391	1972 391	1972 391
	TY1	8	1	----	----	1704 689
8-33-118	CONTACT, Turn Signal Switch Horn, TY1	8	1	----	----	*1604 921
8-33-121	RING and FEED CABLE, Horn Contact, TC1, TC2, TC3		1	2258 723	2258 723	2258 723
	TY1	8	1	----	----	2197 079
8-33-164	RELAY, Horn		1	*2291 436	*2291 436	*2291 436
	SCREW, Mounting		1	6006 120	6006 120	6006 120

★ Indicates use as required.

Numerals in parentheses () refer to notes.

Printed in U.S.A.

☐ Indicates parts not listed in any previous parts book.

Prices and specifications subject to change without notice.

* Indicates change or addition.

Jan. 3, 1964 Supersedes Jan. 25, 1963.

1963 PASSENGER CAR PARTS CATALOG

CODE	PART NAME AND DESCRIPTION	C Y L.	PER CAR	VALIANT DART	PLYMOUTH DODGE	CHRYSLER IMPERIAL
8-34-O HEADLAMP						
8-34-1	HEADLAMP and DOOR PACKAGE, Headlamp, Complete, TV1	6	2	2421 140		
	HEADLAMP and DOOR PACKAGE, Headlamp, Complete, TL1	6	2	2421 141		
	HEADLAMP, Single, Complete, Left Way Shift, Export	6	2	2290 760		
	High-Low Beam, Rite Way Shift, Complete		2	----	2097 316	2097 316
	High-Low Beam, Left Way Shift, Complete, TP1, TP2, TD1, TD2		2	----	2097 317	
	High Beam, Complete		2	----	2097 319	2097 319
8-34-40	DOOR, Fender Headlamp, TV1; TD1, TD2		2	*2445 946	2276 214	
	Fender Headlamp, TL1	6	2	2276 146		
	Radiator Grille Headlamp, Right, TP1, TP2		1	----	2276 308	
	Left, TP1, TP2		1	----	2276 309	
	Radiator Grille Headlamp, Right, TD1, TD2		1	----	2276 172	
	Left, TD1, TD2		1	----	2276 173	
	Radiator Grille Headlamp, Right, TA3	8	2	----	2417 284	
	Left, TA3	8	2	----	2417 285	
	Fender Headlamp, Right, TC1, TC2, TC3	8	1	----	----	2276 464
	Left, TC1, TC2, TC3	8	1	----	----	2276 465
	Headlamp, TY1	8	4	----	----	1904 214
8-34-56	WELT, Headlamp Door to Hood, Black, TL1	6	2	2271 132		
	STAPLE, Headlamp Door Welt Fastener, TL1	6	6	6006 104		
8-34-62	J/NUT, Radiator Grille Headlamp Door, Upper, TP1, TP2		4	----	6024 230	
	U/NUT, Radiator Grille Headlamp Door Attaching, Lower, TP1, TP2		4	----	6024 194	
	J/NUT, Headlamp Door to Fender Front Panel, TC1, TC2, TC3	8	4	----	----	6023 164
8-34-63	RETAINER, Headlamp Door, Lower, TV1	6	2	E2445 947		
8-34-96	SCREW, Fender Headlamp Door Attaching	6	6	6024 196		
	SCREW, Radiator Grille Headlamp Door Attaching, Lower, TP1, TP2		4	----	6024 213	
	SCREW, Radiator Grille Headlamp Door Attaching, Upper, TP1, TP2		4	----	6023 659	
	SCREW, Radiator Grille Headlamp Door Attaching, Lower, TD1, TD2		2	----	6023 665	
	SCREW, Radiator Grille Headlamp Door Attaching, Upper, TD1, TD2		2	----	6025 099	
	SCREW, Headlamp Door to Grille Attaching, TD1, TD2		4	----	6025 099	
	SCREW, Headlamp Mounting, TA3, TY1	8	12	----	9418 419	9418 419
	SCREW, Headlamp Door to Fender Headlamp Panel, TC1, TC2, TC3	8	6	----	----	6023 637
	SCREW, Headlamp Door Attaching, TA3, TY1	8	12	----	*6024 278	6010 061
8-34-175	SEALED BEAM UNIT, Headlamp Rite Way Shift	6	2	*2197 450		
	Single Headlamp, Left Way Shift, Export	6	2	*2197 680		
	High-Low Beam, Left Shift, Export, TP1, TP2, TD1, TD2		2	----	1841 775	
	High-Low Beam, Rite Way Shift		2	----	1753 436	1753 436
	High Beam		2	----	1753 435	1753 435
8-34-177	SPRING, Single Headlamp Sealed Beam Unit Mounting Adjusting	6	2	*1972 972		
	TP1, TP2, TD1, TD2		4	----	1972 972	1972 972
8-34-178	SCREW, Single Headlamp Sealed Beam Unit Mounting Seat Adjusting	6	4	*1658 660		
			8	----	2197 327	2197 327

★ Indicates use as required. Numerals in parentheses () refer to notes. Printed in U.S.A.
 ☐ Indicates parts not listed in any previous parts book. Prices and specifications subject to change without notice.
 Jan. 3, 1964 Supersedes Dec. 14, 1962. Page 8-38 * Indicates change or addition.

CODE	PART NAME AND DESCRIPTION	C Y L.	PER CAR	VALIANT DART	PLYMOUTH DODGE	CHRYSLER IMPERIAL
8-34-O HEADLAMP - Cont'd						
8-34-180	RING and LUG, Single Headlamp Sealed Beam Unit, Retaining	6	2 4	*2426 312 -----	1779 406	1779 406
8-34-300	REINFORCEMENT, Headlamp Mounting, White, Right, TY1	8	1	-----	-----	1904 286
	Left, TY1	8	1	-----	-----	1904 287
8-34-362	HOUSING, Headlamp, Inboard, Right, TY1	8	1	-----	-----	1904 212
	Left, TY1	8	1	-----	-----	1904 213
	Outboard, Right, TY1	8	1	-----	-----	1904 208
	Left, TY1	8	1	-----	-----	1904 209
	NUT and WASHER, TY1	8	8	-----	-----	6022 162
8-34-371	STABILIZER, Headlamp Housing to Fender, Right, TY1	8	1	-----	-----	1904 216
	Left, TY1	8	1	-----	-----	1904 217
8-34-372	GASKET, Headlamp Housing Base, TY1	8	4	-----	-----	1904 218
	GASKET, Headlamp Housing Stabilizer, TY1	8	2	-----	-----	1904 220
8-34-374	REINFORCEMENT, Headlamp Housing Stabilizer, White, Right, TY1	8	1	-----	-----	1904 282
	Left, TY1	8	1	-----	-----	1904 283
8-35-O IGNITION COIL, SWITCH AND LOCK CYLINDER						
8-35-4	COIL, Ignition		1	2084 847	2084 847	2084 847
8-35-22	RESISTOR, Ignition Coil Primary		1	2275 590	2275 590	2275 590
8-35-41	BRACKET, Ignition Coil Mounting, on Coil, used w/Leece-Neville Alternator	6	1	2203 144	2203 144	
	On Coil	6	1	1688 207	1688 207	
	w/318 cu. in. Eng., on Coil, TP2, TD2	8	1	-----	2095 374	
	Except 318 cu. in. Eng., on Coil	8	1	-----	1688 207	1688 207
8-35-44	SPACER, Ignition and Starter Switch Mounting, TA3	8	1	-----	2198 869	
8-35-52	SCREW, Ignition Coil Primary Resistor Mounting		1	6006 120	6006 120	6006 120
8-35-59	SWITCH, Ignition and Starter		1	2097 628	2097 628	2097 628
8-35-62	SEAL, Starter and Ignition Switch, TV1	6	1	2291 143		
8-35-85	BEZEL, Switch Mounting, TV1, TP1, TP2		1	*2290 414	*1972 084	
	TL1, TD1, TD2, TC1, TC2, TC3		1	2291 063	2256 449	2290 818
	TA3	8	1	-----	2198 872	
	RING, Retaining, TY1	8	1	-----	-----	1971 873
8-35-95	RETAINER, Switch, TP1, TP2		1	-----	*1972 077	
8-35-111	CYLINDER PACKAGE, Ignition and Door Lock, except TA3, TY1		1	2161 192	2161 192	2161 192
	Ignition, Door and Manual Tailgate, Sub., TP1, TP2, TD1, TD2		1	2419 183	2162 531	
	Police and Taxi, TP1, TP2, TD1, TD2, TC1, TC2, TC3		1	-----	2162 503	2162 503
	TA3, TY1	8	1	-----	2161 503	2161 503
	Ignition, Door and Electric Tailgate, Sub., TA3, TC1, TC3	8	1	-----	2291 411	2427 116
8-35-115	CYLINDER and KEY, Ignition Lock		1	2086 047	2086 047	2086 047

★ Indicates use as required.

Numerals in parentheses () refer to notes.

Printed in U.S.A.

☐ Indicates parts not listed in any previous parts book.

Prices and specifications subject to change without notice.

* Indicates change or addition.

Page 8-39

Jan. 3, 1964 Supersedes Jan. 25, 1963.

1963 PASSENGER CAR PARTS CATALOG

ELECTRICAL

CODE	PART NAME AND DESCRIPTION	CYL.	PER CAR	VALIANT DART	PLYMOUTH DODGE	CHRYSLER IMPERIAL
8-36-0 IGNITION						
8-36-1	CABLE SET, Ignition, Resistor Type	6	1	*2421 800	*2421 800	
	CABLE SET, Resistor Type, w/318 cu. in. Eng., TP2, TD2 except TD2-P	8	1	----	*2448 680	
	CABLE SET, Resistor Type, w/361 and 383 cu. in. Eng., TP2, TD2	8	1	----	*2448 681	
	CABLE SET, Stainless Steel Core, w/426 cu. in. Eng., TP2, TD2	8	1	----	*2421 497	
	CABLE SET, Resistor Type, w/Leece-Neville Alternator, TA3, TC1	8	1	----	*2495 512	*2495 512
	CABLE SET, Resistor Type, w/GROMMETS, TA3	8	1	----	*2495 514	*2495 514
	CABLE SET, Resistor Type, TA3, TC1, TC2 except TC2-300J, TC3, TY1	8	1	----	E2495 515	E2495 515
	CABLE SET, Metal Core Conductor, TC2-300J	8	1	----	----	*2421 836
	CABLE PACKAGE, Resistor Type, w/318 cu. in. Eng., TP2, TD2, except TD2-P	8	8	----	*2196 335	
	CABLE PACKAGE, Resistor Type, except 318 and 426 cu. in. Eng., except No. 3 Cable, TP2, TD2	8	7	----	*2084 458	
	CABLE PACKAGE, Resistor Type, except 318 and 426 cu. in. Eng., No. 3 Cable, TP2, TD2	8	1	----	*2084 456	
	CABLE PACKAGE, Metal Core Conductor, w/426 cu. in. Eng., except No. 3 and 5 Cable, TP2, TD2	8	6	----	*2421 495	
	CABLE PACKAGE, Metal Core Conductor, w/426 cu. in. Eng., No. 3 and 5 Cable, TP2, TD2	8	2	----	*2421 496	
	CABLE PACKAGE, Resistor Type, except No. 2 Cable, TA3, TC1, TC2 except TC2-300J, TC3, TY1	8	7	----	*2196 335	*2196 335
	CABLE PACKAGE, Resistor Type, No. 2 Cable, TA3, TC1, TC2 except TC2-300J, TC3, TY1	8	1	----	*2084 458	*2084 458
	CABLE PACKAGE, Resistor Type, w/Leece-Neville Alternator, except No. 2 Cable, TA3, TY1	8	7	----	*2196 335	*2196 335
	CABLE PACKAGE, Resistor Type, w/Leece-Neville Alternator, No. 2 Cable, TA3, TY1	8	1	----	*2084 458	*2084 458
	CABLE PACKAGE, Metal Core Conductor, except No. 2, 3 and 4 Cable, TC2-300J	8	5	----	----	*2421 835
	CABLE PACKAGE, Metal Core Conductor, No. 2 Cable, TC2-300J	8	1	----	----	*2421 495
	CABLE PACKAGE, Metal Core Conductor, No. 3 and 4 Cable, TC2-300J	8	2	----	----	*2421 496
8-36-4	BRACKET, Spark Plug Wire, w/318 cu. in. Eng., TP2, TD2 except TD2-P	8	2	----	1739 355	
	Intermediate, Front, Right, TP2 w/361 and 383 cu. in. Eng., TD2 w/383 cu. in. Eng.	8	1	----	2406 345	
	Intermediate, Front, Left, TP2 w/361 and 383 cu. in. Eng., TD2 w/383 cu. in. Eng.	8	1	----	2268 122	
	Front, TP2 w/361 and 383 cu. in. Eng., TD2 w/383 cu. in. Eng.	8	2	----	2268 112	
	Front, w/426 cu. in. Eng., TP2, TD2	8	2	----	2268 122	
	Front, Right and Left Bank, w/426 cu. in. Eng., TP2, TD2	8	2	----	2268 112	
	Intermediate, TA3	8	1	----	1859 802	1859 802
	Front, Right, TA3	8	1	----	*2463 276	*2463 276
	Rear, Right, TC2-300J	8	1	----	----	1859 803
	Rear, Left, TC2-300J	8	1	----	----	1859 804
	Front, Left, TC2-300J	8	1	----	----	1859 803
	Intermediate, Front, Left, TC2-300J	8	1	----	----	1859 802
8-36-14	SEPARATOR, Spark Plug Cable, Right Bank, w/High Performance	8	1	----	1841 499	1841 499
	Left Bank, w/426 cu. in. Eng., TP2, TD2	8	2	----	1841 499	

★ Indicates use as required.

Numerals in parentheses () refer to notes.

Printed in U.S.A.

⊠ Indicates parts not listed in any previous parts book.

Prices and specifications subject to change without notice.

Jan. 3, 1964 Supersedes Jan. 25, 1963.

* Indicates change or addition.

CODE	PART NAME AND DESCRIPTION	C Y L.	PER CAR	VALIANT DART	PLYMOUTH DODGE	CHRYSLER IMPERIAL
8-36-0 IGNITION - Cont'd						
8-36-49	CABLE, Coil Secondary	6	1	2095 773	2095 773	
	w/318 cu. in. Eng., TP2, TD2 except TD2-P. . .	8	1	---- --	2095 772	
	w/318 cu. in. Eng., w/Auto. Trans., w/o Air Conditioning, TP2, TD2, Stamped 2444 377 . . .	8	1	---- --	*2095 775	
	Except 318 and 426 cu. in. Eng., w/Black Nipple, except TC2-300J.	8	1	---- --	2095 772	2095 772
	Except 318 and 426 cu. in. Eng., w/Red Nipple, except TC2-300J.	8	1	---- --	2095 775	2095 775
	w/426 cu. in. Eng., TP2, TD2	8	1	---- --	2098 572	
	TC2-300J	8	1	---- --	---- --	2095 777
8-36-83	CABLE, Spark Plug, No. 1 and 6, UP TO approx. date 5-13-63	6	2	*1889 917	*1889 917	
	No. 1 and 6, AFTER approx. date 5-13-63 . . .	6	2	*2444 024	*2444 024	
	No. 2, UP TO approx. date 5-19-63	6	1	*2095 823	*2095 823	
	No. 2, AFTER approx. date 5-19-63	6	1	*2444 025	*2444 025	
	No. 3 and 4, UP TO approx. date 5-16-63. . . .	6	2	*2095 277	*2095 277	
	No. 3 and 4, AFTER approx. date 5-16-63 . . .	6	2	E2444 031	E2444 031	
	No. 5, w/170 cu. in. Eng., UP TO approx. date 5-16-63	6	1	*1889 917		
	No. 5, w/170 cu. in. Eng., AFTER approx. date 5-16-63	6	1	E2444 025		
	No. 5, w/225 cu. in. Eng., UP TO approx. date 5-16-63	6	1	*2095 823	*2095 823	
	No. 5, w/225 cu. in. Eng., AFTER approx. date 5-16-63	6	1	E2444 025	E2444 025	
8-36-96	NIPPLE, Coil Secondary Cable, Coil End		1	2095 768	2095 768	2095 768
	Coil Secondary Cable, Distributor End		1	2095 766	2095 766	2095 766
	Spark Plug Cable	8	8	---- --	2095 766	2095 766
8-36-114	PLUG, Spark, Champion N-14Y	6	6	2098 381	2098 381	
	Domestic, Champion J-12Y, except 413 and 426 cu. in. Eng., w/2 Barrel Carburetor, TP2, TD2, TA3, TC1, TC2	8	8	---- --	1889 524	1889 524
	Export, Champion J-18Y	8	8	---- --	1889 525	1889 525
	Champion J-10Y, w/4 Barrel Carburetor, w/383 cu. in. Eng., TP2, TD2	8	8	---- --	*2098 337	
	Champion J-10Y, w/8 Barrel Carburetor, w/426 cu. in. Eng., TP2, TD2	8	8	---- --	*2098 337	
	Champion J-10Y, w/4 Barrel Carburetor, w/413 cu. in. Eng., TA3, TC1, TC2	8	8	---- --	*2098 337	*2098 337
	Champion XJ-9Y, TC2-300J	8	8	---- --	---- --	*2098 376
	Domestic, Champion J-12Y, TC3, TY1	8	8	---- --	---- --	1889 524
8-36-117	COVER, Spark Plug Cable	6	6	1889 921	1889 921	
		8	*	---- --	1889 517	1889 517
8-36-124	SHIELD, Spark Plug Heat, High Performance, Right, TP2, TD2	8	1	---- --	2268 647	
	Left, TP2, TD2	8	1	---- --	2206 006	
	TA3	8	2	---- --	1821 394	1821 394
8-36-136	TUBE, Spark Plug	6	6	2121 245	2121 245	
8-36-137	SEAL, Spark Plug Tube	6	6	1947 708	1947 708	
8-36-141	COVER, Spark Plug Cables Tube (sold by the foot) TC2-300J		*	---- --	---- --	*1484 356

★ Indicates use as required. Numerals in parentheses () refer to notes. Printed in U.S.A.
 E Indicates parts not listed in any previous parts book. Prices and specifications subject to change without notice.
 * Indicates change or addition. Jan. 3, 1964 Supersedes Jan. 25, 1963.

1963 PASSENGER CAR PARTS CATALOG

ELECTRICAL

CODE	PART NAME AND DESCRIPTION	CYL.	PER CAR	VALIANT DART	PLYMOUTH DODGE	CHRYSLER IMPERIAL
8-37-O INSTRUMENT PANEL INSTRUMENTS						
8-37-1	AMMETER, TV1	6	1	2290 236		
	TL1	6	1	2291 022		
	35 to 40 Amp., TP1, TP2		1	----	*2290 585	
	60 Amp., TP1, TP2		1	----	*2290 586	
	100 Amp., TC1		1	----	----	*2290 425
	40 Amp., TD1, TD2		1	----	*2290 153	
	60 Amp., TD1, TD2		1	----	*2290 448	
	TA3, TC1, TC2, TC3	8	1	----	2426 703	2290 688
	60 Amp., TA3, TC1	8	1	----	*2197 916	2291 694
	TY1	8	1	----	----	2291 466
8-37-2	REGULATOR, Voltage, for Printed Circuit, TP1, TP2		1	----	2258 413	
	TD1, TD2		1	----	2209 216	
8-37-5	SHUNT, w/60 Amp. Ammeter, TA3	8	1	----	*2427 458	
8-37-10	WASHER, Ammeter Mounting	6	2	2209 343		
8-37-15	LAMP, Windshield Wiper Switch Title, TY1	8	1	----	----	2198 638
	Ignition Switch Title, TY1	8	1	----	----	2198 641
	Headlamp and Instrument Lamp Switch, TY1	8	1	----	----	2198 639
	Power Antenna Switch Title, TY1	8	1	----	----	2198 640
8-37-16	LENS and OVERLAY, Auto Pilot Control Title Lamp, TY1	8	1	----	----	2257 273
	LENS, Power Antenna Switch Title Lamp, TY1	8	1	----	----	2198 652
	Switch Title Lamp, TY1	8	1	----	----	2198 652
	Auto Pilot Control Title Lamp, TY1	8	1	----	----	2198 652
	Dummy Title Lamp, TY1	8	1	----	----	2198 652
8-37-17	POWER SUPPLY, Electro Luminescent, TY1	8	1	----	----	2240 544
8-37-20	BEZEL, Headlamp and Instrument Lamp Switch Title Lamp Lens, TY1	8	1	----	----	2197 599
	Windshield Wiper Switch Title Lamp Lens, TY1	8	1	----	----	2197 599
	Dummy Title Power Antenna Switch Title Lamp Lens, TY1	8	1	----	----	2197 599
	Ignition Switch Title Lamp Lens, TY1	8	1	----	----	2197 600
	Auto Pilot Control Title Lamp Lens, TY1	8	1	----	----	2197 600
8-37-21	RETAINER, Switch Title Lamp, TY1	8	1	----	----	2197 449
8-37-88	SOCKET, Oil Warning Lamp, on Printed Circuit, TP1, TP2, TC1, TC2, TC3		1	2257 440	2257 440	*2496 279
	Low Oil Pressure Indicator Lamp, TD1, TD2		1	----	1753 632	
	Ammeter Lamp, w/60 Amp. Ammeter, TA3	8	1	----	*2097 003	
8-37-89	SEAL, Oil Indicator Lamp, TL1	6	1	*2291 974		
8-37-90	BEZEL and LENS, Speedometer and Instrument Cluster, TV1	6	1	2290 217		
	BEZEL, Instrument Cluster, TL1, TD1, TD2		1	2427 495	2290 142	
	w/Std. Trans., TP1, TP2		1	----	2291 324	
	w/Auto. Trans., TP1, TP2		1	----	2291 323	
	Speedometer, Instrument and Control, Alabaster, TC1, TC2, TC3	8	1	----	----	2426 435
	Blue, TC1, TC2, TC3	8	1	----	----	2426 565
	Green, TC1, TC2, TC3	8	1	----	----	2426 566
	Brown, TC1, TC2, TC3	8	1	----	----	2426 567
	Turquoise, TC1, TC2, TC3	8	1	----	----	2426 568
	Red, TC1, TC2, TC3	8	1	----	----	2426 569
	Black, TC1, TC2, TC3	8	1	----	----	2426 570
	Beige, SP.4 D., TC3 Luxury	8	1	----	----	2426 791
	Light Blue, SP.4 D., TC3 Luxury	8	1	----	----	2426 848

★ Indicates use as required.

Numerals in parentheses () refer to notes.

Printed in U.S.A.

☐ Indicates parts not listed in any previous parts book.

Prices and specifications subject to change without notice

Jan. 3, 1964 Supersedes Jan. 25, 1963.

* Indicates change or addition.

CODE	PART NAME AND DESCRIPTION	C Y L.	PER CAR	VALIANT DART	PLYMOUTH DODGE	CHRYSLER IMPERIAL
8-37-0 INSTRUMENT PANEL INSTRUMENTS - Cont'd						
8-37-93	CONTACT, Low Oil Pressure Indicator Lamp Socket, TD1, TD2		1	----	2256 966	
8-37-127	VACUUM GAUGE, On Console, TC2	8	1	----	----	B2427 945
8-37-135	HOSE, Vacuum Gauge (sold by the inch) w/Console, TC2	8	★	----	----	*2275 215
8-37-136	GAUGE, Temperature, TV1, TD1, TD2, TC1, TC2, TC3 TL1, TP1, TP2, TY1	1 1 8	1 1 1	2290 235 2291 021 ----	2290 152 2290 579 2426 701	2290 682 2291 465
8-37-155	SENDING UNIT, Temperature Gauge, King-Seeley and Auto-Lite	1 1	1 1	2240 744 2256 302	2240 744 2256 302	2240 744 2256 302
8-37-162	LENS, Instrument Cluster, TA3	8	1	----	2426 697	
8-37-178	HOUSING, Instrument Cluster, TL1	6	1	2291 453		
	White, TP1, TP2		1	----	2162 599	
	White, TD1, TD2		1	----	2162 602	
	Instrument Panel Instrument, Upper, White, TA3 .	8	1	----	2217 920	
	Lower, White, TA3	8	1	----	2080 703	
	HOUSING, w/Turn Signal Indicator Lamp Lens and High Beam Indicator Lamp Lens, TA3-L	8	1	----	2491 041	
	Instrument Cluster, TA3	8	1	----	B2426 695	
	Upper, Prime, TY1	8	1	----	----	2217 063
	Lower, Prime, TY1	8	1	----	----	2161 573
8-37-188	SCREW, Speedometer and Instrument Cluster Back Plate Mounting to Bezel, TV1	6	4	2290 381		
	Instrument Cluster Housing Mounting to Bezel, TL1	6	5	*2427 787		
	Instrument Cluster Mounting	6	4	9418 537		
	Instrument Lower Housing to Instrument Panel, TA3-L	8	5	----	9417 361	
8-37-190	BACK PLATE, Speedometer and Instrument Cluster, TV1	6	1	2290 224		
	Instrument Cluster, TP1, TP2		1	----	2291 325	
	TD1, TD2		1	----	2290 488	
	Instrument Mounting, TC1, TC2, TC3	8	1	----	----	2290 768
8-37-194	COVER, Instrument Cluster Mounting Screw, TL1 .	6	2	2426 372		
8-37-199	NUT and WASHER, Instrument Panel Instruments Housing to Instrument Panel Attaching, TP1, TP2, TD1, TD2		5	----	6023 201	
	J/NUT, Speedometer Instruments and Control Mounting to Panel, TC1, TC2, TC3	8	6	----	----	6023 387
8-37-275	GAUGE, Fuel, TV1, TP1, TP2, TC1, TC2, TC3 . .	1 1 8	1 1 1	2290 234 2291 020 ----	2290 577 2290 151 2426 700	2290 685 2291 468
8-37-316	GAUGE, Oil, TA3, TY1	8	1	----	2426 702	2291 467
8-37-371	CLUSTER, Speedometer and Instrument, Partial, Mile, TY1	8	1	----	----	2291 563
	Kilo, TY1	8	1	----	----	2291 564

★ Indicates use as required.

Numerals in parentheses () refer to notes.

Printed in U.S.A.

B Indicates parts not listed in any previous parts book.

Prices and specifications subject to change without notice.

* Indicates change or addition.

Jan. 3, 1964 Supersedes Jan. 25, 1963.

1963 PASSENGER CAR PARTS CATALOG

ELECTRICAL

CODE	PART NAME AND DESCRIPTION	C Y L.	PER CAR	VALIANT DART	PLYMOUTH DODGE	CHRYSLER IMPERIAL
8-37-O INSTRUMENT PANEL INSTRUMENTS - Cont'd						
8-37-372	SPEEDOMETER, Mile, TV1, TP1, TP2, TC1, TC2, TC3		1	2290 227	2290 570	2290 672
	Kilo, TV1, TP1, TP2, TC1, TC2, TC3		1	2290 228	2290 571	2290 673
	Mile, TL1, TD1, TD2		1	2291 030	2290 161	
	Kilo, TL1, TD1, TD2		1	2291 031	2290 162	
	60A, TP1, TP2, TC1		1	----	2290 572	2291 692
	60A, TD1, TD2		1	----	2290 443	
	Mile, TA3	8	1	----	2426 689	
	Kilo, TA3	8	1	----	2097 820	
	Calibrated, Mile, TA3	8	1	----	2257 693	
	150 Mile, TC1	8	1	----	----	2290 394
	150 Mile, TC2	8	1	----	----	2290 674
8-37-410	LENS, Speedometer, TA3	8	1	----	2427 145	
	Kilo, TA3	8	1	----	2097 827	
	Calibrated, Mile, TA3	8	1	----	2427 146	
8-37-418	SCREW, Speedometer Dial Mounting, TD1, TD2 . .		2	----	2258 385	
8-37-454	KNOB, Odometer Reset, TC1, TC2, TC3	8	1	----	----	2290 654
8-37-458	CABLE, Odometer Reset, TY1	8	1	----	----	2197 271
8-37-459	NUT, Odometer Reset Cable Mounting to Panel, TY1	8	1	----	----	1886 089
8-37-504	TACHOMETER, on Console, TC2-300J	8	1	----	----	*2291 858
8-37-508	CABLE, Tachometer, on Console, TC2-300J . . .	8	1	----	----	*2426 286
	GROMMET, Tachometer Cable Mounting Floor Board, TC2-300J	8	1	----	----	*1370 460
8-37-517	SHAFT, Tachometer Cable, Drive, on Console, TC2-300J	8	1	----	----	*2426 287
8-38-O GLOVE COMPARTMENT LAMP						
8-38-4	BEZEL and LENS, Glove Box Lamp, TY1	8	1	----	----	1819 441
8-38-23	LAMP and SWITCH, Glove Box, TC1, TC2, TC3 . .	8	1	2291 781	2291 781	2291 781
	TY1	8	1	----	----	2258 436
8-39-O HEADLAMP BEAM INDICATOR LIGHT						
8-39-15	SOCKET, High Beam Indicator Lamp, on Printed Circuit, TP1, TP2, TC1, TC2, TC3		1	2257 440	2257 440	*2496 279
	TD1, TD2, TY1		1	----	2097 003	2097 003
	TA3	8	1	----	2096 374	
8-39-17	CONTACT, High Beam Indicator Lamp Socket, TA3	8	1	----	2256 966	
8-40-O IGNITION LAMP						
8-40-16	SOCKET, Instrument Lamp Push Button Title Illuminated, TD1, TD2		2	----	2097 003	
	Instrument Lamp Gauge Illuminated, TD1, TD2 .		3	----	2097 003	
	Ignition Switch Lamp, TC1, TC2, TC3	8	1	----	----	2097 003

★ Indicates use as required.

Numerals in parentheses () refer to notes.

Printed in U.S.A.

⊠ Indicates parts not listed in any previous parts book.

Prices and specifications subject to change without notice.

Jan. 3, 1964 Supersedes Jan. 25, 1963.

* Indicates change or addition.

CODE	PART NAME AND DESCRIPTION	C Y L.	PER CAR	VALIANT DART	PLYMOUTH DODGE	CHRYSLER IMPERIAL
8-41-O INSTRUMENT PANEL LAMP						
8-41-36	SOCKET, Instrument Lamp, on Printed Circuit, TV1	6	2	2257 440		
	TL1, TP1, TP2		3	2257 440	2257 440	
	Instrument Lamp, TA3	8	2	----	2096 374	
	Speedometer Lamp, TA3	8	3	----	2097 003	
	TC1, TC2, TC3	8	4	----	----	*2496 279
	Console, TC2	8	1	----	----	1753 632
8-41-39	CONTACT, Console Instrument Lamp Socket, TC2	8	1	----	----	2256 966
8-42-O MAP AND COURTESY LAMP						
8-42-2	LENS, SWITCH and BRACKET, Map Lamp, Cv. Cp., TP2-H, TD1-M, TD2-M		1	*2084 672	*2084 672	
	TP1-L, TP2-L, TD1-L, TD2-L		1	----	2084 672	
8-42-5	LENS, Map Lamp, TA3	8	1	----	1887 954	
	Map and Courtesy Lamp	8	1	----	----	1971 879
	SCREW, Mounting	8	2	----	----	167 838
8-42-6	HOUSING and LENS, Map Lamp, TA3	8	1	----	1887 955	
8-42-10	SOCKET, Map and Courtesy Lamp, TP1-L, TP2-L, TD1-L, TD2-L		1	1314 619	1314 619	
	Cv. Cp., TP2-H, TD1-M, TD2-M		1	----	1314 619	
	Map Lamp, TA3, TC1, TC2, TC3	8	1	----	1704 875	2426 141
	Map Lamp, TY1	8	1	----	----	1704 467
8-42-12	CONTACT, Map and Courtesy Lamp Socket		★	2256 966	2256 966	2256 966
8-42-19	SHIELD, Map and Courtesy Lamp, TC1, TC2, TC3	8	1	----	----	2291 749
8-42-25	SWITCH, Map Lamp, TA3	8	1	----	2426 399	
	Map and Courtesy Lamp Housing and Map	8	1	----	----	2198 090
	Map and Courtesy Lamp Housing, w/Power Antenna	8	1	----	----	2257 429
8-42-29	BEZEL, Map Lamp Switch Mounting, TA3	8	1	----	1887 789	

8-44-O BULBS

8-44-1 BULB

BASE CONTACT	CANDLE POWER	VENDOR LAMP NO.	PART NO.	BASE CONTACT	CANDLE POWER	VENDOR LAMP NO.	PART NO.
Single	1	51	115 273	Double	15	210	* 151 559
Single	1	53	131 282	Single	2	257	*9412 348
Single	1	53X	152 280	Double	32-32	1000	* 142 307
Single	2	57	127 934	Single	15	1003	* 151 577
Single	3	63	142 303	Double	15	1004	* 151 578
Double	3	64	142 311	Double	32-4	1034	* 151 567
Single	4	67	142 450	Double	32-4	1034A	*9418 772
Single	4	67AF	9420 830	Single	32	1073	* 151 576
Double	4	68	142 451	Single	4	1095	* 9418 903

★ Indicates use as required.

Numerals in parentheses () refer to notes.

Printed in U.S.A.

B Indicates parts not listed in any previous parts book.

Prices and specifications subject to change without notice.

* Indicates change or addition.

Jan. 3, 1964 Supersedes Jan. 25, 1963.

8-44-O BULBS - Cont'd

BASE CONTACT	CANDLE POWER	VENDOR LAMP NO.	PART NO.	BASE CONTACT	CANDLE POWER	VENDOR LAMP NO.	PART NO.
8-44-1	BULB - Cont'd						
Single	6	81	142 306	Single	21	1129	* 142 308
Single	6	82	142 312	Double	21	1130	* 142 447
Double	15	88	142 446	Single	21	1141	* 142 456
Single	15	87	142 304	Double	21	1142	* 142 457
Single	6	89	142 452	Double	21-3	1154	* 145 416
Double	6	90	142 453	Double	21-3	1158	* 142 449
Single	10	91	113 238	Single	15	1445	* 274 004
Single	15	93	142 454	Single	10	1813	* 274 148
Double	15	94	142 455	Single	33	1816	* 152 240
Single	2	158	9415 969	Single	2	1891	* 152 244
Single	15	209	151 579	Single	1	1892	* 274 020

CODE	PART NAME AND DESCRIPTION	C Y L	PER CAR	VALIANT DART	PLYMOUTH DODGE	CHRYSLER IMPERIAL
------	---------------------------	-------	---------	--------------	----------------	-------------------

8-47-O LICENSE MOUNTING PARTS

8-47-8	BRACKET, Front License Plate Stabilizing, TV1, TP1, TP2, TY1		2	2266 498	2266 467	2266 499
	TL1	6	2	2266 474		
	Front License Plate to Bumper, TL1	6	2	2266 479		
	Front License Plate, w/Guards, TY1	8	2	----		2123 802
	Front License Plate, TA3, TC1, TC2, TC3	8	1	----	2266 599	2266 599
8-47-14	SCREW and WASHER, Front License Plate to Front Bumper, TV1, TP1, TP2		2	6023 349	6023 349	
	TA3, TC1, TC2, TC3	8	2	----	6024 179	6024 179
8-47-15	SPEED NUT, Rear License Plate to Lower Panel, except Sub.	6	2	6023 269		
	SPEED NUT, Front License Plate to Front Bumper, TV1, TP1, TP2, TC1, TC2, TC3		2	6012 049	6012 049	6023 925
	TA3	8	2	----	6023 925	
	NUT and WASHER, Front License Plate to Front Bumper, TL1, TA3, TC1, TC2, TC3		2	6023 271	6023 271	6023 271
	SPEED NUT, Rear License Plate to Rear Bumper, Sub., TP1, TP2, TD1, TD2		2	----	6023 925	
	SPEED NUT, Rear License Plate to Rear Bumper, TA3 Sub.		2	----	6012 049	
	SPEED NUT, Rear License Plate to Rear Bumper	8	2	----	----	6012 049
8-47-21	BUTTON, Rear License Plate to Rear Bumper, Sub., TP1, TP2, TD1, TD2		2	----	1943 547	
	Rear License Plate to Rear Bumper, TY1	8	1	----	----	1943 547
8-47-67	SPRING, License Plate Mounting Panel Hinge, except Sub.		1	----	1960 131	
8-47-68	PANEL, Rear Stone Deflector License Plate, except Sub., TL1	6	1	2422 848		
	Tailgate Opening Sill License Plate Protector, Sub.	6	1	2422 843		
	License Plate Mounting, Partial, except Sub.		1	----	*2188 619	

★ Indicates use as required. Numerals in parentheses () refer to notes. Printed in U.S.A.
 ☐ Indicates parts not listed in any previous parts book. Prices and specifications subject to change without notice.
 Jan. 3, 1964 Supersedes Jan. 25, 1963. * Indicates change or addition.

CODE	PART NAME AND DESCRIPTION	CYL.	PER CAR	VALIANT DART	PLYMOUTH DODGE	CHRYSLER IMPERIAL
8-47-O LICENSE MOUNTING PARTS - Cont'd						
8-47-69	HINGE, License Plate Mounting Panel, except Sub., TP1, TP2, TD1, TD2.		1	----	2244 894	
	w/BOLTS, except Sub., TA3.	8	1	----	2094 641	
	NUT, except Sub., TA3.	8	2	----	6023 351	
8-47-75	BRACKET, Rear License Plate, Sub., TA3	8	1	----	2266 599	
	TC1, TC2, TC3	8	1	----	----	2266 599
8-47-76	PIN, License Plate Mounting Bracket Hinge, except Sub.		1	----	1960 127	
8-47-79	RETAINER, Rear License Plate Mounting Panel Hinge Pin, except Sub.		1	----	6006 324	
8-47-93	SPACER, Front License Plate to Front Bumper, TD1, TD2		1	----	2203 756	
8-47-126	BUMPER, Rear License Plate to Deck Opening Lower Panel, except Sub.	6	2	2094 618		
	Rear License Plate to Tailgate Opening Sill License Plate Protector Panel, Sub.	6	1	2094 618		
	Rear License Plate Mounting Panel, except Sub., TP1, TP2, TA3.		2	----	2094 618	
	Rear License Plate Mounting Panel, except Sub., TD1, TD2		2	----	2252 184	
8-47-130	SCREW and WASHER, Rear License Plate to Panel SCREW, Rear License Plate to Rear Bumper, Sub., TP1, TP2, TD1, TD2.	6	2	6023 349		
	SCREW and WASHER, Rear License Plate to Rear Bumper	8	2	----	6024 179	*6024 179
8-47-131	NUT, Rear License Plate to Mounting Panel, TD1, TD2, TA3		2	----	6023 351	
	NUT and WASHER, Rear License Plate Bracket, except Sub., TA3	8	4	----	6023 271	
	NUT, Rear License Plate to Rear Bumper, Sub.		2	----	*6023 925	
	NUT and WASHER, Rear License Plate to Rear Bumper, TC1, TC2, TC3	8	2	----	----	*6023 925
8-50-O PARKING AND TURN SIGNAL LAMP						
8-50-82	SWITCH, Turn Signal, TC1, TC2, TC3		1	2258 700	2258 700	2258 700
	TY1	8	1	----	----	2197 376
	SWITCH and CABLE, Turn Signal Electric, TY1	8	1	----	----	2096 735
8-50-103	ARM PACKAGE, Turn Signal Switch Operating, TY1	8	1	----	----	2240 250
8-50-104	PIVOT, Turn Signal Switch Operating Arm, TY1	8	1	----	----	1972 207
8-50-108	SEAL, Turn Signal Indicator Lamp, TL1.	6	1	2291 139		
8-50-126	CAM, Turn Signal Switch Cancelling, TC1, TC2, TC3 FINGER, Turn Signal Switch Cancelling, TY1		1	2258 704	2258 704	2258 704
		8	1	----	----	1972 201
8-50-129	LEVER and KNOB, Turn Signal Switch, TC1, TC2, TC3		1	2258 710	2258 710	2258 710
	LEVER, TY1	8	1	----	----	2197 375
8-50-130	SCREW, Turn Signal Switch Lever Mounting, TC1, TC2, TC3		1	6023 490	6023 490	6023 490
	TY1	8	1	----	----	6023 636

★ Indicates use as required.

Numerals in parentheses () refer to notes.

Printed in U.S.A.

☐ Indicates parts not listed in any previous parts book.

Prices and specifications subject to change without notice.

* Indicates change or addition.

1963 PASSENGER CAR PARTS CATALOG

CODE	PART NAME AND DESCRIPTION	CYL.	PER CAR	VALIANT DART	PLYMOUTH DODGE	CHRYSLER IMPERIAL
8-50-0 PARKING AND TURN SIGNAL LAMP - Cont'd						
8-50-135	PLATE, Turn Signal Switch Contact, TY1	8	1	----	----	2196 322
8-50-156	SOCKET, Turn Signal Lamp, on Printed Circuit, TV1, TP1, TP2		1	2257 440	2257 440	
	On Printed Circuit, TL1, TC1, TC2, TC3		2	*2257 440	----	*2496 279
	TD1, TD2, TY1		2	----	2097 003	2097 003
	TA3	8	2	----	2096 374	
8-50-159	CONTACT, Turn Signal Indicator Lamp Socket, TA3	8	2	----	2256 966	
8-50-170	LENS, Turn Signal Indicator Lamp, TY1	8	2	----	----	2198 863
8-50-186	FLASHER, Turn Signal		1	2426 166	2426 166	2426 166
8-50-191	CLIP, Turn Signal Flasher Mounting		1	*2426 194	*2426 194	*2426 194
8-50-297	WELT, Parking and Turn Signal Lamp, TP1, TP2		2	----	2481 607	
8-50-303	LAMP, Parking and Turn Signal, Amber, TP1, TP2 Right, Amber, TD1, TD2		2	----	2243 178	
	Left, Amber, TD1, TD2		1	----	2243 126	
	Right, Amber, TA3, TC1, TC2, TC3	8	1	----	2243 127	
	Left, Amber, TA3, TC1, TC2, TC3	8	1	----	2243 150	2243 150
	Right, Amber, TY1	8	1	----	2243 151	2243 151
	Left, Amber, TY1	8	1	----	----	2424 486
						2424 487
8-50-304	LAMP PACKAGE	6	2	*2448 602		
8-50-307	CLINCH NUT, TP1, TP2		4	----	*6023 252	
	STAMPED NUT, TP1, TP2		8	----	6023 539	
	STAMPED NUT, TD1, TD2		4	----	6023 539	
	CLINCH NUT, Housing		4	----	6023 252	
8-50-308	GASKET, TP1, TP2, TC1, TC2, TC3	8	2	----	*2243 182	*2243 158
	TA3, TY1		2	----	2243 158	2188 864
8-50-315	BEZEL	6	2	*2188 277		
	Right, TY1	8	1	----	----	2188 856
	Left, TY1	8	1	----	----	2188 857
8-50-317	RETAINER and STUD, Housing, TP1, TP2		8	----	*6001 430	
8-50-334	LENS and GASKET PACKAGE, Amber	6	2	*2448 299		
	TP1, TP2		2	----	2421 133	
	Amber, TD1, TD2		2	----	2448 610	
	Clear, TD1, TD2		2	----	2421 452	
	Right, TA3, TC1, TC2, TC3	8	1	----	2448 270	2448 270
	Left, TA3, TC1, TC2, TC3	8	1	----	2448 271	2448 271
	Right, Amber, TY1	8	1	----	----	2448 600
	Left, Amber, TY1	8	1	----	----	2448 601
8-50-337	SCREW, Lens Attaching, TL1	6	2	*9414 111		
	SCREW, Lens to Housing, TL1	6	2	*6025 057		
	SCREW, TA3, TC1, TC2, TC3	8	4	----	*9417 787	*9417 787
8-50-338	GASKET, Lens, TD1, TD2		2	*2188 280	*2255 366	
8-50-349	SOCKET and CABLE, TV1	6	2	*1903 517		
	SOCKET and CABLE, TL1	6	2	*1903 517		
	SOCKET and CABLE, TP1, TP2		2	----	*2291 290	
	SOCKET and CABLE, Housing, TD1, TD2		2	----	*2188 712	
	SOCKET and CABLE, TA3, TC1, TC2, TC3	8	2	----	*1903 517	*1903 517
	SOCKET and CABLE, TY1	8	2	----	----	*2198 223
8-50-354	SPRING, INSULATOR and CONTACT PACKAGE, Socket		*	*2198 860	*2198 860	*2198 860

★ Indicates use as required.

Numerals in parentheses () refer to notes.

Printed in U.S.A.

☐ Indicates parts not listed in any previous parts book.

Prices and specifications subject to change without notice.

Jan. 3, 1964 Supersedes Jan. 25, 1963.

* Indicates change or addition.

CODE	PART NAME AND DESCRIPTION	CYL	PER CAR	VALIANT DART	PLYMOUTH DODGE	CHRYSLER IMPERIAL
8-52-0 STARTING MOTOR						
8-52-4	STARTING MOTOR, Assembly, w/170 cu. in. Eng.	6	1	*2098 500		
	w/225 cu. in. Eng.	6	1	*2095 150	*2095 150	
	w/Auto. Trans., stamped MDT-7009 or 1889770 .	6	1	E2095 393	E2095 393	
	w/Std. Trans., 11" Clutch, Taxi	6	1	----	*2095 753	
	TP2, TD2	8	1	----	2095 150	
	w/Std. Trans., TA3, TC1, TC2	8	1	----	1889 200	1889 200
	w/Auto. Trans., TA3	8	1	----	2095 150	2095 150
8-52-39	SEAL, Cylinder Block to Starter, TP1, TP2, TD1, TD2, TA3 Police	6	1	2129 234	2129 234	
	Used w/1889 770 Starter	6	1	*2128 412	*2128 412	
	w/Std. Trans., TA3 except Police, TC1, TC2 . .	8	1	----	2128 285	2128 285
	w/Auto. Trans., TA3 except Police.	8	1	----	2129 234	2129 234
8-52-328	RELAY, Starter, w/Std. Trans., TC1, TC2		1	2095 609	2095 609	2095 609
	w/Auto. Trans.		1	2095 608	2095 608	2095 608
	SCREW, Mounting		2	6006 120	6006 120	6006 120
8-52-330	SWITCH, Solenoid, used w/1889 770 Starter	6	1	E2095 329	E2095 329	

FOR MODEL APPLICATION SEE CODE 8-52-4

CODE	STARTING MOTOR COMPONENT PARTS	STARTER ASSEMBLIES				
		*1889 200	*2095 150	*2095 393 MDT-7009S	*2095 753	*2098 500
8-52-2	FIELD COIL PACKAGE	----	----	*2084 660	----	----
8-52-5	STUD, Mounting Lower	*9417 094	*2095 875	----	*9417 094	*2095 875
	SCREW and WASHER, Mounting Upper . .	*9413 794	3 899	----	----	*6024 210
8-52-6	NUT, Mounting Stud Lower	----	506	----	----	* 271 506
8-52-11	BEARING, Intermediate	----	----	*1138 526	----	----
8-52-13	BENDIX DRIVE	----	----	*1889 938	----	----
8-52-23	PIN, Bendix Drive	----	----	*2095 627	----	----
8-52-41	CLUTCH	*1889 129	*2095 122	----	*1889 129	*2095 122
8-52-49	FORK and PIN PACKAGE, Shifting	*2084 093	----	----	*2084 093	----
	FORK, Shifting	----	*2095 134	----	----	*2095 134
8-52-50	PIN, Shifting Fork Pivot	* 456 098	*2095 133	----	* 456 098	*2095 133
8-52-61	RING, Clutch Actuator Retaining	----	*2095 130	----	----	*2095 130
8-52-67	SNAP RING, Pinion Shaft Gear Retaining .	----	*095 117	----	----	*2095 117
	SNAP RING, Clutch Drive Sleeve	*2095 350	----	----	*2095 350	----
8-52-76	HOUSING, Pinion	*1889 154	----	*2196 324	*2095 752	----
	HOUSING and BEARING, Gear	----	*2095 112	----	----	*2095 112
8-52-80	BEARING, Pinion Housing	*2098 986	*2095 410	*2196 325	*2098 986	*2098 986
	BEARING, End Head	----	*2095 242	----	----	*2098 987
8-52-82	STOP, SNAP RING and STOP WASHER PACKAGE, Pinion	*2448 804	----	----	*2448 804	----
8-52-87	ACTUATOR and RETAINING RING PACKAGE, Clutch Shifting	----	*2275 556	----	----	*2275 556

★ Indicates use as required.

□ Indicates parts not listed in any previous parts book.

* Indicates change or addition.

Numerals in parentheses () refer to notes.

Prices and specifications subject to change without notice.

Jan. 3, 1964 Supersedes Jan. 25, 1963.

Printed in U.S.A.

8-52-0 STARTING MOTOR - Cont'd

FOR MODEL APPLICATION SEE CODE 8-52-4

STARTING MOTOR COMPONENT PARTS - Cont'd	STARTER ASSEMBLIES				
	*1889 200	*2095 150	*2095 393 MDT-7009S	*2095 753	*2098 500
8-52-88 BOOT, Shifting Fork	*1889 147	----	----	*1889 147	----
8-52-89 SHAFT, Pinion	----	*2095 118	----	----	*2095 118
8-52-96 GEAR and SNAP RING PACKAGE, Pinion Shaft	----	*2275 557	----	----	*2275 557
8-52-98 THRUST WASHER and RETAINING RING PACKAGE, Pinion Shaft	----	*2275 558	----	----	*2275 558
8-52-100 RING, Pinion Shaft Retaining	----	*6022 006	----	----	*6022 006
8-52-101 COVER, Gear Housing	----	*2095 116	----	----	*2095 116
8-52-102 WASHER, Pinion Shaft Gear	----	*2095 114	----	----	*2095 114
8-52-120 ARMATURE	*1889 079	*2095 094	*2196 323	*1889 079	*2098 496
8-52-121 THRUST WASHER PACKAGE, Armature	----	*2275 555	----	----	*2275 555
8-52-135 BRUSH PACKAGE	*2240 749	----	*2084 661	*2240 749	----
8-52-137 PLATE and BRUSH PACKAGE, Brush Holder	----	*2275 550	----	----	*2275 550
PLATE, Brush	----	----	*2084 665	----	----
PLATE and RIVET PACKAGE, Brush	----	----	*2275 237	----	----
8-52-140 SPRING PACKAGE, Brush	*2084 666	*2084 666	*2084 666	*2084 666	*2084 666
8-52-142 SEALER, Brush Plate	----	*2421 838	----	----	*2421 838
8-52-150 PLATE, Brush Holder	*1889 044	----	----	*1889 044	----
8-52-176 HEAD, Commutator End	*1889 363	*2095 076	*2084 662	*1889 363	*2095 076
8-52-180 THRUST WASHER PACKAGE Commutator End	*2240 529	----	*1879 613	*2240 529	----
8-52-214 FIELD SERIES and SHUNT COIL PACKAGE	*2084 088	*2275 248	----	*2084 088	*2421 474
COIL FIELD SERIES, Complete	----	*2095 085	----	----	----
WASHER, Field Series Coil Ground	----	----	----	----	*9418 398
8-52-227 RIVET, Field Series Coil Ground	----	*2095 347	----	----	*2095 347
8-52-241 SCREW, Thru	*1889 080	*2095 105	*2084 659	*1889 080	*2095 105
8-52-275 TERMINAL STUD PACKAGE	----	----	*2084 667	----	----
8-52-341 CONTACT and COVER GASKET PACKAGE, Solenoid	*2084 091	----	----	*2084 091	----
8-52-342 CONTACT and SPRING PACKAGE, Solenoid Switch	----	*2275 553	----	----	*2275 553

* Indicates use as required. Numerals in parentheses () refer to notes. Printed in U.S.A.
 ☉ Indicates parts not listed in any previous parts book. Prices and specifications subject to change without notice.
 Jan. 3, 1964 Supersedes Jan. 25, 1963. * Indicates change or addition.

FOR MODEL APPLICATION SEE CODE 8-52-4

STARTING MOTOR COMPONENT PARTS - Cont'd	STARTER ASSEMBLIES				
	*1889 200	*2095 150	*2095 393 MDT-7009S	*2095 753	*2098 500
8-52-344 COVER and GASKET PACKAGE, Solenoid	*2084 090	----	----	*2084 090	----
8-52-345 SOLENOID PACKAGE	*1889 146	*2275 554	----	*1889 146	*2275 554
8-52-354 STUD PACKAGE, Terminal Relay	*2084 094	*2421 837	----	*2084 094	*2421 837
8-52-372 STUD and WASHER PACKAGE, Solenoid Terminal	----	*2275 551	----	----	*2275 551
8-52-375 CORE, Solenoid Moving	*1889 151	*2095 155	----	*1889 151	*2095 155
8-52-389 SEAL, Solenoid Contact	----	*2098 660	----	----	*2098 660

CODE	PART NAME AND DESCRIPTION	C Y L.	PER CAR	VALIANT DART	PLYMOUTH DODGE	CHRYSLER IMPERIAL
8-53-O SWITCHES						
8-53-150	SWITCH, Foot Dimmer. GROMMET, Front Floor Covering Dimmer Switch		1	1881 938	1881 938	1881 938
			1	----	*2292 474	*2292 474
8-53-154	SCREW, Foot Dimmer Switch Mounting		2	6023 513	6023 513	6023 513
8-53-265	RHEOSTAT REPLACEMENT PACKAGE, Headlamp Switch, Stamped R. B. M. Stamped Fasco		1	2448 837	2448 837	2448 837
			1	2448 838	2448 838	2448 838
8-53-266	CIRCUIT BREAKER, Cigar Lighter, 8A, TY1	8	1	----	----	1642 477
8-53-270	SWITCH, Headlamp and Instrument Lamp, TP1, TP2, TD1, TD2, TC1, TC2, TC3 TA3, TY1		1	2448 823	2298 855	2298 855
		8	1	----	2421 453	2275 586
8-53-294	BEZEL, Switch, TV1, TP1, TP2		1	*2256 432	*2256 432	
8-53-296	KNOB SWITCH, TL1, TD1, TD2, TC1, TC2, TC3 . TV1, TP1, TP2, TY1. w/Spotlamp, except Cv.Cp., TD1, TD2 TA3		1	*2290 701	*2290 398	*2290 824
			1	2291 288	2291 288	2258 027
			1	----	2290 701	
		8	1	----	2426 398	
8-53-312	RETAINER, Switch, TP1, TP2 TD1, TD2, TC1, TC2, TC3		1	*1887 604	*1887 604	
			1	----	E2427 118	*2290 720
8-53-327	SWITCH, Low Oil Pressure TP2, TD2, TC1, TC2, TC3. SENDING UNIT, Oil Pressure, TA3, TY1		6	2256 800	2256 800	
			8	----	1818 830	1818 830
			8	----	*1972 241	*1972 241
8-55-O TAIL, STOP AND TURN SIGNAL LAMP						
8-55-1	LAMP PACKAGE, Tail, Stop and Turn Signal, Right, except Sub., TV1, TC1, TC2, TC3 Left, except Sub., TV1, TC1, TC2, TC3 Right, Sub., TV1, TC1, TC3 Left, Sub., TV1, TC1, TC3 Except Sub., TL1-L Right, Sub., TL1-L Left, Sub., TL1-L Except Sub., TL1-H-P		1	2298 893	----	2448 635
			1	2298 894	----	2448 636
			1	2421 460	----	2299 347
			1	2421 461	----	2299 348
		6	2	2421 182		
		6	1	2421 144		
		6	1	2421 145		
			2	2421 184		

★ Indicates use as required. Numerals in parentheses () refer to notes. Printed in U.S.A.
 E Indicates parts not listed in any previous parts book. Prices and specifications subject to change without notice.
 * Indicates change or addition. Jan. 3, 1964 Supersedes Jan. 25, 1963.

1963 PASSENGER CAR PARTS CATALOG

ELECTRICAL

CODE	PART NAME AND DESCRIPTION	CYL	PER CAR	VALIANT DART	PLYMOUTH DODGE	CHRYSLER IMPERIAL
8-55-O TAIL, STOP AND TURN SIGNAL - Cont'd						
8-55-1	LAMP PACKAGE - Cont'd					
	Right, Sub., TL1-H-P		1	2421 148		
	Left, Sub., TL1-H-P		1	2421 149		
	Sub., TP1, TP2		2	----	2421 814	
8-55-7	LAMP, Tail, Stop and Turn Signal, Right, except					
	Sub., TP1, TP2		1	----	2422 668	
	Left, except Sub., TP1, TP2		1	----	2422 669	
	Right, except Sub., TD1-L-M, TD2-L-M		1	----	2243 108	
	Left, except Sub., TD1-L-M, TD2-L-M		1	----	2243 109	
	Right, TY1	8	1	----	----	2243 168
	Left, TY1	8	1	----	----	2243 169
8-55-8	GASKET, Tail, Stop and Turn Signal Lamp, Sub.,					
	TD1, TD2		2	----	2422 727	
	Except Sub., TD1-L-M, TD2-L-M		2	----	E2481 769	
	Housing, except Sub., TD1-H, TD2-H-P		2	----	2480 633	
	To Body, Sub., TA3	8	2	----	2189 550	
8-55-9	NUT, Tail, Stop and Turn Signal Lamp, TL1	6	6	6023 481		
	J/NUT, Sub., TL1, TC1, TC3		6	6014 023	----	6023 272
	STAMPED NUT, Mounting, except Sub., TP1, TP2		8	----	6023 539	
	STAMPED NUT, Mounting, except Sub., TD1-L-M, TD2-L-M		12	----	6023 539	
	NUT, Tail Lamp Mounting, Outboard, Sub., TD1, TD2		4	----	6000 286	
	NUT, J Type, Tail Lamp, Sub., TD1, TD2		4	----	6023 111	
	NUT, J Type, Tail, Stop and Turn Signal Lamp, Sub., TD1, TD2		8	----	6023 111	
	J/NUT, Tail, Stop and Turn Signal Lamp, Sub., TA3	8	8	----	*6014 023	
	NUT, Tail, Stop and Turn Signal Lamp, except Sub., TC1, TC2, TC3	8	6	----	----	6023 351
8-55-10	SCREW, Tail, Stop and Turn Signal Lamp, except					
	Sub., TL1	6	6	1903 385		
	Sub., TL1	6	6	1878 117		
	TC1, TC2, TC3	8	6	----	----	9418 883
	STUD, except Sub., TC1, TC2, TC3	8	2	----	----	6023 085
8-55-12	WASHER, Tail, Stop and Turn Signal Lamp,					
	Except Sub., TC1, TC2, TC3	8	2	----	----	6023 185
	Except Sub., TC1, TC2, TC3	8	6	----	----	2252 297
8-55-23	REINFORCEMENT, Tail Lamp Opening, Right,					
	except Sub., TP1, TP2		1	----	2255 680	
	Left, except Sub., TP1, TP2		1	----	2255 681	
	Right, except Sub., TD1, TD2		1	----	2244 544	
	Left, except Sub., TD1, TD2		1	----	2244 545	
	Right, except Sub., TA3	8	1	----	2423 770	
	Left, except Sub., TA3	8	1	----	2423 771	
8-55-34	EXTENSION and GASKET PACKAGE, Tail, Stop,					
	Turn Signal and Back-Up Lamp, Right, except					
	Sub., TA3	8	1	----	2448 613	
	Left, except Sub., TA3	8	1	----	2448 614	
8-55-54	CABLE, Tail, Stop and Turn Signal Lamp					
	Socket, TL1 except Sub., TA3 Sub.		2	E2291 301	E2291 301	
8-55-57	SOCKET, Tail, Stop and Turn Signal Lamp, except					
	Sub., TV1		2	2290 263	2290 263	
	Sub., TV1, TD1, TD2		2	1863 196	1863 196	
	SHELL, Tail, Stop and Turn Signal Lamp					
	Socket, TL1 except Sub., TA3 Sub.		2	*2189 834	*2189 834	
	w/CABLE, Sub., TP1, TP2		2	----	2426 246	

★ Indicates use as required.

Numerals in parentheses () refer to notes.

Printed in U.S.A.

E Indicates parts not listed in any previous parts book.

Prices and specifications subject to change without notice.

Jan. 3, 1964 Supersedes Jan. 25, 1963.

* Indicates change or addition.

CODE	PART NAME AND DESCRIPTION	C Y L.	PER CAR	VALIANT DART	PLYMOUTH DODGE	CHRYSLER IMPERIAL
8-55-0 TAIL, STOP AND TURN SIGNAL LAMP - Cont'd						
8-55-57	SOCKET - Cont'd					
	Tail Lamp, Sub., TD1, TD2		2	----	2427 265	
	w/BOOT, TC1, TC2, TC3	8	2	----	----	*2290 204
	TY1	8	2	----	----	2290 263
8-55-63	SPRING, INSULATOR and CONTACT PACKAGE, Tail, Stop and Turn Signal Lamp Socket, Sub., TP1, TP2, TA3		2	*2198 860	*2198 860	
8-55-136	HOUSING PACKAGE, Tail, Stop and Turn Signal Lamp, Right, except Sub., TV1	6	1	2298 895		
	Left, except Sub., TV1	6	1	2298 896		
	Tail, Stop, Turn Signal and Back-Up Lamp, Right, except Sub., TD1-H, TD2-H-P		1	----	2421 467	
	Left, except Sub., TD1-H, TD2-H-P		1	----	2421 468	
	Except Sub., TA3	8	2	----	2448 619	
	HOUSING, Right, TY1	8	1	----	----	2255 594
	Left, TY1	8	1	----	----	2255 595
8-55-140	WELT, Tail, Stop and Turn Signal Lamp, TP1, TP2, TD1-L-M, TD2-L-M		2	----	*2424 882	
	w/Back-Up Lamp, except Sub., TD1-H, TD2-H-P w/Back-Up Lamp, Inner and Outer, except Sub., TA3		2	----	2255 255	
	TC1, TC2, TC3	8	4	----	*2424 882	
		8	2	----	----	*2424 882
8-55-158	BEZEL, LENS and GASKET PACKAGE, except Sub., TL1-H-P	6	2	2421 185		
	BEZEL and REFLECTOR PACKAGE, Sub., TP1, TP2		2	----	2421 815	
	BEZEL, LENS and GASKET PACKAGE, Right Sub., TL1-H-P	6	1	*2421 180		
	Left, Sub., TL1-H-P	6	1	*2421 181		
	BEZEL, STUD and REFLECTOR, Right, except Sub., TP1, TP2		1	----	*2423 020	
	Left, except Sub., TP1, TP2		1	----	2423 021	
	BEZEL and HOUSING PACKAGE, Tail Lamp, Right, Sub., TD1, TD2		1	----	2421 839	
	Left, Sub., TD1, TD2		1	----	2421 840	
	BEZEL and HOUSING PACKAGE, Tail, Stop and Turn Signal Lamp, Right, Sub., TD1, TD2		1	----	2421 843	
	Left, Sub., TD1, TD2		1	----	2421 844	
	BEZEL, LENS and GASKET PACKAGE, except except Sub., TD1-L-M, TD2-L-M		2	----	2421 477	
	BEZEL, STUDS and GASKET, Outer, Right, except Sub., TD1-L-M, TD2-L-M		1	----	2255 500	
	Left, except Sub., TD1-L-M, TD2-L-M		1	----	2255 501	
	BEZEL, Tail Lamp Housing, Right, Sub., TD1, TD2 Left, Sub., TD1, TD2		1	----	2422 708	
			1	----	2422 709	
	BEZEL, Tail, Stop and Turn Signal Lamp Housing, Right, Sub., TD1, TD2		1	----	2422 720	
	Left, Sub., TD1, TD2		1	----	2422 721	
	BEZEL, Sub., Right, TA3	8	1	----	2189 832	
	Left, Sub., TA3	8	1	----	2189 833	
	BEZEL, LENS and GASKET PACKAGE, except Sub., TA3	8	2	----	2448 617	
	BEZEL and GASKET PACKAGE, w/Back-Up Lamp, Right, except Sub., TA3	8	1	----	2448 615	
	Left, except Sub., TA3	8	1	----	2448 616	

★ Indicates use as required.

Numerals in parentheses () refer to notes.

Printed in U.S.A.

⊠ Indicates parts not listed in any previous parts book.

Prices and specifications subject to change without notice.

* Indicates change or addition.

Page 8-53

Jan. 3, 1964 Supersedes Jan. 25, 1963.

1963 PASSENGER CAR PARTS CATALOG

ELECTRICAL

CODE	PART NAME AND DESCRIPTION	CYL	PER CAR	VALIANT DART	PLYMOUTH DODGE	CHRYSLER IMPERIAL
8-55-O TAIL, STOP AND TURN SIGNAL LAMP - Cont'd						
8-55-158	BEZEL - Cont'd					
	Right, except Sub., TC1, TC2, TC3	8	1	----	----	*2448 637
	Left, except Sub., TC1, TC2, TC3	8	1	----	----	2448 638
	BEZEL, LENS and GASKET PACKAGE, Right, Sub., TC1, TC3	8	1	----	----	2299 349
	Left, Sub., TC1, TC3	8	1	----	----	2421 100
8-55-159	SCREW, Tail, Stop, Turn Signal and Back-Up Lamp Housing, Sub., TV1	6	8	9418 260		
	SCREW, Tail, Stop and Turn Signal Lamp Bezel, Sub., TP1, TP2	8		----	892 569	
	SCREW, Tail Lamp Housing Attaching, Sub., TD1, TD2	4		----	E9420 778	
	SCREW, Housing, Sub., TD1, TD2	8		----	9418 480	
	SCREW, Housing to Bezel, except Sub., TP1, TP2	2		----	9418 524	
	SCREW, Tail, Stop, Turn Signal and Back-Up Lamp Extension to Bezel, except Sub., TA3	8	6	----	6023 867	
	SCREW, Housing to Bezel, except Sub., TA3	8	2	----	6023 867	
	STUD, Housing, TY1	8	*	----	----	6024 084
8-55-161	NUT, Tail Lamp Bezel, Sub., TD1, TD2		4	----	1839 995	
	NUT, Tail, Stop, Turn Signal and Back-Up Lamp Bezel, except Sub., TA3	8	8	----	6023 539	
	J/NUT, Tail, Stop and Turn Signal Lamp Housing, Sub., TP1, TP2		8	----	6023 111	
	NUT, Tail, Stop and Turn Signal Lamp Housing, TY1	8	6	----	----	6024 113
8-55-162	RETAINER, Tail, Stop and Turn Signal Lamp Housing, except Sub., TV1	6	4	*6001 430		
	CUP WASHER, Tail, Stop, Turn Signal and Back-Up Lamp Bezel, Lower, TA3	8	4	----	6023 185	
	SEALING WASHER, Tail, Stop, Turn Signal and Back-Up Lamp Bezel Drive Stud, Upper, except Sub., TA3	8	4	----	6023 854	
	SEALING WASHER, Tail, Stop, Turn Signal and Back-Up Lamp Bezel Drive Stud, Lower, except Sub., TA3	8	4	----	6022 007	
	CUP WASHER, Tail, Stop, Turn Signal and Back-Up Lamp Extension, except Sub., TA3	8	6	----	6023 185	
8-55-163	SEALING WASHER, Tail, Stop and Turn Signal and Back-Up Lamp Housing, TD1-H, TD2-H-P		17	----	6022 052	
	SEALING WASHER, Housing, Sub., TD1, TD2		*	----	6022 997	
8-55-170	PLUG, Tail Lamp Gauge Hole, except Sub., TA3	8	4	----	*2216 829	
8-55-194	LENS and GASKET PACKAGE, Tail, Stop and Turn Signal Lamp, Right, except Sub., TV1, TP1, TP2		1	2298 897	2421 831	
	Left, except Sub., TV1, TP1, TP2		1	2298 898	2421 832	
	Sub., TV1, TP1, TP2		2	2299 344	2421 817	
	Right, Sub., TL1-L	6	1	2421 146		
	Left, Sub., TL1-L	6	1	2421 147		
	Except Sub., TL1-L	6	2	2421 183		
	Right, except Sub., TD1-H, TD2-H-P		1	----	2421 469	
	Left, except Sub., TD1-H, TD2-H-P		1	----	2421 470	
	Tail Lamp, Right, Sub., TD1, TD2		1	----	2421 841	
	Tail Lamp, Left, Sub., TD1, TD2		1	----	2421 842	
	Right, Sub., TD1, TD2		1	----	2421 845	
	Left, Sub., TD1, TD2		1	----	2421 846	
	Right, Sub., TA3	8	1	----	2279 934	
	Left, Sub., TA3	8	1	----	2279 935	
	Except Sub., TC1, TC2, TC3	8	2	----	----	2299 311
	Right, Sub., TC1, TC3	8	1	----	----	2421 101
	Left, Sub., TC1, TC3	8	1	----	----	2421 102
	TY1	8	2	----	----	2421 451

★ Indicates use as required.

Numerals in parentheses () refer to notes.

Printed in U.S.A.

⊕ Indicates parts not listed in any previous parts book.

Prices and specifications subject to change without notice.

Jan. 3, 1964 Supersedes Jan. 25, 1963.

* Indicates change or addition.

CODE	PART NAME AND DESCRIPTION	C Y L.	PER CAR	VALIANT DART	PLYMOUTH DODGE	CHRYSLER IMPERIAL
8-55-O TAIL, STOP AND TURN SIGNAL LAMP - Cont'd						
8-55-209	SCREW, Tail, Stop and Turn Signal Lamp Lens Attaching, Sub., TV1	6	6	6023 282		
	SCREW, Tail, Stop and Turn Signal Lamp Bezel and Lens Attaching, Sub., TD1, TD2		8	----	6023 633	
	SCREW, Tail Lamp Bezel and Lens Attaching, Sub., TD1, TD2		8	----	6023 633	
	SCREW, w/Back-Up Lamp, Lens to Housing, TD1-H, TD2-H-P		24	----	*6024 369	
	SCREW, Tail, Stop and Turn Signal Lamp Lens, Sub., TA3	8	12	----	6022 594	
8-55-214	GASKET, Tail, Stop and Turn Signal Lamp Lens, to Housing, Sub., TL1	6	2	2243 094		
	Except Sub., TL1	6	2	2243 084		
	Sub., TP1, TP2		2	----	2422 698	
	Sub., TA3	8	2	----	2189 548	
8-55-219	REFLECTOR PACKAGE, Tail, Stop and Turn Signal Lamp, Sub., TP1, TP2		2	----	2421 816	
	Except Sub., TP1, TP2		2	----	2421 833	
8-55-220	REFLECTOR, Tail, Stop and Turn Signal Lamp, TY1	8	2	----	----	2255 532
8-55-233	MEDALLION, Tail, Stop and Turn Signal Lamp Reflector, TY1	8	2	----	----	1598 388
8-55-300	CONTACT, Tail, Stop and Turn Signal Lamp Socket		★	2256 966	2256 966	2256 966
8-55-301	INSULATOR, Tail, Stop and Turn Signal Lamp Socket, Sub., TA3	8	2	----	1842 338	
8-55-332	SCREW, Tail, Stop, Turn Signal and Back-Up Lamp Extension to Bezel, except Sub., TA3	8	6	----	6023 867	
8-55-335	INSERT and EXTENSION PACKAGE, Tail, Stop and Turn Signal Lamp Bezel, Sub., Right, TA3	8	1	----	2279 932	
	Left, Sub., TA3	8	1	----	2279 933	
8-56-O BACK-UP LAMP						
8-56-1	LAMP, except Sub., TV1	6	2	*2243 196		
	LAMP PACKAGE, Right, Sub., TV1	6	1	2421 462		
	Left, Sub., TV1	6	1	2421 463		
	LAMP, except Sub., TL1	6	2	*2422 640		
	Sub., TL1	6	2	*2244 042		
	Right, except Sub., TP1, TP2		1	----	2422 656	
	Left, except Sub., TP1, TP2		1	----	2422 657	
	w/License Lamp, Right, Sub., TP1, TP2, TD1, TD2		1	----	2422 728	
	Left, Sub., TP1, TP2, TD1, TD2		1	----	2422 729	
	Right, except Sub., TD1-L, M, TD2-L-M		1	----	2244 914	
	Left, except Sub., TD1-L-M, TD2-L-M		1	----	2244 915	
	Right, except Sub., TC1, TC2, TC3	8	1	----	----	2243 160
	Left, except Sub., TC1, TC2, TC3	8	1	----	----	2243 161
	w/License Lamp, Right, Sub., TA3, TC1, TC3	8	1	----	*2094 988	*2094 988
	Left, Sub., TA3, TC1, TC3	8	1	----	2094 989	2094 989
	TY1	8	2	----	----	*2424 307

★ Indicates use as required.

Numerals in parentheses () refer to notes.

Printed in U.S.A.

☐ Indicates parts not listed in any previous parts book.

Prices and specifications subject to change without notice.

* Indicates change or addition.

Jan. 3, 1964 Supersedes Jan. 25, 1963.

1963 PASSENGER CAR PARTS CATALOG

ELECTRICAL

CODE	PART NAME AND DESCRIPTION	C Y L.	PER CAR	VALIANT DART	PLYMOUTH DODGE	CHRYSLER IMPERIAL
8-56-0 BACK-UP LAMP - Cont'd						
8-56-2	SWITCH, w/Std. Trans., TC1, TC2		1	*2258 404	*2258 404	*2258 404
	w/Auto. Trans.		1	1971 833	1972 052	1972 052
	w/4 Speed Std. Trans., TP2, TD2	8	1	-----	2427 137	
	CONE WASHER, w/4 Speed Std. Trans., TP2, TD2	8	2	-----	6022 681	
8-56-4	NUT and SEAL, except Sub., TD1-L-M, TD2-L-M		4	-----	*6023 097	
8-56-7	LENS, Back-Up and License Lamp, Right, Sub., TA3, TC1, TC3	8	1	-----	2094 992	2094 992
	Left, Sub., TA3, TC1, TC3	8	1	-----	2094 993	2094 993
8-56-8	LENS and GASKET PACKAGE, Sub., TV1	6	2	*2299 345		
	Except Sub., TV1	6	2	2298 852		
	Except Sub. TL1	6	2	2421 801		
	Sub., TL1	6	2	2279 915		
	Right, except Sub., TP1, TP2		1	-----	2421 802	
	Left, except Sub., TP1, TP2		1	-----	2421 803	
	w/License Lamp, Right, Sub., TP1, TP2, TD1, TD2		1	-----	*2421 805	
	Left, Sub., TP1, TP2, TD1, TD2		1	-----	2421 806	
	Right, except Sub., TD1-L-M, TD2-L-M		1	-----	2421 464	
	Left, except Sub., TD1-L-M, TD2-L-M		1	-----	2421 465	
	Right, except Sub., Sub., TD1-H, TD2-H-P		1	-----	2421 471	
	Left, except Sub., TD1-H, TD2-H-P		1	-----	2421 472	
	Except Sub., TA3	8	2	-----	2448 618	
	Right, except Sub., TC1, TC2, TC3	8	1	-----		2299 336
	Left, except Sub., TC1, TC2, TC3	8	1	-----		2299 337
	TY1	8	2	-----		2421 499
8-56-10	SCREW, Lens, except Sub., TL1, TD1-L-M, TD2-L-M		4	*6022 050	*6022 050	
	Except Sub., TP1, TP2		4	-----	1961 965	
	TY1	8	4	-----		6023 486
	Except Sub., TA3	8	8	-----	9418 831	
8-56-23	GASKET, Lens, Sub., TL1	6	2	*2189 521		
8-56-25	SEALING WASHER, except Sub., TP1, TP2		4	-----	*6023 599	
8-56-27	SPRING, INSULATOR and CONTACT PACKAGE, Socket		★	*2257 100	*2257 100	*2257 100
8-56-34	SOCKET, except Sub., TV1	6	2	*2096 648		
	Sub., TV1	6	2	2290 189		
	Except Sub., TL1	6	2	2426 243		
	w/BOOT, Sub., TL1	6	2	2096 141		
			2	-----	2096 648	
	Sub., TC1, TC3	8	2	-----		2096 648
	w/BOOT, except Sub., TC1, TC2, TC3	8	2	-----		2096 141
	w/CABLE, TY1	8	2	-----		2291 622
8-56-40	GASKET, Housing, except Sub., TV1	6	2	*2243 356		
	w/License Lamp, Sub., TA3, TC1, TC3	8	2	-----	2094 994	2094 994
	Except Sub., TC1, TC2, TC3	8	2	-----		2243 158
	TY1	8	2	-----		2255 324
8-56-41	SCREW, w/License Lamp, Sub., TP1, TP2, TD1, TD2		2	-----	*6025 081	
	w/License Lamp, Sub., TA3, TC1, TC3	8	6	-----	*6024 494	*6024 494
	Except Sub., TC1, TC2, TC3	8	4	-----		9417 787

★ Indicates use as required.

Numerals in parentheses () refer to notes.

Printed in U.S.A.

☐ Indicates parts not listed in any previous parts book.

Prices and specifications subject to change without notice.

Jan. 3, 1964 Supersedes Jan. 25, 1963.

* Indicates change or addition.

CODE	PART NAME AND DESCRIPTION	C Y L.	PER CAR	VALIANT DART	PLYMOUTH DODGE	CHRYSLER IMPERIAL
8-56-O BACK-UP LAMP - Cont'd						
8-56-46	GASKET, Switch Hole Plug, w/Std. Trans., TC1, TC2	1		*1302 807	*1302 807	*1302 807
	GASKET, Switch, w/Std. Trans., TC1, TC2	1		*1302 807	*1302 807	*1302 807
8-56-47	ROD, Switch Operating, w/4 Speed Std. Trans., TP2, TD2	8	1	-----	*2426 957	
8-56-53	SCREW, Housing, except Sub., TP1, TP2		4	-----	*6023 414	
8-56-61	COVER, Socket, except Sub., TP1, TP2		2	-----	*2480 145	
8-56-63	PLUG, Sub., TC1	8	2	-----		*2094 697
8-56-65	BRACKET, Switch Mounting, w/4 Speed Std. Trans., TP2, TD2	8	1	-----	*2427 166	
8-56-74	WELT, except Sub., TV1	6	2	*2255 210		
	2 D. and 4 D., TL1	6	2	*2424 882		
	Right, except Sub., TD1-L-M, TD2-L-M		1	-----	2424 270	
	Left, except Sub., TD1-L-M, TD2-L-M		1	-----	2424 271	
8-57-O LICENSE LAMP						
8-57-7	PLUG, Sub., TP1-L-M, TP2-L-M, TD1-L-M, TD2-L-M, TA3		2	-----	*2094 697	
8-57-10	LAMP and HOUSING, TY1		1	*2243 978		*2243 978
	Except Sub., TP1, TP2		2	-----	2422 664	
	Except Sub., TD1, TD2, TA3		1	-----	1878 196	
	w/HOUSING, except Sub., TC1, TC2, TC3	8	1	-----		2243 978
8-57-11	SCREW, License Lamp Mounting, TV1, TY1		2	6022 071	-----	6022 071
	SCREW, Attaching, except Sub., TP1, TP2		4	-----	1878 893	
	SCREW, Attaching, except Sub., TD1, TD2, TA3		2	-----	1878 893	
	BOLT, Attaching, Sub., TP1, TP2, TD1, TD2		4	-----	*6025 081	
	SCREW, Mounting, except Sub., TC1, TC2, TC3	8	2	-----		6022 071
8-57-79	SOCKET, License Lamp, TY1		1	*2290 765	-----	*2290 765
	TP1, TP2 except TP2-P		2	-----	2096 141	
	Except Sub., TA3, TC1, TC2, TC3	8	1	-----	*2096 141	*2290 765
	Sub., TD1, TD2, TA3, TC1, TC2, TC3		2	-----	2096 141	2096 141
8-57-89	SPRING, TY1		1	*2427 634	-----	*2427 634
	SPRING, INSULATOR and CONTACT PACKAGE, TP1, TP2, TD1, TD2		1	-----	*2257 100	
	SPRING, except Sub., TD1, TD2, TC1, TC2, TC3		1	-----	*1842 340	*2427 634
	SPRING, INSULATOR and CONTACT PACKAGE, Sub., TA3, TC1, TC3	8	1	-----	*2257 100	*2257 100
	SPRING, except Sub., TA3	8	1	-----	*2427 634	
8-57-90	INSULATOR, Socket		★	*6006 106	*6006 106	*6006 106
8-57-109	CONTACT, Socket		★	*2256 966	*2256 966	*2256 966
8-58-O STOP LAMP						
8-58-60	SWITCH, Mechanical Type		1	*2291 382	*2258 864	*2258 864
	SCREW and WASHER, Mounting		1	6023 541	6023 541	6023 541

★ Indicates use as required.

Numerals in parentheses () refer to notes.

Printed in U.S.A.

☐ Indicates parts not listed in any previous parts book.

Prices and specifications subject to change without notice.

* Indicates change or addition.

Page 8-57

January 3, 1964.

