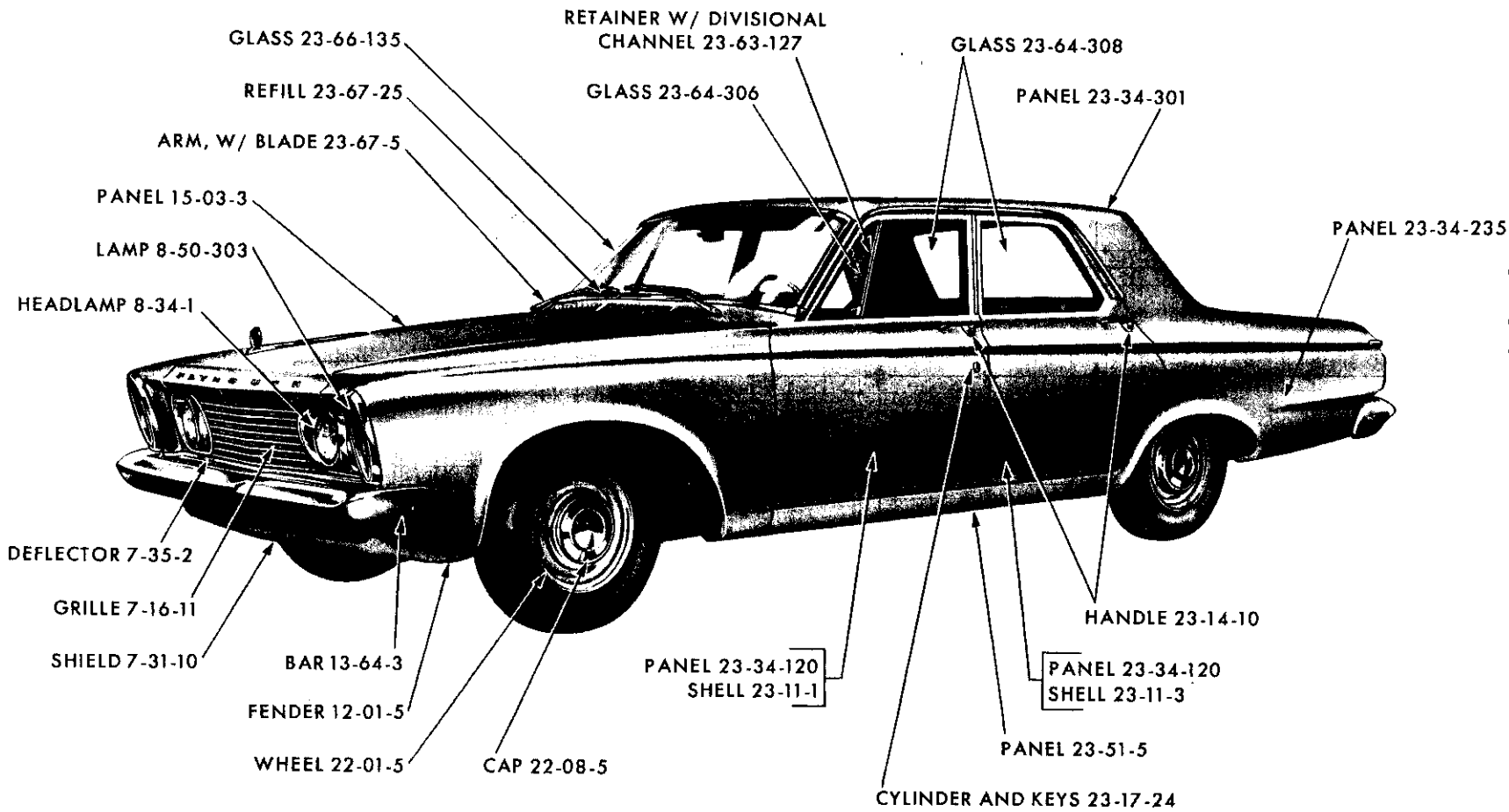


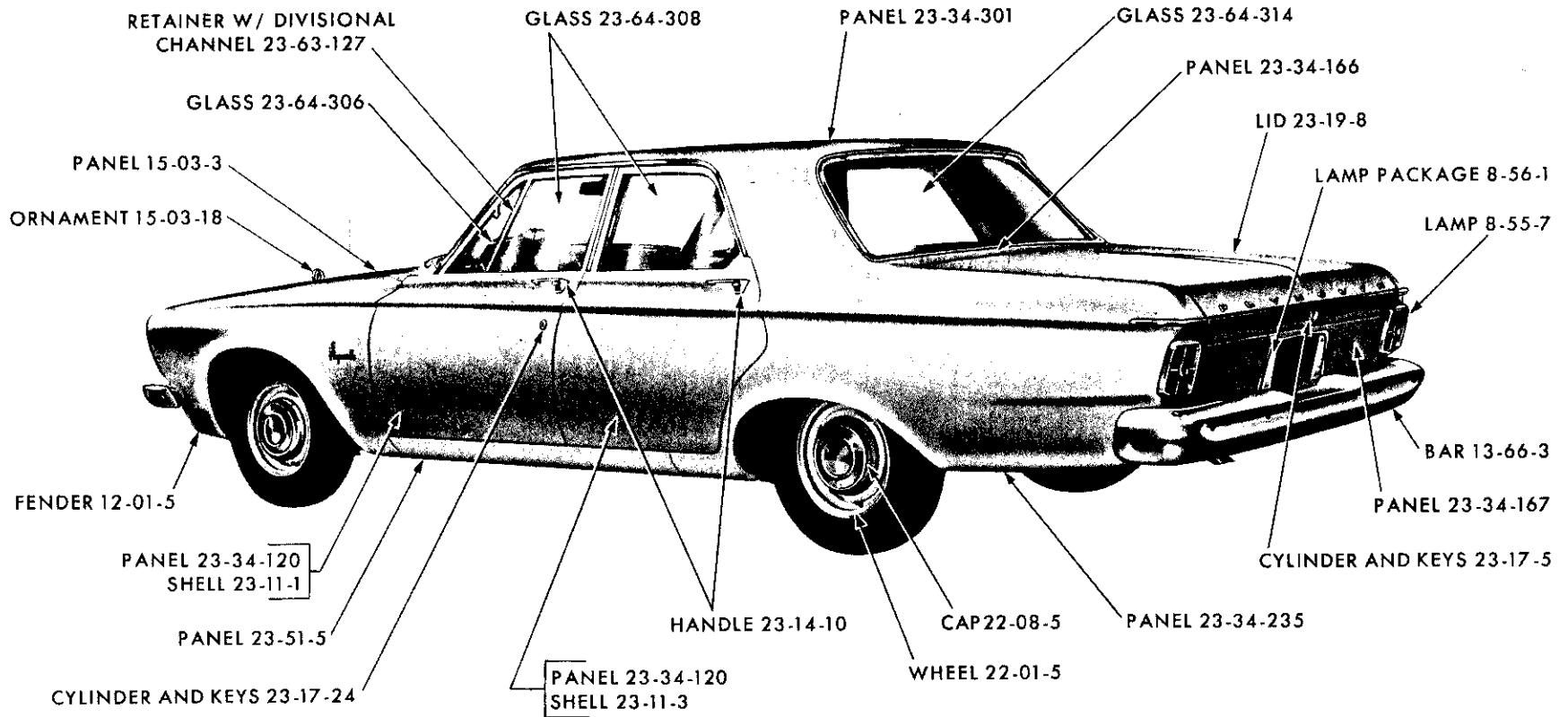
GROUP 23 - BODY

19x9591



**For Moulding Information
see Moulding Illustrations**

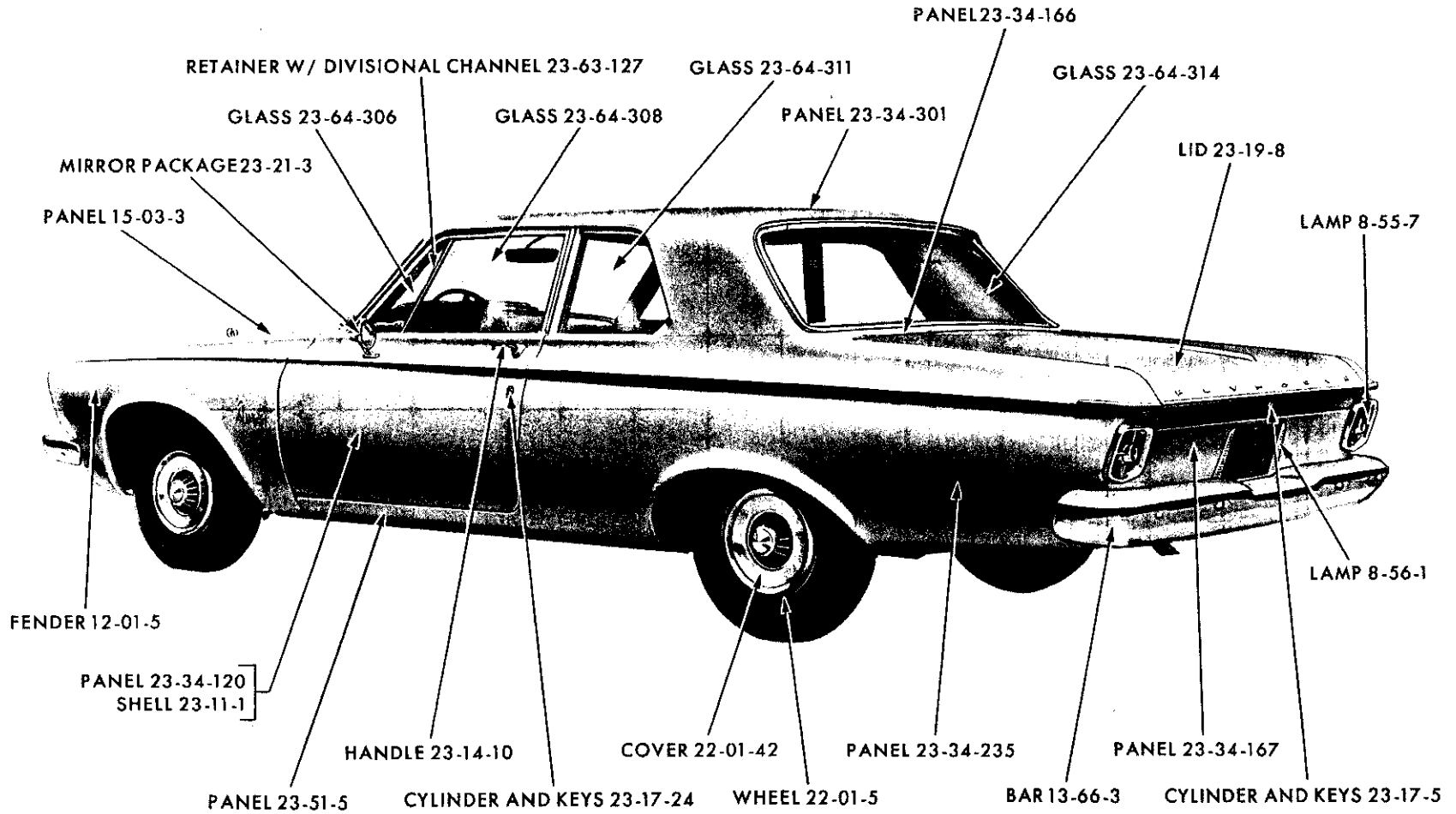
FRONT EXTERIOR - PLYMOUTH TP1-2 4 DOOR SEDAN



**For Moulding Information
see Moulding Illustrations**

19x9595

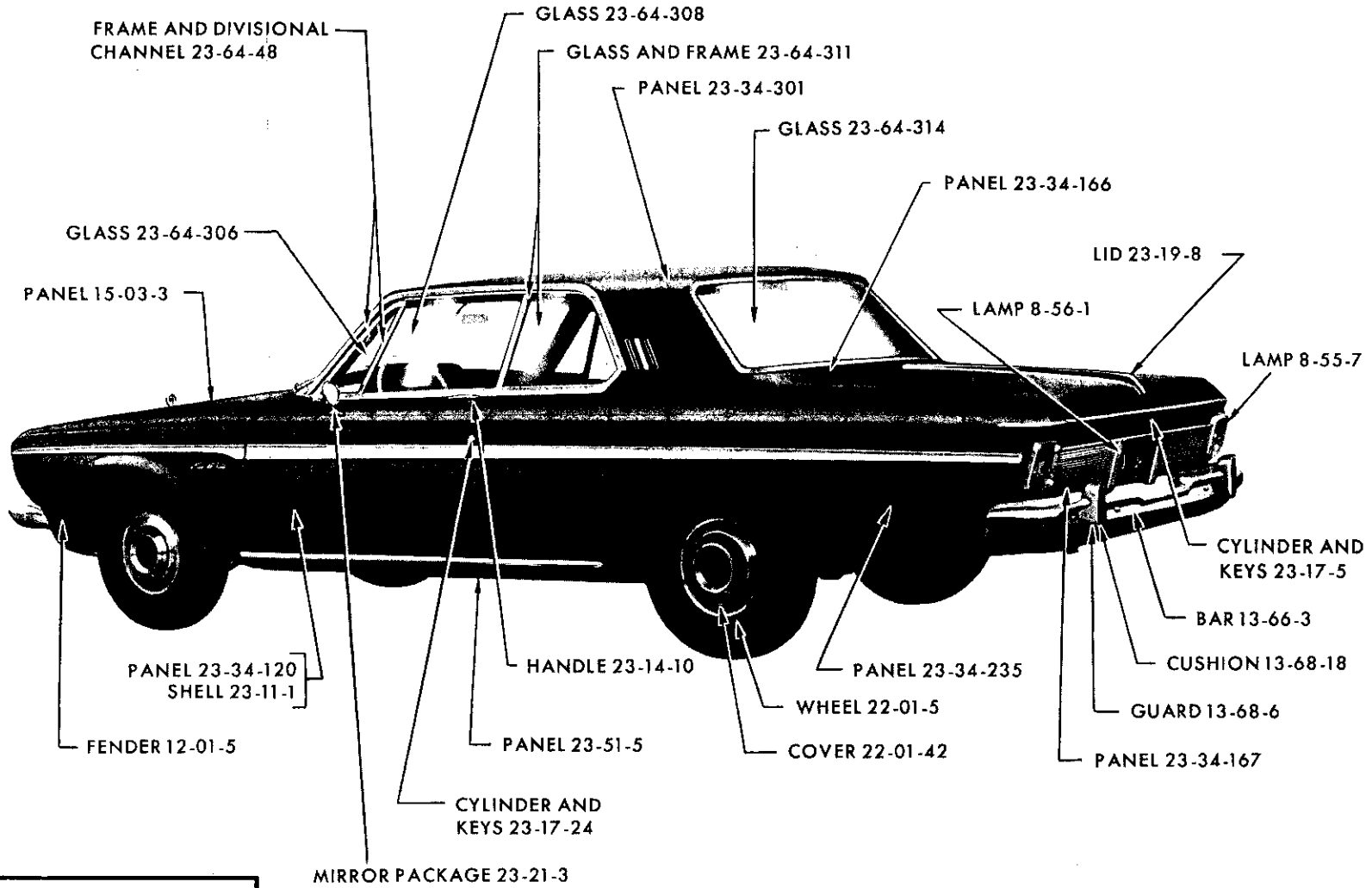
REAR EXTERIOR - PLYMOUTH TP1-2 4 DOOR SEDAN



**For Moulding Information
see Moulding Illustrations**

19x9627

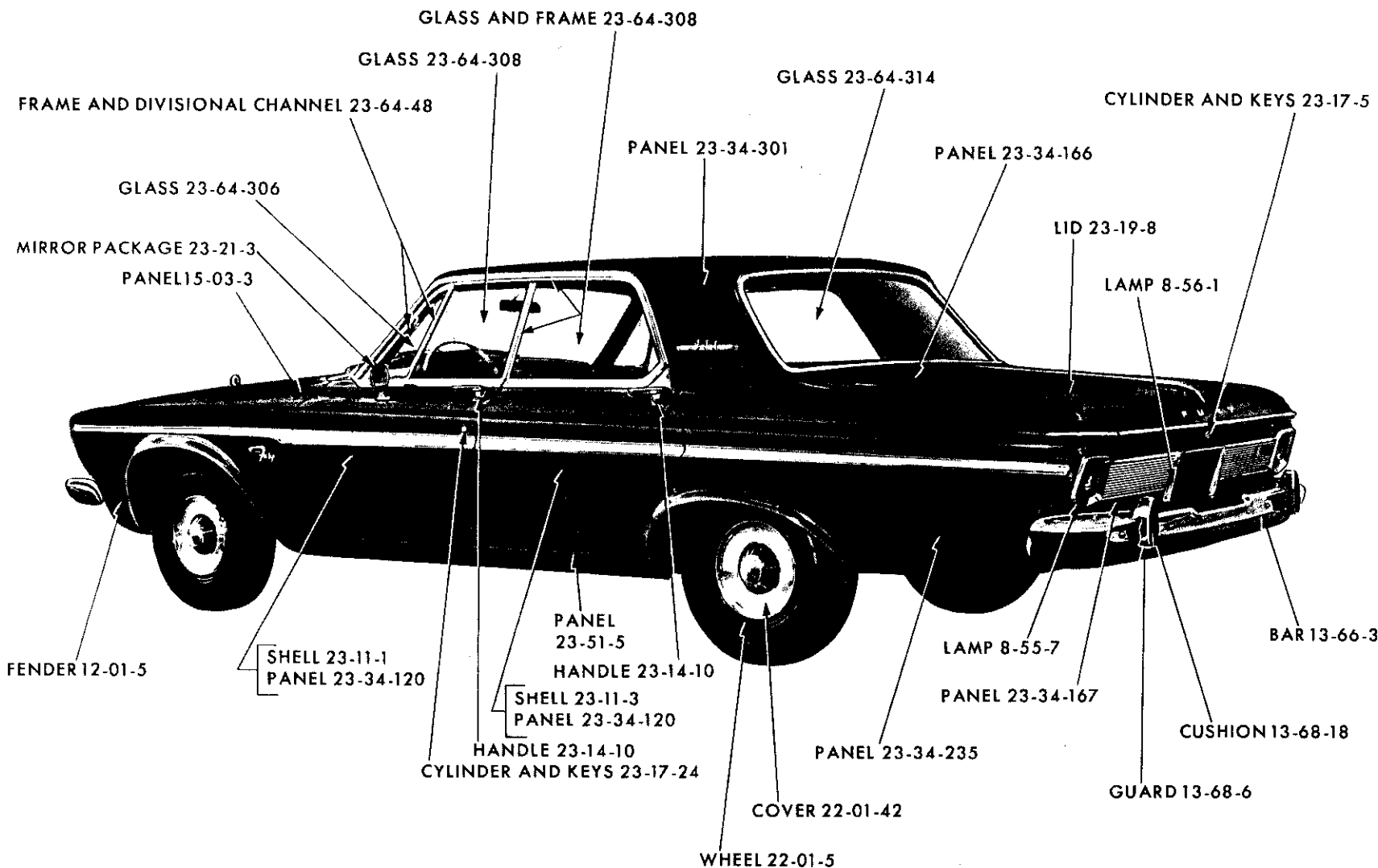
REAR EXTERIOR - PLYMOUTH TP1-2 2 DOOR SEDAN



**For Moulding Information
see Moulding Illustrations**

19x9486

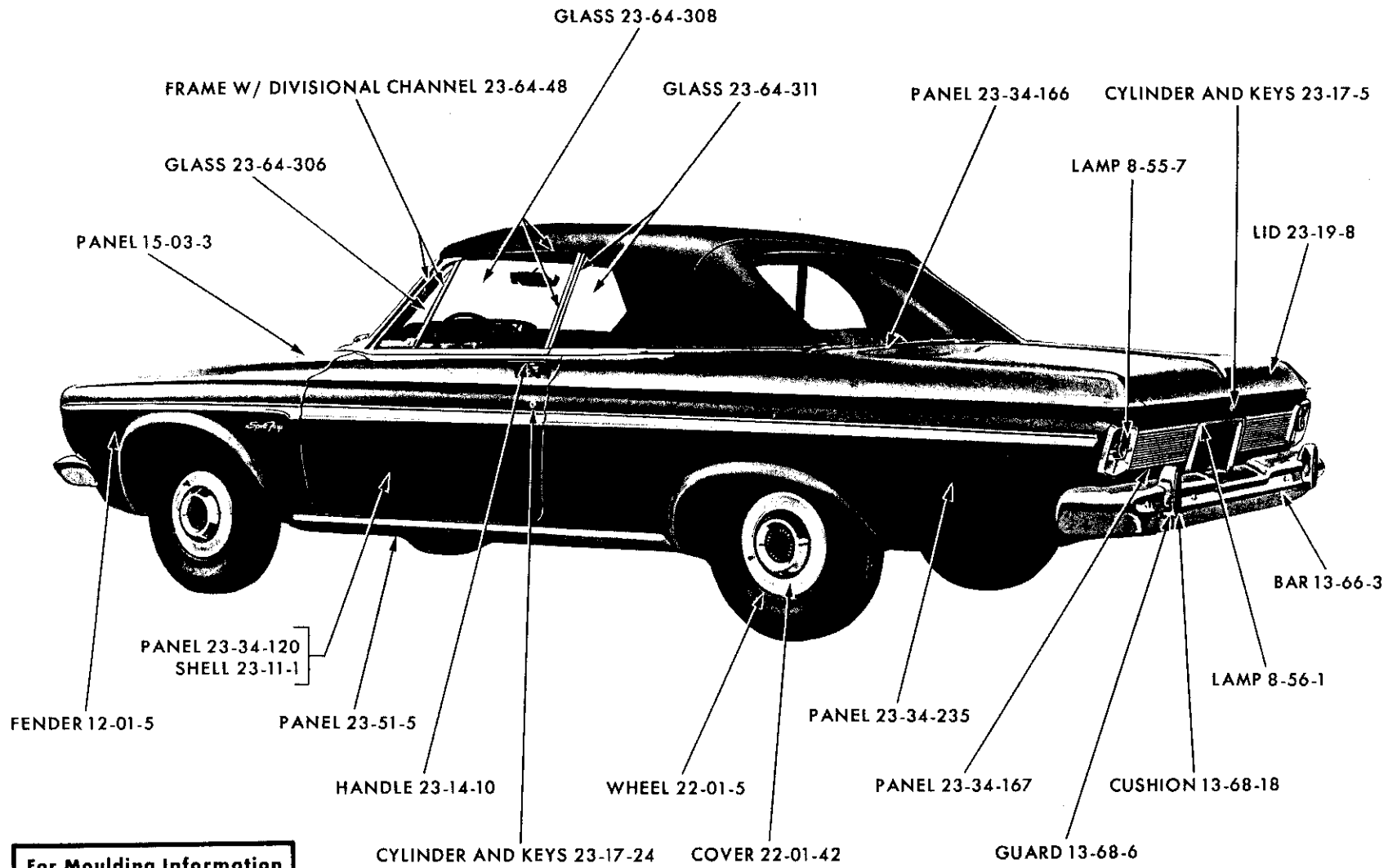
REAR EXTERIOR - PLYMOUTH TP1-2 SPECIAL CLUB COUPE



**For Moulding Information
see Moulding Illustrations**

19x9501

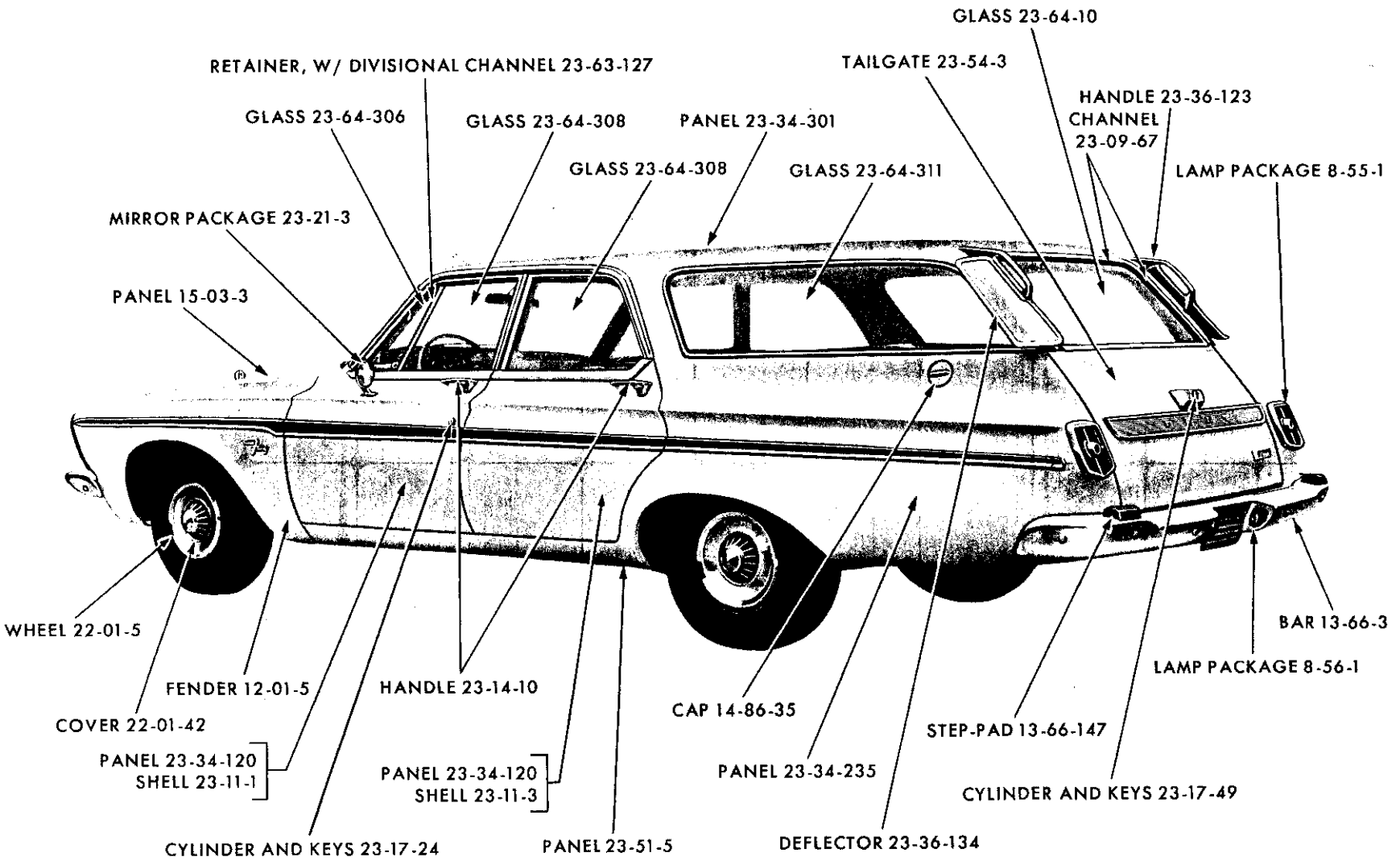
REAR EXTERIOR - PLYMOUTH TP2 SPECIAL 4 DOOR SEDAN



**For Moulding Information
see Moulding Illustrations**

19x9580

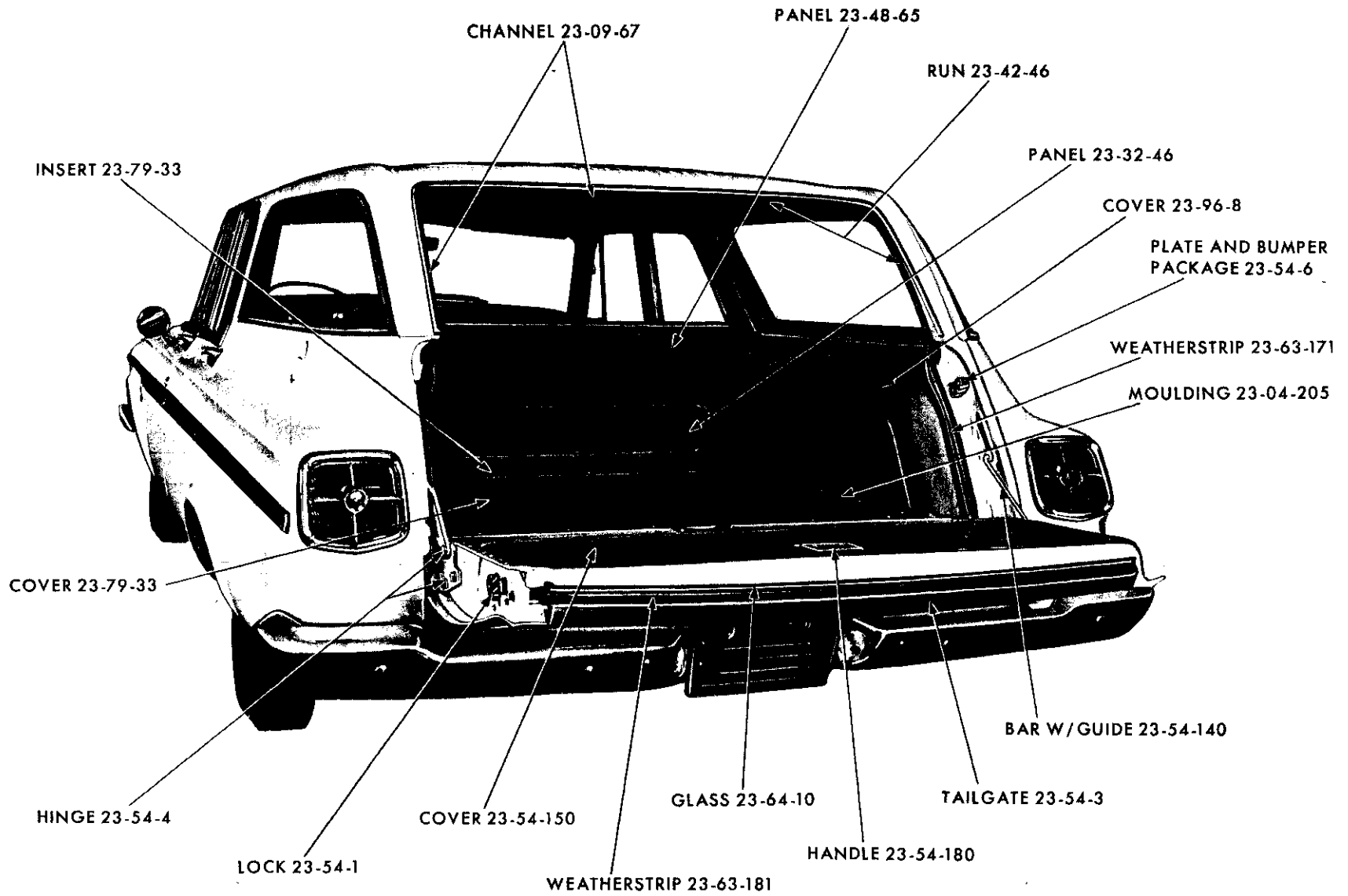
REAR EXTERIOR - PLYMOUTH TP1-2 CONVERTIBLE COUPE



**For Moulding Information
see Moulding Illustrations**

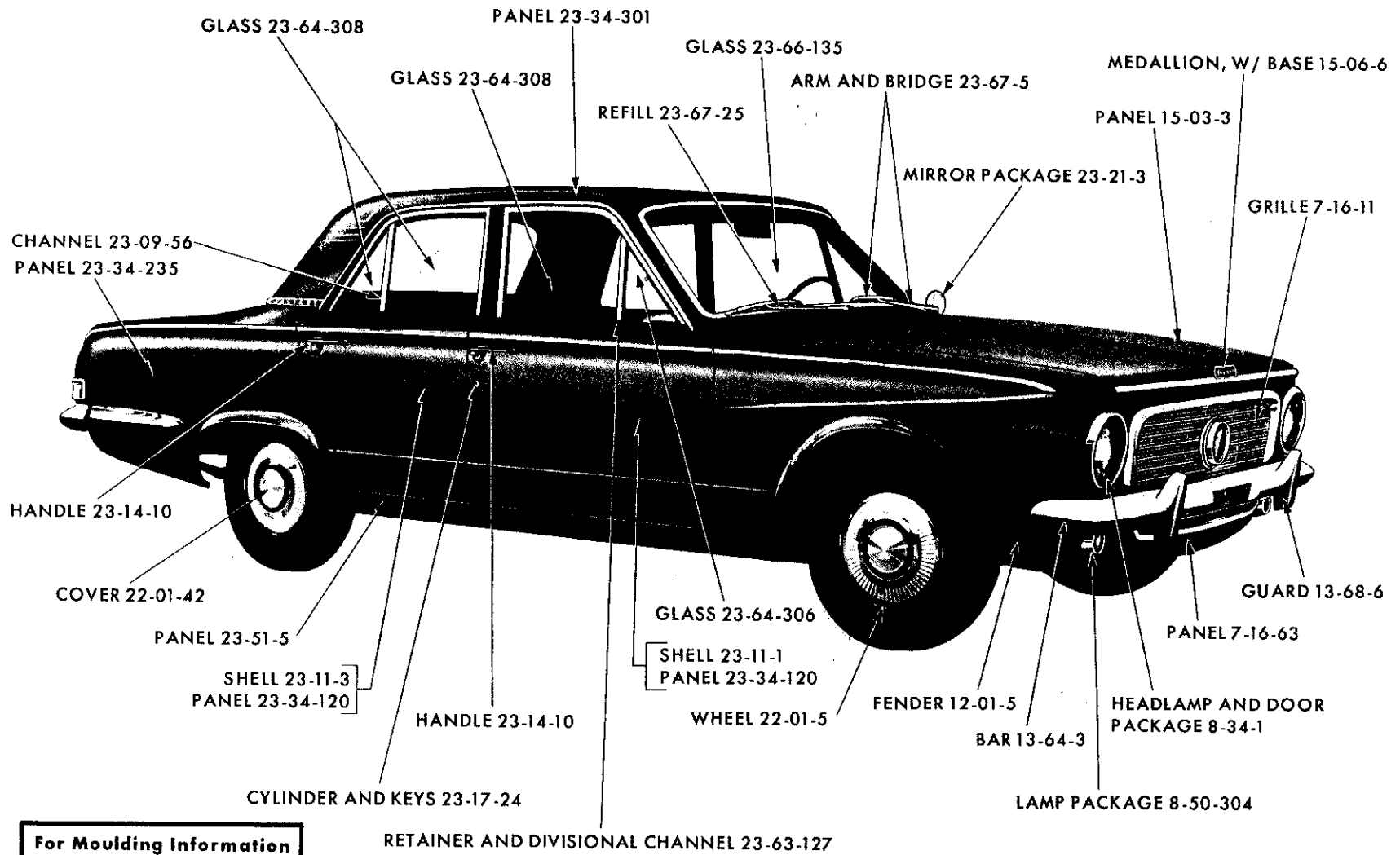
19x9598A

REAR EXTERIOR - PLYMOUTH TP1-2 SUBURBAN



19x9661

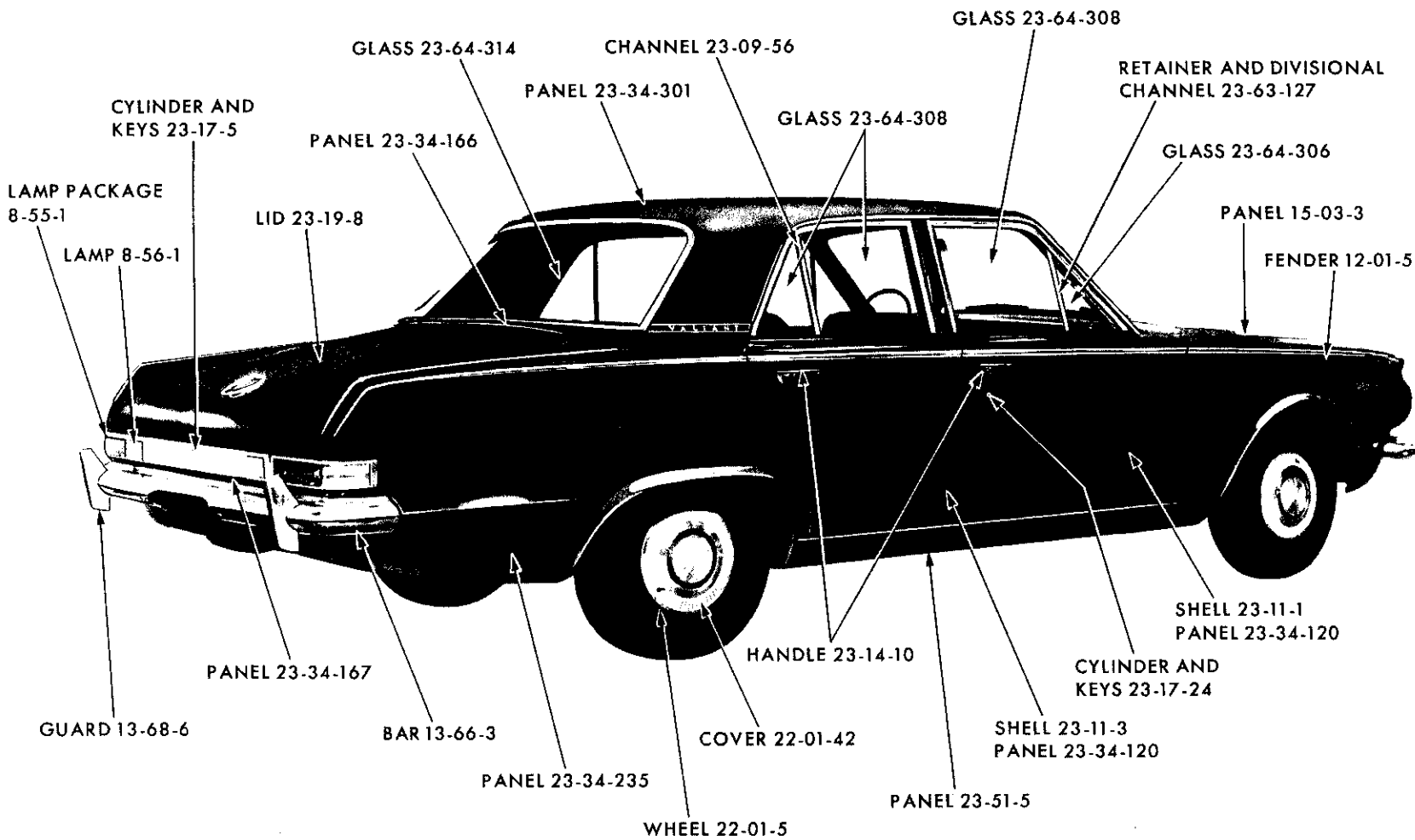
REAR INTERIOR VIEW - PLYMOUTH TP1-2 SUBURBAN



**For Moulding Information
see Moulding Illustrations**

19x9572A

FRONT EXTERIOR - VALIANT TV1 4 DOOR SEDAN

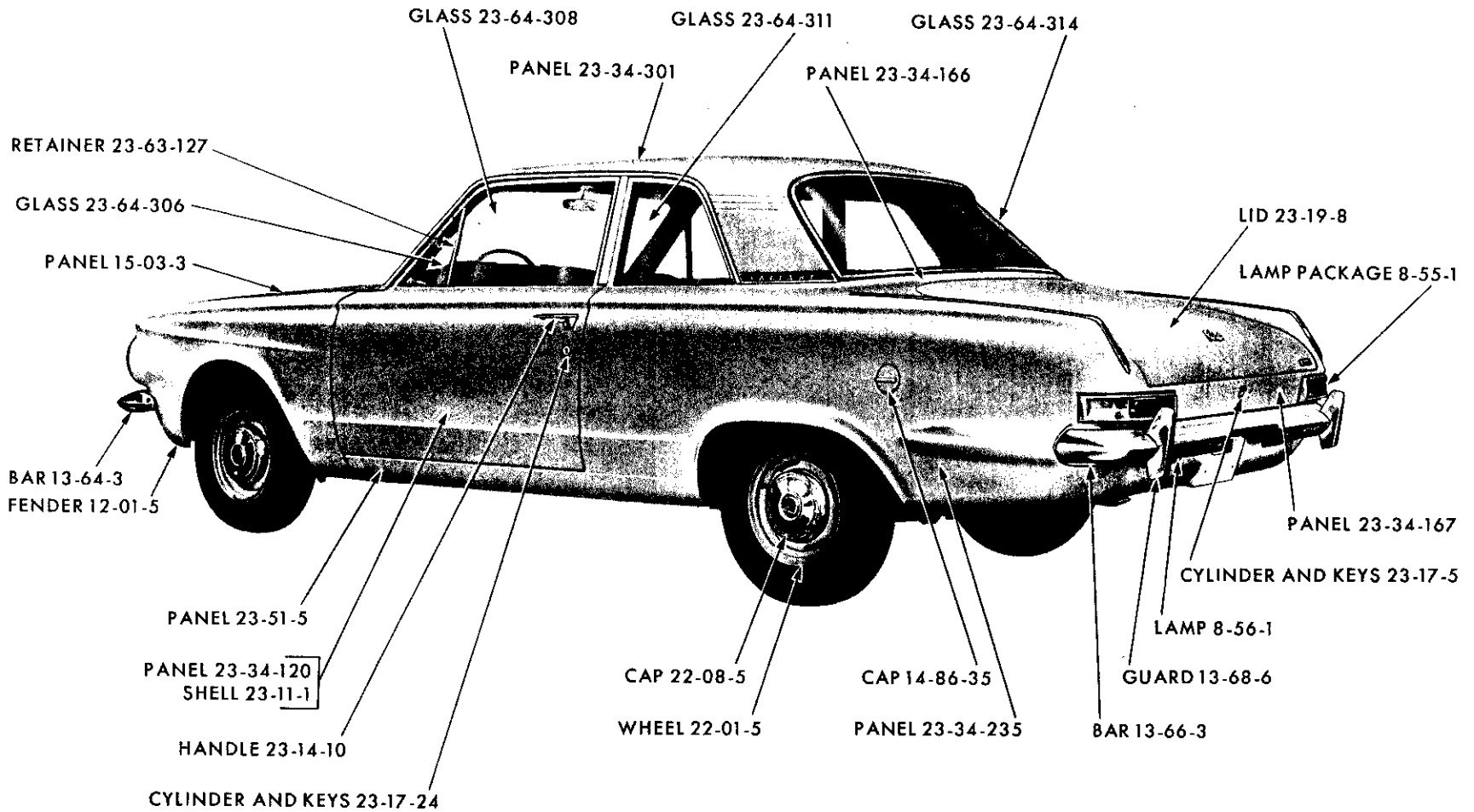


**For Moulding Information
see Moulding Illustrations**

19x9574

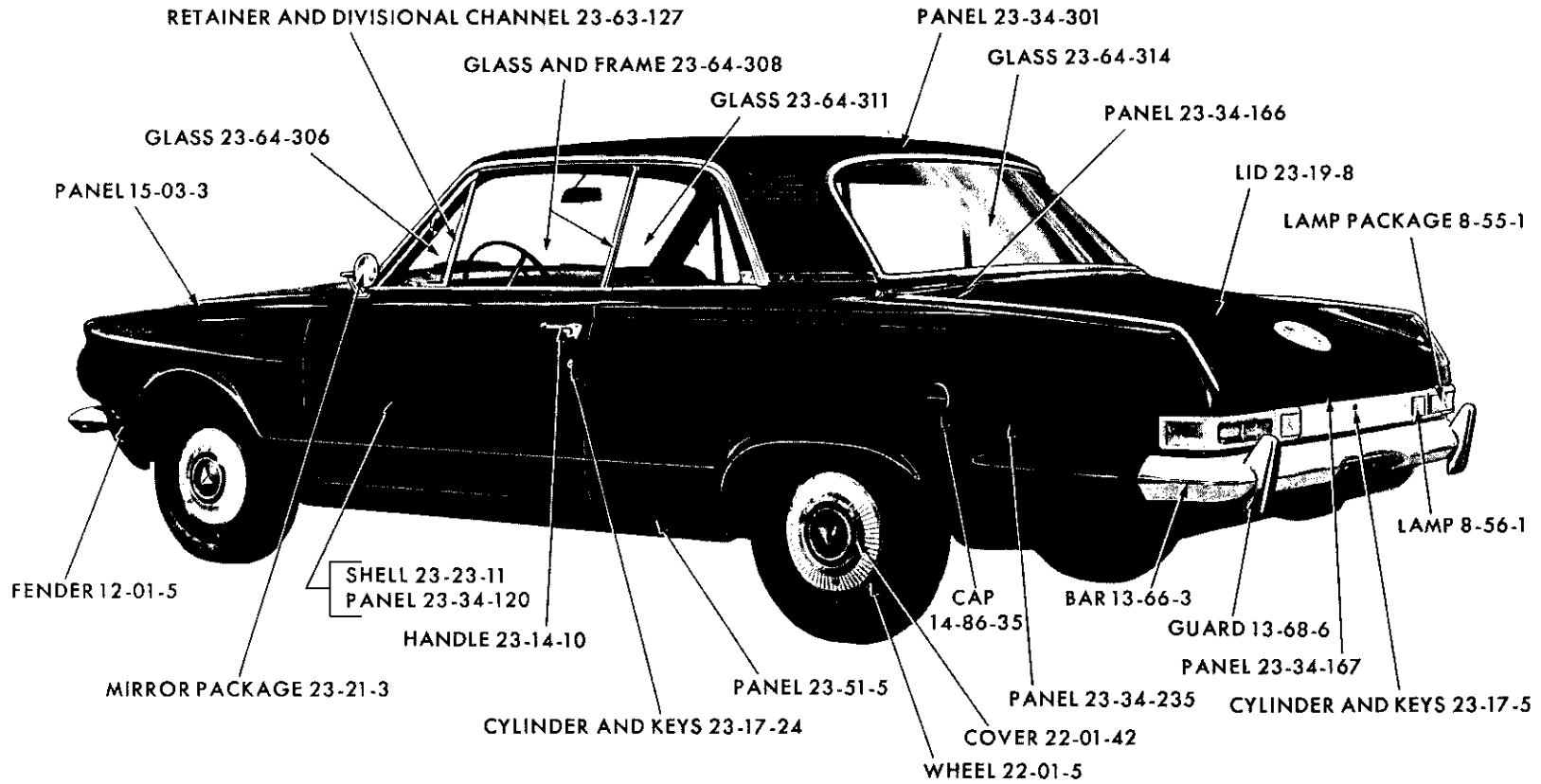
REAR EXTERIOR - VALIANT TV1 4 DOOR SEDAN

For Moulding Information
see Moulding Illustrations



REAR EXTERIOR - VALIANT TV1-2 DOOR SEDAN

19x9547

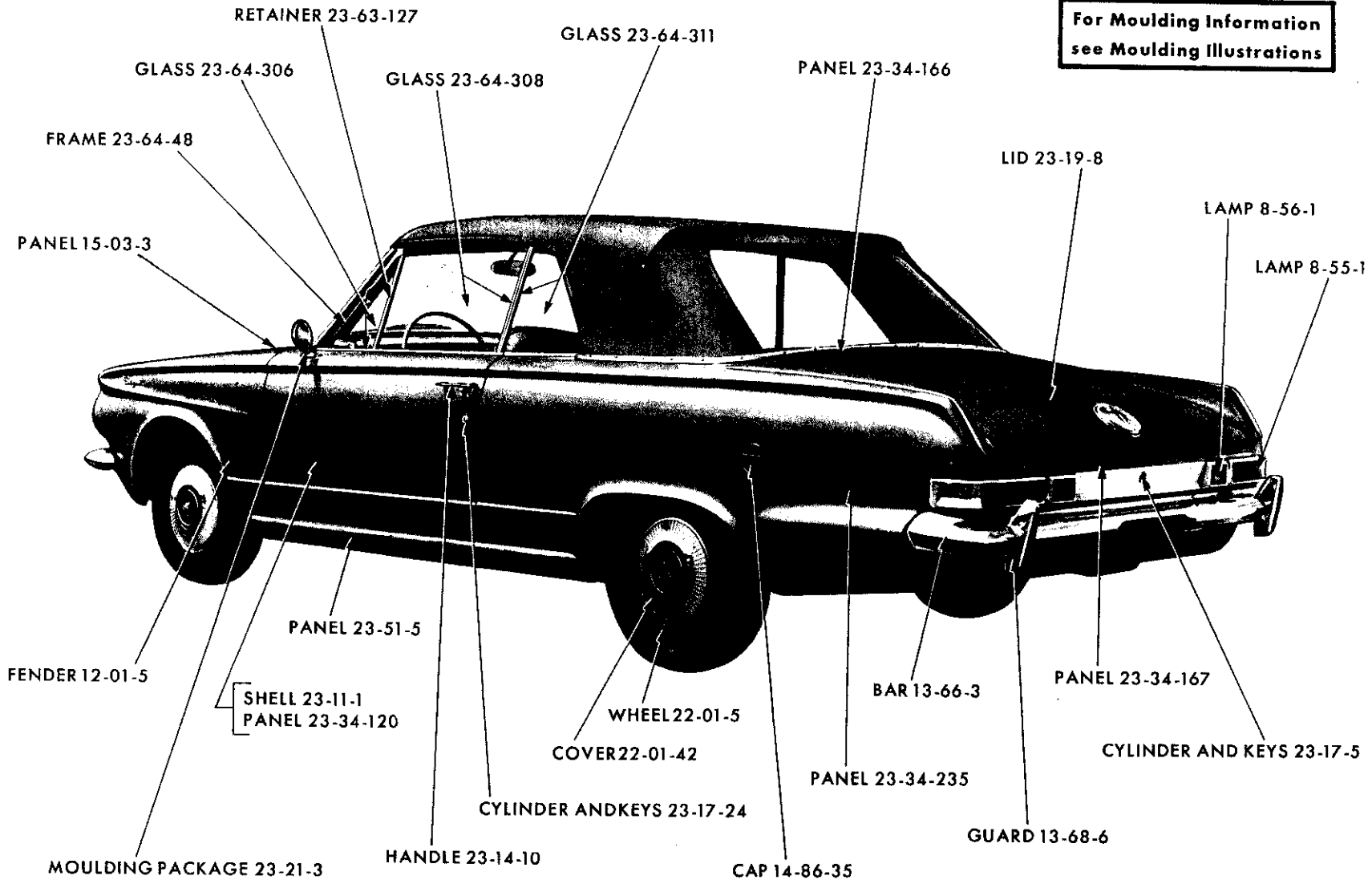


**For Moulding Information
see Moulding Illustrations**

19x9483

REAR EXTERIOR - VALIANT TV1 SPECIAL CLUB COUPE

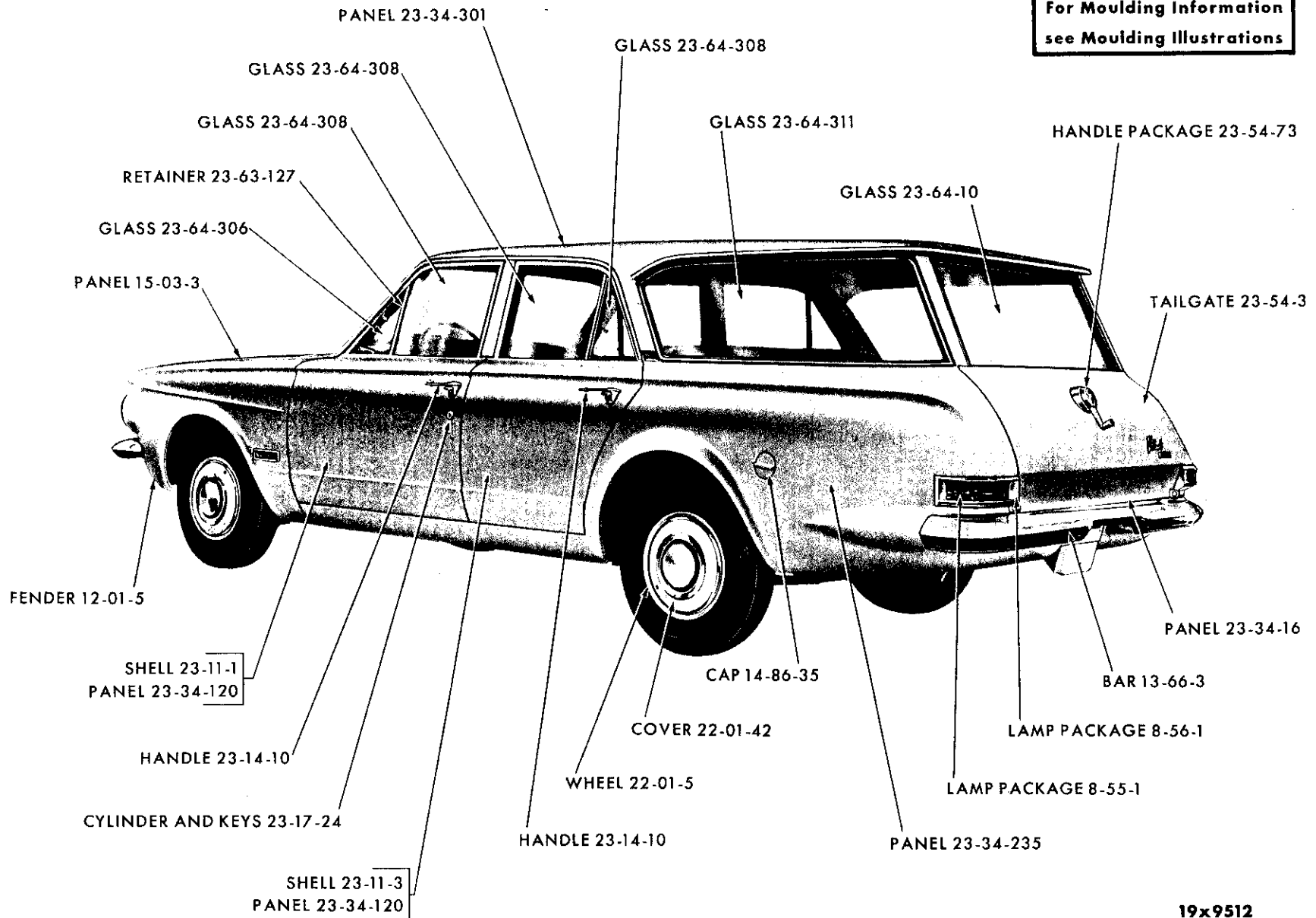
For Moulding Information
see Moulding Illustrations



REAR EXTERIOR - VALIANT TV1 CONVERTIBLE COUPE

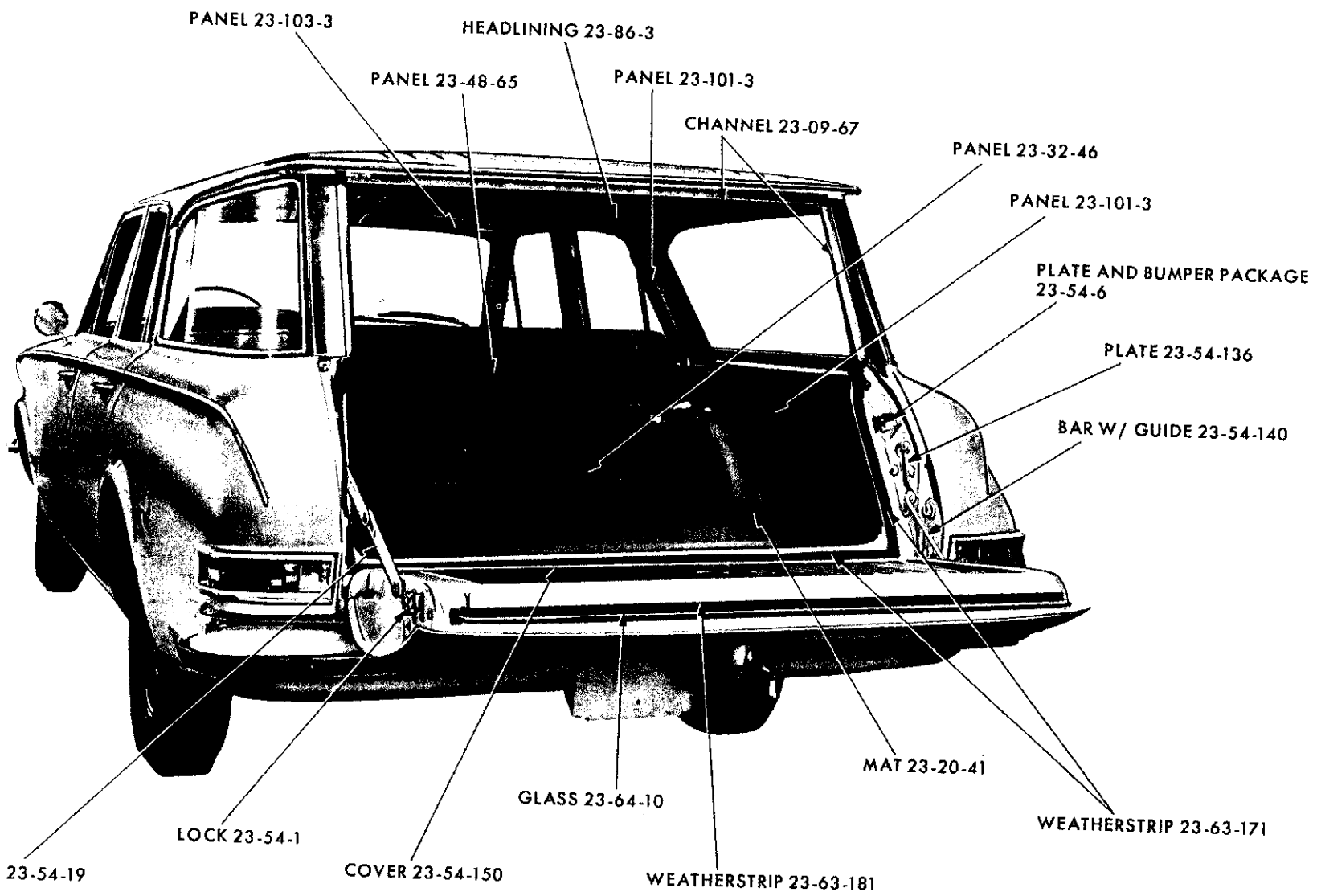
19x9628

For Moulding Information
see Moulding Illustrations



REAR EXTERIOR - VALIANT TV1 SUBURBAN

19x9512



PANEL 23-103-3

HEADLINING 23-86-3

PANEL 23-48-65

PANEL 23-101-3

CHANNEL 23-09-67

PANEL 23-32-46

PANEL 23-101-3

PLATE AND BUMPER PACKAGE
23-54-6

PLATE 23-54-136

BAR W/ GUIDE 23-54-140

MAT 23-20-41

WEATHERSTRIP 23-63-171

GLASS 23-64-10

WEATHERSTRIP 23-63-181

COVER 23-54-150

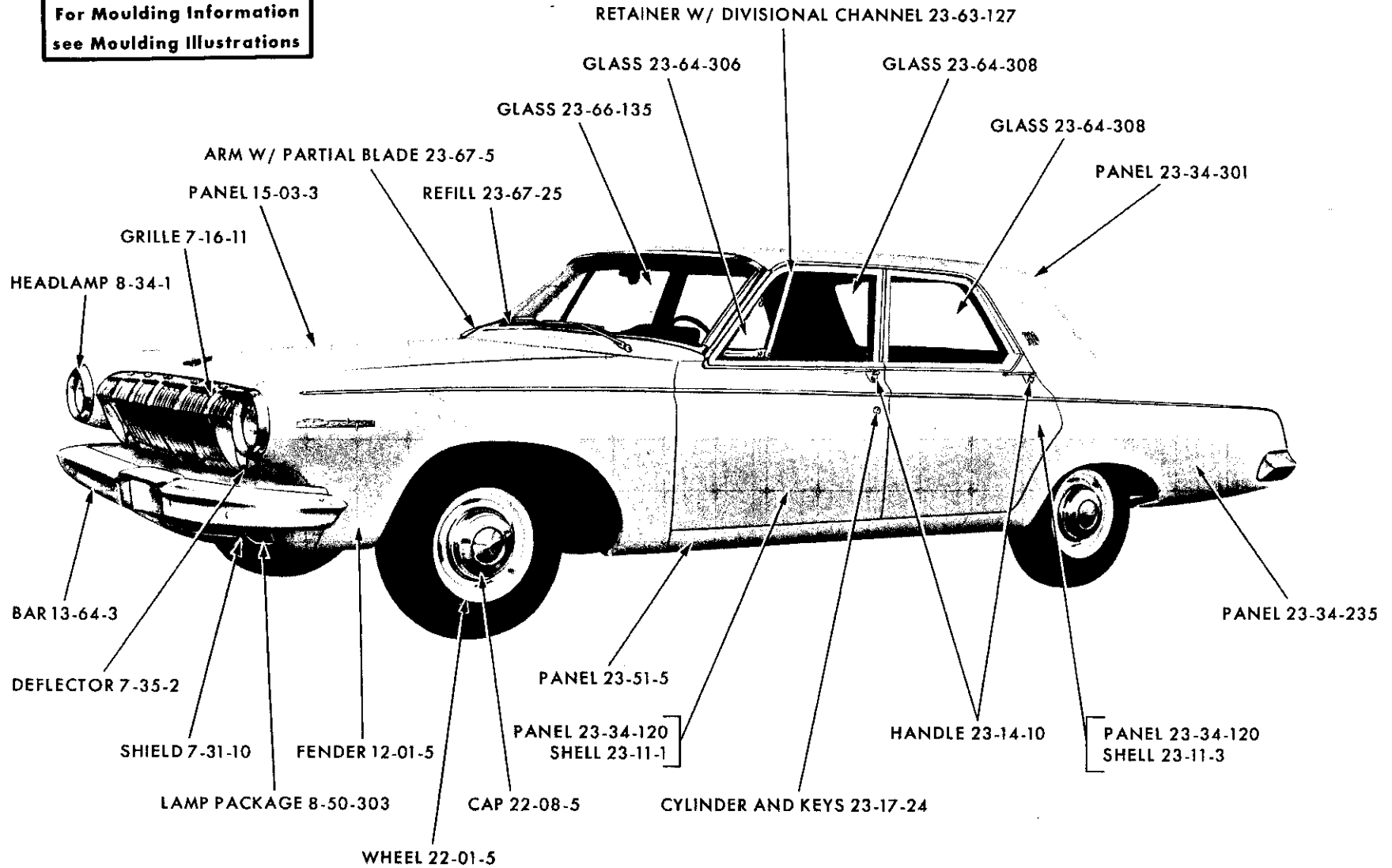
LOCK 23-54-1

ARM 23-54-19

REAR INTERIOR VIEW - VALIANT TV1 SUBURBAN

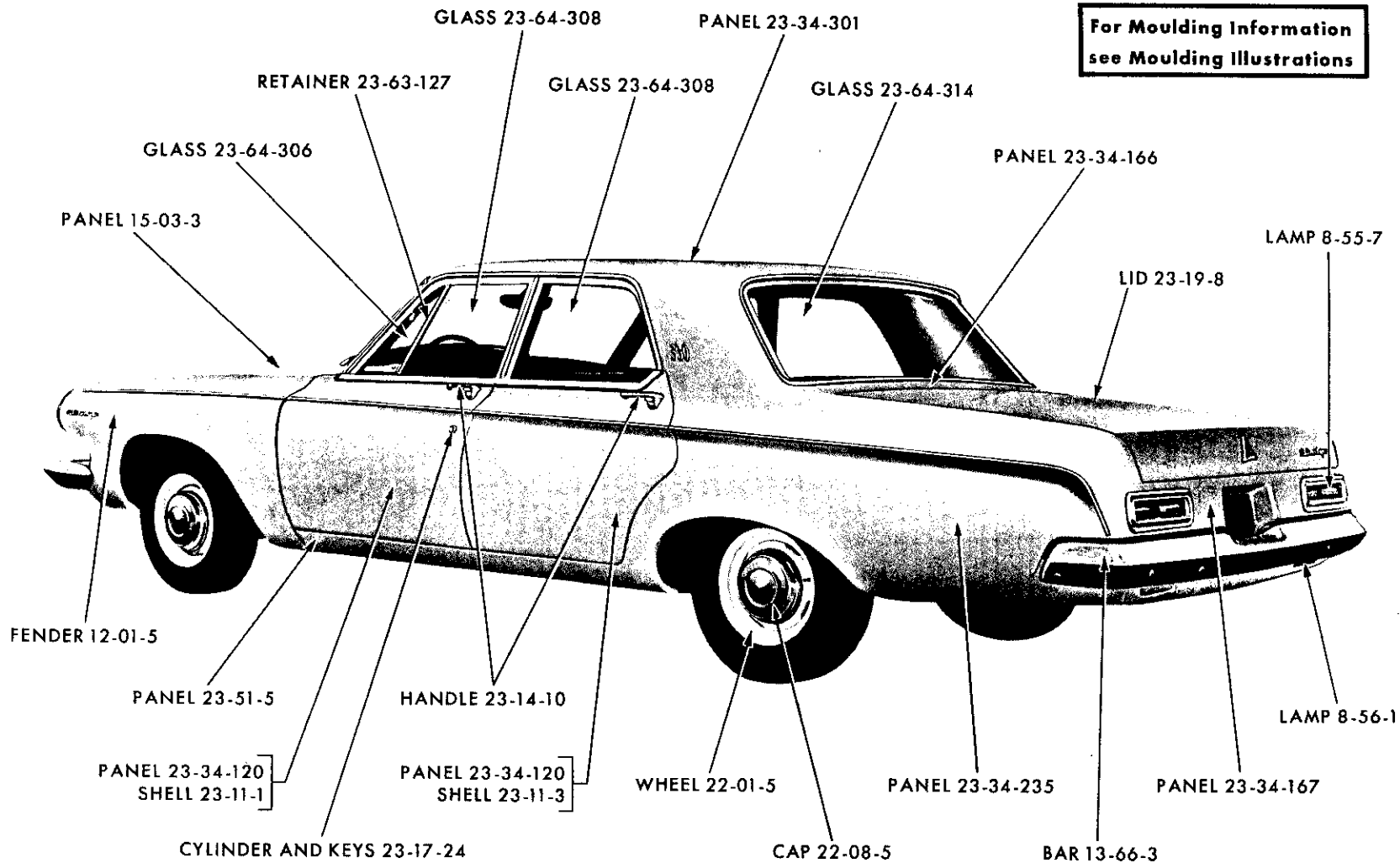
19x9671

For Moulding Information
see Moulding Illustrations



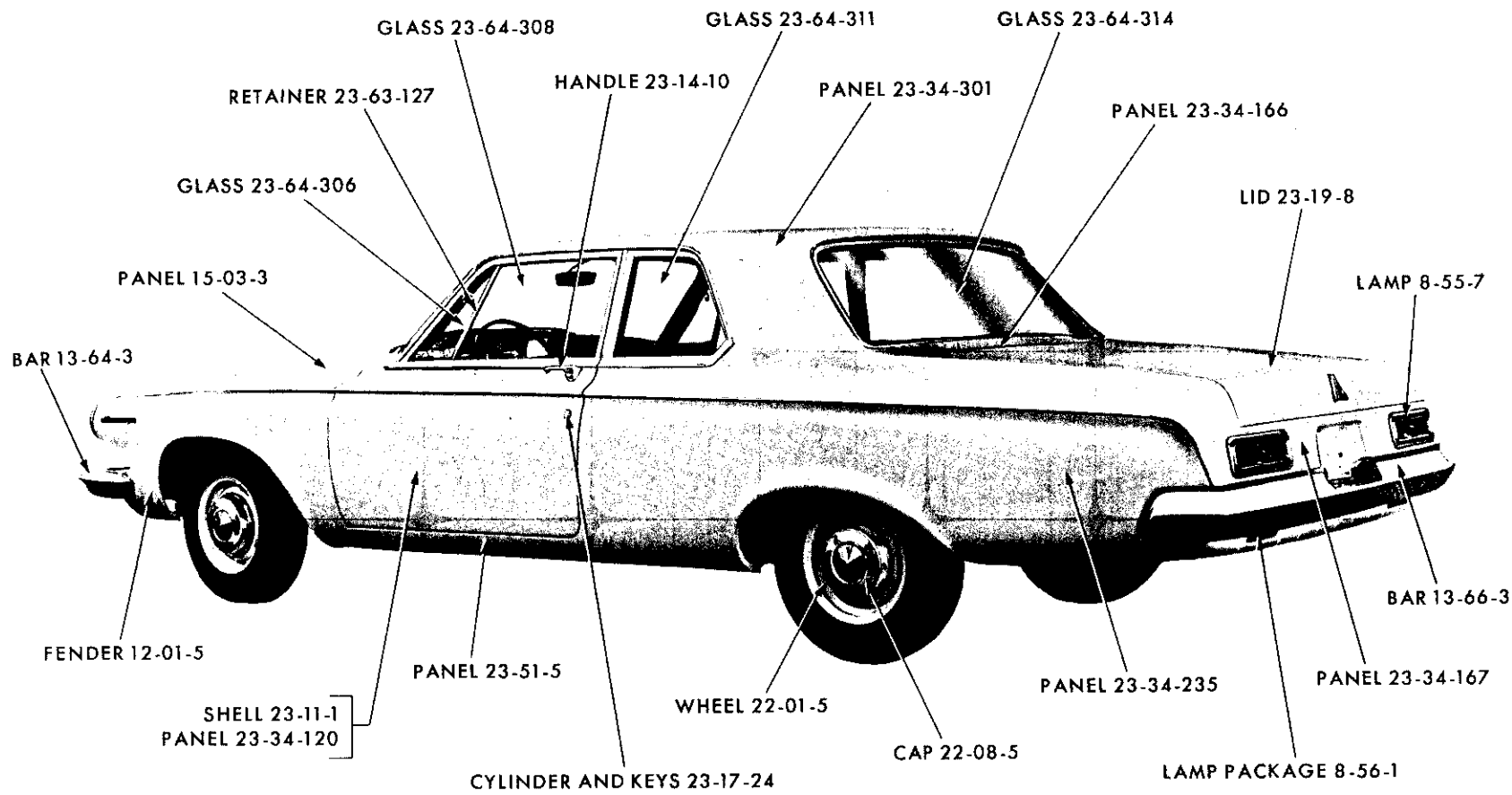
19x9573

FRONT EXTERIOR - DODGE TD1-2 4 DOOR SEDAN



19x9575

REAR EXTERIOR - DODGE TD1-2 4 DOOR SEDAN

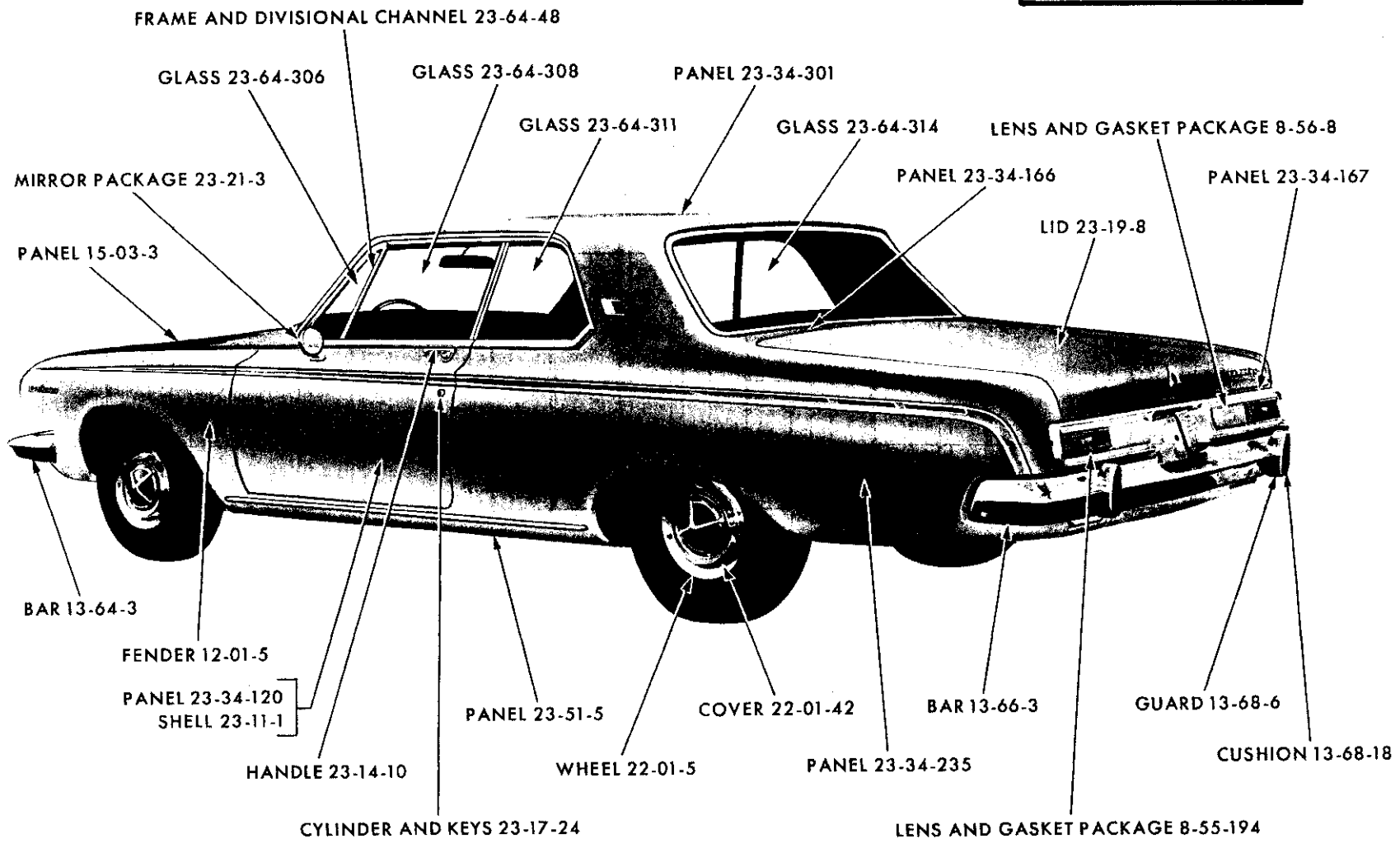


**For Moulding Information
see Moulding Illustrations**

REAR EXTERIOR - DODGE TD1-2 2 DOOR SEDAN

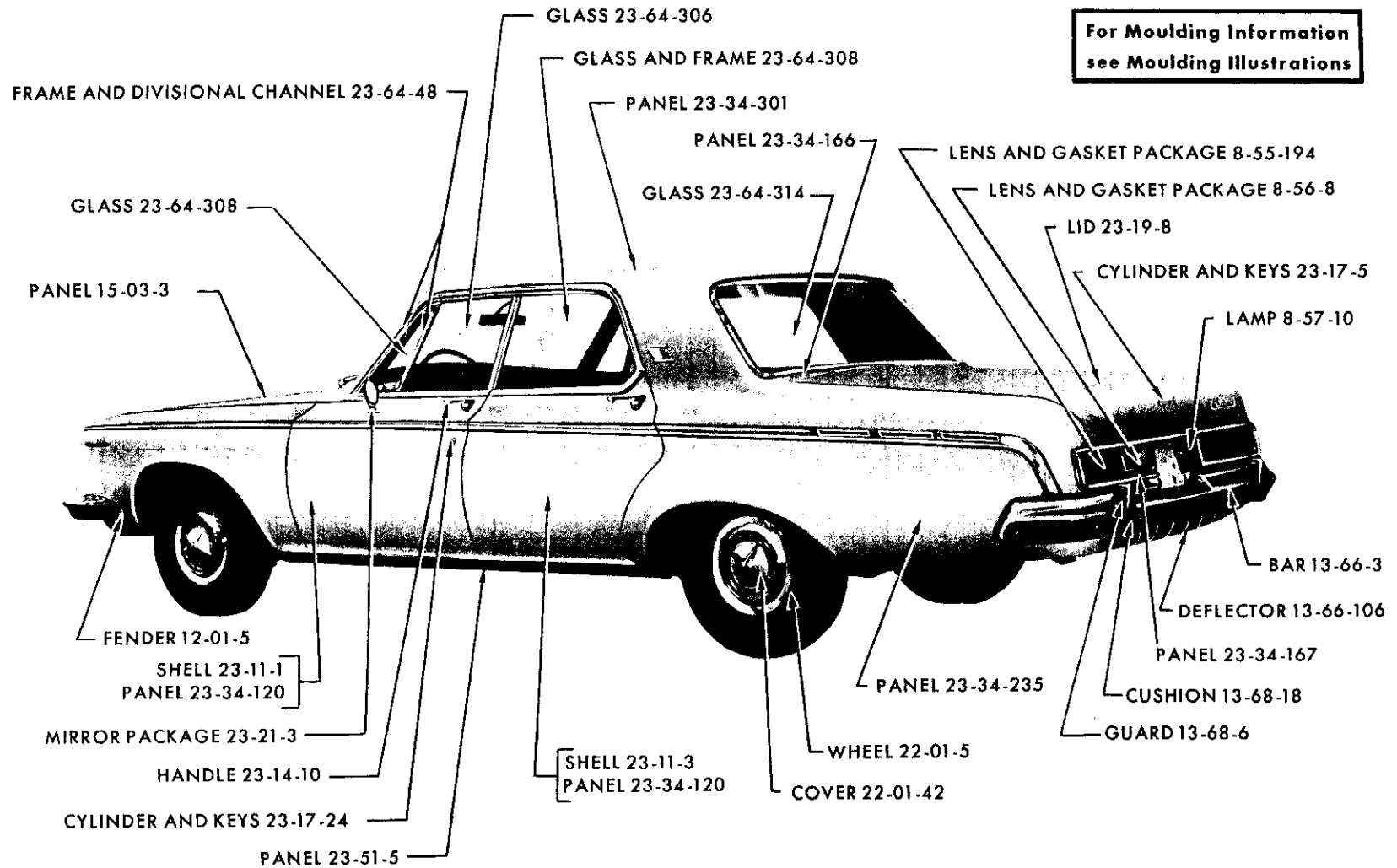
19x9548

For Moulding Information
see Moulding Illustrations



REAR EXTERIOR - DODGE TD1-2 SPECIAL CLUB COUPE

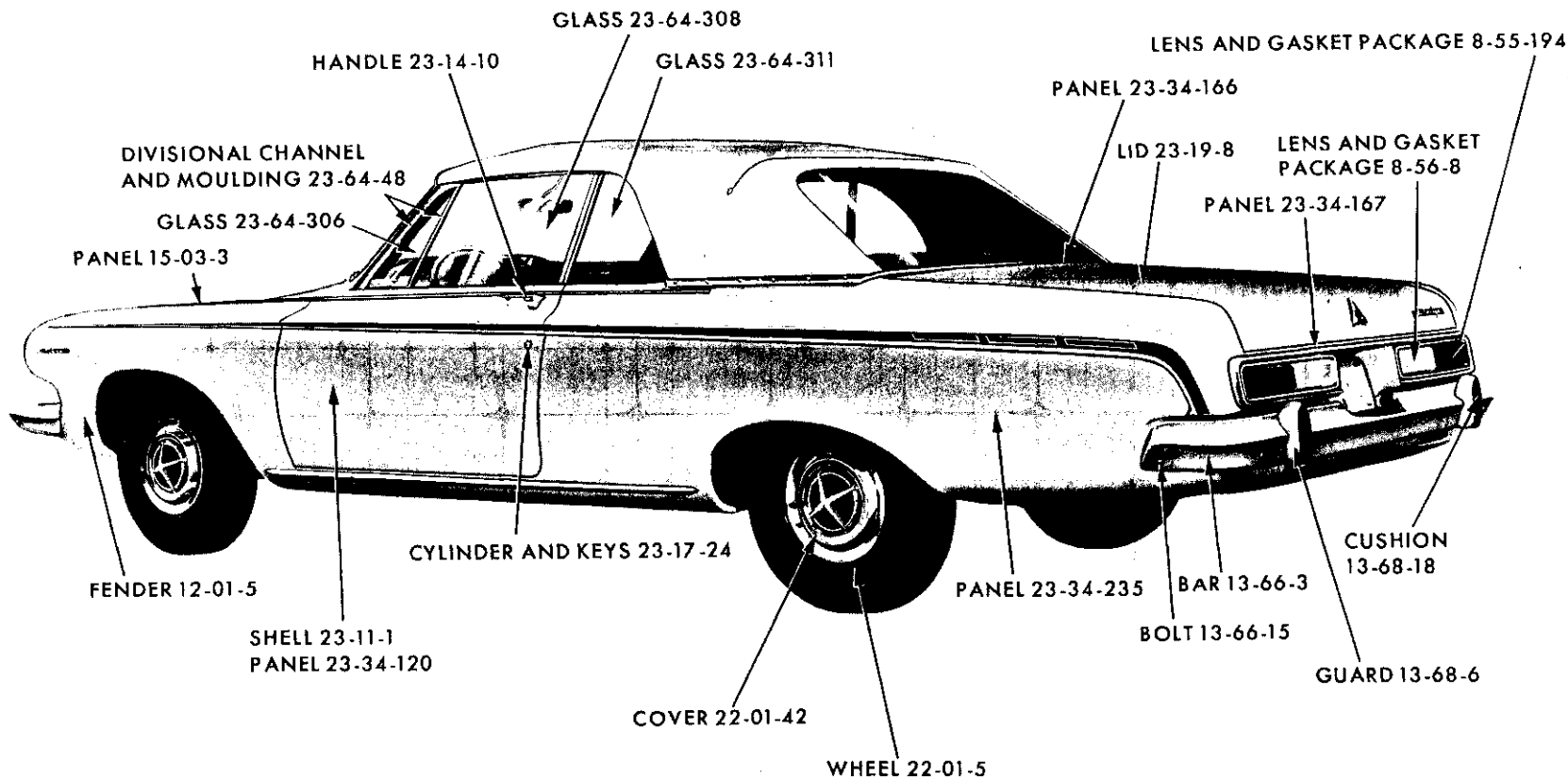
19x9586



For Moulding Information
see Moulding Illustrations

19x9485

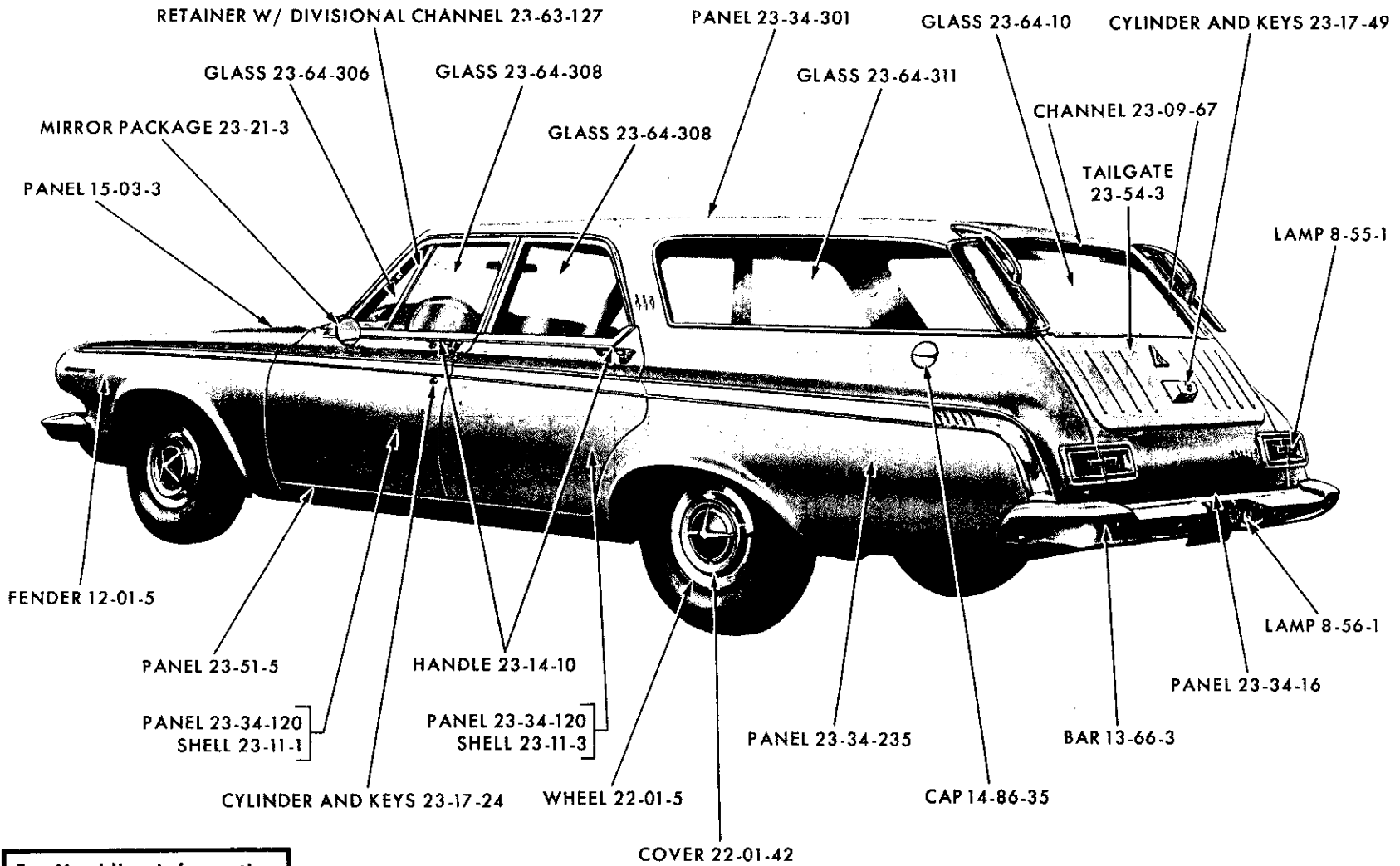
REAR EXTERIOR - DODGE TD2 SPECIAL 4 DOOR SEDAN



**For Moulding Information
see Moulding Illustrations**

REAR EXTERIOR - DODGE TD2 CONVERTIBLE COUPE

19x9507

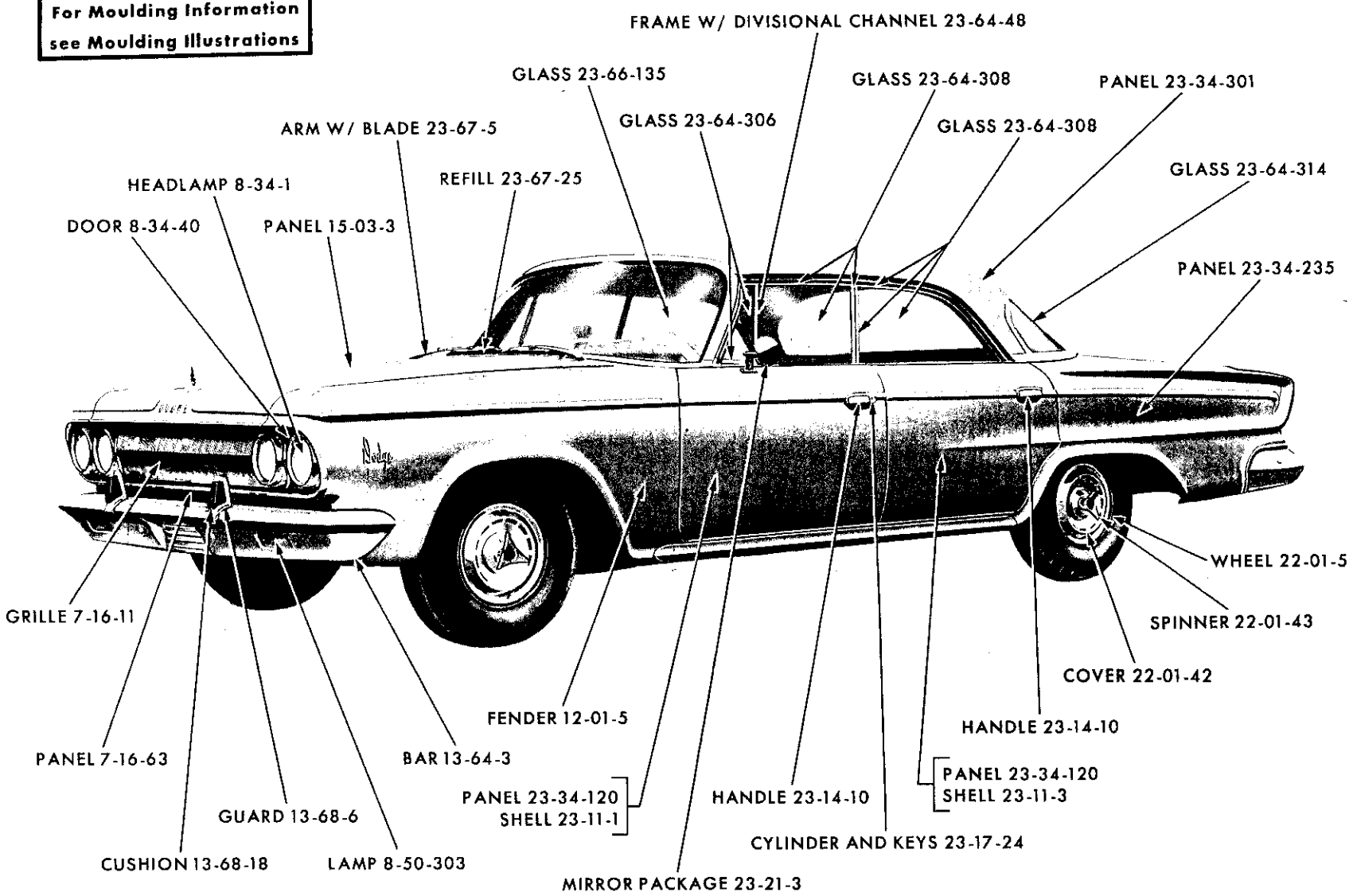


**For Moulding Information
see Moulding Illustrations**

19x9626A

REAR EXTERIOR - DODGE TD1 SUBURBAN

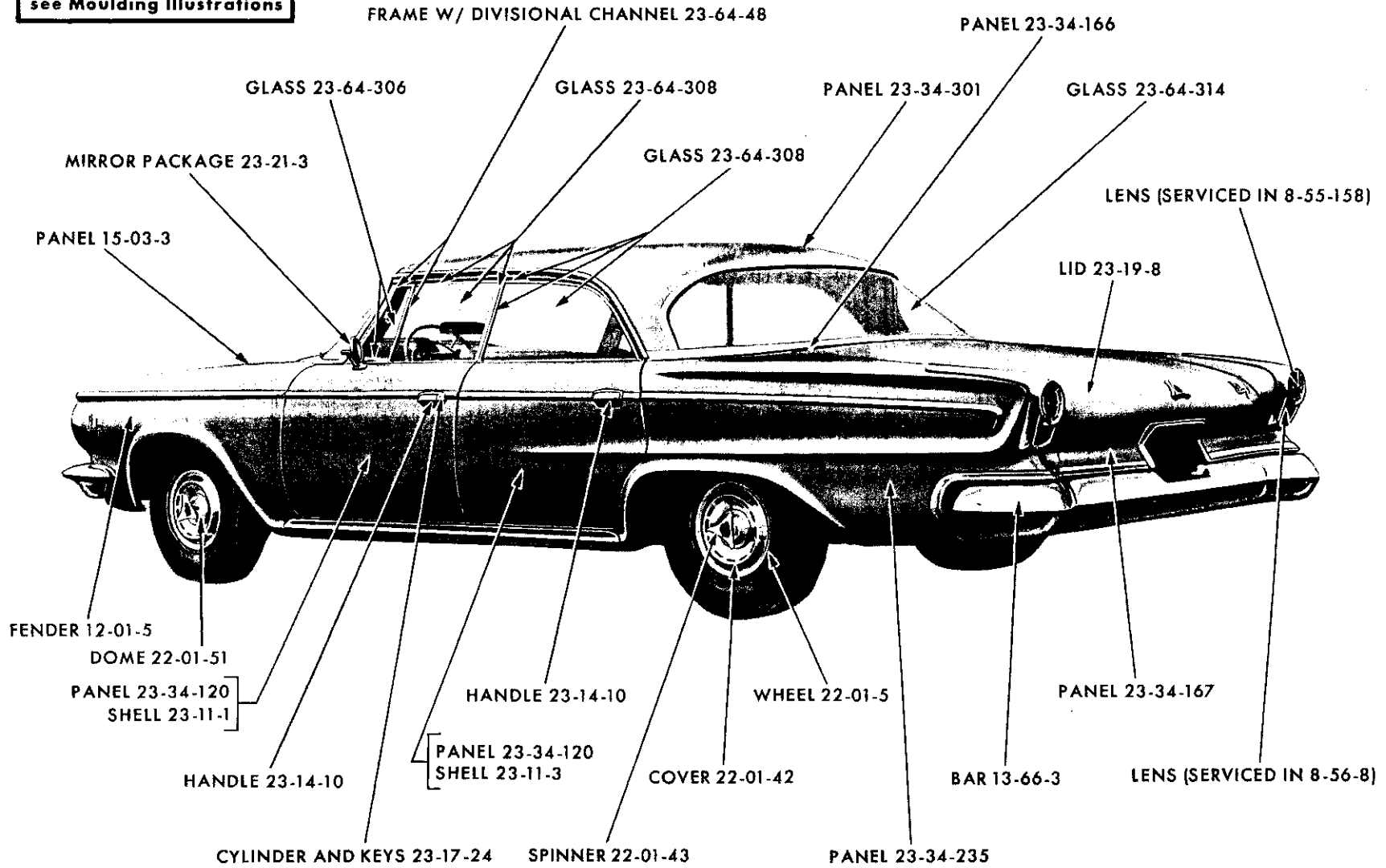
**For Moulding Information
see Moulding Illustrations**



19x9593

FRONT EXTERIOR - DODGE TA3 SPECIAL 4 DOOR SEDAN

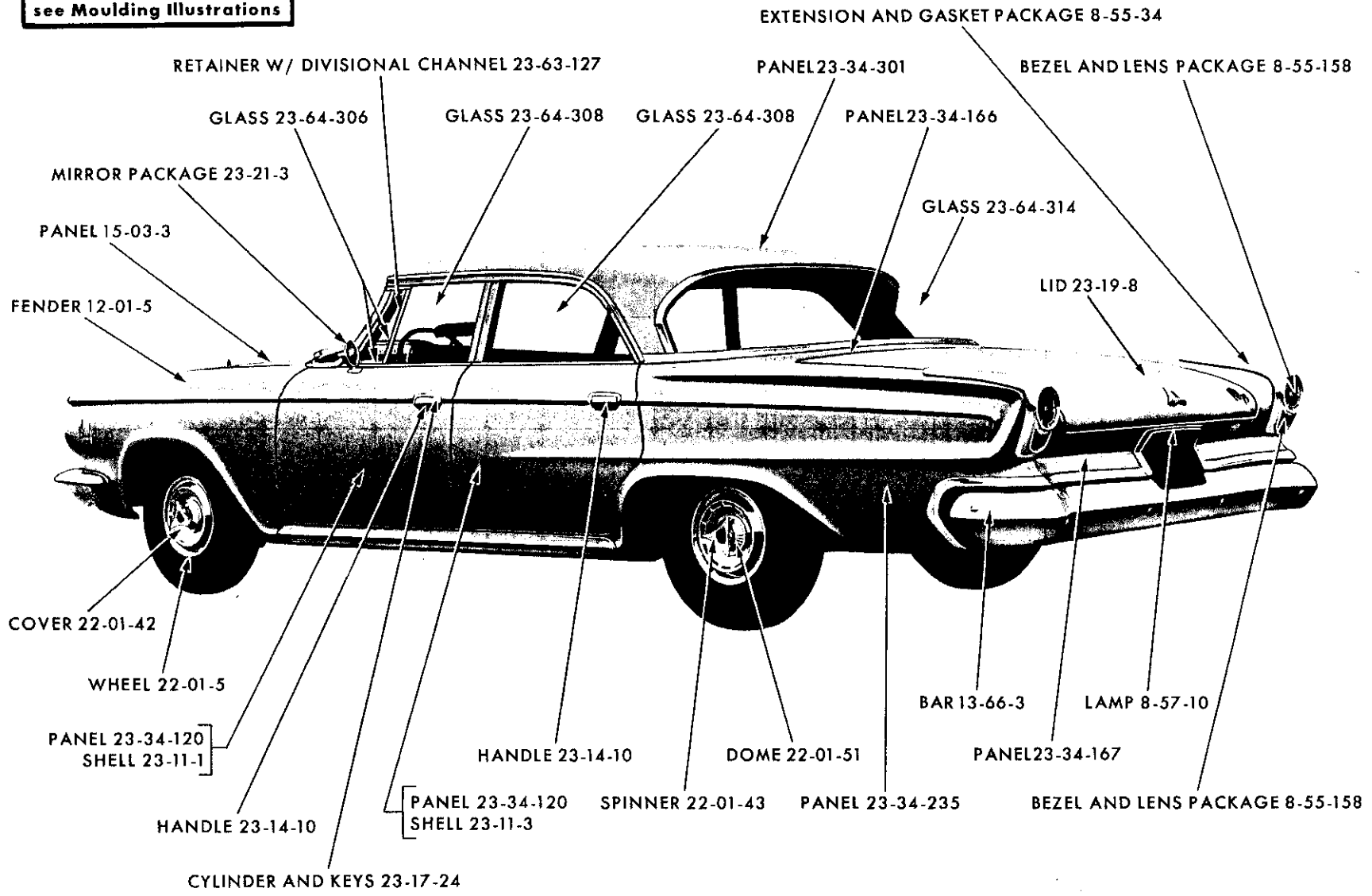
For Moulding Information
see Moulding Illustrations



19x9594

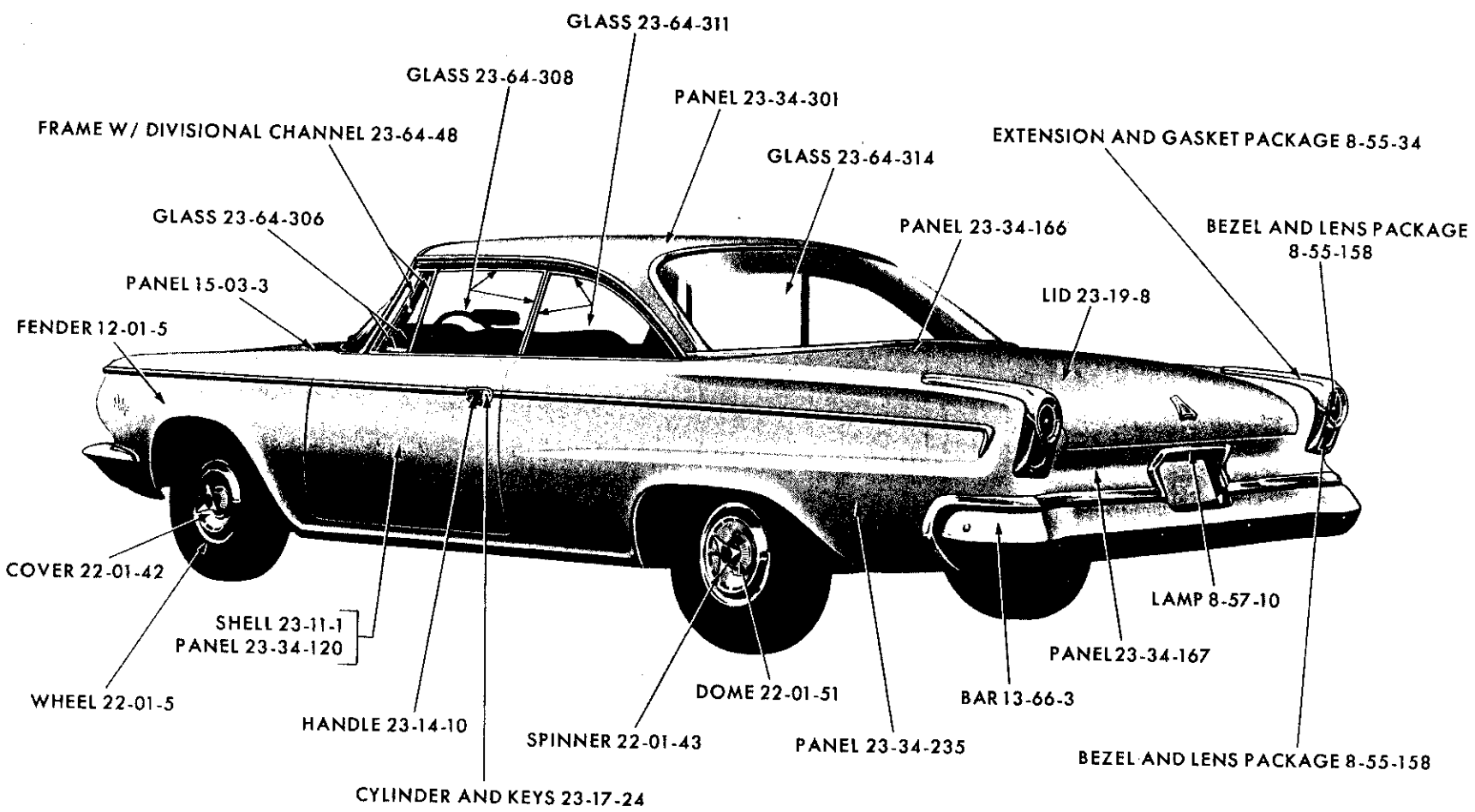
REAR EXTERIOR - DODGE TA3 SPECIAL 4 DOOR SEDAN

**For Moulding Information
see Moulding Illustrations**



19x9634

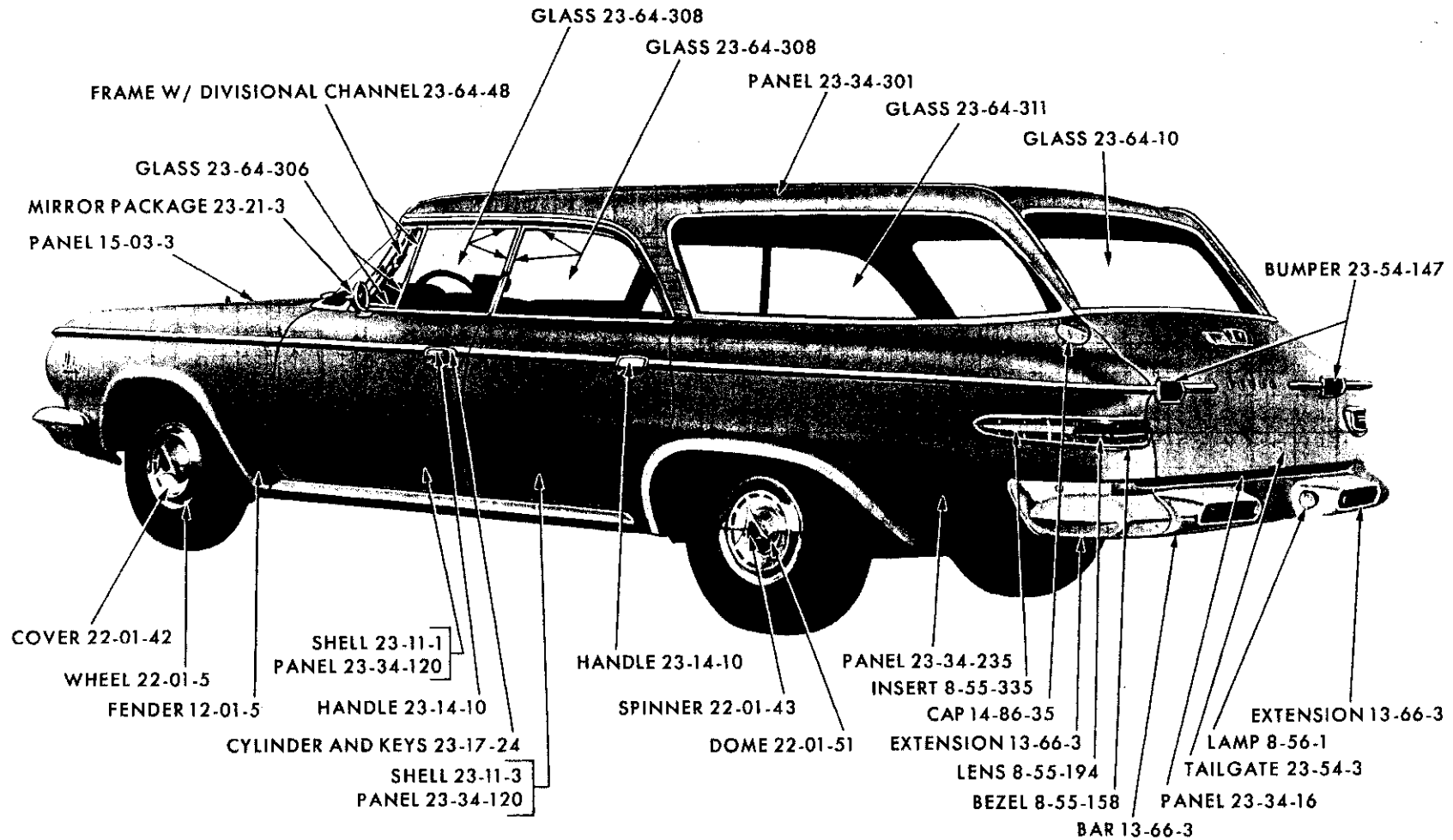
REAR EXTERIOR - DODGE TA3 4 DOOR SEDAN



**For Moulding Information
see Moulding Illustrations**

19x9635

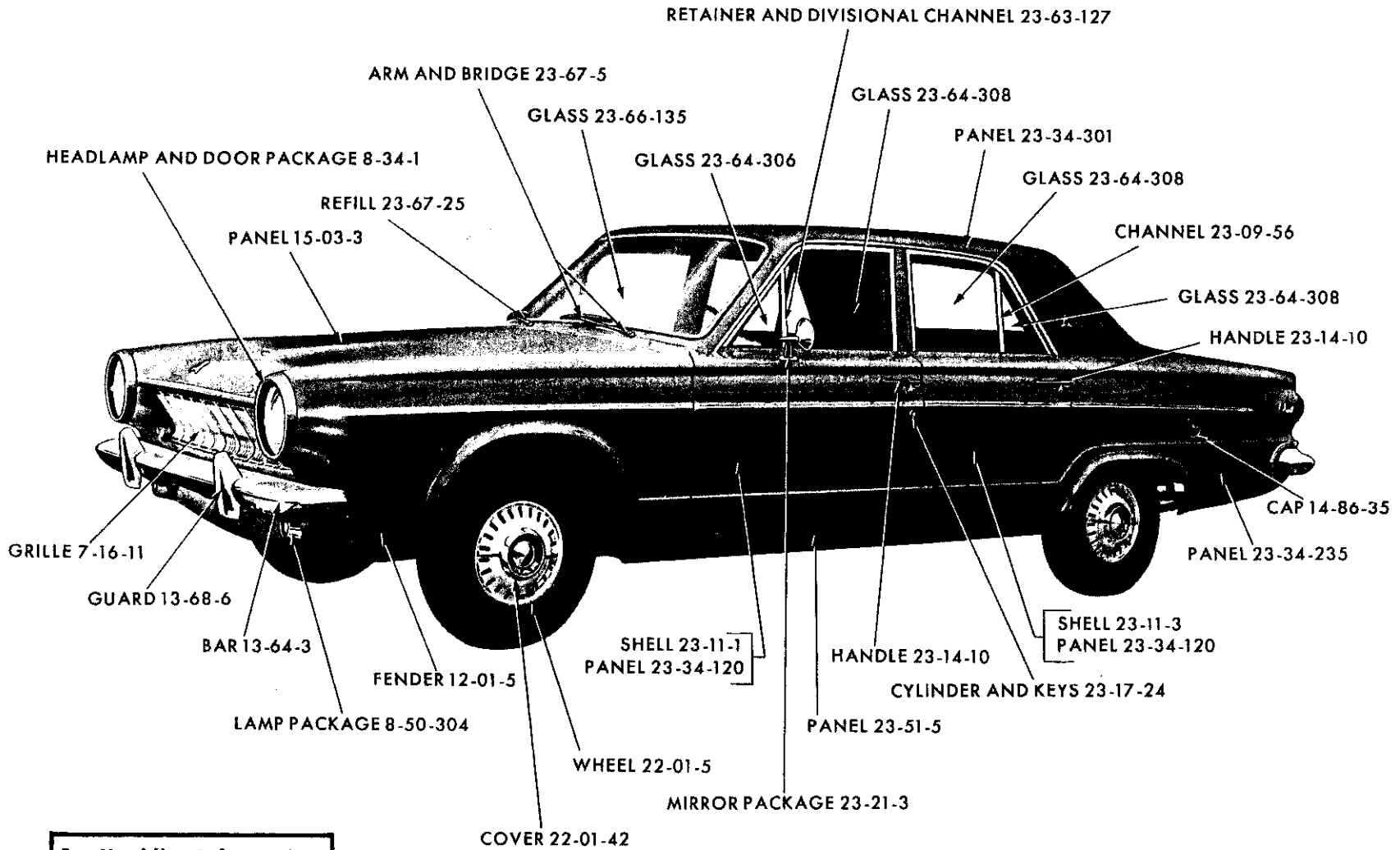
REAR EXTERIOR - DODGE TA3 SPECIAL CLUB COUPE



**For Moulding Information
see Moulding Illustrations**

19x9631

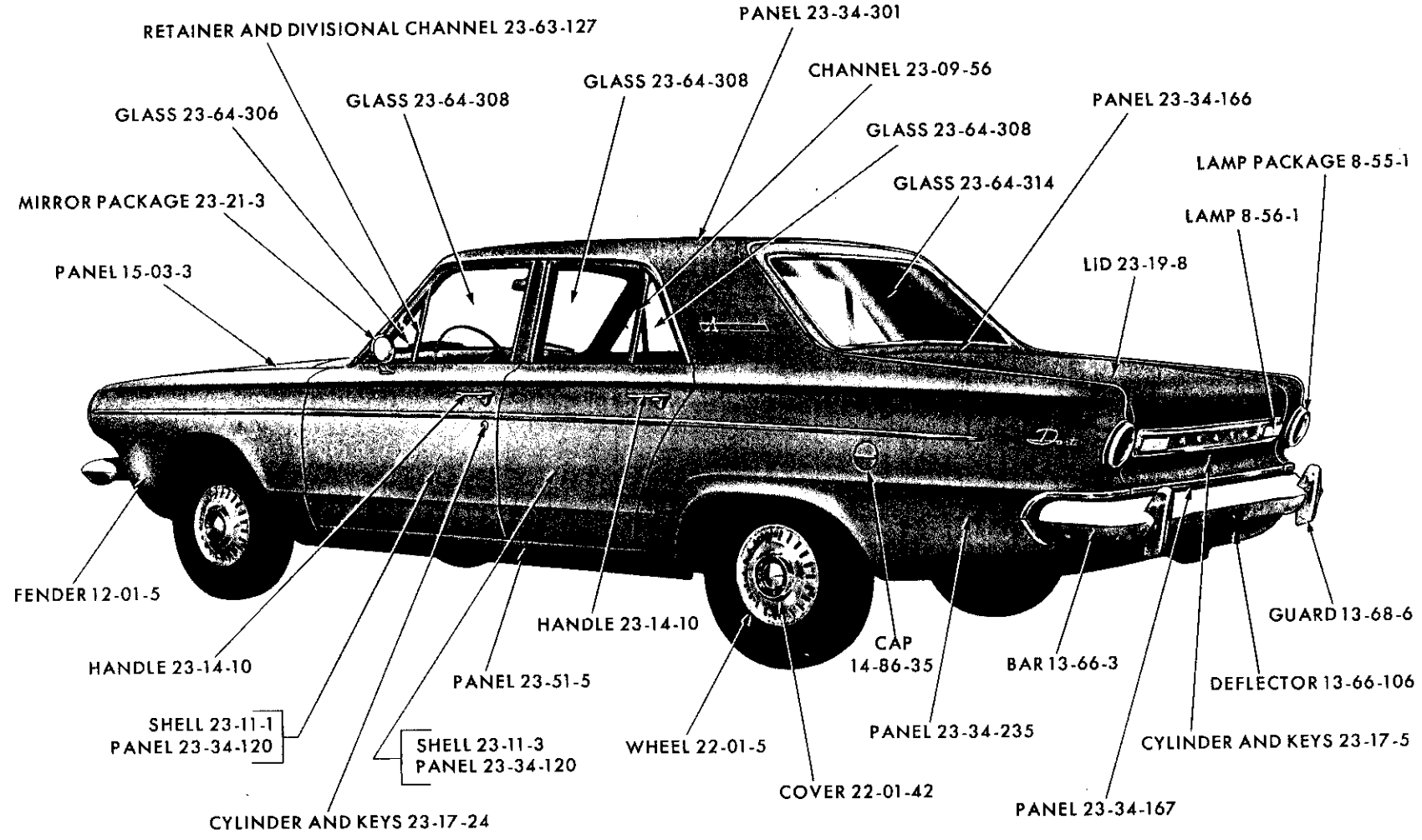
REAR EXTERIOR - DODGE TA3 SUBURBAN



**For Moulding Information
see Moulding Illustrations**

FRONT EXTERIOR - DART TL1 4 DOOR SEDAN

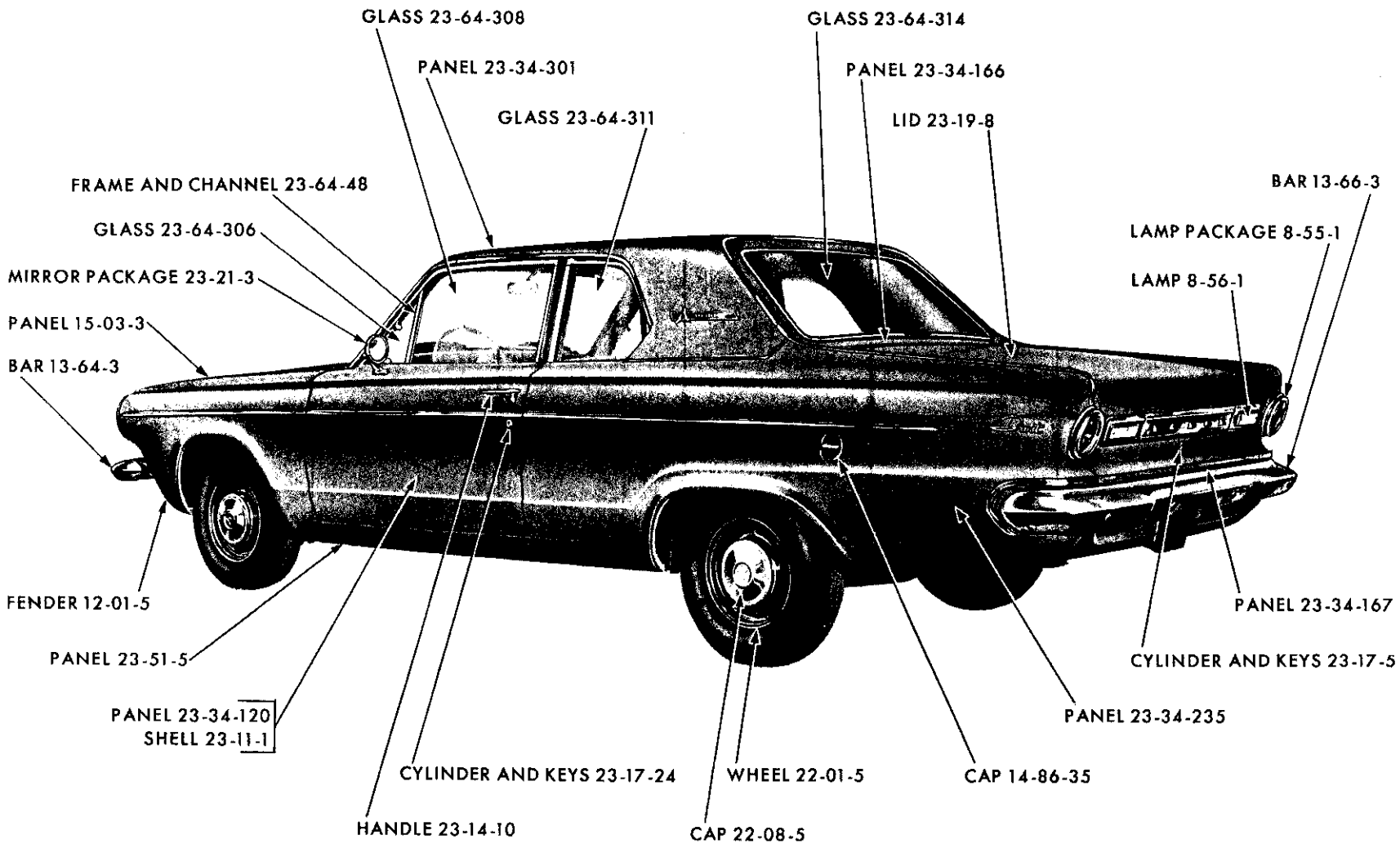
19x9481



**For Moulding Information
see Moulding Illustrations**

19x9482

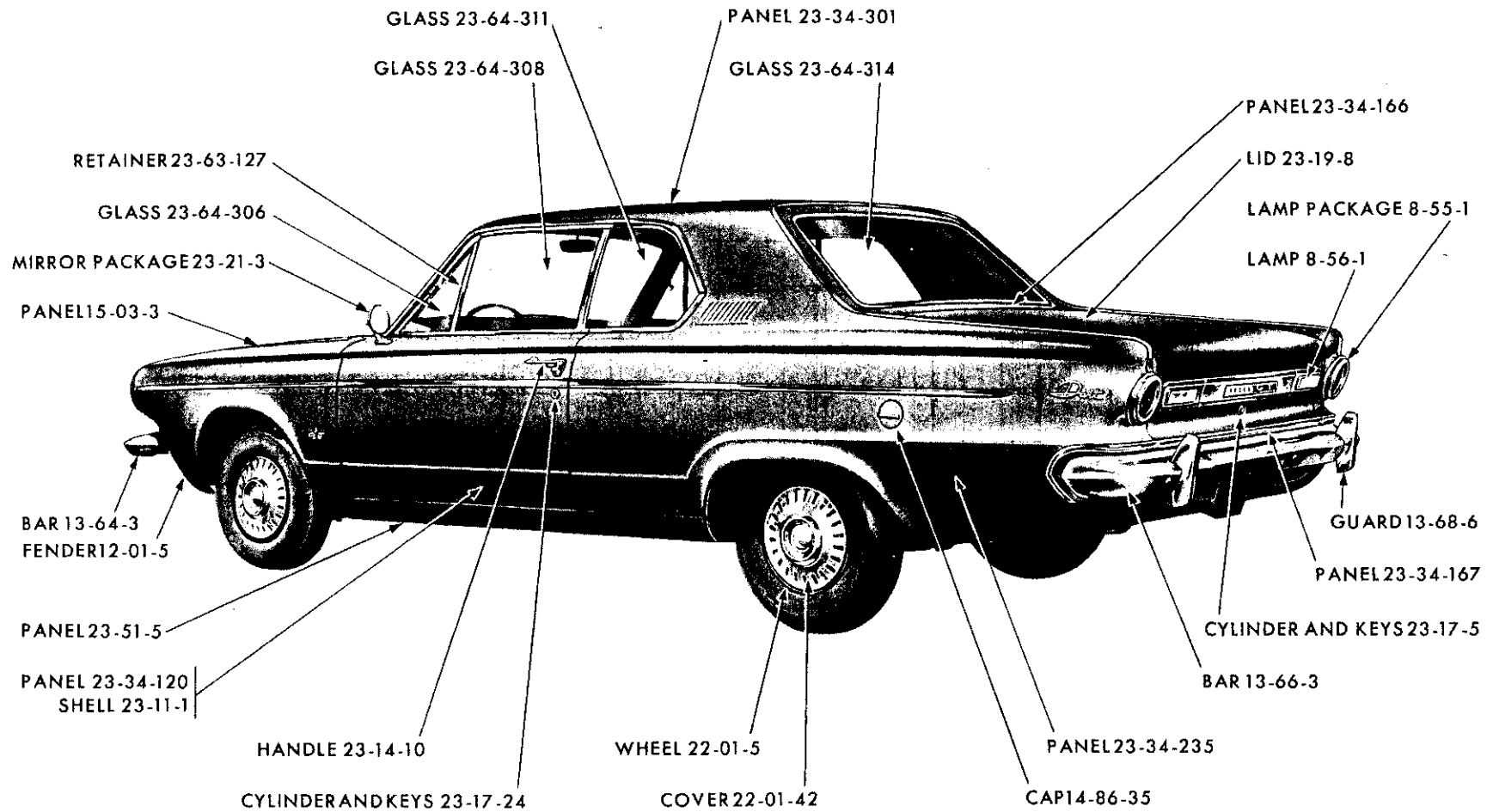
REAR EXTERIOR - DART TL1 4 DOOR SEDAN



**For Moulding Information
see Moulding Illustrations**

REAR EXTERIOR - DART TLI 2 DOOR SEDAN

19x9537

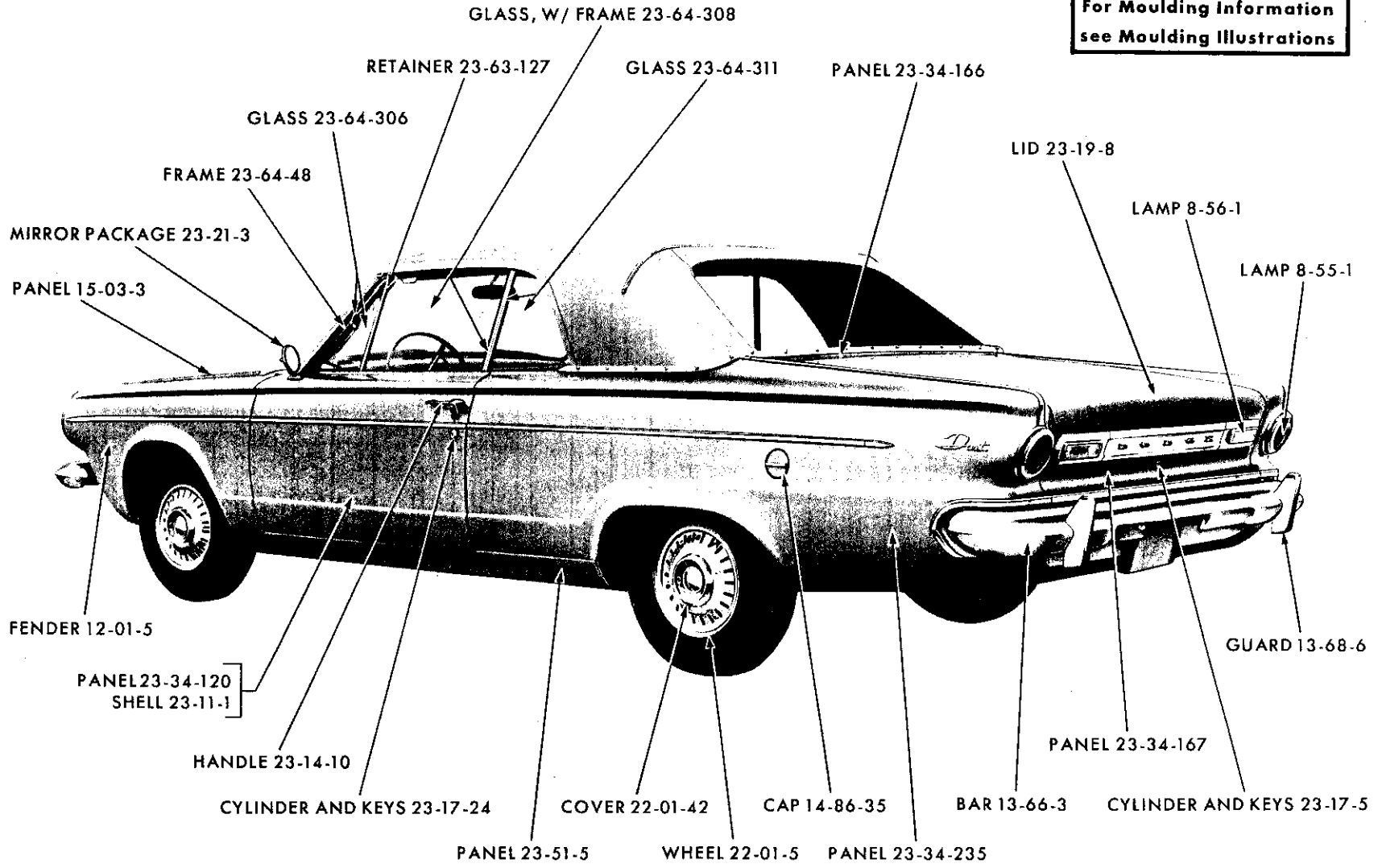


**For Moulding Information
see Moulding Illustrations**

REAR EXTERIOR - DART TL1 SPECIAL CLUB COUPE

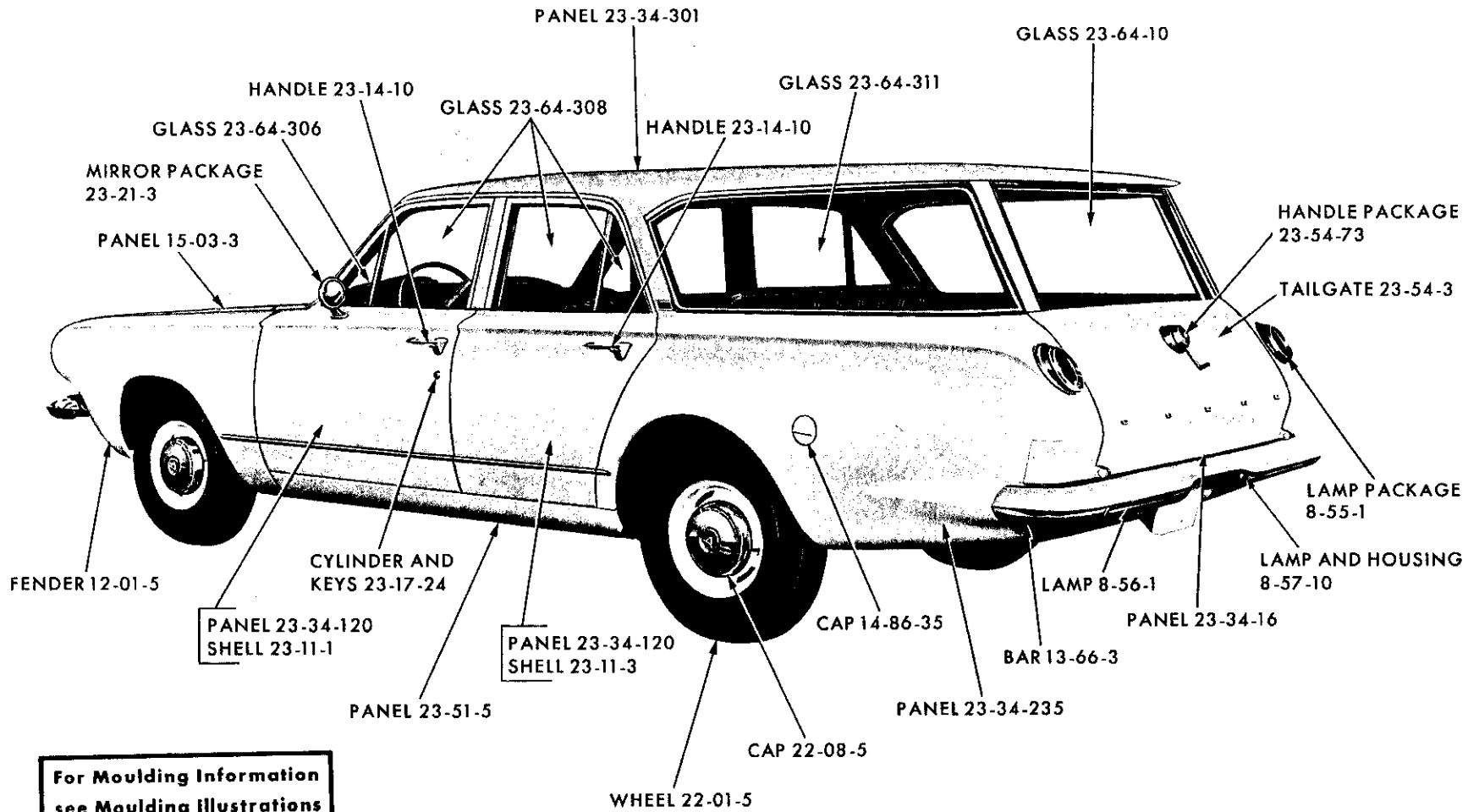
19x9545

For Moulding Information
see Moulding Illustrations



REAR EXTERIOR - DART TL1 CONVERTIBLE COUPE

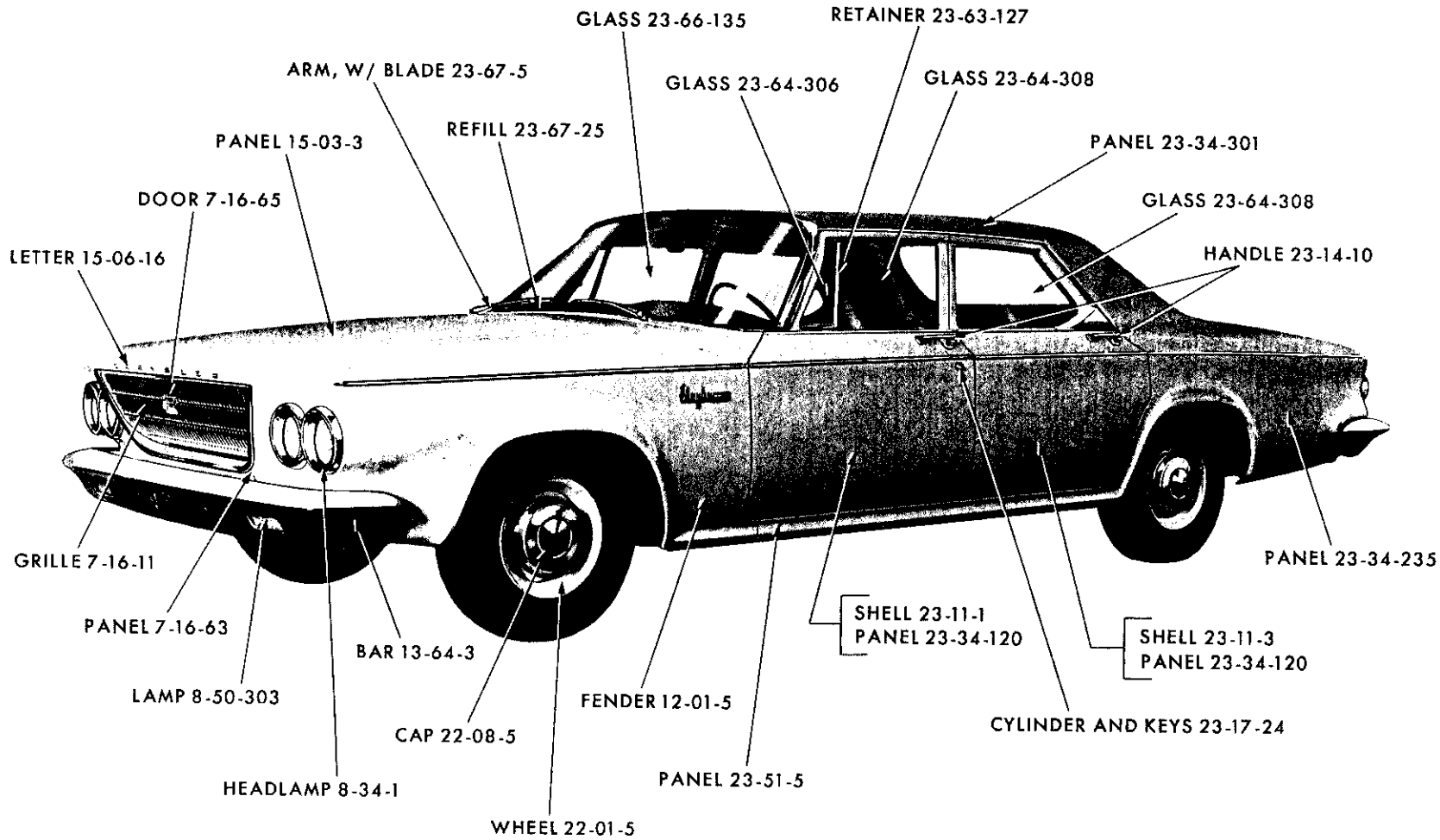
19x9629



**For Moulding Information
see Moulding illustrations**

REAR EXTERIOR - DART TL1 SUBURBAN

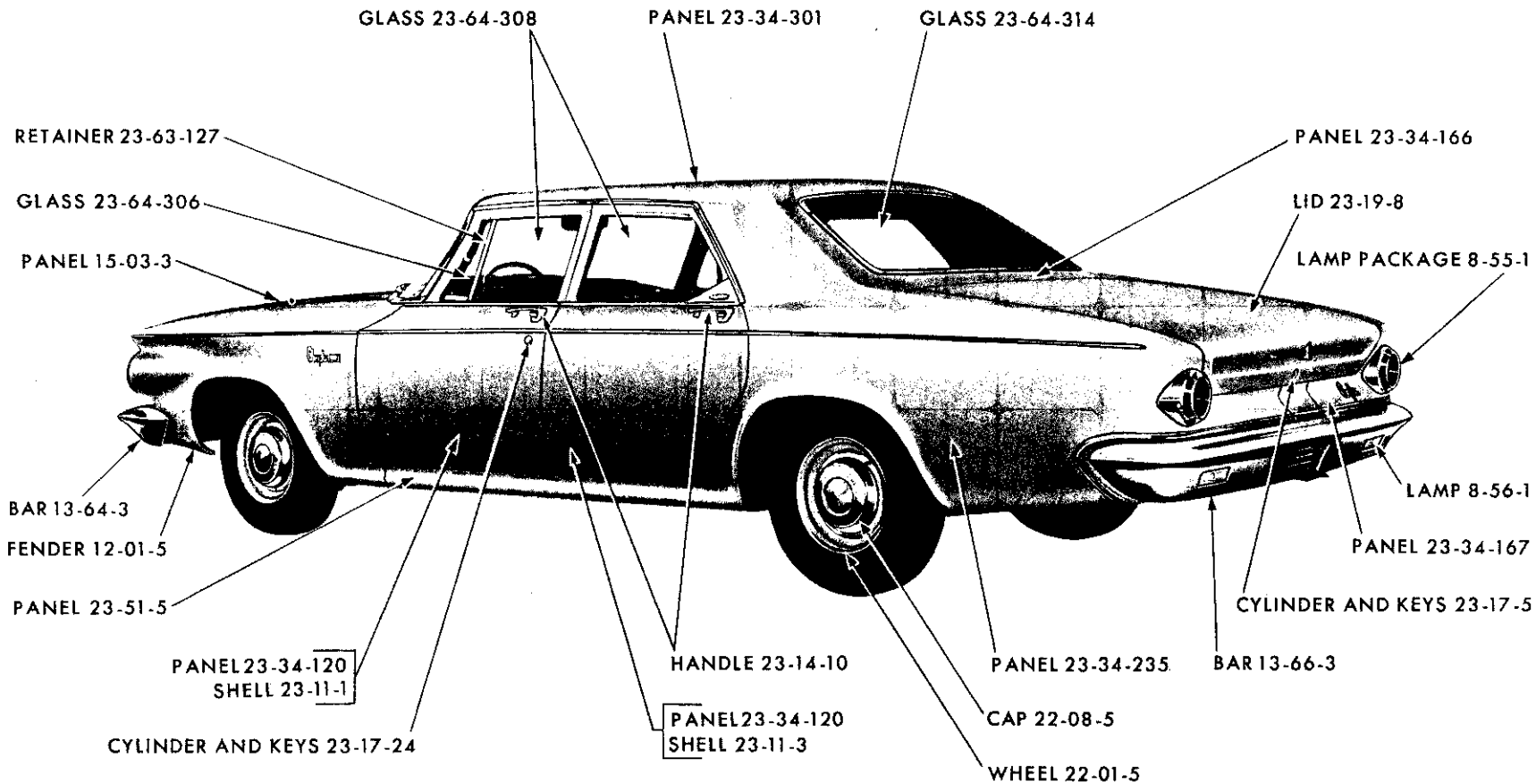
19x9546



**For Moulding Information
see Moulding Illustrations**

FRONT EXTERIOR - CHRYSLER TC1-3 4 DOOR SEDAN

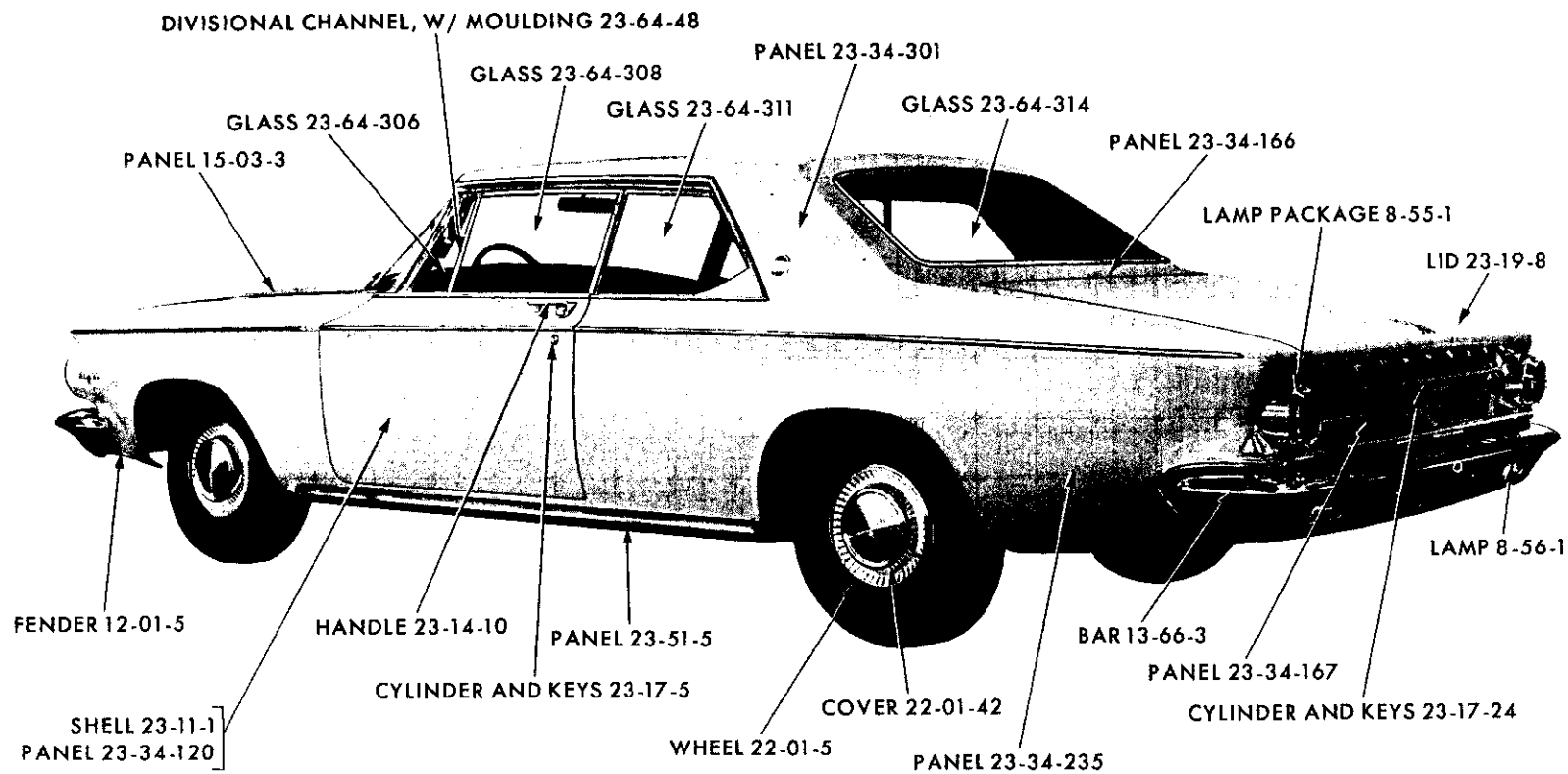
19x9549



**For Moulding Information
see Moulding Illustrations**

REAR EXTERIOR - CHRYSLER TC1-3 4 DOOR SEDAN

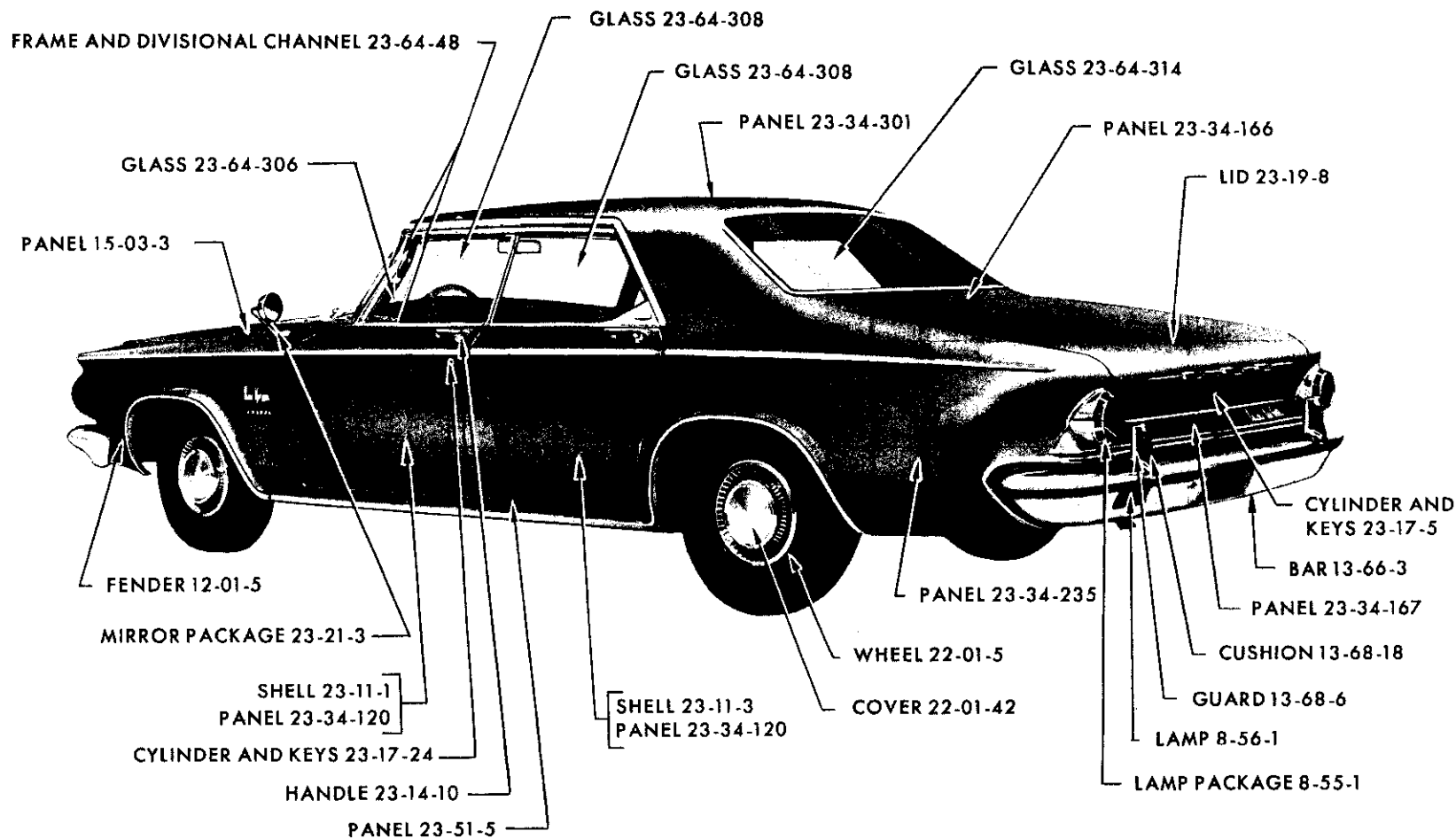
19x9550



**For Moulding Information
see Moulding Illustrations**

19x9577

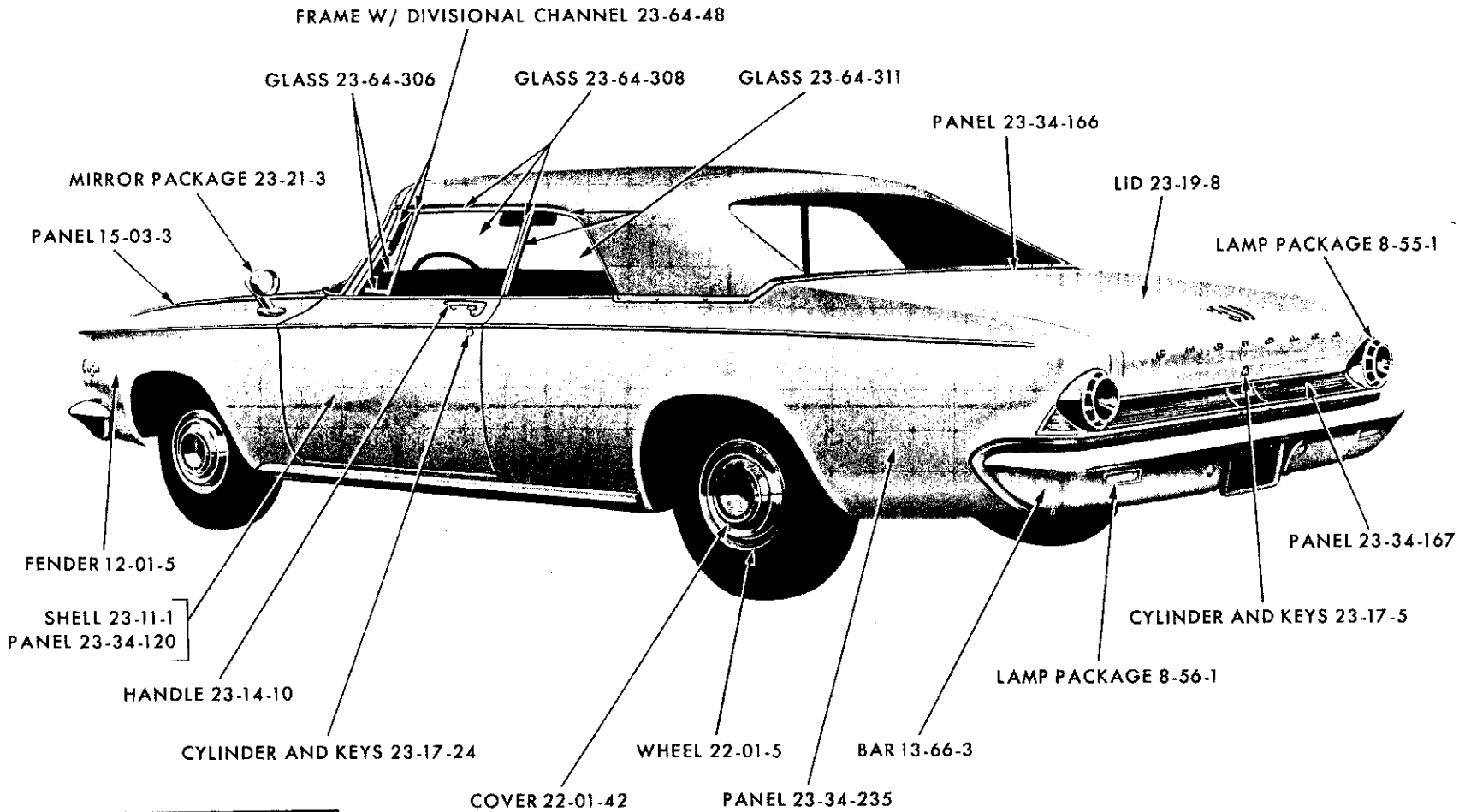
REAR EXTERIOR - CHRYSLER TC1-2-3 SPECIAL CLUB COUPE



**For Moulding Information
see Moulding Illustrations**

19x9487

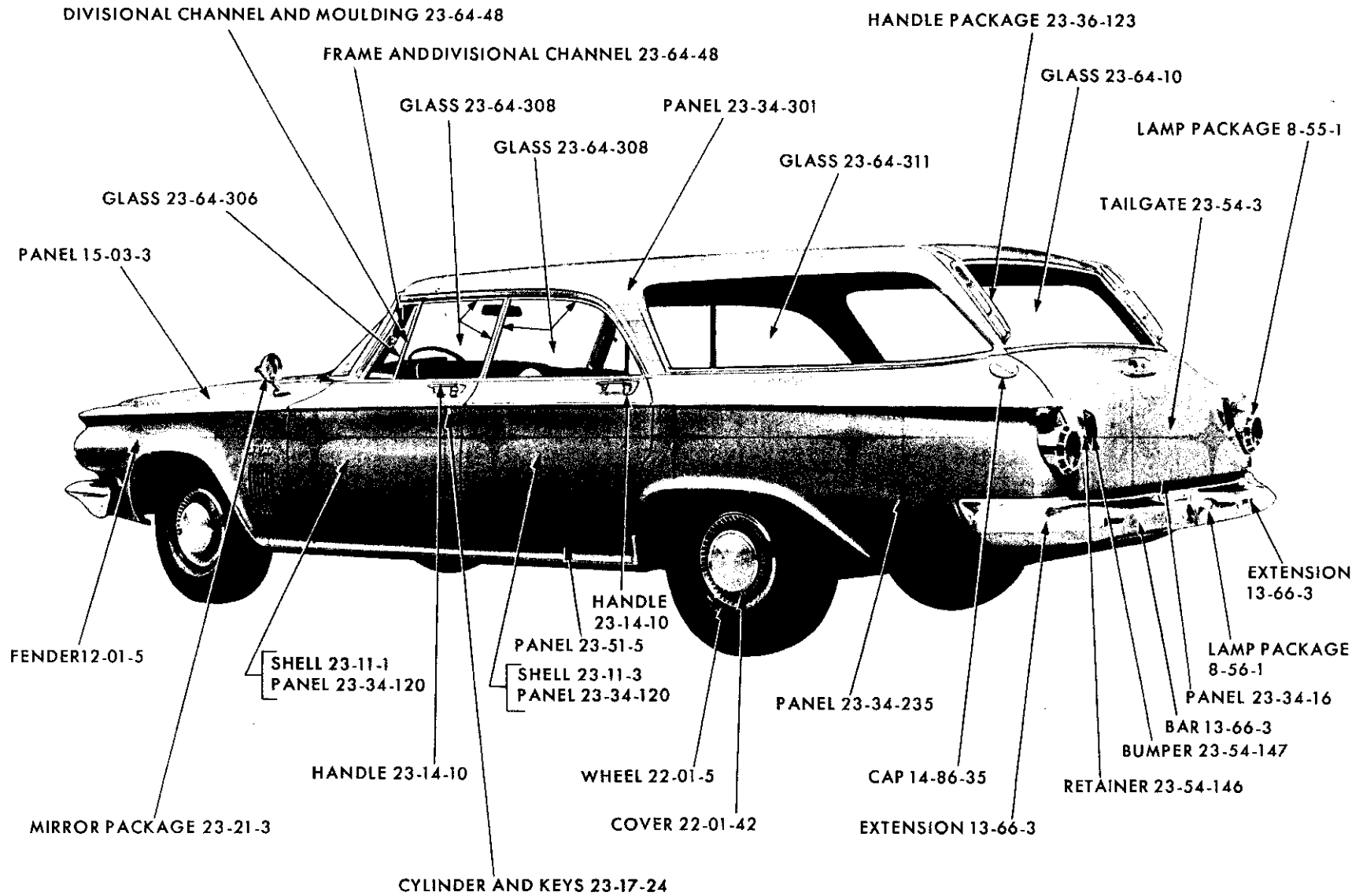
REAR EXTERIOR - CHRYSLER TC1-2-3 SPECIAL 4 DOOR SEDAN



**For Moulding Information
see Moulding Illustrations**

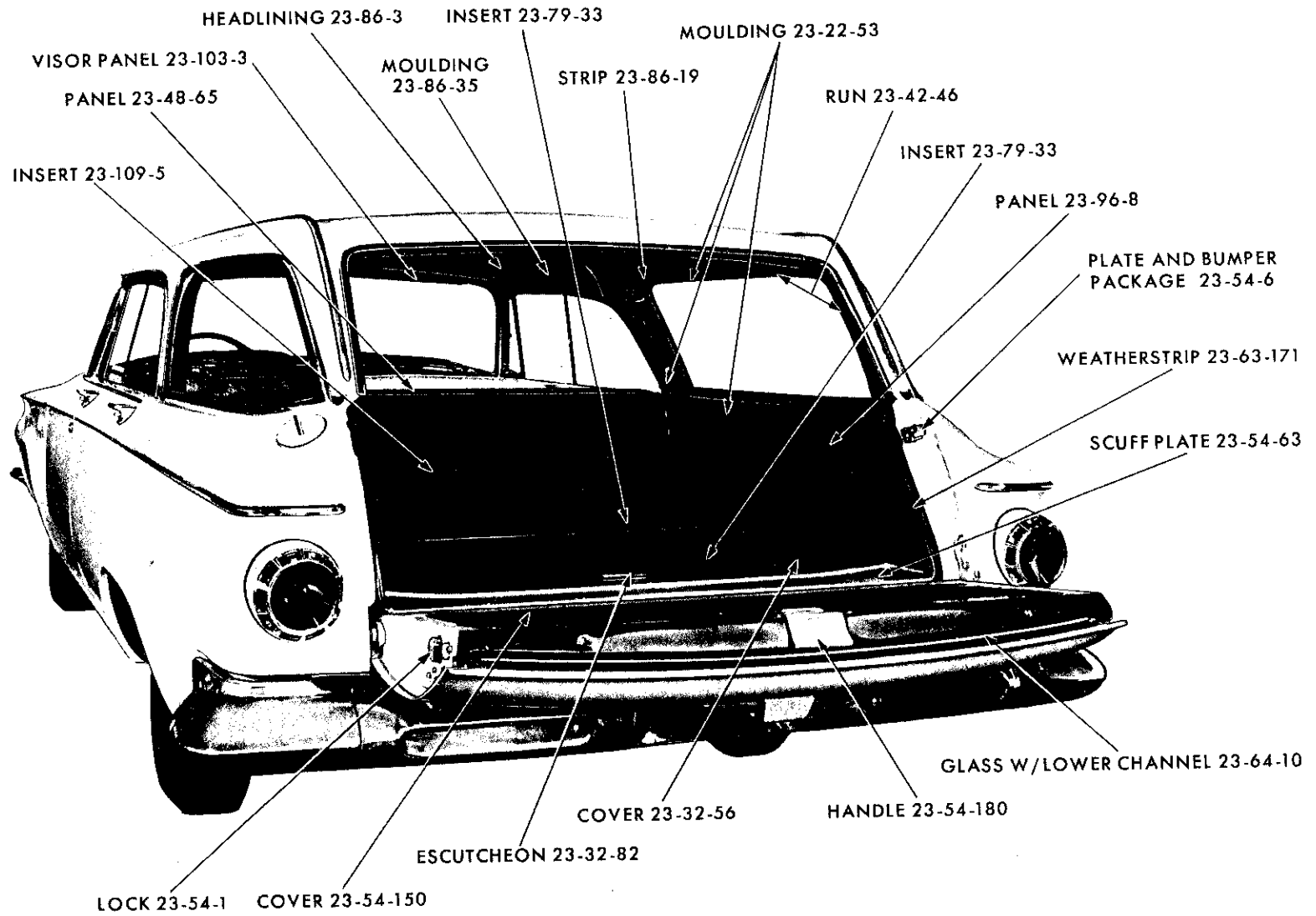
19x9592

REAR EXTERIOR - CHRYSLER TC1-2-3 CONVERTIBLE COUPE



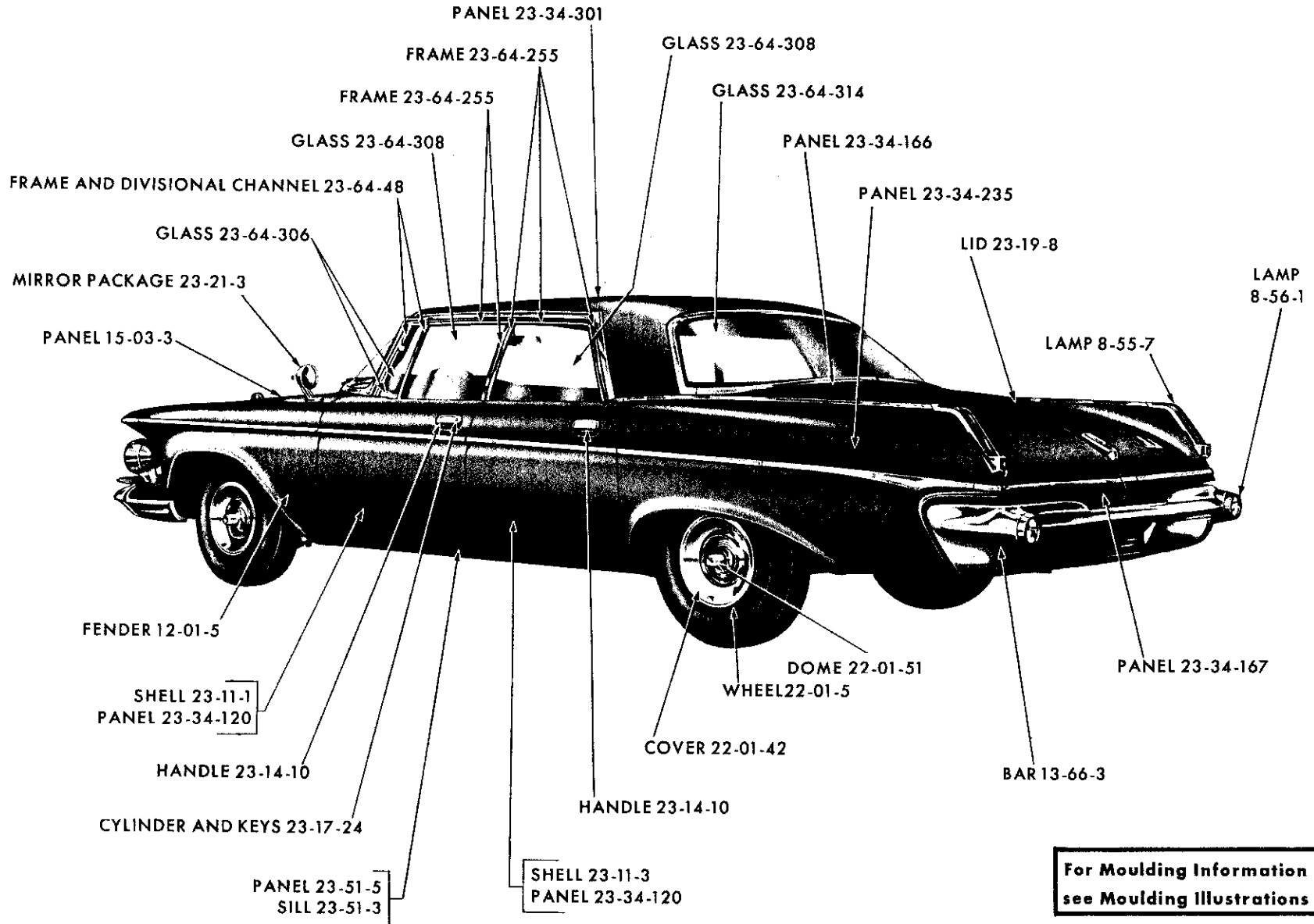
REAR EXTERIOR - CHRYSLER TC1-3 SUBURBAN

19x9508



19x9662

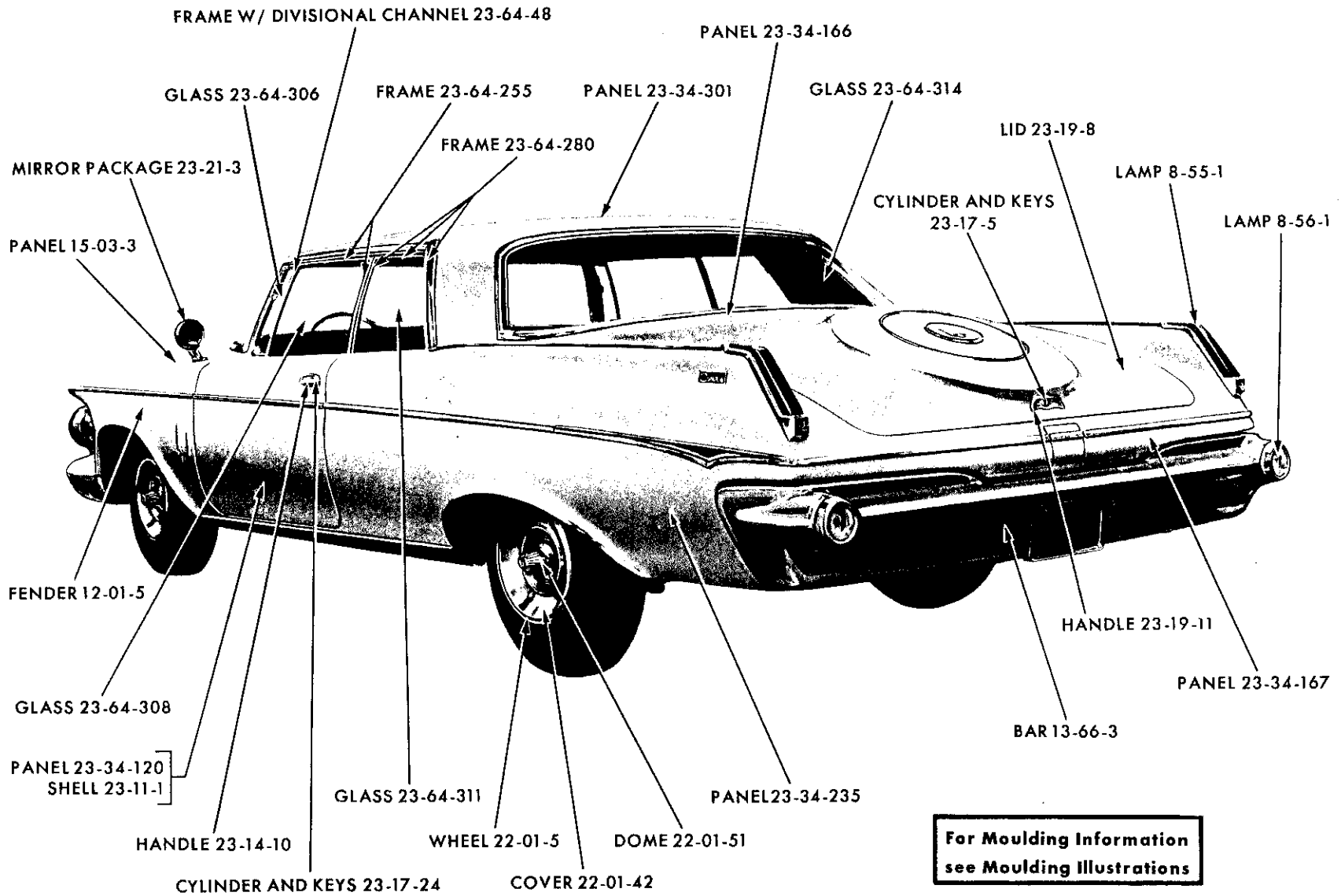
REAR INTERIOR VIEW - CHRYSLER TC3 SUBURBAN



REAR EXTERIOR - IMPERIAL TY1 SPECIAL 4 DOOR SEDAN

19x9496

For Moulding Information
see Moulding Illustrations

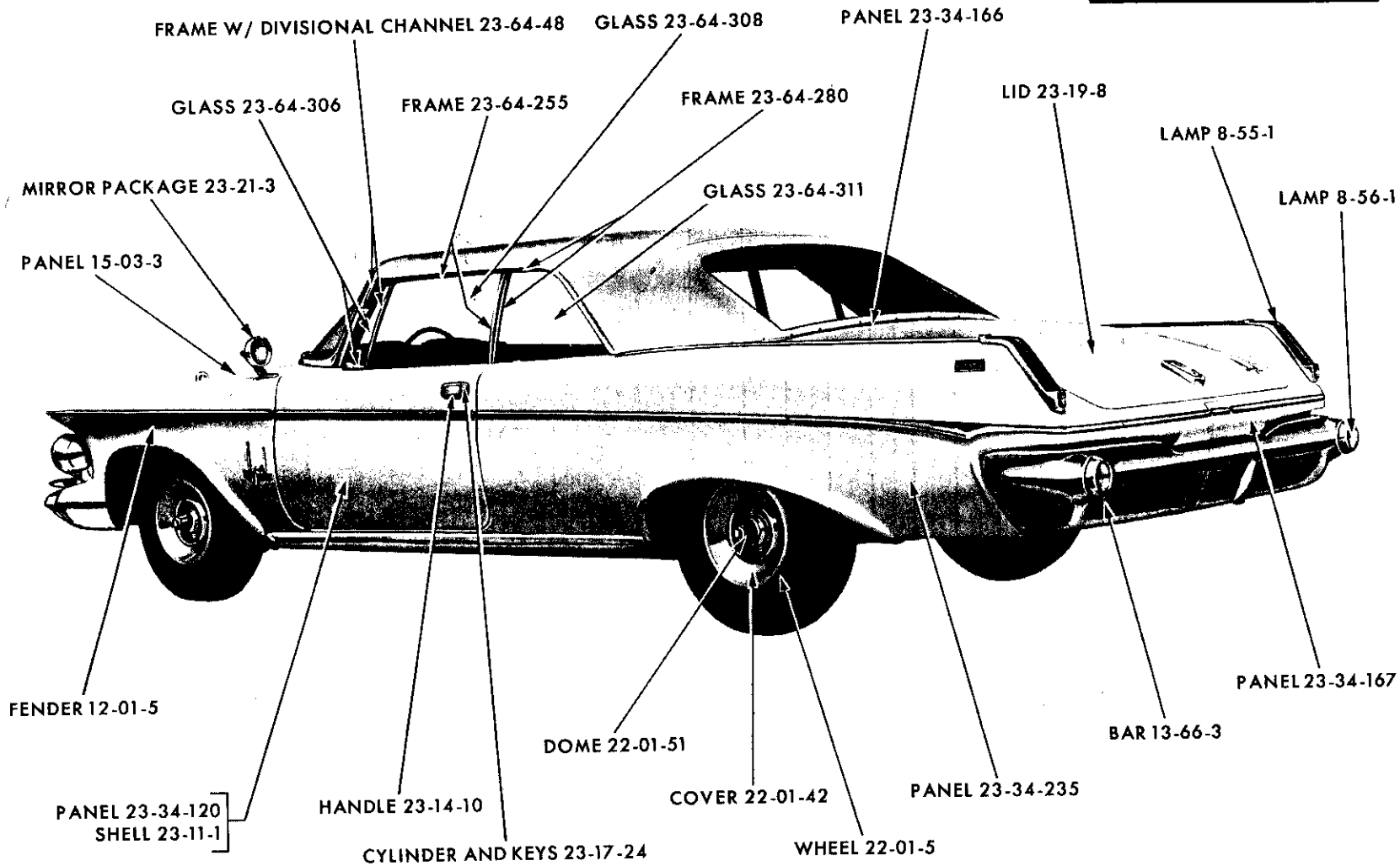


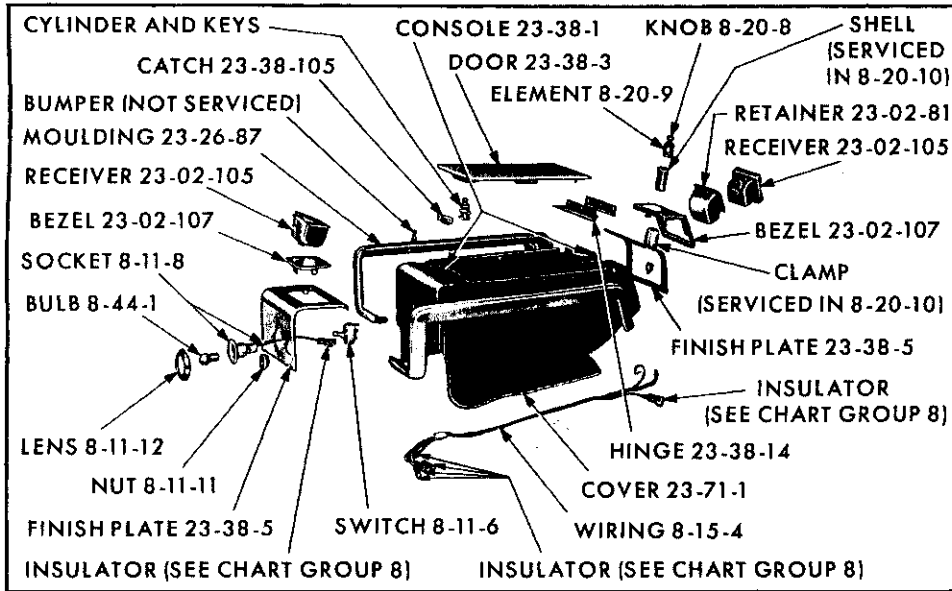
For Moulding Information
see Moulding Illustrations

19x9623A

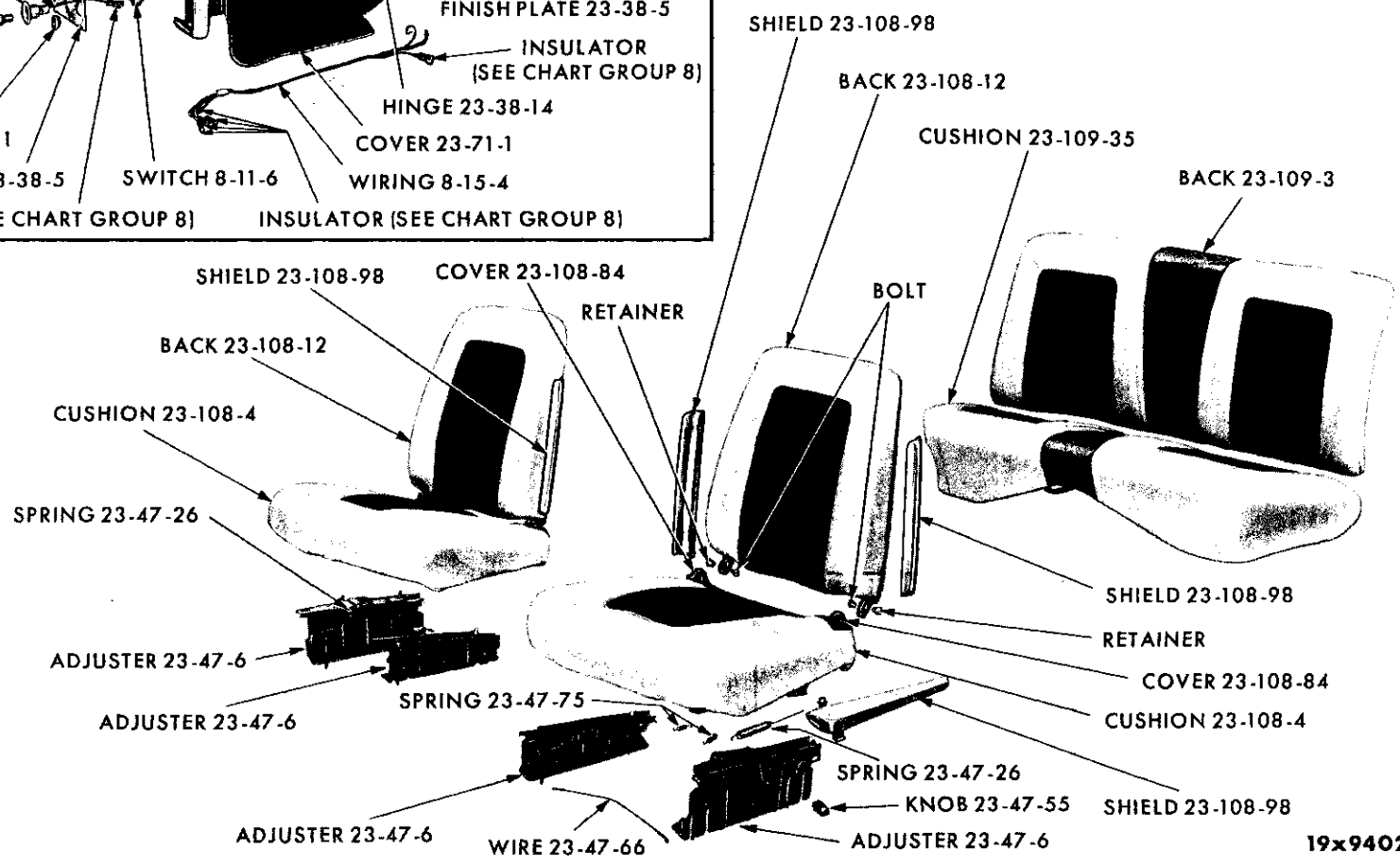
REAR EXTERIOR - IMPERIAL TY1 SPECIAL CLUB COUPE

For Moulding Information
see Moulding Illustrations



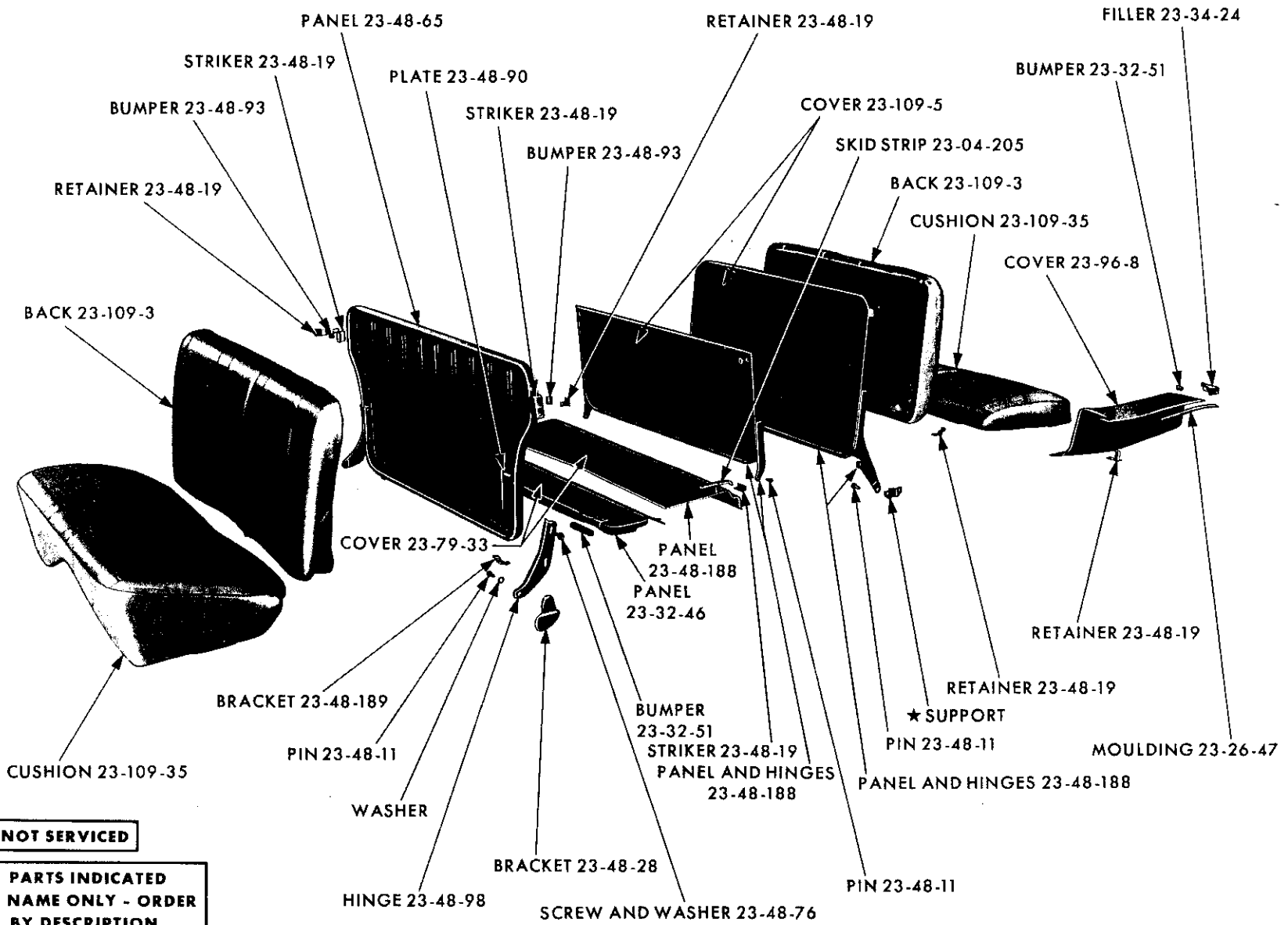


**PARTS INDICATED
 BY NAME ONLY - ORDER
 BY DESCRIPTION**



19x9402A

BUCKET SEATS - PLYMOUTH TP1-2 AND DODGE TD1-2 (MANUAL)

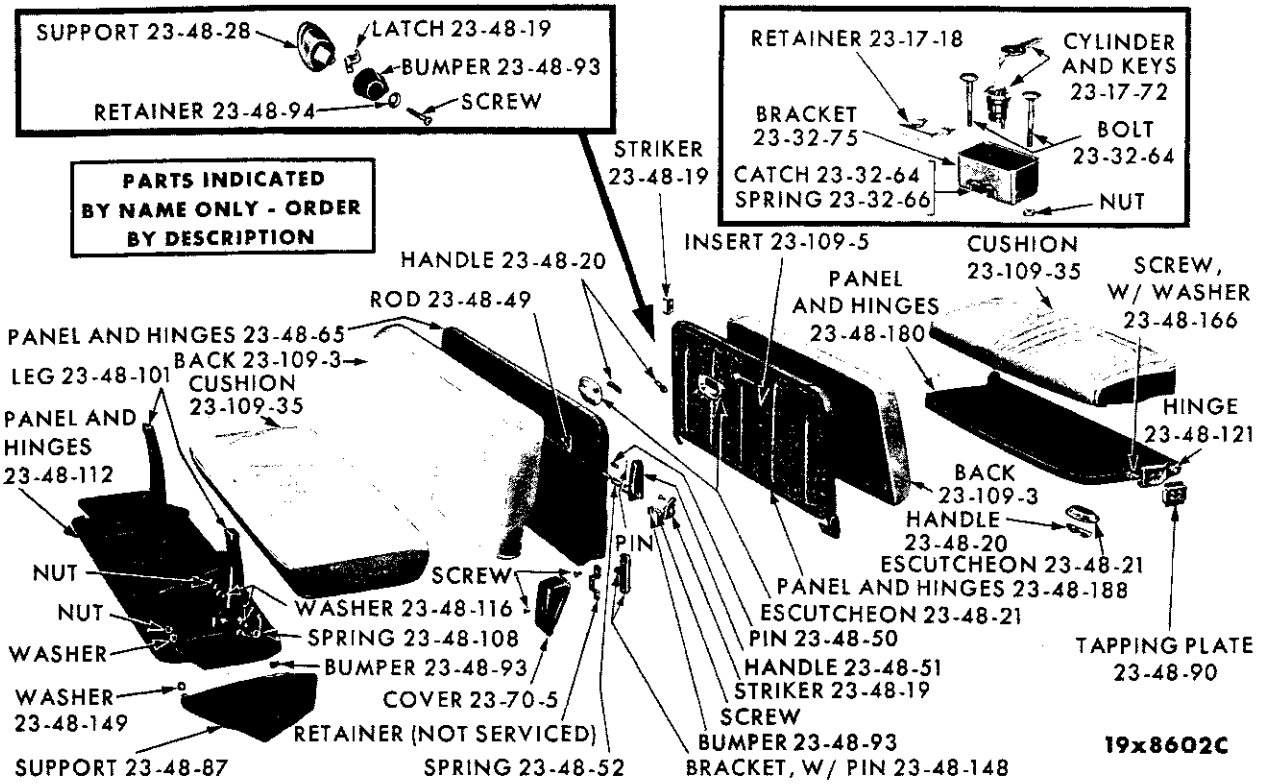


★ NOT SERVICED

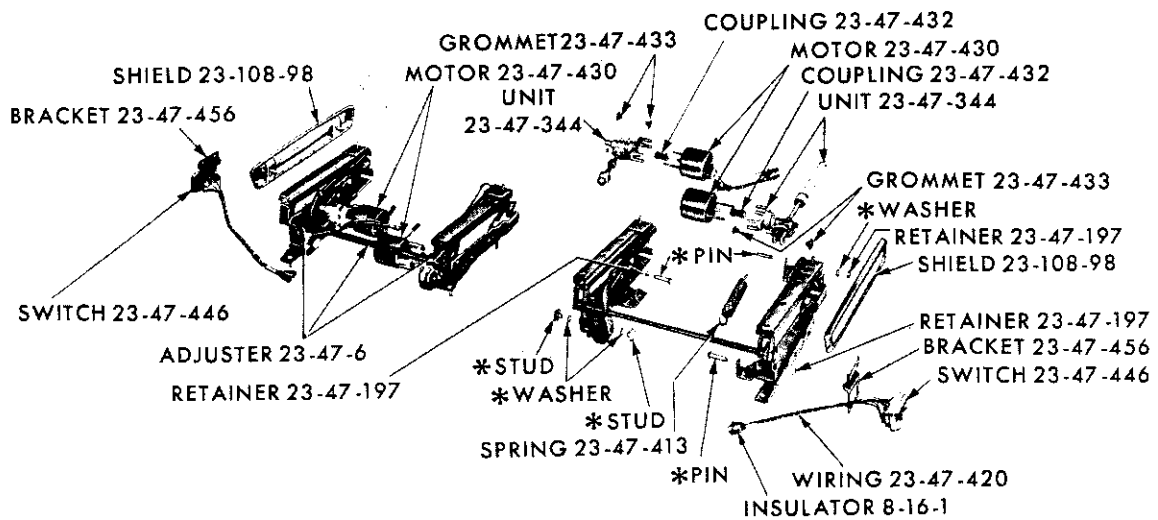
PARTS INDICATED BY NAME ONLY - ORDER BY DESCRIPTION

19x9416A

SUBURBAN SEATS - PLYMOUTH TP1-2 AND DODGE TD1-2



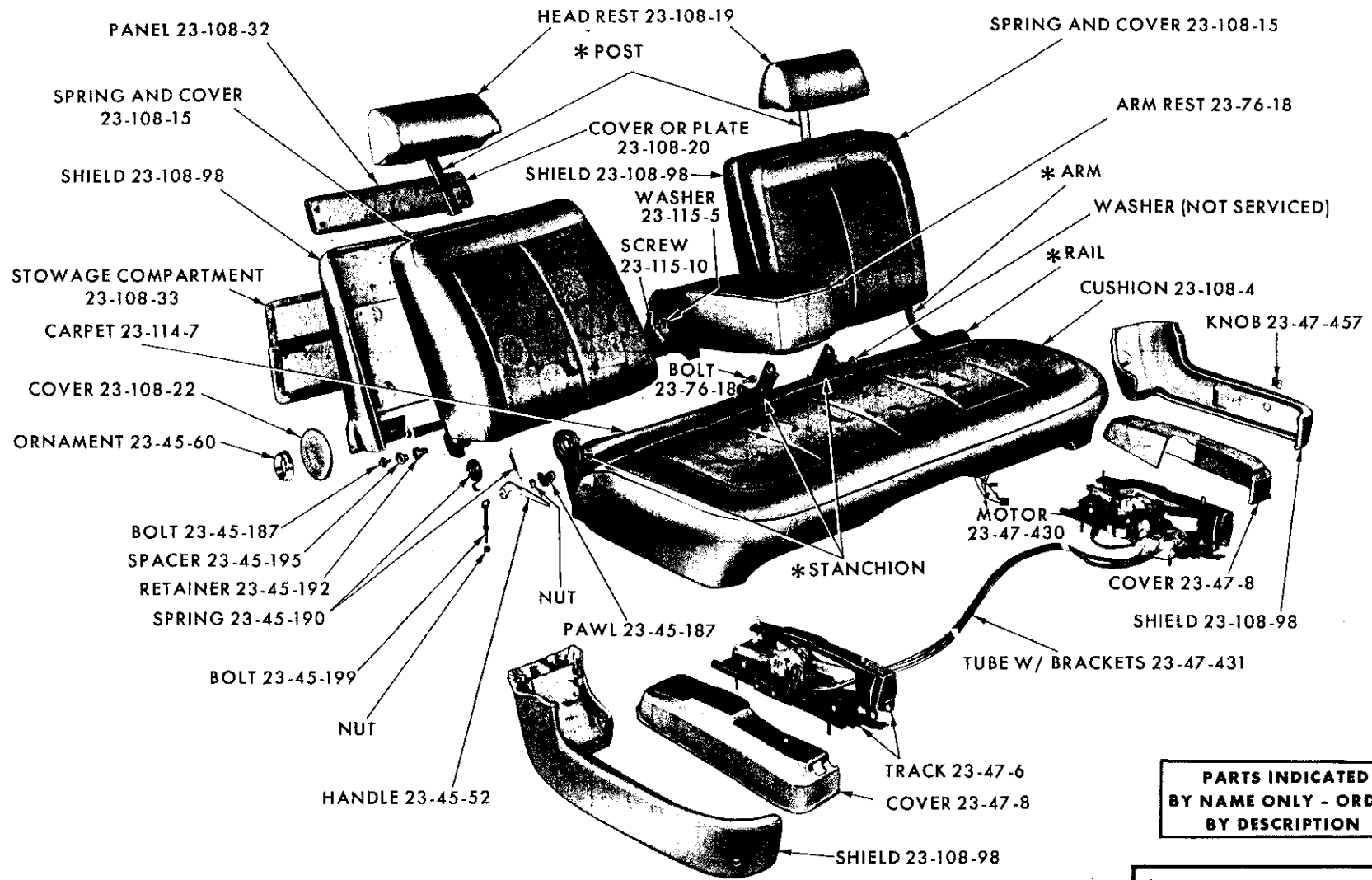
SUBURBAN SEATS - DODGE TA3 AND CHRYSLER TC1-3



*** SERVICED IN 23-47-6**

19x9710B

ELECTRIC SEAT ADJUSTER (BUCKET SEATS) - CHRYSLER TC2-3

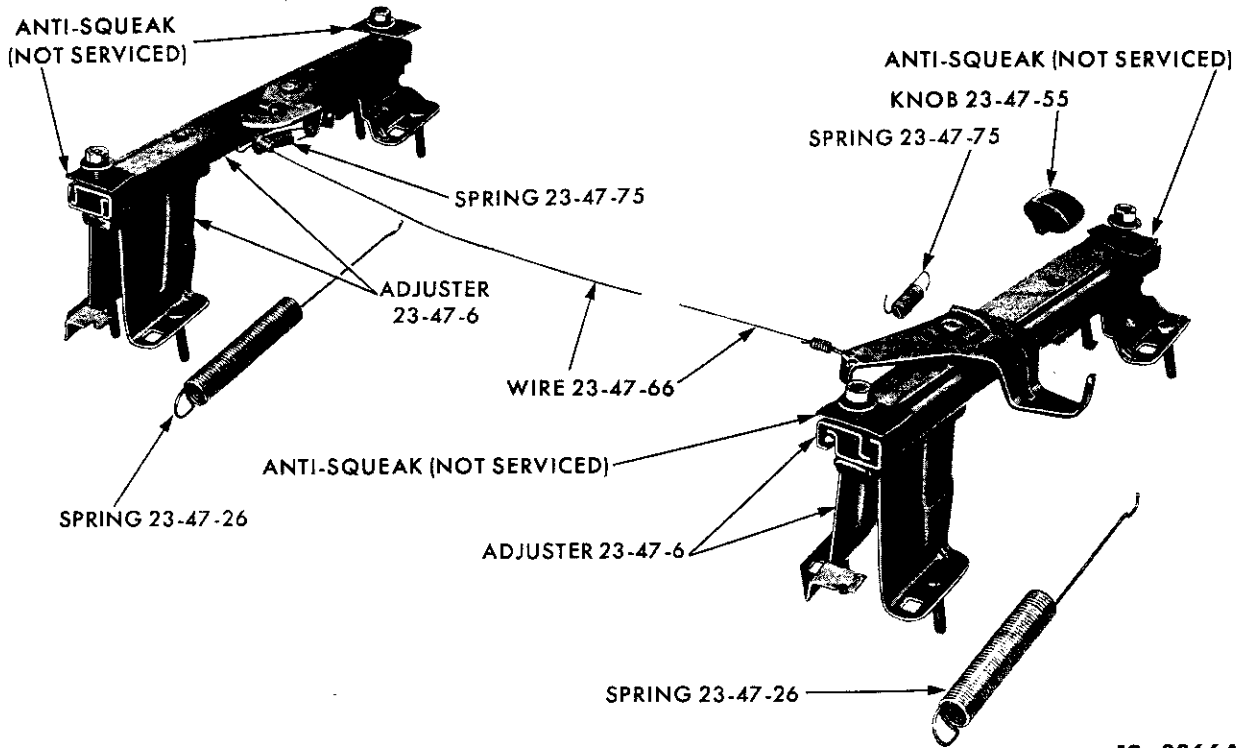


**PARTS INDICATED
BY NAME ONLY - ORDER
BY DESCRIPTION**

***ORDER BY DESCRIPTION**

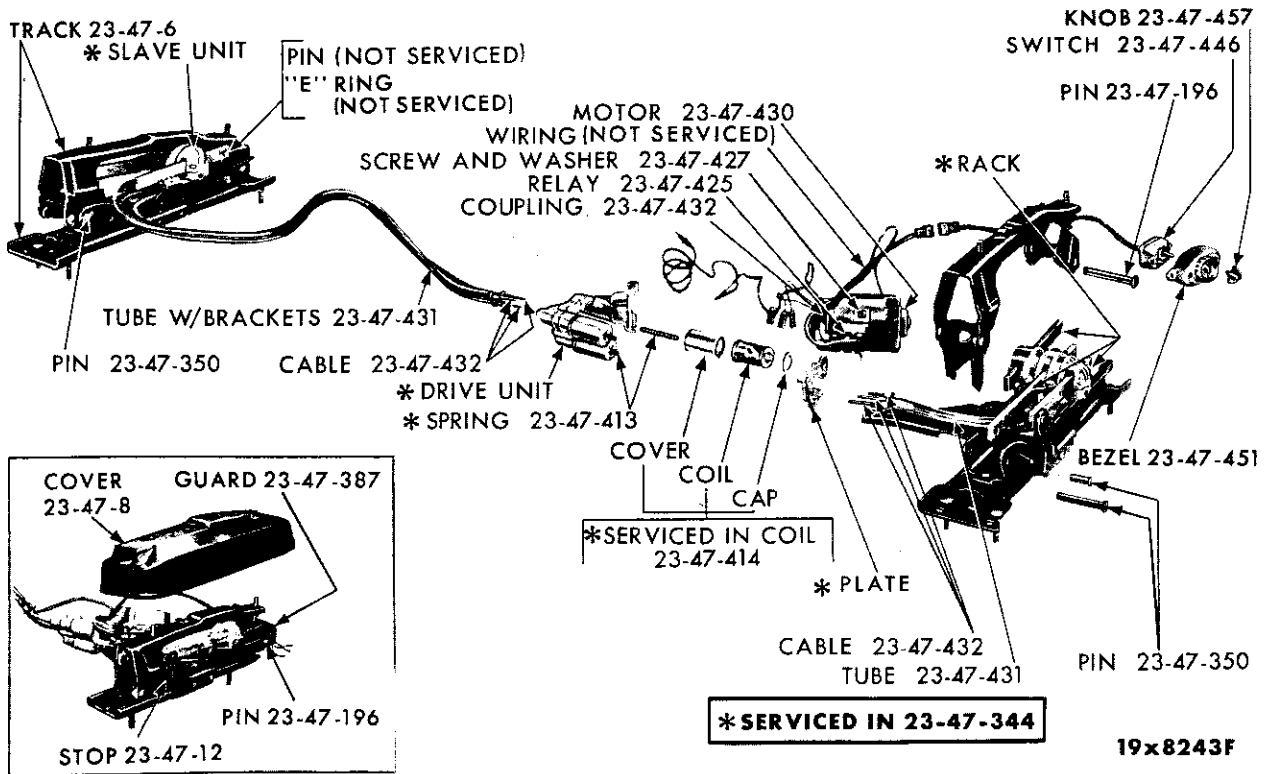
19x9751

RECLINING SEATS - CHRYSLER TC3 NEW YORKER SALON



19x8866A

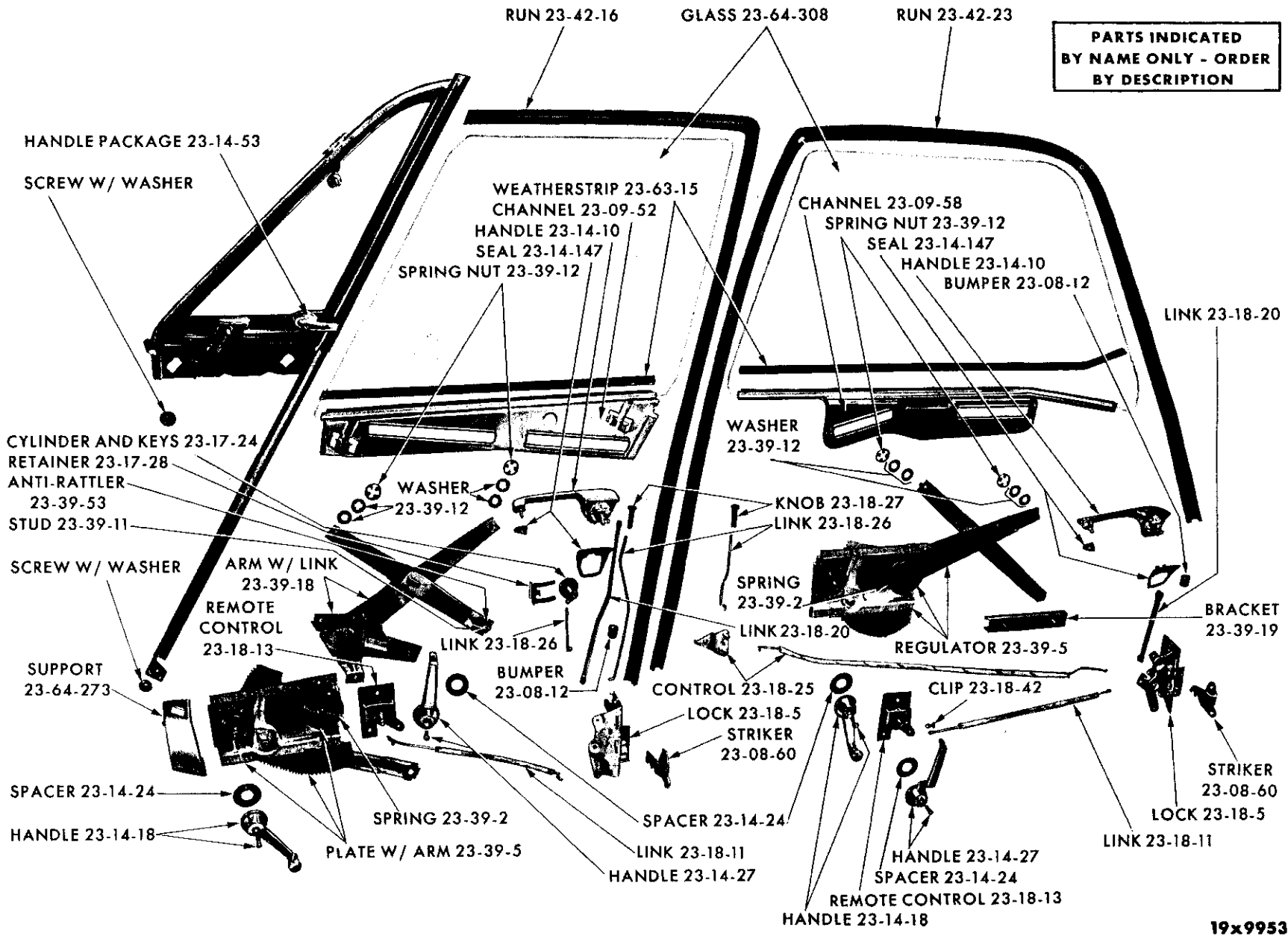
MANUAL SEAT ADJUSTER



19x8243F

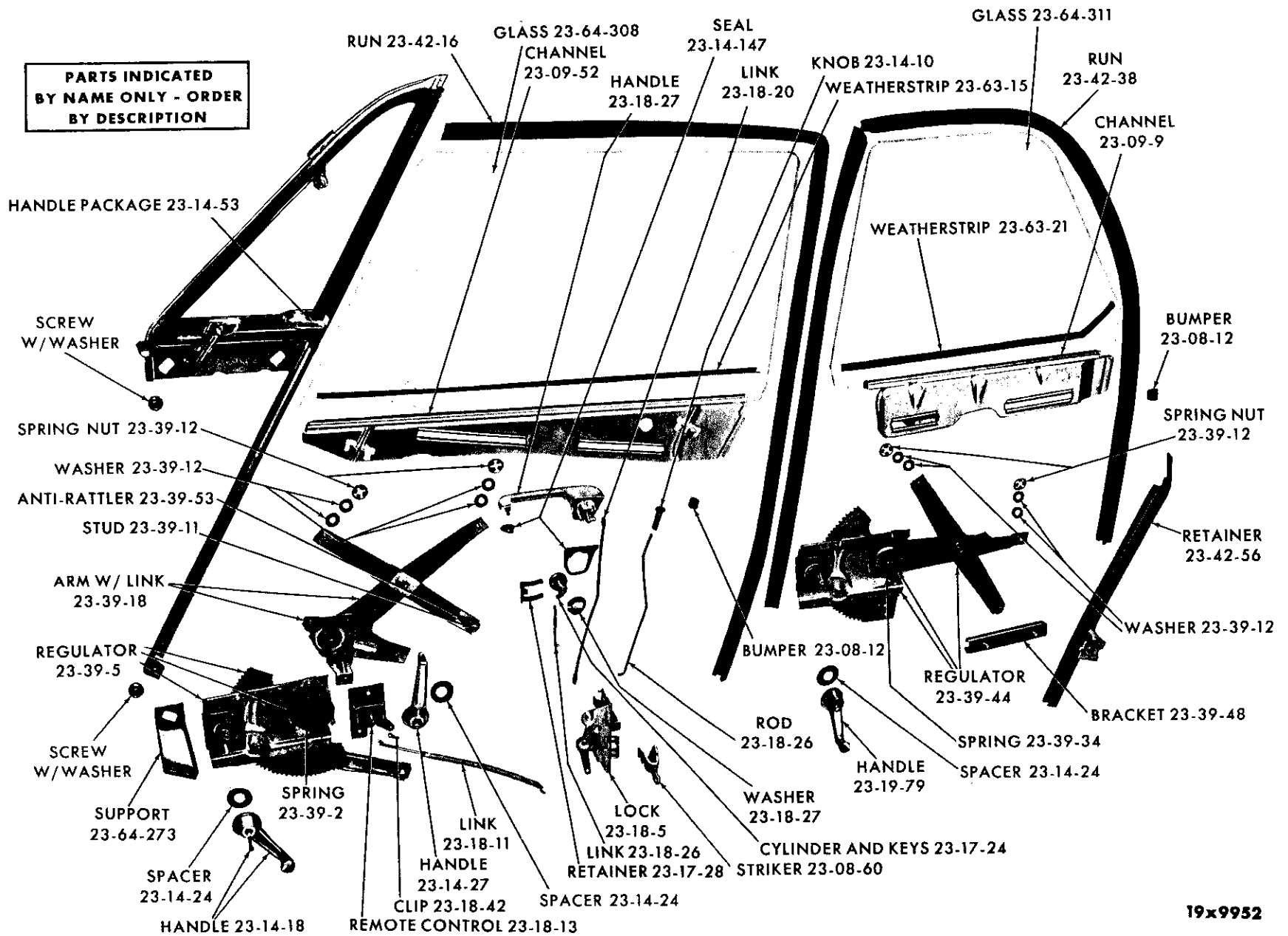
ELECTRIC SEAT ADJUSTER

PARTS INDICATED
BY NAME ONLY - ORDER
BY DESCRIPTION



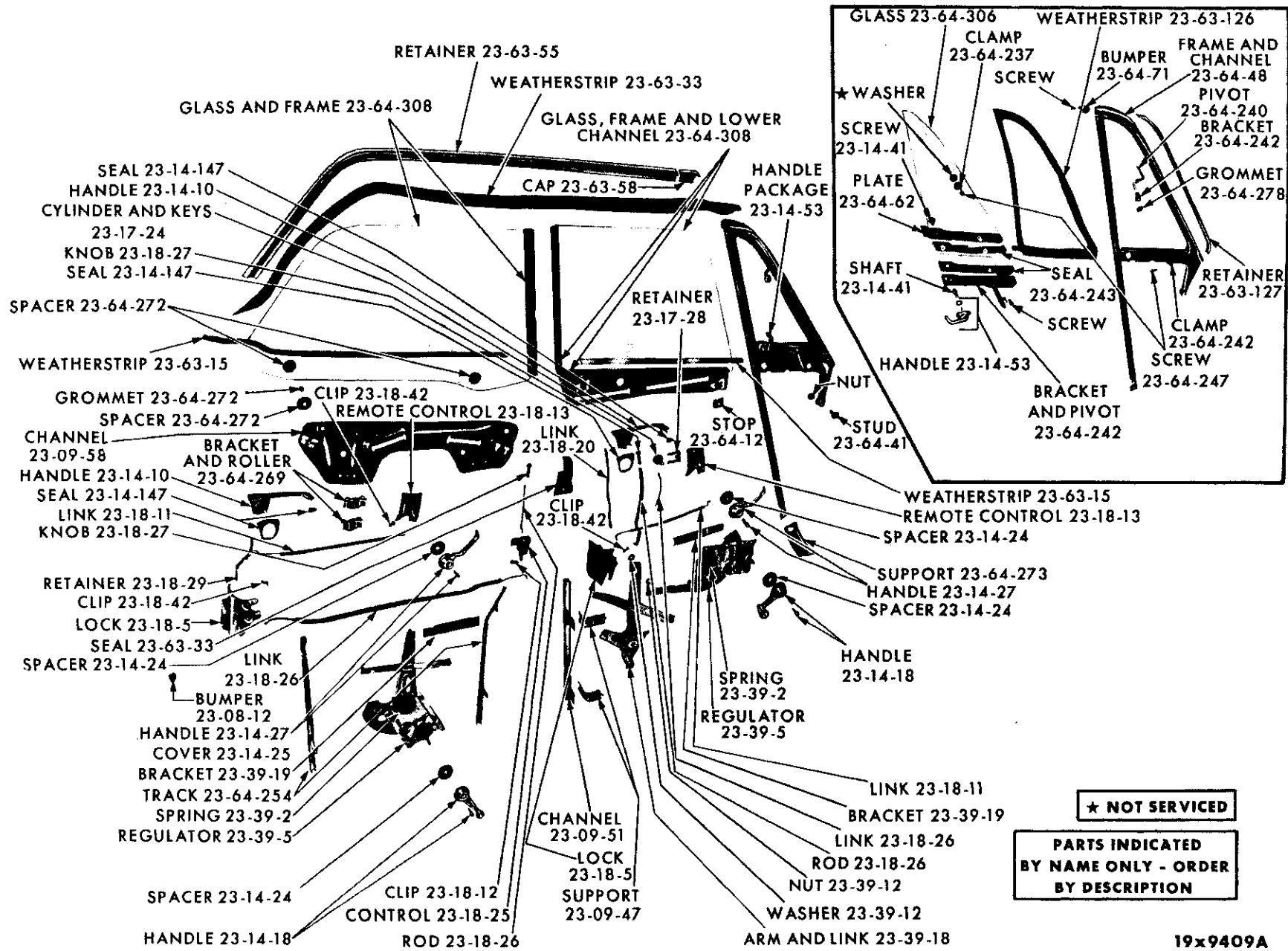
19x9953

DOOR WINDOW REGULATORS AND RUNS - PLYMOUTH TP1-2 AND DODGE TD1-2 4 DOOR SEDAN AND SUBURBAN



19x9952

DOOR WINDOW REGULATORS AND RUNS - PLYMOUTH TP1-2 AND DODGE TD1-2 SPECIAL CLUB COUPE

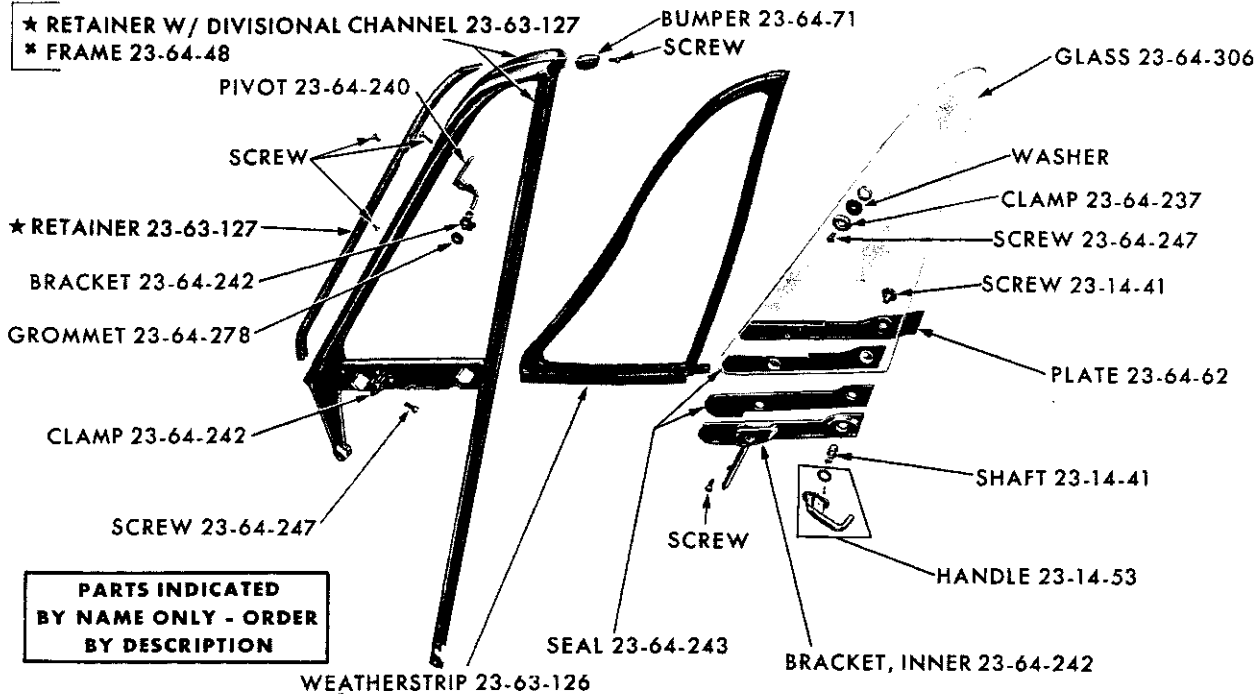


★ NOT SERVICED

PARTS INDICATED BY NAME ONLY - ORDER BY DESCRIPTION

19x9409A

DOOR WINDOW REGULATORS AND RUNS - PLYMOUTH TP1-2 AND DODGE TD1-2 SPECIAL 4 DOOR SEDAN



**PARTS INDICATED
BY NAME ONLY - ORDER
BY DESCRIPTION**

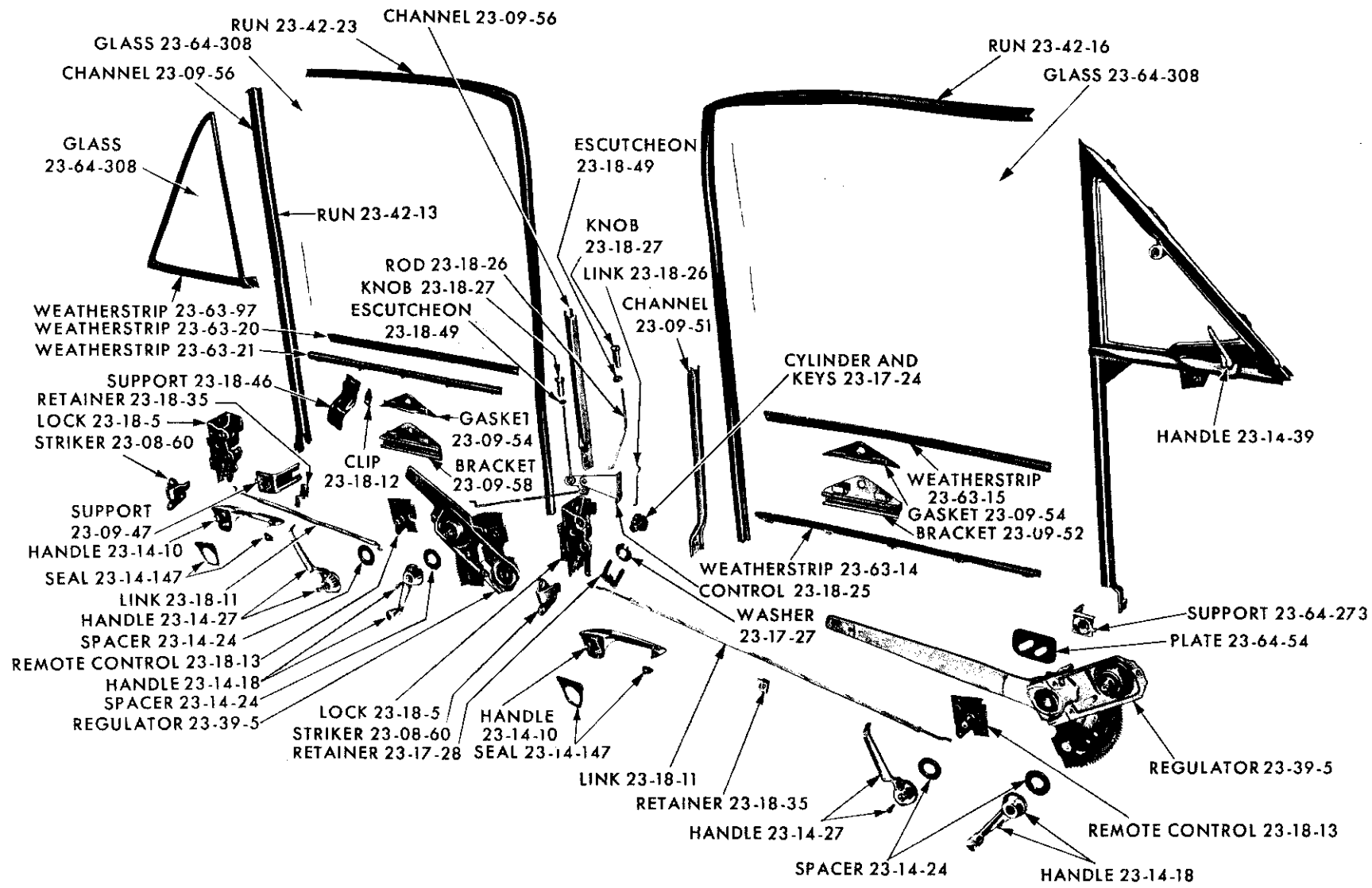
★ 4 DOOR, 2 DOOR, SUBURBAN
*** 2 DOOR HARDTOP, 4 DOOR HARDTOP, CONVERTIBLE COUPE**

19x9843

DOOR VENTILATOR AND GLASS - PLYMOUTH TP1-2 AND DODGE TD1-2
4 DOOR HARDTOP, 2 DOOR HARDTOP AND CONVERTIBLE COUPE

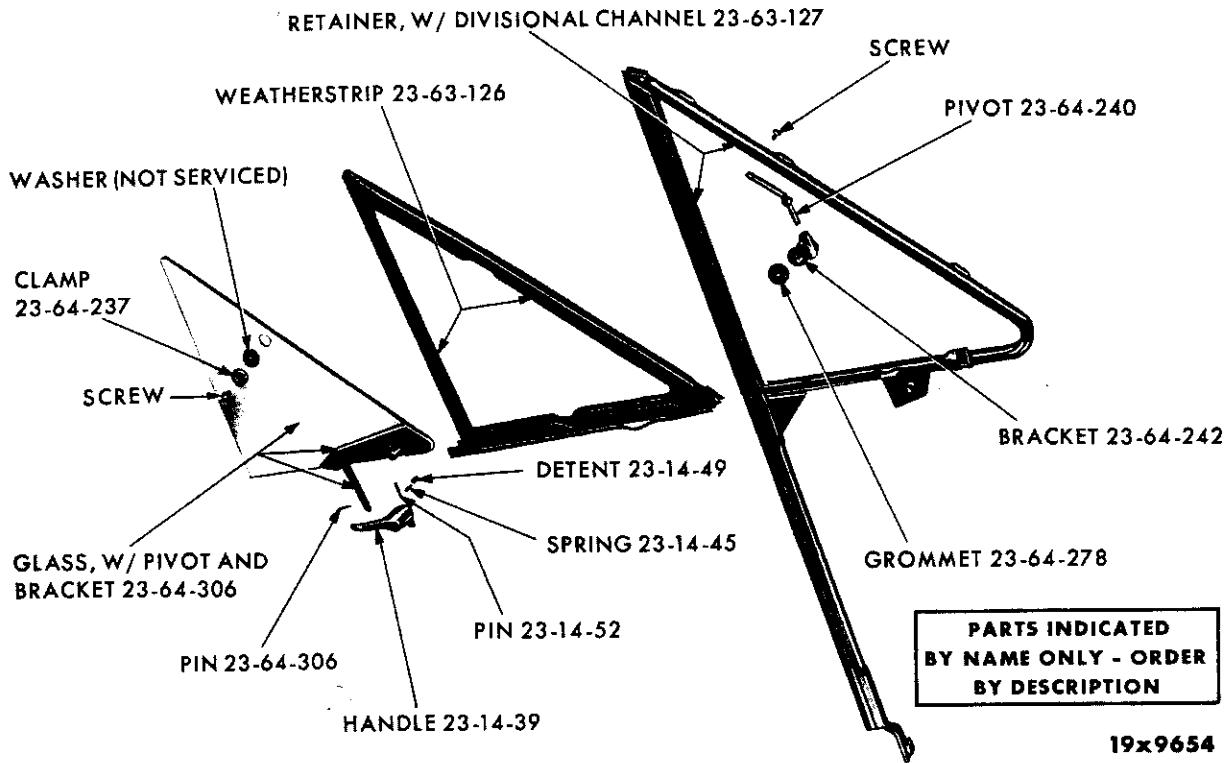
NOTES

A series of horizontal lines for writing notes, spanning the width of the page below the 'NOTES' header.

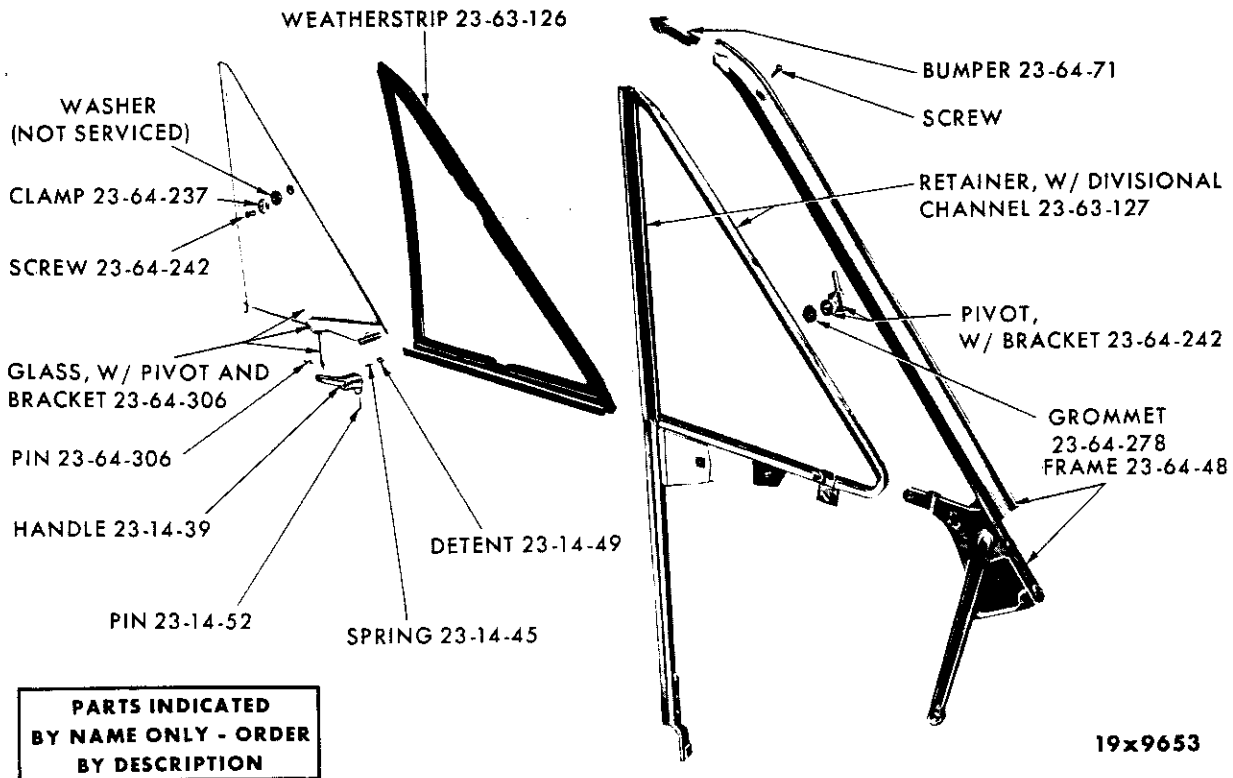


19x9647A

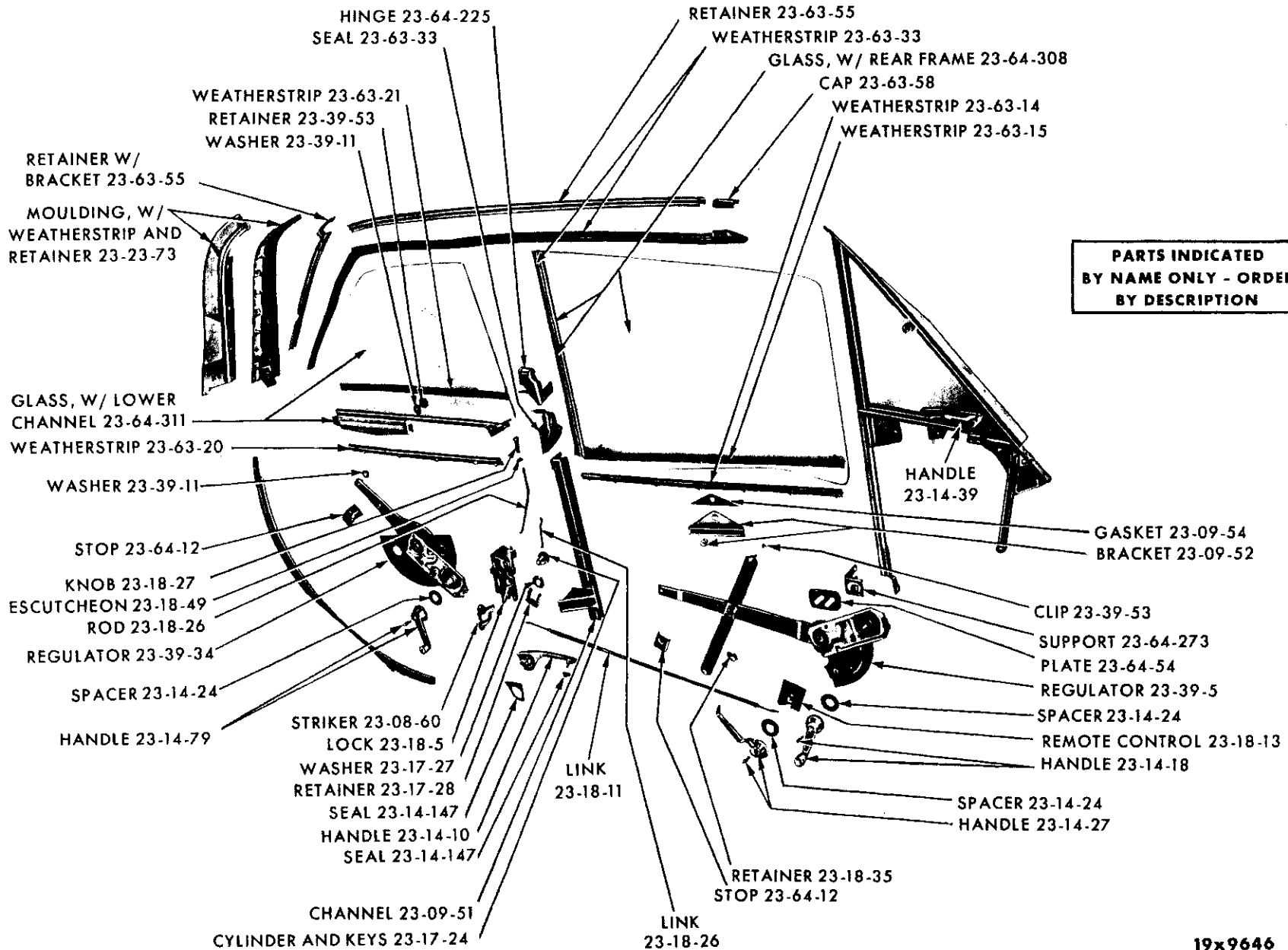
DOOR WINDOW REGULATORS AND RUNS - VALIANT TV1 AND DART TL1 4 DOOR SEDAN AND SUBURBAN



DOOR VENTILATOR AND GLASS - VALIANT TV1 AND DART TL1
4 DOOR SEDAN, 2 DOOR SEDAN AND SUBURBAN



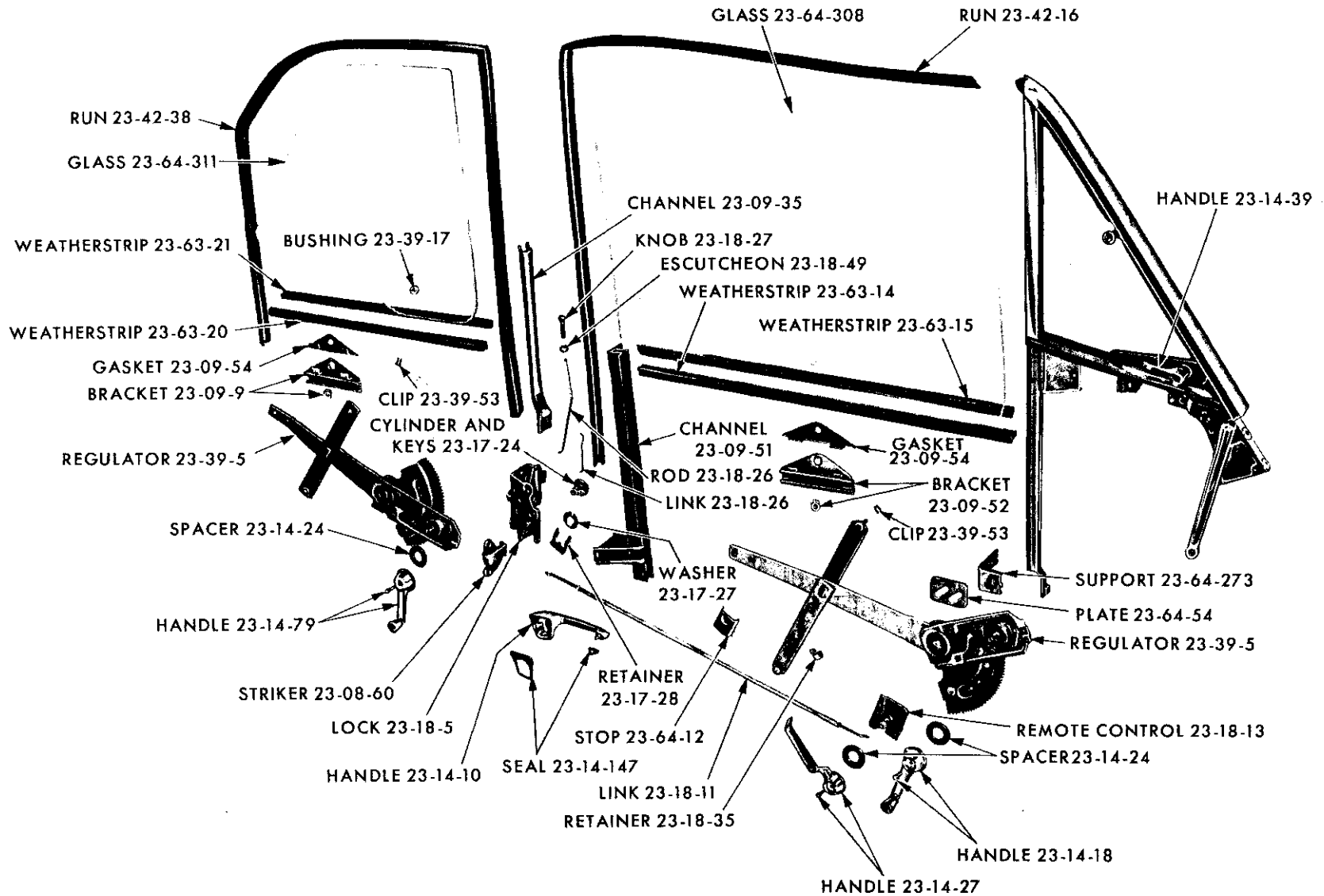
DOOR VENTILATOR AND GLASS - VALIANT TV1 AND DART TL1
SPECIAL CLUB COUPE AND CONVERTIBLE COUPE



PARTS INDICATED
BY NAME ONLY - ORDER
BY DESCRIPTION

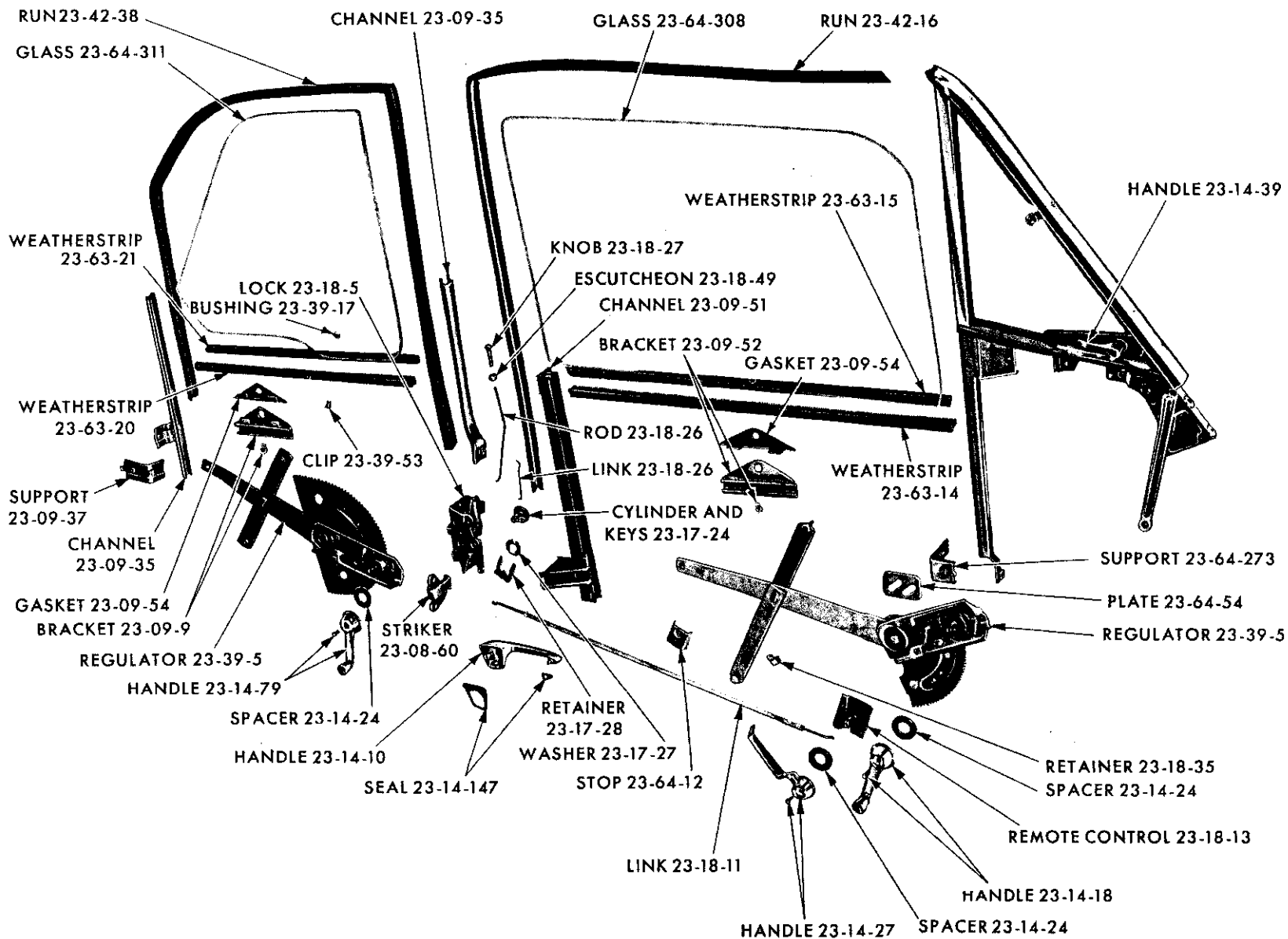
19x9646

DOOR LOCK AND WINDOW REGULATORS - VALIANT TV1 SPECIAL CLUB COUPE



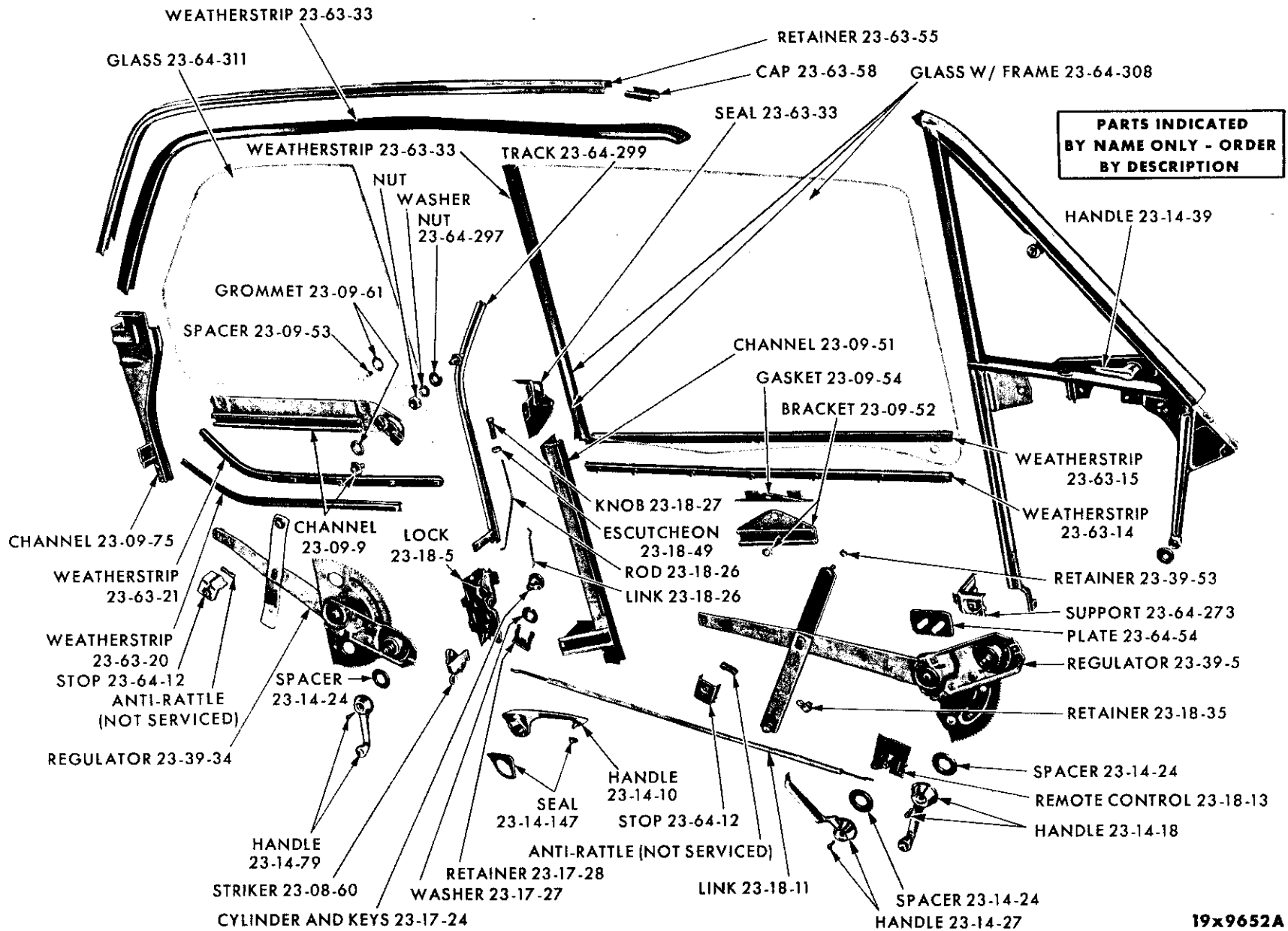
19x9648

DOOR WINDOW REGULATORS AND RUNS - VALIANT TV1 2 DOOR SEDAN



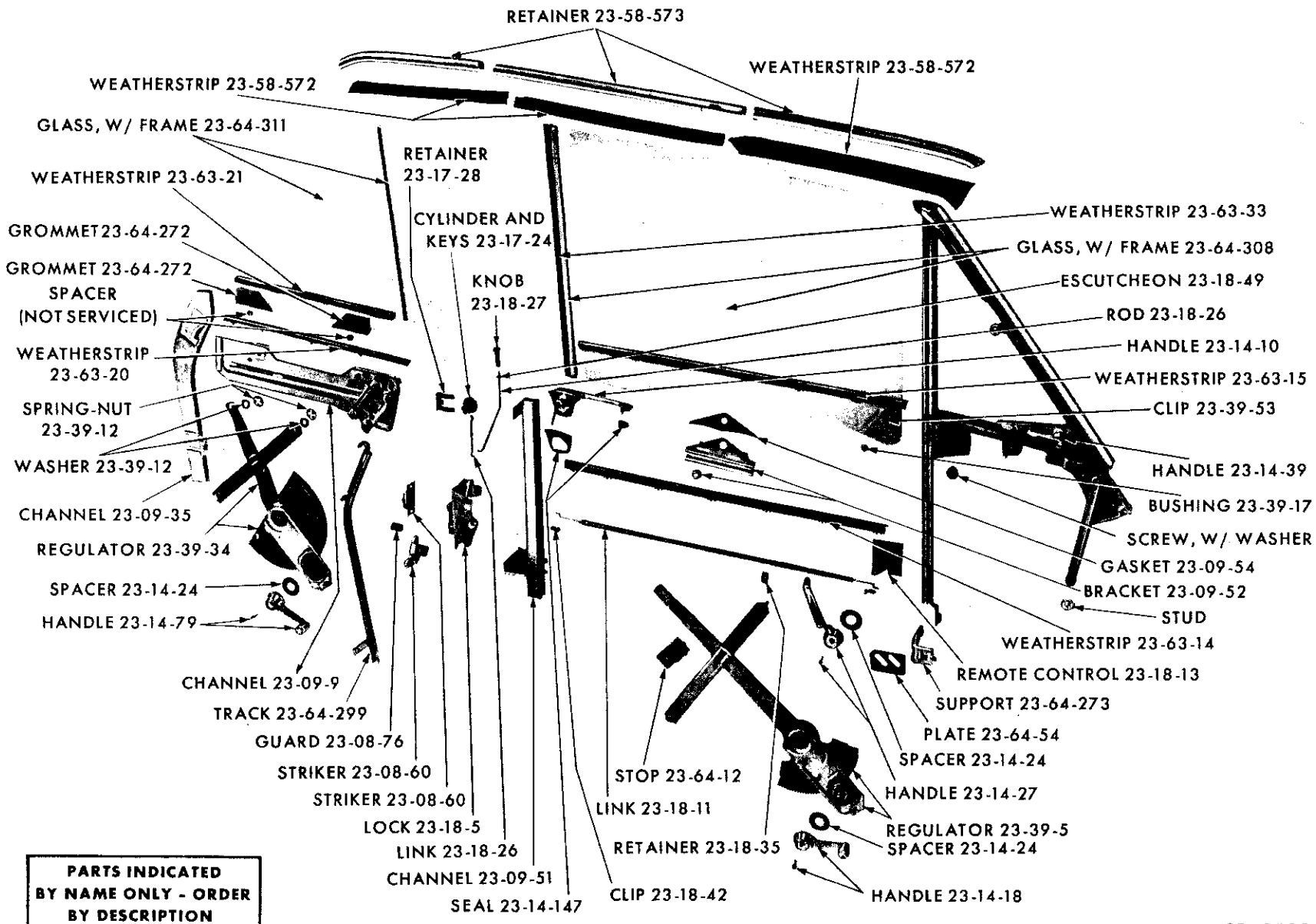
19x9649

DOOR WINDOW REGULATORS AND RUNS - DART TL1 2 DOOR SEDAN



19x9652A

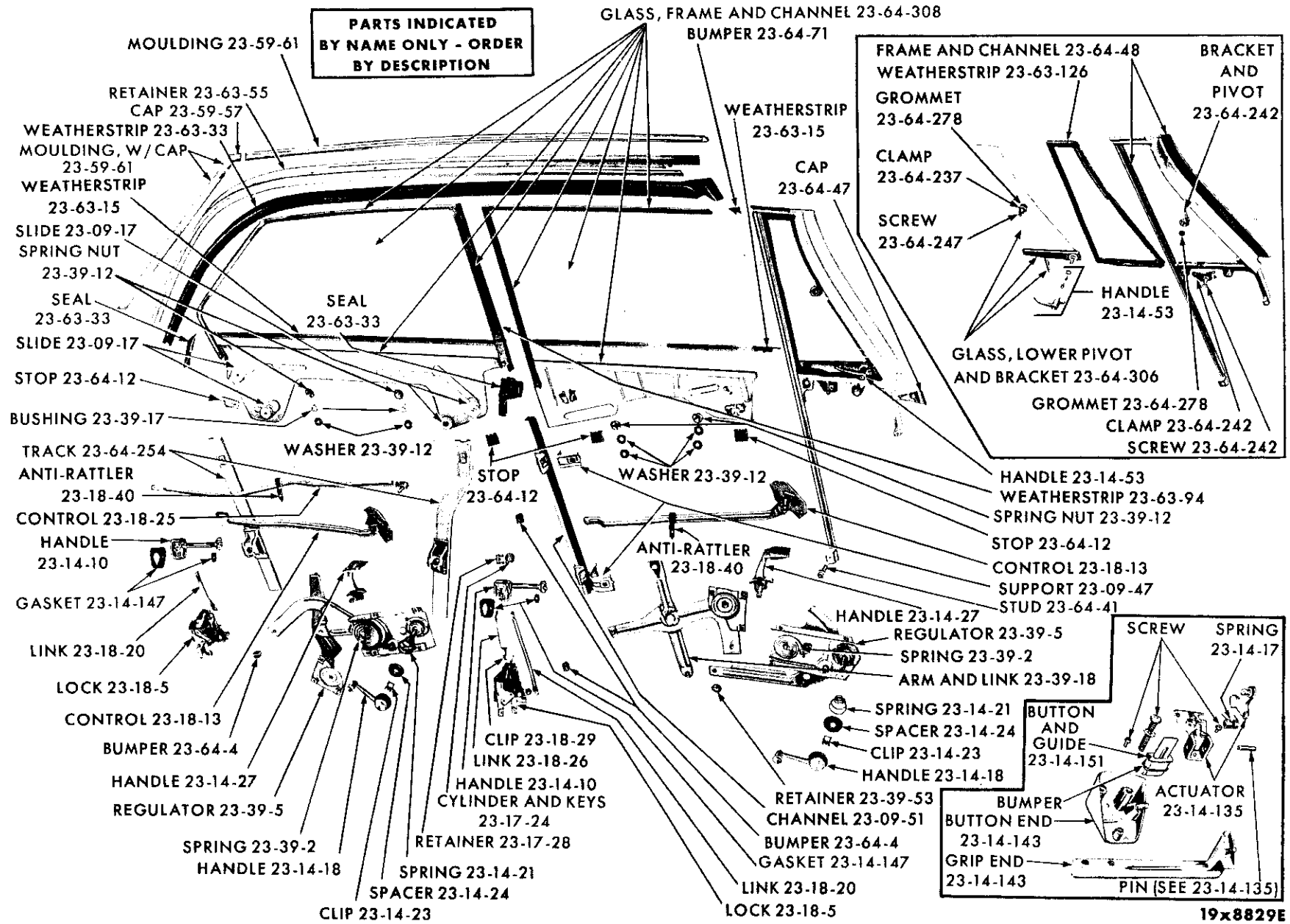
DOOR WINDOW REGULATORS AND RUNS - DART TL1 SPECIAL CLUB COUPE



**PARTS INDICATED
BY NAME ONLY - ORDER
BY DESCRIPTION**

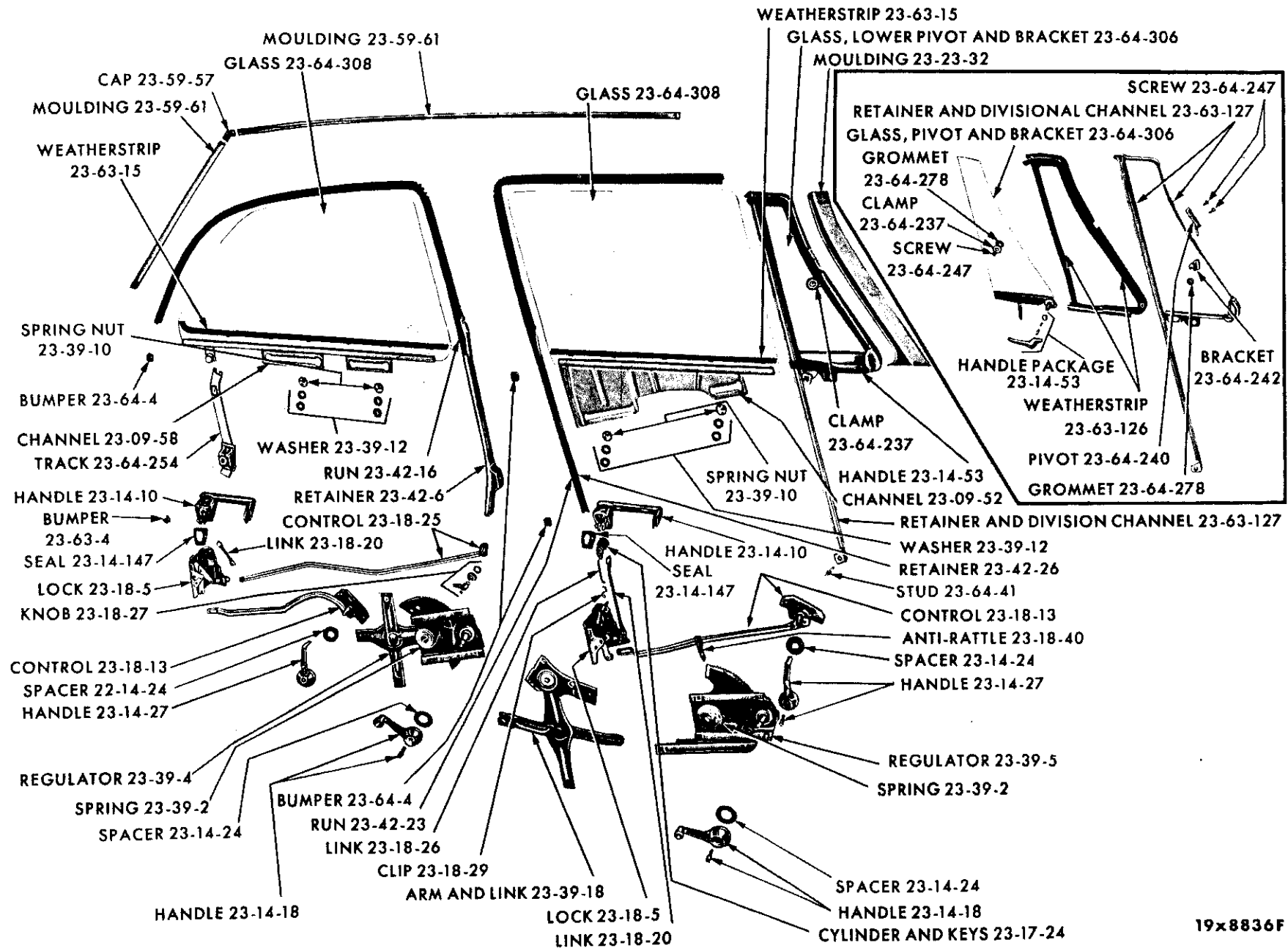
19x9703

DOOR WINDOW REGULATORS AND RUNS - VALIANT TV1 AND DART TL1 CONVERTIBLE COUPE



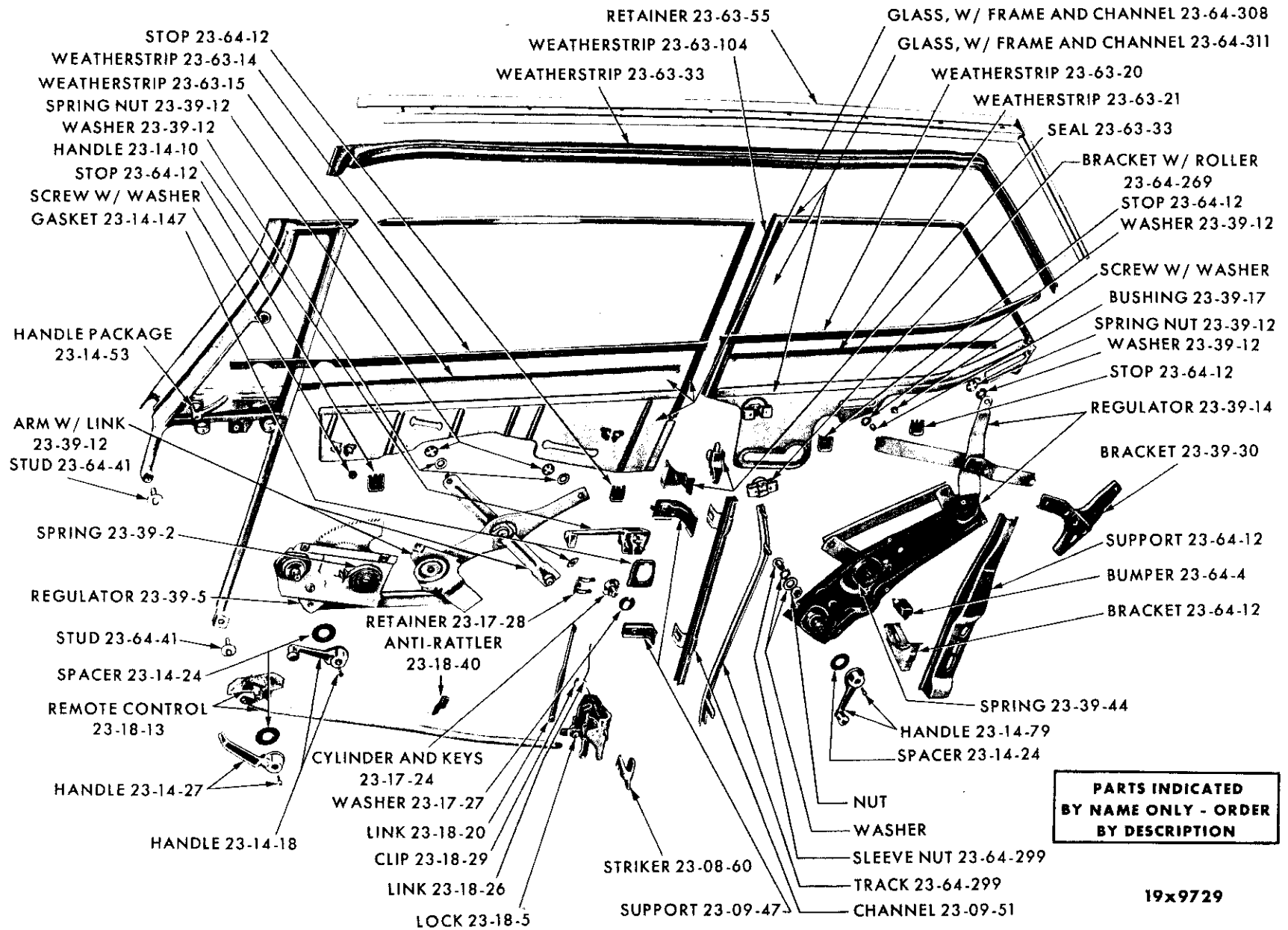
19x8829E

DOOR WINDOW REGULATORS AND RUNS - DODGE TA3(L), CHRYSLER TC1-2-3 SPECIAL 4 DOOR SEDAN AND SUBURBAN

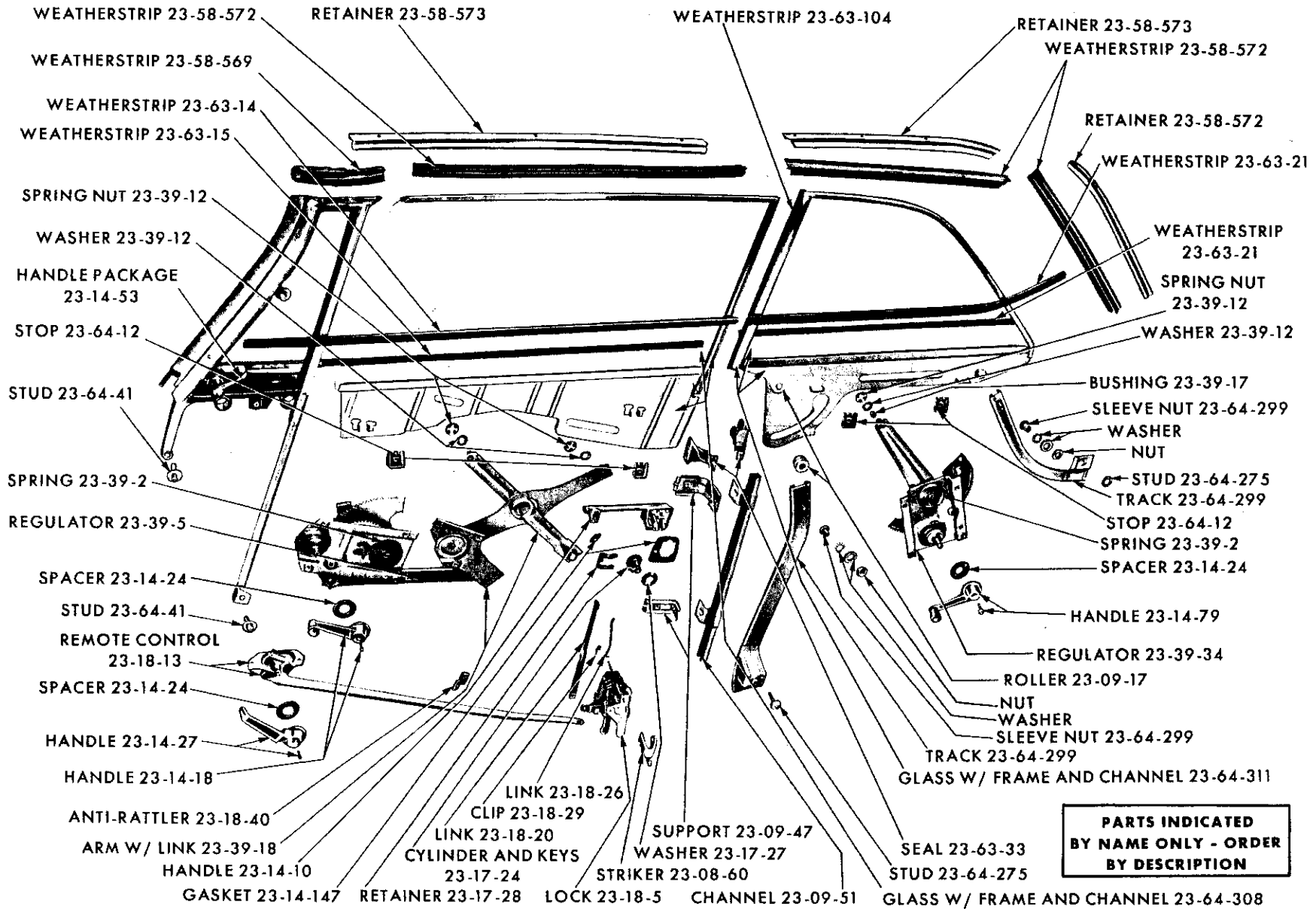


DOOR WINDOW REGULATORS AND RUNS - DODGE TA3(E) SUBURBAN, DODGE TA3 AND CHRYSLER TC1-2-3 4 DOOR SEDAN

19x8836F



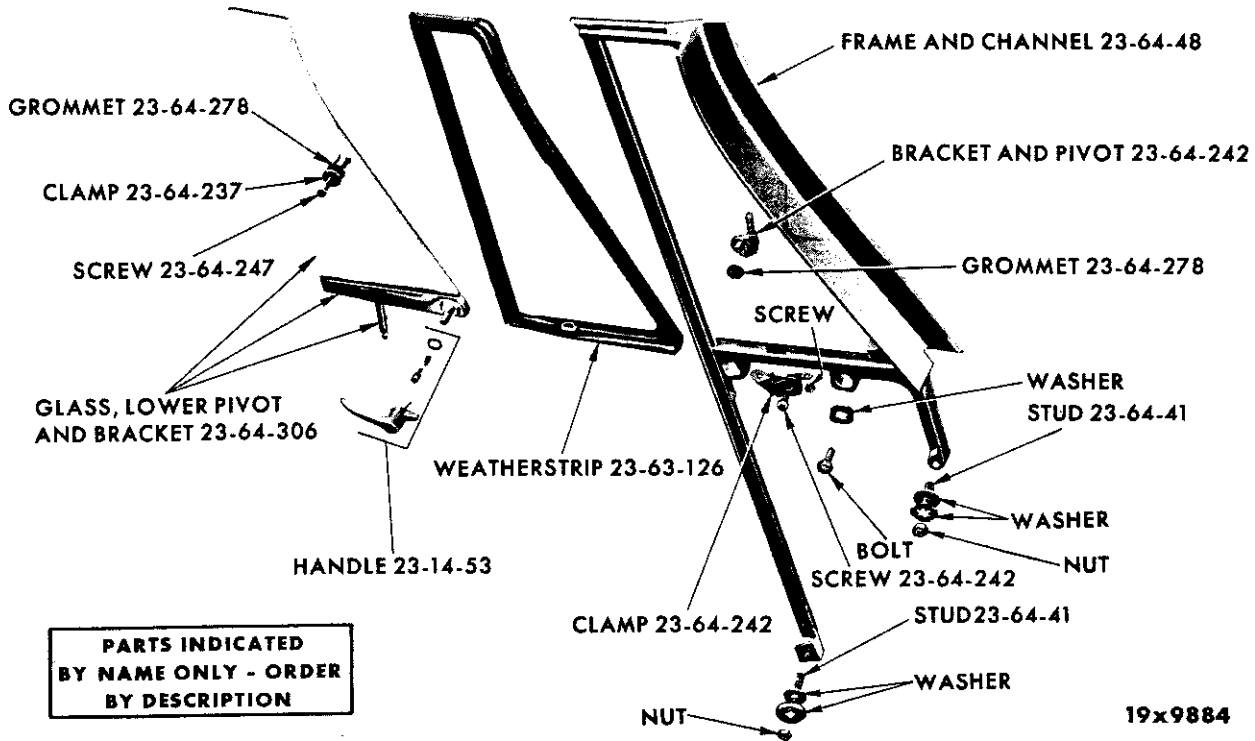
DOOR WINDOW REGULATORS AND RUNS - DODGE TA3 AND CHRYSLER TC1-2 SPECIAL CLUB COUPE



**PARTS INDICATED
 BY NAME ONLY - ORDER
 BY DESCRIPTION**

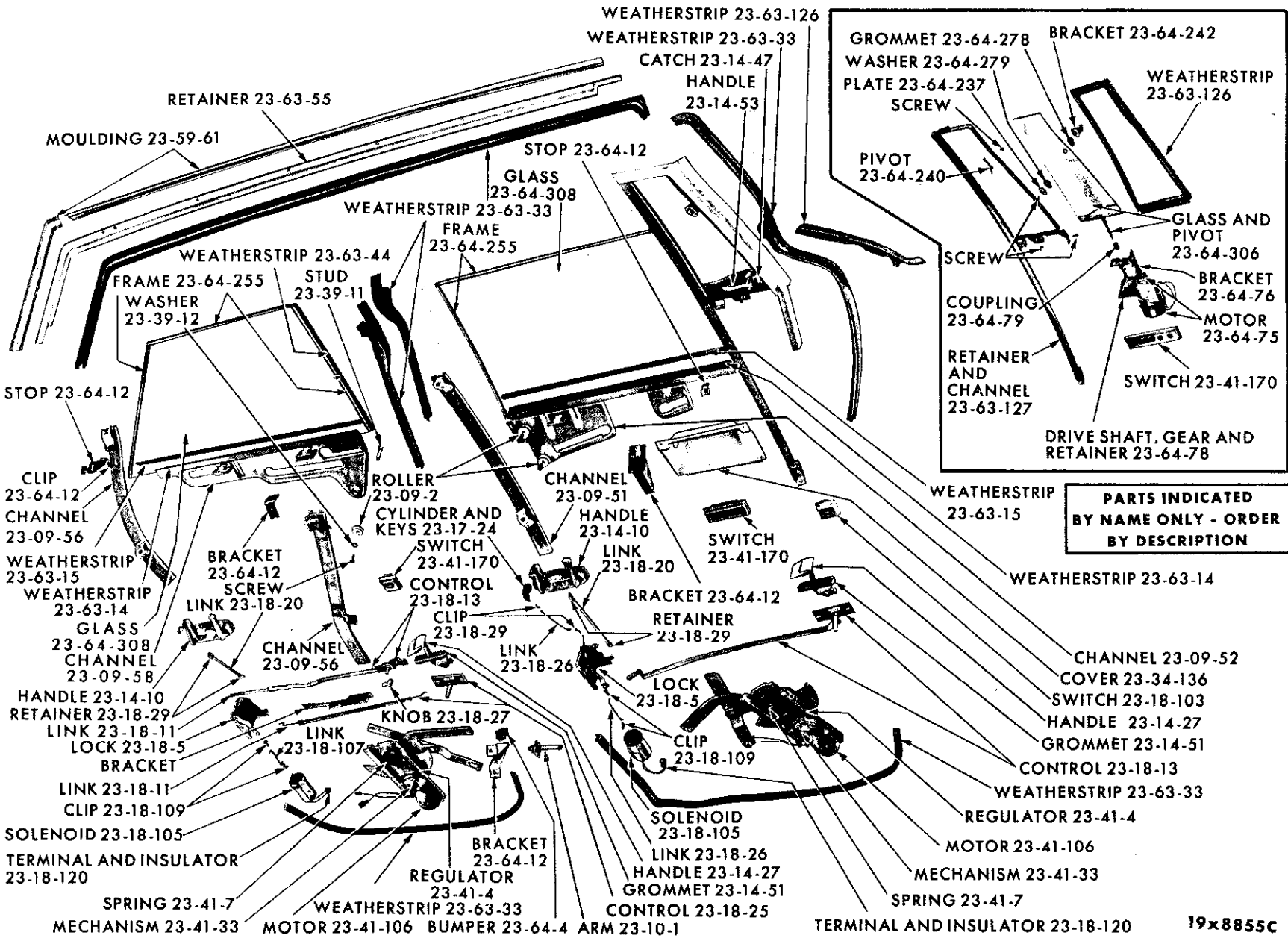
19x9726

DOOR WINDOW REGULATORS AND RUNS - DODGE TA3 AND CHRYSLER TC1-2 CONVERTIBLE COUPE



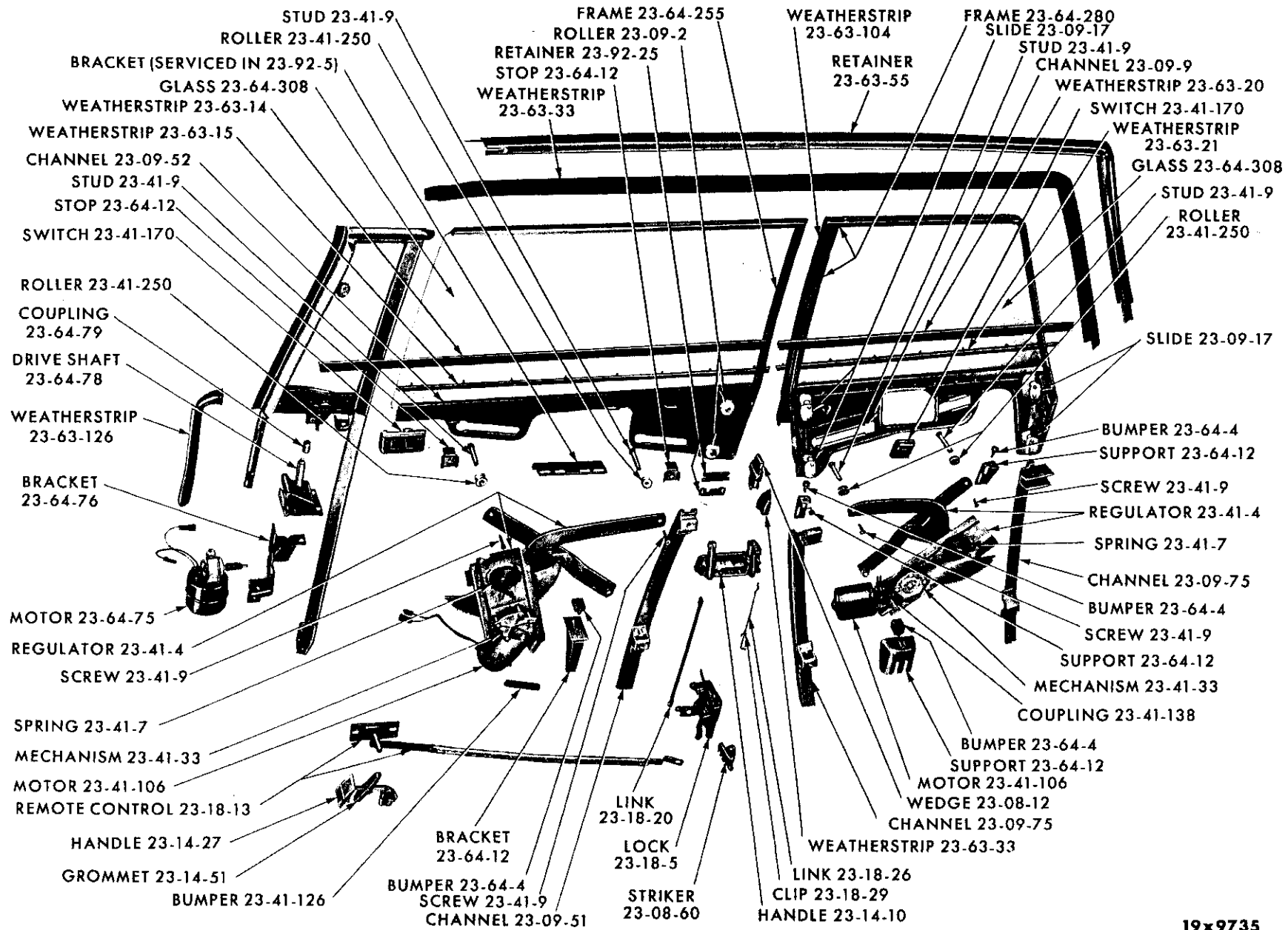
DOOR VENT WING AND GLASS - DODGE TA3(L) AND CHRYSLER TC1-2-3
SPECIAL CLUB COUPE AND CONVERTIBLE COUPE

NOTES



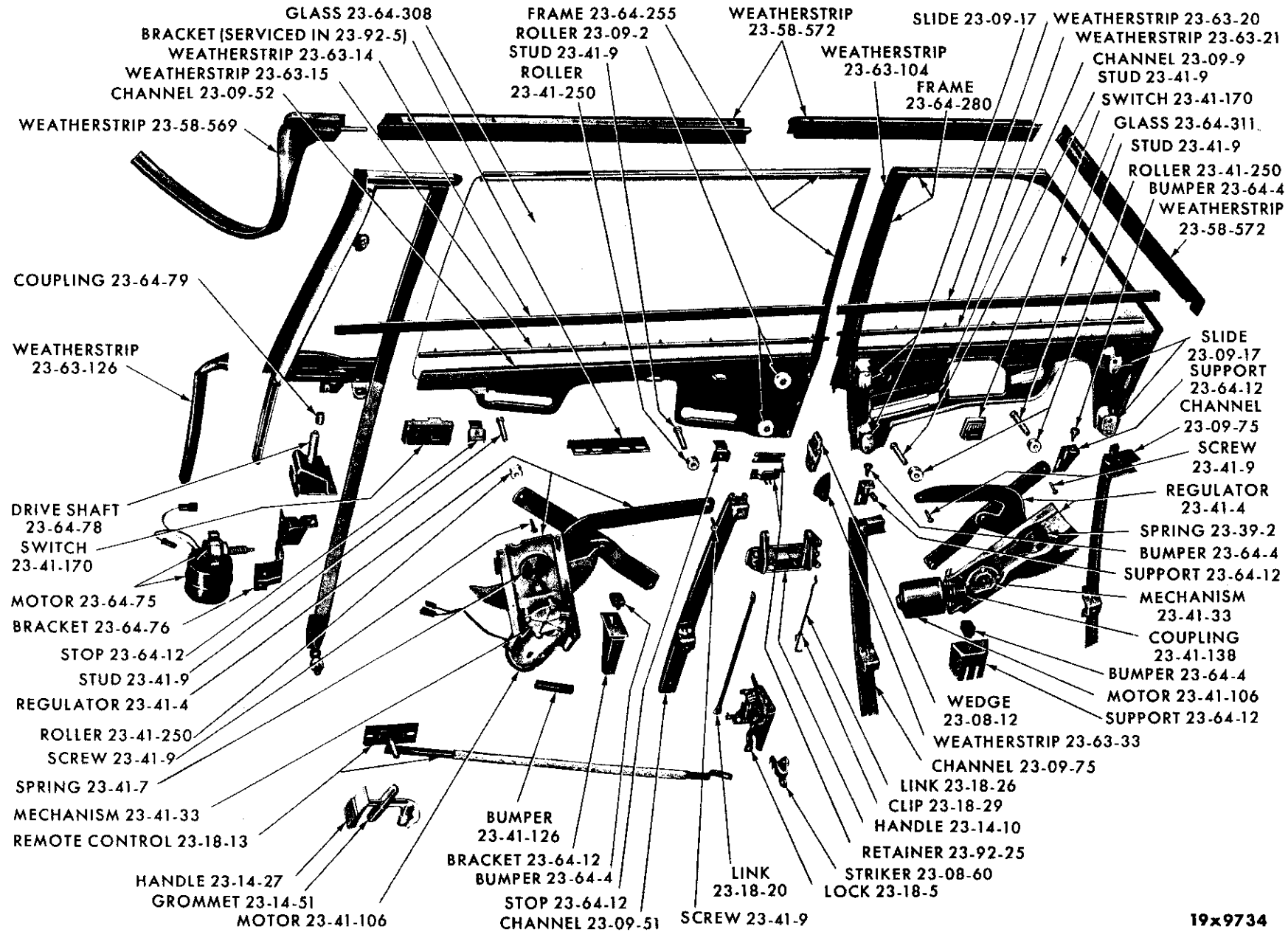
DOOR WINDOW REGULATORS AND RUNS - IMPERIAL TY1 SPECIAL 4 DOOR SEDAN

19x8855C



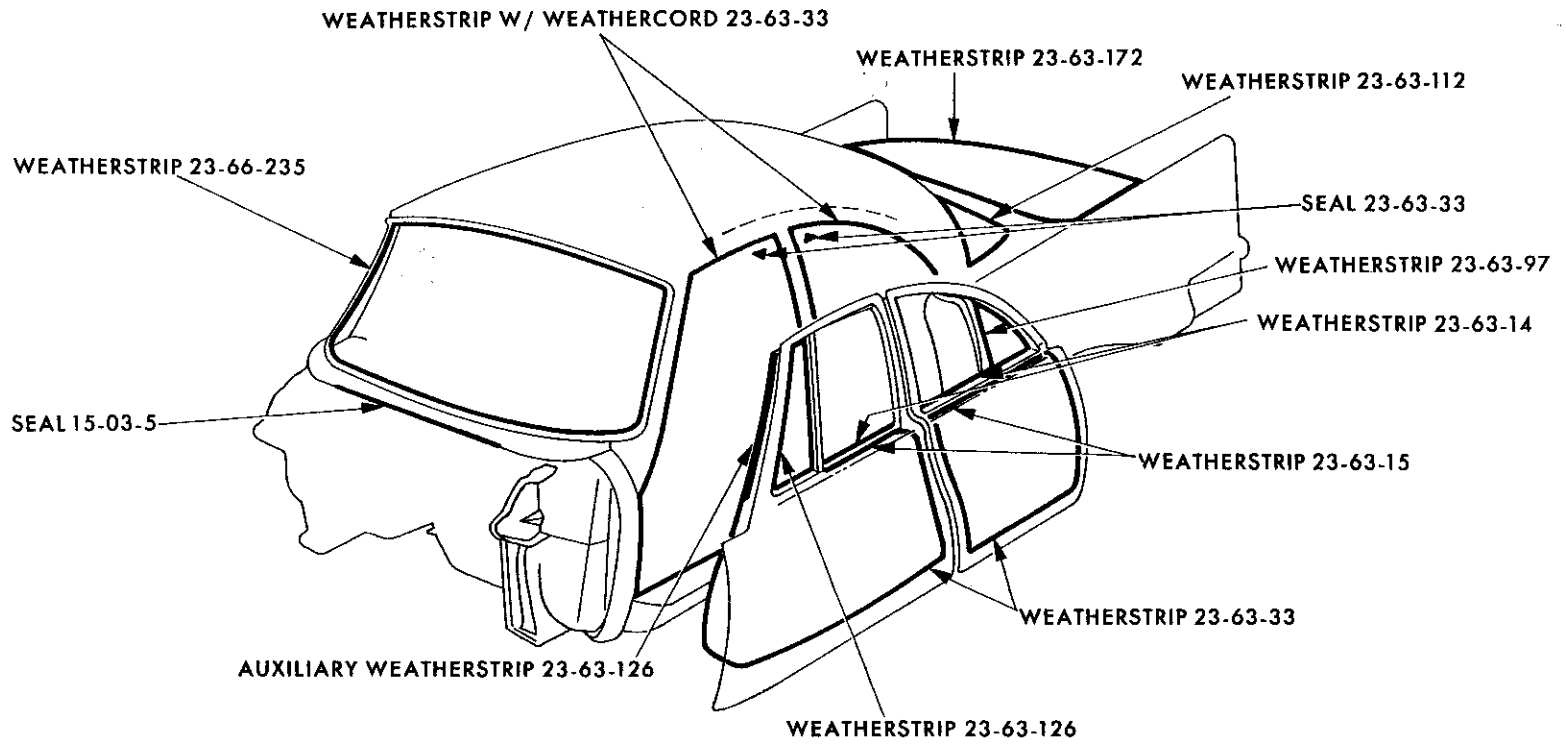
DOOR WINDOW REGULATORS AND RUNS - IMPERIAL TYI SPECIAL CLUB COUPE

19x9735



19x9734

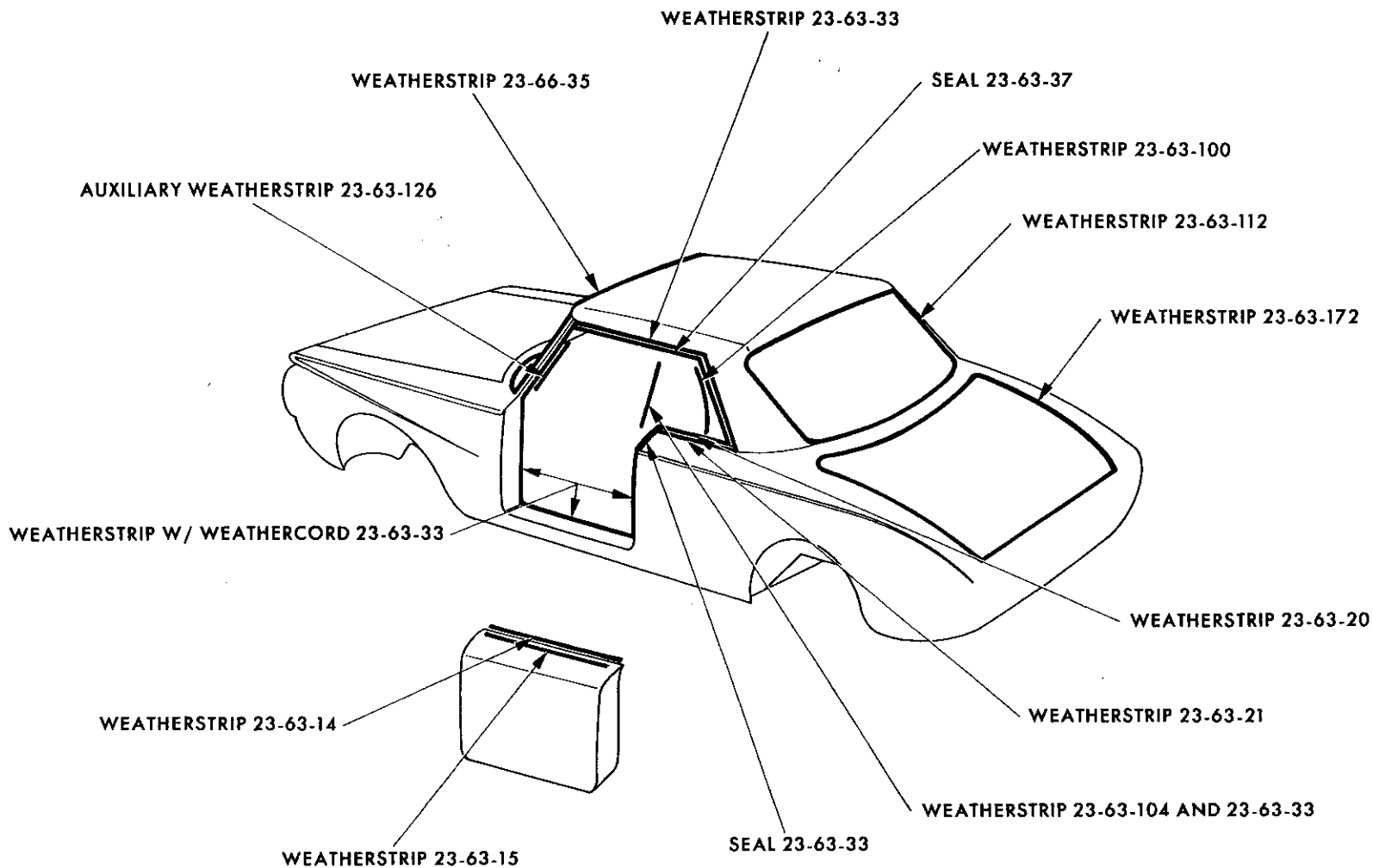
DOOR WINDOW REGULATORS AND RUNS - IMPERIAL TY1 CONVERTIBLE COUPE



WEATHERSTRIPS AND SEALS - TYPICAL OF 4 DOOR AND 2 DOOR SEDANS

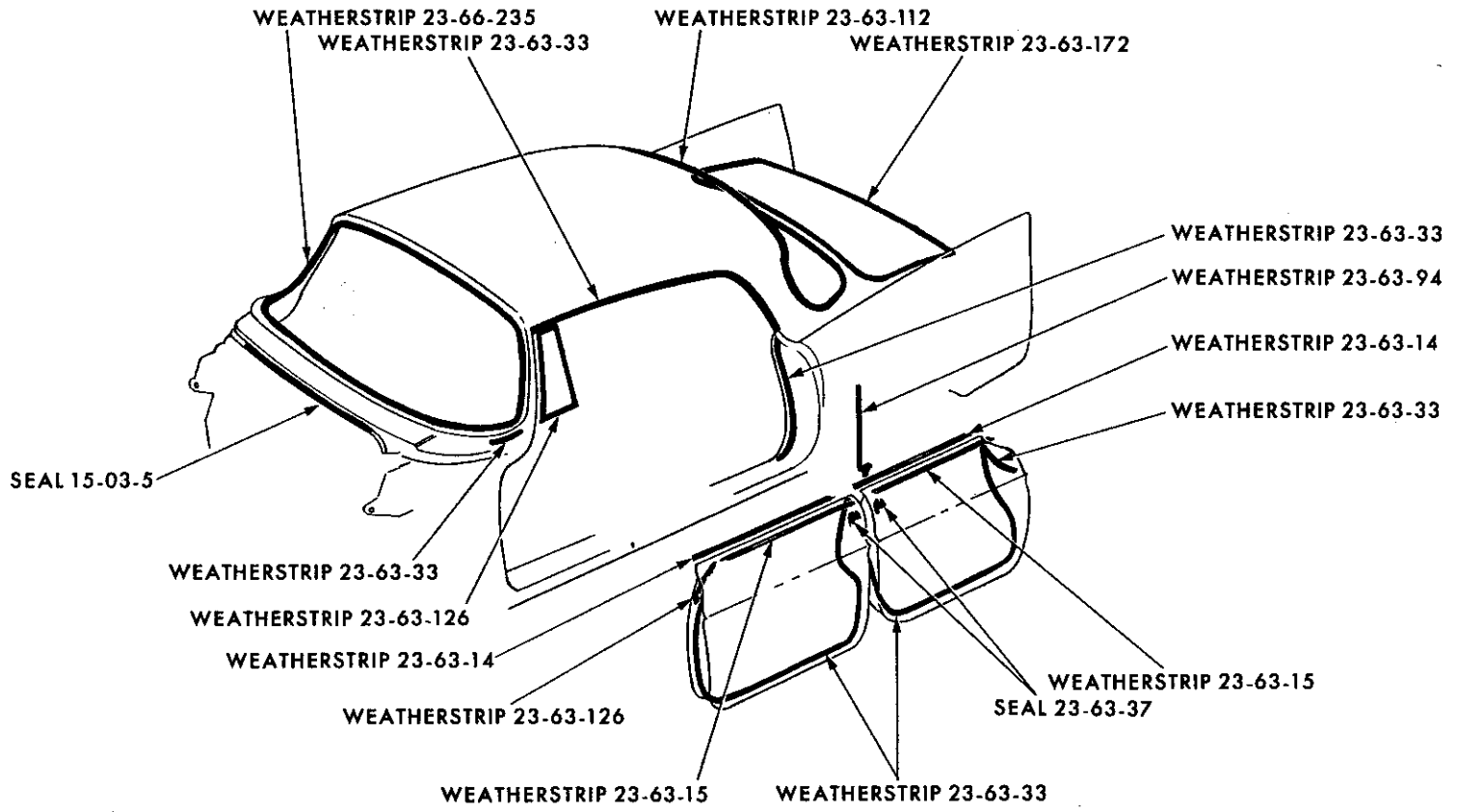
19x9836





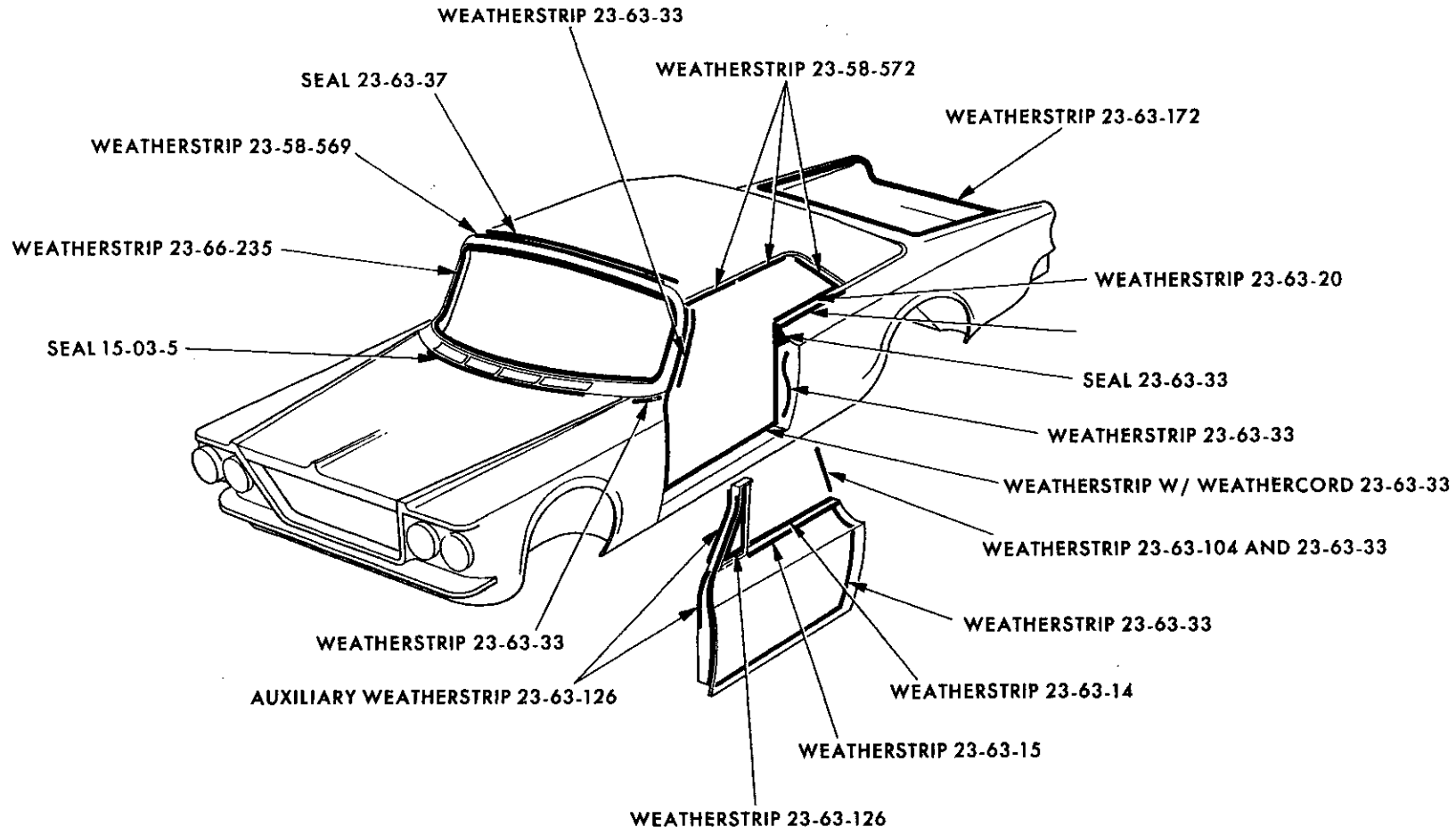
19x9834

WEATHERSTRIPS AND SEALS - TYPICAL OF 2 DOOR HARDTOPS



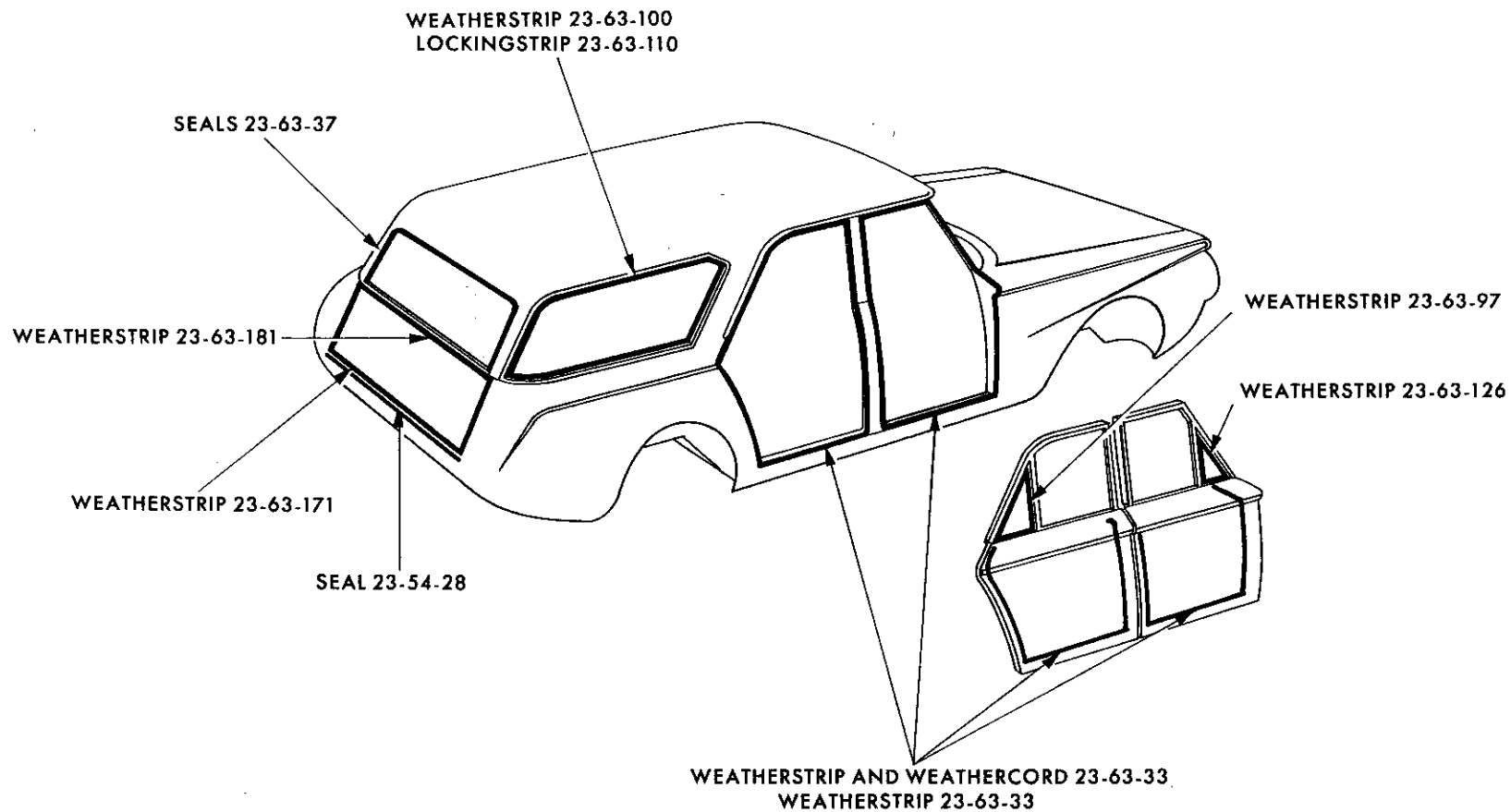
19x9835

WEATHERSTRIPS AND SEALS - TYPICAL OF 4 DOOR HARDTOPS



WEATHERSTRIPS AND SEALS - TYPICAL OF CONVERTIBLE COUPES

19x9833

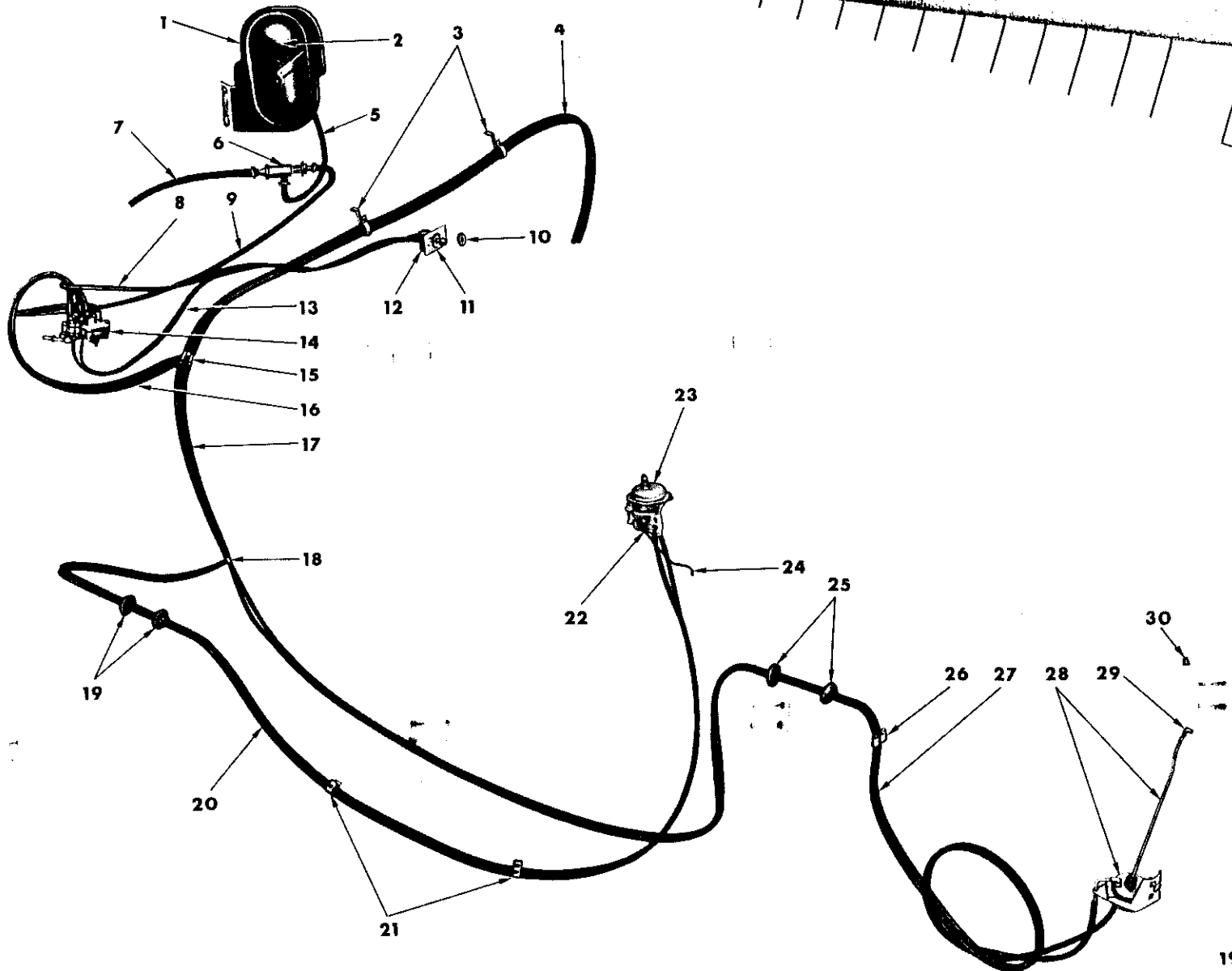


WEATHERSTRIPS AND SEALS - TYPICAL OF SUBURBANS

19x9837

Page 23-21N
CHRYSLER
IMPERIAL

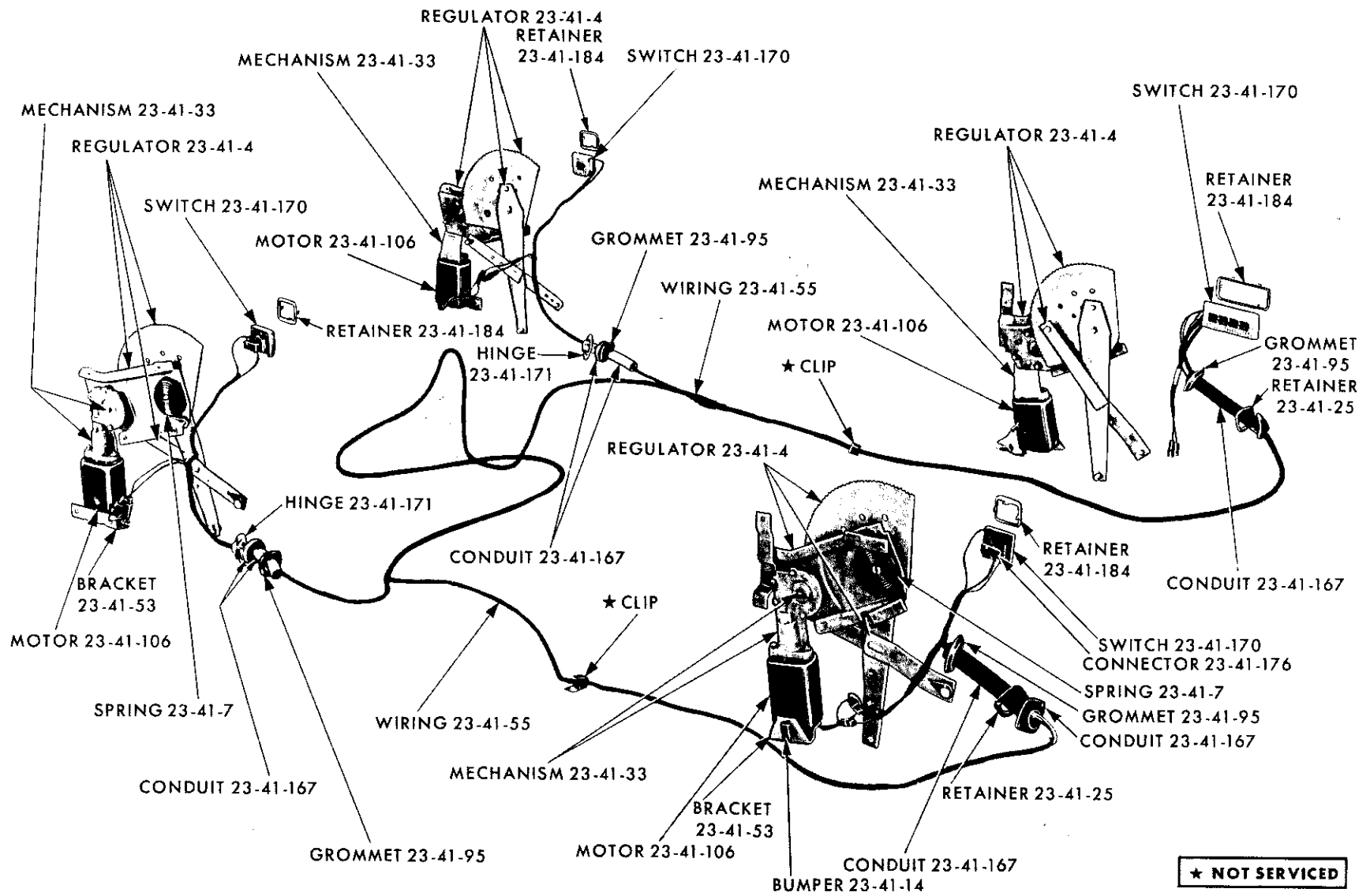
PASSENGER CAR PARTS CATALOG



VACUUM DOOR LOCK SYSTEM

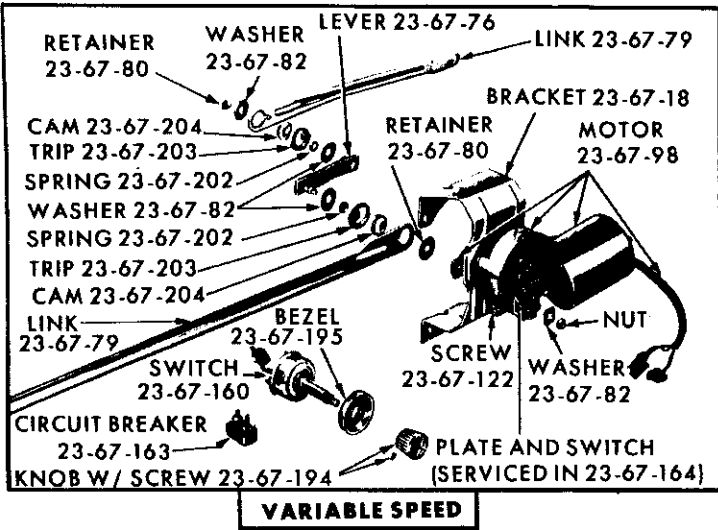
Ref. No.	Name	Part No.	Part Type Code
1	Connector, Tank Hose	2258 043	23-13-52
2	Tank, w/Bracket	2198 539	23-13-45
	Washer	2- 138 489	
	Nut	2- 120 377	
3	Clip	Not Serviced	
4	Tube, Floor Pan (see note)	2254 553	23-13-10
5	Tube, Check Valve to Tank (see note)	2254 553	23-13-10
6	Valve, Tank Check, w/Hose	2258 044	23-13-47
7	Tube, Check Valve to Manifold (see note)	2254 553	23-13-10
8	Tube, Instrument Panel Control to Valve (see note)	2254 554	23-13-10
9	Tube, Check Valve to Distributor Valve (see note)	2254 553	23-13-10
10	Nut, Control and Bezel Mounting	2096 490	23-13-36
11	Bezel, Instrument Panel Control	2096 488	23-13-35
12	Control, Instrument Panel (or Switch)	2096 487	23-13-31
13	Tube, Instrument Panel Control to Valve (see note)	2254 552	23-13-10
14	Valve, Distributor	2258 080	23-13-41
15	Tee, Main	2-1964 609	23-13-13
16	Tube, Distributor to Main Tee (see note)	2254 553	23-13-10
17	Tube, Main Tee to Side Tee (see note)	2254 553	23-13-10
18	Tee, Side	4-1964 610	23-13-13
19	Grommet, Front Door	2-2166 678	23-13-11
20	Tube, Front Door (see note)	2254 554	23-13-10
21	Clamp, Front Door	4-2165 090	23-13-25
		2-1963 960	23-13-25
22	Clip, Front Door	2-2218 199	23-13-17
23	Unit, Front Door Power TA3.	1963 196-7	23-13-6
		TC1, TC3, 4 D.	2217 594-5
		TC1, TC2, TC3, Sp. 4 D., Sub.	1-2217 644-5
24	Rod, Front Door Power Unit to Door Lock . . . TC1, TC2, TC3.	2-1963 673	23-13-20
		TA3.	2-1963 671
25	Grommet, Rear Door and Center Pillar	4-2166 678	23-13-11
26	Clamp, Rear Door	4-2165 090	23-13-25
		2-1963 960	23-13-25
27	Tube, Rear Door (see note)	2254 554	23-13-10
28	Unit, Rear Door Power, w/Rod	2491 098-9	23-13-6
29	Clip, Rear Door Rod End to Door Lock	6008 144-5	23-13-17
30	Knob, Rear Door Lock Locking Control	2-1964 394	23-13-37

NOTE: Tube sold by the inch.

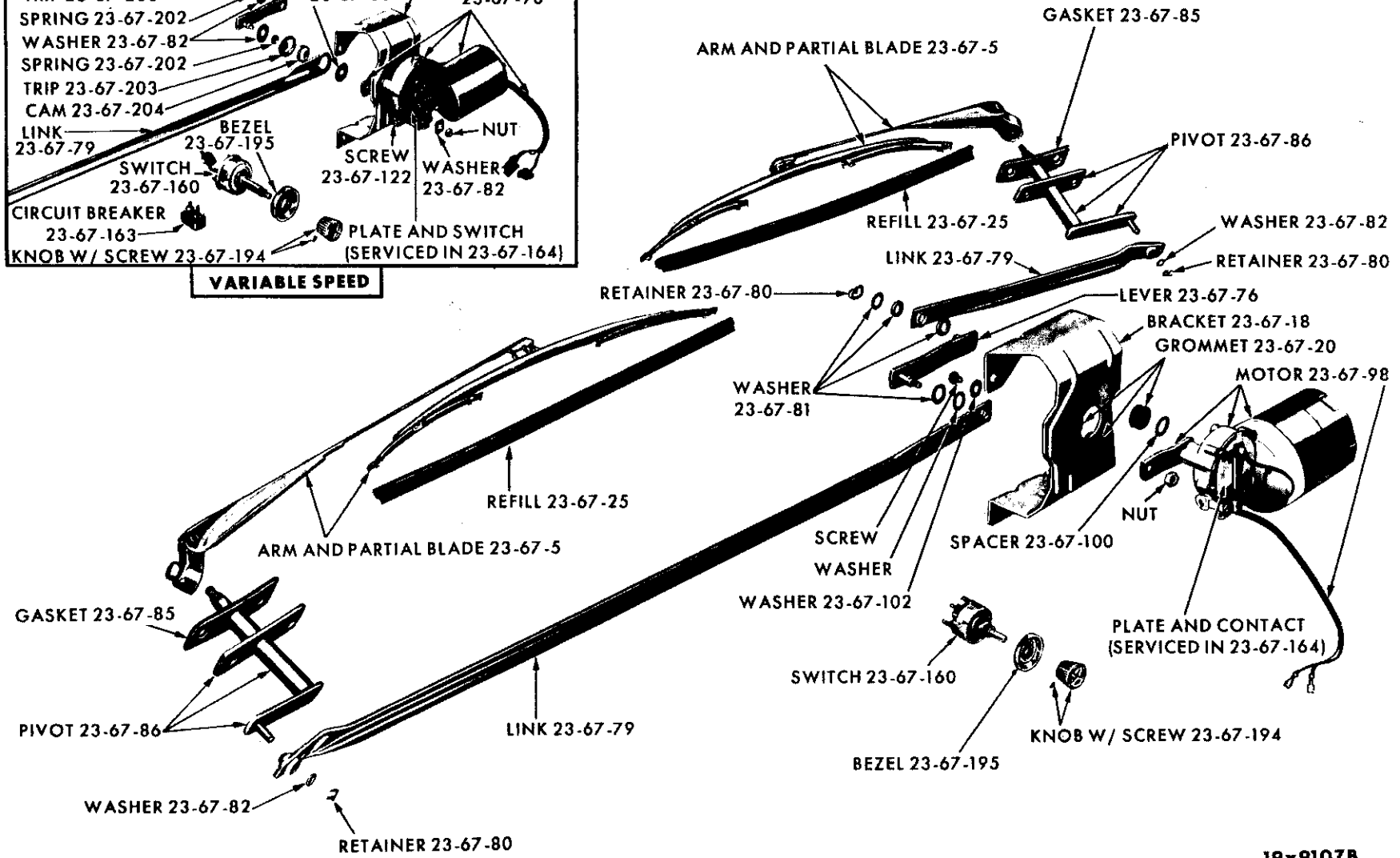


POWER WINDOWS

19x9411

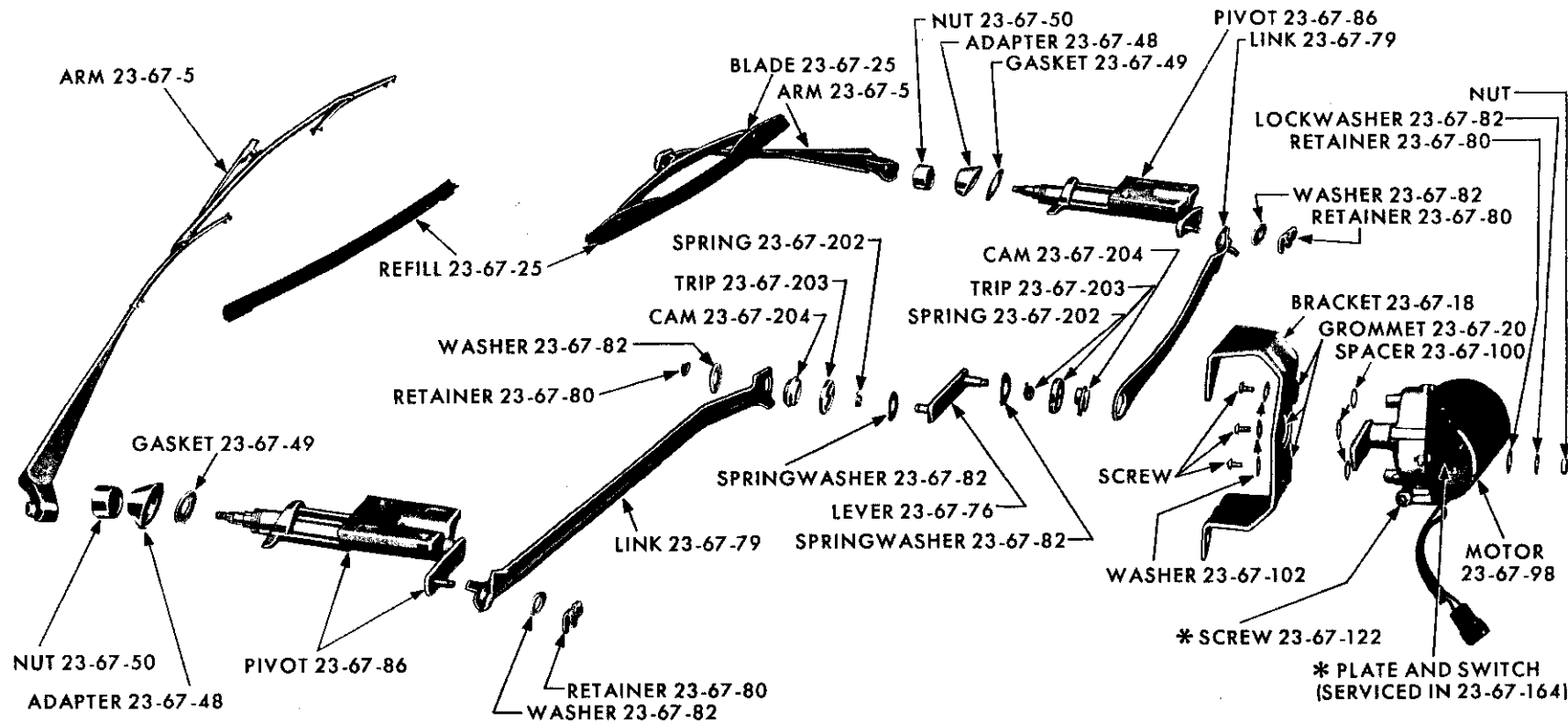


PARTS INDICATED BY NAME ONLY - ORDER BY DESCRIPTION



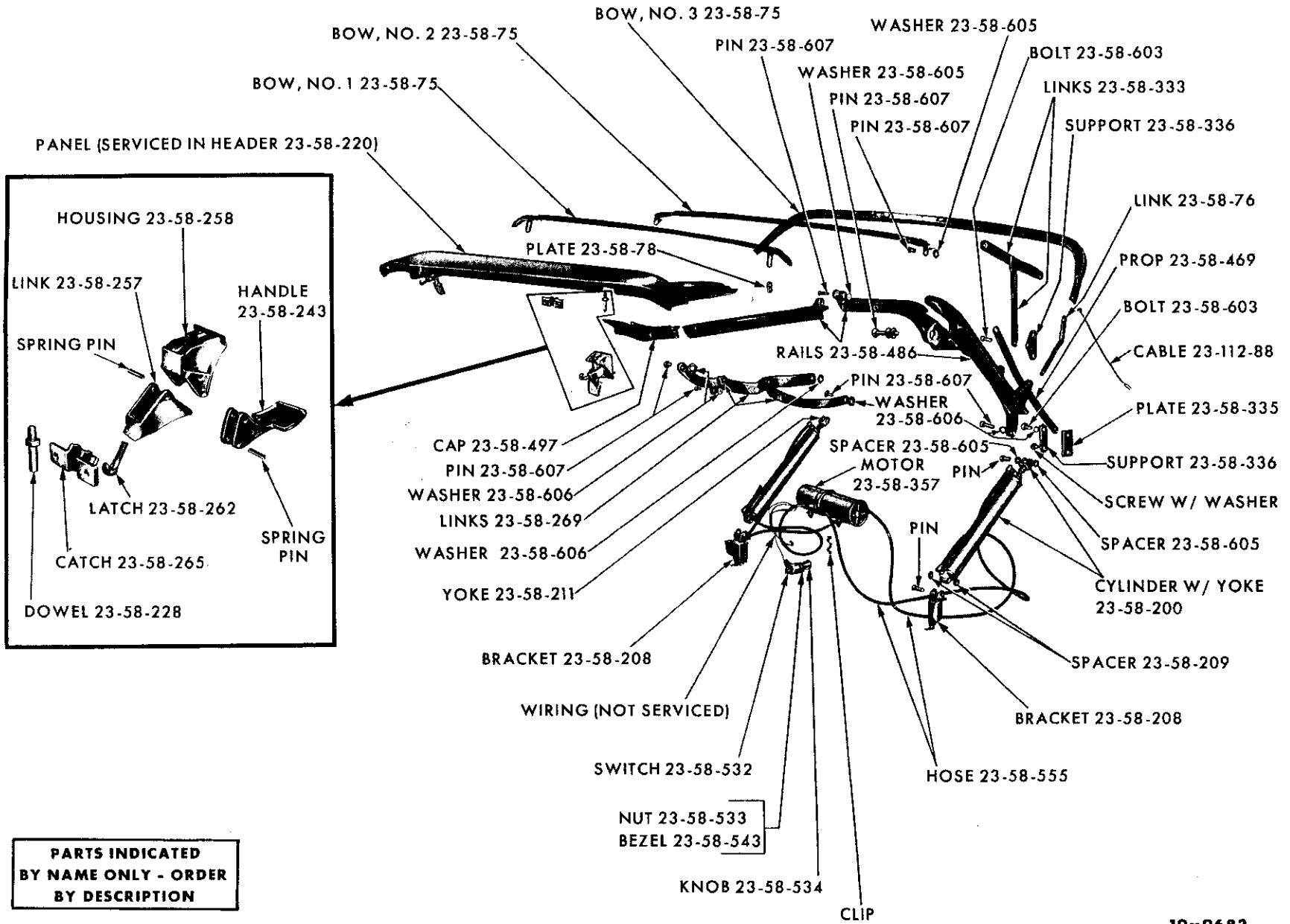
WINDSHIELD WIPER - PLYMOUTH TP1-2, DODGE TD1-2, TA3 AND CHRYSLER TC1-2-3

19x9107B



*** ALSO SERVICED IN 23-67-98**

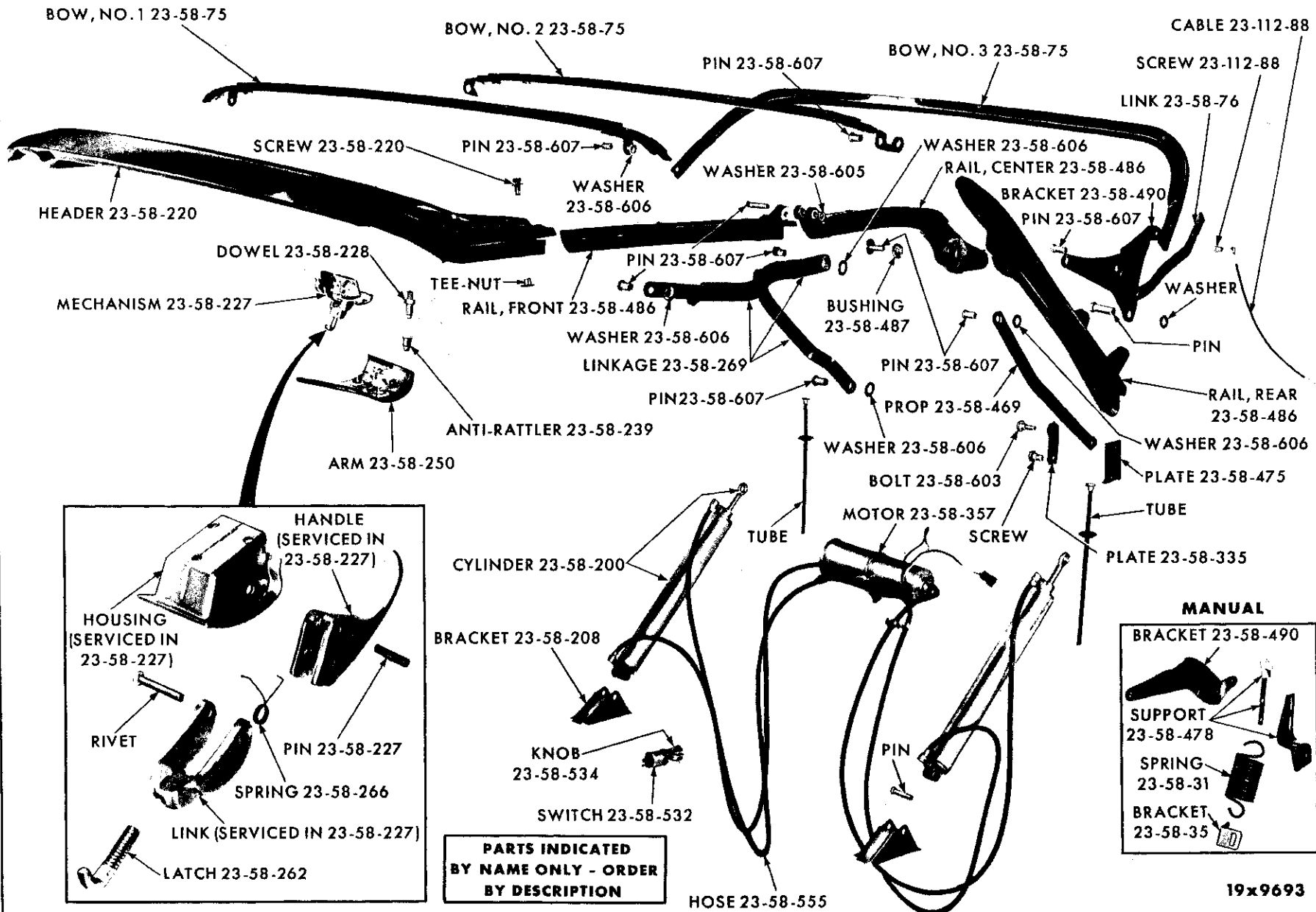
**PARTS INDICATED
BY NAME ONLY - ORDER
BY DESCRIPTION**



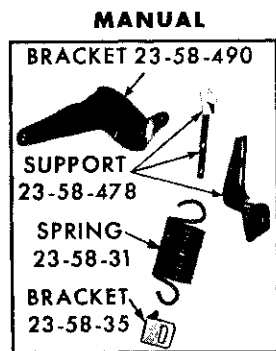
**PARTS INDICATED
BY NAME ONLY - ORDER
BY DESCRIPTION**

19x9683

FOLDING TOP - PLYMOUTH TP2 AND DODGE TD2

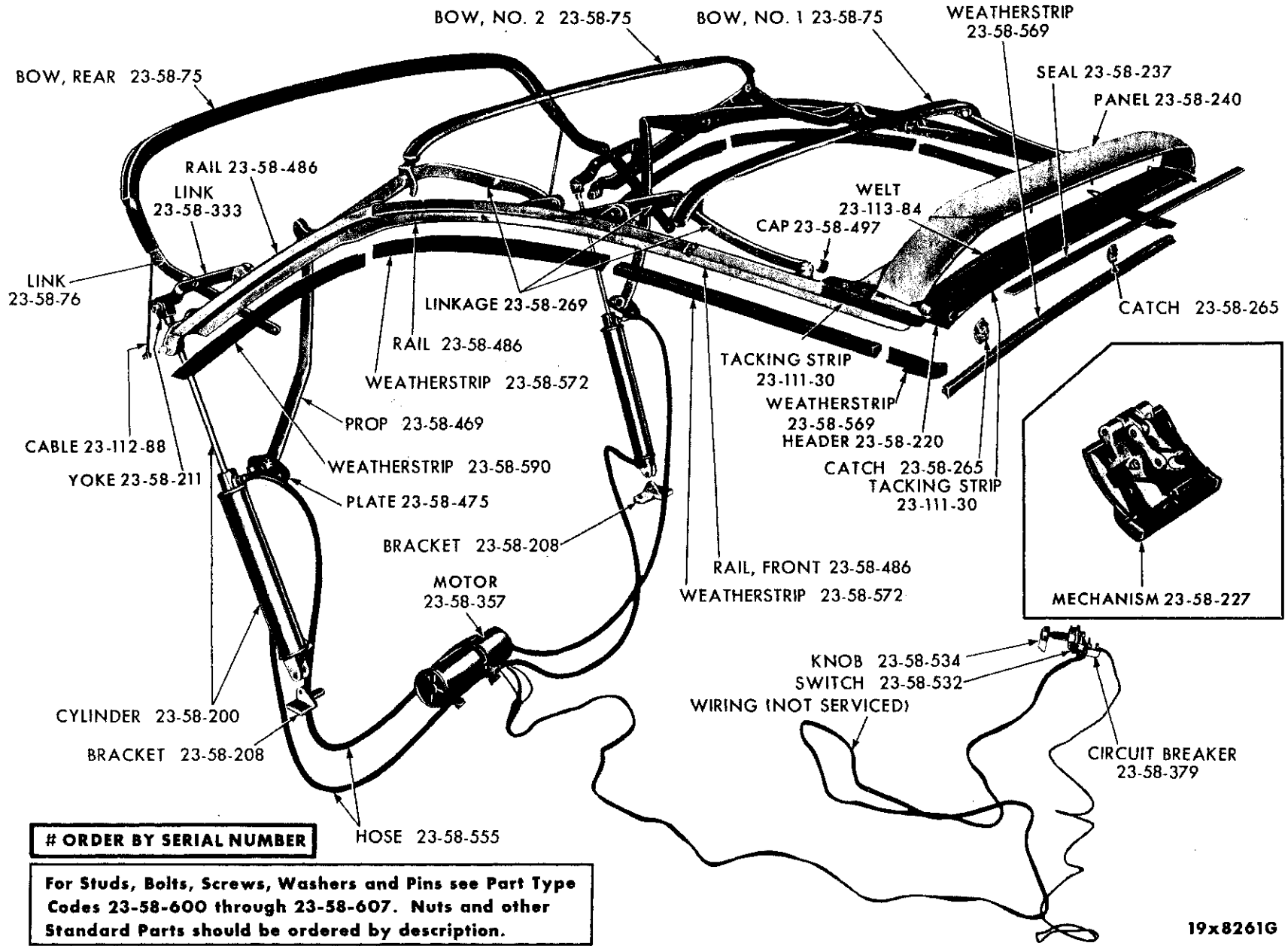


**PARTS INDICATED
BY NAME ONLY - ORDER
BY DESCRIPTION**



19x9693

FOLDING TOP - VALIANT TV1 AND DART TL1



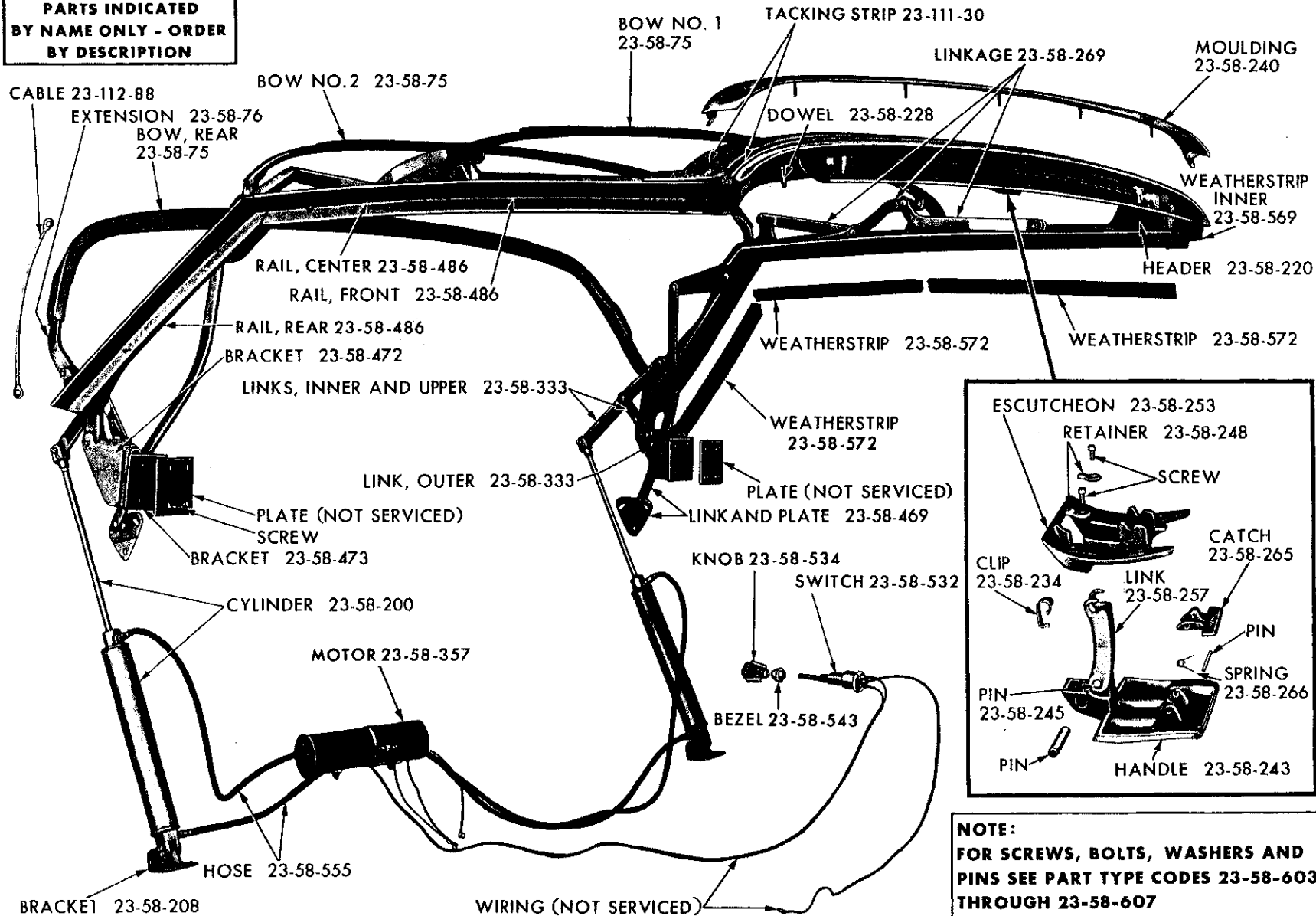
ORDER BY SERIAL NUMBER

For Studs, Bolts, Screws, Washers and Pins see Part Type Codes 23-58-600 through 23-58-607. Nuts and other Standard Parts should be ordered by description.

FOLDING TOP - DODGE TA3 AND CHRYSLER TC1-2

19x8261G

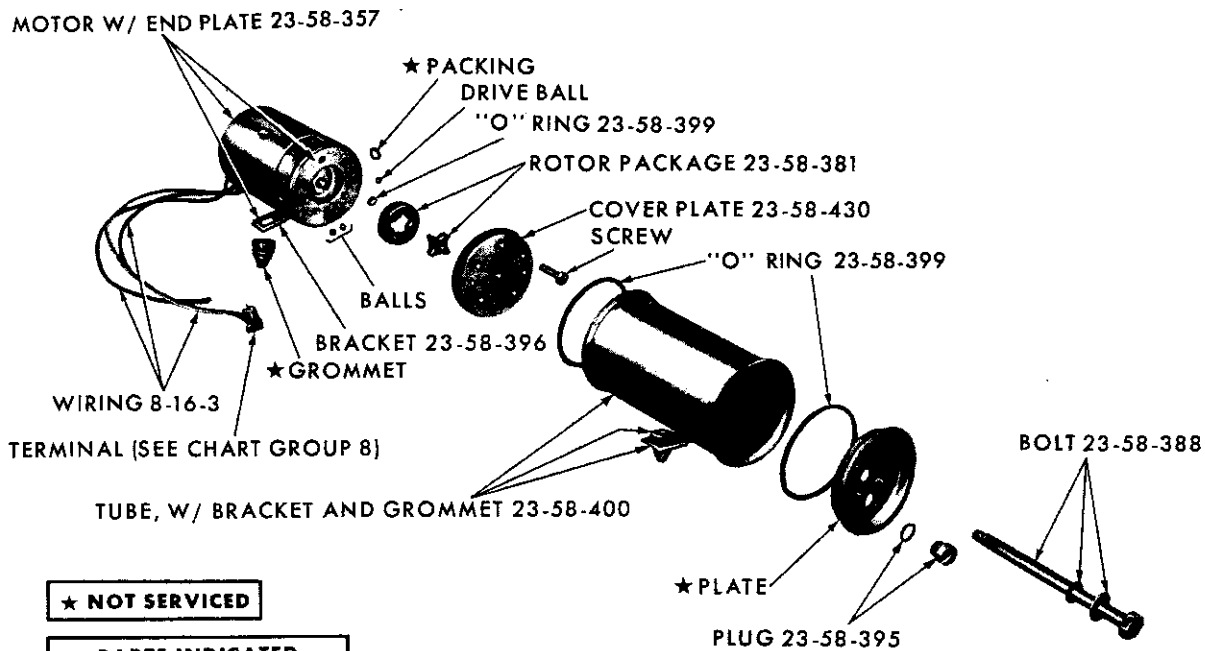
**PARTS INDICATED
BY NAME ONLY - ORDER
BY DESCRIPTION**



**NOTE:
FOR SCREWS, BOLTS, WASHERS AND
PINS SEE PART TYPE CODES 23-58-603
THROUGH 23-58-607**

19x8248F

FOLDING TOP - IMPERIAL TY1

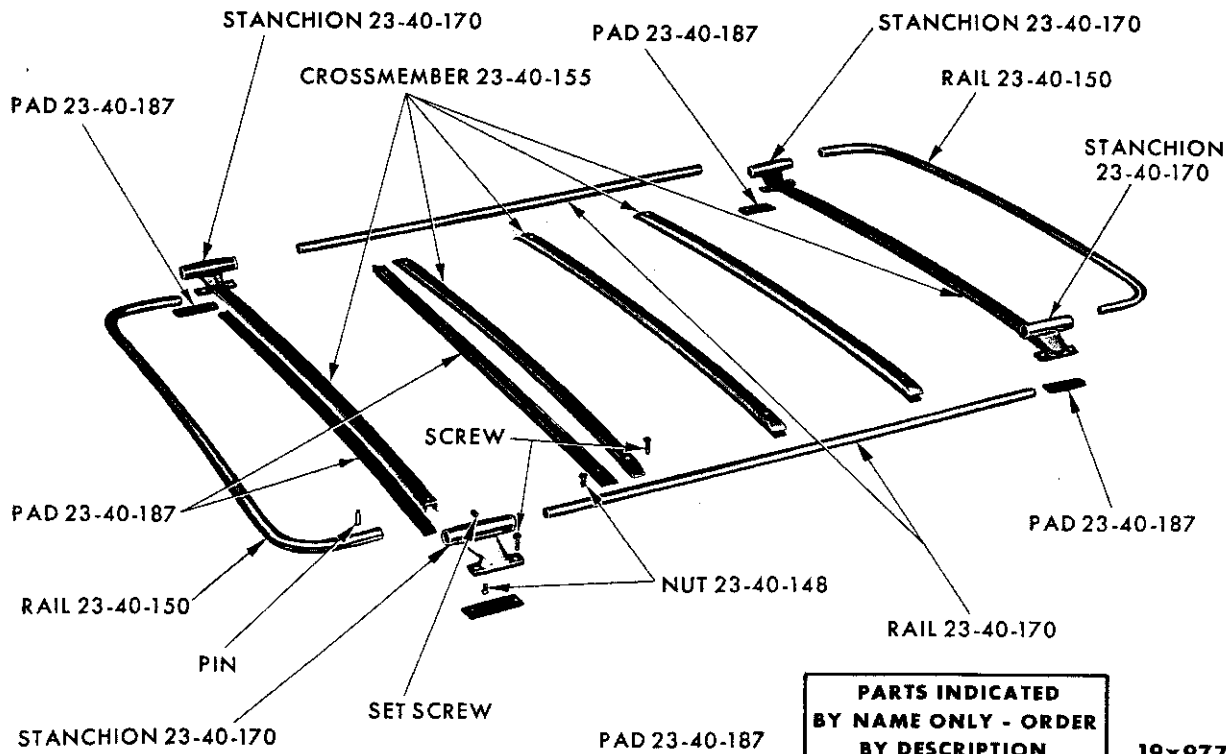


★ NOT SERVICED

PARTS INDICATED BY NAME ONLY - ORDER BY DESCRIPTION

19x9685A

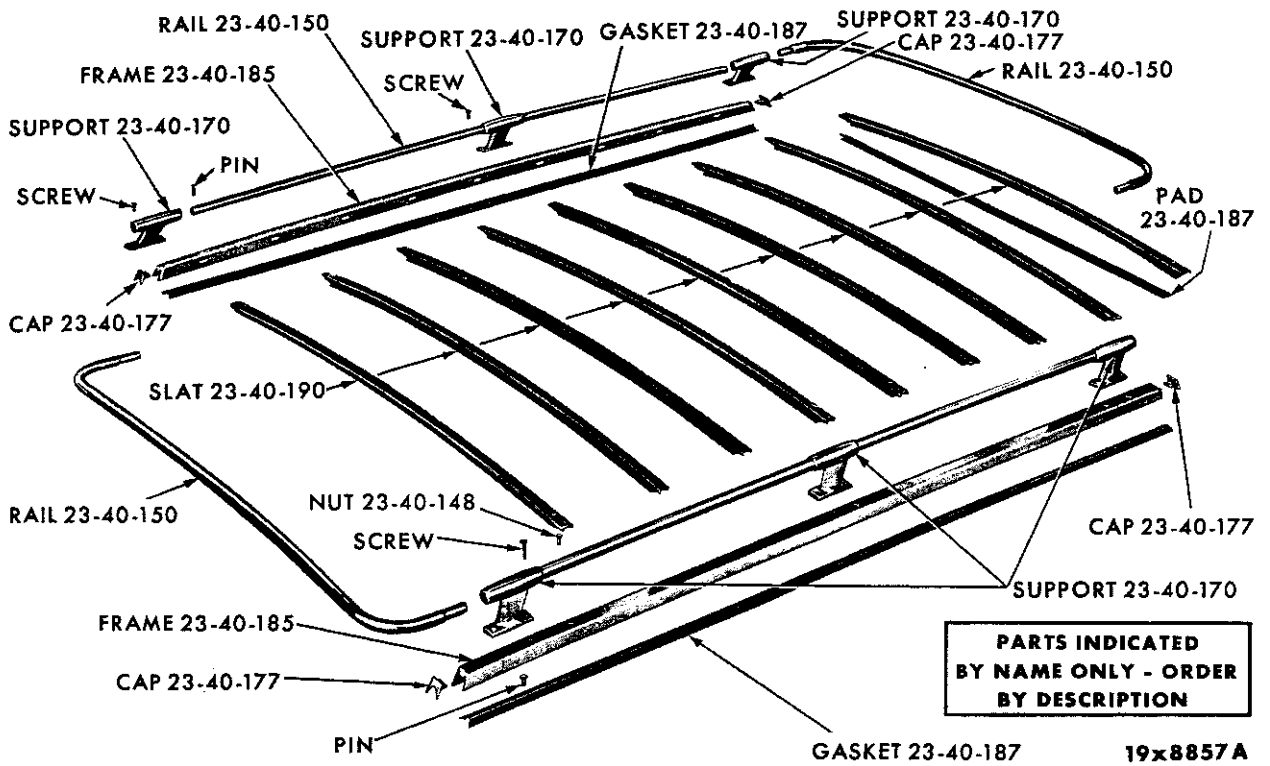
FOLDING TOP MOTOR



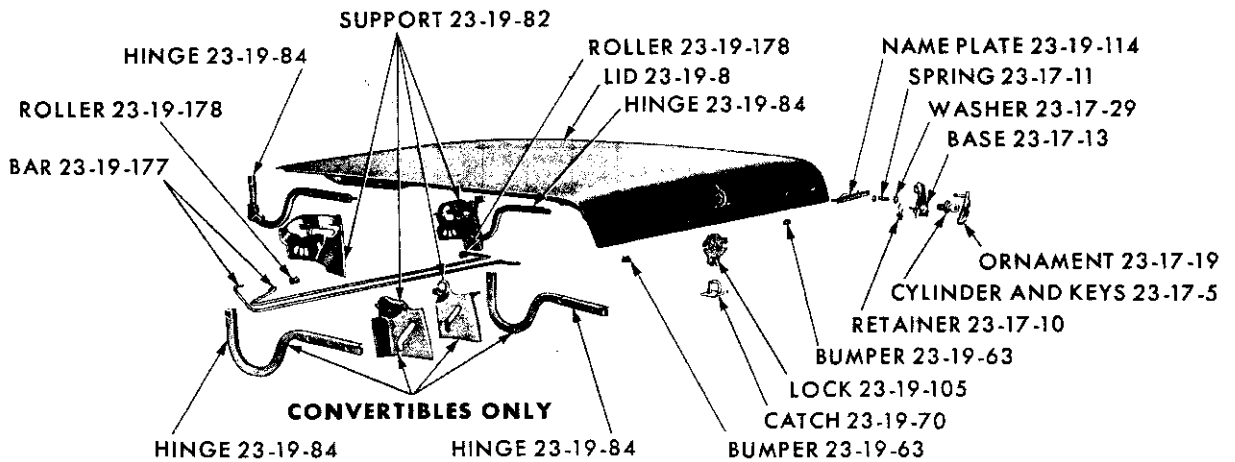
PARTS INDICATED BY NAME ONLY - ORDER BY DESCRIPTION

19x9771

ROOF LUGGAGE RACK - VALIANT TV1, DART TL1, PLYMOUTH TP1-2 AND DODGE TD1-2

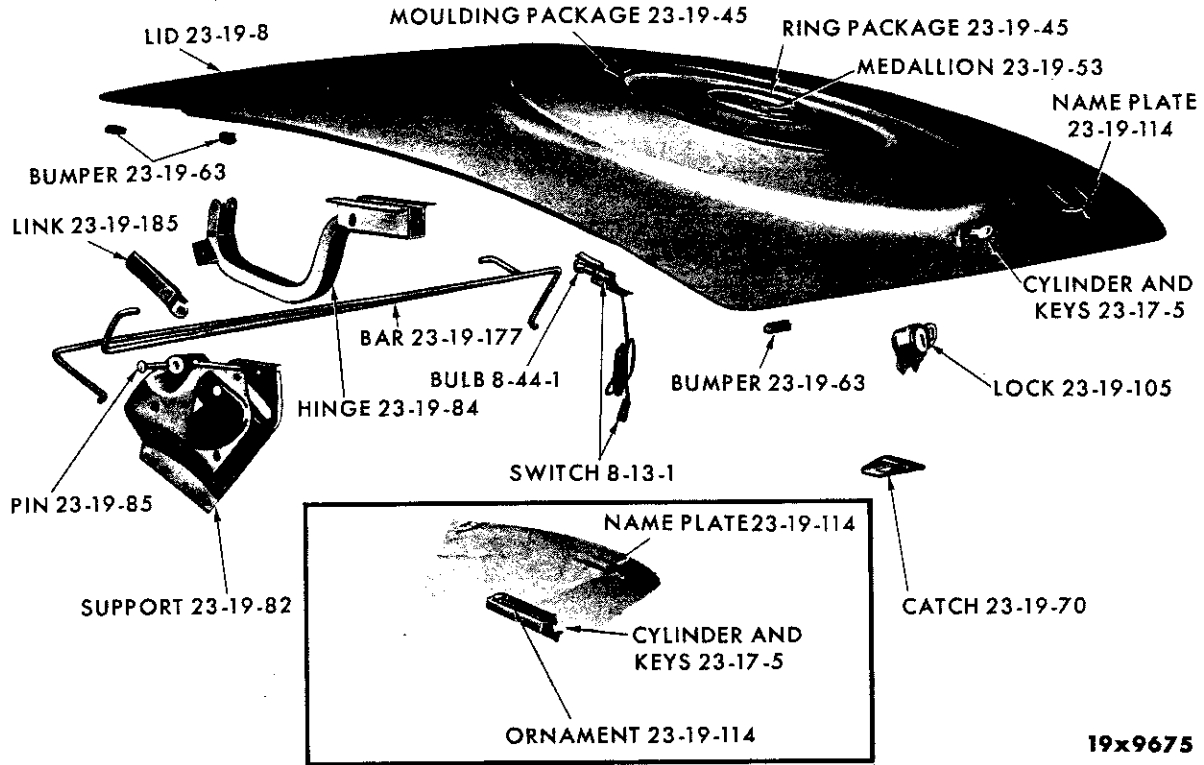


ROOF LUGGAGE RACK - DODGE TA3 AND CHRYSLER TC1-2-3

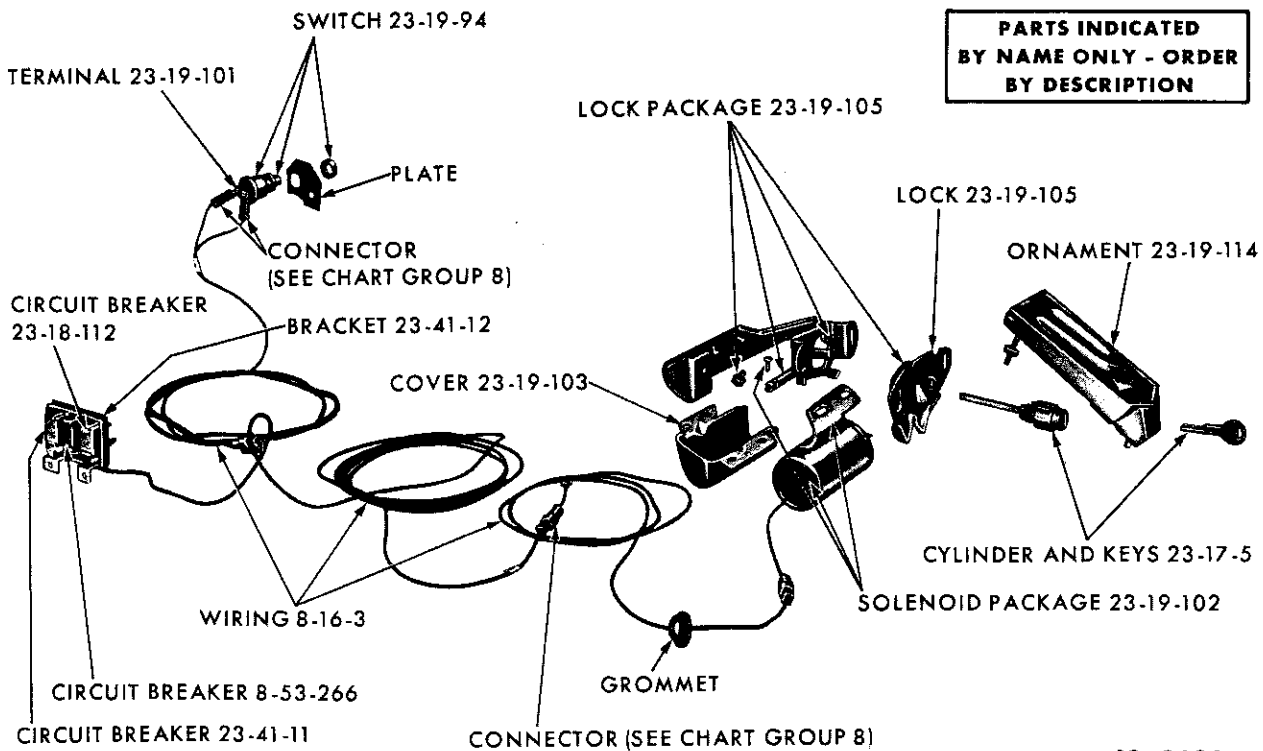


19x9711

TRUNK LID AND HINGES - DODGE TD1-2

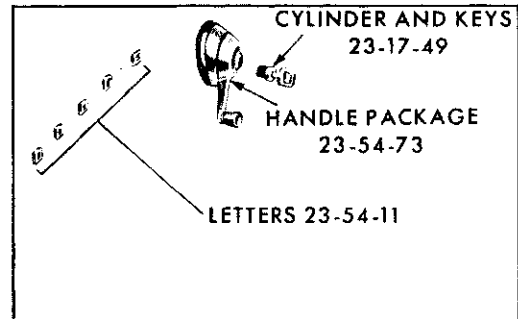
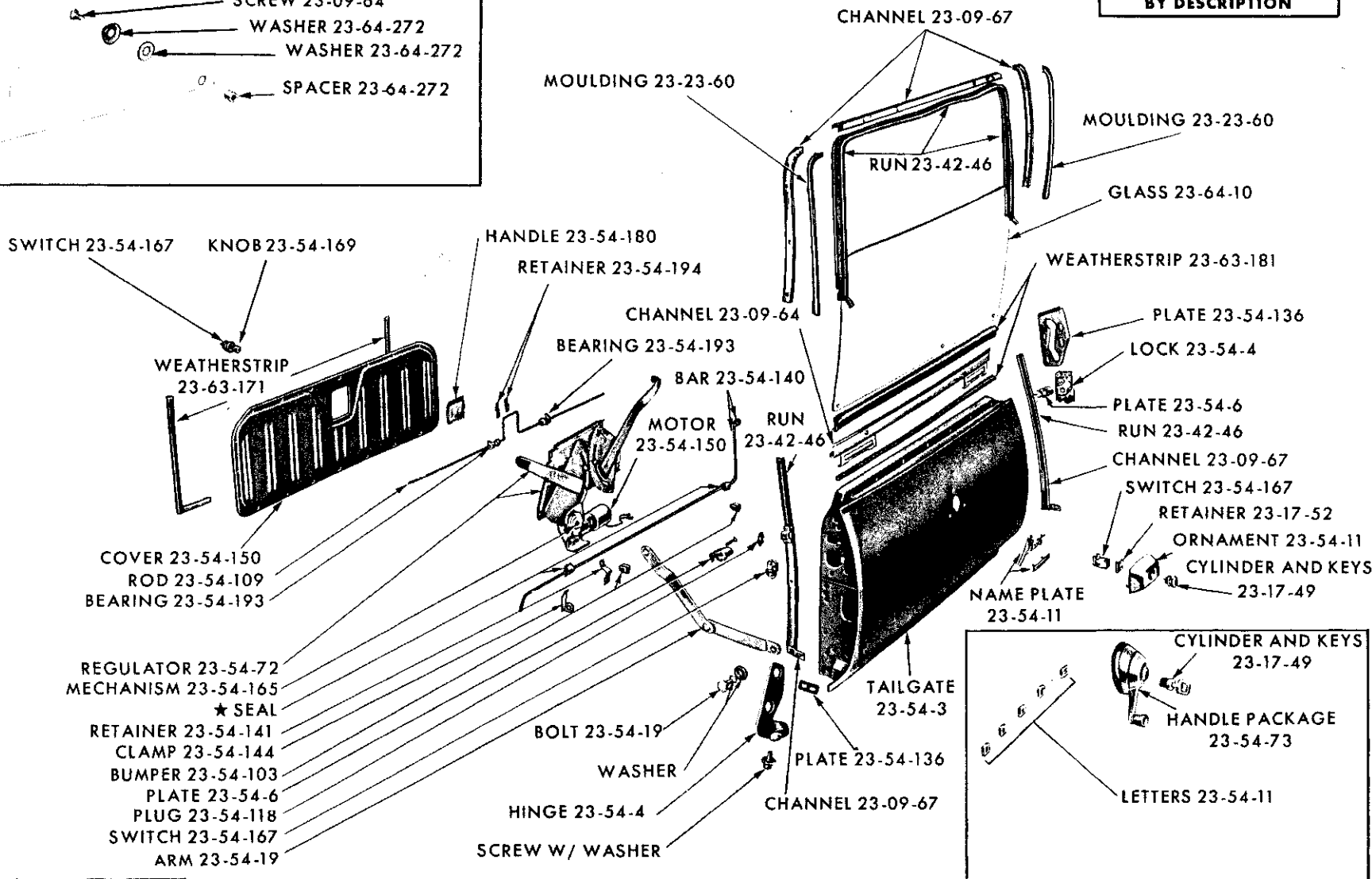
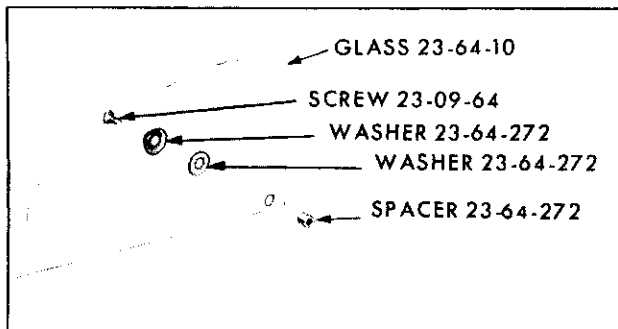


TRUNK LID AND HINGES - IMPERIAL TY1



ELECTRIC DECK LID LOCK - IMPERIAL TY1

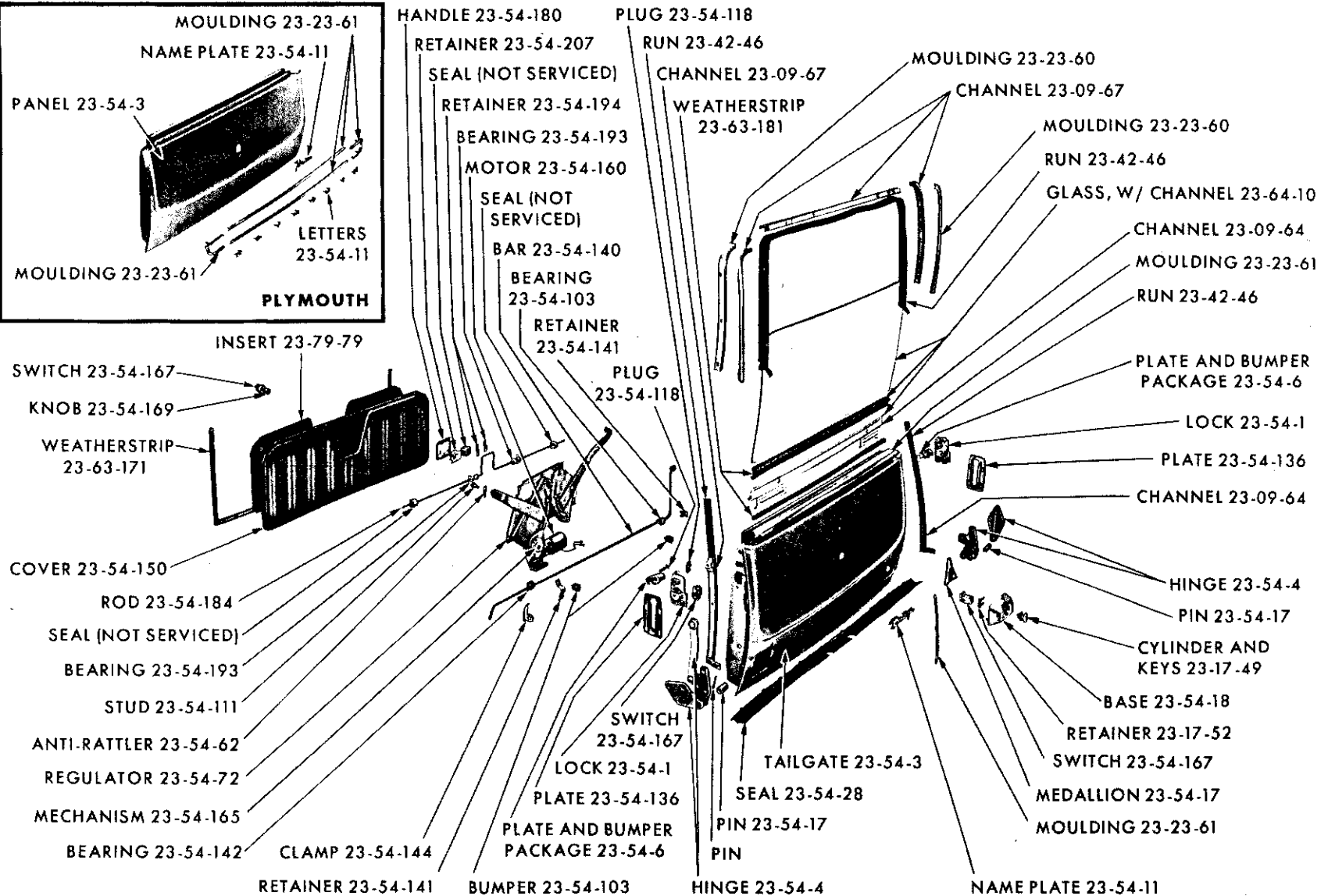
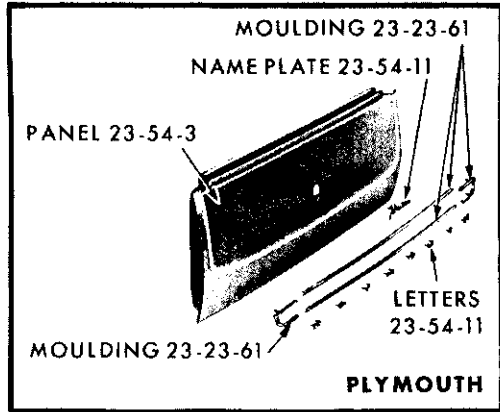
**PARTS INDICATED
BY NAME ONLY - ORDER
BY DESCRIPTION**



★ NOT SERVICED

19x9723

TAILGATE - VALIANT TV1 AND DART TL1



**PARTS INDICATED
BY NAME ONLY - ORDER
BY DESCRIPTION**

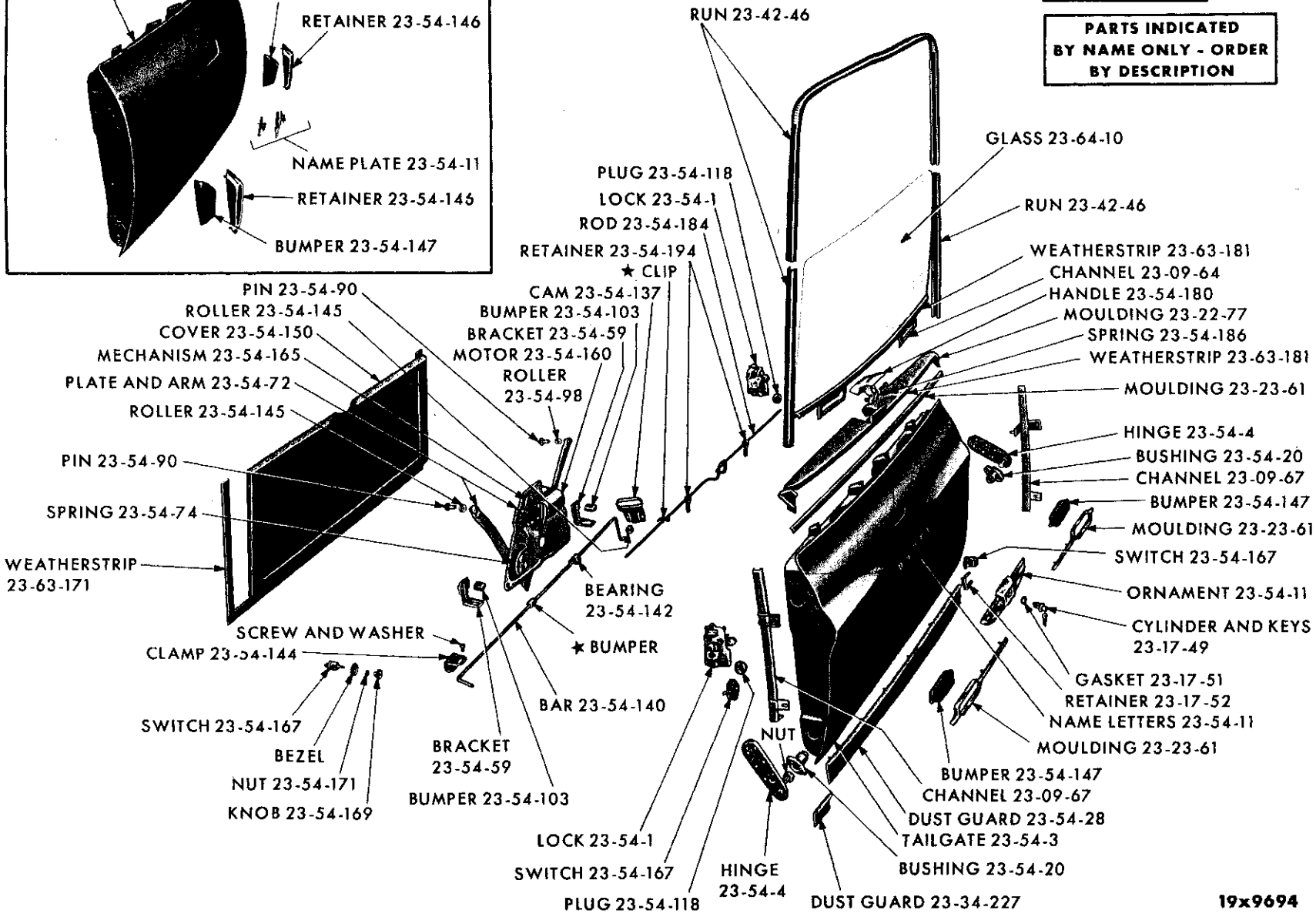
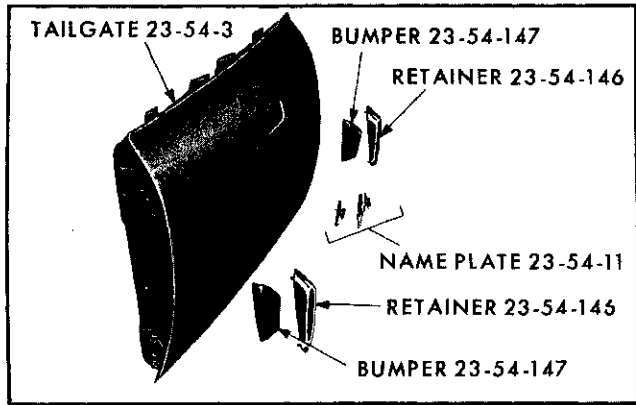
DODGE

19x9688

TAILGATE - PLYMOUTH TP1-2 AND DODGE TD1-2

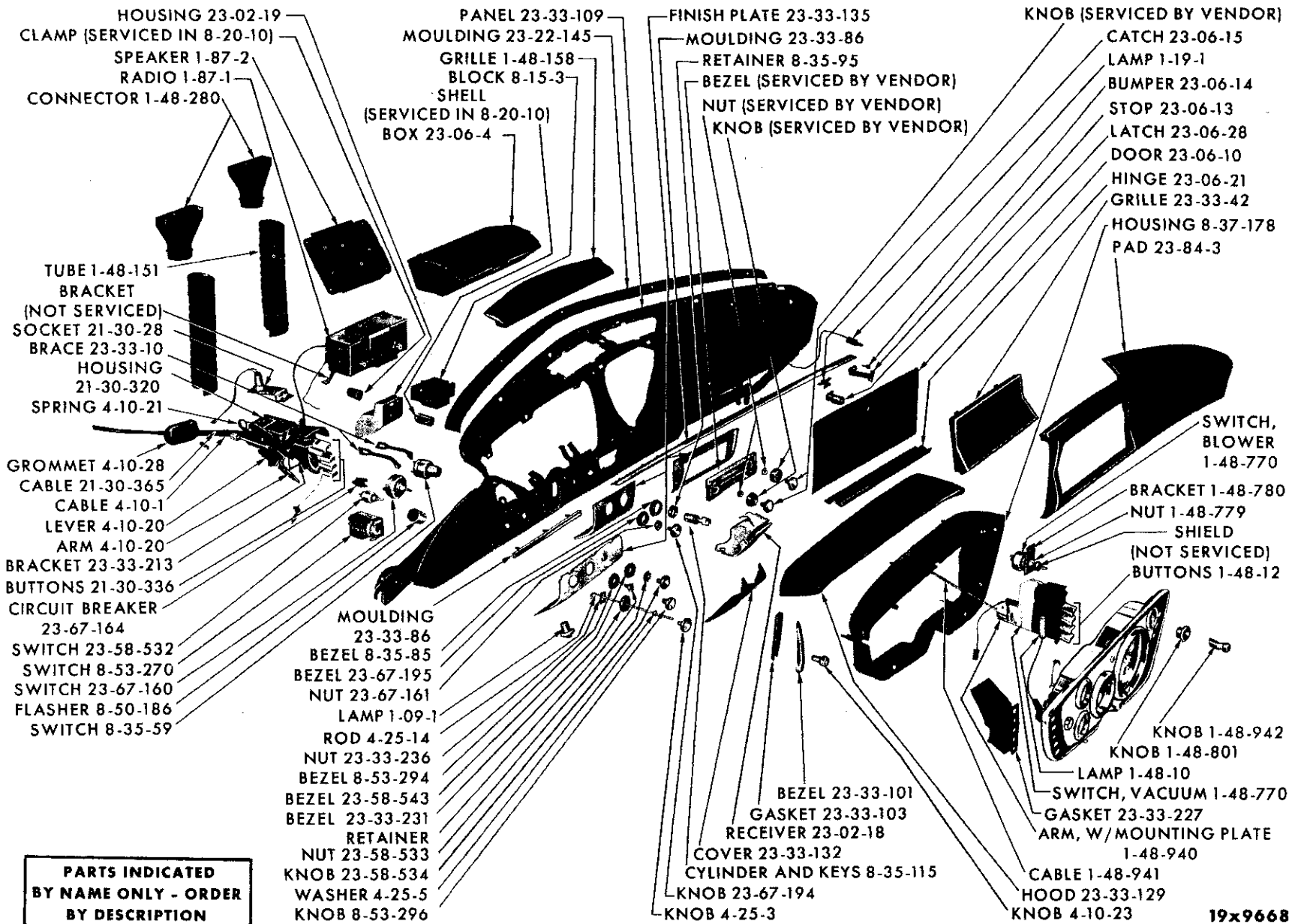
★ NOT SERVICED

PARTS INDICATED BY NAME ONLY - ORDER BY DESCRIPTION



TAILGATE - DODGE TA3 AND CHRYSLER TC1-3

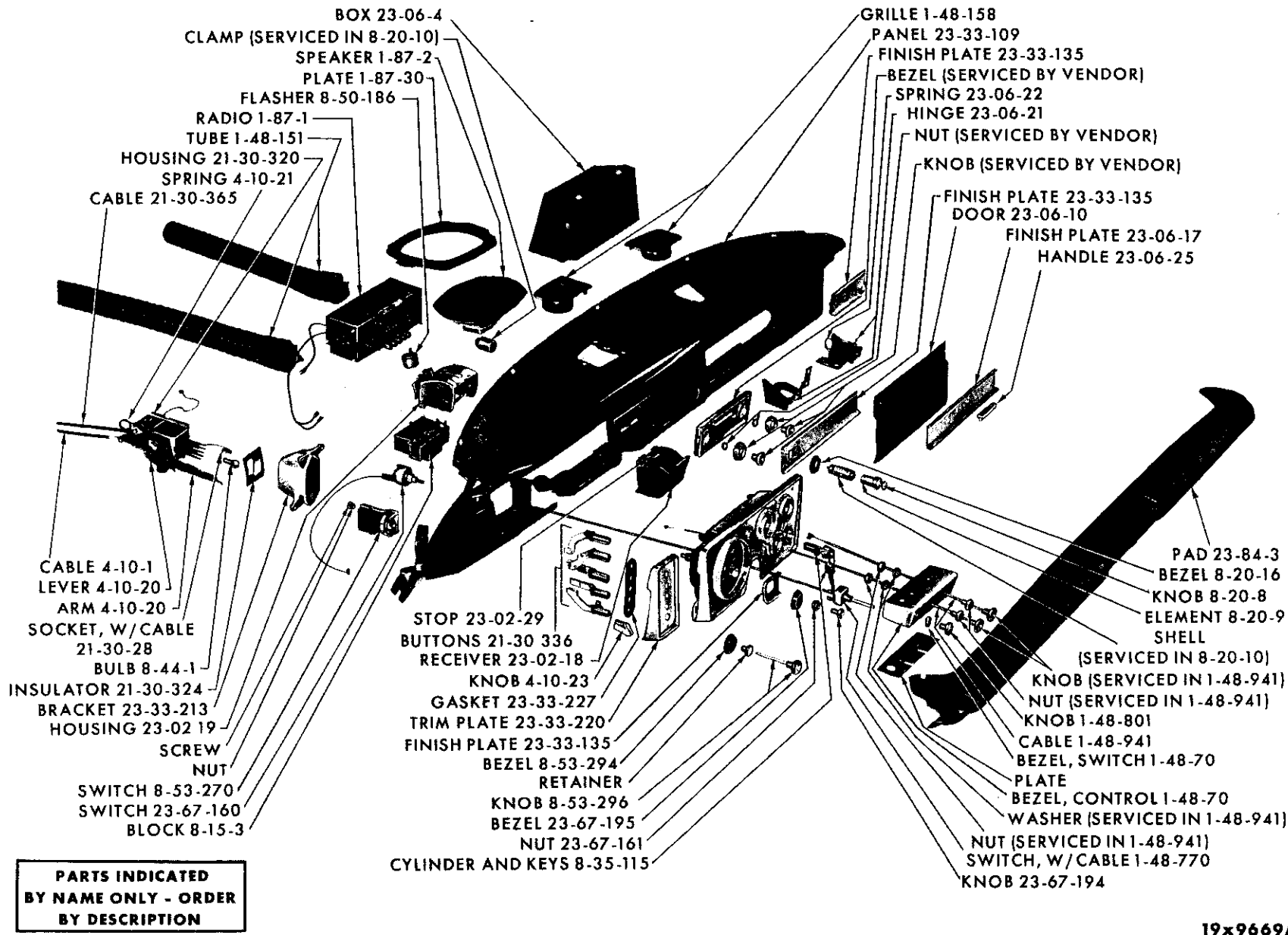
19x9694



PARTS INDICATED BY NAME ONLY - ORDER BY DESCRIPTION

19x9668

INSTRUMENT PANEL - PLYMOUTH TP1-2

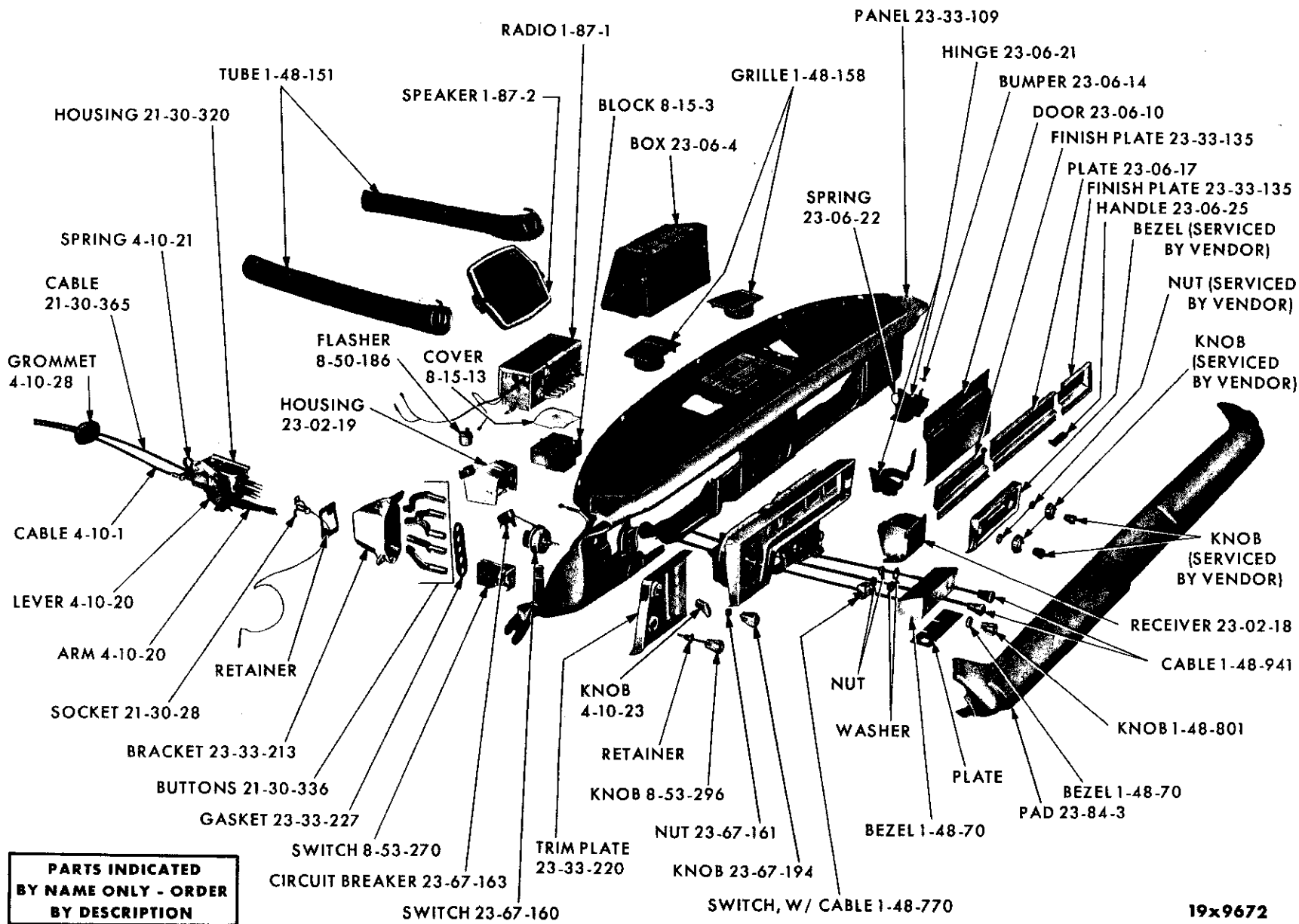


**PARTS INDICATED
BY NAME ONLY - ORDER
BY DESCRIPTION**

- BOX 23-06-4
- CLAMP (SERVICED IN 8-20-10)
- SPEAKER 1-87-2
- PLATE 1-87-30
- FLASHER 8-50-186
- RADIO 1-87-1
- TUBE 1-48-151
- HOUSING 21-30-320
- SPRING 4-10-21
- CABLE 21-30-365
- GRILLE 1-48-158
- PANEL 23-33-109
- FINISH PLATE 23-33-135
- BEZEL (SERVICED BY VENDOR)
- SPRING 23-06-22
- HINGE 23-06-21
- NUT (SERVICED BY VENDOR)
- KNOB (SERVICED BY VENDOR)
- FINISH PLATE 23-33-135
- DOOR 23-06-10
- FINISH PLATE 23-06-17
- HANDLE 23-06-25
- CABLE 4-10-1
- LEVER 4-10-20
- ARM 4-10-20
- SOCKET, W/CABLE 21-30-28
- BULB 8-44-1
- INSULATOR 21-30-324
- BRACKET 23-33-213
- HOUSING 23-02-19
- SCREW
- NUT
- SWITCH 8-53-270
- SWITCH 23-67-160
- BLOCK 8-15-3
- STOP 23-02-29
- BUTTONS 21-30-336
- RECEIVER 23-02-18
- KNOB 4-10-23
- GASKET 23-33-227
- TRIM PLATE 23-33-220
- FINISH PLATE 23-33-135
- BEZEL 8-53-294
- RETAINER
- KNOB 8-53-296
- BEZEL 23-67-195
- NUT 23-67-161
- CYLINDER AND KEYS 8-35-115
- PAD 23-84-3
- BEZEL 8-20-16
- KNOB 8-20-8
- ELEMENT 8-20-9
- SHELL
- (SERVICED IN 8-20-10)
- KNOB (SERVICED IN 1-48-941)
- NUT (SERVICED IN 1-48-941)
- KNOB 1-48-801
- CABLE 1-48-941
- BEZEL, SWITCH 1-48-70
- PLATE
- BEZEL, CONTROL 1-48-70
- WASHER (SERVICED IN 1-48-941)
- NUT (SERVICED IN 1-48-941)
- SWITCH, W/CABLE 1-48-770
- KNOB 23-67-194

INSTRUMENT PANEL - VALIANT TV1

19x9669A



**PARTS INDICATED
BY NAME ONLY - ORDER
BY DESCRIPTION**

INSTRUMENT PANEL - DART TL1

19x9672

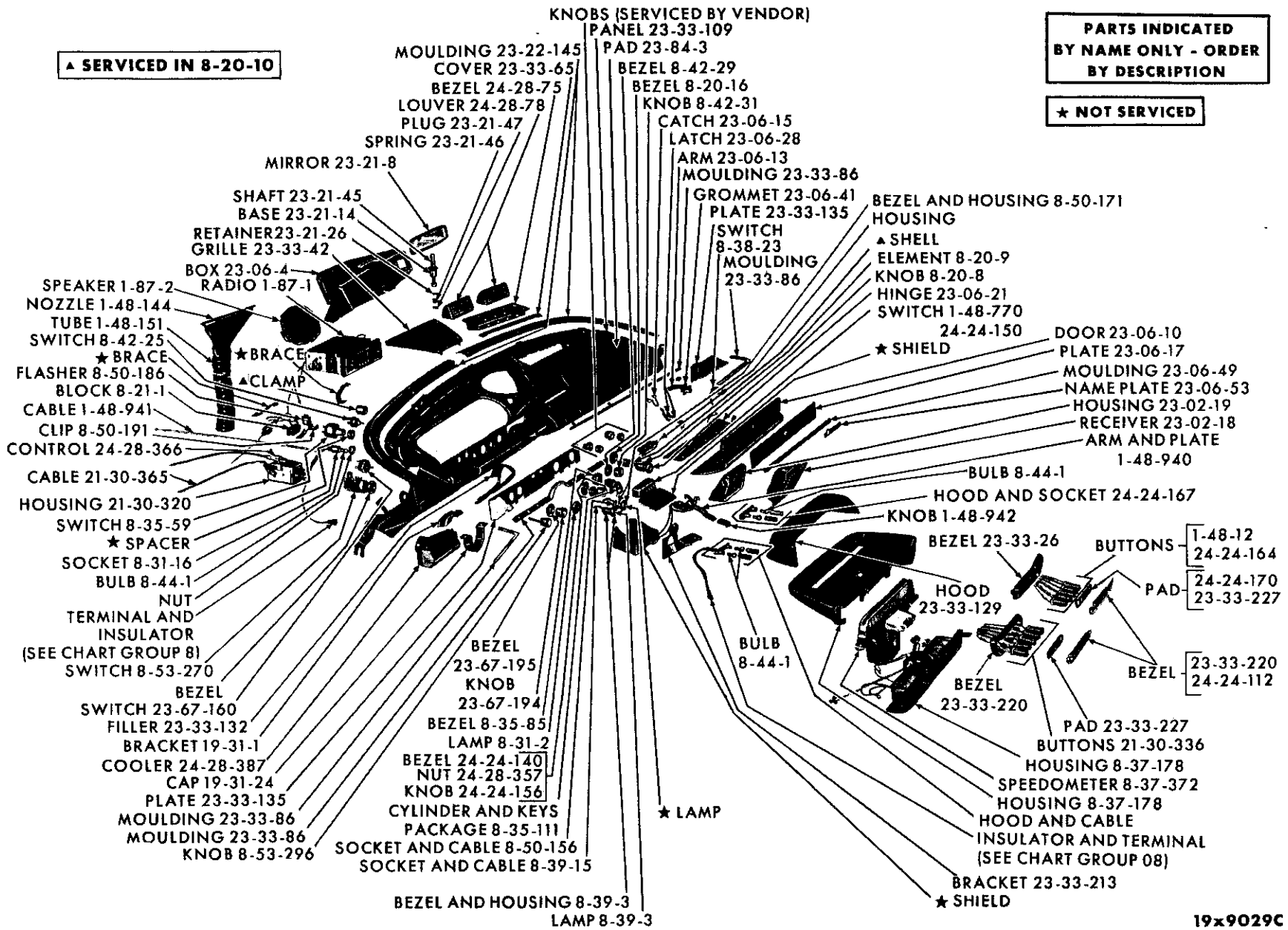
INSTRUMENT PANEL - DODGE TD1-2

Ref. No.	Name	Part Type Code	Ref. No.	Name	Part Type Code
1	Cable	1-48-941	44	Knob	8-53-296
2	Control	1-48-940	45	Knob	4-10-23
3	Switch	1-48-770	46	Gasket	23-33-227
4	Circuit Breaker	23-67-163	47	Buttons	21-30-336
5	Switch	23-67-160	48	Bezel	8-37-90
6	Bracket	Not Serviced	49	Terminal	8-16-1
7	Speaker	1-87-2	50	Housing	8-37-178
8	Plate (Serviced by Vendor)		51	Cylinder and Keys	8-35-115
9	Radio	1-87-1	52	Bezel	8-35-85
10	Block	8-15-3	53	Knob	1-48-801
11	Clip (Serviced in 8-15-3)		54	Decal	1-48-774
12	Connector	1-48-280	55	Bezel	1-48-70
13	Tube	1-48-151	56	Finish Plate	23-33-135
14	Bezel and Louver	1-48-237	57	Knob	23-54-169
15	Grille	23-33-42	58	Bezel	23-54-170
16	Pad	23-84-3	59	Knob	4-25-3
17	Name Plate	23-33-96	60	Washer	4-25-5
18	Moulding	23-22-145	61	Bezel	23-33-231
19	Panel	23-33-109	62	Nut	23-54-171
20	Catch	23-06-15	63	Finish Plate	23-33-135
21	Box	23-06-4	64	Nut	23-33-236
22	Moulding	23-33-86	65	Rod	4-25-14
23	Light	1-19-1	66	Arm	4-10-20
24	Hinge	23-06-21	67	Lever	4-10-20
25	Plate (Service Vendor)		68	Spring	4-10-3
26	Nut (Service Vendor)		69	Cable	4-10-1
27	Knob (Service Vendor)		70	Grommet	4-10-28
28	Knob (Service Vendor)		71	Cable	21-30-365
29	Bumper	23-06-14	72	Housing	21-30-320
30	Stop	23-06-13	73	Bracket	23-33-213
31	Door	23-06-10	74	Grommet	23-33-240
32	Latch	23-06-28	75	Bracket	21-30-329
33	Nut	23-67-161	76	Switch	8-56-2
34	Knob	23-67-194	77	Switch	8-53-270
35	Plate	23-33-220	78	Clip	8-50-191
36	Housing	23-02-19	79	Flasher	8-50-186
37	Shell (Serviced in 8-20-10)		80	Switch	23-54-167
38	Element	8-20-9	81	Moulding	23-33-86
39	Knob	8-20-8	82	Switch	1-48-770
40	Receiver	23-02-18	83	Switch	8-35-59
41	Buttons	1-48-12	84	Clamp (Serviced in 8-20-10)	
42	Pad	1-48-26	85	Finish Plate	23-33-135
43	Knob	1-48-942			

**PARTS INDICATED
BY NAME ONLY - ORDER
BY DESCRIPTION**

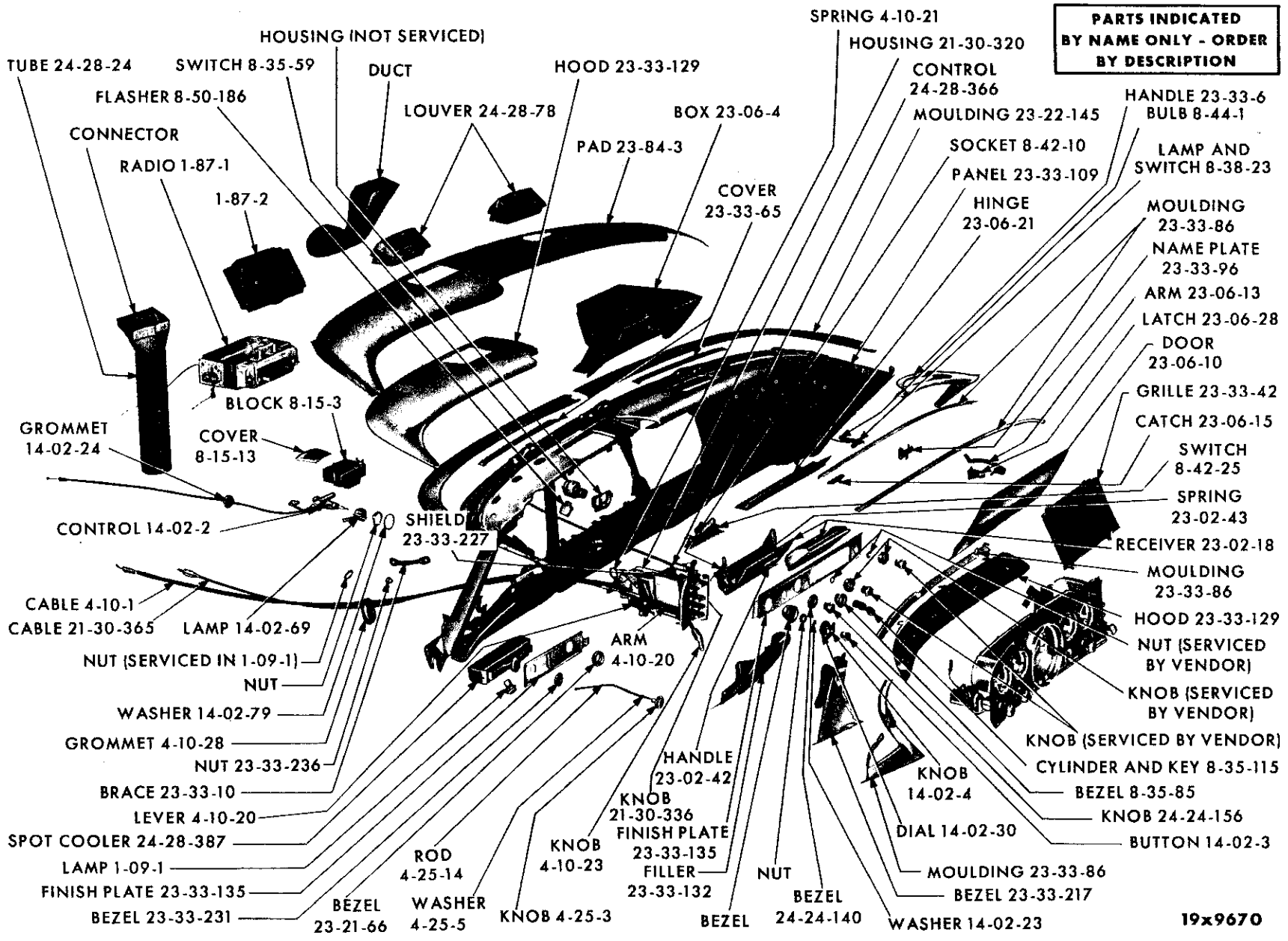
★ NOT SERVICED

▲ SERVICED IN 8-20-10



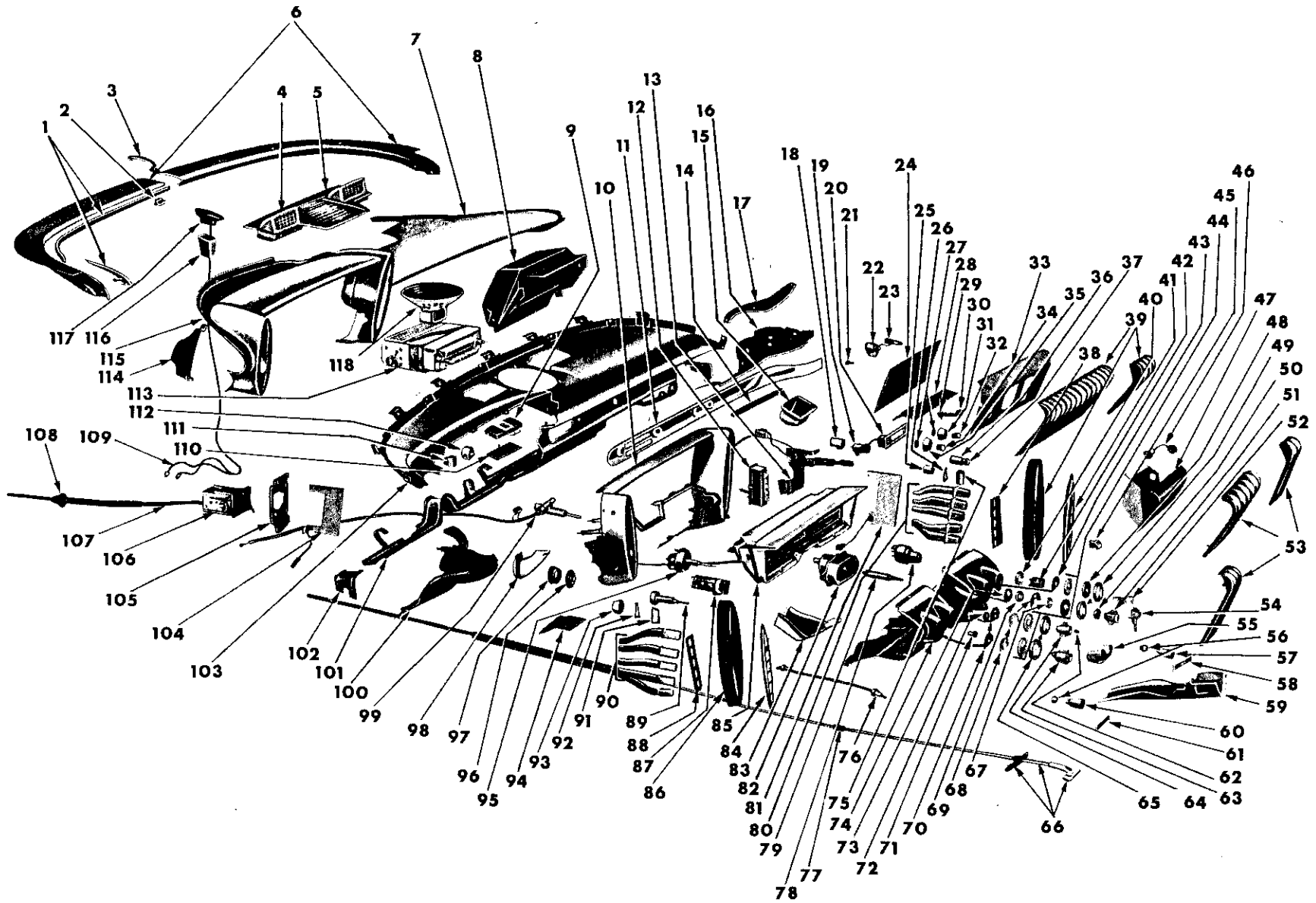
INSTRUMENT PANEL - DODGE TA3

19x9029C



INSTRUMENT PANEL - CHRYSLER TC1-2-3

19x9670



19L9315A

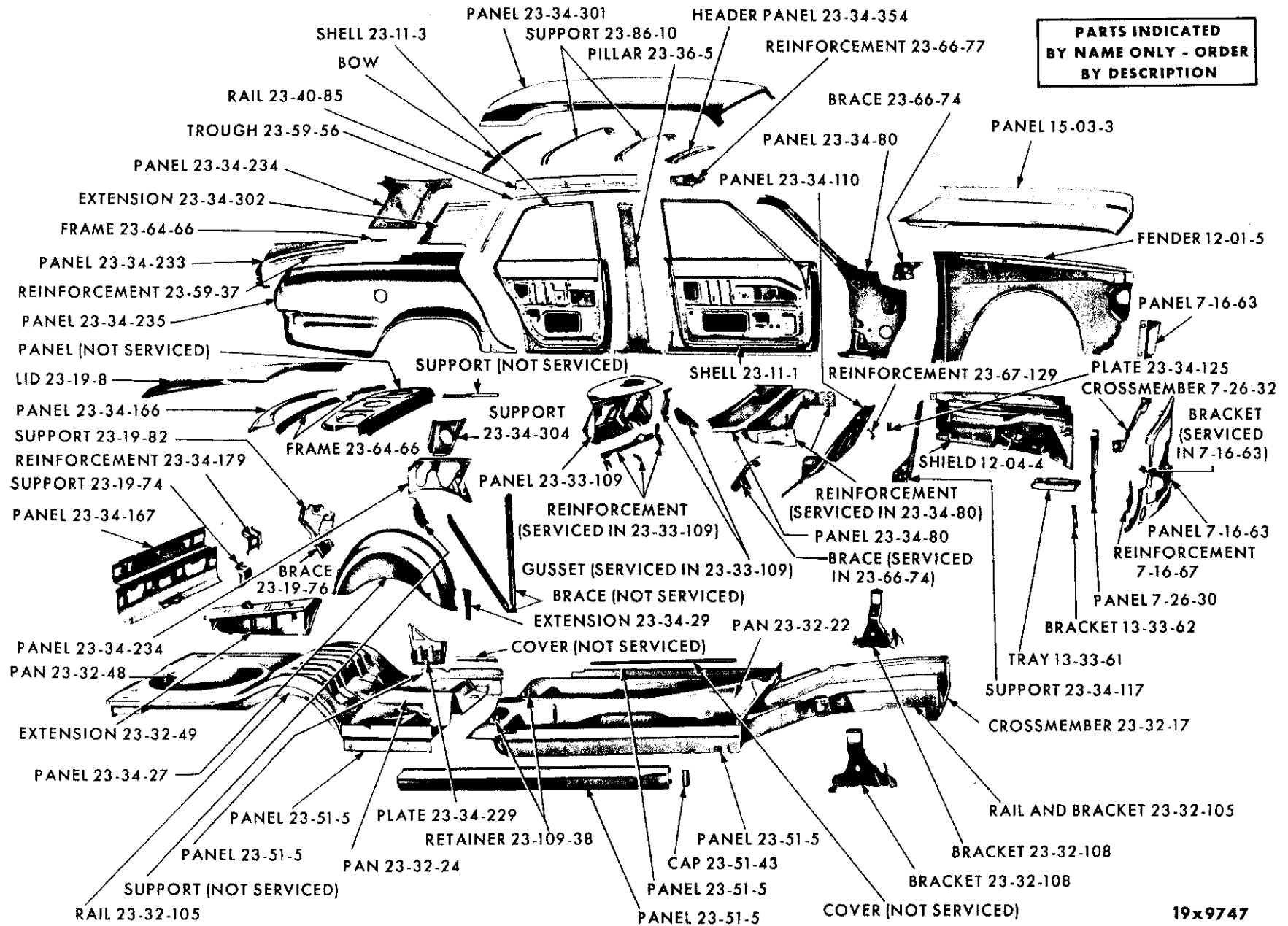
INSTRUMENT PANEL - IMPERIAL TY1

INSTRUMENT PANEL - IMPERIAL TY1

Ref. No.	Name	Part Type Code	Ref. No.	Name	Part Type Code
1	Plate	23-22-145	59	Cap	19-31-24
2	Ornament	23-22-160	60	Knob	24-24-20
3	Cover	23-22-148	61	Plate	24-24-13
4	Louver	24-28-78	62	Button	1-82-43
5	Grille	23-33-42	63	Knob	8-53-296
6	Moulding	23-22-145	64	Knob	23-67-194
7	Pad	23-84-3	65	Bezel	8-37-20
8	Box	23-06-4	66	Control	15-14-1
9	Circuit Breaker	8-15-3	67	Dial	14-02-30
10	Housing	8-37-178	68	Lens	
11	Plate	23-33-135	69	Nut	
12	Switch	1-48-770	70	Lamp	8-37-15
13	Arm and Bracket (Serviced in 1-48-4)		71	Knob	1-21-1
14	Plate	23-33-96	72	Nut	
15	Receiver	23-06-18	73	Lamp	14-02-29
16	Extension	23-33-109	74	Housing	8-37-178
17	Cover	23-33-147	75	Lens	
18	Clamp (Serviced in 8-20-10)		76	Cable	21-84-1
19	Shell (Serviced in 8-20-10)		77	Grommet	15-14-20
20	Switch	8-42-25	78	Switch	8-35-59
21	Catch	23-06-15	79	Control	24-28-366
22	Latch	23-06-28	80	Buttons	24-24-164
23	Bumper	23-06-14	81	Lamp and Cable	24-24-167
24	Plate	23-06-12	82	Clock (Serviced by Vendor)	
25	Housing		83	Brace	19-31-7
26	Gasket	Not Serviced	84	Bezel	23-33-217
27	Retainer	8-37-21	85	Cluster	8-37-371
28	Hinge	23-06-21	86	Pad	23-84-3
29	Grommet	23-06-41	87	Switch	8-53-270
30	Arm	23-06-13	88	Pad	23-33-227
31	Bezel	8-37-20	89	Switch	24-24-5
32	Knob	1-88-116	90	Buttons	21-30-336
33	Door	23-06-10	91	Lens	
34	Knob	8-42-31	92	Gasket	Not Serviced
35	Bezel	8-37-20	93	Housing	
36	Element	8-20-9	94	Bracket	4-25-2
37	Knob	8-20-8	95	Switch	23-67-160
38	Spacer	Not Serviced	96	Nut	23-21-74
39	Pad	23-84-3	97	Bezel	23-21-66
40	Ring	8-35-85	98	Plate	23-33-135
41	Bezel	1-48-70	99	Control	14-02-2
42	Cylinder (Serviced in 8-35-115)		100	Extension	23-33-109
43	Lamp	8-37-15	101	Reinforcement	23-07-168
44	Retainer	8-37-21	102	Bracket	23-07-169
45	Knob	1-48-942	103	Panel	23-33-109
46	Housing	8-19-83	104	Cable and Socket	21-30-28
47	Door and Housing	23-02-40	105	Bracket	23-33-213
48	Lens		106	Housing	21-30-320
49	Bezel	8-37-20	107	Cable	21-30-365
50	Collar	14-02-8	108	Grommet	8-30-1
51	Knob	14-02-4	109	Wiring (Serviced in 1-04-1)	
52	Key (Serviced in 8-35-115)		110	Cover	8-15-33
53	Pad	23-84-3	111	Circuit Breaker	23-67-163
54	Button	14-02-3	112	Flasher	8-50-186
55	Clamp	19-14-35	113	Radio	1-87-1
56	Bezel	24-24-140	114	Housing	23-33-104
57	Knob	24-24-156	115	Pad	23-84-3
58	Plate		116	Base	1-04-6
			117	Scanner	1-04-4
			118	Speaker	1-87-2

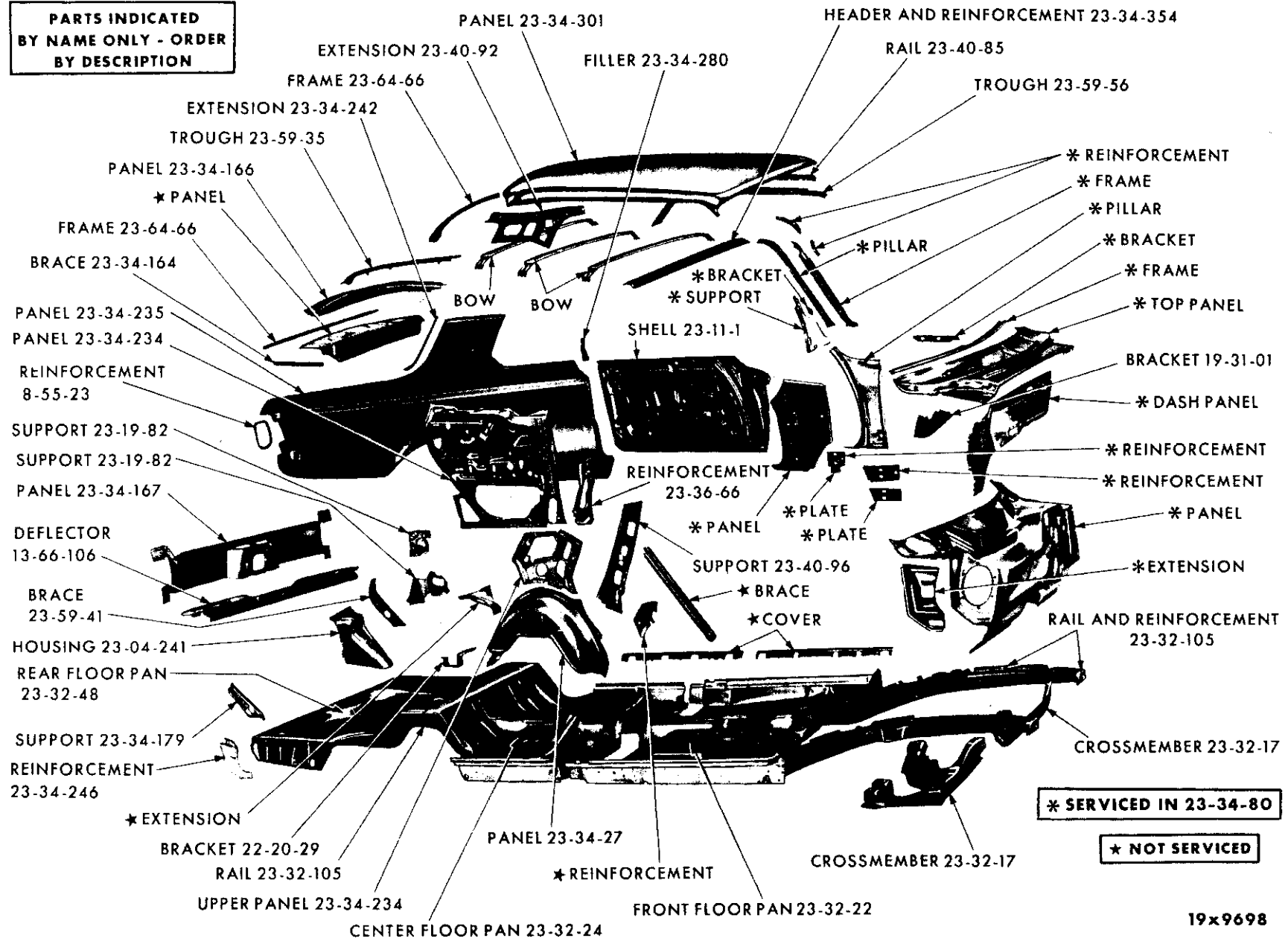
PARTS INDICATED BY NAME ONLY - ORDER BY DESCRIPTION

PARTS INDICATED BY NAME ONLY - ORDER BY DESCRIPTION



BODY - VALIANT TV1 4 DOOR SEDAN

**PARTS INDICATED
BY NAME ONLY - ORDER
BY DESCRIPTION**

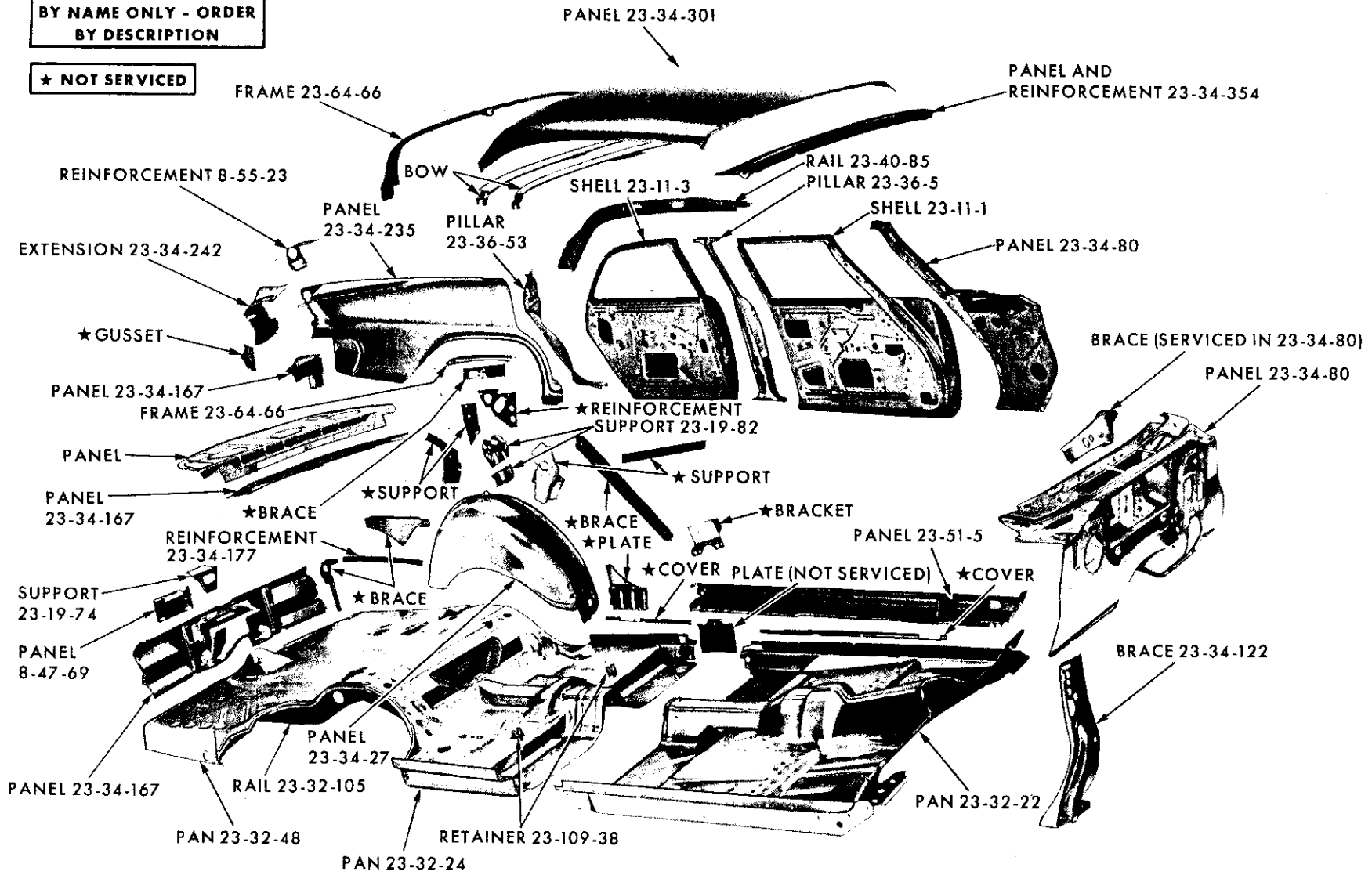


BODY - PLYMOUTH TP1-2 SPECIAL CLUB COUPE

19x9698

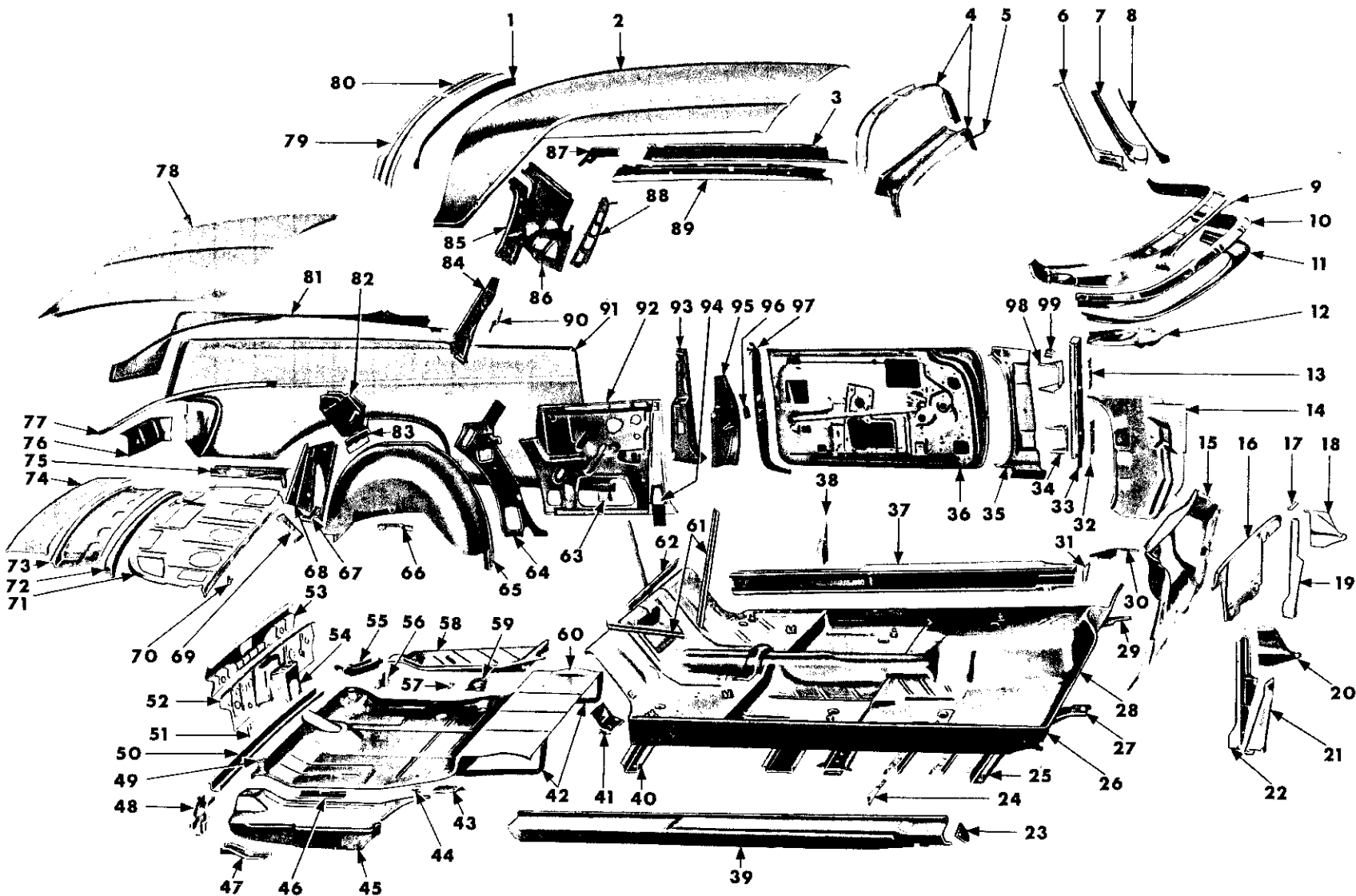
**PARTS INDICATED
BY NAME ONLY - ORDER
BY DESCRIPTION**

★ NOT SERVICED



19x9410A

BODY - DODGE TA3 4 DOOR SEDAN



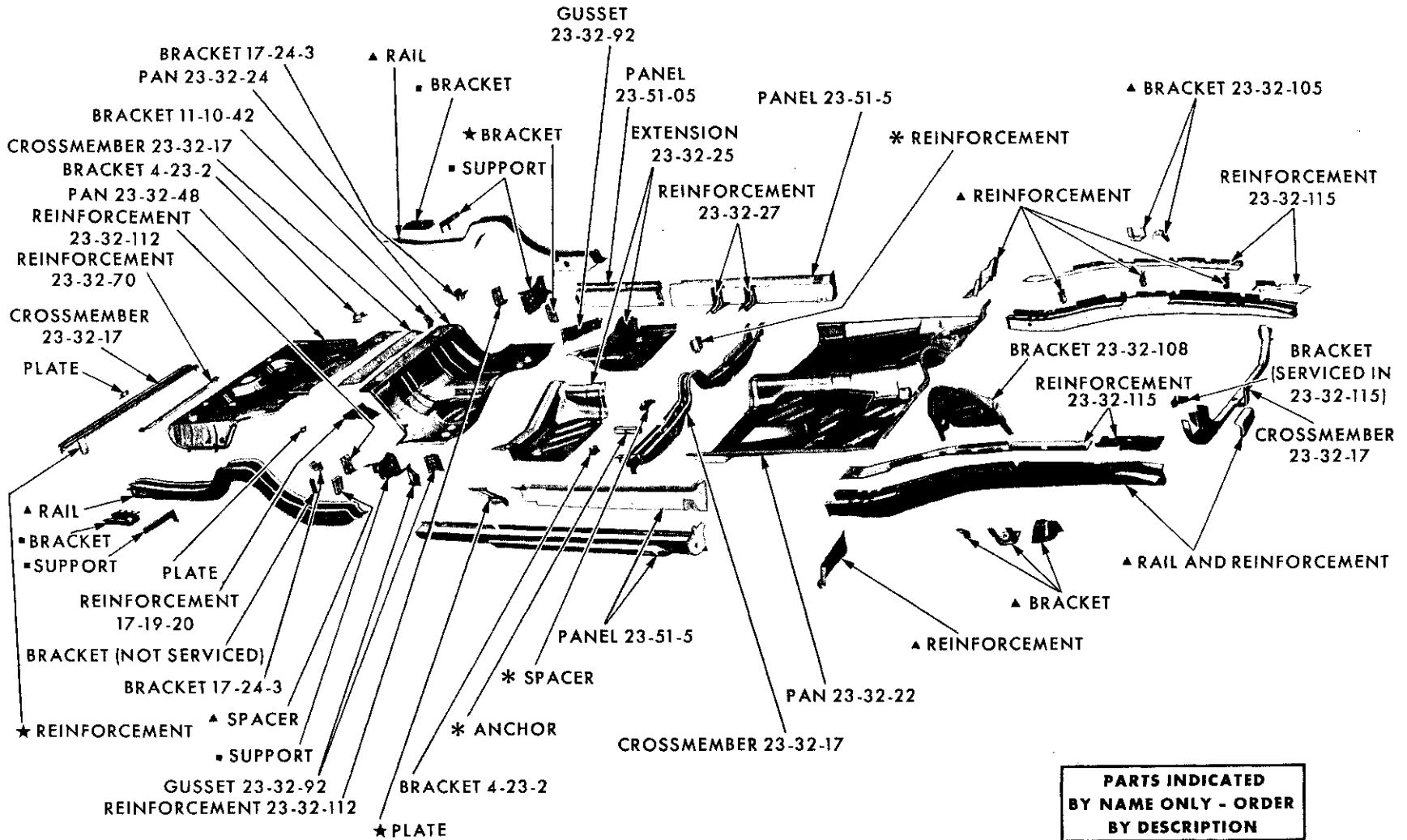
19L9739

BODY - IMPERIAL TY1 SPECIAL CLUB COUPE

BODY - IMPERIAL TY1 SPECIAL CLUB COUPE

Ref. No.	Name	Part Type Code	Ref. No.	Name	Part Type Code
1	Rear Window Opening Upper Frame.	23-64-66	49	No. 6 Body Bolt Reinforcement to Floor Pan Spacer	23-05-36
2	Roof Panel	23-34-301	50	No. 6 Body Bolt Floor Pan Reinforcement	Not Serviced
3	Roof Side Rail	23-40-85	51	Deck Opening Lower Panel Drain Trough Support	Not Serviced
4	Windshield Opening Upper Frame (Serviced in 23-34-80)		52	Deck Opening Lower Panel Reinforcement	23-34-179
5	Windshield Header Trim Retainer (Serviced in 23-34-80)		53	Deck Opening Lower Panel	23-34-167
6	Front Hinge Pillar Extension (Serviced in 23-34-80)		54	Deck Opening Lower Panel Lock Support.	23-19-74
7	Windshield Opening Side Frame (Serviced in 23-34-80)		55	No. 6 Body Bolt Floor Pan Reinforcement	Not Serviced
8	Cowl Top Panel Extension (Serviced in 23-34-80)		56	Rear Floor Pan Jack Stowage Bracket	Not Serviced
9	Cowl Top Panel (Serviced in 23-34-80)		57	Spare Wheel Anchor Stud Bracket	Not Serviced
10	Windshield Opening Lower Frame (Serviced in 23-34-80)		58	Extension	23-32-49
11	Windshield Opening Lower Frame Reinforcement (Serviced in 23-34-80)		59	No. 5 Body Bolt Floor Pan Reinforcement	Not Serviced
12	Front Pillar to Cowl Side Filler (Serviced in 23-34-80)		60	Rear Floor Pan	23-32-48
13	Front Pillar Door Hinge Tapping Plate	23-15-13	61	Shelf Panel to Floor Brace	Not Serviced
14	Cowl Side Panel	23-34-80	62	Shelf Panel to Floor Center Brace Support.	Not Serviced
15	Dash Panel	23-34-110	63	Quarter Window Lower Stop Support.	23-64-12
16	Dash Panel Air Duct Cover	23-34-116	64	Quarter Inside Panel to Wheelhouse Reinforcement	23-34-249
17	Cowl Top Panel Hood Seal Support (Serviced in 23-34-80)		65	Panel	23-34-27
18	Hood Hinge Support and Clinch Nut (Serviced in 23-34-80)		66	Deck Lid Hinge Support to Wheelhouse Bracket	23-19-76
19	Dash Panel No. 1 & 1A Body Bolt Brace and C/Nut.	23-34-122	67	Wheelhouse Jack Stowage Bracket Support	Not Serviced
20	Hood Hinge Support and Clinch Nut (Serviced in 23-34-80)		68	Shelf Panel to Wheelhouse Gusset	Not Serviced
21	Dash Panel No. 1 & 1A Body Bolt Brace and Clinch Nut Reinforcement	23-34-126	69	Rear Seat Back Hanger	Not Serviced
22	Dash Panel No. 1 & 1A Body Bolt Brace and Clinch Nut	23-34-122	70	Shelf Panel	Not Serviced
23	Body Side Sill Front End Cover	23-51-43	71	Belt Center Bar (Serviced in 23-34-166)	
24	Body Floor Seat Track Reinforcement	Not Serviced	72	Deck Opening Upper Panel Reinforcement (Serviced in 23-34-166)	
25	Floor Pan Reinforcement	Not Serviced	73	Deck Opening Upper Panel	23-34-166
26	Body Side Inner Sill	23-51-5	74	Belt Side Bar	23-51-41
27	No. 1 & 2 Body Bolt Strainer	Not Serviced	75	Extension	23-34-176
28	Front Floor Pan	Not Serviced	76	Reinforcement	23-59-37
29	No. 1 & No. 2 Body Bolt Strainer.	Not Serviced	77	Deck Lid	23-19-8
30	Dash Panel Hood Hinge Support to Front Cowl Filler Reinforcement	Not Serviced	78	Rear Window Upper Frame Reinforcement, Right	23-64-67
31	Body Side Sill End Cover	23-51-43	79	Rear Window Upper Frame Reinforcement, Left.	23-64-67
32	Front Pillar Door Hinge Tapping Plate	23-15-13	80	Panel	23-34-233
33	Front Pillar Front Half (Serviced in 23-34-80)		81	Deck Lid Hinge Body Bracket Support.	23-19-82
34	Front Pillar Lower Hinge Reinforcement (Serviced in 23-34-80)		82	Deck Lid Hinge Support to Wheelhouse Bracket	Not Serviced
35	Front Pillar Rear Half (Serviced in 23-34-80)		83	Roof Rear Rail Outer Extension.	23-40-92
36	Door Shell	23-11-1	84	Rear Window Side Frame Reinforcement	23-64-67
37	Body Side Sill Outer Panel	23-51-5	85	Rear Window Side Frame	23-64-66
38	Quarter Inside Panel to Seat Riser Brace	Not Serviced	86	Gusset	Not Serviced
39	Body Side Outer Sill	23-51-5	87	Roof Side Rear Inner Rail	Not Serviced
40	Body Floor Pan Reinforcement	Not Serviced	88	Roof Side Rail	23-40-85
41	Axle Drive Pinion Carrier Bumper Reinforcement	Not Serviced	89	Roof Side Rear Inner Rail to Roof Rail Outer Extension	23-40-92
42	Fuel Tank Rear Floor Pan Reinforcement	Not Serviced	90	Quarter Panel	23-34-235
43	No. 5 Body Bolt Floor Pan Reinforcement	Not Serviced	91	Quarter Inner Panel	23-34-234
44	Fuel Tank Hanger	Not Serviced	92	Quarter Inside Panel to Lock Pillar Extension.	Not Serviced
45	Rear Floor Pan Side Extension	23-32-49	93	Quarter Inside Panel to Outer Sill Reinforcement	23-51-6
46	Floor Pan Spare Wheel Bracket Reinforcement	Not Serviced	94	Body Lock Pillar Reinforcement	23-36-66
47	Fuel Tank Rear Floor Pan Reinforcement Extension.	Not Serviced	95	Door Lock Striker Tapping Plate	23-08-75
48	No. 6 Body Bolt Floor Pan Reinforcement Extension.	Not Serviced	96	Body Lock Pillar	23-36-53
			97	Front Pillar Upper Hinge Reinforcement (Serviced in 23-34-80)	
			98	Windshield Opening Lower Frame to Upper Strg. Column Bracket (Serviced in 23-34-80)	

PARTS INDICATED BY NAME ONLY - ORDER BY DESCRIPTION

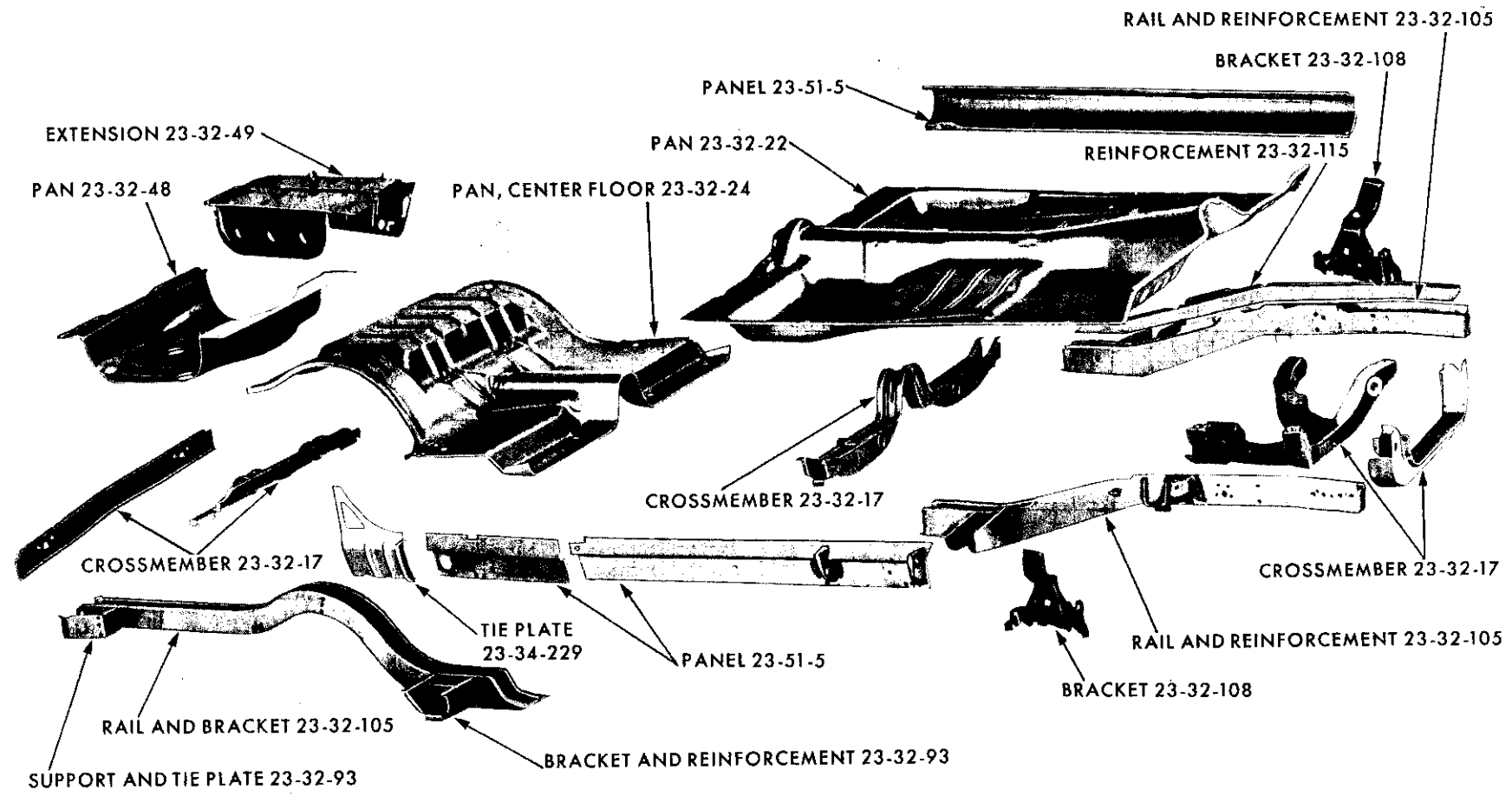


**PARTS INDICATED
BY NAME ONLY - ORDER
BY DESCRIPTION**

▲ SERVICED IN 23-32-105	■ SERVICED IN 23-32-17	▪ SERVICED IN 23-32-93	★ NOT SERVICED
-------------------------	------------------------	------------------------	----------------

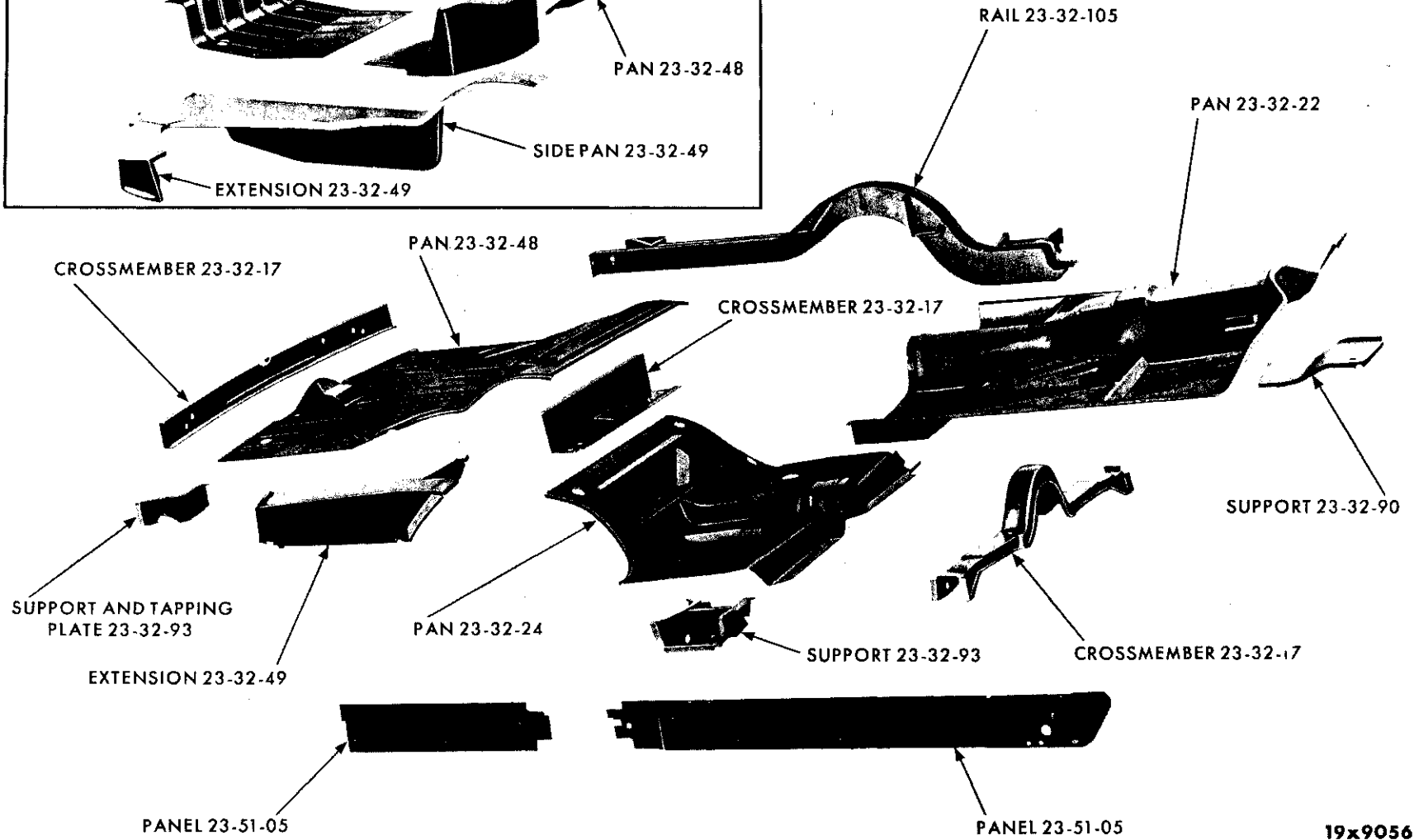
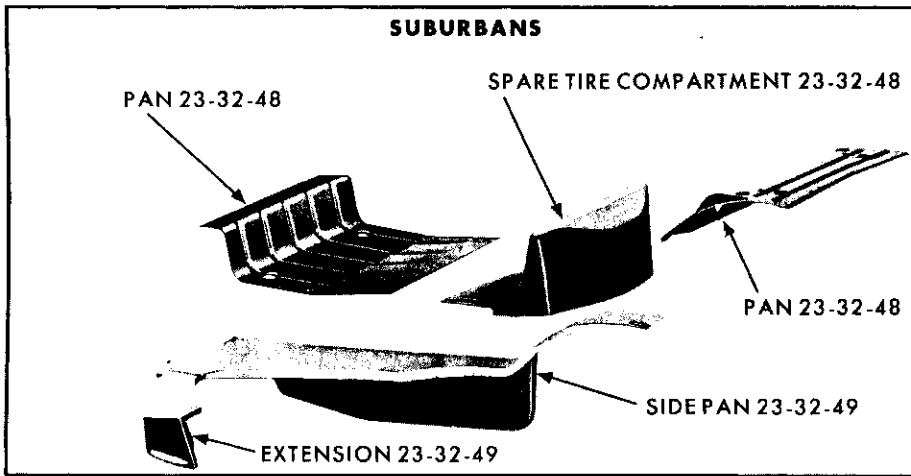
19x9408

UNDERBODY - PLYMOUTH TP1-2 AND DODGE TD1-2



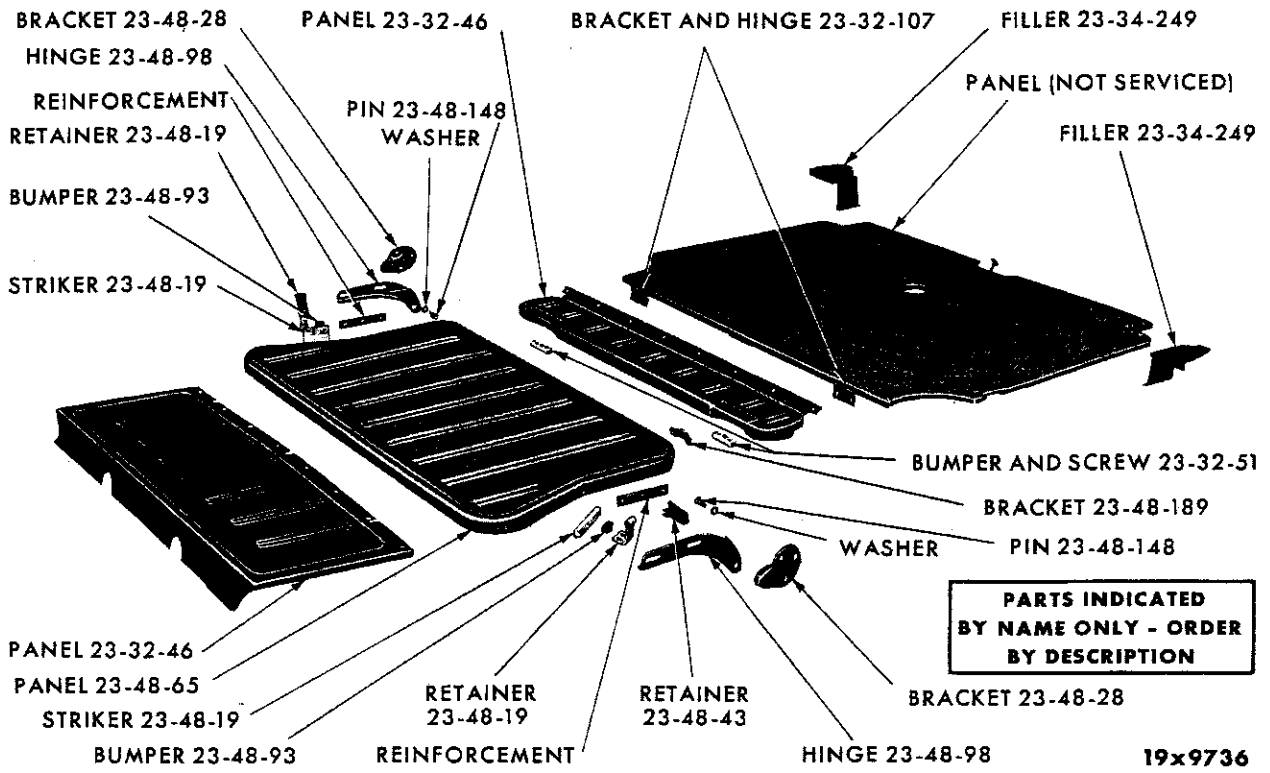
UNDERBODY - VALIANT TV1 AND DART TL1

19x9052B



19x9056

UNDERBODY - DODGE TA3 AND CHRYSLER TC1-2-3

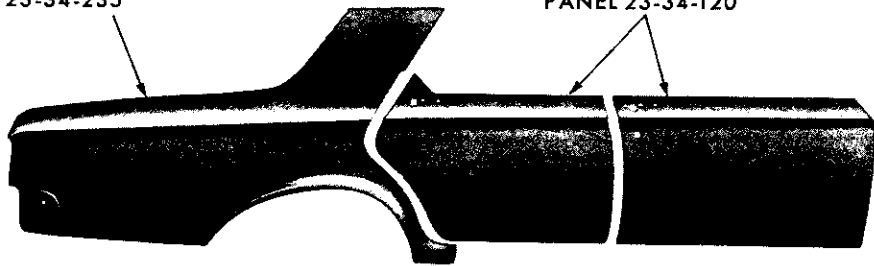


SUBURBAN FLOOR PANEL - VALIANT TV1 AND DART TL1

NOTES

PANEL 23-34-235

PANEL 23-34-120

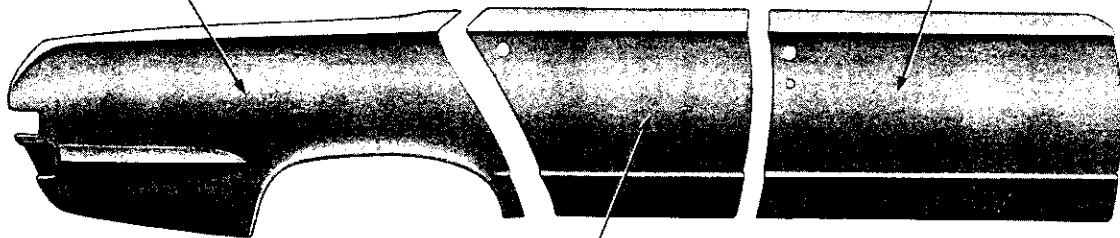


19x9556

REPAIR PANELS - PLYMOUTH TP1-2

PANEL 23-34-235

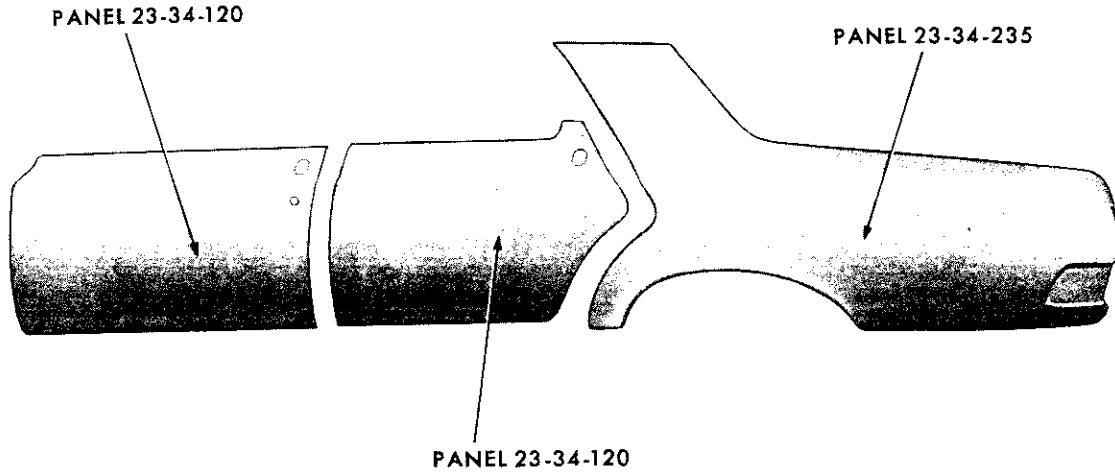
PANEL 23-34-120



PANEL 23-34-120

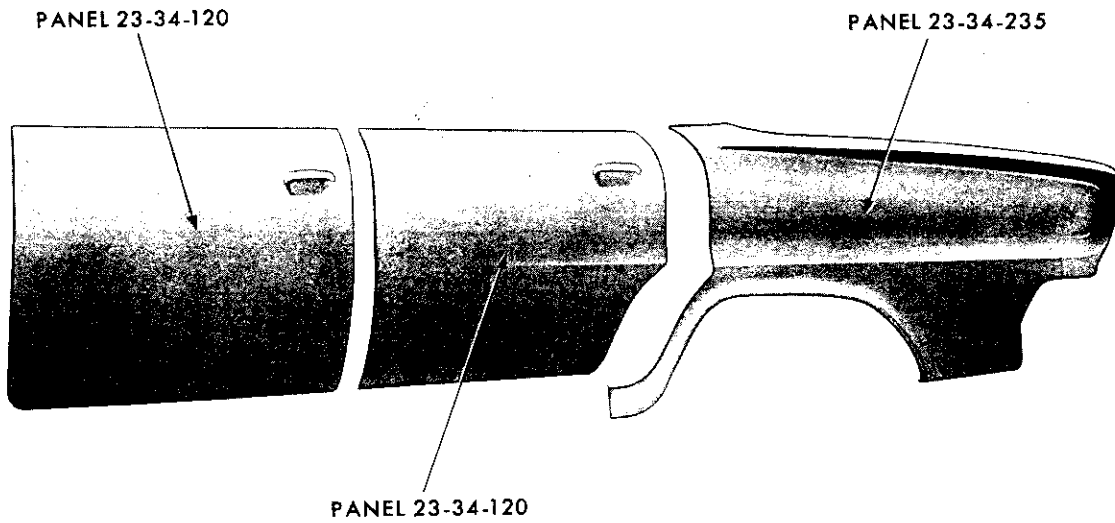
19x9555

REPAIR PANELS - VALIANT TV1



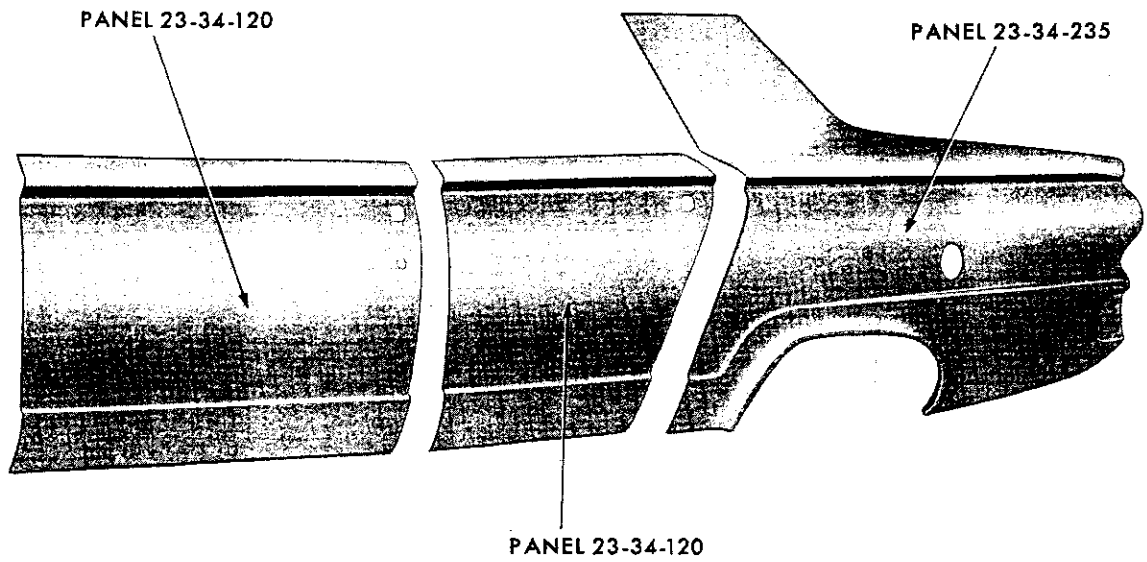
19x9558

REPAIR PANELS - DODGE TD1-2



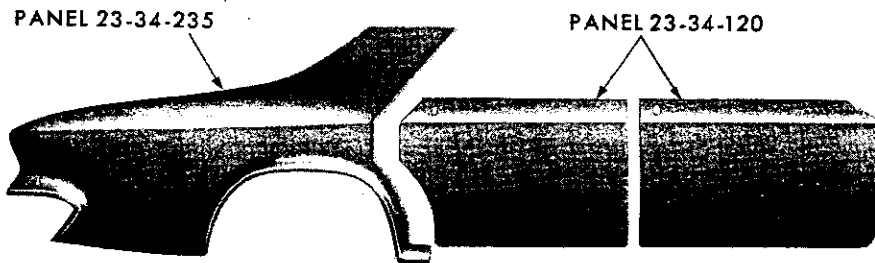
19x9561

REPAIR PANELS - DODGE TA3



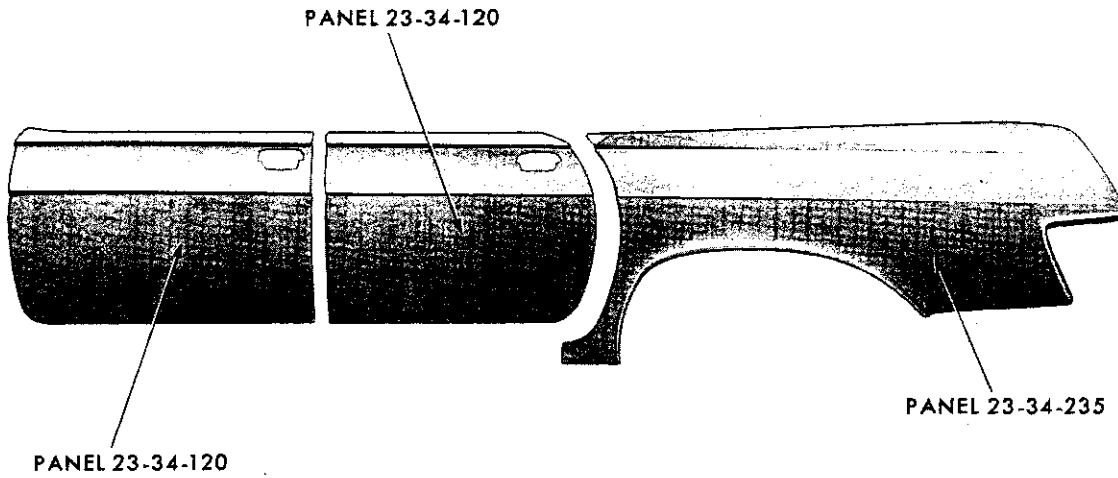
19x9557

REPAIR PANELS - DART TL1



19x9559

REPAIR PANELS - CHRYSLER TC1-2-3

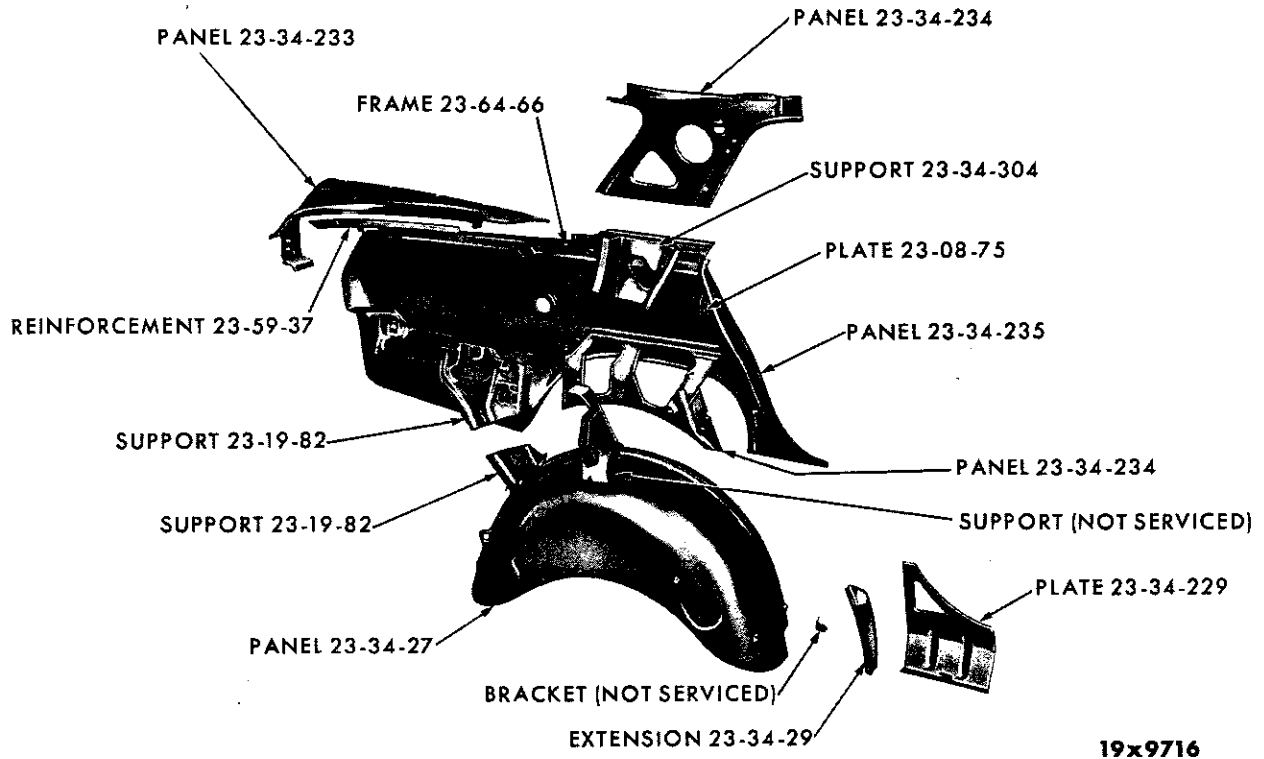


19x9560

REPAIR PANELS - IMPERIAL TY1

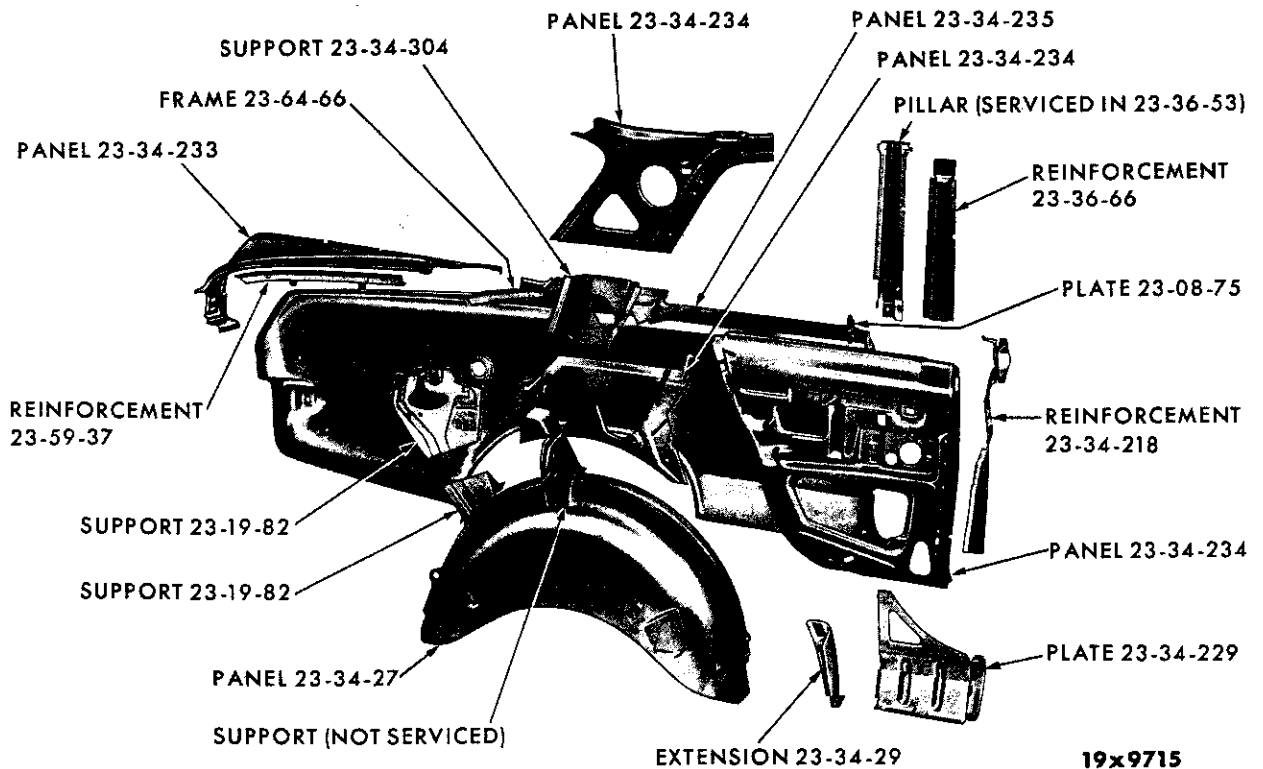
NOTES

A series of horizontal lines provided for handwritten notes, consisting of approximately 15 lines.



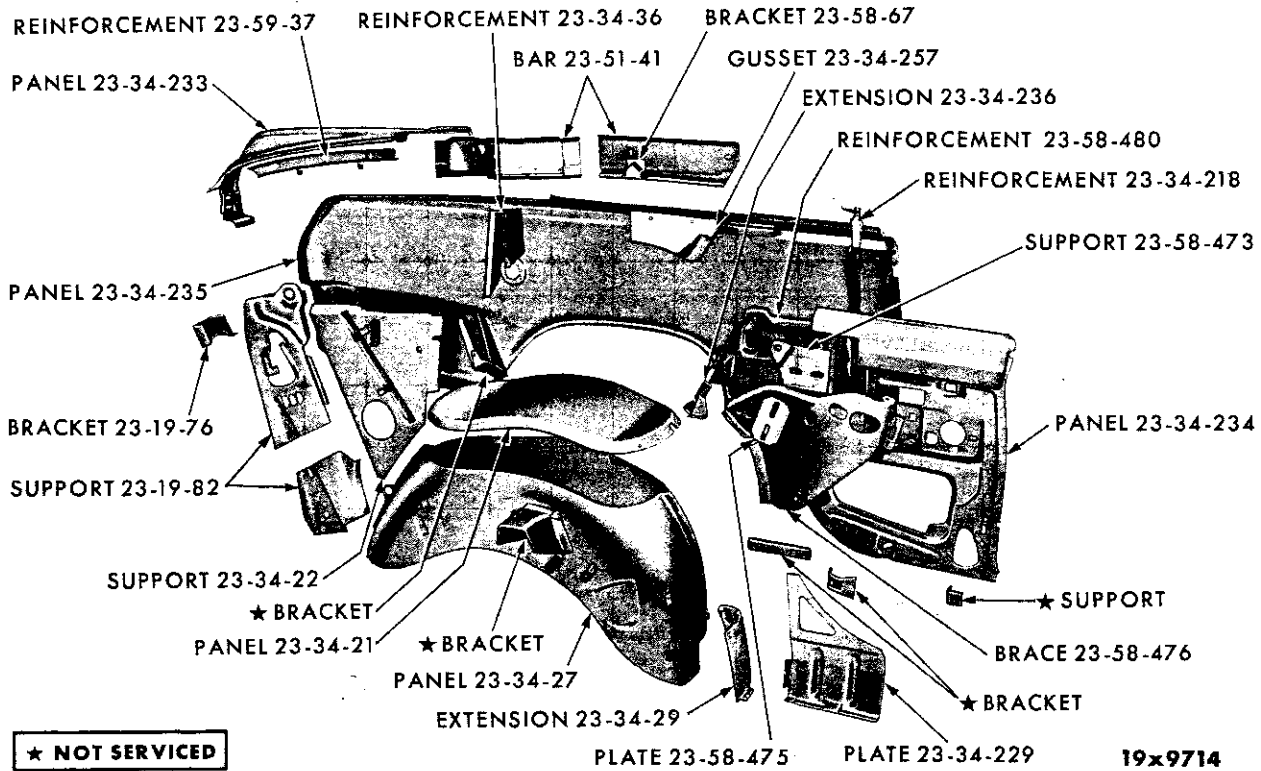
19x9716

REAR QUARTER PANEL - VALIANT TV1 4 DOOR SEDAN

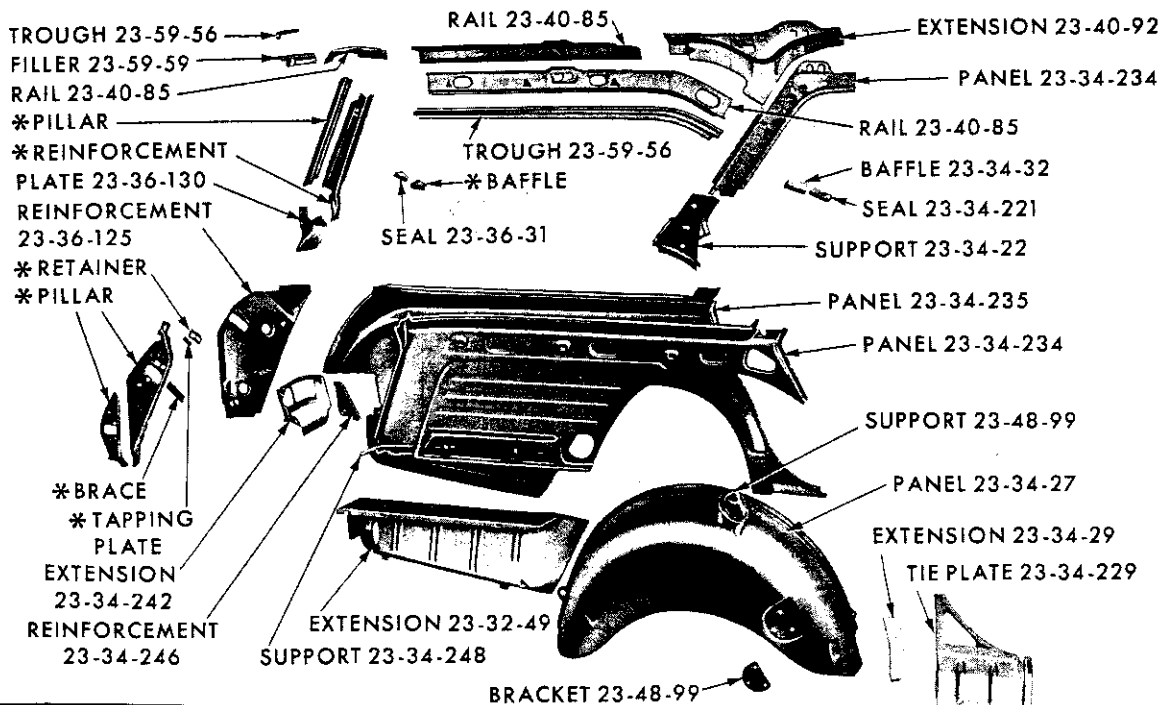


19x9715

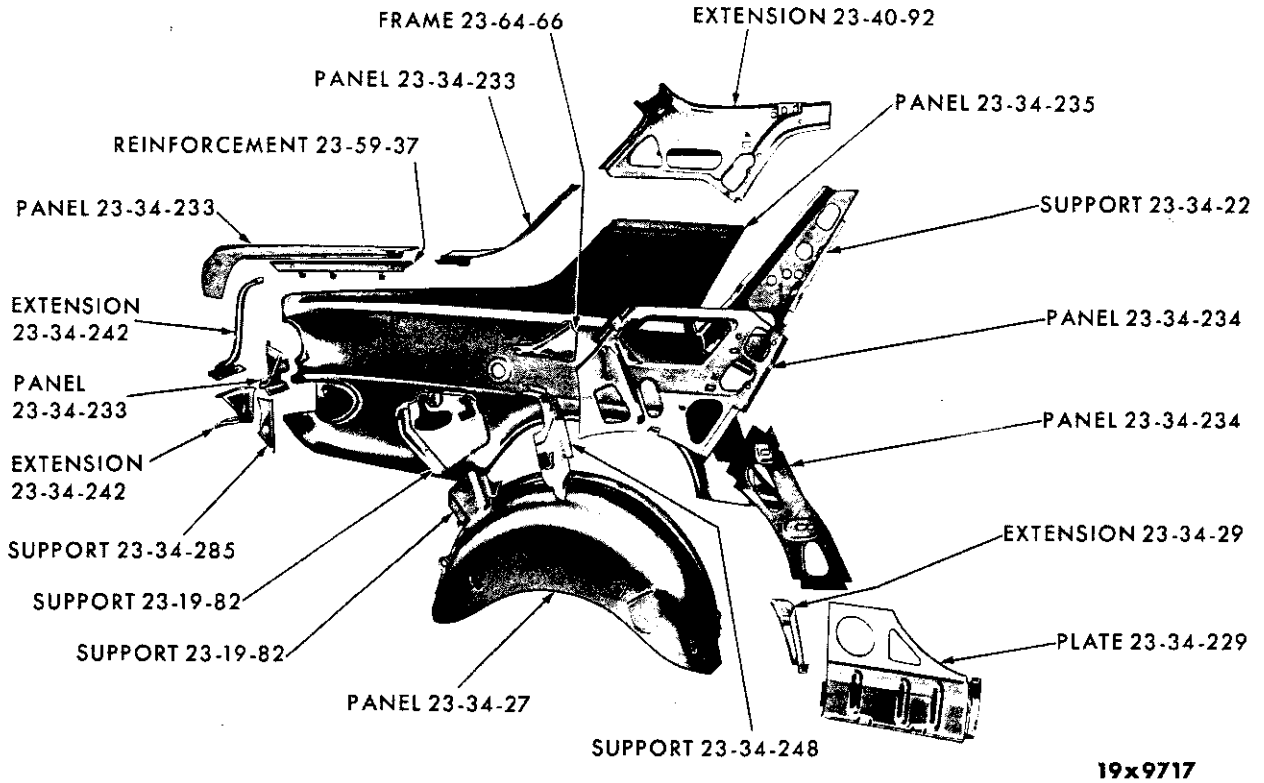
REAR QUARTER PANEL - VALIANT TV1 2 DOOR SEDAN AND SPECIAL CLUB COUPE



REAR QUARTER PANEL - VALIANT TV1 CONVERTIBLE COUPE

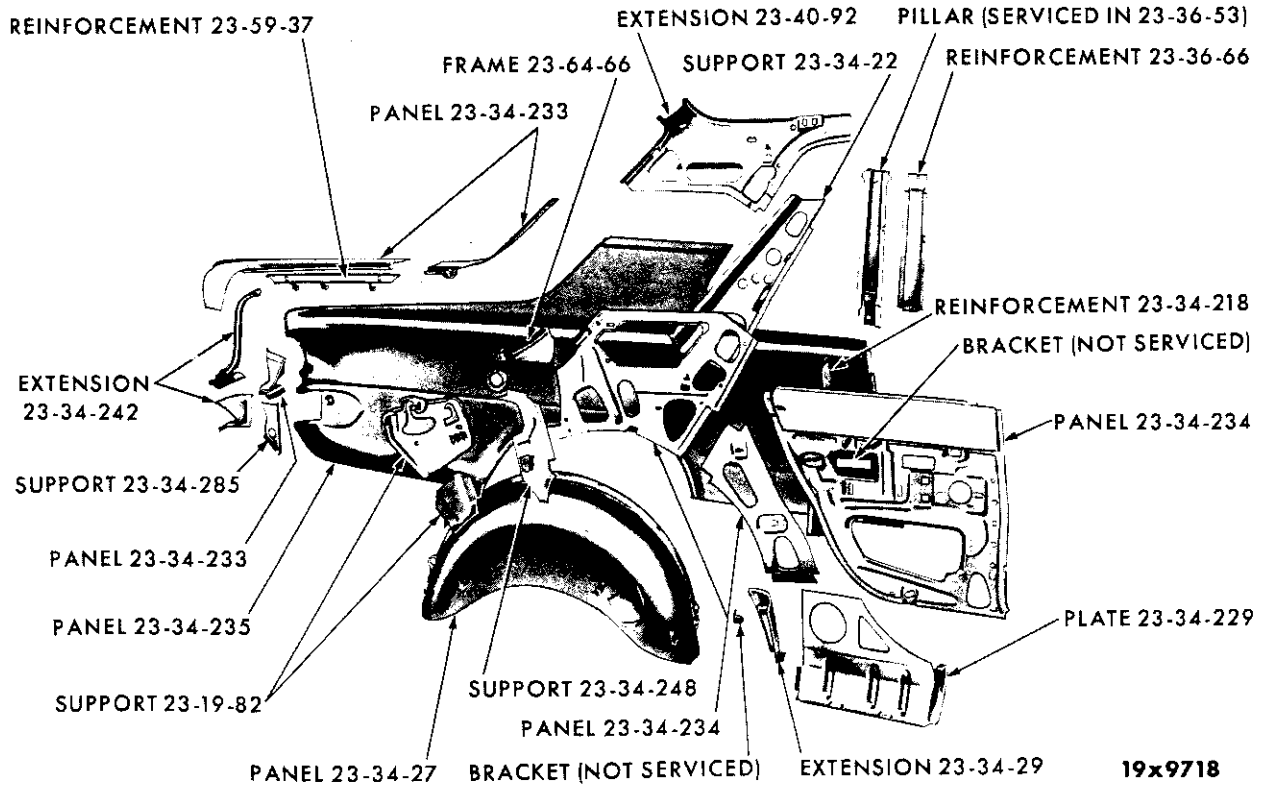


REAR QUARTER PANEL - VALIANT TV1 4 DOOR SUBURBAN



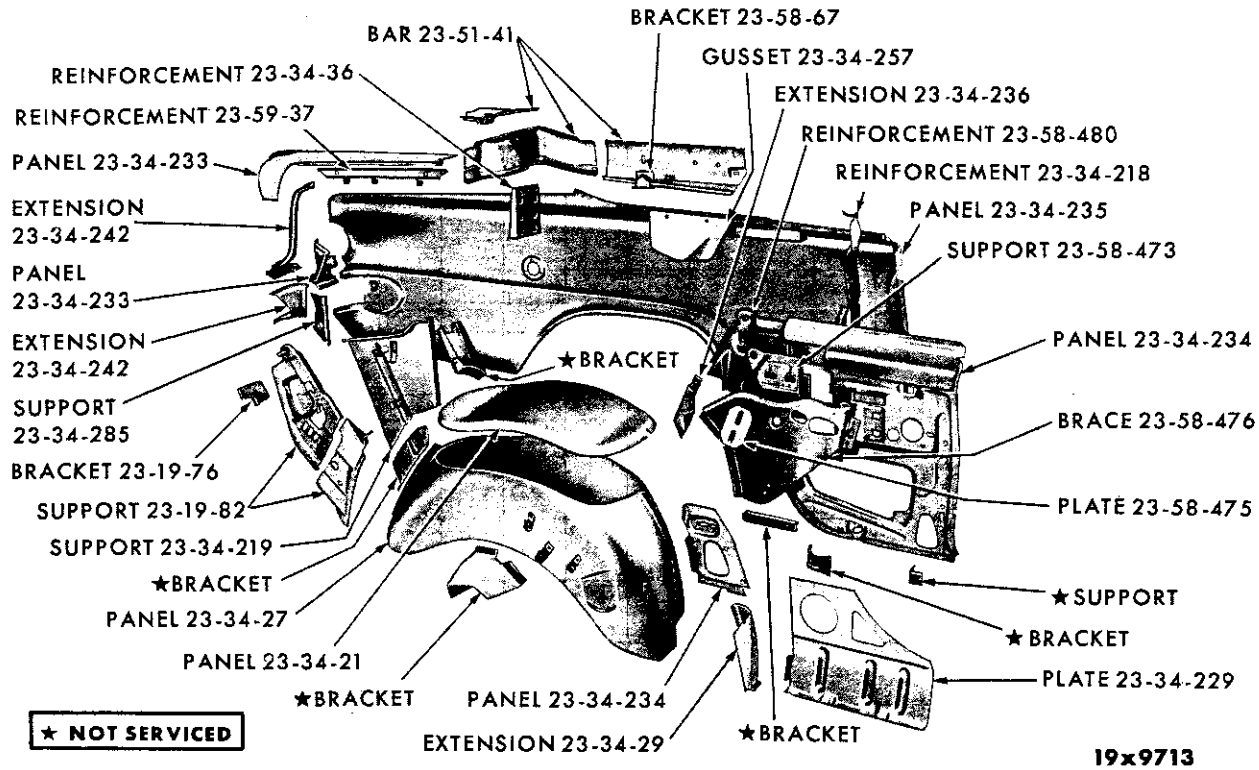
19x9717

REAR QUARTER PANEL - DART TL1 4 DOOR SEDAN

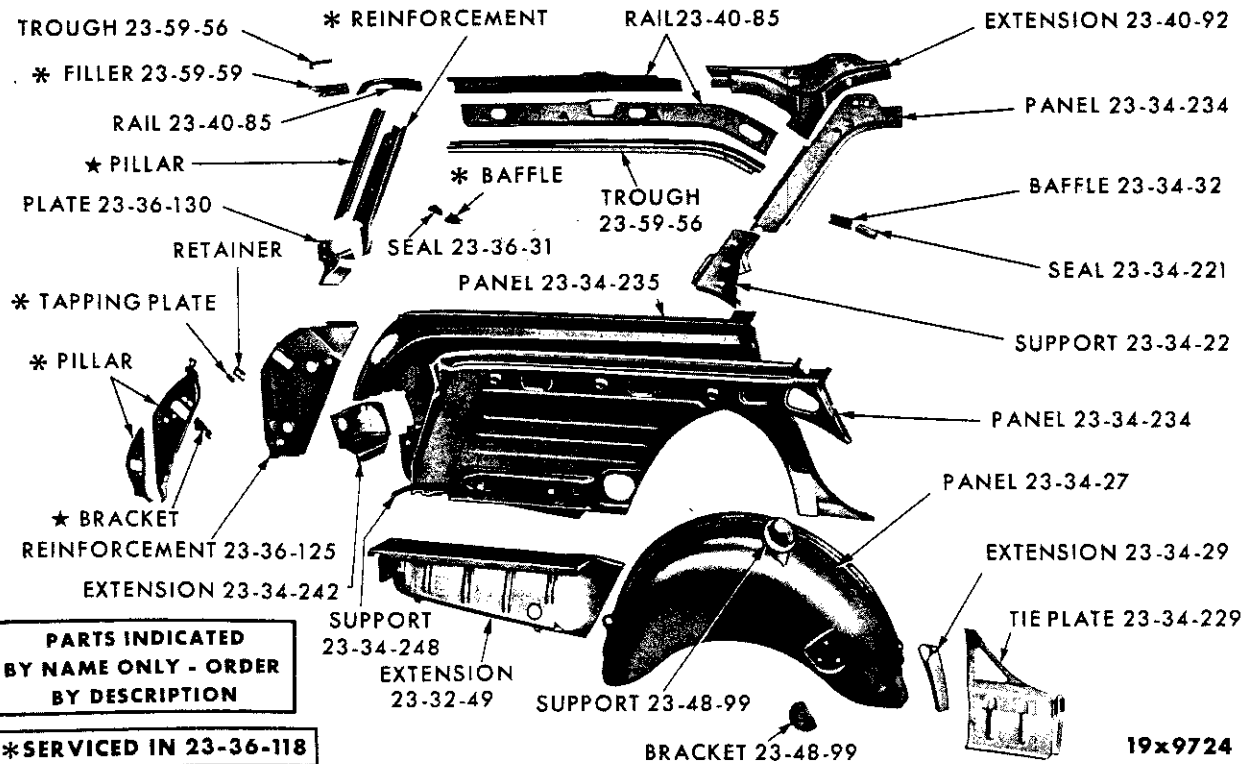


19x9718

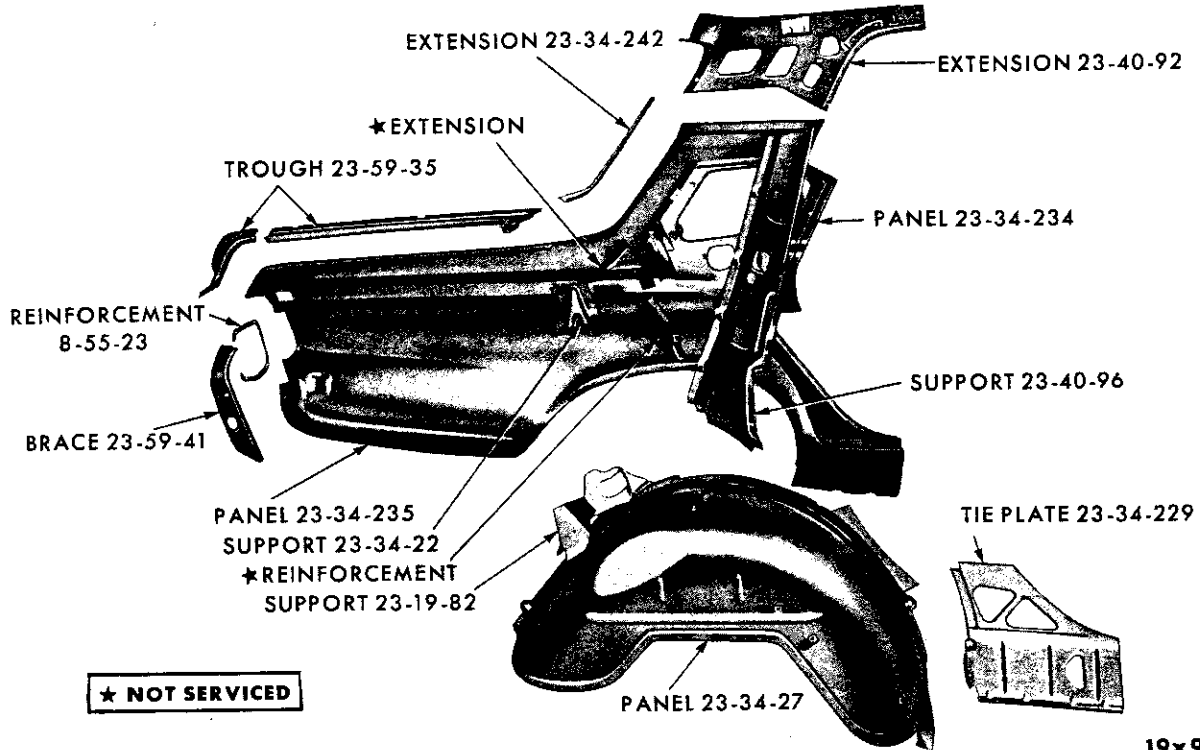
REAR QUARTER PANEL - DART TL1 2 DOOR SEDAN AND SPECIAL CLUB COUPE



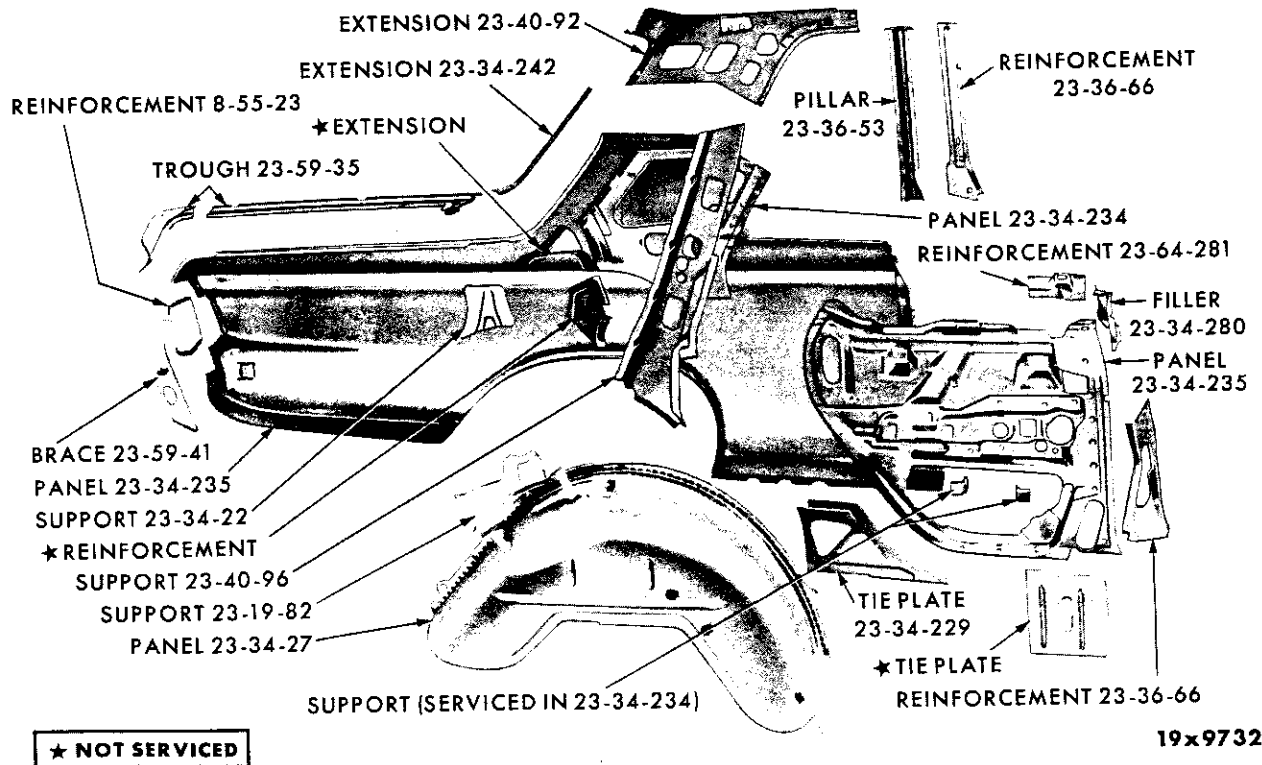
REAR QUARTER PANEL - DART TL1 CONVERTIBLE COUPE



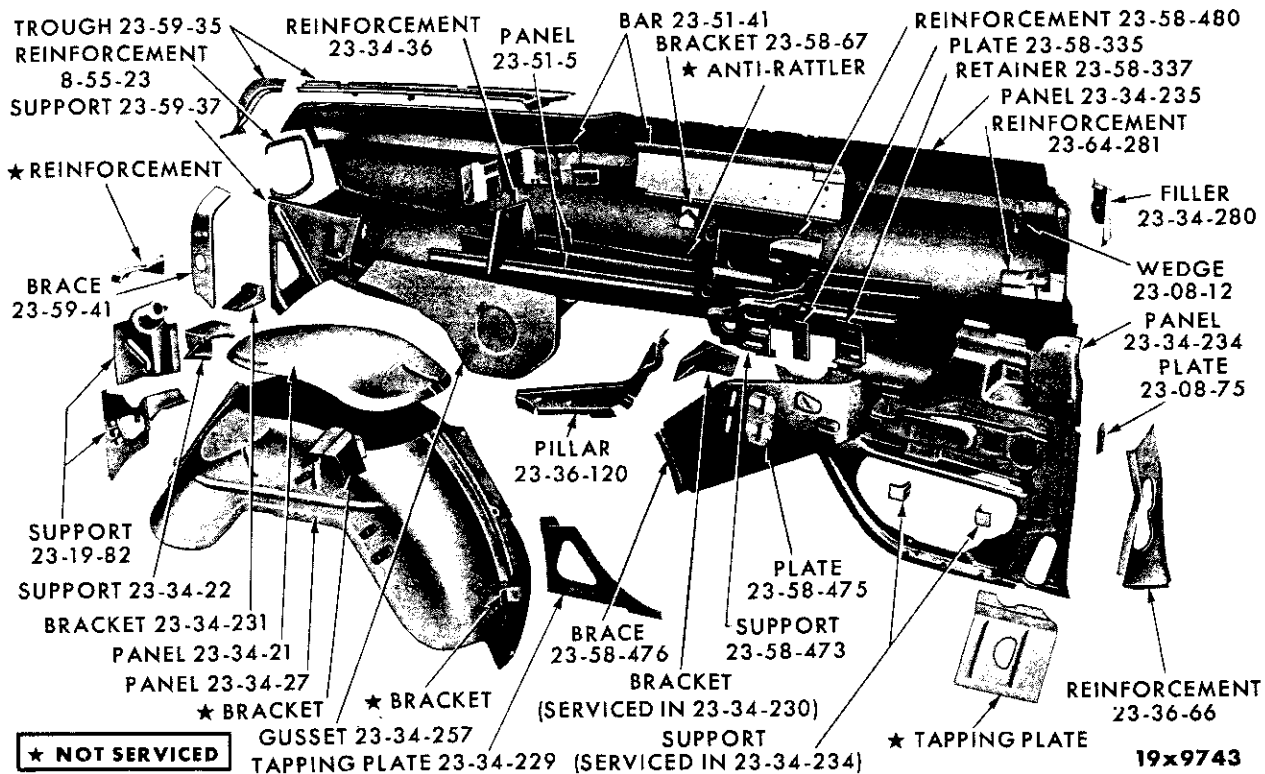
REAR QUARTER PANEL - DART TL1 4 DOOR SUBURBAN



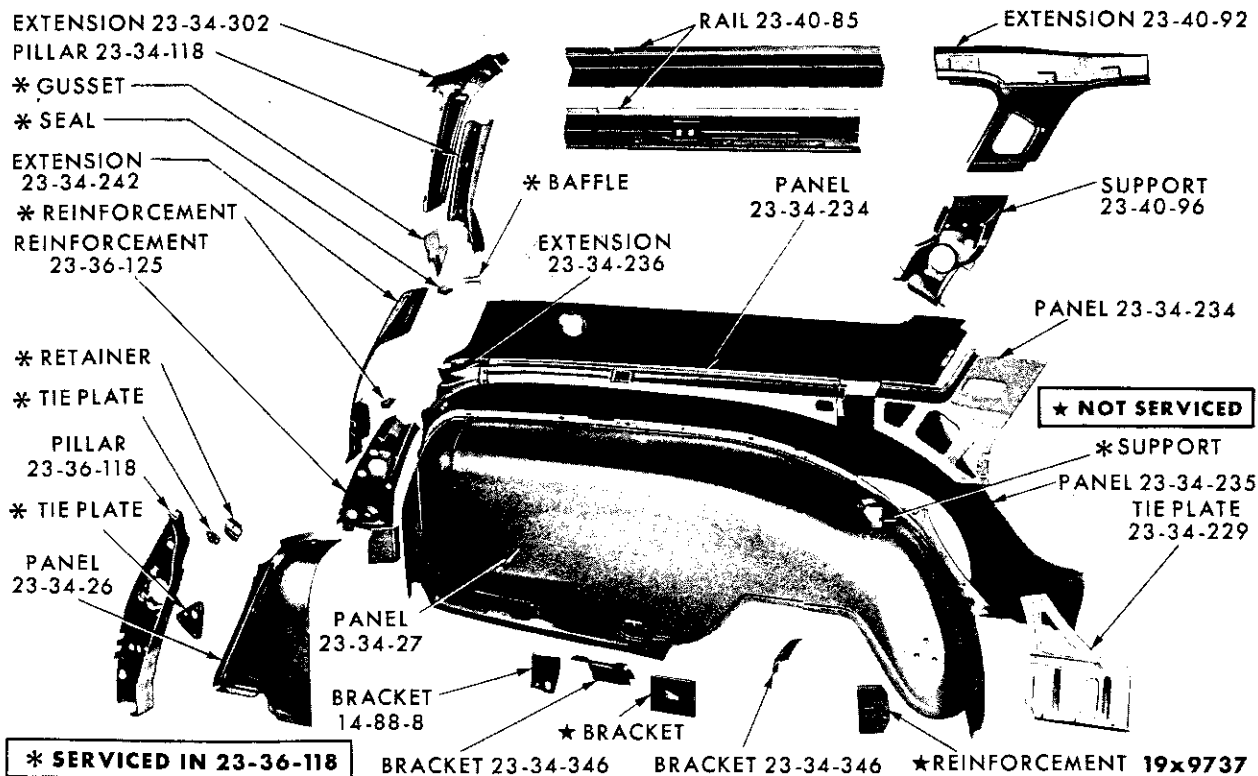
REAR QUARTER PANEL - PLYMOUTH TP1-2 4 DOOR SEDAN AND SPECIAL 4 DOOR SEDAN



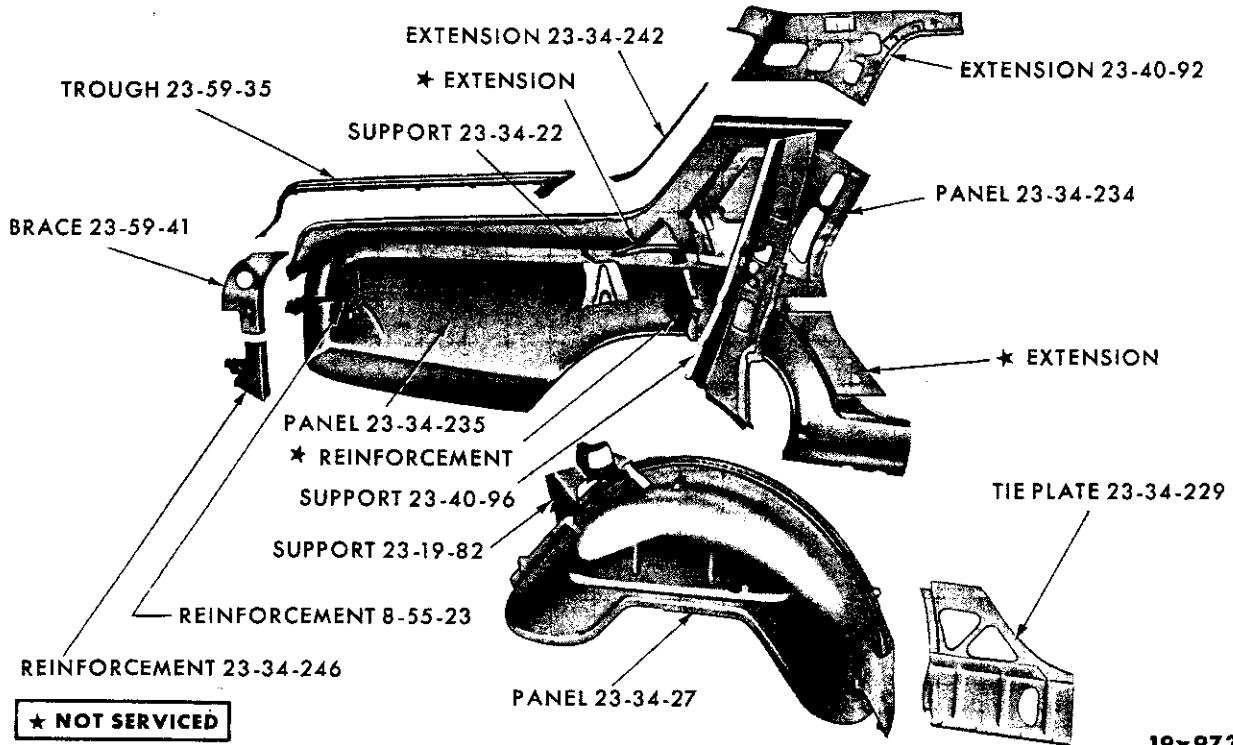
REAR QUARTER PANEL - PLYMOUTH TP1-2 2 DOOR SEDAN AND SPECIAL CLUB COUPE



REAR QUARTER PANEL - PLYMOUTH TP1-2 CONVERTIBLE COUPE

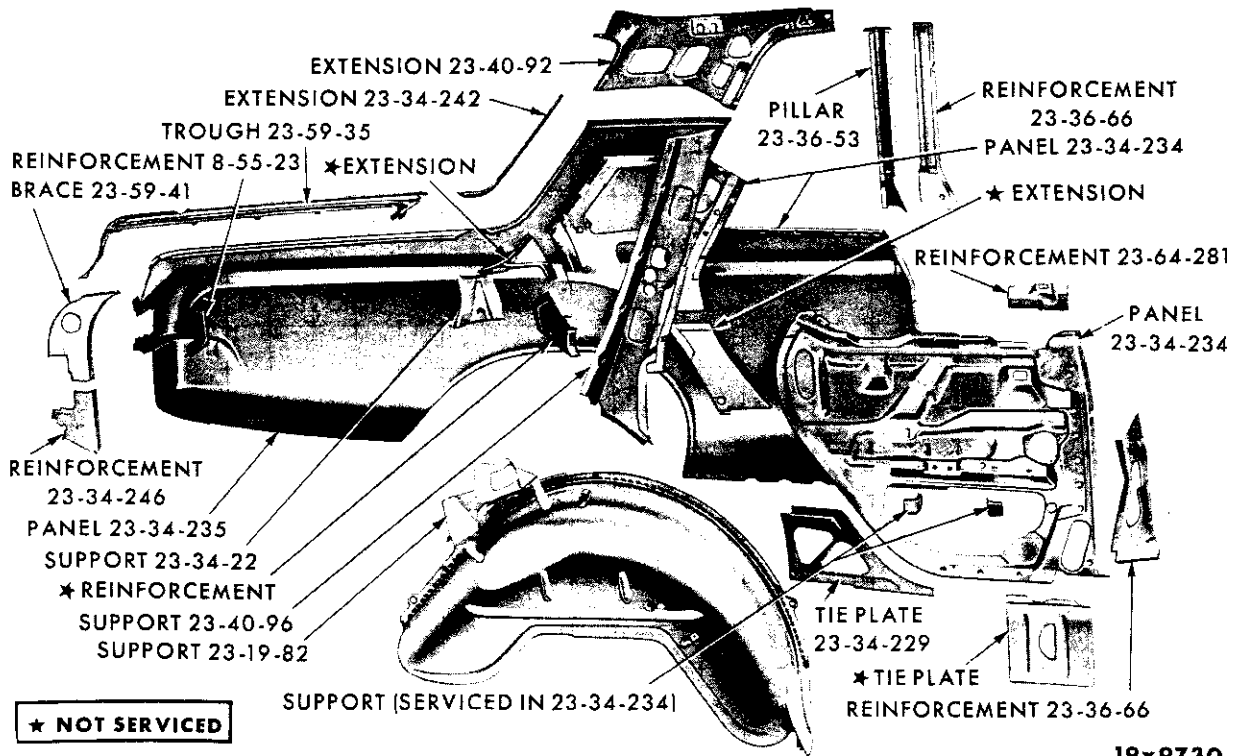


REAR QUARTER PANEL - PLYMOUTH TP1-2 4 DOOR SUBURBAN



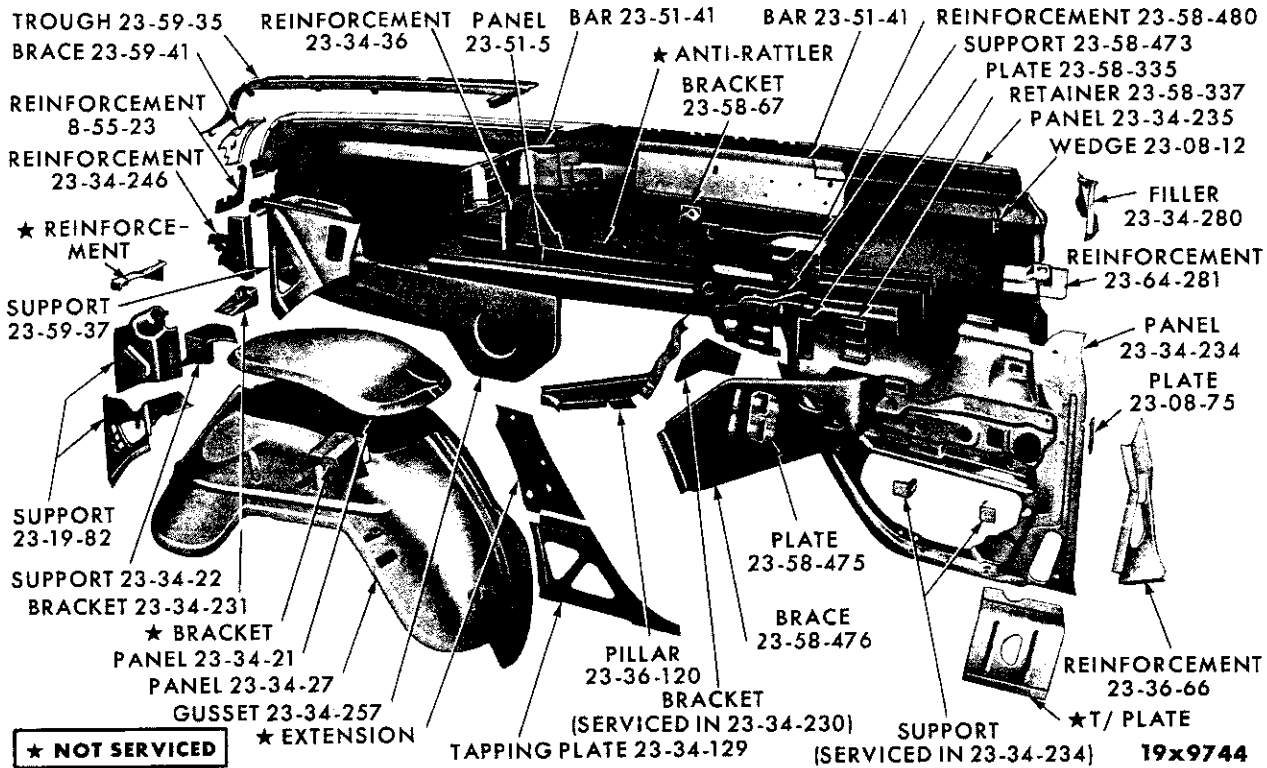
19x9731

REAR QUARTER PANEL - DODGE TD1-2 4 DOOR SEDAN AND SPECIAL 4 DOOR SEDAN

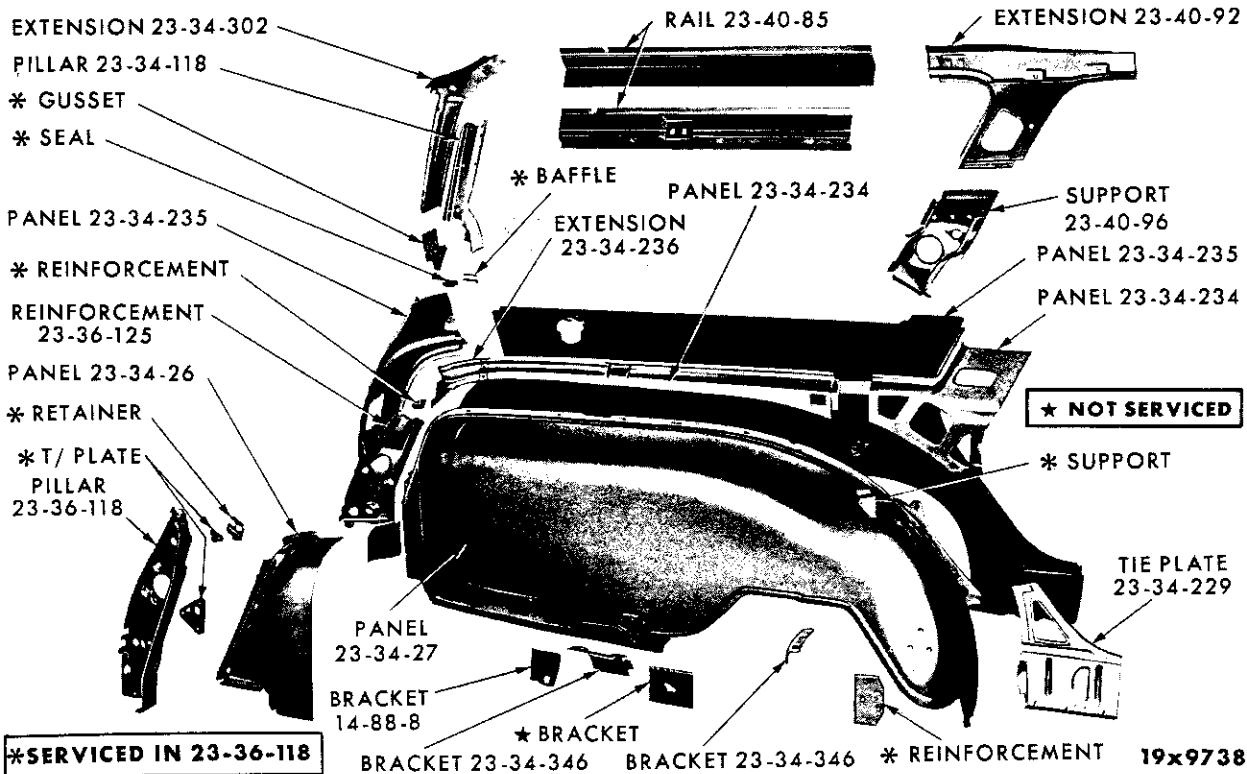


19x9730

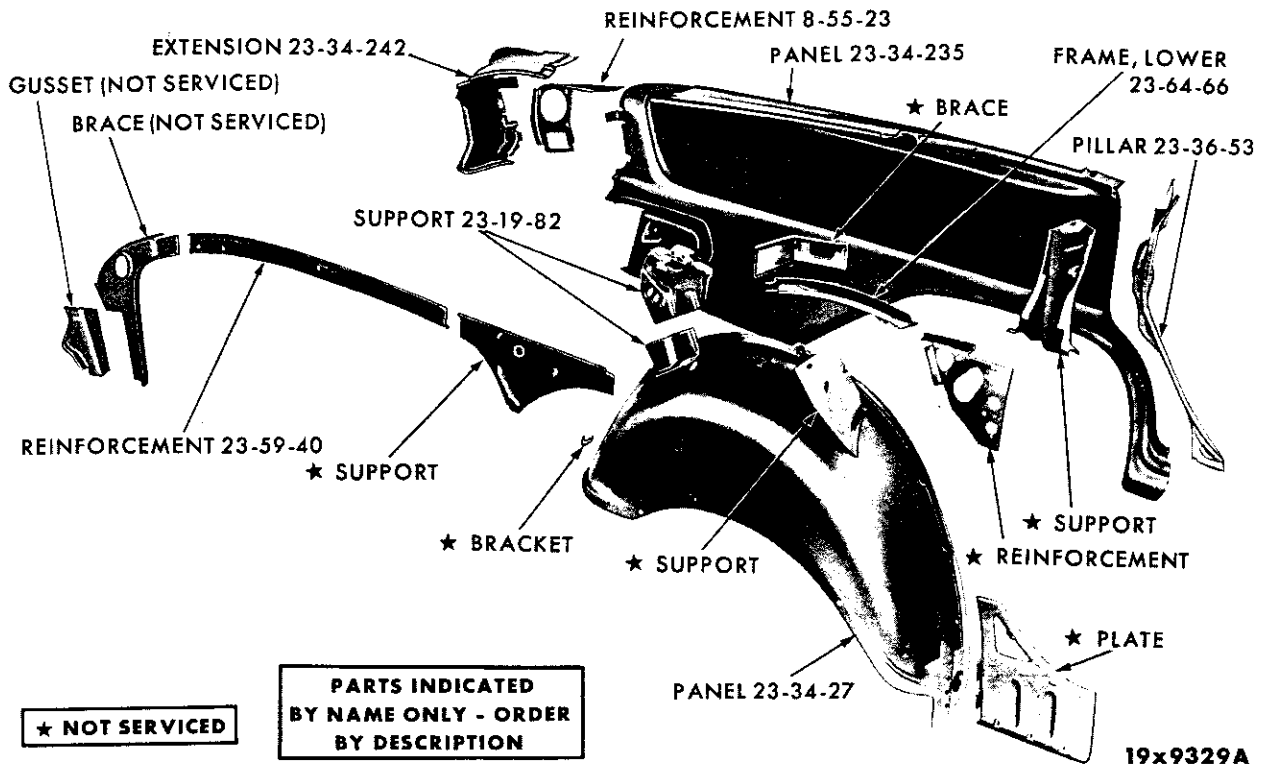
REAR QUARTER PANEL - DODGE TD1-2 2 DOOR SEDAN AND SPECIAL CLUB COUPE



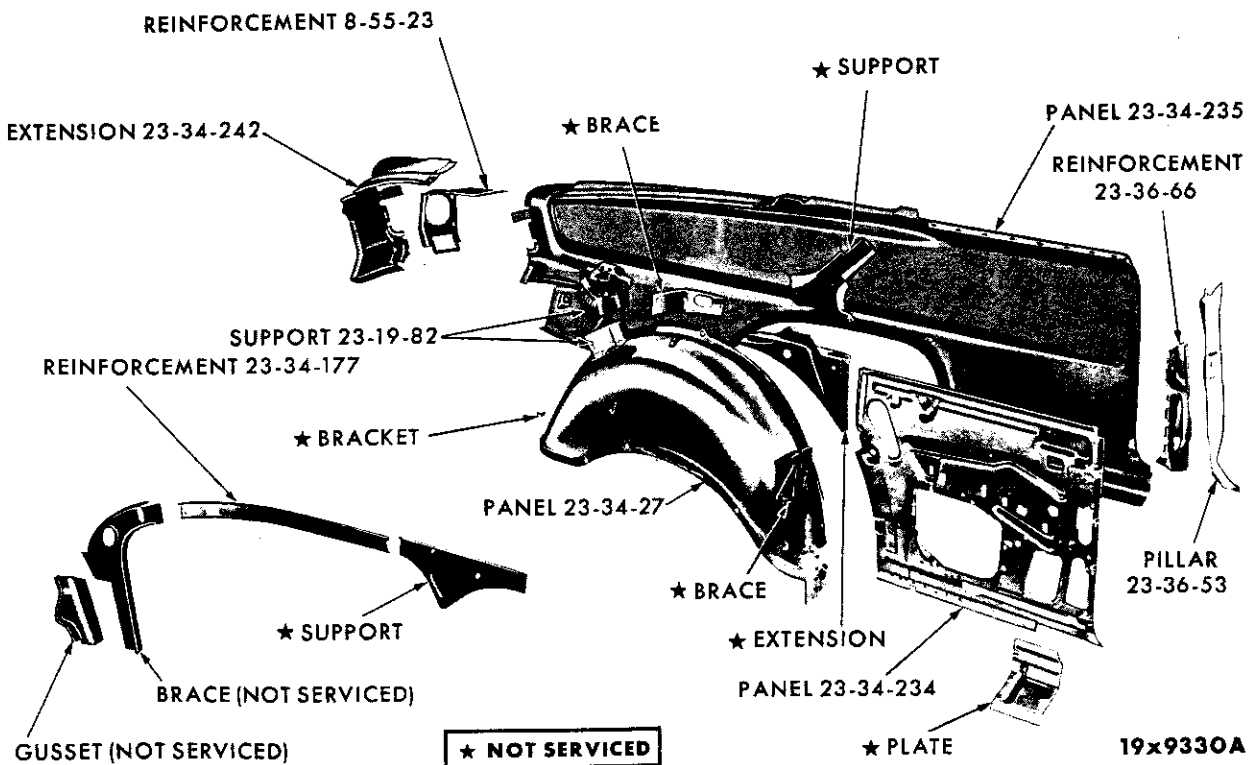
REAR QUARTER PANEL - DODGE TD1-2 CONVERTIBLE COUPE



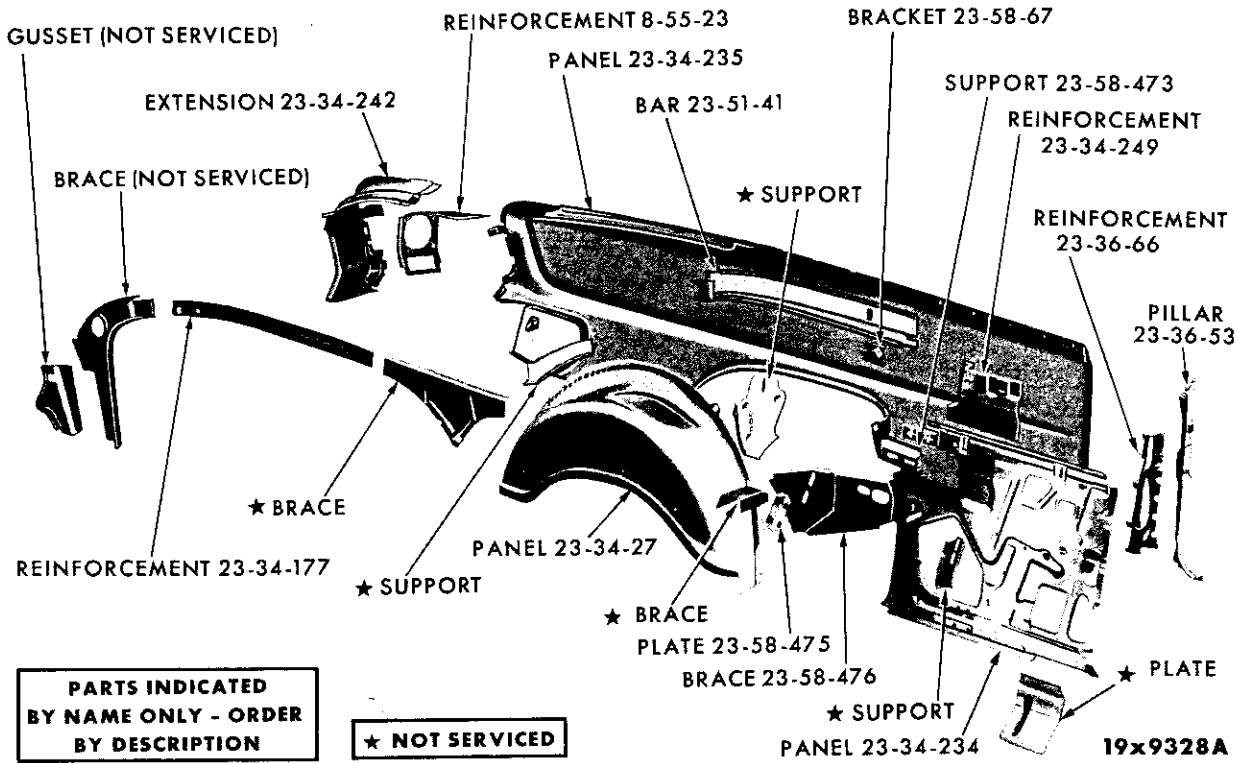
REAR QUARTER PANEL - DODGE TD1-2 4 DOOR SUBURBAN



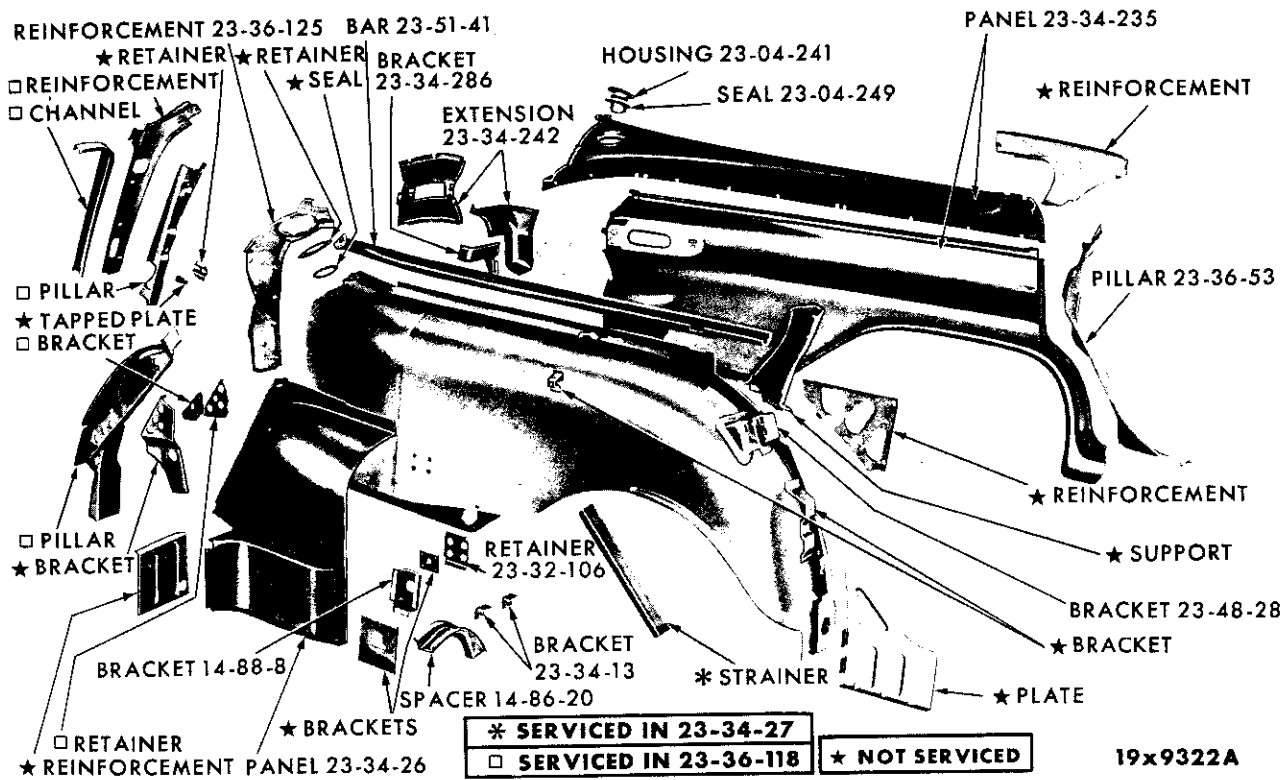
REAR QUARTER PANEL - DODGE TA3 4 DOOR SEDAN AND SPECIAL 4 DOOR SEDAN



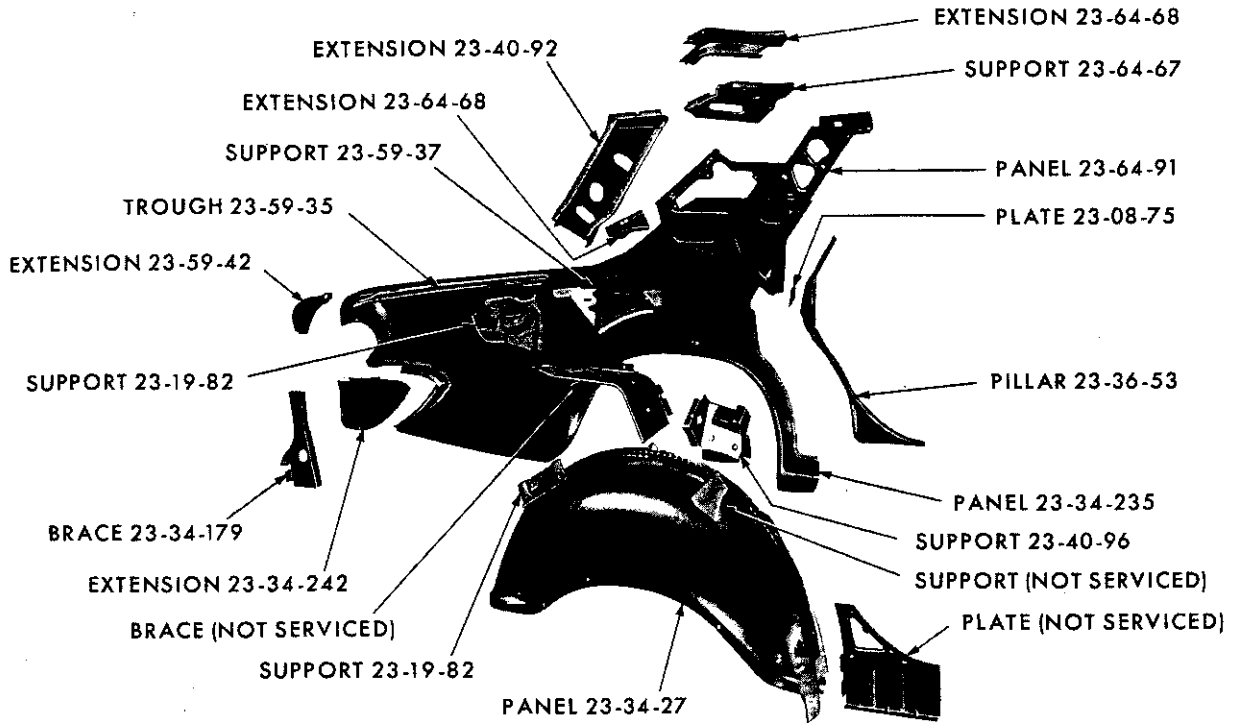
REAR QUARTER PANEL - DODGE TA3 SPECIAL CLUB COUPE



REAR QUARTER PANEL - DODGE TA3 CONVERTIBLE COUPE

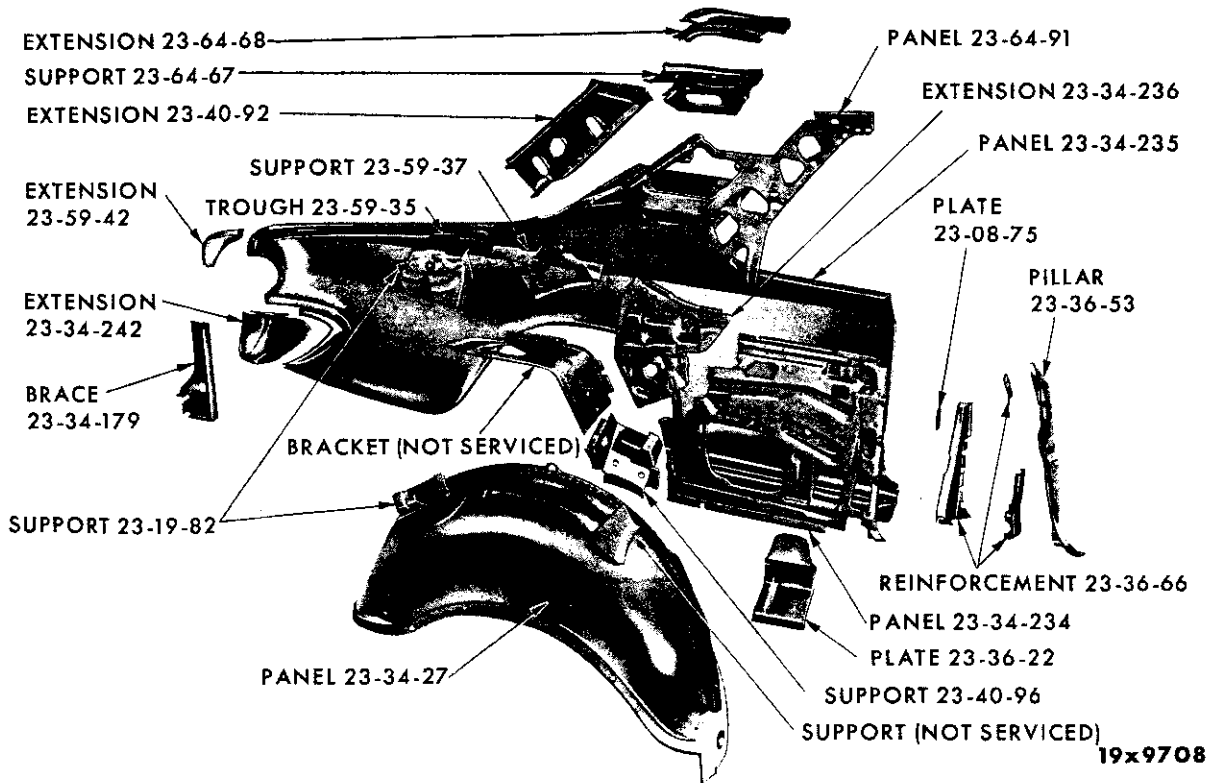


REAR QUARTER PANEL - DODGE TA3 SUBURBAN



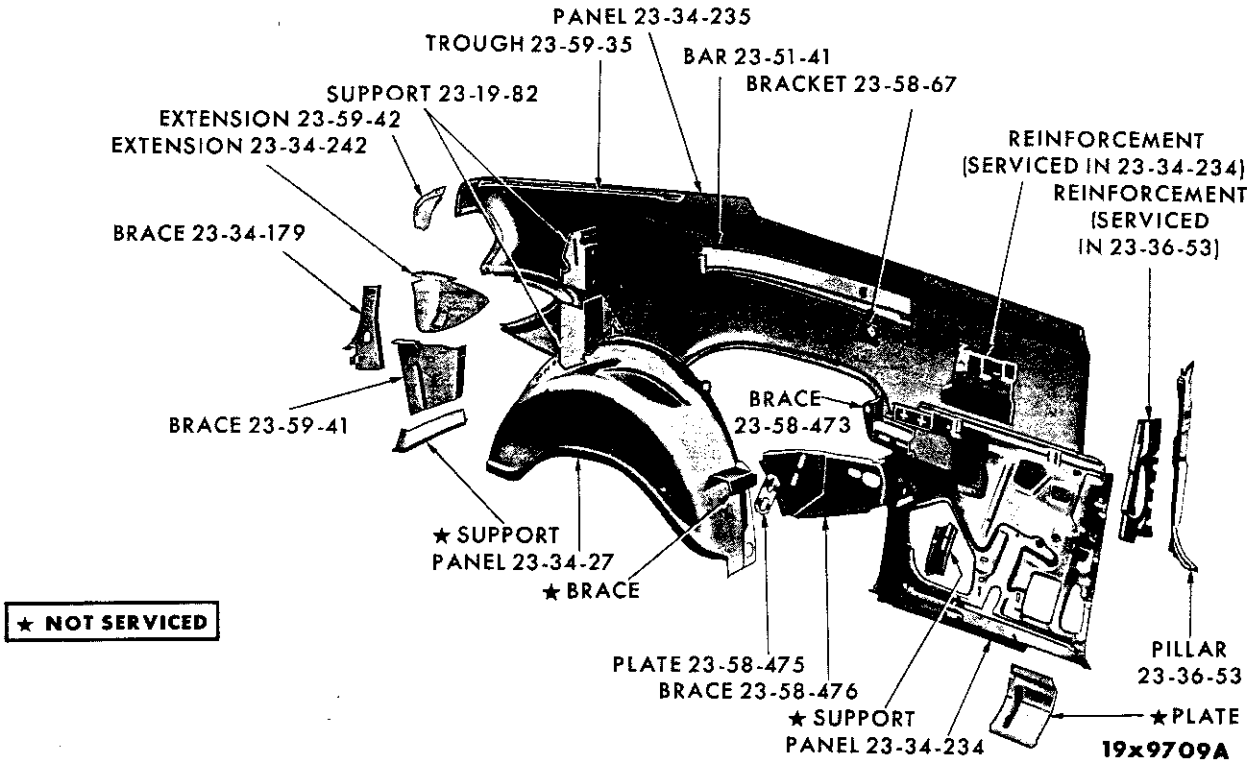
19x9707

REAR QUARTER PANEL - CHRYSLER TC1-2-3 4 DOOR SEDAN AND SPECIAL 4 DOOR SEDAN



19x9708

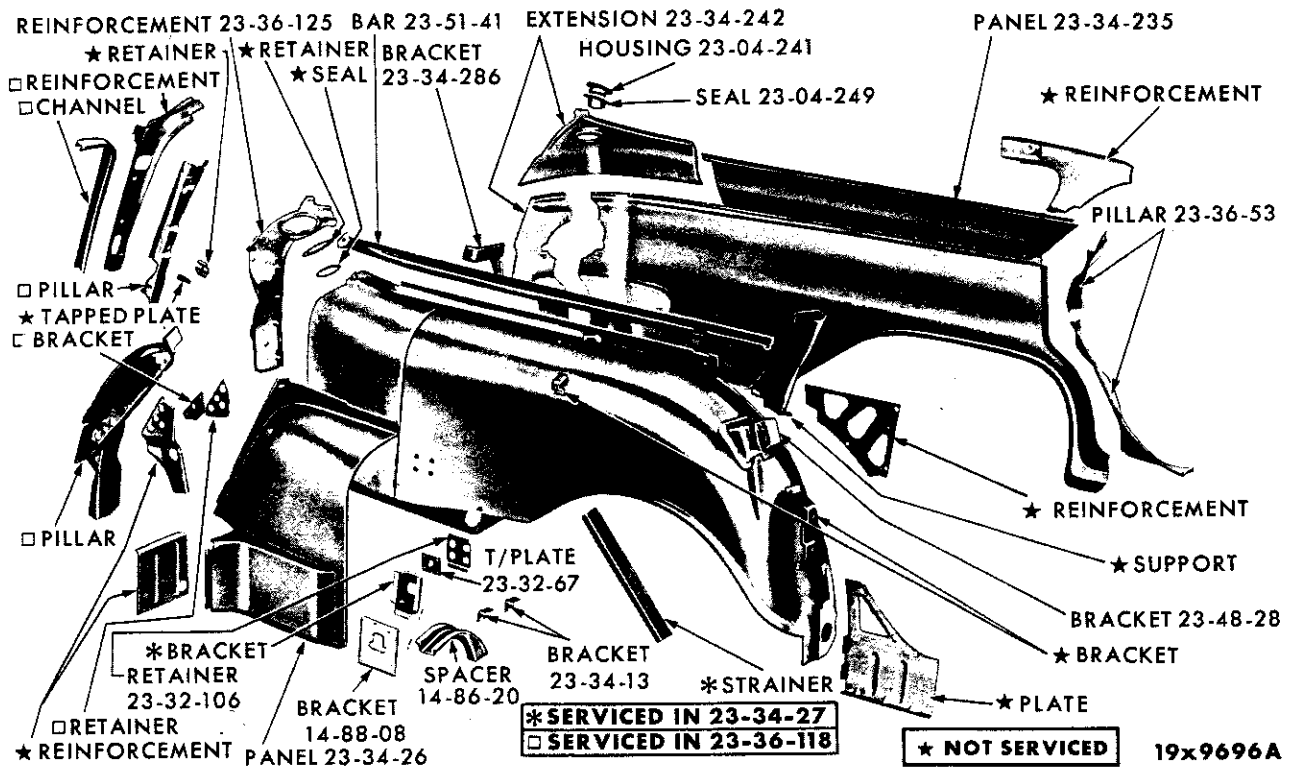
REAR QUARTER PANEL - CHRYSLER TC1-2-3 SPECIAL CLUB COUPE



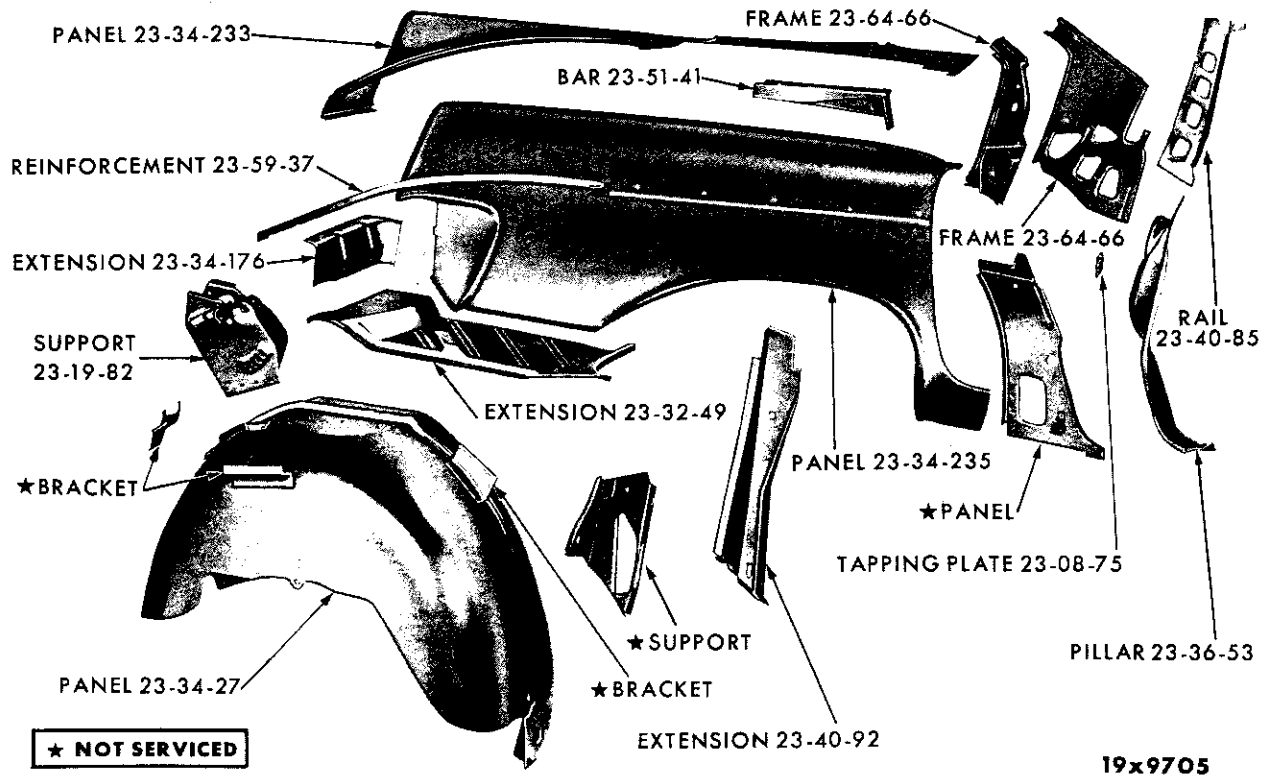
REAR QUARTER PANEL - CHRYSLER TC1-2-3 CONVERTIBLE COUPE

NOTES

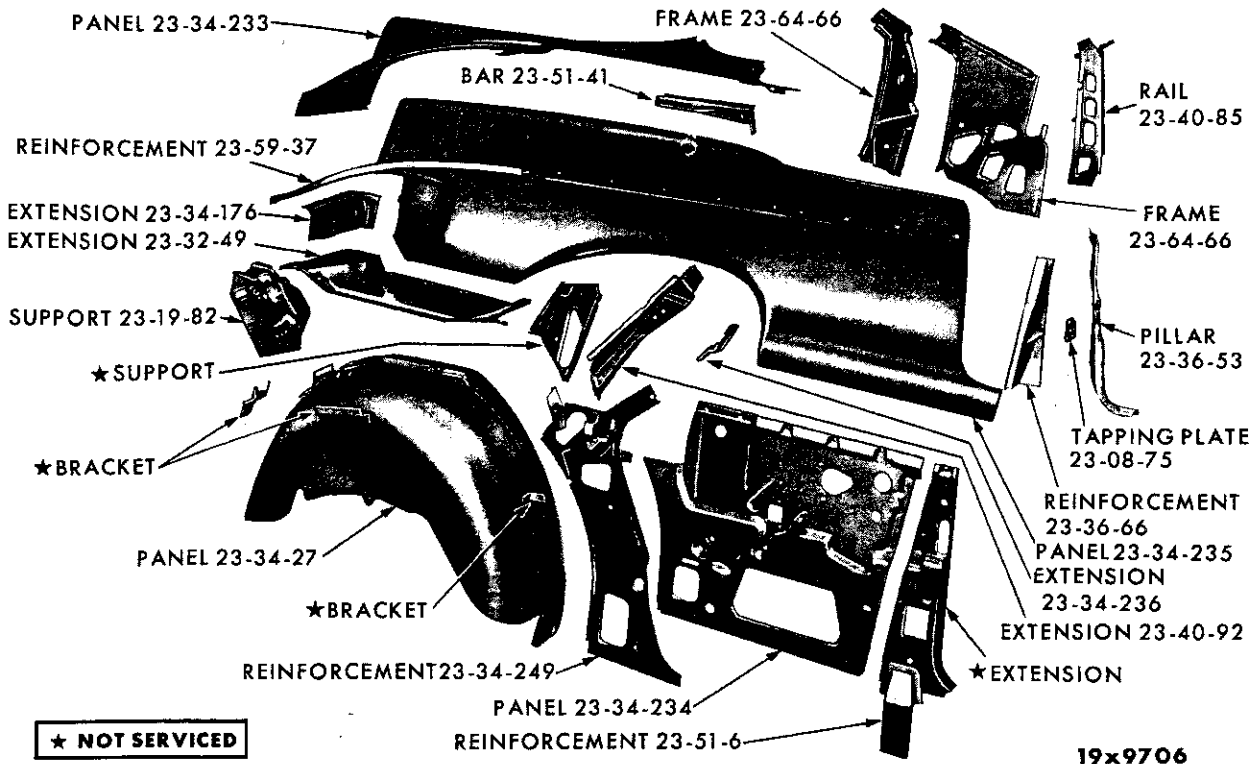
Blank lined area for notes.



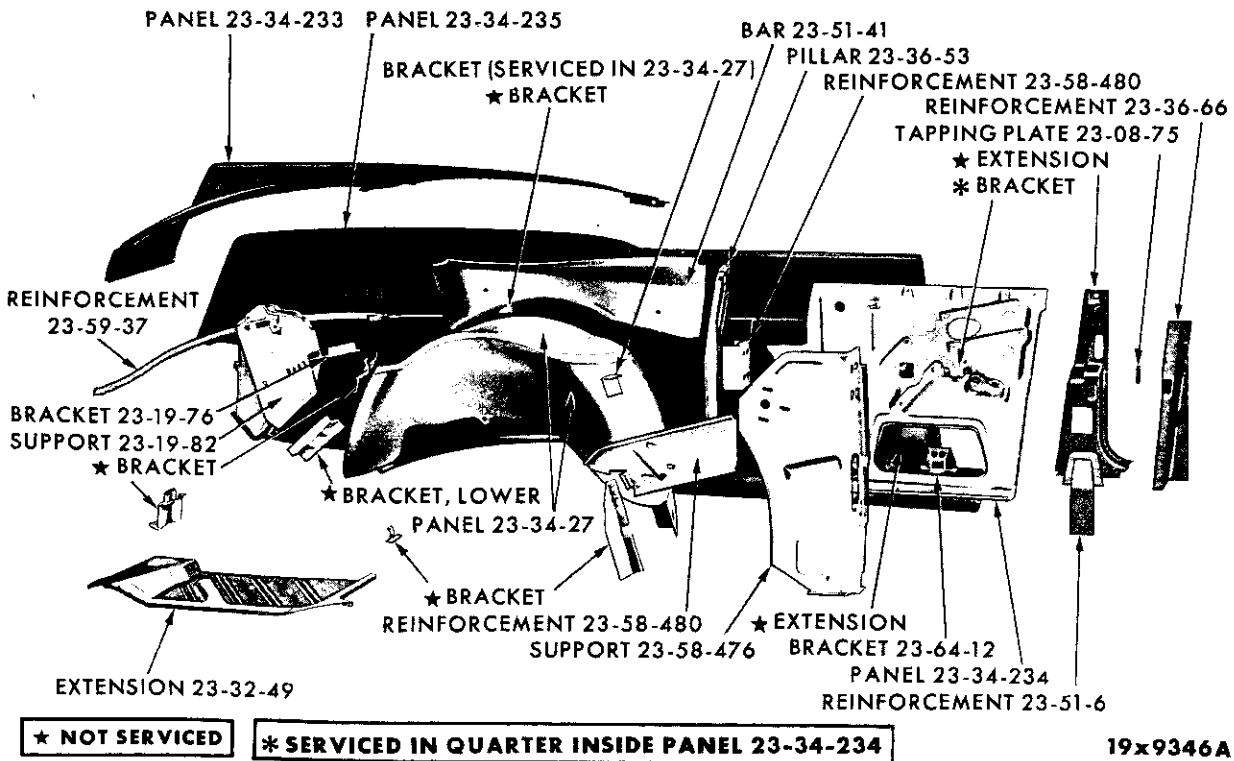
REAR QUARTER PANEL - CHRYSLER TC1-3 SPECIAL 4 DOOR SUBURBAN



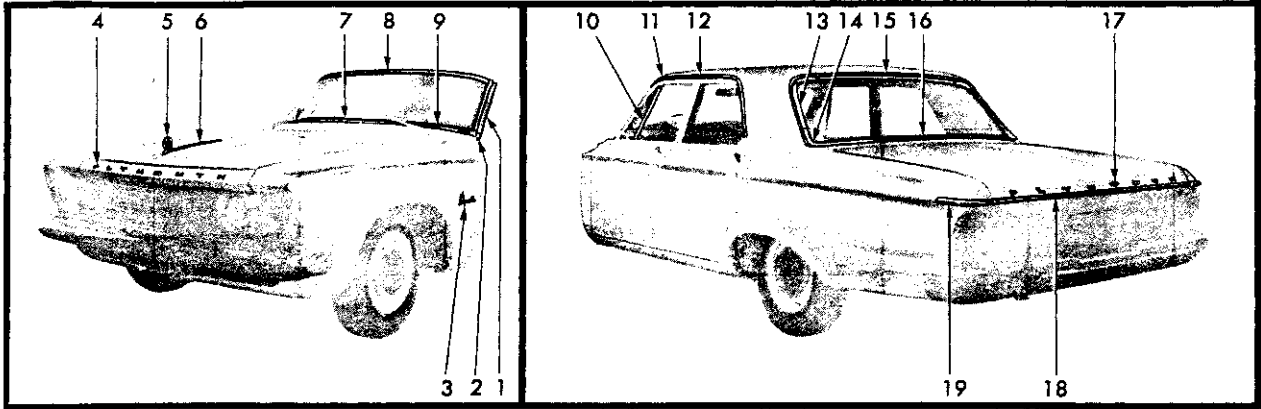
REAR QUARTER PANEL - IMPERIAL TY1 SPECIAL 4 DOOR SEDAN



REAR QUARTER PANEL - IMPERIAL TY1 SPECIAL CLUB COUPE



REAR QUARTER PANEL - IMPERIAL TY1 CONVERTIBLE COUPE



REF. NO.	QTY	PART NUMBER	DESCRIPTION
1	1	2166 966-7	MOULDING, Windshield Outside Finish Side (23-23-65)
2	1	2166 970-1	MOULDING, Windshield Outside Finish Lower End (23-23-65)
3	2	2417 375	NAME PLATE, Fender Side - Plymouth
	2	6001 254	Clip
	4	152 259	Nut
4	1	2417 367	LETTER, Hood Front Name, "P" (15-06-16)
	1	2417 368	"L"
	1	2417 369	"Y"
	1	2417 370	"M"
	1	2423 369	"O"
	1	2423 370	"U"
	1	2417 373	"T"
	1	2417 374	"H"
	16	9415 250	Nut
5	1	2276 334	ORNAMENT, Hood Top (15-03-18)
	1	6025 004	Nut
	1	6023 076	Stud
6	1	2421 232	MOULDING PACKAGE, Hood Top (15-25-2)
	5	9415 250	Nut
7	1	2254 524	COVER, Windshield Outside Finish Lower Moulding Joint (23-23-66)
8	1	2298 552	MOULDING PACKAGE, Windshield Outside Finish Upper (23-23-65)
	8	6000 966	Retainer
9	1	2298 571-2	MOULDING PACKAGE, Windshield Outside Finish Lower (23-23-65)
	10	6000 966	Retainer
10	4	2254 031	MOULDING, Front Door Vent Wing Division Channel (23-23-36)
11	1	2422 976-7	CAP, Roof Drain Trough Moulding Front End (23-59-61)

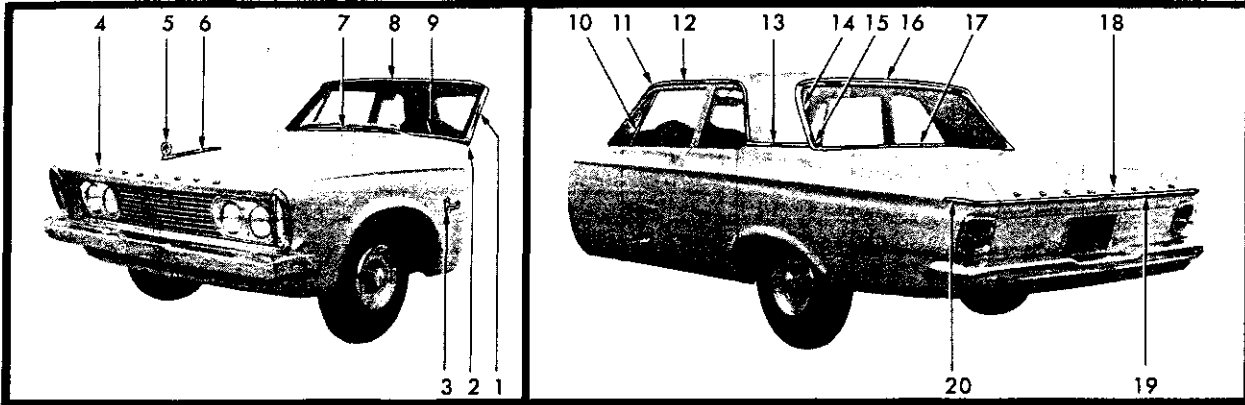
REF. NO.	QTY	PART NUMBER	DESCRIPTION
12	1	2423 596-7	MOULDING, Roof Drain Trough Side (23-59-61)
13	1	2424 558-9	MOULDING and SUPPORT, Rear Window Outside Side Upper (23-23-52)
	4	6023 693	Screw
14	1	2448 478-9	MOULDING PACKAGE, Rear Window Outside Side Lower (23-23-52)
	2	6023 693	Screw
	2	----	Seal
	2	116 000	Nut
15	1	2424 557	MOULDING and SUPPORT, Rear Window Outside Upper (23-23-52)
	15	6023 693	Screw
16	1	2244 751	MOULDING, Rear Window Outside Lower (23-23-52)
	5	6024 117	Screw
17	1	2417 367	"P" Deck Lid Name Letter (23-19-114)
	1	2417 368	"L"
	1	2417 369	"Y"
	1	2417 370	"M"
	1	2423 369	"O"
	1	2423 370	"U"
	1	2417 373	"T"
	1	2417 374	"H"
	16	152 259	Nut
18	1	2448 179	MOULDING PACKAGE, Deck Lid (23-23-30)
	2	6001 433	Retainer
	1	2424 098-9	Spacer
	2	441 256	Nut
	6	6001 439	Retainer
	6	6006 264	Nut
19	1	2448 184-5	MOULDING PACKAGE, Quarter Panel (23-23-39)
	6	6001 112	Clip
	6	----	Nut

All Packages Include Attaching Parts

Part Type Code is Indicated in Parentheses

19x9609A

MOULDINGS - PLYMOUTH SAVOY TP1(L) 4 DOOR SEDAN



REF. NO.	QTY	PART NUMBER	DESCRIPTION
1	1	2166 966-7	MOULDING, Windshield Outside Finish Side (23-23-65)
2	1	2166 970-1	MOULDING, Windshield Outside Finish Lower End (23-23-65)
3	2	2417 375	NAME PLATE, Fender Side, Plymouth (12-15-21)
	2	6001 254	Clip
	4	152 259	Nut
4	1	2417 367	LETTER, Hood Front Name, "P" (15-06-16)
	1	2417 368	"L"
	1	2417 369	"Y"
	1	2417 370	"M"
	1	2423 369	"O"
	1	2423 370	"U"
	1	2417 373	"T"
	1	2417 374	"H"
16	1	9415 250	Nut
5	1	2276 334	ORNAMENT, Hood Top (15-03-18)
	1	6025 004	Nut
	1	6023 076	Stud
6	1	2421 232	MOULDING PACKAGE, Hood Top (15-25-2)
	5	9415 250	Nut
7	1	2254 524	COVER, Windshield Outside Finish Lower Moulding Joint (23-23-66)
8	1	2298 552	MOULDING PACKAGE, Windshield Outside Finish Upper (23-23-65)
	8	6000 966	Retainer
9	1	2298 571-2	MOULDING PACKAGE, Windshield Outside Finish Lower (23-23-65)
	10	6000 966	Retainer
10	4	2254 031	MOULDING, Door Vent Wing Division Channel (23-23-36)
11	1	2422 976-7	CAP, Roof Drain Trough Moulding Front End (23-59-57)
12	1	2423 596-7	MOULDING, Roof Drain Trough Side (23-59-61)

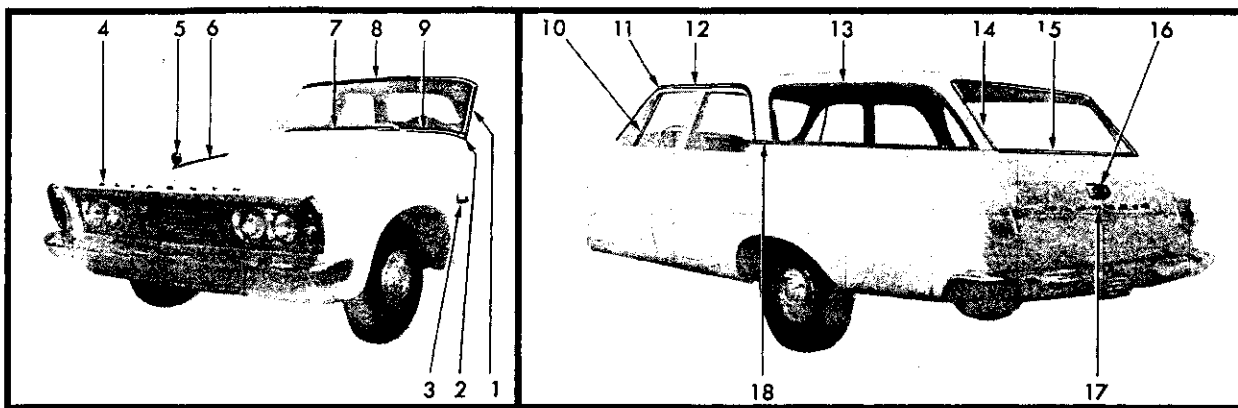
REF. NO.	QTY	PART NUMBER	DESCRIPTION
13	1	2448 150-1	MOULDING PACKAGE, Quarter Panel Belt (23-23-39)
	6	6001 030	Retainer
	6	152 259	Nut
14	1	2424 558-9	MOULDING and SUPPORT, Rear Window Outside Side Upper (23-23-52)
	4	6023 693	Screw
15	1	2448 478-9	MOULDING PACKAGE, Rear Window Outside Side Lower (23-23-52)
	2	6023 693	Screw
	2	----	Seal
	2	116 000	Nut
16	1	2424 557	MOULDING and SUPPORT, Rear Window Outside Upper (23-23-52)
	15	6023 693	Screw
17	1	2244 751	MOULDING, Rear Window Outside Lower (23-23-52)
	5	6024 117	Screw
18	1	2417 367	"P", Deck Lid Name Letter (23-19-114)
	1	2417 368	"L"
	1	2417 369	"Y"
	1	2417 370	"M"
	1	2423 369	"O"
	1	2423 370	"U"
	1	2417 373	"T"
	1	2417 374	"H"
	16	152 259	Nut
19	1	2448 179	MOULDING PACKAGE, Deck Lid (23-23-30)
	2	6001 433	Retainer
	1	2424 098-9	Spacer
	2	441 256	Nut
	6	6001 439	Retainer
	6	6006 264	Nut
20	1	2448 184-5	MOULDING PACKAGE, Quarter Panel (23-23-39)
	6	6001 112	Clip
	6	----	Nut

All Packages Include Attaching Parts

Part Type Code is Indicated in Parentheses

19x9617A

MOULDINGS - PLYMOUTH SAVOY TP1(L) 2 DOOR SEDAN



REF. NO.	QTY	PART NUMBER	DESCRIPTION
1	1	2166 966-7	MOULDING, Windshield Outside Finish Side (23-23-65)
2	1	2166 970-1	MOULDING, Windshield Outside Finish Lower End (23-23-65)
3	2	2417 375	NAME PLATE, Fender Side, Plymouth (12-15-21)
	2	6001 254	Clip
	4	152 259	Nut
4	1	2417 367	LETTER, Hood Front Name, "P" (15-06-16)
	1	2417 368	"L"
	1	2417 369	"Y"
	1	2417 370	"M"
	1	2423 369	"O"
	1	2423 370	"U"
	1	2417 373	"T"
	1	2417 374	"H"
	16	9415 250	Nut
5	1	2276 334	ORNAMENT, Hood Top (15-03-18)
	1	6025 004	Nut
	1	6023 076	Stud
6	1	2421 232	MOULDING PACKAGE, Hood Top (15-25-2)
	5	9415 250	Nut
7	1	2254 524	COVER, Windshield Outside Finish Lower Moulding Joint (23-23-66)
8	1	2298 552	MOULDING PACKAGE, Windshield Outside Finish Upper (23-23-65)
	8	6000 966	Retainer
9	1	2298 571-2	MOULDING PACKAGE, Windshield Outside Finish Lower (23-23-65)
	10	6000 966	Retainer

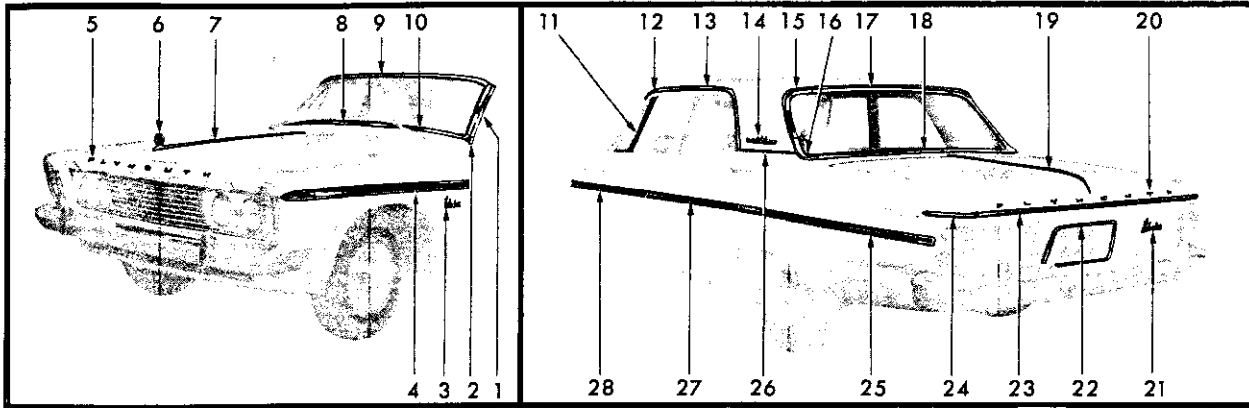
REF. NO.	QTY	PART NUMBER	DESCRIPTION
10	4	2254 031	MOULDING, Door Vent Wing Division Channel (23-23-36)
11	1	2422 976-7	CAP, Roof Drain Trough Moulding Front End (23-59-57)
12	1	2423 596-7	MOULDING, Roof Drain Trough Side (23-59-61)
13	2	2255 027	LOCKINGSTRIP, Quarter Window Glass Weatherstrip Rubber (23-63-110)
14	1	2251 802-3	MOULDING, Rear Upper Pillar Outside (23-23-60)
	8	9417 732	Screw
15	1	2448 488	MOULDING PACKAGE, Tailgate Outside Panel Belt (23-23-61)
	6	6001 435	Clip
	6	-----	Screw
16	1	2428 221	BASE, w/Stud, Electric Tailgate Window Regulator Outside (23-54-18)
	2	6025 004	Nut, w/Washer
17	1	2417 367	LETTER, Tailgate Outside "P"
	1	2417 368	"L"
	1	2417 369	"Y"
	1	2417 370	"M"
	1	2423 369	"O"
	1	2423 370	"U"
	1	2417 373	"T"
	1	2417 374	"H"
	16	6001 254	Clip
18	1	2299 374	MOULDING PACKAGE, Quarter Panel Belt, Right (23-23-39)
	1	2299 399	MOULDING PACKAGE, Quarter Panel Belt, Left
	4	6001 031	Clip

All Packages Include Attaching Parts

Part Type Code is Indicated in Parentheses

19x9643A

MOULDINGS - PLYMOUTH SAVOY TP2(L) SUBURBAN



REF. NO.	QTY	PART NUMBER	DESCRIPTION
1	1	2166 966-7	MOULDING, Windshield Outside Finish Side (23-23-65)
2	1	2166 970-1	MOULDING, Windshield Outside Finish Lower End (23-23-65)
3	2	2422 891	NAME PLATE, Fender Side, Belvedere (12-15-21)
	2	6001 254	Clip
	4	152 259	Nut
4	1	2421 983-4	MOULDING PACKAGE, Fender Side Front and Rear (12-15-2)
	8	6010 046	Clip
	8	-----	Nut
	14	6001 111	Retainer
5	1	2417 367	LETTER, Hood Front Name, "P" (15-06-16)
	1	2417 368	"L"
	1	2417 369	"Y"
	1	2417 370	"M"
	1	2423 369	"O"
	1	2423 370	"U"
	1	2417 373	"T"
	1	2417 374	"H"
	16	9415 250	Nut
6	1	2276 334	ORNAMENT, Hood Top (15-03-18)
	1	6025 004	Nut
	1	6023 076	Stud
7	1	2421 233	MOULDING PACKAGE, Hood Top (15-25-2)
	5	9415 250	Nut
8	1	2254 524	COVER, Windshield Outside Finish Lower Moulding Joint (23-23-66)
9	1	2298 552	MOULDING PACKAGE, Windshield Outside Finish Upper (23-23-65)
	8	6000 966	Retainer
10	1	2298 571-2	MOULDING PACKAGE, Windshield Outside Finish Lower (23-23-65)
	10	6000 966	Retainer
11	4	2254 031	MOULDING, Front Door Vent Wing Division Channel (23-23-36)
12	1	2422 976-7	CAP, Roof Drain Trough Moulding Front End (23-59-57)
13	1	2423 596-7	MOULDING, Roof Drain Trough Side (23-59-61)
14	2	2423 735	ORNAMENT, Quarter Outside Panel (23-34-334)
	6	6022 077	Washer
	6	6006 264	Nut
15	1	2424 558-9	MOULDING and SUPPORT, Rear Window Outside Upper (23-23-52)
	4	6023 693	Screw
16	1	2448 478-9	MOULDING PACKAGE, Rear Window Outside Side Lower (23-23-52)
	2	6023 693	Screw
	2	-----	Seal
	2	116 000	Nut
17	1	2424 557	MOULDING and SUPPORT, Rear Window Outside Upper (23-23-52)
	15	6023 693	Screw

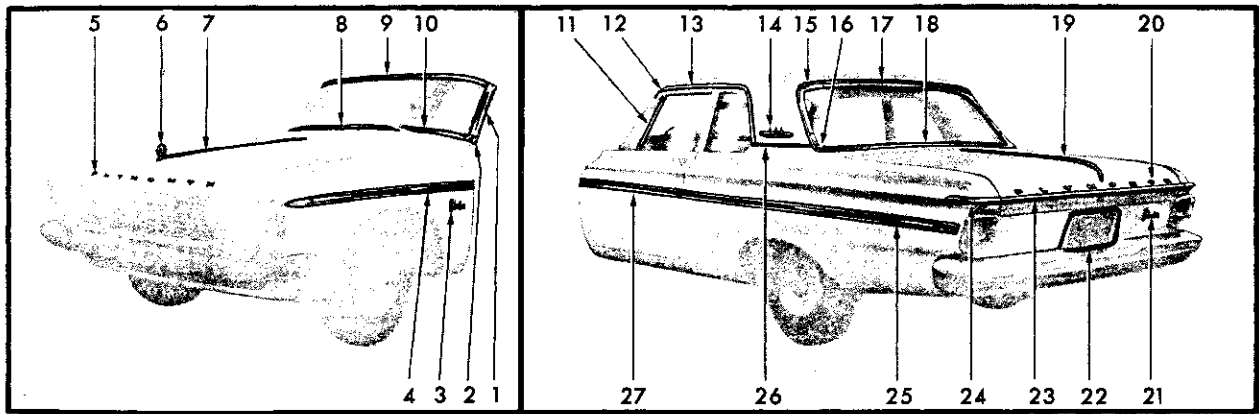
REF. NO.	QTY	PART NUMBER	DESCRIPTION
18	1	2244 751	MOULDING, Rear Window Outside Lower (23-23-52)
	5	6024 117	Screw
19	1	2448 180	MOULDING PACKAGE, Deck Lid Upper (23-23-30)
	6	6001 098	Retainer
	6	1839 995	Nut
20	1	2417 367	"P" Deck Lid Name Letter (23-19-114)
	1	2417 368	"L"
	1	2417 369	"Y"
	1	2417 370	"M"
	1	2423 369	"O"
	1	2423 370	"U"
	1	2417 371	"T"
	1	2417 374	"H"
	16	152 259	Nut
21	1	2422 891	NAME PLATE, Deck Opening Lower Panel Belvedere (23-34-184)
	3	6023 260	Nut and Seal
22	1	2448 178	MOULDING PACKAGE, Deck Lower Panel License Depression (23-23-23)
	3	6000 050	Clip
	4	1839 995	Nut
23	1	2448 179	MOULDING PACKAGE, Deck Lid Lower (23-23-30)
	2	6001 433	Retainer
	1	2424 098-9	Spacer
	2	441 256	Nut
	6	6001 439	Retainer
	6	6006 264	Nut
24	1	2448 184-5	MOULDING PACKAGE, Quarter Panel Upper Rear (23-23-39)
	6	6001 112	Clip
	6	-----	Nut
25	1	2448 156-7	MOULDING PACKAGE, Quarter Panel Lower (23-23-39)
	14	6001 111	Retainer
	2	6022 007	Washer
	2	6010 046	Clip
	2	116 000	Nut
	2	6023 241	Screw
26	1	2448 150-1	MOULDING PACKAGE, Quarter Panel Belt (23-23-39)
	6	6001 030	Retainer
	6	152 259	Nut
27	1	2448 190-1	MOULDING PACKAGE, Rear Door (23-23-33)
	2	6023 241	Screw
	10	6001 111	Retainer
28	1	2448 188-9	MOULDING PACKAGE, Front Door (23-23-32)
	4	6001 113	Retainer
	4	441 256	Nut
	10	6001 111	Retainer

All Packages Include Attaching Parts

Part Type Code is Indicated in Parentheses

19x9613A

MOULDINGS - PLYMOUTH BELVEDERE TP1(M) 4 DOOR SEDAN



REF. NO.	QTY	PART NUMBER	DESCRIPTION
1	1	2166 966-7	MOULDING, Windshield Outside Finish Side (23-23-65)
2	1	2166 970-1	MOULDING, Windshield Outside Finish Lower End (23-23-65)
3	2	2422 891	NAME PLATE, Fender Side, Belvedere (12-15-21)
	2	6001 254	Clip
	4	152 259	Nut
4	1	2421 983-4	MOULDING PACKAGE, Fender Side (12-15-2)
	14	6001 111	Retainer
	8	6010 046	Clip
	8	-----	Nut
5	1	2417 367	LETTER, Hood Front Name, "P" (15-06-16)
	1	2417 368	"L"
	1	2417 369	"Y"
	1	2417 370	"M"
	1	2423 369	"O"
	1	2423 370	"U"
	1	2417 373	"T"
	1	2417 374	"H"
	16	9415 250	Nut
6	1	2276 334	ORNAMENT, Hood Top (15-03-18)
	1	6025 004	Nut
	1	6023 076	Stud
7	1	2421 233	MOULDING PACKAGE, Hood Top (15-25-2)
	5	9415 250	Nut
8	1	2254 524	COVER, Windshield Outside Finish Lower Moulding Joint (23-23-66)
9	1	2298 552	MOULDING PACKAGE, Windshield Outside Finish Upper (23-23-65)
	8	6000 966	Retainer
10	1	2298 571-2	MOULDING PACKAGE, Windshield Outside Finish Lower (23-23-65)
	10	6000 966	Retainer
11	4	2254 031	MOULDING, Door Vent Wing Division Channel (23-23-36)
12	1	2422 976-7	CAP, Roof Drain Trough Moulding Front End (23-59-57)
13	1	2423 596-7	MOULDING, Roof Drain Trough Side (23-59-61)
14	2	2423 735	ORNAMENT, Quarter Outside Panel (23-34-334)
	6	6022 077	Washer
	6	6006 264	Nut
15	1	2424 558-9	MOULDING and SUPPORT, Rear Window Outside Side Upper (23-23-52)
	4	6023 693	Screw
16	1	2448 478-9	MOULDING PACKAGE, Rear Window Outside Side Lower (23-23-52)
	2	6023 693	Screw
	2	-----	Seal
	2	116 000	Nut

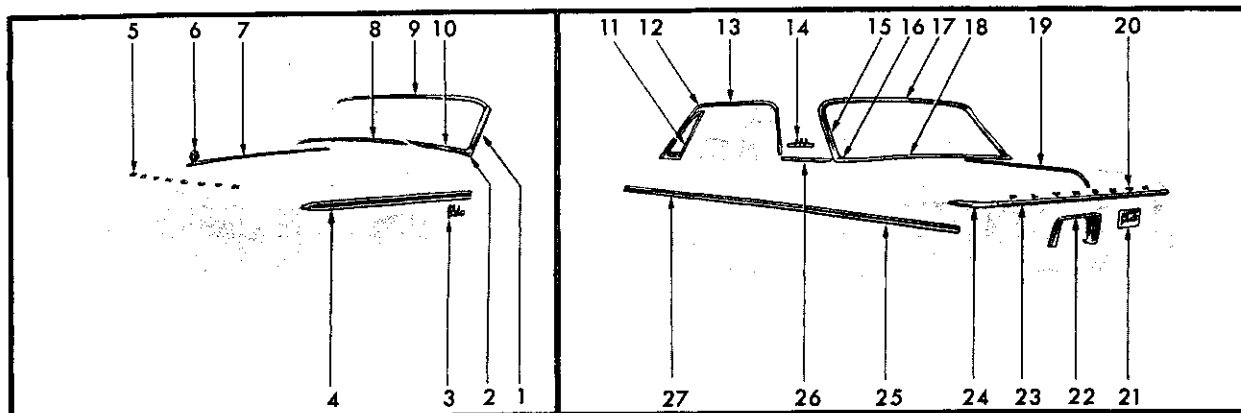
REF. NO.	QTY	PART NUMBER	DESCRIPTION
17	1	2424 557	MOULDING and SUPPORT, Rear Window Outside Upper (23-23-52)
	15	6023 693	Screw
18	1	2244 751	MOULDING, Rear Window Outside Lower (23-23-52)
	5	6024 117	Screw
19	1	2448 180	MOULDING PACKAGE, Deck Lid Upper (23-23-30)
	6	6001 098	Retainer
	6	1839 995	Nut
20	1	2417 367	"P", Deck Lid Name Letter (23-19-114)
	1	2417 368	"L"
	1	2417 369	"Y"
	1	2417 370	"M"
	1	2423 369	"O"
	1	2423 370	"U"
	1	2417 373	"T"
	1	2417 374	"H"
	16	152 259	Nut
21	1	2422 891	NAME PLATE, Deck Opening Lower Panel Belvedere (23-34-184)
	3	6023 260	Nut and Seal
22	1	2448 178	MOULDING PACKAGE, Deck Lower Panel License Depression (23-22-23)
	3	6000 050	Clip
	4	1839 995	Nut
23	1	2448 179	MOULDING PACKAGE, Deck Lid Lower (23-23-30)
	2	6001 433	Retainer
	1	2424 098-9	Spacer
	2	441 256	Nut
	6	6001 439	Retainer
	6	6006 264	Nut
24	1	2448 184-5	MOULDING PACKAGE, Quarter Panel Upper Rear (23-23-39)
	6	6001 112	Clip
	6	-----	Nut
25	1	2448 154-5	MOULDING PACKAGE, Quarter Panel Lower (23-23-39)
	2	6010 046	Clip
	2	6022 007	Washer
	2	116 000	Nut
	22	6001 111	Retainer
26	1	2448 150-1	MOULDING PACKAGE, Quarter Panel Belt (23-23-39)
	6	6001 030	Retainer
	6	152 259	Nut
27	1	2448 186-7	MOULDING PACKAGE, Door (23-23-32)
	4	6001 113	Retainer
	4	441 256	Nut
	12	6001 111	Retainer

All Packages include Attaching Parts

Part Type Code is Indicated in Parentheses

19x9639B

MOULDINGS - PLYMOUTH BELVEDERE TP1-2(M) 2 DOOR SEDAN



REF. NO.	QTY	PART NUMBER	DESCRIPTION
1	1	2166 966-7	MOULDING, Windshield Outside Finish Side (23-23-65)
2	1	2166 970-1	MOULDING, Windshield Outside Finish Lower End (23-23-65)
3	2	2422 891	NAME PLATE, Fender Side, Belvedere (12-15-21)
	2	6001 254	Clip
	4	152 259	Nut
4	1	2421 983-4	MOULDING PACKAGE, Fender Side (12-15-2)
	14	6001 111	Retainer
	8	6010 046	Clip
	8	-----	Nut
5	1	2417 367	LETTER, Hood Front Name, "P" (15-06-16)
	1	2417 368	"L"
	1	2417 369	"Y"
	1	2417 370	"M"
	1	2423 369	"O"
	1	2423 370	"U"
	1	2417 373	"T"
	1	2417 374	"H"
	16	9415 250	Nut
6	1	2276 334	ORNAMENT, Hood Top (15-03-18)
	1	6025 004	Nut
	1	6023 076	Stud
7	1	2421 233	MOULDING PACKAGE, Hood Top (15-25-2)
	5	9415 250	Nut
8	1	2254 524	COVER, Windshield Outside Finish Lower Maulding Joint (23-23-66)
9	1	2298 552	MOULDING PACKAGE, Windshield Outside Finish Upper (23-23-65)
	8	6000 966	Retainer
10	1	2298 571-2	MOULDING PACKAGE, Windshield Outside Finish Lower (23-23-65)
	10	6000 966	Retainer
11	4	2254 031	MOULDING, Door Vent Wing Division Channel (23-23-36)
12	1	2422 976-7	CAP, Roof Drain Trough Moulding Front End (23-59-57)
13	1	2423 596-7	MOULDING, Roof Drain Trough Side (23-59-61)
14	2	2423 735	ORNAMENT, Quarter Outside Panel (23-34-334)
	6	6022 077	Washer
	6	6006 264	Nut
15	1	2424 558-9	MOULDING and SUPPORT, Rear Window Outside Upper (23-23-52)
	4	6023 693	Screw
16	1	2448 478-9	MOULDING PACKAGE, Rear Window Outside Side Lower (23-23-52)
	2	6023 693	Screw
	2	-----	Seal
	2	116 000	Nut

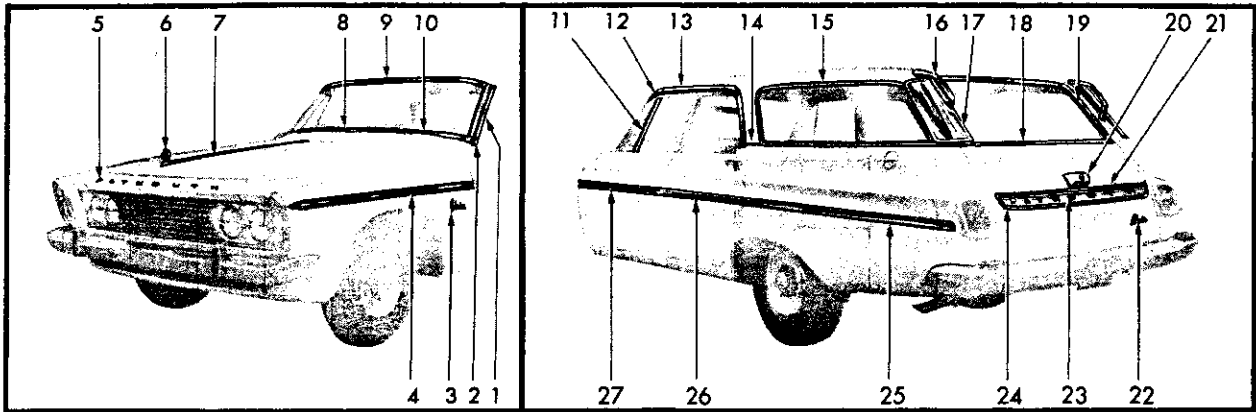
REF. NO.	QTY	PART NUMBER	DESCRIPTION
17	1	2424 557	MOULDING and SUPPORT, Rear Window Outside Upper (23-23-52)
	15	6023 693	Screw
18	1	2244 751	MOULDING, Rear Window Outside Lower (23-23-52)
	5	6024 117	Screw
19	1	2448 180	MOULDING PACKAGE, Deck Lid Upper (23-23-30)
	6	6001 098	Retainer
	6	1839 995	Nut
20	1	2417 367	"P", Deck Lid Name Letter (23-19-114)
	1	2417 368	"L"
	1	2417 369	"Y"
	1	2417 370	"M"
	1	2423 369	"O"
	1	2423 370	"U"
	1	2417 373	"T"
	1	2417 374	"H"
	16	152 259	Nut
21	1	2422 891	NAME PLATE, Deck Opening Lower Panel Belvedere (23-34-184)
	3	6023 260	Nut and Seal
22	1	2448 178	MOULDING PACKAGE, Deck Lower Panel License Depression (23-23-23)
	3	6000 050	Clip
	4	1839 995	Nut
23	1	2448 179	MOULDING PACKAGE, Deck Lid Lower (23-23-30)
	2	6001 433	Retainer
	1	2424 098-9	Spacer
	2	441 256	Nut
	6	6001 439	Retainer
	6	6006 264	Nut
24	1	2448 184-5	MOULDING PACKAGE, Quarter Panel Upper Rear (23-23-39)
	6	6001 112	Clip
	6	-----	Nut
25	1	2448 154-5	MOULDING PACKAGE, Quarter Panel Lower (23-23-39)
	2	6001 111	Retainer
	2	6010 046	Clip
	2	6022 007	Washer
	2	116 000	Nut
26	1	2448 150-1	MOULDING PACKAGE, Quarter Panel Belt (23-23-39)
	6	6001 030	Retainer
	6	152 259	Nut
27	1	2448 186-7	MOULDING PACKAGE, Door (23-23-32)
	4	6001 113	Retainer
	4	441 256	Nut
	12	6001 111	Retainer

All Packages Include Attaching Parts

Part Type Code is Indicated in Parentheses

19x9632B

MOULDINGS - PLYMOUTH BELVEDERE TP1-2(M) SPECIAL CLUB COUPE



REF. NO.	QTY	PART NUMBER	DESCRIPTION
1	1	2166 966-7	MOULDING, Windshield Outside Finish Side (23-23-65)
2	1	2166 970-1	MOULDING, Windshield Outside Finish Lower End (23-23-65)
3	2	2422 891	NAME PLATE, Fender Side, Belvedere (12-15-21)
	2	6001 254	Clip
	4	152 259	Nut
4	1	2421 983-4	MOULDING PACKAGE, Fender Side (12-15-2)
	14	6001 111	Retainer
	8	6010 046	Clip
	8	----	Nut
5	1	2417 367	LETTER, Hood Front Name, "P" (15-06-16)
	1	2417 368	"L"
	1	2417 369	"Y"
	1	2417 370	"M"
	1	2423 369	"O"
	1	2423 370	"U"
	1	2417 373	"T"
	1	2417 374	"H"
16	1	9415 250	Nut
6	1	2276 334	ORNAMENT, Hood Top (15-03-18)
	1	6025 004	Nut
	1	6023 076	Stud
7	1	2421 233	MOULDING PACKAGE, Hood Top (15-25-2)
	5	9415 250	Nut
8	1	2254 524	COVER, Windshield Outside Finish Lower Moulding Joint (23-23-66)
9	1	2298 552	MOULDING PACKAGE, Windshield Outside Finish Upper (23-23-65)
	8	6000 966	Retainer
10	1	2298 571-2	MOULDING PACKAGE, Windshield Outside Finish Lower (23-23-65)
	10	6000 966	Retainer
11	4	2254 031	MOULDING, Door Vent Wing Division Channel (23-23-36)
12	1	2422 976-7	CAP, Roof Drain Trough Moulding Front End (23-59-57)
13	1	2423 596-7	MOULDING, Roof Drain Trough Side (23-59-61)
14	1	2299 374	MOULDING PACKAGE, Quarter Panel Belt, Right (23-23-39)
	1	2299 399	Moulding Package, Quarter Panel Belt, Left
	4	6001 031	Clip
15	2	2422 471	LOCKINGSTRIP, Quarter Window Glass Weatherstrip Mylar (23-63-110)

REF. NO.	QTY	PART NUMBER	DESCRIPTION
16	1	2424 096-7	HANDLE, Roof Panel Rear Pillar Outside Assist (23-36-123)
	4	6023 204	Nut and Washer
	1	2424 984-5	Seal
17	1	2252 254-5	DEFLECTOR, Roof Panel Outside Air (23-36-134)
	2	167 079	Screw
	4	9418 381	Screw
18	1	2448 488	MOULDING PACKAGE, Tailgate Outside Panel Belt (23-23-61)
	6	6001 435	Clip
	6	----	Screw
19	1	2251 802-3	MOULDING, Rear Upper Pillar Outside (23-23-60)
	8	9417 732	Screw
20	1	2428 221	BASE, w/Stud, Tailgate Electric Window Regulator Outside (23-54-18)
	2	6025 004	Nut, w/Washer
21	1	2448 400	MOULDING PACKAGE, Tailgate Outside Panel (23-23-61)
	7	6001 047	Retainer
22	1	2422 891	NAME PLATE, Tailgate Outside "Belvedere" (23-54-11)
23	1	2417 367	LETTER, Tailgate Outside Panel "P" (23-54-11)
	1	2417 368	"L"
	1	2417 369	"Y"
	1	2417 370	"M"
	1	2423 369	"O"
	1	2423 370	"U"
	1	2417 373	"T"
	1	2417 374	"H"
24	16	6001 254	Clip
	1	2448 198-9	MOULDING PACKAGE, Tailgate Outside Panel Upper and Lower End (23-23-61)
	4	----	Nut
25	1	2448 182-3	MOULDING PACKAGE, Quarter Panel Lower (23-23-39)
	2	6023 241	Screw
	16	6001 111	Retainer
	2	6010 046	Clip
	2	6022 007	Seal
	2	116 000	Nut
26	1	2448 190-1	MOULDING PACKAGE, Rear Door (23-23-33)
	2	6023 241	Screw
	10	6001 111	Retainer
27	1	2448 188-9	MOULDING PACKAGE, Front Door (23-23-32)
	4	6001 113	Retainer
	4	441 256	Nut
	10	6001 111	Retainer

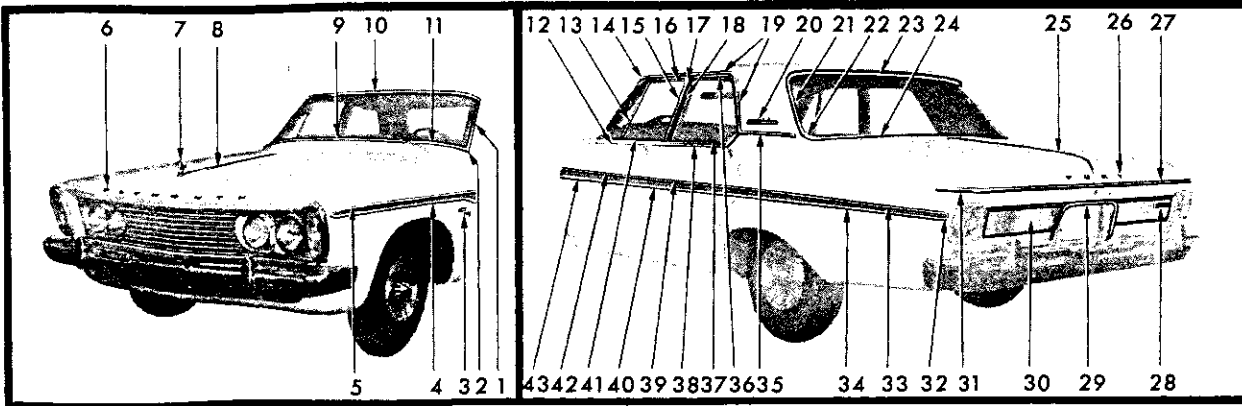
All Packages Include Attaching Parts

Part Type Code is Indicated in Parentheses

19x9644A

MOULDINGS - PLYMOUTH BELVEDERE TP2(M) SUBURBAN

1963 PASSENGER CAR PARTS CATALOG



REF. NO.	QTY	PART NUMBER	DESCRIPTION
1	1	2166 966-7	MOULDING, Windshield Outside Finish Side (23-23-65)
2	1	2166 970-1	MOULDING, Windshield Outside Finish Lower End (23-23-65)
3	2	2417 200	NAME PLATE, Fender Side - Fury (12-15-21)
	6	152 259	Nut
4	1	2421 985-6	MOULDING PACKAGE, Fender Side Lower, w/Rear Extension (12-15-2)
	6	-----	Clip 8 ----- Nut
	2	6001 097	Clip 26 6001 107 Retainer
5	1	2421 987-8	MOULDING PACKAGE, Fender Side Upper, w/Front Cap (12-15-2)
	2	6001 494	Retainer 24 6001 107 Retainer
20	-----	-----	Nut 6 ----- Clip
6	1	2417 367	LETTER, Hood Front Name, "P" (15-06-16)
	1	2417 368	"L" 1 2423 370 "U"
	1	2417 369	"Y" 1 2417 373 "Y"
	1	2417 370	"M" 1 2417 374 "H"
	1	2423 369	"O" 16 9415 250 Nut
7	1	2276 334	ORNAMENT, Hood Top (15-03-18)
	1	6025 004	Nut 1 6023 076 Stud
8	1	2421 233	MOULDING PACKAGE, Hood Top (15-25-2)
	5	9415 250	Nut
9	1	2254 524	COVER, Windshield Outside Finish Lower Moulding Joint (23-23-66)
10	1	2298 552	MOULDING PACKAGE, Windshield Outside Finish Upper (23-23-65)
	8	6000 966	Retainer
11	1	2298 571-2	MOULDING PACKAGE, Windshield Outside Finish Lower (23-23-65)
	10	6000 966	Retainer
12	1	2448 538-9	MOULDING PACKAGE, Front Door Belt Lower (23-23-32)
	4	6023 241	Screw 10 6001 086 Retainer
13	4	2254 031	MOULDING, Door Vent Wing Division Channel (23-23-36)
14	1	2255 240-1	MOULDING, Roof Side Drain Trough Front (23-59-61)
15	1	2167 998-9	MOULDING, Front Door Window Frame Rear (23-23-32)
16	1	2167 996-7	MOULDING, Front Door Window Frame Upper (23-23-32)
17	1	2216 356-7	PANEL, Center Pillar Upper Finish (23-23-16)
	4	6022 890	Screw
18	1	2167 998-9	MOULDING, Rear Door Window Frame Front (23-23-33)
19	1	2421 894-5	MOULDING PACKAGE, Roof Side Drain Trough Intermediate and Rear, Use w/o Two Tone Paint (23-59-61)
	8	2423 432	Clip 8 6023 559 Screw
	1	2421 896-7	MOULDING PACKAGE, Roof Side Drain Trough Intermediate and Rear, Use w/Two Tone Paint (23-59-61)
	8	2423 432	Clip 8 6023 559 Screw
20	2	2423 735	ORNAMENT, Quarter Outside Panel (23-34-334)
	6	6022 077	Washer 6 6006 264 Nut
21	1	2424 558-9	MOULDING and SUPPORT, Rear Window Outside Side Upper (23-23-52)
	4	6023 693	Screw
22	1	2448 478-9	MOULDING PACKAGE, Rear Window Outside Side Lower (23-23-52)
	2	6023 693	Screw 2 116 000 Nut
	2	-----	Seal

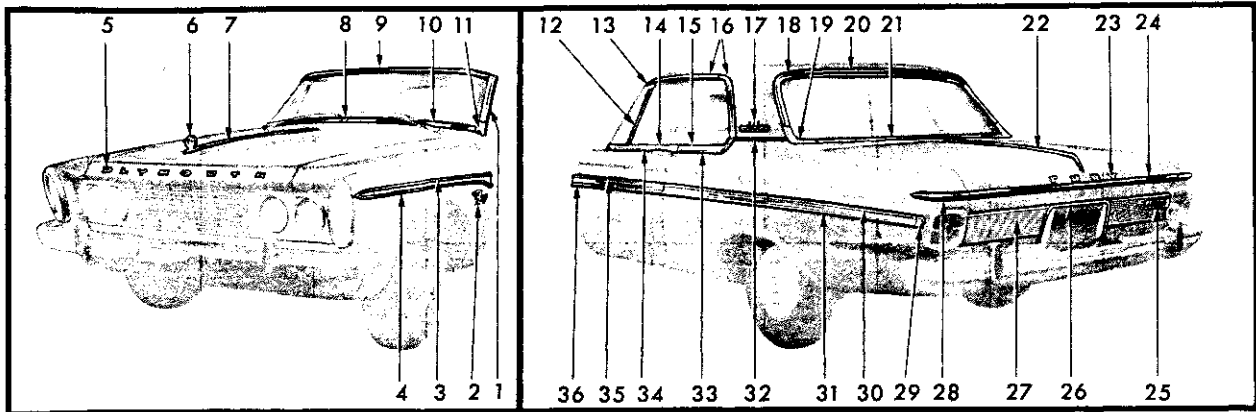
REF. NO.	QTY	PART NUMBER	DESCRIPTION
23	1	2424 557	MOULDING and SUPPORT, Rear Window Outside Upper (23-23-52)
	15	6023 693	Screw
24	1	2244 751	MOULDING, Rear Window Outside Lower (23-23-52)
	5	6024 117	Screw
25	1	2448 180	MOULDING PACKAGE, Deck Lid Upper (23-23-30)
	6	6001 098	Retainer 6 1839 995 Nut
26	1	2423 696	"F", Deck Lid Name Letter (23-19-114)
	1	2423 697	"U" 1 2423 699 "Y"
	1	2423 698	"R" 8 152 259 Nut
27	1	2448 179	MOULDING PACKAGE, Deck Lid Lower (23-23-30)
	2	6001 433	Retainer 6 6001 439 Retainer
	1	2424 098-9	Spacer 6 6006 264 Nut
	2	441 256	Nut
28	1	2423 563	NAME PLATE, Deck Opening Lower Panel Plymouth (23-34-184)
	2	6023 260	Nut and Seal
29	1	2448 178	MOULDING PACKAGE, Deck Lower Panel License Depression (23-23-23)
	3	6000 050	Clip 4 1839 995 Nut
30	1	2424 869	MOULDING, Deck Lower Panel Finish, Right (23-23-28)
	1	2423 759	MOULDING, Deck Lower Panel Finish, Left (23-23-28)
	12	6023 265	Nut
31	1	2448 184-5	MOULDING PACKAGE, Quarter Panel Rear (23-23-39)
	6	6001 112	Clip 6 ----- Nut
32	1	2448 162-3	MOULDING PACKAGE, Quarter Panel End (23-23-39)
	2	-----	Nut
33	1	2448 406-7	MOULDING PACKAGE, Quarter Panel Upper (23-23-39)
	2	6023 241	Screw 16 6001 047 Retainer
34	1	2448 402-3	MOULDING PACKAGE, Quarter Panel Lower (23-23-39)
	2	6623 241	Screw
35	1	2448 164-5	MOULDING PACKAGE, Quarter Panel Belt (23-23-39)
	6	-----	Nut
36	1	2216 036-7	MOULDING, Rear Door Window Frame Upper (23-23-33)
37	1	2424 344-5	MOULDING, Rear Door Upper (23-23-33)
38	1	2448 542-3	MOULDING PACKAGE, Rear Door Belt Lower (23-23-33)
	2	6001 433	Retainer 4 6023 241 Screw
	2	-----	Nut 10 6001 086 Retainer
39	1	2448 424-5	MOULDING PACKAGE, Rear Door Upper (23-23-33)
	12	6001 047	Retainer 2 9417 383 Nut
	2	6001 108	Retainer 2 6023 241 Screw
40	1	2448 426-7	MOULDING PACKAGE, Rear Door Lower (23-23-33)
	2	6001 109	Retainer 2 6023 241 Screw
	2	9417 383	Nut
41	1	2424 342-3	MOULDING, Front Door Belt Upper (23-23-32)
42	1	2448 416-7	MOULDING PACKAGE, Front Door Upper (23-23-32)
	4	6001 108	Retainer 10 6001 047 Retainer
	4	9417 383	Nut
43	1	2448 420-1	MOULDING PACKAGE, Front Door Lower (23-23-32)
	4	6001 109	Retainer 2 6023 265 Nut
	4	9417 383	Nut

All Packages Include Attaching Parts

Part Type Code is Indicated in Parentheses

19x9616B

MOULDINGS - PLYMOUTH FURY TP1-2(H) 4 DOOR SEDAN



REF. NO.	QTY	PART NUMBER	DESCRIPTION
1	1	2166 966-7	MOULDING, Windshield Outside Finish Side (23-23-65)
2	2	2417 200	NAME PLATE, Fender Side - Fury (12-15-21)
6	152	259	Nut
3	1	2421 987-8	MOULDING PACKAGE, Fender Side Upper, w/Front Cap (12-15-2)
2	6001	494	Retainer 16 ---- Clip
18	----	----	Nut 2 6000 709 Clip
13	6001	107	Retainer
4	1	2421 985-6	MOULDING PACKAGE, Fender Side Lower, w/Rear Extension (12-15-2)
6	----	----	Clip
2	6001	097	Clip
8	----	----	Nut
26	6001	107	Retainer
5	1	2417 367	LETTER, Hood Front Name, "P" (15-06-16)
1	2417	368	"L"
1	2417	369	"Y"
1	2417	370	"M"
1	2423	369	"O"
1	2423	370	"U"
1	2417	373	"T"
1	2417	374	"H"
16	9415	250	Nut
6	1	2276 334	ORNAMENT, Hood Top (15-03-18)
1	6025	004	Nut
1	6023	076	Stud
7	1	2421 233	MOULDING PACKAGE, Hood Top (15-25-2)
5	9415	250	Nut
8	1	2254 524	COVER, Windshield Outside Finish Lower Moulding Joint (23-23-66)
9	1	2298 552	MOULDING PACKAGE, Windshield Outside Finish Upper (23-23-65)
8	6000	966	Retainer
10	1	2298 571-2	MOULDING PACKAGE, Windshield Outside Lower (23-23-65)
10	6000	966	Retainer
11	1	2166 970-1	MOULDING, Windshield Outside Finish Lower End (23-23-65)
12	4	2254 031	MOULDING, Door Vent Wing Division Channel (23-23-36)
13	1	2255 240-1	MOULDING, Roof Side Drain Trough Front (23-59-61)
2	6023	241	Screw
14	1	2422 894-5	MOULDING, Door Belt Upper (23-23-32)
15	1	2422 908-9	MOULDING PACKAGE, Quarter Panel Belt Upper (23-23-39)
16	1	2423 004-5	MOULDING, Roof Side Drain Trough Intermediate and Rear (use w/o Two Tone Paint) (23-59-61)
1	2421	896-7	MOULDING PACKAGE, Roof Side Drain Trough Intermediate and Rear (use w/Two Tone Paint) (23-59-61)
8	6023	559	Screw
8	2423	432	Clip
4	6023	241	Screw
17	1	2423 735	ORNAMENT, Quarter Outside Panel (23-34-334)
6	6022	077	Washer
6	6006	264	Nut
18	1	2424 558-9	MOULDING and SUPPORT, Rear Window Outside Side Upper (23-23-52)
4	6023	693	Screw
19	1	2448 478-9	MOULDING PACKAGE, Rear Window Outside Side Lower (23-23-52)
2	6023	693	Screw
2	----	----	Seal
2	116	000	Nut

All Packages include Attaching Parts

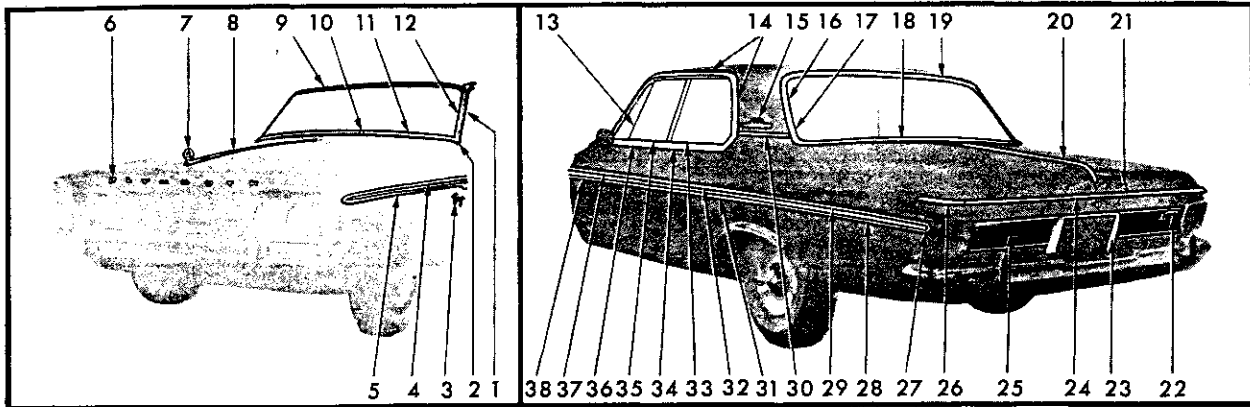
REF. NO.	QTY	PART NUMBER	DESCRIPTION
20	1	2424 557	MOULDING and SUPPORT, Rear Window Outside Upper (23-23-52)
15	6023	693	Screw
21	1	2244 751	MOULDING, Rear Window Outside Lower (23-23-52)
5	6024	117	Screw
22	1	2448 180	MOULDING PACKAGE, Deck Lid Upper (23-23-30)
6	6001	098	Retainer
6	1839	995	Nut
23	1	2423 696	"F" Deck Lid Name Letter (23-19-114)
1	2423	697	"L"
1	2423	698	"R"
1	2423	699q	"Y"
8	152	259	Nut
24	1	2448 179	MOULDING PACKAGE, Deck Lid Lower (23-23-30)
2	6001	433	Retainer
1	2424	098-9	Spacer
2	441	256	Nut
6	6001	439	Retainer
6	6006	264	Nut
25	1	2423 563	NAME PLATE, Deck Opening Lower Panel Plymouth (23-34-184)
2	6023	260	Nut and Seal
26	1	2448 178	MOULDING PACKAGE, Deck Lower Panel License Depression (23-23-23)
3	6000	050	Clip
4	1839	995	Nut
27	1	2424 869	PANEL, Deck Lower Panel Finish, Right (23-23-28)
1	2423	759	Panel, Deck Lower Panel Finish, Left
12	6023	265	Nut
28	1	2448 184-5	MOULDING PACKAGE, Quarter Panel Rear (23-23-39)
6	6001	112	Clip
6	----	----	Nut
29	1	2448 162-3	MOULDING PACKAGE, Quarter Panel End (23-23-39)
2	----	----	Nut
30	1	2448 408-9	MOULDING PACKAGE, Quarter Panel Upper (23-23-39)
26	6001	107	Retainer
8	6023	241	Screw
31	1	2448 404-5	MOULDING PACKAGE, Quarter Panel Lower (23-23-39)
26	6001	110	Retainer
4	6023	241	Screw
32	1	2448 164-5	MOULDING PACKAGE, Quarter Panel Upper (23-23-39)
6	----	----	Nut
33	1	2448 544-5	MOULDING PACKAGE, Quarter Panel Belt Lower
2	6001	433	Retainer 2 ---- Nut
4	6023	241	Screw 8 6001 086 Retainer
34	1	2448 540-1	MOULDING PACKAGE, Door Belt Lower (23-23-32)
4	6023	241	Screw
14	6001	086	Retainer
35	1	2448 418-9	MOULDING PACKAGE, Door Upper (23-23-32)
4	6001	108	Retainer
4	9417	383	Nut
8	6023	241	Screw
12	6001	107	Retainer
36	1	2448 422-3	MOULDING PACKAGE, Door Lower (23-23-32)
4	6001	109	Retainer
4	9417	383	Nut
8	6023	241	Screw
12	6001	110	Retainer

Part Type Code is Indicated in Parentheses

19x9610B

MOULDINGS - PLYMOUTH FURY TP1(H) SPECIAL CLUB COUPE

1963 PASSENGER CAR PARTS CATALOG



REF. NO.	QTY	PART NUMBER	DESCRIPTION
1	1	2255 240-1	Moulding, Roof Side Drain Trough Front (23-59-61)
2	1	2166 970-1	Moulding, Windshield Outside Finish Lower End (23-23-65)
3	2	2417 200	Name Plate, Fender Side, "Fury" (12-15-21)
6	1	152 259	Nut
4	1	2421 987-8	Moulding Package, Fender Side Upper, w/Clip (12-15-2)
2	1	6001 494	Retainer
20	1	-----	Nut
16	1	-----	Clip
24	1	6001 107	Retainer
2	1	6000 709	Clip
5	1	2421 985-6	Moulding Package, Fender Side Lower, w/Extension (12-15-2)
6	1	-----	Clip
6	1	-----	Nut
2	1	6001 097	Clip
26	1	6001 107	Retainer
6	1	2417 367	Letter, Hood Front Name "P" (15-06-16)
1	1	2417 368	"L"
1	1	2417 369	"Y"
1	1	2417 370	"M"
1	1	2423 369	"O"
1	1	2423 370	"U"
1	1	2417 373	"T"
1	1	2417 374	"H"
16	1	9415 250	Nut
7	1	2276 334	Ornament, Hood Top (15-03-18)
1	1	6025 004	Nut
1	1	6023 076	Stud
8	1	2421 233	Moulding Package, Hood Top (15-25-2)
5	1	9415 250	Nut
9	1	2298 552	Moulding Package, Windshield Outside Finish Upper (23-23-65)
8	1	6000 966	Retainer
10	1	2254 524	Cover, Windshield Outside Finish Lower Moulding Joint (23-23-66)
11	1	2298 571-2	Moulding Package, Windshield Outside Finish Lower (23-23-65)
10	1	6000 966	Retainer
12	1	2166 966-7	Moulding, Windshield Outside Finish Side (23-23-65)
13	4	2254 031	Moulding, Door Vent Wing Division Channel (23-23-36)
14	1	2421 894-5	Moulding Package, Roof Side Drain Trough Intermediate and Rear, Without Two-Tone Paint (23-59-61)
8	1	2423 432	Clip
8	1	6023 559	Screw
1	1	2421 896-7	Moulding Package, Roof Side Drain Trough Intermediate and Rear, With Two-Tone Paint
8	1	2423 432	Clip
8	1	6023 559	Screw
15	2	2423 735	Ornament, Quarter Outside Panel Red (23-34-334)
6	1	6022 077	Washer
6	1	6006 264	Nut
16	1	2424 558-9	Moulding and Support, Rear Window Outside Upper (23-23-52)
4	1	6023 693	Screw
17	1	2448 478-9	Moulding Package, Rear Window Outside Side Lower (23-23-52)
2	1	-----	Clip and Stud
2	1	-----	Seal
2	1	116 000	Nut
18	1	2244 751	Moulding, Rear Window Outside Lower (23-23-52)
5	1	6024 117	Screw

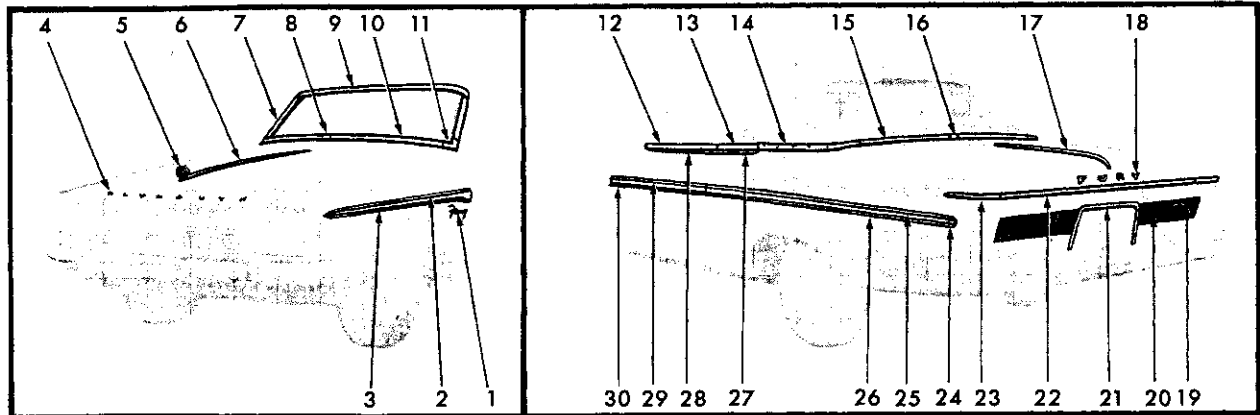
REF. NO.	QTY	PART NUMBER	DESCRIPTION
19	1	2424 557	Moulding and Support, Rear Window Outside Upper -23-52)
15	1	6023 693	Screw
20	1	2448 180	Moulding Package, Deck Lid Upper (23-23-30)
6	1	6001 098	Retainer
6	1	1839 995	Nut
21	1	2423 696	"F", Deck Lid Letter (23-19-114)
1	1	2423 697	"U"
1	1	2423 698	"R"
1	1	2423 699	"Y"
8	1	152 259	Nut
22	1	2423 563	Name Plate, Deck Opening Lower Panel (23-34-184)
2	1	6023 260	Nut and Seal
23	1	2448 178	Moulding Package, Deck Lower Panel License Depression (23-23-23)
4	1	1839 995	Nut
3	1	6000 050	Clip
24	1	2448 179	Moulding Package, Deck Lid Lower (23-23-30)
2	1	6001 433	Retainer
1	1	2424 098-9	Spacer
2	1	441 256	Nut
6	1	6001 439	Retainer
6	1	6006 264	Nut
25	1	2424 869	Panel, Deck Lower Panel Finish, Right (23-23-28)
1	1	2423 759	Panel, Deck Lower Panel Finish, Left (23-23-28)
12	1	6023 265	Nut
26	1	2448 184-5	Moulding Package, Quarter Panel Rear (23-23-39)
6	1	6001 112	Clip
6	1	-----	Nut
27	1	2448 162-3	Moulding Package, Quarter Panel End (23-23-39)
2	1	-----	Nut
28	1	2448 402-3	Moulding Package, Quarter Panel Lower (23-23-39)
16	1	-----	Retainer
29	1	2448 406-7	Moulding Package, Quarter Panel Upper (23-23-39)
16	1	6001 047	Retainer
30	1	2448 164-5	Moulding Package, Quarter Panel Belt (23-23-39)
6	1	-----	Nut
31	1	2448 426-7	Moulding Package, Rear Door Lower (23-23-33)
2	1	6001 109	Retainer
2	1	9417 383	Nut
2	1	6023 241	Screw
32	1	2448 424-5	Moulding Package, Rear Door Upper (23-23-33)
12	1	6001 047	Retainer
2	1	6001 108	Retainer
2	1	9417 383	Nut
2	1	6023 241	Screw
33	1	2422 902-3	Moulding, Rear Door Belt Upper (23-23-33)
4	1	6023 241	Screw
34	1	2448 542-3	Moulding Package, Rear Door Belt Lower (23-23-33)
10	1	6001 086	Retainer
4	1	6023 241	Screw
2	1	6001 433	Retainer
35	1	2422 898-9	Moulding, Front Door Belt Upper (23-23-32)
4	1	6023 241	Screw
36	1	2448 538-9	Moulding Package, Front Door Belt Lower (23-23-32)
10	1	6001 086	Retainer
4	1	6023 241	Screw
37	1	2448 416-7	Moulding Package, Front Door Upper (23-23-32)
4	1	6001 108	Retainer
4	1	9417 383	Nut
10	1	6001 047	Retainer
38	1	2448 420-1	Moulding Package, Front Door Lower (23-23-32)
4	1	6001 109	Retainer
4	1	9417 383	Nut
2	1	6023 265	Nut

All Packages Include Attaching Parts

Part Type Code is Indicated in Parentheses

19x9579B

MOULDINGS - PLYMOUTH FURY TP2(H) SPECIAL 4 DOOR SEDAN



REF. NO.	QTY	PART NUMBER	DESCRIPTION
1	2	2417 200	NAME PLATE, Fender Side - Fury (12-15-21)
	6	152 259	Nut
2	1	2421 987-8	MOULDING PACKAGE, Fender Side Upper (12-15-2)
	2	6001 494	Retainer
	16	-----	Clip 2 6000 709
	20	-----	Nut
	24	6001 107	Retainer
3	1	2421 985-6	MOULDING PACKAGE, Fender Side Lower (12-15-2)
	2	6000 963	Clip
	2	6001 097	Clip
	6	-----	Clip
	8	-----	Nut
	26	6001 107	Retainer
4	1	2417 367	LETTER, Hood Front Name, "P" (15-06-16)
	1	2417 368	"L" (15-06-16)
	1	2417 369	"Y" (15-06-16)
	1	2417 370	"M" (15-06-16)
	1	2423 369	"O" (15-06-16)
	1	2423 370	"U" (15-06-16)
	1	2417 373	"T" (15-06-16)
	1	2417 374	"H" (15-06-16)
	16	9415 250	Nut
5	1	2276 334	ORNAMENT, Hood Top (15-03-18)
	1	6025 004	Nut
	1	6023 076	Stud
6	1	2421 233	MOULDING PACKAGE, Hood Top (15-25-2)
	5	9415 250	Nut
7	1	2166 966-7	MOULDING, Windshield Outside Finish Side (23-23-65)
8	1	2254 524	COVER, Windshield Outside Finish Lower Moulding Joint (23-23-66)
9	1	2252 056-7	MOULDING and EXTENSION, Windshield Header Outside (23-23-65)
	7	274 109	Screw
	2	9413 197	Screw
10	1	2298 571-2	MOULDING PACKAGE, Windshield Outside Finish Lower (23-23-65)
	10	6000 966	Retainer
11	1	2166 970-1	MOULDING, Windshield Outside Finish Lower End (23-23-65)
12	1	2422 894-5	MOULDING, Door Belt Upper (23-23-32)
13	1	2423 548-9	MOULDING, Quarter Panel Belt Upper Front (23-23-39)
	2	6023 241	Screw
14	1	2422 914-5	MOULDING, Quarter Panel Belt Rear (23-23-39)
	14	2094 394	Fastener
15	1	2448 458-9	MOULDING PACKAGE, Deck Opening Upper Panel (23-23-31)
	10	2094 394	Fastener
16	1	2448 456	COVER PACKAGE, Deck Opening Upper Panel Moulding (23-23-41)
	1	2094 394	Fastener

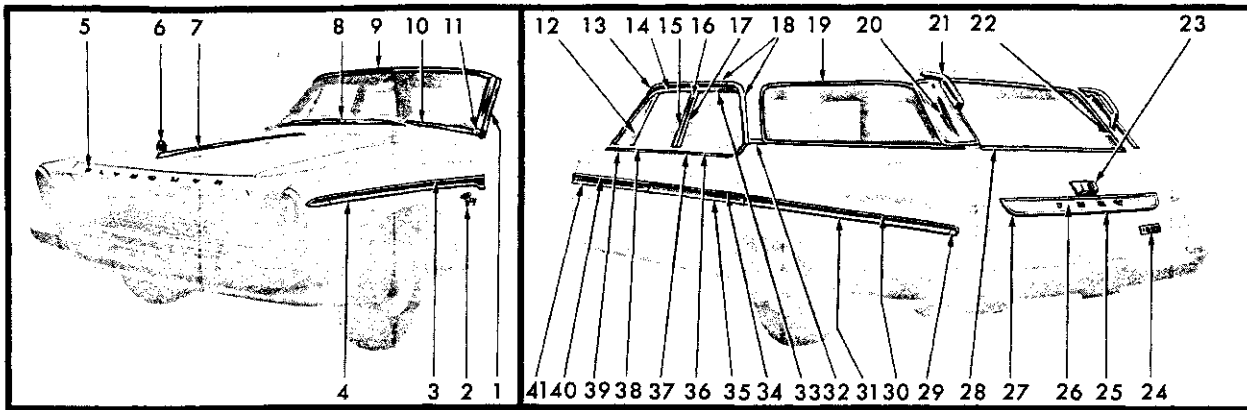
REF. NO.	QTY	PART NUMBER	DESCRIPTION
17	1	2448 180	MOULDING PACKAGE, Deck Lid Upper (23-23-30)
	6	6001 098	Retainer
	6	1839 995	Nut
18	1	2423 696	"F", Deck Lid Name Letter (23-19-114)
	1	2423 697	"U"
	1	2423 698	"R"
	1	2423 699	"Y"
	8	152 259	Nut
19	1	2423 563	NAME PLATE, Deck Opening Lower Panel Plymouth (23-34-184)
	2	6023 260	Nut and Seal
20	1	2424 869	PANEL, Deck Lower Panel Finish, Right (23-23-28)
	1	2423 759	PANEL, Deck Lower Panel Finish, Left (23-23-28)
	12	6023 265	Nut
21	1	2448 178	MOULDING PACKAGE, Quarter Panel License Depression (23-23-23)
	4	1839 995	Nut
	3	-----	Clip
22	1	2448 179	MOULDING PACKAGE, Deck Lid Lower (23-23-30)
	2	6001 433	Retainer
	1	2424 098-9	Spacer
	2	441 256	Nut
	6	6001 439	Retainer
	6	6006 264	Nut
23	1	2448 184-5	MOULDING PACKAGE, Quarter Panel Upper Rear (23-23-39)
	6	6001 112	Clip
	6	-----	Nut
24	1	2448 162-3	MOULDING PACKAGE, Quarter Panel End (23-23-39)
	2	-----	Nut
25	1	2448 408-9	MOULDING PACKAGE, Quarter Panel Upper (23-23-39)
	26	6001 107	Retainer
	8	6023 241	Screw
26	1	2448 404-5	MOULDING PACKAGE, Quarter Panel Lower (23-23-39)
	26	6001 110	Retainer
	8	6023 241	Screw
27	1	2448 414-5	MOULDING PACKAGE, Quarter Panel Belt Lower Front (23-23-39)
	6	6001 086	Retainer
28	1	2448 540-1	MOULDING PACKAGE, Door Belt Lower (23-23-32)
	14	6001 086	Retainer
	4	6023 241	Screw
29	1	2448 418-9	MOULDING PACKAGE, Door Upper (23-23-32)
	4	6001 108	Retainer
	4	9417 383	Nut
	8	6023 241	Screw
	6	6001 107	Retainer
30	1	2448 422-3	MOULDING PACKAGE, Door Lower (23-23-32)
	4	6001 109	Retainer
	4	9417 383	Nut
	8	6023 241	Screw
	12	6001 110	Retainer

All Packages Include Attaching Parts

Part Type Code is Indicated in Parentheses

19x9553B

MOULDINGS - PLYMOUTH FURY TP2(H) CONVERTIBLE COUPE



REF. NO.	QTY	PART NUMBER	DESCRIPTION
1	1	2166 966-7	MOULDING, Windshield Outside Finish Side (23-23-65)
2	2	2417 200	NAME PLATE, Fender Side, Fury (12-15-21)
	6	152 259	Nut
3	1	2421 987-8	MOULDING PACKAGE, Fender Side Upper (12-15-2)
	2	6001 494	Retainer
24	6001 107	Retainer	2 6000 709 Clip
20	---	---	Nut 2 --- --- Clip
4	1	2421 985-6	MOULDING PACKAGE, Fender Side Lower (12-15-2)
	6	---	Clip
	2	6001 097	Clip
26	6001 107	Retainer	
	8	---	Nut
5	1	2417 367	LETTER, Hood-Front Name, "P" (15-06-16)
	1	2417 368	"L"
	1	2417 369	"Y"
	1	2417 370	"M"
	1	2423 369	"O"
	1	2423 370	"U"
	1	2417 373	"T"
	1	2417 374	"H"
16	9415 250	Nut	
6	1	2276 334	ORNAMENT, Hood Top (15-03-18)
	1	6025 004	Nut
	1	6023 076	Stud
7	1	2421 233	MOULDING PACKAGE, Hood Top (15-25-2)
	5	9415 250	Nut
8	1	2254 524	COVER, Windshield Outside Finish Lower Moulding Joint (23-23-66)
9	1	2298 552	MOULDING PACKAGE, Windshield Outside Finish Upper (23-23-65)
	8	6000 966	Retainer
10	1	2298 571-2	MOULDING PACKAGE, Windshield Outside Finish Lower (23-23-65)
	10	6000 966	Retainer
11	1	2166 970-1	MOULDING, Windshield Outside Finish Lower End (23-23-65)
12	4	2254 031	MOULDING, Front Door Vent Wing Division Channel (23-23-36)
13	1	2255 240-1	MOULDING, Roof Side Drain Trough Front (23-59-61)
	2	6023 241	Screw
14	1	2167 996-7	MOULDING, Front Door Window Frame Upper (23-23-32)
15	1	2167 998-9	MOULDING, Front Door Window Frame Rear (23-23-32)
16	1	2216 356-7	PANEL, Center Pillar Upper Finish (23-23-16)
	4	6022 890	Screw
17	1	2167 998-9	MOULDING, Rear Door Window Frame Front (23-23-33)
18	1	2421 894-5	MOULDING, Roof Side Drain Trough Intermediate and Rear (23-59-61)
	8	6023 559	Screw
	8	2423 432	Clip
	4	6023 241	Screw
19	2	2422 471	LOCKINGSTRIP, Quarter Window Glass Weatherstrip Mylar (23-63-110)
20	1	2252 254-5	DEFLECTOR, Roof Panel Outside Air (23-36-134)
	2	167 079	Screw
	4	9418 381	Screw
21	1	2424 096-7	HANDLE, Roof Panel Rear Pillar Outside Assist (23-36-123)
	4	6023 204	Nut and Washer
	1	2424 984-5	Seal

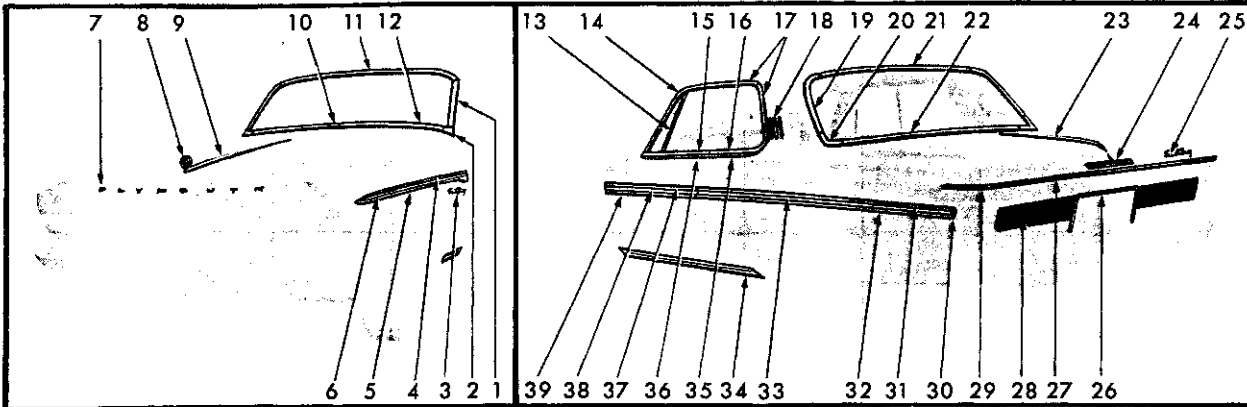
All Packages Include Attaching Parts

REF. NO.	QTY	PART NUMBER	DESCRIPTION
22	1	2251 802-3	MOULDING, Rear Upper Pillar Outside (23-23-60)
	8	9417 732	Screw
23	1	2428 221	BASE, w/Stud, Tailgate Electric Window Regulator Outside (23-54-18)
24	2	6025 004	Nut w/Washer
	1	2423 563	NAME PLATE, Tailgate Outside Panel ("Plymouth") (23-54-11)
	2	6001 254	Clip
25	1	2448 400	MOULDING PACKAGE, Tailgate Outside Panel (23-23-61)
	7	6001 047	Retainer
26	1	2423 725	FINISH PANEL and NAME LETTERS, Tailgate Outside (23-23-77)
	4	6001 438	Retainer
27	1	2448 198-9	MOULDING PACKAGE, Tailgate Outside Panel Upper and Lower End (23-23-61)
	4	---	Nut
28	1	2448 488	MOULDING PACKAGE, Tailgate Outside Panel Belt (23-23-61)
	6	6001 435	Clip
	6	---	Screw
29	1	2448 162-3	MOULDING PACKAGE, Quarter Panel End (23-23-39)
	2	---	Nut
30	1	2448 412-3	MOULDING PACKAGE, Quarter Panel Upper (23-23-39)
	18	6001 047	Retainer
31	1	2448 410-1	MOULDING PACKAGE, Quarter Panel Lower (23-23-39)
32	1	2448 554-5	MOULDING PACKAGE, Quarter Panel Belt (23-23-39)
	6	6001 071	Clip
33	1	2216 036-7	MOULDING, Rear Door Window Frame Upper (23-23-33)
34	1	2448 424-5	MOULDING PACKAGE, Rear Door Upper (23-23-33)
	12	6001 047	Retainer
	2	6001 108	Retainer
	2	9417 383	Nut
	2	6023 241	Screw
35	1	2448 426-7	MOULDING PACKAGE, Rear Door Lower (23-23-33)
	2	6001 109	Retainer
	2	9417 383	Nut
	2	6023 241	Screw
36	1	2424 344-5	MOULDING, Rear Door Belt Upper (23-23-33)
37	1	2448 542-3	MOULDING PACKAGE, Rear Door Belt Lower (23-23-33)
	2	6001 433	Retainer
	4	6023 241	Screw
	10	6001 086	Retainer
	2	---	Nut
38	1	2424 342-3	MOULDING PACKAGE, Front Door Belt Upper (23-23-32)
39	1	2448 538-9	MOULDING PACKAGE, Front Door Belt Lower (23-23-32)
	4	6023 241	Screw
	10	6001 086	Retainer
40	1	2448 416-7	MOULDING PACKAGE, Front Door Upper (23-23-32)
	4	6001 108	Retainer
	4	9417 383	Nut
	10	6001 047	Retainer
41	1	2448 420-1	MOULDING PACKAGE, Front Door Lower (23-23-32)
	4	6001 109	Retainer
	2	9417 383	Nut
	2	6023 265	Nut

Part Type Code is Indicated in Parentheses

19x9619B

MOULDINGS - PLYMOUTH FURY TP2(H) SUBURBAN



REF. NO.	QTY	PART NUMBER	DESCRIPTION
1	1	2166 966-7	MOULDING, Windshield Outside Finish Side (23-23-65)
2	1	2166 970-1	MOULDING, Windshield Outside Finish Lower End (23-23-65)
3	2	2422 955	NAME PLATE, Fender Side (Sport Fury) (12-15-21)
	8	152 259	Nut
4	1	2421 987-8	MOULDING PACKAGE, Fender Side Upper, w/Cop (12-15-2)
	2	6001 494	Retainer
20	----	----	Nut
16	----	----	Clip
24	6001 107	Retainer	2 6000 709 Clip
5	1	2421 985-6	MOULDING PACKAGE, Fender Side Lower, w/Extension (12-15-2)
	2	----	Clip
16	----	----	Clip
20	----	----	Nut
2	6001 097	Clip	
24	6001 107	Retainer	2 6000 709 Clip
6	1	2417 224-5	PLATE, Fender Side Moulding Finish (12-15-4)
8	6023 241	Screw	
7	1	2417 367	NAME LETTER, Hood Front, "P" (15-06-16)
	1	2417 368	"L"
	1	2417 369	"V"
	1	2417 370	"M"
	1	2423 369	"O"
	1	2423 370	"J"
	1	2417 373	"H"
	1	2417 374	"H"
16	9415 250	Nut	
8	1	2276 334	ORNAMENT, Hood Top (15-03-18)
	1	6025 004	Nut
	1	6023 076	Stud
9	1	2421 233	MOULDING PACKAGE, Hood Top (15-25-2)
	5	9415 250	Nut
10	1	2254 524	COVER, Windshield Outside Finish Lower Moulding Joint (23-23-66)
11	1	2298 552	MOULDING PACKAGE, Windshield Outside Finish Upper (23-23-65)
	8	6000 966	Retainer
12	1	2298 571-2	MOULDING PACKAGE, Windshield Outside Finish Lower (23-23-65)
	10	6000 966	Retainer
13	4	2254 031	MOULDING, Door Vent Wing Division Channel (23-23-36)
14	1	2255 240-1	MOULDING, Roof Side Drain Trough Front (23-59-61)
15	1	2422 894-5	MOULDING, Door Belt Upper (23-23-32)
16	1	2422 908-9	MOULDING, Quarter Panel Belt (23-23-39)
17	1	2423 004-5	MOULDING, Roof Side Drain Trough Intermediate and Rear (23-59-61)
	8	2423 432	CLIP, Roof Side Drain Trough Intermediate Moulding (23-59-63)
18	1	2423 450-1	LOUVER, Quarter Outside Panel, Red, (23-34-334)
	1	2423 452-3	White
	1	2423 454-5	Blue
12	6022 013	Washer	
12	6000 808	Clip	
19	1	2424 558-9	MOULDING and SUPPORT, Rear Window Outside Side Upper (23-23-52)
	4	6023 693	Screw
20	1	2448 478-9	MOULDING PACKAGE, Rear Window Outside Side Lower (23-23-52)
	2	----	Clip and Stud
	2	----	Seal
	2	116 000	Nut

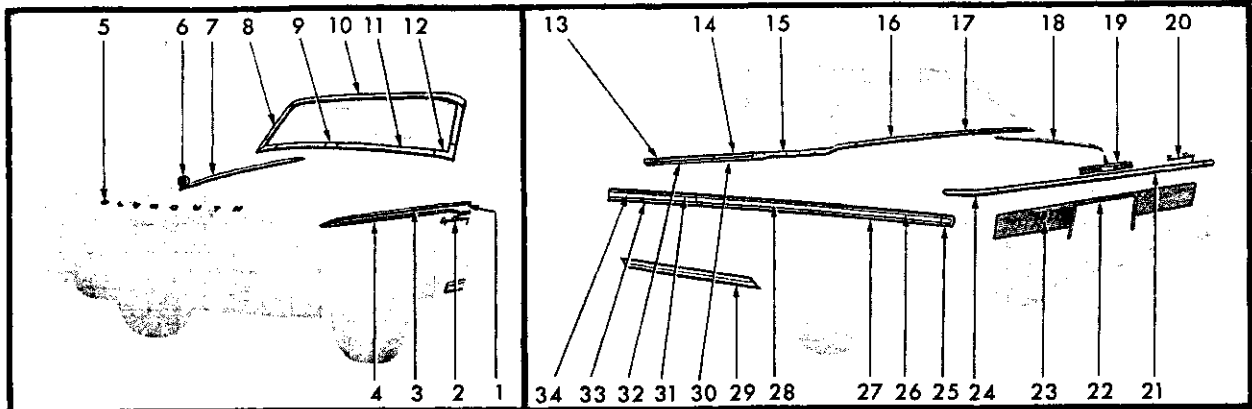
All Packages include Attaching Parts

REF. NO.	QTY	PART NUMBER	DESCRIPTION
21	1	2424 557	MOULDING and SUPPORT, Rear Window Outside Upper (23-23-52)
	15	6023 693	Screw
22	1	2244 751	MOULDING, Rear Window Outside Lower (23-23-52)
	5	6024 117	Screw
23	1	2448 181	MOULDING PACKAGE, Deck Lid Upper (23-23-30)
	5	6001 098	Retainer
	5	1839 995	Nut
24	1	2422 951	ORNAMENT, Deck Lid (23-19-114)
	2	----	Washer
	2	9414 977	Nut
25	1	2422 955	NAME PLATE, Deck Lid (23-19-114)
	3	152 259	Nut
	3	6001 254	Clip
26	1	2448 178	MOULDING PACKAGE, Deck Lower Panel License Depression (23-23-23)
	4	1839 995	Nut
	3	6000 050	Clip
27	1	2448 179	MOULDING PACKAGE, Deck Lid Lower (23-23-30)
	2	6001 433	Retainer
	1	2424 098-9	Spacer
	2	441 256	Nut
	6	6001 439	Retainer
	6	6006 264	Nut
28	1	2424 869	PANEL, Deck Lower Panel Finish, Right (23-23-28)
	1	2423 759	PANEL, Deck Lower Panel Finish, Left (23-23-28)
	12	6023 265	Nut
29	1	2448 184-5	MOULDING PACKAGE, Quarter Panel Rear (23-23-39)
	6	6001 112	Clip
	6	----	Nut
30	1	2448 162-3	MOULDING PACKAGE, Quarter Panel End (23-23-39)
	2	6023 265	Nut
31	1	2448 408-9	MOULDING PACKAGE, Quarter Panel Upper (23-23-39)
	26	6001 107	Retainer
	8	6023 241	Screw
32	1	2448 404-5	MOULDING PACKAGE, Quarter Panel Lower (23-23-39)
	26	6001 110	Retainer
	8	6023 241	Screw
33	1	2422 992-3	PANEL, Quarter Outside Panel Finish (23-23-85)
34	1	2448 174-5	MOULDING PACKAGE, Body Side Sill (23-23-2)
	4	6023 331	Screw
	12	6001 431	Retainer
35	1	2448 544-5	MOULDING PACKAGE, Quarter Panel Belt Lower (23-23-39)
	8	6001 086	Retainer
	4	6023 241	Screw
36	1	2448 540-1	MOULDING PACKAGE, Door Belt Lower (23-23-39)
	14	6001 086	Retainer
	4	6023 241	Screw
37	1	2448 418-9	MOULDING PACKAGE, Door Upper (23-23-32)
	4	6001 108	Retainer
	4	9417 383	Nut
	8	6023 241	Screw
	12	----	Retainer
38	1	2422 990-1	PANEL, Front Door Outside Finish (23-23-80)
39	1	2448 422-3	MOULDING PACKAGE, Door Lower (23-23-32)
	4	6001 109	Retainer
	4	9417 383	Nut
	8	6023 241	Screw
	12	6001 110	Retainer

Part Type Code is Indicated in Parentheses

19x9562B

MOULDINGS - PLYMOUTH SPORT FURY TP2(P) SPECIAL CLUB COUPE



REF. NO.	QTY	PART NUMBER	DESCRIPTION
1	1	2417 224-5	PLATE, Fender Side Moulding Finish (12-15-4)
8		6023 241	Screw
2	2	2422 955	NAME PLATE, Fender Side - Sport Fury (12-15-21)
8		152 259	Nut
3	1	2421 987-8	MOULDING PACKAGE, Fender Side Upper (12-15-2)
2		6001 494	Retainer 2 6000 709 Clip
16		----	Clip
20		----	Nut
24		6001 107	Retainer
4	1	2421 985-6	MOULDING PACKAGE, Fender Side Lower (12-15-2)
2		6000 963	Clip 2 6000 709 Clip
2		6001 097	Clip
20		----	Clip
24		----	Nut
13		6001 107	Retainer
5	1	2417 367	LETTER, Hood Front Name, "P" (15-06-16)
1		2417 368	"L" (15-06-16)
1		2417 369	"Y" (15-06-16)
1		2417 370	"M" (15-06-16)
1		2423 369	"O" (15-06-16)
1		2423 370	"U" (15-06-16)
1		2417 373	"T" (15-06-16)
1		2417 374	"H" (15-06-16)
16		9415 250	Nut
6	1	2276 334	ORNAMENT, Hood Top (15-03-18)
1		6025 004	Nut
1		6023 076	Stud
7	1	2421 233	MOULDING PACKAGE, Hood Top (15-25-2)
5		9415 250	Nut
8	1	2166 966-7	MOULDING, Windshield Outside Finish Side (23-23-65)
9	1	2254 524	COVER, Windshield Outside Finish Lower Moulding Joint (23-23-66)
10	1	2252 056-7	MOULDING and EXTENSION, Windshield Header Outside (23-23-65)
7		274 109	Screw
2		9413 197	Screw
11	1	2298 571-2	MOULDING PACKAGE, Windshield Outside Finish Lower (23-23-65)
10		6000 966	Retainer
12	1	2166 970-1	MOULDING, Windshield Outside Finish Lower End (23-23-65)
13	1	2422 894-5	MOULDING, Door Belt Upper (23-23-32)
14	1	2423 548-9	MOULDING, Quarter Panel Belt Upper Front (23-23-39)
2		6023 241	Screw
15	1	2422 914-5	MOULDING, Quarter Panel Belt Rear (23-23-39)
14		2094 394	Fastener
16	1	2448 458-9	MOULDING PACKAGE, Deck Upper Panel (23-23-31)
10		2094 394	Fastener
17	1	2448 456	COVER PACKAGE, Deck Opening Upper Panel Moulding (23-23-41)
1		2094 394	Fastener
18	1	2448 181	MOULDING PACKAGE, Deck Lid Center (23-23-30)
5		6001 098	Retainer
5		1839 995	Nut

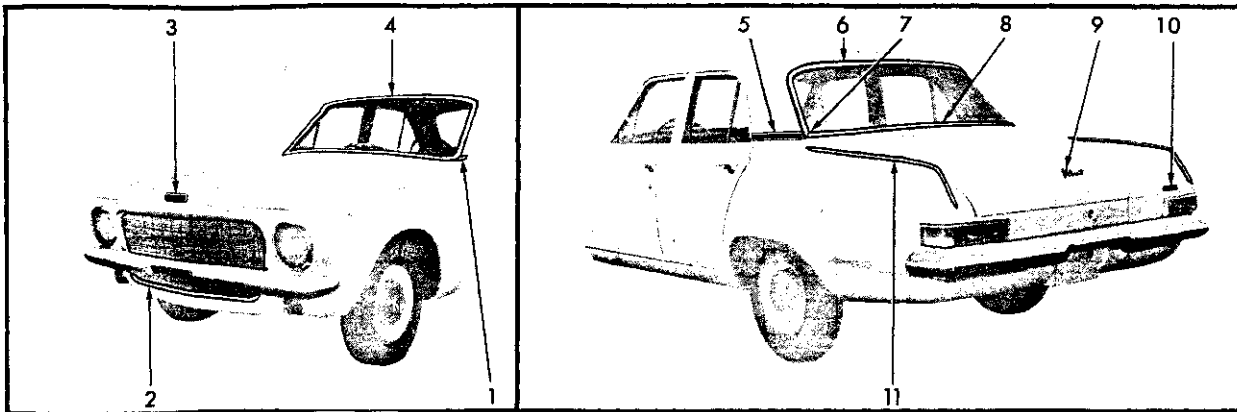
REF. NO.	QTY	PART NUMBER	DESCRIPTION
19	1	2422 951	ORNAMENT, Deck Lid (23-19-114)
1		6022 077	Seal
2		----	Seal
3		9414 977	Nut
20	1	2422 955	NAME PLATE, Deck Lid (23-19-114)
1		6001 254	Clip
3		152 259	Nut
21	1	2448 179	MOULDING PACKAGE, Deck Lid Lower (23-23-30)
2		6001 443	Retainer
1		2424 098-9	Spacer
2		441 256	Nut
6		6001 439	Retainer
6		6006 264	Nut
22	1	2448 178	MOULDING PACKAGE, Deck Lower Panel License Depression (23-23-23)
4		1839 995	Nut
3		6000 050	Clip
23	1	2424 869	PANEL, Deck Lower Panel Finish, Right (23-23-28)
1		2423 759	PANEL, Deck Lower Panel Finish, Left (23-23-28)
12		6023 265	Nut
24	1	2448 184-5	MOULDING PACKAGE, Quarter Panel Upper Rear (23-23-39)
6		6001 112	Clip
6		----	Nut
25	1	2448 162-3	MOULDING PACKAGE, Quarter Panel Lower End (23-23-39)
2		6023 265	Nut
26	1	2448 408-9	MOULDING PACKAGE, Quarter Panel Upper (23-23-39)
26		6001 107	Retainer
8		6023 241	Screw
27	1	2448 404-5	MOULDING PACKAGE, Quarter Panel Lower (23-23-39)
26		6001 110	Retainer
8		6023 241	Screw
28	1	2472 992-3	PANEL, Quarter Outside Panel Finish (23-23-85)
29	1	2448 174-5	MOULDING PACKAGE, Body Side Sill (23-23-2)
4		6023 331	Screw
12		6001 431	Retainer
30	1	2448 414-5	MOULDING PACKAGE, Quarter Panel Belt Lower Front (23-23-39)
6		6001 086	Retainer
31	1	2448 418-9	MOULDING PACKAGE, Door Upper (23-23-32)
4		6001 108	Retainer
4		9417 383	Nut
8		6023 241	Screw
12		6001 107	Retainer
32	1	2448 540-1	MOULDING PACKAGE, Door Belt Lower (23-23-32)
14		6001 086	Retainer
4		6023 241	Screw
33	1	2448 422-3	MOULDING PACKAGE, Door Lower (23-23-32)
4		6001 109	Retainer
4		9417 383	Nut
8		6023 241	Screw
12		6001 110	Retainer
34	1	2422 990-1	PANEL, Front Door Outside Panel Finish (23-23-80)

All Packages Include Attaching Parts

Part Type Code is Indicated in Parentheses

19x9564B

MOULDINGS - PLYMOUTH SPORT FURY TP2(P) CONVERTIBLE COUPE



REF. NO.	QTY	PART NUMBER	DESCRIPTION
1	1	2480 394-5	MOULDING, Front Upper Pillar (23-23-14)
	4	9419 261	Screw
2	1	2421 885	MOULDING PACKAGE, Radiator Grille Lower (7-16-36)
	2	6006 412	Clip
	2	116 000	Nut
	3	6001 510	Clip
3	1	2276 296	MEDALLION, w/Base, Hood Front (15-06-6)
	2	152 260	Nut
4	1	2082 278	LOCKINGSTRIP, Windshield Glass Weatherstrip (23-66-239)
5	1	2243 294-5	NAME PLATE, Roof Panel Extension (23-34-238)
	6	152 260	Nut and Seal

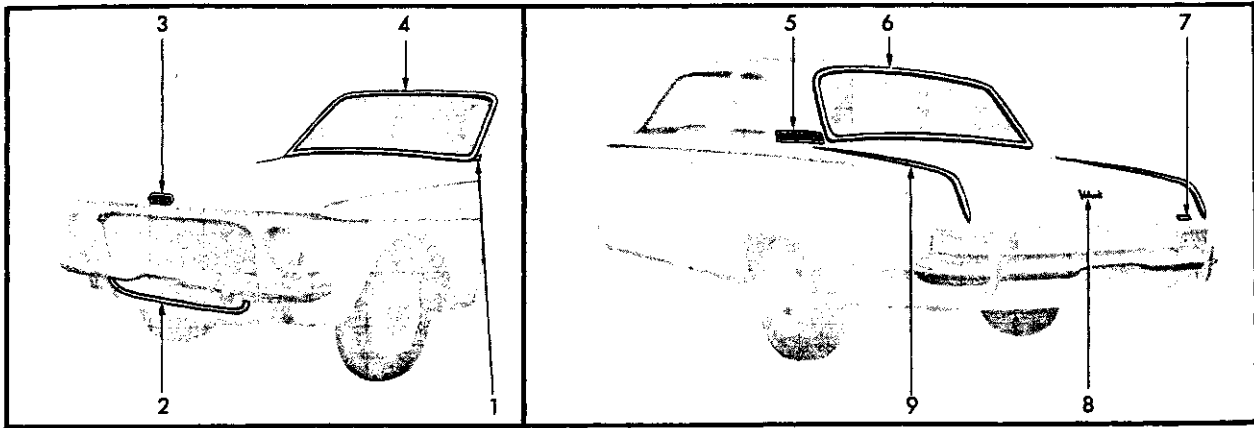
REF. NO.	QTY	PART NUMBER	DESCRIPTION
6	1	2424 426	LOCKINGSTRIP, Rear Window Glass Weatherstrip Upper (23-63-114)
7	2	2424 350	CAP, Rear Window Glass Weatherstrip Lockingstrip (23-63-117)
8	1	2424 426	LOCKINGSTRIP, Rear Window Glass Weatherstrip Lower (23-63-114)
9	1	2255 629	NAME PLATE, Deck Lid (23-19-114)
	3	152 259	Nut
10	1	2422 639	NAME PLATE, Deck Lid (by Plymouth) (23-19-114)
	2	6000 050	Clip
11	2	2421 996	MOULDING PACKAGE, Quarter Panel (23-23-39)
	12	6022 077	Seal
	12	116 000	Nut

All Packages Include Attaching Parts

Part Type Code is Indicated in Parentheses

19x9517B

MOULDINGS - VALIANT V100 TV1(L) 4 DOOR SEDAN



REF. NO.	QTY	PART NUMBER	DESCRIPTION
1	1	2480 384-5	MOULDING, Front Upper Pillar (23-23-14)
	4	9419 261	Screw
2	1	2421 885	MOULDING PACKAGE, Radiator Grille Lower Panel (7-16-36)
	3	6001 510	Clip
	2	6006 412	Clip
	2	116 000	Nut
3	1	2276 296	MEDALLION, w/Base, Hood Front (15-06-6)
	2	6006 264	Nut
4	1	2082 278	LOCKINGSTRIP, Windshield Glass Weatherstrip (23-66-239)
5	1	2243 294-5	NAME PLATE, Roof Panel Extension (23-34-238)
	6	152 260	Nut and Seal

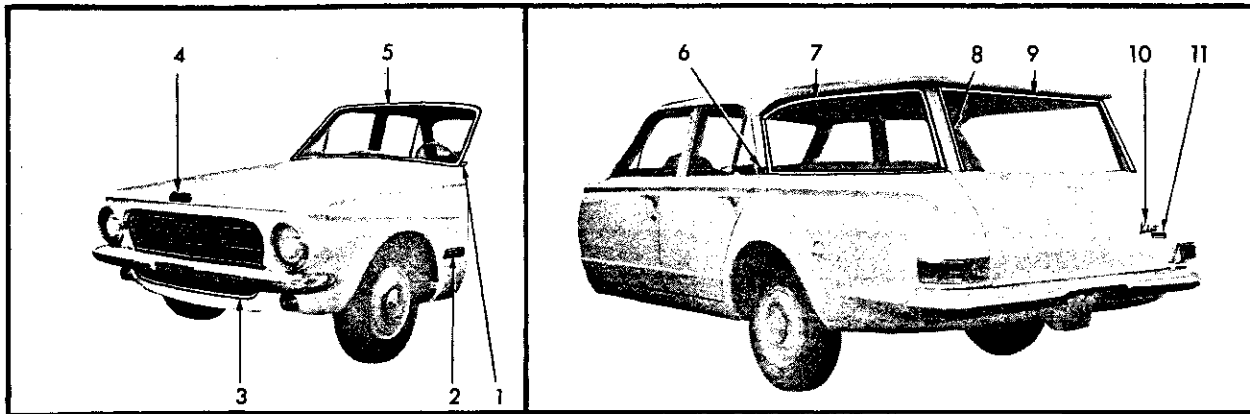
REF. NO.	QTY	PART NUMBER	DESCRIPTION
6	1	2082 278	LOCKINGSTRIP, Rear Window Glass Weatherstrip (23-63-114)
7	1	2422 639	NAME PLATE, Deck Lid (23-19-114)
	2	6000 050	Clip
8	1	2255 629	NAME PLATE, Deck Lid (23-19-114)
	3	152 259	Nut
9	2	2421 996	MOULDING PACKAGE, Quarter Panel Upper (23-23-39)
	12	6001 434	Retainer
	12	6022 077	Seal
	12	116 000	Nut

All Packages Include Attaching Parts

Part Type Code is Indicated in Parentheses

19x9538B

MOULDINGS - VALIANT V100 TV1(L) 2 DOOR SEDAN



REF. NO.	QTY	PART NUMBER	DESCRIPTION
1	1	2480 384-5	MOULDING, Front Pillar Upper (23-23-14)
4		9419 261	Screw
2	2	2276 630	DECAL, Front Fender Side (12-15-21)
4		6006 263	Nut
3	1	2421 885	MOULDING PACKAGE, Radiator Grille Panel Lower (7-16-36)
2		6006 412	Clip
2		116 000	Nut
3		6001 510	Clip
4	1	2276 296	MEDALLION, w/Base, Hood Front (15-06-6)
2		152 260	Nut
5	1	2082 278	LOCKINGSTRIP, Windshield Glass Weatherstrip (23-66-239)
6	1	2422 778-9	NAME PLATE, Roof Panel Extension (23-34-238)
6		152 260	Nut and Seal
7	1	2243 513	LOCKINGSTRIP, Quarter Window Glass Weatherstrip (23-63-110)

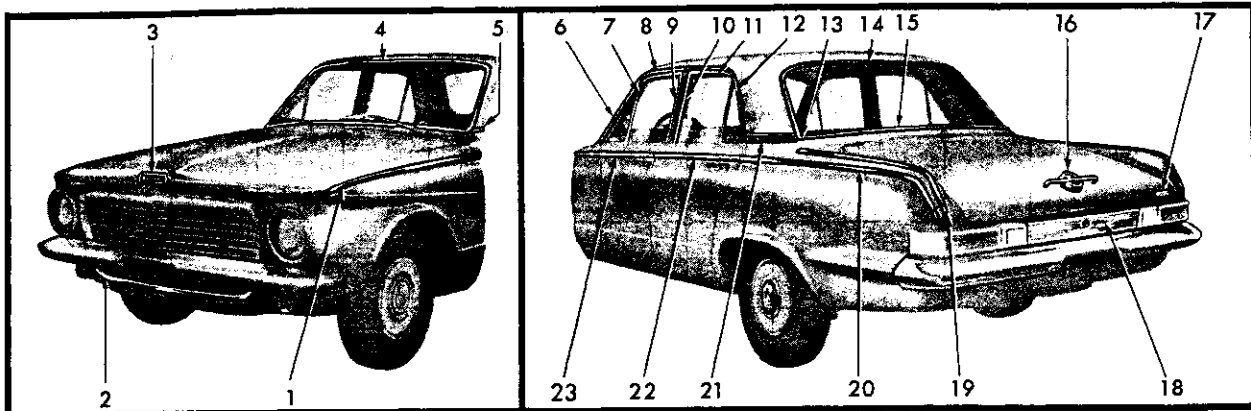
REF. NO.	QTY	PART NUMBER	DESCRIPTION
8	1	2421 577-8	MOULDING PACKAGE, Rear Upper Pillar Outside (23-23-60)
6		6001 076	Clip
4		6023 241	Screw
4		6001 077	Clip
9	1	2448 401	MOULDING PACKAGE, Tailgate Opening Upper (23-23-60)
5		6001 451	Clip
10	1	2255 629	NAME PLATE, Tailgate Outside Panel (Valiant) (23-54-11)
3		152 259	Nut
11	1	2422 639	NAME PLATE, Tailgate Outside Panel (by Plymouth) (23-54-11)
2		152 259	Nut

All Packages Include Attaching Parts

Part Type Code is Indicated in Parentheses

19x9519B

MOULDINGS - VALIANT V100 TV1(L) SUBURBAN



REF. NO.	QTY	PART NUMBER	DESCRIPTION
1	1	2421 889-90	MOULDING PACKAGE, Fender Side (12-15-2)
	2	6000 745	Clip
	8	6000 709	Clip
	16	6001 048	Retainer
	10	-----	Nut
2	1	2421 885	MOULDING PACKAGE, Grille Panel Lower (7-16-35)
	2	6006 412	Clip
	2	116 000	Nut
	3	6001 510	Clip
3	1	2276 296	MEDALLION, w/Base, Hood Front (15-06-6)
	2	6006 264	Nut
4	1	2082 278	LOCKINGSTRIP, Windshield Glass Weatherstrip (23-66-239)
5	1	2480 384-5	MOULDING, Front Pillar Upper (23-23-14)
	4	9419 261	Screw
6	1	2255 934-5	MOULDING, Roof Side Drain Trough Front (23-59-61)
7	1	2216 946-7	MOULDING, Front Door Window Frame Upper and Front (23-23-32)
8	2	2255 938	CAP, Roof Side Drain Trough Front and Rear Moulding Joint (23-59-57)
9	1	2216 950-1	MOULDING, Front Door Window Frame Rear (23-23-32)
10	1	2216 950-1	MOULDING, Rear Door Window Frame Front (23-23-33)
11	1	2217 014-5	MOULDING, Rear Door Window Frame Upper and Rear (23-23-33)
12	1	2255 936-7	MOULDING, Roof Side Drain Trough Rear (23-59-61)
13	2	2424 350	CAP, Rear Window Glass Weatherstrip Lockingstrip (23-63-117)
14	1	2424 426	LOCKINGSTRIP, Rear Window Glass Weatherstrip Upper (23-63-114)
15	1	2424 426	LOCKINGSTRIP, Rear Window Glass Weatherstrip Lower (23-63-114)

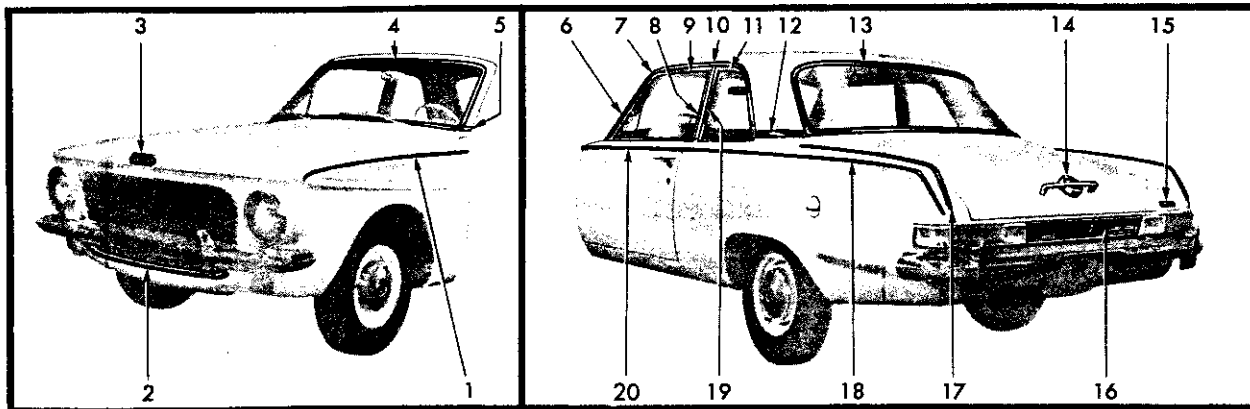
REF. NO.	QTY	PART NUMBER	DESCRIPTION
16	1	2255 526	MEDALLION, Deck Lid (23-19-114)
	4	-----	Nut
17	1	2422 639	NAME PLATE, Deck Lid (23-19-114)
	2	6000 050	Clip
18	1	2299 421	PANEL PACKAGE, Deck Lower Panel Finish (23-23-28)
	8	6006 438	Nut
19	2	2421 996	MOULDING PACKAGE, Quarter Panel Peak (23-23-39)
	12	6001 434	Retainer
	12	6022 077	Seal
	12	116 000	Nut
20	1	2448 442-3	MOULDING PACKAGE, Quarter Panel Lower (23-23-39)
	10	6001 048	Retainer
	2	6000 709	Clip
	2	6023 265	Nut
	12	6001 434	Retainer
	12	6022 077	Seal
	12	116 000	Nut
	4	6000 709	Retainer
	4	6023 265	Nut
21	1	2243 294-5	NAME PLATE, Roof Panel Extension (23-34-238)
	6	152 260	Nut & Seal
22	1	2448 438-9	MOULDING PACKAGE, Rear Door (23-23-33)
	4	6001 102	Clip
	4	446 618	Nut
	6	6001 048	Retainer
23	1	2448 436-7	MOULDING PACKAGE, Front Door (23-23-32)
	4	6001 102	Clip
	4	446 618	Nut
	8	6001 048	Retainer

All Packages Include Attaching Parts

Part Type Code is Indicated in Parentheses

19x9515B

MOULDINGS - VALIANT V200 TV1(H) 4 DOOR SEDAN



REF. NO.	QTY	PART NUMBER	DESCRIPTION
1	1	2421 889-90	MOULDING PACKAGE, Fender Side and Front (12-15-2)
	2	6000 745	Clip
	8	6010 093	Clip
	32	6001 048	Retainer
	10	-----	Nut
2	1	2421 885	MOULDING PACKAGE, Radiator Grille Lower Panel (7-16-36)
	2	6006 464	Clip
	2	116 000	Nut
	3	6001 510	Clip
3	1	2276 296	MEDALLION, w/Base, Hood Front (15-06-6)
	2	6006 264	Nut
4	1	2082 278	LOCKINGSTRIP, Windshield Glass Weatherstrip (23-66-239)
5	1	2480 384-5	MOULDING, Front Upper Pillar (23-23-14)
	4	9419 261	Screw
6	1	2255 934-5	MOULDING, Roof Side Drain Trough Front (23-59-61)
7	2	2255 938	CAP, Roof Side Drain Trough Front and Rear Moulding (23-59-57)
8	1	2216 950-1	MOULDING, Door Window Frame Rear (23-23-32)
9	1	2216 944-5	MOULDING, Door Window Frame Upper (23-23-32)
10	1	2255 936-7	MOULDING, Roof Side Drain Trough Rear (23-59-61)
11	1	2244 374-5	MOULDING, Quarter Window Opening Frame Upper (23-23-73)
12	1	2243 294-5	NAME PLATE, Roof Panel (23-34-238)

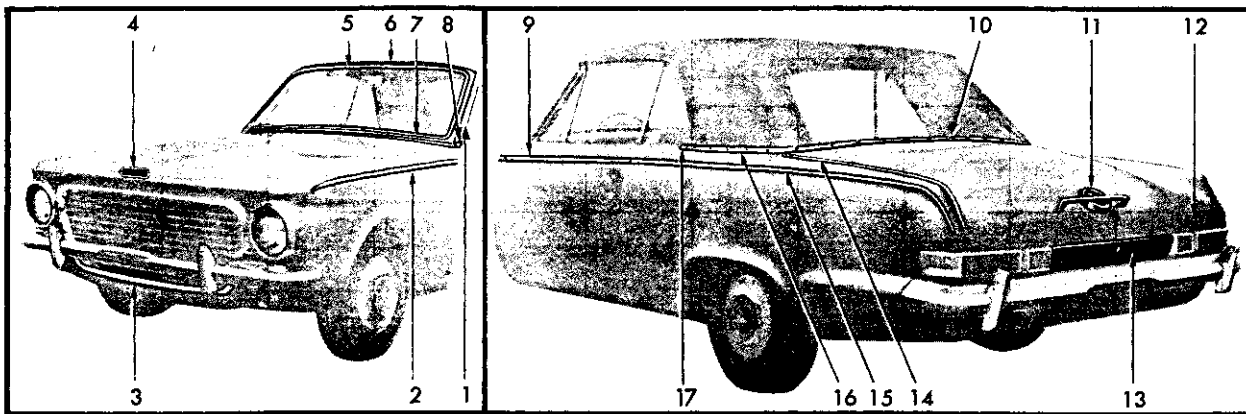
REF. NO.	QTY	PART NUMBER	DESCRIPTION
13	1	2082 278	LOCKINGSTRIP, Rear Window Glass Weatherstrip (23-63-114)
14	1	2255 526	MEDALLION, Deck Lid (23-19-114)
15	1	2422 639	NAME PLATE, Deck Lid (23-19-114)
	2	6000 050	Clip
16	1	2299 421	PANEL PACKAGE, Deck Lower Panel Finish (23-23-28)
	8	6006 438	Nut
17	2	2421 996	MOULDING PACKAGE, Quarter Panel Upper (23-23-39)
	12	6001 434	Retainer
	12	6022 077	Seal
	12	116 000	Nut
18	1	2448 440-1	MOULDING PACKAGE, Quarter Panel Lower (23-23-39)
	16	6001 048	Retainer
	2	6001 436	Retainer
	2	6023 265	Nut
	4	6001 453	Retainer
	4	6023 678	Nut
19	1	2216 950-1	MOULDING, Quarter Window Opening Frame Front (23-23-73)
20	1	2448 434-5	MOULDING PACKAGE, Door (23-23-32)
	4	6001 102	Clip
	4	446 618	Nut
	10	6001 048	Retainer

All Packages Include Attaching Parts

Part Type Code is Indicated in Parentheses

19x9601C

MOULDINGS - VALIANT V200 TV1(H) 2 DOOR SEDAN



REF. NO.	QTY	PART NUMBER	DESCRIPTION
1	1	2422 182-3	MOULDING, Windshield Opening Frame Outside Side (23-23-65)
	8	6022 890	Screw
2	1	2421 889-90	MOULDING PACKAGE, Fender Side and Front (12-15-2)
	2	6000 745	Clip
	8	6010 093	Clip
	32	6001 048	Retainer
	10	-----	Nut
3	1	2421 885	MOULDING PACKAGE, Radiator Grille Lower Panel (7-16-36)
	3	6001 510	Clip
	2	6006 412	Clip
	2	116 000	Nut
4	1	2276 296	MEDALLION, w/Base, Hood Front (15-06-6)
	2	6006 264	Nut
5	1	2422 180-1	MOULDING, Windshield Header Outside Upper (23-23-65)
	7	274 109	Screw
	7	2254 766	Seal
6	1	2082 278	LOCKINGSTRIP, Windshield Glass Weatherstrip (23-66-239)
7	1	2424 106	MOULDING, Windshield Outside Lower (23-23-65)
	7	9416 136	Screw
	7	6001 442	Retainer
8	1	2480 384-5	MOULDING, Front Upper Pillar (23-23-14)
	4	9419 261	Screw
9	1	2448 434-5	MOULDING PACKAGE, Door (23-23-32)
	4	6001 102	Clip
	4	446 618	Nut
	9	6001 048	Retainer

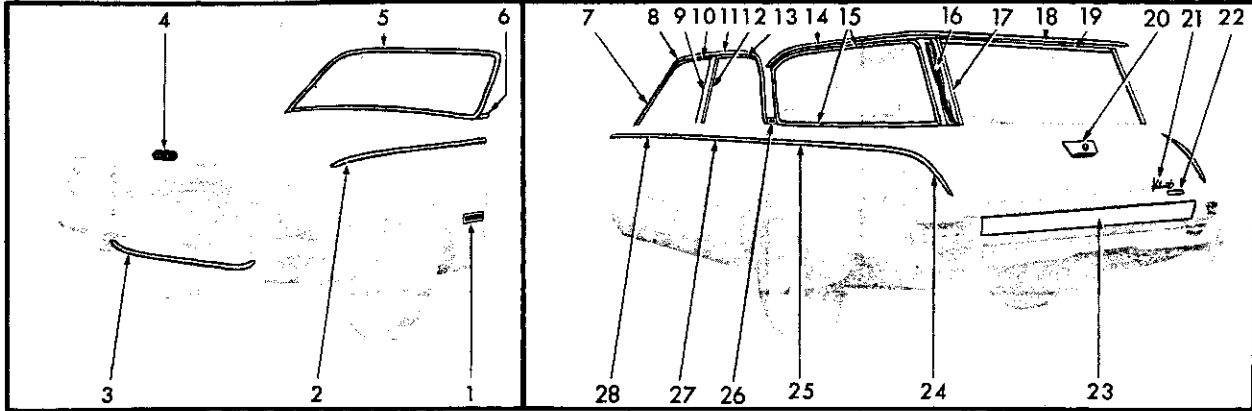
REF. NO.	QTY	PART NUMBER	DESCRIPTION
10	1	2424 105	COVER, Quarter Outside Panel Rear Belt Moulding Joint (23-23-41)
	1	2094 394	Fastener
11	1	2255 526	MEDALLION, Deck Lid (23-19-114)
	4	-----	Nut
12	1	2422 639	NAME PLATE, Deck Lid (23-19-114)
	2	6000 050	Clip
13	1	2299 421	PANEL, Deck Lower Panel Finish (23-23-28)
	8	6006 438	Nut
14	2	2421 996	MOULDING PACKAGE, Quarter Panel Upper (23-23-39)
	12	6001 434	Retainer
	12	6022 077	Seal
	12	116 000	Nut
15	1	2448 440-1	MOULDING PACKAGE, Quarter Panel Lower (23-23-39)
	16	6001 048	Retainer
	2	6001 436	Retainer
	2	6023 265	Nut
	4	6001 453	Retainer
	4	6023 678	Nut
16	1	2422 188-9	MOULDING, Quarter Panel Belt Rear (23-23-39)
	20	2094 394	Fastener
17	1	2424 164-5	MOULDING, Quarter Panel Belt Front (23-23-39)
	2	2094 394	Fastener
	2	188 973	Screw

All Packages include Attaching Parts

Part Type Code is Indicated in Parentheses

19x9625 B

MOULDINGS - VALIANT V200 TV1(H) CONVERTIBLE COUPE



REF. NO.	QTY	PART NUMBER	DESCRIPTION
1	2	2276 630	DECAL, Front Fender Side, w/Base (12-15-21)
	4	6006 263	Nut
2	1	2421 889-90	MOULDING PACKAGE, Fender Side and Front (12-15-2)
	2	6000 745	Clip
	8	6010 093	Clip
	32	6001 048	Retainer
	10	-----	Nut
3	1	2421 885	MOULDING PACKAGE, Radiator Grille Lower Panel (7-16-36)
	2	6006 412	Clip
	2	116 000	Nut
	3	6001 510	Clip
4	1	2276 296	MEDALLION, w/Base, Hood Front (15-06-6)
	2	6005 264	Nut
5	1	2032 278	LOCKINGSTRIP, Windshield Glass Weatherstrip (23-66-239)
6	1	2480 384-5	MOULDING, Front Upper Pillar (23-23-14)
	4	9419 261	Screw
7	1	2255 934-5	MOULDING, Roof Side Drain Trough Front (23-59-61)
8	2	2255 938	CAP, Roof Side Drain Trough Front and Rear Moulding (23-59-57)
9	1	2216 950-1	MOULDING, Front Door Window Frame Rear (23-23-32)
10	1	2216 946-7	MOULDING, Front Door Window Frame Upper (23-23-32)
11	1	2255 935-7	MOULDING, Roof Side Drain Trough Rear (23-59-61)
12	1	2216 950-1	MOULDING, Rear Door Window Frame Front (23-23-33)
13	1	2217 014-5	MOULDING, Rear Door Window Frame Upper (23-23-33)
14	1	2422 650-1	MOULDING, Roof Side Drain Trough (23-59-61)
15	1	2243 513	LOCKINGSTRIP, Quarter Window Glass Weatherstrip (23-63-110)

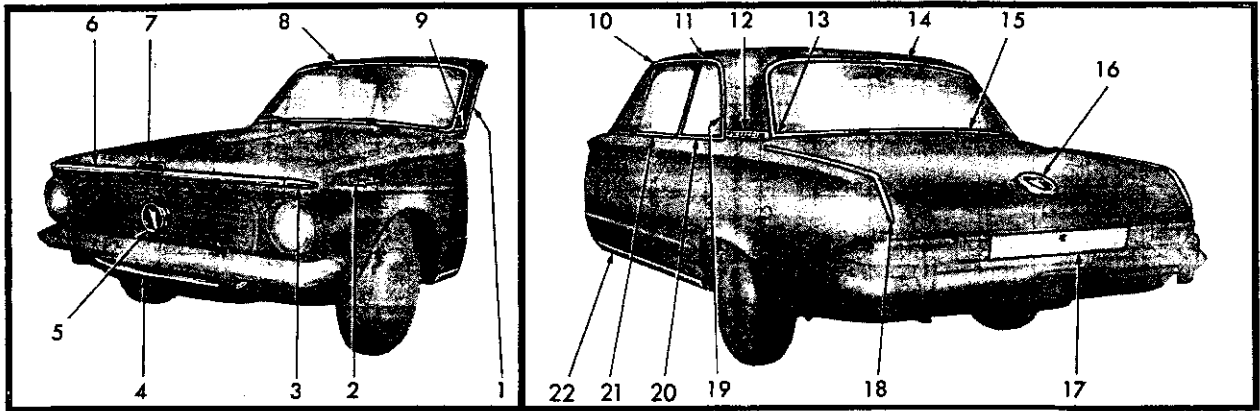
REF. NO.	QTY	PART NUMBER	DESCRIPTION
16	1	2421 579-80	MOULDING PACKAGE, Rear Upper Pillar Outside (23-23-60)
	4	6001 077	Clip
	4	6023 241	Clip
	2	167 039	Screw
17	1	2421 577-8	MOULDING PACKAGE, Rear Upper Pillar Outside (23-23-60)
	6	6001 076	Clip
	4	6023 241	Screw
	4	6001 077	Clip
18	1	2422 652-3	MOULDING, Roof Rear Drain Trough (23-59-61)
19	1	2448 401	MOULDING PACKAGE, Tailgate Opening Upper (23-23-60)
	5	6001 451	Clip
20	1	2299 752	ORNAMENT, w/Studs, Tailgate Outside Panel (23-54-11)
21	1	2255 629	NAME PLATE, Tailgate Outside Panel (Valiant) (23-54-11)
	2	152 259	Nut
22	1	2422 639	NAME PLATE, Tailgate Outside Panel (by Plymouth) (23-54-11)
	2	152 259	Nut
23	1	2424 903	PANEL, Tailgate Outside Finish (23-23-77)
	12	-----	Screw
24	1	2421 998-9	MOULDING PACKAGE, Quarter Panel Rear(23-23-39)
	2	6000 050	Clip
	2	6023 247	Screw
25	1	2421 994-5	MOULDING PACKAGE, Quarter Panel Front (23-23-39)
	16	6001 048	Retainer
26	1	2422 780-1	NAME PLATE, Roof Panel Extension (23-34-238)
	2	6001 105	Clip
27	1	2448 438-9	MOULDING PACKAGE, Rear Door (23-23-33)
	4	6001 102	Clip
	4	446 618	Nut
	6	6001 048	Retainer
28	1	2448 436-7	MOULDING PACKAGE, Front Door (23-23-32)
	4	6001 102	Clip

All Packages Include Attaching Parts

Part Type Code is Indicated in Parentheses

19x9526B

MOULDINGS - VALIANT V200 TV1(H) SUBURBAN



REF. NO.	QTY	PART NUMBER	DESCRIPTION
1	1	2255 934-5	MOULDING, Roof Side Drain Trough Front (23-59-61)
2	2	2417 164	NAME PLATE, Fender Side (12-15-21)
		8 152 259	Nut
3	1	2421 837-8	MOULDING PACKAGE, Fender Front (12-15-2)
		4 ----	Washer
		4 446 059	Nut
4	1	2421 885	MOULDING PACKAGE, Grille Lower Panel (7-16-36)
		2 6006 412	Clip
		2 116 000	Nut
		3 6001 510	Clip
5	1	2276 936	ORNAMENT, Radiator Grille (7-17-1)
		3 9411 618	Nut
6	1	2421 886	MOULDING PACKAGE, Hood Front (15-25-2)
		8 6001 080	Clip
		8 6013 114	Nut
7	1	2276 934	MEDALLION, w/Base, Hood Front (15-06-6)
		2 6005 264	Nut
8	1	2082 278	LOCKINGSTRIP, Windshield Glass Weatherstrip (23-66-235)
9	1	2480 384-5	MOULDING, Front Upper Pillar (23-23-14)
		4 9419 261	Screw
10	2	2255 938	CAP, Roof Side Drain Trough Front and Rear Moulding Joint (23-59-57)
11	1	2255 936-7	MOULDING, Roof Side Drain Trough Rear (23-59-61)
12	1	2243 294-5	NAME PLATE, Roof Panel Extension (23-34-238)
		6 152 260	Nut and Seal
13	2	2424 350	CAP, Rear Window Glass Weatherstrip Lockingstrip (23-63-117)

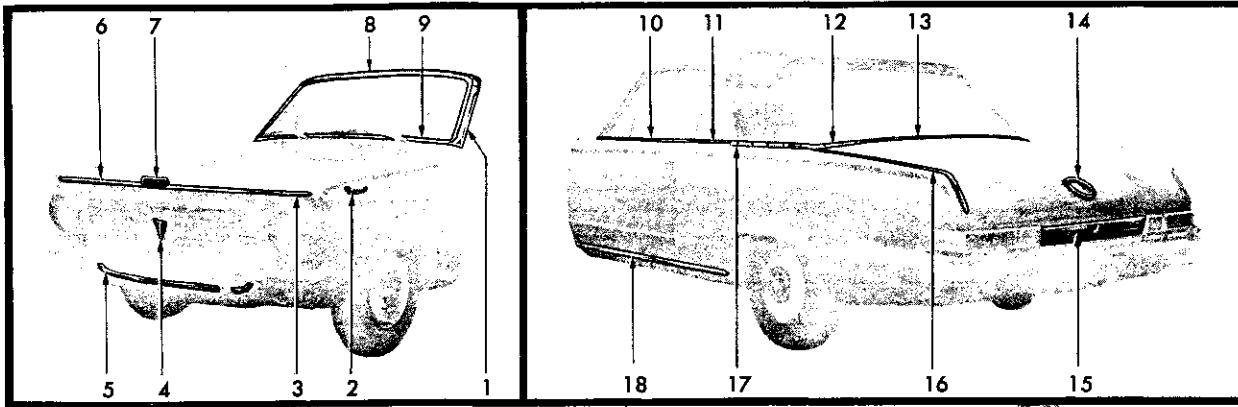
REF. NO.	QTY	PART NUMBER	DESCRIPTION
14	1	2424 426	LOCKINGSTRIP, Rear Window Glass Weatherstrip Upper (23-63-114)
15	1	2424 426	LOCKINGSTRIP, Rear Window Glass Weatherstrip Lower (23-63-114)
16	1	2422 631	MEDALLION, Deck Lid (23-19-114)
		4 ----	Nut
17	1	2299 421	PANEL PACKAGE, Deck Lower Panel Finish (23-23-28)
		8 6006 438	Nut
18	2	2421 996	MOULDING PACKAGE, Quarter Panel Peak (23-23-39)
		12 6001 434	Retainer
		12 6022 077	Seal
		12 116 000	Nut
19	1	2424 294-5	MOULDING and WEATHERSTRIP RETAINER, Quarter Window Outside (23-23-73)
		10 9413 272	Screw
20	1	2448 432-3	MOULDING PACKAGE, Quarter Panel Belt (23-23-39)
		6 6001 490	Retainer
		2 ----	Screw
21	1	2448 430-1	MOULDING PACKAGE, Door Belt (23-23-32)
		10 6001 490	Retainer
		2 6001 440	Retainer
		2 9415 312	Nut
22	2	2448 536	MOULDING PACKAGE, Body Side Sill (23-23-2)
		18 6001 244	Clip
		4 6023 331	Screw

All Packages Include Attaching Parts

Part Type Code is Indicated in Parentheses

19x9492B

MOULDINGS - VALIANT SIGNET 200 TV1(P) SPECIAL CLUB COUPE



REF. NO.	QTY	PART NUMBER	DESCRIPTION
1	1	2422 182-3	MOULDING, Windshield Opening Frame Outside (23-23-65)
	8	6022 890	Screw
2	2	2417 164	NAME PLATE, Fender Side, Signet 200 (12-15-21)
	8	152 259	Nut
3	1	2421 887-8	MOULDING PACKAGE, Fender Front (12-15-2)
	4	----	Washer
	4	446 059	Nut
4	1	2276 936	ORNAMENT, Radiator Grille, w/Ring (7-17-1)
	3	9411 618	Nut, to Grille
	3	446 059	Nut, Ornament to Ring
5	1	2421 885	MOULDING PACKAGE, Radiator Grille Lower Panel (7-16-36)
	2	6006 412	Clip
	2	116 000	Nut
	3	6001 510	Clip
6	1	2421 886	MOULDING PACKAGE, Hood Front (15-25-2)
	8	6001 080	Clip
	8	6013 114	Nut
7	1	2276 934	MEDALLION, w/Base, Hood Front (15-06-6)
	2	6006 264	Nut
8	1	2422 180-1	MOULDING, Windshield Header Outside Upper (23-23-65)
	7	274 109	Screw
	7	2254 766	Seal
9	1	2424 106	MOULDING, Windshield Outside Lower (23-23-65)
	7	9416 136	Screw
	7	6001 442	Retainer

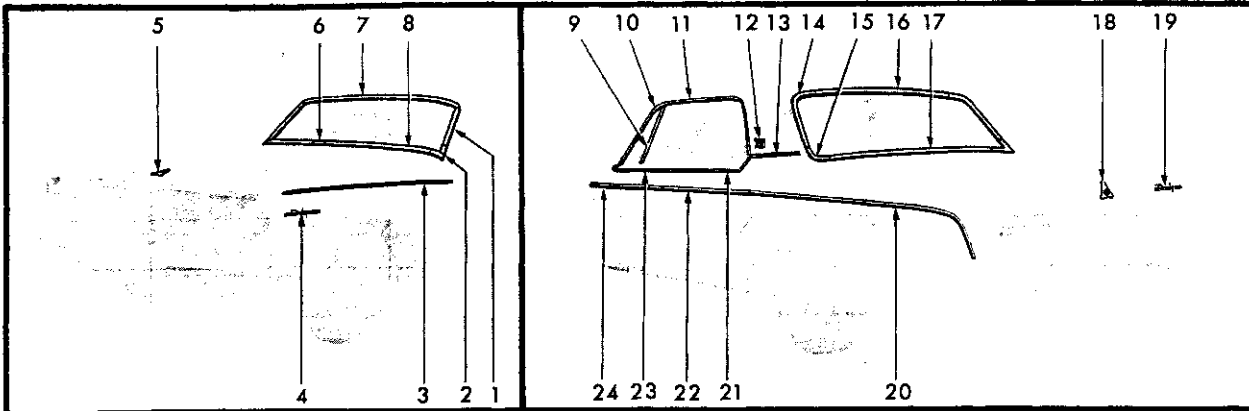
REF. NO.	QTY	PART NUMBER	DESCRIPTION
10	1	2448 430-1	MOULDING PACKAGE, Door Belt (23-23-32)
	10	6001 490	Retainer
	2	6001 440	Retainer
	2	9415 312	Nut
11	1	2448 452-3	MOULDING PACKAGE, Quarter Panel Belt Front (23-23-39)
	2	168 474	Screw
12	1	2422 188-9	MOULDING, Quarter Panel Belt Rear (23-23-39)
	20	2094 394	Fastener
13	1	2424 105	COVER, Quarter Outside Panel Rear Belt Moulding Joint (23-23-41)
	1	2094 394	Fastener
14	1	2422 631	MEDALLION, Deck Lid (23-19-114)
15	1	2299 421	PANEL PACKAGE, Deck Lower Panel Finish (23-23-28)
	8	6006 438	Nut
16	2	2421 996	MOULDING PACKAGE, Quarter Panel Upper (23-23-39)
	12	6001 434	Retainer
	12	6022 077	Seal
	12	116 000	Nut
17	1	2424 168-9	MOULDING, Quarter Panel Belt Intermediate (23-23-39)
	2	168 474	Screw
	2	2094 394	Fastener
18	2	2448 536	MOULDING PACKAGE, Body Side Sill (23-23-2)
	18	6001 244	Clip
	4	6023 331	Screw

All Packages Include Attaching Parts

Part Type Code is Indicated in Parentheses

19x9612B

MOULDINGS - VALIANT SIGNET 200 TV1(P) CONVERTIBLE COUPE



REF. NO.	QTY	PART NUMBER	DESCRIPTION
1	1	2166 966-7	MOULDING, Windshield Outside Finish Side (23-23-65)
2	1	2166 970-1	MOULDING, Windshield Outside Finish Lower End (23-23-65)
3	1	2421 971-2	MOULDING PACKAGE, Fender Side (12-15-2)
12		6001 496	Clip
2		6001 057	Clip
2		6001 030	Retainer
4		152 259	Nut
4	2	2417 218	NAME PLATE, Fender Side (12-15-21)
4		152 260	Nut
5	1	2276 188	MEDALLION, w/Base, Hood Front (15-06-6)
2		151 497	Nut
6	1	2254 524	COVER, Windshield Outside Finish Lower Moulding Joint (23-23-66)
7	1	2298 552	MOULDING PACKAGE, Windshield Outside Finish Upper (23-23-65)
8		6000 966	Retainer
8	1	2298 571-2	MOULDING PACKAGE, Windshield Outside Finish Lower (23-23-65)
10		6000 966	Retainer
9	4	2254 031	MOULDING, Front Door Vent Wing Division Channel (23-23-36)
10	1	2422 976-7	CAP, Roof Drain Trough Moulding Front End (23-59-57)
11	1	2423 596-7	MOULDING, Roof Drain Trough Side (23-59-61)
12	2	2423 516-7	"3", Quarter Outside Panel Numeral (23-34-238)
2		2423 518	"0"
12		6001 254	Clip
13	1	2448 150-1	MOULDING PACKAGE, Quarter Panel Belt (23-23-39)
6		6001 030	Retainer
6		152 259	Nut

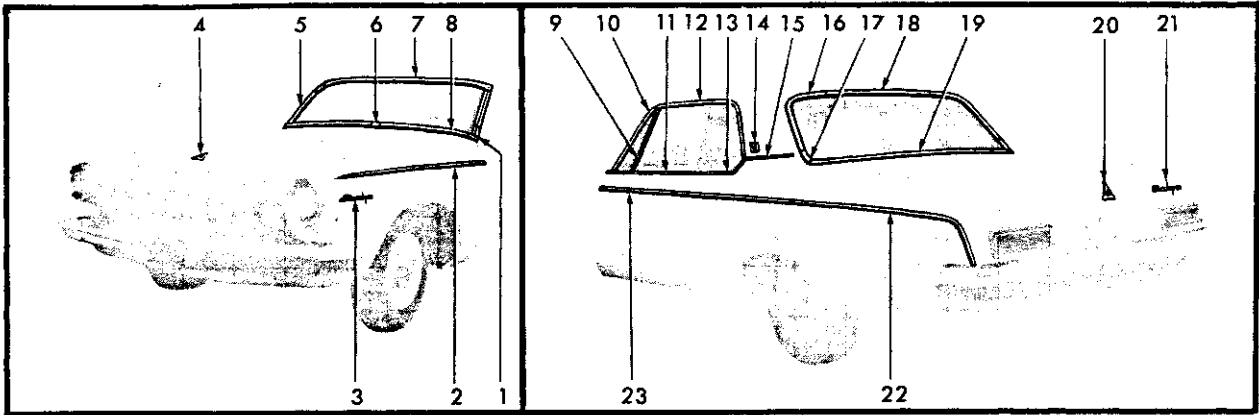
REF. NO.	QTY	PART NUMBER	DESCRIPTION
14	1	2424 558-9	MOULDING and SUPPORT, Rear Window Outside Side Upper (23-23-52)
4		6023 693	Screw
15	1	2448 478-9	MOULDING PACKAGE, Rear Window Outside Side Lower (23-23-52)
2		----	Clip and Stud
2		----	Seal
2		116 000	Nut
16	1	2424 557	MOULDING and SUPPORT, Rear Window Outside Upper (23-23-52)
15		6023 693	Screw
17	1	2244 751	MOULDING, Rear Window Outside Lower (23-23-52)
5		6024 117	Screw
18	1	2255 534	ORNAMENT, Deck Lid Lock Cylinder (23-17-19)
2		152 260	Nut
19	1	2255 090	NAME PLATE, Deck Lid (23-19-114)
2		152 260	Nut
20	1	2421 880-1	MOULDING PACKAGE, Quarter Panel Lower (23-23-39)
2		6023 241	Screw
10		6001 046	Retainer
8		6001 057	Retainer
8		6023 260	Nut
21	1	2421 874-5	MOULDING PACKAGE, Rear Door Belt (23-23-33)
14		6001 046	Retainer
22	1	2421 870-1	MOULDING PACKAGE, Rear Door Lower (23-23-33)
10		6001 046	Retainer
2		6001 044	Retainer
2		9418 539	Nut
23	1	2421 864-5	MOULDING PACKAGE, Front Door Belt (23-23-32)
2		----	Nut
8		6001 046	Retainer
24	1	2421 866-7	MOULDING PACKAGE, Front Door Lower (23-23-32)
8		6001 044	Retainer
8		----	Nut
10		6001 046	Retainer

All Packages include Attaching Parts

Part Type Code is Indicated in Parentheses

19x9563 B

MOULDINGS - DODGE 330 TD1-2(L) 4 DOOR SEDAN



REF. NO.	QTY	PART NUMBER	DESCRIPTION
1	1	2166 970-1	MOULDING, Windshield Outside Finish Lower End (23-23-65)
2	1	2421 971-2	MOULDING PACKAGE, Fender Side (12-15-2)
	12	6001 496	Clip
	2	6001 057	Clip
	4	152 259	Nut
	2	6001 030	Retainer
3	2	2417 218	NAME PLATE, Fender Side (12-15-21)
	4	152 260	Nut
4	1	2276 188	MEDALLION, w/Base, Hood Front (15-06-6)
	2	151 497	Nut
5	1	2166 966-7	MOULDING, Windshield Outside Finish Side (23-23-65)
6	1	2254 524	COVER, Windshield Outside Finish Lower Moulding Joint (23-23-66)
7	1	2298 552	MOULDING PACKAGE, Windshield Outside Finish Upper (23-23-65)
	8	6000 966	Retainer
8	1	2298 571-2	MOULDING PACKAGE, Windshield Outside Finish Lower (23-23-65)
	10	6000 966	Clip
9	4	2254 031	MOULDING, Door Vent Wing Division Channel (23-23-36)
10	1	2422 976-7	CAP, Roof Drain Trough Moulding Front End (23-59-57)
11	1	2421 850-1	MOULDING PACKAGE, Door Belt (23-23-32)
	4	----	Nut
	14	6001 046	Retainer
	2	6001 044	Retainer
12	1	2423 596-7	MOULDING, Roof Drain Trough Side (23-59-61)
13	1	2448 508-9	MOULDING PACKAGE, Quarter Panel Belt (23-23-39)
	8	6001 046	Retainer
	2	6001 447	Retainer

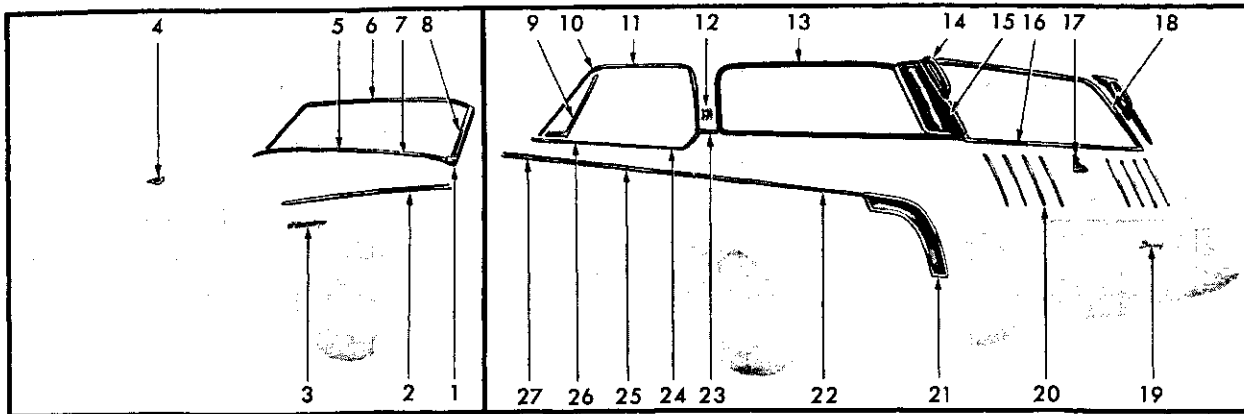
REF. NO.	QTY	PART NUMBER	DESCRIPTION
14	2	2423 516-7	3, Numeral, Quarter Outside Panel (23-34-238)
	2	2423 518	0,
	12	6001 254	Clip
15	1	2448 150-1	MOULDING PACKAGE, Quarter Panel Paint Break (23-23-39)
	6	6001 030	Retainer
	6	152 259	Nut
16	1	2424 558-9	MOULDING and SUPPORT, Rear Window Outside Side Upper (23-23-52)
	4	6023 693	Screw
17	1	2448 478-9	MOULDING PACKAGE, Rear Window Outside Lower (23-23-52)
	2	----	Clip and Stud
	2	----	Seal
	2	116 000	Nut
18	1	2424 557	MOULDING and SUPPORT, Rear Window Outside Upper (23-23-52)
	15	6023 693	Screw
19	1	2244 751	MOULDING, Rear Window Outside Lower (23-23-52)
	5	6024 117	Screw
20	1	2255 534	ORNAMENT, Deck Lid Lock Cylinder (23-17-19)
	2	152 260	Nut
21	1	2255 090	NAME PLATE, Deck Lid (23-19-114)
	2	152 260	Nut
22	1	2421 860-1	MOULDING PACKAGE, Quarter Panel Lower (23-23-39)
	2	6023 241	Screw
	18	6001 046	Retainer
	8	6001 057	Retainer
	8	6023 260	Nut
23	1	2421 852-3	MOULDING PACKAGE, Door Lower (23-23-32)
	8	6001 044	Retainer
	8	----	Nut
	12	6001 046	Retainer

All Packages Include Attaching Parts

Part Type Code is Indicated in Parentheses

19x9565 B

MOULDINGS - DODGE 330 TD1-2(L) 2 DOOR SEDAN



REF. NO.	QTY	PART NUMBER	DESCRIPTION
1	1	2166 970-1	MOULDING, Windshield Outside Finish Lower End (23-23-65)
2	1	2421 971-2	MOULDING PACKAGE, Fender Side (12-15-2)
	12	6001 496	Clip
	2	6001 057	Clip
	2	6001 030	Retainer
	4	152 259	Nut
3	2	2417 218	NAME PLATE, Fender Side, Dodge (12-15-21)
	4	152 260	Nut
4	1	2276 188	MEDALLION, w/Base, Hood Front (15-06-6)
	2	151 497	Nut
5	1	2254 524	COVER, Windshield Outside Finish Lower Moulding Joint (23-23-66)
6	1	2298 552	MOULDING PACKAGE, Windshield Outside Finish Upper (23-23-65)
	8	6000 966	Retainer
7	1	2298 571-2	MOULDING PACKAGE, Windshield Outside Finish Lower (23-23-65)
	10	6000 966	Retainer
8	1	2166 966-7	MOULDING, Windshield Outside Finish Side (23-23-65)
9	4	2254 031	MOULDING, Door Vent Wing Division Channel (23-23-36)
10	1	2422 976-7	CAP, Roof Drain Trough Moulding Front End (23-59-57)
11	1	2423 596-7	MOULDING, Roof Drain Trough Side (23-59-61)
12	2	2423 514-7	NUMERAL "3", Quarter Outside Panel (23-34-238)
	2	2423 518	"O", Quarter Outside Panel
	12	6001 254	Clip
13	2	2255 027	LOCKINGSTRIP, Quarter Window Glass Weatherstrip (23-63-110)
14	1	2424 096-7	HANDLE, Roof Panel Rear Pillar Outside Assist (23-36-123)
	4	6023 204	Nut and Washer
	1	2424 984-5	Seal
15	1	2252 254-5	DEFLECTOR, Roof Panel Outside Air (23-36-134)
	2	167 079	Screw
	4	9418 381	Screw

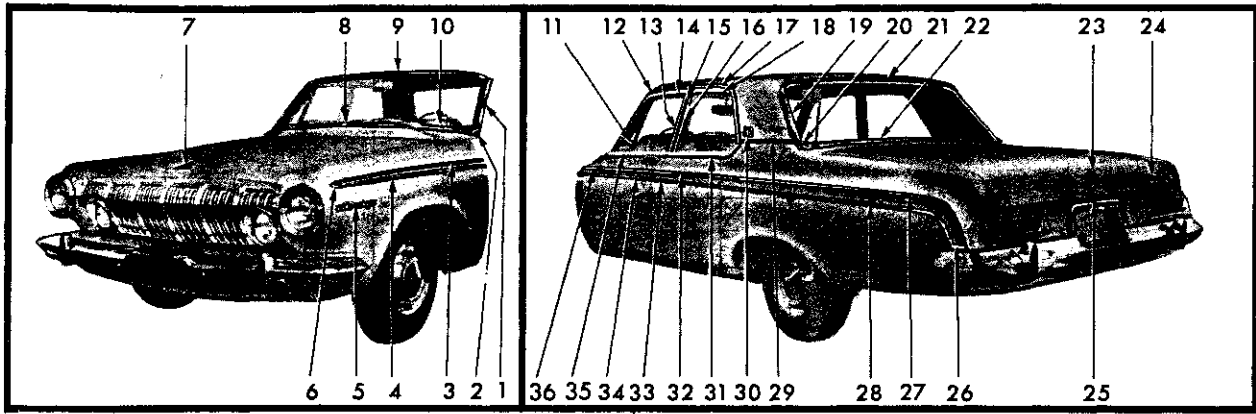
REF. NO.	QTY	PART NUMBER	DESCRIPTION
16	1	2448 488	MOULDING PACKAGE, Tailgate Outside Panel Belt (23-23-61)
	6	6001 436	Clip
	6	-----	Screw
17	1	2276 188	MEDALLION, Tailgate Outside (23-54-11)
	1	151 497	Nut
18	1	2251 802-3	MOULDING, Rear Upper Pillar Outside (23-23-60)
	8	9417 732	Screw
19	1	2423 384	NAME PLATE, Tailgate Outside Panel "Dodge" (23-54-11)
20	8	2421 925	MOULDING and RETAINER PACKAGE, Tailgate Outside Panel (23-23-61)
	16	6017 000	Retainer
	8	116 000	Nut
21	1	2448 472-3	MOULDING PACKAGE, Quarter Panel Rear (23-23-39)
	4	6023 686	Screw
	4	6000 960	Clip
	2	-----	Screw
22	1	2448 474-5	MOULDING PACKAGE, Quarter Panel Upper Front (23-23-39)
	16	6001 046	Retainer
	2	6023 241	Screw
23	1	2299 374	MOULDING PACKAGE, Quarter Panel Belt, Right (23-23-39)
	1	2299 399	Moulding Package, Quarter Panel Belt, Left
	4	6001 031	Clip
24	1	2421 874-5	MOULDING PACKAGE, Rear Door Belt (23-23-33)
	14	6001 046	Retainer
25	1	2421 870-1	MOULDING PACKAGE, Rear Door Upper (23-23-33)
	10	6001 046	Retainer
	2	6001 044	Retainer
	2	-----	Nut
26	1	2421 864-5	MOULDING PACKAGE, Front Door Belt (23-23-32)
	2	-----	Nut
	12	6001 046	Retainer
27	1	2421 866-7	MOULDING PACKAGE, Front Door Upper (23-23-32)
	8	6001 044	Retainer
	8	-----	Nut
	10	6001 046	Retainer

All Packages Include Attaching Parts

Part Type Code is Indicated in Parentheses

19x9630A

MOULDINGS - DODGE 330 TD1-2(L) SUBURBAN



REF. NO.	QTY	PART NUMBER	DESCRIPTION
1	1	2166 966-7	Moulding, Windshield Outside Finish Side (23-23-65)
2	1	2166 970-1	Moulding, Windshield Outside Finish Lower End (23-23-65)
3	1	2421 975-6	Moulding Package, Fender Side Upper (12-15-2)
	12	6001 496	Clip
	4	6001 057	Clip
	4	152 259	Nut
4	1	2421 977-8	Moulding Package, Fender Side Lower (12-15-2)
	12	6001 497	Clip
	4	6001 055	Clip
	4	152 259	Nut
5	2	2417 218	Name Plate, Fender Side (12-15-21)
	4	152 260	Nut
6	1	2421 226-7	Moulding Package, Fender Side Upper to Lower (12-15-2)
	2	152 259	Nut
7	1	2276 188	Medallion, Hood Front, w/Base (15-06-6)
	2	151 497	Nut
8	1	2254 524	Cover, Windshield Outside Finish Lower Moulding Joint (23-23-66)
9	1	2298 552	Moulding Package, Windshield Outside Finish Upper (23-23-65)
	8	6000 966	Retainer
10	1	2298 571-2	Moulding Package, Windshield Outside Finish Lower (23-23-65)
	10	6000 966	Retainer
11	4	2254 031	Moulding, Front Door Vent Wing Division Channel (23-23-36)
12	1	2422 976-7	Cap, Roof Drain Trough Moulding Front End (23-59-57)
13	1	2167 998-9	Moulding, Front Door Window Frame Rear (23-23-32)
14	1	2167 996-7	Moulding, Front Door Window Frame Upper (23-23-32)
15	1	2216 356-7	Panel, Center Pillar Upper Finish (23-23-16)
	4	6022 890	Screw
16	1	2167 998-9	Moulding, Rear Door Window Frame Front (23-23-33)
17	1	2423 596-7	Moulding, Roof Drain Trough Side (23-59-61)
18	1	2216 036-7	Moulding, Rear Door Window Frame Upper (23-23-33)
19	1	2424 558-9	Moulding and Support, Rear Window Outside Side Upper (23-23-52)
	4	6023 693	Screw
20	1	2448 478-9	Moulding Package, Rear Window Outside Side Lower (23-23-52)
	2	6023 693	Screw
	2	-----	Seal
	2	116 000	Nut

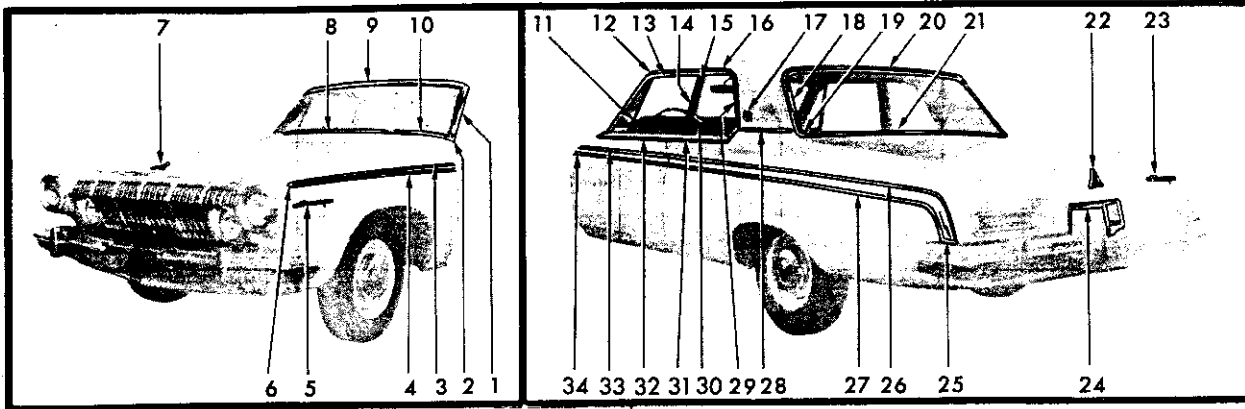
REF. NO.	QTY	PART NUMBER	DESCRIPTION
21	1	2424 557	Moulding and Support, Rear Window Outside Upper (23-23-52)
	15	6023 693	Screw
22	1	2244 751	Moulding, Rear Window Outside Lower (23-23-52)
	5	6024 117	Screw
23	1	2255 534	Ornament, Deck Lid Lock Cylinder (23-17-19)
	2	152 260	Nut
24	1	2255 090	Name Plate, Deck Lid (23-19-114)
	2	152 260	Nut
25	1	2244 810-11	Moulding, Deck Lower Panel License Depression (23-23-23)
	1	2255 992-3	Moulding, Deck Lower Panel License Depression, w/Back-Up Lamp Hole (23-23-23)
	7	6023 247	Screw
26	1	2421 882-3	Moulding Package, Quarter Panel Lower End (23-23-39)
	2	152 259	Nut
27	1	2421 878-9	Moulding Package, Quarter Panel Upper (23-23-39)
	2	6023 241	Screw
	12	6001 046	Retainer
	6	6001 057	Retainer
	6	6023 260	Nut
28	1	2421 876-7	Moulding Package, Quarter Panel Lower (23-23-39)
	12	6001 047	Retainer
	2	6001 056	Retainer
	2	-----	Nut
	6	6001 055	Retainer
	6	6023 260	Nut
29	1	2448 150-1	Moulding Package, Quarter Panel Belt (23-23-39)
	6	6001 030	Retainer
	6	152 259	Nut
30	2	2423 522-3	Numeral "4", Quarter Outside Panel (23-34-238)
	2	2423 518	Numeral "0", Quarter Outside Panel (23-34-238)
	12	6001 254	Clip
31	1	2421 874-5	Moulding Package, Rear Door Belt (23-23-33)
	14	6001 046	Retainer
32	1	2421 870-1	Moulding Package, Rear Door Upper (23-23-33)
	10	6001 046	Retainer
	2	6001 044	Retainer
	2	9418 539	Nut
33	1	2421 872-3	Moulding Package, Rear Door Lower (23-23-33)
	10	6001 047	Retainer
	2	6001 056	Retainer
	2	9418 539	Nut
34	1	2421 868-9	Moulding Package, Front Door Lower (23-23-32)
	8	6001 056	Retainer
	8	9418 539	Nut
	10	6001 046	Retainer
35	1	2421 864-5	Moulding Package, Front Door Belt (23-23-32)
	2	-----	Nut
	12	6001 046	Retainer
36	1	2421 866-7	Moulding Package, Front Door Upper (23-23-32)
	8	6001 044	Retainer
	8	-----	Nut
	10	6001 047	Retainer

All Packages include Attaching Parts

Part Type Code is indicated in Parentheses

19x9597C

MOULDINGS - DODGE 440 TD1-2(M) 4 DOOR SEDAN



REF. NO.	QTY	PART NUMBER	DESCRIPTION
1	1	2166 966-7	MOULDING, Windshield Outside Finish Side (23-23-65)
2	1	2166 970-1	MOULDING, Windshield Outside Finish Lower End (23-23-65)
3	1	2421 975-6	MOULDING PACKAGE, Fender Side Upper (12-15-2)
	12	6001 496	Clip
	4	6001 057	Clip
	4	152 259	Nut
4	1	2421 977-8	MOULDING PACKAGE, Fender Side Lower (12-15-2)
	12	6001 497	Clip
	4	6001 055	Clip
	4	152 259	Nut
5	2	2417 218	NAME PLATE, Fender Side, Dodge (12-15-21)
	4	152 260	Nut
6	1	2421 226-7	MOULDING PACKAGE, Fender Side Upper to Lower (12-15-2)
	2	152 259	Nut
7	1	2276 188	MEDALLION, w/Base, Hood Front (15-06-6)
	2	151 497	Nut
8	1	2254 524	COVER, Windshield Outside Finish Lower Moulding (23-23-66)
9	1	2298 552	MOULDING PACKAGE, Windshield Outside Finish Upper (23-23-65)
	8	6000 966	Retainer
10	1	2298 571-2	MOULDING PACKAGE, Windshield Outside Finish Lower (23-23-65)
	10	6000 966	Retainer
11	4	2254 031	MOULDING, Door Vent Wing Division Channel (23-23-36)
12	1	2422 976-7	CAP, Roof Drain Trough Moulding Front End (23-59-57)
13	1	2218 722-3	MOULDING, Door Window Frame Upper (23-23-32)
14	1	2218 724-5	MOULDING, Door Window Frame Rear (23-23-32)
15	1	2480 222-3	PANEL, Lock Pillar Upper Finish (23-23-16)
	4	6023 247	Screw
16	1	2423 596-7	MOULDING, Roof Drain Trough Side (23-59-61)
17	2	2423 522-3	NUMERAL "4", Quarter Outside Panel (23-34-238)
	2	2423 518	"O"
	12	6001 254	Clip
18	1	2424 558-9	MOULDING w/SUPPORT, Rear Window Outside Side Upper (23-23-52)
	4	6023 693	Screw
19	1	2448 478-9	MOULDING PACKAGE, Rear Window Outside Side Lower (23-23-52)
	2	6023 693	Screw
	2	-----	Seal
	2	116 000	Nut

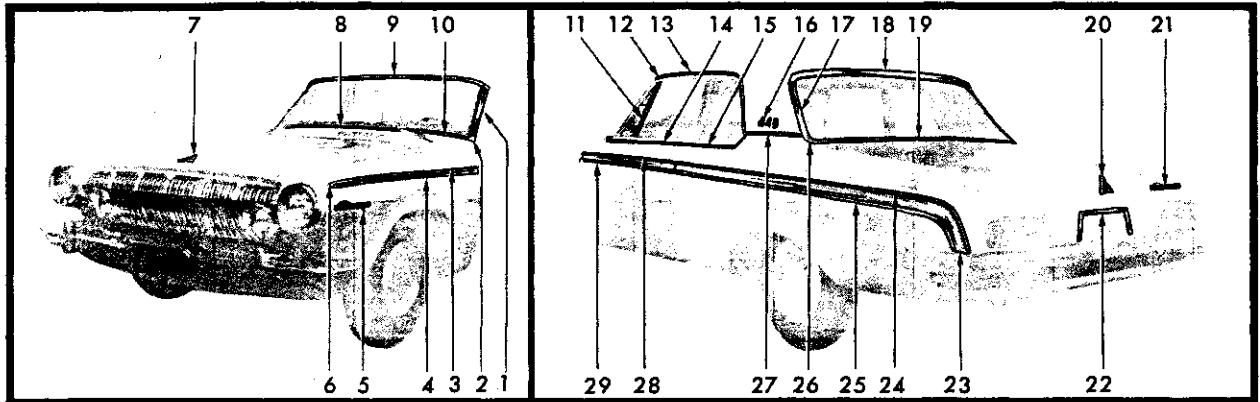
REF. NO.	QTY	PART NUMBER	DESCRIPTION
20	1	2424 557	MOULDING, w/Support, Rear Window Outside Upper (23-23-52)
	15	6023 693	Screw
21	1	2244 751	MOULDING, Rear Window Outside Lower (23-23-52)
	5	6024 117	Screw
22	1	2255 534	ORNAMENT, Deck Lid Lock Cylinder (23-17-19)
	2	152 260	Nut
23	1	2255 090	NAME PLATE, Deck Lid (23-19-114)
	2	152 260	Nut
24	1	2244 810-1	MOULDING, Deck Lower Panel License Depression (23-23-23)
	1	2255 992-3	MOULDING, Deck Lower Panel License Depression, w/Back-Up Lamp Hole (23-23-23)
	7	6023 247	Screw
25	1	2421 882-3	MOULDING PACKAGE, Quarter Panel End (23-23-39)
	2	152 259	Nut
26	1	2421 858-9	MOULDING PACKAGE, Quarter Panel Upper (23-23-39)
	2	6023 241	Screw
	20	6001 046	Retainer
	6	6001 057	Retainer
	6	6023 260	Nut
27	1	2421 862-3	MOULDING PACKAGE, Quarter Panel Lower (23-23-39)
	2	6023 241	Screw
	20	6001 047	Retainer
	6	6001 055	Retainer
	6	6023 260	Nut
28	1	2448 150-1	MOULDING PACKAGE, Quarter Panel Belt Upper (23-23-39)
	6	6001 030	Retainer
	6	152 259	Nut
29	1	2422 438-9	MOULDING, Quarter Window Opening Frame Outside Upper (23-23-73)
	2	2422 534	Retainer
30	1	2422 440-1	MOULDING, Quarter Window Opening Frame Outside Front (23-23-73)
31	1	2448 508-9	MOULDING PACKAGE, Quarter Panel Belt (23-23-39)
	8	6001 046	Retainer
	2	6001 447	Retainer
32	1	2421 850-1	MOULDING PACKAGE, Door Belt (23-23-32)
	4	-----	Nut
	14	6001 046	Retainer
	2	6001 044	Retainer
33	1	2421 852-3	MOULDING PACKAGE, Door Upper (23-23-32)
	8	6001 044	Retainer
	8	-----	Nut
	12	6001 046	Retainer
34	1	2421 854-5	MOULDING PACKAGE, Door Lower (23-23-32)
	8	6001 056	Retainer
	8	-----	Nut
	12	6001 047	Retainer

All Packages Include Attaching Parts

Part Type Code is Indicated in Parentheses

19x9605C

MOULDINGS - DODGE 440 TD1-2(M) 2 DOOR SEDAN



REF. NO.	QTY	PART NUMBER	DESCRIPTION
1	1	2166 966-7	MOULDING, Windshield Outside Finish Side (23-23-65)
	6	6023 247	Screw
2	1	2166 970	MOULDING, Windshield Outside Finish Lower End (23-23-65)
3	1	2421 975-6	MOULDING PACKAGE, Fender Side Upper (12-15-2)
	12	6001 496	Clip
	4	6001 057	Clip
	4	152 259	Nut
4	1	2421 977-8	MOULDING PACKAGE, Fender Side Lower (12-15-2)
	12	6001 497	Clip
	4	6001 055	Clip
	4	152 259	Nut
5	2	2417 218	NAME PLATE, Fender Side, Dodge (12-15-21)
	4	152 260	Nut
6	1	2421 226-7	MOULDING PACKAGE, Fender Side Upper to Lower (12-15-2)
	2	152 259	Nut
7	1	2276 188	MEDALLION, w/Base, Hood Front (15-06-6)
	2	151 497	Nut
8	1	2254 524	COVER, Windshield Outside Finish Lower Moulding Joint (23-23-66)
9	1	2298 552	MOULDING PACKAGE, Windshield Outside Finish Upper (23-23-65)
	8	6000 966	Retainer
10	1	2298 571-2	MOULDING PACKAGE, Windshield Outside Finish Lower (23-23-65)
	10	6000 966	Retainer
11	4	2254 031	MOULDING, Door Vent Wing Division Channel (23-23-36)
12	1	2422 976-7	CAP, Roof Drain Trough Moulding Front End (23-59-57)
13	1	2423 596-7	MOULDING, Roof Drain Trough Side (23-59-61)
14	1	2421 850-1	MOULDING PACKAGE, Door Belt (23-23-32)
	4	----	Nut
	14	6001 046	Retainer
	2	6001 044	Retainer
15	1	2448 508-9	MOULDING PACKAGE, Quarter Panel Belt (23-23-39)
	8	6001 046	Retainer
	2	6001 447	Retainer
16	2	2423 522-3	NUMERAL, Quarter Outside Panel "4" (23-34-238)
	2	2423 518	"0"

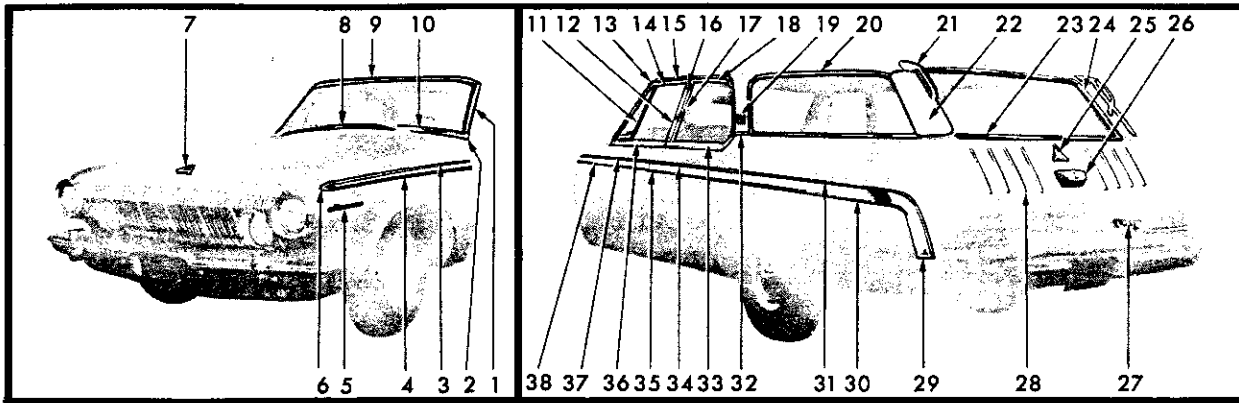
REF. NO.	QTY	PART NUMBER	DESCRIPTION
17	1	2424 558-9	MOULDING w/SUPPORT, Rear Window Outside Side Upper (23-23-52)
	4	6023 693	Screw
18	1	2424 557	MOULDING w/SUPPORT, Rear Window Outside Upper (23-23-52)
	15	6023 693	Screw
19	1	2244 751	MOULDING, Rear Window Outside Lower (23-23-52)
	5	6024 117	Screw
20	1	2255 534	ORNAMENT, Deck Lid Lock Cylinder (23-17-19)
	2	152 260	Nut
21	1	2255 090	NAME PLATE, Deck Lid (23-19-114)
	2	152 260	Nut
22	1	2244 810-1	MOULDING, Deck Lower Panel License Depression (23-23-23)
	7	6023 247	Screw
	1	2255 992-3	MOULDING, Deck Lower Panel License Depression, w/Back-Up Lamp Hole (23-23-23)
	6	6023 247	Screw
23	1	2421 882-3	MOULDING PACKAGE, Quarter Panel End (23-23-39)
	2	152 259	Nut
24	1	2421 858-9	MOULDING PACKAGE, Quarter Panel Upper (23-23-39)
	2	6023 241	Screw
	20	6001 046	Retainer
	6	6001 057	Retainer
	6	6023 260	Nut
25	1	2421 862-3	MOULDING PACKAGE, Quarter Panel Lower (23-23-39)
	2	6023 241	Screw
	20	6001 047	Retainer
	6	6001 055	Retainer
	6	6023 260	Nut
26	1	2448 478-9	MOULDING PACKAGE, Rear Window Outside Side Lower (23-23-52)
	12	6001 254	Clips
	1	2448 150-1	MOULDING PACKAGE, Quarter Panel Belt (23-23-39)
	6	6001 030	Retainer
	6	152 259	Nut
28	1	2421 852-3	MOULDING PACKAGE, Door Upper (23-23-32)
	8	----	Nut
	8	6001 044	Retainer
	12	6001 046	Retainer
29	1	2421 854-5	MOULDING PACKAGE, Door Lower (23-23-32)
	8	6001 056	Retainer
	8	----	Nut
	12	6001 047	Retainer

All Packages Include Attaching Parts

Part Type Code is Indicated in Parentheses

19x9607C

MOULDINGS - DODGE 440 TD1-2(M) SPECIAL CLUB COUPE



REF. NO.	QTY	PART NUMBER	DESCRIPTION
1	1	2166 966-7	MOULDING, Windshield Outside Finish Side (23-23-65)
2	1	2166 970-1	MOULDING, Windshield Outside Finish Lower End (23-23-65)
3	1	2421 975-6	MOULDING PACKAGE, Fender Side Upper (12-15-2)
12		6001 496	Clip
4	4	6001 057	Clip
4	4	152 259	Nut
4	1	2421 977-8	MOULDING PACKAGE, Fender Side Lower (12-15-2)
12		6001 497	Clip
4	4	6001 055	Clip
4	4	152 259	Nut
5	2	2417 218	NAME PLATE, Fender Side, Dodge (12-15-21)
4	4	152 260	Nut
6	1	2421 226-7	MOULDING PACKAGE, Fender Side Upper to Lower (12-15-2)
2	2	152 259	Nut
7	1	2276 188	MEDALLION, w/Base, Hood Front (15-06-6)
2	2	151 497	Nut
8	1	2254 524	COVER, Windshield Outside Finish Lower Moulding Joint (23-23-66)
9	1	2298 552	MOULDING PACKAGE, Windshield Outside Finish Upper (23-23-65)
8	6000 966	Retainer	
10	1	2298 571-2	MOULDING PACKAGE, Windshield Outside Finish Lower (23-23-65)
10	6000 966	Retainer	
11	4	2254 031	MOULDING, Front Door Vent Wing Division Channel (23-23-36)
12	1	2167 998-9	MOULDING, Front Door Window Frame Rear (23-23-32)
13	1	2422 976-7	CAP, Roof Drain Trough Moulding Front End (23-59-57)
14	1	2167 996-7	MOULDING, Front Door Window Frame Upper (23-23-32)
15	1	2423 596-7	MOULDING, Roof Drain Trough Side (23-59-61)
16	1	2216 356-7	PANEL, Center Pillar Upper Finish (23-23-16)
4	6022 890	Screw	
17	1	2167 998-9	MOULDING, Rear Door Window Frame Front (23-23-33)
18	1	2216 036-7	MOULDING, Rear Door Window Frame Upper (23-23-33)
19	2	2423 522-3	NUMERAL "4", Quarter Outside Panel (23-34-238)
2	2423 518	"O", Quarter Outside Panel	
12	6001 254	Clip	
20	2	2422 471	LOCKINGSTRIP, Quarter Window Glass Weatherstrip (23-63-110)
21	1	2424 096-7	HANDLE, Roof Panel Rear Pillar Outside Assist (23-36-123)
4	6023 204	Nut and Washer	
1	2424 984-5	Seal	

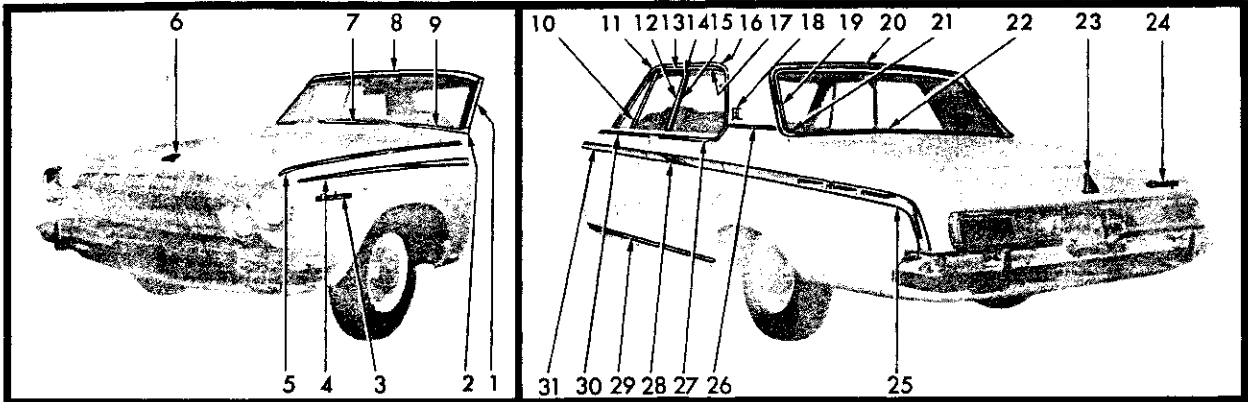
REF. NO.	QTY	PART NUMBER	DESCRIPTION
22	1	2252 254-5	DEFLECTOR, Roof Panel Outside Air (23-36-134)
2	2	167 079	Screw
4	9418 381	Screw	
23	1	2448 488	MOULDING PACKAGE, Tailgate Outside Panel Belt (23-23-61)
6	6001 435	Clip	
6	---	---	Screw
24	1	2251 802-3	MOULDING, Rear Upper Pillar Outside (23-23-60)
8	9417 732	Screw	
25	1	2276 188	MEDALLION, Tailgate Outside Panel (23-54-11)
1	151 497	Nut	
26	1	2428 221	BASE, w/Stud, Electric Tailgate Window Regulator Outside (23-54-18)
27	1	2423 384	NAME PLATE, Tailgate Outside Panel "Dodge" (23-54-11)
3	6001 254	Clip	
28	8	2421 925	MOULDING and RETAINER PACKAGE, Tailgate Outside Panel (23-23-61)
16	6017 000	Retainer	
8	116 000	Nut	
29	1	2448 472-3	MOULDING PACKAGE, Quarter Panel Rear (23-23-39)
4	6023 686	Screw	
4	6000 960	Clip	
2	---	---	Screw
30	1	2448 476-7	MOULDING PACKAGE, Quarter Panel Lower Front (23-23-39)
18	6001 047	Retainer	
2	6023 241	Screw	
31	1	2448 474-5	MOULDING PACKAGE, Quarter Panel Upper Front (23-23-39)
16	6001 046	Retainer	
2	6023 241	Screw	
32	1	2299 374	MOULDING PACKAGE, Quarter Panel Belt, Right (23-23-39)
1	2299 399	MOULDING PACKAGE, Quarter Panel Belt, Left	
4	6001 031	Clip	
33	1	2421 874-5	MOULDING PACKAGE, Rear Door Belt (23-23-33)
14	6001 046	Retainer	
34	1	2421 870-1	MOULDING PACKAGE, Rear Door Upper (23-23-33)
10	6001 046	Retainer	
2	6001 044	Retainer	
2	---	---	Nut
35	1	2421 872-3	MOULDING PACKAGE, Rear Door Lower (23-23-33)
10	6001 047	Retainer	
2	6001 056	Retainer	
2	---	---	Nut
36	1	2421 864-5	MOULDING PACKAGE, Front Door Belt (23-23-32)
2	---	---	Nut
8	6001 046	Retainer	
37	1	2421 866-7	MOULDING PACKAGE, Front Door Upper (23-23-32)
8	6001 044	Retainer	
8	---	---	Nut
10	6001 046	Retainer	
38	1	2421 868-9	MOULDING PACKAGE, Front Door Lower (23-23-32)
8	6001 056	Retainer	
8	---	---	Nut
10	6001 047	Retainer	

All Packages include Attaching Parts

Part Type Code is Indicated in Parentheses

19x9645A

MOULDINGS - DODGE 440 TD2(M) SUBURBAN



REF. NO.	QTY	PART NUMBER	DESCRIPTION
1	1	2166 966-7	MOULDING, Windshield Outside Finish Side (23-23-65)
	6	6023 247	Screw
2	1	2166 970-1	MOULDING, Windshield Outside Finish Lower End (23-23-65)
	2	6023 247	Screw
3	2	2276 748	NAME PLATE, Fender Side (12-15-21)
	4	152 260	Nut
4	1	2421 979-80	MOULDING PACKAGE, Fender Side Lower (12-15-2)
	12	-----	Nut
5	1	2421 973-4	MOULDING PACKAGE, Fender Side Upper (12-15-2)
	14	6001 496	Clip
	4	6001 057	Clip
	4	152 259	Nut
6	1	2276 188	MEDALLION, Hood Front, w/Base (15-06-6)
	1	151 497	Nut
7	1	2254 524	COVER, Windshield Outside Finish Lower Moulding (23-23-66)
8	1	2298 552	MOULDING PACKAGE, Windshield Outside Finish Upper (23-23-65)
	8	6000 966	Retainer
9	1	2298 571-2	MOULDING PACKAGE, Windshield Outside Finish Lower (23-23-65)
	10	6000 966	Retainer
10	4	2254 031	MOULDING, Front Door Vent Wing Division Channel (23-23-36)
11	1	2422 976-7	CAP, Roof Drain Trough Moulding Front End (23-59-37)
12	1	2167 998-9	MOULDING, Front Door Window Frame Rear (23-23-32)
13	1	2167 996-7	MOULDING, Front Door Window Frame Upper (23-23-32)
14	1	2216 356-7	PANEL, Center Pillar Upper Finish (23-23-16)
	4	6022 890	Screw
15	1	2167 998-9	MOULDING, Rear Door Window Frame Front (23-23-33)
16	1	2423 596-7	MOULDING, Roof Drain Trough Side (23-59-61)
17	1	2216 036-7	MOULDING, Rear Door Window Frame Upper (23-23-33)
18	1	2423 528-9	ORNAMENT, Quarter Outside Panel (23-34-334)
	8	6001 254	Clip
	4	2423 737	Plug
19	1	2424 558-9	MOULDING w/SUPPORT, Rear Window Outside Side Upper (23-23-52)
	4	6023 693	Screw

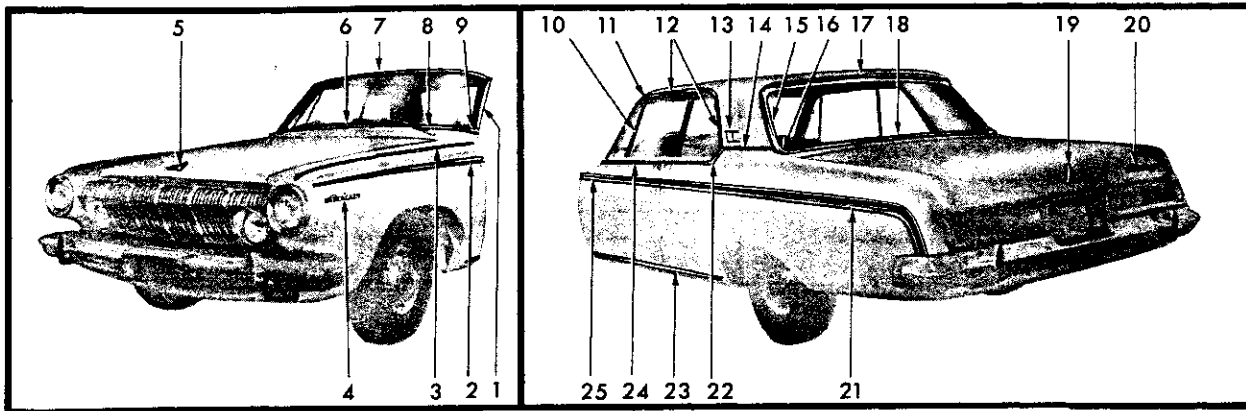
REF. NO.	QTY	PART NUMBER	DESCRIPTION
20	1	2424 557	MOULDING w/SUPPORT, Rear Window Outside Upper (23-23-52)
	15	6023 693	Screw
21	1	2448 478-9	MOULDING PACKAGE, Rear Window Outside Side Lower (23-23-52)
	2	6023 693	Screw
	2	-----	Seal
	2	116 000	Nut
22	1	2244 751	MOULDING, Rear Window Outside Lower (23-23-52)
	5	6024 117	Screw
23	1	2255 534	ORNAMENT, Deck Lid Deck Cylinder (23-12-19)
	2	152 260	Nut
24	1	2255 090	NAME PLATE, Deck Lid (23-19-114)
	2	152 260	Nut
25	1	2421 910-1	MOULDING PACKAGE, Quarter Panel Lower (23-23-39)
	2	6023 241	Screw
	2	6022 007	Washer
	2	-----	Nut
26	1	2448 150-1	MOULDING PACKAGE, Quarter Panel Belt (23-23-39)
	6	6001 030	Retainer
	6	152 259	Nut
27	1	2421 908-9	MOULDING PACKAGE, Rear Door Belt (23-23-33)
	10	6001 046	Retainer
	4	6006 515	Clip
28	1	2448 504-5	MOULDING PACKAGE, Rear Door Lower (23-23-33)
	4	6022 013	Washer 2 ----- Retainer
	4	441 256	Nut
29	2	2421 912	MOULDING PACKAGE, Body Side Still (23-23-2)
	2	6023 681	Screw
	14	6001 083	Clip
30	1	2421 906-7	MOULDING PACKAGE, Front Door Belt (23-23-32)
	2	6001 044	Retainer
	2	-----	Nut
	12	6001 046	Retainer
31	1	2448 502-3	MOULDING PACKAGE, Front Door Lower (23-23-32)
	2	441 256	Nut
	2	6022 013	Washer
	2	9417 621	Nut

All Packages Include Attaching Parts

Part Type Code is Indicated in Parentheses

19x9604B

MOULDINGS - DODGE POLARA TD1-2(H) 4 DOOR SEDAN



REF. NO.	QTY	PART NUMBER	DESCRIPTION
1	1	2166 966-7	Moulding, Windshield Outside Finish Side (23-23-65)
2	1	2421 979-80	Moulding Package, Fender Side Lower (12-15-2)
	12	-----	Nut
3	1	2421 973-4	Moulding Package, Fender Side Upper (12-15-2)
14	4	6001 496	Clip
4	4	6001 057	Clip
4	4	152 259	Nut
4	2	2276 748	Name Plate, Fender Side (12-15-21)
4	4	152 260	Nut
5	1	2276 188	Medallion, Hood Front, w/Base (15-06-6)
1	1	151 497	Nut
6	1	2254 524	Cover, Windshield Outside Finish Lower Moulding Joint (23-23-66)
7	1	2298 552	Moulding Package, Windshield Outside Finish Upper (23-23-65)
8	6000	966	Retainer
8	1	2298 571-2	Moulding Package, Windshield Outside Finish Lower (23-23-65)
10	6000	966	Retainer
9	1	2166 970-1	Moulding, Windshield Outside Finish Lower End (23-23-65)
10	4	2254 031	Moulding, Door Vent Wing Division Channel (23-23-36)
11	1	2255 240-1	Moulding, Roof Side Drain Trough Front (23-59-61)
2	6023	241	Screw
12	1	2423 004-5	Moulding, Roof Side Drain Trough Intermediate and Rear (use w/o Two Tone Paint) (23-59-61)
4	6024	271	Screw
1	2421	896-7	Moulding Package, Roof Side Drain Trough Intermediate and Rear (use w/Two Tone Paint) (23-59-61)
4	6024	271	Screw
8	6023	559	Screw
8	2423	432	Clip
4	6023	241	Screw
13	1	2423 528-9	Ornament, Quarter Outside Panel (23-34-334)
4	2423	737	Sealing Plug
8	6001	254	Clip

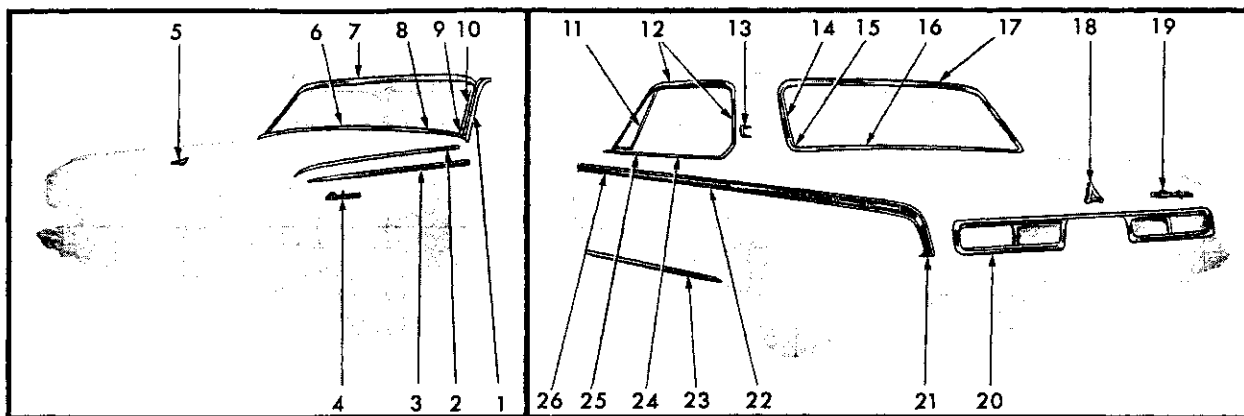
REF. NO.	QTY	PART NUMBER	DESCRIPTION
14	1	2448 164-5	Moulding Package, Quarter Panel Belt Rear (23-23-39)
6	-----	-----	Nut
15	1	2424 558-9	Moulding and Support, Rear Window Outside Side Upper (23-23-52)
4	6023	693	Screw
16	1	2448 478-9	Moulding Package, Rear Window Outside Side Lower (23-23-52)
2	6023	693	Screw
2	-----	-----	Seal
2	116	000	Nut
17	1	2424 557	Moulding and Support, Rear Window Outside Upper (23-23-52)
15	6023	693	Screw
18	1	2244 751	Moulding, Rear Window Outside Lower (23-23-57)
5	6024	117	Screw
19	1	2255 534	Ornament, Deck Lid Lock Cylinder (23-17-19)
2	152	260	Nut
20	1	2255 090	Name Plate, Deck Lid (23-19-114)
2	152	260	Nut
21	1	2421 904-5	Moulding Package, Quarter Panel Lower (23-23-39)
2	6024	271	Screw
8	6022	007	Washer
8	-----	-----	Nut
22	1	2421 902-3	Moulding Package, Quarter Panel Belt Front (23-23-39)
8	6001	046	Retainer
4	6006	515	Clip
23	2	2421 912	Moulding Package, Body Side Sill (23-23-2)
2	6023	681	Screw
14	6001	083	Clip
24	1	2421 900-1	Moulding Package, Door Belt (23-23-32)
4	6001	044	Retainer
4	-----	-----	Nut
14	6001	046	Retainer
25	1	2448 500-1	Moulding Package, Door Lower (23-23-32)
4	441	256	Nut

All Packages Include Attaching Parts

Part Type Code is Indicated in Parentheses

19x9600B

MOULDINGS - DODGE POLARA TD1-2(H) SPECIAL CLUB COUPE



REF. NO.	QTY	PART NUMBER	DESCRIPTION
1	1	2255 240-1	MOULDING, Roof Side Drain Trough Front (23-59-61)
2	1	2421 973-4	MOULDING PACKAGE, Fender Side Upper (12-15-2)
14	6001 496	Clip	
4	6001 057	Clip	
4	152 259	Nut	
3	1	2421 979-80	MOULDING PACKAGE, Fender Side Lower (12-15-2)
12	-----	Nut	
4	2	2276 748	NAME PLATE, Fender Side (12-15-21)
4	152 260	Nut	
5	1	2276 188	MEDALLION, w/Base, Hood (15-06-6)
2	151 497	Nut	
6	1	2254 524	COVER, Windshield Outside Finish Lower Moulding Joint (23-23-66)
7	1	2298 552	MOULDING PACKAGE, Windshield Outside Finish Upper (23-23-65)
8	6000 966	Retainer	
8	1	2298 571-2	MOULDING PACKAGE, Windshield Outside Finish Lower (23-23-65)
10	6000 966	Retainer	
9	1	2166 970-1	MOULDING, Windshield Outside Finish Lower End (23-23-65)
10	1	2166 966-7	MOULDING, Windshield Outside Finish Side (23-23-65)
11	4	2254 031	MOULDING, Front Door Vent Wing Division Channel (23-23-36)
12	1	2421 894-5	MOULDING PACKAGE, Roof Side Drain Trough Intermediate (23-59-61)
8	2423 432	Clip	
8	6023 559	Screw	
13	1	2423 528-9	ORNAMENT, Quarter Outside Panel (23-34-334)
4	2423 737	Sealing Plug	
8	6001 254	Clip	
14	1	2424 558-9	MOULDING and SUPPORT, Rear Window Outside Upper (23-23-52)
4	6023 693	Screw	

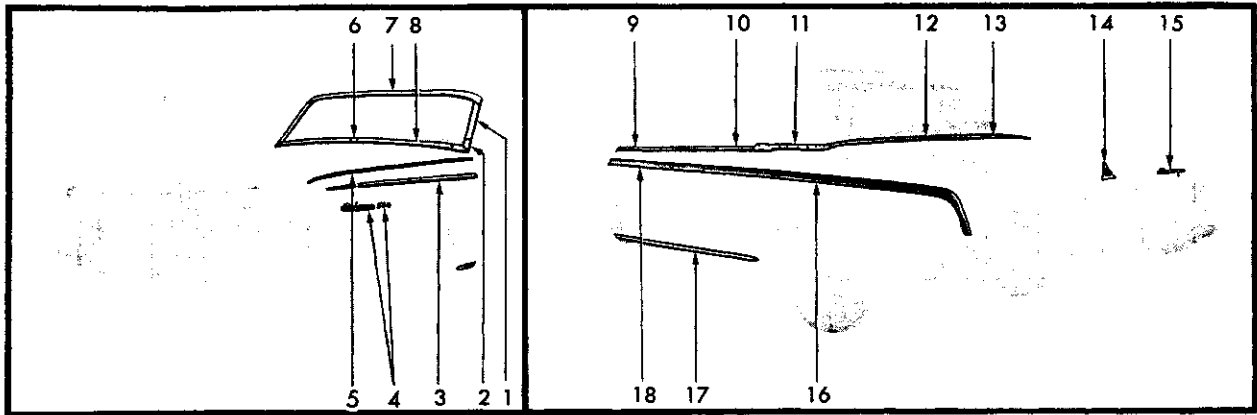
REF. NO.	QTY	PART NUMBER	DESCRIPTION
15	1	2448 478-9	MOULDING PACKAGE, Rear Window Outside Side Lower (23-23-52)
2	-----	Clip and Stud	
2	-----	Seal	
2	116 000	Nut	
16	1	2244 751	MOULDING, Rear Window Outside Lower (23-23-52)
5	6024 117	Screw	
17	1	2424 557	MOULDING and SUPPORT, Rear Window Outside Upper (23-23-52)
15	6023 693	Screw	
18	1	2255 534	ORNAMENT, Deck Lid Lock Cylinder (23-17-19)
19	1	2255 090	NAME PLATE, Deck Lid (23-19-114)
2	152 260	Nut	
20	1	2421 467-8	HOUSING PACKAGE, Tail, Stop, Turn Signal and Back-Up Lamp (8-55-136)
21	1	2421 910-1	MOULDING PACKAGE, Quarter Panel (23-23-39)
2	6023 241	Screw	
2	6022 007	Washer	
2	-----	Nut	
22	1	2448 504-5	MOULDING PACKAGE, Rear Door Lower (23-23-33)
2	-----	Retainer	
4	6022 013	Washer	
4	441 256	Nut	
23	2	2421 912	MOULDING PACKAGE, Body Side Sill (23-23-2)
2	6023 681	Screw	
14	6001 083	Clip	
24	1	2421 908-9	MOULDING PACKAGE, Rear Door Belt (23-23-33)
10	6001 046	Retainer	
4	6006 515	Clip	
25	1	2421 906-7	MOULDING PACKAGE, Front Door Belt (23-23-32)
2	6001 044	Retainer	
2	-----	Nut	
12	6001 046	Retainer	
26	1	2448 502-3	MOULDING PACKAGE, Front Door Lower (23-23-32)
4	441 256	Nut	
2	6022 013	Washer	
2	9417 621	Nut	

All Packages include Attaching Parts

Part Type Code is Indicated in Parentheses

19x9529B

MOULDINGS - DODGE POLARA TD2(H) SPECIAL 4 DOOR SEDAN



REF. NO.	QTY	PART NUMBER	DESCRIPTION
1	1	2166 966-7	MOULDING, Windshield Outside Finish Side (23-23-65)
2	1	2166 970-1	MOULDING, Windshield Outside Finish Lower End (23-23-65)
3	1	2421 979-80	MOULDING PACKAGE, Fender Side Lower (12-15-2)
		12	Nut
4	2	2276 748	NAME PLATE, Fender Side (12-15-21)
		4	152 260 Nut
		2	2423 538-9 NUMERAL "5", Fender Side (12-15-21)
		4	2423 518 NUMERAL "0", Fender Side (12-15-21)
		12	152 259 Nut
5	1	2421 973-4	MOULDING PACKAGE, Fender Side Upper (12-15-2)
		14	6001 496 Clip
		4	6001 057 Clip
		4	152 259 Nut
6	1	2254 524	COVER, Windshield Outside Finish Lower Moulding Joint (23-23-66)
7	1	2252 056-7	MOULDING and EXTENSION, Windshield Header Outside Finish (23-23-65)
		7	274 109 Screw
		2	9413 197 Screw
8	1	2298 571-2	MOULDING PACKAGE, Windshield Outside Finish Lower (23-23-65)
		10	6000 966 Retainer
9	1	2421 900-1	MOULDING PACKAGE, Door Belt (23-23-32)
		4	6001 044 Retainer
		4	Nut
		14	6001 046 Retainer

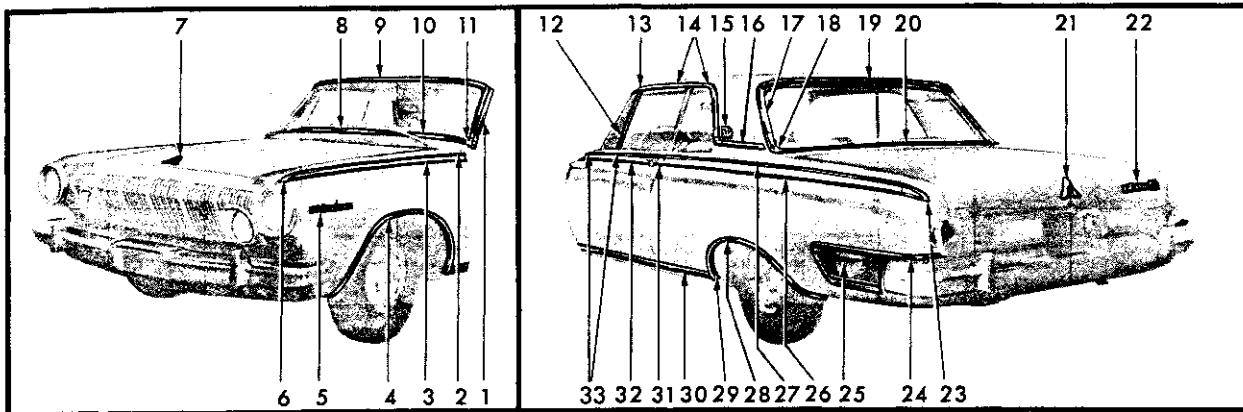
REF. NO.	QTY	PART NUMBER	DESCRIPTION
10	1	2448 454-5	MOULDING PACKAGE, Quarter Panel Belt Front (23-23-39)
		6	6001 046 Retainer
11	1	2448 462-3	MOULDING PACKAGE, Quarter Panel Belt Rear (23-23-39)
		10	6001 046 Retainer
		2	6001 057 Retainer
		2	152 259 Nut
12	1	2448 456	COVER PACKAGE, Deck Opening Upper Panel Moulding (23-23-41)
		1	2094 394 Fastener
13	1	2448 458-9	MOULDING PACKAGE, Deck Opening Upper Panel (23-23-31)
		10	2094 394 Fastener
14	1	2255 534	ORNAMENT, Deck Lid Lock Cylinder (23-17-19)
15	1	2255 090	NAME PLATE, Deck Lid (23-19-114)
		2	152 260 Nut
16	1	2421 904-5	MOULDING PACKAGE, Quarter Panel Lower (23-23-39)
		2	6023 241 Screw
		16	Retainer
		16	6022 007 Seal
		18	Nut
17	2	2421 912	MOULDING PACKAGE, Body Side Sill (23-23-2)
		2	6023 281 Screw
		14	6001 083 Clip
18	1	2448 500-1	MOULDING PACKAGE, Door Lower (23-23-32)
		2	Retainer
		4	441 256 Nut

All Packages Include Attaching Parts

Part Type Code is Indicated in Parentheses

19x9568B

MOULDINGS - DODGE POLARA TD2(H) CONVERTIBLE COUPE



REF. NO.	QTY	PART NUMBER	DESCRIPTION
1	1	2166 966-7	MOULDING, Windshield Outside Finish Side (23-23-65)
2	1	2421 967-8	MOULDING PACKAGE, Fender Side Upper (12-15-2)
4	1	152 259	Nut
4	1	6001 057	Clip
14	1	6001 496	Clip
3	1	2421 969-70	MOULDING PACKAGE, Fender Side Lower (12-15-2)
4	1	152 259	Nut
4	1	6001 057	Clip
14	1	6001 496	Clip
4	1	2276 956-7	MOULDING PACKAGE, Fender Wheel Opening (12-15-2)
16	1	9417 316	Screw
2	1	-----	Screw
5	2	2276 748	NAME PLATE, Fender Side - Polara (12-15-2)
4	1	152 260	Nut
6	1	2421 965-6	MOULDING PACKAGE, Fender Side Upper to Lower (12-15-2)
2	1	152 259	Nut
7	1	2276 188	MEDALLION, w/Base, Hood Front (15-06-6)
2	1	151 497	Nut
8	1	2254 524	COVER, Windshield Outside Finish Lower Moulding Joint (23-23-66)
9	1	2298 552	MOULDING PACKAGE, Windshield Outside Finish Upper (23-23-65)
8	1	6000 966	Retainer
10	1	2298 571-2	MOULDING PACKAGE, Windshield Outside Finish Lower (23-23-65)
10	1	6000 966	Retainer
11	1	2166 970-1	MOULDING, Windshield Outside Finish Lower End (23-23-65)
12	4	2254 031	MOULDING, Door Vent Wing Division Channel (23-23-36)
13	1	2255 240-1	MOULDING, Roof Side Drain Trough Front (23-59-61)
2	1	6023 241	Screw
14	1	2421 896-7	MOULDING PACKAGE, Roof Side Drain Trough Intermediate and Rear (23-59-61)
8	1	2423 432	Clip
8	1	6023 559	Screw
4	1	6023 241	Screw
15	1	2423 538-9	NUMERAL "5", Quarter Outside Panel (23-34-238)
4	1	2423 518	"O", Quarter Outside Panel
12	1	6001 254	Clip
16	1	2448 164-5	MOULDING PACKAGE, Quarter Panel Belt Upper (23-23-39)
6	1	-----	Nut
17	1	2424 558-9	MOULDING and SUPPORT, Rear Window Outside Side Upper (23-23-52)
4	1	6023 693	Screw
18	1	2448 478-9	MOULDING PACKAGE, Rear Window Outside Side Lower (23-23-52)
2	1	6023 693	Screw
2	1	-----	Seal
2	1	116 000	Nut
19	1	2424 557	MOULDING and SUPPORT, Rear Window Outside Upper (23-23-52)
15	1	6023 693	Screw

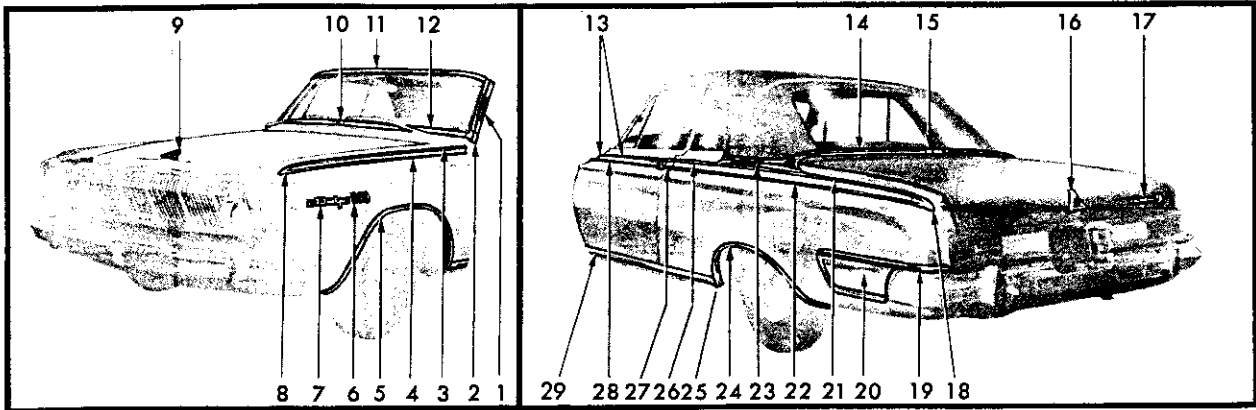
REF. NO.	QTY	PART NUMBER	DESCRIPTION
20	1	2244 751	MOULDING, Rear Window Outside Lower (23-23-52)
5	1	6024 117	Screw
21	1	2255 534	ORNAMENT, Deck Lid Lock Cylinder (23-17-19)
2	1	152 260	Nut
22	1	2255 628	NAME PLATE, Deck Lid (23-19-114)
23	1	2448 160-1	MOULDING PACKAGE, Quarter Panel End (23-23-39)
2	1	152 260	Nut
24	1	2448 158-9	EXTENSION PACKAGE, Quarter Outside Panel Ornament (23-34-334)
2	1	152 260	Nut
2	1	6023 642	Screw and Washer
25	1	2423 024-5	ORNAMENT and STUDS, Quarter Outside Panel (23-34-334)
10	1	6022 013	Washer
10	1	116 000	Nut
26	1	2448 152-3	MOULDING PACKAGE, Quarter Panel Lower (23-23-39)
30	1	6001 046	Retainer
2	1	6001 044	Retainer
2	1	-----	Nut
27	1	2448 168-9	MOULDING PACKAGE, Quarter Panel Belt (23-23-39)
2	1	6001 057	Retainer
2	1	152 259	Nut
30	1	6001 046	Retainer
28	1	2422 510-1	MOULDING, Quarter Panel Wheel Opening (23-23-39)
16	1	9417 316	Screw
29	1	2422 796-7	MOULDING, Quarter Panel Wheel Opening to Sill (23-23-39)
2	1	6023 627	Screw
30	1	2448 196-7	MOULDING PACKAGE, Body Side Sill (23-23-2)
16	1	6001 033	Retainer
2	1	6023 627	Screw
31	1	2448 194-5	MOULDING PACKAGE, Door Lower Rear (23-23-32)
2	1	-----	Nut
32	1	2448 166-7	MOULDING PACKAGE, Door Lower Front (23-23-32)
2	1	6001 044	Retainer
2	1	-----	Nut
12	1	6001 046	Retainer
33	1	2448 192	MOULDING PACKAGE, Door Belt Right (23-23-32)
2	1	6001 044	Retainer
2	1	-----	Nut
6	1	6001 046	Retainer
1	1	2421 993	MOULDING PACKAGE, Door Belt Front Left (23-23-32)
1	1	-----	Nut
1	1	2448 193	MOULDING PACKAGE, Door Belt Rear Left (23-23-32)
2	1	6001 044	Retainer
2	1	-----	Nut
6	1	6001 046	Retainer
1	1	2448 582	MOULDING PACKAGE, Door Belt Left (use w/o Mirror) (23-23-32)
7	1	6001 046	Retainer
1	1	6001 044	Retainer
1	1	6023 691	Nut

All Packages Include Attaching Parts

Part Type Code is Indicated in Parentheses

19x9622B

MOULDINGS - DODGE POLARA 500 TD2(P) SPECIAL CLUB COUPE



REF. NO.	QTY	PART NUMBER	DESCRIPTION
1	1	2166 966-7	MOULDING, Windshield Outside Finish Side (23-23-65)
2	1	2166 970-1	MOULDING, Windshield Outside Finish Lower End (23-23-65)
3	1	2421 967-8	MOULDING PACKAGE, Fender Side Upper (12-15-2)
14		6001 496	Clip
4		6001 057	Clip
4		152 259	Nut
4	1	2421 969-70	MOULDING PACKAGE, Fender Side Lower (12-15-2)
14		6001 496	Clip
4		6001 057	Clip
4		152 259	Nut
5	1	2276 956-7	MOULDING PACKAGE, Fender Wheel Opening (12-15-2)
16		9417 316	Screw
2		-----	Screw
6	2	2423 538-9	NUMERAL, Fender Side, "5" (12-15-21)
4		2423 518	"O"
12		152 259	Nut
7	2	2276 748	NAME PLATE, Fender Side, Polara (12-15-21)
4		152 260	Nut
8	1	2421 965-6	MOULDING PACKAGE, Fender Side Upper to Lower (12-15-2)
2		152 259	Nut
9	1	2276 188	MEDALLION, w/Base, Hood Front (15-06-6)
2		151 497	Nut
10	1	2254 524	COVER, Windshield Outside Finish Lower Moulding Joint (23-23-66)
11	1	2252 056-7	MOULDING and EXTENSION, Windshield Header Outside (23-23-65)
7		274 109	Screw
2		9413 197	Screw
12	1	2298 571-2	MOULDING PACKAGE, Windshield Outside Finish Lower (23-23-65)
10		6000 966	Retainer
13	1	2448 192	MOULDING PACKAGE, Door Belt Right (23-23-32)
2		6001 044	Retainer
2		-----	Nut
6		6001 046	Retainer
1		2421 993	MOULDING PACKAGE, Door Belt Front Left (23-23-32)
1		9418 539	Nut
1		2448 193	MOULDING PACKAGE, Door Belt Rear Left (23-23-32)
2		6001 044	Retainer
2		-----	Nut
6		6001 046	Retainer
1		2448 582	MOULDING PACKAGE, Door Belt Left (use w/o Mirror) (23-23-32)
7		6001 046	Retainer
1		6001 044	Retainer
1		6023 691	Nut
14	1	2448 458-9	MOULDING PACKAGE, Deck Opening Upper Panel (23-23-31)
10		2094 394	Fastener
15	1	2448 456	COVER PACKAGE, Deck Opening Upper Panel Moulding (23-23-41)
1		2094 394	Fastener

REF. NO.	QTY	PART NUMBER	DESCRIPTION
16	1	2255 534	ORNAMENT, Deck Lid Lock Cylinder (23-17-19)
2		152 260	Nut
17	1	2255 628	NAME PLATE, Deck Lid (23-19-14)
18	1	2448 160-1	MOULDING PACKAGE, Quarter Panel Lower End (23-23-39)
2		152 260	Nut
19	1	2448 158-9	EXTENSION PACKAGE, Quarter Outside Panel Ornament (23-34-334)
2		152 260	Nut
2		6023 642	Screw and Washer
20	1	2423 024-5	ORNAMENT and STUDS, Quarter Outside Panel (23-34-334)
10		6022 013	Washer
10		116 000	Nut
21	1	2448 172-3	MOULDING PACKAGE, Quarter Panel Belt Rear (23-23-39)
2		6001 057	Retainer
2		152 259	Nut
10		6001 046	Retainer
22	1	2448 152-3	MOULDING PACKAGE, Quarter Panel Lower (23-23-39)
30		6001 046	Retainer
2		6001 044	Retainer
2		-----	Nut
23	1	2448 460-1	MOULDING PACKAGE, Quarter Panel Belt Intermediate (23-23-39)
14		2094 394	Fastener
24	1	2422 510-1	MOULDING PACKAGE, Quarter Panel Wheel Opening (23-23-39)
16		9417 316	Screw
25	1	2422 796-7	MOULDING, Quarter Panel Wheel Opening to Sill (23-23-39)
2		6023 627	Screw
26	1	2448 170-1	MOULDING PACKAGE, Quarter Panel Belt Front (23-23-39)
8		6001 046	Retainer
2		152 259	Nut
2		6001 057	Retainer
27	1	2448 194-5	MOULDING PACKAGE, Door Lower Rear (23-23-32)
2		9418 539	Nut
28	1	2448 166-7	MOULDING PACKAGE, Door Lower Front (23-23-32)
2		6001 044	Retainer
2		-----	Nut
12		6001 046	Retainer
29	1	2448 196-7	MOULDING PACKAGE, Body Side Sill (23-23-2)
16		6001 083	Retainer
2		6023 627	Screw

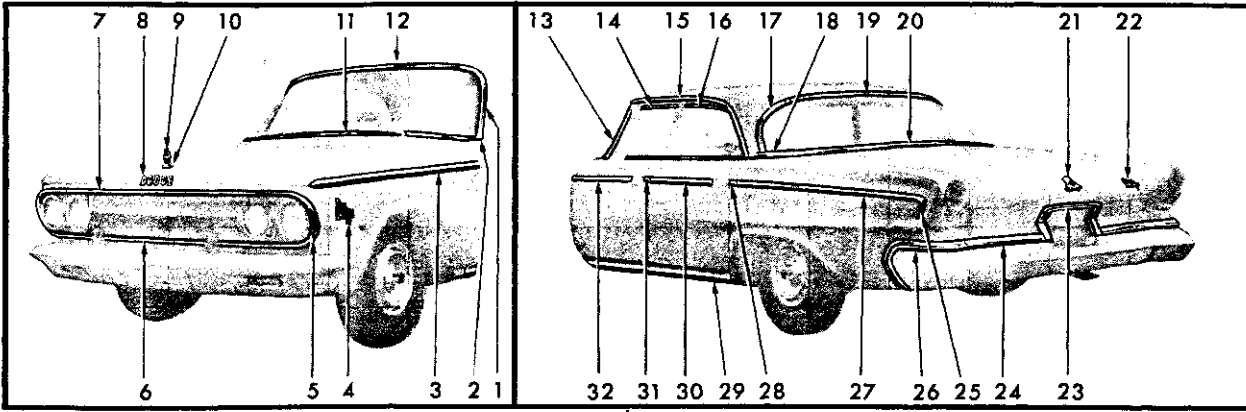
All Packages Include Attaching Parts

Part Type Code is Indicated in Parentheses

19x9615B

MOULDINGS - DODGE POLARA 500 TD2(P) CONVERTIBLE COUPE

1963 PASSENGER CAR PARTS CATALOG



REF. NO.	QTY	PART NUMBER	DESCRIPTION
1	1	2240 769-70	MOULDING PACKAGE, Windshield Outside Finish Side (23-23-65)
	8	6000 009	Screw
2	1	2196 272-3	MOULDING PACKAGE, Windshield Outside Finish Lower End (23-23-65)
	2	274 411	Screw
	8	6022 010	Screw
3	1	2448 534-5	MOULDING PACKAGE, Fender Side (12-15-2)
	4	6001 461	Retainer
	12	6001 454	Retainer
	12	-----	Nut
4	2	2417 522	NAME PLATE, Fender Side, Dodge (12-15-21)
	10	152 259	Nut
5	1	2448 532-3	MOULDING PACKAGE, Fender Radiator Grille Opening (12-15-2)
	6	116 000	Nut
	2	6000 943	Nut
	2	167 106	Screw
6	1	2448 531	MOULDING PACKAGE, Radiator Grille Lower Panel (7-16-36)
	2	134 289	Screw
	2	6023 166	Nut
	6	6001 450	Retainer
7	1	2448 530	MOULDING PACKAGE, Hood Front (15-25-2)
	6	-----	Nut
	6	6001 472	Retainer
8	2	2424 905	LETTER, Hood Front, "D" (15-06-16)
	1	2424 906	"O"
	1	2424 907	"G"
	1	2424 908	"E"
	5	152 259	Nut
9	1	2417 499	ORNAMENT, Hood Top (15-03-18)
	1	120 375	Nut
10	1	2417 840	BASE, Hood Top Ornament (15-03-21)
11	1	2084 997	MOULDING PACKAGE, Windshield Outside Finish Lower Center (23-23-65)
	5	6000 685	Clip
12	1	2299 418	MOULDING PACKAGE, Windshield Outside Finish Upper (23-23-65)
	5	6000 927	Clip
	2	9414 754	Screw
13	1	2240 873-4	MOULDING PACKAGE, Front Door Window Frame Front (23-23-32)
	6	6023 098	Screw
14	1	2240 866-7	MOULDING PACKAGE, Front Door Window Frame Upper (23-23-32)
	6	6023 098	Screw
15	1	2093 648-9	MOULDING, Roof Drain Trough Side (23-59-61)
16	1	2240 868-9	MOULDING PACKAGE, Rear Door Window Frame Upper (23-23-33)
	4	6023 098	Screw
17	1	2196 282-3	MOULDING PACKAGE, Rear Window Outside Finish Upper and Side (23-23-52)
	10	6000 692	Clip

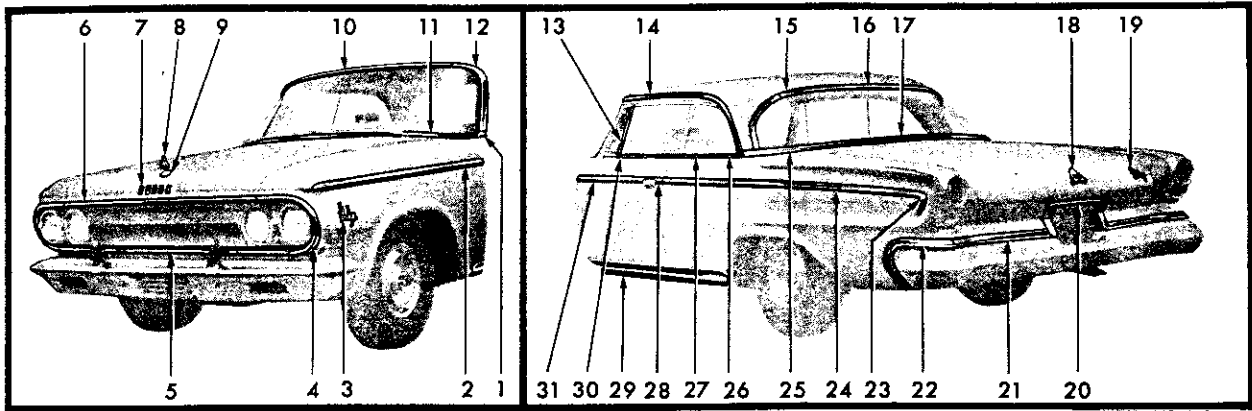
REF. NO.	QTY	PART NUMBER	DESCRIPTION
18	1	2275 025-6	MOULDING PACKAGE, Rear Window Outside Finish Lower End (23-23-52)
	2	6000 688	Clip
	2	6000 733	Clip
	2	-----	Screw
	2	9414 080	Screw
19	1	2093 479	CAP, Rear Window Outside Moulding Upper Center (23-23-41)
20	1	2196 292	MOULDING PACKAGE, Rear Window Outside Finish Lower Center (23-23-52)
	7	6000 689	Clip
21	1	2424 302	ORNAMENT, Deck Lid Lock Cylinder (23-17-19)
	1	6023 895	Screw
22	1	2424 268	NAME PLATE, Deck Lid (23-19-114)
	3	152 259	Nut
	1	6000 050	Clip
23	1	2275 994	MOULDING PACKAGE, Deck Lower Panel License Depression (23-23-23)
	4	6022 052	Washer
	4	9411 618	Nut
24	1	2275 909-10	MOULDING PACKAGE, Deck Lower Panel (23-23-23)
	8	6006 165	Washer
	8	6022 052	Washer
	8	9411 618	Nut
25	1	2448 526-7	MOULDING PACKAGE, Quarter Panel Lower Rear (23-23-39)
	4	6023 685	Nut
26	1	2275 911-2	MOULDING PACKAGE, Quarter Panel Bumper Depression (23-23-39)
	2	6006 165	Washer
	6	9411 618	Nut
	6	6022 052	Washer
	2	9413 272	Screw
27	1	2448 518-9	MOULDING PACKAGE, Quarter Panel Lower Front (23-23-39)
	14	6001 245	Clip
28	1	2448 520-1	MOULDING PACKAGE, Rear Door Lower Rear (23-23-33)
	2	6022 983	Seal
	2	6000 808	Clip
	2	-----	Nut
29	2	2421 588	MOULDING PACKAGE, Body Side Sill (23-23-2)
	8	6000 942	Clip
	8	9413 197	Screw
	4	9416 706	Screw
30	1	2448 514-5	MOULDING PACKAGE, Rear Door Lower Front (23-23-33)
	8	6001 245	Clip
	2	6000 745	Clip
	2	116 000	Nut
31	1	2448 524-5	MOULDING PACKAGE, Front Door Lower Rear (23-23-32)
	2	6022 013	Washer
	2	-----	Nut
32	1	2448 512-3	MOULDING PACKAGE, Front Door Lower Front (23-23-32)
	8	6001 245	Clip
	2	116 000	Nut
	2	6000 745	Clip

All Packages Include Attaching Parts

Part Type Code is Indicated in Parentheses

19x9637 A

MOULDINGS - DODGE CUSTOM 880 TA3(L) 4 DOOR SEDAN



REF. NO.	QTY	PART NUMBER	DESCRIPTION
1	1	2196 272-3	Moulding Package, Windshield Lower End (23-23-65)
	2	274 411	Screw
	8	6022 010	Screw
2	1	2448 534-5	Moulding Package, Fender Side (12-15-2)
	4	6001 461	Retainer
	12	6001 454	Retainer
	12	----	Nut
3	2	2417 522	Name Plate, Fender Side, Dodge (12-15-21)
	10	152 259	Nut
4	1	2448 532-3	Moulding Package, Fender Radiator Grille Opening (12-15-2)
	6	116 000	Nut
	2	6000 943	Nut
	2	167 106	Screw
5	1	2448 531	Moulding Package, Radiator Grille Lower Panel (7-16-36)
	2	134 289	Screw
	2	6023 166	Nut
	6	6001 450	Retainer
6	1	2448 530	Moulding Package, Hood Front (15-25-2)
	6	----	Nut
	6	6001 472	Retainer
7	2	2424 905	Letter, Hood Front Name, "D"(15-06-16)
	1	2424 906	"O"
	1	2424 907	"G"
	1	2424 908	"E"
	5	152 259	Nut
8	1	2417 499	Ornament, Hood Top (15-03-18)
	1	120 375	Nut
	1	2417 840	Base, Hood Top Ornament (15-03-21)
10	1	2299 418	Moulding Package, Windshield Upper (23-23-65)
	5	6000 927	Clip
	2	9414 754	Screw
11	1	2084 997	Moulding Package, Windshield Lower Center (23-23-65)
	5	6000 685	Clip
12	1	2240 769-70	Moulding Package, Windshield Side (23-23-65)
	8	6000 009	Screw
13	2	2254 627	Channel w/Moulding; Door Vent Wing Divisional (23-64-48)
14	1	2093 174-5	Moulding, Roof Drain Trough Side (23-59-61)
15	1	2196 808-9	Moulding Package, Rear Window Upper and Side (23-23-52)
	12	6000 692	Clip
16	1	2093 479	Cap, Rear Window Upper Center (23-23-41)
17	1	2196 812	Moulding Package, Rear Window Lower Center (23-23-52)
	6	6000 688	Clip
	2	145 417	Screw
18	1	2424 302	Ornament, Deck Lid Lock Cylinder (23-17-19)
	1	6023 895	Screw
19	1	2424 268	Name Plate, Deck Lid (23-19-114)
	3	152 259	Nut
	1	6000 050	Clip
20	1	2275 994	Moulding Package, Deck Lower Panel License Depression (23-23-23)
	4	6022 052	Washer
	4	9411 618	Nut

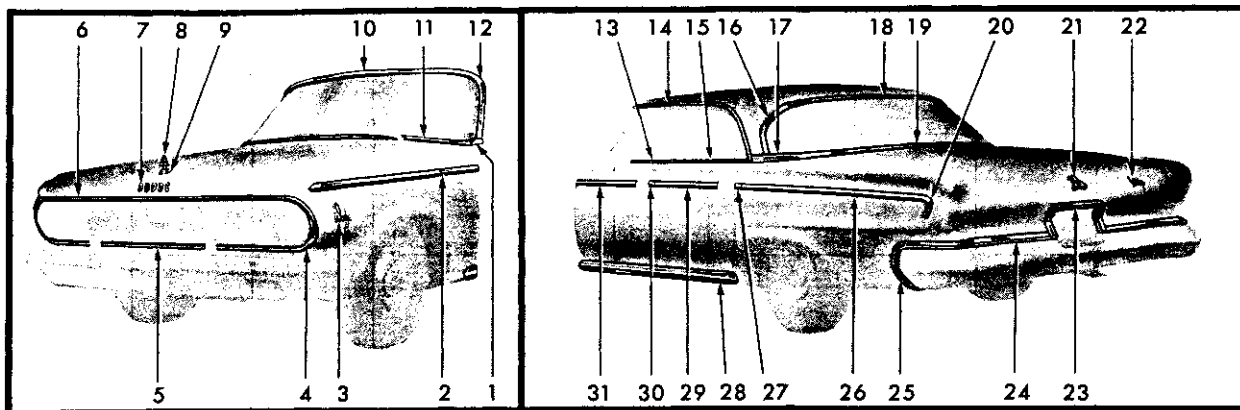
REF. NO.	QTY	PART NUMBER	DESCRIPTION
21	1	2275 909-10	Moulding Package, Deck Lower Panel (23-23-23)
	8	6006 464	Washer
	8	6022 052	Washer
	8	9411 618	Nut
22	1	2275 911-2	Moulding Package, Quarter Panel Bumper Depression (23-23-39)
	2	6006 165	Washer
	6	9411 618	Nut
	6	6022 052	Washer
	2	9413 272	Screw
23	1	2448 526-7	Moulding Package, Quarter Panel Lower Rear (23-23-39)
	4	6023 685	Nut
24	1	2448 516-7	Moulding Package, Quarter Panel Lower Front (23-23-39)
24	1	6001 245	Clip
25	1	2196 810-11	Moulding Package, Rear Window Lower Side (23-23-52)
	2	6000 688	Clip
	2	9414 042	Screw
26	1	2421 919-20	Moulding Package, Quarter Panel Belt Rear (23-23-39)
	10	6001 247	Clip
27	1	2421 921-2	Moulding Package, Quarter Panel Belt Front (23-23-39)
	10	6001 247	Clip
28	1	2448 522-3	Moulding Package, Door Lower Rear (23-23-32)
	2	9416 162	Screw
29	2	2421 588	Moulding Package, Body Side Stiff (23-23-2)
	8	6000 942	Clip
	8	9413 197	Screw
	4	9416 706	Screw
30	1	2298 612-3	Moulding Package, Door Belt (23-23-32)
	10	6001 247	Clip
31	1	2448 510-1	Moulding Package, Door Lower Front (23-23-32)
	10	6001 245	Clip
	2	6000 745	Clip
	2	116 000	Nut

All Packages Include Attaching Parts

Part Type Code is Indicated in Parentheses

19x9602B

MOULDINGS - DODGE CUSTOM 880 TA3(L) SPECIAL CLUB COUPE



REF. NO.	QTY	PART NUMBER	DESCRIPTION
1	1	2196 272-3	Moulding Package, Windshield Lower End (23-23-65)
	2	274 411	Screw
	8	6022 010	Screw
2	1	2448 534-5	Moulding Package, Fender Side (12-15-2)
	4	6001 461	Retainer
	12	6001 454	Retainer
	12	-----	Nut
3	2	2417 522	Name Plate, Fender Side - Dodge (12-15-21)
	10	152 259	Nut
4	1	2448 532-3	Moulding Package, Fender Radiator Grille Opening (12-15-2)
	6	116 000	Nut
	2	6000 943	Nut
	2	167 106	Screw
5	1	2448 531	Moulding Package, Radiator Grille Lower Panel (7-16-36)
	2	134 289	Screw
	2	6023 166	Nut
	6	6001 450	Retainer
6	1	2448 530	Moulding Package, Hood Front (15-25-2)
	6	-----	Nut
	6	6001 472	Retainer
7	2	2424 905	Letter, Hood Front Name "D" (15-06-16)
	1	2424 906	"O"
	1	2424 907	"G"
	1	2424 908	"E"
	5	152 259	Nut
8	1	2417 499	Ornament, Hood Top (15-03-18)
	1	120 375	Nut
9	1	2417 840	Base, Hood Top Ornament (15-03-21)
10	1	2299 418	Moulding Package, Windshield Upper (23-23-65)
	5	6000 927	Clip
	2	9414 754	Screw
11	1	2084 997	Moulding Package, Windshield Lower Center (23-23-65)
	5	6000 685	Clip
12	1	2240 769-70	Moulding Package, Windshield Side (23-23-65)
	8	6000 009	Screw
13	1	2298 610-11	Moulding Package, Front Door Belt (23-23-32)
	8	6001 247	Clip
14	1	2093 648-9	Moulding, Roof Drain Trough Side (23-59-61)
15	1	2298 616-7	Moulding Package, Rear Door Belt (23-23-33)
	10	6001 247	Clip
16	1	2196 282-3	Moulding Package, Rear Window Upper and Side (23-23-52)
	10	6000 692	Clip
17	1	2275 025-6	Moulding Package, Rear Window Lower End (23-23-52)
	2	6000 688	Clip
	2	6000 733	Clip
	2	-----	Screw
	2	9414 080	Screw

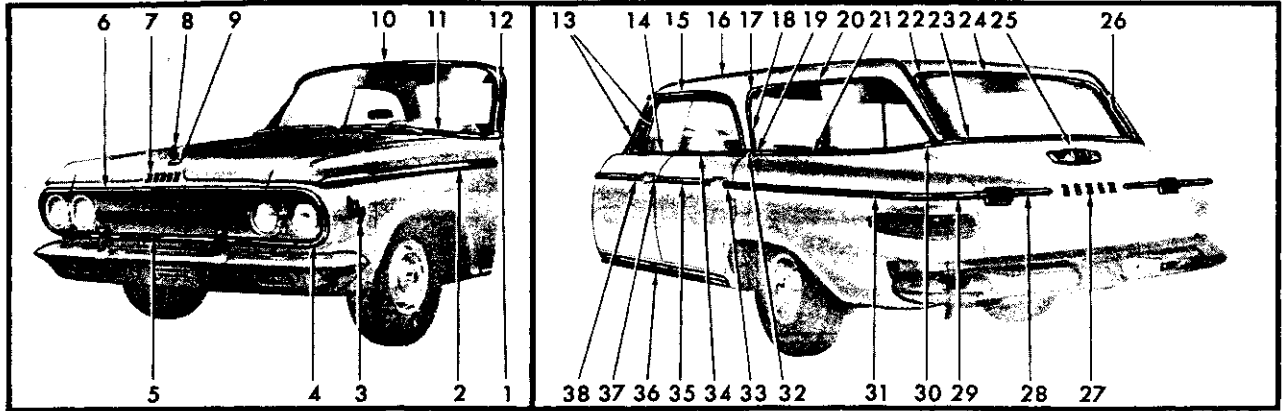
REF. NO.	QTY	PART NUMBER	DESCRIPTION
18	1	2093 479	Cap, Rear Window Upper Center (23-23-41)
19	1	2196 292	Moulding Package, Rear Window Lower Center (23-23-52)
	7	6000 689	Clip
20	1	2448 526-7	Moulding Package, Quarter Panel Lower Rear (23-23-39)
	4	6023 685	Nut
21	1	2424 302	Ornament, Deck Lid Cylinder (23-17-19)
	1	6023 895	Screw
22	1	2424 268	Name Plate, Deck Lid (23-19-114)
	3	152 259	Nut
	1	6000 050	Clip
23	1	2275 994	Moulding Package, Deck Lower Panel License Depression (23-23-23)
	4	6022 052	Washer
	4	9411 618	Nut
24	1	2275 909-10	Moulding Package, Deck Lower Panel (23-23-23)
	8	6006 165	Washer
	8	6022 052	Washer
	8	9411 618	Nut
25	1	2275 911-2	Moulding Package, Quarter Panel Bumper Depression (23-23-39)
	2	6006 165	Washer
	6	9411 618	Nut
	6	6022 052	Washer
	2	9413 272	Screw
26	1	2448 518-9	Moulding Package, Quarter Panel Lower Front (23-23-39)
	14	6001 245	Clip
27	1	2448 520-1	Moulding Package, Rear Door Lower Rear (23-23-33)
	2	6022 983	Seal
	2	6000 808	Clip
	2	-----	Nut
28	2	2421 588	Moulding Package, Body Side Sill (23-23-2)
	8	6000 942	Clip
	8	9413 197	Screw
	4	9416 706	Screw
29	1	2448 514-5	Moulding Package, Rear Door Lower Front (23-23-33)
	8	6001 245	Clip
	2	6000 745	Clip
	2	116 000	Nut
30	1	2448 524-5	Moulding Package, Front Door Lower Rear (23-23-32)
	2	6022 013	Washer
	2	-----	Nut
31	1	2448 512-3	Moulding Package, Front Door Lower Front (23-23-32)
	8	6001 245	Clip
	2	6000 745	Clip
	2	116 000	Nut

All Packages Include Attaching Parts

Part Type Code is Indicated in Parentheses

19x9603 A

MOULDINGS - DODGE CUSTOM 880 TA3(L) SPECIAL 4 DOOR SEDAN



REF. NO.	QTY	PART NUMBER	DESCRIPTION
1	1	2196 272-3	MOULDING PACKAGE, Windshield Lower End (23-23-65)
2	2	274 411	Screw
8	6022	010	Screw
2	1	2448 534-5	MOULDING PACKAGE, Fender Side (12-15-2)
4	6001	461	Retainer
12	6001	454	Retainer
12	---	---	Nut
3	2	2417 522	NAME PLATE, Fender Side, Dodge (12-15-21)
10	152	259	Nut
4	1	2448 532-3	MOULDING PACKAGE, Fender Radiator Grille Opening (12-15-2)
6	116	000	Nut
2	6000	943	Nut
2	167	106	Screw
5	1	2448 531	MOULDING PACKAGE, Radiator Grille Lower Panel (7-16-36)
2	134	289	Screw
2	6023	166	Nut
6	6001	450	Retainer
6	1	2448 530	MOULDING PACKAGE, Hood Front (15-25-2)
6	---	---	Nut
6	6001	472	Retainer
7	2	2424 905	LETTER, Hood Front Name, "D" (15-06-16)
1	2424	906	"O"
1	2424	907	"G"
1	2424	908	"E"
5	152	259	Nut
8	1	2417 499	ORNAMENT, Hood Top (15-03-18)
1	120	375	Nut
9	1	2417 840	BASE, Hood Top Ornament (15-03-21)
10	1	2299 418	MOULDING PACKAGE, windshield Upper (23-23-65)
5	6000	927	Clip
2	9414	754	Screw
11	1	2084 997	MOULDING PACKAGE, Windshield Lower Center (23-23-65)
5	6000	685	Clip
12	1	2240 769-70	MOULDING PACKAGE, Windshield Side (23-23-65)
8	6000	009	Screw
13	1	2254 484-5	FRAME, w/Channel, Front Door Vent Wing Division (23-64-48)
14	1	2298 610-1	MOULDING PACKAGE, Front Door Belt (23-23-32)
8	6001	247	Clip
15	1	2093 648-9	MOULDING, Roof Drain Trough Side (23-59-61)
16	2	2196 253	MOULDING PACKAGE, Roof Panel Outside Finish (23-23-42)
28	6006	301	Clip
17	1	2094 016-7	CAP, Quarter Window Outside Finish Upper, w/Retainer (23-23-74)
18	1	2094 018-9	MOULDING, Quarter Window Outside Finish Front (23-23-73)
19	1	1961 210	CAP, Quarter Window Outside Finish Front (23-23-74)
20	1	1961 212-3	MOULDING, Quarter Window Outside Finish Upper (23-23-73)
21	1	1961 214-5	MOULDING, Quarter Window Outside Finish Lower (23-23-73)
22	1	2196 464-5	CAP PACKAGE, Roof Rear Tailgate Opening Moulding (23-23-60)
2	6006	451	Clip

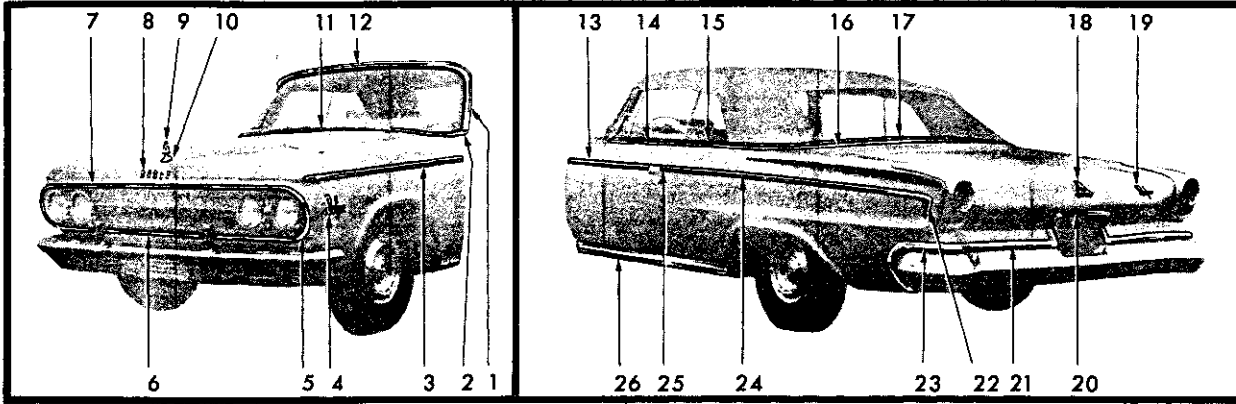
REF. NO.	QTY	PART NUMBER	DESCRIPTION
23	1	2196 460	MOULDING PACKAGE, Tailgate Outside Finish Belt (23-23-61)
2	6006	441	Clip
2	151	306	Screw
24	1	2196 466	MOULDING PACKAGE, Tailgate Opening Outside Finish Roof Rear (23-23-60)
7	6006	451	Clip
25	1	2188 389	ORNAMENT, Tailgate Outside Panel (23-54-11)
3	151	497	Nut, w/Washer
26	1	2196 462-3	MOULDING PACKAGE, Rear Pillar Outside Finish (23-23-60)
*	6006	451	Clip
27	2	2424 905	"D" Tailgate Name Letter (23-54-11)
1	2424	906	"O"
1	2424	907	"G"
1	2424	908	"E"
28	1	2275 031-2	MOULDING PACKAGE, Tailgate Outside Panel Bumper (23-23-61)
4	151	497	Nut
29	2	2448 507	MOULDING PACKAGE, Quarter Panel Rear (23-23-39)
2	9414	713	Screw
4	6000	820	Clip
30	1	2196 816-7	CAP PACKAGE, Quarter Window Outside Finish Lower Rear (23-23-74)
2	125	978	Screw
31	1	2448 528-9	MOULDING PACKAGE, Quarter Panel Front (23-23-39)
2	9416	042	Screw
12	6023	854	Washer
12	6000	505	Clip
2	9414	713	Screw
32	1	2299 430-1	MOULDING PACKAGE, Quarter Panel Belt (23-23-39)
2	9411	465	Screw
33	1	2448 520-1	MOULDING PACKAGE, Rear Door Lower Rear (23-23-33)
2	6022	983	Seal
2	---	---	Nut
2	6000	808	Clip
34	1	2298 616-7	MOULDING PACKAGE, Rear Door Belt (23-23-33)
10	6001	247	Clip
35	1	2448 514-5	MOULDING PACKAGE, Rear Door Lower Front (23-23-33)
8	6001	245	Clip
2	6000	745	Clip
2	116	000	Nut
36	2	2421 588	MOULDING PACKAGE, Body Side Sill (23-23-2)
8	6000	942	Clip
8	9413	197	Clip
2	9416	706	Screw
37	1	2448 524-5	MOULDING PACKAGE, Front Door Lower Rear (23-23-32)
2	6022	013	Washer
2	---	---	Nut
38	1	2448 512-3	MOULDING PACKAGE, Front Door Lower Front (23-23-32)
8	6001	245	Clip
2	116	000	Nut
2	6000	745	Clip

All Packages include Attaching Parts

Part Type Code is Indicated in Parentheses

19x9638 A

MOULDINGS - DODGE CUSTOM 880 TA3(L) SPECIAL 4 DOOR SUBURBAN



REF. NO.	QTY	PART NUMBER	DESCRIPTION
1	1	2084 998-9	MOULDING PACKAGE, Windshield Outside Finish Side, w/Extensions (23-23-65)
	2	274 109	Screw
2	1	2196 272-3	MOULDING PACKAGE, Windshield Outside Finish Lower End (23-23-65)
	2	274 411	Screw
	8	6022 D10	Screw
3	1	2448 534-5	MOULDING PACKAGE, Fender Side (12-15-2)
	4	6001 461	Retainer
	12	6001 454	Retainer
	12	----	Nut
4	2	2417 522	NAME PLATE, Fender Side, Dodge (12-15-21)
	10	152 259	Nut
5	1	2448 532-3	MOULDING PACKAGE, Fender Radiator Grille Opening (12-15-2)
	6	116 000	Nut
	2	6000 943	Nut
	2	167 106	Screw
6	1	2448 531	MOULDING PACKAGE, Radiator Grille Lower Panel (7-16-36)
	6	6001 450	Retainer
	2	134 289	Screw
	2	6023 166	Nut
7	1	2448 530	MOULDING PACKAGE, Hood Front (15-25-2)
	6	----	Nut
	6	6001 472	Retainer
8	2	2424 905	LETTER, Hood Front Name, "D" (15-06-16)
	1	2424 906	"O"
	1	2424 907	"G"
	1	2424 908	"E"
	5	152 259	Nut
9	1	2417 499	ORNAMENT, Hood Top (15-03-18)
	1	120 375	Nut
10	1	2417 840	BASE, Hood Top Orment (15-03-21)
11	1	2084 997	MOULDING PACKAGE, Windshield Outside Finish Lower Center (23-23-65)
	5	6000 685	Clip
12	1	2196 119	PANEL PACKAGE, Windshield Header Outside Finish (23-23-64)
	5	274 109	Screw
13	1	2448 510-1	MOULDING PACKAGE, Door Lower Front (23-23-32)
	10	6001 245	Clip
	2	6000 745	Clip
	2	116 000	Nut

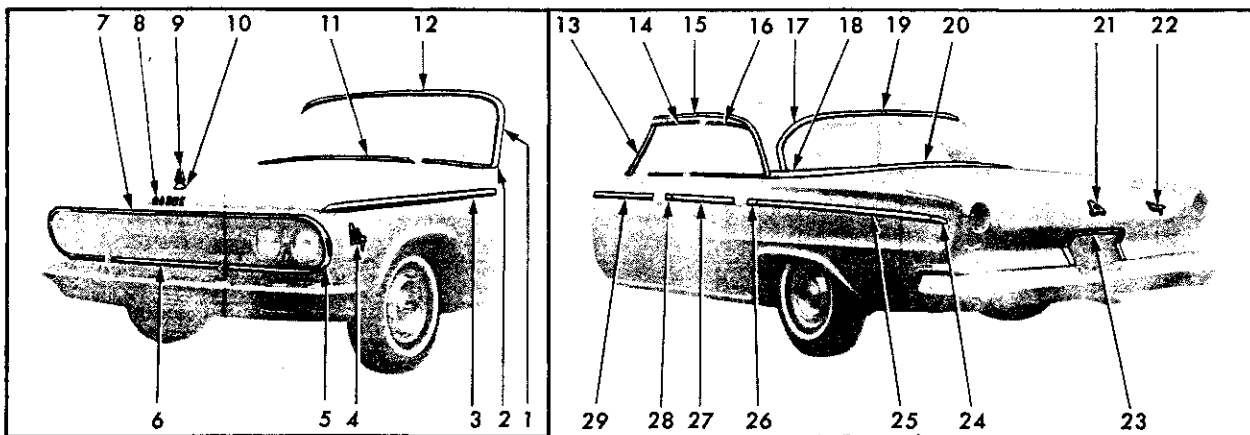
REF. NO.	QTY	PART NUMBER	DESCRIPTION
14	1	2298 612-3	MOULDING PACKAGE, Door Belt (23-23-32)
	10	6001 247	Clip
15	1	2298 590-1	MOULDING PACKAGE, Quarter Panel Belt (23-23-39)
	6	6001 247	Clip
16	1	2165 704-5	MOULDING, Folding Top Belt Outside (23-23-49)
	22	6000 433	Stud
17	1	1963 336	COVER, Folding Top Belt Bar Outside Finish Moulding (23-23-41)
	1	6000 433	Stud
18	1	2424 302	ORNAMENT, Deck Lid Lock Cylinder (23-17-19)
	1	6023 895	Screw
19	1	2424 268	NAME PLATE, Deck Lid (23-19-114)
	3	152 259	Nut
	1	6000 050	Clip
20	1	2275 994	MOULDING PACKAGE, Deck Lower Panel License Depression (23-23-23)
	4	6022 052	Washer
	4	9411 618	Nut
21	1	2275 909-10	MOULDING PACKAGE, Deck Lower Panel (23-23-23)
	8	6006 165	Washer
	8	6022 052	Washer
	8	9411 618	Nut
22	1	2448 526-7	MOULDING PACKAGE, Quarter Panel Lower Rear (23-23-39)
	4	6023 685	Nut
23	1	2275 911-2	MOULDING PACKAGE, Quarter Panel Bumper Depression (23-23-39)
	2	6006 165	Washer
	6	9411 618	Nut
	6	6022 052	Washer
	2	9413 272	Screw
24	1	2448 516-7	MOULDING PACKAGE, Quarter Panel Lower Front (23-23-39)
	24	6001 245	Clip
25	1	2448 522-3	MOULDING PACKAGE, Door Lower Rear (23-23-32)
	2	----	Washer
	2	9416 162	Screw
26	2	2421 588	MOULDING PACKAGE, Body Side Sill (23-23-2)
	8	6000 942	Clip
	8	9413 197	Screw
	4	9416 706	Screw

All Packages Include Attaching Parts

Part Type Code is Indicated in Parentheses

19x9633A

MOULDINGS - DODGE CUSTOM 880 TA3(L) CONVERTIBLE COUPE



REF. NO.	QTY	PART NUMBER	DESCRIPTION
1	1	2240 769-70	MOULDING PACKAGE, Windshield Outside Finish Side (23-23-65)
	8	6000 009	Screw
2	1	2196 272-3	MOULDING PACKAGE, Windshield Outside Finish Lower End (23-23-65)
	2	274 411	Screw
	8	6022 010	Screw
3	1	2448 534-5	MOULDING PACKAGE, Fender Side (12-15-2)
	4	6001 461	Retainer
	12	6001 454	Retainer
	12	-----	Nut
4	2	2417 522	NAME PLATE, Fender Side, Dodge (12-15-21)
	10	152 259	Nut
5	1	2448 532-3	MOULDING PACKAGE, Fender Radiator Grille Opening (12-15-2)
	6	116 000	Nut
	2	6000 943	Nut
	2	167 106	Screw
6	1	2448 531	MOULDING PACKAGE, Radiator Grille Lower Panel (7-16-36)
	2	134 289	Screw
	2	6023 166	Nut
	6	6001 450	Retainer
7	1	2448 530	MOULDING PACKAGE, Hood Front (15-25-2)
	6	-----	Nut
	6	6001 472	Retainer
8	2	2424 905	LETTER, Hood Front, "D" (15-06-16)
	1	2424 906	"O"
	1	2424 907	"G"
	1	2424 908	"E"
	5	152 259	Nut
9	1	2417 499	ORNAMENT, Hood Top (15-03-18)
	1	120 375	Nut
10	1	2417 840	BASE, Hood Top Ornament (15-03-21)
11	1	2084 997	MOULDING PACKAGE, Windshield Outside Finish Lower Center (23-23-65)
	5	6000 685	Clip
12	1	2299 418	MOULDING PACKAGE, Windshield Outside Finish Upper (23-23-65)
	5	6000 927	Clip
	2	9414 754	Screw
13	1	2240 873-4	MOULDING PACKAGE, Front Door Window Frame Front (23-23-32)
	6	6023 098	Screw
14	1	2240 866-7	MOULDING PACKAGE, Front Door Window Frame Upper (23-23-32)
	6	6023 098	Screw
15	1	2093 648-9	MOULDING, Roof Drain Trough Side (23-59-61)
16	1	2240 868-9	MOULDING PACKAGE, Rear Door Window Frame Upper (23-23-33)
	4	6023 098	Screw

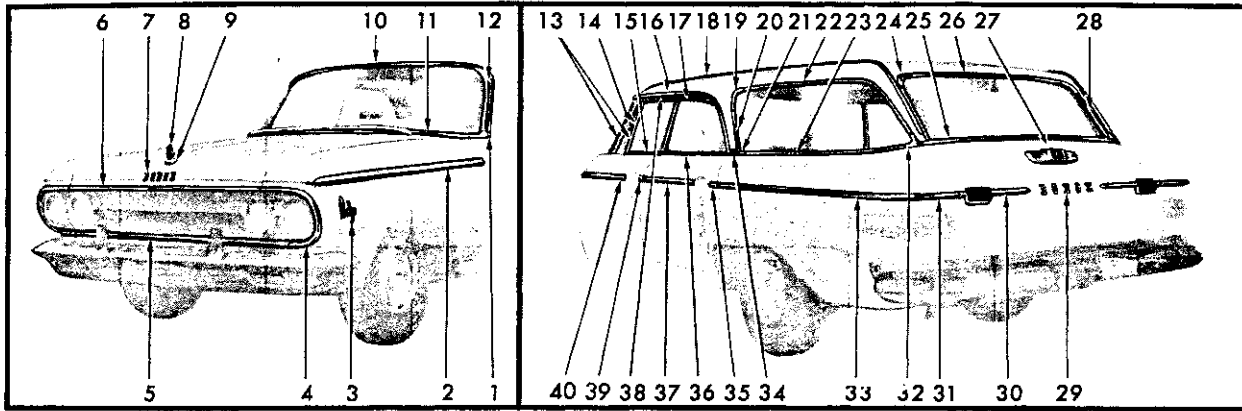
REF. NO.	QTY	PART NUMBER	DESCRIPTION
17	1	2196 282-3	MOULDING PACKAGE, Rear Window Outside Finish Upper and Side (23-23-52)
	10	6000 692	Clip
18	1	2275 025-6	MOULDING PACKAGE, Rear Window Outside Finish Lower End (23-23-52)
	2	6000 688	Clip
	2	6000 733	Clip
	2	-----	Screw
	2	9414 080	Screw
19	1	2093 479	CAP, Rear Window Outside Moulding Upper Center (23-23-41)
20	1	2196 292	MOULDING PACKAGE, Rear Window Outside Finish Lower Center (23-23-52)
	7	6000 689	Clip
21	1	2424 302	ORNAMENT, Deck Lid Lock Cylinder (23-17-19)
	1	6023 895	Screw
22	1	2424 268	NAME PLATE, Deck Lid (23-19-114)
	3	152 259	Nut
	1	6000 050	Clip
23	1	2240 987	MOULDING PACKAGE, Deck Lower Panel License Depression (23-23-23)
	4	6000 970	Clip
	4	152 255	Nut
24	1	2448 546-7	MOULDING PACKAGE, Quarter Panel Lower Rear (23-23-39)
	4	6023 685	Nut
25	1	2448 518-9	MOULDING PACKAGE, Quarter Panel Lower Front (23-23-39)
	14	6001 245	Clip
26	1	2448 520-1	MOULDING PACKAGE, Rear Door Lower Rear (23-23-33)
	2	6022 983	Seal
	2	6000 808	Clip
	2	-----	Nut
27	1	2448 514-5	MOULDING PACKAGE, Rear Door Lower Front (23-23-33)
	8	6001 245	Clip
	2	6000 745	Clip
	2	116 000	Nut
28	1	2448 524-5	MOULDING PACKAGE, Front Door Lower Rear (23-23-32)
	2	6022 013	Washer
	2	-----	Nut
29	1	2448 512-3	MOULDING PACKAGE, Front Door Lower Front (23-23-32)
	8	6001 245	Clip
	2	116 000	Nut
	2	6000 745	Clip

All Packages Include Attaching Parts

Part Type Code is Indicated in Parentheses

19x9697 A

MOULDINGS - DODGE CUSTOM 880 TA3(E) 4 DOOR SEDAN



REF. NO.	QTY	PART NUMBER	DESCRIPTION
1	1	2196 272-3	MOULDING PACKAGE, Windshield Lower End (23-23-65)
2	2	274 411	Screw
8	6022	010	Screw
2	1	2448 534-5	MOULDING PACKAGE, Fender Side (12-15-2)
4	6001	461	Retainer
12	6001	454	Retainer
12	-----	-----	Nut
3	2	2417 522	NAME PLATE, Fender Side, Dodge (12-15-21)
10	152	259	Nut
4	1	2448 532-3	MOULDING PACKAGE, Fender Radiator Grille Opening (12-15-2)
6	116	000	Nut
2	6000	943	Nut
2	167	106	Screw
5	1	2448 531	MOULDING PACKAGE, Radiator Grille Lower Panel (7-16-36)
2	134	289	Screw
2	6023	166	Nut
6	6001	450	Retainer
6	1	2448 530	MOULDING PACKAGE, Hood Front (15-25-2)
6	-----	-----	Nut
6	6001	472	Retainer
7	2	2424 905	LETTER, Hood Front Name, "D" (15-06-16)
1	2424	906	"O"
1	2424	907	"G"
1	2424	908	"E"
5	152	259	Nut
8	1	2417 499	ORNAMENT, Hood Top (15-03-18)
1	120	375	Nut
9	1	2417 840	BASE, Hood Top Ornament (15-03-21)
10	1	2299 418	MOULDING PACKAGE, windshield Upper (23-23-65)
5	6000	927	Clip
2	9414	754	Screw
11	1	2084 997	MOULDING PACKAGE, Windshield Lower Center (23-23-65)
5	6000	685	Clip
12	1	2240 769-70	MOULDING PACKAGE, Windshield Side (23-23-65)
8	6000	009	Screw
13	1	2254 484-5	FRAME, w/Channel, Frant Door Vent Wing Division (23-64-48)
14	1	2240 873-4	MOULDING PACKAGE, Frant Door Window Frame Front (23-23-32)
6	6023	098	Screw
15	1	2298 610-1	MOULDING PACKAGE, Front Door Belt (23-23-32)
8	6001	247	Clip
16	1	2093 648-9	MOULDING, Roof Drain Trough Side (23-59-61)
17	1	2240 868-9	MOULDING PACKAGE, Rear Door Window Frame Upper (23-23-33)
4	6023	098	Screw
18	2	2196 253	MOULDING PACKAGE, Roof Panel Outside Finish (23-23-42)
28	6006	301	Clip
19	1	2094 016-7	CAP, Quarter Window Outside Finish Upper, w/Retainer (23-23-74)
20	1	2094 018-9	MOULDING, Quarter Window Outside Finish Front (23-23-73)
21	2	1961 210	CAP, Quarter Window Outside Finish Front (23-23-74)
22	1	1961 212-3	MOULDING, Quarter Window Outside Finish Upper (23-23-73)
23	1	1961 214-5	MOULDING, Quarter Window Outside Finish Lower (23-23-73)
24	1	2196 464-5	CAP PACKAGE, Roof Rear Tailgate Opening Moulding (23-23-60)
2	6006	451	Clip

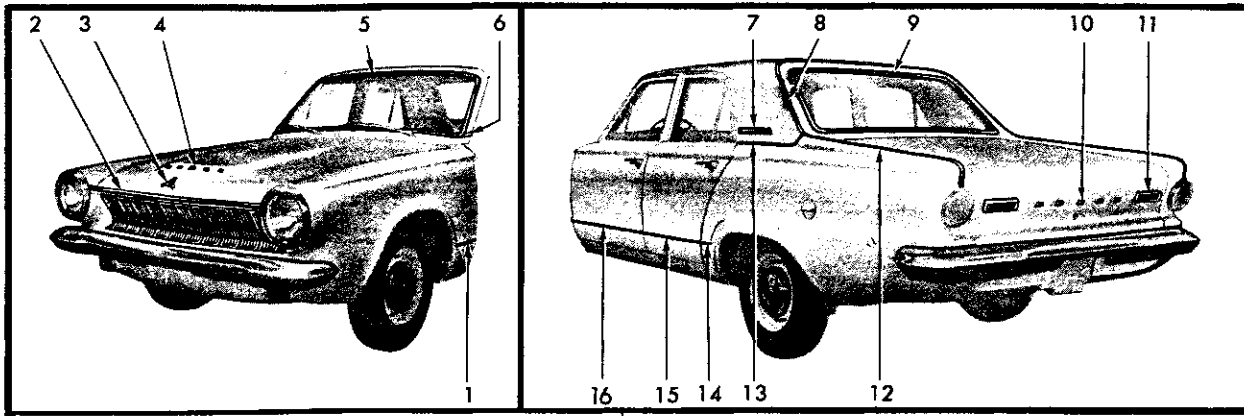
All Packages Include Attaching Parts

REF. NO.	QTY	PART NUMBER	DESCRIPTION
25	1	2196 460	MOULDING PACKAGE, Tailgate Outside Finish Belt (23-23-61)
2	6006	441	Clip
2	151	306	Screw
26	1	2196 466	MOULDING PACKAGE, Tailgate Opening Outside Finish Roof Rear (23-23-60)
7	6006	451	Clip
27	1	2188 389	ORNAMENT, Tailgate Outside Panel (23-54-11)
3	151	497	Nut, w/Washer
28	1	2196 462-3	MOULDING PACKAGE, Rear Pillar Outside Finish (23-23-60)
*	6006	451	Clip
29	2	2424 905	"D" Tailgate Name Letter (23-54-11)
1	2424	906	"O"
1	2424	907	"G"
1	2424	908	"E"
30	1	2275 031-2	MOULDING PACKAGE, Tailgate Outside Panel Bumper (23-23-61)
4	151	497	Nut
2	2448	507	MOULDING PACKAGE, Quarter Panel Rear (23-23-39)
2	9414	713	Screw
4	6000	820	Clip
32	1	2196 816-7	CAP PACKAGE, Quarter Window Outside Finish Lower Rear (23-23-74)
2	125	978	Screw
33	1	2448 528-9	MOULDING PACKAGE, Quarter Panel Front (23-23-39)
2	9416	042	Screw
12	6023	854	Washer
12	6000	505	Clip
2	9414	713	Screw
34	1	2299 430-1	MOULDING PACKAGE, Quarter Panel Belt (23-23-39)
2	9411	465	Screw
35	1	2448 520-1	MOULDING PACKAGE, Rear Door Lower Rear (23-23-33)
2	6022	983	Seal
2	-----	-----	Nut
2	6000	808	Clip
36	1	2298 616-7	MOULDING PACKAGE, Rear Door Belt (23-23-33)
10	6001	247	Clip
37	1	2448 514-5	MOULDING PACKAGE, Rear Door Lower Front (23-23-33)
8	6001	245	Clip
2	6000	745	Clip
2	116	000	Nut
38	1	2240 866-7	MOULDING PACKAGE, Front Door Window Frame Upper (23-23-32)
6	6023	098	Screw
39	1	2448 524-5	MOULDING PACKAGE, Front Door Lower Rear (23-23-32)
2	6022	013	Washer
2	-----	-----	Nut
40	1	2448 512-3	MOULDING PACKAGE, Front Door Lower Front (23-23-32)
8	6001	245	Clip
2	116	000	Nut
2	6000	745	Clip

Part Type Code is Indicated in Parentheses

19x9719 A

MOULDINGS - DODGE CUSTOM 880 TA3(E) SPECIAL 4 DOOR SUBURBAN



REF. NO.	QTY	PART NUMBER	DESCRIPTION
1	2	2421 898	MOULDING PACKAGE, Fender Side (12-15-2)
	2	6001 031	Clip
	2	6001 443	Retainer
	2	152 259	Nut
2	1	2421 899	MOULDING PACKAGE, Hood Front (15-25-2)
	8	116 000	Nut
	8	6001 063	Retainer
3	1	2276 943	MEDALLION, w/Base, Hood Front (15-06-6)
	2	152 260	Nut
4	2	2276 977	LETTER, Hood Front Name, "D" (15-06-16)
	1	2276 978	"O"
	1	2276 980	"G"
	1	2276 981	"E"
5	1	2082 278	LOCKINGSTRIP, Windshield Glass Weatherstrip (23-66-239)
6	1	2480 384-5	MOULDING, Front Upper Pillar (23-23-14)
	4	9419 261	Screw
7	1	2255 378-9	MEDALLION, Quarter Outside Panel (23-34-334)
	4	6022 007	Seal
	4	6006 264	Nut
8	1	2421 656-7	MOULDING PACKAGE, Roof Panel Outside Rear (23-23-42)
	16	6001 428	Retainer and Seal
9	1	2082 278	LOCKINGSTRIP, Rear Window Glass Weatherstrip (23-63-114)
10	2	2423 565	"D", Deck Lid Name Letter (23-19-114)
	1	2423 566	"O"
	1	2423 567	"G"
	1	2423 568	"E"

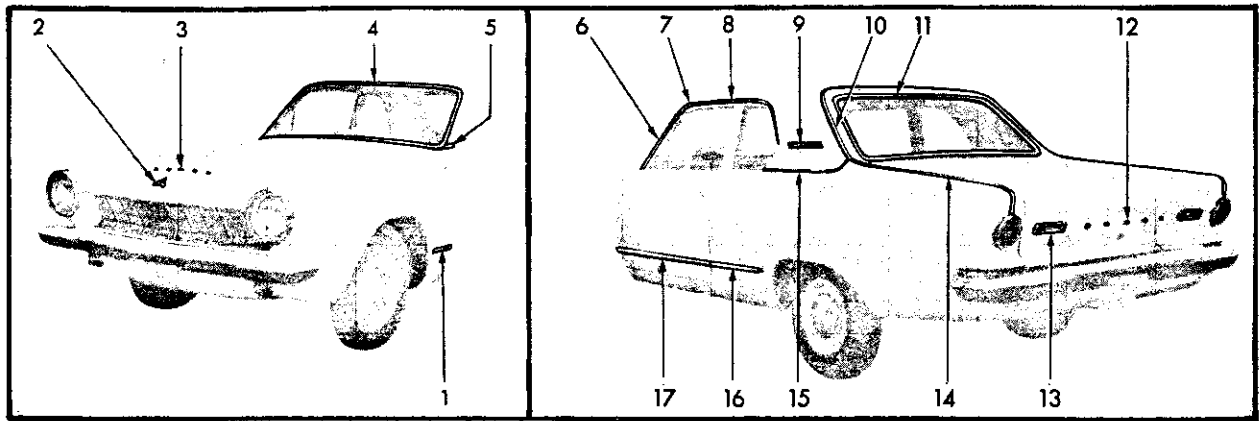
REF. NO.	QTY	PART NUMBER	DESCRIPTION
11	2	2423 201	COVER, Deck Lid Back Up Lamp Hole (23-19-180)
	4	-----	Screw
	4	120 522	Nut
12	2	2421 686	MOULDING PACKAGE, Quarter Panel Upper (23-23-39)
	18	6001 097	Retainer
	18	116 000	Nut
13	1	2421 674-5	MOULDING PACKAGE, Quarter Panel Belt (23-23-39)
	8	6001 030	Retainer
	8	6000 616	Nut
	6	6001 031	Clip
14	1	2421 678-9	MOULDING PACKAGE, Quarter Panel Lower (23-23-39)
	2	6001 031	Clip
	2	6001 030	Retainer
	2	6013 114	Nut
15	1	2421 676-7	MOULDING PACKAGE, Rear Door (23-23-33)
	8	6001 031	Clip
16	2	2421 673	MOULDING PACKAGE, Front Door (23-23-32)
	6	6001 044	Retainer
	6	-----	Nut
	12	6001 071	Clip

All Packages Include Attaching Parts

Part Type Code is Indicated in Parentheses

19x9518B

MOULDINGS - DART 170 FL1(L) 4 DOOR SEDAN



REF. NO.	QTY	PART NUMBER	DESCRIPTION
1	2	2421 898	MOULDING PACKAGE, Fender Side (12-15-2)
	2	6001 031	Clip
	2	6001 443	Retainer
	2	152 259	Nut
2	1	2276 943	MEDALLION, w/Base, Hood Front (15-06-6)
	2	152 260	Nut
3	2	2276 977	LETTER, Hood Front Name, "D" (15-06-16)
	1	2276 978	"O"
	1	2276 980	"G"
	1	2276 981	"E"
	2	9415 250	Nut
4	1	2082 278	LOCKINGSTRIP, Windshield Glass Weatherstrip (23-66-239)
5	1	2480 384-5	MOULDING, Front Upper Pillar (23-23-14)
	4	9419 261	Screw
6	1	2255 934-5	MOULDING, Roof Side Drain Trough Front (23-59-61)
7	2	2255 938	CAP, Roof Side Drain Trough Front and Rear (23-59-57)
8	1	2422 432-3	MOULDING, Roof Side Drain Trough Rear (23-59-61)
9	1	2255 378-9	MEDALLION, Quarter Outside Panel (23-34-334)
	4	6022 007	Seal
	4	6006 264	Nut
10	1	2421 656-7	MOULDING PACKAGE, Roof Panel Outside Rear (23-23-42)
	16	6001 428	Retainer and Seal
	2	----	Retainer

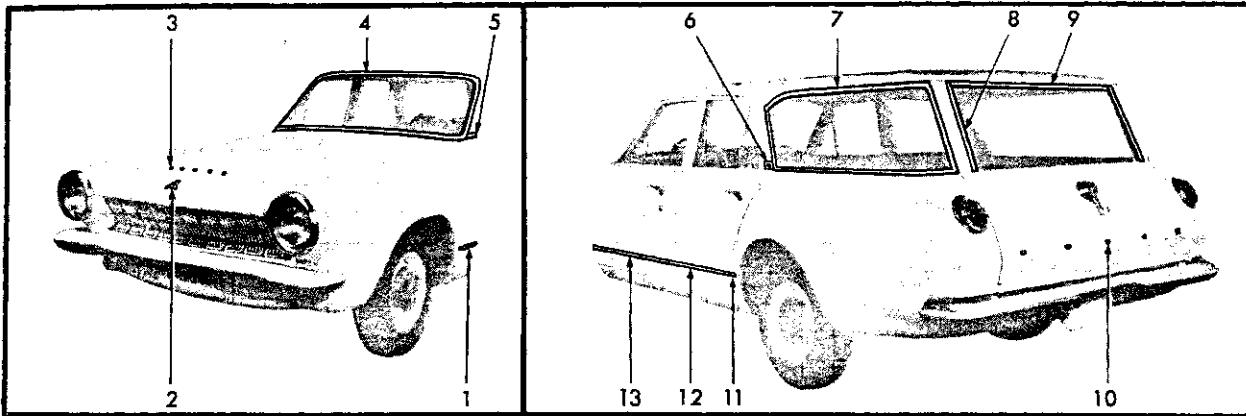
REF. NO.	QTY	PART NUMBER	DESCRIPTION
11	1	2082 278	LOCKINGSTRIP, Rear Window Glas Weatherstrip (23-63-114)
12	2	2423 565	"D", Deck Lid Name Letter (23-19-114)
	1	2423 566	"O"
	1	2423 567	"G"
	1	2423 568	"E"
13	2	2423 201	COVER, Deck Lid Back-Up Lamp Hole(23-19-180)
14	2	2421 686	MOULDING PACKAGE, Quarter Panel Upper (23-23-39)
	18	6001 097	Retainer
	18	116 000	Nut
15	1	2421 665-6	MOULDING PACKAGE, Quarter Panel Belt (23-23-39)
	8	6001 030	Retainer
	8	6000 616	Nut
	8	6001 031	Clip
16	2	2421 664	MOULDING PACKAGE, Quarter Panel Lower (23-23-39)
	8	6001 031	Clip
17	2	2421 663	MOULDING PACKAGE, Door (23-23-32)
	6	6001 044	Retainer
	6	----	Nut
	12	6001 071	Clip

All Packages Include Attaching Parts

Part Type Code is Indicated in Parentheses

19x9521A

MOULDINGS - DART 170 TL1(L) 2 DOOR SEDAN



REF. NO.	QTY	PART NUMBER	DESCRIPTION
1	2	2421 898	MOULDING PACKAGE, Front Fender Side Lower (12-15-2)
	2	6001 031	Clip
	2	6001 443	Retainer
	2	152 259	Nut
2	1	2276 943	MEDALLION, w/Base, Hood Front (15-06-6)
	2	152 260	Nut
3	2	2276 977	LETTER, Hood Front Name, "D" (15-06-16)
	1	2276 978	"O" (15-06-16)
	1	2276 980	"G" (15-06-16)
	1	2276 981	"E" (15-06-16)
	6	9415 250	Nut
4	1	2082 278	LOCKINGSTRIP, Windshield Glass Weatherstrip (23-66-239)
5	1	2480 384-5	MOULDING, Front Upper Pillar (23-23-14)
	4	9419 261	Screw
6	1	2422 782-3	NAME PLATE, Roof Panel Extension (23-34-233)
	2	6001 105	Clip
7	2	2243 513	LOCKINGSTRIP, Quarter Window Glass Weatherstrip (23-63-110)
8	1	2421 577-8	MOULDING PACKAGE, Rear Upper Pillar Outside (23-23-60)
	6	6001 076	Clip
	4	6023 241	Screw
	4	6001 077	Clip

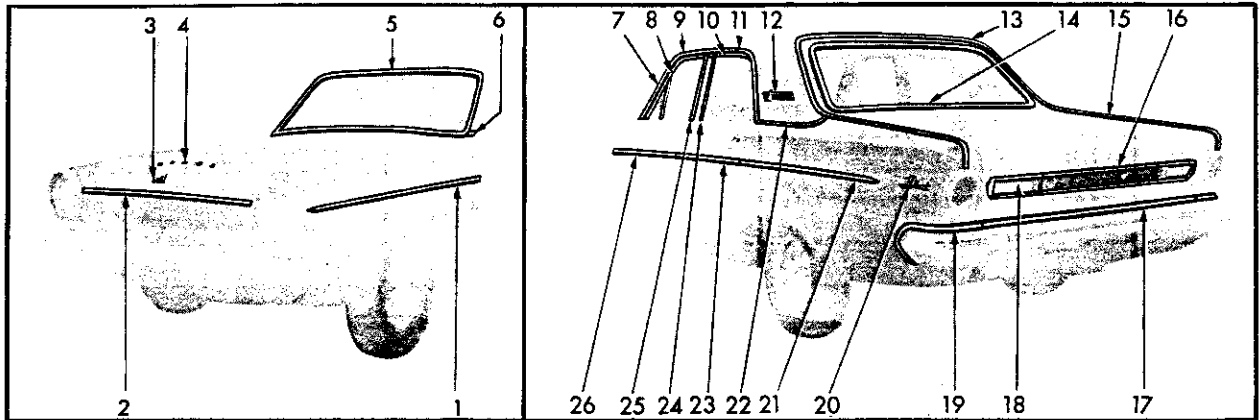
REF. NO.	QTY	PART NUMBER	DESCRIPTION
9	1	2448 401	MOULDING PACKAGE, Tailgate Opening Upper (23-23-60)
	5	6001 451	Clip
10	2	2255 112	LETTER "D", Tailgate Outside Panel (23-54-11)
	2	9415 250	Nut
	1	2255 113	LETTER "O", Tailgate Outside Panel (23-54-11)
	1	9415 250	Nut
	1	2255 114	LETTER "G", Tailgate Outside Panel (23-54-11)
	1	9415 250	Nut
	1	2255 115	LETTER "E", Tailgate Outside Panel (23-54-11)
	1	9415 250	Nut
11	1	2421 680-1	MOULDING PACKAGE, Quarter Panel (23-23-39)
	2	6001 031	Clip
	2	6001 030	Retainer
	2	6013 114	Nut
12	1	2421 676-7	MOULDING PACKAGE, Rear Door (23-23-33)
	8	6001 031	Clip
13	2	2421 673	MOULDING PACKAGE, Front Door (23-23-32)
	6	6001 044	Retainer
	6	---	Nut
	12	6001 071	Clip

All Packages Include Attaching Parts

Part Type Code is Indicated in Parentheses

19x9524B

MOULDINGS - DART 170 TL1(L) SUBURBAN



REF. NO.	QTY	PART NUMBER	DESCRIPTION
1	2	2421 923	MOULDING PACKAGE, Fender Side (12-15-2)
	4	6001 063	Retainer and Stud
	4	-----	Nut
	8	-----	Retainer
2	1	2421 899	MOULDING PACKAGE, Hood Front (15-25-2)
	8	116 000	Nut
	8	6001 063	Retainer
3	1	2276 945	MEDALLION, Hood Front (15-06-6)
	3	9415 250	Nut
4	2	2276 977	NAME LETTER, Hood Front, "D" (15-06-16)
	1	2276 978	"O"
	1	2276 980	"G"
	1	2276 981	"E"
	5	9415 250	Nut
5	1	2082 278	LOCKINGSTRIP, Windshield Glass Weatherstrip (23-66-239)
6	1	2480 384-5	MOULDING, Front Upper Pillar (23-23-14)
	4	9419 261	Screw
7	1	2255 934-5	MOULDING, Roof Side Drain Trough Front (23-59-61)
8	1	2216 946-7	MOULDING, Front Door Window Frame Upper and Front (23-23-32)
9	2	2255 938	CAP, Roof Side Drain Trough Front and Rear Moulding Joint (23-59-57)
10	1	2217 014-5	MOULDING, Rear Door Window Frame Upper and Rear (23-23-33)
11	1	2255 936-7	MOULDING, Roof Side Drain Trough Rear (23-59-61)
12	2	2255 380-1	MEDALLION, Quarter Outside Panel (23-34-334)
	4	6022 007	Seal
	4	6006 264	Nut
13	1	2421 656-7	MOULDING PACKAGE, Roof Panel Outside Rear (23-23-42)
	16	6001 428	Retainer and Seal
	2	-----	Retainer
14	1	2082 278	LOCKINGSTRIP, Rear Window Glass Weatherstrip (23-63-114)

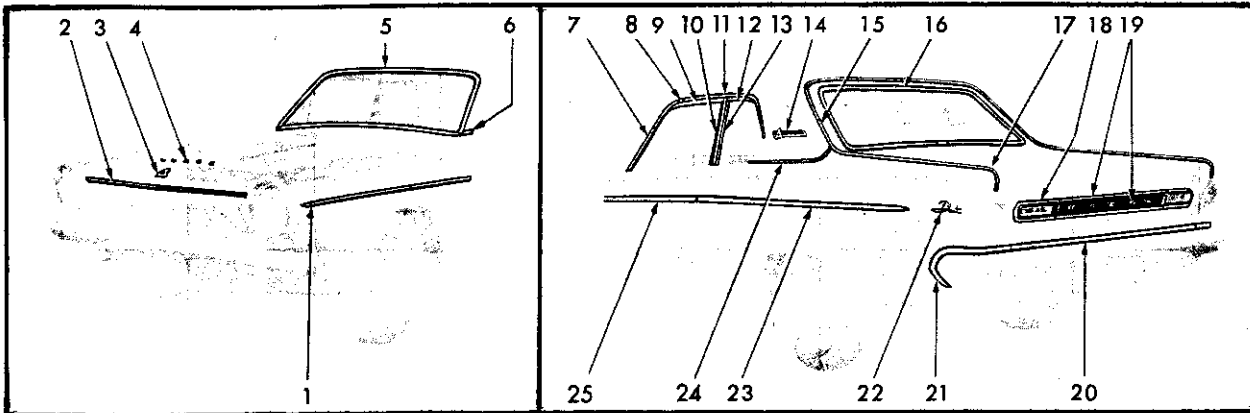
REF. NO.	QTY	PART NUMBER	DESCRIPTION
15	2	2421 686	MOULDING PACKAGE, Quarter Panel Upper (23-23-39)
	18	6001 097	Retainer
	18	116 000	Nut
16	1	2448 484	MOULDING PACKAGE, Deck Lid (23-23-30)
	4	-----	Nut
17	1	2421 587	MOULDING PACKAGE, Deck Lid Lower (23-23-30)
	7	6001 089	Retainer
	7	446 618	Nut
18	2	2423 460	EXTENSION, Deck Lid Moulding (23-23-30)
	2	-----	Nut
19	1	2421 667-8	MOULDING PACKAGE, Quarter Panel Lower Rear (23-23-39)
	2	6023 898	Screw
	6	6001 063	Retainer
	8	6023 265	Nut
20	2	2423 744	NAME PLATE, Quarter Outside Panel (23-34-238)
	6	152 259	Nut and Seal
21	1	2448 450-1	MOULDING PACKAGE, Quarter Panel Lower (approx. 47") (23-23-39)
	1	2495 156-7	MOULDING PACKAGE, Quarter Panel Lower (approx. 51") (23-23-39)
	*	-----	Retainer
	2	6023 265	Nut
	2	6023 241	Screw
	2	6001 063	Retainer
22	1	2421 674-5	MOULDING PACKAGE, Quarter Panel Belt (23-23-39)
	8	6001 030	Retainer
	8	6000 616	Nut
23	1	2421 671-2	MOULDING PACKAGE, Rear Door (23-23-33)
	4	6001 063	Retainer
	4	-----	Nut
	6	-----	Retainer
24	1	2216 950-1	MOULDING, Rear Door Window Frame Front (23-23-33)
25	1	2216 950-1	MOULDING, Front Door Window Frame Rear (23-23-32)
26	2	2421 669	MOULDING PACKAGE, Front Door (23-23-32)
	2	6001 063	Retainer
	2	446 618	Nut
	10	-----	Retainer

All Packages Include Attaching Parts

Part Type Code is Indicated in Parentheses

19x9527B

MOULDINGS - DART 270 TL1(H) 4 DOOR SEDAN



REF. NO.	QTY	PART NUMBER	DESCRIPTION
1	2	2421 923	MOULDING PACKAGE, Fender Side (12-15-2)
	8	-----	Retainer
	4	6001 063	Retainer and Stud
	4	-----	Nut
2	1	2421 899	MOULDING PACKAGE, Hood Front (15-25-2)
	8	1160 000	Nut
	8	6001 063	Retainer
3	1	2276 945	MEDALLION, w/Base, Hood Front (15-06-6)
	2	152 260	Nut
4	2	2276 977	LETTER, Hood Front Name, "D" (15-06-16)
	1	2276 978	"O" (15-06-16)
	1	2276 980	"G" (15-06-16)
	1	2276 981	"E" (15-06-16)
5	1	2082 278	LOCKINGSTRIP, Windshield Glass Weatherstrip (23-66-239)
6	1	2480 384-5	MOULDING, Front Upper Pillar (23-23-14)
	4	9419 261	Screw
7	1	2255 934-5	MOULDING, Roof Side Drain Trough Front(23-59-61)
8	2	2255 938	CAP, Roof Side Drain Trough Front and Rear (23-59-57)
9	1	2216 944-5	MOULDING, Door Window Opening Frame Upper (23-23-32)
10	1	2216 950-1	MOULDING, Door Window Opening Frame Rear (23-23-32)
11	1	2422 432-3	MOULDING, Roof Side Drain Trough Rear (23-59-61)
12	1	2244 376-7	MOULDING, Quarter Window Opening Frame Outside Upper (23-23-73)
13	1	2216 950-1	MOULDING, Quarter Window Opening Frame Outside Front (23-23-73)
14	1	2255 380-1	MEDALLION, Quarter Outside Panel (23-34-334)
	4	6022 007	Seal
	4	6006 264	Nut
15	1	2421 656-7	MOULDING PACKAGE, Roof Panel Outside Rear (23-23-42)
	16	6001 428	Retainer and Seal
	2	-----	Retainer

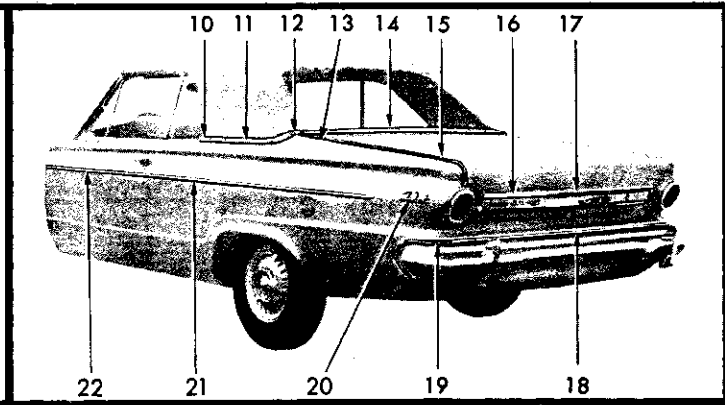
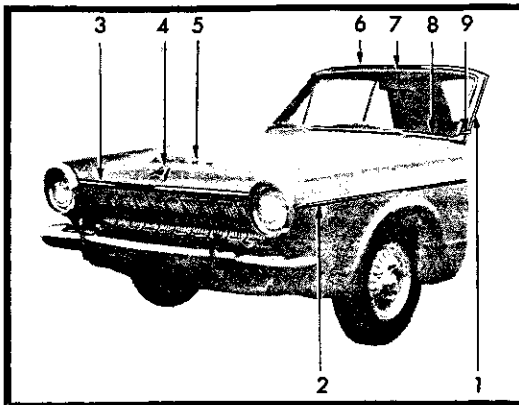
REF. NO.	QTY	PART NUMBER	DESCRIPTION
16	1	2082 278	LOCKINGSTRIP, Rear Window Glas Weatherstrip (23-63-114)
17	2	2421 686	MOULDING PACKAGE, Quarter Panel Upper (23-23-39)
	18	6001 097	Retainer
	18	116 000	Nut
18	2	2423 460	EXTENSION, Deck Lid Moulding (23-23-30)
	2	-----	Nut
19	1	2448 484	MOULDING PACKAGE, Deck Lid (23-23-30)
	4	-----	Nut
20	1	2421 587	MOULDING PACKAGE, Deck Lid (23-23-30)
	7	6001 089	Retainer
	7	446 618	Nut
21	1	2421 667-8	MOULDING PACKAGE, Quarter Panel Lower Rear (23-23-39)
	6	6001 063	Retainer
	8	6023 265	Nut
	2	6023 898	Screw
22	2	2423 744	NAME PLATE, Quarter Outside Panel Dart (23-34-238)
	6	152 259	Nut and Seal
23	2	2448 444	MOULDING PACKAGE, Quarter Panel Lower (approx. 70") (23-23-39)
	2	2495 154	MOULDING PACKAGE, Quarter Panel Lower Front (approx. 74") (23-23-39)
	*	-----	Retainer
	2	6023 265	Nut
	2	6023 241	Screw
	2	6001 063	Retainer
24	1	2421 665-6	MOULDING PACKAGE, Quarter Panel Belt (23-23-39)
	8	6001 030	Retainer
	8	6000 616	Nut
	8	6001 031	Clip
25	2	2421 659	MOULDING PACKAGE, Door (23-23-32)
	2	6001 063	Retainer
	2	446 618	Nut
	12	-----	Retainer

All Packages include Attaching Parts

Part Type Code is Indicated in Parentheses

19x9522B

MOULDINGS - DART 270 TL1(H) 2 DOOR SEDAN



REF. NO.	QTY	PART NUMBER	DESCRIPTION
1	1	2422 182-3	MOULDING, Windshield Opening Frame Outside Side (23-23-65)
	8	6022 890	Screw
2	2	2421 923	MOULDING PACKAGE, Fender Side (12-15-2)
	4	-----	Nut
	8	-----	Retainer
	4	6001 063	Retainer and Nut
3	1	2421 899	MOULDING PACKAGE, Hood Front (15-25-2)
	8	116 000	Nut
	8	6001 063	Retainer
4	1	2276 945	MEDALLION, w/Base, Hood Front (15-06-6)
	2	152 260	Nut
5	2	2276 977	LETTER, Hood Front Name, "D" (15-06-16)
	2	2276 978	"O"
	1	2276 980	"G"
	1	2276 981	"E"
	5	9415 250	Nut
6	1	2422 180-1	MOULDING, Windshield Header Outside Upper (23-23-65)
	7	274 109	Screw
	7	2254 766	Seal
7	1	2082 278	LOCKINGSTRIP, Windshield Glass Weatherstrip (23-66-239)
8	1	2424 106	MOULDING, Windshield Outside Lower (23-23-65)
	7	9416 136	Screw
	7	6001 442	Retainer
9	1	2480 384-5	MOULDING, Front Upper Pillar (23-23-14)
	4	9419 261	Screw
10	1	2424 170-1	MOULDING, Quarter Panel Belt Front (23-23-39)
	2	2084 394	Fastener
	2	188 973	Screw
11	1	2422 190-1	MOULDING, Quarter Panel Belt Rear (23-23-39)
	8	2084 394	Fastener
12	1	2424 116-7	COVER, Quarter Belt to Deck Opening Upper Panel Moulding Joint (23-23-41)
	2	-----	Nut and Seal
13	1	2495 750-1	MOULDING PACKAGE, Quarter Panel Upper Front (2 Piece Type) (23-23-39)
	4	6001 097	Retainer
	4	-----	Nut

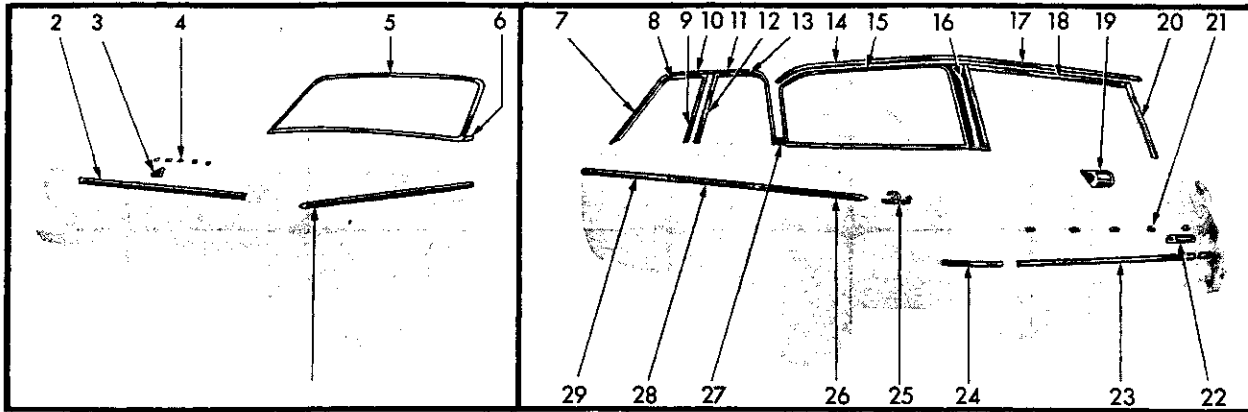
REF. NO.	QTY	PART NUMBER	DESCRIPTION
14	1	2255 948	MOULDING, Deck Upper Panel (23-23-31)
	9	2094 394	Fastener
15	2	2448 489	MOULDING PACKAGE, Quarter Panel Upper (1 Piece Type) (23-23-39)
	12	6001 097	Retainer
	12	116 000	Nut
	2	2421 686	MOULDING PACKAGE, Quarter Panel Upper Rear (2 Piece Type) (23-23-39)
	18	6001 097	Retainer
	18	-----	Nut
16	2	2423 460	EXTENSION, Deck Lid Moulding (23-23-30)
	2	-----	Nut
17	1	2448 484	MOULDING PACKAGE, Deck Lid (23-23-30)
	4	-----	Nut
18	1	2421 587	MOULDING PACKAGE, Deck Lid Lower (23-23-30)
	7	6001 089	Retainer
	7	446 618	Nut
19	1	2421 667-8	MOULDING PACKAGE, Quarter Panel Lower and Rear (23-23-39)
	6	6001 063	Retainer
	8	6023 265	Nut
	2	6023 898	Screw
20	2	2423 744	NAME PLATE, Quarter Outside Panel Dart (23-34-238)
	6	152 259	Nut and Seal
21	2	2448 444	MOULDING PACKAGE, Quarter Panel Lower Front (approx. 70") (23-23-39)
	2	2495 154	MOULDING PACKAGE, Quarter Panel Lower Front (approx. 74") (23-23-39)
	2	6023 265	Nut
	2	6023 241	Screw
	*	-----	Retainer
	2	6001 063	Retainer
22	2	2421 659	MOULDING PACKAGE, Door (23-23-32)
	2	6001 063	Retainer
	2	446 618	Nut
	12	-----	Retainer

All Packages Include Attaching Parts

Part Type Code is Indicated in Parentheses

19x9621B

MOULDINGS - DART 270 TL1(H) CONVERTIBLE COUPE



REF. NO.	QTY	PART NUMBER	DESCRIPTION
1	2	2421 923	MOULDING PACKAGE, Fender Side (12-15-2)
	4	6001 063	Retainer and Stud
	4	-----	Nut
	8	-----	Retainer
2	1	2421 899	MOULDING PACKAGE, Hood Front (15-25-2)
	8	116 000	Nut
	8	6001 063	Retainer
3	1	2276 945	MEDALLION, w/Base, Hood Front (15-06-6)
	2	152 260	Nut
4	2	2276 977	LETTER, Hood Front, "D" (15-06-16)
	1	2276 978	"O" (15-06-16)
	1	2276 980	"G" (15-06-16)
	1	2276 981	"E" (15-06-16)
	5	9415 250	Nut
5	1	2082 278	LOCKINGSTRIP, Windshield Glass Weatherstrip (23-66-239)
6	1	2480 384-5	MOULDING, Front Upper Pillar (23-23-14)
	4	9419 261	Screw
7	1	2255 934-5	MOULDING, Roof Side Drain Trough Front (23-59-61)
8	1	2216 946-7	MOULDING, Front Door Window Frame Upper (23-23-32)
9	1	2216 950-1	MOULDING, Front Door Window Frame Rear (23-23-32)
10	2	2255 938	CAP, Roof Side Drain Trough Front and Rear Moulding (23-59-57)
11	1	2255 936-7	MOULDING, Roof Side Drain Trough Rear (23-59-61)
12	1	2216 950-1	MOULDING, Rear Door Window Frame Front (23-23-33)
13	1	2217 014-5	MOULDING, Rear Door Window Frame Upper (23-23-33)
14	1	2422 650-1	MOULDING, Roof Side Drain Trough (23-59-61)
15	1	2243 513	LOCKINGSTRIP, Quarter Window Glass Weatherstrip (23-63-110)
16	1	2421 579-80	MOULDING PACKAGE, Rear Upper Pillar Outside (23-23-60)
	4	6001 077	Clip
	4	6023 241	Clip
	2	167 039	Screw
17	1	2422 652-3	MOULDING, Rear Drain Trough (23-59-61)
18	1	2448 401	MOULDING PACKAGE, Tailgate Opening Upper (23-23-60)
	5	6001 451	Clip
19	1	2299 752	ORNAMENT, w/Stud, Tailgate Electric Window Regulator Outside (23-54-11)

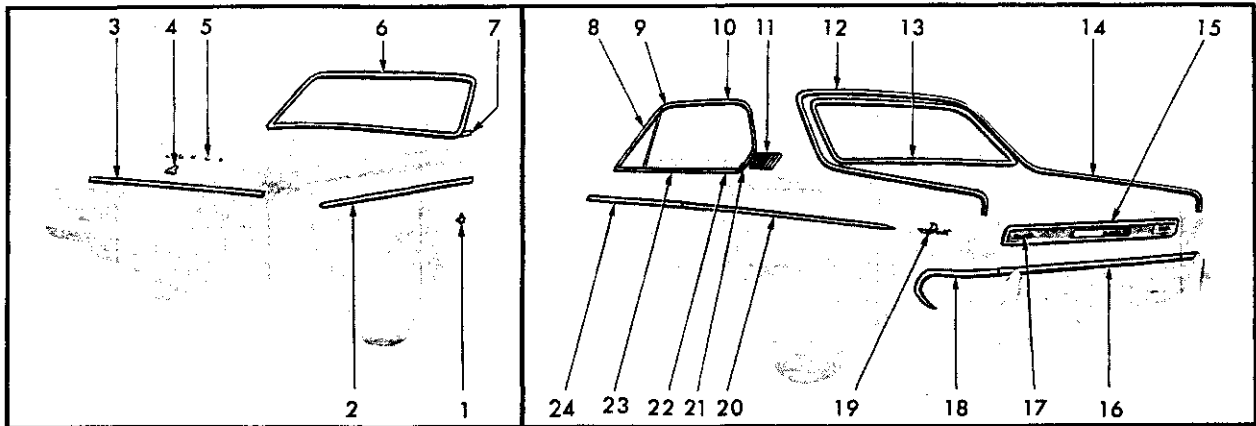
REF. NO.	QTY	PART NUMBER	DESCRIPTION
20	1	2421 577-8	MOULDING PACKAGE, Rear Upper Pillar Outside (23-23-60)
	6	6001 076	Clip
	4	6023 241	Clip
	4	6001 077	Screw
21	2	2255 112	LETTER "D", Tailgate Outside Panel (23-54-11)
	2	9415 250	Nut
	1	2255 113	LETTER "O", Tailgate Outside Panel (23-54-11)
	1	9415 250	Nut
	1	2255 114	LETTER "G", Tailgate Outside Panel (23-54-11)
	1	9415 250	Nut
	1	2255 115	LETTER "E", Tailgate Outside Panel (23-54-11)
	1	9415 250	Nut
22	1	2255 256	MEDALLION, Tailgate Outside Panel (270) (23-54-11)
	2	9411 618	Nut
23	1	2421 658	MOULDING PACKAGE, Tailgate Outside Panel (23-23-61)
	7	6000 709	Clip
	7	441 256	Nut
24	1	2421 682-3	MOULDING PACKAGE, Quarter Panel Lower Rear (23-23-39)
	6	6001 513	Clip
25	2	2423 746	NAME PLATE, Quarter Outside Panel Dart (23-34-238)
	6	152 259	Nut and Seal
26	1	2448 448-9	MOULDING PACKAGE, Quarter Panel (approx. 32 3/4") (23-23-39)
	1	2495 158-9	MOULDING PACKAGE, Quarter Panel (approx. 36 3/4") (23-23-39)
	2	6001 063	Retainer
	2	6001 488	Clip
	2	6023 241	Screw
	*	-----	Retainer
	2	-----	Nut
27	1	2422 784-5	NAME PLATE, Roof Panel Extension (23-34-238)
	2	6001 105	Clip
28	1	2421 671-2	MOULDING PACKAGE, Rear Door Lower (23-23-33)
	4	6001 063	Retainer
	4	-----	Nut
	6	-----	Retainer
29	2	2421 669	MOULDING PACKAGE, Front Door Lower (23-23-32)
	2	6001 063	Retainer
	2	446 618	Nut
	10	-----	Retainer

All Packages Include Attaching Parts

Part Type Code is Indicated in Parentheses

19x9540B

MOULDINGS - DART 270 TL1(H) SUBURBAN



REF. NO.	QTY	PART NUMBER	DESCRIPTION
1	2	2255 116	MEDALLION, Fender Side (12-15-21)
	4	152 259	Nut
2	2	2495 912	MOULDING PACKAGE, Fender Side (12-15-2)
	4	6001 063	Retainer and Stud
	4	----	Nut
	8	----	Retainer
3	1	2421 899	MOULDING PACKAGE, Hood Front (15-25-2)
	8	116 000	Nut
	8	6001 063	Retainer
4	1	2276 947	MEDALLION, w/Base, Hood Front (15-06-6)
	2	152 260	Nut
5	2	2276 977	LETTER, Hood Front Name, "D" (15-06-16)
	1	2276 978	"O" (15-06-16)
	1	2276 980	"G" (15-06-16)
	1	2276 981	"E" (15-06-16)
10		9415 250	Nut
6	1	2082 278	LOCKINGSTRIP, Windshield Glass Weatherstrip (23-66-239)
7	1	2480 384-5	MOULDING, Front Upper Pillar (23-23-14)
	4	9419 261	Screw
8	1	2255 934-5	MOULDING, Roof Side Drain Trough Front (23-59-61)
9	2	2255 938	CAP, Roof Side Drain Trough Front and Rear Moulding Joint (23-59-57)
10	1	2422 432-3	MOULDING, Roof Side Drain Trough Rear (23-59-61)
11	1	2422 632-3	ORNAMENT, Quarter Outside Panel (23-34-334)
	8	152 260	Nut and Seal
12	1	2421 656-7	MOULDING PACKAGE, Roof Panel Outside Rear (23-23-42)
	16	6001 428	Retainer and Seal
	2	----	Retainer
13	1	2082 278	LOCKINGSTRIP, Rear Window Glass Weatherstrip (23-63-114)
14	2	2421 686	MOULDING PACKAGE, Quarter Panel Upper (23-23-39)
	18	6001 097	Retainer
	18	116 000	Nut
15	1	2448 485	MOULDING PACKAGE, Deck Lid (23-23-30)
	4	----	Nut

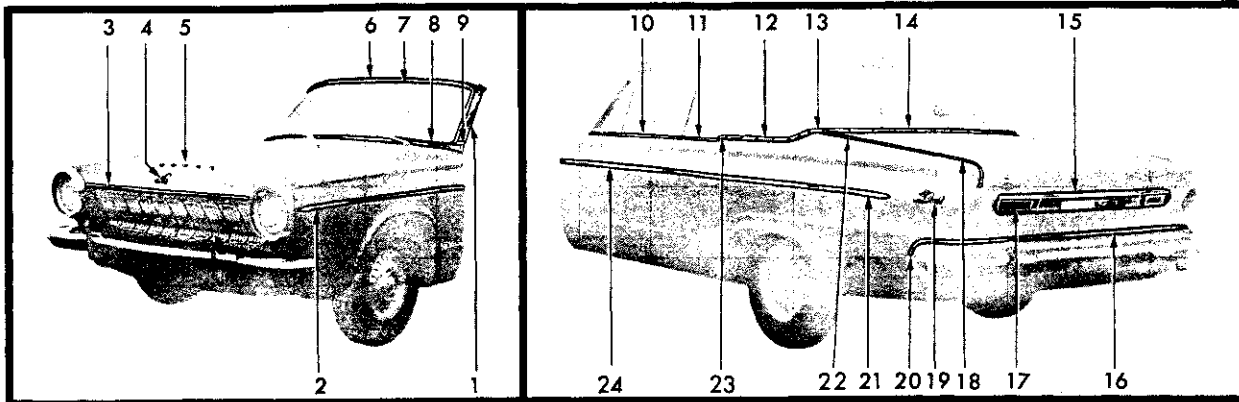
REF. NO.	QTY	PART NUMBER	DESCRIPTION
16	2	2421 587	MOULDING PACKAGE, Deck Lid Lower (23-23-30)
	14	6001 089	Retainer
	14	446 618	Nut
17	2	2423 460	EXTENSION, Deck Lid Moulding (23-23-30)
	2	----	Nut
18	1	2421 667-8	MOULDING PACKAGE, Quarter Panel Lower Rear (23-23-39)
	6	6001 063	Retainer
	8	6023 265	Nut
	2	6023 898	Screw
19	2	2423 744	NAME PLATE, Quarter Outside Panel Dart (23-34-238)
	6	152 259	Nut and Seal
20	2	2448 446	MOULDING PACKAGE, Quarter Panel Lower (approx. 69 1/2") (23-23-39)
	2	2495 155	MOULDING PACKAGE, Quarter Panel Lower (approx. 73 1/2") (23-23-39)
	*	----	Retainer
	2	6023 265	Nut
	2	6023 241	Screw
	2	6001 063	Retainer
21	1	2448 176-7	MOULDING PACKAGE, Quarter Panel Belt Rear (23-23-39)
	2	6024 135	Screw
	2	168 474	Screw
22	1	2448 452-3	MOULDING PACKAGE, Quarter Panel Belt Front (23-23-39)
	6	6001 490	Retainer
	2	168 474	Screw
23	1	2448 430-1	MOULDING PACKAGE, Door Belt (23-23-32)
	10	6001 490	Retainer
	2	6001 440	Retainer
	2	9415 312	Nut
24	2	2421 661	MOULDING PACKAGE, Door Lower (23-23-32)
	2	6001 063	Retainer
	2	446 618	Nut
	12	6001 046	Retainer

All Packages Include Attaching Parts

Part Type Code is Indicated in Parentheses

19x9539B

MOULDINGS - DART GT TL1(P) SPECIAL CLUB COUPE



REF. NO.	QTY	PART NUMBER	DESCRIPTION
1	1	2422 182-3	MOULDING, Windshield Opening Frame Outside Side (23-23-65)
	1	6022 890	Screw
2	2	2495 912	MOULDING PACKAGE, Fender Side (12-15-2)
	4	6001 063	Retainer and Stud
	4	-----	Nut
3	1	2421 899	MOULDING PACKAGE, Hood Front (15-25-2)
	8	116 000	Nut
	8	6001 063	Retainer
4	1	2276 947	MEDALLION, w/Base, Hood Front (15-06-6)
	2	152 260	Nut
5	2	2276 977	LETTER, Hood Front Name, "D" (15-06-16)
	1	2276 978	"O"
	1	2276 980	"G"
	1	2276 981	"E"
	5	9415 250	Nut
6	1	2422 180-1	MOULDING, Windshield Header Outside Upper (23-23-65)
	7	274 109	Screw
	7	2254 766	Seal
7	1	2082 278	LOCKINGSTRIP, Windshield Glass Weatherstrip (23-66-239)
8	1	2424 106	MOULDING, Windshield Outside Lower (23-23-65)
	7	9416 136	Screw
	7	6001 442	Retainer
9	1	2480 384-5	MOULDING, Front Upper Pillar (23-23-14)
	4	9419 261	Screw
10	1	2448 430-1	MOULDING PACKAGE, Door Belt (23-23-32)
	10	6001 490	Retainer
	2	6001 440	Retainer
	2	9415 312	Nut
11	1	2448 452-3	MOULDING PACKAGE, Quarter Panel Belt Front (23-23-39)
	2	168 474	Screw
12	1	2422 190-1	MOULDING, Quarter Panel Belt Rear (23-23-39)
	8	2094 394	Fastener

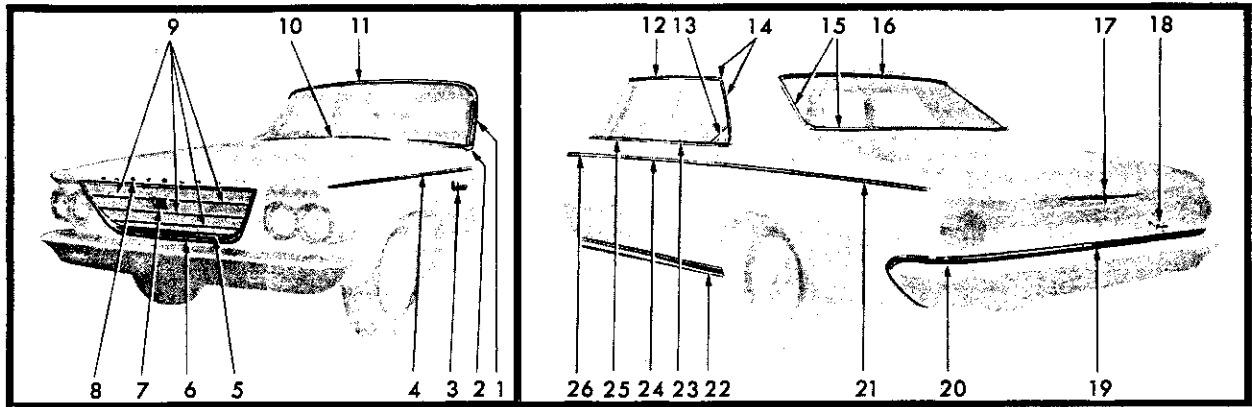
REF. NO.	QTY	PART NUMBER	DESCRIPTION
13	1	2424 116-7	COVER, Quarter Belt to Deck Opening Upper Panel Moulding Joint (23-23-41)
	2	-----	Nut and Seal
14	1	2255 948	MOULDING, Deck Upper Panel (23-23-31)
	9	2094 394	Fastener
15	1	2448 485	MOULDING PACKAGE, Deck Lid (23-23-30)
	4	-----	Nut
16	1	2421 587	MOULDING PACKAGE, Deck Lid Lower (23-23-30)
	14	6001 089	Retainer
	14	446 618	Nut
17	2	2423 460	EXTENSION, Deck Lid Moulding (23-23-30)
	2	-----	Nut
18	2	2448 489	MOULDING PACKAGE, Quarter Panel Upper (1 Piece Type) (23-23-39)
	2	2421 686	MOULDING PACKAGE, Quarter Panel Upper Rear (2 Piece Type) (23-23-39)
	18	6001 097	Retainer
	18	-----	Nut
19	2	2423 744	NAME PLATE, Quarter Outside Panel Dart (23-34-238)
	6	152 259	Nut and Seal
20	1	2421 667-8	MOULDING PACKAGE, Quarter Panel Lower Rear (23-23-39)
	6	6001 063	Retainer
	8	6023 265	Nut
	2	6023 898	Screw
21	2	2448 446	MOULDING PACKAGE, Quarter Panel Lower Front (approx. 69 1/2") (23-23-39)
	2	2495 155	MOULDING PACKAGE, Quarter Panel Lower Front (approx. 73 1/2") (23-23-39)
	2	6023 265	Nut
	2	6023 241	Screw
	*	-----	Retainer
	2	6010 063	Retainer
22	1	2495 750-1	MOULDING PACKAGE, Quarter Panel Upper Front (23-23-39)
	4	6001 097	Retainer
	4	-----	Nut
23	1	2424 174-5	MOULDING, Quarter Panel Belt Intermediate (23-23-39)
	2	2094 394	Fastener
	2	168 474	Screw
24	2	2421 661	MOULDING PACKAGE, Door Lower (23-23-32)
	2	6001 063	Retainer
	2	446 618	Nut
	12	6001 046	Retainer

All Packages Include Attaching Parts

Part Type Code is Indicated in Parentheses

19x9620B

MOULDINGS - DART GT TL1(P) CONVERTIBLE COUPE



REF. NO.	QTY	PART NUMBER	DESCRIPTION
1	1	2216 870-1	MOULDING, Windshield Outside Finish Side (23-23-65)
	8	6023 247	Screw
2	1	2242 886-7	MOULDING, Windshield Outside Finish Lower End (23-23-65)
	2	274 411	Screw
3	2	2276 694	NAME PLATE, Fender Side, w/Medallion (12-15-21)
	10	6001 254	Clip
4	2	2421 959	MOULDING PACKAGE, Fender Side (12-15-2)
	12	6001 048	Clip
	4	6001 059	Clip
	4	-----	Nut
5	1	2276 410	FRAME, Radiator Grille Opening (7-16-36)
6	1	2448 457	MOULDING PACKAGE, Radiator Grille Opening (7-16-36)
	2	892 569	Screw
	7	9415 921	Screw
	7	6001 070	Clip
	7	6023 284	Nut
7	1	2276 407	MEDALLION, Radiator Grille (7-17-1)
	2	9414 977	Nut
8	1	2276 440	LETTER, Hood Front Name, "C" (15-06-16)
	1	2276 441	"H" (15-06-16)
	2	2276 442	"R" (15-06-16)
	1	2276 443	"Y" (15-06-16)
	1	2276 444	"S" (15-06-16)
	1	2276 445	"L" (15-06-16)
	1	2276 446	"E" (15-06-16)
	8	9415 250	Nut
9	1	2448 580	MOULDING PACKAGE, Radiator Grille Upper, Right (7-16-36)
	3	6001 501	Retainer
	3	274 800	Nut
	3	120 391	Washer
	1	2448 581	MOULDING PACKAGE, Radiator Grille Upper, Left (7-16-36)
	3	6001 501	Retainer
	3	274 800	Nut
	3	120 391	Washer
	1	2448 578	MOULDING PACKAGE, Radiator Grille Intermediate (7-16-36)
	6	6001 501	Retainer
	6	274 800	Nut
	6	120 391	Washer
	1	2448 579	MOULDING PACKAGE, Radiator Grille Lower (7-16-36)
	6	6001 501	Retainer
	6	274 800	Nut
	6	120 391	Washer
10	1	2084 997	MOULDING PACKAGE, Windshield Outside Finish Lower Center (23-23-65)
	5	6000 685	Clip
11	1	2495 694	MOULDING PACKAGE, Windshield Outside Finish Upper Center (23-23-65)
	5	6000 927	Clip
	2	6023 277	Screw
12	1	2243 734-5	MOULDING, Roof Side Drain Trough Front (23-59-61)
13	1	2424 292-3	MOULDING, Rear Door Belt Rear (23-23-33)
14	1	2424 498-9	MOULDING, w/Cap, Roof Side Drain Trough Rear (23-59-61)
	8	6023 247	Screw
15	1	2244 546-7	MOULDING, Rear Window Outside Side and Rear (23-23-52)
	12	6001 084	Retainer

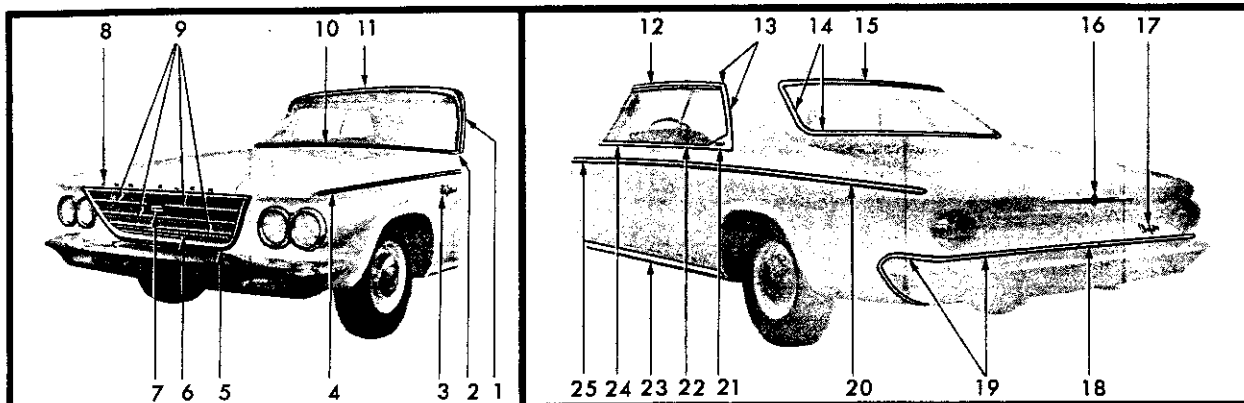
All Packages Include Attaching Parts

REF. NO.	QTY	PART NUMBER	DESCRIPTION
16	1	2244 548	MOULDING, Rear Window Outside Upper (23-23-52)
	7	6001 084	Retainer
17	1	2244 829	MEDALLION, Deck Lid (23-19-114)
	5	-----	Nut
18	1	2244 242	NAME PLATE, Deck Opening Lower Panel Chrysler (23-34-184)
	3	152 259	Nut
19	1	2421 448	MOULDING, Deck Lower Panel Fuel Filler Door (23-23-23)
	2	6001 099	Clip
	2	6023 678	Nut
20	1	2448 428-9	MOULDING PACKAGE, Quarter Panel Lower and Deck Opening Lower (23-23-39)
	10	6001 099	Retainer
	10	6023 678	Nut
	4	-----	Nut
	2	188 973	Screw
21	1	2421 567-8	MOULDING PACKAGE, Quarter Panel Upper (23-23-39)
	2	6010 093	Clip
	2	6023 265	Nut
	12	6001 048	Retainer
22	1	2421 571-2	MOULDING PACKAGE, Body Side Sill (23-23-2)
	14	6001 100	Retainer
	1	2422 574-5	Clip
	2	-----	Nut
	2	2422 576	Clip
	2	-----	Seal
23	1	2448 490-1	MOULDING PACKAGE, Rear Door Belt Front (23-23-33)
	6	6001 047	Retainer
24	1	2421 561-2	MOULDING PACKAGE, Rear Door Lower (23-23-33)
	2	446 618	Nut
	8	6001 058	Clip
	8	6001 048	Retainer
25	1	2421 563-4	MOULDING PACKAGE, Front Door Belt (Slanted End) (23-23-32)
	1	2448 552-3	MOULDING PACKAGE, Front Door Belt (Rounded End) (23-23-32)
	10	6001 047	Retainer
	2	6001 087	Retainer
	2	9417 621	Nut
26	2	2421 558	MOULDING PACKAGE, Front Door Lower (23-23-32)
	8	6001 058	Clip
	8	-----	Nut
	8	6001 048	Retainer

Part Type Code is Indicated in Parentheses

19x9544 B

MOULDINGS - CHRYSLER NEWPORT TC1(L) 4 DOOR SEDAN



REF. NO.	QTY	PART NUMBER	DESCRIPTION
1	1	2216 870-1	Moulding, Windshield Outside Finish Side (23-23-65)
	8	6023 247	Screw
2	1	2242 886-7	Moulding, Windshield Outside Finish Lower End (23-23-65)
	2	274 411	Screw
3	2	2276 694	Name Plate, Fender Side, w/Medallion (12-15-21)
	10	6001 254	Clip
4	2	2421 959	Moulding Package, Fender Side (12-15-2)
	12	6001 048	Clip
	4	6001 059	Clip
	4	-----	Nut
5	1	2448 457	Moulding Package, Radiator Grille Opening (7-16-36)
	2	892 569	Screw
	7	9415 921	Screw
	7	6001 070	Clip
	7	6023 284	Nut
6	1	2276 410	Frame, Radiator Grille Opening (7-16-36)
7	1	2276 407	Medallion, Radiator Grille (7-17-1)
	2	9414 977	Nut
8	1	2276 440	Letter, Hood Front Name "C" (15-06-16)
	1	2276 441	"H"
	2	2276 442	"R"
	1	2276 443	"Y"
	1	2276 444	"S"
	1	2276 445	"L"
	1	2276 446	"E"
8	8	9415 250	Nut
9	1	2448 580	Moulding Package, Radiator Grille Upper, Right (7-16-36)
	3	6001 501	Retainer
	3	274 800	Nut
	3	120 391	Washer
	1	2448 581	Moulding Package, Radiator Grille Upper, Left (7-16-36)
	3	6001 501	Retainer
	3	274 800	Nut
	3	120 391	Washer
	1	2448 578	Moulding Package, Radiator Grille Intermediate (7-16-36)
	6	6001 501	Retainer
	6	274 800	Nut
	6	120 391	Washer
	1	2448 579	Moulding Package, Radiator Grille Lower (7-16-36)
	6	6001 501	Retainer
	6	274 800	Nut
	6	120 391	Washer
10	1	2084 997	Moulding Package, Windshield Outside Finish Lower Center (23-23-65)
	5	6000 685	Clip
11	1	2495 694	Moulding Package, Windshield Outside Finish Upper Center (23-23-65)
	5	6000 927	Clip
	2	6023 277	Screw
12	1	2243 734-5	Moulding, Drain Trough Front (23-59-61)
13	1	2424 498-9	Moulding, w/Cap, Drain Trough Rear (23-59-61)
	10	6023 247	Screw
14	1	2244 546-7	Moulding, Rear Window Outside Side and Lower (23-23-52)
	12	6001 084	Retainer

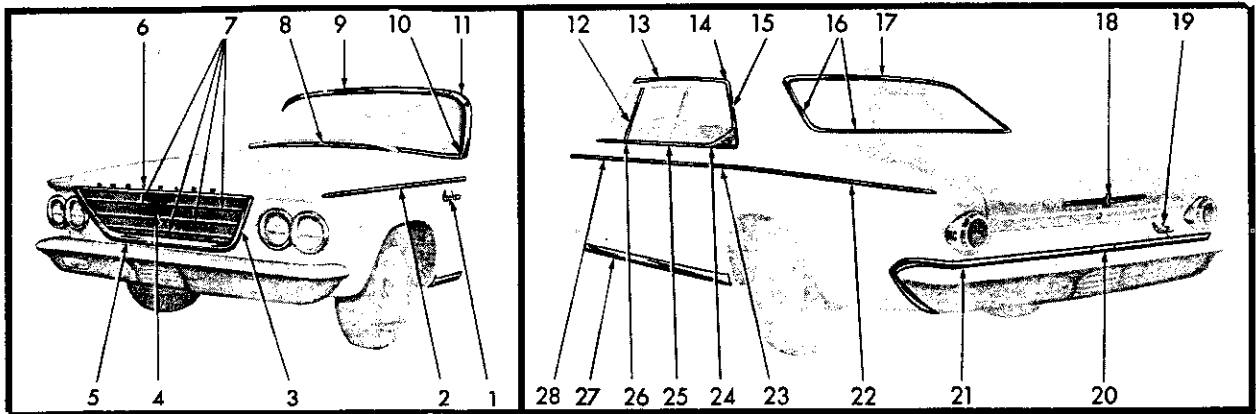
REF. NO.	QTY	PART NUMBER	DESCRIPTION
15	1	2244 548	Moulding, Rear Window Outside Upper (23-23-52)
	7	6001 084	Retainer
16	1	2244 829	Medallion, Deck Lid (23-19-114)
	5	-----	Nut
17	1	2244 242	Name Plate, Deck Opening Lower Panel, Chrysler (23-34-184)
	3	152 259	Nut
18	1	2421 448	Moulding Package, Deck Lower Panel Fuel Filler Door (23-23-23)
	2	6001 093	Clip
	2	6023 265	Nut
19	1	2448 428-9	Moulding Package, Quarter Panel Lower Rear and Deck Lower Panel (23-23-39)
	10	6023 678	Nut
	4	-----	Nut
	2	188 973	Screw
	10	6001 099	Retainer
20	1	2421 556-7	Moulding Package, Quarter Panel Lower (23-23-39)
	2	6023 265	Nut
	2	6010 093	Clip
	20	6001 048	Retainer
21	1	2424 290-1	Moulding, Quarter Panel Belt Rear (23-23-39)
	6	-----	Washer
	2	6000 960	Clip
	4	152 260	Nut
22	1	2448 492-3	Moulding Package, Quarter Panel Belt Front (23-23-39)
	8	6001 047	Retainer
23	1	2421 571-2	Moulding Package, Body Side Sill (23-23-2)
	14	6001 100	Retainer
	1	2422 574-5	Clip
	2	-----	Nut
	2	2422 576	Clip
	2	-----	Seal
24	1	2421 552-3	Moulding Package, Door Belt (Slanted End) (23-23-32)
	1	2448 550-1	Moulding Package, Door Belt (Rounded End) (23-23-32)
	10	6001 047	Retainer
	2	6001 087	Retainer
	2	9417 621	Nut
25	2	2421 449	Moulding Package, Door Lower (23-23-32)
	2	446 618	Nut
	4	6001 058	Clip
	12	6001 048	Retainer

All Packages Include Attaching Parts

Part Type Code is Indicated in Parentheses

19x9578B

MOULDINGS - CHRYSLER NEWPORT TC1(L) SPECIAL CLUB COUPE



REF. NO.	QTY	PART NUMBER	DESCRIPTION
1	2	2276 694	NAME PLATE, Fender Side, w/Medallion (12-15-21)
	10	6001 254	Clip
2	2	2421 959	MOULDING PACKAGE, Fender Side (12-15-2)
	12	6001 048	Clip
	4	6001 059	Clip
	4	-----	Nut
3	1	2448 457	MOULDING PACKAGE, Radiator Grille Opening (7-16-36)
4	1	2276 407	MEDALLION, Radiator Grille (7-17-1)
	2	9414 977	Nut
5	1	2276 410	FRAME, Radiator Grille Opening (7-16-36)
6	1	2276 440	LETTER, Hood Front Name, "C" (15-06-16)
	1	2276 441	"H" (15-06-16)
	2	2276 442	"R" (15-06-16)
	1	2276 443	"Y" (15-06-16)
	1	2276 444	"S" (15-06-16)
	1	2276 445	"L" (15-06-16)
	1	2276 446	"E" (15-06-16)
	8	9415 250	Nut
7	1	2448 580	MOULDING PACKAGE, Radiator Grille Upper, Right (7-16-36)
	3	6001 501	Retainer
	3	274 800	Nut
	3	120 391	Washer
	1	2448 581	MOULDING PACKAGE, Radiator Grille Upper, Left (7-16-36)
	3	6001 501	Retainer
	3	274 800	Nut
	3	120 391	Washer
	1	2448 578	MOULDING PACKAGE, Radiator Grille Intermediate (7-16-36)
	6	6001 501	Retainer
	6	274 800	Nut
	6	120 391	Washer
	1	2448 579	MOULDING PACKAGE, Radiator Grille Lower (7-16-36)
	6	6001 501	Retainer
	6	274 800	Nut
	6	120 391	Washer
8	1	2084 997	MOULDING PACKAGE, Windshield Outside Finish Lower Center (23-23-65)
	5	6000 685	Clip
9	1	2495 694	MOULDING PACKAGE, Windshield Outside Finish Upper Center (23-23-65)
	5	6000 927	Clip
	2	6023 277	Screw
10	1	2242 886-7	MOULDING, Windshield Outside Finish Lower End (23-23-65)
	2	274 411	Screw
11	1	2216 870-1	MOULDING, Windshield Outside Finish Side (23-23-65)
	8	6023 247	Screw
12	2	2254 627	MOULDING, w/Channel, Door Vent Wing Division (23-64-48)
13	1	2243 734-5	MOULDING, Roof Side Drain Trough Front (23-59-61)
14	1	2243 738-9	CAP, Roof Side Drain Trough Moulding Joint (23-59-57)
15	1	2424 498-9	MOULDING, w/Cap, Roof Side Drain Trough Rear (23-59-61)
	8	6023 247	Screw
16	1	2244 546-7	MOULDING, Rear Window Outside Side and Lower (23-23-52)
	12	6001 084	Retainer

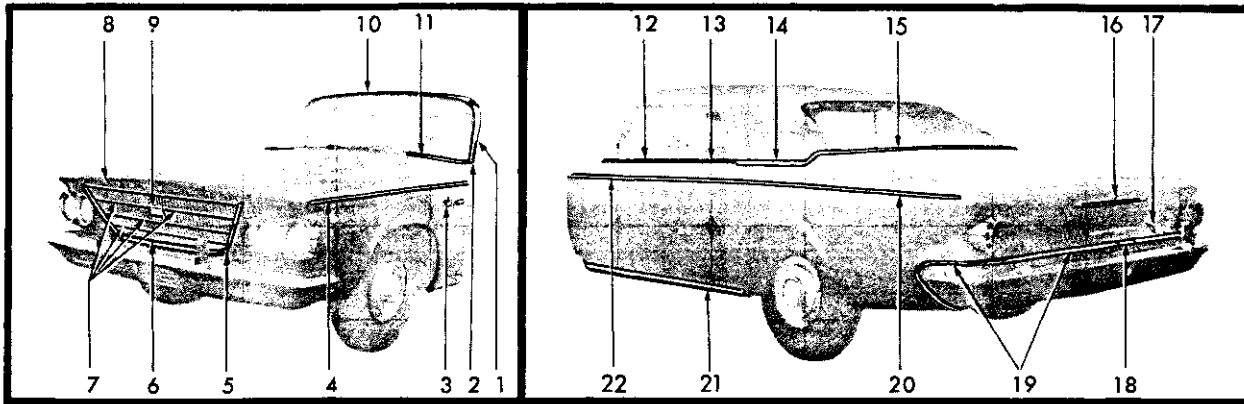
REF. NO.	QTY	PART NUMBER	DESCRIPTION
17	1	2244 548	MOULDING, Rear Window Outside Upper (23-23-52)
	7	6001 084	Retainer
18	1	2244 829	MEDALLION, Deck Lid (23-19-114)
	5	-----	Nut
19	1	2244 242	NAME PLATE, Deck Opening Lower Panel (23-34-184)
	3	152 259	Nut
20	1	2421 448	MOULDING PACKAGE, Deck Lower Panel Fuel Filler Door (23-23-23)
	2	6010 093	Clip
	2	6023 265	Nut
21	1	2448 428-9	MOULDING PACKAGE, Quarter and Deck Lower Panel (23-23-39)
	10	6001 099	Retainer
	10	6023 678	Nut
	4	-----	Nut
	2	188 973	Screw
22	1	2421 567-8	MOULDING PACKAGE, Quarter Panel (23-23-39)
	2	6010 093	Clip
	2	6023 265	Nut
	12	6001 048	Retainer
	1	2424 292-3	MOULDING, Rear Door Belt Rear (23-23-33)
23	1	2421 561-2	MOULDING PACKAGE, Rear Door Lower (23-23-33)
	2	446 618	Nut
	8	6001 058	Clip
	8	6001 048	Retainer
24	1	2424 292-3	MOULDING, Rear Door Belt Rear (23-23-33)
25	1	2448 490-1	MOULDING PACKAGE, Rear Door Belt Front (23-23-33)
	8	6001 047	Retainer
26	1	2421 563-4	MOULDING PACKAGE, Front Door Belt (Slanted End) (23-23-32)
	1	2448 552-3	MOULDING PACKAGE, Front Door Belt (Rounded End) (23-23-32)
	10	6001 047	Retainer
	2	6001 087	Retainer
	2	9417 621	Nut
27	1	2421 571-2	MOULDING PACKAGE, Body Side Sill (23-23-2)
	10	6001 049	Retainer
	8	6000 942	Clip
	8	9413 197	Screw
	1	2422 574-5	Clip
	2	-----	Nut
	4	-----	Clip
	4	6006 438	Washer
28	2	2421 558	MOULDING PACKAGE, Front Door Lower (23-23-32)
	8	-----	Nut
	8	6001 058	Clip
	8	6001 048	Retainer

All Packages Include Attaching Parts

Part Type Code is Indicated in Parentheses

19x9528B

MOULDINGS - CHRYSLER NEWPORT TC1(L) SPECIAL 4 DOOR SEDAN



REF. NO.	QTY	PART NUMBER	DESCRIPTION
1	1	2255 710-11	MOULDING and EXTENSION, Windshield Outside Finish Side (23-23-65)
	8	6023 247	Screw
2	1	2242 886-7	MOULDING, Windshield Outside Finish Lower End (23-23-65)
	2	274 411	Screw
3	2	2276 694	NAME PLATE, Fender Side, w/Medallion (12-15-21)
	10	6001 254	Clip
4	2	2421 959	MOULDING PACKAGE, Fender Side (12-15-2)
	12	6001 048	Clip
	4	6001 059	Clip
	4	-----	Nut
5	1	2448 457	MOULDING PACKAGE, Radiator Grille Opening (7-16-36)
	2	892 569	Screw
	7	9415 921	Screw
	7	6001 070	Clip
	7	6023 284	Nut
6	1	2276 410	FRAME, Radiator Grille Opening (7-16-36)
7	1	2448 580	MOULDING PACKAGE, Radiator Grille Upper, Right (7-16-36)
	3	6001 501	Retainer
	3	274 800	Nut
	3	120 391	Washer
	1	2448 581	MOULDING PACKAGE, Radiator Grille Upper, Left (7-16-36)
	3	6001 501	Retainer
	3	274 800	Nut
	3	120 391	Washer
	1	2448 578	MOULDING PACKAGE, Radiator Grille Intermediate (7-16-36)
	6	6001 501	Retainer
	6	274 800	Nut
	6	120 391	Washer
	1	2448 579	MOULDING PACKAGE, Radiator Grille Lower (7-16-36)
	6	6001 501	Retainer
	6	274 800	Nut
	6	120 391	Washer
8	1	2276 440	LETTER, Hood Front Name, "C" (15-06-16)
	1	2276 441	"H"
	2	2276 442	"R"
	1	2276 443	"Y"
	1	2276 444	"S"
	1	2276 445	"L"
	1	2276 446	"E"
	8	9415 250	Nut
9	1	2276 407	MEDALLION, Radiator Grille (7-17-1)
	2	9414 977	Nut
10	1	2196 119	PANEL PACKAGE, Windshield Header Outside Finish (23-23-64)
	5	274 109	Screw
11	1	2084 997	MOULDING PACKAGE, Windshield Outside Finish Lower Center (23-23-65)
	5	6000 685	Clip

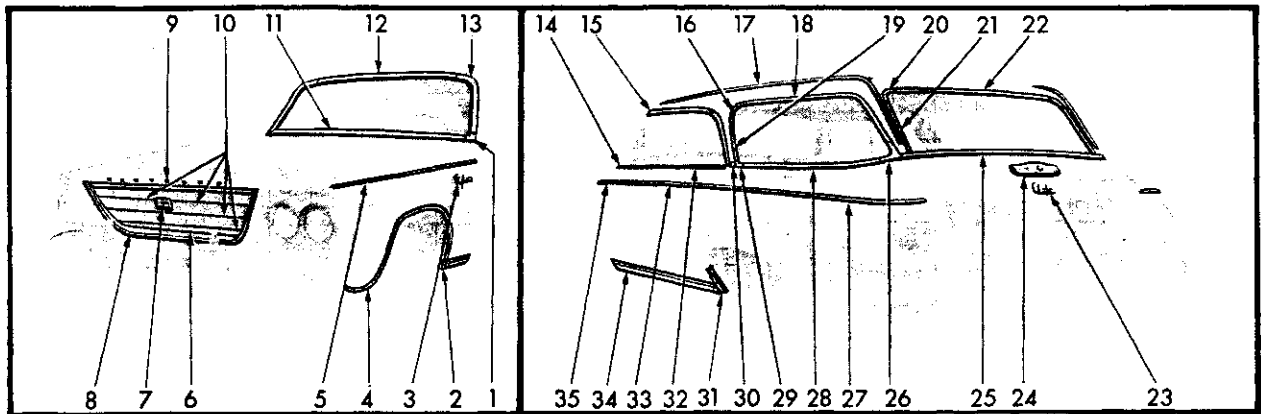
REF. NO.	QTY	PART NUMBER	DESCRIPTION
12	1	2421 552-3	MOULDING PACKAGE, Door Belt (Slanted End) (23-23-32)
	1	2448 550-1	MOULDING PACKAGE, Door Belt (Rounded End) (23-23-32)
	10	6001 047	Retainer
	2	6001 087	Retainer
	2	9417 261	Nut
13	1	2421 550-1	MOULDING PACKAGE, Quarter Panel Belt Front (23-23-39)
	6	6001 047	Retainer
14	1	2244 648-9	MOULDING PACKAGE, Quarter Panel Belt Rear (23-23-39)
15	1	2243 913	MOULDING, Deck Upper Panel (23-23-31)
16	1	2244 829	MEDALLION, Deck Lid (23-19-114)
	5	-----	Nut
17	1	2244 242	NAME PLATE, Deck Opening Lower Panel Chrysler (23-34-184)
	3	152 259	Nut
18	1	2421 448	MOULDING PACKAGE, Deck Lower Panel Filler Door (23-23-23)
	2	6001 093	Clip
	2	6023 265	Nut
19	1	2448 428-9	MOULDING PACKAGE, Quarter Panel and Deck Lower Panel (23-23-39)
	10	6001 099	Retainer
	10	6023 678	Nut
	4	-----	Nut
	2	188 973	Screw
20	1	2421 556-7	MOULDING PACKAGE, Quarter Panel Lower (23-23-39)
	2	6023 265	Nut
	2	6010 093	Clip
	4	6023 241	Screw
	20	6001 048	Retainer
21	1	2421 591-2	MOULDING PACKAGE, Body Side Sill (23-23-2)
	14	6001 100	Retainer
	1	2422 574-5	Clip
	2	-----	Nut
	2	2422 576	Clip
	2	-----	Seal
22	2	2421 449	MOULDING PACKAGE, Door Lower (23-23-32)
	2	446 618	Nut
	4	6001 058	Clip
	12	6001 048	Retainer

All Packages Include Attaching Parts

Part Type Code is Indicated in Parentheses

19x9618B

MOULDINGS - CHRYSLER NEWPORT TC1(L) CONVERTIBLE COUPE



REF. NO.	QTY	PART NUMBER	DESCRIPTION
1	1	2242 886-7	MOULDING, Windshield Outside Finish Lower End (23-23-65)
	2	274 411	Screw
2	1	2448 556-7	MOULDING PACKAGE, Fender Wheel Opening to Sill (12-15-2)
	2	----	Clip
	2	6006 438	Nut
	2	2276 694	NAME PLATE, Fender Side, w/Medallion (12-15-21)
3	10	6001 254	Clip
4	1	2276 470-1	MOULDING PACKAGE, Fender Wheel Opening (12-15-2)
	16	6023 247	Screw
5	2	2421 959	MOULDING PACKAGE, Fender Side (12-15-2)
	12	6001 048	Clip
	4	6001 059	Clip
	4	----	Nut
6	1	2276 410	FRAME, Radiator Grille Opening (7-16-36)
	9	6023 284	Nut
7	1	2276 407	MEDALLION, Radiator Grille (7-17-1)
	2	9414 977	Nut
8	1	2448 457	MOULDING PACKAGE, Radiator Grille Opening (7-16-36)
	2	188 923	Screw
	7	9415 921	Screw
9	1	2276 440	LETTER, Hood Front Name, "C" (15-06-16)
	1	2276 441	"H"
	2	2276 442	"R"
	1	2276 443	"Y"
	1	2276 444	"S"
	1	2276 445	"L"
	1	2276 446	"E"
	8	9415 250	Nut
10	1	2448 580	MOULDING PACKAGE, Radiator Grille Upper, Right (7-16-36)
	3	6001 501	Retainer
	3	274 800	Nut
	3	120 391	Washer
	1	2448 581	MOULDING PACKAGE, Radiator Grille Upper, Left (7-16-36)
	3	6001 501	Retainer
	3	274 800	Nut
	3	120 391	Washer
	1	2448 578	MOULDING PACKAGE, Radiator Grille Intermediate (7-16-36)
	6	6001 501	Retainer
	6	274 800	Nut
	6	120 391	Washer
	1	2448 579	MOULDING PACKAGE, Radiator Grille Lower (7-16-36)
	6	6001 501	Retainer
	6	274 800	Nut
	6	120 391	Washer
11	1	2084 997	MOULDING PACKAGE, Windshield Outside Finish Lower Center (23-23-65)
	5	6000 685	Clip
12	1	2299 418	MOULDING PACKAGE, Windshield Outside Finish Upper Center (23-23-65)
	5	6000 927	Clip
	2	9414 754	Screw
13	1	2480 458-9	MOULDING, Windshield Outside Finish Side Upper and Lower (23-23-65)
	8	6023 247	Screw
14	1	2421 563-4	MOULDING PACKAGE, Front Door Belt (Slanted Type) (23-23-32)
	1	2448 552-3	MOULDING PACKAGE, Front Door Belt (Rounded End) (23-23-32)
	10	6001 047	Retainer
	2	6001 037	Retainer
	2	9417 621	Nut

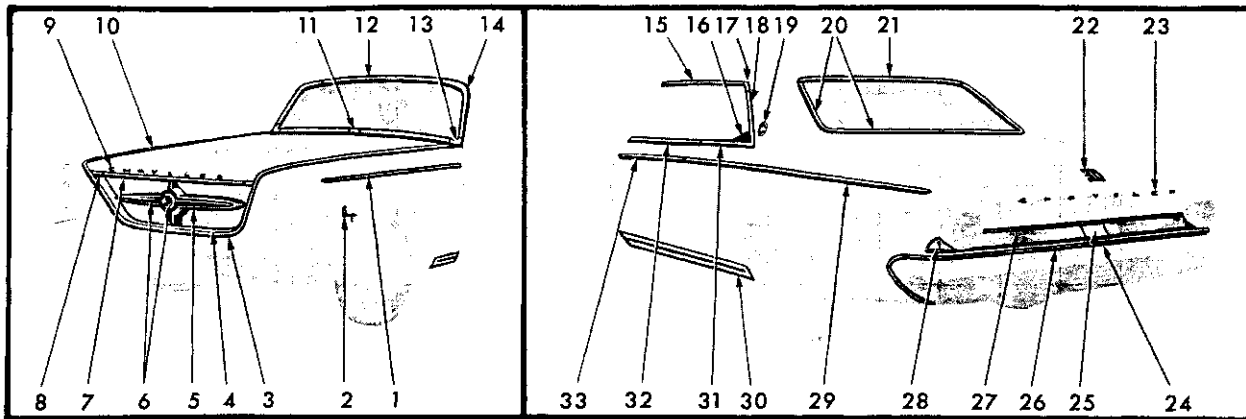
All Packages Include Attaching Parts

REF. NO.	QTY	PART NUMBER	DESCRIPTION
15	1	2093 648-9	MOULDING, Roof Drain Trough Side (23-59-61)
16	1	2094 016-7	CAP, Quarter Window Outside Finish Upper, w/Retainer (23-23-74)
17	1	2196 253	MOULDING PACKAGE, Roof Panel Outside Finish (23-23-42)
	28	6006 301	Clip
18	1	1961 212-3	MOULDING, Quarter Window Outside Finish Upper (23-23-73)
19	1	2094 018-9	MOULDING, Quarter Window Outside Finish Front (23-23-73)
20	1	2196 464-5	CAP PACKAGE, Roof Rear Tailgate Opening Moulding (23-23-60)
	2	6005 451	Clip
21	1	2196 462-3	MOULDING PACKAGE, Rear Pillar Outside Finish (23-23-60)
	2	6006 451	Clip
22	1	2196 466	MOULDING PACKAGE, Tailgate Opening Outside Finish Roof Rear (23-23-60)
	7	6006 451	Clip
23	1	2244 238	NAME PLATE, Tailgate Outside Panel (23-54-11)
	3	9415 250	Nut
24	1	2188 389	ORNAMENT, Tailgate Outside Panel Electric (23-54-11)
25	1	2196 460	MOULDING PACKAGE, Tailgate Outside Finish Belt (23-23-61)
	2	151 306	Screw
	2	6006 441	Clip
26	1	2196 816-7	CAP PACKAGE, Quarter Window Outside Finish Lower Rear (23-23-74)
	2	125 978	Screw
27	1	2421 569-70	MOULDING PACKAGE, Quarter Panel Lower (23-23-39)
	6	6001 059	Clip
	12	6001 048	Retainer
	6	----	Nut
	4	6023 241	Screw
28	1	1961 214-5	MOULDING, Quarter Window Outside Finish Lower (23-23-73)
29	2	1961 210	CAP, Quarter Window Outside Finish Lower (23-23-74)
30	1	2299 430-1	MOULDING PACKAGE, Quarter Panel Belt (23-23-39)
	2	9411 465	Screw
31	1	2422 446-7	STONE DEFLECTOR, Quarter Outside Panel Wheel Opening (23-34-240)
	4	9417 316	Screw
32	1	2421 565-6	MOULDING PACKAGE, Rear Door Belt (23-23-33)
	10	5001 047	Retainer
	2	6001 087	Retainer
	2	9417 621	Nut
33	1	2421 561-2	MOULDING PACKAGE, Rear Door Lower (23-23-33)
	2	446 618	Nut
	8	6001 058	Clip
	8	6001 048	Retainer
34	2	2448 537	MOULDING PACKAGE, Body Side Sill (23-23-2)
	18	6001 049	Retainer
35	2	2421 558	MOULDING PACKAGE, Front Door Lower (23-23-32)
	8	----	Nut
	8	6001 058	Clip
	8	6001 048	Retainer

Part Type Code is Indicated in Parentheses

19x9554B

MOULDINGS - CHRYSLER NEWPORT TC1(L) SUBURBAN



REF. NO.	QTY	PART NUMBER	DESCRIPTION
1	2	2421 959	MOULDING PACKAGE, Fender Side (12-15-2)
	12	6001 048	Clip
	4	6001 059	Clip
	4	-----	Nut
2	2	2276 474	NAME PLATE, Fender Side (12-15-21)
	8	152 259	Nut
3	1	2448 468	MOULDING PACKAGE, Radiator Grille Opening (7-16-36)
	9	9415 921	Screw
	9	6001 070	Clip
	9	6023 284	Nut
4	1	2276 410	FRAME, Radiator Grille Opening (7-16-36)
5	1	2276 412	BAR, Radiator Grille Center (7-16-47)
6	1	2276 411	MEDALLION, w/Base, Radiator Grille Center Bar (7-17-1)
7	1	2417 198	MOULDING, Hood Front (15-25-2)
	6	9414 714	Screw
8	1	2417 196-7	MOULDING PACKAGE, Fender Front (12-15-2)
	4	9414 714	Screw
9	1	2276 440	LETTER, Hood Front Name, "C" (15-06-16)
	1	2276 441	"H" (15-06-16)
	2	2276 442	"R" (15-06-16)
	1	2276 443	"Y" (15-06-16)
	1	2276 444	"S" (15-06-16)
	1	2276 445	"L" (15-06-16)
	1	2276 446	"E" (15-06-16)
	8	9415 250	Nut
10	1	2421 961-2	MOULDING PACKAGE, Fender Top (12-15-2)
	14	6001 049	Clip
	6	6001 099	Clip
	6	6023 678	Nut
11	1	2084 997	MOULDING PACKAGE, Windshield Outside Finish Lower Center (23-23-65)
	5	6000 685	Clip
12	1	2495 694	MOULDING PACKAGE, Windshield Outside Finish Upper Center (23-23-65)
	5	6000 927	Clip
	2	6023 277	Screw
13	1	2242 886-7	MOULDING, Windshield Outside Finish Lower End (23-23-65)
	2	274 411	Screw
14	1	2217 870-1	MOULDING, Windshield Outside Finish Side (23-23-65)
	8	6023 247	Screw
15	1	2243 734-5	MOULDING, Roof Side Drain Trough Front (23-59-61)
16	1	2424 564-5	MOULDING, Quarter Panel Belt Rear (23-23-39)
	6	-----	Washer
	2	6000 960	Clip
	4	152 260	Nut
17	1	2243 738-9	CAP, Roof Side Drain Trough Moulding Joint (23-59-57)
18	1	2424 496-7	MOULDING, w/Cap, Roof Side Drain Trough Rear (23-59-61)
	10	6023 247	Screw
19	2	2423 600	MEDALLION, Quarter Outside Panel 300 (23-34-334)
	2	2423 601	BASE, Quarter Outside Panel Medallion (23-34-340)
	2	9411 618	Nut
	2	6022 013	Seal
20	1	2244 546-7	MOULDING, Rear Window Outside Side and Lower (23-23-52)
	12	6001 084	Retainer

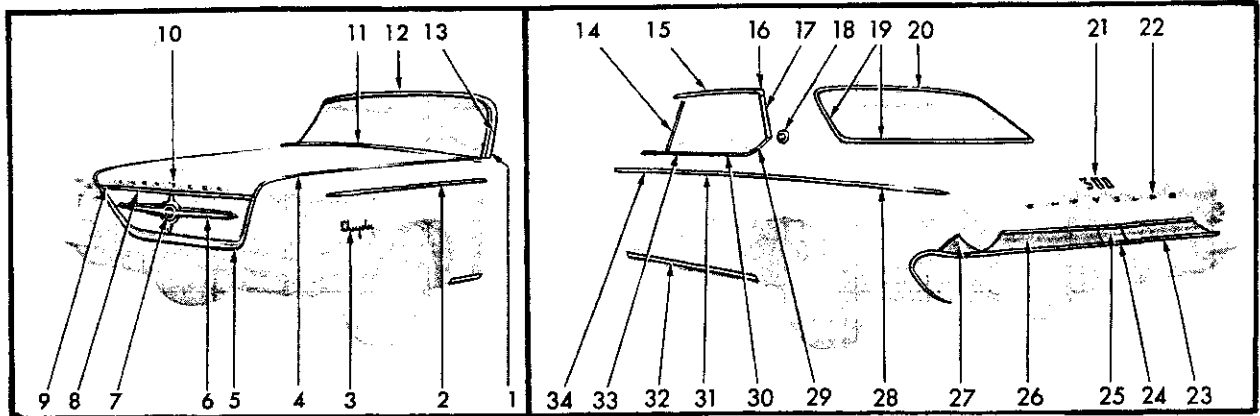
REF. NO.	QTY	PART NUMBER	DESCRIPTION
21	1	2244 548	MOULDING, Rear Window Outside Upper (23-23-52)
	7	6001 084	Retainer
22	1	2243 773	"3", Deck Lid Numeral (23-19-114)
	2	2243 774	"0"
	6	152 259	Nut
23	1	2423 504	"C", Deck Lid Name Letter (23-19-114)
	1	2423 505	"H"
	2	2423 506	"R"
	1	2423 507	"Y"
	1	2423 508	"S"
	1	2423 509	"L"
	1	2423 510	"E"
	8	152 259	Nut
24	1	2421 448	MOULDING, Deck Lower Panel Fuel Filler Door (23-23-23)
	2	6001 099	Clip
	2	6023 678	Nut
25	1	2423 256	PANEL, Deck Lower Panel Fuel Filler Door Finish (23-23-28)
	3	6023 685	Nut
26	1	2448 428-9	MOULDING PACKAGE, Quarter Panel Lower Rear and Deck Lower Panel (23-23-39)
	10	6001 099	Retainer
	10	6023 678	Nut
	4	-----	Nut
	2	188 973	Screw
27	1	2423 254-5	PANEL, Deck Lower Panel Finish (23-23-28)
	16	6023 685	Nut
28	1	2423 742-3	PANEL and STUD, Quarter Outside Panel Finish (23-23-85)
	2	6006 464	Washer
	2	273 292	Nut
29	1	2421 556-7	MOULDING PACKAGE, Quarter Panel Lower (23-23-39)
	20	6001 048	Retainer
	2	6010 093	Clip
	2	6023 265	Nut
30	1	2421 571-2	MOULDING PACKAGE, Body Side Sill (23-23-2)
	14	6001 100	Retainer
	1	2422 574-5	Clip
	2	-----	Nut
	2	2422 576	Clip
	2	-----	Seal
31	1	2448 492-3	MOULDING PACKAGE, Quarter Panel Belt Front (23-23-39)
	8	6001 047	Retainer
32	1	2421 552-3	MOULDING PACKAGE, Door Belt (23-23-32)
	10	6001 047	Retainer
	2	6001 087	Retainer
	2	9417 621	Nut
33	2	2421 449	MOULDING PACKAGE, Door Lower (23-23-32)
	4	6001 058	Clip
	2	446 618	Nut
	12	6001 048	Retainer

All Packages Include Attaching Parts

Part Type Code is Indicated in Parentheses

19x9551B

MOULDINGS - CHRYSLER 300 TC2(M) SPECIAL CLUB COUPE



REF. NO.	QTY	PART NUMBER	DESCRIPTION
1	1	2242 886-7	MOULDING, Windshield Outside Finish Lower End (23-23-65)
	2	274 411	Screw
2	2	2421 959	MOULDING PACKAGE, Fender Side (12-15-2)
	12	6001 048	Clip
	4	6001 059	Clip
	4	-----	Nut
3	2	2276 474	NAME PLATE, Fender Side (12-15-21)
	8	152 259	Nut
4	1	2421 961-2	MOULDING PACKAGE, Fender Top (12-15-2)
	14	6001 049	Clip
	6	6001 099	Clip
	6	6023 678	Nut
5	1	2448 468	MOULDING PACKAGE, Radiator Grille Opening (7-16-36)
	9	6001 070	Clip
	6	1	2276 412 BAR, Radiator Grille Center (7-16-47)
	7	1	2276 411 MEDALLION, Radiator Grille, w/Base (7-17-1)
	8	446 059	Nut
8	1	2417 198	MOULDING, Hood Frant (15-25-2)
	8	9414 714	Screw
9	1	2417 196-7	MOULDING PACKAGE, Fender Front (12-15-2)
	4	9414 714	Screw
10	1	2276 440	LETTER, Hood Front Name "C" (15-06-16)
	1	2276 441	"H"
	2	2276 442	"R"
	1	2276 443	"Y"
	1	2276 444	"S"
	1	2276 445	"L"
	1	2276 446	"E"
	8	9415 250	Nut
11	1	2084 997	MOULDING PACKAGE, Windshield Outside Finish Lower Center (23-23-65)
	5	6000 685	Clip
12	1	2495 694	MOULDING PACKAGE, Windshield Outside Finish Upper Center (23-23-65)
	5	6000 927	Clip
	2	6023 277	Screw
13	1	2216 870-1	MOULDING, Windshield Outside Finish Side (23-23-65)
	8	6023 247	Screw
14	2	2254 627	CHANNEL, w/Moulding, Door Vent Wing Division (23-64-48)
15	1	2243 734-5	MOULDING, Roof Side Drain Trough Front (23-59-61)
16	1	2243 738-9	CAP, Roof Side Drain Trough Moulding Joint (23-59-57)
17	1	2424 498-9	MOULDING, w/Cap, Roof Side Drain Trough Rear (23-59-61)
	8	6023 247	Screw
18	2	2423 600	MEDALLION, Quarter Outside Panel 300 (23-34-334)
	2	2423 601	BASE, Quarter Outside Panel Medallion (23-34-340)
19	1	2244 546-7	MOULDING, Rear Window Outside Side and Lower (23-23-52)
	12	6001 084	Retainer
20	1	2244 548	MOULDING, Rear Window Outside Upper (23-23-52)
	7	6001 084	Retainer

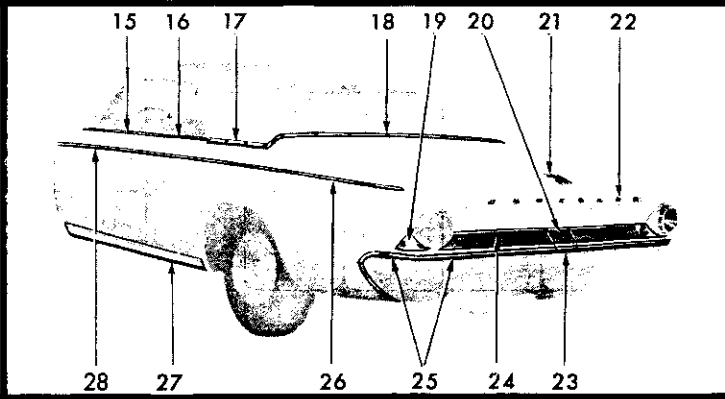
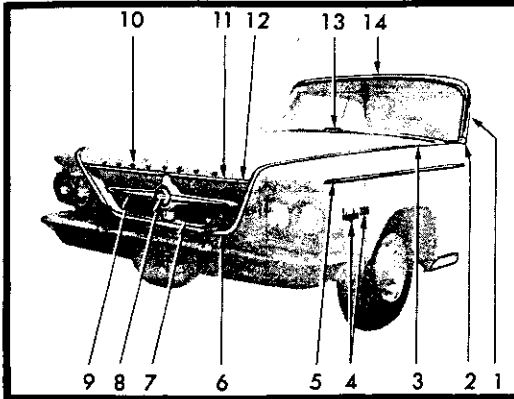
REF. NO.	QTY	PART NUMBER	DESCRIPTION
21	1	2243 773	"3", Deck Lid Number (23-19-114)
	2	2243 774	"0"
	6	152 259	Nut
22	1	2423 504	"C", Deck Lid Letter (23-19-114)
	1	2423 505	"H"
	2	2423 506	"R"
	1	2423 507	"Y"
	1	2423 508	"S"
	1	2423 509	"L"
	1	2423 510	"E"
	8	152 259	Nut
23	1	2448 428-9	MOULDING PACKAGE, Quarter and Deck Lower Panel (23-23-39)
	10	6001 099	Retainer
	10	6023 678	Nut
	4	-----	Nut
	2	188 973	Screw
24	1	2421 448	MOULDING PACKAGE, Deck Lower Panel Fuel Filler Door (23-23-23)
	2	6010 093	Clip
	2	6023 265	Nut
25	1	2423 256	PANEL, Deck Lower Panel Fuel Filler Door Finish (23-23-18)
	3	6023 685	Nut
	1	2423 254-5	PANEL, Deck Lower Panel Finish (23-23-28)
	16	6023 685	Nut
27	1	2423 742-3	PANEL and STUD, Quarter Outside Panel Finish (23-23-85)
	2	6006 160	Washer
	2	273 292	Nut
28	1	2421 567-8	MOULDING PACKAGE, Quarter Panel (23-23-39)
	12	6001 048	Retainer
	2	6010 093	Clip
	2	6023 265	Nut
	4	6023 241	Screw
29	1	2424 292-3	MOULDING, Rear Door Belt Rear (23-23-33)
	1	2424 464-5	MOULDING, Rear Door Belt Rear, w/o Ornament (23-23-33)
30	1	2448 490-1	MOULDING PACKAGE, Rear Door Belt Front (23-23-33)
	8	6001 047	Retainer
31	1	2421 561-2	MOULDING PACKAGE, Rear Door Lower (23-23-33)
	8	6001 058	Clip
	8	6001 048	Retainer
	2	446 618	Nut
32	1	2421 571-2	MOULDING PACKAGE, Body Side Sill (23-23-2)
	14	6001 100	Retainer
	1	2422 574-5	Clip
	2	-----	Nut
	2	-----	Seal
33	1	2421 563-4	MOULDING PACKAGE, Front Door Belt (Slanted End) (23-23-32)
	1	2448 552-3	MOULDING PACKAGE, Front Door Belt (Rounded End) (23-23-32)
	10	6001 047	Retainer
	2	6001 087	Retainer
	2	9417 621	Nut
34	2	2421 558	MOULDING PACKAGE, Front Door Lower (23-23-32)
	8	6001 058	Clip
	8	6001 048	Retainer
	8	-----	Nut

All Packages Include Attaching Parts

Part Type Code is Indicated in Parentheses

19x9504 B

MOULDINGS - CHRYSLER 300 TC2(M) SPECIAL 4 DOOR SEDAN



REF. NO.	QTY	PART NUMBER	DESCRIPTION
1	1	2255 710-1	MOULDING and EXTENSION, Windshield Outside Finish Side (23-23-65)
	8	6023 247	Screw
2	1	2242 886-7	MOULDING, Windshield Outside Finish Lower End (23-23-65)
	2	274 411	Screw
3	1	2421 961-2	MOULDING PACKAGE, Fender Top (12-15-2)
	14	6001 049	Clip
	6	6001 099	Clip
	6	6023 678	Nut
4	2	2276 474	NAME PLATE, Fender Side, Chrysler (12-15-21)
	8	152 259	Nut
	2	2423 600	MEDALLION, Fender Side (12-15-21)
	2	2423 601	BASE, Fender Side Medallion (12-15-21)
	2	9411 618	Nut
	2	6022 013	Seal
5	1	2421 959-60	MOULDING PACKAGE, Fender Side (12-15-2)
	12	6001 048	Clip
	4	6001 059	Clip
	4	-----	Nut
6	1	2448 468	MOULDING PACKAGE, Radiator Grille Opening (7-16-36)
	9	9415 921	Screw
	9	6001 070	Clip
	9	6023 284	Nut
7	1	2276 410	FRAME, Radiator Grille Opening (7-16-36)
8	1	2276 411	MEDALLION, Radiator Grille, w/Base (7-17-1)
	8	116 000	Nut
9	1	2276 412	BAR, Radiator Grille Center (7-16-47)
10	1	2276 440	LETTER, Hood Front Name, "C" (15-06-16)
	1	2276 441	"H"
	2	2276 442	"R"
	1	2276 443	"Y"
	1	2276 444	"S"
	1	2276 445	"L"
	1	2276 446	"E"
	8	9415 250	Nut
11	1	2417 198	MOULDING, Hood Front (15-25-2)
	6	9414 714	Screw
12	1	2417 196-7	MOULDING PACKAGE, Fender Front (12-15-2)
	4	9414 714	Screw
13	1	2084 997	MOULDING PACKAGE, Windshield Outside Finish Lower Center (23-23-65)
	5	6006 685	Clip
14	1	2196 119	PANEL PACKAGE, Windshield Header Outside Finish (23-23-64)
	5	274 109	Screw
15	1	2421 552-3	MOULDING PACKAGE, Door Belt (Slanted End) (23-23-32)
	1	2448 550-1	MOULDING PACKAGE, Door Belt (Rounded End) (23-23-32)
	10	6001 047	Retainer
	2	6001 087	Retainer
	2	9417 621	Nut
16	1	2421 550-1	MOULDING PACKAGE, Quarter Panel Belt Front (23-23-39)
	6	6001 047	Retainer

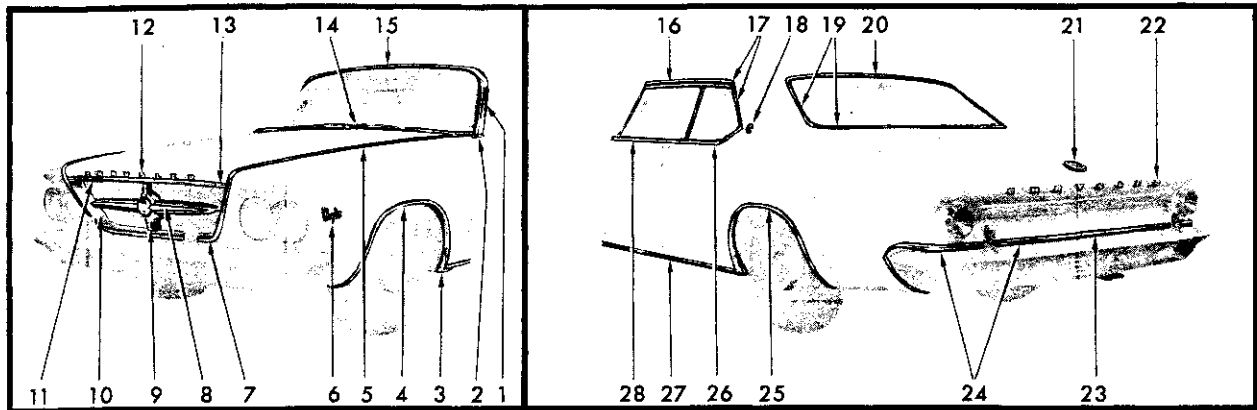
REF. NO.	QTY	PART NUMBER	DESCRIPTION
17	1	2244 648-9	MOULDING, Quarter Panel Belt Intermediate (23-23-39)
18	1	2243 913	MOULDING, Deck Upper Panel (23-23-31)
19	1	2423 742-3	FINISH PANEL and STUD, Quarter Outside Panel (23-23-85)
	2	6006 464	Washer
	2	273 292	Nut
20	1	2423 256	PANEL, Deck Lower Panel Fuel Filter Door Finish (23-23-28)
	2	6023 685	Nut
21	1	2243 773	"3", Deck Lid Numeral (23-19-114)
	2	2243 774	"O"
	6	152 259	Nut
22	1	2423 504	"C", Deck Lid Name Letter (23-19-114)
	1	2423 504	"H"
	2	2423 506	"R"
	1	2423 507	"Y"
	1	2423 508	"S"
	1	2423 509	"L"
	1	2423 510	"E"
	8	152 259	Nut
23	1	2421 448	MOULDING PACKAGE, Deck Lower Panel Fuel Filter Door (23-23-23)
	2	6001 093	Clip
	2	6023 265	Nut
24	1	2423 254-5	PANEL, Deck Lower Panel Finish (23-23-28)
	16	6023 685	Nut
25	1	2448 428-9	MOULDING PACKAGE, Quarter Panel and Deck Lower Panel (23-23-39)
	10	6001 099	Retainer
	10	6023 678	Nut
	4	-----	Nut
	2	188 973	Screw
26	1	2421 556-7	MOULDING PACKAGE, Quarter Panel Lower (23-23-39)
	2	6023 265	Nut
	2	6010 093	Clip
	4	6023 241	Screw
	10	6001 048	Retainer
27	1	2421 571-2	MOULDING PACKAGE, Body Side Sill (23-23-2)
	14	6001 100	Retainer
	1	2422 574-5	Clip
	2	-----	Nut
	2	-----	Seal
28	2	2421 449	MOULDING PACKAGE, Door Lower (23-23-32)
	2	446 618	Nut
	4	6001 058	Clip
	12	6001 048	Retainer

All Packages Include Attaching Parts

Part Type Code is Indicated in Parentheses

19x9611B

MOULDINGS - CHRYSLER 300 TC2(M) CONVERTIBLE COUPE



REF. NO.	QTY	PART NUMBER	DESCRIPTION
1	1	2216 870-1	MOULDING, Windshield Outside Finish Side (23-23-65)
	8	6023 247	Screw
2	1	2242 886-7	MOULDING, Windshield Outside Finish Lower End (23-23-65)
	2	274 411	Screw
3	1	2448 556-7	MOULDING PACKAGE, Wheel Opening to Sill (12-15-2)
	2	6001 062	Clip
	2	6006 438	Nut
	2	9416 049	Screw
4	1	2276 470-1	MOULDING PACKAGE, Wheel Opening (12-15-2)
	14	9416 049	Screw
5	1	2421 961-2	MOULDING PACKAGE, Fender Top (12-15-2)
	14	6001 049	Clip
	6	6001 099	Clip
	6	6023 678	Nut
6	2	2276 474	NAME PLATE, Fender Side (12-15-21)
	8	152 259	Nut
7	1	2448 468	MOULDING PACKAGE, Radiator Grille Opening (7-16-36)
	9	6001 070	Clip
	9	6023 284	Nut
	9	9415 921	Screw
8	1	2276 411	MEDALLION, w/Base, Radiator Grille (7-17-1)
	8	446 059	Nut
9	1	2276 412	BAR, Radiator Grille Center (7-16-47)
10	1	2276 410	FRAME, Radiator Grille Opening (7-16-36)
11	1	2417 198	MOULDING, Hood Front (15-25-2)
	6	9414 714	Nut
12	1	2276 440	LETTER, Hood Front Name, "C" (15-06-16)
	1	2276 441	"H"
	2	2276 442	"R"
	1	2276 413	"Y"
	1	2276 444	"S"
	1	2276 445	"L"
	1	2276 446	"E"
	8	2415 250	Nut
13	1	2417 196-7	MOULDING PACKAGE, Fender Front (12-15-2)
	4	9414 714	Screw
14	1	2084 997	MOULDING PACKAGE, Windshield Outside Finish Lower Center (23-23-65)
	5	6000 685	Clip
15	1	2495 694	MOULDING PACKAGE, Windshield Outside Finish Upper Center (23-23-65)
	5	6000 927	Clip
	2	6023 277	Screw
16	1	2243 734-5	MOULDING, Roof Side Drain Trough Front (23-59-61)
17	1	2245 014-5	MOULDING, w/Cap, Roof Side Drain Trough Rear (23-59-61)

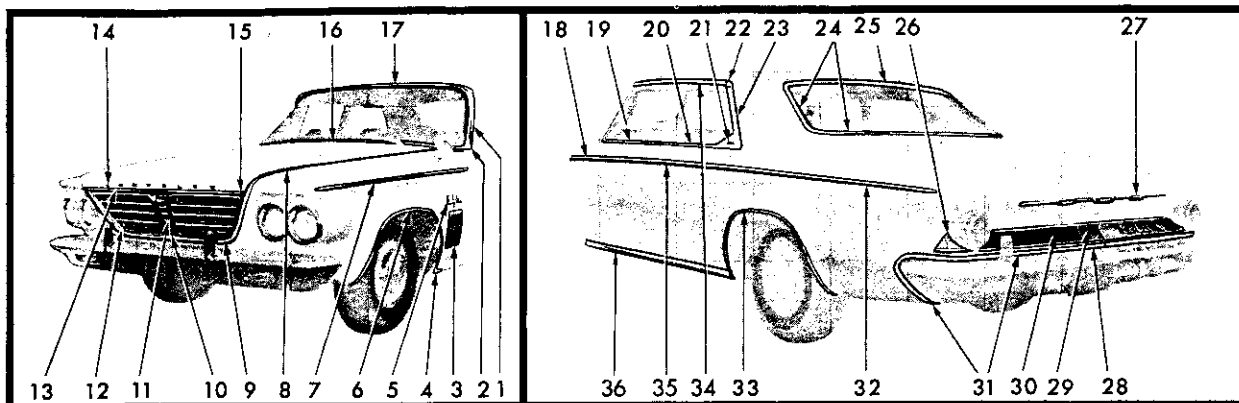
REF. NO.	QTY	PART NUMBER	DESCRIPTION
18	2	2423 261	MEDALLION, Quarter Outside Panel (23-34-334)
	2	441 239	Nut
	2	1946 415	Seal
19	1	2244 546-7	MOULDING, Rear Window Outside Side and Lower (23-23-52)
	12	6001 084	Retainer
	1	2244 548	MOULDING, Rear Window Outside Upper (23-23-52)
	7	6001 084	Retainer
21	1	2423 261	MEDALLION, Deck Lid (23-19-114)
	1	1946 415	Seal
	1	6022 013	Seal
	1	441 239	Nut
	1	2424 300	BEZEL, Deck Lid Medallion (23-19-121)
	3	152 260	Nut
22	1	2423 504	"C", Deck Lid LETTER (23-19-114)
	1	2423 505	"H"
	2	2423 506	"R"
	1	2423 507	"Y"
	1	2423 508	"S"
	1	2423 509	"L"
	1	2423 510	"E"
	8	152 259	Nut
23	1	2421 448	MOULDING PACKAGE, Deck Lower Panel Fuel Filler Door (23-23-23)
	2	6001 093	Clip
	2	6023 265	Nut
24	1	2448 428-9	MOULDING PACKAGE, Quarter Panel and Deck Lower Panel (23-23-39)
	10	6001 099	Retainer
	10	6023 678	Nut
	4	-----	Nut
	2	188 973	Screw
25	1	2423 740-1	MOULDING, Quarter Panel Wheel Opening (23-23-39)
	16	9417 316	Screw
	2	6022 052	Seal
	2	-----	Nut
26	1	2421 554-5	MOULDING PACKAGE, Quarter Panel Belt (23-23-39)
	8	6001 047	Retainer
27	1	2421 573-4	MOULDING PACKAGE, Body Side Sill, w/Cap (23-23-2)
	18	6001 049	Retainer
	2	6022 052	Seal
	2	-----	Nut
28	1	2421 552-3	MOULDING PACKAGE, Door Belt (23-23-32)
	10	6001 047	Retainer

All Packages Include Attaching Parts

Part Type Code is Indicated in Parentheses

19x9658A

MOULDINGS - CHRYSLER 300 TC2(J) SPECIAL CLUB COUPE



REF. NO.	QTY	PART NUMBER	DESCRIPTION
1	1	2216 870-1	Moulding, Windshield Outside Finish Side (23-23-65)
	8	6023 247	Screw
2	1	2242 886-7	Moulding, Windshield Outside Finish Lower End (23-23-65)
	2	274 411	Screw
3	12	2276 520	Louver, Fender Side (12-15-21)
	24	6000 808	Clip
	24	6022 052	Washer
4	1	2421 230-1	Moulding Package, Wheel Opening to Sill (12-15-2)
	2	-----	Clip
	2	6006 438	Nut
5	2	2255 082	Name Plate, Fender Side (New) (12-15-21)
	2	2255 083	Name Plate, Fender Side (Yorker)
	10	6001 254	Clip
6	1	2276 470-1	Moulding Package, Wheel Opening (12-15-2)
	14	9416 049	Screw
7	1	2421 959-60	Moulding Package, Fender Side (12-15-2)
	12	6001 048	Clip
	4	6001 059	Clip
	4	-----	Nut
8	1	2421 961-2	Moulding Package, Fender Top (12-15-2)
	14	6001 049	Clip
	6	6001 099	Clip
	6	6023 678	Nut
9	1	2448 468	Moulding Package, Radiator Grille Opening (7-16-36)
	9	9415 921	Screw
	9	6001 070	Clip
	9	6023 284	Nut
10	1	2276 410	Frame, Radiator Grille Opening (7-16-36)
11	1	2276 602	Medallion, Radiator Grille (7-17-1)
	4	9415 250	Nut
12	1	2276 524-5	Frame, Radiator Grille (7-16-36)
13	1	2417 198	Moulding, Hood Front (15-25-2)
	6	9414 714	Screw
14	1	2276 440	Letter, Hood Front Name, "C" (15-06-16)
	1	2276 441	"H"
	2	2276 442	"R"
	1	2276 443	"Y"
	1	2276 444	"S"
	1	2276 445	"L"
	1	2276 446	"E"
	8	9415 250	Nut
15	1	2417 196-7	Moulding Package, Fender Front (12-15-2)
	4	9414 714	Screw
16	1	2084 997	Moulding Package, Windshield Outside Finish Lower Center (23-23-65)
	5	6000 685	Clip
17	1	2495 694	Moulding Package, Windshield Outside Finish Upper Center (23-23-65)
	5	6000 927	Clip
	2	6023 277	Screw
18	2	2421 558	Moulding Package, Front Door Lower (23-23-32)
	8	-----	Nut
	8	6001 058	Clip
	8	6001 048	Retainer
19	1	2421 563-4	Moulding Package, Front Door Belt (Slanted End) (23-23-32)
	1	2448 552-3	Moulding Package, Front Door Belt (Rounded End) (23-23-32)
	10	6001 047	Retainer
	2	6001 087	Retainer
	2	9417 621	Nut
20	1	2448 490-1	Moulding Package, Rear Door Belt Front (23-23-33)
	6	6001 047	Retainer

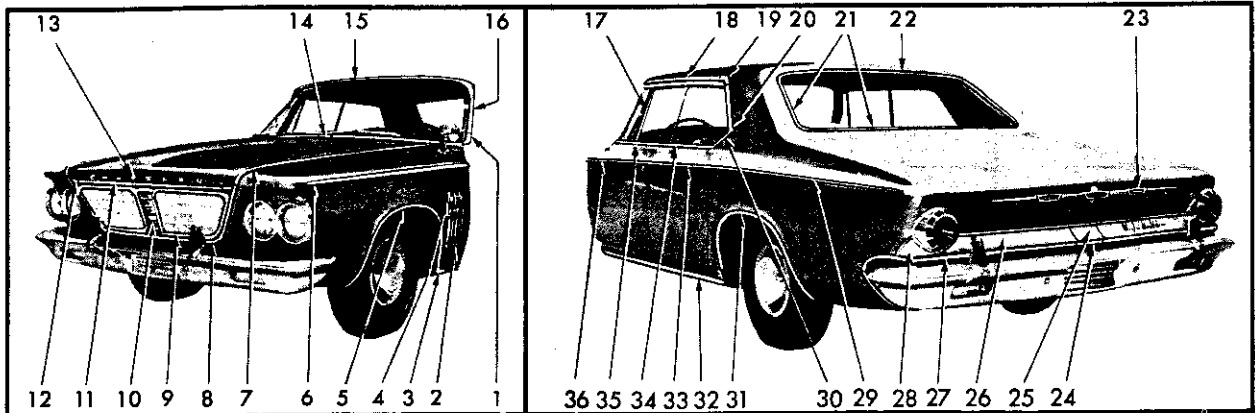
All Packages Include Attaching Parts

REF. NO.	QTY	PART NUMBER	DESCRIPTION
21	1	2424 292-3	Moulding, Rear Door Belt Rear (23-23-33)
	6	-----	Seal
	2	6000 960	Clip
	4	9415 312	Nut
22	1	2243 744-5	Cap, Roof Side Drain Trough Moulding Joint (23-59-57)
23	1	2424 286-7	Moulding, Roof Side Drain Trough Rear (23-59-61)
	8	6023 247	Screw
24	1	2244 546-7	Moulding, Rear Window Outside Side and Lower (23-23-52)
	12	6001 084	Retainer
25	1	2244 548	Moulding, Rear Window Outside Upper (23-23-52)
	7	6001 084	Retainer
26	1	2423 742-3	Panel and Stud, Quarter Outside Panel Finish (23-23-85)
	2	6006 464	Washer
	2	273 292	Nut
27	1	2244 281	Ornament, Deck Lid (23-19-114)
	6	-----	Nut
28	1	2421 448	Moulding Package, Deck Lower Panel Fuel Filler Door (23-23-23)
	2	6001 093	Clip
	2	6023 265	Nut
29	1	2423 256	Panel, Deck Lower Panel Fuel Filler Door Finish (23-23-28)
	3	6023 685	Nut
30	1	2423 628	Panel, Deck Lower Panel Finish, Right, w/Name Plate (23-23-28)
	1	2423 255	Panel, Deck Lower Panel Finish, Left
	16	6023 685	Nut
31	1	2448 428-9	Moulding Package, Quarter Panel Lower Rear and Deck Lower Panel (23-23-39)
	10	6001 099	Retainer
	10	6023 578	Nut
	4	-----	Nut
	2	188 973	Screw
32	1	2421 567-B	Moulding Package, Quarter Panel Lower (23-23-39)
	2	6010 093	Clip
	2	6023 265	Nut
	12	6001 048	Clip
	4	6024 271	Screw
33	1	2423 740-1	Moulding Package, Quarter Panel Wheel Opening (23-23-39)
	16	9417 316	Screw
	2	6022 052	Washer
	2	-----	Nut
34	1	2243 740-1	Moulding, Roof Side Drain Trough Front (23-59-61)
	12	2255 633	Clip
	12	6023 559	Screw
35	1	2421 561-2	Moulding Package, Rear Door Lower (23-23-33)
	2	446 618	Nut
	8	6001 058	Clip
	8	6001 048	Retainer
36	1	2421 573-4	Moulding Package, Body Side Sill, w/Cap (23-23-2)
	2	-----	Nut
	18	6001 049	Retainer
	2	6022 052	Seal

Part Type Code is Indicated in Parentheses

19x9576B

MOULDINGS - CHRYSLER NEW YORKER TC3(H) 4 DOOR SEDAN



REF. NO.	QTY	PART NUMBER	DESCRIPTION
1	1	2242 886-7	MOULDING, Windshield Outside Finish Lower End (23-23-65)
	2	274 411	Screw
2	12	2276 520	LOUVER, Fender Side (12-15-21)
	24	6000 808	Clip 24 6022 013 Seal
	24	6022 052	Washer
3	1	2421 230-1	MOULDING PACKAGE, Wheel Opening to Sill (12-15-2)
	2	----	Clip
	2	6006 438	Nut
4	2	2255 082	NAME PLATE, Fender Side (New) (12-15-21)
	2	2255 083	NAME PLATE, Fender Side (Yorker) (12-15-21)
	10	6001 254	Clip
5	1	2276 470-1	MOULDING PACKAGE, Wheel Opening (12-15-2)
	14	9416 049	Screw
6	2	2421 959	MOULDING PACKAGE, Fender Side (12-15-2)
	12	6001 048	Clip
	4	6001 059	Clip
	4	----	Nut
7	1	2421 961-2	MOULDING PACKAGE, Fender Top (12-15-2)
	14	6001 049	Clip
	6	6001 099	Clip
	6	6023 678	Nut
8	1	2448 468	MOULDING PACKAGE, Radiator Grille Opening (7-16-36)
9	1	2276 524-5	FRAME, Radiator Grille (7-16-36)
10	1	2276 602	MEDALLION, Radiator Grille
	4	9415 250	Nut
11	1	2417 198	MOULDING, Hood Front (15-25-2)
	6	9414 714	Screw
12	1	2417 196-7	MOULDING PACKAGE, Fender Front (12-15-2)
	4	9414 714	Screw
13	1	2276 440	LETTER, Hood Front Name, "C" (15-06-16)
	1	2276 441	"H" (15-06-16)
	2	2276 442	"R" (15-06-16)
	1	2276 443	"Y" (15-06-16)
	1	2276 444	"S" (15-06-16)
	1	2276 445	"L" (15-06-16)
	1	2276 446	"E" (15-06-16)
	8	9415 250	Nut
14	1	2084 997	MOULDING PACKAGE, Windshield Outside Finish Lower Center (23-23-65)
	5	6000 685	Clip
15	1	2495 694	MOULDING PACKAGE, Windshield Outside Finish Upper Center (23-23-65)
	5	6000 927	Clip 2 6023 277 Screw
16	1	2216 870-1	MOULDING, Windshield Outside Finish Side (23-23-65)
	8	6023 247	Screw
17	2	2254 627	CHANNEL, w/Moulding, Door Vent Wing (23-64-48)
18	1	2243 740-1	MOULDING, Roof Side Drain Trough Front (23-59-61)
	12	2255 633	Clip
	12	6023 559	Screw
19	2	2243 744	CAP, Roof Side Drain Trough Moulding Joint (23-59-57)
20	1	2424 286-7	MOULDING, Roof Side Drain Trough Rear (23-59-61)
	8	6023 247	Screw
21	1	2244 546-7	MOULDING, Rear Window Outside Side and Lower (23-23-52)
	12	6001 084	Retainer

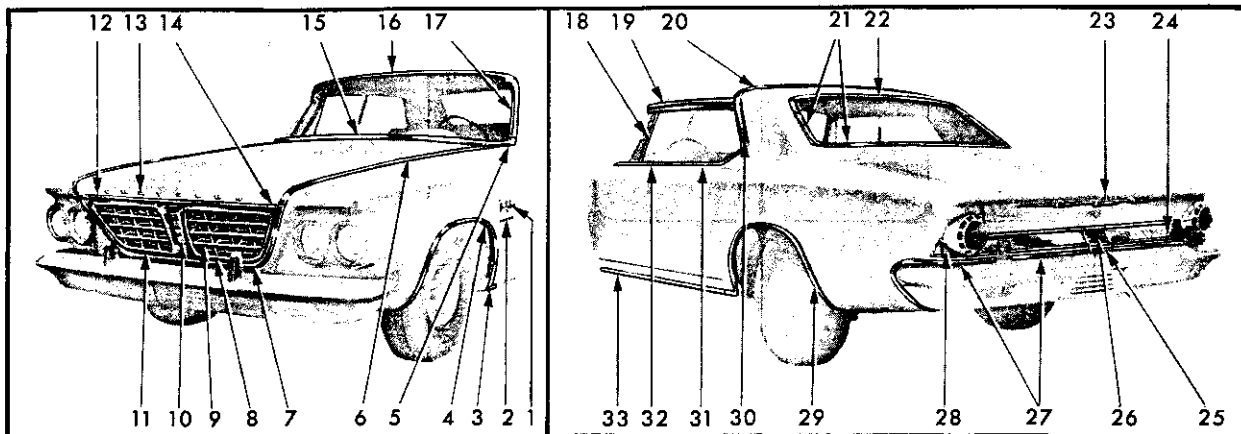
REF. NO.	QTY	PART NUMBER	DESCRIPTION
22	1	2244 548	MOULDING, Rear Window Outside Upper (23-23-52)
	7	6001 084	Retainer
23	1	2244 281	ORNAMENT, Deck Lid (23-19-114)
	6	----	Nut
24	1	2421 448	MOULDING PACKAGE, Deck Lower Panel Fuel Filler Door (23-23-23)
	2	6010 093	Clip
	2	6023 265	Nut
25	1	2423 256	PANEL, Deck Lower Panel Finish (23-23-28)
	3	6023 685	Nut
26	1	2423 628	PANEL, Deck Lower Panel Finish, Right, w/Name Plate (23-23-28)
	1	2423 255	PANEL, Deck Lower Panel Finish, Left (23-23-28)
	16	6023 685	Nut
27	1	2448 428-9	MOULDING PACKAGE, Quarter and Deck Lower Panel (23-23-39)
	10	6001 099	Retainer
	10	6023 678	Nut
	4	----	Nut
	2	188 973	Screw
28	1	2423 742-3	FINISH PANEL and STUD, Quarter Outside Panel (23-23-85)
	2	6006 160	Washer
	2	273 292	Nut
29	1	2421 567-8	MOULDING PACKAGE, Quarter Panel Upper (23-23-39)
	2	6001 093	Clip 4 6023 271 Screw
	2	6023 265	Nut
	12	6001 048	Retainer
30	1	2424 292-3	MOULDING, Rear Door Belt Rear (23-23-33)
31	1	2423 740-1	MOULDING, Quarter Panel Wheel Opening (23-23-39)
	16	9417 316	Screw
	2	6022 052	Washer
	2	----	Nut
32	1	2421 573-4	MOULDING PACKAGE, Body Side Sill, w/Cap (23-23-2)
	2	----	Nut
	18	6001 049	Retainer
	2	6022 052	Seal
33	1	2421 561-2	MOULDING PACKAGE, Rear Door Lower (23-23-33)
	2	446 618	Nut
	8	6001 058	Clip
	8	6001 048	Retainer
34	1	2448 490-1	MOULDING PACKAGE, Rear Door Belt Front (23-23-33)
	8	6001 047	Retainer
35	1	2421 563-4	MOULDING PACKAGE, Front Door Belt (Slanted End) (23-23-32)
	1	2448 552-3	MOULDING PACKAGE, Front Door Belt (Rounded End) (23-23-32)
	10	6001 047	Retainer
	2	6001 087	Retainer
	2	9417 621	Nut
36	2	2421 558	MOULDING PACKAGE, Front Door Lower (23-23-32)
	8	----	Nut
	8	6001 058	Clip
	8	6001 048	Retainer

All Packages include Attaching Parts

Part Type Code is Indicated in Parentheses

19x9505B

MOULDINGS - CHRYSLER NEW YORKER TC3(H) SPECIAL 4 DOOR SEDAN



REF. NO.	QTY	PART NUMBER	DESCRIPTION
1	2	2255 082	NAME PLATE, Fender Side (New) (12-15-21)
	2	2255 083	NAME PLATE, Fender Side (Yorker) (12-15-21)
10	6000 050	Clip	
2	2	2445 042	NAME LETTER, Fender Side "S" (12-15-21)
	2	2445 043	"A"
	2	2445 044	"L"
	2	2445 045	"O"
	2	2445 046	"N"
10	6000 050	Clip	
3	1	2421 230-1	MOULDING PACKAGE, Wheel Opening to Sill (12-15-2)
	2	6006 438	Nut
4	1	2276 470-1	MOULDING PACKAGE, Wheel Opening (12-15-2)
14	9416 049	Screw	
5	1	2242 886-7	MOULDING, Windshield Outside Finish Lower End (23-23-65)
	2	274 411	Screw
6	1	2421 961-2	MOULDING PACKAGE, Fender Top (12-15-2)
14	6001 049	Clip	
6	6001 099	Clip	
6	6023 678	Nut	
7	1	2448 468	MOULDING PACKAGE, Radiator Grille Opening (7-16-36)
9	9415 921	Screw	
9	6001 070	Clip	
9	6023 284	Nut	
8	1	2276 524-5	FRAME, Radiator Grille (7-16-36)
9	1	2276 418-9	GRILLE, Radiator (7-16-11)
10	1	2276 602	MEDALLION, Radiator Grille (7-17-1)
4	9415 250	Nut	
11	1	2276 410	FRAME, Radiator Grille Opening (7-16-36)
12	1	2417 198	MOULDING, Hood Front (15-25-2)
6	9414 714	Screw	
13	1	2276 440	LETTER, Hood Front Name "C" (15-06-16)
1	2276 441	"H"	
2	2276 442	"R"	
1	2276 443	"Y"	
1	2276 444	"S"	
1	2276 445	"L"	
1	2276 446	"E"	
8	9415 250	Nut	
14	1	2417 196-7	MOULDING PACKAGE, Fender Front (12-15-2)
4	9414 714	Screw	
15	1	2084 997	MOULDING PACKAGE, Windshield Outside Finish Lower Center (23-23-65)
5	6000 685	Clip	
16	1	2495 694	MOULDING PACKAGE, Windshield Outside Finish Upper Center (23-23-65)
5	6000 927	Clip	
2	6023 277	Screw	
17	1	2216 870-1	MOULDING, Windshield Outside Finish Side (23-23-65)
8	6023 247	Screw	

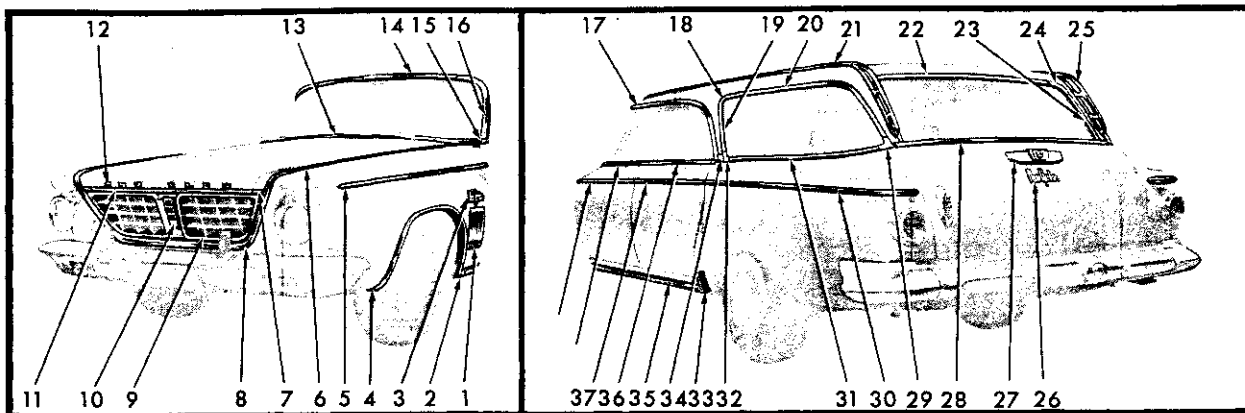
REF. NO.	QTY	PART NUMBER	DESCRIPTION
18	2	2254 627	CHANNEL, w/Moulding, Door Vent Wing (23-64-48)
19	1	2480 000-1	MOULDING, Roof Side Drain Trough (23-59-61)
12	2480 004	Clip	
20	1	2448 549	MOULDING PACKAGE, Roof Panel Outside Rear (23-23-42)
4	6001 455	Clip and Seal	
21	1	2244 546-7	MOULDING, Rear Window Outside Side and Lower (23-23-52)
12	6001 084	Retainer	
22	1	2244 548	MOULDING, Rear Window Outside Upper (23-23-52)
7	6001 084	Retainer	
23	1	2244 281	ORNAMENT, Deck Lid (23-19-114)
6	---	---	Nut
24	1	2423 628	PANEL, Deck Lower Panel Finish, w/Name Plate, Right (23-23-28)
1	2423 255	PANEL, Deck Lower Panel Finish, Left (23-23-28)	
16	6023 685	Nut	
25	1	2421 448	MOULDING PACKAGE, Deck Lower Panel Fuel Filler Door (23-23-23)
2	6000 709	Clip	
2	6023 265	Nut	
26	1	2423 256	PANEL, Deck Lower Panel Fuel Filler Door Finish (23-23-28)
3	6023 685	Nut	
27	1	2448 428-9	MOULDING PACKAGE, Quarter and Deck Lower Panel (23-23-39)
10	6001 099	Retainer	
10	6023 678	Nut	
4	---	---	Nut
2	188 973	Screw	
28	1	2423 742-3	FINISH PANEL and STUD, Quarter Outside Panel (23-23-85)
2	6006 464	Washer	
2	273 292	Nut	
29	1	2423 740-1	MOULDING, Quarter Panel Wheel Opening (23-23-39)
16	9417 316	Screw	
2	6022 052	Washer	
2	---	---	Nut
30	1	2424 066-7	MOULDING, Roof Panel Outside Side (23-23-42)
8	6023 247	Screw and Washer	
31	1	2421 559-60	MOULDING PACKAGE, Rear Door Belt (23-23-33)
10	6001 047	Retainer	
32	1	2448 552-3	MOULDING PACKAGE, Front Door Belt (23-23-32)
8	6001 047	Retainer	
2	6001 087	Retainer	
2	9417 621	Nut	
33	1	2421 573-4	MOULDING PACKAGE, Body Side Sill, w/Cap (23-23-2)
2	---	---	Nut
18	6001 049	Retainer	
2	6022 052	Seal	

19x9722A

All Packages Include Attaching Parts

Part Type Code is Indicated in Parentheses

MOULDINGS - CHRYSLER NEW YORKER SALON TC3(H) SPECIAL 4 DOOR SEDAN



REF. NO.	QTY	PART NUMBER	DESCRIPTION
1	12	2276 520	LOUVER, Fender Side (12-15-21)
	24	6000 808	Clip
	24	6022 052	Washer
2	1	2421 230-1	MOULDING PACKAGE, Wheel Opening to Sill (12-15-2)
	2	---	Clip
	2	6006 438	Nut
3	2	2255 082	NAME PLATE, Fender Side (New) (12-15-21)
	4	6001 254	Clip
	2	2255 083	NAME PLATE, Fender Side (Yorker) (12-15-21)
	6	6001 254	Clip
4	1	2276 470-1	MOULDING PACKAGE, Fender Wheel Opening (12-15-2)
	14	9416 049	Screw
5	2	2421 959	MOULDING PACKAGE, Fender Side (12-15-2)
	12	6001 048	Clip
	4	6001 059	Clip
	4	---	Nut
6	1	2421 961-2	MOULDING PACKAGE, Fender Top (12-15-2)
	14	6001 049	Clip
	6	6001 099	Clip
	6	6023 678	Nut
7	1	2417 196-7	MOULDING PACKAGE, Fender Front (12-15-2)
	4	9414 714	Screw
8	1	2448 468	MOULDING PACKAGE, Radiator Grille Opening (7-16-36)
	9	6001 070	Clip
	9	9415 921	Screw
	9	6023 284	Nut
9	1	2276 524-5	FRAME, Radiator Grille (7-16-36)
	19	6025 004	Nut
10	1	2276 602	MEDALLION, Radiator Grille (7-17-1)
	4	9415 250	Nut
11	1	2417 198	MOULDING, Hood Front (15-25-2)
	6	9414 714	Nut
12	1	2276 440	LETTER, Hood Front Name, "C" (15-06-16)
	1	2276 441	"H"
	2	2276 442	"R"
	1	2276 443	"Y"
	1	2276 444	"S"
	1	2276 445	"L"
	1	2276 446	"E"
	8	9415 250	Nut
13	1	2084 997	MOULDING PACKAGE, Windshield Outside Finish Lower Center (23-23-65)
	5	6000 685	Clip
14	1	2299 418	MOULDING PACKAGE, Windshield Outside Finish Upper Center (23-23-65)
	5	6000 927	Clip
	2	9414 754	Screw
15	1	2242 886-7	MOULDING, Windshield Outside Finish Lower End (23-23-65)
	2	274 411	Screw
16	1	2216 870-1	MOULDING, Windshield Outside Finish Side (23-23-65)
	8	6023 247	Screw
17	1	2093 648-9	MOULDING, Roof Drain Side (23-59-61)
18	1	2094 016-7	CAP and RETAINER, Quarter Window Outside Front Upper (23-23-74)
19	1	2094 018-9	MOULDING, Quarter Window Front Outside Finish (23-23-73)

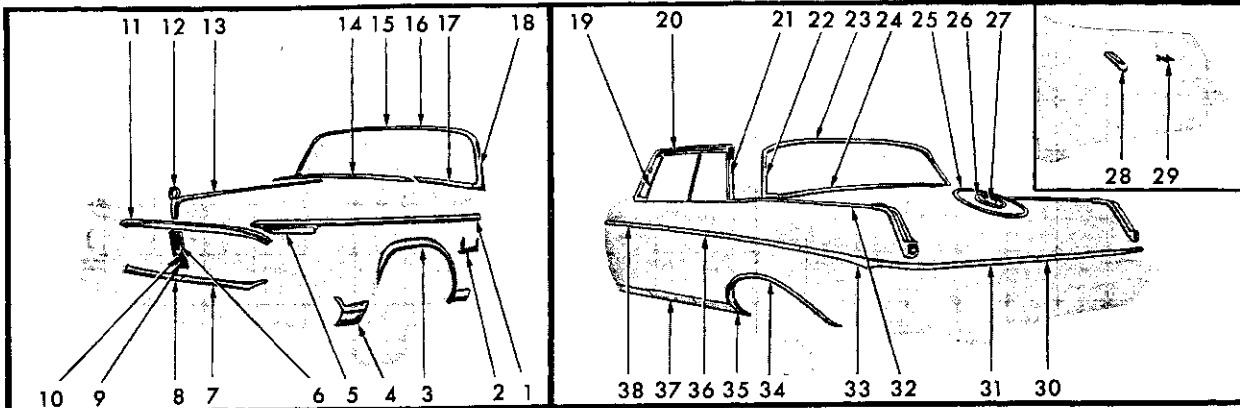
REF. NO.	QTY	PART NUMBER	DESCRIPTION
20	1	1961 212-3	MOULDING, Quarter Window Upper Outside Finish (23-23-73)
21	2	2196 252	MOULDING PACKAGE, Roof Top, used with Rear Pillar Assist Handle (23-23-42)
	20	6000 923	Clip
	2	2196 253	MOULDING PACKAGE, Roof Top, used w/o Rear Pillar Assist Handle (23-23-42)
	28	6006 301	Clip
22	1	2196 466	MOULDING PACKAGE, Roof Rear Tailgate Opening (23-23-60)
	7	6006 451	Clip
23	1	2196 462-3	MOULDING PACKAGE, Rear Pillar Tailgate Opening (23-23-60)
	4	6006 451	Clip
24	1	2196 464-5	CAP PACKAGE, Roof Rear Tailgate Opening Moulding (23-23-60)
	2	6006 451	Clip
25	2	2196 839	HANDLE PACKAGE, Roof Panel Rear Pillar Assist (23-36-123)
	8	6006 035	Nut
	2	681 135	Bolt
26	1	2255 083	NAMEPLATE, Tailgate Outside Panel (23-54-11)
	5	9415 250	Nut
27	1	2188 389	ORNAMENT, Tailgate Outside Panel (23-54-11)
28	1	2196 460	MOULDING PACKAGE, Tailgate Outside Finish Belt (23-23-61)
	2	6006 441	Clip
	2	151 306	Screw
29	1	2196 816-7	CAP PACKAGE, Quarter Window Outside Finish Lower Rear (23-23-74)
	2	125 978	Screw
30	1	2421 569-70	MOULDING PACKAGE, Quarter Panel Lower (23-23-39)
	6	6001 059	Clip
	6	---	Nut
	12	6001 048	Retainer
31	1	1961 214-5	MOULDING, Quarter Window Lower Outside Finish (23-23-73)
32	2	1961 210	CAP, Quarter Window Outside Finish Lower Front Moulding (23-23-74)
33	1	2422 446-7	STONE DEFLECTOR, Quarter Outside Panel Wheel Opening (23-34-240)
	4	9417 316	Screw
34	1	2299 430	MOULDING PACKAGE, Quarter Panel Belt (23-23-39)
	2	9411 465	Screw
35	2	2448 537	MOULDING PACKAGE, Body Side Sill (23-23-2)
	18	6001 049	Retainer
36	1	2421 565-6	MOULDING PACKAGE, Rear Door Belt (23-23-33)
	10	6001 047	Retainer
	2	6001 087	Retainer
	2	9417 621	Nut
37	1	2421 561-2	MOULDING PACKAGE, Rear Door Lower (23-23-33)
	8	6001 058	Clip
	2	446 618	Nut
	8	6001 048	Retainer
38	1	2421 563-4	MOULDING PACKAGE, Front Door Belt (23-23-32)
	1	2448 552-3	MOULDING PACKAGE, Front Door Belt (Rounded End) (23-23-32)
	10	6001 047	Retainer
	2	6001 087	Retainer
	2	9417 621	Nut
39	2	2421 558	MOULDING PACKAGE, Front Door Lower (23-23-2)
	8	6001 058	Clip
	8	6001 048	Retainer

All Packages Include Attaching Parts

Part Type Code is Indicated in Parentheses

19x9530B

MOULDINGS - CHRYSLER NEW YORKER TC3(H) SUBURBAN



REF. NO.	QTY	PART NUMBER	DESCRIPTION
1	1	2448 486-7	MOULDING PACKAGE, Fender Side (12-15-2)
	14	6001 078	Retainer
	2	6001 115	Retainer
	2	-----	Seal
	2	2252 081	Spacer
	2	116 000	Nut
2	2	1904 366	NAME PLATE, Fender Side, Imperial (12-15-21)
	12	6000 050	Clip
3	1	2240 940-1	MOULDING PACKAGE, Fender Wheel Opening (12-15-2)
	14	9413 197	Screw
	2	-----	Screw
	2	120 622	Nut
4	1	2240 938-9	MOULDING PACKAGE, Fender Front Lower (12-15-2)
	2	1904 121	Clip
	6	6022 506	Screw
	8	120 375	Nut
5	1	2240 936-7	MOULDING PACKAGE, Fender Front Upper (12-15-2)
	8	116 000	Nut
6	1	2276 788	ORNAMENT, Radiator Grille, w/Medallion (7-17-1)
	3	6023 201	Nut
7	1	2275 922-3	MOULDING PACKAGE, Radiator Grille Lower Panel (7-16-36)
	10	6022 162	Nut
8	1	2275 192	CAP, Radiator Grille Lower Panel Moulding (7-16-44)
	1	6022 162	Nut
9	1	2276 787	FRAME and SCREEN, Radiator Grille Ornament (7-17-10)
	3	6023 202	Nut
10	1	2276 702	MEDALLION, Radiator Grille Ornament (7-17-1)
11	1	2276 606	FRAME, Radiator Grille (7-16-36)
12	1	2417 457	ORNAMENT and MEDALLION, Fender Top Panel (12-15-21)
	1	151 497	Nut
13	1	2448 469	MOULDING PACKAGE, Hood Top (15-25-2)
	7	9415 250	Nut
14	1	1692 191	CAP, Windshield Moulding Lower Center Joint (23-23-66)
15	1	1750 754	CAP, Windshield Upper Moulding Center Joint (23-23-66)
	1	1961 286	Washer
	1	-----	Nut
16	1	2298 550-1	MOULDING PACKAGE, Windshield Opening Upper (23-23-65)
	4	1961 286	Washer
	4	-----	Nut
	4	6001 253	Retainer
17	1	2196 477-8	MOULDING PACKAGE, Windshield Opening Lower (23-23-65)
	20	6006 200	Clip
18	1	2421 238-9	MOULDING PACKAGE, Windshield Opening Side (23-23-65)
	8	9416 049	Screw
19	2	1751 325	MOULDING, Door Vent Wing Division Channel Inner (23-23-36)
	2	1751 323	MOULDING, Door Vent Wing Division Channel Outer
20	1	2245 018-9	MOULDING, Roof Side Drain Trough Front (23-59-61)
	14	-----	Screw

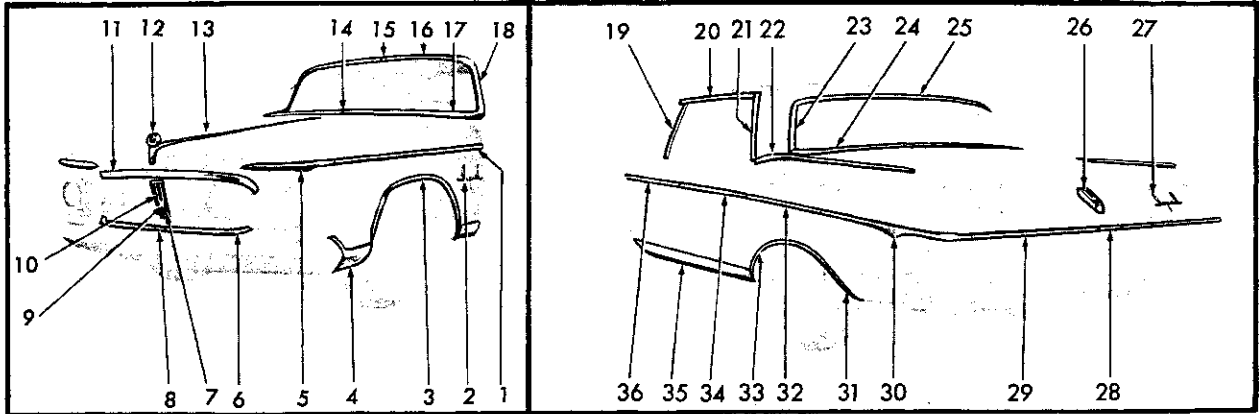
REF. NO.	QTY	PART NUMBER	DESCRIPTION
21	1	2448 464-5	MOULDING PACKAGE, Roof Side Drain Trough Rear (23-59-61)
	4	1961 286	Washer
	4	273 292	Nut
22	1	2421 929-30	MOULDING PACKAGE, Rear Window Outside Side (23-23-52)
	6	6001 093	Clip
	6	120 622	Nut
23	1	2421 926	MOULDING PACKAGE, Rear Window Outside Upper (23-23-52)
	5	6001 093	Clip
	5	120 622	Nut
24	1	2421 927-8	MOULDING PACKAGE, Rear Window Outside Lower (23-23-52)
	10	6001 093	Clip
	10	120 622	Nut
25	1	2196 494	MOULDING PACKAGE, Deck Lid (23-19-45)
	8	6006 520	Retainer
	8	6000 637	Nut
26	1	2196 493	RING PACKAGE, Deck Lid (23-19-45)
	6	152 259	Nut
27	1	2424 211	MEDALLION, Deck Lid (23-19-53)
28	1	2255 599	ORNAMENT and BASE, Deck Lid (Std. Equip.) (23-19-114)
	1	6023 413	Screw
	1	6023 202	Nut
29	1	2244 876	NAME PLATE, Deck Lid (Std. Equip.) (23-19-114)
	4	152 259	Nut
30	1	2421 891	MOULDING PACKAGE, Deck Lower Panel Filler Door (23-23-23)
	2	6001 092	Retainer
	2	9417 621	Nut
31	1	2421 892-3	MOULDING PACKAGE, Deck Lower Panel (23-23-23)
	1	2448 586-7	MOULDING PACKAGE, Deck Lower Panel Inner (2 Piece Type) (23-23-23)
	1	2448 588-9	MOULDING PACKAGE, Deck Lower Panel Outer (2 Piece Type) (23-23-23)
	*	-----	Seal
	*	116 000	Nut
	*	6001 091	Retainer
32	2	2421 958	MOULDING PACKAGE, Quarter Panel Upper (23-23-39)
	12	6022 983	Washer
	10	-----	Nut
	12	-----	Washer
	2	6023 542	Screw
33	1	2421 956-7	MOULDING PACKAGE, Quarter Panel Lower Rear (23-23-39)
	10	6022 052	Seal
	10	-----	Nut
34	1	2196 820-1	MOULDING PACKAGE, Quarter Panel Wheel Opening (23-23-39)
	10	9413 197	Screw
35	1	2196 818-9	STONE DEFLECTOR PACKAGE, Quarter Outside Panel (23-34-240)
	8	9413 197	Screw
36	1	2421 952-3	MOULDING PACKAGE, Quarter Panel Lower Front (23-23-39)
	2	6023 241	Screw
	10	6001 078	Retainer
37	1	2275 107-8	MOULDING PACKAGE, Body Side Sill (23-23-2)
	8	6000 938	Clip
	16	9414 586	Screw
	2	9417 515	Screw
38	2	2421 942	MOULDING PACKAGE, Door (23-23-32)
	2	6001 053	Retainer
	2	-----	Seal
	2	116 000	Nut
	10	6001 078	Retainer

All Packages Include Attaching Parts

Part Type Code is Indicated in Parentheses

19x9614B

MOULDINGS - IMPERIAL CUSTOM TY1(L) SPECIAL CLUB COUPE



REF. NO.	QTY	PART NUMBER	DESCRIPTION
1	1	2448 486-7	MOULDING PACKAGE, Fender Side (12-15-2)
	14	6001 078	Retainer
	2	-----	Seal
	2	2252 081	Spacer
	2	6001 115	Retainer
	2	116 000	Nut
2	2	1904 366	NAME PLATE, Fender Side (12-15-21)
	12	6000 050	Clip
3	1	2240 940-1	MOULDING PACKAGE, Wheel Opening (12-15-2)
	2	-----	Screw
	14	9413 197	Screw
	2	120 622	Nut
4	1	2240 938-9	MOULDING PACKAGE, Fender Front Lower (12-15-2)
	2	1904 121	Clip
	6	6022 506	Screw
	8	120 375	Nut
5	1	2240 936-7	MOULDING PACKAGE, Fender Front Upper (12-15-2)
	8	116 000	Nut
6	1	2275 922-3	MOULDING PACKAGE, Radiator Grille Lower Panel (7-16-36)
	10	6022 162	Nut
7	1	2276 787	FRAME and SCREEN, Radiator Grille Ornament (7-17-10)
	3	6023 202	Nut
8	1	2275 192	CAP, Radiator Grille Lower Panel Moulding (7-16-44)
	1	6022 162	Nut
9	1	2276 702	MEDALLION, Radiator Grille Ornament (7-17-1)
10	1	2276 788	ORNAMENT, Radiator Grille, w/Medallion (7-17-1)
	3	6023 201	Nut
11	1	2276 606	FRAME, Radiator Grille (7-16-36)
	14	6023 202	Nut
12	1	2417 457	ORNAMENT and MEDALLION, Fender Top Panel (12-15-21)
	1	151 497	Nut
3	1	2448 469	MOULDING PACKAGE, Hood Top (15-25-2)
	7	9415 250	Nut
14	1	1692 191	CAP, Windshield Moulding Lower Center Joint (23-23-66)
15	1	1750 754	CAP, Windshield Upper Moulding Center Joint (23-23-66)
	1	1961 286	Washer
	1	-----	Nut
16	1	2298 550-1	MOULDING PACKAGE, Windshield Opening Upper (23-23-65)
	4	1961 286	Washer
	4	-----	Nut
	4	6001 253	Retainer
17	1	2196 477-8	MOULDING PACKAGE, Windshield Opening Lower (23-23-65)
	20	6006 200	Clip
18	1	2421 238-9	MOULDING PACKAGE, Windshield Opening Side (23-23-65)
	8	9416 049	Screw
19	2	1751 325	MOULDING, Front Door Vent Wing Division Channel inner (23-23-36)
	2	1751 323	MOULDING, Front Door Vent Wing Division Channel Outer (23-23-36)
20	1	2245 018-9	MOULDING, Roof Side Drain Trough (23-59-61)
21	1	2448 466-7	MOULDING and STUD PACKAGE, Drain Trough Rear (23-59-61)

REF. NO.	QTY	PART NUMBER	DESCRIPTION
22	2	2421 958	MOULDING PACKAGE, Quarter Panel Upper (23-23-39)
	12	6022 983	Washer
	12	-----	Washer
	10	-----	Nut
	2	6023 542	Screw
23	1	2421 929-30	MOULDING PACKAGE, Rear Window Outside Side (23-23-52)
	6	6001 093	Clip
	6	120 622	Nut
24	1	2421 927-8	MOULDING PACKAGE, Rear Window Outside Lower (23-23-52)
	10	6001 093	Clip
	10	120 622	Nut
25	1	2421 926	MOULDING PACKAGE, Rear Window Outside Upper (23-23-52)
	5	6001 093	Clip
	5	120 622	Nut
26	1	2255 519	ORNAMENT, Deck Lid (23-19-114)
	2	6023 202	Nut
	1	6023 413	Screw
27	1	2244 876	NAME PLATE, Deck Lid (23-19-114)
	4	152 259	Nut
28	1	2421 891	MOULDING PACKAGE, Deck Lower Panel Fuel Filler Door (23-23-23)
	2	6001 092	Retainer
	2	9417 621	Nut
29	1	2421 892-3	MOULDING PACKAGE, Deck Opening Lower Panel (23-23-23)
	1	2448 586-7	MOULDING PACKAGE, Deck Lower Panel Inner (2 Piece Type) (23-23-23)
	1	2448 588-9	MOULDING PACKAGE, Deck Lower Panel Outer (2 Piece Type) (23-23-23)
	*	-----	Seal
	*	116 000	Nut
	*	6001 091	Retainer
30	1	2421 956-7	MOULDING PACKAGE, Quarter Panel Lower Rear (23-23-39)
	10	6022 052	Seal
	10	-----	Nut
31	1	2196 820-1	MOULDING PACKAGE, Quarter Panel Wheel Opening (23-23-39)
	10	9413 197	Screw
32	1	2421 954-5	MOULDING PACKAGE, Quarter Panel Lower Front (23-23-39)
	2	6023 241	Screw
	4	6001 078	Retainer
33	1	2196 818-9	DEFLECTOR PACKAGE, Quarter Panel Stone (23-34-240)
	6	9414 080	Screw
34	1	2421 950-1	MOULDING PACKAGE, Rear Door (23-23-33)
	2	6001 053	Retainer
	2	-----	Seal
	2	6000 832	Retainer
	2	-----	Nut
	2	-----	Washer
	6	6001 078	Retainer
	2	9417 621	Nut
35	1	2275 107-8	MOULDING PACKAGE, Body Side (23-23-2)
	8	6000 938	Clip
	16	9414 586	Screw
	2	9417 515	Screw
36	2	2421 943	MOULDING PACKAGE, Front Door (23-23-32)
	2	6001 053	Retainer
	2	-----	Seal
	2	116 000	Nut
	8	6001 078	Retainer

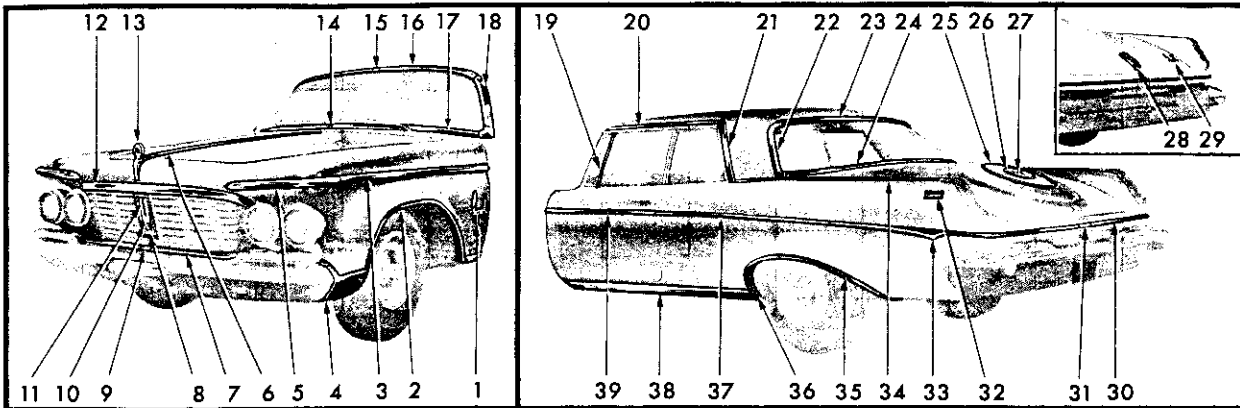
All Packages Include Attaching Parts

Part Type Code is Indicated in Parentheses

19x9525C

MOULDINGS - IMPERIAL CUSTOM TY1(L) SPECIAL 4 DOOR SEDAN

1963 PASSENGER CAR PARTS CATALOG



REF. NO.	QTY	PART NUMBER	DESCRIPTION
1	2	1904 366	NAME PLATE, Fender Side, Imperial (12-15-21)
12		6000 050	Clip
2	1	2240 940-1	MOULDING PACKAGE, Fender Wheel Opening (12-15-2)
14		9413 197	Screw
2	----	----	Screw
2		120 622	Nut
3	1	2448 486-7	MOULDING PACKAGE, Fender Side (12-15-2)
14		6001 078	Retainer
2		6001 115	Retainer
2	----	----	Seal
2		2252 081	Spacer
2		9415 250	Nut
4	1	2240 938-9	MOULDING PACKAGE, Fender Front Lower (12-15-2)
2		1904 121	Clip
6		6022 506	Screw
8		120 375	Nut
5	1	2240 936-7	MOULDING PACKAGE, Fender Front Upper (12-15-2)
8		116 000	Nut
6	1	2448 469	MOULDING PACKAGE, Hood Top (15-25-2)
7		9415 250	Nut
7	1	2275 922-3	MOULDING PACKAGE, Radiator Grille Lower Panel (7-16-36)
10		6022 162	Nut
8	1	2276 787	FRAME and SCREEN, Radiator Grille Ornament (7-17-10)
3		6023 202	Nut
9	1	2275 192	CAP, Radiator Grille Lower Panel Moulding (7-16-44)
1		6022 162	Nut
10	1	2276 702	MEDALLION, Radiator Grille Ornament (7-17-1)
11	1	2276 788	ORNAMENT, Radiator Grille, w/Medallion (7-17-1)
3		6023 201	Nut
12	1	2276 606	FRAME, Radiator Grille (7-16-36)
13	1	2417 457	ORNAMENT, Fender Top Panel, w/Medallion (12-15-21)
1		151 497	Nut
14	1	1692 191	CAP, Windshield Moulding Lower Center Joint (23-23-66)
15	1	1750 754	CAP, Windshield Upper Moulding Center Joint (23-23-66)
1		1961 286	Washer
1		273 329	Nut
16	1	2298 550-1	MOULDING PACKAGE, Windshield Opening Upper (23-23-65)
4		1961 286	Washer
4		273 329	Nut
4		6001 253	Retainer
17	1	2196 477-8	MOULDING PACKAGE, Windshield Opening Lower (23-23-65)
20		6006 200	Clip
18	1	2421 238-9	MOULDING PACKAGE, Windshield Opening Side (23-23-65)
8		9416 049	Screw
19	2	1751 325	MOULDING, Door Vent Wing Division Channel, Inner (23-23-36)
2		1751 323	MOULDING, Door Vent Wing Division Channel, Outer
20	1	2245 018-9	MOULDING, Roof Side Drain Trough Front (23-59-61)
14	----	----	Screw
21	1	2448 464-5	MOULDING PACKAGE, Roof Side Drain Trough Rear (23-59-61)
4		1961 286	Washer
4		273 292	Nut

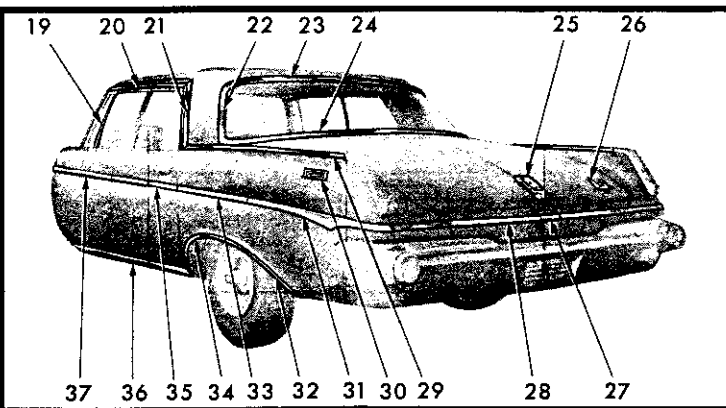
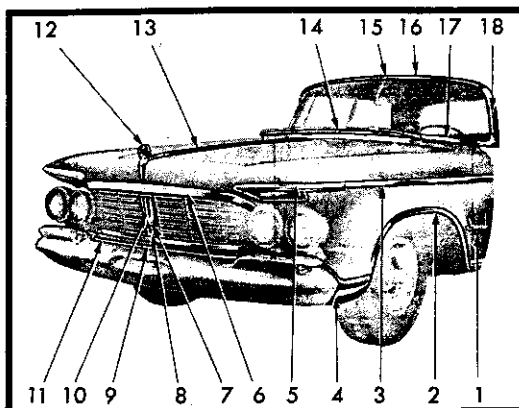
All Packages include Attaching Parts

REF. NO.	QTY	PART NUMBER	DESCRIPTION
22	1	2421 929-30	MOULDING PACKAGE, Rear Window Outside Side (23-23-52)
6		6001 093	Clip
6		120 622	Nut
23	1	2421 926	MOULDING PACKAGE, Rear Window Outside Upper (23-23-52)
5		6001 293	Clip
5		120 622	Nut
24	1	2421 927-8	MOULDING PACKAGE, Rear Window Outside Lower (23-23-52)
10		6001 093	Clip
10		120 622	Nut
25	1	2196 494	MOULDING PACKAGE, Deck Lid (23-19-45)
8		6006 520	Retainer
8		6000 637	Nut
26	1	2196 493	RING PACKAGE, Deck Lid (23-19-45)
6		152 259	Nut
27	1	2424 211	MEDALLION, Deck Lid (23-19-53)
28	1	2255 519	ORNAMENT, Deck Lid, w/Base (23-19-114)
1		6023 413	Screw
1		6023 202	Nut
29	1	2244 876	NAME PLATE, Deck Lid (23-19-114)
4		152 259	Nut
30	1	2421 892-3	MOULDING PACKAGE, Deck Lower Panel (23-23-23)
1		2448 586-7	MOULDING PACKAGE, Deck Lower Panel Inner (2 Piece Type) (23-23-23)
1		2448 588-9	MOULDING PACKAGE, Deck Lower Panel Outer (2 Piece Type) (23-23-23)
*	----	----	Seal
*	----	----	9415 250 Nut
31	1	2421 891	MOULDING PACKAGE, Deck Lower Panel License Depression (23-23-23)
2		6001 092	Retainer
2		2189 687	ORNAMENT, Quarter Outside Panel Crown (23-34-334)
4		152 260	Nut and Seal
33	1	2421 956-7	MOULDING PACKAGE, Quarter Panel Lower Rear (23-23-39)
10		6022 052	Seal
10	----	----	Nut
34	2	2421 958	MOULDING PACKAGE, Quarter Panel Upper (23-23-39)
12		6022 983	Seal
12	----	----	Washer
10	----	----	Nut
2		6023 542	Screw
35	1	2196 820-1	MOULDING PACKAGE, Quarter Panel Wheel Opening (23-23-39)
10		9413 197	Screw
36	1	2196 818-9	STONE DEFLECTOR PACKAGE, Quarter Outside Panel (23-34-240)
8		9413 197	Screw
37	1	2421 952-3	MOULDING PACKAGE, Quarter Panel Lower Front (23-23-39)
2		6023 241	Screw
38	1	2275 107-8	MOULDING PACKAGE, Body Side Sill (23-23-2)
8		6000 938	Clip
16		9414 586	Screw
2		9417 515	Screw
39	2	2421 942	MOULDING PACKAGE, Door (23-23-32)
2		6001 053	Retainer
2	----	----	Seal
2		9415 250	Nut
10		6001 078	Retainer

Part Type Code is Indicated in Parentheses

19x9640B

MOULDINGS - IMPERIAL CROWN TY1(M) SPECIAL CLUB COUPE



REF. NO.	QTY	PART NUMBER	DESCRIPTION
1	2	1904 366	NAME PLATE, Fender Side (12-15-21)
12		6000 050	Clip
2	1	2240 940-1	MOULDING PACKAGE, Fender Wheel Opening (12-15-2)
14		9413 197	Screw
2		-----	Screw
2		120 622	Nut
3	1	2448 486-7	MOULDING PACKAGE, Fender Side (12-15-2)
14		6001 078	Retainer
2		-----	Seal
2		2252 081	Spacer
2		-----	Retainer
2		116 000	Nut
4	1	2240 938-9	MOULDING PACKAGE, Fender Front Lower (12-15-2)
2		1904 121	Clip
6		6022 506	Screw
8		120 375	Nut
5	1	2240 936-7	MOULDING PACKAGE, Fender Front Upper (12-15-2)
8		116 000	Nut
6	1	2276 606	FRAME, Radiator Grille (7-16-36)
7	1	2276 702	MEDALLION, Radiator Grille Ornament (7-17-1)
8	1	2276 787	FRAME and SCREEN, Radiator Grille Ornament (7-17-10)
3		6023 202	Nut
9	1	2275 192	CAP, Radiator Grille Lower Panel Moulding (7-16-44)
1		6022 162	Nut
10	1	2276 788	ORNAMENT, Radiator Grille, w/Medallion (7-17-1)
3		6023 201	Nut
11	1	2275 922-3	MOULDING PACKAGE, Radiator Grille Lower Panel (7-16-36)
10		6022 162	Nut
12	1	2417 457	ORNAMENT and MEDALLION, Fender Top Panel (12-15-21)
1		151 497	Nut
13	1	2448 469	MOULDING PACKAGE, Hood Top (15-25-2)
7		9415 250	Nut
14	1	1692 191	CAP, Windshield Moulding Lower Center Joint (23-23-66)
15	1	1750 754	CAP, Windshield Upper Moulding Center Joint (23-23-66)
1		1961 286	Washer
1		-----	Nut
16	1	2298 550-1	MOULDING PACKAGE, Windshield Opening Upper (23-23-65)
4		1961 286	Washer
4		-----	Nut
4		6001 253	Retainer
17	1	2196 477-8	MOULDING PACKAGE, Windshield Opening Lower (23-23-65)
20		6006 200	Clip
18	1	2421 238-9	MOULDING PACKAGE, Windshield Opening Side (23-23-65)
8		9416 049	Screw
19	2	1751 325	MOULDING, Door Vent Wing Division Channel, Inner (23-23-36)
2		1751 323	MOULDING, Door Vent Wing Division Channel, Outer (23-23-36)
20	1	2245 018-9	MOULDING, Roof Side Drain Trough Front (23-59-61)
14		-----	Screw

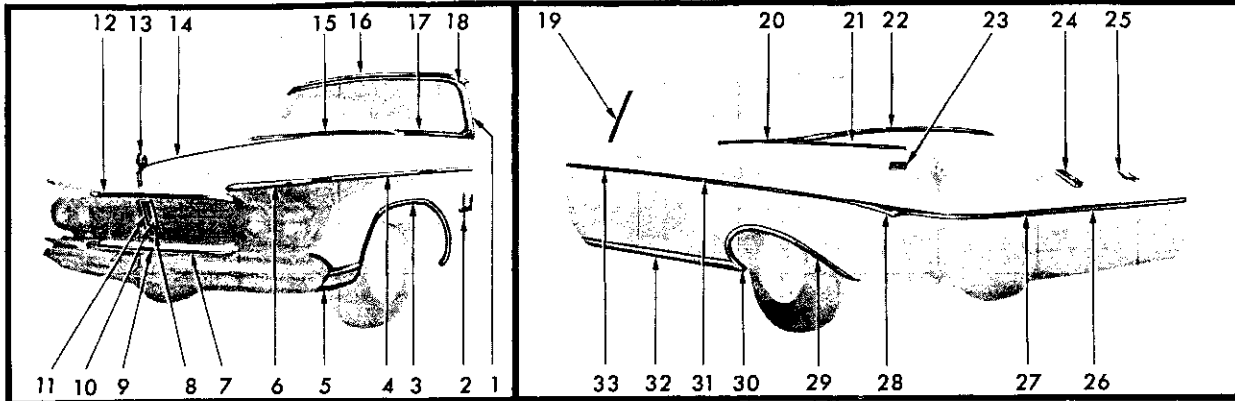
All Packages Include Attaching Parts

REF. NO.	QTY	PART NUMBER	DESCRIPTION
21	1	2448 466-7	MOULDING and STUD PACKAGE, Drain Trough Rear (23-59-61)
22	1	2421 929-30	MOULDING PACKAGE, Rear Window Outside Side (23-23-52)
6		6001 093	Clip
6		120 622	Nut
23	1	2421 926	MOULDING PACKAGE, Rear Window Outside Upper (23-23-52)
5		6001 093	Clip
5		120 622	Nut
24	1	2421 927-8	MOULDING PACKAGE, Rear Window Outside Lower (23-23-52)
10		6001 093	Clip
10		120 622	Nut
25	1	2255 519	ORNAMENT, Deck Lid (23-19-114)
1		6023 413	Screw
1		6022 202	Nut
26	1	2244 876	NAME PLATE, Deck Lid (23-19-114)
4		152 259	Nut
27	1	2421 891	MOULDING PACKAGE, Deck Lower Panel Filler Door (23-23-23)
2		6001 092	Retainer
2		9417 621	Nut
28	1	2421 892-3	MOULDING PACKAGE, Deck Lower Panel (23-23-23)
1		2448 586-7	MOULDING PACKAGE, Deck Lower Panel Inner (2 Piece Type) (23-23-23)
1		2448 588-9	MOULDING PACKAGE, Deck Lower Panel Outer (2 Piece Type) (23-23-23)
*		-----	Seal
*		116 000	Nut
*		6001 091	Retainer
29	2	2421 958	MOULDING PACKAGE, Quarter Panel Upper (23-23-39)
12		6022 983	Washer
10		-----	Nut
12		-----	Washer
2		6023 542	Screw
30	2	2189 687	ORNAMENT, Quarter Outside Panel Crown (23-34-334)
4		152 260	Nut and Seal
31	1	2421 956-7	MOULDING PACKAGE, Quarter Panel Lower Rear (23-23-39)
10		6022 052	Seal
10		-----	Nut
32	1	2196 820-1	MOULDING PACKAGE, Quarter Panel Wheel Opening (23-23-39)
10		9413 197	Screw
33	1	2421 954-5	MOULDING PACKAGE, Quarter Panel Lower Front (23-23-39)
2		6023 241	Screw
4		6001 078	Retainer
34	1	2196 818-9	DEFLECTOR PACKAGE, Quarter Panel Stone (23-34-240)
8		9413 197	Screw
35	1	2421 950-1	MOULDING PACKAGE, Rear Door (23-23-33)
2		6001 053	Retainer
2		-----	Seal
2		6000 832	Retainer
2		-----	Nut
2		-----	Washer
6		6001 078	Retainer
2		9417 621	Nut
36	1	2275 107-8	MOULDING PACKAGE, Body Side Still (23-23-2)
8		6000 938	Clip
36		9414 586	Screw
2		9417 515	Screw
37	2	2421 943	MOULDING PACKAGE, Front Door Lower (23-23-32)
2		6001 053	Retainer
2		-----	Seal
2		116 000	Nut
8		6001 078	Retainer

Part Type Code is Indicated in Parentheses

19x9541B

MOULDINGS - IMPERIAL CROWN TY1(M) SPECIAL 4 DOOR SEDAN



REF. NO.	QTY	PART NUMBER	DESCRIPTION
1	1	2196 481-2	MOULDING PACKAGE, Windshield Outside Finish Side (23-23-65)
	6	6000 000	Screw
	2	-----	Screw
2	2	1904 366	NAME PLATE, Fender Side, Imperial (12-15-21)
	12	6000 050	Clip
3	1	2240 940-1	MOULDING PACKAGE, Fender Wheel Opening (12-15-2)
	14	9413 197	Screw
	2	-----	Screw
	2	120 622	Nut
4	1	2448 486-7	MOULDING PACKAGE, Fender Side (12-15-2)
	14	6001 078	Retainer
	2	6001 115	Retainer
	2	-----	Seal
	2	2252 081	Spacer
	2	9415 250	Nut
5	1	2240 938-9	MOULDING PACKAGE, Fender Front Lower (12-15-2)
	2	1904 121	Clip
	6	6022 506	Screw
	8	120 375	Nut
6	1	2240 936-7	MOULDING PACKAGE, Fender Front Upper (12-15-2)
	8	116 000	Nut
7	1	2275 922-3	MOULDING PACKAGE, Radiator Grille Lower Panel (7-16-36)
	10	6022 162	Nut
8	1	2276 787	FRAME and SCREEN, Radiator Grille Ornament (7-17-10)
	3	6023 202	Nut
	1	2275 192	CAP, Radiator Grille Lower Panel Moulding (7-16-44)
	1	6022 162	Nut
	1	2276 702	MEDALLION, Radiator Grille Ornament (7-17-1)
	1	2276 788	ORNAMENT, Radiator Grille, w/Medallion (7-17-1)
	3	6023 201	Nut
	1	2276 606	FRAME, Radiator Grille (7-16-36)
	1	2417 457	ORNAMENT and MEDALLION, Fender Top Panel (12-15-21)
	1	151 497	Nut
	1	2448 469	MOULDING PACKAGE, Hood Top (15-25-2)
	7	9415 250	Nut
15	1	1692 191	CAP, Windshield Moulding Lower Center Joint (23-23-66)
16	1	2196 749	MOULDING PACKAGE, Windshield Outside Finish Moulding Upper (23-23-65)
	10	6006 176	Stud
	10	6006 434	Retainer
17	1	2196 477-8	MOULDING PACKAGE, Windshield Outside Finish Lower (23-23-65)
	20	6006 200	Clip
18	1	2196 673-4	MOULDING PACKAGE, Windshield Header Upper Corner (23-23-65)
	4	-----	Screw
19	2	1751 325	MOULDING, Door Vent Wing Division Channel, Inner (23-23-36)
	2	1751 323	Moulding, Door Vent Wing Division Channel, Outer (23-23-36)

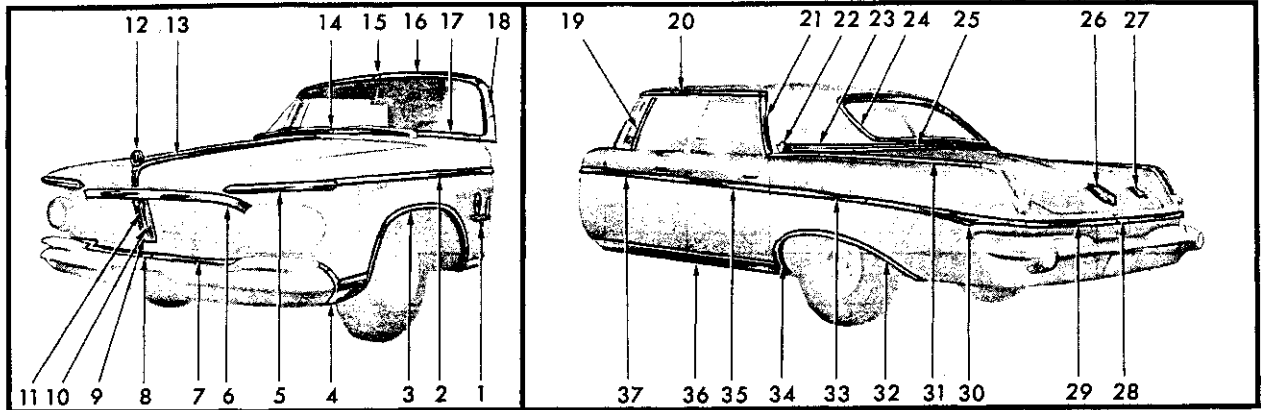
REF. NO.	QTY	PART NUMBER	DESCRIPTION
20	1	2196 682-3	CAP PACKAGE, Belt Moulding to Quarter Panel (23-23-41)
	2	-----	Screw
21	2	2421 958	MOULDING PACKAGE, Quarter Panel Upper (23-23-39)
	12	6022 983	Seal
	12	-----	Washer
	10	-----	Nut
	2	6023 542	Screw
22	1	2196 684-5	MOULDING PACKAGE, Folding Top Belt Outside Finish (23-23-49)
	20	2094 380	Fastener
23	2	2189 687	ORNAMENT, Quarter Outside Panel Crown (23-34-334)
	4	152 260	Nut and Seal
24	1	2255 519	ORNAMENT, Deck Lid, w/Base (23-19-114)
	1	6023 413	Screw
	1	6023 202	Nut
25	1	2244 876	NAME PLATE, Deck Lid (23-19-114)
	4	152 259	Nut
26	1	2421 891	MOULDING PACKAGE, Deck Lower Panel Filler Door (23-23-23)
	2	6001 092	Retainer
	2	9417 621	Nut
27	1	2421 892-3	MOULDING PACKAGE, Deck Lower Panel (23-23-23)
	1	2448 586-7	MOULDING PACKAGE, Deck Lower Panel Inner (2 Piece Type) (23-23-23)
	1	2448 588-9	MOULDING PACKAGE, Deck Lower Panel Outer (2 Piece Type) (23-23-23)
	*	-----	Seal
	*	9415 250	Nut
	*	6001 031	Retainer
28	1	2421 956-7	MOULDING PACKAGE, Quarter Panel Lower Rear (23-23-39)
	10	6022 052	Seal
	10	-----	Nut
29	1	2196 810-1	MOULDING PACKAGE, Quarter Panel Wheel Opening (23-23-39)
	10	9413 197	Screw
30	1	2196 818-9	STONE DEFLECTOR PACKAGE, Quarter Outside Panel (23-34-240)
	8	9413 197	Screw
31	1	2421 952-3	MOULDING PACKAGE, Quarter Panel Lower Front (23-23-39)
	2	6023 241	Screw
	10	6001 078	Retainer
32	1	2275 107-8	MOULDING PACKAGE, Body Side Sill (23-23-2)
	8	6000 938	Clip
	16	9414 586	Screw
	2	9417 515	Screw
33	2	2421 942	MOULDING PACKAGE, Door (23-23-32)
	2	6001 053	Retainer
	2	-----	Seal
	2	9415 250	Nut
	10	6001 078	Retainer

All Packages Include Attaching Parts

Part Type Code is Indicated in Parentheses

19x9642B

MOULDINGS - IMPERIAL CROWN TY1(M) CONVERTIBLE COUPE



REF. NO.	QTY	PART NUMBER	DESCRIPTION
1	2	1904 366	NAME PLATE, Fender Side, Imperial (12-15-21)
	12	6000 050	Clip
2	1	2448 486-7	MOULDING PACKAGE, Fender Side (12-15-2)
	14	6001 078	Retainer
	2	6001 115	Retainer
	2	-----	Seal
	2	2252 081	Spacer
	2	9415 250	Nut
3	1	2240 943-1	MOULDING PACKAGE, Fender Wheel Opening (12-15-2)
	14	9413 197	Screw
	2	-----	Screw
	2	120 622	Nut
4	1	2240 938-9	MOULDING PACKAGE, Fender Front Lower (12-15-2)
	2	1904 121	Clip
	6	6022 506	Screw
	8	120 375	Nut
5	1	2240 936-7	MOULDING PACKAGE, Fender Front Upper (12-15-2)
	8	116 000	Nut
6	1	2276 606	FRAME, Radiator Grille (7-16-36)
7	1	2275 922-3	MOULDING PACKAGE, Radiator Grille Lower Panel (7-16-36)
	10	6022 162	Nut
8	1	2275 192	CAP, Radiator Grille Lower Panel Moulding (7-16-44)
	1	6022 162	Nut
9	1	2276 787	FRAME and SCREEN, Radiator Grille Ornament (7-17-10)
	3	6023 202	Nut
10	1	2276 702	MEDALLION, Radiator Grille Ornament (7-17-1)
11	1	2276 788	ORNAMENT, Radiator Grille, w/Medallion (7-17-1)
	3	6023 201	Nut
12	1	2417 457	ORNAMENT and MEDALLION, Fender Top Panel (12-15-21)
	1	151 497	Nut
13	1	2448 469	MOULDING PACKAGE, Hood Top (15-25-2)
	7	9415 250	Nut
14	1	1692 191	CAP, Windshield Moulding Lower Center Joint (23-23-66)
15	1	1750 754	CAP, Windshield Upper Moulding Center Joint (23-23-66)
	1	1961 286	Washer
	1	273 329	Nut
16	1	2298 550-1	MOULDING PACKAGE, Windshield Opening Upper (23-23-65)
	4	1961 286	Washer
	4	273 329	Nut
	4	6001 253	Retainer
17	1	2196 477-8	MOULDING PACKAGE, Windshield Opening Lower (23-23-65)
	20	6006 200	Clip
18	1	2421 238-9	MOULDING PACKAGE, Windshield Opening Side (23-23-65)
	8	9416 049	Screw
19	2	1751 325	MOULDING, Front Door Vent Wing Division Channel, Inner (23-23-36)
	2	1751 323	Moulding, Front Door Vent Wing Division Channel, Outer (23-23-36)
20	1	2245 018-9	MOULDING, Roof Side Drain Trough Front (23-59-61)
	14	-----	Screw
21	1	2448 466-7	MOULDING PACKAGE, Roof Side Drain Trough Rear (23-59-61)
	4	1961 286	Washer
	4	273 292	Nut
22	2	2240 950	MEDALLION PACKAGE, Roof Panel Side (23-23-334)
	4	6022 052	Washer
	4	6000 829	Clip

All Packages include Attaching Parts

REF. NO.	QTY	PART NUMBER	DESCRIPTION
23	1	2275 312-3	EXTENSION MOULDING PACKAGE, Roof Outside Panel Belt (23-23-42)
	2	161 430	Screw
	2	152 260	Nut
24	1	1961 516-7	MOULDING, Rear Window Outside Finish (23-23-52)
25	1	2275 314-5	MOULDING PACKAGE, Roof Panel Outside Belt (23-23-42)
	2	6001 205	Retainer
	2	-----	Nut
	2	6022 850	Sealer
	4	6001 208	Clip
	2	152 260	Nut and Seal
	4	161 871	Screw
	2	161 430	Screw
	4	6022 862	Sealer
	8	6001 204	Clip and Seal
26	1	2255 519	ORNAMENT, Deck Lid, w/Base (23-19-114)
	1	6023 413	Screw
	1	6023 202	Nut
27	1	2196 484	NAME PLATE PACKAGE, Deck Lid "Le" (23-19-114)
	1	2196 485	Name Plate Package "Baron"
	5	6000 490	Nut
28	2	2421 891	MOULDING PACKAGE, Deck Lower Panel Filler Door (23-23-23)
	2	6001 092	Retainer
	2	9417 621	Nut
29	1	2421 892-3	MOULDING PACKAGE, Deck Lower Panel (23-23-23)
	1	2448 586-7	MOULDING PACKAGE, Deck Lower Panel Inner (2 Piece Type) (23-23-23)
	1	2448 588-9	MOULDING PACKAGE, Deck Lower Panel Outer (2 Piece Type) (23-23-23)
	*	-----	Seal * 9415 250 Nut
	*	6001 031	Retainer
30	1	2421 956-7	MOULDING PACKAGE, Quarter Panel Lower Rear (23-23-39)
	10	6022 052	Seal 10 ----- Nut
31	2	2421 958	MOULDING PACKAGE, Quarter Panel Upper (23-23-39)
	12	6023 983	Seal 10 ----- Nut
	12	-----	Washer 2 6023 542 Screw
32	1	2196 820-1	MOULDING PACKAGE, Quarter Panel Wheel Opening (23-23-39)
	10	9413 197	Screw
33	1	2421 954-5	MOULDING PACKAGE, Quarter Panel Lower Front (23-23-39)
	2	6023 241	Screw
	4	6001 078	Retainer
34	1	2196 818-9	STONE DEFLECTOR PACKAGE, Quarter Outside Panel (23-34-240)
	8	9413 197	Screw
35	1	2421 950-1	MOULDING PACKAGE, Rear Door (23-23-33)
	2	6010 053	Retainer
	2	-----	Seal 2 6000 832 Retainer
	2	-----	Nut 2 ----- Washer
	6	6001 078	Retainer 2 9417 621 Nut
36	1	2275 107-8	MOULDING PACKAGE, Body Side Sill (23-23-2)
	8	600 938	Clip
	16	9414 586	Screw
	2	9417 515	Screw
37	2	2421 943	MOULDING PACKAGE, Front Door (23-23-32)
	2	6001 053	Retainer
	2	-----	Seal
	2	9415 250	Nut
	8	6001 078	Retainer

Part Type Code is indicated in Parentheses

19x9641B

MOULDINGS - IMPERIAL LE BARON TY1(H) SPECIAL 4 DOOR SEDAN

CODE	PART NAME AND DESCRIPTION	PER CAR	VALIANT DART	PLYMOUTH DODGE	CHRYSLER IMPERIAL
23-02-O ASH RECEIVERS					
23-02-1	RECEIVER, Front Seat Back Ash TC2, TC3	★	2162 566	----	2162 566
	Complete	★	2162 596	----	2162 596
	TP1, TP2, TD1, TD2 w/Face PLATE	1	----	2086 611	
	TA3, TC1, TC2 Use w/o Lighter	1	----	*2080 184	*2080 184
	TA3, TC1, TC2 Complete, use w/o Lighter . .	1	----	2419 836	2419 836
	TC3 Use w/Lighter	1	----	----	2080 181
23-02-6	BUMPER, Front Seat Back Ash Receiver TA3, TC1, TC2, TC3 Housing	2	----	2419 620	2419 620
	Spring	★	----	2419 621	2419 621
23-02-11	HOUSING, Front Seat Back Ash Receiver Except TA3	1	----	1902 375	
	w/Screw Holes	1	----	E2494 015	
	SCREW 4 D., Sp. 4 D., TC3 Use w/Lighter	2	----	E9416 043	
		1	----	----	2419 626
23-02-12	SNUFFER, Seat Back Ash Receiver All Front	1	----	1902 374	
	Sub., TA3 Third	1	----	*1902 374	*1902 374
23-02-18	RECEIVER, Instrument Panel Ash TP1-H, TP2-H, TP2-P, TD1-H, TD2-H, TD2-P Except TP1-H, TP2-H, TP2-P, TD1-H, TD2-H TD2-P, TA3	1	*2218 864	*2216 895	
	TA3, TC1, TC2, TC3	1	----	2162 721	
	TC1, TC2, TC3 Complete	1	----	1901 938	2217 106
	TYL, TYM, TYH	1	----	----	2292 018
		1	----	----	1901 826
23-02-19	HOUSING, Instrument Panel Ash Receiver Except TA3	1	2292 183	2162 685	
	TA3	1	----	1901 944	
23-02-22	PLATE, Front Seat Back Ash Receiver Mounting 4 D., Sp. 4 D. Use w/Lighter	1	----	----	2419 592
23-02-23	COVER, Front Seat Back Ash Receiver Housing Except TA3	1	----	E2440 914	
23-02-26	FASTENER, Front Seat Back Ash Receiver Attaching TVP, TLP Sp. 4 D., Sp. Cl. Cp., Cv. Cp., Sub., TC2, TC3	2	2410 849	----	2410 849
23-02-29	STOP and BUTTON, Instrument Panel Ash Receiver All	1	*2218 847		
23-02-38	BUMPER, Instrument Panel Ash Receiver Door TYL, TYM, TYH	2	----	----	*2218 683
23-02-40	DOOR and HOUSING, Instrument Panel Ash Receiver TYL, TYM, TYH	1	----	----	1900 878
23-02-42	HANDLE, Instrument Panel Ash Receiver TC1, TC2, TC3	1	2217 107	----	2217 107
	SCREW	2	*9418 471	----	*9418 471
23-02-43	SPRING, Instrument Panel Ash Receiver Door TYL, TYM, TYH	1	----	----	1901 844-5
	TC1, TC2, TC3 Right	1	----	----	2080 234
	Left	1	----	----	*2080 898

★ Indicates use as required.

E Indicates parts not listed in any previous parts book.

Right and left part numbers are on same line,
first number is right, second number is left.

* Indicates change or addition.

Printed in U.S.A.

Prices and specifications subject to change without notice.

Jan. 3, 1964 Supersedes Jan. 25, 1963.

1963 PASSENGER CAR PARTS CATALOG

BODY

CODE	PART NAME AND DESCRIPTION	PER CAR	VALIANT DART	PLYMOUTH DODGE	CHRYSLER IMPERIAL
23-02-0 ASH RECEIVERS - Cont'd					
23-02-78	RECEIVER, Rear Door and Quarter Arm Rest Ash TYL, TYM, TYH	2	----	----	2080 413
	RECEIVER, Rear Door Ash Sp. 4 D., TC3 Luxury	2	----	----	*2440 270
23-02-79	RECEIVER, Folding Top Pocket Panel Ash, w/LID, Cv. Cp. Zinc Die Cast Lid	2	*1607 897		
	Chrome Plate Lid	2	*2490 481		
23-02-80	HOUSING, Rear Door Ash Receiver Sp. 4 D., TC3 Luxury	2	----	----	*2440 271
23-02-81	RETAINER, Rear Floor Console Ash Receiver All	1	----	2086 114	2086 114
23-02-82	SPRING, Folding Top Panel Ash Receiver Cv. Cp.	2	2292 503		
	SPRING, Floor Console Front Ash Receiver All	1	----	2292 503	
	SPRING, Rear Door and Quarter Arm Rest Ash Receiver Lid TYL, TYM, TYH	2	----	----	2085 485
	SPRING, Rear Door Ash Receiver Lid Sp. 4 D., TC3 Luxury	2	----	----	*2440 386
23-02-84	BUMPER, Rear Door Ash Receiver Cover Sp. 4 D., TC3 Luxury	2	----	----	*2490 491
23-02-89	BEZEL and LID, Rear Door and Quarter Arm Rest Ash Receiver TYL, TYM, TYH	1	----	----	2085 514-5
	COVER and LID, Rear Door Ash Receiver Sp. 4 D., TC3 Luxury	1	----	----	*2440 382-3
23-02-105	RECEIVER, Floor Console Ash All	1	----	----	2161 028
	Front, Zinc Die Cast Lid	2	----	*1607 897	
	Chrome Plate Lid	2	----	*2490 481	
	w/Inner COVER	1	----	----	*2490 126
	w/Face PLATE, Rear	1	----	2161 115	2161 115
23-02-107	BEZEL, Folding Top Panel Ash Receiver Cv. Cp.	2	1623 104		
	BEZEL, Floor Console Ash Receiver All	1	----	1623 104	
	Front	1	----	2161 035	2161 035
	Rear	1	----		
23-02-145	RECEIVER, Third Seat Ash Sub., TA3	1	----	2086 611	2086 611
23-02-149	BRACKET, Third Seat Ash Receiver Mounting Sub., TA3	1	----	2080 596	2080 596
23-02-150	HOUSING, Third Seat Ash Receiver Sub., TA3	1	----	1902 375	1902 375
23-04-0 FLOOR BOARDS					
23-04-2	COVER, Floor Pan Steering Column Opening TYL, TYM, TYH	1	----	----	1878 145
23-04-117	BOLT and RETAINER, Steering Column Opening Cover TYL, TYM, TYH	3	----	----	1475 900

★ Indicates use as required.
 ☐ Indicates parts not listed in any previous parts book.
 Jan. 3, 1964 Supersedes Dec. 14, 1962.

Printed in U.S.A.
 Prices and specifications subject to change without notice.
 Right and left part numbers are on same line,
 first number is right, second number is left.
 * Indicates change or addition.

CODE	PART NAME AND DESCRIPTION	PER CAR	VALIANT DART	PLYMOUTH DODGE	CHRYSLER IMPERIAL
23-04-0 FLOOR BOARDS - Cont'd					
23-04-205	SKID STRIP, Center Floor Pan Third Seat Back Sub., except TA3 Plastic	2	----	*2251 868	
	MOULDING, Rear Floor Pan Cover Panel Sub., except TA3 Prime	1	----	*2254 668	
	MOULDING, Spare Tire Compartment Floor Mat Sub., Except TA3	1	----	2419 781	
	Sub., TA3	1	----	*2440 273	*2440 273
23-04-229	COVER, Floor Pan Spare Tire, Hard Board 4D., Sp. Cl. Cp., Cl. Sed.	1	2419 361		
	COVER, Spare Tire, Plastic Sub. Paint as Required	1	----	*4318 TX8	*4318 TX8
	PANEL, Spare Tire TYL, TYM, TYH	1	----	----	1708 248
23-04-241	HOUSING, Fuel Tank Filler Tube TP1, TP2, Except Sub.	1	----	2425 394	
	TD1, TD2, TA3, TC1, TC2, TC3, Except Sub.	1	----	2244 123	2244 215
	Use w/2482 869 Door	1	----	----	*2482 859
	Sub., TA3 w/COLLAR	1	----	1960 501	2243 889
	TYL, TYM, TYH Upper	1	----	----	1877 354
	Lower	1	----	----	1877 353
23-04-249	SEAL, Fuel Tank Filler Tube All	1	2242 359		
	Sub., TA3	1	----	1833 900	1833 900
	TYL, TYM, TYH Housing	1	----	----	1877 488
	To Door Housing	1	----	----	1877 516
23-04-250	RETAINER, Fuel Tank Filler Tube Seal TYL, TYM, TYH	1	----	----	1877 355
23-06-0 GLOVE BOX					
23-06-4	BOX, Glove TC1, TC2, TC3, except TA3	1	2162 515	E2218 933	2292 010
	Except TA3 Use w/Air Cond.	1	----	2162 682	
	TA3, TYL, TYM, TYH	1	----	2161 268	1901 808
23-06-10	DOOR, Glove Box TC1, TC2, TC3, Except TA3	1	2162 513	2162 683	2216 939
	TA3, TYL, TYM, TYH	1	----	1901 931	1839 569
23-06-12	PLATE, Glove Box Door Inner TYL, TYM, TYH	1	----	----	1839 568
23-06-13	ARM or STOP, Glove Box Door Check TC1, TC2, TC3, Except TA3	1	----	2162 693	2292 011
	TA3, TYL, TYM, TYH	1	----	1901 790	1902 176-7
23-06-14	BUMPER, Glove Box Door TC1, TC2, TC3	2	1698 868	2080 201	2080 201
	All Hinge	2	2292 257		
	TA3, TC1, TC2, TC3 w/o Light	1	----	*1298 930	*1298 930
	TA3, TYL, TYM, TYH	*	----	729 152	2080 480
23-06-15	CATCH, Glove Box Door Lock TC1, TC2, TC3, Except TA3	1	----	2162 692	2217 277
	SCREW	2	----	125 591	6024 000
	TA3	1	----	2161 217	
	CATCH PACKAGE, Glove Box Door Lock TYL, TYM, TYH	1	----	----	2298 698
	Consists of:				
	1 - ---- Catch				
	2 - ---- Spacers				
	2 - 181 561 Bolt				

★ Indicates use as required.
 E Indicates parts not listed in any previous parts book.
 Right and left part numbers are on same line,
 first number is right, second number is left.
 * Indicates change or addition.

CODE	PART NAME AND DESCRIPTION	PER CAR	VALIANT DART	PLYMOUTH DODGE	CHRYSLER IMPERIAL
23-08-O BUMPERS AND STRIKERS - Cont'd					
23-08-60	STRIKER, Door Lock All	★	1954 234-5	1954 234-5	1954 234-5
	STRIKER, Door Sliding Wedge Cv. Cp.	1	2428 186-7		
23-08-75	PLATE, Door Lock Striker Tapping All	★	*2252 631	*2252 631	*2252 631
23-08-76	GUARD, Door Lock Striker Sp. Cl. Cp., Cv. Cp., Cl. Sed. 4D., Sp. 4D., Sub., except TA3	2	2428 292		
	Rear	2	2428 292	2428 292	
	4D., Sp. 4D., Sub., except TA3 Front	2	---- --	2428 166	
23-09-O GLASS CHANNELS					
23-09-2	ROLLER, Door Glass Lower Channel 4 D., TA3 Rear	2	---- --	*1697 607	*1697 607
	Sub., TA3-E Rear	2	---- --	*1697 607	
	TYL, TYM, TYH	★	---- --	---- --	*1750 490
	SCREW	★	---- --	---- --	*6006 172
23-09-9	BRACKET, Quarter Window Glass Lift Cl. Sed. RIVET	2 2	2217 369 6023 546		
	CHANNEL, Quarter Window Glass Lower				
	Cv. Cp., TYL, TYM	1	*2422 422-3	---- --	*1691 086-7
	Sp. Cl. Cp., TL	1	2245 092-3		
	SCREW and WASHER	4	6023 553		
	Cl. Sed.	1	---- --	2245 002-3	
	Sp. Cl. Cp., Cv. Cp., Except TA3	1	---- --	2244 902-3	
	Sp. Cl. Cp., TYL, TYM	1	---- --	---- --	2422 212-3
23-09-15	BRACKET, Quarter Window Guide Channel Upper Rear Sp. Cl. Cp., TYL, TYM	2	---- --	---- --	1750 660
23-09-17	ROLLER, Quarter Window Glass Lower Channel and Track Sp. Cl. Cp., Cv. Cp., TA3, TC1, TC2 Double	★	---- --	*2165 992	2165 992
	Cv. Cp., TA3, TC1, TC2 Single	2	---- --	1697 607	1697 607
	ROLLER, Rear Door Window Glass Lower Channel and Track Sp. 4 D., Sub., TA3, TC1, TC2, TC3 Double	6	---- --	2165 992	2165 992
	Slide, Quarter Window Glass Lower Channel Guide, Nylon Sp. Cl. Cp., Cv. Cp., TYL, TYM	8	---- --	---- --	1690 950
23-09-35	CHANNEL, Quarter Window Glass Run, w/BRACKET Cl. Sed. Front	2	2216 506		
	Cl. Sed., TL Rear	1	2255 542-3		
	Cv. Cp.	1	2424 970-1		
23-09-37	SUPPORT, Quarter Window Glass Rear Run Channel Sp. Cl. Cp., Cv. Cp., Cl. Sed., TL	2	2243 035		
23-09-47	SUPPORT, Door Glass Rear Run Channel Sp. 4 D., Sp. Cl. Cp., Cv. Cp., Except TA3 Front, Upper	2	---- --	2216 485	
	Lower	2	---- --	2216 111	

NOTE: For models not listed see Part Type Code 23-64-311.

★ Indicates use as required.
 □ Indicates parts not listed in any previous parts book.
 Right and left part numbers are on same line,
 first number is right, second number is left.
 * Indicates change or addition.

1963 PASSENGER CAR PARTS CATALOG

BODY

CODE	PART NAME AND DESCRIPTION	PER CAR	VALIANT DART	PLYMOUTH DODGE	CHRYSLER IMPERIAL
23-09-0 GLASS CHANNELS - Cont'd					
23-09-47	SUPPORT - Cont'd				
	TA3, TC1, TC2, TC3, Except 4 D.				
	Front, Upper	2	----	1963 732	1963 732
	Lower	2	----	1954 446	1954 446
	4 D., Sub.	2	2216 673		
23-09-51	CHANNEL, Front Door Window Glass Rear Run				
	4 D., Cl. Sed., Sub.	2	2216 506		
	Sp. Cl. Cp., Cv. Cp.	1	2217 530-1		
	Sp. 4 D., Sp. Cl. Cp., Cv. Cp., Except TA3	1	----	2166 936-7	
	TA3, TC1, TC2, TC3, Except 4 D.	1	----	1950 812-3	1950 812-3
	TYL, TYM, TYH	1	----	----	1961 382-3
23-09-52	BRACKET, Front Door Glass Lift				
	4 D., Cl. Sed., Sub.	2	2217 369		
	RIVET	2	6023 546		
	Sp. Cl. Cp., Cv. Cp.	2	2217 429		
	RIVET	2	6023 546		
	CHANNEL, Front Door Glass Lower				
	NOTE: For models not listed see Part Type Code 23-64-308.				
	Sub., TA3-E	1	----	2165 712-3	
	4 D., Sub., Except TA3	1	----	2167 780-1	
	Cl. Sed.	1	----	2166 916-7	
	4 D., TA3, TC1, TC2, TC3	1	----	2165 712-3	2165 712-3
	Sp. 4 D., TYL, TYM, TYH	1	----	----	1750 578-9
	Sp. Cl. Cp., Cv. Cp., TYL, TYM	1	----	----	1751 056-7
23-09-53	SPACER, Quarter Window Glass Lower Channel				
	Sp. Cl. Cp., TL	4	2216 544		
23-09-54	GASKET, Door and Quarter Window Glass Lift Bracket				
	All	★	2217 351		
23-09-56	CHANNEL, Rear Door Window Glass Run				
	4 D., Sub.				
	Front	1	2216 818-9		
	Rear	2	2216 844		
	4 D., TC1, TC2, TC3	1	----		*2216 928-9
	Sp. 4 D., TYL, TYM, TYH				
	Front	1	----		1961 378-9
	Rear	1	----		1961 380-1
23-09-58	BRACKET, Rear Door Glass Lift				
	All	2	2217 369		
	RIVET	2	6023 546		
	CHANNEL, Rear Door Window Glass Lower				
	NOTE: For models not listed see Part Type Code 23-64-308.				
	4 D., Sub., Except TA3	1	----	2421 215-6	
	Sp. 4 D., TYL, TYM, TYH, Except TA3	1	----	2217 208-9	1692 152-3
	4D., TA3, TC1, TC3	1	----	1950 648-9	2216 900-1
	Sub., TA3-E	1	----	1950 648-9	
23-09-61	GROMMET, Quarter Window Glass Lower Channel				
	Sp. Cl. Cp., TL	8	2216 546		
23-09-64	CHANNEL, Tailgate Glass Lower				
	Sub., Except TA3	1	----	2217 511	
	RIVET	2	----	6023 695	
	Sub., TA3	1	2423 575	2423 555	2423 555
	SCREW	★	133 781	133 781	133 781
23-09-65	BRACKET, Tail Gate Glass Run Lower Channel				
	Upper				
	Sub., TA3, TC1, TC3	2	----	E2493 685	E2493 685

★ Indicates use as required.

☐ Indicates parts not listed in any previous parts book.

Jan. 3, 1964 Supersedes Jan. 25, 1963.

Printed in U.S.A.
Prices and specifications subject to change without notice.
Right and left part numbers are on same line,
first number is right, second number is left.

* Indicates change or addition.

CODE	PART NAME AND DESCRIPTION	PER CAR	VALIANT DART	PLYMOUTH DODGE	CHRYSLER IMPERIAL
23-09-0 GLASS CHANNELS - Cont'd					
23-09-67	CHANNEL, Tailgate Glass Run				
	Sub., Except TA3				
	Upper	1	2244 889	2251 801	
	Side Upper	1	2480 274-5	2251 772-3	
	Side Lower	1	2423 492-3	2252 152-3	2189 354-5
	Sub., TA3	1	----	2189 354-5	
23-09-75	CHANNEL, Quarter Window Guide				
	Sp. Cl. Cp., TV	1	2244 192-3		
	Sp. Cl. Cp., TL	1	2255 414-5		
	Sp. Cl. Cp., Cv. Cp., TYL, TYM				
	Front	1	----	----	1961 392-3
	Rear	1	----	----	1961 394-5
23-10-0 DOOR CHECK					
23-10-1	ARM, Door Check				
	TYL, TYM, TYH				
	Front, w/RIVET	★	----	----	E2520 341
	RIVET	★	----	----	* 104 102
	TYL, TYM, TYH	2	----	----	1860 829
23-10-2	BRACKET, Rear Door Check Arm				
	TYL, TYM, TYH	2	----	----	1750 686
23-10-17	GUIDE, Rear Door Check Arm				
	TYL, TYM, TYH	2	----	----	1476 900
23-10-18	SPRING, Front Door Check Arm Tension				
	TYL, TYM, TYH	2	----	----	1691 275
23-11-0 DOORS					
23-11-1	SHELL, Front Door				
	Cl. Sed.	1	2253 836-7	2425 092-3	
	4 D., Sub., Except TA3	1	2253 834-5	2425 088-9	
	Sp. 4 D., TYL, TYM, TYH, Except TA3	1	----	2425 090-1	1961 374-5
	4 D., TA3, TC1, TC3	1	----	1964 118-9	2253 540-1
	Sp. 4D., Sub., TA3-L, TC1, TC2, TC3	1	----	2165 326-7	2425 700-1
	Sp. Cl. Cp., Cv. Cp., TC1, TC2, except TA3	1	2253 838-9	2425 094-5	2425 696-7
	Sp. Cl. Cp., Cv. Cp., TA3, TYL, TYM	1	----	1964 124-5	1961 370-1
	Sub., TA3-E	1	----	1964 118-9	
23-11-2	DOOR, Front, Trimmed, Includes HARDWARE and GLASS, All Codes				
	NOTE: Door assemblies complete, will no longer be listed by part number in the parts books. Door assemblies complete will be available during the production run of the car model and will be furnished on special order only. The vehicle SERIAL NUMBER must be noted on the order.				
23-11-3	SHELL, Rear Door				
	4 D., Sub., Except TA3	1	2425 166-7	2425 108-9	
	Sp. 4 D., TYL, TYM, TYH, Except TA3	1	----	2425 110-1	1961 404-5
	4D., TA3, TC1, TC3	1	----	1964 130-1	2425 150-1
	Sp. 4D., TA3-L, TC1, TC2, TC3	1	----	1964 136-7	2425 704-5
	Sub., TA3-L	1	----	1964 136-7	2425 154-5
	Sub., TA3-E	1	----	1964 130-1	
23-11-4	DOOR, Rear, Trimmed Includes HARDWARE and GLASS, All Codes				
	NOTE: Door assemblies complete, will no longer be listed by part number in the parts books. Door assemblies complete will be available during the production run of the car model and will be furnished on special order only. The vehicle SERIAL NUMBER must be noted on the order.				

★ Indicates use as required.
 □ Indicates parts not listed in any previous parts book.
 Right and left part numbers are on same line, first number is right, second number is left.
 * Indicates change or addition.

1963 PASSENGER CAR PARTS CATALOG

BODY

CODE	PART NAME AND DESCRIPTION	PER CAR	VALIANT DART	PLYMOUTH DODGE	CHRYSLER IMPERIAL
23-11-O DOORS - Cont'd					
23-11-19	COVER, Rear Door Inside Panel Upper Front Sp. 4 D., except TA3	1	-----	*2217 352-3	
23-11-21	MEDALLION and NAME PLATE, Door				
NOTE: See Exterior Moulding Illustration in Front of Group 23 Body.					

23-13-O SAFE-T-MATIC DOOR LOCKS

NOTE: See Illustration in Front of Group 23 Body.

23-14-O DOOR REGULATORS AND REMOTE CONTROL HANDLES

23-14-10	HANDLE, Door Outside TC1, TC2, TC3, Except TA3				
	Front	1	2242 848-9	2167 408-9	2299 550-1
	Rear	1	2242 988-9	2167 408-9	2299 550-1
	NUT TA3, TYL, TYM, TYH	*	*6023 204	*6023 204	120 375
	Front	1	-----	1961 600-1	1961 600-1
	Rear	1	-----	1961 606-7	1961 606-7
23-14-17	SPRING, Door Outside Handle Actuator TC1, TC2, TC3	*	-----	-----	2428 118
23-14-18	HANDLE, Door Window Regulator TC1, TC2, TC3	*	2299 928	2299 928	2299 928
	SCREW	*	6023 538	6023 538	6023 538
23-14-21	SPRING, Front Door Window Regular Handle TA3	2	-----	*1695 431	
23-14-24	SPACER, Regulator and Remote Control Handle TC1, TC2, TC3	*	2428 012	2428 012	2428 012
23-14-27	HANDLE, Door Remote Control TC1, TC2	*	2299 973	2299 973	2299 973
	SCREW	*	6023 538	6023 538	6023 538
	TC3	*	-----	-----	1900 860-1
	TYL, TYM, TYH	*	-----	-----	1900 856-7
23-14-39	HANDLE, Door Vent Wing All	1	2216 618-9		
23-14-41	SHAFT, Front Door Vent Wing Handle Except TA3	2	-----	2167 634	
	WASHER	2	-----	6022 858	
	SCREW	2	-----	6022 988	
23-14-45	SPRING, Front Door Vent Handle All	2	2217 039		
23-14-47	CATCH, Front Door Vent Wing Handle TYL, TYM	1	-----	-----	2093 828-9
23-14-49	DETENT, Front Door Vent Wing Handle All	2	2217 044		
23-14-51	GROMMET, Door Remote Control Handle, w/CLIP TC3	*	-----	-----	2085 899
	TYL, TYM, TYH	*	-----	-----	2085 862
23-14-52	PIN, Front Door Vent Wing Handle	2	9409 639	-----	6000 116
23-14-53	HANDLE PACKAGE, Front Door Vent Wing TC1, TC2, TC3, Except TA3	1	-----	2299 433-4	2167 916-7
	TA3, TYL, TYM	1	-----	2167 916-7	1954 110-1

★ Indicates use as required.

⊔ Indicates parts not listed in any previous parts book.

Jan. 3, 1964 Supersedes Jan. 25, 1963.

Printed in U.S.A.
Prices and specifications subject to change without notice.

Right and left part numbers are on same line,
first number is right, second number is left.

* Indicates change or addition.

CODE	PART NAME AND DESCRIPTION	PER CAR	VALIANT DART	PLYMOUTH DODGE	CHRYSLER IMPERIAL
------	---------------------------	---------	--------------	----------------	-------------------

23-14-0 DOOR REGULATORS AND REMOTE CONTROL HANDLES - Cont'd

23-14-79	HANDLE, Quarter Window Regulator Sp. Cl. Cp., Cv. Cp., Cl. Sed., TC1, TC2 SCREW	2	2299 928	2299 928	2299 928
		2	6023 538	6023 538	6023 538
23-14-135	ACTUATOR, Door Outside Handle TC1, TC2, TC3 PIN	★	----	----	2299 636-7
		★	----	----	9417 374
23-14-143	BUTTON END, Door Outside Handle, w/STUD TC1, TC2, TC3 GRIP END, Door Outside Handle, w/STUD TC1, TC2, TC3	★	----	----	2428 276-7
		★	----	----	2428 252-3
23-14-147	GASKET or SEAL, Door Outside Handle Except TA3	To Front	★ 2216 289	2216 289	
		To Rear	★ 2252 040-1	2252 040-1	
		TC1, TC2, TC3 Button End	★ ----	----	2299 594
		Grip End	★ ----	----	2299 595
23-14-151	BUTTON and GUIDE, Door Outside Handle Push TC1, TC2, TC3	★	----	----	2299 610
23-14-153	BUMPER, Door Outside Handle TA3, TYL, TYH, TYM Center	★	----	1651 493	1651 493
		★	----	1707 384	1707 384

23-15-0 DOOR HINGE

23-15-1	HINGE, Door Upper All	Front	2 2298 649			
		Rear	1 2254 258-9			
		Except TA3	Front	1 ----	2216 458-9	
		Rear	1 ----	2299 698-9		
		TA3, TC1, TC2, TC3, Front	1 ----	1882 028-9	1882 028-9	
		4 D., TA3, TC1, TC2, TC3	Rear	1 ----	*1950 610-1	1950 610-1
		Sub., TA3-E	Rear	1 ----	1950 610-1	
		Sp. 4D., Sub., TA3-L, TC1, TC2, TC3	Rear	1 ----	1882 400-1	1882 400-1
		TYL, TYM, TYH	Front	1 ----	----	*2520 338-9
		Rear, Right	1 ----	----	1651 400	
		Left	1 ----	----	1750 565	
23-15-3	HINGE, Door Lower TYL, TYM, TYH, Except TA3	Front	1 2254 226-7	2188 554-5	1651 396-7	
		Rear	1 2254 680-1	2299 694-5		
		TA3, TC1, TC2, TC3	Front	1 ----	1882 048-9	1882 048-9
		4 D., TA3, TC1, TC3	Rear	1 ----	2166 452-3	2166 452-3
		Sp. 4 D., Sub., TA3, TC1, TC2, TC3	Rear	1 ----	2166 466-7	2166 466-7
		TYL, TYM, TYH	Rear, Right	1 ----	----	*1651 400
		Left	1 ----	----	*1750 565	
23-15-6	ROLLER, Door Hinge Integral Check All	Front Lower	2 2254 688			
		TC1, TC2, TC3, Except TA3	Front Upper	2 ----	2216 443	1883 802
		Rear Lower	2 *2216 443	2216 443	1882 967	
		TA3	Front Upper	2 ----	1883 802	
		Rear Lower	2 ----	1882 967		
23-15-7	SHIM, Rear Door Upper Hinge TA3, TC1, TC2, TC3 TYL, TYM, TYH	★	----	1950 670	1950 670	
		★	----	----	2189 408	

★ Indicates use as required.

☐ Indicates parts not listed in any previous parts book.

Right and left part numbers are on same line, first number is right, second number is left.

* Indicates change or addition.

1963 PASSENGER CAR PARTS CATALOG

BODY

CODE	PART NAME AND DESCRIPTION	PER CAR	VALIANT DART	PLYMOUTH DODGE	CHRYSLER IMPERIAL
23-15-0 DOOR HINGE - Cont'd					
23-15-9	PIN, Door Hinge TC1, TC2, TC3 Front Lower	2	6022 891	6000 209	6000 209
	TC1, TC2, TC3, except TA3 Front Upper	2	*6023 576	*6022 891	*1882 054
	TC1, TC2, TC3 Rear Lower	2	6022 891	6022 891	1882 965
	TC1, TC2, TC3, except TA3 Rear Upper	2	*6023 576	*6000 209	*6000 282
	TA3 Front Upper	2	----	1882 054	
	Rear Upper	2	----	6000 282	
	TYL, TYM, TYH Front	4	----	----	*6006 043
	Rear	4	----	----	*6006 047
23-15-11	RING, Door Hinge Integral Check Roller Retainer TA3, TC1, TC2, TC3 Front	2	----	1884 405	1884 405
	Rear	2	----	1882 961	1882 961
23-15-13	PLATE, Rear Door Hinge Tapping Except TA3 Upper	2	2254 242	2217 349	
	Lower	2	2252 607		
	PLATE, Front Pillar Door Hinge Tapping TYL, TYM, TYH	4	----	----	6006 086
23-15-14	SPRING, Door Hinge Integral Check Pin TA3, TC1, TC2, TC3 Front	2	----	1882 055	1882 055
	Rear	2	----	2166 462	2166 462
23-15-17	SPACER, Front Door Upper Hinge Spring TA3, TC1, TC2, TC3	4	----	*1909 975	*1909 975
	SPACER, Rear Door Lower Hinge Pin TA3, TC1, TC2, TC3	2	----	*1950 559	*1950 559
23-15-21	RETAINER, Center Pillar Rear Door Hinge Tapping Plate TYL, TYM, TYH Upper	1	----	----	1750 602-3
	Lower	2	----	----	1750 484
23-15-21	RETAINER, Center Pillar Rear Door Upper Hinge Seal Except TA3	2	----	2254 799	
23-15-22	SEAL, Front Door Hinge TYL, TYM, TYH	4	----	----	1961 262
23-15-30	BAR, Door Lower Hinge Integral Check Torsion All Front	2	2254 686		
	Rear	2	2254 687		
23-15-32	RETAINER, Door Hinge Torsion Bar Roller Grease All Front Lower	2	2428 179		
	Except TA3 Rear Lower	2	2428 179	2428 179	
	Except TA3 Front Upper	2	----	2428 179	
23-17-0 LOCK CYLINDER AND KEYS					
	NOTE: For Glove Box see Part Type Code 23-06-28.				
23-17-2	CYLINDER and KEYS, Door and Ignition Lock TC1, TC2, TC3, Except TA3	1	2161 192	2161 192	2161 192
	TA3, TYL, TYM, TYH	1	----	2161 503	2161 503
	Taxi and Police, except TA3	1	----	2162 503	2162 503
	CYLINDER and KEYS, Door, Ignition and Tailgate Lock Sub., Except TA3 Manual	1	2419 183	2162 531	
	Sub., TA3 Electric	1	----	2291 411	2427 116
23-17-4	CYLINDER and KEYS, Deck Lid, Glove Box and Center Arm Rest Sp. 4 D., TC3 Luxury	1	----	----	*2490 169

★ Indicates use as required.

☐ Indicates parts not listed in any previous parts book.

Jan. 3, 1964 Supersedes Jan. 25, 1963.

Printed in U.S.A.

Prices and specifications subject to change without notice.

Right and left part numbers are on same line,
first number is right, second number is left.

* Indicates change or addition.

CODE	PART NAME AND DESCRIPTION	PER CAR	VALIANT DART	PLYMOUTH DODGE	CHRYSLER IMPERIAL
23-17-0 LOCK CYLINDER AND KEYS - Cont'd					
23-17-5	CYLINDER and KEYS, Deck Lid Lock Taxi and Police w/o Key	1	----	2428 245	
	TP1, TP2, TYL, TYM, TYH	1	*2162 613	2440 019	2086 050
	TD1, TD2	1	----	2440 020	
	TA3, TC1, TC2, TC3	1	----	*2162 613	*2162 613
23-17-9	GASKET, Deck Lid Lock Cylinder TC1, TC2, TC3	1	2162 610	2162 610	2162 610
	TD1, TD2, TA3 Ornament	1	----	*2255 709	
23-17-10	RETAINER, Deck Lid Lock Cylinder TC1, TC2, TC3, except TP1, TP2	1	2162 605	2162 605	2162 605
	TP1, TP2	1	----	2428 175	
23-17-11	SPRING, Deck Lid Lock Cylinder Ornament TD1, TD2, TA3, TYL, TYM, TYH	1	----	2255 653	2188 687
23-17-13	COVER, Deck Lid Lock Cylinder TYL, TYM, TYH	1	----	----	2255 607
	BASE, Deck Lid Lock Cylinder Ornament TD1, TD2	1	----	2422 591	
	TA3	1	----	2424 795	
23-17-18	RETAINER, Rear Floor Pan Cover Lock Cylinder Sub., TA3	1	----	1866 686	1866 686
23-17-19	ORNAMENT, Deck Lid Lock Cylinder NOTE: See Exterior Moulding Illustration in Front of Group 23 Body.				
23-17-24	CYLINDER and KEYS, Door Lock (consists of 2 cylinders and 2 keys) TC1, TC2, TC3, except TA3	1	2161 356	2161 356	2161 356
	TA3, TYL, TYM, TYH	1	----	2086 048	2086 048
23-17-27	WASHER, Front Door Lock Cylinder Sealing TC1, TC2, TC3, except TA3	2	*1819 316	*1819 316	*1819 316
23-17-28	RETAINER, Door Lock Cylinder TC1, TC2, TC3	1	2162 351	2162 351	2162 351
23-17-33	LATCH, Front Seat Center Arm Rest Sp. 4 D., TC3 Luxury	1	----	----	*2490 108
23-17-34	CATCH, Front Seat Center Arm Rest Latch Sp. 4 D., TC3 Luxury	1	----	----	*2446 670
23-17-38	CYLINDER and KEYS, Floor Console All	1	----	2419 717	2419 706
23-17-39	BEZEL, Lock Cylinder TC2 Floor Console	1	----	----	*2419 986
	Sp. 4 D., TC3 Luxury, Center Arm Rest	1	----	----	*2419 986
23-17-45	CYLINDER and KEYS, Manual Tailgate, Tire Well and Glove Box Lock Sub., TA3-E	1	----	2440 399	
23-17-49	CYLINDER and KEYS, Tailgate Lock Sub., except TA3 Manual	1	*2419 271	*2162 536	
	Sub. Electric	1	*2161 423	*2161 423	*2161 423
	Sub., TA3-E Manual	1	----	*2161 599	
23-17-51	GASKET, Electric Tailgate Lock Cylinder Mounting Sub.	1	*2486 493	*2486 493	*2486 493

★ Indicates use as required.
 □ Indicates parts not listed in any previous parts book.
 Right and left part numbers are on same line,
 first number is right, second number is left.
 * Indicates change or addition.

1963 PASSENGER CAR PARTS CATALOG

BODY

CODE	PART NAME AND DESCRIPTION	PER CAR	VALIANT DART	PLYMOUTH DODGE	CHRYSLER IMPERIAL
23-17-0 LOCK CYLINDER AND KEYS - Cont'd					
23-17-52	RETAINER, Electric Tailgate Lock Cylinder Mounting Sub.	1	1819 317	1819 317	1819 317
23-17-66	KEY, Deck Lid and Glove Box Lock Cylinder Blank TYL, TYM, TYH	1	-----	-----	1520 798
23-17-72	CYLINDER and KEYS, Tirewell Cover Lock Sub., Except TA3 Sub., TA3	1	-----	2292 051	2161 615
		1	-----	2161 615	
23-18-0 DOOR LOCKS AND REMOTE CONTROLS					
23-18-5	LOCK, Door TC1, TC2, TC3, Except TA3 Front Rear TA3, TC1, TC2, TC3, use w/Safe-T-Matic Front TA3, TYL, TYM, TYH Front Rear	1	2242 852-3	2167 446-7	2166 694-5
		1	2242 862-3	2167 544-5	1954 058-9
		1	-----	*2428 164-5	*2428 164-5
		1	-----	2166 694-5	2188 902-3
		1	-----	1954 058-9	2189 646-7
23-18-11	LINK, Door Lock Remote Control 4 D., Sp. 4 D., Sub., TYL, TYM, TYH, Except TA3 Front Rear Sp. Cl. Cp., Cv. Cp., Cl. Sed., Except TA3	2	2428 212	2252 044	
		2	2428 211	2299 839	1961 717
		2	2428 210	2252 046	
23-18-12	CLIP, Rear Door Lock Locking Control Cable All	4	6015 143		
23-18-13	REMOTE CONTROL, Door Lock TC3, except TA3 Front Rear 4D., Sp. 4D., Sub., TA3, TC1, TC2 Front Rear Sp. Cl. Cp., Cv. Cp., TA3, TC1, TC2 Sp. 4 D., TYL, TYM, TYH Front Rear Sp. Cl. Cp., Cv. Cp., TYL, TYM	1	2299 516-7	2428 052-3	2165 224-5
		1	2299 516-7	2428 052-3	2165 232-3
		1	-----	2428 110-1	2428 110-1
		1	-----	2428 112-3	2428 112-3
		1	-----	2428 092-3	2428 092-3
		1	-----	-----	1961 748-9
		1	-----	-----	1961 704-5
		1	-----	-----	1961 750-1
23-18-20	LINK, Door Outside Handle to Lock 4 D., Sp. 4 D., Sub., TC1, TC2, TC3, Except TA3 Front Rear Sp. Cl. Cp., Cv. Cp., Cl. Sed., except TA3 TA3 Front Rear Sp. Cl. Cp., Cv. Cp., TC1, TC2 Length 9.80" 9.98" Sp. 4 D., TYL, TYM, TYH Front Rear Sp. Cl. Cp., Cv. Cp., TYL, TYM	★	-----	2299 848-9	2299 667
		2	-----	2299 631	2299 666
		2	-----	*2299 622	
		2	-----	1963 638	
		2	-----	1954 910	
		2	-----	-----	*2299 668
		2	-----	-----	*2299 667
		2	-----	-----	1961 752
		2	-----	-----	1961 736
		2	-----	-----	1961 753
		23-18-21	SPRING, Door Lock Remote Control Lever Except TA3 TA3	★	-----
★	-----			849 517	

★ Indicates use as required.
 ☐ Indicates parts not listed in any previous parts book.
 Jan. 3, 1964 Supersedes Jan. 25, 1963.

Printed in U.S.A.
 Prices and specifications subject to change without notice.
 Right and left part numbers are on same line,
 first number is right, second number is left.
 * Indicates change or addition.

CODE	PART NAME AND DESCRIPTION	PER CAR	VALIANT DART	PLYMOUTH DODGE	CHRYSLER IMPERIAL
23-18-0 DOOR LOCKS AND REMOTE CONTROLS - Cont'd					
23-18-25	CONTROL, Rear Door Lock Locking All Cable Type w/RODS	2 1 4	*2299 764 E2486 466-7 E9420 442		
	SCREW Except TA3 TA3, TC1, TC2, TC3 TYL, TYM, TYH	1 1 1 1	---- ---- ---- ----	*2486 036-7 1884 488-9 ----	1884 488-9 2428 256-7
23-18-26	LINK or ROD, Front Door Lock to Lock Cylinder TA3 4 D., Sp. 4 D., Sub., TC1, TC2, TC3, Except TA3 Sp. Cl. Cp., Cv. Cp., Cl. Sed., TC1, TC2, Except TA3 Sp. 4 D., TYL, TYM, TYH Right Left Sp. Cl. Cp., Cv. Cp., TYL, TYM Right Left	1 1 1 1 1 1 1 1 1 1	2243 348-9 ---- ---- ---- ---- ---- ---- ---- ----	1954 818-9 2299 634-5 2299 628-9 ---- ---- ---- ---- ----	2428 242-3 2428 240-1 1961 862 2093 412 1961 863 2093 413
	ROD, Door Lock Locking Control Push All Front 4 D., Sp. 4 D., Sub., Except TA3 Front Rear, Bent End Hook End Sp. Cl. Cp., Cv. Cp., Cl. Sed., Except TA3 LINK, Rear Door Lock Locking Control Except TA3 TA3, TC1, TC2, TC3	1 1 2 2 1 1 1	2299 674-5 ---- ---- ---- ---- ---- ----	2251 836-7 *2486 034 E2486 216 2252 054-5 2486 041-2 2486 202-3	2486 202-3
23-18-27	KNOB, Door Lock Locking Control Except TA3 Chrome Black Blue Green Tan Red Alabaster Turquoise TD1, TD2 Chrome TA3 SCREW	* * * * * * * * * 2 2	2428 399 2413 772 ---- ---- ---- ---- ---- ---- ---- ---- ---- ----	2428 399 2413 772 E2432 442 E2432 443 E2432 444 E2432 445 E2432 446 E2432 447 E2486 581 * 158 414	E2486 581 * 158 414
23-18-28	SPRING, Door Lock Actuator TA3, TC1, TC2, TC3	*	----	*1458 246-7	*1458 246-7
23-18-29	RETAINER, Door Outside Handle to Lock All CLIP, Front Door Lock Cylinder to Locking Lever Except TA3 TA3 CLIP, Rear Door Lock Locking Control Knob Except TA3 CLIP, Rear Door Lock Locking Control Link to Lever Except TA3 CLIP, Rear Door Lock Locking Control Push Rod Except VA3	* * 2 2 2 2 2	---- ---- 2251 812 ---- 2216 276 ---- ---- ----	1954 851 2251 812 2166 622 2216 276 2486 040 *2251 949	1954 851 2166 622
23-18-35	RETAINER, Door Lock Remote Control Link to Inside Panel 4 D., Sub. Sp. Cl. Cp., Cv. Cp., Cl. Sed., Except TA3	4 2	2428 087 2428 086	2428 163	
23-18-37	WASHER, Rear Door Lock Locking Control Knob TA3, TC1, TC2, TC3	2	----	*1952 603	*1952 603

★ Indicates use as required.
 ☐ Indicates parts not listed in any previous parts book.
 Right and left part numbers are on same line,
 first number is right, second number is left.
 * Indicates change or addition.

1963 PASSENGER CAR PARTS CATALOG

BODY

CODE	PART NAME AND DESCRIPTION	PER CAR	VALIANT DART	PLYMOUTH DODGE	CHRYSLER IMPERIAL
23-18-0 DOOR LOCKS AND REMOTE CONTROLS - Cont'd					
23-18-40	ANTI-RATTLER, Door Lock Remote Control Link TA3, TC1, TC2, TC3 TY1	★ ★	---- ----	*1952 778 -----	*1952 778 2428 251
23-18-42	CLIP, Door Lock to Remote Control Link Except TA3 TY1	★ ★	2251 949 -----	2251 949 -----	6006 506
23-18-46	SUPPORT, Rear Door Lock Locking Control Cable 4D., Sub. CLAMP, Rear Door Lock Locking Control Cable All	2 4	2217 927 2428 062		
23-18-49	ESCUTCHEON, Door Lock Locking Control All Chrome	★	*2428 178		
23-18-54	GROMMET, Door Lock Locking Lever Except TA3 Black Clear	★ ★	----- -----	2241 916 2440 177	
23-18-102	RETAINER, Electric Door Lock Switch and Bezel TYL, TYM, TYH	2	-----	-----	1971 478
23-18-103	SWITCH, Electric Door Lock, w/BEZEL TYL, TYM, TYH	2	-----	-----	2096 398
23-18-106	RELAY, Electric Door Lock TYL, TYM, TYH	1	-----	-----	2257 703
23-18-107	LINK, Electric Door Lock Solenoid to Lock Sp. 4 D., TYL, TYM, TYH Front Rear Sp. Cl. Cp., Cv. Cp., SYL, SYM	2 2 2	----- ----- -----	----- ----- -----	1972 952 2258 898 1972 954
23-18-112	CIRCUIT BREAKER, Electric Door Lock TYL, TYM, TYH	1	-----	-----	1566 038
23-18-115	SOLENOID, Electric Door Lock, w/BRACKET Sp. 4 D., TYL, TYM, TYH Front Rear Sp. Cl. Cp., Cv. Cp., TYL, TYM	2 1 1	----- ----- -----	----- ----- -----	1972 940 1972 938-9 1972 942-3
23-18-116	SCREW and WASHER, Electric Door Lock Solenoid Mounting TYL, TYM, TYH	★	-----	-----	2096 129
23-19-0 DECK LID					
23-19-8	LID, Deck TL-L w/o Back-Up Lamp Holes . . . TV, TP1, TP2 TL, TD1, TD2, TC1, TC2, TC3 TA3, TYL, TYM, TYH TYL, TYM, TYH w/False Panel	1 1 1 1 1	2425 616 2253 436 2253 591 ----- -----	2425 236 2253 736 2253 270 -----	2253 487 2425 297 1877 585
23-19-11	HANDLE PACKAGE, Deck Lid Lift TYL, TYM, TYH Use w/False Panel NUT	1 2	----- -----	----- -----	2196 805 * 116 000
23-19-17	SEAL, Deck Lid Back-Up Lamp Hole Cover TL	2	2252 282		

★ Indicates use as required.

□ Indicates parts not listed in any previous parts book.

Jan. 3, 1964 Supersedes Jan. 25, 1963.

Page 23-74

Printed in U.S.A.
Prices and specifications subject to change without notice.
Right and left part numbers are on same line,
first number is right, second number is left.

* Indicates change or addition.

CODE	PART NAME AND DESCRIPTION	PER CAR	VALIANT DART	PLYMOUTH DODGE	CHRYSLER IMPERIAL
23-19-0 DECK LID - Cont'd					
23-19-21	PLUG, Deck Lid Drain Hole TC1, TC2, TC3	1	----	*1878 752	*1878 752
23-19-22	GASKET, Deck Lid Lift Handle TYL, TYM, TYH	1	----	----	1877 749
23-19-58	GASKET, Deck Lid False Panel Cover Medallion Retaining Ring TYL, TYM, TYH	1	----	----	2094 658
23-19-59	SPACER, Deck Lid Inside Panel to Deck Upper Panel Cv. Cp., except TA3	2	----	2480 387	
	SPACER, Deck Lid Hinge Cv. Cp., TC1, TC2	2	----	----	*1706 470
23-19-63	BUMPER, Deck Lid TC1, TC2, TC3, except TA3	2	1954 763	1964 563	1954 763
	TA3	2	----	1954 763	
	TYL, TYM TYH Upper Corner	2	----	----	1961 737
	Side Upper	2	----	----	1960 714
	Lower	2	----	----	1960 624
23-19-70	CATCH, Deck Lid Lock TC1, TC2, TC3, Except TA3	1	2244 149	2244 149	2244 149
	TA3, TYL, TYM, TYH	1	----	1867 661	1867 661
23-19-74	SUPPORT, Deck Lid Lower Panel Lock TV, TC1, TC2, TC3	1	2425 106	----	2425 042
	TL, TD1, TD2, TYL, TYM, TYH	1	2425 041	2425 146	1960 149
	TA3	1	----	2094 029	
23-19-75	PLATE, Deck Lid Lock Mounting TYL, TYM, TYH	1	----	----	*1960 560
23-19-76	BRACKET or BRACE, Deck Lid Hinge Support to Wheelhouse TV, except Cv. Cp.	1	*2243 222-3		
	TL, TYL, TYM, TYH, Except Cv. Cp.	1	2243 594	----	1750 991
	Cv. Cp., TV, TYM	1	2423 650-1	----	1751 130-1
	Cv. Cp., TL	1	2423 652-3		
	BRACKET, Deck Lid Hinge Stop TC1, TC2, TC3	2	----	----	2244 644
23-19-82	SUPPORT, Deck Lid Hinge TV, Except Cv. Cp.	1	2243 546-7		
	TL, Except Cv. Cp.	1	2245 098-9		
	TP1, TP2, TC1, TC2, TC3, Except Cv. Cp.				
	Upper	1	----	2255 384-5	2244 584-5
	Lower	*	----	2255 782-3	2242 690
	TD1, TD2, Except Cv. Cp.				
	Upper	1	----	2255 384-5	
	Lower	1	----	2244 022-3	
	TA3, Except Cv. Cp. Lower	1	----	1884 636-7	
	Cv. Cp., TV, TC1, TC2, except TA3				
	Upper	1	2424 396-7	2422 844-5	2245 036-7
	Cv. Cp., TL Upper	1	2424 398-9		
	Cv. Cp., TV, TP2, TC1, TC2				
	Lower	1	2255 978-9	2255 696-7	2242 630-1
	Cv. Cp., TL, TD2 Lower	1	*2422 622-3	*2255 770-1	
	TA3, Except Cv. Cp. Upper	1	----	1909 410-1	
	TYL, TYM, TYH, Except Cv. Cp.	1	----	----	1961 078-9
	Cv. Cp., TYL, TYM	1	----	----	1961 080-1

★ Indicates use as required.

⊠ Indicates parts not listed in any previous parts book.

Right and left part numbers are on same line,

first number is right, second number is left.

* Indicates change or addition.

1963 PASSENGER CAR PARTS CATALOG

BODY

CODE	PART NAME AND DESCRIPTION	PER CAR	VALIANT DART	PLYMOUTH DODGE	CHRYSLER IMPERIAL
23-19-0 DECK LID - Cont'd					
23-19-84	HINGE, Deck Lid TC1, TC2, TC3, Except Cv. Cp., TA3	2	2243 598	2253 988	2244 948
	Cv. Cp., TV, Except TA3	2	2424 340	2255 527	
	Cv. Cp., TL	2	2424 341		
	TA3, Except Cv. Cp.	1	----	2424 632-3	
	Cv. Cp., TA3, TC1, TC2	1	----	2165 572-3	2244 522-3
	TYL, TYM, TYH	2	----	----	2093 530
23-19-85	PIN, Deck Lid Hinge TYL, TYM, TYH	2	----	----	1691 899
23-19-92	SPRING, Deck Lid Hinge Cv. Cp., TA3	4	----	2165 590	
23-19-94	SWITCH, Electric Deck Lid Lock Release TYL, TYM, TYH	1	----	----	2426 836
23-19-99	TAPPING PLATE, Deck Lid Hinge TC1, TC2, TC3	2	2243 327	2243 327	2243 327
23-19-101	TERMINAL, Electric Deck Lid Release Switch TYL, TYM, TYH	1	----	----	1770 660
23-19-102	SOLENOID and MOUNTING BRACKET PACKAGE, Electric Deck Lid Lock TYL, TYM, TYH Consists of: 1 - ---- Solenoid, w/Bracket 1 - ---- Rivet	1	----	----	2448 622
23-19-103	COVER, Electric Deck Lid Lock Solenoid TYL, TYM, TYH SCREW	1 4	----	----	2440 368 E9416 049
23-19-105	LOCK, Deck Lid TC1, TC2, TC3, Except TA3 TA3, TYL, TYM, TYH LOCK PACKAGE, Electric Deck Lid TYL, TYM, TYH Consists of: 1 - 2428 026 Lock 1 - ---- Bracket, Mounting 1 - ---- Lever, Actuating 1 - ---- Rod, Solenoid Extension 2 - ---- Rivet 1 - ---- Rivet 1 - ---- Rivet 2 - 181 055 Bolt 2 - 6022 181 Washer	1 1 1	2167 260 ---- ----	2167 260 2428 026 ----	2167 260 2428 026 2448 506
23-19-114	NAME PLATE, Medallion or Ornament Deck Lid				
	NOTE: See Exterior Moulding Illustration in Front of Group 23 Body.				
23-19-121	BEZEL, Deck Lid Medallion 300-J TC2	1	----	----	2424 300
23-19-123	GASKET, Deck Lid Ornament TYL, TYM, TYH	1	----	----	2255 606
23-19-177	BAR, Deck Lid Hinge Torsion Cv. Cp., TL, TC1, TC2 TL, TP1, TP2, TC1, TC2, TC3, Except Cv. Cp. TV, TD1, TD2, Except Cv. Cp. Cv. Cp., TV, Except TA3 TA3, except Cv. Cp. TYL, TYM, TYH	1 1 1 1 1 1	2424 216-7 2243 804-5 2242 534-5 2424 214-5 ---- ----	---- 2244 118-9 2244 118-9 2255 722-3 1964 512-3 ----	2244 582-3 2242 698-9 1877 540-1

★ Indicates use as required.

☐ Indicates parts not listed in any previous parts book.

Jan. 3, 1964 Supersedes Jan. 25, 1963.

Page 23-76

Prices and specifications subject to change without notice.

Right and left part numbers are on same line,
first number is right, second number is left.

* Indicates change or addition.

Printed in U.S.A.

CODE	PART NAME AND DESCRIPTION	PER CAR	VALIANT DART	PLYMOUTH DODGE	CHRYSLER IMPERIAL
23-19-O DECK LID - Cont'd					
23-19-178	ROLLER, Deck Lid Hinge Torsion Bar End				
	TV	2	*2244 882		
	Cv. Cp., TC1, TC2	2	----	----	*2244 633
	All RETAINER, Center	1	----	6000 594	6000 594
	TYL, TYM, TYH Plate	2	----	----	6006 243
	SLIDE, Deck Lid Hinge Torsion Bar End, Plastic				
	Cv. Cp., TV.	2	2480 646		
	TC1, TC2, TC3, except Cv. Cp.	2	*2480 230	*2480 230	*2480 230
	Cv. Cp., TL., TA3, TC1, TC2	2	*2480 230	*2480 231	*2480 231
23-19-180	COVER, Deck Lid Back-Up Lamp Hole				
	TL	2	2423 201		
23-19-185	LINK, Deck Lid Hinge to Torsion Bar				
	Sp. 4 D., Sp. Cl. Cp., TYL, TYM, TYH	2	----	----	1877 521
	Cv. Cp., TYM	2	----	----	1877 520
23-19-188	STOP, Center Belt Bar Deck Lid Hinge Torsion Bar				
	Cv. Cp., TC1, TC2	2	----	2423 784	2423 785
23-20-O FLOOR MATS					
23-20-8	MAT, Front Floor				
	TL-L				
	Blue	1	2297 427		
	Tan	1	2297 428		
	Red	1	2297 429		
	Turquoise	1	2297 430		
	Black	1	2297 431		
	TV, TL, Except TA3				
	Heavy Duty Black	1	2297 433	2413 732	
	TP1-L, TP2-L Charcoal	1	----	2413 728	
	TD1-L, TD2-L Black and Red	1	----	2413 729	
	Turquoise	1	----	2413 730	
	TP1-L, TP2-L, TD1-L, TD2-L				
	Blue	1	----	2413 726	
	Tan	1	----	2413 727	
	Black	1	----	2413 731	
	4D., Sub., TA3, TC1 Use w/Std. Trans.				
	Heavy Duty Black	1	----	2179 550	2179 550
	4D., Sub., TA3-E, TC1, Use w/Auto. Trans.				
	Heavy Duty Black	1	----	2179 551	2179 551
23-20-11	MAT, Intermediate Floor				
	Sub., TV-L, TL-L				
	Black	1	*2413 017		
	Blue	1	2413 014		
	Turquoise	1	2432 152		
	Red	1	2413 016		
	Tan	1	2413 088		
	Sub., TP1-L, TP2-L Charcoal	1	----	2413 735	
	Sub., TP1-L, TP2-L, TD1-L, TD2-L				
	Black	1	----	2413 738	
	Blue	1	----	2413 733	
	Tan	1	----	2413 734	
	Sub., TD1-L, TD2-L Black and Red	1	----	2413 736	
	Turquoise	1	----	2413 737	
	Sub., TA3-E, TC1 Heavy Duty Black	1	----	2179 553	2179 553
23-20-14	PLATE, Door Sill Inner Scuff				
	4 D., Sp. 4 D., Sub., Except TA3				
	Front	1	2292 054-5	2251 404-5	
	Rear	1	2292 056-7	2251 490-1	

★ Indicates use as required.
 □ Indicates parts not listed in any previous parts book.
 Right and left part numbers are on same line,
 first number is right, second number is left.
 * Indicates change or addition.

1963 PASSENGER CAR PARTS CATALOG

BODY

CODE	PART NAME AND DESCRIPTION	PER CAR	VALIANT DART	PLYMOUTH DODGE	CHRYSLER IMPERIAL
23-20-0 FLOOR MATS - Cont'd					
23-20-14	PLATE - Cont'd				
	SP. Cl. Cp., Cl. Sed., TC1, TC2, except TA3	1	2292 052-3	2251 328-9	1882 900-1
	Cv. Cp., TC1, TC2, except TA3	1	2292 052-3	2251 332-3	1882 900-1
	4 D., TA3, TC1, TC3 Front	1	----	1882 888-9	1882 892-3
	Sp. 4D., Sub., TA3-L, TC1, TC2, TC3				
	Front	1	----	1884 422-3	1884 426-7
	Rear	1	----	1884 456-7	1884 456-7
	Sp. 4 D., TYL, TYM, TYH				
	Front	1	----	----	2162 136-7
	Rear	1	----	----	2162 138-9
	Sp. Cl. Cp., Cv. Cp., TA3, TYL, TYM	1	----	1882 896-7	2162 140-1
	Sub., TA3-E				
	Front	1	----	1882 888-9	
	Rear	1	----	1884 454-5	
	4D., TA3, TC1, TC3, Rear	1	----	1884 454-5	1884 454-5
	PLATE, Door Sill Outer Scuff				
	4 D., Sp. 4 D., Sub., except TA3				
	SCREW	2	*2419 664	*2419 667	
	Front	8	6023 247		
	Rear	2	2419 665	2419 668	
	SCREW	4	6023 247		
	Sp. Cl. Cp., Cv. Cp., Cl. Sed., Except TA3	2	2419 663	2419 666	
	SCREW	10	6023 247		
23-20-16	INSERT, Front Floor Carpet Heel Pad	6	----	----	1766 986
	Sp. Cl. Cp., TC2				
	INSERT, Door Sill Scuff Plate Tread	*	----	----	1839 956
	TYL, TYM, TYH				
23-20-19	SUPPORT, Door Sill Scuff Plate				
	4 D., Sp. 4 D., Sub., TA3, TC1, TC2, TC3				
	Front	1	----	1954 286-7	1954 286-7
	Rear	1	----	1954 288-9	1954 288-9
	Sp. Cl. Cp., Cv. Cp., TA3, TC1, TC2	1	----	1954 316-7	1954 316-7
	Sp. 4 D., TYL, TYM, TYH				
	Front	2	----	----	1692 173
	Rear, Right	1	----	----	1692 172
	Left	1	----	----	1810 910
	Sp. Cl. Cp., Cv. Cp., TYL, TYM	2	----	----	1690 742
23-20-20	EXTENSION, Rear Door Sill Scuff Plate Support				
	Sub., TA3	1	----	*1963 380-1	*1963 380-1
23-20-24	EXTENSION, Door Sill Scuff Plate				
	Sub., TA3				
	Rear	1	----	1963 378-9	1963 378-9
	w/Air Conditioning, Rear	1	----	2094 276-7	2094 276-7
	4 D., Sp. 4 D., TA3, TC1, TC2, TC3				
	Rear	1	----	1963 308-9	1963 308-9
	Sp. Cl. Cp., TA3, TC1, TC2	1	----	2166 024-5	1963 352-3
	Cv. Cp., TA3, TC1, TC2	1	----	2166 024-5	2166 024-5
23-20-29	MAT, Rear Deck Floor				
	TP1, TP2, Except Cv. Cp.				
	Gray	1	*1613 TA7	*2413 640	
	Cv. Cp., TP2	1	E2413 999	2413 641	
	TD1, TD2, Except Cv. Cp.				
	Gray	1	----	2429 086	
	Cv. Cp., TD2	1	----	2429 087	
	Cv. Cp., TC1, TC2	1	----	----	2249 552
	Cv. Cp., TA3	1	----	2181 441	
	TA3, TC1, TC2, except Cv. Cp.				
	Black	1	----	2181 442	2181 444
	TC1, TC2, TC3, use w/Dual Air Conditioning				
	Black	1	----	----	2180 972

★ Indicates use as required.

☐ Indicates parts not listed in any previous parts book.

Jan. 3, 1964 Supersedes Jan. 25, 1963.

Printed in U.S.A.
 Prices and specifications subject to change without notice.
 Right and left part numbers are on same line,
 first number is right, second number is left.

* Indicates change or addition.

CODE	PART NAME AND DESCRIPTION	PER CAR	VALIANT DART	PLYMOUTH DODGE	CHRYSLER IMPERIAL
23-20-0 FLOOR MATS - Cont'd					
23-20-32	RETAINER, Floor Mat and Carpet Except TA3	★	----	2419 931	
23-20-41	MAT, Rear Floor				
	TV-L Black	1	2413 017		
	TL-L Blue	1	2297 442		
	TL Black	1	2297 446		
	TL Heavy Duty Black	1	2297 447		
	Sub., TV-L, TL-L Cargo, Black	1	2413 790		
	Sub., TV-H, TL-H Cargo, Blue	1	2413 791		
	Tan	1	2413 792		
	Red	1	2413 793		
	TV-H Cargo, Green	1	2413 795		
	TL-H Cargo, Turquoise	1	2413 794		
	TL-L Tan	1	2297 443		
	Red	1	2297 444		
	Turquoise	1	2297 445		
	TP1-L, TP2-L Charcoal	1	----	2413 735	
	Black	1	----	2413 738	
	Blue	1	----	2413 733	
	Tan	1	----	2413 734	
	Heavy Duty Black	1	----	2413 739	
	TD1-L, TD2-L Tan	1	----	2428 843	
	Blue	1	----	2428 842	
	Black	1	----	2428 846	
	Turquoise	1	----	2428 845	
	Heavy Duty Black	1	----	2428 847	
	Black and Red	1	----	2428 844	
	Sub., except TA3 3rd. Seat Well, Back	1	----	2413 643	2179 538
	2 Seat, Jute	1	----	2413 642	
	Sub., TA3 3rd. Seat Well, Black	1	----	2179 538	
	4D., TA3-E, TC1 Heavy Duty Black	1	----	2179 552	2179 552
23-20-65	PLATE, Center Pillar Scuff				
	4 D., Sub.	2	2292 274		
	Sp. 4D., Sub., TA3-L, TC1, TC2, TC3	1	----	1954 650-1	1954 650-1
	4 D., TA3, TC1, TC2, TC3	2	----	1954 648	1954 648
	Sub., TA3-E	2	----	1954 648	
23-21-0 MIRRORS					
23-21-3	MIRROR PACKAGE, Rear View				
	Taxi and Police Outside, Clear	1	2292 194	2292 194	2292 194
	Non-Glare	1	2292 195	2292 195	2292 195
	Consists of:				
	1 - ---- Mirror				
	1 - ---- Gasket				
	1 - ---- Set Screw				
	1 - ---- Clip				
	All, Replaceable Glass Type				
	Outside	★	2299 574	2299 574	
	Consists of:				
	1 - ---- Mirror				
	1 - ---- Gasket				
	2 - 9417 530 Screw				
	All Drivers Side	1	----	----	*2421 990
	Consists of:				
	1 - ---- Mirror				
	1 - 2161 931 Anti-Squeak				
	2 - 9411 860 Screw				

★ Indicates use as required.

□ Indicates parts not listed in any previous parts book.

Right and left part numbers are on same line,

first number is right, second number is left.

* Indicates change or addition.

1963 PASSENGER CAR PARTS CATALOG

BODY

CODE	PART NAME AND DESCRIPTION	PER CAR	VALIANT DART	PLYMOUTH DODGE	CHRYSLER IMPERIAL
23-21-0 MIRRORS - Cont'd					
23-21-3	MIRROR PACKAGE - Cont'd				
	All Passenger Side	1	-----	-----	2275 015
	Consists of:				
	1 - ---- --- Mirror				
	1 - 2161 931 Anti-Squeak				
	2 - 9411 860 Screw				
	TA3, TC1, TC2, TC3 Remote Control	1	-----	*2421 989	*2421 989
	Consists of:				
	1 - ---- --- Mirror				
	1 - 2161 931 Anti-Squeak				
	2 - 9411 860 Screw				
	1 - 2080 541 Nut				
	1 - ---- --- Bracket				
	2 - ---- --- Screw				
	TC1, TC2, TC3 Passenger Side	1	-----	-----	*2495 121
	Consists of:				
	1 - ---- --- Mirror				
	1 - ---- --- Anti-Squeak				
	2 - 9419 409 Screws				
	1 - ---- --- Adapter, Right				
23-21-5	GLASS and RETAINER SPRING PACKAGE, Rear View Outside				
	All Use w/2299 574	1	2299 575	2299 575	
	Consists of:				
	1 - ---- --- Glass				
	1 - ---- --- Spring, Retainer				
23-21-8	MIRROR, Rear View Inside				
	TA3 Chrome	1	-----	*1876 331	
	TC1, TC2, TC3, Except TA3 S.S.	1	2428 246	2428 246	2428 246
	TC1, TC2, TC3, Except TA3 Prismatic	1	2299 846	2299 846	2299 846
	SCREW TA3, TYL, TYM, TYH Prismatic, S.S.	1	E9417 534	E9417 534	E9417 534
		1	-----	*2421 208	*2421 208
23-21-14	BASE or BRACKET, Rear View Inside Mirror				
	TC1, TC2, TC3, Except Cv. Cp., TA3 Chrome	1	2299 817	2299 672	2299 672
	SCREW Cv. Cp., TYL, TYM, Except TA3 Chrome	3	-----	456 744	456 744
	SCREW Chrome	1	2428 235	2292 241	2080 897
	TA3 Chrome	3	-----	9414 767	9414 327
	Cv. Cp., TC1, TC2	1	-----	2086 275	
	SCREW	1	-----	*2299 547	2299 547
	TYL, TYM, TYH, Except Cv. Cp. Chrome	3	-----	*9414 765	9414 765
	SCREW Chrome	1	-----	-----	2080 774
		3	-----	-----	*9416 684
23-21-15	MIRROR, Rear View Outside Remote Control TYL, TYM, TYH	1	-----	-----	2299 985
23-21-18	ANTI-SQUEAK or GASKET, Rear View Outside Remote Control Mirror Base TYL, TYM, TYH	1	E2486 363	E2486 363	*2161 931

★ Indicates use as required.
 ☐ Indicates parts not listed in any previous parts book.
 Jan. 3, 1964 Supersedes Jan. 25, 1963.

Printed in U.S.A.
 Prices and specifications subject to change without notice.
 Right and left part numbers are on same line,
 first number is right, second number is left.
 * Indicates change or addition.

CODE	PART NAME AND DESCRIPTION	PER CAR	VALIANT LANCER	PLYMOUTH DODGE	CHRYSLER IMPERIAL
23-21-O MIRRORS - Cont'd					
23-21-24	ADAPTER and GASKET PACKAGE, Rear View Outside Remote Control Mirror NOTE: Right Side not Available TC1, TC2, TC3 Consists of: 1 - ---- Adapter, Left 1 - ---- Gasket	1	----	----	*2421 247
23-21-26	RETAINER, Rear View Inside Mirror Base or Bracket TA3, TYL, TYM, TYH	1	----	*1839 965	*2080 776
23-21-30	PLATE, Windshield Opening Upper Frame Mirror Mounting Cv. Cp.	1	*2423 997		
23-21-32	HANDLE or KNOB, Rear View Outside Remote Control Mirror TC1, TC2, TC3 TYL, TYM, TYH	1 1	---- ----	---- ----	*2162 165 2161 428
23-21-45	SHAFT, Rear View Inside Mirror TA3, TYL, TYM, TYH	1	----	2080 874	2161 329
23-21-46	SPRING, Rear View Inside Mirror Base TA3	1	----	1839 966	
23-21-47	PLUG, Rear View Inside Mirror Base TA3	1	----	1839 967	
23-21-48	REINFORCEMENT, Rear View Inside Mirror Base TA3	1	----	2161 788	
23-21-66	BEZEL, Rear View Outside Mirror Remote Control Handle TC1, TC2, TC3 TYL, TYM, TYH	1 1	E2486 556 ----	E2486 366 ----	2299 967 2299 892
23-21-74	NUT, Rear View Outside Remote Control Mirror Attaching TYL, TYM, TYH	1	----	*2080 541	*2161 432
23-22-O GARNISH MOULDINGS					
23-22-7	MOULDING, Door Garnish 4D., TA3-L, TC1, TC3 Prime, Front Rear 4D., Sub., TA3-E Front Rear	1 1 1 1	---- ---- ---- ----	1883 148-9 1883 168-9 1883 148-9 1883 168-9	1883 156-7 2216 696-7
23-22-53	MOULDING, Quarter Window Garnish Sp. 4 D., Sp. Cl. Cp., TC2, TC3 Chrome 4 D., Sp. 4 D., Sp. Cl. Cp., TC1, TC2, TC3 Prime Sp. 4 D., TA3 Prime Sp. Cl. Cp., TA3 Sp. 4 D., TYL, TYM, TYH Sp. 4D., TYH Rear Sp. Cl. Cp., TYL, TYM	1 1 1 1 1 1 1 1 1	---- ---- ---- ---- ---- ---- ---- ---- ----	---- 1884 828-9 2080 314-5 ---- ---- ---- ---- ----	2244 776-7 2244 712-3 2422 230-1 2080 858-9 2255 196-7

★ Indicates use as required.
 E Indicates parts not listed in any previous parts book.
 Right and left part numbers are on same line,
 first number is right, second number is left.
 * Indicates change or addition.

1963 PASSENGER CAR PARTS CATALOG

BODY

CODE	PART NAME AND DESCRIPTION	PER CAR	VALIANT DART	PLYMOUTH DODGE	CHRYSLER IMPERIAL
23-22-O GARNISH MOULDINGS - Cont'd					
23-22-53	MOULDING - Cont'd				
	Sub., TA3-E Front to Roof Rail	1	----	1902 304-5	
	Sub., TA3-L Front to Roof Rail	1	----	1902 306-7	1902 306-7
	Sub., TA3 Front	1	----	1839 926-7	1839 926-7
	Upper Center	1	----	1839 928-9	1839 928-9
	Upper Rear	1	----	1839 932-3	1839 932-3
	Lower Center	1	----	1839 930-1	1839 930-1
	Lower Rear	1	----	1839 934-5	1839 934-5
	Sub., Except TA3 2 Seat	1	----	2424 402-3	
23-22-74	CAP, Quarter Belt Garnish Moulding				
	4 D., TC1, TC2, TC3 Prime	1	----	----	2244 716-7
	Sp. 4 D., TC1, TC2, TC3				
	Prime	1	----	----	2244 718-9
	Chrome	1	----	----	2244 772-3
	Sp. Cl. Cp., TC1, TC2 Prime	1	----	----	2244 714-5
	Chrome	1	----	----	2245 038-9
23-22-77	MOULDING, Tailgate Belt Garnish				
	Sub., TA3	1	----	1839 977	1839 977
23-22-78	MOULDING, Tailgate Opening Garnish				
	Sub., Except TA3 Paint as Required, Upper . . .	1	----	2249 810-1	
	Sub., Except TA3 Lower	1	----	2480 924-5	
	Sub., TA3 Upper	1	----	1839 976	1839 976
23-22-80	SPACER, Tailgate Belt Garnish Moulding				
	Sub., TA3 Outer	2	----	2094 449	2094 449
	Inner	2	----	2094 448	2094 448
23-22-81	SEAL, Tailgate Garnish Moulding End				
	Sub., TA3	2	----	2162 547	2162 547
23-22-85	CAP or COVER, Rear Window Garnish Moulding Joint				
	Except TA3 Prime, Lower Corner	1	----	2422 764-5	
	Sp. 4 D., Sp. Cl. Cp., Except TA3				
	Chrome, Lower End	1	----	*2422 998-9	
	TA3	1	----	*2086 168	
	TYL, TYM, TYH Chrome, Lower	1	----	----	1901 991
23-22-86	MOULDING, Rear Window Garnish				
	Except TA3 Prime, Side and Upper	1	----	2422 760-1	
	Sp. 4 D., Sp. Cl. Cp., Except TA3				
	Chrome, Side and Upper	1	----	2422 996-7	
	4 D., Sp. 4 D., TA3 Prime, Upper	1	----	1882 955	
	Side	1	----	1883 002-3	
	Sp. Cl. Cp., TA3 Upper, Prime	1	----	*1839 940-1	
	Chrome	1	----	*2086 056-7	
	TC1, TC2, TC3 Prime, Upper	1	----	----	2244 614
	Side	1	----	----	2244 612-3
	Lower Corner	1	----	----	2244 710-1
	Sp. 4 D., Sp. Cl. Cp., TC2, TC3				
	Chrome, Upper	1	----	----	2244 757
	Side	1	----	----	2244 760-1
	Lower Corner	1	----	----	2244 764-5
	TYL, TYM Upper	1	----	----	2255 181
	Side	1	----	----	2255 156-7
	Lower	1	----	----	1901 969-70
	Lower Corner	1	----	----	2255 158-9
	TYH Upper	1	----	----	2080 860
	Lower	1	----	----	2080 910
23-22-145	MOULDING, Windshield Garnish				
	Sp. Cl. Cp. Prime, Side	1	2217 118-9		
	Cv. Cp. Chrome, Upper	1	2422 428		
	Side	1	2424 108-9		
	Except Cv. Cp., TA3, Prime, Upper	1	----	2167 025	

★ Indicates use as required.

⊠ Indicates parts not listed in any previous parts book.

Jan. 3, 1964 Supersedes Jan. 25, 1963.

Page 23-80

Printed in U.S.A.
 Prices and specifications subject to change without notice.
 Right and left part numbers are on same line,
 first number is right, second number is left.

* Indicates change or addition.

CODE	PART NAME AND DESCRIPTION	PER CAR	VALIANT DART	PLYMOUTH DODGE	CHRYSLER IMPERIAL
------	---------------------------	---------	--------------	----------------	-------------------

23-22-0 GARNISH MOULDINGS - Cont'd

23-22-145	MOULDING - Cont'd CLIP	4	----	6000 967	
	Side	1	----	2167 028-9	
	RETAINER	4	----	6001 036	
	Except TA3	1	----	2161 898	
	Sp. 4D., Sp. Cl. Cp., except TA3				
	Prime, Lower	1	----		
	Prime, Upper Corner	1	----	2216 158-9	
	4D., Cl. Sed., Sub., except TA3				
	Prime, Upper Corner	1	----	2216 160-1	
	Sp. 4D., Sp. Cl. Cp., except TA3				
	Chrome, Upper	1	----	2216 897	
	Upper Corner	1	----	2216 898-9	
	Sp. 4D., Sp. Cl. Cp., Cv. Cp., except TA3				
	Chrome, Lower	1	----	2217 092	
	Side	1	----	2252 042-3	
	Cv. Cp., except TA3, Chrome, Upper	1	----	2251 422	
	Cv. Cp., TA3, TC1, TC2				
	Chrome, Upper	1	----	1954 048	2244 305
	Side	1	----	1963 346-7	1963 346-7
	TA3, TC1, TC2, TC3, except Cv. Cp.				
	Prime, Upper	1	----	2165 504	2165 504
	Side	1	----	2165 498-9	2165 498-9
	TA3, TC1, TC2, TC3				
	Lower	1	----	*1839 546-7	
	Sp. 4 D., Sp. Cl. Cp., Sub., TC2, TC3				
	Chrome, Upper	1	----		2165 500
	Side	1	----		2165 494-5
	Cv. Cp., TC1, TC2				2244 304
	Sp. 4 D., Sp. Cl. Cp., TYL, TYM, TYH				
	Chrome, Upper	1	----		2080 782-3
	Upper Corner	1	----		1901 974-5
	Side	1	----		1901 996-7
	Cv. Cp., TYM				2093 619
	Upper	1	----		1901 998-9
	Side	1	----		1839 566-7
	TYL, TYM, TYH				2080 306-7
	Prime, Lower	1	----		1902 274-5
	TYL, TYM, TYH				
	Plate, Inner	1	----		
	Outer	1	----		
23-22-148	COVER, Windshield Garnish Moulding Center Joint				
	TYL, TYM, TYH				
	Prime, Lower	1	----		2080 125
	Chrome, Inner Plate	1	----		*2080 284
23-22-151	SUPPORT, Windshield Garnish Moulding				
	TA3, TC1, TC2, TC3	*	----	1963 956	1963 956
	Cv. Cp., TA3	1	----	1964 348	
23-22-152	SPACER, Windshield Upper Garnish Moulding				
	Sp. 4 D., Sp. Cl. Cp., TYL, TYM, TYH	6	----		1901 973
23-22-160	ORNAMENT, Windshield Lower Garnish Moulding				
	TYL, TYM, TYH				
	NUT	6	----		2080 285
		6	----		6008 032

NOTES

★ Indicates use as required.
 ☐ Indicates parts not listed in any previous parts book.
 Right and left part numbers are on same line,
 first number is right, second number is left.
 * Indicates change or addition.

1963 PASSENGER CAR PARTS CATALOG

BODY

CODE	PART NAME AND DESCRIPTION	PER CAR	VALIANT DART	PLYMOUTH DODGE	CHRYSLER IMPERIAL
------	---------------------------	---------	--------------	----------------	-------------------

23-23-0 OUTSIDE FINISH MOULDINGS

23-23-2	MOULDING, Body Side Sill Outside Finish NOTE: See Exterior Moulding Illustration in Front of Group 23 Body.				
23-23-7	MOULDING, Cowl Outside Finish NOTE: See Exterior Moulding Illustration in Front of Group 23 Body.				
23-23-14	MOULDING, Front Pillar Face Cv. Cp., TYM	1	----	----	2093 136-7
23-23-16	PANEL, Center Pillar Upper Finish NOTE: See Exterior Moulding Illustration in Front of Group 23 Body.				
23-23-23	MOULDING, Deck Opening Lower Panel Finish NOTE: See Exterior Moulding Illustration in Front of Group 23 Body.				
23-23-28	PANEL, Deck Opening Lower Panel Finish NOTE: See Exterior Moulding Illustration in Front of Group 23 Body.				
23-23-30	MOULDING, Deck Lid NOTE: See Exterior Moulding Illustration in Front of Group 23 Body.				
23-23-31	MOULDING, Deck Opening Upper Panel Finish NOTE: See Exterior Moulding Illustration in Front of Group 23 Body.				
23-23-32	MOULDING, Front Door Outside Finish NOTE: See Exterior Moulding Illustration in Front of Group 23 Body.				
23-23-33	MOULDING, Rear Door Outside Finish NOTE: See Exterior Moulding Illustration in Front of Group 23 Body.				
23-23-36	MOULDING, Front Door Vent Wing Division Channel NOTE: See Exterior Moulding Illustration in Front of Group 23 Body.				
23-23-39	MOULDING, Quarter Panel Outside Finish NOTE: See Exterior Moulding Illustration in Front of Group 23 Body.				

NOTES

★ Indicates use as required.

Ⓚ Indicates parts not listed in any previous parts book.

Jan. 3, 1964 Supersedes Dec. 14, 1962.

Page 23-80B

Printed in U.S.A.

Prices and specifications subject to change without notice.

Right and left part numbers are on same line,

first number is right, second number is left.

* Indicates change or addition.

CODE	PART NAME AND DESCRIPTION	PER CAR	VALIANT DART	PLYMOUTH DODGE	CHRYSLER IMPERIAL
23-23-0 OUTSIDE FINISH MOULDINGS - Cont'd					
23-23-41	CAP or COVER, Body Outside Finish Moulding Joint NOTE: See Exterior Moulding Illustrations in Front of Group 23 Body.				
23-23-42	MOULDING, Roof Panel Outside Finish NOTE: See Exterior Moulding Illustrations in Front of Group 23 Body.				
23-23-49	MOULDING, Folding Top Outside Finish NOTE: See Exterior Moulding Illustrations in Front of Group 23 Body.				
23-23-52	MOULDING, Rear Window Outside Finish NOTE: See Exterior Moulding Illustrations in Front of Group 23 Body.				
23-23-60	MOULDING, Tailgate Opening Outside Finish NOTE: See Exterior Moulding Illustrations in Front of Group 23 Body.				
23-23-61	MOULDING PACKAGE, Tailgate Outside Finish NOTE: See Exterior Moulding Illustrations in Front of Group 23 Body.				
23-23-65	MOULDING, Windshield Outside Finish NOTE: See Exterior Moulding Illustrations in Front of Group 23 Body.				
23-23-66	CAP, Windshield Outside Finish Moulding Joint NOTE: See Exterior Moulding Illustrations in Front of Group 23 Body.				
23-23-73	MOULDING, Quarter Window Outside Finish NOTE: See Exterior Moulding Illustrations in Front of Group 23 Body.				
23-23-74	CAP, Quarter Window Outside Finish NOTE: See Exterior Moulding Illustrations in Front of Group 23 Body.				
23-23-75	SEAL, Windshield Outside Finish Moulding to Windshield Opening Upper Frame Reinforcement Cv. Cp.	1	-----	2254 525	
23-23-77	PANEL and NAME LETTERS, Tailgate Outside Finish NOTE: See Exterior Moulding Illustrations in Front of Group 23 Body.				
23-23-80	PANEL, Front Door Outside Panel Finish NOTE: See Exterior Moulding Illustrations in Front of Group 23 Body.				
23-23-85	PANEL, Quarter Outside Panel Finish NOTE: See Exterior Moulding Illustrations in Front of Group 23 Body.				

★ Indicates use as required.
 ☐ Indicates parts not listed in any previous parts book.
 Right and left part numbers are on same line,
 first number is right, second number is left.

1963 PASSENGER CAR PARTS CATALOG

CODE	PART NAME AND DESCRIPTION	PER CAR	VALIANT DART	PLYMOUTH DODGE	CHRYSLER IMPERIAL
23-26-O TRIM FINISH MOULDINGS					
23-26-16	EXTENSION, Rear Body Lock Pillar Inside Moulding Support Sp. 4 D., TC1, TC2, TC3	1	-----	-----	2254 718-9
23-26-18	PANEL, Body Lock Pillar Inside Finish Cl. Sed., TP1, TP2, TD1, TD2 Prime	1	-----	*2216 448-9	
23-26-23	MOULDING, Door Trim Panel Cl. Sed., Cv. Cp., TV1-L, TV1-H, TV1-P, TL1 Upper Sp. Cl. Cp., Cv. Cp., TV1-P, TL1 Upper 4 D., Sub., TV1-L, TV1-H, TL1 Front Upper	1 1 1 1	2292 736-7 2292 736-7 2292 744-5		
	4 D., Sub., TV1-L, TV1-H, TL1 Rear Upper Cl. Sed., Cv. Cp., TL1-H Sp. Cl. Cp., Cv. Cp., TV1-P Sp. Cl. Cp., Cv. Cp., TL1-P 4 D., TL1-L Front 4 D., Sub., TL1-H Front 4 D., TL1-L Rear 4 D., Sub., TL1-H Rear	1 2 2 2 2 2 1 1	2292 742-3 2292 752 2419 214 2419 310 2292 748 2292 748 2292 750-1 2292 750-1		
	Sp. Cl. Cp., Cv. Cp., TD1-H, TD2-H Upper 4 D., Sp. 4 D., Sub., TD1-H, TD2-H Rear Lower 4 D., Sub., TD1-M, TD2-M Rear Lower 4 D., Sp. 4 D., Sub., TD1-H, TD2-H Front Lower 4 D., Sub., TD1-M, TD2-M Front Lower Cl. Sed., Sp. Cl. Cp., TD1-M, TD2-M Lower	1 1 1 1 1 1 2	----- ----- ----- ----- ----- ----- -----	2292 910-11 2292 924-5 2292 924-5 2292 926-7 2292 926-7 2292 921	
	Sp. Cl. Cp., Cv. Cp., TD1-H, TD2-H Lower 4 D., TA3 Front, Upper Sp. Cl. Cp., Cv. Cp., TD2-P Upper 4 D., TA3 Rear Upper 4 D., TA3, Front Lower Sp. Cl. Cp., Cv. Cp., TA3 Lower Sp. 4 D., Sub., TA3, Front Lower	2 2 1 2 2 2 1	----- ----- ----- ----- ----- ----- -----	2292 921 *2419 388 2419 292-3 E2419 391 E2440 110 E2440 111 E2440 112-3	
	4 D., Sp. 4 D., Sub., TA3 Rear, Lower Sp. 4 D., TC3 Luxury Front, Upper Sp. 4 D., TC3 Luxury Rear, Upper Sp. 4 D., TC3 Luxury Front, Intermediate Sp. 4 D., TC3 Luxury Rear, Intermediate SP. 4 D., TC3 Luxury Front Lower Front Sp. 4 D., TC3 Luxury Front Lower Rear Sp. 4 D., TC3 Luxury Rear Lower Front	1 2 1 1 1 2 1 1	----- ----- ----- ----- ----- ----- ----- -----	E2440 114-5 ----- ----- ----- ----- ----- ----- -----	*2440 247 *2440 248-9 *2440 250-1 *2440 252-3 *2440 254 *2440 256-7 *2440 262-3

★ Indicates use as required.

⊠ Indicates parts not listed in any previous parts book.

Jan. 3, 1964 Supersedes Jan. 25, 1963.

Printed in U.S.A.

Prices and specifications subject to change without notice.

Right and left part numbers are on same line, first number is right, second number is left.

* Indicates change or addition.

CODE	PART NAME AND DESCRIPTION	PER CAR	VALIANT DART	PLYMOUTH DODGE	CHRYSLER IMPERIAL
23-26-0 TRIM FINISH MOULDINGS - Cont'd					
23-26-23	MOULDING - Cont'd				
	Sp. 4 D., TC3 Luxury Rear				
	Lower Rear	1	----	----	*2440 264-5
	Sp. 4 D., TC3 Luxury Rear, Finish Plate	1	----	----	2440 260-1
	Sp. 4 D., TC3 Luxury Front, Finish Plate	1	----	----	2440 258-9
	Sp. Cl. Cp., Cv. Cp., Sp. 4 D., TC2	2	----	----	2292 786
	4 D., Sp. 4 D., TC1 Rear Lower	2	----	----	2419 393
	Sp. 4 D., TC2 Rear Lower	2	----	----	2419 393
	4 D., TC1, TC3 Front Upper	1	----	----	2292 758-9
	4 D., Sub., TC1, TC3				
	Front Upper	1	----	----	2292 908-9
	4 D., Sp. 4 D., Sub., TC1, TC3				
	Rear Upper	2	----	----	2419 050
	Sp. Cl. Cp., Cv. Cp., TC1				
	Upper	1	----	----	2292 756-7
	4 D., Sp. 4 D., TC2 Rear	1	----	----	2292 788-9
	Sp. Cl. Cp., Cv. Cp., Sp. 4 D., Front Recess, TY1	1	----	----	2241 082-3
	Sp. 4 D., Rear Recess, TY1	1	----	----	2241 084-5
	Sp. 4D., TY1-H Rear Recess Finish Plate	1	----	----	2419 200-1
	Sp. 4D., TY1-M Rear Recess Finish Plate	1	----	----	2419 196-7
	Sp. 4D., TY1-L Rear Recess Finish Plate	1	----	----	2419 208-9
	Sp. Cl. Cp., Cv. Cp., Sp. 4D., TY1-M				
	Front Recess Finish Plate	1	----	----	2419 194-5
	Sp. 4D., TY1-H Front Recess Finish Plate	1	----	----	2419 198-9
	Sp. Cl. Cp., Sp. 4D., TY1-L				
	Front Recess Finish Plate	1	----	----	2419 206-7
23-26-41	MOULDING, Roof Side Rail Inside Finish				
	Sp. Cl. Cp., TV Prime	1	2243 870-1		
	Sp. Cl. Cp., TL Prime	1	2244 180-1		
	Sp. Cl. Cp., TP1-H, TP2-H, TP2-P, TD1-H, TD2-H, TD2-P				
	Chrome	1	----	2423 664-5	
	Sp. Cl. Cp., TP1-M, TP2-M, TP1-H, TP2-H, TD1-M, TD2-M, TD1-H, TD2-H				
	Prime	1	----	2423 660-1	
	Sp. 4 D., TP1, TP2, TD1, TD2				
	Chrome	1	----	2424 570-1	
	Sp. Cl. Cp., TC2 Front, Chrome	1	----	----	2244 262-3
	Sp. 4 D., TC2, TC3 Front, Chrome	1	----	----	2244 262-3
	Sp. Cl. Cp., Sp. 4 D., TC1				
	Front, Prime	1	----	----	2244 258-9
	Sp. Cl. Cp., TC2 Front, Prime	1	----	----	2244 258-9
	Sp. 4 D., TC2, TC3 Front, Prime	1	----	----	2244 258-9
	Sp. Cl. Cp., Sp. 4 D., TC1				
	Rear, Prime	1	----	----	2244 264-5
	Sp. Cl. Cp., TC2 Rear, Prime	1	----	----	2244 264-5
	Sp. 4 D., TC2, TC3 Rear, Prime	1	----	----	2244 264-5
	Sp. Cl. Cp., TC2 Rear, Chrome	1	----	----	2244 268-9
	Sp. 4 D., TC2, TC3 Rear, Chrome	1	----	----	2244 268-9
	Sub., TA3-L, TC1, TC3				
	Prime	1	----	*1882 946-7	*1882 946-7
	Sub., TA3-E Prime	1	----	*1902 308-9	
	Sp. Cl. Cp., TA3 Prime	1	----	1839 936-7	
	Sp. Cl. Cp., Sp. 4 D., TY1				
	Rear, Chrome	1	----	----	2217 434-5
	Sp. Cl. Cp., Sp. 4 D., TY1				
	Front, Chrome	1	----	----	1901 978-9

★ Indicates use as required.

⊠ Indicates parts not listed in any previous parts book.

Right and left part numbers are on same line, first number is right, second number is left.

* Indicates change or addition.

1963 PASSENGER CAR PARTS CATALOG

BODY

CODE	PART NAME AND DESCRIPTION	PER CAR	VALIANT DART	PLYMOUTH DODGE	CHRYSLER IMPERIAL
23-26-O TRIM FINISH MOULDINGS - Cont'd					
23-26-41	EXTENSION, Roof Side Rail Inside Finish Moulding Sp. Cl. Cp., Sp. 4 D., TA3, TC1 Front, Prime	1	----	1952 880-1	1952 880-1
	Sp. Cl. Cp., Sp. 4 D., TC2, TC3 Front, Stainless S.	1	----	----	1952 896-7
	Sub., TA3-L, TC1, TC3 Front, Prime	1	----	*1952 880-1	*1952 880-1
	Sub., TA3-E Front Prime	1	----	*1902 348-9	
23-26-42	COVER, Roof Side Rail Inside Moulding Joint Sp. Cl. Cp., Sp. 4 D., TC1, TC2, TC3 Prime Chrome	2 2	----	----	2255 203 2255 073
23-26-44	SUPPORT, Roof Rail Inside Moulding Sub., TA3-L, TC1, TC3 Sp. Cl. Cp., TA3 Sp. 4 D., Sub., TA3 Sp. Cl. Cp., Sp. 4 D., TC1, TC2, TC3	1 1 1 1	----	*1869 564-5 1878 440-1 1869 564-5 ----	*1869 564-5 *2254 716-7
23-26-45	MOULDING, Front Seat Side Shield Sp. 4 D., TY1-M Sp. Cl. Cp., Cv. Cp., TY1-M Upper Sp. Cl. Cp., Cv. Cp., TY1-M Lower Sp. 4 D., TY1-H Prime	1 1 1 1 1	----	----	2080 382-3 2080 384-5 2080 386-7 2419 728-9
23-26-46	PANEL, Quarter Inside Finish Cl. Sed., Sp. Cl. Cp., TL1 Prime Sp. Cl. Cp., TV1 Prime Cl. Sed., TV1 Prime Sub., TV1, TL1 Prime FINISH PLATE, Front Seat Side Shield Moulding Sp. 4 D., TY1-H	1 1 1 1 1 1	2244 416-7 2422 462-3 2422 458-9 2292 488-9 ----	----	2419 740-1
23-26-47	MOULDING, Rear Quarter Trim Panel Finish Cl. Sed., Sp. Cl. Cp., TV1-L, TV1-H, TV1-P, Upper Cl. Sed., Sp. Cl. Cp., TL, Upper Sp. Cl. Cp., TV1-P Sp. Cl. Cp., TL1-P Cl. Sed., TL1-H Cv. Cp., TV1-P Cv. Cp., TL1-H Cv. Cp., TL1-P Cv. Cp., TD2-H Upper Cv. Cp., TD2-H Lower Cv. Cp., TD2-P Upper Sp. Cl. Cp., TD2-P Upper Sp. Cl. Cp., TP2-P Lower Cl. Sed., Sp. Cl. Cp., TD1-M, TD2-M Lower Sp. Cl. Cp., TD1-H, TD2-H Upper Sp. Cl. Cp., TD1-H, TD2-H Lower	1 1 2 2 2 1 1 1 1 1 2 1 1 2 1 2	2292 738-9 2292 738-9 2419 215 2419 311 2292 753 E2440 060-1 E2440 062-3 E2440 064-5 ---- ---- ---- ---- 2419 215 2419 287 2292 922 ---- 2292 912-3 2292 922	E2440 376-7 E2440 398 2440 378-9 *2419 296-7	
	Sub., Wheelhouse and Lower Quarter Trim Cover and Extension Joint Sub., TA3, TC1, TC3, Wheelhouse Front Upper Sub., TA3, TC1, TC3, Wheelhouse Front Lower	1 1 1	----	2419 516-7 2080 644-5 2080 438-9	2080 644-5 2080 438-9

★ Indicates use as required.

☐ Indicates parts not listed in any previous parts book.

Jan. 3, 1964 Supersedes Jan. 25, 1963.

Printed in U.S.A.

Prices and specifications subject to change without notice.

Right and left part numbers are on same line,
first number is right, second number is left.

* Indicates change or addition.

CODE	PART NAME AND DESCRIPTION	PER CAR	VALIANT DART	PLYMOUTH DODGE	CHRYSLER IMPERIAL
23-26-0 TRIM FINISH MOULDINGS - Cont'd					
23-26-47	MOULDING - Cont'd				
	Cv. Cp., TA3 Upper	2	----	2419 397	
	Sp. Cl. Cp., TA3 Upper	2	----	⊕2419 398	
	Cv. Cp., TA3 Lower	1	----	⊕2440 116-7	
	Sp. Cl. Cp., TA3 Lower	2	----	2440 118	
	Cv. Cp., TC1 Upper	2	----	----	2419 048
	Sp. Cl. Cp., TC1 Upper	2	----	----	2419 047
	Sp. Cl. Cp., TCL	1	----	----	2419 030-1
	Sp. Cl. Cp., TC2	1	----	----	2419 030-1
23-26-49	CUP WASHER, Front Seat Side Shield Moulding to Shield Sp. 4 D., TY1	4	----	----	*2080 881
23-26-53	SPACER, Roof Rail Inside Finish Moulding Sp. Cl. Cp., Sp. 4 D.	12	----	2423 670	
23-26-58	CAP, Center Pillar Finish Sp. 4 D., TY1 SCREW	1 6	----	----	2161 610-11 6024 190
23-26-62	CAP, Rear Door Trim Panel Finish Rear Sp. 4 D., TC1, TC2, TC3 Sp. 4 D., TY1 Sub., TC1, TC3 Sp. 4 D., Sub., TA3	1 1 1 1	----	----	2419 166-7 1830 498-9 2241 494-5
23-26-64	PLATE, Center Pillar Upper Finish Sp. 4 D. Prime	2	----	2217 177	
23-26-80	NAME PLATE, Front Door Trim Panel Cl. Sed., Sp. Cl. Cp., 4 D., Sub., TP1-M, TP2-M Cl. Sed., Cv. Cp., 4 D., Sp. 4 D., Sub., TP1-H, TP2-H Sp. Cl. Cp., Cv. Cp., TP2-P 4 D., Sp. 4 D., Sub., "NEW YORKER"	2 2 2 2	----	2292 755 2292 754 2419 419 ----	2292 563
	NAME PLATE, Door Garnish Cv. Cp., TV-H "VALLANT Two Hundred" . . . Cv. Cp., Sp. Cl. Cp., TV-P "SIGNET Two Hundred" Cv. Cp., TL-H "DART 270" Cv. Cp., Sp. Cl. Cp., TL-P "DART GT"	2 2 2 2	2218 192 2217 483 2218 194 2218 196		
	MEDALLION, Door Trim Panel Sp. Cl. Cp., Cv. Cp., TD2-P TA3 Sp. Cl. Cp., Sp. 4 D., TY1-L Front	4 2 2	----	2292 452 2292 452 ----	⊕2419 168
	NUMERAL, Front Door Trim Panel Sp. Cl. Cp., Cv. Cp., Sp. 4 D., TC2 "3" "0"	2 4	----	----	1840 998 1840 999
23-26-85	MOULDING, Folding Top Pocket Panel Finish Cv. Cp., TV1, TL1 Upper Cv. Cp., TL1-P Lower	1 1	2440 006-7 2440 008-9		
23-26-87	MOULDING, Floor Console Sp. Cl. Cp., Cv. Cp., TP2-P, TD2-P Sp. Cl. Cp., Cv. Cp., Sp. 4 D., TC2 Front Sp. Cl. Cp., Cv. Cp., Sp. 4 D., TC2 Rear	1 2 1	----	2292 458-9 ----	2419 488 2419 489

★ Indicates use as required.

⊕ Indicates parts not listed in any previous parts book.

Right and left part numbers are on same line, first number is right, second number is left.

* Indicates change or addition.

Printed in U.S.A.

Prices and specifications subject to change without notice.

Jan. 3, 1964 Supersedes Jan. 25, 1963.

1963 PASSENGER CAR PARTS CATALOG

BODY

CODE	PART NAME AND DESCRIPTION	PER CAR	VALIANT DART	PLYMOUTH DODGE	CHRYSLER IMPERIAL
23-31-O PADS, LINERS, INSULATORS, SEALS, ANTI-SQUEAK					
23-31-33	LINER, Dash All w/or w/o Heater, Right. Left Center TY1 w/or w/o Heater, Black TA3, TC1, TC2, TC3, w/or w/o Heater.	1 1 1 1 1	2216 816 2216 815 ---- ---- ----	2241 944 2241 945 2241 943 ---- 2241 592	2217 651 2241 592
23-31-116	COVER, Front Floor Pan Gearshift Filler Except Sub., TP2, TD2 413 cu. in. Eng., w/Std. Trans., Black	1	----	2249 907	
23-31-119	PAD, Steering Column to Floor Finish TC1 w/o Power Steering, w/Std. Trans., w/LINER. TC1, TC2 w/Power Steering, w/Std. Trans., w/LINER. TC1 w/o Power Steering, w/Auto. Trans. PAD, Dash Panel to Steering Column Seal Finish Sp. 4 D., TC3 Luxury TY1	1 1 1 1	---- ---- ---- ----	---- ---- ---- ----	2162 293 2162 545 2080 936 1773 635
23-31-124	SEAL, Steering Column to Floor TA3, TC1 w/o Power Steering, w/Std. Trans. TA3, TC1 w/o Power Steering, w/Auto. Trans. TA3, TC1, TC2 w/Power Steering, w/Std. Trans. TA3, TC1, TC2 w/Power Steering, w/Auto. Trans. TC3 w/Power Steering, w/Auto. Trans. TY1	1 1 1 1 1 1	---- ---- ---- ---- ---- ----	2162 290 2080 766 2162 544 2080 768 ---- ----	2162 290 2080 766 2162 544 2080 768 2080 767 1830 452
23-31-125	SILENCER, Steering Column Opening Cover TY1	1	----	----	1767 102
23-31-145	WEATHERSTRIP, Cowl to Hood TY1	1	----	----	1751 182
23-31-146	SEAL, Dash Panel to Fender Splash w/FASTENER Upper	2 2 2	2216 790 2216 742 ----	2217 315 2216 998	
23-31-157	SEAL, Instrument Panel Gear Selector Housing Light All, TC1, TC2, TC3, Upper All, TC1, TC2, TC3, Lower	1 1	---- ----	---- ----	2218 175 2218 174
23-31-205	SILENCER, Roof Panel All, 1/2" x 25 1/2" x 67"	★	1774 621	1774 621	1774 621
23-32-O PANS, PLUGS AND BODY BUMPERS					
23-32-15	PLUG or BUTTON, Floor Pan 1/2" Hole, TC1, TC2, TC3 1" Hole, TC1, TC2, TC3 7/8" Hole, TA3, TC1, TC2, TC3 1 3/4" Hole 2 1/2" Hole 2 1/2" Hole, TY1 1/2" Hole 2 1/2" Hole, TA3, TC1, TC2, TC3	★ ★ ★ ★ ★ ★ ★ ★	2094 984 2094 985 ---- 2424 864 *2483 571 ---- ---- ----	2094 984 2094 985 2094 631 2424 864 *2483 571 ---- ---- 2083 111	2094 984 2094 985 2094 631 2424 864 *2483 571 1869 582 *2093 945 2083 111

★ Indicates use as required.
 □ Indicates parts not listed in any previous parts book.
 Jan. 3, 1964 Supersedes Dec. 14, 1962.

Printed in U.S.A.
 Prices and specifications subject to change without notice.
 Right and left part numbers are on same line,
 first number is right, second number is left.
 * Indicates change or addition.

CODE	PART NAME AND DESCRIPTION	PER CAR	VALIANT DART	PLYMOUTH DODGE	CHRYSLER IMPERIAL
23-32-0 PANS, PLUGS AND BODY BUMPERS - Cont'd					
23-32-17	CROSSMEMBER, Front Suspension TP1, TD1 Complete.	1	2260 609	2204 199	
	TP2, TD2 Complete.	1	-----	2401 057	
	CROSSMEMBER, Rear Floor Pan Rear Center	1	2423 719	2166 051	
	CROSSMEMBER, Front Side Rail Front Complete.	1	-----	2204 167	
	CROSSMEMBER, Rear Floor Pan Rear Shock Absorber TP1, TP2, TD1, TD2, TC1, TC2, TC3 TA3	1	-----	2188 048	1883 342
	CROSSMEMBER, Center Floor Pan Pinion Carrier Bumper TA3, TC1, TC2, TC3	1	-----	1919 129	1919 129
	CROSSMEMBER, Rear Floor Pan Rear Center	1	*2081 016		
	CROSSMEMBER and SPACER, Front Floor Pan Transmission Mounting All	1	2425 278		
	CROSSMEMBER, Front Side Rail Front All	1	*2081 018		
	CROSSMEMBER, Front Floor Pan Transmission Mounting TA3, TC1, TC2, TC3	1	-----	2244 908	2244 908
	CROSSMEMBER and REINFORCEMENT, Rear Floor Pan Rear TA3, TC1, TC2, TC3, except Sub.	1	-----	1960 180	2243 516
	CROSSMEMBER, Front Floor Pan Rear All, TY1	1	-----	-----	1861 264
	CROSSMEMBER, Rear Floor Pan Rear Sub., TC1, TC3 All, TA3	1	-----	1878 475	1878 475
	CROSSMEMBER AND UPPER STUD, Rear Floor Pan Rear Shock Absorber TA3, TC1, TC2, TC3	1	-----	2253 586	2253 586
	CROSSMEMBER, Front Rail Torsion Bar Anchor TP1, TP2, TD1, TD2, Complete.	1	-----	2253 384	
	CROSSMEMBER, SHOCK ABSORBER and REINFORCEMENT, Floor Pan Rear Center Pan All	1	2253 665		
23-32-18	BOLT, Front Suspension Crossmember 1 7/8" Length	4	2074 393	2074 393	
	1 1/4" Length	★	2074 394	2074 394	
23-32-20	WASHER, Front Suspension Crossmember Bolt Lock	4	2074 386	2074 386	
23-32-22	PAN, Front Floor All, TV	1	2243 345	B2481 746	
	TL, except Sub.	1	2243 550		
	Sub., TL	1	2243 345		
	TA3, TC1, TC2, TC3	1	-----	2244 907	2244 907
23-32-24	PAN, Center Floor All, TP1, TP2, TD1, TD2, TC1, TC2, TC3 All, TA3	1	2243 508	2165 811	1861 001
		1	-----	1861 001	
23-32-25	EXTENSION, Center Floor Pan Cl. Sed., Sp. Cl. Cp., Cv. Cp., 4D., TL TD1, TD2, except Sub.	1	2244 618-9	2244 170-1	
	Sub., TD1, TD2	1	-----	2422 850-1	
	All, TP1, TP2	1	-----	2422 850-1	

★ Indicates use as required.

E Indicates parts not listed in any previous parts book.

Right and left part numbers are on same line,
first number is right, second number is left.

* Indicates change or addition.

Printed in U.S.A.

Prices and specifications subject to change without notice.

Jan. 3, 1964 Supersedes Dec. 14, 1962.

1963 PASSENGER CAR PARTS CATALOG

BODY

CODE	PART NAME AND DESCRIPTION	PER CAR	VALIANT DART	PLYMOUTH DODGE	CHRYSLER IMPERIAL
23-32-0 PANS, PLUGS AND BODY BUMPERS - Cont'd					
23-32-27	REINFORCEMENT, Front Floor Pan Seat Guide				
	All Front	1	2081 808-9	2166 082-3	
	Rear	1	2081 810-1	2166 084-5	
	REINFORCEMENT, Front Floor Pan Seat Attaching Bucket Seat				
	TC2, TC3 Rear	1	----	----	*2424 472-3
	REINFORCEMENT, Front Floor Pan Seat Attaching Sp. Cl. Cp., Cv. Cp., TP2-P, TD2-P, TC2				
	Front	1	----	2252 284-5	2252 294-5
	Rear	★	----	2252 286-7	2252 296
	REINFORCEMENT, Floor Pan Seat Track				
	TA3, TC1, TC2, TC3, Front	1	----	1960 198-9	1960 198-9
	Rear	1	----	1960 200-1	1960 200-1
23-32-29	FILLER, Front Floor Pan Gear Shift TP2, TD2, w/426 cu. in. Eng.	1	----	2480 346	
23-32-30	REINFORCEMENT, Front Floor Pan Transmission Filler TP2, TD2, w/413 cu. in. Eng.	1	----	2422 450	
23-32-31	BRACE, Front Crossmember to Front Suspension Crossmember All	1	2401 036	2401 041	
23-32-33	BRACKET, Floor Pan Diagonal Brace Cl. Sed., Sp. Cl. Cp., 4D., TL Cl. Sed., Sp. Cl. Cp., 4D., Sp. 4D., TD1, TD2	1 1	2422 960 ----	2243 931	
23-32-36	COVER, Fuel Gauge Inspection Hole Sub., TA3, TC1, TC3	1	----	1846 668	1846 668
23-32-39	T/PLATE, Center Floor Pan Cover Panel Hinge Sub.	1	----	2423 540	
23-32-40	BRACKET, Rear Floor Pan Seat Back Attaching Cv. Cp., TL1, TD1, TD2 Cv. Cp., TP2	2 2	2255 822 ----	2244 411 2254 097	
	BRACKET, Center Floor Pan Rear Suspension Front Hanger Bracket Support and Second Seat Fastening Sub., TA3, TC1, TC3	1	----	1960 084-5	1960 084-5
23-32-46	PANEL, Center Floor Pan Cover Sub. Front Rear Sub. Center	1 1 1	2243 886 2243 323 ----	2251 902	
	PANEL, Rear and Center Floor Pan Insert Sub.	1	----	2254 676	
	PANEL, 2nd Seat Back to Rear Floor Pan Cover, w/HINGE	1	----	*2254 677	
	Sub., TA3, TC1, TC3, Prime	1	----	1878 636	1878 636
23-32-48	PAN, Rear Floor All, TY1 Sub., TP1, TP2, TD1, TD2 Except Sub., TP1, TP2, TD1, TD2 Sub., TA3, TC1, TC3 Center, Front Sub., TA3, TC1, TC3 Center, Rear Sub., TA3, TC1, TC3, Center Except Sub., TA3, TC1, TC2, TC3 Sub., TA3, TC1, TC3, Spare Tire Compartment . . .	1 1 1 1 1 1 1 1	2423 718 ---- ---- ---- ---- ---- ---- ----	---- 2166 065 2423 562 2093 702 2093 703 1861 041 *1861 002 *1973 211	1877 346 2093 702 2093 703 1861 041 *1861 002 1973 211
23-32-49	EXTENSION, Rear Floor Pan Side Sub., TA3, TC1, TC3 TA3, TC1, TC2, TC3, except Sub.	1 1	---- ----	*2251 526 2242 550-1	*1960 080-1 2242 550-1

★ Indicates use as required.
 ☐ Indicates parts not listed in any previous parts book.
 Jan. 3, 1964 Supersedes Jan. 25, 1963.

Printed in U.S.A.
 Prices and specifications subject to change without notice.
 Right and left part numbers are on same line, first number is right, second number is left.
 * Indicates change or addition.

CODE	PART NAME AND DESCRIPTION	PER CAR	VALIANT DART	PLYMOUTH DODGE	CHRYSLER IMPERIAL
23-32-O PANS, PLUGS AND BODY BUMPERS - Cont'd					
23-32-49	EXTENSION - Cont'd TD1, TD2, except Sub. to Quarter Outside Panel . . .	1	----	2244 540-1	
	All, TY1	1	----	----	1877 762-3
	PAN, Rear Floor Side Sub., TA3, TC1, TC3	1	----	1877 830-1	1877 830-1
	Except Sub., TA3	1	----	1861 048-9	
	EXTENSION and CROSSMEMBER, Rear Floor Pan Side Outer Sub.	1	2425 288-9		
	TV, except Sub.	1	2425 272-3		
	EXTENSION and CROSSMEMBER, Quarter Panel to Rear Floor Pan Rear Outer TL, except Sub.	1	2425 274-5		
23-32-50	BRACE, Rear Floor Pan Cover Panel at Tailgate Opening Sill Reinforcement Sub. 2 Seater	2	----	2254 666	
23-32-51	BUMPER, Second Seat Back Center Floor Pan Cover Panel Frame Sub.	2	2482 908		
	BUMPER, Center Floor Pan Front Cover Panel Reinforcement Sub.	2	2482 908		
	BUMPER, Tailgate Opening Sill Panel to Rear Floor Pan Cover Sub. 2 Seater	2	----	2254 661	1380 060
	BUMPER, Tailgate Opening Sill Panel to Third Seat Bottom Sub. 3 Seater	2	----	----	1380 060
	BUMPER, Wheelhouse Rear Floor Pan Support to Rear Floor Pan Cover Sub.	2	----	----	1380 060
	BUMPER, Tailgate Opening Sill Reinforcement Floor Pan Cover Sub.	2	----	2255 231	
	BUMPER, Floor Pan Cover Panel Second Seat Back Sub.	★	*2482 908	*2482 908	
23-32-53	REINFORCEMENT, Rear Floor Pan Extension Sub.	1	----	2252 332-3	
23-32-56	COVER, Rear Floor Pan Sub., TA3, TC1, TC3, 2 Seater, Prime	1	----	1878 889	1878 889
23-32-58	STRIKER, Rear Floor Pan Cover Panel Sub. w/Locked Spare Tire Cover. . .	1	----	2254 667	
	STRIKER, Rear Floor Pan Cover Lock Latch Sub., TA3, TC1, TC2, 2 Seater	1	----	1960 476	1960 476
23-32-64	LATCH, Rear Floor Pan Cover Lock Sub., 2 Seater, TA3, TC1, TC3	1	----	1866 685	1866 685
23-32-65	HINGE, Rear Floor Pan Cover Panel Sub. 2 Seater	1	----	2254 675	
	HINGE, Center Floor Pan Front Cover Panel Sub.	1	2243 320		
	HINGE, Rear Floor Pan Cover Panel Sub., 2 Seater, TA3, TC1, TC3 Body Half	1	----	1878 170-1	1878 170-1

★ Indicates use as required.
 □ Indicates parts not listed in any previous parts book.
 Right and left part numbers are on same line,
 first number is right, second number is left.
 * Indicates change or addition.

1963 PASSENGER CAR PARTS CATALOG

BODY

CODE	PART NAME AND DESCRIPTION	PER CAR	VALIANT DART	PLYMOUTH DODGE	CHRYSLER IMPERIAL
23-32-0 PANS, PLUGS AND BODY BUMPERS - Cont'd					
23-32-66	SPRING, Rear Floor Pan Cover Lock Latch Sub., 2 Seater, TA3, TC1, TC3	1	----	1866 682	1866 682
23-32-67	SUPPORT, Wheelhouse Rear Floor Pan Cover Sub., TA3, TC1, TC3, 2 Seater	2	----	1878 014	1878 014
23-32-69	T/PLATE, Center Floor Pan Rear Cover Panel Hinge Sub.	1	----	2423 540	
	T/PLATE, Wheelhouse Rear Floor Pan Cover Support Sub., TA3, TC1, TC3	2	----	2189 290	2189 290
23-32-70	SUPPORT and WELD NUTS, Center Floor Pan Rear Cover Panel Sub.	1	2243 526		
	REINFORCEMENT, Rear Floor Pan Cover Panel Side to Floor Pan Sub. 2 Seater	1	----	2254 664-5	
	REINFORCEMENT, Rear Floor Pan Rear Center Except Sub.	1	----	2166 935	
	REINFORCEMENT, Rear Floor Pan to Center Pan Sub., TA3, TC1, TC3	1	----	1961 325	1961 325
	REINFORCEMENT, Front Floor Pan to Center Floor Pan TA3, TC1, TC2, TC3	1	----	2422 849	2422 849
23-32-73	PIN, Rear Floor Pan Cover Hinge Sub., TA3, TC1, TC3, 2 Seater, Body Half	2	----	1960 627	1960 627
	PIN, Rear Floor Pan Cover Panel Prop Rod Sub. 2 Seater	1	----	B6000 130	
23-32-75	BRACKET, Rear Floor Pan Cover Lock Latch Sub., 2 Seater, TA3, TC1, TC3	1	----	1866 683	1866 683
23-32-77	BOLT, Rear Floor Pan Cover Lock Latch Bracket Sub., 2 Seater, TA3, TC1, TC3	2	----	1883 654	1883 654
23-32-79	BRACKET, Rear Floor Pan Cover Panel Release Rod Sub. w/Locked Luggage Compartment .	1	----	2251 433	
	BRACKET and RETAINER, Rear Floor Pan Cover Panel Prop Rod Sub., TP1, TP2, TD1, TD2, TC1, TC3 2 Seater	1	----	2254 810	1960 689
	Sub., TA3	1	----	1960 689	
	BRACKET, Rear Floor Pan Cover Prop Rod Pivot Sub., TA3, TC1, TC3, 2 Seater	1	----	1432 929	1432 929
23-32-80	HANDLE, Rear Floor Pan Cover Panel Release Sub. 2 Seater, w/Locked Compartment	1	----	2251 680	
	PIN	1	----	*6023 039	
	Sub., TA3, TC1, TC3, 2 Seater, Chrome	1	----	1833 596	1833 596
23-32-82	ESCUTCHEON, Rear Floor Pan Cover Lift Handle Sub., 2 Seater, TA3, TC1, TC3 Chrome	1	----	*1833 597	1833 597
	BEZEL, Rear Floor Pan Cover Panel Grip Sub. 2 Seater, w/Locked Luggage Compartment	1	----	2252 183	
23-32-87	SPRING, Rear Floor Pan Cover Panel Release Sub. 2 Seater, w/Locked Luggage Compartment	1	----	2251 676	
	SPRING, Center Floor Pan Cover Panel Hinge Sub.	3	2423 448	2423 449	

★ Indicates use as required.
 ☐ Indicates parts not listed in any previous parts book.
 Jan. 3, 1964 Supersedes Jan. 25, 1963.

Printed in U.S.A.
 Prices and specifications subject to change without notice.
 Right and left part numbers are on same line,
 first number is right, second number is left.
 * Indicates change or addition.

CODE	PART NAME AND DESCRIPTION	PER CAR	VALIANT DART	PLYMOUTH DODGE	CHRYSLER IMPERIAL
23-32-O PANS, PLUGS AND BODY BUMPERS - Cont'd					
23-32-88	ROD, Rear Floor Pan Cover Prop Sub., TP1, TP2, TD1, TD2, TA3, TC1, TC3	1	----	1960 061	1960 061
23-32-90	SUPPORT, Front Floor Pan No. 1 and No. 1A Body Hold-Down Brace Bolt TA3, TC1, TC2, TC3	1	----	1878 136-7	1878 136-7
23-32-92	GUSSET, Center Floor Pan Rear Suspension Front Hanger Bracket Support to Rail All	1	----	2251 688-9	
	GUSSET, Center Floor Pan Rear Suspension Front Hanger Bracket Support to Sill All	1	----	2251 686-7	
23-32-93	SUPPORT and T/PLATE, Rear Floor Pan Rear Suspension Front Hanger Bracket All	1	2081 004-5		
	SUPPORT, Center Floor Pan Rear Suspension Front Hanger Bracket All, TP1, TP2, TD1, TD2, TC1, TC2, TC3	1	----	2251 684-5	1883 320-1
	TA3	1	----	1883 320-1	
	BRACKET and SUPPORT, Rear Floor Pan Rear Suspension Rear Hanger Sub.	1	----	2253 108-9	
	Except Sub.	1	----	2253 106-7	
	SUPPORT and T/PLATE, Rear Floor Pan Rear Suspension Rear Hanger Bracket TA3, TC1, TC2, TC3	1	----	1878 236-7	1878 236-7
23-32-98	PLUG, Cowl Top Panel	2	2254 626		
	PLUG, Dash Panel Heater Hose Hole	2	2094 985	2094 985	
	PLUG, Dash Panel to Fender Splash Shield	2	----	2216 765	
	PLUG, Dash Panel Extension	1	----	2254 626	
23-32-99	SNAP RING, Rear Floor Pan Cover Panel Release Sub. w/Locked Compartment.	1	----	1322 503	
23-32-105	RAIL and SPACERS, Floor Pan Rear Side Except Sub.	1	----	2253 084-5	
	Sub.	1	----	2253 096-7	
	RAIL and Front Bumper Attaching REINFORCEMENT, Front Floor Pan Side All	1	----	2253 372-3	
	RAILS, Rear Floor Pan Inner and Outer Side Sub., TA3, TC1, TC3	1	----	2425 350-1	2425 350-1
	TA3, TC1, TC2, TC3, except Sub.	1	----	1973 304-5	2425 350-1
	RAIL and Front Hanger GUSSET, Rear Floor Pan Side All	1	2253 644-5		
	RAIL and Brake Tube BRACKET, Front Floor Pan Front Side All (also specify 1 of 2242460-1 Reinf.)	1	2425 414-5		
23-32-106	RETAINER, Rear Floor Pan Spare Tire Cover Panel All Prime	1	2259 173		
	RETAINER, Wheelhouse Inner Rear Floor Pan Cover Support T/Plate Sub., TA3, TC1, TC3	2	----	1960 496	1960 496
23-32-107	BRACKET and HINGE, Rear Floor Pan Cover Panel Sub.	2	2259 380		
23-32-108	BRACKET, Front Side Rail Front Suspension Upper Control Arm Mounting	1	2081 840-1	2204 184-5	

★ Indicates use as required.
 ☐ Indicates parts not listed in any previous parts book.
 Right and left part numbers are on same line,
 first number is right, second number is left.
 * Indicates change or addition.

1963 PASSENGER CAR PARTS CATALOG

BODY

CODE	PART NAME AND DESCRIPTION	PER CAR	VALIANT DART	PLYMOUTH DODGE	CHRYSLER IMPERIAL
23-32-O PANS, PLUGS AND BODY BUMPERS - Cont'd					
23-32-110	SHIELD, Front Suspension Crossmember to Front Side Rail Splash All Left	1	2260 469		
		1		2260 472-3	
	SHIELD, Front Rail Lower Splash TP1, TP2, TD1, TD2, Prime, Lt.	1	----	2405 041	
23-32-112	REINFORCEMENT, Center Floor Pan and Inner Sill to Rear Side Rail and Spring Hanger Bracket Cv. Cp.	1	----	2254 618-9	
	REINFORCEMENT, Center Floor Pan to Inner Sill and Rear Rail and Spring Hanger Support Cv. Cp.	1	*2422 568-9		
	REINFORCEMENT, Front Floor Pan to Inner Sill Front Reinforcement to Front Side Rail Cv. Cp.	1	2422 564-5		
	REINFORCEMENT, Center Floor Pan Rear Suspension Front Hanger Bracket Support All	1	----	2252 302-3	
23-32-113	CLIP, Front Side Rail Splash Shield TV, TL, TP1, TD1, TA3, TC1, TC2, TC3	★	*2405 049	*2405 049	*2405 049
23-32-114	BRACKET, Front Floor Pan to Inner Sill and Front Reinforcement to Front Side Rail Cv. Cp.	1	----	2254 620-1	
23-32-115	REINFORCEMENT, Front Side Rail All	1	2081 058-9	2204 170-1	
	w/Radiator Yoke BRACKET . .	1	----	2253 382-3	
	REINFORCEMENT, Front Side Side Rail to Side Sill Inner All	1	2242 460-1		
23-33-O INSTRUMENT PANEL					
23-33-6	HANDLE, Instrument Panel Assist TC1, TC2, TC3	1	----	----	2216 916
23-33-10	BRACE, Instrument Panel Lower Reinforcement to Steering Column Clamp	1	----	2216 933	
	BRACE, Instrument Panel Lower Reinforcement to Windshield Frame TA3, TC1, TC2, TC3	1	----	2080 899	2080 679
	BRACE, Instrument Panel Lower Reinforcement to Windshield Wiper Motor Mounting Bracket TC1, TC2, TC3	1	----	2162 538	2292 023
	BRACE, Instrument Panel Lower Reinforcement to Pedal Bracket TC1, TC2, TC3	1	----	----	2217 302
	BRACE, Instrument Panel Lower Reinforcement to Windshield Wiper Motor Mounting Bracket TY1	1	----	----	2292 327
23-33-12	COVER, Instrument Panel Radio Opening Except TA3	1	2161 973	2162 369	
	TA3	1	----	1901 789	
	TY1	1	----	----	1901 811
	TY Knob Hole Cover.	2	----	----	2080 058
	STUD	2	----	----	6010 020
	FILLER, Instrument Panel Radio Opening TC1, TC2, TC3	1	----	----	*2218 734

★ Indicates use as required.

□ Indicates parts not listed in any previous parts book.

Jan. 3, 1964 Supersedes Jan. 25, 1963.

Printed in U.S.A.
Prices and specifications subject to change without notice.
Right and left part numbers are on same line,
first number is right, second number is left.

* Indicates change or addition.

CODE	PART NAME AND DESCRIPTION	PER CAR	VALIANT DART	PLYMOUTH DODGE	CHRYSLER IMPERIAL
23-33-O INSTRUMENT PANEL - Cont'd					
23-33-20	COVER, Instrument Panel Clock Hole TP1, TP2 TD1, TD2 TC1, TC2	1 1 1	---- ---- ----	2290 594 2291 569 ----	2291 478
23-33-26	BEZEL, Instrument Panel Fresh Air Door Control TA3 Prime	1	----	2161 135	
23-33-42	GRILLE, Instrument Panel Radio Speaker All, except TA3 Black Except TA3 Medium Tan Except TA3 Medium Blue Except TA3 Red TP1-M, TP2-M, TP1-H, TP2-H Medium Green	1 1 1 1 1	---- ---- ---- ---- ----	2297 072 2428 941 2273 040 2428 942 2428 940	
	TD1, TD2 Medium Turquoise. TP1, TP2, use w/Trim Pad Medium Blue TP1, TP2, use w/Trim Pad Medium Green TP1, TP2, use w/Trim Pad Medium Tan TP1, TP2, use w/Trim Pad Red TP1, TP2, use w/Trim Pad Black TD1, TD2, use w/Trim Pad Medium Blue TD1, TD2, use w/Trim Pad Medium Tan	1 1 1 1 1 1 1 1 1 1 1 1	---- ---- ---- ---- ---- ---- ---- ---- ---- ---- ---- ----	2428 943 E2432 485 E2432 486 E2432 487 E2432 488 E2432 489 E2432 490 E2432 491	
	TD1, TD2, use w/Trim Pad Red TD1, TD2, use w/Trim Pad Black TD1, TD2, use w/Trim Pad Medium Turquoise TA3 Blue TA3 Green TA3 Tan TA3 Red TA3 Turquoise TA3 Black TC1, TC2, TC3 Prime TY1 w/Air Conditioning TY1 w/o Air Conditioning	1 1 1 1 1 1 1 1 1 1 1 1 1 1 1	---- ---- ---- ---- ---- ---- ---- ---- ---- ---- ---- ---- ---- ---- ----	E2432 492 E2432 493 E2432 494 2180 188 2181 436 2181 437 2181 438 2181 439 2181 440 ---- ---- ---- ----	2218 639 2161 616 2161 162
23-33-44	NAME PLATE, Dummy Switch TY1	1	----	----	2197 511
23-33-65	COVER, Instrument Panel Defroster Opening TA3, TC1, TC2, TC3	2	----	2080 238	2080 238
23-33-86	MOULDING, Instrument Panel TP1-M, TP2-M, TP1-H, TP2-H, TP2-P, TD1-M, TD2-M, TD1-H, TD2-H, TD2-P, Horizontal TA3 Finish Plate, Horizontal, End. TA3 Trim Pad TA3 Finish Plate, Horizontal TC1, TC2, TC3 Horizontal, Lower, Rt. TC1, TC2, TC3 Horizontal, Upper. TC1, TC2, TC3 Intermediate, Left TC1, TC2, TC3 Instruments Hood	1 1 1 1 1 1 1 1	---- ---- ---- ---- ---- ---- ---- ----	2161 910-11 1902 310-11 2218 295 2217 656 ---- ---- ---- ----	2218 336 2218 335 2292 317 2217 054

★ Indicates use as required.
 E Indicates parts not listed in any previous parts book.
 Right and left part numbers are on same line,
 first number is right, second number is left.
 * Indicates change or addition.

Printed in U.S.A.
 Prices and specifications subject to change without notice.
 Jan. 3, 1964 Supersedes Dec. 14, 1962.

1963 PASSENGER CAR PARTS CATALOG

BODY

CODE	PART NAME AND DESCRIPTION	PER CAR	VALIANT DART	PLYMOUTH DODGE	CHRYSLER IMPERIAL
23-33-O INSTRUMENT PANEL - Cont'd					
23-33-89	CAP, Instrument Panel End Finish				
	Blue Metallic	1	2432 692-3		
	Green Metallic	1	2432 694-5		
	Tan Metallic	1	2432 698-9		
	Gray Metallic	1	2432 696-7		
	Red	1	2432 700-1		
	Turquoise Metallic	1	2432 702-3		
23-33-96	NAME PLATE, Instrument Panel				
	TL1-H Dart 270	1	2217 936		
	Polara	1	----	2217 840	
	Polara 500	1	----	2217 399	
	Dodge 330	1	----	2217 848	
	Dodge 440	1	----	2217 849	
	TC1 Newport	1	----	----	2217 276
	All Chrysler	1	----	----	2217 275
	MEDALLION, Instrument Panel Pace Car				
	Sp. Cl. Cp., Cv. Cp., Sp. 4 D., TC2	1	----	----	B2491 875
	TY1-L, TY1-M Imperial	1	----	----	2161 174
	TY1-H LeBaron	1	----	----	2161 175
	NUT	3	----	----	6010 226
23-33-97	BASE, Instrument Panel Medallion Pace Car				
	Sp. Cl. Cp., Cv. Cp., Sp. 4 D., TC2	1	----	----	B2492 114
23-33-101	BEZEL, Instrument Panel Parking Sprag Control				
	TP1, TP2	1	----	2162 776	
23-33-102	COVER, Instrument Panel Parking Sprag Control				
	TP1, TP2	1	----	2162 777	
23-33-103	GASKET, Instrument Panel Parking Sprag Control				
	Cover or Bezel				
	TP1, TP2	1	----	2162 802	
23-33-104	HOUSING, Instrument Panel Parking Sprag Control				
	TY1 Prime	1	----	----	2217 060
23-33-109	PANEL, Instrument				
	TV1, w/Manual Trans.	1	*2292 325		
	TV1, w/Auto. Trans.	1	B2217 329		
	TL1	1	2216 523		
	TP1, TP2	1	----	2216 862	
	TD1, TD2	1	----	2217 832	
	TC1, TC2, TC3 w/or w/o Air Conditioning . . .	1	----	----	2253 530
	TA3	1	----	2218 663	
	TY1	1	----	----	2425 282
	EXTENSION, Instrument Panel End				
	TY1 Right	1	----	----	2080 940
	Left	1	----	----	2217 062
	TY1, Instrument Panel Lower w/REINF. and Wiring CLIPS	1	----	----	2425 281
23-33-129	HOOD, Instrument Panel Instrument				
	TA3 Prime	1	----	2080 704	
	TC1, TC2, TC3 Lower, Prime	1	----	----	2217 078
	TC1, TC2, TC3 Upper, w/Padded PANEL, w/Air Conditioning, Prime	1	----	----	2217 318
	TC1, TC2, TC3 Upper, w/o Padded Panel, w/o Air Conditioning, Prime	1	----	----	2217 072

★ Indicates use as required.
 B Indicates parts not listed in any previous parts book.
 Jan. 3, 1964 Supersedes Dec. 14, 1962.

Printed in U.S.A.
 Prices and specifications subject to change without notice.
 Right and left part numbers are on same line,
 first number is right, second number is left.
 * Indicates change or addition.

CODE	PART NAME AND DESCRIPTION	PER CAR	VALIANT DART	PLYMOUTH DODGE	CHRYSLER IMPERIAL
23-33-O INSTRUMENT PANEL - Cont'd					
23-33-129	HOOD, Instrument Panel Housing				
	TP1, TP2 Dark Blue	1	----	2413 876	
	TP1, TP2 Dark Green	1	----	2413 877	
	TP1, TP2 Dark Tan.	1	----	2413 878	
	TP1, TP2 Red	1	----	2413 879	
	TP1, TP2 Black	1	----	2413 880	
23-33-132	FILLER, Steering Column Opening				
	TA3, TC1, TC2, TC3, Prime	1	----	2218 265	2217 052
	TA3 Upper	1	----	1902 399	
	COVER, Instrument Panel Steering Column Opening				
	All Gray	1	----	2273 320	
	All Black.	1	----	2297 070	
	All Blue	1	----	2273 317	
	TD1, TD2 Turquoise	1	----	2428 947	
	TP1, TP2 Medium Green.	1	----	2428 944	
	All Medium Tan	1	----	2428 945	
	All Red	1	----	2428 946	
23-33-135	FINISH PLATE, Instrument Panel				
	TL1-H, TL1-P Dull Finish Right	1	*2218 140		
	TL1-H, TL1-P Left	1	E2491 674		
	TL1-H, TL1-P, Bright Finish				
	Right	1	E2491 673		
	TV1-H Right.	1	2292 150		
	TV1-P Right.	1	2218 138		
	TV1-H, TV1-P w/Auto. Trans., Left	1	2217 086		
	TV1-H, TV1-P w/o Auto. Trans., Left	1	2292 151		
	TV1-H, TV1-P w/o Rear Window Lift, Center	1	2292 149		
	TP1-H, TP2-H, TP2-P				
	Controls	1	----	2292 066-7	
	TP1-H, TP2-H, TP2-P				
	Center, w/Radio	1	----	2292 343	
	TP1-H, TP2-H, TP2-P				
	Center, w/o Radio.	1	----	2292 072	
	TD1-H, TD2-H, TD2-P				
	Controls	1	----	2292 064-5	
	TD1-H, TD2-H, TD2-P				
	Center, w/Radio.	1	----	2292 342	
	TD1-H, TD2-H, TD2-P				
	Center, w/o Radio.	1	----	2292 070	
	TC1, TC2, TC3 Controls, w/Radio, Right	1	----	----	2292 320
	TC1, TC2, TC3 Controls, Left	1	----	----	2292 319
	TC1, TC2, TC3 Controls, w/o Radio, w/STUD	1	----	----	2217 066
	TC3 Luxury, Controls	1	----	----	2218 732-3
	TA3 Fresh Air Door, w/o Heater	1	----	2161 493	
	TY1 Right.	1	----	----	2161 489
	TY1 Left	1	----	----	2216 999
	TA3 Right.	1	----	2218 204	
	TA3 Left	1	----	2218 203	
23-33-147	COVER, Instrument Panel Right End Extension				
	TY1	1	----	----	2080 942
23-33-209	SLEEVE NUT, Instrument Panel Gear Selector				
	Mounting Bracket				
	w/Auto. 3 Speed Trans.	★	----	2217 097	2162 495
23-33-213	BRACKET, Transmission Control Box Mounting				
	w/Auto. Trans.	1	2426 734		
	w/Auto. Trans., w/SOCKET	1	*2427 735		
	SCREW and WASHER	3	6023 884		

★ Indicates use as required.

⊠ Indicates parts not listed in any previous parts book.

Right and left part numbers are on same line, first number is right, second number is left.

* Indicates change or addition.

1963 PASSENGER CAR PARTS CATALOG

BODY

CODE	PART NAME AND DESCRIPTION	PER CAR	VALIANT DART	PLYMOUTH DODGE	CHRYSLER IMPERIAL
23-33-O INSTRUMENT PANEL - Cont'd					
23-33-213	BRACKET, Instrument Panel Gear Selector Mounting TA3 TY1 TP1, TP2 TD1, TD2	1 1 1 1	---- ---- ---- ----	2217 926 ---- 2162 488 2162 489	2292 336
23-33-216	COVER, Instrument Panel Map Light Opening TA3, TC1, TC2, TC3 Prime	1	----	2080 152	2217 282
23-33-217	BEZEL, Instrument Panel Gear Selector TC1, TC2, TC3 Dark Blue TC1, TC3 Dark Green TC1, TC2, TC3 Dark Brown TC1, TC2, TC3 Red TC1, TC2, TC3 Dark Turquoise	1 1 1 1 1	---- ---- ---- ---- ----	---- ---- ---- ---- ----	2181 481 2181 482 2181 483 2181 484 2181 485
	TC1, TC2, TC3 Alabaster TC1, TC2, TC3 Black TC3 Luxury, Sp. 4 D. Blue TC3 Luxury, Sp. 4 D. Beige TY1	1 1 1 1 1	---- ---- ---- ---- ----	---- ---- ---- ---- ----	2181 486 2181 487 2181 488 2181 489 2161 156
23-33-220	TRIM PLATE, Transmission Push Button Control TV1 w/Auto. Trans. TRIM PLATE, Instrument Cluster TL1 w/Auto. Trans. TL1 w/Std. Trans.	1 1 1 1	2291 241	2291 676 2291 677	
	PLATE, Instrument Cluster Trim TD1, TD2 w/Std. Trans., w/Heater or Air Conditioner TD1, TD2 w/Auto. Trans, w/Heater or Air Conditioner TD1, TD2 w/Std. Trans., w/o Heater or Air Conditioner TD1, TD2 w/Auto. Trans., w/o Heater or Air Conditioner	1 1 1 1	---- ---- ---- ----	2290 175 2290 173 2290 176 2290 174	
	FINISH PLATE, Instrument Panel Gear Selector TA3 w/Std. Trans. TA3 w/Heater. COVER, Instrument Panel Gear Selector Opening TC1, TC2 w/Std. Trans., Floor Mounted, Prime FINISH PLATE, Instrument Panel Gear Selector TA3 w/Auto. Trans., 5 Button. BEZEL, instrument Panel Gear Selector TA3	1 1 1 1 1 1	---- ---- ---- ---- ---- ----	2161 492 2161 518 ---- 2161 519 *2161 134	*2218 385
23-33-227	GASKET, Gearshift Control Slide Button Cover TD1, TD2 GASKET, Transmission Push Button TP1, TP2	1 1	2266 424	2208 187 2291 829	
	SIELD, Instrument Panel Transmission Controls Lamp TC1, TC2, TC3 w/Auto. Trans., Felt PAD, Instrument Panel Push Button Control TA3 Heater Side TA3 Trans. Side PAD, Instrument Panel Gear Selector TY1	1 1 1 1 1	---- ---- ---- ---- ----	---- 2161 606 2161 606 ----	2217 568 2161 707

★ Indicates use as required.

□ Indicates parts not listed in any previous parts book.

Jan. 3, 1964 Supersedes Dec. 14, 1962.

Page 23-96

Printed in U.S.A.
Prices and specifications subject to change without notice.
Right and left part numbers are on same line,
first number is right, second number is left.

* Indicates change or addition.

CODE	PART NAME AND DESCRIPTION	PER CAR	VALIANT DART	PLYMOUTH DODGE	CHRYSLER IMPERIAL
23-33-O INSTRUMENT PANEL - Cont'd					
23-33-231	BEZEL, Parking Brake Lever Release Rod TP1, TP2	1	----	2071 159	2290 700
	TD1, TD2	1	----	2256 616	
	TC1, TC2, TC3	1	----	-----	
	TA3	1	----	1887 789	
	BEZEL, Parking Brake Indicator Lamp Dummy TA3	1	----	1972 836	
23-33-236	NUT, Parking Brake Lever Release Rod TP1, TP2	1	----	2401 314	2401 325
	TD1, TD2, TA3	1	----	2071 146	
	TC1, TC2, TC3	1	----	-----	
23-33-237	DECAL, Parking Brake Lever Release Rod Bezel TA3, TC1, TC2, TC3	1	----	2291 065	2291 065
23-33-240	GROMMET, Instrument Panel Gear Selector Housing to Instrument Panel w/Auto. Trans.	★	----	2161 522	2161 522
	GROMMET, Instrument Panel Gear Selector Support Mounting Bracket w/Auto. Trans.	★	----	2161 522	2161 522
23-34-O BODY PANELS					
23-34-10	COVER, Tailgate Sill Panel Latch Opening Sub. Prime	1	----	2254 801	
23-34-13	BRACKET, Wheelhouse Inner and Outer to Fuel Tank Stone Deflector Sub., TA3, TC1, TC3	2	----	1961 131	1961 131
23-34-16	PANEL, Tailgate Opening Sill Sub., TP1, TP2, TD1, TD2, TC1, TC3	1	----	2251 477	1877 833
	Sub. w/EXTENSIONS	1	2425 441		
	Sub., TA3	1	----	1877 833	
23-34-17	REINFORCEMENT and FILLER, Tailgate Opening Sill Panel Sub., TP1, TP2, TD1, TD2, TC1, TC3	1	----	2253 175	1877 834
	Sub., TA3	1	----	1877 834	
23-34-20	DEFLECTOR, Quarter Inside Panel Reinforcement Water Cv. Cp., TV1-H, TV1-P	2	2480 416		
	Cv. Cp., TL1-H, TL1-P	2	2480 417		
	DEFLECTOR, Quarter Panel Rear Inner Water Cv. Cp., TA3, TC1, TC2	1	----	2165 406-7	2165 406-7
23-34-21	PANEL, Wheelhouse Cap Cv. Cp., TV1, TL1	1	2423 266-7	*2422 040-1	
23-34-22	SUPPORT, Wheelhouse to Quarter Panel Cl. Sed., Sp. Cl. Cp., 4 D., TL1	1	2243 582-3		
	SUPPORT, Quarter Outside Panel to Wheelhouse Outer Panel Sub.	1	*2242 792-3		
	SUPPORT, Quarter Outside Panel to Wheelhouse Cv. Cp., TV1	1	2423 646-7		
	Cl. Sed., Sp. Cl. Cp., 4 D., Sp. 4 D., TP1, TP2	1	----	2255 790-1	
	Cl. Sed., Sp. Cl. Cp., 4 D., Sp. 4 D., TD1, TD2	1	----	2423 544-5	
	SUPPORT and WELD NUTS, Wheelhouse Panel to Quarter Outside Panel Strainer Bracket Cv. Cp., Cl. Sed., Sp. Cl. Cp.	1	----	2424 466-7	
23-34-24	FILLER, Wheelhouse to Rear Pillar Panel Sub.	1	----	2251 830-1	

★ Indicates use as required.

⊠ Indicates parts not listed in any previous parts book.

Right and left part numbers are on same line,
first number is right, second number is left.

* Indicates change or addition.

1963 PASSENGER CAR PARTS CATALOG

BODY

CODE	PART NAME AND DESCRIPTION	PER CAR	VALIANT DART	PLYMOUTH DODGE	CHRYSLER IMPERIAL
23-34-O BODY PANELS - Cont'd					
23-34-26	PANEL, Wheelhouse to Rear Pillar	1	----	2251 586-7	
	Sub., Except TA3	1	----	1960 090-1	1960 090-1
	Sub., TA3, TC1, TC3				
23-34-27	PANEL, Wheelhouse				
	Cv. Cp., TV1 Outer.	1	2255 958-9		
	Cv. Cp., TL1 Outer.	1	2255 960-1		
	Cv. Cp. Inner.	1	2255 968-9		
	Sub. Inner.	1	2243 494-5		
	Sub. Outer.	1	2242 468-9		
	Cl. Sed., Sp. Cl. Cp., 4 D., TV1				
	Outer.	1	2422 610-11		
	Cl. Sed., Sp. Cl. Cp., 4 D., TL1				
	Outer.	1	2243 564-5		
	Cl. Sed., Sp. Cl. Cp., 4 D.				
	Inner, Right	1	2244 942		
	Cl. Sed., Sp. Cl. Cp., 4 D.				
	Inner, Left	1	2081 163		
	Sub., TA3 Inner.	1	----	1861 062-3	
	Cv. Cp., TA3 Outer.	1	----	1950 348-9	
	Sp. Cl. Cp., 4 D., Sp. 4 D., TA3				
	Inner.	1	----	1869 748-9	
	Sp. Cl. Cp., 4 D., Sp. 4 D., TA3				
	Outer.	1	----	1869 744-5	
	Cv. Cp., TP1, TP2 Outer.	1	----	2422 570-1	
	Cv. Cp., TD1, TD2 Outer.	1	----	2243 960-1	
	Cv. Cp. Inner.	1	----	2166 258-9	
	Sub., TP1, TP2, TD1, TD2, TC1, TC3				
	Inner.	1	----	2165 832-3	1861 062-3
	Sub. Outer.	1	----	2217 382-3	
	Cl. Sed., Sp. Cl. Cp., 4 D., Sp. 4 D., TP1, TP2				
	Outer.	1	----	2255 656-7	
	Cl. Sed., Sp. Cl. Cp., 4 D., Sp. 4 D., TD1, TD2				
	Outer.	1	----	2243 996-7	
	Cl. Sed., Sp. Cl. Cp., 4 D., Sp. 4 D., TC1, TC2, TC3				
	Inner.	1	----	2165 828-9	1869 748-9
	Sp. Cl. Cp., 4 D., Sp. 4 D., TC1, TC2, TC3				
	Outer.	1	----	----	B2242 572-3
	Cv. Cp., TA3, TC1, TC2				
	Inner.	1	----	1869 752-3	2243 608-9
	Cv. Cp., TC1, TC2 Outer.	1	----	----	2254 514-5
	Sub., TC1, TC3 Outer, Right.	1	----	----	1861 056
	Sub., TA3, TC1, TC3, Outer, Left	1	----	2188 769	2188 769
	Cv. Cp., TY1 Complete	1	----	----	2084 528-9
	Sp. Cl. Cp., Sp. 4 D., TY1				
	Complete.	1	----	----	2084 526-7
	Cv. Cp., Sp. Cl. Cp., Sp. 4 D., TY1				
	Inner.	1	----	----	*1651 300-1
23-34-29	EXTENSION, Wheelhouse Outer Panel				
	Sub.	1	2242 928-9		
	Cv. Cp., Cl. Sed., Sp. Cl. Cp., 4 D., TL1	1	*2243 802-3		
	Cl. Sed., Sp. Cl. Cp., Cv. Cp., 4 D., TV1	1	2422 612-3		
34-32	BAFFLE, Quarter Inside Upper Panel to Roof Panel				
	Side Extension				
	Sub.	2	2243 832		
36	REINFORCEMENT, Wheelhouse Panel to Belt Lower				
	Bar				
	Cv. Cp., TV1, TP2	1	2423 642-3	2422 840-1	
	Cv. Cp., TL1, TD1, TD2	*	2423 644	2422 838-9	

use as required.
 parts not listed in any previous parts book.
 4 Supercedes Jan. 25, 1963.

Printed in U.S.A.
 Prices and specifications subject to change without notice.
 Right and left part numbers are on same line,
 first number is right, second number is left.
 * Indicates change or addition.

CODE	PART NAME AND DESCRIPTION	PER CAR	VALIANT DART	PLYMOUTH DODGE	CHRYSLER IMPERIAL
23-34-0 BODY PANELS - Cont'd					
23-34-40	PLUG, Quarter Panel Tailgate Window Switch Hole Sub.	1	----	2254 795	
23-34-80	PANEL, Cowl Top and Plenum Chamber All	1	*2493 684		
	PANEL, Cowl Top and Dash TA3 Complete	1	----	*2253 805	
	TP1, TP2, TD1, TD2, TC1, TC2, TC3 Complete	1	----	*2421 693	*2253 805
	PANEL, Cowl Side All, TY1 Less Extension	1	----	----	*2275 907-8
	Cv. Cp. Complete.	1	2425 416-7		
	Except Cv. Cp. Complete.	1	2425 164-5		
	Cv. Cp., TP1, TP2, TD1, TD2, TC1, TC2 Complete.	1	----	2253 072-3	2425 122-3
	TP1, TP2, TD1, TD2, TC1, TC2, TC3, except Cv. Cp. Complete	1	----	2253 070-1	2425 104-5
	Except Cv. Cp., TA3, Complete.	1	----	2425 104-5	
	Cv. Cp., TA3 Complete.	1	----	2425 122-3	
	FRAME, Windshield Cv. Cp., TY1 Complete.	1	----	----	2084 539
	Except Cv. Cp. Complete.	1	----	----	2084 538
23-34-85	COVER PACKAGE, Cowl Upper Panel to Front Pillar Joint TY1 SCREW	1 2	----	----	2196 479-80 9413 268
23-34-100	FILLER, Cowl Side to Door at Belt TY1	1	----	----	2188 416-7
23-34-110	PANEL, Dash TY1	1	2216 549	----	2216 675
23-34-116	COVER, Dash Panel Heater Motor Opening w/o Heater.	1	2242 439		
	COVER, Dash Panel Air Duct Drain Hole All, TA3	2	----	1810 565	1810 565
	COVER, Dash Panel Air Duct All, TA3 w/o Heater.	1	----	1750 445	1750 445
	TY1 w/Heater.	1	----	----	2216 902
23-34-117	SUPPORT, Dash Panel to Fender Side Shield All SUPPORT, Dash Panel to Fender Side Shield and Hood Hinge Upper TP2, TD2, w/426 cu. in. Eng. Right	1 1	2242 426-7 ----		
		1	----	*2492 651	
23-34-119	GASKET, Dash Panel Heater Motor Opening Cover w/o Heater.	1	2242 425		
23-34-120	PANEL, Front Door Outside Repair Cl. Sed. Sp. Cl. Cp., Cv. Cp. 4 D., Sub., TP1, TP2, TD1, TD2 Sp. 4 D., TP1, TP2, TD1, TD2 Sp. Cl. Cp., Cv. Cp., TP1, TP2, TD1, TD2, TC1, TC2 Sp. 4 D., Sp. 4 D. Sub., TC1, TC2, TC3 Sp. 4 D., TY1 Right Left	1 1 1 1 1 1 1	2253 842-3 *2253 844-5 2253 840-1 ---- ---- ---- ----	2425 100-1 2425 096-7 2425 098-9 2425 102-3 ---- ----	2425 670-1 *2425 850-1 1877 284 1961 389

★ Indicates use as required.
 □ Indicates parts not listed in any previous parts book.
 Right and left part numbers are on same line, first number is right, second number is left.
 * Indicates change or addition.

1963 PASSENGER CAR PARTS CATALOG

BODY

CODE	PART NAME AND DESCRIPTION	PER CAR	VALIANT DART	PLYMOUTH DODGE	CHRYSLER IMPERIAL
23-34-O BODY PANELS - Cont'd					
23-34-120	PANEL - Cont'd				
	Sp. Cl. Cp., Cv. Cp., TA3, TY1	1	----	1884 680-1	*1961 384-5
	4D., TA3, TC1, TC2, TC3	1	----	2253 344-5	2425 346-7
	Sp. 4 D., Sub., TA3	1	----	2165 320-1	
	PANEL, Rear Door Outside Repair				
	4 D., Sub., TP1, TP2, TD1, TD2	1	2425 168-9	2425 112-3	
	Sp. 4 D., TP1, TP2, TD1, TD2, TC1, TC2, TC3	1	----	2425 114-5	2254 290-1
	Sub., TC1, TC3	1	----	-----	2255 810-1
	Sp. 4 D., TA3	1	----	1950 636-7	
	Sp. 4 D., TY1 Right	1	----	-----	1961 412
	Left	1	----	-----	1877 287
	4 D., TC1, TC2, TC3	1	----	-----	2425 508-9
	Sub., TA3	1	----	1950 636-7	
	4 D., TA3 Right	1	----	2253 346	
	4 D., TA3 Left	1	----	2253 347	
23-34-121	SHIELD, Dash Panel to Front Fender				
	All	1	2242 442-3	2254 804-5	
23-34-122	BRACE and C/NUT, Dash Panel No. 1 and No. 1A				
	Body Hold-Down				
	TY1 Right	1	----	-----	2189 128
	Left	1	----	-----	2217 681
	BRACE, Dash Panel Body Front Hold-Down				
	TA3, TC1, TC2, TC3	1	----	1909 326-7	1909 326-7
23-34-123	PLUG, Dash Panel				
	All w/o Heater	3	----	1777 881	
	PLUG, Dash Panel Auto. Trans. and Parking Sprag Control				
	TA3, TC1	1	----	*2082 962	*2082 962
23-34-125	T/PLATE, Dash Panel Accelerator Linkage Bracket				
		1	2217 287		
23-34-126	REINFORCEMENT, Dash Panel No. 1 and No. 1A				
	Body Hold-Down Bolt Brace				
	TY1	1	----	-----	1861 248-9
23-34-136	COVER, Door Inside Panel Access Hole Cover				
	TY1, Front Door Upper	2	----	-----	*1751 033
23-34-164	BRACE, Deck Opening Upper Panel				
	Cl. Sed., Sp. Cl. Cp., 4 D., Sp. 4 D.	2	----	2244 027	
23-34-166	PANEL, Deck Opening Upper				
	Cl. Sed., Sp. Cl. Cp., 4 D., TV1	1	2242 493		
	Cl. Sed., Sp. Cl. Cp., 4 D., TL1	1	2243 579		
	Cv. Cp., TV, TC1, TC2, Except TA3	1	2255 860	2243 939	2242 596
	Cv. Cp., TA3, TL, TY1	1	2255 861	1869 636	1961 443
	4 D., Sp. 4 D., TA3	1	----	1909 316	
	Cl. Sed., Sp. Cl. Cp., 4 D., Sp. 4 D., Except TA3	1	----	2244 016	
	Sp. Cl. Cp., TA3	1	----	2189 298	
	Sp. Cl. Cp., 4 D., Sp. 4 D., TC1, TC2, TC3	1	----	-----	2242 594
	Sp. Cl. Cp., Sp. 4 D., TY1	1	----	-----	1961 444
23-34-167	PANEL, Deck Opening Lower				
	TV, except Sub.	1	2242 494		
	TL, except Sub.	1	2243 589		
	TD1-L, TD2-L, TD1-M, TD2-M, except Sub.				
	w/License Plate Insert Panel,				
	w/Back-Up Lamp	1	----	2425 379	
	w/o Back-Up Lamp	1	----	2425 147	

★ Indicates use as required.

☐ Indicates parts not listed in any previous parts book.

Jan. 3, 1964 Supersedes Jan. 25, 1963.

Printed in U.S.A.
 Prices and specifications subject to change without notice.
 Right and left part numbers are on same line,
 first number is right, second number is left.

* Indicates change or addition.

CODE	PART NAME AND DESCRIPTION	PER CAR	VALIANT DART	PLYMOUTH DODGE	CHRYSLER IMPERIAL
23-34-O BODY PANELS - Cont'd					
23-34-167	PANEL - Cont'd TD1-H, TD2-H, TD1-P, TD2-P, except Sub. w/License Plate Insert Panel .	1	----	2425 375	
	TP1, TP2, except Sub. w/License Plate Insert Panel .	1	----	2425 261	
	TA3, except Sub.	1	----	1919 066	
	End, TA3	1	----	2189 492-3	
	TC1, TC2, TC3, except Sub.	1	----	----	2423 790-1
	All, TY1	1	----	----	2189 875
23-34-176	EXTENSION, Deck Opening Lower Panel TY1	1	----	----	1877 350-1
23-34-177	REINFORCEMENT, Quarter Panel Deck Opening Side Flange TA3, except Sub.	1	----	1964 340-1	
23-34-179	REINFORCEMENT, Deck Opening Upper or Lower Panel Cv. Cp., TC1, TC2 Upper	1	----	----	2242 597
	TV1, TC1, TC2, TC3, except Sub. Lower	1	2243 626-7	----	2423 630
	All, TY1 Lower	1	----	----	2093 925
	Cv. Cp., TA3 Upper	1	----	1882 393	
	Sp. Cl. Cp., TA3 Upper	1	----	2189 299	
	SUPPORT, Deck Opening Lower Panel TL, TP1, TP2, except Sub.	2	2243 596	2255 788	
	BRACE, Deck Opening Lower Panel to Floor Pan TD1, TD2, except Sub.	2	----	B2244 024	
	TC1, TC2, TC3, except Sub.	1	----	----	2423 634-5
	REINFORCEMENT, Deck Opening Upper or Lower Panel Cv. Cp., TC1, TC2 Upper	1	----	----	2242 597
	All, TY1 Lower	1	----	----	2093 925
	Cv. Cp., TA3 Upper	1	----	1882 393	
	Sp. Cl. Cp., TA3 Upper	1	----	2189 299	
23-34-184	LETTER, NAME PLATE or MEDALLION, Deck Opening Lower Panel NOTE: See Exterior Moulding Illustrations in Front of Group 23 Body.				
23-34-218	REINFORCEMENT, Quarter Outside Panel Lock Face Sp. Cl. Cp., Cv. Cp.	1	2243 664-5		
23-34-219	SUPPORT, Quarter Outside Inner Upper Panel to Brace Cv. Cp., TL1	1	2423 648-9		
23-34-221	SEAL, Quarter Inside Upper Panel to Roof Panel Side Extension Baffle Sub.	2	2243 834		
23-34-225	COVER, Quarter Inside Panel Access Hole Sp. Cl. Cp., Cv. Cp., TY1	2	----	----	1691 107
23-34-227	GUARD, Quarter Panel Rear Lower Dust Sub., TA3, TC1, TC3	2	----	2252 212	2252 212
23-34-228	RETAINER, Quarter Panel Rear Lower Dust Guard Sub., TA3, TC1, TC3	2	----	2188 745	2188 745

★ Indicates use as required.
 ☒ Indicates parts not listed in any previous parts book.
 Right and left part numbers are on same line,
 first number is right, second number is left.
 * Indicates change or addition.

1963 PASSENGER CAR PARTS CATALOG

BODY

CODE	PART NAME AND DESCRIPTION	PER CAR	VALIANT DART	PLYMOUTH DODGE	CHRYSLER IMPERIAL
23-34-O BODY PANELS - Cont'd					
23-34-229	TIE PLATE, Quarter Panel to Wheelhouse to Side Sill Outer Panel				
	Cl. Sed., Sp. Cl. Cp., Cv. Cp., 4 D., TL	1	2243 566-7		
	All, TV1	1	2242 470-1		
	Sub., TL1	1	2242 470-1		
	TIE PLATE, Body Side Sill to Wheelhouse				
	Sub., TP1, TP2, TD1, TD2	1	----	2167 180-1	
	4 D., Sp. 4 D., TP1, TP2	1	----	2167 180-1	
	4 D., Sp. 4 D., TD1, TD2	1	----	2243 998-9	
	TIE PLATE, Quarter Inside Panel to Wheelhouse				
	Cl. Sed., Sp. Cl. Cp., Cv. Cp., TD1, TD2	1	----	2244 098-9	
	Cl. Sed., Sp. Cl. Cp., Cv. Cp., TP1, TP2	1	----	2422 578-9	
23-34-230	STRAINER and BRACKET, Quarter Outside Panel				
	Cv. Cp., TP2	1	----	2424 388-9	
	Cv. Cp., TD2	1	----	2424 390-1	
23-34-231	BRACKET, Quarter Outside Panel Strainer to Wheelhouse Support				
	Cv. Cp., TP2, TD2	2	----	2424 386	
	Cl. Sed., Sp. Cl. Cp., TD1, TD2	2	----	2424 386	
23-34-232	PLUG, Quarter Inside Panel to Wheelhouse Tie Plate				
	Cl. Sed., Sp. Cl. Cp., Cv. Cp., TD1, TD2	4	----	2255 358	
	PLUG, Quarter Panel to Wheelhouse to Side Sill Outer Panel Tie Plate				
	Cl. Sed., Sp. Cl. Cp., Cv. Cp., TL	2	*2423 815		
23-34-233	PANEL, Quarter Outside Inner				
	Cl. Sed., Sp. Cl. Cp., 4 D. Sed., Cv. Cp., TL1				
	Center	1	2243 646-7		
	Cl. Sed., Sp. Cl. Cp., 4 D., TL1				
	Upper	1	2244 250-1		
	Cl. Sed., Sp. Cl. Cp., 4 D., TV	1	2422 608-9		
	Cv. Cp., TV1	1	2423 482-3		
	Cl. Sed., Sp. Cl. Cp., 4 D., Cv. Cp., TL1				
	Lower	1	2243 648-9		
	Upper	1	2255 986-7		
	Cv. Cp., TL1	1	----		2244 458-9
Cv. Cp., TY1	1	----		2244 456-7	
Sp. Cl. Cp., TY1	1	----		2244 460-1	
Sp. 4 D., TY1	1	----			
23-34-234	PANEL, Quarter Inside				
	Cl. Sed., Sp. Cl. Cp., 4 D., TV1				
	Lower	1	2242 464-5		
	Cl. Sed., Sp. Cl. Cp., 4 D., Cv. Cp., TL1				
	Lower	1	2243 568-9		
	Cl. Sed., Sp. Cl. Cp., 4 D., TL1				
	Upper	1	2243 580-1		
	Cv. Cp. Front	1	*2255 984-5		
	Cl. Sed. Front	1	2242 736-7		
	Sp. Cl. Cp. Front	1	2243 000-1		
	Sub. w/Upper Rear Extension, Lower	1	2425 196-7		
	Cv. Cp., TL1 Rear	1	2424 000-1		
	Sub. Upper	1	*2242 740-1		
Cl. Sed., Sp. Cl. Cp., 4 D., Sp. 4 D., TV1, TP1, TP2					
Upper	1	*2242 868-9	*2255 792-3		
Cl. Sed., Sp. Cl. Cp., 4 D., Sp. 4 D., TD1, TD2					
Upper	1	----	2244 092-3		

★ Indicates use as required.
 □ Indicates parts not listed in any previous parts book.
 Jan. 3, 1964 Supersedes Dec. 14, 1962.

Printed in U.S.A.
 Prices and specifications subject to change without notice.
 Right and left part numbers are on same line,
 first number is right, second number is left.

* Indicates change or addition.



CODE	PART NAME AND DESCRIPTION	PER CAR	VALIANT DART	PLYMOUTH DODGE	CHRYSLER IMPERIAL
23-34-0 BODY PANELS - Cont'd					
23-34-234	PANEL - Cont'd				
	Cl. Sed., TP1, TP2, TD1, TD2	1	----	*2244 880-1	
	Cv. Cp., TP2, TD2, TC1, TC2	1	----	2244 224-5	1964 182-3
	Sp. Cl. Cp., TP1, TP2, TD1, TD2	1	----	*2244 000-1	
	Sub. Front	1	----	2166 182-3	
	Sub. Rear	1	----	2166 184-5	
	Sp. Cl. Cp., TC1, TC2	1	----	----	2425 232-3
	Cv. Cp., TA3, TY1	1	----	1964 186-7	1751 002-3
	Sp. Cl. Cp., TA3, TY1	1	----	1963 740-1	*1751 002-3
23-34-235	PANEL, Quarter Outside Repair				
	Sp. Cl. Cp., TV1	1	2424 034-5		
	Sp. Cl. Cp., TL1	1	2424 048-9		
	Sub., TV1	1	2242 748-9		
	Sub., TL1	1	2242 894-5		
	Cl. Sed., TV1	1	2424 032-3		
	Cl. Sed., TL1	1	2424 046-7		
	4 D., TV1	1	2424 038-9		
	4 D., TL1	1	2424 052-3		
	Cv. Cp., TL1	1	2424 050-1		
	Cv. Cp., TV1	1	2424 036-7		
	Sp. Cl. Cp., TA3	1	----	2423 762-3	
	4 D., Sp. 4 D., TA3	1	----	2423 766-7	
	Cl. Sed., TP1, TP2	1	----	B2424 444-5	
	Cl. Sed., TD1, TD2	1	----	2424 138-9	
	Sp. Cl. Cp., TP1, TP2	1	----	B2483 172-3	
	Sp. Cl. Cp., TD1, TD2, TC1, TC2	1	----	2424 140-1	2242 560-1
	4 D., Sp. 4 D., TP1, TP2, TC1, TC2, TC3	1	----	B2483 176-7	2242 564-5
	4 D., Sp. 4 D., TD1, TD2	1	----	2424 142-3	
	Cv. Cp., TP2	1	----	2424 448-9	
	Cv. Cp., TD1, TD2, TC1, TC2	1	----	2255 750-1	2255 814-5
	Sub., TD1, TD2 Front, w/Weld Nut	1	----	2217 642-3	
	Sub., TD1, TD2 Rear	1	----	2217 380-1	
	Sub., TP1, TP2, TC1, TC3	1	----	2217 374-5	2422 540-1
	Cv. Cp., TA3	1	----	2423 764-5	
	Sp. Cl. Cp., Cv. Cp., TY1	1	----	----	2422 790-1
	Sp. 4 D., TY1	1	----	----	2422 792-3
	Sub., TA3 Lower	1	----	2424 790-1	
	Sub., TA3 Upper	1	----	2424 476-7	
23-34-236	EXTENSION, Quarter Inside Panel				
	Sub. Lower Panel Upper Rear	1	2244 900-1		
	Sub. to Rear Upper Pillar	1	----	2254 608-9	
	Cv. Cp., TV Reinf. to Wheelhouse	1	2424 100-1		
	Cv. Cp., TL Reinf. to Wheelhouse	1	2424 102-3		
	Sp. Cl. Cp., TC1, TC2	1	----	----	2242 622-3
	Sp. Cl. Cp., to Rear Window Side Frame, TY1	1	----	----	2244 496-7
	Cv. Cp., TY1 Upper	1	----	----	1750 188-9
	Sp. Cl. Cp., TY1 Upper	1	----	----	2422 208-9
23-34-237	PLUG, Quarter Inside Lower Panel				
	Sub.	2	*2423 829		
23-34-238	NAME PLATE, Quarter Panel Outside				
	NOTE: See Exterior Moulding Illustrations in Front of Group 23 Body.				
23-34-240	DEFLECTOR PACKAGE, Quarter Panel Stone				
	NOTE: See Exterior Moulding Illustrations in Front of Group 23 Body.				

★ Indicates use as required.
 B Indicates parts not listed in any previous parts book.
 Right and left part numbers are on same line,
 first number is right, second number is left.
 * Indicates change or addition.

1963 PASSENGER CAR PARTS CATALOG

BODY

CODE	PART NAME AND DESCRIPTION	PER CAR	VALIANT DART	PLYMOUTH DODGE	CHRYSLER IMPERIAL
23-34-O BODY PANELS - Cont'd					
23-34-242	EXTENSION, Quarter Outside Panel				
	Sub., TL, TP1, TP2	1	2422 988-9	2217 376-7	
	Sub., TV	1	2243 636-7		
	TL1, TA3, except Sub.				
	Lower Rear	1	2244 406-7	2423 768-9	
	Cl. Sed., Sp. Cl. Cp., 4 D., Sp. 4 D.				
	to Rear Window Side Frame . .	1	---- --	2244 526-7	
	Cv. Cp., Cl. Sed., Sp. Cl. Cp., 4 D., TL				
	Inner Center Panel	1	*2244 252-3		
	Cv. Cp., Cl. Sed., Sp. Cl. Cp., 4 D., TL				
	to Deck Opening Lower Panel .	1	*2244 406-7		
	Sub., TA3	1	---- --	2189 848-9	
	Sub., TA3	1	---- --	2093 776-7	
	TC1, TC2, TC3, except Sub.				
	Lower	1	---- --	---- --	2244 372-3
	Sub., TC1, TC3	1	---- --	---- --	2422 542-3
	Sub., TC1, TC3	1	---- --	---- --	2252 624-5
23-34-246	REINFORCEMENT, Quarter Outside Panel Extension				
	Jacking				
	Sub., TV	2	2243 638		
	REINFORCEMENT, Quarter Outside Panel at Belt				
	Cl. Sed., Sp. Cl. Cp., TV	1	2243 672-3		
	Cv. Cp., TV	1	2422 128-9		
	Cv. Cp., TL	1	2422 130-1		
	REINFORCEMENT, Quarter Outside Panel to Floor Pan				
	TD1, TD2, except Sub.	1	---- --	2422 738-9	
	TP1, TP2, except Sub.	1	---- --	2255 776-7	
	REINFORCEMENT, Quarter Outside Panel to Belt Bar				
	Side Upper				
	Cv. Cp.	1	---- --	2423 594-5	
23-34-248	SUPPORT, Quarter Inside Panel to Shelf Panel				
	Cl. Sed., Sp. Cl. Cp., 4 D., TL	1	2243 572-3		
	SUPPORT, Quarter Inside Panel Rear to Rear Floor				
	Pan Filler				
	Sub.	1	2243 838-9		
23-34-249	FILLER, Quarter Inside Panel Rear to Rear Floor Pan				
	Sub.	1	2243 530-1		
	REINFORCEMENT, Quarter Inside Panel Extension to				
	Inside Panel				
	Sp. Cl. Cp., TC1, TC2	1	---- --	---- --	2423 726-7
	REINFORCEMENT, Quarter Inside Panel to Wheelhouse				
	Sp. Cl. Cp., TY1	1	---- --	---- --	2255 152-3
	REINFORCEMENT, Quarter Inside Panel to Folding Top				
	Folding Pillar Support				
	Cv. Cp., TA3	1	---- --	1954 094-5	
23-34-253	DOOR, Fuel Tank Filler				
	TY1	1	---- --	---- --	2480 418
	TC1, TC2, TC3	1	---- --	---- --	2243 226
	TC1, TC2, TC3, w/HINGE	1	---- --	---- --	*2482 869
23-34-255	SPRING, Fuel Tank Filler Opening Door				
	TC1, TC2, TC3	1	---- --	---- --	1877 486
	TY1	1	---- --	---- --	1877 486
23-34-256	PIN, Deck Opening Lower Panel Fuel Filler Door Hinge				
	TC1, TC2, TC3, except Sub.	1	---- --	---- --	2243 643

★ Indicates use as required.

E Indicates parts not listed in any previous parts book.

Jan. 3, 1964 Supersedes Dec. 14, 1962.

Page 23-104

Printed in U.S.A.
 Prices and specifications subject to change without notice.
 Right and left part numbers are on same line,
 first number is right, second number is left.

* Indicates change or addition.

CODE	PART NAME AND DESCRIPTION	PER CAR	VALIANT DART	PLYMOUTH DODGE	CHRYSLER IMPERIAL
23-34-O BODY PANELS - Cont'd					
23-34-257	GUSSET, Quarter Belt Bar to Wheelhouse to Rear Quarter Pillar Cv. Cp., TV1 Cv. Cp., TL1 Cv. Cp., TP1, TP2 Cv. Cp., TD1, TD2	1 1 1 1	2255 988-9 2255 990-1 ---- ----	2255 718-9 2243 944-5	
23-34-259	SEAL, Quarter Panel Fuel Tank Filler Tube Sub.	1	2242 360	2123 656	
23-34-260	HINGE, Deck Opening Lower Panel Fuel Filler Door TC1, TC2, TC3, except Sub. TY1	1 1	---- ----	---- ----	2243 227 2189 678-9
23-34-262	STUD and RETAINER, Rear Floor Pan Fuel Filler Hinge Except Sub.	2	----	2082 987	
23-34-270	BUMPER, Deck Opening Lower Panel Fuel Filler Door Sp. Cl. Cp., 4 D., Sp. 4 D., TC1, TC2, TC3 BUMPER, Fuel Tank Filler Door TY1	1 1	---- ----	---- ----	2255 344 1882 429
23-34-273	BRACKET, Deck Opening Lower Panel Fuel Tank Filler Door Sp. Cl. Cp., Cv. Cp., Sp. 4 D., TY1	1	----	----	2480 894
23-34-275	BUMPER, Quarter Outside Panel Jack Sub. Cl. Sed., Sp. Cl. Cp., Cv. Cp., 4 D., TL TD1, TD2, except Sub. TV1, TA3, except Sub. BUMPER, Deck Opening Lower Panel Jack TC1, TC2, TC3, except Sub.	1 1 1 1 1	2244 130-1 2243 800-1 ---- 2243 220-1 ----	2255 604-5 2189 694-5	2243 624-5
23-34-279	BRACKET, Rear Stone Deflector to Rear Floor Pan Attaching Sub.	1	----	2252 111	
23-34-280	FILLER, Quarter Outside Panel to Rear Lower Pillar Sub. FILLER, Quarter Outside Panel Front Upper Corner Sp. Cl. Cp., Cv. Cp., TP1, TP2, TD1, TD2	1 1	2244 350-1 ----	2244 706-7	
23-34-285	SUPPORT, Quarter Outside Inner Panel Jacking Cl. Sed., Sp. Cl. Cp., Cv. Cp., 4 D., TL	1	2244 904-5		
23-34-286	BRACKET, Rear Bumper Support Bar Jacking Sub., TA3, TC1, TC3	1	----	1961 022-3	1961 022-3
23-34-301	PANEL, Roof Cl. Sed., Sp. Cl. Cp., 4 D., TL Cl. Sed., Sp. Cl. Cp., 4 D., TV Sub., TV, TL Except Sub., TP1, TP2, TD1, TD2, TC1, TC2, TC3 Sub., TP1, TP2, TD1, TD2, TC1, TC3 Sub., TA3 Sp. Cl. Cp., TA3 4 D., Sp. 4 D., TA3 Sp. Cl. Cp., Sp. 4 D., TY1-L, TY1-M Sp. 4 D., TY1-H	1 1 1 1 1 1 1 1 1 1	2244 500 2242 519 2242 780 ---- ---- ---- ---- ---- ---- ----	2244 006 2165 836 2188 713 1861 118 1867 873	2242 603 2188 713 2244 474 2244 476

★ Indicates use as required.
 ☐ Indicates parts not listed in any previous parts book.
 Right and left part numbers are on same line,
 first number is right, second number is left.
 * Indicates change or addition.

Printed in U.S.A.
 Prices and specifications subject to change without notice.
 Jan. 3, 1964 Supersedes Jan. 25, 1963.

1963 PASSENGER CAR PARTS CATALOG

BODY

CODE	PART NAME AND DESCRIPTION	PER CAR	VALIANT DART	PLYMOUTH DODGE	CHRYSLER IMPERIAL
23-34-O BODY PANELS - Cont'd					
23-34-302	EXTENSION, Roof Panel Side Sub. Cl. Sed., Sp. Cl. Cp., 4 D., TV Sub., TA3, TC1, TC3 Sp. Cl. Cp., TA3 Lower Sub., TP1, TP2, TD1, TD2 Rear Sub., TP1, TP2, TD1, TD2 Side TP1, TP2, TD1, TD2, except Sub. to Rear Window Opening Upper Frame	1 1 1 1 1 1 1 1	*2242 776-7 2242 548-9 ---- ---- ---- ---- ---- ----	1861 222-3 1878 444-5 2217 384-5 2217 534-5 2244 415	1861 222-3
23-34-304	SUPPORT, Roof Panel Extension to Wheelhouse Quarter Panel Cl. Sed., Sp. Cl. Cp., 4 D., TV REINFORCEMENT, Roof Panel to Quarter Outside Panel Joint Cl. Sed., Sp. Cl. Cp., 4 D., TL Except Sub. Sp. Cl. Cp., 4 D., Sp. 4 D., TC1, TC2, TC3 REINFORCEMENT, Roof Rear Extension Panel Sp. 4 D., TY1-H Lower Sp. 4 D., TY1-H Upper	1 1 1 1 1 1 1	2242 528-9 2422 816-7 ---- ---- ---- ---- ----	2422 818-9 ---- ---- ---- ----	2422 820-1 1961 513 2189 370-1
23-34-333	PLUG, Quarter Outside Panel Ornament Sealing 2 D. H. T., 4 D., 4 D. H. T., TD1-H, TD2-H	4	----	B2423 737	
23-34-334	MEDALLION, ORNAMENT or LOUVER, Quarter Panel NOTE: See Exterior Moulding Illustrations in Front of Group 23 Body.				
23-34-340	BASE, Quarter Outside Panel Medallion NOTE: See Exterior Moulding Illustrations in Front of Group 23 Body.				
23-34-346	BRACKET, Wheelhouse to Fuel Tank Stone Deflector Sub.	1	----	2251 724	
23-34-354	PANEL, Windshield Header Cl. Sed., Sp. Cl. Cp., 4 D., Sub. Cv. Cp., TC1, TC2 TP1, TP2, TD1, TD2, TC1, TC2, TC3, except Cv. Cp. w/REINFORCEMENT TA3, TC1, TC2, TC3, except Cv. Cp. End TA3, except Cv. Cp. Cv. Cp., TA3	1 1 1 1 1 1	2253 956 ---- ---- ---- ---- ----	---- 1919 590 *1883 524-5 2253 804 2253 675	2253 675 2253 804 *1883 524-5
23-34-356	REINFORCEMENT, Windshield Header Panel Cv. Cp., except TA3	1	----	*2251 184	
23-36-O PILLARS					
23-36-5	PILLAR, Body Center 4 D., Sub., Except TA3 Sp. 4 D., Sub., TA3, TC1, TC2, TC3 4 D., TA3, TC1, TC3 Sp. 4 D., TY1 Sp. 4 D., TY1 Inner	1 1 1 1 1	2253 450-1 ---- ---- ---- ----	2167 918-9 1952 204-5 2253 512-3 2167 936-7 ----	1952 204-5 2253 512-3 1973 290-1 1861 286-7

★ Indicates use as required.
 ☐ Indicates parts not listed in any previous parts book.
 Jan. 3, 1964 Supersedes Dec. 14, 1962.

Printed in U.S.A.
 Prices and specifications subject to change without notice.
 Right and left part numbers are on same line,
 first number is right, second number is left.

* Indicates change or addition.

CODE	PART NAME AND DESCRIPTION	PER CAR	VALIANT DART	PLYMOUTH DODGE	CHRYSLER IMPERIAL
23-36-O PILLARS - Cont'd					
23-36-6	PANEL, Center Pillar Trim 4 D., Sub., TP1, TP2, TD1, TD2 Prime	1	----	2241 790-1	
	4 D., TA3, TC1, TC2, TC3 Prime	1	----	*1882 884-5	*1882 884-5
	Sub., TA3-E Prime	1	----	*1882 884-5	
23-36-14	EXTENSION, Front Hinge Pillar Cv. Cp., TY1 Sp. Cl. Cp., Sp. 4 D., TY1	1 1	---- ----	---- ----	1960 726-7 1877 318-9
23-36-21	COVER, Center Pillar Hinge 4 D., Sub. Lower Sp. 4 D., TY1	2 4	2217 218 ----	---- ----	1751 793
23-36-22	PLATE, Body Center Pillar Tapping 4 D., Sub. Lower Hinge 4 D., Sub. Upper Hinge 4 D., Sp. 4 D., Sp. Cl. Cp., Sub., TC1, TC2, TC3 Center Front Pillar Sp. 4 D., TY1 TIE PLATE, Body Lock Pillar to Body Side Sill Inner Panel Sp. Cl. Cp., TC1, TC2	2 2 2 2 1	2254 270 2254 271 ---- ---- ----	---- ---- *2252 631 ---- ----	---- ---- *2252 631 *2252 631 2424 054-5
23-36-30	BUMPER, Pillar Rear Lower Sub.	1	2423 001		
23-36-31	SEAL, Rear Upper Pillar to Rear Upper Pillar Reinforcement Baffle Sub. SEAL, Rear Upper Pillar Sub. SEAL, Body Center Pillar Top Sp. 4 D.	2 2 1	2243 835 ---- ----	2251 905 2254 132-3	
23-36-53	PILLAR, Rear Body Lock All Upper Cl. Sed. Cv. Cp., Sp. Cl. Cp., TC1, TC2 Sub., TA3, TC1, TC3 Cv. Cp., TA3 Sp. 4 D., TY1 Sp. Cl. Cp., Cv. Cp., TY1 4 D., Sp. 4 D., TA3, TC1, TC2, TC3 Sp. Cl. Cp., TA3	1 1 1 1 1 1 1 1	2425 396-7 ---- ---- ---- ---- ---- ---- ----	2252 370-1 ---- 1964 496-7 1954 676-7 ---- ---- 1964 496-7 1869 772-3	2242 558-9 2243 828-9 1877 310-11 *1919 024-5 2242 608-9
23-36-66	REINFORCEMENT, Body Lock Pillar Cl. Sed., Upper Cv. Cp., TC1, TC2 Sp. Cl. Cp., TC1, TC2 Sp. Cl. Cp., Cv. Cp., TY1 Rear Sp. Cl. Cp., Cv. Cp., TA3 Cv. Cp., TV to Outer Sill Sp. Cl. Cp., Cv. Cp., TL, TC1, TC2 to Outer Sill Cl. Sed., TV Upper	1 1 1 1 1 1 1 1	---- ---- ---- ---- ---- 2423 810-11 2423 810-11 *2242 764-5	*2166 230-1 ---- ---- ---- 1950 220-1 ----	2243 610-11 2424 056-7 1690 440-1 2423 808-9
	REINFORCEMENT and TAPPING PLATE Cl. Sed., Sp. Cl. Cp., Cv. Cp. Rear Lower	1	----	2425 212-3	

★ Indicates use as required.
 ☐ Indicates parts not listed in any previous parts book.
 Right and left part numbers are on same line,
 first number is right, second number is left.
 * Indicates change or addition.

1963 PASSENGER CAR PARTS CATALOG

BODY

CODE	PART NAME AND DESCRIPTION	PER CAR	VALIANT DART	PLYMOUTH DODGE	CHRYSLER IMPERIAL
23-36-O PILLARS - Cont'd					
23-36-66	REINFORCEMENT, Rear Body Lock Pillar Belt Sp. Cl. Cp., Cv. Cp., TC1, TC2	1	----	----	2244 418-9
23-36-73	COVER, Body Lock Pillar Hole Edge Sp. Cl. Cp., Cv. Cp., TY1				
	Inner	1	----	----	1810 446-7
	Outer	1	----	----	1810 586-7
23-36-118	PILLAR, Body Rear Sub., TP1, TP2, TD1, TD2				
	Upper	1	2425 174-5	2425 326-7	
	Lower	1	2425 210-1	*2253 210-11	
	Sub., TA3, TC1, TC3 Complete	1	----	1973 174-5	1973 174-5
23-36-120	PILLAR, Rear Quarter Cv. Cp., TP2 Cv. Cp., TD2 Cv. Cp., TA3, TC1, TC2				
	Upper	1	----	2255 720-1	
		1	----	2244 560-1	
	Upper	1	----	1884 524-5	2242 638-9
23-36-121	PANEL, Rear Pillar Roof Rail Joint Cover Sub., TA3, TC1, TC3	1	----	1878 254-5	1878 254-5
23-36-123	HANDLE, Roof Panel Rear Pillar Outside Assist Sub. NUT and WASHER SEAL Upper SEAL Lower Sub., TA3, TC1, TC3, PKG. NUT BOLT	1 4 1 1 2 8 2	---- ---- ---- ---- ---- ---- ----	B2481 346-7 6023 204 B2482 916-7 *2424 984-5 *2196 839 *6006 035 * 681 135	2196 839 6006 035 681 135
23-36-125	REINFORCEMENT, Rear Lower Pillar to Quarter Inside Panel Sub. REINFORCEMENT, Rear Pillar Lower Corner Sub. REINFORCEMENT, Rear Pillar to Wheelhouse Sub., TA3, TC1, TC3 Sub., TP1, TP2, TD1, TD2	1 1 1 1	2242 768-9 ---- ---- ----	2252 300-1 1877 840-1 *2251 588-9	1877 840-1
23-36-130	PLATE, Rear Pillar to Quarter Panel at Belt Sub.	1	2243 258-9		
23-36-134	DEFLECTOR, Roof Panel Outside Air Sub., except TA3 SCREW SCREW	1 2 4	---- ---- ----	*2252 254-5 167 079 9418 381	
23-36-138	SEAL, Roof Panel Outside Assist Handle Sub. Lower Sub. Upper	1 1	---- ----	*2424 984-5 B2482 916-7	
23-38-O FLOOR TUNNEL CONSOLE					
23-38-1	CONSOLE, Floor TP2-P, TD2-P, TC2-M	1	----	*2292 537	B2419 997
23-38-3	DOOR, Floor Console TP2-P Complete TD2-P Complete LID, Floor Tunnel Console Compartment TC2 w/Tapping PLATE	1 1 1 1	---- ---- ---- ----	2419 450 2292 454 -----	2440 045

* Indicates use as required.
 B Indicates parts not listed in any previous parts book.
 Jan. 3, 1964 Supersedes Dec. 14, 1962.

Printed in U.S.A.
 Prices and specifications subject to change without notice.
 Right and left part numbers are on same line,
 first number is right, second number is left.
 * Indicates change or addition.

CODE	PART NAME AND DESCRIPTION	PER CAR	VALIANT DART	PLYMOUTH DODGE	CHRYSLER IMPERIAL
23-38-0 FLOOR TUNNEL CONSOLE -Cont'd					
23-38-5	FINISH PLATE, Floor Console				
	TP2-P Front	1	----	2419 449	
	TP2-P Rear	1	----	2419 448	
	TD2-P Front	1	----	2292 484	
	TD2-P Rear	1	----	2292 485	
	TC2-M Front	1	----	----	2419 486
	TC2-M Rear	1	----	----	2419 487
23-38-6	STOP, Floor Console Door TP2-P, TD2-P	1	----	2419 269	
23-38-9	FILLER, Floor Tunnel Console to Instrument Panel TC2	1	----	----	2419 479
23-38-12	BASE, Floor Console Lid Medallion Sp. Cl. Cp., Cv. Cp., TC2 Pace Car	1	----	----	E2492 114
23-38-13	MEDALLION, Floor Console Lid Sp. Cl. Cp., Cv. Cp., TC2 Pace Car	1	----	----	E2491 875
23-38-14	HINGE, Floor Console Door TP2-P, TD2-P	1	----	2292 456	
	HINGE, Floor Tunnel Console Compartment Lid TC2-M	1	----	----	2419 482
23-38-15	CATCH, Floor Console Lock TP2-P, TD2-P	1	----	2292 499	
	CATCH, Floor Tunnel Console Compartment TC2-M	1	----	----	2298 698
23-38-16	REINFORCEMENT, Front Floor Carpet Heel Pad Finish Plate Sp. Cl. Cp., TC2	2	----	----	2086 461
23-38-17	PLATE, Floor Console Door Hinge Reinforcement TP2-P, TD2-P	1	----	2292 481	
	PLATE, Front Floor Carpet Heel Pad Sp. Cl. Cp., TC2	2	----	----	2292 544
23-38-22	T/PLATE, Floor Tunnel Console Compartment Lid Catch TC2-M	1	----	----	2419 500
	PLATE, Floor Tunnel Console Compartment Lid Hinge TC2-M	1	----	----	2217 523
23-38-27	BRACKET, Floor Tunnel Console and Radio Support Sp. Cl. Cp., Cv. Cp., Sp. 4 D., TC2	1	----	----	2440 171
	BRACKET, Floor Tunnel Console to Floor Mounting TC2 Front	1	----	----	*2490 119
	Rear	1	----	----	*2490 121
23-38-28	STRIP, Floor Tunnel Console Compartment Side Bend Over TC2	2	----	----	2419 987
	STRIP, Floor Tunnel Console Compartment Lid Front Bend Over TC2	1	----	----	2419 984
	STRIP, Floor Tunnel Console Compartment Lid Side Bend Over TC2	2	----	----	2419 983

★ Indicates use as required.
 E Indicates parts not listed in any previous parts book.
 Right and left part numbers are on same line,
 first number is right, second number is left.
 * Indicates change or addition.

Printed in U.S.A.
 Prices and specifications subject to change without notice.
 January 3, 1964.

CODE	PART NAME AND DESCRIPTION	PER CAR	VALIANT DART	PLYMOUTH DODGE	CHRYSLER IMPERIAL
23-39-0 WINDOW LIFT (MANUAL)					
23-39-2	SPRING, Door Manual Window Regulator Assist 4 D., 4 D. Sub., Sp. 4 D. Sub., TP1, TP2, TD1, TD2 Front	2	2299 755	2166 851	
	Sp. Cl. Cp., Cv. Cp., Cl. Sed., TP1, TP2, TD1, TD2 Front	2	2299 819	2216 173	
	TA3, TC1, TC2, TC3, All Front	2	----	1256 337	1256 337
	4 D., 4 D. Sub., TP1, TP2, TD1, TD2 Rear	2	2299 693	2166 851	
	4 D., TA3, TC1, TC2, TC3 Rear	2	----	1256 337	2251 930
	Sp. 4 D., Sp. 4 D. Sub., TA3, TC1, TC2, TC3 Rear	2	----	1690 329	1690 329
	Sub., TA3E Rear	2	----	1256 337	
23-39-5	REGULATOR or PLATE and ARM, Door Manual Window 4 D., Sp. 4 D., Sub., TP1, TP2, TD1, TD2, TC1, TC2, TC3 Front	1	2242 854-5	2428 016-7	2428 056-7
	4 D., Sp. 4 D., Sub., TA3 Front	1	----	2428 056-7	
	Cv. Cp., Sp. Cl. Cp., TP1, TP2, TD1, TD2, TC1, TC2 Front	1	2299 560-1	2428 014-5	2428 054-5
	Sp. Cl. Cp., Cv. Cp., TA3 Front	1	----	2428 054-5	
	Cl. Sed. Front	1	2299 820-1	2428 014-5	
	4 D., TP1, TP2, TD1, TD2, TC1, TC2, TC3 Rear	1	2242 866-7	2299 564-5	2299 562-3
	4 D., TA3 Rear	1	----	2428 262-3	
	Sub., TA3E Rear	1	----	2428 262-3	
	Sp. 4 D., Sub., TP1, TP2, TD1, TD2, TC1, TC2, TC3 Rear	1	2242 866-7	2299 564-5	2428 058-9
	Sp. 4 D., Sp. 4 D. Sub., TA3 Rear	1	----	2428 058-9	
23-39-11	STUD, Window Regulator Pivot Arm TC1, TC2, TC3	★	6000 211	6000 211	6000 211
23-39-12	WASHER, Window Regulator Arm to Glass Lower Channel Leather	★	6000 141	6000 141	6000 141
	SPRINGWASHER, Window Regulator Arm to Connecting Link		----	1954 125	1954 125
	SPRING NUT, Regulator Pivot Arm Stud	★	6000 305	6000 305	6000 305
23-39-15	STOP, Manual Window Regulator Down Position on Regulator TC1, TC2, TC3 Front	2	----	1909 918	1909 918
	Sp. 4 D., Sub. Rear	2	----	1909 918	
	4 D., TC1, TC2, TC3, Rear	2	----	1909 918	1909 918
	Sp. Cl. Cp., Cv. Cp., Cl. Sed., TC1, TC2 Quarter	2	----	1909 918	1909 918
23-39-17	BUSHING, Window Regulator Arm Stud to Glass TA3, TC1, TC2, TC3, Doors	★	----	2166 511	2166 511
	TA3, TC1, TC2 Quarter	★	----	2166 511	2166 511
	Sp. Cl. Cp., Cv. Cp., Door	★	2299 809		
	Cl. Sed. Quarter	★	2299 809		
23-39-18	ARM and LINK, Door Manual Window Regulator TA3, TC1, TC2, TC3, Front	1	----	1954 342-3	1954 342-3
	TP1, TP2, TD1, TD2, Front	1	----	2216 152-3	

★ Indicates use as required.
 E Indicates parts not listed in any previous parts book.
 Right and left part numbers are on same line,
 first number is right, second number is left.
 * Indicates change or addition.

1963 PASSENGER CAR PARTS CATALOG

BODY

CODE	PART NAME AND DESCRIPTION	PER CAR	VALIANT DART	PLYMOUTH DODGE	CHRYSLER IMPERIAL
23-39-0 WINDOW LIFT (MANUAL) - Cont'd					
23-39-19	BRACKET, Door Manual Window Regulator Pivot Arm				
	TA3, TC1, TC2, TC3, Front	2	----	1245 581	1245 581
	TP1, TP2, TD1, TD2, Front	2	----	2167 318	
	4 D., Sp. 4 D., Sub., TP1, TP2				
	Rear	2	----	*2217 294	
	4 D., Sp. 4 D., TD1, TD2				
	Rear	2	----	2217 294	
	Sub., TD1, TD2	1	----	*2217 294	
23-39-30	BRACKET, Window Regulator Adjusting, includes Pivot BRACKET				
	Sp. Cl. Cp., TC1, TC2, Quarter	1	----	----	2244 532-3
	Sp. 4 D., TY1 Rear	1	----	----	2218 684-5
23-39-34	REGULATOR, Manual Quarter Window				
	Sp. Cl. Cp., TV1, TP1, TP2, TD1, TD2, TC1, TC2	1	2299 570-1	2299 974-5	2243 446-7
	Sp. Cl. Cp., TL1, TA3	1	2299 572-3	2428 254-5	
	Cv. Cp., TP2, TD2, TC1, TC2	1	2428 208-9	2299 974-5	2428 060-1
	Cv. Cp., TA3	1	----	2428 060-1	
	Cl. Sed., TV1	1	2242 762-3	2299 974-5	
	Cl. Sed., TL1	1	2299 844-5		
23-39-44	SPRING, Manual Quarter Window Regulator Assist				
	Sp. Cl. Cp., TV1, TP1, TP2, TD1, TD2	2	2299 843	2216 172	
	Sp. Cl. Cp., TL1, TA3, TC1, TC2	2	2299 901	1690 329	2166 851
	Cv. Cp., TP2, TD2	2	2299 693	2216 172	
	Cv. Cp., TA3, TC1, TC2	2	----	1256 337	1256 337
	Cl. Sed.	2	2299 901	2216 172	
23-39-48	BRACKET, Quarter Window Regulator Pivot Arm				
	Sp. Cl. Cp., Cv. Cp., Cl. Sed., TP1, TP2, TD1, TD2	2	----	2422 449	
23-39-53	CLIP, Quarter Window Regulator Link to Glass				
	Cl. Sed.	2	2243 390		
	CLIP, Door Window Regulator Link to Glass Pin				
	Sp. Cl. Cp., Cv. Cp.	2	2243 390		
	RETAINER, Window Regulator Arm Stud to Glass Lower Frame	★	6000 305	6000 305	6000 305
23-40-0 ROOF RAIL AND LUGGAGE RACK					
23-40-82	SUPPORT, Rear Window Frame to Headlining Bow				
	4 D., Sub., TV1 Length 8.16"	2	2082 226		
	4 D., Sp. Cl. Cp., Cl. Sed., TL1				
	Length 2.54"	2	2419 334		
	Sub., TL1 Length 8.16"	2	2082 226		
	Sp. 4 D., Sp. Cl. Cp., TY1	2	----	----	2419 538
	SUPPORT, Rear Window Frame to Rear Headlining Wire				
	4 D., Sp. 4 D., Sp. Cl. Cp., Cl. Sed., TP1, TP2, TD1, TD2, TC1, TC2, TC3	2	----	2419 770	2419 725
	4 D., Sp. 4 D., TA3	2	----	1952 803	
23-40-85	RAIL, Roof Side				
	4 D., Sub., Sp. Cl. Cp., Cl. Sed.	1	2242 520-1		
	Sub., Sp. Cl. Cp. Outer	1	2244 652-3		
	Sub. Rear Inner	1	2242 784-5		
	Sub. Rear Outer	1	2242 782-3		
	Except Cv. Cp., TP1, TP2, TD1, TD2				
	Inner	1	----	2166 298-9	
	Sp. 4 D., Sub., Sp. Cl. Cp., TP1, TP2, TD1, TD2				
	Outer	1	----	2166 310-1	
	Sub., TP1, TP2, TD1, TD2				
	Rear Inner	1	----	2166 304-5	
	Sub., TP1, TP2, TD1, TD2				
	Rear Outer	1	----	2166 302-3	

★ Indicates use as required.

□ Indicates parts not listed in any previous parts book.
Jan. 3, 1964 Supersedes Dec. 14, 1962.

Printed in U.S.A.
Prices and specifications subject to change without notice.
Right and left part numbers are on same line,
first number is right, second number is left.

* Indicates change or addition.

CODE	PART NAME AND DESCRIPTION	C Y L.	PER CAR	VALIANT DART	PLYMOUTH DODGE	CHRYSLER IMPERIAL
23-40-0 ROOF RAIL AND LUGGAGE RACK - Cont'd						
23-40-85	RAIL - Cont'd					
	4 D., TA3	1	----	----	1959 570-1	
	Sp. 4 D., Sub., TA3-L	1	----	----	E1869 548-9	
	Sub., TC1, TC3	1	----	----	----	E1869 548-9
	4 D., TC1, TC2, TC3, Front	1	----	----	----	2242 606-7
	Sp. Cl. Cp., TA3	1	----	----	1961 618-9	
	Sp. 4 D., Sp. Cl. Cp., TC1, TC2, TC3					
	Front	1	----	----	----	2243 644-5
	Rear	1	----	----	----	2244 052-3
	Sub., TA3, TC1, TC3, Rear	1	----	----	1961 468-9	1961 468-9
	Sp. 4 D., Sp. Cl. Cp., TY1					
	Front Inner	1	----	----	----	1961 064-5
	Front Outer	1	----	----	----	1960 540-1
	Rear Outer	1	----	----	----	2422 226-7
	RAIL, Roof Rear					
	Sub., TA3	1	----	----	1960 636	1960 636
	Sub., TP1, TP2, TD1, TD2					
	Inner	1	2242 790		2166 308	
	Outer	1	2242 781		2166 306	
	Inner Corner	1	2242 788-9			
	Outer Corner	1	2242 786-7			
	Corner	1	----		2251 584-5	
23-40-86	REINFORCEMENT, Roof Side Rail					
	4 D., Sp. 4 D., TA3, TC1, TC2, TC3	1	----	----	1869 556-7	2242 612-3
	Sub., TC1, TC3, TA3	1	----	----	1869 556-7	1869 556-7
	Sub., TA3, TC1, TC3					
	Rear	1	----	----	1861 128-9	1861 128-9
	Sp. Cl. Cp., TA3, TC1, TC2	1	----	----	1878 338-9	2242 612-3
	Sp. Cl. Cp., TA3 Rear	1	----	----	1878 340-1	
	REINFORCEMENT, Roof Side Outer Rail to Roof Side					
	Outer Rail Extension					
	Sub., TP1, TP2, TD1, TD2	1	----	----	2252 298-9	
	EXTENSION, Roof Side Rail Reinforcement					
	Sub., TA3, TC1, TC3	1	----	----	1960 064-5	1960 064-5
	4 D., Sp. 4 D., TA3	1	----	----	1882 134-5	
23-40-92	EXTENSION, Roof Side Rail					
	Sub., TA3	1	2243 256-7		1961 422-3	1961 422-3
	4 D., Sp. Cl. Cp., Cl. Sed., TL1	1	2243 840-1			
	4 D., Sp. 4 D., TA3	1	----	----	1884 868-9	
	4 D., Sp. 4 D., Sp. Cl. Cp., Cl. Sed., TP1, TP2, TD1, TD2					
	Inner	1	----	----	2244 114-5	
	Sp. 4 D., Sp. Cl. Cp., TD1, TD2					
	Outer	1	----	----	2244 704-5	
	Sp. Cl. Cp. Outer	1	2243 842-3			
	Sub., TP1, TP2, TD1, TD2					
	Inner	1	----	----	2251 582-3	
	Sub., TP1, TP2, TD1, TD2					
	Outer	1	----	----	2251 572-3	
	4 D., Sp. 4 D., Sp. Cl. Cp., TC1, TC2, TC3					
	To Wheelhouse	1	----	----	----	2242 618-9
	Sub., TA3, TC1, TC3, To Front Frame	1	----	----	1961 018-9	1961 018-9
	Sp. Cl. Cp., TY1 Rear Inner Rail To Roof Outer Rail	1	----	----	----	2255 182-3
	EXTENSION, Roof Rear Rail					
	Sp. 4 D., Sp. Cl. Cp., TY1					
	Outer	1	----	----	----	2422 228-9

★ Indicates use as required.
 ☐ Indicates parts not listed in any previous parts book.
 Right and left part numbers are on same line,
 first number is right, second number is left.
 * Indicates change or addition.

1963 PASSENGER CAR PARTS CATALOG

BODY

CODE	PART NAME AND DESCRIPTION	PER CAR	VALIANT DART	PLYMOUTH DODGE	CHRYSLER IMPERIAL
23-40-O ROOFRAIL AND LUGGAGE RACK - Cont'd					
23-40-96	SUPPORT, Roof Side Rail to Wheelhouse 4 D., Sp. 4 D., Sp. Cl. Cp., Cl. Sed., TP1, TP2	1	----	2255 688-9	
	4 D., Sp. 4 D., Sp. Cl. Cp., Cl. Sed., TD1, TD2	1	----	2244 700-1	
	4 D., Sp. 4 D., Sp. Cl. Cp., TC1, TC2, TC3	1	----		
	Extension	1	----	----	2244 074-5
23-40-100	GUSSET, Roof Rail to Rear Window Upper Frame to Wheelhouse Support Inner 4 D., Sp. 4 D., Sp. Cl. Cp., Cl. Sed., TP1, TP2	1	----	2166 952-3	
23-40-103	BRACKET, Roof Side Rail Bow Attaching Sp. 4 D., Sp. Cl. Cp., TY1				
	Front	2	----	----	2422 273
	Rear	2	----	----	2422 274
23-40-148	NUT, Roof Luggage Rack Slats or Crossmembers Sub.	★	2094 869	2094 869	2094 869
23-40-150	RAIL, Roof Luggage Rack Sub., TP1, TP2, TD1, TD2				
	Front	1	*2243 472	*2243 472	
	Side	2	2243 470	2243 470	
	Rear	1	*2243 472	*2243 472	
	Sub., TA3				
	Front	2	----	2093 388	2093 388
	Side	2	----	2093 387	2093 387
	Rear	2	----	2093 388	2093 388
23-40-155	CROSSMEMBER, Roof Luggage Rack Sub., TP1, TP2, TD1, TD2				
	Front	1	*2243 476	*2243 476	
	Center	3	2243 477	2243 477	
	Rear	1	*2243 476	*2243 476	
23-40-170	STANCHION, Roof Luggage Rack Rail Sub., TP1, TP2, TD1, TD2	2	2255 354-5	2255 354-5	
	Sub., TA3	3	----	2093 390-1	2093 390-1
23-40-177	CAP, Roof Luggage Rack Slats Frame Front and Rear Sub., TA3	2	----	2093 382-3	2093 382-3
23-40-185	FRAME, Roof Luggage Rack Slats Sub., TA3	1	----	2093 380-1	2093 380-1
23-40-187	GASKET, Roof Luggage Rack Slats Frame Sub., TA3	2	----	2093 394	2093 394
	PAD, Roof Luggage Rack Slats Sub., TA3	9	----	2094 874	2094 874
	PAD, Roof Luggage Rack Crossmember Sub., TP1, TP2, TD1, TD2				
	Front	1	*2094 874	*2094 874	
	Center	3	2094 874	2094 874	
	Rear	1	*2094 874	*2094 874	
	To Stanchion	4	2243 473	2243 473	
23-40-190	SLAT, Roof Luggage Rack Sub., TA3	9	----	2093 386	2093 386
23-41-O WINDOW LIFT (ELECTRIC)					
23-41-4	REGULATOR, Electric Window 4 D., Sp. 4 D., Sub., TP1, TP2, TD1, TD2, TC1, TC2, TC3	1	----	E2299 678-9	1964 364-5
	Sp. Cl. Cp., Cv. Cp., TP1, TP2, TD1, TD2, TC1, TC2	1	----	E2299 680-1	1964 360-1

★ Indicates use as required.
 □ Indicates parts not listed in any previous parts book.
 Jan. 3, 1964 Supersedes Sept. 4, 1962.

Printed in U.S.A.
 Prices and specifications subject to change without notice.
 Right and left part numbers are on same line,
 first number is right, second number is left.
 * Indicates change or addition.

CODE	PART NAME AND DESCRIPTION	PER CAR	VALIANT DART	PLYMOUTH DODGE	CHRYSLER IMPERIAL
23-41-O WINDOW LIFT (ELECTRIC)- Cont'd					
23-41-4	REGULATOR - Cont'd				
	Sp. Cl. Cp., TP1, TP2, TD1, TD2, TC1, TC2 Quarter	1	----	2428 230-1	2428 232-3
	Cv. Cp., TP2, TD2, TC1, TC2 Quarter	1	----	2428 230-1	1964 354-5
	4 D., TP1, TP2, TD1, TD2, TC1, TC2, TC3 Rear	1	----	2428 226-7	2428 228-9
	Sp. 4 D., Sub., TP1, TP2, TD1, TD2, TC1, TC2, TC3 Rear	1	----	2428 226-7	1964 352-3
	4 D., Sub., TA3 Front	1	----	1964 364-5	
	Sp. 4 D., TA3, TY1, Front	1	----	1964 364-5	2094 322-3
	Sp. Cl. Cp., Cv. Cp., TA3, TY1 Front	1	----	1964 360-1	1860 962-3
	Sp. Cl. Cp., Cv. Cp., TY1 Quarter	1	----	----	1753 706-7
	Sp. 4 D., TY1 Rear	1	----	----	1860 962-3
	Sp. 4 D., Sp. 4 D. Sub., TA3 Rear	1	----	1964 352-3	
	Sub., TA3E Rear	1	----	1964 362-3	
	4 D., TA3 Rear	1	----	1964 362-3	
	Sp. Cl. Cp., TA3 Quarter	1	----	1964 356-7	
	Cv. Cp., TA3 Quarter	1	----	1964 354-5	
	REGULATOR, Electric Window (used in Dura Type assembly)				
	4 D., Sp. 4 D., Sp. 4 D. Sub., TA3, TC1, TC2, TC3 Front	1	----	1964 596-7	1964 596-7
	Sp. Cl. Cp., Cv. Cp., TA3, TC1, TC2 Front	1	----	1964 598-9	1964 598-9
	4 D., TA3 Rear	1	----	1964 594-5	
	Sub., TA3E Rear	1	----	1964 594-5	
23-41-5	BUS BAR, Electric Window Lift Circuit Breaker TY1	1	----	----	1498 776
23-41-7	SPRING, Electric Window Regulator Assist				
	TA3, TC1, TC2, TC3, Front	2	----	1964 289	1964 289
	TY1, Front	2	----	----	1440 596
	4 D., Sp. 4 D., Sub., TP1, TP2, TD1, TD2 Front	2	----	2251 930	
	Sp. Cl. Cp., Cv. Cp., TP1, TP2, TD1, TD2 Front	2	----	2251 939	
	4 D., TP1, TP2, TD1, TD2, TC1, TC2, TC3 Rear	2	----	2166 851	2251 930
	4 D., Sp. 4 D., Sub., TA3 Rear	2	----	1964 289	
	Sp. 4 D., Sub., TP1, TP2, TD1, TD2, TC1, TC2, TC3 Rear	2	----	2166 851	1964 289
	Sp. 4 D., TY1 Rear	2	----	----	1440 596
	Sp. Cl. Cp., TA3, TC1, TC2 Quarter	2	----	2216 172	2216 172
	Sp. Cl. Cp., Cv. Cp., TP1, TP2, TD1, TD2, TY1 Quarter	2	----	2216 172	1440 596
	Cv. Cp., TA3, TC1, TC2 Quarter	2	----	1964 289	1964 289
	SPRING, Electric Window Regulator Counterbalance (used in Dura Type assembly)				
	TA3, TC1, TC2, TC3, Front	2	----	2165 768	2165 768
	Cv. Cp., TA3, TC1, TC2 Quarter	2	----	2165 768	2165 768
	4 D., TA3 Rear	2	----	2165 768	

★ Indicates use as required.

☐ Indicates parts not listed in any previous parts book.

Right and left part numbers are on same line,

first number is right, second number is left.

* Indicates change or addition.

1963 PASSENGER CAR PARTS CATALOG

CODE	PART NAME AND DESCRIPTION	PER CAR	VALIANT DART	PLYMOUTH DODGE	CHRYSLER IMPERIAL
23-41-O WINDOW LIFT (ELECTRIC)- Cont'd					
23-41-9	BOLT and WASHER, Electric Window Regulator to Plate Attaching TA3, TC1, TC1, TC3	★	----	1963 851	1963 851
	BOLT and WASHER, Electric Window Regulator Motor to Mounting Bracket TA3, TC1, TC2, TC3	★	----	1963 949	1963 949
	STUD, Electric Window Regulator Pivot Arm TC1, TC2, TC3	★	----	6000 211	6000 211
	TY1 To Glass	★	----	----	1691 100
	SCREW, Electric Window Regulator Pivot Arm Stud, TY1	★	----	----	*6006 172
23-41-11	CIRCUIT BREAKER, Electric Window Lift TC1, TC2, TC3 30 Amps	1	----	2291 728	2291 728
	TY1 30 Amps	1	----	----	1689 022
23-41-12	BRACKET, Electric Window Lift Circuit Breaker Mounting TY1	1	----	----	*1479 060
23-41-14	BUMPER, Electric Window Regulator Motor Mounting Bracket TP1, TP2, TD1, TD2, Front	2	----	2251 981	
23-41-25	RETAINER, Electric Window Lift Wiring Conduit TA3, TC1, TC2, TC3, Front	2	----	1886 949	1886 949
	TP1, TP2, TD1, TD2, Front	2	----	2290 048	
23-41-27	RELAY, Electric Window Lift Safety	1	----	*2427 743	*2427 743
23-41-33	MECHANISM, Electric Window Lift TP1, TP2, TD1, TD2, TC1, TC2, TC3				
	Front Right	1	----	2252 048	1963 827
	Left	1	----	2252 049	1963 827
	TA3 Front	2	----	1963 827	
	TY1 Front, with Worm Shaft Gear, Length 2.50"	1	----	----	2299 802-3
	TY1 Front, with Worm Shaft Gear, Length 2.375"	1	----	----	2428 000-1
	4 D., TP1, TP2, TD1, TD2, TC1, TC2, TC3 Rear	1	----	2252 050-1	2252 050-1
	Sp. 4 D., Sub., TP1, TP2, TD1, TD2, TC1, TC2, TC3 Rear Right	1	----	2252 050	1963 828
	Left	1	----	2252 051	1963 828
	4 D., Sp. 4 D., Sub., TA3 Rear	2	----	1963 828	
	Sp. 4 D., TY1 Rear, with Worm Shaft Gear, Length 2.50"	1	----	----	2299 802-3
	Sp. 4 D., TY1 Rear, with Worm Shaft Gear, Length 2.375"	1	----	----	2428 000-1
	Sp. Cl. Cp., Cv. Cp., TP1, TP2, TD1, TD2, TC1, TC2 Quarter, Right	1	----	2252 050	1963 828
	Left	1	----	2252 051	1963 828
	Sp. Cl. Cp., Cv. Cp., TA3, TY1 Quarter, Right	1	----	1963 828	1604 889
	Left	1	----	1963 828	1604 890
23-41-34	REPAIR PACKAGE, Electric Window Lift Regulator Mechanism TA3, TC1, TC2, TC3				
	Used for 1963 827 Mechanism.	1	----	2275 142	2275 142
	Used for 1963 828 Mechanism.	1	----	2275 143	2275 143

★ Indicates use as required.

⊠ Indicates parts not listed in any previous parts book.
Jan. 3, 1964 Supersedes Dec. 14, 1962.

Printed in U.S.A.

Prices and specifications subject to change without notice.
Right and left part numbers are on same line,
first number is right, second number is left.

* Indicates change or addition.

CODE	PART NAME AND DESCRIPTION	PER CAR	VALIANT DART	PLYMOUTH DODGE	CHRYSLER IMPERIAL
23-41-0 WINDOW LIFT (ELECTRIC)- Cont'd					
23-41-53	BRACKET, Electric Window Regulator Motor Mounting				
	4 D., Sp. 4 D., Sub., TP1, TP2, TD1, TD2 Front	2	----	2251 982	
	4 D., Sp. 4 D., Sub., TA3, TC1, TC2, TC3 Front	1	----	1963 874-5	1963 874-5
	Sp. Cl. Cp., Cv. Cp., TP1, TP2, TD1, TD2 Front	2	----	2251 982	
	Sp. 4 D., Sp. 4 D. Sub., TA3, TC1, TC2, TC3 Rear	1	----	1964 818-9	1964 818-9
	4 D., TP1, TP2, TD1, TD2, TC1, TC2, TC3 Rear	1	----	2251 954-5	2251 954-5
	Sp. 4 D., TP1, TP2, TD1, TD2 Rear	1	----	2251 954-5	
	4 D. Sub., TP1, TP2, Rear	1	----	2251 954-5	
23-41-55	WIRING, Electric Window Lift				
	4 D., Sp. 4 D., Sub., except TA3	1	----	*2291 736	
	Sp. Cl. Cp., Cv. Cp., TP1, TP2, TD1, TD2	1	----	2291 735	
	4 D., Sp. 4 D., Sub., TA3, TC1, TC2, TC3	1	----	2291 370	2291 370
	Sp. Cl. Cp., Cv. Cp., TA3, TC1, TC2	1	----	2291 368	2291 368
	Sp. 4 D., TY1	1	----	----	2291 530
	Sp. Cl. Cp., Cv. Cp., TY1	1	----	----	2291 529
	WIRING, Electric Window Lift and Power Vent				
	Sp. 4 D., TY1	1	----	----	2291 530
	Sp. Cl. Cp., Cv. Cp., TY1	1	----	----	2291 529
	WIRING, Electric Window Lift and Door Lock				
	Sp. 4 D., TY1	1	----	----	2291 530
	Sp. Cl. Cp., Cv. Cp., TY1	1	----	----	2291 529
	WIRING, Electric Window Lift, Power Vent and Door Lock				
	Sp. 4 D., TY1	1	----	----	2291 530
	Sp. Cl. Cp., TY1	1	----	----	2291 529
	CLIP, Wiring, TA3, TC1, TC2, TC3	1	----	*6015 288	*6015 288
23-41-95	GROMMET, Electric Window Lift Wiring Conduit				
	TC1, TC2, TC3 Front	2	----	2257 299	2257 299
	TA3, TC1, TC2, TC3, Rear	2	----	2257 744	2257 744
	TP1, TP2, TD1, TD2, TY1 Rear	2	----	2258 361	1753 681
23-41-106	MOTOR, Electric Window Lift				
	TA3, TC1, TC2, TC3, Front	2	----	2084 445	2084 445
	TP1, TP2, TD1, TD2, TY1 Front	2	----	2252 001	2299 804
	4 D., TA3, TC1, TC2, TC3 Rear	2	----	2084 445	2252 001
	4 D., TP1, TP2, TD1, TD2 Rear	2	----	2252 001	
	Sp. 4 D., Sp. 4 D. Sub., TA3, TC1, TC2, TC3 Rear	2	----	2084 445	2084 445
	Sp. 4 D., Sub., TP1, TP2, TD1, TD2, TY1 Rear	2	----	2252 001	2299 805
	Sp. Cl. Cp., TA3, TC1, TC2 Quarter	2	----	2084 445	2084 444
	Cv. Cp., TA3, TC1, TC2 Quarter	2	----	2084 446	2084 446
	Sp. Cl. Cp., Cv. Cp., TP1, TP2, TD1, TD2, TY1 Quarter	2	----	2252 001	2084 849

★ Indicates use as required.

⊠ Indicates parts not listed in any previous parts book.

Right and left part numbers are on same line,

first number is right, second number is left.

* Indicates change or addition.

1963 PASSENGER CAR PARTS CATALOG

CODE	PART NAME AND DESCRIPTION	PER CAR	VALIANT DART	PLYMOUTH DODGE	CHRYSLER IMPERIAL
23-41-O WINDOW LIFT (ELECTRIC)- Cont'd					
23-41-106	MOTOR, Electric Window Lift (used in Dura Type assembly)				
	TA3, TC1, TC2, TC3, Front	2	----	2196 343	2196 343
	Cv. Cp., TA3, TC1, TC2				
	Quarter	2	----	2196 343	2196 343
	4 D., TA3 Rear	2	----	2196 343	
	Sub., TA3E Rear	2	----	2196 343	
23-41-126	BUMPER, Electric Window Regulator Motor Mounting TY1 Front and Rear	2	----	----	1860 619
23-41-128	GROMMET, Electric Window Regulator Motor Coupling Sp. Cl. Cp., Cv. Cp., TY1 Quarter	★	----	----	1383 351
23-41-138	COUPLING, Electric Window Lift Motor to Mechanism TP1, TP2, TD1, TD2, Front	2	----	1778 955	1440 489
	Rear	2	----	1778 955	1688 919
	Quarter	2	----	1778 955	1440 489
	TA3 Front	2	----	1440 489	
	Rear	2	----	1688 919	
	Quarter	2	----	1440 489	
	COUPLING and DRIVE CABLE, Electric Window Lift Motor to Mechanism (used in Dura Type assembly)				
	TA3, TC1, TC2, TC3, Front	2	----	1810 641	1810 641
	Cv. Cp., TA3, TC1, TC2				
	Quarter	2	----	1810 641	1810 641
	4 D., TA3 Rear	2	----	1810 641	
23-41-139	SHIELD, Electric Window Lift Motor Drive Shaft Plastic	★	----	1689 167	1689 167
23-41-167	CONDUIT, Electric Window Lift Wiring TP1, TP2, TD1, TD2, TC1, TC2, TC3 Front	2	----	2290 047	1971 326
	TA3, TY1 Front, Right	1	----	1971 326	2426 151
	Left	1	----	1971 326	2426 161
	TP1, TP2, TD1, TD2, TC1, TC2, TC3 Rear	2	----	2291 976	1971 314
	TA3, TY1 Rear	2	----	1971 314	1972 092
23-41-170	SWITCH, Electric Window Lift TC1, TC2, TC3 Single, includes BEZEL	3	----	2096 399	2096 399
	TC3 Luxury Rear, Right	1	----	----	2427 144
	Left	1	----	----	2427 814
	TY1	3	----	----	2096 765
	TC1, TC2, TC3 4 Gang, includes BEZEL	1	----	2096 089	2096 089
	TY1	1	----	----	2096 090
	SWITCH, Electric Window Lift and Vent Wing TY1 2 Gang, includes BEZEL	1	----	----	2096 177
	6 Gang, includes BEZEL	1	----	----	2096 176
	SWITCH, Electric Window Lift Safety Toggle Type	1	2197 405	2197 405	2197 405
23-41-171	HINGE, Electric Window Lift Wiring Conduit to Door Rear	2	----	2291 984	
23-41-174	SPRING, Electric Window Lift Switch Retaining	★	----	2096 169	2096 169
23-41-176	CONNECTOR, Electric Window Lift Switch Single, Right Front, Right Rear, Left Rear	3	----	*2096 905	*2096 905
	Single, Left Front, for Power Vent	2	----	----	*2096 905

★ Indicates use as required.
 B Indicates parts not listed in any previous parts book.
 Jan. 3, 1964 Supersedes Jan. 25, 1963.

Printed in U.S.A.
 Prices and specifications subject to change without notice.
 Right and left part numbers are on same line,
 first number is right, second number is left.
 * Indicates change or addition.

CODE	PART NAME AND DESCRIPTION	PER CAR	VALIANT DART	PLYMOUTH DODGE	CHRYSLER IMPERIAL
23-41-O WINDOW LIFT (ELECTRIC) - Cont'd					
23-41-176	CONNECTOR - Cont'd				
	Single, Right Front, for Power Vent	1	----	----	*2096 905
	4-Way, Left Front Down	1	----	*2096 908	*2096 908
	5-Way, Left Front Up	1	----	*2096 911	*2096 911
23-41-184	RETAINER, Electric Window Lift Switch and Bezel				
	Single	3	----	1971 478	1971 478
	4 Way	1	----	B2427 324	B2427 324
23-41-250	ROLLER, Electric Window Regulator Guide Arm Plate				
	TY1 Length 1.03", Rear	6	----	----	2094 112
	ROLLER, Electric Window Regulator to Glass				
	TY1 Length .58"	4	----	----	1690 937
23-41-270	HOUSING, PINION and CABLE PACKAGE, Electric Window Regulator (used in Dura Type assembly)				
	TA3, TC1, TC2, TC3, Front	1	----	2166 926-7	2166 926-7
	Cv. Cp., TA3, TC1, TC2				
	Quarter	1	----	2166 926-7	2166 926-7
	4 D., TA3 Rear	1	----	2166 926-7	
	Sub., TA3E Rear	1	----	2166 926-7	
23-41-273	BUSHING, Electric Window Lift Mechanism Gear Shaft (used in Dura Type assembly)				
	TA3, TC1, TC2, TC3 Front	2	----	1810 635	1810 635
	Cv. Cp., TA3, TC1, TC2				
	Quarter	2	----	1810 648	1810 648
	BEARING				
	4 D., TA3 Rear	2	----	1810 635	
	Sub., TA3E Rear	2	----	1810 635	
23-41-281	BRACE, Front Door Inside Panel Electric Window Regulator Lower				
	4 D., Sp. 4 D., Sub., TA3, TC1, TC2, TC3	2	----	1964 823	1964 823
	Sp. Cl. Cp., Cv. Cp., TA3, TC1, TC2	2	----	1964 821	1964 821
	REINFORCEMENT, Rear Door Inside Panel Electric Window Regulator				
	4 D., TA3 Upper	1	----	1964 690-1	
	4 D., TA3 Front	1	----	1964 696-7	
	Sub., TA3E Front	1	----	1964 696-7	
	Sub., TA3E Rear	1	----	1964 690-1	
23-41-286	SEAL, Electric Window Regulator Mechanism				
	TP1, TP2, TD1, TD2, Front	2	----	2252 029	
	TP1, TP2, TD1, TD2, Quarter	2	----	2252 029	
	Sp. 4 D., Sub., TP1, TP2, TD1, TD2				
	Rear	2	----	2252 029	
	4 D., TP1, TP2, TD1, TD2, TC1, TC2, TC3				
	Rear	2	----	2252 029	2252 029
23-42-O WINDOW GLASS RUN					
23-42-13	RUN, Front Door Vent Wing Divisional Chamel Glass				
	TY1	2	----	----	2218 400
	RUN, Door Vent Wing Divisional Channel Drop Glass				
	4 D., 4 D. Sub., Cl. Sed.				
	Front Door	2	*2216 645		
	Sp. Cl. Cp., Cv. Cp. Front Door	2	*2217 420		
	4 D., 4 D. Sub. Rear Door	2	*2216 645		
23-42-16	RUN, Front Door Window Glass				
	4 D., TA3, TC1, TC2, TC3	2	2254 934	2216 406	2216 406
	4 D., 4 D. Sub., TP1, TP2, TD1, TD2	2	2254 934	2167 622	
	Cl. Sed.	2	2254 932	2167 620	
	Sub., TA3E	2	----	2216 406	

★ Indicates use as required.

⊠ Indicates parts not listed in any previous parts book.

Right and left part numbers are on same line, first number is right, second number is left.

* Indicates change or addition.

1963 PASSENGER CAR PARTS CATALOG

BODY

CODE	PART NAME AND DESCRIPTION	PER CAR	VALIANT DART	PLYMOUTH DODGE	CHRYSLER IMPERIAL
23-42-O WINDOW GLASS RUN - Cont'd					
23-42-23	RUN, Rear Door Window Glass				
	4 D., TP1, TP2, TD1, TD2, TC1, TC2, TC3	2	2216 780	2218 134	2216 938
	4 D. Sub., TP1, TP2, TD1, TD2	2	2216 780	2218 134	
	4 D., TA3	2	----	2216 404	
23-42-26	RETAINER, Front Door Window Glass Run				
	4 D., TA3, TC1, TC2, TC3	1	----	1952 378-9	1952 378-9
	Sub., TA3E	1	----	1952 378-9	
	RETAINER, Rear Door Window Glass Run				
	4 D., TA3	1	----	1954 144-5	
	Sub., TA3E	1	----	1954 144-5	
23-42-38	RUN, Quarter Window Glass				
	Cl. Sed.	2	2245 091	2167 196	
	RUN, Quarter Window Glass Guide Rear Channel				
	Sp. Cl. Cp., TL1 Inner	1	2244 742-3		
	Outer, Right	1	2244 743		
	Left	1	2244 742		
23-42-46	RUN, Tailgate Window Glass				
	Sub., TP1, TP2, TD1, TD2				
	Upper	1	2423 720	2251 475	2189 351
	Lower	2	2423 456	2189 353	2189 353
	Sub., TA3				
	Upper	1	----	2189 351	
	Lower	2	----	2189 353	
23-42-48	SPACER, Tailgate Glass Run on Rear Pillar				
	TA3	1	----	*2483 798	*2483 798
	STOP, Tailgate Glass Run on Roof Rail				
	TA3	1	----	*2483 798	*2483 798
23-42-51	INSERT, Tailgate Window Glass Run				
	Sub., TA3	2	----	2255 333	2255 333
23-42-56	RETAINER, Quarter Window Glass Run				
	Cl. Sed. Rear	1	----	2424 132-3	
23-42-59	SUPPORT, Quarter Window Glass Run Retainer				
	Cl. Sed. Rear	2	----	2216 415	
23-45-O FRONT SEAT					
23-45-29	PLATE, Front Seat Back Hinge Stop				
	Cl. Sed., Cv. Cp.	2	*2160 502		
23-45-30	BUMPER, Front Seat Back Stop				
	Cl. Sed., Cv. Cp.	2	*2160 500		
	Cl. Sed. w/Heavy Duty Springs	2	----	2270 579	
	Sp. Cl. Cp., Cv. Cp., Cl. Sed.	2	----	1815 328	1815 328
23-45-33	BRACKET, Front Seat Outer Hinge Arm Cover				
		2	2080 944-5	2080 944-5	
23-45-46	PUSH NUT, Front Seat Back to Cushion Hinge Pin				
		2	2160 648	2160 648	2160 648
23-45-52	HANDLE, Reclining Seat Actuator				
	TC3 Luxury	1	----	----	2440 951
23-45-60	ORNAMENT, w/STUD, Front Seat Side Shield				
	TC3 Luxury	1	----	----	2490 049
23-45-187	PAWL, Front Reclining Seat Back Release				
	TC3 Luxury	1	----	----	B2446 742
	BOLT, Return	1	----	----	6024 145
	PIN, Pawl Stop	2	----	----	9419 570

* Indicates use as required.

B Indicates parts not listed in any previous parts book.

Jan. 3, 1964 Supersedes Jan. 25, 1963.

Printed in U.S.A.

Prices and specifications subject to change without notice.

Right and left part numbers are on same line, first number is right, second number is left.

* Indicates change or addition.

CODE	PART NAME AND DESCRIPTION	PER CAR	VALIANT DART	PLYMOUTH DODGE	CHRYSLER IMPERIAL
23-45-O FRONT SEAT - Cont'd					
23-45-188	STOP, Reclining Seat Back Forward Tilt TC3 Luxury	2	----	----	*2494 509
23-45-190	SPRING, Front Reclining Seat Back Return TC3 Luxury	1	----	----	2446 039
	SPRING, Front Reclining Seat Pawl Return TC3 Luxury	1	----	----	2446 068
23-45-192	RETAINER, Front Reclining Seat Back Return Spring TC3 Luxury	1	----	----	2446 064
	RETAINER, Front Reclining Seat Cushion Arch	1	----	----	2446 074
23-45-195	SPACER, Front Reclining Seat Back to Cushion Mounting TC3 Luxury	1	----	----	2446 066
23-45-197	SUPPORT, Front Reclining Seat Return Spring Adjuster TC3 Luxury Right	1	----	----	2446 028
23-45-199	BOLT, Front Reclining Seat Return Spring Adjuster TC3 Luxury	1	----	----	2446 137
23-47-O FRONT SEAT ADJUSTER					
23-47-6	ADJUSTER, Manual Seat w/o Bucket Seats, Right	1	2259 250		
	Left	1	2082 686		
	ADJUSTER, Front Seat Manual w/ Bucket Seats, Outer Right	1	*2428 094	*2428 048	*2428 100
	Left	1	2428 095	2428 049	2428 101
	Inner Right	1	2428 096	2428 042	2428 098
	Left	1	2428 097	2428 043	2428 099
	ADJUSTER, Front Seat Electric w/ Bucket Seats	1	----	----	B2520 154-5
	TRACK and SUPPORT, Manual Seat Adjuster w/o Bucket Seats, Upper Right	1	----	2189 900	2189 900
	TP1, TP2, TD1, TD2, Left	1	----	2162 307	2189 901
	TA3 Left	1	----	2189 901	
	TP1, TP2, TD1, TD2, TA3 Lower	1	----	2251 966-7	2251 966-7
	GUIDE or TRACK, Electric Seat Adjuster w/o Bucket Seats Right	1	----	2080 828	2080 828
	Left	1	----	2080 827	2080 827
23-47-8	COVER, Seat Adjuster Track, w/o Bucket Seats, Electric	1	----	*2708 VT6	*2709 VT6
	w/ Bucket Seats, Electric Seat Adjuster, Black, Outer	1	----	----	2182 048-9
	Inner	1	----	----	2182 058-9
	Blue, Outer	1	----	----	2182 042-3
	Inner	1	----	----	2182 052-3
	Red, Outer	1	----	----	2182 046-7
	Inner	1	----	----	2182 056-7
	Tan, Outer	1	----	----	2182 044-5
	Inner	1	----	----	2182 054-5
	Turquoise, Outer	1	----	----	2182 050-1
	Inner	1	----	----	2182 060-1
23-47-9	STUD, Electric Seat Adjuster to Floor	8	----	6008 111	6008 111
	BOLT and WASHER, Manual Seat Adjuster Support	4	----	6008 220	6008 220
23-47-12	STOP, Electric Seat Adjuster Track Horizontal	1	----	1830 236-7	1830 236-7

★ Indicates use as required.

□ Indicates parts not listed in any previous parts book.

Right and left part numbers are on same line,
first number is right, second number is left.

* Indicates change or addition.

1963 PASSENGER CAR PARTS CATALOG

CODE	PART NAME AND DESCRIPTION	PER CAR	VALIANT DART	PLYMOUTH DODGE	CHRYSLER IMPERIAL
23-47-O FRONT SEAT ADJUSTER - Cont'd					
23-47-15	SPACER, Front Seat Electric Adjuster Base to Floor Right, w/Bucket Seats	1	-----	-----	*2428 362
23-47-16	NUT, Manual Seat Adjuster Support Front	★	2080 951	2080 951	2080 951
23-47-22	ROLLER, Front Seat Electric Adjuster Track Guide w/Bucket Seats	4	-----	-----	1520 675
23-47-26	SPRING, Manual Seat Guide Tension w/Bucket Seats	2	2299 980	2299 980	2299 980
	w/o Bucket Seats	2	1902 350	1902 350	1902 350
23-47-35	NUT and WASHER, Manual Seat Adjuster to Floor Pan TC1,TC2,TC3	★	6008 243	6008 243	6008 243
	Electric Seat Adjuster to Floor	8	-----	6022 056	6022 056
23-47-55	KNOB, Manual Seat Adjuster Latch Control	1	2161 291	2161 291	2161 291
23-47-64	CLIP, Manual Seat Guide Latch Connecting Wire Except TA3 TA3	1	-----	1969 366	2410 070
		1	-----	2410 070	
23-47-66	WIRE, Manual Seat Guide Latch Connecting w/Bucket Seats Except TA3 w/o Bucket Seats TA3 w/o Bucket Seats	2	2299 661	2299 661	2299 661
		1	2082 545	2270 067	1592 654
		1	-----	1969 367	
23-47-75	SPRING, Manual Seat Guide Latch	2	2428 388	2428 388	2428 388
23-47-196	PIN, Electric Seat Adjuster Track Rear Lever Front Lever	2	-----	6008 216	6008 216
		2	-----	6008 050	6008 050
23-47-197	RETAINER, Front Seat Electric Vertical Adjusting Lever Pin w/Bucket Seats	4	-----	-----	1539 430
23-47-344	UNIT or MECHANISM, Electric Seat Adjuster w/o Bucket Seats	1	-----	*1819 228	*1819 228
		1	-----	1819 240	1819 240
		1	-----	1819 239	1819 239
	UNIT, Electric Seat Adjuster Drive, w/Bucket Seats,	★	-----	-----	B2520 157
		★	-----	-----	B2520 156
23-47-350	PIN, Electric Seat Adjuster Drive Unit Dowel	2	-----	6008 051	6008 051
23-47-352	SCREW, Electric Seat Adjuster Drive Unit SCREW, Electric Seat Adjuster Slave Unit Cap or Cover	6	-----	6008 126	6008 126
		★	-----	6008 027	6008 027
23-47-353	LEVER and SHAFT, Electric Seat Adjuster Drive Unit Gear Selector	3	-----	1830 289	1830 289
23-47-375	STUD, Electric Seat Adjuster Stabilizer to Floor Bracket	1	-----	2080 456	2080 456
23-47-383	PIVOT END, Electric Seat Adjuster Stabilizer Strut	2	-----	2080 329	2080 329
23-47-384	STRUT, Electric Seat Adjuster Stabilizer Female Male	2	-----	2080 330	2080 330
		2	-----	2080 331	2080 331
23-47-385	STUD, Electric Seat Adjuster Stabilizer Pivot End to Floor Bracket	1	-----	2080 456	2080 456

★ Indicates use as required.
 B Indicates parts not listed in any previous parts book.
 Jan. 3, 1964 Supersedes Jan. 25, 1963.

Printed in U.S.A.
 Prices and specifications subject to change without notice.
 Right and left part numbers are on same line,
 first number is right, second number is left.
 * Indicates change or addition.

CODE	PART NAME AND DESCRIPTION	PER CAR	VALIANT DART	PLYMOUTH DODGE	CHRYSLER IMPERIAL
23-47-O FRONT SEAT ADJUSTER - Cont'd					
23-47-386	WASHER, Electric Seat Adjuster Stabilizer Pivot End	2	----	2080 466	2080 466
23-47-387	GUARD, Electric Seat Adjuster Track Rear Lever	2	----	2080 478	2080 478
23-47-413	SPRING, Electric Seat Adjuster Drive Unit Gear Selector Lever and Shaft, w/o Bucket Seats	3	----	*1819 230	*1819 230
	SPRING, Electric Horizontal Adjuster Assist, w/ Bucket Seats	2	----	----	*2486 173
23-47-414	COIL PACKAGE, Electric Seat Adjuster Drive Unit Solenoid	3	----	1830 290	1830 290
23-47-420	WIRING, Electric Seat Adjuster, w/ Bucket Seats, 4 Way	★	----	----	2426 961
23-47-423	CIRCUIT BREAKER, Electric Seat Adjuster TC1, TC2, TC3 30 Amps	1	----	2291 728	2291 728
	TY1 30 Amps	1	----	----	1689 022
23-47-425	RELAY, Electric Seat Adjuster Motor	1	----	2291 927	2291 927
23-47-427	SCREW and WASHER, Electric Seat Adjuster Motor Relay Mounting	2	----	6008 110	6008 110
23-47-430	MOTOR, Electric Seat Adjuster w/o Bucket Seats	1	----	2448 625	2448 625
	w/ Bucket Seats	★	----	----	2428 372
23-47-431	TUBE, Electric Seat Adjuster Drive Unit to Slave Unit Cable				
	Front Control, Left, Short . . .	1	----	1830 216	1830 216
	Rear Control, Left, Short . . .	1	----	1830 217	1830 217
	Horizontal Control, Left, Short	1	----	1830 218	1830 218
Except TA3	w/BRACKETS, Right, Long . .	1	----	2162 390	2486 296
TA3	w/BRACKETS, Right, Long. . .	1	----	2486 296	
23-47-432	COUPLING, Electric Seat Adjuster Motor to Mechanism or Drive Unit, w/o Bucket Seats	1	----	*1594 834	*1594 834
	COUPLING, Electric Adjuster Transmission, w/ Bucket Seats	4	----	----	*2428 377
	CABLE, Electric Seat Adjuster Drive Unit to Slave Unit Except TA3				
	Front Control, Long	1	----	2162 391	
	Short	1	----	1830 345	
	Rear Control, Long	1	----	2162 392	
	Short	1	----	1830 347	
	Horizontal Control, Long	1	----	2162 393	
	Short	1	----	1830 349	
TA3	Front Control, Long	1	----	2486 300	2486 300
	Short	1	----	1830 345	1830 345
	Rear Control, Long	1	----	2486 301	2486 301
	Short	1	----	1830 347	1830 347
	Horizontal Control, Long	1	----	2486 302	2486 302
	Short	1	----	1830 349	1830 349
23-47-433	GROMMET, Electric Seat Adjuster Transmission Attaching w/ Bucket Seats	4	----	----	*2428 459
23-47-446	SWITCH, Electric Seat Adjuster w/o Bucket Seats	1	----	2426 138	*2426 138
	w/ Bucket Seats	1	----	----	2096 177
23-47-451	BEZEL PACKAGE, Electric Seat Adjuster Switch	1	----	2421 142	

★ Indicates use as required.
 ☐ Indicates parts not listed in any previous parts book.
 Right and left part numbers are on same line, first number is right, second number is left.
 * Indicates change or addition.

Printed in U.S.A.
 Prices and specifications subject to change without notice.
 Jan. 3, 1964 Supersedes Jan. 25, 1963.

1963 PASSENGER CAR PARTS CATALOG

BODY

CODE	PART NAME AND DESCRIPTION	PER CAR	VALIANT DART	PLYMOUTH DODGE	CHRYSLER IMPERIAL
23-47-O FRONT SEAT ADJUSTER -Cont'd					
23-47-454	BRUSH and SPRING PACKAGE, Electric Seat Adjuster Motor	1	----	1297 879	1297 879
23-47-456	PLATE, Electric Seat Adjuster Switch Mounting TC3 Luxury	1	----	----	2490 086
	BRACKET, Electric Seat Adjuster Switch Mounting, w/ Bucket Seats, TC2, TC3	1	----	----	2440 212
23-47-457	KNOB, Electric Seat Adjuster Switch	1	----	2096 022	2096 022
23-47-460	CLAMP and SPACER, Electric Seat Adjuster Switch Except TA3	2	----	2440 001	
23-47-462	ADAPTER, Electric Seat Adjuster Switch to Seat Frame Except TA3	1	----	2419 932	
23-48-O SECOND AND THIRD SEAT					
23-48-6	SPACER, Seat Back to Cushion Down Position Sub., TA3	2	----	1884 737	1884 737
23-48-11	PIN, Third Seat Back Support Hinge Sub., TP1, TP2, TD1, TD2	2	----	6022 839	
	Sub., TA3	2	----	1960 627	1960 627
23-48-19	STRIKER, Third Seat Back Support Sub., except TA3	2	----	2251 539	
	STRIKER, Seat Back Latch Sub., TA3 Second Seat	1	2422 516-7	1961 438-9	1961 438-9
	Sub., TP1, TP2, TD1, TD2 Second Seat	1	----	2423 560-1	
	Sub., TP1, TP2, TD1, TD2 Third Seat	2	----	2251 678	1960 503
	Sub., TA3 Third Seat	2	----	1960 503	
	RETAINER, Second Seat Back-Up Position on Wheelhouse Sub., TP1, TP2, TD1, TD2				
	Right	1	2255 617	1961 488	
	Left	1	2422 519	*2422 519	
	LATCH, Third Seat Back Retainer Sub., TA3	2	----	1775 440	1775 440
23-48-20	HANDLE, Third Seat Back Release Sub., TP1, TP2, TD1, TD2	1	----	*2251 325	
	HANDLE, Seat Back and Bottom Lift Sub., TA3 Chrome	2	----	1833 596	1833 596
23-48-21	ESCUTCHEON, Seat Back and Bottom Lift Handle Sub., TA3 Chrome	2	----	1833 597	1833 597
	White	2	----	1775 814	1775 814
23-48-22	SPRING, Third Seat Back Release Handle Sub., TP1, TP2, TD1, TD2	1	----	2251 676	
23-48-24	BRACKET, Third Seat Back Release Handle Sub., TP1, TP2, TD1, TD2	1	----	2251 433	
23-48-28	BRACKET, Second Seat Back-Up Position on Wheelhouse Sub., TP1, TP2, TD1, TD2				
	Right	1	2243 322	2251 548	1961 230
	Left	1	2243 322	2251 548	1961 231
	Sub., TA3			1961 230-1	
	SUPPORT, Seat Back-Up Position on Wheelhouse Latch Sub., TA3 Third Seat	2	----	1878 641	1878 641

★ Indicates use as required.

⊞ Indicates parts not listed in any previous parts book.

Jan. 3, 1964 Supersedes Dec. 14, 1962.

Printed in U.S.A.

Prices and specifications subject to change without notice.

Right and left part numbers are on same line, first number is right, second number is left.

* Indicates change or addition.

CODE	PART NAME AND DESCRIPTION	PER CAR	VALIANT DART	PLYMOUTH DODGE	CHRYSLER IMPERIAL
23-48-0 SECOND AND THIRD SEAT - Cont'd					
23-48-43	RETAINER, Second Seat Back Spring End Sub., TP1, TP2, TD1, TD2	2	2254 575	2254 575	
23-48-49	ROD, Second Seat Back Latch Actuating Sub., TA3	1	----	1961 091	1961 091
23-48-50	PIN, Second Seat Back Latch Handle Stop Sub., TA3	2	----	1961 085	1961 085
	PIN, Third Seat Back Release Handle Clevis Sub., TP1, TP2, TD1, TD2	1	----	6023 039	
23-48-51	HANDLE, Second Seat Back Latch Sub., TA3	1	----	1961 436-7	1961 436-7
23-48-52	SPRING, Second Seat Back Latch Handle Retaining Sub., TA3	1	----	1961 692-3	1961 692-3
23-48-55	SNAP RING, Third Seat Back Release Handle Clevis Pin Sub., TP1, TP2, TD1, TD2	1	----	1322 503	
23-48-65	PANEL, Second Seat Back Sub., TP1, TP2, TD1, TD2 Sub., TA3	1	2423 825	2423 180	1878 652
		1	----	1878 652	
23-48-76	SCREW, Second Seat Back Hinge Sub., TP1, TP2, TD1, TD2 SCREW and WASHER, Third Seat Bottom Hinge Sub., TA3	4	----	6023 227	
		8	----	1964 747	1964 747
23-48-84	RETAINER, Third Seat Bottom Hinge Tapping Plate Sub., TA3	2	----	1960 496	1960 496
23-48-87	SUPPORT and PIN, Second Seat Bottom Hinge Sub., TA3	1	----	1877 926-7	1877 926-7
23-48-90	TAPPING PLATE, Seat Hinge Support Sub., TP1, TP2, TD1, TD2				
	Sub., TP1, TP2, TD1, TD2 Second Seat, Back	2	----	2423 174	
	Sub., TP1, TP2, TD1, TD2 Third Seat, Back	2	----	2423 541	
	Sub., TA3 Third Seat, Bottom	2	----	2189 290	2189 290
23-48-93	BUMPER, Third Seat Back Support Upper Frame Sub., TP1, TP2, TD1, TD2	2	----	2252 184	
	BUMPER, Seat Back-Up Position, on Wheelhouse Sub., TP1, TP2, TD1, TD2				
	Sub., TA3 Second	2	1960 719	1960 719	2094 592
	Sub., TA3 Third	2	----	1835 109	1835 109
	Sub., TA3 Second	2	----	2094 592	
23-48-94	BUMPER, Second Seat Bottom Hinge Support Sub., TA3	2	----	1380 060	1380 060
23-48-94	RETAINER, Third Seat Back-Up Position Latch and Bumper Mounting Bolt Sub., TA3	2	----	6000 177	6000 177
23-48-98	HINGE, Second Seat Back Panel Sub., TP1, TP2, TD1, TD2	1	2243 312-3	2423 176-7	
	HINGE and BEARING, Second Seat Bottom Seat Half Sub., TA3	1	----	1878 910-1	1878 910-1
23-48-99	SUPPORT, Seat Back Hinge on Wheelhouse Sub.	1	2255 400-1		
	Sub., TP1, TP2, TD1, TD2 Second Seat	1	----		
	Sub., TP1, TP2, TD1, TD2 Third Seat	2	----	2255 627	

★ Indicates use as required.
 ☐ Indicates parts not listed in any previous parts book.
 Right and left part numbers are on same line,
 first number is right, second number is left.
 * Indicates change or addition.

Printed in U.S.A.
 Prices and specifications subject to change without notice.
 Jan. 3, 1964 Supersedes Jan. 25, 1963.

1963 PASSENGER CAR PARTS CATALOG

BODY

CODE	PART NAME AND DESCRIPTION	PER CAR	VALIANT DART	PLYMOUTH DODGE	CHRYSLER IMPERIAL
23-48-O SECOND AND THIRD SEAT - Cont'd					
23-48-99	BRACKET, Second Seat Back Hinge on Wheelhouse Sub., except TA3	2	*2483 637	*2483 639	
	REINFORCEMENT, Second Seat Back Hinge on Wheelhouse Bracket	2	*2244 150		
23-48-101	LEG, Second Seat Bottom Sub., TA3	1	----	2093 236-7	2093 236-7
	SPRING WASHER, to Pivot Bolt	2	----	6022 153	6022 153
23-48-105	SPACER, Second Seat Bottom Hinge Support to Floor Pan Sub., TA3	2	----	2188 616	2188 616
23-48-108	SPRING, Second Seat Bottom Leg Sub., TA3	1	----	2093 646-7	2093 646-7
23-48-112	PANEL and HINGES, Second Seat Bottom Sub., TA3	1	----	1878 769	1878 769
23-48-116	WASHER, Second Seat Bottom Hinge and Leg Pivot Bolt Sub., TA3	2	----	617 115	617 115
	SPRING WASHER, Sub., TA3	2	----	6022 153	6022 153
23-48-121	HINGE, Third Seat Bottom Sub., TA3 Body Half	1	----	2094 130-1	2094 130-1
	HINGE, Third Seat Back Sub., TA3 Body Half	1	----	1878 170-1	1878 170-1
23-48-148	PIN, Second Seat Back Hinge Sub., except TA3	2	*2251 544	*2251 544	
	Sub., TA3 Includes BRACKET	1	----	1878 600-1	1878 600-1
23-48-149	WASHER, Second Seat Bottom Hinge Support Pivot Pin Sub., TA3	2	----	6022 968	6022 968
23-48-166	SCREW and WASHER, Third Seat Back Hinge Sub., TA3 Body Half	4	----	* 180 081	* 180 081
23-48-180	PANEL and HINGES, Third Seat Cushion Bottom Sub., TA3	1	----	1878 755	1878 755
23-48-188	PANEL, Third Seat Back Sub., TP1, TP2, TD1, TD2	1	----	2253 240	
	Sub., TA3	1	----	1878 592	1878 592
	PANEL, Third Seat Back Support Sub., TP1, TP2, TD1, TD2	1	----	2253 239	
23-48-189	BRACKET, Second Seat Back Panel Sub., TP1, TP2, TD1, TD2	2	2251 534	2251 534	
23-51-O SIDE SILL AND BELT BAR					
23-51-3	SILL, Body Side TY1 Inner	1	----	----	2189 314-5
23-51-5	PANEL, Body Side Sill Outer				
	4 D., TV1, TP1, TP2, TC1, TC2, TC3	1	2242 452-3	2255 676-7	2425 306-7
	4 D., TL1, TD1, TD2	1	2243 556-7	2243 986-7	
	4 D., TA3	1	----	2425 306-7	
	4 D. Sub., TV1, TP1, TP2	1	2242 452-3	2255 676-7	
	4 D. Sub., TL1, TD1, TD2	1	2242 452-3	2255 676-7	

★ Indicates use as required.
 ☐ Indicates parts not listed in any previous parts book.
 Jan. 3, 1964 Supersedes Dec. 14, 1962.

Printed in U.S.A.
 Prices and specifications subject to change without notice.
 Right and left part numbers are on same line,
 first number is right, second number is left.
 * Indicates change or addition.

CODE	PART NAME AND DESCRIPTION	PER CAR	VALIANT DART	PLYMOUTH DODGE	CHRYSLER IMPERIAL
23-51-O SIDE SILL AND BELT BAR - Cont'd					
23-51-5	PANEL - Cont'd				
	Sp. Cl. Cp., TV1, TP1, TP2, TC1, TC2	1	2242 452-3	2255 674-5	2425 310-1
	Sp. Cl. Cp., TL1, TD1, TD2, TY1	1	2243 556-7	2243 984-5	2255 450-1
	Sp. Cl. Cp., TA3	1	----	2425 310-1	
	Cv. Cp., TV1, TP2, TC1, TC2	1	2255 836-7	2422 528-9	2425 312-3
	Cv. Cp., TL1, TD2, TY1	1	2255 838-9	2255 562-3	2255 450-1
	Cv. Cp., TA3	1	----	2425 312-3	
	Cl. Sed., TV1, TP1, TP2	1	2242 452-3	2255 674-5	
	Cl. Sed., TL1, TD1, TD2	1	2243 556-7	2243 984-5	
	Sp. 4 D., TP1, TP2	1	----	2255 676-7	
	Sp. 4 D., TD1, TD2, TY1	1	----	2243 986-7	2255 452-3
	Sp. 4 D., Sp. 4 D. Sub., TA3, TC1, TC2, TC3	1	----	2425 308-9	2425 308-9
	Sub., TA3	1	----	2425 306-7	
	PANEL, Body Side Sill Inner TP1, TP2, TD1, TD2, TC1, TC2, TC3				
	Front	1	*2483 198-9	*2483 184-5	1961 066-7
	TA3 Front	1	----	1961 066-7	
	TV1, TP1, TP2 Rear	1	2242 390-1	2166 070-1	
	Except Sub., TL1, TD1, TD2				
	Rear	1	2243 552-3	2243 932-3	
	Sub., TL1, TD1, TD2, Rear	1	2242 390-1	2166 070-1	
	TA3, TC1, TC2, TC3, Rear	1	----	1861 014-5	1861 014-5
23-51-6	REINFORCEMENT, Body Side Sill Outer Panel				
	Sp. 4 D., TP2, TD2	1	----	2254 020-1	
	Cv. Cp., TP2, TD2	1	2425 428-9	2424 030-1	
	Cv. Cp. To Cowl Side Inner	1	2255 946-7		
	REINFORCEMENT, Body Side Sill Inner Panel				
	Except Cv. Cp.	1	2242 394-5		
	Cv. Cp., TP2, TD2	1	----	2254 612-3	
	REINFORCEMENT, Body Side Sill Outer Panel				
	Sp. 4 D., TY1 Right	1	----	----	1878 031
	Left	1	----	----	1878 227
	Sp. Cl. Cp., Cv. Cp., TY1				
	Right	1	----	----	1861 418
	Left	1	----	----	1878 228
	Sp. 4 D., TY1, At No. 3 and No. 3A Hold-Down Bolt				
	Front	1	----	----	1878 556-7
	Sp. Cl. Cp., Cv. Cp., TY1, At No. 2 and No. 2A				
	Hold-Down Bolt, Right	1	----	----	1861 416
	Left	1	----	----	1878 226
	Sp. 4 D., Sp. Cl. Cp., Cv. Cp., TY1, At No. 3 and No. 3A				
	Hold-Down Bolt Rear	1	----	----	1861 274-5
	REINFORCEMENT, Quarter Inside Panel to Outer Sill				
	Sp. Cl. Cp., Cv. Cp., TY1	2	----	----	1861 386
23-51-12	PLATE, Body Side Sill to Center Pillar Tie				
	Sp. 4 D., except TA3	1	----	2254 120-1	
	PLATE, Body Side Sill to Wheelhouse Tie,				
	except TA3	1	----	2167 180-1	
23-51-19	GUSSET, Body Side Sill Outside Panel				
	Sp. 4 D., TP2, TD2, Front	1	----	2254 014-5	
	Rear	1	----	2254 016-7	
	Rear Intermediate	1	----	2254 018-9	
	Front and Center Intermediate	1	----	2254 126-7	
	Sp. Cl. Cp., TL1	1	2423 812-3		
23-51-41	BAR, Belt Side				
	Sp. 4 D., Sp. Cl. Cp., TY1	1	----	----	2244 466-7
	Sp. 4 D. Sub., TA3	1	----	1878 238-9	1878 238-9

★ Indicates use as required.
 □ Indicates parts not listed in any previous parts book.
 Right and left part numbers are on same line,
 first number is right, second number is left.
 * Indicates change or addition.

Printed in U.S.A.
 Prices and specifications subject to change without notice.
 Jan. 3, 1964 Supersedes Dec. 14, 1962.

1963 PASSENGER CAR PARTS CATALOG

BODY

CODE	PART NAME AND DESCRIPTION	PER CAR	VALIANT DART	PLYMOUTH DODGE	CHRYSLER IMPERIAL
23-51-O SIDE SILL AND BELT BAR - Cont'd					
23-51-41	BAR - Cont'd				
	Sp. Cl. Cp., TA3	1	----	1878 428-9	
	Cv. Cp., TY1	1	----	----	1877 494-5
	BAR, Center Belt				
	Sp. Cl. Cp., TA3	1	----	1877 975	
	BAR, Quarter Panel Belt Side				
	Cv. Cp., TA3	1	----	1964 626-7	
	Cv. Cp., TA3 Lower	1	----	1963 996-7	
	Cv. Cp., TV1 Front	1	2255 954-5		
	Cv. Cp., TL1 Front	1	2423 778-9		
	BAR, Quarter Panel Belt Side to Center Upper and Lower				
	Cv. Cp., TP2, TD2	1	----	2422 866-7	
	BAR, Quarter Panel Belt Side Upper and Lower				
	Cv. Cp., TV1, TP2, TD2, TC1, TC2	1	2480 150-1	2422 748-9	2255 204-5
	Cv. Cp., TL1	1	2480 152-3		
	BAR, Rear Belt				
	Cv. Cp., TA3	1	----	1950 584	
	BAR, Deck Opening Belt Center				
	Cv. Cp., TV1, TP2, TD2				
	Upper	1	2255 862	2243 938	
	Cv. Cp., TL1	1	2255 863		
	Cv. Cp., TV1, TP2, TD2				
	Lower	1	2255 864	2243 942	
	Cv. Cp., TL1	1	2255 865		
	Cv. Cp., TC1, TC2, Upper and Lower	1	----	----	2255 202
23-51-43	CAP, Body Side Sill Panel Front End				
	Cv. Cp., TP2, TD2, TY1	1	2423 654-5	2254 428-9	1861 270-1
	Except Cv. Cp., TP1, TP2, TD1, TD2, TY1	1	2242 414-5	2254 428-9	1861 270-1
	TA3, TC1, TC2, TC3	1	----	*2484 470-1	*2484 470-1
23-51-45	PLUG, Body Side Sill Panel Front Cap				
	TC1, TC2, TC3	2	2094 985	2094 985	2094 985
	PLUG, Belt Side Bar Sealing				
	Sub., TA3	3	----	2093 981	2093 981
23-54-O TAILGATE					
23-54-1	LOCK, Tailgate				
	Sub., TP1, TP2, TD1, TD2	1	2251 466-7	2251 466-7	2189 116-7
	Sub., TA3	1	----	2189 116-7	
	SCREW	6	6023 365	6023 365	6023 365
23-54-3	TAILGATE				
	Sub., TP1, TP2				
	Manual	1	2425 411	2425 296	
	Electric	1	2425 412	2425 296	
	Sub., TD1, TD2				
	Manual	1	----	2425 337	
	Electric	1	----	2425 337	
	Sub., TA3				
	Electric	1	----	2425 420	2425 592
	Sub., TA3E				
	Manual	1	----	2425 758	
23-54-4	HINGE, Tailgate				
	Sub., TA3	1	2242 818-9	2188 934-5	2188 934-5
	Sub., TP1, TP2, TD1, TD2				
	Body Half, Right	1	----	2251 304	
	Left	1	----	2251 304	
	Tailgate Half, Right	1	----	2251 302	
	Left	1	----	2251 300	
23-54-6	PLATE and BUMPER PACKAGE, Tailgate Lock Striker				
	Sub.	1	2299 448-9	2299 448-9	2299 448-9

★ Indicates use as required.
 ☐ Indicates parts not listed in any previous parts book.
 Jan. 3, 1964 Supersedes Dec. 14, 1962.

Printed in U.S.A.
 Prices and specifications subject to change without notice.
 Right and left part numbers are on same line,
 first number is right, second number is left.

* Indicates change or addition.

CODE	PART NAME AND DESCRIPTION	PER CAR	VALIANT DART	PLYMOUTH DODGE	CHRYSLER IMPERIAL
23-54-O TAILGATE - Cont'd					
23-54-11	NAMEPLATES, NAMELETTERS, ORNAMENTS and MEDALLIONS, Tailgate				
	NOTE: See Exterior Moulding Illustrations in Front of Group 23 - Body.				
23-54-17	PIN, Tailgate Hinge Sub., TP1, TP2, TD1, TD2				
	Right	1	----	2251 738	
	Left	1	----	2251 737	
23-54-18	BASE, Tailgate Electric Window Regulator Outside Panel Ornament Sub., TP1, TP2, TD1, TD2	1	----	2428 221	
23-54-19	ARM, Tailgate Support Sub. BOLT	1 1	2243 343 6023 363		
23-54-20	BUSHING, Tailgate Hinge Mounting Sub., TA3				
	Right	1	----	2188 836	2188 836
	Left	1	----	2188 628	2188 628
23-54-27	SHIM, Tailgate Lock Striker	★	----	1777 926	1777 926
23-54-28	DUST GUARD, Tailgate Lower Sub., TA3 SEAL, Tailgate Sill Panel to Rear Bumper Sub., Except TA3	1 1	----	2188 504 2252 169	2188 504
23-54-29	FASTENER, Tailgate Lower Dust Guard Sub., TA3 CLIP, Tailgate Sill Panel to Rear Bumper Seal Sub., TP1, TP2, TD1, TD2 CLIP, Quarter Window Outside Moulding and Weatherstrip Retainer at Quarter Panel Belt Flange Sp. Cl. Cp., TV1	10 11 2	----	6006 104 2252 170 2252 170	6006 104
23-54-30	SPACER, Tailgate Hinge Body Half	2	1706 470		
23-54-31	SPRING, Tailgate Lock Lever Sub., TP1, TP2, TD1, TD2 Sub., TA3	2 2	2299 984	2299 984 1777 458	1777 458
23-54-46	STOP, Roof Rail Tailgate Glass Sub., TA3 Length 50"	1	----	2252 380	2252 380
23-54-50	BUMPER, Tailgate Inside Panel Sub. BUMPER, Tailgate Opening Sill Panel to Rear Floor Pan Cover Sub., TA3 PLUG, Tailgate Lock Adjusting Lower Access Hole Button Sub., TA3	1 2 2	2423 001 ----	1380 060 1882 735	1380 060 1882 735
23-54-53	SEAL, Tailgate Insert Panel to Tailgate Inner Panel Sub., TP1, TP2, TD1, TD2 Sub., TA3	1 1	2254 763 ----	2254 763 2241 219	2241 219
23-54-59	BRACKET, Tailgate Window Glass Down Position Stop Sub., TP1, TP2, TD1, TD2 Sub., TA3	2 2	----	2255 067 2423 557	2423 557

★ Indicates use as required.
 ☐ Indicates parts not listed in any previous parts book.
 Right and left part numbers are on same line, first number is right, second number is left.
 * Indicates change or addition.

1963 PASSENGER CAR PARTS CATALOG

BODY

CODE	PART NAME AND DESCRIPTION	PER CAR	VALIANT DART	PLYMOUTH DODGE	CHRYSLER IMPERIAL
23-54-O TAILGATE - Cont'd					
23-54-62	ANTI-RATTLER, Tailgate Window Regulator Arm Stud Sub., except TA3	2	----	1336 419	
23-54-63	SCUFF PLATE, Tailgate Opening Sill Sub., TP1, TP2, TD1, TD2 Sub., TA3	2 1	----	2162 499 2080 012	2080 012
23-54-72	REGULATOR or PLATE and ARM, Tailgate Window Sub., TP1, TP2, TD1, TD2 Manual Electric Sub., TA3 Electric Sub., TA3E Manual	1 1 1 1	2243 338 2299 761 ---- ----	2251 270 2428 132 2188 767 1878 450	2188 767
23-54-73	HANDLE, Tailgate Manual Window Regulator Outside Sub., TP1, TP2, TD1, TD2 TA3E HANDLE PACKAGE, Tailgate Manual Window Regulator Outside Sub. GASKET NUT and WASHER	1 1 1 3	---- 2299 444 2299 715 * 116 000	2428 234 1960 493	
23-54-74	SPRING, Tailgate Window Regulator Counterbalance Sub., TP1, TP2, TD1, TD2 Manual Sub., TP1, TP2, TD1, TD2 Electric Sub., TA3	1 1 1	2082 989 2082 989 ----	2251 358 2251 358 1779 645	1779 645
23-54-75	FLAP, Tailgate Handle Sub., TA3	1	----	2080 673	2080 673
23-54-77	RING, Tailgate Window Regulator Outside Handle Interlocking Sub., TP1, TP2, TD1, TD2 TA3E	1 1	2428 071 ----	2428 071 1961 317	
23-54-79	RETAINER, Tailgate Manual Window Regulator Outside Handle Knob Sub., TP1, TP2, TD1, TD2 TA3E	1 1	----	1775 164 1775 164	
23-54-90	PIN, Tailgate Window Regulator Pivot Arm Roller Sub., TA3	2	----	1960 969	1960 969
23-54-92	GASKET, Tailgate Window Regulator Outside Handle or Ornament Base Sub. Manual Electric	1 1	2299 715 *2486 181		
23-54-98	ROLLER, Tailgate Window Regulator Arm to Glass Lower Channel Sub., TA3	2	----	1878 310	1878 310
23-54-100	HOUSING, Tailgate Window Regulator Outside Handle Shaft, except TA3	1	*2299 746	*2299 746	
23-54-103	BUMPER, Tailgate Window Glass Down Position Stop Sub., TP1, TP2, TD1, TD2 Manual Sub., TP1, TP2, TD1, TD2 Electric Sub., TA3	2 2 2	2244 581 2244 581 ----	2255 207 2255 206 2423 519	2423 519

★ Indicates use as required.
 ☐ Indicates parts not listed in any previous parts book.
 Jan. 3, 1964 Supersedes Jan. 25, 1963.

Printed in U.S.A.
 Prices and specifications subject to change without notice.
 Right and left part numbers are on same line,
 first number is right, second number is left.
 * Indicates change or addition.

CODE	PART NAME AND DESCRIPTION	PER CAR	VALIANT DART	PLYMOUTH DODGE	CHRYSLER IMPERIAL
23-54-O TAILGATE - Cont'd					
23-54-107	PLATE, Tailgate Window Regulator Mounting Sub., TP1, TP2, TD1, TD2	1	----	2251 710-1	
23-54-109	ROD, Tailgate Inside Handle Lock Actuating Sub.	1	2242 827		
23-54-111	BOLT, Tailgate Window Regulator Arm Roller Tee Sub., TA3	2	----	1960 968	1960 968
	STUD, Tailgate Window Regulator Arm to Glass Sub., except TA3	2	----	2251 790	
23-54-118	PLUG, Tailgate Inside Panel Access Hole	1	1652 067		
	PLUG, Button Sub.	2	----	1882 735	1882 735
23-54-125	SPACER, Tailgate Electric Window Lift Switch Mounting Sub., TL1, TD1, TD2	1	2290 270	2290 270	
23-54-127	BRACKET, Tailgate Electric Window Regulator Support to Inside Panel Sub., TP1, TP2, TD1, TD2	1	----	2428 075	
23-54-128	CLIP, Tailgate Manual Window Regulator Handle Lock Pawl Spring Retainer	1	1961 318	1961 318	
	Sub., TP1, TP2, TD1, TD2 TA3E Sub.	1	----	1961 318	
23-54-131	SCREW and WASHER, Tailgate Hinge Torsion Bar Attaching Sub.	*	----	----	6022 530
23-54-136	PLATE, Tailgate Torsion Bar Guide Sub.	1	2243 346		
	Sub., TP1, TP2, TD1, TD2	2	----	2251 269	
	PLATE, Tailgate Hinge Tapped Sub.	2	2243 336		
23-54-137	CAM, Tailgate Hinge Torsion Bar Sub., TA3	1	----	1960 197	1960 197
23-54-140	BAR, Tailgate Torsion Sub., TA3	1	----	1960 194	1960 194
	BAR and GUIDE, Tailgate Torsion Sub., TP1, TP2, TD1, TD2	1	2299 608	2251 795	
23-54-141	RETAINER, Tailgate Torsion Bar Sub.	2	2242 825		
	RETAINER, Tailgate Torsion Bar Bearing Sub., TP1, TP2, TD1, TD2	1	----	2251 694	
	End	1	----	2251 372	
23-54-142	BEARING, Tailgate Torsion Bar Sub., TA3	1	----	1960 187	1960 187
	Sub., TP1, TP2, TD1, TD2	1	----	2251 695	
	End	1	----	2251 293	
23-54-144	CLAMP, Tailgate Torsion Bar Sub., TP1, TP2, TD1, TD2	1	2242 810	2299 811	1960 195
	Sub., TA3	1	----	1960 195	
23-54-145	ROLLER, Tailgate Hinge Torsion Bar Sub., TA3	1	----	1960 196	1960 196

★ Indicates use as required.
 ☐ Indicates parts not listed in any previous parts book.
 Right and left part numbers are on same line, first number is right, second number is left.
 * Indicates change or addition.

1963 PASSENGER CAR PARTS CATALOG

BODY

CODE	PART NAME AND DESCRIPTION	PER CAR	VALIANT DART	PLYMOUTH DODGE	CHRYSLER IMPERIAL
23-54-0 TAILGATE - Cont'd					
23-54-146	RETAINER, Tailgate Bumper Sub.	2	----	----	2196 467
23-54-147	BUMPER, Tailgate Outside Panel Sub., TA3	1	----	2188 466	1877 931
	Right	1	----	2188 467	1877 931
23-54-150	COVER, Tailgate Inside Panel Regulator Access Hole Sub., TP1, TP2, TD1, TD2	1	2242 812	2251 312	1877 855
	Sub., TA3	1		1877 855	
23-54-152	COUPLING, Tailgate Electric Window Lift Motor to Mechanism Sub., Except TA3	1	1778 955	2486 072	1778 955
	TA3	1	----	1778 955	
23-54-159	RELAY, Tailgate Electric Window Lift Safety	1	*2427 743	*2427 743	*2427 743
23-54-160	MOTOR, Tailgate Electric Window Lift Sub., except TA3	1	*2448 639	2448 640	2448 639
	TA3	1		2448 639	
23-54-165	MECHANISM, Tailgate Electric Window Lift Sub., TP1, TP2, TD1, TD2	1	2188 735	2486 071	
	Sub., TA3	1	----	2188 735	2188 735
23-54-167	SWITCH, Tailgate Electric Window Lift Sub.	1	1972 316	1972 316	1972 316
	On Instrument Panel	1	2196 313	2196 313	2196 313
	Lock, on Tailgate	1	2291 430	2291 430	2291 430
	Limit, on Tailgate	1			
	Sub., TP1, TP2, TD1, TD2	1	----	2290 109	
	Sub., TA3	1	----	2097 626	2097 626
23-54-169	KNOB, Tailgate Electric Window Lift Instrument Panel Switch Sub., TV1, TP1, TP2	1	2291 282	2291 282	
	Sub., TL1, TD1, TD2	1	2256 626	2256 626	
	Sub., TA3, TC1, TC2, TC3	1	----	2197 379	2197 075
23-54-170	BEZEL, Tailgate Electric Window Lift Instrument Panel Switch Sub., TV1, TP1, TP2	1	1972 898	1972 898	
	Sub., TD1, TD2	1	----	*2256 616	
	Sub., TA3	1	----	2197 500	2290 700
	DECAL, Tailgate Electric Window Lift Instrument Panel Switch Sub.	1	----	----	2290 865
23-54-171	NUT, Tailgate Electric Window Lift Instrument Panel Switch Mounting Sub., TV1, TP1, TP2	1	1887 603	1887 603	
	Sub., TL1, TA3	1	1972 548	1972 548	
23-54-176	CIRCUIT BREAKER, Tailgate Electric Window Lift Sub. 30 Amps	1	2291 728	2291 728	2291 728
23-54-178	WIRING, Tailgate Window Lift Sub., TV1, TP1, TP2, TD1, TD2				
	Switch	1	2291 061	2258 099	
	Sub. Body	1	2290 976		
	Sub., TL1 Switch	1	2427 501		

★ Indicates use as required.

□ Indicates parts not listed in any previous parts book.

Jan. 3, 1964 Supersedes Dec. 14, 1962.

Printed in U.S.A.

Prices and specifications subject to change without notice.

Right and left part numbers are on same line, first number is right, second number is left.

* Indicates change or addition.

CODE	PART NAME AND DESCRIPTION	PER CAR	VALIANT DART	PLYMOUTH DODGE	CHRYSLER IMPERIAL
23-54-0 TAILGATE - Cont'd					
23-54-178	WIRING - Cont'd				
	Sub., TP1, TP2, TD1, TD2				
	Tailgate	1	2291 099	2291 865	
	Sub., TA3	1	----	2198 213	2198 213
	Switch	1	----	*2427 504	*2427 503
23-54-180	HANDLE, Tailgate Lock Remote Control				
	Sub., TP1, TP2, TD1, TD2	1	2251 344	2251 344	1902 406
	Sub., TA3	1	----	1902 406	
23-54-184	ROD, Tailgate Lock Remote Control Handle Actuating				
	Sub., TP1, TP2, TD1, TD2	1	----	2251 345	2189 074
	Sub., TA3	1	----	2189 074	
23-54-186	SPRING, Tailgate Lock Remote Control Handle Return				
	Sub., TA3	1	----	1902 409	1902 409
23-54-190	PIN, Tailgate Lock Remote Control Handle Mounting				
	Sub., TA3	1	----	1902 410	1902 410
23-54-191	RING, Tailgate Lock Remote Control Handle Mounting				
	Pin Retainer				
	Sub., TA3	1	----	1626 749	1626 749
23-54-193	BEARING, Tailgate Lock Remote Control Handle				
	Actuating Rod				
	Sub., TP1, TP2, TD1, TD2	2	2242 800	2251 360	2189 067
	Sub., TA3	2	----	2189 067	
23-54-194	RETAINER, Tailgate Lock Remote Control Handle				
	Actuating Rod Bearing				
	Sub., TP1, TP2, TD1, TD2	2	2243 337	2251 746	1961 119
	Sub., TA3	2	----	1961 119	
23-54-195	SCREW, Tailgate Lock Remote Control Handle to Latch				
	Pin				
	Sub., TA3	2	----	1902 297	1902 297
23-54-204	GASKET, Tailgate Electric Window Lift Switch				
	Sub., TP1, TP2, TD1, TD2				
	On Headliner	1	----	2290 110	
23-54-205	BUMPER, Tailgate Lock Remote Control Handle				
	Sub., TP1, TP2, TD1, TD2	2	----	2251 461	
23-54-207	RETAINER, Tailgate Lock Remote Control Handle				
	Sub., TP1, TP2, TD1, TD2	1	----	2251 747	
23-54-208	GROMMET, Tailgate Electric Window Lift Wiring				
	Sub.	1	2291 672		
23-58-0 FOLDING TOP					
23-58-3	TOP, Folding				
	Cv. Cp.				
	Manual	1	2255 900		
	Power	1	2422 679		
	Cv. Cp., TP2, TD2, TC1, TC2	1	----	2251 173	2255 213
	Cv. Cp., TA3, TY1	1	----	1952 312	2094 745
NOTE: Above Assemblies less Lift Mechanism and Trim.					
23-58-31	SPRING, Folding Top Counter Balance				
	Manual Lift	2	2424 079		

★ Indicates use as required.
 □ Indicates parts not listed in any previous parts book.
 Right and left part numbers are on same line,
 first number is right, second number is left.
 * Indicates change or addition.

1963 PASSENGER CAR PARTS CATALOG

BODY

CODE	PART NAME AND DESCRIPTION	PER CAR	VALIANT DART	PLYMOUTH DODGE	CHRYSLER IMPERIAL
23-58-0 FOLDING TOP - Cont'd					
23-58-35	BRACKET, Folding Top Counter Balance Spring Anchor Manual Lift	2	2424 078		
23-58-66	BOLT or SCREW, Folding Top Rear Bow to Wheelhouse Tension Cable Bracket Cv. Cp.	2	---- --	6022 169	6022 169
23-58-67	BRACKET, Folding Top Rear Bow to Quarter Belt Bar Tension Cable Cv. Cp., TC1, TC2 TY1	2 2	1954 604 ---- --	1954 604 ---- --	1954 604 E2483 026
23-58-75	BOW, Folding Top Cv. Cp., TP2, TD2, TC1, TC2 No. 1 No. 2 No. 3 Cv. Cp., TA3, TY1 No. 1 No. 2 No. 3	1 1 1 1 1 1 1	2422 173 2422 174 2255 866 ---- -- ---- -- ---- --	2189 744 2189 745 *2481 237 1964 078 1964 073 1952 195	*1964 078 1964 073 2243 605 1691 415 1691 397 1691 400
23-58-76	LINK, Folding Top Rear Bow Cv. Cp., TP2, TD2, TC1, TC2 Cv. Cp., TA3 EXTENSION, Folding Top Rear Bow Cv. Cp., TY1	1 1 1	2255 888-9 ---- -- ---- --	2251 128-9 1950 500-1 ---- --	2243 606-7 1691 902-3
23-58-78	PLATE, Folding Top Number One Bow Bracket to Link Adjusting Cv. Cp., TC1, TC2	2	---- --	1909 914	1909 914
23-58-80	BUMPER, Folding Top Front Bow Cv. Cp., TY1	2	---- --	---- --	2424 042
23-58-82	RETAINER, Folding Top Front Bow Bumper Cv. Cp., TY1	2	---- --	---- --	2424 043
23-58-84	BRACKET, Folding Top Number One Bow Cv. Cp.	2	2255 876		
23-58-85	BRACKET, Folding Top Rear Bow Down Stop Cv. Cp., TA3	2	---- --	*2165 669	
23-58-189	WIRING, Folding Top Lift Switch Cv. Cp., TV1 WIRING, Folding Top Lift and Pocket Panel Lamp Cv. Cp., TP2, TD2, TY1	1 1	2291 061 ---- --	2291 739	2291 142
23-58-200	CYLINDER and YOKE, Folding Top Lift Operating Cv. Cp., TC1, TC2 Cv. Cp., TY1	2 1	2422 142 ---- --	1952 938 ---- --	1952 938 1770 552-3
23-58-208	BRACKET, Folding Top Lift Cylinder Mounting Floor Pan Cv. Cp., TV1, TP2, TC1, TC2 Right Left Cv. Cp., TL1, TD2, TY1 Right Left Cv. Cp., TA3	1 1 1 1 2	2424 092 2424 092 2424 094 2424 094 ---- --	2253 024 2253 025 2425 190 2425 191 1952 939	1952 939 1952 939 1861 392 1861 392
23-58-209	SPACER, Folding Top Lift Cylinder Mounting Bracket Cv. Cp., TC1, TC2	4	---- --	1249 332	1249 332

★ Indicates use as required.
 ☐ Indicates parts not listed in any previous parts book.
 Jan. 3, 1964 Supersedes Dec. 14, 1962.

Printed in U.S.A.
 Prices and specifications subject to change without notice.
 Right and left part numbers are on same line,
 first number is right, second number is left.
 * Indicates change or addition.

CODE	PART NAME AND DESCRIPTION	PER CAR	VALIANT DART	PLYMOUTH DODGE	CHRYSLER IMPERIAL
23-58-0 FOLDING TOP - Cont'd					
23-58-211	YOKE, Folding Top Lift Cylinder to Power Link Cv. Cp., TC1, TC2	2	----	*1249 525	1249 525
23-58-220	HEADER, Folding Top Cv. Cp., TA3, TC1, TC2	1	2424 659	2166 338	2166 338
	Cv. Cp., TP2, TD2, TY1	1	----	2251 980	*2480 824
	SCREW, to Side Rail, except TA3	2	* 180 075	* 180 075	
23-58-227	MECHANISM, Folding Top Header Locking Cv. Cp., TA3, TC1, TC2	1	----	2166 049	2166 049
	Cv. Cp.	2	1950 413		
	PIN	2	6000 321		
23-58-228	DOWEL, Folding Top Header Cv. Cp., TC1, TC2	2	1758 839	2251 647	2251 647
	Cv. Cp., TY1	2	----	----	6006 235
23-58-229	RETAINER, Folding Top Header Dowel Lock Nut Cv. Cp., TY1	2	----	----	1691 911
23-58-232	COVER, Folding Top Header Lock Mechanism Access Hole Cv. Cp., TY1 6 7/16" long	2	----	----	1750 777
	COVER, Folding Top Header Lock Access Cv. Cp., TY1 7 3/8" long	1	----	----	1750 854-5
23-58-234	CLIP, Folding Top Header Lock Handle Torsion Bar to Link Cv. Cp., TY1	1	----	----	6006 221
23-58-236	SCREW, Folding Top Header Lock Adjusting Bracket Cv. Cp., TA3, TC1, TC2	2	----	1964 896	1964 896
23-58-237	SEAL, Windshield Header Cv. Cp., TA3 Length 60"	1	----	2094 559	2094 559
23-58-239	ANTI-RATTLER, Folding Top Lock Catch Dowel Cv. Cp.	2	2424 260		
23-58-240	PANEL, Folding Top Header Outside Finish Cv. Cp., TA3, TC1, TC2	1	----	1954 020	1954 020
	MOULDING PACKAGE, Folding Top Header Outside Finish Cv. Cp., TY1	1	----	----	2196 483
	SCREW	11	----	----	274 831
23-58-242	CLIP, Folding Top Header Outside Finish Panel Cv. Cp., TA3, TC1, TC2	5	----	6000 680	6000 680
	End	2	----	6000 681	6000 681
	Folding Top Header End Weatherstrip Retainer Except TA3	2	----	1643 721	
23-58-243	HANDLE, Folding Top Header Lock Cv. Cp., TP2, TD2	2	----	2251 116	
	Cv. Cp., TY1	1	----	----	1751 156
23-58-245	PIN, Folding Top Header Lock Handle to Link Cv. Cp., TY1	1	----	----	6006 222
23-58-248	RETAINER, Folding Top Header Lock Handle Escutcheon Pin Cv. Cp., TY1	2	----	----	1750 724

★ Indicates use as required.
 □ Indicates parts not listed in any previous parts book.
 Right and left part numbers are on same line,
 first number is right, second number is left.
 Indicates change or addition.

1963 PASSENGER CAR PARTS CATALOG

BODY

CODE	PART NAME AND DESCRIPTION	PER CAR	VALIANT DART	PLYMOUTH DODGE	CHRYSLER IMPERIAL
23-58-0 FOLDING TOP - Cont'd					
23-58-250	ARM, w/Anti-Rattler and Lock Catch, Windshield Header Folding Top Cv. Cp. SCREW, 1/4-20 x 3/4", Lock SCREW, 1/4-20 x 1", Lock	1 4 2	2424 470-1 6023 857 6023 858		
23-58-253	ESCUTCHEON, Folding Top Header Lock Handle Cv. Cp., TY1	1	----	----	1751 173
23-58-257	LINK, Folding Top Header Lock Handle Cv. Cp., TP2, TD2 Cv. Cp., TY1	2 1	----	2251 118 ----	1750 619
23-58-258	HOUSING, Folding Top Header Locking Mechanism Handle Cv. Cp., TP2, TD2	2	----	2251 115	
23-58-262	LATCH, Folding Top Header Locking Mechanism Cv. Cp., TP2, TD2	2	2251 117	2251 117	
23-58-265	CATCH, Folding Top Header Locking Latch Cv. Cp., except TA3 Cv. Cp., TA3, TC1, TC2 Cv. Cp., TY1	2 2 1	*1950 412 ---- ----	*2189 690 *1964 895 ----	*1964 895 1751 264
23-58-266	SPRING, Folding Top Header Lock Safety Catch to Handle Cv. Cp., TY1 SPRING, Folding Top Locking Mechanism Cv. Cp.	1 2	---- 1759 368	----	1751 262
23-58-269	LINKAGE, Folding Top Side Rail Cv. Cp., TP2, TD2, TC1, TC2 Cv. Cp., TA3, TY1	1 1	*2483 578-9 ----	2251 856-7 1964 076-7	1964 074-5 1751 206-7
23-58-333	LINK, Folding Top Power Guide Cv. Cp., TP2, TD2 w/o Pin w/PIN Cv. Cp., TA3, TC1, TC2 Includes Power LINK Cv. Cp., TY1 Inner Outer RIVET, TY1	2 2 1 1 1 1	---- ---- ---- ---- ---- ----	*2251 858 B2482 974 2166 610-1 ---- ---- ----	2166 612-3 1751 210 1750 400 B6006 236
23-58-335	TAPPING PLATE, Folding Top Power Guide Link Support Cv. Cp., TC1, TC2 TAPPING PLATE, Folding Top Control Prop Support Cv. Cp., TC1, TC2	2 2	2189 735 ----	2254 714 2189 735	6000 388 6000 388
23-58-336	SUPPORT, Folding Top Power Guide Link Cv. Cp., TP2, TD2 SUPPORT, Power Guide Link and Prop TA3, TC1, TC2 SUPPORT, Folding Top Control Prop Cv. Cp., TC1, TC2	2 4 2	---- ---- 1708 914 1708 914	2254 712 1708 914 1708 914	1708 914 1708 914
23-58-337	RETAINER, Folding Top Power Guide Link Support Tapped Plate, on Inside Quarter Panel Cv. Cp., TD2, TP2	2	----	2254 715	
23-58-357	MOTOR, Folding Top Lift Cv. Cp.	1	*2480 447	*2094 107	*2094 107

★ Indicates use as required.
 ☐ Indicates parts not listed in any previous parts book.
 Jan. 3, 1964 Supersedes Jan. 25, 1963.

Printed in U.S.A.
 Prices and specifications subject to change without notice.
 Right and left part numbers are on same line,
 first number is right, second number is left.
 * Indicates change or addition.

CODE	PART NAME AND DESCRIPTION	PER CAR	VALIANT DART	PLYMOUTH DODGE	CHRYSLER IMPERIAL
23-58-O FOLDING TOP - Cont'd					
23-58-364	VALVE, Drain Cv. Cp.	1	----	*2094 244	*2094 244
	PLUG, Folding Top Well Drain Valve Cv. Cp., TY1	1	----	----	1977 449
23-58-365	RETAINER, Folding Top Well Drain Valve Plug Cv. Cp.	1	----	1977 448	1977 448
23-58-379	CIRCUIT BREAKER, Folding Top Lift Cv. Cp., TC1, TC2 30 Amps	1	2291 728	2291 728	2291 728
	Cv. Cp., TY1 30 Amps	1	----	----	1689 022
23-58-380	BRUSH and SPRING PACKAGE, Folding Top Lift Motor Cv. Cp.	1	----	1752 518	1752 518
23-58-381	ROTOR PACKAGE, Folding Top Lift Motor Pump Cv. Cp.	1	2480 448	1641 650	1641 650
23-58-388	BOLT PACKAGE, Top Lift Reservoir	1	2480 444		
23-58-393	SUPPORT, Folding Top Lift Motor and Pump Floor Pan Cv. Cp., TY1	1	----	----	1878 112
23-58-395	PLUG, Folding Top Lift Motor and Pump Reservoir Cv. Cp., TC1, TC2	1	1641 579	1641 579	1641 579
23-58-396	BRACKET, Folding Top Lift Motor Mounting Cv. Cp.	1	1641 578	1641 578	1641 578
23-58-399	"O" RING, Top Lift Pump Rotor Motor Pump Reservoir Tube	1 2	2480 451 *1605 298	*1641 590 *1605 298	*1641 590 *1605 298
23-58-400	TUBE, w/BRACKET and GROMMET, Reservoir	1	2480 445		
23-58-430	PLATE, Folding Top Lift Pump Cover Cv. Cp. Includes Valve Rocker ARM . .	1	2480 453	1641 592	1641 592
	PLATE, Folding Top Lift Pump Cover End Cv. Cp. Includes BUSHING	1	----	1641 586	1641 586
23-58-469	PROP, Folding Top Main Control Cv. Cp., TP2, TD2 Cv. Cp., TA3	1 1	2255 894-5 ----	2251 142-3 1884 580-1	
	LINK, Folding Top Main Control Cv. Cp., TY1 Includes Adjusting PLATE . . .	1	----	----	1751 208-9
23-58-472	BRACKET, Folding Top Folding Rail Pivot Cv. Cp., TY1	1	----	----	1691 948-9
23-58-473	SUPPORT, Folding Top Folding Rear Rail to Body Cv. Cp., TP2, TD2, TC1, TC2 Cv. Cp., TA3	1 1	----	2244 228-9 1884 608-9	1884 608-9
	SUPPORT, Folding Top Rear Side Rail to Quarter Inside Panel Reinforcement	1	2255 966-7		
	BRACKET, Folding Top Folding Rail Pivot Bracket to Body Mounting Support Cv. Cp., TY1	1	----	----	1750 406-7
23-58-475	PLATE, Folding Top Main Control Prop Support Adjustment Cv. Cp., TP2, TD2, TC1, TC2 Cv. Cp., TA3	2 2	2189 711 ----	2189 711 1954 824	1954 824

★ Indicates use as required.
 ☐ Indicates parts not listed in any previous parts book.
 Right and left part numbers are on same line,
 first number is right, second number is left.
 * Indicates change or addition.

Printed in U.S.A.
 Prices and specifications subject to change without notice.
 Jan. 3, 1964 Supersedes Jan. 25, 1963.

1963 PASSENGER CAR PARTS CATALOG

CODE	PART NAME AND DESCRIPTION	PER CAR	VALIANT DART	PLYMOUTH DODGE	CHRYSLER IMPERIAL
23-58-0 FOLDING TOP - Cont'd					
23-58-476	BRACE, Folding Top Main Control Prop Body				
	Cv. Cp., TV1, TP2, TC1, TC2	1	2255 956-7	2422 572-3	1884 508-9
	Cv. Cp., TL1, TD2	1	2423 728-9	2244 230-1	
	Cv. Cp., TA3	1	----	1884 506-7	
	SUPPORT, Folding Top Main Control Link and Pivot				
	Bracket Mounting Bracket Body				
	Cv. Cp., TY1	1	----	----	1961 088-9
23-58-478	SUPPORT, w/CATCH, Quarter Panel Prop Brace, Folding Top	1	2424 492-3		
23-58-480	REINFORCEMENT, Folding Top Rear Side Rail to Inside Panel Support				
	Cv. Cp., TP2, TD2, TC1, TC2	1	2255 962-3	2244 226-7	2243 612-3
	REINFORCEMENT, Folding Top Main Control Link Adjustment Plate Body				
	Cv. Cp., TY1	1	----	----	1751 806-7
	REINFORCEMENT, Folding Top Folding Rail Pivot Bracket Mounting Bracket to Body Mounting				
	Cv. Cp., TY1	2	----	----	1751 810
23-58-486	RAIL, Folding Top Side				
	Cv. Cp., TP2, TD2, TC1, TC2				
	Front	1	2422 178-9	2189 742-3	1884 592-3
	Center	1	2424 158-9		
	Center, w/BUSHING	1	----	*2189 736-7	*1884 594-5
	Center, w/o Bushing	1	----	⊠2482 960-1	*2482 940-1
	Rear, Right	1	*2255 868	*2189 758(1)	*1884 586(5)
	Rear, Right	1	----	⊠2482 926(2)	*2482 934(6)
	Rear, Left	1	*2255 869	*2189 869(3)	*2244 609(7)
	Rear, Left	1	----	⊠2482 927(4)	*2482 935(8)
	Cv. Cp., TA3, TY1				
	Front	1	----	1884 588-9	2094 466-7
	Center	1	----	----	*2094 472-3
	Center, w/BUSHING	1	----	*1884 590-1	
	Center, w/o Bushing	1	----	*2483 076-7	
	Rear, Right	1	----	*1884 584(9)	*1691 946
	Rear, Right	1	----	*2483 074(10)	
	Rear, Left	1	----	*1884 585(11)	*1691 947
	Rear, Left	1	----	*2483 075(12)	

- NOTE 1: Casting Stamped 2251 136
- NOTE 2: Casting Stamped 2482 924
- NOTE 3: Casting Stamped 2251 137
- NOTE 4: Casting Stamped 2482 925
- NOTE 5: Casting Stamped 1884 586
- NOTE 6: Casting Stamped 2482 934
- NOTE 7: Casting Stamped 1884 587
- NOTE 8: Casting Stamped 2482 935
- NOTE 9: Casting Stamped 1884 584
- NOTE 10: Casting Stamped 2483 074
- NOTE 11: Casting Stamped 1884 585
- NOTE 12: Casting Stamped 2483 075

★ Indicates use as required.
 ⊠ Indicates parts not listed in any previous parts book.
 Jan. 3, 1964 Supersedes Dec. 14, 1962.

Printed in U.S.A.

Prices and specifications subject to change without notice.
 Right and left part numbers are on same line,
 first number is right, second number is left.
 * Indicates change or addition.

CODE	PART NAME AND DESCRIPTION	PER CAR	VALIANT DART	PLYMOUTH DODGE	CHRYSLER IMPERIAL
23-58-0 FOLDING TOP - Cont'd					
23-58-487	BUSHING, Folding Top Center and Rear Side Rail TP2, TD2 Plastic	2	*2481 718	*2481 718	
	BUSHING, Folding Top Control Link and Center Side Rail Pivot Plastic Cv. Cp., TY1 Length 7/8"	*	----	----	1750 647
	BUSHING, Folding Top Power Link and Body Bracket Pivot Plastic Cv. Cp., TY1 Length 3/8"	*	----	----	1750 648
	BUSHING, Folding Top Rear Side Rail Pivot Bracket Plastic Cv. Cp., TY1 Length 7/32"	*	----	----	1810 440
23-58-490	BRACKET, Folding Top Side Rail Manual Power	1 1	2480 722-3 2480 720-1		
23-58-497	CAP, Folding Top Header End Cv. Cp., TP2, TD2 CAP, Folding Top Side Rail to Header Joint Cv. Cp., TA3, TC1, TC2	1 2	---- ----	2189 964-5 1950 486	 1950 486
23-58-532	SWITCH, Folding Top Lift Cv. Cp., TC1, TC2 Cv. Cp., TY1	1 1	1972 316 ----	1972 316 ----	1972 316 2197 415
23-58-533	NUT, Folding Top Lift Switch Mounting Cv. Cp., TV1, TP2 Cv. Cp., TL1, TA3	1 1	1887 603 1972 548	1887 603 1972 548	
23-58-534	KNOB, Folding Top Lift Switch Cv. Cp., TV1, TP2, TC1, TC2 Cv. Cp., TL1, TD2, TY1 Cv. Cp., TA3	1 1 1	2291 282 2256 614 ----	2291 282 2256 614 2197 379	2197 075 1887 935
23-58-543	BEZEL, Folding Top Lift Switch Mounting Cv. Cp., TL1, TD2, TC1, TC2 Cv. Cp., TA3, TY1 DECAL, Folding Top Lift Switch Title Cv. Cp., TC1, TC2	1 1 1	2256 616 ---- ----	2256 616 2197 501 ----	2290 700 2197 389 2290 867
23-58-546	SPACER, Folding Top Lift Switch Mounting Cv. Cp., TL1, TD2	1	*2290 270	*2290 270	
23-58-552	NAMEPLATE, Folding Top Lift Switch Cv. Cp., TY1	1	----	----	2197 508
23-58-555	HOSE, Folding Top Lift Pump to Cylinder Cv. Cp. Upper Cv. Cp., TC1, TC2 Lower Cv. Cp., TY1 Lower	2 2 1	*2422 143 *2422 143 ----	*1964 402 *1964 402 ----	*1964 402 *1964 402 2094 119
23-58-569	WEATHERSTRIP, Folding Top Header Cv. Cp., TP2, TD2 Cv. Cp., TA3, TC1, TC2 End Center Inner Outer Upper Corner Moulding	1 1 1 1 1 1	2422 416 ---- ---- ---- ----	2251 174 2166 960-1 2166 958 ---- ----	2166 960-1 2166 958 1751 733 1860 995 1861 334-5

★ Indicates use as required.
 ☐ Indicates parts not listed in any previous parts book.
 Right and left part numbers are on same line,
 first number is right, second number is left.
 * Indicates change or addition.

1963 PASSENGER CAR PARTS CATALOG

BODY

CODE	PART NAME AND DESCRIPTION	PER CAR	VALIANT DART	PLYMOUTH DODGE	CHRYSLER IMPERIAL
23-58-0 FOLDING TOP - Cont'd					
23-58-570	RETAINER, Folding Top Header Weatherstrip Cv. Cp., TP2, TD2, Center Cv. Cp. End	1 2	2422 401 2480 260	2251 899	
23-58-571	SEAL, Folding Top Header Windshield Retainer	1	*2484 159		
23-58-572	WEATHERSTRIP, Folding Top Side Rail Cv. Cp., TP2, TC1, TC2 Front Center Rear Cv. Cp., TD2, TY1, Front Center Rear Cv. Cp., TA3 Front Rear	1 1 1 1 1 1 1 1	2422 408-9 2422 410-1 2422 412-3 ---- ---- ---- ----	2189 798-9 2189 800-1 2244 234-5 2189 798-9 2189 800-1 2244 234-5 1950 844-5 1950 848	1950 846-7 1950 850-1 1950 854-5 1810 002-3 1810 004-5 1810 006-7
23-58-573	RETAINER, Folding Top Side Rail Weatherstrip Cv. Cp., TP2, TD2, TC1, TC2 Front, Right Left Center Rear Cv. Cp., TA3 Front Center Rear	1 1 1 1 2 1 1	2422 196 2422 197 2422 194-5 2422 192-3 ---- ---- ----	2251 156 2251 157 2251 154-5 2251 152-3 1954 942 1954 938-9 1954 934-5	1954 944 1954 944 1954 940-1 1954 936-7
23-58-590	WEATHERSTRIP, Folding Top Folding Pillar TA3	1	----	1950 852-3	
23-58-600	FASTENER, Folding Top Rear Bow Stud TC1, TC2	1	6000 432	6000 432	6000 432
23-58-601	SET-SCREW, Folding Top Side Rail TC1, TC2 SET-SCREW, Folding Top Power Guide Link TP2, TD2, TC1, TC2 SET-SCREW, Folding Top Control Prop Support TP2, TD2	★ ★ ★	*1964 260 ---- ----	*1964 260 6000 182 6000 182	*1964 260 6000 182
23-58-603	BOLT, Folding Top Main Control Prop and Guide Link TP2, TD2 TA3 BOLT, Prop Link to Quarter Panel Tapping Plate BOLT, Folding Top Link to Rear Bow and Tension Cable Upper TP2, TD2 BOLT, Folding Top Power Guide Link Shoulder TP2, TD2 BOLT, Folding Top Rear Side Rail Bracket Power Top. BOLT, Folding Top Adjusting Plate Shoulder TY1 SCREW, Folding Top Lock Handle Torsion Bar Adjusting TY1	★ ★ 2 2 2 2 2 2 2	---- ---- 6024 218 ---- ---- 6023 996 ---- ----	6001 010 1954 765 6022 169 6001 010 ---- ---- ---- ----	6006 224 1750 726
23-58-605	SPACER, Folding Top Power Guide Link to Power Link TP2, TD2 Folding Top Lift Switch Mounting TL1, TD1, TD2 Folding Top Lift Cylinder Yoke to Power Link TP2, TD2 Folding Top Link to Side Rail TA3, TC1, TC2	2 1 4 6	---- 2290 270 ---- ----	1706 470 2290 270 2251 617 1706 470	1706 470

★ Indicates use as required.

◻ Indicates parts not listed in any previous parts book.
Jan. 3, 1964 Supersedes Dec. 14, 1962.

Printed in U.S.A.

Prices and specifications subject to change without notice.
Right and left part numbers are on same line,
first number is right, second number is left.

* Indicates change or addition.

CODE	PART NAME AND DESCRIPTION	PER CAR	VALIANT DART	PLYMOUTH DODGE	CHRYSLER IMPERIAL
23-58-0 FOLDING TOP - Cont'd					
23-58-605	SPACER - Cont'd				
	Folding Top Link				
	TC1, TC2	4	1952 983	1952 983	1952 983
	Folding Top Rear Rail Bracket	2	*1706 470		
	Folding Top Lift Motor Pump and Cylinder	4	----	----	6006 204
	Folding Top Operating Cylinder Mounting Bracket				
	TY1	4	----	----	6000 141
	WASHER, Folding Top Header Dowel Coned	2	----	6022 696	
	WASHER, Folding Top No. 1 Bow Bracket				
	TP2, TD2, TC1, TC2	2	----	6000 106	6000 106
	Power Links to Side Rear Rail, TP2, TD2	2	----	B6024 296	
	Folding Top Side Rear Rail				
	TC1, TC2	2	----	----	6000 320
	Folding Top Rear Bow Side Rail Pivot				
	TY1	2	----	----	6006 052
	Folding Top Front and Center Side Rail				
	TP2, TD2	2	6000 320	6000 320	
	PUSH-NUT, Side Rear Rail to Power Links Pin,				
	TP2, TD2	2	----	*6024 128	
	X-WASHER, Folding Top Rear Bow Side Rail Pivot				
	TY1	2	----	----	6006 052
23-58-606	SPRING WASHER, Folding Top				
	TC1, TC2	★	6022 989	6022 117	6022 117
	TY1	★	----	----	6006 216
23-58-607	PIN, Folding Top				
	TV1, TL1				
	No. 1 Bow Bracket to Front				
	Side Rail	2	2251 600		
	No. 2 Bow Bracket	2	2251 600		
	Front Side Rail and Center				
	Control to Center Side Rail . .	2	2251 600		
	Main Control Prop to Side				
	Rear Rail	2	2251 600		
	Rear Side Rail to Prop	2	2480 636		
	Rear Bow to Rear Side Rail . .	2	2480 637		
	Center and Rear Side Rail . .	2	2481 732		
	Front and Center Side Rail . .	2	6000 319	6000 319	
	Center and Rear Side Rail . . .	2	----	1952 779	
	Rear Rail Power Link	2	----	1952 482	
	Mechanism	12	----	2251 600	
	No. 1 Bow Bracket	2	----	1950 897	
	Main Control Prop to Side				
	Rear Rail	2	2251 600		
	Rear Side Rail to Prop	2	2480 636		
	Rear Bow to Rear Side Rail . .	2	2480 637		
	Center and Rear Side Rail . .	2	2481 732		
	Front and Center Side Rail . .	2	6000 319	6000 319	
	Center and Rear Side Rail . . .	2	----	1952 779	
	Rear Rail Power Link	2	----	1952 482	
	Mechanism	12	----	2251 600	
	No. 1 Bow Bracket	2	----	1950 897	
TA3, TC1, TC2	No. 1 Bow Bracket	2	----	1950 897	1950 897
	No. 1 Bow to Front Side Rail				
	Link	2	----	1952 315	1952 315
	No. 1 Bow Bracket to Rear Side				
	Rail Link	2	----	1952 315	1952 315
	Side Rail Front Rear Control				
	Link	2	----	1952 315	1952 315
	Main Control Prop	2	----	1952 315	1952 315
	Folding Pillar	2	----	1952 482	1952 482
	Side Rear Rail	2	----	1952 779	1952 779
	Rear Bow Link	2	----	1952 984	1952 984
	Motor Pump and Cylinder . . .	2	----	1952 936	1952 936
TY1	Control Link to Front Rail . . .	2	----	----	6006 205
	Control Link to Center Side Rail	2	----	----	6006 230
	Center Bow to Rear Side Rail .	2	----	----	6006 230
	Control Center Link to Rear Side				
	Rail	2	----	----	6006 230

★ Indicates use as required.

⊞ Indicates parts not listed in any previous parts book.
 Right and left part numbers are on same line,
 first number is right, second number is left.

* Indicates change or addition.

1963 PASSENGER CAR PARTS CATALOG

BODY

CODE	PART NAME AND DESCRIPTION	PER CAR	VALIANT DART	PLYMOUTH DODGE	CHRYSLER IMPERIAL
23-58-0 FOLDING TOP - Cont'd					
23-58-607	PIN - Cont'd				
	TY1 Main Control Link to Bow	2	----	----	6006 205
	Control Rear Link	2	----	----	6006 223
	Control Link to Center Rail . .				
	Rear Side Rail to Body	2	----	----	6006 226
	Bracket	2	----	----	6006 227
	Power Link to Rear Rail				
	Power Link to Body Bracket	2	----	----	6006 228
	Pivot	2	----	----	6006 229
	Front to Center Side Rail Pivot				
	Cylinder Mounting Bracket	2	----	----	6006 093
	Clevis	2	----	----	6006 237
	Rear Bow to Rear Rail				
	Center Bow to Rear Side Rail	2	----	----	6006 231
	Pivot				
23-59-0 DRAIN TROUGH					
23-59-26	PLATE, Folding Top Well Drain Tube to Well Attaching	2	1691 887		
23-59-35	TROUGH, Quarter Panel Deck Drain				
	4 D., Sp. 4 D., Sp. Cl. Cp., Cv. Cp., Cl. Sed., TD1, TD2	1	----	2244 088-9	
	4 D., Sp. 4 D., Sp. Cl. Cp., Cv. Cp., Cl. Sed., TP1, TP2				
	Upper	1	----	*2255 682-3	
	Lower	1	----	2422 580-1	
	4 D., Sp. 4 D., Sp. Cl. Cp., Cv. Cp., TC1, TC2, TC3				
	Side	1	----	----	2242 648-9
	TROUGH, Deck Opening Panel Drain				
	Sp. 4 D., TY1-H	1	----	----	2189 382
23-59-37	REINFORCEMENT, Quarter Panel Deck Drain Trough				
	4 D., Sp. Cl. Cp., Cv. Cp., Cl. Sed., TV1	1	2422 444-5		
	4 D., Sp. Cl. Cp., Cv. Cp., Cl. Sed., TL1	2	2422 443		
	REINFORCEMENT, Deck Opening Side Drain Trough				
	TY1	1	----	----	1877 472-3
	SUPPORT, Quarter Panel Deck Drain Trough to Wheelhouse				
	Cv. Cp., TP2	1	----	2423 780-1	
	Cv. Cp., TD2	1	----	2422 702-3	
	4 D., Sp. 4 D., Sp. Cl. Cp., TC1, TC2, TC3	1	----	----	2242 646-7
	SUPPORT, Roof Drain Trough to Wheelhouse Quarter Panel				
	4 D., Sub., TP1, TP2, TD1, TD2	1	----	2217 536-7	
23-59-41	BRACE, Quarter Panel Deck Drain Trough to Floor Pan Reinforcement				
	4 D., Sp. 4 D., Sp. Cl. Cp., Cv. Cp., Cl. Sed., TP1, TP2	1	----	2422 626-7	
	4 D., Sp. 4 D., Sp. Cl. Cp., Cv. Cp., Cl. Sed., TD1, TD2	1	----	2422 628-9	
	BRACE, Quarter Panel Deck Opening Side Drain Trough to Wheelhouse Inner Panel Support				
	Cv. Cp., TC1, TC2	1	----	----	2244 342-3
23-59-42	EXTENSION, Quarter Panel Deck Opening Drain Trough				
	Cv. Cp., TD2 Upper Corner	1	----	2244 088-9	
	4 D., Sp. 4 D., Sp. Cl. Cp., Cv. Cp., TC1, TC2, TC3				
	Side	1	----	----	2244 620-1
23-59-56	TROUGH, Roof Side Drain				
	4 D., 4 D. Sub., Sp. 4 D., TP1, TP2, TD1, TD2	1	2242 530-1	2244 962-3	
	Sp. Cl. Cp., TV1, TP1, TD1, TD2	1	2243 822-3	2244 958-9	
	Sp. Cl. Cp., TL1	1	2244 312-3		

★ Indicates use as required.
 ☐ Indicates parts not listed in any previous parts book.
 Jan. 3, 1964 Supersedes Dec. 14, 1962.

Printed in U.S.A.
 Prices and specifications subject to change without notice.
 Right and left part numbers are on same line,
 first number is right, second number is left.
 * Indicates change or addition.

CODE	PART NAME AND DESCRIPTION	PER CAR	VALIANT DART	PLYMOUTH DODGE	CHRYSLER IMPERIAL
23-59-O DRAIN TROUGH - Cont'd					
23-59-56	TROUGH - Cont'd				
	Cl. Sed., TV1, TP1, TP2, TD1, TD2	1	2243 820-1	2244 958-9	
	Cl. Sed., TL1	1	2244 310-1		
	4 D. Sub. Rear	1	2242 796-7		
	TROUGH, Roof Rear Drain				
	Sub., TA3	1	2243 274	2094 134	2094 134
	4 D. Sub. Corner	1	2243 240-1		
	TROUGH, Roof Side Drain				
	Except TA3 On Body Front Pillar.	1	----	*2167 786-7	
23-59-57	CAP or COVER, Roof Side Drain Trough Moulding				
	NOTE: See Exterior Moulding Illustrations in Front of Group 23 - Body.				
	COVER, Roof Drain Trough Joint				
	Cl. Sed., 4 D., Sub., except TA3	2	2166 909	2166 909	
23-59-59	FILLER, Roof Rear Corner Drain Trough				
	4 D., Sub.	1	2243 242-3		
23-59-61	MOULDING, Roof Side Drain Trough				
	NOTE: See Exterior Moulding Illustrations in Front of Group 23 - Body.				
23-59-63	CLIP, Roof Side Drain Trough				
	Sp. 4 D., TC3	12	----	----	2480 004
	CLIP, Roof Side Drain Trough Front Moulding				
	4 D., Sp. 4 D., TC3	12	----	----	2255 633
	Intermediate Moulding				
	4 D., Sp. 4 D., Sp. Cl. Cp., Except TA3	8	----	2423 432	
23-61-O COWL VENT OR AIR INTAKE					
23-61-39	EXTENSION, Dash Panel Cowl Air Intake Water Deflector Panel				
	TY1 (sold by the inch)	1	----	----	1242 974
	DEFLECTOR, Dash Panel Cowl Air Intake Water				
	TY1	1	----	----	1810 453
23-61-99	CLIP, Cowl Ventilator Grille Cap				
	TY1	*	----	----	6006 261
23-61-103	GRILLE, Cowl Ventilator				
	TY1	1	----	----	2093 580-1
23-61-104	CAP, Cowl Ventilator Grille				
	TY1	1	----	----	2189 985
23-61-116	PANEL, Cowl Top Fresh Air Opening Insert				
	TA3, TC1, TC2, TC3	1	----	2166 657	2166 657
23-63-O WEATHERSTRIP					
23-63-14	WEATHERSTRIP, Front Door Window Belt Inner				
	4 D., 4 D. Sub., TP1, TP2, TD1, TD2	2	2254 956	2241 784	
	4 D., TA3, TC1, TC2, TC3				
	Right	1	----	*1883 500	*2419 842
	Left	1	----	*1883 500	*2419 843
	Sub., TA3E	2	----	*1883 500	
	Sp. 4 D., TP2, TD2, TY1				
	Right	1	----	2419 618	2085 780
	Left	1	----	2419 618	2085 781
	Sp. 4 D., Sp. 4 D. Sub., TA3, TC1, TC2, TC3	1	----	2085 712-3	2085 712-3

★ Indicates use as required.
 ☐ Indicates parts not listed in any previous parts book.
 Right and left part numbers are on same line,
 first number is right, second number is left.
 * Indicates change or addition.

1963 PASSENGER CAR PARTS CATALOG

CODE	PART NAME AND DESCRIPTION	PER CAR	VALIANT DART	PLYMOUTH DODGE	CHRYSLER IMPERIAL
23-63-O WEATHERSTRIP - Cont'd					
23-63-14	WEATHERSTRIP - Cont'd				
	Sp. Cl. Cp., Cv. Cp., TP1, TP2, TD1, TD2, TY1				
	Right	1	2254 960	2419 618	2085 780
	Left	1	2254 961	2419 618	2085 781
	Sp. Cl. Cp., Cv. Cp., TA3, TC1, TC2	1	----	2085 722-3	2085 722-3
	Cl. Sed.	2	2254 952	2241 784	
	WEATHERSTRIP, Rear Door Window Belt Inner				
	4 D., 4 D. Sub., TP1, TP2, TD1, TD2				
	Right	1	2254 866	2292 588	
	Left	1	2254 866	2292 589	
	4 D., TC1, TC2, TC3	1	----	----	2292 470-1
	Sp. 4 D., TP2, TD2, TY1				
	Right	1	----	2292 590	1767 247
	Left	1	----	2292 591	1767 247
	Sp. 4 D., TA3, TC1, TC2, TC3	2	----	2085 482	2292 472-3
	Sp. 4 D. Sub., TA3, TC1, TC2, TC3	2	----	2085 482	2085 482
23-63-15	WEATHERSTRIP, Front Door Window Belt Outer				
	4 D., 4 D. Sub., TP1, TP2, TD1, TD2	1	----	2216 372-3	
	4 D., TA3, TC1, TC2, TC3	2	2254 956	1883 500	1954 775
	Sub., TA3E	2	----	1883 500	
	Sp. 4 D., TP2, TD2, TY1				
	Right	1	----	2216 372	1751 708
	Left	1	----	2216 373	1751 707
	Sp. 4 D., Sp. 4 D. Sub., TA3, TC1, TC2, TC3	1	----	2166 558-9	2166 558-9
	Sp. Cl. Cp., Cv. Cp., TP1, TP2, TD1, TD2, TY1	1	2254 954-5	2167 686-7	1751 708-9
	Sp. Cl. Cp., Cv. Cp., TA3, TC1, TC2	1	----	2166 554-5	2166 554-5
	Cl. Sed.				
	Right	1	2254 952	2216 374	
	Left	1	2254 952	2216 375	
	WEATHERSTRIP, Rear Door Window Belt Outer				
	4 D., 4 D. Sub., TP1, TP2, TD1, TD2				
	Right	1	2254 866	2218 306	
	Left	1	2254 866	2218 307	
	4 D., TA3, TC1, TC2, TC3	1	----	1883 512-3	2254 860-1
	Sub., TA3E	1	----	1883 512-3	
	Sp. 4 D., TP2, TD2, TY1	1	----	2218 308-9	1751 724-5
	Sp. 4 D., TA3, TC1, TC2, TC3	1	----	2166 516-7	2254 858-9
	Sp. 4 D. Sub., TA3, TC1, TC2, TC3	1	----	2166 516-7	2166 516-7
23-63-16	CLIP, Front Door Window Belt Weatherstrip				
	TC1, TC2, TC3 Outer	★	1775 089	1775 089	1775 089
	TY1 Outer	★	----	----	1643 721
	CLIP, Weatherstrip Retainer				
	Inner	★	2217 508		
	Outer	★	2217 508		
	CLIP, Rear Door Window Belt Weatherstrip				
	TC1, TC2, TC3 Outer	★	1775 089	1775 089	1775 089
	CLIP, Weatherstrip Retainer				
	Inner	★	2217 508		
	Outer	★	2217 508		
23-63-20	WEATHERSTRIP, Quarter Window Belt Inner				
	Sp. Cl. Cp., TV1, TP1, TP2, TD1, TD2, TY1				
	Right	1	2423 010	2292 772	2292 774
	Left	1	2423 011	2292 773	2292 774
	Sp. Cl. Cp., TL1, TA3, TC1, TC2, TC3				
	Right	1	2245 080	2085 482	E2292 598
	Left	1	2245 081	2085 482	E2292 599
	Cv. Cp., TP2, TD2, TY1				
	Right	1	2424 484	2167 674	2419 341
	Left	1	2424 485	2167 674	2419 341
	Cv. Cp., TA3, TC1, TC2	2	----	2085 482	2085 482

† Indicates use as required.
 } Indicates parts not listed in any previous parts book.
 Jan. 3, 1964 Supersedes Jan. 25, 1963.

Printed in U.S.A.
 Prices and specifications subject to change without notice.
 Right and left part numbers are on same line,
 first number is right, second number is left.
 * Indicates change or addition.

CODE	PART NAME AND DESCRIPTION	PER CAR	VALIANT DART	PLYMOUTH DODGE	CHRYSLER IMPERIAL
23-63-0 WEATHERSTRIP - Cont'd					
23-63-20	WEATHERSTRIP - Cont'd Cl. Sed., TV1, TP1, TP2				
	Right	1	2243 830	2292 790	
	Left	1	2243 830	2292 791	
	Cl. Sed., TL1, TD1, TD2	1	2423 008-9	2292 790-1	
23-63-21	WEATHERSTRIP, Quarter Window Belt Outer Sp. Cl. Cp., TV1, TP1, TP2, TD1, TD2, TY1 Sp. Cl. Cp., TL1, TA3, TC1, TC2 Cv. Cp., TP2, TD2, TY1 Cv. Cp., TA3, TC1, TC2 Cl. Sed., TV1, TP1, TP2				
	Right	1	2423 012-3	2423 584-5	2255 198-9
	Left	1	2245 082-3	2093 546-7	2423 776-7
		1	2422 406-7	2423 586-7	2094 648-9
		1	----	2166 572-3	2480 570-1
	Right	1	2243 830	2423 582	
	Left	1	2243 830	2423 583	
	Cl. Sed., TL1, TD1, TD2	1	2423 008-9	2423 582-3	
23-63-22	CLIP, Quarter Window Belt Weatherstrip Inner Outer	★	2217 508		
	TC1, TC2, TC3	★	2217 508	1775 089	1775 089
23-63-33	WEATHERSTRIP, w/WEATHERCORD, Front Door 4 D., 4 D. Sub., Except TA3				
	Alabaster	2	----	2413 656	
	Black	2	----	2413 652	
	Blue	2	2413 646	2413 646	
	Gray	2	2413 614	2413 614	
	Green	2	2413 648	2413 648	
	Red	2	2413 615	2413 615	
	Tan	2	2413 650	2413 650	
	Turquoise	2	2413 660	2413 660	
	Sp. 4 D., TP2, TD2, Alabaster	2	----	2413 706	
	Black	2	----	E2432 472	
	Blue	2	----	2413 702	
	Green	2	----	2413 703	
	Red	2	----	2413 705	
	Tan	2	----	2413 704	
	Turquoise	2	----	2413 707	
	Cl. Sed. Alabaster	2	----	*2413 656	
	Black	2	----	*2413 652	
	Blue	2	2413 646	2413 646	
	Gray	2	2413 614	2413 614	
	Green	2	2413 648	2413 648	
	Red	2	2413 615	2413 615	
	Tan	2	2413 650	2413 650	
	Turquoise	2	2413 660	2413 660	
	Sp. Cl. Cp., Except TA3				
	Alabaster	2	----	2413 696	
	Black	2	----	2413 692	
	Blue	2	2432 134	2432 134	
	Green	2	----	2432 135	
	Red	2	2413 638	2413 638	
	Tan	2	2432 136	2432 136	
	Turquoise	2	2432 137	2432 137	
	Cv. Cp., Except TA3, Alabaster	1	----	2413 722-3	
	Black	1	----	2413 718-9	
	Blue	1	2432 920-1	2413 714-5	
	Red	1	E1530-1 TR6	2413 720-1	
	Tan	1	2432 922-3	2413 716-7	
	Turquoise	1	2432 926-7	2413 724-5	

★ Indicates use as required.
 ☐ Indicates parts not listed in any previous parts book.
 Right and left part numbers are on same line,
 first number is right, second number is left.
 * Indicates change or addition.

1963 PASSENGER CAR PARTS CATALOG

BODY

CODE	PART NAME AND DESCRIPTION	PER CAR	VALIANT DART	PLYMOUTH DODGE	CHRYSLER IMPERIAL
23-63 -O WEATHERSTRIP - Cont'd					
23-63-33	WEATHERSTRIP - Cont'd Rear Door 4 D., 4 D. Sub., Except TA3				
	Alabaster	2	----	2413 696	
	Black	2	----	2413 692	
	Blue	2	2432 134	2413 686	
	Gray	2	2413 636	2413 636	
	Green	2	2432 135	2413 688	
	Red	2	2413 638	2413 638	
	Tan	2	2432 136	2413 690	
	Turquoise	2	2432 137	2413 700	
	Sp. 4 D., TP2, TD2, Alabaster	2	----	2413 706	
	Blue	2	----	2413 702	
	Gray	2	----	2413 636	
	Green	2	----	2413 703	
	Red	2	----	2413 705	
	Tan	2	----	2413 704	
	Turquoise	2	----	2413 707	
	WEATHERSTRIP, Door 4 D., TA3, TC1, TC2, TC3				
	Front.	2	----	1883 504	1883 504
	Sub., TA3E Front.	2	----	1883 504	
	Sp. 4 D., Sp. 4 D. Sub., TA3, TC1, TC2, TC3 Front.	1	----	2165 304-5	2165 304-5
	Sp. Cl. Cp., Cv. Cp., TA3, TC1, TC2	1	----	1952 852-3	2218 122-3
	Sp. Cl. Cp., Cv. Cp., TY1	1	----	----	2217 688-9
	Sp. 4 D., TY1 Front, Right (also specify 1 of 2491 878 Seal)	1	----	----	2491 898
	Sp. 4 D., TY1 Front, Left (also specify 1 of 2491 879 Seal)	1	----	----	2491 899
	4 D., TA3, TC1, TC2, TC3 Rear, Right	1	----	2218 305	2218 305
	Rear, Left	1	----	1883 520	1883 520
	Sub., TA3E Rear, Right	1	----	2218 305	2218 305
	Rear, Left	1	----	1883 520	1883 520
	Sp. 4 D., Sp. 4 D. Sub., TA3 Rear	1	----	2165 488-9	
	Sp. 4 D., TC1, TC2, TC3 Rear	2	----	----	2217 828
	Sub., TC1, TC3 Rear	1	----	----	2165 488-9
	Sp. 4 D., TY1 Rear, Right (also specify 1 of 2491 880 Seal)	1	----	----	2491 900
	Sp. 4 D., TY1 Rear, Left (also specify 1 of 2491 881 Seal)	1	----	----	2491 901
	Sp. 4 D., Sp. 4 D. Sub., Upper Hinge Side, TA3, TC1, TC2, TC3 Rear	1	----	*2165 484-5	*2165 484-5
	Sp. Cl. Cp., Cv. Cp., Door Lock Pillar Upper, TY1	1	----	----	*1810 014-5
	WEATHERSTRIP, Roof Side Rail				
	Sp. Cl. Cp., TV1	1	2243 874-5		
	Sp. Cl. Cp., TL1	1	2244 244-5		
	Sp. 4 D., except TA3	1	----	2254 384-5	
	Sp. Cl. Cp., except TA3	1	----	2254 382-3	
	Sp. 4 D., Sp. 4 D. Sub., Sp. Cl. Cp., TA3	1	----	2094 484-5	
	Sp. 4 D., TC1, TC2, TC3	1	----	----	2244 270-1
	Sp. Cl. Cp., TC1, TC2, TC3	1	----	----	E2484 456-7
	Sub., TC1, TC3	1	----	----	2094 484-5
	Sp. 4 D., TY1	1	----	----	2422 284-5
	Sp. Cl. Cp., TY1	1	----	----	2422 216-7
	WEATHERSTRIP, Door Glass Rear Frame				
	Sp. Cl. Cp., Cv. Cp.	1	2217 128-9		

★ Indicates use as required.
 □ Indicates parts not listed in any previous parts book.
 Jan. 3, 1964 Supersedes Jan. 25, 1963.

Printed in U.S.A.
 Prices and specifications subject to change without notice.
 Right and left part numbers are on same line,
 first number is right, second number is left.
 * Indicates change or addition.

CODE	PART NAME AND DESCRIPTION	PER CAR	VALIANT DART	PLYMOUTH DODGE	CHRYSLER IMPERIAL
23-63-0 WEATHERSTRIP - Cont'd					
23-63-33	WEATHERSTRIP, Body Front Pillar to Vent Wing Upper Corner				
	Cv. Cp., TP2, TD2	1	----	2189 918-9	
	Cv. Cp., TA3, TC1, TC2	1	----	1954 718-9	1954 718-9
	WEATHERSTRIP, Front Door Opening				
	Sp. 4 D., except TA3, On Center Pillar	1	----	*2254 706-7	
	WEATHERSTRIP, Rear Door Opening				
	Sp. 4 D., except TA3, On Center Pillar	1	----	*2254 706-7	
	WEATHERSTRIP, Lock Pillar to Lock Pillar Angle				
	Sp. 4 D., TY1	2	----	----	1690 874
	SEAL, Rear Door Upper Corner Lock Side				
	Sp. 4 D., TP2, TD2, TC1, TC2, TC3	1	----	2254 124-5	2217 672-3
	SEAL, Rear Door Opening Upper Corner				
	4 D., 4 D. Sub., TP1, TP2, TD1, TD2	2	2082 974	2082 974	
	SEAL, Quarter Outside Panel Lock Face Belt				
	Sp. Cl. Cp., Cv. Cp., TP1, TP2, TD1, TD2	1	2422 846-7	2167 198-9	
	Sp. Cl. Cp., Cv. Cp., TA3, TC1, TC2	1	----	1954 618-9	2255 566-7
	SEAL, Front Door Upper Corner Lock Side				
	Sp. Cl. Cp., Cv. Cp., TA3, TC1, TC2	1	----	2217 906-7	2217 906-7
	SEAL, Front Door Outside Panel at Vent Wing Face				
	4 D., TA3, TC1, TC2, TC3	4	----	E2492 960	E2492 960
	Sub., TA3-E	4	----	E2492 960	E2492 960
	SEAL, Front Door Outside Panel Upper Front and Rear Corner				
	4 D., TA3, TC1, TC2, TC3	4	----	E2492 960	E2492 960
	Sub., TA3-E	4	----	E2492 960	
23-63-37	SEAL, Roof Side Rail Weatherstrip Retainer to Drain Trough				
	Sp. Cl. Cp.	2	2244 321		
	SEAL, Windshield Opening Upper Frame Reinforcement				
	Cv. Cp.	1	2254 766		
	SEAL, Rear Upper Pillar Tailgate Glass Run Channel				
	Sub.	2	2254 767		
	SEAL, Roof Rear Rail Tailgate Glass Run Channel				
	Sub.	1	2254 766		
	SEAL, Roof Rear Rail to Rear Upper Pillar to Tailgate Glass Run Channel				
	Sub., except TA3	2	----	2254 767	
	SEAL, Roof Rail Weatherstrip Retainer to Roof Rail				
	Sp. Cl. Cp., Sp. 4 D., TP2, TD2	2	----	2254 766	
	Sp. Cl. Cp., TA3, TC1, TC2	2	----	2424 674	2424 675
	Sp. 4 D., Sub., TA3, TC1, TC2	2	----	----	2424 675
	Sp. Cl. Cp., Sp. 4 D., TY1	2	----	----	2189 860
	SEAL, Front Door Lock Pillar Upper				
	Sp. 4 D., TY1	1	----	----	2491 878-9
	SEAL, Rear Door Hinge Pillar Upper				
	Sp. 4 D., TY1	1	----	----	2491 880-1
23-63-55	RETAINER, Roof Side Rail Weatherstrip				
	Sp. Cl. Cp., TV1	1	2243 876-7		
	Sp. Cl. Cp., TL1, TP1, TP2, TD1, TD2	1	2480 286-7	2167 226-7	
	Sp. 4 D., TP2, TD2, TY1	1	----	2167 216-7	2422 316-7
	Sp. 4 D., TA3 PKG.	1	----	2196 671-2	
	SCREW	32	----	125 978	
	Sp. 4 D. Sub., TA3, TC1, TC3				
	PKG.	1	----	2196 671-2	2196 671-2
	SCREW	32	----	125 978	125 978
	Sp. Cl. Cp., TA3 PKG., Right	1	----	2196 669	
	Left	1	----	2196 670	
	SCREW	24	----	125 978	

★ Indicates use as required.
 E Indicates parts not listed in any previous parts book.
 Right and left part numbers are on same line,
 first number is right, second number is left.
 Indicates change or addition.

1963 PASSENGER CAR PARTS CATALOG

BODY

CODE	PART NAME AND DESCRIPTION	PER CAR	VALIANT DART	PLYMOUTH DODGE	CHRYSLER IMPERIAL
23-63-O WEATHERSTRIP - Cont'd					
23-63-55	RETAINER - Cont'd				
	Sp. 4 D., TC1, TC2, TC3				
	Front and Rear	1	---- --	---- --	2423 694-5
	Sp. Cl. Cp., TC1, TC2				
	Front and Rear	1	---- --	---- --	2423 692-3
	RETAINER, Roof Side Rail Quarter Window Glass				
	Weatherstrip				
	Sp. Cl. Cp., TY1 Inner	1	---- --	---- --	2217 488-9
	RETAINER and BRACKET, Roof Side Rail Quarter Window Glass Weatherstrip				
	Sp. Cl. Cvp., TV1 Inner	1	2424 670-1		
23-63-58	CAP, Roof Side Rail Weatherstrip Retainer				
	Sp. Cl. Cp.	1	2423 624-5	2252 608-9	
	Sp. 4 D.	1	---- --	2252 608-9	
	COVER, Roof Side Rail Weatherstrip Retainer Joint				
	Sp. 4 D., Sp. Cl. Cp., TC1, TC2, TC3				
	Sp. Cl. Cp.	1	2423 624-5	2252 608-9	
	Sp. 4 D.	1	---- --	2252 608-9	
23-63-61	SUPPORT, Roof Side Rail Quarter Window Weatherstrip and Headlining Retainer				
	Sp. Cl. Cp., TV1	1	*2255 634-5		
23-63-94	WEATHERSTRIP, Rear Door Window Glass Front Frame				
	Sp. 4 D., TP2, TD2, TY1	1	---- --	2166 964-5	2218 830-1
	Sp. 4 D., Sp. 4 D. Sub., TA3, TC1, TC2, TC3	1	---- --	1954 544-5	2217 544-5
23-63-97	WEATHERSTRIP, Rear Door Rear Glass Stationary				
	4 D., Sub.	2	*2217 250		
23-63-100	WEATHERSTRIP, Quarter Window Glass				
	Sub., TP1, TP2, TD1, TD2	1	2255 726-7	2251 320-1	
	Sub., TA3, TC1, TC2, TC3	1	---- --	2259 417-8	2259 417-8
	WEATHERSTRIP, Quarter Window Glass Vertical Outer				
	Sp. Cl. Cp., TV1	1	2243 882-3		
23-63-104	WEATHERSTRIP, Quarter Window Glass Front Frame				
	Sp. Cl. Cp., Cv. Cp., TP1, TP2, TD1, TD2, TY1	1	---- --	2166 964-5	2217 896-7
	Sp. Cl. Cp., Cv. Cp., TA3, TC1, TC2	1	---- --	2217 544-5	2217 544-5
23-63-110	LOCKINGSTRIP, Quarter Window Glass Weatherstrip				
	Sub., TP1, TP2, TD1, TD2				
	Rubber	2	---- --	2255 027	
	Sub., TP1, TP2, TD1, TD2				
	Mylar	2	2243 513	2422 471	
23-63-112	WEATHERSTRIP, Rear Window Glass				
	TV1	1	2242 532		
	TP1L, TP2L	1	---- --	2244 083	
	TD1L, TD2L, Police, Taxi	1	---- --	2244 083	
	TP1M-H-P, TP2H-M-P, TD1, TD2	1	---- --	2422 759	
	4 D., Cl. Sed., TL1	1	2243 799		
	Sp. Cl. Cp., TL1				
	Alabaster	1	2432 232		
	Blue	1	2432 231		
	Turquoise	1	2432 233		
	4 D., Sp. 4 D., TA3, TC1, TC2, TC3	1	---- --	1963 684	2480 642
	Sp. Cl. Cp., TA3, TC1, TC2	1	---- --	2093 652	2480 642
	Sp. 4 D., Sp. Cl. Cp., TY1-L, TY1-M	1	---- --	---- --	2422 224
	Sp. 4 D., TY1-H	1	---- --	---- --	2189 934
	SEAL, Rear Window Opening				
	4 D., Sp. 4 D., Sp. Cl. Cp., TC1, TC2, TC3	2	---- --	---- --	2480 647

★ Indicates use as required.
 ☐ Indicates parts not listed in any previous parts book.
 Jan. 3, 1964 Supersedes Dec. 14, 1962.

Printed in U.S.A.
 Prices and specifications subject to change without notice.
 Right and left part numbers are on same line,
 first number is right, second number is left.
 * Indicates change or addition.

CODE	PART NAME AND DESCRIPTION	PER CAR	VALIANT DART	PLYMOUTH DODGE	CHRYSLER IMPERIAL
23-63-O WEATHERSTRIP - Cont'd					
23-63-114	LOCKINGSTRIP, Rear Window Glass Weatherstrip				
	TL1	1	2082 278		
	TV1 Upper	1	2424 426		
	TV1 Lower	1	2424 426		
23-63-117	CAP, Rear Window Glass Weatherstrip Lockingstrip				
	TV1	2	2424 350		
	CAP, Quarter Window Glass Upper Front Lockingstrip				
	Sub.	2	2424 625		
	Lower, Rear				
	Sub., Except TA3	2	2424 624	2424 626	
23-63-126	WEATHERSTRIP, Front Door Vent Wing				
	4 D., 4 D. Sub., Cl. Sed.	1	2216 638-9		
	Sp. Cl. Cp., Cv. Cp.	1	2217 404-5		
	4 D., 4 D. Sub., Cl. Sed., TP1, TP2, TD1, TD2	1	----	2167 680-1	
	Sp. 4 D., Sp. Cl. Cp., Cv. Cp., TP1, TP2, TD1, TD2	1	----	2254 586-7	
	4 D., TA3, TC1, TC2, TC3	1	----	1950 594-5	1950 594-5
	Sub., TA3E	1	----	1950 594-5	
	Sp. 4 D., Sp. 4 D. Sub., Sp. Cl. Cp., Cv. Cp., TA3,				
	TC1, TC2, TC3	1	----	1950 592-3	1950 592-3
	Sp. 4 D., Sp. Cl. Cp., Cv. Cp., TY1	1	----	----	2218 244-5
	WEATHERSTRIP, Front Door Vent Wing Auxiliary				
	TP1, TP2, TD1, TD2	2	2218 671	2217 908	
	TY1	1	----	----	*1751 570-1
23-63-127	RETAINER and DIVISIONAL CHANNEL, Front Door				
	Vent Wing Weatherstrip				
	4 D., 4 D. Sub., Cl. Sed.	1	2216 658-9		
	Sp. Cl. Cp., Cv. Cp. (also specify 1 of 6006 244 Screw)	1	*2492 122-3		
	4 D., 4 D. Sub., Cl. Sed., TP1, TP2, TD1, TD2	1	----	2167 340-1	
	4 D., TA3, TC1, TC2, TC3	1	----	2254 474-5	2254 474-5
	Sub., TA3E	1	----	2254 474-5	
	RETAINER, Front Door Vent Wing Upper Weatherstrip				
	Sp. 4 D., Sp. Cl. Cp., Cv. Cp., TP1, TP2, TD1, TD2	1	----	2216 240-1	
23-63-171	WEATHERSTRIP, Tailgate Opening Lower				
	Sub., TP1, TP2, TD1, TD2	1	2242 836	2251 458	
	Sub., TA3	1	----	2189 350	2189 350
23-63-172	WEATHERSTRIP, Deck Lid Opening				
	TV1, TP1, TP2	1	2244 100	2422 531	
	TL1, TD1, TD2, TY1	1	2244 100	2244 100	2252 396
	TA3, TC1, TC2, TC3	1	----	2252 396	2244 408
23-63-173	RETAINER, Deck Lid Opening Lower Panel Weatherstrip				
	TA3	1	----	1964 506	
23-63-181	WEATHERSTRIP, Tailgate Glass				
	Sub., TP1, TP2, TD1, TD2				
	Inner	1	2242 837	2251 452	
	Outer	1	2423 533	2217 518	
	Sub., TA3				
	Inner	1	----	1878 650	1878 650
	Outer	1	----	2423 558	2423 558
23-63-183	CLIP, Tailgate Glass Inner Belt Weatherstrip				
	Sub., TP1, TP2, TD1, TD2	★	2217 508	2217 508	

★ Indicates use as required.

⊠ Indicates parts not listed in any previous parts book.

Right and left part numbers are on same line, first number is right, second number is left.

* Indicates change or addition.

1963 PASSENGER CAR PARTS CATALOG

BODY

CODE	PART NAME AND DESCRIPTION	PER CAR	VALIANT DART	PLYMOUTH DODGE	CHRYSLER IMPERIAL
------	---------------------------	---------	--------------	----------------	-------------------

23-64-0 WINDOW AND VENT WING

NOTE 1: PLACE ORDERS DIRECT WITH:

- A. YOUR USUAL SOURCE OF SUPPLY FOR MOPAR PARTS
- B. CHRYSLER "SAFEGUARD" DISTRIBUTOR
- C. CENTER LINE PARTS PLANT

NOTE 2: PLACE ORDERS DIRECT WITH YOUR CHRYSLER "SAFEGUARD" DISTRIBUTOR.

NOTE 3: PLACE ORDERS DIRECT WITH YOUR LOCAL GLASS SOURCE.

23-64-4	BUMPER, Door and Quarter Window Glass Down Position Stop				
	TC1, TC2, TC3 w/Electric Window Lift	★	----	1954 083	1954 083
	BUMPER, Window Glass Lower Channel Stop Bracket Lower				
	TY1 Front and Quarter	2	----	----	*1381 435
	TY1 Rear	2	----	----	1680 109
23-64-10	BUMPER, Quarter Window Arm Guide Plate Stop TY1	4	----	----	985 563
	GLASS, w/Lower CHANNEL, Tailgate Window (see note 1) Sub. except TA3 Clear	1	----	2217 509	
	Tinted	1	----	2217 510	
	GLASS, Tailgate Window (see Note 1) TA3 Clear	1	2242 813	2423 428	2423 428
	Tinted	1	2242 814	2423 429	2423 429

NOTE: See Part Type Code 23-09-64 for Tailgate Glass Lower Channel

23-64-12	STOP, Front Door Window Glass Up Position Sp. 4 D., Sp. 4 D. Sub., Sp. Cl. Cp., Cv. Cp., TC1, TC2, TC3	2	2216 827	1909 529	1909 529
	Sp. 4 D., Sp. Cl. Cp., Cv. Cp., TY1	2	----	----	1750 609
	STOP, Rear Door Window Glass Up Position Sp. 4 D., Sp. 4 D. Sub., TA3, TC1, TC2, TC3				
	Front	2	----	1909 529	1909 529
	Rear	2	----	1909 530	1909 530
	STOP, Rear Door Window Glass Up Position, on Rear Track TY1	1	----	----	1751 692-3
	STOP, Rear Door Window Glass Up Position on Door TY1	2	----	----	1751 698-9
	STOP, Quarter Window Glass Up Position Sp. Cl. Cp., TV1	2	2255 228		
	Sp. Cl. Cp., TL1	2	2255 339		
	Sp. Cl. Cp., Cv. Cp., TP1, TP2, TD1, TD2	2	----	2255 345	
BRACKET, Front Door Glass Down Position Stop TP1, TP2, TD1, TD2, TY1 TA3, TC1, TC2, TC3	Sp. Cl. Cp., TA3, TC1, TC2				
	Front	2	----	1963 222	1963 222
	Sp. Cl. Cp., TA3, TC1, TC2				
	Rear	2	----	1909 530	1963 222
	w/NUT, Cv. Cp., TA3, TC1, TC2	2	----	2491 040	2491 040
	BRACKET, Rear Door Glass Down Position Stop TP1, TP2, TD1, TD2, TY1 TA3, TC1, TC2, TC3				
	TP1, TP2, TD1, TD2, TY1	2	----	2217 193	1475 487
	TA3, TC1, TC2, TC3	2	----	1963 393	1963 393
	TP1, TP2, TD1, TD2, TY1	2	----	2217 193	1750 606
	TA3, TC1, TC2, TC3	2	----	1963 393	1963 393

★ Indicates use as required.
 □ Indicates parts not listed in any previous parts book.
 Jan. 3, 1964 Supersedes Dec. 14, 1962.

Printed in U.S.A.
 Prices and specifications subject to change without notice.
 Right and left part numbers are on same line,
 first number is right, second number is left.
 * Indicates change or addition.

CODE	PART NAME AND DESCRIPTION	PER CAR	VALIANT DART	PLYMOUTH DODGE	CHRYSLER IMPERIAL
23-64-O WINDOW AND VENT WING - Cont'd					
23-64-12	BRACKET, Quarter Window Glass Down Position Sp. Cl. Cp., Cv. Cp., TC1, TC2	2	----	1963 393	1963 393
	Sp. Cl. Cp., Cv. Cp., TY1	2	----	----	1750 806
	SUPPORT, Front Door Glass Electric Window Lift Down Position Stop TP1, TP2, TD1, TD2	1	----	2217 182-3	
	SUPPORT, Rear Door Glass Electric Window Lift Down Position Stop Bracket TP1, TP2, TD1, TD2	2	----	2217 203	
	4 D., TC1, TC2, TC3	1	----	----	2217 002-3
	Sp. 4 D., Sp. 4 D. Sub., TA3, TC1, TC2, TC3	2	----	1963 392	2217 067
	SUPPORT, Quarter Window Glass Electric Window Lift Down Position Stop Bracket Sp. Cl. Cp., Cv. Cp., TP1, TP2, TD1, TD2	2	----	2216 296	
	Sp. Cl. Cp., TA3, TC1, TC2	1	----	1963 428	2423 732
	Right	1	----	1963 428	2423 733
	Left	1	----	----	
	SUPPORT, Quarter Window Glass Lower Stop Sp. Cl. Cp., Cv. Cp., TY1	2	----	----	1750 537
	SUPPORT, Quarter Window Glass Up Position Stop Bumper, on Glass Lower Channel Sp. Cl. Cp., Cv. Cp., TY1	1	----	----	1750 658-9
	Front	1	----	----	1691 104-5
	Rear	1	----	----	
23-64-13	CLIP, Rear Door Glass Channel Stop Upper Rear to Channel Fastening Sp. 4 D., TY1	2	----	----	*1904 121
23-64-41	STUD, Front Door Vent Wing Division Channel to Inside Panel Lower Support TA3, TC1, TC2, TC3	2	----	1950 830	1950 830
	TY1	2	----	----	B6006 408
23-64-46	NUT, Door Vent Wing Frame Lower Corner Cap Sp. 4 D., Sp. 4 D. Sub., Sp. Cl. Cp., Cv. Cp., TA3, TC1, TC2, TC3	2	----	2165 703	2165 703
23-64-47	CAP, Door Vent Wing Frame Lower Corner Sp. 4 D., Sp. 4 D. Sub., Sp. Cl. Cp., Cv. Cp., TA3, TC1, TC2, TC3	1	----	2165 996-7	2165 996-7
23-64-48	FRAME, Door Vent Wing Sp. Cl. Cp.	1	2216 640-1		
	Cv. Cp.	1	2217 416-7		
	STUD, Adjusting, Sp. Cl. Cp.	2	*6023 264		
	DIVISIONAL CHANNEL and MOULDING, Door Vent Wing Sp. 4 D., Sp. Cl. Cp., Cv. Cp., TP1, TP2, TD1, TD2	2	----	2252 602	
	4 D., 4 D. Sub., Cl. Sed., TP1, TP2, TD1, TD2	2	----	2252 603	
	Sp. 4 D., Sp. 4 D. Sub., Sp. Cl. Cp., Cv. Cp., TA3, TC1, TC2, TC3	2	----	2254 627	2254 627
	FRAME and DIVISIONAL CHANNEL, Door Vent Wing Sp. 4 D., Sp. Cl. Cp., TP1, TP2, TD1, TD2	1	----	2254 028-9	
	Cv. Cp., TP2, TD2	1	----	2189 936-7	
	Sp. 4 D., Sp. 4 D. Sub., Sp. Cl. Cp., Cv. Cp., TA3, TC1, TC2, TC3	1	----	2254 484-5	2254 484-5
	Sp. 4 D., Sp. Cl. Cp., Cv. Cp., TY1	1	----	----	2218 262-3
	w/o Power Vent	1	----	----	2218 252-3
	w/Power Vent	1	----	----	

★ Indicates use as required.

☐ Indicates parts not listed in any previous parts book.

Right and left part numbers are on same line,

first number is right, second number is left.

Indicates change or addition.

Printed in U.S.A.
Prices and specifications subject to change without notice.
Jan. 3, 1964 Supersedes Jan. 25, 1963.

1963 PASSENGER CAR PARTS CATALOG

BODY

CODE	PART NAME AND DESCRIPTION	PER CAR	VALIANT DART	PLYMOUTH DODGE	CHRYSLER IMPERIAL
23-64-0 WINDOW AND VENT WING - Cont'd					
23-64-54	PLATE, Front Door Inside Panel Vent Wing Division Channel Attaching Bracket	2	2217 663		
23-64-62	PLATE, Door Vent Wing Glass Outer Lower 4 D., 4 D. Sub., Sp. 4 D., Sp. Cl. Cp., Cl. Sed., TP1, TP2, TD1, TD2 SCREW	1 2	---- ----	2216 210-1 6022 988	
23-64-66	FRAME, Rear Window Opening Upper 4 D., Cl. Sed., Sp. Cl. Cp., TV1 4 D. Cl. Sed., Sp. Cl. Cp., TL1 4 D., Sp. 4 D., Sp. Cl. Cp., Cl. Sed., TP1, TP2, TD1, TD2 4 D., Sp. 4 D., TA3, TC1, TC2, TC3 Sp. Cl. Cp., TA3, TC1, TC2 Sp. 4 D., Sp. Cl. Cp., TY1 4 D., TA3 End	1 1 1 1 1 1 1	2242 514 B2243 576 ---- ---- ---- ---- ----	2244 026 1909 322 1909 323 ---- 1954 668-9	2242 669 2242 669 2244 477
	Sp. 4 D., TA3, TY1-H End Center	1 1	---- ----	1954 668-9 ----	2244 486-7 2244 485
	FRAME, Rear Window Opening Side 4 D., Sp. 4 D., TA3 Sp. Cl. Cp., TA3 Sp. 4 D., TY1 Sp. Cl. Cp., TY1	1 1 1 1	---- ---- ---- ----	1882 020-1 1861 142-3 ---- ----	2244 480-1 2244 498-9
	FRAME, Rear Window Opening Lower 4 D., Sp. Cl. Cp., Cl. Sed., TV1 4 D., Sp. Cl. Cp., Cl. Sed., TL1 4 D., Sp. 4 D., Sp. Cl. Cp., Cl. Sed., TP1, TP2, TD1, TD2 4 D., Sp. Cl. Cp., Cl. Sed., TV1 End Sp. 4 D., TY1H 4 D., Sp. Cl. Cp., Cl. Sed., TL1 End 4 D., Sp. 4 D., TA3, End	1 1 1 1 1 1 1 1	2242 515 2243 577 ---- *2242 516-7 ---- 2243 806-7 ----	2244 007 ---- ---- 1954 668-9	*1961 513
23-64-67	REINFORCEMENT, Rear Window Frame Sp. 4 D., Sp. Cl. Cp., TY1 Upper SUPPORT, Rear Window Upper Frame to Side Roof Rail Extension Panel 4 D., Sp. 4 D., Sp. Cl. Cp., TC1, TC2, TC3	1 1	---- ----	---- ----	2244 478 B2242 680-1
23-64-68	EXTENSION, Rear Window Opening Frame 4 D., Sp. 4 D., Sp. Cl. Cp., TC1, TC2, TC3 EXTENSION, Rear Window Opening Upper Frame to Roof Side Rail Reinforcement 4 D., Sp. 4 D., Sp. Cl. Cp., TC1, TC2, TC3	1 1	---- ----	---- ----	2242 672-3 B2244 076-7
23-64-71	BUMPER or PLUG, Door Glass Upper Corner, on Divisional Channel Sp. Cl. Cp. Cv. Cp. Sp. 4 D., Sp. Cl. Cp., Cv. Cp., TP1, TP2, TD1, TD2 Sp. 4 D., Sp. 4 D. Sub., Sp. Cl. Cp., Cv. Cp., TA3 TC1, TC2, TC3 Sp. 4 D., Sp. Cl. Cp., Cv. Cp., TY1	1 1 1 1 2	2216 654-5 2217 572-3 ---- ---- ----	2167 326-7 1964 228-9 ----	1964 228-9 2217 670

★ Indicates use as required.
 B Indicates parts not listed in any previous parts book.
 Jan. 3, 1964 Supersedes Dec. 21, 1962.

Printed in U.S.A.
 Prices and specifications subject to change without notice.
 Right and left part numbers are on same line,
 first number is right, second number is left.
 * Indicates change or addition.

CODE	PART NAME AND DESCRIPTION	PER CAR	VALIANT DART	PLYMOUTH DODGE	CHRYSLER IMPERIAL
23-64-O WINDOW AND VENT WING - Cont'd					
23-64-74	SEAL, Door Vent Wing Glass Upper 4 D., 4 D. Sub., Cl. Sed.	2	2216 631		
	SEAL, Door Vent Wing to Door Inner Panel Sp. 4 D., Sp. 4 D. Sub., Sp. Cl. Cp., Cv. Cp., TA3, TC1, TC2, TC3	2	----	2165 519	2165 519
23-64-75	MOTOR and TRANSMISSION, Electric Vent Wing TY1	1	----	----	2093 030-1
23-64-76	BRACKET, Electric Vent Wing Motor Mounting TY1	1	----	----	1961 802-3
23-64-78	DRIVE SHAFT, Gear and Retainer, Electric Vent Wing TY1	1	----	----	2093 048-9
23-64-79	COUPLING, Electric Vent Wing Drive Shaft to Pivot TY1	2	----	----	1961 977
23-64-83	SHIM, Electric Vent Wing Motor Mounting Bracket to Door TY1	★	----	----	6006 512
23-64-91	PANEL, Rear Window Frame to Roof Rail Extension 4 D., Sp. 4 D., Sp. Cl. Cp., TC1, TC2, TC3	1	----	----	2243 976-7
23-64-197	GUIDE, Quarter Window Glass Lower Frame Stabilizer Channel Sp. Cl. Cp., TA3, TC1, TC2	4	----	1961 681	1961 681
23-64-198	CHANNEL, Quarter Window Glass Lower Frame Stabilizer Sp. Cl. Cp., TA3, TC1, TC2	1	----	2252 136-7	2244 388-9
23-64-225	HINGE, Quarter Window Glass Pivot Sp. Cl. Cp., TV1	1	*2482 872-3		
23-64-233	PLATE, Door Inside Panel to Vent Wing Bracket Upper Attaching Sp. Cl. Cp., Cv. Cp.	2	2218 801		
23-64-237	CLAMP, Door Vent Wing Upper Pivot to Glass Inner TC1, TC2, TC3	2	1708 998	1708 998	1708 998
	PLATE, Door Vent Wing Upper Pivot to Glass Base Anchor Inner TY1	2	----	----	1755 366
23-64-240	PIVOT, Door Vent Wing Upper 4 D., 4 D. Sub., Cl. Sed., TP1, TP2, TD1, TD2 Sp. 4 D., Sp. 4 D. Sub., Sp. Cl. Cp., Cv. Cp., TP1, TP2, TD1, TD2	1	2216 626-7	2167 472-3	
	PIVOT PACKAGE, Door Vent Wing Upper 4 D., TA3, TC1, TC2, TC3	1	----	2216 344-5	2216 344-5
	Sub., TA3E	1	----	2216 344-5	
23-64-242	BRACKET, Door Vent Wing Upper Pivot 4 D., 4 D. Sub., Cl. Sed. Sp. Cl. Cp., Cv. Cp. TA3, TC1, TC2, TC3 TP1, TP2, TD1, TD2, TY1	1	2216 620-1		
		1	2217 408-9		
		1	----	1950 292-3	1950 292-3
		1	----	2167 310-1	2094 464-5
	BRACKET, Front Door Inside Panel Vent Wing Upper Attaching Sp. Cl. Cp., Cv. Cp.	1	2218 806-7		

★ Indicates use as required.

⊠ Indicates parts not listed in any previous parts book.

Right and left part numbers are on same line,
first number is right, second number is left.

* Indicates change or addition.

1963 PASSENGER CAR PARTS CATALOG

BODY

CODE	PART NAME AND DESCRIPTION	PER CAR	VALIANT DART	PLYMOUTH DODGE	CHRYSLER IMPERIAL
23-64-O WINDOW AND VENT WING - Cont'd					
23-64-242	BRACKET and PIVOT, Door Vent Wing Upper	1	2217 548-9		
	Sp. Cl. Cp., Cv. Cp.	1	----	2166 680-1	2166 680-1
	Sp. 4 D., Sp. 4 D. Sub., Sp. Cl. Cp., Cv. Cp.,	1	----	----	2094 462-3
	TA3, TC1, TC2, TC3	1	----		
	TY1	1	6000 374		
	SCREW	1			
	BRACKET, Door Vent Wing Lower Pivot and Handle	1		2167 628-9	
Shaft Inner	1				
TP1, TP2, TD1, TD2	1				
CLAMP, Door Vent Wing Lower Pivot Tension	1		2167 364-5		
TP1, TP2, TD1, TD2	1		1776 504-5	1776 504-5	
TA3, TC1, TC2, TC3	1				
23-64-243	SEAL, Door Vent Wing Lower Handle Bracket to Glass	2	----	2216 220	
	TP1, TP2, TD1, TD2, Inner	2	----	2216 221	
	Outer	2	----		
23-64-246	SPACER, Door Vent Wing Upper Pivot	2	----	2216 208	
	4 D., 4 D. Sub., Cl. Sed., TP1, TP2, TD1, TD2	2	----		
23-64-247	SHIM, Door Vent Wing Frame to Door	★	----		1349 190
	TY1	★	----		
23-64-247	SCREW, Door Vent Wing Upper Pivot Clamp to Bracket	2	6000 374	6000 374	6000 374
	SCREW, Door Vent Wing Lower Pivot Tension Clamp	2	6006 244	6006 244	6006 244
23-64-254	TRACK, Rear Door Window Roller	1	----	2253 914-5	2253 946-7
	4 D., TA3, TC1, TC2, TC3	1	----	2253 914-5	
	Sub. TA3E	1	----	2253 974-5	
	Sp. 4 D., TP2, TD2 Front.	1	----		
	Sp. 4 D., Sp. 4 D. Sub., TA3, TC1, TC2, TC3	1	----	2253 942-3	2253 942-3
	Front.	1	----		
	Sp. 4 D., TP2, TD2, TC1, TC2, TC3	2	----	2253 970	2253 937
	Rear	2	----	*2253 921	*2253 921
Sp. 4 D., TA3	2	----			
Sub., TA3L	2	----	*2253 921	*2253 921	
23-64-255	FRAME, Front Door Window Glass	1	----	----	2217 874-5
	Sp. 4 D., TY1	1	----	----	1751 092-3
	Sp. Cl. Cp., Cv. Cp., TY1	1	----		
	FRAME, Rear Door Window Glass	1	----		2422 282-3
	Sp. 4 D., TY1 Front	1	----	----	2217 574-5
	Top and Rear	1	----		
23-64-269	BRACKET and ROLLER, Window Roller Track	6	----	2217 156	
	Sp. 4 D., TP2, TD2, Rear	6	----		
	Sp. Cl. Cp., Cv. Cp., TP1, TP2, TD1, TD2	6	----	2167 853	
	Quarter	2	2255 973		
	Cv. Cp. Quarter	2			2167 853
Sp. Cl. Cp., TC1, TC2 Quarter	2				
23-64-272	SPACER, Window Glass to Lower Frame or Channel,				
	Rubber				
	Sp. 4 D., TP2, TD2, Rear	4	----	2167 856	
	Sp. Cl. Cp., Cv. Cp., TP1, TP2, TD1, TD2	4	----	2167 856	
	Quarter	4	2167 856	2167 856	
	Sub., TA3 Tailgate	4			
	GROMMET, Window Glass to Lower Frame or Channel,				
	Rubber				
	Sp. 4 D., TP2, TD2, Rear	4	----	2167 857	
	Sp. Cl. Cp., TL1, Quarter	4	2216 546		
Cv. Cp. Quarter	4	2424 650			
Sp. Cl. Cp., Cv. Cp., TP1, TP2, TD1, TD2	4				
Cv. Cp. Quarter	4	2424 650			
Quarter	4	----	2167 857		

★ Indicates use as required.

⊠ Indicates parts not listed in any previous parts book.

Jan. 3, 1964 Supersedes Dec. 21, 1962.

Printed in U.S.A.
Prices and specifications subject to change without notice.
Right and left part numbers are on same line,
first number is right, second number is left.

* Indicates change or addition.

CODE	PART NAME AND DESCRIPTION	PER CAR	VALIANT DART	PLYMOUTH DODGE	CHRYSLER IMPERIAL
23-64-0 WINDOW AND VENT WING - Cont'd					
23-64-272	GROMMET - Cont'd Sub., TP1, TP2, TD1, TD2				
	Tailgate	4	----	6023 695	
	WASHER, Window Glass to Lower Frame or Channel				
	Sub., TA3 Tailgate, Steel	4	2423 534	2423 534	2423 534
	Sub., TA3 Tailgate, Rubber	4	2423 535	2423 535	2423 535
23-64-273	SUPPORT, Door Vent Wing Division Channel to Inside Panel Lower TP1, TP2, TD1, TD2, TC1, TC2, TC3				
	Right	1	2216 673	2167 880	1909 856
	Left	1	2216 673	2167 881	1909 856
	TA3	2	----	1909 856	
23-64-275	STUD, Window Roller Track Adjusting TC1, TC2, TC3 Length 1 3/8" TC1, TC2, TC3 Length 2"	★ ★	*6023 006 ----	*6023 006 ----	*6023 006 1954 674
23-64-278	GROMMET, Door Vent Wing Upper Pivot to Glass Outer TC1, TC2, TC3 TY1	2 2	1909 917 ----	1909 917 ----	1909 917 1751 492
23-64-279	WASHER or INSULATOR, Door Vent Wing Upper Pivot Bracket to Glass Inner TY1	2	----	----	1751 489
23-64-280	FRAME, Quarter Window Glass Sp. Cl. Cp., Cv. Cp., TY1				
	Front	1	----	----	2218 070-1
	Upper and Rear	1	----	----	2422 318-9
	Cv. Cp., TY1 Upper and Rear	1	----	----	*2422 318-9
	Sp. Cl. Cp., TY1 Upper and Rear	1	----	----	2255 162-3
	FRAME, Quarter Window Opening Sub., TA3, TC1, TC3				
	Front	1	----	1960 066-7	1960 066-7
	Cl. Sed.	1	2243 012-3	2423 686-7	
23-64-281	REINFORCEMENT, Quarter Inside Panel Front Roller Track Sp. Cl. Cp., Cv. Cp., TP1, TP2, TD1, TD2	1	----	2255 214-5	
23-64-289	CLAMP and STUD, Window Glass to Lower Frame Sp. 4 D., TP2, TD2, Rear Sp. Cl. Cp., Cv. Cp., TP1, TP2, TD1, TD2	4 4	----	2167 855 2167 855	
23-64-297	SLEEVE NUT, Window Roller Track TC1, TC2, TC3	★	2216 371	2216 371	2216 371
23-64-299	TRACK, Quarter Window Roller Cv. Cp.	1	2425 916-7		
	Sp. Cl. Cp., TL1, TP1, TP2, TD1, TD2				
	Front	1	2253 954-5	2253 964-5	
	Sp. Cl. Cp., TA3, TC1, TC2				
	Front, Right	1	----	2252 128	2253 950
	Left	1	----	2252 128	2253 951
	Cv. Cp., TP2, TD2, Front	1	----	2253 964-5	
	Cv. Cp., TA3, TC1, TC2				
	Front	1	----	2253 926-7	2253 926-7
	Sp. Cl. Cp., Cv. Cp., TP1, TP2, TD1, TD2				
	Rear	2	----	2253 959	
	Cv. Cp., TA3, TC1, TC2				
	Rear	1	----	2252 138-9	2252 138-9
	STUD, Adjusting, Front Track	2	----	----	*6023 006
	STUD, Adjusting, Rear Track	2	----	----	*1954 674

★ Indicates use as required.
 □ Indicates parts not listed in any previous parts book.
 Right and left part numbers are on same line,
 first number is right, second number is left.
 * Indicates change or addition.

1963 PASSENGER CAR PARTS CATALOG

BODY

CODE	PART NAME AND DESCRIPTION	PER CAR	VALIANT DART	PLYMOUTH DODGE	CHRYSLER IMPERIAL
23-64-O WINDOW AND VENT WING - Cont'd					
23-64-300	SUPPORT, Quarter Inside Quarter Roller Track Cv. Cp.	2	2424 553		
23-64-306	GLASS, Door Vent Wing (see Note 1) TP1, TP2, TD1, TD2	2	Clear	2166 902	
		2	Tinted	2166 903	
	GLASS, w/Lower PIVOT and BRACKET, Door Vent Wing (see Note 1) 4 D., 4 D. Sub., Cl Sed.				
		1	Clear	2216 660-1	
		1	Tinted	2216 662-3	
	Sp. Cl. Cp., Cv. Cp.	1	Clear		
		1	Tinted		
	PIN, Lower Pivot	1	9409 639		
	4 D., TA3, TC1, TC2, TC3				
		1	Clear	1954 104-5	1954 104-5
		1	Tinted	1954 106-7	1954 106-7
	Sub., TA3E	1	Clear	1954 104-5	
		1	Tinted	1954 106-7	
	Sp. 4 D., Sp. 4 D. Sub., Sp. Cl. Cp., Cv. Cp., TA3 TC1, TC2, TC3				
		1	Clear	1954 100-1	1954 100-1
		1	Tinted	1954 102-3	1954 102-3
	TY1	1	w/o Power Vent, Clear		2218 218-9
		1	Tinted		2218 220-1
		1	w/Power Vent, Clear		2218 226-7
		1	Tinted		2218 228-9
23-64-308	GLASS, Front Door Window (see Note 1) 4 D., 4 D. Sub., TP1, TP2, TD1, TD2				
		2	Clear	2167 766	
		2	Tinted	2167 767	
	Cl. Sed., TP1, TP2, TD1, TD2				
		2	Clear	2166 888	
		2	Tinted	2166 889	
	4 D., TA3, TC1, TC2, TC3				
		2	Clear	1883 268	1883 268
		2	Tinted	1883 269	1883 269
	Sub., TA3E	2	Clear	*1883 268	
		2	Tinted	*1883 269	
	GLASS, Front Door Window (see Note 3) Sp. Cl. Cp., Cv. Cp., TY1				
		1	Clear		1691 076-7
		1	Tinted		1691 078-9
	Sp. 4 D., TY1	1	Clear		2217 850-1
		1	Tinted		2217 852-3
	GLASS, Rear Door Window (see Note 1) 4 D., 4 D. Sub.				
		2	Clear	2254 260	
		2	Tinted	2254 261	
		2	Stationary, Clear	2254 264	
		2	Tinted	2254 265	
	4 D., 4 D. Sub., TP1, TP2, TD1, TD2				
		2	Clear	2167 817	
		2	Tinted	2167 818	
	4D., TA3, TC1, TC2, TC3				
		2	Clear	1883 271	2254 842
		2	Tinted	1883 272	2254 843
	Sub., TA3E	2	Clear	*1883 271	
		2	Tinted	*1883 272	
	GLASS, Rear Door Window (see Note 3) Sp. 4 D., TY1				
		1	Clear		2217 854-5
		1	Tinted		2217 856-7

★ Indicates use as required.

⊠ Indicates parts not listed in any previous parts book.

Jan. 3, 1964 Supersedes Dec. 14, 1962.

Printed in U.S.A.

Prices and specifications subject to change without notice.

Right and left part numbers are on same line,
first number is right, second number is left.

* Indicates change or addition.

CODE	PART NAME AND DESCRIPTION	PER CAR	VALIANT DART	PLYMOUTH DODGE	CHRYSLER IMPERIAL
23-64-0 WINDOW AND VENT WING - Cont'd					
23-64-308	GLASS, FRAME and Lower CHANNEL, Front Door Window (see Note 1)				
	Sp. 4 D., TP2, TD2, Clear	1	----	2166 714-5	
	Tinted	1	----	2166 716-7	
	Sp. 4 D., Sp. 4 D. Sub., TA3, TC1, TC2, TC3				
	Clear	1	----	1909 694-5	1909 694-5
	Tinted	1	----	1909 696-7	1909 696-7
	Sp. Cl. Cp., Cv. Cp., TP1, TP2, TD1, TD2				
	Clear	1	----	2167 844-5	
	Tinted	1	----	2167 846-7	
	Sp. Cl. Cp., TA3, TC1, TC2				
	Clear	1	----	1909 710-1	1909 710-1
	Tinted	1	----	1909 712-3	1909 712-3
	Cv. Cp., TA3, TC1, TC3				
	Clear	1	----	1909 302-3	1909 710-1
	Tinted	1	----	1909 304-5	1909 712-3
	GLASS and FRAME, Front Door Window (see Note 1)				
	Sp. Cl. Cp., Cv. Cp., Clear	1	2217 264-5		
	Tinted	1	2217 262-3		
	GLASS, w/Front FRAME, Rear Door Window (see Note 1)				
	Sp. 4 D., TP2, TD2, Clear	1	----	*2217 212-3	
	Tinted	1	----	*2217 214-5	

NOTE: See Part Type Code 23-09-58 for Lower Channel.

GLASS, w/FRAME and Lower CHANNEL, Rear Door Window (see Note 1)

	Sp. 4 D., TA3, TC1, TC2, TC3				
	Clear	1	----	1909 698-9	2254 822-3
	Tinted	1	----	1909 700-1	2254 824-5
	Sp. 4 D. Sub., TA3, TC1, TC3				
	Clear	1	----	1909 698-9	1909 698-9
	Tinted	1	----	1909 700-1	1909 700-1
23-64-311	GLASS, Quarter Window (see Note 1)				
	Sub., TP1, TP2, TD1, TD2				
	Clear	1	*2243 236-7	*2251 220-1	
	Tinted	1	2243 238-9	2251 222-3	
	Sub., TA3, TC1, TC3				
	Clear	1	----	*1878 180-1	*1878 180-1
	Tinted	1	----	1878 184-5	1878 184-5
	Cl. Sed.				
	Clear	2	2242 734	2244 101	
	Tinted	2	2242 735	2244 102	
	Sp. Cl. Cp., TL1				
	Clear	2	*2243 788		
	Tinted	2	*2243 789		
	GLASS, Quarter Window (see Note 3)				
	Sp. Cl. Cp., TY1				
	Clear	1	----	----	2255 160-1
	Tinted	1	----	----	2255 186-7
	Cv. Cp., TY1				
	Clear	1	----	----	1691 238-9
	Tinted	1	----	----	1691 240-1
	GLASS, w/Lower CHANNEL, Quarter Window (see Note 1)				

★ Indicates use as required.
 □ Indicates parts not listed in any previous parts book.
 Right and left part numbers are on same line, first number is right, second number is left.
 * Indicates change or addition.

1963 PASSENGER CAR PARTS CATALOG

BODY

CODE	PART NAME AND DESCRIPTION	PER CAR	VALIANT DART	PLYMOUTH DODGE	CHRYSLER IMPERIAL
23-64-0 WINDOW AND VENT WING - Cont'd					
23-64-311	GLASS, w/Front FRAME, Quarter Window (see Note 1)				
	Cv. Cp. Clear	2	*2424 656		
	Tinted	2	*2424 657		
	Cv. Cp., except TA3, Clear	1	----	*2245 048-9	
	Tinted	1	----	*2245 050-1	
	Sp. Cl. Cp., except TA3				
	Clear	1	----	*2245 008-9	
	Tinted	1	----	*2245 010-1	
<hr/>					
	GLASS, w/FRAME and Lower CHANNEL, Quarter Window (see Note 1)				
	Sp. Cl. Cp., TA3, TC1, TC2				
	Clear	1	----	*2424 432-3	*2243 810-1
	Tinted	1	----	*2424 434-5	*2243 812-3
	Cv. Cp., TA3, TC1, TC2				
	Clear	1	----	*2422 856-7	*2480 582-3
	Tinted	1	----	*2422 858-9	*2480 584-5
<hr/>					
23-64-314	GLASS, Rear Window (see Note 2)				
	4 D., Sp. Cl. Cp., Cl. Sed., TV1				
	Clear	1	2242 370		
	Tinted	1	2242 371		
	4 D., Sp. Cl. Cp., Cl. Sed., TL1				
	Clear	1	2243 584		
	Tinted	1	2244 325		
	4 D., Sp. 4 D., Sp. Cl. Cp., Cl. Sed., TP1, TP2, TD1, TD2				
	Clear	1	----	2244 011	
	Tinted	1	----	2244 032	
	4 D., Sp. 4 D., TA3, TC1, TC2, TC3				
	Clear	1	----	1869 630	2242 616
	Tinted	1	----	1954 217	2242 617
<hr/>					
	Sp. Cl. Cp., TA3, TC1, TC2				
	Clear	1	----	1877 958	2242 616
	Tinted	1	----	1878 161	2242 617
	GLASS, Rear Window (see Note 3)				
	Sp. 4 D., Sp. Cl. Cp., TY1-L, TY1-M				
	Clear	1	----	----	2244 488
	Tinted	1	----	----	2244 491
	Sp. 4 D., TY1-H				
	Clear	1	----	----	1961 508
	Tinted	1	----	----	1961 646
<hr/>					
23-64-319	CLIP, w/PLATE, Quarter Window Roller Track Support				
	Cv. Cp.	2	2424 556		

23-66-0 WINDSHIELD

NOTE 2: PLACE ORDERS DIRECT WITH YOUR CHRYSLER "SAFEGUARD" DISTRIBUTOR.

NOTE 3: PLACE ORDERS DIRECT WITH YOUR LOCAL GLASS SOURCE.

23-66-65	FRAME and Tapping PLATE, Windshield Opening Upper				
	Cv. Cp., TP2, TD2	1	E2255 832	2253 539	
	4 D., Sp. 4 D., Sub., Sp. Cl. Cp., TP1, TP2, TD1, TD2	1	----	*2253 156-7	

★ Indicates use as required.

E Indicates parts not listed in any previous parts book.

Jan. 3, 1964 Supersedes Dec. 14, 1962.

Printed in U.S.A.

Prices and specifications subject to change without notice.
Right and left part numbers are on same line,
first number is right, second number is left.

* Indicates change or addition.

CODE	PART NAME AND DESCRIPTION	PER CAR	VALIANT DART	PLYMOUTH DODGE	CHRYSLER IMPERIAL
23-66-O WINDSHIELD - Cont'd					
23-66-74	BRACE, Windshield Lower Frame to Instrument Lower Reinforcement	1	2425 279		
23-66-77	REINFORCEMENT and Tapped PLATE, Windshield Opening Upper Frame to Front Upper Pillar	1	2425 176-7		
	REINFORCEMENT, Windshield Opening Upper Frame	1	2255 823		
	Cv. Cp.	1	-----	-----	2217 261
	Sp. 4 D., Sp. Cl. Cp., TY1	1	-----	-----	
23-66-135	GLASS, Windshield (see Note 2)				
	TP1, TP2, TD1, TD2				
	Clear	1	2242 368	2166 114	
	Tinted	1	2242 369	2167 733	
	4 D., Sp. 4 D., Sp. Cl. Cp., Sub., TA3,				
	TC1, TC2, TC3				
	Clear	1	-----	2165 418	2165 418
	Tinted	1	-----	2165 419	2165 419
	Cv. Cp., TA3, TC1, TC2				
	Clear	1	-----	1869 627	1869 627
	Tinted	1	-----	1954 216	1954 216
	GLASS, Windshield (see Note 3)				
	TY1				
	Clear	1	-----	-----	1651 431
	Tinted	1	-----	-----	1690 871
23-66-235	WEATHERSTRIP, Windshield Glass				
	TP1, TP2, TD1, TD2, TY1	1	-----	2167 048	2093 638
	Except Cv. Cp.	1	2242 450		
	Cv. Cp., TA3, TC1, TC2	1	2424 392	1882 146	1882 146
	4 D., Sp. 4 D., Sp. 4 D. Sub., Sp. Cl. Cp.,				
	TA3, TC1, TC2, TC3	1	-----	2166 675	2166 675
23-66-239	LOCKINGSTRIP, Windshield Glass Weatherstrip	1	2082 278		
23-67-O WINDSHIELD WIPER					
23-67-2	CAM PACKAGE, Windshield Wiper Motor Parking				
	Variable Speed	1	2421 485		
23-67-5	ARM, w/Partial BLADE,				
	Except TA3				
	Right	1	2426 814	2426 830	
	Left	1	2426 814	2426 831	
	TA3, TC1	1	-----	2426 826-7	2426 826-7
	TA3, TC1, TC2, TC3,	1	-----	2426 828-9	2426 828-9
	TY1	1	-----	-----	2426 824-5
23-67-10	GEAR and GASKET PACKAGE, Windshield Wiper				
	Motor	1	2448 282		
	TA3	1	-----	1879 598	1879 598
	Variable Speed	1	-----		
	GEAR and COVER PACKAGE				
	Except TA3	1	-----	2448 264	
	Single Speed	1	-----	2448 267	
	Except TA3	1	-----	2448 267	
	Variable Speed	1	-----	2448 608	2448 608
	TA3	1	-----	2448 608	
	Single Speed	1	-----		
	Variable Speed	1	-----		
23-67-16	BRUSH and SPRING PACKAGE, Windshield Wiper				
	Motor	1	1752 518		
	Except TA3	1	-----	2084 269	
	Single Speed	1	-----	2448 265	
	Variable Speed	1	-----	2448 606	2448 606
	TA3	1	-----	1627 273	1627 273
	Single Speed	1	-----		
	Variable Speed	1	-----		
23-67-18	BRACKET, Windshield Wiper Motor Mounting				
	Except TA3	1	-----	2258 552	
	Single Speed	1	-----	2258 562	
	Except TA3	1	-----	1838 293	1838 293
	Variable Speed	1	-----	1838 289	1838 289
	TA3	1	-----		
	Single Speed	1	-----		
	Variable Speed	1	-----		

★ Indicates use as required.
 ☐ Indicates parts not listed in any previous parts book.
 Right and left part numbers are on same line,
 first number is right, second number is left.
 * Indicates change or addition.

1963 PASSENGER CAR PARTS CATALOG

BODY

CODE	PART NAME AND DESCRIPTION	PER CAR	VALIANT DART	PLYMOUTH DODGE	CHRYSLER IMPERIAL
23-67-O WINDSHIELD WIPER - Cont'd					
23-67-20	GROMMET, Windshield Wiper Motor Mounting GROMMET and SPACER PACKAGE, Windshield Wiper Motor Mounting	3	----	1594 992	1594 992
		1	2421 482		
23-67-25	REFILL, Windshield Wiper Blade Except TA3 TA3	2	2291 909	2426 255	
		2	----	1818 892	1818 892
23-67-48	ADAPTER, Windshield Wiper Motor Mounting TY1	1	----	----	1704 062-3
23-67-49	GASKET, Windshield Wiper Pivot Adapter Mounting TY1 Pivot Sealing TY1	1	----	----	1704 066
		1	----	----	1704 066
23-67-50	NUT, Windshield Wiper Pivot Adapter Mounting TY1	2	----	----	1770 140
23-67-76	ARM, Windshield Wiper Crank Except TA3 Except TA3 TA3, TC1 TA3	1	Single Speed	2258 556	
		1	Variable Speed	2258 566	
		1	Single Speed	1838 936	1838 936
		1	Variable Speed	1838 292	1838 292
23-67-79	LINK, Windshield Wiper Drive LINK, Windshield Wiper Pivot Connecting LINK, Windshield Wiper Except TA3 TA3, TC1, except Cv. Cp. TA3, TC1, Cv. Cp. Except TA3 TA3, TC1, TC2, TC3, except Cv. Cp. TA3, TC1, TC2, TC3, Cv. Cp. TY1	1	Single Speed, Right	2258 554	
		1	Left	2258 555	
		1	Single Speed, Right	2198 363	2198 363
		1	Left	2258 459	2258 459
		1	Single Speed, Right	1838 934	1838 934
		1	Left	*2258 458	2258 458
		1	Variable Speed, Right	2258 564	
		1	Left	2258 565	
		1	Variable Speed, Right	2198 348	2198 348
		1	Left	2257 849	2257 849
		1	Variable Speed, Right	1842 407	1842 407
		1	Left	2258 457	2258 457
1	Right	----	1841 679		
1	Left	----	2198 099		
23-67-80	RETAINER, Windshield Wiper Link To Pivot To Crank Arm Variable Speed, Mounting	2	1605 299	1605 299	1605 299
		★	1642 029	1642 029	1642 029
		1	----	1886 202	1886 202
23-67-82	WASHER, Windshield Wiper Link to Pivot Brass Link to Motor Link to Crank Lever SPRING WASHER	2	1605 604	1605 604	1605 604
		1	----	1622 352	1622 352
		1	*1770 289	*1770 289	*1770 289
		2	1770 290	1770 290	1770 290
23-67-85	GASKET, Windshield Wiper Pivot Mounting Except TA3 TA3, TC1, TC2, TC3, except Cv. Cp. TA3, TC1, TC2, TC3, Cv. Cp.	2	2258 455	2258 455	
		2	----	2198 407	2198 407
		2	----	1838 242	1838 242

★ Indicates use as required.
 ☐ Indicates parts not listed in any previous parts book.
 January 3, 1964.

Printed in U.S.A.
 Prices and specifications subject to change without notice.
 Right and left part numbers are on same line,
 first number is right, second number is left.
 * Indicates change or addition.

CODE	PART NAME AND DESCRIPTION	PER CAR	VALIANT DART	PLYMOUTH DODGE	CHRYSLER IMPERIAL
23-67-0 WINDSHIELD WIPER - Cont'd					
23-67-86	PIVOT, Windshield Wiper				
	Except TA3 Right	1	2421 480	2275 596	
	Left	1	2421 481	2275 596	
	TA3, TC1, TC2, TC3, except Cv.Cp.	1	-----	2240 526-7	2240 526-7
	TA3, TC1, TC2, TC3, Cv.Cp.	2	-----	1841 191	1841 191
	TY1 Right	1	-----	-----	*1841 682
	Left	1	-----	-----	*2427 549
23-67-91	SCREW, w/WASHER, Windshield Wiper Pivot				
	TY1	4	-----	-----	1704 061
23-67-98	MOTOR, Windshield Wiper				
	Except TA3 Single Speed	1	2421 479	2275 595	
	Except TA3 Variable Speed	1	2421 478	2275 594	
	TA3, TC1 Single Speed	1	-----	1879 583	1879 583
	TA3 Variable Speed	1	-----	1842 964	1842 964
23-67-100	SPACER, Windshield Wiper Motor to Bracket	3	-----	1594 995	1594 995
23-67-102	WASHER, Windshield Wiper Motor to Bracket	3	-----	1594 993	1594 993
23-67-119	HOLDER, Windshield Wiper Motor Brush				
	Except TA3	1	-----	1495 160	
	TA3 Use w/Single Speed Motor . . .	1	-----	2448 609	2448 609
23-67-129	REINFORCEMENT, Windshield Wiper Motor Mounting				
	TA3	1	*2216 595	1846 350	1846 350
23-67-132	BUSHING, Windshield Wiper Drive Link to Motor End				
	Single Speed	1	2291 853		
23-67-160	SWITCH, Windshield Wiper				
	Single Speed	1	2421 195	2421 195	2421 195
	TP1, TP2 Variable Speed	1	2290 851	2096 988	
	TD1, TD2, TC1, TC2, Variable Speed	1	-----	2256 514	2256 514
	TC1, use w/Washer				
	Single Speed	1	-----	-----	2426 136
	TA3, TC1, TC2, TC3, use w/Washer				
	Variable Speed	1	-----	2426 133	2426 133
	TY1	1	-----	-----	2426 129
23-67-161	NUT, Windshield Wiper Switch Mounting				
	TP1, TP2	1	1887 603	1887 603	
	TD1, TD2	1	-----	2427 119	
	TY1	1	-----	-----	*6008 060
23-67-163	CIRCUIT BREAKER, Windshield Wiper Switch	1	1642 384	1642 384	1642 384
23-67-164	PLATE and GASKET PACKAGE, Windshield Wiper				
	Motor Switch				
	Except TA3 Single Speed	1	2448 283	2448 263	
	Variable Speed	1	2448 284	2448 266	
	TA3 Single Speed	1	-----	2448 607	2448 607
	Variable Speed	1	-----	*2298 876	*2298 876
23-67-166	TERMINAL, Windshield Wiper Switch Circuit				
	Breaker Feed				
	Variable Speed	1	1770 660	1770 660	1770 660
23-67-194	KNOB, Windshield Wiper Switch				
	TV1, TP1, TP2	1	2291 282	2291 282	
	TL1, TD1, TD2	1	2290 396	2290 396	
	TA3, TC1, TC2	1	-----	2197 379	2197 075
	TA3, TC1, TC2, TC3				
	Use w/Washers	1	-----	2067 339	1887 989
	TY1	1	-----	-----	2256 282

★ Indicates use as required.

⊠ Indicates parts not listed in any previous parts book.
Right and left part numbers are on same line,
first number is right, second number is left.

* Indicates change or addition.

Printed in U.S.A.
Prices and specifications subject to change without notice.
January 3, 1964.

