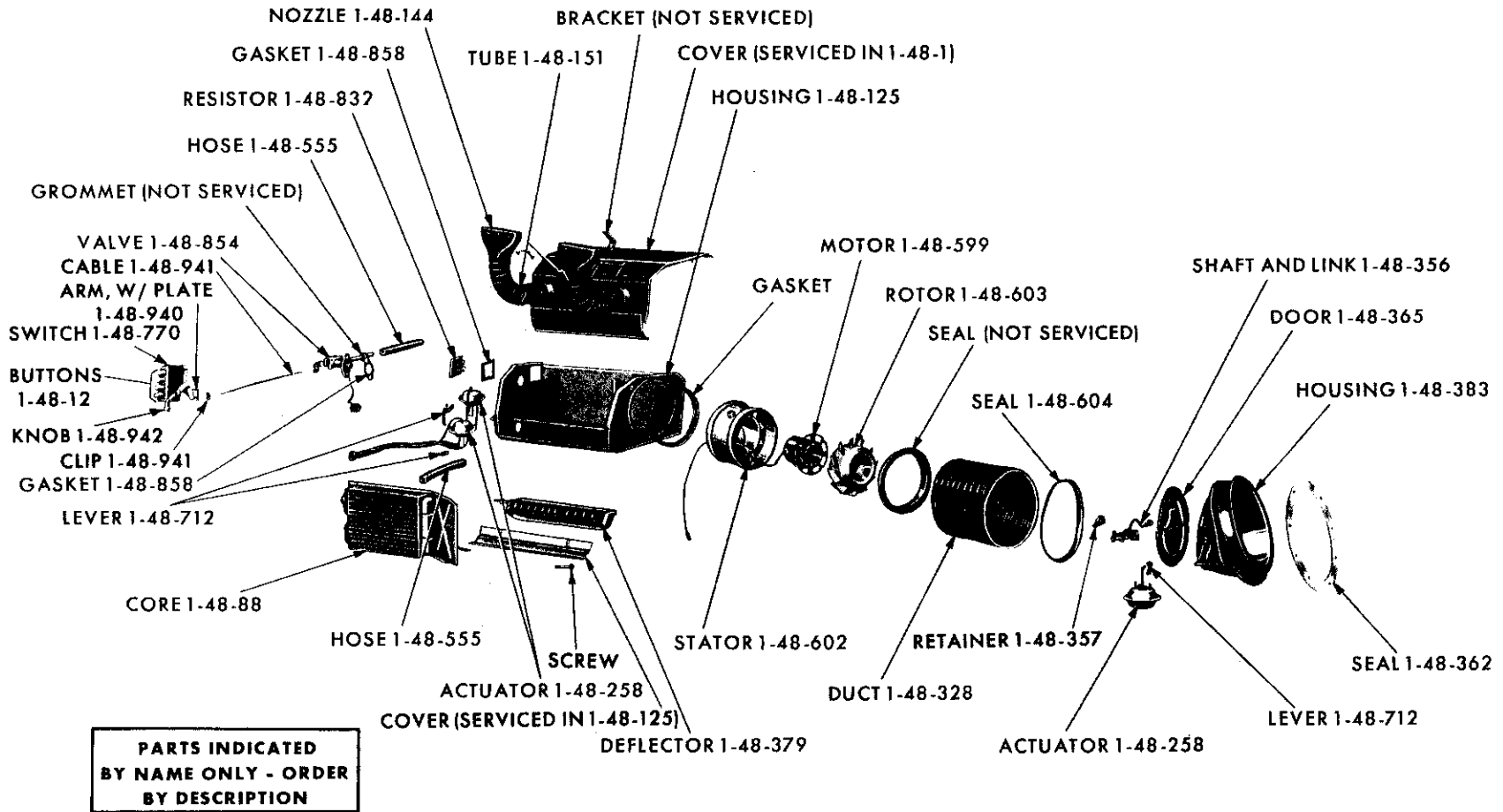
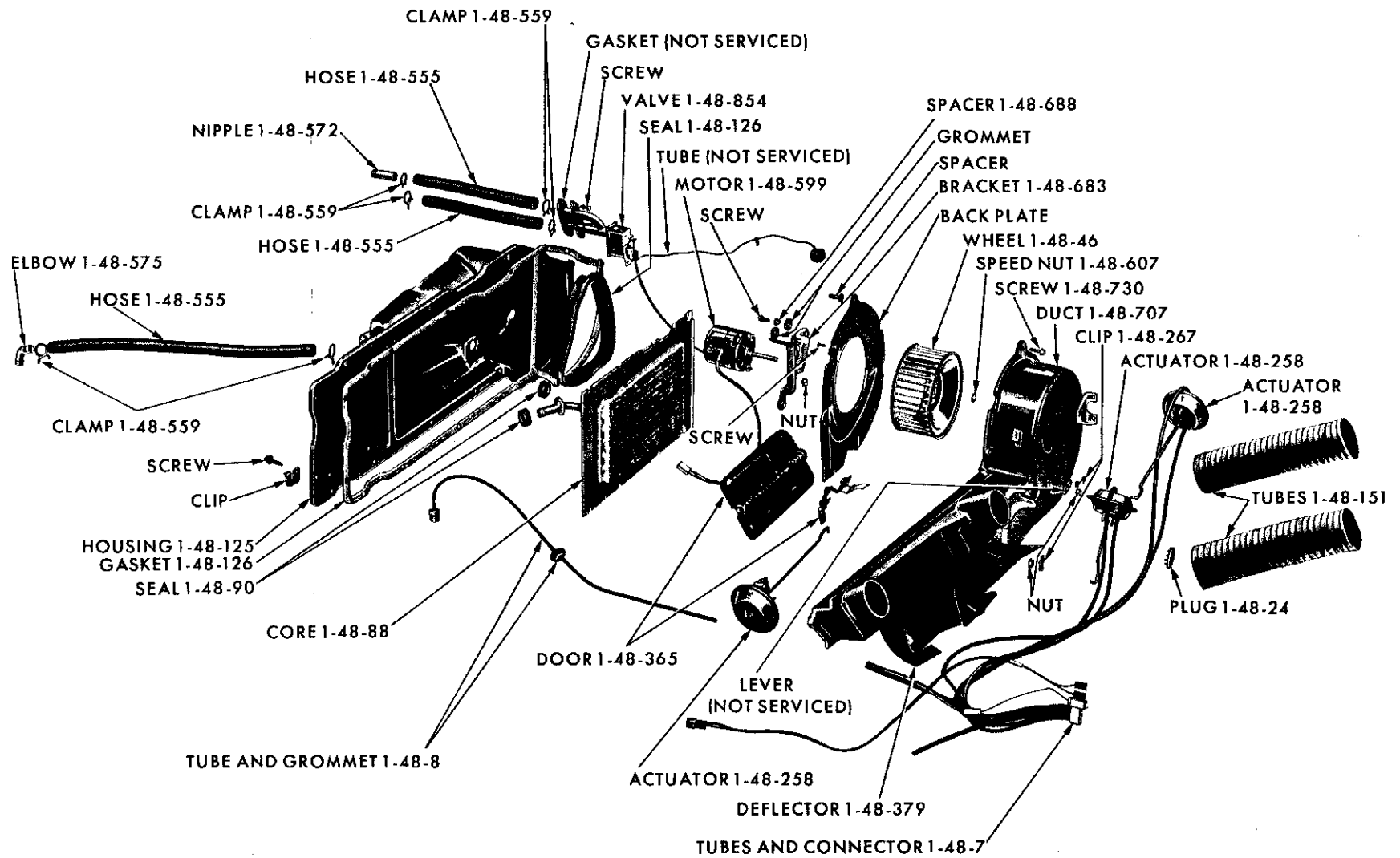


GROUP 1 - ACCESSORIES

19x9355B

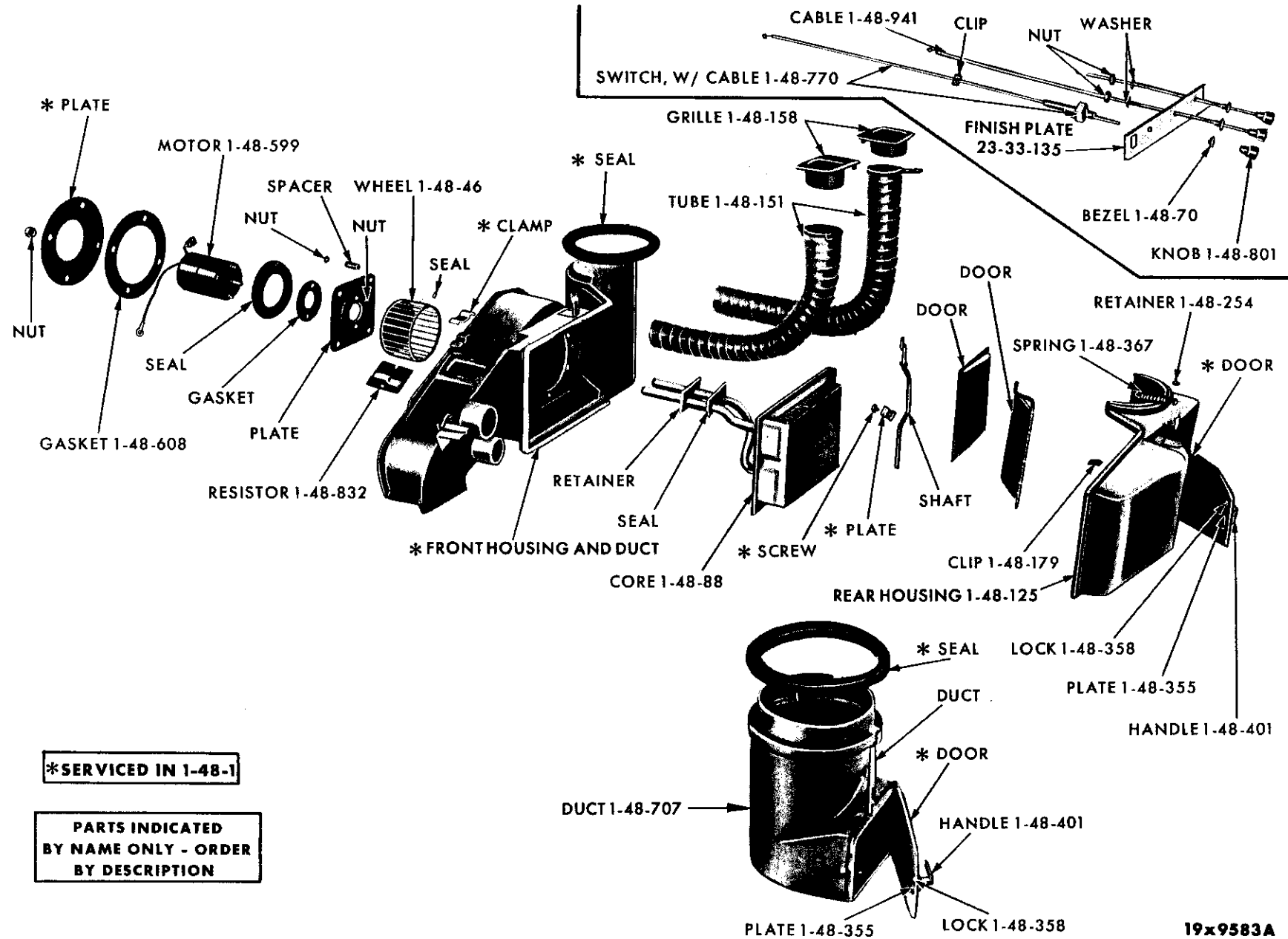




**PARTS INDICATED
 BY NAME ONLY - ORDER
 BY DESCRIPTION**

19x8554F

HEATER (MODEL 750) - DODGE TA3, CHRYSLER TC1-2-3 AND IMPERIAL TY1

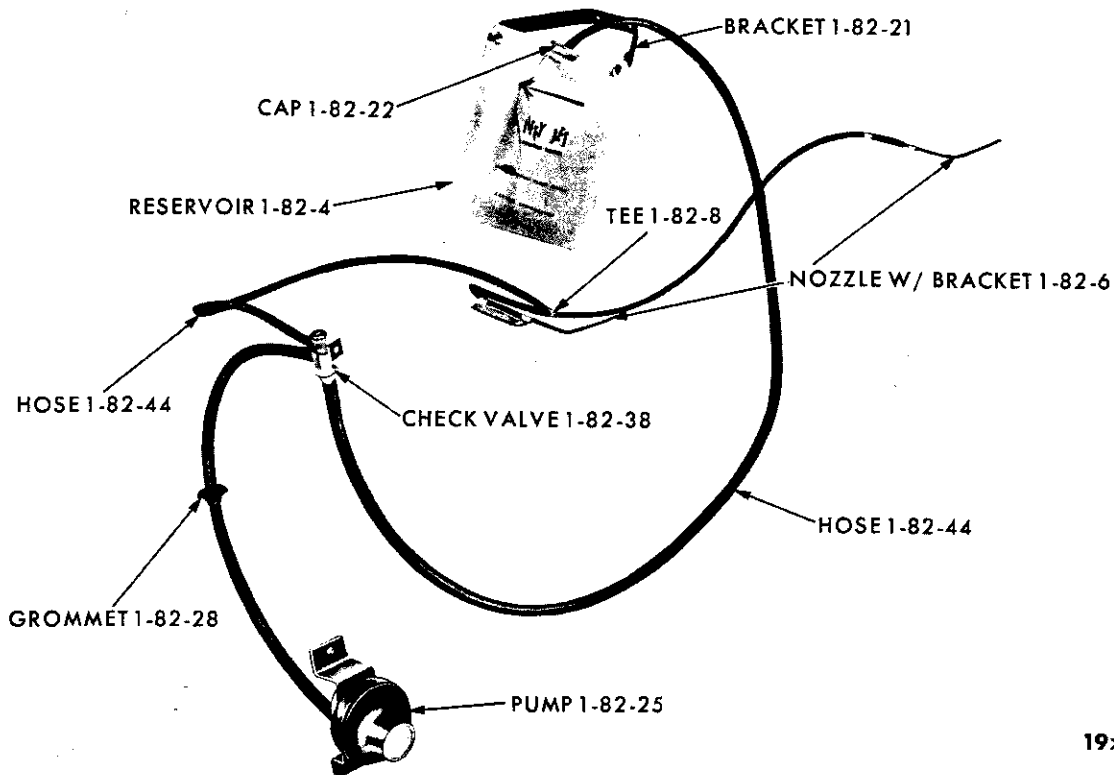


***SERVICED IN 1-48-1**

**PARTS INDICATED
BY NAME ONLY - ORDER
BY DESCRIPTION**

19x9583A

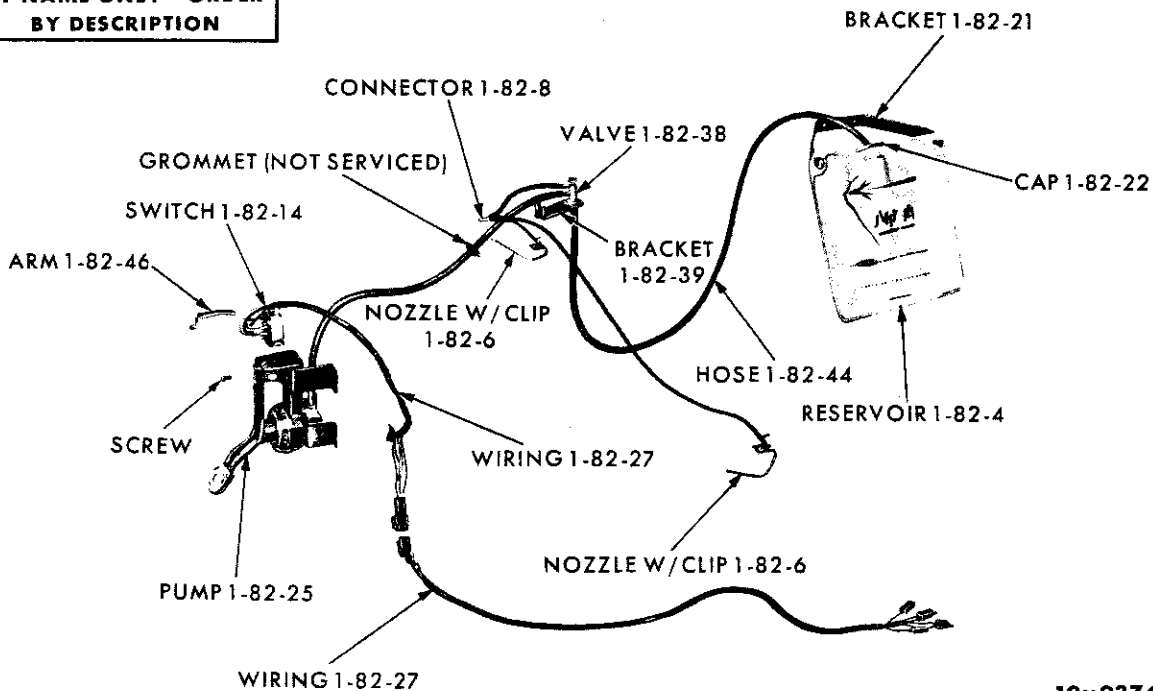
HEATER (MODEL 725) - VALIANT TV1 AND DART TL1



19x9369

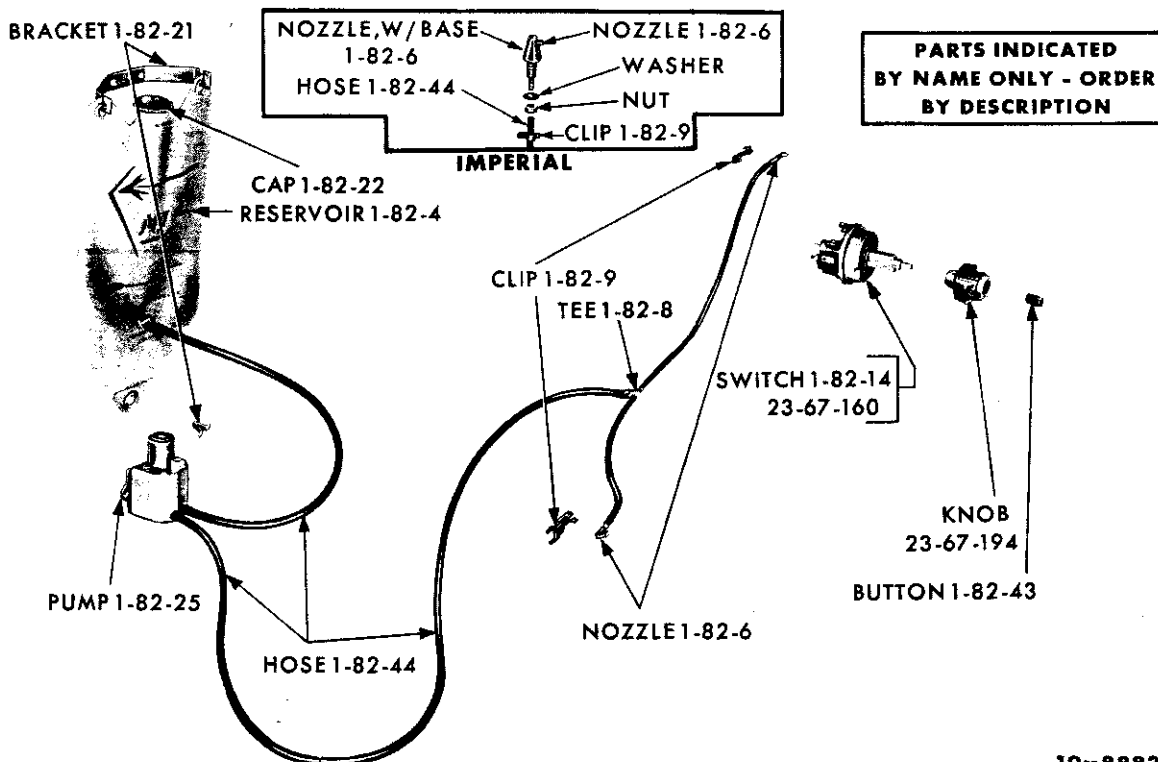
WINDSHIELD WASHER - VALIANT TVI AND DART TL1

PARTS INDICATED
BY NAME ONLY - ORDER
BY DESCRIPTION



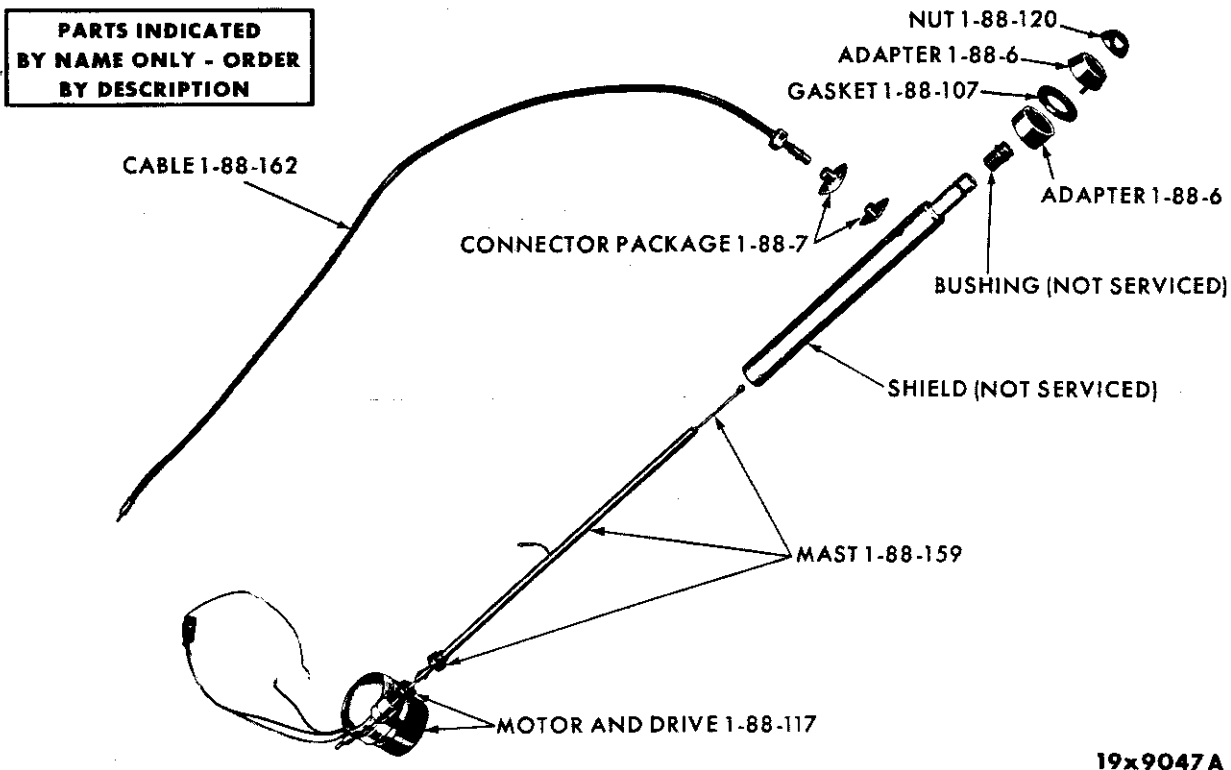
19x9374A

WINDSHIELD WASHER - PLYMOUTH TP1-2 - DODGE TD1-2 - TA3 AND CHRYSLER TC1-2



19x8883B

WINDSHIELD WASHER (ELECTRIC) - DODGE TA3, CHRYSLER TC1-2-3 AND IMPERIAL TY1



19x9047A

POWER ANTENNA

CODE	PART NAME AND DESCRIPTION	CYL.	PER CAR	VALIANT DART	PLYMOUTH DODGE	CHRYSLER IMPERIAL
1-01-0 BUMPER OR GRILLE GUARD						
1-01-1	GUARD PACKAGE, Front Bumper, TP1, TP2		1	----	2421 697	
	TD1, TD2		1	----	2421 698	
	Rear Bumper, TP1, TP2, except Sub.		1	----	2421 696	
	TD1, TD2, except Sub.		1	----	2421 699	
1-04-0 AUTOMATIC HEADLAMP DIMMER						
1-04-4	SCANNER, TY1	8	1	----	----	2096 894
1-04-6	BASE, Scanner, TY1	8	1	----	----	2096 899
1-04-7	SPACER, Scanner Base, TY1	8	2	----	----	*2427 659
1-04-12	AMPLIFIER, TY1	8	1	----	----	2257 182
1-04-18	ADAPTER, Amplifier, TY1	8	3	----	----	2096 872
1-06-0 EMERGENCY FLASHER LIGHT						
1-06-2	FLASHER UNIT		1	2290 360	2290 360	2290 360
1-06-3	SWITCH		1	2291 741	2291 741	2291 741
1-06-4	KNOB		1	1972 137	1972 137	1972 137
1-06-8	TERMINAL, Feed		1	2291 588	2291 588	2291 588
1-06-9	HOUSING, Indicator Lamp, TV1, TP1, TP2		1	2426 179	2426 179	
1-06-10	WIRING		1	2291 744	2291 744	2291 744
1-06-11	SOCKET, Indicator Lamp		1	2097 003	2097 003	2097 003
1-07-0 SHOCK ABSORBER (LOAD LEVELER)						
1-07-1	SHOCK ABSORBER, Load Leveler, Rear	6	2	2421 075		
	TP1, TP2, TD1, TD2		2	----	2403 008	
	TA3, TC1, TC2, TC3	8	2	----	2206 633	2206 633
1-08-0 TAILGATE WINDOW SCREEN						
1-08-1	SCREEN, TA3, TC1, TC3, Sub.	8	1	----	2196 144	2196 144
1-09-0 PARKING BRAKE SIGNAL LAMP						
1-09-1	LAMP PACKAGE, Parking Brake Signal		1	2291 664	2291 664	2291 664
1-10-0 BACK-UP LAMP						
1-10-1	LAMP PACKAGE, w/Std. Trans., except Sub., TV1, TP1, TP2 (see Note 1)		1	----	*2426 446	
	TL1, TD1, TD2 (see Note 1)		1	*2426 442	*2426 450	
	w/Std. Trans., Sub., TV1, TP1, TP2		1	2426 440	2426 452	
	TL1, TD1, TD2, TA3, TC1		1	2426 444	2426 452	2426 452
	w/Auto. Trans., except Sub., TV1, TP1, TP2		1	----	2426 447	
	TL1, TD1, TD2		1	2426 443	2426 451	
	TA3		1	----	2426 862	
	w/Auto. Trans., Sub., TV1, TP1, TP2		1	2426 441	2426 449	
	TL1, TD1, TD2, TA3, TC1		1	2426 445	2426 449	2426 449

NOTE 1: For cars with Floor Shift also specify 1-2427 137 Switch, 1-2427 166 Bracket.

★ Indicates use as required.

⊠ Indicates parts not listed in any previous parts book.

* Indicates change or addition.

Numerals in parentheses () refer to notes.

Prices and specifications subject to change without notice.

Printed in U.S.A.

1963 PASSENGER CAR PARTS CATALOG

ACCESSORIES

CODE	PART NAME AND DESCRIPTION	C Y L.	PER CAR	VALIANT DART	PLYMOUTH DODGE	CHRYSLER IMPERIAL
1-12-0 CIGAR LIGHTER						
NOTE: For Components see Part Type Code 8-20-1						
1-12-1	CIGAR LIGHTER PACKAGE, TP1, TP2		1	----	2426 296	
1-13-0 UNDERHOOD LIGHT						
1-13-1	LIGHT PACKAGE, Underhood		1	E2427 537	E2427 537	E2427 537
1-13-10	SWITCH		1	*2097 279	*2097 279	*2097 279
1-14-0 MAP AND COURTESY LAMP						
1-14-4	LAMP PACKAGE, Map and Courtesy, TA3, TC1, TC2	8	1	----	*2257 726	*2291 819
	Courtesy, TP1, TP2, TD1, TD2		1	*2291 800	*2291 800	
1-14-6	WIRING, Dome Lamp Rear Door		1	2290 097	2290 097	
1-19-0 GLOVE BOX LAMP						
1-19-1	LAMP PACKAGE, Glove Box		1	2291 795	2291 795	2291 795
1-20-0 STONE DEFLECTOR						
1-20-1	DEFLECTOR, Rear Quarter Panel Stone, TP1, TP2		1	----	E2495 119	
	TL1, TD1, TD2		1	E2495 120	E2495 118	
1-21-0 CLOCK						
1-21-1	CLOCK PACKAGE, TP1-L, TP2-L, TP1-M, TP2-M TD1, TD2	8	1	----	2291 690	
	TC1, TC2		1	----	2290 757	2291 780
1-21-24	KNOB, Reset, TC1, TC2, TC3	8	1	----	----	*2426 469
1-26-0 AUTOMATIC PILOT						
1-26-1	AUTOMATIC PILOT PACKAGE, TY1	8	1	----	----	2291 906
1-30-0 TRUNK COMPARTMENT LAMP						
1-30-1	LAMP PACKAGE, Trunk Compartment, TC1, TC2		1	E2427 537	E2427 537	E2427 537
1-30-3	SWITCH, TC1, TC2		1	----	*2097 279	*2097 279
1-32-0 VISOR						
1-32-2	VISOR, Padded, TV1, TL1, except Cv. Cp.	6	2	2413 446		
	TP1, TP2, TD1, TD2, TY1		2	----	*2273 455	*2273 455
	TC1, TC2, TC3, except Cv. Cp.	8	2	----	----	2178 557
	TA3, Cv. Cp.	8	2	----	*2163 901	
	TA3, TC1, TC3, w/Instrument Panel Mounted Mirror	8	2	----	*2212 272	*2212 272
1-39-0 FUEL TANK LOCKING CAP						
1-39-2	CAP, Locking	6	1	2073 990		
	Except Sub.		1	----	1948 754	1948 754
	TP1, TP2, TD1, TD2, Sub.		1	----	2073 990	
	TA3, TC1, TC3, Sub.	8	1	----	2123 643	2123 643

★ Indicates use as required.

Numerals in parentheses () refer to notes.

Printed in U.S.A.

⊞ Indicates parts not listed in any previous parts book.

Prices and specifications subject to change without notice.

Jan. 3, 1964 Supersedes Dec. 14, 1962.

* Indicates change or addition.

CODE	PART NAME AND DESCRIPTION	C Y L.	PER CAR	VALIANT DART	PLYMOUTH DODGE	CHRYSLER IMPERIAL
1-42-0 POWER BRAKE						
1-42-1	POWER BRAKE PACKAGE, TP1, TP2, TD1, TD2. TA3, TC1, TC2, w/Power Strg.	8	1 1	2421 774 ---- --	2298 968 2421 763	2421 763
1-47-0 REAR WINDOW DEFOGGER						
1-47-1	DEFOGGER PACKAGE, TP1, TP2, TD1, TD2, TC1, TC2, TC3	8	1 1	2277 897 ---- --	2277 850 *2277 505	2277 898 *2277 899
1-47-3	DUCT TA3	8	1 1	2277 735 ---- --	2277 459	2277 460
1-47-4	GRILLE, Inlet, TA3 LOUVER, TP1, TP2, TD1, TD2 GRILLE, Outlet, TA3 LOUVER, TP1, TP2, TD1, TD2		1 1 1 1	1971 091 ---- -- 2219 627 ---- --	1971 091 2277 860 2219 627 2277 861	1971 091 2219 627
1-47-6	BEZEL, Inlet Grille, TA3		1	1819 014	1819 014	1819 014
1-47-7	SWITCH, TP1, TP2, TD1, TD2, TC1, TC2, TC3 . TA3, TY1	8	1 1	2291 095 ---- --	2291 095 2426 508	2291 095 2291 522
1-47-8	KNOB, Switch, TV1, TP1, TP2 TL1, TD1, TD2 TA3, TC1, TC2, TC3 TY1	8 8	1 1 1 1	2291 282 2256 626 ---- -- ---- --	2291 282 2256 626 2197 379 ---- --	2197 075 1887 935
1-47-9	BEZEL, Switch, TV1, TP1, TP2 TL1, TD1, TD2 TA3, TC1, TC2, TC3 TY1	8 8	1 1 1 1	1972 898 1972 548 ---- -- ---- --	1972 898 2256 616 2197 499 ---- --	2290 700 2197 389
1-47-10	WIRING PACKAGE		1	2076 423	2076 423	2076 423
1-47-11	NUT, Switch Mounting, TV1, TP1, TP2 TL1, TA3		1 1	1887 603 1972 548	1887 603 1972 548	
1-47-12	TUBE, TA3 TP1, TP2, TD1, TD2		1 1	2096 989 ---- --	2096 989 2277 849	2096 989
1-47-13	MOTOR, w/BRACKET		1	2096 772	2096 772	2096 772
1-47-14	PLATE, Blower Mounting		1	1887 582	1887 582	1887 582
1-47-15	NAME PLATE, Switch, TY1 DECAL, Switch, TC1, TC2, TC3	8 8	1 1	---- -- ---- --	---- -- ---- --	2197 509 2290 865
1-47-16	WHEEL, Blower		1	1239 241	1239 241	1239 241
1-47-17	HOUSING, Blower, TA3 TP1, TP2, TD1, TD2		1 1	1819 470 ---- --	1819 470 2277 845	1819 470
1-47-19	CLIP, Louver Retaining Tube Retaining		6 3	---- -- ---- --	1842 965 2277 840	

★ Indicates use as required. Numerals in parentheses () refer to notes. Printed in U.S.A.
 ☐ Indicates parts not listed in any previous parts book. Prices and specifications subject to change without notice.
 * Indicates change or addition.

1-48-O HEATER AND COMPONENTS

NOTE: Model 720, 725, 727 and 750, Fresh Air Heaters
 Model 724, 726, Recirculating Heaters
 Quantity is one (1) per car unless otherwise indicated.

CODE	PART NAME	MODEL 725	MODEL 720 and 727	MODEL 750	RECIRCU- LATING
1-48-1	HEATER PACKAGE, TL1, TV1	2277 926			
	TP1, TP2	----	2277 927	----	2277 691
	TD1, TD2	----	2277 928	----	2277 691
	TA3	----	----	2219 292	
	TC1, TC2, TC3	----	----	2277 929	
1-48-4	HEATER CONTROLS, Complete, TY1 . . .	----	----	2290 316	
1-48-7	TUBES and CONNECTOR, Heater Control,				
	TP1, TP2, TD1, TD2	----	2290 269		
	TA3, TC1, TC2, TC3	----	----	2257 197	
	TY1	----	----	2291 879	
	Fresh Air Door Control, w/o Heater, TP1,				
	TP2, TD1, TD2	----	2290 268	----	
	TA3, TC1, TC2, TC3	----	----	2257 195	
	TY1	----	----	2291 877	
1-48-10	LAMP, Heater Control, TP1, TP2	----	2258 168		
1-48-12	BUTTON, Heater Control Push,				
	TP1, TP2	----	2258 171		
			Heat	2258 172	
			Def.	2258 173	
			Cool	2258 174	
	TD1, TD2	----	2258 348		
			Heat	2258 349	
			Def.	2258 350	
			Cool	2258 351	
	TA3	----	----	2197 468	
			Lo	2197 469	
			Hi	2197 470	
			Def.	2197 471	
			Air	2197 472	
	TC1, TC2, TC3	----	----	2290 788	
			Lo.	2290 789	
			Hi.	2290 790	
			Def.	2290 791	
			Air	2290 792	
	TY1	----	----	2197 846	
			Lo.	2197 847	
			Hi.	2197 848	
			Def.	2197 849	
			Air	2197 850	
1-48-24	PLUG, Temperature Control Valve Tube Hole	----	1622 064	1622 064	
1-48-46	WHEEL, Blower	2277 597	----	----	*2277 597
	TP1, TP2, TD1, TD2	----	----	----	2197 907
	TA3, TC1, TC2, TC3, TY1	----	----	1689 692	
1-48-70	BEZEL, Blower Switch, TD1, TD2	2290 900	2256 616		
	Heater Control	2290 932			
	TC1, TC2, TC3	----	----	2426 533	
			Black	2426 534	
			Blue	2426 534	
			Green	2426 535	

★ Indicates use as required. Numerals in parentheses () refer to notes. Printed in U.S.A.
 ☐ Indicates parts not listed in any previous parts book. Prices and specifications subject to change without notice.
 Jan. 3, 1964 Supersedes Dec. 14, 1962. Page 1-8. * Indicates change or addition.

1-48-O HEATER AND COMPONENTS - Cont'd

CODE	PART NAME	MODEL 725	MODEL 720 and 727	MODEL 750	RECIRCU- LATING
1-48-356	SHAFT and LINK, Fresh Air Door	----	2162 525		
1-48-357	RETAINER, Fresh Air Door Shaft	----	2162 360		
1-48-358	LOCK, Heater Vent Door	2277 515	----	----	2277 515
1-48-362	SEAL, Fresh Air Door Housing to Dash . .	----	2162 245		
1-48-365	DOOR, Fresh Air, TP1, TP2, TD1, TD2 . TA3, TC1, TC2, TC3, TY1 w/FRAME, TY1	----	2162 418	1830 632 1830 633	
1-48-367	SPRING, Shut-Off Door Over Center	2277 830			
1-48-374	CONTROL, Fresh Air Door, w/o Heater TC1, TC2, TC3	----	----	2290 773	
1-48-379	DEFLECTOR, Air, TP1, TP2, TD1, TD2 . .	----	2277 061		
1-48-383	HOUSING, Fresh Air Door	----	2162 239		
1-48-388	NUT, Fresh Air Door Linkage Adjusting . .	----	----	6022 274	
1-48-389	BOLT, Fresh Air Door Linkage Mounting . .	----	----	1839 345	
1-48-391	BRACKET, Fresh Air Door Vacuum Actuator Mounting On Dash Panel, TY1	----	----	1885 836 1960 716	
1-48-393	LEVER and LINK, Deflector	----	2277 068		
1-48-394	WASHER, Deflector Lever Pivot (★) Fresh Air Door Linkage Spring	----	*6023 375 1152 315	*2277 401 1152 315	
1-48-401	HANDLE, Fresh Air Vent Door, TL1, TV1	2277 517	----	----	2277 517
1-48-555	HOSE, Heater, 50 Foot Roll Engine to Valve, w/318 cu. in. Engine . . Core to Pump, w/426 cu.in. Engine Engine to Core, w/426 cu.in. Engine Core to Pump Valve to Core	1315 466 ---- ---- ---- ---- ----	1315 466 1595 160 2197 011 2197 011 ---- ----	1315 466 ---- ---- *2096 932 1595 160	1315 466
1-48-559	CLIP, Fresh Air Door Vacuum Tube CLAMP, Hose, Worm Gear Type, 1/2" to 1" (★)	---- E2448 761	1302 783 E2448 761	---- E2448 761	---- E2448 761
1-48-572	NIPPLE, Heater Hose, Inlet Return, w/318 cu. in. Engine w/361, 383 and 426 cu.in. Engine w/361, 383 and 413 cu. in. Engine, Police	1971 061 ---- ---- ----	1971 061 1971 061 1779 257 1971 061	1971 061 ---- 1779 257 1971 061	1971 061 1971 061
1-48-599	MOTOR, Blower, TL1, TV1 TP1, TP2, TD1, TD2 TA3, TC1, TC2, TC3, TY1	2277 544 ---- ----	---- 2277 419 ----	---- ---- 2084 862	2277 544 2277 639
1-48-600	CLIP, Blower Rotor Balancing (★)	----	2277 247 2277 884 2277 885 2277 886 2277 887 2277 888		
1-48-602	STATOR, Blower	----	2219 102		

★ Indicates use as required.

Numerals in parentheses () refer to notes.

Printed in U.S.A.

E Indicates parts not listed in any previous parts book.

Prices and specifications subject to change without notice.

Jan. 3, 1964 Supersedes Dec. 14, 1962.

Page 1-10

* Indicates change or addition.

1-48-O HEATER AND COMPONENTS - Cont'd

CODE	PART NAME	MODEL 725	MODEL 720 and 727	MODEL 750	RECIRCULATING
1-48-603	ROTOR, Blower	----	2219 103		
1-48-608	GASKET, Heater to Dash Mounting	2242 425			
1-48-611	BRACKET, Blower Mounting, TP1, TP2, TD1, TD2	----	2277 345		
1-48-613	SCREW, Blower Motor to Stator (4)	----	6023 146		
	Blower Mounting	----	6024 003		
	Blower Mounting Bracket	----	9416 339		
	Housing Mounting (14)	----	----	*9417 531	
1-48-683	BRACKET, Blower Motor Mounting	----	----	1880 211	
1-48-684	GROMMET, Blower Motor Mounting Bracket (3)	----	----	1879 827	
1-48-688	SPACER, Blower Motor Mounting Bracket (★)	----	2277 873	1605 271	
1-48-707	DUCT, Air Outlet, w/o Heater	----	2277 675		
	Fresh Air, Left Side	*2277 565			
	Front Duct and Housing	B2277 545			
	Heater Distribution	----	----	2277 754	
1-48-709	CLIP, Duct to Backboard (7)	B2485 241			
1-48-712	LEVER, Defroster Damper	----	1819 697	1819 689	
	Shut-Off Damper	----	----	1819 689	
1-48-722	NUT, Defroster Damper Shaft	----	----	1829 825	
1-48-770	SWITCH, Push Button	----	2256 681	2290 089	
	Blower Motor, w/CABLE, TL1, TV1	2290 891	----	----	2426 295
	TP1, TP2, TD1, TD2	----	2256 590	----	2290 945
1-48-774	DECAL, Blower Switch, TP1, TP2	----	2290 730		
	TD1, TD2	----	2258 626		
1-48-779	NUT, Blower Switch Mounting, TL1, TV1 .	----	----	----	*6008 060
	TP1, TP2	----	1339 711	----	*6008 060
1-48-780	BRACKET, Blower Switch Mounting TP1, TP2	----	2290 061		
	TV1, TL1	----	----	----	2097 161
1-48-801	KNOB, Blower Switch, TV1	2290 909	----	----	2290 909
	TL1	2290 949	----	----	2290 909
	TP1, TP2	----	2291 286	----	2291 282
	TD1, TD2	----	2256 483	----	2291 282
1-48-832	RESISTOR, Blower Motor	2277 710	2277 016		
1-48-854	VALVE, Temperature Control, for Model 720, TP1, TP2, TD1, TD2	----	*2448 674		
	For Model 727, TP1, TP2, TD1, TD2 . .	----	2448 674		
	TA3, TC1, TC2, TC3	----	----	2084 461	
	TY1	----	----	2084 460	
1-48-855	SEAL, Temperature Control Valve	----	2277 026		
1-48-858	GASKET, Temperature Control Valve Mounting	----	2277 025		

★ Indicates use as required.

Numerals in parentheses () refer to notes.

Printed in U.S.A.

B Indicates parts not listed in any previous parts book.

Prices and specifications subject to change without notice.

* Indicates change or addition.

1-48-O HEATER AND COMPONENTS - Cont'd

CODE	PART NAME	MODEL 725	MODEL 720 and 727	MODEL 750	RECIRCULATING
1-48-940	ARM, Temperature Control, TP1, TP2 . . . TD1, TD2 TA3 TC1, TC2, TC3	---- ---- ---- ----	2258 161 2258 342 ---- ----	2197 461 2290 775	
1-48-941	CABLE, Temperature Control, TL1 TV1, TP1, TP2, TD1, TD2 TC1, TC2, TC3 TA3, TY1 Defroster Control, TL1 TV1 TP1, TP2, TD1, TD2 CLIP, Cable	2290 931 2290 927 ---- ---- 2290 930 2290 926 ---- 6015 143	2426 157 ---- ---- ---- ---- 6015 143	2426 142 2291 604 ---- ---- 6015 143	2426 935 6015 143
1-48-942	KNOB, Temperature Control, TP1, TP2 . . . TD1, TD2 TA3 TC1, TC2, TC3 TY1	---- ---- ---- ---- ----	2258 166 2258 359 ---- ---- ----	2197 622 2290 807 2291 684	

CODE	PART NAME AND DESCRIPTION	C Y L	PER CAR	VALIANT DART	PLYMOUTH DODGE	CHRYSLER IMPERIAL
1-50-O WINDOW SAFETY SWITCH						
1-50-1	SWITCH PACKAGE, Electric Window Lift Safety .		1	----	2197 405	2197 405
1-67-O BELT PACKAGE						
1-67-1	BELT PACKAGE, Safety, Front Seat, Single . . .		1	2299 970	2299 970	2299 970
	Rear Seat, Single		1	2299 971	2299 971	2299 971
	Front Seat, Single, TC2-300J		1	----	----	*2421 446
	Rear Seat, Single, TC2-300J		1	----	----	*2421 447
1-67-3	REINFORCEMENT, to Floor, 5 3/8" long		2	2424 563	2424 563	2424 563
	3" long		2	2252 151	2252 151	2252 151
1-67-5	PLUG, Anchor Hole Seal		4	2423 975	2423 975	2423 975
	GROMMET, TC3, TY1		★	----	----	2161 510
1-67-6	STUD, Front Seat Belt Eye		2	2428 046	2428 046	2428 046
1-67-9	WASHER, Trim		2	2299 534	2299 534	2299 534
1-67-11	COVER, Front Seat Belt to Floor		4	E2182 196	E2182 196	E2182 196
1-72-O REAR DOOR SAFETY LOCK						
1-72-5	LOCK PACKAGE, Child Guard Rear Door Safety, TP1, TP2, TD1, TD2		1	----	2448 548	
	TA3, TC1, TC2, TC3, TY1		1	----	2240 572	2240 572
1-74-O ROOF LUGGAGE RACK						
1-74-1	RACK PACKAGE, Suburban, Large, TP1, TP2, TD1, TD2		1	2243 544	2243 544	
	TA3, TC1, TC3	8	1	----	2196 250	2196 250

★ Indicates use as required. Numerals in parentheses () refer to notes. Printed in U.S.A.
 E Indicates parts not listed in any previous parts book. Prices and specifications subject to change without notice.
 Jan. 3, 1964 Supersedes Dec. 14, 1962. Page 1-12 * Indicates change or addition.

CODE	PART NAME AND DESCRIPTION	C Y L.	PER CAR	VALIANT DART	PLYMOUTH DODGE	CHRYSLER IMPERIAL
1-76-O MIRROR						
1-76-1	MIRROR PACKAGE, Outside Rear View, Manual . Double Strut		★ 1	2299 574 ---- --	2299 574 *1773 071	*1773 071
	Right, TY1	8	1	---- --	---- --	*2275 015
	Right, TC1, TC2, TC3	8	1	---- --	---- --	*2495 121
	Left	8	1	---- --	---- --	*2421 990
	w/Remote Control, Left		1	*2495 878	*2495 878	*2421 989
1-76-2	MIRROR, Vanity		1	1839 845	1839 845	1839 845
1-76-3	MIRROR PACKAGE, Inside Rear View Prismatic, TP1, TP2, TD1, TD2, TA3, TC1, TC2, TC3		1	2428 246		
	TA3, TY1	8	1	*2299 846 ---- --	*2299 846 2421 208	*2299 846 2421 208
1-76-18	CONTROL, Outside Remote Control Rear View Mirror		1	*2486 371	*2486 371	
1-82-O WINDSHIELD WASHER						
1-82-2	WASHER PACKAGE, TP1, TP2, TD1, TD2 TA3, TC1, TC2	8	1	2291 936 ---- --	2290 045 2257 692	2257 692
1-82-4	RESERVOIR, TP1, TP2, TD1, TD2 TA3	8	1	2076 216 ---- --	2076 216 2198 448	2198 448
1-82-6	NOZZLE Right, TP1, TP2, TD1, TD2 Left, TP1, TP2, TD1, TD2 TA3, TC1, TC2, TC3 TY1 w/BASE, TY1	6	2	2290 840 ---- -- ---- -- ---- -- ---- -- ---- --	2426 501 2426 500 *2198 211 ---- -- ---- --	2198 211 1887 321 1887 319
1-82-8	CONNECTOR, Hose, TP1, TP2, TD1, TD2 TA3		1	2258 912 ---- --	2258 912 1523 160	1523 160
1-82-9	CLIP, Nozzle Mounting, TA3, TC1, TC2, TC3	8	2	---- --	2198 210	2198 210
1-82-14	SWITCH, Single Speed, TP1, TP2, TD1, TD2 Variable Speed, TP1, TP2, TD1, TD2 TA3		1	---- --	2290 629 2290 628 2290 498	2198 323
1-82-15	SCREW, Switch Mounting, TP1, TP2, TD1, TD2		2	---- --	1819 251	
1-82-17	TERMINAL and INSULATOR PACKAGE, Switch Wiring		1	*2298 882	*2298 882	*2298 882
1-82-21	BRACKET, Reservoir Mounting, TP1, TP2, TD1, TD2 TA3	8	1	2290 845 ---- --	*2290 845 2198 450	2198 450
1-82-22	CAP, Reservoir, w/Hole, TP1, TP2, TD1, TD2 w/o Hole, TA3	8	1	1604 053 ---- --	1838 001 2198 454	2198 454
1-82-25	PUMP, Foot Control, TP1, TP2, TD1, TD2 TA3, TC1, TC2 Electric, TA3	8	1	2290 844 ---- -- ---- --	2258 782 2197 423 2258 119	2197 423 2258 119
1-82-27	WIRING, Switch Feed, TP1, TP2 TD1, TD2		1	---- --	2291 696 2291 730	
1-82-29	CIRCUIT BREAKER, Electric Pump, TA3	8	1	---- --	*2290 102	*2290 102
1-82-30	STRAINER, TP1, TP2, TD1, TD2		1	1571 028	1571 028	
1-82-38	VALVE, Check, TP1, TP2, TD1, TD2		1	1880 222	1880 222	

★ Indicates use as required. Numerals in parentheses () refer to notes. Printed in U.S.A.
 ☐ Indicates parts not listed in any previous parts book. Prices and specifications subject to change without notice.
 * Indicates change or addition. Jan. 3, 1964 Supersedes Dec. 14, 1962.

1963 PASSENGER CAR PARTS CATALOG

CODE	PART NAME AND DESCRIPTION	CYL.	PER CAR	VALIANT DART	PLYMOUTH DODGE	CHRYSLER IMPERIAL
1-82-O WINDSHIELD WASHER - Cont'd						
1-82-39	BRACKET, Check Valve, TP1, TP2, TD1, TD2 . . .		1	----	2258 780	
1-82-43	BUTTON, Switch, TA3	8	1	----	1972 512	1972 512
1-82-44	HOSE, 3/16" O.D. x 127" long		★	2096 623	2096 623	2096 623
	9/32" O.D. x 90" long		★	2197 650	2197 650	2197 650
	13/32" O.D. x 96" long		★	2097 055	2097 055	2097 055
1-82-48	CONNECTOR, Vacuum, 2 Way, w/o Power Brakes, TA3, TC1, TC2	8	1	----	2121 942	2121 942
1-87-O RADIO						
1-87-1	RADIO PACKAGE, Model 218, TV1	6	1	*2496 270		
	Model 206, TL1	6	1	*2496 271		
	Model 216, TP1, TP2		1	----	2291 650	
	Model 345, TP1, TP2		1	----	2291 651	
	Model 217, TD1, TD2		1	----	2291 653	
	Model 350, TA3	8	1	----	2426 462	
	Model 343, TC1, TC2, TC3	8	1	----	----	2291 655
	Model 411, TC1, TC2, TC3	8	1	----	----	2291 656
	Model 413, TY1	8	1	----	----	2291 657
1-87-2	SPEAKER, Instrument Panel, Model 200 Series					
	Radio		1	*2448 810	*2448 810	
	Model 300 Series Radio, TP1, TP2, TD1, TD2		1	----	*2448 811	
	Model 350 Radio, TA3	8	1	----	*2448 812	
	Model 343 and 411 Radio, TC1, TC2, TC3	8	1	----	----	*2448 811
	Model 413 Radio, TY1	8	1	----	----	*2448 813
	SPEAKER PACKAGE, Rear Compartment, w/SWITCH		1	*2291 479	*2291 479	
	w/o Switch, TP1, TP2, TD1, TD2, TA3 except Cv. Cp.		1	----	*2291 874	
	w/o Switch, TA3 Cv. Cp.	8	1	----	*2426 623	*2426 623
	SPEAKER Only, Rear Compartment		1	*2448 812	*2448 812	*2448 812
1-87-5	SWITCH, Foot Control, for Model 411 and 413 Radio	8	1	----	----	1819 409
1-87-6	PLUG, Foot Control Switch, TY1	8	1	----	----	2086 634
1-87-7	GROMMET, Foot Control Switch	8	1	----	----	*2292 474
1-87-17	NUT, Rear Speaker Reverberator Control Mounting		1	1887 603	1887 603	1887 603
1-87-21	GRILLE, Rear Speaker, TP1, TP2, TD1, TD2, TA3 except Cv. Cp.		1	*2291 876	*2291 876	
	TA3, TC1, Cv. Cp., TC2	8	1	----	2419 434	2419 434
1-87-22	BEZEL, Rear Speaker Grille		1	1819 014	1819 014	
	Instrument Panel Radio, AM-FM Radio, TP1, TP2		1	----	⊘2427 380	
	TD1, TD2		1	----	⊘2427 381	
	TA3, TC1, TC2, TC3	8	1	----	⊘2427 451	⊘2426 987
1-87-23	MEDALLION, Rear Seat Back Speaker Grille, TC2	8	1	----	----	2423 261
1-87-25	BRACKET, Rear Seat Back Speaker Grille Mounting, TA3, TC1, Cv. Cp., TC2	8	2	----	2419 038	2419 038
1-87-27	NUMERAL, Rear Seat Back Speaker Grille, "3", TC2	8	1	----	----	1840 998
	"0", TC2	8	2	----	----	1840 999

★ Indicates use as required. Numerals in parentheses () refer to notes. Printed in U.S.A.
 ⊘ Indicates parts not listed in any previous parts book. Prices and specifications subject to change without notice.
 Jan. 3, 1964 Supersedes Dec. 14, 1962. * Indicates change or addition.

CODE	PART NAME AND DESCRIPTION	C Y L.	PER CAR	VALIANT DART	PLYMOUTH DODGE	CHRYSLER IMPERIAL
1-87-O RADIO - Cont'd						
1-87-30	PLATE, Instrument Panel Speaker Mounting, TC1, TC2, TC3		1	*2217 363	----	2218 342
	Rear Seat Back Speaker Grille Mounting, TA3, TC1, Cv. Cp., TC2	8	1	----	2419 037	2419 037
1-87-32	BRACE, Rear Speaker Grille Screen, w/PAD, TA3, TC1, TC2	8	1	----	2440 971	2440 971
1-87-35	SOCKET, w/BOOT, Radio Dial, TA3	8	1	----	2097 003	
1-87-58	CONTROL, Rear Speaker Reverberator		1	B2427 348	B2427 348	B2427 348
1-87-180	KNOB, Reverberator Control		1	B2426 764	B2427 980	B2427 980
1-87-289	SWITCH, Rear Speaker, TP1, TP2, TD1, TD2 . .		1	1819 889	1819 889	
1-87-292	NAME PLATE, Rear Speaker Switch, TP1, TP2, TD1, TD2		1	1972 405	1972 405	
1-87-334	GASKET, Rear Speaker Grille Screen, TA3, TC1, TC2	8	1	----	2440 969	2440 969
1-87-335	STUD, Instrument Panel Speaker Mounting, TA3 .	8	4	----	2097 570	
1-87-336	NUT, Radio Mounting	8	1	----	----	6023 201
	Rear Seat Back Speaker Grille, TC1, TC2	8	2	----	----	6023 215
1-87-404	CABLE, Rear Speaker Wiring		★	1627 125	1627 125	1627 125
	Rear Speaker Wiring Assy.		★	1769 430	1769 430	1769 430
	w/Reverberator Speaker		★	*2427 445	*2427 445	*2427 445
1-87-405	TERMINAL, Rear Speaker Reverberator Wiring . .		3	2291 588	2291 588	2291 588
1-87-406	ADAPTOR, Rear Speaker Reverberator Wiring Terminal		1	2096 872	2096 872	2096 872
1-88-O RADIO ANTENNA						
1-88-1	ANTENNA PACKAGE, Manual, TP1, TP2, TD1, TD2 TA3, TC1, TC2, TC3	8	1	2291 336	2291 336	
	Power, TC1, TC2, TC3	8	1	----	2291 727	2291 727
	Power, TC1, TC2, TC3	8	1	----	----	2291 911
1-88-6	ADAPTER, Mounting, TP1, TP2		1	2258 745	2258 745	
	TD1, TD2, TD3, TC1, TC2, TC3		1	----	2291 671	2291 711
	Power Antenna, Upper, TC1, TC2, TC3	8	1	----	----	2291 835
	TY1	8	1	----	----	2197 446
	Power Antenna, Lower, TC1, TC2, TC3	8	1	----	----	2291 827
	TY1	8	1	----	----	2197 447
1-88-7	PIN and CONNECTOR PACKAGE, Power Antenna .	8	1	----	----	2258 899
1-88-25	STUD, Power Antenna Mounting, TC1, TC2, TC3 .	8	1	----	----	6023 570
1-88-51	COVER, Fender Shield Antenna Hole, TY1	8	1	----	----	1940 860
1-88-107	GASKET, Upper Adapter, TY1	8	1	----	----	2197 448
1-88-116	KNOB, Switch, TY1	8	1	----	----	1887 935
1-88-117	MOTOR, w/Drive	8	1	----	----	1972 068
1-88-120	NUT, Dome, Manual Antenna, TC1, TC2, TC3 . .		1	2258 831	2258 831	2258 831
	Power Antenna	8	1	----	----	2291 832
1-88-123	NUT, Switch Mounting, TY1	8	1	----	----	*6008 060

★ Indicates use as required. Numerals in parentheses () refer to notes. Printed in U.S.A.
 ☐ Indicates parts not listed in any previous parts book. Prices and specifications subject to change without notice.
 * Indicates change or addition. Jan. 3, 1964 Supersedes Dec. 14, 1962.

1963 PASSENGER CAR PARTS CATALOG

ACCESSORIES

CODE	PART NAME AND DESCRIPTION	CYL	PER CAR	VALIANT DART	PLYMOUTH DODGE	CHRYSLER IMPERIAL
1-88-O RADIO ANTENNA - Cont'd						
1-88-159	MAST, w/LEAD, Manual, TP1, TP2, TD1, TD2 . . . TA3, TC1, TC2, TC3 Power Antenna	8 8 8	1 1 1	2258 881 ---- ----	2258 881 2258 939 ----	2258 939 1972 065
1-88-162	CABLE, Power Antenna Lead-in, TC1, TC2, TC3 . TY1 For Rear Mount Antenna, Antenna to Radio, TC1, TC2, TC3	8 8 8	1 1 1	---- ---- ----	---- ---- ----	2427 179 2426 677 2426 137
1-88-170	COLLAR, Grounding, Power Antenna	8	1	----	----	2197 870
1-88-205	SWITCH, Power Antenna, w/o Auto. Pilot, TY1 . .	8	1	----	----	2197 147
1-108-O SPOTLIGHT						
1-108-1	SPOTLIGHT PACKAGE, w/MIRROR, TP1, TP2, TD1, TD2, TC1, TC2, TC3 TA3, TY1	8 8	1 1	*2427 317 ----	*2427 317 E2427 189	*2427 317 *2291 571
1-108-2	BRACKET PACKAGE, Outside Mounting, Right, TA3, TC1, TC2, TC3 Left, TA3, TC1, TC2, TC3 Right, Pillar Mount, TP1, TP2, TD1, TD2 . . . Left, Pillar Mount, TP1, TP2, TD1, TD2 . . . Right, Door Mount, TP1, TP2, TD1, TD2 . . . Left, Door Mount, TP1, TP2, TD1, TD2 . . . Left, TY1	1 1 1 1 1 1 8	1 1 1 1 1 1 1	*2427 928 *2427 929 ---- ---- ---- ---- ----	E2427 830 E2427 831 *2416 003 *2416 004 E2427 888 E2427 889 ----	*2427 769 *2427 629 *2198 727
1-108-10	MEDALLION, Coronado Crest Sportsman Crest	1 1	1 1	2291 575 2291 576	2291 575 2291 576	2291 575 2291 576
1-108-17	BULB, 5" Diameter	1	1	1661 046	1661 046	1661 046
1-108-28	SWITCH	1	1	1641 511	1641 511	1641 511
1-108-49	HOLDER, Fuse	1	1	1239 344	1239 344	1239 344
1-135-O DOOR EDGE PROTECTOR						
1-135-1	PROTECTOR PACKAGE, Door Edge, 2 Door Models, TP1, TP2, TD1, TD2, TC1, TC2, TC3 TA3, TY1 4 Door Models, TP1, TP2, TD1, TD2, TC1, TC2, TC3 TA3, TY1	8 8 8	1 1 1	E2448 132 ---- E2448 133 ----	E2448 134 *1964 379 E2448 135 *1964 528	*2480 789 *2094 926 *2480 788 *2094 921

NOTES

★ Indicates use as required. Numerals in parentheses () refer to notes. Printed in U.S.A.
 E Indicates parts not listed in any previous parts book. Prices and specifications subject to change without notice.
 Jan. 3, 1964 Supersedes Sept. 4, 1962. Page 1-16 * Indicates change or addition.