

1962 VALIANT

INTERIOR TRIM

HOW TO USE INTERIOR TRIM ILLUSTRATIONS

The illustrations in this section are actual and each body style showing the Interior Trim is included.

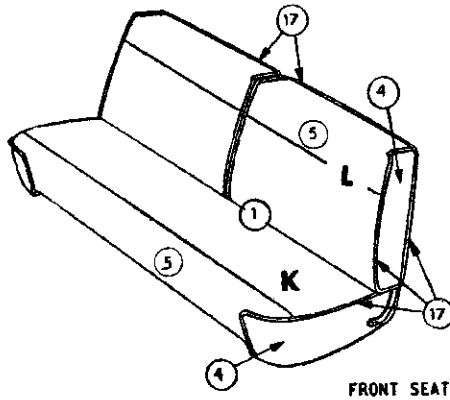
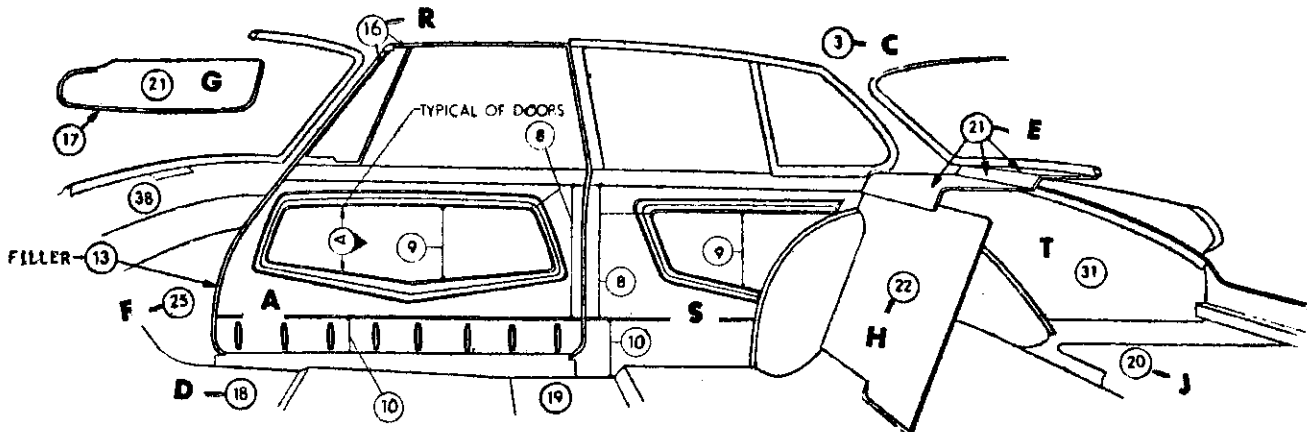
The letters shown on the illustration indicate the description of the part and the part type code when referred to the legend which appears preceding the listing of the parts. The letters are consistent throughout the illustrations as "A" is always a Door Trim Panel, Code 23-92-5.

The numbers on the illustration indicate the distribution of material and type of material used. The numbers may vary with each illustration. The legend appears on the illustration.

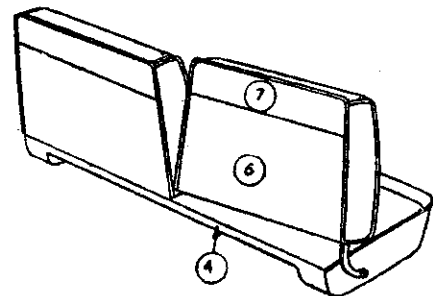
For complete information on "How to Order" Trim Parts, see Mopar Parts Price List.

V
A
L
I
A
N
T

1962 VALIANT - S SERIES

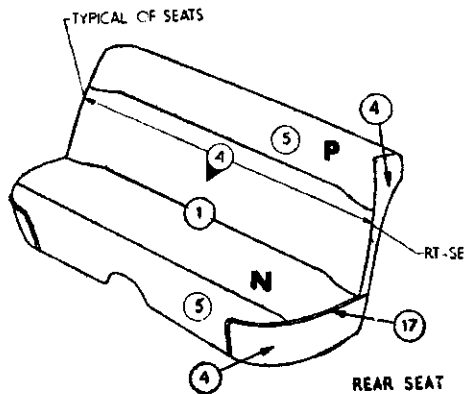


FRONT SEAT



FRONT SEAT (BACK)

FRONT DOOR & REAR QUARTER ARM RESTS



REAR SEAT

DISTRIBUTION OF MATERIAL

1	BODY CLOTH	1
3	HEADLINING	
4	IMITATION LEATHER	32-CH-22
5	IMITATION LEATHER	32A-CH-22
6	IMITATION LEATHER	34-DA-22
7	IMITATION LEATHER	34A-DA-22
8	IMITATION LEATHER	.012-L-22
9	IMITATION LEATHER	21-BE-67
10	IMITATION LEATHER	.012A-L-22
13	IMITATION LEATHER	19-C-22
16	LACE	
17	EXTRUDED VINYL	
18	FLOOR COVERING-FRONT-RUBBER	
19	FLOOR COVERING-REAR-RUBBER	
20	FLOOR COVERING-LUGG. COMPT. PRINTED JUTE	
22	CARDBOARD	
25	HARDBOARD	
26	FELT	
30	PLASTIC	
31	PAINT	
32	METAL	
36	MYLAR	
38	MOULDED RESIN	
39	PLASTISOL	

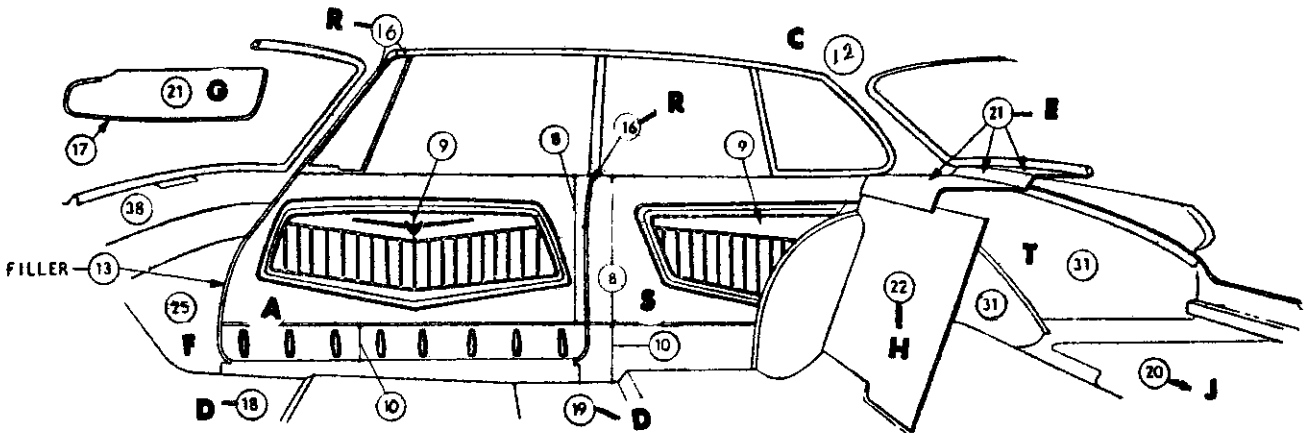
Distribution Drawing Legend Page Appears Following Illustration Section

Codes 501, 504, 505

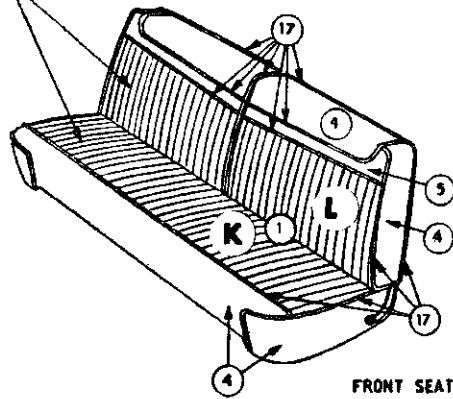
SVL-211

1962 VALIANT SV1-L 2 DOOR SEDAN
CLOTH & IMITATION LEATHER COMB.

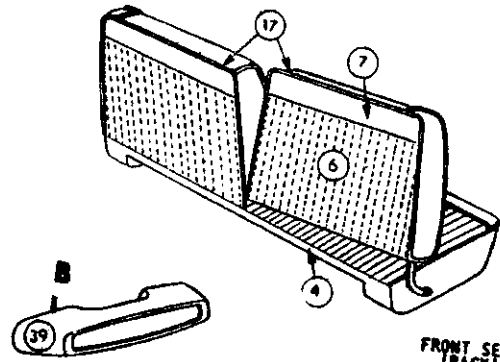
1962 VALIANT - S SERIES



STITCHED DESIGN



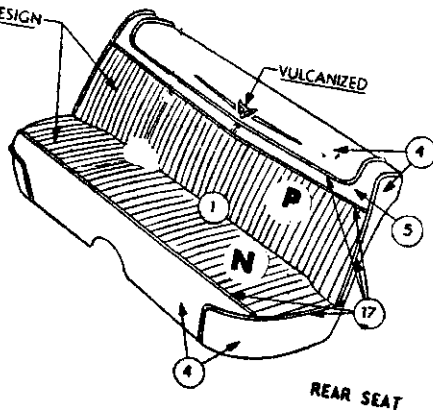
FRONT SEAT



FRONT DOOR & REAR QUARTER ARM RESTS

FRONT SEAT (BACK)

STITCHED DESIGN



REAR SEAT

DISTRIBUTION OF MATERIAL

1	BODY CLOTH	1
4	IMITATION LEATHER	32-CH-22
5	IMITATION LEATHER	32A-CH-22
6	IMITATION LEATHER	34-DB-22
7	IMITATION LEATHER	34-DA-22
8	IMITATION LEATHER	21-CM-22
9	IMITATION LEATHER	21A-CM-22
10	IMITATION LEATHER	.012-L-22
12	IMITATION LEATHER	13, 5-C-81
13	IMITATION LEATHER	19-C-22
16	LACE	
17	EXTRUDED VINYL	
18	FLOOR COVERING-FRONT-CARPET	
19	FLOOR COVERING-REAR-CARPET	
20	FLOOR COVERING-LUGG. COMPT, PRINTED JUTE	
21	EMBOSSED CARDBOARD	
22	CARDBOARD	
25	HARDBOARD	
30	PLASTIC	
31	PAINT	
32	METAL	
33	MOULDING	
36	MYLAR	
38	MOULDED RESIN	
39	PLASTISOL	

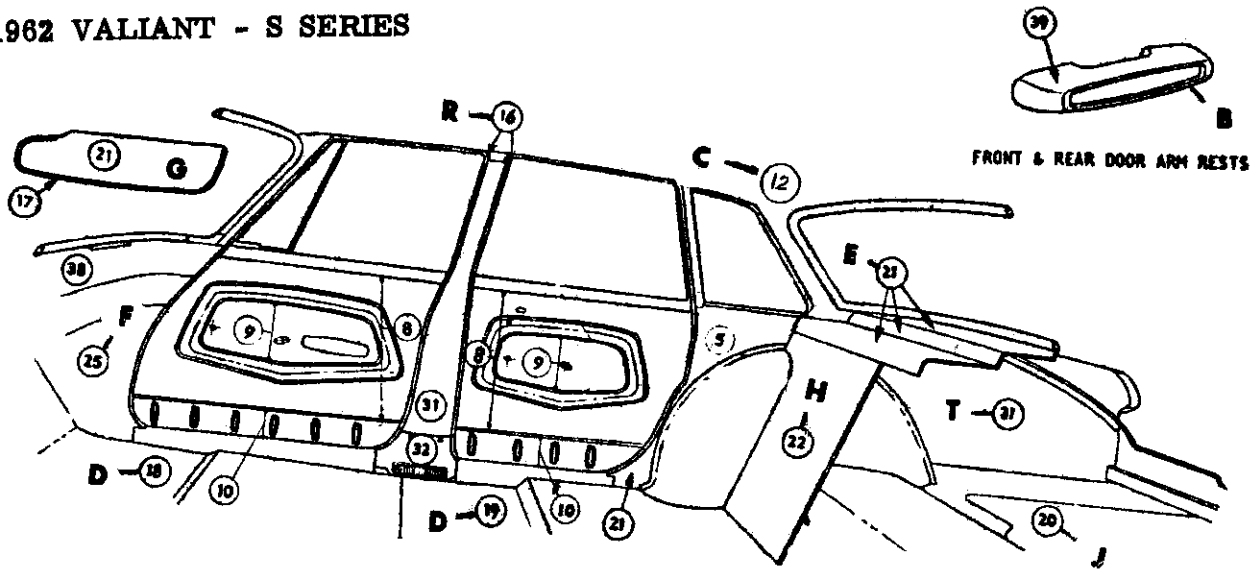
Distribution Drawing Legend Page Appears Following Illustration Section

Codes 521, 522, 525

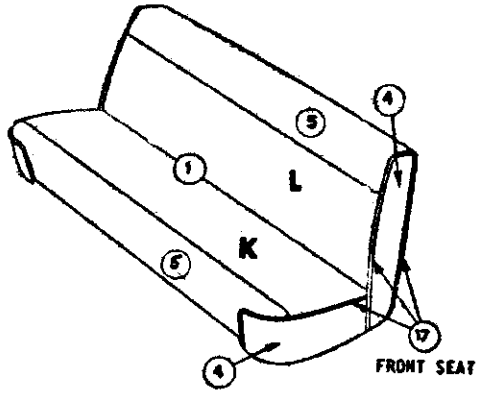
SVH-211

1962 VALIANT SV1-H 2 DOOR SEDAN
CLOTH & IMITATION LEATHER COMB.

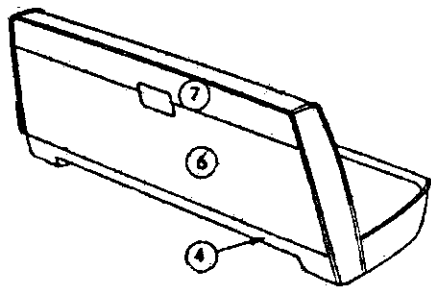
1962 VALIANT - S SERIES



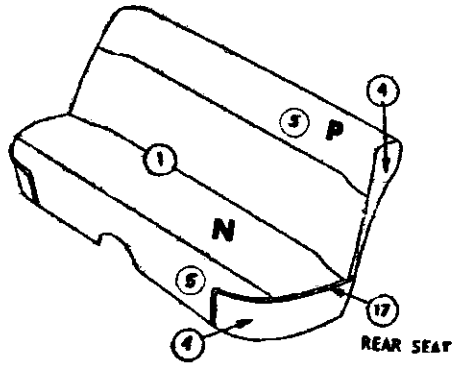
FRONT & REAR DOOR ARM RESTS



FRONT SEAT



FRONT SEAT [BACK]



REAR SEAT

DISTRIBUTION OF MATERIAL

1	BODY CLOTH	1
4	IMITATION LEATHER	32-CH-22
5	IMITATION LEATHER	32A-CH-22
6	IMITATION LEATHER	34-DA-22
7	IMITATION LEATHER	34A-DA-22
8	IMITATION LEATHER	.012-L-22
9	IMITATION LEATHER	21-BE-67
10	IMITATION LEATHER	.012A-L-22
12	IMITATION LEATHER	12-Y-71
16	LACE	
17	EXTRUDED VINYL	
18	FLOOR COVERING-FRONT-RUBBER	
19	FLOOR COVERING-REAR-RUBBER	
20	FLOOR COVERING-LUGG. COMPT. PRINTED JUTE	
21	EMBOSSED CARDBOARD	
22	CARDBOARD	
25	HARDBOARD	
30	PLASTIC	
31	PAINT	
32	METAL	
33	MOULDING	
36	MYLAR	
38	MOULDED RESIN	
39	PLASTISOL	

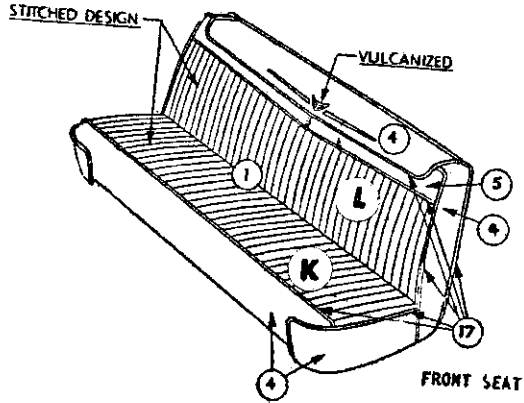
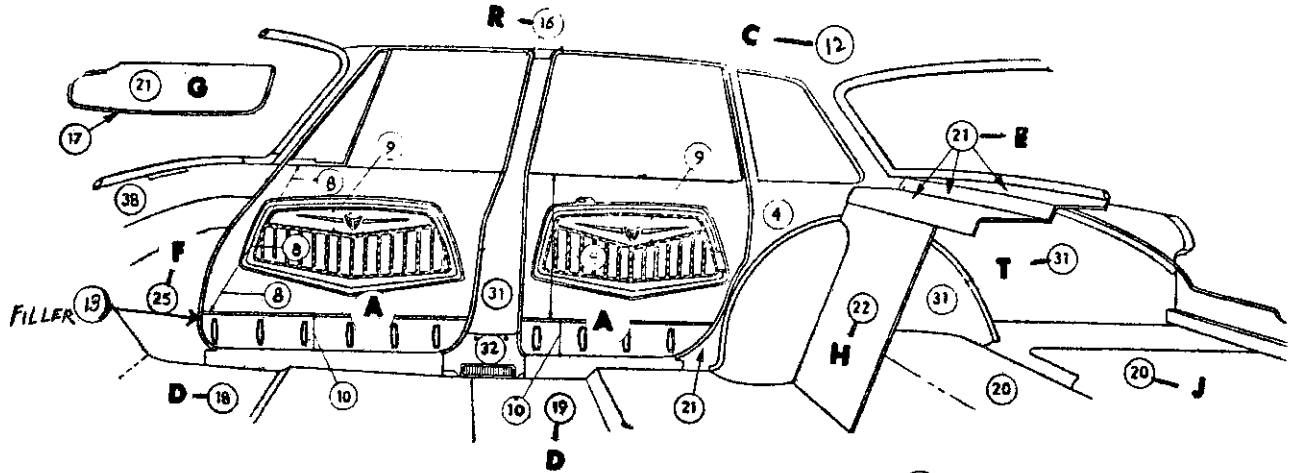
Distribution Drawing Legend Page Appears Following Illustration Section

Codes 501, 504, 505

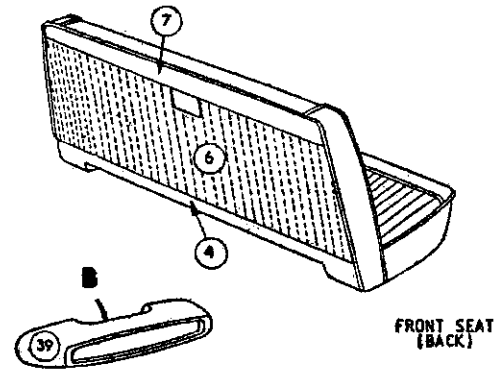
SVL-411

1962 VALIANT SV1-L 4 DOOR SEDAN
CLOTH & IMITATION LEATHER COMB.

1962 VALIANT - S SERIES

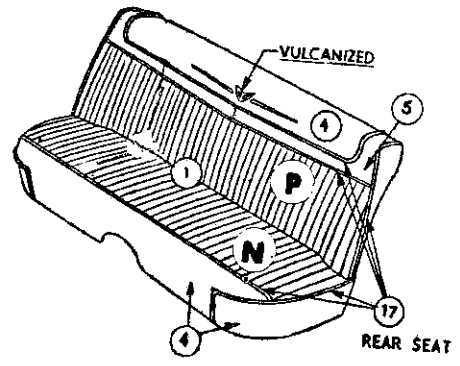


FRONT SEAT



FRONT & REAR DOOR ARM RESTS

FRONT SEAT (BACK)



REAR SEAT

DISTRIBUTION OF MATERIAL

- 1 BODY CLOTH I
- 3 HEADLINING
- 4 IMITATION LEATHER 32-CH-22
- 5 IMITATION LEATHER 32A-CH-22
- 6 IMITATION LEATHER 34-DB-22
- 7 IMITATION LEATHER 34-DA-22
- 8 IMITATION LEATHER 21-CM-22
- 9 IMITATION LEATHER 21A-CM-22
- 10 IMITATION LEATHER .012-L-22
- 12 IMITATION LEATHER 12-Y-71
- 13 IMITATION LEATHER 19-C-22
- 16 LACE
- 17 EXTRUDED VINYL
- 18 FLOOR COVERING-FRONT-CARPET
- 19 FLOOR COVERING-REAR-CARPET
- 20 FLOOR COVERING-LUGG. COMPT. PRINTED JUTE
- 21 EMBOSSED CARDBOARD
- 22 CARDBOARD
- 25 HARDBOARD
- 30 PLASTIC
- 31 PAINT
- 32 METAL
- 36 MYLAR
- 38 MOULDED RESIN
- 39 PLASTISOL

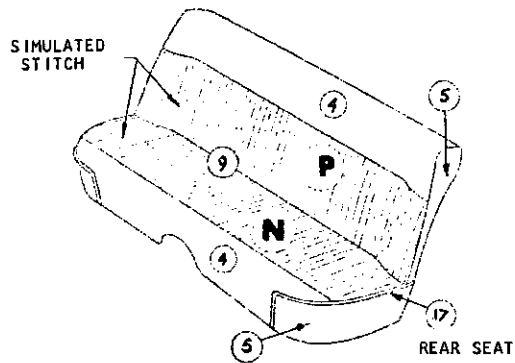
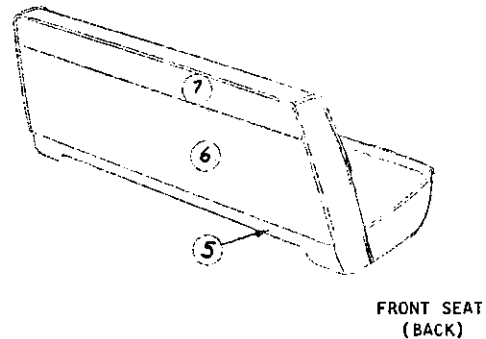
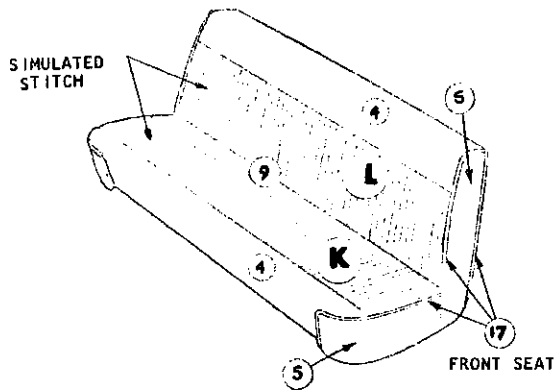
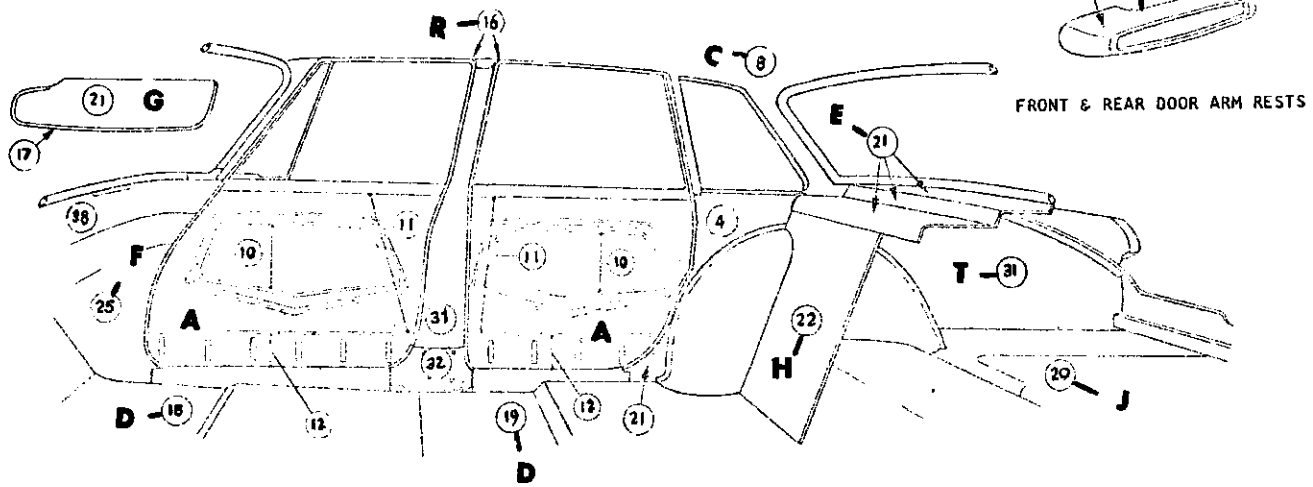
Distribution Drawing Legend Page Appears Following Illustration Section

Codes 521, 522, 525

SVH-411

1962 VALIANT SV1-H 4 DOOR SEDAN
CLOTH & IMITATION LEATHER COMB.

1962 VALIANT - S SERIES



DISTRIBUTION OF MATERIAL

4	IMITATION LEATHER	32-CH-22
5	IMITATION LEATHER	32A-CH-22
6	IMITATION LEATHER	34-DA-22
7	IMITATION LEATHER	34A-DA-22
8	IMITATION LEATHER	18-T-16
9	IMITATION LEATHER	32-DG-22
10	IMITATION LEATHER	21-BE-67
11	IMITATION LEATHER	.012-L-22
12	IMITATION LEATHER	.012A-L-22
16	LACE	
17	EXTRUDED VINYL	
18	FLOOR COVERING-FRONT-RUBBER	
19	FLOOR COVERING-REAR-RUBBER	
20	FLOOR COVERING-LUGG. COMPT. PRINTED JUTE	
21	EMBOSSED CARDBOARD	
22	CARDBOARD	
25	HARDBOARD	
30	PLASTIC	
31	PAINT	
32	METAL	
33	MOULDING	
36	MYLAR	
38	MOULDED RESIN	
39	PLASTISOL	

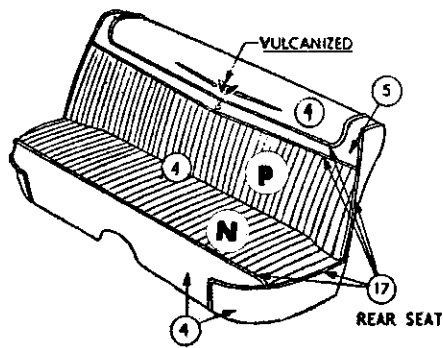
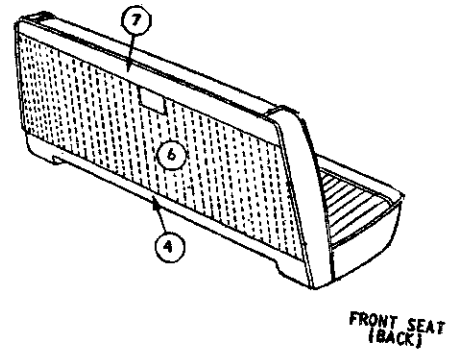
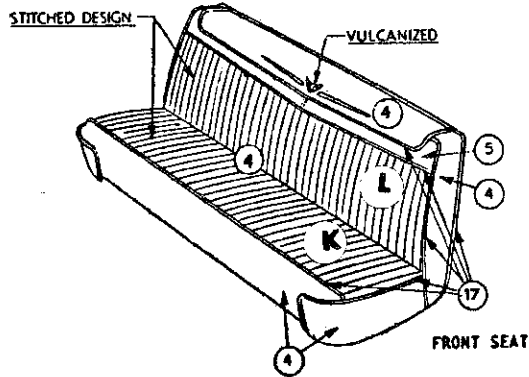
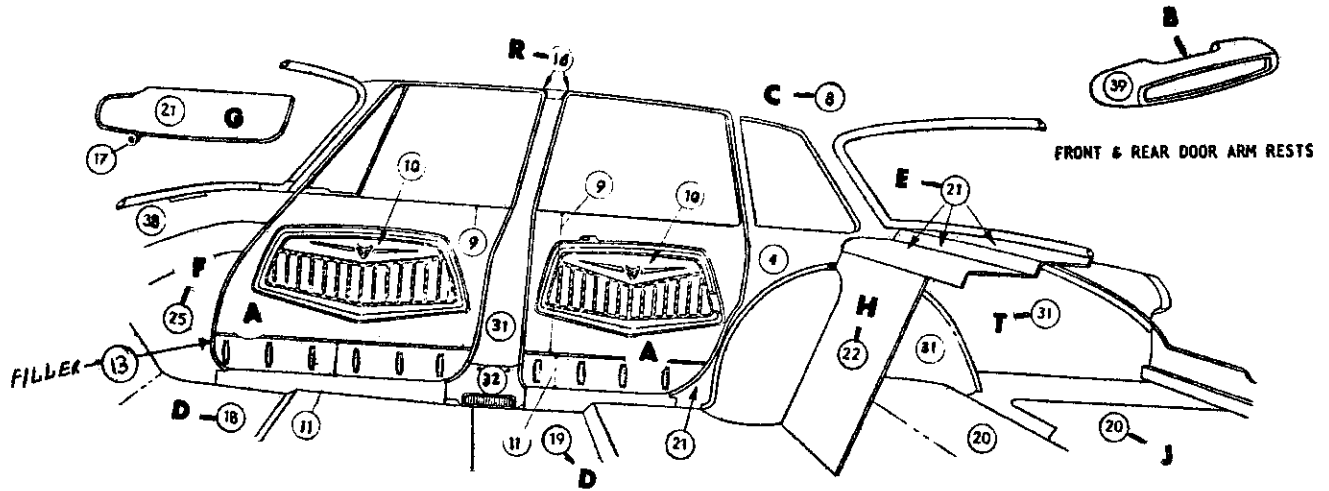
Distribution Drawing Legend Page Appears Following Illustration Section

Code 564

SVL-414

1962 VALIANT SV1-L 4 DOOR SEDAN
IMITATION LEATHER

1962 VALIANT - S SERIES



DISTRIBUTION OF MATERIAL

4	IMITATION LEATHER	32-CH-22
5	IMITATION LEATHER	32A-CH-22
6	IMITATION LEATHER	34-DB-22
7	IMITATION LEATHER	34DA-22
8	IMITATION LEATHER	18-T-16
9	IMITATION LEATHER	21-CM-22
10	IMITATION LEATHER	21A-CM-22
11	IMITATION LEATHER	.012-L-22
13	IMITATION LEATHER	19-C-22
16	LACE	
17	EXTRUDED VINYL	
18	FLOOR COVERING-FRONT-CARPET	
19	FLOOR COVERING-REAR-CARPET	
20	FLOOR COVERING-LUGG.COMPT.PRINTED JUTE	
21	EMBOSSSED CARDBOARD	
22	CARDBOARD	
25	HARDBOARD	
30	PLASTIC	
31	PAINT	
32	METAL	
33	MOULDING	
36	MYLAR	
38	MOULDED RESIN	
39	PLASTISOL	

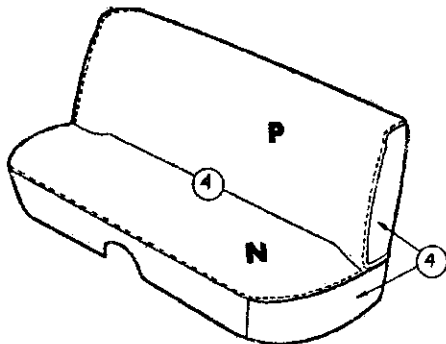
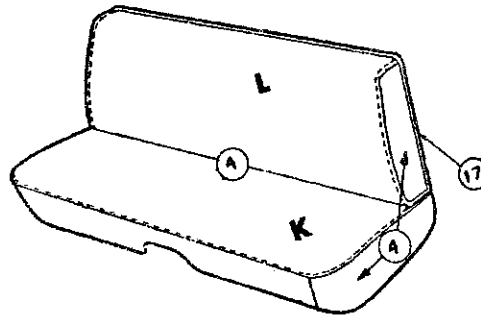
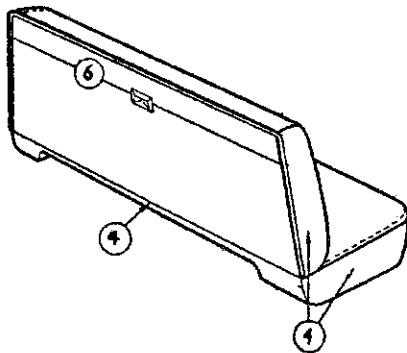
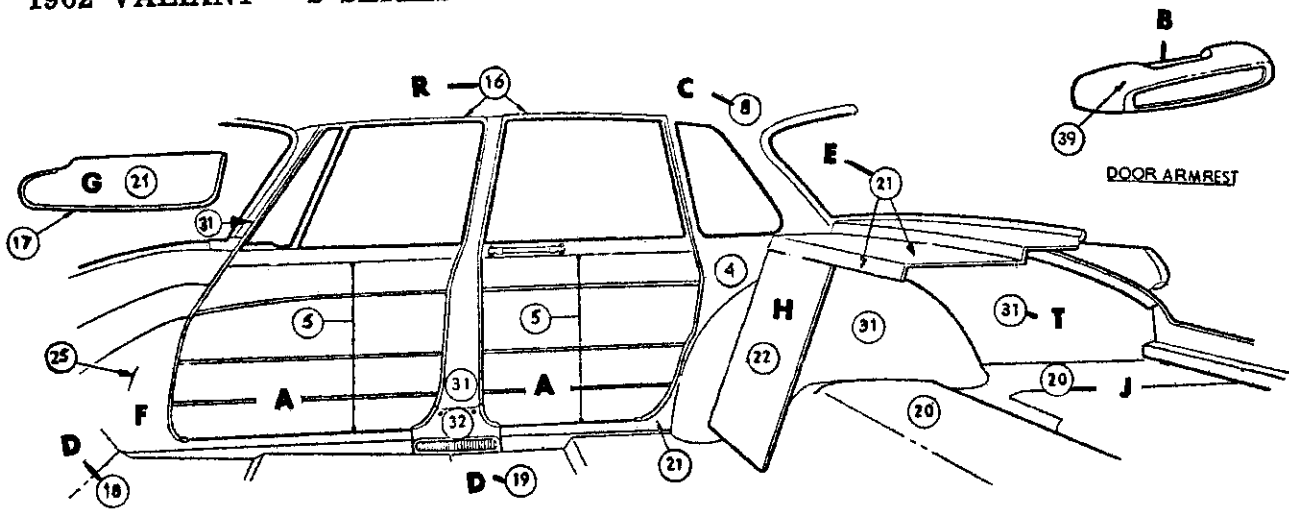
Distribution Drawing Legend Page Appears Following Illustration Section

Codes 571, 573, 575

SVH-414

1962 VALIANT SV1-H 4 DOOR SEDAN
IMITATION LEATHER

1962 VALIANT - S SERIES



DISTRIBUTION OF MATERIAL

- 4 IMITATION LEATHER 32-CH-22
- 5 IMITATION LEATHER 19-CT-22
- 6 IMITATION LEATHER 34-DA-22
- 8 IMITATION LEATHER 12-Y-71
- 16 LACE
- 17 EXTRUDED VINYL
- 18 FLOOR COVERING-FRONT-RUBBER
- 19 FLOOR COVERING-REAR-RUBBER
- 20 FLOOR COVERING-LUGG. COMPT. PRINTED JUTE
- 21 EMBOSSED CARDBOARD
- 25 HARDBOARD
- 30 PLASTIC
- 31 PAINT
- 32 METAL
- 33 MOULDING
- 36 MYLAR
- 38 MOULDED RESIN
- 39 PLASTISOL

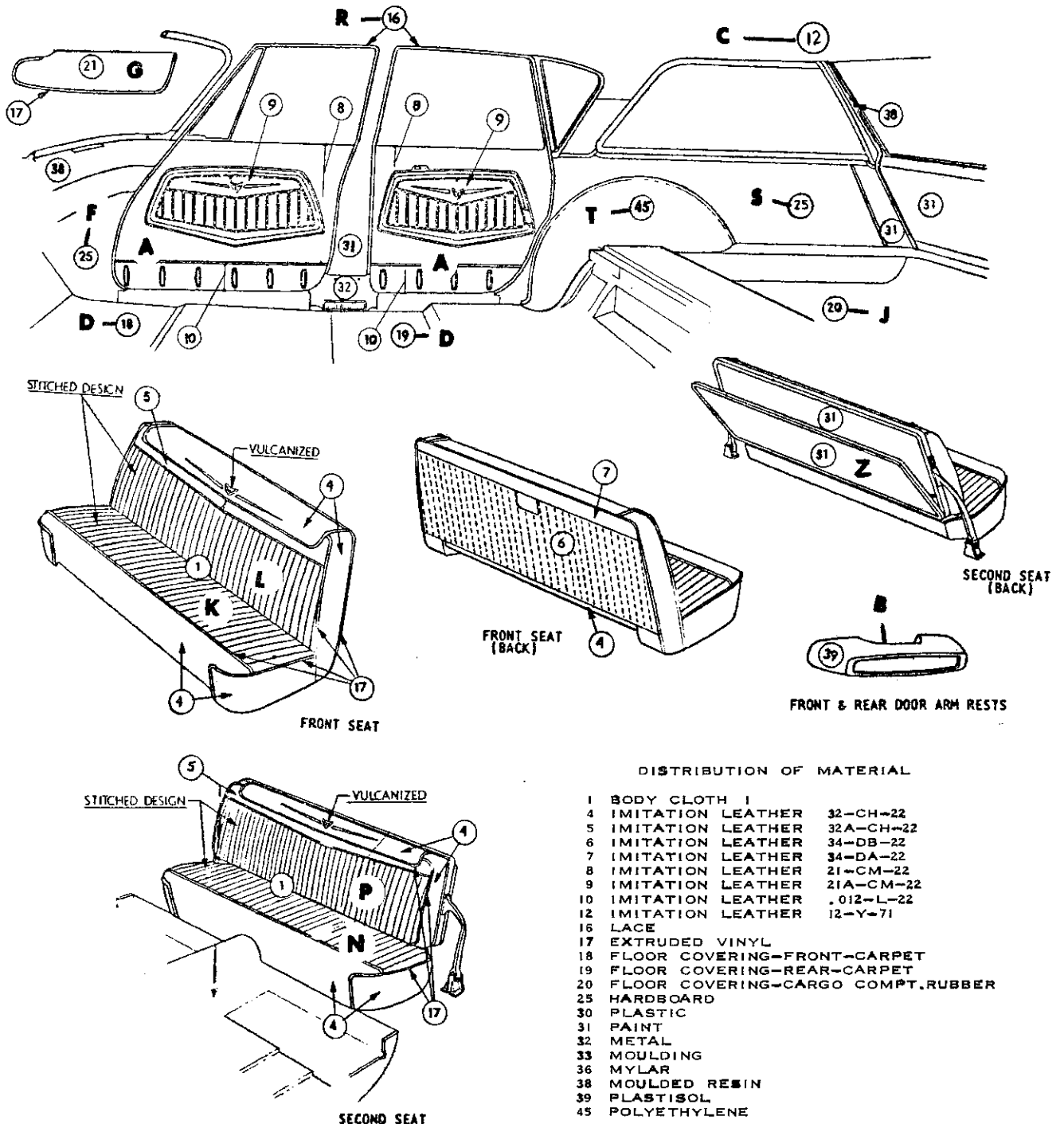
Distribution Drawing Legend Page Appears Following Illustration Section

Code 594

SVL-414A

1962 VALIANT SV1-L 4 DOOR SEDAN
IMITATION LEATHER TRIM

1962 VALIANT - S SERIES



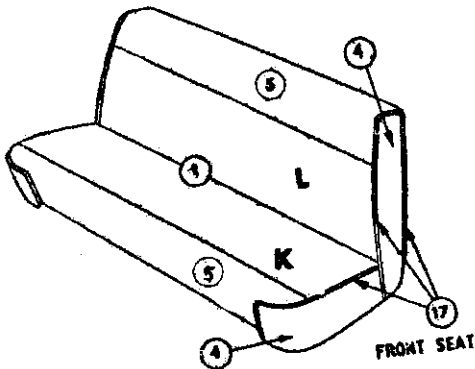
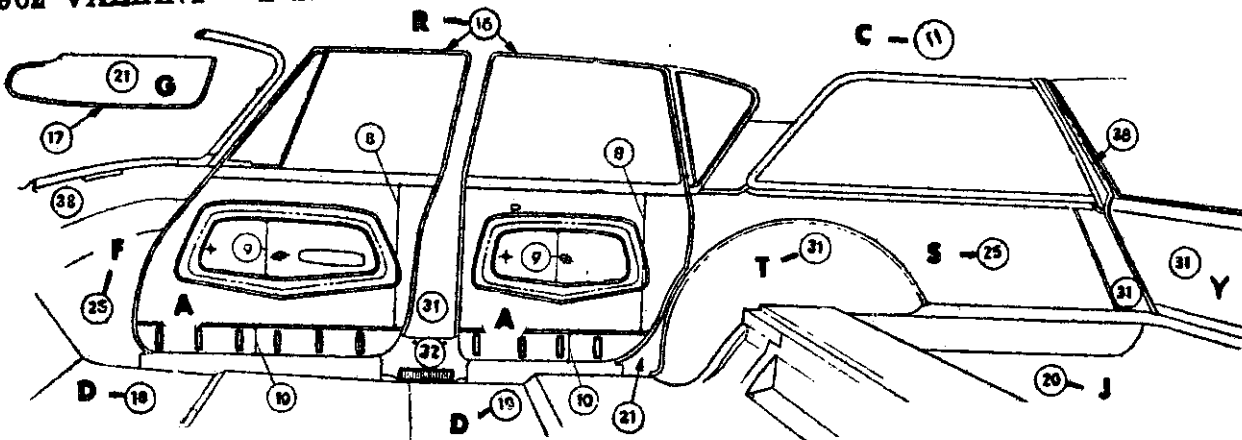
Distribution Drawing Legend Page Appears Following Illustration Section

Codes 521, 522, 525

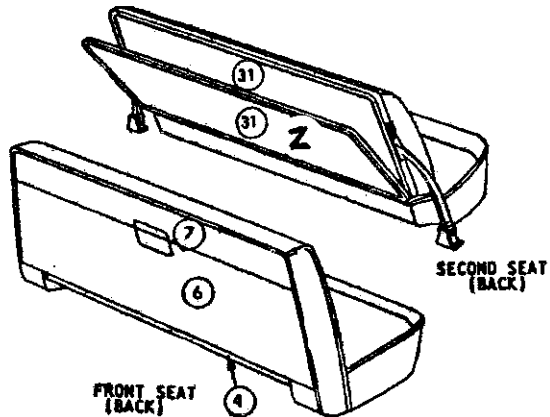
SVH-451

1962 VALIANT SV1-H 4 DOOR STATION WAGON
CLOTH & IMITATION LEATHER COMB.

1962 VALIANT - S SERIES

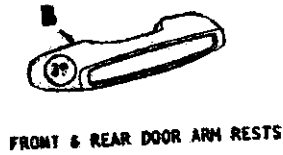


FRONT SEAT

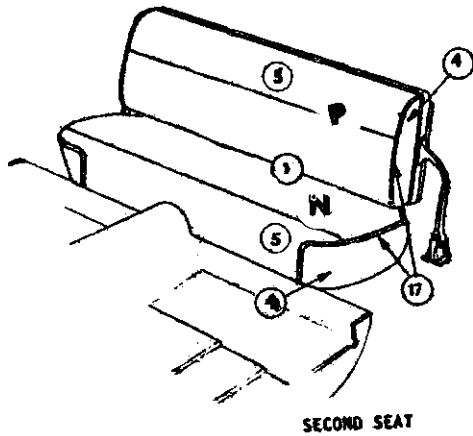


FRONT SEAT (BACK)

SECOND SEAT (BACK)



FRONT & REAR DOOR ARM RESTS



SECOND SEAT

DISTRIBUTION OF MATERIAL

- 1 BODY CLOTH I
- 4 IMITATION LEATHER 32-CH-22
- 5 IMITATION LEATHER 32A-CH-22
- 6 IMITATION LEATHER 34-DA-22
- 7 IMITATION LEATHER 34A-DA-22
- 8 IMITATION LEATHER .012-L-22
- 9 IMITATION LEATHER 21-BE-67
- 10 IMITATION LEATHER .012A-L-22
- 11 IMITATION LEATHER 12-Y-71
- 16 LACE
- 17 EXTRUDED VINYL
- 18 FLOOR COVERING-FRONT-RUBBER
- 19 FLOOR COVERING-REAR-RUBBER
- 20 FLOOR COVERING-CARGO COMPT. RUBBER
- 23 PRINTED CARDBOARD
- 25 HARDBOARD
- 30 PLASTIC
- 31 PAINT
- 32 METAL
- 33 MOULDING
- 36 MYLAR
- 38 MOULDED RESIN
- 39 PLASTISOL

Distribution Drawing Legend Page Appears Following Illustration Section

Codes 551, 554, 555

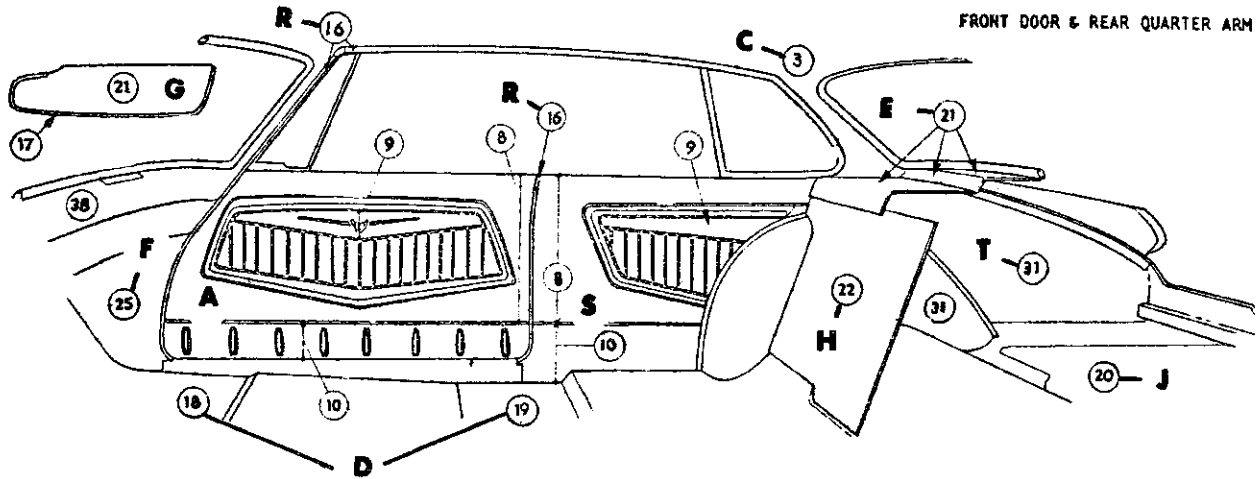
SVL-451

1962 VALIANT SV1-L 4 DOOR STATION WAGON
CLOTH & IMITATION LEATHER COMB.

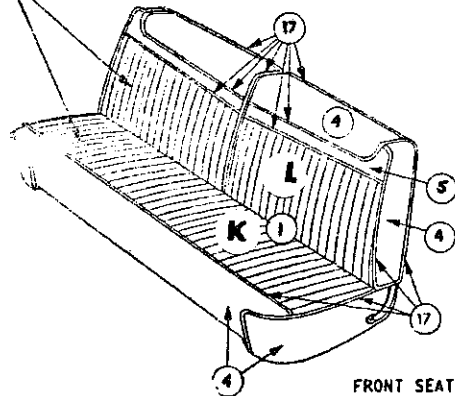
1962 VALIANT - S SERIES



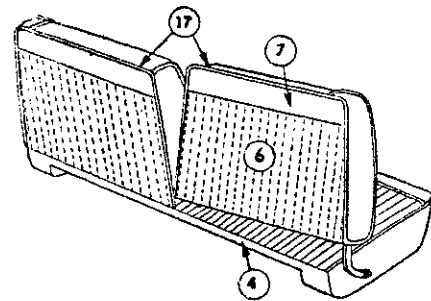
FRONT DOOR & REAR QUARTER ARM RESTS



STITCHED DESIGN

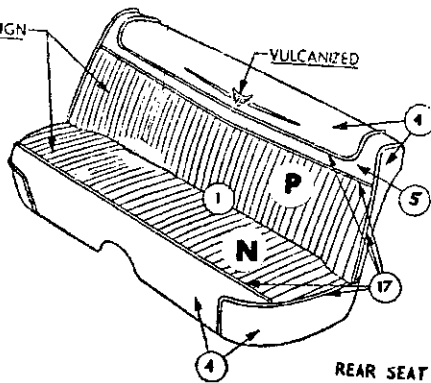


FRONT SEAT



FRONT SEAT (BACK)

STITCHED DESIGN



REAR SEAT

DISTRIBUTION OF MATERIAL

1	BODY CLOTH	I
33	HEADLINING	
4	IMITATION LEATHER	32-CH-22
5	IMITATION LEATHER	32A-CH-22
6	IMITATION LEATHER	34-DB-22
7	IMITATION LEATHER	34-DA-22
8	IMITATION LEATHER	21-CM-22
9	IMITATION LEATHER	21A-CM-22
10	IMITATION LEATHER	.012-L-22
16	LACE	
17	EXTRUDED VINYL	
18	FLOOR COVERING-FRONT-RUBBER	
19	FLOOR COVERING-REAR-RUBBER	
20	FLOOR COVERING-LUGG. COMPT. PRINTED JUTE	
21	EMBOSSED CARDBOARD	
22	CARDBOARD	
25	HARDBOARD	
30	PLASTIC	
31	PAINT	
32	METAL	
33	MOULDING	
36	MYLAR	
38	MOULDED RESIN	
39	PLASTISOL	

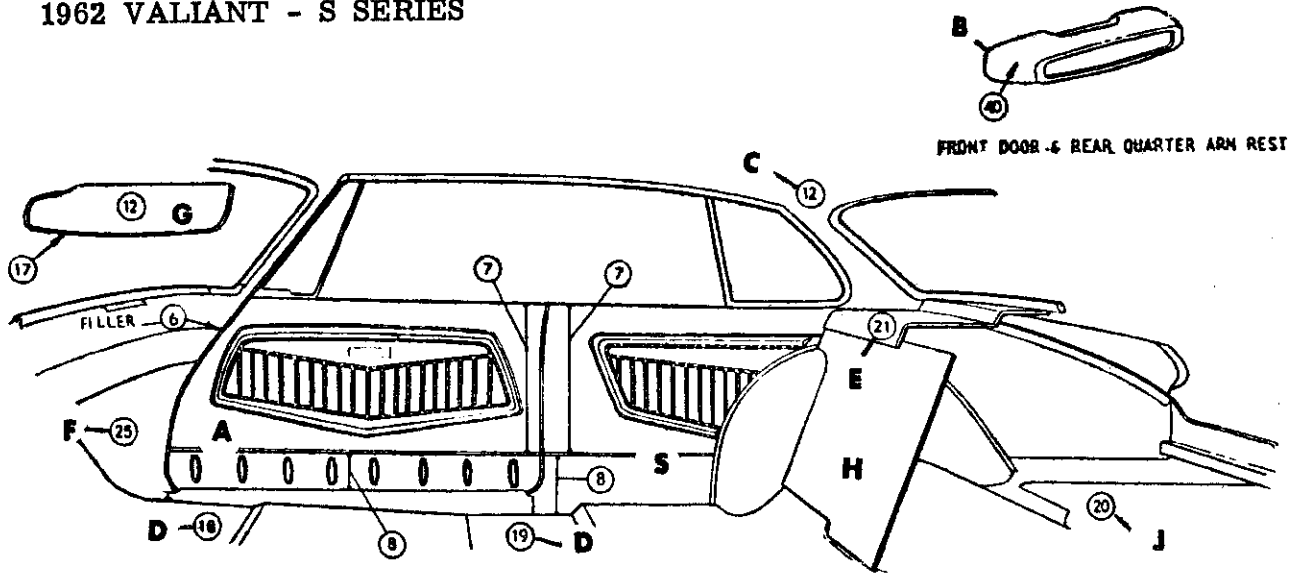
Distribution Drawing Legend Page Appears Following Illustration Section

Codes 521, 522, 525

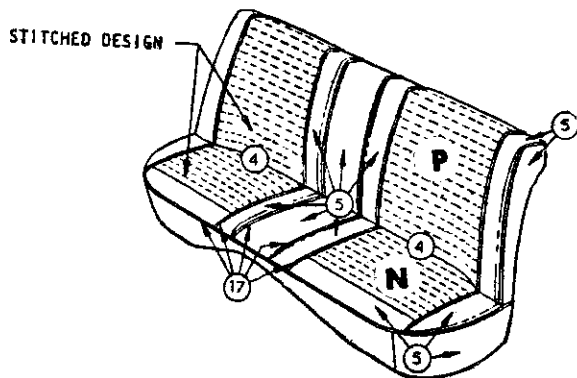
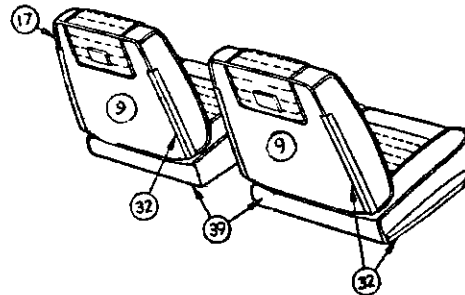
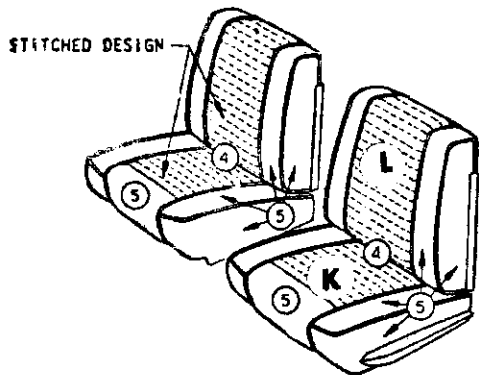
SVH-231

1962 VALIANT SV1-H 2 DOOR HARD TOP
CLOTH & IMITATION LEATHER COMB.

1962 VALIANT - S SERIES



FRONT DOOR - & REAR QUARTER ARM REST



DISTRIBUTION OF MATERIAL

4	IMITATION LEATHER	28-AM-22
5	IMITATION LEATHER	32-CH-22
6	IMITATION LEATHER	19-C-22
7	IMITATION LEATHER	21-CM-22
8	IMITATION LEATHER	.012-L-22
9	IMITATION LEATHER	16-AR-22
12	IMITATION LEATHER	15-Y-61
16	LACE	
17	EXTRUDED VINYL	
18	FLOOR COVERING-FRONT-CARPET	
19	FLOOR COVERING-REAR-CARPET	
20	FLOOR COVERING-LUGG. COMPT. PRINTED JUTE	
21	EMBOSSED CARDBOARD	
25	OSNABURG	
30	PLASTIC	
31	PAINT	
32	METAL	
36	MYLAR	
38	MOULDED RESIN	
39	CARPET	
40	PLASTISOL	

Distribution Drawing Legend Page Appears Following Illustration Section

Codes 581, 582, 583, 585

SVP-234

1962 VALIANT SV1-P 2 DOOR HARD TOP
IMITATION LEATHER

1962 VALIANT - S SERIES

Distribution Drawing Legend

See Illustrations For Letter Identification

Letter	Description	Code
A	Panel, Door Trim	23-92-5
B	Arm Rest, Door, Front	23-76-3
	Center, Front Seat	23-76-34
	Door, Rear	23-76-59
	Quarter Panel	23-76-66
C	Headlining	23-86-3
D	Floor Cover, Front, Carpet	23-79-3
	Rubber	23-20-8
	Rear, Carpet	23-79-33
	Rubber	23-20-41
E	Panel, Shelf Trim	23-102-3
F	Panel, Cowl Trim	23-91-6
G	Panel, Visor	23-103-3
H	Panel, Luggage Compartment, Front	23-96-3
J	Cover, Luggage Compartment Floor	23-20-29
K	Cover, Front Seat Cushion	23-108-5
L	Cover, Front Seat Back	23-108-16
M	Cover, Front Seat Hinge	23-108-84
N	Cover, Rear Seat Cushion	23-109-36
P	Cover, Rear Seat Back	23-109-4
Q	Cover, Rear Seat Cushion Bottom Panel	23-109-40
R	Weathercord, Door	23-113-2
	Hinge Pillar	23-113-25
	Lock Pillar	23-113-30
	w/Weatherstrip	23-66-33
S	Panel, Quarter Trim	23-101-3
T	Cover, Wheelhouse	23-96-8
U	Top Deck and Side Quarter	23-112-108
V	Curtain, Folding Top Back	23-112-45
W	Cover, Center Pillar	23-99-4
X	Panel, Folding Top Well Pocket	23-112-153
Y	Cover, Tailgate Inside Panel	23-79-79
Z	Cover, Rear Seat Back Panel	23-109-5

BODY CODE	COLUMN LEGEND
-----------	---------------

SV1-L (V-100)

111 (21) 113 (41) 156 (45A) 183 (41)	2 D. Sedan 4 D. Sedan 4 D. 6 Pass. Wagon 4 D. Sedan (Taxi)
---	---

SV1-H (V-200)

131 (21) 133 (41) 176 (45A)	2 D. Sedan 4 D. Sedan 4 D. 6 Pass. Wagon
-----------------------------------	--

STARTING SERIAL NUMBERS

	Detroit Built	St. Louis Built	Newark Built	Los Angeles Built
SV1-L (V100)	1122-100001	1127-100001	1126-100001	1125-100001
SV1-L (V100 Suburban)	1522-100001	1527-100001	1526-100001	1525-100001
SV1-H (V200)	1322-100001	1327-100001	1326-100001	1325-100001
SV1-H (V200 Suburban)	1722-100001	1727-100001	1726-100001	1725-100001
SV1-P (Signet 200)	1422-100001	1427-100001	1426-100001	1425-100001

TRIM CODE	MODEL	MATERIAL			COLOR	SED.	SP. 4 D.	SUB.	SP. CL. CP.	CV. CP.
		Cloth	Vinyl	Leather						
501	V1-L	★	★	-	Gray and Blue	★	-	-	-	-
504	V1-L	★	★	-	Gray	★	-	-	-	-
505	V1-L	★	★	-	Gray and Red	★	-	-	-	-
521	V1-H	★	★	-	Blue	★	-	★	-	-
522	V1-H	★	★	-	Green	★	-	★	-	-
525	V1-H	★	★	-	Red	★	-	★	-	-
551	V1-L	★	★	-	Gray and Blue	★	-	★	-	-
554	V1-L	★	★	-	Gray	★	-	★	-	-
555	V1-L	★	★	-	Gray and Red	★	-	★	-	-
564	V1-L	-	★	-	Gray	★	-	-	-	-
571	V1-H	-	★	-	Blue	★	-	-	-	-
573	V1-H	-	★	-	Cocoa	★	-	-	-	-
575	V1-H	-	★	-	Red	★	-	-	-	-
599	V1-H	-	★	-	Gray	★	-	-	-	-
594	V1-L	-	★	-	Gray	★	-	-	-	-
581	V1-P	-	★	-	Blue	-	-	-	★	-
582	V1-P	-	★	-	Green	-	-	-	★	-
583	V1-P	-	★	-	Cocoa	-	-	-	★	-
585	V1-P	-	★	-	Red	-	-	-	★	-

★ Indicates use as required.
 B Indicates parts not listed in any previous parts book.
 Right and left part numbers are on same line,
 first number is right, second number is left.
 * Indicates change or addition.

CODE	REMARKS	PER CAR	SED.	SP. 4 D.	SUB.	SP. CL. CP.	CV. CP.
NOTE: RIGHT HAND AND LEFT HAND PARTS LISTED ON THE SAME LINE. Whenever right and left hand parts are identified by consecutive part numbers, they will be listed as in the following example: PANEL, Door Trim 2083 344-5 Interpreted, this indicates that Panel, right is Part No. 2083 344 and Panel, left is Part No. 2083 345.							
23-76-3	ARM REST, Front Door						
	V1-L, V1-H (gray)	2	2273 003	----	2273 003		
	(code 594) (gray)	2	2212 691				
	V1-H (codes 521, 571) (blue)	2	2273 000	----	2273 000		
	(code 522) (green)	2	2273 001	----	2273 001		
	(codes 525, 575) (red)	2	2273 004	----	2273 004		
	(code 573) (cocoa)	2	2273 002				
	(also specify screw)	2	162 091	----	162 091		
23-76-16	NUT, Door and Quarter Panel Arm Rest						
	V1-H	4	1280 134	----	1280 134	1280 134	
23-76-59	ARM REST, Rear Door						
	V1-L (codes 501, 504, 505, 551, 554, 555, 564) (gray)	2	2273 003	----	2273 003		
	(code 594)	2	2212 691				
	V1-H (codes 521, 571) (blue)	2	2273 000	----	2273 000		
	(code 522) (green)	2	2273 001	----	2273 001		
	(code 524) (gray)	2	2273 003	----	2273 003		
	(codes 525, 575) (red)	2	2273 004	----	2273 004		
	(code 573) (cocoa)	2	2273 002				
	(also specify screw)	2	162 091	----	162 091		
23-76-66	ARM REST, Rear Quarter						
	V1-L (2 D.)						
	(codes 501, 504, 505) (gray)	2	*2273 003				
	V1-P (code 581) (blue)	2	----	----	----	2273 000	
	(code 582) (green)	2	----	----	----	2273 001	
	(code 583) (cocoa)	2	----	----	----	2273 002	
	(code 585) (red)	2	----	----	----	2273 004	
23-77-3	STRAP, Assist						
	V1-L (code 594) (gray)	2	2274 841				
23-79-3	CARPET, Front Floor						
	V1-H (codes 521, 571) (blue)	1	*2274 873	----	*2274 873	*2274 873	
	(code 522) (green)	1	2274 871	----	2274 871	2274 871	
	(code 573) (cordovan)	1	2274 870				
	(codes 525, 575) (black)	1	2274 872	----	*2274 872	*2274 872	
	V1-P (code 581) (blue)	1	----	----	----	2297 201	
	(code 582) (green)	1	----	----	----	2297 202	
	(code 583) (cordovan)	1	----	----	----	2297 203	
	(code 585) (red)	1	----	----	----	2297 220	
23-79-33	CARPET, Rear Floor						
	V1-H, V1-P						
	(codes 521, 571) (blue)	1	*2272 132	----	*2272 132	*2272 132	
	(code 522) (green)	1	*2274 832	----	*2274 832	*2274 832	
	(code 573) (cordovan)	1	----	----	----	*2272 133	
	(codes 525, 575) (black)	1	2249 368	----	2249 368		
	V1-P						
	(code 581) (blue)	1	----	----	----	*2297 207	
	(code 582) (green)	1	----	----	----	*2297 208	
	(code 583) (cordovan)	1	----	----	----	*2297 209	
	(code 585) (red)	1	----	----	----	*2297 222	
23-81-3	HANDLE, Rear Door Pull-To						
	V1-L	1	1697 413				
23-82-30	HOOK, Coat Hanger						
	V1	2	2083 292	----	2083 292	2083 292	2165 837

★ Indicates use as required.

☐ Indicates parts not listed in any previous parts book.
March 8, 1963 Supersedes May 1, 1962.Prices and specifications subject to change without notice.
Right and left part numbers are on same line,
first number is right, second number is left.

* Indicates change or addition.

CODE	REMARKS	PER CAR	SED.	SP. 4 D.	SUB.	SP. CL. CP.	CV. CP.
23-84-3	PAD, Instrument Panel Trim						
	V1-L, V1-H (codes 501, 521, 551, 571) (blue)	1	2272 144	----	2272 144		
	(codes 504, 554, 564, 599)(gray)	1	2272 145	----	2272 145		
	(codes 505, 525, 555, 575)(red)	1	2272 146	----	2272 146		
	(code 573) (cocoa)	1	2272 148				
	V1-H (plastic)						
	(code 522) (green)	1	2274 843	----	2274 843		
	V1-P (code 581) (blue)	1	----	----	----	2272 144	
	(code 582) (green)	1	----	----	----	2274 843	
	(code 583) (cocoa)	1	----	----	----	2297 224	
	(code 585) (red)	1	----	----	----	2272 146	
	(fastener)	2	6008 222	----	6008 222	6008 222	
23-86-3	HEADLINING and LISTING						
	V1-L, V1-H (cloth) (codes 501, 504, 505, 525) (gray)	1	2246 674	----		2246 674	
	(code 521) (blue)	1	*2411 021	----	*2411 029	2246 675	
	(code 522) (green)	1	*2411 022	----	2274 335	*2411 022	
	(codes 564, 575, 594) (gray)	1	*2293 586				
	(code 571) (blue)	1	*2293 587				
	(code 573) (beige)	1	*2293 960				
	(codes 525, 551, 554, 555)(gray)	1	----	----	*2246 680		
	V1-L, V1-H (12 oz vinyl)						
	(codes 501, 504, 505, 525)(gray)	1	*2431 942	----		*2431 942	
	(code 521) (blue)	1	2411 021	----	2411 029	*2411 021	
	(code 522) (green)	1	2411 022	----	2411 030	*2411 022	
	(codes 564, 575, 594) (gray)	1	2411 020				
	V1-L, V1-H (15 oz. vinyl)						
	(codes 501, 504, 505, 525, 594) (gray)	1	*2431 942				
	(code 521) (blue)	1	*2431 943	----	*2431 947		
	(code 522) (green)	1	*2431 944	----	*2431 948		
	(codes 525, 551, 554, 555)(gray)	1	----	----	*2431 946		
	V1-P (code 581)	1	----	----	----	2296 251	
	(code 582)	1	----	----	----	2296 252	
(code 583)	1	----	----	----	2296 253		
(code 585)	1	----	----	----	2296 021		
23-86-10	SUPPORT, Roof Bow						
	V1 (steel) (No. 1)	1	2243 534	----	2243 534	2243 534	
	(No. 2)	1	----	----	2243 656		
(No. 3)	1	----	----	2243 657			
23-86-19	STRIP, Headlining						
	V1	1	2259 196-7	----	2259 196-7		
23-91-6	PANEL, Cowl Trim						
	V1-L, V1-H (gray) Frt.	★	2082 504-5	----	2082 504-5		
23-91-20	RETAINER, Cowl Side Trim Panel						
	V1	1	2081 958-9	----	2081 958-9	2081 958-9	
23-92-5	PANEL, Door Trim						
	V1-L (codes 501, 504, 505) (2 D.)	1	2272 490-1				
	(codes 501, 504, 505, 551, 554, 555, 564) Frt.	1	2272 440-1	----	2272 440-1		
	Rr.	1	2272 442-3	----	2272 442-3		
	(code 594) (taxi) Frt.	1	2251 002-3				
	Rr.	1	2251 004-5				
	V1-H (2 D.) (code 521)	1	2297 082-3				
	(code 522)	1	2297 084-5				
	(code 525)	1	2297 086-7				
	V1-H (4 D.) (codes 521, 571) Frt.	1	2272 444-5	----	2272 444-5		
	Rr.	1	2272 450-1	----	2272 450-1		
	(code 522) Frt.	1	2274 818-9	----	2274 818-9		
Rr.	1	2274 820-1	----	2274 820-1			

★ Indicates use as required.
 ☐ Indicates parts not listed in any previous parts book.
 Right and left part numbers are on same line,
 First number is right, second number is left.
 * Indicates change or addition.

CODE	REMARKS	PER CAR	SED.	SP. 4 D.	SUB.	SP. CL. CP.	CV. CP.
23-103-10	ARM and BRACKET, Visor V1	1	2082 676-7	----	2082 676-7		
	V1-P (chrome)	1	----	----	----	2292 380-1	
23-103-18	WASHER, Visor Arm Tension Spring V1	★	6000 106	----	6000 106	6000 106	
23-108-4	CUSHION, Front Seat						
	V1-L (2 D.) (codes 501, 504, 505)	1	2272 691				
	(w/airfoam pad)	1	2411 203				
	(w/heavy duty springs)	1	2272 692				
	(w/heavy duty springs and airfoam pad)	1	2411 204				
	V1-L (4 D.) (codes 501, 504, 505)	1	2272 673				
	(w/airfoam pad)	1	2411 191				
	(w/heavy duty springs)	1	2272 674				
	(w/heavy duty springs and airfoam pad)	1	2411 192				
	(code 564)	1	2274 276				
	(w/airfoam pad)	1	2296 034				
	V1-H (code 571)	1	2272 846				
	(code 573)	1	2293 970				
	(code 575)	1	2272 847				
	V1-H (4 D.) (w/airfoam pad)						
	(code 571)	1	2411 217				
	(code 573)	1	2411 218				
	(code 575)	1	2411 219				
	V1-L (code 594)	1	2274 325				
	(w/airfoam pad)	1	2411 209				
	V1-H (2 D.)						
	(code 521)	1	2272 755				
	(code 522)	1	2274 360				
	(code 525)	1	2272 757				
	V1-H (2 D.) (w/airfoam pad)						
	(code 521)	1	2411 223				
	(code 522)	1	2411 224				
	(code 525)	1	2411 225				
	V1-H (code 521)	1	2272 716	----	2272 716		
	(code 522)	1	2274 339	----	2274 339		
	(code 525)	1	2272 718	----	2272 718		
	V1-H (w/airfoam pad)						
	(code 521)	1	2411 211	----	2411 211		
	(code 522)	1	2411 212	----	2411 212		
	(code 525)	1	2411 213	----	2411 213		
	V1-L (codes 551, 554, 555)	1	----	----	2272 700		
	(w/airfoam pad)	1	----	----	2411 197		
	(w/heavy duty springs)	1	----	----	2272 701		
	(w/heavy duty springs and airfoam pad)	1	----	----	2411 198		
	V1-P (code 581)	1	----	----	----	2296 452-3	
	(code 582)	1	----	----	----	2296 454-5	
	(code 583)	1	----	----	----	2296 456-7	
	(code 585)	1	----	----	----	2296 458-9	
23-108-5	COVER, Front Seat Cushion						
	V1-L (2 D.) (codes 501, 504, 505)	1	2272 690				
	V1-L, V1-H (4 D.) (codes 501, 504, 505)	1	2272 672				
	(code 564)	1	2274 275				
	(code 571)	1	2272 844				
	(code 573)	1	2293 969				
	(code 575)	1	2272 845				
	(code 594)	1	2274 324				

★ Indicates use as required.

☐ Indicates parts not listed in any previous parts book.
Right and left part numbers are on same line,
first number is right, second number is left.

* Indicates change or addition.

1962 PASSENGER CAR PARTS CATALOG

CODE	REMARKS	PER CAR	SED.	SP. 4 D.	SUB.	SP. CL. CP.	CV. CP.
23-108-5	COVER, Front Seat Cushion-Cont'd						
	V1-H (2 D.)(code 521)	1	*2272 752	----	----	*2272 752	
	(code 522)	1	2274 359	----	----	2274 359	
	(code 525)	1	2272 754	----	----	2272 754	
	V1-H (code 521)	1	2272 713	----	2272 713		
	(code 522)	1	2274 338	----	2274 338		
	(code 525)	1	2272 715	----	2272 715		
	V1-L (codes 551, 554, 555)	1	----	----	2272 699		
	V1-P (code 581)	2	----	----	----	2296 399	
	(code 582)	2	----	----	----	2296 400	
	(code 583)	2	----	----	----	2296 401	
	(code 585)	2	----	----	----	2296 402	
23-108-12	SEAT, Front (less Cushion)						
	V1-L (2 D.)(codes 501, 504, 505)	1	2272 695-6				
	(w/heavy duty springs)	1	2272 711-2				
	V1-L (4 D.)(codes 501, 504, 505)	1	2272 676				
	(w/heavy duty springs)	1	2272 677				
	(ash receiver and std. springs)	1	2293 824	----	2293 835		
	(w/rubber pad and heavy duty springs)	1	----	----	2293 834		
	(code 564)	1	2274 278				
	(code 594)	1	2274 327				
	V1-H (code 521)	1	2272 722	----	2272 722		
	(code 522)	1	2274 343	----	2274 343		
	(code 525)	1	2272 724	----	2272 724		
	(code 571)	1	2272 852				
	(code 573)	1	2293 974				
	(code 575)	1	2272 853				
	V1-L (codes 551, 554, 555)	1	----	----	2272 703		
	(w/heavy duty springs)	1	----	----	2272 704		
23-108-15	SPRING and COVER, Front Seat Back						
	V1-L (codes 551, 554, 555)	1	----	----	2272 710		
	V1-H (code 521)	1	----	----	2272 743		
	(code 522)	1	----	----	2274 358		
	(code 525)	1	----	----	2272 745		
	V1-P (code 581)	2	----	----	----	2296 415	
	(code 582)	2	----	----	----	2296 416	
	(code 583)	2	----	----	----	2296 417	
	(code 585)	2	----	----	----	2296 418	
23-108-16	COVER, Front Seat Back						
	V1-L (2 D.)(codes 501, 504, 505)	1	2272 693-4				
	V1-L (4 D.)(codes 501, 504, 505)	1	2272 675				
	(code 564)	1	2274 277				
	(code 594)	1	2274 326				
	V1-H (code 571)	1	2272 850				
	(code 575)	1	2272 851				
	(code 573)	1	2293 973				
	V1-H (2 D.)(code 521)	1	⊕2272 758-9				
	(code 522)	1	⊕2274 364-5				
	(code 525)	1	⊕2272 762-3				
	V1-H (code 521)	1	2272 719	----	2272 719		
	(code 522)	1	2274 342	----	2274 342		
	(code 525)	1	2272 721	----	2272 721		
	V1-L (codes 551, 554, 555)	1	----	----	2272 702		
	V1-P (code 581)	2	----	----	----	2296 411	
	(code 582)	2	----	----	----	2296 412	
	(code 583)	2	----	----	----	2296 413	
	(code 585)	2	----	----	----	2296 414	

★ Indicates use as required.

⊕ Indicates parts not listed in any previous parts book.
May 1, 1962 Supersedes Nov. 30, 1961.Prices and specifications subject to change without notice.
Right and left part numbers are on same line,
first number is right, second number is left.

* Indicates change or addition.

CODE	REMARKS	PER CAR	SED.	SP. 4 D.	SUB.	SP. CL. CP.	CV. CP.
23-108-32	COVER or BACK, Back of Front Seat Back V1-P (cover) (code 581) (code 582) (code 583) (code 585)	2 2 2 2	---- ---- ---- ----	---- ---- ---- ----	---- ---- ---- ----	*2296 427 *2296 428 *2296 429 *2296 430	
	V1-P (back) (code 581) (code 582) (code 583) (code 585)	2 2 2 2	---- ---- ---- ----	---- ---- ---- ----	---- ---- ---- ----	2296 427 2296 428 2296 429 2296 430	
23-108-84	COVER, Cushion Frame to Back Hinge Post V1	4	----	----	----	*2172 835	*2172 835
23-108-98	SHIELD, Front Seat Back Frame Side V1-P (cushion side shield)	2 1	---- ----	---- ----	---- ----	2161 236-7 2292 492-3	
23-108-142	BRACKET, Front Seat Side Shield Support V1-P	2	----	----	----	2292 475	
23-109-3	BACK, Rear Seat V1-L (codes 501, 504, 505) (4 D.)(w/heavy duty springs) (code 564) (code 594) V1-H (code 571) (code 573) (code 575) (code 521) (code 522) (code 525)	1 1 1 1 1 1 1 1 1 1	2272 684 2272 685 2274 283 2274 332 2272 866 2293 982 2272 867 2272 737 2274 351 2272 739				
	V1-L, V1-H(spring and cover) (codes 551, 554, 555) (code 521) (code 522) (code 525) V1-P (code 581) (code 582) (code 583) (code 585)	1 1 1 1 1 1 1 1	---- ---- ---- ---- ---- ---- ---- ----	---- ---- ---- ---- ---- ---- ---- ----	2272 710 2272 743 2274 358 2272 745 ---- ---- ---- ----	*2296 107 *2296 449 *2296 108 *2296 109	
23-109-4	COVER, Rear Seat Back V1-L (codes 501, 504, 505) (codes 551, 554, 555) V1-H (code 521) (code 522) (code 525)	1 1 1 1 1	2272 683 ---- 2272 734 2274 350 2272 736	---- ---- ---- ---- ----	2272 709 2272 740 2274 357 2272 742		
	V1-L (code 564) (code 594) V1-H (code 571) (code 573) (code 575) V1-P (code 581) (code 582) (code 583) (code 585)	1 1 1 1 1 1 1 1	2274 282 2274 331 2272 864 2293 981 2272 865 ---- ---- ---- ----	---- ---- ---- ---- ---- ---- ---- ----	---- ---- ---- ---- ---- ---- ---- ----	2296 104 2296 448 2296 105 2296 106	

★ Indicates use as required.
 □ Indicates parts not listed in any previous parts book.
 Right and left part numbers are on same line,
 first number is right, second number is left.
 * Indicates change or addition.

1962 PASSENGER CAR PARTS CATALOG

CODE	REMARKS	PER CAR	SED.	SP. 4 D.	SUB.	SP. CL. CP.	CV. CP.
23-109-35	CUSHION, Rear Seat						
	V1-L (codes 501, 504, 505)	1	2272 681				
	(w/airfoam pad)	1	2293 833				
	(w/airfoam pad and heavy duty springs)	1	2293 834				
	(4 D.)(w/heavy duty springs)	1	2272 682				
	(code 564)	1	2274 281				
	(code 594)	1	2274 330				
	(w/airfoam pad)	1	2293 634				
	V1-H (code 571)	1	2272 860				
	(code 573)	1	2293 978				
	(code 575)	1	2272 861				
	(code 521)	1	2272 731	----	2272 749		
	(code 522)	1	2274 347	----	2274 354		
	(code 525)	1	2272 733	----	2272 751		
	V1-L (codes 551, 554, 555)	1	----	----	2272 708		
	V1-P (code 581)	1	----	----	----	2296 095	
	(code 582)	1	----	----	----	2296 445	
	(code 583)	1	----	----	----	2296 096	
	(code 585)	1	----	----	----	2296 097	
23-109-36	COVER, Rear Seat Cushion						
	V1-L (codes 501, 504, 505)	1	2272 680				
	(code 564)	1	2274 280				
	(code 594)	1	2274 329				
	(codes 551, 554, 555)	1	----	----	2272 707		
	V1-H (code 571)	1	2272 858				
	(code 573)	1	2293 977				
	(code 575)	1	2272 859				
	(code 521)	1	2272 728	----	2272 746		
	(code 522)	1	2274 346	----	2274 353		
	(code 525)	1	2272 730	----	2272 748		
	V1-P (code 581)	1	----	----	----	2296 092	
	(code 582)	1	----	----	----	2296 444	
	(code 583)	1	----	----	----	2296 093	
	(code 585)	1	----	----	----	2296 094	
23-109-38	RETAINER, Center Floor Pan Rear Cushion						
	V1	2	1810 037	----	----	1810 037	
23-113-50	WELT, Quarter Window Garnish Moulding to Lower Moulding V1-L (2 D.) (gray)	2	2272 153				
23-113-52	STRIP, Windshield Lower Inside						
	(code 581)	1	----	----	----	2297 304	
	(code 582)	1	----	----	----	2297 305	
	(code 583)	1	----	----	----	2297 306	
	(code 585)	1	----	----	----	2297 307	
23-113-56	WEATHERCORD, Folding Top Header						
	V1-H, V1-P (white)	1	----	----	----	E2432 958	
	(black)	1	----	----	----	E2432 959	
23-113-87	WELT, Rear Quarter Trim Panel						
	V1-H (plastic)(ser. by the inch)						
	(codes 521, 551) (blue)	★	----	----	2297 050		
	(code 522) (green)	★	----	----	2297 053		
	(code 554) (gray)	★	----	----	2297 051		
	(codes 525, 555) (red)	★	----	----	2297 052		
	(flange cover)	★	*2292 592	----	----	2292 592	

★ Indicates use as required.

□ Indicates parts not listed in any previous parts book.
March 8, 1963 Supersedes May 1, 1962.

Prices and specifications subject to change without notice.
Right and left part numbers are on same line,
first number is right, second number is left.
* Indicates change or addition.

CODE	REMARKS	PER CAR	SED.	SP. 4 D.	SUB.	SP. CL. CP.	CV. CP.
23-114-2	MATERIAL, Seat Cloth Trim V1-L (codes 501, 504, 505) (multicolor)	★	2185 340				
	V1-H (code 521) (blue)	★	2185 398	----	2185 398		
	(code 522) (green)	★	2185 481	----	2185 481		
	(code 525) (red)	★	2185 400	----	2185 400		
	V1-L (codes 551, 554, 555)(gray)	★	----	----	2185 409		
23-114-15	MATERIAL, Leather (Imitation) Trim V1-L, V1-H (codes 501, 521, 551, 571, 573)						
	(28A-AM-22)(54") (1511 gray)	★	2185 154				
	(28-AM-22) (54") (codes 521, 571) (1501-1 blue)	★	2185 141	----	2185 141	2185 141	
	(34-DB-22) (54") (1501-1 blue)	★	2185 259	----	2185 259	2185 259	
	(1504-1 cocoa)	★	2185 590				
	(32A-CH-22) (54") (codes 521, 571) (1500 blue)	★	2185 152	----	2185 152	2185 152	
	(codes 501, 551)(1511 gray)	★	2185 154	----	2185 154		
	V1-L, V1-H (28-AM-22) (54") (code 501) (1508-1 gray)	★	2185 143	----	2185 143		
	(codes 521, 571)(1501-1 blue)	★	2185 254	----	2185 254		
	(32-DG-22) (53") (1508-1 gray)	★	2185 360				
	(21A-CM-22)(54") (1500 blue)	★	2185 372	----	2185 372	2185 372	
	(21-CM-22) (54")(1501-1 blue)	★	2185 410	----	2185 410		
	(21-CM-22) (54") (1501-1 blue)	★	2185 354	----	2185 354	2185 354	
	V1-H (code 522)						
	(28-AM-22) (54")(1506-a green)	★	2185 163	----	2185 163		
	(34-DB-22) (54")(1506-1 green)	★	2185 485	----	2185 485		
	(28A-AM-22)(54") (1515 green)	★	2185 187	----	2185 187		
	(21A-CM-22)(54") (1515 green)	★	2185 385	----	2185 385		
	(21-CM-22) (54")(1506-1 green)	★	2185 361	----	2185 361		
	V1-L (codes 504, 554, 564, 594)						
	(28A-AM-22)(54") (1511 gray)	★	2185 154	----	2185 154		
	(28-AM-22) (54") (1508-1 gray)	★	2185 143				
	(32-CH-22) (code 594)(902 gray)	★	2185 336				
	(34-DB-22) (54") (1508-1 gray)	★	2185 260	----	2185 260		
	(28A-AM-22)(54") (1508 gray)	★	2185 154				
	(28-AM-22) (code 564) (1508-1 gray)	★	2185 143				
	(28A-AM-22)(code 564)(1511 gray)	★	2185 154				
	(code 594) (902 gray)	★	2185 336				
	(32-DG-22) (53") (1508-1 gray)	★	2185 360				
	(21-BE-67) (54") (1508-1 gray)	★	2185 410	----	2185 410		
	(19-CT-22) (54") (902 gray)	★	2185 074				
	V1-L, V1-H (codes 505, 525, 555, 575)						
	(28A-AM-22)(54") (1511 gray)	★	2185 154	----	2185 154		
	(28-AM-22) (54") (1508-1 gray)	★	2185 143				
	(codes 525, 575)(1509 red)	★	2185 150	----	2185 150	2185 150	
	(34-DB-22) (54") (1509 red)	★	2185 261	----	2185 261	2185 261	
	(28A-AM-22)(54") (1511 gray)	★	2185 154				
	(28-AM-22) (54") (1508-1 gray)	★	2185 143	----	2185 143		
	(28A-AM-22)(code 525)(1509 red)	★	2185 150	----	2185 150	2185 150	
	(21-BE-67) (54") (1508-1 gray)	★	2185 410	----	2185 410		
	(21A-CM-22)(54") (1511 gray)	★	2185 374	----	2185 374	2185 374	
	(21-CM-22) (54") (1509 red)	★	2185 371				

★ Indicates use as required.

☐ Indicates parts not listed in any previous parts book.

Right and left part numbers are on same line,
first number is right, second number is left.

* Indicates change or addition.

1962 PASSENGER CAR PARTS CATALOG

INTERIOR TRIM

CODE	REMARKS	PER CAR	SED.	SP. 4 D.	SUB.	SP. CL. CP.	CV. CP.
23-114-15	MATERIAL, Leather (Imitation) Trim - Cont'd V1-P (codes 581, 582, 583, 585) (18-AR-22) (54") (1501-1 blue)	★	----	----	----	2186 063	
	(1506-1 green)	★	----	----	----	2186 064	
	(1504-1 cocoa)	★	----	----	----	2186 065	
	(1509 red)	★	----	----	----	2186 066	
	(28-AM-22) (50") (1501-1 blue)	★	----	----	----	2185 141	
	(code 582) (1506-1 green)	★	----	----	----	2185 163	
	(code 583) (1504-1 cocoa)	★	----	----	----	2185 142	
	(code 585) (1509 red)	★	----	----	----	2185 150	
	(32-CH-22) (54") (1501-1 blue)	★	----	----	----	2185 254	
	(code 582) (1506-1 green)	★	----	----	----	2185 163	
	(28-AM-22) (code 583)		----	----	----		
	(1504-1 cocoa)	★	----	----	----	2185 142	
	(code 585) (1509 red)	★	----	----	----	2185 150	
	(19-C-22) (54") (1501-1 blue)	★	----	----	----	2185 147	
	(code 582) (1506-1 green)	★	----	----	----	2185 167	
	(code 583) (1504-1 cocoa)	★	----	----	----	2185 148	
	(code 585) (1509 red)	★	----	----	----	2185 151	
	(21-CM-22) (54") (1501-1 blue)	★	----	----	----	2185 354	
	(code 582) (1506-1 green)	★	----	----	----	2185 361	
	(code 583) (1504-1 cocoa)	★	----	----	----	2185 355	
	(code 585) (1509 red)	★	----	----	----	2185 371	
23-115-4	NUT, Front Seat Cushion to Back Mounting V1-P (up to serial No. 27-15868) (push nut) (after)	4	----	----	----	*1918 296	*1918 296
	V1 (2 D.)	2	*2160 648			*2410 102	*2410 102
23-115-6	SCREW, Front Seat Cushion to Back Mounting V1-P (up to serial No. 27-15868) (pin) (after)	4	----	----	----	*1918 587	*1918 587
		4	----	----	----	*2410 054	*2410 054

NOTES

★ Indicates use as required.

⊠ Indicates parts not listed in any previous parts book.
March 8, 1963 Supersedes May 1, 1962.

Page IT-64B

Printed in U.S.A.
Prices and specifications subject to change without notice.
Right and left part numbers are on same line,
first number is right, second number is left.

* Indicates change or addition.