

1962 DODGE  
1962 DART  
1962 LANCER

## INTERIOR TRIM

### HOW TO USE INTERIOR TRIM ILLUSTRATIONS

The illustrations in this section are actual and each body style showing the Interior Trim is included.

The letters shown on the illustration indicate the description of the part and the part type code when referred to the legend which appears preceding the listing of the parts. The letters are consistent throughout the illustrations as "A" is always a Door Trim Panel, Code 23-92-5.

The numbers on the illustration indicate the distribution of material and type of material used. The numbers may vary with each illustration. The legend appears on the illustration.

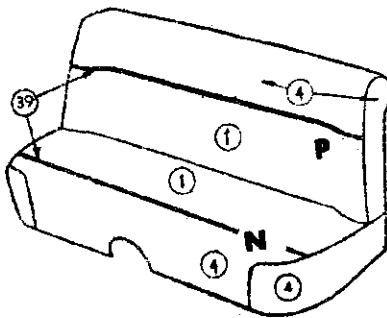
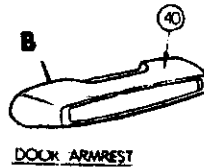
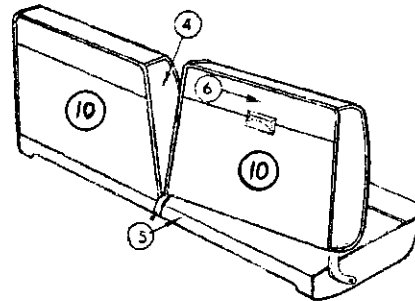
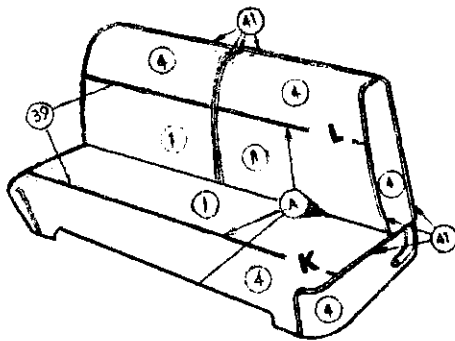
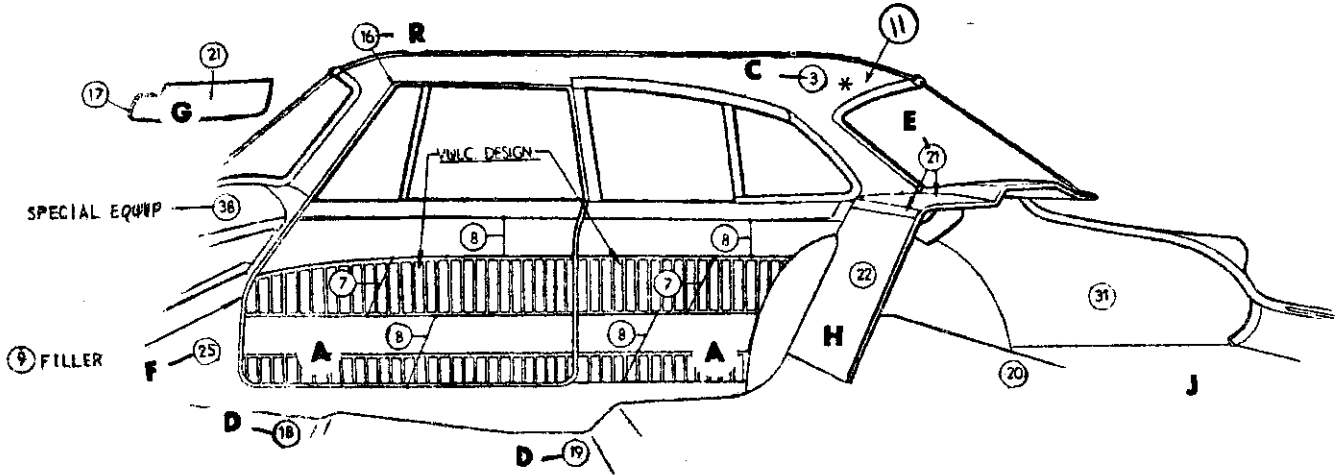
For complete information on "How to Order" Trim Parts, see Mopar Parts Price List.

D  
O  
D  
G  
E

D  
A  
R  
T

L  
A  
N  
C  
E  
R

1962 LANCER AND DART - S SERIES



DISTRIBUTION OF MATERIAL

- 1 BODY CLOTH 1
- 2 BODY CLOTH 2
- 3 HEADLINING
- 4 IMITATION LEATHER 32-CH-22
- 5 IMITATION LEATHER 32A-CH-22
- 6 IMITATION LEATHER 34-DA-22
- 7 IMITATION LEATHER 21A-BE-22
- 8 IMITATION LEATHER 21-BE-22
- 9 IMITATION LEATHER 19-C-22
- 10 IMITATION LEATHER 25A-CV-22
- 11 IMITATION LEATHER 12-Y-71
- 16 LACE
- 17 EXTRUDED VINYL
- 18 FLOOR COVERING-FRONT
- 19 FLOOR COVERING-REAR
- 20 FLOOR COVERING-LUGG. COMPT.
- 21 EMBOSSSED CARDBOARD
- 22 CARDBOARD
- 23 PRINTED CARDBOARD
- 25 HARDBOARD
- 30 PLASTIC
- 31 PAINT
- 32 METAL
- 33 MOULDING
- 36 MYLAR
- 38 MOULDED RESIN
- 39 EXTRUDED VINYL WELT NO. 2
- 40 PLASTISOL
- 41 EXTRUDED VINYL WELT NO. 1
- \* CLOTH TO USE VINYL

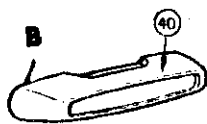
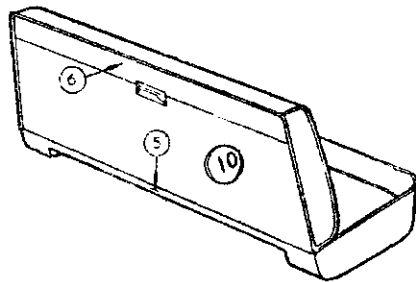
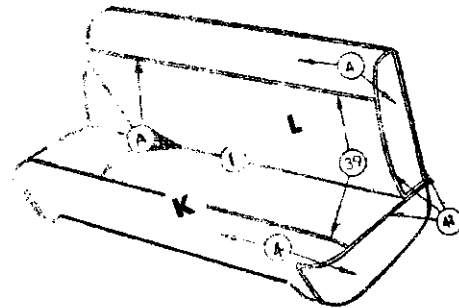
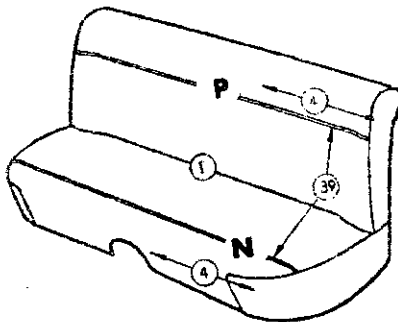
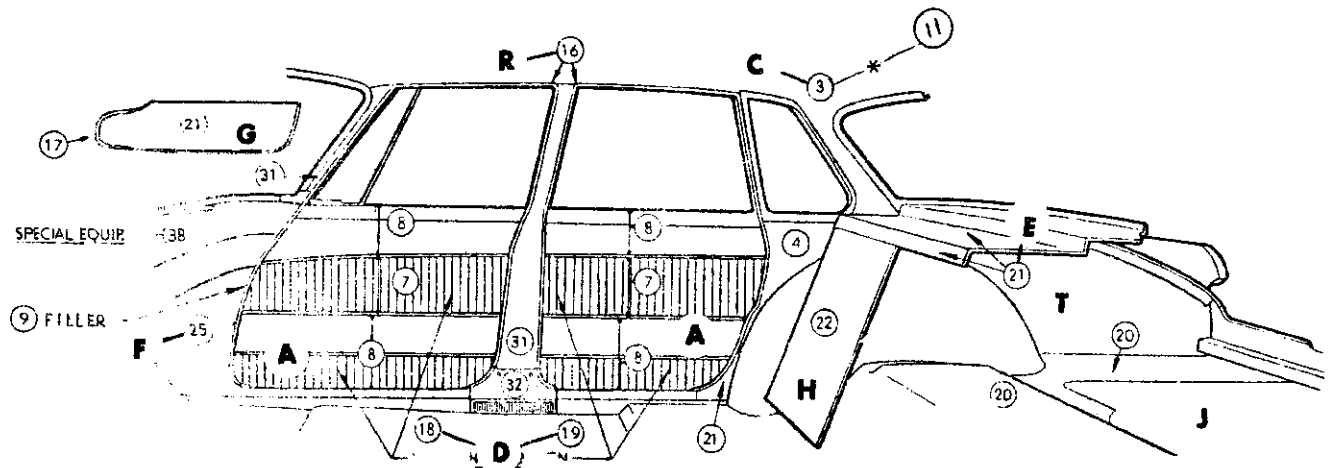
Distribution Drawing Legend Page Appears Following Illustration Section

Codes 611, 614, 615

SLL-211A

1962 LANCER SL1-L CLUB SEDAN  
CLOTH AND IMITATION LEATHER

1962 LANCER AND DART - S SERIES



FRONT & REAR DOOR ARMREST

DISTRIBUTION OF MATERIAL

- 1 BODY CLOTH 1
- 2 BODY CLOTH 2
- 3 HEADLINING
- 4 IMITATION LEATHER 32-CH-22
- 5 IMITATION LEATHER 32A-CH-22
- 6 IMITATION LEATHER 34-DA-22
- 7 IMITATION LEATHER 21A-BE-22
- 8 IMITATION LEATHER 21-BE-22
- 9 IMITATION LEATHER 19-C-22
- 10 IMITATION LEATHER 25A-CV-22
- 11 IMITATION LEATHER 12-Y-71
- 16 LACE
- 17 EXTRUDED VINYL
- 18 FLOOR COVERING-FRONT-RUBBER
- 19 FLOOR COVERING-REAR-RUBBER
- 20 FLOOR COVERING-LUGG. COVERING-LUGG. PRINTED JUTE
- 21 EMBOSSED CARDBOARD
- 22 CARDBOARD
- 23 CARDBOARD
- 25 HARDBOARD
- 30 PLASTIC
- 31 PAINT
- 32 METAL
- 33 MOULDING
- 36 MYLAR
- 38 MOULDED RESIN
- 39 EXTRUDED VINYL WELT NO. 2
- 40 PLASTISOL

\* CLOTH TO USE VINYL

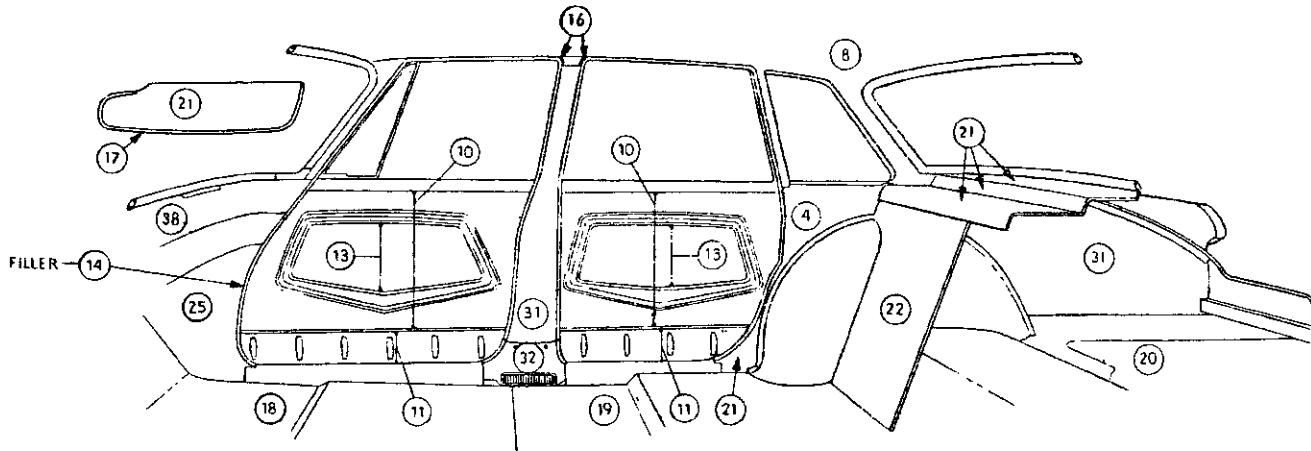
Distribution Drawing Legend Page Appears Following Illustration Section

Codes 611, 614, 615

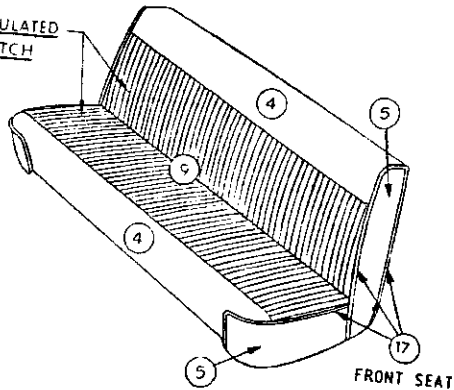
SLL-411A

1962 LANCER SL1-L 4 DOOR SEDAN  
IMITATION LEATHER AND CLOTH

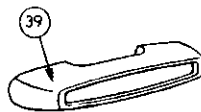
1962 LANCER AND DART - S SERIES



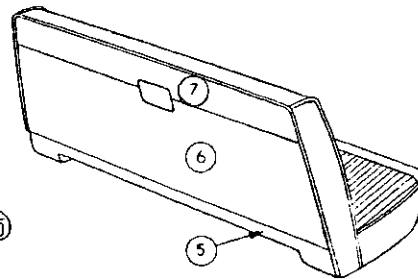
SIMULATED STITCH



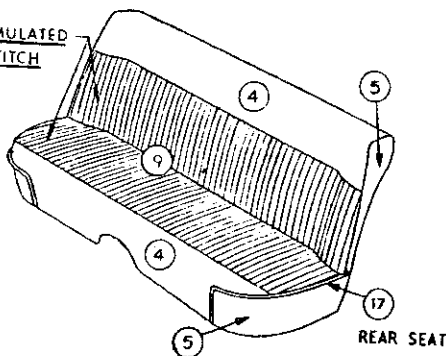
FRONT & REAR DOOR ARM RESTS



FRONT SEAT (BACK)



SIMULATED STITCH



DISTRIBUTION OF MATERIAL

4	IMITATION LEATHER	28-CH-22
5	IMITATION LEATHER	28A-CH-22
6	IMITATION LEATHER	28-DA-22
7	IMITATION LEATHER	28-DA-22
8	IMITATION LEATHER	18-T-16
9	IMITATION LEATHER	32-DG-22
10	IMITATION LEATHER	.012-L-22
11	IMITATION LEATHER	.012A-L-22
13	IMITATION LEATHER	21-BE-67
14	IMITATION LEATHER	19-C-22
16	LACE	
17	EXTRUDED VINYL	
18	FLOOR COVERING-FRONT-RUBBER	
19	FLOOR COVERING-REAR-RUBBER	
20	FLOOR COVERING-LUGG. COMPT. PRINTED JUTE	
21	EMBOSSED CARDBOARD	
22	CARDBOARD	
23	PRINTED CARDBOARD	
25	HARDBOARD	
31	PAINT	
32	METAL	
36	MYLAR	
38	MOULDED RESIN	

Distribution Drawing Legend Page Appears Following Illustration Section

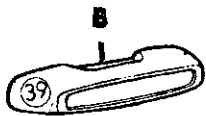
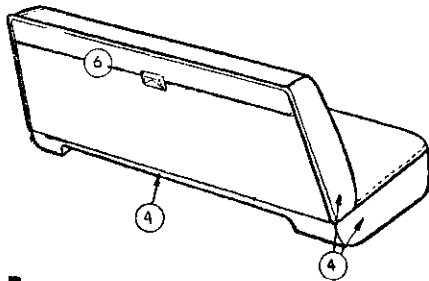
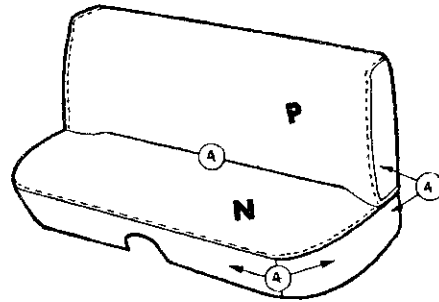
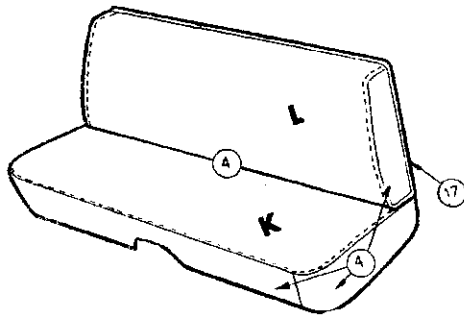
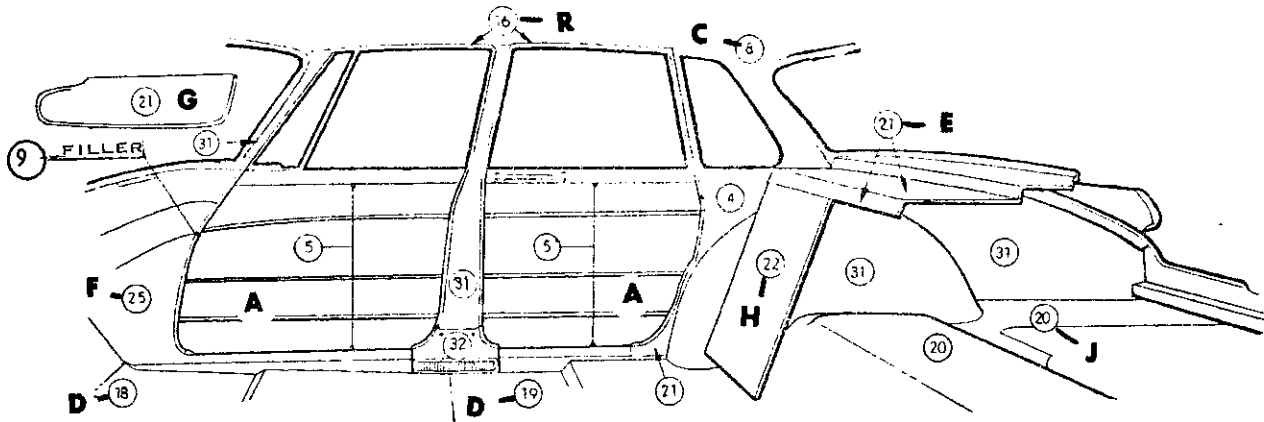
Code 664

SLL-414

1962 LANCER SL1-L 4 DOOR SEDAN  
IMITATION LEATHER



1962 LANCER AND DART - S SERIES



DOOR ARMREST

DISTRIBUTION OF MATERIAL

- 4 IMITATION LEATHER 32-CH-22
- 5 IMITATION LEATHER 19-CT-22
- 6 IMITATION LEATHER 32-DA-22
- 8 IMITATION LEATHER 12-Y-71
- 9 IMITATION LEATHER 19-C-22
- 16 LACE
- 17 EXTRUDED VINYL
- 18 FLOOR COVERING-FRONT-RUBBER
- 19 FLOOR COVERING-REAR-RUBBER
- 20 FLOOR COVERING-LUGG. COMPT, PRINTED JUTE
- 21 EMBOSSED CARDBOARD
- 22 CARDBOARD
- 25 HARDBOARD
- 30 PLASTIC
- 31 PAINT
- 32 METAL
- 36 MYLAR
- 39 PLASTISOL

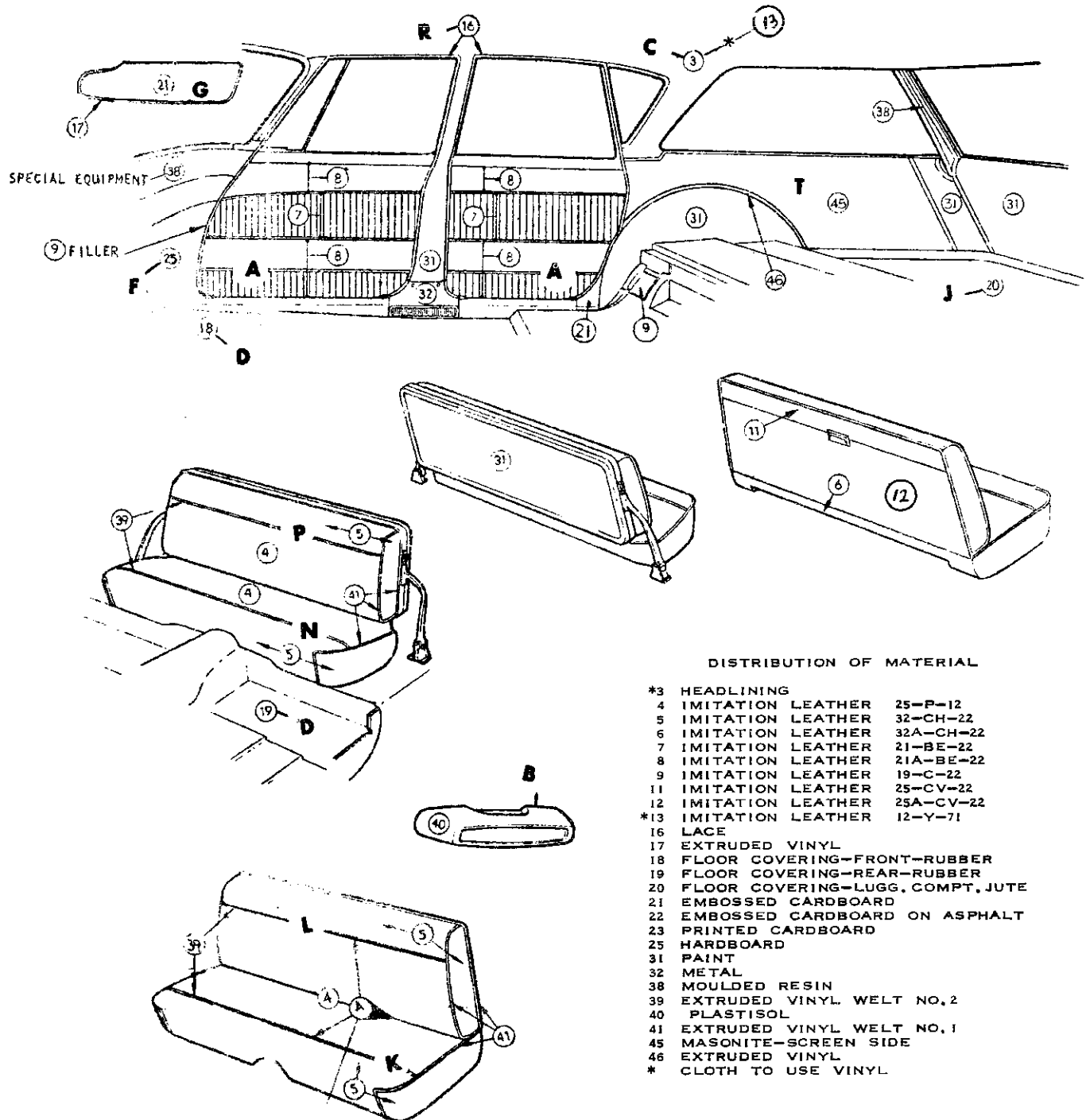
Distribution Drawing Legend Page Appears Following Illustration Section

Code 694

SLL-414A

1962 LANCER SL1-L 4 DOOR SEDAN  
IMITATION LEATHER COMBINATION

1962 LANCER AND DART - S SERIES



DISTRIBUTION OF MATERIAL

- \*3 HEADLINING
- 4 IMITATION LEATHER 25-P-12
- 5 IMITATION LEATHER 32-CH-22
- 6 IMITATION LEATHER 32A-CH-22
- 7 IMITATION LEATHER 21-BE-22
- 8 IMITATION LEATHER 21A-BE-22
- 9 IMITATION LEATHER 19-C-22
- 11 IMITATION LEATHER 25-CV-22
- 12 IMITATION LEATHER 25A-CV-22
- \*13 IMITATION LEATHER 12-Y-71
- 16 LACE
- 17 EXTRUDED VINYL
- 18 FLOOR COVERING-FRONT-RUBBER
- 19 FLOOR COVERING-REAR-RUBBER
- 20 FLOOR COVERING-LUGG. COMPT. JUTE
- 21 EMBOSSED CARDBOARD
- 22 EMBOSSED CARDBOARD ON ASPHALT
- 23 PRINTED CARDBOARD
- 25 HARDBOARD
- 31 PAINT
- 32 METAL
- 38 MOULDED RESIN
- 39 EXTRUDED VINYL WELT NO. 2
- 40 PLASTISOL
- 41 EXTRUDED VINYL WELT NO. 1
- 45 MASONITE-SCREEN SIDE
- 46 EXTRUDED VINYL
- \* CLOTH TO USE VINYL

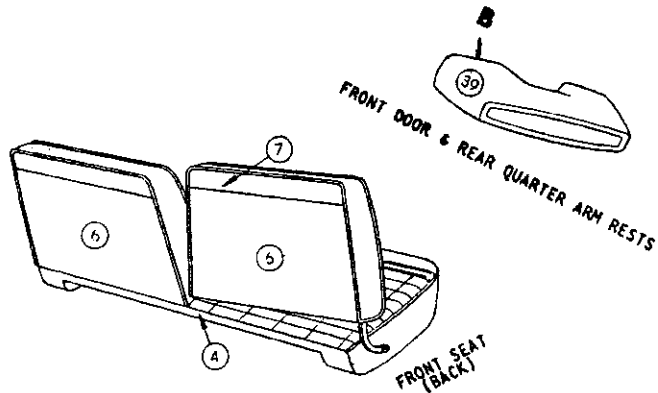
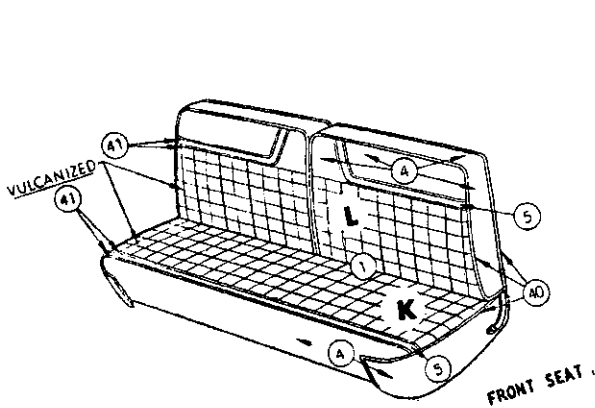
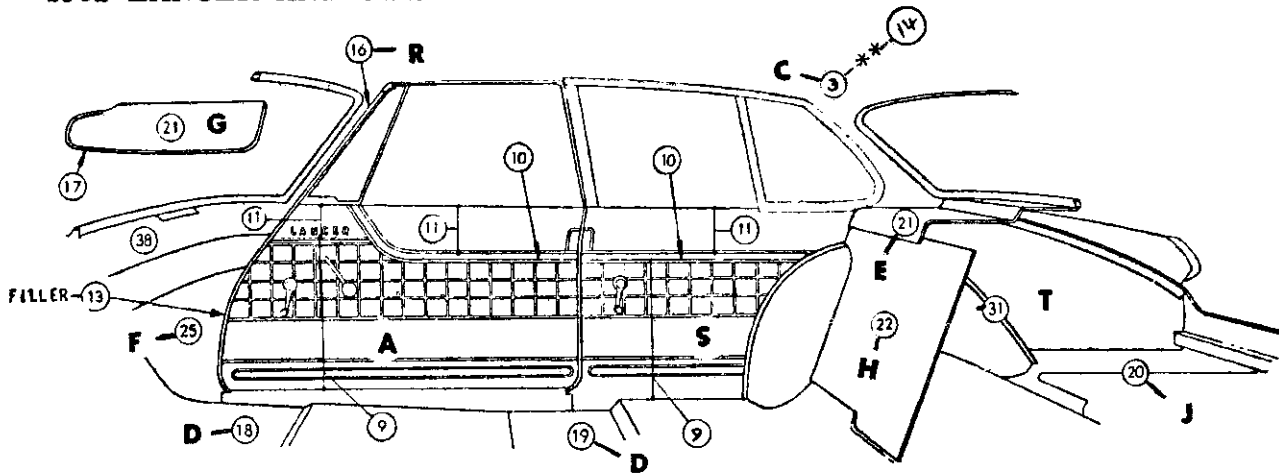
Distribution Drawing Legend Page Appears Following Illustration Section

Codes 641, 644, 645

SLL-454A

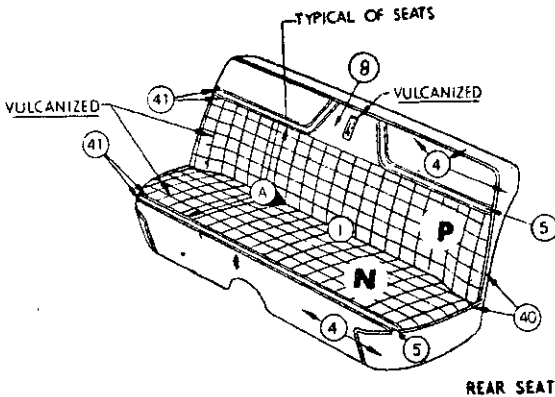
1962 LANCER SL1-L 4 DOOR STATION WAGON  
IMITATION LEATHER COMBINATION

1962 LANCER AND DART - S SERIES



DISTRIBUTION OF MATERIAL

- \*\* CLOTH TO USE VINYL
- 1 BODY CLOTH I
- 3 HEADLINING
- \*4 IMITATION LEATHER 32-CH-22
- 5 IMITATION LEATHER 28A-CH-22
- 6 IMITATION LEATHER 28-DA-22
- 7 IMITATION LEATHER 28A-DA-22
- 8 IMITATION LEATHER 46-DH-22
- 9 IMITATION LEATHER .012-L-22
- 10 IMITATION LEATHER 21A-CM-22
- 11 IMITATION LEATHER 21-CM-22
- 13 IMITATION LEATHER 19-C-22
- \*\*14 IMITATION LEATHER 12-Y-71
- 16 LACE
- 17 EXTRUDED VINYL
- 18 FLOOR COVERING-FRONT-RUBBER
- 19 FLOOR COVERING-REAR-RUBBER
- 20 FLOOR COVERING-LUGG. COMPT. PRINTED JUTE
- 21 EMBOSSED CARDBOARD
- 22 CARDBOARD
- 25 HARDBOARD
- 30 PLASTIC
- 31 PAINT
- 32 METAL
- 36 MYLAR
- 38 MOULDED RESIN
- 39 PLASTISOL
- 40 EXTRUDED VINYL WELT NO. 1
- 41 EXTRUDED VINYL WELT NO. 2
- \* 28-CH-22 CODES 632-633-635



Distribution Drawing Legend Page Appears Following Illustration Section

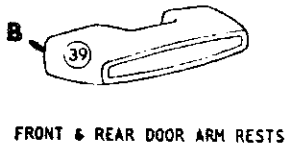
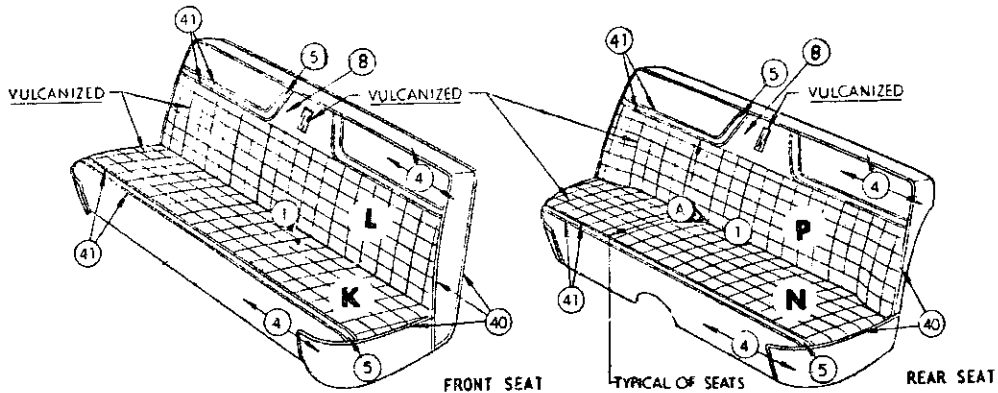
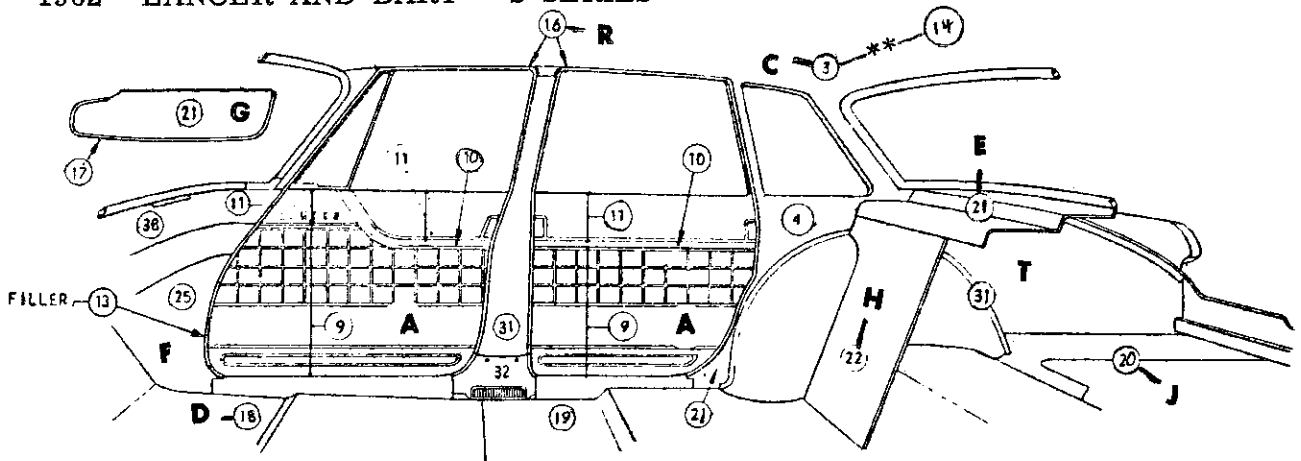
Codes 631, 632, 633, 635

SLH-211

1962 LANCER SL1-H 2 DOOR SEDAN  
CLOTH AND IMITATION LEATHER



1962 LANCER AND DART - S SERIES



FRONT & REAR DOOR ARM RESTS

DISTRIBUTION OF MATERIAL

- \*\* CLOTH TO USE VINYL
- 1 BODY CLOTH 1
- \*\*3 HEADLINING
- \*4 IMITATION LEATHER 32-CH-22
- 5 IMITATION LEATHER 28A-CH-22
- 6 IMITATION LEATHER 28-DA-22
- 7 IMITATION LEATHER 28A-DA-22
- 8 IMITATION LEATHER 46-DH-22
- 9 IMITATION LEATHER .012-L-22
- 10 IMITATION LEATHER 21A-CM-22
- 11 IMITATION LEATHER 21-CM-22
- 13 IMITATION LEATHER 19-C-22
- \*\*14 IMITATION LEATHER 12-Y-71
- 16 LACE
- 17 EXTRUDED VINYL
- 18 FLOOR COVERING-FRONT-RUBBER
- 19 FLOOR COVERING-REAR-RUBBER
- 20 FLOOR COVERING-CARGO COMPT, PRINTED JUTE
- 21 EMBOSSED CARDBOARD
- 22 EMBOSSED CARDBOARD ON ASPHALT
- 25 HARDBOARD
- 31 PAINT
- 32 METAL
- 38 MOULDED RESIN
- 39 PLASTISOL
- 40 EXTRUDED VINYL WELT NO.1
- 41 EXTRUDED VINYL WELT NO.2
- \* 28-CH-22 CODES 632-633-635

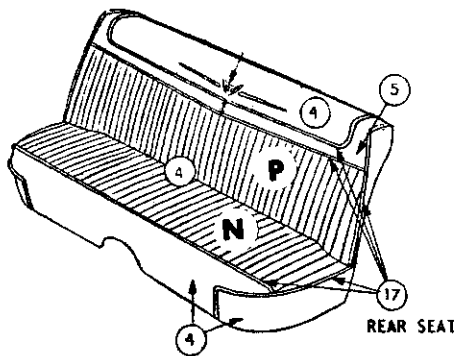
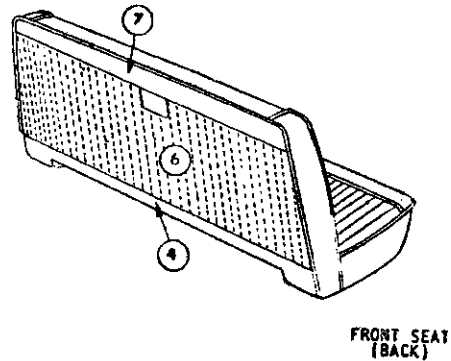
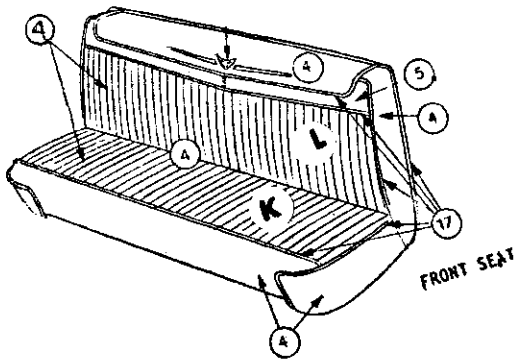
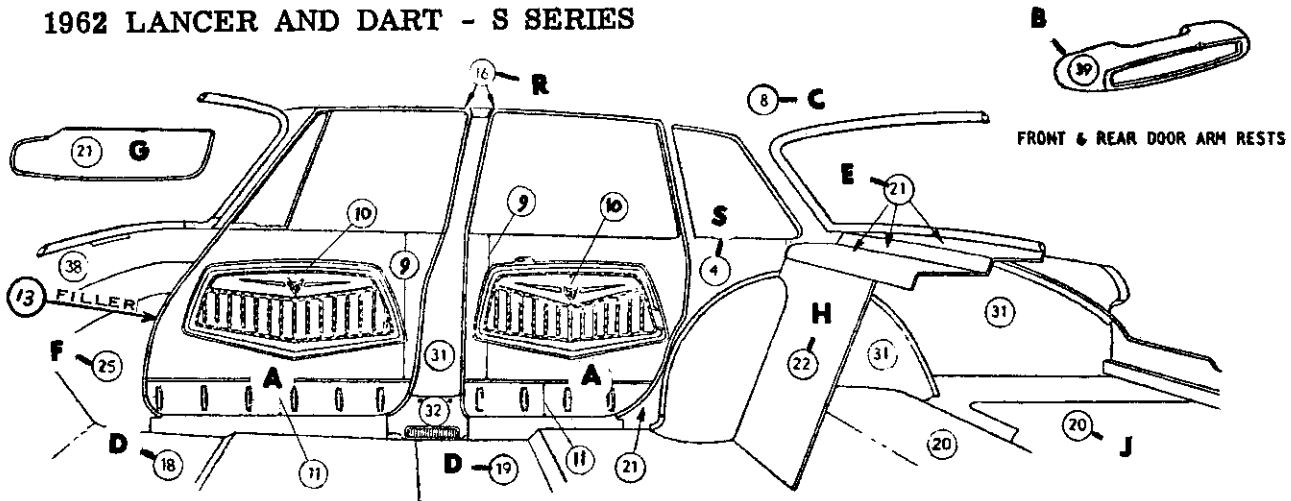
Distribution Drawing Legend Page Appears Following Illustration Section

Codes 631, 632, 633, 635

SLH-411

1962 LANCER SL1-H 4 DOOR SEDAN  
CLOTH AND IMITATION LEATHER

1962 LANCER AND DART - S SERIES



DISTRIBUTION OF MATERIAL

4	IMITATION LEATHER	28A-DA-22
5	IMITATION LEATHER	28-CH-22
6	IMITATION LEATHER	34-DB-22
7	IMITATION LEATHER	28-CH-22
8	IMITATION LEATHER	18-T-16
9	IMITATION LEATHER	21-CM-22
10	IMITATION LEATHER	21A-CM-22
11	IMITATION LEATHER	.012-L-22
13	IMITATION LEATHER	19-C-22
16	LACE	
17	EXTRUDED VINYL	
18	FLOOR COVERING-FRONT-CARPET	
19	FLOOR COVERING-REAR-CARPET	
20	FLOOR COVERING-LUGG, COMPT, PRINTED JUTE	
21	EMBOSSED CARDBOARD	
22	CARDBOARD	
25	HARDBOARD	
31	PAINT	
32	METAL	
38	MOULDED RESIN	
39	PLASTISOL	

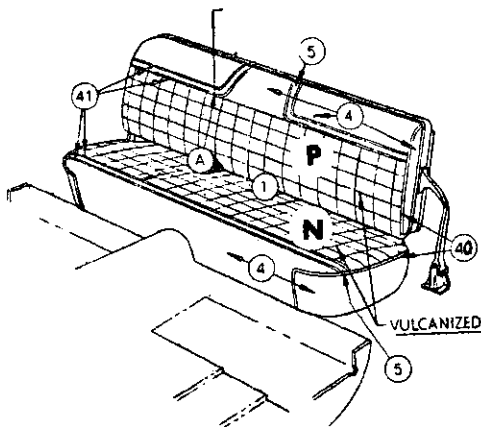
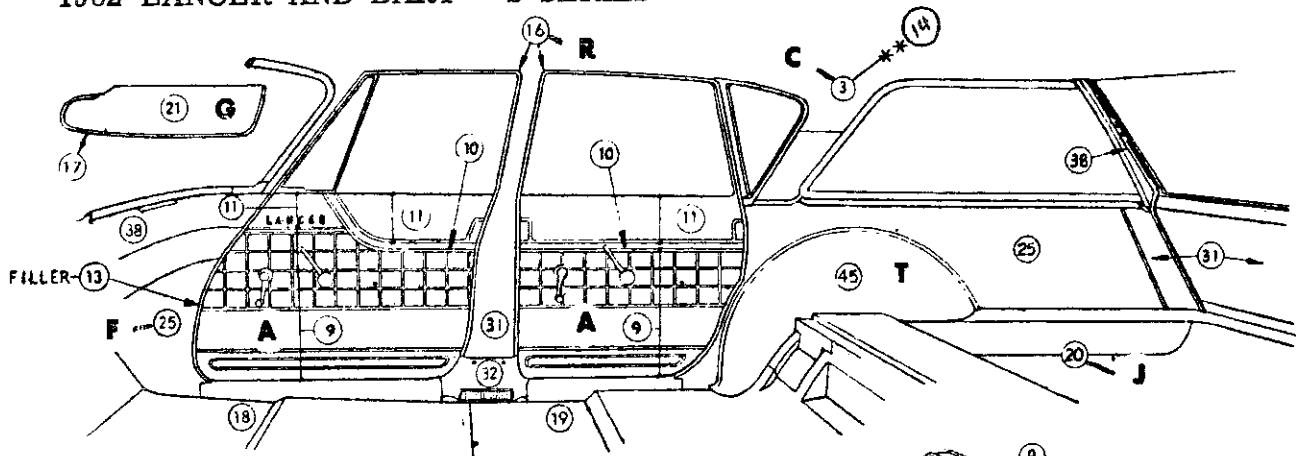
Distribution Drawing Legend Page Appears Following Illustration Section

SLH-414

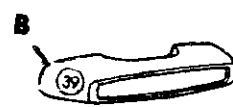
1962 LANCER SL1-H 4 DOOR SEDAN  
IMITATION LEATHER

Codes 671, 675

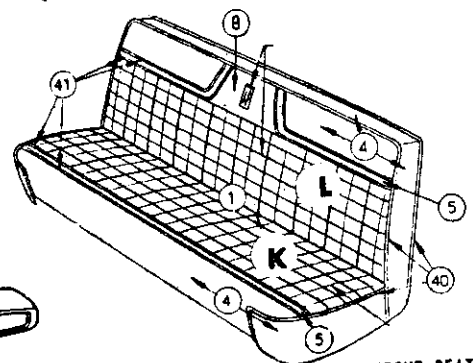
1962 LANCER AND DART - S SERIES



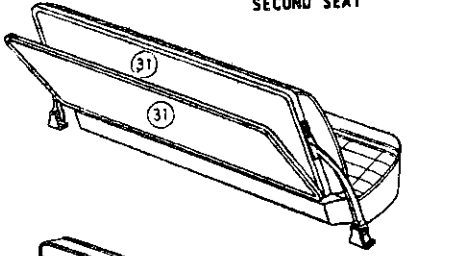
SECOND SEAT



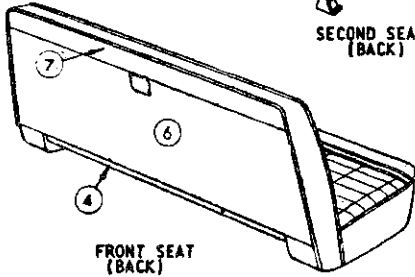
FRONT & REAR DOOR ARM RESTS



FRONT SEAT



SECOND SEAT (BACK)



FRONT SEAT (BACK)

DISTRIBUTION OF MATERIAL

- \*\* CLOTH TO USE VINYL
- 1 BODY CLOTH 1
- \*\*3 HEADLINING
- \*4 IMITATION LEATHER 32-CH-22
- 5 IMITATION LEATHER 28A-CH-22
- 6 IMITATION LEATHER 28-DA-22
- 7 IMITATION LEATHER 28A-DA-22
- 8 IMITATION LEATHER 46-DH-22
- 9 IMITATION LEATHER .012-L-22
- 10 IMITATION LEATHER 21A-CM-22
- 11 IMITATION LEATHER 21-CM-22
- 13 IMITATION LEATHER 19-C-22
- \*\*14 IMITATION LEATHER 12-Y-71
- 16 LACE
- 17 EXTRUDED VINYL
- 18 FLOOR COVERING-FRONT-RUBBER
- 19 FLOOR COVERING-REAR-RUBBER
- 20 FLOOR COVERING-CARGO COMPT, PRINTED JUTE
- 21 EMBOSSED CARDBOARD
- 25 HARDBOARD
- 31 PAINT
- 32 METAL
- 38 MOULDED RESIN
- 39 PLASTISOL
- 40 EXTRUDED VINYL WELT NO. 1
- 41 EXTRUDED VINYL WELT NO. 2
- 45 POLYETHELENE
- \* 28-CH-22 CODES 632-633-635

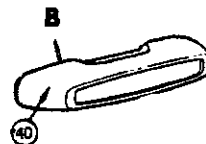
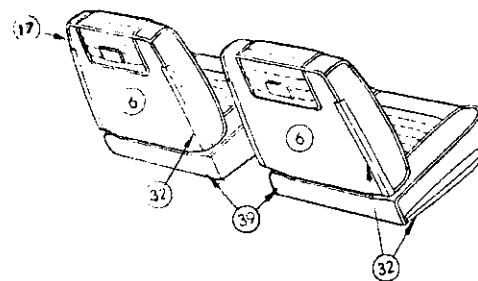
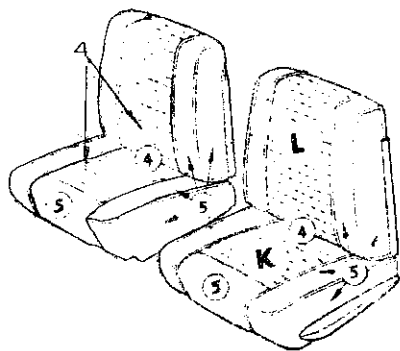
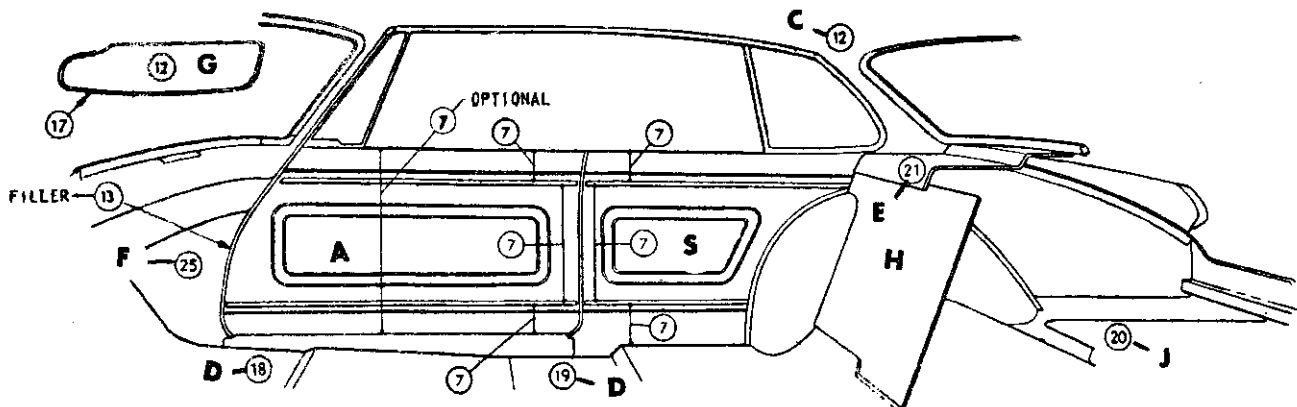
Distribution Drawing Legend Page Appears Following Illustration Section

Codes 631, 632, 633, 635

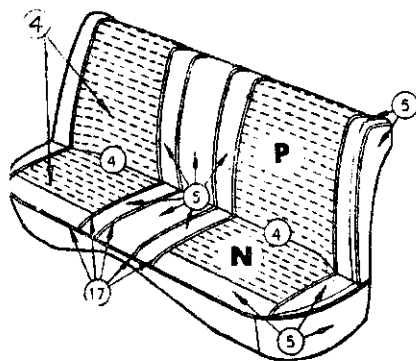
SLH-451

1962 LANCER SL1-H 4 DOOR STATION WAGON  
CLOTH AND IMITATION LEATHER

1962 LANCER AND DART - S SERIES



FRONT DOOR & REAR QUARTER ARM REST



DISTRIBUTION OF MATERIAL

4	IMITATION LEATHER	28-AM-22
*5	IMITATION LEATHER	32-CH-22
6	IMITATION LEATHER	19-C-22
7	IMITATION LEATHER	19-DJ-22
12	IMITATION LEATHER	15-Y-61
13	IMITATION LEATHER	19-C-22
17	EXTRUDED VINYL	
18	FLOOR COVERING-FRONT-CARPET	
19	FLOOR COVERING-REAR-CARPET	
20	FLOOR COVERING-LUGG. COMPT, PRINTED JUTE	
21	EMBOSSED CARDBOARD	
25	HARDBOARD	
32	METAL	
39	CARPET	
40	PLASTISOL	
*	28-CH-22 CODES	652-653-655

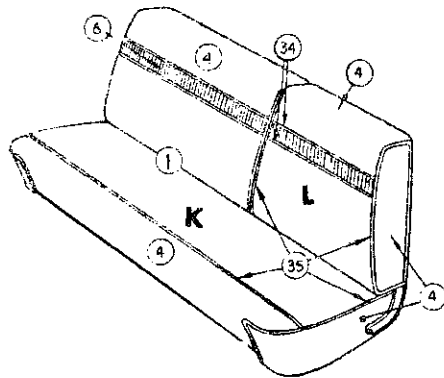
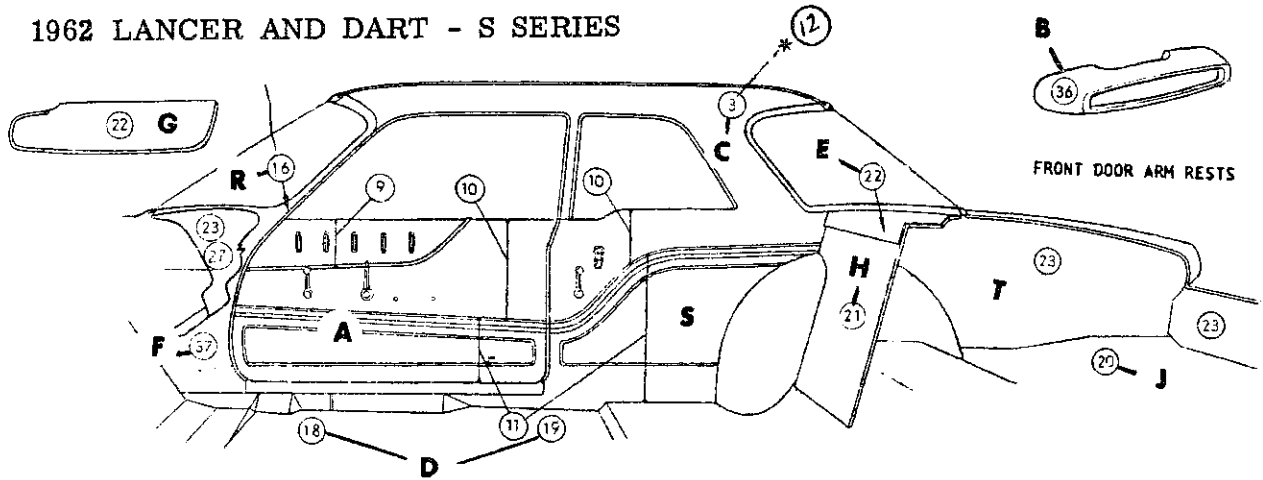
Distribution Drawing Legend Page Appears Following Illustration Section

Codes 651, 652, 653, 655

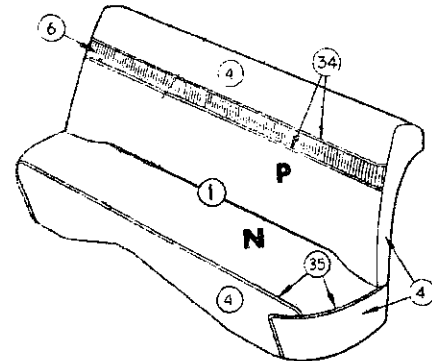
SLP-234

1962 LANCER SL1-P 2 DOOR HARD TOP  
IMITATION LEATHER

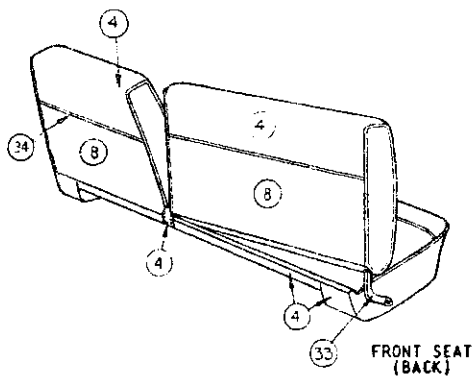
1962 LANCER AND DART - S SERIES



FRONT SEAT



REAR SEAT



FRONT SEAT (BACK)

DISTRIBUTION OF MATERIAL

- 1 BODY CLOTH
- \*3 HEADLINING
- 4 IMITATION LEATHER 28-AM-22
- 6 IMITATION LEATHER 32-DD-66
- 8 IMITATION LEATHER 19-C-22
- 9 IMITATION LEATHER 21-CM-22
- 10 IMITATION LEATHER 19-DJ-22
- 11 IMITATION LEATHER 21-BE-22
- \*12 IMITATION LEATHER 12-Y-71
- 16 LACE
- 18 FLOOR COVERING-FRONT-RUBBER
- 19 FLOOR COVERING-REAR-RUBBER
- 20 FLOOR COVERING-LUGG, COMPT, RUBBER
- 21 CARDBOARD
- 22 EMBOSSED CARDBOARD
- 23 PAINT
- 27 MOULDED RESIN
- 33 PLASTIC
- 34 EXTRUDED VINYL NO. 1
- 35 EXTRUDED VINYL NO. 2
- 36 PLASTISOL
- 37 POLYETHLENE
- \* CLOTH TO USE VINYL

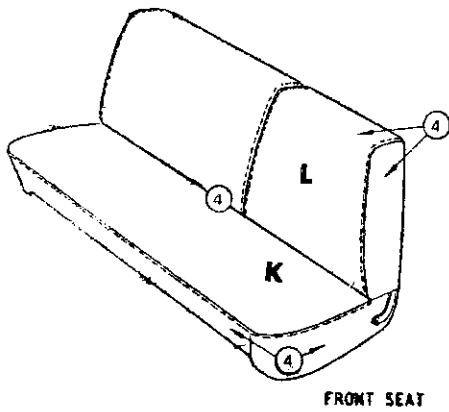
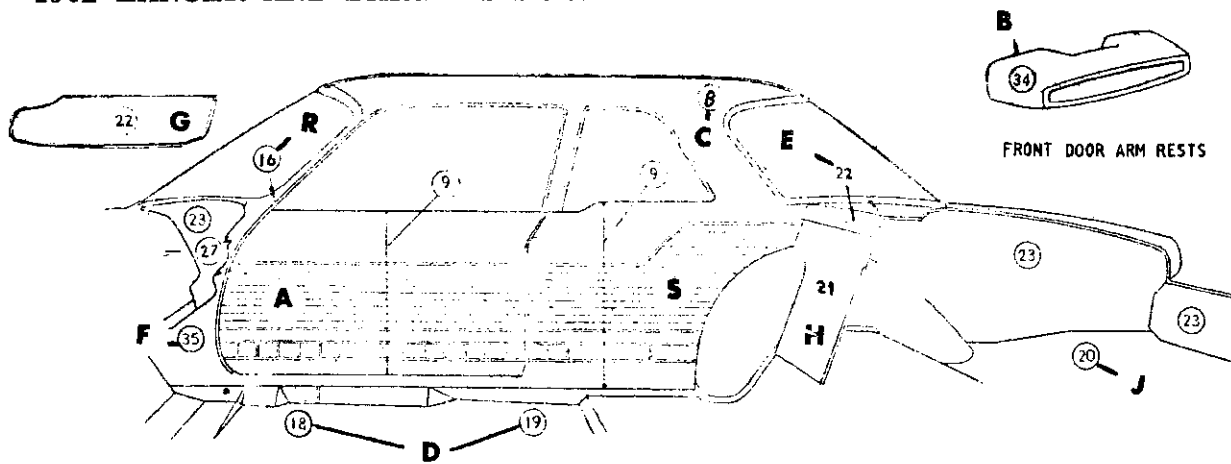
Distribution Drawing Legend Page Appears Following Illustration Section

Codes 701, 703, 734

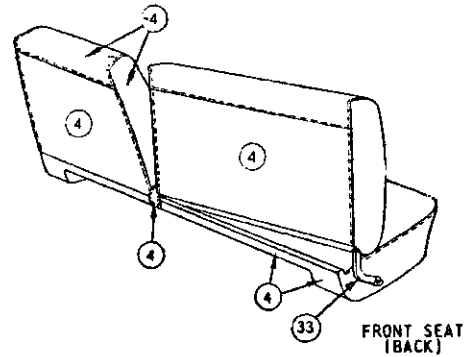
SDL-211

1962 DART SD1-L, SD2-L 2 DOOR SEDAN  
CLOTH AND IMITATION LEATHER TRIM

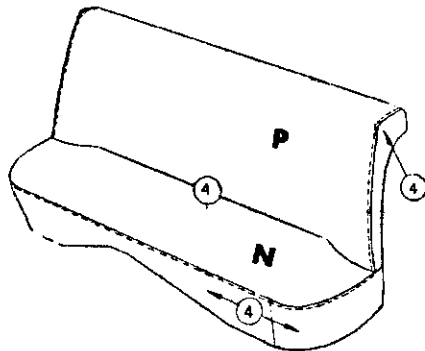
1962 LANCER AND DART - S SERIES



FRONT SEAT



FRONT SEAT (BACK)



REAR SEAT

DISTRIBUTION OF MATERIAL

- 4 IMITATION LEATHER 37-CX-22
- 8 IMITATION LEATHER 12-Y-71
- 9 IMITATION LEATHER 19-DJ-22
- 16 LACE
- 18 FLOOR COVERING-FRONT-RUBBER
- 19 FLOOR COVERING-REAR-RUBBER
- 20 FLOOR COVERING-LUGG, COMPT, RUBBER
- 21 CARDBOARD
- 22 EMBOSSED CARDBOARD
- 23 PAINT
- 27 MOULDED RESIN
- 33 PLASTIC
- 34 PLASTISOL
- 35 POLYETHLENE

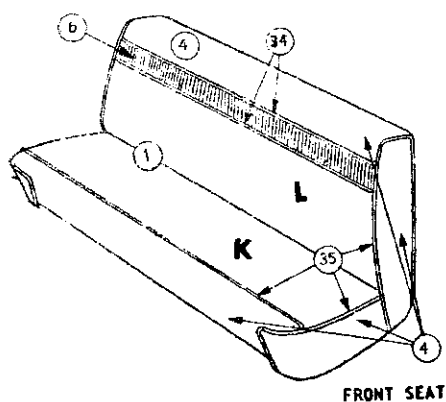
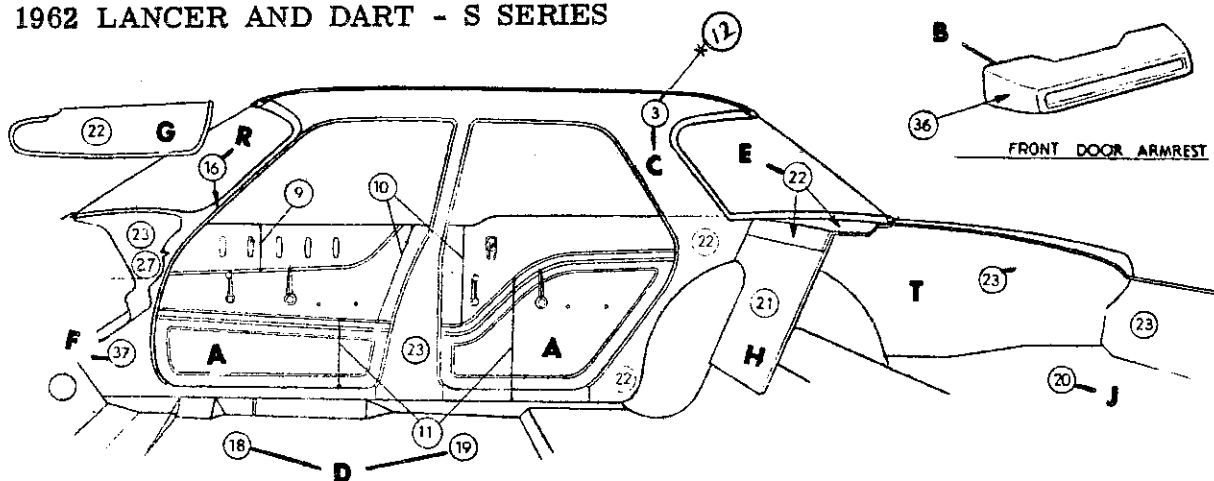
Distribution Drawing Legend Page Appears Following Illustration Section

Code 894

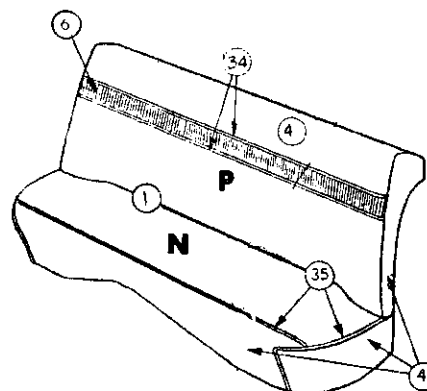
SDL-214A

1962 DART SD1-L, SD2-L, SD1-M, SD2-M  
2 DOOR SEDAN  
IMITATION LEATHER

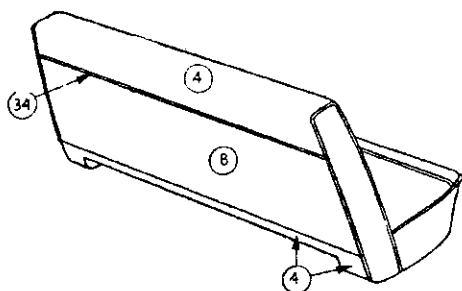
1962 LANCER AND DART - S SERIES



FRONT SEAT



REAR SEAT



FRONT SEAT  
(BACK)

DISTRIBUTION OF MATERIAL

- 1 BODY CLOTH 1
- \*3 HEADLINING
- 4 IMITATION LEATHER 28-AM-22
- 5 IMITATION LEATHER 28A-AM-22
- 6 IMITATION LEATHER 32-DD-66
- 8 IMITATION LEATHER 19-C-22
- 9 IMITATION LEATHER 21-CM-22
- 10 IMITATION LEATHER 19-DJ-22
- 11 IMITATION LEATHER 21-BE-22
- \*12 IMITATION LEATHER 12-Y-71
- 16 LACE
- 18 FLOOR COVERING-FRONT-RUBBER
- 19 FLOOR COVERING-REAR-RUBBER
- 20 FLOOR COVERING-LUGG. COMPT, RUBBER
- 21 CARDBOARD
- 22 EMBOSSED CARDBOARD
- 23 PAINT
- 27 MOULDED RESIN
- 34 EXTRUDED VINYL NO. 1
- 35 EXTRUDED VINYL NO. 2
- 36 PLASTISOL
- 37 POLYETHYLENE
- \* CLOTH TO USE VINYL

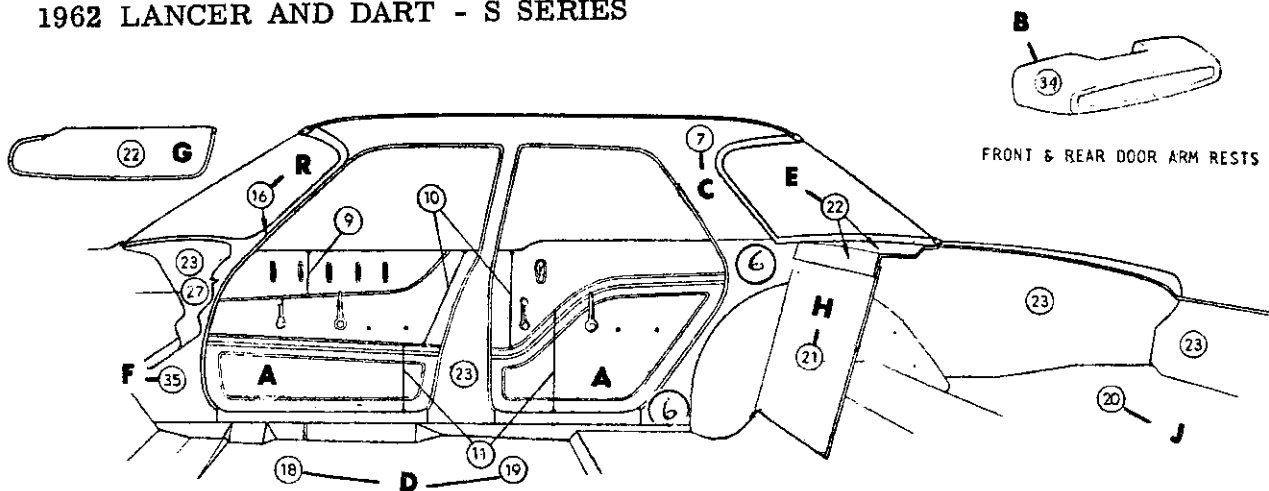
Distribution Drawing Legend Page Appears Following Illustration Section

Codes 701, 703, 704

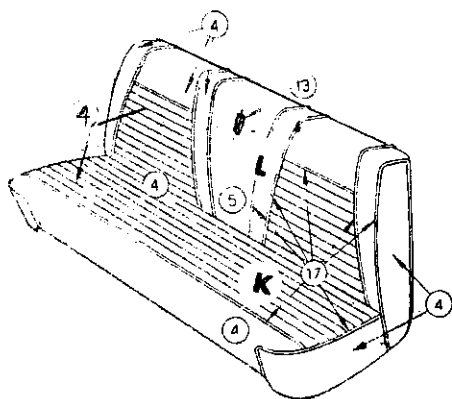
SDL-411

1962 DART SD1-L, SD2-L 4 DOOR SEDAN  
CLOTH AND IMITATION LEATHER COMBINATION

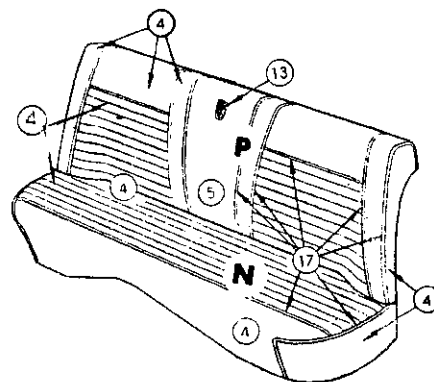
1962 LANCER AND DART - S SERIES



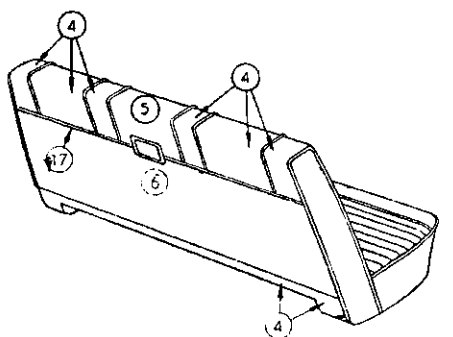
FRONT & REAR DOOR ARM RESTS



FRONT SEAT



REAR SEAT



FRONT SEAT (BACK)

DISTRIBUTION OF MATERIAL

4	IMITATION LEATHER	28-AM-22
5	IMITATION LEATHER	28A-AM-22
6	IMITATION LEATHER	19-C-22
7	IMITATION LEATHER	18-T-16
9	IMITATION LEATHER	21-CM-22
10	IMITATION LEATHER	19-DJ-22
11	IMITATION LEATHER	21-BE-22
13	IMITATION LEATHER	.017-L-22
16	LACE	
17	EXTRUDED VINYL	
18	FLOOR COVERING-FRONT-RUBBER	
19	FLOOR COVERING-REAR-RUBBER	
20	FLOOR COVERING-LUGG. COMPT. RUBBER	
21	CARDBOARD	
22	EMBOSSED CARDBOARD	
23	PAINT	
27	MOULDED RESIN	
34	PLASTISOL	
35	POLYEHTLENE	

Distribution Drawing Legend Page Appears Following Illustration Section

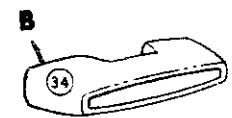
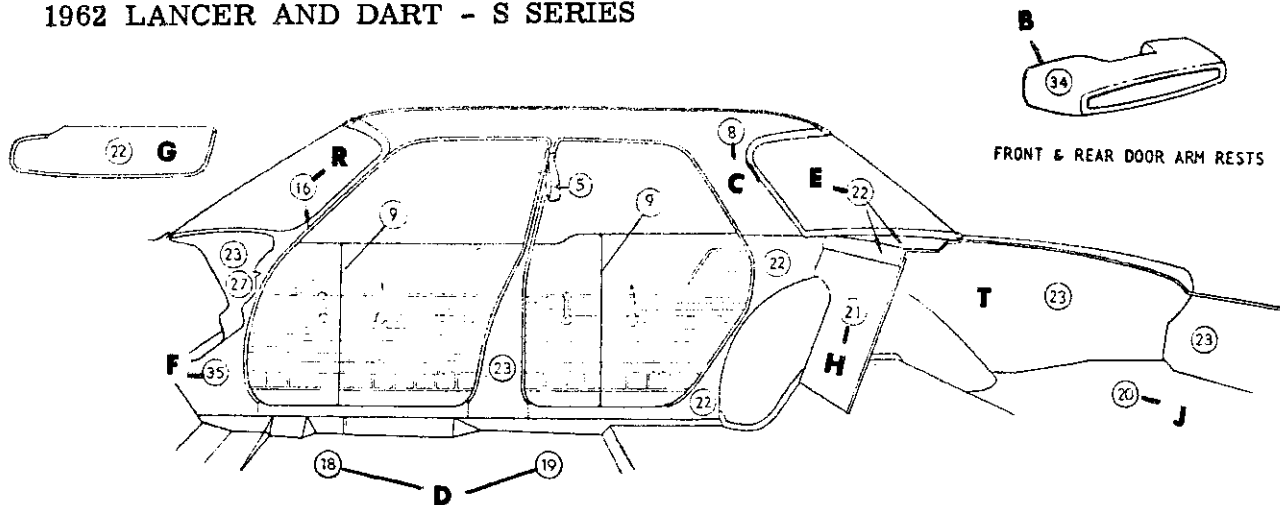
Codes 821, 824

SDL-414

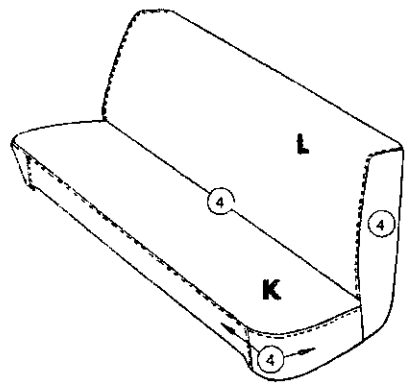
1962 DART SD1-L, SD2-L 4 DOOR SEDAN  
IMITATION LEATHER COMBINATION



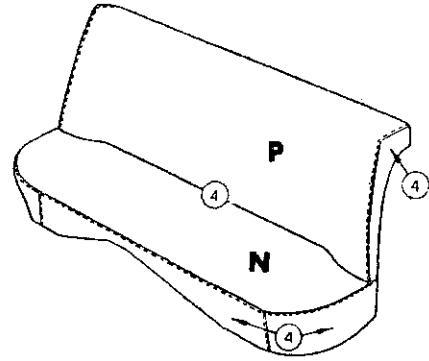
1962 LANCER AND DART - S SERIES



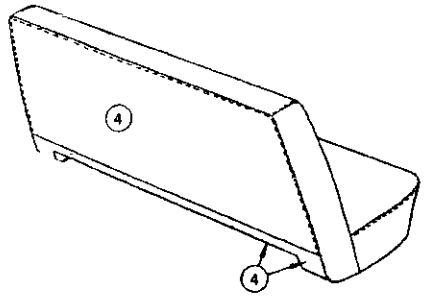
FRONT & REAR DOOR ARM RESTS



FRONT SEAT



REAR SEAT



FRONT SEAT (BACK)

DISTRIBUTION OF MATERIAL

- 4 IMITATION LEATHER 37-CX-22
- 5 IMITATION LEATHER 19-C-22
- 8 IMITATION LEATHER 12-Y-71
- 9 IMITATION LEATHER 19-DJ-22
- 16 LACE
- 18 FLOOR COVERING-FRONT-RUBBER
- 19 FLOOR COVERING-REAR-RUBBER
- 20 FLOOR COVERING-LUGG, COMPT, RUBBER
- 21 CARDBOARD
- 22 EMBOSSED CARDBOARD
- 23 PAINT
- 27 MOULDED RESIN
- 34 PLASTISOL
- 35 POLYETHLENE

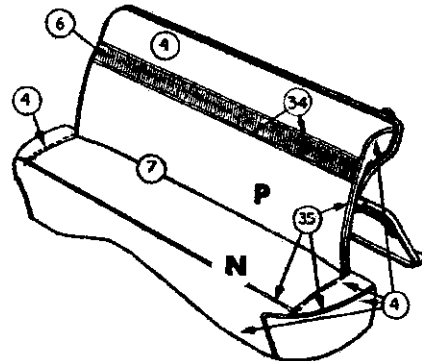
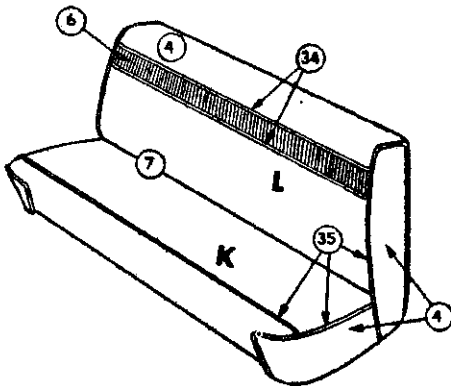
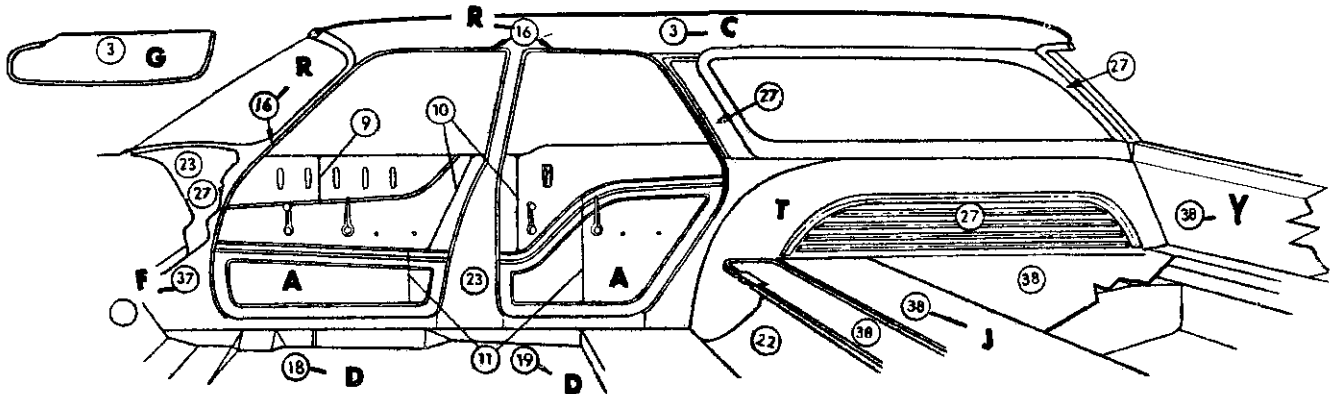
Distribution Drawing Legend Page Appears Following Illustration Section

Code 894

SDL-414A

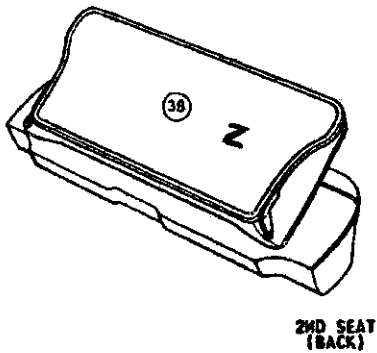
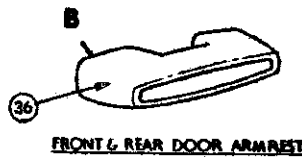
1962 DART SD1-L, SD2-L, SD1-M, SD2-M  
4 DOOR SEDAN  
IMITATION LEATHER

1962 LANCER AND DART - S SERIES



FRONT SEAT

2ND SEAT



DISTRIBUTION OF MATERIAL

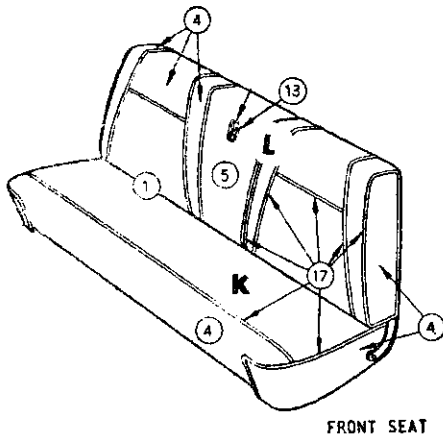
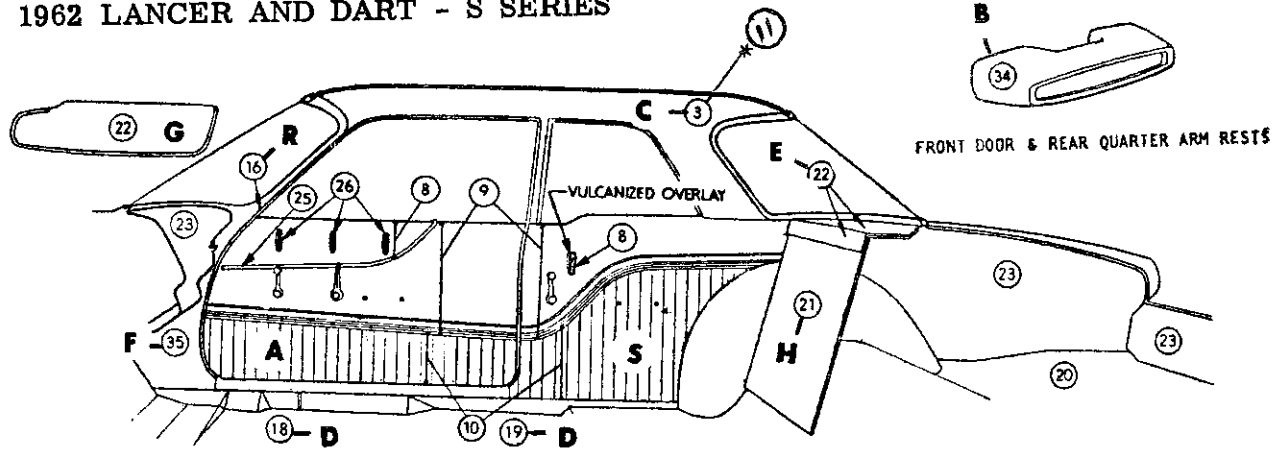
- 3 HEADLINING - HARDBOARD
- 4 IMITATION LEATHER 28-AM-22
- 6 IMITATION LEATHER 32-DD-66
- 7 IMITATION LEATHER 32-DC-64
- 9 IMITATION LEATHER 21-CM-22
- 10 IMITATION LEATHER 19-DJ-22
- 11 IMITATION LEATHER 21-BE-22
- 16 LACE
- 18 FLOOR COVERING-FRONT-RUBBER
- 19 FLOOR COVERING-REAR-RUBBER
- 20 FLOOR COVERING-LUGG. COMPT.
- 22 EMBOSSED CARDBOARD
- 23 PAINT
- 27 MOULDED RESIN
- 34 EXTRUDED VINYL NO. 1
- 35 EXTRUDED VINYL NO. 2
- 36 PLASTISOL
- 37 POLYETHYLENE
- 38 VINOLEUM

Distribution Drawing Legend Page Appears Following Illustration Section

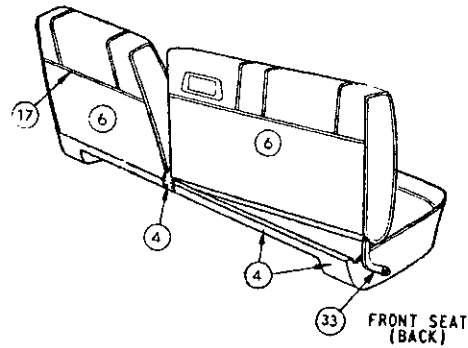
Codes 801, 803, 804

SDL-454 1962 DART SD1-L, SD2-L 4 DOOR STATION WAGON  
IMITATION LEATHER COMBINATION

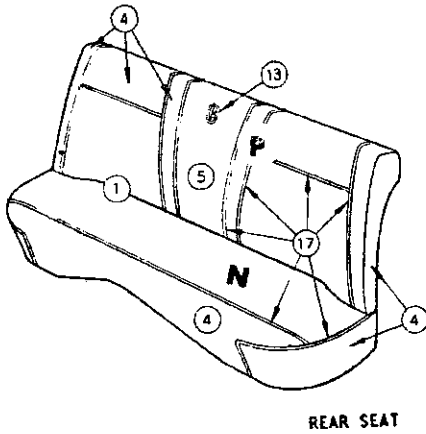
1962 LANCER AND DART - S SERIES



FRONT SEAT



FRONT SEAT (BACK)



REAR SEAT

DISTRIBUTION OF MATERIAL

- 1 BODY CLOTH I
- \*3 HEADLINING
- 4 IMITATION LEATHER 28-AM-22
- 5 IMITATION LEATHER 28A-AM-22
- 6 IMITATION LEATHER 19-C-22
- 8 IMITATION LEATHER 21-CM-22
- 9 IMITATION LEATHER 19-DJ-22
- \*10 IMITATION LEATHER .012-L-22
- \*11 IMITATION LEATHER 12-Y-71
- 13 IMITATION LEATHER .017-L-22
- 16 LACE
- 17 EXTRUDED VINYL
- 18 FLOOR COVERING-FRONT-CARPET
- 19 FLOOR COVERING-REAR-CARPET
- 20 FLOOR COVERING-LUGG. COMPT, RUBBER
- 21 CARDBOARD
- 22 EMBOSSED CARDBOARD
- 23 PAINT
- 25 MOULDING
- 26 MYLAR
- 33 PLASTIC
- 34 PLASTISOL
- 35 POLYETHLENE
- \* CLOTH TO USE VINYL

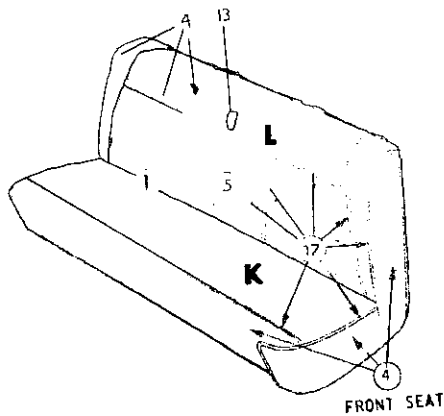
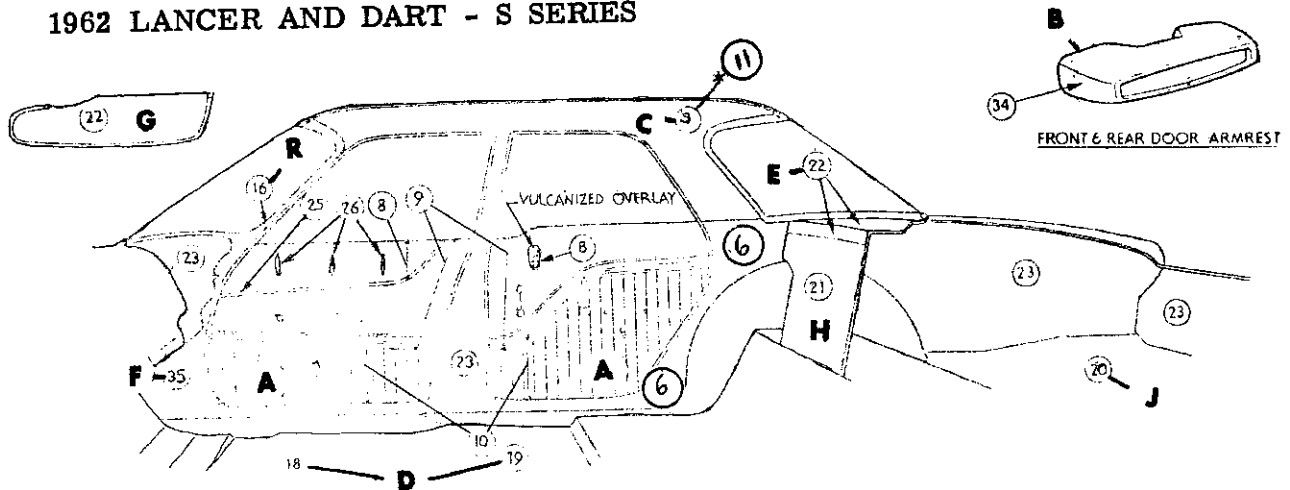
Distribution Drawing Legend Page Appears Following Illustration Section

Codes 711, 712, 713, 714

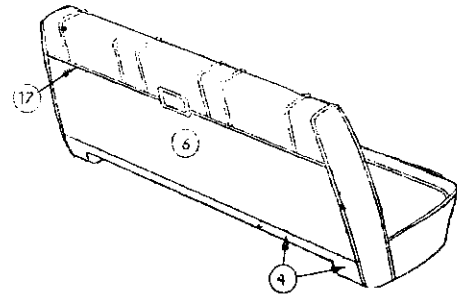
SDM-211

1962 DART SD1-M, SD2-M 2 DOOR SEDAN  
CLOTH AND IMITATION LEATHER COMBINATION

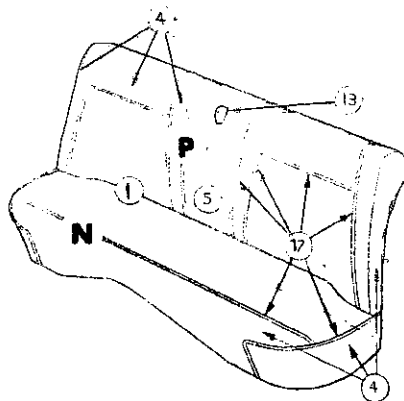
1962 LANCER AND DART - S SERIES



FRONT SEAT



FRONT SEAT (BACK)



REAR SEAT

DISTRIBUTION OF MATERIAL

- 1 BODY CLOTH I
- 3 HEADLINING
- 4 IMITATION LEATHER 28-AM-22
- 5 IMITATION LEATHER 28A-AM-22
- 6 IMITATION LEATHER 19-C-22
- 8 IMITATION LEATHER 21-CM-22
- 9 IMITATION LEATHER 19-DJ-22
- 10 IMITATION LEATHER .012-L-22
- 11 IMITATION LEATHER 12-Y-71
- 13 IMITATION LEATHER .017-L-22
- 16 LACE
- 17 EXTRUDED VINYL
- 18 FLOOR COVERING-FRONT-CARPET
- 19 FLOOR COVERING-REAR-CARPET
- 20 FLOOR COVERING-LUGG, COMPT. RUBBER
- 21 CARDBOARD
- 22 EMBOSSED CARDBOARD
- 23 PAINT
- 24 METAL
- 25 MOULDING
- 26 MYLAR
- 34 PLASTISOL
- 35 POLYETHYLENE
- \* CLOTH TO USE VINYL

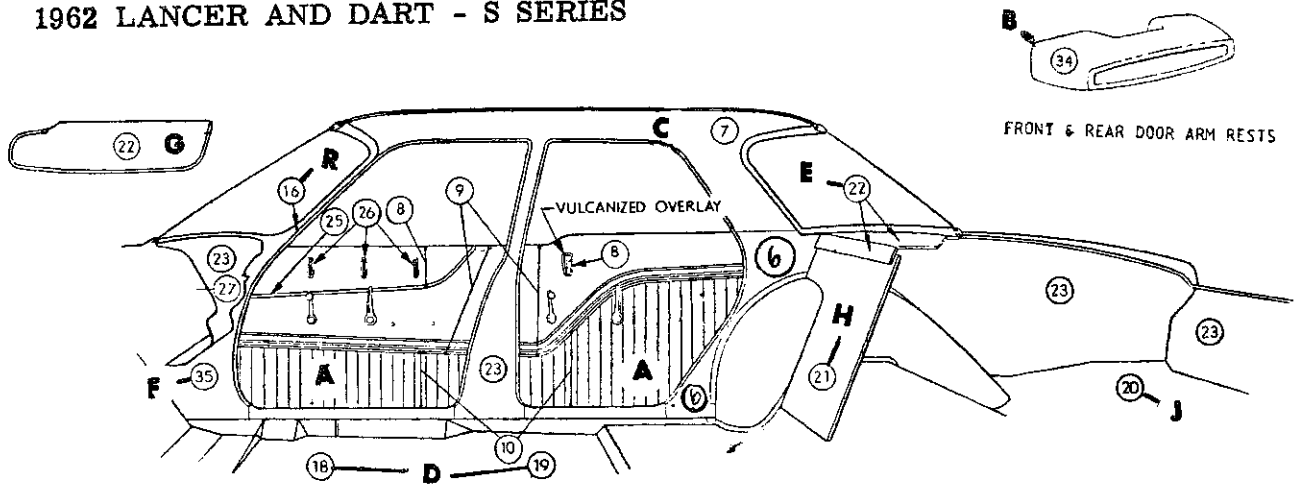
Distribution Drawing Legend Page Appears Following Illustration Section

Codes 711, 712, 713, 714, 715

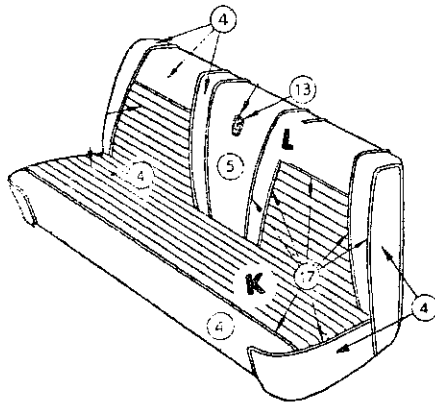
SDM-411

1962 DART SD1-M, SD2-M 4 DOOR SEDAN  
CLOTH AND IMITATION LEATHER COMBINATION

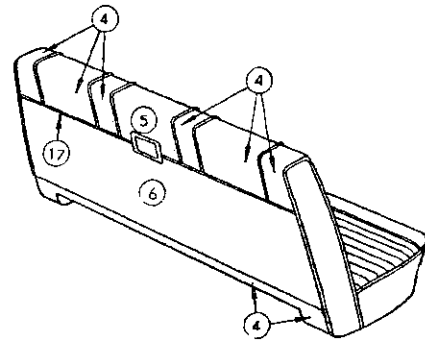
1962 LANCER AND DART - S SERIES



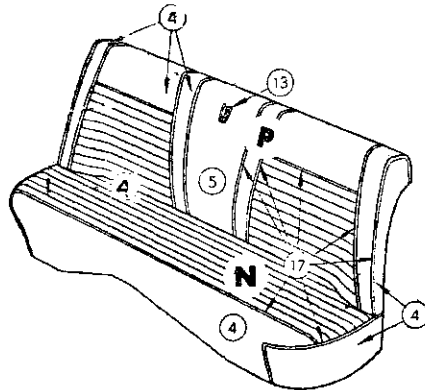
FRONT & REAR DOOR ARM RESTS



FRONT SEAT



FRONT SEAT (BACK)



REAR SEAT

DISTRIBUTION OF MATERIAL

4	IMITATION LEATHER	28-AM-22
5	IMITATION LEATHER	28A-AM-22
6	IMITATION LEATHER	19-C-22
7	IMITATION LEATHER	18-T-16
8	IMITATION LEATHER	21-CM-22
9	IMITATION LEATHER	19-DJ-22
13	IMITATION LEATHER	.017-L-22
16	LACE	
17	EXTRUDED VINYL	
18	FLOOR COVERING-FRONT-CARPET	
19	FLOOR COVERING-REAR-CARPET	
20	FLOOR COVERING-LUGG. COMPT. RUBBER	
21	CARDBOARD	
22	EMBOSSED CARDBOARD	
23	PAINT	
25	MOULDING	
26	MYLAR	
27	MOULDED RESIN	
34	PLASTISOL	
35	POLYETHYLENE	

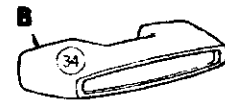
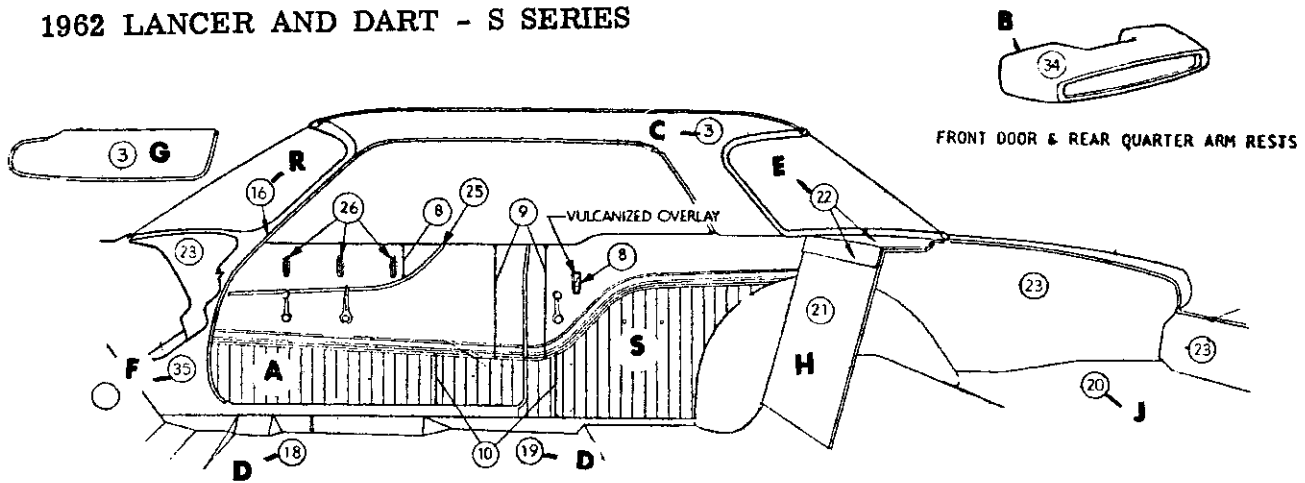
Distribution Drawing Legend Page Appears Following Illustration Section

Codes 831, 834

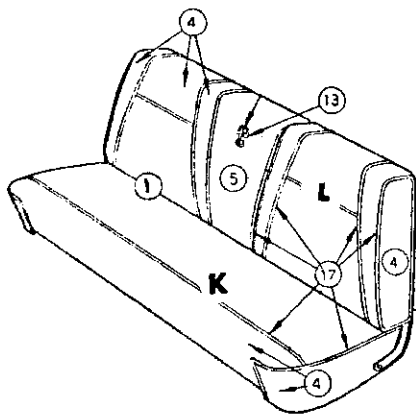
SDM-414

1962 DART SD1-M, SD2-M 4 DOOR SEDAN  
IMITATION LEATHER COMBINATION

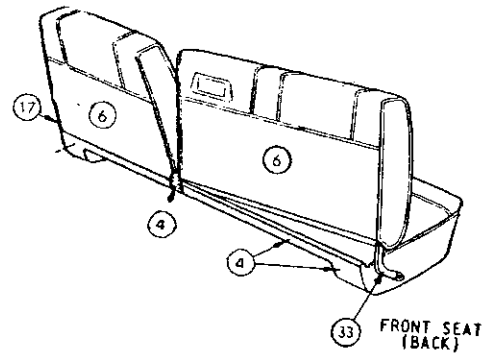
1962 LANCER AND DART - S SERIES



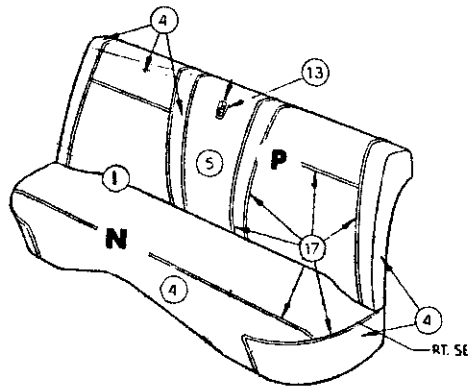
FRONT DOOR & REAR QUARTER ARM RESTS



FRONT SEAT



FRONT SEAT (BACK)



REAR SEAT

DISTRIBUTION OF MATERIAL

- 1 BODY CLOTH 1
- 3 HEADLINING-HARDBOARD
- 4 IMITATION LEATHER 28-AM-22
- 5 IMITATION LEATHER 28A-AM-22
- 6 IMITATION LEATHER 19-C-22
- 8 IMITATION LEATHER 21-CM-22
- 9 IMITATION LEATHER 19-DJ-22
- 10 IMITATION LEATHER 12-L-22
- 13 IMITATION LEATHER .017-L-22
- 16 LACE
- 17 EXTRUDED VINYL
- 18 FLOOR COVERING-FRONT-CARPET
- 19 FLOOR COVERING-REAR-CARPET
- 20 FLOOR COVERING-LUGG. COMP. -RUBBER
- 21 CARDBOARD
- 22 EMBOSSED CARDBOARD
- 23 PAINT
- 25 MOULDING
- 26 MYLAR
- 33 PLASTIC
- 34 PLASTISOL
- 35 POLYETHYLENE

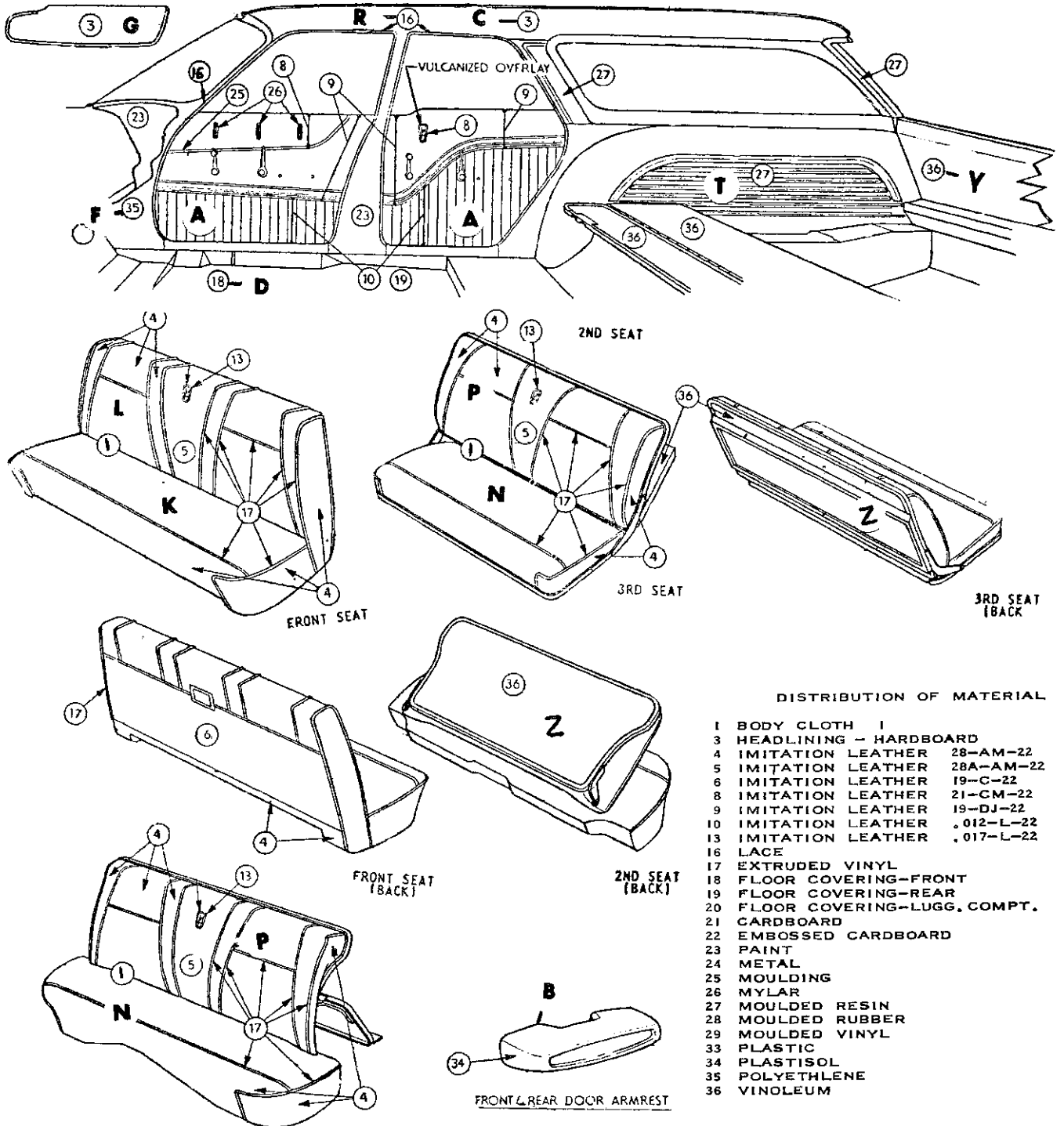
Distribution Drawing Legend Page Appears Following Illustration Section

Codes 711, 713, 714, 715

SDM-231

1962 DART SD1-M, SD2-M 2 DOOR HARD TOP  
CLOTH AND IMITATION LEATHER COMBINATION

1962 LANCER AND DART - S SERIES



DISTRIBUTION OF MATERIAL

- I BODY CLOTH I
- 3 HEADLINING - HARDBOARD
- 4 IMITATION LEATHER 28-AM-22
- 5 IMITATION LEATHER 28A-AM-22
- 6 IMITATION LEATHER 19-C-22
- 8 IMITATION LEATHER 21-CM-22
- 9 IMITATION LEATHER 19-DJ-22
- 10 IMITATION LEATHER .012-L-22
- 13 IMITATION LEATHER .017-L-22
- 16 LACE
- 17 EXTRUDED VINYL
- 18 FLOOR COVERING-FRONT
- 19 FLOOR COVERING-REAR
- 20 FLOOR COVERING-LUGG. COMPT.
- 21 CARDBOARD
- 22 EMBOSSED CARDBOARD
- 23 PAINT
- 24 METAL
- 25 MOULDING
- 26 MYLAR
- 27 MOULDED RESIN
- 28 MOULDED RUBBER
- 29 MOULDED VINYL
- 33 PLASTIC
- 34 PLASTISOL
- 35 POLYETHLENE
- 36 VINOLEUM

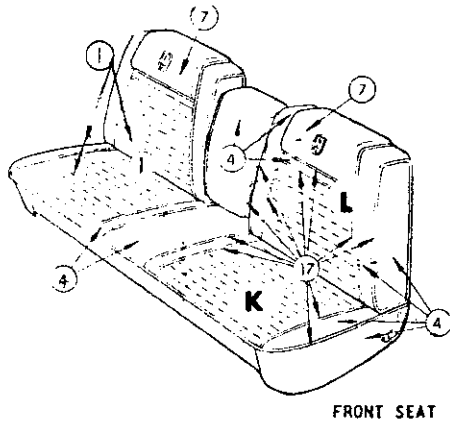
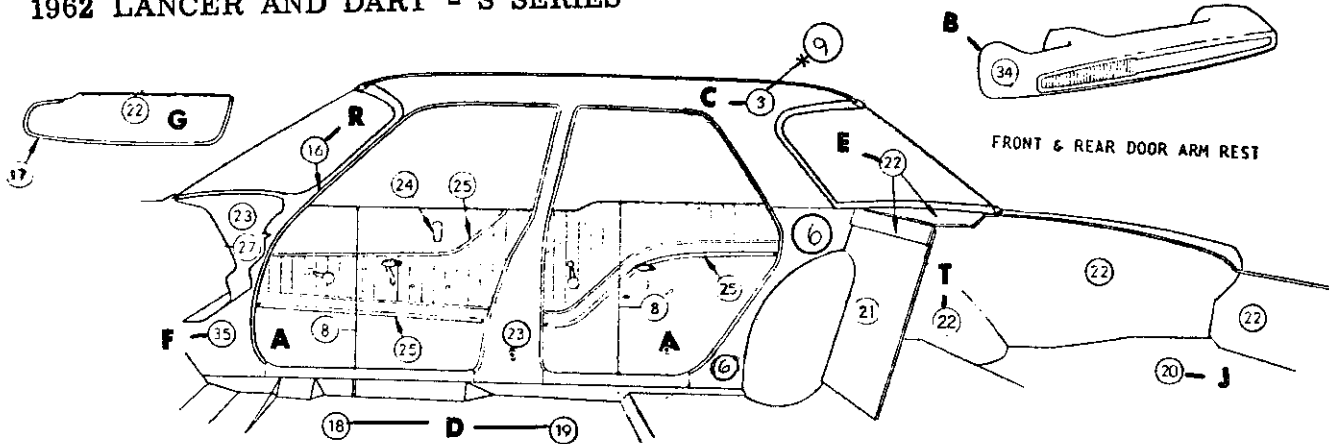
Distribution Drawing Legend Page Appears Following Illustration Section

Codes 711, 713, 714, 715

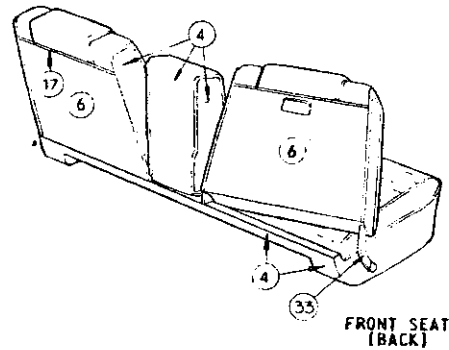
SDM-451

1962 DART SD1-M, SD2-M 4 DOOR STATION WAGON  
CLOTH AND IMITATION LEATHER COMBINATION

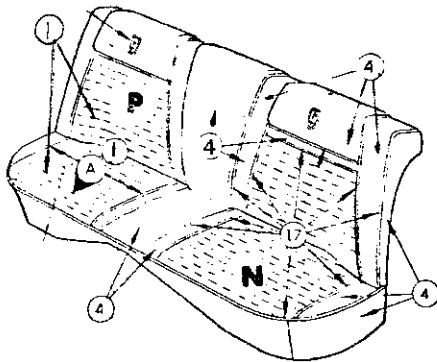
1962 LANCER AND DART - S SERIES



FRONT SEAT



FRONT SEAT (BACK)



REAR SEAT

DISTRIBUTION OF MATERIAL

- 1 BODY CLOTH I
- \*3 HEADLINING
- 4 IMITATION LEATHER 28-AM-22
- 6 IMITATION LEATHER 19-C-22
- 7 IMITATION LEATHER 28-A-22
- 8 IMITATION LEATHER 21-CM-22
- \*9 IMITATION LEATHER 12-Y-71
- 16 LACE
- 17 EXTRUDED VINYL
- 18 FLOOR COVERING-FRONT-CARPET
- 19 FLOOR COVERING-REAR-CARPET
- 20 FLOOR COVERING-LUGG. COMPT, RUBBER
- 21 CARDBOARD
- 22 EMBOSSED CARDBOARD
- 23 PAINT
- 24 METAL
- 25 MOULDING
- 27 MOULDED RESIN
- 33 PLASTIC
- 34 PLASTISOL
- 35 POLYETHYLENE
- \* CLOTH TO USE VINYL

Distribution Drawing Legend Page Appears Following Illustration Section

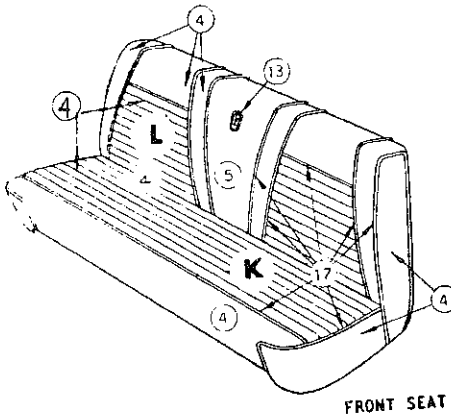
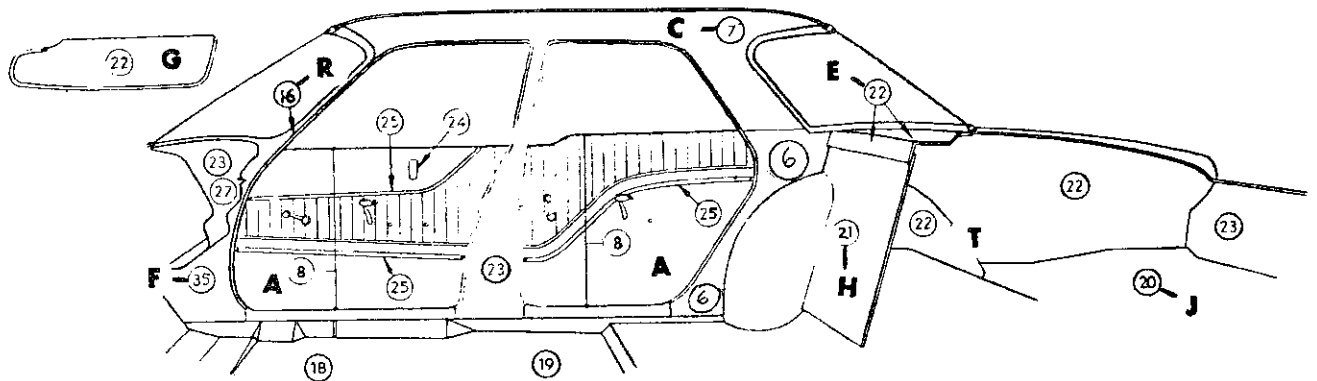
Codes 721, 722, 723, 724, 725

SDH-411

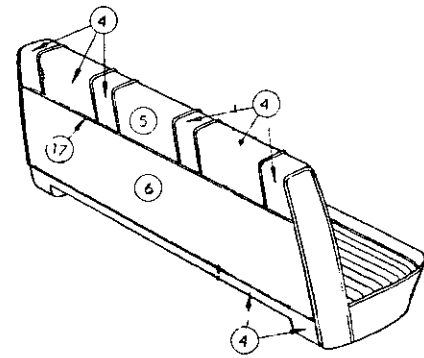
1962 DART SD1-H, SD2-H 4 DOOR SEDAN  
CLOTH AND IMITATION LEATHER COMBINATION



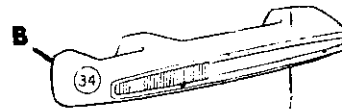
1962 LANCER AND DART - S SERIES



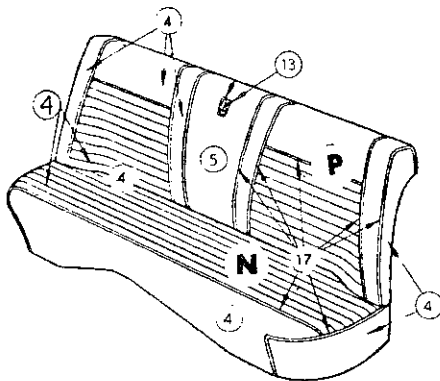
FRONT SEAT



FRONT SEAT (BACK)



FRONT & REAR DOOR ARM REST



REAR SEAT

DISTRIBUTION OF MATERIAL

- 4 IMITATION LEATHER 28-AM-22
- 5 IMITATION LEATHER 28A-AM-22
- 6 IMITATION LEATHER 19-C-22
- 7 IMITATION LEATHER 18-T-16
- 8 IMITATION LEATHER 19-DJ-22
- 13 IMITATION LEATHER .017-L-22
- 16 LACE
- 17 EXTRUDED VINYL
- 18 FLOOR COVERING-FRONT-CARPET
- 19 FLOOR COVERING-REAR-CARPET
- 20 FLOOR COVERING-LUGG. COMPT. RUBBER
- 21 CARDBOARD
- 22 EMBOSSED CARDBOARD
- 23 PAINT
- 24 METAL
- 25 MOULDING
- 27 MOULDED RESIN
- 34 PLASTISOL
- 35 POLYETHLENE

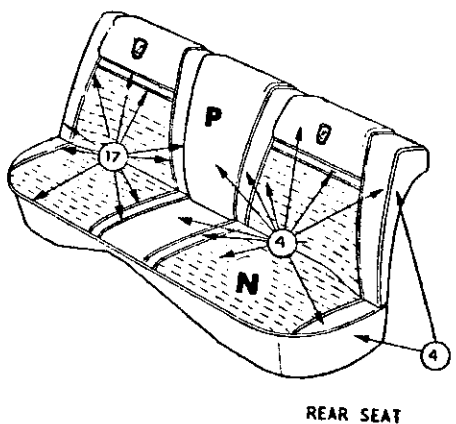
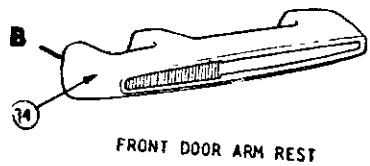
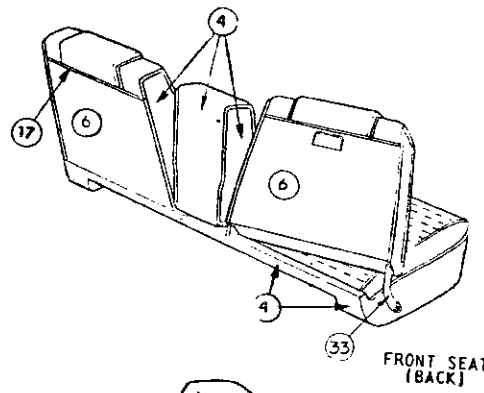
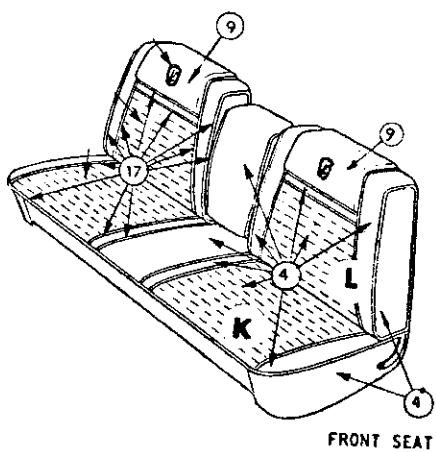
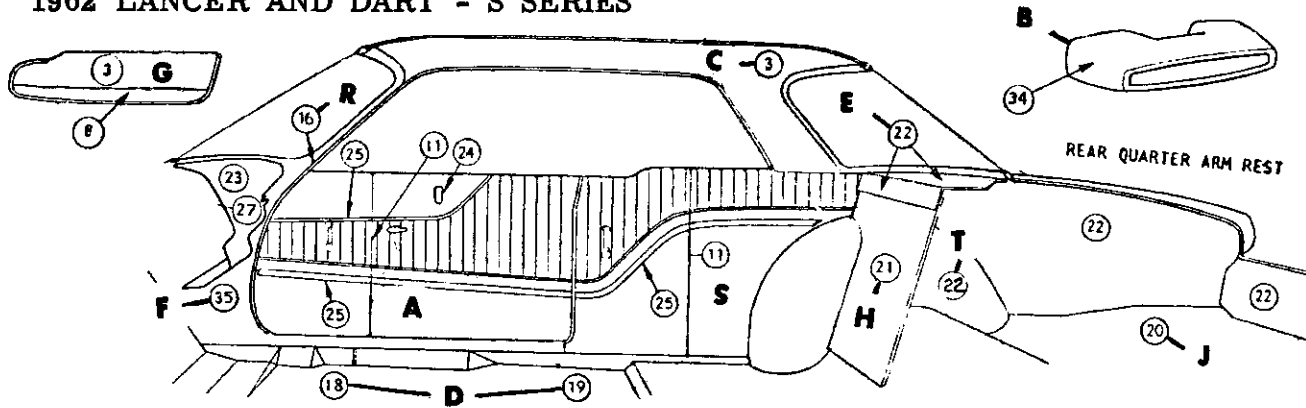
Distribution Drawing Legend Page Appears Following Illustration Section-

Codes 841, 844

SDH-414

1962 DART SD1-H, SD2-H 4 DOOR SEDAN  
IMITATION LEATHER COMBINATION

1962 LANCER AND DART - S SERIES



DISTRIBUTION OF MATERIAL

- 3 HEADLINING - POLYURETHANE
- 4 IMITATION LEATHER 28-AM-22
- 6 IMITATION LEATHER 19-C-22
- 8 IMITATION LEATHER 19A-C-22
- 9 IMITATION LEATHER 30-A-22
- 11 IMITATION LEATHER 19-DJ-22
- 16 LACE
- 17 EXTRUDED VINYL
- 18 FLOOR COVERING-FRONT-CARPET
- 19 FLOOR COVERING-REAR-CARPET
- 20 FLOOR COVERING-LUGG. COMPT. RUBBER
- 21 CARDBOARD
- 22 EMBOSSED CARDBOARD
- 23 PAINT
- 24 METAL
- 25 MOULDING
- 27 MOULDED RESIN
- 33 PLASTIC
- 34 PLASTISOL
- 35 POLYETHLENE

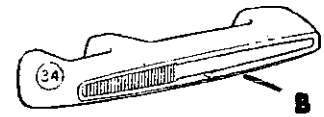
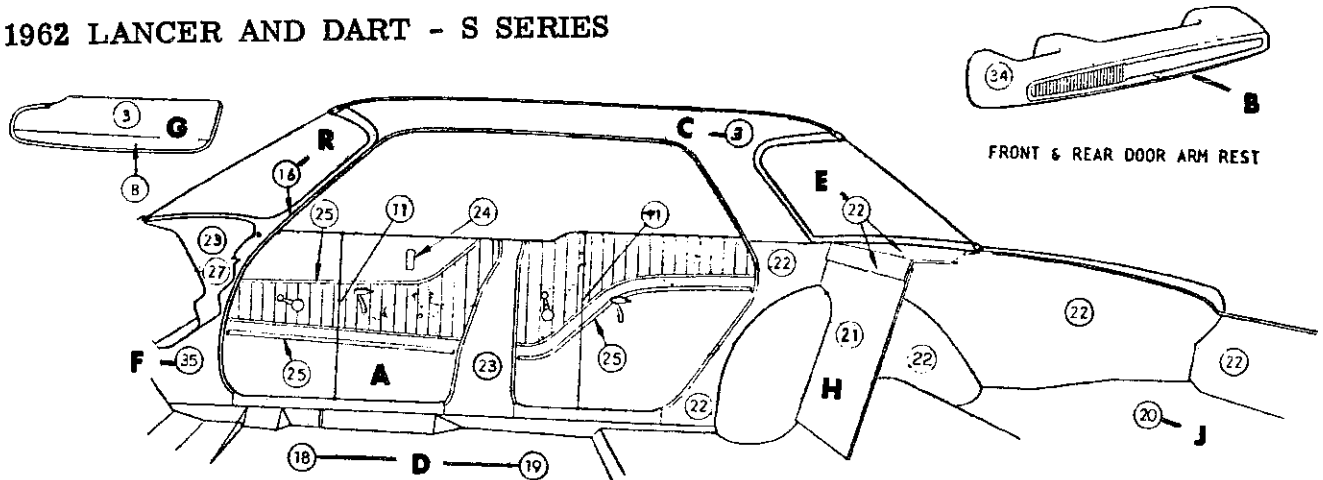
Distribution Drawing Legend Page Appears Following Illustration Section

Codes 811, 812, 813, 814, 815

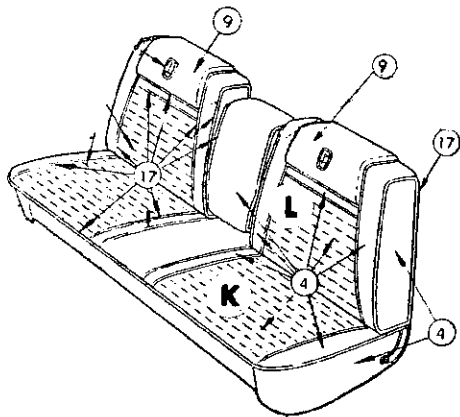
SDH-234

1962 DART SD1-H, SD2-H 2 DOOR HARD TOP  
IMITATION LEATHER TRIM

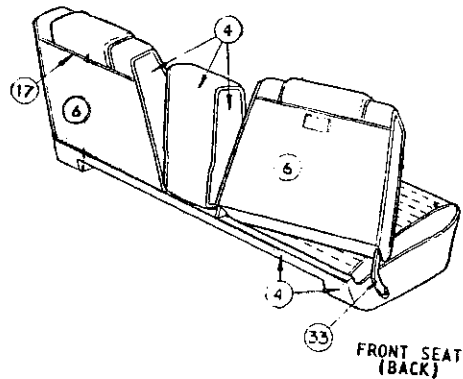
1962 LANCER AND DART - S SERIES



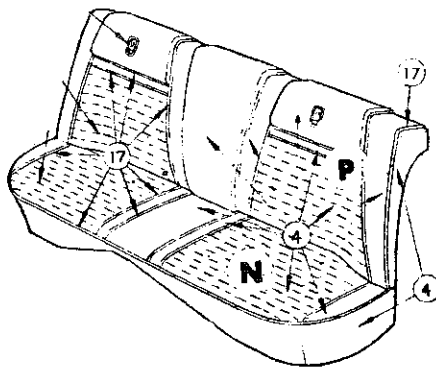
FRONT & REAR DOOR ARM REST



FRONT SEAT



FRONT SEAT (BACK)



REAR SEAT

DISTRIBUTION OF MATERIAL

- 3 HEADLINING - POLYURETHANE
- 4 IMITATION LEATHER 28-AM-22
- 6 IMITATION LEATHER 19-C-22
- 8 IMITATION LEATHER 19A-C-22
- 9 IMITATION LEATHER 80-A-22
- 11 IMITATION LEATHER 19-DJ-22
- 16 LACE
- 17 EXTRUDED VINYL
- 18 FLOOR COVERING-FRONT-CARPET
- 19 FLOOR COVERING-REAR-CARPET
- 20 FLOOR COVERING-LUGG. COMPT. RUBBER
- 21 CARDBOARD
- 22 EMBOSSED CARDBOARD
- 23 PAINT
- 24 METAL
- 25 MOULDING
- 27 MOULDED RESIN
- 33 PLASTIC
- 34 PLASTISOL
- 35 POLYETHYLENE

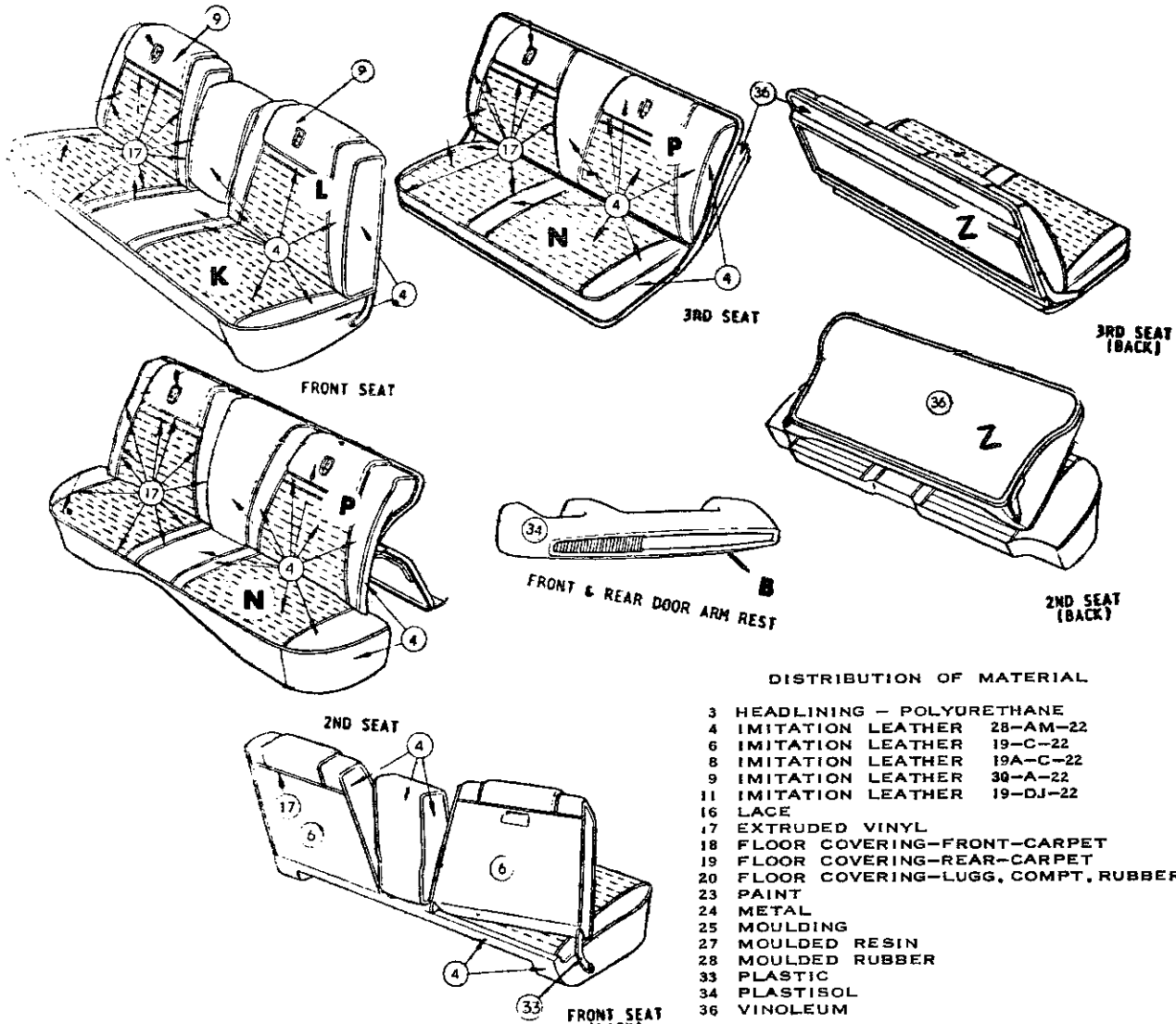
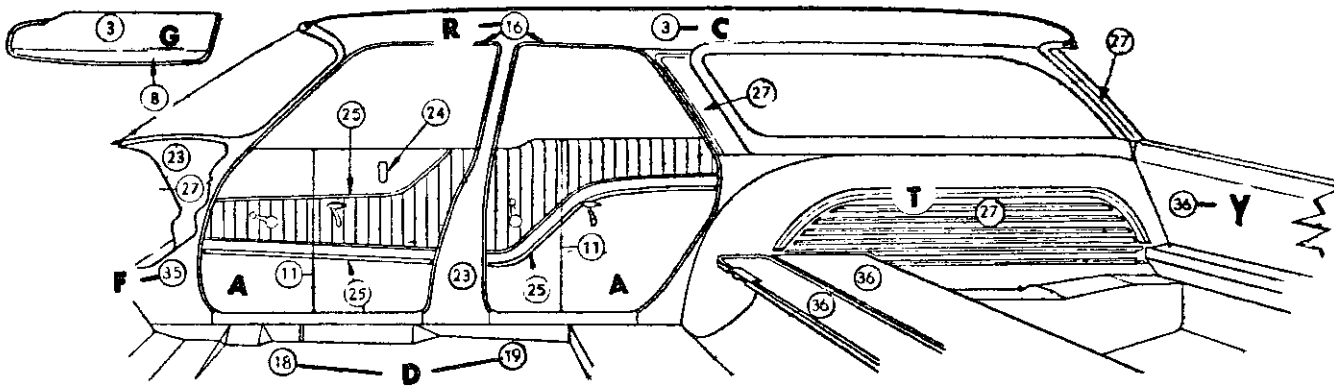
Distribution Drawing Legend Page Appears Following Illustration Section

Codes 811, 812, 813, 814, 815

SDH-434

1962 DART SD1-H, SD2-H 4 DOOR HARD TOP  
IMITATION LEATHER TRIM

1962 LANCER AND DART - S SERIES



DISTRIBUTION OF MATERIAL

- 3 HEADLINING - POLYURETHANE
- 4 IMITATION LEATHER 28-AM-22
- 6 IMITATION LEATHER 19-C-22
- 8 IMITATION LEATHER 19A-C-22
- 9 IMITATION LEATHER 30-A-22
- 11 IMITATION LEATHER 19-DJ-22
- 16 LACE
- 17 EXTRUDED VINYL
- 18 FLOOR COVERING-FRONT-CARPET
- 19 FLOOR COVERING-REAR-CARPET
- 20 FLOOR COVERING-LUGG. COMPT. RUBBER
- 23 PAINT
- 24 METAL
- 25 MOULDING
- 27 MOULDED RESIN
- 28 MOULDED RUBBER
- 33 PLASTIC
- 34 PLASTISOL
- 36 VINOLEUM

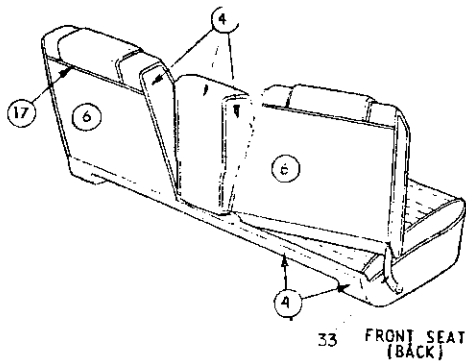
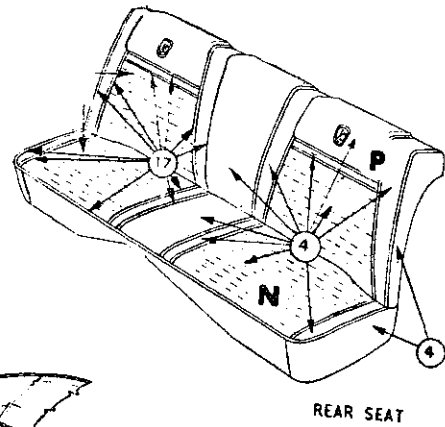
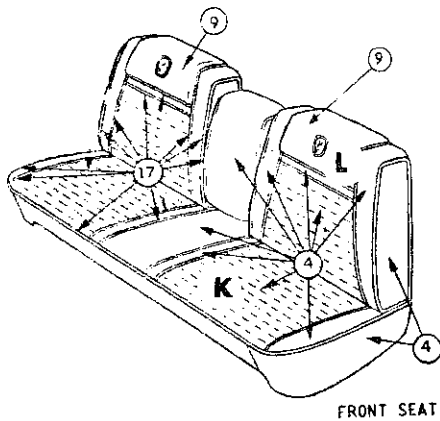
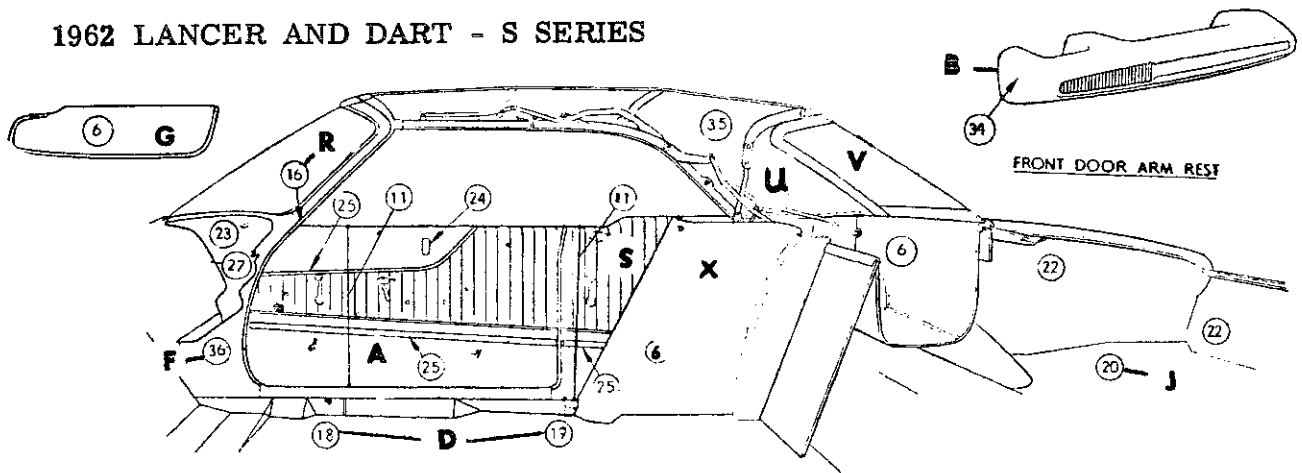
Distribution Drawing Legend Page Appears Following Illustration Section

Codes 811, 812, 813, 814, 815

SDH-454

1962 DART SD2-H 4 DOOR STATION WAGON  
IMITATION LEATHER TRIM

1962 LANCER AND DART - S SERIES



DISTRIBUTION OF MATERIAL

4	IMITATION LEATHER	28-AM-22
6	IMITATION LEATHER	19-C-22
7	IMITATION LEATHER	19A-C-22
9	IMITATION LEATHER	30-A-22
11	IMITATION LEATHER	19-DJ-22
16	LACE	
17	EXTRUDED VINYL	
18	FLOOR COVERING-FRONT-CARPET	
19	FLOOR COVERING-REAR-CARPET	
20	FLOOR COVERING-LUGG. COMPT. RUBBER	
22	EMBOSSED CARDBOARD	
23	PAINT	
25	MOULDING	
26	MYLAR	
27	MOULDED RESIN	
33	PLASTIC	
34	PLASTISOL	
35	TOP MATERIAL	
36	POLYETHYLENE	

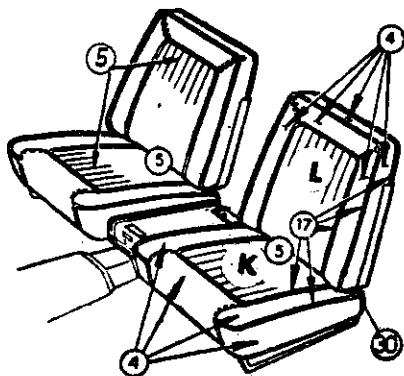
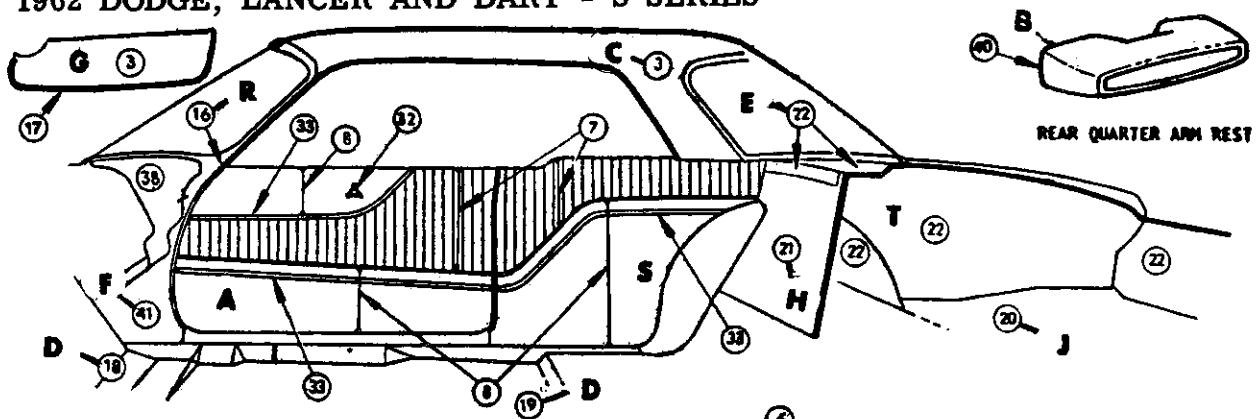
Distribution Drawing Legend Page Appears Following Illustration Section

Codes 811, 812, 813, 814, 815

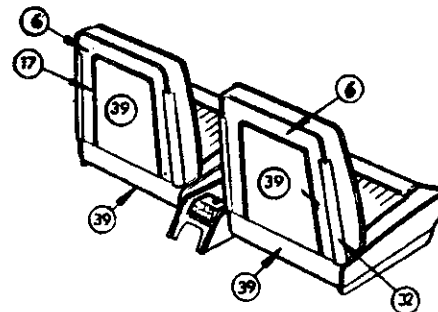
SDH-274

1962 DART SD2-H CONVERTIBLE COUPE  
IMITATION LEATHER TRIM

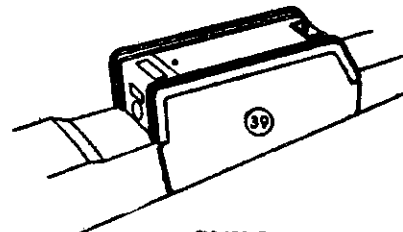
1962 DODGE, LANCER AND DART - S SERIES



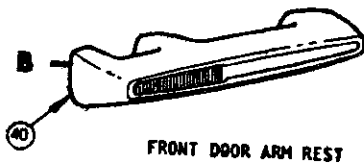
FRONT SEAT



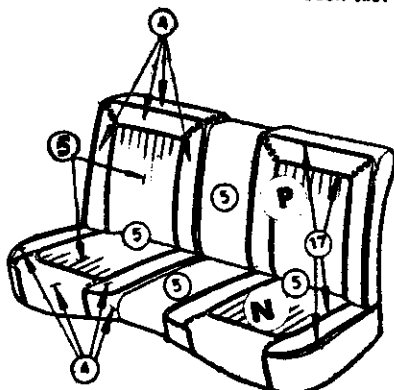
FRONT SEAT [BACK]



CONSOLE



FRONT DOOR ARM REST



DISTRIBUTION OF MATERIAL

- 3 HEADLINING - POLYURETHANE
- 4 IMITATION LEATHER 21A-CM-22
- 5 IMITATION LEATHER 28A-AM-22
- 6 IMITATION LEATHER 19-C-22
- 7 IMITATION LEATHER 19-DJ-22
- 8 IMITATION LEATHER 21A-CH-22
- 16 LACE
- 17 EXTRUDED VINYL
- 18 FLOOR COVERING-FRONT-CARPET
- 19 FLOOR COVERING-REAR-CARPET
- 20 FLOOR COVERING-LUGG. COMPT. RUBBER
- 21 CARDBOARD
- 22 EMBOSSED CARDBOARD ASPHALT
- 30 PLASTIC
- 32 METAL
- 33 MOULDING
- 36 MYLAR
- 38 MOULDED RESIN
- 39 CARPET
- 40 PLASTISOL
- 41 POLYETHYLENE

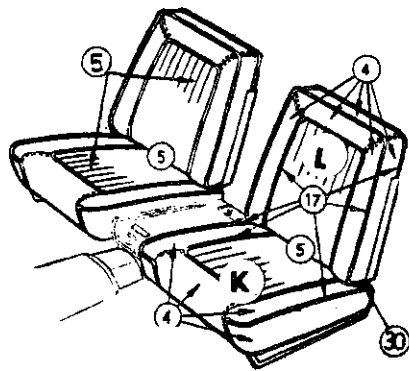
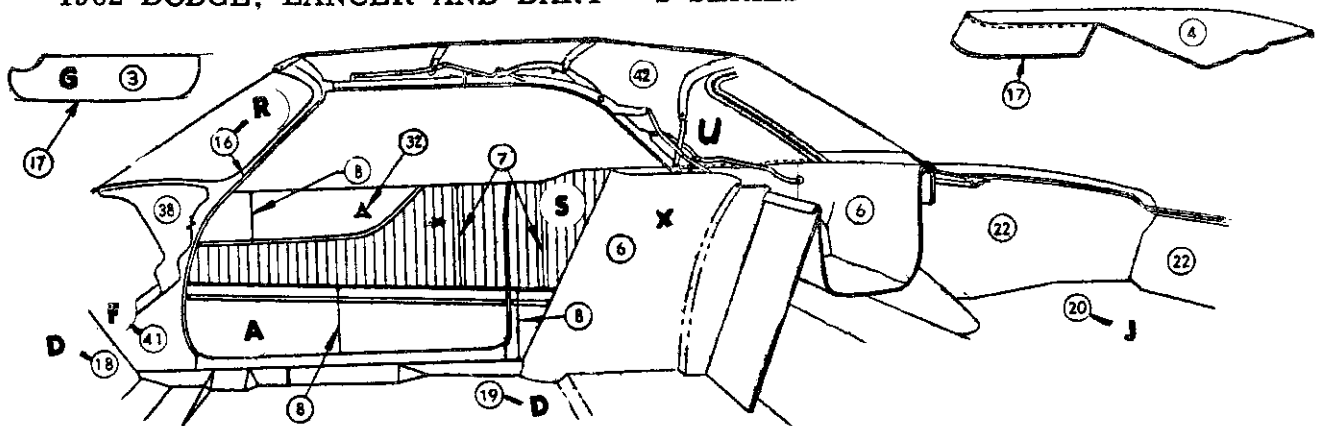
Distribution Drawing Legend Page Appears Following Illustration Section

Codes 851, 852, 853, 855, 856

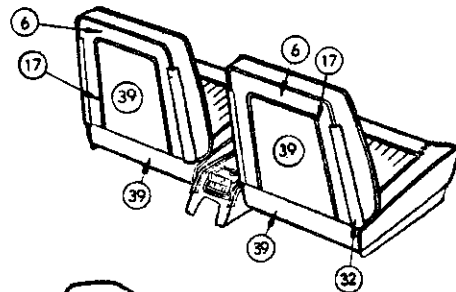
SDP-234

1962 POLARA SD2-P SPECIAL CLUB COUPE  
IMITATION LEATHER

1962 DODGE, LANCER AND DART - S SERIES



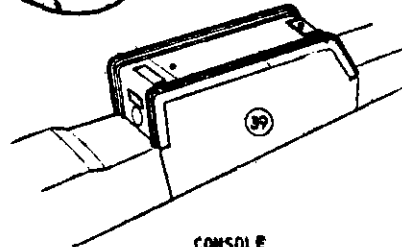
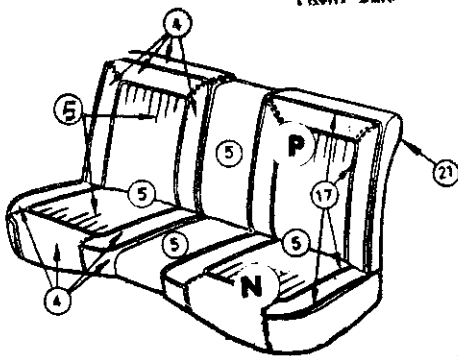
FRONT SEAT



FRONT SEAT (BACK)



FRONT DOOR ARM REST



CONSOLE

DISTRIBUTION OF MATERIAL

4	IMITATION LEATHER	28-AM-22
5	IMITATION LEATHER	28A-AM-22
6	IMITATION LEATHER	19-C-22
7	IMITATION LEATHER	19-DJ-22
8	IMITATION LEATHER	21A-CM-22
16	LACE	
17	EXTRUDED VINYL	
18	FLOOR COVERING-FRONT-CARPET	
19	FLOOR COVERING-REAR-CARPET	
20	FLOOR COVERING-LUGG. COMPT. RUBBER	
21	EMBOSSED CARDBOARD	
22	EMBOSSED CARDBOARD ON ASPHALT	
30	PLASTIC	
31	PAINT	
32	METAL	
38	MOULDED RESIN	
39	CARPET	
40	PLASTISOL	
41	POLYETHYLENE	
42	TOP MATERIAL	

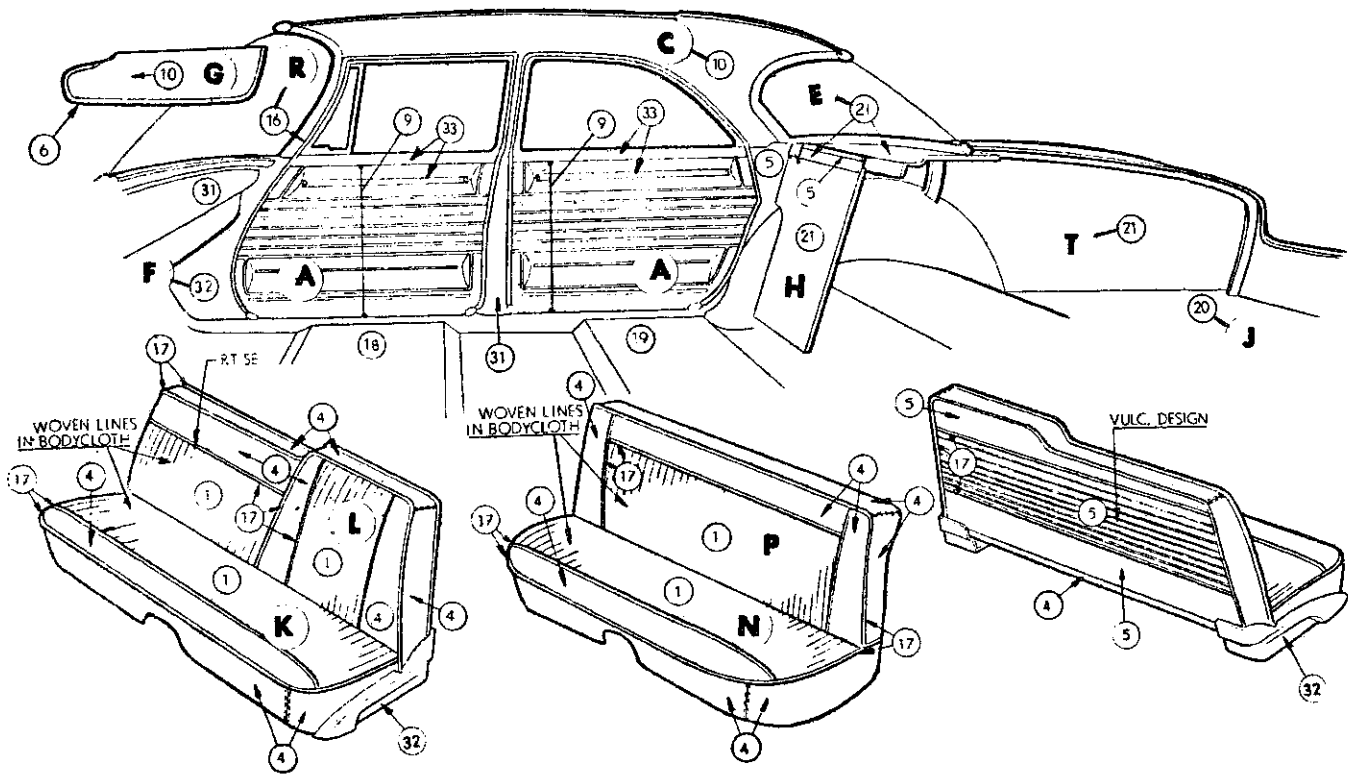
Distribution Drawing Legend Page Appears Following Illustration Section

Codes 851, 852, 853, 855, 856

SDP-274

1962 POLARA SD2-P CONVERTIBLE COUPE  
IMITATION LEATHER TRIM

1962 DODGE, LANCER AND DART - S SERIES



DISTRIBUTION OF MATERIAL

- 1 BODY CLOTH I
- 4 IMITATION LEATHER 28-AM-22
- 5 IMITATION LEATHER 19-C-22
- 6 IMITATION LEATHER 19A-C-22
- 9 IMITATION LEATHER .012-L-22
- 10 IMITATION LEATHER 12-Y-70
- 16 LACE
- 17 EXTRUDED VINYL
- 18 FLOOR COVERING-FRONT-RUBBER
- 19 FLOOR COVERING-REAR-RUBBER
- 20 FLOOR COVERING-LUGG. COMPT. -RUBBER
- 21 EMBOSSED CARDBOARD
- 30 PLASTIC
- 31 PAINT
- 32 METAL
- 33 MOULDING
- 35 POLYETHYLENE
- 36 MYLAR
- 38 MOULDED RESIN
- 39 CARPET
- 41 MOULDED VINYL
- 42 PLASTISOL

Distribution Drawing Legend Page Appears Following Illustration Section

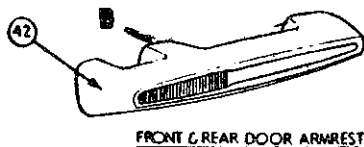
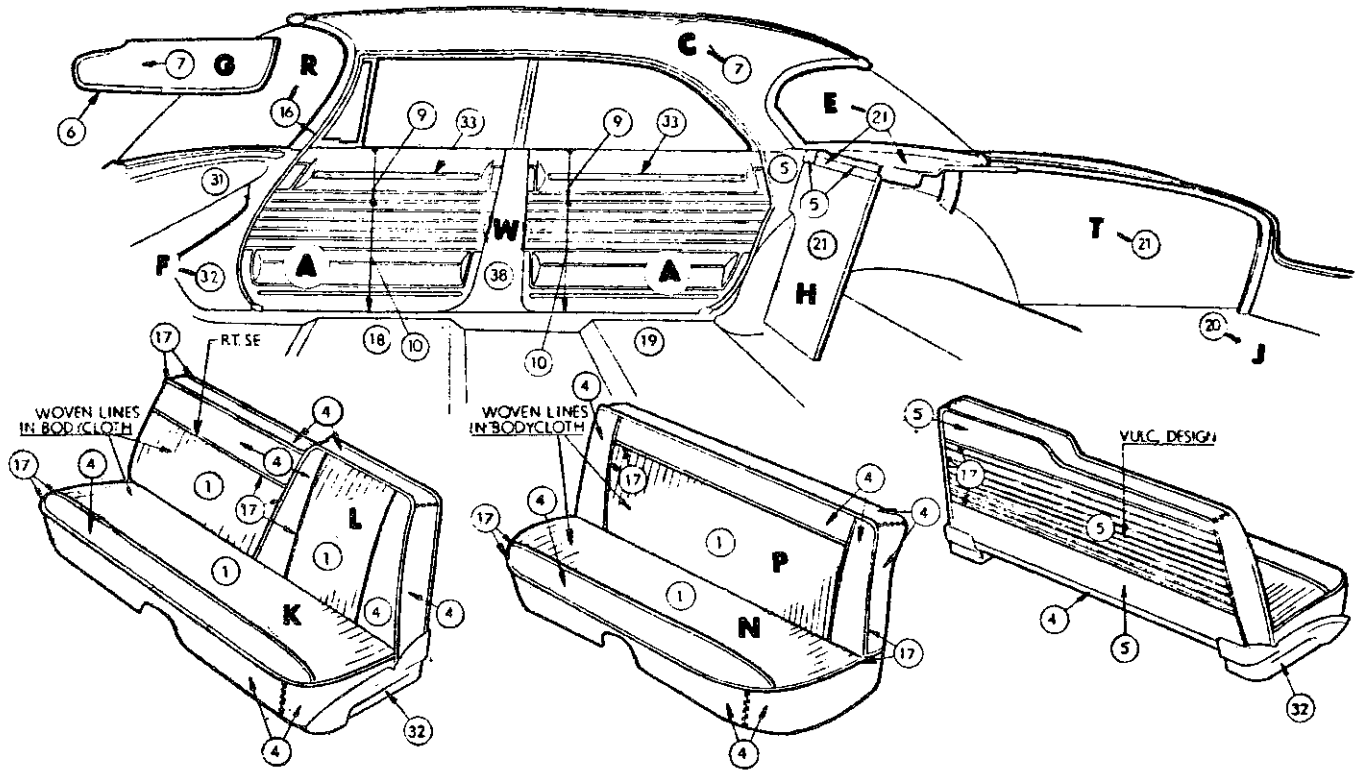
Codes 301, 303, 304, 305

SDL-411

1962 DODGE CUSTOM 880 SD3-L 4 DOOR SEDAN  
CLOTH AND IMITATION LEATHER TRIM



1962 DODGE, LANCER AND DART - S SERIES



DISTRIBUTION OF MATERIAL

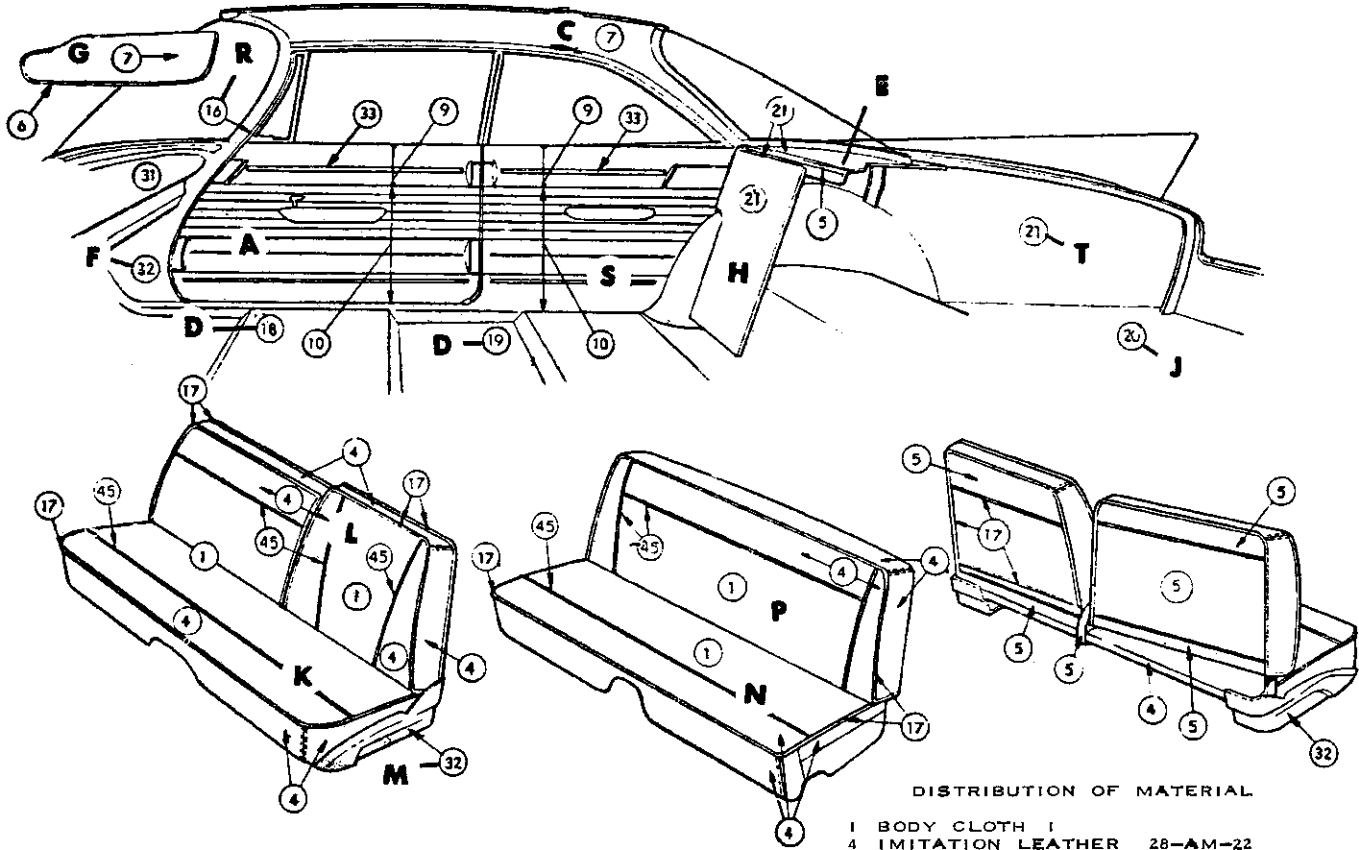
- |    |                                     |           |
|----|-------------------------------------|-----------|
| 1  | BODY CLOTH                          | 1         |
| 4  | IMITATION LEATHER                   | 28-AM-22  |
| 5  | IMITATION LEATHER                   | 19-C-22   |
| 6  | IMITATION LEATHER                   | 19A-C-22  |
| 7  | IMITATION LEATHER                   | 12-Y-70   |
| 9  | IMITATION LEATHER                   | 19-DJ-22  |
| 10 | IMITATION LEATHER                   | .012-L-22 |
| 16 | LACE                                |           |
| 17 | EXTRUDED VINYL                      |           |
| 18 | FLOOR COVERING-FRONT-RUBBER         |           |
| 19 | FLOOR COVERING-REAR-RUBBER          |           |
| 20 | FLOOR COVERING-LUGG. COMPT. -RUBBER |           |
| 21 | EMBOSSED CARDBOARD                  |           |
| 30 | PLASTIC                             |           |
| 31 | PAINT                               |           |
| 32 | METAL                               |           |
| 33 | MOULDING                            |           |
| 35 | POLYETHYLENE                        |           |
| 36 | MYLAR                               |           |
| 38 | MOULDED RESIN                       |           |
| 39 | CARPET                              |           |
| 41 | MOULDED VINYL                       |           |
| 42 | PLASTISOL                           |           |

Distribution Drawing Legend Page Appears Following Illustration Section

Codes 301, 303, 304, 305

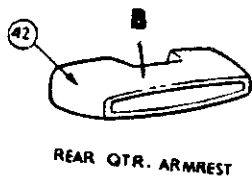
SDL-431 1962 DODGE CUSTOM 880 SD3-L SPECIAL 4 DOOR SEDAN  
CLOTH AND IMITATION LEATHER TRIM

1962 LANCER AND DART - S SERIES

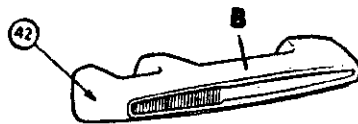


DISTRIBUTION OF MATERIAL

- 1 BODY CLOTH I
- 4 IMITATION LEATHER 28-AM-22
- 5 IMITATION LEATHER 19-C-22
- 6 IMITATION LEATHER 19A-C-22
- 7 IMITATION LEATHER 12-Y-70
- 9 IMITATION LEATHER 19-DJ-22
- 10 IMITATION LEATHER .012-L-22
- 16 LACE
- 17 EXTRUDED VINYL
- 18 FLOOR COVERING-FRONT-RUBBER
- 19 FLOOR COVERING-REAR-RUBBER
- 20 FLOOR COVERING-LUGG. COMPT. -RUBBER
- 21 EMBOSSED CARDBOARD
- 30 PLASTIC
- 31 PAINT
- 32 METAL
- 33 MOULDING
- 35 POLYETHYLENE
- 36 MYLAR
- 38 MOULDED RESIN
- 39 CARPET
- 41 MOULDED VINYL
- 42 PLASTISOL
- 45 MYLAR WELT



REAR QTR. ARMREST



FRONT DOOR ARMREST

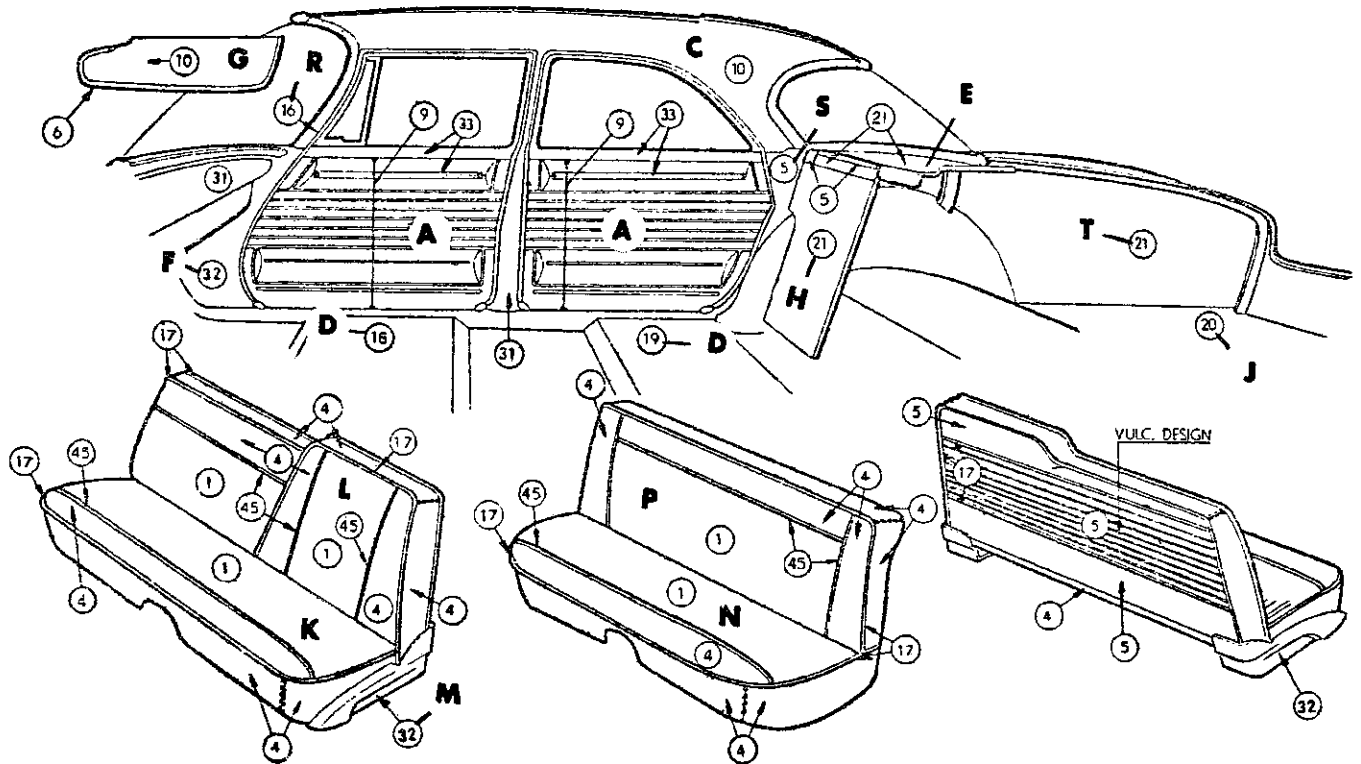
Distribution Drawing Legend Page Appears Following Illustration Section

Codes 341, 343, 344, 345

SD3L-231B

1962 DODGE CUSTOM 880 SD3-L  
SPECIAL CLUB COUPE  
CLOTH & IMITATION LEATHER TRIM

1962 LANCER AND DART - S SERIES



DISTRIBUTION OF MATERIAL

- 1 BODY CLOTH I
- 4 IMITATION LEATHER 28-AM-22
- 5 IMITATION LEATHER 19-C-22
- 6 IMITATION LEATHER 19A-C-22
- 9 IMITATION LEATHER .012-L-22
- 10 IMITATION LEATHER 12-Y-70
- 16 LACE
- 17 EXTRUDED VINYL
- 18 FLOOR COVERING-FRONT-RUBBER
- 19 FLOOR COVERING-REAR-RUBBER
- 20 FLOOR COVERING-LUGG. COMPT. -RUBBER
- 21 EMBOSSED CARDBOARD
- 30 PLASTIC
- 31 PAINT
- 32 METAL
- 33 MOULDING
- 35 POLYETHYLENE
- 36 MYLAR
- 38 MOULDED RESIN
- 39 CARPET
- 41 MOULDED VINYL
- 42 PLASTISOL
- 45 MYLAR WELT

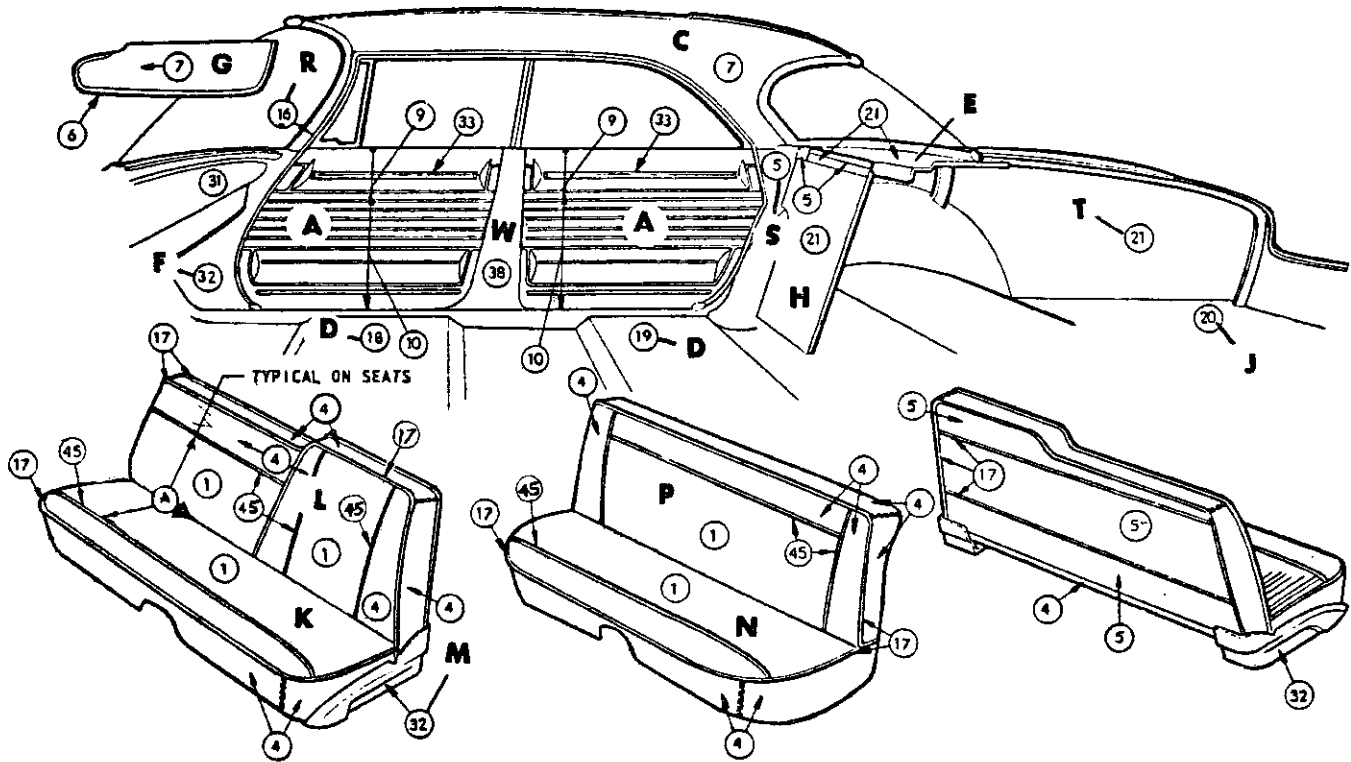
Distribution Drawing Legend Page Appears Following Illustration Section

Codes 341, 343, 344, 345

SD3L-411B

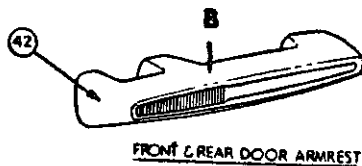
1962 DODGE SD3-L 4 DOOR SEDAN  
CLOTH & IMITATION LEATHER TRIM

1962 LANCER AND DART - S SERIES



DISTRIBUTION OF MATERIAL

- |    |                                     |          |
|----|-------------------------------------|----------|
| 1  | BODY CLOTH                          | I        |
| 4  | IMITATION LEATHER                   | 28-AM-22 |
| 5  | IMITATION LEATHER                   | 19-C-22  |
| 6  | IMITATION LEATHER                   | 19A-C-22 |
| 7  | IMITATION LEATHER                   | 12-Y-70  |
| 9  | IMITATION LEATHER                   | 19-DJ-22 |
| 10 | IMITATION LEATHER                   | 012-L-22 |
| 16 | LACE                                |          |
| 17 | EXTRUDED VINYL                      |          |
| 18 | FLOOR COVERING-FRONT-RUBBER         |          |
| 19 | FLOOR COVERING-REAR-RUBBER          |          |
| 20 | FLOOR COVERING-LUGG. COMPT. -RUBBER |          |
| 21 | EMBOSSED CARDBOARD                  |          |
| 30 | PLASTIC                             |          |
| 31 | PAINT                               |          |
| 32 | METAL                               |          |
| 33 | MOULDING                            |          |
| 35 | POLYETHYLENE                        |          |
| 36 | MYLAR                               |          |
| 38 | MOULDED RESIN                       |          |
| 39 | CARPET                              |          |
| 41 | MOULDED VINYL                       |          |
| 42 | PLASTISOL                           |          |
| 45 | MYLAR WELT                          |          |



Distribution Drawing Legend Page Appears Following Illustration Section

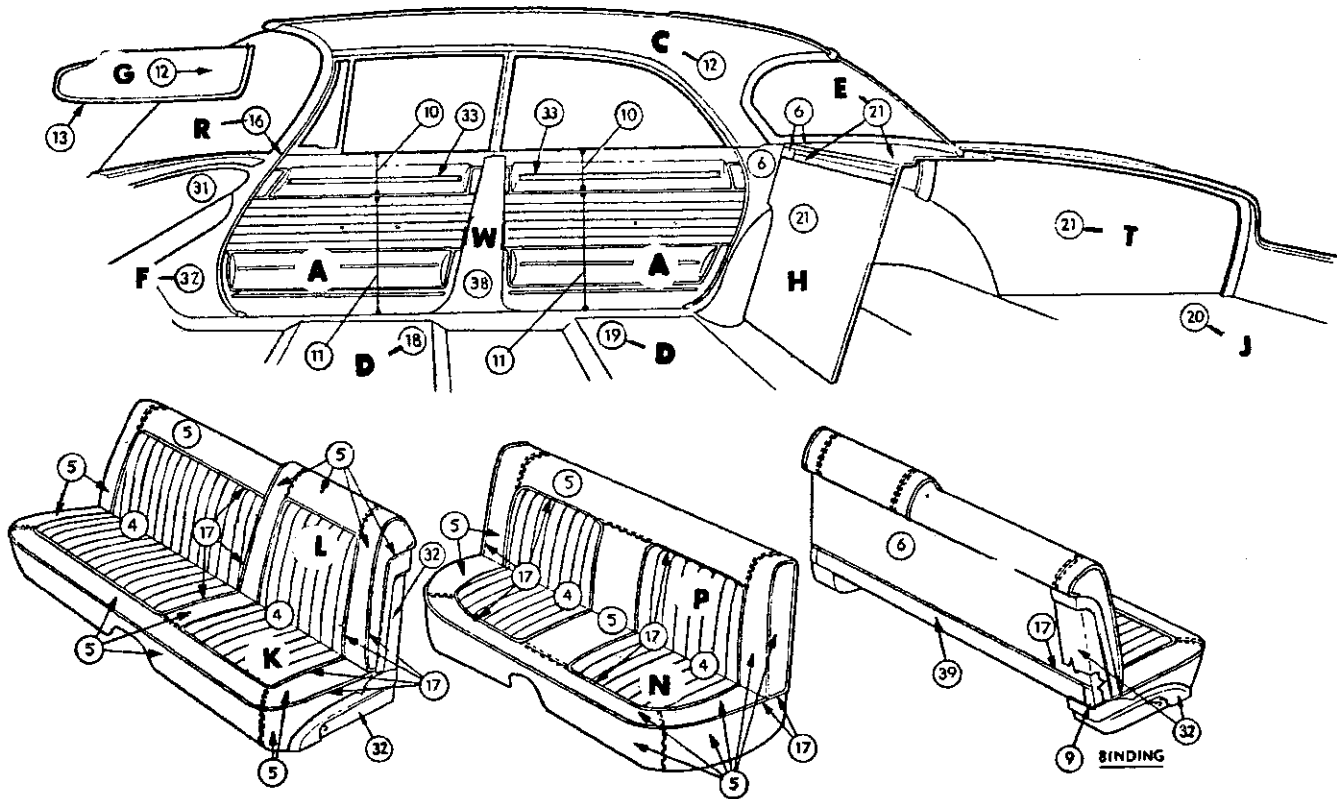
Codes 341, 343, 344, 345

SD3L-431B

1962 DODGE CUSTOM 880 SD3-L  
SPECIAL 4 DOOR SEDAN  
CLOTH & IMITATION LEATHER TRIM



1962 DODGE, LANCER AND DART - S SERIES



DISTRIBUTION OF MATERIAL

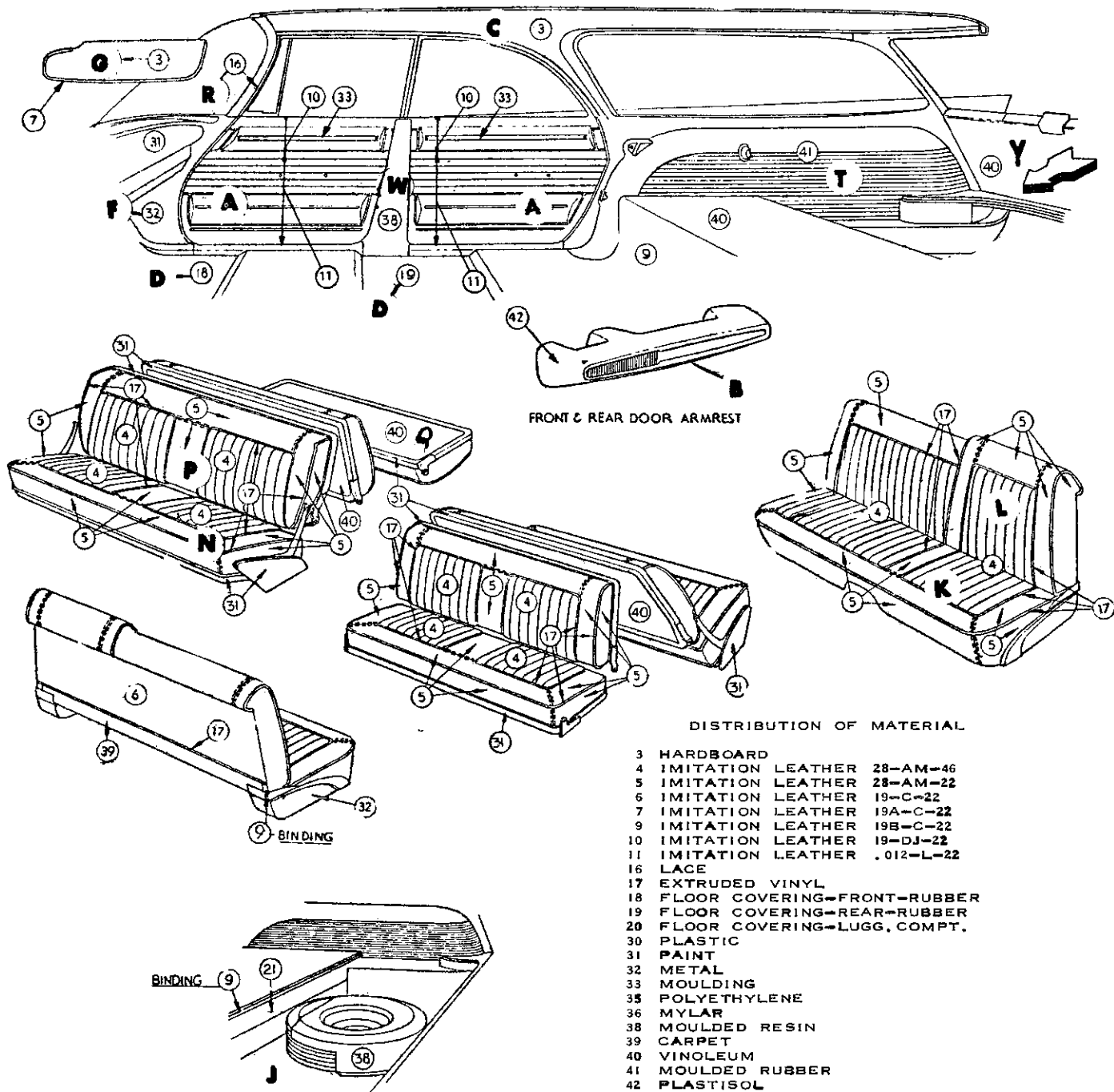
4	IMITATION LEATHER	28-AM-46
5	IMITATION LEATHER	28-AM-22
6	IMITATION LEATHER	19-C-22
9	IMITATION LEATHER	19B-C-22
10	IMITATION LEATHER	19-DJ-22
11	IMITATION LEATHER	.012-L-22
12	IMITATION LEATHER	12A-Y-70
13	IMITATION LEATHER	19C-C-22
16	LACE	
17	EXTRUDED VINYL	
18	FLOOR COVERING-FRONT-RUBBER	
19	FLOOR COVERING-REAR-RUBBER	
20	FLOOR COVERING-LUGG. COMPT. -RUBBER	
21	EMBOSSED CARDBOARD	
30	PLASTIC	
31	PAINT	
32	METAL	
33	MOULDING	
35	POLYETHYLENE	
36	MYLAR	
38	MOULDED RESIN	
39	CARPET	
42	PLASTISOL	

Distribution Drawing Legend Page Appears Following Illustration Section

Codes 404, 405

SDL-434 1962 DODGE CUSTOM 880 SD3-L SPECIAL 4 DOOR SEDAN  
IMITATION LEATHER TRIM

1962 DODGE, LANCER AND DART - S SERIES



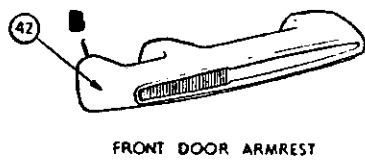
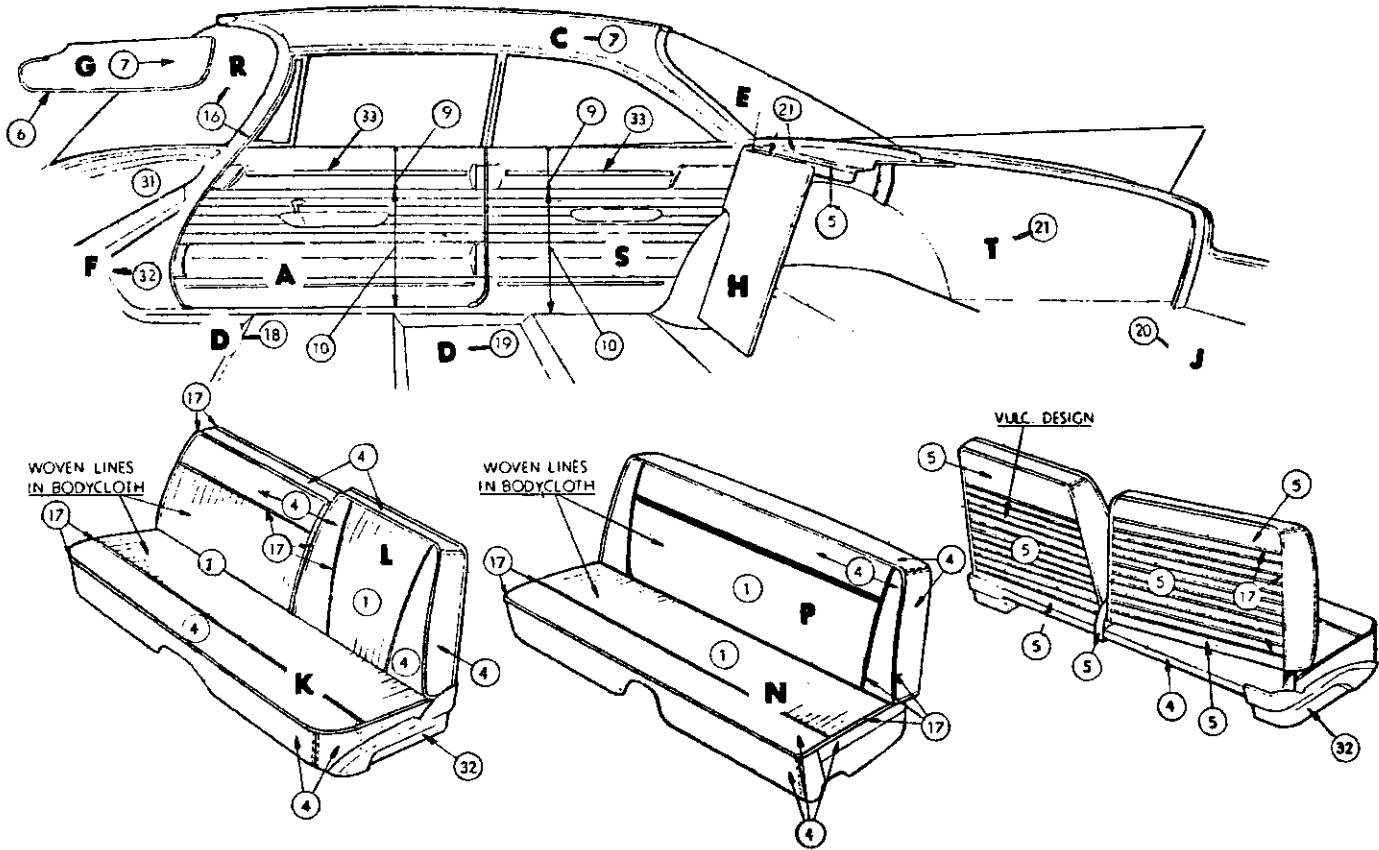
Distribution Drawing Legend Page Appears Following Illustration Section

SDL-464

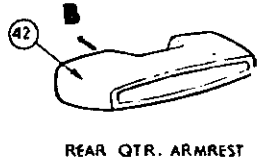
Codes 403, 404, 405

1962 DODGE CUSTOM 880 SD3-L SPECIAL 4 DOOR STATION WAGON  
IMITATION LEATHER TRIM

1962 DODGE, LANCER AND DART - S SERIES



FRONT DOOR ARMREST



REAR QTR. ARMREST

DISTRIBUTION OF MATERIAL

- 1 BODY CLOTH I
- 4 IMITATION LEATHER 28-AM-22
- 5 IMITATION LEATHER 19-C-22
- 6 IMITATION LEATHER 19A-C-22
- 7 IMITATION LEATHER 12-Y-70
- 9 IMITATION LEATHER 19-DJ-22
- 10 IMITATION LEATHER .012-L-22
- 16 LACE
- 17 EXTRUDED VINYL
- 18 FLOOR COVERING-FRONT-RUBBER
- 19 FLOOR COVERING-REAR-RUBBER
- 20 FLOOR COVERING-LUGG. COMPT. -RUBBER
- 21 EMBOSSED CARDBOARD
- 30 PLASTIC
- 31 PAINT
- 32 METAL
- 33 MOULDING
- 35 POLYETHYLENE
- 36 MYLAR
- 38 MOULDED RESIN
- 39 CARPET
- 41 MOULDED VINYL
- 42 PLASTISOL

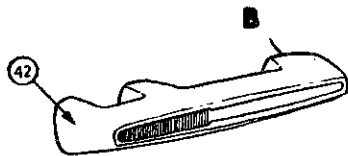
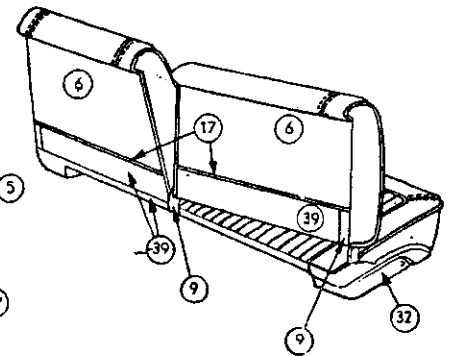
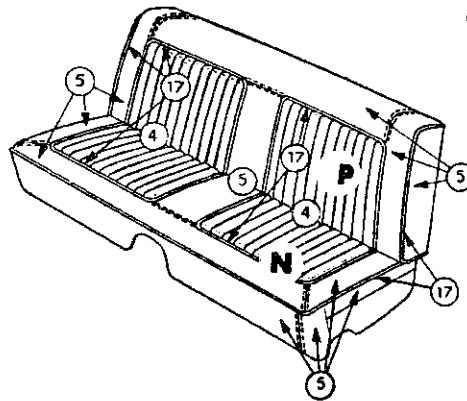
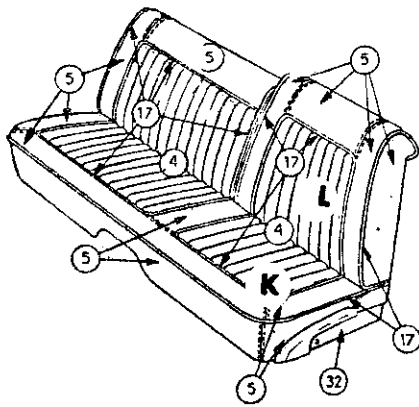
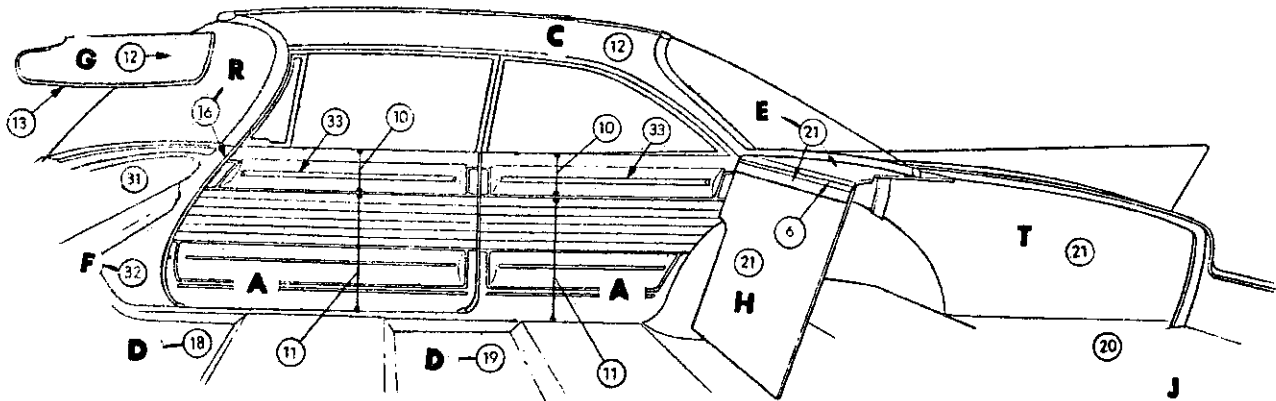
Distribution Drawing Legend Page Appears Following Illustration Section

Codes 301, 303, 304, 305

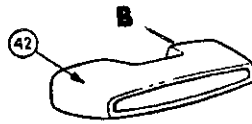
SD1-L231 1962 DODGE CUSTOM 880 SD3-L SPECIAL CLUB COUPE  
CLOTH AND IMITATION LEATHER TRIM



1962 DODGE, LANCER AND DART - S SERIES



FRONT DOOR ARMREST



REAR OTR. ARMREST

DISTRIBUTION OF MATERIAL

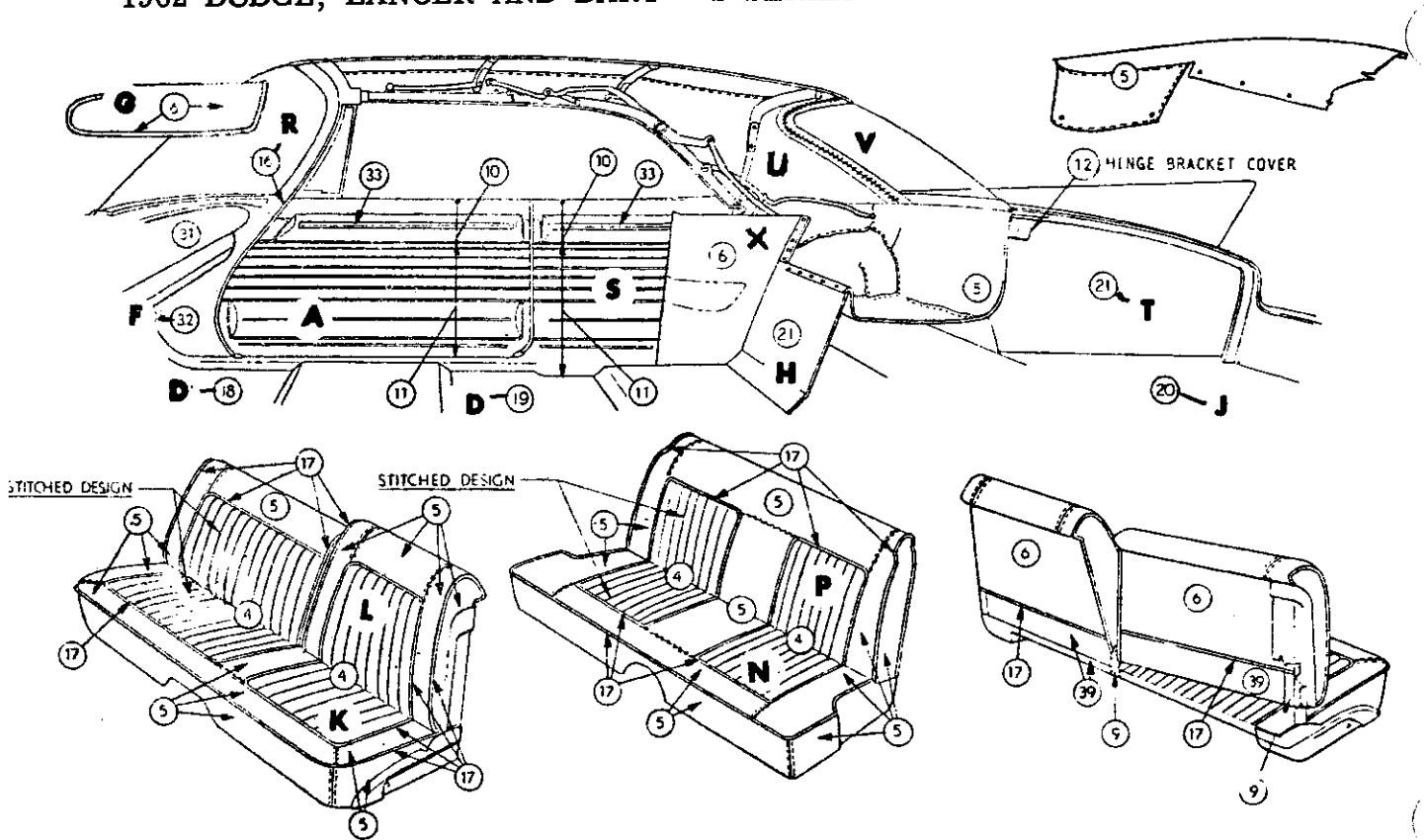
- 1 BODY CLOTH 1
- 2 BODY CLOTH 2
- 4 IMITATION LEATHER 28-AM-46
- 5 IMITATION LEATHER 28-AM-22
- 6 IMITATION LEATHER 19-C-22
- 9 IMITATION LEATHER 19B-C-22
- 10 IMITATION LEATHER 19-DJ-22
- 11 IMITATION LEATHER .012-L-22
- 12 IMITATION LEATHER 12A-Y-70
- 13 IMITATION LEATHER 19C-C-22
- 16 LACE
- 17 EXTRUDED VINYL
- 18 FLOOR COVERING-FRONT-RUBBER
- 19 FLOOR COVERING-REAR-RUBBER
- 20 FLOOR COVERING-LUGG. COMPT. -RUBBER
- 21 EMBOSSED CARDBOARD
- 30 PLASTIC
- 31 PAINT
- 32 METAL
- 33 MOULDING
- 34 SHEETING
- 35 POLYETHYLENE
- 36 MYLAR
- 38 MOULDED RESIN
- 39 CARPET
- 42 PLASTISOL

Distribution Drawing Legend Page Appears Following Illustration Section

Codes 404, 405

SDL-234 1962 DODGE CUSTOM 880 SD3-L SPECIAL CLUB COUPE  
IMITATION LEATHER TRIM

1962 DODGE, LANCER AND DART - S SERIES



DISTRIBUTION OF MATERIAL

- 4 IMITATION LEATHER 28-AM-46
- 5 IMITATION LEATHER 28-AM-22
- 6 IMITATION LEATHER 19-C-22
- 9 IMITATION LEATHER 19B-C-22
- 10 IMITATION LEATHER 19-DJ-22
- 11 IMITATION LEATHER .012-L-22
- 12 IMITATION LEATHER 19D-C-22
- 16 LACE
- 17 EXTRUDED VINYL
- 18 FLOOR COVERING-FRONT-RUBBER
- 19 FLOOR COVERING-REAR-RUBBER
- 20 FLOOR COVERING-LUGG. COMPT. -RUBBER
- 21 EMBOSSED CARDBOARD
- 30 PLASTIC
- 31 PAINT
- 32 METAL
- 33 MOULDING
- 35 POLYETHYLENE
- 36 MYLAR
- 38 MOULDED RESIN
- 39 CARPET
- 42 PLASTISOL

Distribution Drawing Legend Page Appears Following Illustration Section

Codes 401, 404, 405

SDL-274 1962 DODGE CUSTOM 880 SD3-L CONVERTIBLE COUPE  
IMITATION LEATHER TRIM

## 1962 DODGE, LANCER AND DART - S SERIES

## Distribution Drawing Legend

See Illustrations For Letter Identification

Letter	Description	Code
A	Panel, Door Trim	23-92-5
B	Arm Rest, Door, Front	23-76-3
	Center, Front Seat	23-76-34
	Door, Rear	23-76-59
	Quarter Panel	23-76-66
C	Headlining	23-86-3
D	Floor Cover, Front, Carpet	23-79-3
	Rubber	23-20-8
	Rear, Carpet	23-79-33
	Rubber	23-20-41
E	Panel, Shelf Trim	23-102-3
F	Panel, Cowl Trim	23-91-6
G	Visor	23-103-3
H	Panel, Luggage Compartment Front	23-96-3
J	Cover, Luggage Compartment Floor	23-20-29
K	Cover, Front Seat Cushion	23-108-5
L	Cover, Front Seat Back	23-108-16
M	Cover, Front Seat Hinge	23-108-84
N	Cover, Rear Seat Cushion	23-109-36
P	Cover, Rear Seat Back	23-109-4
Q	Cover, Rear Seat Cushion Bottom Panel	23-109-40
R	Weathercord, Door	23-113-2
	Hinge Pillar	23-113-25
	Lock Pillar	23-113-30
	w/Weatherstrip	23-66-33
S	Panel, Quarter Trim	23-101-3
T	Cover, Wheelhouse	23-96-8
U	Top Deck and Side Quarter	23-112-108
V	Curtain, Folding Top Back	23-112-45
W	Cover, Center Pillar	23-99-4
X	Panel, Folding Top Well Pocket	23-112-153
Y	Cover, Tailgate Inside Panel	23-79-79
Z	Cover, Rear Seat Back Panel	23-109-5



1962 LANCER - DART - S SERIES

TRIM CODES

BODY CODE	COLUMN LEGEND
SL1-L (170)	
711 (21)	2 D. Sedan
713 (41)	4 D. Sedan
756 (45A)	4 D. Wagon (2 Seat)
783 (41)	4 D. Sedan (Taxi)
SL1-H (770)	
731 (21)	2 D. Sedan
733 (41)	4 D. Sedan
776 (45A)	4 D. Wagon (2 Seat)
SL1-P (GT)	
742 (23)	2 D. Hard Top
SD1-L	
401 (21)	2 D. Sedan (Fleet)
403 (41)	4 D. Sedan (Fleet)
411 (21)	2 D. Sedan
413 (41)	4 D. Sedan
456 (45A)	4 D. Wagon (2 Seat)
483 (41)	4 D. Sedan (Taxi)
491 (21)	2 D. Sedan (Police)
493 (41)	4 D. Sedan (Police)
496 (45A)	4 D. Wagon (Police) (2 Seat)
SD2-L	
501 (21)	2 D. Sedan (Fleet)
503 (41)	4 D. Sedan (Fleet)
511 (21)	2 D. Sedan
513 (41)	4 D. Sedan
556 (45A)	4 D. Wagon (2 Seat)
583 (41)	4 D. Sedan (Taxi)
591 (21)	2 D. Sedan (Police)
593 (41)	4 D. Sedan (Police)
596 (45A)	4 D. Sedan (Police) (2 Seat)
SD1-M (330)	
421 (21)	2 D. Sedan
422 (23)	2 D. Hard Top
423 (41)	4 D. Sedan
466 (45A)	4 D. Wagon (2 Seat)
SD2-M (330)	
521 (21)	2 D. Sedan
522 (23)	2 D. Hard Top
523 (41)	4 D. Sedan
566 (45A)	4 D. Wagon (2 Seat)
567 (45B)	4 D. Wagon (3 Seat)
SD1-H (440)	
432 (23)	2 D. Hard Top
433 (41)	4 D. Sedan

★ Indicates use as required.

⊠ Indicates parts not listed in any previous parts book.  
Right and left part numbers are on same line,  
first number is right, second number is left.

## TRIM CODES - Cont'd

BODY CODE	COLUMN LEGEND
	SD2-H (440)
532 (23)	2 D. Hard Top
533 (41)	4 D. Sedan
534 (43)	4 D. Hard Top
576 (45A)	4 D. Wagon (2 Seat)
577 (45B)	4 D. Wagon (3 Seat)
535 (27)	Convertible
	SD2-P (500)
542 (23)	2 D. Hard Top
544 (43)	4 D. Hard Top
545 (27)	Convertible
	SD3-L (880)
612 (23)	2 D. Hard Top
613 (41)	4 D. Sedan
614 (43)	4 D. Hard Top
615 (27)	Convertible
658 (45A)	4 D. Wagon (2 Seat)
659 (45B)	4 D. Wagon (3 Seat)

## CONVERTIBLE TOP COLOR LEGEND

SD2-H	6 Black	7 White
SD2-P	6 Black	8 Beige

## STARTING SERIAL NUMBERS

	Detroit Built	St. Louis Built	Newark Built	Los Angeles Built
SL1-L (Lancer 170)	7122-500001	7127-100001	7126-100001	7125-100001
SL1-L (Lancer Sub. 170)	7522-500001	7527-100001	7526-100001	7525-100001
SL1-H (Lancer 770)	7322-100001	7327-100001	7326-100001	7325-100001
SL1-H (Lancer Sub. 770)	7722-100001	7727-100001	7726-100001	7725-100001
SL1-P (G. T.)	7422-100001	7427-100001	7426-100001	7425-100001
SD1-L (Dart)	4122-100001	4127-100001	4126-100001	4125-100001
SD1-L (Dart Sub.)	4522-100001	4527-100001	4526-100001	4525-100001
SD1-M (Dart 330)	4222-100001	4227-100001	4226-100001	4225-100001
SD1-M (Dart 330 Sub.)	4622-100001	4627-100001	4626-100001	4625-100001
SD1-H (Dart 440)	4322-100001	4327-100001	4326-100001	4325-100001
SD2-L (Dart)	5122-100001	5127-100001	5126-100001	5125-100001
SD2-L (Dart Sub.)	5522-100001	5527-100001	5526-100001	5525-100001
SD2-M (Dart 330)	5222-100001	5227-100001	5226-100001	5225-100001
SD2-M (Dart 330 Sub.)	5622-100001	5627-100001	5626-100001	5625-100001
SD2-H (Dart 440)	5322-100001	5327-100001	5326-100001	5325-100001
SD2-H (Dart 440 Sub.)	5722-100001	5727-100001	5726-100001	5725-100001
SD2-P (Polaris 500)	5422-100001			
SD3-L (Custom 880)	6123-169564			

★ Indicates use as required.

B Indicates parts not listed in any previous parts book.

May 1, 1962 Supersedes Nov. 30, 1961.

Prices and specifications subject to change without notice.

Right and left part numbers are on same line,

first number is right, second number is left.

\* Indicates change or addition.

TRIM CODE	MODEL	MATERIAL			COLOR	4 D. Sed.	Special 4 D. Sed.	Sub.	2 D. Sed.	Spec. Club Cpe.	Conv. Cpe.
		Cloth	Vinyl	Leather							
611	L1-L	*	*	-	Black and Gray, w/Blue	*	-	-	*	-	-
614	L1-L	*	*	-	Black and Gray	*	-	-	*	-	-
615	L1-L	*	*	-	Black and Gray, w/Red	*	-	-	*	-	-
641	L1-L	-	*	-	Black and Gray, w/Blue	-	-	*	-	-	-
644	L1-L	-	*	-	Black and Gray	-	-	*	-	-	-
645	L1-L	-	*	-	Black and Gray, w/Red	-	-	*	-	-	-
631	L1-H	*	*	-	Blue	*	-	*	*	-	-
632	L1-H	*	*	-	Green	*	-	*	*	-	-
633	L1-H	*	*	-	Cocoa	*	-	*	*	-	-
635	L1-H	*	*	-	Red	*	-	*	*	-	-
651	L1-P	-	*	-	Blue	-	-	-	-	*	-
652	L1-P	-	*	-	Green	-	-	-	-	*	-
653	L1-P	-	*	-	Cocoa	-	-	-	-	*	-
655	L1-P	-	*	-	Red	-	-	-	-	*	-
664	L1-L	-	*	-	Gray	*	-	-	-	-	-
671	L1-H	-	*	-	Blue	*	-	-	-	-	-
675	L1-H	-	*	-	Red	*	-	-	-	-	-
694	L1-L	-	*	-	Gray	*	-	-	-	-	-
701	D1-L, D2-L	*	*	-	Blue	*	-	-	*	-	-
703	D1-L, D2-L	*	*	-	Cocoa	*	-	-	*	-	-
704	D1-L, D2-L	*	*	-	Gray	*	-	-	*	-	-
301	D3-L	*	*	-	Blue	*	*	-	-	-	-
303	D3-L	*	*	-	Cocoa	*	*	-	-	-	-
304	D3-L	*	*	-	Gray	*	*	-	-	-	-
305	D3-L	*	*	-	Red	*	*	-	-	-	-
341	D3-L	*	*	-	Blue	*	*	-	-	*	-
343	D3-L	*	*	-	Cocoa	*	*	-	-	*	-
344	D3-L	*	*	-	Gray and Black	*	*	-	-	*	-
345	D3-L	*	*	-	Red	*	*	-	-	*	-
401	D3-L	*	*	-	Blue	-	-	-	-	-	*
403	D3-L	*	*	-	Cocoa	-	-	*	-	-	-
404	D3-L	*	*	-	Black	-	*	*	-	*	*
405	D3-L	*	*	-	Red	-	*	*	-	*	*
711	D1-M, D2-M	*	*	-	Blue	*	-	*	*	*	-
712	D1-M, D2-M	*	*	-	Green	*	-	-	*	*	-
713	D1-M, D2-M	*	*	-	Cocoa	*	-	*	*	*	-
714	D1-M, D2-M	*	*	-	Gray	*	-	*	*	*	-
715	D1-M, D2-M	*	*	-	Red	*	-	*	*	*	-
721	D1-H, D2-H	*	*	-	Blue	*	-	-	-	-	-
722	D1-H, D2-H	*	*	-	Green	*	-	-	-	-	-
723	D1-H, D2-H	*	*	-	Cocoa	*	-	-	-	-	-
724	D1-H, D2-H	*	*	-	Gray	*	-	-	-	-	-
725	D1-H, D2-H	*	*	-	Red	*	-	-	-	-	-
801	D1-L, D2-L	-	*	-	Blue	-	-	*	-	-	-
803	D1-L, D2-L	-	*	-	Tan	-	-	*	-	-	-
804	D1-L, D2-L	-	*	-	Gray	-	-	*	-	-	-
811	D1-H, D2-H, D2-P	-	*	-	Blue	-	*	*	-	*	*
812	D1-H, D2-H, D2-P	-	*	-	Green	-	*	*	-	*	*
813	D1-H, D2-H, D2-P	-	*	-	Cocoa	-	*	*	-	*	*
814	D1-H, D2-H	-	*	-	Gray	-	*	*	-	*	*
815	D1-H, D2-H, D2-P	-	*	-	Red	-	*	*	-	*	*
821	D1-L, D2-L	-	*	-	Blue	*	-	-	-	-	-
824	D1-L, D2-L	-	*	-	Gray	*	-	-	-	-	-
831	D1-M, D2-M	-	*	-	Blue	*	-	-	-	-	-
834	D1-M, D2-M	-	*	-	Gray	*	-	-	-	-	-
841	D1-H, D2-H	-	*	-	Blue	*	-	-	-	-	-
844	D1-H, D2-H	-	*	-	Gray	*	-	-	-	-	-
851	D2-P	-	*	-	Blue and Beige	-	-	-	-	*	*
852	D2-P	-	*	-	Green and Beige	-	-	-	-	*	*
853	D2-P	-	*	-	Cocoa and Beige	-	-	-	-	*	*
855	D2-P	-	*	-	Red and Beige	-	-	-	-	*	*
856	D2-P	-	*	-	Black and Beige	-	-	-	-	*	*
861	D1-M, D2-M	-	*	-	Blue	-	-	*	-	-	-
863	D1-M, D2-M	-	*	-	Cocoa	-	-	*	-	-	-
864	D1-M, D2-M	-	*	-	Gray	-	-	*	-	-	-
865	D1-M, D2-M	-	*	-	Red	-	-	*	-	-	-
894	D1-L, D2-L	-	*	-	Gray	*	-	-	*	-	-

★ Indicates use as required.

☐ Indicates parts not listed in any previous parts book.

Right and left part numbers are on same line, first number is right, second number is left.

\* Indicates change or addition.

# 1962 PASSENGER CAR PARTS CATALOG

INTERIOR TRIM

CODE	REMARKS	PER CAR	SED.	SP. 4 D.	SUB.	SP. CL. CP.	CV. CP.
NOTE: RIGHT HAND AND LEFT HAND PARTS LISTED ON THE SAME LINE. Whenever right and left hand parts are identified by consecutive part numbers they will be listed as in the following example: PANEL, Door Trim 2083 344-5 Interpreted, this indicates that Panel, right is Part No. 2083 344 and Panel, left is Part No. 2083 345.							
23-70-5	COVER, Wheelhouse Second Seat Back Hinge Bracket D3-L (code 403) (cocoa) (code 404) (black) (code 405) (red)	1 1 1	----	----	2178 611-2 2169 991-2 *2178 332-3		
23-70-6	COVER, Second Seat Back Hinge D3-L	1	----	----	2094 882-3		
23-70-19	INSERT, Second Seat Back Panel D3-L (codes 403, 404, 405) (gray)	1	----	----	2169 947		
23-71-1	COVER, Front Console D2-P (code 851) (code 852) (code 853) (code 855) (code 856)	1 1 1 1 1	----	----	----	2296 320-1 2296 322-3 2296 324-5 *2296 326-7 *2296 328-9	2296 320-1 2296 322-3 2296 324-5 *2296 326-7 *2296 328-9
23-76-3	ARM REST, Front Door L1-L, L1-H, L1-P (codes 611, 614, 615, 641, 644, 645) (black) (codes 631, 651, 671) (blue) (codes 632, 652) (green) (codes 633, 653) (cocoa) (codes 635, 655, 675) (red) (code 664) (gray) (code 694) (gray)	2 2 2 2 2 2 2	2083 862 2273 000 2273 001 2273 002 2273 004 2273 003 2212 691	----	2083 862 2273 000 2273 001 2273 002 2273 004	2273 000 2273 001 2273 002 2273 004	
	D1, D2 (codes 701, 711, 801, 821, 831, 861) (blue) (codes 703, 713, 803, 863) (cocoa) (codes 704, 714, 804, 824, 834) (gray) (code 712) (green) (code 715) (red)	2 2 2 2 2	2273 000 2273 002 2273 003 2273 001 2273 004	----	2273 000 2273 002 2273 003 2273 001 2273 004	2273 000 2273 002 2273 003 2273 001 2273 004	
	(codes 721, 811, 841, 851) (blue) (codes 722, 812, 852) (green) (codes 723, 813, 853) (cocoa) (codes 724, 814, 844) (gray) (codes 725, 815, 855) (red) (code 856) (black) (code 894) (gray)	1 1 1 1 1 2 2	2273 006-7 2273 008-9 2273 010-11 2273 012-3 2273 014-5 ---- 2212 691	2273 006-7 2273 008-9 2273 010-11 2273 012-3 2273 014-5 ----	2273 006-7 2273 008-9 2273 010-11 2273 012-3 2273 014-5 ----	2273 006-7 2273 008-9 2273 010-11 2273 012-3 2273 014-5 2297 160-61	2273 006-7 2273 008-9 2273 010-11 2273 012-3 2273 014-5 2297 160-61
	D3-L (blue) (cocoa) (gray) (black) (red)	1 1 1 1 1	*2273 006-7 *2273 010-11 *2273 012-3 ---- *2273 014-5	*2273 006-7 *2273 010-11 *2273 012-3 *2177 818-9 *2273 014-5	---- *2273 010-11 ---- *2177 818-9 *2273 014-5	*2273 006-7 *2273 010-11 *2273 012-3 *2177 818-9 *2273 014-5	*2273 006-7 *2273 010-11 *2273 012-3 *2177 818-9 *2273 014-5
23-76-16	SCREW NUT, Arm Rest to Panel L1-H, D1, D2, D3	4 ★	* 162 090 1280 134	* 162 090 1280 134	* 162 090 1280 134	* 162 090 1280 134	* 162 090 1280 134

★ Indicates use as required.  
 E Indicates parts not listed in any previous parts book.  
 March 8, 1963 Supersedes May 1, 1962.

Prices and specifications subject to change without notice.  
 Right and left part numbers are on same line,  
 first number is right, second number is left.  
 \* Indicates change or addition.



CODE	REMARKS	PER CAR	SED.	SP. 4 D.	SUB.	SP. CL. CP.	CV. CP.	
23-76-18	ARM REST, Front Seat Back Center							
	D1-H, D2-H							
	(codes 721, 811)	1	2273 740	2273 740	2273 740	2273 740	2273 740	
	(codes 722, 812)	1	2273 741	2273 741	2273 741	2273 741	2273 741	
	(codes 723, 813)	1	2273 742	2273 742	2273 742	2273 742	2273 742	
23-76-27	HOOK, Front Seat Arm Rest Frame Retainer							
	D1, D2	1	1918 568	1918 568	1918 568	1918 568	*1918 568	
	23-76-28	BAR, Front Seat Center Arm Rest Lock						
		D1, D2	1	2270 102	2270 102	2270 102	2270 102	*2270 102
		23-76-34	COVER, Front Seat Back Center Arm Rest					
(codes 721, 811)			1	2271 995	2271 995	2271 995	2271 995	2271 995
(codes 722, 812)			1	2271 996	2271 996	2271 996	2271 996	2271 996
(codes 723, 813)	1		2271 997	2271 997	2271 997	2271 997	2271 997	
(codes 724, 814)	1		2271 998	2271 998	2271 998	2271 998	2271 998	
23-76-59	ARM REST, Rear Door							
	L1-L, L1-H							
	(codes 611, 614, 615, 641, 644, 645)	2	2083 862	----	2083 862			
	(codes 631, 671) (black)	2	2273 000	----	2273 000			
	(code 632) (blue)	2	2273 001	----	2273 001			
	(code 633) (green)	2	2273 002	----	2273 002			
	(codes 635, 675) (cocoa)	2	2273 004	----	2273 004			
	(code 664) (red)	2	2273 003	----	2273 003			
	(code 694) (gray)	2	2212 691					
	D1, D2, (except D2-H Sub.)							
	(codes 701, 711, 801, 821, 831)	2	2273 000	----	2273 000			
	(codes 703, 713, 803) (blue)	2	2273 002	----	2273 002			
	(codes 704, 714, 804, 824, 834)	2	2273 003	----	2273 003			
	(code 712) (gray)	2	2273 001	----	2273 001			
	(code 715) (red)	2	2273 004	----	2273 004			
	(codes 721, 811, 841) (blue)	1	2273 006-7	----	2273 006-7			
	(codes 722, 812) (green)	1	2273 008-9	----	2273 008-9			
	(codes 723, 813) (cocoa)	1	2273 010-1	----	2273 010-1			
	(codes 724, 814, 844) (gray)	1	2273 012-3	----	2273 012-3			
	(codes 725, 815) (red)	1	2273 014-5	----	2273 014-5			
	(code 894) (gray)	2	2212 691					
	D2-H (large arm rest) (15")							
	(code 811) (blue)	1	----	----	2273 006-7			
	(code 812) (green)	1	----	----	2273 008-9			
	(code 813) (cocoa)	1	----	----	2273 010-1			
(code 814) (gray)	1	----	----	2273 012-3				
(code 815) (red)	1	----	----	2273 014-5				
D2-H (small arm rest) (9")								
(code 811) (blue)	2	----	----	2273 000				
(code 812) (green)	2	----	----	2273 001				
(code 813) (cocoa)	2	----	----	2273 002				
(code 814) (gray)	2	----	----	2273 003				
(code 815) (red)	2	----	----	2273 004				

★ Indicates use as required.  
 ☐ Indicates parts not listed in any previous parts book.  
 Right and left part numbers are on same line,  
 first number is right, second number is left.  
 \* Indicates change or addition.

CODE	REMARKS	PER CAR	SED.	SP. 4 D.	SUB.	SP. CL. CP.	CV. CP.
23-76-59	ARM REST, Rear Door - Cont'd D3-L (codes 301, 341) (blue) (codes 303, 343, 403) (cocoa) (codes 304, 344) (gray) (codes 305, 345, 405) (red) (code 404) (black)	1 1 1 1 1		*2273 006-7 *2273 010-11 *2273 012-3 *2273 014-5 ----	*2273 006-7 *2273 010-11 *2273 012-3 *2273 014-5 2177 818-9		*2273 010-11 *2273 014-5 2177 818-9
23-76-66	ARM REST, Rear Quarter L1-H, L1-P (codes 631, 651) (blue) (codes 632, 652) (green) (codes 633, 653) (cocoa) (codes 635, 655) (red)	2 2 2 2	2273 000 2273 001 2273 002 2273 004	---- ---- ---- ----	---- ---- ---- ----	2273 000 2273 001 2273 002 2273 004	
	D1, D2 (codes 701, 711, 811, 851) (blue) (codes 703, 713, 813, 853) (cocoa) (codes 704, 714, 814) (gray) (codes 712, 812, 852) (green) (codes 715, 815, 855) (red) (code 894) (gray) (code 856) (black)	2 2 2 2 2 2 2	2273 000 2273 002 2273 003 2273 001 2273 004 2212 691 ----	---- ---- ---- ---- ---- ---- ----	---- ---- ---- ---- ---- ---- ----	2273 000 2273 002 2273 003 2273 001 2273 004 2297 159	
	D3-L (code 301) (blue) (code 303) (cocoa) (code 304) (gray) (codes 305, 405) (red) (code 404) (black) (code 401) (code 404) (code 405)	2 2 2 2 2 1 1 1	---- ---- ---- ---- ---- ---- ---- ----	---- ---- ---- ---- ---- ---- ---- ----	---- ---- ---- ---- ---- ---- ---- ----	2273 000 2273 002 2273 003 2273 004 2083 862 ---- ---- ----	2132 110-1 2132 112-3 2132 114-5
23-76-80	NUT, Quarter Arm Rest to Panel L1-H, L1-P, D1	4	1280 134	----	----	1280 134	
23-76-86	COVER, Rear Quarter Arm Rest D3-L (code 401) (code 404) (code 405)	1 1 1	---- ---- ----	---- ---- ----	---- ---- ----	---- ---- ----	2132 116-7 2132 118-9 2132 120-1
23-77-3	ASSIST STRAP L1, D1 (codes 694, 894) (gray) (screw)	2 2	2274 841 6022 072				
23-77-17	SPACER, Assist Strap L1, D1	2	2292 201				
23-79-3	CARPET, Front Floor L1-L, L1-H, L1-P (codes 611, 614, 615, 635, 641, 644, 645, 655, 675) (black) (codes 631, 671) (blue) (code 632) (green) (code 633) (cordovan) (code 651) (blue) (code 652) (green) (code 653) (cordovan) (code 655) (red)	1 1 1 1 1 1 1 1	2274 872 2274 869 2274 871 2274 870 ---- ---- ---- ----	---- ---- ---- ---- ---- ---- ---- ----	2274 872 2274 869 2274 871 2274 870 ---- ---- ---- ----	2274 872 2297 201 2297 202 2297 203 2297 219	

★ Indicates use as required.

B Indicates parts not listed in any previous parts book.  
March 8, 1963 Supersedes May 1, 1962.Prices and specifications subject to change without notice.  
Right and left part numbers are on same line,  
first number is right, second number is left.

\* Indicates change or addition.

CODE	REMARKS	PER CAR	SED.	SP. 4 D.	SUB.	SP. CL. CP.	CV. CP.
23-79-3	CARPET, Front Floor - Cont'd						
	D1-H, D2-H						
	(codes 721,811,841,851)(blue)	1	2273 063	2273 063	2273 063	2273 063	2273 063
	(codes 722, 812, 852) (green)	1	2273 064	2273 064	2273 064	2273 064	2273 064
	(codes 723, 813, 853)(cordovan)	1	2273 065	2273 065	2273 065	2273 065	2273 065
	(codes 724, 725, 814, 815, 844, 856) (black)	1	2273 066	2273 066	2273 066	2273 066	2273 066
	(code 855) (red)	1	----	----	----	2297 245	2297 245
	D3-L						
	(codes 301, 341, 401) (blue)	1	*2177 015	*2177 015	----	*2177 015	*2177 015
	(codes 303, 343, 403)(cordovan)	1	*2177 016	*2177 016	*2177 016	*2177 016	
(codes 304, 305, 344, 345, 404, 405) (black)	1	*2177 017	*2177 017	*2177 017	*2177 017	*2177 017	
23-79-33	CARPET, Rear Floor						
	L1-L, L1-H,						
	(black)	1	*2249 368	----	*2249 368	*2249 368	
	(blue)	1	*2272 130	----	*2272 130	*2272 130	
	(green)	1	*2274 832	----	*2274 832	*2274 832	
	(cordovan)	1	*2272 131	----	*2272 131	*2272 131	
	L1-P						
	(blue)	1	----	----	----	⊠2297 207	
	(green)	1	----	----	----	⊠2297 208	
	(cordovan)	1	----	----	----	⊠2297 209	
(red)	1	----	----	----	⊠2297 222		
	D1-H, D2-H						
	(codes 721, 811, 841, 851) (blue)	1	2273 076	2273 076	2273 076	2273 076	2273 076
	(codes 722, 812, 852) (green)	1	2273 077	2273 077	2273 077	2273 077	
	(codes 723, 813, 853)(cordovan)	1	2273 078	2273 078	2273 078	2273 078	2273 078
	(codes 724, 725, 814, 815, 844, 856) (black)	1	2273 079	2273 079	2273 079	2273 079	2273 079
	(code 855) (red)	1	----	----	----	2297 255	2297 255
	D3-L						
	(blue)	1	*2176 669	*2176 669	----	*2176 673	*2176 673
	(cordovan)	1	*2176 670	*2176 670	*2178 617	*2176 674	
	(black)	1	*2175 494	*2175 494	*2211 837	*2175 494	*2175 494
	D3-L						
	(codes 403, 404, 405) (axle, kick-up rear panel)						
	(black)	1	----	----	2169 953		
	(second seat to rear floor pan insert) (gray)	1	----	----	2169 950		
(rear floor pan insert) (gray)	1	----	----	2169 951			
Center Floor Pan	D1, D2, (vinoleum)						
	(codes 711, 801, 811) (blue)	1	----	----	2272 406		
	(codes 713, 803, 813)(cordovan)	1	----	----	2272 408		
	(codes 714, 715, 804, 814, 815) (gray)	1	----	----	2272 409		
	(codes 715, 815) (red)	1	----	----	2297 274		
(code 812) (green)	1	----	----	2272 407			
Rear Floor Pan	D1, D2, (vinoleum)						
	(codes 711, 801, 811) (blue)	1	----	----	2272 410		
	(codes 713, 803, 813)(cordovan)	1	----	----	2272 412		
	(codes 714, 715, 804, 814, 815) (gray)	1	----	----	2272 413		
	(codes 715, 815) (red)	1	----	----	2297 275		
(code 812) (green)	1	----	----	2272 411			

★ Indicates use as required.  
 ⊠ Indicates parts not listed in any previous parts book.  
 Right and left part numbers are on same line,  
 first number is right, second number is left.  
 \* Indicates change or addition.

# 1962 PASSENGER CAR PARTS CATALOG

CODE	REMARKS	PER CAR	SED.	SP. 4 D.	SUB.	SP. CL. CP.	CV. CP.	
23-79-33	CARPET, Rear Floor - Cont'd Rear Floor Cover Panel D1, D2, (vinoleum) (w/2 seater only) (codes 711, 801, 811)(blue) (codes 713, 803, 813)(cordovan) (codes 714, 715, 804, 814, 815) (gray) (codes 715, 815) (red) (code 812) (green)	1 1 1 1 1	----- ----- ----- ----- -----	----- ----- ----- ----- -----	----- ----- ----- ----- -----	*2272 414 2272 416 2272 417 2297 276 2272 415		
	D1, D2 Floor Pan Axle Kick-up Front Trim Panel (embossed cardboard) (paint as required)	1	-----	-----		*2249 857		
23-79-62	INSERT, Second Seat Cushion Panel D3-L (codes 403, 404, 405) (gray)	1	-----	-----		2169 946		
23-79-79	COVER, Tailgate Inside Panel D1, D2, (vinoleum) (codes 711, 801, 811) (blue) (codes 713, 803, 813)(cordovan) (codes 714, 715, 804, 814) (gray) (codes 715, 815) (red) (code 812) (green) D3-L (insert) (codes 403, 404, 405) (gray)	1 1 1 1 1 1	----- ----- ----- ----- ----- -----	----- ----- ----- ----- ----- -----	----- ----- ----- ----- ----- -----	2273 045 2273 047 2273 048 2297 271 2273 046 2169 952		
23-81-3	HANDLE, Rear Door Pull-To L1-L, D1, D2	1	1697 413					
23-81-8	SPACER, Rear Door Pull-To Handle L1-L, D1, D2	2	1964 579					
23-82-30	HOOK, Coat Hanger L1-H, L1-P D1, D2, D3-L	2 2	2083 292 2165 837	----- 2165 837	2083 292 2165 837	2083 292 2165 837		
23-82-39	BRACKET, Coat Hook Support (soft headlining) D3-L	2	1964 072	1963 287	-----	1963 287		
23-84-3	PAD, Instrument Panel Trim L1-L, L1-H, L1-P (codes 611, 631, 641, 651, 671) (blue) (codes 614, 644, 664) (gray) (codes 615, 635, 645, 655, 675) (red) (codes 632, 652) (green) (codes 633, 653) (cocoa) (attaching clip)	1 1 1 1 1 3	2272 147 2272 149 2272 150 2274 950 2272 148 6008 193	----- ----- ----- ----- ----- 6008 193	2272 147 2272 149 2272 150 2274 950 2272 148 6008 193	2272 147 2272 149 2272 150 2274 950 2272 148 6008 193		
	D1, D2, LHD. (codes 701, 711, 721, 801, 811, 821, 831, 841, 851) (blue) (codes 703, 713, 723, 803, 813, 853) (cocoa)	1 1	2272 050 2272 052	2272 050 2272 052	2272 050 2272 052	2272 050 2272 052	2272 050 2272 052	

★ Indicates use as required.  
 ☐ Indicates parts not listed in any previous parts book.  
 March 8, 1963 Supersedes May 1, 1962.

Prices and specifications subject to change without notice.  
 Right and left part numbers are on some line,  
 first number is right, second number is left.  
 \* Indicates change or addition.

CODE	REMARKS	PER CAR	SED.	SP. 4D.	SUB.	SP. CL. CP.	CV. CP.
23-84-3	PAD, Instrument Panel Trim - Cont'd						
	D1-L, L1-H, L1-P (codes 704, 714, 724, 804, 814, 824, 834, 844, 894) (gray)	1	2272 053	2272 053	2272 053	2272 053	2272 053
	(codes 712, 722, 812, 852) (green)	1	2272 051	2272 051	2272 051	2272 051	2272 051
	(codes 715, 725, 815, 855)(red)	1	2272 054	2272 054	2272 054	2272 054	2272 054
	(code 856) (black)	1	----	----	----	2297 071	2297 071
	D1, D2, RHD. (codes 714, 724, 834, 844) (gray)	1	2249 713				
	D3-L (codes 301, 341, 401) (blue)	1	*2180 134	*2180 134	----	*2180 134	*2180 134
	(codes 303, 343, 403) (cocoa)	1	*2180 135	*2180 135	*2180 135	*2180 135	
	(codes 304, 344, 404) (black)	1	*2172 126	*2172 126	*2172 126	*2172 126	*2172 126
	(codes 305, 345, 405) (red)	1	*2172 127	*2172 127	*2172 127	*2172 127	*2172 127
	(attaching clip)	★	6008 222	6008 222	6008 222	6008 222	6008 222
23-86-3	HEADLINING and LISTINGS						
	L1-L (codes 611, 614, 615, 641, 644, 645, 664, 694) (gray)	1	*2411 020	----	⊠2411 028		
	L1-H (cloth)						
	(code 631)	1	*2246 675	----	*2246 681		
	(code 632)	1	*2274 333	----	*2274 335		
	(code 633)	1	⊠2411 023	----	*2246 682		
	(code 635)	1	*2246 674	----	*2246 680		
	(code 675)	1	*2293 586				
	L1-H (vinyl)						
	(code 631)	1	*2411 021	----	*2411 029		
	(code 632)	1	*2411 022	----	*2411 030		
	(code 633)	1	*2411 023	----	*2411 031		
	(code 635)	1	*2411 020				
	(code 671)	1	*2293 587				
	(code 675)	1	*2411 020				
	L1-P						
	(code 651)	1	----	----	----	*2296 251	
	(code 652)	1	----	----	----	*2296 252	
	(code 653)	1	----	----	----	*2296 253	
	(code 655)	1	----	----	----	*2296 021	
	D1, D2						
	(codes 701, 711, 721)	1	2274 155				
	(codes 703, 713, 723)	1	2274 157				
	(codes 704, 714, 715, 724, 725, 894)	1	*2274 158				
	(codes 712, 722)	1	2274 156				
	(codes 821, 831, 841)	1	2274 163				
	(codes 824, 834, 844, 894)	1	2274 164				
	D1-L, D2-L, D1-M, D2-M (perf. hardboard)						
	(No. 1)	1	----	----	2273 461	2274 710	
	(No. 2)	1	----	----	2273 462	2274 711	
	(No. 3)	1	----	----	2273 463	2274 712	
	(No. 4)	1	----	----	2273 464	2274 713	
	(No. 5)	1	----	----	2273 465		
	(No. 6)	1	----	----	2273 466		
	(No. 7)	1	----	----	2273 467		

★ Indicates use as required.

⊠ Indicates parts not listed in any previous parts book.  
Right and left part numbers are on same line,  
first number is right, second number is left.

\* Indicates change or addition.

## 1962 PASSENGER CAR PARTS CATALOG

INTERIOR TRIM

CODE	REMARKS	PER CAR	SED.	SP. 4 D.	SUB.	SP. CL. CP.	CV. CP.
23-86-3	HEADLINING and LISTINGS-Cont'd						
	D1-H, D2-H (polyfoam) (No. 1)	1	----	2274 714	2274 882	2274 714	
	(No. 2)	1	----	2274 715	2274 883	2274 715	
	(No. 3)	1	----	2274 716	2274 884	2274 716	
	(No. 4)	1	----	2274 717	2274 885	2274 717	
	(No. 5)	1	----	----	2274 886		
	(No. 6)	1	----	----	2274 887		
	(No. 7)	1	----	----	*2274 888		
	D2-P (No. 1)	1	----	----	----	2297 041	
	(No. 2)	1	----	----	----	2297 042	
	(No. 3)	1	----	----	----	2297 043	
	(No. 4)	1	----	----	----	2297 044	
	D3-L						
	(codes 301, 341)	1	*2132 632	*2132 645	----	*2132 661	
	(codes 303, 343)	1	*2132 633	*2132 646	----	*2132 662	
	(codes 304, 344)	1	*2132 634	*2132 648	----	*2132 663	
(codes 305, 345)	1	*2132 635	*2132 649	----	*2132 664		
(code 404)	1	----	2132 648	----	2132 663		
(code 405)	1	----	2132 649	----	2132 664		
D3-L							
(codes 403, 404, 405) (No. 1)	1	----	----	2176 825			
(No. 2)	1	----	----	2176 826			
(No. 3)	1	----	----	2176 827			
(No. 4)	1	----	----	2176 828			
(No. 5)	1	----	----	2176 829			
(No. 6)	1	----	----	2176 830			
(No. 7)	1	----	----	2176 831			
23-86-10	BOW, Headlining and Listing						
	L1 (No. 1)	1	2243 534	----	2243 534		
	(No. 2)	1	----	----	2243 656		
	(No. 3)	1	----	----	2243 657		
	D1, D2 (No. 1)	1	2166 267	2166 267	2166 267	2166 267	
	(No. 2)	1	2166 268	2166 268	2166 268	2166 268	
	(No. 3)	1	----	----	2166 269		
	(No. 4)	1	----	----	2166 269		
	D3-L						
	(No. 1)	1	1954 682	1954 682	1954 682	1954 682	
(No. 2)	1	1963 606	1963 606	1961 243	2162 219		
(No. 3)	1	----	----	1961 244			
(No. 4)	1	----	----	1961 244			
23-86-16	SUPPORT, Roof Inside Finish						
	Panel on Roof Rail						
	D1, D2, D2-P Fastener	12	----	2216 461	----	2216 461	
		12	----	6000 922	----	6000 922	
23-86-19	STRIP, Headlining Retaining						
	L1-H (w/depressions) Front	1	2082 504-5	----	2082 504-5		
	(w/o depressions) Front	1	2259 196-7	----	2259 196-7		
	D1, D2 Front	1	2167 228-9	----			
	Rear	1	2254 566-7	----			
	Side Front	1	----	----	2251 806-7		
	Side Rear	1	----	----	2251 446-7		
	Rear	1	----	----	2251 448		
	Corner Rear	1	----	----	2251 444-5		
	D3-L (low window)	1	1954 804-5	----			

★ Indicates use as required.

☐ Indicates parts not listed in any previous parts book.  
March 8, 1963 Supersedes May 1, 1962.

Printed in U.S.A.

Prices and specifications subject to change without notice.  
Right and left part numbers are on same line,  
first number is right, second number is left.

\* Indicates change or addition.

CODE	REMARKS	PER CAR	SED.	SP. 4 D.	SUB.	SP. CL. CP.	CV. CP.
23-86-24	RETAINER, Roof Inside Finish Panel						
	D1, D2 (No. 1)	1	----	2162 893	2292 162	2162 893	
	(No. 2)	1	----	2162 894	2292 163	2162 894	
	(No. 3)	1	----	2162 895	2292 164	2162 895	
	(No. 4)	1	----	----	2292 165		
	(No. 5)	1	----	----	2292 166		
	(No. 6)	1	----	----	2292 167		
	D3-L (No. 1)	1	----	----	*2086 143		
	(No. 2)	1	----	----	*2086 142		
	(No. 3)	1	----	----	*2086 145		
	(No. 4)	1	----	----	*2086 146		
	23-86-35	MOULDING, Roof Inside Finish Panel					
D1-L, D2-L, D1-M, D2-M		★	----	----	2292 377	2292 377	
D1-H, D2-H, D2-P (No. 1)		1	----	2292 372	1905 449	2292 372	
(No. 2)		1	----	2292 374	1905 449	2292 374	
(No. 3)		1	----	2292 376	1905 449	2292 376	
(No. 4 thru No. 6)		1	----	----	1905 449		
D3-L (No. 1)		1	----	*1757 559	----	*2080 398	
(No. 2)		1	----	*1757 559	----	*2080 399	
(No. 3)		1	----	*1954 782	----	*2080 400	
(No. 1 thru 4)		1	----	----	*1905 449		
(No. 5)		1	----	----	*1759 686		
(No. 6)		1	----	----	*1905 449		
23-86-36	CAP, Roof Inside Finish Moulding						
	D1-L, D2-L, D1-M, D2-M	12	----	----	1759 635		
	D1-H, D2-H	12	----	----	1759 636		
	D1, D2, (side retainer)	1	----	----	2251 808-9		
	D3-L	12	----	----	*1759 636		
23-91-6	PANEL, Cowl Trim (paint as required)						
	L1-L, L1-H, L1-P	1	2272 026-7	----	2272 026-7	2272 026-7	
	D1, D2 (codes 701, 711, 721, 801, 811, 821, 831, 841, 851, 861)						
	(blue)	1	*2272 208-9	*2272 208-9	*2272 208-9	*2272 208-9	*2272 208-9
	(codes 703, 713, 723, 803, 813, 853, 863) (cocoa)	1	*2272 210-1	*2272 210-1	*2272 210-1	*2272 210-1	*2272 210-1
	(codes 704, 714, 724, 804, 814, 824, 834, 844, 894) (gray)	1	2272 212-3	2272 212-3	2272 212-3	2272 212-3	2272 212-3
	(codes 712, 722, 812, 852) (green)	1	2272 214-5	2272 214-5	2272 214-5	2272 214-5	*2272 214-5
	(codes 715, 725, 815, 855, 865) (red)	1	*2272 216-7	*2272 216-7	*2272 216-7	*2272 216-7	*2272 216-7
	(code 856) (black)	1	----	----	----	2297 154-5	2297 154-5
	D3-L (primed)	1	*2086 612-3	*2086 612-3	*2086 612-3	*2086 612-3	*2086 612-3
	(screw and seal)	1	*6023 388	*6023 388	*6023 388	*6023 388	*6023 388
	23-92-5	PANEL, Door Trim					
L1-L (2 D.) (codes 611, 614, 615)		1	2246 514-5				
L1-L (4 D.) (codes 611, 614, 615, 644, 645)							
Front		1	2246 508-9	----	2246 508-9		
Rear	1	2246 510-1	----	2246 510-1			

★ Indicates use as required.

Printed in U.S.A.

⊠ Indicates parts not listed in any previous parts book.

Prices and specifications subject to change without notice.

Right and left part numbers are on same line,

May 1, 1962 Supersedes Nov. 30, 1961.

first number is right, second number is left.

\* Indicates change or addition.

# 1962 PASSENGER CAR PARTS CATALOG

CODE	REMARKS	PER CAR	SED.	SP. 4 D.	SUB.	SP. CL. CP.	CV. CP.
23-92-5	PANEL, Door Trim - Cont'd						
	L1-L (4 D.)						
	(code 694)	Front	1	2251 002-3			
		Rear	1	2251 004-5			
	(code 664)	Front	1	2272 440-1			
		Rear	1	2272 442-3			
	L1-H (2 D.)						
	(code 631)		1	2274 934-5			
	(code 632)		1	2274 942-3			
	(code 633)		1	2274 936-7			
	(code 635)		1	2274 938-9			
	L1-H (4 D.)						
	(code 631)	Front	1	2272 456-7	----	2272 456-7	
		Rear	1	2272 462-3	----	2272 462-3	
	(code 632)	Front	1	2274 944-5	----	2274 944-5	
		Rear	1	2274 946-7	----	2274 946-7	
	(code 633)	Front	1	2272 458-9	----	2272 458-9	
		Rear	1	2272 464-5	----	2272 464-5	
	(code 635)	Front	1	2272 460-1	----	2272 460-1	
		Rear	1	2272 466-7	----	2272 466-7	
	(code 671)	Front	1	2272 444-5			
		Rear	1	2272 450-1			
	(code 675)	Front	1	2272 448-9			
		Rear	1	2272 454-5			
	L1-P						
	(code 651)		1	----	----	2274 978-9	
	(code 652)		1	----	----	2274 980-1	
	(code 653)		1	----	----	2274 982-3	
	(code 655)		1	----	----	2274 984-5	
	D1-L, D2-L, (2 D.)						
	(code 701)		1	2272 372-3			
	(code 703)		1	2272 374-5			
	(code 704)		1	2272 376-7			
	(code 894)		1	2273 482-3			
	D1-L, D2-L, (4 D.)						
	(codes 701, 801, 821)	Front	1	2272 356-7	----	2272 356-7	
		Rear	1	2272 362-3	----	2272 362-3	
	(codes 703, 803)	Front	1	2272 358-9	----	2272 358-9	
		Rear	1	2272 364-5	----	2272 364-5	
	(codes 704, 804, 824)	Front	1	2272 360-1	----	2272 360-1	
		Rear	1	2272 366-7	----	2272 366-7	
	(code 894)	Front	1	2273 486-7			
		Rear	1	2273 488-9			
	D1-M, D2-M, (2 D.)						
	(code 711)		1	2272 320-1	----	2272 328-9	
	(code 712)		1	2272 322-3			
	(code 713)		1	2272 324-5		2272 330-1	
	(code 714)		1	2272 326-7		2272 332-3	
	(code 715)		1	----		2272 334-5	
	D1-M, D2-M, (4 D.)						
	(codes 711, 831, 861)	Front	1	*2272 292-3	----	*2272 292-3	
		Rear	1	2272 302-3	----	2272 302-3	
	(code 712)	Front	1	2272 294-5			
		Rear	1	2272 304-5			
	(code 713)	Front	1	2272 296-7	----	2272 296-7	
		Rear	1	2272 306-7	----	2272 306-7	
	(codes 714, 834)	Front	1	2272 298-9	----	2272 298-9	
		Rear	1	2272 308-9	----	2272 308-9	
	(codes 715, 865)	Front	1	*2272 300-1	----	*2272 300-1	
		Rear	1	2272 310-1	----	2272 310-1	

★ Indicates use as required.

☐ Indicates parts not listed in any previous parts book.  
 March 8, 1963 Supersedes May 1, 1962.

Prices and specifications subject to change without notice.

Right and left part numbers are on same line,  
 first number is right, second number is left.

\* Indicates change or addition.



CODE	REMARKS	PER CAR	SED.	SP. 4 D.	SUB.	SP. CL. CP.	CV. CP.
23-92-5	PANEL, Door Trim - Cont'd D1-H, D2-H, D2-P						
	(codes 721, 811, 841) Front	1	*2272 194-5	*2272 168-9	*2272 194-5	*2272 256-7	*2272 256-7
	Rear	1	2272 230-1	2272 178-9	2272 230-1		
	(codes 722, 812) Front	1	2272 196-7	2274 772-3	2272 196-7	2274 770-1	2274 770-1
	Rear	1	2272 232-3	2274 774-5	2272 232-3		
	(codes 723, 813) Front	1	2272 198-9	2272 170-1	2272 198-9	2272 258-9	2272 258-9
	Rear	1	2272 234-5	2272 180-1	2272 234-5		
	(codes 724, 814, 844) Front	1	2272 200-1	2272 172-3	2272 200-1	2272 260-1	2272 260-1
	Rear	1	2272 236-7	2272 182-3	2272 236-7		
	(codes 725, 815) Front	1	2272 202-3	2272 174-5	2272 202-3	2272 262-3	2272 262-3
	Rear	1	2272 238-9	2272 184-5	2272 238-9		
	D2-P						
	(code 851)	1	----	----	----	2297 110-1	2297 110-1
	(code 852)	1	----	----	----	2297 112-3	2297 112-3
	(code 853)	1	----	----	----	2297 114-5	2297 114-5
	(code 855)	1	----	----	----	2297 116-7	2297 116-7
	(code 856)	1	----	----	----	2297 118-9	2297 118-9
	D3-L						
	(codes 301, 341) Front	1	*2177 022-3	*2177 042-3	----	*2177 062-3	
	Rear	1	2177 024-5	2177 044-5			
	(codes 303, 343) Front	1	*2177 027-8	*2177 047-8	----	*2177 067-8	
	Rear	1	2177 029-30	2177 049-50			
	(codes 304, 344) Front	1	*2177 032-3	*2177 052-3	----	*2177 072-3	
	Rear	1	2177 034-5	2177 054-5			
	(codes 305, 345) Front	1	*2177 037-8	*2177 057-8	----	*2177 077-8	
	Rear	1	2177 039-40	2177 059-60			
	(code 401) Front	1	----	----	----	2177 062-3	2177 062-3
	(code 403) Front	1	----	2177 047-8	2177 047-8		
	Rear	1	----	2177 049-50	2177 049-50		
	(code 404) Front	1	----	2177 557-8	2177 557-8	2177 565-6	2177 565-6
	Rear	1	----	2177 559-60	2177 559-60		
	(code 405) Front	1	----	2177 057-8	2177 057-8	2177 077-8	2177 077-8
	Rear	1	----	2177 059-60	2177 059-60		
23-92-8	FASTENER, Quarter, Front or Rear Trim Panel						
	D3-L	★	975 633	975 633	975 633	975 633	975 633
23-96-3	PANEL, Luggage Compartment Front Lining						
	L1	1	2083 227	----	----	2083 227	
	D1, D2	1	2162 831	2162 831	----	2162 831	
	(side to quarter) (filler)	1	2292 876-7	----	----	2292 876-7	
	D3-L (black)	1	2178 600	2178 600	----	2178 825	2178 399
23-96-8	COVER, Inner Wheelhouse Panel						
	L1-H						
	(code 631) (blue)	1	----	----	2272 106-7		
	(code 632) (green)	1	----	----	2274 816-7		
	(code 633) (cocoa)	1	----	----	2272 108-9		
	(code 635) (red)	1	----	----	2272 112-3		
	(paint as required)						
	D1, D2 Side	1	2274 718-9	2274 718-9	----	2274 718-9	2274 718-9
	(2 seat)	1	----	----	2273 348-9		
	(3 seat) Right	1	----	----	*2297 516		
	(3 seat) Left	1	----	----	□2432 313		
	(3 seat) (rear extension)	1	----	----	2273 358-9		
	Side Front	1	----	----	----		2249 700-1
	Side Rear	1	----	----	----		2274 878-9

★ Indicates use as required.

□ Indicates parts not listed in any previous parts book.

Right and left part numbers are on same line, first number is right, second number is left.

\* Indicates change or addition.

## 1962 PASSENGER CAR PARTS CATALOG

INTERIOR TRIM

CODE	REMARKS	PER CAR	SED.	SP. 4 D.	SUB.	SP. CL. CP.	CV. CP.
23-96-8	COVER, Inner Wheelhouse Panel-Cont'd D3-L (panel and extension)(black)	1	2177 901-2	2177 901-2	----	2177 901-2	
	(cocoa)	1	----	----	2178 649-50		
	(upper) (black)	1	----	----	2169 553-4		
	(upper) (red)	1	----	----	2177 004-5		
	(deck lid hinge cover)(black)	1	----	----	----	----	*2177 907-8
23-96-9	CLIP, Luggage Compartment Side Lining Panel Retaining D1, D2, D3-L (deck lid hinge)	★	*2165 272	*2165 272	----	*2165 272	*2165 272
	(lining panel attach. clip)	1	----	----	----	----	2411 668-9
	(side lining to hinge plate fastener)	6	6001 401	6001 401	----	6001 401	6001 401
		2	6000 903	6000 903	----	6000 903	6000 903
23-96-41	RETAINER, Wheelhouse and Lower Quarter Trim Cover (paint as required) D1, D2, Upper Edge Plastic (screw)	6	----	----	2273 453		
		4	----	----	188 973		
23-99-4	COVER, Center Pillar Trim (paint as required) D1, D2 D3-L	1	----	*2273 422-3			
		1	----	*2176 637-8	*2176 637-8		
23-99-9	RETAINER, Body Lock Pillar Quarter Trim D1, D2 Rear	1	----	----	2162 508-9		
23-99-38	PANEL, Rear Upper Pillar Reinforcement Trim (paint as required) L1-L, L1-H	1	----	----	2272 060-1		
23-101-3	PANEL, Rear Quarter Trim (paint as required) L1-L (2 D.) (codes 611, 614, 615)	1	2246 516-7	----			
	L1-L (4 D.) (upper) (codes 611, 614, 615, 641, 644, 645)	1	2272 046-7	----	2272 046-7		
	(lower) (code 694)	1	2272 038-9	----	2272 038-9		
	(upper)	1	2251 092-3	----			
		1	2293 438-9	----			
	L1-H, L1-P, (2 D.) (codes 631, 651)	1	2274 928-9	----	----	2274 970-1	
	(codes 632, 652)	1	2274 940-1	----	----	2274 972-3	
	(codes 633, 653)	1	2274 930-1	----	----	2274 974-5	
	(codes 635, 655)	1	*2274 932-3	----	----	*2274 976-7	
	L1-H (4 D.) (upper) (codes 631, 671)	1	2293 430-1	----	2272 046-7		
	(code 632)	1	2293 432-3	----	2272 046-7		
	(code 633)	1	2293 434-5	----	2272 046-7		
	(codes 635, 675)	1	2293 440-1	----	2272 046-7		
	L1-H (4 D.) (lower) D1-L, D2-L, (2 D.) (code 701)	1	2272 038-9				
	(code 703)	1	2272 378-9				
	(code 704)	1	2272 380-1				
	(code 894)	1	2272 382-3				
		1	2273 484-5				
	D1-M, D2-M, (2 D.) (code 711)	1	2272 336-7	----	----	2272 344-5	
	(code 712)	1	2272 338-9	----	----		
	(code 713)	1	2272 340-1	----	----	2272 346-7	
	(code 714)	1	2272 342-3	----	----	2272 348-9	
	(code 715)	1	----	----	----	2272 350-1	

★ Indicates use as required.

⊠ Indicates parts not listed in any previous parts book.  
March 8, 1963 Supersedes May 1, 1962.

Page IT-108

Printed in U.S.A.

Prices and specifications subject to change without notice.  
Right and left part numbers are on same line,  
first number is right, second number is left.

\* Indicates change or addition.

CODE	REMARKS	PER CAR	SED.	SP. 4 D.	SUB.	SP. CL. CP.	CV. CP.
23-101-3	PANEL, Rear Quarter Trim-Cont'd D1, D2, (4D.) (codes 701, 711, 721, 811, 821, 831, 841) Upper Lower (codes 703, 713, 723, 813) Upper Lower (codes 704, 714, 724, 814, 824, 834, 844, 894) Upper Lower (codes 712, 722, 812) Upper Lower (codes 715, 725, 815) Upper Lower	1 1 1 1 1 1 1 1 1 1 1 1	2411 042-3 2411 052-3 *2411 046-7 2411 056-7 2411 048-9 2411 058-9 2411 044-5 2411 054-5 2411 050-1 2411 060-1	2411 042-3 2411 052-3 2411 046-7 2411 056-7 2411 048-9 2411 058-9 2411 044-5 2411 054-5 *2411 050-1 2411 060-1			
	D1-H, D2-H (code 811) (code 812) (code 813) (code 814) (code 815)	1 1 1 1 1	----- ----- ----- ----- -----	----- ----- ----- ----- -----	----- ----- ----- ----- -----	2272 266-7 2274 768-9 2272 268-9 2272 270-1 2272 272-3	2272 276-7 2274 766-7 2272 278-9 2272 280-1 2272 282-3
	D2-P (code 851) (code 852) (code 853) (code 855) (code 856)	1 1 1 1 1	----- ----- ----- ----- -----	----- ----- ----- ----- -----	----- ----- ----- ----- -----	2297 120-1 2297 122-3 2297 124-5 2297 126-7 2297 128-9	2297 130-1 2297 132-3 2297 134-5 2297 136-7 2297 138-9
	D3-L (codes 301, 341) (codes 303, 343) (codes 304, 344) (codes 305, 345) (code 401) (code 404) (code 405)	1 1 1 1 1 1 1	*2132 248-9 *2132 250-1 *2132 252-3 *2132 254-5 ----- ----- -----	*2132 302-3 *2132 304-5 *2132 306-7 *2132 308-9 ----- 2132 466-7 2132 308-9	----- ----- ----- ----- ----- ----- -----	*2177 064-5 *2177 069-70 *2177 074-5 *2177 079-80 ----- 2178 382-3 2177 079-80	2177 562-3 2177 567-8 2177 570-1
23-101-14	COVER, Upper, Quarter Front Trim D1, D2 (paint as required)	1	-----	-----	2273 338-9		
23-101-26	STRIP, Quarter Trim Panel Retaining D1, D2, (4D.) Screw	1 6	2252 372-3 161 860				
23-101-32	SPACER, Rear Quarter Trim Panel to Inner Panel D3-L	2	-----	-----	-----	-----	1964 348
23-102-3	PANEL, Shelf Trim (paint as required) L1-L, L1-H, L1-P D1, D2 D3-L (gray) (black) (extension) (black) (fastener)	1 1 1 1 1 ★	2272 064 2297 038 1974 843 2174 648 2173 047 6000 903	----- 2297 038 1974 843 2174 648 2173 047 6000 903	----- ----- ----- ----- ----- -----	2272 064 2297 038 2174 648 2173 047 6000 903	
23-103-3	PANEL, Visor Trim L1-L (codes 611, 614, 615, 641, 644, 645, 664) (padded)	2 2	2272 104 2178 395	----- -----	2272 104 2178 395		

★ Indicates use as required.  
 □ Indicates parts not listed in any previous parts book.  
 Right and left part numbers are on same line,  
 first number is right, second number is left.  
 \* Indicates change or addition.

## 1962 PASSENGER CAR PARTS CATALOG

INTERIOR TRIM

CODE	REMARKS	PER CAR	SED.	SP. 4 D.	SUB.	SP. CL. CP.	CV. CP.
23-103-3	PANEL, Visor Trim - Cont'd						
	L1-H						
	(codes 631, 671) (blue)	2	2272 102	----	2272 102		
	(code 632) (green)	2	2274 840	----	2274 840		
	(code 633) (beige)	2	2272 103	----	2272 103		
	(codes 635, 675) (gray)	2	2272 104	----	2272 104		
	L1-P						
	(code 651) (blue)	2	----	----	----	2297 162	
	(code 652) (green)	2	----	----	----	2297 163	
	(code 653) (beige)	2	----	----	----	2297 164	
	(code 655) (white)	2	----	----	----	2274 998	
	D1, D2, (except D2-P)						
	(codes 701, 711, 721, 821, 831, 841) (blue)	2	2273 282				
	(codes 703, 713, 723) (beige)	2	2273 284				
	(codes 704, 714, 715, 724, 725, 824, 834, 844, 894) (gray)	2	2273 285				
	(codes 712, 722) (green)	2	2273 283				
	(padded) (white)	2	*2273 455	*2273 455	*2273 455	*2273 455	
	(codes 711, 713, 714, 715, 801, 803, 804) (white)	2	----	2273 286	2273 286	2273 286	
	D1, D2, (except D2-P)						
	(codes 811, 812, 813, 814, 815) (white)	2	*2272 387	2272 387	2272 387	2272 387	
	(code 811) (blue)	2	----	----	----	----	2273 278
	(code 812) (green)	2	----	----	----	----	2274 647
	(code 813) (cocoa)	2	----	----	----	----	2273 279
	(code 814) (gray)	2	----	----	----	----	2273 280
	(code 815) (red)	2	----	----	----	----	2273 281
	D2-P	2	----	----	----	2297 064	2297 066
	D3-L						
	(codes 301, 341) (blue)	2	*2178 301	*2178 301	----	*2178 301	
	(code 302) (lime green)	2	2180 051	2180 051	----	2180 051	
	(codes 303, 343) (beige)	2	*2178 302	*2178 302	----	*2178 302	
	(codes 304, 344, 404) (gray)	2	*2178 304	*2178 304	----	*2178 304	
	(codes 305, 345, 405) (red)	2	*2178 305	*2178 305	----	*2178 305	
	(codes 403, 404, 405) (gray)	2	----	----	2178 304		
	(codes 403, 404, 405) (printed hardboard)	2	----	----	2179 401		
	(code 401) (blue)	2	----	----	----	----	2176 704
	(code 404) (black)	2	----	----	----	----	2174 277
	(code 405) (red)	2	----	----	----	----	2176 705
23-103-10	ARM and BRACKET, Visor						
	L1-L, L1-H	1	2082 676-7	----	2082 676-7		
	L1-P (chrome)	1	----	----	----	2292 380-1	
	D1, D2, (except D2-P)	1	2162 626-7	2162 626-7	2162 626-7	2162 626-7	2162 686-7
	D2-P (chrome)	1	----	----	----	2292 894-5	2162 686-7
	D3-L	1	2292 108-9	2292 108-9	2292 108-9	2292 108-9	
		1	----	----	----	----	1954 926-7
23-103-18	WASHER, Visor Arm Tension						
	L1-H, D1, D2	2	6000 106	6000 106	6000 106	6000 106	6000 106
23-103-34	HOOK, Windshield Visor Support						
	D3-L	1	1964 262	1964 262	1964 262	1964 262	
		1	----	----	----	----	1964 332
23-103-37	SPACER, Windshield Visor						
	Support Hook						
	D3-L	1	2165 039	2165 039	2165 039	2165 039	

★ Indicates use as required.

☐ Indicates parts not listed in any previous parts book.  
March 8, 1963 Supersedes May 1, 1962.

Printed in U.S.A.

Prices and specifications subject to change without notice.  
Right and left part numbers are on same line,  
first number is right, second number is left.

\* Indicates change or addition.

CODE	REMARKS	PER CAR	SED.	SP. 4 D.	SUB.	SP. CL. CP.	CV. CP.
23-103-48	SUPPORT, Visor Inner						
	D1, D2	2	2162 628	2162 628	2162 628	2162 628	2162 628
	D3-L	2	*2193 096	*2193 096	*2193 096	*2193 096	*2193 096
23-108-4	CUSHION, Front Seat						
	L1-L (2 D.)						
	(codes 611, 614, 615)	1	2272 616				
	(w/airfoam pad)	1	2296 622				
	(w/heavy duty spring)	1	2296 623				
	(w/heavy duty spring and airfoam pad)	1	2296 624				
	L1-L (4 D.)						
	(codes 611, 614, 615, 641, 644, 645)	1	2246 261	----	2246 270		
	(w/airfoam pad)	1	2296 632	----	2296 640		
	(w/heavy duty springs)	1	⊞2296 633	----	⊞2296 639		
(w/heavy duty springs and rubber pad)	1	⊞2296 634	----	⊞2296 641			
(code 664)	1	2274 276					
(w/heavy duty spring)	1	2273 652					
(code 694)	1	2274 325					
(w/airfoam pad)	1	⊞2411 209					
L1-H, L1-P, (2 D.)	(code 631)	1	2273 557				
	(w/airfoam pad)	1	2296 606				
	(code 632)	1	2296 006				
	(w/airfoam pad)	1	⊞2296 607				
	(code 633)	1	2273 558				
	(w/airfoam pad)	1	⊞2296 608				
	(code 635)	1	2296 579				
(w/airfoam pad)	1	⊞2296 609					
L1-H (4 D.)	(code 631)	1	2273 579	----	2273 579		
	(w/airfoam pad)	1	2296 614	----	2296 614		
	(code 632)	1	2296 028	----	2296 028		
	(w/airfoam pad)	1	⊞2296 615	----	⊞2296 615		
	(code 633)	1	2273 580	----	2273 580		
	(w/airfoam pad)	1	⊞2296 616	----	⊞2296 616		
	(code 635)	1	2296 595	----	2296 595		
(w/airfoam pad)	1	⊞2296 617	----	⊞2296 617			
(code 671)	(w/airfoam pad)	1	2272 846				
		1	⊞2411 217				
	(code 675)	1	2272 847				
	(w/airfoam pad)	1	⊞2411 219				
L1-P	(code 651)	1	----	----	----	2296 452-3	
	(code 652)	1	----	----	----	2296 454-5	
	(code 653)	1	----	----	----	2296 456-7	
	(code 655)	1	----	----	----	2296 458-9	
D1-L, D2-L, (2 D.)	(code 701)	1	2271 703				
	(w/airfoam pad)	1	2296 550				
	(w/heavy duty spring)	1	2296 128				
	(code 703)	1	2271 704				
	(w/airfoam pad)	1	2296 551				
	(w/heavy duty spring)	1	2296 129				
	(code 704)	1	2271 705				
	(w/airfoam pad)	1	2296 552				
	(w/heavy duty spring)	1	2296 130				

★ Indicates use as required.  
 ⊞ Indicates parts not listed in any previous parts book.  
 Right and left part numbers are on same line,  
 first number is right, second number is left.  
 \* Indicates change or addition.

## 1962 PASSENGER CAR PARTS CATALOG

INTERIOR TRIM

CODE	REMARKS	PER CAR	SED.	SP. 4 D.	SUB.	SP. CL. CP.	CV. CP.
23-108-4	CUSHION, Front Seat - Cont'd						
	D1-L, D2-L, (2 D.)						
	(code 894)	1	2293 652				
	(w/heavy duty spring)	1	2293 653				
	(w/airfoam pad)	1	2293 819				
	D1-L, D2-L, (4 D.)						
	(codes 701, 801)	1	2271 736	----	2271 837		
	(w/airfoam pad)	1	2296 559	----	2296 568		
	(w/heavy duty spring)	1	2296 179	----	2296 161		
	(codes 703, 803)	1	2271 737	----	2271 838		
	(w/airfoam pad)	1	2296 560	----	2296 569		
	(w/heavy duty spring)	1	2296 180	----	2296 162		
	(codes 704, 804)	1	2271 738	----	2271 839		
	(w/airfoam pad)	1	2296 561	----	2296 570		
	(w/heavy duty spring)	1	2296 181	----	2296 163		
	(code 821)	1	2293 962				
	(w/airfoam pad)	1	2271 902				
	(code 824)	1	2293 963				
	(w/airfoam pad)	1	2271 903				
	(code 894)	1	2293 636				
	(w/heavy duty spring)	1	2293 637				
	(w/airfoam pad)	1	2293 826				
	D3-L						
	(code 301)	1	2131 493	2131 493	----	2131 566	
	(w/elec. 6 way)	1	2131 529	2131 529	----	2131 606	
	(w/airfoam pad)	1	2131 533	2131 533	----	2131 610	
	(w/elec. 6 way and airfoam pad)	1	2131 537	2131 537	----	2131 614	
	(code 303)	1	2131 494	2131 494	----	2131 567	
	(w/elec. 6 way)	1	2131 530	2131 530	----	2131 607	
	(w/airfoam pad)	1	2131 534	2131 534	----	2131 611	
	(w/elec. 6 way and airfoam pad)	1	2131 538	2131 538	----	2131 615	
	(code 304)	1	2131 495	2131 495	----	2131 568	
	(w/elec. 6 way)	1	2131 531	2131 531	----	2131 608	
	(w/airfoam pad)	1	2131 535	2131 535	----	2131 612	
	(w/elec. 6 way and airfoam pad)	1	2131 539	2131 539	----	2131 616	
	(code 305)	1	2131 496	2131 496	----	2131 569	
	(w/elec. 6 way)	1	2131 532	2131 532	----	2131 609	
	(w/airfoam pad)	1	2131 536	2131 536	----	2131 613	
	(w/elec. 6 way and airfoam pad)	1	2131 540	2131 540	----	2131 617	
	(code 341)	1	E2144 356	E2144 356	----	E2144 332	
	(w/elec. 6 way)	1	E2144 368	E2144 368	----	E2144 396	
	(w/airfoam pad)	1	E2144 380	E2144 380	----	E2144 408	
	(w/elec. 6 way and airfoam pad)	1	E2144 388	E2144 388	----	E2144 416	
	(code 343)	1	E2144 357	E2144 357	----	E2144 333	
	(w/elec. 6 way)	1	E2144 369	E2144 369	----	E2144 397	
	(w/airfoam pad)	1	E2144 381	E2144 381	----	E2144 409	
	(w/elec. 6 way and airfoam pad)	1	E2144 389	E2144 389	----	E2144 417	
	(code 344)	1	E2144 358	E2144 358	----	E2144 334	
	(w/elec. 6 way)	1	E2144 370	E2144 370	----	E2144 398	
	(w/airfoam pad)	1	E2144 382	E2144 382	----	E2144 410	
	(w/elec. 6 way and airfoam pad)	1	E2144 390	E2144 390	----	E2144 418	

★ Indicates use as required.

Page IT-108D

Printed in U.S.A.

⊠ Indicates parts not listed in any previous parts book.  
 March 8, 1963 Supersedes May 1, 1962.

Prices and specifications subject to change without notice.  
 Right and left part numbers are on same line,  
 first number is right, second number is left.

\* Indicates change or addition.

CODE	REMARKS	PER CAR	SED.	SP. 4 D.	SUB.	SP. CL. CP.	CV. CP.
23-108-4	CUSHION, Front Seat - Cont'd D3-L						
	(code 345)	1	⊠2144 359	⊠2144 359	----	⊠2144 335	
	(w/elec. 6 way)	1	⊠2144 371	⊠2144 371	----	⊠2144 399	
	(w/airfoam pad)	1	⊠2144 383	⊠2144 383	----	⊠2144 411	
	(w/elec. 6 way and airfoam pad)	1	⊠2144 391	⊠2144 391	----	⊠2144 419	
	(code 404)	1	----	2131 878			
	(w/6 way elec.)	1	----	2131 899			
	(code 405)	1	----	2131 879			
	(w/6 way elec.)	1	----	2131 900			
	(code 403)	1	----	----	2132 590		
	(w/6 way elec.)	1	----	----	2132 601		
	(code 404)	1	----	----	2131 878	2131 929	2131 929
	(w/6 way elec.)	1	----	----	2131 899	2131 950	2131 950
	(code 405)	1	----	----	2131 879	2131 930	2131 930
	(w/6 way elec.)	1	----	----	2131 900	2131 951	2131 951
	(code 401)	1	----	----	----	----	2131 928
	(w/6 way elec.)	1	----	----	----	----	2131 949
	D1-M, D2-M (2 D.)						
	(code 711)	1	2271 755	----	----	2271 755	
	(w/heavy duty spring)	1	2296 230	----	----	2296 230	
	(code 712)	1	2271 756	----	----		
	(w/heavy duty spring)	1	2296 231	----	----		
	(code 713)	1	2271 757	----	----	2271 757	
	(w/heavy duty spring)	1	2296 232	----	----	2296 232	
	(code 714)	1	2271 758	----	----	2271 758	
	(w/heavy duty spring)	1	2296 233	----	----	2296 233	
	(code 715)	1	----	----	----	2271 759	
	(w/heavy duty spring)	1	----	----	----	2296 234	
	D1-M, D2-M, (4 D.)						
	(code 711)	1	2271 765	----	2271 765		
	(w/heavy duty spring)	1	2296 200	----	2296 200		
	(code 712)	1	2271 766	----			
	(w/heavy duty spring)	1	2296 201	----			
	(code 713)	1	2271 767	----	2271 767		
	(w/heavy duty spring)	1	2296 202	----	2296 202		
	(code 714)	1	2271 768	----	2271 768		
	(w/heavy duty spring)	1	2296 203	----	2296 203		
	(code 715)	1	2271 769	----	2271 769		
	(w/heavy duty spring)	1	2296 204	----	2296 204		
	(code 831)	1	2271 902	----			
	(code 834)	1	2271 903	----			
	(code 861)	1	----	----	⊠2415 818		
	(w/heavy duty spring)	1	----	----	2415 822		
	D1-H, D2-H						
	(codes 721, 811)	1	2293 105	2273 710	2273 710	2293 462	2293 462
	(w/elec. seat 6 way)	1	2293 110	2273 715	2273 715	2293 467	2293 467
	(codes 722, 812)	1	2293 106	2273 711	2273 711	2293 463	2293 463
	(w/elec. seat 6 way)	1	2293 111	2273 716	2273 716	2293 468	2293 468
	(codes 723, 813)	1	2293 107	2273 712	2273 712	2293 464	2293 464
	(w/elec. seat 6 way)	1	2293 112	2273 717	2273 717	2293 469	2293 469
	(codes 724, 814)	1	2293 108	2273 713	2273 713	2293 465	2293 465
	(w/elec. seat 6 way)	1	2293 113	2273 718	2273 718	2293 470	2293 470
	D1-H, D2-H						
	(codes 725, 815)	1	2293 109	2273 714	2273 714	2293 466	2293 466
	(w/elec. seat 6 way)	1	2293 114	2273 719	2273 719	2293 471	2293 471
	(code 841)	1	2271 902				
	(code 844)	1	2271 903				

★ Indicates use as required.  
 ⊠ Indicates parts not listed in any previous parts book.  
 Right and left part numbers are on same line,  
 first number is right, second number is left.  
 \* Indicates change or addition.

# 1962 PASSENGER CAR PARTS CATALOG

CODE	REMARKS	PER CAR	SED.	SP. 4 D.	SUB.	SP. CL. CP.	CV. CP.
23-108-4	CUSHION, Front Seat - Cont'd D2-P (code 851) (code 852) (code 853) (code 855) (code 856)	1 1 1 1 1	---- ---- ---- ---- ----	---- ---- ---- ---- ----	---- ---- ---- ---- ----	2296 270-1 2296 272-3 2296 274-5 2296 276-7 2296 278-9	2296 270-1 2296 272-3 2296 274-5 2296 276-7 2296 278-9
23-108-5	COVER, Front Seat Cushion L1-L (2 D.) (codes 611, 614, 615) L1-L (4 D.) (codes 611, 614, 615) (code 664) (code 694) (codes 641, 644, 645)	1 1 1 1 1	2246 422 2246 260 2274 275 2274 324 ----	----	2246 269		
	L1-H (2 D.) (code 631) (code 632) (code 633) (code 635) L1-H (4 D.) (code 631) (code 632) (code 633) (code 635) (code 671) (code 675)	1 1 1 1 1 1 1 1 1 1 1	2273 554 2296 004 2273 555 2296 577 2273 576 2296 027 2273 577 2296 593 2272 844 2272 845	---- ---- ---- ----	2273 576 2296 027 2273 577 2273 578		
	L1-P (code 651) (code 652) (code 653) (code 655) D1-L, D2-L, (2 D.) (code 701) (code 703) (code 704) (code 894)	2 2 2 2 1 1 1 1	---- ---- ---- ---- 2271 700 2271 701 2271 702 2293 651	---- ---- ---- ----	---- ---- ---- ----	2296 399 2296 400 2296 401 2296 402	
	D1-L, D2-L, (4 D.) (codes 701, 801) (codes 703, 803) (codes 704, 804) (code 821) (code 824) (code 894)	1 1 1 1 1 1	2271 733 2271 734 2271 735 2271 900 2271 901 2293 635	---- ---- ----	2271 834 2271 835 2271 836		
	D3-L (code 301) (code 303) (code 304) (code 305) (code 341) (code 343) (code 344) (code 345) (code 404) (code 405) (code 403) (code 401)	1 1 1 1 1 1 1 1 1 1 1 1	2131 497 2131 498 2131 499 2131 500 *2144 292 *2144 293 *2144 294 *2144 295 ---- ---- ---- ----	2131 497 2131 498 2131 499 2131 500 *2144 292 *2144 293 *2144 294 *2144 295 2131 881 2131 882 ---- ----	---- ---- ---- ---- ---- ---- ---- ---- 2131 881 2131 882 2132 591 ----	2131 570 2131 571 2131 572 2131 573 *2144 336 *2144 337 *2144 338 *2144 339 2131 932 2131 933 ---- ----	2131 932 2131 933 2131 931

★ Indicates use as required.  
 □ Indicates parts not listed in any previous parts book.  
 March 8, 1963 Supersedes May 1, 1962.



CODE	REMARKS	PER CAR	SED.	SP. 4 D.	SUB.	SP. CL. CP.	CV. CP.
23-108-5	COVER, Front Seat Cushion - Cont'd D1-M, D2-M, (2 D.)						
	(code 711)	1	2271 750	----	----	2271 750	
	(code 712)	1	2271 751	----	----		
	(code 713)	1	2271 752	----	----	2271 752	
	(code 714)	1	2271 753	----	----	2271 753	
	(code 715)	1	----	----	----	2271 754	
	D1-M, D2-M, (4 D.)						
	(code 711)	1	2271 760	----	2271 760		
	(code 712)	1	2271 761	----			
	(code 713)	1	2271 762	----	2271 762		
	(code 714)	1	2271 763	----	2271 763		
	(code 715)	1	2271 764	----	2271 764		
	(code 831)	1	2271 900				
	(code 834)	1	2271 901				
	(code 861)	1	----	----	2415 814		
	D1-H, D2-H						
	(codes 721, 811)	1	2293 100	2273 705	2273 705	2273 705	2273 705
	(codes 722, 812)	1	2293 101	2273 706	2273 706	2273 706	2273 706
	(codes 723, 813)	1	2293 102	2273 707	2273 707	2273 707	2273 707
	(codes 724, 814)	1	2293 103	2273 708	2273 708	2273 708	2273 708
	(codes 725, 815)	1	2293 104	2273 709	2273 709	2273 709	2273 709
	(code 841)	1	2271 900				
	(code 844)	1	2271 901				
	D2-P						
	(code 811)	1	----	2273 705			
	(code 812)	1	----	2273 706			
	(code 813)	1	----	2273 707			
	(code 815)	1	----	2273 709			
	(code 851)	2	----	----	----	2296 265	2296 265
	(code 852)	2	----	----	----	2296 266	2296 266
	(code 853)	2	----	----	----	2296 267	2296 267
	(code 855)	2	----	----	----	2296 268	2296 268
	(code 856)	2	----	----	----	2296 269	2296 269
23-108-7	INSERT, Front Cushion L1-H						
	(code 631)	1	2271 931	----	2271 931		
	(code 632)	1	2296 005	----	2296 005		
	(code 633)	1	2271 932	----	2271 932		
	(code 635)	1	2296 578	----	2296 578		
23-108-12	SEAT, Front (Less Cushion) L1-L (2 D.)						
	(codes 611, 614, 615)	1	2272 618-9				
	(w/heavy duty spring)	1	2296 625-6				
	L1-L (4 D.)						
	(codes 611, 614, 615)	1	2246 263				
	(w/heavy duty spring)	1	2296 635				
	(code 664)	1	2274 278				
	(w/heavy duty spring)	1	2273 653				
	(code 694)	1	2274 327				
	(codes 641, 644, 645)	1	----	----	2246 272		
	(w/heavy duty spring)	1	----	----	2296 642		
	L1-H (2 D.)						
	(code 631)	1	2273 570-1				
	(code 632)	1	2296 012-3				
	(code 633)	1	2273 572-3				
	(code 635)	1	2296 584-5				

★ Indicates use as required.  
 □ Indicates parts not listed in any previous parts book.  
 Right and left part numbers are on same line,  
 first number is right, second number is left.  
 \* Indicates change or addition.

CODE	REMARKS	PER CAR	SED.	SP. 4 D.	SUB.	SP. CL. CP.	CV. CP.
23-108-12	SEAT, Front (Less Cushion)-Cont'd						
	L1-H (4 D.)						
	(code 631)	1	2273 588	----	2273 588		
	(code 632)	1	2296 032	----	2296 032		
	(code 633)	1	2273 589	----	2273 589		
	(code 635)	1	2296 598	----	2296 598		
	(code 671)	1	2272 852				
	(code 675)	1	2272 853				
	L1-P (see part type code 23-108-15)						
	D1-L, D2-L, (2 D.)						
	(code 701)	1	2271 712-3				
	(w/heavy duty spring)	1	2296 134-5				
	(code 703)	1	2271 714-5				
	(w/heavy duty spring)	1	2296 136-7				
	(code 704)	1	2271 716-7				
	(code 894)	1	2293 656-7				
	(w/heavy duty spring)	1	2293 658-9				
	(w/ash receiver) Right	1	2293 820				
	(w/heavy duty spring and ash receiver)	1	2414 935				
	D1-L, D2-L, (4 D.)						
	(codes 701, 801)	1	2271 742	----	2271 843		
	(w/heavy duty spring)	1	2296 185	----	2296 167		
	(w/ash receiver)	1	2296 182	----	2296 164		
	(codes 703, 803)	1	2271 743	----	2271 844		
	(w/heavy duty spring)	1	2296 186	----	2296 168		
	(w/ash receiver)	1	2296 183	----	2296 165		
	(codes 704, 804)	1	2271 744	----	2271 845		
	(w/heavy duty spring)	1	2296 187	----	2296 169		
	(w/ash receiver)	1	2296 184	----	2296 166		
	(code 821)	1	2271 906				
	(code 824)	1	2271 907				
	(code 894)	1	2293 639				
	(w/heavy duty spring)	1	2293 640				
	(w/ash receiver)	1	2293 827				
	D3-L (w/seat back insert)						
	(code 301)	1	*2131 485	*2131 485	----	*2131 550-1	
	(code 303)	1	2131 486	2131 486	----	2131 552-3	
	(code 304)	1	2131 487	2131 487	----	2131 554-5	
	(code 305)	1	2131 488	2131 488	----	2131 556-7	
	D3-L (less seat back insert)						
	(code 301)	1	*2144 424	*2144 424	----	*2144 456-7	
	(code 303)	1	*2144 425	*2144 425	----	*2144 458-9	
	(code 304)	1	*2144 426	*2144 426	----	*2144 460-1	
	(code 305)	1	*2144 427	*2144 427	----	*2144 462-3	
	D3-L (w/seat back insert)						
	(code 341)	1	E2144 281	E2144 281	----	E2144 316-7	
	(code 343)	1	E2144 282	E2144 282	----	E2144 318-9	
	(code 344)	1	E2144 283	E2144 283	----	E2144 320-1	
	(code 345)	1	E2144 284	E2144 284	----	E2144 322-3	
	D3-L (less seat back insert)						
	(code 341)	1	*2144 504	*2144 504	----	*2144 536-7	
	(code 343)	1	*2144 505	*2144 505	----	*2144 538-9	
	(code 344)	1	*2144 506	*2144 506	----	*2144 540-1	
	(code 345)	1	*2144 507	*2144 507	----	*2144 542-3	
	D1-M, D2-M, (2 D.)						
	(code 711)	1	2271 884-5	----	----	2271 884-5	
	(w/heavy duty spring)	1	2296 236-7	----	----	2296 236-7	

★ Indicates use as required.

E Indicates parts not listed in any previous parts book.

March 8, 1963 Supersedes May 1, 1962.

IT-108-H

Printed in U.S.A.

Prices and specifications subject to change without notice.

Right and left part numbers are on same line,

first number is right, second number is left.

\* Indicates change or addition.

CODE	REMARKS	PER CAR	SED.	SP. 4D.	SUB.	SP. CL. CP.	CV. CP.
23-108-12	SEAT FRONT, Less Cushion - Cont'd						
	D1-M, D2-M, (2 D.)						
	(code 712)	1	2271 886-7				
	(w/heavy duty spring)	1	2296 238-9				
	(code 713)	1	2271 888-9	----	----	2271 888-9	
	(w/heavy duty spring)	1	2296 240-1	----	----	2296 240-1	
	(code 714)	1	2271 890-1	----	----	2271 890-1	
	(w/heavy duty spring)	1	2296 242-3	----	----	2296 242-3	
	(code 715)	1	----	----	----	2271 892-3	
	(w/heavy duty spring)	1	----	----	----	2296 244-5	
	D1-M, D2-M, (4 D.)						
	(code 711)	1	2271 790	----	2271 790		
	(w/heavy duty spring)	1	2296 205	----	2296 205		
	(code 712)	1	2271 791				
	(w/heavy duty spring)	1	2296 206				
	(code 713)	1	2271 792	----	2271 792		
	(w/heavy duty spring)	1	2296 207	----	2296 207		
	(code 714)	1	2271 793	----	2271 793		
	(w/heavy duty spring)	1	2296 208	----	2296 208		
	(code 715)	1	2271 794	----	2271 794		
	(w/heavy duty spring)	1	2296 209	----	2296 209		
	(code 831)	1	2271 906				
	(code 834)	1	2271 907				
	(code 861)	1	----	----	2415 838		
	(w/heavy duty spring)	1	----	----	2415 842		
	D1-H, D2-H						
	(codes 721, 811)	1	2293 126-7	2273 730-1	2273 730-1	2293 472-3	2293 472-3
	(codes 722, 812)	1	2293 128-9	2273 732-3	2273 732-3	2293 474-5	2293 474-5
	(codes 723, 813)	1	2293 130-1	2273 734-5	2273 734-5	2293 476-7	2293 476-7
	(codes 724, 814)	1	2293 132-3	2273 736-7	2273 736-7	2293 478-9	2293 478-9
	(codes 725, 815)	1	2293 134-5	2273 738-9	2273 738-9	2293 480-1	2293 480-1
	(code 841)	1	2271 906				
	(code 844)	1	2271 907				
23-108-15	SPRING and COVER, Front Seat Back						
	L1-P						
	(code 651)	2	----	----	----	2296 415	
	(code 652)	2	----	----	----	2296 416	
	(code 653)	2	----	----	----	2296 417	
	(code 655)	2	----	----	----	2296 418	
	D2-P						
	(code 851)	2	----	----	----	2296 290	2296 290
	(code 852)	2	----	----	----	2296 291	2296 291
	(code 853)	2	----	----	----	2296 292	2296 292
	(code 855)	2	----	----	----	2296 293	2296 293
	(code 856)	2	----	----	----	2296 294	2296 294
	D3-L						
	(code 401)	1	----	----	----	----	2131 910-1
	(code 403)	1	----	----	2132 587		
	(code 404)	1	----	2131 869	2131 869	2131 912-3	2131 912-3
	(code 405)	1	----	2131 870	2131 870	2131 914-5	2131 914-5
23-108-16	COVER, Front Seat Back						
	L1-L (2 D.)						
	(codes 611, 614, 615)	1	2246 424-5				
	L1-L (4 D.)						
	(codes 611, 614, 615)	1	2246 262				
	(code 664)	1	2274 277				
	(code 694)	1	2274 326				
	(codes 641, 644, 645)	1	----	----	2246 271		

★ Indicates use as required.  
 □ Indicates parts not listed in any previous parts book.  
 Right and left part numbers are on same line,  
 first number is right, second number is left.  
 \* Indicates change or addition.

CODE	REMARKS	PER CAR	SED.	SP. 4 D.	SUB.	SP. CL. CP.	CV. CP.
23-108-16	COVER, Front Seat Back - Cont'd						
	L1-H (2 D.)						
	(code 631)	1	2273 564-5				
	(code 632)	1	2296 008-9				
	(code 633)	1	2273 566-7				
	(code 635)	1	2296 580-1				
	L1-H (4 D.)						
	(code 631)	1	2273 585	----	2273 585		
	(code 632)	1	2296 029	----	2296 029		
	(code 633)	1	2273 586	----	2273 586		
	(code 635)	1	2296 596	----	2296 596		
	(code 671)	1	2272 850				
	(code 675)	1	2272 851				
	L1-P						
	(code 651)	2	----	----	----	2296 411	
	(code 652)	2	----	----	----	2296 412	
	(code 653)	2	----	----	----	2296 413	
	(code 655)	2	----	----	----	2296 414	
	D1-L, D2-L, (2 D.)						
	(code 701)	1	2271 706-7				
	(code 703)	1	2271 708-9				
	(code 704)	1	2271 710-1				
	(code 894)	1	2293 654-5				
	D1-L, D2-L, (4 D.)						
	(codes 701, 801)	1	2271 739	----	2271 840		
	(codes 703, 803)	1	2271 740	----	2271 841		
	(codes 704, 804)	1	2271 741	----	2271 842		
	(code 821)	1	2271 904				
	(code 824)	1	2271 905				
	(code 894)	1	2293 638				
	D3-L (w/seat back insert)						
	(code 301)	1	*2131 489	*2131 489	----	*2131 558-9	
	(code 303)	1	2131 490	2131 490	----	2131 560-61	
	(code 304)	1	2131 491	2131 491	----	2131 562-3	
	(code 305)	1	2131 492	2131 492	----	2131 564-5	
	D3-L (less seat back insert)						
	(code 301)	1	*2144 428	*2144 428	----	*2144 464-5	
	(code 303)	1	*2144 429	*2144 429	----	*2144 466-7	
	(code 304)	1	*2144 430	*2144 430	----	*2144 468-9	
	(code 305)	1	*2144 431	*2144 431	----	*2144 470-1	
	D3-L (w/seat back insert)						
	(code 341)	1	*2144 285	*2144 285	----	*2144 324-5	
	(code 343)	1	*2144 286	*2144 286	----	*2144 326-7	
	(code 344)	1	*2144 287	*2144 287	----	*2144 328-9	
	(code 345)	1	*2144 288	*2144 288	----	*2144 330-1	
	D3-L (less seat back insert)						
	(code 341)	1	*2144 508	*2144 508	----	*2144 544-5	
	(code 343)	1	*2144 509	*2144 509	----	*2144 546-7	
	(code 344)	1	*2144 510	*2144 510	----	*2144 548-9	
	(code 345)	1	*2144 511	*2144 511	----	*2144 550-1	
	(code 401)	1	----	----	----	----	2131 916-7
	(code 403)	1	----	----	2132 588	----	
	(code 404)	1	----	2131 872	2131 872	2131 918-9	2131 918-9
	(code 405)	1	----	2131 873	2131 873	2131 920-1	2131 920-1
	D1-M, D2-M, (2 D.)						
	(code 711)	1	2271 874-5	----	----	2271 874-5	
	(code 712)	1	2271 876-7	----	----		
	(code 713)	1	2271 878-9	----	----	2271 878-9	
	(code 714)	1	2271 880-1	----	----	2271 880-1	
	(code 715)	1	----	----	----	2271 882-3	

★ Indicates use as required.

⊠ Indicates parts not listed in any previous parts book.  
March 8, 1963 Supersedes May 1, 1962.

Prices and specifications subject to change without notice.

Right and left part numbers are on same line,  
first number is right, second number is left.

\* Indicates change or addition.

CODE	REMARKS	PER CAR	SED.	SP. 4 D.	SUB.	SP. CL. CP.	CV. CP.
23-108-16	COVER, Front Seat Back-Cont'd D1-M, D2-M, (4 D.)						
	(code 711)	1	2271 785	----	2271 785		
	(code 712)	1	2271 786	----			
	(code 713)	1	2271 787	----	2271 787		
	(code 714)	1	2271 788	----	2271 788		
	(code 715)	1	2271 789	----	2271 789		
	(code 831)	1	2271 904				
	(code 834)	1	2271 905				
	(code 861)	1	----	----	2415 834		
	(code 863)	1	----	----	2415 835		
	(code 864)	1	----	----	2415 836		
	(code 865)	1	----	----	2415 837		
	D1-H, D2-H (codes 721, 811)	1	2293 116-7	2273 720-1	2273 720-1	2273 720-1	2273 720-1
	(codes 722, 812)	1	2293 118-9	2273 722-3	2273 722-3	2273 722-3	2273 722-3
	(codes 723, 813)	1	2293 120-1	2273 724-5	2273 724-5	2273 724-5	2273 724-5
	(codes 724, 814)	1	2293 122-3	2273 726-7	2273 726-7	2273 726-7	2273 726-7
	(codes 725, 815)	1	2293 124-5	2273 728-9	2273 728-9	2273 728-9	2273 728-9
	(code 841)	1	2271 904				
	(code 844)	1	2271 905				
	D2-P (code 851)	2	----	----	----	2296 285	2296 285
	(code 852)	2	----	----	----	2296 286	2296 286
	(code 853)	2	----	----	----	2296 287	2296 287
	(code 855)	2	----	----	----	2296 288	2296 288
	(code 856)	2	----	----	----	2296 289	2296 289
23-108-17	INSERT, Front Seat Back Front L1-H (2 D.)						
	(code 631)	1	2271 944-5				
	(code 632)	1	2296 010-11				
	(code 633)	1	2271 946-7				
	(code 635)	1	2296 582-3				
	L1-H (4 D.) (code 631)	1	2271 928	----	2271 928		
	(code 632)	1	2296 031	----	2296 031		
	(code 633)	1	2271 929	----	2271 929		
	(code 635)	1	2296 597	----	2296 597		
23-108-32	PANEL, Back of Front Seat Back L1-P (panel w/cover)						
	(code 651)	2	----	----	----	2296 427	
	(code 652)	2	----	----	----	2296 428	
	(code 653)	2	----	----	----	2296 429	
	(code 655)	2	----	----	----	2296 430	
	L1-P (cover) (code 651)	2	----	----	----	2296 423	
	(code 652)	2	----	----	----	2296 424	
	(code 653)	2	----	----	----	2296 425	
	(code 655)	2	----	----	----	2296 426	
	D2-P (panel w/cover) (code 851)	2	----	----	----	2296 300	2296 300
	(code 852)	2	----	----	----	2296 301	2296 301
	(code 853)	2	----	----	----	2296 302	2296 302
	(code 855)	2	----	----	----	2296 303	2296 303
	(code 856)	2	----	----	----	2296 304	2296 304
	D3-L (code 404) (panel w/cover)Rt.	1	----	2177 496	2177 496	2177 499	2177 499
	Li.	1	----	----	----	2177 500	2177 500
	(code 401) (panel w/cover)	1	----	----	----	----	2177 497-8
	(code 403) (panel w/cover)	1	----	----	2178 620		
	(code 405) (panel w/cover)	1	----	2177 495	2177 495	2177 501-2	2177 501-2

★ Indicates use as required.

☐ Indicates parts not listed in any previous parts book.

Right and left part numbers are on same line, first number is right, second number is left.

\* Indicates change or addition.

# 1962 PASSENGER CAR PARTS CATALOG

CODE	REMARKS	PER CAR	SED.	SP. 4 D.	SUB.	SP. CL. CP.	CV. CP.
23-108-57	NUT, Front Seat Cushion Bumper D1, D2 (to rear rail)	4	2094 869				
23-108-84	COVER, Front Seat Back Outer Hinge Arm (paint as required)	4				2172 835	
	L1-P	4					
	D1, D2 (codes 701, 711, 721, 811)(blue)	1	2272 476-7	2272 476-7	2272 476-7	2272 476-7	2272 476-7
	(codes 703, 713, 723, 813) (cocoa)	1	2272 480-1	2272 480-1	2272 480-1	2272 480-1	2272 480-1
	(codes 704, 714, 724, 734, 814, 894) (gray)	1	2272 482-3	2272 482-3	2272 482-3	2272 482-3	2272 482-3
	(codes 712, 722, 812)(green)	1	2272 478-9	2272 478-9	2272 478-9	2272 478-9	2272 478-9
	(codes 715, 725, 815)(red)	1	2272 484-5	2272 484-5	2272 484-5	2272 484-5	2272 484-5
	Back Hinge Post (black)	4				2172 835	2172 835
23-108-98	SHIELD, Front Seat Side						
	L1-P, D2-P Back Cushion	2				2161 236-7	2161 236-7
	D3-L	1				2292 492-3	2292 492-3
	(upper or back) (anodized) (seat cushion)(manual and power)	1		2080 868-9		2080 868-9	2080 868-9
	(anodized) Rt.	1	2080 732	2080 732	2080 732	2080 732	2080 732
	(seat cushion) (power adj.) (anodized) Lt.	1	2080 733	2080 733	2080 733	2080 733	2080 733
	(seat cushion) (manual adj.) (anodized) Lt.	1	2080 737	2080 737	2080 737	2080 737	2080 737
23-108-142	BRACKET, Front Seat Side Shield Support						
	L1-P, D2-P	2				2292 475	2292 475
23-109-3	BACK, Rear Seat						
	L1-L (Sub. 2nd Seat)						
	(codes 611, 614, 615)	1	2246 268				
	(w/heavy duty spring)	1	2296 631				
	(code 664)	1	2274 283				
	(w/heavy duty spring)	1	2273 656				
	(code 694)	1	2274 332				
	(codes 641, 644, 645) (spring and cover)	1			2246 277		
	L1-H (Sub. 2nd. Seat)						
	(code 631)	1	2273 606		2273 621		
	(code 632)	1	2296 020		2296 041		
	(code 633)	1	2273 607		2273 622		
	(code 635)	1	2296 592		2296 605		
	(code 671)	1	2272 866				
	(code 675)	1	2272 867				
	L1-P						
	(code 651)	1				2296 107	
	(code 652)	1				2296 449	
	(code 653)	1				2296 108	
	(code 655)	1				2296 109	
	D1-L, D2-L, (Sub. 2nd Seat)						
	(codes 701, 801)	1	2271 730		2271 864		
	(w/heavy duty spring)	1	2296 157				
	(codes 703, 803)	1	2271 731		2296 993		
	(w/heavy duty spring)	1	2296 158				
	(codes 704, 804) (4 D.)	1		2296 994			
	(w/heavy duty spring)	1	2296 159				
	(code 821)	1	2271 918				
	(code 824)	1	2271 919				
	(code 894)	1	2293 649				
	(w/heavy duty spring)	1	2293 650				

★ Indicates use as required.

⊔ Indicates parts not listed in any previous parts book.

March 8, 1963 Supersedes May 1, 1962.

Prices and specifications subject to change without notice.

Right and left part numbers are on same line,  
first number is right, second number is left.

\* Indicates change or addition.

CODE	REMARKS	PER CAR	SED.	SP. 4 D.	SUB.	SP. CL. CP.	CV. CP.
23-109-3	BACK, Rear Seat - Cont'd						
	D3-L						
	(code 301)	1	2131 501	2131 501	----	2131 578	
	(code 303)	1	2131 502	2131 502	----	2131 579	
	(code 304)	1	2131 503	2131 503	----	2131 580	
	(code 305)	1	2131 504	2131 504	----	2131 581	
	(code 341)	1	*2144 296	*2144 296	----	*2144 340	
	(code 343)	1	*2144 297	*2144 297	----	*2144 341	
	(code 344)	1	*2144 298	*2144 298	----	*2144 342	
	(code 345)	1	*2144 299	*2144 299	----	*2144 343	
	(code 404)	1	----	2131 884	----	2132 737	2131 935
	(code 405)	1	----	2131 885	----	2132 738	2131 936
	(code 401)	1	----	----	----	----	2131 934
	(code 404) (2nd seat)	1	----	----	2131 956		
	(code 405) (2nd seat)	1	----	----	2131 957		
	(code 403) (2nd seat)	1	----	----	2132 592		
	(code 403) (3rd seat)	1	----	----	2132 596		
	(code 404) (3rd seat)	1	----	----	2131 968		
	(code 405) (3rd seat)	1	----	----	2131 969		
	D1-M, D2-M, (Sub. 2nd. Seat)						
	(code 711)	1	2271 805	----	2415 632	2271 805	
	(w/heavy duty spring)	1	2296 225	----	----	2296 225	
	(code 712)	1	2271 806	----	----	----	
	(w/heavy duty spring)	1	2296 226	----	----	----	
	(code 713)	1	2271 807	----	2415 633	2271 807	
	(w/heavy duty spring)	1	2296 227	----	----	2296 227	
	(code 714)	1	2271 808	----	2415 634	2271 808	
	(w/heavy duty spring)	1	2296 228	----	----	2296 228	
	(code 715)	1	2271 809	----	2415 635	2271 809	
	(w/heavy duty spring)	1	2296 229	----	----	2296 229	
	(code 831)	1	2271 918	----	----	----	
	(code 834)	1	2271 919	----	----	----	
	(code 861)	1	----	----	2415 882	----	
	(code 863)	1	----	----	2415 883	----	
	(code 864)	1	----	----	2415 884	----	
	(code 865)	1	----	----	2415 885	----	
	D1-M, D2-M, (Sub. 3rd. Seat)						
	(code 711)	1	----	----	2273 700	----	
	(code 713)	1	----	----	2273 701	----	
	(code 714)	1	----	----	2273 702	----	
	(code 715)	1	----	----	2273 703	----	
	(code 861)	1	----	----	2415 914	----	
	(code 863)	1	----	----	2415 915	----	
	(code 864)	1	----	----	2415 916	----	
	(code 865)	1	----	----	2415 917	----	
	D1-H, D2-H, (Sub. 2nd. Seat)						
	(codes 721, 811)	1	2293 166	2273 770	2415 680	2273 770	2273 683
	(codes 722, 812)	1	2293 167	2273 771	2415 681	2273 771	2273 684
	(codes 723, 813)	1	2293 168	2273 772	2415 682	2273 772	2273 685
	(codes 724, 814)	1	2293 169	2273 773	2415 683	2273 773	2273 686
	(codes 725, 815)	1	2293 170	2273 774	2415 684	2273 774	2273 687
	(code 841)	1	2271 918	----	----	----	
	(code 844)	1	2271 919	----	----	----	
	D1-H, D2-H, (Sub. 3rd. Seat)						
	(code 811)	1	----	----	2273 810	----	
	(code 812)	1	----	----	2273 811	----	
	(code 813)	1	----	----	2273 812	----	
	(code 814)	1	----	----	2273 813	----	
	(code 815)	1	----	----	2273 814	----	

★ Indicates use as required.

⊠ Indicates parts not listed in any previous parts book.

Right and left part numbers are on same line,

first number is right, second number is left.

\* Indicates change or addition.

# 1962 PASSENGER CAR PARTS CATALOG

INTERIOR TRIM

CODE	REMARKS	PER CAR	SED.	SP. 4 D.	SUB.	SP. CL. CP.	CV. CP.
23-109-3	BACK, Rear Seat - Cont'd D2-P						
	(code 851)	1	----	----	----	2296 375	2296 390
	(code 852)	1	----	----	----	2296 376	2296 391
	(code 853)	1	----	----	----	2296 377	2296 392
	(code 855)	1	----	----	----	2296 378	2296 393
	(code 856)	1	----	----	----	2296 379	2296 394
23-109-4	COVER, Rear Seat Back L1-L (Sub. 2nd Seat)						
	(codes 611, 614, 615)	1	2246 267				
	(code 664)	1	2274 282				
	(code 694)	1	2274 331				
	(codes 641, 644, 645)	1	----	----	2246 276		
	L1-H, L1-P, (Sub. 2nd. Seat)						
	(codes 631, 651)	1	2273 603	----	2273 618	2296 104	
	(codes 632, 652)	1	2296 017	----	2296 039	2296 448	
	(codes 633, 653)	1	2273 604	----	2273 619	2296 105	
	(codes 635, 655)	1	2296 590	----	2296 603	2296 106	
	(code 671)	1	2272 864				
	(code 675)	1	2272 865				
	D1-L, D2-L, (Sub. 2nd. Seat)						
	(codes 701, 801)	1	2271 727	----	2271 861		
	(codes 703, 803)	1	2271 728	----	2271 862		
	(codes 704, 804)	1	2271 729	----	2271 863		
	(code 821)	1	2271 916				
	(code 824)	1	2271 917				
	(code 894)	1	2293 648				
	D3-L						
	(code 301)	1	2131 505	2131 505	----	2131 582	
	(code 303)	1	2131 506	2131 506	----	2131 583	
	(code 304)	1	2131 507	2131 507	----	2131 584	
	(code 305)	1	2131 508	2131 508	----	2131 585	
	(code 341)	1	*2144 300	*2144 300	----	*2144 344	
	(code 343)	1	*2144 301	*2144 301	----	*2144 345	
	(code 344)	1	*2144 302	*2144 302	----	*2144 346	
	(code 345)	1	*2144 303	*2144 303	----	*2144 347	
	(code 401)	1	----	----	----	----	2131 937
	(code 403) (2nd seat)	1	----	----	2132 593		
	(code 403) (3rd seat)	1	----	----	2132 597		
	(code 404)	1	----	2131 887	----	2132 739	2131 938
	(code 404) (2nd seat)	1	----	----	2131 959		
	(code 404) (3rd seat)	1	----	----	2131 971		
	(code 405)	1	----	2131 888	----	2132 740	2131 939
	(code 405) (2nd seat)	1	----	----	2131 960		
	(code 405) (3rd seat)	1	----	----	2131 972		
	D1-M, D2-M, (Sub. 2nd. Seat)						
	(code 711)	1	2271 800	----	2271 968	2271 800	
	(code 712)	1	2271 801				
	(code 713)	1	2271 802	----	2271 969	2271 802	
	(code 714)	1	2271 803	----	2415 626	2271 803	
	(code 715)	1	2271 804	----	2271 971	2271 804	
	(code 831)	1	2271 916				
	(code 834)	1	2271 917				
	(code 861)	1	----	----	2415 878		
	(code 863)	1	----	----	2415 879		
	(code 864)	1	----	----	2415 880		
	(code 865)	1	----	----	2415 881		

★ Indicates use as required.

⊠ Indicates parts not listed in any previous parts book.  
March 8, 1963 Supersedes May 1, 1962.

Prices and specifications subject to change without notice.

Right and left part numbers are on same line,  
first number is right, second number is left.

\* Indicates change or addition.



CODE	REMARKS	PER CAR	SED.	SP. 4 D.	SUB.	SP. CL. CP.	CV. CP.
23-109-4	COVER, Rear Seat Back - Cont'd D1-M, D2-M, (Sub. 3rd. Seat)						
	(code 711)	1	----	----	2271 988		
	(code 713)	1	----	----	2271 989		
	(code 714)	1	----	----	2271 990		
	(code 715)	1	----	----	2271 991		
	(code 861)	1	----	----	2415 910		
	(code 863)	1	----	----	2415 911		
	(code 864)	1	----	----	2415 912		
	(code 865)	1	----	----	2415 913		
	D1-H, D2-H, (Sub. 2nd. Seat)						
	(codes 721, 811)	1	2293 161	2273 765	2273 785	2273 765	2273 678
	(codes 722, 812)	1	2293 162	2273 766	2273 786	2273 766	2273 679
	(codes 723, 813)	1	2293 163	2273 767	2273 787	2273 767	2273 680
	D1-L, D2-L, (Sub. 2nd. Seat)						
	(codes 724, 814)	1	2293 164	2273 768	2273 788	2273 768	2273 681
	(codes 725, 815)	1	2293 165	2273 769	E2415 669	2273 769	2273 682
	(code 841)	1	2271 916				
	(code 844)	1	2271 917				
	D1-H, D2-H, (Sub. 3rd. Seat)						
	(code 811)	1	----	----	2273 805		
	(code 812)	1	----	----	2273 806		
	(code 813)	1	----	----	2273 807		
	(code 814)	1	----	----	2273 808		
	(code 815)	1	----	----	2273 809		
	D2-P						
	(code 851)	1	----	----	----	2296 370	2296 385
	(code 852)	1	----	----	----	2296 371	2296 386
	(code 853)	1	----	----	----	2296 372	2296 387
	(code 855)	1	----	----	----	2296 373	2296 388
	(code 856)	1	----	----	----	2296 374	2296 389
23-109-5	INSERT, Rear Seat Back Rear Panel						
	D1, D2, (Sub. 2nd. Seat)						
	(codes 711, 801, 811, 861)						
	(blue)	1	----	----	*2272 394		
	(codes 713, 803, 813, 863)						
	(cocoa)	1	----	----	*2272 396		
	(codes 714, 715, 804, 814, 864)						
	(gray)	1	----	----	*2272 397		
	(codes 715, 815, 865)						
	(red)	1	----	----	*2297 272		
	(code 812)						
	(green)	1	----	----	2272 395		
	D1, D2, (Sub. 3rd. Seat)						
	(codes 711, 811)						
	(blue)	1	----	----	2272 398		
	(codes 713, 813)						
	(cocoa)	1	----	----	2272 400		
	(codes 714, 715, 814, 815)						
	(gray)	1	----	----	2272 401		
	(codes 715, 815)						
	(red)	1	----	----	2297 273		
	(code 812)						
	(green)	1	----	----	2272 399		
	D1, D2, (Sub. 3rd. Seat)						
	(back support)						
	(codes 711, 811)						
	(blue)	1	----	----	2272 402		
	(codes 713, 813)						
	(cocoa)	1	----	----	2272 404		
	(codes 714, 715, 814, 815)						
	(gray)	1	----	----	2272 405		
	(codes 715, 815)						
	(red)	1	----	----	2297 277		
	(code 812)						
	(green)	1	----	----	2272 403		
	D2-P (upper panel)						
		1	----	----	----	----	2297 223

★ Indicates use as required.

☐ Indicates parts not listed in any previous parts book.

Right and left part numbers are on same line, first number is right, second number is left.

\* Indicates change or addition.

CODE	REMARKS	PER CAR	SED.	SP. 4 D.	SUB.	SP. CL. CP.	CV. CP.
23-109-5	INSERT, Rear Seat Back Rear Panel - Cont'd D3-L (codes 403, 404, 405) (3rd seat) (gray)	1	----	----	2169 949		
	(code 403) (2nd seat) (cover)	1	----	----	2132 584		
	(codes 404, 405) (2nd seat) (cover)	1	----	----	2132 478		
23-109-7	INSERT, Rear Seat Back Front L1-H (Sub. 2nd. Seat)						
	(code 631)	1	2271 937	----	2271 950		
	(code 632)	1	2296 019	----	2296 040		
	(code 633)	1	2271 938	----	2271 951		
	(code 635)	1	2296 591	----	2296 604		
23-109-35	CUSHION, Rear Seat L1-L (Sub. 2nd Seat)						
	(codes 611, 614, 615) (w/heavy duty spring)	1	2246 266				
	(code 664)	1	2296 630				
	(w/heavy duty spring)	1	2274 281				
	(code 694)	1	2273 655				
	(w/airfoam pad)	1	2274 330				
	(codes 641, 644, 645)	1	2293 634				
		1	----	----	2246 619		
	L1-H (Sub. 2nd. Seat)						
	(code 631)	1	2273 600	----	2273 612		
	(code 632)	1	2296 016	----	2296 038		
	(code 633)	1	2273 601	----	2273 613		
	(code 635)	1	2296 589	----	2296 602		
	(code 671)	1	2272 860				
	(code 675)	1	2272 861				
	L1-P						
	(code 651)	1	----	----	----	2296 095	
	(code 652)	1	----	----	----	2296 445	
	(code 653)	1	----	----	----	2296 096	
	(code 655)	1	----	----	----	2296 097	
	D1-L, D2-L, (Sub. 2nd. Seat)						
	(codes 701, 801)	1	2271 724	----	2271 858		
	(w/heavy duty spring)	1	2296 149				
	(w/airfoam pad and heavy duty spring)	1	2296 153				
	(codes 703, 803)	1	2271 725	----	2271 859		
	(w/heavy duty spring)	1	2296 150				
	(w/airfoam pad and heavy duty spring)	1	2296 154				
	D1-L, D2-L						
	(codes 704, 804) (4 D.)	1	2271 726	----	2271 860		
	(w/heavy duty spring)	1	2296 151				
	(w/airfoam pad and heavy duty spring)	1	2296 155				
	(code 821)	1	2271 912				
	(code 824)	1	2271 913				
	(code 894)	1	2293 645				
	(w/airfoam pad)	1	2293 115				
	(w/heavy duty spring)	1	2293 646				
	(w/airfoam pad and heavy duty spring)	1	2293 647				
	D3-L						
	(code 301)	1	2131 509	2131 509	----	2131 586	
	(w/airfoam pad)	1	2131 541	2131 541	----	2131 618	

★ Indicates use as required.

Page IT-116

Printed in U.S.A.

⊔ Indicates parts not listed in any previous parts book.  
March 8, 1963 Supersedes May 1, 1962.

Prices and specifications subject to change without notice.  
Right and left part numbers are on same line,  
first number is right, second number is left.  
\* Indicates change or addition.

CODE	REMARKS	PER CAR	SED.	SP. 4D.	SUB.	SP. CL. CP.	CV. CP.
23-109-35	CUSHION, Rear Seat - Cont'd						
	D3-L						
	(code 303)	1	2131 510	2131 510	----	2131 587	
	(w/airfoam pad)	1	2131 542	2131 542	----	2131 619	
	(code 304)	1	2131 511	2131 511	----	2131 588	
	(w/airfoam pad)	1	2131 543	2131 543	----	2131 620	
	(code 305)	1	2131 512	2131 512	----	2131 589	
	(w/airfoam pad)	1	2131 544	2131 544	----	2131 621	
	D3-L						
	(code 341)	1	*2144 304	*2144 304	----	*2144 348	
	(code 343)	1	*2144 305	*2144 305	----	*2144 349	
	(code 344)	1	*2144 306	*2144 306	----	*2144 350	
	(code 345)	1	*2144 307	*2144 307	----	*2144 351	
	D3-L (w/airfoam pad)						
	(code 341)	1	*2144 372	*2144 372	----	*2144 400	
	(code 343)	1	*2144 373	*2144 373	----	*2144 401	
	(code 344)	1	*2144 374	*2144 374	----	*2144 402	
	(code 345)	1	*2144 375	*2144 375	----	*2144 403	
	D3-L						
	(code 404)	1	----	2131 890	----	2132 741	
	(code 405)	1	----	2131 891	----	2132 742	
	(code 403) (2nd seat)	1	----	----	2132 594		
	(code 404) (2nd seat)	1	----	----	2131 962		
	(code 405) (2nd seat)	1	----	----	2131 963		
	(code 403) (3rd seat)	1	----	----	2132 598		
	(code 404) (3rd seat)	1	----	----	2131 974		
	(code 405) (3rd seat)	1	----	----	2131 975		
	(code 401)	1	----	----	----	----	2131 940
	(code 404)	1	----	----	----	----	2131 941
	(code 405)	1	----	----	----	----	2131 942
	D1-M, D2-M, (Sub. 2nd. Seat)						
	(code 711)	1	2271 775	----	2271 960	2271 775	
	(w/airfoam pad)	1	2271 780	----	2415 620	2271 780	
	(w/heavy duty spring)	1	2296 215	----	----	2296 215	
	(w/airfoam pad and heavy duty spring)	1	2296 220	----	----	2296 220	
	(code 712)	1	2271 776				
	(w/airfoam pad)	1	2271 781				
	(w/heavy duty spring)	1	2296 216				
	(w/airfoam pad and heavy duty spring)	1	2296 221				
	(code 713)	1	2271 777	----	2415 617	2271 777	
	(w/airfoam pad)	1	2271 782	----	2415 621	2271 782	
	(w/heavy duty spring)	1	2296 217	----	----	2296 217	
	(w/airfoam pad and heavy duty spring)	1	2296 222	----	----	2296 222	
	(code 714)	1	2271 778	----	2271 962	2271 778	
	(w/airfoam pad)	1	2271 783	----	2415 622	2271 783	
	(w/heavy duty spring)	1	2296 218	----	----	2296 218	
	(w/airfoam pad and heavy duty spring)	1	2296 223	----	----	2296 223	
	(code 715)	1	2271 779	----	2415 619	2271 779	
	(w/airfoam pad)	1	2271 784	----	2415 623	2271 784	
	(w/heavy duty spring)	1	2296 219	----	----	2296 219	
	(w/airfoam pad and heavy duty spring)	1	2296 224	----	----	2296 224	
	(code 831)	1	2271 912				
	(w/airfoam pad)	1	2271 914				
	(code 834)	1	2271 913				
	(w/airfoam pad)	1	2271 915				

★ Indicates use as required.

⊠ Indicates parts not listed in any previous parts book.

Right and left part numbers are on same line, first number is right, second number is left.

\* Indicates change or addition.

# 1962 PASSENGER CAR PARTS CATALOG

INTERIOR TRIM

CODE	REMARKS	PER CAR	SED.	SP. 4 D.	SUB.	SP. CL. CP.	CV. CP.	
23-109-35	CUSHION, Rear Seat - Cont'd							
	D1-M, D2-M (Sub. 2nd. Seat)							
	(code 861)	1	----	----	2415 862			
	(w/airfoam pad)	1	----	----	2415 866			
	(code 863)	1	----	----	2415 863			
	(w/airfoam pad)	1	----	----	2415 867			
	(code 864)	1	----	----	2415 864			
	(w/airfoam pad)	1	----	----	2415 868			
	(code 865)	1	----	----	2415 865			
	(w/airfoam pad)	1	----	----	2415 869			
	D1-M, D2-M, (Sub. 3rd. Seat)							
	(code 711)	1	----	----	2271 984			
	(code 713)	1	----	----	2271 985			
	(code 714)	1	----	----	2271 986			
	(code 715)	1	----	----	2271 987			
(code 861)	1	----	----	2415 898				
(code 863)	1	----	----	2415 899				
(code 864)	1	----	----	2415 900				
(code 865)	1	----	----	2415 901				
D1-H, D2-H, (Sub. 2nd. Seat)	(codes 721, 811)	1	2293 151	2273 760	2415 655	2273 760	2273 668	
	(w/airfoam pad)	1	2293 156	2273 690	2415 660	2273 690	2273 673	
	(codes 722, 812)	1	2293 152	2273 761	2415 656	2273 761	2273 669	
	(w/airfoam pad)	1	2293 157	2273 691	2415 661	2273 691	2273 674	
	(codes 723, 813)	1	2293 153	2273 762	2415 657	2273 762	2273 670	
	(w/airfoam pad)	1	2293 158	2273 692	2415 662	2273 692	2273 675	
	(codes 724, 814)	1	2293 154	2273 763	2415 658	2273 763	2273 671	
	(w/airfoam pad)	1	2293 159	2273 693	2415 663	2273 693	2273 676	
	(codes 725, 815)	1	2293 155	2273 764	2415 659	2273 764	2273 672	
	(w/airfoam pad)	1	2293 160	2273 694	2415 664	2273 694	2273 677	
	(code 841)	1	2271 912					
	(w/airfoam pad)	1	2271 914					
	(code 844)	1	2271 913					
	(w/airfoam pad)	1	2271 915					
	D1-H, D2-H, (Sub. 3rd. Seat)	(code 811)	1	----	----	2273 800		
(code 812)		1	----	----	2273 801			
(code 813)		1	----	----	2273 802			
(code 814)		1	----	----	2273 803			
(code 815)		1	----	----	2273 804			
D2-P								
(code 851)		1	----	----	----	2296 345	2296 360	
(code 852)		1	----	----	----	2296 346	2296 361	
(code 853)		1	----	----	----	2296 347	2296 362	
(code 855)		1	----	----	----	2296 348	2296 363	
(code 856)		1	----	----	----	2296 349	2296 364	
(2nd seat cushion to floor pan screw)		2	----	----	6023 545			
23-109-36		COVER, Rear Seat Cushion						
		L1-L (Sub. 2nd. Seat)						
		(codes 611, 614, 615)	1	2246 265				
	(code 664)	1	2274 280					
	(code 694)	1	2274 329					
	(codes 641, 644, 645)	1	----	----	2246 618			
	L1-H, L1-P, (Sub. 2nd. Seat)							
	(codes 631, 651)	1	2273 597	----	2273 609	2296 092		
	(code 632)	1	2296 014	----	2296 036			
	(codes 633, 653)	1	2273 598	----	2273 610	2296 093		
	(codes 635, 655)	1	2296 587	----	2296 600	2296 094		
	(code 671)	1	2272 858					
	(code 675)	1	2272 859					
	(code 652)	1	----	----	----	2296 444		

★ Indicates use as required.

⊠ Indicates parts not listed in any previous parts book.  
March 8, 1963 Supersedes May 1, 1962.

Printed in U.S.A.

Prices and specifications subject to change without notice.  
Right and left part numbers are on same line,  
first number is right, second number is left.

\* Indicates change or addition.

CODE	REMARKS	PER CAR	SED.	SP. 4 D.	SUB.	SP. CL. CP.	CV. CP.
23-109-36	COVER, Rear Seat Cushion - Cont'd						
	D1-L, D2-L, (Sub. 2nd. Seat)						
	(codes 701, 801)	1	2271 721	----	*2271 855		
	(codes 703, 803)	1	2271 722	----	*2271 856		
	(codes 704, 804) (4 D.)	1	2271 723	----	2271 851		
	(code 821)	1	2271 910				
	(code 824)	1	2271 911				
	(code 894)	1	2293 644				
	D3-L						
	(code 301)	1	2131 513	2131 513	----	2131 590	
	(code 303)	1	2131 514	2131 514	----	2131 591	
	(code 304)	1	2131 515	2131 515	----	2131 592	
	(code 305)	1	2131 516	2131 516	----	2131 593	
	(code 341)	1	⊠2144 308	⊠2144 308	----	⊠2144 352	
	(code 343)	1	⊠2144 309	⊠2144 309	----	⊠2144 353	
	(code 344)	1	⊠2144 310	⊠2144 310	----	⊠2144 354	
	(code 345)	1	⊠2144 311	⊠2144 311	----	⊠2144 355	
	(code 404)	1	----	2131 893	----	2132 743	
	(code 405)	1	----	2131 894	----	2132 744	
	(code 403) (2nd seat)	1	----	----	2132 595		
	(code 404) (2nd seat)	1	----	----	2131 965		
	(code 405) (2nd seat)	1	----	----	2131 966		
	(code 403) (3rd seat)	1	----	----	2132 599		
	(code 404) (3rd seat)	1	----	----	2131 977		
	(code 405) (3rd seat)	1	----	----	2131 978		
	(code 401)	1	----	----	----	----	2131 943
	(code 404)	1	----	----	----	----	2131 944
	(code 405)	1	----	----	----	----	2131 945
	D1-M, D2-M, (Sub. 2nd. Seat)						
	(code 711)	1	2271 770	----	2271 956	2271 770	
	(code 712)	1	2271 771	----			
	(code 713)	1	2271 772	----	2271 957	2271 772	
	(code 714)	1	2271 773	----	2271 958	2271 773	
	(code 715)	1	2271 774	----	2271 959	2271 774	
	(code 831)	1	2271 910				
	(code 834)	1	2271 911				
	(code 861)	1	----	----	2415 858		
	(code 863)	1	----	----	2415 859		
	(code 864)	1	----	----	2415 860		
	(code 865)	1	----	----	2415 861		
	D1-M, D2-M, (Sub. 3rd. Seat)						
	(code 711)	1	----	----	2271 980		
	(code 713)	1	----	----	2271 981		
	(code 714)	1	----	----	2271 982		
	(code 715)	1	----	----	2271 983		
	(code 861)	1	----	----	2415 894		
	(code 863)	1	----	----	2415 895		
	(code 864)	1	----	----	2415 896		
	(code 865)	1	----	----	2415 897		
	D1-H, D2-H, (Sub. 2nd. Seat)						
	(codes 721, 811)	1	2293 146	2273 755	2273 775	2273 755	2273 663
	(codes 722, 812)	1	2293 147	2273 756	2273 776	2273 756	2273 664
	(codes 723, 813)	1	2293 148	2273 757	2273 777	2273 757	2273 665
	(codes 724, 814)	1	2293 149	2273 758	2273 778	2273 758	2273 666
	(codes 725, 815)	1	2293 150	2273 759	2273 779	2273 759	2273 667
	(code 841)	1	2271 910				
	(code 844)	1	2271 911				

★ Indicates use as required.

⊠ Indicates parts not listed in any previous parts book.

Right and left part numbers are on same line,

first number is right, second number is left.

\* Indicates change or addition.

## 1962 PASSENGER CAR PARTS CATALOG

INTERIOR TRIM

CODE	REMARKS	PER CAR	SED.	SP. 4 D.	SUB.	SP. CL. CP.	CV. CP.
23-109-36	COVER, Rear Seat Cushion-Cont'd D1-H, D2-H, (Sub. 3rd. Seat)						
	(code 811)	1	----	----	2273 795		
	(code 812)	1	----	----	2273 796		
	(code 813)	1	----	----	2273 797		
	(code 814)	1	----	----	2273 798		
	(code 815)	1	----	----	2273 799		
	D2-P						
	(code 851)	1	----	----	----	2296 340	2296 355
	(code 852)	1	----	----	----	2296 341	2296 356
	(code 853)	1	----	----	----	2296 342	2296 357
	(code 855)	1	----	----	----	2296 343	2296 358
	(code 856)	1	----	----	----	2296 344	2296 359
23-109-38	RETAINER, Rear Seat Cushion L1, D1, D2, D3-L	2	1810 037	1810 037	1810 037	1810 037	1810 037
	RETAINER, Rear Floor Pan 3rd. Seat, Front						
	D1, D2	2	----	----	*2251 674		
	Rear	2	----	----	E2422 981		
	CATCH, 3rd. Seat Cushion D1, D2	2	----	----	E2270 834		
23-109-40	INSERT, Rear Seat Cushion L1-H (Sub. 2nd. Seat)						
	(code 631)	1	2271 940	----	2271 953		
	(code 632)	1	2296 015	----	2296 037		
	(code 633)	1	2271 941	----	2271 954		
	(code 635)	1	2296 588	----	2296 601		
	D3-L (Sub. 3rd seat) (codes 403, 404, 405) (gray)	1	----	----	2169 948		
23-111-31	RETAINER, Folding Top Header Outer Panel Tack Strip D3-L	1	----	----	----	----	1952 194
23-111-37	STRIP, Folding Top Bow Tacking D2-H (No. 1 and No. 2 bow) (No. 3 bow)	2	----	----	----	----	1950 509
	D3-L (No. 1 and No. 2 bow) (rear)	1	----	----	----	----	2251 165
		2	----	----	----	----	1950 509
		1	----	----	----	----	1950 510
23-112-12	BOOT, Folding Top Dust D2-H						
	(code 811) (blue)	1	----	----	----	----	2293 703
	(code 812) (green)	1	----	----	----	----	2293 704
	(code 813) (cocoa)	1	----	----	----	----	2293 705
	(code 814) (gray)	1	----	----	----	----	2293 706
	(code 815) (red)	1	----	----	----	----	2293 707
	D2-P (beige)	1	----	----	----	----	2296 532
	D3-L						
	(code 401) (blue)	1	----	----	----	----	2178 446
	(code 404) (black)	1	----	----	----	----	2178 447
	(code 405) (red)	1	----	----	----	----	2178 448
23-112-18	RETAINER, Channel Rear Seat Back Dust Boot D2-H, D2-P D3-L	1	----	----	----	----	2270 167
		1	----	----	----	----	2410 007
23-112-19	INSERT, Rear Seat Back Dust Boot Cover D2-H, D2-P (vinyl)	1	----	----	----	----	2160 328

★ Indicates use as required.

E Indicates parts not listed in any previous parts book.  
March 8, 1963 Supersedes May 1, 1962.

Printed in U.S.A.

Prices and specifications subject to change without notice.  
Right and left part numbers are on same line,  
first number is right, second number is left.

\* Indicates change or addition.

CODE	REMARKS	PER CAR	SED.	SP. 4 D.	SUB.	SP. CL. CP.	CV. CP.
23-112-21	PLATE AND FASTENER, Front Seat Center Cushion Flap D2-H	★	----	----	----	----	⊠2193 035
23-112-45	CURTAIN, Folding Top D2-H (black)	1	----	----	----	----	2293 720
	(white)	1	----	----	----	----	2293 721
	D2-P (black)	1	----	----	----	----	2296 530
	(beige)	1	----	----	----	----	2296 531
	D3-L (codes 401, 404, 405) (black)	1	----	----	----	----	2178 802
	(codes 401, 404, 405) (white)	1	----	----	----	----	2178 803
23-112-46	ZIPPER, Folding Top Curtain D2-H, D2-P (black)	1	----	----	----	----	2273 435
	D3-L (black)	1	----	----	----	----	1965 887
23-112-70	RETAINER, Folding Top Belt Bar D2-H, D2-P (center)	1	----	----	----	----	2189 748
	(side)	1	----	----	----	----	2189 852-3
	Top Trim (5/8" x 8")	2	----	----	----	----	2252 610
	D3-L (center)	1	----	----	----	----	1963 550
	(side)	1	----	----	----	----	2165 706-7
	(inner)	2	----	----	----	----	2216 421
23-112-75	END, Folding Top Wire on Binding D2-H, D3-L	1	----	----	----	----	1158 976-7
23-112-88	CABLE, Folding Top Rear Bow Tension D2-H	2	----	----	----	----	2166 660
	D3-L	2	----	----	----	----	2166 659
23-112-108	TOP DECK and SIDE QUARTER D2-H (black on black)	1	----	----	----	----	2293 722
	(white on black)	1	----	----	----	----	2293 723
	D2-P (black on beige)	1	----	----	----	----	2296 526
	(beige on beige)	1	----	----	----	----	2296 527
	D3-L (black)	1	----	----	----	----	2178 404
	(white)	1	----	----	----	----	2178 405
23-112-112	PAD, Top Side Quarter Stay D2-H (black)	1	----	----	----	----	2293 724-5
	D2-P (beige)	1	----	----	----	----	2296 536-7
	D3-L (black)	1	----	----	----	----	2178 796-7
23-112-153	PANEL or COVER, Folding Top Pocket D2-H (panel and cover)						
	(code 811)	1	----	----	----	----	2293 692-3
	(code 812)	1	----	----	----	----	2293 694-5
	(code 813)	1	----	----	----	----	2293 696-7
	(code 814)	1	----	----	----	----	2293 698-9
	(code 815)	1	----	----	----	----	2293 700-1
	D2-P (panel) (codes 851, 852, 853, 855, 856)	1	----	----	----	----	*2296 540-1
	D2-H (cover)						
	(code 811)	1	----	----	----	----	2293 682-3
	(code 812)	1	----	----	----	----	2293 684-5
	(code 813)	1	----	----	----	----	2293 686-7
	(code 814)	1	----	----	----	----	2293 688-9
	(code 815)	1	----	----	----	----	2293 690-1

★ Indicates use as required.

⊠ Indicates parts not listed in any previous parts book. Right and left part numbers are on same line, first number is right, second number is left.

\* Indicates change or addition.

## 1962 PASSENGER CAR PARTS CATALOG

INTERIOR TRIM

CODE	REMARKS	PER CAR	SED.	SP. 4 D.	SUB.	SP. CL. CP.	CV. CP.
23-112-153	PANEL or COVER, Folding Top Pocket - Cont'd						
	D2-H (well lining panel cover)						
	(code 811)	1	----	----	----	----	2293 708
	(code 812)	1	----	----	----	----	2293 709
	(code 813)	1	----	----	----	----	2293 710
	(code 814)	1	----	----	----	----	2293 711
	(code 815)	1	----	----	----	----	2293 712
	D2-H, Well Lining Panel (cover)	1	----	----	----	----	2293 719
		1	----	----	----	----	2296 528
	D2-H, D2-P, Pocket Panel Shelf Trim	1	----	----	----	----	2273 496-7
	D3-L						
	(code 401) (well) (blue)	1	----	----	----	----	2178 408
	(code 404) (well) (black)	1	----	----	----	----	2178 409
	(code 405) (well) (red)	1	----	----	----	----	2178 410
	(code 401) (panel)	1	----	----	----	----	2132 086-7
	(code 404) (panel)	1	----	----	----	----	2132 088-9
	(code 405) (panel)	1	----	----	----	----	2132 090-1
	(code 401) (cover)	1	----	----	----	----	2132 092-3
	(code 404) (cover)	1	----	----	----	----	2132 094-5
	(code 405) (cover)	1	----	----	----	----	2132 096-7
	(code 401) (pocket shelf)	1	----	----	----	----	2132 080-1
	(code 404) (pocket shelf)	1	----	----	----	----	2132 082-3
	(code 405) (pocket shelf)	1	----	----	----	----	2132 084-5
23-113-2	WEATHERCORD, Door (order by color)						
	D3-L (blue)	★	2178 601	2178 601	2178 601	2178 601	2178 601
	(cocoa)	★	2178 602	2178 602	2178 602	2178 602	2178 602
	(gray)	★	2178 603	2178 603	2178 603	2178 603	2178 603
	(red)	★	2178 604	2178 604	2178 604	2178 604	2178 604
	D2-P (cover)	1	----	----	----	----	2296 538-9
23-113-30	WEATHERCORD, Door and Lock Pillar						
	D3-L (black)	★	----	2163 695	2163 695	2163 695	2163 695
23-113-45	WEATHERCORD, Quarter Window Opening						
	D1, D2, (2 D.)						
	(codes 701, 711) (blue)	1	2249 692-3				
	(codes 703, 713) (cocoa)	1	2249 696-7				
	(code 712) (green)	1	2249 694-5				
	(codes 714, 704, 894) (gray)	1	2249 698-9				
23-113-50	WELT, Quarter Window Moulding (paint as required)						
	L1-L, L1-H, (2 D.)	2	2272 153				
	(w/shield side garnish moulding to instrument panel)						
	D3-L	2	1758 241	1758 241	1758 241	1758 241	1758 241
23-113-52	STRIP, Windshield Lower Inside						
	L1-P (plastic)						
	(code 651) (blue)	1	----	----	----	2297 304	
	(code 652) (green)	1	----	----	----	2297 305	
	(code 653) (cocoa)	1	----	----	----	2297 306	
	(code 655) (red)	1	----	----	----	2297 307	
23-113-84	WELT, Folding Top Header						
	D2-H (black)	1	----	----	----	----	*2432 150
	D2-P (beige)	1	----	----	----	----	2297 076
	D3-L (black)	★	----	----	----	----	2163 846

★ Indicates use as required.

⊠ Indicates parts not listed in any previous parts book.  
March 8, 1963 Supersedes May 1, 1962.

Page IT-118D

Printed in U.S.A.

Prices and specifications subject to change without notice.  
Right and left part numbers are on same line,  
first number is right, second number is left.

\* Indicates change or addition.



CODE	REMARKS	PER CAR	SED.	SP. 4 D.	SUB.	SP. CL. CP.	CV. CP.	
23-113-87	WELT, Quarter Trim Panel Retainer L1-L, L1-H, D1, D2 (codes 631, 641) (blue) (code 632) (green) (code 633) (cocoa) (codes 635, 645) (red) (code 644) (gray) (flange cover)	★ ★ ★ ★ ★ ★	---- ---- ---- ---- ---- 2292 592	---- ---- ---- ---- ---- 2292 592	---- ---- ---- ---- ---- 2292 592	2297 050 2297 053 2297 054 2297 052 2297 051 ----	2292 592	
23-114-2	MATERIAL, Seat Cloth Trim L1-L (codes 611, 614, 615) D1-L, D2-L (code 701) (blue) (code 703) (cocoa) (code 704) (gray) D1-M, D2-M (code 711) (blue) (code 712) (green) (code 713) (cocoa) (code 714) (gray) (code 715) (red)	★ ★ ★ ★ ★ ★ ★ ★ ★ ★	1874 244 2185 547 2185 548 2185 549 2185 315 2185 316 2185 317 2185 318 2185 319					
	D1-H, D2-H (code 721) (blue) (code 722) (green) (code 723) (cocoa) (code 724) (gray) (code 725) (red)	★ ★ ★ ★ ★	2185 474 2185 475 2185 476 2185 477 2185 478					
	D3-L (code 341) (code 343) (code 344) (code 345)	★ ★ ★ ★	E2186 165 E2186 166 E2186 167 E2186 168	E2186 165 E2186 166 E2186 167 E2186 168	---- ---- ---- ----	E2186 165 E2186 166 E2186 167 E2186 168		
23-114-10	BINDING, (5/8" wire on) D2-H, D2-P, D3-L (black) D2-H, D3-L (white) D2-P (black) (beige)	1 1 ★ ★	---- ---- ---- ----	---- ---- ---- ----	---- ---- ---- ----	---- ---- ---- ----	2171 884 2177 529 E2297 303 E2171 884	
23-114-15	MATERIAL, Leather (Imitation) L1-L (codes 611, 614, 615, 641, 644, 645) (34-DA-22) (54")(1220-1 black) (32-CH-22) (54")(1410-1 gray) (28A-AM-22) (50")(1220-1 black) (28-AM-22) (50")(1410-1 gray) (25A-CV-22) (40")(1220-1 black) (25-CV-22) (40")(1410-1 gray) (21A-BE-22) (codes 611, 614, 615) (54")(1220-1 black)	★ ★ ★ ★ ★ ★ ★ ★	2185 646 1874 955 1875 018 1875 778 2185 124 2185 120 2185 112	---- ---- ---- ---- ---- ---- ----	2185 646 1874 955 1875 018 1875 778 2185 124 2185 120			
	(21A-BE-22) (codes 641, 644, 645) (1410-1 gray) (21-BE-22) (codes 611, 614, 615) (54")(1410-1 gray) (21-BE-22) (codes 641, 644, 645) (54")(1220-1 black) (19-C-22) (codes 611, 641) (54") (blue) (19-C-22) (codes 614, 644) (54") (gray) (19-C-22) (codes 615, 645) (54") (red)	★ ★ ★ ★ ★ ★	---- 2185 116 ---- 2185 147 2185 149 2185 151	---- ---- ---- ---- ---- ----	2185 116 2185 112 2185 147 2185 149 2185 151			

★ Indicates use as required.  
E Indicates parts not listed in any previous parts book. Right and left part numbers are on same line, first number is right, second number is left.  
\* Indicates change or addition.

## 1962 PASSENGER CAR PARTS CATALOG

INTERIOR TRIM

CODE	REMARKS	PER CAR	SED.	SP. 4 D.	SUB.	SP. CL. CP.	CV. CP.
23-114-15	MATERIAL, Leather (Imitation) - Cont'd						
	L1-L (code 664)						
	(32-DG-22) (53")(1508-1 gray)	★	2185 360				
	(28A-CH-22) (50")(1508-1 gray)	★	2185 143				
	(28A-DA-22) (50")(1511 gray)	★	2185 154				
	(28-CH-22) (50")(1511 gray)	★	2185 154				
	(28-DA-22) (50")(1508-1 gray)	★	2185 143				
	(21-BE-61) (54")(1508-1 gray)	★	2185 410				
	(19-C-22) (54")(1508-1 gray)	★	2185 149				
	L1-L (code 694)						
	(32-CH-22) (54") (902 gray)	★	2185 336				
	(32-DA-22) (54")(902 gray)	★	2185 336				
	(19-C-22) (54")(1508-1 gray)	★	2185 149				
	(19-CT-22) (48")(902 gray)	★	2185 074				
	L1-H (codes 631, 671)						
	(28A-DA-22) (50")(1500 blue)	★	2185 152	----		2185 152	
	(28-DA-22) (50")(1501-1 blue)	★	2185 141	----		2185 141	
	(34-DB-22) (54")(1501-1 blue)	★	2185 259				
	(28A-CH-22) (50")(1500 blue)	★	2185 152	----		2185 152	
	(32-CH-22) (54")(1501-1 blue)	★	2185 254	----		2185 254	
	(21A-CM-22) (54")(1500 blue)	★	2185 372	----		2185 372	
	(21-CM-22) (54")(1501-1 blue)	★	2185 354	----		2185 354	
	(19-C-22) (54")(1501-1 blue)	★	2185 147	----		2185 147	
	L1-H (code 632)						
	(28A-DA-22) (50")(1515 green)	★	2185 187	----		2185 187	
	(28-DA-22) (50")(1506-1 green)	★	2185 163	----		2185 163	
	(28A-CH-22) (50")(1515 green)	★	2185 187	----		2185 187	
	(28-CH-22) (50")(1506-1 green)	★	2185 163	----		2185 163	
	(21A-CM-22) (54")(1515 green)	★	2185 385	----		2185 385	
	(21-CM-22) (54")(1506-1 green)	★	2185 361	----		2185 361	
	(19-C-22) (54")(1506-1 green)	★	2185 167	----		2185 167	
	L1-H (code 633)						
	(28A-DA-22) (50")(1503 beige)	★	2185 153	----		2185 153	
	(28-DA-22) (50")(1504-1 cocoa)	★	2185 142	----		2185 142	
	(28A-CH-22) (50")(1503 beige)	★	2185 153	----		2185 153	
	(28-CH-22) (50")(1504-1 cocoa)	★	2185 142	----		2185 142	
	(21A-CM-22) (54")(1503 beige)	★	2185 373	----		2185 373	
	(21-CM-22) (54")(1504-1 cocoa)	★	2185 355	----		2185 355	
	(19-C-22) (54")(1504-1 cocoa)	★	2185 148	----		2185 148	
	L1-H (codes 635, 675)						
	(28A-DA-22) (50")(1511 gray)	★	2185 154	----		2185 154	
	(28-DA-22) (50")(1509 red)	★	2185 150	----		2185 150	
	(34-DB-22) (54")(1509 red)	★	2185 261				
	(28A-CH-22) (50")(1511 gray)	★	2185 154	----		2185 154	
	(28-CH-22) (50")(1509 red)	★	2185 150	----		2185 150	
	(21A-CM-22) (54")(1511 gray)	★	2185 374	----		2185 374	
	(21-CM-22) (54")(1509 red)	★	2185 371	----		2185 371	
	(19-C-22) (54")(1509 red)	★	2185 151	----		2185 151	
	L1-P (code 651)						
	(32-CH-22) (54")(1501-1 blue)	★	----	----	----	2185 254	
	(28-AM-22) (50")(1501-1 blue)	★	----	----	----	2185 141	
	(19-C-22) (54")(1501-1 blue)	★	----	----	----	2185 147	
	(19-DJ-22) (54")(1501-1 blue)	★	----	----	----	2185 578	
	(18-AR-22) (54")(1501-1 blue)	★	----	----	----	2186 063	
	L1-P (code 652)						
	(28-AM-22) (50")(1506-1 green)	★	----	----	----	2185 163	
	(28-CH-22) (50")(1506-1 green)	★	----	----	----	2185 163	
	(19-C-22) (54")(1506-1 green)	★	----	----	----	2185 167	
	(19-DJ-22) (54")(1506-1 green)	★	----	----	----	2185 579	
	(18-AR-22) (54")(1506-1 green)	★	----	----	----	2186 064	

★ Indicates use as required.

⊘ Indicates parts not listed in any previous parts book.  
 March 8, 1963 Supersedes May 1, 1962.

Page IT-118F

Printed in U.S.A.

Prices and specifications subject to change without notice.  
 Right and left part numbers are on same line,  
 first number is right, second number is left.

\* Indicates change or addition.

CODE	REMARKS	PER CAR	SED.	SP. 4D.	SUB.	SP. CL. CP.	CV. CP.
23-114-15	MATERIAL, Leather (Imitation) - Cont'd L1-P (code 653)						
	(28-CH-22) (50")(1504-1 cocoa)	★	----	----	----	2185 142	
	(28-AM-22) (50")(1504-1 cocoa)	★	----	----	----	2185 142	
	(19A-DJ-22) (54")(1504-1 cocoa)	★	----	----	----	2185 544	
	(19-DJ-22) (54")(1504-1 cocoa)	★	----	----	----	2185 544	
	(19-C-22) (54")(1504-1 cocoa)	★	----	----	----	2185 148	
	(18-AR-22) (54")(1504-1 cocoa)	★	----	----	----	2186 065	
	L1-P (code 655)						
	(28-CH-22) (50")(1509 red)	★	----	----	----	2185 150	
	(28-AM-22) (50")(1509 red)	★	----	----	----	2185 150	
	(19-DJ-22) (54")(1509 red)	★	----	----	----	2185 545	
	(19-C-22) (54")(1509 red)	★	----	----	----	2185 151	
	(18-AR-22) (54")(1509 red)	★	----	----	----	2186 066	
	D1, D2, (codes 701, 711, 721, 801, 811, 821, 831, 841)						
	(32-DC-64) (56")(1501-1 blue)	★	2185 280	----	2185 280		
	(32-DD-66) (58")(1500 blue)	★	2185 553	----	2185 553		
	(30-A-22) (50")(1501-1 blue)	★	2185 141	2185 141	2185 141	2185 141	2185 141
	(28A-AM-22) (50")(1500 blue)	★	2185 152	2185 152	2185 152	2185 152	
	(28-AM-22) (50")(1501-1 blue)	★	2185 141	2185 141	2185 141	2185 141	2185 141
	(21A-CM-22) (54")(1500 blue)	★	2185 372	2185 372	2185 372	2185 372	
	(21-BE-22) (54")(1501-1 blue)	★	2185 375				
	(21-CM-22) (54")(1501-1 blue)	★	2185 354	2185 354	2185 354	2185 354	2185 354
	(19A-C-22) (54")(1516 white)	★	2185 329	----	2185 329	2185 329	
	(19-C-22) (54")(1501-1 blue)	★	2185 147	2185 147	2185 147	2185 147	2185 147
	(19-DJ-22)(codes 701, 711, 801, 821, 831) (54")(1500 blue)	★	2185 600	----	2185 600	2185 600	
	(19-DJ-22)(codes 721, 811, 844) (54")(1501-1 blue)	★	2185 578	2185 578	2185 578	2185 578	2185 578
	(18-T-16) (54")(1500 blue)	★	2185 331				
	D1, D2, (codes 703, 713, 723, 803, 813)						
	(32-DC-64) (56")(1504-1 cocoa)	★	2185 281	----	2185 281		
	(32-DD-66) (58")(1503 beige)	★	2185 554	----	2185 554		
	(30-A-22) (50")(1504-1 cocoa)	★	2185 142	2185 142	2185 142	2185 142	2185 142
	(28A-AM-22) (50")(1503 beige)	★	2185 153	----	2185 153	2185 153	
	(28-AM-22) (50")(1504-1 cocoa)	★	2185 142	2185 142	2185 142	2185 142	2185 142
	(21A-CM-22) (54")(1503 beige)	★	2185 373	----	2185 373	2185 373	
	(21-BE-22) (54")(1504-1 cocoa)	★	2185 376	----	2185 376		
	(21-CM-22) (54")(1504-1 cocoa)	★	2185 355	2185 355	2185 355	2185 355	2185 355
	(19A-C-22) (54")(1516 white)	★	2185 329	2185 329	2185 329	2185 329	
	(19-C-22) (54")(1504-1 cocoa)	★	2185 148	2185 148	2185 148	2185 148	2185 148
	(19-DJ-22)(codes 703, 713, 803) (54")(1503 beige)	★	2185 601	----	2185 601	2185 601	
	(19-DJ-22)(codes 723, 813) (54")(1504-1 cocoa)	★	2185 544	2185 544	2185 544	2185 544	2185 544
	D1, D2, (codes 704, 714, 724, 804, 814, 824, 834, 844)						
	(32-DC-64) (56")(1508-1 gray)	★	2185 282	----	2185 282		
	(32-DD-66) (58")(1511 gray)	★	2185 555	----	2185 555		
	(30-A-22) (50")(1508-1 gray)	★	2185 143	2185 143	2185 143	2185 143	2185 143
	(28A-AM-22) (50")(1511 gray)	★	2185 154	----	2185 154	2185 154	
	(28-AM-22) (50")(1508-1 gray)	★	2185 143	2185 143	2185 143	2185 143	2185 143
	(21A-CM-22) (54")(1511 gray)	★	2185 374	----	2185 374	2185 374	
	(21-BE-22) (54")(1508-1 gray)	★	2185 377	----	2185 377		
	(21-CM-22) (54")(1508-1 gray)	★	2185 356	2185 356	2185 356	2185 356	2185 356
	(19A-C-22) (54")(1516 white)	★	2185 329	2185 329	2185 329	2185 329	
	(19-C-22) (54")(1508-1 gray)	★	2185 149	2185 149	2185 149	2185 149	2185 149

★ Indicates use as required.  
 □ Indicates parts not listed in any previous parts book.  
 Right and left part numbers are on same line,  
 first number is right, second number is left.  
 \* Indicates change or addition.

CODE	REMARKS	PER CAR	SED.	SP. 4 D.	SUB.	SP. CL. CP.	CV. CP.
23-114-15	MATERIAL, Leather (Imitation) - Cont'd D1- D2 (19-DJ-22)(codes 704, 714, 804, 824, 834) (54")(1511 gray)	★	2185 602	---- --	2185 602	2185 602	
	(19-DJ-22)(codes 724, 814, 844) (54")(1508-1 gray)	★	2185 598	2185 598	2185 598	2185 598	2185 598
	D1, D2, (codes 712, 722, 812) (30-A-22) (50")(1506-1 green)	★	2185 163	2185 163	2185 163	2185 163	2185 163
	(28A-AM-22) (50")(1515 green)	★	2185 187				
	(28-AM-22) (50")(1506-1 green)	★	2185 163	2185 163	2185 163	2185 163	2185 163
	(21A-CM-22) (54")(1515 green)	★	2185 385				
	(21-CM-22) (54")(1506-1 green)	★	2185 361	2185 361	2185 361	2185 361	2185 361
	(19A-C-22) (54")(1516 white)	★	2185 329	2185 329	2185 329	2185 329	
	(19-C-22) (54")(1506-1 green)	★	2185 167	2185 167	2185 167	2185 167	2185 167
	D1, D2 (19-DJ-22) (code 712) (54")(1515 green)	★	2185 603	---- --	2185 603	2185 603	
	(19-DJ-22) (codes 722, 812) (54")(1506-1 green)	★	2185 579	2185 579	2185 579	2185 579	2185 579
	D1, D2 (codes 715, 725, 815, 865) (32-CD-64) (56")(1509 red)	★	----	----	⊕2186 079		
	(30-A-22) (50")(1509 red)	★	2185 150	2185 150	2185 150	2185 150	2185 150
	(28A-AM-22) (50")(1509 red)	★	2185 150	----	2185 150	2185 150	
	(28-AM-22) (50")(1509 red)	★	2185 150	2185 150	2185 150	2185 150	2185 150
	(21A-CM-22) (54")(1509 red)	★	2185 371	----	2185 371	2185 371	
	(21-CM-22) (54")(1509 red)	★	2185 371	----	2185 371	2185 371	2185 371
	(19A-C-22) (54")(1516 white)	★	2185 329	----	2185 329	2185 329	
	(19-C-22) (54")(1509 red)	★	2185 151	2185 151	2185 151	2185 151	2185 151
	(19-DJ-22) (54")(1509 red)	★	2185 545	2185 545	2185 545	2185 545	2185 545
	D1, D2, (code 894) (37-CX-22) (50")(902 gray)	★	2185 119				
	(19A-C-22) (54")(1508-1 gray)	★	2185 149				
	(19-C-22) (54")(902 gray)	★	2185 001				
	(19-DJ-22) (54")(902 gray)	★	2185 599				
	D2-P (codes 851, 852, 853, 855, 856) (28A-AM-22) (50") (code 851) (1501-1 blue)	★	----	----	----	2185 141	2185 141
	(code 852) (1506-1 green)	★	----	----	----	2185 163	2185 163
	(code 853) (1504-1 cocoa)	★	----	----	----	2185 142	2185 142
	(code 855) (1509 red)	★	----	----	----	2185 150	2185 150
	(code 856) (415 black)	★	----	----	----	1831 003	1831 003
	(28-AM-22) (50")(1543 beige)	★	----	----	----	2185 566	2185 566
	(21A-CM-22) (54") (code 851) (1501-1 blue)	★	----	----	----	2185 354	2185 354
	(code 852) (1506-1 green)	★	----	----	----	2185 361	2185 361
	(code 853) (1504-1 cocoa)	★	----	----	----	2185 355	2185 355
	(code 855) (1509 red)	★	----	----	----	2185 371	2185 371
	(code 856) (415 black)	★	----	----	----	1875 903	1875 903
	(19-C-22) (54")(1543 beige)	★	----	----	----	2185 567	2185 567
	(19-DJ-22) (54")(1543 beige)	★	----	----	----	2185 604	2185 604
	D3-L (codes 301, 341, 401) (28-AM-46) (50")(1501-1 blue)	★	----	----	*2185 177	----	*2185 177
	(28-AM-22) (50")(1501-1 blue)	★	2185 141	2185 141	----	2185 141	
	(19-DJ-22) (54")(1501-1 blue)	★	*2185 578	----	2185 578	----	*2185 578
	(19A-C-22) (54")(1501-1 blue)	★	2185 147	2185 147	----	2185 147	
	(19B-C-22) (54")(1502-1 blue)	★	2185 164	----	2185 164	----	2185 164
	(19-C-22) (54")(1501-1 blue)	★	2185 147	2185 147	----	2185 147	

★ Indicates use as required.

⊕ Indicates parts not listed in any previous parts book.

March 8, 1963 Supersedes May 1, 1962.

IT-118H

Printed in U.S.A.  
Prices and specifications subject to change, without notice.Right and left part numbers are on same line,  
first number is right, second number is left.

\* Indicates change or addition.

CODE	REMARKS	PER CAR	SED.	SP. 4 D.	SUB.	SP. CL. CP.	CV. CP.
23-114-15	MATERIAL, Leather (Imitation) - Cont'd D3-L (codes 303, 343, 403)						
	(28-AM-46) (50")(1504-1 cocoa)	★	----	----	*2185 518	----	*2185 518
	(28-AM-22) (50")(1504-1 cocoa)	★	2185 142	2185 142	2185 142	2185 142	
	(19A-C-22) (54")(1516 white)	★	----	----	2185 329	----	----
	(19B-C-22) (54")(415 black)	★	1874 974	1874 974	1874 974	1874 974	1874 974
	(19-C-22) (54")(1504-1 cocoa)	★	2185 148	2185 148	2185 148	----	2185 148
	(codes 304, 344, 404)						
	(28-AM-46) (50")(1220-1 black)	★	----	*1875 822	*1875 822		
	(28-AM-22) (50")(1508-1 gray)	★	----	1875 018	1875 018	1875 018	1875 018
	(code 304) (1508-1 gray)	★	2185 143	2185 143	----	2185 143	
	(19-DJ-22) (54")(1508-1 gray)	★	----	2185 841	----	2185 841	
	(19A-C-22) (54")(1511 gray)	★	2185 157	2185 157	2185 329	2185 157	2185 157
	(19B-C-22) (54")(415 black)	★	1874 974	1874 974	1874 974	1874 974	1874 974
	(19-C-22) (54")(1508-1 gray)	★	2185 149	2185 149	----	2185 149	
	(code 404) (1220-1 black)	★	----	1874 975	1874 975	----	1874 975
	(codes 305, 345, 405)						
	(19-C-22) (54")(1509 red)	★	----	*2185 151	----	*2185 151	*2185 151
	(19A-C-22) (54")(1509 red)	★	----	1874 974	----	2185 151	
	(19-DJ-22) (54")(1509 red)	★	----	----	----	2185 545	2185 369
23-115-4	NUT, Front Seat Cushion to Back Mounting L1, D1, D2 PUSHNUT	4 2	----	----	----	1918 296 *2160 648	1918 296 *2160 648
23-115-5	WASHER, Front Seat Center Arm Rest Trim L1, D1, D2	2	1918 299	1918 299	1918 299	1918 299	1918 299
23-115-6	SCREW, Front Seat Cushion to Back Mounting L1, D1, D2	4	----	----	----	1918 587	1918 587
	FASTENER, Dust Boot	21	----	----	----	----	*2094 394
23-115-10	SCREW, Front Seat Center Arm Rest to Cushion Mounting D1, D2	2	2092 212	2092 212	2092 212	2092 212	2092 212

NOTES

★ Indicates use as required.  
 ☐ Indicates parts not listed in any previous parts book.  
 Right and left part numbers are on same line,  
 first number is right, second number is left.  
 \* Indicates change or addition.

