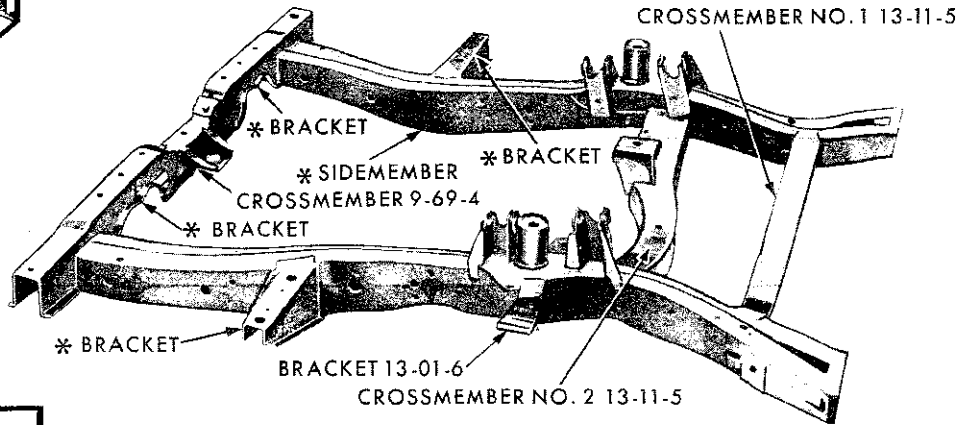
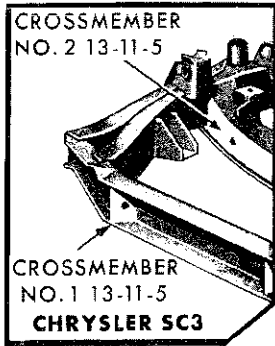


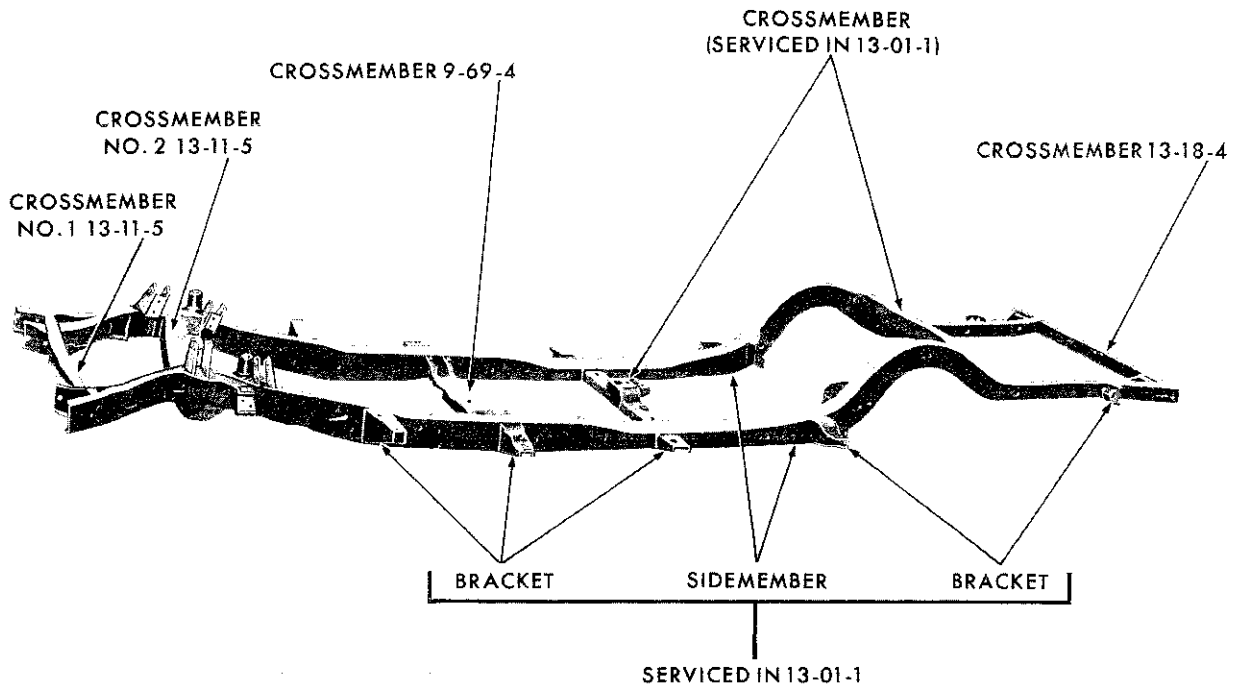
GROUP 13 - FRAME



\* SERVICED IN 13-01-1

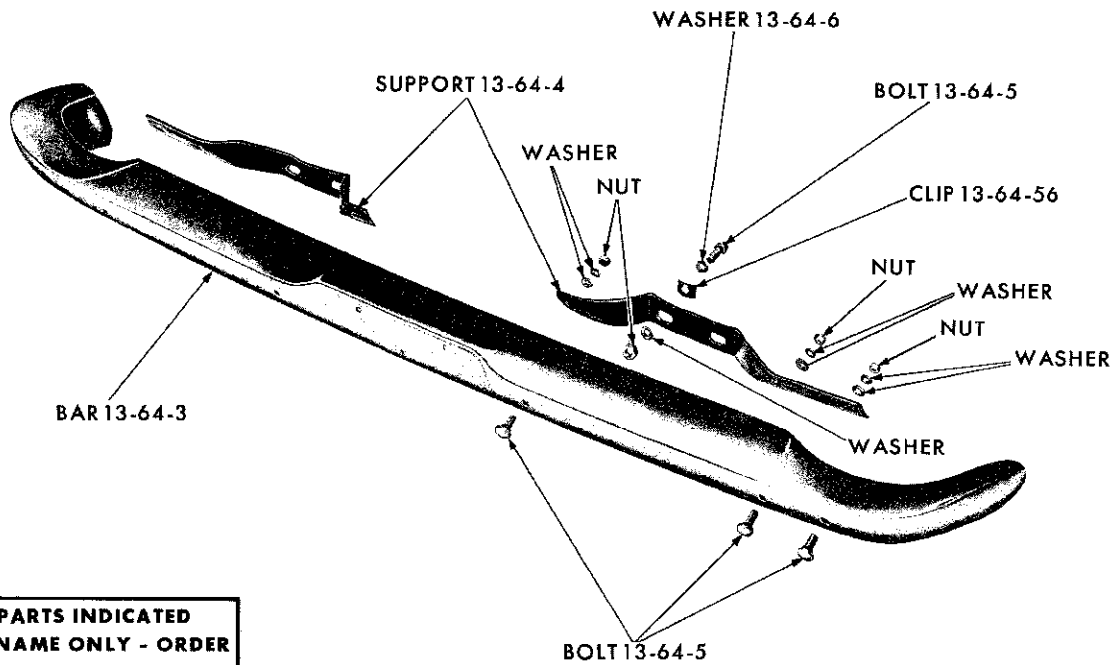
19x9053C

FRAME - DODGE SD3 AND CHRYSLER SC1-2



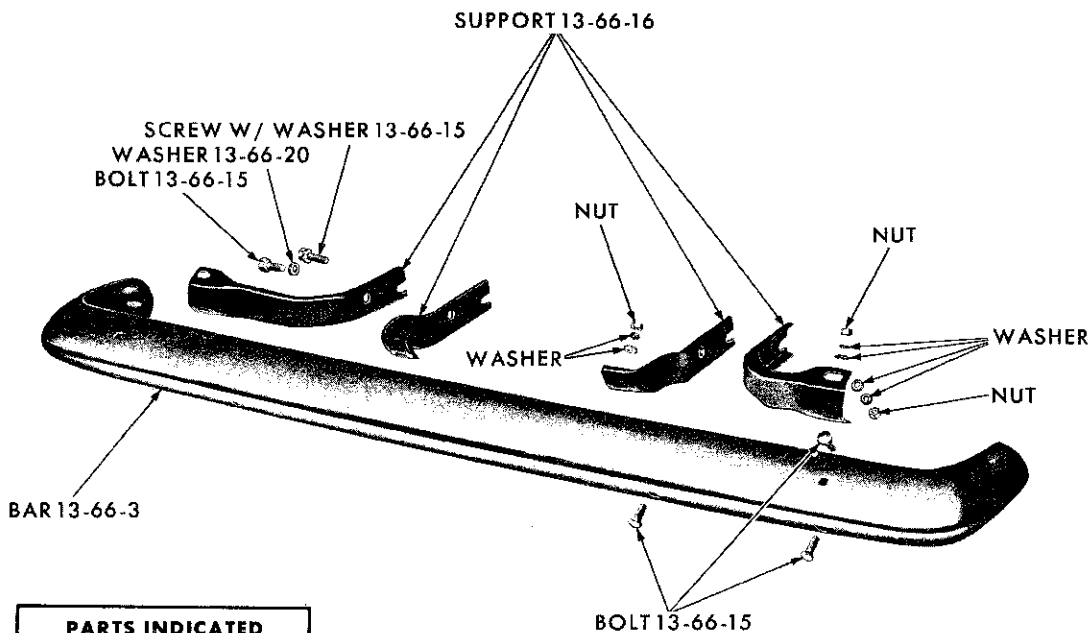
19x8824

FRAME (EXCEPT CONVERTIBLE COUPE) - IMPERIAL SY1



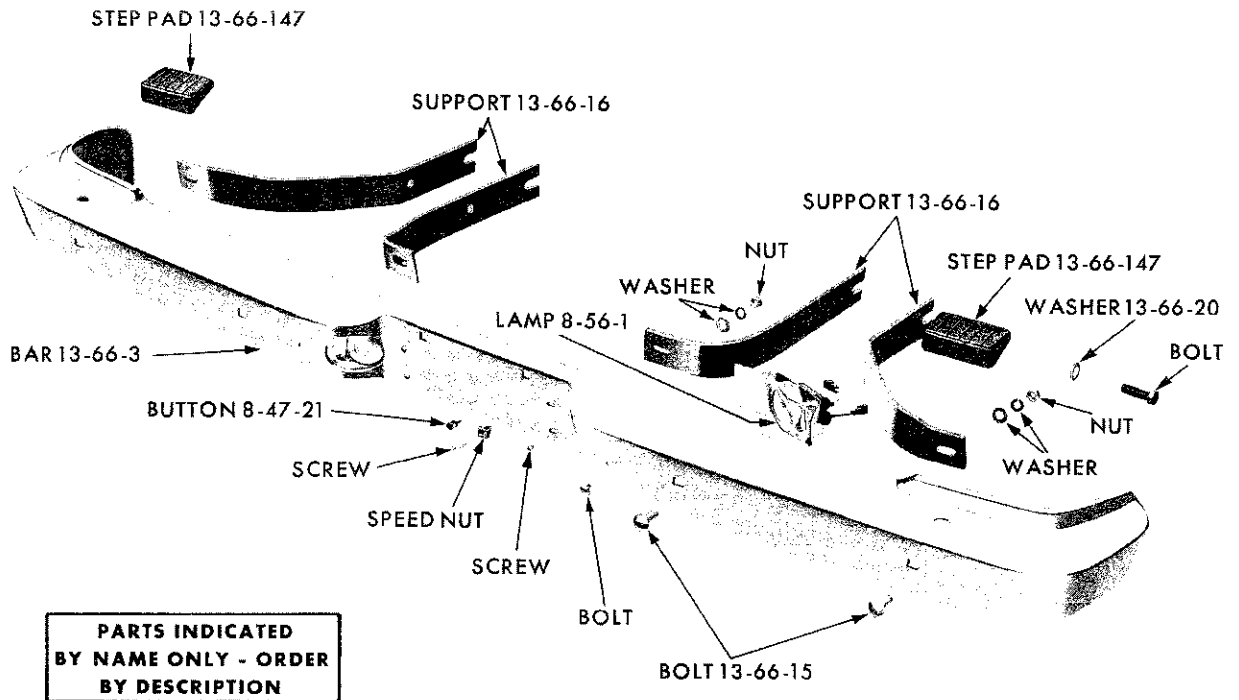
19x9158

FRONT BUMPER - PLYMOUTH SP1-2



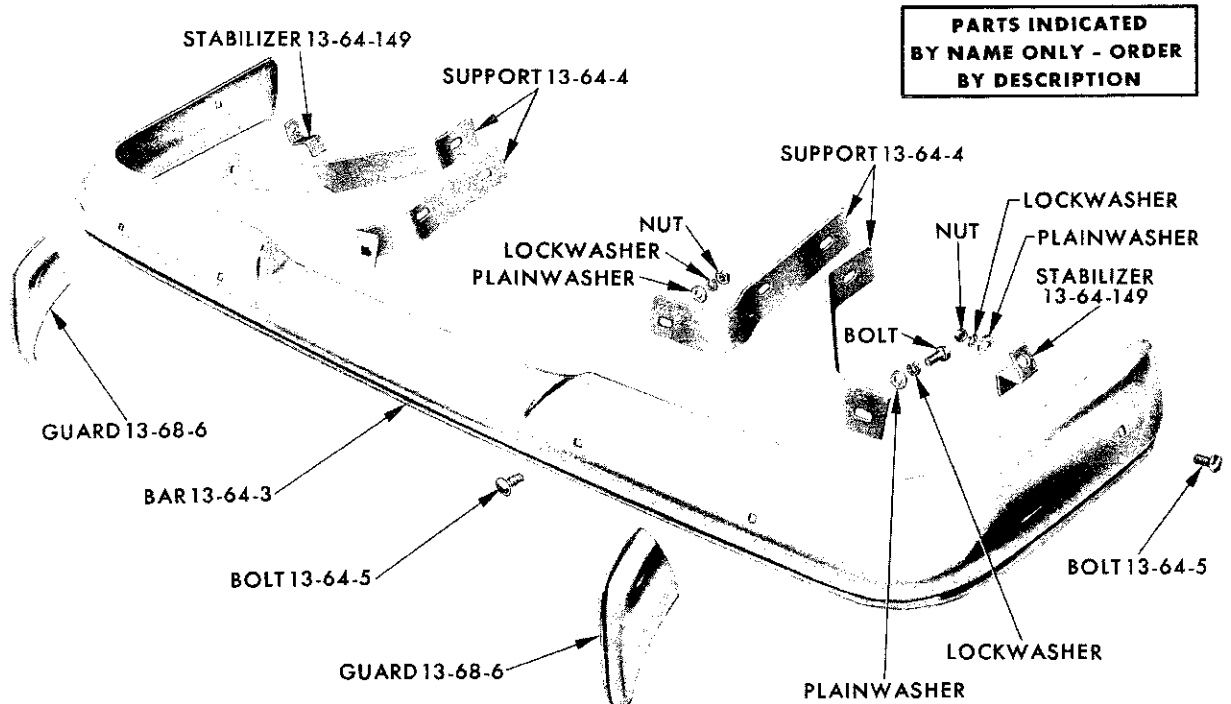
19x9157

REAR BUMPER - PLYMOUTH SP1-2 (EXCEPT SUBURBAN)



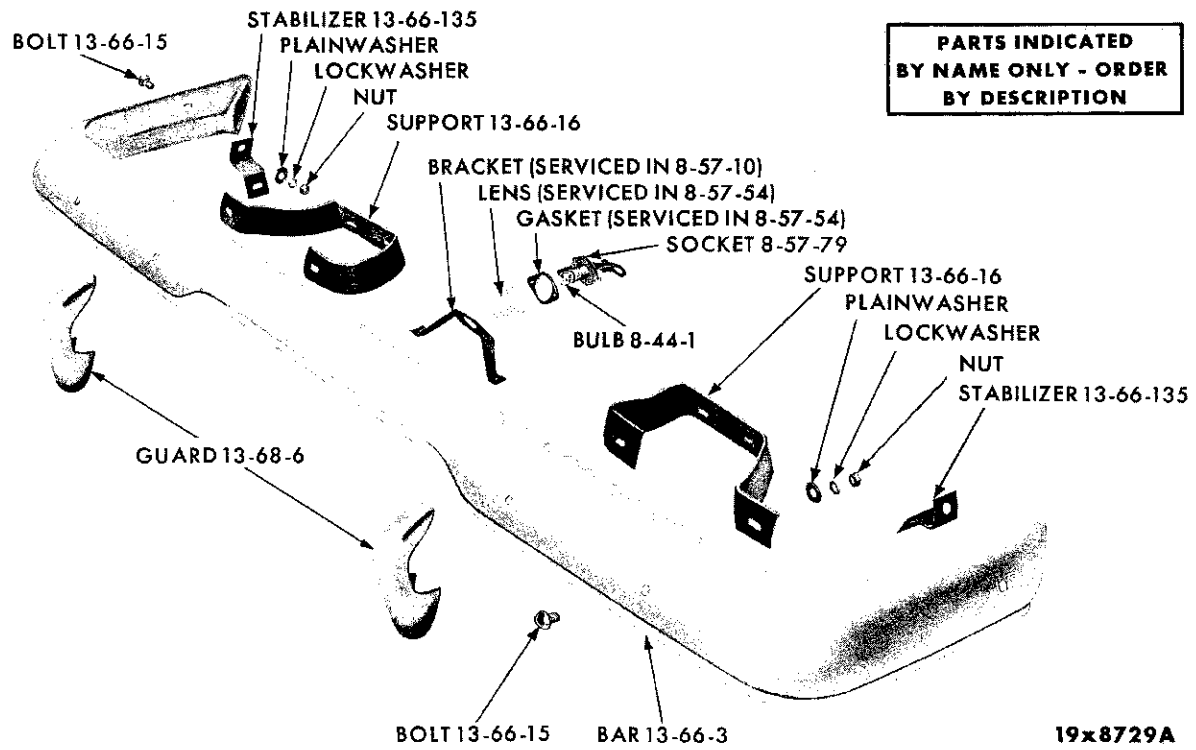
19x9173

REAR BUMPER - PLYMOUTH SP1-2 AND DODGE SD1-2 (SUBURBAN)

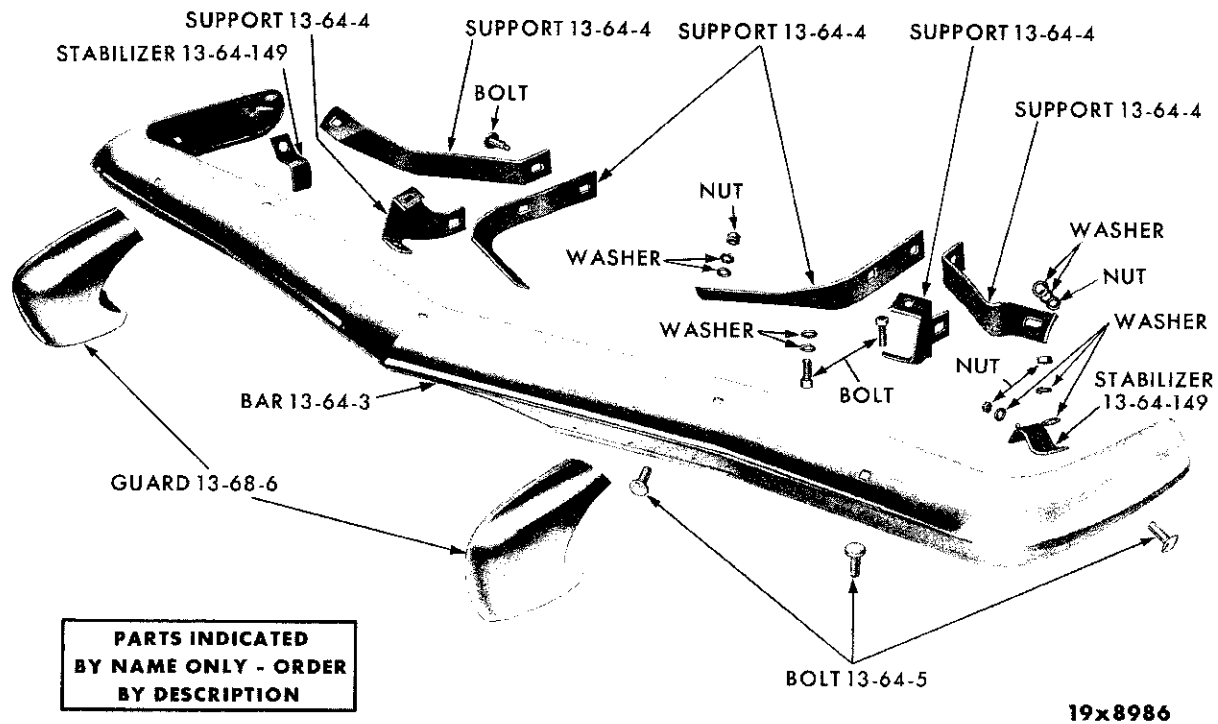


19x8738

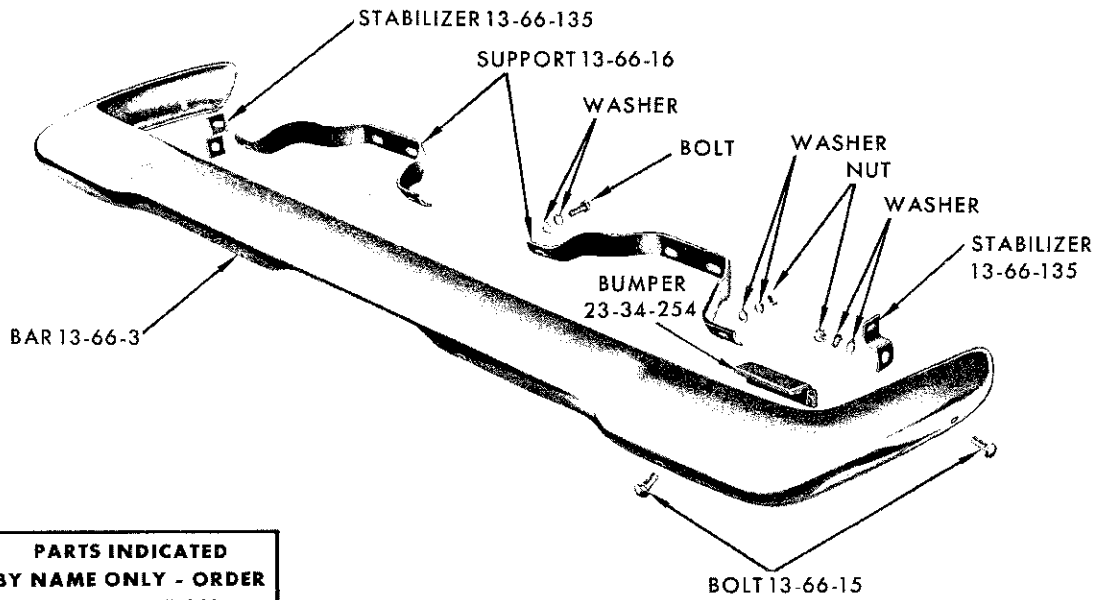
FRONT BUMPER - VALIANT SV1



REAR BUMPER - VALIANT SV1

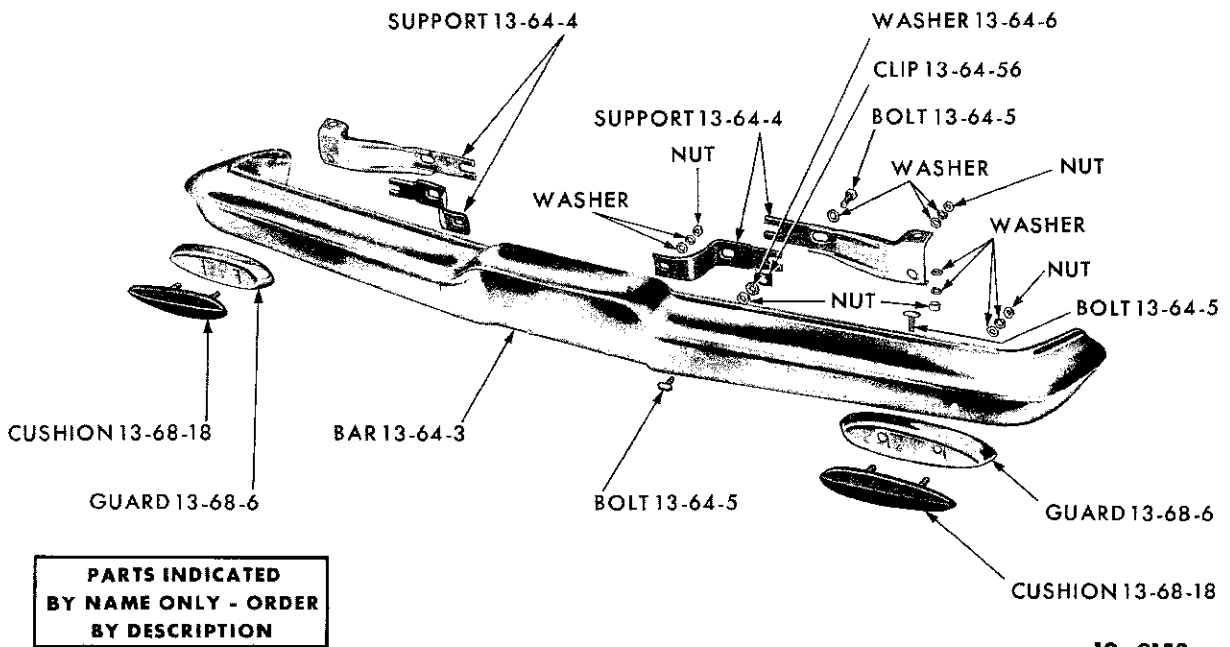


FRONT BUMPER - LANCER SL1



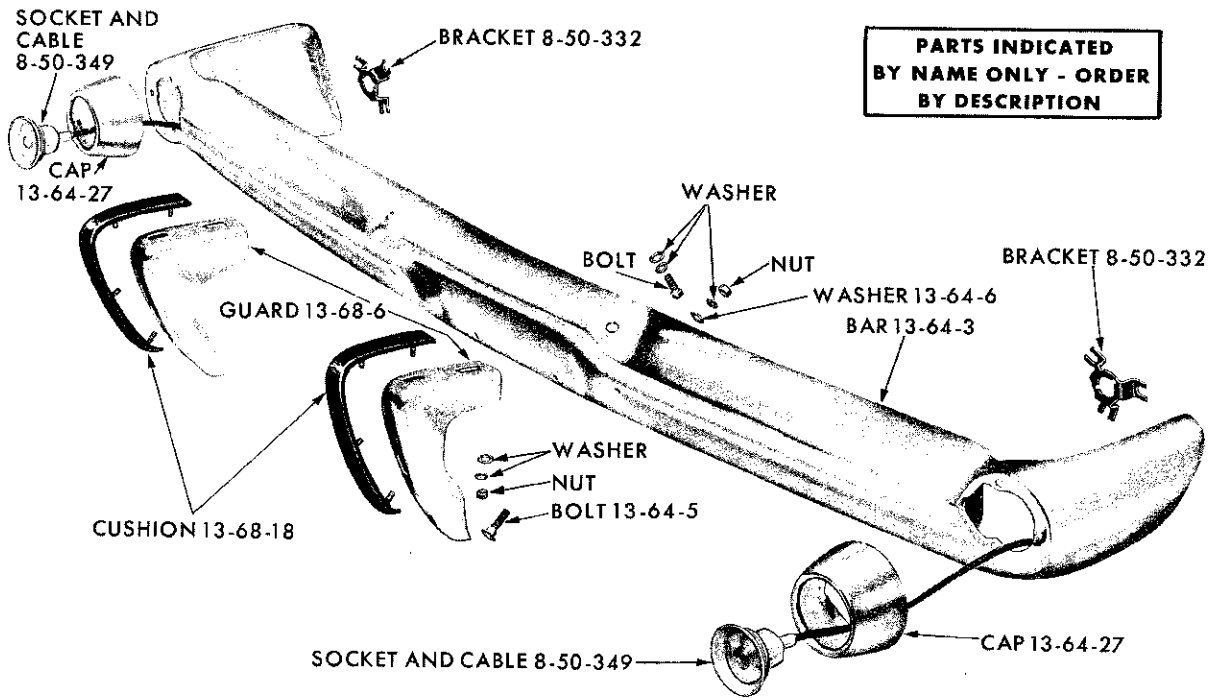
19x8983A

REAR BUMPER - LANCER SL1



19x9153

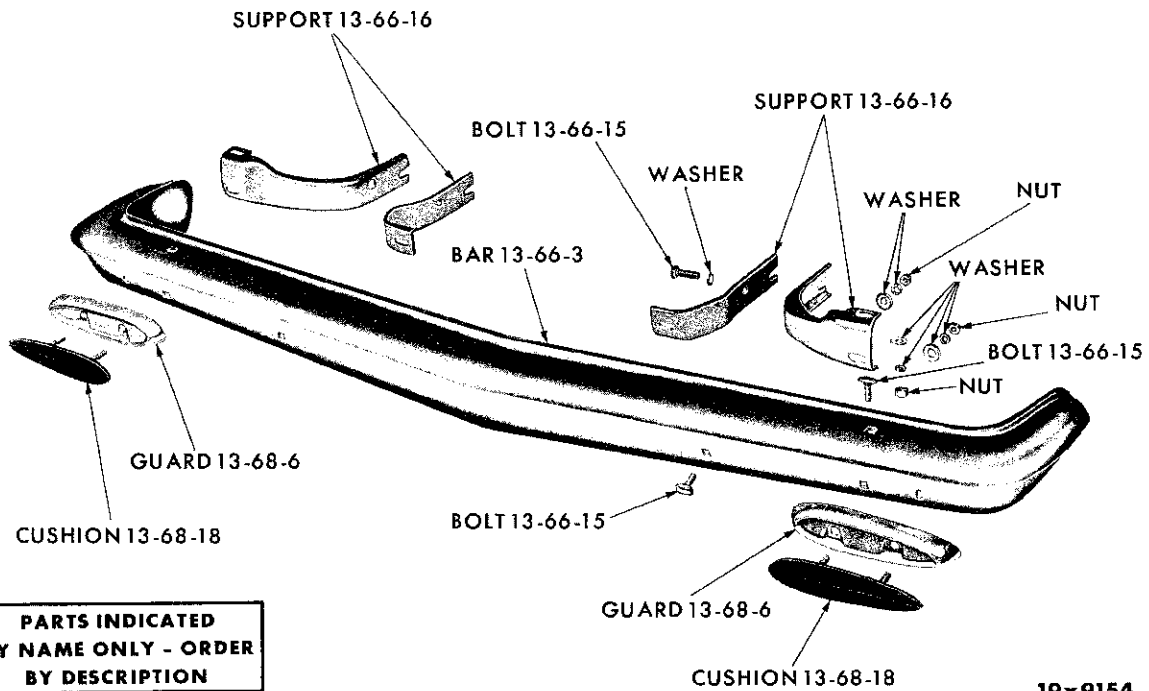
FRONT BUMPER - DODGE SD1-2



PARTS INDICATED BY NAME ONLY - ORDER BY DESCRIPTION

19x8972A

FRONT BUMPER - DODGE SD3



PARTS INDICATED BY NAME ONLY - ORDER BY DESCRIPTION

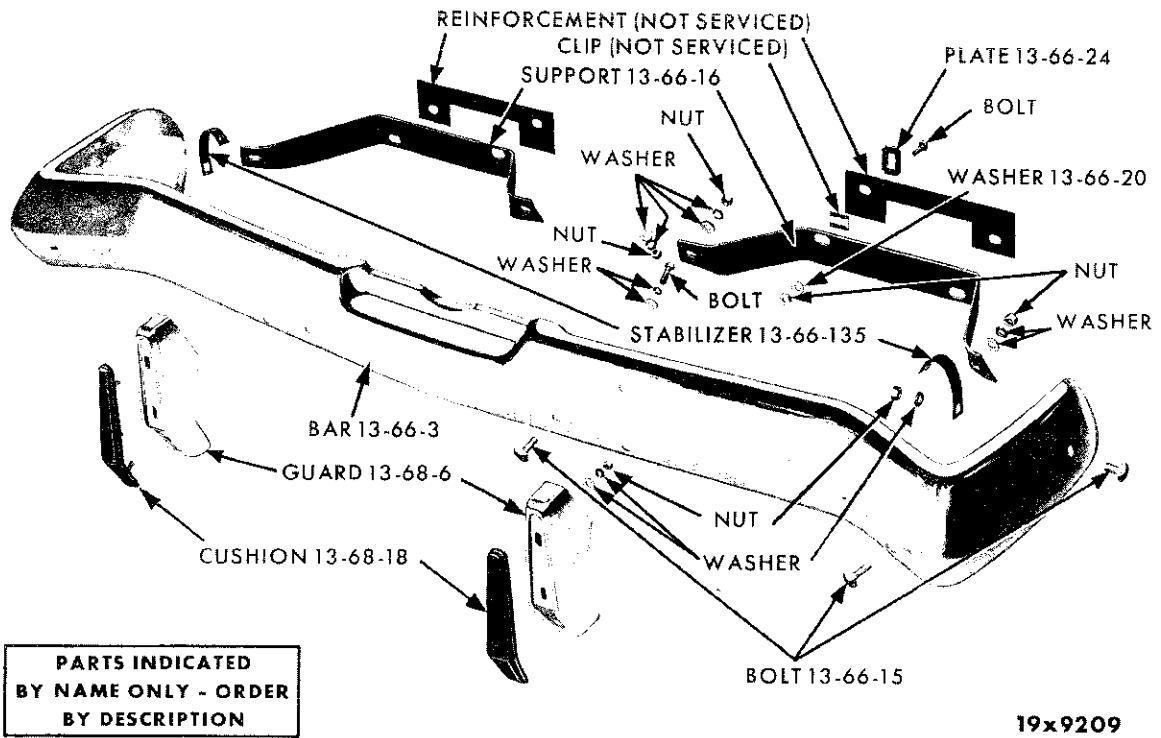
19x9154

REAR BUMPER - DODGE SD1-2 (EXCEPT SUBURBAN)

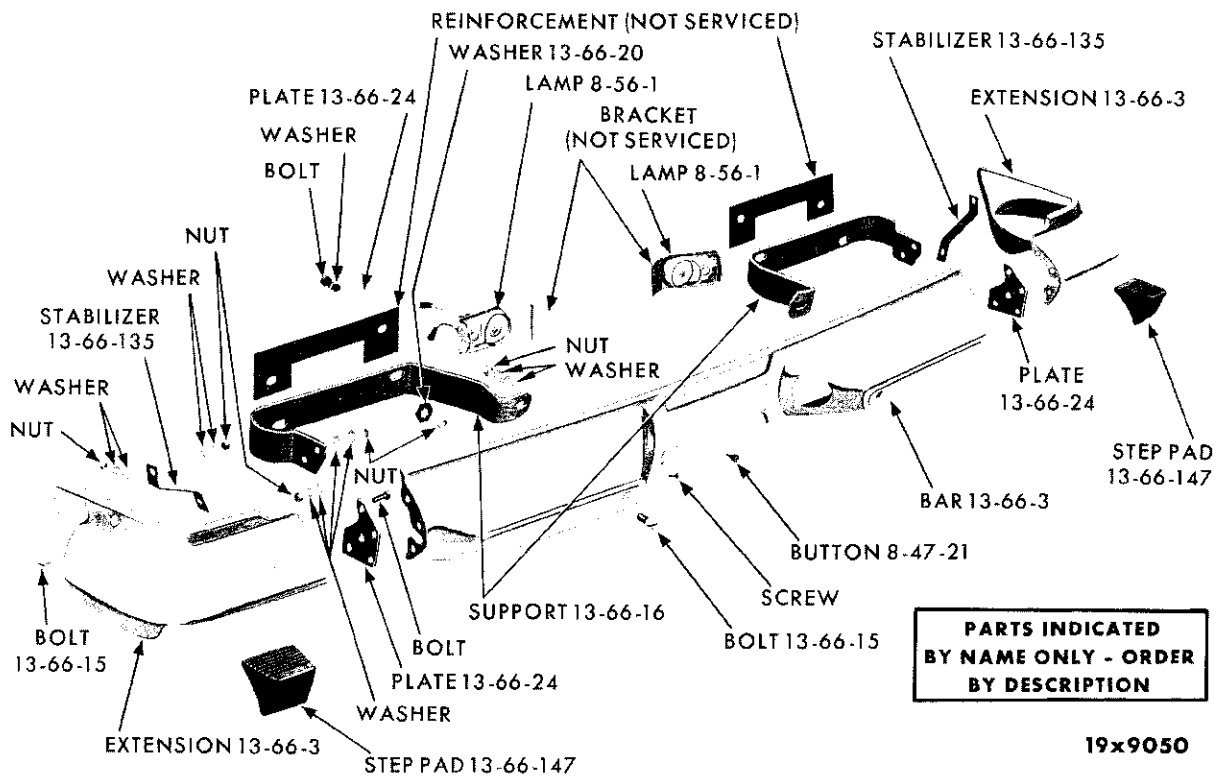




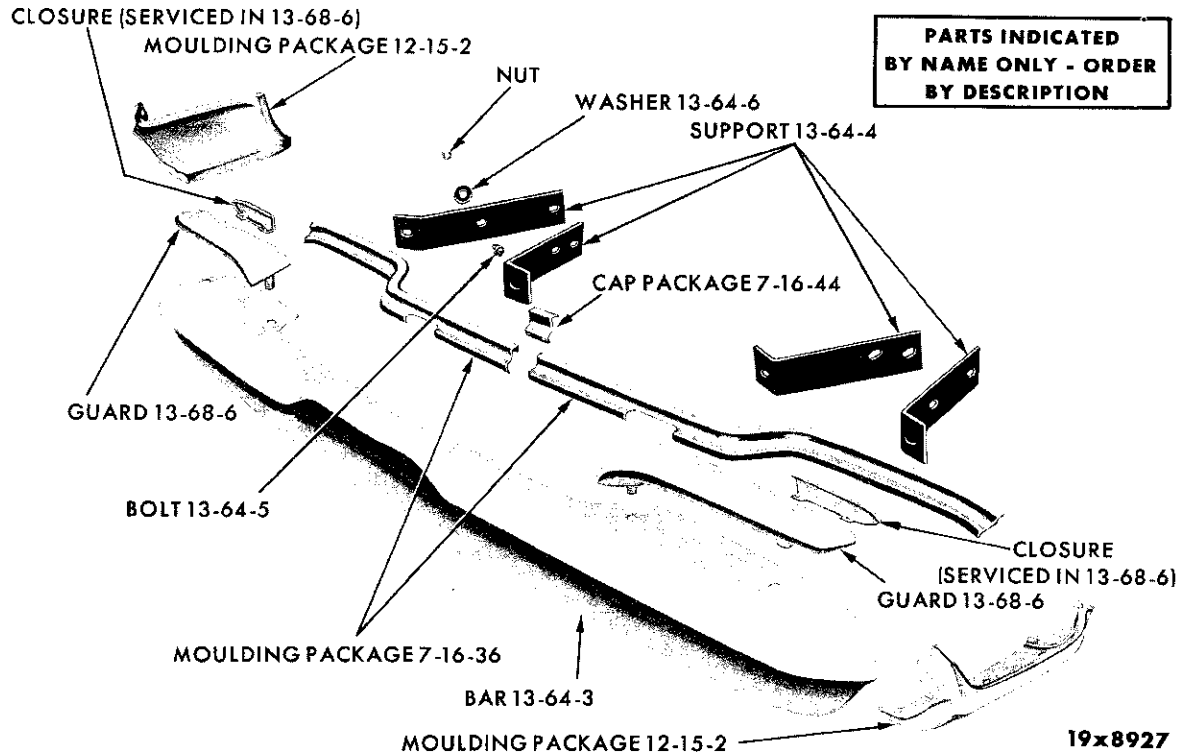




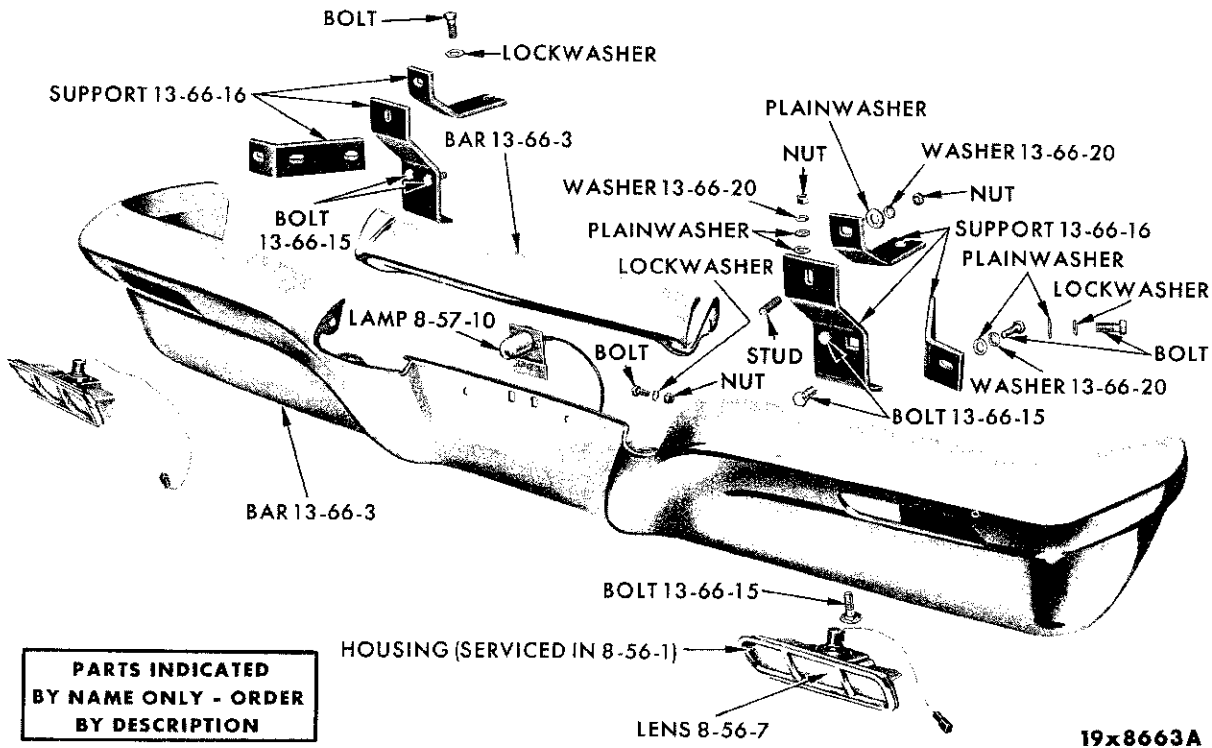
REAR BUMPER - DODGE SD3 AND CHRYSLER SC1-2-3 (EXCEPT SUBURBAN)



REAR BUMPER - DODGE SD3 AND CHRYSLER SC1-3 (SUBURBAN)



FRONT BUMPER - IMPERIAL SY1



REAR BUMPER - IMPERIAL SY1

CODE	PART NAME AND DESCRIPTION	CYL.	PER CAR	VALIANT LANCER	PLYMOUTH DODGE	CHRYSLER IMPERIAL
<b>13-01-O FRAME ASSEMBLY</b>						
13-01-1	FRAME, w/Auto. Trans., SD3, SC1, SC2, (also specify 1 of 2208 080 Idler Arm, code 19-27-31) . . . . .	8	1	----	*2401 047	*2401 047
	w/Std. Trans., SD3, SC1, SC2 . . . . .	8	1	----	2204 315	2204 315
	SC3 . . . . .	8	1	----	----	2265 411
	Except Cv. Cp., SY1 . . . . .	8	1	----	----	2265 412
	Cv. Cp., SY1 . . . . .	8	1	----	----	2265 413
13-01-6	BRACKET, Front Control Arm Jounce and and Rebound, Right, SD3, SC1, SC2 . . . . .	8	1	----	1734 526	1734 526
	Left, SD3, SC1, SC2 . . . . .	8	1	----	1734 527	1734 527
<b>13-11-O FRAME FRONT CROSSMEMBER</b>						
13-11-5	CROSSMEMBER, No. 1, SD3, SC1, SC2 . . . . .	8	1	----	1940 961	1940 961
	SC3 . . . . .	8	1	----	----	1940 920
	SY1 . . . . .	8	1	----	----	2200 801
	No. 2, SD3, SC1, SC2 . . . . .	8	1	----	2122 620	2122 620
	SC3, SY1 . . . . .	8	1	----	----	2122 621
<b>13-18-O FRAME REAR CROSSMEMBER</b>						
13-18-4	CROSSMEMBER, SY1 . . . . .	8	1	----	----	1944 407
13-18-32	CLIP, Sub-Sidemember Splash Shield, SC3, SY1 . . . . .	8	2	----	----	1674 082
<b>13-33-O BATTERY SUPPORT TRAY</b>						
13-33-61	TRAY, except SD3 . . . . .		1	2208 563	2201 536	
	NUT, Cable Clip Battery Tray, except SD3 . . . . .		1	----	6010 006	
13-33-62	BRACKET, Support . . . . .	6	2	2074 087		
13-33-63	BOLT, w/WASHER, Bracket . . . . .	6	4	6022 777		
	To Fender Shield . . . . .		2	----	6022 895	
	SCREW, w/WASHER, to Yoke . . . . .		2	----	6022 530	
13-33-68	BRACE, Support, SC3, SY1 . . . . .	8	1	----	----	2260 435
	J/NUT, to Frame, except SD3 . . . . .		1	----	6023 171	
	SCREW, w/WASHER, SD3 . . . . .	8	2	----	6022 530	6022 530
	SCREW, w/WASHER, to Battery Tray, except SD3 . . . . .		1	----	6022 530	
	SCREW, w/WASHER, to Frame, except SD3 . . . . .		1	----	6022 530	
	SCREW, w/WASHER, Tray to Yoke, except SD3 . . . . .		2	----	6022 530	
	NUT, w/RETAINER, to Frame, except SD3 . . . . .		1	----	6012 065	
	NUT, w/RETAINER, to Battery Tray . . . . .		1	----	6012 065	6012 065
	To Upper Control Arm Bracket, SD3, SC1, SC2 . . . . .	8	1	----	6022 870	6022 870
	SC3, SY1 . . . . .	8	1	----	----	6022 869
<b>13-34-O BATTERY HOLD-DOWN STRAP</b>						
13-34-3	STRAP . . . . .		1	1828 352	1828 352	1828 352
<b>13-35-O BATTERY HEAT SHIELD</b>						
13-35-1	SHIELD, except SD3 . . . . .		1	----	2201 525	
	SD3, SC1, SC2, SC3 . . . . .	8	1	----	2122 198	2122 198
	SCREW, w/WASHER . . . . .		2	6022 503	6022 503	6022 503
	NUT, w/RETAINER . . . . .		2	6010 006	6010 006	
	NUT, w/WASHER, SC1, SC2, SC3 . . . . .	8	2	----	----	6025 004
<b>13-36-O BATTERY HOLD-DOWN STUD</b>						
13-36-5	STUD, Outer, except SD3 . . . . .		1	2074 090	2260 437	1408 915
	SD3 . . . . .	8	1	----	1408 915	
	Inner, except SD3 . . . . .		1	2074 089	2074 089	1408 918
	SD3 . . . . .	8	1	----	1408 918	
	WING NUT, Stud, SP1, SP2, SD1, SD2 . . . . .		2	6023 523	6023 523	

★ Indicates use as required.      Numerals in parentheses ( ) refer to notes.      Printed in U.S.A.  
 ☐ Indicates parts not listed in any previous parts book.      Prices and specifications subject to change without notice.  
 \* Indicates change or addition.      Page 13-9      March 8, 1963 Supersedes May 1, 1962.

# 1962 PASSENGER CAR PARTS CATALOG

FRAME

CODE	PART NAME AND DESCRIPTION	C Y L	PER CAR	VALIANT LANCER	PLYMOUTH DODGE	CHRYSLER IMPERIAL
<b>13-54-O FRAME REAR SPRING HANGER</b>						
13-54-4	HANGER, Front, SP1, SP2, SD1, SD2, SY1 . . . . .		2	*2071 760	*2206 632	*1734 502
	Except Sub., SD3, SC1, SC2, SC3 . . . . .	8	2	----	*1948 359	*1948 359
	Sub., SD3, SC1, SC3 . . . . .	8	2	----	*1948 867	*1948 867
	SCREW, w/WASHER, except SD3 . . . . .		★	*6022 362	*6022 255	
	SCREW, w/WASHER, SD3, SC1, SC2, SC3 . . . . .	8	★	----	*6022 362	*6022 362
13-54-9	REINFORCEMENT, Front Hanger Support, Right, except SD3 . . . . .		1	----	*2252 302	
	Left, except SD3 . . . . .		1	----	*2252 303	
13-54-15	HANGER, Rear . . . . .	6	2	2071 764		
	Except Sub., SD3, SC1, SC2 . . . . .	8	2	----	*1948 880	*1948 880
	Except Sub., SC3 . . . . .	8	2	----	----	1948 354
	Sub., SD3, SC1 . . . . .	8	2	----	*1948 878	*1948 878
	Sub., SC3 . . . . .	8	2	----	----	1948 377
	SY1 . . . . .	8	2	----	----	1735 128
	BOLT, w/WASHER, SD3, SC1, SC2, SC3 . . . . .		★	*6022 362	*6022 362	*6022 362
<b>13-64-O FRONT BUMPER FACE BAR</b>						
13-64-3	BAR, Face, SV1 . . . . .	6	1	2204 030		
	Use w/Guards, SL1 . . . . .	6	1	2208 621		
	Use w/o Guards, SL1 . . . . .	6	1	2074 253		
	Use w/Guards, SP1, SP2 . . . . .		1	----	2203 705	
	Use w/o Guards, SP1, SP2 . . . . .		1	----	2203 704	
	Use w/Guards, SD1, SD2 . . . . .		1	----	2203 751	
	Use w/o Guards, SD1, SD2 . . . . .		1	----	2203 750	
	Use w/Guards, SD3 . . . . .	8	1	----	*2123 923	
	Use w/o Guards, SD3 . . . . .	8	1	----	*2123 922	
	SC1, SC2, SC3 . . . . .	8	1	----	----	2123 808
	SY1 . . . . .	8	1	----	----	2123 800
13-64-4	SUPPORT, Outer, Right, SV1 . . . . .	6	1	2074 230		
	Outer, Left, SV1 . . . . .	6	1	2074 231		
	Inner, Right, SV1 . . . . .	6	1	2074 228		
	Inner, Left, SV1 . . . . .	6	1	2074 229		
	Outer, Right, SL1 . . . . .	6	1	2208 610		
	Outer, Left, SL1 . . . . .	6	1	2208 611		
	Inner, Right, SL1 . . . . .	6	1	2208 608		
	Inner, Left, SL1 . . . . .	6	1	2208 609		
	Right, SP1, SP2 . . . . .		1	----	2265 140	
	Left, SP1, SP2 . . . . .		1	----	2265 141	
	Outer, Right, SD1, SD2 . . . . .		1	----	2265 132	
	Outer, Left, SD1, SD2 . . . . .		1	----	2265 133	
	Inner, Right, SD1, SD2 . . . . .		1	----	2265 134	
	Inner, Left, SD1, SD2 . . . . .		1	----	2265 135	
	Right, SC1, SC2 . . . . .	8	1	----	----	2123 928
	Left, SC1, SC2 . . . . .	8	1	----	----	2123 929
	Right, SC3 . . . . .	8	1	----	----	2123 804
	Left, SC3 . . . . .	8	1	----	----	2123 805
	Outer, Right, SY1 . . . . .	8	1	----	----	2123 796
	Outer, Left, SY1 . . . . .	8	1	----	----	2123 797
	Inner, Right, SY1 . . . . .	8	1	----	----	2123 798
	Inner, Left, SY1 . . . . .	8	1	----	----	2123 799
	Bumper to Guard, Right, SL1 . . . . .	6	1	2208 612		
	Bumper to Guard, Left, SL1 . . . . .	6	1	2208 613		
13-64-5	BOLT, Bumper to Support, SV1 . . . . .		★	2074 225		1551 097
	SL1 . . . . .		★	1737 430	6023 011	
	Bumper to Stabilizer, SV1 . . . . .	6	2	2074 225		
	SL1 . . . . .	6	2	1737 430		
	Bumper to Frame, SD3 . . . . .	8	4	----	*6022 992	
	Bumper to Extension, SC1, SC2, SC3 . . . . .	8	2	----	----	1551 097
	Support to Frame, SC1, SC2 . . . . .	8	4	6023 138	6023 138	6022 992
	Bumper Bracket to Support, SY1 . . . . .	8	2	----	----	1551 766
	STUD, Support to Frame, SC3 . . . . .	8	4	----	----	2123 902

★ Indicates use as required. Numerals in parentheses ( ) refer to notes. Printed in U.S.A.  
 □ Indicates parts not listed in any previous parts book. Prices and specifications subject to change without notice.  
 May 1, 1962 Supersedes Sept. 15, 1961. \* Indicates change or addition.

CODE	PART NAME AND DESCRIPTION	CYL.	PER CAR	VALIANT LANCER	PLYMOUTH DODGE	CHRYSLER IMPERIAL
<b>13-64-O FRONT BUMPER FACE BAR - Cont'd</b>						
13-64-6	WASHER, Bumper to Frame Bolt Plain . . . . .	6	4	6023 137		
	Bumper to Frame Bolt, SD3 . . . . .	8	4	----	6022 899	
	Support to Frame Bolt, except SD3 . . . . .		8	----	574 812	
	Support to Frame Plain, SC1, SC2, SC3 . . . . .		4	6023 137	6023 137	6022 899
	Support to Frame, SY1 . . . . .	8	20	----	----	1948 969
13-64-27	CAP, Right, SD3 . . . . .	8	1	----	2123 926	
	Left, SD3 . . . . .	8	1	----	2123 927	
13-64-56	SPEED-CLIP, Support to Frame Bolt, SC1, SC2 . . . . .	8	4	----	----	1325 239
	Bumper to Frame, SD3, SC1, SC2 . . . . .	8	4	----	1325 239	
13-64-97	EXTENSION, Support Bumper, Right, SC1, SC2 . . . . .	8	1	----	----	2123 930
	Left, SC1, SC2 . . . . .	8	1	----	----	2123 931
	Right, SC3 . . . . .	8	1	----	----	2123 806
	Left, SC3 . . . . .	8	1	----	----	2123 807
13-64-149	STABILIZER, SV1 . . . . .	6	2	2074 214		
	SL1 . . . . .	6	2	2208 619		
13-64-150	NUT, Stabilizer, SL1 . . . . .	6	2	327 072		
<b>13-66-O REAR BUMPER FACE BAR</b>						
13-66-3	BAR, Face, SV1 . . . . .	6	1	2204 034		
	SL1 . . . . .	6	1	2074 255		
	Except Sub., SP1, SP2 . . . . .		1	----	2203 723	
	Except Sub., use w/o Guards, SD1, SD2 . . . . .		1	----	2203 760	
	Except Sub., use w/Guards, SD1, SD2 . . . . .		1	----	2203 761	
	Sub., use w/o Step Pads, except SD3 . . . . .		1	----	2204 000	
	Sub., use w/Step Pads, except SD3 . . . . .		1	----	2204 001	
	Except Sub., use w/o Guards, SD3, SC1, SC2, SC3 . . . . .	8	1	----	2123 792	2123 792
	Except Sub., use w/Guards, SD3, SC1, SC2, SC3 . . . . .	8	1	----	2203 815	2203 815
	SY1 . . . . .	8	1	----	----	1940 392
	Center, Sub., SD3, SC1, SC3 . . . . .	8	1	----	2123 860	2123 860
	EXTENSION, Right, Sub., SD3, SC1, SC3 . . . . .	8	1	----	2123 814	2123 814
	EXTENSION, Left, Sub., SD3, SC1, SC3 . . . . .	8	1	----	2123 813	2123 813
	TIE BAR, SY1 . . . . .	8	1	----	----	1940 393
13-66-15	BOLT, Bumper to Support, SV1, except SD3 . . . . .	6	★	2074 225	1737 430	
	SL1 . . . . .	6	★	1737 430		
	SD3, SC1, SC2, SC3 . . . . .	8	★	----	1551 097	1551 097
	Support to Frame, except SD3 . . . . .		2	----	6023 138	
	Support to Crossmember, SD3, SC1, SC2, SC3 . . . . .	8	4	----	6022 904	6022 904
	Vertical Support to Frame, SY1 . . . . .	8	2	----	1945 945	1945 945
	Stabilizer to Bumper, SD3, SC1, SC2, SC3 . . . . .		2	2074 225	1551 098	1551 098
	PLUG, Step Pad Hole, Sub., SD3, SC1, SC3 . . . . .	8	2	----	6012 070	6012 070
	STUD, Bracket to Upper Support, SY1 . . . . .	8	2	----	----	6022 037
	SCREW, w/WASHER, Support to Frame, except SD3 . . . . .		2	----	6023 148	
13-66-16	SUPPORT, Right, except Sub., SV1 . . . . .	6	1	2204 036		
	Left, except Sub., SV1 . . . . .	6	1	2204 037		
	Right, Sub., SV1 . . . . .	6	1	2074 226		
	Left, Sub., SV1 . . . . .	6	1	2074 227		
	Right, SL1 . . . . .	6	1	2208 614		
	Left, SL1 . . . . .	6	1	2208 615		
	Right, Outer, except Sub., SP1, SP2 . . . . .		1	----	2265 142	
	Left, Outer, except Sub., SP1, SP2 . . . . .		1	----	2265 143	
	Right, Inner, except Sub., SP1, SP2 . . . . .		1	----	2265 144	
	Left, Inner, except Sub., SP1, SP2 . . . . .		1	----	2265 145	
	Right, Outer, except Sub., SD1, SD2 . . . . .		1	----	2265 136	
	Left, Outer, except Sub., SD1, SD2 . . . . .		1	----	2265 137	

★ Indicates use as required. Numerals in parentheses ( ) refer to notes. Printed in U.S.A.  
 □ Indicates parts not listed in any previous parts book. Prices and specifications subject to change without notice.  
 \* Indicates change or addition. March 8, 1963 Supersedes May 1, 1962.

# 1962 PASSENGER CAR PARTS CATALOG

CODE	PART NAME AND DESCRIPTION	CYL.	PER CAR	VALIANT LANCER	PLYMOUTH DODGE	CHRYSLER IMPERIAL
<b>13-66-O REAR BUMPER FACE BAR - Cont'd</b>						
13-66-16	SUPPORT - Cont'd					
	Right, Inner, except Sub., SD1, SD2 . . . . .		1	----	2265 138	
	Left, Inner, except Sub., SD1, SD2 . . . . .		1	----	2265 139	
	Right, Outer, Sub., except SD3 . . . . .		1	----	*2204 010	
	Left, Outer, Sub., except SD3 . . . . .		1	----	*2204 011	
	Right, Inner, Sub., except SD3 . . . . .		1	----	*2204 008	
	Left, Inner, Sub., except SD3 . . . . .		1	----	*2204 009	
	Right, except Sub., SD3, SC1, SC2, SC3 . . . . .	8	1	----	*2123 834	*2123 834
	Left, except Sub., SD3, SC1, SC2, SC3 . . . . .	8	1	----	*2123 835	*2123 835
	Right, Sub., SD3, SC1, SC3 . . . . .	8	1	----	*2123 856	*2123 856
	Left, Sub., SD3, SC1, SC3 . . . . .	8	1	----	*2123 857	*2123 857
	Right, Outer, SY1 . . . . .	8	1	----	----	1941 032
	Left, Outer, SY1 . . . . .	8	1	----	----	1941 033
	Vertical, SY1 . . . . .	8	2	----	----	1941 031
	Upper, SY1 . . . . .	8	2	----	----	1941 034
13-66-18	SHIM, Support to Frame, .06" thk., SY1 . . . . .	8	★	----	----	6010 025
13-66-20	WASHER, Vertical Support to Frame Bolt Plain, SY1 . . . . .	8	4	----	----	1616 746
	Support to Frame Bolt Plain, SD1, SD2 . . . . .		★	----	6023 137	6022 899
	SD3 . . . . .	8	4	----	*6022 899	
	Stabilizer to Quarter Panel, Sub., SD3 . . . . .	8	2	----	*6022 339	*6022 339
13-66-24	PLATE, Bumper to Frame Support, SD3, SC1, SC2, SC3 . . . . .	8	4	----	*2123 938	*2123 938
	Bumper to Support, Sub., SD3, SC1, SC3 . . . . .	8	2	----	*1948 015	*1948 015
13-66-106	DEFLECTOR, Stone . . . . .	6	1	2242 948		
	Except Sub., SP1, SP2 . . . . .		1	----	2166 014	
	Except Sub., SD1, SD2 . . . . .		1	----	2166 013	
13-66-123	FASTENER, Jacking Bracket Pad, Sub., SD3, SC1, SC3 . . . . .	8	2	----	*6006 456	*6006 456
13-66-135	STABILIZER, SV1 . . . . .	6	2	2204 039		
	SL1 . . . . .	6	2	2208 616		
	Except Sub., SD3, SC1, SC2, SC3 . . . . .	8	2	----	*2123 849	*2123 849
	Sub., Right, SD3, SC1, SC3 . . . . .	8	1	----	*2123 940	*2123 940
	Sub., Left, SD3, SC1, SC3 . . . . .	8	1	----	*2123 939	*2123 939
	NUT, w/WASHER, to Qtr. Panel . . . . .	6	2	6012 008		
	SCREW, w/WASHER, to Qtr. Panel, Sub., SD3, SC1, SC3 . . . . .	8	2	----	*6022 339	*6022 339
	BOLT, to Bumper, Sub., SD3, SC1, SC3 . . . . .	8	2	----	*6012 016	*6012 016
13-66-147	STEP PAD, Sub., except SD3 . . . . .		2	----	*2204 020	
	Sub., SD3, SC1, SC3 . . . . .	8	2	----	*2123 885	*2123 885
<b>13-68-O BUMPER GUARDS</b>						
13-68-6	GUARD, Front, SV1 . . . . .	6	2	2074 233		
	Front, Right, SL1 . . . . .	6	1	2208 602		
	Front, Left, SL1 . . . . .	6	1	2208 601		
	Front, SP1, SP2 . . . . .		2	----	2203 715	
	Front, Right, SD1, SD2 . . . . .		1	----	2203 752	
	Front, Left, SD1, SD2 . . . . .		1	----	2203 753	
	Front, Right, SD3 . . . . .	8	1	----	*2123 880	
	Front, Left, SD3 . . . . .	8	1	----	*2123 881	
	Front, Right, SY1 . . . . .	8	1	----	----	2123 920
	Front, Left, SY1 . . . . .	8	1	----	----	2123 921
	Rear, SV1 . . . . .	6	2	2074 235		
	Rear, SL1 . . . . .	6	2	2208 603		

★ Indicates use as required. Numerals in parentheses ( ) refer to notes. Printed in U.S.A.  
 ☼ Indicates parts not listed in any previous parts book. Prices and specifications subject to change without notice.  
 May 1, 1962 Supersedes Nov. 30, 1961. \* Indicates change or addition.

# 1962 PASSENGER CAR PARTS CATALOG

CODE	PART NAME AND DESCRIPTION	C Y L.	PER CAR	VALIANT LANCER	PLYMOUTH DODGE	CHRYSLER IMPERIAL
<b>13-68-O BUMPER GUARDS - Cont'd</b>						
13-68-6	GUARD - Cont'd					
	Rear, Right, except Sub., SD1, SD2 . . . . .		1	----	2203 753	
	Rear, Left, except Sub., SD1, SD2 . . . . .		1	----	2203 752	
	Rear, Right, except Sub., SD3, SC1, SC2, SC3 . .	8	1	----	2203 802	2203 802
	Rear, Left, except Sub., SD3, SC1, SC2, SC3 . .	8	1	----	2203 803	2203 803
13-68-18	CUSHION, Guard, Front, Right, SD1, SD2 . . . . .		1	----	2203 754	
	Front, Left, SD1, SD2 . . . . .		1	----	2203 755	
	Front, SD3 . . . . .	8	2	----	2123 884	
	Rear, Right, except Sub., SD1, SD2 . . . . .		1	----	2203 755	
	Rear, Left, except Sub., SD1, SD2 . . . . .		1	----	2203 754	
	Rear, except Sub. SD3, SC1, SC2, SC3 . . . . .	8	2	----	2203 801	2203 801
<b>13-72-O BUMPER JACK</b>						
13-72-1	JACK, SV1 . . . . .	6	1	2075 142		
	SL1 . . . . .	6	1	2201 039		
13-72-2	JACK HANDLE, SC1, SC2, SC3 . . . . .		1	*1736 990	*2201 009	*2201 009
	SY1 . . . . .	8	1	----	----	2201 010
13-72-3	HOOK, Jack, SP1, SP2 . . . . .		1	----	2204 072	
	SD1, SD2 . . . . .		1	----	2204 074	
	Except Sub., SD3, SC1, SC2, SC3 . . . . .	8	1	----	2203 386	2204 073
	Sub., SD3, SC1, SC3 . . . . .	8	1	----	2203 387	2203 387
	SY1 . . . . .	8	1	----	----	2203 388
13-72-4	BAR and BASE PACKAGE, Rack . . . . .		1	----	2275 450	2275 450

## NOTES

---

---

---

---

---

---

---

---

---

---

---

---

---

---

---

---

---

---

---

---

---

---

---

---

---

★ Indicates use as required. Numerals in parentheses ( ) refer to notes. Printed in U.S.A.  
 □ Indicates parts not listed in any previous parts book. Prices and specifications subject to change without notice.  
 \* Indicates change or addition. March 8, 1963 Supersedes May 1, 1962.

