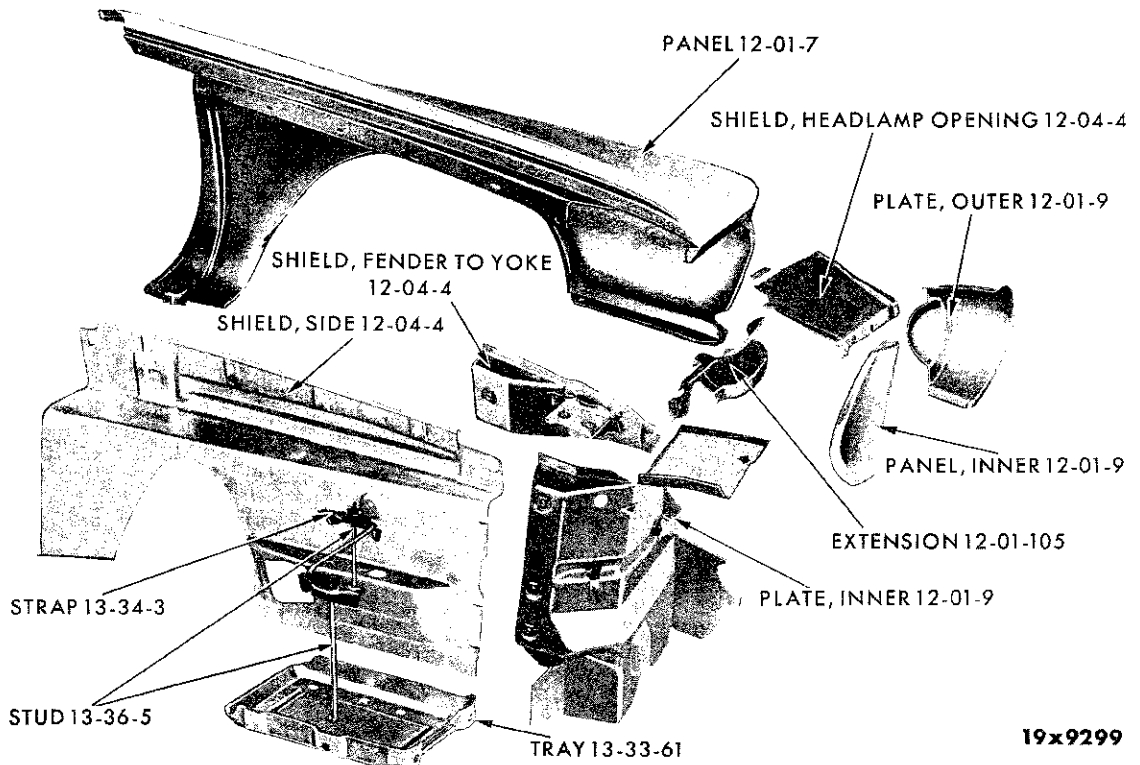
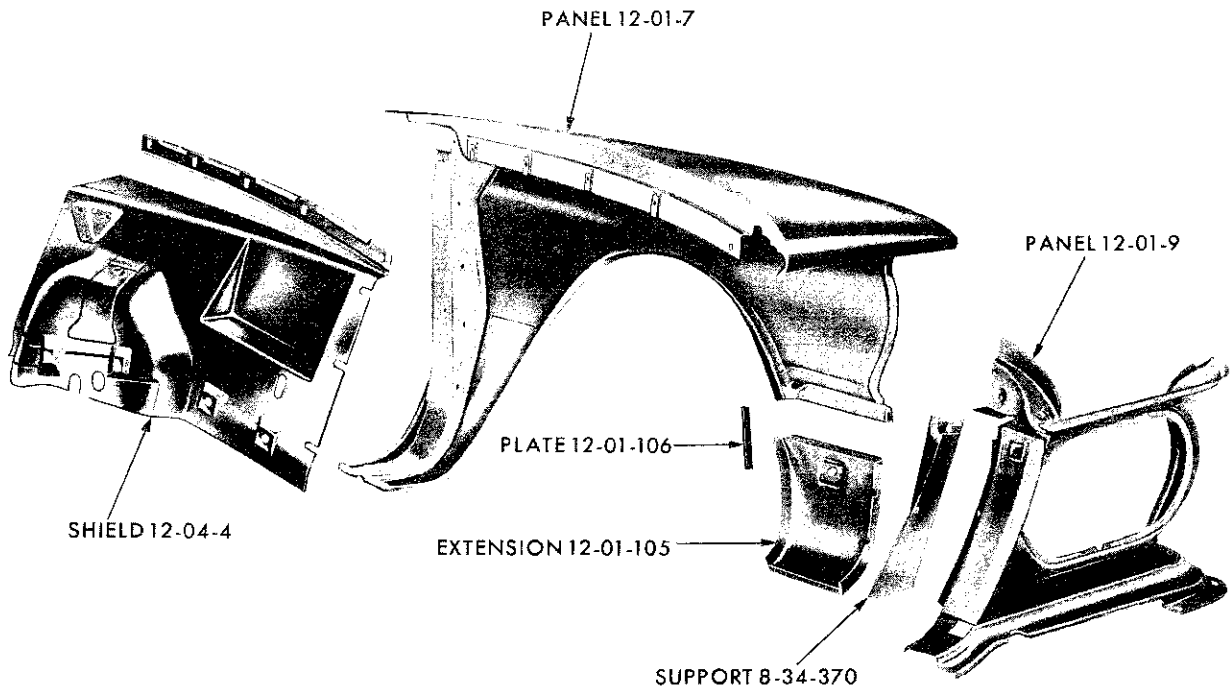


GROUP 12 - FENDERS AND SHEET METAL



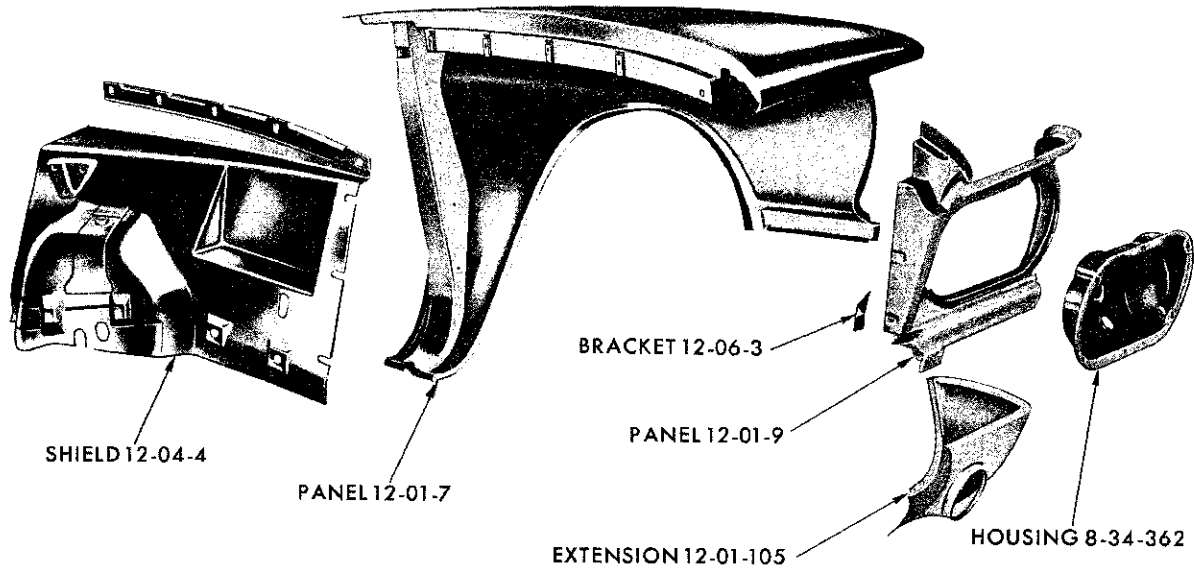
19x9299

FRONT FENDER - PLYMOUTH SP1-2



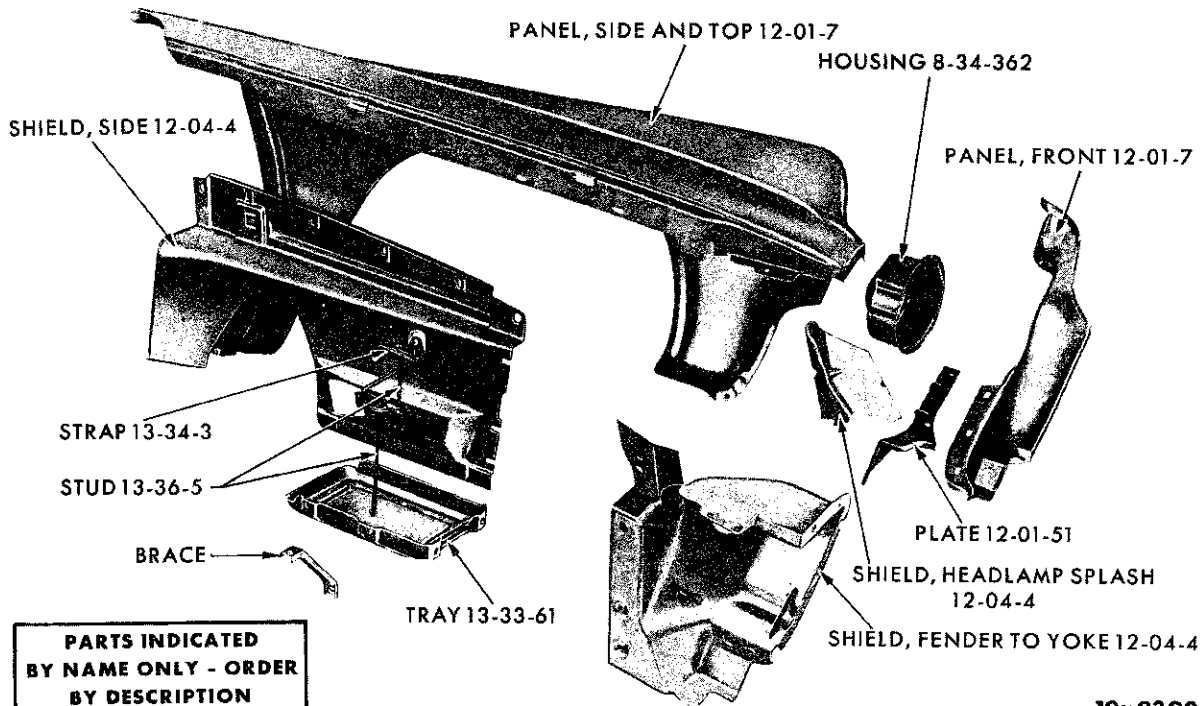
19x9295

FRONT FENDER - VALIANT SV1



19x9296

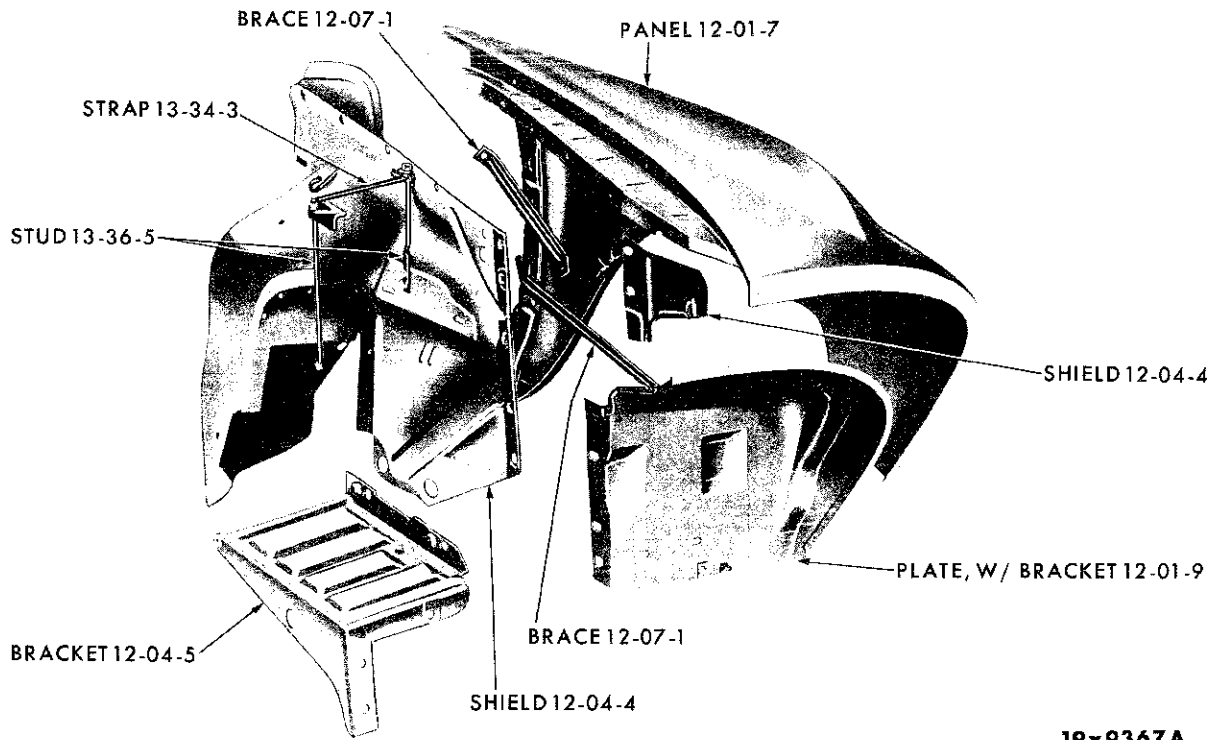
FRONT FENDER - LANCER SL1



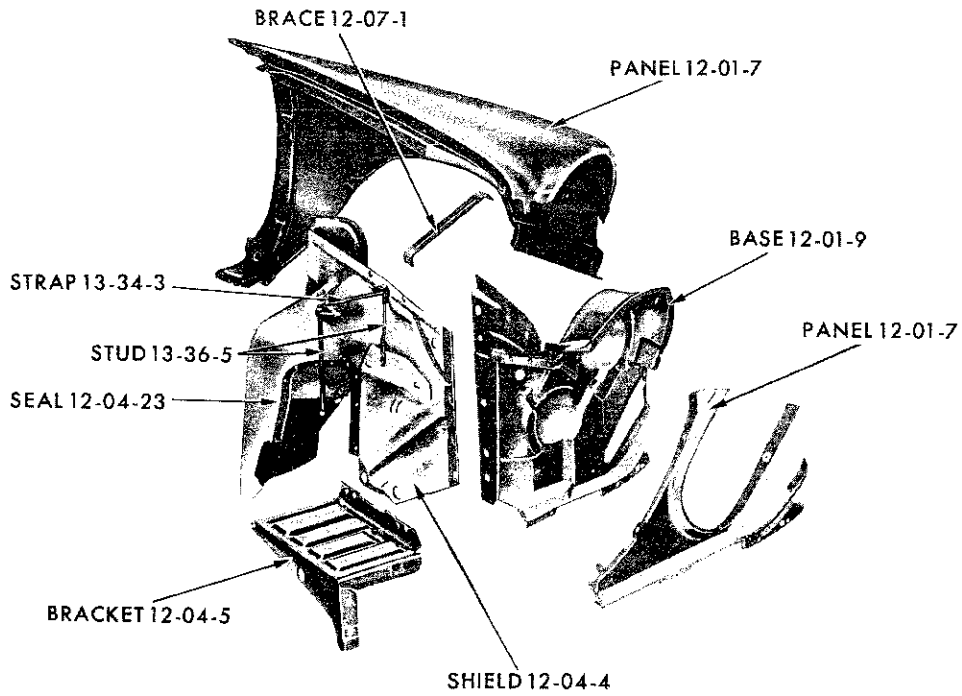
**PARTS INDICATED
BY NAME ONLY - ORDER
BY DESCRIPTION**

19x9302

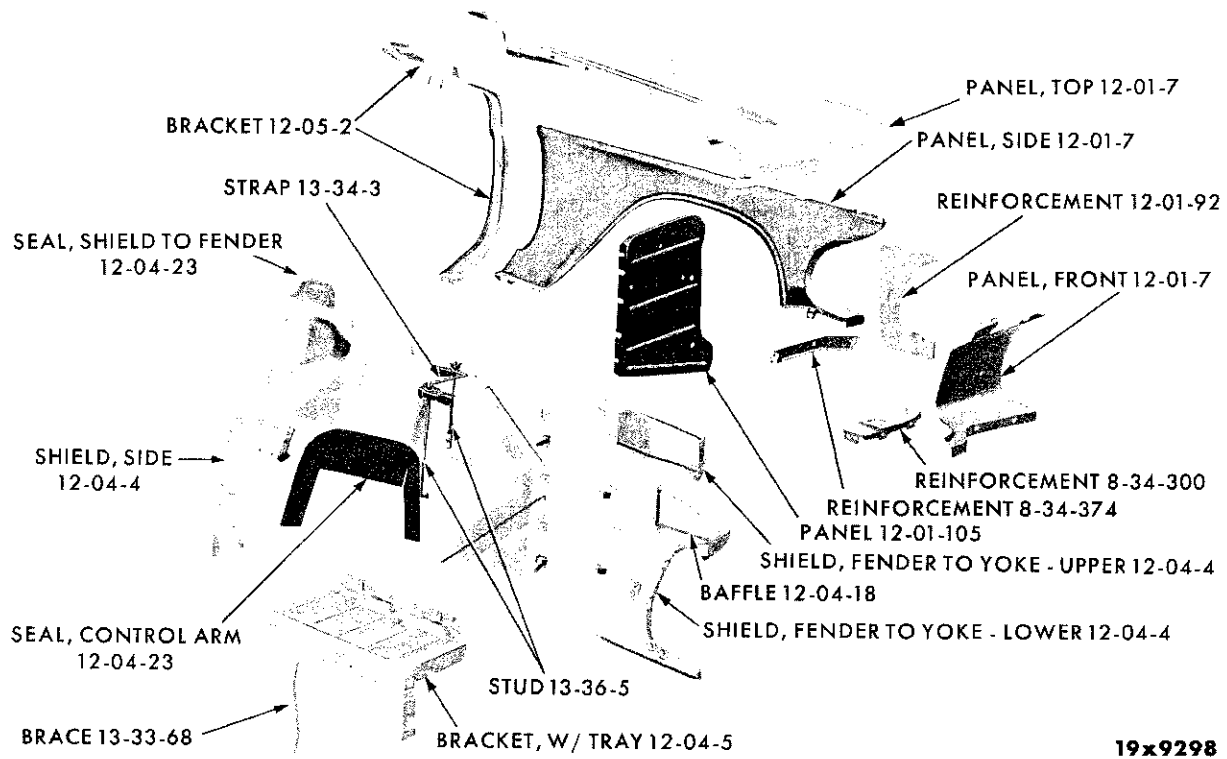
FRONT FENDER - DART SD1-2



FRONT FENDER - DODGE SD3



FRONT FENDER - CHRYSLER SC1-2-3



19x9298

FRONT FENDER - IMPERIAL SY1

NOTES

CODE	PART NAME AND DESCRIPTION	C Y L.	PER CAR	VALIANT LANCER	PLYMOUTH DODGE	CHRYSLER IMPERIAL
12-01-O FRONT FENDERS						
To Facilitate soldering of Fender Sections, it is suggested that you specify MoPar Tin Swipe, Part No. 2298 922 with every order for fender sections. This 6 ounce aerosol spray can will tin approximately 100 square feet and save the repairman both time and money.						
12-01-5	FENDER ASSEMBLY, Right, SV1, SP1, SP2 . . .		1	E2253 188	E2253 142	
	Left, SV1, SP1, SP2		1	E2253 189	E2253 143	
	Right, SL1, SD1, SD2		1	E2253 220	E2253 256	
	Left, SL1, SD1, SD2		1	E2253 221	E2253 257	
	Right, SD3	8	1	----	*1904 026	
	Left, SD3	8	1	----	*1904 027	
	Right, SY1	8	1	----	----	E2425 264
	Left, SY1	8	1	----	----	E2425 265
12-01-7	PANEL, Fender Front, Right, SC1, SC2, SC3 . . .		1	----	----	*1919 414
	Left, SC1, SC2, SC3		1	----	----	*1919 415
	Right, SY1	8	1	----	----	1904 066
	Left, SY1	8	1	----	----	1904 067
	PANEL, Fender Side, Right, SC1, SC2	8	1	----	----	2253 718
	Left, SC1, SC2	8	1	----	----	2253 719
	Right, SC3	8	1	----	----	2253 722
	Left, SC3	8	1	----	----	2253 723
12-01-9	PANEL, Fender Headlamp Opening					
	Right, SL1	6	1	*2099 934		
	Left, SL1	6	1	*2099 935		
	Inner, Right, SP1, SP2		1	----	2099 440	
	Inner, Left, SP1, SP2		1	----	2099 441	
	BASE, Fender Headlamp, Right, SC1, SC2	8	1	----	----	1919 394
	Left, SC1, SC2	8	1	----	----	1919 395
	Right, SC3	8	1	----	----	1919 392
	Left, SC3	8	1	----	----	1919 393
12-01-10	BRACKET, Fender to Pillar, SD3	8	2	----	1686 914	
12-01-12	STUD, Fender to Sill, SD3		★	----	6022 016	6022 016
	To Pillar Support, SD3	6	2	6022 016	6024 017	6024 017
	Fender to Cowl, SD3, SC1, SC2, SC3	8	★	----	1863 586	1863 586
	Fender to Crossmember, SP1, SP2		★	----	6022 016	
	Fender to Yoke		★	----	6022 016	
	SCREW, Fender to Cowl, Front, SD3, SY1	8	★	----	6022 534	6022 237
	To Side Shield	6	6	6022 530		
	To Headlamp Opening Panel, SL1, SP1, SP2	6	4	6022 802	6022 802	
	To Sill		2	----	6023 359	
	Fender to Cowl, Rear, SP1, SP2		★	----	6022 533	
	Fender to Cowl, Rear, SD1, SD2		★	----	6022 531	6022 534
	Fender to Dust Shield, SP1, SP2		6	----	6022 506	
	Fender to Sill	6	2	6023 359		
	Fender to Dust Shield, SP1, SP2		2	----	6022 530	
	Shear Panel to Side Panel, SY1	8	4	----	----	6022 506
	Shear Panel to Reinforcement, SY1	8	4	----	----	6022 508
	Fender to Yoke, SD1, SD2		2	----	6022 506	
	Fender to Front Sill Cap, SD1, SD2		2	----	6022 227	
	Fender Attaching Bracket		4	----	6022 538	
	Baffle Plate to Fender, SD1, SD2		6	----	6022 506	
	Fender to Sill Bracket, SY1	8	4	----	----	1863 612
	Fender to Headlamp Plate Brace, SD3		2	----	6022 779	
	Fender Bracket to Cowl, SD3, SC1, SC2, SC3		2	----	6022 532	6022 532

★ Indicates use as required. Numerals in parentheses () refer to notes. Printed in U.S.A.
 E Indicates parts not listed in any previous parts book. Prices and specifications subject to change without notice.
 * Indicates change or addition. March 8, 1963 Supersedes May 1, 1962.

1962 PASSENGER CAR PARTS CATALOG

FENDERS AND
SHEET METAL

CODE	PART NAME AND DESCRIPTION	C Y L.	PER CAR	VALIANT LANCER	PLYMOUTH DODGE	CHRYSLER IMPERIAL
12-01-O FRONT FENDERS - Cont'd						
12-01-15	NUT, Fender to Side Shield	6	2	6023 170		
	Fender to Side Shield	6	4	2082 878		
	Top Panel to Grille Brace, SY1	8	2	----	----	6022 162
	Fender to Sill, SY1	8	2	----	----	*6023 171
12-01-16	WASHER, Fender to Crossmember, SP1, SP2 . . .		2	----	6022 784	
	Fender to Sill, SP1, SP2, SD1, SD2		★	6022 187	6023 359	6022 187
	SD3		★	----	6022 187	
	To Pillar Support	6	2	6022 187		
	To Splash Shield		8	----	6023 291	
	To Cowl, SD3, SC1, SC2, SC3	8	★	----	1903 478	1903 478
12-01-51	PLATE, Front Baffle, Right, SD1, SD2		1	----	2099 812	
	Left, SD1, SD2		1	----	2099 813	
12-01-92	REINFORCEMENT, Upper Flange, SY1	8	1	----	----	1904 180
12-01-105	EXTENSION, Fender, Lower, Right, SV1, SP1, SP2		1	2099 756		
	Left, SV1, SP1, SP2		1	2099 757		
	Right, SL1		1	2195 076		
	Left, SL1		1	2195 077		
	PANEL, Shear, Right, SY1	8	1	----	----	1904 194
	Left, SY1	8	1	----	----	1904 195
12-02-O FRONT FENDER SEAL OR SHIM						
12-02-5	SEAL, to Shear Panel, SY1	8	★	----	----	1242 974
	To Pillar, Front, Lower, SD3	8	2	----	2166 641	2166 641
	To Pillar, SY1	8	2	----	----	1810 073
	To Cowl, Right	6	1	2083 170		
	Left	6	1	2083 171		
	SHIM, Fender to Sill		★	6023 257	6023 257	6010 031
	Fender to Crossmember, SP1, SP2		★	----	6010 031	
	Fender Side to Yoke Plate, SD1, SD2		★	----	6010 031	
	Fender to Yoke, SD3, SC1, SC2, SC3	8	★	----	1903 036	1903 036
	Fender to Cowl, Upper, Front, SD3, SC1, SC2, SC3	8	★	----	1863 926	1863 926
	Fender to Cowl, Upper, Front, SY1	8	★	----	----	6010 037
	Fender to Cowl, Rear, SP1, SP2		★	----	6010 031	
	Fender to Cowl		★	----	2099 784	
	Fender to Cowl, Upper, Rear, SD3, SC1, SC2, SC3	8	★	----	6010 035	6010 035
	Fender to Cowl, Lower, Rear, SC1, SC2, SC3 . .	8	★	----	----	6010 031
12-02-12	FASTENER, Seal	6	12	6006 104		
	CLIP, Seal	6	2	6017 018		
	RING, Seal Hog	6	2	6008 076		
12-04-O FRONT FENDER SHIELD						
12-04-4	SHIELD, Headlamp Splash, Right, SP1, SP2		1	----	2099 434	
	Left, SP1, SP2		1	----	2099 435	
	Right, SD1, SD2		1	----	2099 536	
	Left, SD1, SD2		1	----	2099 537	
	SHIELD, Side, Right, SP1, SP2, SD1, SD2, SC1, SC2		1	2082 012	2201 526	1948 420
	Left, SP1, SP2, SD1, SD2, SC1, SC2		1	2082 023	2260 439	1948 421
	Right, SD3, SC3, SY1	8	1	----	1948 420	1948 440
	Left, SD3, SC3, SY1	8	1	----	1948 421	1948 441
12-04-5	BRACKET, Upper Support, w/Battery TRAY, SD3 .	8	1	----	1940 892	1940 892

★ Indicates use as required.

Numerals in parentheses () refer to notes.

Printed in U.S.A.

E Indicates parts not listed in any previous parts book.

Prices and specifications subject to change without notice.

March 8, 1963 Supersedes May 1, 1962.

* Indicates change or addition.

CODE	PART NAME AND DESCRIPTION	CYL	PER CAR	VALIANT LANCER	PLYMOUTH DODGE	CHRYSLER IMPERIAL
12-04-O FRONT FENDER SHIELD - Cont'd						
12-04-12	STUD, Shield to Yoke, SD3, SC1, SC2, SC3	8	2	----	1903 396	1903 396
	SCREW, Shield to Fender		★	----	6022 536	6022 536
	Shield to Brace	8	★	----	----	6022 532
	Shield to Brace, SY1	8	1	----	----	1739 049
	Shield to Frame, SD3, SC1, SC2, SC3	8	6	----	6022 361	6022 361
	Shield to Frame, SY1	8	6	----	----	6012 066
	Brace to Fender Tab, SD3, SC1, SC2, SC3	8	2	----	6000 160	6000 160
	Shield to Sill Cap, SD3, SC1, SC2	8	2	----	1739 049	1739 049
	Shield to Fender to Yoke Shield, SD1, SD2		4	----	6022 506	
	Upper Support Bracket to Yoke, SC3, SY1	8	3	----	----	6022 328
	Shield to Sill Panel to Dash		2	----	6022 227	
	Headlamp Splash Shield to Fender, SP1, SP2		4	----	6022 802	
	Shield to Dash Brace, SD3, SC1, SC2		2	----	6022 532	6022 532
12-04-22	COVER, Rear		1	----	2260 466	
12-04-23	SEAL, Shield to Fender, SY1	8	2	----	----	1940 859
	Shield to Upper Control Arm, SY1	8	2	----	----	1851 024
12-04-26	NUT, Shield to Hood Hinge Bracket, w/CLIP		2	----	6023 170	
	Shield to Dash, w/RETAINER		2	----	6012 065	
	Shield to Fender		★	6023 170	6023 170	6023 170
	Shield to Dash Brace, SD3, SC1, SC2		2	----	6023 171	6023 171
12-04-33	BRACKET, Shield to Side Sill, Right, SC3	8	1	----	----	1948 402
	Left, SC3	8	1	----	----	1948 403
	To Pillar, SD3	8	2	----	1686 914	
12-05-O FENDER PILLAR SUPPORT AND COWL BRACKET						
12-05-2	BRACKET, Right, SY1	8	1	----	----	1863 328
	Left, SY1	8	1	----	----	1863 329
12-06-O FRONT FENDER BRACKET						
12-06-3	BRACKET, Fender to Sill, SY1	8	2	----	----	1624 582
	Fender to Hood Hinge Plate, Right, SY1	8	1	----	----	1903 884
	Left, SY1	8	1	----	----	1903 885
12-06-6	SCREW, Bracket to Pillar Support	8	2	----	----	6022 029
	Bracket to Cowl, SY1	8	2	----	----	6022 009
12-07-O FRONT FENDER BRACE OR SUPPORT						
12-07-1	BRACE, Fender to Shield, Right, SD3, SC1, SC2	8	1	----	1948 412	1948 412
	Left, SD3, SC1, SC2	8	1	----	1948 413	1948 413
	Right, SC3	8	1	----	----	1940 894
	Left, SC3	8	1	----	----	1940 895
	Right, SY1	8	1	----	----	E2405 050
	Left, SY1	8	1	----	----	E2405 051
	Headlamp Plate to Cross Bar, Right, SP1, SP2		1	----	2276 790	
	Left, SP1, SP2		1	----	2276 791	
	Fender to Headlamp Plate, Right, SD3	8	1	----	1904 902	
	Left, SD3	8	1	----	1904 903	
12-07-3	SCREW, Brace to Fender Tab, SY1	8	2	----	----	6012 078
12-15-O FRONT FENDER MOULDINGS AND NAME PLATES						
See Exterior Moulding Illustration's in Front of Group 23 Body.						

★ Indicates use as required.

Numerals in parentheses () refer to notes.

Printed in U.S.A.

E Indicates parts not listed in any previous parts book.

Prices and specifications subject to change without notice.

* Indicates change or addition.

March 8, 1963 Supersedes May 1, 1962.

