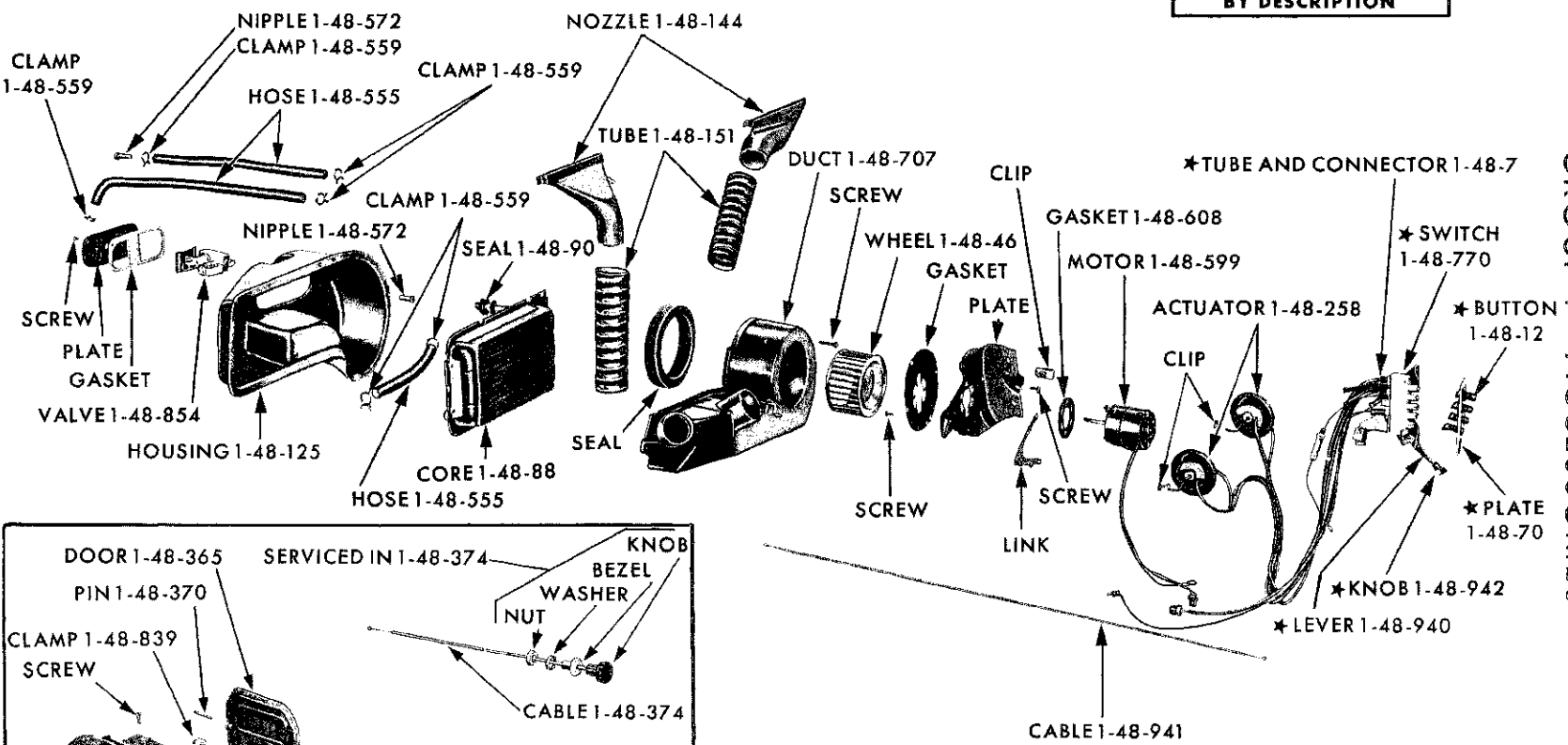


GROUP 1 - ACCESSORIES

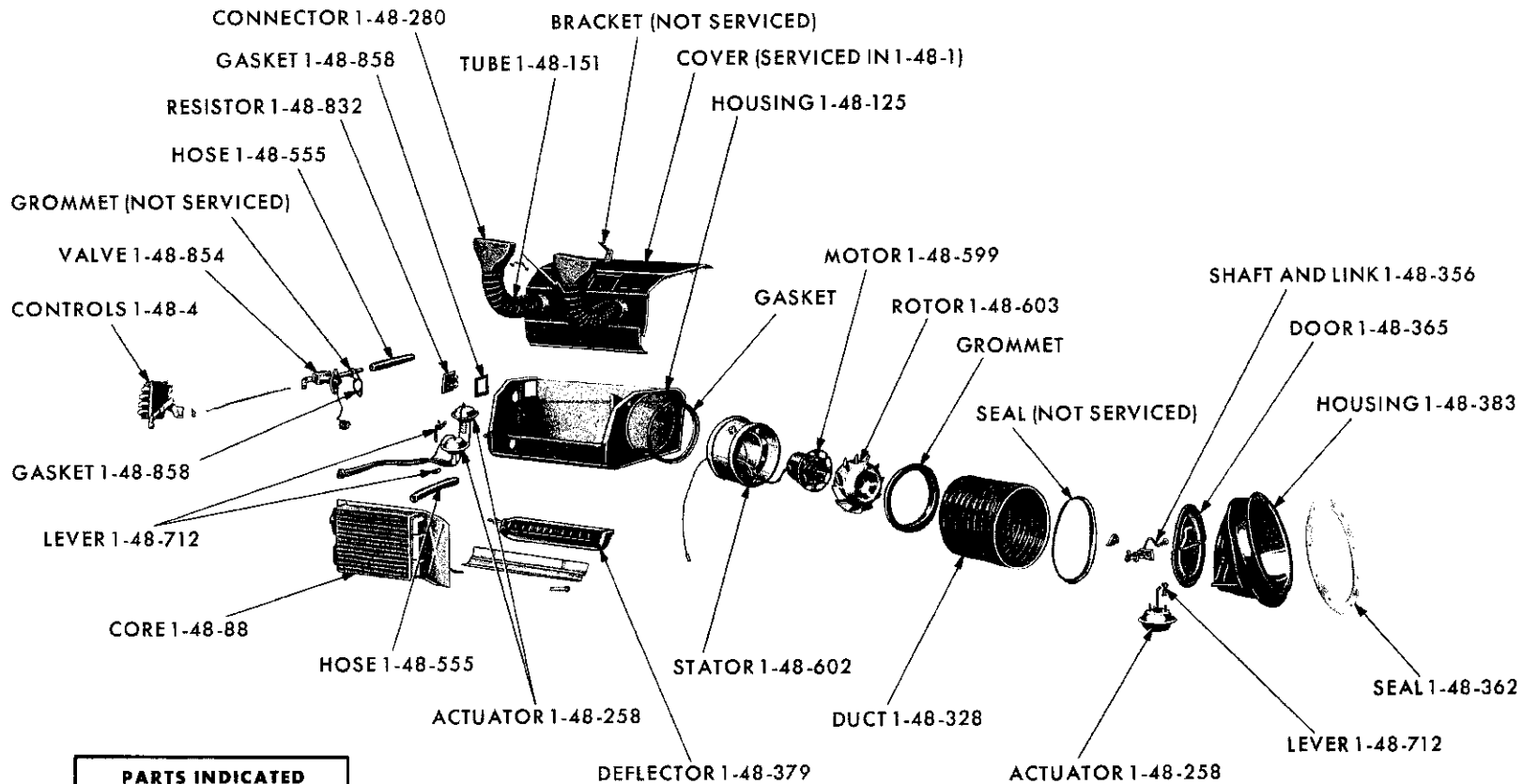
PARTS INDICATED BY NAME ONLY - ORDER BY DESCRIPTION



* ALSO SERVICED IN 1-48-4

19x8780E

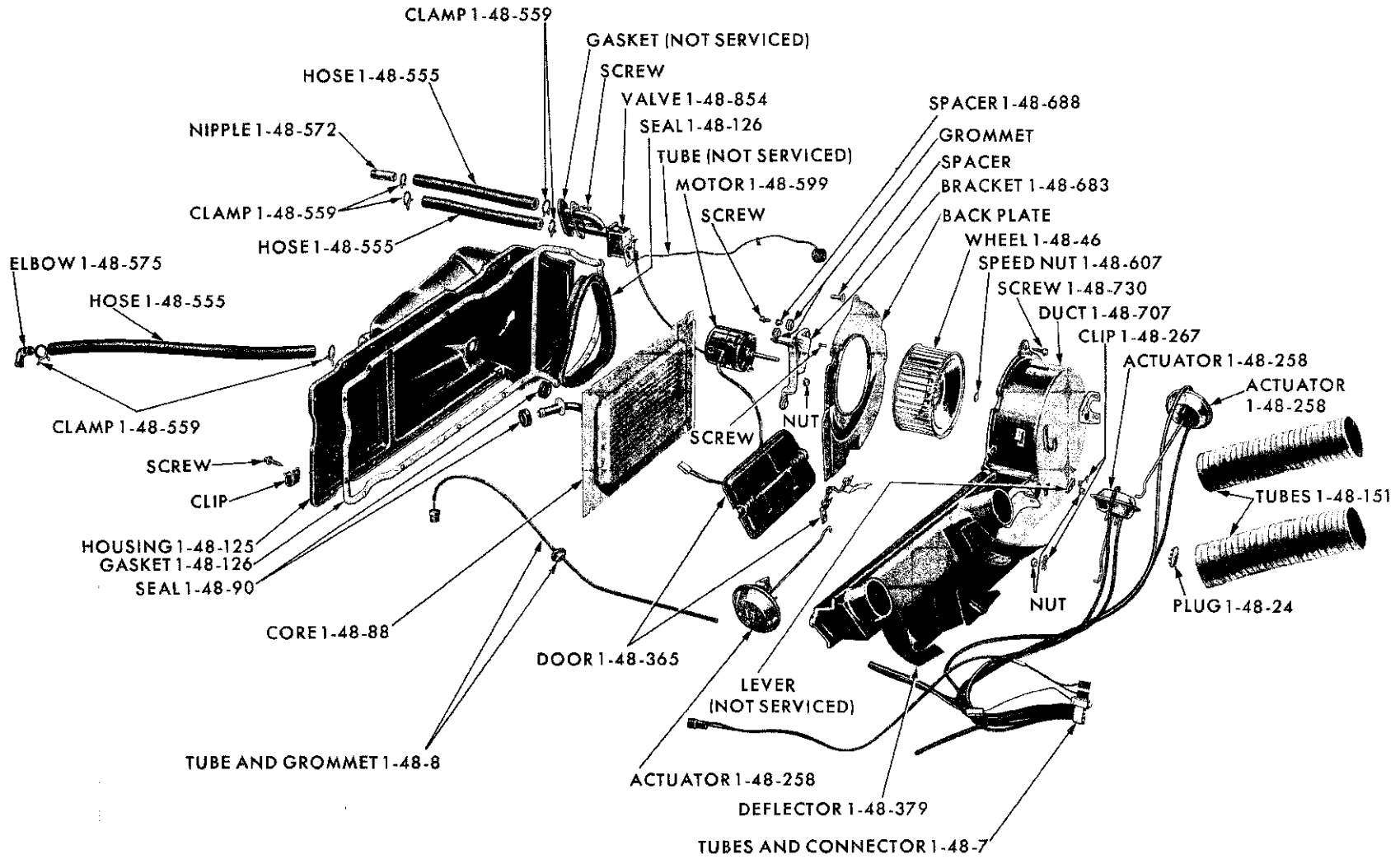
HEATER - VALIANT SV1 AND LANCER SL1



**PARTS INDICATED
 BY NAME ONLY - ORDER
 BY DESCRIPTION**

19x9355

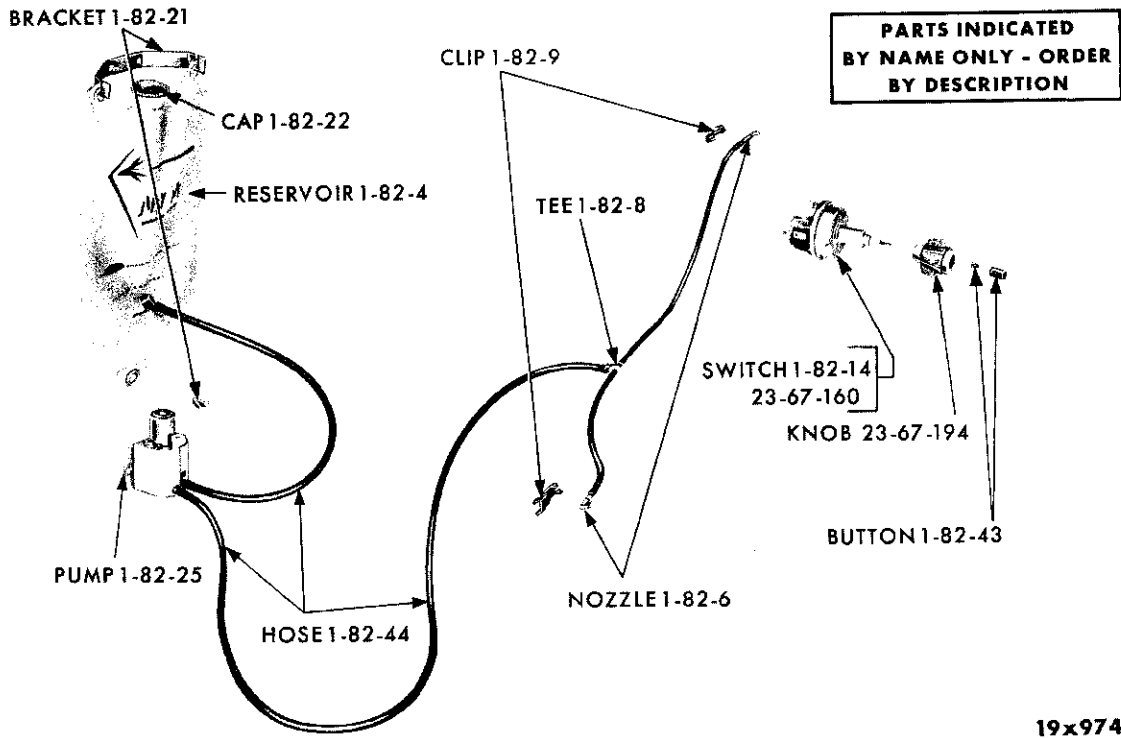
HEATER (MODEL 720) - PLYMOUTH SP1-2 AND DODGE SD1-2



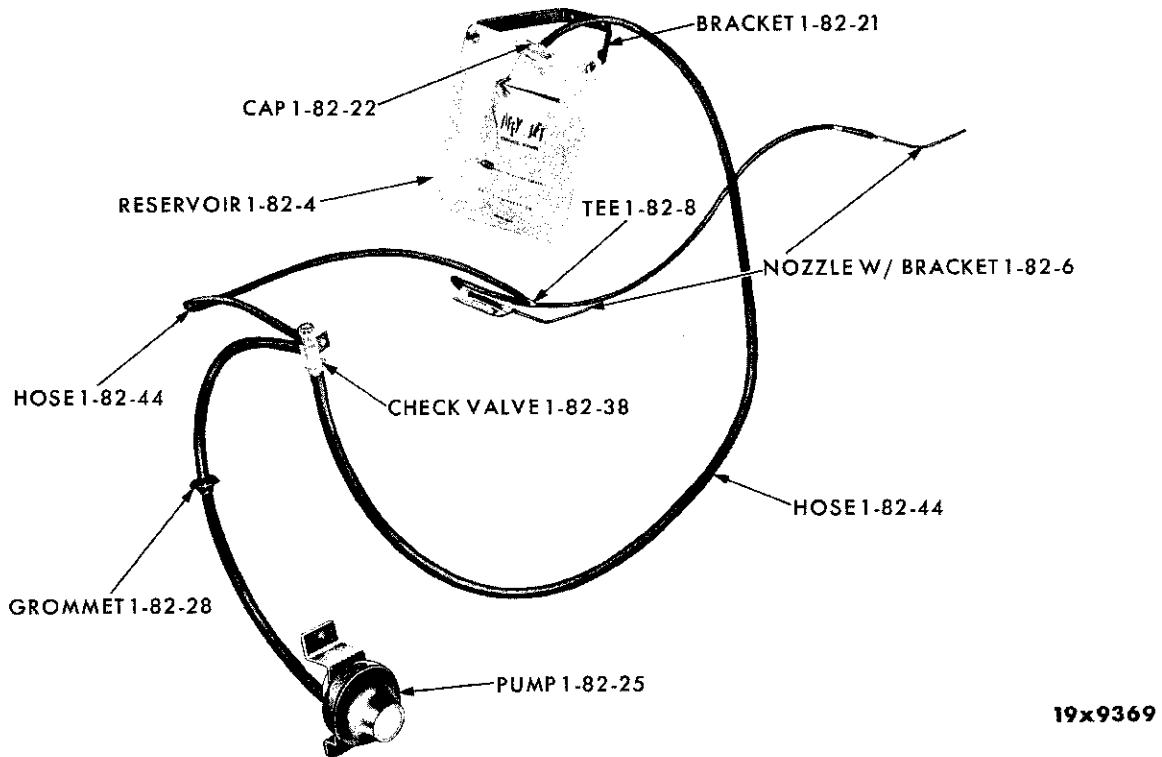
**PARTS INDICATED
 BY NAME ONLY - ORDER
 BY DESCRIPTION**

19x8554F

HEATER - CHRYSLER SC1-2-3 AND IMPERIAL SY1

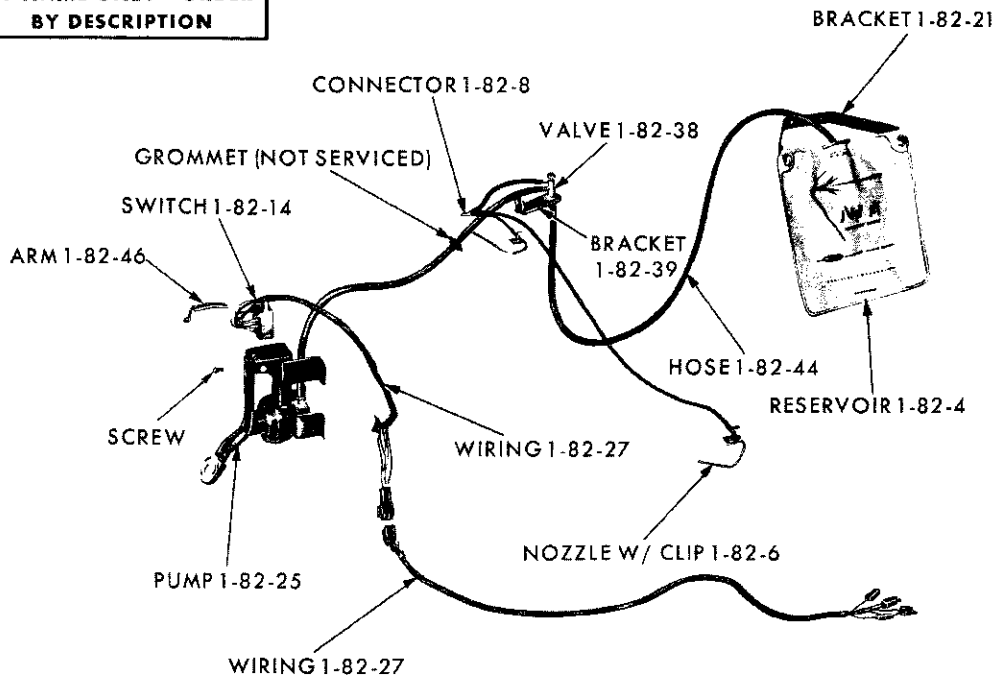


WINDSHIELD WASHER SYSTEM - ELECTRIC



WINDSHIELD WASHER SYSTEM - VALIANT SV1 AND LANCER SL1

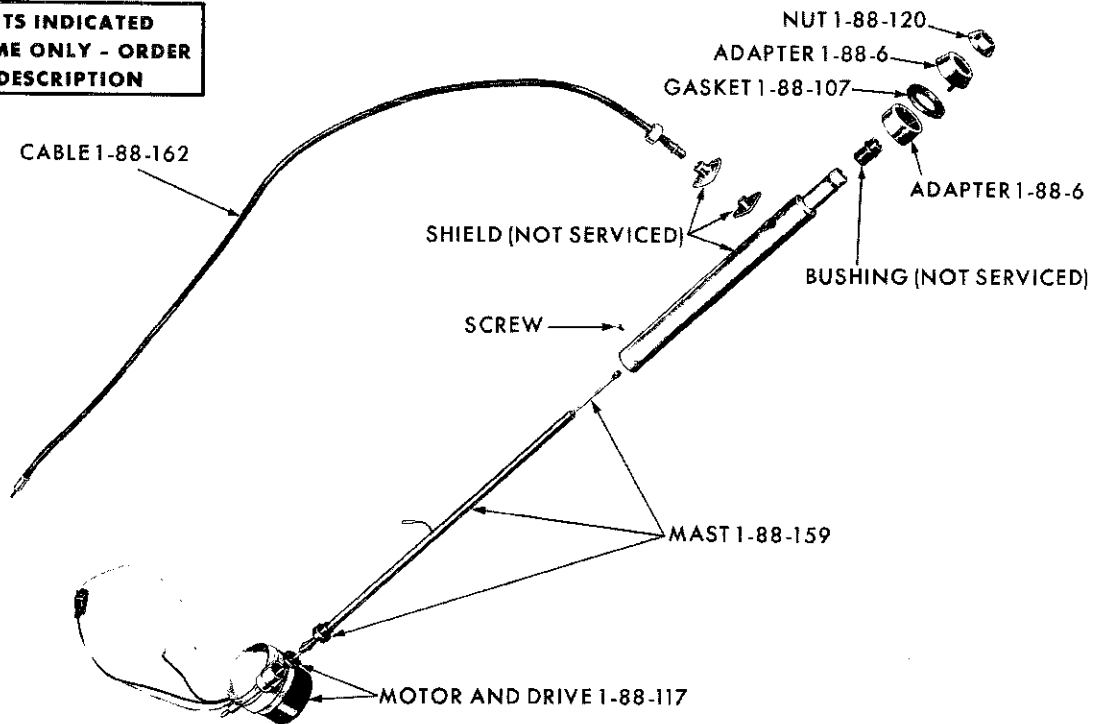
**PARTS INDICATED
BY NAME ONLY - ORDER
BY DESCRIPTION**



19x9374

WINDSHIELD WASHER SYSTEM - PLYMOUTH SP1-2 AND DODGE SD1-2

**PARTS INDICATED
BY NAME ONLY - ORDER
BY DESCRIPTION**



19x9047

POWER ANTENNA - IMPERIAL SY1

1962 PASSENGER CAR PARTS CATALOG

CODE	PART NAME AND DESCRIPTION	C Y L	PER CAR	VALIANT LANCER	PLYMOUTH DODGE	CHRYSLER IMPERIAL
------	---------------------------	-------------	------------	-------------------	-------------------	----------------------

NOTES

★ Indicates use as required.
 □ Indicates parts not listed in any previous parts book.
 September 15, 1961.

Printed in U.S.A.
 Prices and specifications subject to change without notice.

CODE	PART NAME AND DESCRIPTION	CYL.	PER CAR	VALIANT LANCER	PLYMOUTH DODGE	CHRYSLER IMPERIAL
1-01-0 BUMPER OR GRILLE GUARD						
1-01-1	GUARD PACKAGE, Bumper, SD1, SD2, Front or Rear		★	2196 449	2279 890	
1-04-0 AUTOMATIC HEADLAMP DIMMER						
1-04-4	SCANNER, Factory Installed, SY1		1	----	----	2096 894
1-04-6	BASE, Scanner, SY1		1	----	----	2096 899
1-04-7	SPACER, Base, Mtg., SY1		1	----	----	1971 162
1-04-8	SCREW, Scanner Mtg., SY1		1	----	----	892 569
1-04-12	AMPLIFIER, SY1		1	----	----	2257 182
1-04-18	ADAPTER, Amplifier, SY1		3	----	----	2096 872
1-06-0 WARNING LIGHT						
1-06-1	FLASHER PACKAGE, Emergency, SC1, SC2, SC3 . SY1	8	1 1	2290 413 ----	2290 413 ----	2097 278 *2290 413
1-06-2	FLASHER UNIT, SC1, SC2, SC3 SY1	8	1 1	2290 360 ----	2290 360 ----	2196 300 *2290 360
1-06-3	SWITCH, Emergency Flasher		1	1972 136	1972 136	1972 136
1-06-4	KNOB, Switch		1	1972 137	1972 137	1972 137
1-06-9	HOUSING, Lens and Retainer		1	2290 620	2290 620	
1-06-11	SOCKET, Emergency Flasher Indicator Lamp . . .		1	2097 003	2097 003	
1-06-14	BRACKET, Switch Mounting	8	1	----	----	*2097 161
1-07-0 LOAD LEVELER						
1-07-1	LOAD LEVELER, Shock Absorber, SC1, SC2, SC3		2	2421 075	2403 008	2206 633
1-08-0 TAILGATE WINDOW SCREEN						
1-08-1	SCREEN		1	----	2196 144	2196 144
1-09-0 HAND BRAKE SIGNAL LAMP						
1-09-1	SIGNAL LAMP PACKAGE		1	2258 679	2258 679	
1-10-0 BACK-UP LAMP						
1-10-1	LAMP PACKAGE, w/Std. Trans., except Sub., SV1	6	1	2290 704		
	Sub., SV1	6	1	2290 706		
	w/Auto Trans., except Sub., SV1	6	1	2290 705	----	----
	Sub., SV1	6	1	2290 707		
	w/Std. Trans., except Sub., SL1	6	1	2290 708		
	Sub., SL1	6	1	2290 710		
	w/Auto. Trans., except Sub., SL1	6	1	2290 709		
	Sub., SL1	6	1	2290 711		
	w/Std. Trans., except Sub., SP1, SP2		1	----	2290 712	
	Sub., SP1, SP2		1	----	2290 714	
	w/Auto. Trans., except Sub., SP1, SP2		1	----	2290 713	
	Sub., SP1, SP2		1	----	2290 715	
	Sub., SD1, SD2		1	----	2290 718	
	Sub., SD1, SD2		1	----	2290 719	

★ Indicates use as required. Numerals in parentheses () refer to notes. Printed in U.S.A.
 ☐ Indicates parts not listed in any previous parts book. Prices and specifications subject to change without notice.
 * Indicates change or addition. March 8, 1963 Supersedes May 1, 1962.

1962 PASSENGER CAR PARTS CATALOG

ACCESSORIES

CODE	PART NAME AND DESCRIPTION	C Y L.	PER CAR	VALIANT LANCER	PLYMOUTH DODGE	CHRYSLER IMPERIAL
1-10-O BACK-UP LAMP - Cont'd						
1-10-1	LAMP PACKAGE - Cont'd					
	w/Std. Trans., except Sub., SD3, SC1, SC2	8	1	----	2290 725	2290 725
	w/Auto. Trans., except Sub., SD3, SC1, SC2	8	1	----	2290 726	2290 726
	w/Std. Trans., Sub., SD3, SC1	8	1	----	2290 727	2290 727
	w/Auto. Trans., Sub., SD3, SC1	8	1	----	2290 728	2290 728
1-12-O CIGAR LIGHTER						
	NOTE: For Components see Part Type Code 8-20-1					
1-13-O UNDERHOOD LIGHT						
1-13-1	LAMP PACKAGE, SC1, SC2, SC3		1	2258 910	2258 910	2258 910
1-13-9	SOCKET and BRACKET		1	2096 857	2096 857	
1-13-10	SWITCH, SC1, SC2, SC3		1	1972 426	1972 426	1972 426
1-13-13	SOCKET, SC1, SC2, SC3		1	1842 340	1842 340	1842 340
1-14-O MAP AND COURTESY LIGHT						
1-14-40	LAMP PACKAGE, Courtesy		1	2258 787	2258 787	
1-21-O CLOCK						
1-21-1	CLOCK PACKAGE, SP1, SP2		1	----	2258 463	
	SD1, SD2		1	----	2258 826	
	SY1		1	----		2197 287
1-30-O TRUNK COMPARTMENT LAMP						
1-30-3	SWITCH, SC1, SC2, SC3		1	1972 426	1972 426	1972 426
1-32-O VISOR						
1-32-2	VISOR, White, SP1, SP2, SD1, SD2		2	*2298 648	*2273 455	
	White, SD3, SC1, SC2, SC3, except Cv. Cp.		2	----	2212 272	2212 272
	White, SD3, SC1, SC3 Cv. Cp.		2	----	2212 685	2212 685
1-39-O FUEL TANK LOCKING CAP						
1-39-2	CAP		1	2073 990		
	Except Sub., SP1, SP2, SD1, SD2		1	----	2074 050	
	Sub.		1	----	2073 990	
	Except Sub., SD3		1	----	1948 754	1948 754
	Sub., SD3		1	----	2123 643	2123 643
1-42-O POWER BRAKE						
1-42-1	BRAKE PACKAGE, Power, Midland-Ross, SP1, SP2, SD1, SD2		1	2279 993	2298 968	
	SD3, SC1, SC2		1	----	2279 999	2279 999
1-45-O FENDER SKIRT						
1-45-1	SKIRT PACKAGE, Prime, SP1, SP2, SD1, SD2, except Sub.		1	----	2421 245	
	Stainless Steel, SP1, SP2, SD1, SD2, except Sub.		1	----	2421 244	

★ Indicates use as required.

Numerals in parentheses () refer to notes.

Printed in U.S.A.

☐ Indicates parts not listed in any previous parts book.

Prices and specifications subject to change without notice.

March 8, 1963 Supersedes May 1, 1962.

Page 1-6

* Indicates change or addition.

CODE	PART NAME AND DESCRIPTION	C Y L.	PER CAR	VALIANT LANCER	PLYMOUTH DODGE	CHRYSLER IMPERIAL
------	---------------------------	--------------	------------	-------------------	-------------------	----------------------

1-48-O HOT WATER HEATER AND COMPONENT PARTS

NOTE: Quantity is (1) Per Car unless otherwise indicated.

Model 719, 720, 750 Fresh Air Heater.
Model 721 Recirculating Heater.

CODE	PART NAME	MODEL 719	MODEL 720	MODEL 750	RECIRCU- LATING
1-48-1	HEATER PACKAGE, w/CONTROLS, SV1, SL1 SP1, SP2 SD1, SD2 SC1, SC2, SC3 SD3	---- ---- ---- ---- ----	---- 2277 446 2277 447 ---- ----	---- ---- ---- 2277 448 2219 292	2076 666 2277 691 2277 691
1-48-4	HEATER CONTROLS, SY1 PLATE, Vacuum SWITCH and Push Button EXTENSION, SC1, SC2, SC3 Fresh Air, SC1, SC2, SC3	---- ---- ----	---- ---- ----	2290 316 2290 193 2290 191	
1-48-7	TUBES and CONNECTOR, Heater Control . Fresh Air Door	2209 323 ----	2290 269 2290 268	2257 197 2257 195	
1-48-8	TUBE, Vacuum Feed	1971 676			
1-48-10	LAMP, Heater Control SP1, SP2, SY1 . . .	----	*2258 168	*2197 832	
1-48-11	BEZEL and STUDS, Heater Control, SC1, SC2, SC3 Fresh Air Control, SC1, SC2, SC3	---- ----	---- ----	2084 054 2084 055	
1-48-12	BUTTON, Heater Control Push SL1 Off Def. Hi Lo SV1 Off Def. Hi Lo	2258 470 2258 471 2258 472 2258 473 2291 006 2291 007 2291 008 2291 009			
	SP1, SP2 Off Heat Def. Cool SD1, SD2 Off Heat Def. Cool	---- ---- ---- ---- ---- ---- ---- ----	2258 171 2258 172 2258 173 2258 174 2258 348 2258 349 2258 350 2258 351		
	SD3 Off Lo Hi Def. Air	---- ---- ---- ---- ----	---- ---- ---- ---- ----	2197 468 2197 469 2197 470 2197 471 2197 472	
	SC1, SC2, SC3 Off Lo Hi Def. Air	---- ---- ---- ---- ----	---- ---- ---- ---- ----	1887 667 1887 668 1887 669 1887 670 1887 671	

* Indicates use as required. Numerals in parentheses () refer to notes. Printed in U.S.A.
 □ Indicates parts not listed in any previous parts book. Prices and specifications subject to change without notice.
 * Indicates change or addition. March 8, 1963 Supersedes May 1, 1962.

1-48-O HOT WATER HEATER AND COMPONENT PARTS - Cont'd

NOTE: Quantity is (1) Per Car unless otherwise indicated.

Model 719, 720, 750 Fresh Air Heater.
Model 724 Recirculating Heater.

CODE	PART NAME	MODEL 719	MODEL 720	MODEL 750	RECIRCULATING
1-48-151	TUBE, Windshield Defroster, (2)	2096 989	2096 989	2096 989	
	Right, SL1, SV1	-----	-----	-----	2219 890
	Left, SL1, SV1	-----	-----	-----	2219 889
	Right, SP1, SP2, SD1, SD2	-----	-----	-----	2277 692
	Left, SP1, SP2, SD1, SD2	-----	-----	-----	2277 693
1-48-158	GRILLE and GASKET, Rear Window Defogger Outlet, SD3	-----	-----	1971 043	
	SC1, SC2, SC3, SY1	*2219 627	*2219 627	*2219 627	
	GRILLE, Rear Window Defogger Inlet . . .	1971 091	1971 091	*1971 091	
	GRILLE, Windshield Defroster Outlet . . .	-----	2277 477		
1-48-159	BEZEL, Rear Window Defogger Inlet Grille	1819 014	1819 014	1819 014	
1-48-162	DUCT and SEAL, Rear Window Defogger, SD3, SC1, SC2, SC3	2277 458	2277 455	2277 459	
	SY1	-----	-----	2277 460	
1-48-164	WIRING, Defogger	2076 423	2076 423	2076 423	
1-48-175	CONTROL, Heater Defroster, SP1, SP2, SD1, SD2	-----	-----	-----	*2426 935
1-48-191	KNOB, Rear Window Defogger Switch, SP1, SP2, SC1, SC2, SC3	1887 591	1887 591	2257 955	
	SD1, SD2, SY1	-----	2256 626	1887 935	
	SD3	-----	-----	2257 478	
	DUMMY KNOB, use with 1972 469 Adapter, SC1, SC2, SC3	-----	-----	2257 955	
	DUMMY KNOB, use with 274 752 Nut, SC1, SC2, SC3	-----	-----	2291 577	
1-48-192	BEZEL, Rear Window Defogger Switch, SP1, SP2	2256 616	1972 898		
	SD1, SD2, SY1	-----	2256 616	2197 389	
	SD3	-----	-----	2197 499	
1-48-194	ADAPTER, Dummy Knob, SC1, SC2, SC3 . .	-----	-----	1972 469	
	SY1	-----	-----	2198 805	
1-48-203	NUT, Rear Window Defogger Switch Mounting, SD1, SD2, SC1, SC2, SC3 . . .	-----	1971 521	1971 521	
1-48-225	WHEEL, Rear Window Defogger Blower . .	1239 241	1239 241	1239 241	
1-48-227	PLATE, Rear Window Defogger Blower Mounting	1887 582	1887 582	1887 582	
1-48-236	ADAPTER, Heater Defogger Air Outlet, SY1	-----	-----	2219 066	
1-48-254	RETAINER, Heater Distribution Duct Damper to Vacuum Actuator Link, SP1, SP2, SD1, SD2	2076 405	2197 678	2076 405	
	SD3	-----	-----	2076 405	
1-48-258	ACTUATOR, Vacuum (★)	2219 980	2277 028	2277 091	
	Distribution Duct Shut-Off	-----	-----	2219 981	
	Distribution Duct Defogger	-----	-----	2219 982	

★ Indicates use as required.

Numerals in parentheses () refer to notes.

Printed in U.S.A.

⊠ Indicates parts not listed in any previous parts book.

Prices and specifications subject to change without notice.

* Indicates change or addition.

1-48-O HOT WATER HEATER AND COMPONENT PARTS - Cont'd

NOTE: Quantity is (1) Per Car unless otherwise indicated.

Model 719, 720, 750 Fresh Air Heater.
Model 724 Recirculating Heater.

CODE	PART NAME	MODEL 719	MODEL 720	MODEL 750	RECIRCULATING
1-48-264	HOUSING, Rear Window Defogger Blower . Rear Window Defogger Switch, SC1, SC2, SC3	1819 470 ----	1819 470 ----	1819 470 1972 146	
1-48-267	CLIP, Vacuum Actuator Shaft, Fresh Air Door Fresh Air Door Shut-Off Defroster	---- ---- ---- ----	---- ---- ---- ----	6008 144 6008 145 6015 216 6015 216	
1-48-268	MOTOR and BRACKET, Rear Window Defogger Blower	2096 772	2096 772	2096 772	
1-48-280	CONNECTOR, Heater Defroster Tube (2) .	----	2277 085		
1-48-300	SWITCH, Rear Window Defogger SC1, SC2, SC3 SY1 SD3 SD3, PACKAGE	1972 772 ---- ---- ---- ----	1972 772 ---- ---- ---- ----	1972 774 2197 410 *2096 376 *2197 443	
1-48-309	NUT, Rear Window Defogger Switch Mounting, SP1, SP2 SD1, SD2, SC1, SC2, SC3 SD3	1887 603 ---- ----	1887 603 1971 521 ----	1971 521 1972 548	
1-48-313	NAME PLATE, Rear Window Defogger Switch, SY1	----	----	2197 509	
1-48-328	DUCT, Fresh Air Intake	----	2277 342		
1-48-356	SHAFT and LINK, Fresh Air Door	----	2162 525		
1-48-357	RETAINER, Fresh Air Door Shaft	----	2162 360		
1-48-362	SEAL, Cowl Plenum Chamber Fresh Air Opening Housing Fresh Air Door Housing to Dash	2162 564 ----	2162 245		
1-48-365	DOOR, Cowl Plenum Chamber Fresh Air . DOOR and FRAME, Fresh Air, SD3, SY1 . DOOR and LINK, SD3, SC1, SC2, SC3 . . .	2195 951 ---- ----	2162 418 ---- ----	1830 633 1830 632	
1-48-366	GASKET, Heater Control Face Plate	2076 217			
1-48-370	PIN, Cowl Plenum Chamber Fresh Air Door to Bowden Cable To Housing Hinge	6022 808 6022 809			
1-48-374	CONTROL, Cowl Plenum Chamber Fresh Air Door, LHD. (2)	2243 357			
1-48-379	DEFLECTOR, Heater Air, SP1, SP2, SD1, SD2 SD3, SC1, SC2, SC3, SY1	---- ----	*2277 061 ----	*2197 768	

★ Indicates use as required. Numerals in parentheses () refer to notes. Printed in U.S.A.
 ☐ Indicates parts not listed in any previous parts book. Prices and specifications subject to change without notice.
 March 8, 1963 Supersedes May 1, 1962. * Indicates change or addition.

1-48-0 HOT WATER HEATER AND COMPONENT PARTS - Cont'd

NOTE: Quantity is (1) Per Car unless otherwise indicated.

Model 719, 720, 750 Fresh Air Heater.
Model 721 Recirculating Heater.

CODE	PART NAME	MODEL 719	MODEL 720	MODEL 750	RECIRCU- LATING
1-48-383	HOUSING, Cowl Plenum Chamber Fresh Air Door, Right	2259 330			
	Left	2243 293			
	Fresh Air Opening	*2259 112			
	Fresh Air Door	----	2162 239		
1-48-388	NUT, Fresh Air Door Linkage Adjusting . .	----	----	6022 274	
1-48-389	BOLT, Fresh Air Door Linkage, Mounting .	----	----	1839 345	
1-48-391	BRACKET, Fresh Air Door Vacuum Actuator, Mounting	----	2277 559	1885 836	
	Dash Panel Fresh Air Door Actuating Mounting, w/o Air Conditioning	----	----	1960 716	
1-48-393	LEVERS and LINK, Heater and Vent Deflector	----	2277 068		
1-48-394	WASHER, Fresh Air Door Linkage Spring .	----	----	1152 315	
1-48-399	COVER, Cowl Plenum Chamber Front Panel Heater Opening	2082 294			
1-48-555	HOSE, Heater, 50' Roll, as req'd.	1315 466	1315 466	1315 466	
	Heater Valve to Core, SD3	----	----	1595 160	
	Core to Pump, SP2, SD2, w/413 cu.in. Engine	----	*2197 011	*2096 932	
	SP1, SP2, SD1, SD2, SL1, SV1	----	2096 932	----	2197 902
	Engine to Core, SP2, SD2, w/413 cu.in. Engine	----	*2197 011		
1-48-559	CLIP, Fresh Air Door Vacuum Tube	----	1302 783		
1-48-572	NIPPLE, Heater Hose, Inlet	1971 061	1971 061	1971 061	
	Outlet	1971 061	1971 061	1971 061	
	Return	----	----	----	1971 061
	w/High Performance, Return	----	1779 257	1779 257	
1-48-599	MOTOR, Blower, SL1, SV1	2084 848	----	2084 862	2219 886
	SP1, SP2, SD1, SD2	----	----	----	2277 639
	w/Mounting PLATE	----	2277 419		
	NUT, Mounting	----	6023 195		
1-48-600	CLIP, Axial Blower Rotor, Balancing . . .	----	2277 247		
		----	2277 248		
		----	2277 249		
		----	2277 670		
		----	2277 671		
		----	2277 672		
	Retaining	----	2277 263		
1-48-602	STATOR, Heater Axial Blower	----	2219 102		
1-48-603	ROTOR, Axial Blower	----	2219 103		
1-48-608	GASKET, Blower Motor Mounting Plate to Duct	2076 352			
	Blower Motor Mounting	2076 088			
1-48-611	PLATE, Blower Motor and Vacuum Actuator, Mounting	2076 354	*2277 345		

★ Indicates use as required.

☐ Indicates parts not listed in any previous parts book.

* Indicates change or addition.

Numerals in parentheses () refer to notes.

Prices and specifications subject to change without notice.

1-48-0 HOT WATER HEATER AND COMPONENT PARTS - Cont'd

NOTE: Quantity is (1) Per Car unless otherwise indicated.

Model 719, 720, 750 Fresh Air Heater.
Model 721 Recirculating Heater.

CODE	PART NAME	MODEL 719	MODEL 720	MODEL 750	RECIRCULATING
1-48-613	SCREW, Blower Motor to Stator (4) Blower Mounting	---- -- ---- --	6023 146 6024 003		
1-48-683	BRACKET, Blower Motor Mounting	---- --	---- --	1880 211	
1-48-684	GROMMET, Blower Motor Mounting Bracket	---- --	---- --	1879 827	
1-48-688	SPACER, Blower Motor Bracket	---- --	*2277 873	1605 271	
1-48-707	DUCT, Distribution, SD1, SD2 SD3, SC1, SC2, SC3	2076 140 ---- --	---- -- ---- --	*2277 754	
1-48-709	CLIP, Vacuum Actuator Retaining, Right . Left Vacuum Actuator Shaft to Lever, Retaining	6015 254 6015 255 ---- --	6008 144	6008 145	
1-48-712	LEVER, Heater Damper, (2)	---- --	1819 697	1819 689	
1-48-715	SPACER, Distribution Duct to Dash (as req'd)	2277 652 1704 198			
1-48-722	NUT, Defroster Damper Shaft, SD3, SC1, SC2, SC3, SY1	---- --	---- --	1829 825	
1-48-770	SWITCH, Fresh Air Heater Control Push Button Blower Motor, 3 Speed	2290 089 ---- --	2256 681 2256 590	2290 089	2197 904
1-48-771	PLATE, Heater Control Vacuum Switch, Mounting	2258 468			
1-48-774	DECAL, Heater Blower Switch, SP1, SP2 . SD1, SD2	---- -- ---- --	2258 264 2258 626		
1-48-779	NUT, Heater Blower Switch, SP1, SP2	1439 758	1339 711		
1-48-780	BRACKET, Blower Switch Mounting	---- --	2290 061		
1-48-801	KNOB, Heater Blower Switch, SP1, SP2 . . SL1, SV1, SD1, SD2	---- -- ---- --	2256 479 2256 483	---- -- ---- --	1887 591 1887 591
1-48-832	RESISTOR, Heater Blower Motor	---- --	2277 016		
1-48-839	CLAMP, Cowl Plenum Chamber Fresh Air Door Housing to Bowden	2259 329			
1-48-854	VALVE, Temperature Control VALVE and GASKET, SD3, SC1, SC2, SC3 SY1	2219 280 ---- -- ---- --	2275 592 ---- -- ---- --	---- -- 2084 461 2084 460	2219 891
1-48-855	SEAL, Temperature Control Valve	1604 116	2277 026		
1-48-858	GASKET, Temperature Control Valve Mounting	---- --	2277 025		
1-48-867	PLATE and GASKET, Control Valve Mounting	2076 327			

★ Indicates use as required.

Numerals in parentheses () refer to notes.

Printed in U.S.A.

⊠ Indicates parts not listed in any previous parts book.

Prices and specifications subject to change without notice.

March 8, 1963 Supersedes May 1, 1962.

* Indicates change or addition.

1-48-O HOT WATER HEATER AND COMPONENT PARTS - Cont'd

NOTE: Quantity is (1) Per Car unless otherwise indicated.

Model 719, 720, 750 Fresh Air Heater.
Model 721 Recirculating Heater.

CODE	PART NAME	MODEL 719	MODEL 720	MODEL 750	RECIRCULATING
1-48-886	BRACKET, Lamp Socket, SC1, SC2, SC3 . .	----	----	2197 001	
1-48-940	ARM, Temperature Control, w/PLATE, SP1, SP2	*2258 474	*2258 161		
	SD1, SD2	----	*2258 342		
	SD3	----	----	*2197 461	
	SC1, SC2, SC3	----	----	*2097 097	
1-48-941	CABLE and HOUSING, Temperature Control CLIP	2290 354 *6015 143	2290 352 *6015 143	1819 748 *6015 143	
1-48-942	KNOB and CLIP, Temperature Control . . .	2258 479			
	KNOB and SCREW, SP1, SP2	----	2258 166		
	SD1, SD2	----	2258 359		
	SD3	----	----	*2197 622	
	SC1, SC2, SC3	----	----	1887 426	
	SY1	----	----	2197 836	

CODE	PART NAME AND DESCRIPTION	CYL.	PER CAR	VALIANT LANCER	PLYMOUTH DODGE	CHRYSLER IMPERIAL
1-50-O WINDOW SAFETY SWITCH						
1-50-1	SWITCH PACKAGE, Electric Window Lift		1	----	2197 405	2197 405
1-67-O SEAT BELT						
1-67-1	BELT PACKAGE, Seat, SC2, Single, Front		★	----	----	*2421 446
	SC2, Single, Rear		★	----	----	2421 447
1-67-2	HARDWARE PACKAGE, Mounting		★	⊠2299 972	⊠2299 972	⊠2299 972
1-67-3	REINFORCEMENT, to Floor		★	2252 151	2252 151	2252 151
	w/Weld NUT		★	⊠2424 563	⊠2424 563	⊠2424 563
1-67-5	PLUG, Anchor Hole Seal		★	2252 155	2252 155	2252 155
	GROMMET, Front Seat, SD3, except SY1	8	2	----	2161 510	2161 510
1-67-6	STUD, Front Seat Belt Eye		2	⊠2428 046	⊠2428 046	⊠2428 046
1-67-8	NUT, Front Seat Belt Eye Stud		2	⊠6023 777	⊠6023 777	⊠6023 777
1-67-9	WASHER, to Floor		2	⊠2299 534	⊠2299 534	⊠2299 534
1-72-O CHILD GUARD REAR DOOR SAFETY LOCK						
1-72-5	LOCK PACKAGE, SP1, SP2, SD1, SD2		1	2240 572	2298 597	
	SD3, SC1, SC2, SC3, SY1		1	----	2240 572	2240 572
1-74-O ROOF LUGGAGE RACK.						
1-74-1	RACK PACKAGE, Sub., SP1, SP2, SD1, SD2 . . .		1	2243 544	2243 544	
	SD3, SC1, SC3		1	----	2196 250	2196 250

★ Indicates use as required. Numerals in parentheses () refer to notes. Printed in U.S.A.
 ⊠ Indicates parts not listed in any previous parts book. Prices and specifications subject to change without notice.
 * Indicates change or addition. March 8, 1963 Supersedes May 1, 1962.

1962 PASSENGER CAR PARTS CATALOG

ACCESSORIES

CODE	PART NAME AND DESCRIPTION	C Y L.	PER CAR	VALIANT LANCER	PLYMOUTH DODGE	CHRYSLER IMPERIAL
1-76-O MIRROR						
1-76-1	MIRROR PACKAGE, Outside Rear View, Manual . Left, SC1, SC2, SC3	8	★ 1	2299 574 ----	2299 574 ----	2275 020
	Right, SC1, SC2, SC3		1	----	----	2275 015
	Right, SD3, SY1		1	----	2275 015	2275 015
	Left, SY1		1	----	----	2275 020
	REMOTE CONTROL and MIRROR PACKAGE, Outside Rear View, SC1, SC2, SC3		1	----	2275 937	2275 937
	MIRROR PACKAGE, SC1, SC3		1	----	2162 414	2162 414
1-76-2	MIRROR, Vanity		1	----	----	1839 845
1-76-3	MIRROR PACKAGE, Inside Rear View, Prismatic, SP1, SP2, SD1, SD2		8	1	*2299 846	*2299 846
	SD3, SC1, SC2, SC3	1		----	*2421 208	
1-82-O WINDSHIELD WASHER						
1-82-2	WINDSHIELD WASHER PACKAGE, SP1, SP2, SD1, SD2, SC1, SC2	1	1	2258 839	2290 045	2257 692
	SD3		1	----	2257 692	
1-82-4	RESERVOIR, SP1, SP2, SD1, SD2	1	1	2076 216	2076 216	2198 448
	SD3		1	----	2198 448	
1-82-6	NOZZLE, w/BRACKET	2	2	2209 389	----	2198 211
	w/CLIP, Right, SP1, SP2, SD1, SD2		1	----	2258 929	
	Left, SP1, SP2, SD1, SD2	1	----	2258 926	1887 319	
	NOZZLE, SD3, SC1, SC2, SC3	2	----	----		
	NOZZLE, w/BASE, SY1	2	----	----	1887 321	
	NOZZLE, SY1	2	----	----		
1-82-8	CONNECTOR, Hose	1	1	----	2258 912	1523 160
	TEE, Hose, SD3		1	1523 160	1523 160	
1-82-9	CLIP, Nozzle Mtg., SD3, SC1, SC2, SC3	2	----	----	2198 210	
1-82-14	SWITCH, Single Speed	1	1	----	2290 629	2198 323
	Variable Speed, SP1, SP2, SD1, SD2		1	----	2290 628	
	SD3		1	----	2198 323	
1-82-15	SCREW, Switch Mtg.	2	----	1819 251		
1-82-21	BRACKET, Reservoir Mtg., SP1, SP2, SD1, SD2 . SD3	1	1	*2258 779	*2258 779	*2198 450
			1	----	*2198 450	
1-82-22	CAP, Reservoir	1	1	1838 001	1838 001	2198 454
	w/o Hole in Top		1	2198 454	2198 454	
1-82-25	PUMP, Foot Control, SC1, SC2	8	1	*2076 175	*2258 782	*2197 423
	SD3		1	----	*2197 423	
	Push Button Type, Electric		1	2258 119	2258 119	
	Foot Control, w/VALVE, SC1, SC2		1	⊠2427 462	⊠2427 462	
1-82-27	WIRING, Switch Feed, SP1, SP2	1	1	----	2290 348	
	SD1, SD2		1	----	2290 349	
1-82-29	GROMMET, Check Valve to Foot Pump	1	1	1971 739	2 0 102	2290 102
	CIRCUIT BREAKER, w/TERMINAL, Pump		1	2290 102	2 0 102	
1-82-30	STRAINER	1	1571 028	1571 028		
1-82-38	VALVE, Check	1	1880 222	1880 222		
1-82-39	BRACKET, Check Valve	1	----	2258 780		
1-82-43	BUTTON, w/CLIP, Switch, SD3	1	----	1972 581	1972 512	

★ Indicates use as required. Numerals in parentheses () refer to notes. Printed in U.S.A.
 ⊠ Indicates parts not listed in any previous parts book. Prices and specifications subject to change without notice.
 March 8, 1963 Supersedes May 1, 1962. Page 1-14 * Indicates change or addition.

CODE	PART NAME AND DESCRIPTION	C Y L.	PER CAR	VALIANT LANCER	PLYMOUTH DODGE	CHRYSLER IMPERIAL
1-82-O WINDSHIELD WASHER - Cont'd						
1-82-44	HOSE, Windshield Washer, 3/16" O.D.		★	2096 623	2096 623	2096 623
	9/32" O.D.		★	2197 650	2197 650	2197 650
	13/32" O.D.		★	2097 055	2097 055	2097 055
1-82-46	ARM, Windshield Washer Foot Pump Switch . . .		1	---- --	2421 196	2421 196
1-82-49	NUT, Switch Mounting		1	2257 280	2257 280	
1-87-O RADIO						
1-87-2	SPEAKER and SWITCH PACKAGE, Rear Shelf . .		1	*2291 479	*2291 479	
	SPEAKER PACKAGE, Rear Shelf, SD1, SD2, SD3, SC1, SC2, SC3		1	---- --	*2291 874	*2291 874
	SPEAKER, Instrument Panel, 100 Series	6	1	*2448 821		
	SP1, SP2, SD1, SD2, 200 Series		1	*2448 812	*2448 810	
	SP1, SP2, SD1, SD2, 300 Series		1	---- --	2448 811	
	SD3, SC1, SC2, SC3		1	---- --	*2448 812	*2448 812
	SY1		1	---- --	---- --	*2448 813
	SPEAKER, Rear Compartment		1	*2448 812	*2448 812	*2448 812
1-87-5	SWITCH, Foot Control	8	1	---- --	---- --	1819 409
1-87-6	PLUG, Control Foot Switch		1	---- --	---- --	2086 634
1-87-8	ADAPTER, Instrument Panel Mounting, SC1, SC2, SC3		1	---- --	---- --	1971 057
1-87-12	BRACKET, Radio Mounting	6	1	2076 718		
1-87-17	NUT, Radio Speaker Guide and Medallion, SV1 . .	6	2	1839 995		
1-87-21	GRILLE, Rear Shelf Speaker, except SY1		1	1971 091	1971 091	1971 091
1-87-22	BEZEL, Grille, except SY1		1	1819 014	1819 014	1819 014
1-87-30	PLATE, Instrument Panel Speaker Mounting . . .	6	1	*2076 252		
1-87-180	KNOB, Control, Rear Speaker		★	*1971 644	*1971 644	
1-87-289	SWITCH, Rear Shelf Radio Speaker Fader		1	1819 889	1819 889	
1-87-292	NAME PLATE, Rear Speaker Switch		1	*1972 405	*1972 405	
1-87-335	STUD, Instrument Panel Radio Speaker Mtg., SD3.		4	---- --	*2097 570	
1-87-336	NUT, Speaker Mtg., SC1, SC2, SC3	8	4	---- --	---- --	*1972 025
1-87-404	CABLE, Rear Speaker Wiring		1	*1627 125	*1627 125	*1627 125
	WIRING Assy., Rear Speaker		1	---- --	*1769 430	*1769 430
1-87-464	HOLDER, Feed Fuse		1	1841 698		
1-88-O RADIO ANTENNA						
1-88-1	ANTENNA PACKAGE, Front 60" Manual, SP1, SP2, SD1, SD2		1	2258 888	2258 888	
	SD3, SC1, SC2, SC3		1	---- --	2258 933	2258 933
	Motor Driven, Rear, SC1, SC2, SC3		1	---- --	---- --	2258 920
1-88-6	ADAPTER and GASKET, Mounting, 60" Manual . .		1	2258 745	2258 745	---- --
	SC1, SC2		1	---- --	---- --	2258 934
	SD3, SC3		1	---- --	2258 937	2258 937

★ Indicates use as required.

Numerals in parentheses () refer to notes.

Printed in U.S.A.

⊠ Indicates parts not listed in any previous parts book.

Prices and specifications subject to change without notice.

* Indicates change or addition.

March 8, 1963 Supersedes May 1, 1962.

1962 PASSENGER CAR PARTS CATALOG

CODE	PART NAME AND DESCRIPTION	CYL	PER CAR	VALIANT LANCER	PLYMOUTH DODGE	CHRYSLER IMPERIAL
1-88-O RADIO ANTENNA - Cont'd						
1-88-6	ADAPTER, Mtg., 90" Manual		1	2076 250		
	ADAPTER and GASKET, Right Rear, Power, Upper SC1, SC2, SC3		1	----	----	2258 335
	Lower		1	----	----	2258 271
	ADAPTER, Antenna Mast Mounting Lower, SY1		1	----	----	2197 447
	Upper, SY1		1	----	----	2197 446
1-88-7	PIN and CONNECTOR, Power Antenna		1	----	----	2258 899
1-88-10	MAST, Antenna, w/LEAD, SP1, SP2, SD1, SD2	8	1	2258 881	2258 881	
	SD3, SC1, SC2, SC3		1	----	2258 939	2259 939
1-88-17	GASKET, Antenna Mounting Adapter Upper.	6	1	2076 251		
1-88-51	COVER, Front Fender Shield Antenna Hole, SY1		1	----	----	1940 860
1-88-67	LEAD, Antenna, SC1, SC2, SC3		1	----	----	2258 771
1-88-107	GASKET, Antenna Mtg., Adapter	6	1	2076 251		
	SY1	8	1	----	----	2197 448
1-88-116	KNOB, Power Antenna Switch, SY1	8	1	----	----	1887 935
	SC1, SC2, SC3	8	1	----	----	2257 955
	Dummy, SC1, SC2, SC3	8	1	----	----	2291 577
1-88-117	MOTOR, w/Drive.	8	1	----	----	1972 068
1-88-118	CIRCUIT BREAKER, Power Antenna, SC1, SC2, SC3	8	1	----	----	1642 477
1-88-120	NUT, Cap, 1/2-24"		1	2096 052		
	5/8-24"		★	2258 831	2258 831	2258 831
	3/4-32", SC1, SC2, SC3		1	----	----	1972 066
	For Motorized Antenna	8	1	----	----	2291 415
1-88-123	NUT, Rotary Switch Mtg., SC1, SC2, SC3		1	----	----	*1971 521
	NUT, Toggle Switch Mounting, SC1, SC2, SC3	8	2	----	----	*1688 542
1-88-159	MAST, Power Antenna, SC1, SC2, SC3		1	----	----	1972 065
1-88-162	CABLE, Power Antenna Lead-In, SC1, SC2, SC3		1	----	----	2290 041
	SY1 Factory Installed		1	----	----	2258 771
1-88-170	COLLAR, Adapter Mtg.		1	2076 249		
	Grounding, SC1, SC2, SC3		1	----	----	2258 270
	Rear, SY1		1	----	----	2197 870
1-88-205	SWITCH, Power Antenna, SC1, SC2, SC3, Rear Mounted	8	1	----	----	1779 863
	SC1, SC2, SC3, Rear Mounted, Factory Installed	8	1	----	----	2198 879
	Front Mounted, SY1, Factory Installed	8	1	----	----	1779 863
	Front Mounted, SY1, Dealer Installed		1	----	----	2197 147
1-108-O SPOTLIGHT						
1-108-1	SPOTLIGHT PACKAGE, SD3		1	*2291 571	*2291 571	*2291 571
1-108-2	BRACKET PACKAGE, Outside Mounting, Right, SP1, SP2, SD1, SD2		1	1704 802	2291 572	
	Right, SD3, SC1, SC2, SC3		1	----	1818 918	1818 918
	Left, SP1, SP2, SD1, SD2		1	1704 803	2291 573	
	Left, SD3, SC1, SC2, SC3		1	----	1818 917	1818 917
	Left, SY1	8	1	----	----	2198 727

★ Indicates use as required. Numerals in parentheses () refer to notes. Printed in U.S.A.
 ☒ Indicates parts not listed in any previous parts book. Prices and specifications subject to change without notice.
 March 8, 1963 Supersedes May 1, 1962. * Indicates change or addition.

1962 PASSENGER CAR PARTS CATALOG

CODE	PART NAME AND DESCRIPTION	C Y L.	PER CAR	VALIANT LANCER	PLYMOUTH DODGE	CHRYSLER IMPERIAL
1-108-0 SPOTLIGHT - Cont'd						
1-108-10	MEDALLION, Coronado		1	2291 575	2291 575	2291 575
	Sportsman		1	2291 576	2291 576	2291 576
1-108-17	BULB, 5" diameter		1	1661 046	1661 046	1661 046
	6" diameter		1	1662 230	1662 230	1662 230
1-108-28	SWITCH		1	1641 511	1641 511	1641 511
1-108-49	HOLDER, Fuse		1	1239 344	1239 344	1239 344
1-135-0 DOOR EDGE PROTECTOR						
1-135-1	PROTECTOR PACKAGE, Door Edge, 2 Door					
	Models, SP1, SP2, SD1, SD2		1	2240 574		
	SY1		1	-----	-----	2094 926
	4 Door Models, SP1, SP2, SD1, SD2		1	2196 642	2299 373	
	SY1		1	-----	-----	2094 921

NOTES

* Indicates use as required. Numerals in parentheses () refer to notes. Printed in U.S.A.
 ☐ Indicates parts not listed in any previous parts book. Prices and specifications subject to change without notice.
 * Indicates change or addition. March 8, 1963 Supersedes May 1, 1962.

