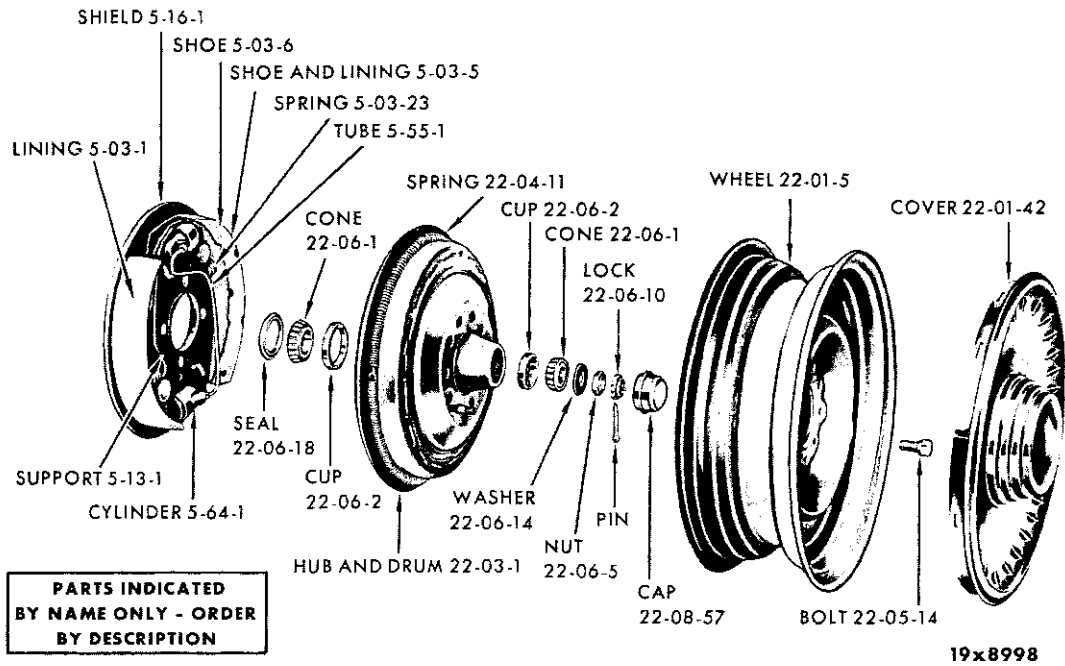
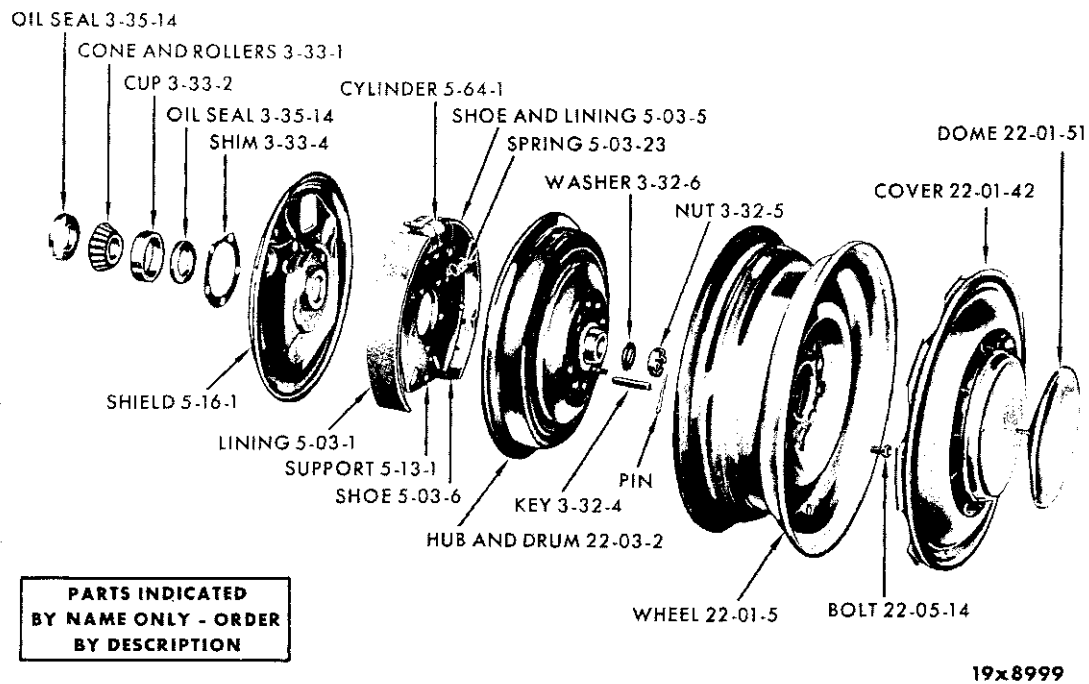


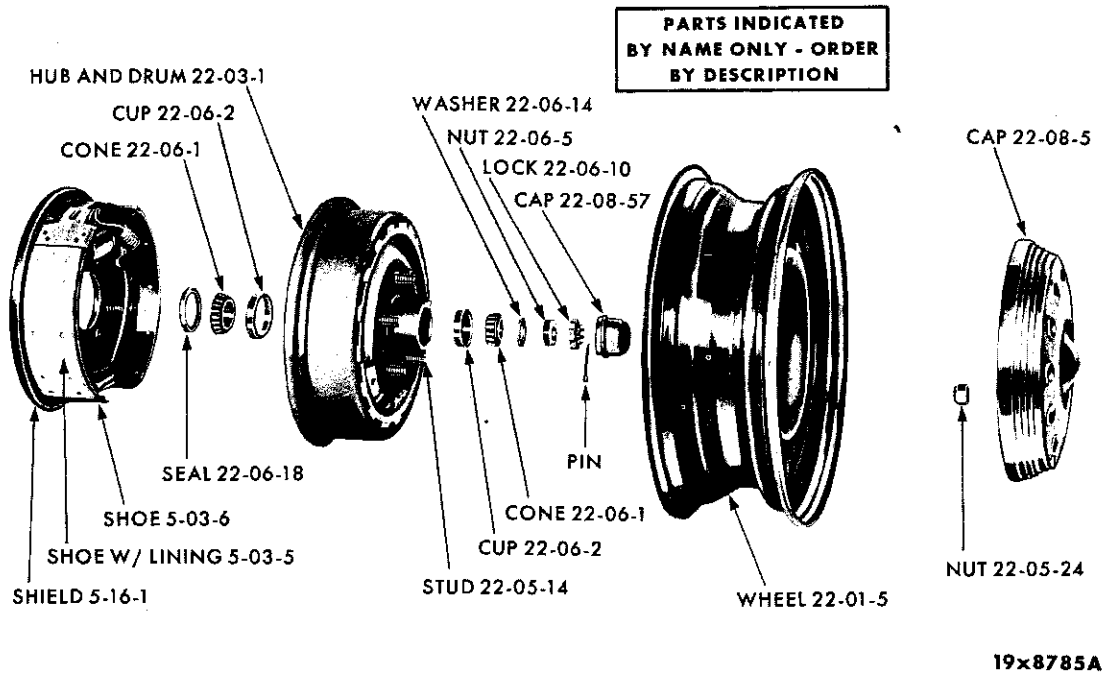
GROUP 22 - WHEELS



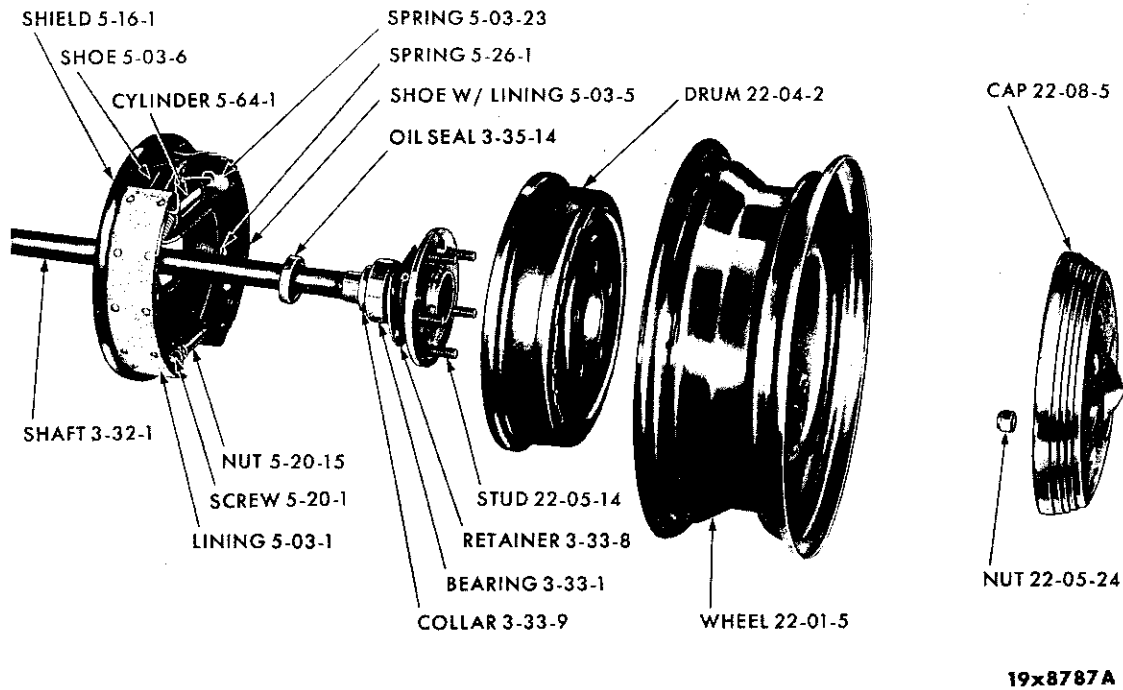
FRONT WHEEL - EXCEPT VALIANT RV1



REAR WHEEL - EXCEPT VALIANT RV1



FRONT WHEEL - VALIANT RV1



REAR WHEEL - VALIANT RV1

CODE	PART NAME AND DESCRIPTION	CYL.	PER CAR	VALIANT	PLYMOUTH	DESOTO	CHRYSLER	IMPERIAL
------	---------------------------	------	---------	---------	----------	--------	----------	----------

22-01-0 WHEELS

TIRE CHART

Wheel Size	Tire Size	Wheel Size	Tire Size
13 x 4.50	6.50 x 13	15 x 5.50	6.70 x 15
14 x 5.00	7.50 x 14	15 x 6.00	7.60 x 15
14 x 5.50	8.00 x 14	15 x 6.00	8.00 x 15
14 x 6.00	8.50 x 14	15 x 6.00	8.20 x 15
14 x 6.50	9.00 x 14		

22-01-5	WHEEL 13 x 4.50	5	2073 342					
	14 x 5.00	5	-----	2260 651				
	14 x 5.50	5	-----	2084 628	2084 628	2084 628		
	14 x 6.00	5	-----	2275 898	2275 898	2275 898		
	14 x 6.50	★	-----	-----	-----	2122 468		
	15 x 5.50	5	-----	2122 453				
	15 x 6.00	★	-----	-----	-----	2200 928		2122 478
22-01-42	COVER, Wheel	4	2207 638	2201 484	1940 830			
	15" Wheel	4	-----	1637 339				
	RC1, RC2, RY1-L, RY1-M . . .	4	-----	-----	-----	2201 659*		2201 650
	RC3	4	-----	-----	-----	2260 170		
	RC4	4	-----	-----	-----	2260 876		
	RY1-H	4	-----	-----	-----	-----		2201 651
22-01-43	MEDALLION, Wheel Cover, RC4	4	-----	-----	-----	1828 420		2201 655
22-01-46	EXTENSION, Tire Valve	4	-----	-----	-----	1613 399		
22-01-49	RETAINER, Wheel Cover Medallion, RC4	8	4	-----	-----	1829 625		
22-01-51	DOME, Wheel Cover, RY1-H . . .	4	-----	-----	-----	-----		2207 516
	RC3, New Yorker	4	-----	-----	-----	2260 171		

22-03-0 HUB AND BRAKE DRUM

22-03-1	HUB and BRAKE DRUM, Det. Blt., Front Right	1	2260 534					
	Left	1	2260 535					
	Except Det. Blt., Front Right . .	1	2072 726					
	Left	1	2072 727					
	11" x 2" except Sub., Right . .	1	-----	2200 130				
	Left	1	-----	2200 131				
	11" x 2 1/2" RP1, RP2, Sub. except Cal. Blt., RC1 except Sub., RC2, Right	1	-----	2200 132	1948 112	1948 112		
	Left	1	-----	2200 133	1948 113	1948 113		
	11" x 2 1/2" Sub. Cal. Blt., Right	1	-----	1948 112				
	Left	1	-----	1948 113				
	12" x 2 1/2" Right	1	-----	2084 798	2084 798	2084 798	1732 294	
	Left	1	-----	2084 799	2084 799	2084 799	1732 295	
22-03-2	HUB and BRAKE DRUM, Rear 11" x 2" Right, Steel Encased .	1	-----	2200 134				
	11" x 2" Right	1	-----	2200 134				
	Left	1	-----	2200 135				
	11" x 2" Right, Cast Iron . . .	1	-----	1734 162				
	Left	1	-----	1734 163				
	11" x 2 1/2", RC1 except Sub. Right	1	-----	-----	1730 826	1730 826		
	Left	1	-----	-----	1730 827	1730 827		

22-04-0 BRAKE DRUM

22-04-2	DRUM, Rear	6	2	2072 705				
22-04-4	SEAL, Front Brake Drum		2	-----	2260 875	-----	2260 875	2260 875
22-04-11	SPRING, Dampener w/379 Coils, 35 3/16"	★	★	-----	1142 258	1142 258	1142 258	
	w/344 Coils, 32"	★	★	-----	1142 259	1142 259	1142 259	

★ Indicates use as required.

Numerals in parentheses () refer to notes.

Printed in U.S.A.

☐ Indicates parts not listed in any previous parts book.

Prices and specifications subject to change without notice.

* Indicates change or addition.

1961 PASSENGER CAR PARTS CATALOG

WHEELS

CODE	PART NAME AND DESCRIPTION	C Y L.	PER CAR	VALIANT	PLYMOUTH	DESOTO	CHRYSLER	IMPERIAL
22-05-0 WHEEL HUB								
22-05-14	STUD, Front Right		5	2260 540				
	Left		5	2260 541				
	Rear Right		5	2070 158				
	Left		5	2070 159				
	11" x 2" Brake, except Sub., Std., Right		10	----	1633 050			
	Left		10	----	1633 051			
	11" x 2 1/2" Brake, Sub., except Cal. Blt., Std., Right		10	----	1633 050			
	Left		10	----	1633 051			
	11" x 2 1/2" Brake, Sub., Cal. Blt., Std., Front Right		5	----	1948 116			
	Left		5	----	1948 117			
	11" x 2 1/2" Brake, .030 O/S, Front Right		5	----	2122 208	2122 208	2122 208	
	Left		5	----	2122 209	2122 209	2122 209	
	11" x 2 1/2" Brake, Std., Front Right		5	----		1948 116	1948 116	
	Left		5	----		1948 117	1948 117	
	11" x 2 1/2" Brake, RC1 except Sub., RC2, Std., Rear Right		5	----		679 118	679 118	
	Left		5	----		679 119	679 119	
	11" x 2 1/2" Brake, RC1 except Sub., RC2, .030 O/S, Rear Right		5	----		687 901	687 901	
	Left		5	----		687 902	687 902	
	12" x 2 1/2" Brake Right		10	----	1633 050	1633 050	1633 050	1633 050
	Left		10	----	1633 051	1633 051	1633 051	1633 051
22-05-24	NUT, Wheel Driving Stud, Right		10	2072 728	1139 316	1139 316	1139 316	1315 697
	Left		10	2072 729	1139 317	1139 317	1139 317	1315 698
22-06-0 FRONT WHEEL BEARING								
22-06-1	CONE and ROLLER, Inner		2	2203 352	1619 701	1619 701	1619 701	*1789 755
	Outer		2	2203 350	1619 702	1619 702	1619 702	*1790 241
22-06-2	CUP, Inner		2	2203 353	1619 700	1619 700	1619 700	*1789 754
	Outer		2	2203 351	1619 702	1619 702	1619 702	*1790 244
22-06-5	NUT		2	2072 731	1732 300	1732 300	1732 300	1732 300
22-06-10	LOCK, Bearing Nut		2	1673 324	1673 324	1673 324	1673 324	1673 324
22-06-14	WASHER, Front Wheel Bearing Nut Thrust		2	2072-733				
22-06-18	SEAL, Dust	6	2	2072-707	1613 409	1613 409	1613 409	1671 340
22-08-0 HUB CAP								
22-08-5	CAP, Wheel Hub		4	2073 361				
	14"		4	----	22266 123	1732 338	1736 676	
	15"		4	----	1943 733			
22-08-17	CLIP, Wheel Hub Cap Spring RC4		★	----	1316 017	----	1316 017	
22-08-57	CAP, Front Wheel Hub Grease		2	2072 718	1613 416	1613 416	1613 416	1671 341
22-09-0 WHEEL BALANCE WEIGHT								
22-09-1	WEIGHT 1/2 oz.		★	----	1615 349	1615 349	1615 349	1615 349
	1 oz.		★	----	1615 350	1615 350	1615 350	1615 350
	1 1/2 oz.		★	----	1615 351	1615 351	1615 351	1615 351
	2 oz.		★	----	1615 352	1615 352	1615 352	1615 352
	2 1/2 oz.		★	----	1615 353	1615 353	1615 353	1615 353
	3 oz.		★	----	1615 354	1615 354	1615 354	1615 354
22-20-0 SPARE WHEEL CARRIER								
22-20-29	BRACKET, Spare Wheel Mount- ing, except Sub.		1	2083 190	2094 624	2094 624	2094 624	1695 319
	BRACKET, Anchor Rod, RC1, RC3, Sub.		1	2083 190	2093 980	----	2093 980	

★ Indicates use as required.

Numerals in parentheses () refer to notes.

Printed in U.S.A.

⊠ Indicates parts not listed in any previous parts book.

Prices and specifications subject to change without notice.

March 1, 1962 Supersedes Jan. 6, 1961.

* Indicates change or addition.

1961 PASSENGER CAR PARTS CATALOG

WHEELS

CODE	PART NAME AND DESCRIPTION	C Y L.	PER CAR	VALIANT	PLYMOUTH	DESOTO	CHRYSLER	IMPERIAL
------	---------------------------	--------------	------------	---------	----------	--------	----------	----------

NOTES

★ Indicates use as required.

Numerals in parentheses () refer to notes.

Printed in U.S.A.

☐ Indicates parts not listed in any previous parts book.

Prices and specifications subject to change without notice.

* Indicates change or addition.