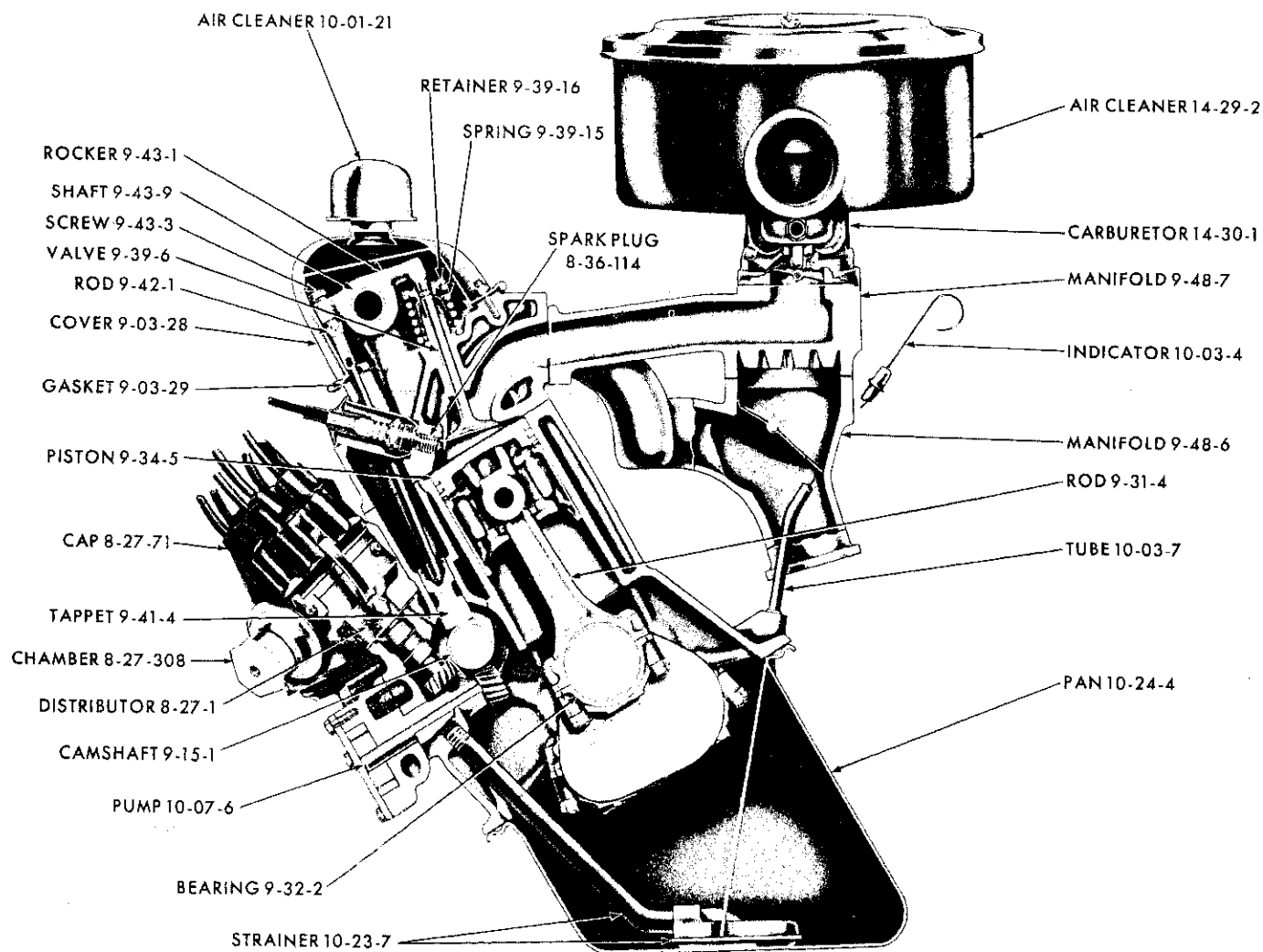
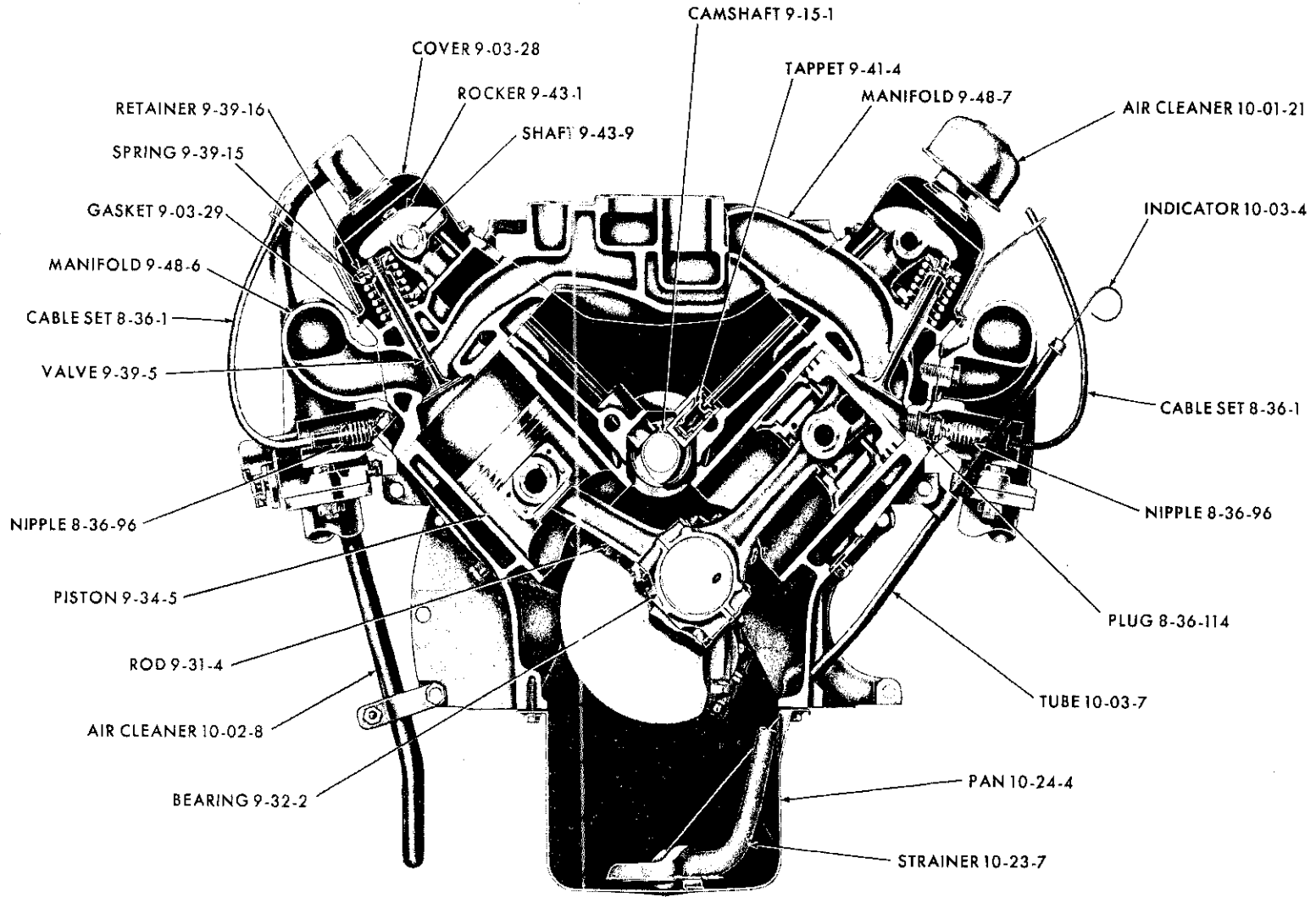


GROUP 10 - ENGINE OILING



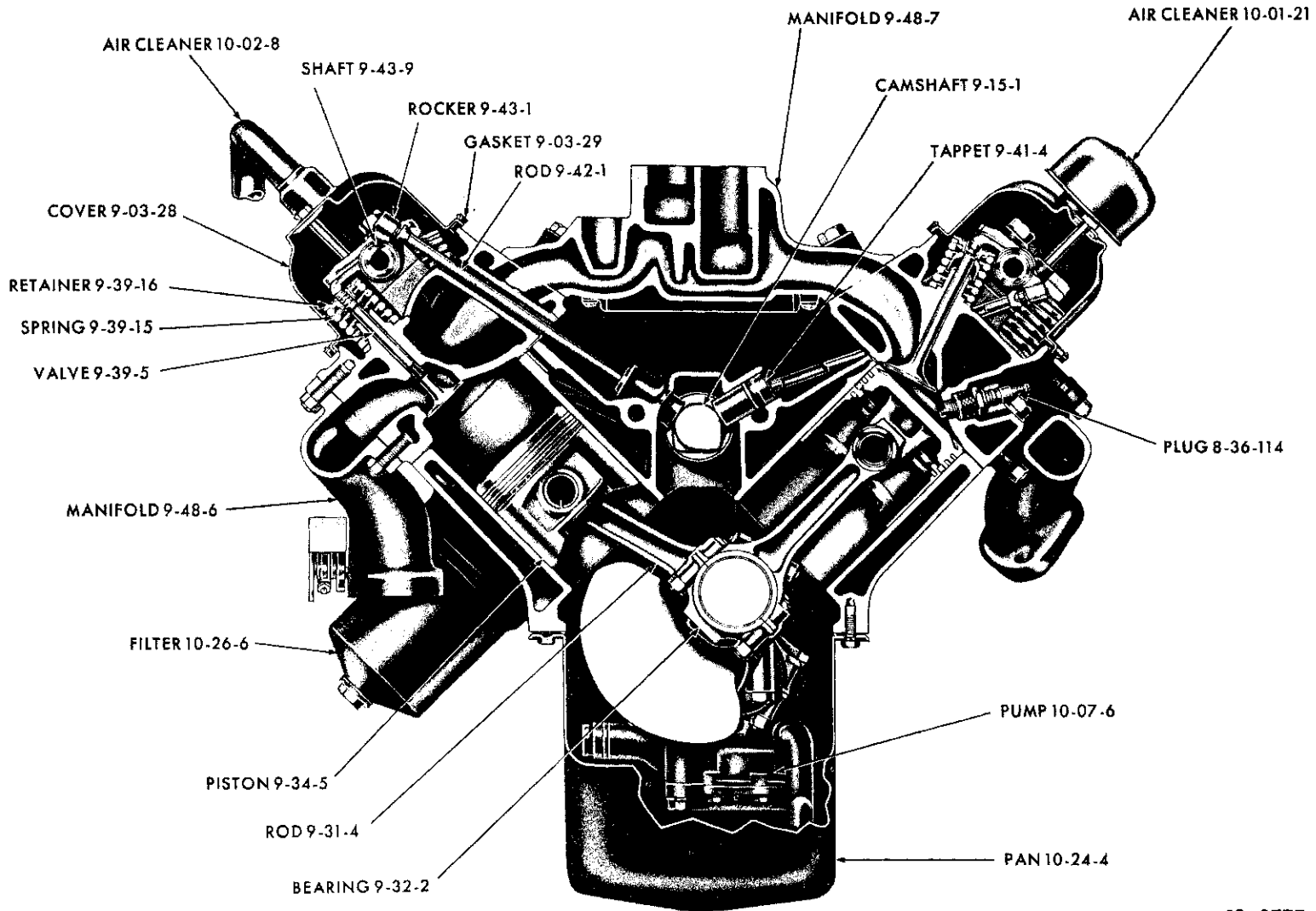
19x8778

ENGINE OILING - 6 CYLINDER



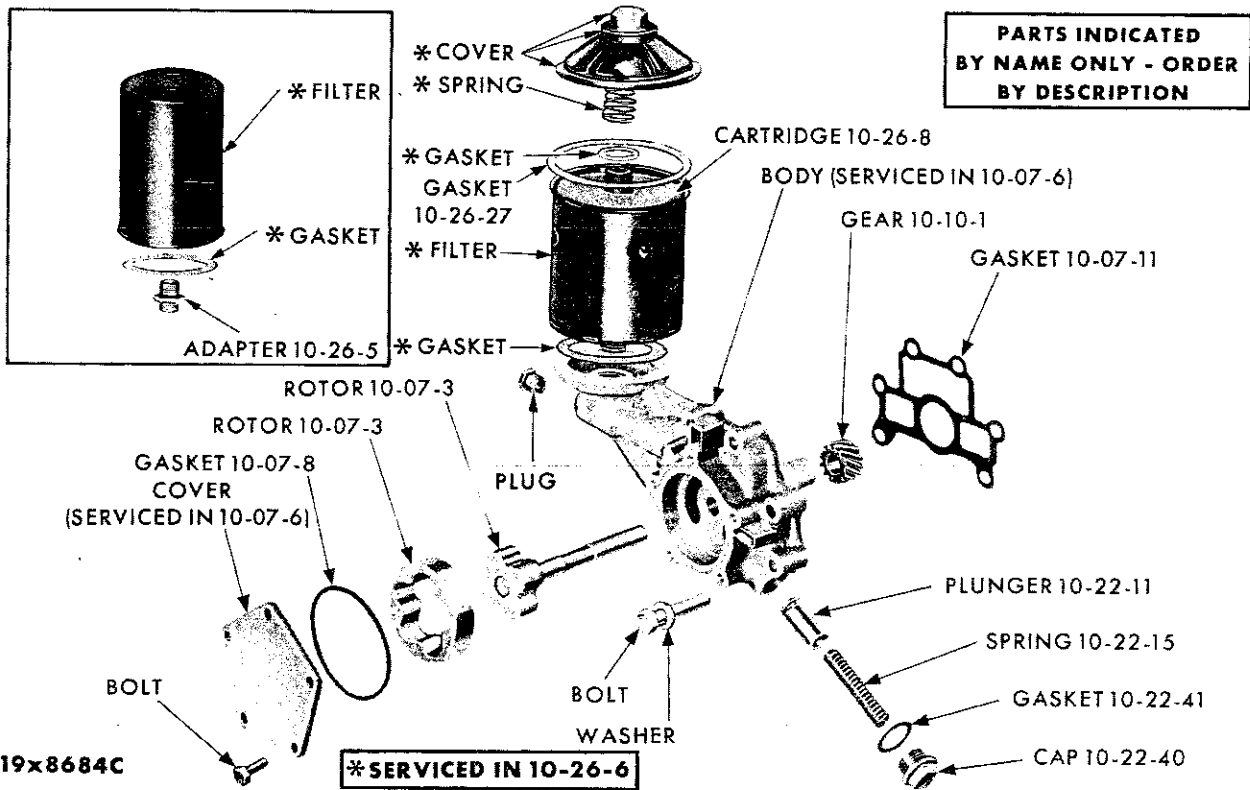
19x8776

ENGINE OILING - V8 CYLINDER (EXCEPT STANDARD)

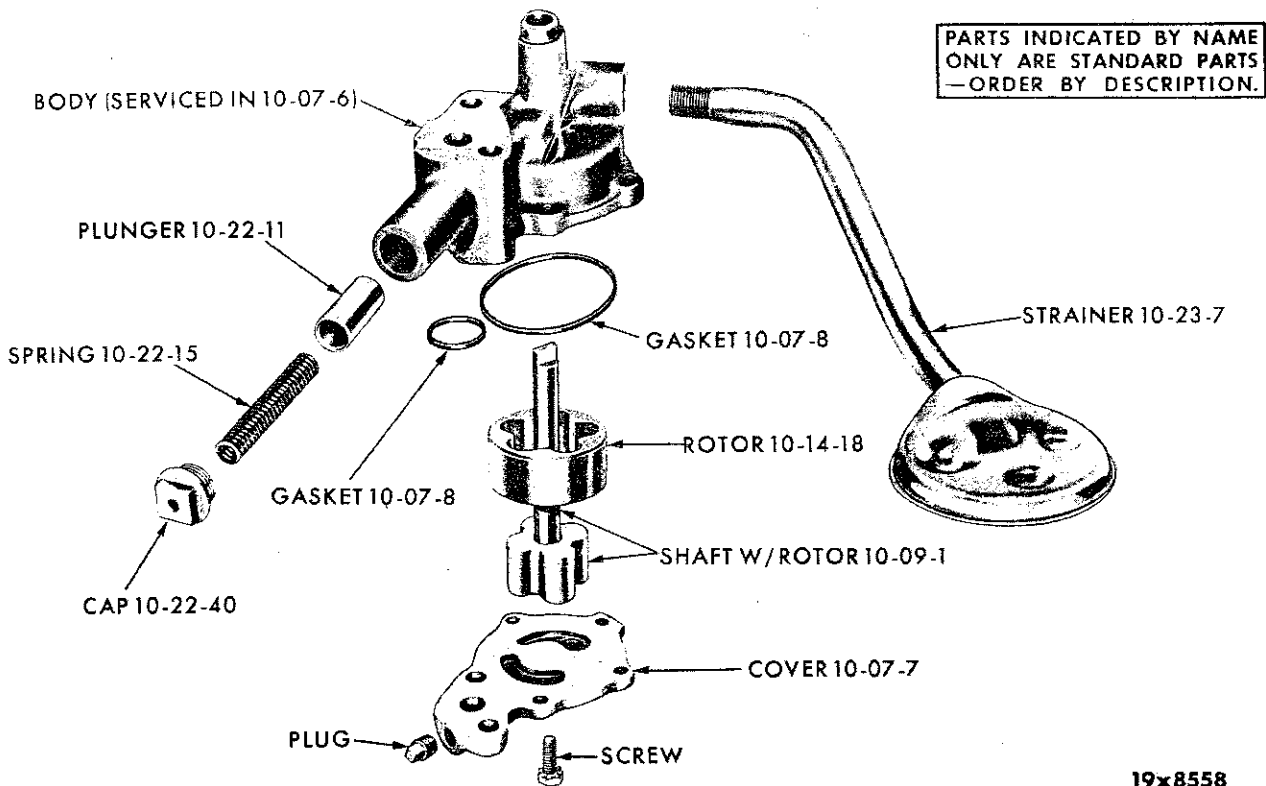


19x8777

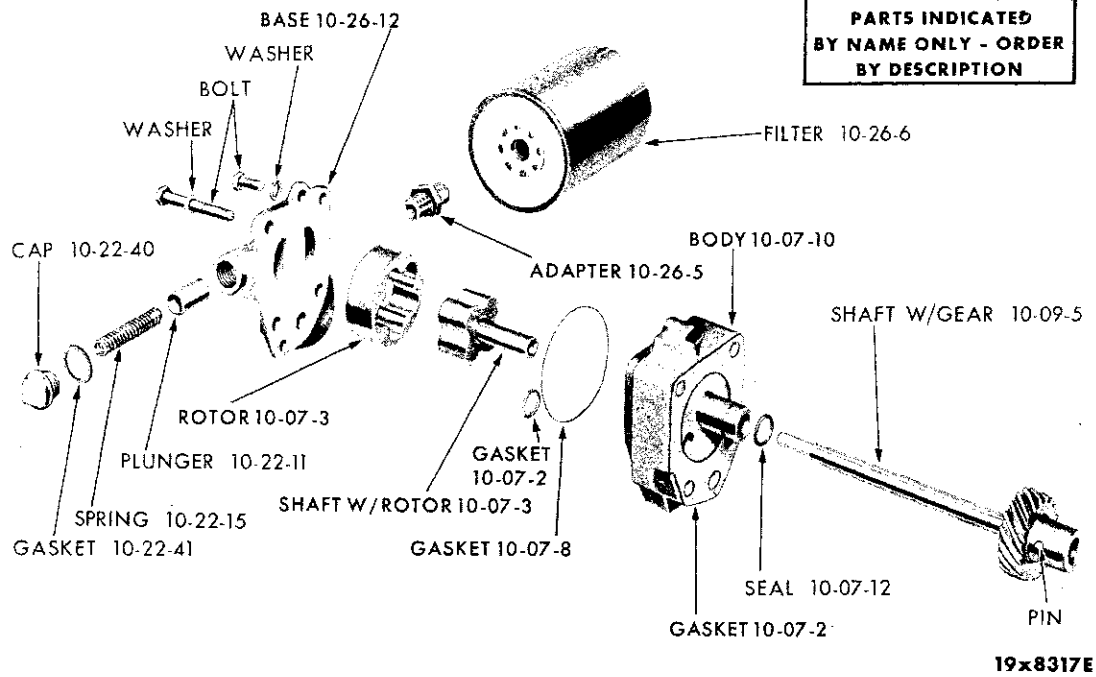
ENGINE OILING - V8 CYLINDER (STANDARD)



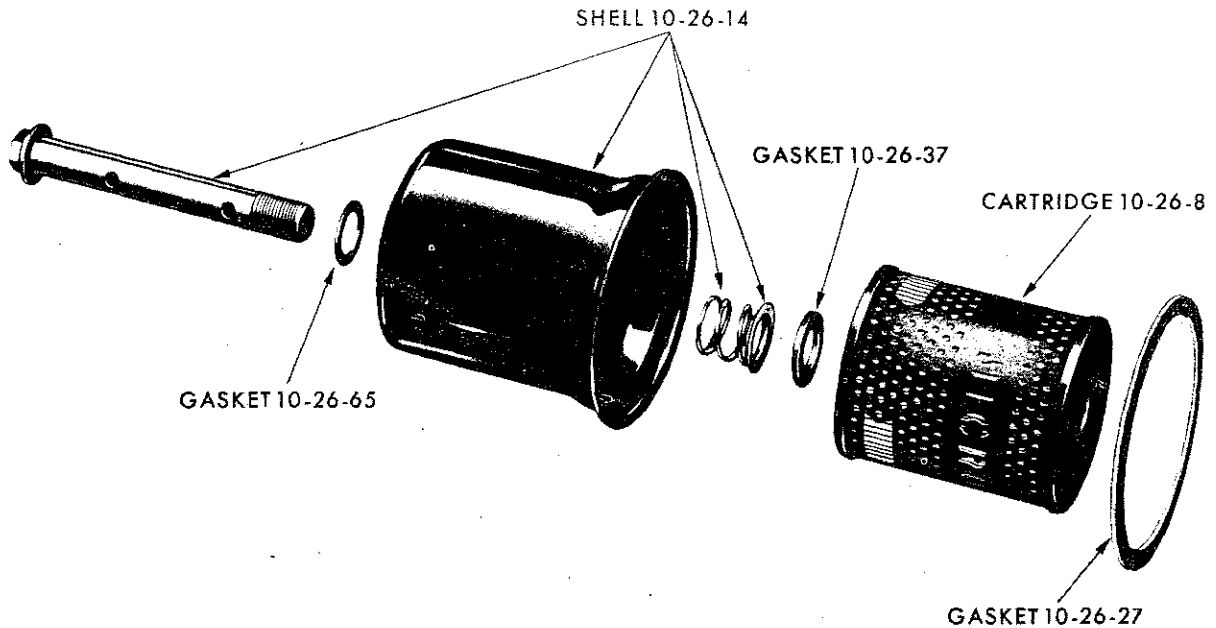
OIL PUMP - 6 CYLINDER



OIL PUMP - V8 CYLINDER ("A" ENGINE)



OIL PUMP - V8 CYLINDER ("B" ENGINE)



OIL FILTER - V8 CYLINDER ("A" ENGINE)



CODE	PART NAME AND DESCRIPTION	CYL.	PER CAR	VALIANT	PLYMOUTH	DESOTO	CHRYSLER	IMPERIAL
<b>10-01-0 CRANKCASE BREATHER PIPE INLET</b>								
10-01-21	AIR CLEANER, Inlet, use w/o Outlet Air Cleaner . . . . .	6	1	1821 198				
	Use w/Outlet Air Cleaner. . . . .	6	1	1821 200				
	Use w/o Outlet Air Cleaner, RP1, Taxi . . . . .	6	1	----	1821 198			
	Use w/Outlet Air Cleaner, RP1, Taxi . . . . .	6	1	----	1821 200			
	Use w/o Outlet Air Cleaner . . . . .	1		----	1821 198			
	Use w/Outlet Air Cleaner . . . . .	1		----	1821 200			
	Use w/o Outlet Air Cleaner . . . . .	8	1	----		1821 198	1821 198	1821 198
<b>10-02-0 CRANKCASE VENTILATOR OUTLET</b>								
10-02-8	AIR CLEANER, RP2, w/High Performance, RP2, Police Cars	8	1	----	1825 922	1825 922	1825 922	1825 922
10-02-15	PIPE, use w/o Air Cleaner, RV1 except 225 cu.in. Eng., RP1, Taxi . . . . .	6	1	*2128 567	*2128 567			
	Use w/o Air Cleaner, RV1 w/225 cu.in. Eng. . . . .	6	1	E2205 939				
	Use w/Air Cleaner, RP1, Taxi . . . . .	6	1	2128 625	2128 625			
	Use w/o Air Cleaner, RP1 . . . . .	6	1	----	2128 568			
	Use w/Air Cleaner, RP1 . . . . .	6	1	----	2128 626			
	Use w/o Air Cleaner, RP2 . . . . .	8	1	----	2129 208			
	Use w/Air Cleaner, RP2 . . . . .	8	1	----	2129 209			
	Use w/o Air Cleaner, RP2, w/High Performance . . . . .	8	1	----	1852 057	1852 057	1852 057	1852 057
	Use w/Air Cleaner, RP2, w/High Performance . . . . .	8	1	----	1852 058	1852 058	1852 058	1852 058
10-02-38	TUBE, Crankcase Vent, Closed Vent System . . . . .		1	1064 541	1064 541	1064 541	1064 541	1064 541
10-02-40	NIPPLE, Crankcase Vent Tube, RP2 Police Cars, w/Ram Manifold, RC4 . . . . .	8	1	----	2206 151	----	2206 151	
10-02-62	VALVE, Vent, Closed Vent System . . . . .	6	1	2205 957	2205 957			
	RP2 w/High Performance, RP2 Police Cars, RC4 . . . . .	8	1	----	*2264 344	----	*2264 344	
	RP2, w/318 cu.in. Eng., RC1, RC2, RC3 . . . . .	8	1	----	2203 021	2203 021	2203 021	2203 021
10-02-65	CONNECTOR, Vent Valve, Closed Vent System . . . . .		1	2203 118	2203 118	2203 118	2203 118	2203 118
10-02-66	CAP, Vent Valve, Closed Vent System . . . . .		1	2203 116	2203 116	2203 116	2203 116	2203 116
10-02-67	SPRING, Valve Cap, Closed Vent System . . . . .		1	2203 117	2203 117	2203 117	2203 117	2203 117
<b>10-03-0 OIL LEVEL INDICATOR</b>								
10-03-4	INDICATOR, except 225 cu.in. . . . .	6	1	*2121 569				
	w/225 cu.in. Eng. . . . .	6	1	E2206 319				
	RP1 . . . . .	6	1	----	2128 424			
	RP2, w/o High Performance . . . . .	8	1	----	1858 906			
	RP2, w/High Performance, RP2, Police Cars . . . . .	8	1	----	1858 907	1858 907	1858 907	1858 907
10-03-7	TUBE . . . . .	6	1	1859 788	1859 788			
	RP2, w/o High Performance . . . . .	8	1	----	1859 788			
	RP2, w/High Performance, RP2, Police Cars . . . . .	8	1	----	1944 652	1944 652	1944 652	1944 652

\* Indicates use as required.

Numerals in parentheses ( ) refer to notes.

Printed in U.S.A.

☐ Indicates parts not listed in any previous parts book.

Prices and specifications subject to change without notice.

\* Indicates change or addition.

# 1961 PASSENGER CAR PARTS CATALOG

CODE	PART NAME AND DESCRIPTION	C Y L.	PER CAR	VALIANT	PLYMOUTH	DESOTO	CHRYSLER	IMPERIAL
<b>10-07-0 OIL PUMP</b>								
10-07-2	GASKET and SEAL PACKAGE, RP2, w/High Performance, RP2, Police Cars . . . . .	8	1	----	2084 355	2084 355	2084 355	2084 355
10-07-3	SHAFT and ROTOR PACKAGE . RP2, w/High Performance, RP2, Police Cars . . . . .	6	1	2084 415	2084 415			
10-07-6	PUMP . . . . . SCREW and WASHER, Oil Pump Cover . . . . .	6	1	1947 221	1947 221			
	RP2, w/o High Performance . .	6	5	E6022 205	E6022 205			
	RP2, w/High Performance, RP2, Police Cars . . . . .	8	1	----	1618 949			
10-07-7	COVER, RP2, w/o High Performance . . . . .	8	1	----	2120 870	2120 870	2120 870	2120 870
10-07-8	GASKET, Cover . . . . .	6	1	1737 727	1737 727			
	Small, RP2, w/o High Performance	8	1	----	1552 291			
	Large, RP2, w/o High Performance	8	1	----	1124 984			
	Large, RP2, w/High Performance, RP2, Police Cars . . . . .	8	1	----	1737 727	1737 727	1737 727	1737 727
10-07-10	BODY, RP2, w/High Performance, RP2, Police Cars . . . . .	8	1	----	1737 718	1737 718	1737 718	1737 718
10-07-11	GASKET, Body . . . . .	6	1	2121 404	2121 404			
10-07-12	SEAL, Body RP2, w/High Performance, RP2, Police Cars	8	1	----	1855 328	1855 328	1855 328	1855 328
<b>10-09-0 OIL PUMP DRIVE SHAFT</b>								
10-09-1	SHAFT, w/Inner ROTOR, RP2, w/o High Performance . . . . .	8	1	----	1618 950			
10-09-5	SHAFT, Oil Pump and Distributor Drive, w/GEAR, RP2, w/o High Performance . . . . .	8	1	----	1323 369			
	RP2, w/High Performance, RP2, Police Cars . . . . .	8	1	----	1739 604	1739 604	1739 604	1739 604
10-09-7	BUSHING, RP2, w/o High Performance . . . . .	8	1	----	1324 281			
	RP2, w/High Performance, RP2, Police Cars . . . . .	8	1	----	1737 725	1737 725	1737 725	1737 725
<b>10-10-0 OIL PUMP DRIVE GEAR</b>								
10-10-1	GEAR . . . . .	6	1	1947 225	1947 225			
<b>10-14-0 OIL PUMP ROTOR</b>								
10-14-18	ROTOR, Outer, RP2, w/o High Performance . . . . .	8	1	----	1324 264			
10-14-19	PIN, RP2, w/o High Performance	8	1	----	867 386			
<b>10-22-0 OIL PRESSURE RELIEF VALVE</b>								
10-22-11	PLUNGER . . . . .	6	1	2120 764	2120 764			
	RP2, w/o High Performance . .	8	1	----	1324 282			
	RP2, w/High Performance, RP2, Police Cars . . . . .	8	1	----	2120 764	2120 764	2120 764	2120 764
10-22-15	SPRING, Std., Red . . . . .	6	1	1737 742	1737 742			
	Std., Red, RP2, w/o High Performance . . . . .	8	1	----	1328 352			
	Light, Gray, RP2, w/o High Performance . . . . .	8	1	----	1400 502			
	Heavy, Brown, RP2, w/o High Performance . . . . .	8	1	----	1400 503			
	Std., Red, RP2, w/High Performance, RP2, Police Cars	8	1	----	1737 742	1737 742	1737 742	1737 742
	Light, Gray, RP2, w/High Performance, RP2, Police Cars	8	1	----	1737 743	1737 743	1737 743	1737 743

\* Indicates use as required.

Numerals in parentheses ( ) refer to notes.

Printed in U.S.A.

⊠ Indicates parts not listed in any previous parts book.  
May 31, 1961 Supersedes Jan. 6, 1961.

Prices and specifications subject to change without notice.  
\* Indicates change or addition.



CODE	PART NAME AND DESCRIPTION	CYL.	PER CAR	VALIANT	PLYMOUTH	DESOTO	CHRYSLER	IMPERIAL
<b>10-22-0 OIL PRESSURE RELIEF VALVE - Cont'd</b>								
10-22-15	SPRING - Cont'd Heavy, Brown, RP2, w/High Performance, RP2, Police Cars	8	1	----	1737 744	1737 744	1737 744	1737 744
10-22-16	DAMPER, Spring, RP2, w/High Performance, RP2, Police Cars	8	1	----	2202 845	2202 845	2202 845	2202 845
10-22-40	CAP, Plunger . . . . .	6	1	618 621	618 621			
	RP2, w/o High Performance . .	8	1	----	1946 960			
	RP2, w/High Performance, RP2, Police Cars . . . . .	8	1	----	618 621	618 621	618 621	618 621
10-22-41	GASKET, Cap . . . . .	6	1	618 622	618 622			
	RP2, w/High Performance, RP2, Police Cars . . . . .	8	1	----	618 622	618 622	618 622	618 622
<b>10-23-0 OIL STRAINER</b>								
10-23-7	STRAINER, w/PIPE, except 225 cu.in. Eng. . . . .	6	1	*2121 702				
	w/225 cu.in. Eng. . . . .	6	1	E2206 317				
	RP1. . . . .	6	1	----	2128 575			
	RP2, w/o High Performance . .	8	1	----	1821 168			
	RP2, w/High Performance, RP2, Police Cars . . . . .	8	1	----	1859 947	1859 947	1859 947	1859 947
<b>10-24-0 OIL PAN</b>								
10-24-1	GASKET SET . . . . .	6	1	2240 647	2240 647			
	RP2, w/o High Performance . .	8	1	----	1879 520			
10-24-4	PAN, except 225 cu.in. Eng. . .	6	1	*2120 702				
	w/225 cu.in. Eng. . . . .	6	1	E2205 780				
	RP1. . . . .	6	1	----	2121 707			
	RP2, w/o High Performance . .	8	1	----	1828 140			
	RP2, w/High Performance, RP2, Police Cars . . . . .	8	1	----	1944 694	1944 694	1944 694	1944 694
10-24-8	GASKET, RP2, w/High Performance, RP2, Police Cars	8	1	----	1737 770	1737 770	1737 770	1737 770
10-24-23	SCREW, Pan Attaching . . . . .	6	22	*1947 953	*1947 953			
	RP2 . . . . .	8	18	----	1947 953	1947 953	1947 953	1947 953
	To Bearing Seal Retainer . . . .	6	2	*1343 212	*1343 212			
	RP2 w/High Performance, RP2 Police Cars . . . . .	8	2	----	*2121 573	*2121 573	*2121 573	*2121 573
10-24-37	PLUG, Drain, 5/8"-18 x 1/2" . .		1	2129 370	2129 370	2129 370	2129 370	2129 370
10-24-38	GASKET, Drain Plug, 5/8" I.D. - 7/8" O.D. . . . .		1	2129 963	2129 963	2129 963	2129 963	2129 963
	5/8" I.D. - 1" O.D. . . . .		1	*1855 248	*1855 248	*1855 248	*1855 248	*1855 248
<b>10-26-0 OIL FILTER</b>								
10-26-5	ADAPTER, Base to Filter . . . .		1	1739 619	1739 619	1739 619	1739 619	1739 619
10-26-6	FILTER, Replaceable Cartridge Type . . . . .	6	1	2128 548	2128 548			
	Sealed Can Type, w/Built-in GASKET, RP2, w/High Performance, RP2, Police Cars, except 318 cu. in. Eng. . . . .		1	1851 658	1851 658	1851 658	1851 658	1851 658
10-26-8	CARTRIDGE . . . . .	6	1	*2129 023	*2129 023			
	RP2, w/318 cu. in. Eng. . . . .	8	1	----	2129 023			
10-26-12	BASE, RP2, w/High Performance, RP2, Police Cars . . . . .	8	1	----	2120 866	2120 866	2120 866	2120 866

★ Indicates use as required. Numerals in parentheses ( ) refer to notes. Printed in U.S.A.  
 □ Indicates parts not listed in any previous parts book. Prices and specifications subject to change without notice.  
 \* Indicates change or addition. May 31, 1961 Supersedes Jan. 6, 1961.

