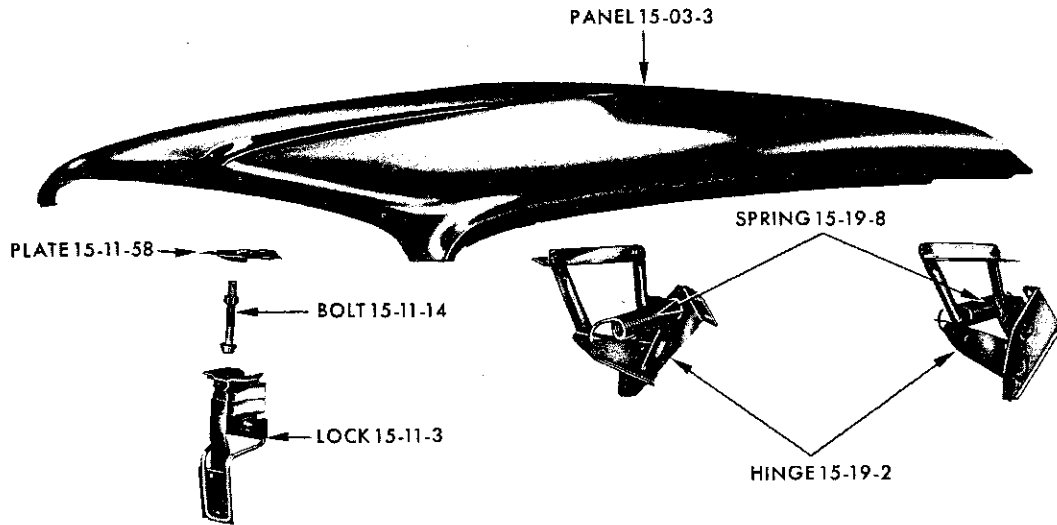
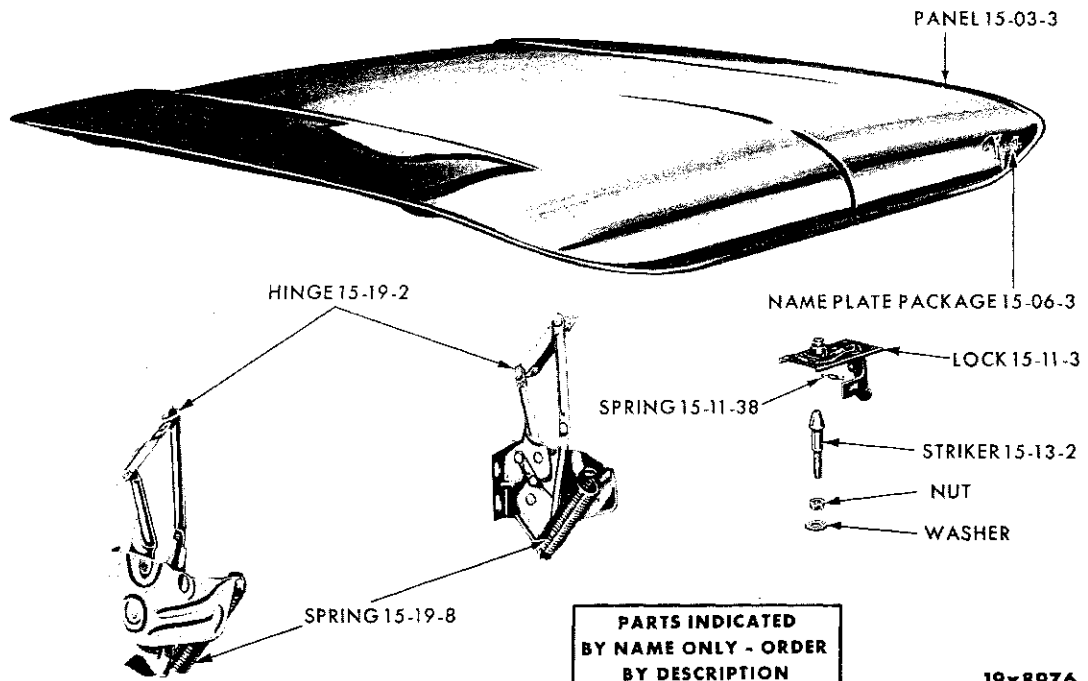


GROUP 15 - HOOD



19x8740

HOOD - VALIANT RV1

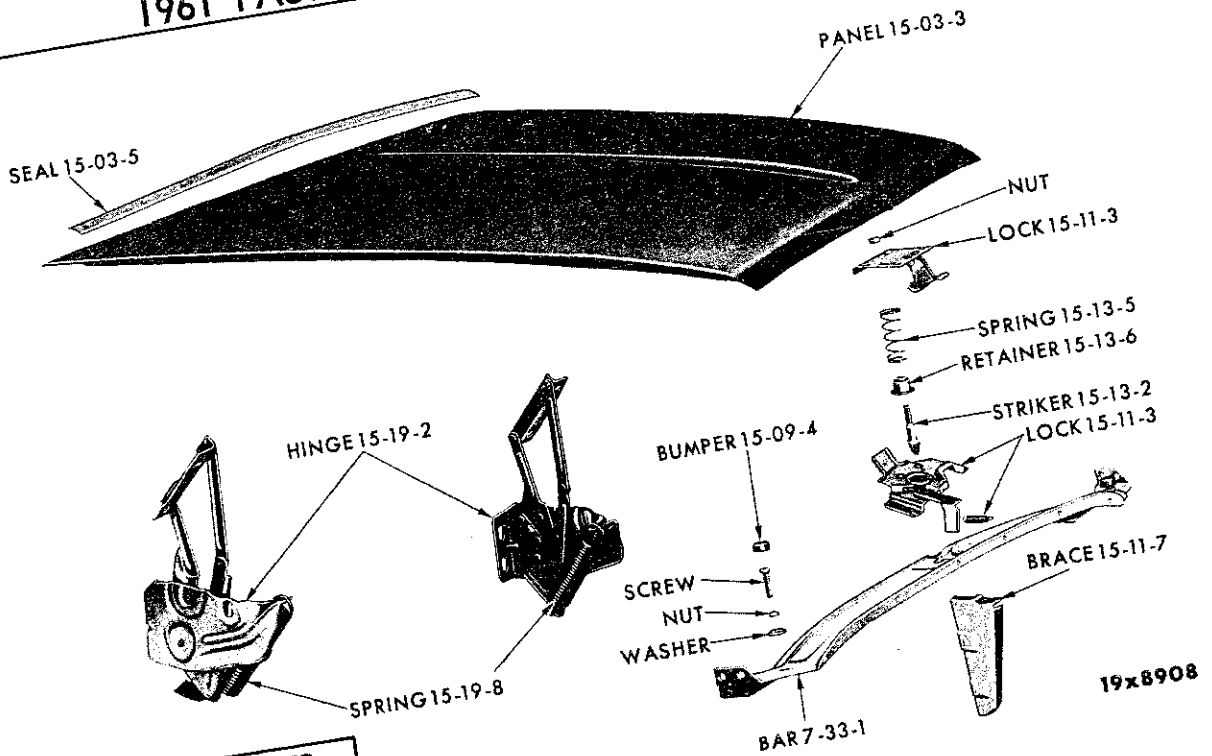


19x8976

HOOD - PLYMOUTH RP1-2

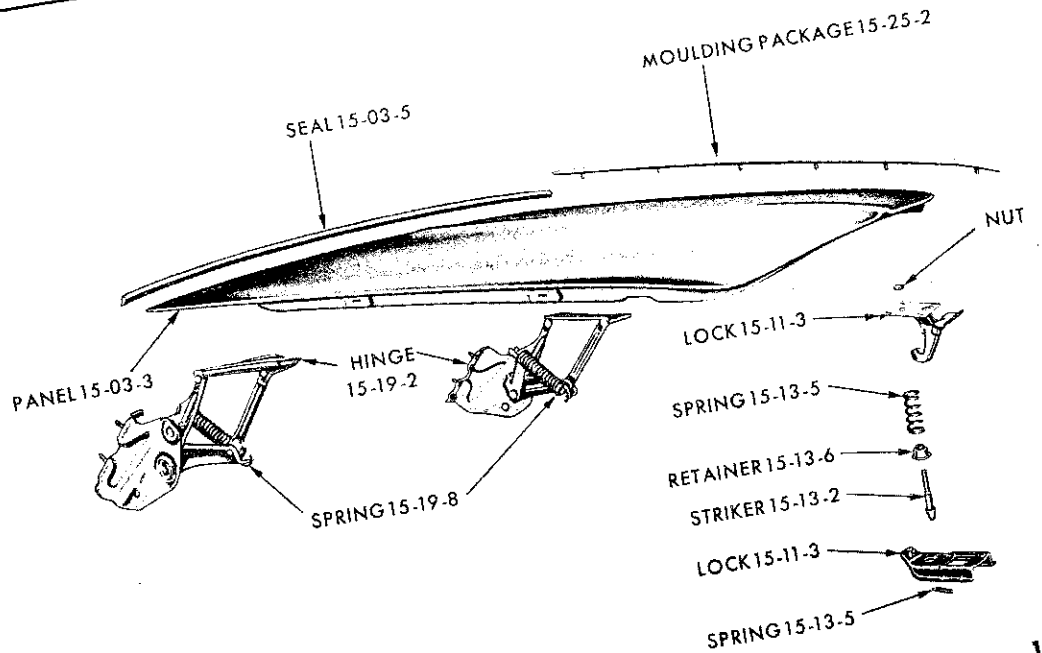
1961 PASSENGER CAR PARTS CATALOG

HOOD



**PARTS INDICATED
BY NAME ONLY - ORDER
BY DESCRIPTION**

HOOD - DESOTO RS1 AND CHRYSLER RC1-2-3-4



**PARTS INDICATED
BY NAME ONLY - ORDER
BY DESCRIPTION**

HOOD - IMPERIAL RY1

CODE	PART NAME AND DESCRIPTION	CYL.	PER CAR	VALIANT	PLYMOUTH	DESOTO	CHRYSLER	IMPERIAL
15-03-0 HOOD TOP PANEL								
15-03-3	PANEL		1	2082 329	1904 002	1904 072		
	RC1, RC2	8	1	----	----	----	1904 072	
	RC3, RC4	8	1	----	----	----	1904 038	1904 054
15-03-5	SEAL, Hood to Cowl.		1	1863 356	1863 356	1863 356	1863 356	*1751 182
	Hood to Yoke		★	----	----	1242 974	1242 974	1242 974
15-03-60	SILENCER		1	2259 105	2241 164	2241 167	2241 167	2241 168
15-03-61	CLIP, Silencer		★	6000 932	6000 932	6000 932	6000 932	6000 932
	Inner Panel to Yoke Seal	8	★	----	----	6600 070	6000 070	6000 070
15-06-0 HOOD NAME PLATE, MEDALLIONS AND LETTERS								
15-06-3	NAME PLATE PACKAGE, Hood Front		1	----	2275 125			
15-06-17	CLIP, Hood Front Name Plate.		5	----	6022 129			
15-09-0 HOOD BUMPER								
15-09-4	BUMPER, Hood Lock Lower Half Radiator Yoke Upper Panel to Hood.	6	1	1541 608				
	Fender to Hood	6	2	6010 155				
	Fender to Hood, Front	4	2	2082 888	1863 598	1904 430	1904 430	
	Side	8	2	----	----	----	----	1904 197
	Radiator Cross Bar to Hood	8	6	----	----	----	----	1904 198
	Fender Side Shield Extension to Hood	2	2	----	6010 155			
	Hood Lower Lock Plate	8	2	----	----	----	----	6010 155
15-09-22	WASHER, Radiator Cross Bar to Hood Bumper Lock	8	2	----	----	6022 188	6022 188	
	Fender Side Shield Extension to Hood Bumper Lock	2	2	----	6022 188			
	Hood Lower Lock Plate Bumper Lock	8	2	----	----	----	----	6010 038
15-11-0 HOOD LOCK								
15-11-3	LOCK, Upper Half		1	----	1904 253	1904 643	1904 643	1904 143
	Lower Half		1	2195 311	----	1904 607	1904 415	1904 175
15-11-7	BRACE, Lower Lock	8	1	----	----	----	*1904 413	
	Lock Support to Dust Shield, RC1, RC2	8	1	----	----	1904 454	1904 454	
	Hood Lock Center Panel and Lock Support	8	1	----	----	1904 509	----	
	Lower Lock to Dust Shield	8	1	----	----	----	----	1004 171
15-11-9	SCREW, w/WASHER, Lower Lock Half to Lock Support		3	----	----	*6022 802	*6022 802	
	Radiator Dust Shield to Lock Support		1	----	*6022 802			
	Lock Upper Half to Hood Inside Panel Reinforcement	6	3	2082 897				
	Lower Lock Half to Cross Bar	8	2	----	----	6022 506	6022 506	
	SCREW, w/WASHER, Hood Upper Lock to Hood	8	4	----	----	6022 501	6022 501	
15-11-14	BOLT, Lock Locking	6	1	2082 452				
15-11-25	SPRING, Hood Lock Upper Half Pop-Up	6	1	2195 571				
15-11-38	SPRING, Lower Lock Half Safety Latch	6	1	2195 576				
	Safety Catch		1	----	1904 581			
15-11-46	SUPPORT, Lock to Front Crossmember.	6	1	2082 182				
	Lower Lock Plate to Yoke, RC1, RC2.		1	----	⊖1904 908	⊖1904 908	⊖1904 908	
	RC3, RC4	8	1	----	----	----	1863 719	1904 173

★ Indicates use as required.

Numerals in parentheses () refer to notes.

Printed in U.S.A.

⊖ Indicates parts not listed in any previous parts book.

Prices and specifications subject to change without notice.

* Indicates change or addition.

1961 PASSENGER CAR PARTS CATALOG

HOOD

CODE	PART NAME AND DESCRIPTION	CYL.	PER CAR	VALIANT	PLYMOUTH	DESOTO	CHRYSLER	IMPERIAL
15-11-0 HOOD LOCK - Cont'd								
15-11-58	PLATE, Upper Lock Base . . .		1	2195 568	----	1904 407	1904 407	1904 143
15-11-61	NUT, w/RETAINER, Upper Lock Half to Panel		4	----	6000 123			
15-11-66	SCREW, w/WASHER, Lock Support to Yoke, Upper		2	----	6022 506	6022 506	6022 506	
	Lock Support to Yoke, Lower . .		2	----	6022 506	6022 506	6022 506	
	Lock Support to Yoke		8	----	----	----	----	6022 506
	Lower Lock Plate Dust Shield Brace to Lock		8	----	----	----	----	6022 506
	Hood Lock and Cross Bar Brace to Lock Support		2	----	6022 306			
	Lock Support to Dust Shield Brace, RC1, RC2		8	----	----	180 020	180 020	
	Lower Lock Brace to Lower Lock Plate		8	----	----	----	1863 010	
15-11-72	MEDALLION, Lock Release Handle		6	1 2082 103				
15-11-73	INSERT, Medallion		6	1 E2195 966				
15-13-0 HOOD LOCK STRIKER								
15-13-2	STRIKER		1	----	1695 602	1863 331	1863 331	1863 331
15-13-5	SPRING, Striker Catch		1	----	----	1903 285	1903 285	1373 263
	Striker Bolt		8	1	----	----	----	1904 896
15-13-6	RETAINER, Lock Striker Spring		1	----	----	1696 605	1696 605	1696 605
15-14-0 HOOD LOCK CONTROL								
15-14-1	CONTROL, on Instrument Panel		8	1	----	----	----	2161 703
15-14-10	CLIP, Release Cable		8	2	----	----	----	6015 172
	Release Cable		8	1	----	----	----	6015 143
	Hog Ring, Cable Insulator . . .		8	2	----	----	----	6008 076
15-14-12	STOP, Control Cable		8	1	----	----	----	932 143
15-14-13	SCREW, Control Set		8	1	----	----	----	988 098
15-14-20	GROMMET, Control Cable		8	1	----	----	----	2097 816
15-14-21	SLEEVE, Control Cable		8	1	----	----	----	1887 477
15-19-0 HOOD HINGE								
15-19-2	HINGE, Right		6	1 2082 020				
	Left		6	1 2082 021				
	Right, RC1, RC2		1	----	1903 440	1903 440	1903 440	1904 160
	Left, RC1, RC2		1	----	1903 441	1903 441	1903 441	1904 161
	Right, RC3, RC4		8	1	----	----	1863 222	
	Left, RC3, RC4		8	1	----	----	1863 223	
15-19-4	SCREW, w/WASHER, Hinge to Cowl		4	----	6022 534	6022 534	6022 534	
	Hinge to Hood Flange		4	----	1903 677	1903 677	1903 677	
	Hinge to Fender Shield		2	----	1903 677	----	----	6022 339
	Hinge to Cowl, Right Side Only .		8	2	----	----	----	6022 531
	Hinge Body Half to Hinge Support		8	2	----	----	----	6010 019
	Hinge to Fender Bracket		8	2	----	----	----	1903 395
	Hinge Body Half to Dash to Dash Panel Hold-Down Brace, Right Side Only		8	2	----	----	----	1903 395
	STUD, Hinge to Hood Flange Reinforcement		4	----	6022 016	6022 016	6022 016	6022 016
	STUD, Hinge to Cowl, Right Side Only		8	2	----	----	----	1863 019
	STUD, Hinge to Dash Panel Bracket, Left Side Only		8	2	----	----	----	1863 019
15-19-8	SPRING, Hinge		6	2 2082 070				
	RC1, RC2		2	----	1904 670	1863 235	1863 235	
	RC3, RC4		8	2	----	----	1863 708	1754 236

★ Indicates use as required. Numerals in parentheses () refer to notes. Printed in U.S.A.
 ☐ Indicates parts not listed in any previous parts book. Prices and specifications subject to change without notice.
 March 1, 1962 Supersedes Jan. 6, 1961. Page 15-4 * Indicates change or addition.

