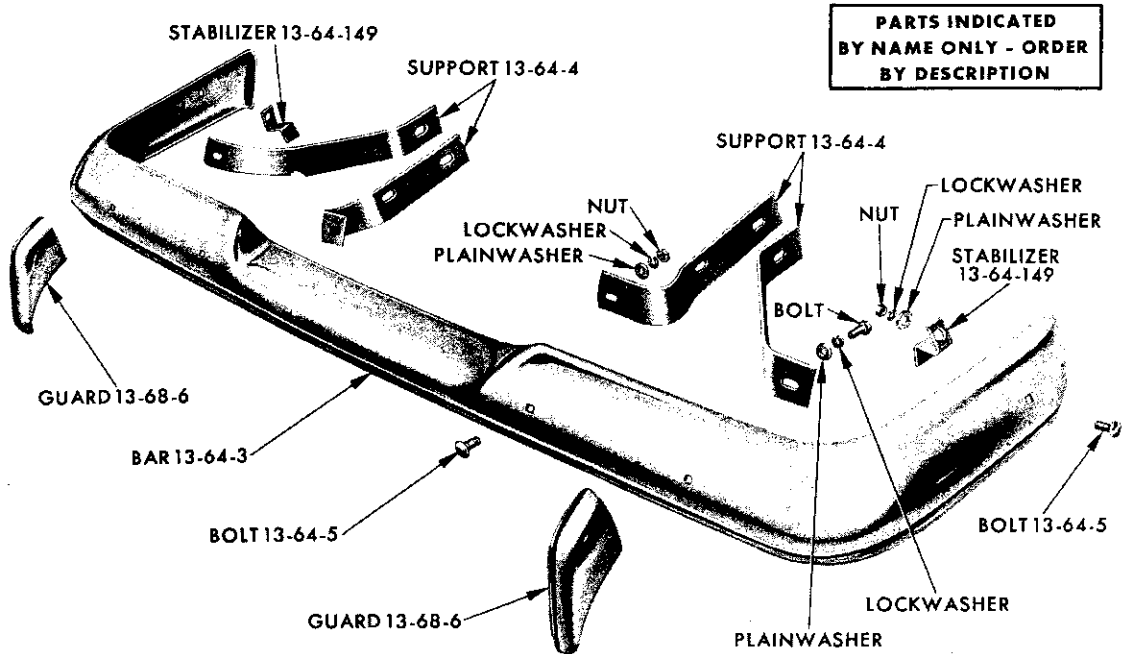


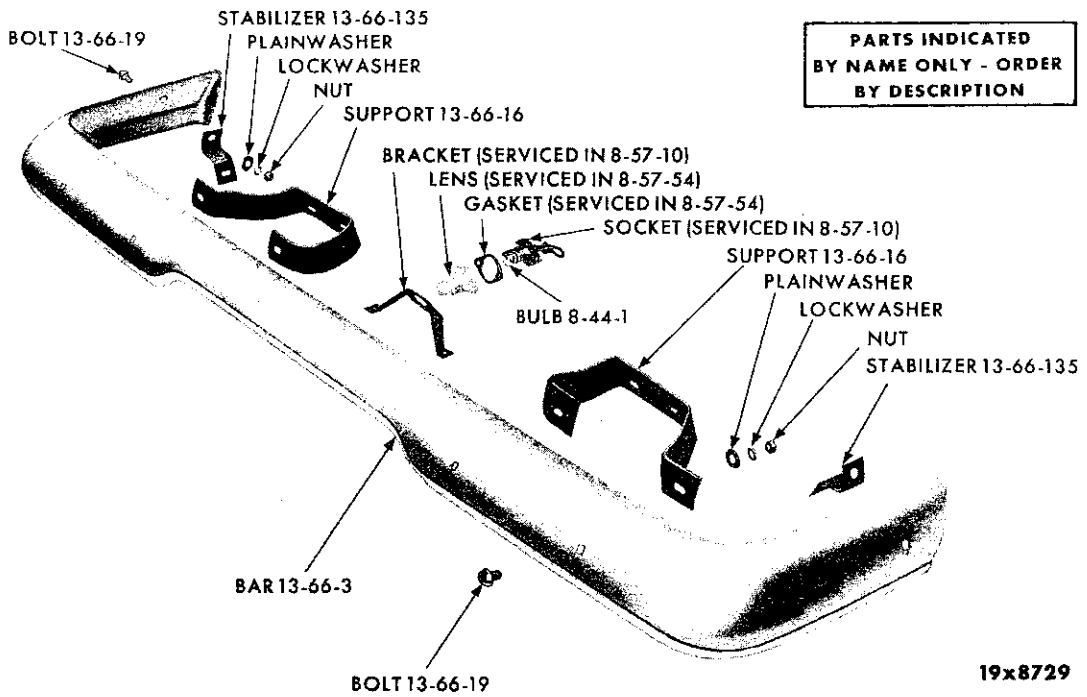
GROUP 13 - FRAME



PARTS INDICATED  
BY NAME ONLY - ORDER  
BY DESCRIPTION

19x8738

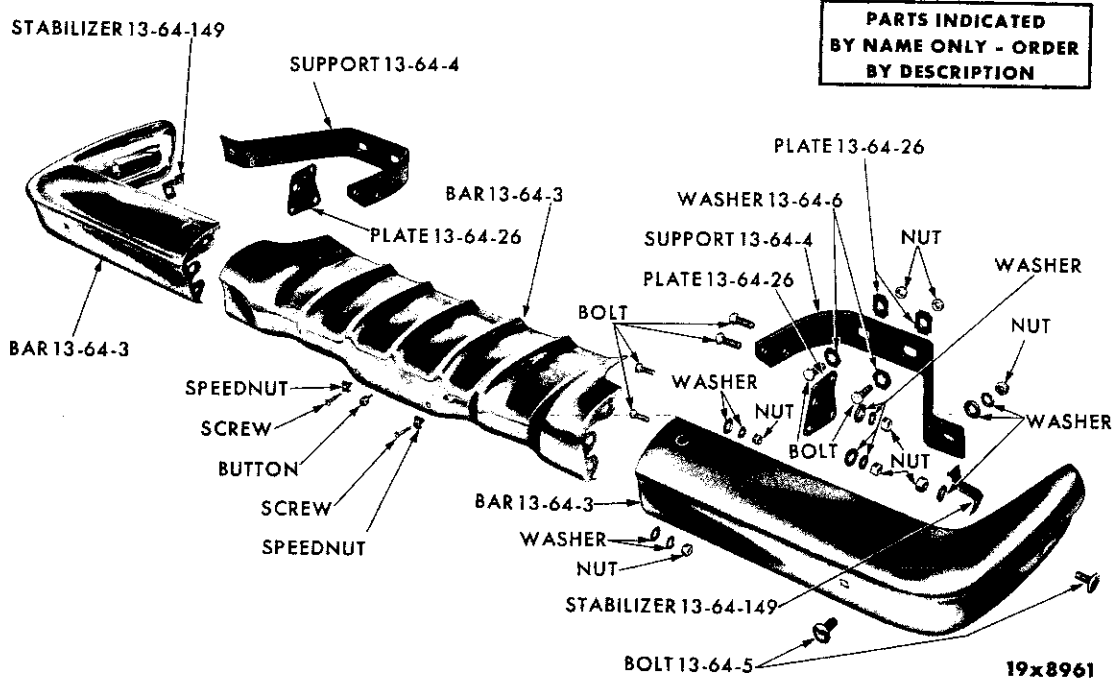
FRONT BUMPER - VALIANT RV1



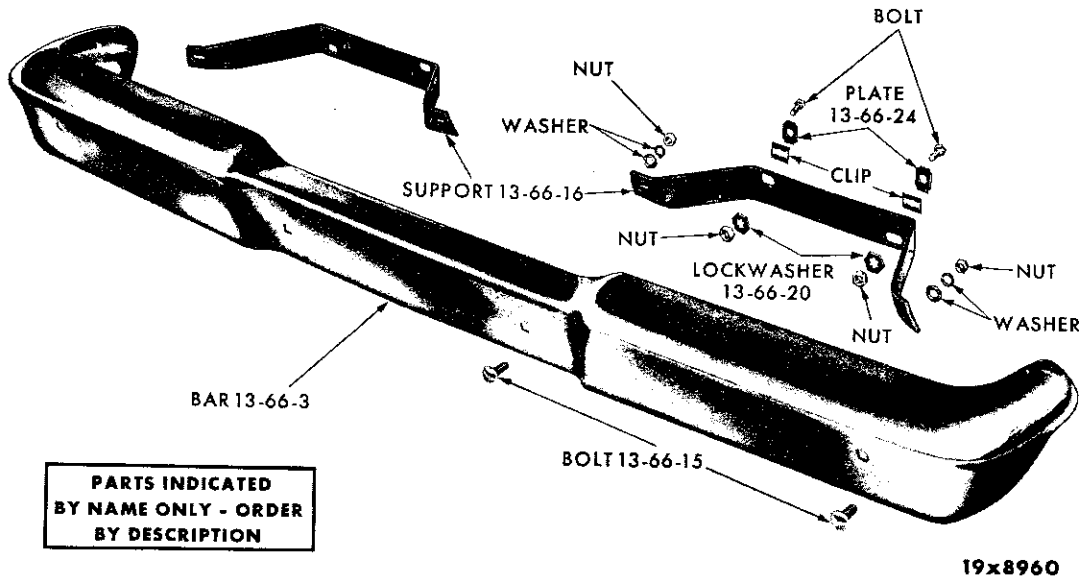
PARTS INDICATED  
BY NAME ONLY - ORDER  
BY DESCRIPTION

19x8729

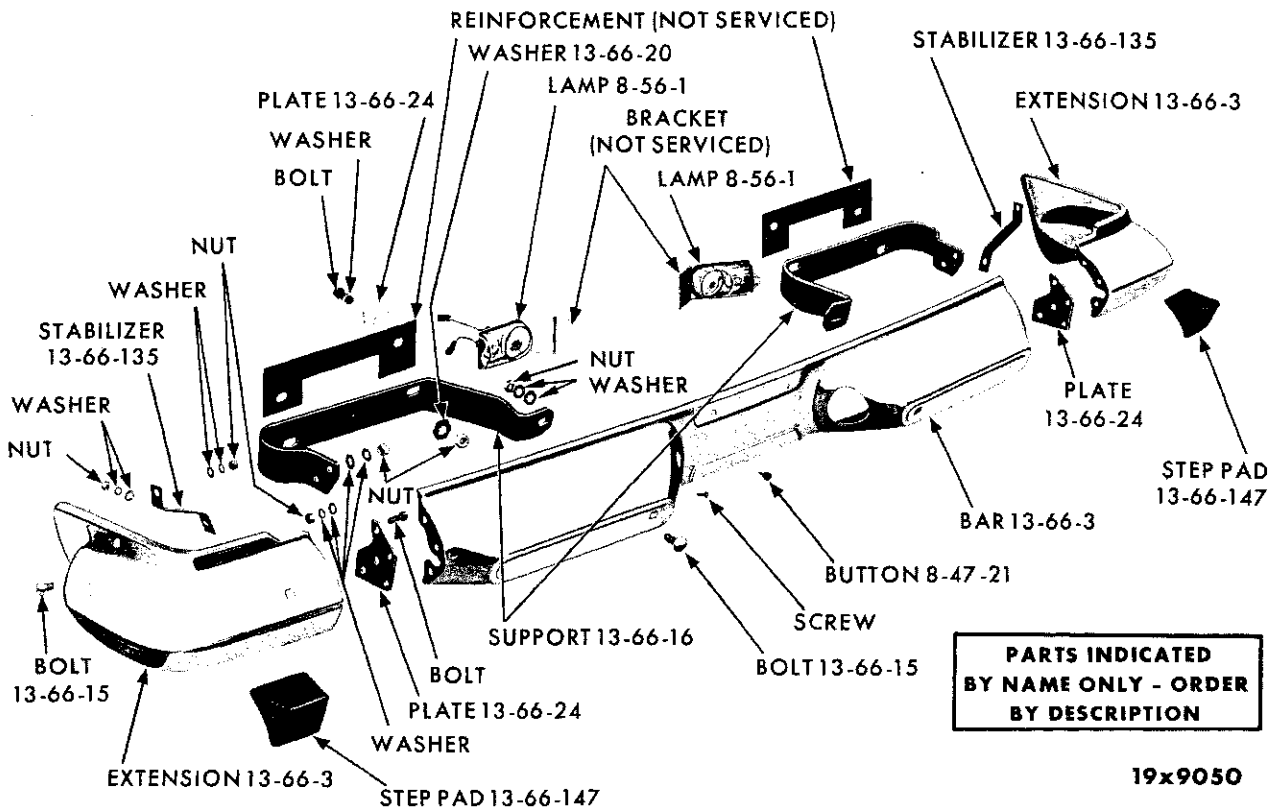
REAR BUMPER - VALIANT RV1



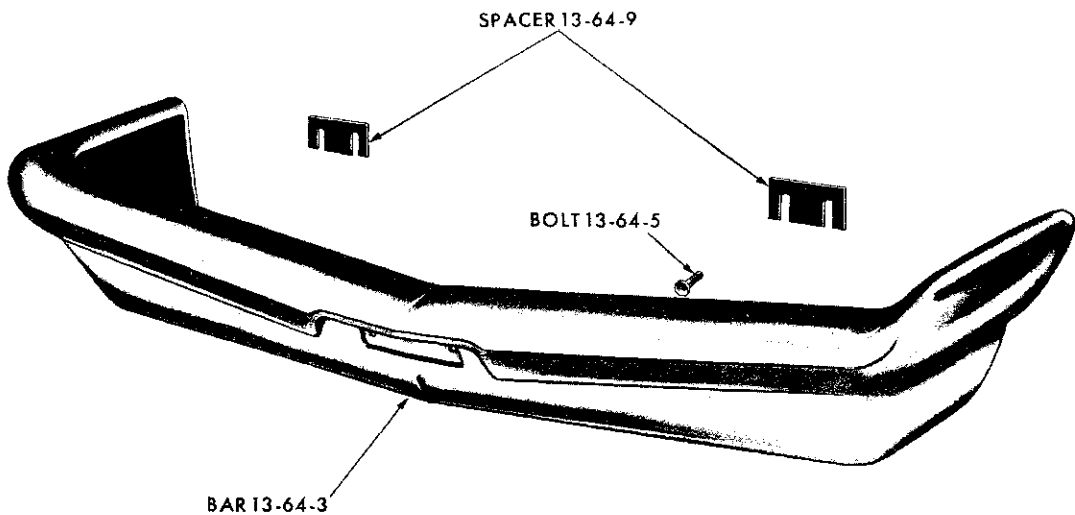
FRONT BUMPER - PLYMOUTH RP1-2



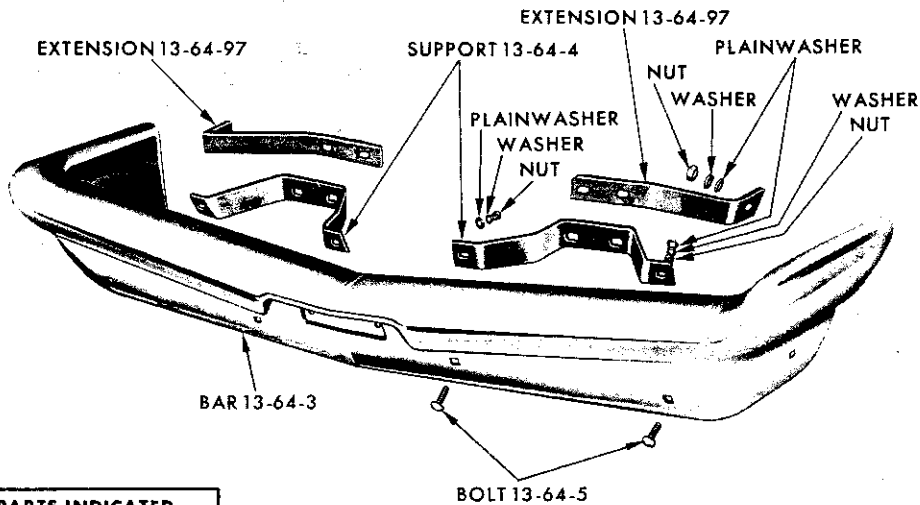
REAR BUMPER (EXCEPT SUBURBAN) - PLYMOUTH RP1-2



REAR BUMPER (SUBURBAN) - PLYMOUTH RP1-2



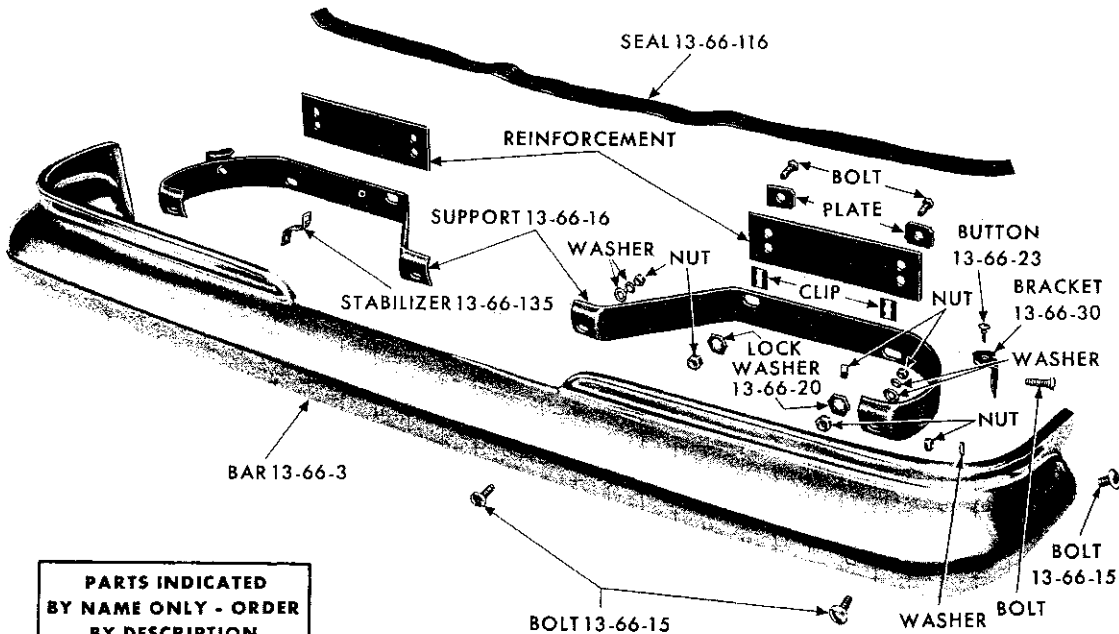
FRONT BUMPER - DESOTO RS1 AND CHRYSLER RC1-2 (UP-TO TYPE)



**PARTS INDICATED  
BY NAME ONLY - ORDER  
BY DESCRIPTION**

19x8615A

FRONT BUMPER - CHRYSLER RC1-2 (AFTER TYPE) AND CHRYSLER RC3-4

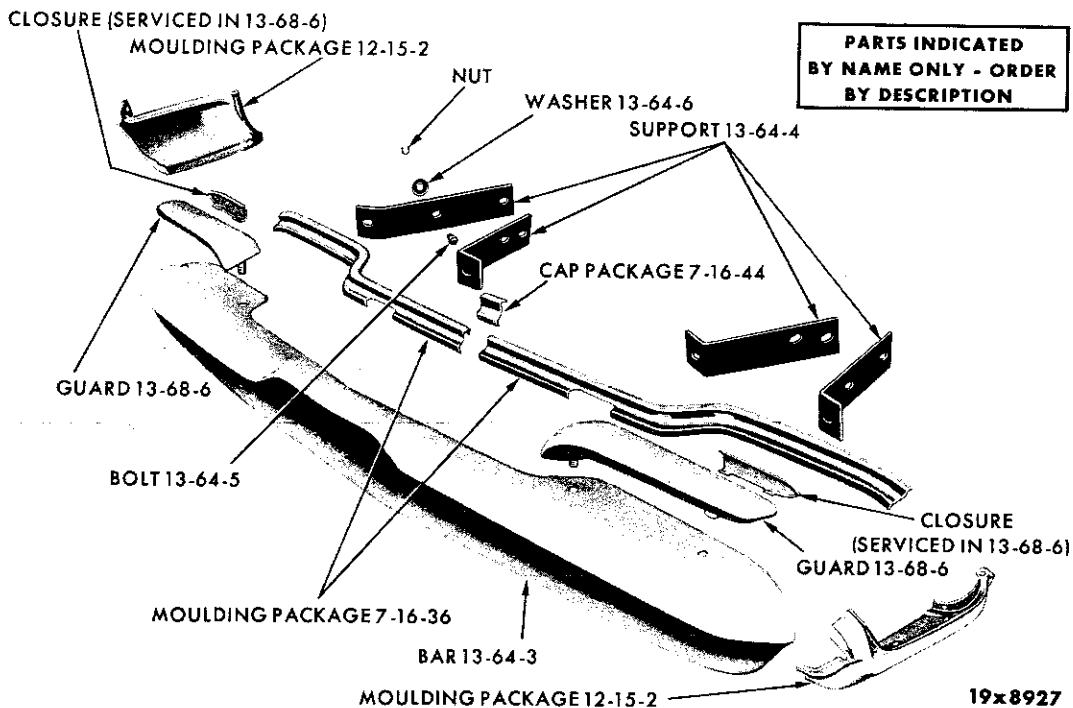


**PARTS INDICATED  
BY NAME ONLY - ORDER  
BY DESCRIPTION**

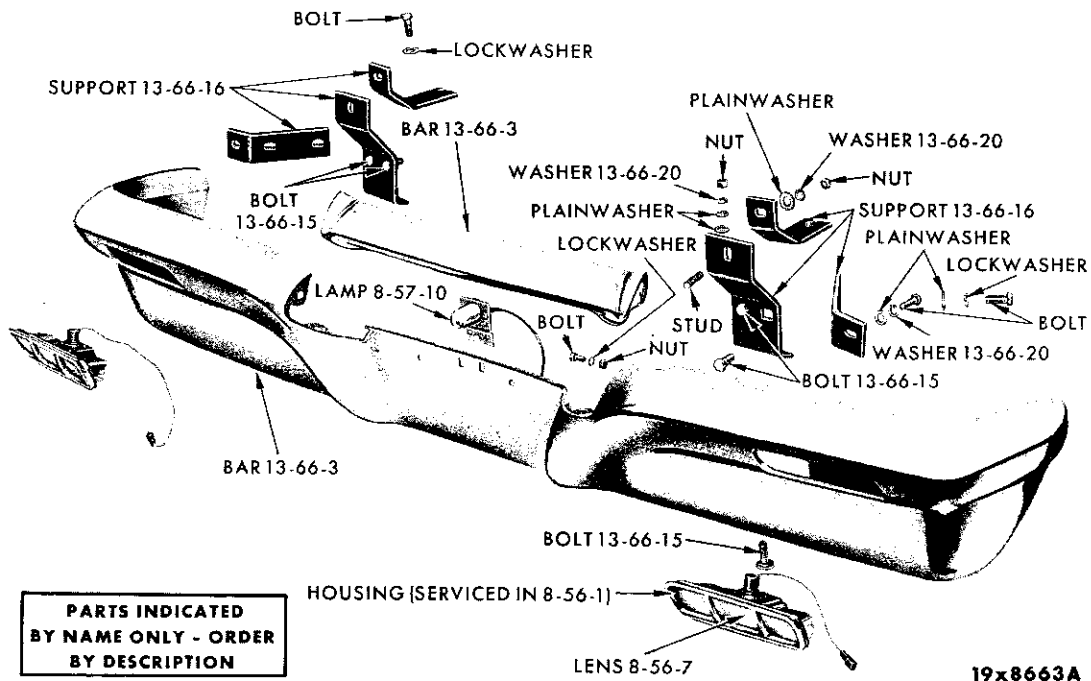
19x8899

REAR BUMPER - DESOTO RS1, CHRYSLER RC1-2-3-4 (EXCEPT SPECIAL 4 DOOR SUBURBAN)

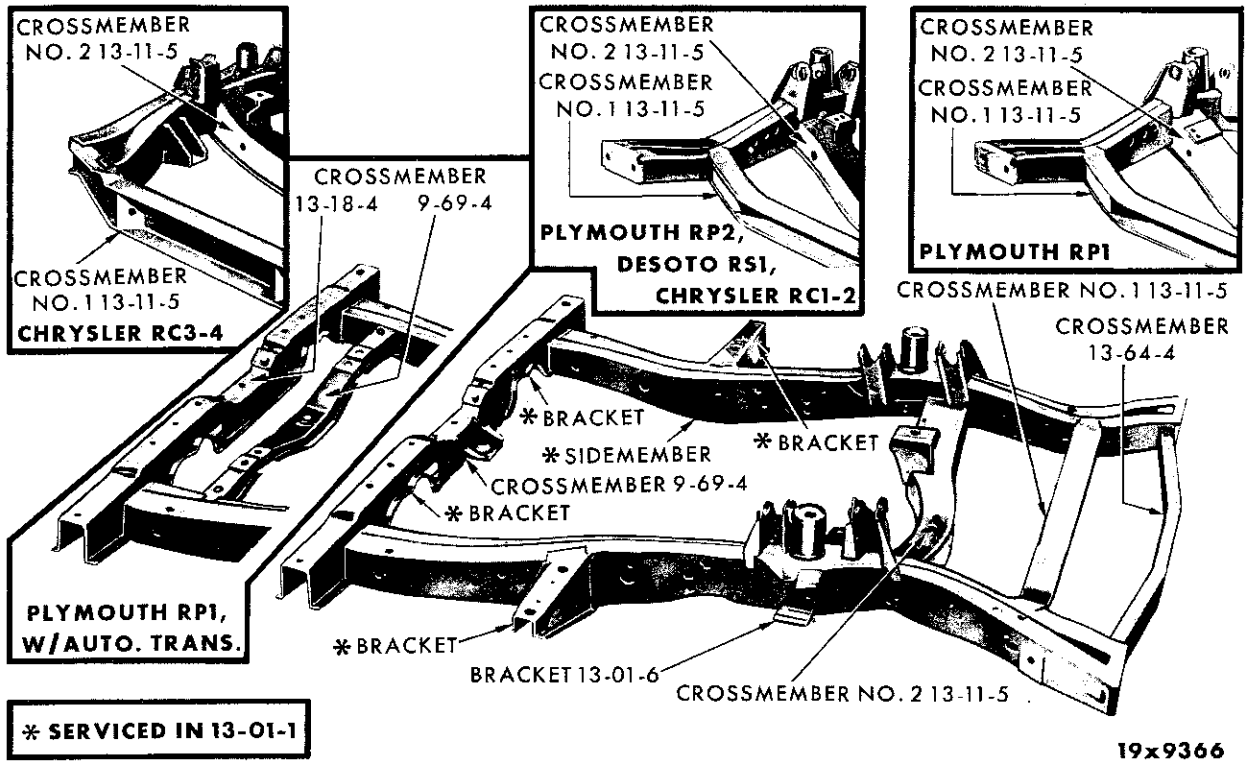




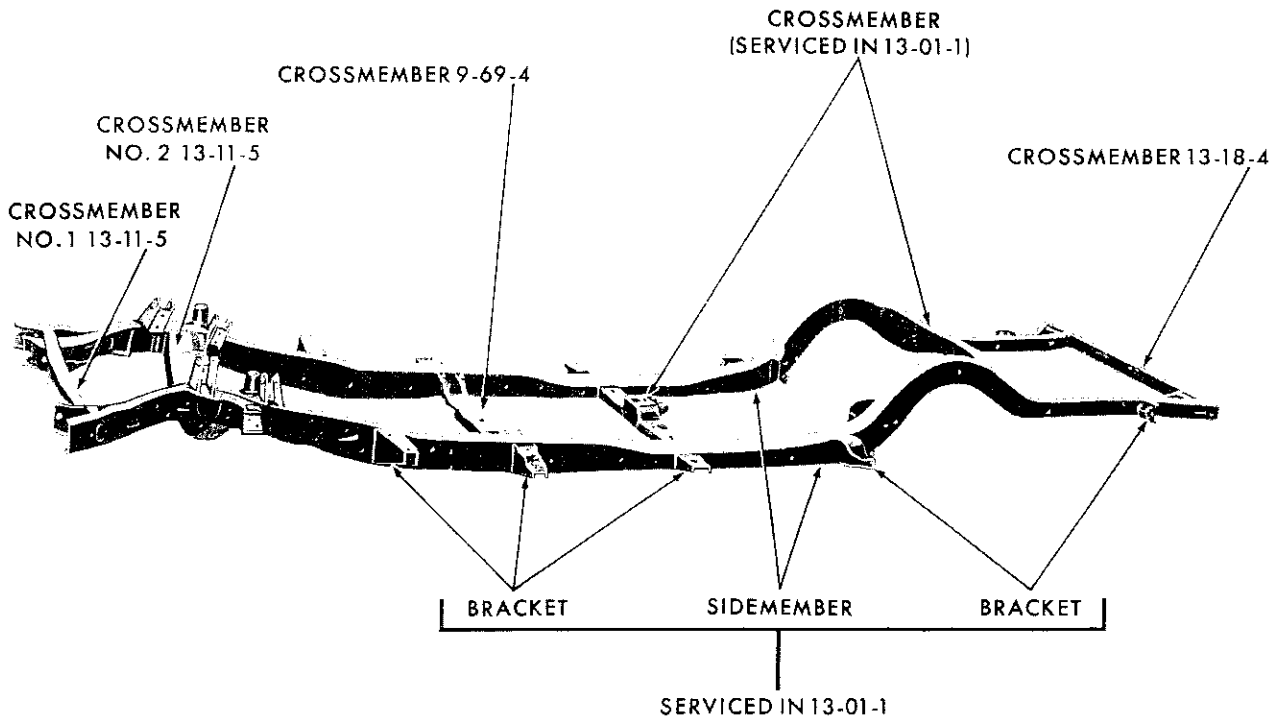
FRONT BUMPER - IMPERIAL RY1



REAR BUMPER - IMPERIAL RY1



FRAME - EXCEPT VALIANT RV1 AND IMPERIAL RY1



FRAME - IMPERIAL RY1





CODE	PART NAME AND DESCRIPTION	CYL.	PER CAR	VALIANT	PLYMOUTH	DESOTO	CHRYSLER	IMPERIAL
<b>13-01-O FRAME ASSEMBLY</b>								
13-01-1	FRAME . . . . .	6	1	----	2204 316			
	RC1, RC2 . . . . .	8	1	----	2204 315	2204 315	2204 315	
	RC3, RC4 . . . . .	8	1	----	----	----	2204 314	
	Except Cv. Cp. . . . .	8	1	----	----	----	----	2123 391
	Cv. Cp. . . . .	8	1	----	----	----	----	E2401 029
13-01-6	BRACKET, Front Control Arm Jounce and Rebound, Right, RC1, RC2 . . . . .			1 ----	E1734 526	E1734 526	E1734 526	
	Left, RC1, RC2 . . . . .			1 ----	E1734 527	E1734 527	E1734 527	
<b>13-04-O FRAME SUB - SIDEMEMBER</b>								
13-04-20	SHIELD, Splash (sold by the foot) RC3, RC4 . . . . .	8	★	----	----	----	1242 974	1242 974
13-04-21	CLIP, RC3, RC4 . . . . .	8	2	----	----	----	1674 082	1674 082
<b>13-11-O FRAME FRONT CROSSMEMBER</b>								
13-11-5	CROSSMEMBER, Front Suspension (see Part Type Code 23-32-17) Front Side Rail (front of frame) (see Part Type Code 23-32-17) CROSSMEMBER, No. 1, RC1, RC2 RC3, RC4 . . . . .			1 ----	1940 961	1940 961	1940 961	
	No. 2 . . . . .	8	1	----	----	----	1940 920	2200 801
	RC1, RC2 . . . . .	6	1	----	2204 317			
	RC3, RC4 . . . . .	8	1	----	2122 620	2122 620	2122 620	
13-11-6	BOLT, 1 1/4" lgh (see Part Type Code 23-32-18)	8	1	----	----	----	2122 621	2122 621
13-11-8	WASHER, Bolt Lock (see Part Type Code 23-32-20)							
13-11-14	PLUG, Front Crossmember Front (see Part Type Code 23-32-15)							
<b>13-16-O FRAME TRANSMISSION MOUNTING CROSSMEMBER ASSEMBLY</b>								
13-16-5	CROSSMEMBER (see Part Type Code 23-32-17)							
<b>13-18-O FRAME REAR CROSSMEMBER</b>								
13-18-4	CROSSMEMBER, w/Auto. Trans.	6	1	----	2123 354			
		8	1	----	----	----		1944 407
<b>13-33-O BATTERY SUPPORT TRAY</b>								
13-33-59	U-NUT, Tray and Fender Shield Upper Support Yoke Bracket . . . . .			1 ----	2082 878	2082 878	2082 878	2082 878
13-33-61	TRAY . . . . .	6	1	2208 569				
13-33-62	BRACKET, Support . . . . .	6	2	2074 087				
	Tray . . . . .	6	1	2074 082				
13-33-63	BOLT, w/WASHER, Bracket . . . . .	6	4	6022 777				
	SCREW, w/WASHER, Bracket . . . . .	8	★	----	6012 068	6012 068	6012 068	6012 068
	SCREW, w/WASHER, Support. . . . .			2 ----	6022 537	6022 537	6022 537	6022 537
13-33-68	BRACE, Support, RC3, RC4 . . . . .	8	1	----	----	----	*2260 435	*2260 435
<b>13-34-O BATTERY HOLD-DOWN STRAP</b>								
13-34-3	STRAP . . . . .			1	1828 352	1828 352	1828 352	1828 352
<b>13-35-O BATTERY HEAT SHIELD</b>								
13-35-1	SHIELD . . . . .			1	2122 198			

★ Indicates use as required. Numerals in parentheses ( ) refer to notes. Printed in U.S.A.  
 E Indicates parts not listed in any previous parts book. Prices and specifications subject to change without notice.  
 \* Indicates change or addition. Page 13-7 March 1, 1962 Supersedes Jan. 6, 1961.

# 1961 PASSENGER CAR PARTS CATALOG

FRAME

CODE	PART NAME AND DESCRIPTION	C Y L.	PER CAR	VALIANT	PLYMOUTH	DESOTO	CHRYSLER	IMPERIAL
<b>13-36-O BATTERY HOLD-DOWN STUD</b>								
13-36-5	STUD, Outer . . . . .		1	2074 090	1408 915	1408 915	1408 915	1408 915
	Inner . . . . .		1	2074 089	1408 918	1408 918	1408 918	1408 918
<b>13-54-O FRAME REAR SPRING HANGER</b>								
13-54-4	HANGER, Front . . . . .	6	2	2071 760				
	Except Sub. . . . .		2	----	1948 359	1948 359	1948 359	1734 502
	Sub. . . . .		2	----	1948 867	----	1948 867	
13-54-11	BOLT, Hanger . . . . .		★	2200 685	2200 685	2200 685	2200 685	
13-54-15	HANGER, Rear, except Sub., RC1, RC2 . . . . .		2	2071 764	1948 354	1948 880	1948 880	
	Except Sub., RC3, RC4 . . . . .	8	2	----	----	----	1948 354	1735 128
	Sub., RC1 . . . . .		2	2071 785	1948 878	----	1948 878	
	Sub., RC3 . . . . .	8	2	----	----	----	1948 377	
<b>13-64-O FRONT BUMPER FACE BAR</b>								
13-64-3	BAR, Face . . . . .	6	1	2074 208				
	Center . . . . .		1	----	2123 817			
	Outer, use w/Tie Bar, Right . .		1	----	2123 932			
	Outer, use w/Tie Bar, Left . . .		1	----	2123 933			
	Outer, use w/o Tie Bar, Right . .		1	----	2123 818			
	Outer, use w/o Tie Bar, Left . .		1	----	2123 819			
	RC1, RC2 . . . . .	8	1	----		2123 809	*2123 809(1)	
	RC1, RC2 . . . . .	8	1	----			*2123 808(2)	
	RC3, RC4 . . . . .	8	1	----			2123 808	2123 800
13-64-4	SUPPORT, Outer, Right . . . . .	6	1	2074 230				
	Outer, Left . . . . .	6	1	2074 231				
	Inner, Right . . . . .	6	1	2074 228				
	Inner, Left . . . . .	6	1	2074 229				
	Outer, Right . . . . .	8	1	----				2123 796
	Outer, Left . . . . .	8	1	----				2123 797
	Inner, Right . . . . .	8	1	----				2123 798
	Inner, Left . . . . .	8	1	----				2123 799
	Right, RC1, RC2 . . . . .	8	1	----			*2123 928(2)	
	Left, RC1, RC2 . . . . .	8	1	----			*2123 929(2)	
	Right, RC3, RC4 . . . . .	8	1	----	2123 830		2123 804	
	Left, RC3, RC4 . . . . .	8	1	----	2123 831		2123 805	
	Crossmember, RC1, RC2 . . . . .	8	1	----	1944 399	1944 399	1944 399	
13-64-5	BOLT, Bumper to Support . . . .	6	★	2074 225				
	Bumper to Stabilizer . . . . .	6	2	2074 225				
	Bumper to Support, RC3, RC4 . .		★	----	2123 898	----	2123 898	1551 766
	RC1, RC2 . . . . .	8	2	----	2123 898	----	*1551 097(2)	
	Bumper to Stabilizer . . . . .			----	2123 898			
	Bumper or Support to Frame, RC1, RC2 . . . . .		4	----	----	*6022 992	*6022 992	
	Bumper to Extension, RC3, RC4 .	8	2	----	----	----	2123 898	
	Support to Frame, RC1, RC2 . . .		★	----	*6022 904	----	*1551 097(2)	*1948 970
	STUD, Support to Frame, RC3, RC4 .	8	4	----	----	----	2123 902	
13-64-6	WASHER, Support to Frame Reinforcement Bolt . . . . .		★	----	1943 554			
	Bumper to Frame Bolt Lock, RC1, RC2 . . . . .	8	★	----		1943 554	*1943 554(1)	1948 969
	Support to Frame Stud, RC3, RC4 .	8	4	----			1943 554	
	Vertical Support to Frame . . . .	8	4	----				1616 746
	Bumper Bracket to Support . . . .	8	4	----				6022 898
13-64-9	SPACER, Bumper to Frame, RC1, RC2 . . . . .	8	★	----		1943 583	*1943 583(1)	
13-64-26	PLATE, Bumper to Support . . . .		2	----	2123 829			
	Support to Frame Bolt . . . . .		4	----	2123 861			
13-64-56	SPEED CLIP, Bumper or Support to Frame Bolt, RC1, RC2 . . . .	8	★	----		*1325 239	*1325 239	
13-64-97	EXTENSION, Support Bar and Front Bumper, Right, RC1, RC2 .	8	1	----			*2123 930(2)	
	Left, RC1, RC2 . . . . .	8	1	----			*2123 931(2)	

NOTE 1: Use on RC1, RC2, not equipped w/Supports.

NOTE 2: Use on RC1, RC2, equipped w/Supports.

★ Indicates use as required.

Numerals in parentheses ( ) refer to notes.

Printed in U.S.A.

☐ Indicates parts not listed in any previous parts book.

Prices and specifications subject to change without notice.

March 1, 1962 Supersedes May 31, 1961.

\* Indicates change or addition.

CODE	PART NAME AND DESCRIPTION	CYL	PER CAR	VALIANT	PLYMOUTH	DESOTO	CHRYSLER	IMPERIAL
<b>13-64-O FRONT BUMPER FACE BAR - Cont'd</b>								
13-64-97	EXTENSION - Cont'd							
	Right, RC3, RC4 . . . . .	8	1	-----	-----	-----	*2123 806	
	Left, RC3, RC4 . . . . .	8	1	-----	-----	-----	*2123 807	
13-64-149	STABILIZER . . . . .	6	2	2074 214				
			2	-----	2123 842			
13-64-151	NUT, w/WASHER, Stabilizer to Fender . . . . .	6	2	6012 008				
			2	-----	6012 008			
<b>13-66-O REAR BUMPER FACE BAR</b>								
13-66-3	BAR, Face . . . . .	6	1	2074 209				
	Except Sub., use w/o Guards, RC1, RC2 . . . . .		1	-----	2123 812	2123 790	2123 790	
	Except Sub., use w/Guards . . . . .		1	-----	-----	2123 890	2123 890	1940 392
	Center, Sub. . . . .		1	-----	2123 860	-----	1940 409	
	Extension, Sub., Right . . . . .		1	-----	2123 814	-----	1940 388	
	Sub., Left . . . . .		1	-----	2123 813	-----	1940 389	
	Tie Bar . . . . .	8	1	-----	-----	-----	-----	1940 393
13-66-15	BOLT, Bumper to Support . . . . .		★	2074 225	2123 898	2123 898	2123 898	2123 898
	Stabilizer to Bumper . . . . .		2	-----	6012 016	2123 898	2123 898	
	Extension to Stabilizer, Sub. . . . .	8	2	-----	-----	-----	2123 898	
	Vertical Support to Frame . . . . .	8	4	-----	-----	-----	-----	1945 945
	PLUG, Step Pad Hole, Sub. . . . .		2	-----	6012 070	-----	6012 070	
13-66-16	SUPPORT, Right . . . . .	6	1	2074 226				
	Left . . . . .	6	1	2074 227				
	Right, except Sub. . . . .		1	-----	2123 832	2123 838	2123 838	
	Left, except Sub. . . . .		1	-----	2123 833	2123 839	2123 839	
	Right, Sub. . . . .		1	-----	2123 856	-----	1945 948	
	Left, Sub. . . . .		1	-----	2123 857	-----	1945 949	
	Right, Outer . . . . .	8	1	-----	-----	-----	-----	1941 032
	Left, Outer . . . . .	8	1	-----	-----	-----	-----	1941 033
	Vertical . . . . .	8	1	-----	-----	-----	-----	1941 031
	Upper . . . . .	8	1	-----	-----	-----	-----	1941 034
13-66-18	SHIM, Support to Frame, .06" thk. . . . .	8	★	-----	-----	-----	-----	6010 025
13-66-20	WASHER, Support to Frame Bolt, Lock . . . . .		★	-----	1943 554	1943 554	1943 554	1943 554
13-66-23	BUTTON, Jacking Bracket, except Sub. . . . .	8	2	-----	-----	1948 972	1948 972	
13-66-24	PLATE, Support, except Sub. To Support, Sub. . . . .		4	-----	2123 861	-----	-----	
	To Support, Sub. . . . .		2	-----	1948 015	-----	1948 015	
	To Frame Support, Sub. . . . .		4	-----	2123 938	-----	-----	
		8	4	-----	-----	2123 938	2123 938	
13-66-28	FASTENER, Jacking Bracket Pad, Sub. . . . .		2	-----	6006 456	-----	6006 456	
13-66-30	BRACKET, Jacking, except Sub. . . . .	8	2	-----	-----	2123 897	2123 897	
13-66-65	STUD, Bumper Bracket to Upper Support . . . . .	8	2	-----	-----	-----	-----	6022 037
13-66-93	BOLT, Support to Crossmember . . . . .		4	-----	6022 904	-----	-----	
13-66-106	DEFLECTOR, Stone . . . . .	6		2081 599				
	Except Sub. . . . .	8	1	-----	-----	2093 262	*2093 262(1)	
	Except Sub. . . . .	8	1	-----	-----	-----	E2189 926(2)	
13-66-116	SEAL, Stone Deflector, except Sub. . . . .	8	1	-----	-----	2094 106	*2094 106(1)	
	Except Sub. . . . .	8	1	-----	-----	-----	E2189 927(2)	
13-66-123	FASTENER, Stone Deflector Seal, except Sub. . . . .	8	★	-----	-----	*6006 104	*6006 104	
13-66-135	STABILIZER . . . . .	6	2	2074 218				
	Except Sub. . . . .		2	-----	-----	2123 912	2123 912	
	Sub. . . . .		2	-----	2123 855	-----	-----	
	Sub., Right . . . . .	8	1	-----	-----	-----	1948 106	
	Sub., Left . . . . .	8	1	-----	-----	-----	1948 107	

NOTE 1: Length - 74"

NOTE 2: Length - 26"

