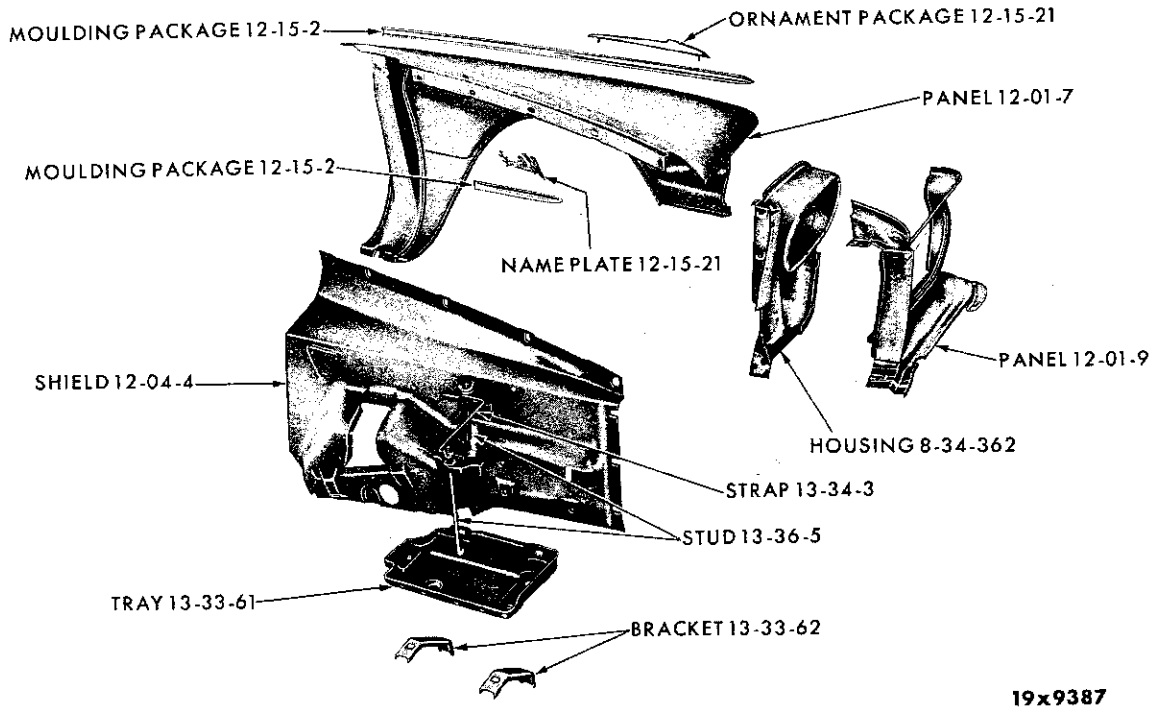
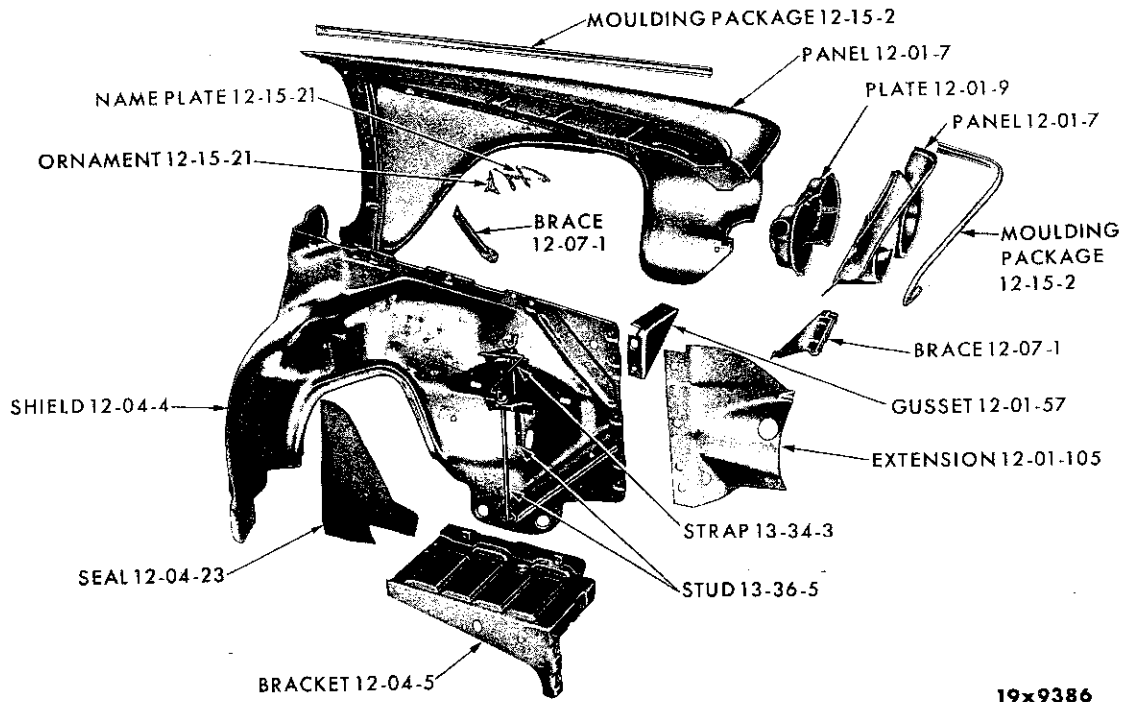


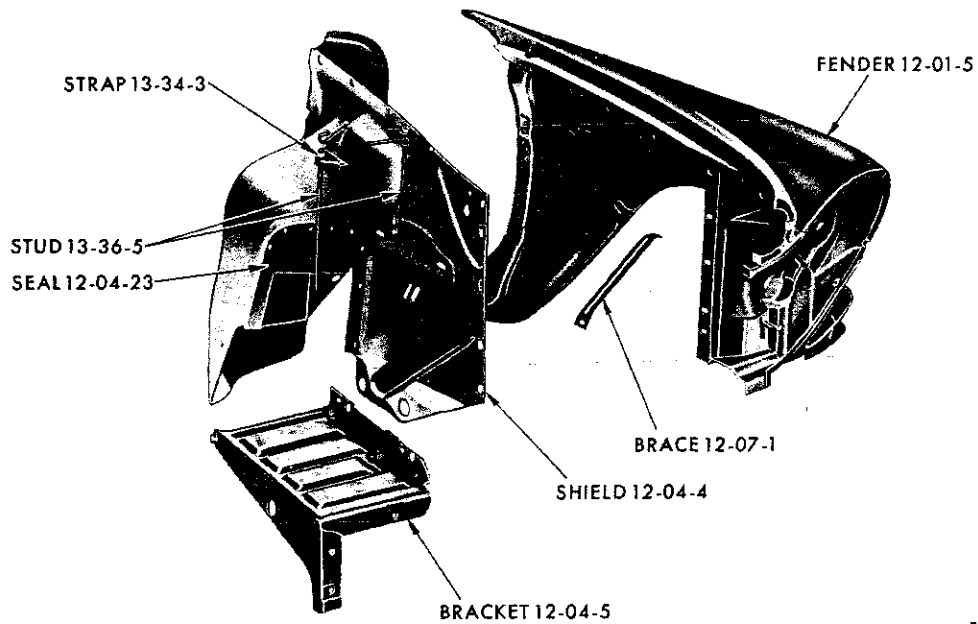
GROUP 12 - FENDERS AND SHEET METAL



FRONT FENDER - VALIANT RV1

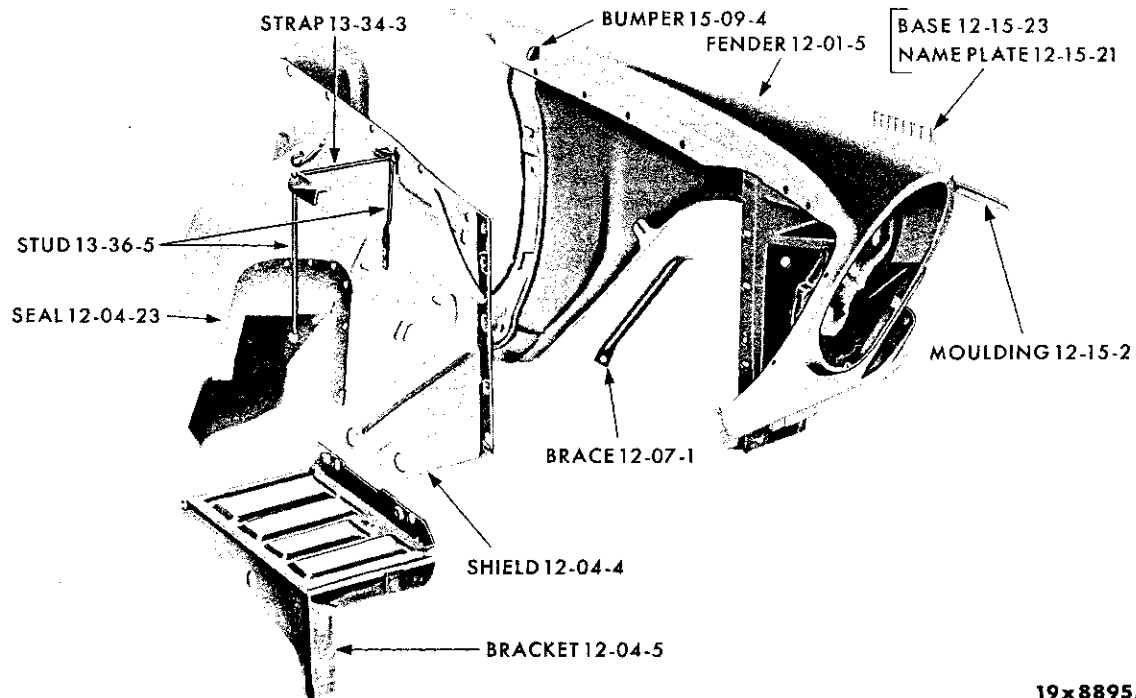


FRONT FENDER - PLYMOUTH RP1-2



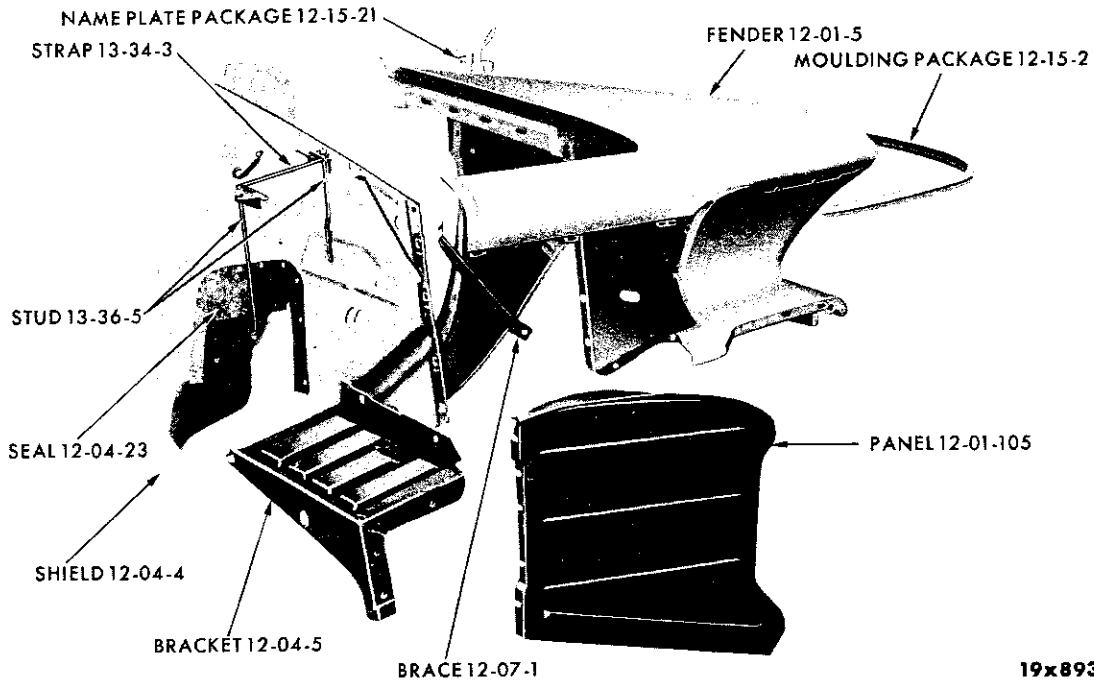
19x8935

FRONT FENDER - DESOTO RS1

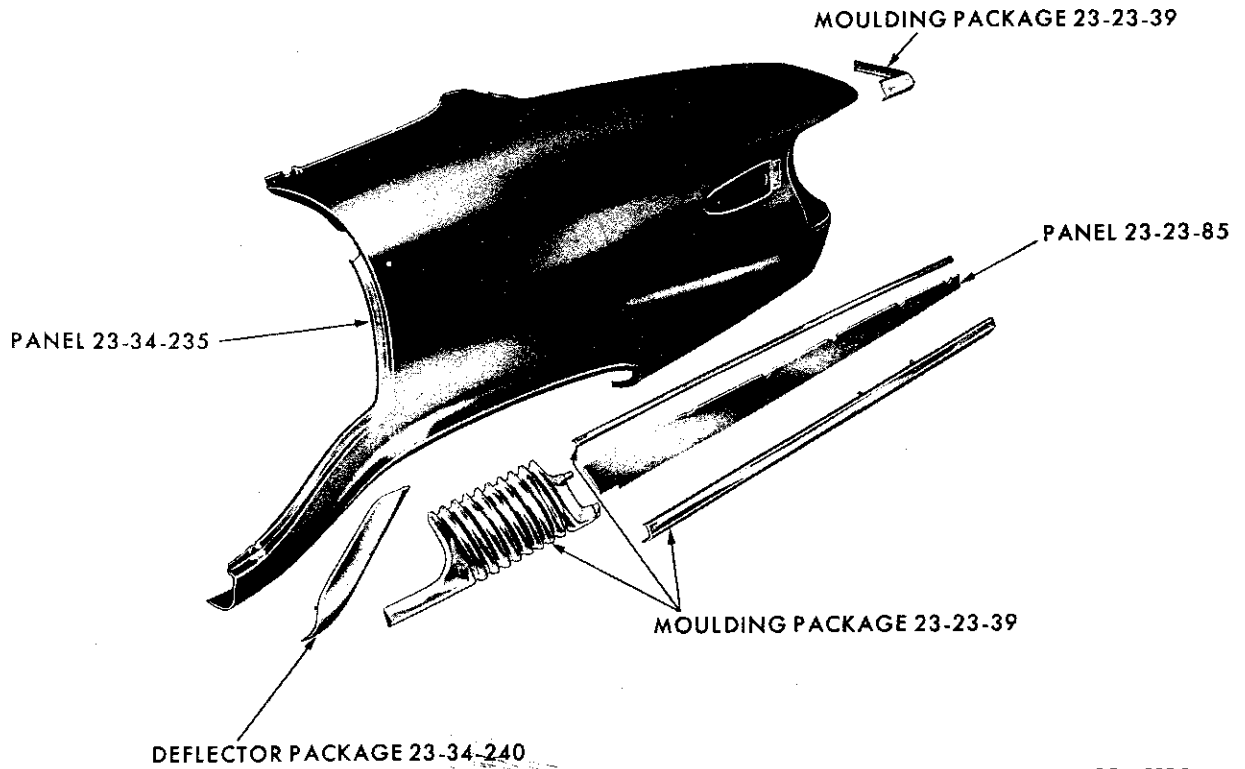


19x8895A

FRONT FENDER - CHRYSLER RC1-2-3-4



FRONT FENDER - IMPERIAL RY1



REAR QUARTER PANEL AND MOULDING - PLYMOUTH RP1-2 4 DOOR SEDAN

CODE	PART NAME AND DESCRIPTION	C Y L.	PER CAR	VALIANT	PLYMOUTH	DESOTO	CHRYSLER	IMPERIAL
12-01-0 FRONT FENDERS								
12-01-5	FENDER (For Front Fenders Not Listed See Illustration)							
	Right, RC1, RC2		1	----	----	1904 518	1904 080	
	Left, RC1, RC2		1	----	----	1904 519	1904 081	
	Right, RC3, RC4, RY1	8	1	----	----	----	1904 046	1904 062
	Left, RC3, RC4, RY1	8	1	----	----	----	1904 047	1904 063
12-01-7	PANEL, Front, Right		1	----	1904 014	----	*1919 414	1904 066
	Left		1	----	1904 015	----	*1919 415	1904 067
	PANEL, Top, Right	8	1	----	----	----	----	1904 068
	Left	8	1	----	----	----	----	1904 069
	PANEL, Side, Right, RC1, RC2.		1	*2253 694	*2253 608	----	*2253 612	
	Left, RC1, RC2		1	*2253 695	*2253 609	----	*2253 613	
	Right, RC3, RC4, RY1	8	1	----	----	----	*2253 614	*1904 064
	Left, RC3, RC4, RY1	8	1	----	----	----	*2253 615	*1904 065
12-01-9	PANEL, Headlamp Opening,							
	Right	6	1	*1973 316				
	Left	6	1	*1973 317				
	PLATE, Headlamp, Right, RC1, RC2		1	----	*1904 270	----	*1919 394	
	Left, RC1, RC2		1	----	*1904 271	----	*1919 395	
	Right, RC3	8	1	----	----	----	*1919 392	
	Left, RC3	8	1	----	----	----	*1919 393	
12-01-12	SCREW, to Side Shield	6	★	2082 867				
	To Radiator Cross Bar	6	★	----	6022 802			
	To Pillar Support, Upper		★	----	6022 334	6022 334	6022 334	
	To Pillar Support, Lower		★	----	6022 026	6022 026	6022 026	
	To Cowl, Upper	8	★	----	6022 334	6022 334	6022 334	⊠6022 237
	To Shear Panel	8	★	----	----	----	----	6022 506
	To Sill	8	★	----	----	----	----	1863 612
	STUD, to Pillar Support		★	----	1863 019	----	----	1863 019
	To Side Rail	6	★	1863 586				
	To Radiator Yoke		★	----	1903 396	1903 396	1903 396	1903 396
	To Cowl	8	★	----	1863 716	*1863 586	*1863 586	
	To Sill		★	----	6022 016	6022 016	6022 016	6022 016
	Side Panel to Shear Panel Reinf.	8	4	----	----	----	----	6022 508
12-01-15	NUT, "U", to Side Shield	6	6	2082 878				
12-01-16	WASHER, to Pillar Support		★	1903 513	6022 187	----	----	6022 187
	To Sill		★	----	6022 187	6022 187	6022 187	6022 187
	To Cowl, Upper	8	★	----	----	1903 677	1903 677	
	To Cowl, Lower	8	★	----	----	6022 187	6022 187	
12-01-57	GUSSET, Fender to Extension,							
	Right		1	----	*1904 264			
	Left		1	----	*1904 265			
12-01-92	REINFORCEMENT, Upper Flange	8	1	----	----	----	----	⊠1904 180
	Side Panel to Shear Panel, Right	8	1	----	----	----	----	⊠1904 276
	Left	8	1	----	----	----	----	⊠1904 277
12-01-105	PANEL, Shear, Right	8	1	----	----	----	----	1904 194
	Left	8	1	----	----	----	----	1904 195
	EXTENSION, to Yoke, Right		1	----	1904 260			
	Left		1	----	1904 261			
12-02-0 FRONT FENDER SEAL OR SHIM								
12-02-5	SEAL, to Cowl, Right	6	1	2083 170				
	Left	6	1	2083 171				
	To Pillar		★	1242 974	2166 641	2166 641	2166 641	
	SHIM, to Crossmember	6	★	6010 035				
	To Pillar	6	★	6010 031				
	To Pillar, Upper, Front		★	----	1863 926			
	To Pillar, Upper, Rear		★	----	6010 035			
	To Pillar, Lower		★	----	6010 031			

★ Indicates use as required. Numerals in parentheses () refer to notes. Printed in U.S.A.
 ⊠ Indicates parts not listed in any previous parts book. Prices and specifications subject to change without notice.
 * Indicates change or addition. Page 12-5 March 1, 1962 Supersedes Jan. 6, 1961

1961 PASSENGER CAR PARTS CATALOG

FENDERS AND SHEET METAL

CODE	PART NAME AND DESCRIPTION	CYL.	PER CAR	VALIANT	PLYMOUTH	DESOTO	CHRYSLER	IMPERIAL
12-02-0 FRONT FENDER SEAL OR SHIM - Cont'd								
12-02-5	SEAL - Cont'd.							
	To Cowl, Upper, Front		★	-----	-----	1863 926	1863 926	6010 037
	To Cowl, Upper, Rear		★	-----	-----	6010 035	6010 035	6010 035
	To Sill		★	-----	6010 031	6010 031	6010 031	6010 031
12-02-12	FASTENER, Seal		★	6006 104	-----	-----	-----	6006 012
	CLIP, Seal		★	6017 018	6008 076	6008 076	6008 076	
12-04-0 FRONT FENDER SHIELD OR PLATE								
12-04-4	SHIELD, Side, Right	6	1	2082 012				
	Left	6	1	2082 023				
	Right, RC1, RC2		1	-----	1948 420	1948 420	1948 420	
	Left, RC1, RC2		1	-----	1948 421	1948 421	1948 421	
	Right, RC3, RC4, RY1	8	1	-----	-----	-----	1948 440	1948 440
	Left, RC3, RC4, RY1	8	1	-----	-----	-----	1948 441	1948 441
	To Yoke, Upper, Right	8	1	-----	-----	-----	-----	1904 182
	Left	8	1	-----	-----	-----	-----	1904 183
	To Yoke, Lower, Right	8	1	-----	-----	-----	-----	1904 186
	Left	8	1	-----	-----	-----	-----	1904 187
12-04-5	BRACKET, Upper Support		1	-----	1940 892	1940 892	1940 892	1940 892
12-04-12	SCREW, Shield to Frame		6	-----	6022 361	6022 361	6022 361	6012 066
	Shield to Dash		2	-----	6012 068	6012 068	6012 068	6012 068
	Shield to Fender Tab		2	-----	6000 160	6000 160	6000 160	6012 078
	To Upper Support Bracket		5	-----	180 075	180 075	180 075	180 075
	To Fender		8	-----	6012 087	6012 087	6012 087	6012 087
	To Sill		2	-----	1739 049	1739 049	1739 049	
	Upper Support Bracket to Yoke	8	3	-----	-----	-----	6012 077	6012 077
	To Dash Panel Brace	8	1	-----	-----	-----	-----	1739 049
	To Cover, w/Ram Manifold	8	★	-----	6012 068	-----	6012 068	
12-04-18	BAFFLE, Fender to Shield,							
	Right	8	1	-----	-----	-----	-----	1904 190
	Left	8	1	-----	-----	-----	-----	1904 191
12-04-23	SEAL, to Upper Control Arm		★	-----	2123 337	2123 337	-----	1851 024
	Shear Panel to Fender	8	★	-----	-----	-----	-----	1242 974
	Shield to Fender	8	2	-----	-----	-----	-----	1242 974
12-04-26	NUT, w/RETAINER		★	-----	6012 065	6012 065	6012 065	6012 065
	To Cover, w/Ram Manifold, RC4	8	★	-----	6012 065	-----	6012 065	
12-04-33	BRACKET, to Side Sill, Right							
	RC3, RC4	8	1	-----	-----	-----	1948 402	
	Left, RC3, RC4	8	1	-----	-----	-----	1948 403	
	Fender to Pillar		2	-----	-----	1686 914	1686 914	
12-05-0 FENDER PILLAR SUPPORT AND COWL BRACKET								
12-05-2	BRACKET, Fender Pillar							
	Support and Cowl, Right	8	1	-----	-----	-----	-----	1863 328
	Left	8	1	-----	-----	-----	-----	1863 329
12-06-0 FRONT FENDER BRACKET								
12-06-3	BRACKET, to Sill	8	2	-----	-----	-----	-----	1624 582
	To Hood Hinge Plate, Right	8	1	-----	-----	-----	-----	1903 884
	Left	8	1	-----	-----	-----	-----	1903 885
12-07-0 FRONT FENDER BRACE OR SUPPORT								
12-07-1	BRACE, Side Shield, Right		1	-----	2201 518			
	Left		1	-----	2201 519			
	Right, RC1, RC2		1	-----	-----	1948 414	1948 414	
	Left, RC1, RC2		1	-----	-----	1948 415	1948 415	
	Right, RC3, RC4	8	1	-----	-----	-----	1940 894	
	Left, RC3, RC4	8	1	-----	-----	-----	1940 895	
	Fender to Cowl, Right	8	1	-----	-----	-----	-----	1754 294
	Left	8	1	-----	-----	-----	-----	1754 295
	Front Panel to Extension, Right		1	-----	1904 262			
	Left		1	-----	1904 263			
12-07-2	NUT, to Dash Panel Brace		2	-----	6012 065	6012 065	6012 065	

★ Indicates use as required.

Numerals in parentheses () refer to notes.

Printed in U.S.A.

□ Indicates parts not listed in any previous parts book.
March 1, 1962 Supersedes Jan. 6, 1961.

Prices and specifications subject to change without notice.

* Indicates change or addition.

CODE	PART NAME AND DESCRIPTION	C Y L.	PER CAR	VALIANT	PLYMOUTH	DESOTO	CHRYSLER	IMPERIAL
12-15-0 FRONT FENDER MOULDING AND NAME PLATE PACKAGES								
12-15-2	MOULDING PACKAGE,							
	Side, Lower, Right	6	1	2196 612				
	Left	6	1	2196 613				
	CLIP		2	6010 002				
	CLIP		4	6017 007				
	NUT		2	151 497				
	Side, Upper, Right	6	1	2240 858				
	Side, Upper, Left	6	1	2240 859				
	CLIP		10	6000 949				
	CLIP		2	6000 951				
	NUT		2	151 497				
	Front, Right, RP1-L, RP2-L, RP1-M, RP2-M		1	-----	2275 111			
	Front, Left, RP1-L, RP2-L, RP1-M, RP2-M		1	-----	2275 112			
	Front, Right, RP1-H, RP2-H		1	-----	2275 113			
	Front, Left, RP1-H, RP2-H		1	-----	2275 114			
	CLIP		14	-----	6000 822			
	NUT		2	-----	*1203 361			
	Side, Upper, Right, RP1-H, RP2-H		1	-----	2275 121			
	Side, Upper, Left, RP1-H, RP2-H		1	-----	2275 122			
	CLIP		10	-----	6000 820			
	Side, Lower, Right		1	-----	2275 123			
	Side, Lower, Left		1	-----	2275 124			
	NUT		6	-----	6013 114			
	COVER, Trim, Right		1	-----	2275 115			
	COVER, Trim, Left		1	-----	2275 116			
	SCREW		8	-----	128 151			
	Side, Right	8	1	-----	-----	2240 916		
	Side, Left	8	1	-----	-----	2240 917		
	RETAINER		2	-----	-----	6010 189		
	CLIP		14	-----	-----	6006 517		
	NUT		2	-----	-----	446 059		
	Wheel Opening to Sill, Right, RS1, RC3	8	1	-----	-----	2196 503	2196 503	
	Wheel Opening to Sill, Left, RS1, RC3	8	1	-----	-----	2196 504	2196 504	
	CLIP		2	-----	-----	6000 732	6000 732	
	SCREW		4	-----	-----	125 978	125 978	
	Wheel Opening, Right, RS1, RC3	8	1	-----	-----	2240 922	2240 922	
	Wheel Opening, Left, RS1, RC3.	8	1	-----	-----	*2240 923	*2240 923	
	CLIP		10	-----	-----	6000 864	6000 864	
	NUT		8	-----	-----	*9414 977	*9414 977	
	CLIP		2	-----	-----	*6000 752	*6000 752	
	Side, Right, RC1, RC2	8	1	-----	-----	-----	2240 848	
	Side, Left, RC1, RC2	8	1	-----	-----	-----	2240 849	
	RETAINER		6	-----	-----	-----	6006 284	
	CLIP		4	-----	-----	-----	6010 002	
	NUT		10	-----	-----	-----	446 059	
	Top, Right, RC3	8	1	-----	-----	-----	2275 000	
	Top, Left, RC3	8	1	-----	-----	-----	2275 001	
	CLIP		6	-----	-----	-----	6000 752	
	NUT		6	-----	-----	-----	151 497	
	Top Panel, Front	8	1	-----	-----	-----	-----	2240 932
	Front, Upper, Right	8	1	-----	-----	-----	-----	2240 936
	Front, Upper, Left	8	1	-----	-----	-----	-----	2240 937
	Front, Lower, Right	8	1	-----	-----	-----	-----	2240 938
	Front, Lower, Left	8	1	-----	-----	-----	-----	2240 939
	SCREW		6	-----	-----	-----	-----	180 020
	NUT		8	-----	-----	-----	-----	120 375
	Side, Right	8	1	-----	-----	-----	-----	2240 934
	Side, Left	8	1	-----	-----	-----	-----	2240 935
	CLIP		4	-----	-----	-----	-----	6000 505
	SPACER		12	-----	-----	-----	-----	1904 617
	NUT	8	12	-----	-----	-----	-----	*6006 264

★ Indicates use as required. Numerals in parentheses () refer to notes. Printed in U.S.A.
 ☐ Indicates parts not listed in any previous parts book. Prices and specifications subject to change without notice.
 * Indicates change or addition. Page 12-7 March 1, 1962 Supersedes Jan. 6, 1961.

