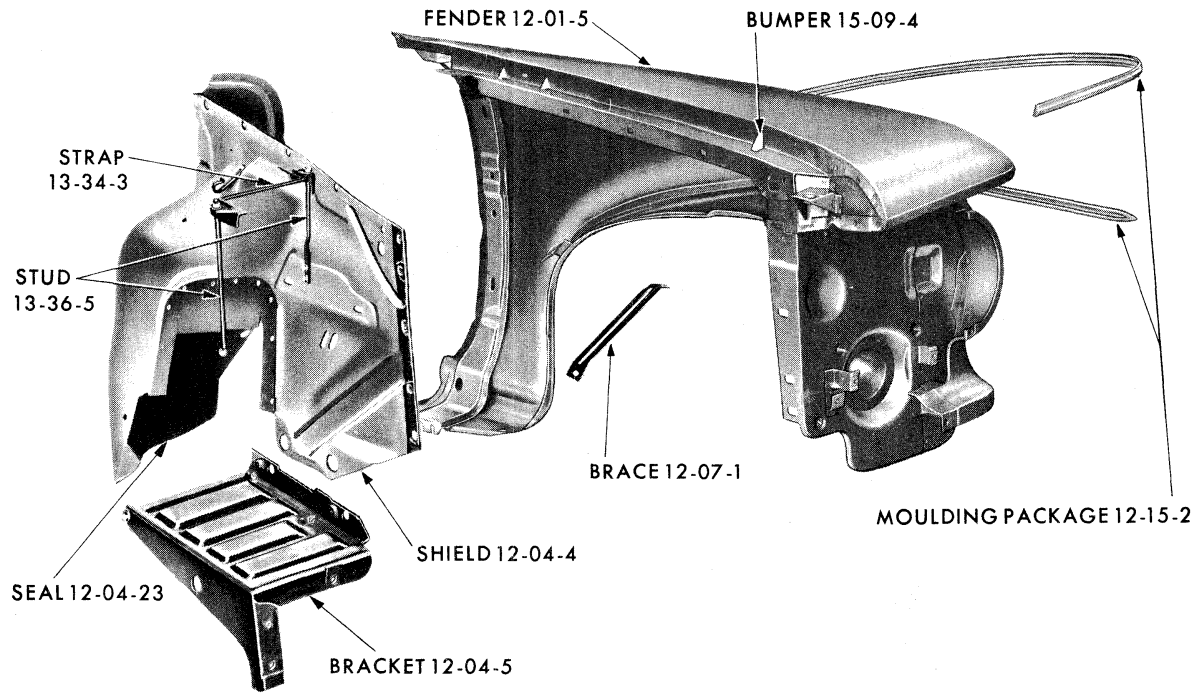
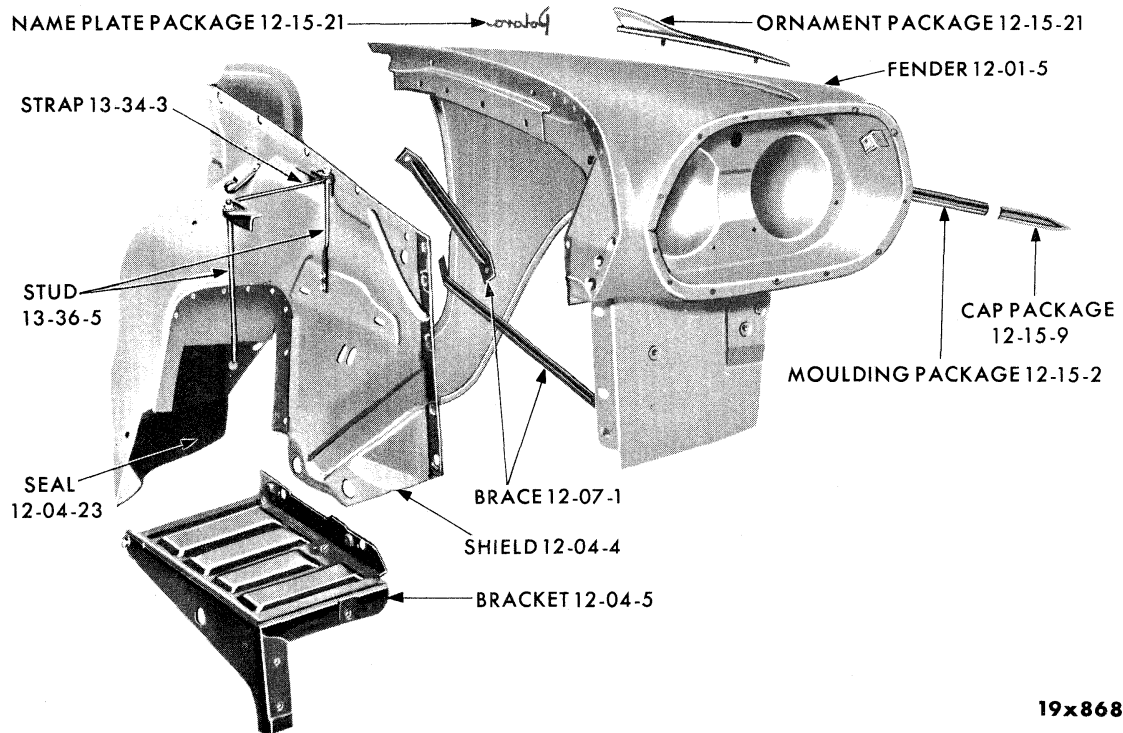


GROUP 12 - FENDERS AND SHEET METAL



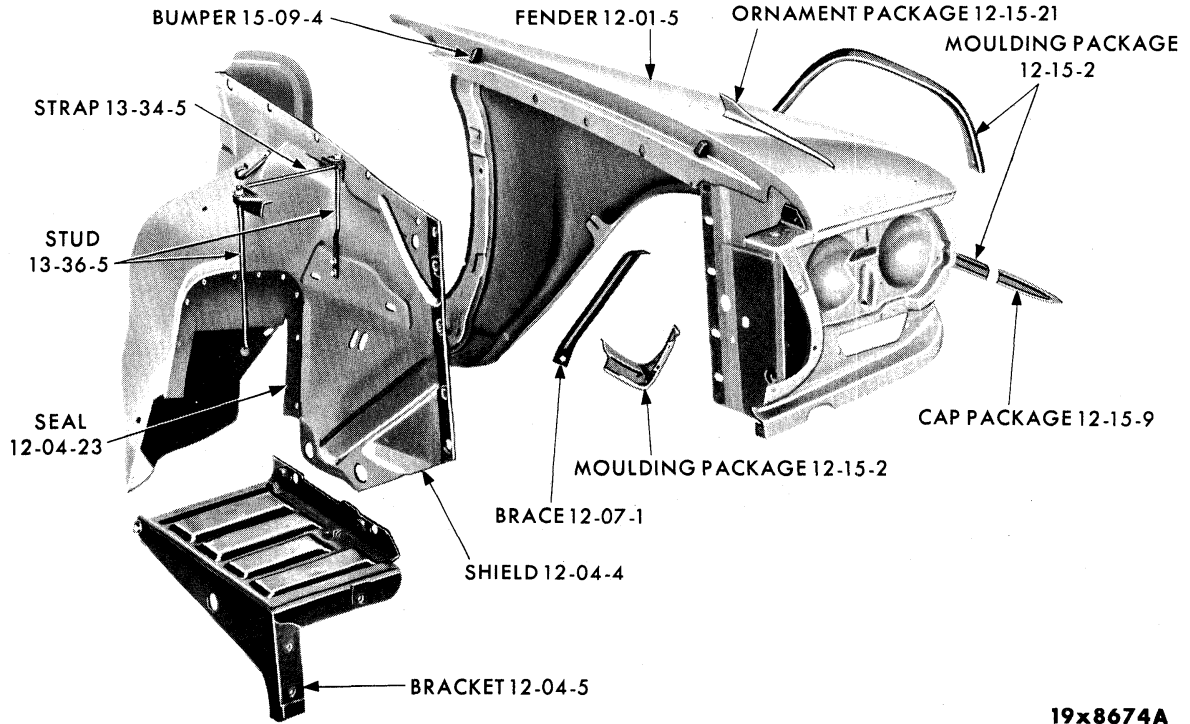
19x8696A

FRONT FENDER - PLYMOUTH PP1-2



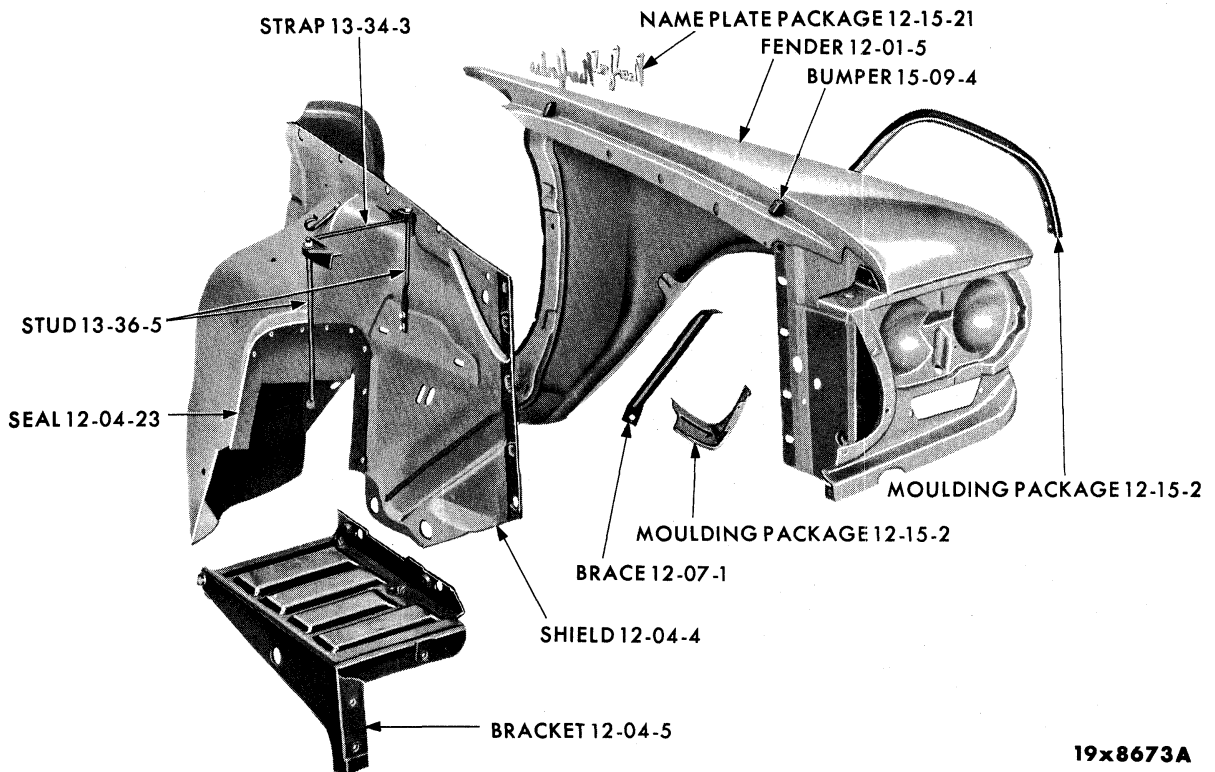
19x8685A

FRONT FENDER - DODGE PD1-2-3-4



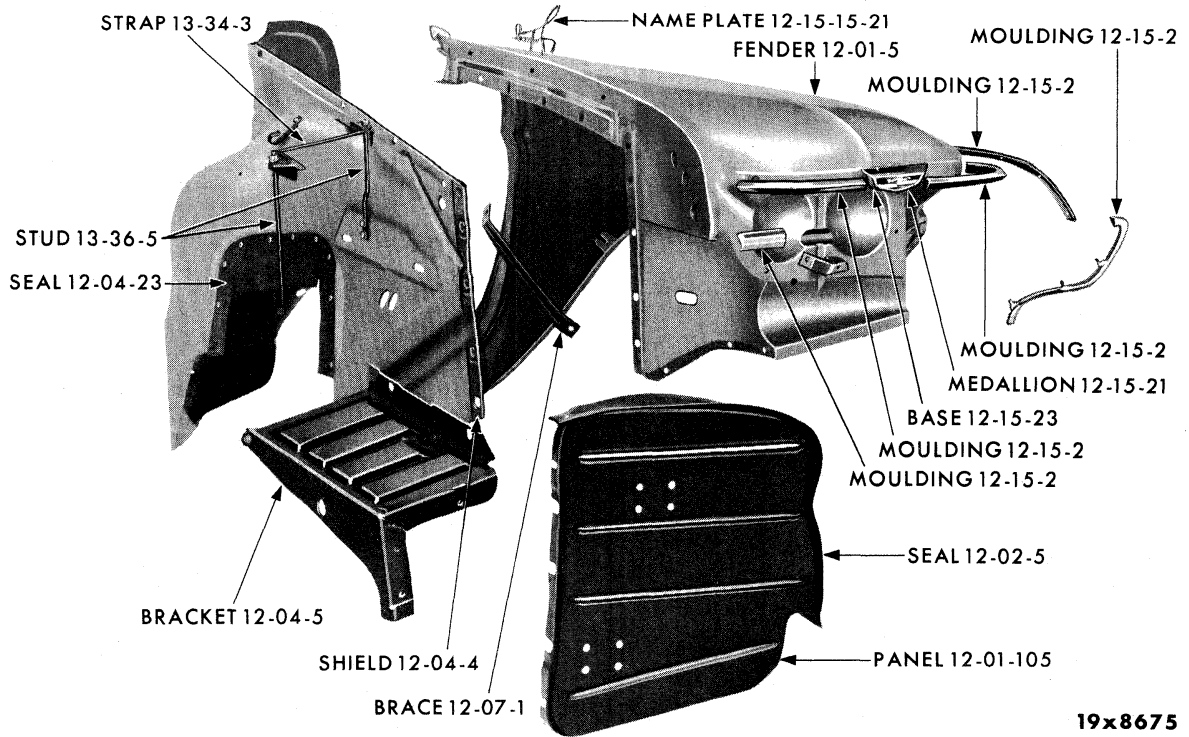
19x8674A

FRONT FENDER - DESOTO PS1-3

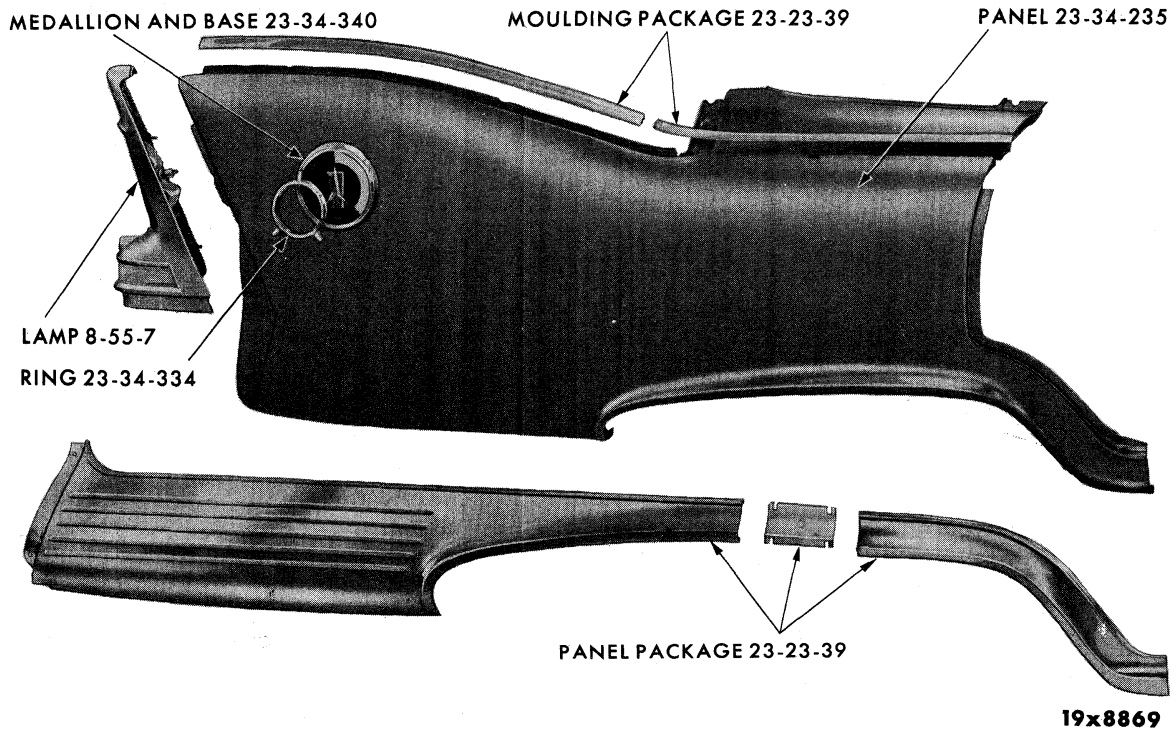


19x8673A

FRONT FENDER - CHRYSLER PC1-2-3



FRONT FENDER - IMPERIAL PY1



REAR QUARTER PANEL AND MOULDINGS - PLYMOUTH PP1-2

CODE	PART NAME AND DESCRIPTION	NO. OF CYL.	PLYMOUTH	DODGE	DESOTO	CHRYSLER AND IMPERIAL	PER CAR	PART NUMBER
------	---------------------------	-------------	----------	-------	--------	-----------------------	---------	-------------

GROUP 12 - FENDERS AND SHEET METAL

12-01-0 FRONT FENDERS

12-01-5	FENDER, Right	6-8	60	-	-	-	1	1863 248
	Left	6-8	60	-	-	-	1	1863 249
	Right	6-8	-	60	-	-	1	1903 972
	Left	6-8	-	60	-	-	1	1903 973
	Right	8	-	-	60	-	1	1863 428
	Left	8	-	-	60	-	1	1863 429
	Right, PC1	8	-	-	-	60	1	1863 630
	Left, PC1	8	-	-	-	60	1	1863 631
	Right, PC2, PC3	8	-	-	-	60	1	1903 852
	Left, PC2, PC3	8	-	-	-	60	1	1903 853
	Right, PY1	8	-	-	-	60	1	1903 424
	Left, PY1	8	-	-	-	60	1	1903 425
12-01-9	PANEL, Headlamp, Right	6-8	60	-	-	-	1	1863 838
	Left	6-8	60	-	-	-	1	1863 839
12-01-12	SCREW, Shear Panel to Yoke, w/WASHER, PY1	8	-	-	-	60	6	1863 815
	To Side Shield	6-8	60	-	60	60	10	1863 815
	To Radiator Yoke	6-8	-	60	60	60	10	1863 815
	To Sill Bracket, PY1	8	-	-	-	60	4	1863 612
	To Cowl, Upper, PY1	8	-	-	-	60	2	1343 212
	STUD, to Cowl Upper Front	6-8	60	60	60	60	4	1863 716
	To Cowl Upper Rear	6-8	60	60	60	60	2	6010 036
	Lower Rear	6-8	60	60	60	60	4	1863 019
	To Pillar Upper Rear	6-8	60	-	-	-	2	1863 586
	To Yoke	6-8	-	60	60	60	2	1903 396
	To Sill, PC1, PC2, PC3	6-8	60	60	60	60	4	6022 016
12-01-16	WASHER, to Pillar	6-8	60	-	-	-	4	1903 513
	To Cowl Lower Rear	6-8	60	-	-	-	2	1903 478
	To Cowl Lower Rear	6-8	-	60	60	60	4	1832 147
	To Cowl Lower Rear	6-8	-	60	60	60	★	6010 038
	Support to Sill, PY1	8	-	-	-	60	2	1903 513
	To Sill	6-8	60	60	60	60	4	1903 513
	To Yoke	6-8	60	60	60	60	2	1903 397
12-01-105	PANEL, Shear, Right, PY1	8	-	-	-	60	1	1903 010
	Left, PY1	8	-	-	-	60	1	1903 011

12-02-0 FRONT FENDER LINER

12-02-5	SHIM, to Cowl	6-8	60	60	60	60	★	1863 926
	To Pillar Upper, Thin	6-8	60	-	-	-	★	6010 035
	Lower, Thin	6-8	60	-	-	-	★	6010 031
	To Cowl, Upper Front	6-8	60	60	60	60	★	6010 037
	Upper Rear	6-8	60	60	60	60	★	6010 035
	Lower Rear	6-8	60	60	60	60	★	6010 031
	To Pillar, PY1	8	-	-	-	60	2	1810 073
	To Pillar	6-8	60	60	60	60	2	*2165 872

12-04-0 FRONT FENDER SHIELD OR PLATE

12-04-4	SHIELD, Right	6-8	60	-	-	-	1	1940 904
	Left	6-8	60	-	-	-	1	1940 905
	Right, Ram Manifold	8	60	-	-	-	1	1940 904
	Left	8	60	-	-	-	1	1940 905
	Right, PC1	6-8	-	60	60	60	1	1948 420
	Left, PC1	6-8	-	60	60	60	1	1948 421
	Right, PC2, PC3, PY1	8	-	-	-	60	1	1948 440
	Left, PC2, PC3, PY1	8	-	-	-	60	1	1948 441
12-04-5	BRACKET, Upper Support	6-8	60	60	60	60	1	1940 892
12-04-6	SCREW, Shield to Upper Support, w/WASHER	8	-	-	-	60	3	6012 077
12-04-12	SCREW, Bracket to Pillar Support, w/WASHER	6-8	60	60	-	-	2	6010 017
	Bracket to Cowl	6-8	60	-	-	-	2	6010 105
	To Pillar Support	6-8	60	60	60	60	2	1863 056
	To Pillar Bracket	6-8	60	60	60	60	2	1863 057

★ Indicates use as required.

Numerals in parentheses () refer to notes.

Printed in U.S.A.

☐ Indicates parts not listed in any previous parts book.

Prices and specifications subject to change without notice.

* Indicates change or addition.

1960 PASSENGER CAR PARTS CATALOG

FENDERS AND SHEET METAL

CODE	PART NAME AND DESCRIPTION	NO. OF CYL.	PLYMOUTH	DODGE	DESOTO	CHRYSLER AND IMPERIAL	PER CAR	PART NUMBER
12-04-0 FRONT FENDER SHIELD OR PLATE - Cont'd								
12-04-12	SCREW - Cont'd							
	To Cowl	8	-	-	60	60	2	6010 017
	To Cowl Upper, PY1	8	-	-	-	60	2	1863 612
	To Sill Bracket, PY1	8	-	-	-	60	4	1863 612
	To Radiator Yoke	8	-	-	60	60	2	1863 815
	Shield to Fender	6-8	60	60	60	60	8	6012 087
	Shield to Frame	6-8	60	60	60	60	6	6012 080
	Brace to Fender	6-8	-	60	60	60	2	6000 160
	Shield to Sill	6-8	-	60	60	60	2	1739 049
	Shield Brace to Dash Brace	8	-	60	60	60	2	6012 068
	Upper Support Bracket	6-8	60	60	60	60	5	6012 068
	Cover to Shield	8	60	60	60	60	8	6012 068
	STUD, to Cowl Bracket	6-8	60	60	60	60	4	1863 019
	Support to Sill, PY1	8	-	-	-	60	2	1863 019
12-04-22	COVER, Shield, Right	8	60	60	60	-	1	1948 434
	Left	8	60	60	60	-	1	1948 435
12-04-23	SEAL, to Upper Control Arm	6	60	60	-	-	1	2123 337
	PS1, PC1, PY1	8	60	60	60	60	2	1940 889
	PS3, PC2, PC3	8	-	-	60	60	2	1851 024
	Shield Cover	8	60	60	60	-	2	1940 889
	Shield to Fender, PY1	8	-	-	-	60	2	1940 859
12-04-26	"J" NUT, Shield to Fender	6-8	60	60	60	60	10	6012 065
	Cover to Shield	6-8	60	60	60	60	13	6012 065
12-04-33	BRACKET, Shield to Fender, Right	6-8	60	-	-	-	1	1948 408
	Left	6-8	60	-	-	-	1	1948 409
	To Pillar	6-8	-	60	-	-	2	1686 914
	To Side Sill, Right	8	-	-	60	60	1	1948 402
	Left	8	-	-	60	60	1	1948 403
12-06-0 FRONT FENDER BRACKET								
12-06-3	BRACKET, to Sill, PY1	8	-	-	-	60	2	1624 582
	To Hood Hinge Plate, Right, PY1	8	-	-	-	60	1	1903 884
	Left, PY1	8	-	-	-	60	1	1903 885
12-07-0 FRONT FENDER SIDE SHIELD BRACE								
12-07-1	BRACE, to Fender Shield, Right, PS1, PC1.	6-8	-	60	60	60	1	1948 414
	Left, PS1, PC1.	6-8	-	60	60	60	1	1948 415
	Right, PS3, PC2, PC3.	8	-	-	60	60	1	1940 894
	Left, PS3, PC2, PC3	8	-	-	60	60	1	1940 895
	To Extension, Right	8	60	60	-	-	1	1903 688
	Left	8	60	60	-	-	1	1903 689
	To Cowl, Right, PY1	8	-	-	-	60	1	1754 294
	Left, PY1	8	-	-	-	60	1	1754 295
	To Headlamp Plate, Right	8	-	-	60	60	1	1903 948
	Left	8	-	-	60	60	1	1903 949
12-07-3	SCREW, Brace to Fender, w/WASHER.	6-8	-	60	60	60	2	6012 078
12-15-0 FRONT FENDER MOULDING AND NAME PLATE PACKAGES								
12-15-2	MOULDING PACKAGE, Side, Right, PP1-M, PP2-M, PP1-H, PP2-H	6-8	60	-	-	-	1	2196 170
	Left, PP1-M, PP2-M, PP1-H, PP2-H	6-8	60	-	-	-	1	2196 171
	CLIP						2	6010 219
	CLIP						10	6010 210
	CLIP						2	6010 029
	NUT						2	151 497
	Wheel Opening, Right, PP1-L, PP2-L, PP1-M, PP2-M	6-8	60	-	-	-	1	*2196 162
	Left, PP1-L, PP2-L, PP1-M, PP2-M	6-8	60	-	-	-	1	*2196 163
	Right, PP1-H, PP2-H	6-8	60	-	-	-	1	*2196 164
	Left, PP1-H, PP2-H	6-8	60	-	-	-	1	*2196 165
	CLIP						12	*6010 216
	CLIP						2	*6010 218
	NUT						12	* 151 497
	Wheel Opening to Sill, Right, PP1-H, PP2-H	6-8	60	-	-	-	1	2196 172

★ Indicates use as required.

Numerals in parentheses () refer to notes.

Printed in U.S.A.

☐ Indicates parts not listed in any previous parts book.

Prices and specifications subject to change without notice.

Dec. 9, 1960 Supersedes April 20, 1960.

* Indicates change or addition.

CODE	PART NAME AND DESCRIPTION	NO. OF CYL.	PLYMOUTH	DODGE	DESOTO	CHRYSLER AND IMPERIAL	PER CAR	PART NUMBER
------	---------------------------	-------------	----------	-------	--------	-----------------------	---------	-------------

12-15-O FRONT FENDER MOULDING AND NAME PLATE PACKAGES - Cont'd

12-15-2 MOULDING PACKAGE - Cont'd

Left, PPI-H, PP2-H	6-8	60	-	-	-	-	1	2196 173
CLIP							2	6000 732
Wheel Opening to Cover, Right	6-8	60	-	-	-	-	1	2196 166
Left	6-8	60	-	-	-	-	1	2196 167
COVER PACKAGE, Wheel Opening, Right	6-8	60	-	-	-	-	1	2196 174
Left	6-8	60	-	-	-	-	1	2196 175
CLIP							10	6010 227
SCREW							6	128 151
SCREW							2	180 020
Front to Wheel Opening, Right	6-8	60	-	-	-	-	1	2196 470
Left	6-8	60	-	-	-	-	1	2196 471
CLIP							6	6010 217
NUT							8	151 497
Side Rear, Right, PD1, PD2, UP TO	8	-	60 (1)	-	-	-	1	*2196 426
Left, PD1, PD2, UP TO	8	-	60 (1)	-	-	-	1	*2196 427
Side, Right, PD1, AFTER	8	-	60	-	-	-	1	E2196 884
Left, PD1, AFTER	8	-	60	-	-	-	1	E2196 885
CLIP							8	*6000 710
CLIP							2	6006 429
CLIP							2	*6013 066
NUT							2	* 446 059
CLIP							8	6000 710
CLIP							2	6006 429
Side, Right, PD3, PD4	6-8	-	60	-	-	-	1	*2196 424
Left, PD3, PD4	6-8	-	60	-	-	-	1	*2196 425
CLIP							4	6010 215
Side, Right	8	-	-	60	-	-	1	2196 507
Left	8	-	-	60	-	-	1	2196 508
CLIP							12	6006 516
Side, PC1	8	-	-	-	60	-	2	2196 552
CLIP							2	6010 215
CLIP							2	6006 429
Upper, Right, PC1	8	-	-	-	60	-	1	2196 567
Left, PC1	8	-	-	-	60	-	1	2196 568
CLIP							2	6006 470
Lower, PC1	8	-	-	-	60	-	2	2196 563
CLIP							2	6006 429
Side, PC2	8	-	-	-	60	-	2	2196 554
CLIP							2	E6000 911
CLIP							4	6006 429
Upper Right, PC2	8	-	-	-	60	-	1	2196 565
Left, PC2	8	-	-	-	60	-	1	2196 566
CLIP							4	6006 470
Lower, PC2	8	-	-	-	60	-	2	2196 561
CLIP							4	6006 429
Wheel Opening, Right, PS3, PC3	8	-	-	60	60	-	1	2196 501
Left, PS3, PC3	8	-	-	60	60	-	1	2196 502
SCREW							12	125 978
To Sill, Right, PS3, PC3	8	-	-	60	60	-	1	2196 503
Left, PS3, PC3	8	-	-	60	60	-	1	2196 504
CLIP							2	6000 732
NUT							2	120 375
SCREW							2	125 978
Side, Right, PY1	8	-	-	-	60	-	1	2196 712
Left, PY1	8	-	-	-	60	-	1	2196 713
CLIP							12	6010 093
Front, Upper Inner, Right, PY1	8	-	-	-	60	-	1	2196 714
Left, PY1	8	-	-	-	60	-	1	2196 715
Front, Upper Outer, Right, PY1	8	-	-	-	60	-	1	2196 726
Left, PY1	8	-	-	-	60	-	1	2196 727
Hood Extension, Inner, Right, PY1	8	-	-	-	60	-	1	2196 710
Left, PY1	8	-	-	-	60	-	1	2196 711
Outer, Right, PY1	8	-	-	-	60	-	1	2196 729
Left, PY1	8	-	-	-	60	-	1	2196 736

NOTE 1: PD1 Serial No. 113308 L.A. Bit.

★ Indicates use as required.

□ Indicates parts not listed in any previous parts book.

* Indicates change or addition.

Numerals in parentheses () refer to notes.

Prices and specifications subject to change without notice.

1960 PASSENGER CAR PARTS CATALOG

FENDERS AND
SHEET METAL

CODE	PART NAME AND DESCRIPTION	NO. OF CYL.	PLYMOUTH	DODGE	DESOTO	CHRYSLER AND IMPERIAL	PER CAR	PART NUMBER
12-15-0 FRONT FENDER MOULDING AND NAME PLATE PACKAGES - Cont'd								
12-15-2	MOULDING PACKAGE - Cont'd							
	Wheel Opening, Right, PY1	8	-	-	-	60	1	2196 737
	Left, PY1	8	-	-	-	60	1	2196 738
	SCREW						16	9413 197
12-15-8	CLIP, Side, Moulding	6-8	60	-	-	-	10	6010 210
	Upper	6-8	60	-	-	-	6	6010 192
	Side, Front	6-8	60	-	-	-	2	6010 029
	Rear	6-8	60	-	-	-	2	6010 219
	Wheel Opening	6-8	60	-	-	-	12	6010 216
	COVER, Wheel Opening	6-8	60	-	-	-	10	6010 227
	Front to Wheel Opening	6-8	60	-	-	-	6	6010 217
	Wheel Opening Extension	6-8	60	-	-	-	4	6010 216
		6-8	60	-	-	-	2	6010 218
	RETAINER, Wheel Opening	6-8	60	-	-	-	2	1903 274
	Front, Left	6-8	60	-	-	-	1	1903 275
	Rear, PD1, PD2	8	-	60	-	-	10	6000 710
	PD1, PD2	8	-	60	-	-	2	6006 429
	PD3-M, PD4-M, PD3-H, PD4-H	6-8	-	60	-	-	4	6010 215
	Side	8	-	-	60	-	12	6006 516
	Cap	8	-	-	60	-	2	6013 066
	Side, PC1, PC2	8	-	-	-	60	2	6000 911
	PC1, PC2	8	-	-	-	60	★	6006 429
	Upper, PC1, PC2	8	-	-	-	60	★	6000 931
	Lower, PC1, PC2	8	-	-	-	60	★	6006 429
	To Sill, PC3	8	-	-	-	60	2	6000 732
	Cap, PC1, PC2	8	-	-	-	60	2	6010 215
		8	-	-	-	60	2	6000 442
		8	-	-	-	60	4	6000 756
	Side, Rear, PY1	8	-	-	-	60	6	6006 448
	Shear Panel, PY1	8	-	-	-	60	2	6006 130
	Side, PY1	8	-	-	-	60	12	6010 093
12-15-9	CAP PACKAGE, Side Moulding, PD1, PD2, UP TO	8	-	60 (1)	-	-	2	*2196 428
	NUT						2	446 059
	Right	8	-	-	60	-	1	2196 505
	Left	8	-	-	60	-	1	2196 506
	CLIP						2	6013 066
	NUT						2	446 059
	Right, PC1, PC2	8	-	-	-	60	1	2196 559
	Left, PC1, PC2	8	-	-	-	60	1	2196 560
	CLIP						2	6010 215
	CLIP						2	6000 442
	CLIP						2	6000 756
12-15-12	STUD, Inner Moulding, PY1	8	-	-	-	60	4	6010 023
	Upper Outer, PY1	8	-	-	-	60	2	6010 023
	Inner, PY1	8	-	-	-	60	2	6010 023
12-15-21	NAME PLATE PACKAGE, Front Fender							
	Side, Belvedere, Right	6-8	60	-	-	-	1	2196 150
	Left	6-8	60	-	-	-	1	2196 151
	CLIP						10	6000 049
	Fury, Right, PP1-H, PP2-H	6-8	60	-	-	-	1	2196 160
	Left, PP1-H, PP2-H	6-8	60	-	-	-	1	2196 161
	CLIP						14	6000 049
	Sonoramic Commando Power	8	60	-	-	-	2	2196 256
	CLIP						10	6000 050
	Golden Commando Power	8	60	-	-	-	2	2196 836
	CLIP						6	6000 050
	Matador, PD1	8	-	60	-	-	2	2196 423
	NUT						8	6010 128
	Polara, PD2	8	-	60	-	-	2	2196 422
	NUT						8	6010 128
	Adventurer	8	-	-	60	-	2	2196 840
	NUT						8	6000 490

NOTE 1: PD1 Serial No. 113308 L. A. Bit.

CODE	PART NAME AND DESCRIPTION	NO. OF CYL.	PLYMOUTH	DODGE	DESOTO	CHRYSLER AND IMPERIAL	PER CAR	PART NUMBER
12-15-O FRONT FENDER MOULDING AND NAME PLATE PACKAGES - Cont'd								
12-15-21	NAME PLATE PACKAGE - Cont'd							
	Chrysler, PC1	8	-	-	-	60	2	2196 557
	CLIP						8	6000 020
	Saratoga, PC2	8	-	-	-	60	2	2196 551
	CLIP						12	6000 020
	New Yorker, PC3	8	-	-	-	60	2	2196 550
	CLIP						12	6000 020
	Imperial, PY1	8	-	-	-	60	2	2196 739
	CLIP						8	6000 050
	Le, PY1	8	-	-	-	60	2	2196 740
	CLIP						6	6000 020
	Baron, PY1	8	-	-	-	60	2	2196 741
	CLIP						8	6000 020
	NAME LETTER, "C" PY1	8	-	-	-	60	2	2196 867
	"R" PY1	8	-	-	-	60	2	2096 868
	"O" PY1	8	-	-	-	60	2	2196 869
	"W" PY1	8	-	-	-	60	2	2196 870
	"N" PY1	8	-	-	-	60	2	2196 871
	CLIP						10	6010 174
	ORNAMENT PACKAGE, Top, PD1-L, PD3, PD4	6-8	-	60	-	-	2	*2196 412
	WASHER						4	1903 605
	NUT						4	446 026
	Top, PD2-H	8	-	60	-	-	2	2196 413
	WASHER						4	1903 605
	NUT						4	446 026
	Top	8	-	-	60	60	2	2196 500
	NUT						6	151 497
	MEDALLION, Side, PC2	8	-	-	-	60	2	1903 620
	Front, PY1	8	-	-	-	60	2	1863 120
12-15-22	NUT, Name Plate, PD1, PD2	8	-	60	-	-	8	*6010 128
	PC1, PC2	8	-	-	-	60	★	6000 020
12-15-23	BASE PACKAGE, Top Ornament, Right, PD2	8	-	60	-	-	1	*2196 414
	Left	8	-	60	-	-	1	2196 415
	NUT						4	446 026
	NUT						2	120 375
	Side Medallion, PC2	8	-	-	-	60	2	2196 558
	CLIP						6	6000 020
	Front Medallion, PY1	8	-	-	-	60	2	2196 728
	SCREW						4	161 895
	BASE, Name Plate, New Yorker, PC3	8	-	-	-	60	2	1903 779
	Le, PY1	8	-	-	-	60	2	1903 264
	Baron, PY1	8	-	-	-	60	2	1903 265
12-15-27	CLIP, Side Name Plate	8	-	60	-	60	★	6000 020
	Medallion, PC2	8	-	-	-	60	6	6000 020
	Name Plate, PY1	8	-	-	-	60	14	6000 020
	Name Letter, PY1	8	-	-	-	60	10	6010 174
12-15-30	WASHER, Top Ornament	8	-	60	-	-	4	*1903 605
		8	-	60	-	-	2	*1903 606

NOTES

★ Indicates use as required.

☐ Indicates parts not listed in any previous parts book.

* Indicates change or addition.

Numerals in parentheses () refer to notes.

