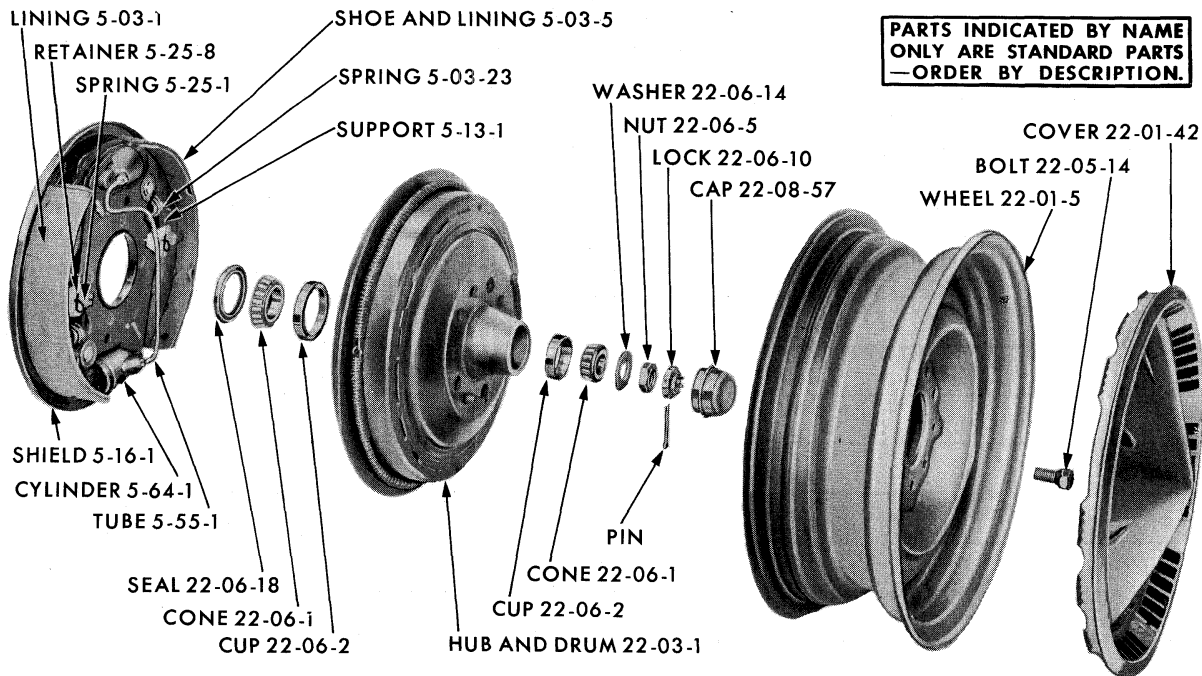


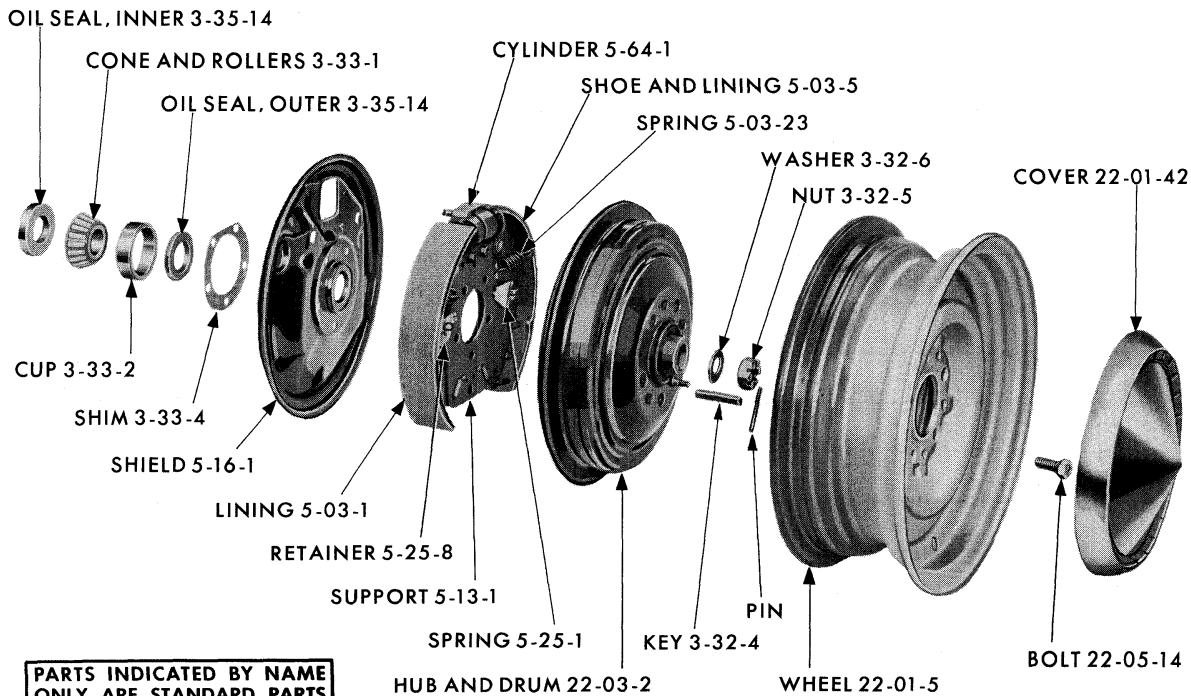
GROUP 22 - WHEELS



PARTS INDICATED BY NAME ONLY ARE STANDARD PARTS -ORDER BY DESCRIPTION.

19x8551

FRONT WHEEL



PARTS INDICATED BY NAME ONLY ARE STANDARD PARTS -ORDER BY DESCRIPTION.

19x8553

REAR WHEEL

CODE	PART NAME AND DESCRIPTION	NO. OF CYL.	PLYMOUTH	DODGE	DESOTO	CHRYSLER AND IMPERIAL	PER CAR	PART NUMBER
------	---------------------------	-------------	----------	-------	--------	-----------------------	---------	-------------

GROUP 22 - WHEELS

22-01-0 WHEELS

TIRE CHART

	Wheel Size	Tire Size						
	14 x 5.00	7.50 x 14						
	14 x 5.50	8.00 x 14						
	14 x 6.00	8.50 x 14						
	14 x 6.50	9.00 x 14						
	14 x 7.00	9.50 x 14						
	15 x 6.00	7.60 x 15						
	15 x 6.00	8.00 x 15						
	15 x 6.00	8.20 x 15						
22-01-5	WHEEL, 14 x 5.00 except 3 Seat Sub.	6-8	59	-	-	-	5	E1881 979
	14 x 5.50 except Delaware blt., MP1, MP2 except 3 Seat Sub.	6-8	59	-	-	-	5	1881 978
	14 x 5.50 Delaware blt., MP1, MP2 except 3 Seat Sub.	6-8	59	-	-	-	5	1829 636
	14 x 6.00 except Cal. and Del. blt.	6-8	59	-	-	-	5	*1850 887
	14 x 6.00 Cal. blt., MP1, MP2 3 Seat Sub.	6-8	59	-	-	-	5	1881 980
	14 x 6.00 Delaware blt., MP1, MP2 except 3 Seat Sub.	6-8	59	-	-	-	5	1681 980
	14 x 5.00 MD2, except Cv. Cp.	8	-	59	-	-	5	E1881 979
	14 x 5.50 MD2	8	-	59	-	-	5	1829 636
	14 x 6.00 Delaware blt., MD2, MD3L Sp.C1.Cp. and 2 Seat Sub., MD3 H except Cv.Cp. and 3 Seat Sub.	8	-	59	-	-	5	1881 980
	14 x 5.50 except Cal. blt. and Delaware blt., MD3L 2 Seat Sub., MD3M, MD3H except 3 Seat Sub.	8	-	59	-	-	5	1856 798
	14 x 5.50 Cal. blt., MD3L 2 Seat Sub., MD3M, MD3H except 3 Seat Sub., MS1, MC1	8	-	59	59	59	5	1829 636
	14 x 6.00 Cal. blt., MD3L, MD3M, MD3H 3 Seat Sub., MC1	8	-	59	-	59	5	1881 980
	14 x 5.50 except Cal. blt., MS1	8	-	-	59	-	5	1829 636
	14 x 6.00 MS1	8	-	-	59	-	5	1881 980
	14 x 6.00 Cal. Blt. MS2, MS3	8	-	-	59	-	5	*1850 887
	14 x 6.00 except Cal. blt., MS3 except Sub.	8	-	-	59	-	5	1881 980
	14 x 6.50 except Cal. blt., MS3 Sub.	8	-	-	59	-	5	1856 773
	14 x 5.50 except Cal. Blt., MC1 except Sub.	8	-	-	-	59	5	1881 978
	14 x 6.00 except Cal. blt., MC1 2 Seat Sub.	8	-	-	-	59	5	1881 980
	14 x 6.50 except Cal. blt., MC1 3 Seat Sub., MC2, MC3	8	-	-	-	59	5	1856 773
	14 x 6.50 Cal. blt., MC1, MC2, MC3	8	-	-	-	59	5	1730 809
	14 x 6.00 MC2	8	-	-	-	59	5	1881 980
	14 x 7.00 MY1	8	-	-	-	59	5	1730 814
	15 x 6.00 MY1	8	-	-	-	59	5	1948 155
22-01-42	COVER, Wheel	6-8	59	-	-	-	4	1829 627
	w/DOME	8	-	59	-	-	4	1940 821
	w/o Dome	8	-	59	-	-	4	1829 629
	MS3 Adventurer	8	-	-	59	-	4	1829 638
	MC1, MC2	8	-	-	-	59	4	1856 402
	MC3.	8	-	-	-	59	4	1850 900
	MC3-300	8	-	-	-	59	4	1850 909
		8	-	-	-	59	4	1856 400

★ Indicates use as required.

☐ Indicates parts not listed in any previous parts book.

* Indicates change or addition.

1959 PASSENGER CAR PARTS LIST

WHEELS

CODE	PART NAME AND DESCRIPTION	NO. OF CYL.	PLYMOUTH	DODGE	DESOTO	CHRYSLER AND IMPERIAL	PER CAR	PART NUMBER
22-01-0 WHEELS Cont'd								
22-01-42	COVER - Cont'd							
	MY1, w/1829 640 Ring, Gold Finish	8	-	-	-	59	4	1856 396
	MY1-L, MY1-M, w/1856 399 Ring, Satin Finish	8	-	-	-	59	4	1856 398
	COVER, Wheel, 15" MY1-L, MY1-M, w/1856 399 Ring, Satin Finish	8	-	-	-	59	4	1948 159
	15" MY1-H, w/1829 640 Ring, Gold Finish . .	8	-	-	-	59	4	1948 157
22-01-51	DOME, Wheel Cover MD2, MD3, Spinner Type	8	-	59	-	-	4	1856 446
	MS3 Adventurer	8	-	-	59	-	4	1856 404
	MC3-300	8	-	-	-	59	4	1829 639
22-01-52	RING, Wheel Cover, MY1-H	8	-	-	-	59	4	1829 640
22-03-0 HUB AND BRAKE DRUM								
22-03-1	HUB and DRUM, Front Right, 11 x 2" Brake, MP1, MP2, except Sub., MP1, MP2, Sub., UP TO	6-8	59 (3)	-	-	-	1	1732 328
	Left, 11 x 2" Brake, MP1, MP2, except Sub., MP1, MP2, Sub., UP TO	6-8	59 (3)	-	-	-	1	1732 329
	Right, 11 x 2 1/2" Brake, MP1, MP2, Sub., AFTER	6-8	59 (3)	-	-	-	1	1948 632
	Left, 11 x 2 1/2" Brake MP1, MP2, Sub., AFTER	6-8	59 (3)	-	-	-	1	1948 633
	Right, 11" Brake, MS1	8	-	59	59	-	1	1948 112
	Left, 11" Brake, MS1	8	-	59	59	-	1	1948 113
	Right, 11" Brake, MC1 except Sub.	8	-	-	-	59 (1)	1	1730 824
	Left, 11" Brake, MC1 except Sub.	8	-	-	-	59 (1)	1	1730 825
	Right, 11" Brake, MC1 except Sub.	8	-	-	-	59 (2)	1	1948 112
	Left, 11" Brake, MC1 except Sub.	8	-	-	-	59 (2)	1	1948 113
	Right, 12" Brake, MP2, MS1, MC1, MC2, MC3 .	8	59	59	59	59	1	*2084 798
	Left, 12" Brake, MP2, MS1, MC1, MC2, MC3	8	59	59	59	59	1	*2084 799
	Right, MY1	8	-	-	-	59	1	1732 294
	Left, MY1	8	-	-	-	59	1	1732 295
22-03-2	HUB and DRUM, Rear, Right, 11" Brake, MD1	6-8	59	59	-	-	1	1732 330
	Left, 11" Brake, MD1	6-8	59	59	-	-	1	1732 331
	Right, 11" x 2" Brake, MD2 Cl.Sed., Sp. Cl. Cp., 4 D., MD3 Sp. Cl. Cp., 4 D. . . .	8	-	59	-	-	1	1734 162
	Left, 11" x 2" Brake, MD2 Cl.Sed., Sp. Cl. Cp., 4 D., MD3 Sp. Cl. Cp., 4 D.	8	-	59	-	-	1	1734 163
	Right, 11" x 2 1/2" Brake, MD2 Cl. Sed., Cv. Cp., Sp. 4 D., MD3-L, MD3-M Sp. Cl. Cp. 4 D.Sed., Sp. 4 D., MD3-H Sp. Cl. Cp., 4 D. Sed., Cv. Cp., Sp. 4 D., 4 D.Sub., MS1, MC1 except Sub.	8	-	59	59	59	1	1730 826
	Left, 11" x 2 1/2" Brake, MD2 Cl. Sed., Cv. Cp., Sp. 4 D., MD3-L, MD3-M Sp. Cl. Cp., 4 D.Sed., Sp. 4 D., MD3-H Sp. Cl. Cp., 4 D. Sed., Cv. Cp., Sp. 4 D., 4 D.Sub., MS1, MC1 except Sub.	8	-	59	59	59	1	1730 827
	Right, 12" Brake, MP2, MC1, MC2, MC3 . . .	8	59	59	59	59	1	1732 290
	Left, 12" Brake, MP2, MC1, MC2, MC3 . . .	8	59	59	59	59	1	1732 291
	Right, MY1	8	-	-	-	59	1	1732 296
	Left, MY1	8	-	-	-	59	1	1732 297
22-04-0 BRAKE DRUM								
22-04-11	SPRING, w/379 Coils, 35 3/16" length.	6-8	59	59	59	59	★	*1142 258
	w/344 Coils, 32" length, MS1, MC1	8	59	59	59	59	★	1142 259

NOTE 1: MC1 UP TO Ser. No. MC1-100973, also FROM Ser. No. 101536 to 103941 Det. Blt., UP TO Ser. No. 514100074 also FROM Ser. No. 514100434 to Ser. No. 514100674 Cal. Blt.

NOTE 2: MC1 FROM Ser. No. 100973 to 101536 and AFTER Ser. No. 103941 Det. Blt., FROM Ser. No. 514100074 to Ser. No. 514100434 and AFTER Ser. No. 514100674 Cal. Blt.

NOTE 3: MP1 Sub. Approx. Ser. No. M176-103428, MP2 Sub. Approx. Ser. No. M276-115521.

★ Indicates use as required.

☐ Indicates parts not listed in any previous parts book.
Feb. 15, 1960 Supersedes May 25, 1959.

CODE	PART NAME AND DESCRIPTION	NO. OF CYL.	PLYMOUTH	DODGE	DESOTO	CHRYSLER AND IMPERIAL	PER CAR	PART NUMBER
22-05-0 WHEEL HUB								
22-05-14	BOLT, 11" Brake, Right, Front and Rear . . .	6-8	59	-	-	-	10	* 393 984
	Left, Front and Rear	6-8	59	-	-	-	10	* 856 981
	Right, Rear, 11" Brake, MD1	6	-	59	-	-	5	* 393 984
	Left, Rear, 11" Brake, MD1	6	-	59	-	-	5	* 856 981
	Right, Rear, 11" Brake, Std., MD2, MD3, MS1	8	-	59	59	-	5	* 679 118
	Left, Rear, 11" Brake, Std., MD2, MD3, MS1.	8	-	59	59	-	5	* 679 119
	Right, Rear, 11" Brake, .030 O/S, MD2, MD3, MS1	8	-	59	59	-	5	* 687 901
	Left, Rear, 11" Brake, .030 O/S, MD2, MD3, MS1	8	-	59	59	-	5	* 687 902
	Right, Front, 11" Brake, MD2, MD3, MS1 . . .	8	-	59	59	-	5	*2122 208
	Left, Front, 11" Brake, MD2, MD3, MS1 . . .	8	-	59	59	-	5	*2122 209
	Right, Rear, 11" Brake, Std., MC1 except Sub.	8	-	-	-	59 (1)	5	* 679 118
	Left, Rear, 11" Brake, Std., MC1 except Sub.	8	-	-	-	59 (1)	5	* 679 119
	Right, Rear, 11" Brake, .030 O/S, MC1 except Sub.	8	-	-	-	59	5	* 687 901
	Left, Rear, 11" Brake .030 O/S, MC1 except Sub.	8	-	-	-	59	5	* 687 902
	Right, Front, 11" Brake, MC1 except Sub. . .	8	-	-	-	59 (2)	5	*2122 208
	Left, Front, 11" Brake, MC1 except Sub. . . .	8	-	-	-	59 (2)	5	*2122 209
	Right, 12" Brake, MP2, MC2, MC3	8	59	59	59	59	10	1633 050
	Left, 12" Brakes, MP2, MC2, MC3	8	59	59	59	59	10	1633 051
	Right, 12" Brakes, MC1	8	-	-	-	59	10	1948 116
	Left, 12" Brakes, MC1	8	-	-	-	59	10	1948 117
	Right, MY1	8	-	-	-	59	10	1633 052
	Left, MY1	8	-	-	-	59	10	1633 053
22-05-24	NUT, Right, MP2, MC1, MC2, MC3	8	59	59	59	59	10	1139 316
	Left, MP2, MC1, MC2, MC3	8	59	59	59	59	10	1139 317
	Right, MY1	8	-	-	-	59	10	1315 697
	Left, MY1	8	-	-	-	59	10	1315 698
22-06-0 FRONT WHEEL BEARINGS								
22-06-1	CONE and ROLLER, Inner, MC1, MC2, MC3 .	6-8	59	59	59	59	2	1619 701
	Outer, MC1, MC2, MC3	6-8	59	59	59	59	2	1619 703
	Inner, MY1	8	-	-	-	59	2	1789 755
	Outer, MY1	8	-	-	-	59	2	1790 241
22-06-2	CUP, Inner, MC1, MC2, MC3	6-8	59	59	59	59	2	1619 700
	Outer, MC1, MC2, MC3	6-8	59	59	59	59	2	1619 702
	Inner, MY1	8	-	-	-	59	2	1789 754
	Outer, MY1	8	-	-	-	59	2	1790 244
22-06-5	NUT	6-8	59	59	59	59	2	1732 300
22-06-10	LOCK, Bearing Nut	6-8	59	59	59	59	2	1673 324
22-06-14	WASHER	6-8	59	59	59	59	2	600 194
22-06-18	SEAL, Dust MC1, MC2, MC3	6-8	59	59	59	59	2	1613 409
	MY1	8	-	-	-	59	2	1671 340
22-08-0 HUB CAP								
22-08-5	CAP, Wheel Hub, MP1, MP2	6-8	59	-	-	-	4	1828 603
	MD2, MD3	8	-	59	-	-	4	1829 622
	MS1, MS2	8	-	-	59	-	4	1732 338
	MC1	8	-	-	-	59	4	1736 676
22-08-57	CAP, Front Wheel Hub Grease, MC1, MC2, MC3	6-8	59	59	59	59	2	1613 416
	MY1	8	-	-	-	59	2	1671 341

NOTE 1: MC1 UP TO Ser. No. MC1-100973, also FROM Ser. No. 101536 to 103941 Det. Blt., UP TO Ser. No. 514100074 also FROM Ser. No. 514100434 to Ser. No. 514100674 Cal. Blt.

NOTE 2: MC1 FROM Ser. No. 100973 to 101536 and AFTER Ser. No. 103941 Det. Blt., FROM Ser. No. 514100074 to Ser. No. 514100434 and AFTER Ser. No. 514100674 Cal. Blt.

★ Indicates use as required.

☐ Indicates parts not listed in any previous parts book.

* Indicates change or addition.

