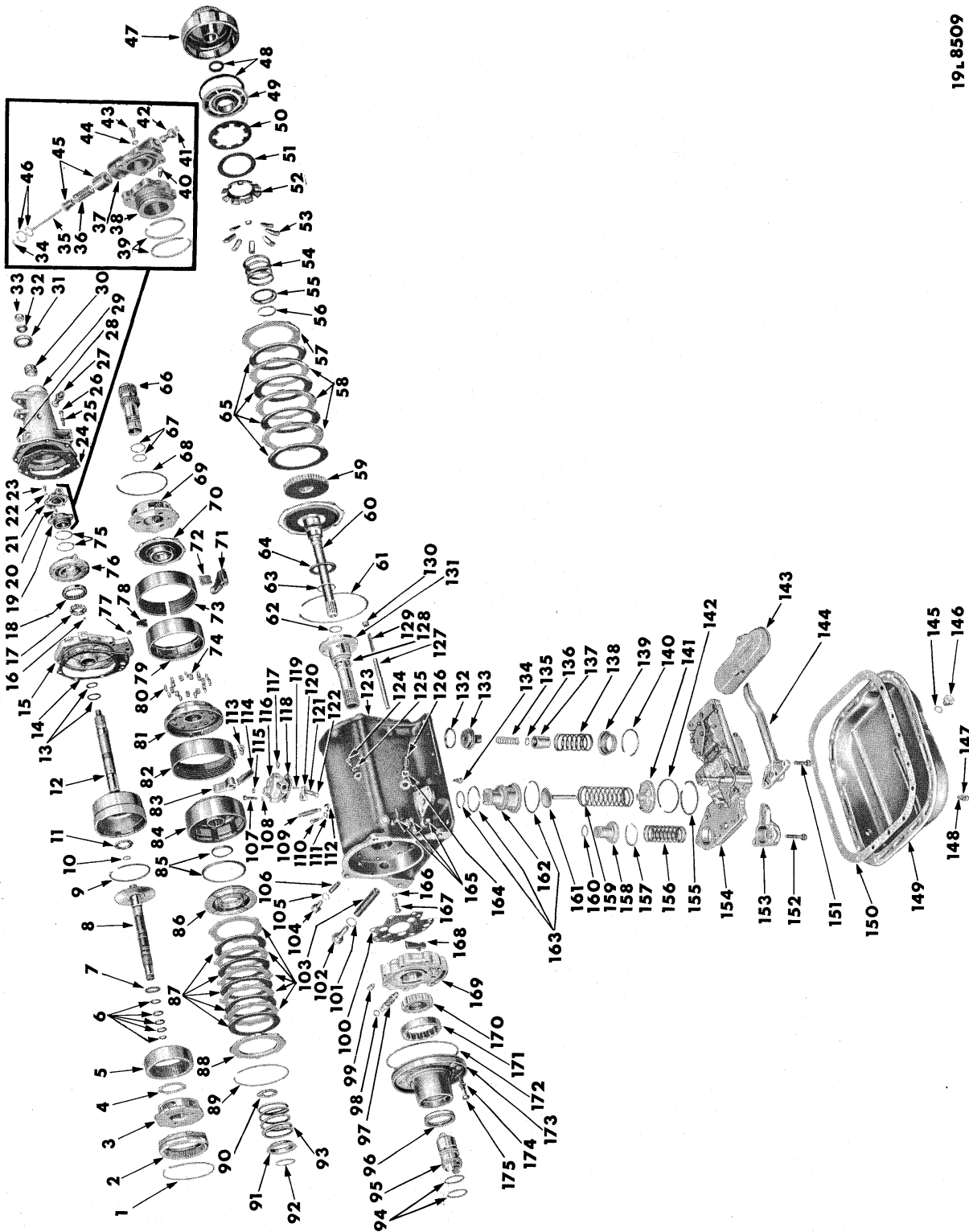


19x8241B

STANDARD TRANSMISSION

GROUP 21 - TRANSMISSION



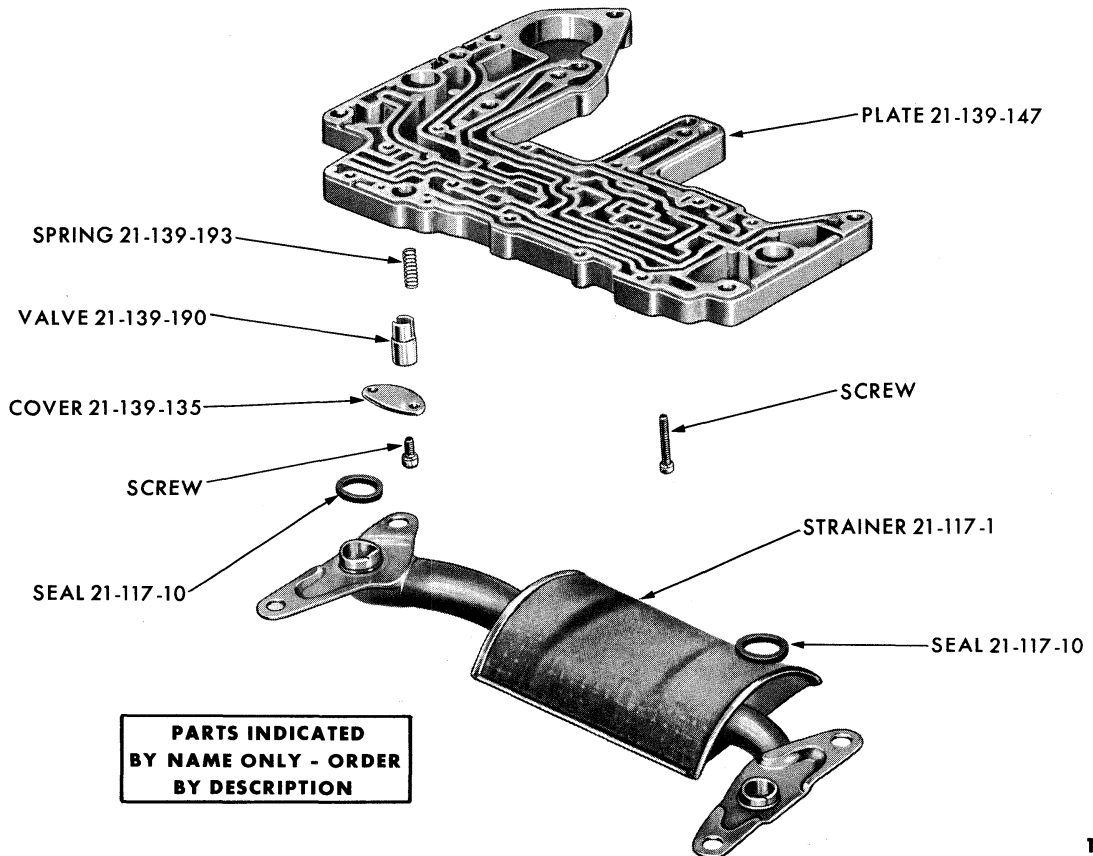
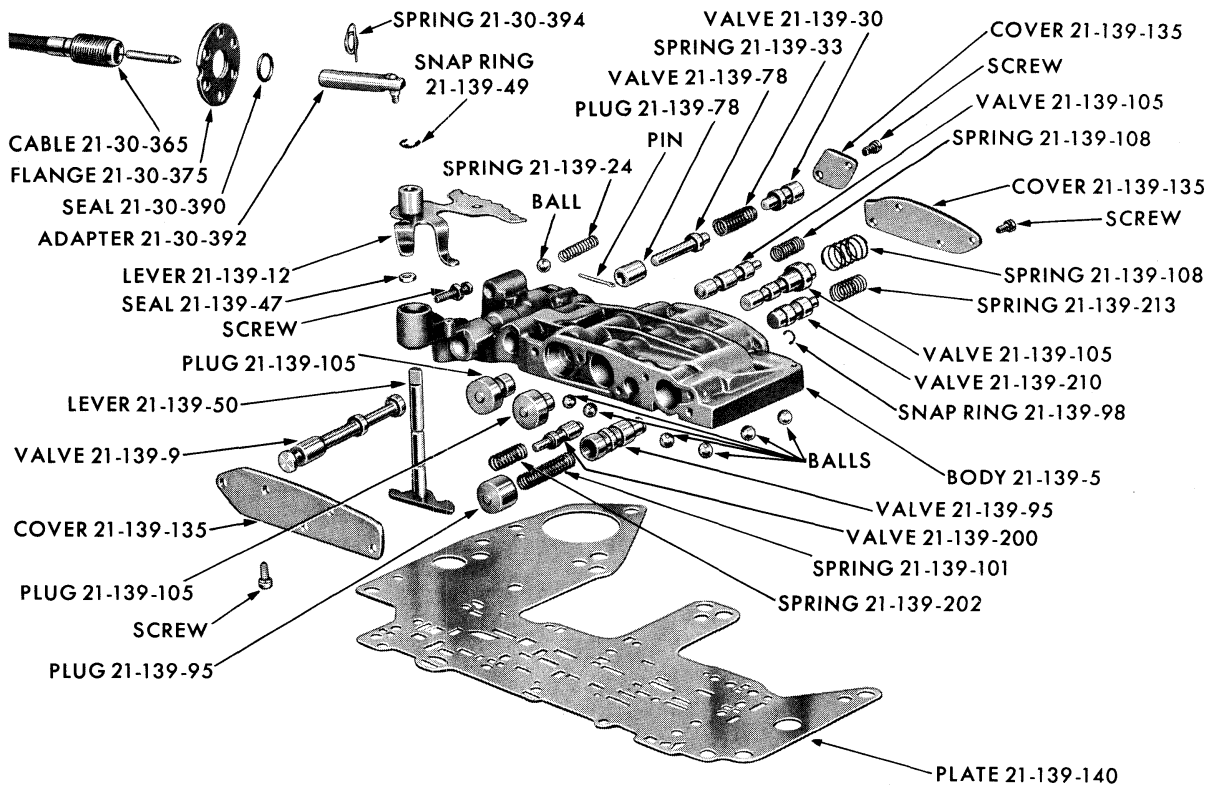
19L 8509

TORQUEFLITE TRANSMISSION

TORQUEFLITE TRANSMISSION

Ref. No.	Name	Part Type Code	Ref. No.	Name	Part Type Code
1	Snap Ring	21-135-9	88	Plate	21-133-39
2	Gear, Reverse Annulus	21-135-25	89	Snap Ring	21-133-43
3	Carrier, Kickdown	21-134-5	90	Washer	21-133-30
4	Washer	21-134-30	91	Retainer	21-133-22
5	Gear, Kickdown Annulus	21-134-38	92	Snap Ring	21-133-25
6	Ring	21-129-33	93	Spring	21-133-20
7	Washer or Bearing	21-134-51	94	Ring	21-118-38
8	Shaft, Intermediate	21-129-30	95	Sleeve	21-118-37
9	Snap Ring	21-134-40	96	Seal	21-118-42
10	Ring Small	21-129-33	97	Valve, Retainer	21-131-10
11	Washer	21-05-35	98	Seat	21-131-20
12	Shaft, Output	21-05-1	99	Valve	21-131-35
13	Ring	21-05-18	100	Gasket	21-131-6
14	Gasket	21-05-26	101	Gasket	21-131-27
15	Support, Output Shaft	21-05-25	102	Retainer	21-131-25
16	Ball	21-118-8	103	Spring	21-131-15
17	Pinion	21-118-8	104	Retainer	21-131-45
18	Gear	21-118-7	105	Gasket	21-131-50
19	Support, Serviced in Package	21-138-2	106	Spring	21-131-40
20	Screw	21-138-9	107	Screw	
21	Body, Serviced in Package	21-138-2	108	Washer	
22	Washer		109	Screw	21-136-17
23	Bolt	21-138-6	110	Screw	21-136-225
24	Gasket	21-04-2	111	Washer	
25	Washer		112	Nut	
26	Bolt		113	Anchor, Kickdown Band	21-136-15
27	Pinion, Retainer, Sleeve	21-85-5	114	Strut, Kickdown Band	21-136-15
		21-85-59	115	Seal	21-139-47
		21-85-76	116	Housing	21-30-400
28	Breather	21-02-6	117	Plug	
29	Extension	21-04-1	118	Gasket	21-30-402
30	Bushing, Serviced in Ext. Assy.	21-04-1	119	Pin	21-30-396
31	Oil Seal	21-05-12	120	Lever	21-142-5
32	Washer	16-20-2	121	Adaptor	21-30-392
33	Nut	16-20-3	122	Spring	21-30-394
34	Snap Ring	21-138-29	123	Case	21-03-1
35	Shaft	21-138-26	124	Screw	21-136-225
36	Spring	21-138-15	125	Washer	
37	Body, Serviced in Package	21-138-2	126	Screw	21-136-52
38	Support, Serviced in Package	21-138-2	127	Shaft	21-137-32
39	Rings	21-138-38	128	Ring	21-129-13
40	Screw	21-138-9	129	Spacer	21-137-33
41	Snap Ring	21-138-29	130	Plug	
42	Valve	21-138-23	131	Shaft, Reaction	21-129-10
43	Screw	21-138-6	132	Ring	21-137-50
44	Washer		133	Piston, Reverse Servo	21-137-35
45	Weight	21-138-13	134	Screw	
46	Snap Ring	21-138-19	135	Spring	21-137-41
47	Retainer, Front Clutch	21-133-7	136	Snap Ring	21-137-44
48	Ring	21-133-17	137	Plug	21-137-47
49	Piston, Front Clutch	21-133-15	138	Spring	21-137-53
50	Spring	21-133-70	139	Retainer	21-137-56
51	Washer	21-133-71	140	Snap Ring	21-137-59
52	Retainer	21-133-34	141	Guide	21-137-13
53	Levers, Front Clutch	21-133-32	142	Ring	21-137-8
54	Spring	21-133-20	143	Strainer	21-117-1
55	Retainer	21-133-22	144	Tube, Serviced in Strainer	21-117-1
56	Snap Ring	21-133-25	145	Gasket	
57	Plate	21-133-39	146	Plug	
58	Plate	21-133-38	147	Washer	
59	Hub, Driving Disc	21-133-35	148	Bolt	21-119-3
60	Shaft, Input	21-129-5	149	Pan	21-119-3
61	Snap Ring	21-133-43	150	Gasket	21-119-5
62	Ring, Small	21-129-7	151	Screw	
63	Ring, Large	21-129-7	152	Bolt	
64	Washer	21-129-8	153	Cover, Accumulator	21-137-208
65	Disc	21-133-36	154	Body, w/Transfer Plate	21-139-4
66	Gear, Reverse Sun	21-134-50	155	Snap Ring	21-137-19
67	Ring	21-133-45	156	Spring	21-137-205
68	Snap Ring	21-136-68	157	Ring, Large	21-137-202
69	Carrier, Low & Reverse	21-135-50	158	Piston, Accumulator	21-137-200
70	Hub, O'Running Clutch	21-136-230	159	Spring	21-137-22
71	Lever, Low & Reverse Band	21-136-200	160	Ring, Small	21-137-202
72	Strut, Reverse Band	21-136-41	161	Rod, Kickdown Piston	21-137-11
73	Band, Low and Reverse	21-136-80	162	Piston, Kickdown Servo	21-137-5
74	Spring	21-136-236	163	Ring	21-137-8
75	Rings	21-138-38	164	Nut	
76	Housing, Rear Pump	21-118-40	165	Plug	
77	Plug		166	Washer	
78	Anchor, Reverse Band	21-136-41	167	Bolt	
79	Drum, Low and Reverse	21-136-210	168	Valve	21-131-12
80	Roller	21-136-235	169	Body, Regulator Valve	21-131-5
81	Support, Intermediate	21-136-214	170	Rotor, Inner	21-118-8
82	Band, Kickdown	21-136-5	171	Rotor, Outer	21-118-7
83	Lever, Kickdown Band	21-136-20	172	Seal	21-118-45
84	Retainer, Rear Clutch	21-133-7	173	Housing, Front Oil Pump	21-118-5
85	Ring	21-133-17	174	Washer	
86	Piston, Rear Clutch	21-133-15	175	Bolt	
87	Disc	21-133-36			

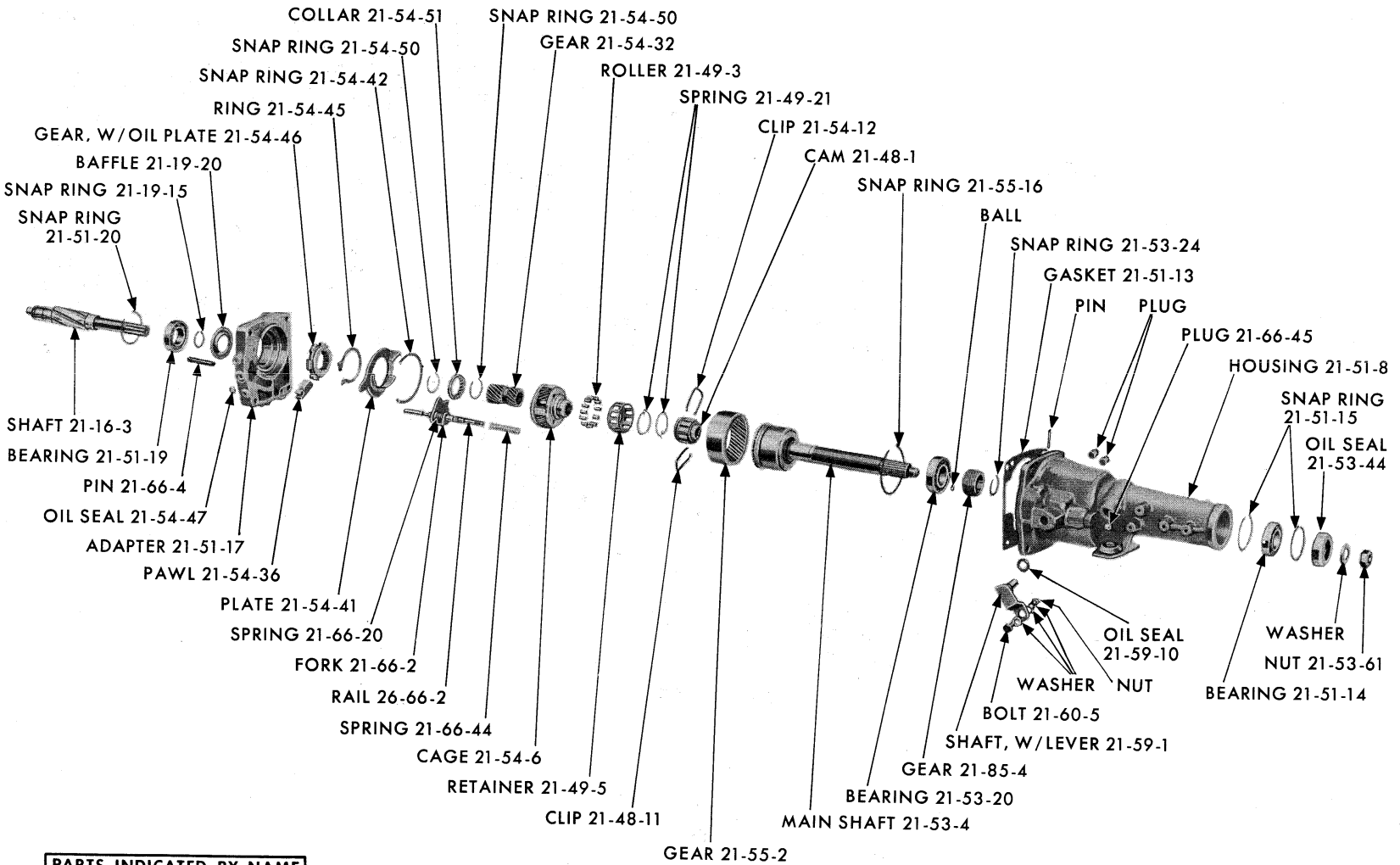
PARTS INDICATED BY NAME ONLY, ARE STANDARD PARTS - ORDER BY DESCRIPTION.



**PARTS INDICATED
BY NAME ONLY - ORDER
BY DESCRIPTION**

19x8654

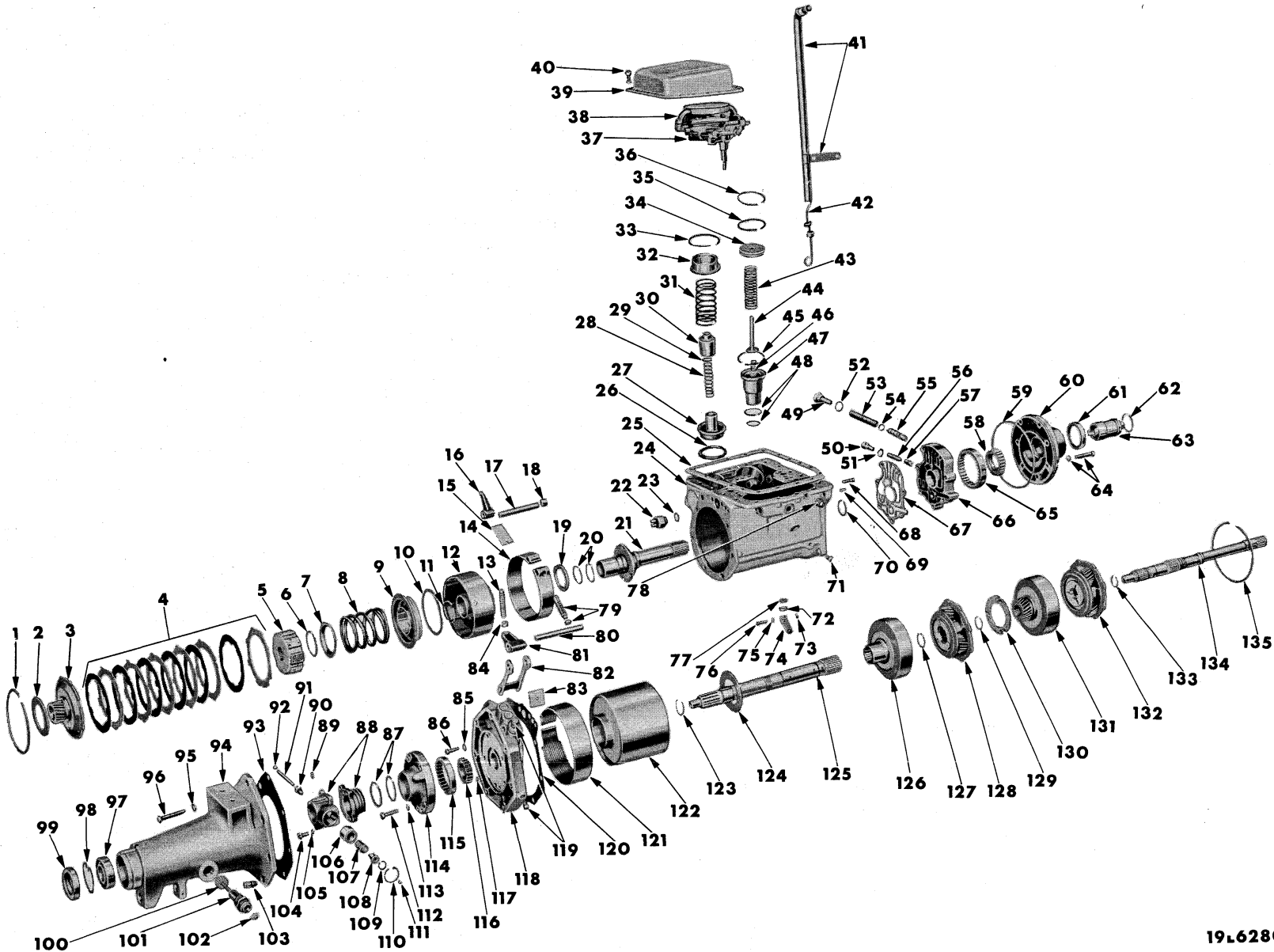
TORQUEFLITE TRANSMISSION - VALVE PLATE (ONE-PIECE BODY)



PARTS INDICATED BY NAME
 ONLY ARE STANDARD PARTS
 —ORDER BY DESCRIPTION.

19x8514

OVERDRIVE



19L6280B

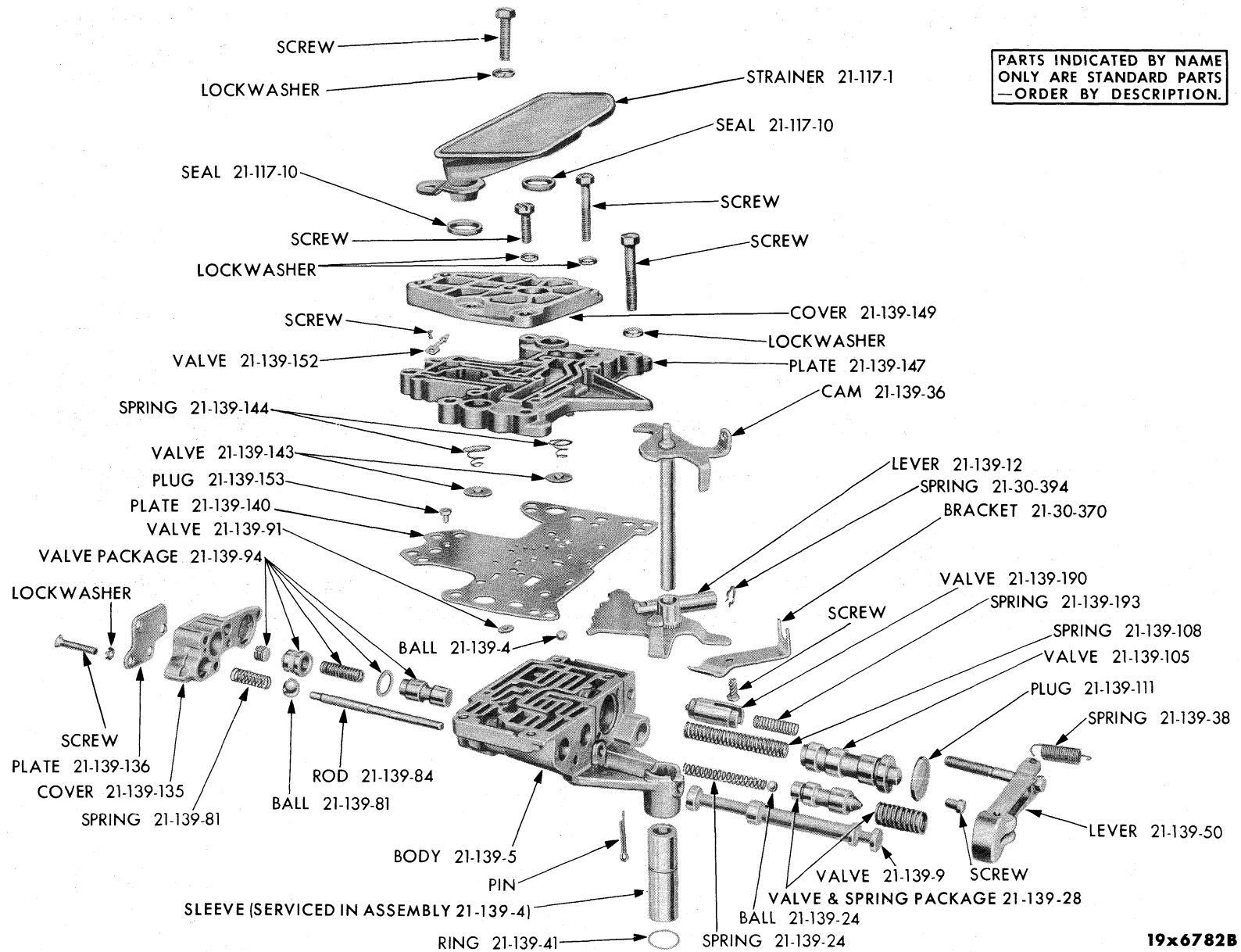
POWERFLITE TRANSMISSION

POWERFLITE TRANSMISSION

Ref. No.	Name	Part Type Code	Ref. No.	Name	Part Type Code
1	Snap Ring	21-133-43	69	Dowel	21-129-16
2	Washer	21-134-30	70	Seal	21-129-12
3	Sun Gear Assembly	21-133-40	71	Plug	
4	Plate and Disc Package	21-133-37	72	Retainer	21-139-45
5	Hub	21-133-35	73	Nut	
6	Snap Ring	21-133-25	74	Lever	21-142-12
7	Retainer	21-133-22	75	Washer	
8	Spring	21-133-20	76	Screw	
9	Piston	21-133-15	77	Felt	21-139-42
10	Ring	21-133-17	78	Plug	
11	Ring	21-133-12	79	Screw and Nut	21-136-17
12	Retainer	21-133-7	80	Shaft	21-136-49
13	Screw	21-136-52	81	Lever	21-136-47
14	Band, Kickdown	21-136-5	82	Link	21-136-44
15	Strut	21-136-15	83	Strut	21-136-41
16	Lever	21-136-20	84	Nut	
17	Shaft	21-136-23	85	Washer	
18	Plug	21-136-23	86	Screw	
19	Washer	21-133-30	87	Rings	21-138-38
20	Ring	21-129-13	88	Support, Serviced in Repair Package	21-138-2
21	Shaft	21-129-10	89	Screw	21-138-9
22	Switch Package	21-113-24	90	Valve	21-138-23
23	Washer	21-113-29	91	Shaft	21-138-26
24	Case	21-03-1	92	Snap Ring	21-138-29
25	Pan Gasket	21-119-5	93	Gasket	21-04-2
26	Ring	21-137-50	94	Extension	21-04-1
27	Piston	21-137-35	95	Washers	
28	Spring	21-137-41	96	Screw	
29	Snap Ring	21-137-44	97	Bearing	21-05-2
30	Plug	21-137-47	98	Snap Ring	21-05-8
31	Spring	21-137-53	99	Oil Seal	21-05-12
32	Retainer	21-137-56	100	Pinion	21-85-5
33	Snap Ring	21-137-59	101	Sleeve	21-85-59
34	Guide	21-137-13	102	Retainer	21-85-76
35	Ring	21-137-16	103	Breather	21-02-6
36	Snap Ring	21-137-19	104	Screw	21-138-6
37	Valve Body and Transfer Plate	21-139-4	105	Washer	
38	Strainer	21-117-1	106	Primary Weight	21-138-13
39	Pan	21-119-3	107	Spring	21-138-15
40	Screw and Washer	21-119-3	108	Secondary Weight	21-138-13
41	Tube, w/Bracket	21-119-15	109	Secondary Snap Ring	21-138-19
42	Indicator	21-119-19	110	Snap Ring	21-138-19
43	Spring	21-137-22	111	Snap Ring	21-138-29
44	Rod	21-137-11	112	Screw	
45	Ring	21-137-8	113	Washer	
46	Spring	21-137-20	114	Housing	21-118-40
47	Piston	21-137-5	115	Rear Oil Pump Gear	21-118-7
48	Ring	21-137-8	116	Rear Oil Pump Pinion	21-118-8
49	Retainer	21-131-25	117	Ball	21-118-8
50	Retainer	21-131-45	118	Support	21-05-25
51	Gasket	21-131-50	119	Plugs	
52	Gasket	21-131-27	120	Gasket	21-05-26
53	Spring	21-131-15	121	Reverse Band	21-136-30
54	Seat	21-131-20	122	Housing	21-135-33
55	Valve	21-131-10	123	Ring	21-05-18
56	Spring	21-131-40	124	Washer	21-135-35
57	Valve	21-131-35	125	Shaft	21-05-1
58	Front Oil Pump Pinion	21-118-6	126	Reverse Gear	21-135-25
59	Oil Seal	21-118-45	127	Snap Ring	21-135-28
60	Housing	21-118-40	128	Reverse Pinion Carrier	21-135-5
61	Oil Seal	21-118-42	129	Snap Ring	21-134-40
62	Ring	21-118-38	130	Washer	21-134-30
63	Sleeve, w/Ring	21-118-37	131	Kickdown Gear	21-134-38
64	Screw and Washer		132	Kickdown Pinion Carrier	21-134-5
65	Front Oil Pump Gear	21-118-6	133	Ring	21-134-40
66	Body Package	21-131-1	134	Input Shaft	21-129-5
67	Gasket	21-131-6	135	Snap Ring	21-134-33
68	Screw				

PARTS INDICATED BY NAME ONLY ARE STANDARD PARTS - ORDER BY DESCRIPTION

PARTS INDICATED BY NAME
ONLY ARE STANDARD PARTS
—ORDER BY DESCRIPTION.



POWERFLITE TRANSMISSION - VALVE AND TRANSFER PLATE

19x6782B

CODE	PART NAME AND DESCRIPTION	NO. OF CYL.	PLYMOUTH	DODGE	DESOTO	CHRYSLER AND IMPERIAL	PER CAR	PART NUMBER
------	---------------------------	-------------	----------	-------	--------	-----------------------	---------	-------------

GROUP 21 - TRANSMISSION

STANDARD TRANSMISSION

21-01-0 TRANSMISSION SETS OR PACKAGES								
21-01-3	GASKET SET, MS1	6-8	59	59	59	-	1	1752 479
21-02-0 TRANSMISSION ASSEMBLY								
21-02-1	TRANSMISSION, w/o Overdrive	6	59	59	-	-	1	1853 849
	w/o Overdrive, MS1.	8	59	59	59	-	1	1853 841
	w/Overdrive, includes Overdrive.	6-8	59	-	-	-	1	1853 875
21-03-0 TRANSMISSION CASE								
21-03-1	CASE, MS1	6-8	59	59	59	-	1	1853 851
21-03-4	GASKET, Case to Adapter, w/Overdrive	6-8	59	-	-	-	1	1635 273
21-03-9	TROUGH, Oil, w/Overdrive	6-8	59	-	-	-	1	1486 114
21-03-24	PLUG, Back-Up Light Switch Hole, MS1.	6-8	59	59	59	-	1	1139 153
21-04-0 TRANSMISSION CASE EXTENSION								
21-04-1	EXTENSION, MS1	6-8	59	59	59	-	1	1735 718
21-04-2	GASKET, MS1.	6-8	59	59	59	-	1	*1635 273
21-04-11	BEARING, MS1	6-8	59	59	59	-	1	1672 194
21-04-12	SNAP RING, Bearing, .086" thk., MS1	6-8	59	59	59	-	★	1736 432
	.091" thk., MS1	6-8	59	59	59	-	★	1736 433
21-09-0 TRANSMISSION MAIN DRIVE PINION								
21-09-2	PINION, 24T., 22T., 12 1/2" lgh., MP1 w/Overdrive, MP2 A11, MD2, MD3, MS1	6-8	59	59	59	-	1	1853 626
	24T., 20T., 12 1/2" lgh., w/o Overdrive	6	59	59	-	-	1	1632 046
21-09-5	BEARING, MS1	6-8	59	59	59	-	1	1633 718
21-09-19	SLINGER, Bearing Oil, MS1	6-8	59	59	59	-	1	1633 669
21-09-23	SNAP RING, Bearing, .088" thk., MS1	6-8	59	59	59	-	★	631 823
	.091" thk., MS1	6-8	59	59	59	-	★	631 824
	.094" thk., MS1	6-8	59	59	59	1	★	631 825
	.097" thk., MS1	6-8	59	59	59	-	★	640 332
21-09-25	WASHER, Bearing, MS1	6-8	59	59	59	-	1	631 877
21-09-29	RETAINER, Bearing, MS1	6-8	59	59	59	-	1	1632 041
21-09-33	GASKET, Bearing Retainer, .009" thk., MS1	6-8	59	59	59	-	★	* 865 180
	.0165" thk., MS1	6-8	59	59	59	-	★	601 131
21-10-0 TRANSMISSION GEARS								
21-10-4	GEAR, Sliding, First and Reverse, 29T., 6 Splines, MS1	6-8	59	59	59	-	1	1853 855
	First and Reverse, 29T., 6 Splines, w/Overdrive	6-8	59	-	-	-	1	1731 148
21-10-16	GEAR, Second Speed, 24T., 25T., MS1	6-8	59	59	59	-	1	1322 765
21-11-0 TRANSMISSION REVERSE IDLER GEAR								
21-11-1	GEAR, 15T., MS1	6-8	59	59	59	-	1	1853 695
	15T., w/Overdrive.	6-8	59	-	-	-	1	952 244
21-11-2	ROLLER, Bearing, MS1	6-8	59	59	59	-	22	666 927
21-11-9	WASHER, MS1	6-8	59	59	59	-	2	666 924

★ Indicates use as required.

Numerals in parentheses () refer to notes.

Printed in U.S.A.

Indicates parts not listed in any previous parts book.

Prices and specifications subject to change without notice.

* Indicates change or addition.

1959 PASSENGER CAR PARTS LIST

TRANSMISSION

CODE	PART NAME AND DESCRIPTION	NO. OF CYL.	PLYMOUTH	DODGE	DESOTO	CHRYSLER AND IMPERIAL	PER CAR	PART NUMBER
STANDARD TRANSMISSION								
21-12-0 TRANSMISSION REVERSE IDLER SHAFT								
21-12-1	SHAFT, MS1	6-8	59	59	59	-	1	*1635 290
21-12-2	KEY, MS1	6-8	59	59	59	-	1	*1635 293
21-14-0 TRANSMISSION CLUTCH GEAR								
21-14-1	SYNCHRONIZER UNIT, MS1	6-8	59	59	59	-	1	*1853 909
21-14-5	GEAR, 24T., MS1	6-8	59	59	59	-	1	*1853 672
21-14-6	SLEEVE, MS1	6-8	59	59	59	-	1	*1676 197
21-14-15	SPRING, Synchronizer Stop Ring, MS1	6-8	59	59	59	-	1	*1823 916
21-14-19	RING, Synchronizer Stop, Outer, MS1	6-8	59	59	59	-	2	*1196 894
	Inner, MS1	6-8	59	59	59	-	2	*1322 763
21-14-20	SNAP RING, .088" thk., MS1	6-8	59	59	59	-	★	* 631 823
	.091" thk., MS1	6-8	59	59	59	-	★	* 631 824
	.094" thk., MS1	6-8	59	59	59	-	★	* 631 825
	.097" thk., MS1	6-8	59	59	59	-	★	* 640 332
21-15-0 TRANSMISSION COUNTERSHAFT GEAR								
21-15-2	GEAR, 29T., 23T., 18T., 14T., MP1 w/Overdrive, MP2, All, MD2, MD3, MS1	6-8	59	59	59	-	1	*1853 627
	31T., 23T., 18T., 14T., w/o Overdrive	6	59	59	-	-	1	1633 761
21-15-33	WASHER, Thrust, .057" thk., MS1	6-8	59	59	59	-	★	*1633 763
	.064" thk., MS1	6-8	59	59	59	-	★	*1633 762
21-16-0 TRANSMISSION MAIN SHAFT								
21-16-3	SHAFT, w/o Overdrive, 23 Splines, 25 9/64" lgh., MS1	6-8	59	59	59	-	1	*1735 716
	w/Overdrive, 10 Splines, 13 7/16" lgh.	6-8	59	-	-	-	1	1408 491
21-17-0 TRANSMISSION MAIN SHAFT PILOT BEARING								
21-17-2	ROLLER, MS1	6-8	59	59	59	-	14	* 602 007
21-17-7	SNAP RING, Roller, MS1	6-8	59	59	59	-	1	* 601 108
21-19-0 TRANSMISSION MAIN SHAFT REAR BEARING								
21-19-2	BEARING, w/o Overdrive, MS1	6-8	59	59	59	-	1	*1633 663
21-19-15	SNAP RING, .088" thk., w/Overdrive	6-8	59	-	-	-	★	631 823
	.091" thk., w/Overdrive	6-8	59	-	-	-	★	631 824
	.095" thk., w/Overdrive	6-8	59	-	-	-	★	631 825
	.097" thk., w/Overdrive	6-8	59	-	-	-	★	640 332
21-19-20	BAFFLE, Oil, w/Overdrive	6-8	59	-	-	-	1	1483 761
21-22-0 TRANSMISSION MAIN SHAFT REAR BEARING OIL SEAL								
21-22-2	OIL SEAL, MS1	6-8	59	59	59	-	1	* 670 752
21-24-0 TRANSMISSION COUNTERSHAFT								
21-24-2	COUNTERSHAFT, MS1	6-8	59	59	59	-	1	*1635 282
21-24-22	KEY, MS1	6-8	59	59	59	-	1	*1635 293
21-25-0 TRANSMISSION COUNTERSHAFT BEARING								
21-25-2	ROLLER, MS1	6-8	59	59	59	-	44	* 666 927
21-25-4	SPACER, MS1	6-8	59	59	59	-	1	* 697 812
21-25-6	WASHER or RING, Roller Thrust, MS1	6-8	59	59	59	-	2	*1630 878

★ Indicates use as required.

Numerals in parentheses () refer to notes.

Printed in U.S.A.

☐ Indicates parts not listed in any previous parts book.

Prices and specifications subject to change without notice.

* Indicates change or addition.

CODE	PART NAME AND DESCRIPTION	NO. OF CYL.	PLYMOUTH	DODGE	DESOTO	CHRYSLER AND IMPERIAL	PER CAR	PART NUMBER
STANDARD TRANSMISSION								
21-29-0 TRANSMISSION GEARSHIFT HOUSING								
21-29-3	HOUSING, MS1	6-8	59	59	59	-	1	1853 739
21-29-25	GASKET, MS1	6-8	59	59	59	-	1	1853 856
21-29-36	PLUG, MS1	6-8	59	59	59	-	1	1139 153
21-29-37	GASKET, Plug, MS1	6-8	59	59	59	-	1	1302 807
21-30-0 TRANSMISSION GEARSHIFT LEVER								
21-30-2	LEVER	6-8	59	-	-	-	1	1856 990
	MS1	8	-	59	59	-	1	1856 982
21-30-6	KNOB, Chrome, MS1	6-8	59	59	59	-	1	1327 279
21-30-22	BOLT, MS1	6-8	59	59	59	-	1	*1856 988
21-30-43	SPRING, MS1	6-8	59	59	59	-	1	1856 987
21-30-107	CUSHION, MS1	6-8	59	59	59	-	1	1675 745
	GROMMET, MS1	6-8	59	59	59	-	1	1557 942
21-34-0 TRANSMISSION GEARSHIFT RAIL								
21-34-42	PIN, Interlock, MS1	6-8	59	59	59	-	1	1941 701
	w/Overdrive	6-8	59	-	-	-	1	*1853 741
21-34-45	SLEEVE, Interlock, 1.118" lgh., MS1	6-8	59	59	59	-	★	*1941 883
	1.120" lgh., MS1	6-8	59	59	59	-	★	*1941 702
	1.122" lgh., MS1	6-8	59	59	59	-	★	*1941 884
	1.124" lgh., MS1	6-8	59	59	59	-	★	*1941 885
	1.126" lgh., MS1	6-8	59	59	59	-	★	*1941 886
	1.128" lgh., MS1	6-8	59	59	59	-	★	*1949 170
	1.130" lgh., MS1	6-8	59	59	59	-	★	*1949 171
	w/Overdrive, 1.125" lgh.	6-8	59	-	-	-	1	*1853 740
21-34-47	SPRING, Interlock Ball, MS1	6-8	59	59	59	-	★	*1853 745
	BALL	6-8	59	59	59	-	2	104 919
21-39-0 TRANSMISSION GEARSHIFT FORK								
21-39-3	FORK, Low and Reverse, MS1	6-8	59	59	59	-	1	1632 044
	Second and Direct, MS1	6-8	59	59	59	-	1	1676 198
21-42-0 TRANSMISSION REMOTE CONTROL GEARSHIFT								
21-42-11	LEVER, Second and Direct, MS1	6-8	59	59	59	-	1	1853 747
	Low and Reverse, w/o Overdrive, MS1	6-8	59	59	59	-	1	1941 711
	Low and Reverse, w/Overdrive	6-8	59	-	-	-	1	1941 712
	PIN	6-8	59	59	59	-	2	271 448
21-42-23	LEVER, Operating, Second and Direct, MS1	6-8	59	59	59	-	1	1941 696
	MS1	6-8	59	59	59	-	1	1941 696
	Low and Reverse, MS1	6-8	59	59	59	-	1	1941 698
21-42-31	SEAL, Selector Shaft, MS1	6-8	59	59	59	-	2	1536 267
21-42-42	BUSHING, Operating Lever Grommet, MS1	6-8	59	59	59	-	2	1676 200
21-42-43	GROMMET, Operating Lever, MS1	6-8	59	59	59	-	2	1941 699
21-48-0 TRANSMISSION FREE WHEELING								
21-48-1	CAM, Overdrive	6-8	59	-	-	-	1	1483 754
21-48-11	CLIP, Cam Retainer.	6-8	59	-	-	-	1	1484 568
21-49-0 TRANSMISSION COUNTERSHAFT FREE WHEELING CAM ROLLER								
21-49-3	ROLLER, w/Overdrive	6-8	59	-	-	-	12	670 776
21-49-5	RETAINER, w/Overdrive	6-8	59	-	-	-	1	1483 755
21-49-21	SPRING, Roller Retainer, w/Overdrive.	6-8	59	-	-	-	2	600 435

★ Indicates use as required.

Numerals in parentheses () refer to notes.

Printed in U.S.A.

☐ Indicates parts not listed in any previous parts book.

Prices and specifications subject to change without notice.

* Indicates change or addition.

1959 PASSENGER CAR PARTS LIST

TRANSMISSION

CODE	PART NAME AND DESCRIPTION	NO. OF CYL.	PLYMOUTH	DODGE	DESOTO	CHRYSLER AND IMPERIAL	PER CAR	PART NUMBER
------	---------------------------	-------------	----------	-------	--------	-----------------------	---------	-------------

STANDARD TRANSMISSION

21-51-0 TRANSMISSION OVERDRIVE UNIT HOUSING AND INTERNAL PARTS

21-51-4	UNIT	6-8	59	-	-	-	1	1673 193
21-51-8	HOUSING	6-8	59	-	-	-	1	1638 939
21-51-13	GASKET, Housing	6-8	59	-	-	-	1	1638 925
21-51-14	BEARING, Housing	6-8	59	-	-	-	1	1672 194
21-51-15	SNAP RING, Housing Bearing, .062" thk.	6-8	59	-	-	-	★	1484 598
	.065" thk.	6-8	59	-	-	-	★	1484 599
	.068" thk.	6-8	59	-	-	-	★	1484 600
	.071" thk.	6-8	59	-	-	-	★	1484 601
21-51-17	ADAPTER, Housing	6-8	59	-	-	-	1	1638 926
21-51-19	BEARING, Housing Adapter	6-8	59	-	-	-	1	1505 652
21-51-20	SNAP RING, Housing Adapter Bearing, .088" thk.	6-8	59	-	-	-	★	640 280
	.091" thk.	6-8	59	-	-	-	★	631 809
	.094" thk.	6-8	59	-	-	-	★	631 810
	.097" thk.	6-8	59	-	-	-	★	640 331

21-52-0 TRANSMISSION OVERDRIVE CONTROL

21-52-5	KNOB, Control	6-8	59	-	-	-	1	1779 903
21-52-6	SHAFT, w/HOUSING	6-8	59	-	-	-	1	1779 996
	SHAFT, w/WIRE	6-8	59	-	-	-	1	1779 997
21-52-8	NUT, Cable Mounting to Instrument Panel	6-8	59	-	-	-	1	1779 909
21-52-40	GROMMET, Cable Dash	6-8	59	-	-	-	1	*1498 858

21-53-0 TRANSMISSION OVERDRIVE MAIN SHAFT

21-53-4	SHAFT, Main	6-8	59	-	-	-	1	1673 190
21-53-20	BEARING, Main Shaft Front	6-8	59	-	-	-	1	1505 652
21-53-24	SNAP RING, .086" thk.	6-8	59	-	-	-	★	1112 493
	.089" thk.	6-8	59	-	-	-	★	1112 494
	.092" thk.	6-8	59	-	-	-	★	1112 495
	.095" thk.	6-8	59	-	-	-	★	1112 496
21-53-44	OIL SEAL	6-8	59	-	-	-	1	670 752
21-53-61	NUT	6-8	59	-	-	-	1	1824 309

21-54-0 TRANSMISSION OVERDRIVE GEARS

21-54-6	CAGE, Pinion	6-8	59	-	-	-	1	1483 777
21-54-12	CLIP, Pinion Cage Retainer	6-8	59	-	-	-	1	1483 753
21-54-32	GEAR, w/COLLER, Stationary	6-8	59	-	-	-	1	*1483 773
21-54-36	PAWL, Stationary Gear	6-8	59	-	-	-	1	1671 723
21-54-41	PLATE, Cover, w/Trough	6-8	59	-	-	-	1	1671 726
21-54-42	SNAP RING, Cover Plate, .0625" thk.	6-8	59	-	-	-	★	1483 769
	.0665" thk.	6-8	59	-	-	-	★	1483 770
	.0705" thk.	6-8	59	-	-	-	★	1483 771
21-54-45	RING, Sun Gear Balk	6-8	59	-	-	-	1	856 458
21-54-46	GEAR, Stationary, w/Oil PLATE	6-8	59	-	-	-	1	1483 762
21-54-47	OIL SEAL, Pawl Operating Rod	6-8	59	-	-	-	1	1484 597
21-54-50	SNAP RING, Stationary Gear	6-8	59	-	-	-	2	1483 776
21-54-51	COLLAR, Stationary Gear Shifting	6-8	59	-	-	-	1	1483 774

21-55-0 TRANSMISSION OVERDRIVE ANNULUS GEAR

21-55-2	GEAR	6-8	59	-	-	-	1	1484 578
21-55-16	SNAP RING	6-8	59	-	-	-	1	1484 579

21-57-0 TRANSMISSION OVERDRIVE GOVERNOR

21-57-2	GOVERNOR	6-8	59	-	-	-	1	1479 737
21-57-8	GEAR, Driven	6-8	59	-	-	-	1	1479 528
21-57-15	RING, Driven Gear Retainer	6-8	59	-	-	-	1	1479 525

★ Indicates use as required.

Numerals in parentheses () refer to notes.

Printed in U.S.A.

☐ Indicates parts not listed in any previous parts book.

Prices and specifications subject to change without notice.

Jan. 26, 1959; Supersedes Sept. 15, 1958.

* Indicates change or addition.

CODE	PART NAME AND DESCRIPTION	NO. OF CYL.	PLYMOUTH	DODGE	DESOTO	CHRYSLER AND IMPERIAL	PER CAR	PART NUMBER
------	---------------------------	-------------	----------	-------	--------	-----------------------	---------	-------------

STANDARD TRANSMISSION

21-59-0 TRANSMISSION OVERDRIVE CONTROL SHAFT

21-59-1	SHAFT, w/LEVER	6-8	59	-	-	-	1	*1638 959
21-59-10	OIL SEAL, Shaft	6-8	59	-	-	-	1	1484 592

21-60-0 TRANSMISSION OVERDRIVE CONTROL LEVER

21-60-3	SPACER	6-8	59	-	-	-	1	1484 596
21-60-5	SCREW	6-8	59	-	-	-	1	1484 621

21-61-0 TRANSMISSION OVERDRIVE CONTROL MOUNTING BRACKET

21-61-9	BRACKET, Mounting	6-8	59	-	-	-	1	E1622 164
	Cable Mounting, on Trans.	6-8	59	-	-	-	1	*1479 610
21-61-25	CLAMP, Cable Mounting to Trans.	6-8	59	-	-	-	1	*1308 130

21-66-0 TRANSMISSION OVERDRIVE SHIFTING FORK AND RAIL

21-66-2	FORK	6-8	59	-	-	-	1	1671 725
	RAIL	6-8	59	-	-	-	1	1671 728
21-66-4	PIN, Fork Guide	6-8	59	-	-	-	1	1671 721
21-66-20	SPRING, Shift Rail	6-8	59	-	-	-	1	1671 724
21-66-33	WASHER, Shift Rail "C"	6-8	59	-	-	-	1	1671 722
21-66-35	CUP, Shift Rail "C" Washer	6-8	59	-	-	-	1	1671 720
21-66-44	SPRING, Shift Rail Retainer	6-8	59	-	-	-	1	1484 589
21-66-45	PLUG, Rail	6-8	59	-	-	-	1	1484 608

21-68-0 TRANSMISSION OVERDRIVE KICKDOWN SOLENOID

21-68-2	SOLENOID	6-8	59	-	-	-	1	1595 336
21-68-18	SWITCH	6-8	59	-	-	-	1	1479 527
21-68-21	WASHER, Screw	6-8	59	-	-	-	4	* 300 394
21-68-26	BRACKET, Switch, w/Power Pack	8	59	-	-	-	1	*1855 421
21-68-40	SHIELD, Solenoid Heat, w/CLAMP, w/Dual Exhaust	8	59	-	-	-	1	1770 462
21-68-41	CLAMP, Shield, w/Dual Exhaust	8	59	-	-	-	1	1770 460

21-69-0 TRANSMISSION OVERDRIVE KICKDOWN SOLENOID RELAY

21-69-2	RELAY, w/Fuse Holder	6-8	59	-	-	-	1	1692 684
21-69-5	CLAMP, Terminal Screw	6-8	59	-	-	-	2	1604 046

21-84-0 TRANSMISSION SPEEDOMETER CABLE INCLUDES SHAFT AND HOUSING

21-84-1	HOUSING, w/SHAFT, 68 1/32" lgh., MD2, MS1	6-8	59	59	59	-	1	1886 505
21-84-4	SHAFT, Drive, 63 5/32" lgh., w/Overdrive	6-8	59	-	-	-	1	1436 529
	59 1/32" lgh.	6-8	59	-	-	-	1	*1163 782
	65 1/32" lgh., MD2, MS1	8	-	59	59	-	1	*1089 709

★ Indicates use as required.

⊠ Indicates parts not listed in any previous parts book.

* Indicates change or addition.

Numerals in parentheses () refer to notes.

Prices and specifications subject to change without notice.

Jan. 26, 1959 Supersedes Sept. 15, 1958.

21-85-0 TRANSMISSION SPEEDOMETER GEAR AND PINION

21-85-4 GEAR (see chart)
 21-85-5 PINION (see chart)

STD. TRANSMISSION, W/O OVERDRIVE

Tire Size	3.36 to 1 Ratio Pinion Teeth	3.54 to 1 Ratio Pinion Teeth	3.73 to 1 Ratio Pinion Teeth	3.9 to 1 Ratio Pinion Teeth	4.1 to 1 Ratio Pinion Teeth	4.3 to 1 Ratio Pinion Teeth
7.50 x 14	----	1635 301 16	1635 299 17	1635 299 17	1635 302 18	1635 303 19
8.00 x 14	----	1635 300 15	1635 301 16	1635 299 17	1635 302 18	1635 303 19
8.50 x 14	1635 300 15	1635 300 15	1635 301 16	1635 299 17	1635 302 18	1635 303 19

STD. TRANSMISSION, W/OVERDRIVE

Tire Size	3.54 to 1 Ratio		3.73 to 1 Ratio		3.9 to 1 Ratio	
	Gear Teeth	Pinion Teeth	Gear Teeth	Pinion Teeth	Gear Teeth	Pinion Teeth
7.50 x 14			1638 291 6	1732 064 17	1638 291 6	1732 065 18
8.00 x 14			1638 291 6	1732 063 16	1638 291 6	1732 064 17
8.50 x 14	1638 291 6	1732 063 16	1638 291 6	1732 063 16	1638 291 6	1732 064 17

Tire Size	4.1 to 1 Ratio		4.3 to 1 Ratio	
	Gear Teeth	Pinion Teeth	Gear Teeth	Pinion Teeth
7.50 x 14	1638 291 6	1732 065 18	1638 291 6	1732 066 19
8.00 x 14	1638 291 6	1732 065 18	1638 291 6	1732 066 19
8.50 x 14	1638 291 6	1732 065 18	1638 291 6	1732 066 19

CODE	PART NAME AND DESCRIPTION	NO. OF CYL.	PLYMOUTH	DODGE	DESOTO	CHRYSLER AND IMPERIAL	PER CAR	PART NUMBER
21-85-9	ADAPTER, Drive Pinion, w/4.56 Ratio, Export MD2, MS1	6-8	59	59	59	-	1	*1819 874
21-85-59	RETAINER, Pinion, MS1	6-8	59	59	59	-	1	*1559 341
21-85-76	SLEEVE, Pinion, w/o Overdrive, MS1	6-8	59	59	59	-	1	*1635 304
	w/Overdrive	6-8	59	-	-	-	1	1559 342

NOTES

★ Indicates use as required.
 ☐ Indicates parts not listed in any previous parts book.
 Jan. 26, 1959 Supersedes Sept. 15, 1958.

Numerals in parentheses () refer to notes.

Printed in U.S.A.
 Prices and specifications subject to change without notice.
 * Indicates change or addition.

CODE	PART NAME AND DESCRIPTION	NO. OF CYL.	PLYMOUTH	DODGE	DESOTO	CHRYSLER AND IMPERIAL	PER CAR	PART NUMBER
------	---------------------------	-------------	----------	-------	--------	-----------------------	---------	-------------

POWERFLITE TRANSMISSION

21-01-0 TRANSMISSION SETS OR PACKAGES								
21-01-3	GASKET and SEAL PACKAGE, Partial, MS1 . . .	6-8	59	59	59	-	1	1603 251
	Complete, MS1	6-8	59	59	59	-	1	*2084 617
	GASKET, PLATE and DISC PACKAGE, Complete Overhaul	6-8	59	59	59	-	1	⊠2240 194
21-02-0 TRANSMISSION ASSEMBLY								
21-02-1	TRANSMISSION	6	59	59	-	-	1	1853 919
	MD2	8	59	59	-	-	1	1853 712
	MD3-M, MS1	8	-	59	59	-	1	1824 491
21-02-6	BREATHER, MS1	6-8	59	59	59	-	1	1139 204
21-03-0 TRANSMISSION CASE								
21-03-1	CASE, MS1	6-8	59	59	59	-	1	1824 493
21-03-12	TUBE, Oil Adapter	6	59	-	-	-	1	1619 339
	NUT	6	59	-	-	-	2	137 422
21-03-45	BALL, Case Seal, Large, MS1	6-8	59	59	59	-	★	1824 321
21-04-0 TRANSMISSION CASE EXTENSION								
21-04-1	EXTENSION, MD1	6	59	59	-	-	1	*1638 950
	MS1	8	59 (1)	59	59	-	1	*1638 950
	AFTER	8	59 (2)	-	-	-	1	*1949 192
21-04-2	GASKET, MS1	6-8	59	59	59	-	1	1408 254
21-05-0 TRANSMISSION OUTPUT SHAFT								
21-05-1	SHAFT, w/BUSHING, 23, 28, Splines, 7 T., 18 1/2" lgh., MS1	6-8	59	59	59	-	1	1673 194
21-05-2	BEARING, Rear, MS1	6-8	59	59	59	-	1	1672 194
21-05-8	SNAP RING, Rear Bearing, .086" thk., MS1	6-8	59	59	59	-	1	1736 432
	.091" thk., MS1	6-8	59	59	59	-	1	1736 433
21-05-12	OIL SEAL, Rear Bearing, MS1	6-8	59	59	59	-	1	1671 763
21-05-18	RING, Seal, MS1	6-8	59	59	59	-	1	1736 376
21-05-22	BUSHING, MS1	6-8	59	59	59	-	1	1559 106
21-05-25	SUPPORT, MS1	6-8	59	59	59	-	1	1408 334
21-05-26	GASKET, Support, MS1	6-8	59	59	59	-	1	1408 255
21-30-0 TRANSMISSION GEARSHIFT BUTTONS AND CABLE								
21-30-28	SOCKET, Selector Bulb, w/CABLE, MS1	8	-	59	59	-	1	*1885 977
21-30-320	HOUSING, w/SLIDES	6-8	59	-	-	-	1	1945 858
	MS1	8	-	59	59	-	1	1737 091
21-30-325	ACTUATOR, Back-Up Light Switch, MS1	6-8	59	59	59	-	1	1676 629
21-30-332	SILENCER, Control Housing	6-8	59	59	-	-	1	⊠2200 475
21-30-333	NUT, Housing Stud	6-8	59	59	-	-	2	⊠2200 477
21-30-336	BUTTON, w/COVER, Neutral	6-8	59	-	-	-	1	1850 499
	Drive	6-8	59	-	-	-	1	1850 497
	Low	6-8	59	-	-	-	1	1850 505
	Reverse	6-8	59	-	-	-	1	1850 494
	Neutral	8	-	59	-	-	1	1850 508
	Drive	8	-	59	-	-	1	1850 509
	First	8	-	59	-	-	1	1850 512
	Reverse	8	-	59	-	-	1	1850 507
	Neutral, MS1	8	-	-	59	-	1	1856 483
	Drive, MS1	8	-	-	59	-	1	1856 485
	Low, MS1	8	-	-	59	-	1	1856 488
	Reverse, MS1	8	-	-	59	-	1	1856 482

NOTE 1: MP2 UP TO Cars use extension stamped 1638 950.

NOTE 2: MP2 AFTER Cars use extension stamped 1949 192.

★ Indicates use as required.

Numerals in parentheses () refer to notes.

Printed in U.S.A.

⊠ Indicates parts not listed in any previous parts book.

Prices and specifications subject to change without notice.

* Indicates change or addition.

Page 21-7

Feb. 15, 1960 Supersedes May 25, 1959.

1959 PASSENGER CAR PARTS LIST

TRANSMISSION

CODE	PART NAME AND DESCRIPTION	NO. OF CYL.	PLYMOUTH	DODGE	DESOTO	CHRYSLER AND IMPERIAL	PER CAR	PART NUMBER
POWERFLITE TRANSMISSION								
21-30-0 TRANSMISSION GEARSHIFT BUTTONS AND CABLE Cont'd								
21-30-338	COVER, Neutral	8	-	59	-	-	1	1850 515
	Drive and Reverse	8	-	59	-	-	2	1850 513
	First	8	-	59	-	-	1	1850 519
	Neutral, MS1	8	-	-	59	-	1	1734 254
	Drive and Reverse, MS1	8	-	-	59	-	2	1731 134
	Low, MS1	8	-	-	59	-	1	1731 136
21-30-340	BUMPER, Slide, MS1	6-8	59	59	59	-	4	1731 143
21-30-345	SPRING, Slide, MS1	6-8	59	59	59	-	4	1639 970
21-30-365	CABLE, Control	6-8	59	-	-	-	1	1945 856
	MS1	8	-	59	59	-	1	1676 627
21-30-367	GROMMET, Cable, MS1	6-8	-	59	59	-	1	1370 460
21-30-369	INSULATOR, Cable Connector, Male	6-8	59	-	-	-	1	1843 222
21-30-370	BRACKET, Cable, on Dash or Housing, MS1	6-8	59	59	59	-	1	1639 975
	BRACKET, Cable, on Trans., MD2, MD3-M, California Built, MS1	6-8	59	59	59	-	1	1638 686
	BRACKET, Cable, on Trans., MD2, MD3-M, California Built	8	-	59	-	-	1	1672 213
	CLIP, Cable, on Trans., MD2, MD3-M, except California Built	8	-	59	-	-	1	1672 215
	CLIP, Cable Adapter, on Trans., MS1	6-8	59	59	59	-	1	1638 685
21-30-371	STUD, Bracket, MD2, MD3-M, MS1, except California Built	8	-	59	59	-	2	*1636 523
21-30-390	SEAL, Cable, on Trans., MS1	6-8	59	59	59	-	1	1316 864
21-30-394	SPRING, Adapter, on Trans., MS1	6-8	59	59	59	-	1	1673 184

21-84-0 TRANSMISSION SPEEDOMETER CABLE INCLUDES SHAFT AND HOUSING

21-84-1	HOUSING, w/SHAFT, 68 5/32" lgh., MS1	6-8	59	59	59	-	1	1886 505
21-84-4	SHAFT, Drive, 63 5/32" lgh.	6-8	59	-	-	-	1	*1436 529
	65 1/32" lgh., MD2, MS1	8	-	59	59	-	1	1089 709
	68 5/32" lgh., MD3-M	8	-	59	-	-	1	* 920 402

21-85-0 TRANSMISSION SPEEDOMETER PINION

21-85-7 TRANSMISSION SPEEDOMETER PINION PACKAGE

Tire Size	3.15 to 1 Ratio Pinion Teeth	3.31 to 1 Ratio Pinion Teeth	3.54 to 1 Ratio Pinion Teeth	3.73 to 1 Ratio Pinion Teeth	3.9 to 1 Ratio Pinion Teeth	4.1 to 1 Ratio Pinion Teeth
7.50 x 14	---- --	*1752 244 17	*1752 245 18	*1752 246 19	1752 247 20	1752 247 20
8.00 x 14	---- --	1752 244 17	1752 245 18	1752 246 19	1752 247 20	1752 247 20
8.50 x 14	1752 243 16	1752 244 17	1752 245 18	1752 246 19	1752 247 20	1752 247 20

CODE	PART NAME AND DESCRIPTION	NO. OF CYL.	PLYMOUTH	DODGE	DESOTO	CHRYSLER AND IMPERIAL	PER CAR	PART NUMBER
21-85-59	RETAINER, Pinion, MS1	6-8	59	59	59	-	1	1559 341
21-85-76	SLEEVE, Pinion, MS1	6-8	59	59	59	-	1	1559 342
21-113-0 TRANSMISSION NEUTRAL STARTER SWITCH								
21-113-24	SWITCH PACKAGE, w/WASHER and "O" RING, on Trans., MS1	6-8	59	59	59	-	1	1704 283
21-113-25	SWITCH, on Manifold	6-8	59	59	-	-	1	1770 093
21-113-28	"O" RING, Mounting, MS1	6-8	59	59	59	-	1	1316 849
21-113-29	WASHER, Mounting, MS1	6-8	59	59	59	-	1	1704 482

★ Indicates use as required. Numerals in parentheses () refer to notes. Printed in U.S.A.
 □ Indicates parts not listed in any previous parts book. Prices and specifications subject to change without notice.
 Feb. 15, 1960 Supersedes Jan 26, 1959. Page 21-8 * Indicates change or addition.

CODE	PART NAME AND DESCRIPTION	NO. OF CYL.	PLYMOUTH	DODGE	DESOTO	CHRYSLER AND IMPERIAL	PER CAR	PART NUMBER
------	---------------------------	-------------	----------	-------	--------	-----------------------	---------	-------------

POWERFLITE TRANSMISSION

21-117-0 TRANSMISSION OIL PUMP STRAINER

21-117-1	STRAINER, MS1	6-8	59	59	59	-	1	1619 366
21-117-10	SEAL, Tube, MS1	6-8	59	59	59	-	2	1401 256
21-117-24	WASHER, Support Screw Lock, MS1	6-8	59	59	59	-	2	1559 377

21-118-0 TRANSMISSION OIL PUMP

21-118-6	GEAR and PINION SET, Front Pump, used w/Housing Stamped A, MS1	6-8	59	59	59	-	1	1603 360
	Used w/Housing Stamped B, MS1	6-8	59	59	59	-	1	1603 361
	Used w/Housing Stamped C, MS1	6-8	59	59	59	-	1	1603 362
	Used w/Housing Stamped D, MS1	6-8	59	59	59	-	1	1603 363
21-118-7	GEAR, Rear Pump, MS1	6-8	59	59	59	-	1	1672 315
21-118-8	PINION, Rear Pump, MS1	6-8	59	59	59	-	1	1327 576
	BALL	6-8	59	59	59	-	1	147 483
21-118-37	SLEEVE PACKAGE, Front Pump, w/RING, MS1	6-8	59	59	59	-	1	1752 606
21-118-38	RING, Front Pump Drive Sleeve Seal, MS1	6-8	59	59	59	-	1	1738 264
21-118-40	HOUSING, Front Pump, Stamped w/Letter A, MS1	6-8	59	59	59	-	1	1630 726
	Stamped w/Letter B, MS1	6-8	59	59	59	-	1	1630 727
	Stamped w/Letter C, MS1	6-8	59	59	59	-	1	1630 728
	Stamped w/Letter D, MS1	6-8	59	59	59	-	1	1630 729
	HOUSING, Rear Pump, MS1	6-8	59	59	59	-	1	1823 666
21-118-42	OIL SEAL, Front Pump Housing, 2 7/8" O.D., MS1	6-8	59	59	59	-	1	1408 143
21-118-45	OIL SEAL, Front Pump Housing, 6 9/32" O.D., MS1	6-8	59	59	59	-	1	1408 245
21-118-49	WASHER, Rear Pump Housing Screw Lock, MS1	6-8	59	59	59	-	5	1559 377
21-118-50	PLUG, Rear Pump Housing Oil Hole, MS1	6-8	59	59	59	-	1	1404 824

21-119-0 TRANSMISSION OIL PAN

21-119-3	PAN, MS1	6-8	59	59	59	-	1	1408 280
	SCREW	6-8	59	59	59	-	18	180 075
21-119-5	GASKET, MS1	6-8	59	59	59	-	1	1408 282
21-119-15	TUBE, Filler, w/BRACKET, MD1, MD2	6-8	59	59	-	-	1	1941 730
	MD3-M, MS1	8	-	59	59	-	1	1941 731
21-119-19	INDICATOR, Oil Level, MS1	6-8	59	59	59	-	1	1949 383

21-129-0 TRANSMISSION INPUT SHAFT AND TORQUE CONVERTER REACTION SHAFT

21-129-5	SHAFT, Input, MS1	6-8	59	59	59	-	1	1672 122
21-129-10	SHAFT, Reaction, 27 Splines, 9 37/64" lgh., MS1	6-8	59	59	59	-	1	1633 731
21-129-12	SEAL, Reaction Shaft, MS1	6-8	59	59	59	-	1	1550 919
	Heavy Duty, MS1	6-8	59	59	59	-	1	1738 265
21-129-13	RING, Reaction Shaft Seal, MS1	6-8	59	59	59	-	2	1537 149
21-129-16	DOWEL, Reaction Shaft, MS1	6-8	59	59	59	-	1	1327 588
21-129-20	SLEEVE, Reaction Shaft, MS1	6-8	59	59	59	-	1	1559 029
21-129-23	BUSHING, Reaction Shaft, MS1	6-8	59	59	59	-	1	1559 026

21-131-0 TRANSMISSION REGULATOR VALVE BODY AND VALVES

21-131-1	BODY PACKAGE, MS1	6-8	59	59	59	-	1	1643 243
21-131-6	GASKET, Body, MS1	6-8	59	59	59	-	1	1672 066
21-131-10	VALVE, Regulator, MS1	6-8	59	59	59	-	1	1327 673
21-131-15	SPRING, Regulator Valve, MS1	6-8	59	59	59	-	1	1941 693
21-131-20	SEAT, Regulator Valve Spring, MS1	6-8	59	59	59	-	1	1327 675
21-131-25	RETAINER, Regulator Valve Spring, MS1	6-8	59	59	59	-	1	1408 373
21-131-27	GASKET, Regulator Valve Spring Retainer, MS1	6-8	59	59	59	-	1	1117 819
21-131-35	VALVE, Torque Converter Control, MS1	6-8	59	59	59	-	1	1630 811

★ Indicates use as required.

Numerals in parentheses () refer to notes.

Printed in U.S.A.

□ Indicates parts not listed in any previous parts book.

Prices and specifications subject to change without notice.

* Indicates change or addition.

1959 PASSENGER CAR PARTS LIST

TRANSMISSION

CODE	PART NAME AND DESCRIPTION	NO. OF CYL.	PLYMOUTH	DODGE	DESOTO	CHRYSLER AND IMPERIAL	PER CAR	PART NUMBER
------	---------------------------	-------------	----------	-------	--------	-----------------------	---------	-------------

POWERFLITE TRANSMISSION

21-131-0 TRANSMISSION REGULATOR VALVE BODY AND VALVES Cont'd

21-131-40	SPRING, Torque Converter Control Valve, MS1	6-8	59	59	59	-	1	1630 812
21-131-45	RETAINER, Torque Converter Control Valve Spring, MS1	6-8	59	59	59	-	1	1941 779
21-131-50	GASKET, Torque Converter Control Valve Spring Retainer, MS1	6-8	59	59	59	-	1	1408 375

21-133-0 TRANSMISSION DIRECT CLUTCH

21-133-5	RETAINER, Piston, w/PISTON, DISC and GEAR	6	59	59	-	-	1	1853 987
	MD2	8	59	59	-	-	1	1854 111
	MD3-M, MS1	8	-	59	59	-	1	1853 989
21-133-7	RETAINER, w/BUSHING, MS1	6-8	59	59	59	-	1	1854 112
21-133-12	RING, Piston Retainer Seal, MS1	6-8	59	59	59	-	1	1738 262
21-133-15	PISTON, Clutch	6	59	59	-	-	1	1638 557
	MD2	8	59	59	-	-	1	1633 768
	MD3-M, MS1	8	-	59	59	-	1	1633 728
21-133-17	RING, Piston Seal, MS1	6-8	59	59	59	-	1	1738 261
21-133-20	SPRING, MS1	6-8	59	59	59	-	1	1556 112
21-133-22	RETAINER, Return Spring, MS1	6-8	59	59	59	-	1	1556 111
21-133-25	SNAP RING, Spring Retainer, MS1	6-8	59	59	59	-	1	1327 749
21-133-30	WASHER, Piston Retainer Thrust, .043" thk., Yellow, MS1	6-8	59	59	59	-	★	1559 470
	.060" thk., Green, MS1	6-8	59	59	59	-	★	1559 471
	.078" thk., Orange, MS1	6-8	59	59	59	-	★	1559 472
21-133-35	HUB, MS1	6-8	59	59	59	-	1	1633 842
21-133-36	DISC, Direct Clutch Driving, MS1	6-8	59	59	59	-	★	*1633 843
21-133-37	PLATE and DISC PACKAGE, Direct Clutch Driving, MS1	6-8	59	59	59	-	1	1643 259
21-133-38	PLATE, Direct Clutch Driving, MS1	6-8	59	59	59	-	★	*1408 232
21-133-40	GEAR, Kickdown Sun, MS1	6-8	59	59	59	-	1	1672 081
21-133-43	SNAP RING, Kickdown Sun Gear, .059" thk., MS1	6-8	59	59	59	-	★	1327 729
	.062" thk., MS1	6-8	59	59	59	-	★	1327 730

21-134-0 TRANSMISSION KICKDOWN PLANET PINION CARRIER AND COMPONENT PARTS

21-134-5	CARRIER, w/PINIONS, MS1	6-8	59	59	59	-	1	1853 934
21-134-30	WASHER, Carrier Front Thrust, 3 1/2" dia., 3 Tabs, MS1	6-8	59	59	59	-	1	1638 462
21-134-33	SNAP RING, .062" thk., MS1	6-8	59	59	59	-	★	1327 730
	.072" thk., MS1	6-8	59	59	59	-	★	1559 275
	.082" thk., MS1	6-8	59	59	59	-	★	1559 332
21-134-38	GEAR, Annulus, MS1	6-8	59	59	59	-	1	1638 544
21-134-40	SNAP RING, Annulus Gear, MS1	6-8	59	59	59	-	1	1672 126

21-135-0 TRANSMISSION REVERSE PLANET PINION CARRIER AND COMPONENT PARTS

21-135-5	CARRIER, w/PINIONS, MS1	6-8	59	59	59	-	1	1672 135
21-135-25	GEAR, Annulus, MS1	6-8	59	59	59	-	1	1559 440
21-135-28	SNAP RING, Annulus Gear, .078" thk., MS1	6-8	59	59	59	-	★	1329 608
	.082" thk., MS1	6-8	59	59	59	-	★	1329 609
	.086" thk., MS1	6-8	59	59	59	-	★	1329 610
21-135-33	HOUSING, MS1	6-8	59	59	59	-	1	1559 331
21-135-35	WASHER, Housing Thrust, MS1	6-8	59	59	59	-	1	1672 083

★ Indicates use as required.

Numerals in parentheses () refer to notes.

Printed in U.S.A.

⊘ Indicates parts not listed in any previous parts book.

Prices and specifications subject to change without notice.

CODE	PART NAME AND DESCRIPTION	NO. OF CYL.	PLYMOUTH	DODGE	DESOTO	CHRYSLER AND IMPERIAL	PER CAR	PART NUMBER
------	---------------------------	-------------	----------	-------	--------	-----------------------	---------	-------------

POWERFLITE TRANSMISSION

21-136-0 TRANSMISSION BANDS

21-136-5	BAND, Kickdown, MS1	6-8	59	59	59	-	1	*1854 128
21-136-15	STRUT, Kickdown Band, MS1	6-8	59	59	59	-	1	*1630 896
	ANCHOR, Kickdown Band, MS1	6-8	59	59	59	-	1	*1736 427
21-136-17	SCREW, Kickdown Band Adjustment, MS1	6-8	59	59	59	-	1	*1736 215
21-136-20	LEVER, Kickdown Band, MS1	6-8	59	59	59	-	1	*1633 745
21-136-23	SHAFT, Kickdown Band Lever, MS1	6-8	59	59	59	-	1	*1402 685
	PLUG	6-8	59	59	59	-	1	* 444 698
21-136-30	BAND, Reverse, MS1	6-8	59	59	59	-	1	⊠1854 170
21-136-31	BAND PACKAGE, Reverse, w/STRUT and LINK, MS1	6-8	59	59	59	-	1	⊠1881 799
21-136-41	STRUT, Reverse Band, MS1	6-8	59	59	59	-	1	⊠1854 172
21-136-44	LINK, Reverse Band, MS1	6-8	59	59	59	-	1	⊠1854 171
21-136-47	LEVER, Reverse Band, MS1	6-8	59	59	59	-	1	*1559 480
21-136-49	SHAFT, Reverse Band Lever, MS1	6-8	59	59	59	-	1	*1402 685
21-136-52	SCREW, Reverse Band Lever Adjusting, MS1	6-8	59	59	59	-	1	*1406 531

21-137-0 TRANSMISSION SERVOS

21-137-5	PISTON, Kickdown, MS1	6-8	59	59	59	-	1	*1633 747
21-137-8	RING, Kickdown Piston, Small, MS1	6-8	59	59	59	-	1	*1402 695
	Intermediate, MS1	6-8	59	59	59	-	1	*1322 445
	Large, MS1	6-8	59	59	59	-	1	*1329 693
21-137-11	ROD, Kickdown Piston, MS1	6-8	59	59	59	-	1	*1530 834
21-137-13	GUIDE, Kickdown Piston Rod, MS1	6-8	59	59	59	-	1	*1633 750
21-137-16	RING, Kickdown Piston Rod Guide Seal, MS1	6-8	59	59	59	-	1	*1329 693
21-137-19	SNAP RING, Kickdown Piston Rod Guide, MS1	6-8	59	59	59	-	1	*1329 648
21-137-20	SPRING, Kickdown Piston Cushion, MS1	6-8	59	59	59	-	1	*1638 562
21-137-22	SPRING, Kickdown Piston, MS1	6-8	59	59	59	-	1	*1633 748
21-137-35	PISTON, Reverse Servo, MS1	6-8	59	59	59	-	1	*1732 099
21-137-41	SPRING, Reverse Servo Cushion, MS1	6-8	59	59	59	-	1	*1732 102
21-137-44	SNAP RING, Reverse Servo Piston Plug, MS1	6-8	59	59	59	-	1	*1732 101
21-137-47	PLUG, Reverse Servo Piston, MS1	6-8	59	59	59	-	1	*1732 100
21-137-50	RING, Reverse Servo Piston, MS1	6-8	59	59	59	-	1	*1329 638
21-137-53	SPRING, Reverse Servo Piston, MS1	6-8	59	59	59	-	1	*1824 316
21-137-56	RETAINER, Reverse Servo Piston Spring, MS1	6-8	59	59	59	-	1	*1824 317
21-137-59	SNAP RING, Reverse Servo Piston Spring Retainer, MS1	6-8	59	59	59	-	1	*1329 642

21-138-0 TRANSMISSION GOVERNOR

21-138-2	REPAIR PACKAGE, Governor	6	59	59	-	-	1	1653 464
	MS1	8	59	59	59	-	1	*1653 463
	BALL, Support	6-8	59	59	59	-	1	115 529
21-138-6	SCREW, Body, MS1	6-8	59	59	59	-	4	*1823 543
21-138-9	SCREW, Locating, MS1	6-8	59	59	59	-	1	*1736 468
21-138-13	WEIGHT, Outer	6	59	59	-	-	1	*1559 501
	Inner	6	59	59	-	-	1	*1559 502
	Intermediate	6	59	59	-	-	1	*1559 503
	Outer, MS1	8	59	59	59	-	1	*1559 494
	Inner, MS1	8	59	59	59	-	1	*1559 497
	Intermediate, MS1	8	59	59	59	-	1	*1559 496
21-138-15	SPRING, Weight, MS1	6-8	59	59	59	-	1	*1559 498
21-138-19	SNAP RING, Weight, MS1	6-8	59	59	59	-	1	*1329 702
	Outer	6	59	59	-	-	1	*1630 708
	Outer, MS1	8	59	59	59	-	1	*1559 495
21-138-23	VALVE, MS1	6-8	59	59	59	-	1	*1315 155
21-138-26	SHAFT, Valve, MS1	6-8	59	59	59	-	1	*1556 082
21-138-29	SNAP RING, Valve Shaft, .040" thk., MS1	6-8	59	59	59	-	2	*1638 461
21-138-38	RING, Support Piston, MS1	6-8	59	59	59	-	2	*1736 233

* Indicates use as required.

Numerals in parentheses () refer to notes.

Printed in U.S.A.

⊠ Indicates parts not listed in any previous parts book.

Prices and specifications subject to change without notice.

* Indicates change or addition.

1959 PASSENGER CAR PARTS LIST

TRANSMISSION

CODE	PART NAME AND DESCRIPTION	NO. OF CYL.	PLYMOUTH	DODGE	DESOTO	CHRYSLER AND IMPERIAL	PER CAR	PART NUMBER
------	---------------------------	-------------	----------	-------	--------	-----------------------	---------	-------------

POWERFLITE TRANSMISSION

21-139-0 TRANSMISSION VALVE BODY AND VALVES

21-139-4	BODY, Valve, w/Transfer PLATE, MS1	6-8	59	59	59	-	1	1731 833
21-139-5	BODY, MS1	6-8	59	59	59	-	1	1638 689
21-139-9	VALVE, Manual, MS1	6-8	59	59	59	-	1	1408 388
21-139-12	LEVER, Manual Valve, MS1	6-8	59	59	59	-	1	1638 633
21-139-24	SPRING, Manual Valve Lever Detent Plunger, MS1	6-8	59	59	59	-	1	1638 455
	BALL	6-8	59	59	59	-	1	114 861
21-139-28	VALVE and SPRING PACKAGE, Throttle, MS1	6-8	59	59	59	-	1	1879 506
21-139-36	CAM, Throttle Valve, MS1	6-8	59	59	59	-	1	1672 129
21-139-38	SPRING, Throttle Valve Cam, MS1	6-8	59	59	59	-	1	1559 212
21-139-41	RING, Cam Shaft Sleeve, 37/64" I.D., MS1	6-8	59	59	59	-	1	1638 635
	RING, Cam, 21/64" I.D., MS1	6-8	59	59	59	-	1	1672 150
	Sleeve Seal, 31/64" I.D., Rubber, MS1	6-8	59	59	59	-	1	1672 358
21-139-42	FELT, Throttle Valve Cam Shaft, MS1	6-8	59	59	59	-	1	1322 496
21-139-45	RETAINER, Throttle Valve Cam Shaft Felt, MS1	6-8	59	59	59	-	1	1322 497
21-139-50	LEVER, Throttle Valve Operating, MS1	6-8	59	59	59	-	1	1732 058
21-139-81	SPRING, Kickdown Valve, MS1	6-8	59	59	59	-	1	1408 384
	BALL	6-8	59	59	59	-	1	104 918
21-139-84	ROD, Kickdown Valve, MS1	6-8	59	59	59	-	1	1559 483
21-139-91	VALVE, Servo Pressure Bleed, MS1	6-8	59	59	59	-	1	1530 821
21-139-94	VALVE PACKAGE, Shuttle, MS1	6-8	59	59	59	-	1	1643 118
21-139-105	VALVE, Direct Clutch Shift, MS1	6-8	59	59	59	-	1	1408 392
21-139-108	SPRING, Direct Clutch Shift Valve, MS1	6-8	59	59	59	-	1	1408 393
21-139-111	PLUG, Direct Clutch Shift Valve, MS1	6-8	59	59	59	-	1	1402 740
21-139-135	COVER, Direct Valve Body End, MS1	6-8	59	59	59	-	1	1530 820
21-139-136	PLATE, Valve Body End Cover, MS1	6-8	59	59	59	-	1	1530 813
21-139-140	PLATE, Valve Body, MS1	6-8	59	59	59	-	1	1408 395
21-139-143	VALVE, Front and Rear Pump Check, MS1	6-8	59	59	59	-	2	1823 762
21-139-144	SPRING, Pump, MS1	6-8	59	59	59	-	2	1315 130
21-139-147	PLATE, Transfer, MS1	6-8	59	59	59	-	1	1530 822
21-139-149	COVER, Transfer Plate, MS1	6-8	59	59	59	-	1	1559 108
21-139-151	WASHER, Transfer Plate Screw Lock, MS1	6-8	59	59	59	-	5	1559 377
21-139-152	VALVE, Servo Restrictor, MS1	6-8	59	59	59	-	1	1486 436
21-139-153	PLUG, Servo Restrictor Valve Operating, MS1	6-8	59	59	59	-	1	1538 295
21-139-190	VALVE, Reverse Blocker, MS1	6-8	59	59	59	-	1	1672 078
21-139-193	SPRING, Reverse Blocker Valve, MS1	6-8	59	59	59	-	1	1672 323

21-142-0 TRANSMISSION CONTROL LEVERS

21-142-12	LEVER, Throttle Control, MS1	6-8	59	59	59	-	1	1945 166
21-142-20	INSULATOR, Throttle Control Lever, MS1	6-8	59	59	59	-	1	E1859 767
21-142-21	BUSHING, Throttle Control Lever, MS1	6-8	59	59	59	-	1	E1859 768

NOTES

CODE	PART NAME AND DESCRIPTION	NO. OF CYL.	PLYMOUTH	DODGE	DESOTO	CHRYSLER AND IMPERIAL	PER CAR	PART NUMBER
------	---------------------------	-------------	----------	-------	--------	-----------------------	---------	-------------

AUTOMATIC 3-SPEED TRANSMISSION

21-01-0 TRANSMISSION SETS OR PACKAGES								
21-01-3	GASKET SET	8	59	59	59	59	1	1879 507
	GASKET and SEAL PACKAGE, Complete							
	Overhaul	8	59	59	59	59	1	1824 192
21-02-0 TRANSMISSION ASSEMBLY								
21-02-1	TRANSMISSION, MP2 Fury (also specify 1 of 1823 709 and 1823 726) MP2, MD2.	8	59 (1)	59 (1)	-	-	1	*1854 125
	Heavy Duty, MD2	8	59 (1)	59 (1)	-	-	1	*1942 293
	High Performance	8	59 (1)	-	-	-	1	*1942 291
	MD3, MS1	8	-	59 (1)	59 (1)	-	1	*1854 165
	Heavy Duty, MD3, MS1	8	-	59 (1)	59 (1)	-	1	*1942 296
	MS2, MS3	8	-	-	59 (1)	59 (1)	1	*1854 123
	MS1, MS2, MS3, MC1, High Performance, MD2-500, MD3-500, MS3 Adventurer, MC3-300 (also specify 1 of 1823 726 and 1823 709)	8	-	59 (1)	59 (1)	59 (1)	1	*1854 167
	Heavy Duty, MS2, MS3, MC1, MC2, MC3	8	-	-	59 (1)	59 (1)	1	*1942 300
	MD2.	8	59 (2)	59 (2)	-	-	1	1949 263
	Heavy Duty, MD2	8	59 (2)	59 (2)	-	-	1	1949 270
	High Performance	8	59 (2)	-	-	-	1	1949 385
	Heavy Duty, MD3, MC1, MC2, MC3	8	-	59 (2)	59 (2)	59 (2)	1	1949 277
	MD3, MC1, MC2, MC3	8	-	59 (2)	59 (2)	59 (2)	1	1949 256
	MS2, MS3, High Performance, MS3 Adventurer, MC1 High Performance, MD2-D500, MD3-D500, MC3-300	8	-	59 (2)	59 (2)	59 (2)	1	1949 267
21-02-6	BREATHER	8	59	59	59	59	1	1139 204
21-03-0 TRANSMISSION CASE								
21-03-1	CASE (also specify 1 of 1736 342 and 2 of 137 422)	8	59 (1)	59 (1)	59 (1)	59 (1)	1	*1736 236
	MC1, MC2, MC3	8	59 (2)	59 (2)	59 (2)	59 (2)	1	*1941 628
21-04-0 TRANSMISSION CASE EXTENSION								
21-04-1	EXTENSION	8	59 (3)	59	59	59	1	*1824 339
		8	59 (4)	-	-	-	1	*1949 185
21-04-2	GASKET	8	59	59	59	59	1	1853 891
21-04-11	BUSHING, Rear	8	59	59	59	59	1	1941 887
21-05-0 TRANSMISSION OUTPUT SHAFT								
21-05-1	SHAFT, w/HOUSING	8	59 (3)	59	59	59	1	*1824 287
		8	59 (4)	-	-	-	1	*1949 186
21-05-12	OIL SEAL, Rear Bushing	8	59	59	59	59	1	1824 075
21-05-18	RING, Seal, Small	8	59	59	59	59	1	1736 376
	Large	8	59	59	59	59	1	1314 249
21-05-25	SUPPORT	8	59	59	59	59	1	1853 769
21-05-26	GASKET, Support	8	59	59	59	59	1	1853 888
21-05-35	WASHER, Support Thrust, w/4 TABS	8	59	59	59	59	1	1824 403
	WASHER, Shaft Thrust, w/2 TABS	8	59	59	59	59	1	1636 290

NOTE 1: Parts used w/3 Piece Valve Body, UP TO Trans. No. 1285 857 which is located just above the filler Tube Connection. Change was made on all models except on MY1.

NOTE 2: Parts use w/1 Piece Valve Body AFTER Trans. No. 1285 857 which is located just above the filler Tube Connection.

NOTE 3: UP TO, w/Trans. Extension stamped 1824 340.

NOTE 4: AFTER, w/Trans. Extension stamped 1854 492.

★ Indicates use as required.

Numerals in parentheses () refer to notes.

Printed in U.S.A.

⊠ Indicates parts not listed in any previous parts book.

Prices and specifications subject to change without notice.

* Indicates change or addition.

1959 PASSENGER CAR PARTS LIST

TRANSMISSION

CODE	PART NAME AND DESCRIPTION	NO. OF CYL.	PLYMOUTH	DODGE	DESOTO	CHRYSLER AND IMPERIAL	PER CAR	PART NUMBER
AUTOMATIC 3-SPEED TRANSMISSION								
21-30-0 TRANSMISSION GEARSHIFT BUTTONS AND CABLE								
21-30-28	SOCKET, Selector Bulb, w/CABLE, MC1, MC2, MC3	8	-	-	59	59	1	1819 753
		8	-	59	-	-	1	1885 977
21-30-320	HOUSING, w/SLIDES, MY1	8	59	-	-	59	1	1945 857
	MC1, MC2, MC3	8	-	59	59	59	1	1737 090
21-30-325	ACTUATOR, Back-Up Light Switch	8	59	59	59	59	1	1676 629
21-30-332	SILENCER, Control Housing	8	59	-	-	-	1	⊠2200 475
21-30-333	NUT, Housing Stud	8	59	-	-	-	2	⊠2200 477
21-30-336	BUTTON, w/COVER, Neutral	8	59	-	-	-	1	1850 499
	w/COVER, Drive	8	59	-	-	-	1	1850 497
	w/COVER, First	8	59	-	-	-	1	1850 501
	w/COVER, Second	8	59	-	-	-	1	1850 503
	w/COVER, Reverse	8	59	-	-	-	1	1850 494
	Neutral	8	-	59	-	-	1	1850 508
	Drive	8	-	59	-	-	1	1850 509
	First	8	-	59	-	-	1	1850 511
	Second	8	-	59	-	-	1	1850 510
	Reverse	8	-	59	-	-	1	1850 507
	Neutral, MC1, MC2, MC3	8	-	-	59	59	1	1856 483
	Drive, MC1, MC2, MC3	8	-	-	59	59	1	1856 485
	First, MC1, MC2, MC3	8	-	-	59	59	1	1856 486
	Second, MC1, MC2, MC3	8	-	-	59	59	1	1856 487
	Reverse, MC1, MC2, MC3	8	-	-	59	59	1	1856 482
	Neutral, MY1	8	-	-	-	59	1	1856 470
	Drive, MY1	8	-	-	-	59	1	1856 469
	First, MY1	8	-	-	-	59	1	1856 471
	Second, MY1	8	-	-	-	59	1	1856 472
	Reverse, MY1	8	-	-	-	59	1	1856 468
21-30-338	COVER, Button, Neutral	8	-	59	-	-	1	1850 515
	Drive and Reverse	8	-	59	-	-	2	1850 513
	First and Second	8	-	59	-	-	2	1850 514
	Neutral, MC1, MC2, MC3	8	-	-	59	59	1	1734 254
	Drive and Reverse, MC1, MC2, MC3	8	-	-	59	59	2	1731 134
	First and Second, MC1, MC2, MC3	8	-	-	59	59	2	1731 135
	Neutral and Drive, MY1	8	-	-	-	59	2	1734 255
	First, Second and Reverse, MY1	8	-	-	-	59	3	1734 229
21-30-340	BUMPER, Slide	8	59	59	59	59	4	1731 143
21-30-345	SPRING, Slide	8	59	59	59	59	5	1639 970
21-30-365	CABLE, Control	8	59 (1)	-	-	-	1	*1945 855
	MC1, MC2, MC3	8	-	59 (1)	59 (1)	59 (1)	1	*1734 228
	MY1	8	59 (2)	-	-	59	1	1734 227
		8	59 (2)	-	-	-	1	*1946 545
	MC1, MC2, MC3	8	-	59 (2)	59 (2)	59 (2)	1	⊠1856 490
21-30-367	GROMMET, Cable Dash	8	-	59	59	59	1	1370 460
21-30-370	BRACKET, Cable, on Housing	8	59	59	59	59	1	1673 921
	CLIP, Cable, on Trans.	8	59 (1)	59 (1)	59 (1)	59 (1)	1	*1672 075
21-30-375	FLANGE or WHEEL, Cable Adjusting, MC1, MC2, MC3	8	59 (2)	59 (2)	59 (2)	59 (2)	1	*1856 492
21-30-390	SEAL, Cable, on Trans.	8	59 (1)	59 (1)	59 (1)	59 (1)	1	*1556 385
	MC1, MC2, MC3	8	59 (2)	59 (2)	59 (2)	59 (2)	1	*1316 813
21-30-392	ADAPTER, Cable	8	59 (1)	59 (1)	59 (1)	59 (1)	1	*1672 071
	MC1, MC2, MC3	8	59 (2)	59 (2)	59 (2)	59 (2)	1	*1941 636
21-30-394	SPRING, Adapter, on Trans.	8	59	59	59	59	1	1673 184
21-30-395	SCREW, Adapter, w/PLUG	8	59 (1)	59 (1)	59 (1)	59 (1)	1	*1941 690
21-30-396	PIN, Adapter	8	59 (1)	59 (1)	59 (1)	59 (1)	1	*1672 072
21-30-400	HOUSING, Adapter	8	59 (1)	59 (1)	59 (1)	59 (1)	1	*1672 073
21-30-402	GASKET, Adapter Housing	8	59 (1)	59 (1)	59 (1)	59 (1)	1	*1672 074

NOTE 1: Parts used w/3 Piece Valve Body UP TO Trans. No. 1285 857 which is located just above the filler Tube Connection. Change was made on all models except on MY1.

NOTE 2: Parts used w/1 Piece Valve Body AFTER Trans. No. 1285 857 which is located just above the filler Tube Connection.

★ Indicates use as required.

Numerals in parentheses () refer to notes.

Printed in U.S.A.

⊠ Indicates parts not listed in any previous parts book.
Feb. 15, 1960 Supersedes May 25, 1959.

Prices and specifications subject to change without notice.

* Indicates change or addition.

CODE	PART NAME AND DESCRIPTION	NO. OF CYL.	PLYMOUTH	DODGE	DESOTO	CHRYSLER AND IMPERIAL	PER CAR	PART NUMBER
------	---------------------------	-------------	----------	-------	--------	-----------------------	---------	-------------

AUTOMATIC 3-SPEED TRANSMISSION

21-84-0 TRANSMISSION SPEEDOMETER CABLE INCLUDES SHAFT AND HOUSING

21-84-1	HOUSING, w/SHAFT, 68 5/32" lgh.	8	59	59	59	59	1	1886 505
	w/Auto. Pilot	8	-	-	-	59	1	1972 351
21-84-4	SHAFT, Drive, 63 5/32" lgh.	8	59	-	-	-	1	*1436 529
	68 5/32" lgh., MD3, MS1.	8	-	59	59	-	1	* 920 402
	65 1/32" lgh., MD2, MS2, MS3.	8	-	59	59	59	1	*1089 709
	29 1/4" lgh., w/Auto. Pilot, MC1, MC2, MC3 .	8	-	-	-	59	1	1886 315
	w/Auto. Pilot, MY1.	8	-	-	-	59	1	1972 352

21-85-0 TRANSMISSION SPEEDOMETER PINION

21-85-5 TRANSMISSION SPEEDOMETER PINION

2.93 to 1 Ratio	3.15 to 1 Ratio 3.18 to 1 Ratio	3.31 to 1 Ratio 3.36 to 1 Ratio	3.54 to 1 Ratio	3.73 to 1 Ratio	3.9 to 1 Ratio
-----------------	------------------------------------	------------------------------------	-----------------	-----------------	----------------

Tire Size	Pinion Teeth	Pinion Teeth	Pinion Teeth	Pinion Teeth	Pinion Teeth	Pinion Teeth
7.50 x 14	1636 406 17	1636 408 19	1636 409 20	1636 410 21	1636 410 21	1636 410 21
8.00 x 14	1636 406 17	1636 408 19	1636 409 20	1636 410 21	1636 410 21	1636 410 21
8.50 x 14	1636 406 17	1636 407 18	1636 408 19	1636 409 20	1636 410 21	1636 410 21
9.00 x 14	1636 406 17	1636 407 18	1636 408 19	1636 409 20	1636 410 21	1636 410 21
9.50 x 14	1732 113 16	1636 407 18	1636 408 19	1636 409 20	-----	-----
8-20 x 15	*1636 409 20	-----	-----	-----	-----	-----

CODE	PART NAME AND DESCRIPTION	NO. OF CYL.	PLYMOUTH	DODGE	DESOTO	CHRYSLER AND IMPERIAL	PER CAR	PART NUMBER
21-85-9	ADAPTER, w/9.80 x 14, 10.40 x 14, 8.20 x 15 Tires, w/Auto. Pilot	8	-	-	-	59	1	E1972 782
21-85-46	WASHER, Shaft Lock, w/Auto. Pilot, MC3, MY1	8	-	-	-	59	1	1314 978
21-85-59	RETAINER, Pinion	8	59	59	59	59	1	1559 341
21-85-76	SLEEVE, Pinion	8	59	59	59	59	1	1633 676

21-113-0 TRANSMISSION NEUTRAL STARTER SWITCH

21-113-24	SWITCH PACKAGE, on Trans.	8	59	59	59	59	1	1704 283
21-113-28	"O" RING, Mounting	8	59	59	59	59	1	1316 849
21-113-29	WASHER, Mounting	8	59	59	59	59	1	1704 482

21-117-0 TRANSMISSION OIL PUMP STRAINER

21-117-1	STRAINER	8	59	59	59	59	1	1736 216
21-117-10	SEAL, Tube	8	59	59	59	59	2	1401 256

21-118-0 TRANSMISSION OIL PUMP

21-118-1	GASKET SET, Front Pump	8	59	59	59	59	1	1843 230
	Rear Pump and Extension	8	59	59	59	59	1	1879 508
21-118-5	HOUSING, Front Pump, w/ROTORS	8	59	59	59	59	1	1879 394
21-118-7	ROTOR, Front Pump, Outer	8	59	59	59	59	1	1736 163
	Gear, Rear Pump	8	59	59	59	59	1	1672 315
21-118-8	ROTOR, Front Pump, Inner	8	59	59	59	59	1	1736 162
	Pinion, Rear Pump	8	59	59	59	59	1	1327 576
	Ball	8	59	59	59	59	1	147 483
21-118-37	SLEEVE, Front Pump Drive	8	59	59	59	59	1	E1949 601
21-118-38	RING, Front Pump Drive Sleeve Seal, Steel .	8	59	59	59	59	1	1854 304
	Rubber	8	59	59	59	59	1	1738 264
21-118-40	HOUSING, Rear Pump	8	59	59	59	59	1	1823 687
21-118-42	OIL SEAL, Front Pump Housing	8	59	59	59	59	1	1408 143
	Heavy Duty	8	59	59	59	59	1	1738 263
21-118-45	OIL SEAL, Front Pump Housing	8	59	59	59	59	1	1408 245

★ Indicates use as required.

Numerals in parentheses () refer to notes.

Printed in U.S.A.

E Indicates parts not listed in any previous parts book.

Prices and specifications subject to change without notice.

* Indicates change or addition.

1959 PASSENGER CAR PARTS LIST

TRANSMISSION

CODE	PART NAME AND DESCRIPTION	NO. OF CYL.	PLYMOUTH	DODGE	DESOTO	CHRYSLER AND IMPERIAL	PER CAR	PART NUMBER
AUTOMATIC 3-SPEED TRANSMISSION								
21-119-0 TRANSMISSION OIL PAN								
21-119-3	PAN, Oil	8	59	59	59	59	1	1636 286
	Screw	8	59	59	59	59	18	180 075
21-119-5	GASKET, Oil Pan	8	59	59	59	59	1	1636 448
21-119-15	TUBE, Filler, w/BRACKET, MD2	8	59	59	-	-	1	1941 632
	MP2 Fury, MD2-500, MD3	8	59	59	59	59	1	1941 634
21-119-19	INDICATOR, Oil Level	8	59	59	59	59	1	*1949 383
21-129-0 TRANSMISSION INPUT SHAFT, TORQUE CONVERTER REACTION SHAFT AND INTERMEDIATE SHAFT								
21-129-5	SHAFT, Input, w/BUSHING, 19 Splines, 9 29/32" lgh.	8	59	59	59	59	1	1853 673
21-129-7	RING, Input Shaft Seal, Small	8	59	59	59	59	1	1941 831
	Large	8	59	59	59	59	1	1323 593
21-129-8	WASHER, Input Shaft Thrust, .059" thk.	8	59	59	59	59	★	1823 872
	.078" thk.	8	59	59	59	59	★	1638 671
	.097" thk.	8	59	59	59	59	★	1638 670
21-129-10	SHAFT, Reaction, 27 Splines, 7 5/8" lgh.	8	59	59	59	59	1	1853 594
21-129-13	RING, Reaction Shaft Seal	8	59	59	59	59	1	1638 664
	Heavy Duty	8	59	59	59	59	1	1824 553
21-129-23	BUSHING, Reaction Shaft	8	59	59	59	59	1	1853 595
21-129-30	SHAFT, Intermediate, w/TUBES, 66T., 26 Splines, 12 45/64" lgh.	8	59	59	59	59	1	1636 468
21-129-33	RING, Intermediate Seal, Small	8	59	59	59	59	2	1636 324
	Large	8	59	59	59	59	4	1672 287
21-131-0 TRANSMISSION REGULATOR VALVE BODY AND VALVES								
21-131-5	BODY	8	59	59	59	59	1	1636 311
21-131-6	GASKET, Body	8	59	59	59	59	1	1636 303
21-131-10	VALVE, Regulator	8	59	59	59	59	1	1672 359
21-131-12	VALVE, Front and Rear Pump Check	8	59	59	59	59	1	1636 396
21-131-15	SPRING, Regulator Valve	8	59	59	59	59	1	1854 319
21-131-20	SEAT, Regulator Valve Spring	8	59	59	59	59	1	1672 362
	CUP, Regulator Valve Spring	8	59	59	59	59	1	1672 363
21-131-25	RETAINER, Regulator Valve Spring	8	59	59	59	59	1	1672 364
21-131-27	GASKET, Regulator Valve Spring Retainer	8	59	59	59	59	1	1117 819
21-131-29	SLEEVE, Regulator Valve Spring	8	59	59	59	59	1	1672 361
21-131-31	SCREW, Regulator Valve Spring Adjusting	8	59	59	59	59	1	1672 365
21-131-35	VALVE, Torque Converter Control	8	59	59	59	59	1	1630 811
21-131-40	SPRING, Torque Converter Control Valve	8	59	59	59	59	1	1630 812
21-131-45	RETAINER, Torque Converter Control Valve Spring	8	59	59	59	59	1	1941 779
21-131-50	GASKET, Torque Converter Control Valve Spring Retainer	8	59	59	59	59	1	1408 375
21-133-0 TRANSMISSION CLUTCH								
21-133-3	GASKET and SEAL PACKAGE, Front and Rear Clutch and Input Shaft	8	59	59	59	59	1	1843 229
21-133-5	RETAINER, Rear Clutch Piston, w/DISC, SPRING and PISTON, MD2	8	59	59	-	-	1	1736 355
	Fury, MD3, MS1	8	59	59	59	-	1	1736 426
	Heavy Duty, MS1	8	59	59	59	-	1	1853 754
	MS2, MS3	8	-	-	59	59	1	1736 563
	Heavy Duty, MD2-500, MD3-500, MS2, MS3, MS1 High Performance	8	-	59	59	59	1	1854 300
21-133-7	RETAINER, Front Clutch Piston	8	59	59	59	59	1	1853 923
	Rear Clutch Piston	8	59	59	59	59	1	1732 122

★ Indicates use as required.

Numerals in parentheses () refer to notes.

Printed in U.S.A.

☐ Indicates parts not listed in any previous parts book.

Prices and specifications subject to change without notice.

Feb. 15, 1960 Supersedes May 25, 1959.

Page 21-16

* Indicates change or addition.

CODE	PART NAME AND DESCRIPTION	NO. OF CYL.	PLYMOUTH	DODGE	DESOTO	CHRYSLER AND IMPERIAL	PER CAR	PART NUMBER
------	---------------------------	-------------	----------	-------	--------	-----------------------	---------	-------------

AUTOMATIC 3-SPEED TRANSMISSION

21-133-0 TRANSMISSION CLUTCH Cont'd

21-133-15	PISTON, Front Clutch	8	59	59	59	59	1	1853 858
	Rear Clutch, MD2	8	59	59	-	-	1	*1736 333
	Rear Clutch, MP2, MD2, Heavy Duty	8	59	59	-	-	1	*1636 276
	Rear Clutch, MD3	8	-	59	59	59	1	*1636 276
21-133-17	RING, Front Clutch Piston Seal, Inner	8	59	59	59	59	1	1824 551
	Front Clutch Piston Seal, Outer	8	59	59	59	59	1	1824 549
	Rear Clutch Piston Seal, Inner	8	59	59	59	59	1	1824 552
	Rear Clutch Piston Seal, Outer	8	59	59	59	59	1	1824 550
21-133-20	SPRING, Front Clutch Piston Return	8	59	59	59	59	1	1636 365
	Rear Clutch Piston Return, MD3 Heavy Duty, MD2, MS2, MS3	8	59	59	59	59	1	1738 235
	Rear Clutch Piston Return, MD2-500, MD3, MS1, MS2 High Performance and Heavy Duty, MS3 High Performance and Heavy Duty, MS3 Adventurer, MC1 Heavy Duty and High Performance, MC3-300, MC2 Heavy Duty, MC3 Heavy Duty	8	-	59	59	59	1	1636 364
21-133-22	RETAINER, Front Clutch Piston Return Spring	8	59	59	59	59	1	1619 392
	Rear Clutch Piston Return Spring	8	59	59	59	59	1	1636 289
21-133-25	SNAP RING, Front Clutch Piston Return Spring	8	59	59	59	59	1	1636 356
	Rear Clutch Piston Return Spring	8	59	59	59	59	1	1636 326
21-133-30	WASHER, Front Clutch and Sun Gear Thrust, w/2 TABS	8	59	59	59	59	1	1636 290
21-133-32	LEVER, Front Clutch	8	59	59	59	59	8	1853 860
21-133-34	RETAINER, Front Clutch Piston Lever	8	59	59	59	59	1	1824 524
21-133-35	HUB, Front Clutch Driving Disc	8	59	59	59	59	1	1853 859
21-133-36	DISC, Front Clutch Driving, .060" to .063" thk.	8	59	59	59	59	★	1853 774
	.073" to .076" thk.	8	59	59	59	59	★	1853 775
	.087" to .090" thk.	8	59	59	59	59	★	1853 776
	Rear Clutch Driving	8	59	59	59	59	★	1732 116
21-133-38	PLATE, Front Clutch	8	59	59	59	59	3	1636 262
	Rear Clutch	8	59	59	59	59	★	1636 262
21-133-39	PLATE, Front and Rear Clutch Pressure	8	59	59	59	59	2	1736 408
21-133-43	SNAP RING, Clutch, .060" thk.	8	59	59	59	59	★	1636 315
	.064" thk.	8	59	59	59	59	★	1636 316
21-133-45	RING, Sun Gear Rear Clutch Seal	8	59	59	59	59	2	1636 469
21-133-70	SPRING, Front Clutch Cushion	8	59	59	59	59	1	1823 731
21-133-71	WASHER, Front Clutch Cushion Spring	8	59	59	59	59	1	1823 729

21-134-0 TRANSMISSION KICKDOWN PLANET PINION

CARRIER AND COMPONENT PARTS

21-134-5	CARRIER, w/PINIONS	8	59	59	59	59	1	1736 194
21-134-30	PLATE, Carrier Thrust, 3.42" O.D.	8	59	59	59	59	1	1638 667
	WASHER, Carrier Thrust, w/3 TABS, 3.38" O.D.	8	59	59	59	59	1	1636 376
21-134-38	Gear, Annulus	8	59	59	59	59	1	1636 264
21-134-40	SNAP RING, Annulus Gear, .060" thk.	8	59	59	59	59	★	1636 357
	.064" thk.	8	59	59	59	59	★	*1636 358
21-134-50	GEAR, Reverse Sun, w/BUSHING	8	59	59	59	59	1	1636 307
21-134-51	WASHER, Sun Gear Thrust	8	59	59	59	59	1	1636 314

21-135-0 TRANSMISSION LOW AND REVERSE PLANET PINION

CARRIER AND COMPONENT PARTS

21-135-9	SNAP RING, Output Shaft Drive Housing	8	59	59	59	59	1	1636 319
21-135-25	GEAR, Reverse Annulus	8	59	59	59	59	1	1736 193
21-135-50	CARRIER, Low and Reverse Planet Pinion	8	59	59	59	59	1	1736 194

★ Indicates use as required.

Numerals in parentheses () refer to notes.

Printed in U.S.A.

☐ Indicates parts not listed in any previous parts book.

Prices and specifications subject to change without notice.

* Indicates change or addition.

1959 PASSENGER CAR PARTS LIST

TRANSMISSION

CODE	PART NAME AND DESCRIPTION	NO. OF CYL.	PLYMOUTH	DODGE	DESOTO	CHRYSLER AND IMPERIAL	PER CAR	PART NUMBER
------	---------------------------	-------------	----------	-------	--------	-----------------------	---------	-------------

AUTOMATIC 3-SPEED TRANSMISSION

21-136-0 TRANSMISSION BANDS

21-136-5	BAND, Kickdown	8	59	59	59	59	1	1636 362
21-136-15	STRUT, Kickdown Band	8	59	59	59	59	1	1630 896
	ANCHOR, Kickdown Band	8	59	59	59	59	1	1736 427
21-136-17	SCREW, Kickdown Band Adjusting	8	59	59	59	59	1	1736 215
21-136-20	LEVER, Kickdown Band, MD2	8	59 (1)	59 (1)	-	-	1	*1736 344
	MD2	8	59 (2)	59 (2)	-	-	1	*1949 655
	MP2 Fury, MD2-500, MD3	8	59	59	59	59	1	1736 217
21-136-41	STRUT, Reverse Band	8	59	59	59	59	1	1736 423
	ANCHOR, Reverse Band	8	59	59	59	59	1	1736 427
21-136-52	SCREW, Reverse Band Adjusting	8	59	59	59	59	1	1736 215
21-136-68	SNAP RING, Low and Reverse Band Drum, .060" thk.	8	59	59	59	59	★	1636 315
	.064" thk.	8	59	59	59	59	★	1636 316
	.068" thk.	8	59	59	59	59	★	1636 317
21-136-80	BAND, Low and Reverse	8	59	59	59	59	1	1636 367
21-136-200	LEVER, Low and Reverse Band	8	59	59	59	59	1	1736 519
21-136-210	DRUM, Low and Reverse Band	8	59	59	59	59	1	1736 187
21-136-214	SUPPORT, Intermediate, w/CAM	8	59	59	59	59	1	1636 281
21-136-225	SCREW, Intermediate Support	8	59	59	59	59	3	1636 418
21-136-230	HUB, "O" Running Clutch, w/BUSHING	8	59	59	59	59	1	1736 207
21-136-235	ROLLER, "O" Running Clutch Cam	8	59	59	59	59	10	1619 370
21-136-236	SPRING, "O" Running Clutch Cam Roller	8	59	59	59	59	10	1539 546

21-137-0 TRANSMISSION SERVOS

21-137-5	PISTON, Kickdown Servo	8	59	59	59	59	1	1736 218
21-137-8	RING, Kickdown Piston Seal, Small	8	59	59	59	59	1	1314 249
	Medium	8	59	59	59	59	1	1322 363
	Large	8	59	59	59	59	1	1736 224
	Kickdown Piston Rod Guide Seal	8	59	59	59	59	1	1736 224
21-137-11	ROD, Kickdown Piston	8	59	59	59	59	1	1736 221
21-137-13	GUIDE, Kickdown Piston Rod	8	59	59	59	59	1	1736 219
21-137-19	SNAP RING, Kickdown Piston Rod Guide	8	59	59	59	59	1	1736 223
21-137-22	SPRING, Kickdown Piston	8	59	59 (3)	59 (3)	59 (3)	1	*1736 222
	MP2 Heavy Duty, MP2 Fury, MD2 Heavy Duty, MD3	8	59	59	59	59	1	1736 476
21-137-32	SHAFT, Kickdown and Reverse Lever	8	59	59	59	59	1	1638 565
21-137-33	SPACER, Servo Lever Shaft	8	59	59	59	59	1	1636 446
21-137-35	PISTON, Reverse Servo	8	59	59	59	59	1	1732 099
21-137-41	SPRING, Reverse Servo Piston Cushion	8	59	59	59	59	1	1732 102
21-137-44	SNAP RING, Reverse Servo Piston Plug	8	59	59	59	59	1	1732 101
21-137-47	PLUG, Reverse Servo Piston	8	59	59	59	59	1	1736 214
21-137-50	RING or SEAL, Reverse Servo Piston	8	59	59	59	59	1	*1329 638
21-137-53	SPRING, Reverse Servo Piston	8	59	59	59	59	1	1824 316
21-137-56	RETAINER, Reverse Servo Piston Spring	8	59	59	59	59	1	1824 317
21-137-59	SNAP RING, Reverse Servo Spring Retainer	8	59	59	59	59	1	1329 642
21-137-200	PISTON, Accumulator	8	59	59	59	59	1	1736 226
21-137-202	RING, Accumulator Piston, Small	8	59	59	59	59	1	1672 287
	Large	8	59	59	59	59	1	1736 233
21-137-205	SPRING, Accumulator, Piston	8	59 (1)	59 (1)	59 (1)	59 (1)	1	*1736 228
	MD2	8	59 (2)	59 (2)	-	-	1	*1949 837
	MD3, MC1, MC2, MC3	8	-	59 (2)	59 (2)	59 (2)	1	*1854 219
21-137-208	COVER, Accumulator, Piston Spring	8	59 (1)	59 (1)	59 (1)	59 (1)	1	*1636 388

NOTE 1: Parts used w/3 Piece Valve Body UP TO Trans. No. 1285 857 which is located just above the filler Tube Connection. Change was made on all models except on MY1.

NOTE 2: Parts used w/1 Piece Valve Body AFTER Trans. No. 1285 857 which is located just above the filler Tube Connection.

NOTE 3: MD3, MC2, Heavy Duty. MS3 Adventurer, MC3-300.
MS1, MS2, MS3, MC1, High Performance. MC3 High Performance and Heavy Duty.

★ Indicates use as required.

Numerals in parentheses () refer to notes.

Printed in U.S.A.

⊞ Indicates parts not listed in any previous parts book.

Prices and specifications subject to change without notice.

Feb. 15, 1960 Supersedes May 25, 1959.

Page 21-18

* Indicates change or addition.

CODE	PART NAME AND DESCRIPTION	NO. OF CYL.	PLYMOUTH	DODGE	DESOTO	CHRYSLER AND IMPERIAL	PER CAR	PART NUMBER
------	---------------------------	-------------	----------	-------	--------	-----------------------	---------	-------------

AUTOMATIC 3-SPEED TRANSMISSION

21-138-0 TRANSMISSION GOVERNOR

21-138-2	REPAIR PACKAGE, Governor	8	59	59	59	59	1	1752 684
	MD2-500, MD3-500, MS1 High Performance, MS2 High Performance, MS3 High Performance, MC1 High Performance	8	-	59	59	59	1	1843 499
21-138-6	SCREW, Governor Body	8	59	59	59	59	4	1823 543
21-138-9	SCREW, Governor Locating	8	59	59	59	59	1	1736 468
21-138-13	WEIGHT, Governor, Outer	8	59	59	59	59	1	1636 461
	Inner	8	59	59	59	59	1	1636 462
	Outer, MP2 Fury, MD2-500, MD3-500, MS1 High Performance, MS2 High Performance, MS3 High Performance, MS3 Adventurer, MC1 High Performance, MC3-300	8	59	59	59	59	1	1823 726
21-138-15	SPRING, Governor Weight	8	59	59	59	59	1	1636 463
	MP2 Fury, MD2-500, MD3-500, MS1 High Performance, MS2 High Performance, MS3 High Performance, MS3 Adventurer, MC1 High Performance, MC3-300	8	59	59	59	59	1	1823 709
21-138-19	SNAP RING, Governor Outer Weight	8	59	59	59	59	1	1636 465
	Inner Weight	8	59	59	59	59	1	1636 464
21-138-23	VALVE, Governor	8	59	59	59	59	1	1736 424
21-138-26	SHAFT, Governor Valve	8	59	59	59	59	1	1556 082
21-138-29	SNAP RING, Governor Valve Shaft	8	59	59	59	59	2	1638 461
21-138-38	RING, Governor Support Seal	8	59	59	59	59	2	1636 470

21-139-0 TRANSMISSION VALVE BODY AND VALVES

Code	Part Name and Description	No. of Cyl.	w/3 Piece Valve Body	w/1 Piece Valve Body	Per Car
21-139-4	BODIES, Valve, w/Transfer PLATE, Complete	8	*1824 323 (1)	*1854 269 (2)	1
	Front Valve, w/VALVES and LEVER	8	*1736 475 (1)	----	1
21-139-5	BODY, Lower Valve	8	*1824 332 (1)	----	1
	Rear Valve	8	*1824 326 (1)	----	1
	BODY, Valve	8	----	*1949 418 (2)	1
21-139-9	VALVE, Manual	8	*1636 422 (1)	*1941 625 (2)	1
21-139-12	LEVER, Manual Valve	8	*1732 136 (1)	*1941 688 (2)	1
21-139-24	SPRING, Manual Valve Detent Ball	8	*1636 480 (1)	*1942 225 (2)	1
	BALL	8	* 169 111	* 169 111	1
21-139-30	VALVE, Throttle	8	*1636 423 (1)	*1941 622 (2)	1
21-139-33	SPRING, Throttle Valve	8	*1636 485 (1)	*1949 847 (2)	1
21-139-47	SEAL, Throttle Valve Lever Shaft	8	*1732 183	*1732 183	1
21-139-48	WASHER, Throttle Valve Lever Shaft Seal	8	*1672 077 (1)	*1949 565 (2)	1
21-139-49	SNAP RING, Throttle Valve Lever Shaft	8	*1823 544 (1)	*1539 430 (2)	1
21-139-50	LEVER, Throttle Valve	8	*1824 185 (1)	*1941 626 (2)	1
21-139-78	PLUG, Kickdown Detent	8	*1636 425 (1)	*1941 624 (2)	1
	VALVE, Kickdown	8	*1636 424 (1)	*1941 623 (2)	1
21-139-91	VALVE, Servo Pressure Bleed	8	*1530 821 (1)	----	1
21-139-95	VALVE, Shuttle	8	*1736 303 (1)	*1854 275 (2)	1
	PLUG, Shuttle Valve	8	*1736 467 (1)	*1854 274 (2)	1
21-139-98	SNAP RING, Shuttle Valve	8	----	*1539 430 (2)	1
21-139-101	SPRING, Shuttle Valve	8	*1736 312 (1)	*1854 278 (2)	1
21-139-105	VALVE, 1-2 Shift	8	*1824 327 (1)	*1941 602 (2)	1
	PLUG, 1-2 Shift Valve Governor	8	*1824 329 (1)	*1941 603 (2)	1
	PLUG, 1-2 Shift Valve Kickdown	8	*1824 330 (1)	----	1
	VALVE, 2-3 Shift	8	*1636 433 (1)	*1941 600 (2)	1
	PLUG, 2-3 Shift Valve Governor	8	*1824 565 (1)	*1941 601 (2)	1
	PLUG, 2-3 Shift Valve Kickdown	8	*1636 434 (1)	----	1

NOTE 1: Parts used w/3 Piece Valve Body UP TO Trans. No. 1285 857 which is located just above the filler Tube Connection. Change was made on all models except MY1.

★ Indicates use as required.

Numerals in parentheses () refer to notes.

Printed in U.S.A.

☐ Indicates parts not listed in any previous parts book.

Prices and specifications subject to change without notice.

* Indicates change or addition.

Page 21-19

Feb. 15, 1960 Supersedes Jan. 26, 1959.

AUTOMATIC 3-SPEED TRANSMISSION

21-139-O TRANSMISSION VALVE BODY AND VALVES Cont'd

Code	Part Name and Description	No. of Cyl.	w/3 Piece Valve Body	w/1 Piece Valve Body	Per Car
21-139-108	SPRING, 1-2 Shift Valve	8	*1824 328 (1)	*1942 229 (2)	1
	2-3 Shift Valve	8	*1636 489 (1)	*1942 231 (2)	1
21-139-132	PLATE, Valve Body Retainer	8	*1638 661 (1)	----	1
	Rear Valve Body.	8	*1638 657 (1)	----	1
21-139-135	COVER, Shuttle Valve	8	*1636 486 (1)	----	1
	Rear Valve Body Governor Plug	8	*1638 652 (1)	----	1
	Rear Valve Body Kickdown Plug	8	*1638 653 (1)	----	1
	Throttle Compensator Valve	8	*1638 658 (1)	----	1
	Governor Compensator Valve	8	*1638 659 (1)	----	1
	Reverse Blocker Valve	8	----	*1854 272 (2)	1
	Throttle Valve	8	----	*1854 258 (2)	1
	Governor Plug	8	----	*1854 245 (2)	1
	Shift Valve	8	----	*1854 273 (2)	1
21-139-140	PLATE, Valve Body Lower	8	*1824 333 (1)	----	1
	Upper	8	*1736 232 (1)	----	1
	Valve Body	8	----	*1941 606 (2)	1
21-139-145	BALL, Valve Body Check Valve	8	* 104 920 (1)	----	1
21-139-146	SEAT, Valve Body Check Valve Ball	8	*1559 006 (1)	----	5
21-139-147	PLATE, Transfer	8	*1824 324 (1)	*1941 605 (2)	1
21-139-190	VALVE, Reverse Blocker	8	*1638 690 (1)	*1854 217 (2)	1
21-139-192	PLUG, Reverse Blocker Valve	8	*1638 692 (1)	----	1
21-139-193	SPRING, Reverse Blocker Valve	8	*1638 691	*1638 691	1
21-139-200	VALVE, 3-1 Relay	8	*1732 132 (1)	----	1
	VALVE, 1-2 Relay	8	----	*1854 276 (2)	1
21-139-202	SPRING, 3-1 Relay Valve	8	*1636 493 (1)	----	1
	SPRING, 1-2 Relay Valve	8	----	*1854 277 (2)	1
21-139-210	VALVE, Throttle Compensator	8	*1736 230 (1)	*1941 604 (2)	1
21-139-213	SPRING, Throttle Compensator Valve	8	*1736 231 (3)	*1949 516 (4)	1

CODE	PART NAME AND DESCRIPTION	NO. OF CYL.	PLYMOUTH	DODGE	DESOTO	CHRYSLER AND IMPERIAL	PER CAR	PART NUMBER
21-142-O TRANSMISSION CONTROL LEVERS								
21-142-5	LEVER, Manual Valve Control	8	59	59	59	59	1	1672 070
21-142-12	LEVER, Throttle Control	8	59	59	59	59	1	1945 090
21-142-20	INSULATOR, Throttle Control Lever Sound	8	59	59	59	59	1	E1859 767
21-142-21	BUSHING, Throttle Control Lever	8	59	59	59	59	1	E1859 768

NOTES

NOTE 1: Parts used w/3 Piece Valve Body UP TO Trans. No. 1285 857 which is located just above the filler Tube Connection. Change was made on all models except MY1.

NOTE 2: Parts used w/1 Piece Valve Body AFTER Trans. No. 1285 857 which is located just above the filler Tube Connection.

NOTE 3: Up Trans. No. 1265 335.

NOTE 4: After Trans. No. 1265 335.