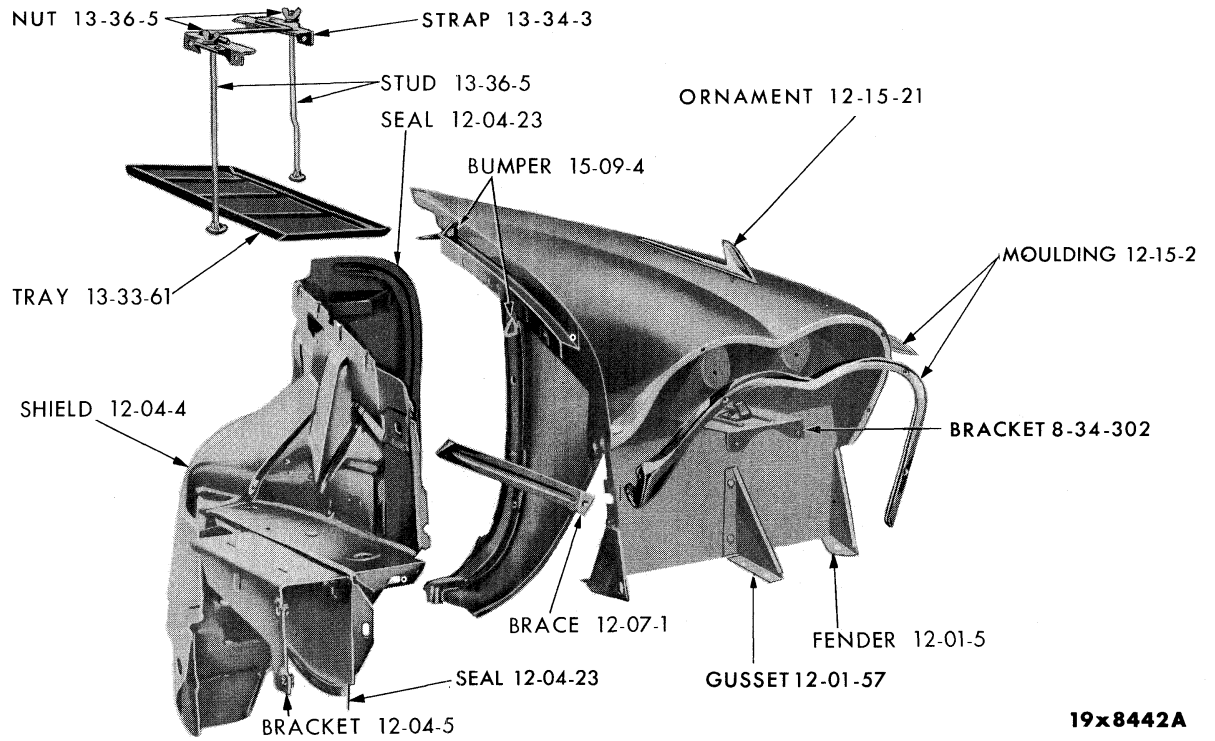
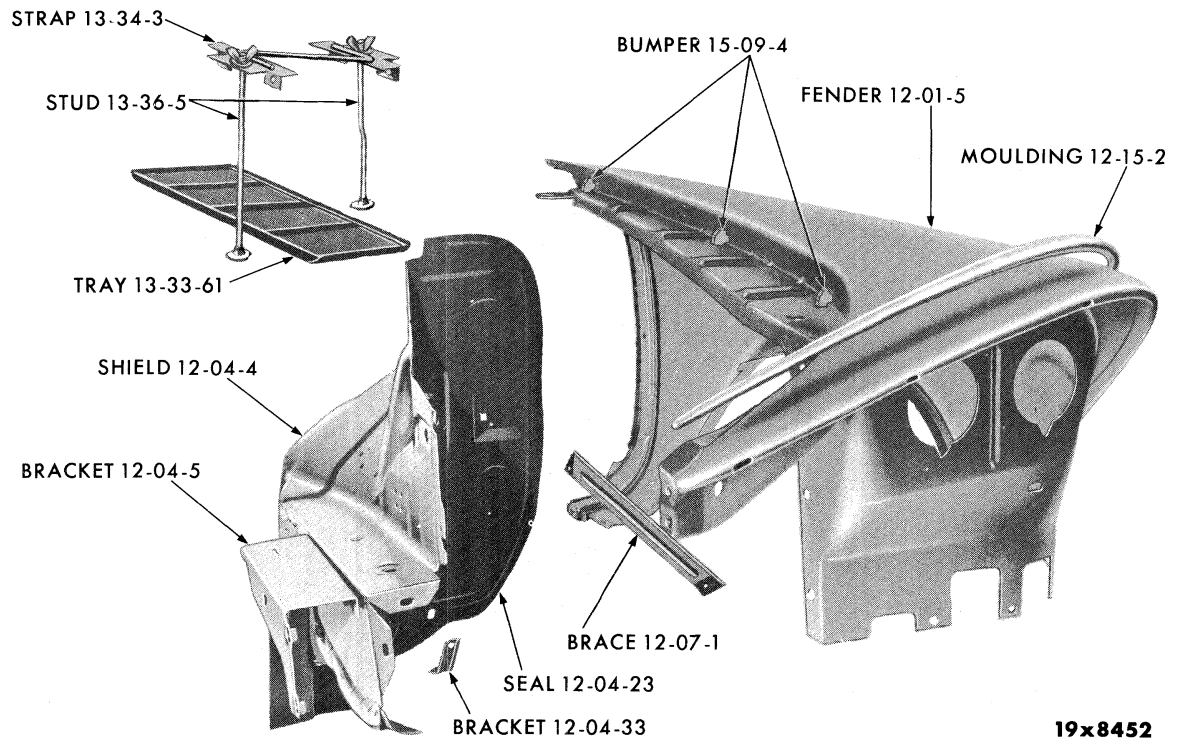


GROUP 12 - FENDERS AND SHEET METAL



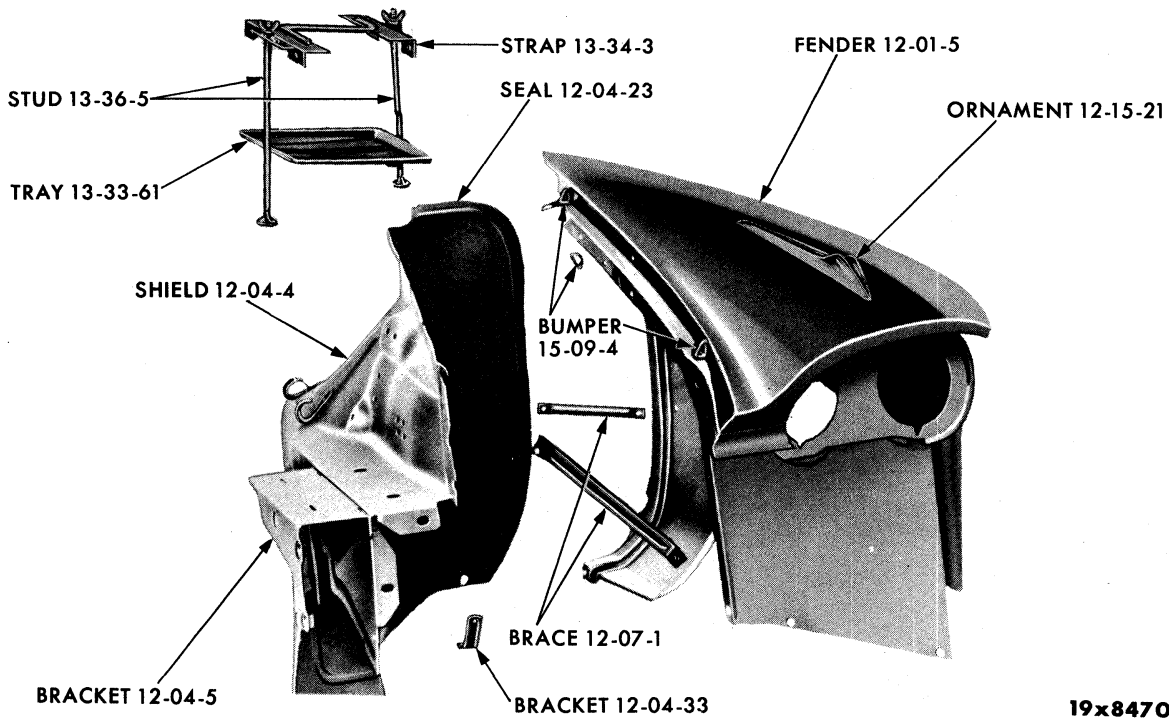
19x8442A

FRONT FENDER - PLYMOUTH MP1-2



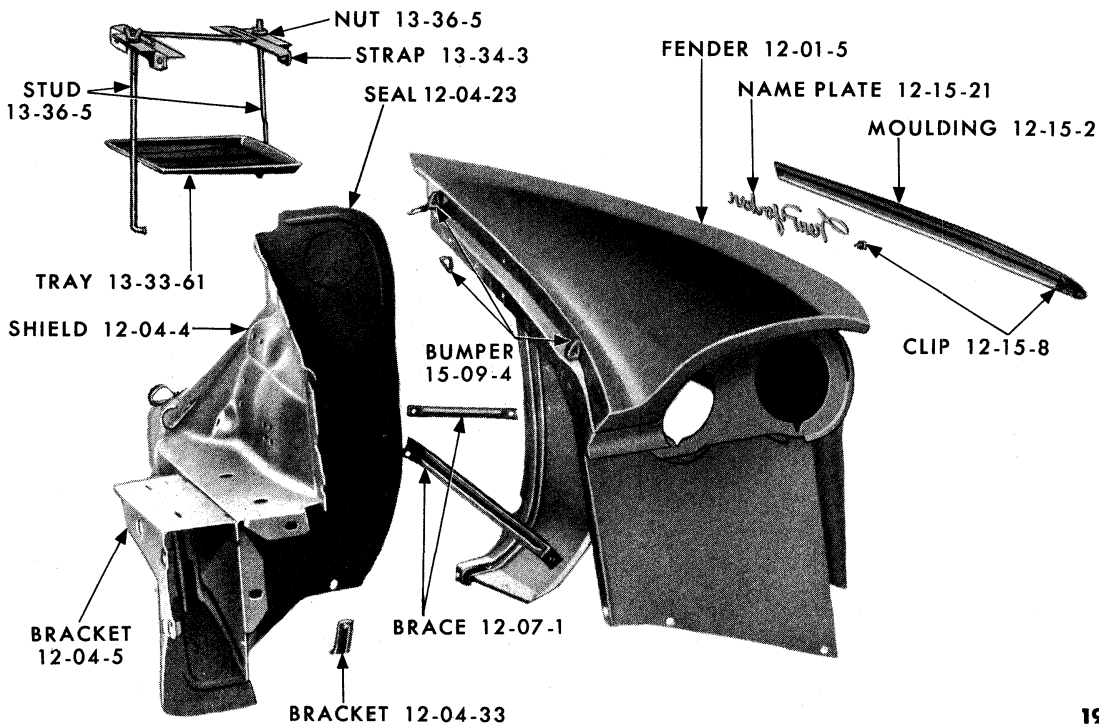
19x8452

FRONT FENDER - DODGE MD1-2-3



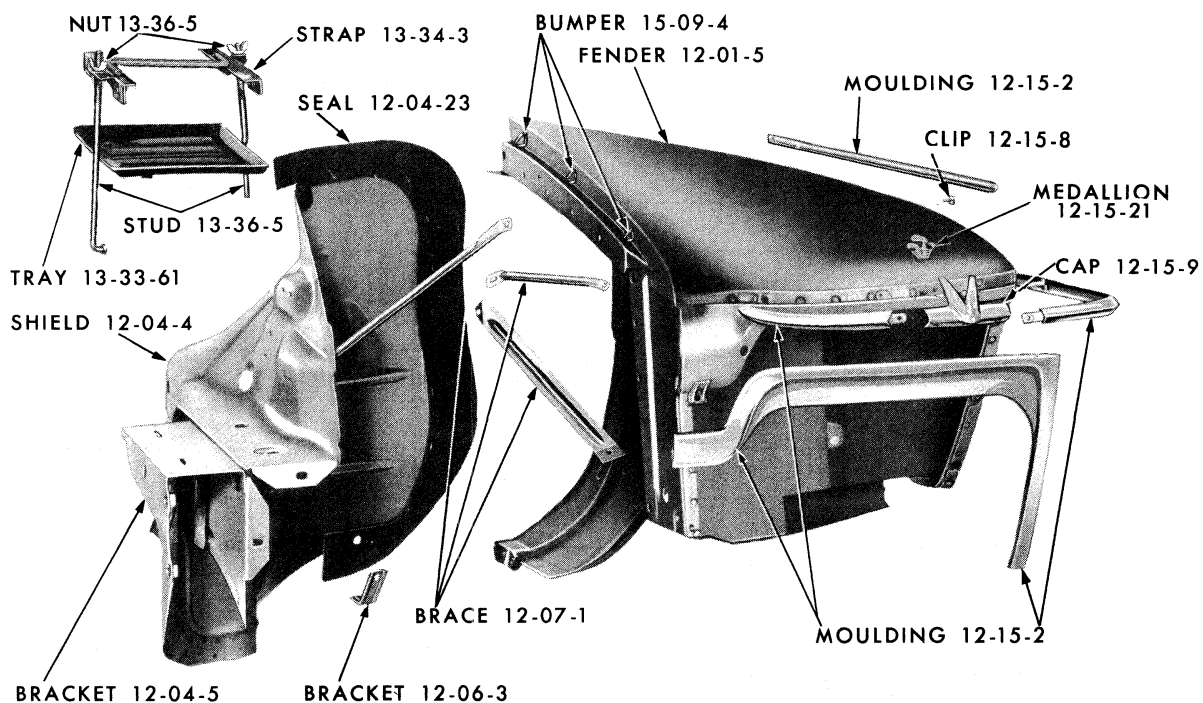
19x8470

FRONT FENDER - DESOTO MS1-2-3



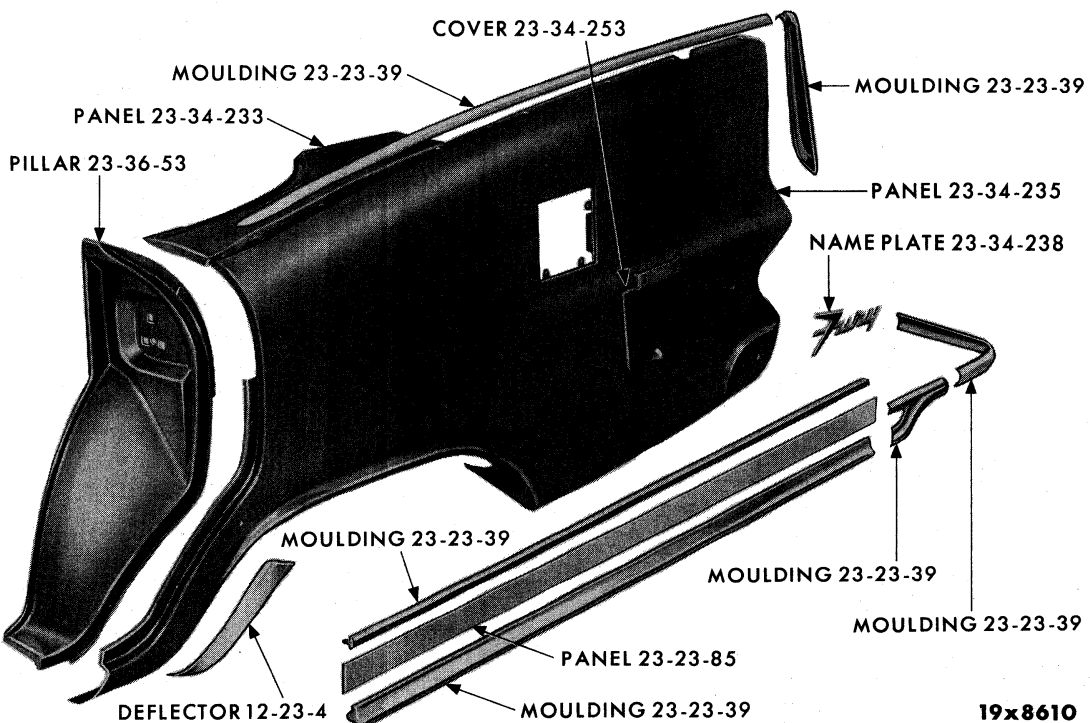
19x8462

FRONT FENDER - CHRYSLER MC1-2-3



19x8480

FRONT FENDER - IMPERIAL MY1



19x8610

REAR QUARTER PANEL AND MOULDINGS - PLYMOUTH MP1-2



CODE	PART NAME AND DESCRIPTION	NO. OF CYL.	PLYMOUTH	DODGE	DESOTO	CHRYSLER AND IMPERIAL	PER CAR	PART NUMBER
------	---------------------------	-------------	----------	-------	--------	-----------------------	---------	-------------

GROUP 12 - FENDERS AND SHEET METAL

12-01-0 FRONT FENDERS								
12-01-5	FENDER, Right . . . . .	6-8	59	-	-	-	1	E1832 408
	Left . . . . .	6-8	59	-	-	-	1	E1832 409
	Right . . . . .	8	-	59	-	-	1	E1832 508
	Left . . . . .	8	-	59	-	-	1	E1832 509
	Right, MS1 . . . . .	8	-	-	59	-	1	E1863 796
	Left, MS1 . . . . .	8	-	-	59	-	1	E1863 797
	Right, MS2, MS3 . . . . .	8	-	-	59	-	1	E1832 808
	Left, MS2, MS3 . . . . .	8	-	-	59	-	1	E1832 809
	Right, MC1 . . . . .	8	-	-	-	59	1	1832 608
	Left, MC1 . . . . .	8	-	-	-	59	1	1832 609
	Right, MC2, MC3 . . . . .	8	-	-	-	59	1	1832 908
	Left, MC2, MC3 . . . . .	8	-	-	-	59	1	1832 909
	Right, MC3-300 . . . . .	8	-	-	-	59	1	1686 610
	Left, MC3-300 . . . . .	8	-	-	-	59	1	1686 611
	Right, MY1 . . . . .	8	-	-	-	59	1	1902 772
	Left, MY1 . . . . .	8	-	-	-	59	1	1902 773
12-01-7	PANEL, Lower Right, MC3-300 . . . . .	8	-	-	-	59	1	1686 688
	Left, MC3-300 . . . . .	8	-	-	-	59	1	1686 689
12-01-9	PANEL, Headlamp, Right . . . . .	6-8	59	-	-	-	1	E1832 474
	Left . . . . .	6-8	59	-	-	-	1	1902 733
	Right . . . . .	8	-	59	-	-	1	1832 568
	Left . . . . .	8	-	59	-	-	1	1832 569
12-01-10	BRACKET, Headlamp Panel to Lock Brace . . . . .	8	-	59	-	-	1	1832 244
12-01-11	CLIP, Lower Panel to Grille Panel, MC3-300 . . . . .	8	-	-	-	59	2	6010 132
	Headlamp Panel Side Cover . . . . .	8	-	59	-	-	4	6010 201
12-01-12	SCREW, Shield to Lower, w/WASHER . . . . .	6-8	59	59	59	59	2	6010 058
	Wheel Opening Moulding, MC3 . . . . .	8	-	-	-	59	4	6000 022
	To Radiator Yoke . . . . .	8	-	-	-	59	2	6010 019
	To Cowl Upper Front . . . . .	6-8	59	59	59	59	2	6010 019
	Lower Rear . . . . .	8	-	59	59	-	2	1863 572
	Side Shield to Yoke, MY1 . . . . .	8	-	-	-	59	2	6010 019
	Shear Panel to Headlamp Base Bracket, MY1 . . . . .	8	-	-	-	59	2	6010 019
	Shear Panel to Yoke, MY1 . . . . .	8	-	-	-	59	2	6010 019
	STUD, to Cowl, Lower, Rear, MC1, MC2, MC3 . . . . .	6-8	59	-	59	59	2	6010 033
	Upper, Rear, MC1, MC2, MC3 . . . . .	6-8	59	59	59	59	2	6010 033
	Upper, MC1, MC2, MC3 . . . . .	8	-	-	59	59	2	6010 033
	To Cowl Bracket, MY1 . . . . .	8	-	-	-	59	4	1863 586
	Upper Front . . . . .	8	-	59	-	-	2	6010 036
	To Radiator Yoke . . . . .	6-8	59	-	-	-	2	6010 036
12-01-13	COVER, Headlamp Panel Side, Right . . . . .	8	-	59	-	-	1	1903 192
	Left . . . . .	8	-	59	-	-	1	1903 193
12-01-15	NUT, Shield to Fender . . . . .	6-8	59	59	59	59	8	6010 006
12-01-16	WASHER, to Cowl, Upper Rear, MC1, MC2, MC3 . . . . .	6-8	59	59	59	59	2	6010 038
	To Cowl Lower Rear . . . . .	6-8	59	-	-	-	2	1832 147
	To Cowl Upper . . . . .	8	-	59	-	-	2	1561 065
	To Cowl Lower Rear . . . . .	8	-	-	59	-	2	6010 038
	To Cowl Upper, MC1, MC2, MC3 . . . . .	8	-	-	59	59	2	6010 038
	To Cowl Lower Rear . . . . .	8	-	-	-	59	★	1242 698
	To Radiator Yoke . . . . .	6-8	59	-	-	-	2	6010 038
	To Cowl Bracket, MY1 . . . . .	8	-	-	-	59	4	6010 038
12-01-57	GUSSET, Headlamp Plate to Stone Deflector . . . . .	6-8	59	-	-	-	2	1832 459
12-01-72	CLIP, Side Medallion, MY1-M . . . . .	8	-	-	-	59	4	6000 050
	Front Medallion to Fender, MY1-M, MY1-H . . . . .	8	-	-	-	59	4	6000 050
12-01-73	STUD, to Ornament, MC1, MC2, MC3 . . . . .	8	-	-	-	59	6	6010 023
	Lower, Inner Moulding to Front Fender . . . . .							
	Headlamp Base Plate, MY1 . . . . .	8	-	-	-	59	2	6010 023
	Medallion, MS3 . . . . .	8	-	-	59	-	6	6010 023

★ Indicates use as required. Numerals in parentheses ( ) refer to notes. Printed in U.S.A.  
 □ Indicates parts not listed in any previous parts book. Prices and specifications subject to change without notice.  
 \* Indicates change or addition. Page 12-1 Feb. 15, 1960 Supersedes May 25, 1959.

# 1959 PASSENGER CAR PARTS LIST

FENDERS AND SHEET METAL

CODE	PART NAME AND DESCRIPTION	NO. OF CYL.	PLYMOUTH	DODGE	DESOTO	CHRYSLER AND IMPERIAL	PER CAR	PART NUMBER
<b>12-01-0 FRONT FENDERS Cont'd</b>								
12-01-79	EXTENSION, Air Scoop, Right, MC3-300, Chrome . . . . .	8	-	-	-	59	1	1686 728
	Left, MC3-300, Chrome . . . . .	8	-	-	-	59	1	1686 729
	Right, MC3-300, Red . . . . .	8	-	-	-	59	1	1832 136
	Left, MC3-300, Red . . . . .	8	-	-	-	59	1	1832 137
12-01-100	AIR DUCT, Right, MC3-300 . . . . .	8	-	-	-	59	1	1686 650
	Left, MC3-300 . . . . .	8	-	-	-	59	1	1686 651
12-01-102	GRILLE, Air Scoop, Right, MC3-300 . . . . .	8	-	-	-	59	1	1754 132
	Left, MC3-300 . . . . .	8	-	-	-	59	1	1754 133
12-01-105	PANEL, Shear, Right, MY1 . . . . .	8	-	-	-	59	1	1902 936
	Left, MY1 . . . . .	8	-	-	-	59	1	1903 013
12-01-115	STUD, Shear Panel to Shield, MY1 . . . . .	8	-	-	-	59	2	1863 019
<b>12-02-0 FRONT FENDER LINER</b>								
12-02-11	SEAL, Lower Pillar . . . . .	8	-	-	59	59	2	1777 888
	To Cowl Upper Rear . . . . .	8	-	-	59	59	2	6010 117
	Front Pillar, MY1 . . . . .	8	-	-	-	59	2	1810 073
12-02-12	CLIP, Pillar Seal, MY1 . . . . .	8	-	-	-	59	4	6006 012
12-02-25	SHIM, to Cowl, Upper Rear, Thin . . . . .	6-8	59	-	-	-	★	6010 035
	Lower Rear, Thin . . . . .	6-8	59	-	59	-	★	6010 031
	Upper Front . . . . .	8	-	59	-	-	★	6010 031
	Lower Rear . . . . .	8	-	59	-	-	★	6010 035
	Upper . . . . .	8	-	-	59	59	★	6010 037
	To Yoke . . . . .	8	-	59	59	59	★	6010 037
	Upper Front . . . . .	6-8	59	-	-	-	★	6010 037
	To Bracket, MY1 . . . . .	8	-	-	-	59	4	6010 037
<b>12-04-0 FRONT FENDER SHIELD OR PLATE</b>								
12-04-4	SHIELD, Right, MS1, MC1 . . . . .	6-8	59	59	59	59	1	1675 540
	Left, MS1, MC1 . . . . .	6-8	59	59	59	59	1	1828 348
	Right, MS2, MS3, MC2, MC3 . . . . .	8	-	-	59	59	1	*1820 511
	Left, MS2, MS3, MC2, MC3 . . . . .	8	-	-	59	59	1	1820 512
	Right, MY1 . . . . .	8	-	-	-	59	1	1851 034
	Left, MY1 . . . . .	8	-	-	-	59	1	1851 035
12-04-5	BRACKET, Upper Support, except MY1 . . . . .	6-8	59	59	59	59	1	1675 559
	MY1 . . . . .	8	-	-	-	59	1	1940 864
12-04-6	SCREW, Shield to Upper Support Bracket, w/WASHER . . . . .	6-8	59	-	59	59	★	6012 068
12-04-12	SCREW, Bracket to No. 1 Hold-Down, w/WASHER . . . . .	6-8	59	-	-	-	2	6010 019
	Shield to Yoke . . . . .	6-8	59	59	59	-	4	6010 016
	Bracket to Pillar Support . . . . .	6-8	59	59	59	59	2	6010 017
	Extension to Frame MC1, MY1 . . . . .	6-8	59	59	59	59	★	6012 028
	Shield Bracket, MS2, MS3, MC2, MC3 . . . . .	6-8	59	-	59	59	2	1820 354
	Shield to Yoke . . . . .	8	-	59	-	-	2	6010 018
	Brace to Yoke . . . . .	8	-	59	-	-	2	6010 018
	Brace to Fender . . . . .	8	-	-	59	59	2	6000 160
	Lower Bracket to Frame . . . . .	8	-	-	59	59	2	6012 028
	To No.1 Hold Down, MC1 . . . . .	8	-	-	-	59	2	6010 018
	To Dash Bracket . . . . .	8	-	-	-	59	6	1820 497
	To Dash Panel Brace, MY1 . . . . .	8	-	-	-	59	2	6010 019
	To Radiator Yoke, Center, MY1 . . . . .	8	-	-	-	59	2	1863 612
	Antenna Hole Cover to Dash Bracket, MY1 . . . . .	8	-	-	-	59	1	1739 049
	Stud, to Yoke, Lower, MY1 . . . . .	8	-	-	59	59	2	1863 019
	Bracket to Pillar, MY1 . . . . .	8	-	-	-	59	2	1863 057
	Bracket to Pillar Support, MY1 . . . . .	8	-	-	-	59	2	1863 056
12-04-23	SEAL, Center to Fender, MC1 . . . . .	6-8	59	59	59	59	2	1739 066
	Center, Right, MS2, MS3, MC2, MC3 . . . . .	8	-	-	59	59	1	1940 884
	Left, MS2, MS3, MC2 . . . . .	8	-	-	59	59	1	1940 885
	Left, MC2, MC3 (specify by the foot) . . . . .	8	-	-	-	59	★	1242 974
	To Fender, Left, MY1 . . . . .	8	-	-	-	59	1	1940 859
	To Upper Control Arm, MY1 . . . . .	8	-	-	-	59	2	1851 024
	Shear Panel to Fender, MY1, (specify by the foot) . . . . .	8	-	-	-	59	★	1242 974

★ Indicates use as required.

Numerals in parentheses ( ) refer to notes.

Printed in U.S.A.

☐ Indicates parts not listed in any previous parts book.

Prices and specifications subject to change without notice.

May 25, 1959 Supersedes Dec. 30, 1958.

Page 12-2

\* Indicates change or addition.

CODE	PART NAME AND DESCRIPTION	NO. OF CYL.	PLYMOUTH	DODGE	DESOTO	CHRYSLER AND IMPERIAL	PER CAR	PART NUMBER
<b>12-04-0 FRONT FENDER SHIELD OR PLATE</b>			<b>Cont'd</b>					
12-04-24	CLIP, Body Wire to Flange, MC3 . . . . .	8	-	-	-	59	3	1308 130
12-04-26	NUT, to Fender, MS2, MS3 . . . . .	6-8	59	-	59	59	8	6010 006
	Headlamp Plate . . . . .	8	-	-	59	-	★	6010 006
	To Fender Brace, MS1, MC1 . . . . .	8	-	59	59	59	2	6000 123
	To Sill Bracket, MY1 . . . . .	8	-	-	-	59	2	6010 006
12-04-33	BRACKET, to Pillar . . . . .	8	-	59	59	-	2	1686 914
	Shield to Fender, MS2, MS3, MC2, MC3 . . . . .	8	-	-	59	59	2	1738 161
	Shield to Frame, Lower, Front. . . . .	6-8	59	59	59	59	2	*1739 071
	BRACKET, to No. 1 Hold-Down Bracket, Right, MS1 . . . . .	6-8	59	59	59	-	1	1733 271
	Left, MS1 . . . . .	6-8	59	59	59	-	1	1733 272
<b>12-06-0 FRONT FENDER BRACKET</b>								
12-06-3	BRACKET, to Sill, MY1 . . . . .	8	-	-	-	59	2	1624 582
<b>12-07-0 FRONT FENDER SIDE SHIELD BRACE</b>								
12-07-1	BRACE, to Fender Shield, Right, MS2, MS3, MC2, MC3, MY1 . . . . .	6-8	59	59	59	59	1	1624 616
	Left, MS2, MS3, MC2, MC3, MY1 . . . . .	6-8	59	59	59	59	1	1624 617
	To Cowl, Right, MS2, MS3, MC2, MC3 . . . . .	8	-	-	59	59	1	1754 602
	Left, MS2, MS2, MC2, MC3 . . . . .	8	-	-	59	59	1	1754 603
	Strut, Shield to No.1 Dash Brace, MS2, MS3 . . . . .	8	-	-	59	-	2	1820 500
	BRACE, to Cowl, Right, MY1 . . . . .	8	-	-	-	59	1	1754 294
	Left, MY1 . . . . .	8	-	-	-	59	1	1754 295
	To Shield, Right, MS1, MC1 . . . . .	8	-	-	59	59	1	1832 656
	Left, MS1, MC1 . . . . .	8	-	-	59	59	1	1832 657
	To Shield, Lower Right, MY1 . . . . .	8	-	-	-	59	1	1754 292
	Left, MY1 . . . . .	8	-	-	-	59	1	1754 293
12-07-3	SCREW, w/WASHER, Front Fender Shield Brace to Fender, MY1 . . . . .	8	-	-	-	59	2	6010 022
<b>12-15-0 FRONT FENDER MOULDINGS AND NAME PLATES</b>								
12-15-2	MOULDING, Upper Right, MP1-L, MP2-L, MP1-M, MP2-M, w/Two Tone Paint . . . . .	6-8	59	-	-	-	1	1902 626
	Upper Left, MP1-L, MP2-L, MP1-M, MP2-M, w/Two Tone Paint . . . . .	6-8	59	-	-	-	1	1902 627
	Lower Right, MP1-L, MP2-L, MP1-M, MP2-M, w/Two Tone Paint . . . . .	6-8	59	-	-	-	1	1902 630
	Lower Left, MP1-L, MP2-L, MP1-M, MP2-M, w/Two Tone Paint . . . . .	6-8	59	-	-	-	1	1902 631
	Side Upper, Right, MP1-H, MP2-H . . . . .	6-8	59	-	-	-	1	1902 770
	Left, MP1-H, MP2-H . . . . .	6-8	59	-	-	-	1	1902 771
	Rear Lower, Right, MP1-H, MP2-H . . . . .	6-8	59	-	-	-	1	1902 652
	Left, MP1-H, MP2-H . . . . .	6-8	59	-	-	-	1	1902 653
	Side, Front Right, MP1-H, MP2-H . . . . .	6-8	59	-	-	-	1	1754 686
	Left, MP1-H, MP2-H . . . . .	6-8	59	-	-	-	1	1754 687
	Front, Right . . . . .	6-8	59	-	-	-	1	1902 606
	Left . . . . .	6-8	59	-	-	-	1	1902 607
	Side, Upper, MP2 Fury . . . . .	8	59	-	-	-	2	1902 874
	Lower, MP2 Fury . . . . .	8	59	-	-	-	2	1902 876
	Side, MD2-L, MD3-L . . . . .	8	-	59	-	-	2	*1902 676
	Side, Lower, Rear, Right, MD1-L, MD2-L . . . . .	6-8	-	59	-	-	1	E1902 796
	Left, MD1-L, MD2-L . . . . .	6-8	-	59	-	-	1	E1902 797
	Side, Front Right, MD2-L, MD3-L, w/Two Tone Paint . . . . .	8	-	59	-	-	1	1902 680
	Left, MD2-L, MD3-L, w/Two Tone Paint . . . . .	8	-	59	-	-	1	1902 681
	Lower Rear, MD2-L, MD3-L, w/Two Tone Paint . . . . .	8	-	59	-	-	2	1902 990

★ Indicates use as required. Numerals in parentheses ( ) refer to notes. Printed in U.S.A.  
 ☐ Indicates parts not listed in any previous parts book. Prices and specifications subject to change without notice.  
 \* Indicates change or addition. Page 12-3 May 25, 1959 Supersedes Dec. 30, 1958.

# 1959 PASSENGER CAR PARTS LIST

FENDERS AND  
SHEET METAL

CODE	PART NAME AND DESCRIPTION	NO. OF CYL.	PLYMOUTH	DODGE	DESOTO	CHRYSLER AND IMPERIAL	PER CAR	PART NUMBER
<b>12-15-0 FRONT FENDER MOULDINGS AND NAME PLATES</b>								
								<b>Cont'd</b>
12-15-2	MOULDING - Cont'd							
	Side, Front, Right, MD1-L, MD2-L . . . . .	6-8	-	59	-	-	1	E1902 766
	Left, MD1-L, MD2-L . . . . .	6-8	-	59	-	-	1	E1902 767
	Side Front, Right, MD3-M, MD3-H . . . . .	8	-	59	-	-	1	1902 660
	Left, MD3-M, MD3-H . . . . .	8	-	59	-	-	1	1902 661
	Wheel Opening, Right, MD1-L, MD2-L . . . . .	6-8	-	59	-	-	1	E1902 842
	Left, MD1-L, MD2-L . . . . .	6-8	-	59	-	-	1	E1902 843
	Wheel Opening, Right, MD3-M, MD3-H . . . . .	8	-	59	-	-	1	1902 664
	Left, MD3-M, MD3-H . . . . .	8	-	59	-	-	1	1902 665
	Side, Right, MD3-M, MD3-H . . . . .	8	-	59	-	-	1	1902 668
	Left, MD3-M, MD3-H . . . . .	8	-	59	-	-	1	1902 669
	Front, Right, MD2-L, MD3-L . . . . .	8	59	-	-	-	1	*1832 288
	Left, MD2-L, MD3-L . . . . .	8	-	59	-	-	1	*1832 289
	Front, Right, MD1-L, MD2-L . . . . .	6-8	-	59	-	-	1	E1903 402
	Left, MD1-L, MD2-L . . . . .	8	-	59	-	-	1	E1903 403
	Front, Right, MD3-M, MD3-H . . . . .	8	-	59	-	-	1	1902 656
	Left, MD3-M, MD3-H . . . . .	8	-	59	-	-	1	1902 657
	Side, Front Right . . . . .	8	-	-	59	-	1	1902 686
	Left . . . . .	8	-	-	59	-	1	1902 687
	Upper Rear, Right, MS1 . . . . .	8	-	-	59	-	1	*1902 840
	Left, MS1 . . . . .	8	-	-	59	-	1	1902 841
	Side, Right, MS1 . . . . .	8	-	-	59	-	1	1902 836
	Left, MS1 . . . . .	8	-	-	59	-	1	1902 837
	Lower Rear, Right, MS1, w/Two Tone Paint . . . . .	8	-	-	59	-	1	1902 844
	Left, MS1, w/Two Tone Paint . . . . .	8	-	-	59	-	1	1902 845
	Upper Right, MS2, MS3 . . . . .	8	-	-	59	-	1	1902 690
	Left, MS2, MS3 . . . . .	8	-	-	59	-	1	1902 691
	Side, Right, MS2 All, MS3 4D., 4D.Sub. . . . .	8	-	-	59	-	1	1902 832
	Left, MS2 All, MS3 4D., 4D.Sub. . . . .	8	-	-	59	-	1	1902 833
	Lower Rear, Right, MS2, MS3, w/Two Tone Paint . . . . .	8	-	-	59	-	1	1902 694
	Left, MS2, MS3, w/Two Tone Paint . . . . .	8	-	-	59	-	1	1902 695
	Wheel Opening, Right, MS3 . . . . .	8	-	-	59	-	1	*1902 856
	Left, MS3 . . . . .	8	-	-	59	-	1	*1902 857
	To Sill, Right, MS3 . . . . .	8	-	-	59	-	1	*1902 674
	Left, MS3 . . . . .	8	-	-	59	-	1	*1902 675
	Side Upper, Right, MC1, w/Two Tone Paint . . . . .	8	-	-	-	59	1	1902 708
	Left, MC1 w/Two Tone Paint . . . . .	8	-	-	-	59	1	1902 709
	Lower Right, MC1 w/Two Tone Paint . . . . .	8	-	-	-	59	1	1902 860
	Left, MC1 w/Two Tone Paint . . . . .	8	-	-	-	59	1	1902 861
	Side Front, Right, MC1-L . . . . .	8	-	-	-	59	1	1903 088
	Left, MC1-L . . . . .	8	-	-	-	59	1	1903 089
	Side, Right, MC2, MC3 . . . . .	8	-	-	-	59	1	1832 980
	Left, MC2, MC3 . . . . .	8	-	-	-	59	1	1832 981
	Wheel Opening, Right, MC3 . . . . .	8	-	-	-	59	1	1902 856
	Left, MC3 . . . . .	8	-	-	-	59	1	1902 857
	To Sill, Right, MC3 . . . . .	8	-	-	-	59	1	1902 674
	Left, MC3 . . . . .	8	-	-	-	59	1	1902 675
	Front Side, Right, MY1 . . . . .	8	-	-	-	59	1	1902 718
	Left, MY1 . . . . .	8	-	-	-	59	1	1902 719
	Front, Right, MY1 . . . . .	8	-	-	-	59	1	1755 018
	Left, MY1 . . . . .	8	-	-	-	59	1	1755 019
	Front Side, Extension, Right, MY1-H . . . . .	8	-	-	-	59	1	1903 160
	Left, MY1-H . . . . .	8	-	-	-	59	1	1903 161
	Side, Right, MY1 . . . . .	8	-	-	-	59	1	1902 714
	Left, MY1 . . . . .	8	-	-	-	59	1	1902 715
	Front, Lower, Inner, Right, MY1 . . . . .	8	-	-	-	59	1	1902 768
	Left, MY1 . . . . .	8	-	-	-	59	1	1902 769
	Front, Lower, Outer, Right, MY1 . . . . .	8	-	-	-	59	1	1902 764
	Left, MY1 . . . . .	8	-	-	-	59	1	1902 765
12-15-3	WASHER, Front Fender Front Moulding . . . . .	8	-	59	-	-	6	1832 481
		8	-	59	-	-	2	1832 482
	Headlamp Panel Moulding . . . . .	8	-	59	-	-	★	1754 656

★ Indicates use as required.

Numerals in parentheses ( ) refer to notes.

Printed in U.S.A.

E Indicates parts not listed in any previous parts book.

Prices and specifications subject to change without notice.

May 25, 1959 Supersedes Dec. 30, 1958.

\* Indicates change or addition.



CODE	PART NAME AND DESCRIPTION	NO. OF CYL.	PLYMOUTH	DODGE	DESOTO	CHRYSLER AND IMPERIAL	PER CAR	PART NUMBER
<b>12-15-0 FRONT FENDER MOULDINGS AND NAME PLATES Cont'd</b>								
12-15-4	INSERT, Moulding, Right, MP1-L, MP2-L, MP1-M, MP2-M . . . . .	6-8	59	-	-	-	1	E1903 400
	Left, MP1-L, MP2-L, MP1-M, MP2-M . . . . .	6-8	59	-	-	-	1	E1903 401
	Right, MP1, MP2, Fury . . . . .	6-8	59	-	-	-	1	*1902 654
	Left, MP1, MP2, Fury . . . . .	6-8	59	-	-	-	1	*1902 655
	Right, MP2, Sport Fury . . . . .	8	59	-	-	-	1	*1902 878
	Left, Sport Fury . . . . .	8	59	-	-	-	1	*1902 879
	Right, MS2, MS3, w/DESIGN . . . . .	8	-	-	59	-	1	1902 696
	Left, MS2, MS3, w/DESIGN . . . . .	8	-	-	59	-	1	1902 697
	Right, MS3 Adventurer . . . . .	8	-	-	59	-	1	1902 982
	Left, MS3 Adventurer . . . . .	8	-	-	59	-	1	1902 983
12-15-6	MOULDING, Headlamp Panel, Right . . . . .	8	-	59	-	-	1	*1832 586
	Left . . . . .	8	-	59	-	-	1	*1832 587
12-15-7	BRACKET, Front Inner Moulding, MY1 . . . . .	8	-	-	-	59	2	1686 461
12-15-8	RETAINER, Front to Rear Moulding, Right, MP1-H, MP2-H . . . . .	6-8	59	-	-	-	1	1902 952
	Left, MP1-H, MP2-H . . . . .	6-8	59	-	-	-	1	1902 953
	Side Front, Rear . . . . .	8	59	-	-	-	2	6010 190
	CLIP, Side Front . . . . .	6-8	59	-	-	-	2	6010 002
	Upper Front . . . . .	6-8	59	-	-	-	4	6010 194
	Side Lower, MP1-H, MP2-H . . . . .	6-8	59	-	-	-	4	6010 194
	Side Lower, MP2 Fury . . . . .	8	59	-	-	-	8	E6010 209
	Side Front, MP1-H, MP2-H . . . . .	6-8	59	-	-	-	4	6010 194
	Side Upper, MP1-H, MP2-H . . . . .	6-8	59	-	-	-	6	6010 192
	MP2 Fury . . . . .	8	59	-	-	-	10	6010 192
	Side Lower Front, MP1-L, MP2-L, MP1-M, MP2-M w/Two Tone Paint . . . . .	6-8	59	-	-	-	2	6010 093
	Side Lower Rear, MP1-L, MP2-L, MP1-M, MP2-M w/Two Tone Paint . . . . .	6-8	59	-	-	-	2	6010 192
	Side Lower, Rear, MP2-Fury . . . . .	8	59	-	-	-	10	6010 094
	RETAINER, Side to Wheel Opening Moulding . . . . .	8	-	59	-	-	2	*1902 890
	CLIP, Lower Rear . . . . .	8	-	59	-	-	2	6000 029
	Wheel Opening . . . . .	8	-	59	-	-	8	*6010 002
	Lower Rear . . . . .	8	-	-	59	-	★	E6006 291
	Side Front . . . . .	8	-	-	59	-	2	6010 202
	Upper, MS2, MS3 . . . . .	8	-	-	59	-	12	6010 202
	CLIP, Side Moulding, Front, MC2, MC3 . . . . .	8	-	-	-	59	2	6013 066
	Side Moulding, MC2, MC3 . . . . .	8	-	-	-	59	12	6010 178
	Retainer, Wheel Opening to Sill, Right, MC3-H . . . . .	8	-	-	-	59	1	1590 460
	Left, MC3-H . . . . .	8	-	-	-	59	1	1590 461
	CLIP, to Shear Panel, MY1 . . . . .	8	-	-	-	59	2	6006 130
	Side Moulding, Center and Rear, MY1 . . . . .	8	-	-	-	59	4	6010 030
	Side, MY1 . . . . .	8	-	-	-	59	2	6010 196
12-15-9	CAP, Side Front Right, MP2 . . . . .	8	59	-	-	-	1	1902 872
	Left, MP2 . . . . .	8	59	-	-	-	1	1902 873
	Front Moulding, MY1 . . . . .	8	-	-	-	59	2	1902 774
12-15-10	NUT, Side Name Plate, MD2 . . . . .	8	-	59	-	-	6	6006 215
	Headlamp Panel to Stone Deflector, w/WASHER . . . . .	8	-	59	-	-	2	6010 048
	Front Moulding Cap, MY1 . . . . .	8	-	-	-	59	4	*6000 251
	Side Moulding Front, MY1 . . . . .	8	-	-	-	59	2	6010 112
	Front Moulding, MY1 . . . . .	8	-	-	-	59	2	6010 098
	Top Ornament . . . . .	8	-	-	59	-	6	6010 008
12-15-12	STUD, Front Lower Outer Moulding, MY1 . . . . .	8	-	-	-	59	6	6010 020
	Front Moulding, MY1 . . . . .	8	-	-	-	59	2	6010 023
	Side Moulding, MY1 . . . . .	8	-	-	-	59	★	6010 023
	Front Moulding Cap, MY1 . . . . .	8	-	-	-	59	★	6010 043
12-15-21	NAME PLATE, Coronet, MD2-L . . . . .	8	-	59	-	-	2	1902 682
	Texan, MD2 . . . . .	8	-	59	-	-	2	E1903 466
	FireSweep, MS1 . . . . .	8	-	-	59	-	2	1832 775
	FireDome, MS2 . . . . .	8	-	-	59	-	2	1599 034
	FireFlite, MS3 . . . . .	8	-	-	59	-	2	1599 759
	Adventurer, MS3 . . . . .	8	-	-	59	-	2	1863 573

★ Indicates use as required.

E Indicates parts not listed in any previous parts book.

\* Indicates change or addition.

Numerals in parentheses ( ) refer to notes.

Printed in U.S.A.

Prices and specifications subject to change without notice.

