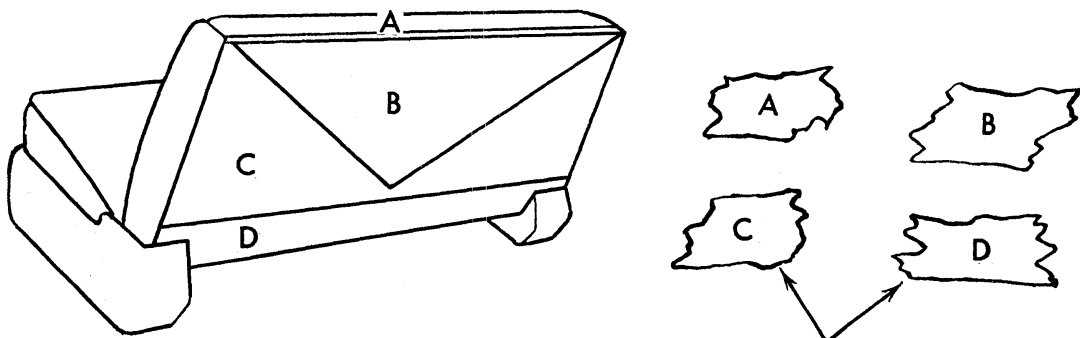


GROUP 23 - BODY INSTRUCTIONS FOR ORDERING TRIM MATERIAL

The following pages contain line drawings of basic interior body trim sketches for use in ordering trim material. These drawings represent the various body styles and should be used in selecting the proper sketch for ordering material.

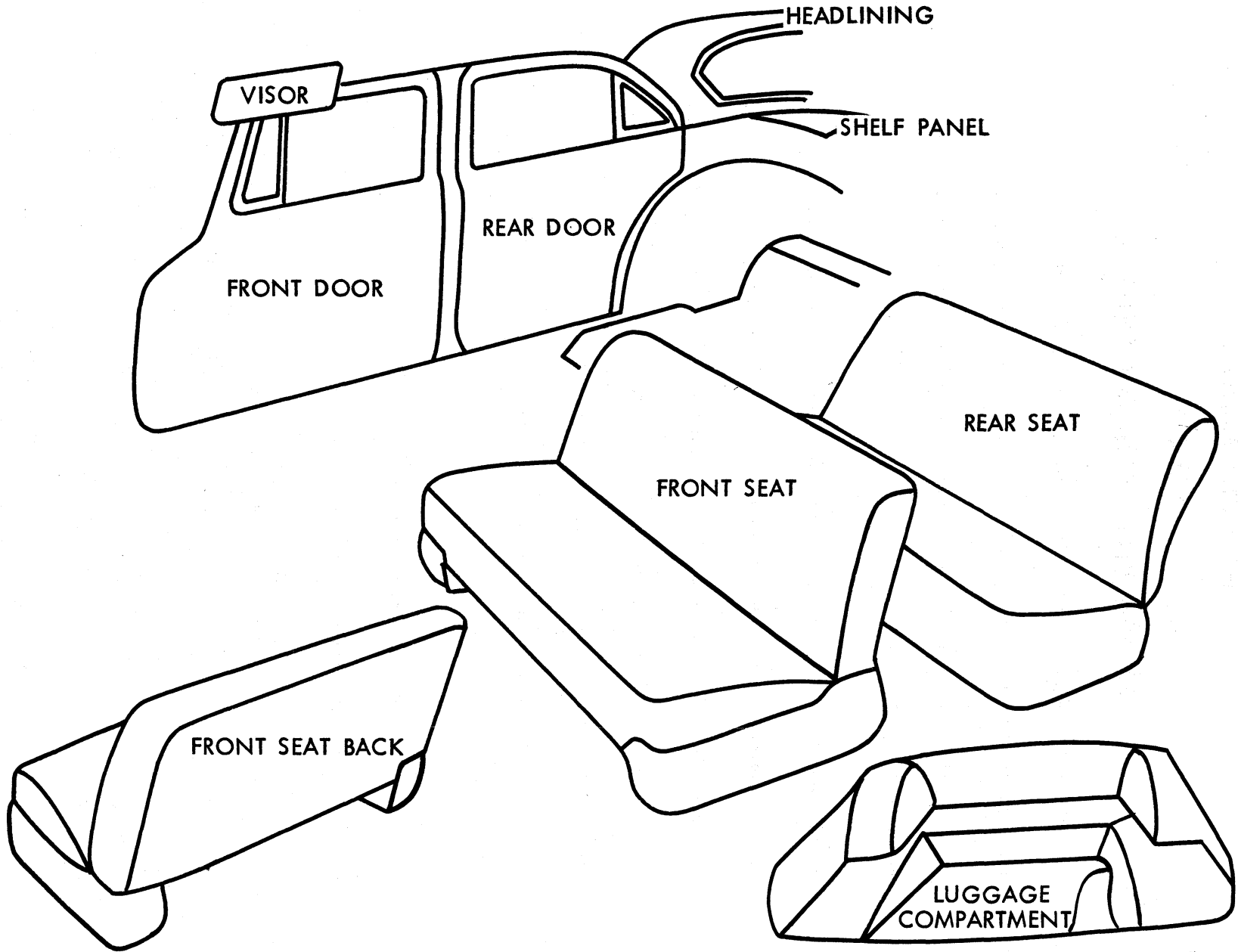
By placing a piece of tracing paper (or any piece of transparent paper) over the drawing which applies to the body style, it can be easily traced for the section for which the trim is being ordered. The particular design which varies in different vehicles can be drawn in to show the pattern and design. Then label each section with "A", "B", "C", etc. on the sketch and include a small piece of material also labeled to correspond to the sketch - see sample below.

Always furnish vehicle serial number. Also specify "right" or "left" when ordering material requiring this description.



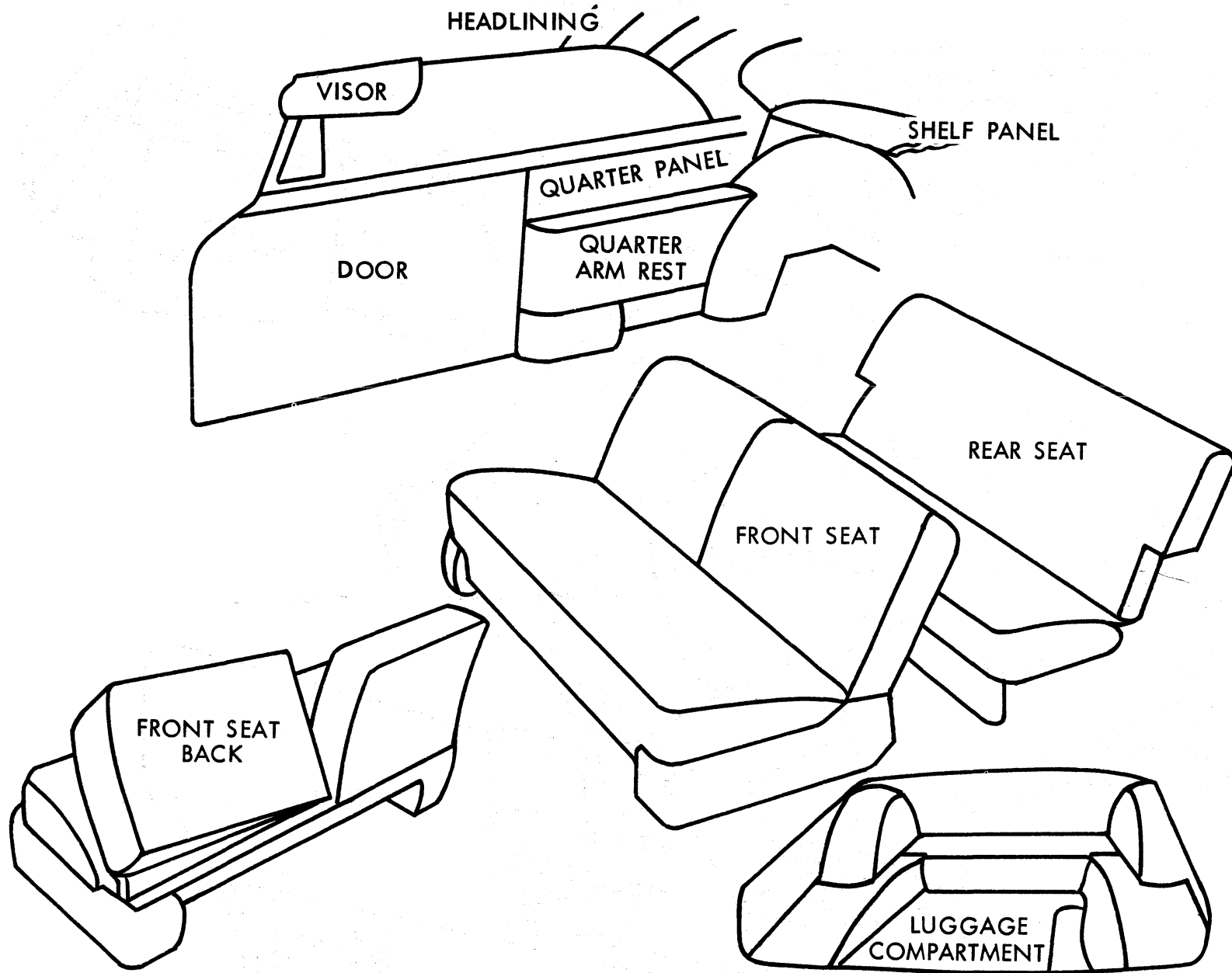
Small pieces of material labeled to correspond to sketch.

19x6975



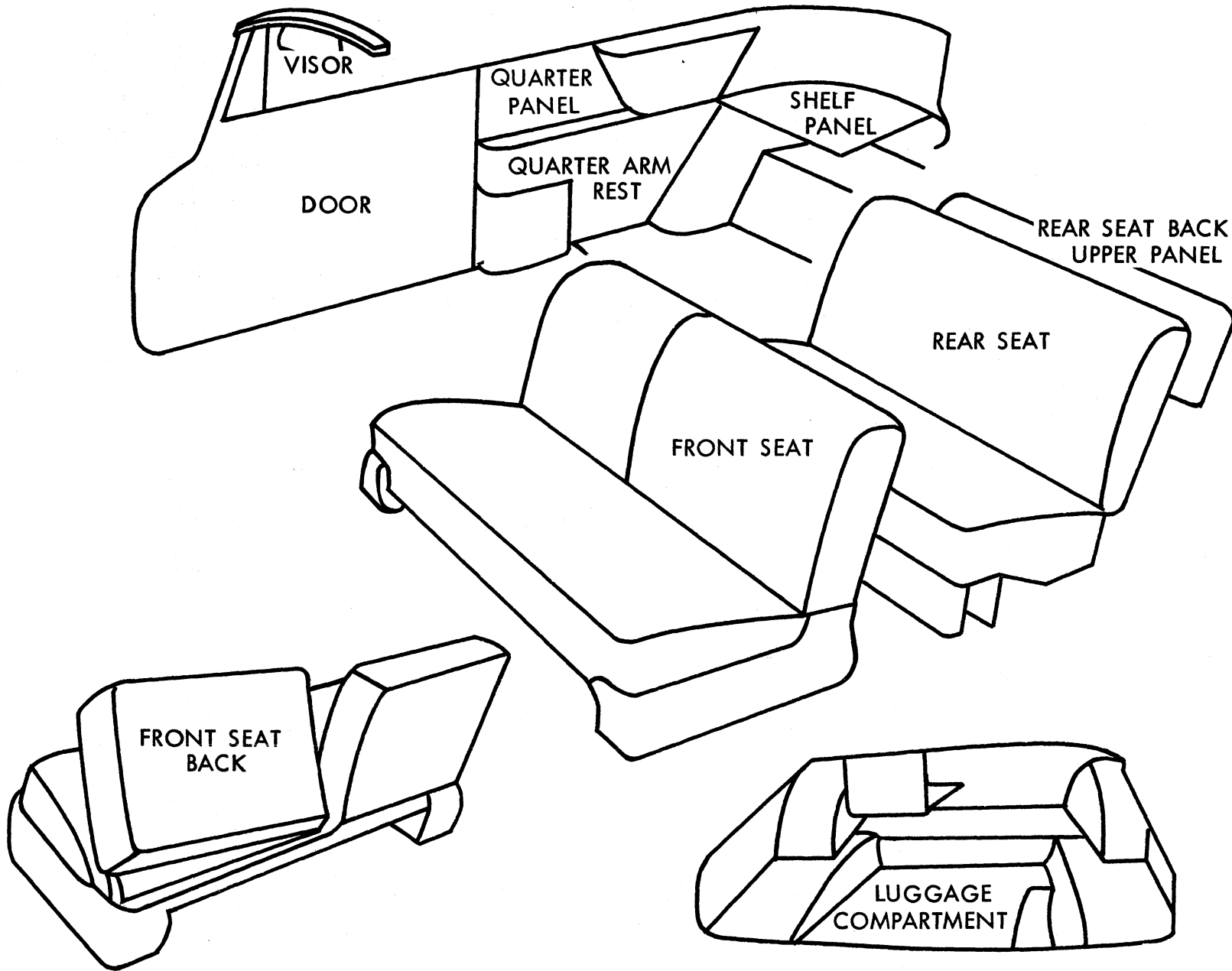
4 DOOR SEDAN AND SPECIAL 4 DOOR SEDAN

19x6960



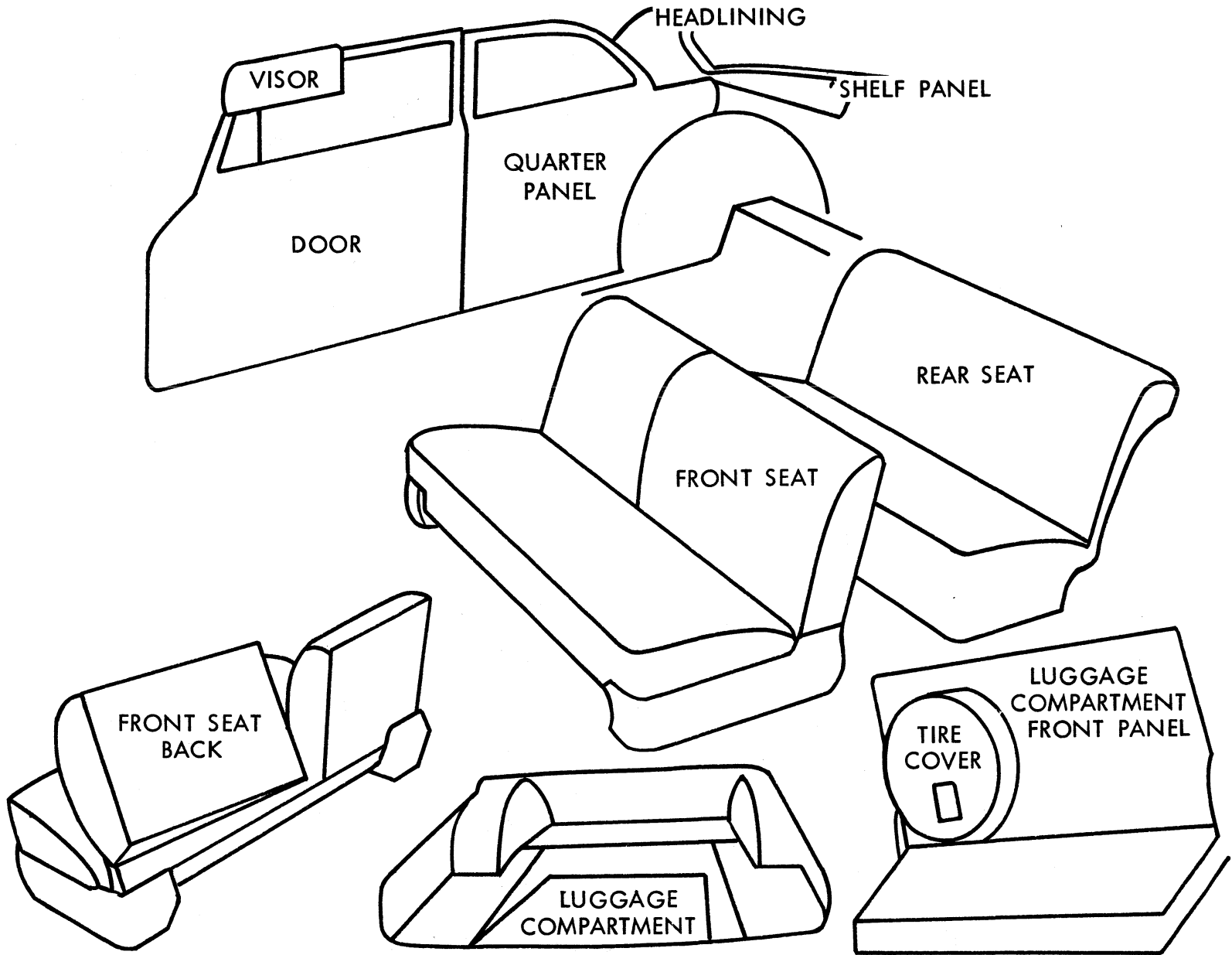
SPECIAL CLUB COUPE

19x6962



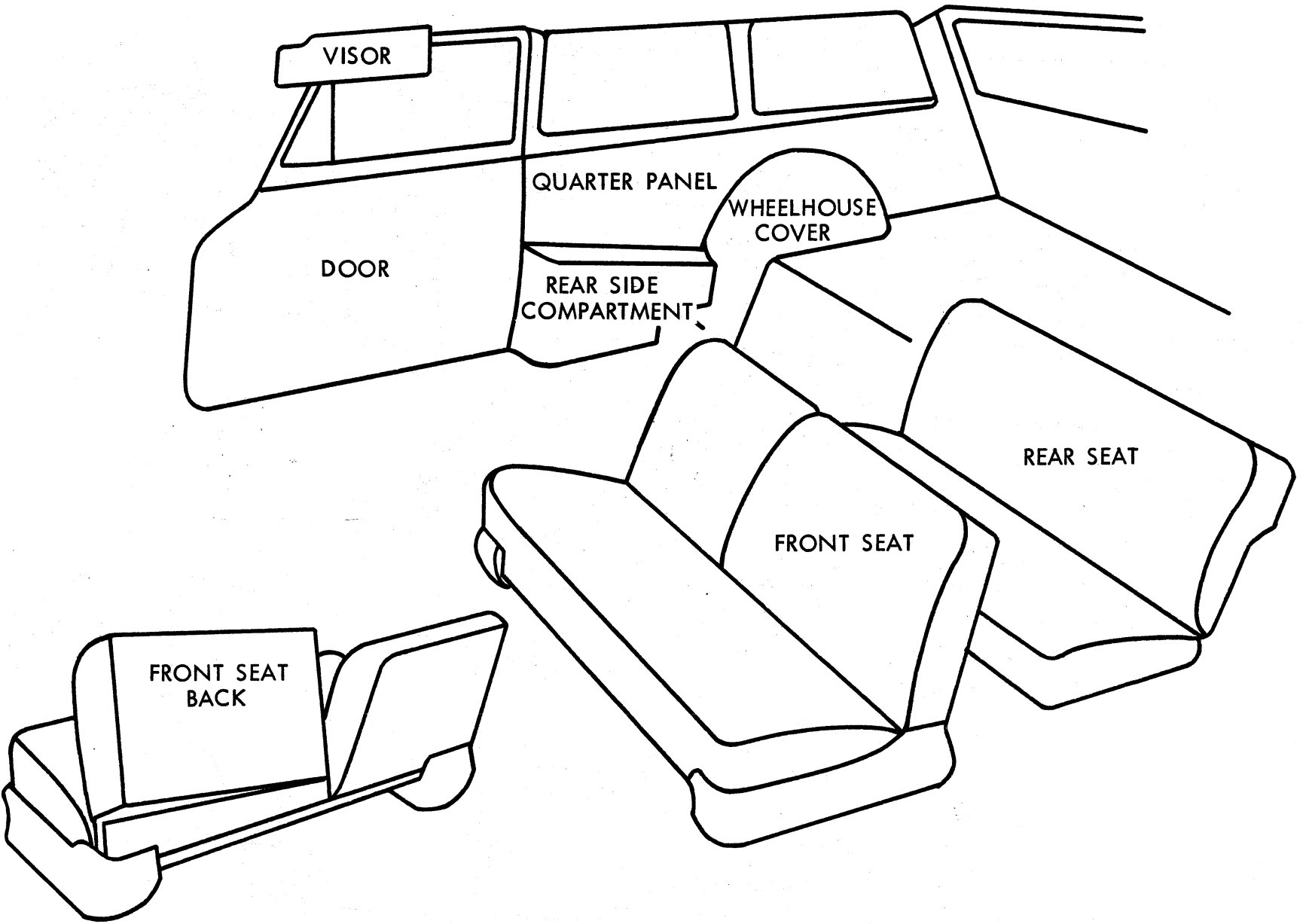
CONVERTIBLE COUPE

19x6963



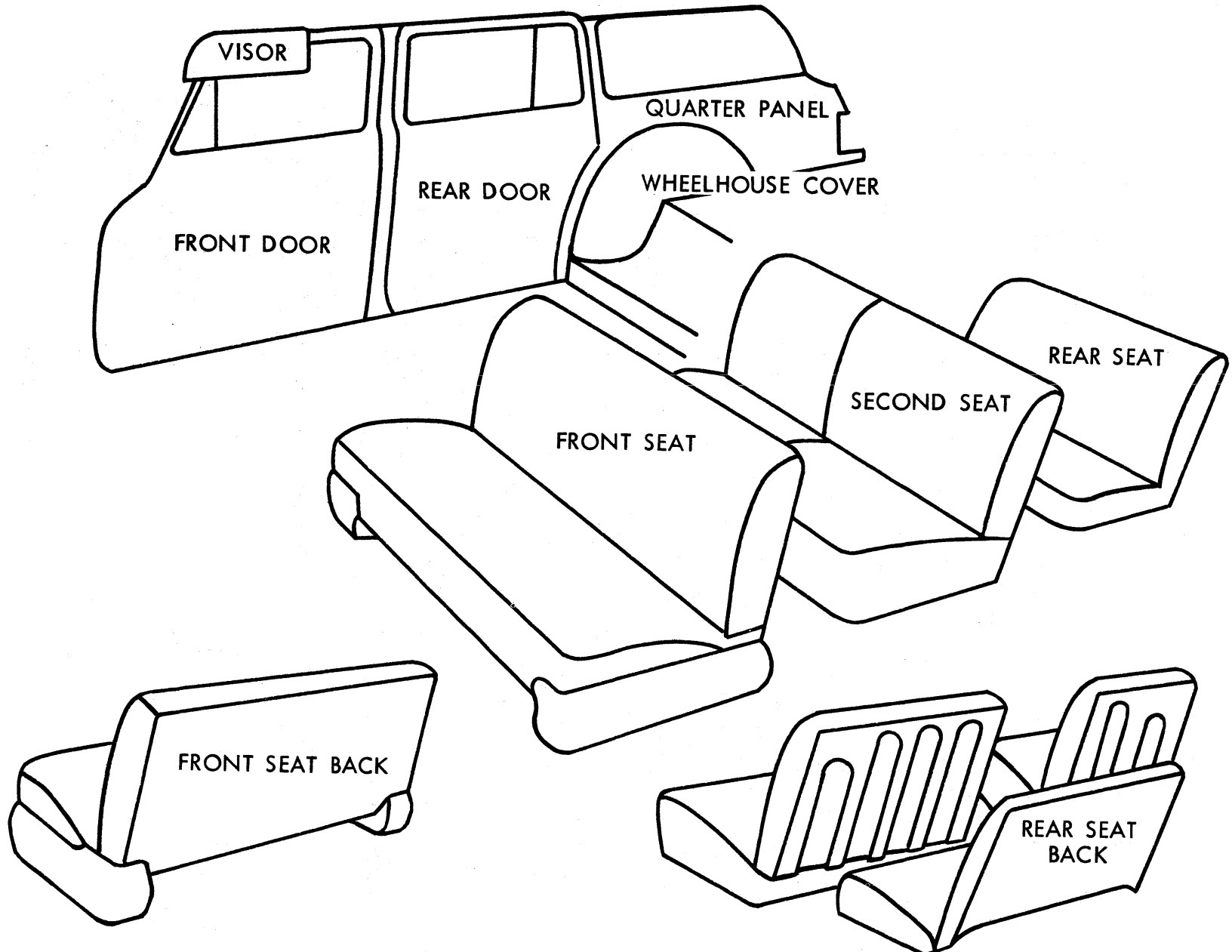
CLUB COUPE AND 3 PASSENGER COUPE

19x6961



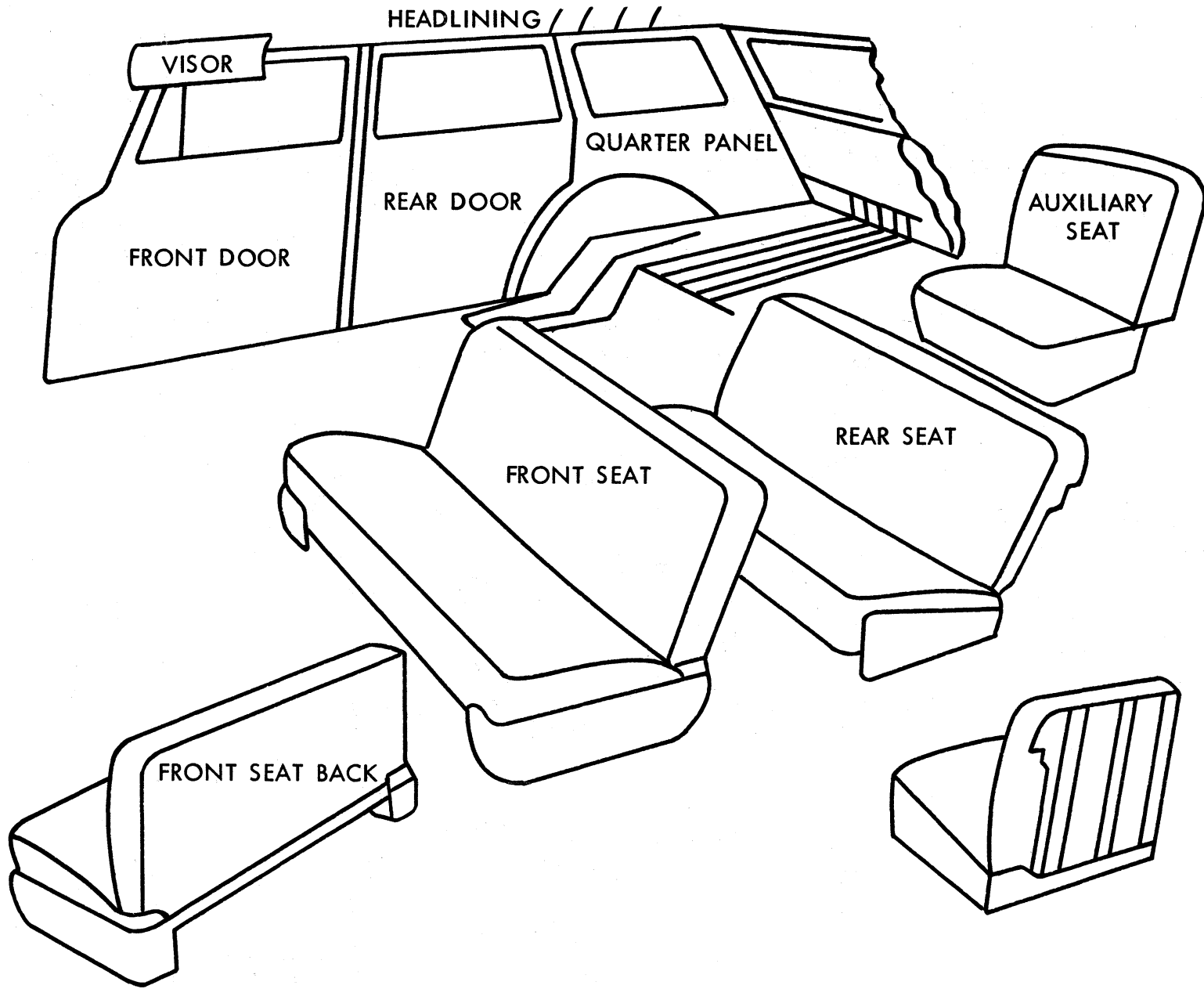
2 DOOR SUBURBAN

19x6964



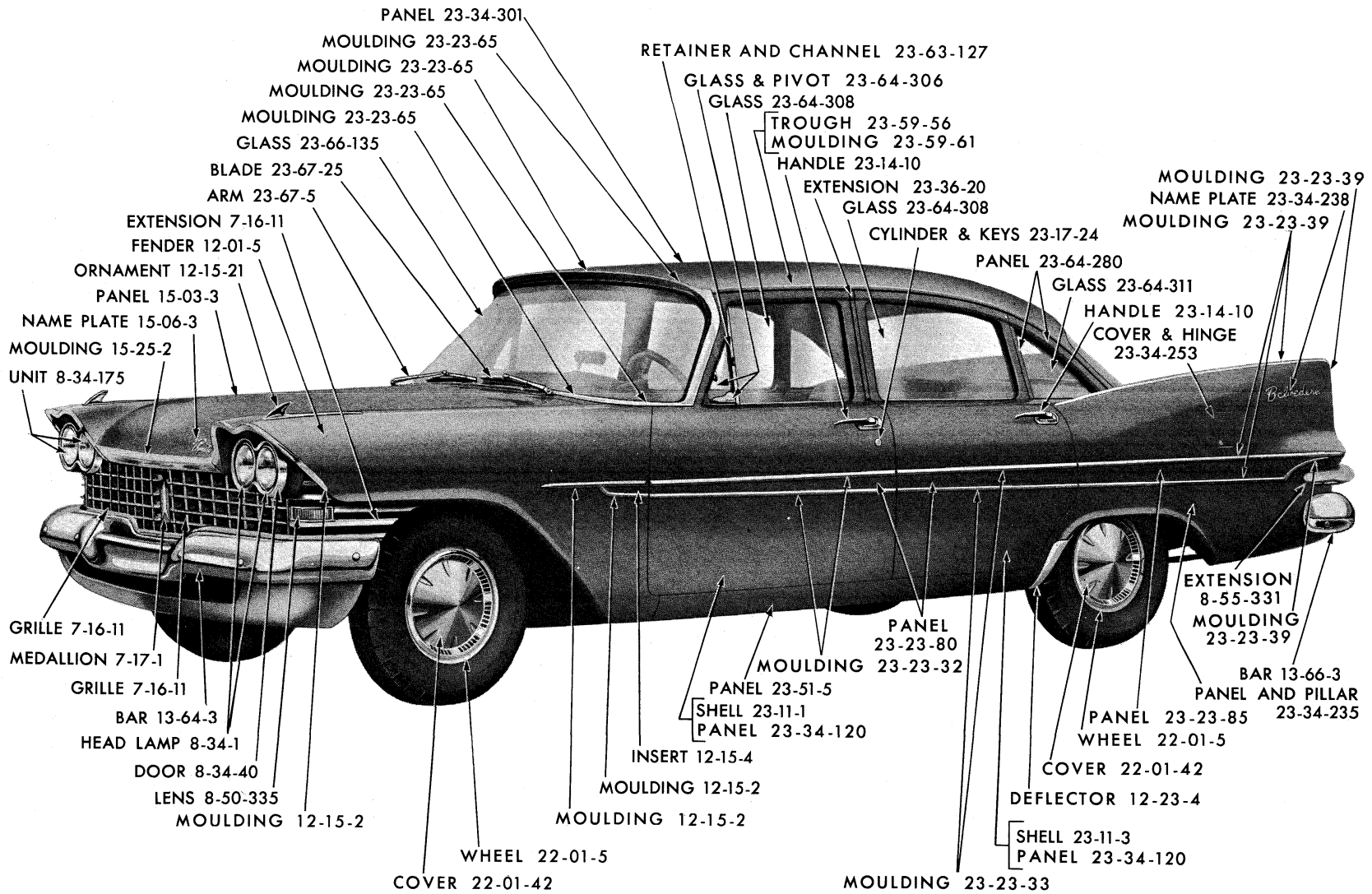
4 DOOR SUBURBAN

19x6965



ESTATE WAGON

19x6966



WHEEL 22-01-5
COVER 22-01-42

MOULDING 12-15-2

INSERT 12-15-4

PANEL 23-51-5
SHELL 23-11-1
PANEL 23-34-120

MOULDING 23-23-32

PANEL 23-23-80

EXTENSION 8-55-331
MOULDING 23-23-39

BAR 13-66-3
PANEL AND PILLAR 23-34-235

PANEL 23-23-85
WHEEL 22-01-5

COVER 22-01-42

DEFLECTOR 12-23-4

SHELL 23-11-3
PANEL 23-34-120

MOULDING 23-23-33

PANEL 23-34-301

MOULDING 23-23-65

MOULDING 23-23-65

MOULDING 23-23-65

MOULDING 23-23-65

GLASS 23-66-135

BLADE 23-67-25

ARM 23-67-5

EXTENSION 7-16-11

FENDER 12-01-5

ORNAMENT 12-15-21

PANEL 15-03-3

NAME PLATE 15-06-3

MOULDING 15-25-2

UNIT 8-34-175

RETAINER AND CHANNEL 23-63-127

GLASS & PIVOT 23-64-306

GLASS 23-64-308

TROUGH 23-59-56

MOULDING 23-59-61

HANDLE 23-14-10

EXTENSION 23-36-20

GLASS 23-64-308

CYLINDER & KEYS 23-17-24

PANEL 23-64-280

GLASS 23-64-311

HANDLE 23-14-10

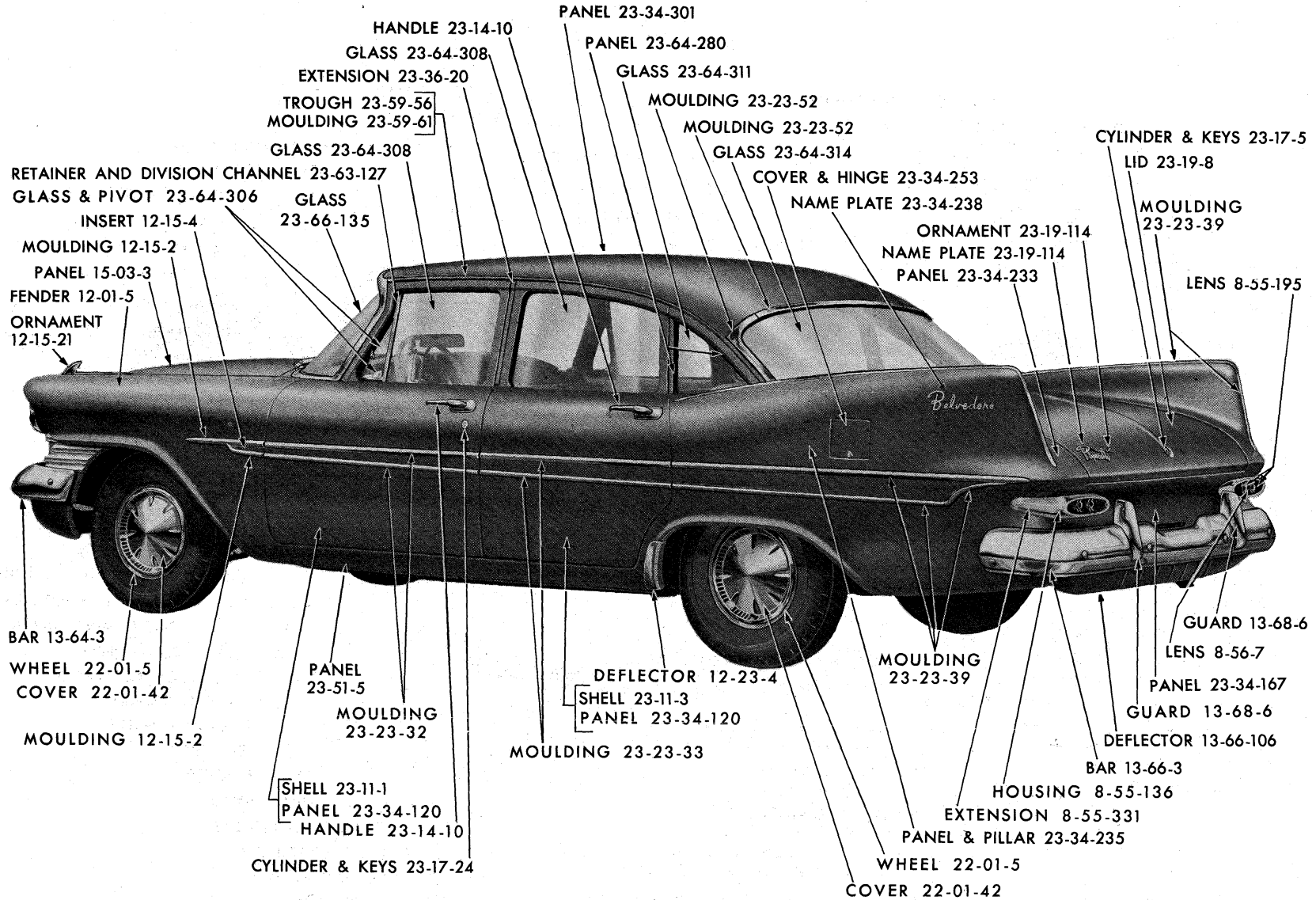
COVER & HINGE 23-34-253

MOULDING 23-23-39

NAME PLATE 23-34-238

MOULDING 23-23-39

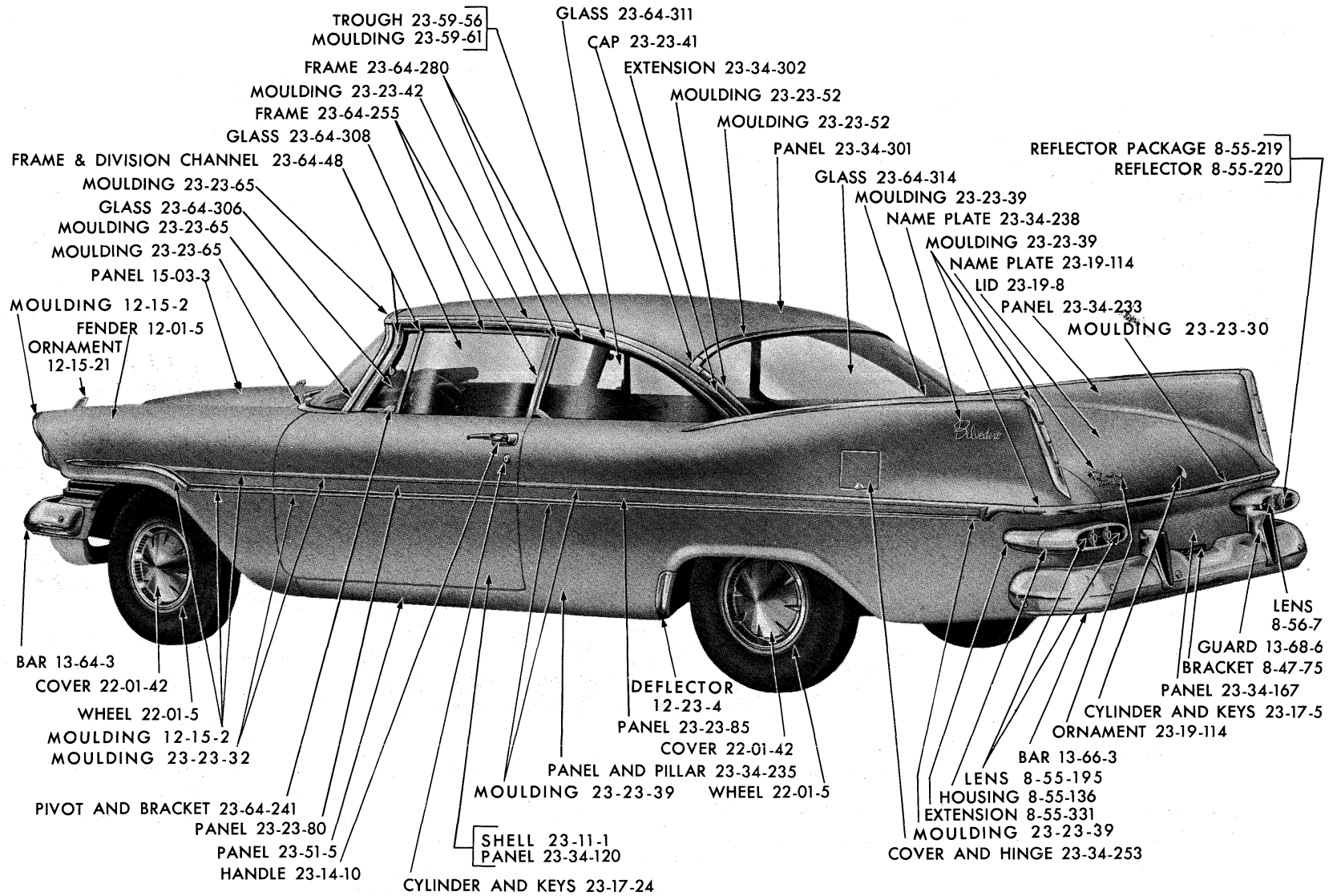
19x8413



- HANDLE 23-14-10
- GLASS 23-64-308
- EXTENSION 23-36-20
- TROUGH 23-59-56
- MOULDING 23-59-61
- GLASS 23-64-308
- RETAINER AND DIVISION CHANNEL 23-63-127
- GLASS & PIVOT 23-64-306
- GLASS 23-66-135
- INSERT 12-15-4
- MOULDING 12-15-2
- PANEL 15-03-3
- FENDER 12-01-5
- ORNAMENT 12-15-21
- PANEL 23-34-301
- PANEL 23-64-280
- GLASS 23-64-311
- MOULDING 23-23-52
- MOULDING 23-23-52
- GLASS 23-64-314
- COVER & HINGE 23-34-253
- NAME PLATE 23-34-238
- CYLINDER & KEYS 23-17-5
- LID 23-19-8
- MOULDING 23-23-39
- ORNAMENT 23-19-114
- NAME PLATE 23-19-114
- PANEL 23-34-233
- LENS 8-55-195
- BAR 13-64-3
- WHEEL 22-01-5
- COVER 22-01-42
- MOULDING 12-15-2
- PANEL 23-51-5
- MOULDING 23-23-32
- SHELL 23-11-1
- PANEL 23-34-120
- HANDLE 23-14-10
- CYLINDER & KEYS 23-17-24
- DEFLECTOR 12-23-4
- SHELL 23-11-3
- PANEL 23-34-120
- MOULDING 23-23-33
- MOULDING 23-23-39
- MOULDING 23-23-39
- GUARD 13-68-6
- LENS 8-56-7
- PANEL 23-34-167
- GUARD 13-68-6
- DEFLECTOR 13-66-106
- BAR 13-66-3
- HOUSING 8-55-136
- EXTENSION 8-55-331
- PANEL & PILLAR 23-34-235
- WHEEL 22-01-5
- COVER 22-01-42

19x8412

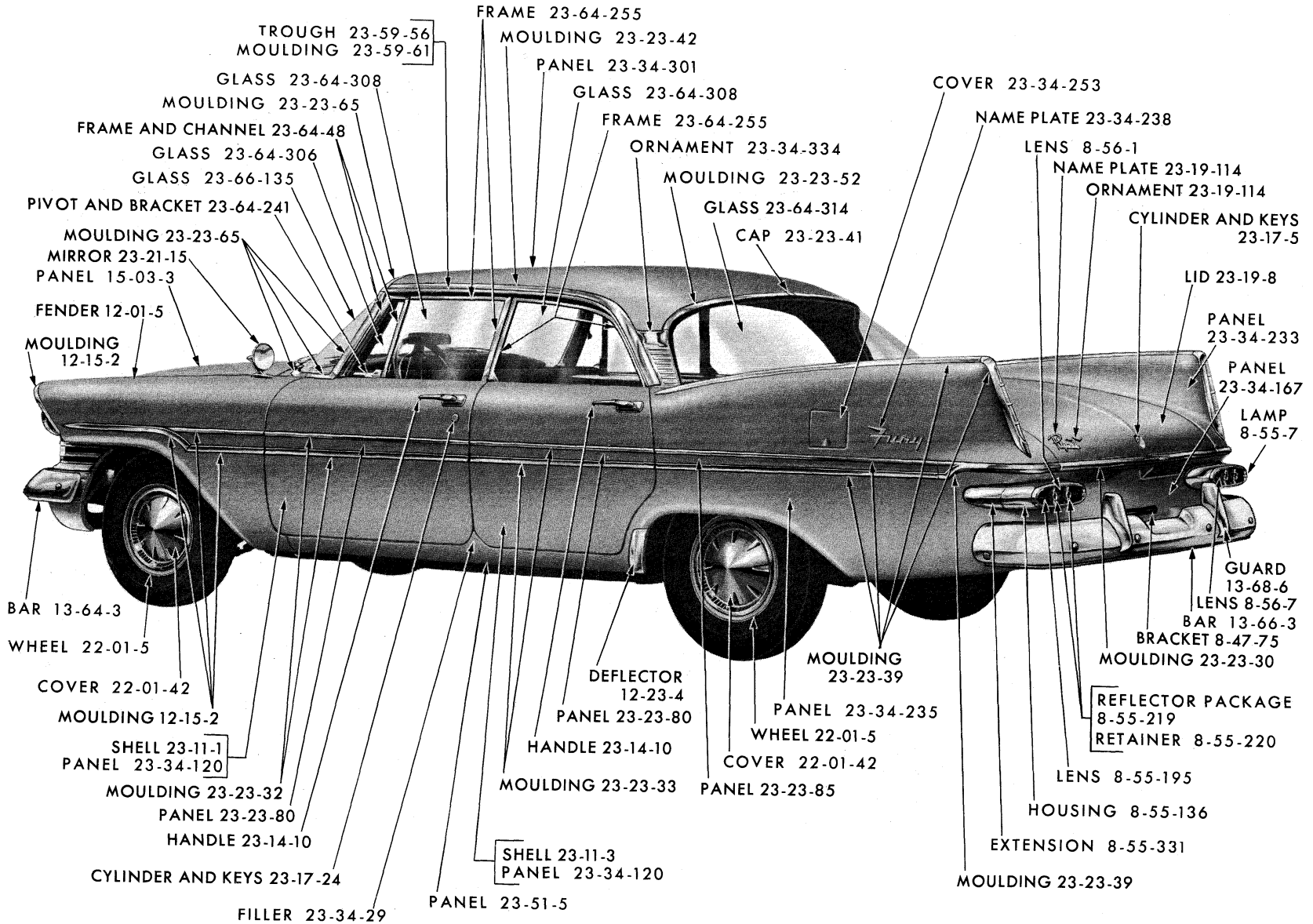
REAR EXTERIOR - PLYMOUTH MP1-2 4 DOOR SEDAN



- TROUGH 23-59-56
- MOULDING 23-59-61
- FRAME 23-64-280
- MOULDING 23-23-42
- FRAME 23-64-255
- GLASS 23-64-308
- FRAME & DIVISION CHANNEL 23-64-48
- MOULDING 23-23-65
- GLASS 23-64-306
- MOULDING 23-23-65
- MOULDING 23-23-65
- PANEL 15-03-3
- MOULDING 12-15-2
- FENDER 12-01-5
- ORNAMENT 12-15-21
- BAR 13-64-3
- COVER 22-01-42
- WHEEL 22-01-5
- MOULDING 12-15-2
- MOULDING 23-23-32
- PIVOT AND BRACKET 23-64-241
- PANEL 23-23-80
- PANEL 23-51-5
- HANDLE 23-14-10
- GLASS 23-64-311
- CAP 23-23-41
- EXTENSION 23-34-302
- MOULDING 23-23-52
- MOULDING 23-23-52
- PANEL 23-34-301
- GLASS 23-64-314
- MOULDING 23-23-39
- NAME PLATE 23-34-238
- MOULDING 23-23-39
- NAME PLATE 23-19-114
- LID 23-19-8
- PANEL 23-34-233
- MOULDING 23-23-30
- REFLECTOR PACKAGE 8-55-219
- REFLECTOR 8-55-220
- DEFLECTOR 12-23-4
- PANEL 23-23-85
- COVER 22-01-42
- PANEL AND PILLAR 23-34-235
- MOULDING 23-23-39
- WHEEL 22-01-5
- SHELL 23-11-1
- PANEL 23-34-120
- CYLINDER AND KEYS 23-17-24
- LENS 8-56-7
- GUARD 13-68-6
- BRACKET 8-47-75
- PANEL 23-34-167
- CYLINDER AND KEYS 23-17-5
- ORNAMENT 23-19-114
- BAR 13-66-3
- LENS 8-55-195
- HOUSING 8-55-136
- EXTENSION 8-55-331
- MOULDING 23-23-39
- COVER AND HINGE 23-34-253

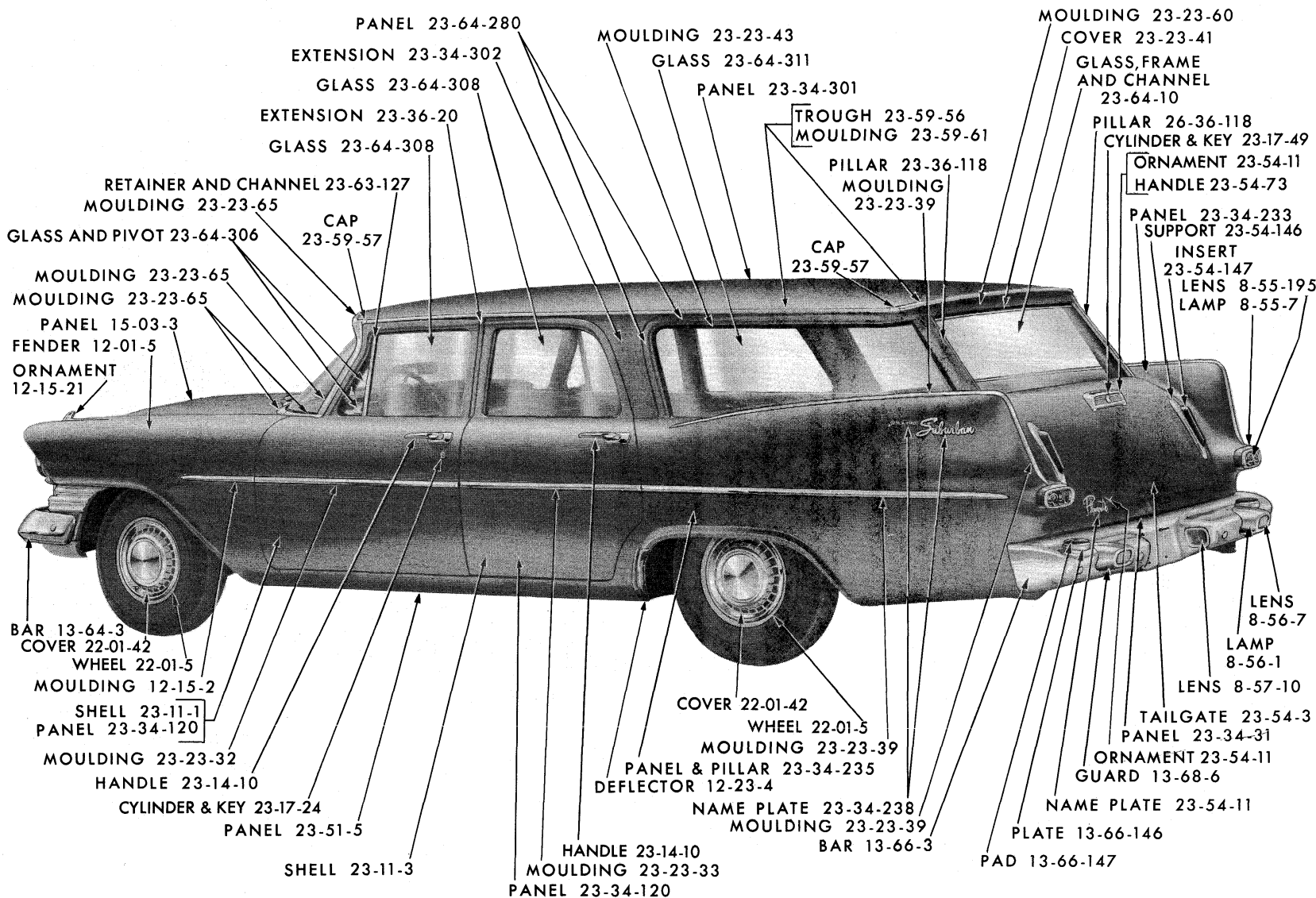
19x8405

REAR EXTERIOR - PLYMOUTH MP1-2 SPECIAL CLUB COUPE



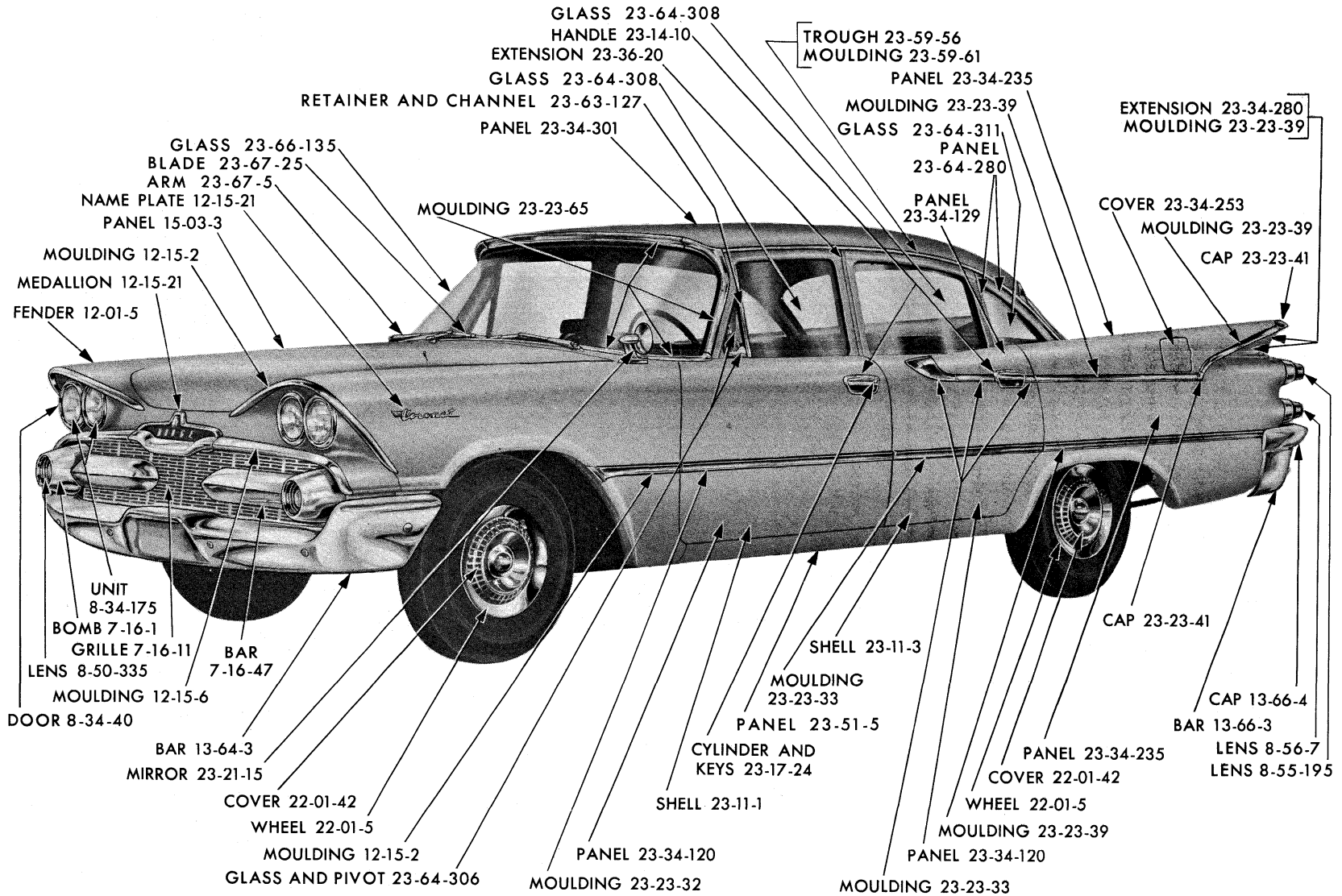
19x8435A

REAR EXTERIOR - PLYMOUTH MP1-2 SPECIAL 4 DOOR SEDAN



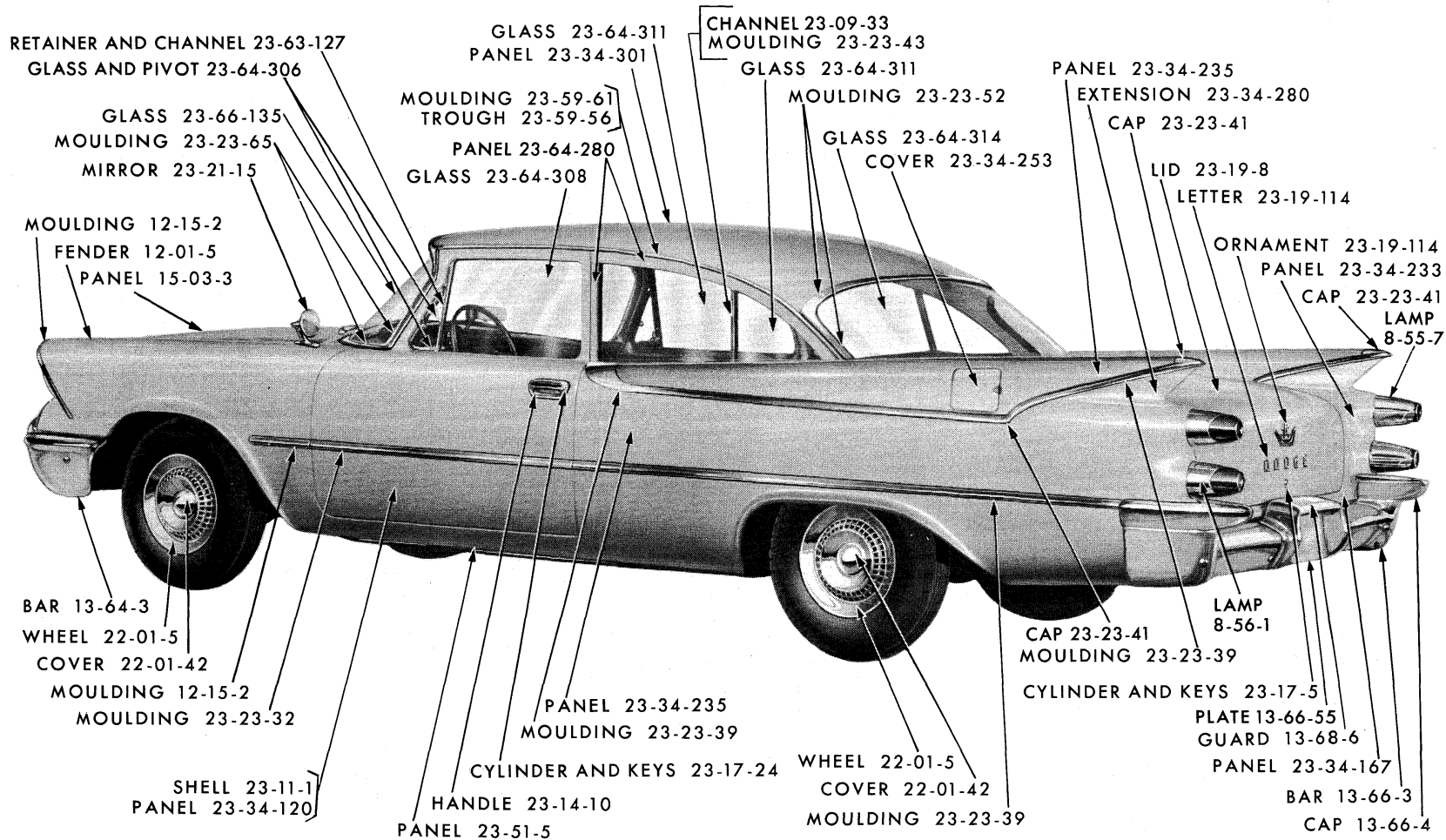
19x8411A

REAR EXTERIOR - PLYMOUTH MP1-2 SUBURBAN



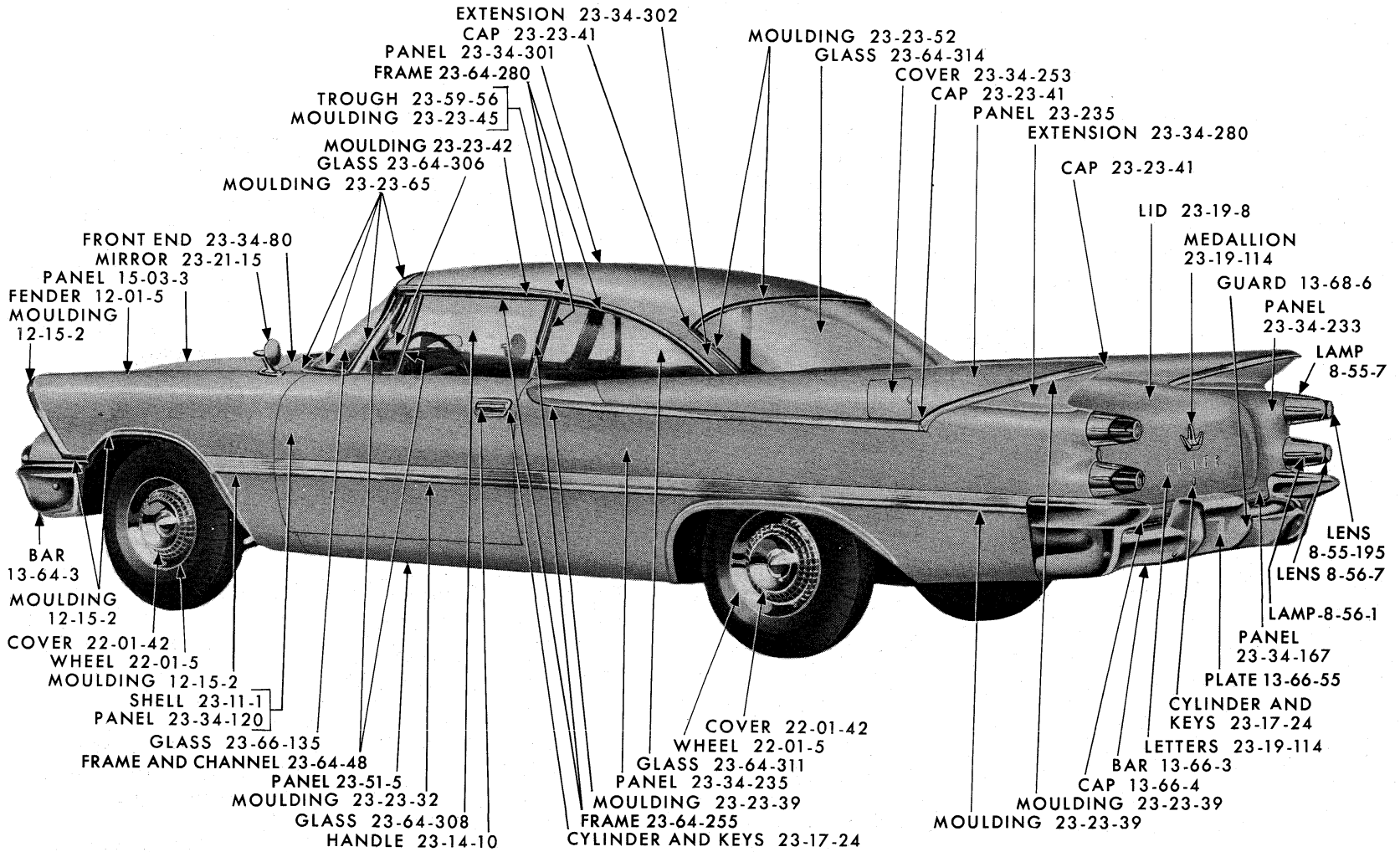
FRONT EXTERIOR - DODGE MD1-2-3 4 DOOR SEDAN

19x8431



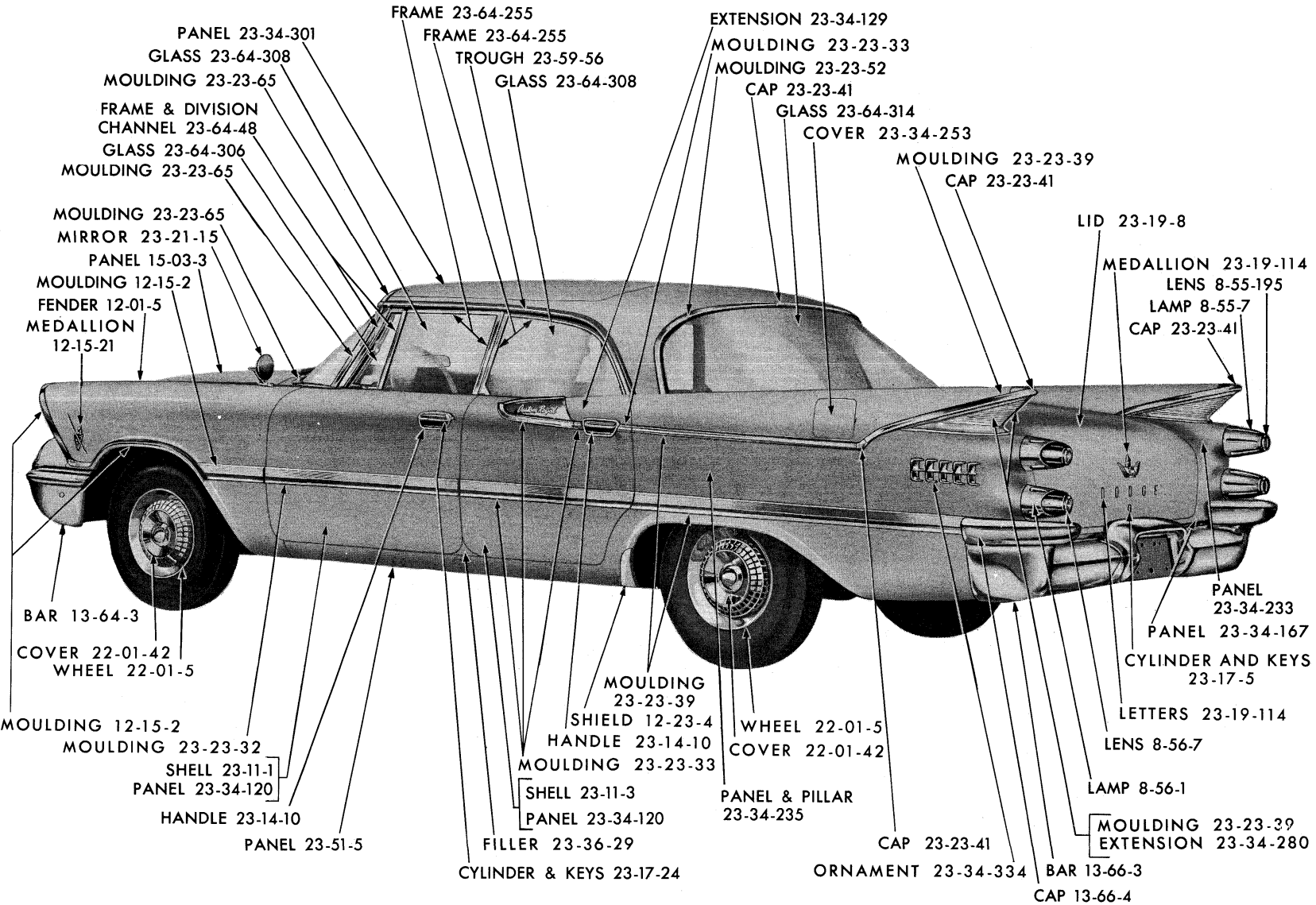
19x8438A

REAR EXTERIOR - DODGE MD1 CLUB SEDAN



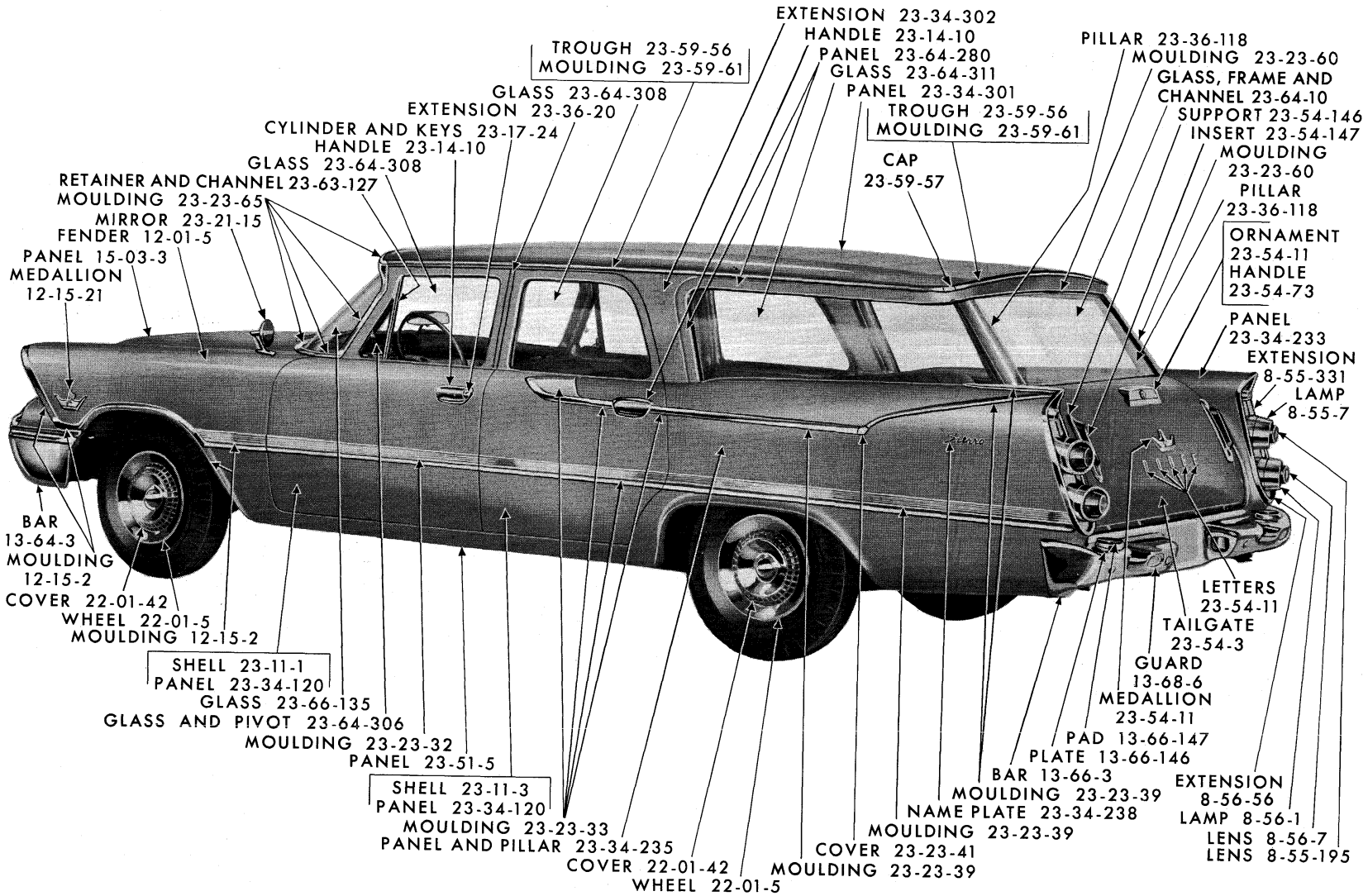
19x8437

REAR EXTERIOR - DODGE MD1-2-3 SPECIAL CLUB COUPE



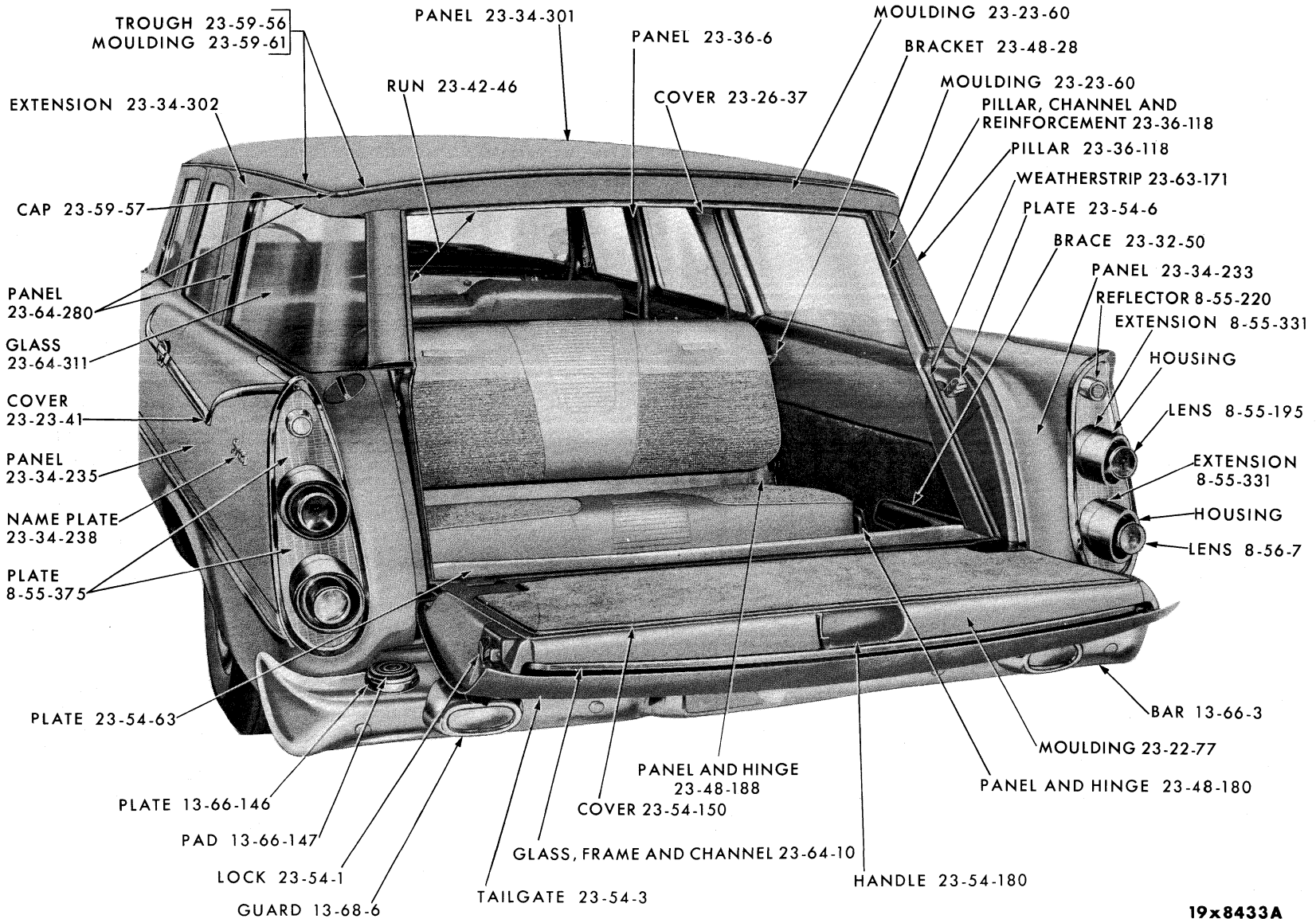
19x8406

REAR EXTERIOR - DODGE MD2-3 SPECIAL 4 DOOR SEDAN



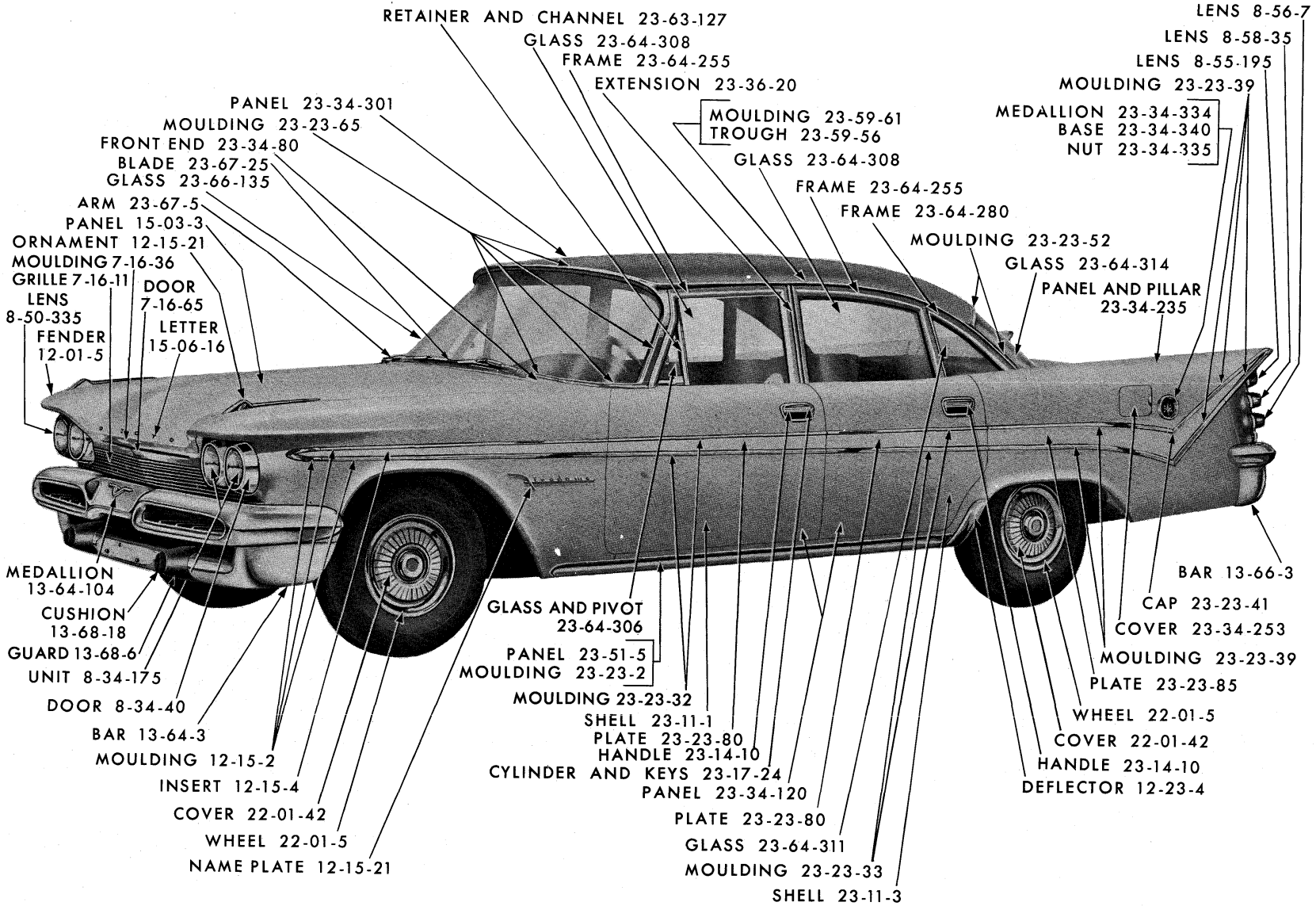
19x8410A

REAR EXTERIOR - DODGE MD3 SUBURBAN



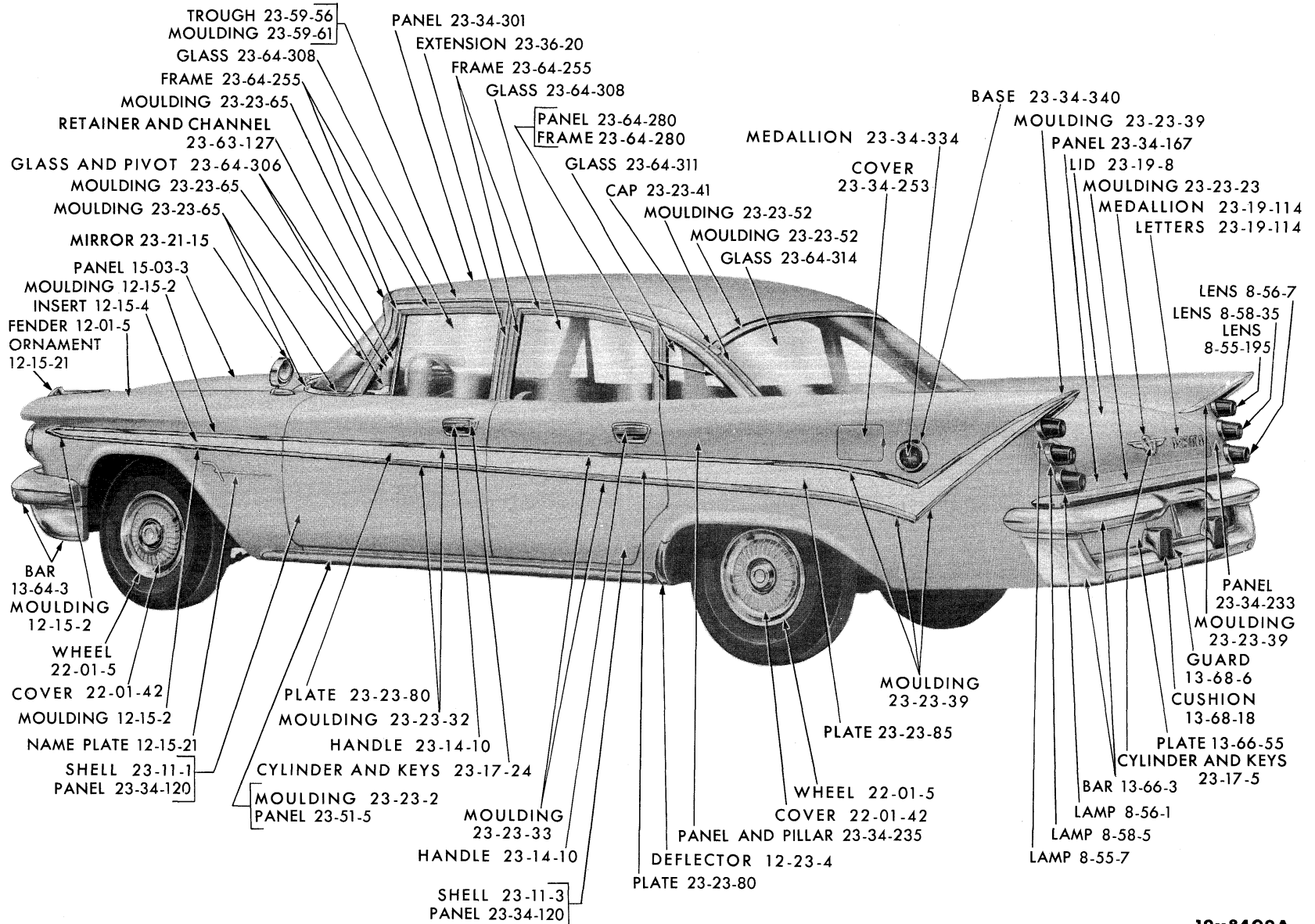
REAR VIEW - DODGE MD3 SUBURBAN

19x8433A



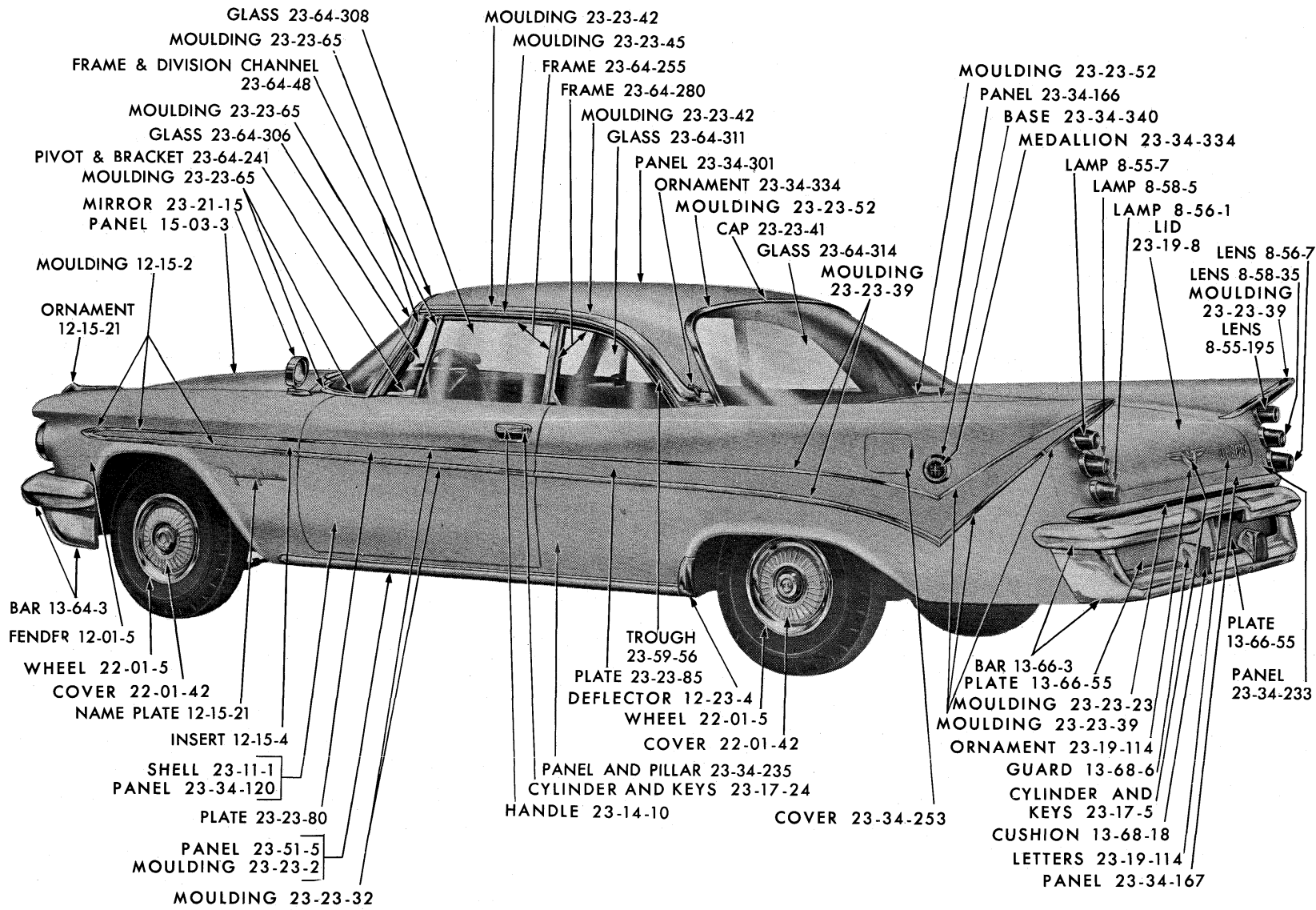
FRONT EXTERIOR - DESOTO MS1-2-3 4 DOOR SEDAN

19x8434



19x8409A

REAR EXTERIOR - DESOTO MS1-2-3 4 DOOR SEDAN



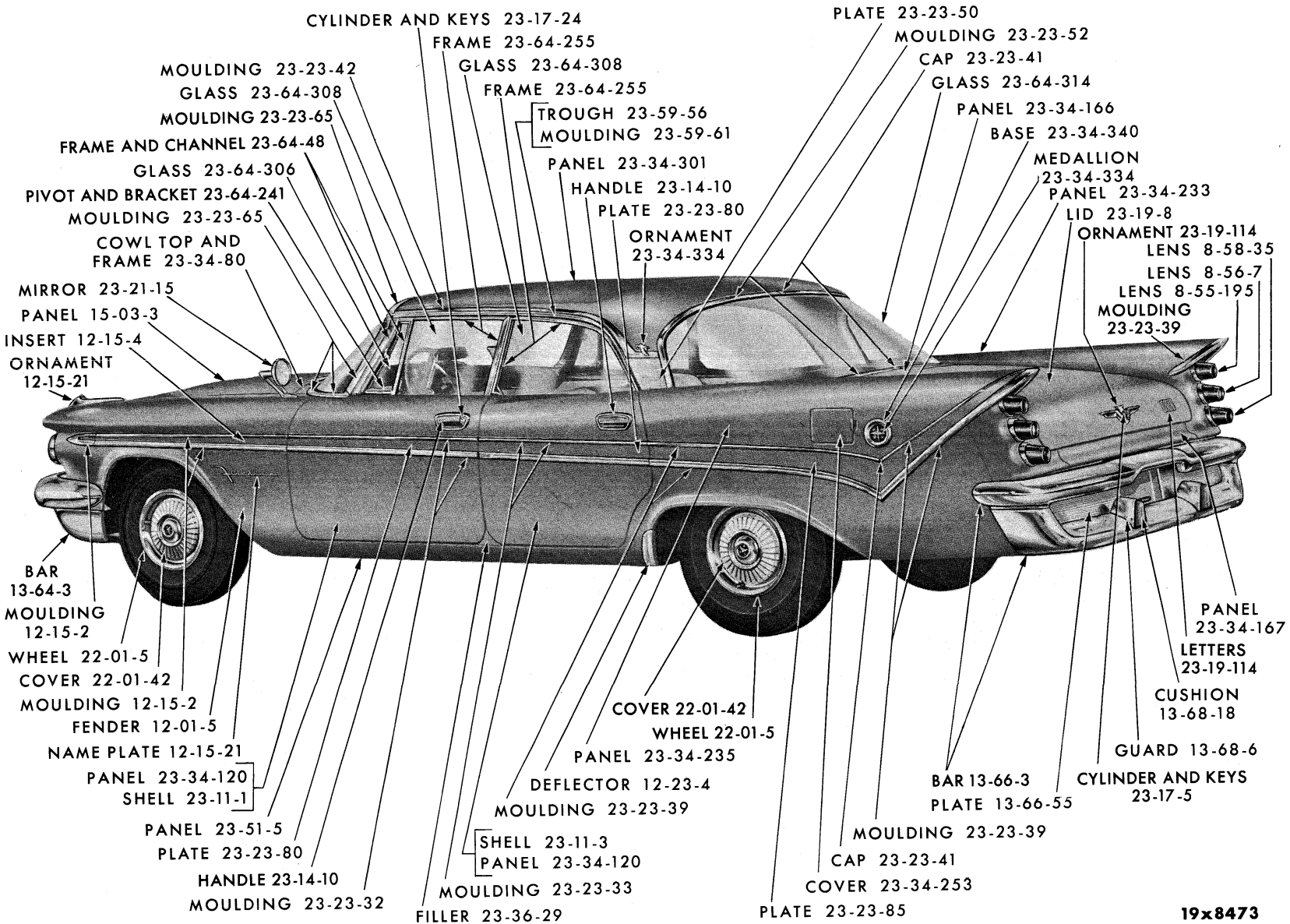
GLASS 23-64-308
 MOULDING 23-23-65
 FRAME & DIVISION CHANNEL 23-64-48
 MOULDING 23-23-65
 GLASS 23-64-306
 PIVOT & BRACKET 23-64-241
 MOULDING 23-23-65
 MIRROR 23-21-15
 PANEL 15-03-3
 MOULDING 12-15-2
 ORNAMENT 12-15-21
 BAR 13-64-3
 FENDER 12-01-5
 WHEEL 22-01-5
 COVER 22-01-42
 NAME PLATE 12-15-21
 INSERT 12-15-4
 SHELL 23-11-1
 PANEL 23-34-120
 PLATE 23-23-80
 PANEL 23-51-5
 MOULDING 23-23-2
 MOULDING 23-23-32

MOULDING 23-23-42
 MOULDING 23-23-45
 FRAME 23-64-255
 FRAME 23-64-280
 MOULDING 23-23-42
 GLASS 23-64-311
 PANEL 23-34-301
 ORNAMENT 23-34-334
 MOULDING 23-23-52
 CAP 23-23-41
 GLASS 23-64-314
 MOULDING 23-23-39
 TROUGH 23-59-56
 PLATE 23-23-85
 DEFLECTOR 12-23-4
 WHEEL 22-01-5
 COVER 22-01-42
 PANEL AND PILLAR 23-34-235
 CYLINDER AND KEYS 23-17-24
 HANDLE 23-14-10
 COVER 23-34-253

MOULDING 23-23-52
 PANEL 23-34-166
 BASE 23-34-340
 MEDALLION 23-34-334
 LAMP 8-55-7
 LAMP 8-58-5
 LAMP 8-56-1
 LID 23-19-8
 LENS 8-56-7
 LENS 8-58-35
 MOULDING 23-23-39
 LENS 8-55-195
 BAR 13-66-3
 PLATE 13-66-55
 MOULDING 23-23-23
 MOULDING 23-23-39
 ORNAMENT 23-19-114
 GUARD 13-68-6
 CYLINDER AND KEYS 23-17-5
 CUSHION 13-68-18
 LETTERS 23-19-114
 PANEL 23-34-167
 PLATE 13-66-55
 PANEL 23-34-233

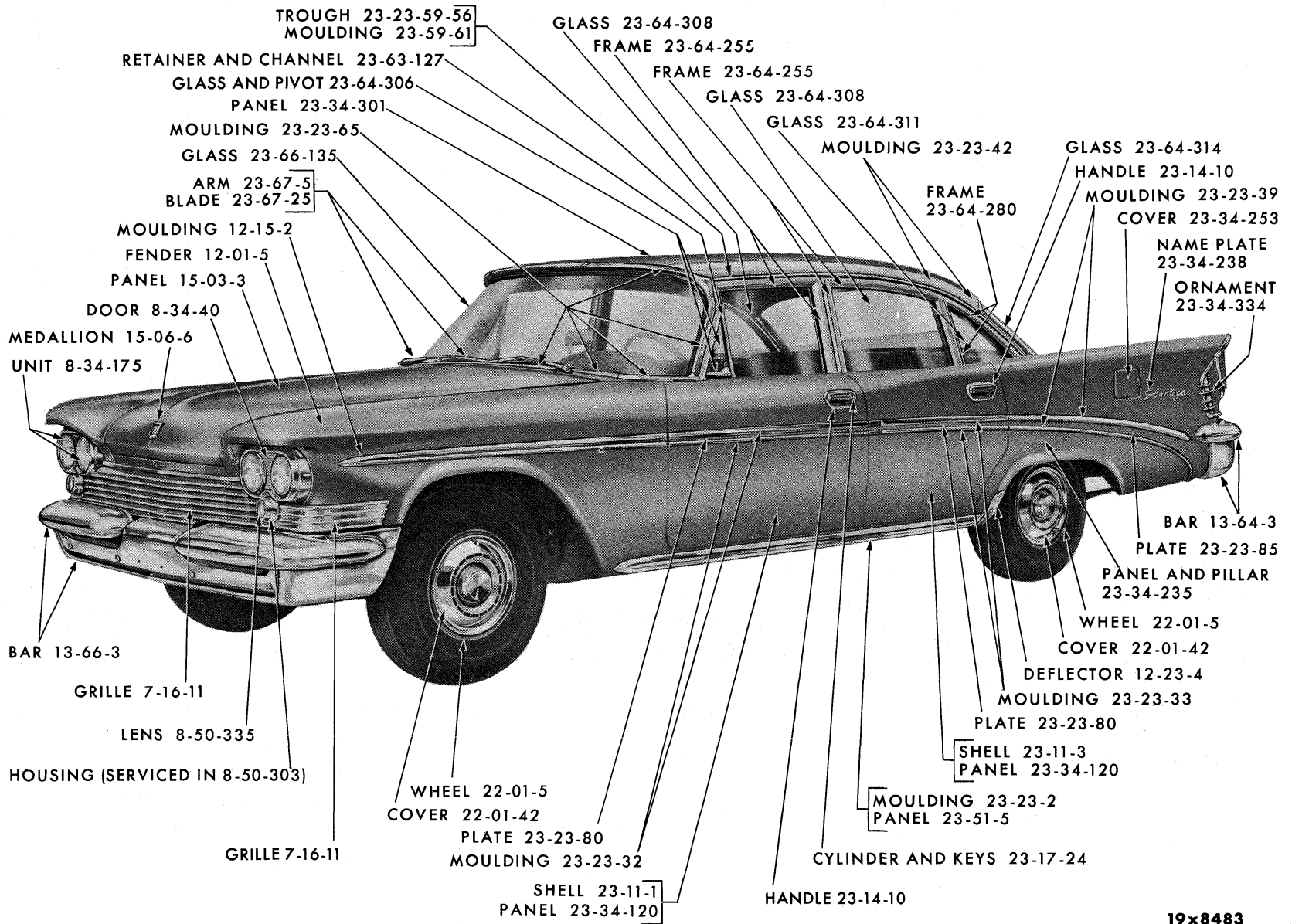
19x8408

REAR EXTERIOR - DESOTO MS1-2-3 SPECIAL CLUB COUPE



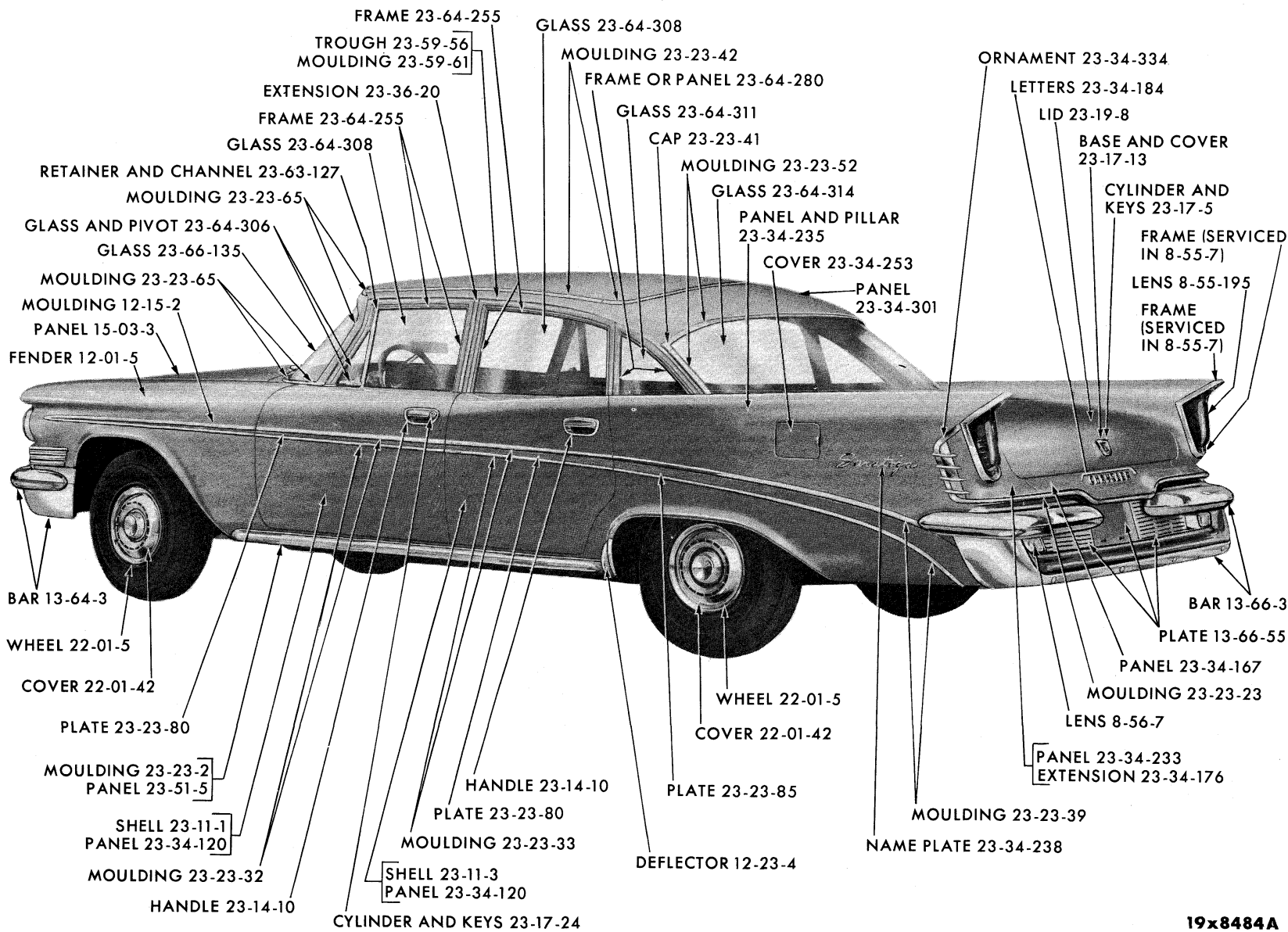
REAR EXTERIOR - DESOTO MS1-2-3 SPECIAL 4 DOOR SEDAN

19x8473



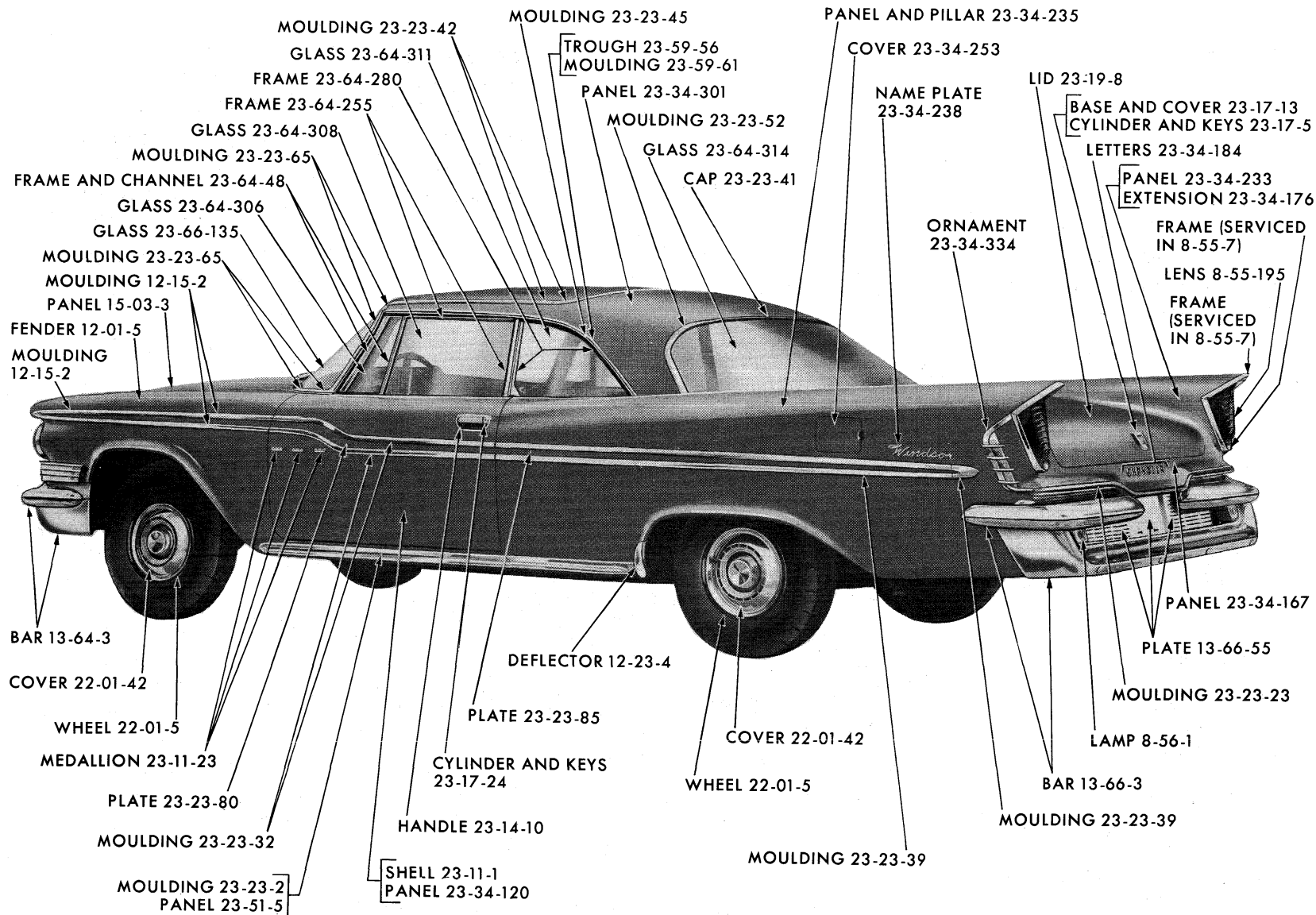
FRONT EXTERIOR - CHRYSLER MC1-2-3 4 DOOR SEDAN

19x8483



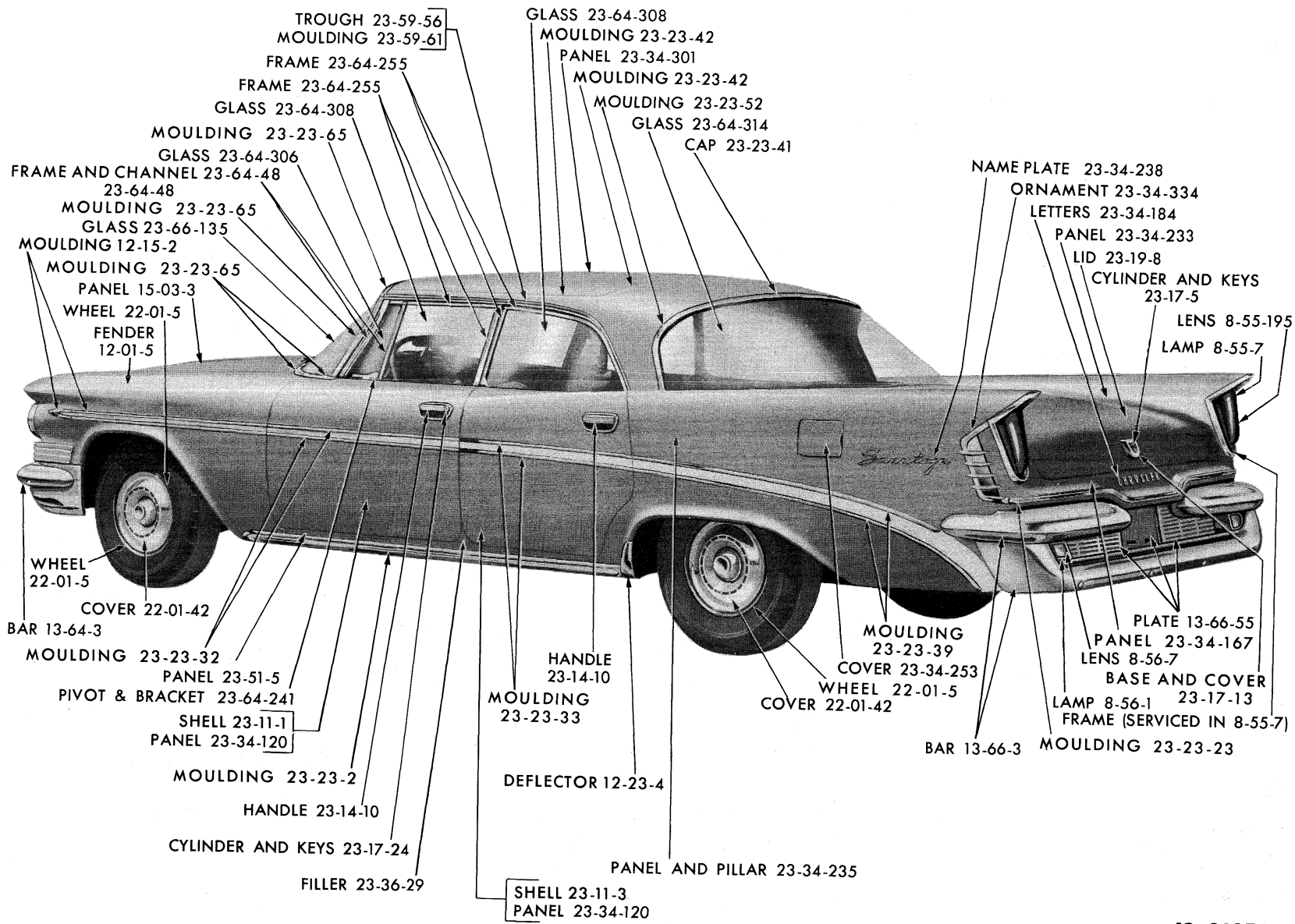
REAR EXTERIOR - CHRYSLER MC1-2-3 4 DOOR SEDAN

19x8484A



19x8485A

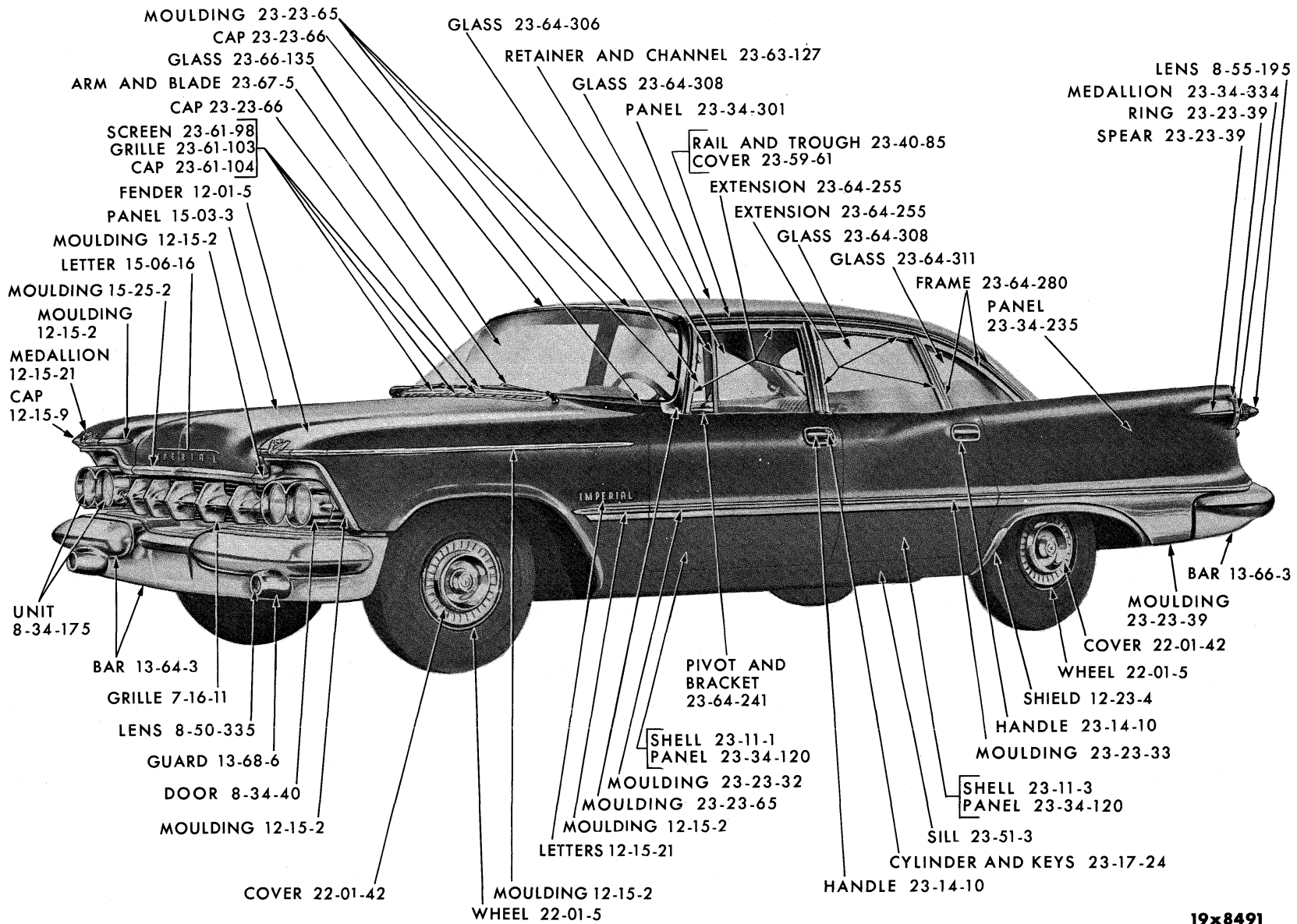
REAR EXTERIOR - CHRYSLER MC1-2-3 SPECIAL CLUB COUPE



BODY
1959 PASSENGER CAR PARTS LIST

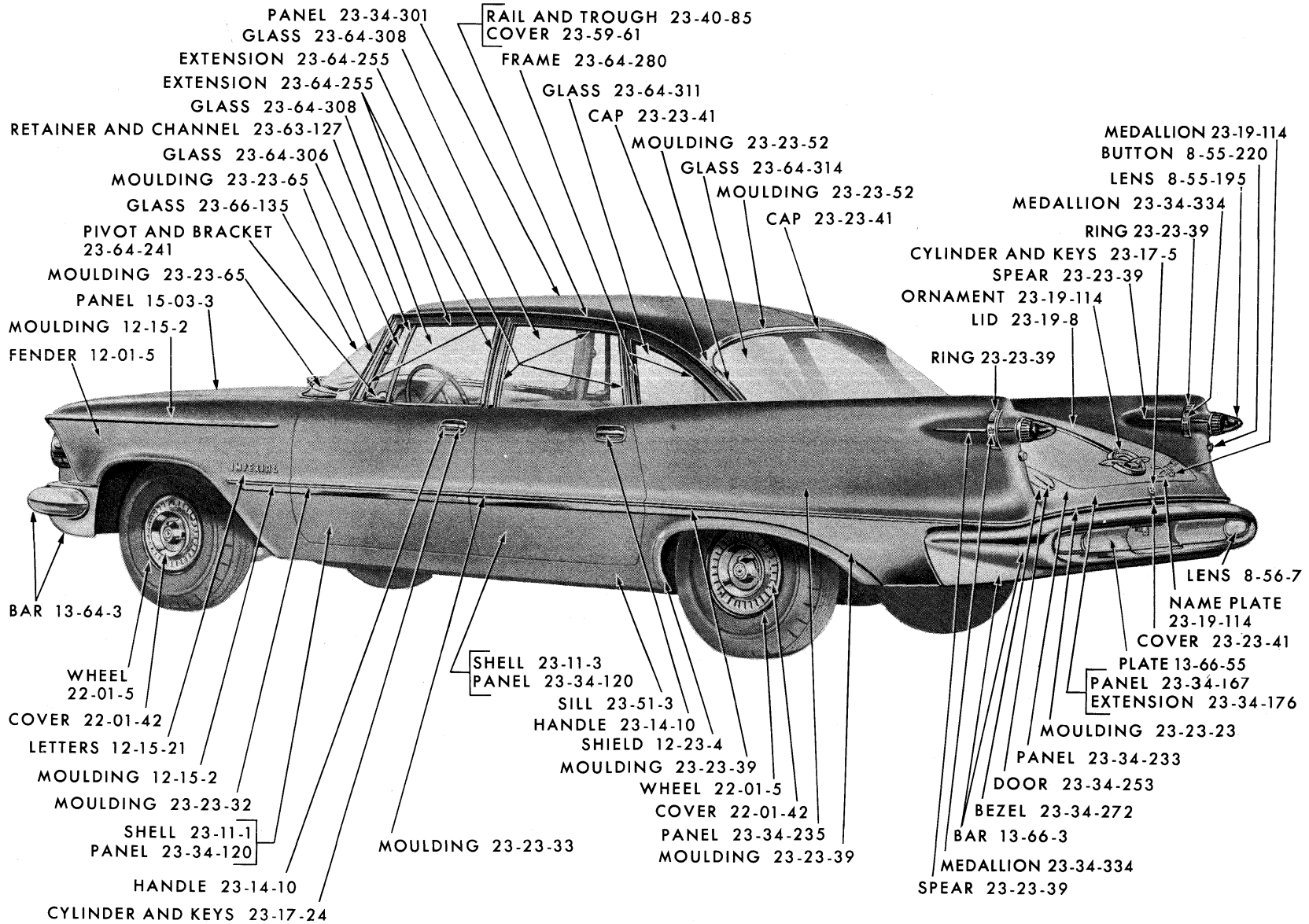
19x8407A

REAR EXTERIOR - CHRYSLER MC1-2-3 SPECIAL 4 DOOR SEDAN



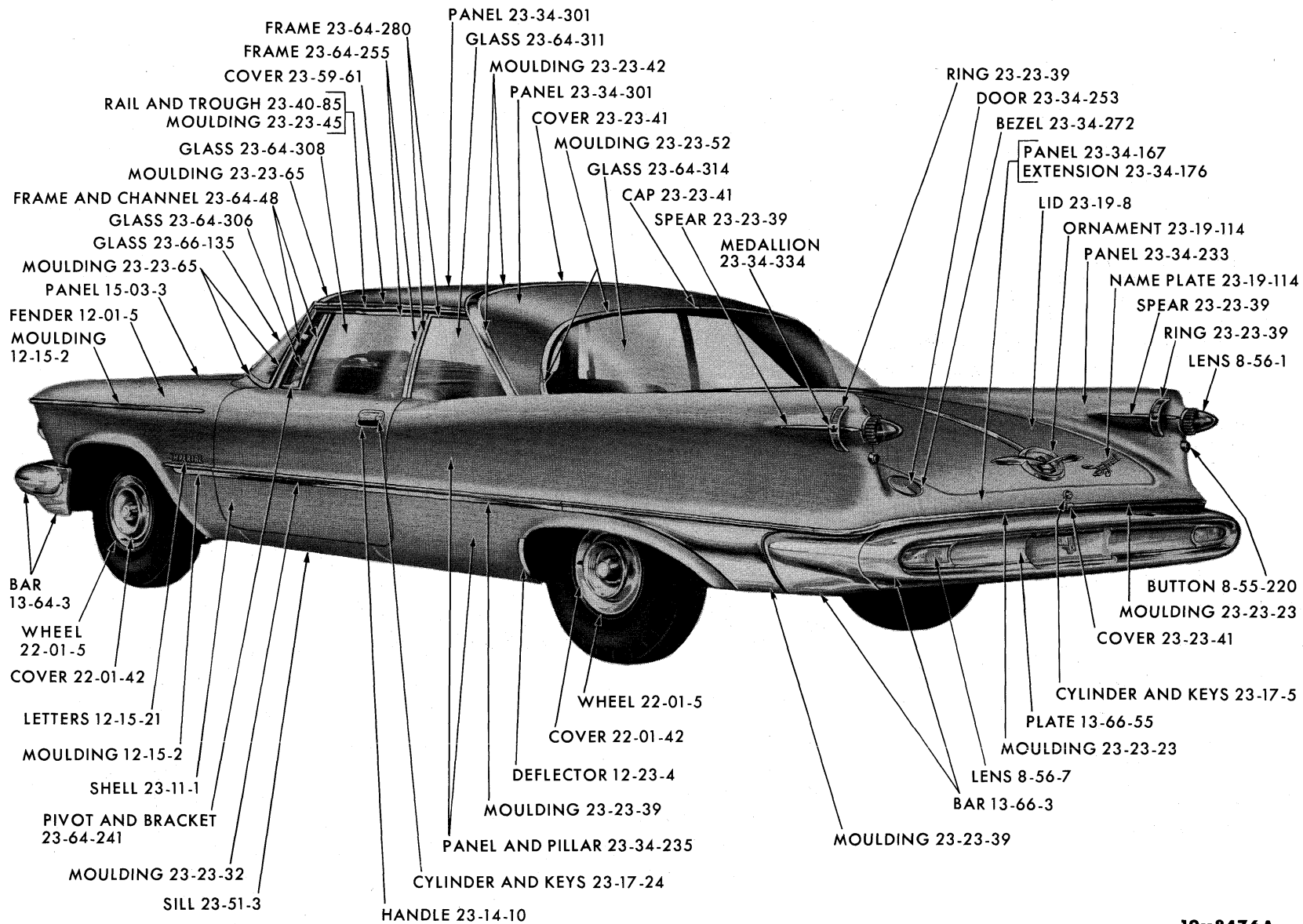
FRONT EXTERIOR - IMPERIAL MY1 4 DOOR SEDAN

19x8491



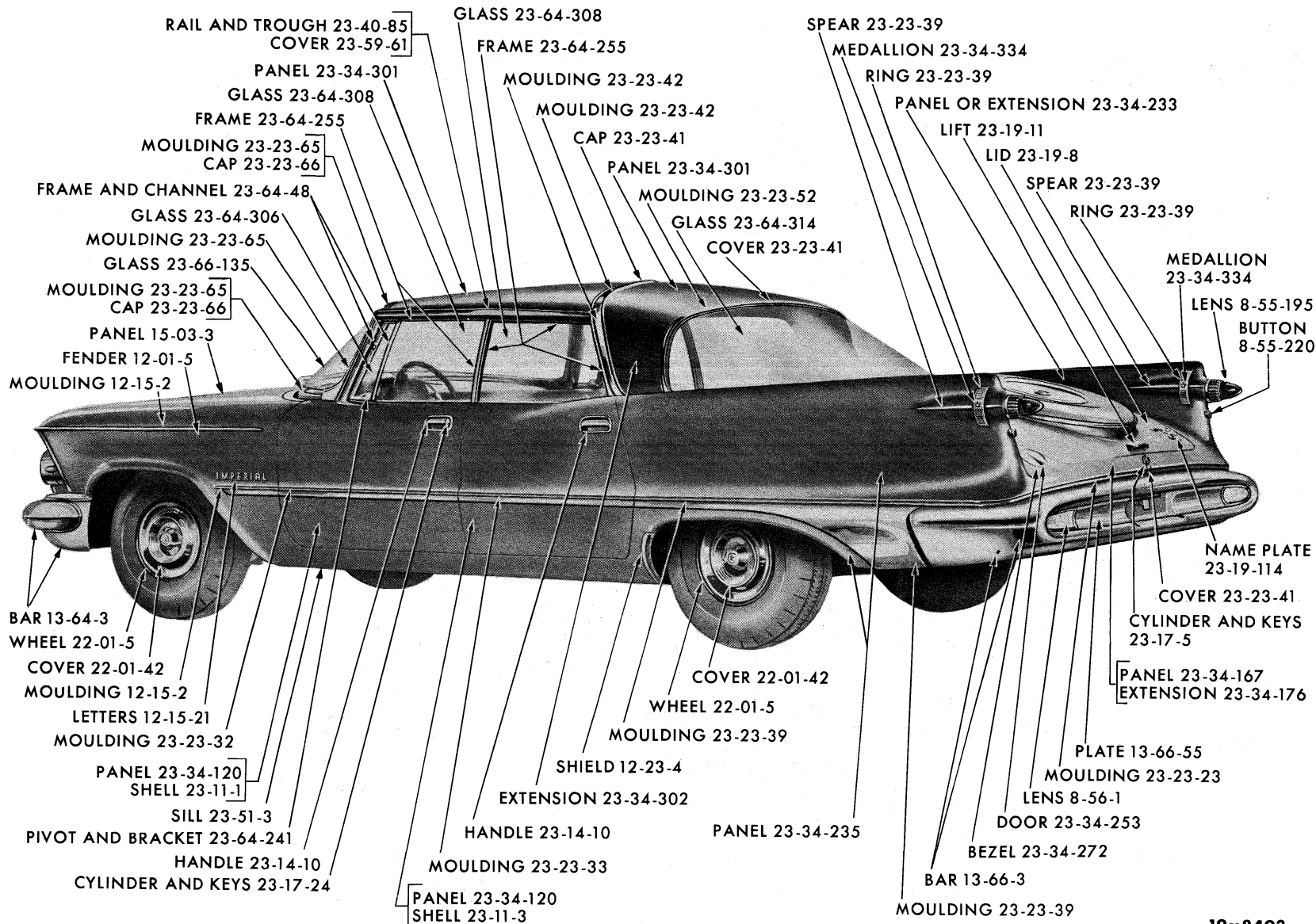
19x8492

REAR EXTERIOR - IMPERIAL MY1 4 DOOR SEDAN



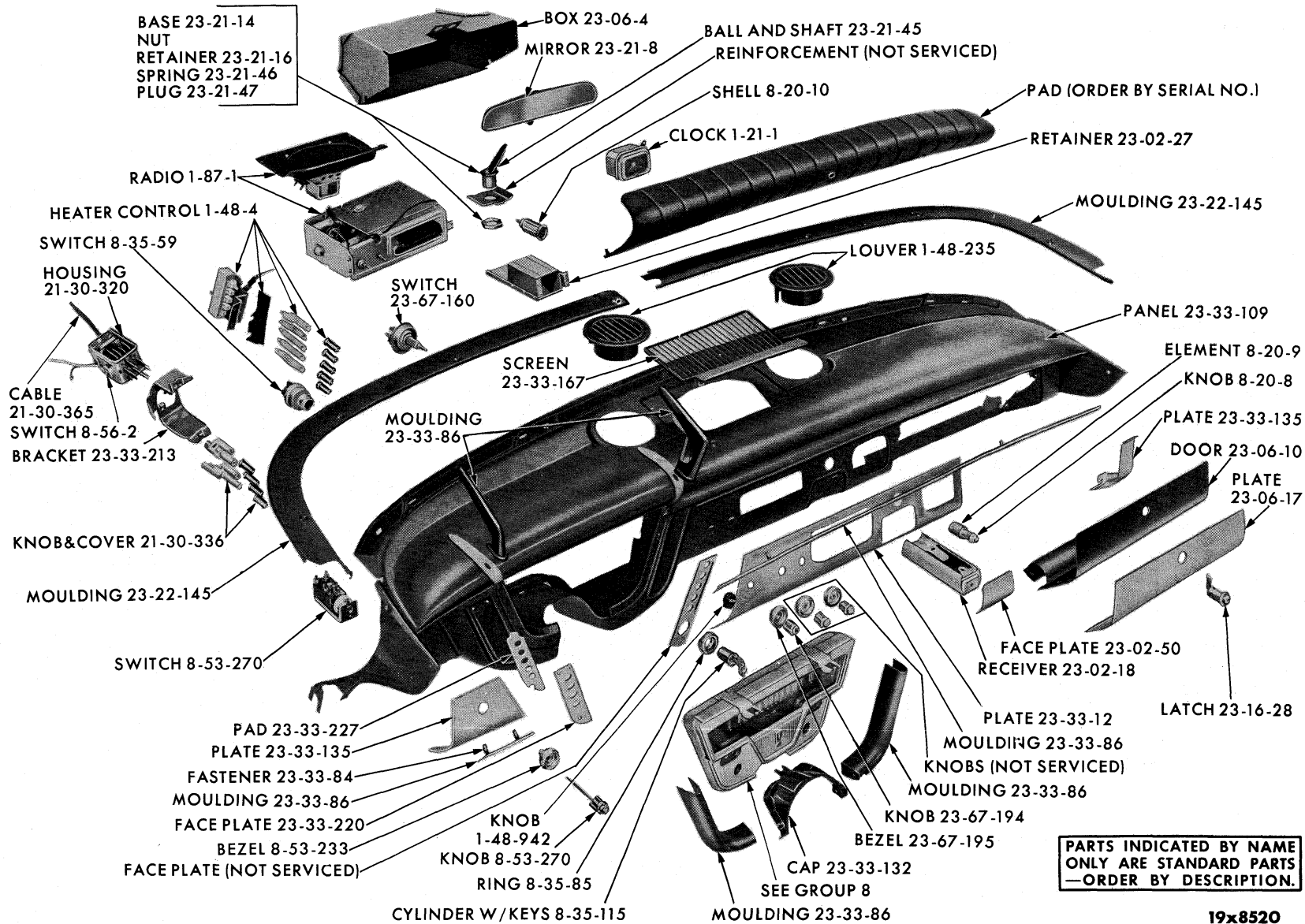
19x8476A

REAR EXTERIOR - IMPERIAL MY1 SPECIAL CLUB COUPE



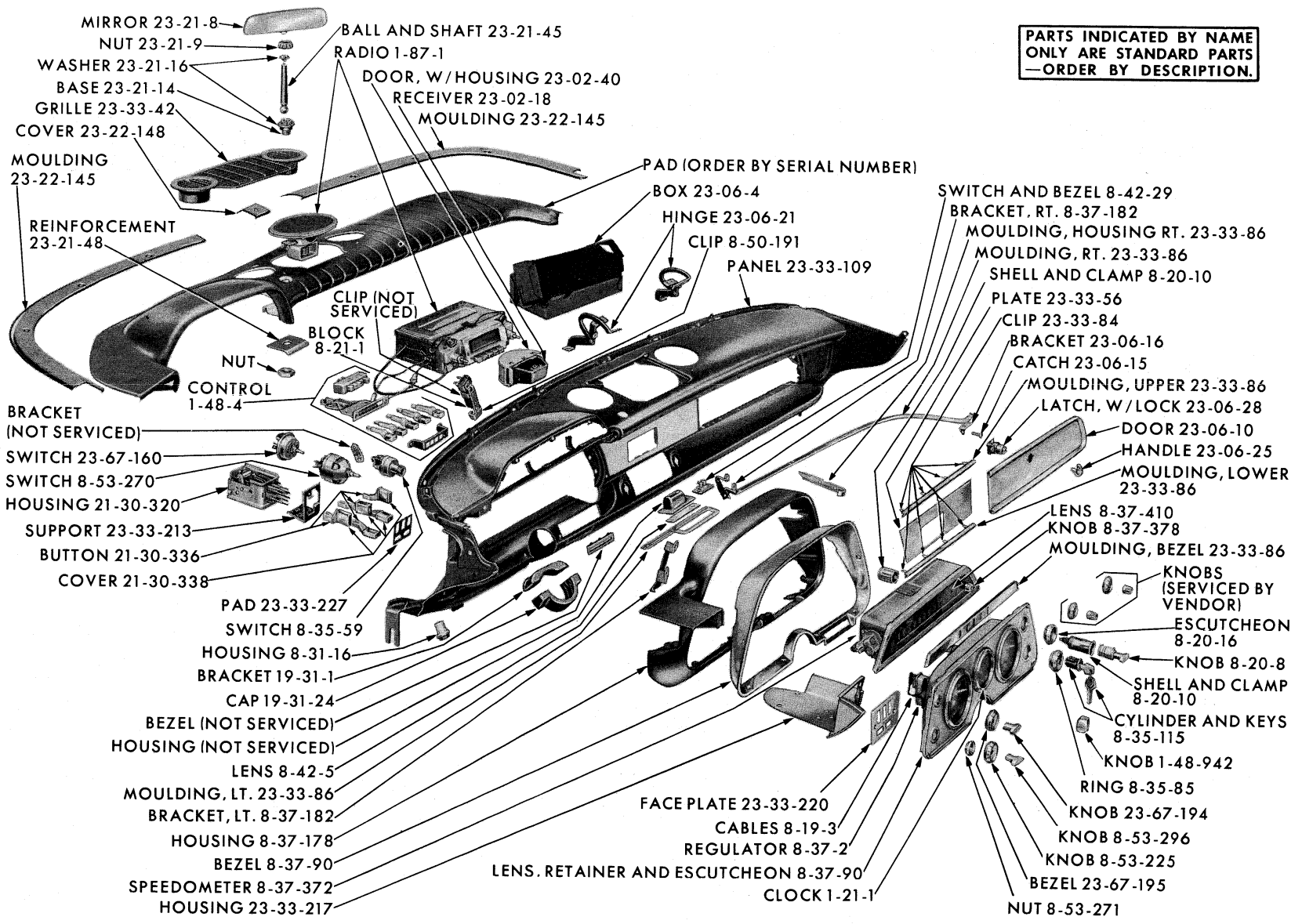
REAR EXTERIOR - IMPERIAL MY1 - SPECIAL 4 DOOR SEDAN

19x8493



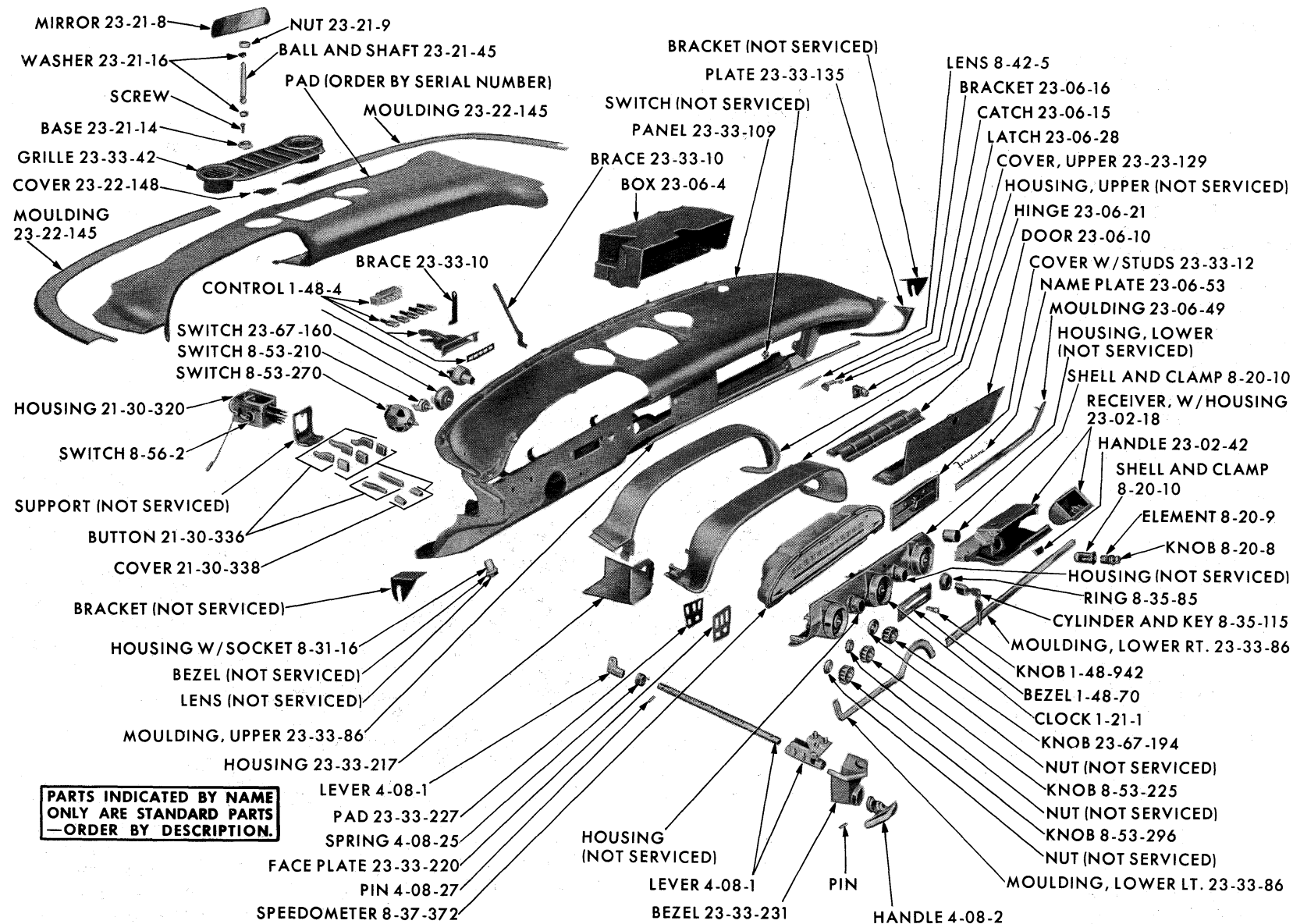
INSTRUMENT PANEL - PLYMOUTH MP1-2

PARTS INDICATED BY NAME ONLY ARE STANDARD PARTS - ORDER BY DESCRIPTION.



INSTRUMENT PANEL - DODGE MD1-2-3

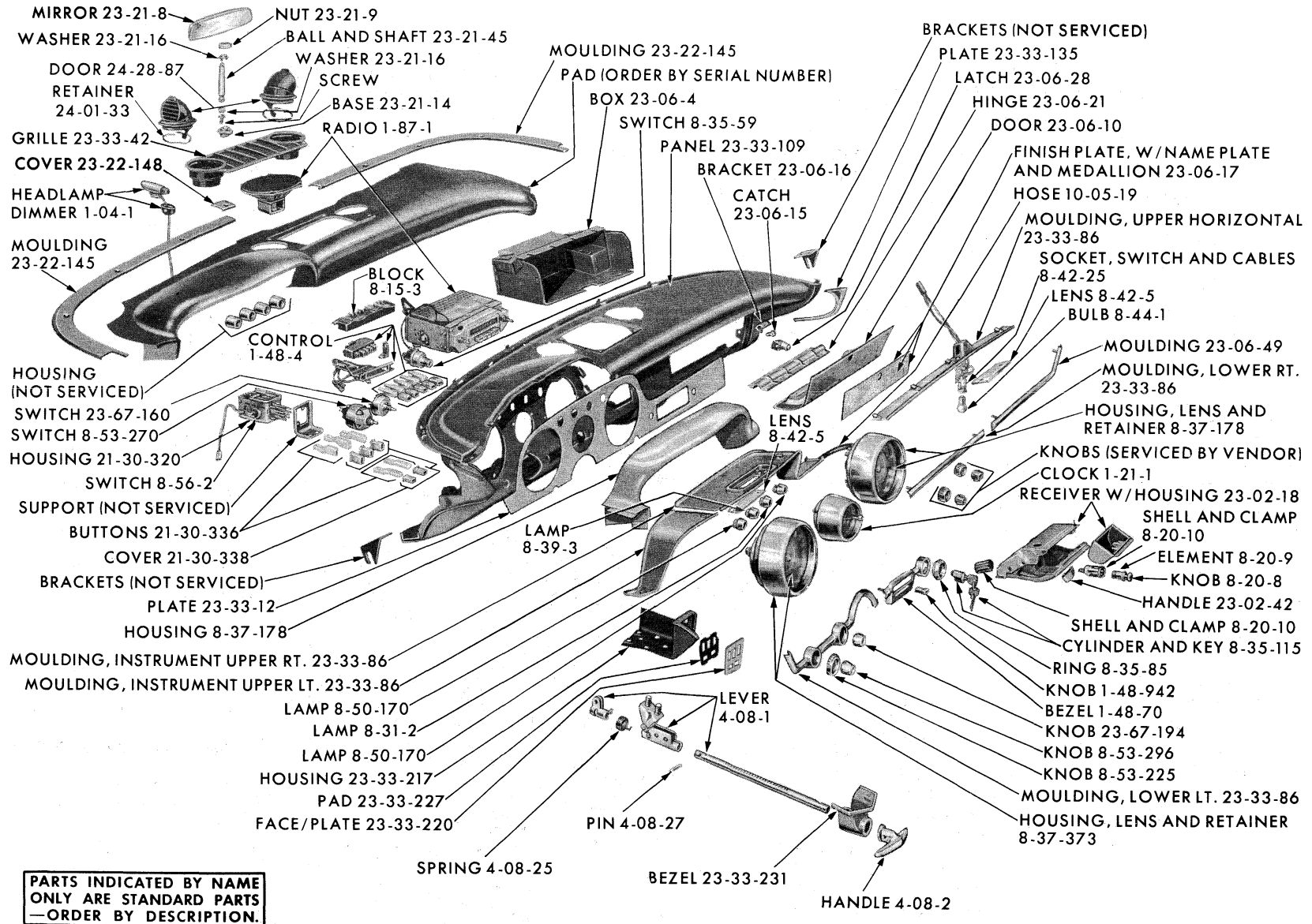
19x8548



PARTS INDICATED BY NAME ONLY ARE STANDARD PARTS —ORDER BY DESCRIPTION.

19x8535

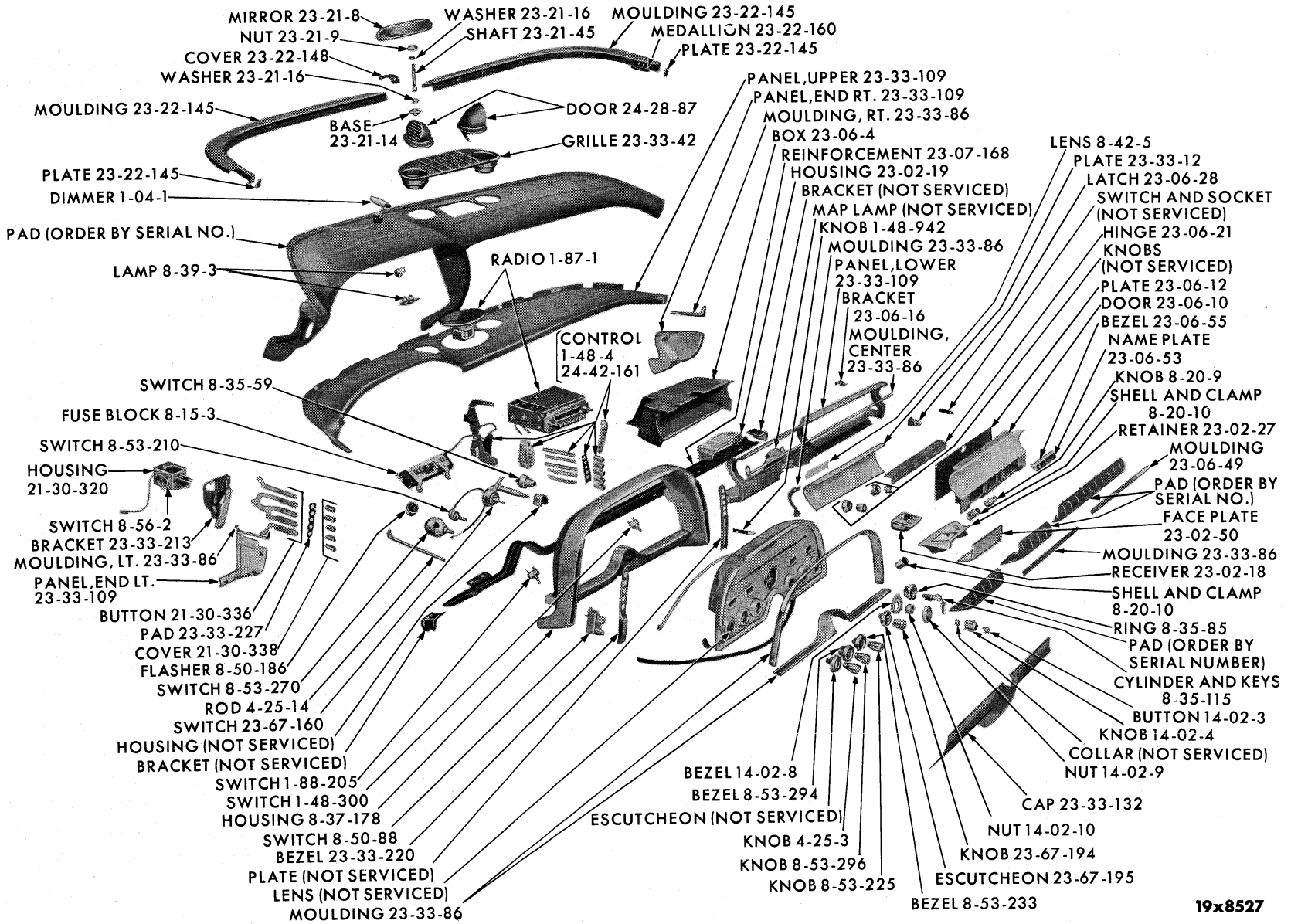
INSTRUMENT PANEL - DESOTO MS1-2-3



PARTS INDICATED BY NAME ONLY ARE STANDARD PARTS —ORDER BY DESCRIPTION.

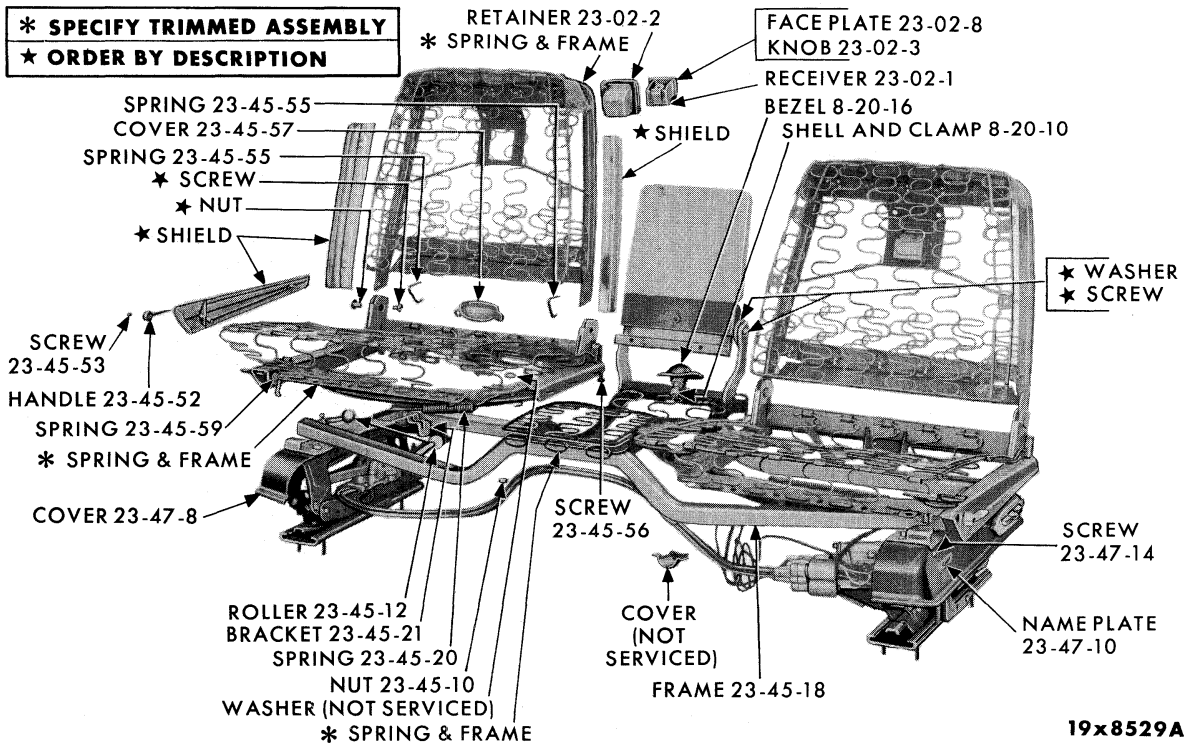
19x8534

INSTRUMENT PANEL - CHRYSLER MC1-2-3

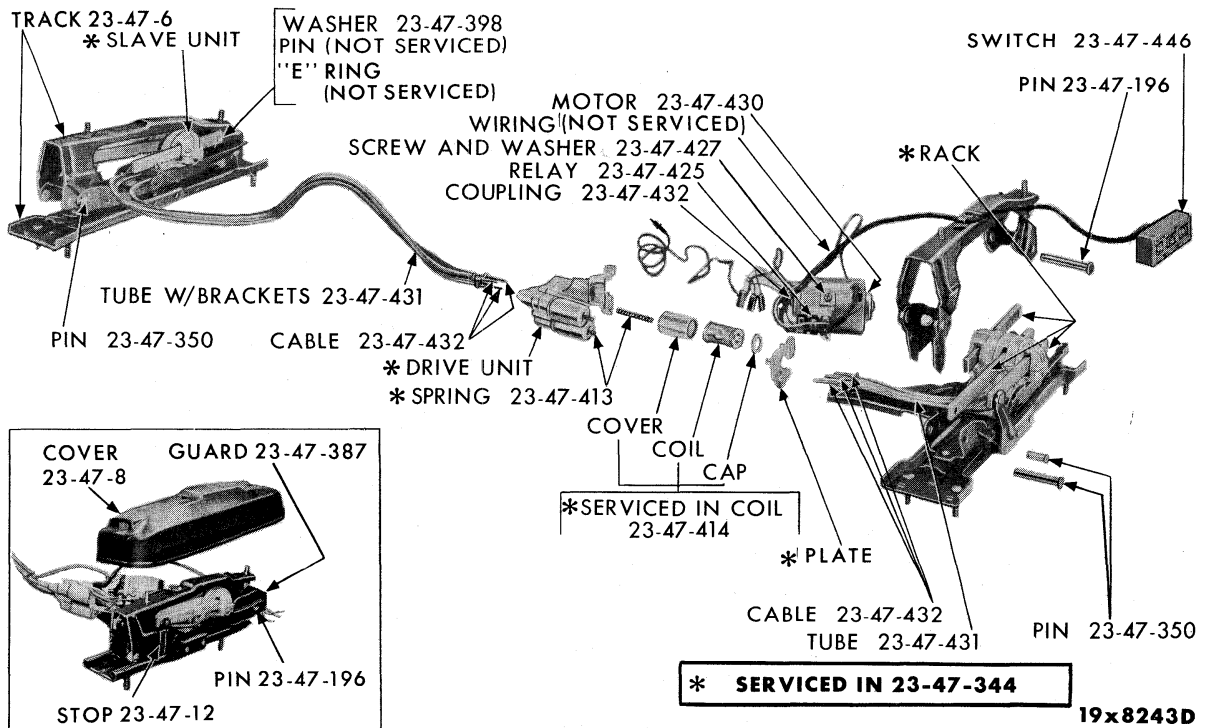


INSTRUMENT PANEL - IMPERIAL MY1

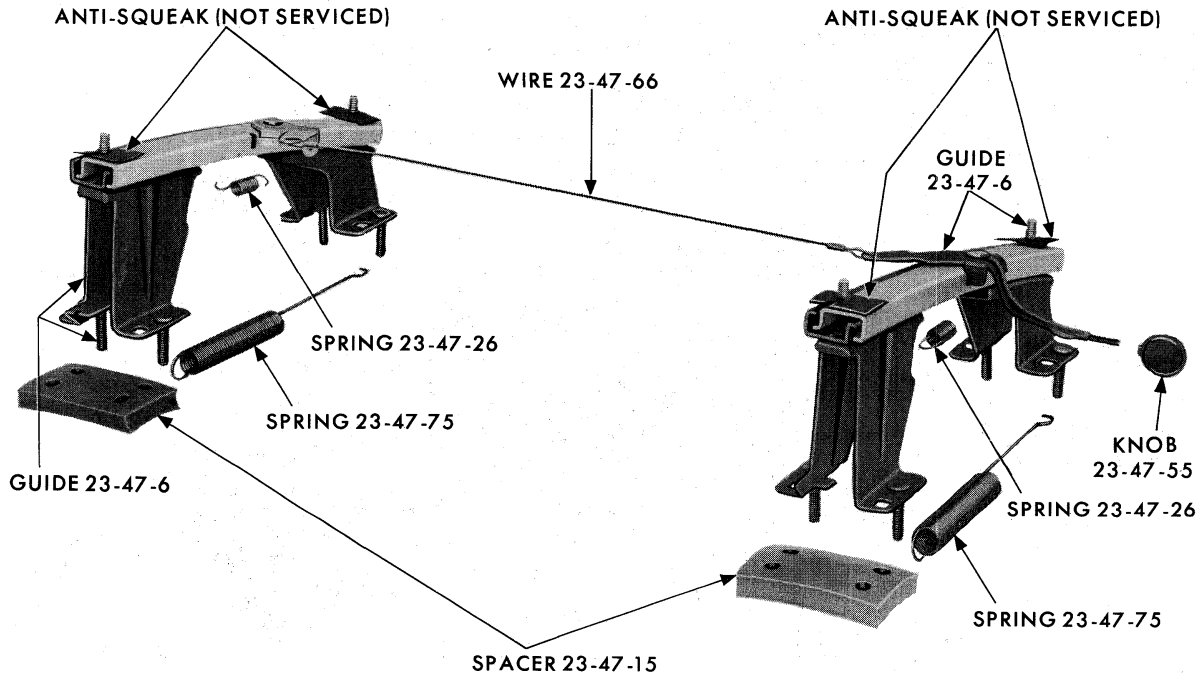
19x8527



SWIVEL SEAT

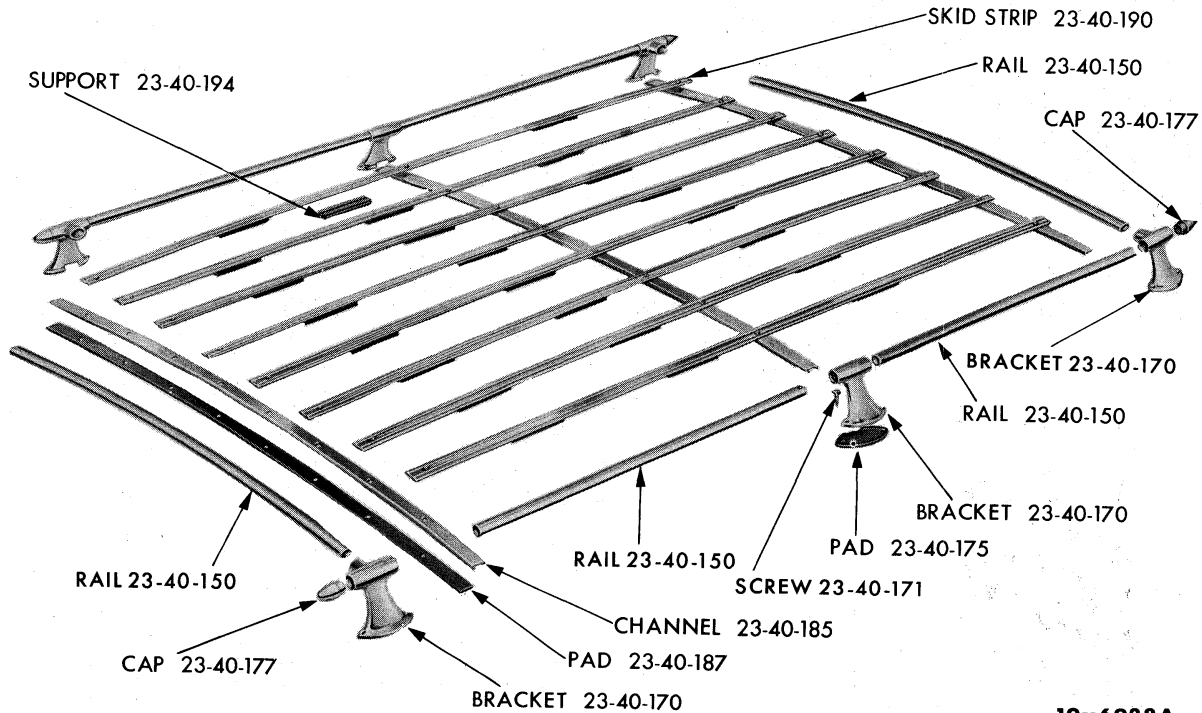


SEAT ADJUSTER - ELECTRIC, 6-WAY



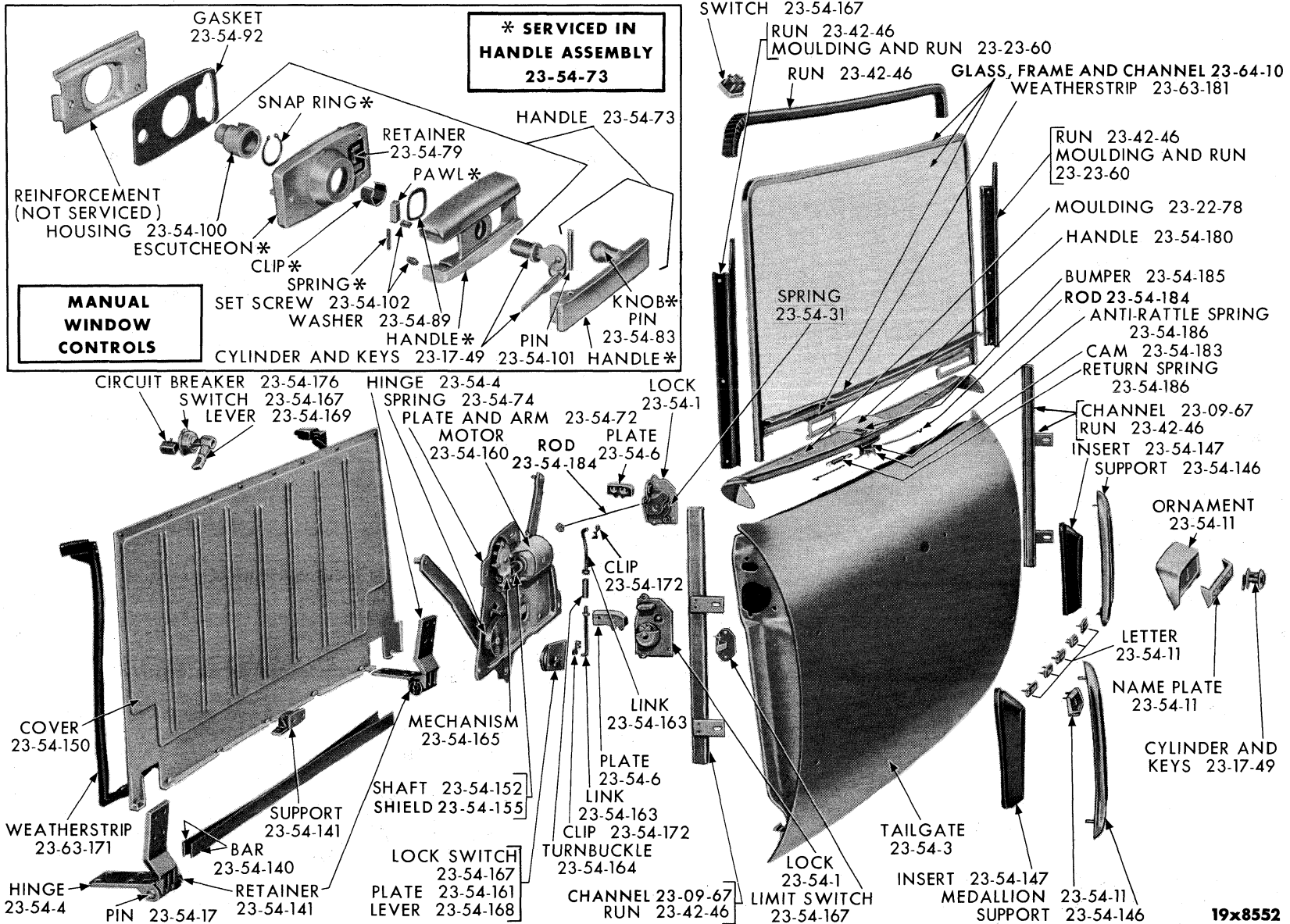
19x8555A

SEAT ADJUSTER - MANUAL TYPE



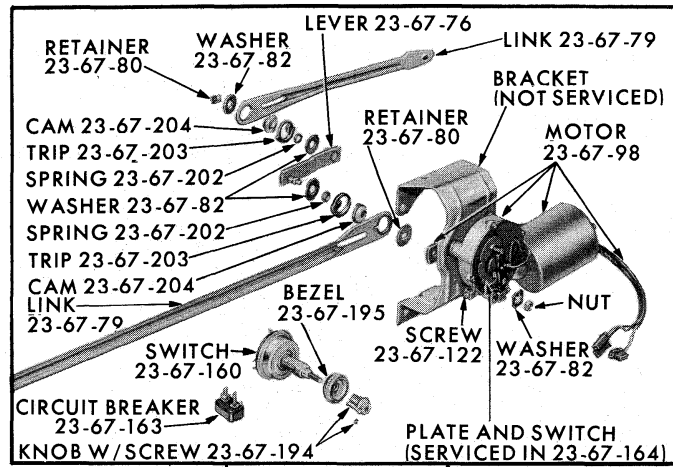
19x6938A

ROOF RACK



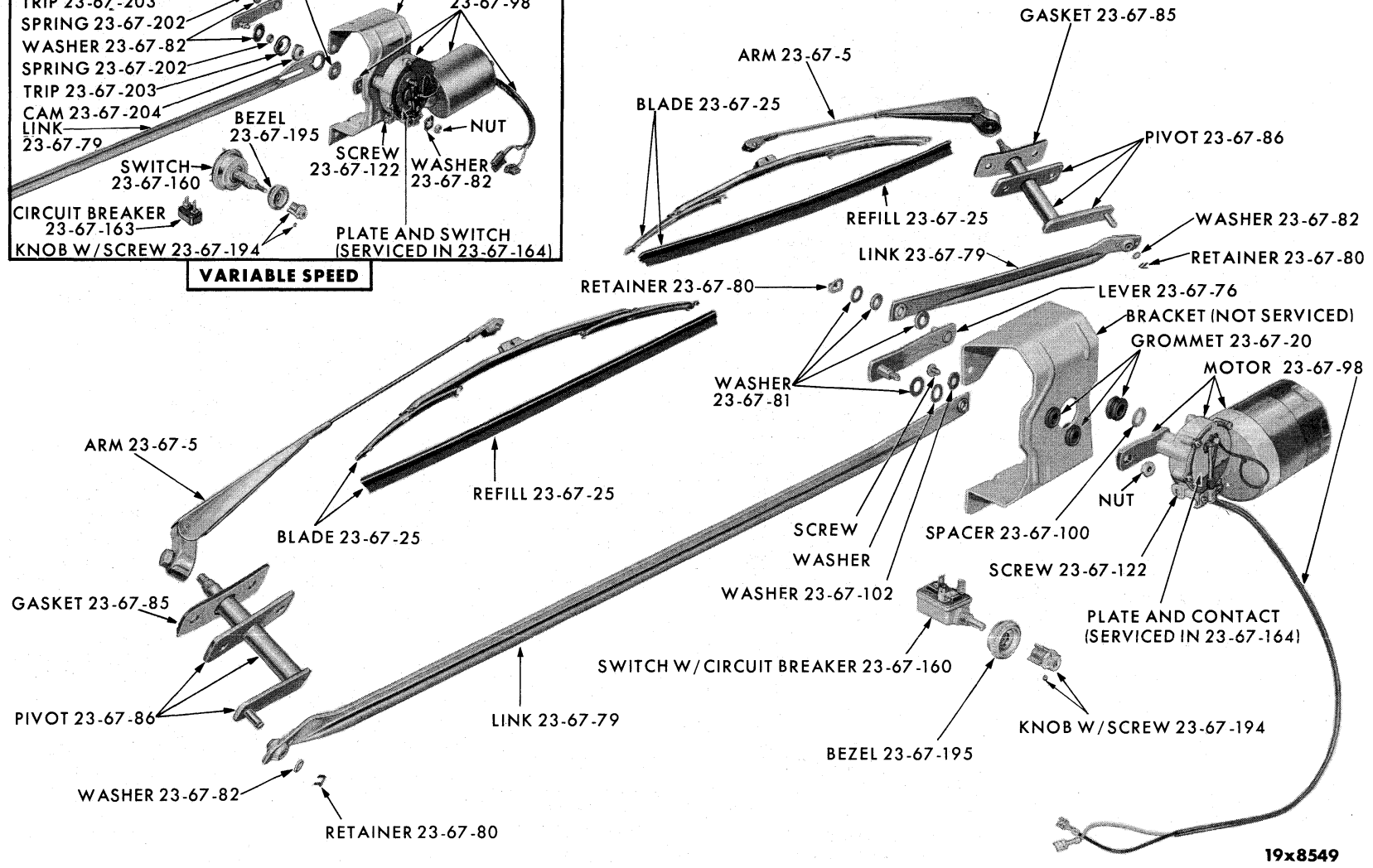
19x8552

TAIL GATE - SUBURBANS



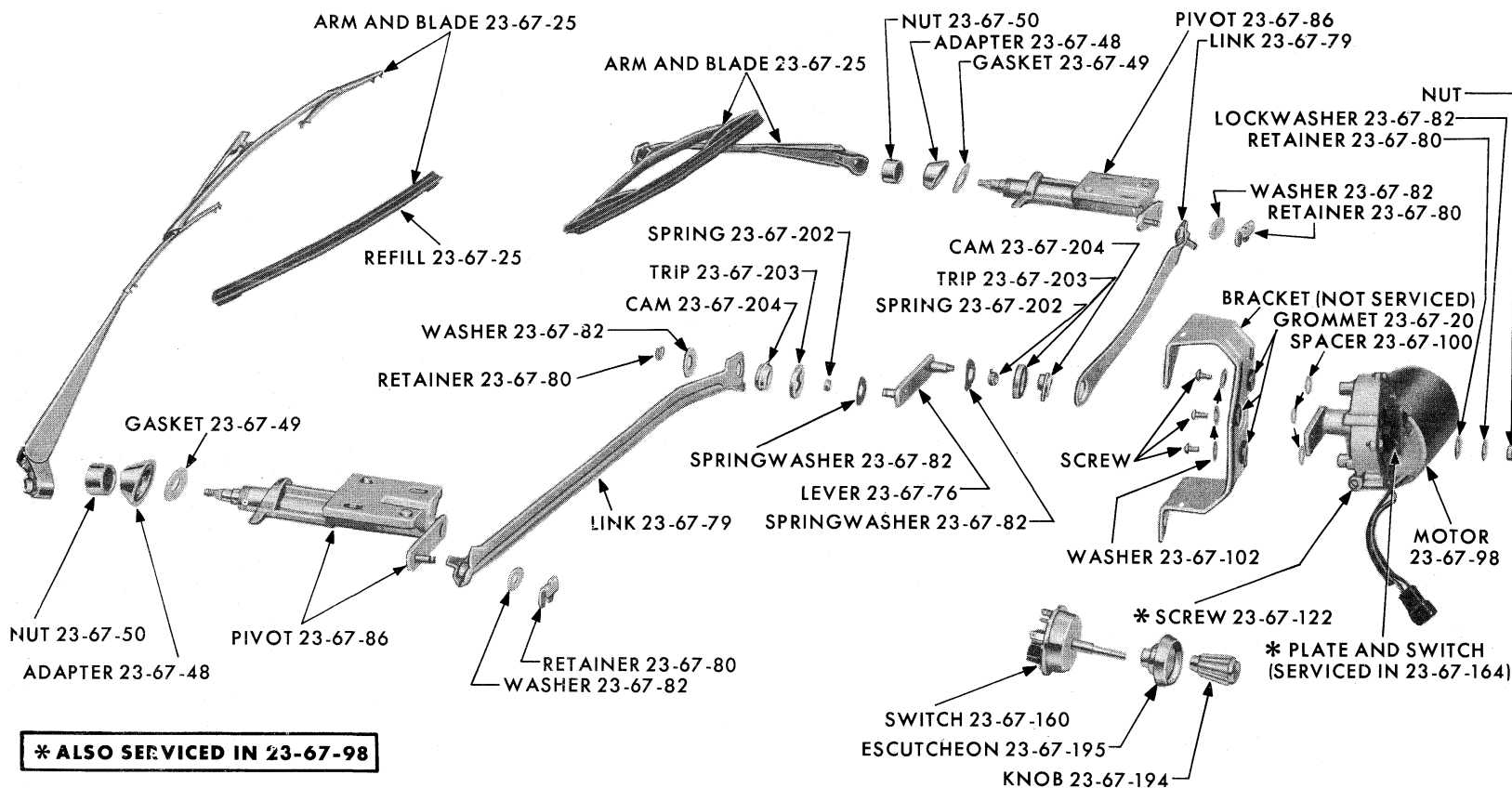
VARIABLE SPEED

PARTS INDICATED BY NAME ONLY ARE STANDARD PARTS — ORDER BY DESCRIPTION.



19x8549

WINDSHIELD WIPER - SINGLE AND VARIABLE SPEED (EXCEPT IMPERIAL MY1)

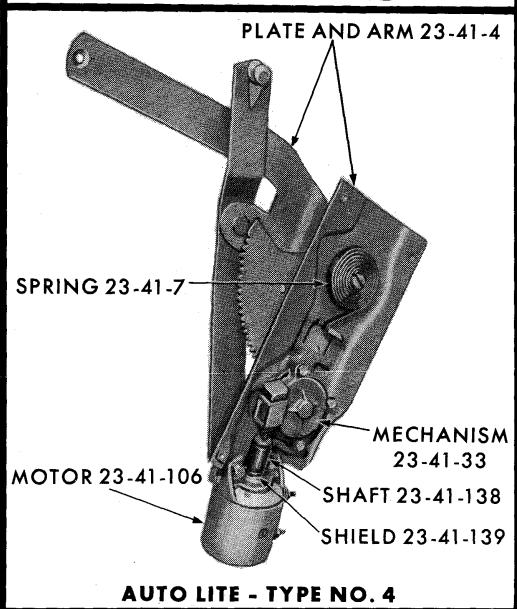
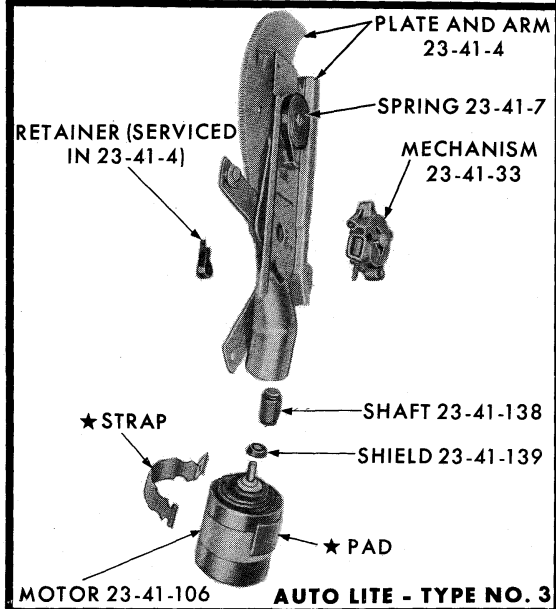
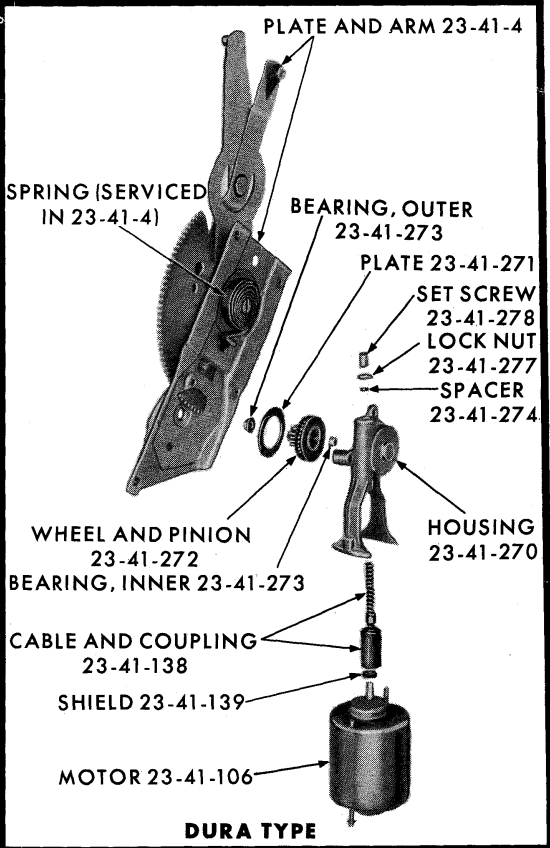
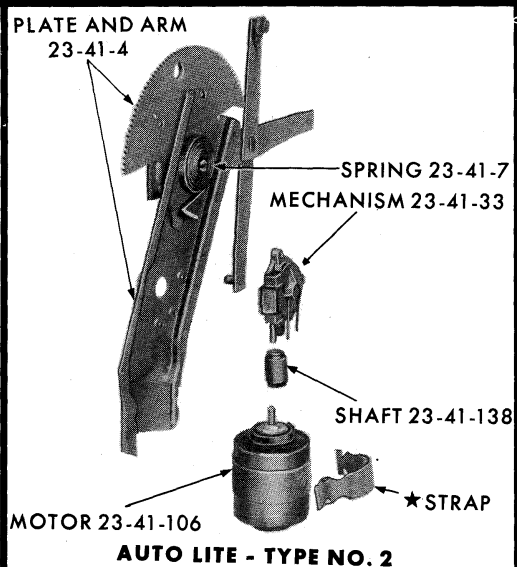
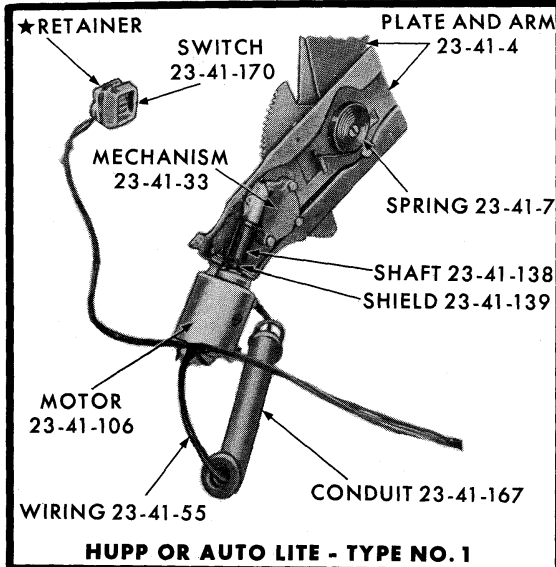


*** ALSO SERVICED IN 23-67-98**

**PARTS INDICATED BY NAME
ONLY ARE STANDARD PARTS
— ORDER BY DESCRIPTION.**

19x8542

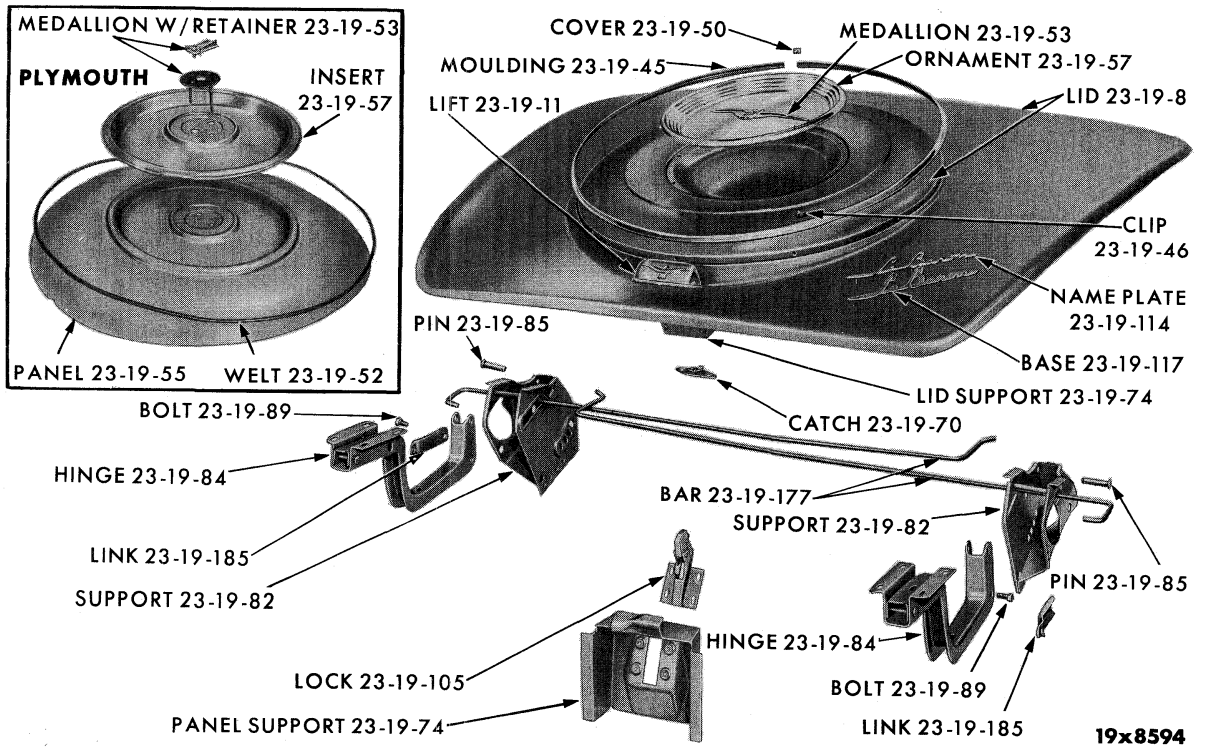
WINDSHIELD WIPER - VARIABLE SPEED (IMPERIAL MY1)



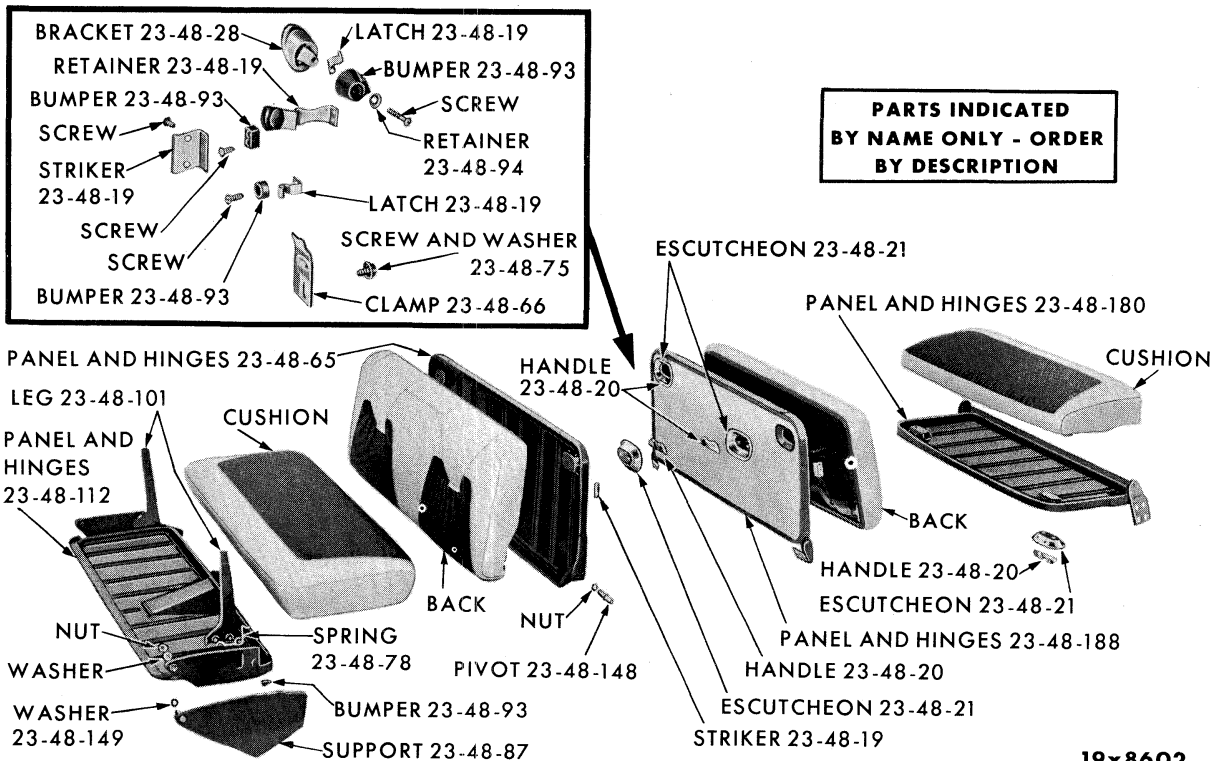
★ NOT SERVICED

19x8546

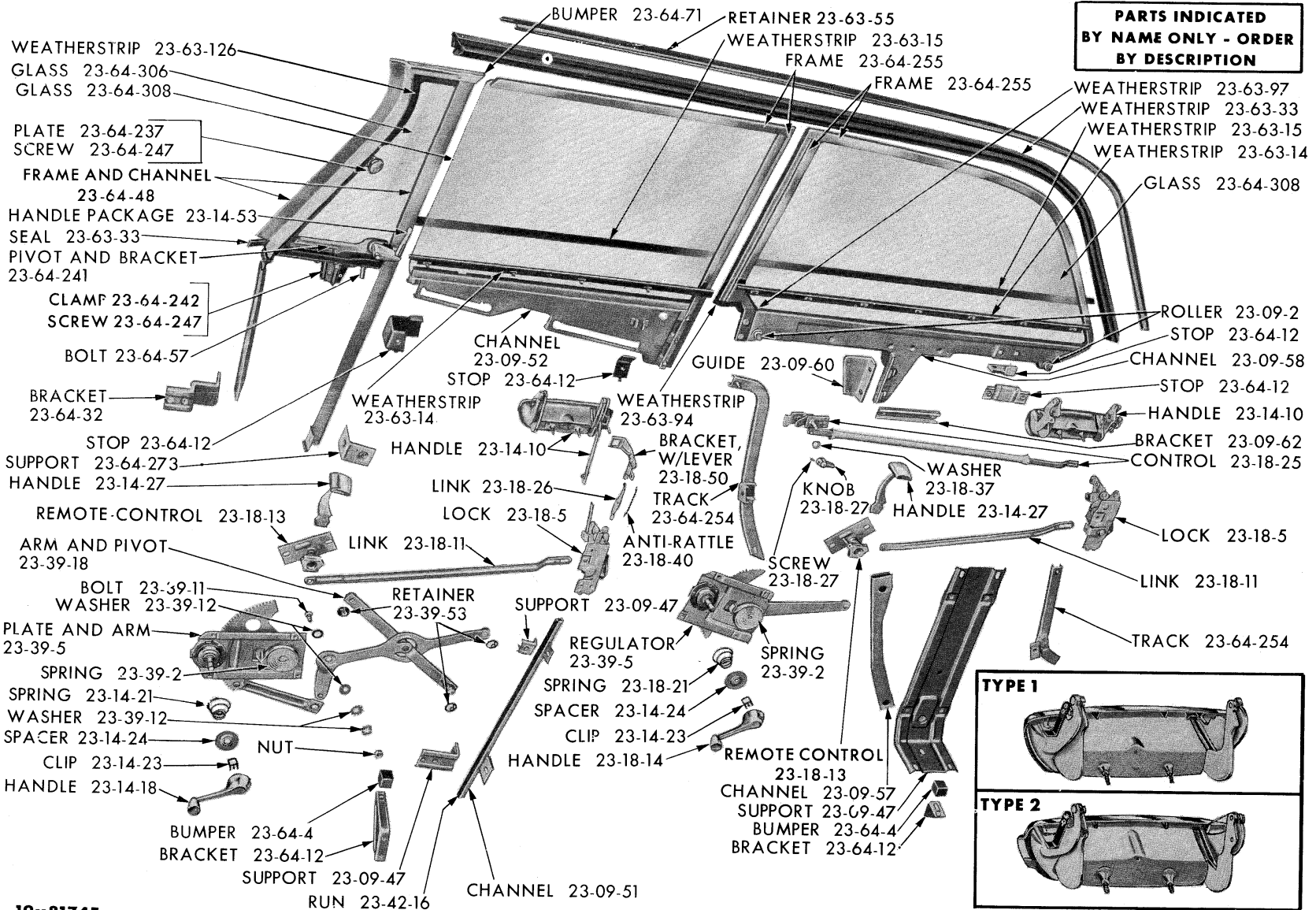
ELECTRIC WINDOW LIFTS



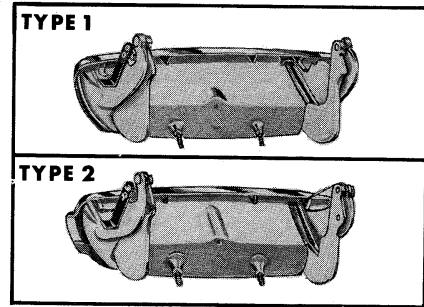
LUGGAGE LID AND HINGE



SEATS - SUBURBANS

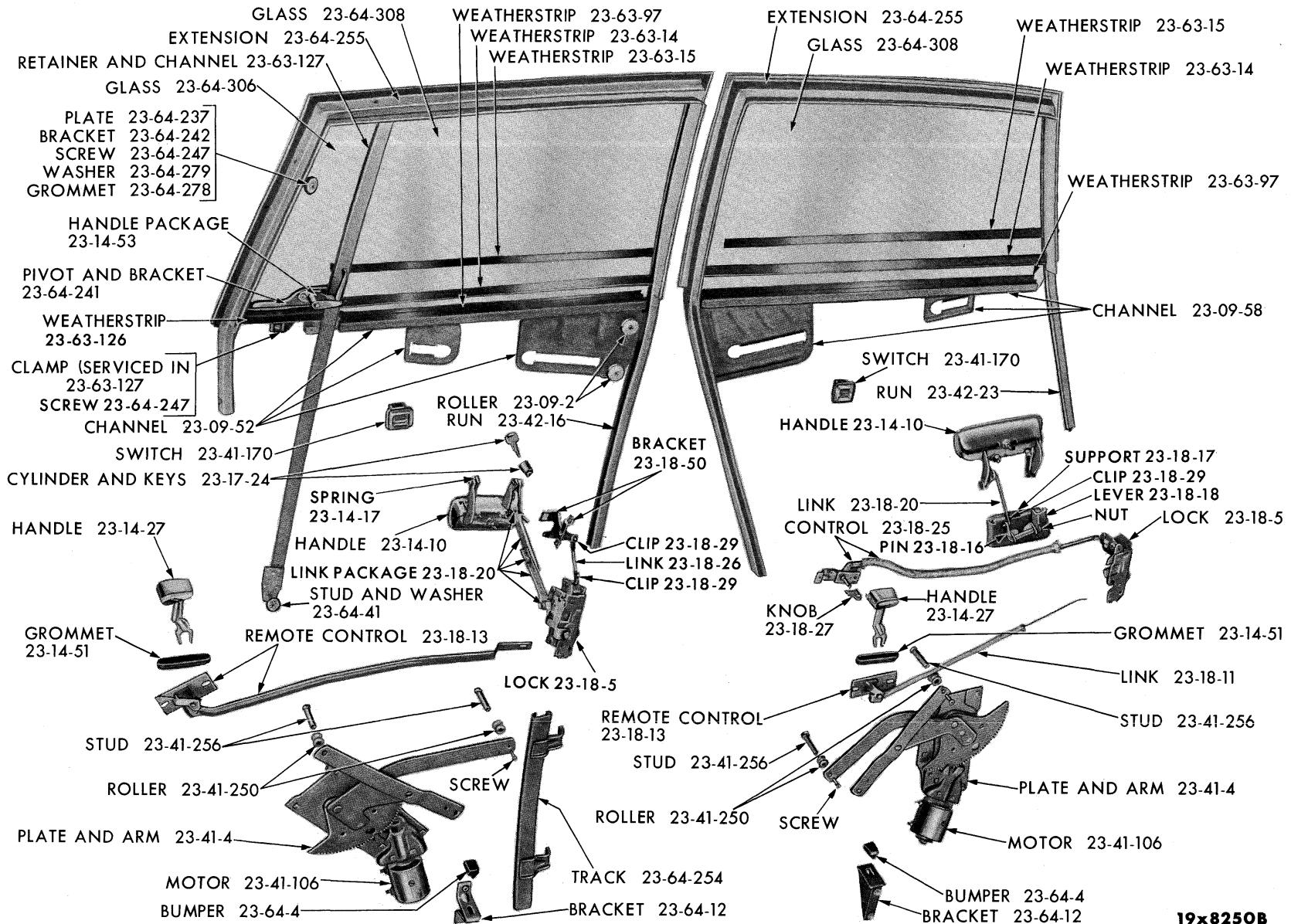


19x8174E



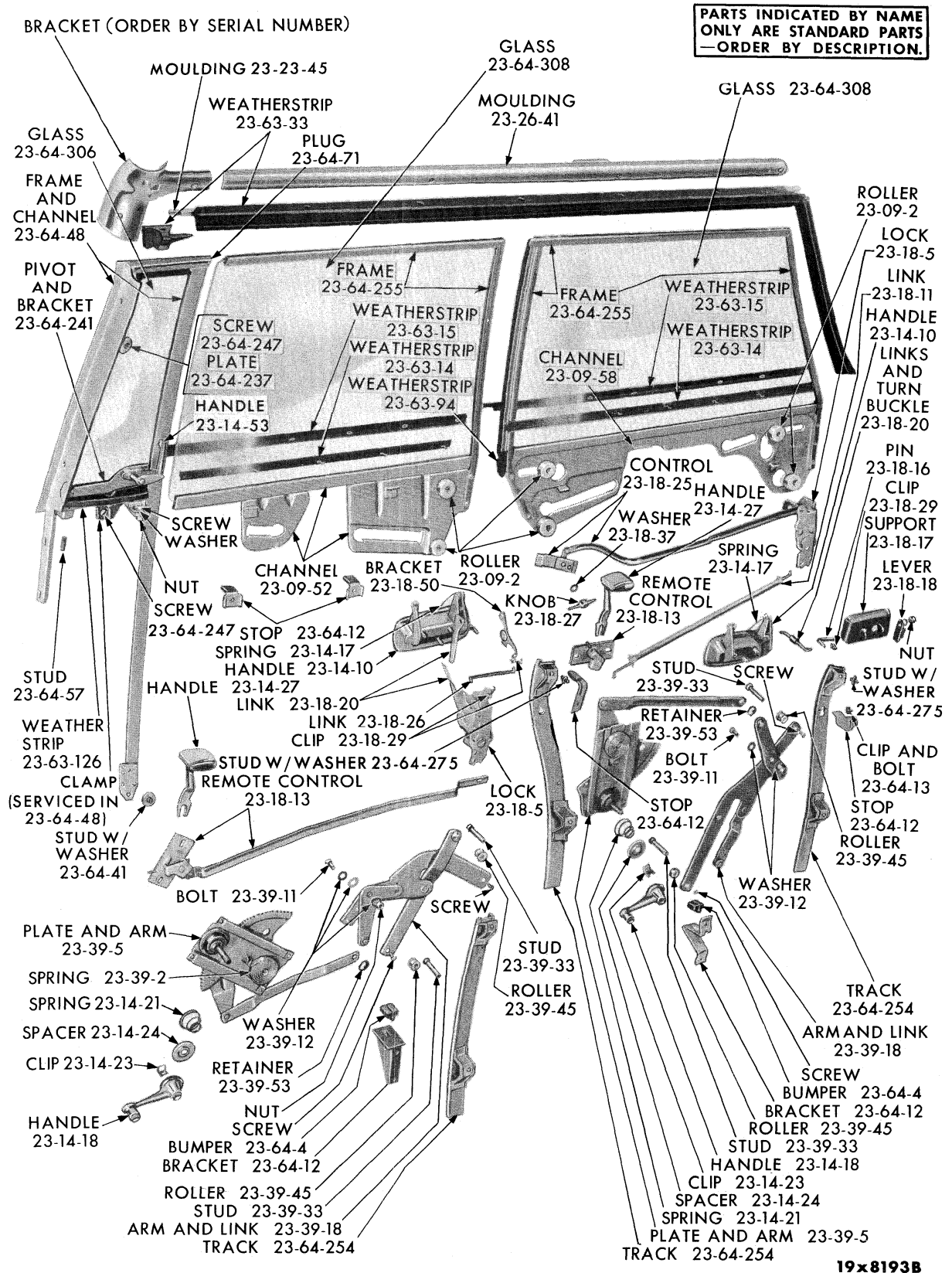
HANDLE(23-14-10) DODGE ONLY

WINDOWS, REGULATORS AND CONTROLS - DODGE MD2-3, DESOTO MS1-2-3 AND CHRYSLER MC1-2-3 SPECIAL 4 DOOR SEDANS

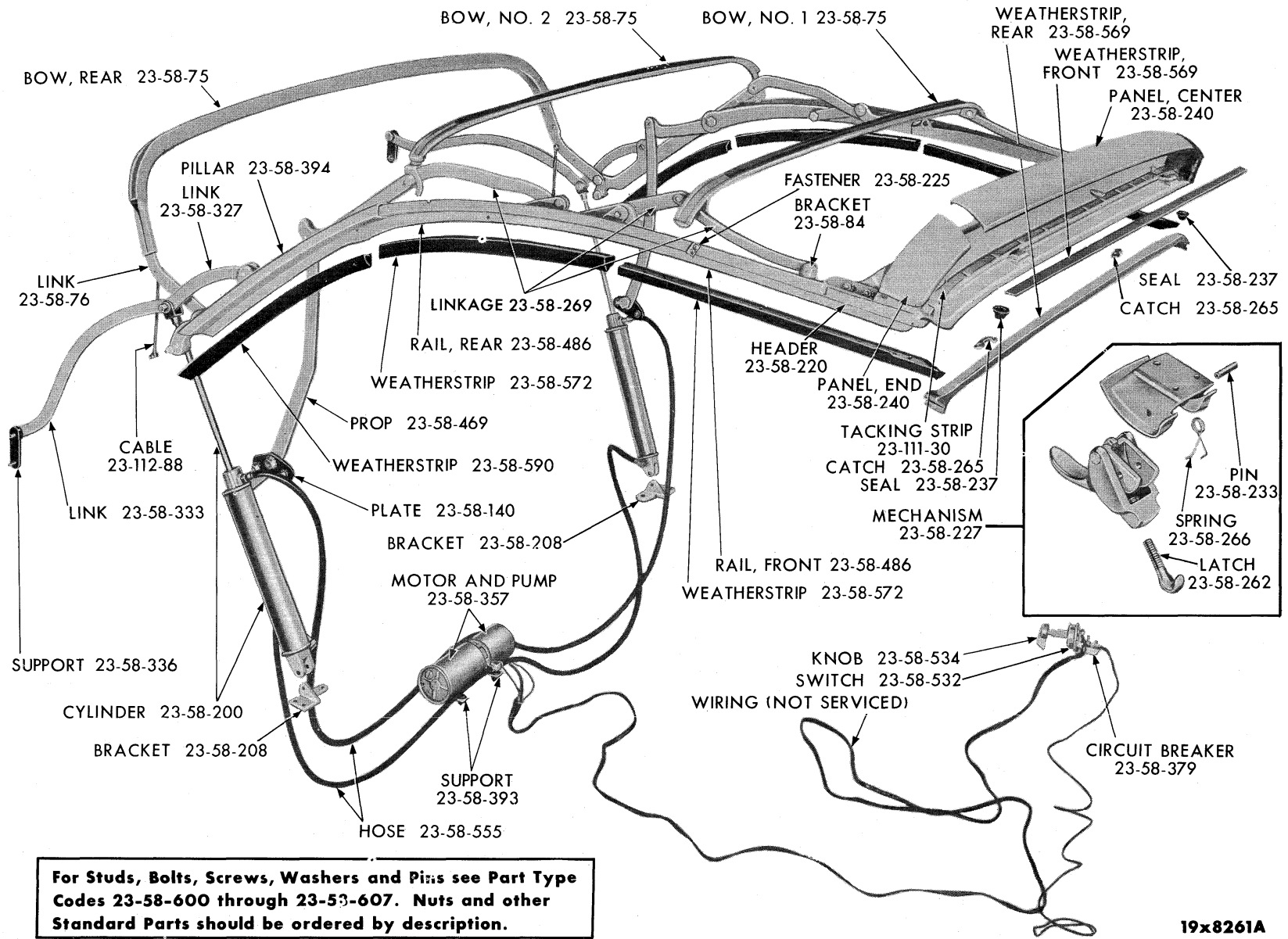


19x8250B

WINDOWS, REGULATORS AND CONTROLS - IMPERIAL MY1 4 DOOR SEDAN



WINDOWS, REGULATORS AND CONTROLS - IMPERIAL MY1 SPECIAL 4 DOOR SEDAN

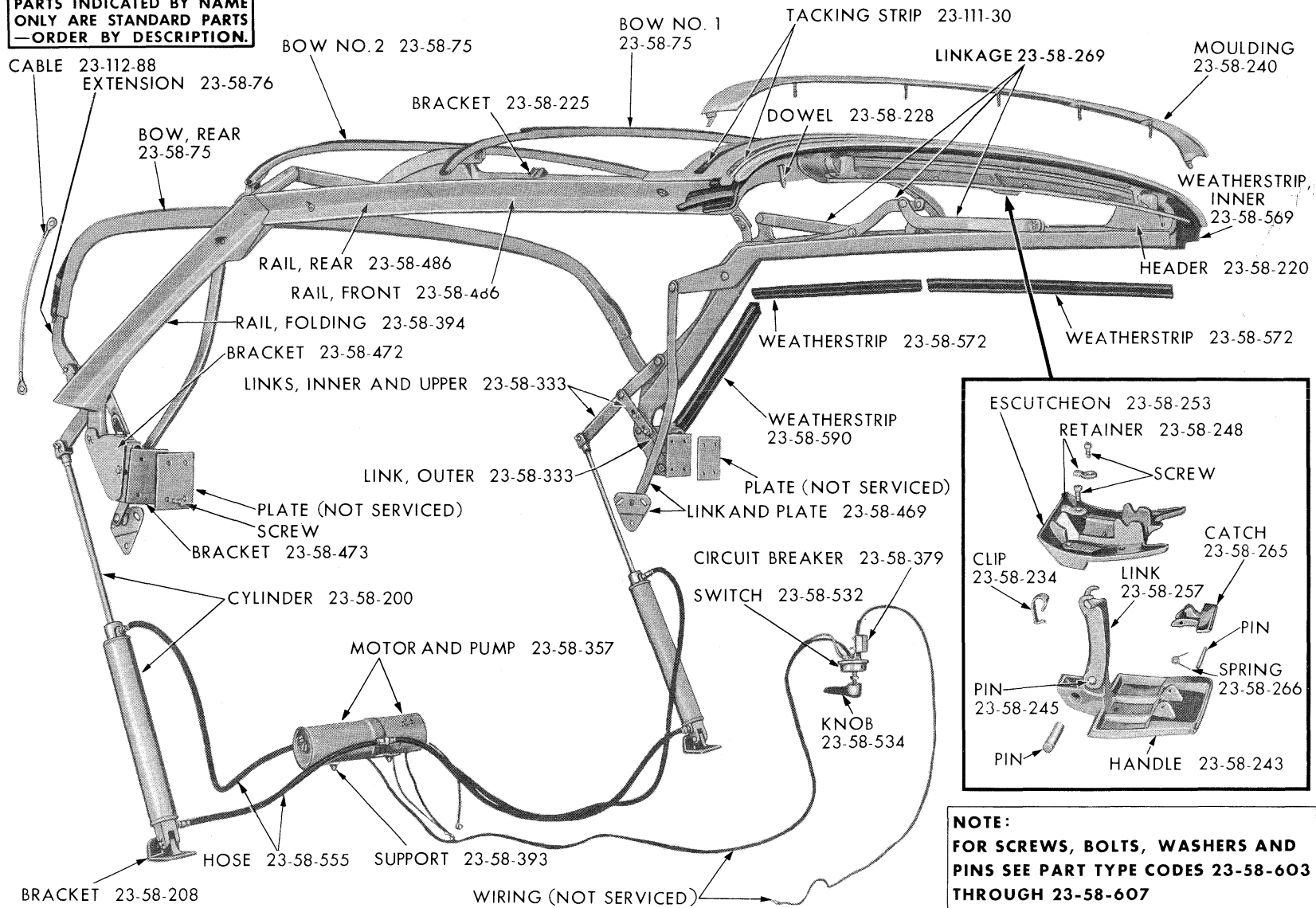


For Studs, Bolts, Screws, Washers and Pins see Part Type Codes 23-58-600 through 23-58-607. Nuts and other Standard Parts should be ordered by description.

19x8261A

CONVERTIBLE COUPE FOLDING TOP - EXCEPT IMPERIAL

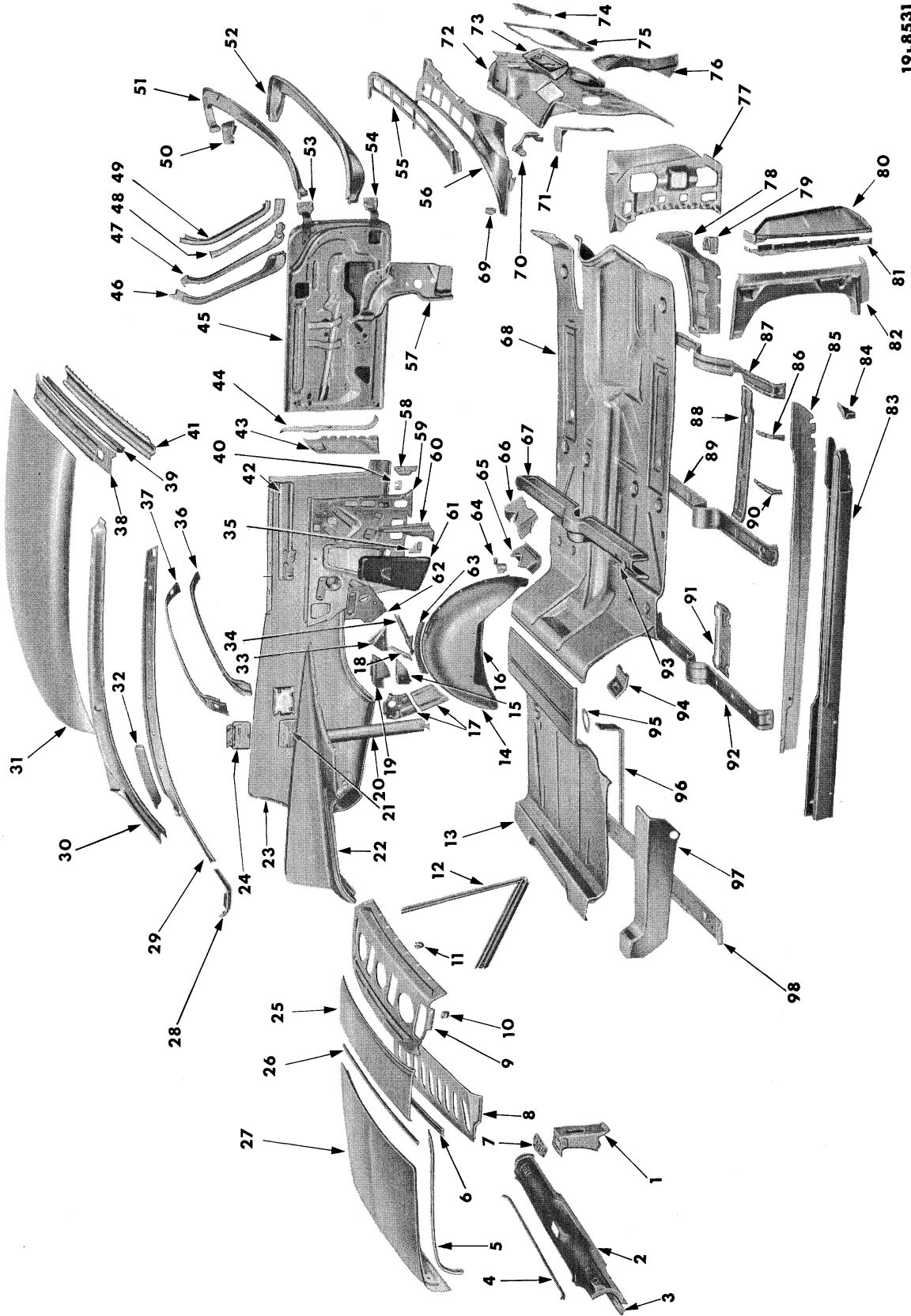
PARTS INDICATED BY NAME ONLY ARE STANDARD PARTS — ORDER BY DESCRIPTION.



NOTE: FOR SCREWS, BOLTS, WASHERS AND PINS SEE PART TYPE CODES 23-58-603 THROUGH 23-58-607

19x8248

CONVERTIBLE COUPE FOLDING TOP - IMPERIAL

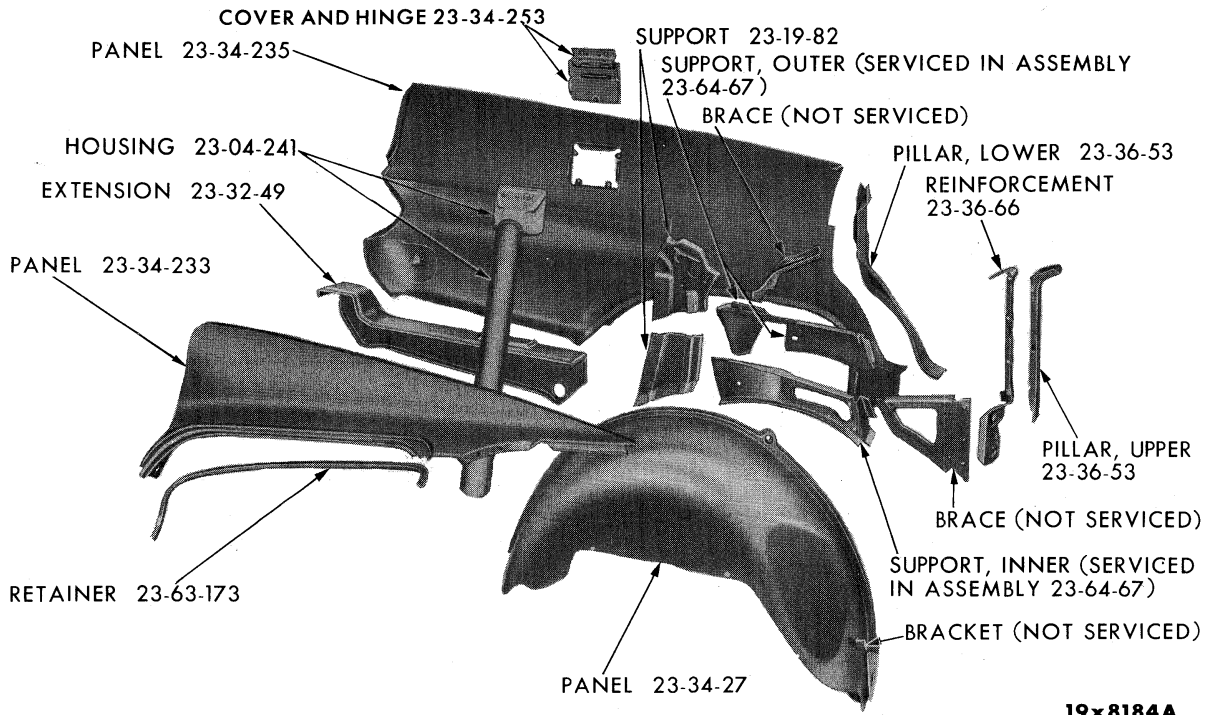


19.8531

BODY - PLYMOUTH MPI-2 SPECIAL CLUB COUPE

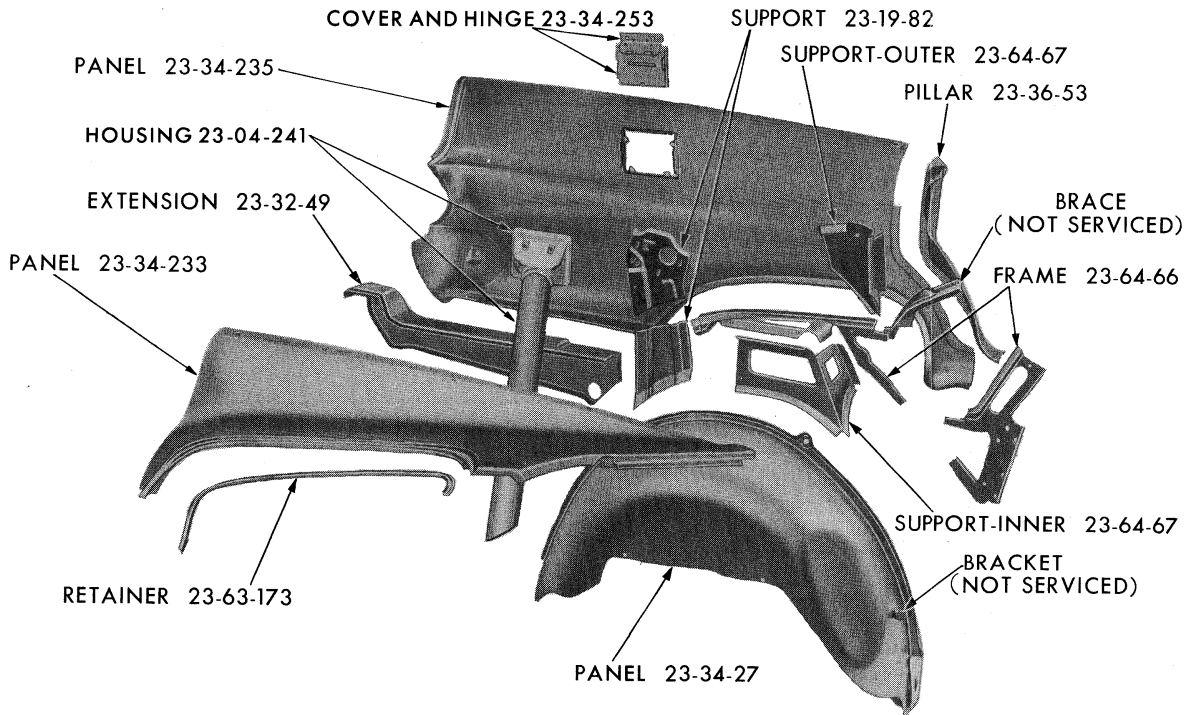
BODY - PLYMOUTH MP1-2 SPECIAL CLUB COUPE

Ref. No.	Name	Part Type Code	Ref. No.	Name	Part Type Code
1	Deck Lid Lock Catch Support Assy	23-19-74	51	Windshield Opening Lower Frame Reinforcement Ser. in Assy.	23-34-80
2	Deck Opening Lower Panel Assy.	23-34-167	52	Windshield Opening Lower Frame Ser. in Assy.	23-34-80
3	Rear Bumper Stone Deflector	13-66-106	53	Door Upper Hinge	23-15-1
4	Deck Opening Weatherstrip Lower Retainer, also Ser. in Assy.	23-34-167	54	Door Lower Hinge	23-15-3
		23-63-173	55	Cowl Top Panel Fresh Air Opening Panel. Ser. in Assy.	23-34-80
5	Deck Opening Weatherstrip Side Retainer	23-63-173	56	Cowl Top Panel. Ser. in Assy.	23-34-80
6	Rear Window Opening Lower Center Frame Ser. in Assy.	23-34-166	57	Door Inside Panel Hinge Reinforcement Ser. in Assy.	23-11-1
7	Deck Lid Lock Catch Assy.	23-19-70	58	Quarter Window Front Track Mounting Support Assembly, also Serviced in Assy. 23-34-234	23-64-300
8	Deck Opening Upper Panel Reinforcement Ser. in Assy.	23-34-166	59	Quarter Inside Panel. Ser. in Assy.	23-34-234
9	Shelf Panel	Not Serviced	60	Quarter Inside Panel to Seat Riser Brace Ser. in Assy.	23-34-234
10	Deck Lid Hinge Torsion Bar Center Clip	23-19-178	61	Quarter Inside Panel Access Hole Cover	23-34-225
11	Rear Seat Back Hanger	Not Serviced	62	Quarter Inside Panel Regulator Pivot Bracket Reinforcement Ser. in Assy.	23-34-234
12	Shelf Panel to Seat Pan Diagonal Brace Assy.	Not Serviced	63	Quarter Panel Water Deflector Drain Trough	23-59-39
13	Rear Floor Pan.	23-32-48	64	Rear Seat Back Retainer Bracket	23-76-79
14	Wheelhouse Inner Panel Ser. in Assy.	23-34-27	65	Shelf Panel Diagonal Brace Floor Pan Bracket	Not Serviced
15	Rear Window Opening Frame to Wheelhouse Panel Side Support Ser. in Assy.	23-64-67	66	Shelf Panel Diagonal Brace to Floor Pan Bracket Spacer	Not Serviced
16	Wheelhouse Outer Panel Ser. in Assy.	23-34-27	67	Floor Pan Rear Seat Riser	Not Serviced
17	Deck Lid Hinge Body Bracket Support.	23-19-82	68	Front Floor Pan	Not Serviced
18	Wheelhouse Inner Panel to Rear Window Opening Frame Side Brace	Not Serviced	69	Windshield Garnish Moulding Screw Support. Ser. in Assy.	23-34-80
19	Rear Window Opening Frame to Wheelhouse Panel Rear Support Ser. in Assy.	23-64-67	70	Hand Brake Lever Support Assembly Ser. in Assy.	23-34-80
20	Fuel Tank Filler Tube Shield	23-04-241	71	Cowl Top Panel Hood Hinge Bracket Ser. in Assy.	23-34-80
21	Fuel Tank Filler Tube Upper Housing	23-04-241	72	Dash Panel Ser. in Assy.	23-34-80
22	Quarter Outside Rear Inner Panel, also Ser. in Assy. 23-34-235	23-34-233	73	Fresh Air Door Drain Trough Ser. in Assy.	23-34-80
23	Quarter Outside Side Panel Ser. in Assy.	23-34-235	74	Dash Panel Windshield Wiper Motor Mounting Reinforcement Assembly Ser. in Assy.	23-34-80
24	Quarter Fuel Tank Filler Cover and Hinge Assy.	23-34-253	75	Dash Panel Underhood Heater Outlet Cover. Ser. in Assy.	23-34-80
25	Deck Opening Upper Panel Ser. in Assy.	23-34-166	76	No. 1 and No. 2 Body Bolt Bracket to Dash Reinforcement and Nut Assembly Ser. in Assy.	23-34-80
26	Deck Opening Weatherstrip Upper Retainer, also Ser. in Assy.	23-34-166	77	Cowl Inside Panel Assembly Ser. in Assy.	23-34-80
27	Deck Lid Assy.	23-19-8	78	No. 1 Body Bolt Bracket.	Not Serviced
28	Rear Window Opening Side Frame.	23-64-66	79	No. 1 Body Bolt Right Reinforcement	Not Serviced
29	Roof Side Drain Trough	23-59-56	80	Cowl Inside Panel to Body Front Pillar Brace. Ser. in Assy.	23-34-80
30	Roof Side Rail	23-40-85	81	Front Hinge Pillar to Cowl Inside Panel Reinforcement Assy. Ser. in Assy.	23-34-80
31	Roof Panel	23-34-301	82	Body Front Hinge Pillar Lower and Check Arm Bracket Assy. Ser. in Assy.	23-34-80
32	Roof Panel Side Extension	23-34-302	83	Body Side Sill Outer Panel	23-51-5
33	Rear Quarter Water Deflector.	23-34-20	84	Body Side Sill Front Cap	Not Serviced
34	Roof Side Rail to Wheelhouse Brace	23-40-97	85	Body Side Sill Inner Panel.	23-51-5
35	Quarter Window Track Mounting Support Reinforcement	Not Serviced	86	Floor Pan Seat Guide Reinforcement to Sill Inner Panel Front Support.	Not Serviced
36	Rear Window Opening Upper Frame, Ser. in Assy.	23-64-66	87	Floor Pan to Seat Guide Front Reinforcement	Not Serviced
37	Rear Window Opening Upper Frame Reinforcement. Ser. in Assy.	23-64-66	88	Floor Pan Seat Guide Reinforcement	Not Serviced
38	Windshield Opening Upper Frame Reinforcement. Ser. in Assy.	23-34-80	89	Floor Pan No. 3 and No. 3A Body Bolt Reinforcement	Not Serviced
39	Windshield Opening Upper Frame Ser. in Assy.	23-34-80	90	Floor Pan Seat Guide Reinforcement to Sill Inner Panel Rear Support.	Not Serviced
40	Track Lower Bracket to Mounting Support Shim	Not Serviced	91	Muffler Heat Shield.	Not Serviced
41	Windshield Header Panel Ser. in Assy.	23-34-80	92	No. 4 Body Bolt Reinforcement	Not Serviced
42	Quarter Inside Panel Belt Reinforcement. Ser. in Assy.	23-34-234	93	Quarter Arm Rest Panel to Seat Riser Bracket	Not Serviced
43	Body Lock Pillar Reinforcement Ser. in Assy.	23-36-53	94	Axle Drive Pinion Carrier Bumper Reinforcement	Not Serviced
44	Body Lock Pillar, also Ser. in Assy. 23-34-235.	23-36-53	95	Fuel Tank Filler Tube Lower Seal Retainer	23-04-250
45	Door Shell Assy.	23-11-1	96	Fuel Tank Underbody Upper Reinforcement Assy.	Not Serviced
46	Body Front Upper Pillar.	23-36-14	97	Rear Floor Pan Side Extension	23-32-49
47	Windshield Opening Frame Side Rear Reinforcement, Ser. in Assy.	23-34-80	98	Floor Pan No. 6 Body Bolt Reinforcement	23-32-62
48	Windshield Opening Side Frame Ser. in Assy.	23-34-80			
49	Windshield Opening Frame Side Front Reinforcement, Ser. in Assy.	23-34-80			
50	Windshield Opening Lower Frame Reinforcement to Cowl Inside Panel Brace Ser. in Assy.	23-34-80			



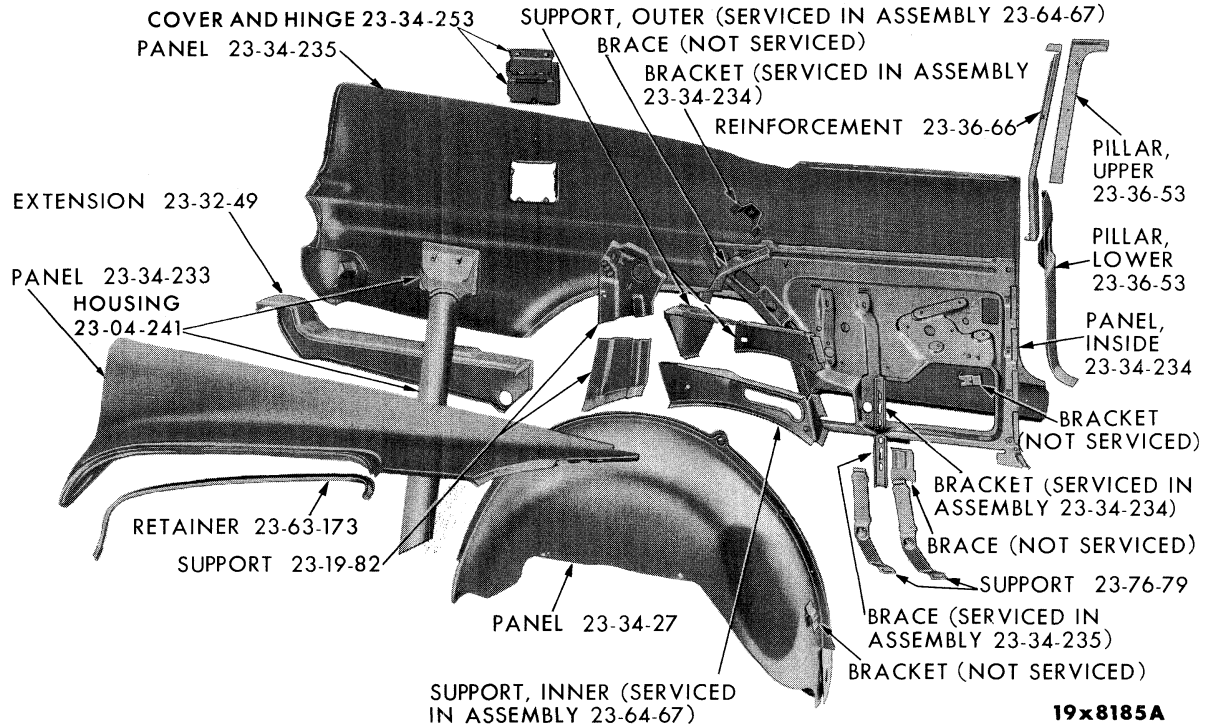
19x8184A

REAR QUARTER PANEL - PLYMOUTH MP1-2 4 DOOR SEDAN



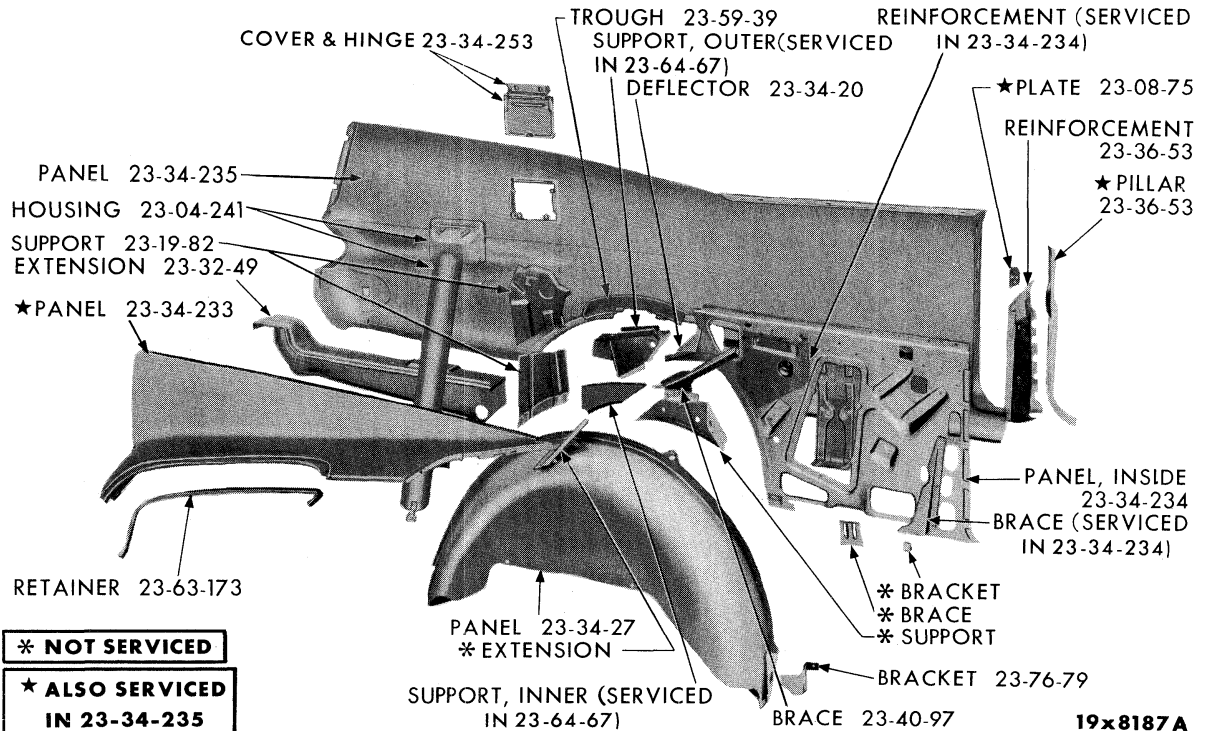
19x8188B

REAR QUARTER PANEL - PLYMOUTH MP1-2 SPECIAL 4 DOOR SEDAN



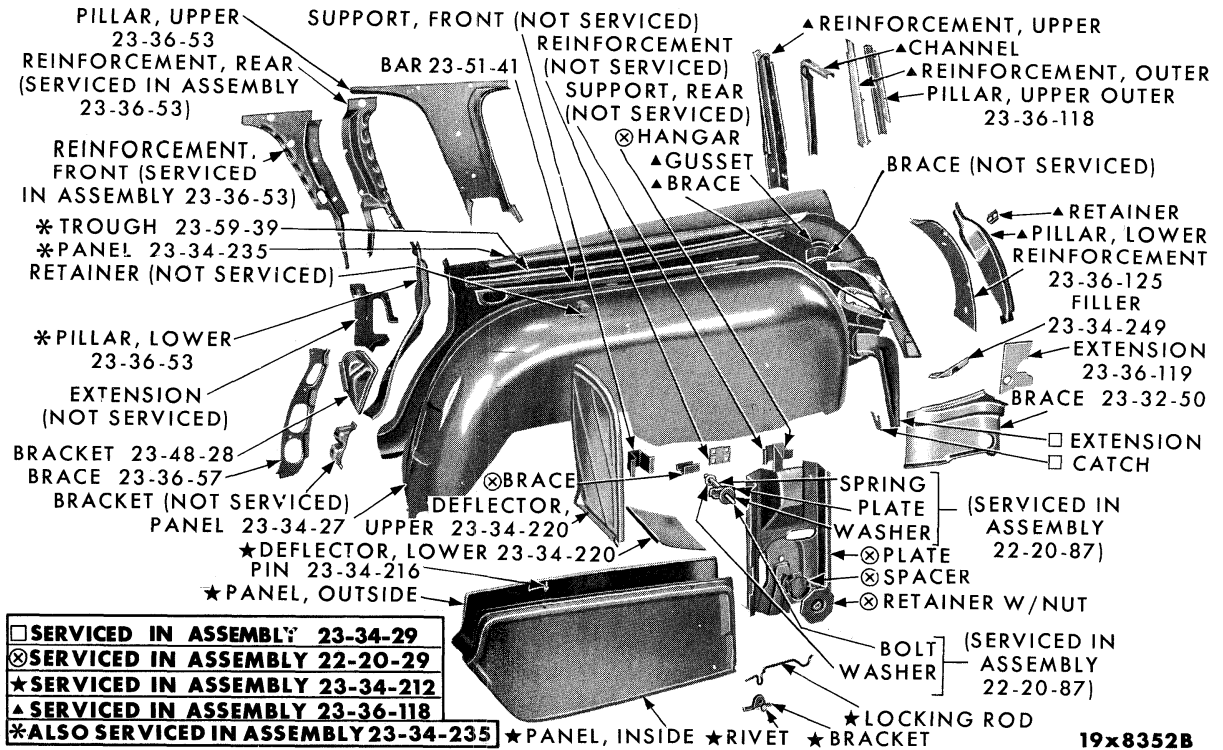
19x8185A

REAR QUARTER PANEL - PLYMOUTH MP1-2 CLUB SEDAN

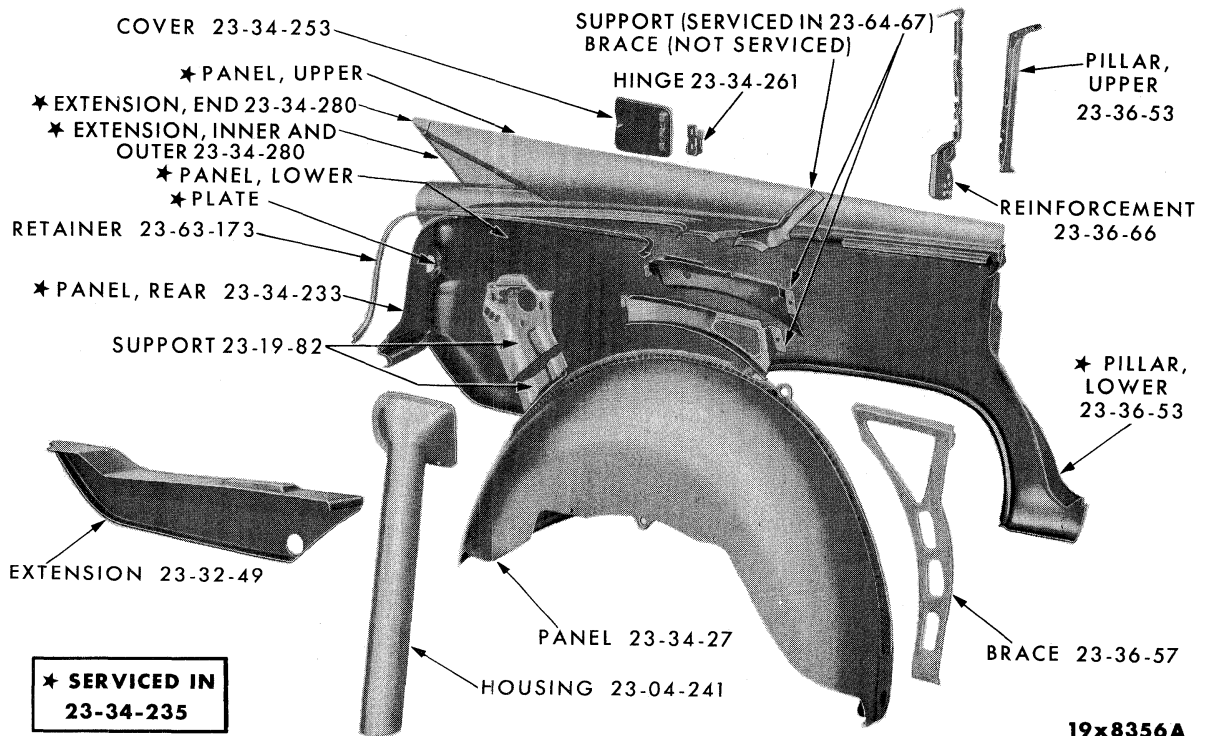


19x8187A

REAR QUARTER PANEL - PLYMOUTH MP1-2 SPECIAL CLUB COUPE



REAR QUARTER PANEL - 4 DOOR SUBURBANS (WITH SPARE TIRE CARRIER IN PANEL)

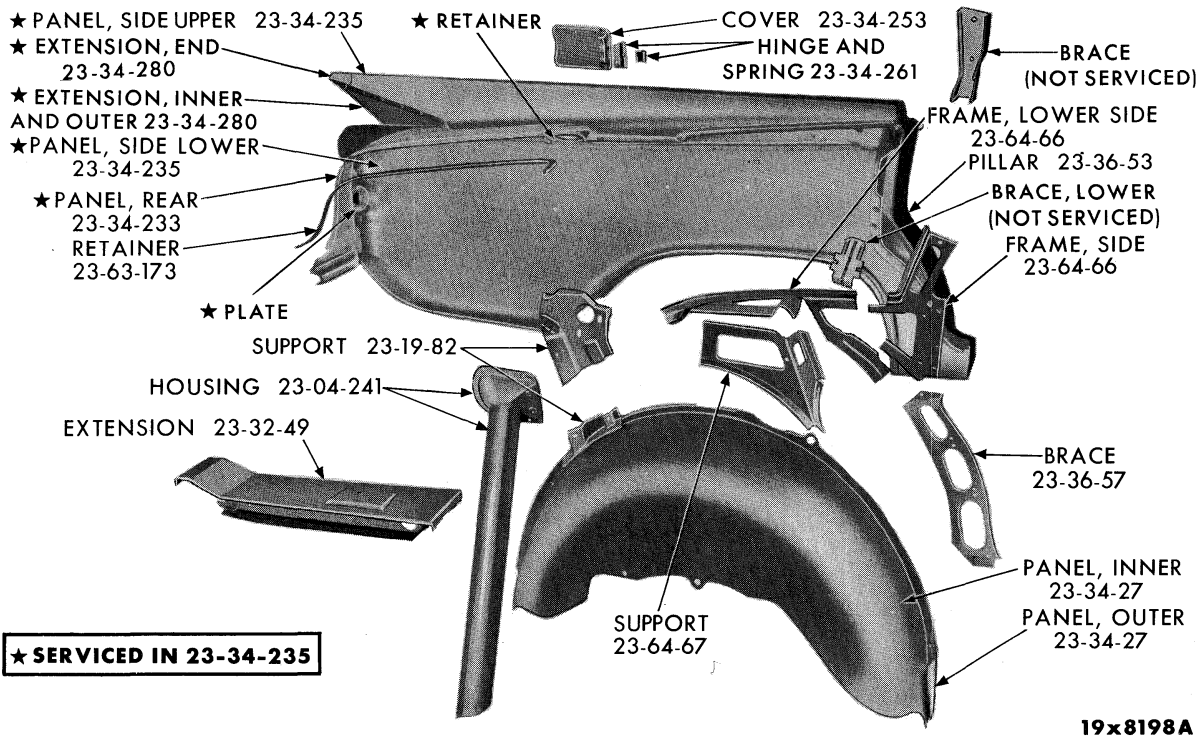


REAR QUARTER PANEL - DODGE MD1-2-3 SPECIAL 4 DOOR SEDAN

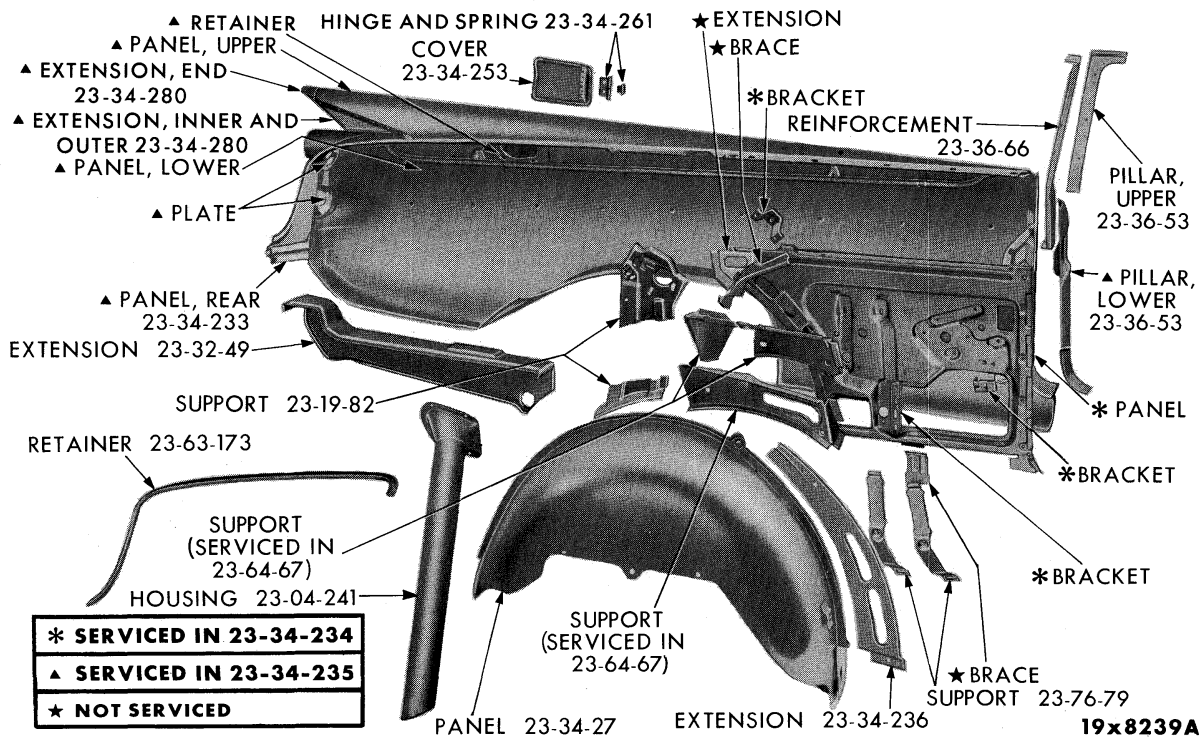
1959 PASSENGER CAR PARTS LIST

BODY

CODE	REMARKS	PER CAR	PLYMOUTH	DODGE	DESOTO	CHRYSLER	IMPERIAL
------	---------	---------	----------	-------	--------	----------	----------

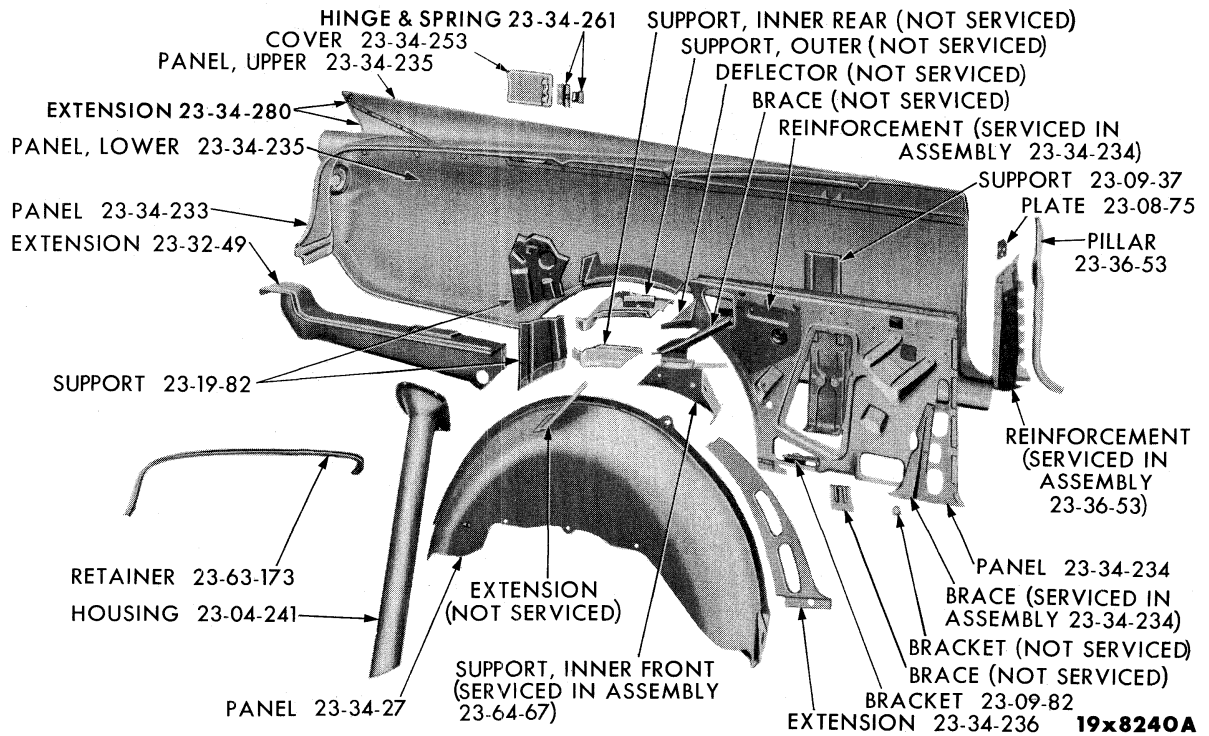


REAR QUARTER/PANEL - DODGE MD1-2-3 4 DOOR SEDAN

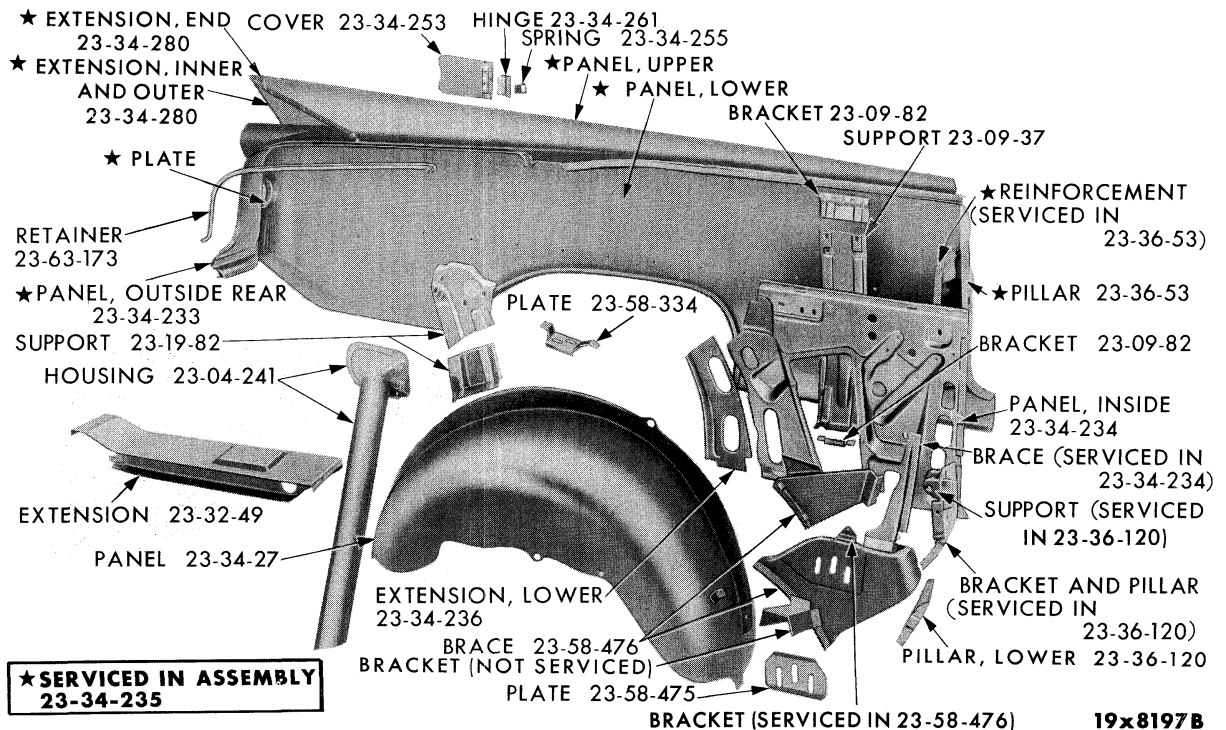


REAR QUARTER PANEL - DODGE MD1-2 CLUB SEDAN

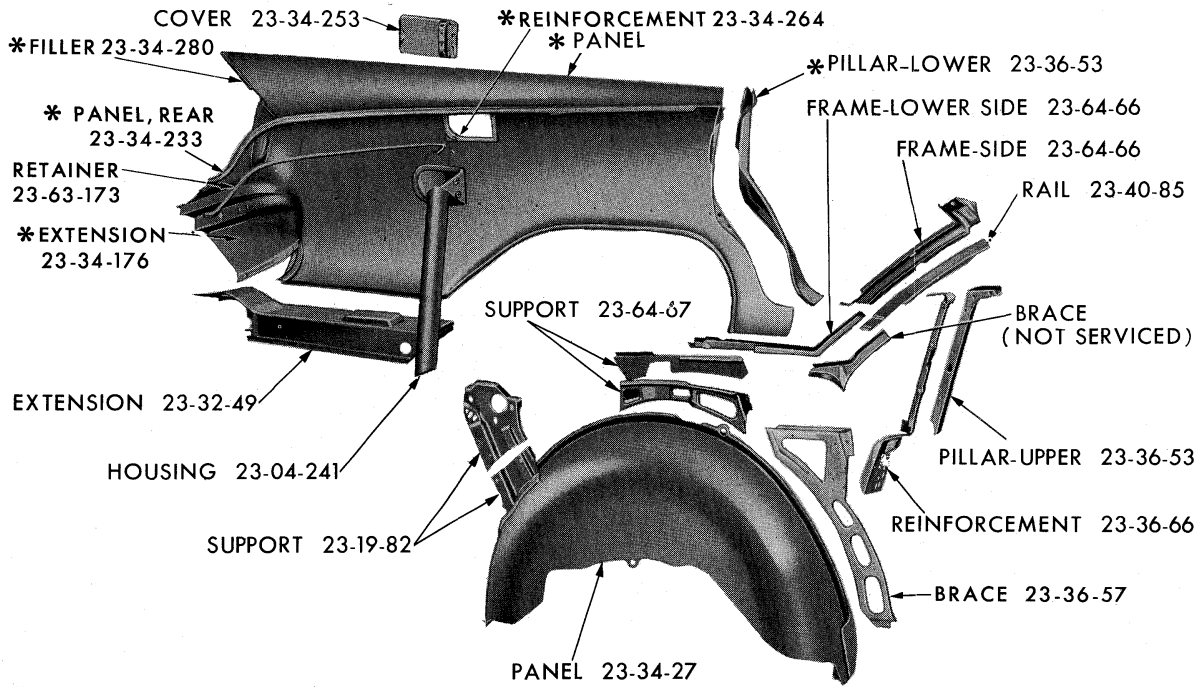
★ Indicates use as required.
 ▽ Indicates parts not listed in any previous parts book.
 March 20, 1959.



REAR QUARTER PANEL - DODGE MD1-2-3 SPECIAL CLUB COUPE



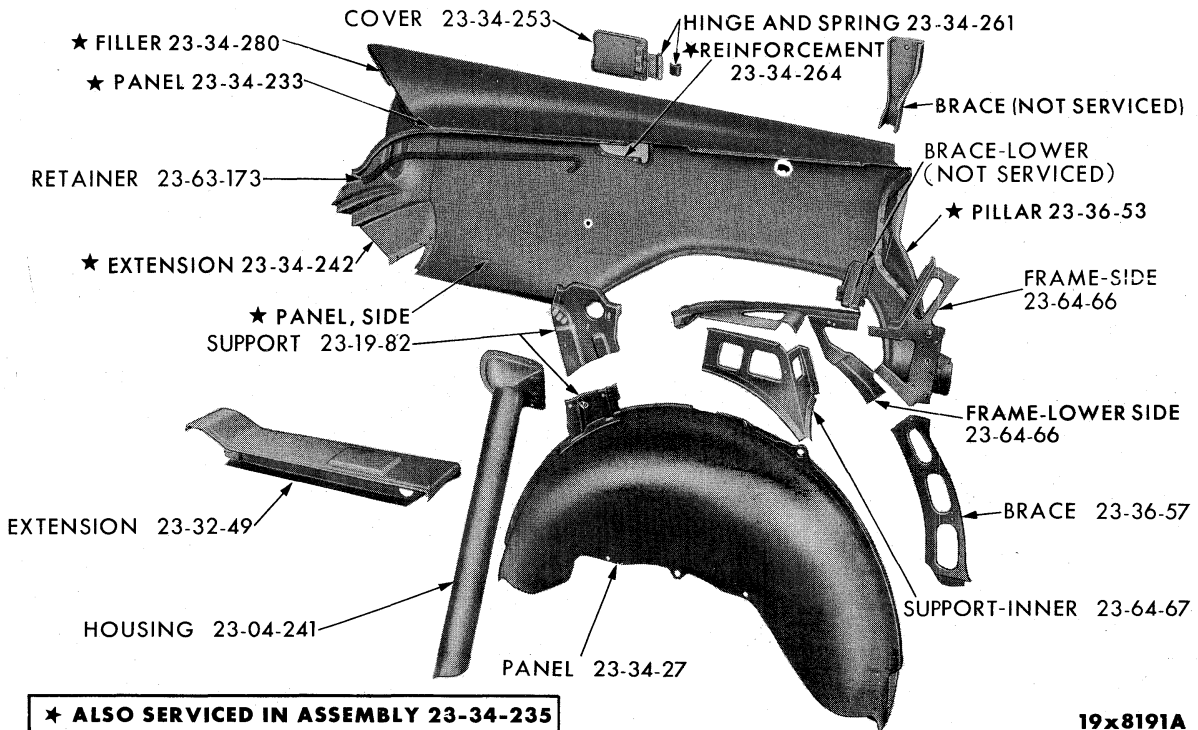
REAR QUARTER PANEL - DODGE MD1-2-3 CONVERTIBLE COUPE



*** SERVICED IN ASSEMBLY 23-34-235**

19x8189B

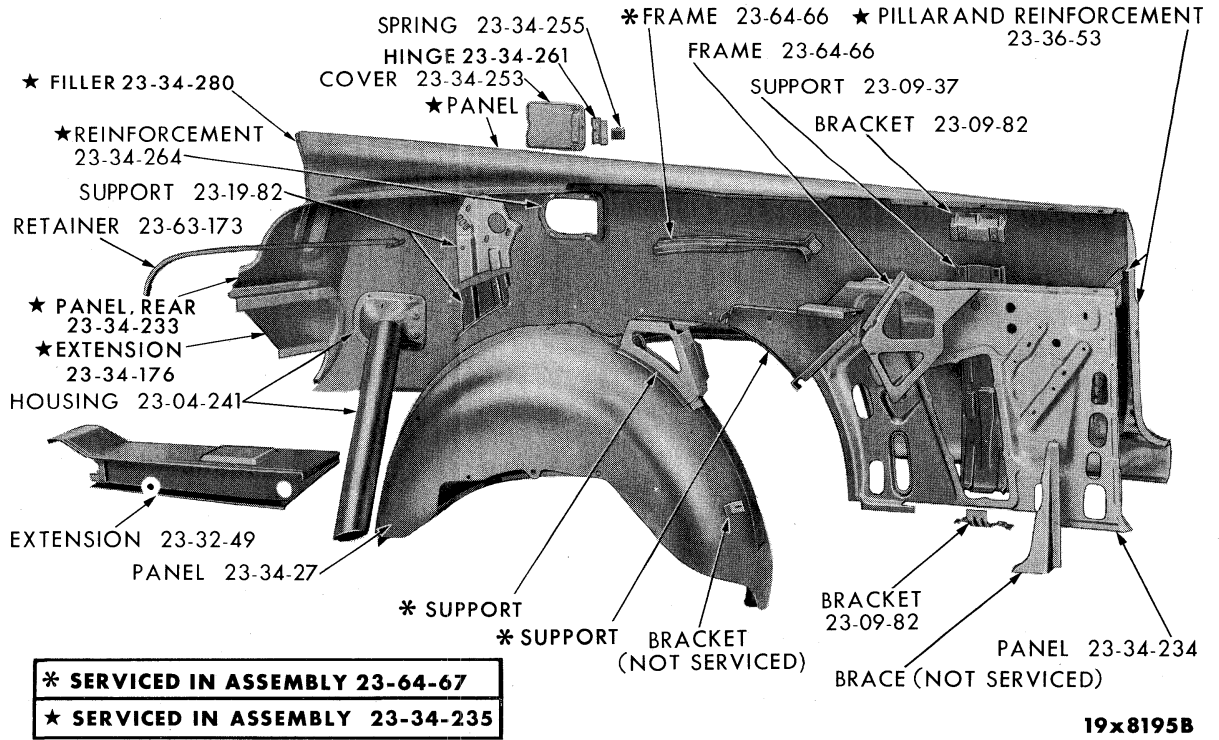
REAR QUARTER PANEL - DESOTO MS1-2-3 AND CHRYSLER MC1-2-3 4 DOOR SEDAN



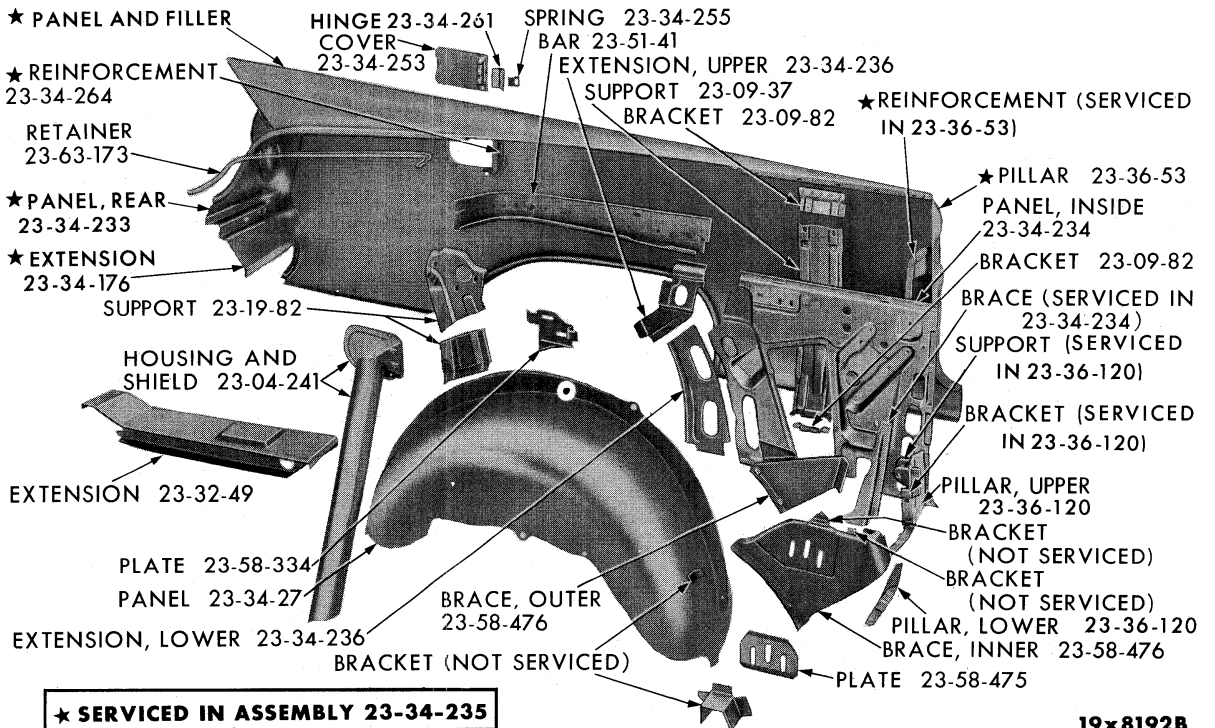
*** ALSO SERVICED IN ASSEMBLY 23-34-235**

19x8191A

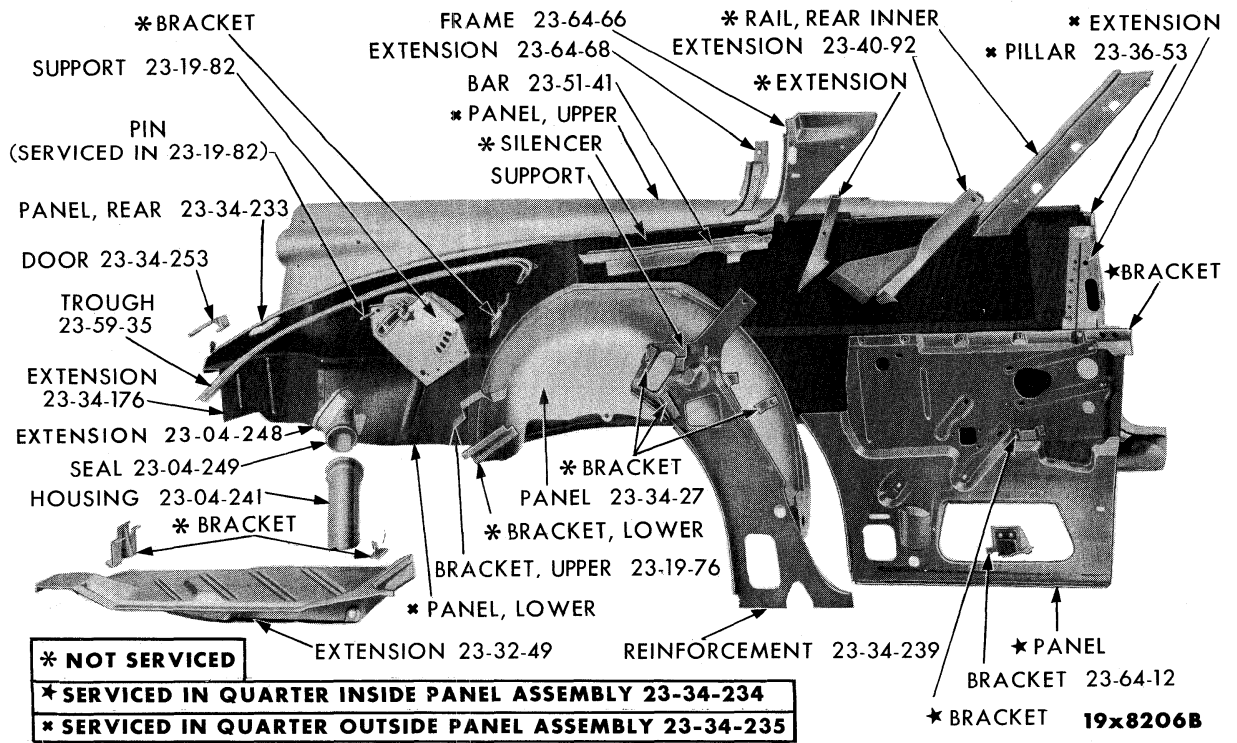
REAR QUARTER PANEL - DESOTO MS1-2-3 AND CHRYSLER MC1-2-3 SPECIAL 4 DOOR SEDAN



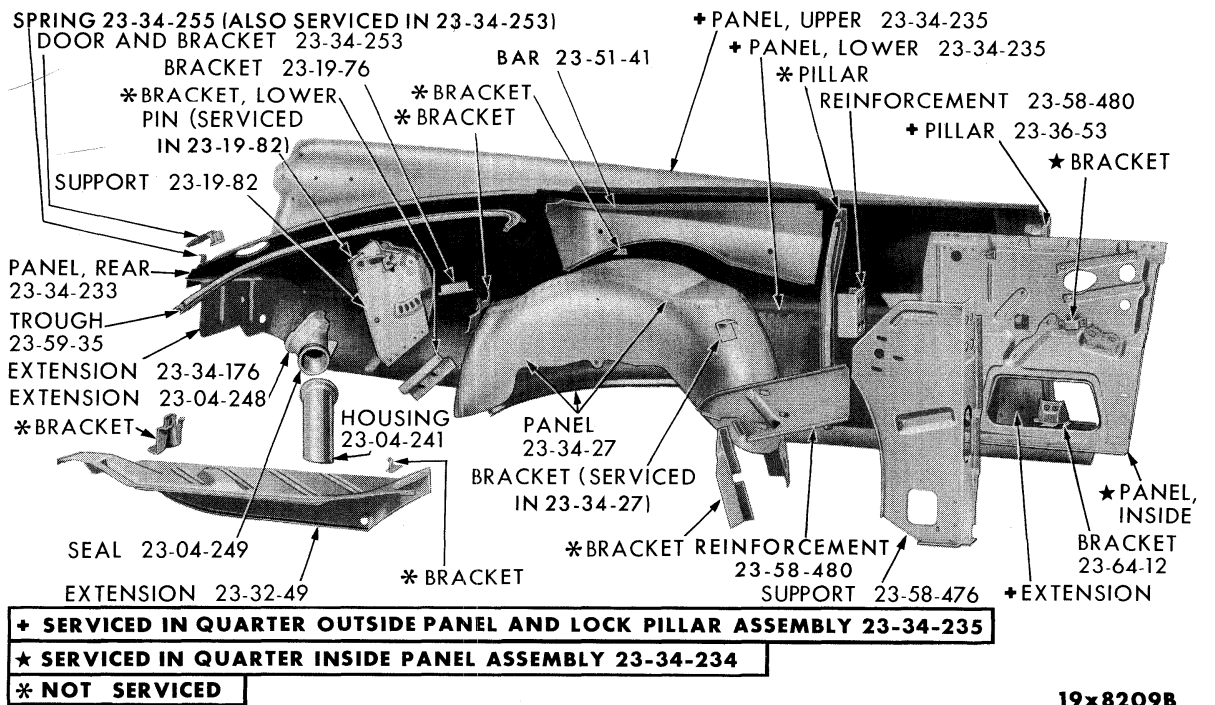
REAR QUARTER PANEL - DESOTO MS1-2-3 AND CHRYSLER MC1-2-3 SPECIAL CLUB COUPE



REAR QUARTER PANEL - DESOTO MS1-2-3 AND CHRYSLER MC1-3 CONVERTIBLE COUPE

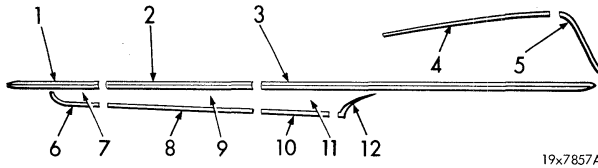


REAR QUARTER PANEL - IMPERIAL MY1 SPECIAL CLUB COUPE



REAR QUARTER PANEL - IMPERIAL MY1 CONVERTIBLE COUPE

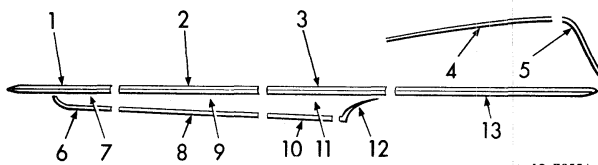
1959 PLYMOUTH Savoy MOULDINGS for Club Sedans,
3-Passenger Coupes and 2 Door Suburbans



19x7857A

1. 1902 626-7 MOULDING, Front Fender
2. 2- 1950 180 MOULDING, Door
★ - 6000 626 Clip and Seal
3. 1950 188-9 MOULDING, Quarter Panel,
3 CP., CL.CP.
1952 022-3 MOULDING, Quarter Panel, 2D. Sub.
★ - 6000 626 Clip and Seal
2 - 6000 454 Retainer and Bolt
2 - 6000 028 Nut and Seal
2 - 6000 223 Screw
4. 2- 1950 431 MOULDING, Quarter Panel
★ - 6000 620 Clip and Seal
5. 1950 432-3 MOULDING, Quarter Panel,
3 CP., CL.CP.
★ - 6000 648 Clip and Bolt
★ - 6006 024 Nut and Washer
1960 402-3 MOULDING, Quarter Panel, 2D. Sub.
★ - 6000 137 Clip and Seal
6. 1902 630-1 MOULDING, Front Fender
7. *1903 400-1 INSERT, Front Fender
8. 2- 1865 646 MOULDING, Door
★ - 6000 137 Clip and Seal
9. *1954 482-3 PANEL, Door Insert
10. 2- 1866 524 MOULDING, Quarter Panel
★ - 6000 572 Clip
2 - 6000 223 Screw
11. *1954 478-9 PANEL, Quarter Panel Insert
12. 1866 522-3 MOULDING, Quarter Panel
★ - 6000 137 Clip and Seal

1959 PLYMOUTH Savoy MOULDINGS for 4 Door Sedans
and 4 Door Suburbans

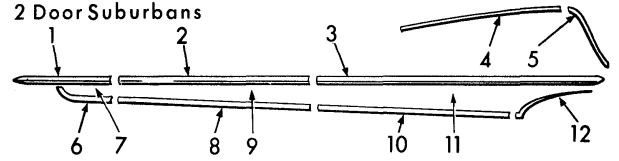


19x7855A

1. 1902 626-7 MOULDING, Front Fender
2. 2- 1950 178 MOULDING, Front Door
★ - 6000 626 Clip and Seal
3. 1950 186-7 MOULDING, Rear Door
★ - 6000 626 Clip and Seal
4. 2- 1950 431 MOULDING, Quarter Panel
★ - 6000 620 Clip and Seal
5. 1950 432-3 MOULDING, Quarter Panel
★ - 6000 648 Clip and Bolt
★ - 6006 024 Nut and Washer
6. 1902 630-1 MOULDING, Front Fender
7. *1903 400-1 INSERT, Front Fender
8. 2- 1865 638 MOULDING, Front Door
★ - 6000 137 Clip and Seal
9. *1954 482-3 PANEL, Front Door Insert

10. 2- 1866 525 MOULDING, Rear Door
★ - 6000 137 Clip and Seal
11. *1954 478-9 PANEL, Rear Door Insert
12. 1866 522-3 MOULDING, Rear Door
★ - 6000 137 Clip and Seal
13. 1950 184-5 MOULDING, Quarter Panel, 4 D.
★ - 6000 626 Clip and Seal
2 - 6000 223 Screw
1952 026-7 MOULDING, Quarter Panel, 4D. Sub.
★ - 6006 394 Clip
2 - * 125 978 Screw

1959 PLYMOUTH Belvedere MOULDINGS for Club
Sedans, Special Club Coupes, Convertible Coupes and
2 Door Suburbans



19x7858A

1. 1902 626-7 MOULDING, Front Fender
2. 2- 1950 180 MOULDING, Door
★ - 6000 626 Clip and Seal
3. *1950 188-9 MOULDING, Quarter Panel,
Cl. Cp., Sp. Cl. Cp., Cv. Cp.
1952 022-3 MOULDING, Quarter Panel, 2D. Sub.
★ - 6000 626 Clip and Seal
2 - 6000 454 Retainer and Bolt
2 - 6000 028 Nut and Seal
2 - 6000 223 Screw
4. 2- 1950 431 MOULDING, Quarter Panel
★ - 6000 620 Clip and Seal
5. *1950 432-3 MOULDING, Quarter Panel,
Cl. Cp., Sp. Cl. Cp., Cv. Cp.
1960 402-3 MOULDING, Quarter Panel, 2D. Sub.
★ - 6000 648 Clip and Bolt
★ - 6006 024 Nut and Washer
6. 1902 630-1 MOULDING, Front Fender
7. *1903 400-1 INSERT, Front Fender
8. 2- 1865 646 MOULDING, Door
★ - 6000 137 Clip and Seal
9. *1954 482-3 PANEL, Door Insert
10. *1865 648-9 MOULDING, Quarter Panel,
Cl. Cp., Sp. Cl. Cp., Cv. Cp.
1865 650-1 MOULDING, Quarter Panel, 2D. Sub.
★ - 6000 137 Clip and Seal
2 - 6010 093 Clip and Bolt
2 - 6000 028 Nut and Seal
2 - 6000 223 Screw
11. *1954 484-5 PANEL, Quarter Panel Insert
12. *1865 652-3 MOULDING, Quarter Panel,
Cl. Cp., Sp. Cl. Cp., Cv. Cp.
*1866 520-1 MOULDING, Quarter Panel, 2D. Sub.
★ - 6010 093 Clip and Bolt
★ - 6000 028 Nut and Seal

★ Indicates use as required.

☐ Indicates parts not listed in any previous parts book.

* Indicates change or addition.

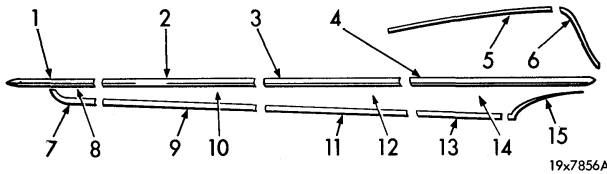
Numerals in parentheses () refer to notes.

Printed in U.S.A.

Prices and specifications subject to change without notice.

March 20, 1959 Supersedes Jan. 12, 1959.

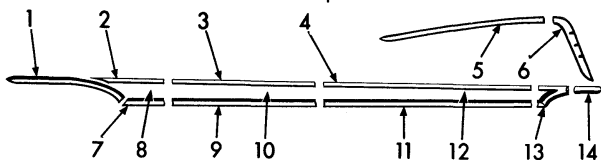
1959 PLYMOUTH Belvedere MOULDINGS for 4 Door Sedans, Special 4 Door Sedans and 4 Door Suburbans



19x7856A

1. 1902 626-7 MOULDING, Front Fender
2. 2- 1950 178 MOULDING, Front Door
★ - 6000 626 Clip and Seal
3. 1950 186-7 MOULDING, Rear Door
★ - 6000 626 Clip and Seal
4. 1950 184-5 MOULDING, Quarter Panel, 4D., Sp. 4D.
1952 026-7 MOULDING, Quarter Panel, 4D. Sub.
★ - 6000 626 Clip and Seal
2 - 6000 454 Retainer and Bolt
2 - 6000 028 Nut and Seal
2 - 6000 223 Screw
5. 2- 1950 431 MOULDING, Quarter Panel
★ - 6000 620 Clip and Seal
6. 1950 432-3 MOULDING, Quarter Panel, 4D., Sp. 4D.
1960 402-3 MOULDING, Quarter Panel, 4D. Sub.
★ - 6000 648 Clip and Bolt
★ - 6006 024 Nut and Washer
7. 1902 630-1 MOULDING, Front Fender
8. *1903 400-1 INSERT, Front Fender
9. 2- 1865 638 MOULDING, Front Door
★ - 6000 137 Clip and Seal
10. *1954 482-3 PANEL, Front Door Insert
11. 2- 1865 640 MOULDING, Rear Door
★ - 6000 137 Clip and Seal
12. *1954 476-7 PANEL, Rear Door Insert
13. 1865 642-3 MOULDING, Quarter Panel, 4D., Sp. 4D.
1865 644-5 MOULDING, Quarter Panel, 4D. Sub.
★ - 6000 137 Clip and Seal
2 - 6010 093 Clip and Bolt
2 - 6000 028 Nut and Seal
2 - 6000 223 Screw
14. *1954 480-1 PANEL, Quarter Panel Insert
15. 1865 652-3 MOULDING, Quarter Panel, 4D., Sp. 4D.
1866 520-1 MOULDING, Quarter Panel, 4D. Sub.
★ - 6010 093 Clip and Bolt
★ - 6000 028 Nut and Seal

1959 PLYMOUTH Fury MOULDINGS for Special Club Coupes and Convertible Coupes

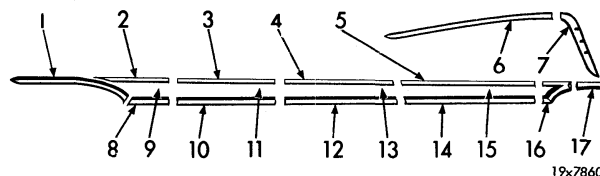


19x7859

1. 1754 686-7 MOULDING, Front Fender
2. 1902 770-1 MOULDING, Front Fender
3. 2- 1846 748 MOULDING, Door
★ - 6000 137 Clip and Seal
4. *1846 750-1 MOULDING, Quarter Panel
★ - 6000 137 Clip and Seal
2 - 6000 223 Screw

5. 2- 1950 431 MOULDING, Quarter Panel
★ - 6000 620 Clip and Seal
6. 1950 432-3 MOULDING, Quarter Panel
★ - 6000 648 Clip and Bolt
★ - 6006 024 Nut and Washer
7. 1902 652-3 MOULDING, Front Fender
8. 1902 654-5 INSERT, Front Fender
9. *1950 376-7 MOULDING, Door
★ - 6000 626 Clip and Seal
10. 2- 1950 398 PANEL, Door Finish
11. 1950 382-3 MOULDING, Quarter Panel
★ - 6000 626 Clip and Seal
2 - 6000 223 Screw
12. 2- 1950 400 PANEL, Quarter Panel Finish
13. 1950 384-5 MOULDING, Quarter Panel
2 - 6000 454 Retainer and Bolt
2 - 6000 028 Nut and Seal
14. 1950 386-7 MOULDING, Quarter Panel
★ - 6000 645 Retainer and Bolt
★ - 6000 028 Nut and Seal

1959 PLYMOUTH Fury MOULDINGS for 4 Door Sedans and Special 4 Door Sedans



19x7860

1. 1754 686-7 MOULDING, Front Fender
2. 1902 770-1 MOULDING, Front Fender
3. 2- 1846 742 MOULDING, Front Door
★ - 6000 137 Clip and Seal
4. 1867 862-3 MOULDING, Rear Door
★ - 6000 137 Clip and Seal
5. 1846 754-5 MOULDING, Quarter Panel
★ - 6000 137 Clip and Seal
2 - *6010 093 Clip and Bolt
6 - 6000 028 Nut and Seal
2 - 6000 223 Screw
6. 2- 1950 431 MOULDING, Quarter Panel
★ - 6000 620 Clip and Seal
7. 1950 432-3 MOULDING, Quarter Panel
★ - 6000 648 Clip and Bolt
★ - 6006 024 Nut and Washer
8. 1902 652-3 MOULDING, Front Fender
9. 1902 654-5 INSERT, Front Fender
10. 1950 374-5 MOULDING, Front Door
★ - 6000 626 Clip and Seal
11. 2- 1950 398 PANEL, Front Door Finish
12. 1950 378-9 MOULDING, Rear Door
★ - 6000 626 Clip and Seal
13. 1950 396-7 PANEL, Rear Door Finish
14. 1950 380-1 MOULDING, Quarter Panel
★ - 6000 626 Clip and Seal
2 - 6000 029 Retainer and Bolt
2 - 6000 223 Screw
15. 1950 402-3 PANEL, Quarter Panel Finish
16. 1950 384-5 MOULDING, Quarter Panel
2 - 6000 454 Retainer and Bolt
2 - 6000 028 Nut and Seal
17. 1950 386-7 MOULDING, Quarter Panel
★ - 6000 645 Retainer and Bolt
★ - 6000 028 Nut and Seal

★ Indicates use as required.

Numerals in parentheses () refer to notes.

Printed in U.S.A.

El Indicates parts not listed in any previous parts book.

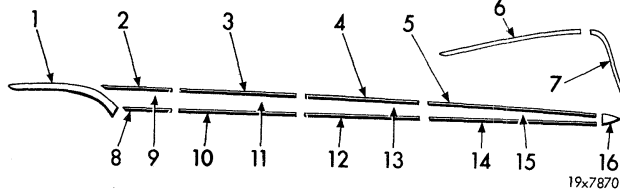
Prices and specifications subject to change without notice.

March 20, 1959 Supersedes Jan. 12, 1959.

Page 23-BJ

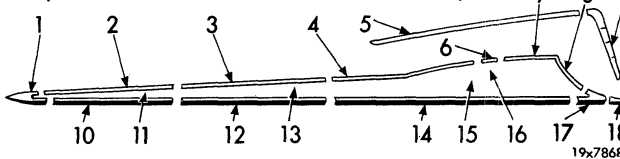
* Indicates change or addition.

1959 PLYMOUTH FURY MOULDINGS for 4 Door Suburbans.



1. 1754 686-7 MOULDING, Front Fender
2. 1902 770-1 MOULDING, Front Fender
3. 2- 1846 742 MOULDING, Front Door
★ - 6000 137 Clip and Seal
4. 1867 862-3 MOULDING, Rear Door
★ - 6000 137 Clip and Seal
5. 1960 400-1 MOULDING, Quarter Panel
★ - 6000 572 Clip
6. 2- 1950 431 MOULDING, Quarter Panel
★ - 6000 620 Clip and Seal
7. 1960 402-3 MOULDING, Quarter Panel, w/Spacer
8. 1902 652-3 MOULDING, Front Fender
9. 1902 654-5 INSERT, Front Fender
10. 1950 374-5 MOULDING, Front Door
★ - 6000 626 Clip and Seal
11. 2- 1950 398 PANEL, Front Door Finish
12. 1950 378-9 MOULDING, Rear Door
★ - 6000 626 Clip and Seal
13. 1950 396-7 PANEL, Rear Door Finish
14. 1952 024-5 MOULDING, Quarter Panel
★ - 6006 321 Clip
15. 1952 032-3 PLATE, Quarter Panel Finish
16. 1952 028-9 MOULDING, Quarter Panel
★ - 6006 323 Clip

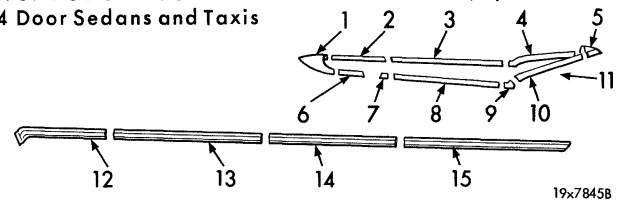
1959 PLYMOUTH SPORT FURY MOULDINGS for Special Club Coupes, Club Sedans and Convertible Coupes



1. 1902 872-3 CAP, Front Fender Moulding
2. 1902 874 MOULDING, Front Fender
10 - 6010 192 Clip
3. 2- 1952 070 MOULDING, Door
★ - 6000 137 Clip and Seal
4. 1952 084-5 MOULDING, Quarter Panel
★ - 6000 137 Clip and Seal
2 - 6000 223 Screw
5. 2- 1950 431 MOULDING, Quarter Panel
★ - 6000 620 Clip and Seal
6. 1- 1952 090 MOULDING, Filler Door
★ - 6000 647 Clip
★ - 132 821 Screw
7. 1952 088 MOULDING, Quarter Panel, Lt.
★ - 6000 137 Clip and Seal
8. 1952 086-7 MOULDING, Quarter Panel
2 - 6000 709 Clip and Bolt
2 - 6000 028 Nut and Seal
9. 1950 432-3 MOULDING, Quarter Panel
★ - 6000 648 Clip and Bolt
★ - 6006 024 Nut and Washer

10. 2- 1902 876 MOULDING, Front Fender
8 - 6010 195 Clip
11. 1902 878-9 INSERT, Front Fender
12. 2- 1954 623 MOULDING, Door
★ - 6000 634 Clip and Seal
13. 1952 098-9 PANEL, Door Insert
14. 1952 078-9 MOULDING, Quarter Panel
★ - 6000 634 Clip and Seal
2 - 6000 454 Retainer and Bolt
2 - 6000 028 Nut and Seal
15. 1952 102-3 PANEL, Quarter Panel Insert
16. 1- 1952 089 PANEL, Filler Door Insert
17. 1952 080-1 MOULDING, Quarter Panel
★ - 6000 454 Retainer and Bolt
★ - 6000 028 Nut and Seal
18. 1950 386-7 MOULDING, Quarter Panel
★ - 6000 645 Retainer and Bolt
★ - 6000 028 Nut and Seal

1959 DODGE MOULDINGS for 4 Door Sedans, Special 4 Door Sedans and Taxis



1. 1909 392-3 MOULDING, Rear Door, MD3-M
1909 294-5 MOULDING, Rear Door, MD3-H
1846 624-5 MOULDING, Rear Door, MD2-L
1757 196-7 MOULDING, Rear Door, Taxi
★ - 6000 258 Clip
2. 1952 040-1 MOULDING, Rear Door, MD3
1952 046-7 MOULDING, Rear Door, MD2
*1952 836-7 MOULDING, Rear Door, Taxi
★ - 6000 644 Clip
3. 1952 042-3 MOULDING, Quarter Panel
★ - 6000 627 Clip and Seal
4. 1846 638-9 MOULDING, Quarter Panel
★ - 6000 568 Clip
★ - 168 495 Screw
5. 1846 632-3 CAP, Quarter Panel Moulding
★ - 6000 505 Clip
6. 1950 426-7 MOULDING, Rear Door, MD3
★ - 145 417 Screw
1846 626-7 MOULDING, Rear Door, MD2
★ - 6000 569 Clip
1866 692-3 MOULDING, Rear Door, Taxi
★ - 6000 496 Clip
★ - 161 798 Screw
7. 1846 628-9 MOULDING, Rear Door, except Taxi
2 - 6000 522 Clip
4 - 161 798 Screw
8. 1846 634-5 MOULDING, Quarter Panel, except Taxi
★ - 6000 564 Clip and Seal
1909 586-7 MOULDING, Quarter Panel, Taxi
★ - 6000 447 Clip
9. 1866 934-5 CAP, Quarter Panel Moulding Joint, w/BOLT, except Taxi
1909 588-9 CAP, Quarter Panel Moulding Joint, w/BOLT, Taxi
2 - 6006 024 Nut and Seal
10. 1846 636-7 MOULDING, Quarter Panel
★ - 6000 568 Clip
★ - 168 495 Screw

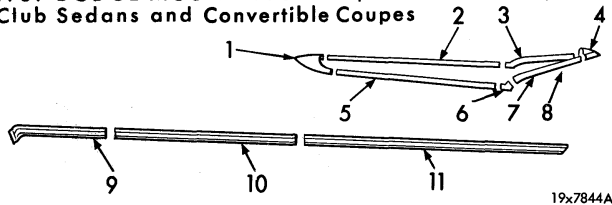
★ Indicates use as required.
 ☐ Indicates parts not listed in any previous parts book.
 * Indicates change or addition.

- 11. 1909 344-5 MOULDING, Quarter Panel, Chrome
1954 756-7 MOULDING, Quarter Panel, Prime
★ - 151 497 Nut
- 12. 1902 668-9 MOULDING, Front Fender, MD3
2- 1902 676 MOULDING, Front Fender, MD2,
UP TO see Note 1
1902 796-7 MOULDING, Front Fender Lower
Rear, MD1, MD2, AFTER see
Note 1
1902 766-7 MOULDING, Front Fender Side
Front, MD1, MD2

NOTE 1: MD1-M302-100891, MD2-M312-104349.

- 13. 2- 1950 416 MOULDING, Front Door, MD3
★ - 6000 657 Clip
2- 1950 442 MOULDING, Front Door, MD2
★ - 6000 613 Clip
- 14. 1950 418-9 MOULDING, Rear Door, MD3
1950 444-5 MOULDING, Rear Door, MD2
★ - 6000 567 Clip
- 15. 1950 422-3 MOULDING, Quarter Panel, MD3
★ - 6000 613 Clip
2 - 6000 515 Retainer and Bolt
2 - 6000 028 Nut and Seal
1950 446-7 MOULDING, Quarter Panel, MD2
*1954 834-5 MOULDING, Quarter Panel, Taxi
★ - 6000 696 Clip
2 - 6000 029 Retainer and Bolt
2 - 6006 024 Nut and Seal

1959 DODGE MOULDINGS for Special Club Coupes,
Club Sedans and Convertible Coupes

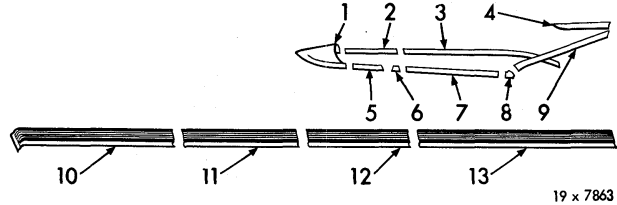


- 7. 1846 636-7 MOULDING, Quarter Panel
★ - 6000 568 Clip
★ - 168 495 Screw
- 8. 1909 344-5 MOULDING, Quarter Panel, Chrome
1954 756-7 MOULDING, Quarter Panel, Prime
★ - 151 497 Nut
- 9. 1902 668-9 MOULDING, Front Fender, MD3
2- 1902 676 MOULDING, Front Fender, MD2,
UP TO see Note 1
1902 796-7 MOULDING, Front Fender Lower
Rear, MD1, MD2, AFTER see
Note 1
1902 766-7 MOULDING, Front Fender Side
Front, MD1, MD2

NOTE 1: MD1-M302-100891, MD2-M312-104349.

- 10. 2- 1950 414 MOULDING, Door, MD3
★ - 6000 613 Clip
2- 1950 448 MOULDING, Door, MD2
★ - 6000 401 Clip and Seal
- 11. 1950 420-1 MOULDING, Quarter Panel, MD3
★ - 6000 613 Clip and Seal
2 - 6000 515 Clip
2 - 6000 028 Nut and Seal
1950 450-1 MOULDING, Quarter Panel, MD2
★ - 6000 567 Clip
★ - 6000 029 Clip and Bolt
★ - 6006 024 Nut and Seal

1959 DODGE MOULDINGS for 4 Door Suburban



- 1. 1909 392-3 MOULDING, Quarter Panel, MD3-M
1909 394-5 MOULDING, Quarter Panel, MD3-H
1846 624-5 MOULDING, Quarter Panel, MD2-L
★ - 6000 258 Clip
- 2. 1952 044-5 MOULDING, Quarter Panel, MD3,
Sp. Cl. Cp., Cl. Sed.
1952 050-1 MOULDING, Quarter Panel, MD2,
Sp. Cl. Cp., Cl. Sed.
2- 1950 570 MOULDING, Quarter Panel, MD3,
Cv. Cp.
1952 004-5 MOULDING, Quarter Panel, MD2,
Cv. Cp.
★ - 6000 627 Clip
- 3. 1846 638-9 MOULDING, Quarter Panel,
Sp. Cl. Cp., Cl. Sed.
1950 768-9 MOULDING, Quarter Panel, Cv. Cp.
★ - 6000568 Clip
★ - 168 495 Screw
- 4. 1846 632-3 CAP, Quarter Panel Moulding
★ - 6000 505 Clip
- 5. 1909 368-9 MOULDING, Quarter Panel, MD3
1846 640-1 MOULDING, Quarter Panel, MD2
★ - 6000564 Clip
- 6. 1866 934-5 CAP, Quarter Panel Moulding Joint,
w/BOLT
2 - 6006 024 Nut and Seal

- 1. 1960 390-1 MOULDING, Rear Door, MD3-L
1960 616-7 MOULDING, Rear Door, MD3-H
★ - 6000 258 Clip
- 2. 1960 406-7 MOULDING, Rear Door
★ - 6000 134 Clip and Seal
- 3. 1836 058-9 MOULDING, Quarter Panel
★ - 6000 134 Clip and Seal
- 4. 1775 800-1 MOULDING, Quarter Panel
★ - 6006 035 Nut and Seal
- 5. 1960 408-9 MOULDING, Rear Door
★ - 6000 569 Clip
- 6. 1866 842-3 MOULDING, Rear Door
★ - 6000 355 Clip
- 7. 1866 844-5 MOULDING, Quarter Panel
★ - 6000 567 Clip
- 8. 1866 850-1 COVER, Quarter Panel Moulding
Joint, w/STUD
★ - 6000 355 Clip
- 9. 1866 848-9 MOULDING, Quarter Panel
★ - 6000 590 Clip and Seal
- 10. 1902 668-9 MOULDING, Front Fender, MD3-H
2- 1902 676 MOULDING, Front Fender, MD2,
UP TO see Note 1
1902 796-7 MOULDING, Front Fender Lower
Rear, MD1, MD2, AFTER see
Note 1
1902 766-7 MOULDING, Front Fender Side
Front, MD1, MD2

NOTE 1: MD1-M302-100891, MD2-M312-104349.

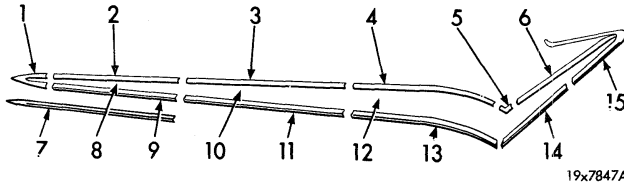
★ Indicates use as required.
⊠ Indicates parts not listed in any previous parts book.
May 25, 1959 Supersedes March 20, 1959.

- 11. 2- 1950 442 MOULDING, Front Door, MD3-L
2- 1950 416 MOULDING, Front Door, MD3-H
★ - 6000 401 Clip and Seal
- 12. 1950 444-5 MOULDING, Rear Door, MD3-L
1950 418-9 MOULDING, Rear Door, MD3-H
★ - 6000 401 Clip and Seal
- 13. 1960 376-7 MOULDING, Quarter Panel, MD3-L, 2 Seat
1960 380-1 MOULDING, Quarter Panel, MD3-H, 2 Seat
★ - 6000 567 Clip, MD3-L
★ - 6000 613 Clip, MD3-H
1960. 382 MOULDING, Quarter Panel, Rt. Frt., MD3-H, 3 Seat
★ - 6000 613 Clip
1960 418 MOULDING, Quarter Panel, Rt. Rr., MD3-H, 3 Seat
1960 381 MOULDING, Quarter Panel, Lt., MD3-H, 3 Seat
★ - 6000 613 Clip

USE THE FOLLOWING ON ALL OF THE ABOVE

- ★ - 6006 393 RETAINER and BOLT
- ★ - 6006 024 Nut and Seal
- 2 - 6010 002 Clip and Bolt
- 2 - 6010 008 Nut and Seal

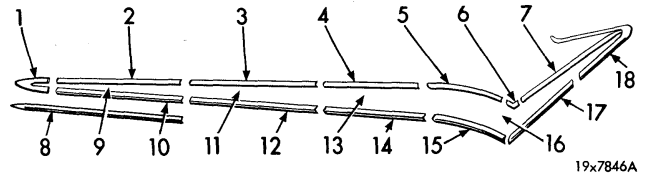
1959 DESOTO MOULDINGS for Special Club Coupes and Convertible Coupes



- 1. 1902 586-7 MOULDING, Front Fender
2 - 6010 189 Clip and Bolt
2 - 446 059 Nut
- 2. 1902 840-1 MOULDING, Front Fender, MS1
1902 690-1 MOULDING, Front Fender, MS2, MS3
14 - 6010 202 Clip
- 3. 1878 952-3 MOULDING, Door
14 - 6000 030 Clip
- 4. 1878 974-5 MOULDING, Quarter Panel
20 - 6000 030 Clip
- 5. 2- 1878 942 CAP, Quarter Panel Moulding
- 6. 1878 980-1 MOULDING, Quarter Panel
8 - 6000 030 Clip
- 7. 1902 836-7 MOULDING, Front Fender, MS1
1902 832-3 MOULDING, Front Fender, MS2
12 - 6006 262 Retainer
2 - 6010 002 Clip and Bolt
2 - 446 059 Nut
- 8. 1902 696-7 INSERT, Front Fender Moulding
- 9. 1902 844-5 MOULDING, Front Fender, MS1
1902 694-5 MOULDING, Front Fender, MS2, MS3
14 - 6006 262 Retainer
- 10. 1878 962-3 PLATE, Door Moulding
- 11. 1878 960-1 MOULDING, Door
14 - 6006 262 Retainer
- 12. 1878 988-9 PLATE, Quarter Panel Moulding
- 13. 1878 976-7 MOULDING, Quarter Panel
★ - 6006 291 Retainer

- 14. *1878 982-3 MOULDING, Quarter Panel
★ - 6006 291 Retainer
- 15. 1860 786-7 MOULDING, Quarter Panel
2 - * 187 528 Screw
2 - *6006 024 Nut and Seal

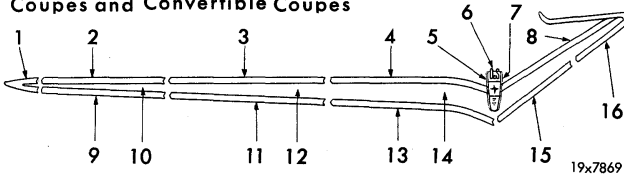
1959 DESOTO MOULDINGS for 4 Door Sedans, Special 4 Door Sedans and SUBURBANS



- 1. 1902 686-7 MOULDING, Front Fender
2 - 6010 189 Clip and Bolt
2 - 446 059 Nut
- 2. 1902 840-1 MOULDING, Front Fender, MS1
1902 690-1 MOULDING, Front Fender, MS2, MS3
14 - 6010 202 Clip
- 3. 1878 958-9 MOULDING, Front Door
12 - 6000 030 Clip
- 4. 1878 964-5 MOULDING, Rear Door
10 - 6000 030 Clip
- 5. 1878 970-1 MOULDING, Quarter Panel
12 - 6000 030 Clip
- 6. 2- 1878 942 CAP, Quarter Panel Moulding
- 7. 1878 980-1 MOULDING, Quarter Panel, 4D., Sp. 4D.
1960 348-9 MOULDING, Quarter Panel, Sub.
8 - 6000 030 Clip
- 8. 1902 836-7 MOULDING, Front Fender, MS1
1902 832-3 MOULDING, Front Fender, MS2, MS3
12 - 6006 262 Retainer
2 - 6010 002 Clip and Bolt
2 - 446 059 Nut
- 9. 1902 696-7 INSERT, Front Fender Moulding
- 10. 1902 844-5 MOULDING, Front Fender, MS1
1902 694-5 MOULDING, Front Fender, MS2, MS3
14 - 6006 262 Retainer
- 11. 1878 962-3 PLATE, Front Door Moulding
- 12. 1878 954-5 MOULDING, Front Door
12 - 6006 262 Retainer
- 13. 1878 968-9 PLATE, Rear Door Moulding
- 14. 1878 966-7 MOULDING, Rear Door
10 - 6006 262 Retainer
- 15. 1878 972-3 MOULDING, Quarter Panel
★ - 6006 291 Retainer
- 16. 1878 978-9 PLATE, Quarter Panel Moulding, 4D., Sp. 4D.
1960 350-1 PLATE, Quarter Panel Moulding, Sub.
- 17. *1960 346-7 MOULDING, Quarter Panel, Sub.
*1878 982-3 MOULDING, Quarter Panel, 4 D., Sp. 4 D.
★ - 6006 291 Retainer
- 18. 1860 786-7 MOULDING, Quarter Panel, 4D., Sp. 4D.
2 - * 187 528 Screw
2 - *6006 024 Nut and Seal

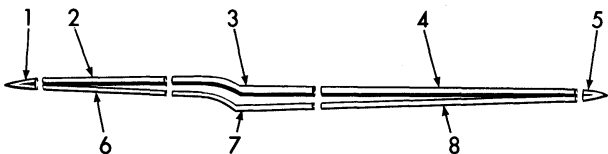
★ Indicates use as required.
 □ Indicates parts not listed in any previous parts book.
 * Indicates change or addition.

1959 DESOTO ADVENTURER MOULDING for Special Club Coupes and Convertible Coupes



1. 1902 686-7 MOULDING, Front Fender
2. 1902 690-1 MOULDING, Front Fender
12 - 6010 202 Clip
3. 1878 952-3 MOULDING, Door
14 - 6000 579 Clip and Seal
4. 1960 474-5 MOULDING, Quarter Panel
20 - 6000 579 Clip and Seal
UP TO Serial No. 100 289.
*1961 808-9 MOULDING, Quarter Panel
22 - *6000 579 Clip and Seal
2 - *6010 029 Clip and Bolt
2 - *6000 028 Nut and Seal
AFTER Serial No. 100289.
5. 2- 1878 950 BEZEL, Quarter Panel Medallion
4 - 6006 406 Nut
6. 2- 1960 688 LETTERS, Quarter Panel Medallion Bezel
6 - 6006 405 Nut
7. 2- 1878 949 MEDALLION, Quarter Panel
8. 1960 352-3 MOULDING, Quarter Panel
8 - 6000 579 Clip and Seal
UP TO Serial No. 100 289.
9. 1902 694-5 MOULDING, Front Fender
10. 1902 982-3 INSERT, Front Fender
11. 1878 960-1 MOULDING, Door
14 - 6006 262 Retainer
12. 1960 650-1 PLATE, Door Insert
13. 1878 976-7 MOULDING, Quarter Panel
★ - 6006 291 Retainer
14. 1960 354-5 PLATE, Quarter Panel Insert
UP TO Serial No. 100 289.
*1961 824-5 Plate, Quarter Panel Insert
AFTER Serial No. 100 289.
15. 1878 982-3 MOULDING, Quarter Panel
★ - 6006 291 Retainer
16. 1860 786-7 MOULDING, Quarter Panel
2 - * 187 528 Screw
2 - *6006 024 Nut and Seal

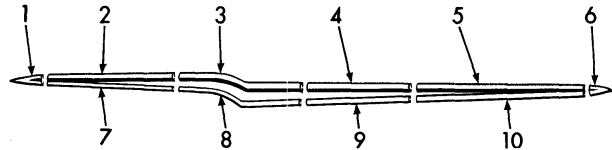
1959 CHRYSLER Windsor MOULDINGS for Special Club Coupes and Convertible Coupes



1. 1903 088-9 MOULDING, Front Fender
6 - 6006 215 Nut
2. 1902 708-9 MOULDING, Front Fender
14 - 6006 262 Retainer
3. 1960 274-5 MOULDING, Door
16 - 6006 262 Retainer
4. 1960 698-9 MOULDING, Quarter Panel
24 - 6006 291 Retainer
5. 1960 296-7 MOULDING, Quarter Panel
2 - 6010 189 Retainer and Bolt
2 - 6006 024 Nut and Seal
6. 1902 860-1 MOULDING, Front Fender
14 - 6006 325 Clip

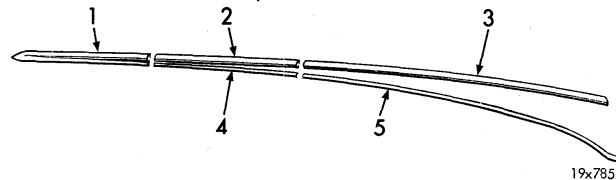
7. 1960 276-7 MOULDING, Door
16 - 6006 325 Clip
8. 1960 294-5 MOULDING, Quarter Panel
24 - 6006 325 Clip

1959 CHRYSLER Windsor MOULDINGS for 4Door Sedans, Special 4Door Sedans and Suburbans



1. 1903 088-9 MOULDING, Front Fender
6 - 6006 215 Nut
2. 1902 708-9 MOULDING, Front Fender
14 - 6006 262 Retainer
3. 1960 280-1 MOULDING, Front Door
14 - 6006 262 Retainer
4. 1960 286-7 MOULDING, Rear Door
10 - 6006 262 Retainer
2 - 6000 029 Clip and Bolt
2 - 151 497 Nut
5. 1960 694-5 MOULDING, Quarter Panel, 4D., Sp.4D.
1960 300-1 MOULDING, Quarter Panel, Sub.
16 - 6006 291 Retainer
6. 1960 296-7 MOULDING, Quarter Panel
2 - 6010 189 Retainer and Bolt, 4D., Sp.4D.
2 - 6006 024 Nut and Seal, 4D., Sp.4D.
2 - 6006 392 Clip, Sub.
7. 1902 860-1 MOULDING, Front Fender
14 - 6006 325 Clip
8. 1960 282-3 MOULDING, Front Door
14 - 6006 325 Clip and Seal
9. 1960 288-9 MOULDING, Rear Door
10 - 6006 325 Clip and Seal
2 - 6000 029 Clip and Bolt
2 - 151 497 Nut
10. 1960 696-7 MOULDING, Quarter Panel, 4D., Sp.4D.
1960 302-3 MOULDING, Quarter Panel, Sub.
16 - 6006 325 Clip and Seal

1959 CHRYSLER Saratoga MOULDINGS for Special Club Coupes

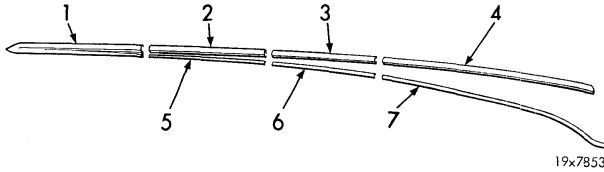


1. 1832 980-1 MOULDING, Front Fender
12 - 6010 178 Clip
2 - 6013 066 Clip and Bolt
2 - 446 059 Nut
2. 1860 838-9 MOULDING, Door
12 - 6006 284 Clip and Seal
3. 1960 262-3 MOULDING, Quarter Panel
22 - 6006 284 Clip and Seal
2 - 6010 029 Clip and Bolt
2 - 6006 024 Nut and Seal
4. 1860 840-1 MOULDING, Door
12 - 6006 287 Clip
5. 1960 264-5 MOULDING, Quarter Panel
26 - 6006 286 Clip and Seal
2 - 149 498 Screw

★ Indicates use as required.

□ Indicates parts not listed in any previous parts book.
May 25, 1959 Supersedes March 20, 1959.

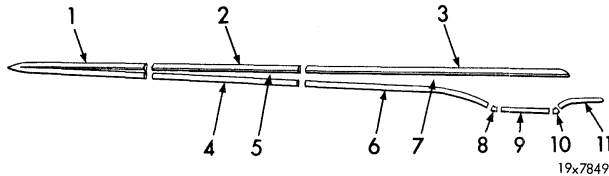
1959 CHRYSLER Saratoga MOULDINGS for 4 Door Sedans and Special 4 Door Sedans



19x7853

- 1. 1832 980-1 MOULDING, Front Fender
 - 12 - 6010 178 Clip
 - 2 - 6013 066 Clip and Bolt
 - 2 - 446 059 Nut
- 2. 1860 844-5 MOULDING, Front Door
 - 10 - 6006 284 Clip and Seal
- 3. 1960 256-7 MOULDING, Rear Door
 - 6 - 6006 284 Clip and Seal
 - 2 - 6013 066 Clip and Bolt
 - 2 - 151 497 Nut
- 4. 1960 268-9 MOULDING, Quarter Panel
 - 14 - 6006 284 Clip and Seal
 - 2 - 6013 066 Clip and Bolt
 - 2 - 6006 024 Nut and Seal
- 5. 1860 846-7 MOULDING, Front Door
 - 10 - 6006 287 Clip
- 6. 1960 258-9 MOULDING, Rear Door
 - 8 - 6006 287 Clip
 - 2 - 6010 029 Clip and Bolt
 - 2 - 151 497 Nut
- 7. 1960 270-1 MOULDING, Quarter Panel
 - 18 - 6006 286 Clip and Seal
 - 2 - 149 498 Screw

1959 CHRYSLER New Yorker MOULDINGS for Special Club Coupes and Convertible Coupes

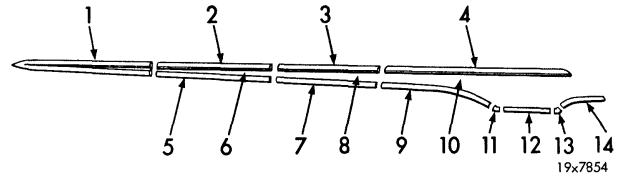


19x7849

- 1. 1832 980-1 MOULDING, Front Fender
 - 12 - 6010 178 Clip
 - 2 - 6013 066 Clip and Bolt
 - 2 - 446 059 Nut
- 2. 1860 838-9 MOULDING, Door
 - 10 - 6006 284 Clip and Seal
- 3. 1860 852-3 MOULDING, Quarter Panel
 - 20 - 6006 284 Clip and Seal
 - 2 - 6013 066 Clip and Bolt
 - 2 - 6006 024 Nut and Seal
- 4. 1860 840-1 MOULDING, Door
 - 12 - 6006 287 Clip
- 5. 1860 842-3 PLATE, Door Insert
- 6. 1960 322-3 MOULDING, Quarter Panel
- 7. 1960 440-1 PLATE, Quarter Panel Insert, w/Louvers and Rr. Vertical Mldg.
 - 18 - 6006 286 Clip and Seal
- 8. 2- 1960 220 CAP, Quarter Panel Moulding
- 9. 1960 326-7 MOULDING, Quarter Panel
 - 4 - 6006 286 Clip and Seal

- 10. 1960 226-7 CAP, Quarter Panel Moulding
- 11. 1960 328-9 MOULDING, Quarter Panel
 - 4 - 6006 286 Clip and Seal

1959 CHRYSLER New Yorker MOULDINGS for 4 Door Sedans, Special 4 Door Sedans and Suburbans



19x7854

- 1. 1832 980-1 MOULDING, Front Fender
 - 12 - 6010 178 Clip
 - 2 - 6013 066 Clip and Bolt
 - 2 - 446 059 Nut
- 2. 1860 844-5 MOULDING, Front Door
 - 10 - 6006 284 Clip and Seal
- 3. 1860 858-9 MOULDING, Rear Door
 - 8 - 6006 284 Clip and Seal
 - 2 - 6013 066 Clip and Bolt
 - 151 497 Nut
- 4. 1860 864-5 MOULDING, Quarter Panel, 4D., Sp. 4D.
 - 14 - 6006 284 Clip and Seal
 - 2 - 6013 066 Clip and Bolt
 - 2 - 6006 024 Nut and Seal
- 1960 414-5 MOULDING, Quarter Panel, Sub.
 - 16 - 6006 284 Clip and Seal
- 5. 1860 846-7 MOULDING, Front Door
 - 10 - 6006 287 Clip
- 6. 1860 848-9 PLATE, Front Door Insert
- 7. 1860 860-1 MOULDING, Rear Door
 - 8 - 6006 287 Clip
 - 2 - 6010 029 Clip and Bolt
 - 151 497 Nut
- 8. 1860 862-3 PLATE, Rear Door Insert
- 9. 1960 324-5 MOULDING, Quarter Panel 4D., Sp. 4D.
 - 12 - 6006 286 Clip and Seal
- 1960 412-3 MOULDING, Quarter Panel, Sub.
 - 12 - 6000 572 Clip
- 10. 1960 442-3 PLATE, Quarter Panel Insert, w/Louvers and Rr. Vertical Mldg., 4D., Sp. 4D.
 - 1960 416-7 PLATE, Quarter Panel Insert, w/Louvers and Rr. Vertical Mldg., Sub.
- 11. 2- 1960 220 CAP, Quarter Panel Moulding
- 12. 1960 326-7 MOULDING, Quarter Panel, 4D., Sp. 4D.
 - 4 - 6006 286 Clip and Seal
- 1960 370-1 MOULDING, Quarter Panel, Sub.
 - 6 - 6000 572 Clip
- 13. 1960 226-7 CAP, Quarter Panel Moulding, 4D., Sp. 4D.
- 14. 1960 328-9 MOULDING, Quarter Panel, 4D., Sp. 4D.
 - 4 - 6006 286 Clip and Seal

★ Indicates use as required.

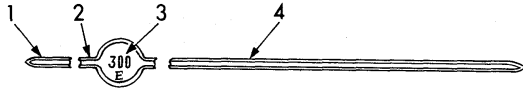
□ Indicates parts not listed in any previous parts book.

* Indicates change or addition.

Numerals in parentheses () refer to notes.

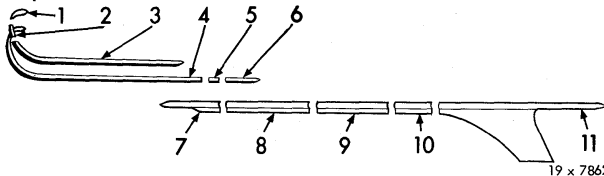
Printed in U.S.A.

Prices and specifications subject to change without notice.

1959 CHRYSLER NEW YORKER "300" MOULDINGS
 for Special Club Coupes and Convertible Coupes


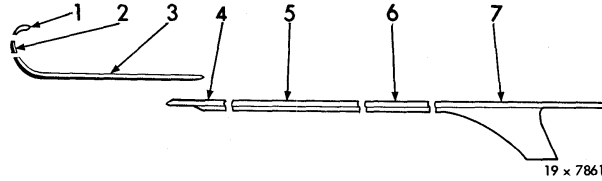
19x7850

1. 2- 1860 807 MOULDING, Quarter Panel
2 - 6013 066 Clip and Bolt
2 - 6006 024 Nut and Seal
2. 2- 1860 806 BASE, Medallion
4 - 6006 024 Nut and Seal
3. 2- 1860 814 MEDALLION
4. 2- 1860 815 MOULDING, Quarter Panel
14 - 1655 264 Clip and Seal
6 - 6013 066 Clip and Bolt
6 - 6006 024 Nut and Seal

1959 IMPERIAL MOULDINGS for 4 Door Sedans and
 Special 4 Door Sedans


19 x 7862

1. 1755 018-9 MOULDING, Front Fender
4 - 6010 112 Nut
2. 2- 1902 774 CAP, Front Fender Moulding
3. 1902 718-9 MOULDING, Front Fender
4 - 6000 505 Clip
4 - 6010 112 Nut
8 - 446 059 Nut
4. 1903 062-3 MOULDING, Front Fender
4 - 6000 505 Clip
8 - 446 059 Nut
5. 1903 160-1 EXTENSION, Front Fender Moulding
2 - 151 497 Nut and Washer
6. 1960 510-1 MOULDING, Front Door
8 - 6006 263 Nut and Seal
7. 1902 714-5 MOULDING, Front Fender
4 - 6006 332 Clip
2 - 6010 196 Clip
2 - 446 059 Nut
8. 2- 1879 004 MOULDING, Front Door
12 - 6006 332 Clip
9. 1879 008-9 MOULDING, Rear Door
8 - 6006 332 Clip
10. 1879 014-5 MOULDING, Quarter Panel
6 - 6006 332 Clip
11. 1879 010-1 MOULDING, Quarter Panel
14 - 6006 215 Nut
6 - 6010 029 Clip
6 - 6006 024 Nut and Seal

1959 IMPERIAL MOULDINGS for Special Club Coupes and
 Convertible Coupes


19 x 7861

1. 1755 018-9 MOULDING, Front Fender
4 - 6010 112 Nut
2. 2- 1902 774 CAP, Front Fender Moulding
3. 1902 718-9 MOULDING, Front Fender
4 - 6000 505 Clip
4 - 6010 112 Nut
8 - 446 059 Nut
4. 1902 714-5 MOULDING, Front Fender
4 - 6006 332 Clip
2 - 6010 196 Clip
2 - 446 059 Nut
5. 2- 1879 006 MOULDING, Door
20 - 6006 332 Clip
6. 1879 012-3 MOULDING, Quarter Panel
14 - 6006 332 Clip
7. 1879 010-1 MOULDING, Quarter Panel
14 - 6006 215 Nut
6 - 6010 029 Clip
6 - 6006 024 Nut and Seal

★ Indicates use as required.

Numerals in parentheses () refer to notes.

Printed in U.S.A.

☐ Indicates parts not listed in any previous parts book.

Prices and specifications subject to change without notice.

March 20, 1959 Supersedes Jan. 12, 1959.

Page 23-BP

* Indicates change or addition.

CODE	REMARKS	PER CAR	PLYMOUTH	DODGE	DESOTO	CHRYSLER	IMPERIAL
------	---------	---------	----------	-------	--------	----------	----------

GROUP 23 - BODY

23-02-0 ASH RECEIVERS							
23-02-1	RECEIVER, Front Seat Back Ash						
1959	MS1 w/Face PLATE	1	1833 688	1833 688	1833 688	----	----
1959	All, use w/Swivel Seat	2	1296 790	1296 790	1296 790	1296 790	1296 790
1959	4 D., Sp. 4 D., Sub., except MS1	1	----	----	1365 575	1365 575	1365 575
1959	4D., Sp. 4D., Sub. except MS1 use/w Cigar Lighter	1	----	----	1365 576	1365 576	1365 576
1959	Sp. Cl. Cp., Cv. Cp., MS2, MS3, MC1, MC2	1	----	----	1365 575	1365 575	----
23-02-2	RETAINER, Front Seat Back Ash Receiver						
1959	MS1	1	1775 047	1775 047	1775 047	----	----
1959	All, use w/Swivel Seat	2	1901 726	1901 726	1901 726	1901 726	1901 726
1959	4D., Sp. 4D., Sub., except MS1	1	----	----	1365 573	1365 573	1365 573
1959	Sp. Cl. Cp., Cv. Cp., MS2, MS3, MC1, MC2	1	----	----	1365 573	1365 573	----
1959	4D., Sp. 4. Sub., MS3, MC3, w/Cigar Lighter Inner	1	----	----	1573 482	1573 482	1573 482
23-02-3	KNOB or HANDLE, Front Seat Back Ash Receiver						
1959	All, use w/Swivel Seat	2	1244 329	1244 329	1244 329	1244 329	1244 329
	SCREW	2	132 688	132 688	132 688	132 688	132 688
1959	4D., Sp. 4D., Sub., MS2, MC1, MC2	1	----	----	1332 557	1332 557	1332 557
1959	Sp. Cl. Cp., Cv. Cp., MS2, MS3, MC1, MC2	1	----	----	1332 557	1332 557	----
1959	4D., Sp. 4D., Sub., MS3, MC3	1	----	----	1602 380	1602 377	1602 377
23-02-8	FACE PLATE, Front Seat Back Ash Receiver						
1959	4D., Sp. 4D., Sub., except MS1	1	----	----	1528 381	1528 381	1528 381
1959	Sp. Cl. Cp., Cv. Cp.	1	----	----	1528 381	1528 381	----
1959	All, use w/Swivel Seat, Chrome	2	1296 896	1296 896	1296 896	1296 896	1296 896
23-02-12	SNUFFER, Front Seat Back Ash Receiver						
1959	MS1	1	*1902 374	*1902 374	*1902 374	----	----
23-02-18	RECEIVER, Instrument Panel Ash						
1959	All	1	1830 472	1830 242	1830 707	1830 707	1698 630
23-02-19	HOUSING Instrument Panel Ash Receiver						
1959	All	1	----	----	----	----	1698 631
23-02-27	RETAINER, Instrument Panel Ash Receiver						
1959	All	1	1830 471	----	----	----	1698 629
23-02-38	BUMPER, Instrument Panel Ash Receiver						
1959	All	1	----	----	----	----	1698 868
23-02-40	DOOR, Instrument Panel Ash Receiver						
1959	All w/Hsg.	1	----	1839 213	----	----	----
23-02-41	NAME PLATE, Instrument Panel Ash Receiver Door						
1959	MD3	1	----	1698 673	----	----	----
23-02-42	HANDLE, Instrument Panel Ash Receiver						
1959	All	1	----	----	1839 241	1839 241	----
	SCREW	2	----	----	121 839	121 839	----
23-02-50	FACE PLATE, Instrument Panel Ash Receiver						
1959	All	1	1839 309	----	----	----	1698 628
23-02-62	RECEIVER, Rear Quarter Ash						
1959	Sp. Cl. Cp., Cv. Cp., except MS1	2	----	----	1365 576	1365 576	----
1959	Sp. Cl. Cp., Cv. Cp. Right	1	----	----	----	----	1698 564
	Left	1	----	----	----	----	1698 565
23-02-73	HANDLE, Rear Quarter Ash Receiver						
1959	Sp. Cl. Cp., Cv. Cp., MS2, MS3	2	----	----	1758 097	1758 097	----
23-02-78	RECEIVER, Rear Door Ash						
1959	All Right	1	----	----	----	----	1771 706
	Left	1	----	----	----	----	1771 707
23-02-81	RETAINER, Rear Quarter Arm Rest Ash Receiver						
1959	Sp. Cl. Cp., Cv. Cp., MS2, MS3, w/BEZEL	2	----	----	1833 692	1833 692	----

★ Indicates use as required.

⊠ Indicates parts not listed in any previous parts book.

* Indicates change or addition.

Printed in U.S.A.

Prices and specifications subject to change without notice.
Feb. 15, 1960 Supersedes March 20, 1959.

1959 PASSENGER CAR PARTS LIST

BODY

CODE	REMARKS	PER CAR	PLYMOUTH	DODGE	DESOTO	CHRYSLER	IMPERIAL
23-02-0 ASH RECEIVERS Cont'd							
23-02-82	SPRING, Rear Quarter Arm Rest Ash Receiver Cover 1959 Sp. Cl. Cp., Cv. Cp., MS2, MS3	2	----	----	1758 098	1758 098	----
23-02-85	COVER, Rear Quarter Arm Rest Ash Receiver 1959 Sp. Cl. Cp., Cv. Cp., MS2, MS3	2	----	----	1758 094	1758 094	----
23-04-0 TOE AND FLOOR BOARDS							
23-04-2	COVER, Steering Column Opening 1959 MS1 Power Strg. and Std. Trans. 1959 MS1 Std. Strg. Std. Trans. 1959 MS1 Auto. Trans.	1 1 1	---- 1846 275 ----	1846 277 1846 275 1846 276	1846 277 1846 275 1846 276	---- ---- ----	---- ---- 1878 145
23-04-4	SCREW and WASHER, Steering Column Opening Cover 1959 All	13	6000 139	6000 160	6000 160	6000 160	----
23-04-117	BOLT and RETAINER, Steering Column Opening Cover 1959 All	3	----	----	----	----	1475 900
23-04-205	MOULDING, Rear Floor Pan 1959 Sub. MOULDING, Floor Pan to Second Seat Back Filler 1959 Sub.	1 1	----	----	----	1846 581 1846 580	----
23-04-229	PANEL, Spare Tire Cover 1959 except Sub. WASHER WING NUT	1 1 1	----	----	1708 248 120 394 126 032	1708 248 120 394 126 032	1708 248 120 394 126 032
23-04-241	HOUSING or SHIELD, Fuel Tank Filler Tube 1959 except Sub. 1959 except Sub. 1959 Sub.	1 1 1 1	1869 567 1867 632 ----	---- ---- 1707 231 1759 160	---- ---- 1707 234 1759 160	---- ---- 1707 234 1759 160	---- ---- 1690 415 ----
23-04-247	COLLAR, Fuel Tank Filler Tube Housing to Floor Pan 1959 All	1	----	----	----	----	1750 171
23-04-248	EXTENSION, Fuel Tank Filler Tube Housing 1959 All	1	----	----	----	----	1690 426
23-04-249	SEAL, Fuel Tank Filler Tube 1959 except Sub. Lower 1959 Sub. Quarter Panel 1959 except Sub. to Shield 1959 All Extension Collar Qtr. Panel	1 1 1 1 1 1 1	1707 302 1776 461 1833 900 1883 499 ----	1707 302 1776 461 1833 900 ---- ---- ----	1707 302 1776 461 1833 900 ---- ---- ----	1707 302 1776 461 1833 900 ---- ---- ----	---- ---- ---- 1750 170 1750 599 1751 495
23-04-250	RETAINER, Fuel Tank Filler Tube Lower Seal 1959 except Sub.	1	1707 303	1707 303	1707 303	1707 303	----
23-04-253	BRACKET, Fuel Tank Filler Tube to Housing Extension 1959 All	1	----	----	----	----	1810 159
23-04-254	RETAINER, Fuel Tank Filler Tube Housing Nut 1959 except Sub.	1	----	E1755 847	----	----	----
23-06-0 GLOVE BOX							
23-06-4	BOX, Glove 1959 All	1	1830 475	1839 331	1830 708	1830 708	1685 321
23-06-10	DOOR, Glove Box 1959 All 1959 All w/HINGE and Face/PLATE	1 1 1	1839 442 ----	1839 113 ----	1839 210 ----	1839 210 ----	---- 1839 185
23-06-12	PLATE, Glove Box Door Inner 1959 All Prime	1	----	----	----	----	1698 277
23-06-13	ARM or STOPPER, Glove Box Door Check 1959 All	1	----	1830 783	1839 147	1839 147	----
23-06-14	BUMPER, Glove Box Door 1959 All 1959 All Large	2 1	729 152 ----	729 152 1298 930	1882 429 ----	1882 429 ----	729 152 ----

★ Indicates use as required.

Ⓜ Indicates parts not listed in any previous parts book.
Feb. 15, 1960 Supersedes May 25, 1959.

Printed in U.S.A.
Prices and specifications subject to change without notice.
* Indicates change or addition.

CODE	REMARKS	PER CAR	PLYMOUTH	DODGE	DESOTO	CHRYSLER	IMPERIAL
23-06-0 GLOVE BOX Cont'd							
23-06-15	CATCH, Glove Box Door Lock 1959 All Screw Type	1	*9411 647	*6008 016	*6008 016	*6008 016	*6008 016
	1959 All	1	E2161 056	----	----	----	----
23-06-16	BRACKET, Glove Box Door Lock Catch 1959 All	1	1901 589	1685 797	1685 782	1685 782	1772 307
	SCREW	2	----	155 194	132 696	132 696	----
23-06-17	FINISH PLATE, Glove Box Door 1959 MS3	1	1830 613	----	1830 700	----	----
	1959 All w/Name Plate and Medallion	1	----	----	----	1839 353	----
	1959 MC3-300, w/Name Plate and Medallion	1	----	----	----	1902 427	----
23-06-19	PLATE PACKAGE, Glove Box Door Owner Identification 1959 Sport Fury	1	1902 323	----	----	----	----
	Consists of: 1 Plate 1 Template 2 Nuts						
23-06-21	HINGE, Glove Box Door 1959 All	1	----	1839 128	----	----	----
	Right	1	----	1839 129	----	----	----
	Left	1	----	----	1830 938	1830 938	1698 253
23-06-25	HANDLE, Glove Box Door Pull 1959 All	1	1830 264	----	----	----	----
23-06-28	LATCH, Glove Box Door 1959 All w/o Lock	1	1901 596	----	----	----	----
	1959 All w/LOCK	1	1901 697	1830 415	1830 043	1830 043	1830 415
23-06-42	MEDALLION or ORNAMENT, Glove Box Door 1959 All w/LANCE	1	----	1839 106	----	----	----
	w/HELMET, use w/o Lance	1	----	1839 109	----	----	----
NOTE: For Chrysler see Part Type Code 23-06-17.							
23-06-49	MOULDING, Glove Box Door 1959 All	1	----	----	1839 191	1839 205	1698 884
23-06-52	STUD, Glove Box Door Moulding 1959 All	4	----	----	6008 039	6008 039	----
23-06-53	NAME PLATE, Glove Box Door 1959 MS1 FireSweep	1	----	----	1698 753	----	----
	1959 MS2 FireDome	1	----	----	1685 819	----	----
	1959 MS3 FireFlite	1	----	----	1685 820	----	----
	1959 MS3 Adventurer	1	----	----	1698 903	----	----
	1959 All Imperial	1	----	----	----	----	1830 908
	LeBaron	1	----	----	----	----	1902 028
NOTE: For Chrysler see Part Type Code 23-06-17.							
23-06-55	BEZEL, Glove Box Door Name Plate 1959 All	1	----	----	----	----	1830 909
23-07-0 BRACKETS AND REINFORCEMENTS							
23-07-168	REINFORCEMENT, Instrument Panel Lower 1959 All	1	----	----	----	----	1839 835
23-08-0 BUMPERS AND STRIKERS							
23-08-12	BUMPER or WEDGE, Door 1959 Sp. Cl. Cp., Cv. Cp.	2	989 513	989 513	989 513	989 513	989 513
	Door	2	1544 841	1544 841	1544 841	1544 841	1750 995
	Body	2	729 152	729 152	729 152	729 152	729 152
	1959 Sp. 4 D. Front	2	1836 147	1836 147	1836 147	1836 147	----
	1959 4D., Sp. 4D., 4D. Sub. Large Front	2	----	----	----	----	----
23-08-54	SPACER, Door Lock Striker 1959 All	Thin	★ 1650 840	1650 840	1650 840	1650 840	1650 840

★ Indicates use as required.

⊠ Indicates parts not listed in any previous parts book.

* Indicates change or addition.

1959 PASSENGER CAR PARTS LIST

BODY

CODE	REMARKS	PER CAR	PLYMOUTH	DODGE	DESOTO	CHRYSLER	IMPERIAL		
23-08-0 BUMPERS AND STRIKERS Cont'd									
23-08-60	STRIKER, Door Lock 1959 All	Right	★ 1650 838	1650 838	1650 838	1650 838	1650 838		
		Left	★ 1650 839	1650 839	1650 839	1650 839	1650 839		
23-08-75	PLATE, Door Lock Striker Tapping 1959 All	Right	★ 6000 404	6000 404	6000 404	6000 404	6006 050		
		Left	★ 6000 405	6000 405	6000 405	6000 405	6006 051		
23-09-0 GLASS CHANNELS									
23-09-2	ROLLER, Door Glass Lower Channel 1959 Sp. 4 D. 1959 All 1959 Sp. 4 D., Rr. Door,	Single Groove	★ 1697 607	1697 607	1697 607	1697 607	----		
		Single Groove	★ -----	-----	-----	-----	1750 490		
		Manual	6 -----	-----	-----	-----	*1750 491		
		Electric	6 -----	-----	-----	-----	⊠1961 221		
23-09-9	CHANNEL, Quarter Window Glass Lower 1959 Cl. Sed.	Electric, Right	1 1707 214	1707 214	----	----	----		
		Left	1 1707 215	1707 215	----	----	----		
		Manual, Right	1 1834 180	1834 180	----	----	----		
		Left	1 1834 181	1834 181	----	----	----		
		1959 Sp. Cl. Cp.	Right	1 ⊠1952 950	⊠1952 950	1950 202	1950 202	1691 086	
		Left	1 ⊠1952 951	⊠1952 951	1950 203	1950 203	1691 087		
		1959 Cv. Cp.	Right	1 1844 792	1844 792	1950 202	1950 202	1691 086	
		Left	1 1844 793	1844 793	1950 203	1950 203	1691 087		
23-09-10	ROLLER, Quarter Window Frame and Channel 1959 Sp. Cl. Cp., Cv. Cp.	★	1697 607	1697 607	1697 607	1697 607	----		
23-09-15	BRACKET, Quarter Window Glass Lower Channel 1959 Sp. Cl. Cp. 1959 Cv. Cp.	2	----	----	1774 333	1774 333	----		
		2	1774 333	1774 333	1774 333	1774 333	----		
23-09-16	GUIDE, Quarter Window Glass Lower Channel, w/Plastic SLIDES 1959 Cv. Cp. 1959 Sp. Cl. Cp., Cv. Cp.	2	1756 594	1756 594	----	----	----		
		2	----	----	1756 594	1756 594	----		
23-09-17	SLIDE, Quarter Window Lower Channel Guide (Nylon) 1959 Sp. Cl. Cp., Cv. Cp.	8	----	----	----	----	1690 950		
23-09-18	BOLT, Window Frame Lower Channel Roller Attaching 1959 Sp. 4 D. 1959 Sp. Cl. Cp., Cv. Cp., Quarter Window	Rear Door	4 6000 263	6000 263	6000 263	6000 263	----		
		4	6000 263	6000 263	6000 263	6000 263	----		
23-09-22	BRACKET, Front Door Glass Rear Run Lower Channel 1959 4 D., Sub., except MS1, MC1	2	----	----	1706 654	1706 654	----		
		2	----	----	1706 654	1706 654	----		
23-09-33	CHANNEL, Quarter Window Glass Division 1959 Cl. Sed.	Right	1 1758 822	1758 822	----	----	----		
		Left	1 1758 823	1758 823	----	----	----		
23-09-37	SUPPORT, Quarter Window Guide Channel, w/Clinch NUT 1959 Sp. Cl. Cp. 1959 Cv. Cp.	Right	1 -----	----	1758 712	1758 712	----		
		Left	1 -----	----	1758 713	1758 713	----		
		Right	1 1758 712	1758 712	1758 712	1758 712	----		
		Left	1 1758 713	1758 713	1758 713	1758 713	----		
23-09-47	SUPPORT, Door Glass Rear Run Channel Bracket 1959 Sp. 4 D., Cv. Cp., Sp. Cl. Cp.,	Front Upper	2 1577 478	1577 478	1577 478	1577 478	1577 478		
		Lower	2 1707 549	1707 549	1707 549	1707 549	----		
		Rear Right	1 1708 380	1708 380	1708 380	1708 380	----		
		Left	1 1708 381	1708 381	1708 381	1703 381	----		
		BRACKET, Rear Door Window Guide Channel Support Upper		2	1708 379	1708 379	1708 379	1708 379	----
		1959 Sp. 4 D.		2	1708 379	1708 379	1708 379	1708 379	----
				2	1577 478	1577 478	1577 478	1577 478	
				2	1707 549	1707 549	1707 549	1707 549	

★ Indicates use as required.

⊠ Indicates parts not listed in any previous parts book.
May 25, 1959 Supersedes March 20, 1959.

1959 PASSENGER CAR PARTS LIST

CODE	REMARKS	PER CAR	PLYMOUTH	DODGE	DESOTO	CHRYSLER	IMPERIAL
23-09-0 GLASS CHANNELS Cont'd							
23-09-51	CHANNEL, Front Door Window Glass Rear Run						
1959	Cv. Cp., Sp. Cl. Cp. Right	1	1708 842	1708 842	1708 842	1708 842	---- --
	Left	1	1708 843	1708 843	1708 843	1708 843	---- --
1959	Sp. 4 D. Right	1	1954 514	1954 514	1954 514	1954 514	---- --
	Left	1	1954 515	1954 515	1954 515	1954 515	---- --
1959	4D., 4D. Sub., except MS1, MC1, Lower	2	----	----	1909 868	1909 868	---- --
23-09-52	CHANNEL, Front Door Window Glass Lower						
1959	Cl. Sed., 3 Cp., 2 D. Sub., Manual, Right	1	1707 016	1707 016	----	----	----
	Left	1	1707 017	1707 017	----	----	----
	Electric, Right	1	1707 018	1707 018	----	----	----
	Left	1	1707 019	1707 019	----	----	----
1959	4D., 4D. Sub., MS1, MC1, Manual, Right	1	1706 854	1706 854	1706 854	1706 854	---- --
	Left	1	1706 855	1706 855	1706 855	1706 855	---- --
1959	4 D., 4 D. Sub. Electric, Right	1	1706 856	1706 856	1706 856	1706 856	---- --
	Left	1	1706 857	1706 857	1706 857	1706 857	---- --
1959	Sp. 4 D. Right	1	1707 360	1707 360	1707 360	1707 360	1750 578
	Left	1	1707 361	1707 361	1707 361	1707 361	1750 579
1959	Sp. Cl. Cp., Cv. Cp. Right	1	1708 504	1708 504	1708 504	1708 504	1751 056
	Left	1	1708 505	1708 505	1708 505	1708 505	1751 057
1959	4 D., Sub., except MS1, MC1, Manual, Right	1	----	----	1707 486	1707 486	---- --
	Left	1	----	----	1707 487	1707 487	---- --
1959	4 D. Right	1	----	----	----	----	1750 816
	Left	1	----	----	----	----	1750 817
23-09-57	CHANNEL, Rear Door Window Guide						
1959	Sp. 4 D. Right	1	1757 954	1757 954	1757 954	1757 954	---- --
	Left	1	1757 955	1757 955	1757 955	1757 955	---- --
23-09-58	CHANNEL, Rear Door Window Glass Lower						
1959	4 D., 4 D. Sub. Manual, Right	1	1707 204	1707 204	1707 204	1707 204	---- --
	Left	1	1707 205	1707 205	1707 205	1707 205	---- --
	Electric, Right	1	1707 206	1707 206	1707 206	1707 206	---- --
	Left	1	1707 207	1707 207	1707 207	1707 207	---- --
1959	Sp. 4 D. Right	1	1950 196	1950 196	1950 196	1950 196	1692 152
	Left	1	1950 197	1950 197	1950 197	1950 197	1692 153
1959	4 D. Right	1	----	----	----	----	1751 040
	Left	1	----	----	----	----	1751 041
23-09-60	GUIDE, Rear Door Glass Lower Channel, w/Plastic SLIDES						
1959	Sp. 4 D. Right	1	1758 310	1758 310	1758 310	1758 310	---- --
	Left	1	1758 311	1758 311	1758 311	1758 311	---- --
23-09-62	BRACKET, Rear Door Glass Lower Channel						
1959	Sp. 4 D. Manual	2	1708 399	1708 399	1708 399	1708 399	---- --
	Electric	2	1774 331	1774 331	1774 331	1774 331	---- --
	BRACKET, Rear Door Window Guide Channel Support Lower						
1959	Sp. 4 D.	2	1777 673	1777 673	1777 673	1777 673	---- --
23-09-67	CHANNEL, Tailgate Glass Run						
1959	Sub. Upper	1	1709 907	1709 907	1709 907	1709 907	---- --
	Side Lower Right	1	1878 472	1878 472	1878 472	1878 472	---- --
	Left	1	1878 473	1878 473	1878 473	1878 473	---- --
23-09-75	CHANNEL, Quarter Window Guide						
1959	Cv. Cp. Right	1	1758 088	1758 088	1758 088	1758 088	---- --
	Left	1	1758 089	1758 089	1758 089	1758 089	---- --
1959	Sp. Cl. Cp. Right	1	----	----	1758 088	1758 088	---- --
	Left	1	----	----	1758 089	1758 089	---- --
23-09-82	BRACKET, Quarter Window Guide Channel Support						
1959	Cv. Cp. Upper	2	1757 921	1757 921	----	----	----
1959	Sp. Cl. Cp., Cv. Cp. Upper	2	----	----	1757 921	1757 921	----
1959	Sp. Cl. Cp. Lower	2	----	----	1774 073	1774 073	----
1959	Cv. Cp. Lower	2	1774 073	1774 073	1774 073	1774 073	----

★ Indicates use as required.
 ☐ Indicates parts not listed in any previous parts book.
 * Indicates change or addition.

1959 PASSENGER CAR PARTS LIST

BODY

CODE	REMARKS	PER CAR	PLYMOUTH	DODGE	DESOTO	CHRYSLER	IMPERIAL
23-10-0 DOOR CHECK							
23-10-1	ARM, Door Check 1959 All	Front 2 Rear 2	1759 426 1866 739	1759 426 1866 739	1759 426 1866 739	1759 426 1866 739	---- 1860 829
NOTE: For MY Front Door Check Arm see Part Type Code 23-15-1, which includes Check ARM and SPRING.							
23-10-2	BRACKET, Door Check Arm 1959 All 1959 4 D., 4 D.Sub. 1959 Sp. 4 D. 1959 4 D., Sp. 4 D.	Front 2 Rear Right 1 Left 1 Rear Right 1 Left 1 Rear 2	1432 929 1707 036 1707 037 1707 120 1707 121 ----	1432 929 1707 036 1707 037 1707 120 1707 121 ----	1432 929 1707 036 1707 037 1707 120 1707 121 ----	1432 929 1707 036 1707 037 1707 120 1707 121 ----	---- ---- ---- ---- ---- 1750 686
23-10-17	GUIDE, Door Check Arm 1959 All 1959 All	★ Rear 2	1758 076 ----	1758 076 ----	1758 076 ----	1758 076 ----	---- 1476 900

23-11-0 DOORS

23-11-1	SHELL, Front Door 1959 Cl.Sed., 3 Cp., 2 D.Sub. 1959 4 D., 4 D.Sub., MS1, MC1 1959 Sp. 4 D. 1959 Sp.Cl.Cp., Cv.Cp. 1959 Taxi 1959 4 D., 4D.Sub., MS3, MC2, MC3	Right 1 Left 1 Right 1 Left 1 Right 1 Left 1 Right 1 Left 1 Right 1 Left 1	1775 434 1775 435 1775 256 1775 257 1882 356 1882 357 1867 912 1867 913 ---- ---- ---- ----	1758 982 1758 983 1755 708 1755 709 1950 068 1950 069 1867 922 1867 923 1775 256 1775 257 ---- ----	---- ---- 1755 708 1755 709 1950 068 1950 069 1867 922 1867 923 ---- ---- 1759 078 1759 079	---- ---- 1755 708 1755 709 1950 068 1950 069 1867 922 1867 923 ---- ---- 1759 078 1759 079	---- ---- ---- ---- 1750 314 1810 345 1750 152 1810 346 ---- ---- 1751 352 1810 344
---------	--	---	--	--	--	--	--

23-11-2 DOOR, Front, Trimmed, Includes HARDWARE and GLASS. All Codes.

NOTE: Door assemblies complete. will no longer be listed by part number in the parts book. Door assemblies complete will be available during the production run of the car model and will be furnished on special order only. The vehicle SERIAL NUMBER must be noted on the order.

23-11-3	SHELL, Rear Door 1959 Taxi 1959 4 D., MS1, MC1 1959 4 D. Sub., MS1, MC1 1959 Sp. 4 D. 1959 4D., except MS1, MC1 1959 4 D. Sub., MS3, MC3	Right 1 Left 1 Right 1 Left 1 Right 1 Left 1 Right 1 Left 1 Right 1 Left 1	---- ---- 1865 782 1865 783 1865 790 1865 791 1865 786 1865 787 ---- ---- ---- ----	1755 712 1755 713 1867 972 1867 973 1758 992 1758 993 1867 976 1867 977 ---- ---- ---- ----	---- ---- 1759 104 1759 105 1758 992 1758 993 1950 052 1950 053 1759 088 1759 089 1759 098 1759 099	---- ---- 1759 104 1759 105 1758 992 1758 993 1950 052 1950 053 1759 088 1759 089 1759 098 1759 099	---- ---- ---- ---- 1877 966 1877 967 1877 968 1877 969 ---- ----
---------	--	---	--	--	--	--	--

23-11-4 Door. Rear, Trimmed, Includes HARDWARE and GLASS. All Codes.

NOTE: Door assemblies complete, will no longer be listed by part number in the parts book. Door assemblies complete will be available during the production run of the car model and will be furnished on special order only. The vehicle SERIAL NUMBER must be noted on the order.

23-11-23	MEDALLION, Front Door 1959 MC1 CLIP 1959 MC1 CLIP	6 12 x-3 2 4	---- ---- ---- ----	---- ---- ---- ----	---- ---- ---- ----	1960 430 6000 020 1960 774 6000 020	---- ---- ---- ----
----------	---	-----------------------	------------------------------	------------------------------	------------------------------	--	------------------------------

★ Indicates use as required.

☐ Indicates parts not listed in any previous parts book.
May 25, 1959 Supersedes March 20, 1959.

1959 PASSENGER CAR PARTS LIST

CODE	REMARKS	PER CAR	PLYMOUTH	DODGE	DESOTO	CHRYSLER	IMPERIAL
23-11-0 DOORS Cont'd							
23-11-23	MEDALLION - Cont'd						
1959	All						
	Shield	2	----	----	----	1961 111	----
	Lion, Right	1	----	----	----	*1961 112	----
	Left	1	----	----	----	*1961 113	----
	CLIP	8	----	----	----	6000 020	----
23-14-0 DOOR REGULATORS AND REMOTE CONTROL HANDLES							
23-14-10	HANDLE, Door Outside						
1959	except Sp. 4 D.						
	Front Right	1	1881 851	1881 855	1882 302	1882 302	----
	Left	1	1881 852	1881 856	1881 860	1881 860	----
1959	Sp. 4 D.						
	Front Right	1	1881 853	1882 296	1882 298	1882 298	----
	Left	1	1881 854	1882 297	1882 299	1882 299	----
1959	4 D., Sp. 4 D.						
	Rear Right	1	1775 338	----	1696 798	1696 798	----
	Left	1	1775 339	----	1696 799	1696 799	----
1959	4 D. Sub.						
	Rear Right	1	1775 338	1755 600	1755 614	1755 614	----
	Left	1	1775 339	1755 601	1755 615	1755 615	----
1959	4D., Sp.4D., Type No.1						
	Mounts Flush w/Mouldings,						
	Rear, Right	1	----	1755 600	----	----	----
	Left	1	----	1755 601	----	----	----
	Type No. 2 Mounts on Top of						
	Mouldings,						
	Rear, Right	1	----	1963 250	----	----	----
	Left	1	----	1963 251	----	----	----
	NOTE: See Illustration in Front of Group.						
1959	Taxi						
	Front Right	1	----	1882 326	----	----	----
	Left	1	----	1882 327	----	----	----
	Rear Right	1	----	1775 338	----	----	----
	Left	1	----	1775 339	----	----	----
1959	4 D., Sp. 4 D.						
	Front Right	1	----	----	----	----	1877 776
	Left	1	----	----	----	----	1877 777
	Rear Right	1	----	----	----	----	1750 440
	Left	1	----	----	----	----	1750 441
1959	Sp. Cl. Cp., Cv. Cp.						
	Right	1	----	----	----	----	1877 778
	Left	1	----	----	----	----	1877 779
23-14-13	RIVET, Door Outside Handle Spring Attaching						
1959	All	★	----	6000 283	6000 283	6000 283	6000 283
23-14-15	BRACKET or RETAINER, Door Outside Handle						
1959	All						
	Front	2	----	1707 314	1707 314	1707 314	----
1959	except Sub.						
	Rear	2	----	1709 975	1709 975	1709 975	----
1959	Sub.						
	Rear	2	----	1707 314	1707 314	1707 314	----
1959	All						
	Right	★	----	----	----	----	1750 332
	Left	★	----	----	----	----	1750 333
23-14-17	SPRING, Door Outside Handle						
1959	All	★	1683 588	----	----	----	----
1959	Taxi	★	----	1683 588	----	----	----
1959	All						
	Right	★	----	1882 232	1882 232	1882 232	1882 232
	Left	★	----	1882 233	1882 233	1882 233	1882 233
23-14-18	HANDLE, Door Window Regulator						
1959	MS2, MS3	★	1608 681	1602 540	1602 529	1602 529	1602 529
1959	MS1	★	----	----	1602 540	----	----
23-14-19	ESCUTCHEON, Quarter Window Regulator						
1959	Handle						
	Sp. Cl. Cp., Cv. Cp.	2	1830 194	1830 194	1830 194	1830 194	1830 194
23-14-21	SPRING, Regulator and Remote Control Handle						
1959	All	★	1695 431	1695 431	1695 431	1695 431	1695 431
23-14-23	CLIP, Regulator and Remote Control Handle						
1959	All	★	1602 532	1602 532	1602 532	1602 532	1602 532
23-14-24	SPACER, Regulator and Remote Control						
	Handle						
1959	All						
	Steel	★	1575 913	1575 913	1575 913	1575 913	1575 913
	Plastic	★	1684 831	1684 831	1684 831	1684 831	1684 831

★ Indicates use as required.

□ Indicates parts not listed in any previous parts book.

* Indicates change or addition.

1959 PASSENGER CAR PARTS LIST

BODY

CODE	REMARKS	PER CAR	PLYMOUTH	DODGE	DESOTO	CHRYSLER	IMPERIAL
23-14-0 DOOR REGULATORS AND REMOTE CONTROL HANDLES Cont'd							
23-14-27	HANDLE, Door Remote Control						
1959	MS1, MC1, MC2	★	1593 022	1575 917	1575 917	1602 527	---- --
1959	MS3, MC3	★	---- --	---- --	1772 208	1772 208	1772 128
		★	---- --	---- --	1772 209	1772 209	1772 129
1959	MS2	★	---- --	---- --	1602 527	---- --	---- --
23-14-39	HANDLE, Front Door Vent Wing						
	NOTE: See Part Type Code 23-14-53.						
23-14-51	GROMMET, Door Remote Control Handle, w/CLIP						
1959	MS3, MC3	★	---- --	---- --	1840 984	1840 986	1840 986
1959	MC3 Escutcheon	★	---- --	---- --	---- --	1839 517	---- --
23-14-52	PIN, Front Door Vent Wing Handle to Shaft						
1959	All	2	6000 116	6000 116	6000 116	6000 116	6000 116
23-14-53	HANDLE PACKAGE, Front Door Vent Wing						
1959	except Sp. 4D., Sp. Cl. Cp., Cv. Cp.						
		Right	1	1833 481	1833 481	1833 481	1833 481
		Left	1	1833 675	1833 675	1833 675	1833 675
1959	Sp. 4 D., Sp. Cl. Cp., Cv. Cp.	Right	1	1833 503	1833 503	1833 503	1833 503
		Left	1	1833 674	1833 674	1833 674	1833 674
23-14-79	HANDLE, Quarter Window Regulator						
1959	Cl. Cp., Sp. Cl. Cp., Cv. Cp., MS1	2	1608 681	1602 540	1602 540	1602 529	1602 529
1959	Sp. Cl. Cp., Cv. Cp., MS2, MS3	2	---- --	---- --	1602 529	---- --	---- --
23-14-95	HANDLE, Front Quarter Window Sliding Glass						
1959	2 D. Sub.						
		Right	1	1776 526	1776 526	---- --	---- --
		Left	1	1776 527	1776 527	---- --	---- --
23-14-99	PLATE, Front Quarter Window Sliding Glass Handle						
1959	2 D. Sub.						
		Right	1	6000 266	6000 266	---- --	---- --
		Left	1	6000 267	6000 267	---- --	---- --
23-14-100	GASKET or SEAL, Front Quarter Window Sliding Glass Handle						
1959	2 D. Sub.						
		Inner	2	1776 534	1776 534	---- --	---- --
		Outer Right	1	1776 530	1776 530	---- --	---- --
		Left	1	1776 531	1776 531	---- --	---- --
23-14-153	BUMPER, Door Outside Handle						
1959	All						
		Center	★	---- --	---- --	1651 493	1651 493
			★	---- --	1707 384	1707 384	1707 384
23-14-155	PIN, Door Outside Handle Pivot						
1959	All						
1959	Taxi	4	6000 247	6000 247	---- --	---- --	---- --
23-15-0 DOOR HINGE							
23-15-1	HINGE, Door Upper						
1959	All						
		Front Right	1	1707 244	1707 244	1707 244	1707 244
		Left	1	1707 245	1707 245	1707 245	1707 245
1959	4D., 4D. Sub.	Rear Right	1	1697 596	1697 596	1697 596	1697 596
		Left	1	1697 597	1697 597	1697 597	1697 597
1959	Sp. 4 D.	Rear Right	1	1697 600	1697 600	1697 600	1697 600
		Left	1	1697 601	1697 601	1697 601	1697 601
23-15-3	HINGE, Door Lower						
1959	All						
		Front Right	1	1697 594	1697 594	1697 594	1697 594
		Left	1	1697 595	1697 595	1697 595	1697 595
1959	4 D., 4 D. Sub.	Rear Right	1	1697 598	1697 598	1697 598	1697 598
		Left	1	1697 599	1697 599	1697 599	1697 599
1959	Sp. 4 D.	Rear Right	1	1697 602	1697 602	1697 602	1697 602
		Left	1	1697 603	1697 603	1697 603	1697 603
23-15-9	PIN, Door Hinge						
1959	All						
		Front	4	6000 209	6000 209	6000 209	6000 209
		Rear	4	6000 282	6000 282	6000 282	6000 282

★ Indicates use as required.

☐ Indicates parts not listed in any previous parts book.
Feb. 15, 1960 Supersedes May 25, 1959.

Printed in U.S.A.
Prices and specifications subject to change without notice.
* Indicates change or addition.

1959 PASSENGER CAR PARTS LIST

CODE	REMARKS	PER CAR	PLYMOUTH	DODGE	DESOTO	CHRYSLER	IMPERIAL
23-15-0 DOOR HINGE Cont'd							
23-15-10	SCREW and WASHER, Door Hinge 1959 All	★	1244 818	1244 818	1244 818	1244 818	1244 818
23-15-13	PLATE, Rear Door Inside Panel Hinge Tapping, w/RETAINER 1959 except MS1, MC1	Right Left	1 1	---- ----	1777 044 1777 045	1777 044 1777 045	---- ----
	PLATE, Front Pillar Door Hinge Tapping 1959 All		4	----	----	----	6006 086
23-15-21	RETAINER, Center Pillar Rear Door Hinge Tapping Plate 1959 All	Upper Right Left Lower	1 1 2	---- ---- ----	---- ---- ----	---- ---- ----	1750 602 1750 603 1750 484
23-15-22	GROMMET, Door Hinge 1959 All	Front Lower Rear	2 4	1758 813 1759 484	1758 813 1759 484	1758 813 1759 484	---- ----
23-17-0 LOCK CYLINDER AND KEYS							
NOTE: For Glove Box See Part Type Code 23-06-28							
23-17-2	CYLINDER and KEYS, Door and Ignition Lock 1959 All 1959 Taxi	1 1	1698 638 ----	1698 986 1839 207	1698 986 ----	1698 986 ----	1698 668 ----
23-17-5	CYLINDER and KEYS, Deck Lid Lock 1959 All	1	1839 604	1900 388	1900 388	1900 388	1698 992
23-17-9	GASKET, Deck Lid Lock Cylinder 1959 All	1	1883 896	1883 896	1883 896	1883 896	1698 590
23-17-10	RETAINER, Deck Lid Lock Cylinder 1959 All	1	1866 893	1866 893	1866 893	1866 893	1455 716
23-17-11	SPRING, Deck Lid Lock Cylinder Cover 1959 All	1	----	----	----	1861 457	----
23-17-13	BASE and COVER, Deck Lid Lock Cylinder 1959 All 1959 All 1959 MC3-S	Cover Base	1 1 1	---- ---- ----	---- ---- ----	1860 987 1860 986 1860 958	---- ---- ----
	NUT and WASHER	2	----	----	----	6006 024	----
23-17-15	BUMPER, Deck Lid Lock Cylinder Cover 1959 All	1	----	----	----	1651 493	----
23-17-16	NUT, Deck Lid Lock Cylinder Cover Base Ornament 1959 MC3	4	----	----	----	6006 263	----
23-17-17	KEY, Tire Well Cover Lock Cylinder Blank 1959 Sub. G Series	★	910 999	910 999	910 999	910 999	----
23-17-18	RETAINER, Rear Floor Pan Lock Cylinder 1959 Sub.	1	1866 686	1866 686	1866 686	1866 686	----
23-17-19	ORNAMENT, Deck Lid Lock Cylinder Cover Base 1959 All	1	----	----	----	1960 208	----
23-17-20	MEDALLION, Deck Lid Lock Cylinder Base Cover 1959 MC3	1	----	----	----	1832 944	----
23-17-24	CYLINDER and KEYS, Door Lock 1959 All	Right Left	1 1	1772 432 1772 433	1698 988 1698 989	1698 988 1698 989	1698 990 1698 991
23-17-25	KEY, Door and Ignition Lock Cylinder Blank 1959 All CJ Series	★	1649 628	1649 628	1649 628	1649 628	1698 845
23-17-26	LATCH, Front Door Lock Cylinder 1959 All 1959 Taxi	2 2	1256 562 ----	---- 1256 562	---- ----	---- ----	---- ----
23-17-28	RETAINER, Front Door Lock Cylinder Latch 1959 All 1959 Taxi	2 2	1256 563 ----	---- 1256 563	---- ----	---- ----	---- ----

★ Indicates use as required.
 □ Indicates parts not listed in any previous parts book.
 * Indicates change or addition.

1959 PASSENGER CAR PARTS LIST

BODY

CODE	REMARKS	PER CAR	PLYMOUTH	DODGE	DESOTO	CHRYSLER	IMPERIAL		
23-17-0 LOCK CYLINDER AND KEYS Cont'd									
23-17-49	CYLINDER and KEYS, Tailgate Lock 1959 Sub.	Manual	★	1830 041	1830 041	1830 041	1830 041		
		Electric	★	1819 404	1819 404	1819 404	1819 404		
23-17-50	KEY, Tailgate Lock Cylinder Blank 1959 Sub.	G Series	★	910 999	910 999	910 999	910 999		
23-17-51	GASKET, Electric Tailgate Lock Cylinder 1959 Sub.		1	1819 316	1819 316	1819 316	1819 316		
23-17-52	RETAINER, Electric Tailgate Lock Cylinder 1959 Sub.		1	1819 317	1819 317	1819 317	1819 317		
23-17-62	KEY, Glove Box Door Lock Cylinder Blank 1959 Sub.	G Series	★	910 999	910 999	910 999	910 999		
23-17-66	KEY, Deck Lid and Glove Box Door Lock Cylinder Blank 1959 All		2	----	----	----	1520 798		
23-17-72	CYLINDER and KEYS, Tire Well Cover Lock 1959 Sub.		1	1830 044	1830 044	1830 044	1830 044		
23-18-0 DOOR LOCKS AND REMOTE CONTROL									
23-18-5	LOCK, Door 1959 All	Front Right	1	1882 668	1882 668	1882 668	1882 668		
			Left	1	1882 669	1882 669	1882 669	1882 669	
		Rear Right	1	1882 664	1882 666	1882 666	1882 666	1878 094	
			Left	1	1882 665	1882 667	1882 667	1882 667	1878 095
		1959 Taxi	Rear Right	1	----	1882 664	----	----	----
			Left	1	----	1882 665	----	----	----
		1959 4 D., Sp. 4 D.	Front Right	1	----	----	----	----	1861 464
			Left	1	----	----	----	----	1861 465
		1959 Sp. Cl. Cp., Cv. Cp.	Right	1	----	----	----	----	1861 460
			Left	1	----	----	----	----	1861 461
23-18-9	RIVET, Door Lock Remote Control Link to Lever 1959 All		★	6000 120	6000 120	6000 120	6000 120		
	RIVET, Door Lock Release Lever Plate and Latch 1959 All		★	6000 181	6000 181	6000 181	6000 181		
23-18-11	LINK, Door Lock Remote Control 1959 Sp. 4 D.	Front	2	1707 609	1707 609	1707 609	1707 609		
			2	1706 874	1706 874	1706 874	1706 874		
		1959 4 D., 4 D. Sub.	Front	2	1706 875	1706 875	1706 875	1706 875	
			1959 except 4 D., Sp. 4 D., Sub.	2	1706 938	1706 938	1706 938	1706 938	
23-18-13	REMOTE CONTROL, Door Lock, w/LINK 1959 4 D., 4 D. Sub., MS1, MC1,								
		Front Right	1	1697 612	1697 612	1697 612	1697 612		
		Left	1	1697 613	1697 613	1697 613	1697 613		
		Rear Right	1	1697 618	1697 618	1697 618	1697 618		
		Left	1	1697 619	1697 619	1697 619	1697 619		
1959 MS1, except 4D, Sp. 4D., 4 D. Sub.		Right	1	1697 614	1697 614	1697 614	1697 614		
		Left	1	1697 615	1697 615	1697 615	1697 615		
1959 Sp. 4 D., MS1		Front Right	1	1759 040	1759 040	1759 040	----		
1959 4 D., Sp. 4 D.		Left	1	1759 041	1759 041	1759 041	----		
		Front Right	1	----	----	----	1751 184		
		Left	1	----	----	----	1751 185		
1959	REMOTE CONTROL, Door Lock Sub., MS3	Front Right	1	----	----	1775 218	----		
		Left	1	----	----	1775 219	----		
		Rear Right	1	----	----	1775 220	----		
		Left	1	----	----	1775 221	----		
		1959 MS2, MC2	Front Right	1	----	----	1775 218	1775 218	
		Left	1	----	----	1775 219	1775 219		
		Rear Right	1	----	----	1775 220	1775 220		
		Left	1	----	----	1775 221	1775 221		

★ Indicates use as required.

☐ Indicates parts not listed in any previous parts book.
May 25, 1959 Supersedes March 20, 1959.

CODE	REMARKS	PER CAR	PLYMOUTH	DODGE	DESOTO	CHRYSLER	IMPERIAL
23-18-0 DOOR LOCKS AND REMOTE CONTROL Cont'd							
23-18-13	REMOTE CONTROL - Cont'd						
1959	MS3, except Sub.						
	Front Right	1	----	----	1755 878	----	----
	Left	1	----	----	1755 879	----	----
	Rear Right	1	----	----	1755 876	----	----
	Left	1	----	----	1755 877	----	----
1959	MC3						
	Front Right	1	----	----	----	1882 422	----
	Left	1	----	----	----	1882 423	----
	Rear Right	1	----	----	----	1882 424	----
	Left	1	----	----	----	1882 425	----
1959	All						
	Front Right	1	----	----	----	----	1751 224
	Left	1	----	----	----	----	1751 225
	Rear Right	1	----	----	----	----	1751 222
	Left	1	----	----	----	----	1751 223
23-18-14	SCREW and WASHER, Door Lock Remote Control and Link						
1959	All	★	6000 291	6000 291	6000 291	6000 291	6000 291
23-18-16	PIN, Rear Door Lock Actuating Lever						
1959	All	2	----	----	----	----	1751 171
23-18-17	SUPPORT, Rear Door Lock Actuating Lever						
1959	All						
	Right	1	----	----	----	----	1751 204
	Left	1	----	----	----	----	1751 205
23-18-18	LEVER, Rear Door Lock Actuating						
1959	All						
	Right	1	----	----	----	----	1751 176
	Left	1	----	----	----	----	1751 177
23-18-19	WASHER, Door Lock Locking Control Link, Latch Spring and Lock						
1959	All	★	6000 128	6000 128	6000 128	6000 128	6000 128
23-18-20	LINK, Door Outside Handle to Lock						
1959	All	2	1882 305	----	----	----	----
1959	Taxi	2	----	1882 305	----	----	----
1959	4 D., Sp. 4 D., †Pkg.,						
	Front Right	1	----	----	----	----	1878 296
	Left	1	----	----	----	----	1878 297
1959	Sp. Cl. Cp., Cv. Cp., †Pkg.,						
	Right	1	----	----	----	----	1878 298
	Left	1	----	----	----	----	1878 299
	†Package Consists of:						
	2 Links, Upper and Lower						
	1 Adj. Screw						
	2 Rivets						
1959	All	2	----	----	----	----	1961 101
23-18-21	SPRING, Door Lock Remote Control Lever						
1959	All	★	849 517	849 517	849 517	849 517	849 517
23-18-23	CLIP, Door Lock Remote Control Link						
1959	All	★	----	----	6000 094	6000 094	----
23-18-24	WASHER, Door Lock Remote Control Link to Lever						
1959	All	★	6000 118	6000 118	6000 118	6000 118	6000 118
23-18-25	CONTROL, Rear Door Lock Locking, w/LINK						
1959	All						
	Right	1	1697 608	1697 608	1697 608	1697 608	1751 192
	Left	1	1697 609	1697 609	1697 609	1697 609	1751 193
23-18-26	LINK, Front Door Lock to Lock Cylinder						
1959	Sp. 4 D.	2	----	1755 797	1755 797	1755 797	----
1959	4 D., Sp. 4 D.	2	----	----	----	----	1750 748
1959	Sp. Cl. Cp., Cv. Cp.	2	----	----	----	----	1751 123
23-18-27	KNOB, Rear Door Lock Locking Control Lever						
1959	All w/Set SCREW	2	1879 539	1879 539	1879 539	1879 539	1879 539
23-18-28	SPRING, Door Lock Locking Slide SET SCREW						
1959	All	★	* 140 868	* 140 868	* 140 868	* 140 868	* 140 868
	Right	★	1458 246	1458 246	1458 246	1458 246	1458 246
	Left	★	1458 247	1458 247	1458 247	1458 247	1458 247
23-18-29	CLIP, Front Door Cylinder Actuating Lever to Lock Link						
1959	All						
	Right	2	----	----	----	----	6006 114
	Left	2	----	----	----	----	6006 115
	Rear Door Lock Link to Lock						
1959	All						
	Right	2	----	----	----	----	6006 114
	Left	2	----	----	----	----	6006 115

★ Indicates use as required.
 □ Indicates parts not listed in any previous parts book.
 * Indicates change or addition.

1959 PASSENGER CAR PARTS LIST

BODY

CODE	REMARKS	PER CAR	PLYMOUTH	DODGE	DESOTO	CHRYSLER	IMPERIAL
23-18-0 DOOR LOCKS AND REMOTE CONTROL Cont'd							
23-18-37	WASHER, Rear Door Locking Knob 1959 All	2	6000 330	6000 330	6000 330	6000 330	6000 330
23-18-40	ANTI-RATTLE, Front Door Remote Control Link 1959 MS1	2	1963 398	1963 398	1963 398	-----	-----
23-18-44	CAP, Rear Door Lock Release Lever 1959 All	2	-----	-----	-----	-----	1751 118
23-18-50	BRACKET, Front Door Lock Cylinder, w/LEVER						
1959	except Sp. 4 D.,	Right 1 Left 1	1775 436 1775 437	1708 462 1708 463	1708 462 1708 463	1708 462 1708 463	----- -----
1959	Sp. 4 D.	Right 1 Left 1	1775 482 1775 483	----- -----	----- -----	----- -----	----- -----
1959	Taxi	Right 1 Left 1	----- -----	1775 436 1775 437	----- -----	----- -----	----- -----
1959	Sp. 4 D.	2	-----	1755 794	1755 794	1755 794	-----
1959	4 D., Sp. 4 D.	Right 1 Left 1	----- -----	----- -----	----- -----	----- -----	1860 896 1860 897
1959	Sp. Cl. Cp., Cv. Cp.	Right 1 Left 1	----- -----	----- -----	----- -----	----- -----	1860 888 1860 889
23-18-101	LEVER, Electric Front Door Lock Cylinder w/SUPPORT						
1959	4 D., Sp. 4 D.	Right 1 Left 1	----- -----	----- -----	----- -----	----- -----	1860 896 1860 897
1959	Sp. Cl. Cp., Cv. Cp.	Right 1 Left 1	----- -----	----- -----	----- -----	----- -----	1860 888 1860 889
23-18-103	SWITCH, Electric Door Lock 1959 All	2 w/BEZEL 2	----- -----	----- -----	----- -----	----- -----	1770 509 1841 866
23-18-104	SPRING, Electric Door Lock Switch Retaining 1959 All	8	-----	-----	-----	-----	1769 327
23-18-105	WIRING, Electric Door Lock 1959 4 D. 1959 Sp. 4 D. 1959 Sp. Cl. Cp., Cv. Cp.	1 1 1	----- ----- -----	----- ----- -----	----- ----- -----	----- ----- -----	1842 269 1842 270 1842 268
23-18-106	RELAY, Electric Door Lock 1959 All	1	-----	-----	-----	-----	1886 451
23-18-107	LINK, Electric Door Lock Solenoid to Lock 1959 4 D., Sp. 4 D. Front Upper 1959 Sp. Cl. Cp., Cv. Cp. Upper 1959 All Front Lower 1959 All Rear 1959 4 D., Sp. 4 D. 1 Piece, Front 1959 Sp. Cl. Cp., Cv. Cp. 1 Piece	2 2 2 2 2 2	----- ----- ----- ----- ----- -----	----- ----- ----- ----- ----- -----	----- ----- ----- ----- ----- -----	----- ----- ----- ----- ----- -----	1819 191 1841 864 1841 860 1841 857 1886 937 1886 938
23-18-108	TURNBUCKLE, Electric Front Door Lock Solenoid to Lock Link 1959 All	2	-----	-----	-----	-----	1819 190
23-18-109	CLIP, Electric Door Lock Solenoid to Lock Link 1959 All	Right ★ Left ★	----- -----	----- -----	----- -----	----- -----	6015 106 6015 107
23-18-115	SOLENOID, Electric Door Lock, w/BRACKET 1959 4 D., Sp. 4 D. Front Right Left Rear Right Left 1959 Sp. Cl. Cp., Cv. Cp. Right Left	1 1 1 1 1 1	----- ----- ----- ----- ----- -----	----- ----- ----- ----- ----- -----	----- ----- ----- ----- ----- -----	----- ----- ----- ----- ----- -----	1841 856 1841 855 1841 855 1841 856 1841 861 1841 862
23-18-116	SCREW, Electric Door Lock Solenoid Mounting 1959 All	★	-----	-----	-----	-----	6015 005
23-18-120	PACKAGE, Electric Door Lock Solenoid Terminal and Insulator 1959 All	★	-----	-----	-----	-----	1843 226

★ Indicates use as required.

☐ Indicates parts not listed in any previous parts book.
May 25, 1959 Supersedes March 20, 1959.

1959 PASSENGER CAR PARTS LIST

CODE	REMARKS	PER CAR	PLYMOUTH	DODGE	DESOTO	CHRYSLER	IMPERIAL
23-19-0 DECK LID							
23-19-8	LID, Deck						
	1959 All	1	1836 788	1866 781	1836 790	1836 790	1810 658
	1959 All w/False Spare Wheel Cover	1	----	----	----	----	1960 667
23-19-11	LIFT, Deck Lid						
	1959 All	1	----	----	----	----	1750 840
23-19-45	MOULDING, False Spare Wheel Cover						
	Outer Ring						
	1959 All	1	----	----	----	----	1690 839
23-19-46	RETAINER, False Spare Wheel Cover Outer						
	Ring Moulding, w/BOLT						
	1959 All	9	----	----	----	----	6006 437
	Nut, w/SEAL	9	----	----	----	----	6006 438
23-19-50	COVER, False Spare Wheel Outer Moulding						
	Joint						
	1959 All	1	----	----	----	----	1691 863
23-19-52	WELT, Deck Lid Tire Cover						
	1959 All Paint as Required	1	*1909 381	----	----	----	----
23-19-53	MEDALLION, False Spare Wheel Cover						
	1959 All w/RETAINER	1	1954 507	----	----	----	----
	NUT and WASHER	2	6010 007	----	----	----	----
	1959 All	1	----	----	----	----	1860 773
23-19-55	PANEL, Deck Lid Spare Tire Cover						
	1959 All	1	1954 500	----	----	----	----
23-19-57	INSERT or ORNAMENT, Deck Lid False						
	Spare Wheel Cover						
	1959 All	1	1954 501	----	----	----	----
	NUT and WASHER	8	----	----	----	----	6006 024
	1959 All w/MEDALLION	1	----	----	----	----	* 1960 794
	1959 All	★	1836 185	1846 560	1836 185	*1836 185	1960 172
23-19-70	CATCH, Deck Lid Lock						
	1959 All	1	1867 661	1867 661	1867 661	1867 661	1706 560
23-19-74	SUPPORT, Deck Lid Lock Catch						
	1959 All	1	1846 698	1846 696	1846 530	1846 530	1692 003
	SUPPORT, Deck Opening Lower Panel Lock						
	1959 All	1	----	----	----	----	1751 220
23-19-76	BRACKET, Deck Lid Hinge Support to						
	Wheel House						
	1959 Except Cv. Cp. Upper	2	----	----	----	----	1750 991
	1959 Cv. Cp. Right	1	----	----	----	----	1751 130
		1	----	----	----	----	1751 131
23-19-82	SUPPORT, Deck Lid Hinge Body Bracket						
	1959 All Upper, Right	1	1706 830	1706 830	1706 830	1706 830	----
		1	1706 831	1706 831	1706 831	1706 831	----
	1959 Except Cv. Cp. Lower, Right	1	1695 280	1695 282	1695 284	1695 284	----
		1	1695 281	1695 283	1695 285	1695 285	----
	1959 Cv. Cp. Lower, Right	1	----	1708 084	1708 918	1708 918	----
		1	----	1708 085	1708 919	1708 919	----
	1959 Except Cv. Cp. Right	1	----	----	----	----	1692 120
		1	----	----	----	----	1692 121
	1959 Cv. Cp. Right	1	----	----	----	----	1692 166
		1	----	----	----	----	1692 167
23-19-84	HINGE, Deck Lid						
	1959 All Right	1	1707 110	1707 110	1707 110	1707 110	1691 992
		1	1707 111	1707 111	1707 111	1707 111	1691 993
23-19-85	PIN, Deck Lid Hinge						
	1959 All	2	----	----	----	----	1691 899
23-19-89	BOLT or SCREW and WASHER, Deck Lid						
	Hinge						
	1959 All	★	----	----	----	----	1750 983
23-19-95	BUSHING, Deck Lid Hinge						
	1959 All	2	1706 601	1706 601	1706 601	1706 601	----
23-19-105	LOCK, Deck Lid						
	1959 All	1	1843 920	1843 920	843 920	1843 920	1878 499

★ Indicates use as required.

⊠ Indicates parts not listed in any previous parts book.

* Indicates change or addition.

1959 PASSENGER CAR PARTS LIST

BODY

CODE	REMARKS	PER CAR	PLYMOUTH	DODGE	DESOTO	CHRYSLER	IMPERIAL
23-19-0 DECK LID Cont'd							
23-19-114	NAME PLATE, Deck Lid						
1959	All	Plymouth	1	1950 430	----	----	----
1959	All	Chrome, Letter, D	2	----	1950 469	----	----
		O	1	----	1950 470	----	----
		G	1	----	1950 471	----	----
		E	1	----	1950 472	----	----
	CLIP		10	----	6010 174	----	----
1959	All	Texan	1	----	1909 468	----	----
	CLIP		3	----	6000 490	----	----
1959	All	Letter, D	1	----	----	1878 805	----
		E	1	----	----	1878 806	----
		S	1	----	----	1878 807	----
		O	2	----	----	1878 808	----
		T	1	----	----	1878 809	----
	NUT		12	----	----	6000 490	----
1959	All	LeBaron	1	----	----	----	1960 509
MEDALLION or ORNAMENT, Deck Lid							
1959	All	V	1	1861 433	----	----	----
	NUT		★	6000 492	----	----	----
1959	All	w/500	1	----	1909 997	----	----
	NUT and SEAL		2	----	6000 490	----	----
1959	All	Texan	1	----	1844 711	----	----
	NUT and SEAL		3	----	6000 490	----	----
1959	All		1	----	1950 474	1860 902	----
1959	Sp. Cl. Cp., Cv. Cp.		3	----	----	----	1860 899
			0	----	----	----	1860 900
	CLIP		3	----	----	----	6006 246
1959	MCl, Sp. Cl. Cp., Cv. Cp.	X-3	1	----	----	----	1960 774
	NUT		2	----	----	----	6000 490
1959	All	Crown	1	----	----	----	1598 388
		Wing Type	1	----	----	----	1810 925
23-19-117	PLATE, Deck Lid Ornament						
1959	All		1	----	----	----	1810 926
	BASE, Deck Lid Name Plate						
1959	All	LeBaron	1	----	----	----	1960 512
23-19-119	RING, Deck Lid Ornament						
1959	All	Outer	1	----	----	----	1810 923
		Inner	1	----	----	----	1810 924
23-19-128	INSERT, Deck Lid Ornament						
1959	All	Imperial	1	----	----	----	1624 580
23-19-130	RETAINER, Deck Lid Ornament Insert						
1959	All		1	----	----	----	E2093 701
23-19-177	BAR, Deck Lid Hinge Torsion						
1959	All		2	1707 117	1756 610	1707 117	1707 117
1959	All	Right	1	----	----	----	1690 482
		Left	1	----	----	----	1690 483
23-19-178	CLIP or SUPPORT, Deck Lid Hinge Torsion Bar						
1959	All	Center	1	1708 187	6006 184	6006 184	6006 184
		End Support	2	1759 971	1759 971	1759 971	1759 971
23-19-185	LINK, Deck Lid Hinge to Torsion Bar						
1959	Cv. Cp.		2	----	----	----	1692 042
1959	Except Cv. Cp.		2	----	----	----	1810 201
23-20-0 FLOOR MATS							
23-20-8	MAT, Front Floor						
1959	except MPH	Brown	1	1905 745	----	----	----
		Green	1	1905 744	----	----	----
		Blue	1	1905 743	----	----	----
		Black	1	1758 226	----	----	----
1959	4D. Sub., MPH	Green	1	1905 744	----	----	----
		Brown	1	1905 745	----	----	----
		Black	1	1758 226	----	----	----
		Blue	1	1905 743	----	----	----
1959	Cv. Cp.	Red	1	1967 691	----	----	----

★ Indicates use as required.

ⓓ Indicates parts not listed in any previous parts book.
 Feb. 15, 1960 Supersedes May 25, 1959.

Printed in U.S.A.
 Prices and specifications subject to change without notice.

* Indicates change or addition.

1959 PASSENGER CAR PARTS LIST

CODE	REMARKS	PER CAR	PLYMOUTH	DODGE	DESOTO	CHRYSLER	IMPERIAL
23-20-0 FLOOR MATS Cont'd							
23-20-8	MAT - Cont'd						
1959	MDL	Black	1	-----	1756 844	-----	-----
1959	4D., Sub., MS1	Blue	1	-----	-----	1915 574	-----
		Green	1	-----	-----	1915 575	-----
		Brown	1	-----	-----	1915 576	-----
		Black	1	-----	-----	1915 577	-----
1959	Sub., MC1	Blue	1	-----	-----	-----	1914 406
		Brown	1	-----	-----	-----	1914 407
		Black	1	-----	-----	-----	1914 408
23-20-11	MAT, Intermediate Floor						
1959	Sub, MS1	Black	1	1778 952	1778 072	1778 072	-----
1959	4D. Sub.	Brown	1	1910 194	-----	-----	-----
		Blue	1	1910 195	-----	-----	-----
		Green	1	1910 196	-----	-----	-----
1959	2D. Sub.	Blue	1	1910 415	-----	-----	-----
		Green	1	1910 416	-----	-----	-----
		Brown	1	1910 417	-----	-----	-----
1959	Sub., MS1, MC1	Blue	1	-----	-----	1965 963	1911 310
		Brown	1	-----	-----	1965 965	1911 311
		Black	1	-----	-----	1965 590	1911 312
		Green	1	-----	-----	1965 964	-----
23-20-12	EXTENSION, Front Floor Mat Side						
1959	Except MPH	Black Right	1	⊠1965 312	-----	-----	-----
		Left	1	⊠1965 313	-----	-----	-----
		Brown Right	1	1905 794	-----	-----	-----
		Left	1	1905 795	-----	-----	-----
		Blue Right	1	1905 790	-----	-----	-----
		Left	1	1905 791	-----	-----	-----
		Green Right	1	1905 792	-----	-----	-----
		Left	1	1905 793	-----	-----	-----
1959	4 D. Sub., MPH	Brown Right	1	1905 794	-----	-----	-----
		Left	1	1905 795	-----	-----	-----
		Black Right	1	⊠1965 312	-----	-----	-----
		Left	1	⊠1965 313	-----	-----	-----
		Blue Right	1	1905 790	-----	-----	-----
		Left	1	1905 791	-----	-----	-----
		Green Right	1	1905 792	-----	-----	-----
		Left	1	1905 793	-----	-----	-----
1959	Cv. Cp.	Red Right	1	⊠1967 689	-----	-----	-----
		Left	1	⊠1967 690	-----	-----	-----
	EXTENSION, Intermediate Floor Mat Side						
1959	Sub.	Blue Right	1	1910 200	-----	-----	-----
		Left	1	1910 201	-----	-----	-----
		Green Right	1	1910 202	-----	-----	-----
		Left	1	1910 203	-----	-----	-----
		Brown Right	1	1910 204	-----	-----	-----
		Left	1	1910 205	-----	-----	-----
		Black Right	1	1836 422	-----	-----	-----
		Left	1	1836 423	-----	-----	-----
23-20-14	PLATE, Door Sill Scuff						
1959	4 D., 4 D. Sub.	Front Right	1	1950 702	1950 712	1950 720	1950 726
		Left	1	1950 703	1950 713	1950 721	1950 727
		Rear Right	1	1950 704	1950 714	1950 714	1950 714
		Left	1	1950 705	1950 715	1950 715	1950 715
1959	Sp. 4 D.	Front Right	1	1950 708	1950 718	1950 724	1950 730
		Left	1	1950 709	1950 719	1950 725	1950 731
		Rear Right	1	1950 710	1950 710	1950 710	1950 710
		Left	1	1950 711	1950 711	1950 711	1950 711
1959	except 4D., Sp.4D., 4D.Sub.	Right	1	1950 706	1950 716	1950 722	1697 462
		Left	1	1950 707	1950 717	1950 723	1697 463
1959	MC3-300	Right	1	-----	-----	-----	1950 732
		Left	1	-----	-----	-----	1950 733

★ Indicates use as required.

⊠ Indicates parts not listed in any previous parts book.

* Indicates change or addition.

1959 PASSENGER CAR PARTS LIST

BODY

CODE	REMARKS	PER CAR	PLYMOUTH	DODGE	DESOTO	CHRYSLER	IMPERIAL
23-20-0 FLOOR MATS Cont'd							
23-20-16	INSERT, Door Sill Plate Tread						
1959	MC3	Front	2	-----	-----	-----	1900 555
1959	All	Rear	2	-----	-----	-----	1876 977
23-20-19	SUPPORT, Door Sill Plate						
1959	All	B. E.	★	1707 530	1707 530	1707 530	1707 530
1959	Cv. Cp.	Prime	2	1708 606	-----	1708 606	1708 606
1959	4D., Sp. 4D.	Front	2	-----	-----	-----	-----
		Rear Right	1	-----	-----	-----	1692 173
1959	Sp. Cl. Cp., Cv. Cp.		2	-----	-----	-----	1690 742
23-20-23	NAME PLATE, Front Floor Sill Plate						
1959	All	Imperial	2	-----	-----	-----	1698 316
23-20-27	SCREW, Door Sill Plate Attaching						
1959	MS2, MS3		★	6000 310	6000 310	6000 364	6000 364
23-20-29	MAT, Rear Deck Floor						
1959	MC1, except Cv. Cp.		1	E1881 823	1833 891	1773 428	1900 997
1959	MC1, Cv. Cp.		1	E1881 823	1835 601	1773 428	1900 997
1959	MC2	Gray	1	-----	-----	-----	1900 993
1959	MS1, MC1, use w/o Spare Tire	Black	1	-----	-----	2046 315	2046 315
1959	MS2, MS3, MC2, use w/o Spare Tire	Black	1	-----	-----	1900 999	1900 999
23-20-32	PLATE, Front Floor Carpet to Floor						
1959	All		2	-----	-----	1830 051	1830 051
23-20-41	MAT, Rear Floor						
1959	3 Cp.	Black	1	1755 248	-----	-----	-----
		Gray	1	1868 913	-----	-----	-----
1959	Cl. Sed.	Blue	1	1905 749	-----	-----	-----
		Black	1	1758 234	1776 261	-----	-----
		Gray	1	1868 912	-----	-----	-----
		Brown	1	1905 751	-----	-----	-----
		Green	1	1905 750	-----	-----	-----
1959	Cv. Cp.	Red	1	1967 692	-----	-----	-----
1959	MPL, Sub. 2 Seat	Black	1	1777 278	-----	-----	-----
1959	Sp. 4 D., MPM	Black	1	1866 104	-----	-----	-----
		Brown	1	1905 770	-----	-----	-----
		Blue	1	1905 768	-----	-----	-----
		Green	1	1905 769	-----	-----	-----
1959	4 D., except MPH	Black	1	1758 234	1756 845	-----	-----
		Blue	1	1905 752	-----	-----	-----
		Green	1	1905 753	-----	-----	-----
		Brown	1	1905 754	-----	-----	-----
1959	Sp. Cl. Cp., Cv. Cp., MPM	Brown	1	1905 767	-----	-----	-----
		Blue	1	1905 765	-----	-----	-----
		Green	1	1905 766	-----	-----	-----
1959	Sp. Cl. Cp., Cv. Cp., MDL	Black	1	1758 238	1756 845	-----	-----
1959	4 D., MS1	Blue	1	-----	-----	1915 578	-----
		Green	1	-----	-----	1915 579	-----
		Brown	1	-----	-----	1915 580	-----
		Black	1	-----	-----	1915 581	-----
1959	Sub, MC1, 3rd Seat Well,	Blue	1	-----	-----	-----	1965 570
		Brown	1	-----	-----	-----	1965 571
		Black	1	-----	-----	-----	1965 572
1959	Sub., 3rd Seat Well	Gray	1	1778 074	1778 074	1868 250	1868 250
	SCREW		6	145 417	145 417	145 417	145 417

23-21-0 MIRRORS

23-21-3	MIRROR PACKAGE, Rear View Inside						
1959	All	Mirror-Matic	1	E2161 079	E2161 079	E2161 079	E2161 079
	Consists of:						
	1 -	-----	-----	Mirror			
	1 -	-----	-----	Cable			
	1 -	-----	-----	Terminal			
	1 -	-----	-----	Instruction Sheet			

★ Indicates use as required.

E Indicates parts not listed in any previous parts book.

Feb. 15, 1960 Supersedes May 25, 1959.

Printed in U.S.A.
Prices and specifications subject to change without notice.

* Indicates change or addition.

CODE	REMARKS	PER CAR	PLYMOUTH	DODGE	DESOTO	CHRYSLER	IMPERIAL
23-21-0 MIRRORS Cont'd							
23-21-3	MIRRORS - Cont'd 1959 All Remote Control	1	Ⓜ2084 545	Ⓜ2084 545	Ⓜ2084 545	Ⓜ2084 545	Ⓜ2084 545
	Consists of:						
	1 - ---- --- Mirror						
	4 - ---- --- Screws						
	1 - ---- --- Bracket						
	1 - ---- --- Instruction Sheet						
23-21-8	MIRROR, Rear View Inside 1959 All	1	1876 331	1876 331	1876 331	1876 331	1876 331
	Prismatic	1	1902 138	1902 138	1902 138	1902 138	1902 138
23-21-9	NUT, Rear View Inside Mirror Shaft to Base Locking 1959 All	1	---- ---	1901 725	1901 725	1901 725	1901 725
23-21-14	BASE, Rear View Inside Mirror 1959 All	1	1839 962	1876 046	1839 111	1839 111	---- ---
	w/PAD	1	---- ---	1902 032	1839 110	1839 112	1876 061
	NUT	1	145 509	145 507	---- ---	---- ---	---- ---
23-21-15	MIRROR, Rear View Outside 1959 All	★	1772 447	1772 447	1772 447	1772 447	1772 447
	Single Strut	★	1773 071	1773 071	1773 071	1773 071	1773 071
	Double Strut	★	1773 072	1773 072	1773 072	1773 072	1773 072
	Head	★	1839 852	1839 852	1839 852	1839 852	1839 852
	Hood Type	★	*274 791	*274 791	*274 791	*274 791	*274 791
	SCREW	2	*1902 243	*1902 243	*1902 243	*1902 243	*1902 243
23-21-16	WASHER, Rear View Inside Mirror Shaft to Bracket or Base 1959 All	1	---- ---	1698 923	1698 923	1698 923	1698 923
	Plastic Cup	1	---- ---	1839 794	1839 794	1839 794	1839 794
23-21-18	ANTI-SQUEAK or SEAL, Rear View Outside Mirror Base 1959 All	★	1609 381	1609 381	1609 381	1609 381	1609 381
	Round	★	1839 670	1839 670	1839 670	1839 670	1839 670
	Oblong						
23-21-23	BRACKET, Rear View Outside Mirror Attaching 1959 All	★	1609 540	1609 540	1609 540	1609 540	1609 540
23-21-26	RETAINER, Rear View Inside Mirror Shaft 1959 All	1	1839 965				
23-21-45	BALL and SHAFT, Rear View Inside Mirror 1959 All	1	2080 409	1876 065	1876 065	1876 065	1876 065
	Use w/Mirror-Matic	1	1902 094	1902 094	1902 094	1902 094	1902 094
23-21-46	SPRING, Rear View Inside Mirror Shaft Tension 1959 All	1	1839 966	---- ---	---- ---	---- ---	---- ---
23-21-47	PLUG, Rear View Inside Mirror Shaft Tension Adjusting 1959 All	1	1839 967	---- ---	---- ---	---- ---	---- ---
23-21-48	REINFORCEMENT, Rear View Inside Mirror Base 1959 All	1	---- ---	1902 036	---- ---	---- ---	---- ---
23-21-64	KNOB, Rear View Inside Mirror Switch Arm - (Mirror-Matic) 1959 All	1	1902 071	1902 071	1902 071	1902 071	1902 071
23-21-73	ESCUTCHEON, Rear View Outside Mirror Remote Control Knob 1959 All	1	1901 839	1901 839	1901 839	1901 839	1901 839
23-21-74	NUT, Rear View Outside Mirror Remote Control Attaching 1959 All	1	1901 838	1901 838	1901 838	1901 838	1901 838
23-22-0 GARNISH MOULDINGS							
23-22-7	MOULDING, Door Garnish 1959 Sport Fury	Right	1	1835 140	---- ---	---- ---	---- ---
		Left	1	1835 141	---- ---	---- ---	---- ---
	1959 Cl. Sed., 3 Cp., 2 D. Sub.	Right	1	1697 266	1697 266	---- ---	---- ---
		Left	1	1697 267	1697 267	---- ---	---- ---

★ Indicates use as required.

Ⓜ Indicates parts not listed in any previous parts book.

* Indicates change or addition.

Printed in U.S.A.

Prices and specifications subject to change without notice.

1959 PASSENGER CAR PARTS LIST

BODY

CODE	REMARKS	PER CAR	PLYMOUTH	DODGE	DESOTO	CHRYSLER	IMPERIAL
23-22-0 GARNISH MOULDINGS Cont'd							
23-22-7	MOULDING - Cont'd						
1959	Sp. Cl. Cp., Cv. Cp., except MS3, MC3						
	Right	1	1697 274	1697 274	1697 274	1697 274	----
	Left	1	1697 275	1697 275	1697 275	1697 275	----
1959	4 D. Sub., MS1, MC1,						
	Rear Right	1	1709 934	1709 934	1709 934	1709 934	----
	Left	1	1709 935	1709 935	1709 935	1709 935	----
1959	4 D., 4 D. Sub., MS1, MC1						
	Prime, Front Right	1	1697 262	1697 262	1697 262	1697 262	----
	Left	1	1697 263	1697 263	1697 263	1697 263	----
1959	4 D., MS1, MC1,						
	Prime, Rear, Right	1	1697 282	1697 282	1697 282	1697 282	----
	Left	1	1697 283	1697 283	1697 283	1697 283	----
1959	Sub., MS3						
	Rear Right	1	----	----	1708 050	----	----
	Left	1	----	----	1708 051	----	----
1959	Sp. 4D., except MS3, MC3						
	Front Right	1	1884 886	1884 886	1884 886	1884 886	----
	Left	1	1884 887	1884 887	1884 887	1884 887	----
	Rear Right	1	1884 950	1884 950	1884 950	1884 950	----
	Left	1	1884 951	1884 951	1884 951	1884 951	----
1959	4 D., Sub., MS2, MS3, MC2,						
	Prime, Front Right	1	----	----	1697 286	1697 286	----
	Left	1	----	----	1697 287	1697 287	----
1959	4 D., MS2, MS3, MC2						
	Prime, Rear Right	1	----	----	1697 298	1697 298	----
	Left	1	----	----	1697 299	1697 299	----
1959	4 D., MS1, MC1						
	Prime, Rear Right	1	----	1697 282	1697 282	1697 282	----
	Left	1	----	1697 283	1697 283	1697 283	----
23-22-9	SUPPORT, Door Garnish Moulding						
1959	Cv. Cp.	4	1757 174	1757 174	----	----	----
1959	Sp. Cl. Cp., MS1, MC1, MC2	4	1757 174	1757 174	1757 174	1757 174	----
1959	4 D., Sub.	8	----	----	1776 486	1776 486	----
23-22-53	MOULDING, Quarter Window Garnish						
1959	Cl. Sed., 3 Cp., Prime,						
	Upper and Front, Right	1	1697 310	1697 310	----	----	----
	Left	1	1697 311	1697 311	----	----	----
	Lower, Right	1	1708 190	1708 190	----	----	----
	Left	1	1708 191	1708 191	----	----	----
1959	2 D. Sub.						
	Prime, Front Right	1	1775 456	1775 456	----	----	----
	Left	1	1775 457	1775 457	----	----	----
	Upper Front	2	1775 704	1775 704	----	----	----
	Upper Rear Right	1	1775 708	1775 708	----	----	----
	Left	1	1775 709	1775 709	----	----	----
	Belt	2	1697 338	1697 338	----	----	----
1959	Sp. Cl. Cp.						
	Chrome, Right	1	1950 864	----	----	----	----
	Left	1	1950 865	----	----	----	----
1959	Cv. Cp.						
	Chrome, Right	1	1952 386	----	----	----	----
	Left	1	1952 387	----	----	----	----
	Prime, Right	1	1697 318	1697 318	----	----	----
	Left	1	1697 319	1697 319	----	----	----
1959	Sp. 4 D.						
	Belt, Prime, Right	1	1757 958	1866 928	1866 928	1866 928	----
	Left	1	1757 959	1866 929	1866 929	1866 929	----
1959	Sp. Cl. Cp.						
	Prime, Right	1	1950 806	1950 806	1697 326	1697 326	----
	Left	1	1950 807	1950 807	1697 327	1697 327	----
1959	Sp. Cl. Cp., except MS1, MC1						
	Rear Right	1	----	----	*1774 356	*1774 356	----
	Left	1	----	----	*1774 357	*1774 357	----
1959	4 D., except MS1, MC1						
	Upper and Front, Right	1	1697 306	1697 306	*1776 884	*1776 884	----
	Left	1	1697 307	1697 307	*1776 885	*1776 885	----
	Lower, Rear Right	1	1707 554	1707 554	1708 766	1708 766	----
	Left	1	1707 555	1707 555	1708 767	1708 767	----
1959	4 D. Sub.						
	Upper, Right	1	1697 334	1697 334	1697 334	1697 334	----
	Left	1	1697 335	1697 335	1697 335	1697 335	----
	Upper, Front Right	1	1777 644	1777 644	1777 644	1777 644	----
	Left	1	1777 645	1777 645	1777 645	1777 645	----

★ Indicates use as required.

⊔ Indicates parts not listed in any previous parts book.

Feb. 15, 1960 Supersedes May 25, 1959

Printed in U.S.A.
Prices and specifications subject to change without notice.

* Indicates change or addition.

CODE	REMARKS	PER CAR	PLYMOUTH	DODGE	DESOTO	CHRYSLER	IMPERIAL
23-22-0 GARNISH MOULDINGS Cont'd							
23-22-53	MOULDING - Cont'd						
	Lower, Front Right	1	1697 346	1697 346	1697 346	1697 346	----
	Left	1	1697 347	1697 347	1697 347	1697 347	----
	Lower Rear	2	1775 466	1775 466	1775 466	1775 466	----
1959	4 D., MS1, MC1 One Piece, Right	1	*1866 292	*1866 292	*1866 292	*1866 292	----
	Left	1	*1866 293	*1866 293	*1866 293	*1866 293	----
1959	4D., MS1, MC1						
	Upper and Front, Right	1	----	----	1697 306	1697 306	----
	Left	1	----	----	1697 307	1697 307	----
	Lower, Right	1	----	----	1758 016	1758 016	----
	Left	1	----	----	1758 017	1758 017	----
1959	Sp. Cl. Cp., MC3 Belt, Right	1	----	----	----	1901 868	----
	Left	1	----	----	----	1901 869	----
	4 D. Front, Right	1	----	----	----	----	*1750 984
	Left	1	----	----	----	----	*1750 985
	Upper, Right	1	----	----	----	----	*1860 602
	Left	1	----	----	----	----	*1860 603
23-22-55	SUPPORT, Quarter Window Garnish Moulding						
1959	Sp. Cl. Cp., Cv. Cp., except MS3, MC3	4	1707 395	1707 395	1707 395	1707 395	----
23-22-77	MOULDING, Tailgate Belt Garnish						
1959	Sub.	1	1775 769	1775 769	1775 769	1775 769	----
23-22-78	MOULDING, Tailgate Opening Garnish						
1959	Sub.						
	Upper	1	1697 343	1697 343	1697 343	1697 343	----
	Side Upper, Right	1	1755 838	1755 838	1755 838	1755 838	----
	Left	1	1755 839	1755 839	1755 839	1755 839	----
1959	4 D.Sub. Side Lower, Right	1	1775 712	1775 712	1775 712	1775 712	----
	Left	1	1775 713	1775 713	1775 713	1775 713	----
1959	2 D.Sub. Side Lower, Right	1	1777 756	1777 756	----	----	----
	Left	1	1777 757	1777 757	----	----	----
23-22-79	SUPPORT, Tailgate Garnish Moulding						
1959	Sub. Belt	2	1775 994	1775 994	1775 994	1775 994	----
23-22-85	CAP, Rear Window Garnish Moulding Upper Center						
1959	Sp. Cl. Cp., MS3	1	----	----	1758 488	1758 488	----
1959	Sp. 4 D., Sp. Cl. Cp.	1	----	----	----	----	E1901 846
23-22-86	MOULDING, Rear Window Garnish						
1959	Sp. Cl. Cp., MS1 Prime, Upper	1	1757 452	1757 452	1777 833	----	----
	Side, Right	1	1757 448	1757 448	1777 838	----	----
	Left	1	1757 449	1757 449	1777 839	----	----
	Upper Corner, Right	1	1757 450	1757 450	----	----	----
	Left	1	1757 451	1757 451	----	----	----
1959	Sp. 4 D. Prime, Upper	1	1777 821	----	----	----	----
	Side, Right	1	1777 826	----	----	----	----
	Left	1	1777 827	----	----	----	----
1959	Sp. 4 D. Stainless S., Upper	1	1777 819	----	----	----	----
	Side, Right	1	1777 822	----	----	----	----
	Left	1	1777 823	----	----	----	----
1959	Sp. Cl. Cp., Sport Fury						
	Chrome, Upper	1	1835 131	----	----	----	----
	Upper Corner, Right	1	1835 132	----	----	----	----
	Left	1	1835 133	----	----	----	----
	Side, Right	1	1835 134	----	----	----	----
	Left	1	1835 135	----	----	----	----
1959	Sp. 4 D. Chrome, Upper	1	----	1952 863	1952 863	1952 863	----
	Side, Right	1	----	1952 866	1952 866	1952 866	----
	Left	1	----	1952 867	1952 867	1952 867	----
1959	Sp. Cl. Cp., MS3, MC2, MC3, Stainless S., Upper and Side, Right	1	----	----	1758 024	1758 024	----
	Left	1	----	----	1758 025	1758 025	----
1959	Sp. Cl. Cp., MC2, Stainless S., Upper	1	----	----	----	1777 831	----
	Side, Right	1	----	----	----	1777 834	----
	Left	1	----	----	----	1777 835	----
1959	4D., MC2, MC3 Prime, Upper	1	----	----	----	1758 893	----
	Upper Corner, Right	1	----	----	----	1759 176	----
	Left	1	----	----	----	1759 177	----
	Side, Right	1	----	----	----	1759 372	----
	Left	1	----	----	----	1759 373	----

★ Indicates use as required.

⊠ Indicates parts not listed in any previous parts book.

* Indicates change or addition.

Printed in U.S.A.

Prices and specifications subject to change without notice.

Feb. 15, 1960 Supersedes May 25, 1959.

1959 PASSENGER CAR PARTS LIST

BODY

CODE	REMARKS	PER CAR	PLYMOUTH	DODGE	DESOTO	CHRYSLER	IMPERIAL
23-22-0 GARNISH MOULDINGS Cont'd							
23-22-86	MOULDING - Cont'd						
1959	Sp. 4 D., Sp. Cl. Cp. Right	1	----	----	----	----	1698 068
	Left	1	----	----	----	----	1698 069
1959	4 D. Upper	1	----	----	----	----	1585 926
	Side, Right	1	----	----	----	----	1685 934
	Left	1	----	----	----	----	1685 935
23-22-145	MOULDING, Windshield Garnish						
1959	Sp. Cl. Cp. Chrome, Upper	1	1835 580	----	----	----	----
	Side, Right	1	1950 230	----	----	----	----
	Left	1	1950 231	----	----	----	----
1959	Sp. 4 D., Sp. Cl. Cp. Prime, Upper	1	1833 334	1833 334	1833 334	1833 334	----
	Side, Right	1	1867 946	1833 338	1833 338	1833 338	----
	Left	1	1867 947	1833 339	1833 339	1833 339	----
1959	Cv. Cp. Prime, Upper	1	1846 559	1846 559	1846 559	1846 559	----
	Side, Right	1	1867 938	1697 254	1697 254	1697 254	----
	Left	1	1867 939	1697 255	1697 255	1697 255	----
1959	All Prime, Lower, Right	1	1830 468	1830 966	1830 966	1830 966	----
	Left	1	1830 469	1830 967	1830 967	1830 967	----
1959	except Sp. 4 D., Sp. Cl. Cp., Cv. Cp. Prime, Upper	1	1697 242	1697 242	1697 242	1697 242	----
	Side, Right	1	1867 838	1697 250	1697 250	1697 250	----
	Left	1	1867 839	1697 251	1697 251	1697 251	----
1959	Sp. 4 D., Sp. Cl. Cp. Chrome, Upper	1	----	----	1835 580	1835 580	----
	Side, Right	1	----	----	1835 432	1835 432	----
	Left	1	----	----	1835 433	1835 433	----
1959	4 D., 4 D.Sub., MC3, Chrome, Upper	1	----	----	----	1952 296	----
	Side, Right	1	----	----	----	1952 294	----
	Left	1	----	----	----	1952 295	----
1959	Cv. Cp. Chrome, Upper	1	1846 558	----	1846 558	1846 558	1750 919
	Side, Right	1	1952 742	----	1758 078	1758 078	1685 920
	Left	1	1952 743	----	1758 079	1758 079	1685 921
1959	All Lower, Blue, Right	1	----	----	----	----	1914 079
	Left	1	----	----	----	----	1914 080
	Green, Right	1	----	----	----	----	1914 081
	Left	1	----	----	----	----	1914 082
	Brown, Right	1	----	----	----	----	1914 083
	Left	1	----	----	----	----	1914 084
	Ruby, Right	1	----	----	----	----	1914 085
	Left	1	----	----	----	----	1914 086
	Black, Right	1	----	----	----	----	1900 316
	Left	1	----	----	----	----	1900 317
1959	except Cv. Cp. Chrome, Upper	1	----	----	----	----	1685 901
	Side, Right	1	----	----	----	----	1685 912
	Left	1	----	----	----	----	1685 913
1959	All, End Finish Plate Chrome, Right	1	----	----	----	----	1771 866
	Left	1	----	----	----	----	1771 867
1959	4 D. Chrome, Upper Corner Right	1	----	----	----	----	*1685 943
	Left	1	----	----	----	----	*1685 944
1959	Sp. 4 D., Sp. Cl. Cp., Chrome, Upper Corner Right	1	----	----	----	----	*1685 938
	Left	1	----	----	----	----	*1685 939
23-22-148	COVER, Windshield Lower Garnish Moulding Joint						
1959	All	1	----	1830 941	1830 941	1830 941	1830 942
23-22-151	SUPPORT, Windshield Garnish Moulding						
1959	Cv. Cp., MS1 Header	7	1758 889	1758 889	1758 889	----	----
1959	All Side	★	----	1758 889	----	----	----
1959	All Lower, Inner	4	----	----	----	----	1839 246
	Outer	2	----	----	----	----	1839 245
23-22-152	SPACER, Windshield Lower Garnish Moulding End						
1959	All Right	1	----	----	----	----	1839 176
	Left	1	----	----	----	----	1839 177
23-22-160	MEDALLION and BASE, Windshield Lower Garnish Moulding, Plastic						
1959	All Right	1	----	----	----	----	1839 890
	Left	1	----	----	----	----	1839 891

★ Indicates use as required.

⊠ Indicates parts not listed in any previous parts book.
 Feb. 15, 1960 Supersedes May 25, 1959.

Printed in U.S.A.
 Prices and specifications subject to change without notice.
 * Indicates change or addition.

CODE	REMARKS	PER CAR	PLYMOUTH	DODGE	DESOTO	CHRYSLER	IMPERIAL
23-22-0 GARNISH MOULDING - Cont'd							
23-22-161	CLIP, Windshield Lower Garnish Moulding Medallion Base						
1959	All	4	----	----	----	----	6008 052
23-23-0 OUTSIDE FINISH MOULDINGS							
23-23-2	MOULDING, Body Side Sill Outside Finish						
1959	4D., Sp. 4D., Sp. Cl. Cp., Cv. Cp.						
		Right	1	1952 442	----	----	----
		Left	1	1952 443	----	----	----
	CLIP		10	6000 606	----	----	----
	SCREW		2	274 791	----	----	----
1959	4 D.Sub., MS1, MC1	Right	1	1952 444	----	1960 576	1960 576
		Left	1	1952 445	----	1960 577	1960 577
	CLIP		10	6000 606	----	6000 606	6000 606
	SCREW		2	274 791	----	274 791	274 791
1959	MS2, MS3. MC2. except Sub.	Right	1	----	----	1950 102	*1950 102
		Left	1	----	----	1950 103	1950 103
	CLIP		10	----	----	6000 606	6000 606
	SCREW		2	----	----	274 791	274 791
1959	MS1, MC1, except 4 D. Sub.	Right	1	----	----	1960 572	1960 572
		Left	1	----	----	1960 573	1960 573
	CLIP		10	----	----	6000 606	6000 606
	SCREW		2	----	----	274 791	274 791
1959	Sub., MS3, MC3	Right	1	----	----	1950 080	1960 640
		Left	1	----	----	1950 081	1960 641
	CLIP		10	----	----	6000 606	6000 606
	SCREW		2	----	----	274 791	----
1959	Sp. Cl. Cp., Cv.Cp., MS3-S		2	----	----	1960 212	----
	CLIP		10	----	----	6000 606	----
1959	MC3, except Sub.		2	----	----	----	1960 212
	CLIP		10	----	----	----	6000 606
1959	MC3-300	Right	1	----	----	----	1960 790
		Left	1	----	----	----	1960 791
	CLIP		10	----	----	----	6000 606
	SCREW		2	----	----	----	274 791
23-23-14	MOULDING, Front Pillar Face						
1959	Cv. Cp.	Right	1	----	----	----	1691 932
		Left	1	----	----	----	1691 933
23-23-16	MOULDING, Center Pillar Outside Finish						
1959	Sub. MPH	Header	2	1878 480	----	----	----
	CLIP		2	6006 298	----	----	----
	SCREW		4	161 788	----	----	----
1959	4 D., Sub. except MS1, MC1,	Right	1	----	----	1845 464	1845 464
		Left	1	----	----	1845 465	1845 465
23-23-22	SUPPORT, Windshield Outside Finish						
	Moulding Upper Screw						
1959	Sp. 4 D.		2	1834 903	1834 903	----	----
1959	Sp. 4 D., Sp. Cl. Cp.		2	----	----	1834 903	1834 903
23-23-23	MOULDING, Deck Opening Lower Panel						
1959	MD3-H		1	----	1707 776	----	----
	RETAINER and BOLT		★	----	6010 029	----	----
	NUT and SEAL		★	----	6000 028	----	----
1959	MC3-300	Right	1	----	----	----	1879 248
		Left	1	----	----	----	1879 249
	CLIP and SEAL		14	----	----	----	6006 286
1959	MC3	Right	1	----	----	----	1860 984
		Left	1	----	----	----	1860 985
	CLIP and SEAL		★	----	----	----	6006 286
	CLIP and BOLT		6	----	----	----	6006 335
	NUT and SEAL		6	----	----	----	6010 029
							6006 024
1959	MC1, MC2	Right	1	----	----	----	1960 692
		Left	1	----	----	----	1960 693
	CLIP and SEAL		12	----	----	----	6006 286
1959	All	Center	1	----	----	1878 951	----
	CLIP and SEAL		9	----	----	6006 331	----
		End, Right	1	----	----	1878 986	----
		Left	1	----	----	1878 987	----

★ Indicates use as required.
 ☐ Indicates parts not listed in any previous parts book.
 * Indicates change or addition.

1959 PASSENGER CAR PARTS LIST

BODY

CODE	REMARKS	PER CAR	PLYMOUTH	DODGE	DESOTO	CHRYSLER	IMPERIAL
23-23-0 OUTSIDE FINISH MOULDING Cont'd							
23-23-23	MOULDING - Cont'd CLIP and BOLT	2	----	----	6010 029	----	----
	NUT and SEAL	2	----	----	6000 028	----	----
23-23-30	MOULDING, Deck Lid						
1959	4 D., Sp. 4 D., Sp. Cl. Cp., Cv. Cp.	1	1950 404	----	----	----	----
	RETAINER and BOLT	★	6000 645	----	----	----	----
	NUT	★	441 256	----	----	----	----
1959	Sp. Cl. Cp., Cv. Cp., Adventurer	5	----	----	1860 810	----	----
	WASHER	25	----	----	6006 031	----	----
	CLIP	25	----	----	6000 239	----	----
	SCREW	25	----	----	125 978	----	----
23-23-32	MOULDING, Front Door Outside Finish						
	NOTE: See illustration in front of group for Mouldings not listed.						
1959	Sub. MPH Header, Right	1	1878 478	----	----	----	----
	Left	1	1878 479	----	----	----	----
	RETAINER	★	6006 295	----	----	----	----
23-23-33	MOULDING, Rear Door Outside Finish						
	NOTE: See illustration in front of group for Mouldings not listed.						
1959	Sub., MPH Header, Right	1	1878 482	----	----	----	----
	Left	1	1878 483	----	----	----	----
	RETAINER	★	6006 295	----	----	----	----
	CLIP	★	6006 309	----	----	----	----
	SCREW	★	111 196	----	----	----	----
1959	Taxi Upper, Right	1	----	1836 392	----	----	----
	Left	1	----	1836 393	----	----	----
	CLIP	6	----	6000 134	----	----	----
	Center, Front Right	1	----	1866 838	----	----	----
	Left	1	----	1866 839	----	----	----
	CLIP	2	----	6000 258	----	----	----
23-23-36	MOULDING, Front Door Vent Wing						
	Division Channel						
1959	MS1, MC1, except Sp. 4 D. Sp. Cl. Cp.						
	Cv. Cp. Inner, Right	1	1757 948	1757 948	1757 948	1757 948	----
	Left	1	1757 949	1757 949	1757 949	1757 949	----
	Outer, Right	1	1757 950	1757 950	1757 950	1757 950	----
	Left	1	1757 951	1757 951	1757 951	1757 951	----
1959	4D., 4D. Sub., MS2, MS3, MC2, MC3						
	Inner Right	1	----	----	1757 914	1756 634	----
	Left	1	----	----	1757 915	1756 635	----
	Outer Right	1	----	----	1757 916	1756 636	----
	Left	1	----	----	1757 917	1756 637	----
1959	Sp. 4 D., Sp. Cl. Cp., Cv. Cp.	2	1755 371	1755 371	1755 371	1755 371	----
	Outer	2	1755 370	1755 370	1755 370	1755 370	----
1959	All	2	----	----	----	----	1751 325
	Outer	2	----	----	----	----	1751 323
23-23-39	MOULDING, Quarter Panel Outside Finish						
	NOTE: See illustration in front of group for Mouldings not listed.						
1959	Sub. Top, Right	1	----	1775 800	1775 800	1775 800	----
	Left	1	----	1775 801	1775 801	1775 801	----
1959	MS3-S, MC3, except Sub.						
	Wheel Opening, Front, Right	1	----	----	1960 244	1960 244	----
	Left	1	----	----	1960 245	1960 245	----
	RETAINER	4	----	----	1960 420	1960 420	----
	SCREW	16	----	----	125 978	125 978	----
	SCREW	2	----	----	274 791	274 791	----
	Rear, Right	1	----	----	1960 246	1960 246	----
	Left	1	----	----	1960 247	1960 247	----
	SCREW	14	----	----	125 978	125 978	----
1959	Cv. Cp. Belt, Right	1	----	----	----	----	1810 854
	Left	1	----	----	----	----	1810 855
1959	All	4	----	----	----	----	1690 832
1959	except MYH Ring, Inner Right	1	----	----	----	----	*1810 610
	Left	1	----	----	----	----	1810 611
	Outer Right	1	----	----	----	----	1810 612
	Left	1	----	----	----	----	1810 613
1959	MYH Ring, Inner, Right	1	----	----	----	----	1810 610
	Left	1	----	----	----	----	1810 611

★ Indicates use as required.

⊠ Indicates parts not listed in any previous parts book.
Feb. 15, 1960 Supersedes May 25, 1959.

Printed in U.S.A.
Prices and specifications subject to change without notice.
* Indicates change or addition.

1959 PASSENGER CAR PARTS LIST

CODE	REMARKS	PER CAR	PLYMOUTH	DODGE	DESOTO	CHRYSLER	IMPERIAL
23-23-0 OUTSIDE FINISH MOULDING Cont'd							
23-23-39	MOULDING - Cont'd						
	Outer, Right	1	----	----	----	----	1810 612
	Left	1	----	----	----	----	1810 613
	4 D. UP TO Ser. No. 100199						
	Sp. 4 D. UP TO Ser. No. 100175						
1959	MYH Ring, Inner, Right	1	----	----	----	----	1690 828
	Left	1	----	----	----	----	1690 829
	Outer, Right	1	----	----	----	----	1690 830
	Left	1	----	----	----	----	1690 831
	4 D. FROM Ser. No. 100199 to 100320, Sp. 4 D. FROM Ser. No. 100175 to 100327						
1959	MYH Ring, Front, Inner, Right	1	----	----	----	----	*2093 144
	Left	1	----	----	----	----	2093 145
	Outer, Right	1	----	----	----	----	2093 146
	Left	1	----	----	----	----	2093 147
	Rear, Inner, Right	1	----	----	----	----	*1690 828
	Left	1	----	----	----	----	*1690 829
	Outer, Right	1	----	----	----	----	*1690 830
	Left	1	----	----	----	----	*1690 831
	4 D. AFTER Ser. No. 100310						
	Sp. 4 D. AFTER Ser. No. 100327						
23-23-41	CAP, Outside Finish Moulding Joint						
1959	4 D., Rear Window Upper Center	1	----	----	----	----	1690 803
	Rear Window Upper Corner Right	1	----	----	1755 674	1755 674	1690 852
	Left	1	----	----	1755 675	1755 675	1690 853
	NUT, w/SEAL	2	----	----	----	----	6006 024
	Rear Window Lower	1	1707 580	1707 580	----	----	----
	NUT, w/SEAL	1	6006 024	6006 024	----	----	----
	RETAINER, w/STUD	1	6000 658	6000 658	----	----	----
1959	Sp. 4 D., Rear Window Upper Center	1	1708 350	1708 350	1708 350	1708 350	1879 226
	Rear Window Lower	1	1707 580	1707 580	1707 580	1707 580	----
	NUT, w/SEAL, MS1	1	6006 024	6006 024	6006 024	6006 024	----
	NUT, w/SEAL, MS2, MS3	1	----	----	6010 098	----	----
1959	Cl. Sed., 3 Cp., Rear Window Lower	1	1707 580	1707 580	----	----	----
	NUT, w/SEAL	1	6006 024	6006 024	----	----	----
1959	Sp. Cl. Cp., Rear Window Upper to Side	1	1755 672	1755 672	----	----	----
	Right	1	1755 673	1755 673	----	----	----
	Left	1	----	----	1708 350	1708 350	1879 226
1959	Rear Window Upper Center	1	----	----	1755 785	1755 785	1750 626
	Cv. Cp., Folding Top Belt	1	1755 785	1755 785	1755 785	1755 785	1750 634
	Quarter Window Belt, Right	1	----	----	----	----	1750 635
	Left	1	----	----	----	----	----
1959	All except Sub. and Taxi, Quarter Panel Front and Intermediate Mouldings, w/STUD	1	----	1866 934	----	----	----
	Right	1	----	1866 935	----	----	----
	Left	1	----	6000 558	----	----	----
	CLIP	2	----	----	----	----	----
1959	4 D. Taxi, MD2-L, Quarter Panel Front and Intermediate Mouldings, w/STUD, Right	1	----	1909 588	----	----	----
	Left	1	----	1909 589	----	----	----
1959	All except Sub., Quarter Upper Panel Rear End Moulding, Chrome Plate	1	----	1846 632	----	----	----
	Right	1	----	1846 633	----	----	----
	Left	1	----	----	----	----	----
1959	All, MS1, MS2, w/Two Tone Paint, MS3, Quarter Panel Upper Front and Upper Rear Mouldings	2	----	----	1878 942	----	----
1959	All, MC3-H, Quarter Panel Front to Center Lower Front	2	----	----	----	1960 220	----
1959	All, MC3-H except Sub., Quarter Panel Rear to Center Lower Rear	1	----	----	----	1960 226	----
	Right	1	----	----	----	1960 227	----
	Left	1	----	----	----	----	----
1959	Sp. 4 D., MY1, Roof Panel Top Moulding	1	----	----	----	----	1750 956

★ Indicates use as required.
 ☐ Indicates parts not listed in any previous parts book.
 * Indicates change or addition.

1959 PASSENGER CAR PARTS LIST

BODY

CODE	REMARKS	PER CAR	PLYMOUTH	DODGE	DESOTO	CHRYSLER	IMPERIAL
23-23-0 OUTSIDE FINISH MOULDING Cont'd							
23-23-41	CAP - Cont'd						
1959	Sp. Cl. Cp., MY1, Roof Panel Top Moulding	1	----	----	----	----	1750 957
	COVER, Outside Finish Moulding Joint						
1959	4 D. Sub., MD3, Quarter Panel Front and Intermediate, w/STUD, Right	1	----	1866 850	----	----	----
	Left	1	----	1866 851	----	----	----
1959	Sp. 4 D., Sp. Cl. Cp., Rear Window Belt Moulding Center	1	----	----	----	----	1750 990
	NUT	1	----	----	----	----	6006 024
1959	All, MY1, Deck Opening Lower Panel Center	1	----	----	----	----	1960 429
23-23-42	MOULDING, Roof Panel Outside Finish						
1959	4 D., MP1-H, MP2-H, MD3-H, Side Right	1	1775 894	1775 894	----	----	----
	Left	1	1775 895	1775 895	----	----	----
	CLIP, Ends	4	6000 684	6000 684	----	----	----
	CLIP, Center	16	6000 683	6000 683	----	----	----
	SCREW	20	6000 238	6000 238	----	----	----
1959	Sp. 4 D., MP1-H, MP2-H, MD3-H, Side Right	1	1866 594	1882 308	----	----	----
	Left	1	1866 595	1882 309	----	----	----
	RETAINER, Right	1	1909 492	1909 492	----	----	----
	RETAINER, Left	1	1909 493	1909 493	----	----	----
	SCREW, 8-15 x 1/2"	22	125 978	125 978	----	----	----
1959	Sp. Cl. Cp., MP1-H, MP2-H, MP2-P, MD3-H, Right	1	1866 592	1866 592	----	----	----
	Left	1	1866 593	1866 593	----	----	----
	RETAINER, Right	1	1954 562	1954 562	----	----	----
	RETAINER, Left	1	1954 563	1954 563	----	----	----
	SCREW, 8-15 x 1/2"	24	125 978	125 978	----	----	----
1959	Sp. 4D., MS1, MS2, w/Roof Mldgs., MS3, Side Front Right	1	----	----	1878 544	----	----
	Left	1	----	----	1878 545	----	----
	CLIP	12	----	----	6006 300	----	----
	WASHER	12	----	----	6006 031	----	----
1959	Sp. Cl. Cp., MS1, MS2., w/Roof Mldgs., MS3, Side Front Right	1	----	----	1835 420	----	----
	Left	1	----	----	1835 421	----	----
	RETAINER	8	----	----	6000 578	----	----
	WASHER	8	----	----	6006 031	----	----
	SCREW	8	----	----	161 798	----	----
1959	Sp. Cl. Cp., MS1, MS2, w/Roof Mldgs., Side Rear Right	1	----	----	1860 886	----	----
	Left	1	----	----	1860 887	----	----
	CLIP	4	----	----	6000 221	----	----
	SCREW	4	----	----	178 812	----	----
1959	Sp. Cl. Cp., MS3, Side Rear Right	1	----	----	1860 720	----	----
	Left	1	----	----	1860 721	----	----
	CLIP	4	----	----	6000 221	----	----
	SCREW	4	----	----	178 812	----	----
1959	4 D. Sub., MS3, MC3, Extension Side Medallion Plate, at Belt Line	2	----	----	1960 389	1960 389	----
	CLIP	4	----	----	6000 134	6000 134	----
1959	4 D. Sub., MC1, MC3, Top Side Right	1	----	----	----	1960 214	----
	Left	1	----	----	----	1960 215	----
	CLIP	12	----	----	----	6006 327	----
	Top Rear	1	----	----	----	1879 016	----
	CLIP	7	----	----	----	6006 327	----
1959	4 D., Top Rear	1	----	----	----	1960 612	----
	CLIP	12	----	----	----	6006 402	----
	Top Side Right	1	----	----	----	1960 610	----
	Left	1	----	----	----	1960 611	----
	CLIP	7	----	----	----	6006 402	----

★ Indicates use as required.

☐ Indicates parts not listed in any previous parts book.

Feb. 15, 1959 Supersedes May 25, 1959.

Page 23-24

Printed in U.S.A.
Prices and specifications subject to change without notice.

* Indicates change or addition.

1959 PASSENGER CAR PARTS LIST

CODE	REMARKS	PER CAR	PLYMOUTH	DODGE	DESOTO	CHRYSLER	IMPERIAL
23-23-0 OUTSIDE FINISH MOULDING Cont'd							
23-23-42	MOULDING - Cont'd						
1959	Sp. 4 D., Top Side Depression Right						
1959	Sp. 4 D., Top Side Depression Right	1	----	----	----	1960 224	----
	Left	1	----	----	----	1960 225	----
	CLIP	10	----	----	----	6006 316	----
	Top Rear Depression	1	----	----	----	1960 228	----
	CLIP	9	----	----	----	6006 316	----
1959	Sp. Cl. Cp. except MC3-300, Top Rear	1	----	----	----	1960 222	----
1959	Sp. Cl. Cp. Top Side Right	1	----	----	----	1960 218	1750 908
	Left	1	----	----	----	1960 219	1750 909
	CLIP	9	----	----	----	6006 327	----
	CLIP	10	----	----	----	6006 327	----
	Top Right	1	----	----	----	----	1750 910
	Left	1	----	----	----	----	1750 911
1959	Sp. 4 D. Top Right	1	----	----	----	----	1690 834
	Left	1	----	----	----	----	1690 835
	Side Right	1	----	----	----	----	1690 836
	Left	1	----	----	----	----	1690 837
23-23-43	MOULDING, Quarter Window Outside Finish						
1959	4 D. Sub., MP1-H, MP2-H, Header Right	1	1878 484	----	----	----	----
	Left	1	1878 485	----	----	----	----
1959	Cl. Sed., MP1, MP2, MD2, Glass Division Channel	2	1753 824	1758 824	----	----	----
23-23-45	MOULDING, Roof Rail Weatherstrip Outside Finish						
NOTE: For other than Imperial 1959 see Part Type Code 23-63-55 Retainer.							
1959	Sp. 4 D. Right	1	----	----	----	----	1751 752
	Left	1	----	----	----	----	1751 753
1959	Sp. Cl. Cp. Right	1	----	----	----	----	1750 788
	Left	1	----	----	----	----	1750 789
	MOULDING, Roof Rail Rear Corner Outside Finish						
1959	4 D. Sub., MS3, MC1, MC3 Right	1	----	----	1777 516	1777 516	----
	Left	1	----	----	1777 517	1777 517	----
23-23-49	MOULDING, Folding Top Belt Outside Finish Rear						
1959	Cv. Cp. Right	1	1755 786	1755 786	1758 484	1758 484	----
	Left	1	1755 787	1755 787	1758 485	1758 485	----
23-23-50	PLATE, Roof Panel Outside Finish						
1959	Sp. 4 D., Sp. Cl. Cp., w/Roof Mldgs., Right	1	----	----	1878 542	----	----
	Left	1	----	----	1878 543	----	----
	RETAINER, Upper Front	2	----	----	6010 029	----	----
	RETAINER	2	----	----	6006 299	----	----
	NUT and SEAL	4	----	----	6006 024	----	----
	SCREW, Bottom	4	----	----	161 798	----	----
1959	4 D. Sub., MS3, Extension Side Medallion Right	1	----	----	1960 344	----	----
	Left	1	----	----	1960 345	----	----
NOTE: For 1959 Sp. Cl. Cp. MC3 see Part Type Code 23-34-334 MEDALLION w/PLATE.							
23-23-52	MOULDING, Rear Window Outside Finish						
1959	4 D. Upper	1	1696 666	1696 666	1696 790	1696 790	----
1959	4 D. Upper Right	1	----	----	----	----	1690 810
	Left	1	----	----	----	----	1690 811
1959	4 D. Side Right	1	1696 668	1952 278	1696 792	1696 792	1690 814
	Left	1	1696 669	1952 279	1696 793	1696 793	1690 815
	Lower Right	1	1884 716	1884 716	----	----	----
	Left	1	1884 717	1884 717	----	----	----
	NUT, w/WASHER	8	6006 024	6006 024	----	----	----
	Lower Center	1	----	----	1708 656	1708 656	1878 319
	NUT, w/WASHER	5	----	----	6010 098	6006 024	6006 024
	RETAINER	5	----	----	----	----	6006 283
1959	4 D. Lower End Right	1	----	----	1707 994	1707 994	----
	Left	1	----	----	1707 995	1707 995	----
	NUT, w/WASHER, MS1	2	----	----	6006 024	6006 024	----

★ Indicates use as required.

⊠ Indicates parts not listed in any previous parts book.

* Indicates change or addition.

Printed in U.S.A.

Prices and specifications subject to change without notice.

1959 PASSENGER CAR PARTS LIST

BODY

CODE	REMARKS	PER CAR	PLYMOUTH	DODGE	DESOTO	CHRYSLER	IMPERIAL
23-23-0 OUTSIDE FINISH MOULDING Cont'd							
23-23-52	MOULDING - Cont'd						
1959	4 D. Lower Side Right	1	----	----	----	----	1751 420
	Left	1	----	----	----	----	1751 421
	NUT	2	----	----	----	----	6006 024
1959	Sp. 4 D., Upper and Side, Right	1	1708 614	1846 406	1846 406	1846 406	1879 232
	Left	1	1708 615	1846 407	1846 407	1846 407	1879 233
	CLIP, w/STUD	6	6000 498	----	----	----	----
	NUT, w/SEAL	6	6006 024	----	----	----	----
	CLIP	16	----	----	----	----	6006 201
1959	Sp. 4 D. Lower Center Right	1	1708 616	1866 672	1866 672	1866 672	1690 854
	Left	1	1755 983	1866 673	1866 673	1866 673	1690 855
	NUT, w/WASHER, MS1	6	6006 024	6006 024	6006 024	6006 024	6006 024
	NUT, w/WASHER, MS2, MS3	6	----	----	6010 098	----	----
1959	Sp. 4D. Lower End Right	1	1758 324	1846 408	1846 408	1846 408	----
	Left	1	1758 325	1846 409	1846 409	1846 409	----
	NUT, w/WASHER	2	6006 024	----	----	----	----
	SCREW, Front	2	274 109	274 109	----	----	----
	RETAINER, Rear	2	----	6000 438	----	----	----
	SCREW, Rear	2	----	161 871	----	----	----
	CLIP and STUD	2	6000 484	----	----	----	----
1959	Sp. 4 D. Lower Corner Right	1	----	----	----	----	1690 860
	Left	1	----	----	----	----	1690 861
	CLIP, Front Upper	2	----	----	----	----	6006 021
	SCREW, Rear	2	----	----	----	----	161 798
1959	Cl. Sed., 3 Cp. Upper	1	1696 666	1696 666	----	----	----
	Side Right	1	1696 668	1952 278	----	----	----
	Left	1	1696 669	1952 279	----	----	----
	Lower Right	1	1884 716	1884 716	----	----	----
	Left	1	1884 717	1884 717	----	----	----
	NUT, w/WASHER	8	6006 024	6006 024	----	----	----
1959	Sp. Cl. Cp. Upper	1	1696 676	1696 676	----	----	----
	Side Right	1	1696 678	1696 792	----	----	----
	Left	1	1696 679	1696 793	----	----	----
	Lower Center	1	1696 677	1696 677	----	----	----
	NUT, w/WASHER	5	6006 024	6006 024	----	----	----
	Lower End Right	1	1884 718	1884 718	----	----	----
	Left	1	1884 719	1884 719	----	----	----
	NUT, w/WASHER	2	6006 024	6006 024	----	----	----
	SCREW	2	----	274 109	----	----	----
1959	Sp. Cl. Cp., MS1, MS2, MC1, MC2, Upper and Side Right	1	----	----	1708 346	1708 346	----
	Left	1	----	----	1708 347	1708 347	----
1959	Sp. Cl. Cp., MS2 w/FireFlite Rear Window, MC1, MC2, w/New Yorker Rear Window, MS3, MC3 Upper and Side Right	1	----	----	1708 348	1708 348	1879 232
	Left	1	----	----	1708 349	1708 349	1879 233
1959	Sp. Cl. Cp. Lower Center RETAINER and STUD	7	----	----	1708 488	1708 488	----
	NUT, w/WASHER	7	----	----	6000 484	6000 484	----
1959	Sp. Cl. Cp. Lower Center Right	1	----	----	----	----	1878 328
	Left	1	----	----	----	----	1878 329
	NUT	6	----	----	----	----	6006 024
1959	Sp. Cl. Cp., MS1, MS2, MC1, MC2 Lower End Right	1	----	----	1707 996	1707 996	----
	Left	1	----	----	1707 997	1707 997	----
	NUT, w/WASHER, MS1	2	----	----	6006 024	----	----
1959	Sp. Cl. Cp., MS2 w/FireFlite Rear Window, MC1, MC2, w/New Yorker Rear Window, MS3, MC3 Lower End Right	1	----	----	1708 490	1708 490	----
	Left	1	----	----	1708 491	1708 491	----
1959	Sp. Cl. Cp. Lower Corner Right	1	----	----	----	----	1690 860
	Left	1	----	----	----	----	1690 861
	CLIP, Front Upper	2	----	----	----	----	6006 201
	CLIP, Front Lower	2	----	----	----	----	6006 203
	NUT, Front Lower	2	----	----	----	----	6006 024
	SCREW, Rear	2	----	----	----	----	161 798

★ Indicates use as required.

⊠ Indicates parts not listed in any previous parts book.
Feb. 15, 1960 Supersedes May 25, 1959.

Prices and specifications subject to change without notice.

* Indicates change or addition.

Printed in U.S.A.

1959 PASSENGER CAR PARTS LIST

CODE	REMARKS	PER CAR	PLYMOUTH	DODGE	DESOTO	CHRYSLER	IMPERIAL
23-23-0 OUTSIDE FINISH MOULDING							
			Cont'd				
23-23-60	MOULDING, Tailgate Opening Outside Finish						
1959	Sub., MS1 Upper	1	1846 229	1846 229	1846 229	----	----
1959	Sub., MS3, MC1, MC3, UP TO Note 1, ORDER BY DESCRIPTION Upper						
1959	Sub., MS3, MC1, MC3, AFTER Note 1 Satin Fin., Upper	1	----	----	*1961 565	*1961 565	----
1959	Sub., Upper Side, w/RUN Right	1	1878 626	1878 626	1878 626	1878 626	----
	Left	1	1878 627	1878 627	1878 627	1878 627	----
1959	4 D. Sub., MP1-H, MP2-H, Roof Rail Tailgate Header Right	1	1878 486	----	----	----	----
	Left	1	1878 487	----	----	----	----
	RETAINER and SEAL	★	6006 301	----	----	----	----
23-23-64	PANEL, Windshield Outside Finish						
1959	Cv. Cp., Stainless Steel Header	1	1707 572	1707 572	1707 572	1707 572	----
	Chrome Plate Header	1	----	----	----	1758 818	----
	SUPPORT	7	1758 889	1758 889	----	----	----
	SCREW	7	274 109	145 417	----	----	----
1959	4 D., MS1, MS2, MS3, w/Roof Mldgs., Stainless Steel Upper Center	1	----	----	1708 832	----	----
	CLIP	4	----	----	6000 425	----	----
	SCREW	4	----	----	161 788	----	----
	WASHER	6	----	----	6006 031	----	----
	Upper End Right	1	----	----	1960 678	----	----
	Left	1	----	----	1960 679	----	----
	CLIP	2	----	----	6000 425	----	----
	SCREW	2	----	----	161 788	----	----
	SEAL	2	----	----	6000 377	----	----
1959	4D. Sub., MS1, MS3, w/Roof Mldgs. Upper Center	1	----	----	1707 566	----	----
	RETAINER	4	----	----	6000 375	----	----
	SCREW	4	----	----	161 788	----	----
	WASHER	4	----	----	6006 031	----	----
	Upper End Right	1	----	----	1756 684	----	----
	Left	1	----	----	1756 685	----	----
	SEAL	2	----	----	6000 377	----	----
	SCREW	2	----	----	6000 238	----	----
23-23-65	MOULDING, Windshield Outside Finish						
1959	4 D., Cl.Sed., 3 Cp. Upper	1	1882 005	1882 005	1882 312	1882 312	----
1959	4 D., Cl.Sed., 3 Cp., MS1, MC1 Side Right	1	1882 006	1882 006	1882 314	1882 314	----
	Left	1	1882 007	1882 007	1882 315	1882 315	----
1959	4 D., MS2, MS3, MC2, MC3 Side Right	1	----	----	1882 318	1882 318	----
	Left	1	----	----	1882 319	1882 319	----
	Screw, No. 6-18 x 1/2"	8	6000 009	6000 009	6000 009	6000 009	----
1959	4 D., Cl.Sed., 3 Cp., Stainless Steel Lower End Right	1	1708 322	1708 322	1697 116	1697 116	----
	Left	1	1708 323	1708 323	1697 117	1697 117	----
	NUT and WASHER	2	6006 024	6006 024	6006 024	6006 024	----
1959	All, Stainless Steel Lower Center	1	1696 683	1696 683	1696 683	1696 683	----
1959	Sp. 4 D. Upper	1	1834 113	1834 113	1834 113	1834 113	----
	Side Right	1	1834 110	1834 110	1834 110	1834 110	----
	Left	1	1834 111	1834 111	1834 111	1834 111	----
	SCREW, No. 6-18 x 1/2"	6	6000 009	6000 009	6000 009	6000 009	----
	Lower End Right	1	1834 126	1834 126	1834 126	1834 126	----
	Left	1	1834 127	1834 127	1834 127	1834 127	----
	RETAINER, w/STUD	2	----	----	6000 065	6000 065	----
	NUT and WASHER	2	6006 024	----	6006 024	6006 024	----

Note 1: Model MS3 2 Seater MS3 3 Seater MC1 2 Seater MC1 3 Seater MC3 2 Seater MC3 3 Seater
 Ser. No. 100275 100624 100653 100595 100635 100561

★ Indicates use as required.

☐ Indicates parts not listed in any previous parts book.

* Indicates change or addition.

1959 PASSENGER CAR PARTS LIST

BODY

CODE	REMARKS	PER CAR	PLYMOUTH	DODGE	DESOTO	CHRYSLER	IMPERIAL
23-23-0 OUTSIDE FINISH MOULDING Cont'd							
23-23-65	MOULDING - Cont'd						
1959	Sp. Cl. Cp. Upper	1	1834 114	1834 114	1834 113	1834 113	---- --
	Side Right	1	1834 124	1834 124	1834 110	1834 110	---- --
	Left	1	1834 125	1834 125	1834 111	1834 111	---- --
	SCREW, No. 6-18 x 1/2"	6	6000 009	6000 009	6000 009	6000 009	---- --
	Lower End Right	1	1834 128	1834 128	1834 126	1834 126	---- --
	Left	1	1834 129	1834 129	1834 127	1834 127	---- --
	RETAINER, w/STUD	2	----	----	6000 065	6000 065	---- --
	NUT and WASHER	2	6006 024	----	6006 024	6006 024	---- --
1959	Cv. Cp., Stainless Steel Side Right	1	1707 570	1707 570	1707 570	1707 570	---- --
	Left	1	1707 571	1707 571	1707 571	1707 571	---- --
	Chrome Side Right	1	----	----	----	----	1860 788
	Left	1	----	----	----	----	1860 789
	SCREW	8	*6000 009	6000 009	*6000 009	*6000 009	---- --
	Stainless Steel Lower End Right	1	1708 344	1708 344	1708 344	1708 344	---- --
	Left	1	1708 345	1708 345	1708 345	1708 345	---- --
	RETAINER, w/STUD	2	----	----	6000 065	6000 065	---- --
	NUT and WASHER	2	6006 024	----	6006 024	6006 024	---- --
1959	4 D. Sub., 2 D. Sub. Upper	1	1882 005	1882 005	1882 005	1882 005	---- --
	Side Right	1	1882 006	1882 006	----	----	---- --
	Left	1	1882 007	1882 007	----	----	---- --
1959	4 D. Sub., MSI, MC1 Side Right	1	----	----	1882 006	1882 006	---- --
	Left	1	----	----	1882 007	1882 007	---- --
1959	4 D. Sub., MS3, MC3 Side Right	1	----	----	1882 056	1882 056	---- --
	Left	1	----	----	1882 057	1882 057	---- --
	SCREW, No. 6-18 x 1/2"	8	6000 009	6000 009	6000 009	6000 009	---- --
1959	Sub. Lower End Right	1	1708 322	1708 322	1708 322	1708 322	---- --
	Left	1	1708 323	1708 323	1708 323	1708 323	---- --
	NUT and WASHER	2	6006 024	6006 024	6006 024	6006 024	---- --
1959	4 D., Sp. 4 D., Sp. Cl. Cp. Upper Right	1	----	----	----	----	1750 130
	Left	1	----	----	----	----	1750 131
	NUT, w/SEAL	6	----	----	----	----	6006 024
	RETAINER	6	----	----	----	----	6006 206
	SEALING/WASHER	6	----	----	----	----	1692 190
1959	4 D., Sp. 4D., Sp. Cl. Cp. Side Right	1	----	----	----	----	1690 808
	Left	1	----	----	----	----	1690 809
	SCREW	10	----	----	----	----	6000 000
1959	All Lower Right	1	----	----	----	----	1750 128
	Left	1	----	----	----	----	1750 129
	CLIP	20	----	----	----	----	6006 200
1959	Cv. Cp. Upper	1	----	----	----	----	1691 904
1959	Cv. Cp., Header Upper Corner, Right	1	----	----	----	----	1751 088
	Left	1	----	----	----	----	1751 089
23-23-66	CAP, Windshield Outside Finish Moulding Joint Cover						
1959	4 D., Sp. 4 D., Sp. Cl. Cp., Upper Moulding Center	1	----	----	----	----	1750 754
	NUT	1	----	----	----	----	6006 024
1959	All Lower Center	1	----	----	----	----	1692 191
23-23-80	PANEL, Door Outside Finish Insert						
1959	All, MP1-L, MP2-L, w/Two Tone Paint, Front Door, Right	1	1954 482	----	----	----	----
	Left	1	1954 483	----	----	----	----
1959	4D., 4D Sub., MP1-L, MP2-L, w/Two Tone Paint Rear Door, Right	1	1954 478	----	----	----	----
	Left	1	1954 479	----	----	----	----
1959	All, MP1-M, MP2-M, w/Inserts PANELS Front Door, Right	1	1954 482	----	----	----	----
	Left	1	1954 483	----	----	----	----
1959	4D., Sp. 4D., 4D. Sub., MP1-M, MP2-M, w/Insert PANELS Rear Door, Right	1	1954 476	----	----	----	----
	Left	1	1954 477	----	----	----	----

★ Indicates use as required.

☐ Indicates parts not listed in any previous parts book.
 May 25, 1959 Supersedes Mar. 20, 1959.

Printed in U.S.A.
 Prices and specifications subject to change without notice.

* Indicates change or addition.

1959 PASSENGER CAR PARTS LIST

CODE	REMARKS	PER CAR	PLYMOUTH	DODGE	DESOTO	CHRYSLER	IMPERIAL
23-23-0 OUTSIDE FINISH MOULDING Cont'd							
23-23-80	PANEL - Cont'd						
1959	All, MP1-H, MP2-H Front Door	2	1950 398	----	----	----	----
	Rear Door Right	1	1950 396	----	----	----	----
	Left	1	1950 397	----	----	----	----
1959	Sp. Cl. Cp., Cv. Cp., MP2-P Right	1	1952 098	----	----	----	----
	Left	1	1952 099	----	----	----	----
	PLATE, Door Outside Finish Insert						
1959	4 D., Sp. 4 D., Sub., w/Insert PLATES Front Door Right	1	----	----	1878 962	----	----
	Left	1	----	----	1878 963	----	----
1959	4 D., Sp. 4 D., Sub., w/Insert PLATES Rear Door Right	1	----	----	1878 968	----	----
	Left	1	----	----	1878 969	----	----
1959	Sp. Cl. Cp., Cv. Cp., w/Insert PLATES Right	1	----	----	1878 962	----	----
	Left	1	----	----	1878 963	----	----
1959	Sp. Cl. Cp., Cv. Cp., MS3 Adventurer Right	1	----	----	1960 650	----	----
	Left	1	----	----	1960 651	----	----
1959	4 D., Sp. 4 D., Sub., MC3 Front Door Right	1	----	----	----	1860 848	----
	Left	1	----	----	----	1860 849	----
	Rear Door Right	1	----	----	----	1860 862	----
	Left	1	----	----	----	1860 863	----
1959	Sp. Cl. Cp., Cv. Cp., MC3 except 300 Right	1	----	----	----	*1860 842	----
	Left	1	----	----	----	1860 843	----
23-23-85	PANEL, Quarter Panel Outside Finish						
1959	Sp. Cl. Cp., Cl. Sed., 3 Cp., 2D. Sub., MP1-L, MP2-L, w/Two Tone Paint Right	1	1954 478	----	----	----	----
	Left	1	1954 479	----	----	----	----
1959	4 D., Sp. 4 D., 4 D. Sub., MP1-M, MP2-M, w/Insert PANELS Right	1	1954 480	----	----	----	----
	Left	1	1954 481	----	----	----	----
1959	Sp. Cl. Cp., Cv. Cp., Cl. Sed., 2D. Sub., MP1-M, MP2-M, w/Insert PANELS Right	1	1954 482	----	----	----	----
	Left	1	1954 485	----	----	----	----
1959	4 D., Sp. 4 D., MP1-H, MP2-H Right	1	1950 402	----	----	----	----
	Left	1	1950 403	----	----	----	----
1959	Sp. Cl. Cp., MP1-H, MP2-H	2	1950 400	----	----	----	----
1959	Sp. Cl. Cp., Cv. Cp., MP2-P Right	1	1952 102	----	----	----	----
	Left	1	1952 103	----	----	----	----
	Fuel Tank Filler Opening Cover	1	1952 089	----	----	----	----
	PLATE, Quarter Panel Outside Finish Insert						
1959	4D. Sub., MP1-H, MP2-H Right	1	1952 032	----	----	----	----
	Left	1	1952 033	----	----	----	----
1959	4 D., Sp. 4 D., w/Insert PLATES Right	1	----	----	1878 978	----	----
	Left	1	----	----	1878 979	----	----
1959	4D. Sub., w/Insert PLATES Right	1	----	----	1960 350	----	----
	Left	1	----	----	1960 351	----	----
1959	Sp. Cl. Cp., Cv. Cp., w/Insert PLATES Right	1	----	----	1878 988	----	----
	Left	1	----	----	1878 989	----	----
1959	Sp. Cl. Cp., Cv. Cp., MS3 Adventurer, UP TO Serial No. M494100289 Right	1	----	----	*1960 354	----	----
	Left	1	----	----	1960 355	----	----
1959	Sp. Cl. Cp., Cv. Cp., MS3 Adventurer, AFTER Serial No. M494100289 Right	1	----	----	☐1961 824	----	----
	Left	1	----	----	☐1961 825	----	----

★ Indicates use as required.
 ☐ Indicates parts not listed in any previous parts book.
 * Indicates change or addition.

1959 PASSENGER CAR PARTS LIST

BODY

CODE	REMARKS	PER CAR	PLYMOUTH	DODGE	DESOTO	CHRYSLER	IMPERIAL
23-23-0 OUTSIDE FINISH MOULDING Cont'd							
23-23-85	PANEL - Cont'd						
1959	4 D., Sp. 4 D., MC3 w/LOUVERS and Rear Vertical MOULDING	Right 1	----	----	----	1960 442	----
		Left 1	----	----	----	1960 443	----
1959	4 D. Sub., MC3, w/LOUVERS and Rear Vertical MOULDING	Right 1	----	----	----	1960 416	----
		Left 1	----	----	----	1960 417	----
1959	Sp. Cl. Cp., Cv. Cp., MC3 except Chrysler 300, w/LOUVERS and Rear Vertical MOULDING	Right 1	----	----	----	1960 440	----
		Left 1	----	----	----	1960 441	----
23-26-0 TRIM FINISH MOULDINGS							
23-26-2	MOULDING, Rear Quarter Arm Rest Panel						
1959	Sp. Cl. Cp., MP1-H, MP2-H	Right 1	1867 420	----	----	----	----
		Left 1	1867 421	----	----	----	----
1959	Cv. Cp., MP2-M	Right 1	1867 420	----	----	----	----
		Left 1	1867 421	----	----	----	----
1959	Sp. Cl. Cp., Cv. Cp., MY1, Upper	Right 1	----	----	----	----	1766 690
		Left 1	----	----	----	----	1766 691
1959	Sp. Cl. Cp., MY1-L	Lower 2	----	----	----	----	1766 870
1959	Sp. Cl. Cp., Cv. Cp., MY1-M	Lower 2	----	----	----	----	1900 098
23-26-20	MOULDING, Cowl Trim Panel Finish						
1959	All MC3	Right 1	----	----	----	1876 836	----
		Left 1	----	----	----	1876 837	----
23-26-23	MOULDING, Door Trim Panel						
1959	4 D., MP1-L, MP1-M, MP2-L, MP2-M, Front Door, Vinyl Trim Code 553	2	1774 692	----	----	----	----
	Rear Door, Vinyl Trim Code 553	2	1774 693	----	----	----	----
1959	4 D., MP1-M, MP2-M, except Vinyl Trim, Front Door	2	1867 433	----	----	----	----
	Rear Door	2	1756 204	----	----	----	----
1959	4 D., MP1-H, MP2-H, Trim Code 541, 542, 543, 545, Front Door	2	1867 433	----	----	----	----
	Rear Door	2	1756 204	----	----	----	----
1959	4 D. Sub., MP1-M, MP2-M, Front Door	2	1867 433	----	----	----	----
	Rear Door	2	1756 204	----	----	----	----
1959	4 D., 4 D. Sub., MP1-H, MP2-H, Mylar and Vinyl Trim, Front Door	Upper Right 1	1867 456	----	----	----	----
		Left 1	1867 457	----	----	----	----
		Lower Right 1	1867 460	----	----	----	----
		Left 1	1867 461	----	----	----	----
1959	4 D., Sp. 4 D., 4 D. Sub., MP1-H, MP2-H, Mylar and Vinyl Trim, Rear Door	Right 1	1867 462	----	----	----	----
		Left 1	1867 463	----	----	----	----
	4 D., Sp. 4 D., 4 D. Sub., MP1-H, MP2-H	Rear 2	*1867 583	----	----	----	----
1959	Sp. 4 D., MP1-M, MP2-M, except Vinyl Trim, Front Door	Right 1	1867 498	----	----	----	----
		Left 1	1867 499	----	----	----	----
	Rear Door	2	1756 204	----	----	----	----
1959	Sp. 4 D., MP1-H, MP2-H, Mylar and Vinyl Trim, Front Door	Upper Right 1	1867 456	----	----	----	----
		Left 1	1867 457	----	----	----	----
		Lower Right 1	1867 458	----	----	----	----
		Left 1	1867 459	----	----	----	----
1959	Cl. Sed., 3 Cp., MP1-L, MP1-M, MP2-L, MP2-M, Vinyl Trim Code 553	2	1778 529	----	----	----	----

★ Indicates use as required.

□ Indicates parts not listed in any previous parts book.
Feb. 15, 1960 Supersedes May 25, 1959.Printed in U.S.A.
Prices and specifications subject to change without notice.

* Indicates change or addition.

1959 PASSENGER CAR PARTS LIST

CODE	REMARKS	PER CAR	PLYMOUTH	DODGE	DESOTO	CHRYSLER	IMPERIAL
23-26-0 TRIM FINISH MOULDINGS Cont'd							
23-26-23	MOULDING - Cont'd						
1959	Cl. Sed., MP1-M, MP2-M except Vinyl Trim	2	1867 440	----	----	----	----
1959	2 D. Sub., MP1-M, MP2-M	2	1867 440	----	----	----	----
1959	Sp.Cl.Cp., MP1-M, MP2-M	2	1867 440	----	----	----	----
1959	Sp.Cl.Cp., MP1-H, Upper Right	1	1867 408	----	----	----	----
	Left	1	1867 409	----	----	----	----
1959	Sp.Cl.Cp., MP2-H Upper Right	1	1867 408	----	----	----	----
	Left	1	1867 409	----	----	----	----
	Lower Right	1	1867 418	----	----	----	----
	Left	1	1867 419	----	----	----	----
1959	Cv.Cp., MP2-M Upper Right	1	1867 408	----	----	----	----
	Left	1	1867 409	----	----	----	----
	Lower Right	1	1867 418	----	----	----	----
	Left	1	1867 419	----	----	----	----
1959	Sp.Cl.Cp., MP2-P, Codes 331, 338	2	1868 648	----	----	----	----
1959	Cv.Cp., MP2-P	2	1868 648	----	----	----	----
1959	4D., MD2-L, w/Custom Trim Front Door	2	----	1756 394	----	----	----
1959	Cl.Sed., MD2-L, w/Custom Trim	2	----	1774 577	----	----	----
1959	Sp.Cl.Cp., MD2-L, w/Custom Trim	2	----	1774 577	----	----	----
1959	Cv. Cp., MD2-L, w/Custom Trim	2	----	1774 577	----	----	----
1959	4D. Sub., MD3-L, w/Custom Trim Front Door	2	----	1756 394	----	----	----
1959	4 D., MD3-M, Front Door Upper	2	----	1868 530	----	----	----
	3 Piece Assembly Lower Right	1	----	1868 528	----	----	----
	Left	1	----	1868 529	----	----	----
1959	4 D., Sp. 4 D., MD3-M, Rear Door Upper Front	2	----	1868 365	----	----	----
	Upper Rear Right	1	----	1868 366	----	----	----
	Left	1	----	1868 367	----	----	----
	Lower	2	----	1868 454	----	----	----
1959	Sp. 4D., MD3-M, Front Door Upper	2	----	1868 362	----	----	----
	3 Piece Assembly Lower Right	1	----	1868 330	----	----	----
	Left	1	----	1868 331	----	----	----
1959	Sp.Cl.Cp., MD3-M Vinyl Trim Upper	2	----	1868 510	----	----	----
	3 Piece Assembly Lower Right	1	----	1868 368	----	----	----
	Left	1	----	1868 369	----	----	----
1959	4 D., MD3-H Vinyl Trim, Front Door Upper	2	----	1868 530	----	----	----
	3 Piece Assembly Lower Right	1	----	1868 528	----	----	----
	Left	1	----	1868 529	----	----	----
	Rear Door Upper Front	2	----	1868 365	----	----	----
	Upper Rear Right	1	----	1868 366	----	----	----
	Left	1	----	1868 367	----	----	----
	Lower	2	----	1868 454	----	----	----
1959	4 D., 4 D.Sub., MD3-H Front Door, 3 Piece Assembly Right	1	----	1868 374	----	----	----
	Left	1	----	1868 375	----	----	----
1959	4D., Sp. 4D., 4D. Sub., MD3-H Rear Door, 3 Piece Assembly Upper Right	1	----	1868 376	----	----	----
	Left	1	----	1868 377	----	----	----
	Lower Right	1	----	1868 378	----	----	----
	Left	1	----	1868 379	----	----	----
1959	Sp. 4 D., MD3-H, Front Door, 3 Piece Assembly Right	1	----	1868 348	----	----	----
	Left	1	----	1868 349	----	----	----
1959	Sp.Cl.Cp., Cv.Cp., MD3-H, 3 Piece Assembly Right	1	----	1868 346	----	----	----
	Left	1	----	1868 347	----	----	----

★ Indicates use as required.

☐ Indicates parts not listed in any previous parts book.

* Indicates change or addition.

Printed in U.S.A.

Prices and specifications subject to change without notice.

May 25, 1959 Supersedes March 20, 1959.

1959 PASSENGER CAR PARTS LIST

BODY

CODE	REMARKS	PER CAR	PLYMOUTH	DODGE	DESOTO	CHRYSLER	IMPERIAL
23-26-0 TRIM FINISH MOULDINGS Cont'd							
23-26-23	MOULDING - Cont'd						
1959	4 D., 4 D. Sub., MS1, Front Door						
	Upper Right	1	----	----	1900 222	----	----
	Left	1	----	----	1900 223	----	----
	Lower	2	----	----	1767 172	----	----
1959	4 D., 4 D. Sub., Sp. 4 D., MS1, Rear Door						
	Upper Front	2	----	----	1900 229	----	----
	Upper Rear Right	1	----	----	1900 226	----	----
	Left	1	----	----	1900 227	----	----
	Lower	2	----	----	187C 338	----	----
1959	Sp. 4 D., MS1, Front Door						
	Upper Right	1	----	----	1900 218	----	----
	Left	1	----	----	1900 219	----	----
	Lower	2	----	----	1900 475	----	----
1959	Sp. 4 D., MS1, MS2 Code 367 w/Special Trim, Front Door,						
	Upper Right	1	----	----	1900 620	----	----
	Left	1	----	----	1900 621	----	----
	Lower Right	1	----	----	1900 622	----	----
	Left	1	----	----	1900 623	----	----
	Rear Door, Upper Right	1	----	----	1900 630	----	----
	Left	1	----	----	1900 631	----	----
	Lower Right	1	----	----	1773 514	----	----
	Left	1	----	----	1773 515	----	----
1959	Sp. Cl. Cp., Cv. Cp., MS1,						
	Upper Right	1	----	----	1900 200	----	----
	Left	1	----	----	1900 201	----	----
	Lower	2	----	----	1756 212	----	----
1959	Sp. Cl. Cp., MS1, MS2 Code 367, w/Special Trim,						
	Upper Right	1	----	----	1900 584	----	----
	Left	1	----	----	1900 585	----	----
	Lower Right	1	----	----	1900 586	----	----
	Left	1	----	----	1900 587	----	----
NOTE: All 1959 MS1-L Sp. 4D., Sp. Cl. Cp., with Custom Trim use same Mouldings as MS2-M Code 367 respectively.							
1959	4 D., MS2, Front Door,						
	Upper Right	1	----	----	1900 296	----	----
	Left	1	----	----	1900 297	----	----
	3 Piece Assembly Right	1	----	----	1900 278	----	----
	Left	1	----	----	1900 279	----	----
1959	4 D., Sp. 4 D. except Code 367, MS2, Rear Door,						
	Upper	2	----	----	1756 204	----	----
	Intermediate Front	2	----	----	1900 300	----	----
	Intermediate Rear	2	----	----	1900 301	----	----
	Lower	2	----	----	1900 302	----	----
1959	Sp. 4 D. except Code 367, MS2, Front Door,						
	Upper Right	1	----	----	1900 298	----	----
	Left	1	----	----	1900 299	----	----
	3 Piece Assembly Right	1	----	----	1900 284	----	----
	Left	1	----	----	1900 285	----	----
1959	Sp. Cl. Cp. except Code 367, Cv. Cp., MS2,						
	Upper Right	1	----	----	1900 292	----	----
	Left	1	----	----	1900 293	----	----
	3 Piece Assembly Right	1	----	----	1900 262	----	----
	Left	1	----	----	1900 263	----	----
PANEL, Door Trim Panel Arm Rest Recess							
1959	All MS3						
	Front Right	1	----	----	1772 820	----	----
	Left	1	----	----	1772 821	----	----
1959	4 D., Sp. 4 D., Sub., MS3						
	Rear Right	1	----	----	1772 820	----	----
	Left	1	----	----	1772 821	----	----

★ Indicates use as required.

☐ Indicates parts not listed in any previous parts book.
 May 25, 1959 Supersedes March 20, 1959.

Printed in U.S.A.
 Prices and specifications subject to change without notice.

* Indicates change or addition.

CODE	REMARKS	PER CAR	PLYMOUTH	DODGE	DESOTO	CHRYSLER	IMPERIAL
23-26-0 TRIM FINISH MOULDINGS Cont'd							
23-26-23	MOULDING - Cont'd						
	MOULDING, Door Trim Panel Finish						
1959	4 D., MS3, Front Door, Arm Rest Recess						
	Lower Right	1	----	----	1766 788	----	----
	Left	1	----	----	1766 789	----	----
	Diagonal Front Right	1	----	----	1876 394	----	----
	Left	1	----	----	1876 395	----	----
	Diagonal Rear Right	1	----	----	1876 396	----	----
	Left	1	----	----	1876 397	----	----
	Rear Door, Arm Rest Recess						
	Lower Right	1	----	----	1766 788	----	----
	Left	1	----	----	1766 789	----	----
	CLIP	2	----	----	445 160	----	----
	SCREW, 8-15 x 1"	2	----	----	148 095	----	----
	Diagonal Front Right	1	----	----	1876 402	----	----
	Left	1	----	----	1876 403	----	----
1959	Sp. 4 D., MS3, Front Door						
	Upper Right	1	----	----	1876 540	----	----
	Left	1	----	----	1876 541	----	----
	Arm Rest Recess Lower Right	1	----	----	1766 788	----	----
	Left	1	----	----	1766 789	----	----
	NUT	2	----	----	1839 995	----	----
	SCREW, 8-15 x 1"	2	----	----	148 095	----	----
	3 Piece Assembly Front Right	1	----	----	1876 534	----	----
	Left	1	----	----	1876 535	----	----
	Intermediate Rear	2	----	----	1876 542	----	----
1959	Sp. 4 D., 4 D. Sub., MS3,						
	Rear Door Upper Front	2	----	----	1680 330	----	----
	Upper Rear	2	----	----	1876 548	----	----
	Arm Rest Recess Lower Right	1	----	----	1766 788	----	----
	Left	1	----	----	1766 789	----	----
	NUT	2	----	----	1839 995	----	----
	SCREW, 8-15 x 1"	2	----	----	148 095	----	----
	Lower	2	----	----	1876 549	----	----
1959	4 D. Sub., MS3, Front Door						
	Upper Right	1	----	----	1876 558	----	----
	Left	1	----	----	1876 559	----	----
	Arm Rest Recess Lower Right	1	----	----	1766 788	----	----
	Left	1	----	----	1766 789	----	----
	NUT	2	----	----	1839 995	----	----
	SCREW, 8-15 x 1"	2	----	----	148 095	----	----
	3 Piece Assembly Front Right	1	----	----	1876 554	----	----
	Left	1	----	----	1876 555	----	----
	Intermediate Rear	2	----	----	1876 561	----	----
1959	Sp. Cl. Cp., Cv. Cp., MS3 except						
	Adventurer Upper Right	1	----	----	1876 568	----	----
	Left	1	----	----	1876 569	----	----
	Arm Rest Recess Lower Right	1	----	----	1766 788	----	----
	Left	1	----	----	1766 789	----	----
	NUT	2	----	----	1839 995	----	----
	SCREW, 8-15 x 1"	2	----	----	148 095	----	----
	3 Piece Assembly Front Right	1	----	----	1876 570	----	----
	Left	1	----	----	1876 571	----	----
	Intermediate Rear	2	----	----	1876 574	----	----
1959	Sp. Cl. Cp., Cv. Cp., MS3 Adventurer						
	Upper Front Right	1	----	----	1900 638	----	----
	Upper Front Left	1	----	----	1876 899	----	----
	Upper Rear Right	1	----	----	1876 900	----	----
	Left	1	----	----	1876 901	----	----
	Recess Panel Right	1	----	----	1772 820	----	----
	Left	1	----	----	1772 821	----	----
	Lower Front Diagonal Right	1	----	----	1876 944	----	----
	Left	1	----	----	1876 945	----	----
	NUT, 10-24	8	----	----	151 497	----	----
	Intermediate Front	2	----	----	1876 914	----	----

★ Indicates use as required.

☐ Indicates parts not listed in any previous parts book.

* Indicates change or addition.

1959 PASSENGER CAR PARTS LIST

BODY

CODE	REMARKS	PER CAR	PLYMOUTH	DODGE	DESOTO	CHRYSLER	IMPERIAL
23-26-0 TRIM FINISH MOULDINGS Cont'd							
23-26-23	MOULDING - Cont'd						
	Recess Panel Lower Right	1	----	----	1766 788	----	----
	Left	1	----	----	1766 789	----	----
	NUT	4	----	----	1839 995	----	----
	SCREW, 8-15 x 1"	4	----	----	148 095	----	----
	Intermediate Rear	2	----	----	1876 916	----	----
	Lower	2	----	----	1876 946	----	----
1959	4 D. Cloth and Vinyl Trim, 4 D. Sub. Vinyl Trim, MC1-L, Front Door, 3 Piece Assembly						
	Right	1	----	----	----	1876 636	----
	Left	1	----	----	----	1876 637	----
	Rear Door Upper	2	----	----	----	1876 650	----
	Lower	2	----	----	----	1876 338	----
1959	4 D. Vinyl Trim, MC1-L, MC2-M, Front Door						
	Right	1	----	----	----	1709 329	----
	Left	1	----	----	----	1709 330	----
1959	4 D. Vinyl Trim, Sp. 4 D. Vinyl Trim, MC1-L, MC2-M, Rear Door						
	Upper Right	1	----	----	----	1876 260	----
	Left	1	----	----	----	1876 261	----
	Lower Right	1	----	----	----	1876 262	----
	Left	1	----	----	----	1876 263	----
1959	Sp. 4 D. Vinyl Trim, MC1-L, MC2-M, Front Door						
	Right	1	----	----	----	1709 331	----
	Left	1	----	----	----	1709 332	----
1959	Sp. 4 D. Cloth and Vinyl Trim, MC1-L, Front Door, 3 Piece Assembly						
	Right	1	----	----	----	1876 644	----
	Left	1	----	----	----	1876 645	----
	Rear Door Upper	2	----	----	----	1876 650	----
	Lower	2	----	----	----	1876 338	----
1959	Sp. Cl. Cp., Cv. Cp., Cloth and Vinyl Trim, MC1-L, 3 Piece Assembly						
	Right	1	----	----	----	1876 656	----
	Left	1	----	----	----	1876 657	----
1959	Sp. Cl. Cp., Cv. Cp., Vinyl Trim, MC1-L, MC2-M						
	Right	1	----	----	----	1709 333	----
	Left	1	----	----	----	1709 334	----
1959	4 D., MC2-M Cloth and Vinyl Trim, Front Door, 3 Piece Assembly						
	Right	1	----	----	----	1876 732	----
	Left	1	----	----	----	1876 733	----
	Lower	2	----	----	----	1767 172	----
1959	4 D., Sp. 4 D., MC2-M Cloth and Vinyl Trim, Rear Door,						
	Upper	2	----	----	----	1756 204	----
	Intermediate	2	----	----	----	1840 267	----
	Lower	2	----	----	----	1876 338	----
1959	Sp. 4 D., MC2-M Cloth and Vinyl Trim, Front Door, 3 Piece Assembly						
	Upper Right	1	----	----	----	1876 744	----
	Left	1	----	----	----	1876 745	----
	Lower Right	1	----	----	----	1900 570	----
	Left	1	----	----	----	1900 571	----
1959	Sp. Cl. Cp., MC2-M Cloth and Vinyl Trim, 3 Piece Assembly Upper						
	Right	1	----	----	----	1876 752	----
	Left	1	----	----	----	1876 753	----
	Lower	2	----	----	----	1837 022	----
1959	4 D., Sub., MC3-H All Trims, Front Door, 3 Piece Assembly						
	Upper Right	1	----	----	----	1876 812	----
	Left	1	----	----	----	1876 813	----
	Lower	2	----	----	----	1767 172	----
	Rear Door, Upper	1	----	----	----	1876 832	----
	Right	1	----	----	----	1876 833	----
	Left	1	----	----	----		----

★ Indicates use as required.

⊠ Indicates parts not listed in any previous parts book.
May 25, 1959 Supersedes March 20, 1959.

Printed in U.S.A.
Prices and specifications subject to change without notice.

* Indicates change or addition.

CODE	REMARKS	PER CAR	PLYMOUTH	DODGE	DESOTO	CHRYSLER	IMPERIAL
23-26-0 TRIM FINISH MOULDINGS Cont'd							
23-26-23	MOULDING - Cont'd						
	Rear Door, Intermediate	2	----	----	----	*1876 835	----
	Lower	2	----	----	----	1876 338	----
1959	Sp. 4 D., MC3-H All Trims,						
	Front Door, 3 Piece Assembly						
	Upper Right	1	----	----	----	1876 822	----
	Left	1	----	----	----	1876 823	----
	Lower Right	1	----	----	----	1900 844	----
	Left	1	----	----	----	1900 845	----
	Rear Door, Upper Right	1	----	----	----	1900 848	----
	Left	1	----	----	----	1900 849	----
	Intermediate	2	----	----	----	1900 846	----
	Lower	2	----	----	----	1900 847	----
1959	Sp. Cl. Cp., Cv. Cp., MC3-H						
	All Trims, 3 Piece Assembly						
	Upper Right	1	----	----	----	1876 782	----
	Left	1	----	----	----	1876 783	----
	Lower	2	----	----	----	1756 212	----
1959	4 D., Sp. 4 D., MY1-L, Cloth						
	and Vinyl Trim, Front Door,						
	Recess Upper Right	1	----	----	----	----	1684 964
	Left	1	----	----	----	----	1684 965
	Intermediate Front Right	1	----	----	----	----	1766 638
	Left	1	----	----	----	----	1766 639
	SCREW	2	----	----	----	----	1607 386
	Recess Lower Right	1	----	----	----	----	1840 224
	Left	1	----	----	----	----	1840 225
	NUT	8	----	----	----	----	445 120
	NUT	8	----	----	----	----	151 497
	SCREW	4	----	----	----	----	6008 104
	GROMMET	2	----	----	----	----	1840 986
	Intermediate Rear Right	1	----	----	----	----	1684 972
	Left	1	----	----	----	----	1684 973
	Lower Right	1	----	----	----	----	1900 032
	Left	1	----	----	----	----	1900 033
	Rear Door, Recess Upper	2	----	----	----	----	1684 933
	Intermediate Front Right	1	----	----	----	----	1900 086
	Left	1	----	----	----	----	1900 087
	Recess Lower Right	1	----	----	----	----	1840 226
	Left	1	----	----	----	----	1840 227
	NUT	6	----	----	----	----	445 120
	NUT	6	----	----	----	----	151 497
	SCREW	4	----	----	----	----	6008 104
	GROMMET	2	----	----	----	----	1840 986
	Lower	2	----	----	----	----	1900 031
1959	Sp. Cl. Cp., MY1-L, Cloth and						
	Vinyl Trim Recess Upper Right	1	----	----	----	----	1684 964
	Left	1	----	----	----	----	1684 965
	Intermediate Front Right	1	----	----	----	----	1766 638
	Left	1	----	----	----	----	1766 639
	SCREW	2	----	----	----	----	1607 386
	Recess Lower Right	1	----	----	----	----	1840 224
	Left	1	----	----	----	----	1840 225
	NUT	8	----	----	----	----	445 120
	NUT	8	----	----	----	----	151 497
	SCREW	4	----	----	----	----	6008 104
	GROMMET	2	----	----	----	----	1840 986
	Intermediate Rear Right	1	----	----	----	----	1766 862
	Left	1	----	----	----	----	1766 863
	Lower	2	----	----	----	----	1649 197
1959	4 D., Sp. 4 D., MY1-M, MY1-H,						
	All Trims, Front Door						
	Recess Upper Right	1	----	----	----	----	1767 060
	Left	1	----	----	----	----	1767 061

★ Indicates use as required.
 ☐ Indicates parts not listed in any previous parts book.
 * Indicates change or addition.

1959 PASSENGER CAR PARTS LIST

BODY

CODE	REMARKS	PER CAR	PLYMOUTH	DODGE	DESOTO	CHRYSLER	IMPERIAL
23-26-0 TRIM FINISH MOULDINGS Cont'd							
23-26-23	MOULDING - Cont'd						
	Sub/FOUNDATION and Recess PLATE						
	Crown Imperial Right	1	----	----	----	----	1900 246
	Left	1	----	----	----	----	1900 247
	LaBaron Right	1	----	----	----	----	1900 248
	Left	1	----	----	----	----	1900 249
	Recess Lower Right	1	----	----	----	----	1840 224
	Left	1	----	----	----	----	1840 225
	GROMMET	2	----	----	----	----	1840 986
	SCREW	4	----	----	----	----	6008 104
	NUT	8	----	----	----	----	445 120
	NUT	8	----	----	----	----	151 497
	Intermediate Rear Right	1	----	----	----	----	1900 110
	Left	1	----	----	----	----	1900 111
	Lower Right	1	----	----	----	----	1900 108
	Left	1	----	----	----	----	1900 109
	Rear Door Recess Upper	2	----	----	----	----	1767 161
	Sub/FOUNDATION and Recess PLATE						
	Crown Imperial	2	----	----	----	----	1900 246
	LaBaron	2	----	----	----	----	1900 248
	Intermediate Front Right	1	----	----	----	----	1900 116
	Left	1	----	----	----	----	1900 117
	Recess Lower Right	1	----	----	----	----	1840 226
	Left	1	----	----	----	----	1840 227
	GROMMET	2	----	----	----	----	1840 986
	SCREW	4	----	----	----	----	6008 104
	NUT	6	----	----	----	----	445 120
	NUT	6	----	----	----	----	151 497
	Lower Right	1	----	----	----	----	1900 118
	Left	1	----	----	----	----	1900 119
1959	Sp. Cl. Cp., Cv. Cp., MY1-M, All Trim Recess Upper	1	----	----	----	----	1767 060
	Left	1	----	----	----	----	1767 061
	Sub/FOUNDATION and PLATE						
	Right	1	----	----	----	----	1900 246
	Left	1	----	----	----	----	1900 247
	Recess Lower Right	1	----	----	----	----	1840 224
	Left	1	----	----	----	----	1840 225
	GROMMET	2	----	----	----	----	1840 986
	SCREW	4	----	----	----	----	6008 104
	NUT	8	----	----	----	----	445 120
	NUT	8	----	----	----	----	151 497
	Intermediate Rear Right	1	----	----	----	----	1900 094
	Left	1	----	----	----	----	1900 095
	Lower	2	----	----	----	----	1900 096
23-26-24	MEDALLION, Door Trim Panel						
1959	Sp. 4 D., Sp. Cl. Cp., MS1, MS2, Code 367 Special Trim, Front Door						
	Right	1	----	----	1860 722	----	----
	Left	1	----	----	1860 723	----	----
	NUT	4	----	----	445 160	----	----
1959	4 D., Sp. 4D., Sp. Cl. Cp., MC2-M, except Vinyl Trim	2	----	----	----	1772 295	----
23-26-26	NUT or SPEED/NUT, Trim Panel Moulding, Medallion or NamePlate Attaching						
1959	4 D., Sp. 4 D., Sp. Cl. Cp., Cv. Cp., MS3, Door Trim Panel Recess Moulding						
	Front Door	4	----	----	1839 995	----	----
	Rear Door	4	----	----	1839 995	----	----
1959	Sp. Cl. Cp., MS3 Adventurer, Rear Quarter NamePlate	6	----	----	445 151	----	----
1959	4 D., Sp. 4 D., Sp. Cl. Cp., MC2-M, Door Medallion	4	----	----	----	1494 321	----

★ Indicates use as required.

☐ Indicates parts not listed in any previous parts book.
May 25, 1959 Supersedes March 20, 1959.Printed in U.S.A.
Prices and specifications subject to change without notice.

* Indicates change or addition.

1959 PASSENGER CAR PARTS LIST

CODE	REMARKS	PER CAR	PLYMOUTH	DODGE	DESOTO	CHRYSLER	IMPERIAL
23-26-0 TRIM FINISH MOULDINGS Cont'd							
23-26-29	SCREW, Door Trim Panel Moulding Attaching 1959 4 D., Sp. 4 D., Sp. Cl. Cp., MY1-L						
	1959 Front Door, Intermediate Front 4 D., Sp. 4 D., Sp. Cl. Cp., Cv. Cp., MY1, Recess Moulding to Support Bracket	2	----	----	----	----	1607 386
	1959 Front Door Rear Door	4	----	----	----	----	6008 104 6008 104
23-26-30	NAMEPLATE, Shelf Trim Panel Extension 1959 4 D., Sp. 4 D., Sp. Cl. Cp., MS2-M,	1	----	----	1685 819	----	----
23-26-34	MOULDING, Front Seat Back Trim 1959 4 D., Sp. 4 D., MY1-M, MY1-H	1	----	----	----	----	1773 241
	1959 Sp. Cl. Cp., Cv. Cp., MY1-M Right	1	----	----	----	----	1773 244
	1959 Left	1	----	----	----	----	1773 245
	1959 4 D., Sp. 4 D., MY1-H w/Swivel Seat	1	----	----	----	----	1900 762
23-26-37	COVER, Roof Inside Finish Panel Section No. 4 Joint						
	1959 4 D. Sub., MP1-M, MP2-M, Codes 501, 502, 503, 504, 507, 541, 542, 543, 545, White	2	1905 960	----	----	----	----
	1959 4 D. Sub., MP1-H, MP2-H, Codes 321, 322, 323, 324, 325, 326, White	2	1905 960	----	----	----	----
	1959 4 D. Sub., MP1-L, MP2-L, Codes 513, 515, White	2	1905 960	----	----	----	----
	1959 4 D. Sub., MS1-L, White	2	----	1908 995	1908 995	----	----
	1959 4 D. Sub., MS3, Code 383 Beige	2	----	----	1865 377	----	----
	1959 4 D. Sub., MS3, w/o Air Cond., Codes 381, 382, 384, 484, Gray	2	----	----	1865 378	----	----
	1959 4 D. Sub., MC1, w/o Air Cond., Code 113, Beige	2	----	----	----	1865 377	----
	1959 4 D. Sub., MC1, w/o Air Cond., Codes 111, 117, 118, Gray	2	----	----	----	1865 378	----
	1959 4 D. Sub., MC3, w/o Air Cond., Codes 313, 333, Beige	2	----	----	----	1865 377	----
	1959 4 D. Sub., MC3, w/o Air Cond., Codes 311, 317, 318, 331, 335, 336, Gray	2	----	----	----	1865 378	----
23-26-41	MOULDING, Roof Rail Side Inside Finish						
NOTE: For Roof Rail Moulding w/Vinyl Cover see Part Type Code 23-86-35							
	1959 Sp. 4 D., MS1 except Custom Trim, MC1, Right	1	1775 968	1775 968	1775 968	1775 968	1830 686
	1959 Left	1	1775 969	1775 969	1775 969	1775 969	1830 687
	1959 Sp. 4 D., MS1 w/Custom Trim, MS2, MS3, MC2, MC3 Right	1	----	----	1755 780	1755 780	----
	1959 Left	1	----	----	1755 781	1755 781	----
	1959 Sp. Cl. Cp., MS1 except Custom Trim, MC1, Right	1	1755 474	1755 474	1776 418	1776 418	1830 684
	1959 Left	1	1755 475	1755 475	1776 419	1776 419	1830 685
	1959 Sp. Cl. Cp., MS1 w/Custom Trim, MS2, MS3, MC2, MC3, Right	1	----	----	1755 740	1755 740	----
	1959 Left	1	----	----	1755 741	1755 741	----
	1959 Sp. Cl. Cp., MP2-P, Chrome Plate Right	1	1834 192	----	----	----	----
	1959 Left	1	1834 193	----	----	----	----
	1959 4 D. Sub. Front Right	1	1775 470	1775 470	1775 470	1775 470	----
	1959 Left	1	1775 471	1775 471	1775 471	1775 471	----
	1959 Rear Right	1	1775 474	1775 474	1775 474	1775 474	----
	1959 Left	1	1775 475	1775 475	1775 475	1775 475	----
	1959 2D. Sub. Right	1	1775 478	----	----	----	----
	1959 Left	1	1775 479	----	----	----	----

★ Indicates use as required.
 ☐ Indicates parts not listed in any previous parts book.
 * Indicates change or addition.

1959 PASSENGER CAR PARTS LIST

BODY

CODE	REMARKS	PER CAR	PLYMOUTH	DODGE	DESOTO	CHRYSLER	IMPERIAL
23-26-0 TRIM FINISH MOULDINGS Cont'd							
	EXTENSION, Roof Side Rail Inside Finish						
	Front Moulding						
1959	Sp. 4 D., Sp. Cl. Cp.	Right	1	1836 334	1836 334	1836 334	1836 334
		Left	1	1836 335	1836 335	1836 335	1836 335
1959	Sub., MS1,	Right	1	1909 400	1909 400	1909 400	-----
		Left	1	1909 401	1909 401	1909 401	-----
1959	Sub., MS3, In White,	Right	1	-----	-----	1778 762	1778 762
		Left	1	-----	-----	1778 763	1778 763
23-26-43	MOULDING, Shelf Trim Panel Extension						
1959	Sp. Cl. Cp., MC3-300		1	-----	-----	1773 410	-----
	MOULDING, Shelf Panel Finish						
1959	Sp. 4 D., Sp. Cl. Cp., MY1-M, MY1-H		1	-----	-----	-----	1685 900
23-26-45	MOULDING, Front Seat Side Shield						
1959	4 D., Sp. 4 D., MY1-M, MY1-H, except w/Swivel Seat	Right	1	-----	-----	-----	1772 368
		Left	1	-----	-----	-----	1772 369
1959	Sp. Cl. Cp., Cv. Cp., MY1-M,	Right	1	-----	-----	-----	1698 792
		Left	1	-----	-----	-----	1698 793
23-26-47	MOULDING, Quarter Trim Panel Finish						
1959	Cl. Sed., MP1-M, MP2-M	Upper	2	1756 204	-----	-----	-----
1959	Cl. Sed., MP1-L, MP2-L, MP1-M, MP2-M, Trim Code 553		2	1778 530	-----	-----	-----
1959	Sp. Cl. Cp., MP1-M, MP2-M	Front	2	1756 397	-----	-----	-----
		Upper	2	1756 204	-----	-----	-----
		Rear	2	1756 398	-----	-----	-----
1959	2 D. Sub., MP1-M, MP2-M, w/o Air Conditioning		2	1629 350	-----	-----	-----
1959	Sp. Cl. Cp., MD3-H		2	-----	1868 478	-----	-----
1959	Sp. Cl. Cp., MD3-M, MD3-H, Vinyl Trim	Right	1	-----	1868 372	-----	-----
		Left	1	-----	1868 373	-----	-----
1959	Cv. Cp., MD3-H		2	-----	1868 333	-----	-----
1959	Sp. Cl. Cp., MS1,	Right	1	-----	-----	1900 206	-----
		Left	1	-----	-----	1900 207	-----
1959	Sp. Cl. Cp., MS1,	Upper Front	2	-----	-----	1756 397	-----
1959	Sp. Cl. Cp., MS1 w/FireSweep Trim	Upper Rear	2	-----	-----	1876 548	-----
		Lower	2	-----	-----	1900 294	-----
1959	Sp. Cl. Cp., MS1, MS2 Code 367, w/Special Trim		2	-----	-----	1900 596	-----
1959	Sp. Cl. Cp., MS2	Upper Front	2	-----	-----	1756 397	-----
		Upper Rear	2	-----	-----	1876 548	-----
		Lower	2	-----	-----	1900 294	-----
1959	Sp. Cl. Cp., MS3	Upper	2	-----	-----	1876 579	-----
1959	Cv. Cp., MS1	Right	1	-----	-----	1900 210	-----
		Left	1	-----	-----	1900 211	-----
1959	Cv. Cp., MS2	Upper Front	2	-----	-----	1756 397	-----
		Lower	2	-----	-----	1900 295	-----
1959	Cv. Cp., MS3	Upper	2	-----	-----	1840 239	-----
		Lower	2	-----	-----	1876 578	-----
1959	Sp. Cl. Cp., Cv. Cp., MS3 Adventurer,	Upper Right	1	-----	-----	1876 984	-----
		Left	1	-----	-----	1876 985	-----
1959	Sp. Cl. Cp., MS3 Adventurer	Lower	2	-----	-----	1876 987	-----
1959	Cv. Cp., MS3 Adventurer,	Lower	2	-----	-----	1876 988	-----
1959	Sp. Cl. Cp., MC1, Cloth and Vinyl Trim,	Front	2	-----	-----	-----	1876 756
		Rear	2	-----	-----	-----	1756 398
1959	Sp. Cl. Cp., MC1-L, MC2-M, Vinyl Trim,	Right	1	-----	-----	-----	1709 410
		Left	1	-----	-----	-----	1709 411
1959	Cv. Cp., MC1-L, Cloth and Vinyl Trim,	Front	2	-----	-----	-----	1876 756
		Rear	2	-----	-----	-----	1900 417
1959	Cv. Cp., MC1-L, Vinyl Trim		2	-----	-----	-----	1900 451

★ Indicates use as required.

☐ Indicates parts not listed in any previous parts book.
 May 25, 1959 Supersedes March 20, 1959.

Printed in U.S.A.
 Prices and specifications subject to change without notice.
 * Indicates change or addition.

CODE	REMARKS	PER CAR	PLYMOUTH	DODGE	DESOTO	CHRYSLER	IMPERIAL
23-26-0 TRIM FINISH MOULDINGS Cont'd							
23-26-47	MOULDING - Cont'd						
1959	Sp. Cl. Cp., MC2, Cloth and Vinyl Trim,	Front 2	----	----	----	1876 756	----
		Rear 2	----	----	----	1756 398	----
1959	Sp. Cl. Cp., MC3	Right 1	----	----	----	1876 832	----
		Left 1	----	----	----	1876 833	----
1959	Cv. Cp., MC3	2	----	----	----	1876 800	----
1959	Sp. Cl. Cp., MY1-L	Right 1	----	----	----	----	1766 868
		Left 1	----	----	----	----	1766 869
1959	Sp. Cl. Cp., Cv. Cp., MY1-M,	Right 1	----	----	----	----	1900 236
		Left 1	----	----	----	----	1900 237
23-26-58	CAP, Body Center Pillar Top						
1959	Sp. 4 D.,	Right 1	----	----	----	----	1861 294
		Left 1	----	----	----	----	1861 295
23-26-59	COVER, Center Pillar Inner at Belt						
1959	4D., MY1 UP TO	Right 1	----	----	----	----	1839 414
		Left 1	----	----	----	----	1839 415
1959	4D., MY1 AFTER	Right 1	----	----	----	----	2085 458
		Left 1	----	----	----	----	2085 459
23-26-62	CAP, Door Trim Panel Finish						
1959	4 D., Cl. Sed., 3 Cp., MP1-L, MP2-L, MP1-M, MP2-M, Trim Code 553	Front Door 4	1694 182	----	----	----	----
1959	4 D., MP1-L, MP2-L, MP1-M, MP2-M, Trim Code 553	Rear Door 4	1694 182	----	----	----	----
1959	Sp. 4D., MS1, MS2, Code 367 Special Trim, MS3, MC3,						
	Front Door Rear Right	1	----	----	1901 554	1901 554	----
	Left	1	----	----	1901 555	1901 555	----
	Rear Door Front Right	1	----	----	1901 556	1901 556	----
	Left	1	----	----	1901 557	1901 557	----
	SCREW	2	----	----	148 095	----	----
1959	Sp. 4D., MS1, MS2 Code 367, Special Trim, MS3, MC3						
	Rear Door Rear, Right	1	----	----	1830 594	1830 594	1830 498
	Left	1	----	----	1830 595	1830 595	1830 499
23-26-63	CAP, Quarter Trim Panel Finish						
1959	Cl. Sed., MP1-L, MP2-L, MP1-M, MP2-M, Trim Code 553, Moulding End	4	1694 182	----	----	----	----
1959	Sp. Cl. Cp., Cv. Cp., MS1, MS2, Code 367 Special Trim, MS3	Right 1	----	----	1830 794	*1830 794	----
		Left 1	----	----	1830 795	*1830 795	----
	SCREW	4	----	----	145 420	* 145 420	----
23-26-81	NAME PLATE, Rear Quarter Trim Panel						
1959	Sp. Cl. Cp., MS3 Adventurer, "Adventurer"	2	----	----	1698 903	----	----
	NUT	6	----	----	1494 321	----	----
23-31-0 PADS, LINERS, INSULATORS, SEALS, ANTI-SQUEAK							
23-31-1	SHM/TAPE, Windshield and Rear Window Area						
1959	All 15 Foot Roll	★	1878 062	1878 062	1878 062	1878 062	1878 062
23-31-33	LINER, Dash						
1959	All w/Heater	1	1847 576	1847 576	1847 576	1847 576	----
1959	All w/o Heater	1	1847 576	1847 576	1847 576	1847 576	----
1959	All, w/Heater or Air Conditioning	1	----	----	----	----	1900 006
1959	All, w/o Heater or Air Conditioning	1	----	----	----	----	1900 006
23-31-36	FASTENER, Dash Liner						
1959	All, w/Heater, Plymouth use 7, Dodge use 8, MS1 use 10	★	6000 096	6008 109	6008 109	6008 109	6008 109
1959	All, w/o Heater, Plymouth use 8, Dodge use 9, MS1 use 9	★	6000 096	6008 109	6008 109	6008 109	6008 109
1959	All, Combination and Vinyl Trim	★	6000 096	----	6000 096	6000 096	----

★ Indicates use as required.

⊠ Indicates parts not listed in any previous parts book.

* Indicates change or addition.

1959 PASSENGER CAR PARTS LIST

BODY

CODE	REMARKS	PER CAR	PLYMOUTH	DODGE	DESOTO	CHRYSLER	IMPERIAL
23-31-0 PADS, LINERS, INSULATORS, SEALS, ANTI-SQUEAK			Cont'd				
23-31-119	PAD, Steering Column Finish						
1959	All, MP1, MP2, MD2-L, MD3, MS1 w/Std. Trans. Only	1	*1839 181	1839 181	1839 181	-----	-----
1959	All, MP1, MP2, w/Power Strg. and Std. Trans.	1	1773 634	-----	-----	-----	-----
1959	All, MP1, MP2, MD2-L, MD3, MS1, MC1, w/Automatic Trans. Only	1	*1839 181	1839 181	1839 181	1839 181	-----
1959	All, MP1, MP2, MD2, MD3, MS1, MC1, w/power Strg. and Automatic Trans.	1	1773 634	1773 634	1773 634	1773 634	-----
1959	All, MS2, MS3, w/oPower Strg.	1	-----	-----	1773 008	-----	-----
1959	All, MS2, MS3, w/Power Strg.	1	-----	-----	1840 222	-----	-----
1959	All, MC2, MC3, MY1	1	-----	-----	-----	1840 222	1773 635
23-31-124	SEAL, Steering Column to Floor						
1959	All, MS1, except Detroit Built, w/Std. Trans.	1	1902 081	1902 081	1902 081	-----	-----
	Detroit Built w/Std. Trans.	1	-----	1902 089	1902 089	-----	-----
1959	All, w/Power Steering and Std. Trans.	1	1902 079	-----	-----	-----	-----
1959	All, MS1, MC1, except Detroit Built, w/Auto. Trans.	1	1902 083	1902 088	1902 088	1902 088	-----
1959	All, MS1, Detroit Built, w/Auto. Trans.	1	1902 083	1902 083	1902 083	-----	-----
1959	All, MS1, MC1, w/Power Strg. and Auto. Trans.	1	1902 085	1902 085	1902 085	1902 085	-----
1959	All, MS2, MS3, w/Auto. Trans.	1	-----	-----	1902 086	-----	-----
1959	All, MS2, MS3, w/Power Strg. and Auto. Trans., MC2, MC3,	1	-----	-----	1902 086	1902 086	1830 452
23-31-125	SILENCER, Steering Column Opening Cover						
1959	All	1	-----	-----	-----	-----	1767 102
23-31-127	RETAINER, Steering Column to Floor Seal						
1959	All, MS1, except Detroit Built w/Std. Trans.	1	1876 304	1876 304	1876 304	-----	-----
1959	All, MS1, Detroit Built, w/Std. Trans.	1	-----	1902 090	1902 090	-----	-----
1959	All, w/Power Steering and Std. Trans.	1	1902 080	-----	-----	-----	-----
1959	All, MS1, w/Auto. Trans.	1	-----	1902 084	1902 084	1876 304	-----
1959	All, MS2, MS3, w/Auto. Trans.	1	1876 304	1876 304	1876 304	-----	-----
1959	All, w/Power Steering and Auto. Trans.	1	1876 304	1876 304	1876 304	1876 304	-----
23-31-128	SCREW and WASHER, Steering Column Opening & Cover						
1959	All	13	-----	6000 160	6000 160	6000 160	-----
	SCREW and WASHER, Steering Column Seal to Floor						
1959	All	5	6000 160	6000 160	6000 160	6000 160	-----
1959	All, w/Power Steering and w/Std. Trans.	1	6008 010	-----	-----	-----	-----
23-31-150	SEAL, Rear Floor Pan Extension to Quarter Panel						
1959	All	2	-----	-----	-----	-----	1752 016
23-31-205	SILENCER, Roof Panel						
1959	All, 1/2" x 25 1/2" x 67"	★	1774 621	1774 621	1774 621	1774 621	1774 621
1959	4D., 2D. Sed., 3 Cp., Sub., MP1, MP2, 1/8" x 25 1/2" x 67"	★	1774 625	-----	-----	-----	-----
23-32-0 PANS, PLUGS AND BODY BUMPERS							
23-32-14	SCREW and WASHER, Rear Floor Pan Filler Lock Latch Striker						
1959	Sub. 2 Seater, w/Tire Well Cylinder Lock	4	6000 160	-----	-----	-----	-----
	SCREW, Filler and Floor Pan Rear of Second Seat Insert						
1959	4D. Sub., MD3-H	12	-----	6000 523	-----	-----	-----
1959	4D. Sub. 2 Seater, MS1 w/2nd Seat Back Panel Insert Carpet	12	-----	-----	6000 523	-----	-----
1959	4D. Sub., 3 Seater, MS1	12	-----	-----	6000 523	-----	-----

★ Indicates use as required.

⊠ Indicates parts not listed in any previous parts book.
 Feb. 15, 1960 Supersedes May 25, 1959.

CODE	REMARKS	PER CAR	PLYMOUTH	DODGE	DESOTO	CHRYSLER	IMPERIAL
23-32-O PANS, PLUGS AND BODY BUMPERS Cont'd							
23-32-15	PLUG or BUTTON, Floor Pan						
1959	All, Front Floor Pan No. 4A Body Bolt Hole	2	1695 998	----	----	----	----
1959	All except Sub., Rear Deck Floor No. 6 Body Bolt Hole, 2 1/2" Hole	2	----	1869 582	1869 582	1869 582	----
1959	All except Sub., Rear Deck Side Extension, Two Piece Drain Type	2	1836 798	----	----	1836 798	1652 067
1959	All MS1 except Sub., UP TO, Rear Deck Side Extension, Two Piece Drain Type	2	----	1836 797	1836 797	----	----
1959	All MS1 except Sub., AFTER, Rear Deck Side Extension	2	----	1810 273	1810 273	----	----
1959	Cv. Cp., Front Floor Pan No. 4A Body Bolt Hole	2	----	1695 998	1695 998	1695 998	----
1959	Sub., Wheelhouse Outer Panel, 1" Hole	★	1882 735	1882 735	1882 735	1882 735	----
1959	4 D.Sub., 2 D.Sub., 1" Hole Rear	2	1882 735	1882 735	1882 735	1882 735	----
1959	4D.Sub., 2D.Sub., 1 3/4" Hole Rear	2	1836 797	1836 797	1836 797	1836 797	----
1959	All, Rear Floor Bonderite Drain Hole	1	----	----	----	----	1869 582
1959	All, Front Floor Drain Hole	2	----	----	----	----	1878 303
23-32-17	CROSSMEMBER, Front Floor Pan Rear						
1959	All	1	-----	-----	-----	-----	1861 264
23-32-36	COVER, Fuel Gauge Inspection Hole						
1959	Sub.	1	1846 668	1846 668	1846 668	1846 668	----
23-32-48	PAN, Rear Deck Floor						
1959	All except Sub.	1	1836 675	1681 665	1681 666	1681 666	1651 332
1959	Sub.	1	1681 664	1681 664	1681 664	1681 664	----
23-32-49	EXTENSION, Rear Floor Pan Side						
1959	All, except Sub.	Right	1 1836 698	1705 604	1836 696	1836 696	1651 268
		Left	1 1836 699	1705 605	1836 697	1836 697	1651 269
1959	Sub.	Right	1 1705 362	1705 362	1705 362	1705 362	----
		Left	1 1705 363	1705 363	1705 363	1705 363	----
23-32-50	BRACE, Wheelhouse Inner Panel to Rear Floor Pan Side Extension						
1959	4 D.Sub., 2 D.Sub.	Right	1 1707 764	1707 764	1707 764	1707 764	----
		Left	1 1707 765	1707 765	1707 765	1707 765	----
23-32-51	BUMPER, Rear Compartment Cover Support on Wheelhouse						
1959	2 D.Sub. 2 Seater	2	1380 060	1380 060	1380 060	1380 060	----
23-32-56	FILLER and HINGE, Rear Floor Pan						
1959	Sub. 2 Seater	Painted	1 1882 257	1882 257	1882 257	1882 257	----
	BOLT, 5/16-24 x 3/4"	4	181 595	----	181 595	181 595	----
	SCREW and WASHER	4	----	6010 105	----	----	----
23-32-58	STRIKER, Rear Floor Pan Filler Lock Latch						
1959	Sub. 2 Seater, w/Tire Well Cylinder Lock	1	1866 684	1866 684	1866 684	1866 684	----
23-32-62	REINFORCEMENT, Number 6 Body Bolt						
1959	All except Sub.	1	1707 770	----	1695 388	1695 388	----
23-32-64	LATCH, Rear Floor Pan Filler Lock						
1959	Sub. 2 Seater, w/Tire Well Cylinder Lock	1	1866 685	1866 685	1866 685	1866 685	----
23-32-66	SPRING, Rear Floor Pan Lock Latch						
1959	Sub. 2 Seater, w/Tire Well Cylinder Lock	1	1866 682	1866 682	1866 682	1866 682	----
23-32-67	SUPPORT, Rear Compartment Cover on Wheelhouse						
1959	4 D.Sub. 2 Seater, 2 D.Sub.	2	1836 037	1836 037	1836 037	1836 037	----
23-32-68	PLUG, Door Access Hole						
1959	All, MP1, MP2, MD2, MD3, Front Door Inside Panel	2	1755 450	1755 450	----	----	----
1959	4 D.Sub., MS1, MC1, Front Door Inside Panel	2	----	----	1755 450	1755 450	----
1959	Sp. 4 D., SP. Cl. Cp., Cv. Cp., MS1, MC1, Front Door Inside Panel	4	----	----	1755 450	1755 450	----
1959	Sp. 4 D., Sub., MS2, MS3, Front Inside Panel	4	----	----	1755 450	----	----

★ Indicates use as required.

⊠ Indicates parts not listed in any previous parts book.

* Indicates change or addition.

Printed in U.S.A.

Prices and specifications subject to change without notice.

Feb. 15, 1960 Supersedes May 25, 1959.

1959 PASSENGER CAR PARTS LIST

BODY

CODE	REMARKS	PER CAR	PLYMOUTH	DODGE	DESOTO	CHRYSLER	IMPERIAL
23-32-0 PANS, PLUGS AND BODY BUMPERS Cont'd							
23-32-68	PLUG - Cont'd						
1959	4 D., Sp. Cl. Cp., Cv. Cp., MS2, MS3, Front Door Inside Panel	2	----	----	1755 450	----	----
1959	4 D., Sp. 4 D., Sub., MC2, MC3, Front Door Inside Panel	2	----	----	----	1755 450	----
1959	Sp. Cl. Cp., Cv. Cp., MC2, MC3, Front Door Inside Panel	4	----	----	----	1755 450	----
1959	Sp. 4 D., Sp. Cl. Cp., Cv. Cp., 1 3/8" Dia. Hole, Front Door Inside Panel	2	1883 195	1883 195	----	----	----
1959	All, Front Door Inside Panel, Black Plastic for 1 1/4" Hole	2	1950 477	1950 477	1950 477	1950 477	----
1959	All, MY1-L, w/o Electric W/Lifts, Front Door Wiring Conduit Hole	2	----	----	----	----	1695 998
1959	4 D., MY1, Front Door Upper Extension Center Rear	2	----	----	----	----	1751 762
1959	4 D., Sp. 4 D., Rear Door Electric Wiring Conduit Hole	2	----	----	----	----	1810 076
1959	4 D., MY1, Front Door Upper Extension Bracket, Upper and Lower	4	----	----	----	----	1751 764
1959	4 D., MY1, Rear Door Upper Extension Bracket	2	----	----	----	----	1751 762
		2	----	----	----	----	1751 764
1959	Sp. Cl. Cp., Cv. Cp. Lock Linkage	2	----	----	----	----	1751 763
1959	4 D., MY1, Rear Door Upper Extension Access Hole, Center, Front and Rear	4	----	----	----	----	1751 762
23-32-70	REINFORCEMENT, Tail Gate Opening Lower Panel						
1959	Sub.	1	1758 350	1758 350	1758 350	1758 350	----
23-32-71	ROD, Floor Pan Filler Support						
1959	4 D. Sub., 2 Seater, 2 D. Sub. w/BRACKET	1	1777 884	1777 884	1777 884	1777 884	----
23-32-75	BRACKET, Rear Floor Pan Filler Lock						
1959	Sub. 2 Seater, w/Tire Well Cylinder Lock	1	1866 683	1866 683	1866 683	1866 683	----
23-32-77	BOLT, Rear Floor Pan Filler Lock Bracket Attaching						
1959	4 D. Sub. 2 Seaters, 2 D. Sub., w/Tire Well Lock, Chrome	2	1883 654	1883 654	1883 654	1883 654	----
23-32-79	BRACKET, Floor Pan Filler Support Rod						
1959	Sub. 2 Seater	1	1432 929	1432 929	1432 929	1432 929	----
1959	Sub. 2 Seater, w/RETAINER	1	E1960 689	E1960 689	E1960 689	E1960 689	----
23-32-80	HANDLE, Rear Floor Pan Filler						
1959	4 D. Sub. 2 Seater, 2 D. Sub. 2 Seater, MP1-L, MP2-L Primed	2	1775 891	----	----	----	----
1959	MP1-M, MP1-H, MP2-M, MP2-H, Chrome	2	1833 596	1833 596	1833 596	1833 596	----
	SCREW, No. 10-24 x 1/2"	4	155 113	155 113	155 113	155 113	----
23-32-82	ESCUTCHEON, Rear Floor Pan Filler Handle						
1959	4 D. Sub. 2 Seater, 2 D. Sub. 2 Seater, MD3-L, MS1, In White	2	----	1775 814	1775 814	----	----
	MP1-M, MP2-M, MP1-H, MP2-H, MD3-H, MS1, MS3, MC1, MC3, In Chrome	2	1833 597	1833 597	1833 597	1833 597	----
	SCREW, 8-32 x 1/2"	4	156 771	156 771	156 771	156 771	----
	L/WASHER, No. 8	4	138 530	138 530	138 530	138 530	----
	NUT, No. 8-32	4	120 622	120 622	120 622	120 622	----
23-32-98	PLUG, Dash Panel						
1959	All, w/o Windshield Washer	1	1774 076	1774 076	1774 076	1774 076	----
1959	All, w/o Auto. Trans.	1	1755 450	1755 450	1755 450	1755 450	----

★ Indicates use as required.

E Indicates parts not listed in any previous parts book.

Feb. 15, 1960 Supersedes May 25, 1959.

Printed in U.S.A.

Prices and specifications subject to change without notice.

* Indicates change or addition.

CODE	REMARKS	PER CAR	PLYMOUTH	DODGE	DESOTO	CHRYSLER	IMPERIAL
23-33-0 INSTRUMENT PANEL							
23-33-10	BRACE, Instrument Panel to Pedal Bracket						
1959	All	1	1839 447	1698 999	-----	-----	-----
1959	All Right	1	-----	-----	1839 292	1839 292	-----
	BRACE, Instrument Panel Steering Column to Belt Bar						
1959	All, MD2, MD3, Right	1	-----	E2080 462	-----	-----	-----
	Left	1	-----	E2080 463	-----	-----	-----
	BRACE, Instrument Panel to Windshield Wiper Mounting Bracket						
1959	All	1	-----	E2080 424	1839 275	1839 275	-----
23-33-11	BRACKET, Steering Column to Belt Bar Brace						
1959	All, MD2, MD3	1	-----	E2080 468	-----	-----	-----
23-33-12	COVER, Instrument Panel Radio Opening						
1959	All, MP1-L, MP2-L, w/o Radio	1	1830 481	1839 142	-----	1901 915	1685 326
1959	All w/STUDS, w/o Radio	1	-----	-----	*1901 960	*1902 026	-----
1959	All w/o Radio, Knob Hole	2	-----	-----	-----	-----	1698 758
	PLATE, Instrument Panel Instrument and Radio Control Finish						
1959	All except MC3-300 w/Radio	1	-----	-----	-----	1830 725	-----
1959	All MC3-300	1	-----	-----	-----	1902 425	-----
	PLATE, Instrument Panel Finish						
1959	All, With Finish Plates, Center, w/Clock and w/Radio, See Part Type Code 1-87-21, Part No. 1839 324.						
	w/Clock and w/o Radio	1	1830 616	-----	-----	-----	-----
	w/o Clock and w/o Radio	1	1839 406	-----	-----	-----	-----
	w/o Clock and w/Radio	1	1839 407	-----	-----	-----	-----
	SCREW, No. 6-18 x 3/8"	13	* 161 589	-----	-----	-----	-----
1959	All Lower, w/Radio	1	-----	-----	-----	-----	1685 485
23-33-20	COVER, Instrument Panel Clock Opening						
1959	All, MP1-L, MP2-L, w/o Clock	1	*1839 330	E1879 902	*1886 347	-----	-----
	SCREW, No. 8-32 x 1/4"	2	-----	* 164 012	-----	-----	-----
23-33-21	ADAPTER, Instrument Panel Steering Column Bracket						
1959	All, MS1, MC1, w/Auto. Trans.	1	-----	-----	1839 297	1839 297	-----
1959	All, MS1 w/Std. Trans.	1	-----	-----	1830 831	-----	-----
23-33-42	GRILLE, Instrument Panel Radio and Defroster Opening						
1959	All, LHD. w/o Air Conditioning	1	-----	1901 671	1901 677	1901 677	1901 677
1959	All, LHD. w/Air Conditioning	1	-----	1901 672	1901 678	1901 678	1901 678
23-33-48	BEZEL, Instrument Panel Clock Opening Cover						
1959	All w/o Clock	1	-----	-----	1842 381	-----	-----
23-33-56	FACE PLATE, Instrument Panel Ignition Switch and Air Control						
1959	All, MP1, MP2, w/Face PLATES, w/o Heater and Air Conditioning	1	E1971 487	-----	-----	-----	-----
	PLATE, Instrument Panel Insert or Finish						
1959	All, MD3-M, MD3-H, With Ash Receiver Opening, Center	1	-----	*1830 680	-----	-----	-----
1959	All, MS3-H, Instrument Control	1	-----	-----	*1830 699	-----	-----
23-33-67	BRACKET, Instrument Panel Clock Opening Cover						
1959	All w/o Clock	1	-----	-----	1886 346	-----	-----

★ Indicates use as required.

E Indicates parts not listed in any previous parts book.

* Indicates change or addition.

1959 PASSENGER CAR PARTS LIST

BODY

CODE	REMARKS	PER CAR	PLYMOUTH	DODGE	DESOTO	CHRYSLER	IMPERIAL
23-33-0 INSTRUMENT PANEL Cont'd							
23-33-84	FASTENER, Instrument Panel Moulding 1959 All, w/Padded Instrument Panel, Horizontal Moulding	8	6008 160	----	----	----	----
	SCREW and WASHER, Instrument Panel Instrument Housing Moulding						
1959	All w/o Auto. Trans.	4	1839 322	----	----	----	----
		6	1839 323	----	----	----	----
1959	All w/Auto. Trans.	2	1839 322	----	----	----	----
		8	1839 323	----	----	----	----
	CLIP, Instrument Panel Moulding						
1959	All, MD2, MD3	8	----	6008 141	----	----	----
23-33-86	MOULDING, Instrument Panel Finish						
1959	All, Instrument Housing Upper Right	1	1830 462	----	----	----	----
	Left	1	1830 463	----	----	----	----
1959	All, LHD., Instrument Housing Lower						
	w/Std. Trans. Right	1	1839 868	----	----	----	----
	Left	1	1839 869	----	----	----	----
	w/Auto. Trans. Right	1	1839 866	----	----	----	----
	Left	1	1839 867	----	----	----	----
1959	All, MP1-L, MP2-L, MP1-M, MP2-M, MP1-H, MP2-H, MP2-P						
	Horizontal Right	1	1830 474	----	----	----	----
	Horizontal Left	1	1839 274	----	----	----	----
1959	All, Instrument Housing Bezel with Name "Dodge"	1	----	1830 676	----	----	----
	Upper Center	1	----	1830 672	----	----	----
	Lower Center	1	----	1830 673	----	----	----
1959	All, w/Trim Pad Right	1	----	1685 265	----	----	----
	Around Map Lamp, Chrome, Left	1	----	12080 566	----	----	----
	Around Map Lamp, Primed, Left	1	----	1902 380	----	----	----
	SCREW	9	----	148 545	----	----	----
	Instrument Housing Outer, Right Side Only	1	----	1839 152	----	----	----
1959	All Upper Horizontal	1	----	----	1830 705	1830 715	----
	Lower Right	1	----	----	1839 248	1839 271	----
	Left	1	----	----	1839 249	1839 253	----
1959	All, Instrument Housing, Upper Right	1	----	----	----	1900 398	----
	Left	1	----	----	----	1900 399	----
1959	All, Upper Horizontal, Center	1	----	----	----	----	1685 317
	Right	1	----	----	----	----	1698 000
	Left	1	----	----	----	----	1698 001
	Lower Horizontal	1	----	----	----	----	1698 883
	Instrument Housing Upper	1	----	----	----	----	1830 737
	Lower	1	----	----	----	----	1830 738
1959	All, Instrument Housing Outer, Right Side Only	1	----	----	----	----	1830 492
23-33-92	CUP and WASHER, Instrument Panel Instrument Housing Moulding						
1959	All Upper	2	1239 285	----	----	----	----
	Lower	2	1239 285	----	----	----	----
23-33-94	BOLT, Instrument Panel						
1959	All, MP1-L, MP2-L, Radio Control Hole w/o Radio	2	1839 336	----	----	----	----
	STUD, Instrument Panel						
1959	All, Instrument Panel Housing to Heater and Fresh Air Door Housing	2	----	6010 020	----	----	----
1959	All						
	Instrument Housing to Upper Panel	2	----	167 081	----	----	----
1959	All Lower Moulding	8	----	----	6008 039	----	----
1959	All w/o Radio, Radio Opening Cover	2	----	----	6008 039	6008 039	----
1959	All, Lower Right Moulding to Lower Instrument Panel Attaching	3	----	----	----	6008 012	----

★ Indicates use as required.

⊠ Indicates parts not listed in any previous parts book.

May 25, 1959 Supersedes March 20, 1959.

Printed in U.S.A.

Prices and specifications subject to change without notice.

* Indicates change or addition.

CODE	REMARKS	PER CAR	PLYMOUTH	DODGE	DESOTO	CHRYSLER	IMPERIAL
23-33-0 INSTRUMENT PANEL Cont'd							
23-33-94	BOLT - Cont'd						
1959	All, Lower Left Moulding to Instrument Panel Attaching	2	----	----	----	6008 012	----
1959	All, Instrument Housing to Gear Selector Bracket Attaching	3	----	----	----	----	6008 030
1959	All, Gear Selector Mounting Bracket Attaching	3	----	----	----	----	6008 030
23-33-109	PANEL, Instrument						
1959	All	1	1902 155	1839 355	1839 391	1839 394	----
1959	All w/or w/o Air Conditioning						
	Upper	1	----	----	----	----	1830 901
	Lower	1	----	----	----	----	1772 162
	Lower End Right	1	----	----	----	----	1685 303
	Left	1	----	----	----	----	1685 304
23-33-110	SCREW, Instrument Panel						
1959	All except Sp. 4 D., Name Plate on Dash	2	6000 238	----	----	----	----
1959	All, Name Plate on Dash	2	----	----	6000 238	----	----
	SCREW and WASHER, Instrument Panel						
1959	All, MD2, Reinforcement to Pillar Attaching	2	6008 017	6008 017	----	----	----
1959	All, MS2, MS3, Pillar Bracket to Pillar	2	----	----	6008 018	*6008 017	6008 148
23-33-111	NUT, Instrument Panel						
1959	All, Instrument Cluster Escutcheon Mounting	8	----	1626 973	----	----	----
1959	All, Instrument Cluster Lens Retainer Ornament Mounting	2	----	1626 973	----	----	----
1959	All, MD2, MD3, Gear Selector Housing to Instrument Panel End Extension	1	----	6008 015	----	----	----
1959	All, w/Clock, Clock Ornament Mounting	1	----	----	1626 973	----	----
1959	All, w/Clock, Clock Bezel and Lens Mounting	3	----	----	1626 973	----	----
1959	All, w/o Clock, Clock Opening Cover Mounting, to Bezel	3	----	----	1626 973	----	----
1959	All, Left End Cover Support to Gear Selector	1	----	----	6008 015	6008 015	----
1959	All, Instrument Lens Opening Mounting	2	----	----	1626 973	----	----
1959	All, Hand Brake Release Control Escutcheon Mounting	1	----	----	----	----	1439 758
1959	All, Finish Plate to Lower Garnish Moulding Attaching	2	----	----	----	----	6010 128
23-33-113	WASHER, Instrument Panel						
1959	All, MP1-L, MP2-M, Radio Control Hole w/o Radio	1	1602 873	----	----	----	----
1959	All, MD2, MD3, Radio Opening Cover to Lower Panel	2	----	617 115	----	----	----
1959	All, Radio Opening Cover, w/o Radio	2	----	----	1602 873	1602 873	----
23-33-129	COVER, Instrument Panel Instrument Upper						
1959	All	1	----	----	1900 336	----	----
23-33-132	CAP, Instrument Panel to Steering Column						
1959	All	1	----	----	----	----	1902 212
	FILLER, Steering Column Collar						
1959	All, All Codes, Paint as Required, Black Plastic, w/Std. Trans.	1	2046 881	----	----	----	----
	Brown Plastic, w/Auto. Trans.	1	2046 873	----	----	----	----
1959	All, MD2-L, MD3, w/Std. Trans. and Std. Steering	1	----	1901 953	----	----	----
	SCREW, 8-32 x 3/8"	2	----	166 611	----	----	----

★ Indicates use as required.

☐ Indicates parts not listed in any previous parts book.

* Indicates change or addition.

1959 PASSENGER CAR PARTS LIST

BODY

CODE	REMARKS	PER CAR	PLYMOUTH	DODGE	DESOTO	CHRYSLER	IMPERIAL
23-33-0 INSTRUMENT PANEL Cont'd							
23-33-132	FACE PLATE, Instrument Panel Steering Column Opening						
1959	All, MS1-L w/Std. Trans.	1	----	----	1839 300	----	----
1959	All, MS1-L w/Auto. Trans., MC1-L	1	----	----	1839 298	1839 298	----
23-33-135	PLATE, Instrument Panel Finish						
1959	All, MP1-M, MP2-M, MP1-H, MP2-H, MP2-P, End, Right	1	1830 466	----	----	----	----
	Left	1	1830 467	----	----	----	----
1959	All, MS1, MC1, w/Padded Panel, MS2, MS3, MC2, MC3, Upper End, Right Only	1	----	----	1830 724	1830 724	----
23-33-147	COVER, Instrument Panel End						
1959	All Right	1	----	----	----	----	1698 142
	Left	1	----	----	----	----	1698 143
23-33-153	BUTTON PLUG, Instrument Panel Cigar Lighter						
1959	All, MP1-L, MP2-L, w/o Cigar Lighter	1	178 020	----	----	----	----
23-33-167	SCREEN, Instrument Panel Radio Speaker						
1959	All MP1, MP2 w/STUDS	1	1830 478	----	----	----	----
23-33-213	BRACKET, Instrument Panel Gear Selector Mounting						
1959	All MP1, MP2, w/PowerFlite and Auto. 3 Speed Trans.	1	1839 350	----	----	----	1839 190
	SCREW, to Panel, 8-18 x 3/8"	1	163 158	----	----	----	----
	SUPPORT, Instrument Panel Gear Selector Control Box						
1959	All	1	----	1839 317	----	----	----
23-33-216	COVER, Instrument Panel Map Light Opening						
1959	All w/o Map Lamp	1	----	1698 397	----	----	----
23-33-217	HOUSING, Instrument Panel Gear Selector						
1959	All	1	----	1839 305	1839 231	1839 231	----
23-33-220	FACE PLATE, Instrument Panel Gear Selector Bezel						
1959	All w/Std. Trans.	1	1902 343	1839 235	1839 154	----	----
1959	All w/PowerFlite Trans.	1	1902 344	1830 681	1830 691	----	----
1959	All except MC3-300 w/Auto. 3 Speed Trans.	1	1902 345	1839 288	1839 214	1830 727	----
1959	All MC3-300	1	----	----	----	1902 424	----
	BEZEL, Instrument Panel Gear Selector						
1959	All, MY1	1	----	----	----	----	1698 150
23-33-227	PAD, Instrument Panel Gear Selector Face Plate						
1959	All, MD2-L w/PowerFlite	1	----	1839 316	1839 332	----	----
1959	All w/Auto. 3 Speed Trans.	1	----	1839 315	1839 333	1839 333	1698 152
1959	All w/Auto. Trans., Housing	1	1839 791	----	----	----	----
23-33-231	BEZEL, Instrument Panel Hand Brake						
1959	All	1	----	----	1913 724	1913 724	1886 145
23-34-0 BODY PANELS							
23-34-20	DEFLECTOR, Rear Quarter Water						
1959	Sp. Cl. Cp. Right	1	1836 254	----	----	----	----
	Left	1	1836 255	----	----	----	----
	DEFLECTOR, Belt Bar Trough Water						
1959	2 D. Sub.	2	1869 563	----	----	----	----

★ Indicates use as required.

☐ Indicates parts not listed in any previous parts book.

Feb. 15, 1959 Supersedes March 20, 1959.

Page 23-46

Printed in U.S.A.
Prices and specifications subject to change without notice.

* Indicates change or addition.

CODE	REMARKS	PER CAR	PLYMOUTH	DODGE	DESOTO	CHRYSLER	IMPERIAL
23-34-0 BODY PANELS Cont'd							
23-34-27	PANEL, Wheelhouse 1959 4 D., Sp. 4 D., Sp. Cl. Cp., Cl. Sed., 3 Cp.	Right Left	1 1	1846 184 1846 185	1709 702 1709 703	1709 702 1709 703	1877 990 1877 991
	1959 Cv. Cp.	Right Left	1 1	1954 422 1954 423	1709 704 1709 705	1709 704 1709 705	1877 992 1877 993
	1959 4 D. Sub. 2 Seater, 2 D Sub.	Right Left	1 1	1867 932 1867 933	1708 314 1708 315	1708 314 1708 315	---- ----
	1959 4 D. Sub., 3 Seaters	Right Left	1 1	1867 899 1867 933	1835 467 1708 315	1708 314 1708 315	---- ----
	1959 4 D. Sub. 2 Seater, 2 D. Sub., w/Spare Tire Carrier	Right	1	1867 899	1835 467	----	----
23-34-29	EXTENSION, Outer Wheelhouse Panel						
	1959 4 D. Sub. 3 Seater, w/Spare Tire Opening Panel Locking Rod Catch	Right Only	1	1882 018	1844 708	----	----
	1959 4 D. Sub. 2 Seater, 2 D. Sub., w/Spare Tire Carrier, w/Spare Tire Opening Panel Locking Rod Catch	Right Only	1	1882 018	1844 708	----	----
23-34-31	PANEL, Tailgate Opening Lower 1959 Sub.		1	1681 778	1681 778	1681 778	1681 778
23-34-34	COVER, Tailgate Opening Lower Panel Access Hole						
	1959 4 D. Sub.	Right Left	1 1	⊠1882 490 ⊠1882 491	----	----	----
23-34-80	PANEL, Cowl Side						
	1959 All	Right Left	1 1	1697 168 1697 169	1697 168 1697 169	1697 168 1697 169	1879 240 1879 241
	END, Front						
	1959 4 D., Taxi, Sub., Cl. Sed., 3 Cp., Windshield Frame, Cowl Top and Dash		1	1866 706	1866 706	1866 706	1866 706
	1959 Sp. 4 D., Sp. Cl. Cp., Windshield Frame, Cowl Top and Dash		1	1950 689	1950 689	1950 689	1950 689
	1959 Cv. Cp., Windshield Frame, Cowl Top and Dash		1	1882 516	*1882 516	1882 516	1882 516
	COWL TOP and Windshield FRAME						
	1959 4 D., Sp. 4 D., Sp. Cl. Cp., MY1		1	----	----	----	1888 438
	1959 Cv. Cp., MY1		1	----	----	----	1888 439
23-34-85	COVER, Cowl Upper Panel to Body Front Pillar Joint						
	1959 All	Right Left	1 1	---- ----	1884 652 1884 653	1884 652 1884 653	1884 652 1884 653
23-34-110	PANEL, Dash						
	1959 All		1	----	----	----	1888 430
23-34-116	COVER, Dash Panel Heater Hole						
	1959 All, w/o Heater	Air Duct	1	1750 445	1750 445	1750 445	1750 445
	1959 All, Air Duct Drain Hole		2	1810 565	1810 565	1810 565	1810 565
	1959 All, MY1	Air Duct	1	----	----	----	1861 425
23-34-118	J/NUT, Dash Panel Heater Valve Opening Cover						
	1959 All	w/o Heater	2	6006 397	6006 397	6006 397	6006 397
23-34-120	PANEL, Door Outside Repair						
	1959 4 D. except Taxi, 4 D. Sub.	Front Right Left	1 1	1777 500 1777 501	1681 754 1681 755	1681 754 1681 755	1651 342 1651 343
	1959 4 D. Taxi, MD2-L	Front Right Left	1 1	1777 500 1777 501	1777 500 1777 501	---- ----	---- ----
	1959 4 D. except Taxi	Rear Right Left	1 1	1882 450 1882 451	1882 458 1882 459	1681 764 1681 765	1651 362 1651 363
	1959 4 D. Taxi, MD2-L	Rear Right Left	1 1	1882 450 1882 451	1882 450 1882 451	---- ----	---- ----
	1959 4 D. Sub., MS1, MC1	Rear Right Left	1 1	1882 448 1882 449	1778 888 1778 889	1778 888 1778 889	---- ----

★ Indicates use as required.

⊠ Indicates parts not listed in any previous parts book.

* Indicates change or addition.

1959 PASSENGER CAR PARTS LIST

BODY

CODE	REMARKS	PER CAR	PLYMOUTH	DODGE	DESOTO	CHRYSLER	IMPERIAL
23-34-0 BODY PANELS Cont'd							
23-34-120	PANEL - Cont'd						
1959	4 D. Sub., MS3, MC3 Rear Right	1	----	----	1695 682	1695 682	----
	Left	1	----	----	1695 683	1695 683	----
1959	4 D. Sub., MD3 Rear Right	1	----	1695 682	----	----	----
	Left	1	----	1695 683	----	----	----
1959	Sp. 4 D. Front Right	1	1866 680	1884 938	1884 938	1884 938	1651 344
	Left	1	1866 681	1884 939	1884 939	1884 949	1651 345
1959	Sp. 4 D. Rear Right	1	1836 666	1867 986	1950 000	1950 000	1651 368
	Left	1	1836 667	1867 987	1950 001	1950 001	1651 369
1959	Cl. Sed., 3 Cp., 2 D. Sub. Right	1	1777 504	1681 758	----	----	----
	Left	1	1777 505	1681 759	----	----	----
1959	Sp. Cl. Cp., Cv. Cp. Right	1	1775 124	1681 758	1681 758	1681 758	1651 358
	Left	1	1775 125	1681 759	1681 759	1681 759	1651 359
23-34-129	PANEL, Rear Door Outside Extension						
1959	4 D. except Taxi, Sp. 4 D. Right	1	----	1696 496	----	----	----
	Left	1	----	1696 497	----	----	----
23-34-136	COVER, Front Door Inside Panel Access Hole						
1959	All, MY1 Upper Front	2	----	----	----	----	1751 033
23-34-166	PANEL, Deck Opening Upper						
1959	4 D., Cl. Sed., 3 Cp.	1	1758 304	1758 304	E1964 635	E1964 635	1750 968
1959	Sp. 4 D.	1	E1964 632	1909 418	1909 408	1909 408	1750 969
1959	Sp. Cl. Cp.	1	E1964 633	E1964 633	1775 815	1775 815	1750 970
1959	Cv. Cp.	1	1757 060	1757 060	1757 063	1757 063	1750 971
23-34-167	PANEL, Deck Opening Lower						
1959	All except Sub. (also specify 1-1881 872) Licence Plate Bumper Package Part Type Code 8-47-127	1	1963 554	----	----	----	----
1959	All except Sub.	1	----	1757 014	1870 440	1870 954	1750 972
1959	All except Sub. Bottom	1	----	----	----	1843 914	----
23-34-176	EXTENSION, Quarter Outside Rear Panel						
	Lower						
1959	All except Sub., Right	1	----	----	1843 918	1843 916	----
	Left	1	----	----	1843 919	1843 917	----
	EXTENSION, Deck Opening Lower Panel						
1959	All Side Right	1	----	----	----	----	1691 538
	Left	1	----	----	----	----	1691 539
23-34-178	PLUG, Rear Quarter Panel Rear Upper						
	Filler Hole						
1959	MS2, MS3, AFTER Note 1	2	----	----	1882 735	----	----
	PLUG, Deck Opening Lower Panel Side Extension Bumper Access Hole						
1959	All, 1 1/2"	2	----	----	----	----	*1810 076
	PLUG, Wheelhouse Moulding Access Hole						
1959	All	4	----	----	----	----	1810 076
23-34-184	LETTER, Deck Opening Lower Panel Name						
1959	All except Sub., Chrome and Black						
	"C"	1	----	----	----	1878 991	----
	"H"	1	----	----	----	1878 992	----
	"R"	2	----	----	----	1878 993	----
	"Y"	1	----	----	----	1878 994	----
	"S"	1	----	----	----	1878 995	----
	"L"	1	----	----	----	1878 996	----
	"E"	1	----	----	----	1878 997	----
	NUT, w/SEAL	16	----	----	----	6000 490	----
23-34-212	DOOR, Quarter Panel Spare Tire Opening						
1959	4 D. Sub., 3 Seater Right Only	1	1884 798	1961 427	----	----	----
1959	4 D. Sub. 2 Seater, 2 D. Sub., w/Spare Tire Carrier Right Only	1	1884 798	1961 427	----	----	----
23-34-213	SEAL, Quarter Panel Spare Tire Opening						
	Door						
1959	4 D. Sub. 3 Seater	1	1833 982	1961 106	----	----	----
1959	4 D. Sub. 2 Seater, 2 D. Sub., w/Spare Tire Carrier	1	1833 982	1961 106	----	----	----

NOTE 1: Body Type 4 D. Sp. 4 D. Sp. Cl. Cp. Cv. Cp.
 MS2 Ser. Number 101041 101175 101092 101197
 MS3 Ser. Number 101071 101104 101039 101111

★ Indicates use as required.

⊠ Indicates parts not listed in any previous parts book.
 Feb. 15, 1960 Supersedes May 25, 1959.

CODE	REMARKS	PER CAR	PLYMOUTH	DODGE	DESOTO	CHRYSLER	IMPERIAL
23-34-0 BODY PANELS Cont'd							
23-34-213	SEAL - Cont'd SEAL, Wheelhouse Panel Spare Wheel Upper Stone Deflector						
	1959 4 D. Sub. 3 Seater	1	1883 575	1883 575	----	----	----
	1959 4 D. Sub. 2 Seater, 2 D. Sub., w/Spare Tire Carrier	1	1883 575	1883 575	----	----	----
23-34-216	PIN, Quarter Panel Spare Tire Opening Door Inside Panel Guide						
	1959 4 D. Sub. 3 Seater	3	6000 340	6000 340	----	----	----
	1959 4 D. Sub. 2 Seater, 2 D. Sub., w/Spare Tire Carrier	3	6000 340	6000 340	----	----	----
23-34-220	DEFLECTOR, Wheelhouse Panel Spare Wheel Stone						
	1959 4 D. Sub. 3 Seater Upper	1	1846 284	1846 284	----	----	----
	1959 4 D. Sub. 2 Seater, 2 D. Sub., w/Spare Tire Carrier Upper	1	1846 284	1846 284	----	----	----
23-34-225	COVER, Quarter Inside Panel Access Hole						
	1959 Sp. Cl. Cp., Cv. Cp., w/ or w/o Electric Window Lifts Right	1	1777 724	1777 724	1777 724	1777 724	1691 107
	Left	1	1777 725	1777 725	1777 725	1777 725	1691 107
23-34-233	PANEL, Quarter Outside Rear						
	1959 4 D. Right	1	1836 362	----	----	----	----
	Left	1	1836 363	----	----	----	----
	1959 Sp. 4 D. Right	1	1843 904	----	----	----	----
	Left	1	1843 905	----	----	----	----
	1959 Cl. Sed., 3 Cp. Right	1	1843 782	----	----	----	----
	Left	1	1843 783	----	----	----	----
	1959 Sp. Cl. Cp. Right	1	1843 906	----	----	----	----
	Left	1	1843 907	----	----	----	----
	1959 Cv. Cp. Right	1	1843 908	----	----	----	----
	Left	1	1843 909	----	----	----	----
	1959 Sub. Upper Right	1	1836 640	----	----	----	----
	Left	1	1836 641	----	----	----	----
	Lower Right	1	1846 548	----	----	----	----
	Left	1	1846 549	----	----	----	----
	1959 Sub. Right	1	----	1705 728	1705 728	1705 728	----
	Left	1	----	1705 729	1705 729	1705 729	----
	1959 All except Sub. Right	1	----	1836 652	1836 694	1836 692	1690 794
	Left	1	----	1836 653	1836 695	1836 693	1690 795
23-34-234	PANEL, Quarter Inside						
	1959 Cl. Sed., 3 Cp. Lower Right	1	1697 188	1697 188	----	----	----
	Left	1	1697 189	1697 189	----	----	----
	1959 Cv. Cp. Right	1	1755 612	1755 612	1755 612	1755 612	1751 002
	Left	1	1755 613	1755 613	1755 613	1755 613	1751 003
	1959 Sp. Cl. Cp., Manual W/Lifts Right	1	1909 872	1707 470	----	----	----
	Left	1	1909 873	1707 471	----	----	----
	1959 Sp. Cl. Cp., Electric W/Lifts Right	1	1909 870	1909 870	----	----	----
	Left	1	1909 871	1909 871	----	----	----
	1959 Sp. Cl. Cp. Right	1	----	----	1681 746	1681 746	1751 000
	Left	1	----	----	1681 747	1681 747	1751 001
23-34-235	PANEL, Quarter Outside Repair						
	1959 Sp. Cl. Cp., Less Mldg. Holes Right	1	E1844 664	----	----	----	----
	Left	1	E1844 665	----	----	----	----
	1959 Cv. Cp., Less Mldg. Holes Right	1	E1844 666	----	----	----	----
	Left	1	E1844 667	----	----	----	----
	1959 2 D. Sub., Less Mldg. Holes, w/Spare Tire Carrier Right	1	E1846 708	----	----	----	----
	1959 4 D. Sub., Less Mldg. Holes, w/Spare Tire Carrier Right	1	E1846 706	----	----	----	----
	1959 Cl. Sed., Less Mldg. Holes Right	1	E1836 628	----	----	----	----
	Left	1	E1836 629	----	----	----	----
	1959 4 D., Sp. 4 D., Less Mldg. Holes Right	1	E1836 360	----	----	----	----
	Left	1	E1836 361	----	----	----	----
	1959 4 D. Taxi, w/Mldg. Holes Right	1	----	E1883 686	----	----	----
	Left	1	----	E1883 687	----	----	----

★ Indicates use as required.

⊠ Indicates parts not listed in any previous parts book.

* Indicates change or addition.

1959 PASSENGER CAR PARTS LIST

BODY

CODE	REMARKS	PER CAR	PLYMOUTH	DODGE	DESOTO	CHRYSLER	IMPERIAL
23-34-0 BODY PANELS Cont'd							
23-34-235 PANEL - Cont'd							
1959	2 D. Sub., Less Mldg. Holes	Right	1	⊠1836 634	----	----	----
		Left	1	⊠1836 635	----	----	----
1959	4 D. Sub., Less Mldg. Holes	Right	1	⊠1836 636	----	----	----
		Left	1	⊠1836 637	----	----	----
1959	4 D. Sub. 2 Seater	Lower Right	1	----	1681 624	1681 624	1681 624
		Left	1	----	1681 625	1681 625	1681 625
1959	4 D. Sub. 2 Seater, w/Spare Tire Carrier	Lower Right	1	----	1961 207	----	----
		Left	1	----	1681 625	----	----
1959	4 D. Sub. 3 Seater	Lower Right	1	----	1961 207	1681 624	1681 624
		Left	1	----	1681 625	1681 625	1681 625
1959	4 D. except Taxi, w/Mldg. HOLES,	Upper Right	1	----	1882 836	----	----
		Left	1	----	1882 837	----	----
		Lower Right	1	----	1882 832	----	----
		Left	1	----	1882 833	----	----
1959	Sp. 4D., w/Mldg. HOLES	Upper Right	1	----	1882 844	----	----
		Left	1	----	1882 845	----	----
		Lower Right	1	----	1882 832	----	----
		Left	1	----	1882 833	----	----
1959	Cl. Sed., w/Mldg. HOLES,	Upper Right	1	----	1882 850	----	----
		Left	1	----	1882 851	----	----
		Lower Right	1	----	1882 830	----	----
		Left	1	----	1882 831	----	----
1959	Cv. Cp., w/Mldg. HOLES,	Upper Right	1	----	1882 872	----	----
		Left	1	----	1882 873	----	----
		Lower Right	1	----	1882 830	----	----
		Left	1	----	1882 831	----	----
1959	Sp. Cl. Cp., w/Mldg. HOLES,	Upper Right	1	----	1882 864	----	----
		Left	1	----	1882 865	----	----
		Lower Right	1	----	1882 830	----	----
		Left	1	----	1882 831	----	----
1959	Cv. Cp., Less Mldg. Holes	Right	1	----	----	⊠1836 660	----
		Left	1	----	----	⊠1836 661	----
1959	Sp. Cl. Cp., Less Mldg. Holes	Right	1	----	⊠1836 656	⊠1836 656	----
		Left	1	----	⊠1836 657	⊠1836 657	----
1959	Sp. 4 D. Less Mldg. Holes	Right	1	----	⊠1836 658	⊠1836 658	----
		Left	1	----	⊠1836 659	⊠1836 659	----
1959	4 D., Less Mldg. Holes	Right	1	----	⊠1836 654	⊠1836 654	----
		Left	1	----	⊠1836 655	⊠1836 655	----
1959	4 D., Less Mldg. Holes, Upper	Right	1	----	----	----	1691 048
		Left	1	----	----	----	1691 049
		Lower Right	1	----	----	----	1861 280
		Left	1	----	----	----	1861 281
1959	Sp. 4 D., Less Mldg. Holes,	Upper Right	1	----	----	----	1690 792
		Left	1	----	----	----	1690 793
		Lower Right	1	----	----	----	1861 280
		Left	1	----	----	----	1861 281
1959	Cv. Cp., Less Mldg. Holes,	Upper Right	1	----	----	----	1691 058
		Left	1	----	----	----	1691 059
		Lower Right	1	----	----	----	1861 284
		Left	1	----	----	----	1861 285
1959	Sp. Cl. Cp., Less Mldg. Holes,	Upper Right	1	----	----	----	1691 056
		Left	1	----	----	----	1691 057
		Lower Right	1	----	----	----	1861 284
		Left	1	----	----	----	1861 285
PANEL and LOCK PILLAR, Quarter Outside							
1959	4D.	Right	1	1865 722	----	1866 554	1866 552
		Left	1	1865 723	----	1866 555	1866 553

★ Indicates use as required.

⊠ Indicates parts not listed in any previous parts book.
Feb. 15, 1960 Supersedes May 25, 1959.Printed in U.S.A.
Prices and specifications subject to change without notice.
* Indicates change or addition.

1959 PASSENGER CAR PARTS LIST

CODE	REMARKS	PER CAR	PLYMOUTH	DODGE	DESOTO	CHRYSLER	IMPERIAL
23-34-0 BODY PANELS Cont'd							
23-34-235	PANEL - Cont'd						
1959	Sp. 4 D.	Right	1	1865 672	----	1866 582	1866 584 1877 946
		Left	1	1865 673	----	1866 583	1866 585 1877 947
1959	Cl. Sed., 3 Cp.	Right	1	1865 724	----	----	----
		Left	1	1865 725	----	----	----
1959	Cv. Cp.	Right	1	1954 378	----	1866 574	1866 576 1877 950
		Left	1	1954 379	----	1866 575	1866 577 1877 951
1959	Sp. Cl. Cp.	Right	1	1865 726	----	1866 566	1866 568 1877 948
		Left	1	1865 727	----	1866 567	1866 569 1877 949
1959	4 D. Sub. 2 Seater	Right	1	1866 886	1846 120	1846 120	1846 120 ----
		Left	1	1866 887	1846 121	1846 121	1846 121 ----
1959	4 D. Sub. 2 Seater, w/Spare Tire Carrier	Right	1	----	1846 122	----	----
		Left	1	----	1846 121	----	----
1959	4 D. Sub. 3 Seater	Right	1	----	1846 122	1846 120	1846 120 ----
		Left	1	1866 887	1846 121	1846 121	1846 121 ----
1959	2 D. Sub.	Right	1	1866 888	----	----	----
		Left	1	1866 889	----	----	----
1959	2 D. Sub. w/Spare Tire Carrier	Right	1	1866 914	----	----	----
		Left	1	1866 889	----	----	----
1959	4 D., except Taxi, w/Mldg. HOLES,	Right	1	----	1882 834	----	----
		Left	1	----	1882 835	----	----
1959	4 D. Taxi, w/Mldg. HOLES,	Right	1	----	1883 540	----	----
		Left	1	----	1883 541	----	----
1959	Sp. 4 D., w/Mldg. HOLES	Right	1	----	1882 842	----	----
		Left	1	----	1882 843	----	----
1959	Cl. Sed., w/Mldg. HOLES,	Right	1	----	1882 848	----	----
		Left	1	----	1882 849	----	----
1959	Cv. Cp., w/Mldg. HOLES,	Right	1	----	1882 870	----	----
		Left	1	----	1882 871	----	----
1959	Sp. Cl. Cp., w/Mldg. HOLES,	Right	1	----	1882 862	----	----
		Left	1	----	1882 863	----	----
23-34-236	EXTENSION, Quarter Inside Panel						
1959	Cv. Cp. Lower Rear	Right	1	1706 778	1706 780	1706 780	1706 780 ----
		Left	1	1706 779	1706 781	1706 781	1706 781 ----
1959	Cl. Sed. Lower Rear	Right	1	----	1705 664	----	----
		Left	1	----	1705 665	----	----
1959	Sp. Cl. Cp. Lower Rear	Right	1	----	1706 776	----	----
		Left	1	----	1706 777	----	----
1959	Cv. Cp. Upper	Right	1	----	----	1708 270	1708 270 1750 188
		Left	1	----	----	1708 271	1708 271 1750 189
1959	Sp. Cl. Cp. Upper	Right	1	----	----	----	1692 142
		Left	1	----	----	----	1692 143
1959	Sp. Cl. Cp., Cv. Cp., w/Nut	Right	1	----	----	----	E1810 204
		Left	1	----	----	----	E1810 205
23-34-238	NAME PLATE, Quarter Panel Outside						
1959	All except Taxi and 4 D. Sub. MP1-L, MP2-L	Savoy	2	1950 579	----	----	----
1959	All except Taxi and 4 D. Sub. MP1-M, MP2-M	Belvedere	2	1950 578	----	----	----
1959	All except Sub. MP1-H, MP2-H	Fury	2	1866 627	----	----	----
1959	Sp. Cl. Cp., Cv. Cp., MP2-P	Fury	2	1954 223	----	----	----
1959	4 D. Taxi, MP1-L, MP2-L, MP1-M, MP2-M	Plymouth	2	1542 261	----	----	----
	SPEEDNUT		6	6000 037	----	----	----
1959	4 D. Sub. except Export	Suburban	2	1960 383	----	----	----
1959	2 D. Sub. except Export,	Suburban	2	1960 383	----	----	----
1959	4 D. Sub., MP1-M, MP2-M	Custom	2	1866 626	----	----	----
1959	2 D. Sub. MP1-M, MP2-M, except Export	Custom	2	1866 626	----	----	----
1959	4 D. Sub., MP1-H, MP2-H	Sport	2	1866 625	----	----	----

★ Indicates use as required.

□ Indicates parts not listed in any previous parts book.

* Indicates change or addition.

Printed in U.S.A.

Prices and specifications subject to change without notice.

1959 PASSENGER CAR PARTS LIST

BODY

CODE	REMARKS	PER CAR	PLYMOUTH	DODGE	DESOTO	CHRYSLER	IMPERIAL
23-34-0 BODY PANELS Cont'd							
23-34-238	NAME PLATE - Cont'd						
1959	4 D., Sp. 4 D., Cl. Sed., Sp. Cl. Cp., Cv. Cp., MD2-L Texan, Front Upper, Texan	2	----	1846 738	----	----	----
	NUT, w/SEAL	4	----	6000 490	----	----	----
	MD2-L Texan, Map Type, Rear Intermediate, Texan	2	----	1844 711	----	----	----
	MD3 Texan, Map Type, Rear Intermediate, Texan	2	----	1909 468	----	----	----
	NUT, w/SEAL	6	----	6000 490	----	----	----
1959	4 D. Sub., MD3 Sierra	2	----	1867 693	----	----	----
1959	Sp. 4 D. Sp. Cl. Cp., MS3 except Adventurer Sportsman	2	----	----	1690 200	----	----
	NUT w/SEAL, for Smooth Stud	8	----	----	6006 215	----	----
	NUT w/SEAL, for Threaded Stud	8	----	----	6006 024	----	----
1959	Sp. Cl. Cp., Cv. Cp., MS1, MS2, except Spring Special Sportsman	2	----	----	1690 200	----	----
1959	Sp. Cl. Cp., Cv. Cp., MS1, MS2, Spring Special Seville	2	----	----	1690 328	----	----
1959	Sp. Cl. Cp., Cv. Cp., MS3 Adventurer, LETTERS "Des"	2	----	----	1960 688	----	----
	NUT, Push On	6	----	----	6006 405	----	----
1959	All MC1-L "Chrysler"	2	----	----	----	1960 705	----
	NUT, w/SEAL except Sub.	8	----	----	----	6000 490	----
	CLIP, for Sub.	8	----	----	----	6000 020	----
1959	All MC2-M Saratoga	2	----	----	----	1960 210	----
	NUT, w/SEAL	12	----	----	----	6000 490	----
23-34-239	NUT or SPEED-NUT, Quarter Panel Outside Nameplate Attaching						
1959	All except Sub., MP1-L, MP2-L For Savoy	6	6000 037	----	----	----	----
1959	4 D. Taxi, MP1-L, MP2-L, For "Plymouth"	6	6000 037	----	----	----	----
1959	All except Sub., MP1-M, MP2-M For Belvedere	6	6000 037	----	----	----	----
1959	All except Sub., MP1-H, MP2-H For Fury	6	6000 037	----	----	----	----
1959	All MP2-P For Fury	8	6000 037	----	----	----	----
1959	4 D. Sub., 2 D. Sub., except Export, MP1, MP2 For Suburban	8	6000 020	----	----	----	----
1959	4 D. Sub., 2 D. Sub. except Export, MP1-M, MP2-M For Custom	4	6000 020	----	----	----	----
1959	4 D. Sub., MP1-H, MP2-H For Sport	4	6000 020	----	----	----	----
1959	All MD2-L Texan For Texan	6	----	6000 490	----	----	----
1959	2 D. Sub., MD3-L	6	----	6000 050	----	----	----
1959	4 D. Sub. For Sierra	4	----	6000 020	----	----	----
1959	Sp. 4 D., Sp. Cl. Cp., MS3-H For Sportsman	6	----	----	6000 490	----	----
1959	Sp. Cl. Cp., Cv. Cp., MS3 Adventurer, Quarter Panel Letters to Medallion	6	----	----	6006 405	----	----
1959	All MC1-L except Sub., For Chrysler	8	----	----	----	6000 490	----
1959	All MC2-M For Saratoga	12	----	----	----	6000 490	----
1959	Sub., MC1-L For Chrysler	8	----	----	----	6000 020	----
23-34-246	REINFORCEMENT, Quarter Panel to Belt Bar Trough						
1959	2D. Sub.	2	1758 316	----	----	----	----
23-34-249	FILLER, Quarter Panel to Wheelhouse Bottom Rear						
1959	4D. Sub., 2D. Sub. Right	1	1846 288	1757 440	1757 440	1757 440	----
	Left	1	1846 289	1757 441	1757 441	1757 441	----
	REINFORCEMENT, Quarter Inside Panel to Wheelhouse						
1959	Sp. Cl. Cp. Right	1	----	----	----	----	1810 056
	Left	1	----	----	----	----	1810 057

★ Indicates use as required.

⊠ Indicates parts not listed in any previous parts book.
Feb. 15, 1960 Supersedes May 25, 1959.

1959 PASSENGER CAR PARTS LIST

CODE	REMARKS	PER CAR	PLYMOUTH	DODGE	DESOTO	CHRYSLER	IMPERIAL
23-34-0 BODY PANELS Cont'd							
23-34-253	COVER and HINGE, Quarter Panel Fuel Tank Filler Opening						
1959	All except Sub	1	1865 717	-----	-----	-----	1750 824
	SCREW, w/WASHER	2	1909 895	-----	-----	-----	-----
1959	All except Sub., w/o Hinge	1	-----	1756 593	1757 934	1757 934	-----
23-34-254	BUMPER, Quarter Panel Rear Extension to Chassis						
1959	All except Sub.	2	1883 970	-----	-----	-----	-----
23-34-255	SPRING, Quarter Fuel Tank Filler Opening Cover						
1959	All except Sub.	1	1866 541	1707 504	1707 504	1707 504	1750 169
23-34-257	GUSSET, Quarter Panel to Wheelhouse						
1959	4 D. Right	1	-----	-----	-----	-----	1690 980
	Left	1	-----	-----	-----	-----	1690 981
23-34-259	SEAL, Fuel Tank Filler Tube Upper Housing to Quarter Panel						
1959	All except Sub.	1	-----	1755 733	1755 734	1755 734	-----
23-34-261	HINGE and SPRING PACKAGE, Quarter Panel Fuel Filler Opening Cover						
1959	All except Sub.	1	-----	1879 538	1879 538	1879 538	-----
	Contains: 1 - ----- Assy., Hinge						
	1 - 1707 504 Spring						
23-34-262	SCREW and L/WASHER, Quarter Panel Fuel Tank Opening Cover Hinge						
1959	All except Sub.	2	E1963 633	-----	-----	-----	-----
23-34-264	REINFORCEMENT, Quarter Panel Fuel Tank Filler Opening Flange						
1959	All except Sub.	1	-----	-----	1835 164	1835 164	-----
23-34-270	BUMPER, Quarter Panel Fuel Tank Filler Tube Access Door						
1959	All except Sub.	2	1883 970	1882 429	729 152	729 152	1750 604
23-34-271	SHIM, Fuel Tank Filler Tube Access Door Pivot Bracket						
1959	All MY1	1	-----	-----	-----	-----	1750 429
23-34-272	BEZEL, Fuel Tank Filler Tube Access Door Opening						
1959	All MY1	1	-----	-----	-----	-----	1751 728
23-34-280	EXTENSION, Quarter Panel Upper						
1959	All except Sub. End	2	-----	1846 612	-----	-----	-----
	Side, Inner and Outer Right	1	-----	1846 614	-----	-----	-----
	Left	1	-----	1846 615	-----	-----	-----
	FILLER, Quarter Panel Rear Upper						
1959	All except Sub. Right	1	-----	-----	1846 066	1846 066	-----
	Left	1	-----	-----	1846 067	1846 067	-----
1959	All except Sub. Right	1	-----	-----	1963 382	1963 382	-----
	Left	1	-----	-----	1963 383	1963 383	-----
23-34-301	PANEL, Roof						
1959	4D., Cl. Sed., 3 Cp.	1	1681 600	1681 600	1909 467	1909 467	1651 096
1959	Sp. 4 D.	1	1777 828	1846 392	1846 392	1846 392	-----
1959	Sp. Cl. Cp., MS1, MS2, MC1, MC2	1	1776 896	1776 896	1778 807	1778 807	-----
1959	Sp. Cl. Cp., MS2 w/FireFlite Rear Window, MC1, MC2, w/New Yorker Rear Window, MS3, MC3	1	-----	-----	1778 806	1778 806	-----
1959	Sub., MS1	1	1681 603	1681 603	1681 603	-----	-----
1959	Sub., MS3	1	-----	-----	1696 412	1696 412	-----
1959	Sp. 4 D. Front	1	-----	-----	-----	-----	1651 098
1959	Sp. 4 D., w/Stainless Steel Roof Panel Front	1	-----	-----	-----	-----	1960 477
1959	Sp. 4 D. Rear	1	-----	-----	-----	-----	1690 278
1959	Sp. Cl. Cp., MY1-L, MY1-M Front	1	-----	-----	-----	-----	1651 099
1959	Sp. Cl. Cp., MY1-L, MY1-M, w/Stainless Steel Roof Panel Front	1	-----	-----	-----	-----	1960 478
1959	Sp. Cl. Cp. Rear	1	-----	-----	-----	-----	1690 349

★ Indicates use as required.

☐ Indicates parts not listed in any previous parts book.

* Indicates change or addition.

1959 PASSENGER CAR PARTS LIST

BODY

CODE	REMARKS	PER CAR	PLYMOUTH	DODGE	DESOTO	CHRYSLER	IMPERIAL
23-34-0 BODY PANELS Cont'd							
23-34-302	EXTENSION, Roof Panel Side						
1959	Sp. Cl. Cp.	Right	1	1696 492	1696 492	----	----
		Left	1	1696 493	1696 493	----	----
1959	4 D. Sub., MS1	Right	1	1776 964	1776 964	1776 964	----
		Left	1	1776 965	1776 965	1776 965	----
1959	4 D. Sub., MS3	Right	1	----	----	1696 494	1696 494
		Left	1	----	----	1696 495	1696 495
1959	Sp. 4 D.	Rear Right	1	----	----	----	1691 532
		Left	1	----	----	----	1691 533
23-34-331	NUT and RETAINER, Shelf Panel Brace to Floor Pan Bracket						
1959	4 D., Sp. 4 D., Sp. Cl. Cp., Cl. Sed.		1	----	6000 123	6000 123	6000 123
23-34-333	ORNAMENT PACKAGE, Quarter Panel Outside						
1959	All except Sub.		1	----	1881 868	----	----
	Contains: Ornaments,	Right	1	----	1954 062	----	----
		Left	1	----	1954 063	----	----
	NUT and WASHER		10	----	6006 215	----	----
	Moulding, Lower End,	Right	1	----	1909 344	----	----
		Left	1	----	1909 345	----	----
	SCREW, 10-32 x 3/4"		4	----	168 904	----	----
	SCREW, 10-24 x 3/8"		2	----	9411 584	----	----
	SCREW, 10 - 24 x 1/2"		2	----	443 868	----	----
23-34-334	MEDALLION, Quarter Panel						
1959	Sp. Cl. Cp., Cv. Cp.,	Right	1	1952 438	----	----	----
	MP2-P, w/BASE	Left	1	1952 439	----	----	----
	NUT, w/SEAL		6	6000 490	----	----	----
1959	All MD2-500, MD3-500, w/Numeral 500		2	----	1909 997	----	----
	NUT, w/SEAL, except Sub.		4	----	6000 490	----	----
	CLIP, Sub.		4	----	6000 020	----	----
1959	All, MS3		2	----	1879 001	----	----
1959	Sp. Cl. Cp., Cv. Cp., MS3 Adventurer		2	----	----	1878 949	----
	NUT		4	----	----	6006 406	----
1959	Sp. Cl. Cp., Cv. Cp., MC3-300 "300E"		2	----	----	1860 814	----
	Speed Nut		16	----	----	445 133	----
1959	All, MY1-L Tail Lamp Ring		4	----	----	----	1810 740
1959	All, MY1-M, MY1-H Tail Lamp Ring		4	----	----	----	1810 739
	CLIP		8	----	----	----	6000 176
1959	4 D., Sp. 4 D., MY1-H Medallion Only		2	----	----	----	1960 397
	NUT		6	----	----	----	6006 315
	MEDALLION, Roof Side						
1959	Sp. 4 D., Sp. Cl. Cp. except MC3-300, Sub., MC3-H		2	----	----	1960 428	----
1959	Sp. 4 D., MC3-H, w/PLATE	Right	1	----	----	1960 434	----
		Left	1	----	----	1960 435	----
1959	Sp. Cl. Cp., MC3-H, w/PLATE,	Right	1	----	----	1960 436	----
		Left	1	----	----	1960 437	----
1959	Sub., MC3-H, w/PLATE	Right	1	----	----	1960 438	----
		Left	1	----	----	1960 439	----
	ORNAMENT, Roof Panel Outside						
1959	Sp. 4 D., Sp. Cl. Cp., MS1, MS2, w/Roof Mouldings, MS3 Side,	Right	1	----	----	1860 722	----
		Left	1	----	----	1860 723	----
	CLIP		4	----	----	6000 050	----
1959	4 D. Sub., MS3-H	Right	1	----	----	1960 686	----
		Left	1	----	----	1960 687	----
	NUT		4	----	----	6010 128	----
	ORNAMENT, Quarter Panel Outside						
1959	All except Sub. w/Quarter Panel Finish Mouldings, Louvre,	Right	1	----	E1964 162	----	----
		Left	1	----	E1964 163	----	----
	NUT, w/SEAL		14	----	6006 215	----	----

★ Indicates use as required.

⊠ Indicates parts not listed in any previous parts book.

Feb. 15, 1960 Supersedes May 25, 1959.

Printed in U.S.A.

Prices and specifications subject to change without notice.

* Indicates change or addition.

CODE	REMARKS	PER CAR	PLYMOUTH	DODGE	DESOTO	CHRYSLER	IMPERIAL
23-34-0 BODY PANELS Cont'd							
23-34-334	MEDALLION - Cont'd						
1959	4 D., Sp. 4 D., Sp. Cl. Cp., Cv. Cp., MC1, MC2	Right 1	----	----	----	1960 682	----
		Left 1	----	----	----	1960 683	----
	NUT	10	----	----	----	6006 264	----
1959	All, MC1, MC2	Shield 2	----	----	----	1961 111	----
	NUT, w/SEAL, except Sub.	4	----	----	----	6000 490	----
	CLIP, Sub. Only	4	----	----	----	6000 050	----
1959	All, MC1, MC2,	Lion, Rt. 1	----	----	----	1961 112	----
		Lt. 1	----	----	----	1961 113	----
	NUT, w/SEAL, except Sub.	6	----	----	----	6000 490	----
	CLIP, Sub. Only	6	----	----	----	6000 050	----
23-34-335	NUT, Quarter Panel or Roof Side Ornament Attaching						
1959	All except Sub., w/Quarter Panel Finish Mldgs., Quarter Panel Lower Ornament Attaching	14	----	6006 215	----	----	----
1959	4 D., Sp. 4 D., Sp. Cl. Cp., Cv. Cp., MS3-H, Quarter Panel Medallion to Base	6	----	----	6006 315	----	----
1959	Sp. Cl. Cp., Cv. Cp., MS3 Adventurer, Quarter Panel Medallion to Bezel	4	----	----	6006 406	----	----
	Medallion and Bezel	4	----	----	6006 215	----	----
1959	Sub., MS3, Roof Panel Side Ornament	4	----	----	6010 128	----	----
1959	Sp. Cl. Cp., Cv. Cp., MC3-300, Quarter Panel Medallion Base	4	----	----	----	6006 024	----
1959	4 D., Sp. 4 D., MY1-H	6	----	----	----	----	6000 490
	Medallion Base	6	----	----	----	----	6006 315
	Quarter Panel Medallion to Base	6	----	----	----	----	6006 315
23-34-339	BEZEL, Quarter Panel Medallion						
1959	Sp. Cl. Cp., Cv. Cp., MS3 Adventurer	2	----	----	1878 950	----	----
	NUT, w/SEAL	4	----	----	6006 215	----	----
23-34-340	BASE, Quarter Panel Medallion						
1959	Sp. Cl. Cp., Cv. Cp., MC3-300	2	----	----	----	1860 806	----
	NUT and WASHER	4	----	----	----	6006 024	----
1959	All MS3-H, MY1-H	2	----	----	1879 000	----	1960 446
	NUT, w/SEAL	6	----	----	6000 490	----	6000 490
23-34-341	CLIP, Quarter Panel or Roof Side Panel Ornament Attaching						
1959	4 D. Sub., MD2-500, MD3-500, Quarter Panel Medallion and 500 Attaching	4	----	6000 020	----	----	----
1959	Sp. 4D., Sp. Cl. Cp., MS1, MS2, w/Roof Mouldings, MS3, Roof Side Ornament	4	----	----	6000 050	----	----
1959	Sub., MC1, Quarter Panel Lion and Shield Ornament Attaching	10	----	----	----	6000 050	----
1959	All, MY1, Quarter Panel Tail Lamp Ring Medallion Attaching	8	----	----	----	----	6000 176
	RETAINER, Quarter Panel or Roof Side Panel Ornament Attaching						
1959	Sp. 4 D., Sp. Cl. Cp., Sub., MC3-H, Roof Panel Side Medallion Plate	4	----	----	----	1960 420	----
	NUT and SEAL, Quarter Panel or Roof Side Panel Ornament Attaching						
1959	Sp. Cl. Cp., Cv. Cp., MP2-P, Quarter Panel Medallion and Base	6	6000 490	----	----	----	----
1959	Sp. Cl. Cp., MP2-P, Roof Panel Louvre Ornament	4	6000 637	----	----	----	----
1959	All except Sub., MD2 Texan, MD3 Texan, Quarter Panel Texan Ornament	6	----	6000 490	----	----	----

★ Indicates use as required.

ⓔ Indicates parts not listed in any previous parts book.

* Indicates change or addition.

Printed in U.S.A.

Prices and specifications subject to change without notice.

1959 PASSENGER CAR PARTS LIST

BODY

CODE	REMARKS	PER CAR	PLYMOUTH	DODGE	DESOTO	CHRYSLER	IMPERIAL
23-34-O BODY PANELS - Cont'd							
23-34-341	CLIP - Cont'd						
1959	All except Sub., MD2-H500, MD3-H500, Quarter Panel Medallion and Numeral	4	----	6000 490	----	----	----
1959	All except Sub., MC1, MC2, Quarter Panel Lion and Shield Attaching	10	----	----	----	6000 490	----
23-34-342	WASHER, Roof Panel Outside Finish Ornament Sealing						
1959	Sp. 4 D., MP1-H, MP2-H	2	1547 427	----	----	----	----
23-34-345	BRACE, Wheelhouse Inner to Outer Panel						
1959	4 D.Sub., 2 Seater, 2 D.Sub. Right Side Only	1	1833 345	1833 345	1833 345	1833 345	----
1959	4 D.Sub. 3 Seater Right Side Only	1	----	----	1833 345	1833 345	----
23-36-O PILLAR							
23-36-5	PILLAR, Body Center						
1959	4 D.	Right	1	1697 164	1697 164	1697 164	1879 126
		Left	1	1697 165	1697 165	1697 165	1879 127
	Sp. 4 D.	Right	1	1705 958	1705 958	1705 958	⊠1879 112
		Left	1	1705 959	1705 959	1705 959	⊠1879 113
23-36-6	PANEL, Center Pillar Trim						
1959	4 D. Primed, Upper Right	1	1708 860	1708 860	1708 860	1708 860	----
		Left	1	1708 861	1708 861	1708 861	----
1959	4 D., 4 D.Sub. Lower	2	1867 896	1867 896	1867 896	1867 896	----
1959	4 D. Sub. Upper Right	1	1708 860	1708 860	1708 860	1708 860	----
		Left	1	1708 861	1708 861	1708 861	----
1959	4 D., MY1 Upper	2	----	----	----	----	1766 514
23-36-12	BRACE and PLATE, Center Pillar Inner						
1959	Sp. 4 D.	Right	1	1867 674	1867 674	1867 674	----
		Left	1	1867 675	1867 675	1867 675	----
23-36-14	PILLAR, Body Front Upper						
1959	4 D., Cl.Sed., 3 Cp., Sub.	Right	1	1683 310	1683 310	1683 310	----
		Left	1	1683 311	1683 311	1683 311	----
1959	Sp. 4 D., Sp. Cl. Cp.	Right	1	1776 550	1776 550	1776 550	----
		Left	1	1776 551	1776 551	1776 551	----
1959	Cv. Cp.,	Right	1	1694 294	1694 294	1694 294	----
		Left	1	1694 295	1694 295	1694 295	----
	EXTENSION, Front Pillar Upper						
1959	4 D.	Right	1	----	----	----	1651 144
		Left	1	----	----	----	1651 145
1959	Sp. 4 D., Sp. Cl. Cp.	Right	1	----	----	----	1690 786
		Left	1	----	----	----	1690 787
1959	Cv. Cp.	Right	1	----	----	----	1651 152
		Left	1	----	----	----	1651 153
23-36-18	PLUG, Pillar Automatic Switch Hole						
1959	All, w/o Automatic Switch	Front	2	1561 923	1561 923	1561 923	----
		Center	2	1561 923	1561 923	1561 923	----
	PLUG, Body Rear Pillar Lower Extension						
1959	Sub.	Left Only	1	1695 998	1695 998	1695 998	1695 998
23-36-20	EXTENSION, Body Center Pillar Outside						
1959	4 D., 4 D.Sub., MS1, MC1		2	1866 770	1866 770	1866 770	1866 770
23-36-21	COVER, Center Pillar Hinge						
1959	4 D., Sp. 4 D.		4	----	----	----	1751 793
23-36-29	FILLER, Body Center Pillar Bottom						
1959	Sp. 4 D.	Right	1	1705 628	1705 628	1705 628	----
		Left	1	1705 629	1705 629	1705 629	----
23-36-33	BRACKET, Front Pillar to Fender Support						
	Upper						
1959	All, MY1	Right	1	----	----	----	1751 154
		Left	1	----	----	----	1751 155

★ Indicates use as required.

⊠ Indicates parts not listed in any previous parts book.
Feb. 15, 1960 Supersedes May 25, 1959.

1959 PASSENGER CAR PARTS LIST

CODE	REMARKS	PER CAR	PLYMOUTH	DODGE	DESOTO	CHRYSLER	IMPERIAL
23-36-0 PILLAR Cont'd							
23-36-53	PILLAR, Body Lock, Rear 1959 4 D. Upper Right	1	1706 454	1706 454	1706 454	1706 454	1690 746
	Left	1	1706 455	1706 455	1706 455	1706 455	1690 747
1959	4 D. except MD2 Taxi Lower Right	1	1836 706	1681 878	1683 014	1683 014	1651 240
	Left	1	1836 707	1681 879	1683 015	1683 015	1651 241
1959	4 D. Taxi Lower Right	1	----	1697 500	----	----	----
	Left	1	----	1697 501	----	----	----
1959	Sp. 4 D. Lower Right	1	1836 708	1681 878	1683 014	1683 014	1651 240
	Left	1	1836 709	1681 879	1683 015	1683 015	1651 241
1959	Sp. Cl. Cp., Pillar Only, Right	1	1867 830	1867 830	1867 830	1867 830	1651 588
	Left	1	1867 831	1867 831	1867 831	1867 831	1651 589
1959	Sp. Cl. Cp., w/REINFORCEMENT, Right	1	1867 848	1867 848	1867 848	1867 848	----
	Left	1	1867 849	1867 849	1867 849	1867 849	----
1959	Cv. Cp., w/REINFORCEMENT, Right	1	1707 260	1707 260	1707 260	1707 260	----
	Left	1	1707 261	1707 261	1707 261	1707 261	----
1959	Cv. Cp. Pillar Only Right	1	1681 882	1681 882	1681 882	1681 882	1651 588
	Left	1	1681 883	1681 883	1681 883	1681 883	1651 589
1959	Cl. Sed., 3 Cp. Upper Right	1	1706 458	1706 458	----	----	----
	Left	1	1706 459	1706 459	----	----	----
1959	Cl. Sed., 3 Cp., 2 D. Sub. Lower Right	1	1681 882	1681 882	----	----	----
	Left	1	1681 883	1681 883	----	----	----
1959	2 D. Sub., w/REINFORCEMENT, Upper Right	1	1757 172	----	----	----	----
	Left	1	1757 173	----	----	----	----
1959	4 D. Sub., w/REINFORCEMENT, Upper Right	1	1757 154	1757 154	1757 154	1757 154	----
	Left	1	1757 155	1757 155	1757 155	1757 155	----
1959	4 D. Sub., Pillar Only, Upper Right	1	1695 210	1695 210	1695 210	1695 210	----
	Left	1	1695 211	1695 211	1695 211	1695 211	----
1959	4 D. Sub. Lower Right	1	1846 432	1705 644	1705 644	1705 644	----
	Left	1	1846 433	1705 645	1705 645	1705 645	----
23-36-57	BRACE, Body Rear Lock Pillar to Wheelhouse 1959 4 D. Sub. Right	1	1695 236	1695 236	1695 236	1695 236	----
	Left	1	1695 237	1695 237	1695 237	1695 237	----
1959	4 D. Right	1	----	1706 818	1706 818	1706 818	1750 656
	Left	1	----	1706 819	1706 819	1706 819	1750 657
1959	Sp. 4 D. Right	1	----	1708 228	1708 228	1708 228	----
	Left	1	----	1708 229	1708 229	1708 229	----
23-36-62	CLIP, Body Lock Pillar to Wheelhouse Brace 1959 4 D.	1	----	1302 783	1302 783	1302 783	----
23-36-66	REINFORCEMENT, Body Lock Pillar 1959 4 D. Upper Right	1	1706 456	1706 456	1706 456	1706 456	----
	Left	1	1706 457	1706 457	1706 457	1706 457	----
1959	Cl. Sed., 3 Cp. Upper Right	1	1706 460	1706 460	----	----	----
	Left	1	1706 461	1706 461	----	----	----
1959	2 D. Sub. Lower Right	1	1759 194	----	----	----	----
	Left	1	1759 195	----	----	----	----
1959	4 D. Rear Upper Right	1	----	----	----	----	1690 750
	Left	1	----	----	----	----	1690 751
1959	4 D., to Wheelhouse, Rear Lower Right	1	----	----	----	----	1690 744
	Left	1	----	----	----	----	1690 745
1959	Sp. Cl. Cp., Cv. Cp. Rear Right	1	----	----	----	----	*1690 440
	Left	1	----	----	----	----	*1690 441
23-36-118	PILLAR, Body Rear 1959 4 D. Sub., 2 D. Sub., MP1-L, MP1-M, MP2-L, MP2-M, MD3-L, MS1-L, in white, Upper Outer Right	1	1846 076	1846 076	1846 076	----	----
	Left	1	1846 077	1846 077	846 077	----	----
	SCREW, No. 8-15 x 1/2"	6	125 978	125 978	125 978	----	----

★ Indicates use as required.

☐ Indicates parts not listed in any previous parts book.

* Indicates change or addition.

Printed in U.S.A.

Prices and specifications subject to change without notice.

Feb. 15, 1960 Supersedes May 25, 1959.

1959 PASSENGER CAR PARTS LIST

BODY

CODE	REMARKS	PER CAR	PLYMOUTH	DODGE	DESOTO	CHRYSLER	IMPERIAL
23-36-0 PILLAR Cont'd							
23-36-118	PILLAR - Cont'd						
1959	4 D. Sub., MP1-H, MP2-H, MD3-H, Stainless S., Upper Outer Right	1	1846 078	1846 078	----	----	----
	Left	1	1846 079	1846 079	----	----	----
1959	4 D. Sub., MS3, MC1, MC3, UP TO, Note 1, Upper Outer Right	1	----	----	1869 542	1869 542	----
	Left	1	----	----	1869 543	1869 543	----
1959	4 D. Sub., MS3, MC1, MC3, AFTER, Note 1, Upper Outer Right	1	----	----	1846 078	1846 078	----
	Left	1	----	----	1846 079	1846 079	----
	SCREW	6	125 978	125 978	6000 471	6000 471	----
1959	Sub., w/REINFORCEMENT and CHANNEL Rear Right	1	1775 222	1775 222	1775 222	1775 222	----
	Left	1	1775 223	1775 223	1775 223	1775 223	----
23-36-119	EXTENSION, Body Rear Pillar Lower						
1959	4 D. Sub., 2 D. Sub. Right	1	1706 620	1706 620	1706 620	1706 620	----
	Left	1	1706 621	1706 621	1706 621	1706 621	----
23-36-120	PILLAR, Quarter Inside Panel						
1959	Cv. Cp., Upper w/SUPPORT and BRACKET Right	1	1755 456	1755 456	1758 909	1758 909	----
	Left	1	1755 457	1755 457	1758 910	1758 910	----
1959	Cv. Cp. Lower Right	1	1695 216	1705 288	1705 290	1705 290	----
	Left	1	1695 217	1705 289	1705 291	1705 291	----
1959	PILLAR, Body Quarter Upper 2 D. Sub., Between Quarter Windows Inner and Outer Right	1	1776 952	----	----	----	----
	Left	1	1776 953	----	----	----	----
23-36-125	REINFORCEMENT, Body Rear Lower Pillar						
1959	Sub. Right	1	1695 238	1695 238	1695 238	1695 238	----
	Left	1	1695 239	1695 239	1695 239	1695 239	----
23-36-126	BRACE, Body Rear Lower Pillar to Wheelhouse						
1959	Sub. Right	1	1707 676	1707 676	1707 676	1707 676	----
	Left	1	1707 677	1707 677	1707 677	1707 677	----

NOTE 1: Model MS 2 Seater MS 3 Seater MC1 2 Seater MC1 3 Seater MC3 2 Seater MC3 3 Seater
 Ser. No. 100275 100624 100653 100595 100635 100561

NOTES

1959 PASSENGER CAR PARTS LIST

CODE	REMARKS	PER CAR	PLYMOUTH	DODGE	DESOTO	CHRYSLER	IMPERIAL
23-39-0 WINDOW LIFT (MANUAL)							
NOTE: For Tailgate Window Lift see 23-54-0							
23-39-2	SPRING, Door Manual Window Regulator						
1959	4 D., 4 D. Sub. Front	2	1249 495	1249 495	1249 495	1249 495	1250 337
	Rear	2	1256 337	1256 337	1256 337	1256 337	----
1959	Sp. 4 D. Front	2	1256 337	1256 337	1256 337	1256 337	1256 337
	Rear	2	1706 475	1706 475	1706 475	1706 475	----
1959	Sp. Cl. Cp., Cv. Cp., Cl. Sed., 3 Cp., 2 D. Sub.	2	1256 337	1256 337	1256 337	1256 337	----
23-39-5	REGULATOR or PLATE and ARM, Door Manual Window						
1959	4 D., 4 D. Sub. Front Right	1	1697 414	1697 414	----	----	1692 150
	Left	1	1697 415	1697 415	----	----	1810 271
	Rear Right	1	1697 422	1697 422	1697 422	1697 422	1750 422
	Left	1	1697 423	1697 423	1697 423	1697 423	1750 423
	Except FireSweep, Windsor, Front Right	1	----	----	1707 270	1707 270	----
	Left	1	----	----	1707 271	1707 271	----
	FireSweep, Windsor Front Right	1	----	----	1697 414	1697 414	----
	Left	1	----	----	1697 415	1697 415	----
1959	Sp. 4 D. Front Right	1	1707 414	1707 414	1707 714	1707 414	1692 150
	Left	1	1707 415	1707 415	1707 415	1707 415	1810 271
	Rear Right	1	1697 426	1697 426	1697 426	1697 426	----
	Left	1	1697 427	1697 427	1697 427	1697 427	----
1959	Sp. Cl. Cp., Cv. Cp. Right	1	1708 252	1708 252	1708 252	1708 252	1750 452
	Left	1	1708 253	1708 253	1708 253	1708 253	1810 272
1959	Cl. Sed., 3 Cp., 2 D. Sub. Right	1	1707 052	1707 052	----	----	----
	Left	1	1707 053	1707 053	----	----	----
23-39-6	SCREW and WASHER, Door Window Regulator Attaching						
1959	All 7/16" Long	★	6000 291	6000 291	6000 291	6000 291	6000 291
	5/8" Long	★	6000 704	6000 704	6000 704	6000 704	----
23-39-11	BOLT, Manual Window Regulator Arm and Link to Door Pivot						
1959	As Req'd.	★	6000 172	6000 172	6000 172	6000 172	6000 239
23-39-12	WASHER, Window Regulator Arm and Link or Pivot to Door						
1959	As Req'd. 7/8" O.D. x 33/64" I.D., Dished	★	6000 165	6000 165	6000 165	6000 165	6000 165
	1" O.D. x 3/8" I.D., Dished	★	*6013 067	*6013 067	*6013 067	*6013 067	*6013 067
	1" O.D., Oblong Hole	★	*6000 117	*6000 117	*6000 117	*6000 117	*6000 117
	WASHER, Window Regulator Arm Stud to Glass Lower Channel						
1959	4 D., 4 D. Sub. Leather	4	6000 141	6000 141	6000 141	6000 141	----
23-39-15	STOP, Rear Door Manual Window Regulator Pivot Arm						
1959	Sp. 4 D.	2	----	----	----	----	1751 732
23-39-18	ARM and PIVOT or LINK, Door Manual Window Regulator						
1959	4 D., Sp. 4 D. Front Right	1	----	----	----	----	1692 154
	Left	1	----	----	----	----	1692 155
	Rear Right	1	----	----	----	----	1750 426
	Left	1	----	----	----	----	1750 427
1959	Sp. 4D. Front Right	1	1707 370	1707 370	1707 370	1707 370	----
	Left	1	1707 371	1707 371	1707 371	1707 371	----
1959	Sp. Cl. Cp., Cv. Cp. Right	1	1707 370	1707 370	1707 370	1707 370	1750 406
	Left	1	1707 371	1707 371	1707 371	1707 371	1750 467
1959	Cl. Sed., 3 Cp., 2 D. Sub. Right	1	1592 804	1592 804	----	----	----
	Left	1	1592 805	1592 805	----	----	----
23-39-33	STUD, Window Regulator Arm Glass Lower Channel Roller						
1959	All	8	----	----	----	----	1691 100

★ Indicates use as required.

□ Indicates parts not listed in any previous parts book.

* Indicates change or addition.

Printed in U.S.A.

Prices and specifications subject to change without notice.

March 20, 1959 Supersedes Jan. 12, 1959.

1959 PASSENGER CAR PARTS LIST

BODY

CODE	REMARKS	PER CAR	PLYMOUTH	DODGE	DESOTO	CHRYSLER	IMPERIAL	
23-39-O WINDOW LIFT (MANUAL) CONT'D								
23-39-34	REGULATOR, Quarter Manual Window 1959 Sp. Cl. Cp.	Right	1	1697 402	1697 402	1697 406	1697 406	1651 416
		Left	1	1697 403	1697 403	1697 407	1697 407	1651 417
	1959 Cv. Cp.	Right	1	1697 406	1697 406	1697 406	1697 406	----
		Left	1	1697 407	1697 407	1697 407	1697 407	----
	1959 Cl. Sed.	Right	1	1697 422	1697 422	----	----	----
		Left	1	1697 423	1697 423	----	----	----
23-39-36	SCREW and WASHER, Quarter Window Regulator Attaching		8	6000 210	6000 291	6000 291	6000 291	6000 291
23-39-40	1959 Sp. Cl. Cp., Cv. Cp., Cl. Sed. WASHER, Window Regulator Arm Stud Glass Lower Channel Roller Anti-Rattle		8	----	----	----	----	⊠2093 129
23-39-41	1959 All SLEEVE, Window Regulator Arm Stud Glass Lower Channel Roller Anti-Rattle		8	----	----	----	----	⊠2093 130
23-39-42	1959 All SPRING, Window Regulator Arm Stud Glass Lower Channel Roller Anti-Rattle		8	----	----	----	----	⊠2093 131
23-39-44	1959 Sp. Cl. Cp. SPRING, Quarter Manual Window Regulator		2	1256 337	1256 337	1706 475	1706 475	----
	1959 Cv. Cp.		2	1706 475	1706 475	1706 475	1706 475	----
23-39-45	ROLLER, Window Regulator Arm Stud Glass Lower Channel, Plastic		8	----	----	----	----	1690 937
23-39-47	1959 All ARM and LINK, Quarter Manual Window Regulator		1	----	----	----	----	1691 966
	1959 Sp. Cl. Cp.	Right	1	----	----	----	----	1691 967
		Left	1	----	----	----	----	1691 967
23-39-53	1959 All RETAINER, Window Regulator Arm Stud		★	6000 305	6000 305	6000 305	6000 305	6000 305
23-40-O ROOF RAIL AND LUGGAGE RACK								
23-40-85	RAIL, Roof Side							
	1959 4 D.	Front Right	1	1681 790	1681 790	1681 790	1681 790	----
		Left	1	1681 791	1681 791	1681 791	1681 791	----
		Rear Right	1	1755 980	1755 980	1755 980	1755 980	----
		Left	1	1755 981	1755 981	1755 981	1755 981	----
	Includes Drain TROUGH, Outer	Right	1	----	----	----	----	*1651 110
		Left	1	----	----	----	----	1651 111
		Inner Right	1	----	----	----	----	1810 198
		Left	1	----	----	----	----	1810 199
	1959 Sp. 4 D.	Right	1	1833 374	1833 374	1833 374	1833 374	----
		Left	1	1833 375	1833 375	1833 375	1833 375	----
	Includes Drain TROUGH,							
	Front Outer	Right	1	----	----	----	----	*1651 114
		Left	1	----	----	----	----	1651 115
	Rear Outer	Right	1	----	----	----	----	1690 784
		Left	1	----	----	----	----	1690 785
	Front Inner	Right	1	----	----	----	----	1690 782
		Left	1	----	----	----	----	1690 783
	Rear Inner	Right	1	----	----	----	----	1651 106
		Left	1	----	----	----	----	1651 107
	1959 Sp. Cl. Cp.	Right	1	1833 370	1833 370	1833 372	1833 372	----
		Left	1	1833 371	1833 371	1833 373	1833 373	----
	Includes Drain TROUGH,							
	Front Outer	Right	1	----	----	----	----	*1651 116
		Left	1	----	----	----	----	1651 117
	Rear Outer	Right	1	----	----	----	----	1690 352
		Left	1	----	----	----	----	1690 353
	Front Inner	Right	1	----	----	----	----	1651 644
		Left	1	----	----	----	----	1651 645
	1959 Cl. Sed., 3 Cp.	Right	1	1681 794	1681 794	----	----	----
		Left	1	1681 795	1681 795	----	----	----

★ Indicates use as required.

⊠ Indicates parts not listed in any previous parts book.

March 20, 1959 Supersedes Jan. 12, 1959.

Page 23-60

Printed in U.S.A.
Prices and specifications subject to change without notice.

* Indicates change or addition.

1959 PASSENGER CAR PARTS LIST

CODE	REMARKS	PER CAR	PLYMOUTH	DODGE	DESOTO	CHRYSLER	IMPERIAL
23-40-0 ROOF RAIL AND LUGGAGE RACK CONT'D							
23-40-85	RAIL - Cont'd						
1959	4D. Sub. except FireSweep	Right	1 1708 238	1708 238	1758 792	1758 792	----
		Left	1 1708 239	1708 239	1758 793	1758 793	----
	Firesweep	Right	1 ----	----	1708 238	----	----
		Left	1 ----	----	1708 239	----	----
NOTE: 1708 238-9 and 1758 792-3 assemblies include side front and side rear rails listed below.							
1959	4 D. Sub.	Front Right	1 1695 634	1695 634	1695 634	1695 634	----
		Left	1 1695 635	1695 635	1695 635	1695 635	----
1959	2 D. Sub.	Front Right	1 1695 636	1695 636	----	----	----
		Left	1 1695 637	1695 637	----	----	----
1959	Sub.	Rear Right	1 1708 882	1708 882	1708 882	1708 882	----
		Left	1 1708 883	1708 883	1708 883	1708 883	----
	RAIL, Roof Rear						
1959	Sub.		1 1681 800	1681 800	1681 800	1681 800	----
23-40-86	REINFORCEMENT, Roof Side Rail to Rear Window Frame						
1959	4 D.	Right	1 ----	----	----	----	1750 680
		Left	1 ----	----	----	----	1750 681
	REINFORCEMENT, Roof Side Inner Rail Rear						
1959	4 D.	Right	1 ----	----	----	----	1751 888
		Left	1 ----	----	----	----	1751 889
23-40-90	FILLER, Roof Side Rail to Rear Window Upper Frame						
1959	4 D.	Right	1 ----	----	----	----	1751 802
		Left	1 ----	----	----	----	1751 803
23-40-92	EXTENSION, Roof Side Inner Rail Rear						
1959	4 D.	Right	1 ----	----	----	----	1751 800
		Left	1 ----	----	----	----	1751 801
	Sp. Cl. Cp. to Wheelhouse,	Right	1 ----	----	----	----	1810 058
		Left	1 ----	----	----	----	1810 059
23-40-96	SUPPORT, Roof Side Rail to Wheelhouse Brace						
1959	4 D.	Right	1 ----	----	----	----	1750 928
		Left	1 ----	----	----	----	1750 929
23-40-97	BRACE, Roof Side Rail to Wheelhouse						
1959	4 D.	Inner	2 ----	----	----	----	1750 958
		Outer Right	1 ----	----	----	----	1750 966
		Left	1 ----	----	----	----	1750 967
	Sp. Cl. Cp.	Right	1 1775 722	----	----	----	----
		Left	1 1775 723	----	----	----	----
23-40-160	RAIL, Roof Luggage Rack						
1959	Sub.	Side	4 1774 074	1774 074	1774 074	1774 074	----
		End	2 1774 075	1774 075	1774 075	1774 075	----
23-40-170	BRACKET, Roof Luggage Rack Rail						
1959	Sub.	End	4 1682 770	1682 770	1682 770	1682 770	----
		Center	2 1682 771	1682 771	1682 771	1682 771	----
23-40-171	SCREW, Roof Luggage Rack Rail Bracket to Roof Panel						
1959	Sub.		12 6000 318	6000 318	6000 318	6000 318	----
23-40-173	PAD, Roof Luggage Rack Rail Bracket to Roof Panel						
1959	Sub.		6 1682 778	1682 778	1682 778	1682 778	----
23-40-177	CAP, Roof Luggage Rack Rail Bracket End						
1959	Sub.	Front	2 1682 777	1682 777	1682 777	1682 777	----
		Rear	2 1682 773	1682 773	1682 776	1682 776	----
23-40-185	CHANNEL, Roof Luggage Rack						
1959	Sub.		3 1775 076	1775 076	1775 076	1775 076	----
23-40-187	PAD, Roof Luggage Rack Channel to Roof Panel						
1959	Sub.		3 1775 077	1775 077	1775 077	1775 077	----
23-40-190	SKID STRIP, Roof Luggage Rack						
1959	Sub.		3 1775 075	1775 075	1775 075	1775 075	----
23-40-194	SUPPORT, Roof Luggage Rack Skid Strip to Roof Panel						
1959	Sub.		24 *1697 627	*1697 627	*1697 627	*1697 627	----

★ Indicates use as required.

□ Indicates parts not listed in any previous parts book.

* Indicates change or addition.

Printed in U.S.A.

Prices and specifications subject to change without notice.

March 20, 1959 Supersedes Jan. 12, 1959.

1959 PASSENGER CAR PARTS LIST

BODY

CODE	REMARKS	PER CAR	PLYMOUTH	DODGE	DESOTO	CHRYSLER	IMPERIAL
------	---------	---------	----------	-------	--------	----------	----------

23-41-0 WINDOW LIFT (ELECTRIC)

NOTE: See Electric Window Lift Assemblies in Body Group Illustrations section to identify by type of motor mounting before specifying when parts are listed according to assembly type of which they are components. For Tailgate Window Lift see 23-54-0.

23-41-4	REGULATOR or PLATE and ARM, Electric Window (used in Auto Lite Assembly Type 2)						
1959	4 D., 4 D.Sub. Right	2	*1810 764	*1810 764	*1810 764	*1810 764	----
	Left	2	*1810 765	*1810 765	*1810 765	*1810 765	----
1959	Sp. 4 D. Front Right	1	1810 765	1810 765	1810 765	1810 765	----
	Left	1	1810 764	1810 764	1810 764	1810 764	----
	Rear Right	1	1810 898	1810 898	1810 898	1810 898	----
	Left	1	1810 899	1810 899	1810 899	1810 899	----
1959	Sp. Cl. Cp., Cv. Cp., Cl. Sed. Door, Right	1	1810 765	1810 765	1810 765	1810 765	----
	Left	1	1810 764	1810 764	1810 764	1810 764	----
1959	Sp. Cl. Cp. Quarter, Right	1	1810 906	1810 906	1810 892	1810 892	----
	Left	1	1810 907	1810 907	1810 893	1810 893	----
1959	Cv. Cp. Quarter, Right	1	1810 892	1810 892	1810 892	1810 892	----
	Left	1	1810 893	1810 893	1810 893	1810 893	----
1959	Cl. Sed. Quarter, Right	1	1810 764	1810 764	----	----	----
	Left	1	1810 765	1810 765	----	----	----
	REGULATOR or PLATE and ARM, Electric Window (used in Dura Type Assembly)						
1959	4 D., 4 D. Sub. Right	2	1879 228	1879 228	1879 228	1879 228	----
	Left	2	1879 229	1879 229	1879 229	1879 229	----
1959	Sp. 4 D. Front Right	1	1879 229	1879 229	1879 229	1879 229	----
	Left	1	1879 228	1879 228	1879 228	1879 228	----
	Rear Right	1	1860 804	1860 804	1860 804	1860 804	----
	Left	1	1860 805	1860 805	1860 805	1860 805	----
1959	Sp. Cl. Cp., Cv. Cp., Cl. Sed. Door, Right	1	1879 229	1879 229	1879 229	1879 229	----
	Left	1	1879 228	1879 228	1879 228	1879 228	----
1959	Sp. Cl. Cp. Quarter, Right	1	1860 782	1860 782	1860 780	1860 780	----
	Left	1	1860 783	1860 783	1860 781	1860 781	----
1959	Cv. Cp. Quarter, Right	1	1860 780	1860 780	1860 780	1860 780	----
	Left	1	1860 781	1860 781	1860 781	1860 781	----
1959	Cl. Sed. Quarter, Right	1	1879 228	1879 228	----	----	----
	Left	1	1879 229	1879 229	----	----	----
	REGULATOR or PLATE and ARM, Electric Window (used in Auto Lite Assembly Type 3)						
1959	4 D., Sp. 4 D. Front Right	1	----	----	----	----	1860 966
	Left	1	----	----	----	----	1860 967
	Rear Right	1	----	----	----	----	1860 962
	Left	1	----	----	----	----	1860 963
1959	Sp. Cl. Cp., Cv. Cp. Door, Right	1	----	----	----	----	1860 963
	Left	1	----	----	----	----	1860 962
	REGULATOR or PLATE and ARM, Electric Window (used in Auto Lite Assembly Type 4)						
1959	4 D., Sp. 4 D. Front Right	1	----	----	----	----	1753 238
	Left	1	----	----	----	----	1753 239
	Rear Right	1	----	----	----	----	1753 240
	Left	1	----	----	----	----	1753 241
1959	Sp. Cl. Cp., Cv. Cp. Door, Right	1	----	----	----	----	1753 241
	Left	1	----	----	----	----	1753 240
	REGULATOR or PLATE and ARM, Electric Window (used in Hupp or Auto Lite Type 1)						
1959	Sp. Cl. Cp., Cv. Cp. Quarter, Right	1	----	----	----	----	1753 706
	Left	1	----	----	----	----	1753 707

★ Indicates use as required.

☐ Indicates parts not listed in any previous parts book.

May 25, 1959 Supersedes March 20, 1959.

Prices and specifications subject to change without notice.

* Indicates change or addition.

Printed in U.S.A.

CODE	REMARKS	PER CAR	PLYMOUTH	DODGE	DESOTO	CHRYSLER	IMPERIAL
------	---------	---------	----------	-------	--------	----------	----------

23-41-0 WINDOW LIFT (ELECTRIC) CONT'D

23-41-5	BUS BAR, Electric Window Lift Circuit Breaker 1959 All	1	1498 776	1498 776	1498 776	1498 776	1498 776
23-41-7	SPRING, Electric Window Regulator 1959 All Auto Lite or Hupp	4	1440 596	1440 596	1440 596	1440 596	1440 596
23-41-11	CIRCUIT BREAKER, Electric Window Lift 1959 All 30 Amp.	1	1689 022	1689 022	1689 022	1689 022	1689 022
	20 Amp.	1	----	----	----	----	1566 038
23-41-12	CLIP, Electric Window Lift Circuit Breaker Mounting 1959 All	1	6015 159	6015 159	6015 159	6015 159	----
	BRACKET, Electric Window Lift Circuit Breaker Mounting 1959 All	1	----	----	----	----	1479 060
23-41-33	MECHANISM, Electric Window Lift (used in Auto Lite Assembly Type 2)						
	1959 4 D., 4 D. Sub. Right	2	1810 786	1810 786	1810 786	1810 786	----
	Left	2	1810 787	1810 787	1810 787	1810 787	----
	1959 Sp. 4 D. Front Right	1	1810 787	1810 787	1810 787	1810 787	----
	Left	1	1810 786	1810 786	1810 786	1810 786	----
	Rear Right	1	1810 786	1810 786	1810 786	1810 786	----
	Left	1	1810 787	1810 787	1810 787	1810 787	----
	1959 Sp. Cl. Cp., Cv. Cp. Right	2	1810 787	1810 787	1810 787	1810 787	----
	Left	2	1810 786	1810 786	1810 786	1810 786	----
	1959 Cl. Sed. Door, Right	1	1810 787	1810 787	----	----	----
	Left	1	1810 786	1810 786	----	----	----
	Quarter, Right	1	1810 786	1810 786	----	----	----
	Left	1	1810 787	1810 787	----	----	----
	MECHANISM, Electric Window Lift (used in Auto Lite Assembly Type 3)						
	1959 4 D., Sp. 4 D. Right	2	----	----	----	----	1860 942
	Left	2	----	----	----	----	1860 943
	1959 Sp. Cl. Cp., Cv. Cp. Door, Right	1	----	----	----	----	1860 943
	Left	1	----	----	----	----	1860 942
	MECHANISM, Electric Window Lift (used in Auto Lite Assembly Type 4)						
	1959 4 D., Sp. 4 D. Right	2	----	----	----	----	1753 350
	Left	2	----	----	----	----	1753 351
	1959 Sp. Cl. Cp., Cv. Cp. Door, Right	1	----	----	----	----	1753 351
	Left	1	----	----	----	----	1753 350
	MECHANISM, Electric Window Lift (used in Hupp or Auto Lite Assembly Type 1)						
	All Door	★	----	----	----	----	Ⓜ2093 512
	1959 Sp. Cl. Cp., Cv. Cp. Quarter, Right	1	----	----	----	----	1819 169
	Left	1	----	----	----	----	1819 168
23-41-53	BRACKET, Quarter Electric Window Regulator Mounting 1959 Sp. Cl. Cp.	2	1755 850	1755 850	----	----	----
23-41-55	WIRING, Electric Window Lift 1959 All	1	1842 202	1842 202	----	1842 202	----
	1959 4 D., Sub.	1	----	----	1886 667	----	----
	1959 Sp. 4 D.	1	----	----	1886 668	----	----
	1959 Sp. Cl. Cp., Cv. Cp.	1	----	----	1886 669	----	----
	1959 All w/o Electric Door Locks	1	----	----	----	----	1842 202
	1959 4 D. w/Electric Door Locks	1	----	----	----	----	1885 688
	1959 Sp. 4 D. w/Electric Door Locks	1	----	----	----	----	1885 687
	1959 Sp. Cl. Cp., Cv. Cp., w/Electric Door Locks	1	----	----	----	----	1885 689
23-41-56	TERMINAL BLOCK, Quarter Electric Window Lift 1959 Sp. Cl. Cp., Cv. Cp.	2	----	----	----	----	913 297
23-41-62	WASHER, Electric Window Regulator Arm Stud to Glass Lower Channel, Leather 1959 All	★	6000 141	6000 141	6000 141	6000 141	----

★ Indicates use as required.

Ⓜ Indicates parts not listed in any previous parts book.

* Indicates change or addition.

1959 PASSENGER CAR PARTS LIST

BODY

CODE	REMARKS	PER CAR	PLYMOUTH	DODGE	DESOTO	CHRYSLER	IMPERIAL
23-41-0 WINDOW LIFT (ELECTRIC) CONT'D							
23-41-94	RETAINER, Electric Window Regulator Arm Stud to Glass Lower Channel 1959 All	8	6000 305	6000 305	6000 305	6000 305	---- --
23-41-106	MOTOR, Electric Window Lift (Auto Lite) (used in Assembly Type 2)						
1959	4 D., Cv.Cp., Cl.Sed., 4 D. Sub.	4	1810 758	1810 758	1810 758	1810 758	---- --
1959	Sp. 4 D. Front	2	1810 758	1810 758	1810 758	1810 758	---- --
	Rear	2	1810 759	1810 759	1810 759	1810 759	---- --
1959	Sp. Cl. Cp. Door	2	1810 758	1810 758	1810 758	1810 758	---- --
	Quarter	2	1810 759	1810 759	1810 758	1810 758	---- --
	MOTOR, Electric Window Lift (Delco) (used in Dura Type Assembly)						
1959	4 D., Cv.Cp., Cl.Sed., 4 D. Sub.	4	1810 640	1810 640	1810 640	1810 640	---- --
1959	Sp. 4 D. Front	2	1810 640	1810 640	1810 640	1810 640	---- --
	Rear	2	1810 682	1810 682	1810 682	1810 682	---- --
1959	Sp. Cl. Cp. Door	2	1810 640	1810 640	1810 640	1810 640	---- --
	Quarter	2	1810 682	1810 682	1810 640	1810 640	---- --
	MOTOR, Electric Window Lift (used in Auto Lite Assembly Type 3)						
1959	4 D.	4	----	----	----	----	1810 758
1959	Sp. 4 D. Front	2	----	----	----	----	1810 758
	Rear	2	----	----	----	----	1810 759
1959	Sp. Cl. Cp., Cv. Cp. Door	2	----	----	----	----	1810 758
	MOTOR, Electric Window Lift (used in Auto Lite Assembly Type 4)						
1959	4 D.	4	----	----	----	----	1753 856
1959	Sp. 4 D. Front	2	----	----	----	----	1753 856
	Rear	2	----	----	----	----	1753 870
1959	Sp. Cl. Cp., Cv. Cp. Door	2	----	----	----	----	1753 856
	MOTOR, Electric Window Lift (used in Hupp or Auto Lite Assembly Type 1)						
1959	All Door and Quarter	★	----	----	----	----	*1642 434
23-41-108	WASHER, Electric Window Lift Motor Armature Drive End Thrust						
1959	All w/Auto Lite Motors, 1/64" thick	★	1436 565	1436 565	1436 565	1436 565	1436 565
	1/32" thick	★	1436 566	1436 566	1436 566	1436 566	1436 566
	.023" thick	★	1436 567	1436 567	1436 567	1436 567	1436 567
23-41-115	ARMATURE, Electric Window Lift Motor						
1959	All w/Auto Lite Motors, Motors EPJ-4003, 4004, 4005, 4008	★	1752 640	1752 640	1752 640	1752 640	1752 640
	Motor EPZ-4003	★	1752 642	1752 642	1752 642	1752 642	1752 642
	Motors EPJ-4102, 4103	★	----	----	----	----	1818 870
	Motors EPZ-4101, 4102	★	----	----	----	----	1818 863
23-41-120	BRUSH and SPRING PACKAGE, Electric Window Lift Motor						
1959	All w/Auto Lite Motors	★	1688 692	1688 692	1688 692	1688 692	1688 692
	w/Delco Motors	★	1860 771	1860 771	1860 771	1860 771	---- --
	w/Hupp Motors	★	----	----	----	----	1860 778
23-41-121	HOLDER and CIRCUIT BREAKER, Electric Window Lift Motor Brush						
1959	All w/Hupp Motors	★	----	----	----	----	1860 777
23-41-126	BUMPER, Electric Window Lift Motor to Door Panel						
1959	All	★	----	----	----	----	1860 619
23-41-128	GROMMET, Electric Window Lift Motor Mounting						
1959	Sp. Cl. Cp., Cv. Cp. Quarter	4	----	----	----	----	1383 351
23-41-129	SCREW and WASHER, Electric Window Regulator Mounting						
1959	All	16	6000 291	6000 291	6000 291	6000 291	---- --
	SCREW and WASHER, Electric Window Lift Motor Mounting Strap						
1959	All w/Auto Lite Motors	4	6006 249	6006 249	6006 249	6006 249	6006 249

★ Indicates use as required.

⊠ Indicates parts not listed in any previous parts book.
Feb. 15, 1960 Supersedes May 25, 1959.

Printed in U.S.A.

CODE	REMARKS	PER CAR	PLYMOUTH	DODGE	DESOTO	CHRYSLER	IMPERIAL
23-41-0 WINDOW LIFT (ELECTRIC) CONT'D							
23-41-130	LOCKWASHER, Electric Window Regulator Mounting 1959 All LOCKWASHER, Electric Window Lift Motor Mounting 1959 Sp. Cl. Cp., Cv. Cp. Quarter	16 8	6013 031	6013 031	6013 031	6013 031	6013 031 6006 065
23-41-138	COUPLING and Drive CABLE, Electric Window Lift Motor to Mechanism (used in Dura Type Assembly) 1959 All SHAFT, Electric Window Lift Motor to Mechanism (used in Hupp or Auto Lite Assembly Types 1, 2 and 3) 1959 4 D., Cv. Cp., Cl. Sed., 4 D. Sub. 1959 Sp. 4 D. Front Rear 1959 Sp. Cl. Cp. Door Quarter SHAFT, Electric Window Lift Motor to Mechanism (used in Auto Lite Type 4) 1959 4 D., Sp. 4 D.	4 4 2 2 2 2 4	1810 641	1810 641	1810 641	1810 641	---- -- *1627 108 *1627 108 *1627 108 *1627 108 *1627 108 *1627 108 *1627 108 *1688 919 *1688 919 *1688 919 *1688 919 *1688 919 *1688 919 *1688 919 *1627 108 *1627 108 *1627 108 *1627 108 *1627 108 *1627 108 *1627 108 *1688 919 *1688 919 *1627 108 *1627 108 *1627 108 *1627 108 *1627 108 ---- -- *1753 285
23-41-139	SHIELD, Electric Window Lift Motor Drive Shaft Insulating 1959 All Plastic	4	*1689 167	*1689 167	*1689 167	*1689 167	*1689 167
23-41-140	HEAD, Electric Window Lift Motor Commutator End 1959 All w/Auto Lite Motors, Motor EPZ-4003 Motor EPJ-4008 Motors EPJ-4003, 4004, 4005 Motors EPJ-4102, 4103 Motors EPZ-4101, 4102	★ ★ ★ ★ ★	1879 264 1879 262 ---- -- ---- -- ---- --	1879 264 1879 262 ---- -- ---- -- ---- --	1879 264 1879 262 ---- -- ---- -- ---- --	1879 264 1879 262 ---- -- ---- -- ---- --	1879 264 1879 262 *1752 637 *1818 871 *1818 862
23-41-142	COIL, Electric Window Lift Motor Field 1959 All w/Auto Lite Motors, Motors EPZ-4003, 4101 Motors EPJ-4005, 4008, 4102 Motor EPJ-4003	★ ★ ★	*1818 864 *1818 869 ---- --	*1818 864 *1818 869 ---- --	*1818 864 *1818 869 ---- --	*1818 864 *1818 869 ---- --	*1818 864 *1818 869 1752 689
23-41-167	CONDUIT, Body Front Pillar to Door Wiring 1959 All CONDUIT, Body Center Pillar to Rear Door Wiring 1959 4 D., Sp. 4 D., 4 D. Sub. Right Left	2 1 1	---- -- 1769 492 1769 491	---- -- 1769 492 1769 491	---- -- 1769 492 1769 491	---- -- 1769 492 1769 491	1886 950 ---- -- ---- --
23-41-170	SWITCH, Electric Window Lift 1959 All Single, Includes BEZEL Less Bezel 4 Gang, Includes BEZEL Less Bezel	3 3 1 1	1770 503 1770 509 1770 507 1770 513	1770 503 1770 509 1770 507 1770 513	1770 503 1770 509 1770 507 1770 513	1770 503 1770 509 1770 507 1770 513	1770 503 1770 509 1770 507 1770 513
23-41-174	SPRING or CLIP, Electric Window Lift Switch Retaining 1959 All	16	1769 327	1769 327	1769 327	1769 327	1769 327
23-41-250	ROLLER, Electric Window Regulator Arm Stud Glass Lower Channel, Plastic 1959 All	8	---- --	---- --	---- --	---- --	1690 937
23-41-255	BRACKET, Electric Window Regulator Arm Pivot 1959 4 D., 4 D. Sub. 1959 Cl. Sed. Quarter	4 2	1706 892 1706 892	1706 892 1706 892	1706 892 ---- --	1706 892 ---- --	---- -- ---- --
23-41-256	STUD, Electric Window Regulator Arm Glass Lower Channel Roller 1959 All	8	---- --	---- --	---- --	---- --	1691 100
23-41-259	WASHER, Electric Window Regulator Arm Stud Glass Lower Channel Roller Anti-Rattle 1959 All	8	---- --	---- --	---- --	---- --	Ⓜ2093 129

★ Indicates use as required.

Ⓜ Indicates parts not listed in any previous parts book.

* Indicates change or addition.

1959 PASSENGER CAR PARTS LIST

BODY

CODE	REMARKS	PER CAR	PLYMOUTH	DODGE	DESOTO	CHRYSLER	IMPERIAL
23-41-O WINDOW LIFT (ELECTRIC) CONT'D							
23-41-260	SLEEVE, Electric Window Regulator Arm Stud Glass Lower Channel Roller Anti-Rattle 1959 All	8	-----	-----	-----	-----	E2093 130
23-41-261	SPRING, Electric Window Regulator Arm Stud Glass Lower Channel Roller Anti-Rattle 1959 All	8	-----	-----	-----	-----	E2093 131
23-41-265	SCREW and WASHER, Electric Window Lift Mechanism Mounting 1959 All	★	-----	-----	-----	-----	6006 249
23-41-270	HOUSING, Electric Window Lift Mechanism (used in Dura Type Assembly) 1959 4 D., 4 D.Sub.						
	Right	2	1810 647	1810 647	1810 647	1810 647	-----
	Left	2	1810 646	1810 646	1810 646	1810 646	-----
	1959 Sp. 4 D. Front Right	1	1810 646	1810 646	1810 646	1810 646	-----
	Left	1	1810 647	1810 647	1810 647	1810 647	-----
	Rear Right	1	1810 647	1810 647	1810 647	1810 647	-----
	Left	1	1810 646	1810 646	1810 646	1810 646	-----
	1959 Sp. Cl. Cp., Cv. Cp. Right	2	1810 646	1810 646	1810 646	1810 646	-----
	Left	2	1810 647	1810 647	1810 647	1810 647	-----
	1959 Cl. Sed. Door, Right	1	1810 646	1810 646	-----	-----	-----
	Left	1	1810 647	1810 647	-----	-----	-----
	Quarter, Right	1	1810 647	1810 647	-----	-----	-----
	Left	1	1810 646	1810 646	-----	-----	-----
23-41-271	PLATE, Electric Window Lift Mechanism Housing Grease Retaining (used in Dura Type Assembly) 1959 All	4	1810 654	1810 654	1810 654	1810 654	-----
23-41-272	WORM WHEEL and PINION, Electric Window Lift Mechanism (used in Dura Type Assembly) 1959 All	4	1810 649	1810 649	1810 649	1810 649	-----
23-41-273	BEARING, Electric Window Lift Mechanism Worm Wheel and Pinion (used in Dura Type Assembly) 1959 All						
	Outer	4	1810 635	1810 635	1810 635	1810 635	-----
	Inner	4	1810 648	1810 648	1810 648	1810 648	-----
23-41-274	SPACER, Electric Window Lift Mechanism Drive Cable Bearing (used in Dura Type Assembly) 1959 All	4	1810 656	1810 656	1810 656	1810 656	-----
23-41-277	LOCK NUT, Electric Window Lift Mechanism Drive Cable Set Screw (used in Dura Type Assembly) 1959 All	4	6006 128	6006 128	6006 128	6006 128	-----
23-41-278	SET SCREW, Electric Window Lift Mechanism Drive Cable (used in Dura Type Assembly) 1959 All	4	6006 129	6006 129	6006 129	6006 129	-----
23-41-280	SPACER or BRACKET, Electric Window Regulator Mounting 1959 All						
	1959 4 D., Sp. 4 D., 4 D.Sub. Door, Front	★	1706 975	1706 975	1706 975	1706 975	-----
	Front Door, Rear	2	1706 925	1706 925	1706 925	1706 925	-----
	1959 Sp. Cl. Cp., Cv. Cp., Cl. Sed., 3 Cp., 2 D.Sub. Door, Rear	2	1706 925	1706 925	1706 925	1706 925	-----
	1959 Cl. Sed. Quarter, Front	2	1706 975	1706 975	-----	-----	-----
	Rear	2	1707 038	1707 038	-----	-----	-----
23-42-O WINDOW GLASS RUN							
23-42-6	SCREW and WASHER, Rear Door Window Glass Run Retainer Attaching 1959 FireSweep, Windsor, 4 D., 4 D.Sub.						
	Front	2	6000 291	6000 291	6000 291	6000 210	-----
	Rear	2	6000 210	6000 210	6000 210	6000 210	-----

★ Indicates use as required.

E Indicates parts not listed in any previous parts book.

March 20, 1959 Supersedes Jan. 12, 1959

Printed in U.S.A.

Prices and specifications subject to change without notice.

* Indicates change or addition.

CODE	REMARKS	PER CAR	PLYMOUTH	DODGE	DESOTO	CHRYSLER	IMPERIAL
23-42-0 WINDOW GLASS RUN Cont'd							
23-42-13	RUN, Door Window Glass Division Channel						
1959	4 D., Cl.Sed., 3 Cp., Sub.	2	1759 923	1759 923	----	----	----
	Except FireSweep, Windsor	2	----	----	1774 407	1774 407	----
	FireSweep, Windsor	2	----	----	1759 923	1759 923	----
	Right	1	----	----	----	----	1751 350
	Left	1	----	----	----	----	1751 351
1959	Sp. 4 D., Sp.Cl.Cp., Cv.Cp.	2	1755 361	1755 361	1755 361	1755 361	----
	Right	1	----	----	----	----	1751 524
	Left	1	----	----	----	----	1751 525
23-42-16	RUN, Front Door Window Glass						
1959	4 D., 4 D. Sub., except FireSweep, Windsor	2	*1963 209	1707 492	1708 847	1708 847	1961 541
	FireSweep, Windsor	2	----	----	1707 492	1707 492	----
1959	Sp. 4 D. Rear	2	1697 796	1697 796	1697 796	1697 796	----
	RUN, Door Window Glass						
1959	Sp.Cl.Cp., Cv.Cp. Rear	2	1697 796	1697 796	1697 796	1697 796	----
1959	Cl.Sed., 3 Cp., 2 D. Sub.	2	1963 209	1707 492	----	----	----
23-42-23	RUN, Rear Door Window Glass						
1959	4 D., 4 D. Sub., except FireSweep, Windsor	2	1707 490	1707 490	1708 849	1708 849	1961 540
	FireSweep, Windsor	2	----	----	1707 490	1707 490	----
23-42-26	RETAINER, Front Door Window Glass Run						
1959	4 D., 4 D. Sub. Right	1	1776 610	1776 610	1776 610	1776 610	----
	Left	1	1776 611	1776 611	1776 611	1776 611	----
	RETAINER, Rear Door Window Glass Run						
1959	4 D., 4 D. Sub. Front Right	1	1708 550	1708 550	1708 550	1708 550	----
	Left	1	1708 551	1708 551	1708 551	1708 551	----
1959	4 D. Rear Right	1	1707 468	1707 468	1707 468	1707 468	----
	Left	1	1707 469	1707 469	1707 469	1707 469	----
1959	4 D. Sub. Rear Right	1	1755 476	1755 476	1755 476	1755 476	----
	Left	1	1755 477	1755 477	1755 477	1755 477	----
	RETAINER, Door Window Glass Run						
1959	Cl.Sed., 3 Cp., 2 D. Sub. Right	1	1776 612	1776 612	----	----	----
	Left	1	1776 613	1776 613	----	----	----
NOTE: Glass Run Retainers listed above for DeSoto and Chrysler apply only to FireSweep and Windsor - not used with Aluminum Window Frame.							
23-42-38	RUN, Quarter Window Glass						
1959	Sp.Cl.Cp. Roof Side Rail, Right	1	----	----	----	----	1751 722
	Left	1	----	----	----	----	1751 723
1959	Cl.Sed. Upper and Front Division Channel	2	1963 209	1707 492	----	----	----
		2	1758 825	1758 825	----	----	----
	RUN, Quarter Window Sliding Glass Upper and Front						
1959	2 D. Sub.	2	1777 042	----	----	----	----
	RUN, Quarter Window Sliding Glass Lower						
1959	2 D. Sub. Front Right	1	1961 572	----	----	----	----
	Left	1	1961 573	----	----	----	----
	Rear Right	1	1961 644	----	----	----	----
	Left	1	1961 645	----	----	----	----
23-42-46	RUN, Tailgate Window Glass						
1959	Sub. In Tailgate	2	1878 334	1878 334	1878 334	1878 334	----
	On Body, Upper	1	1878 333	1878 333	1878 333	1878 333	----
	On Body, Side, Right	1	1878 531	1878 531	1878 531	1878 531	----
	Left	1	1960 613	1960 613	1960 613	1960 613	----
23-42-49	RETAINER, Quarter Window Sliding Glass Run						
1959	2 D. Sub. Right	1	1865 616	----	----	----	----
	Left	1	1865 617	----	----	----	----
23-42-56	RETAINER, Quarter Window Glass Run						
1959	Cl.Sed. Right	1	1776 604	1776 604	----	----	----
	Left	1	1776 605	1776 605	----	----	----
23-42-57	FILLER, Quarter Window Glass Run to Roof						
1959	Sp.Cl.Cp. Rear Side Rail, Rubber						
	Right	1	----	----	----	----	1751 766
	Left	1	----	----	----	----	1751 767

★ Indicates use as required.

☐ Indicates parts not listed in any previous parts book.

* Indicates change or addition.

Printed in U.S.A.

Prices and specifications subject to change without notice.

Feb. 15, 1960 Supersedes May 25, 1959.

1959 PASSENGER CAR PARTS LIST

BODY

CODE	REMARKS	PER CAR	PLYMOUTH	DODGE	DESOTO	CHRYSLER	IMPERIAL
23-45-0 FRONT SEAT							
23-45-10	NUT, Swivel Seat Cushion Frame Pivot to Lower Frame 1959 All	2	6016 004	6016 004	6016 004	6016 004	6016 004
23-45-12	ROLLER, Swivel Seat Cushion Frame Pivot Track 1959 All on Lower Frame Pin	4	1918 529	1918 529	1918 529	1918 529	1918 529
23-45-18	FRAME, Swivel Seat Lower 1959 All	1	1918 550	-----	-----	-----	-----
	w/Electric Seat Adjuster	1	-----	1918 504	1918 504	1918 504	1918 504
	w/Manual Seat Adjuster	1	-----	1918 550	1918 550	1918 550	1918 550
23-45-20	SPRING, Swivel Seat Cushion Frame to Lower Frame Tension 1959 All	2	1918 551	1918 551	1918 551	1918 551	1918 551
	WIRE, Swivel Seat Center Cushion Frame Tension 1959 All	1	1969 032	-----	-----	-----	-----
	w/Manual Seat Adjuster	1	-----	1969 032	1969 032	1969 032	1969 032
23-45-21	BRACKET, Swivel Seat Cushion Frame to Lower Frame Tension Spring Mounting 1959 All On Lower Frame	2	1969 200	1969 200	1969 200	1969 200	1969 200
23-45-22	STABILIZER, Swivel Seat Cushion Frame 1959 All	1	⊠2092 464	⊠2092 464	⊠2092 464	⊠2092 464	⊠2092 464
		1	⊠2092 465	⊠2092 465	⊠2093 465	⊠2093 465	⊠2092 465
23-45-25	RAMP, Swivel Seat Cushion Frame Stabilizer 1959 All	2	⊠2092 456	⊠2092 456	⊠2092 456	⊠2092 456	⊠2092 456
23-45-30	BUMPER, Front Seat Back Stop 1959 Sp. Cl. Cp., Cv. Cp., Cl. Sed., 3 Cp., 2 D. Sub., except Swivel Seats	2	1815 328	1815 328	1815 328	1815 328	1815 328
23-45-31	WASHER, Front Seat Back Stop Bumper 1959 Sp. Cl. Cp., Cv. Cp., Cl. Sed., 3 Cp., 2 D. Sub., except Swivel Seats	2	6008 077	6008 077	6008 077	6008 077	6008 077
23-45-51	SPACER, Swivel Seat Latch Handle to Cushion 1959 As Req'd 1/2"	2	1902 041	1902 041	1902 041	1902 041	1902 041
23-45-52	HANDLE, Swivel Seat Latch 1959 All	2	1902 157	1902 157	1902 157	1902 157	1902 157
	Straight Type, Flush Hub	2	2080 187	2080 187	2080 187	2080 187	2080 187
	Tapered Type, Offset Hub	2	2080 187	2080 187	2080 187	2080 187	2080 187
23-45-53	SCREW, Swivel Seat Latch Handle to Shaft Attaching 1959 All	2	1902 031	1902 031	1902 031	1902 031	1902 031
23-45-54	WASHER, Swivel Seat Latch Handle to Cushion 1959 All	2	2080 317	-----	-----	-----	-----
23-45-55	SPRING, Swivel Seat Back Retarder or Tension, Passenger's Side 1959 Sp. Cl. Cp., Cv. Cp.	2	1969 102	1969 102	1969 102	1969 102	1969 102
23-45-56	SCREW, Swivel Seat Back Tension Adjusting 1959 All	★	6016 005	6016 005	6016 005	6016 005	6016 005
23-45-57	COVER, Swivel Seat Pivot Bracket 1959 All	2	1901 933	1901 933	1901 933	1901 933	1901 933
23-45-58	SCREW, Swivel Seat Back Pivot Bracket Cover Attaching 1959 All	4	1901 691	1901 691	1901 691	1901 691	1901 691
23-45-59	SPRING, Swivel Seat Latch 1959 All	1	1969 100	1969 100	1969 100	1969 100	1969 100
		1	1969 101	1969 101	1969 101	1969 101	1969 101
23-45-60	ORNAMENT, Front Seat Side 1959 except MY1-L	1	-----	-----	-----	-----	1698 686
		1	-----	-----	-----	-----	1698 687
		1	-----	-----	-----	1839 290	1839 290
		1	-----	-----	-----	1839 291	1839 291

NOTE: Part No. 1839 291 replaced by Switch and Bezel Assembly on jobs with Electric Seats, see 23-47-446. Above Ornaments not used on swivel Seats. For swivel seats specify side shields by description.

★ Indicates use as required.

⊠ Indicates parts not listed in any previous parts book.
Feb. 15, 1960 Supersedes May 25, 1959.

CODE	REMARKS	PER CAR	PLYMOUTH	DODGE	DESOTO	CHRYSLER	IMPERIAL
23-47-0 FRONT SEAT ADJUSTER							
23-47-6	GUIDE or TRACK, Manual Seat Adjuster						
1959	4 D., Cl.Sed., 3 Cp., Sub. Right	1	1830 516	1830 516	1830 615	1830 516	1830 516
	Left	1	1830 517	1830 517	1830 517	1830 517	1830 517
1959	Sp. 4 D., Sp.Cl.Cp., Cv. Cp. Right	1	1777 004	1777 004	1777 004	1830 516	1830 516
	Left	1	1777 005	1777 005	1777 005	1830 517	1830 517
	w/Swivel Seats Right	1	1830 516	1830 516	-----	-----	-----
	Left	1	1830 517	1830 517	-----	-----	-----
	L. A. Built Right	1	1830 516	1830 516	1830 516	-----	-----
	Left	1	1830 517	1830 517	1830 517	-----	-----
NOTE: Seat Guides listed above were used intermittently - to identify, check height at seat attaching studs as follows:							
			At Front Bracket		At Rear Bracket		
	1830 516-7	4 1/2			2 1/2		
	1777 004-5	4			2		
<hr/>							
	GUIDE or TRACK, Electric Seat Adjuster						
1959	4 D., Cl.Sed., 3 Cp., Sub. Right	1	1830 542	-----	-----	-----	-----
	Left	1	1830 543	-----	-----	-----	-----
1959	Sp. 4 D., Sp.Cl.Cp., Cv.Cp., Right	1	1779 084	-----	-----	-----	-----
	except w/Swivel Seats Left	1	1779 085	-----	-----	-----	-----
	w/Swivel Seats Right	1	1830 542	-----	-----	-----	-----
	Left	1	1830 543	-----	-----	-----	-----
1959	All Right	1	-----	1830 382	1830 382	1830 382	1830 382
	Includes Stabilizer Attaching BRACKET Right	1	-----	E2080 448	E2080 448	E2080 448	E2080 448
	Left	1	-----	1830 383	1830 383	1830 383	1830 383
NOTE: With 1830 382 and 1830 383 TRACKS also specify 1 each of 2080 478 GUARD and 6008 216 PIN.							
<hr/>							
23-47-8	COVER, Swivel Seat Adjuster Track						
1959	All Right	1	1916 840	1916 840	1916 840	1916 840	1916 840
	w/Electric Seat Adjuster, Left	1	1916 846	1916 846	1916 846	1916 846	1916 846
	w/Manual Seat Adjuster, Left	1	1916 852	1916 852	1916 852	1916 852	1916 852
	COVER, Electric Seat Adjuster Track						
1959	except w/Swivel Seats Right	1	-----	1839 386	1839 386	1839 386	1839 386
	Left	1	-----	1839 387	1839 387	1839 387	1839 387
	COVER, Electric Seat Adjuster Track Floor Pan Well						
1959	All Right	2	-----	1901 936	1901 936	1901 936	-----
	Left	1	-----	-----	-----	-----	1902 108
	Left	1	-----	-----	-----	-----	1902 109
<hr/>							
23-47-10	NAME PLATE, Swivel Seat Adjuster Track Cover						
1959	As Req'd. "POWER SEAT"	1	1902 186	1902 186	1902 186	1902 186	1902 186
<hr/>							
23-47-12	STOP, Electric Seat Adjuster Track Horizontal						
1959	All Right	1	-----	1830 236	1830 236	1830 236	1830 236
	Left	1	-----	1830 237	1830 237	1830 237	1830 237
23-47-14	SCREW, Seat Adjuster Track Cover Attaching						
1959	All w/Swivel Seats	8	1901 691	1901 691	1901 691	1901 691	1901 691
23-47-15	SPACER, Seat Adjuster Track to Floor Pan						
1959	All 1/2" Thick	★	E1839 303	E1839 303	E1839 303	E1839 303	E1839 303
23-47-22	ROLLER, Electric Seat Guide						
1959	All	4	1520 675	-----	-----	-----	-----
23-47-26	SPRING, Manual Seat Guide Tension						
1959	All	2	1649 557	1649 557	1649 557	1649 557	1649 557
23-47-35	NUT and WASHER, Seat Guide Floor Pan Stud						
1959	All	8	6008 158	6008 158	6008 158	6008 158	6008 158
<hr/>							
23-47-55	KNOB, Manual Seat Guide Latch						
1959	All Gray	★	1775 739	1775 739	1775 739	-----	-----
	Black	1	1900 176	1900 176	1900 176	-----	-----
	Chrome	1	-----	-----	-----	1776 941	1776 941
23-47-66	WIRE, Manual Seat Guide Latch Connector						
1959	except w/Swivel Seats	1	E1969 866	E1969 866	E1969 866	E1969 866	E1969 866
	w/Swivel Seats	1	1969 206	1969 206	1969 206	1969 206	1969 206
23-47-75	SPRING, Manual Seat Guide Latch						
1959	All	2	1645 615	1645 615	1645 615	1645 615	1645 615

★ Indicates use as required.

⊠ Indicates parts not listed in any previous parts book.

* Indicates change or addition.

Printed in U.S.A.

Prices and specifications subject to change without notice.

May 25, 1959 Supersedes March 20, 1959.

1959 PASSENGER CAR PARTS LIST

BODY

CODE	REMARKS	PER CAR	PLYMOUTH	DODGE	DESOTO	CHRYSLER	IMPERIAL
23-47-O FRONT SEAT ADJUSTER Cont'd							
23-47-196	PIN, Electric Seat Adjuster Track Rear Lever and Guard to Base 1959 All	2	----	6008 216	6008 216	6008 216	6008 216
23-47-344	MECHANISM, Electric Seat Adjuster 1959 All	Right 1 Left 1	1769 457 1769 458	----	----	----	----
	UNIT or MECHANISM, Electric Seat Adjuster Drive 1959 All	1	----	1819 228	1819 228	1819 228	1819 228
	UNIT or MECHANISM, Electric Seat Adjuster Slave 1959 All	Right 1 Left 1	---- ----	1819 240 1819 239	1819 240 1819 239	1819 240 1819 239	1819 240 1819 239
23-47-345	BRACKET, Electric Seat Adjuster Mechanism Front Mounting 1959 except w/Swivel Seats w/Swivel Seats	2 Right 1 Left 1	1769 463 1902 092 1902 093	----	----	----	----
23-47-346	SPACER, Electric Seat Adjuster Mechanism Front Mounting Pin 1959 All	2	1769 468	----	----	----	----
23-47-350	PIN, Electric Seat Adjuster Mechanism Front Mounting 1959 All	2	1769 466	----	----	----	----
	PIN, Electric Seat Adjuster Slave Unit Front Adjusting Rack to Track Lever 1959 All	2	----	6008 106	6008 106	6008 106	6008 106
	PIN, Electric Seat Adjuster Track Front Lever to Base 1959 All	2	----	6008 050	6008 050	6008 050	6008 050
	DOWEL PIN, Electric Seat Adjuster Drive Unit 1959 All	2	----	6008 051	6008 051	6008 051	6008 051
23-47-352	SCREW, Electric Seat Adjuster Drive Unit 1959 All	6	----	6008 126	6008 126	6008 126	6008 126
	SCREW, Electric Seat Adjuster Slave Unit Cap or Cover 1959 All	16	----	6008 027	6008 027	6008 027	6008 027
23-47-353	LEVER and SHAFT, Electric Seat Adjuster Drive Unit Gear Selector 1959 All	3	----	1830 289	1830 289	1830 289	1830 289
23-47-356	CLIP, Electric Seat Adjuster Motor to Mechanism Shaft and Tube 1959 All	1	1779 775	----	----	----	----
23-47-358	BOOT, Electric Seat Adjuster Screw Shaft 1959 All	2	1648 007	----	----	----	----
23-47-360	CLAMP, Electric Seat Adjuster Screw Shaft Boot 1959 All	2	1648 009	----	----	----	----
23-47-362	WASHER, Electric Seat Adjuster Screw Shaft Boot, Felt 1959 All	2	1648 008	----	----	----	----
23-47-383	PIVOT END, Electric Seat Adjuster Stabilizer Strut 1959 All	2	----	2080 329	2080 329	2080 329	2080 329
23-47-384	STRUT, Electric Seat Adjuster Stabilizer 1959 All	Female 1 Male 1	---- ----	2080 330 2080 331	2080 330 2080 331	2080 330 2080 331	2080 330 2080 331
23-47-385	STUD, Electric Seat Adjuster Stabilizer Pivot End to Floor Bracket 1959 All	1	----	2080 456	2080 456	2080 456	2080 456
23-47-386	WASHER, Electric Seat Adjuster Stabilizer Pivot End, Nylon 1959 All	2	----	2080 466	2080 466	2080 466	2080 466
23-47-387	GUARD, Electric Seat Adjuster Track Rear Lever 1959 All	2	----	2080 478	2080 478	2080 478	2080 478

★ Indicates use as required.

⊔ Indicates parts not listed in any previous parts book.

May 25, 1959 Supersedes March 20, 1959.

Prices and specifications subject to change without notice.

* Indicates change or addition

Printed in U.S.A.

CODE	REMARKS	PER CAR	PLYMOUTH	DODGE	DESOTO	CHRYSLER	IMPERIAL
23-47-O FRONT SEAT ADJUSTER Cont'd							
23-47-398	WASHER, Electric Seat Adjuster Slave Unit Rack to Track Pin 1959 All	6	----	1819 242	1819 242	1819 242	1819 242
23-47-413	SPRING, Electric Seat Adjuster Drive Unit Gear Selector Lever and Shaft 1959 All	3	----	1819 230	1819 230	1819 230	1819 230
23-47-414	COIL PACKAGE, Electric Seat Adjuster Drive Unit Solenoid 1959 All	3	----	1830 290	1830 290	1830 290	1830 290
23-47-417	BUS BAR, Electric Seat Adjuster Circuit Breaker 1959 All	1	1498 776	1498 776	1498 776	1498 776	1498 776
23-47-419	GROMMET, Electric Seat Adjuster Wiring 1959 All Cushion Side Panel	1	----	1345 189	1345 189	1345 189	1345 189
23-47-423	CIRCUIT BREAKER, Electric Seat Adjuster 1959 All 30 Amp.	1	1689 022	----	----	----	----
		1	----	1769 967	1769 967	1769 967	1769 967
23-47-424	CLIP, Electric Seat Adjuster Circuit Breaker Mounting 1959 All	1	6015 159	6015 159	6015 159	6015 159	----
	BRACKET, Electric Seat Adjuster Circuit Breaker Mounting 1959 All	1	----	----	----	----	1479 060
23-47-425	RELAY, Electric Seat Adjuster 1959 All	1	----	1779 890	1779 890	1779 890	1779 890
23-47-427	SCREW and WASHER, Electric Seat Adjuster Relay Mounting 1959 All	2	----	6008 110	6008 110	6008 110	6008 110
23-47-430	MOTOR, Electric Seat Adjuster 1959 All	1	1769 459	1779 055	1779 055	1779 055	1779 055
23-47-431	TUBE, Electric Seat Adjuster Drive Unit to Slave Unit Cable 1959 All	1	----	1830 216	1830 216	1830 216	1830 216
	Front Control, Left, Short	1	----	*1830 217	*1830 217	*1830 217	*1830 217
	Rear Control, Left, Short	1	----	*1830 218	*1830 218	*1830 218	*1830 218
	Horizontal Control, Left, Short	1	----	1830 212	1830 212	1830 212	1830 212
	w/BRACKETS, Right, Long	1	----	1830 212	1830 212	1830 212	1830 212
23-47-432	COUPLING, Electric Seat Adjuster Motor to Mechanism or Drive Unit 1959 All	1	1594 834	1594 834	1594 834	1594 834	1594 834
	SHAFT and TUBE, Electric Seat Adjuster Motor to Mechanism 1959 All	1	1769 460	----	----	----	----
	CABLE, Electric Seat Adjuster Drive Unit to Slave Unit 1959 All	1	----	1830 344	1830 344	1830 344	1830 344
	Front Control, Right, 50 5/16"	1	----	1830 345	1830 345	1830 345	1830 345
	Left, 10 25/32"	1	----	1830 346	1830 346	1830 346	1830 346
	Rear Control, Right, 48"	1	----	1830 347	1830 347	1830 347	1830 347
	Left, 10"	1	----	1830 348	1830 348	1830 348	1830 348
	Horizontal Control, Right, 50 13/16"	1	----	1830 349	1830 349	1830 349	1830 349
	Left, 12 5/32"	1	----	1830 349	1830 349	1830 349	1830 349
23-47-434	THRU BOLT, Electric Seat Adjuster Motor 1959 All w/Auto Lite Motor	2	1818 889	1818 904	1818 904	1818 904	1818 904
23-47-440	ARMATURE, Electric Seat Adjuster Motor 1959 All w/Auto Lite Motor	1	1818 875	1818 907	1818 907	1818 907	1818 907
23-47-441	COIL, Electric Seat Adjuster Motor Field 1959 All w/Auto Lite Motor	1	1818 874	----	----	----	----
	Right	1	----	1818 906	1818 906	1818 906	1818 906
	Left	1	----	1818 905	1818 905	1818 905	1818 905
23-47-442	HEAD, Electric Seat Adjuster Motor Commutator End 1959 All w/Auto Lite Motor	1	1818 873	1818 908	1818 908	1818 908	1818 908

★ Indicates use as required.

⊠ Indicates parts not listed in any previous parts book.

* Indicates change or addition.

1959 PASSENGER CAR PARTS LIST

BODY

CODE	REMARKS	PER CAR	PLYMOUTH	DODGE	DESOTO	CHRYSLER	IMPERIAL
23-47-O FRONT SEAT ADJUSTER Cont'd							
23-47-446	SWITCH, Electric Seat Adjuster 1959 All Less Bezel	1	1770 509	1779 859	1779 859	1779 859	1779 859
	Includes BEZEL	1	1770 503	-----	-----	-----	-----
	Except Imperial Crown and Le Baron and Swivel Seats,						
	Includes BEZEL	1	-----	1842 723	1842 723	1842 723	1842 723
	Imperial Crown and Le Baron and All w/Swivel Seats,						
	Includes BEZEL	1	-----	1779 845	1779 845	1779 845	1779 845
23-47-447	SPRING, Electric Seat Adjuster Switch Retaining 1959 All	4	1769 327	1779 901	1779 901	1779 901	1779 901
23-47-454	BRUSH and SPRING PACKAGE, Electric Seat Adjuster Motor						
1959	All w/Auto Lite Motor	1	*1495 533	*1495 533	*1495 533	*1495 533	*1495 533
	w/Redmond Motor	1	-----	*1297 879	*1297 879	*1297 879	*1297 879
23-47-456	BRACKET and RETAINER, Electric Seat Adjuster Switch Mounting						
1959	except w/Swivel Seats	1	1819 147	-----	-----	-----	-----
	SUPPORT, Electric Seat Adjuster Switch Mounting						
1959	All w/Swivel Seats	1	1902 030	1901 715	1901 715	1901 715	1901 715
23-48-O SECOND AND THIRD SEAT							
23-48-6	SPACER, Seat Back to Cushion, Down Position, 1959 Sub. Plastic	★	1884 737	1884 737	1884 737	1884 737	-----
23-48-19	STRIKER, Seat Back Up Position, on Seat						
1959	Sub. Second Seat, Right	1	1960 715	1960 715	1960 715	1960 715	-----
	Left	1	1960 503	1960 503	1960 503	1960 503	-----
	Third Seat	2	1960 503	1960 503	1960 503	1960 503	-----
	LATCH or RETAINER, Seat Back Up Position, on Wheelhouse Bracket						
1959	Sub. Second Seat, Right	1	1961 488	1961 488	1961 488	1961 488	-----
	Left	1	1883 310	1883 310	1883 310	1883 310	-----
	Third Seat	2	1775 440	1775 440	1775 440	1775 440	-----
NOTE:	Earliest production used 1960 503 and 1883 310 on both sides of second seat.						
23-48-20	HANDLE, Seat Lift						
1959	Sub. In Prime	★	1775 891	-----	-----	-----	-----
	Chrome	★	1833 596	1833 596	1833 596	1833 596	-----
23-48-21	ESCUTCHEON, Seat Lift Handle						
1959	Sub. In Prime	★	1775 814	-----	-----	-----	-----
	Chrome	★	1833 597	1833 597	1833 597	1833 597	-----
23-48-28	BRACKET, Seat Back Up Position Latch and Bumper, on Wheelhouse						
1959	Sub. Second Seat, Right	1	1960 720	1960 720	1960 720	1960 720	-----
	Left	1	1883 557	1883 557	1883 557	1883 557	-----
	Third Seat	2	1759 800	1759 800	1759 800	1759 800	-----
23-48-65	PANEL and HINGES, Second Seat Back						
1959	Sub. w/o Lift HANDLES	1	*1961 828	*1961 828	*1961 828	*1961 828	-----
23-48-66	CLAMP, Second Seat Back Pivot						
1959	Sub.	2	1459 899	1459 899	1459 899	1459 899	-----
23-48-75	SCREW and WASHER, Second Seat Back Pivot Clamp Attaching						
1959	Sub.	2	6000 195	6006 056	6006 056	6006 056	-----
23-48-78	SPRING, Second Seat Cushion Leg						
1959	Sub. Right	1	1883 856	1883 856	1883 856	1883 856	-----
	Left	1	1883 857	1883 857	1883 857	1883 857	-----
23-48-87	SUPPORT and PIN, Second Seat Cushion Hinge						
1959	Sub. Right	1	1883 810	1883 810	1883 810	1883 810	-----
	Left	1	1883 811	1883 811	1883 811	1883 811	-----

★ Indicates use as required.

☐ Indicates parts not listed in any previous parts book.
Feb. 15, 1960 Supersedes May 25, 1959.

CODE	REMARKS	PER CAR	PLYMOUTH	DODGE	DESOTO	CHRYSLER	IMPERIAL
23-48-O SECOND AND THIRD SEAT CONT'D							
23-48-93	BUMPER, Seat Cushion Bottom 1959 Sub.	★	1380 060	1380 060	1380 060	1380 060	---- --
	BUMPER, Seat Back Up Position, on Wheelhouse Bracket						
1959	Sub. Second Seat, Right	1	1960 719	1960 719	1960 719	1960 719	---- --
	Left	1	1883 311	1883 311	1883 311	1883 311	---- --
	Third Seat	2	1835 109	1835 109	1835 109	1835 109	---- --
NOTE: Earliest production used 1883 311 on both sides of second seat.							
23-48-94	RETAINER, Third Seat Back Up Position Latch and Bumper Mounting Screw	2	*6000 177	*6000 177	*6000 177	*6000 177	---- --
23-48-98	HINGE, Second Seat Cushion						
1959	Sub., includes Leg Pivot Bolt, Right	1	1883 806	1883 806	1883 806	1883 806	---- --
	Left	1	1883 807	1883 807	1883 807	1883 807	---- --
23-48-101	LEG, Second Seat Cushion						
1959	Sub. Right	1	1834 932	1834 932	1834 932	1834 932	---- --
	Left	1	1834 933	1834 933	1834 933	1834 933	---- --
23-48-112	PANEL and HINGES, Second Seat Cushion Bottom						
1959	Sub. includes Leg Pivot Bolt	1	1883 812	1883 812	1883 812	1883 812	---- --
23-48-148	PIVOT, Second Seat Back	2	1459 637	1459 637	1459 637	1459 637	---- --
23-48-149	WASHER, Second Seat Cushion Hinge Pin	2	6000 097	6000 097	6000 097	6000 097	---- --
23-48-166	SCREW and WASHER, Second Seat Cushion Hinge Support to Floor Pan	6	1244 818	1244 818	1244 818	1244 818	---- --
23-48-180	PANEL and HINGES, Third Seat Cushion Bottom	1	1882 248	1882 248	1882 248	1882 248	---- --
23-48-188	PANEL and HINGES, Third Seat Back	1	1882 254	1882 254	1882 254	1882 254	---- --
23-51-O SIDE SILL AND BELT BAR							
23-51-3	SILL, Body Side Outer						
1959	4 D., Sp. 4 D. Right	1	----	----	----	----	1878 738
	Left	1	----	----	----	----	1878 739
1959	Sp. Cl. Cp., Cv. Cp. Right	1	----	----	----	----	1878 736
	Left	1	----	----	----	----	1878 737
	SILL, Body Side Inner						
1959	4 D., Sp. 4 D. Right	1	----	----	----	----	1861 352
	Left	1	----	----	----	----	1861 353
1959	Sp. Cl. Cp., Cv. Cp. Right	1	----	----	----	----	1877 994
	Left	1	----	----	----	----	1877 995
23-51-5	PANEL, Body Side Sill Outer						
1959	4 D. Right	1	1950 358	1952 164	1952 164	1952 164	---- --
	Left	1	1950 359	1952 165	1952 165	1952 165	---- --
1959	Sp. 4 D. Right	1	1952 170	1952 170	1952 170	1952 170	---- --
	Left	1	1952 171	1952 171	1952 171	1952 171	---- --
1959	Sp. Cl. Cp., Cl. Sed., 3 Cp. Right	1	1952 160	1952 162	1952 162	1952 162	---- --
	Left	1	1952 161	1952 163	1952 163	1952 163	---- --
1959	Cv. Cp. Right	1	1952 168	1952 166	1952 166	1952 166	---- --
	Left	1	1952 169	1952 167	1952 167	1952 167	---- --
1959	4 D. Sub. Right	1	1952 164	1952 164	1952 164	1952 164	---- --
	Left	1	1952 165	1952 165	1952 165	1952 165	---- --
1959	2 D. Sub. Right	1	1952 162	----	----	----	---- --
	Left	1	1952 163	----	----	----	---- --
	PANEL, Body Side Sill Inner						
1959	All Right	1	1695 102	1695 102	1695 102	1695 102	---- --
	Left	1	1695 103	1695 103	1695 103	1695 103	---- --

★ Indicates use as required.

⊠ Indicates parts not listed in any previous parts book.

* Indicates change or addition.

1959 PASSENGER CAR PARTS LIST

BODY

CODE	REMARKS	PER CAR	PLYMOUTH	DODGE	DESOTO	CHRYSLER	IMPERIAL	
23-51-O SIDE SILL AND BELT BAR Cont'd								
23-51-6	REINFORCEMENT, Body Side Sill Panel 1959 Cv. Cp.	Right	1	1695 110	1695 110	1695 110	1695 110	----
		Left	1	1695 111	1695 111	1695 111	1695 111	----
23-51-41	BAR, Quarter Belt Side 1959 Sp. 4 D.	Right	1	----	----	----	----	1690 978
		Left	1	----	----	----	----	1690 979
	1959 Sp. Cl. Cp.	Right	1	----	----	----	----	1651 280
		Left	1	----	----	----	----	1651 281
	1959 Cv. Cp.	Right	1	1776 452	1776 452	1777 882	1777 882	1651 282
		Left	1	1776 453	1776 453	1777 883	1727 883	1651 283
	1959 Sub.	Right	1	*1695 114	*1695 114	*1695 114	*1695 114	----
		Left	1	*1695 115	*1695 115	*1695 115	*1695 115	----
23-54-O TAILGATE								
23-54-1	LOCK, Tailgate 1959 Sub.	Right	1	1758 312	1758 312	1758 312	1758 312	----
		Left	1	1758 313	1758 313	1758 313	1758 313	----
23-54-3	TAILGATE 1959 Sub. w/Manual Window Lift w/Electric Window Lift		1	1759 928	1759 928	1759 928	1759 928	----
			1	1834 273	1834 273	1834 273	1834 273	----
23-54-4	HINGE, Tailgate 1959 Sub.	Right	1	1759 500	1759 500	1759 500	1759 500	----
		Left	1	1759 501	1759 501	1759 501	1759 501	----
23-54-6	PLATE, Tailgate Lock Striker 1959 Sub.	Right	1	1774 024	1774 024	1774 024	1774 024	----
		Left	1	1774 025	1774 025	1774 025	1774 025	----
23-54-11	ORNAMENT, Tailgate Lift 1959 Sub. w/Electric Window Lift		1	1777 037	1777 037	1777 037	1777 037	----
			1	1861 433	----	----	----	----
	MEDALLION, Tailgate 1959 Sub.		1	----	1950 474	----	----	----
			1	----	----	----	----	----
	NAME PLATE, Tailgate 1959 Sub.	"Plymouth"	1	1950 430	----	----	----	----
		"Spectator"	1	----	1708 264	----	----	----
		"Explorer"	1	----	----	1883 880	----	----
		"Shopper"	1	----	----	1883 881	----	----
LETTER, Tailgate Name 1959 Sub.	D	2	----	1950 469	----	----	----	
	O	1	----	1950 470	----	----	----	
	G	1	----	1950 471	----	----	----	
	E	1	----	1950 472	----	----	----	
	D	1	----	----	1878 805	----	----	
	E	1	----	----	1878 806	----	----	
	S	1	----	----	1878 807	----	----	
	O	2	----	----	1878 808	----	----	
	T	1	----	----	1878 809	----	----	
	C	1	----	----	----	1960 421	----	
	H	1	----	----	----	1960 422	----	
R	2	----	----	----	1960 423	----		
Y	1	----	----	----	1960 424	----		
S	1	----	----	----	1960 425	----		
L	1	----	----	----	1960 426	----		
E	1	----	----	----	1960 427	----		
23-54-17	PIN, Tailgate Hinge 1959 Sub.		2	6000 327	6000 327	6000 327	6000 327	----
23-54-27	SPACER, Tailgate Lock Striker 1959 Sub.		★	1777 926	1777 926	1777 926	1777 926	----
23-54-31	SPRING, Tailgate Lock Lever 1959 Sub.		2	1777 458	1777 458	1777 458	1777 458	----
23-54-32	SCREW and WASHER, Tailgate Hinge Attaching 1959 Sub.	To Body	8	6000 136	6000 136	6000 136	6000 136	----
		To Tailgate	8	6000 146	6000 146	6000 146	6000 146	----

★ Indicates use as required.

⊠ Indicates parts not listed in any previous parts book.

May 25, 1959 Supersedes March 20, 1959.

Printed in U.S.A.
Prices and specifications subject to change without notice.

* Indicates change or addition.

CODE	REMARKS	PER CAR	PLYMOUTH	DODGE	DESOTO	CHRYSLER	IMPERIAL
23-54-0 TAILGATE Cont'd							
23-54-50	BUMPER, Tailgate Opening 1959 Sub.						
	15/64 Thick	★	1777 881	1777 881	1777 881	1777 881	----
	19/64 Thick	★	1755 630	1755 630	1755 630	1755 630	----
	23/64 Thick	★	1777 880	1777 880	1777 880	1777 880	----
	BUMPER, Tailgate Opening Lower Scuff Plate 1959 Sub.	4	----	1380 060	1380 060	1380 060	----
23-54-59	BRACKET, Tailgate Window Down Position Stop Bumper 1959 Sub.	2	1777 811	1777 811	1777 811	1777 811	----
23-54-63	PLATE, Tailgate Opening Lower Scuff 1959 Sub						
	Inner Center, 24 x 5/8	1	----	1833 513	1833 513	1833 513	----
	Inner End, 7 x 5/8	2	----	1833 512	1833 512	1833 512	----
	Outer, 49 3/8 x 5/8	1	----	1833 511	1833 511	1833 511	----
	Outer, 49 3/4 x 3 to 5	1	----	1834 039	1834 039	1834 039	----
	PLATE, Wheelhouse Cover Lower Rear Retainer 1959 Sub.	2	1833 514	1833 514	1833 514	----	----
23-54-72	REGULATOR or PLATE and ARM, Tailgate Window 1959 Sub.						
	Electric	1	1779 596	1779 596	1779 596	1779 596	----
	Manual	1	1697 412	1697 412	1697 412	1697 412	----
23-54-73	HANDLE, Tailgate Manual Window Regulator 1959 Sub.	1	⊠1961 311	⊠1961 311	⊠1961 311	⊠1961 311	----
23-54-74	SPRING, Tailgate Window Regulator 1959 Sub.	1	1779 645	1779 645	1779 645	1779 645	----
23-54-79	RETAINER, Tailgate Manual Window Regulator Handle Knob 1959 Sub.	1	1775 164	1775 164	1775 164	1775 164	----
23-54-83	PIN, Tailgate Manual Window Regulator Handle Knob Attaching 1959 Sub.	1	6000 173	6000 173	6000 173	6000 173	----
23-54-86	WASHER, Tailgate Window Regulator Arm Stud to Glass Lower Channel, Leather 1959 Sub.	4	6000 141	6000 141	6000 141	6000 141	----
23-54-87	RETAINER, Tailgate Window Regulator Arm Stud to Glass Lower Channel 1959 Sub.	2	6000 305	6000 305	6000 305	6000 305	----
23-54-89	SPRINGWASHER, Tailgate Manual Window Regulator Handle 1959 Sub.	1	6000 061	6000 061	6000 061	6000 061	----
23-54-92	GASKET, Tailgate Manual Window Regulator Handle to Tailgate 1959 Sub.	1	1775 840	1775 840	1775 840	1775 840	----
23-54-94	SCREW and WASHER, Tailgate Window Regulator to Mounting Plate 1959 Sub.	4	6000 353	6000 353	6000 353	6000 353	----
23-54-96	CLIP, Tailgate Name Plate or Letters 1959 Sub.						
	Name Plate	★	6000 020	----	6000 020	----	----
	Letters	★	----	6000 050	6010 174	6000 490	----
	NUT and SEAL, Tailgate Medallion 1959 Sub.	2	----	6006 215	----	----	----
23-54-100	HOUSING, Tailgate Manual Window Regulator Handle Shaft 1959 Sub.	1	1775 838	1775 838	1775 838	1775 838	----
23-54-101	PIN, Tailgate Manual Window Regulator Handle Pivot 1959 Sub.	1	6000 004	6000 004	6000 004	6000 004	----
23-54-102	SET SCREW, Tailgate Manual Window Regulator Handle Pivot Pin 1959 Sub.	2	6000 003	6000 003	6000 003	6000 003	----
23-54-103	BUMPER, Tailgate Window Down Position Stop 1959 Sub.	2	1381 435	1381 435	1381 435	1381 435	----
23-54-140	BAR, Tailgate Hinge Torsion 1959 Sub.	2	1757 507	1757 507	1757 507	1757 507	----

★ Indicates use as required.

⊠ Indicates parts not listed in any previous parts book.

* Indicates change or addition.

Printed in U.S.A.

Prices and specifications subject to change without notice.

Feb. 15, 1960 Supersedes May 25, 1959.

1959 PASSENGER CAR PARTS LIST

BODY

CODE	REMARKS	PER CAR	PLYMOUTH	DODGE	DESOTO	CHRYSLER	IMPERIAL
23-54-0 TAILGATE Cont'd							
23-54-141	SUPPORT, Tailgate Hinge Torsion Bar to Inside Panel Center 1959 Sub.	1	1833 905	1833 905	1833 905	1833 905	---- --
	RETAINER, Tailgate Hinge Torsion Bar, on Hinges 1959 Sub.	2	1777 791	1777 791	1777 791	1777 791	---- --
23-54-146	SUPPORT or RETAINER, Tailgate Down Position Insert or Bumper 1959 Sub.	2	1757 181	1757 181	1757 181	1757 181	---- --
23-54-147	INSERT or BUMPER, Tailgate Down Position 1959 Sub.	2	1757 182	1757 182	1757 182	1757 182	---- --
23-54-148	NUT and WASHER, Tailgate Down Position Bumper Support Attaching 1959 Sub. except FireFlite	4	6010 048	6010 048	6010 048	---- --	---- --
23-54-150	COVER, Tailgate Inside, Steel 1959 Sub.	1	1708 909	1708 909	1708 909	1708 909	---- --
23-54-152	SHAFT, Tailgate Electric Window Lift Motor to Mechanism 1959 Sub.	1	1778 955	1778 955	1778 955	1778 955	---- --
23-54-153	LOCKWASHER, Tailgate Electric Window Regulator Mounting 1959 Sub.	4	6013 031	6013 031	6013 031	6013 031	---- --
23-54-154	SCREW and WASHER, Tailgate Electric Window Lift Motor Mounting 1959 Sub.	2	6006 070	6006 070	6006 070	6006 070	---- --
23-54-155	SHIELD, Tailgate Electric Window Lift Motor Drive Shaft Insulating 1959 Sub. Plastic	1	1689 167	1689 167	1689 167	1689 167	---- --
23-54-158	BRUSH and SPRING PACKAGE, Tailgate Electric Window Lift Motor 1959 Sub.	1	1688 692	1688 692	1688 692	1688 692	---- --
23-54-160	MOTOR, Tailgate Electric Window Lift 1959 Sub.	1	1779 595	1779 595	1779 595	1779 595	---- --
23-54-161	PLATE, Tailgate Electric Window Lift Lock Switch Mounting 1959 Sub.	1	1819 181	1819 181	1819 181	1819 181	---- --
23-54-162	BRACKET, Tailgate Electric Window Lift Instrument Panel Switch 1959 Sub.	1	---- --	---- --	---- --	1769 515	---- --
23-54-163	LINK, Tailgate Electric Window Lift Lock Switch 1959 Sub.	1	1819 191	1819 191	1819 191	1819 191	---- --
	Switch End	1	1819 192	1819 192	1819 192	1819 192	---- --
23-54-164	TURNBUCKLE, Electric Window Lift Lock Switch Links 1959 Sub.	1	1819 190	1819 190	1819 190	1819 190	---- --
23-54-165	MECHANISM, Tailgate Electric Window Lift 1959 Sub.	1	E2094 037	E2094 037	E2094 037	E2094 037	---- --
23-54-167	SWITCH, Tailgate Electric Window Lift 1959 Sub. On Instrument Panel Third Seat Passengers	1	1688 339	1769 677	1769 344	1842 639	---- --
	Includes BEZEL	1	1770 503	1770 503	1770 503	1770 503	---- --
	Less Bezel	1	1770 509	1770 509	1770 509	1770 509	---- --
	Lock, in Tailgate	1	1887 041	1887 041	1887 041	1887 041	---- --
	Limit, on Tailgate	1	1819 859	1819 859	1819 859	1819 859	---- --
23-54-168	LEVER, Tailgate Electric Window Lift Lock Switch Link 1959 Sub.	1	1819 182	1819 182	1819 182	1819 182	---- --
23-54-169	KNOB or LEVER, Tailgate Electric Window Lift Instrument Panel Switch 1959 Sub.	1	1753 692	1605 493	1769 341	1769 524	---- --

★ Indicates use as required.

☐ Indicates parts not listed in any previous parts book.
Feb. 15, 1960 Supersedes May 25, 1959.

CODE	REMARKS	PER CAR	PLYMOUTH	DODGE	DESOTO	CHRYSLER	IMPERIAL
23-54-0 TAILGATE - Cont'd							
23-54-171	NUT, Tailgate Electric Window Lift Switch Mounting 1959 Sub.	★	1439 758	1439 758	1439 758	1439 758	---- --
23-54-172	CLIP, Tailgate Electric Window Lift Lock Switch Link Mounting 1959 Sub.	2	1652 093	1652 093	1652 093	1652 093	---- --
	SPRING, Tailgate Electric Window Lift Rear Compartment Switch Retaining 1959 Sub.	4	1769 327	1769 327	1769 327	1769 327	---- --
23-54-176	CIRCUIT BREAKER, Tailgate Electric Window Lift 1959 Sub. 30 Amp.	1	1689 022	1689 022	1689 022	1689 022	---- --
23-54-177	CLIP, Tailgate Electric Window Lift Circuit Breaker Mounting 1959 Sub.	1	6015 159	6015 159	6015 159	6015 159	---- --
23-54-180	HANDLE, Tailgate Lock Remote Control 1959 Sub.	1	1844 585	1844 585	1844 585	1844 585	---- --
23-54-181	CATCH, Tailgate Lock Remote Control Handle Safety Latch, on Belt Garnish Moulding 1959 Sub.	1	1844 588	1844 588	1844 588	1844 588	---- --
23-54-183	CAM, Tailgate Lock Remote Control 1959 Sub.	1	1835 463	1835 463	1835 463	1835 463	---- --
23-54-184	ROD, Tailgate Lock Remote Control Cam to Lock 1959 Sub. Inner Right, 7 Long Inner Left, 9 3/8 Long Outer, Includes Adjusting LINK, 15 1/2 Long	1 1 2	1835 460 1835 462 1835 457	1835 460 1835 462 1835 457	1835 460 1835 462 1835 457	1835 460 1835 462 1835 457	---- -- ---- -- ---- --
23-54-186	SPRING, Tailgate Lock Remote Control Handle Anti-Rattle 1959 Sub. SPRING, Tailgate Lock Remote Control Handle Return 1959 Sub.	1 1	1775 462 1835 464	1775 462 1835 464	1775 462 1835 464	1775 462 1835 464	---- -- ---- --
23-54-189	CLIP, Tailgate Lock Remote Control Rod End Retaining, w/BRACKET 1959 Sub. CLIP, Tailgate Lock Remote Control Inner Rod to Adjusting Link 1959 Sub.	4 2	6000 394 6000 551	6000 394 6000 551	6000 394 6000 551	6000 394 6000 551	---- -- ---- --
23-54-192	WASHER, Tailgate Lock Remote Control Handle Anti-Rattle 1959 Sub. Spring Type	2	2093 216	2093 216	2093 216	2093 216	---- --
NOTE: Above Washers used in place of 1775 462 Spring on late jobs.							
23-54-200	ARMATURE, Tailgate Electric Window Lift Motor 1959 Sub.	1	1818 900	1818 900	1818 900	1818 900	---- --
23-54-206	HEAD, Tailgate Electric Window Lift Motor Commutator End 1959 Sub.	1	1818 866	1818 866	1818 866	1818 866	---- --
23-54-212	COIL, Tailgate Electric Window Lift Motor Field 1959 Sub.	1	1818 864	1818 864	1818 864	1818 864	---- --

★ Indicates use as required.

☐ Indicates parts not listed in any previous parts book.

* Indicates change or addition.

1959 PASSENGER CAR PARTS LIST

BODY

CODE	REMARKS	PER CAR	PLYMOUTH	DODGE	DESOTO	CHRYSLER	IMPERIAL
23-58-0 FOLDING TOP							
23-58-3	TOP, Folding 1959 Cv. Cp.	1	1708 186	1708 186	1707 771	1707 771	1651 437
NOTE:	Above assemblies less lift Mechanism and Trim.						
23-58-75	BOW, Folding Top 1959 Cv. Cp.	No. 1 No. 2 Rear	1846 598 1866 298 1705 881	1846 598 1866 298 1705 881	1846 598 1846 600 1705 881	1846 598 1846 600 1705 881	1691 415 1691 397 1691 400
23-58-76	LINK or EXTENSION, Folding Top Rear Bow 1959 Cv. Cp.	Right Left	1755 866 1755 867	1755 866 1755 867	1705 870 1705 871	1705 870 1705 871	1691 902 1691 903
23-58-84	BRACKET, Folding Top Side Rail Front Link to Rail 1959 Cv. Cp.	Right Left	1707 568 1707 569	1707 568 1707 569	1707 568 1707 569	1707 568 1707 569	---- ----
23-58-140	PLATE, Folding Top Main Control Prop Support 1959 Cv. Cp.	2	1246 193	1246 193	1246 193	1246 193	----
23-58-195	TERMINAL BLOCK, Folding Top Lift Wiring 1959 Cv. Cp.	On Floor Pan	1	913 297	913 297	913 297	913 297
23-58-200	CYLINDER, Folding Top Lift 1959 Cv. Cp.	Right Left	1769 518 1769 519	1769 518 1769 519	1769 518 1769 519	1769 518 1769 519	1770 553 1770 552
23-58-208	BRACKET, Folding Top Lift Cylinder Floor Pan Mounting 1959 Cv. Cp.	Right Left	1707 550 1707 551	1707 550 1707 551	1707 550 1707 551	1707 550 1707 551	1861 392 1861 392
23-58-220	HEADER, Folding Top 1959 Cv. Cp.	1	1759 406	1759 406	1759 406	1759 406	1751 094
23-58-224	RETAINER, Folding Top Trim, on Belt Bar 1959 Cv. Cp.	Right Left Inner, 6 1/2 x 1	1776 898 1776 899 ----	1776 898 1776 899 ----	1776 902 1776 903 1778 861	1776 902 1776 903 1778 861	1878 164 1878 165 ----
23-58-225	FASTENER, Folding Top Trim, on Front Side Rail 1959 Cv. Cp.	2	----	----	6006 180	6006 180	----
	BRACKET, Folding Top Trim Fastener, on Front Side Rail 1959 Cv. Cp.	Right Left	---- ----	---- ----	---- ----	---- ----	1810 588 1810 589
23-58-227	MECHANISM, Folding Top Header Locking 1959 Cv. Cp.	2	1950 413	1950 413	1950 413	1950 413	----
23-58-228	DOWEL, Folding Top Header 1959 Cv. Cp.	2	1758 839	1758 839	1758 839	1758 839	6006 235
23-58-229	RETAINER, Folding Top Header Dowel Lock Nut 1959 Cv. Cp.	2	----	----	----	----	1691 911
23-58-232	COVER, Folding Top Header Lock Mechanism Access Hole 1959 Cv. Cp.	6 7/16 Long	1	----	----	----	1750 777
	COVER, Folding Top Header Lock Access Hole 1959 Cv. Cp.	7 3/8 Long, Right Left	1 1	---- ----	---- ----	---- ----	1750 854 1750 855
23-58-233	PIN, Folding Top Header Locking Mechanism Tension Spring 1959 Cv. Cp.	2	6000 321	6000 321	6000 321	6000 321	----
23-58-234	CLIP, Folding Top Header Lock Torsion Bar to Link 1959 Cv. Cp.	1	----	----	----	----	6006 221
23-58-237	SEAL, Folding Top Header Dowel 1959 Cv. Cp.	2	1836 171	1836 171	1836 171	1836 171	----

★ Indicates use as required.

☐ Indicates parts not listed in any previous parts book.

March 20, 1959 Supersedes Jan. 12, 1959.

Printed in U.S.A.

Prices and specifications subject to change without notice.

* Indicates change or addition.

CODE	REMARKS	PER CAR	PLYMOUTH	DODGE	DESOTO	CHRYSLER	IMPERIAL
23-58-0 FOLDING TOP Cont'd							
23-58-240	PANEL, Folding Top Header Outside Finish 1959 Cv.Cp. Center	1	1707 573	1707 573	1707 573	1707 573	---- --
	End, Right	1	1755 752	1755 752	1755 752	1755 752	---- --
	Left	1	1755 753	1755 753	1755 753	1755 753	---- --
	MOULDING, Folding Top Header Outside Finish 1959 Cv.Cp.	1	----	----	----	----	1750 630
23-58-242	CLIP, Folding Top Header Outside Finish Panel 1959 Cv.Cp.	6	6000 452	6000 452	6000 452	6000 452	---- --
	End	2	6000 453	6000 453	6000 453	6000 453	---- --
23-58-243	HANDLE, Folding Top Header Lock 1959 Cv.Cp.	1	----	----	----	----	1751 156
23-58-245	PIN, Folding Top Header Lock Handle to Torsion Bar Link 1959 Cv.Cp.	1	----	----	----	----	6006 222
23-58-248	RETAINER, Folding Top Header Lock Handle to Escutcheon Pin 1959 Cv.Cp.	1	----	----	----	----	1750 724
23-58-253	ESCUTCHEON, Folding Top Header Lock Handle 1959 Cv.Cp.	1	----	----	----	----	1751 173
23-58-257	LINK, Folding Top Header Lock Handle to Torsion Bar 1959 Cv.Cp.	1	----	----	----	----	1750 619
23-58-262	LATCH, Folding Top Header Locking 1959 Cv.Cp.	2	1950 411	1950 411	1950 411	1950 411	---- --
23-58-265	CATCH, Folding Top Header Locking Latch 1959 Cv.Cp.	2	1950 412	1950 412	1950 412	1950 412	---- --
	CATCH, Folding Top Header Lock Safety 1959 Cv.Cp.	1	----	----	----	----	1751 264
23-58-266	SPRING, Folding Top Header Locking Mechanism Tension 1959 Cv.Cp.	2	1759 368	1759 368	1759 368	1759 368	---- --
	SPRING, Folding Top Header Lock Safety Catch 1959 Cv.Cp.	1	----	----	----	----	1751 262
23-58-269	LINKAGE, Folding Top Side Rail 1959 Cv.Cp.	1	1866 518	1866 518	1846 596	1846 596	1751 206
	Right	1	1866 519	1866 519	1846 597	1846 597	1751 207
	Left	1	1758 003	1758 003	1755 682	1755 682	---- --
23-58-327	LINK, Folding Top Power 1959 Cv.Cp.	2	1758 003	1758 003	1755 682	1755 682	---- --
23-58-333	LINK, Folding Top Power Guide 1959 Cv.Cp.	1	1758 004	1758 004	1755 680	1755 680	---- --
	Right	1	1758 005	1758 005	1755 681	1755 681	---- --
	Left	1	----	----	----	----	1751 210
	Inner, Includes Power LINK	2	----	----	----	----	1750 400
	Outer	2	----	----	----	----	----
23-58-334	PLATE, Folding Top Power Guide Link Support Adjustment 1959 Cv.Cp.	1	1709 912	1709 914	1709 988	1709 988	---- --
	Right	1	1709 913	1709 915	1709 989	1709 989	---- --
	Left	1	----	----	----	----	----
23-58-335	TAPPING PLATE, Folding Top Power Guide Link Support 1959 Cv.Cp.	2	6000 388	6000 388	6000 388	6000 388	---- --
23-58-336	SUPPORT, Folding Top Power Guide Link 1959 Cv.Cp.	2	1708 914	1708 914	1708 914	1708 914	---- --
23-58-357	MOTOR, Folding Top Lift 1959 Cv.Cp.	1	1648 342	1648 342	1648 342	1648 342	1648 342
	Less Pump	1	1648 340	1648 340	1648 340	1648 340	1648 340
	Includes PUMP	1	----	----	----	----	----
23-58-359	ARMATURE, Folding Top Lift Motor 1959 Sub.	1	1818 505	1818 505	1818 505	1818 505	1818 505

★ Indicates use as required.

☐ Indicates parts not listed in any previous parts book.

* Indicates change or addition.

1959 PASSENGER CAR PARTS LIST

BODY

CODE	REMARKS	PER CAR	PLYMOUTH	DODGE	DESOTO	CHRYSLER	IMPERIAL
23-58-0 FOLDING TOP Cont'd							
23-58-370	HEAD, Folding Top Lift Motor Commutator End 1959 Cv. Cp.	1	1818 503	1818 503	1818 503	1818 503	1818 503
23-58-375	"O" RING, Folding Top Lift Motor Pump Drive Shaft 1959 Cv. Cp.	1	1641 590	1641 590	1641 590	1641 590	1641 590
23-58-379	CIRCUIT BREAKER, Folding Top Lift 1959 Cv. Cp.	1	1689 022	1689 022	1689 022	1689 022	1689 022
23-58-380	BRUSH and SPRING PACKAGE, Folding Top Lift Motor 1959 Cv. Cp.	1	1495 533	1495 533	1495 533	1495 533	1495 533
23-58-381	ROTOR PACKAGE, Folding Top Lift Pump 1959 Cv. Cp.	1	1641 650	1641 650	1641 650	1641 650	1641 650
23-58-393	SUPPORT, Folding Top Lift Motor and Pump Floor Pan 1959 Cv. Cp.	1	1757 153	1757 153	1757 153	1757 153	1878 112
23-58-394	PILLAR or RAIL, Folding Top Folding 1959 Cv. Cp.	Right Left	1708 586 1708 587	1708 586 1708 587	1706 982 1706 983	1706 982 1706 983	1691 946 1691 947
23-58-395	PLUG, Folding Top Lift Pump Reservoir Filler 1959 Cv. Cp. Includes "O" RING	1	1641 579	1641 579	1641 579	1641 579	1641 579
23-58-396	BRACKET, Folding Top Lift Motor Mounting 1959 Cv. Cp.	1	1641 578	1641 578	1641 578	1641 578	1641 578
23-58-430	PLATE, Folding Top Lift Pump Cover 1959 Cv. Cp. Includes Valve Rocker ARM PLATE, Folding Top Lift Pump End 1959 Cv. Cp. Includes BUSHING	1	1641 592	1641 592	1641 592	1641 592	1641 592
23-58-469	PROP or LINK, Folding Top Main Control 1959 Cv. Cp.	Right Left	1755 824 1755 825	1755 824 1755 825	1706 576 1706 577	1706 576 1706 577	1751 208 1751 209
23-58-472	BRACKET, Folding Top Folding Rail Pivot 1959 Cv. Cp.	Right Left	1 1	----- -----	----- -----	----- -----	1691 948 1691 949
23-58-473	BRACKET, Folding Top Folding Rail Pivot Bracket to Body Mounting Support 1959 Cv. Cp.	Right Left	1 1	----- -----	----- -----	----- -----	1750 406 1750 407
23-58-475	PLATE, Folding Top Main Control Prop Support Plate Adjustment 1959 Cv. Cp.	2	1303 767	1303 767	1303 767	1303 767	-----
23-58-476	BRACE, Folding Top Main Control Prop Body 1959 Cv. Cp.	Inner Right Left Outer Right Left	1 1 1 1	1833 396 1833 397 1776 424 1776 425	1695 158 1695 159 1776 426 1776 427	1755 624 1755 625 1775 926 1775 927	1755 624 1755 625 1775 926 1775 927
	SUPPORT, Folding Top Main Control Link and Pivot Bracket Mounting Bracket Body 1959 Cv. Cp.	Right Left	1 1	----- -----	----- -----	----- -----	E1961 088 E1961 089
23-58-480	REINFORCEMENT, Folding Top Folding Rail Pivot Bracket Mounting Bracket to Body Mounting 1959 Cv. Cp.	2	-----	-----	-----	-----	1751 810
	REINFORCEMENT, Folding Top Main Control Link Adjustment Plate Body 1959 Cv. Cp.	Right Left	1 1	----- -----	----- -----	----- -----	1751 806 1751 807
23-58-486	RAIL, Folding Top Side 1959 Cv. Cp.	Front Right Left Rear Right Left	1 1 1 1	1755 422 1755 423 1755 424 1755 425	1755 422 1755 423 1755 424 1755 425	1707 474 1707 475 1707 362 1707 363	1707 474 1707 475 1707 362 1707 363
							1751 710 1751 711 1751 718 1751 719

★ Indicates use as required.

E Indicates parts not listed in any previous parts book.

May 25, 1959 Supersedes March 20, 1959.

Printed in U.S.A.

Prices and specifications subject to change without notice.

* Indicates change or addition.

CODE	REMARKS	PER CAR	PLYMOUTH	DODGE	DESOTO	CHRYSLER	IMPERIAL		
23-58-0 FOLDING TOP Cont'd									
23-58-487	BUSHING, Folding Top Folding Rail to Body Pivot Bracket Pin 1959 Cv.Cp. Plastic	2	----	----	----	----	1810 440		
23-58-497	BUSHING, Folding Top Side Rail Link to Rear Rail Pin 1959 Cv.Cp. Plastic	2	----	----	----	----	1750 647		
23-58-497	CAP, Folding Top Front Side Rail to Header Joint 1959 Cv.Cp. Right	1	1708 698	1708 698	1708 698	1708 698	----		
	Left	1	1708 699	1708 699	1708 699	1708 699	----		
23-58-532	SWITCH, Folding Top Lift 1959 Cv.Cp.	1	1688 339	1769 677	1769 344	1842 639	1779 802		
23-58-533	NUT, Folding Top Lift Switch Mounting 1959 Cv.Cp.	1	1439 758	1439 758	1439 758	1439 758	1439 758		
23-58-534	KNOB or LEVER, Folding Top Lift Switch 1959 Cv.Cp.	1	1753 692	1605 493	1769 341	1769 524	1769 470		
23-58-555	HOSE, Folding Top Lift Pump to Cylinder 1959 Cv.Cp. Upper	1	1878 134	1753 554	1878 134	1878 134	1960 781		
	Lower	1	1753 554	1753 554	1753 554	1753 554	1878 134		
23-58-569	WEATHERSTRIP, Folding Top Header 1959 Cv.Cp. Front	1	1775 262	1775 262	1775 262	1775 262	----		
	Rear	1	1866 896	1866 896	1866 896	1866 896	----		
	Inner	1	----	----	----	----	1751 733		
	Upper Corner Moulding, Right	1	----	----	----	----	1861 334		
	Left	1	----	----	----	----	1861 335		
23-58-572	WEATHERSTRIP, Folding Top Side Rail 1959 Cv.Cp. Front Right	1	1757 414	1757 414	1756 658	1756 658	1810 002		
	Left	1	1757 415	1757 415	1756 659	1756 659	1810 003		
	Rear Right	1	1846 006	1846 006	1846 004	1846 004	1810 004		
	Left	1	1846 007	1846 007	1846 005	1846 005	1810 005		
23-58-590	WEATHERSTRIP, Folding Top Folding Pillar or Rail 1959 Cv.Cp. Right	1	1757 078	1757 078	1755 668	1755 668	1810 006		
	Left	1	1757 079	1757 079	1755 669	1755 669	1810 007		
	Support Bracket, at Belt	2	1883 825	1883 825	----	1883 825	----		
23-58-600	STUD, Folding Top 1959 Cv.Cp. Side Rail Link to Front Side Rail Bracket	2	1303 839	1303 839	1303 839	1303 839	----		
	Side Rail Link to Rear Rail	2	6000 273	6000 273	6000 273	6000 273	----		
	Side Rail Link to Folding Pillar and No. 2 Bow Bracket	2	6000 356	6000 356	6000 356	6000 356	----		
	Rear Side Rail to Folding Pillar	2	6000 326	6000 326	6000 326	6000 326	----		
	Main Control Prop to Rear Side Rail	2	6000 279	6000 279	6000 279	6000 279	----		
	Main Control Prop to Support Plate	2	8000 149	6000 149	6000 149	6000 149	----		
	Power Link to Folding Pillar	2	1303 844	1303 844	1303 844	1303 844	----		
	Rear Bow Link to Folding Pillar	2	6000 274	6000 274	6000 274	6000 274	----		
	Folding Pillar to Support	2	6000 191	6000 191	6000 191	6000 191	----		
SHAFT SHOULDER HEAD THREAD									
	13/16 1/4 7/8 hex.		3/8-24 x 1/2	2	6000 274	6000 274	6000 274	6000 274	----
	53/64 11/32 3/4 dia.		3/8-24 x 27/64	2	6000 356	6000 356	6000 356	6000 356	----
	7/8 25/64 5/8 hex.		5/16-24 x 27/64	4	1303 839	1303 839	1303 839	1303 839	----
	7/8 25/64 3/4 hex.		5/16-24 x 27/64	4	6000 273	6000 273	6000 273	6000 273	----
	1 1/8 7/16 7/8 hex.		3/8-16 x 5/8	2	6000 279	6000 279	6000 279	6000 279	----
	1 1/4 1/8 7/8 hex.		3/8-24 x 1 5/64	★	6000 326	6000 326	6000 326	6000 326	----
	1 3/8 21/64 1 hex.		7/16-20 x 9/16	2	6000 149	6000 149	6000 149	6000 149	----
	1 5/16 - -		3/8-24 x 3/8	2	1303 844	1303 844	1303 844	1303 844	----
	2 1 17/32 7/8 hex.		1/2-20 x 13/32	2	6000 191	6000 191	6000 191	6000 191	----
23-58-601	SET SCREW, Folding Top 1959 Cv.Cp. Headless, No. 10-24 x 1/4	10	6000 182	6000 182	6000 182	6000 182	6000 182	----	
	Square Head, 1/4-20 x 1	2	107 345	107 345	107 345	107 345	107 345	----	
	1/4-20 x 2	2	102 438	102 438	102 438	102 438	102 438	----	

★ Indicates use as required.

□ Indicates parts not listed in any previous parts book.

* Indicates change or addition.

1959 PASSENGER CAR PARTS LIST

BODY

CODE	REMARKS	PER CAR	PLYMOUTH	DODGE	DESOTO	CHRYSLER	IMPERIAL			
23-58-0 FOLDING TOP Cont'd										
23-58-603	SCREW, Folding Top Side Rail to Header Joint Cap 1959 Cv.Cp.	2	6000 223	6000 223	6000 223	6000 223	---- --			
	SCREW, Folding Top Power Guide Link to Support 1959 Cv.Cp.	2	6000 299	6000 299	6000 299	6000 299	---- --			
	BOLT, Folding Top Lift Cylinder Yoke 1959 Cv.Cp.	2	6000 171	6000 171	6000 171	6000 171	---- --			
	SCREW, Folding Top Header Lock Torsion Bar Adjusting 1959 Cv.Cp.	2	----	----	----	----	1750 726			
	BOLT, Folding Top Control Link Adjusting Plate 1959 Cv.Cp.	2	----	----	----	----	6006 224			
	SCREW, Folding Top Header Weatherstrip 1959 Cv.Cp.	2	----	----	----	----	6000 223			
23-58-605	SPACER or WASHER, Folding Top 1959 Cv.Cp.									
	O.D.	I.D.	THICKNESS	MATERIAL						
	5/8	25/64	1/16	Steel	2	6000 320	6000 320	6000 320	6000 320	----
	3/4	5/16	1/8	Steel	2	6000 132	6000 132	6000 132	6000 132	----
	3/4	15/32	1/16	Fibre	4	1246 441	1246 441	1246 441	1246 441	----
	13/16	3/8	1/16	Brass	2	6000 197	6000 197	6000 197	6000 197	----
	7/8	7/16	15/64	Rubber	4	1249 332	1249 332	1249 332	1249 332	----
	1	17/32	1/16	Fibre	4	1706 470	1706 470	1706 470	1706 470	----
	1	9/16	1/8	Fibre	2	1706 879	1706 879	1706 879	1706 879	----
	1 3/16	23/32	1/16	Steel	2	1707 679	1707 679	1707 679	1707 679	----
	13/16	3/8	1 3/64	Plastic	4	----	----	----	----	6006 204
	7/8	7/16	7/64	Leather	4	----	----	----	----	6000 141
	X-WASHER, Folding Top 1959 Cv.Cp.	10	----	----	----	----	----	----	----	6006 052
23-58-606	SPRINGWASHER, Folding Top 1959 Cv.Cp.									
		7/8 O.D. x 19/32 I.D.	★	6000 098	6000 098	6000 098	6000 098	6000 098	6000 098	----
		1 O.D. x 25/64 I.D.	2	6000 261	6000 261	6000 261	6000 261	6000 261	6000 261	----
		3/4 O.D. x 25/64 I.D.	★	----	----	----	----	----	----	6006 216
23-58-607	PIN, Folding Top 1959 Cv.Cp.									
	Lift Cylinder Mounting Bracket	2	6006 093	6006 093	6006 093	6006 093	6006 093	6006 093	6006 093	6006 093
	Front to Rear Side Rail	2	6000 319	6000 319	6000 319	6000 319	6000 319	6000 319	6000 319	6006 229
	Side Rail Link to No. 1 Bow Bracket	2	6000 460	6000 460	6000 460	6000 460	6000 460	6000 460	6000 460	----
	Side Rail Link to Front Rail	2	----	----	----	----	----	----	----	6006 205
	Side Rail Link to Rear Rail	2	----	----	----	----	----	----	----	6006 223
	Side Rail Link to Folding Rail	2	----	----	----	----	----	----	----	6006 205
	No. 2 Bow to Folding Rail	2	----	----	----	----	----	----	----	6006 230
	Rear Bow to Folding Rail	2	----	----	----	----	----	----	----	6006 237
	Power Link to Folding Rail	2	----	----	----	----	----	----	----	6006 227
	Power Guide Link to Body Bracket	2	----	----	----	----	----	----	----	6006 228
	Main Control Link to Rear Side Rail	2	----	----	----	----	----	----	----	6006 230
	Rear Side Rail to Folding Rail	2	----	----	----	----	----	----	----	6006 231
	Folding Rail to Body Bracket	2	----	----	----	----	----	----	----	6006 226
23-59-0 DRAIN TROUGH AND MOULDING										
23-59-25	TUBE, Folding Top Well Drain 1959 Cv.Cp.	1	1691 886	1691 886	1691 886	1691 886	1691 886	1691 886	1691 886	1691 886
23-59-26	PLATE, Folding Top Well Drain Tube Attaching 1959 Cv.Cp.	1	1691 887	1691 887	1691 887	1691 887	1691 887	1691 887	1691 887	1691 887
23-59-35	TROUGH, Deck Lid Opening Side Drain 1959 All									
		Right	1	----	----	----	----	----	----	1651 318
		Left	1	----	----	----	----	----	----	1651 319

★ Indicates use as required.

⊔ Indicates parts not listed in any previous parts book.

March 20, 1959 Supersedes Jan. 12, 1959.

Page 23-82

Printed in U.S.A.
Prices and specifications subject to change without notice.

* Indicates change or addition.

CODE	REMARKS	PER CAR	PLYMOUTH	DODGE	DESOTO	CHRYSLER	IMPERIAL		
23-59-0 DRAIN TROUGH AND MOULDING Cont'd									
NOTE: Also see 23-63-173									
23-59-39	TROUGH, Quarter Belt Side Bar Drain 1959 4 D. Sub.	Right	1	1708 486	1708 486	1708 486	1708 486	----	
		Left	1	1708 487	1708 487	1708 487	1708 487	----	
	1959 2 D. Sub.	Right	1	1869 780	----	----	----	----	
		Left	1	1869 781	----	----	----	----	
	TROUGH, Quarter Panel Water Deflector Drain								
	1959	Sp. Cl. Cp.	Right	1	1836 256	----	----	----	----
Left			1	1836 257	----	----	----	----	
23-59-56	TROUGH, Roof Side Drain 1959 4 D., Cl. Sed., 3 Cp.	Right	1	1683 396	1683 396	----	----	----	
		Left	1	1683 397	1683 397	----	----	----	
	Except FireSweep, Windsor	Right	1	----	----	1697 136	1697 136	----	
		Left	1	----	----	1697 137	1697 137	----	
	FireSweep, Windsor	Right	1	----	----	1836 614	1836 614	----	
		Left	1	----	----	1836 615	1836 615	----	
	1959 Sp. 4 D.	Right	1	1833 380	1833 380	1833 380	1833 380	----	
		Left	1	1833 381	1833 381	1833 381	1833 381	----	
	1959 Sp. Cl. Cp.	Right	1	1833 376	1833 376	1833 378	1833 378	----	
		Left	1	1833 377	1833 377	1833 379	1833 379	----	
	1959	Sub. except FireSweep	Right	1	1695 148	1695 148	1758 796	1758 796	----
			Left	1	1695 149	1695 149	1758 797	1758 797	----
		FireSweep	Right	1	----	----	1695 148	----	----
			Left	1	----	----	1695 149	----	----
TROUGH, Roof Side Extension Drain									
1959	Sub. except FireSweep	Front Right	1	----	----	1774 480	1774 480	----	
		Left	1	----	----	1774 481	1774 481	----	
		Rear Right	1	----	----	1774 482	1774 482	----	
		Left	1	----	----	1774 483	1774 483	----	
TROUGH, Roof Rear Drain									
1959	Sub.		1	1695 131	1695 131	1695 131	1695 131	----	
NOTE: Roof Side Drain Trough Formed as Portion of Roof Side Outer Rail on Imperial Bodies, See 23-40-85.									
23-59-57	CAP, Roof Side Drain Trough Moulding 1959 All	Front Right	1	*1882 714	*1882 714	*1882 714	*1882 714	----	
		Left	1	1882 715	1882 715	1882 715	1882 715	----	
	1959 Sub.	Rear Joint,	Right	1	1756 680	1756 680	1756 680	1756 680	----
			Left	1	1756 681	1756 681	1756 681	1756 681	----
	CAP, Roof Side Drain Trough								
	1959	4 D., Sp. 4 D., Cl. Sed., 3 Cp., Sub.	Front Right	1	*1882 712	*1882 712	*1882 712	----	----
			Left	1	1882 713	1882 713	1882 713	----	----
	1959	Sp. Cl. Cp.	Front Right	1	1882 474	1882 474	1882 712	----	----
			Left	1	1882 475	1882 475	1882 713	----	----
	1959	Sub.	Rear Joint	2	1776 481	1776 481	1776 481	----	----
23-59-61	MOULDING or COVER, Roof Side Drain Trough 1959 4 D., Cl. Sed.	Right	1	*1836 760	*1836 760	*1836 760	*1836 760	*1690 804	
		Left	1	1836 761	1836 761	1836 761	1836 761	1690 805	
	1959 Sp. 4 D.	Right	1	1836 398	1836 398	1836 398	1836 398	1750 104	
		Left	1	1836 399	1836 399	1836 399	1836 399	1750 105	
	1959 Sp. Cl. Cp.	Right	1	1834 922	1834 922	1834 934	1834 934	1750 102	
		Left	1	1834 923	1834 923	1834 935	1834 935	1750 103	
	1959	Sub. except FireFlite	Right	1	1696 710	1696 710	1696 710	----	----
			Left	1	1696 711	1696 711	1696 711	----	----
		except FireSweep	Front Right	1	----	----	*1756 672	*1756 672	----
			Left	1	----	----	1756 673	1756 673	----
			Rear Right	1	----	----	1756 678	1756 678	----
			Left	1	----	----	1756 679	1756 679	----
	MOULDING, Roof Rear Drain Trough								
	1959	Sub.		1	*1696 712	*1696 712	*1696 712	*1696 712	----

NOTE: For cars with drain trough covered by portion of Roof Panel Finish Moulding, see 23-23-42.

★ Indicates use as required.
 ☐ Indicates parts not listed in any previous parts book.
 * Indicates change or addition.

1959 PASSENGER CAR PARTS LIST

BODY

CODE	REMARKS	PER CAR	PLYMOUTH	DODGE	DESOTO	CHRYSLER	IMPERIAL
23-61-0 COWL VENT OR AIR INTAKE							
23-61-20	SUPPORT, Cowl Fresh Air Opening Panel to Hood 1959 All Rubber	2	----	1775 994	1775 994	1775 994	----
23-61-39	PANEL, Dash Panel Cowl Air Intake Water Deflector 1959 All w/o Heater	1	1777 885	1777 885	1777 885	1777 885	1777 885
	DEFLECTOR, Dash Panel Cowl Air Intake Water 1959 All w/o Air Conditioning	1	1810 088	1810 088	1810 088	1810 088	1810 088
23-61-98	SCREEN, Cowl Fresh Air Opening 1959 All	1	1909 765	1909 765	1909 765	1909 765	----
	SCREEN, Cowl Vent 1959 All	1	----	----	----	----	1751 008
		Right	----	----	----	----	1751 009
		Left	----	----	----	----	----
23-61-99	CLIP, Cowl Fresh Air Opening Screen 1959 All	12	6000 439	6000 439	6000 439	6000 439	----
	CLIP, Cowl Vent Grille Attaching 1959 All	6	----	----	----	----	6006 261
23-61-103	GRILLE, Cowl Vent 1959 All	1	----	----	----	----	1878 644
		Right	----	----	----	----	1878 645
		Left	----	----	----	----	----
23-61-104	CAP, Cowl Vent Grille 1959 All	1	----	----	----	----	1861 345
23-61-110	SEAL, Cowl Top Panel to Air Intake Panel 1959 All	★	1775 772	1775 772	1775 772	1775 772	----
23-63-0 WEATHERSTRIP							
23-63-14	WEATHERSTRIP, Front Door Window Belt Inner 1959 4 D., 4 D.Sub.	1	1705 046	1705 046	----	----	----
		Right	1705 047	1705 047	----	----	----
		Left	----	----	1705 046	1705 046	----
	FireSweep, Windsor	1	----	----	1705 047	1705 047	----
		Right	----	----	1707 756	1707 756	----
		Left	----	----	----	1767 002	1767 244
1959	4 D. FireDome, FireFlite, Saratoga New Yorker, Imperial	2	----	----	----	----	----
		2	----	----	----	1767 002	1767 244
1959	Sp. 4 D. except FireFlite, New Yorker	1	1884 960	1884 960	1884 960	1884 960	----
		Right	1884 961	1884 961	1884 961	1884 961	----
		Left	----	----	1684 143	1684 143	1767 246
1959	FireFlite, New Yorker, Imperial 4 D.Sub. except FireSweep, Windsor	2	----	----	1767 002	1767 002	----
		2	----	----	----	----	----
	WEATHERSTRIP, Rear Door Window Belt Inner 1959 4 D.	2	1707 428	1707 428	----	----	----
		2	----	----	1707 756	1707 756	----
	FireDome, FireFlite, Saratoga	2	----	----	1707 428	1707 428	----
	FireSweep, Windsor	2	----	----	----	1767 003	1767 245
	New Yorker, Imperial	2	----	----	----	----	----
1959	Sp. 4 D. except FireFlite, New Yorker	1	1884 962	1884 962	1884 962	1884 962	----
		Right	1884 963	1884 963	1884 963	1884 963	----
		Left	----	----	1767 166	1767 166	1767 247
1959	FireFlite, New Yorker, Imperial 4 D.Sub. except FireFlite, New Yorker	2	1705 056	1705 056	1705 056	1705 056	----
		2	----	----	1767 003	1767 003	----
	FireFlite, New Yorker	2	----	----	----	----	----
	WEATHERSTRIP, Door Window Belt Inner 1959 Sp. Cl. Cp., Cv. Cp., except FireFlite, New Yorker	1	1705 052	1705 052	1705 052	1705 052	----
		Right	1705 053	1705 053	1705 053	1705 053	----
		Left	----	----	1767 284	1767 284	1772 797
1959	FireFlite, New Yorker, Imperial Cl.Sed., 3 Cp., 2 D.Sub.	1	1705 050	1705 050	----	----	----
		Right	1705 051	1705 051	----	----	----
		Left	----	----	----	----	----

★ Indicates use as required.

⊠ Indicates parts not listed in any previous parts book.

March 20, 1959 Supersedes Jan. 12, 1959.

Page 23-84

Printed in U.S.A.
Prices and specifications subject to change without notice.

* Indicates change or addition.

CODE	REMARKS	PER CAR	PLYMOUTH	DODGE	DESOTO	CHRYSLER	IMPERIAL
23-63-0 WEATHERSTRIP Cont'd							
NOTE: FireSweep and FireDome Spring Special use FireFlite Belt Inner Weatherstrip.							
23-63-15	WEATHERSTRIP, Front Door Window Belt Outer						
1959	4 D., 4 D.Sub.	Right	1 1776 876	1776 876	----	----	----
		Left	1 1776 877	1776 877	----	----	----
	FireSweep, Windsor	Right	1 ----	----	1776 876	1776 876	----
		Left	1 ----	----	1776 877	1776 877	----
	Except FireSweep, Windsor		2 ----	----	1778 802	1778 802	1751 704
1959	Sp. 4 D.	Right	1 1884 956	1884 956	1884 956	1884 956	1751 706
		Left	1 1884 957	1884 957	1884 957	1884 957	1751 707
	WEATHERSTRIP, Rear Door Window Belt Outer						
1959	4 D.	Right	1 1833 972	1833 972	----	----	----
		Left	1 1833 973	1833 973	----	----	----
	FireSweep, Windsor	Right	1 ----	----	1833 972	1833 972	----
		Left	1 ----	----	1833 973	1833 973	----
	Except FireSweep, Windsor	Right	1 ----	----	1954 356	1954 356	1751 714
		Left	1 ----	----	1954 357	1954 357	1961 126
1959	Sp. 4 D.	Right	1 1884 958	1884 958	1884 958	1884 958	1751 724
		Left	1 1884 959	1884 959	1884 959	1884 959	1751 725
1959	4D.Sub. except FireFlite, New Yorker		2 1776 882	1776 882	1776 882	1776 882	----
	FireFlite, New Yorker	Right	1 ----	----	1954 358	1954 358	----
		Left	1 ----	----	1954 359	1954 359	----
	WEATHERSTRIP, Door Window Belt Outer						
1959	Sp. Cl. Cp., Cv. Cp.	Right	1 1705 103	1705 103	1705 103	1705 103	1751 708
		Left	1 1705 102	1705 102	1705 102	1705 102	1751 709
1959	Cl.Sed., 3 Cp., 2 D.Sub.	Right	1 1776 586	1776 586	----	----	----
		Left	1 1776 587	1776 587	----	----	----
23-63-16	CLIP, Door Window Belt Outer Weatherstrip						
1959	All		★ 1775 089	1775 089	1775 089	1775 089	6006 104
23-63-20	WEATHERSTRIP, Quarter Window Belt Inner						
1959	Sp. Cl. Cp. except FireFlite, New Yorker	Right	1 1950 808	1950 808	1705 074	1705 074	----
		Left	1 1950 809	1950 809	1705 075	1705 075	----
	FireFlite, New Yorker, Imperial		2 ----	----	1767 285	1767 285	1772 798
1959	Cv. Cp. except FireFlite	Right	1 1705 072	1705 072	1757 064	----	----
		Left	1 1705 073	1705 073	1757 065	----	----
	FireFlite, New Yorker, Imperial		2 ----	----	1767 285	1767 285	1772 799
1959	Cl.Sed.		2 1705 096	1705 096	----	----	----
NOTE: FireSweep and FireDome Spring Special use FireFlite Belt Inner Weatherstrip.							
23-63-21	WEATHERSTRIP, Quarter Window Belt Outer						
1959	Sp. Cl. Cp.	Right	1 1705 102	1705 102	1757 104	1757 104	1810 000
		Left	1 1705 103	1705 103	1757 105	1757 105	1810 001
1959	Cv. Cp.	Right	1 1705 066	1705 066	1705 068	1705 068	1810 000
		Left	1 1705 067	1705 067	1705 069	1705 069	1810 001
1959	Cl.Sed.		2 1776 914	1776 914	----	----	----
23-63-22	CLIP, Quarter Window Belt Outer Weatherstrip						
1959	All		★ 1775 089	1775 089	1775 089	1775 089	----
23-63-33	WEATHERSTRIP, Door						
1959	4 D., 4 D.Sub., except FireSweep, Windsor	Upper, Front Right	1 1759 460	1759 460	1959 316	1959 316	1751 638
		Left	1 1759 461	1759 461	1959 317	1959 317	1751 639
	FireSweep, Windsor						
		Upper, Front Right	1 ----	----	1759 460	1759 460	----
		Left	1 ----	----	1759 461	1759 461	----
1959	4 D., 4 D.Sub. Bottom, Front	Right	1 1759 456	1759 456	1759 456	1759 456	1751 742
		Left	1 1759 457	1759 457	1759 457	1759 457	1751 743

★ Indicates use as required.

☐ Indicates parts not listed in any previous parts book.

* Indicates change or addition.

1959 PASSENGER CAR PARTS LIST

BODY

CODE	REMARKS	PER CAR	PLYMOUTH	DODGE	DESOTO	CHRYSLER	IMPERIAL
23-63-0 WEATHERSTRIP Cont'd							
23-63-33	WEATHERSTRIP - Cont'd						
1959	4 D. except FireSweep, Windsor						
	Upper, Rear Right	1	1759 466	1759 466	1959 312	1959 312	1751 682
	Left	1	1759 467	1759 467	1959 313	1959 313	1751 683
	FireSweep, Windsor						
	Upper, Rear Right	1	----	----	1759 466	1759 466	----
	Left	1	----	----	1759 467	1759 467	----
1959	4 D., 4 D.Sub., w/Manual Window Lifts						
	Bottom, Rear Right	1	1759 462	1759 462	1759 462	1759 462	1751 774
	Left	1	1759 463	1759 463	1759 463	1759 463	1751 775
	w/Electric Window Lifts						
	Bottom, Rear Right	1	1759 462	1775 258	1775 258	1775 258	1751 774
	Left	1	1759 463	1775 259	1775 259	1775 259	1751 775
1959	4 D.Sub. except FireSweep, Windsor						
	Upper, Rear Right	1	1758 366	1758 366	1959 314	1959 314	----
	Left	1	1758 367	1758 367	1959 315	1959 315	----
	FireSweep, Windsor						
	Upper, Rear Right	1	----	----	1758 366	1758 366	----
	Left	1	----	----	1758 367	1758 367	----
1959	Sp. 4 D.						
	Front Right	1	1950 128	1950 128	1950 130	1950 130	----
	Left	1	1950 129	1950 129	1950 131	1950 131	----
	w/Manual Window Lifts, Rear Right	1	1950 238	1950 238	1950 238	1950 238	----
	Left	1	1950 239	1950 239	1950 239	1950 239	----
	w/Electric Window Lifts, Rear Right	1	1950 238	1950 234	1950 234	1950 234	----
	Left	1	1950 239	1950 235	1950 235	1950 235	----
	Hinge Pillar, Front Right	1	----	----	----	----	1810 704
	Left	1	----	----	----	----	1810 705
	Lock Pillar, Front Right	1	----	----	----	----	1751 620
	Left	1	----	----	----	----	1751 621
	Bottom, Front Right	1	----	----	----	----	1751 742
	Left	1	----	----	----	----	1751 743
	Hinge Pillar, Rear Right	1	----	----	----	----	1751 618
	Left	1	----	----	----	----	1751 619
	Lock Pillar, on Door, Rear Right	1	----	----	----	----	1751 654
	Left	1	----	----	----	----	1751 655
	Lock Pillar, on Body, Rear Bottom, Rear Right	1	----	----	----	----	1690 874
	Left	1	----	----	----	----	1751 774
	Left	1	----	----	----	----	1751 775
1959	Sp. Cl. Cp.						
	Hinge Pillar, Right	1	1775 002	1775 002	1867 892	1867 892	1810 704
	Left	1	1775 003	1775 003	1867 893	1867 893	1810 705
1959	Sp. Cl. Cp., Cv. Cp.						
	Lock Pillar and Bottom, Right	1	1705 010	1705 010	1705 010	1705 010	----
	Left	1	1705 011	1705 011	1705 011	1705 011	----
	Lock Pillar, Right	1	----	----	----	----	1751 646
	Left	1	----	----	----	----	1751 647
	Lock Pillar, Upper, Right	1	----	----	----	----	1810 014
	Left	1	----	----	----	----	1810 015
	Bottom, Right	1	----	----	----	----	1751 744
	Left	1	----	----	----	----	1751 745
1959	Cv. Cp.						
	Hinge Pillar, Right	1	1866 648	1866 648	1867 854	1867 854	1810 706
	Left	1	1866 649	1866 649	1867 855	1867 855	1810 707
1959	Cl. Sed., 3 Cp., 2 D.Sub.						
	Upper, Right	1	1759 938	1759 938	----	----	----
	Left	1	1759 939	1759 939	----	----	----
	Bottom, Right	1	1774 066	1774 066	----	----	----
	Left	1	1774 067	1774 067	----	----	----
	WEATHERSTRIP, Door Hinge Pillar Secondary or Auxiliary						
1959	All						
	on Body Front Pillar	2	----	1950 659	----	----	----
	L-Shaped, on Door, Right	1	----	1869 778	----	----	1751 570
	Left	1	----	1869 779	----	----	1751 571

★ Indicates use as required.

☐ Indicates parts not listed in any previous parts book.

March 20, 1959 Supersedes Jan. 12, 1959.

Printed in U.S.A. Prices and specifications subject to change without notice.

* Indicates change or addition.

CODE	REMARKS	PER CAR	PLYMOUTH	DODGE	DESOTO	CHRYSLER	IMPERIAL	
23-63-0 WEATHERSTRIP Cont'd								
23-63-33	WEATHERSTRIP - Cont'd							
	WEATHERSTRIP, Roof Side Rail							
1959	Sp. 4 D.	Right	1	1909 358	1909 358	1909 358	1909 358	1751 674
		Left	1	1909 359	1909 359	1909 359	1909 359	1751 675
1959	Sp. Cl. Cp.	Right	1	1954 386	1954 386	1954 388	1954 388	1751 676
		Left	1	1954 387	1954 387	1954 389	1954 389	1751 677
	WEATHERSTRIP, Roof Side Rail Front Extension							
1959	Sp. 4 D., Sp. Cl. Cp.	Right	1	----	----	----	----	1751 690
		Left	1	----	----	----	----	1751 691
	SEAL, Door Vent Wing Frame Front Corner							
1959	Sp. 4 D., Sp. Cl. Cp., Cv. Cp.	Lower Right	1	1758 108	1758 108	1758 108	1758 108	----
		Left	1	1758 109	1758 109	1758 109	1758 109	----
1959	Cv. Cp.	Upper Right	1	1844 926	1844 926	1844 926	1844 926	----
		Left	1	1844 927	1844 927	1844 927	1844 927	----
23-63-55	RETAINER, Roof Side Rail Weatherstrip							
1959	Sp. 4 D. except Fury, Custom Royal	Right	1	1909 360	1909 360	1909 360	1909 360	----
		Left	1	1909 361	1909 361	1909 361	1909 361	----
	Fury, Custom Royal	Right	1	1909 492	1909 492	----	----	----
		Left	1	1909 493	1909 493	----	----	----
1959	Sp. Cl. Cp. except Fury, Custom Royal	Right	1	1954 558	1954 558	1954 532	1954 532	*2093 366
		Left	1	1954 559	1954 559	1954 533	1954 533	*2093 367
	Fury, Custom Royal	Right	1	1954 562	1954 562	----	----	----
		Left	1	1954 563	1954 563	----	----	----
23-63-94	WEATHERSTRIP, Rear Door Window Front Frame							
1959	Sp. 4 D.	Right	1	1884 866	1884 866	1884 866	1884 866	1810 016
		Left	1	1884 867	1884 867	1884 867	1884 867	1810 017
23-63-97	WEATHERSTRIP, Door Window Glass Lower Channel							
1959	4 D.	Front	2	----	----	----	----	1751 035
		Rear	2	----	----	----	----	1751 035
1959	Sp. 4 D.	Front	2	1775 808	1775 808	1775 808	1775 808	1750 517
1959	Sp. Cl. Cp., Cv. Cp.		2	1775 808	1775 808	1775 808	1775 808	----
	WEATHERSTRIP, Rear Door Window Glass to Frame and Channel							
1959	Sp. 4 D.		2	1776 497	1776 497	1776 497	1776 497	----
23-63-100	WEATHERSTRIP, Quarter Window Stationary Glass							
1959	4 D.	Right	1	1834 958	1834 958	1834 958	1834 958	1860 760
		Left	1	1834 959	1834 959	1834 959	1834 959	1860 761
1959	Cl. Sed.	Right	1	1758 814	1758 814	----	----	----
		Left	1	1758 815	1758 815	----	----	----
1959	3 Cp.		2	1952 314	----	----	----	----
1959	Sub.		2	1882 072	1882 072	1882 072	1882 072	----
	WEATHERSTRIP, Quarter Window Glass to Frame and Channel							
1959	Sp. Cl. Cp.		2	1776 498	1776 498	1776 500	1776 500	----
1959	Cv. Cp.		2	1776 499	1776 499	1776 500	1776 500	----
	WEATHERSTRIP, Quarter Window Glass Lower Channel							
1959	Sp. Cl. Cp., Cv. Cp.		2	----	----	----	----	1691 343
23-63-104	WEATHERSTRIP, Quarter Window Glass Front Frame							
1959	Sp. Cl. Cp.	Right	1	1884 864	1884 864	1884 856	1884 856	1751 610
		Left	1	1884 865	1884 865	1884 857	1884 857	1751 611
1959	Cv. Cp.	Right	1	1884 856	1884 856	1884 856	1884 856	1751 610
		Left	1	1884 857	1884 857	1884 857	1884 857	1751 611

★ Indicates use as required.

☐ Indicates parts not listed in any previous parts book.

* Indicates change or addition.

1959 PASSENGER CAR PARTS LIST

BODY

CODE	REMARKS	PER CAR	PLYMOUTH	DODGE	DESOTO	CHRYSLER	IMPERIAL
23-63-0 WEATHERSTRIP Cont'd							
23-63-107	WEATHERSTRIP, Quarter Window Glass Division 1959 2 D.Sub.	Right Left	2 2	1844 668 1844 669	----	----	----
23-63-112	WEATHERSTRIP, Rear Window Glass 1959 4 D., Cl.Sed., 3 Cp. Trim Codes		1	1756 652	1756 652	----	----
	FireSweep, 301-331-421	Blue	1	----	----	1913 908	----
	302-332-422	Green	1	----	----	1913 909	----
	303-333-423	Beige	1	----	----	1913 910	----
	304-334-424	Gray	1	----	----	1916 974	----
	FireDome, FireFlite, 351-371-431-441	Blue	1	----	----	1913 911	----
	352-372-432-442	Green	1	----	----	1913 912	----
	353-373-433-443	Beige	1	----	----	1913 913	----
	354-374-434-444	Gray	1	----	----	1913 914	----
	Windsor 101-151	Blue	1	----	----	1913 915	----
	102	Green	1	----	----	1913 916	----
	103-153	Brown	1	----	----	1913 917	----
	104	Gray	1	----	----	1913 918	----
	157-158	Black	1	----	----	1913 921	----
	Except Windsor		1	----	----	1774 429	1751 604
1959	Sp. 4 D.		1	1705 019	1846 426	----	----
		Black	1	----	----	1846 426	----
		White	1	----	----	1913 902	----
	Windsor, Codes 101-121	Blue	1	----	----	1913 904	----
	Code 102	Green	1	----	----	1913 922	----
	Codes 103-123	Brown	1	----	----	1913 905	----
	Code 104	Gray	1	----	----	1913 923	----
	Code 105	Turquoise	1	----	----	1913 919	----
	Code 106	Ruby	1	----	----	1913 920	----
	Codes 127-128	Black	1	----	----	1913 903	----
	Except Windsor		1	----	----	1846 426	1751 613
1959	Sp.Cl.Cp., except Sport Fury		1	1954 265	----	----	----
	Sport Fury		1	*1705 020	----	----	----
	FireSweep	Black	1	----	----	1705 022	----
	FireSweep, FireDome	White	1	----	----	1840 631	----
	FireFlite		1	----	----	1705 023	----
	Windsor Codes 101-121	Blue	1	----	----	1913 906	----
	Code 102	Green	1	----	----	1913 924	----
	Codes 103-123	Brown	1	----	----	1913 907	----
	Code 104	Gray	1	----	----	1913 925	----
	Code 105	Turquoise	1	----	----	1913 926	----
	Code 106	Ruby	1	----	----	1913 927	----
	Codes 127-128	Black	1	----	----	1916 826	----
	Windsor w/New Yorker Type Rear Window, Codes 101-121	Blue	1	----	----	1916 820	----
	Code 102	Green	1	----	----	1916 821	----
	Codes 103-123	Beige	1	----	----	1916 822	----
	Code 104	Gray	1	----	----	1916 823	----
	Code 105	Turquoise	1	----	----	1916 824	----
	Code 106	Ruby	1	----	----	1916 825	----
	Codes 127-128	Black	1	----	----	1916 818	----
	Saratoga		1	----	----	1705 022	----
	New Yorker		1	----	----	1705 023	1751 613
NOTE: New Yorker (or FireFlite) Rear Window is Special Equipment on Windsor, Saratoga and FireDome Special Club Coupes, See 23-64-314.							
23-63-126	WEATHERSTRIP, Door Vent Wing Glass 1959 4 D., Cl.Sed., 3 Cp., Sub., except FireSweep, Windsor	Right Left Right Left	1 1 1 1	1708 978 1708 979	1708 978 1708 979	1757 552 1757 553 1708 978 1708 979	1751 310 1751 311 ----

★ Indicates use as required.

⊠ Indicates parts not listed in any previous parts book.

May 25, 1959 Supersedes March 20, 1959.

Printed in U.S.A.
Prices and specifications subject to change without notice.

* Indicates change or addition.

CODE	REMARKS	PER CAR	PLYMOUTH	DODGE	DESOTO	CHRYSLER	IMPERIAL
23-63-0 WEATHERSTRIP Cont'd							
23-63-126	WEATHERSTRIP - Cont'd						
1959	Sp. 4 D., Sp. Cl. Cp., Cv. Cp.	Right	1	*1755 880	*1755 880	*1755 880	*1755 880
		Left	1	1755 881	1755 881	1755 881	1751 332
23-63-127	RETAINER and Division CHANNEL, Door Vent Wing Glass Weatherstrip						
1959	4 D., Cl. Sed., 3 Cp., Sub., except FireSweep, Windsor	Right	1	1777 390	1777 390	1777 368	1777 368
		Left	1	1777. 391	1777 391	1777 369	1777 369
		Right	1	----	----	1777 390	1777 390
		Left	1	----	----	1777 391	1777 391
23-63-131	CLIP, Door Weatherstrip		2	----	----	1643 721	----
1959	All						*1643 721
23-63-136	RETAINER, Quarter Window Glass Division Weatherstrip						
1959	2 D. Sub.	Right	1	1776 912	----	----	----
		Left	1	1776 913	----	----	----
	RETAINER, Quarter Window Lower Seal						
1959	4 D.	Right	1	----	----	----	1860 756
		Left	1	----	----	----	1860 757
23-63-171	WEATHERSTRIP, Tailgate Opening		1	1705 035	1705 035	1705 035	1705 035
1959	Sub.						----
23-63-172	WEATHERSTRIP, Deck Lid Opening		1	1865 707	1705 025	1705 026	1705 026
1959	Except Sub.						
23-63-173	RETAINER, Deck Lid Opening Weatherstrip						
1959	Except Sub.	Upper	1	1706 503	1706 503	1706 504	1706 504
		Side, Right	1	1843 928	1705 304	1843 932	1843 932
		Left	1	1843 929	1705 305	1843 933	1843 933
		Lower	1	1843 930	1706 501	1843 931	1843 931
NOTE: Also see 23-59-35							
23-63-181	WEATHERSTRIP, Tailgate Window Belt		1	1878 650	1878 650	1878 650	1878 650
1959	Sub.	on Tailgate, Inner	1	1878 650	1878 650	1878 650	1878 650
		on Lower Channel, Outer	1	1878 474	1878 474	1878 474	1878 474

23-64-0 WINDOW AND VENT WING

NOTE: For Glass in assemblies serviced by Chrysler:
 Tailgate Window - See GLASS, FRAME and CHANNEL, 23-64-10.
 Vent Wing - See GLASS, PIVOT and BRACKET, 23-64-306.
 All other Glass serviced by Pittsburgh Plate Glass Co.

23-64-4	BUMPER, Door Window Down Position Stop						
1959	4 D., Sp. Cl. Cp., Cv. Cp., Cl. Sed., 3 Cp., Sub., except FireSweep		★	1459 035	1459 035	1381 435	1381 435
	FireSweep		★	----	----	1459 035	----
1959	Sp. 4 D., except FireSweep	Front	2	1459 035	1459 035	1381 435	1381 435
1959	Sp. 4D.	Rear	2	1680 109	1680 109	1680 109	1680 109
	FireSweep	Front	2	----	----	1459 035	----
	BUMPER, Quarter Window Down Position Stop						
1959	Sp. Cl. Cp., except FireSweep		2	1680 109	1680 109	1381 435	1381 435
	FireSweep		2	----	----	1459 035	----
1959	Cv. Cp., Cl. Sed.		2	1459 035	1459 035	1381 435	1381 435
	BUMPER, Quarter Window Up Position Stop						
1959	Sp. Cl. Cp., Cv. Cp.	Front	2	----	----	----	985 563
1959	Cv. Cp.	Rear	2	----	----	----	985 563
23-64-10	GLASS, FRAME and Lower CHANNEL, Tailgate Window						
1959	Sub.		1	1878 546	1878 546	1878 546	1878 546
		Solex	1	1878 547	1878 547	1878 547	1878 547

★ Indicates use as required.
 ☐ Indicates parts not listed in any previous parts book.
 * Indicates change or addition.

1959 PASSENGER CAR PARTS LIST

BODY

CODE	REMARKS	PER CAR	PLYMOUTH	DODGE	DESOTO	CHRYSLER	IMPERIAL
23-64-0 WINDOW AND VENT WING Cont'd							
23-64-12	BRACKET, Door Window Down Position Stop Bumper						
1959	4 D., Sp. Cl. Cp., Cv. Cp., Cl. Sed., 3 Cp., Sub.	★	1884 783	1884 783	1884 783	1884 783	---- --
1959	4 D. Front	2	---- --	---- --	---- --	---- --	1475 487
	Rear	2	---- --	---- --	---- --	---- --	1750 606
1959	Sp. 4 D. Front	2	1884 783	1884 783	1884 783	1884 783	1750 606
	Rear	2	1776 601	1776 601	1776 601	1776 601	1750 606
1959	Sp. Cl. Cp., Cv. Cp.	2	---- --	---- --	---- --	---- --	1475 487
BRACKET, Quarter Window Down Position Stop Bumper							
1959	Sp. Cl. Cp. Right	1	*1909 876	*1909 876	*1776 601	*1776 601	---- --
	Left	1	1909 877	1909 877	1776 601	1776 601	---- --
1959	Cv. Cp.	2	1776 601	1776 601	1776 601	1776 601	---- --
1959	Cl. Sed.	2	1884 783	1884 783	---- --	---- --	---- --
SUPPORT, Quarter Window Down Position Stop Bumper, on Body Bracket							
1959	Sp. Cl. Cp., Cv. Cp.	2	---- --	---- --	---- --	---- --	*1750 537
BRACKET, Quarter Window Down Position Stop Bumper Support to Body Side Sill							
1959	Sp. Cl. Cp., Cv. Cp.	2	---- --	---- --	---- --	---- --	1750 806
STOP, Door Window Up Position, on Door,							
1959	Sp. 4 D. Front Door, Front Right	1	1708 266	1708 266	1708 266	1708 266	---- --
	Left	1	1708 267	1708 267	1708 267	1708 267	---- --
	Front Door, Rear Right	1	1776 966	1776 966	1776 966	1776 966	---- --
	Left	1	1776 967	1776 967	1776 967	1776 967	---- --
	Rear Door	2	1708 565	1708 565	1708 565	1708 565	---- --
	Front Door	4	---- --	---- --	---- --	---- --	1750 609
	Rear Door, Front Right	1	---- --	---- --	---- --	---- --	1751 698
	Left	1	---- --	---- --	---- --	---- --	1751 699
1959	Sp. Cl. Cp., Cv. Cp. Front Right	1	1708 266	1708 266	1708 266	1708 266	---- --
	Left	1	1708 267	1708 267	1708 267	1708 267	---- --
	Rear	2	1708 162	1708 162	1708 162	1708 162	---- --
		4	---- --	---- --	---- --	---- --	1750 609
STOP, Rear Door Window Up Position, on Rear Track							
1959	Sp. 4 D. Rear Right	1	---- --	---- --	---- --	---- --	1751 692
	Left	1	---- --	---- --	---- --	---- --	1751 693
STOP, Quarter Window Up Position, on Quarter Inside Panel,							
1959	Sp. Cl. Cp. w/Manual Window Lifts	2	1833 479	1833 479	---- --	---- --	---- --
	w/Electric Window Lifts, Right	1	*1835 894	1835 894	---- --	---- --	---- --
	Left	1	*1835 895	1835 895	---- --	---- --	---- --
1959	Sp. Cl. Cp., Cv. Cp.	2	---- --	---- --	*1757 998	*1757 998	---- --
1959	Cv. Cp.	2	1757 998	1757 998	---- --	---- --	---- --
STOP, Quarter Window Up Position, on Glass Lower Channel,							
1959	Sp. Cl. Cp., w/Manual Window Lifts	2	1833 515	1833 515	---- --	---- --	---- --
	w/Electric Window Lifts, Right	1	1835 852	1835 852	---- --	---- --	---- --
	Left	1	1835 853	1835 853	---- --	---- --	---- --
SUPPORT, Quarter Window Up Position Stop Bumper, on Glass Lower Channel,							
1959	Sp. Cl. Cp., Cv. Cp. Front Right	1	---- --	---- --	---- --	---- --	1750 658
	Left	1	---- --	---- --	---- --	---- --	1750 659
1959	Cv. Cp. Rear Right	1	---- --	---- --	---- --	---- --	1691 104
	Left	1	---- --	---- --	---- --	---- --	1691 105
23-64-13	SCREW and WASHER, Door Window Stop to Door Panel						
1959	Sp. 4 D., Sp. Cl. Cp., Cv. Cp.	4	---- --	---- --	6000 291	6000 291	6006 082
CLIP and BOLT, Rear Door Window Up Position Stop to Track							
1959	Sp. 4 D.	2	---- --	---- --	---- --	---- --	6006 130

★ Indicates use as required.

☐ Indicates parts not listed in any previous parts book.
 March 20, 1959 Supersedes Jan. 12, 1959.

Printed in U.S.A.
 Prices and specifications subject to change without notice.
 * Indicates change or addition.

1959 PASSENGER CAR PARTS LIST

CODE	REMARKS	PER CAR	PLYMOUTH	DODGE	DESOTO	CHRYSLER	IMPERIAL
23-64-O WINDOW AND VENT WING Cont'd							
23-64-23	SCREW and WASHER, Door Vent Wing Division Channel Bracket to Door 1959 4 D., Cl.Sed., 3 Cp., Sub.	2	6000 210	6000 210	6000 210	6000 210	---- --
	1959 Sp.4D., Sp.Cl.Cp., Cv.Cp.	2	6000 194	6000 194	6000 194	6000 194	---- --
23-64-32	BRACKET, Door Vent Wing Frame to Door 1959 Sp. 4 D., Sp.Cl.Cp., Cv.Cp.	2	1708 102	1708 102	1708 102	1708 102	---- --
23-64-41	STUD and WASHER, Door Vent Wing Division Channel Adjusting 1959 All	2	----	----	----	----	6006 408
23-64-48	FRAME and Division CHANNEL, Door Vent Wing 1959 Sp. 4 D., Sp.Cl.Cp.						
	Right	1	*1883 598	1883 608	1883 608	1883 608	1960 950
	Left	1	*1883 599	1883 609	1883 609	1883 609	1960 951
	1959 Cv.Cp.						
	Right	1	1883 618	1883 618	1883 618	1993 618	1960 950
	Left	1	1883 619	1883 619	1883 619	1883 619	1960 951
23-64-57	BOLT or STUD, Door Vent Wing Frame Anchor 1959 Sp. 4 D., Sp.Cl.Cp., Cv.Cp.	2	6000 024	6000 024	6000 024	6000 024	1651 840
23-64-66	FRAME, Rear Window Opening Upper 1959 4 D., Cl.Sed., 3 Cp.	1	1867 890	1867 890	1707 096	1707 096	---- --
	1959 Sp. 4 D.	1	1705 264	*1846 394	*1846 394	*1846 394	1651 537
	1959 Sp.Cl.Cp. except FireFlite, New Yorker	1	1705 265	1705 265	1707 097	1707 097	1651 537
	FireFlite, New Yorker	1	----	----	1707 098	1707 098	----
	FRAME, Rear Window Opening Side 1959 4 D., Cl.Sed., 3 Cp.						
	Right	1	1695 080	1695 080	1695 082	1695 082	1651 538
	Left	1	1695 081	1695 081	1695 083	1695 083	1651 539
	1959 Sp. 4 D.						
	Right	1	1695 972	1846 396	1846 396	1846 396	1691 530
	Left	1	1695 973	1846 397	1846 397	1846 397	1691 531
	1959 Sp.Cl.Cp. except FireFlite, New Yorker						
	Right	1	1695 974	1695 974	1695 084	1695 084	1651 540
	Left	1	1695 975	1695 975	1695 085	1695 085	1651 541
	FireFlite, New Yorker						
	Right	1	----	----	1695 086	1695 086	----
	Left	1	----	----	1695 087	1695 087	----
	FRAME, Rear Window Opening Lower Side 1959 4 D., Cl.Sed., 3 Cp.						
	Right	1	1705 750	1705 750	1705 752	1705 752	----
	Left	1	1705 751	1705 751	1705 753	1705 753	----
	1959 Sp. 4 D.						
	Right	1	1706 956	1846 398	1846 398	1846 398	----
	Left	1	1706 957	1846 399	1846 399	1846 399	----
	1959 Sp.Cl.Cp. except FireFlite, New Yorker						
	Right	1	----	----	1708 152	1708 152	----
	Left	1	----	----	1708 153	1708 153	----
	FireFlite, New Yorker						
	Right	1	----	----	1706 692	1706 692	----
	Left	1	----	----	1706 693	1706 693	----
NOTE: New Yorker (or FireFlite) Rear Window is Special Equipment on Windsor, Saratoga and FireDome. Special Club Coupes, See 23-64-314.							
23-64-67	SUPPORT, Rear Window Opening Frame to Wheelhouse Panel 1959 4 D., Cl.Sed., 3 Cp.						
	Right	1	1706 840	1777 610	1693 198	1693 198	----
	Left	1	1706 841	1777 611	1693 199	1693 199	----
	1959 Sp. 4 D. To Inner Panel,						
	Right	1	1705 164	1846 578	1846 578	1846 578	----
	Left	1	1705 165	1846 579	1846 579	1846 579	----
	To Outer Panel,						
	Right	1	1705 168	----	----	----	----
	Left	1	1705 169	----	----	----	----
	1959 Sp.Cl.Cp.						
	Right	1	1707 404	----	1693 202	1693 202	----
	Left	1	1707 405	----	1693 203	1693 203	----
	REINFORCEMENT, Rear Window Opening Frame to Roof Panel 1959 Sp. 4 D., Sp.Cl.Cp.	1	----	----	----	----	1810 052

★ Indicates use as required.

☐ Indicates parts not listed in any previous parts book.

* Indicates change or addition.

1959 PASSENGER CAR PARTS LIST

BODY

CODE	REMARKS	PER CAR	PLYMOUTH	DODGE	DESOTO	CHRYSLER	IMPERIAL
23-64-O WINDOW AND VENT WING Cont'd							
23-64-68	EXTENSION, Rear Window Opening Frame to Roof Panel Reinforcement, 1959 Sp. 4 D., Sp. Cl. Cp.	Right Left	1 1	----	----	----	1810 068 1810 069
23-64-71	BUMPER or PLUG, Door Glass Upper Corner, on Division Channel 1959 Sp. 4 D., Sp. Cl. Cp., Cv. Cp.		2	1846 326	1846 326	1846 326	1751 142
23-64-181	LATCH, Quarter Window Sliding Glass Locking 1959 2 D. Sub.	Right Left	1 1	1776 532 1776 533	*1776 532 *1776 533	----	----
23-64-183	SPACER, Quarter Window Sliding Glass Locking Latch Screw 1959 2 D. Sub.		2	1776 535	*1776 535	----	----
23-64-184	SPRING, Quarter Window Sliding Glass Locking Latch 1959 2 D. Sub.	Right Left	1 1	1776 536 1834 995	*1776 536 *1834 995	----	----
23-64-185	SCREW, Quarter Window Sliding Glass Locking Latch to Glass 1959 2 D. Sub.		2	6000 363	*6000 363	----	----
23-64-186	FERRULE or CATCH, Quarter Window Sliding Glass Locking Latch 1959 2 D. Sub. on Garnish Moulding		2	1777 404	*1777 404	----	----
23-64-213	FILLER, Quarter Window Opening Upper Front Corner 1959 2 D. Sub. Aluminum		2	1777 420	----	----	----
23-64-215	CAP, Quarter Window Opening Rear Lower Corner 1959 Sub. Steel		2	1836 763	1836 763	1836 763	----
23-64-237	CLAMP or Anchor PLATE, Door Vent Wing Upper Pivot Bracket to Glass 1959 4 D., Cl. Sed., 3 Cp., Sub. 1959 Sp. 4 D., Sp. Cl. Cp., Cv. Cp.		2 2	1708 998 1755 366	1708 998 1755 366	1708 998 1755 366	1755 366 1755 366
23-64-239	SLEEVE NUT, Door Vent Wing Lower Pivot Bracket to Glass 1959 All, See Note 1		2	----	----	----	6006 157
23-64-240	PIVOT, Door Vent Wing Upper 1959 4 D., Cl. Sed., 3 Cp., Sub.	Right Left	1 1	1909 664 1909 665	1909 664 1909 665	----	----
	Except FireSweep, Windsor	Right Left	1 1	----	----	1834 868 1834 869	1834 868 1834 869
	FireSweep, Windsor	Right Left	1 1	----	----	1909 664 1909 665	1909 664 1909 665
	1959 Sp. 4 D., Sp. Cl. Cp., Cv. Cp.	Right Left	1 1	1883 546 1883 547	1883 546 1883 547	1883 546 1883 547	1883 546 1883 547
23-64-241	PIVOT and BRACKET, Door Vent Wing Lower NOTE: For Models not shown see Part Type Code 23-64-306.						
	1959 4 D.,	Right Left	1 1	----	----	----	1751 474 1751 475
	1959 Sp. 4 D., Sp. Cl. Cp., Cv. Cp.	Right Left Right Left	1 1 1 1	1836 722 1836 723	1836 722 1836 723	1836 722 1836 723	----
		Right Left	1 1	----	----	----	1751 490 1751 491
23-64-242	BRACKET, Door Vent Wing Upper Pivot, On Glass 1959 4 D., Cl. Sed., 3 Cp., Sub.		2	1708 994	1708 994	1708 994	1708 994
		Right Left	1 1	----	----	----	1751 328 1751 329
	CLAMP, Door Vent Wing Lower Pivot Tension 1959 Sp. 4 D., Sp. Cl. Cp., Cv. Cp.	Right Left	1 1	1776 504 1776 505	1776 504 1776 505	1776 504 1776 505	1776 504 1776 505

★ Indicates use as required.

☐ Indicates parts not listed in any previous parts book.
Feb. 15, 1960 Supersedes May 25, 1959.

CODE	REMARKS	PER CAR	PLYMOUTH	DODGE	DESOTO	CHRYSLER	IMPERIAL
23-64-0 WINDOW AND VENT WING Cont'd							
23-64-246	SPACER, Door Vent Wing Frame to Body Support Bracket 1959 Sp. 4D., Sp. Cl. Cp., Cv. Cp.	2	1777 797	----	----	----	----
	SHIM, Door Vent Wing Frame to Door 1959 Sp. 4D., Sp. Cl. Cp., Cv. Cp.	★	----	----	----	----	1349 190
23-64-247	SCREW, Door Vent Wing Upper Pivot Bracket Anchor Plate or Clamp 1959 4D., Cl. Sed., 3Cp., Sub.	2	6000 374	6000 374	6000 374	6000 374	6000 374
	1959 Sp. 4D., Sp. Cl. Cp., Cv. Cp.	2	6000 379	6000 379	6000 379	6000 379	6000 379
	SCREW, Door Vent Wing Lower Pivot Tension Clamp Adjusting 1959 All	2	6006 244	6006 244	6006 244	6006 244	6006 244
23-64-254	TRACK, Front Door Window Roller 1959 4D.	1	----	----	----	----	1750 614
	Right	1	----	----	----	----	1750 615
	Left	1	----	----	----	----	1810 850
	1959 Sp. 4D.	1	----	----	----	----	1810 851
	Right	1	----	----	----	----	1810 851
	Left	1	----	----	----	----	1810 851
	TRACK, Rear Door Window Roller 1959 Sp. 4D.	1	1909 984	1909 984	1909 984	1909 984	1810 836
	Front Right	1	1909 985	1909 985	1909 985	1909 985	1810 837
	Left	1	1708 612	1708 612	1708 612	1708 612	1810 838
	Rear Right	1	1708 613	1708 613	1708 613	1708 613	1810 839
	Left	1	----	----	----	----	1810 850
	Right	1	----	----	----	----	1810 851
	Left	1	----	----	----	----	1810 851
23-64-255	FRAME or EXTENSION, Door Window Opening, Aluminum, 1959 4D., Sub., except FireSweep, Windsor	1	----	----	1959 306	1959 306	1960 054
	Front Right	1	----	----	1959 307	1959 307	1960 055
	Left	1	----	----	1959 304	1959 304	1651 370
	1959 4D. except FireSweep, Windsor	1	----	----	1959 305	1959 305	1651 371
	Rear Right	1	----	----	1959 308	1959 308	----
	Left	1	----	----	1959 309	1959 309	----
	1959 Sub. except FireSweep, Windsor	1	----	----	1959 308	1959 308	----
	Rear Right	1	----	----	1959 309	1959 309	----
	Left	1	----	----	1959 309	1959 309	----
	FRAME, Front Door Window Glass 1959 Sp. 4D.	1	1846 368	1846 368	1846 368	1846 368	1750 534
	Right	1	1846 369	1846 369	1846 369	1846 369	1750 535
	Left	1	1952 546	1952 546	1952 546	1952 546	----
	1959 Sp. 4D.	1	1952 547	1952 547	1952 547	1952 547	----
	Front Right	1	1909 976	1909 976	1909 976	1909 976	----
	Left	1	1909 977	1909 977	1909 977	1909 977	----
	Upper and Rear	1	----	----	----	----	1691 842
	Right	1	----	----	----	----	1691 843
	Left	1	----	----	----	----	1691 788
	Upper and Front	1	----	----	----	----	1691 789
	Right	1	----	----	----	----	1691 788
	Left	1	----	----	----	----	1691 789
	1959 Rear	1	----	----	----	----	1691 788
	Right	1	----	----	----	----	1691 789
	Left	1	1846 344	1846 344	1846 334	1846 334	1751 092
	FRAME, Door Window Glass 1959 Sp. Cl. Cp.	1	1846 345	1846 345	1846 335	1846 335	1751 093
	Right	1	1846 334	1846 334	1846 334	1846 334	1751 092
	Left	1	1846 335	1846 335	1846 335	1846 335	1751 093
23-64-259	BRACKET, Front Door Window Opening Frame Front 1959 4 D., Sub., except FireSweep, Windsor	2	----	----	1707 220	1707 220	----
	SUPPORT, Rear Door Window Opening Frame Rear 1959 4D., Sub., except FireSweep, Windsor	1	----	----	1707 132	1707 132	----
	Right	1	----	----	1707 133	1707 133	----
	Left	1	----	----	1707 133	1707 133	----

★ Indicates use as required.

☐ Indicates parts not listed in any previous parts book.

* Indicates change or addition.

1959 PASSENGER CAR PARTS LIST

BODY

CODE	REMARKS	PER CAR	PLYMOUTH	DODGE	DESOTO	CHRYSLER	IMPERIAL
23-64-0 WINDOW AND VENT WING Cont'd							
23-64-259	BRACKET - Cont'd BRACKET, Rear Door Upper Extension Rear Upper						
1959	4D.	Right Left	1 1	----	----	----	1751 418 1751 419
23-64-261	BOLT and WASHER, Door Upper Extension or Window Opening Frame Attaching						
1959	4D., Sub., except FireSweep, Windsor	5/16" - 18" x 3/8" 5/16" - 18" x 5/8"	★ ★	----	6000 324 6000 325	6000 324 6000 325	6000 324 6000 325
23-64-262	NUT, Door Upper Extension or Window Opening Frame Attaching						
1959	4D., Sub., except FireSweep, Windsor		★	----	6006 005	6006 005	6006 005
23-64-263	LOCKWASHER, Door Window Roller Track Attaching						
1959	Sp. 4D., Sp. Cl. Cp., Cv. Cp. WASHER, Window Roller Track Adjusting Stud to Panel		★	6000 185	6000 185	6000 185	6000 185
1959	Sp. 4D., Sp. Cl. Cp., Cv. Cp.		★	----	----	----	*6006 192
23-64-264	GROMMET, Front Door Window Opening Frame to Door Panel, Vinyl,						
1959	4 D., Sub., except FireSweep, Windsor	Front Right Left Rear Right Left	1 1 1 1	----	1757 976 1757 977 1757 978 1757 979	1757 976 1757 977 1757 978 1757 979	----
	GROMMET, Rear Door Window Opening						
1959	4 D. except FireSweep, Windsor Frame to Door Panel, Vinyl,	Right Left	2 2	----	1757 978 1757 979	1757 978 1757 979	----
1959	Sub. except FireSweep, Windsor	Front Right Left Rear Right Left	1 1 1 1	----	1757 978 1757 979 1757 984 1757 985	1757 978 1757 979 1757 984 1757 985	----
NOTE: Vinyl Grommets interchangeable with Aluminum Fillers (listed below) in complete sets.							
23-64-267	FILLER, Front Door Window Opening Frame to Door Panel, Aluminum,						
1959	4 D., Sub., except FireSweep, Windsor	Front Right Left Rear Right Left	1 1 1 1	----	1834 976 1834 977 1834 978 1834 979	1834 976 1834 977 1834 978 1834 979	----
	FILLER, Rear Door Window Opening Frame to Door Panel, Aluminum,						
1959	4 D., Sub., except FireSweep, Windsor	Front Right Left	1 1	----	1834 980 1834 981	1834 980 1834 981	----
1959	4D. except FireSweep, Windsor	Rear Right Left	1 1	----	1834 982 1834 983	1834 982 1834 983	----
1959	Sub. except FireSweep, Windsor	Rear Right Left	1 1	----	1834 984 1834 985	1834 984 1834 985	----
	BEZEL, Front Door Upper Extension to Door Panel, Aluminum,						
1959	4 D.	Front Right Left Rear Right Left	1 1 1 1	----	----	----	1810 430 1810 431 1810 528 1810 529

★ Indicates use as required.

☐ Indicates parts not listed in any previous parts book.

March 20, 1959 Supersedes Jan. 12, 1959.

Page 23-94

Prices and specifications subject to change without notice.

* Indicates change or addition.

Printed in U.S.A.

1959 PASSENGER CAR PARTS LIST

CODE	REMARKS	PER CAR	PLYMOUTH	DODGE	DESOTO	CHRYSLER	IMPERIAL
23-64-O WINDOW AND VENT WING Cont'd							
23-64-267	FILLER - Cont'd Door Panel, Aluminum, 1959 4 D. Front Right	1	----	----	----	----	1810 432
	Left	1	----	----	----	----	1810 433
	Rear Right	1	----	----	----	----	1810 442
	Left	1	----	----	----	----	1810 443
23-64-273	SUPPORT, Door Vent Wing Division Channel Lower Bracket to Door 1959 Sp. 4 D., Sp.Cl.Cp., Cv.Cp.	2	1707 548	1707 548	1707 548	1707 548	1707 548
23-64-275	STUD and WASHER, Window Roller Track Adjusting 1959 Sp. 4D., Sp. Cl. Cp., Cv. Cp. Upper	★	----	----	----	----	*6006 409
	Lower	★	----	----	----	----	E6006 296
23-64-278	GROMMET, Door Vent Wing Upper Pivot Bracket to Glass 1959 4 D., Cl.Sed., 3 Cp., Sub.	2	1708 996	1708 996	1708 996	1708 996	1751 492
	1959 Sp. 4 D., Sp.Cl.Cp., Cv.Cp.	2	1755 367	1755 367	1755 367	1755 367	1751 492
23-64-279	WASHER or INSULATOR, Door Vent Wing Upper Pivot Bracket Anchor Plate or Clamp to Glass 1959 4 D., Cl.Sed., 3 Cp., Sub.	2	6000 295	6000 295	6000 295	6000 295	1751 489
	1959 Sp. 4 D., Sp.Cl.Cp., Cv.Cp.	2	1755 368	1755 368	1755 368	1755 368	1751 489
23-64-280	PANEL, Quarter Window Opening, Steel, 1959 4 D. except FireDome, FireFlite, Saratoga and New Yorker,						
	Front Right	1	1695 192	1695 192	1695 192	1695 192	----
	Left	1	1695 193	1695 193	1695 193	1695 193	----
	Upper Right	1	1695 188	1695 188	1756 584	1756 584	----
	Left	1	1695 189	1695 189	1756 585	1756 585	----
1959	Cl.Sed., 3 Cp. Front Right	1	1695 196	1695 196	----	----	----
	Left	1	1695 197	1695 197	----	----	----
	Upper Right	1	1681 610	1681 610	----	----	----
	Left	1	1681 611	1681 611	----	----	----
1959	4D. Sub. except FireFlite, Front Right	1	*1695 198	*1695 198	*1695 198	----	----
	Left	1	*1695 199	*1695 199	*1695 199	----	----
	Upper Right	1	*1846 070	*1846 070	*1846 070	----	----
	Left	1	*1846 071	*1846 071	*1846 071	----	----
	except FireSweep, Plated, Front Right	1	----	----	*1961 566	*1961 566	----
	Left	1	----	----	*1961 567	*1961 567	----
	Upper Right	1	----	----	*1961 568	*1961 568	----
	Left	1	----	----	*1961 569	*1961 569	----
1959	2D. Sub. Front Right	1	1695 202	----	----	----	----
	Left	1	1695 203	----	----	----	----
	Upper Front Right	1	1681 606	----	----	----	----
	Left	1	1681 607	----	----	----	----
	Upper Rear Right	1	1846 072	----	----	----	----
	Left	1	1846 073	----	----	----	----
	FRAME, Quarter Window Opening Outer, Aluminum 1959 4 D. except FireSweep, Windsor						
	Front Right	1	----	----	1834 998	1834 998	1750 762
	Left	1	----	----	1834 999	1834 999	1750 763
	Upper Right	1	----	----	1834 996	1834 996	1860 592
	Left	1	----	----	1834 997	1834 997	1860 593
	FRAME, Quarter Window Glass 1959 Sp. Cl. Cp. Front Right	1	1774 358	1774 358	1774 360	1774 360	1751 890
	Left	1	1774 359	1774 359	1774 361	1774 361	1751 891
	Upper and Rear Right	1	1834 038	1834 038	1774 363	1774 363	1691 616
	Left	1	1834 038	1834 038	1774 363	1774 363	1691 617

★ Indicates use as required.

E Indicates parts not listed in any previous parts book.

* Indicates change or addition.

1959 PASSENGER CAR PARTS LIST

BODY

CODE	REMARKS	PER CAR	PLYMOUTH	DODGE	DESOTO	CHRYSLER	IMPERIAL
23-64-O WINDOW AND VENT WING Cont'd							
23-64-280	PANEL - Cont'd 1959 Cv. Cp. Front Right	1	1774 360	1774 360	1774 360	1774 360	1751 890
	Left	1	1774 361	1774 361	1774 361	1774 361	1751 891
	Upper and Rear Right	1	1774 362	1774 362	1774 363	1774 363	1691 616
	Left	1	1774 362	1774 362	1774 363	1774 363	1691 617
23-64-284	SCREW, Quarter Window Glass Front Frame to Lower Channel Attaching 1959 Sp. Cl. Cp., Cv. Cp.	4	6000 164	6000 164	6000 164	6000 164	---- --
23-64-297	SLEEVE NUT, Quarter Window Glass Front Frame to Lower Channel Attaching Screw 1959 Sp. Cl. Cp., Cv. Cp.	4	6000 163	6000 163	6000 163	6000 163	---- --
23-64-299	TRACK or CHANNEL, Quarter Window Roller 1959 Sp. Cl. Cp. Front Right	1	*1909 538	*1909 538	1844 654	1844 654	1810 860
	Left	1	*1909 539	*1909 539	1844 655	1844 655	1810 861
	Rear Right	1	1950 820	1950 820	1774 320	1774 320	1810 862
	Left	1	1950 821	1950 821	1774 321	1774 321	1810 863
	1959 Cv. Cp. Front Right	1	1844 654	1844 654	1844 654	1844 654	1810 860
	Left	1	1844 655	1844 655	1844 655	1844 655	1810 861
	Rear Right	1	1774 320	1774 320	1774 320	1774 320	1810 862
	Left	1	1774 321	1774 321	1774 321	1774 321	1810 863
23-64-300	SUPPORT, Quarter Window Front Roller Track Mounting 1959 Sp. Cl. Cp. Right	1	1909 874	1909 874	---- --	---- --	---- --
	Left	1	1909 875	1909 875	---- --	---- --	---- --
23-64-302	SCREW and WASHER, Window Roller Track Attaching 1959 Sp. 4 D., Cp. Cl. Cp., Cv. Cp.	★	6000 194	6000 194	6000 194	6000 194	---- --
	SCREW and WASHER, Quarter Window Rear Roller Channel 1959 Sp. Cl. Cp.	4	6000 291	6000 291	---- --	---- --	---- --
23-64-306	GLASS, Lower PIVOT and BRACKET, Door Vent Wing 1959 4 D., Cl. Sed., 3 Cp., Sub., except FireSweep, Windsor Right	1	1954 136	1954 136	1954 140	1954 140	---- --
	Left	1	1954 137	1954 137	1954 141	1954 141	---- --
	Solex, Right	1	*1954 138	*1954 138	*1954 142	*1954 142	---- --
	Left	1	1954 139	1954 139	1954 143	1954 143	---- --
	FireSweep, Windsor Right	1	---- --	---- --	1954 136	1954 136	---- --
	Left	1	---- --	---- --	1954 137	1954 137	---- --
	Solex, Right	1	---- --	---- --	*1954 138	*1954 138	---- --
	Left	1	---- --	---- --	1954 139	1954 139	---- --
NOTE:	Vent Wing GLASS, PIVOT and BRACKET ASSEMBLIES listed above are serviced by Chrysler. Vent Wing GLASS for models shown below is serviced by Pittsburgh Plate Glass Co.						
	GLASS, Door Vent Wing 1959 4 D. Right	1	---- --	---- --	---- --	---- --	*1690 954
	Left	1	---- --	---- --	---- --	---- --	1690 955
	Solex, Right	1	---- --	---- --	---- --	---- --	1692 160
	Left	1	---- --	---- --	---- --	---- --	*1692 161
	1959 Sp. 4 D., Sp. Cl. Cp., Cv. Cp. Solex	2	1755 882	1755 882	1755 882	1755 882	---- --
	Right	1	---- --	---- --	---- --	---- --	*1690 956
	Left	1	---- --	---- --	---- --	---- --	1690 957
	Solex, Right	1	---- --	---- --	---- --	---- --	1692 162
	Left	1	---- --	---- --	---- --	---- --	*1692 163

★ Indicates use as required.

⊠ Indicates parts not listed in any previous parts book.
March 20, 1959 Supersedes Jan. 12, 1959.

1959 PASSENGER CAR PARTS LIST

CODE	REMARKS	PER CAR	PLYMOUTH	DODGE	DESOTO	CHRYSLER	IMPERIAL
------	---------	---------	----------	-------	--------	----------	----------

23-64-0 WINDOW AND VENT WING Cont'd

23-64-308	GLASS, Front Door Window 1959 4 D., 4 D. Sub.		2	1697 685	1697 685	----	----	----	
		Solex	2	1697 686	1697 686	----	----	----	
		Except FireSweep, Windsor		2	----	----	1706 628	1706 628	----
			Solex	2	----	----	1706 629	1706 629	----
		FireSweep, Windsor		2	----	----	1697 685	1697 685	----
			Solex	2	----	----	1697 686	1697 686	----
			Right	1	----	----	----	----	1691 154
			Left	1	----	----	----	----	1691 155
			Solex, Right	1	----	----	----	----	1691 202
			Left	1	----	----	----	----	*1691 203
		1959 Sp. 4 D.		2	1697 693	1697 693	1697 693	1697 693	----
			Solex	2	1697 694	1697 694	1697 694	1697 694	----
			Right	1	----	----	----	----	1691 156
			Left	1	----	----	----	----	1691 157
		Solex, Right	1	----	----	----	----	1691 196	
		Left	1	----	----	----	----	*1691 197	
	GLASS, Rear Door Window 1959 4 D.		2	1706 606	1706 606	----	----	----	
		Solex	2	1706 607	1706 607	----	----	----	
		Except FireSweep, Windsor		2	----	----	1697 699	1697 699	----
			Solex	2	----	----	1697 700	1697 700	----
		FireSweep, Windsor		2	----	----	1706 606	1706 606	----
			Solex	2	----	----	1706 607	1706 607	----
			Right	1	----	----	----	----	1691 150
			Left	1	----	----	----	----	1691 151
			Solex, Right	1	----	----	----	----	1691 176
			Left	1	----	----	----	----	*1691 177
		1959 Sp. 4 D.		2	1697 695	1697 695	1697 695	1697 695	----
				2	1697 696	1697 696	1697 696	1697 696	----
			Right	1	----	----	----	----	1691 152
			Left	1	----	----	----	----	1691 153
		Solex, Right	1	----	----	----	----	1691 174	
		Left	1	----	----	----	----	*1691 175	
	1959 4D. Sub.		2	1697 689	1697 689	----	----	----	
		Solex	2	1697 690	1697 690	----	----	----	
	FireFlite, New Yorker		2	----	----	1697 701	1697 701	----	
			2	----	----	1697 702	1697 702	----	
	FireSweep, Windsor		2	----	----	1697 689	1697 689	----	
		Solex	2	----	----	1697 690	1697 690	----	
	GLASS, Door Window 1959 Sp. Cl. Cp.		2	1707 653	1707 653	1697 691	1697 691	----	
		Solex	2	1707 654	1707 654	1697 692	1697 692	----	
		1959 Sp. Cl. Cp., Cv. Cp.		1	----	----	----	----	1691 076
			Right	1	----	----	----	----	1691 077
			Left	1	----	----	----	----	1691 078
			Solex, Right	1	----	----	----	----	1691 078
			Left	1	----	----	----	----	*1691 079
		1959 Cv. Cp.		2	1697 691	1697 691	1697 691	1697 691	----
			Solex	2	1697 692	1697 692	1697 692	1697 692	----
		1959 Cl. Sed., 3 Cp., 2 D. Sub.		2	1695 985	1695 985	----	----	----
			Solex	2	1695 986	1695 986	----	----	----

★ Indicates use as required.

☐ Indicates parts not listed in any previous parts book.

* Indicates change or addition.

1959 PASSENGER CAR PARTS LIST

BODY

CODE	REMARKS	PER CAR	PLYMOUTH	DODGE	DESOTO	CHRYSLER	IMPERIAL
23-64-0 WINDOW AND VENT WING Cont'd							
23-64-311	GLASS, Quarter Window						
1959	4D. except FireSweep	2	1697 703	1697 703	1697 715	----	----
	Solex	2	1697 704	1697 704	1697 716	----	----
	FireSweep	2	----	----	1697 703	----	----
	Solex	2	----	----	1697 704	----	----
	Windsor, Saratoga, L. A. Built	2	----	----	----	1697 703	----
	Solex	2	----	----	----	1697 704	----
	Except Windsor and Saratoga						
	L. A. Built	2	----	----	----	1697 715	----
	Solex	2	----	----	----	1697 716	----
	Right	1	----	----	----	----	1860 728
	Left	1	----	----	----	----	1860 729
	Solex, Right	1	----	----	----	----	1860 730
	Left	1	----	----	----	----	*1860 731
1959	Sp. Cl. Cp.	2	1697 709	1697 709	1697 713	1697 713	----
	Solex	2	1697 710	1697 710	1697 714	1697 714	----
1959	Sp. Cl. Cp., Cv. Cp.						
	Right	1	----	----	----	----	1691 238
	Left	1	----	----	----	----	1691 239
	Solex, Right	1	----	----	----	----	1691 240
	Left	1	----	----	----	----	*1691 241
1959	Cv. Cp.	2	1697 711	1697 711	1697 713	1697 713	----
	Solex	2	1697 712	1697 712	1697 714	1697 714	----
1959	Cl. Sed.						
	Front	2	1707 068	1707 068	----	----	----
	Solex, Front	2	*1707 069	*1707 069	----	----	----
	Stationary	2	1758 467	1758 467	----	----	----
	Solex, Stationary	2	*1758 481	*1758 481	----	----	----
1959	3 Cp.	2	1755 632	----	----	----	----
	Solex	2	1755 633	----	----	----	----
1959	2D. Sub.						
	Front, Sliding	2	1775 080	----	----	----	----
	Solex, Front, Sliding	2	*1775 081	----	----	----	----
	Rear, Stationary, Right	1	1708 594	----	----	----	----
	Left	1	1708 595	----	----	----	----
	Solex, Rear, Stationary, Right	1	*1708 596	----	----	----	----
	Left	1	*1708 597	----	----	----	----
1959	4D. Sub.						
	Right	1	1708 594	1708 594	1708 594	1708 594	----
	Left	1	1708 595	1708 595	1708 595	1708 595	----
	Solex, Right	1	1708 596	1708 596	1708 596	1708 596	----
	Left	1	*1708 597	*1708 597	*1708 597	*1708 597	----
23-64-314	GLASS, Rear Window						
1959	4D., Cl. Sed., 3 Cp.	1	1681 682	1681 682	1681 694	1681 694	----
	Solex	1	1681 683	1681 683	1681 695	1681 695	1691 300
1959	Sp. 4D.	1	1681 686	1846 402	1846 402	1846 402	----
	Solex	1	1681 687	1846 403	1846 403	1846 403	1691 199
	Solex and Shaded	1	----	----	----	----	1810 114
1959	Sp. Cl. Cp.	1	1681 690	1681 690	----	----	----
	Solex	1	1681 691	1681 691	----	----	----
	Except FireFlite New Yorker	1	----	----	1695 443	1695 443	----
	Solex	1	----	----	1695 444	1695 444	----
	FireFlite, New Yorker, Imperial	1	----	----	1681 702	1681 702	----
	Solex	1	----	----	1681 703	1681 703	1691 199
	Solex and Shaded	1	----	----	1777 523	1777 523	1810 114
	LIGHT, Folding Top Rear Curtain						
1959	Cv. Cp. except FireSweep	1	1774 594	1774 594	1868 591	1868 591	1773 232
	FireSweep	1	----	----	1774 594	----	----

NOTE: New Yorker (or FireFlite) Rear Window is Special Equipment on Windsor, Saratoga and FireDome Special Club Coupes. Maximum height (at center) of standard window glass is 23 1/2". New Yorker (or FireFlite) type is approximately 32".

NOTE: Curtain Light is Plastic - serviced by Chrysler.

★ Indicates use as required.

⊠ Indicates parts not listed in any previous parts book.
March 20, 1959 Supersedes Jan. 12, 1959.

CODE	REMARKS	PER CAR	PLYMOUTH	DODGE	DESOTO	CHRYSLER	IMPERIAL
23-66-0 WINDSHIELD							
NOTE: Windshield glass is serviced by Pittsburgh Plate Glass Co.							
23-66-77	REINFORCEMENT, Windshield Opening Upper Frame 1959 except Cv. Cp.	1	----	----	----	----	1691 857
23-66-135	GLASS, Windshield 1959 4D., Cl. Cp., 3Cp., Sub.	1	1681 706	1681 706	1681 706	1681 706	1651 431
	Solex	1	1681 707	1681 707	1681 707	1681 707	----
	Solex and Shaded	1	1775 045	1775 045	1775 045	1775 045	1690 871
1959	Sp. 4 D., Sp. Cl. Cp., Cv. Cp.	1	1695 690	1695 690	1695 690	1695 690	1651 431
	Solex	1	1695 691	1695 691	1695 691	1695 691	----
	Solex and Shaded	1	1759 485	1759 485	1759 485	1759 485	1690 871
23-66-235	WEATHERSTRIP, Windshield Glass 1959 4 D., Cl. Sed., 3 Cp., Sub.	1	1950 551	1950 551	1950 551	1950 551	1751 568
1959	Sp. 4 D., Sp. Cl. Cp., Cv. Cp.	1	⊠1954 783	⊠1954 783	⊠1954 783	⊠1954 783	*1751 568
23-67-0 WINDSHIELD WIPER							
23-67-5	ARM, Windshield Wiper 1959 except FireSweep	Right Left	1 1	1704 768 1704 769	1704 768 1704 769	1779 992 1779 993	1779 992 1779 993
	FireSweep	Right Left	1 1	----	----	1704 768 1704 769	----
	ARM and BLADE, Windshield Wiper 1959 All	Right Left	1 1	----	----	----	1753 214 1753 215
23-67-10	GEAR and Drive End Cover Plate GASKET PACKAGE, Windshield Wiper Motor 1959 All, w/Single Speed Auto Lite Motor w/Variable Speed Motor		1 1	1879 601 1879 598	1879 601 1879 598	1879 601 1879 598	----
23-67-16	BRUSH and SPRING PACKAGE, Windshield Wiper Motor 1959 All w/Single Speed Motor, AutoLite General Industries w/Variable Speed Motor		1 1 1	1752 518 1886 558 1627 273	1752 518 1886 558 1627 273	1752 518 1886 558 1627 273	----
23-67-18	BRACKET, Windshield Wiper Motor Mounting w/Single Speed Motor		1	⊠1838 293	⊠1838 293	⊠1838 293	----
23-67-20	GROMMET, Windshield Wiper Motor Mounting 1959 All		3	1594 992	1594 992	1594 992	1594 992
23-67-25	BLADE, Windshield Wiper 1959 All		2	1879 499	1879 499	1879 499	1879 499
	REFILL, Windshield Wiper Blade 1959 All		2	1818 892	1818 892	1818 892	1818 892
23-67-48	ADAPTER, Windshield Wiper Pivot 1959 All	Right Left	1 1	----	----	----	1704 062 1704 063
23-67-49	GASKET, Windshield Wiper Pivot Adapter 1959 All		1	----	----	----	1704 066
23-67-50	NUT, Windshield Wiper Pivot Adapter Mounting 1959 All		2	----	----	----	1770 140
23-67-61	GEAR, Windshield Wiper Motor 1959 All, w/Single Speed Motor, AutoLite General Industries w/Variable Speed Motor		1 1 1	1594 973 1886 557 1818 685	1594 973 1886 557 1818 685	1594 973 1886 557 1818 685	----
23-67-62	KEY, Windshield Wiper Motor Gear 1959 All w/Single Speed AutoLite Motor		1	1604 243	1604 243	1604 243	----

★ Indicates use as required.

⊠ Indicates parts not listed in any previous parts book.

* Indicates change or addition.

1959 PASSENGER CAR PARTS LIST

BODY

CODE	REMARKS	PER CAR	PLYMOUTH	DODGE	DESOTO	CHRYSLER	IMPERIAL
23-67-0 WINDSHIELD WIPER Cont'd							
23-67-76	LEVER or ARM, Windshield Wiper Link Crank						
1959	All w/Single Speed Wipers	1	1838 936	1838 936	1838 936	---- --	---- --
	w/Variable Speed Wipers	1	1838 292	1838 292	1838 292	1838 292	1838 292
23-67-79	LINK, Windshield Wiper Crank Lever to Pivot						
1959	All w/Single Speed Wipers, Right	1	1838 934	1838 934	1838 934	---- --	---- --
	Left	1	1838 935	1838 935	1838 935	---- --	---- --
	w/Variable Speed Wipers, Right	1	1842 407	1842 407	1842 407	1842 407	1841 679
	Left	1	1838 291	1838 291	1838 291	1838 291	1841 680
23-67-80	RETAINER, Windshield Wiper Link						
1959	All to Pivot	2	1605 299	1605 299	1605 299	1605 299	1605 299
	to Crank Lever, Right	1	1642 029	1642 029	1642 029	1642 029	1642 029
	Left	1	1886 202	1886 202	1886 202	1886 202	1886 202
23-67-81	WASHER, Windshield Wiper Link to Crank Lever, Felt						
1959	All w/Single Speed Wipers	4	1540 383	1540 383	1540 383	---- --	---- --
23-67-82	WASHER, Windshield Wiper Link to Pivot						
1959	All	2	1605 604	1605 604	1605 604	1605 604	1605 604
	WASHER, Windshield Wiper Link to Crank Lever, Steel,						
1959	All w/Variable Speed Wipers, Plain	1	1770 289	1770 289	1770 289	1770 289	1770 289
	Spring Type	2	1770 290	1770 290	1770 290	1770 290	1770 290
	Shakeproof	1	*1770 296	*1770 296	*1770 296	*1770 296	*1770 296
23-67-85	GASKET, Windshield Wiper Pivot Mounting						
1959	All	2	1887 001	1887 001	1887 001	1887 001	1704 066
23-67-86	PIVOT, Windshield Wiper Arm						
1959	All	2	1841 191	1841 191	1841 191	1841 191	---- --
	Right	1	---- --	---- --	---- --	---- --	1841 682
	Left	1	---- --	---- --	---- --	---- --	1841 683
23-67-96	WASHER, Windshield Wiper Motor Crank Arm Thrust						
1959	All w/Single Speed Auto Lite Motor	1	1527 937	1527 937	1527 937	---- --	---- --
	Inner	1	1604 242	1604 242	1604 242	---- --	---- --
	w/Variable Speed Motor	1	1818 807	1818 807	1818 807	1818 807	1818 807
	Inner	1	1818 806	1818 806	1818 806	1818 806	1818 806
	Spring Type	1	1818 808	1818 808	1818 808	1818 808	1818 808
23-67-98	MOTOR, Windshield Wiper						
1959	All Single Speed	1	1879 582	1879 583	1879 583	---- --	---- --
	Variable Speed	1	1838 932	1842 964	1842 964	1842 964	1886 123
23-67-100	SPACER, Windshield Wiper Motor Mounting Grommet						
1959	All 15/32" Hole	3	1594 995	1594 995	1594 995	1594 995	1594 995
23-67-102	WASHER, Windshield Wiper Motor Mounting Screw						
1959	All 9/32" Hole	3	1594 993	1594 993	1594 993	1594 993	1594 993
23-67-106	ARMATURE, Windshield Wiper Motor						
1959	All, w/Single Speed AutoLite Motor	1	1818 878	1818 878	1818 878	---- --	---- --
	w/Variable Speed Motor	1	1818 813	1818 813	1818 813	1818 813	1818 813
23-67-111	COIL, Windshield Wiper Motor Field						
1959	All, w/Single Speed AutoLite Motor	1	1818 876	1818 876	1818 876	---- --	---- --
	w/Variable Speed Motor	1	1818 810	1818 810	1818 810	1818 810	1818 810
23-67-113	GASKET, Windshield Wiper Motor Drive End Cover						
1959	All, w/Single Speed AutoLite Motor	1	1605 572	1605 572	1605 572	---- --	---- --
	w/Variable Speed Motor	1	1752 513	1752 513	1752 513	1752 513	1752 513
23-67-119	HOLDER, Windshield Wiper Motor Brush						
1959	All w/General Industries Motor	1	1495 160	1495 160	1495 160	---- --	---- --
23-67-120	HEAD, Windshield Wiper Motor Commutator End						
1959	All, w/Single Speed AutoLite Motor	1	1818 877	1818 877	1818 877	---- --	---- --
	w/Variable Speed Motor	1	1818 811	1818 811	1818 811	1818 811	1818 811

★ Indicates use as required.

⊞ Indicates parts not listed in any previous parts book.
March 20, 1959.

