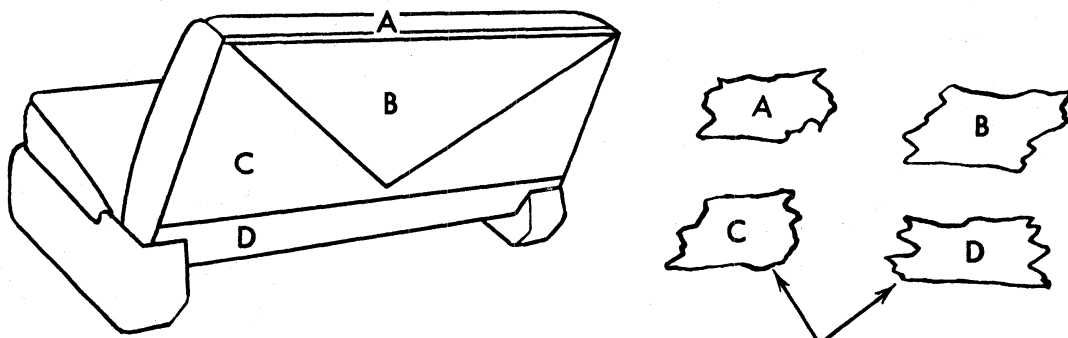


GROUP 23 - BODY
INSTRUCTIONS
FOR
ORDERING TRIM MATERIAL

The following pages contain line drawings of basic interior body trim sketches for use in ordering trim material. These drawings represent the various body styles and should be used in selecting the proper sketch for ordering material.

By placing a piece of tracing paper (or any piece of transparent paper) over the drawing which applies to the body style, it can be easily traced for the section for which the trim is being ordered. The particular design which varies in different vehicles can be drawn in to show the pattern and design. Then label each section with "A", "B", "C", etc. on the sketch and include a small piece of material also labeled to correspond to the sketch - see sample below.

Always furnish vehicle serial number. Also specify "right" or "left" when ordering material requiring this description.



Small pieces of material labeled to correspond to sketch.

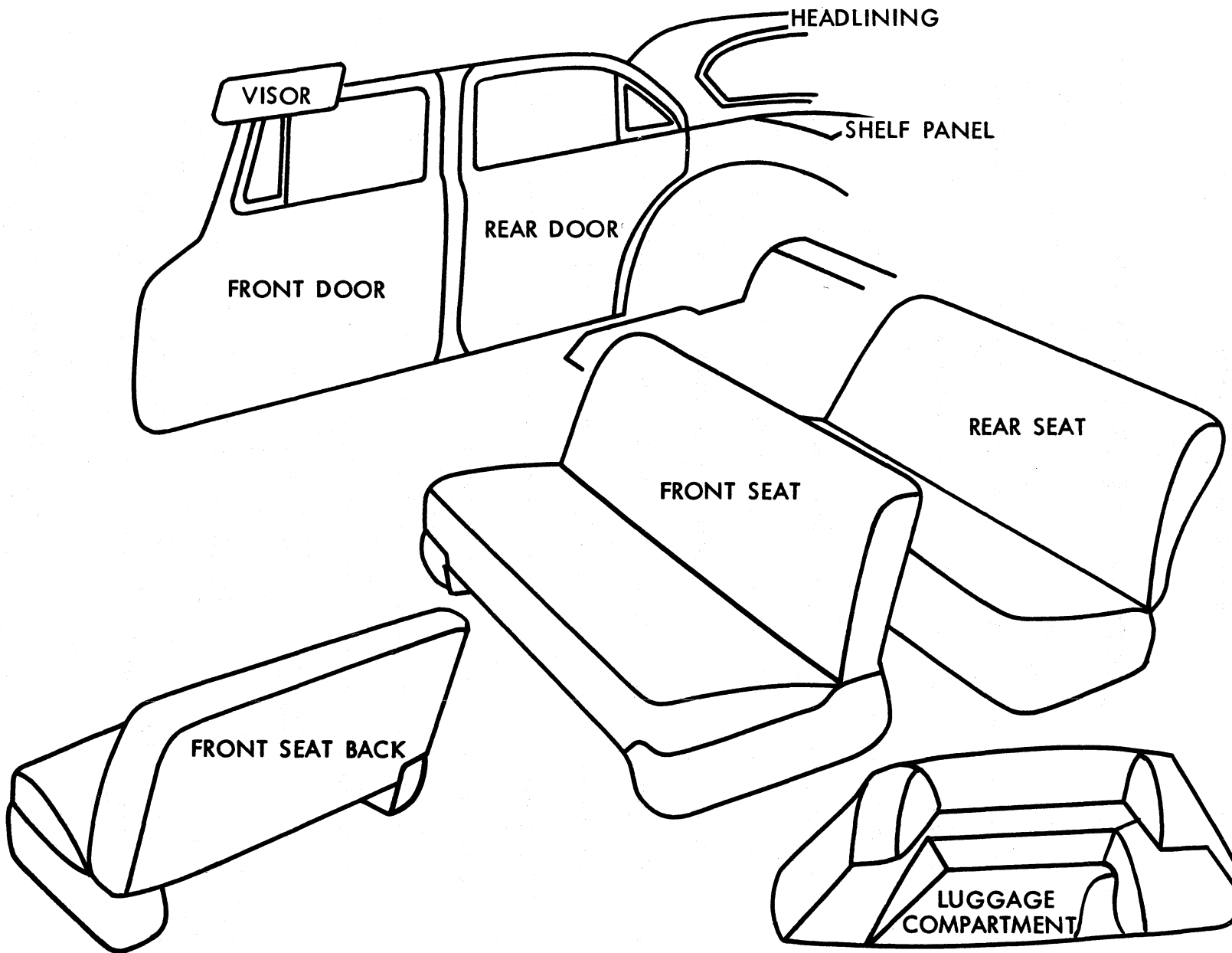


Plate 23-2

4 DOOR SEDAN AND SPECIAL 4 DOOR SEDAN

19x6960

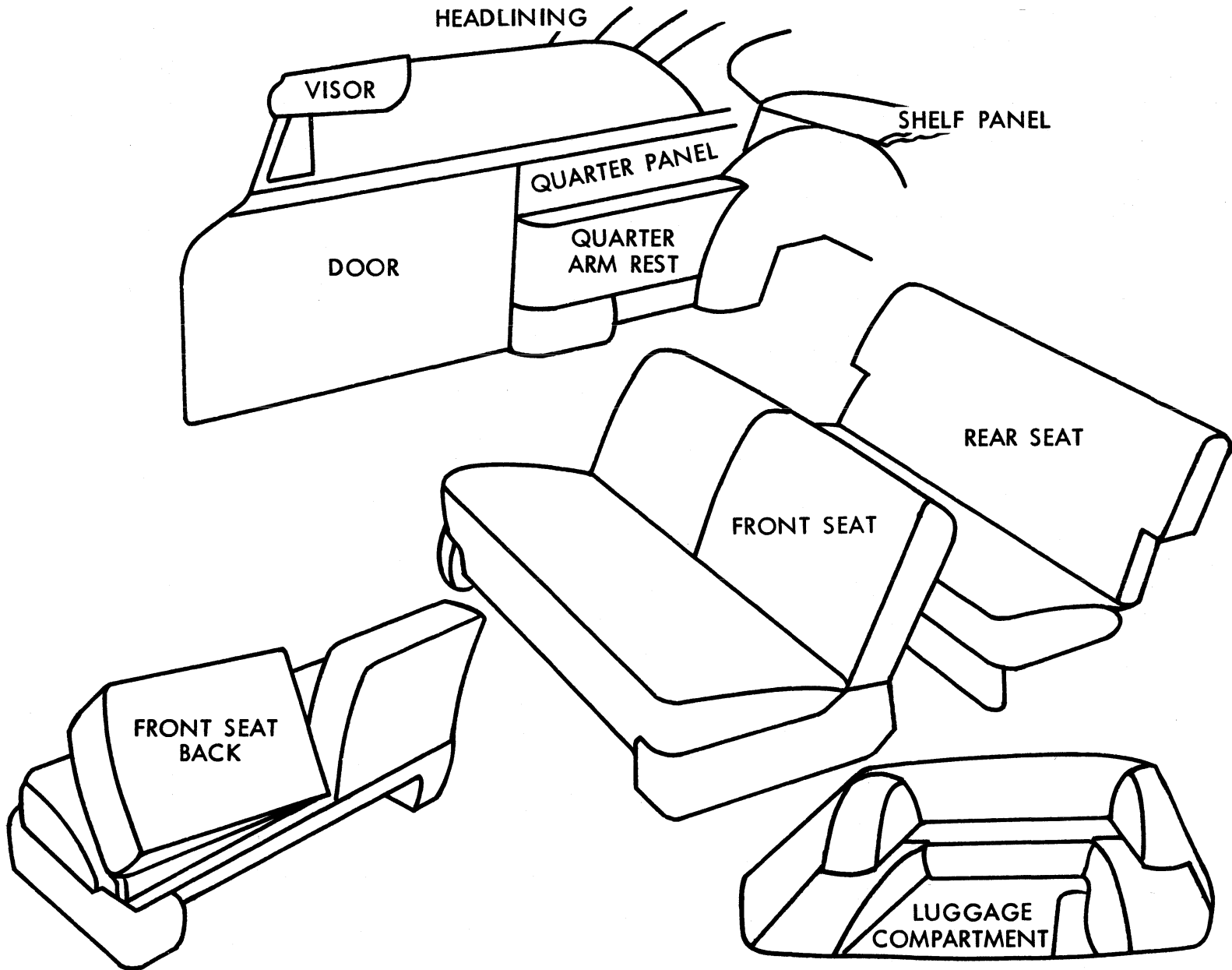


Plate 23-3

SPECIAL CLUB COUPE

19x6962

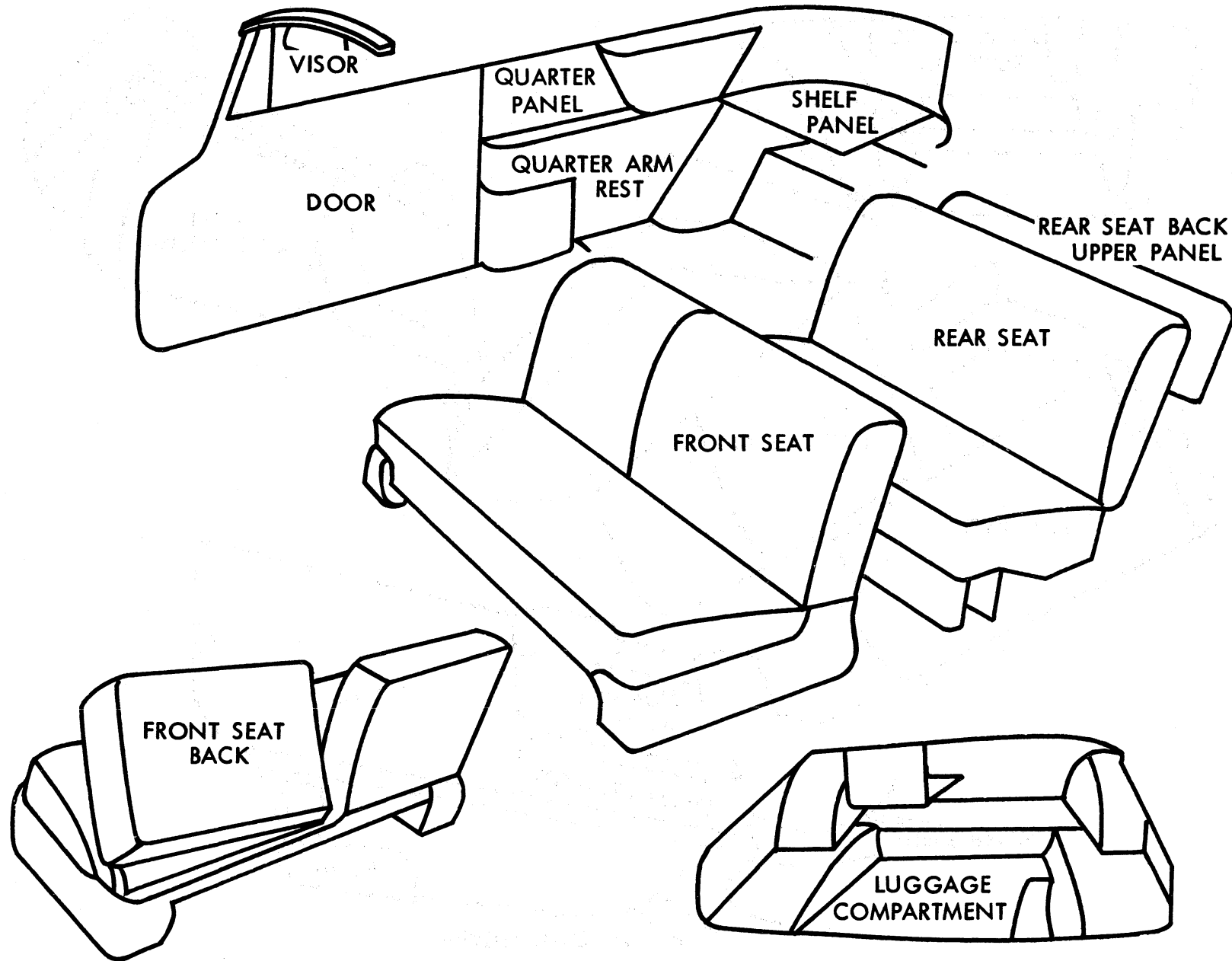


Plate 23-4

CONVERTIBLE COUPE

19x6963

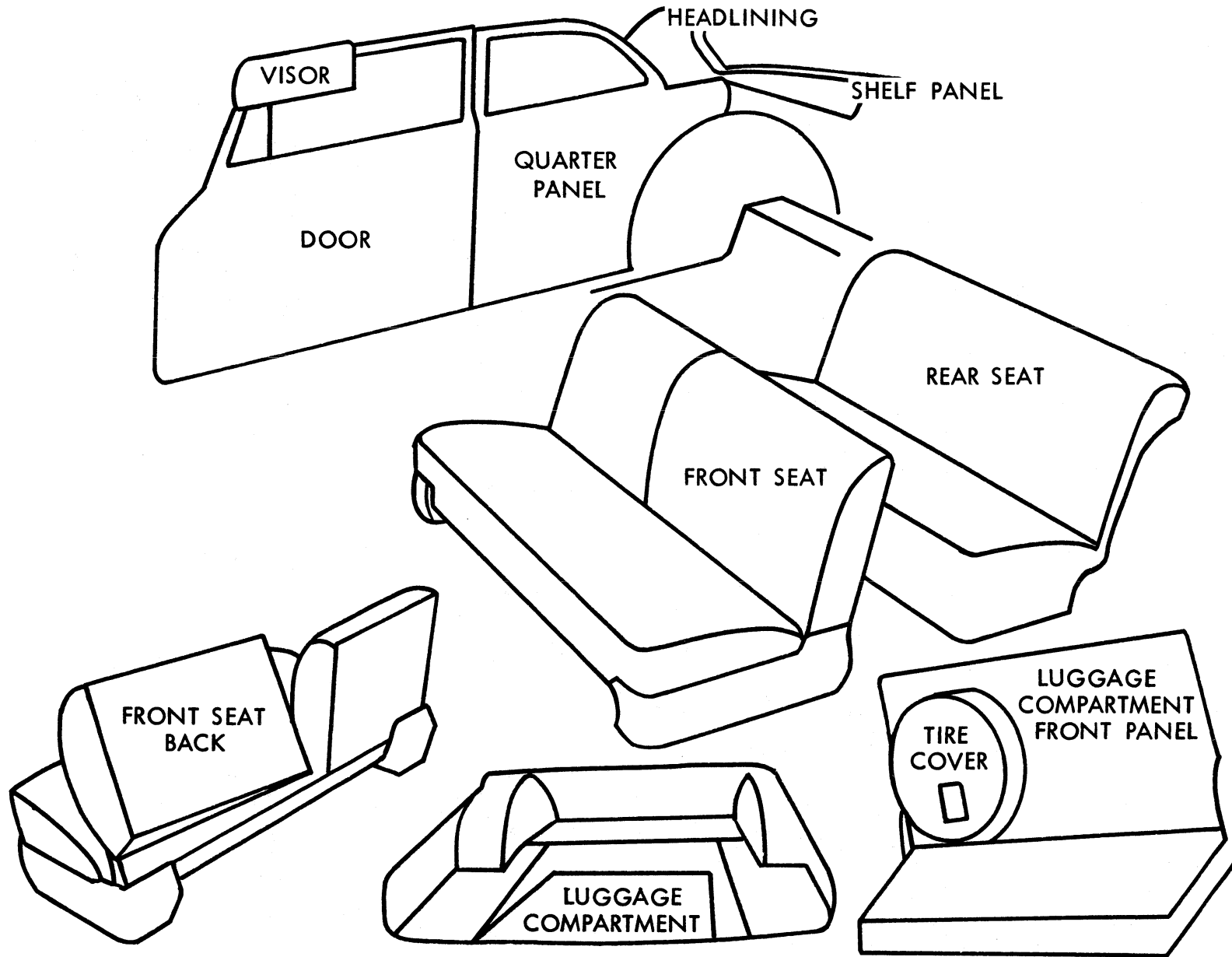


Plate 23-5

CLUB COUPE AND 3 PASSENGER COUPE

19x6961

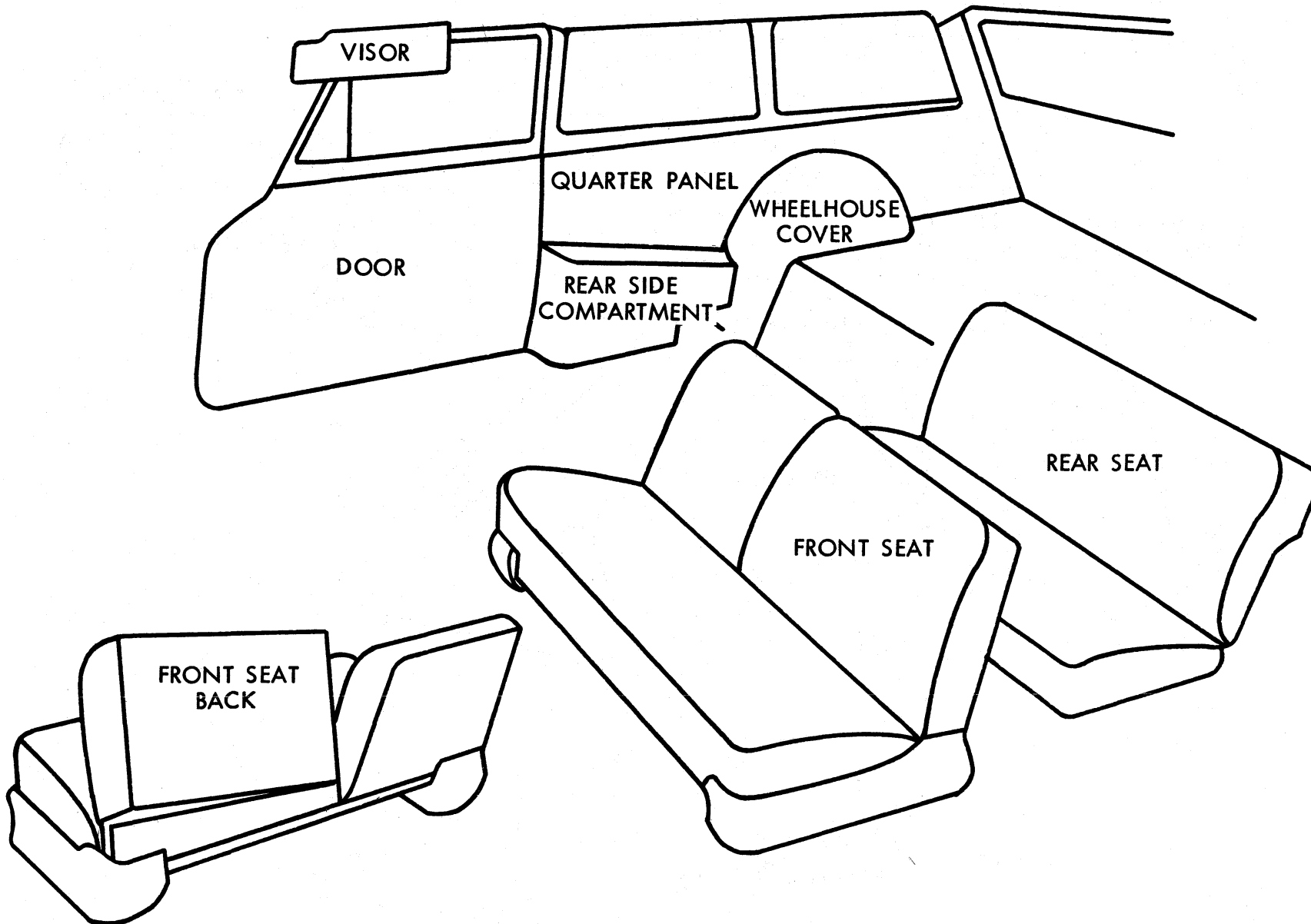


Plate 23-6

2 DOOR SUBURBAN

19x6964

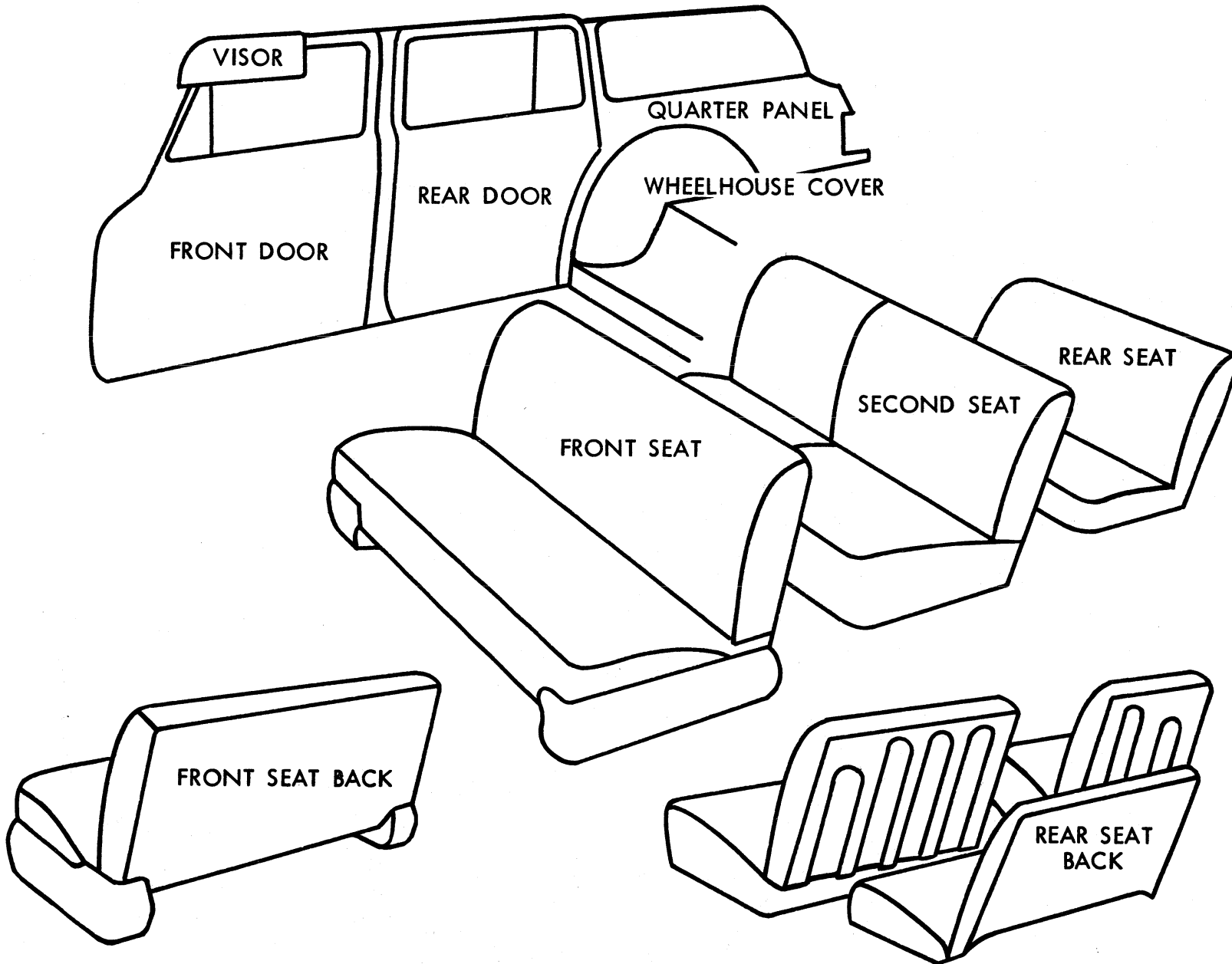


Plate 23-7

4 DOOR SUBURBAN

19x6965

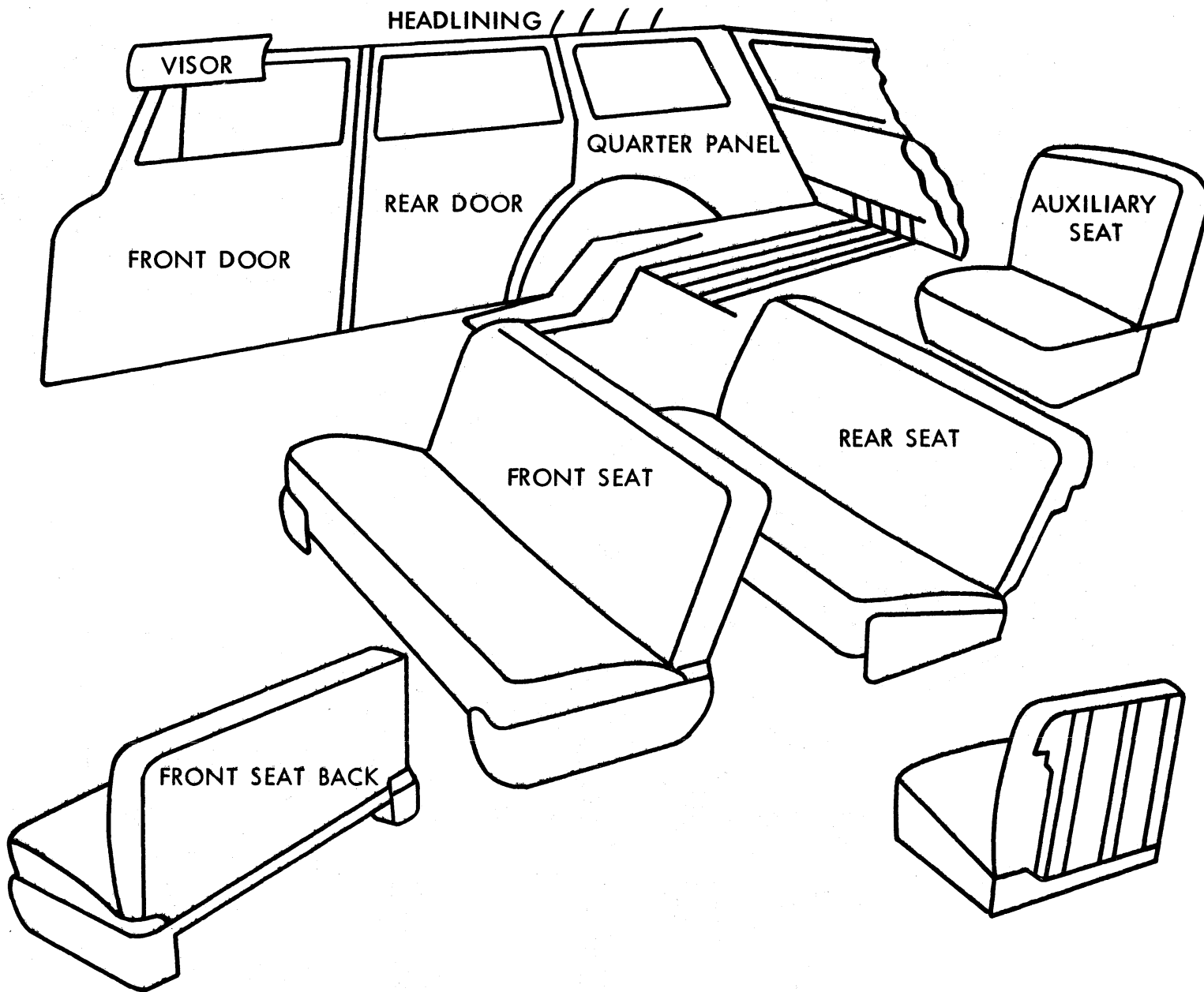
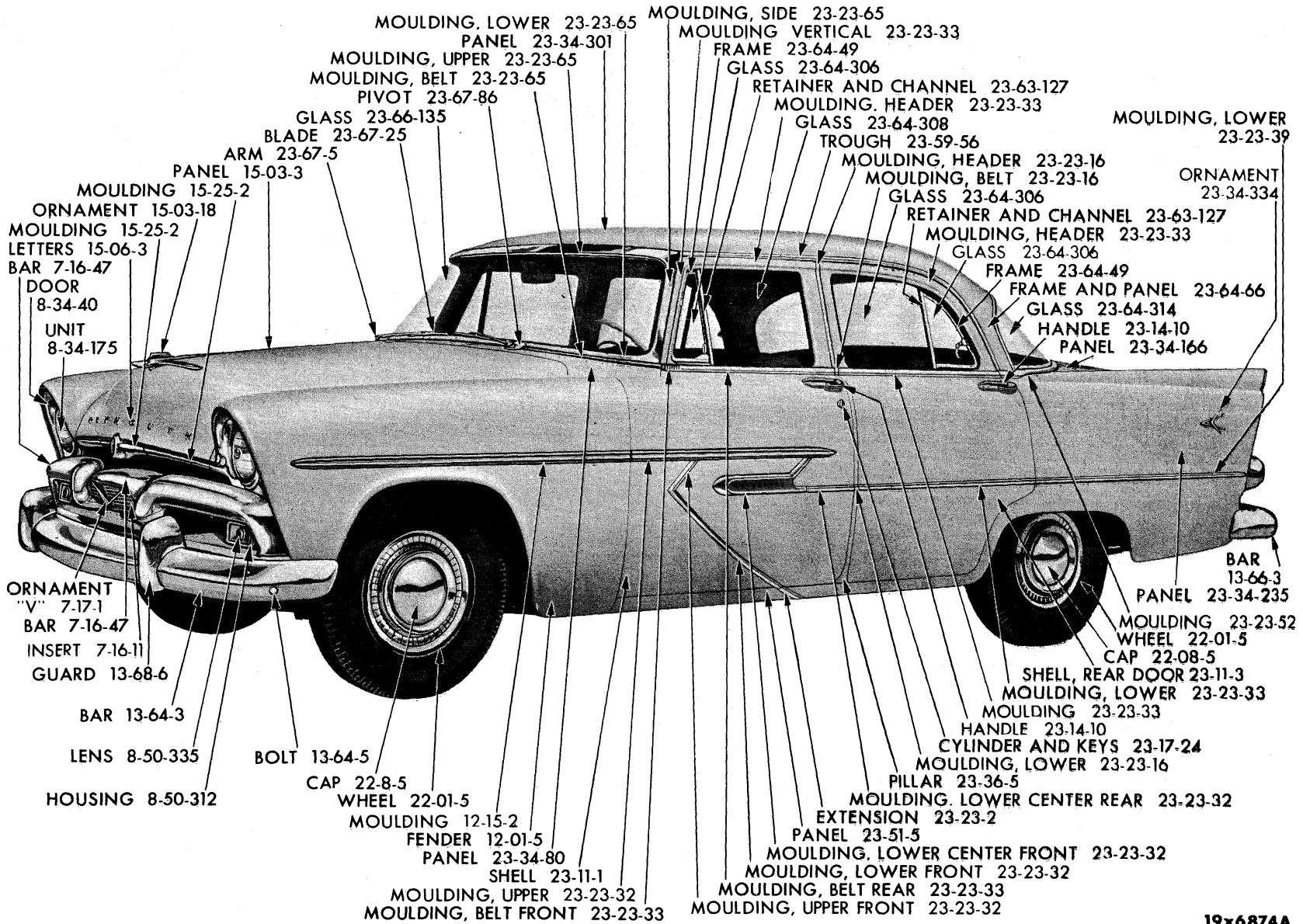


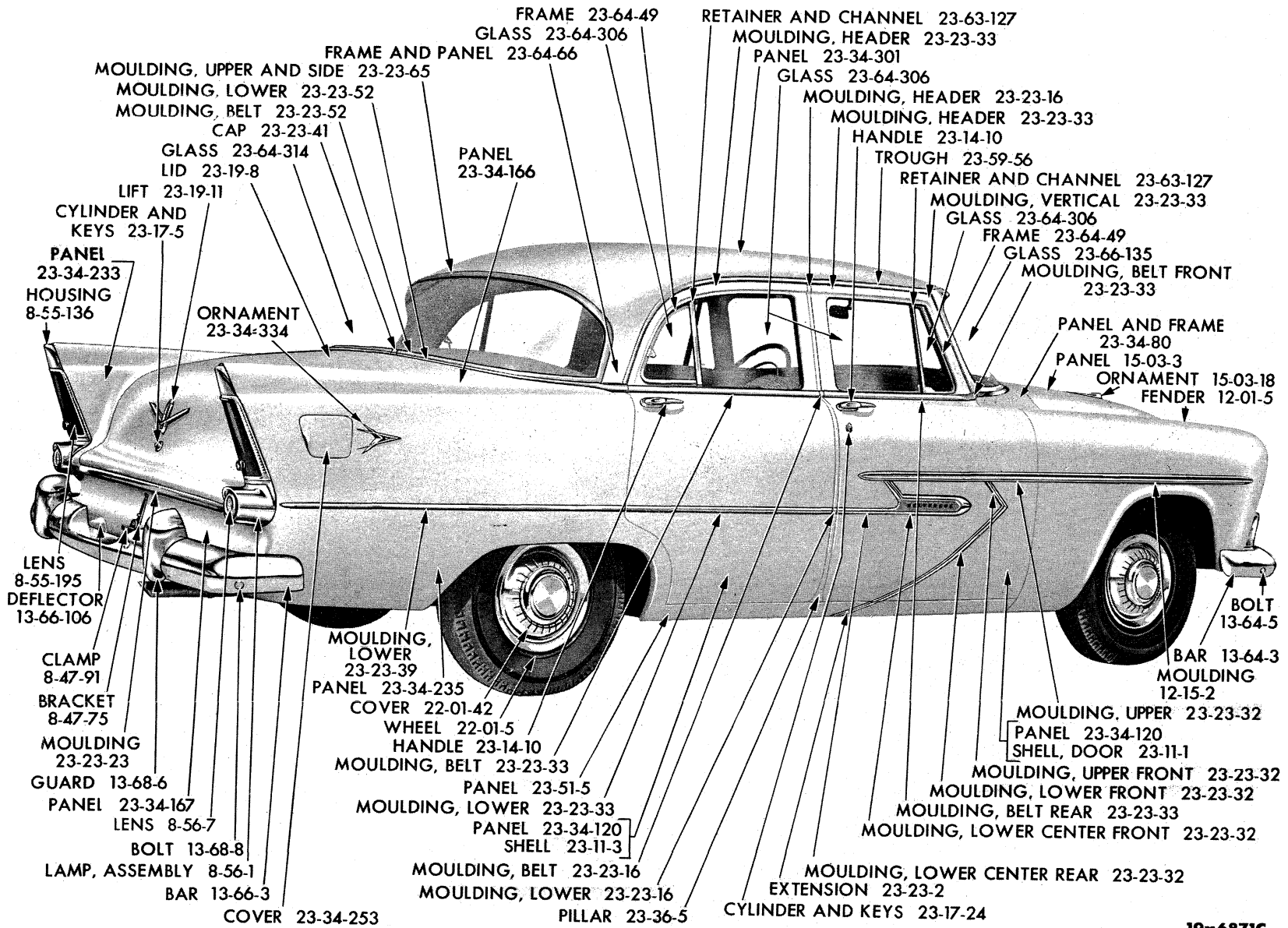
Plate 23-8

ESTATE WAGON

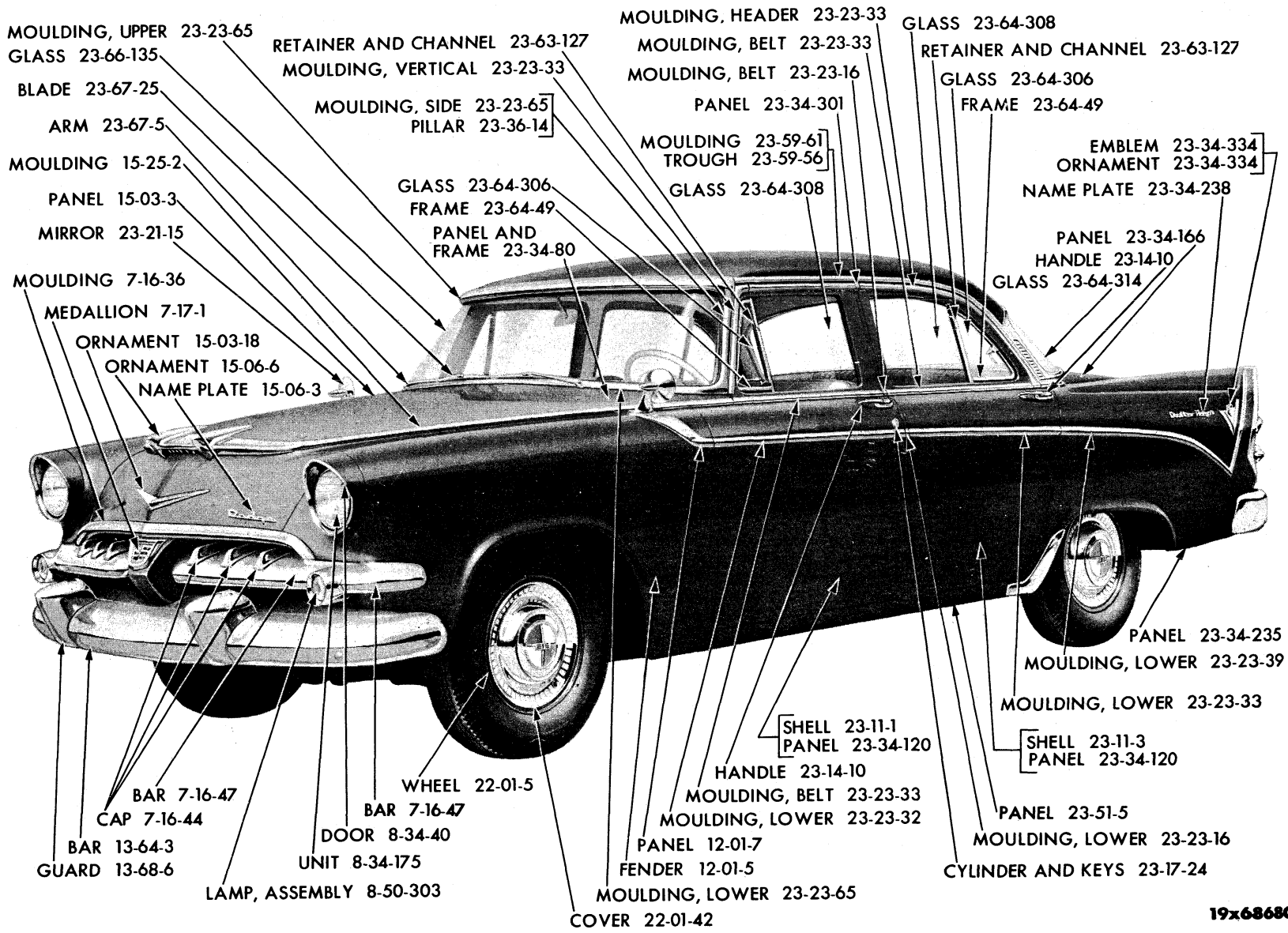
19x6966

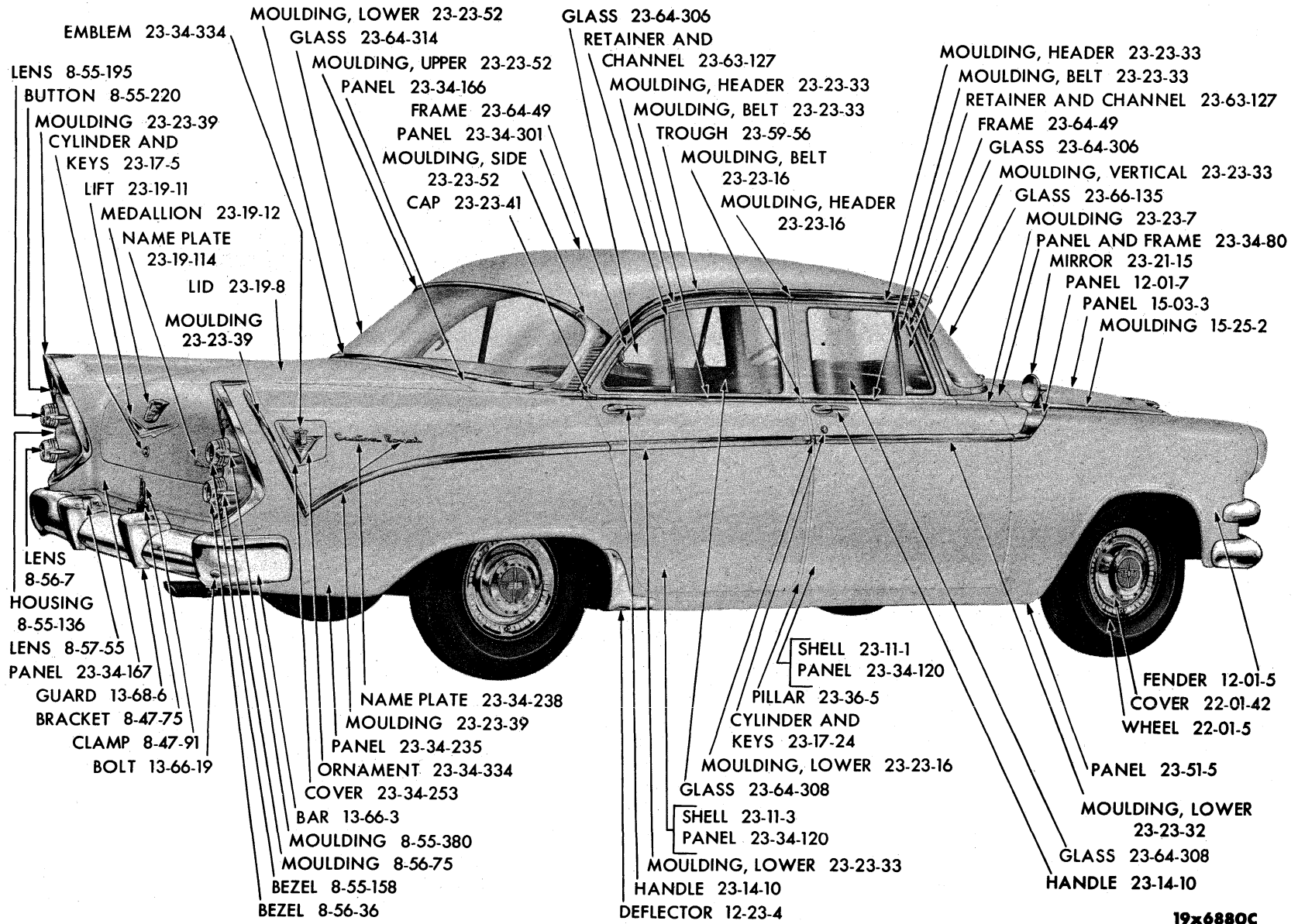


19x6874A

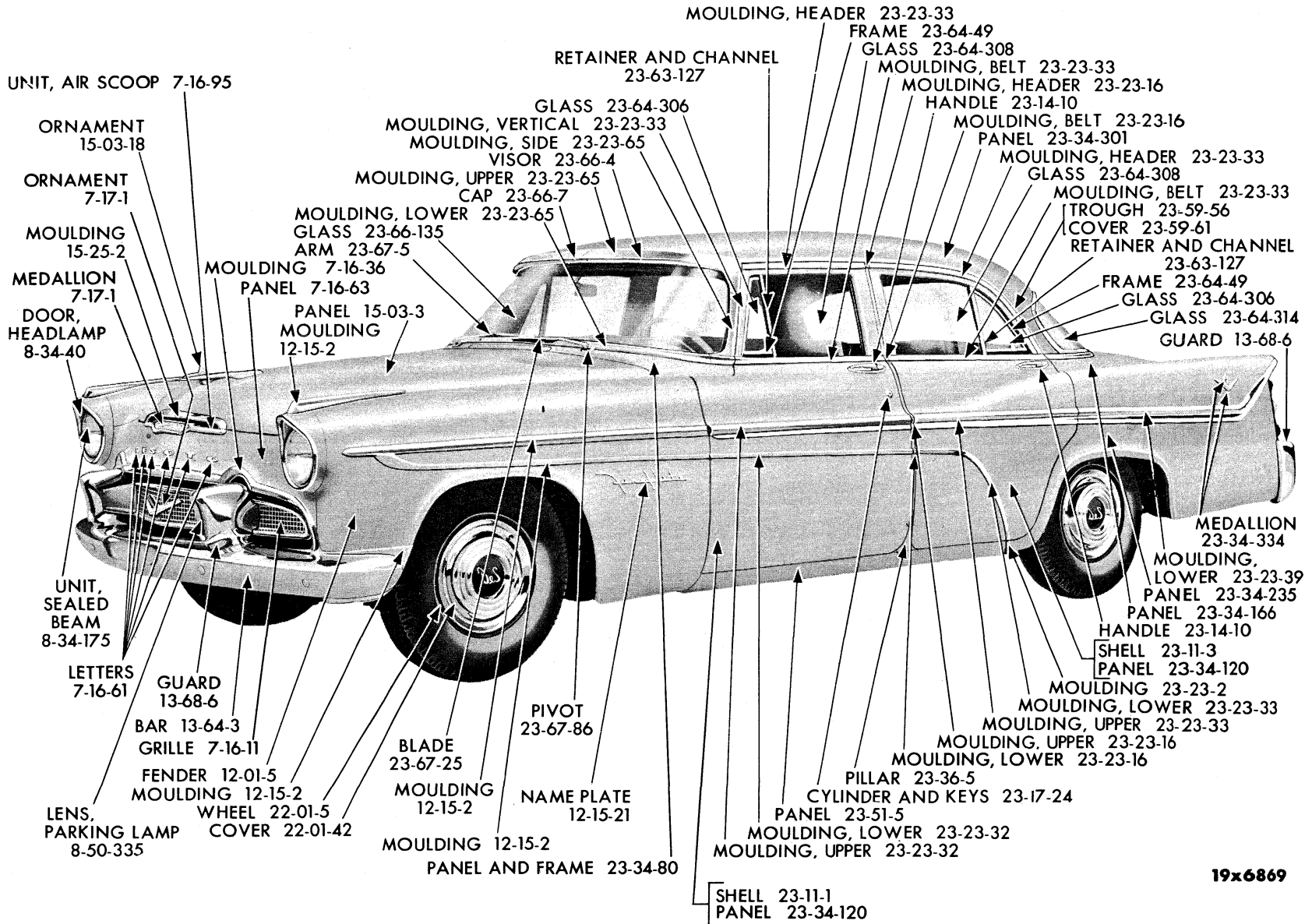


19x6871C





19x6880C



UNIT, AIR SCOOP 7-16-95

ORNAMENT 15-03-18

ORNAMENT 7-17-1

MOULDING 15-25-2

MEDALLION 7-17-1

DOOR, HEADLAMP 8-34-40

UNIT, SEALED BEAM 8-34-175

LETTERS 7-16-61

GUARD 13-68-6

BAR 13-64-3

GRILLE 7-16-11

FENDER 12-01-5

MOULDING 12-15-2

LENS, PARKING LAMP 8-50-335

WHEEL COVER 22-01-42

MOULDING 12-15-2

PANEL AND FRAME 23-34-80

BLADE 23-67-25

MOULDING 12-15-2

PIVOT 23-67-86

NAME PLATE 12-15-21

RETAINER AND CHANNEL 23-63-127

GLASS 23-64-306

MOULDING, VERTICAL 23-23-33

MOULDING, SIDE 23-23-65

VISOR 23-66-4

MOULDING, UPPER 23-23-65

CAP 23-66-7

MOULDING, LOWER 23-23-65

GLASS 23-66-135

ARM 23-67-5

MOULDING 7-16-36

PANEL 7-16-63

PANEL 15-03-3

MOULDING 12-15-2

MOULDING, HEADER 23-23-33

FRAME 23-64-49

GLASS 23-64-308

MOULDING, BELT 23-23-33

MOULDING, HEADER 23-23-16

HANDLE 23-14-10

MOULDING, BELT 23-23-16

PANEL 23-34-301

MOULDING, HEADER 23-23-33

GLASS 23-64-308

MOULDING, BELT 23-23-33

TROUGH 23-59-56

COVER 23-59-61

RETAINER AND CHANNEL 23-63-127

FRAME 23-64-49

GLASS 23-64-306

GLASS 23-64-314

GUARD 13-68-6

MEDALLION 23-34-334

MOULDING, LOWER 23-23-39

PANEL 23-34-235

PANEL 23-34-166

HANDLE 23-14-10

SHELL 23-11-3

PANEL 23-34-120

MOULDING 23-23-2

MOULDING, LOWER 23-23-33

MOULDING, UPPER 23-23-33

MOULDING, UPPER 23-23-16

MOULDING, LOWER 23-23-16

PILLAR 23-36-5

CYLINDER AND KEYS 23-17-24

PANEL 23-51-5

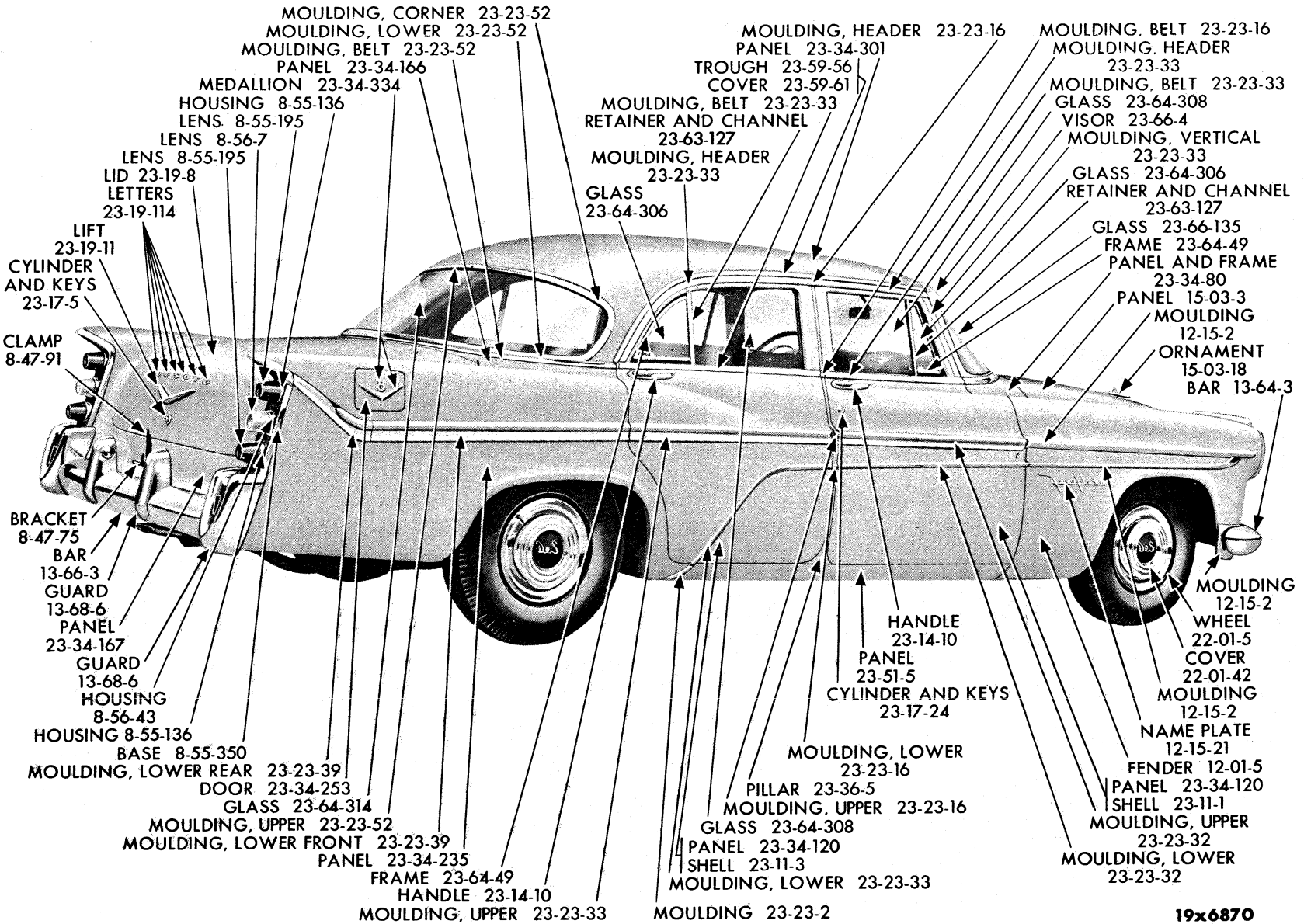
MOULDING, LOWER 23-23-32

MOULDING, UPPER 23-23-32

SHELL 23-11-1

PANEL 23-34-120

19x6869

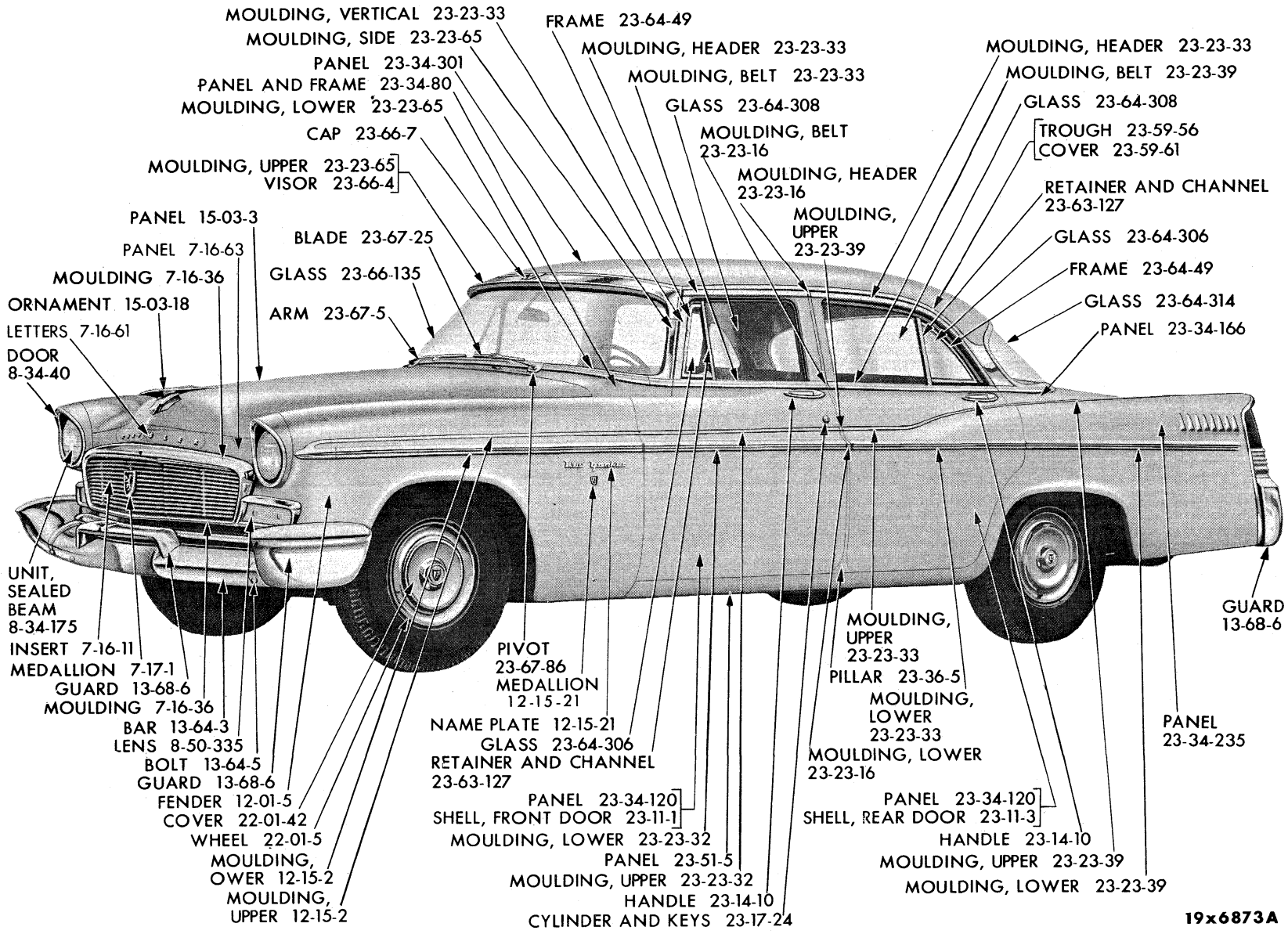


19x6870

Plate 23-14

REAR EXTERIOR - DESOTO S23-24 - 4 DOOR SEDAN

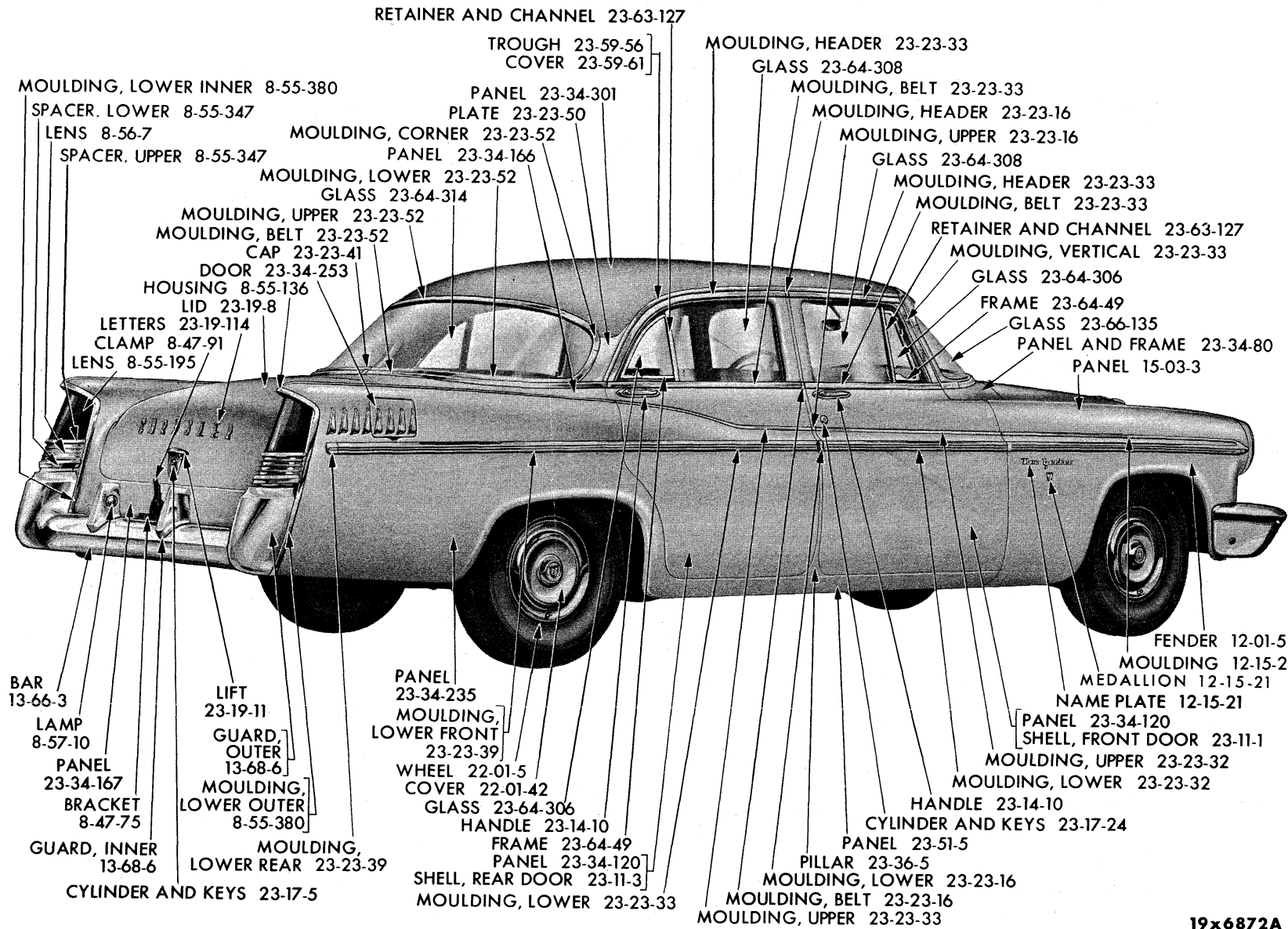
1955-56 PASSENGER CAR PARTS LIST



19x6873A

Plate 23-15

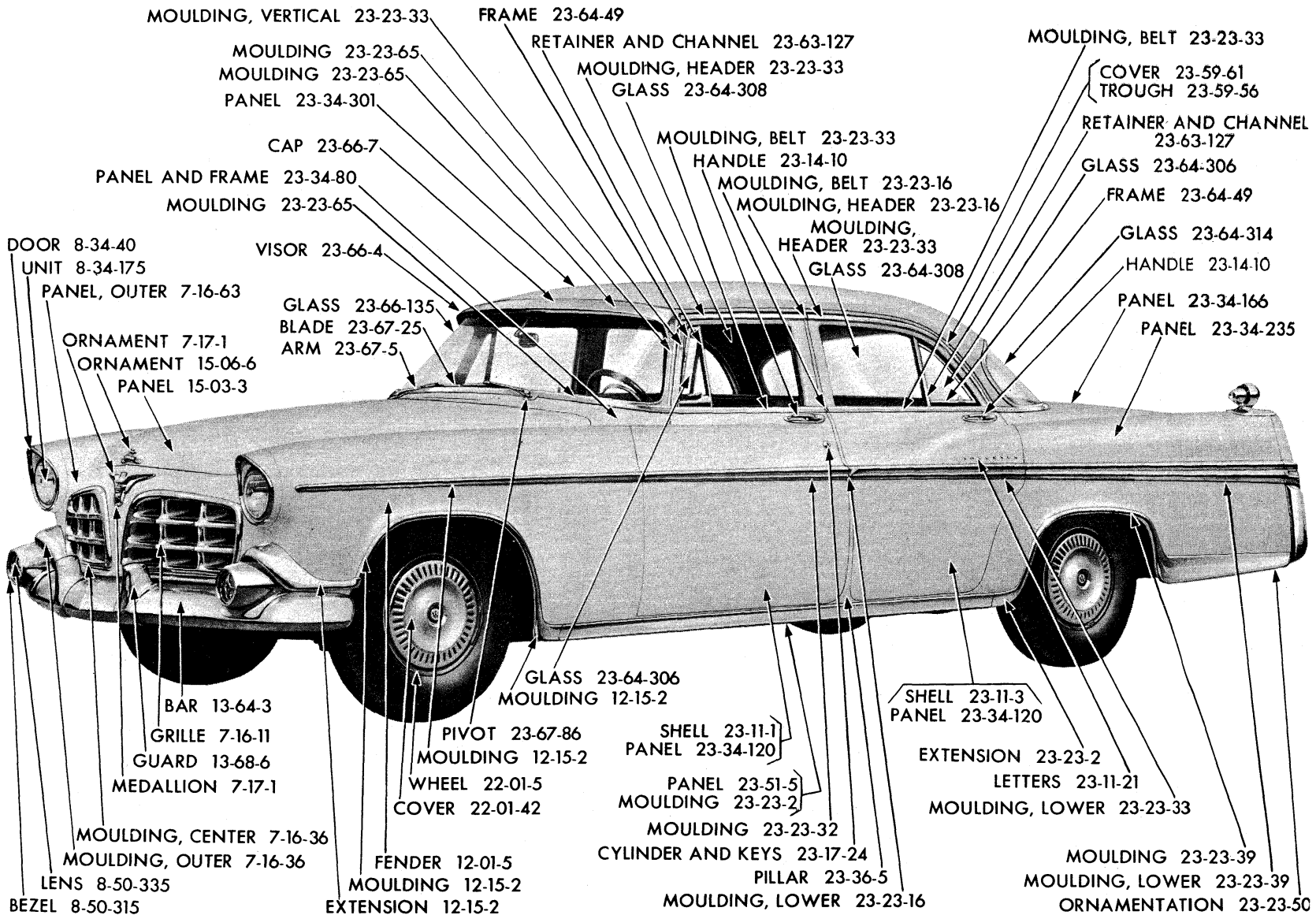
FRONT EXTERIOR - CHRYSLER C71-72 - 4 DOOR SEDAN



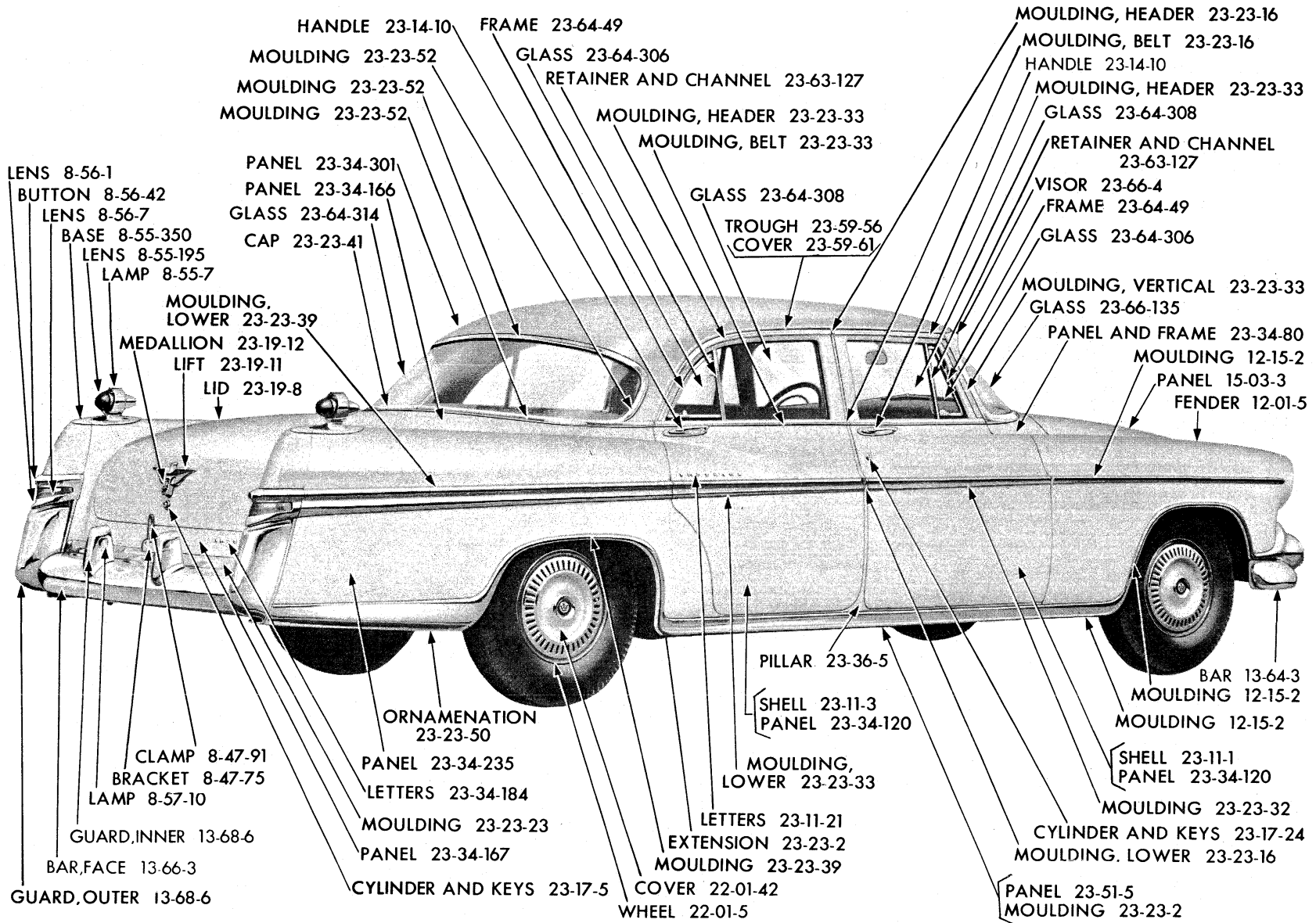
19x6872A

Plate 23-16

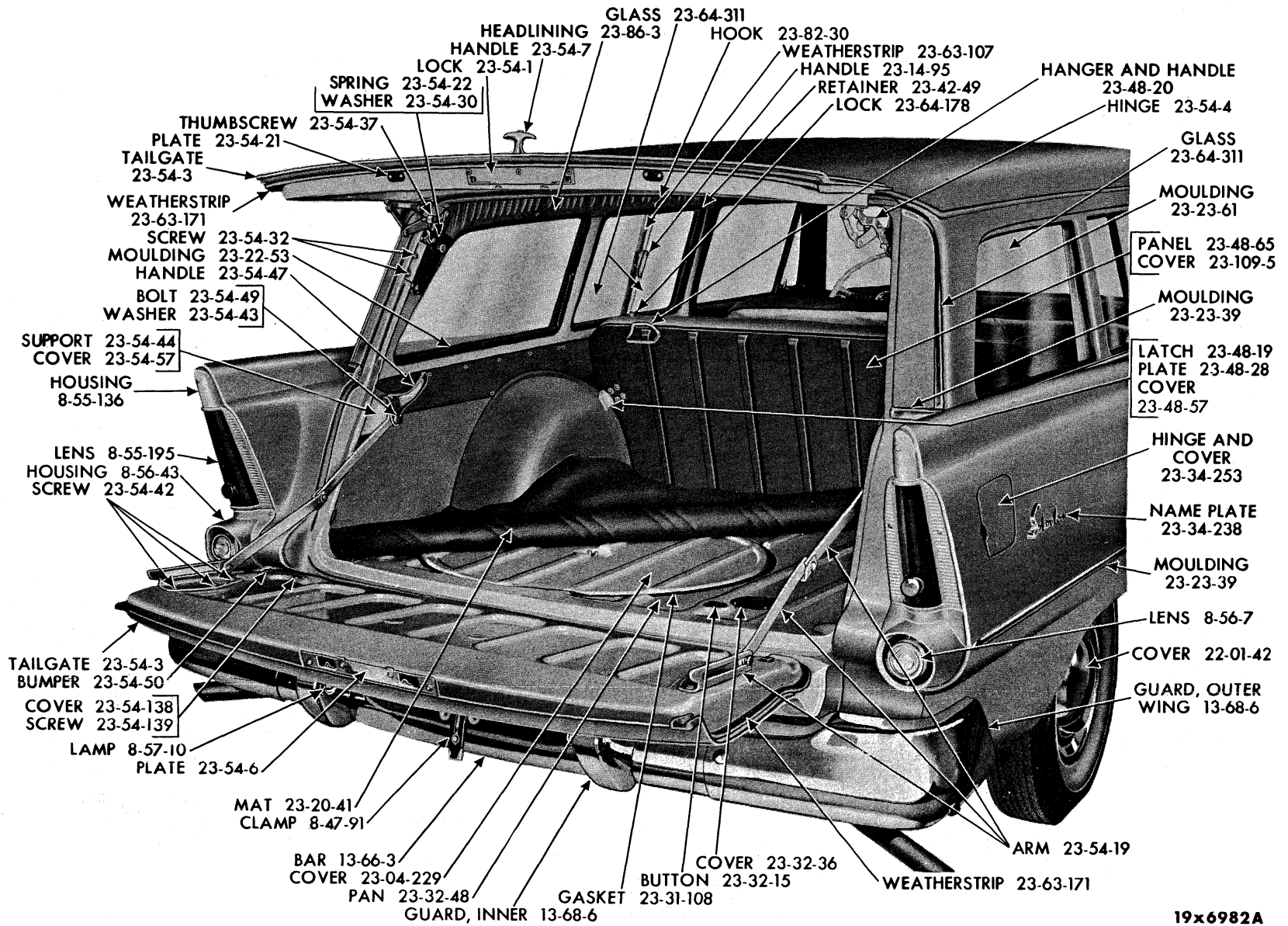
REAR EXTERIOR - CHRYSLER C71-72 - 4 DOOR SEDAN



19x6878



19x6879



19x6982A

Plate 23-20

REAR VIEW - PLYMOUTH P28-29 - SUBURBAN

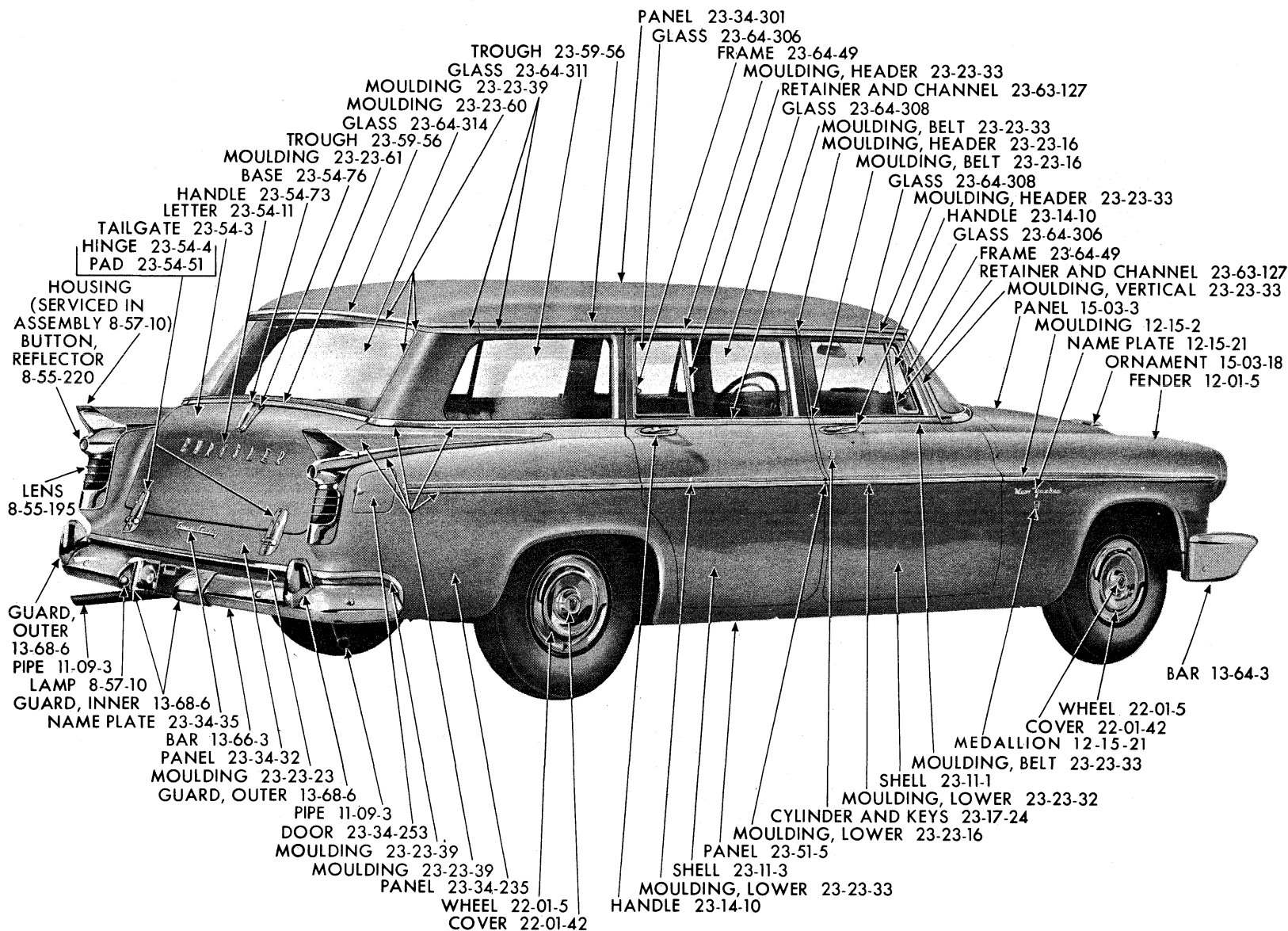
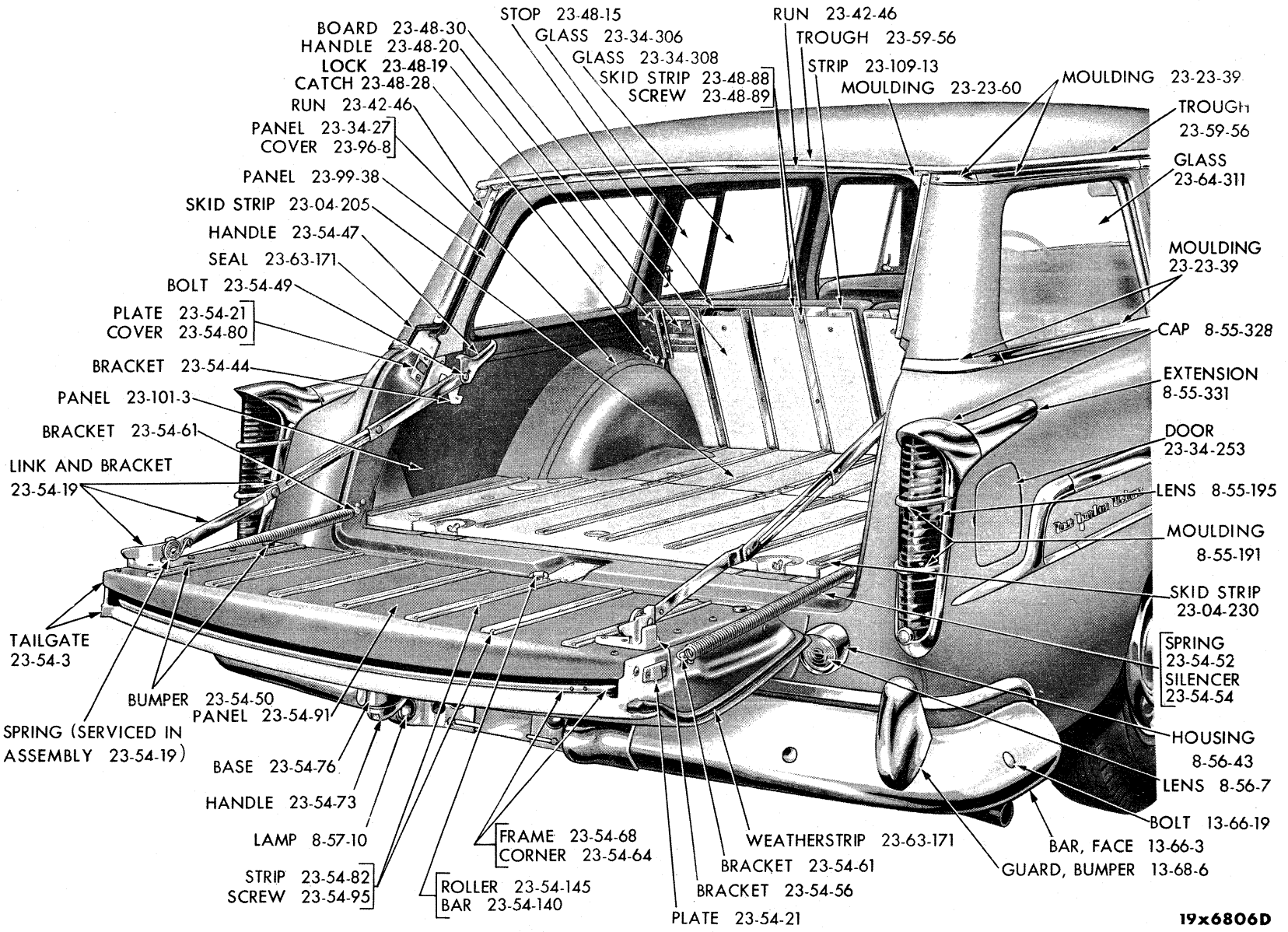


Plate 23-21

REAR EXTERIOR - CHRYSLER C71-72 - ESTATE WAGON

19x6932A



TAILGATE 23-54-3

BUMPER 23-54-50
PANEL 23-54-91

BASE 23-54-76
HANDLE 23-54-73

LAMP 8-57-10
STRIP 23-54-82
SCREW 23-54-95

FRAME 23-54-68
CORNER 23-54-64
ROLLER 23-54-145
BAR 23-54-140

PLATE 23-54-21

WEATHERSTRIP 23-63-171
BRACKET 23-54-61
BRACKET 23-54-56

BAR, FACE 13-66-3
GUARD, BUMPER 13-68-6

SPRING 23-54-52
SILENCER 23-54-54

HOUSING 8-56-43
LENS 8-56-7

SKID STRIP 23-04-230

MOULDING 8-55-191

DOOR 23-34-253

EXTENSION 8-55-331

CAP 8-55-328

MOULDING 23-23-39

GLASS 23-64-311

TROUGH 23-59-56

MOULDING 23-23-39

MOULDING 23-23-60

STRIP 23-109-13

RUN 23-42-46

TROUGH 23-59-56

GLASS 23-34-306

GLASS 23-34-308

SKID STRIP 23-48-88
SCREW 23-48-89

STOP 23-48-15

BOARD 23-48-30

HANDLE 23-48-20

LOCK 23-48-19

CATCH 23-48-28

RUN 23-42-46

PANEL 23-34-27
COVER 23-96-8

PANEL 23-99-38

SKID STRIP 23-04-205

HANDLE 23-54-47

SEAL 23-63-171

BOLT 23-54-49

PLATE 23-54-21
COVER 23-54-80

BRACKET 23-54-44

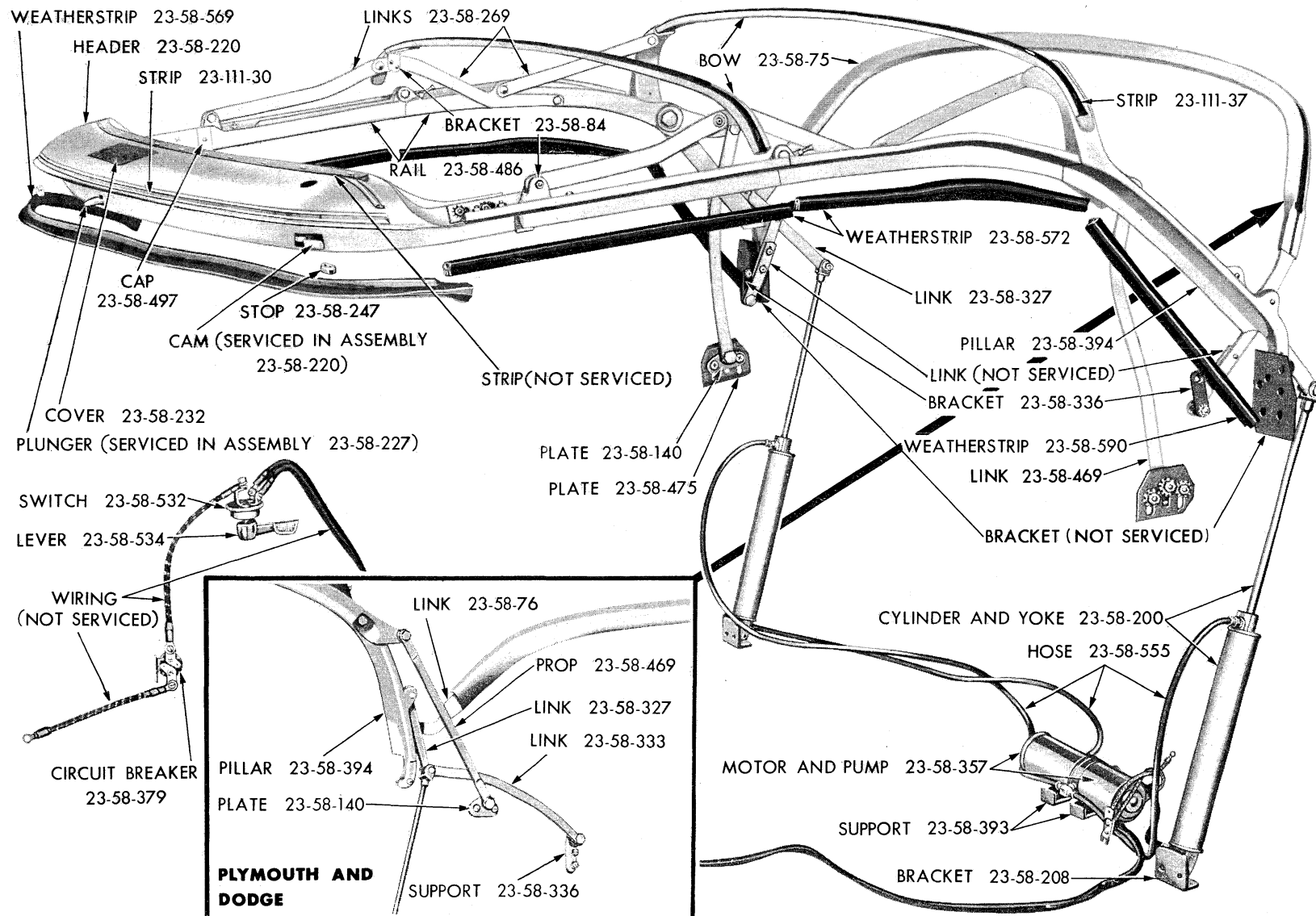
PANEL 23-101-3

BRACKET 23-54-61

LINK AND BRACKET 23-54-19

19x6806D

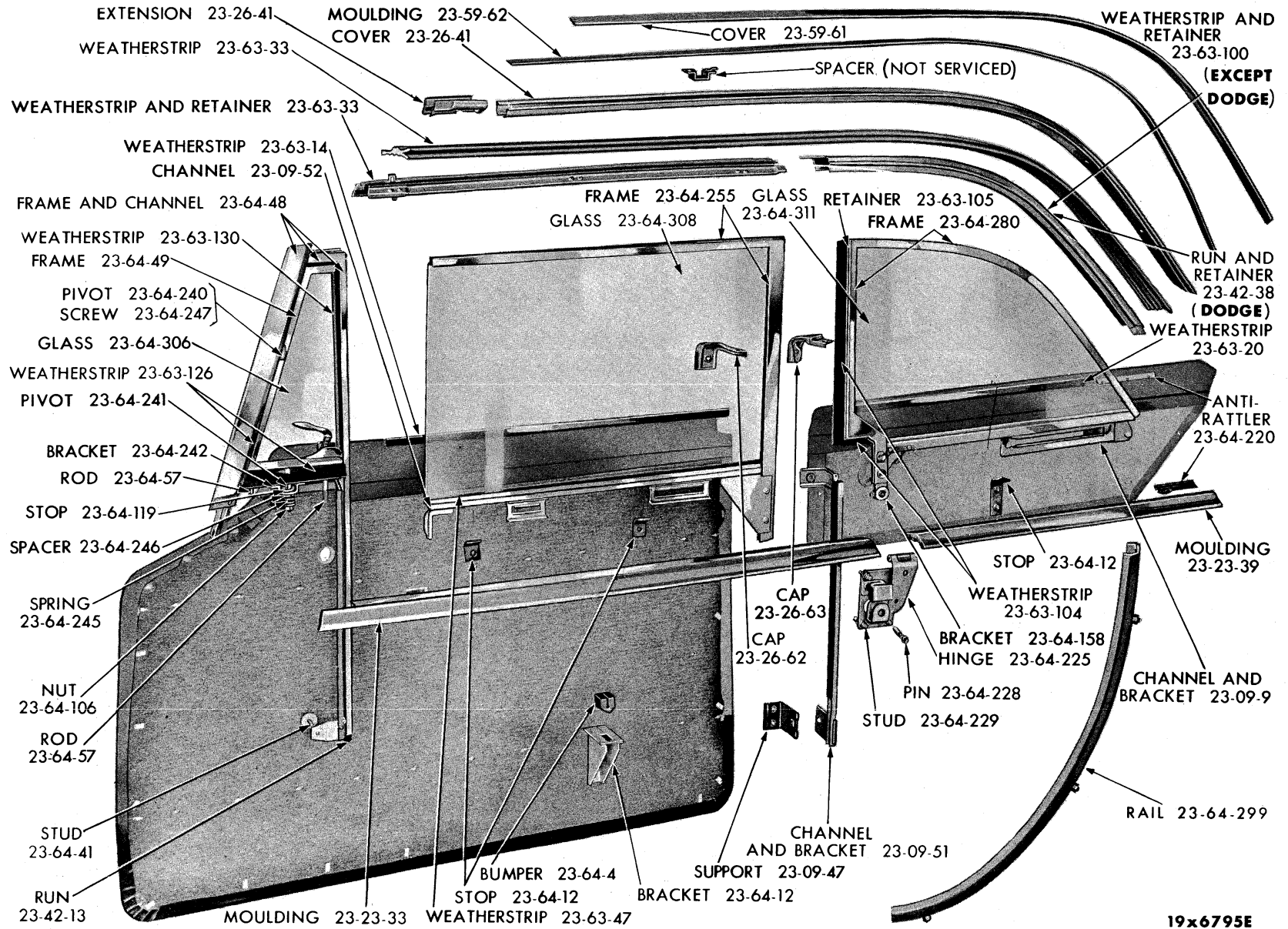
REAR VIEW - CHRYSLER C71-72 - ESTATE WAGON



PLYMOUTH AND DODGE

STUDS, BOLTS, SCREWS, NUTS, WASHERS, AND PINS ARE LISTED UNDER PART TYPE CODES 23-58-600 THROUGH 23-58-607. FOR STANDARD PARTS - ORDER BY DESCRIPTION

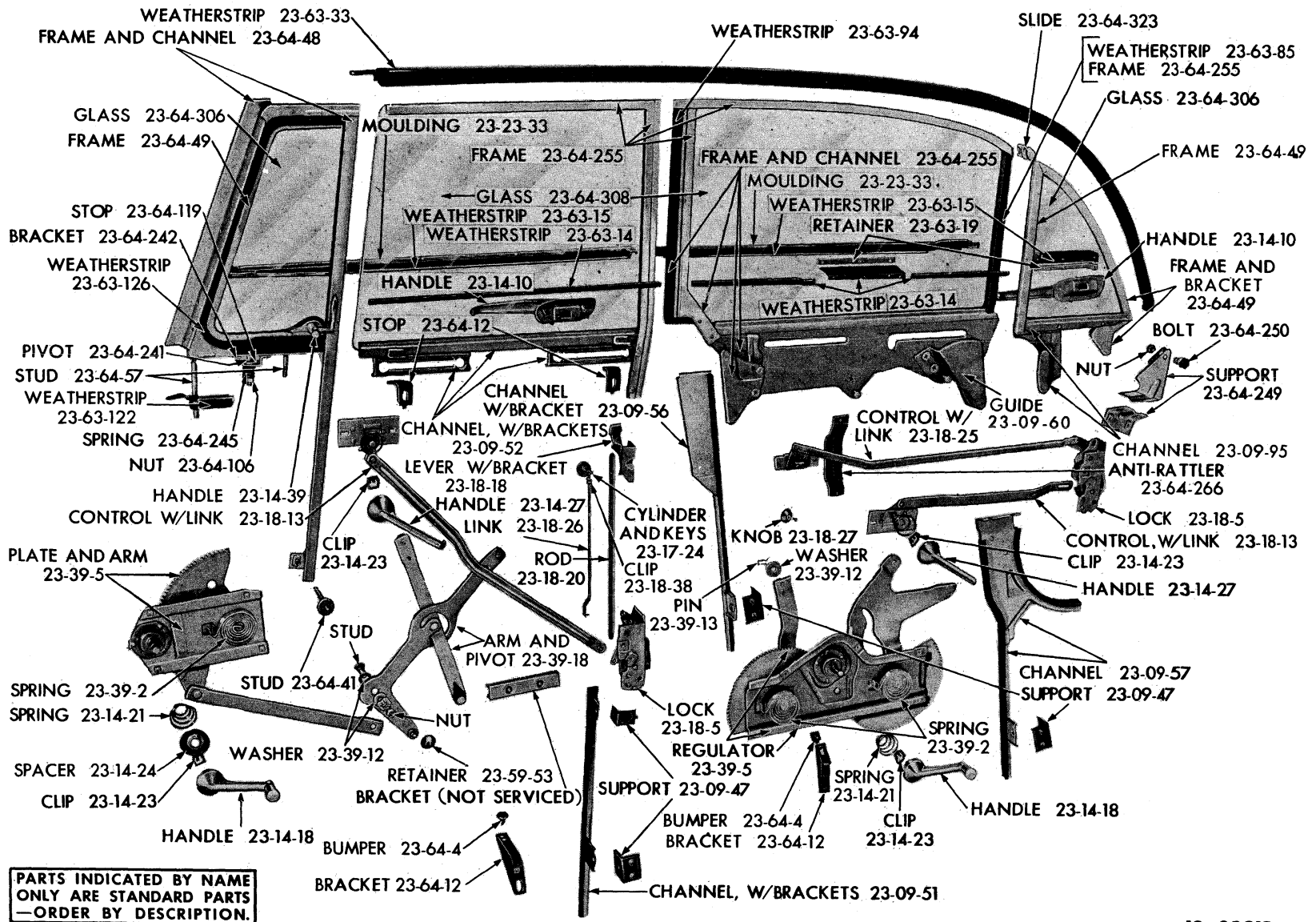
19x6790C



19x6795E

Plate 23-24

DOORS AND QUARTER WINDOWS - SPECIAL CLUB COUPE

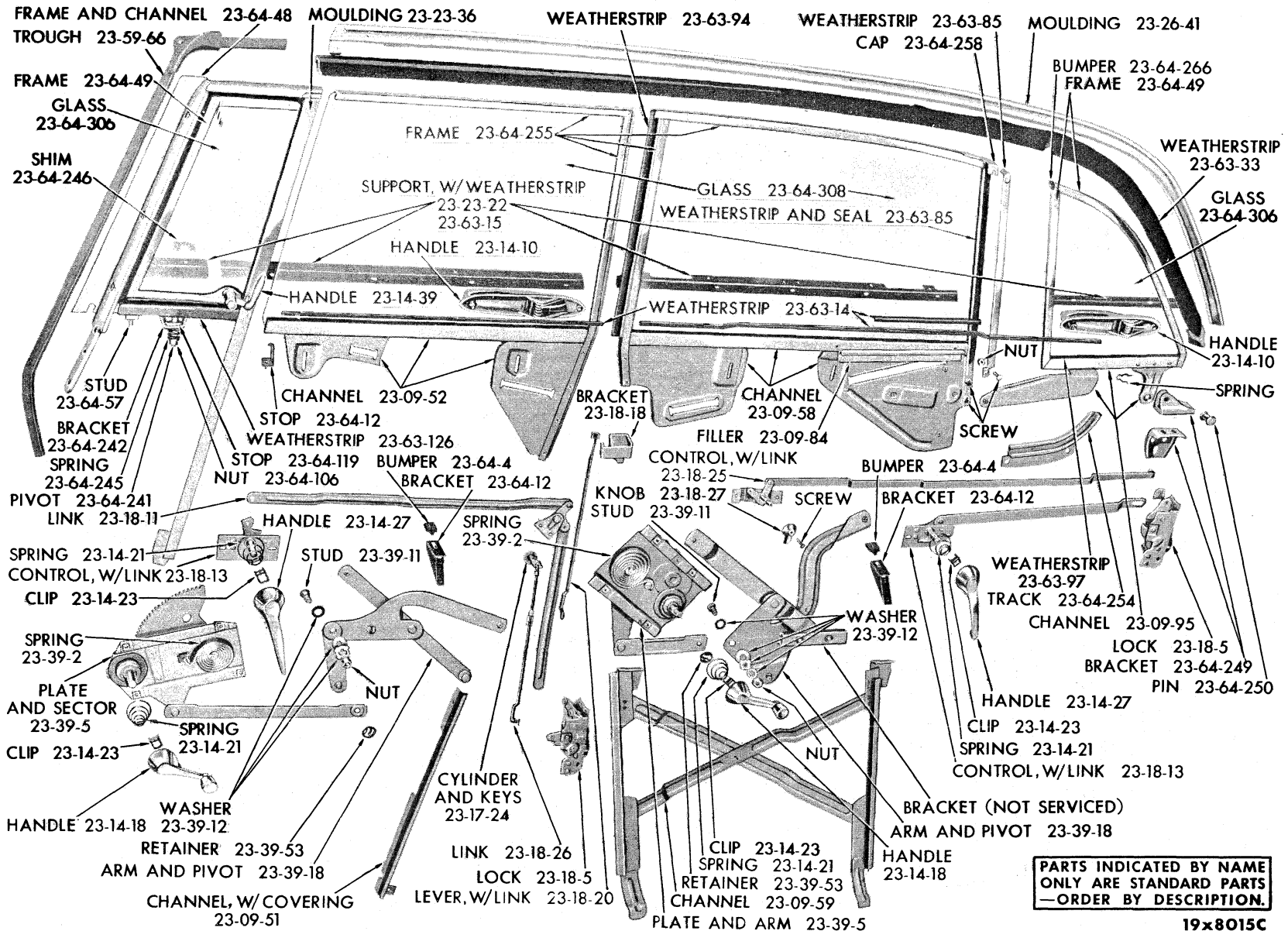


PARTS INDICATED BY NAME
 ONLY ARE STANDARD PARTS
 -ORDER BY DESCRIPTION.

19x8021D

WINDOWS, REGULATORS AND CONTROLS - PLYMOUTH P28-29,
 DODGE D62-63 SPECIAL 4 DOOR SEDAN

Plate 23-25

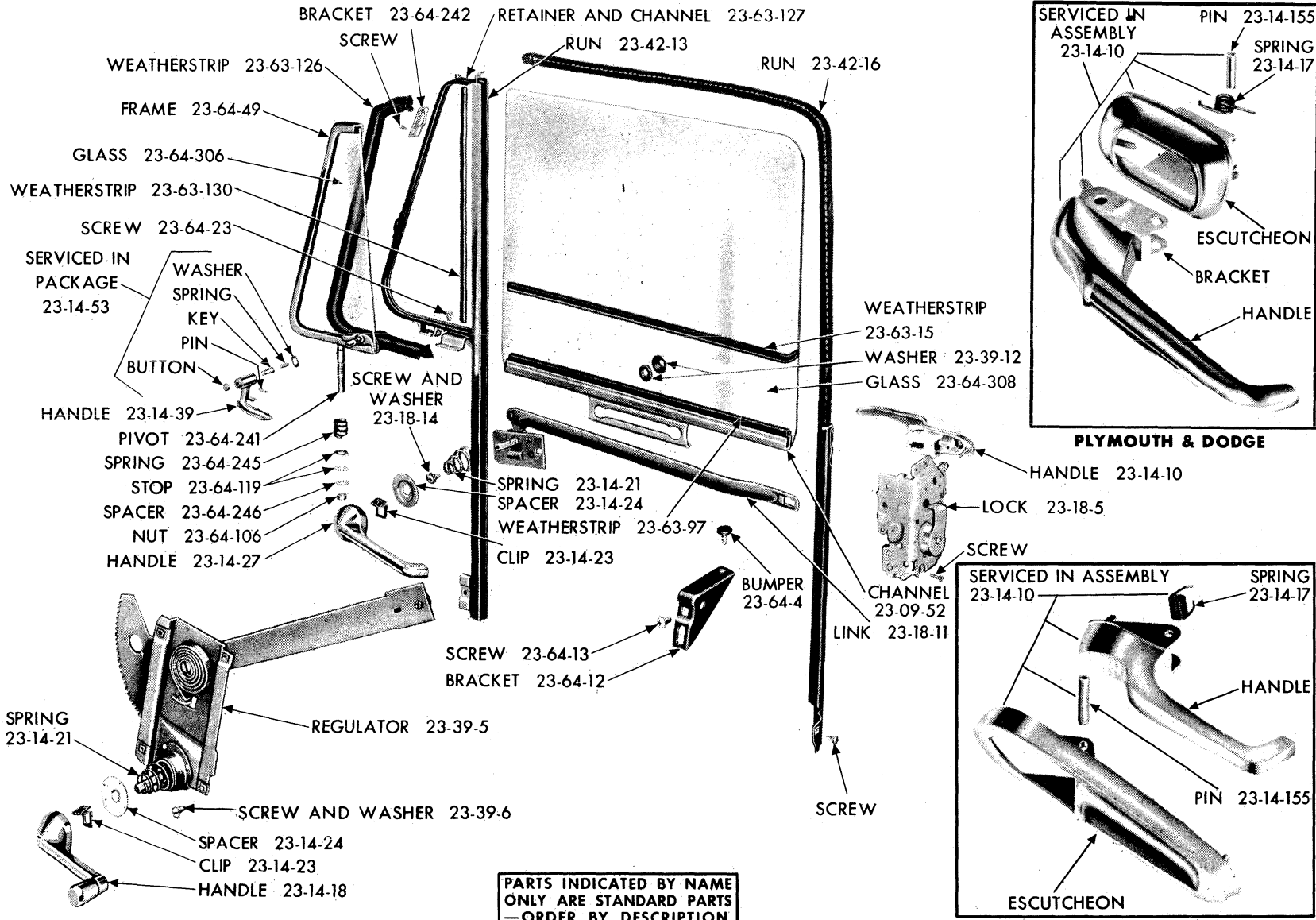


PARTS INDICATED BY NAME ONLY ARE STANDARD PARTS —ORDER BY DESCRIPTION.

19x8015C

Plate 23-26

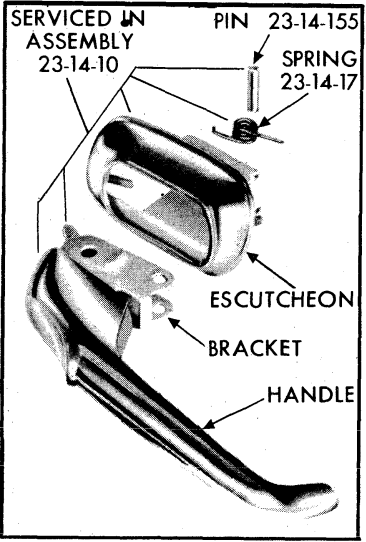
WINDOWS, REGULATORS AND CONTROLS - DESOTO S23-24, CHRYSLER C71-72 SPECIAL 4 DOOR SEDAN



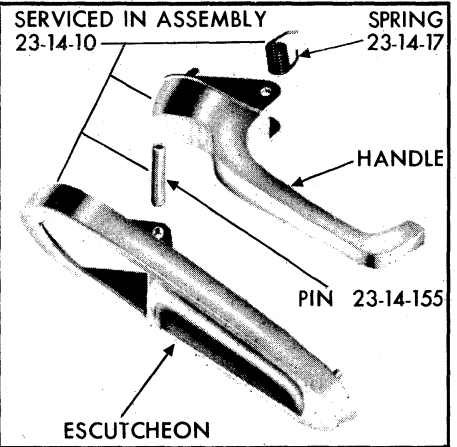
PARTS INDICATED BY NAME ONLY ARE STANDARD PARTS —ORDER BY DESCRIPTION.

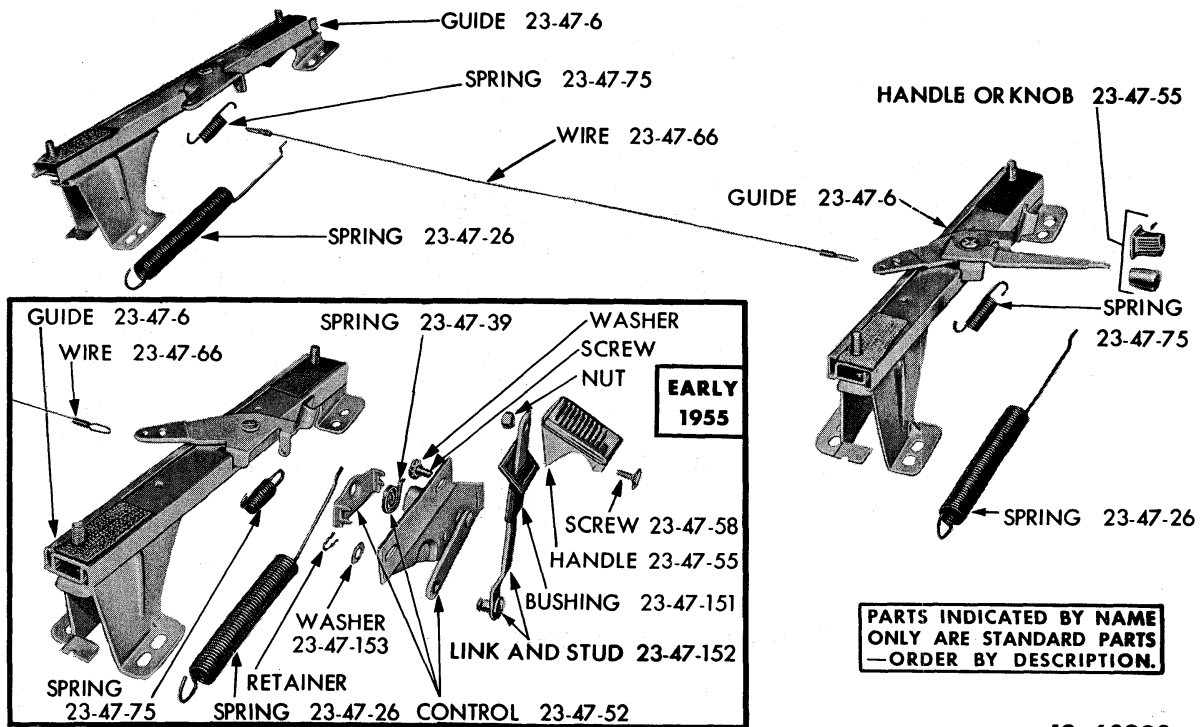
19x6815A

DESOTO, CHRYSLER AND IMPERIAL



PLYMOUTH & DODGE

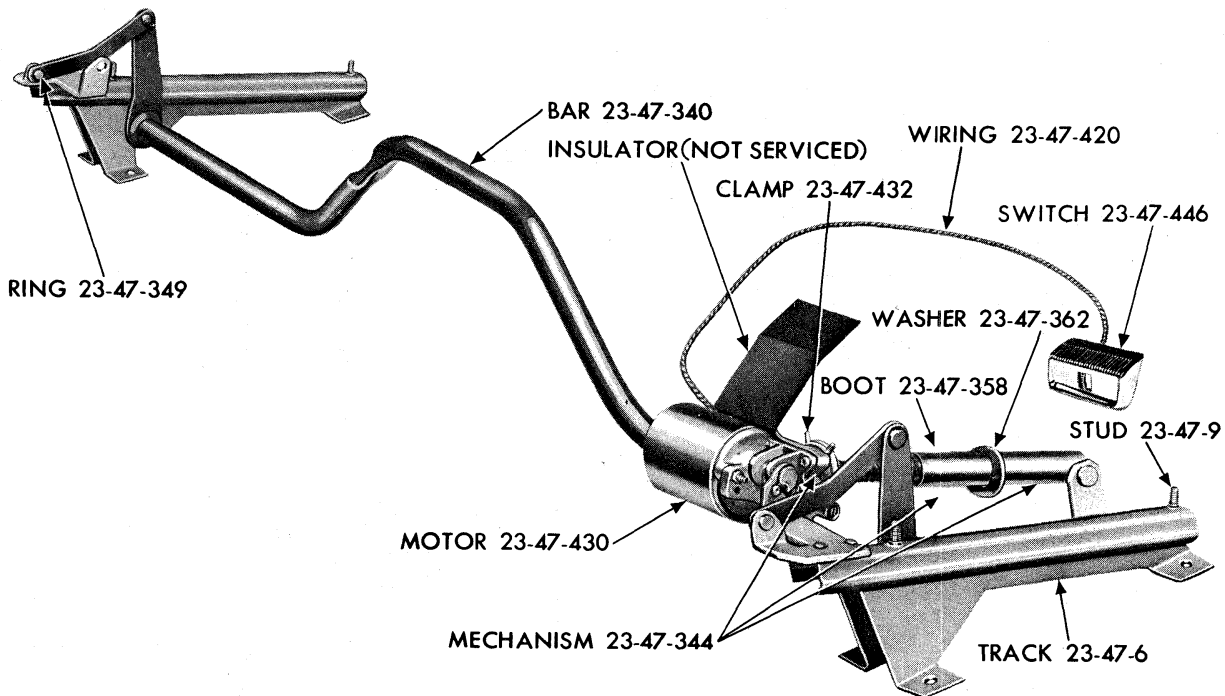




19x6809C

Plate 23-28

SEAT GUIDE - MANUAL TYPE



19x6853

Plate 23-29

SEAT ADJUSTER - ELECTRIC, 2-WAY

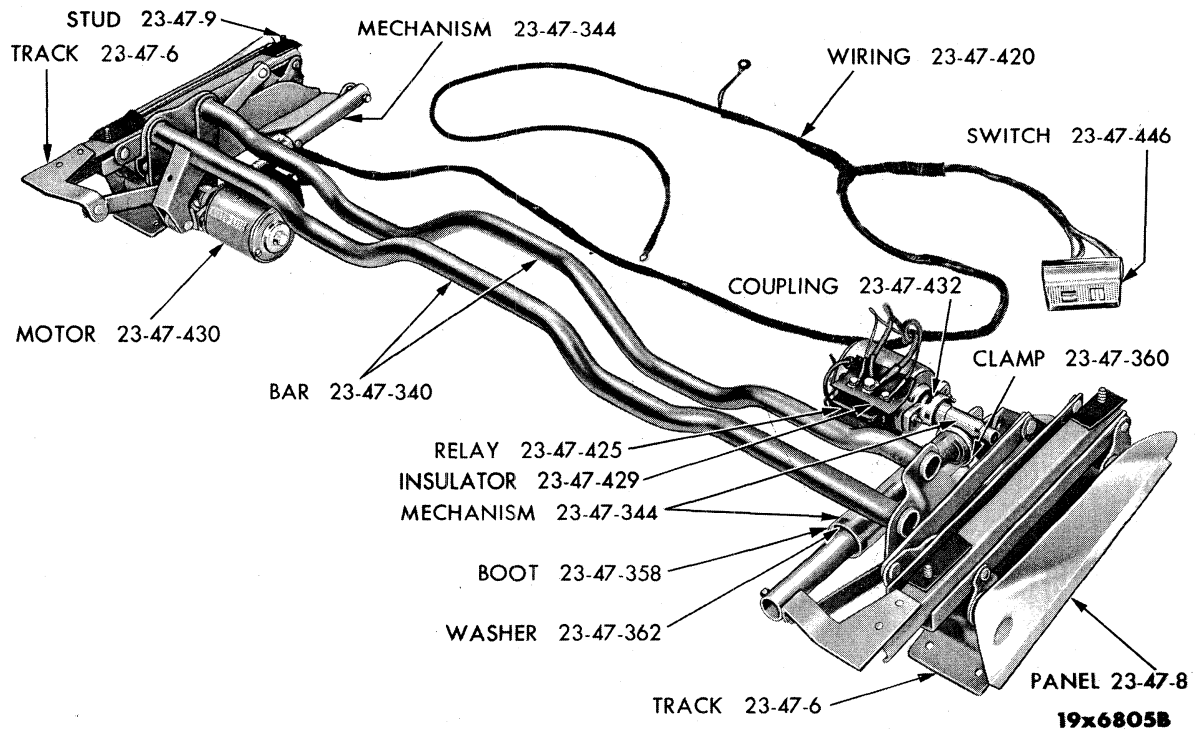
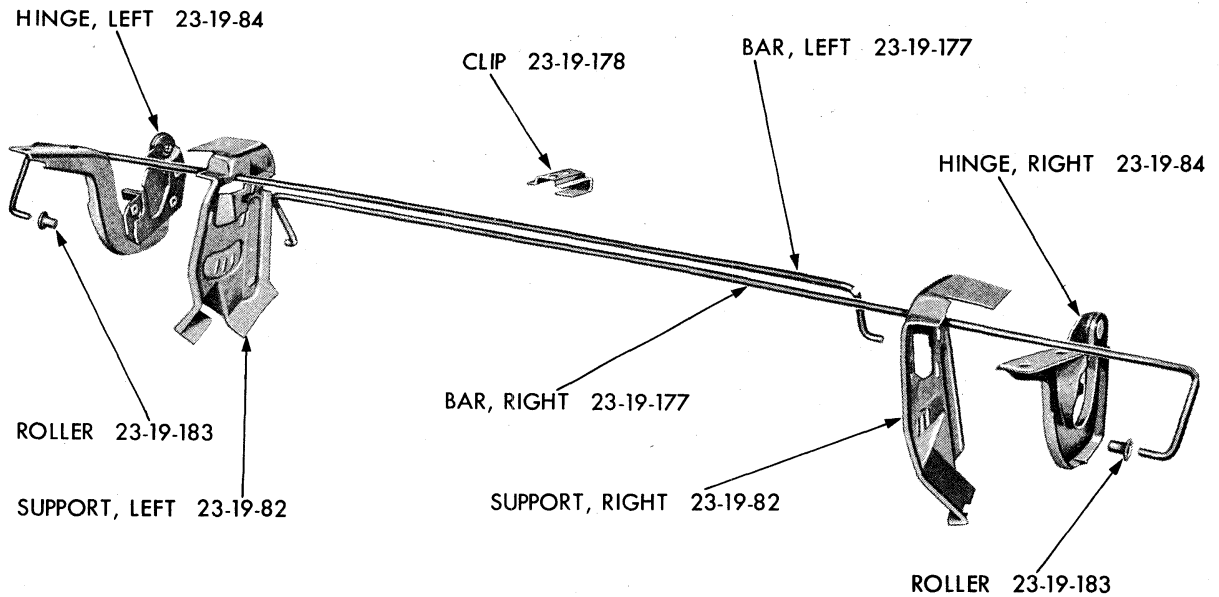


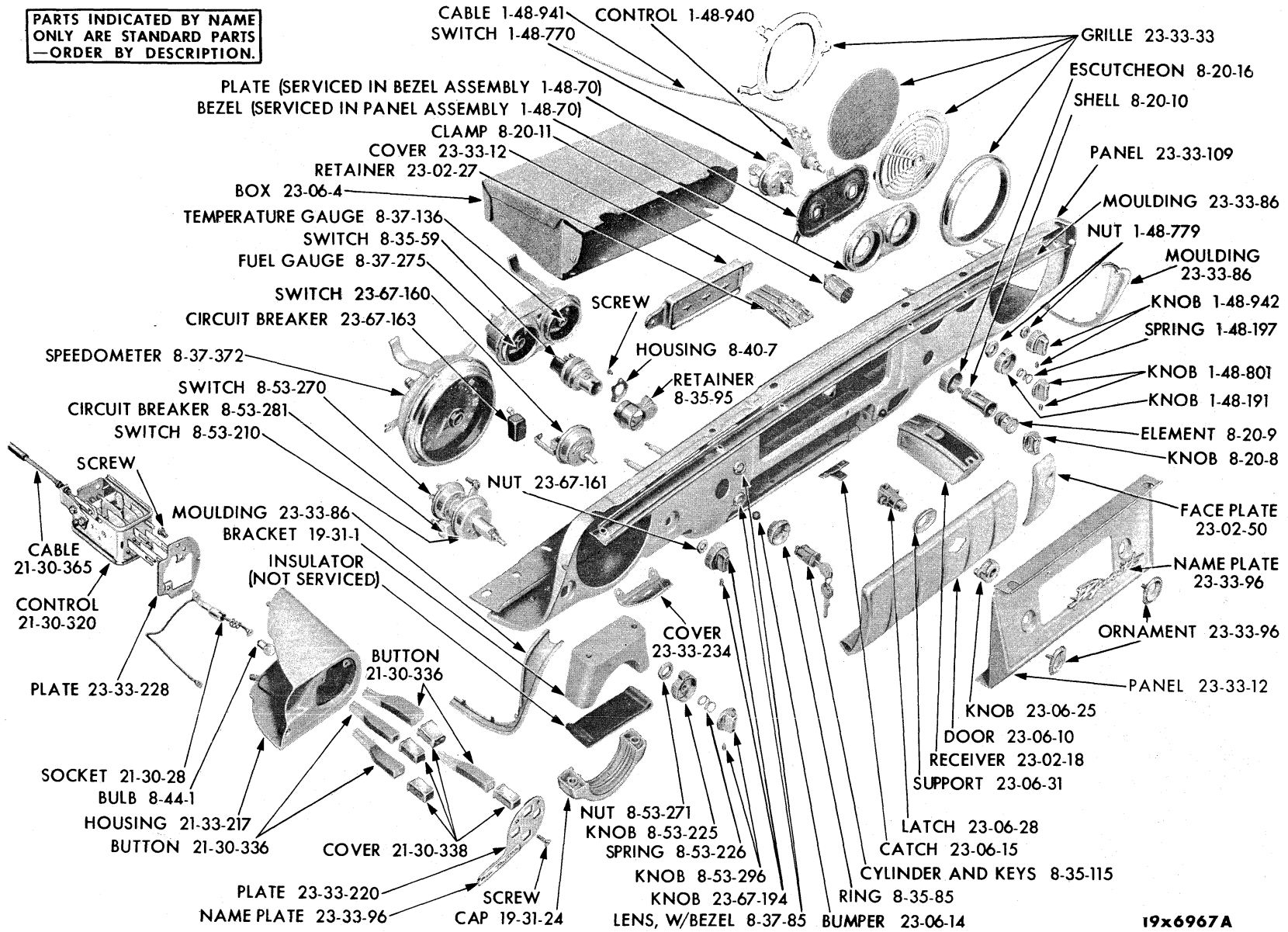
Plate 23-30

SEAT ADJUSTER - ELECTRIC, 4 WAY

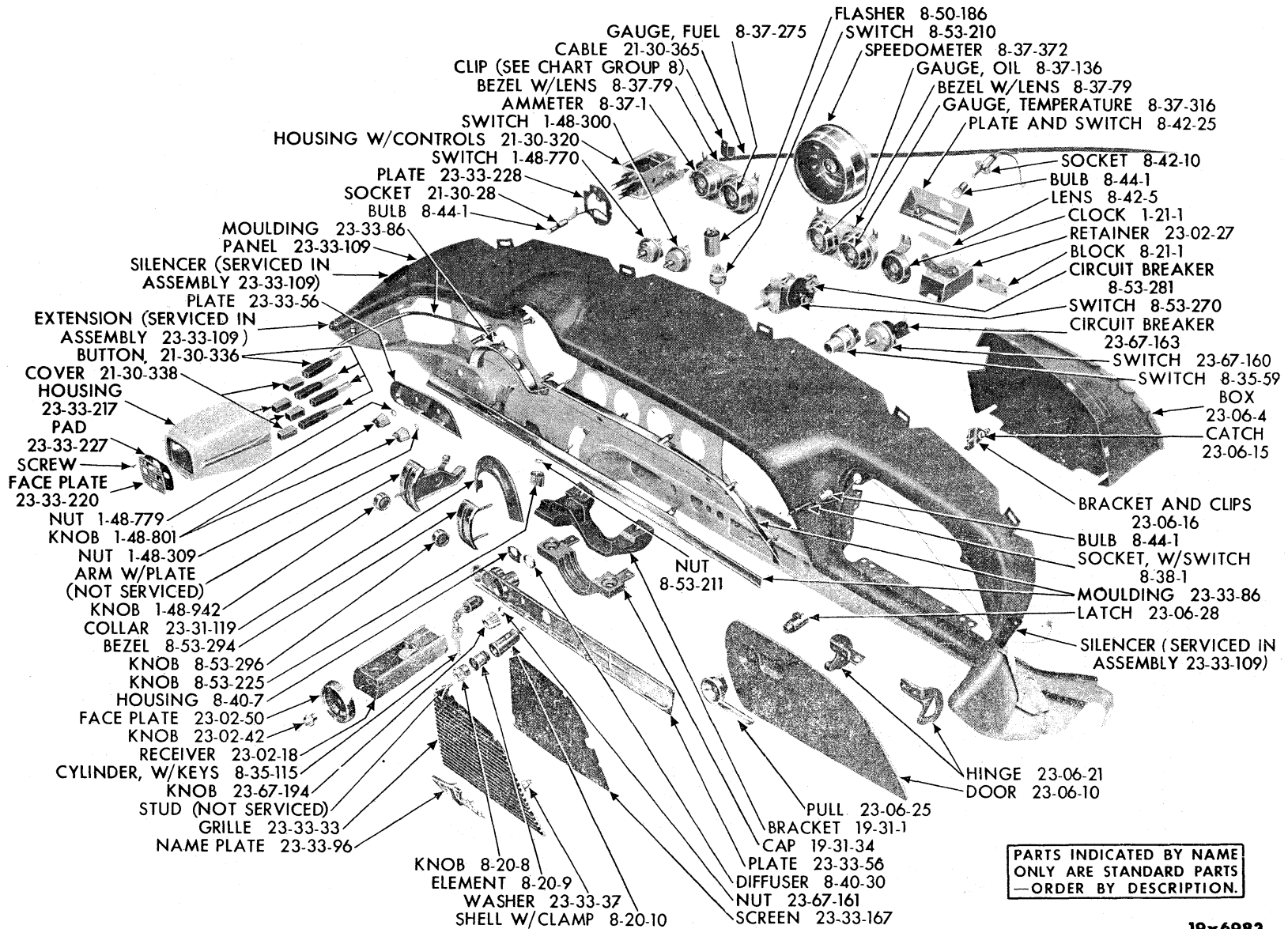


19x6750

PARTS INDICATED BY NAME
ONLY ARE STANDARD PARTS
—ORDER BY DESCRIPTION.

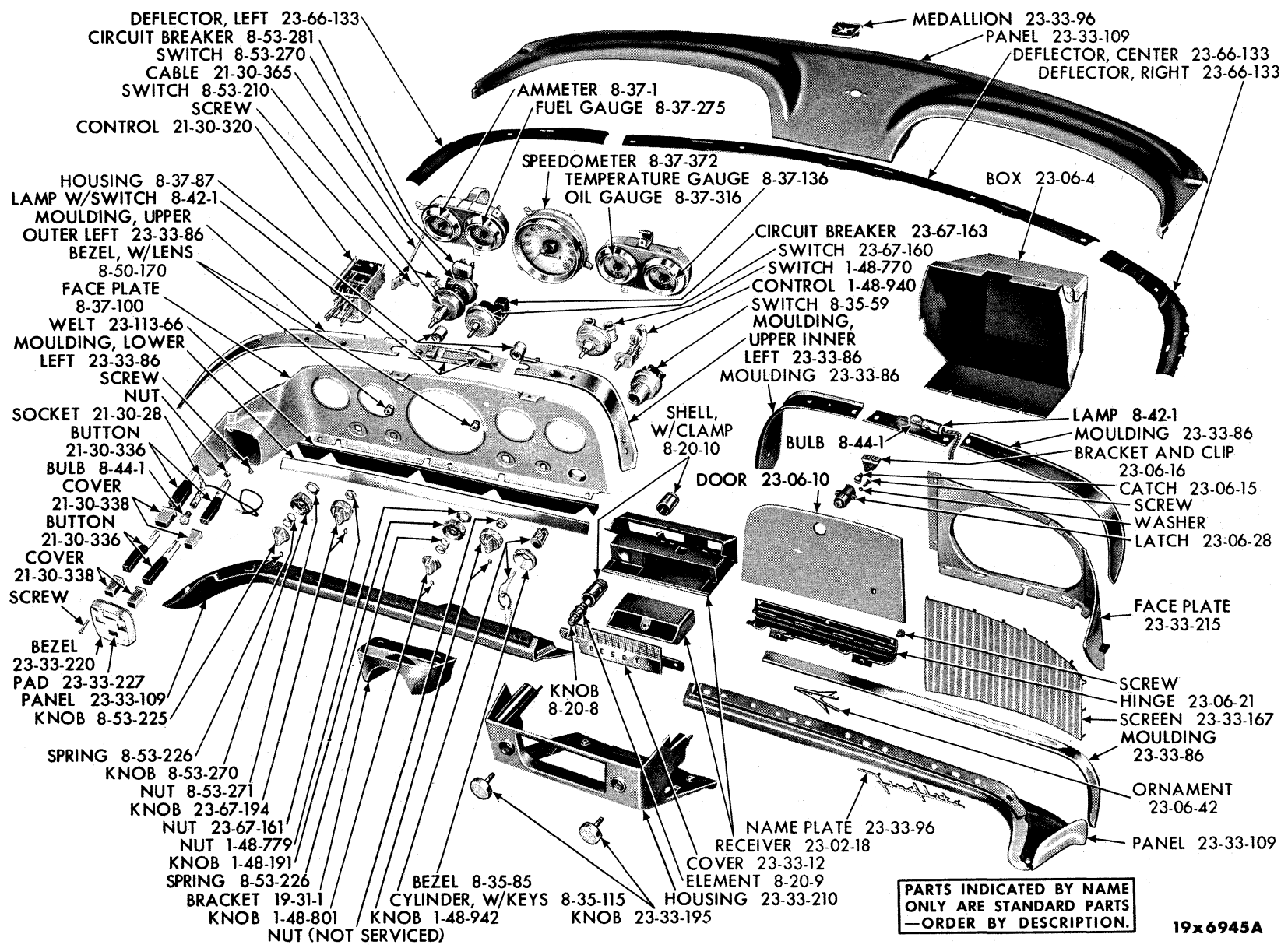


19x6967A



PARTS INDICATED BY NAME
 ONLY ARE STANDARD PARTS
 —ORDER BY DESCRIPTION.

19x6983

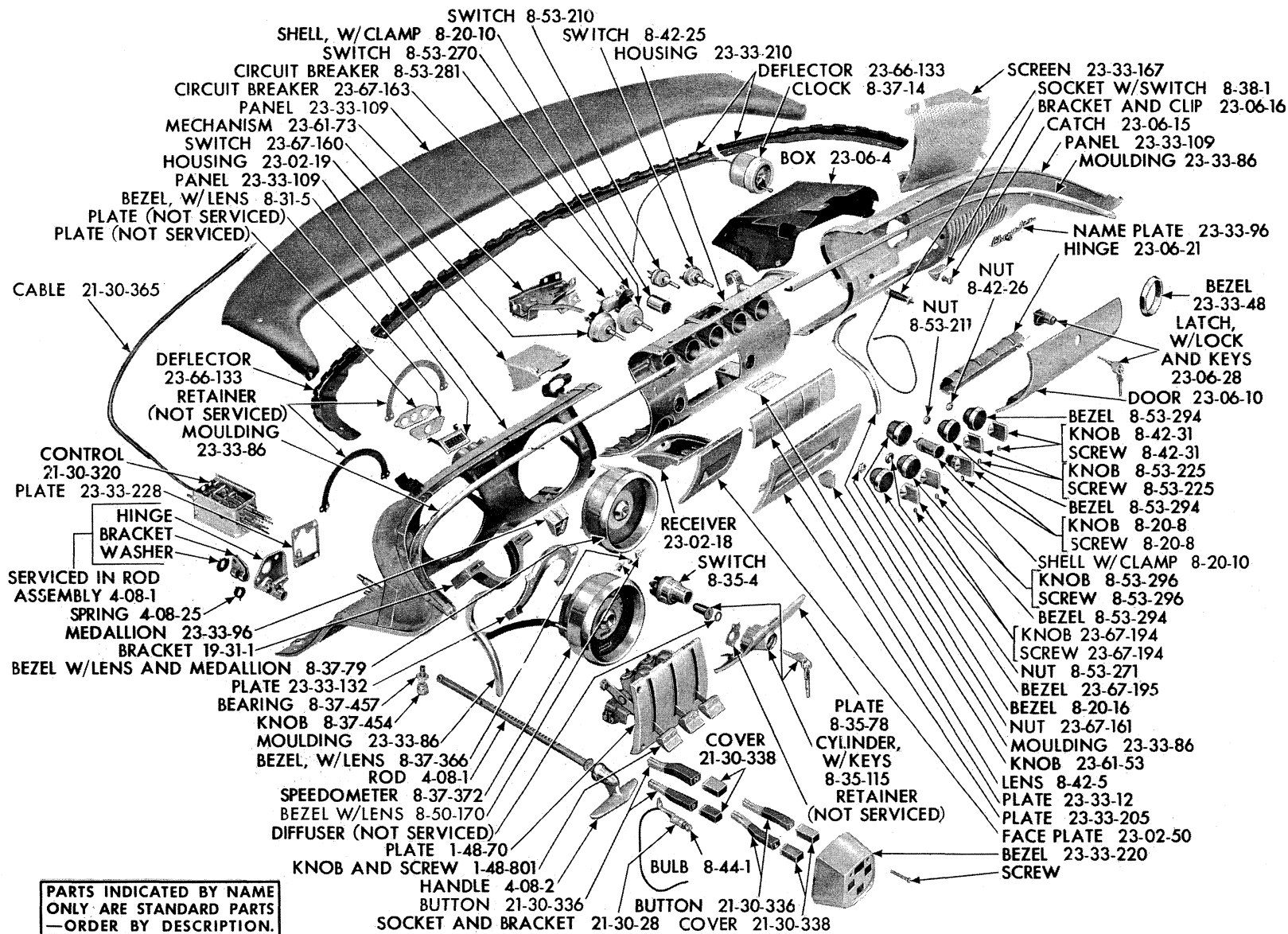


PARTS INDICATED BY NAME ONLY ARE STANDARD PARTS —ORDER BY DESCRIPTION.

19x6945A

Plate 23-34

INSTRUMENT PANEL - DESOTO S23-24



PARTS INDICATED BY NAME ONLY ARE STANDARD PARTS — ORDER BY DESCRIPTION.

19x6987A

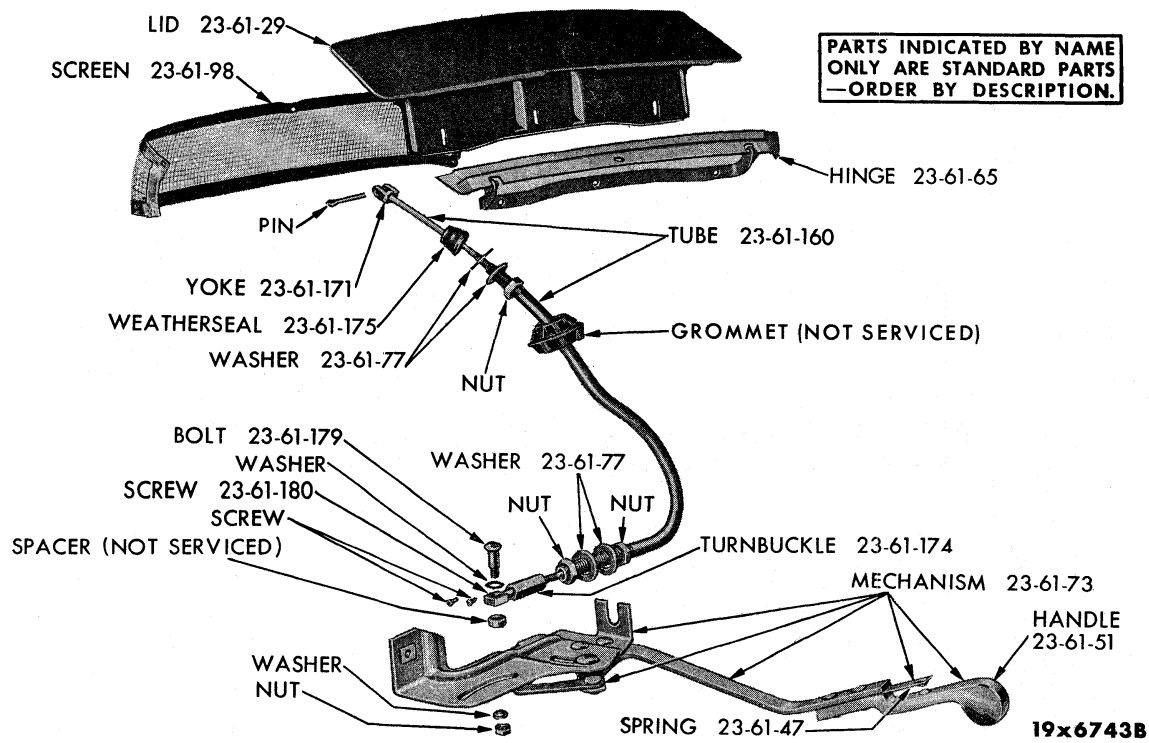


Plate 23-36

COWL VENT - TUBE CONTROL TYPE

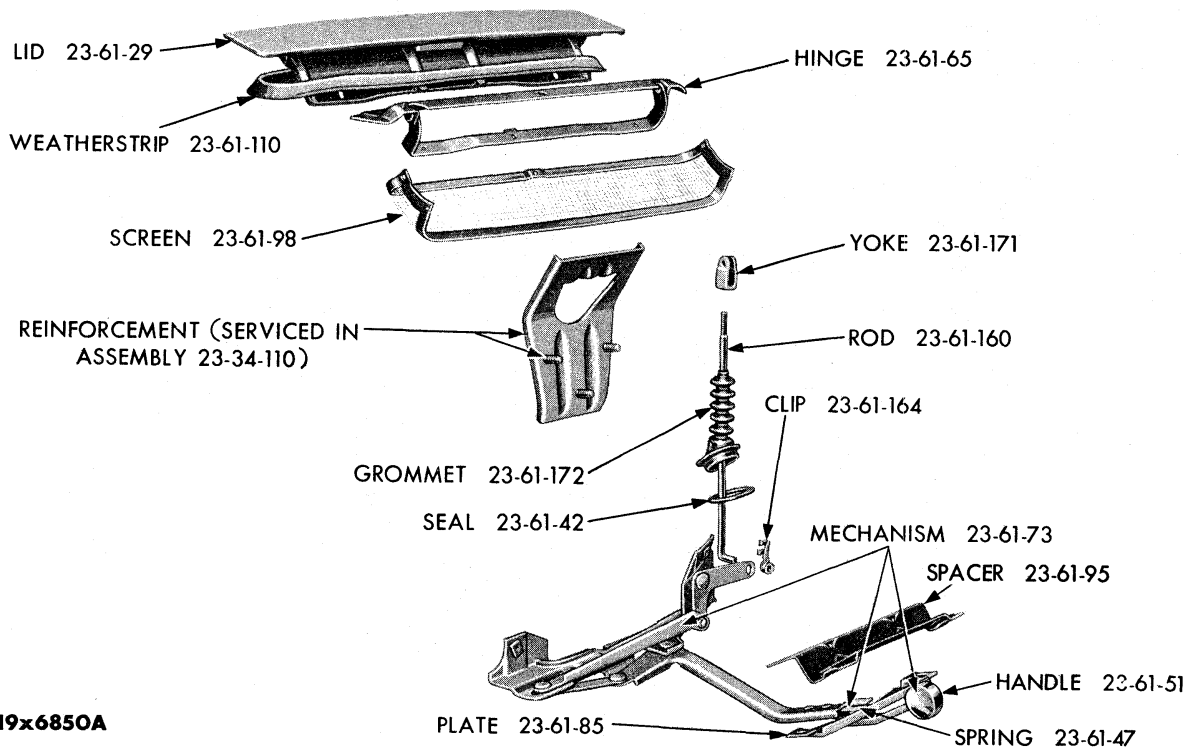
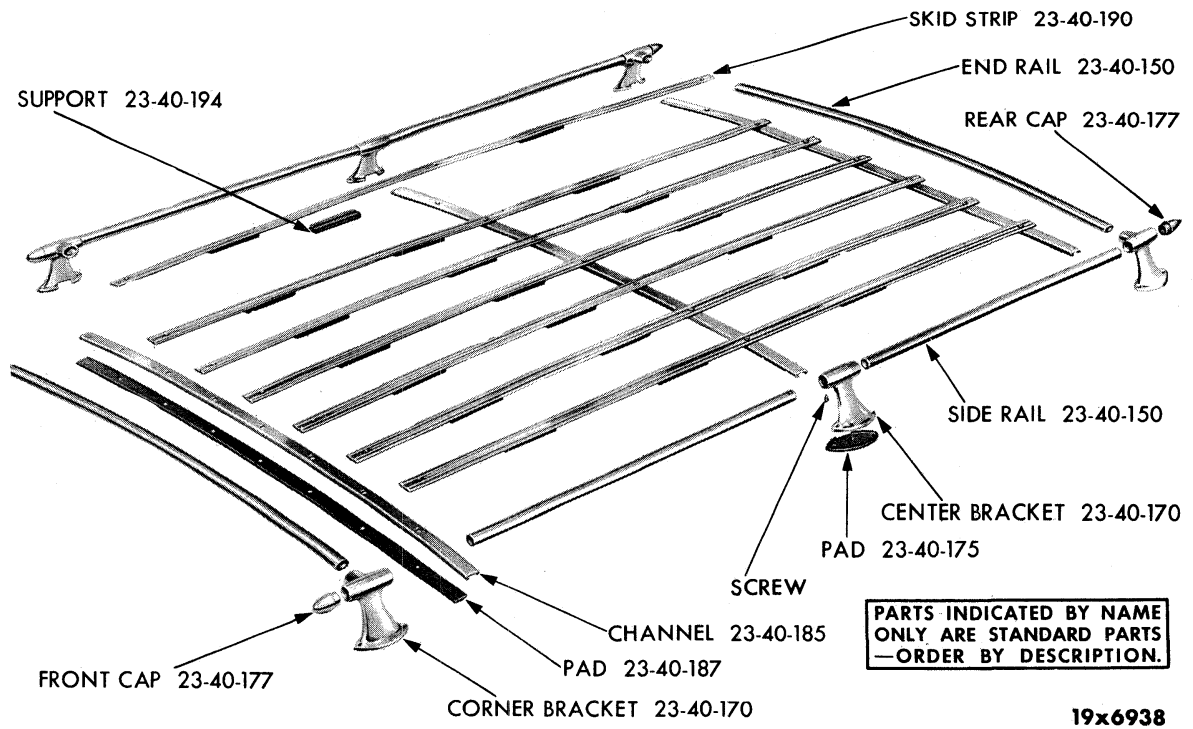


Plate 23-37

COWL VENT - ROD CONTROL TYPE



PARTS INDICATED BY NAME ONLY ARE STANDARD PARTS —ORDER BY DESCRIPTION.

Plate 23-38

ROOF RACK

NOTES

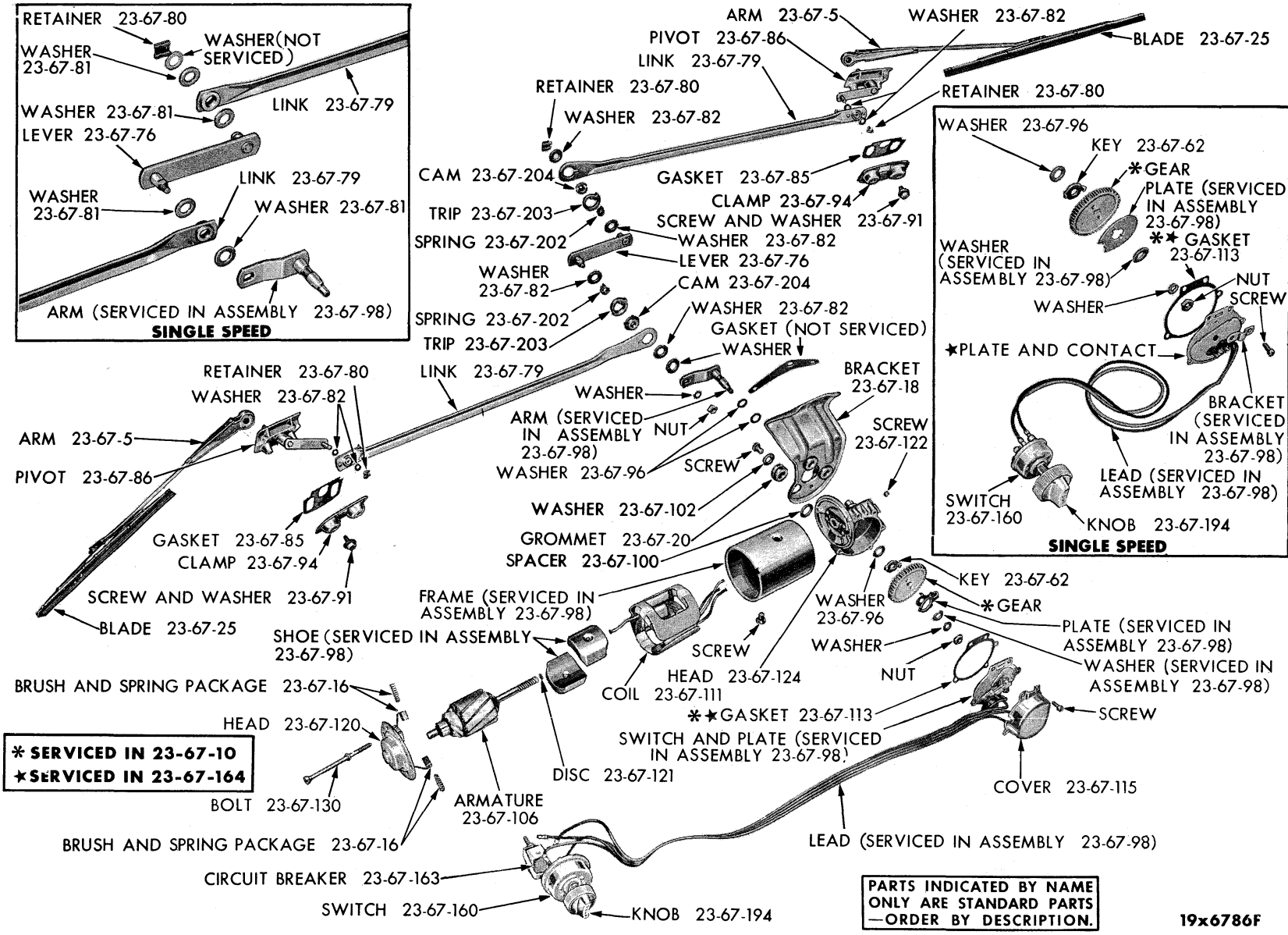
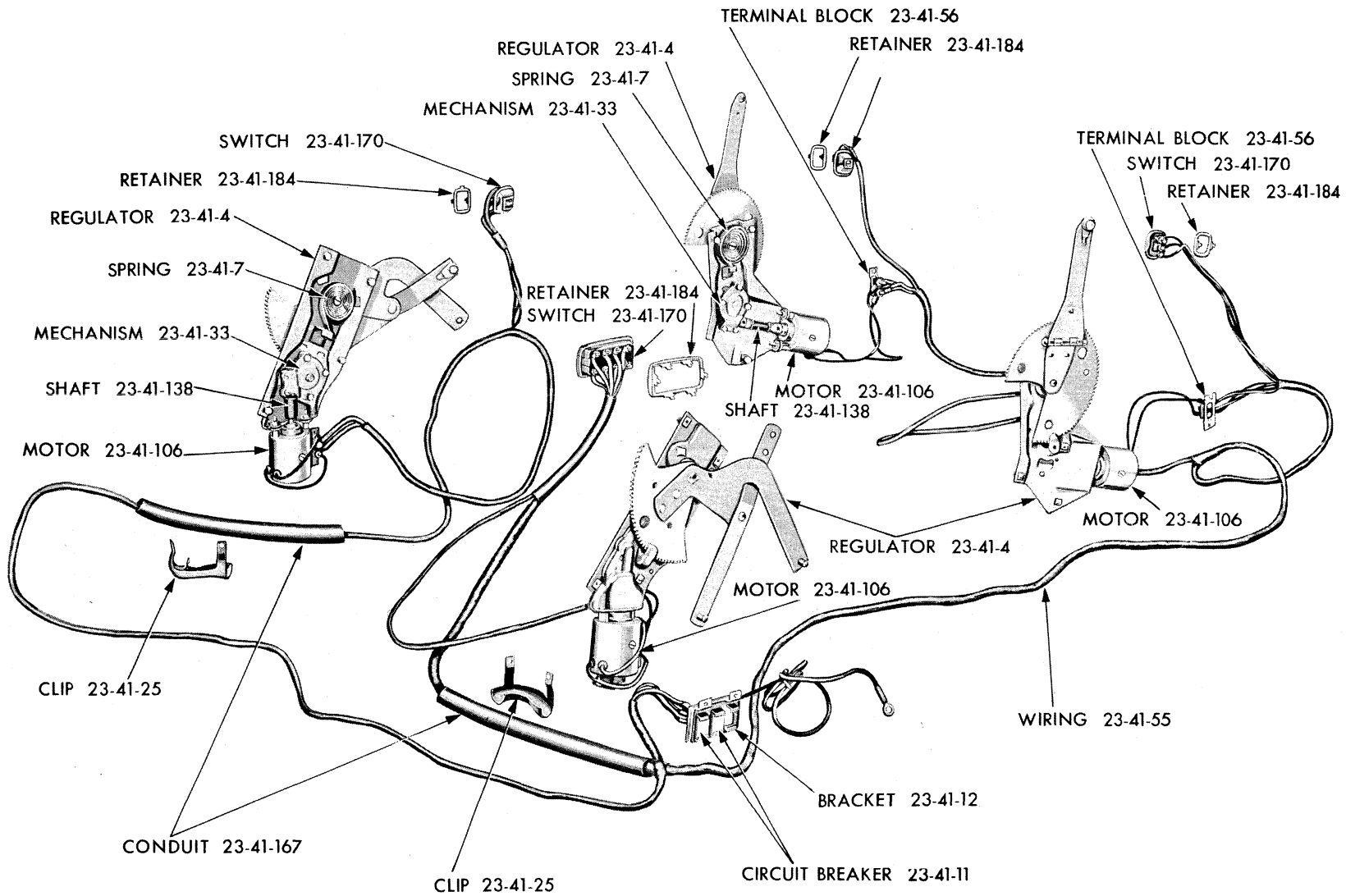
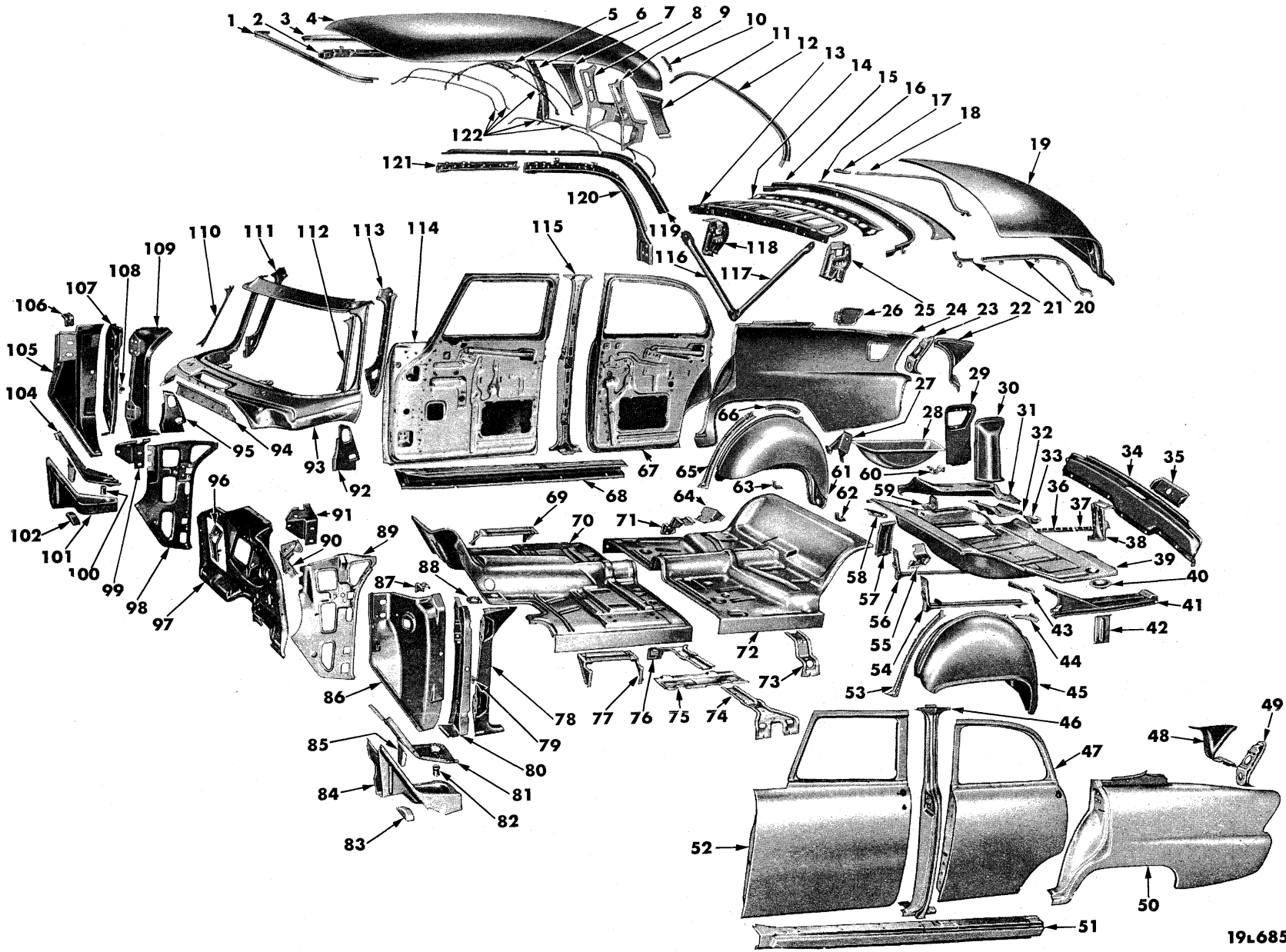


Plate 23-40

WINDSHIELD WIPER - SINGLE AND VARIABLE SPEED



19x6991A



19L6851

BODY - PLYMOUTH 4 DOOR SEDAN

Plate 23-42

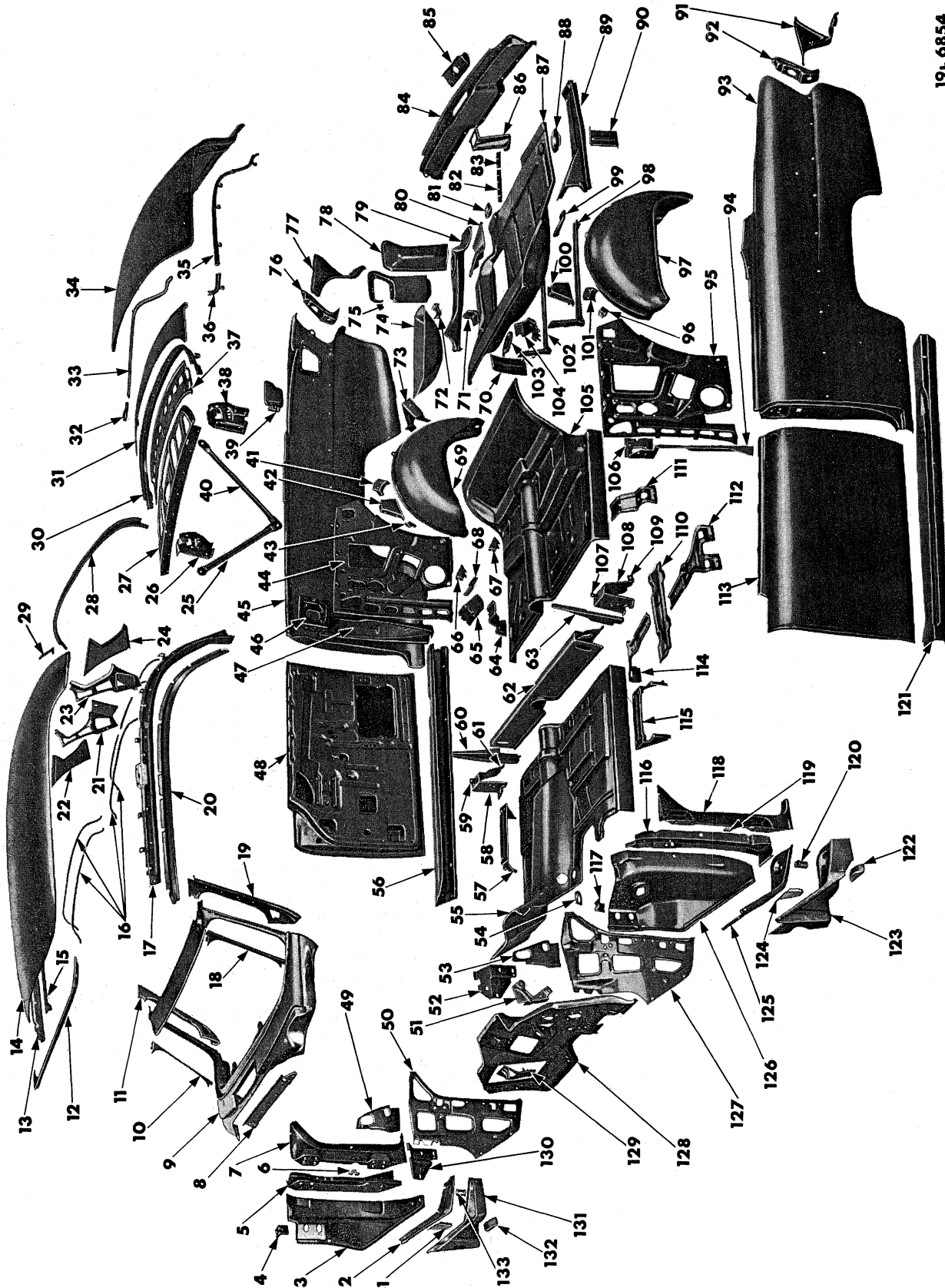
BODY - PLYMOUTH 4 DOOR SEDAN

Ref. No.	Name	Part Type Code	Ref. No.	Name	Part Type Code
1	Roof Front Drain Trough	23-59-56	67	Rear Door Shell Assembly, Rt.	23-11-3
2	Roof Side Front Rail, Rt.	23-40-85	68	Body Side Sill Panel, Lt.	23-51-5
3	Roof Side Drain Trough, Rt.	23-59-56	69	Floor Pan Seat Guide Reinforcement, Rt.	Not Ser.
4	Roof Panel	23-34-301	70	Front Floor Pan	Not Ser.
5	Dome Lamp Bracket	23-86-6	71	Floor Pan #4 Body Bolt Reinforcement, Rt.	Not Ser.
6	Roof Side Rear Rail, Rt.	23-40-85	72	Intermediate Floor Pan	Not Ser.
7	Roof Rear Side Panel, Rt. Ser. in Assy	23-64-66	73	Floor Pan #4 Body Bolt Reinforcement, Lt.	Not Ser.
8	Rear Window Side Frame, Rt. Ser. in Assy	23-64-66	74	Floor Pan #3 Body Bolt Reinforcement, Lt.	Not Ser.
9	Rear Window Side Frame, Lt. Ser. in Assy	23-64-66	75	Muffler Heat Shield	Not Ser.
10	Rear Window Upper Frame to Headlining Bow Support	Not Ser.	76	Floor Pan #3 Body Bolt Reinforcement, Lt.	Not Ser.
11	Roof Rear Side Panel, Lt. Ser. in Assy	23-64-66	77	Floor Pan Seat Guide Reinforcement, Lt.	Not Ser.
12	Rear Window Upper Frame	23-64-66	78	Body Front Lower Pillar, Lt. Ser. in Assy	23-34-80
13	Shelf Panel	Not Ser.	79	Door Check Arm Body Bracket, Lt.	23-10-2
14	Deck Opening Upper Panel Reinforcement Ser. in Assy	23-34-166	80	Body Front Pillar Hinge Reinforcement, Lt.	
15	Rear Window Lower Frame Ser. in Assy	23-34-166			
16	Deck Opening Upper Panel Ser. in Assy	23-34-166	81	Front Floor Pan Extension, Left Ser. in Assy	23-34-80
17	Deck Opening Upper Corner Drain Trough, Rt.	23-59-35	82	#2 Body Bolt Spacer Ser. in Assy	Not Ser.
18	Deck Opening Side Drain Trough, Rt.	23-59-35	83	#1 and #2 Body Bolt Bracket Reinforcement, Lt.	Not Ser.
19	Deck Lid Assembly	23-19-8	84	#1 and #2 Body Bolt Bracket, Lt.	Not Ser.
20	Deck Opening Side Drain Trough, Lt.	23-59-35	85	#1 and #2 Body Bolt Bracket Filler, Lt.	Not Ser.
21	Deck Opening Upper Corner Drain Trough, Lt.	23-59-35	86	Cowl Outside Panel, Lt. Ser. in Assy	23-34-80
22	Quarter Rear Panel, Rt.	23-34-233	87	Cowl Side Panel to Front Fender Bracket, Lt.	
23	Tail Lamp Opening Reinforcement, Rt.	8-55-23			
24	Quarter Front Panel, Rt.	23-34-235	88	Accelerator Pedal Floor Pan Tapping Plate Ser. in Assy	Not Ser.
25	Deck Lid Hinge Body Bracket Support Assembly, Lt.	23-19-82	89	Cowl Inside Panel, Lt. Ser. in Assy	23-34-80
26	Fuel Tank Filler Opening Cover Assembly	23-34-253	90	Hand Brake Lever Support Assembly	4-11-1
27	Spare Wheel to Wheelhouse Support	Not Ser.	91	Cowl Side Panel Hood Hinge Bracket, Lt. Ser. in Assy	23-34-80
28	Spare Tire Well Panel	23-34-189	92	Body Front Pillar to Windshield Frame Brace, Lt.	
29	Fuel Tank Filler Opening Reinforcement Ser. in Assy	23-34-235			
30	Fuel Tank Filler Tube Shield	23-04-241	93	Cowl Upper Panel and Windshield Frame Assy.	23-34-80
31	Rear Deck Floor Side Pan, Rt.	23-32-49	94	Dash Panel to Cowl Upper Panel Reinforcement	
32	Rear Deck Floor Pan Filler	23-32-56			
33	Floor Pan #6 Body Bolt Reinforcement, Rt.	Not Ser.	95	Body Front Pillar to Windshield Frame Brace, Rt. Ser. in Assy	23-34-80
34	Deck Opening Lower Panel	23-34-167	96	Dash Panel Windshield Wiper Motor Mounting Bracket Reinforcement Assembly Ser. in Assy	23-34-110
35	Deck Opening Lower Panel License Lamp Bracket	8-57-18	97	Dash Panel Ser. in Assy	23-34-110
36	Fuel Gauge Wire Retainer, Long	Not Ser.	98	Cowl Inside Panel, Rt. Ser. in Assy	23-34-80
37	Fuel Gauge Wire Retainer, Short	Not Ser.	99	Cowl Side Panel Hood Hinge Bracket, Rt. Ser. in Assy	23-34-80
38	Deck Lid Lock Catch Support	23-19-74	100	#2 Body Bolt Spacer, Rt.	Not Ser.
39	Rear Deck Floor Pan	23-32-48	101	#1 and #2 Body Bolt Bracket, Rt.	Not Ser.
40	Floor Pan #6 Body Bolt Reinforcement, Lt.	23-32-62	102	#1 and #2 Body Bolt Bracket Reinforcement, Rt.	Not Ser.
41	Rear Deck Floor Side Pan, Lt.	23-32-49	103	#1 and #2 Body Bolt Bracket Filler, Rt.	Not Ser.
42	Rear Deck Floor Side Pan to Quarter Panel Brace, Lt.	Not Ser.	104	Front Floor Pan Extension, Rt. Ser. in Assy	23-34-80
43	Floor Pan #5 Body Bolt Reinforcement, Lt.	Not Ser.	105	Cowl Outside Panel, Rt. Ser. in Assy	23-34-80
44	Wheelhouse Panel to Rear Window Side Frame Brace	Not Ser.	106	Cowl Side Panel to Front Fender Bracket, Rt. Ser. in Assy	23-34-80
45	Wheelhouse Panel Assembly, Lt.	23-34-27			
46	Body Center Pillar Assembly, Lt.	23-36-5	107	Body Front Pillar Hinge Reinforcement, Rt. Ser. in Assy	23-34-80
47	Rear Door Shell Assembly, Lt.	23-11-3			
48	Quarter Rear Panel, Lt.	23-34-233	108	Door Check Arm Body Bracket, Rt.	23-10-2
49	Tail Lamp Opening Reinforcement, Lt.	8-55-23	109	Body Front Lower Pillar, Rt. Ser. in Assy	23-34-80
50	Quarter Front Panel, Lt.	23-34-235	110	Windshield Side Frame Angle, Rt.	23-66-67
51	Body Side Sill Panel, Lt.	23-51-5	111	Body Front Upper Pillar, Rt.	23-36-14
52	Front Door Shell Assembly, Lt.	23-11-1	112	Windshield Side Frame Angle, Lt.	23-66-67
53	Quarter Panel Front Reinforcement, Lt.	Not Ser.	113	Body Front Upper Pillar, Lt.	23-36-14
54	Fuel Tank Underbody Reinforcement Assembly, Lt.	14-88-36	114	Front Door Shell Assembly, Rt.	23-11-1
55	Axle Drive Pinion Carrier Bumper Reinforcement	Not Ser.	115	Body Center Pillar Assembly, Rt.	23-36-5
56	Fuel Tank Underbody Reinforcement Assembly, Rt.	14-88-36	116	Shelf Panel Diagonal Brace, Rt.	Not Ser.
57	Rear Deck Floor Side Pan to Quarter Panel Brace, Lt.	Not Ser.	117	Shelf Panel Diagonal Brace, Lt.	Not Ser.
58	Floor Pan #5 Bolt Reinforcement, Rt.	Not Ser.	118	Deck Lid Hinge Body Bracket Support Assembly, Rt.	23-19-82
59	Spare Wheel Anchor Rod Bracket	Not Ser.	119	Roof Side Drain Trough, Lt.	23-59-56
60	Fuel Tank Filler Tube Clamp Bracket	Not Ser.	120	Roof Side Rear Rail, Lt.	23-40-85
61	Wheelhouse Panel Assembly, Lt.	23-34-27	121	Roof Side Front Rail, Lt.	23-40-85
62	Rear Seat Cushion Retainer, Lt.	Not Ser.	122	Headlining Listing Bows	23-86-10
63	Rear Seat Cushion Retainer, Rt.	Not Ser.			
64	Shelf Panel Diagonal Brace Floor Pan Bracket	Not Ser.			
65	Quarter Panel Front Reinforcement, Rt.	Not Ser.			
66	Wheelhouse Panel to Rear Window Side Frame Brace, Left	Not Ser.			

Service assemblies in addition to those shown assembled are the following:

ASSEMBLY	COMPONENT ITEMS NUMBER
Dash Panel	90, 94, 96, 97, (and cowl vent hinge - not shown)
Cowl Side Panel - Right	95, 98, 99, 104, 105, 106, 107, 108, 109,
- Left	78, 79, 80, 81, 86, 87, 89, 91, 92,
Quarter Panel - Right	18, 22, 23, 24, 29,
- Left	20, 48, 49, 50,
Rear Window Frame - Right	7, 8
- Left	9, 11
Deck Opening Upper Panel	14, 15, 16, (and torsion bar clip - not shown)
Roof Panel	1, 4

Note: Wiring clips as required included in service assemblies.



19L-6854

BODY - PLYMOUTH SPECIAL CLUB COUPE

Plate 23-43

Plate 23-43

BODY - PLYMOUTH SPECIAL CLUB COUPE

Ref. No.	Name	Part Type Code	Ref. No.	Name	Part Type Code
1	No. 1 and No. 2 Body Bolt Bracket Filler, Rt.	Not Ser.	67	Floor Pan Rear Seat Back Spring Support, Lt.	Not Ser.
2	Front Floor Pan Front Extension, Rt. Ser. in Assy	23-34-80	68	Shelf Panel Diagonal Brace Floor Pan Bracket Spacer Reinforcement	Not Ser.
3	Cowl Outside Panel, Rt. Ser. in Assy	23-34-80	69	Wheelhouse Panel Assembly, Rt.	23-34-27
4	Cowl Side Panel to Front Fender Bracket, Rt. Ser. in Assy	23-34-80	70	Rear Deck Floor Side Pan to Quarter Panel Brace, Rt.	Not Ser.
5	Body Front Pillar Hinge Reinforcement, Rt. Ser. in Assy	23-34-80	71	Spare Wheel Anchor Rod Bracket	Not Ser.
6	Door Check Arm Body Bracket, Rt.	23-10-2	72	Fuel Tank Filler Tube Clamp Bracket	Not Ser.
7	Body Front Lower Pillar, Rt. Ser. in Assy	23-34-80	73	Spare Wheel to Wheelhouse Support	Not Ser.
8	Dash to Cowl Upper Panel Reinforcement Ser. in Assy	23-34-110	74	Spare Tire Well Panel	23-34-189
9	Cowl Upper Panel and Windshield Frame Assy.	23-34-80	75	Fuel Tank Filler Opening Reinforcement. Ser. in Assy	23-34-235
10	Windshield Frame Angle, Rt.	Not Ser.	76	Tail Lamp Opening Reinforcement	8-55-23
11	Body Front Upper Pillar, Rt.	23-36-14	77	Quarter Outside Rear Panel, Rt.	23-34-233
12	Roof Front Drain Trough	23-59-56	78	Fuel Tank Filler Tube Shield	23-04-241
13	Roof Side Rail, Rt.	23-40-85	79	Rear Deck Floor Side Pan, Rt.	23-32-49
14	Roof Panel	23-34-301	80	Rear Floor Pan Filler	23-32-56
15	Roof Side Drain Trough, Rt.	23-59-56	81	Floor Pan No. 6 Body Bolt Reinforcement, Rt.	Not Ser.
16	Headlining Bows	23-86-10	82	Fuel Gauge Wire Retainer, Long	Not Ser.
17	Roof Side Rail, Lt.	23-40-85	83	Fuel Gauge Wire Retainer, Short	Not Ser.
18	Windshield Frame Angle, Lt.	Not Ser.	84	Deck Opening Lower Panel	23-34-167
19	Body Front Upper Pillar, Lt.	23-36-14	85	Deck Opening Lower Panel License Lamp Bracket	8-57-18
20	Roof Side Drain Trough, Lt.	23-59-56	86	Deck Lid Lock Catch Support	23-19-74
21	Rear Window Side Frame, Rt. Ser. in Assy	23-64-66	87	Rear Deck Floor Pan	23-32-48
22	Roof Rear Side Panel, Rt. Ser. in Assy	23-64-66	88	Floor Pan No. 6 Body Bolt Reinforcement, Lt.	Not Ser.
23	Rear Window Side Frame, Lt. Ser. in Assy	23-64-66	89	Rear Deck Floor Side Pan, Lt.	23-32-49
24	Roof Rear Side Panel, Lt. Ser. in Assy	23-64-66	90	Rear Deck Floor Side Pan to Quarter Panel Brace, Lt.	Not Ser.
25	Shelf Panel Diagonal Brace, Rt.	Not Ser.	91	Quarter Outside Rear Panel, Lt.	23-34-233
26	Deck Lid Hinge Body Bracket Support, Rt.	23-19-82	92	Tail Lamp Opening Reinforcement, Lt.	8-55-23
27	Shelf Panel	Not Ser.	93	Quarter Outside Front Panel, Lt.	23-34-235
28	Rear Window Upper Frame	23-64-66	94	Body Lock Pillar Reinforcement, Lt. Ser. in Assy	23-34-235
29	Rear Window Upper Frame to Rear Headlining Bow Support	Not Ser.	95	Quarter Inside Panel, Lt. Ser. in Assy	23-34-234
30	Rear Window Lower Frame Ser. in Assy	23-34-166	96	Quarter Window Guide Bracket to Wheelhouse Support, Lt.	Not Ser.
31	Deck Opening Upper Panel Ser. in Assy	23-34-166	97	Wheelhouse Panel Assembly, Lt.	23-34-27
32	Deck Opening Upper Corner Drain Trough, Rt.	23-59-35	98	Fuel Tank Underbody Reinforcement Assembly, Lt.	14-88-36
33	Deck Side Drain Trough, Rt.	23-59-35	99	Floor Pan No. 5 Body Bolt Reinforcement, Lt.	14-88-36
34	Deck Lid Assembly	23-19-8	100	Roof Side Rail to Wheelhouse Support, Lt.	Not Ser.
35	Deck Opening Side Drain Trough, Lt.	23-59-35	101	Wheelhouse Panel to Rear Window Side Frame Brace, Lt.	Not Ser.
36	Deck Opening Upper Corner Drain Trough, Lt.	23-59-35	102	Fuel Tank Underbody Reinforcement Assembly, Rt.	14-88-36
37	Deck Opening Upper Panel Reinforcement Ser. in Assy	23-34-166	103	Floor Pan No. 5 Body Bolt Reinforcement, Rt.	Not Ser.
38	Deck Lid Hinge Body Bracket Support, Lt.	23-19-82	104	Axle Drive Pinion Carrier Bumper Reinforcement	Not Ser.
39	Fuel Tank Filler Opening Cover	23-34-253	105	Intermediate Floor Pan	Not Ser.
40	Shelf Panel Diagonal Brace, Lt.	Not Ser.	106	Quarter Window Hinge Bracket Ser. in Assy	23-34-235
41	Wheelhouse Panel to Rear Window Side Frame Brace, Rt.	Not Ser.	107	Rear Seat Riser Extension to Arm Rest Panel Angle, Lt.	23-34-234
42	Roof Side Rail to Wheelhouse Support, Rt.	Not Ser.	108	Rear Seat Riser Extension, Lt. Ser. in Assy	23-34-234
43	Quarter Window Guide Bracket to Wheelhouse Support, Rt.	Not Ser.	109	Quarter Window Glass Slide Guide to Seat Riser Support, Lt.	23-34-234
44	Quarter Inside Panel, Rt. Ser. in Assy	23-34-234			
45	Quarter Outside Front Panel, Rt.	23-34-235			
46	Quarter Window Hinge Bracket, Rt. Ser. in Assy	23-34-235	110	Muffler Heat Shield	Not Ser.
47	Body Lock Pillar Reinforcement, Rt. Ser. in Assy	23-34-235	111	Floor Pan No. 4 Body Bolt Reinforcement, Lt.	Not Ser.
48	Door Shell Assembly, Rt.	23-11-1	112	Floor Pan No. 3 Body Bolt Reinforcement, Lt.	Not Ser.
49	Body Front Pillar to Windshield Frame Brace, Rt. Ser. in Assy	23-34-80	113	Door Shell Assembly, Lt.	23-11-1
50	Cowl Inside Panel, Rt. Ser. in Assy	23-34-80	114	Floor Pan No. 3 Body Bolt Reinforcement, Rt.	Not Ser.
51	Hand Brake Lever Support	4-11-1	115	Floor Pan Seat Guide Reinforcement, Lt.	Not Ser.
52	Cowl Side Panel Hood Hinge Bracket, Lt. Ser. in Assy	23-34-80	116	Body Front Pillar Hinge Reinforcement, Lt. Ser. in Assy	23-34-80
53	Body Front Pillar to Windshield Frame Brace, Lt. Ser. in Assy	23-34-80	117	Cowl Side Panel to Front Fender Bracket, Lt. Ser. in Assy	23-34-80
54	Accelerator Pedal Floor Pan Tapping Plate	Not Ser.	118	Body Front Lower Pillar, Lt. Ser. in Assy	23-34-80
55	Front Floor Pan	Not Ser.	119	Door Check Arm Body Bracket, Lt.	23-10-2
56	Body Side Sill Panel, Rt.	23-51-5	120	No. 2 Body Bolt Spacer, Lt.	Not Ser.
57	Floor Pan Seat Guide Reinforcement, Rt.	Not Ser.	121	Body Side Sill Panel, Lt.	23-51-5
58	Rear Seat Riser Extension, Rt. Ser. in Assy	23-34-234	122	No. 1 and No. 2 Body Bolt Bracket Reinforcement, Lt.	Not Ser.
59	Rear Seat Riser Extension to Arm Rest Panel Angle, Rt.	23-34-234	123	No. 1 and No. 2 Body Bolt Bracket, Lt.	Not Ser.
60	Quarter Inside Panel to Seat Riser Extension Brace, Rt.	23-34-234	124	No. 1 and No. 2 Body Bolt Bracket Filler, Lt.	Not Ser.
61	Quarter Window Glass Slide Guide to Seat Riser Support, Rt.	23-34-234	125	Front Floor Pan Front Extension, Lt. Ser. in Assy	23-34-80
62	Rear Seat Riser	Not Ser.	126	Cowl Outside Panel, Lt. Ser. in Assy	23-34-80
63	Quarter Panel to Seat Riser Extension Brace, Lt. Ser. in Assy	23-34-234	127	Cowl Inside Panel, Lt. Ser. in Assy	23-34-80
64	Floor Pan No. 4 Body Bolt Reinforcement, Rt.	Not Ser.	128	Dash Panel Ser. in Assy	23-34-110
65	Shelf Panel Diagonal Brace Floor Pan Bracket Spacer	Not Ser.	129	Dash Panel Windshield Wiper Motor Mounting Reinforcement Assembly Ser. in Assy	23-34-110
66	Floor Pan Rear Seat Back Spring Support, Rt.	Not Ser.	130	Cowl Side Panel Hood Hinge Bracket, Lt. Ser. in Assy	23-34-80
			131	No. 1 and No. 2 Body Bolt Bracket, Rt.	Not Ser.
			132	No. 1 and No. 2 Body Bolt Bracket Reinforcement, Rt.	Not Ser.
			133	No. 2 Body Bolt Spacer, Lt.	Not Ser.

Following are service assemblies not illustrated as assembled:

ASSEMBLY

Dash Panel	8, 51, 128, 129, (also Cowl Vent Hinge - not shown)
Cowl Side Panel - Right	2, 3, 4, 5, 6, 7, 49, 50, 130
Left	52, 53, 116, 117, 118, 119, 125, 126, 127
Quarter Outside Panel - Right	33, 45, 46, 47, 75, 76, 77
Left	35, 91, 92, 93, 94, 106
Quarter Inside Panel - Right	44, 58, 59, 60, 61, (also Arm Rest Mounting Brackets and Arm Rest Clip Retainers - not shown)
Left	63, 95, 107, 108, 109, (also Arm Rest Mounting Brackets and Arm Rest Clip Retainers - not shown)
Roof Panel	12, 14
Rear Window Side Frame - Right	21, 22 Left 23, 24
Deck Opening Upper Panel	30, 31, 37

NOTE: Wiring Clips as required included with above service assemblies.

COMPONENT ITEM NOS:

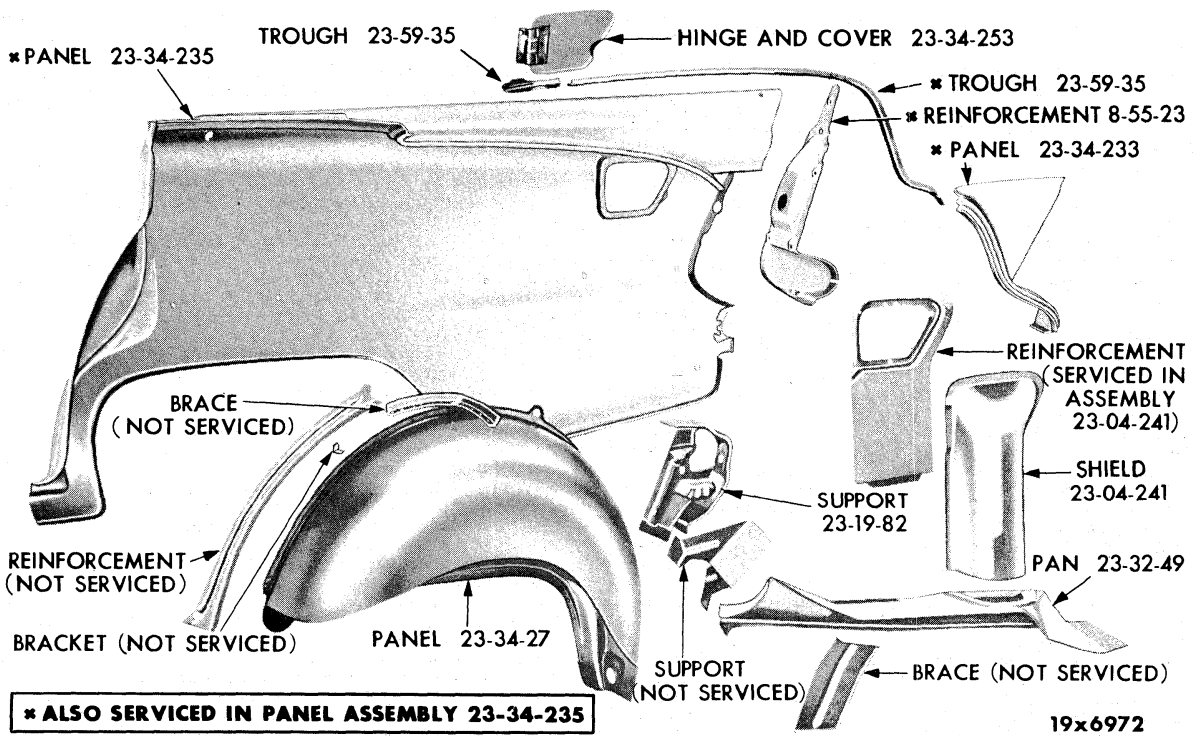


Plate 23-44

REAR QUARTER PANEL - PLYMOUTH P28-29 - 4 DOOR SEDAN

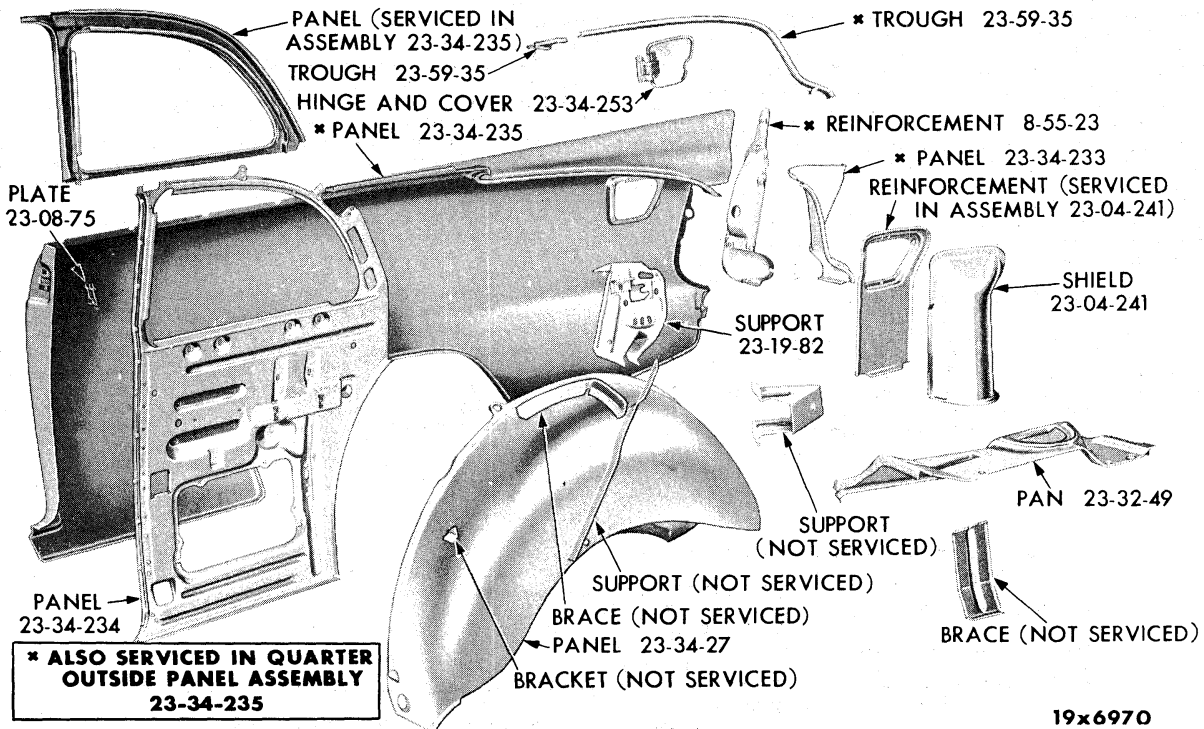


Plate 23-45

REAR QUARTER PANEL - PLYMOUTH P28-29 - CLUB COUPE AND 3 PASSENGER COUPE

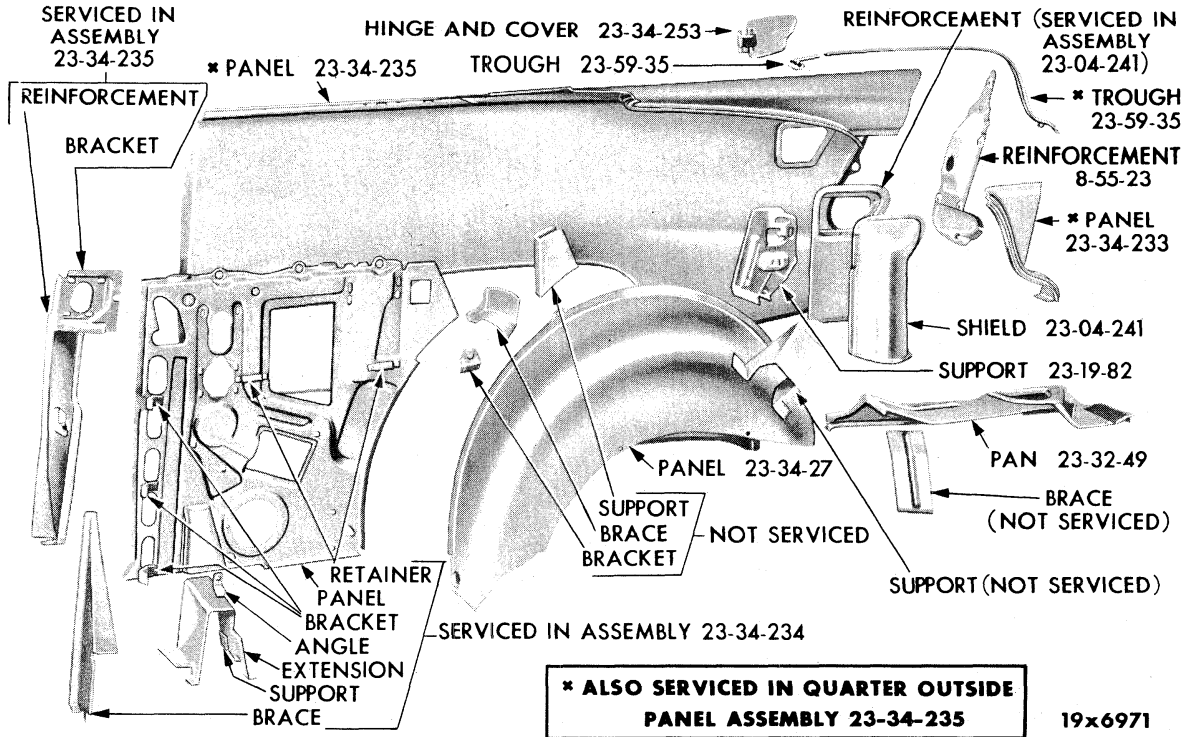


Plate 23-46

REAR QUARTER PANEL - PLYMOUTH P28-29 - SPECIAL CLUB COUPE

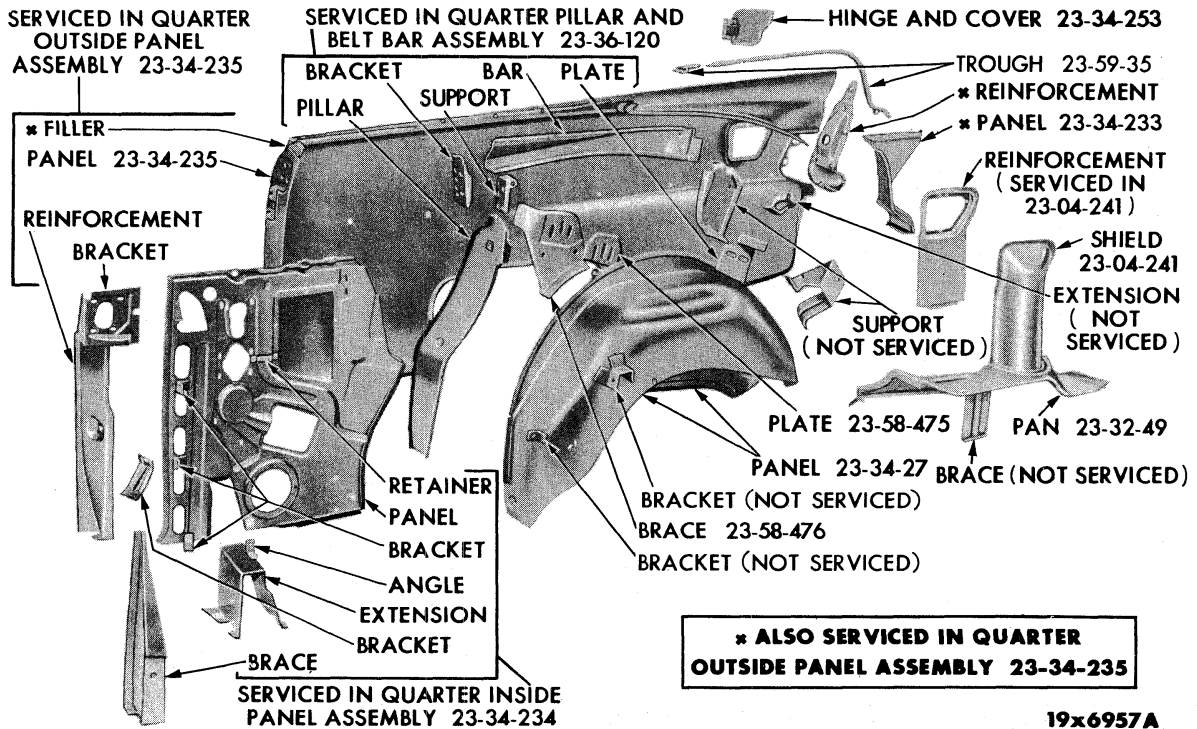


Plate 23-47
Printed in U.S.A.

REAR QUARTER PANEL - PLYMOUTH P29 - CONVERTIBLE COUPE

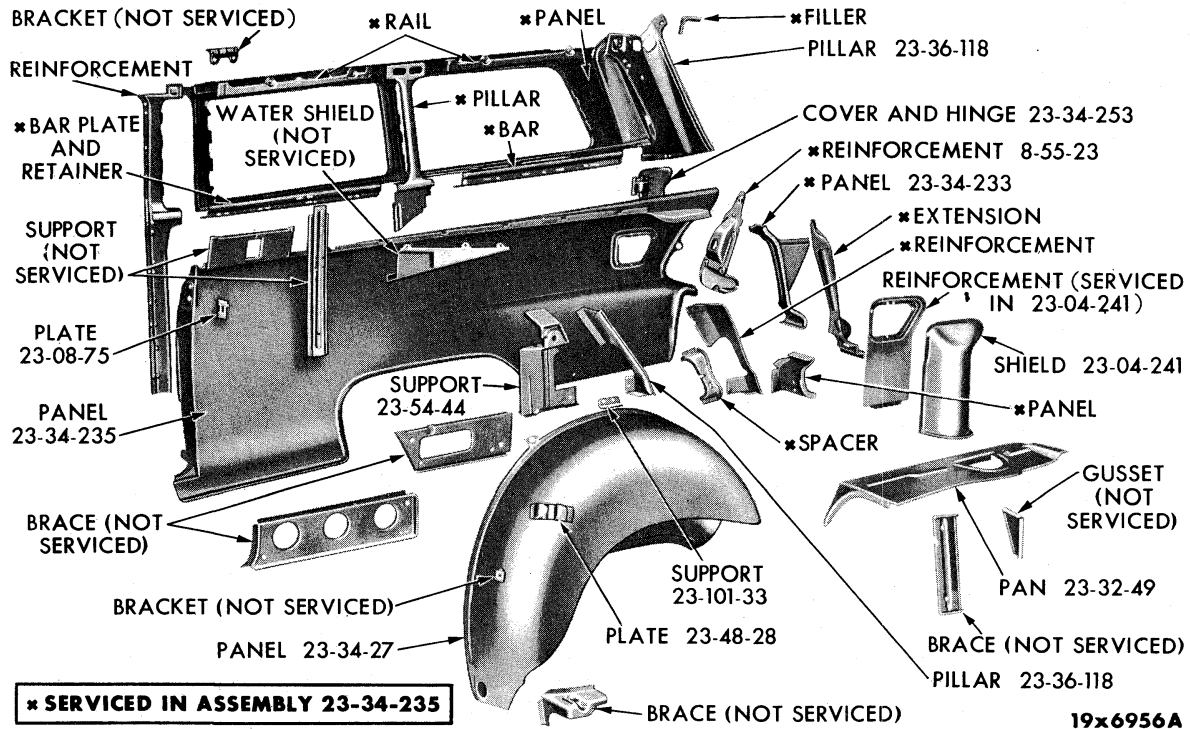


Plate 23-48

REAR QUARTER PANEL - PLYMOUTH P28-29 - 2 DOOR SUBURBAN

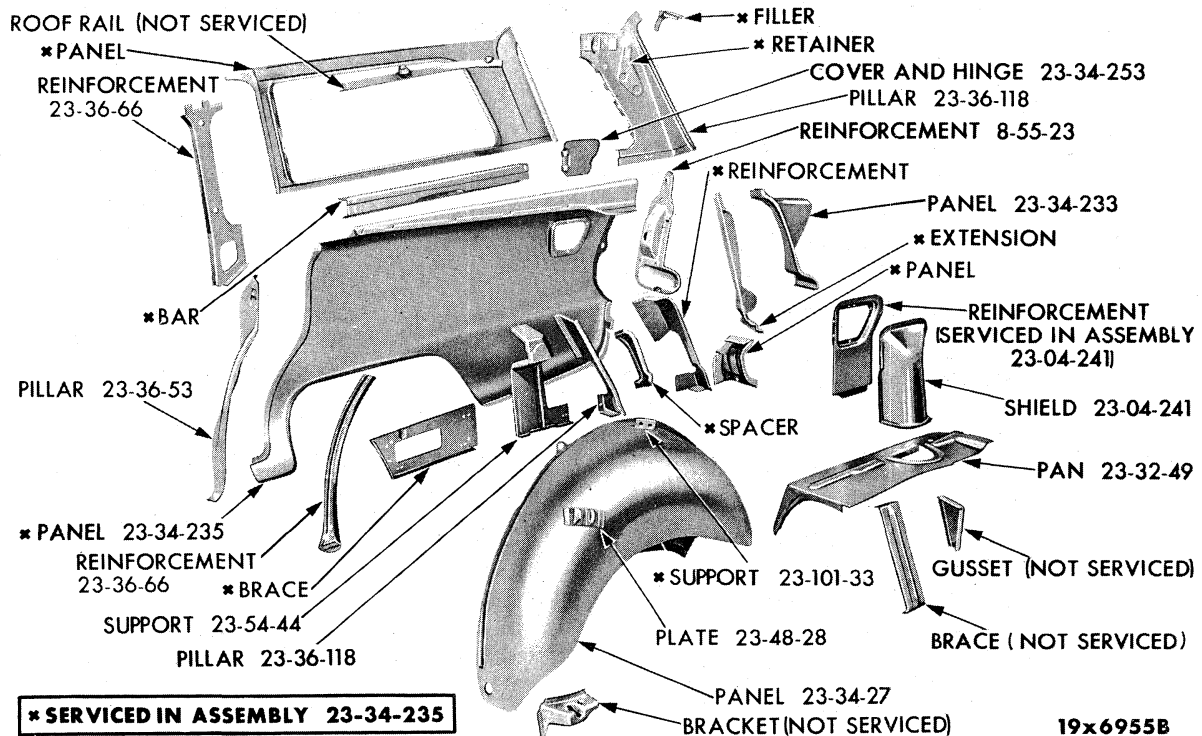


Plate 23-49

REAR QUARTER PANEL - PLYMOUTH P28-29 - 4 DOOR SUBURBAN

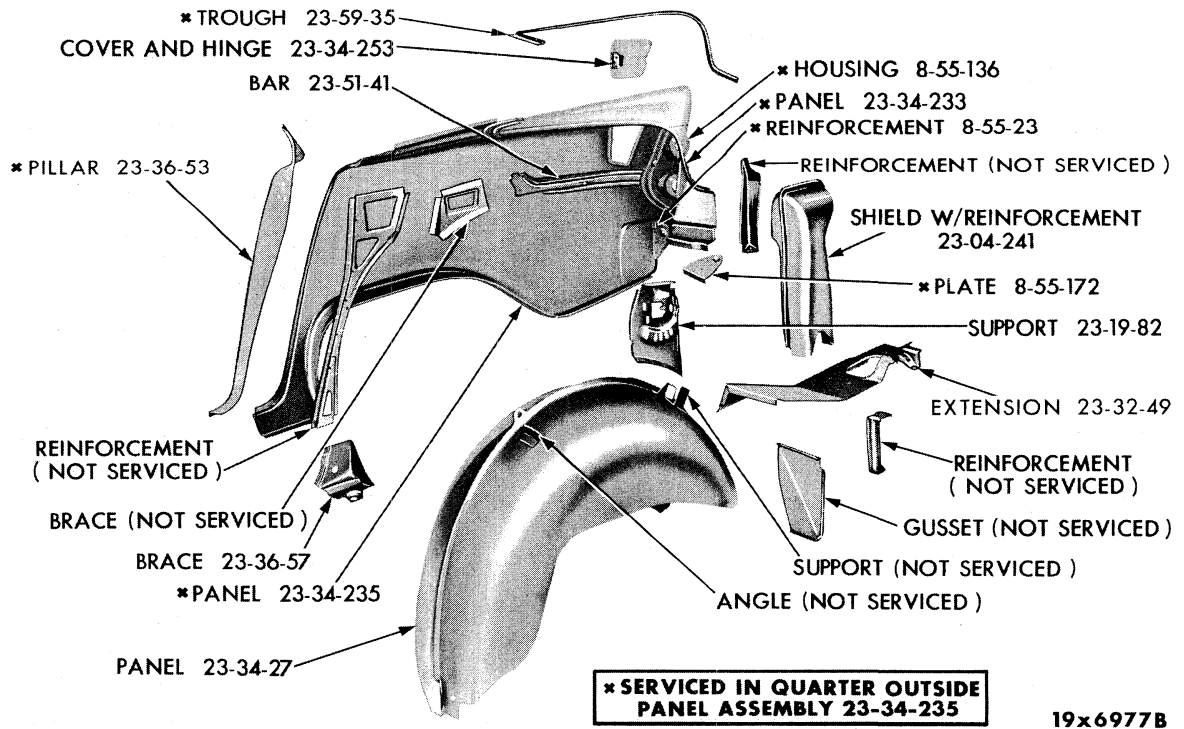


Plate 23-50

REAR QUARTER PANEL - DODGE D62-63 - 4 DOOR SEDAN

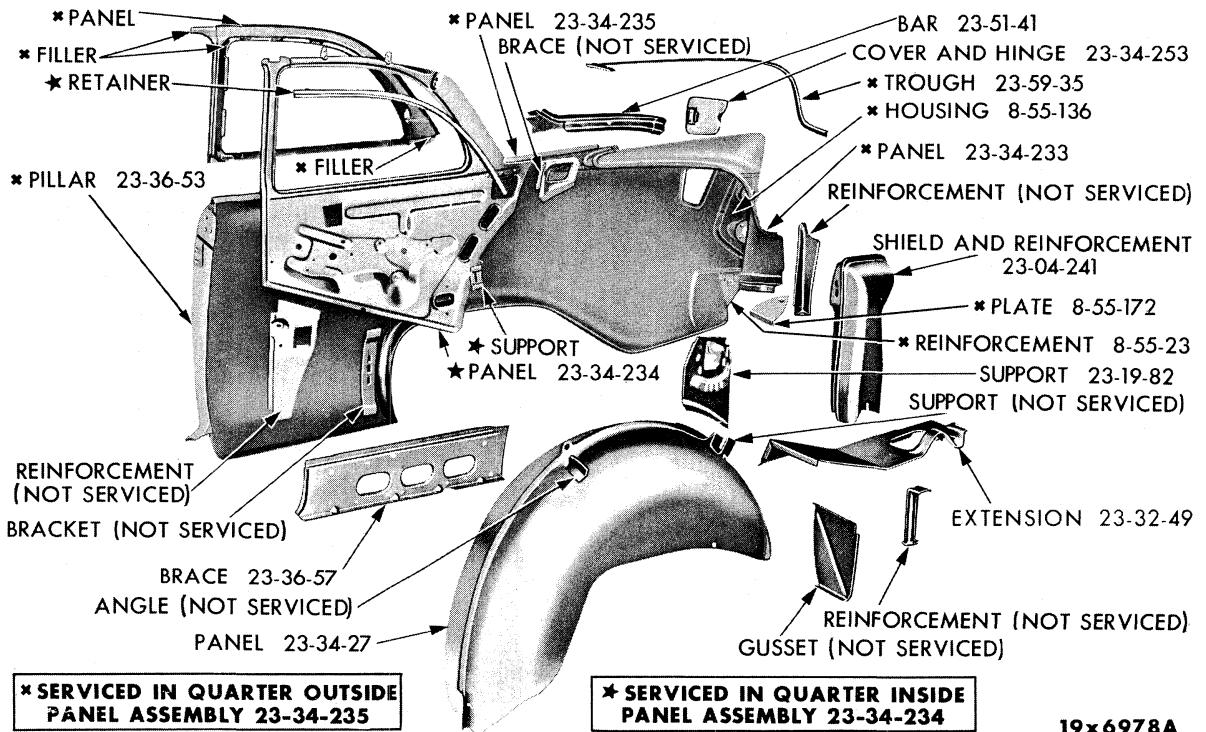


Plate 23-51

REAR QUARTER PANEL - DODGE D62-63 - CLUB COUPE

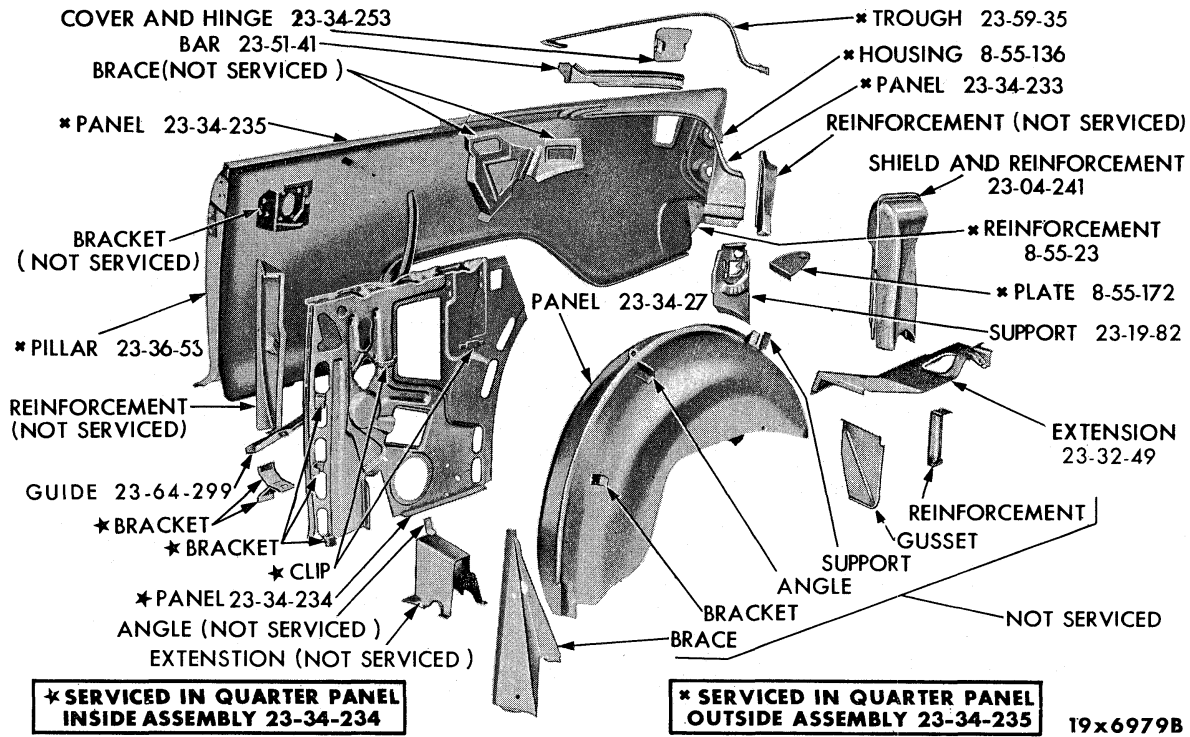


Plate 23-52

REAR QUARTER PANEL - DODGE D63 - SPECIAL CLUB COUPE

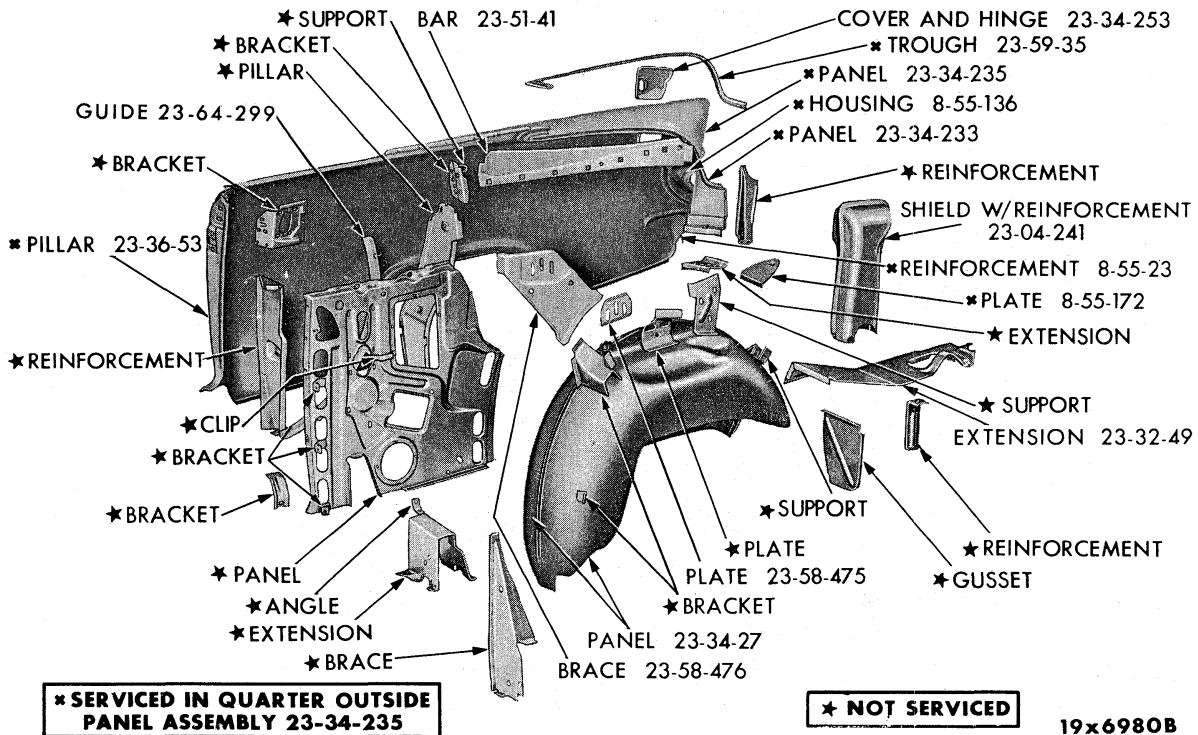


Plate 23-53

REAR QUARTER PANEL - DODGE D63 - CONVERTIBLE COUPE

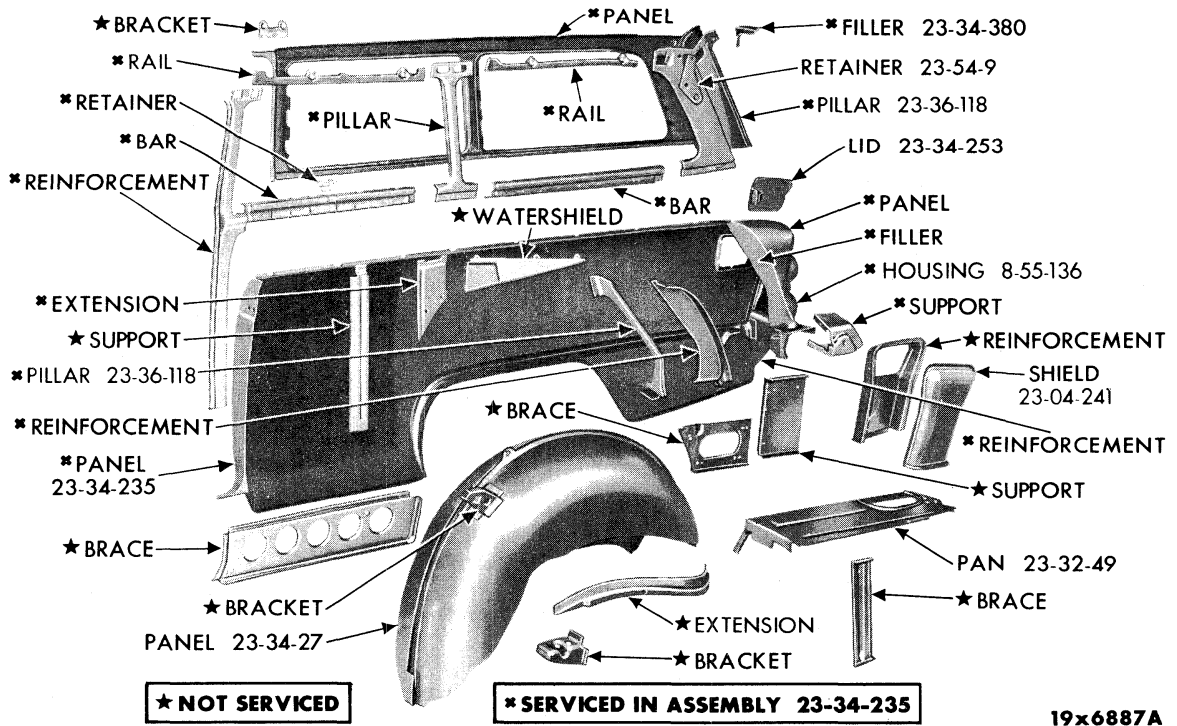


Plate 23-54

REAR QUARTER PANEL - DODGE D55-56-62-63 - 2 DOOR SUBURBAN

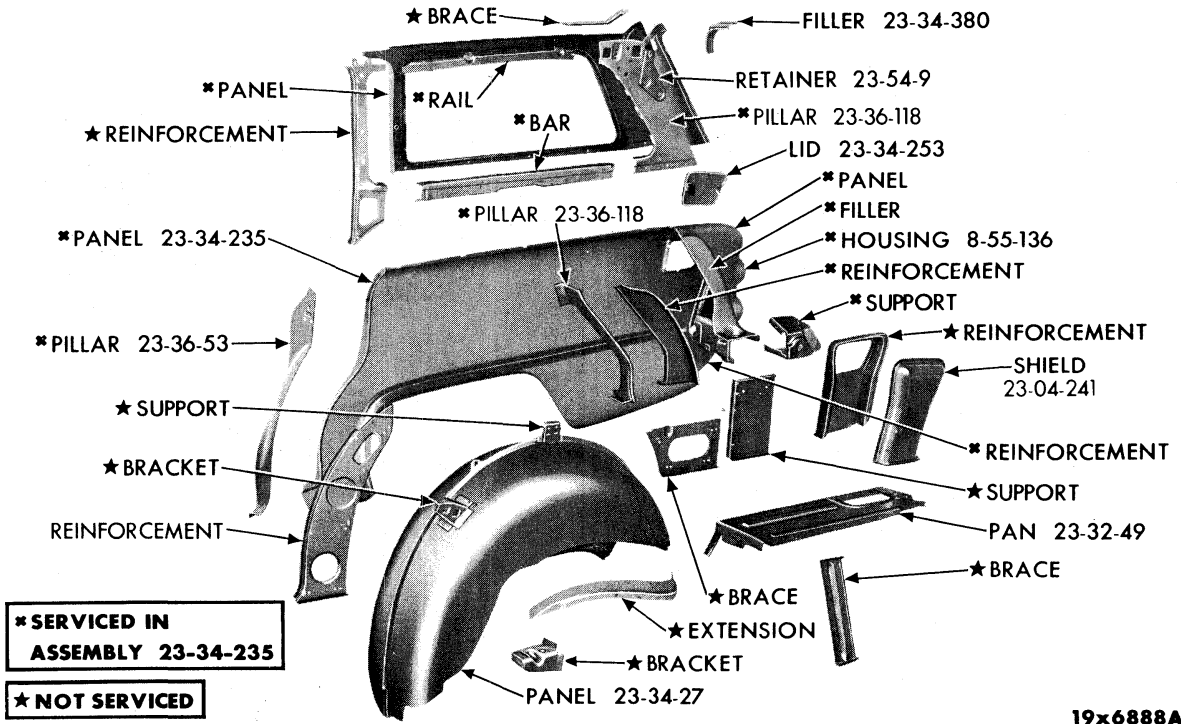


Plate 23-55

REAR QUARTER PANEL - DODGE D55-56-63 - 4 DOOR SUBURBAN

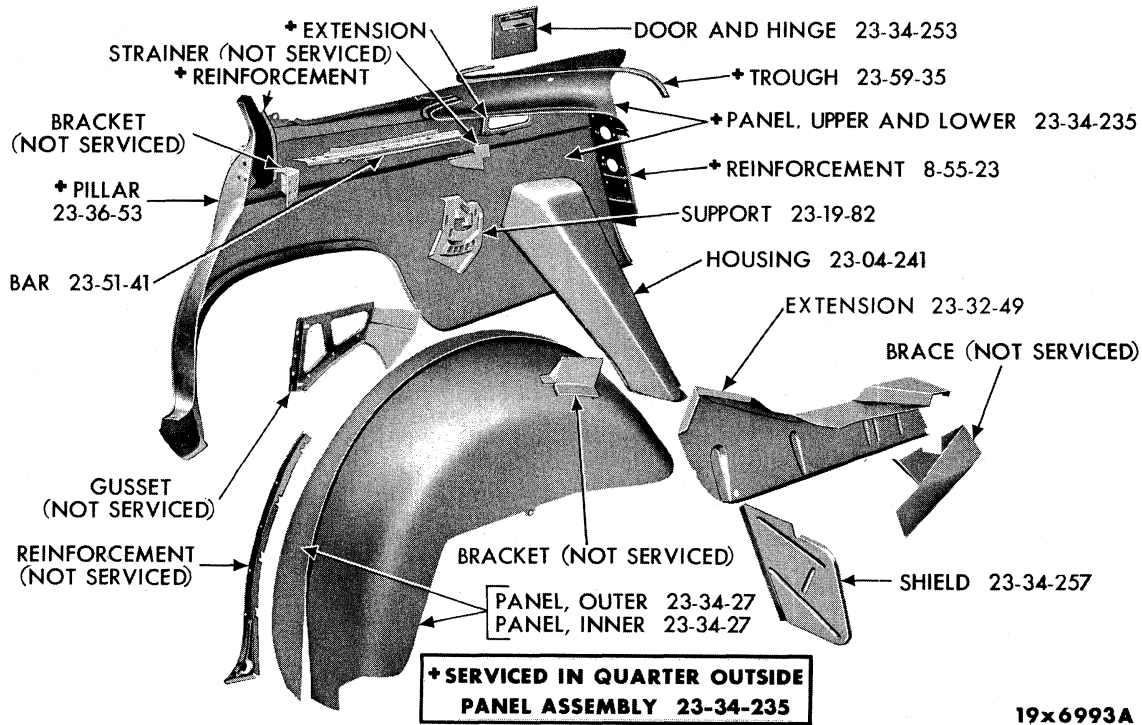


Plate 23-56

REAR QUARTER PANEL - DESOTO S23-24 - 4 DOOR SEDAN

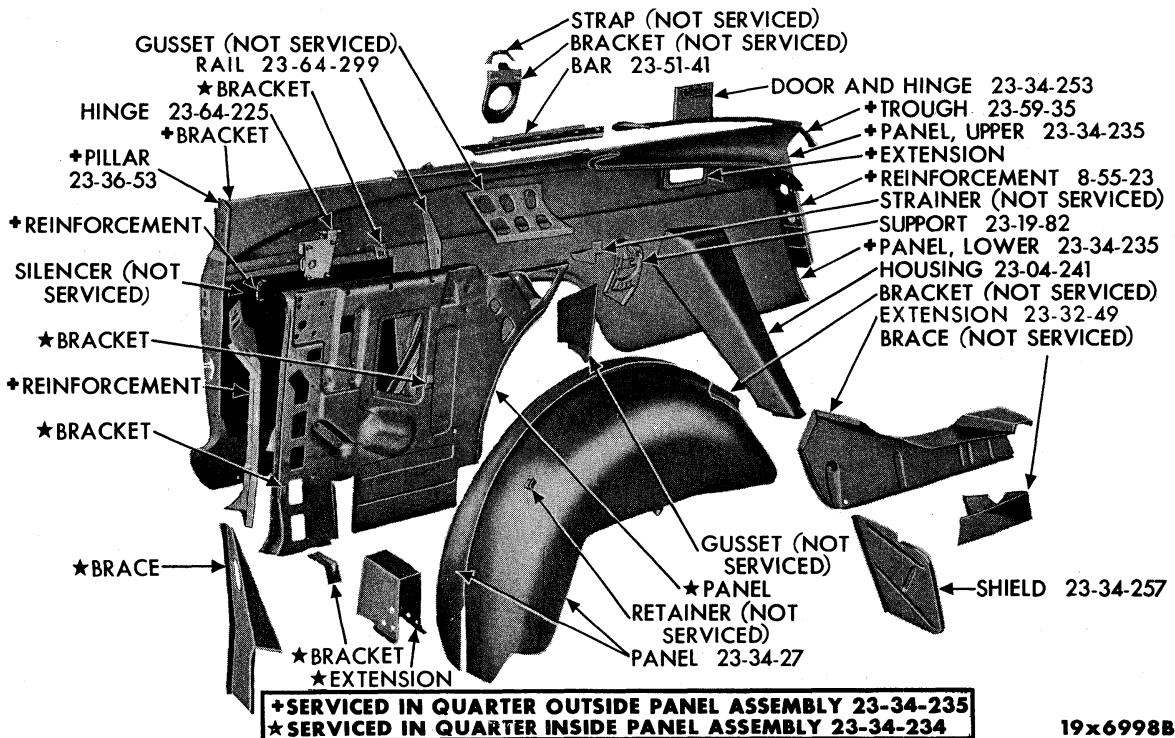


Plate 23-57

REAR QUARTER PANEL - DESOTO S23-24 - SPECIAL CLUB COUPE

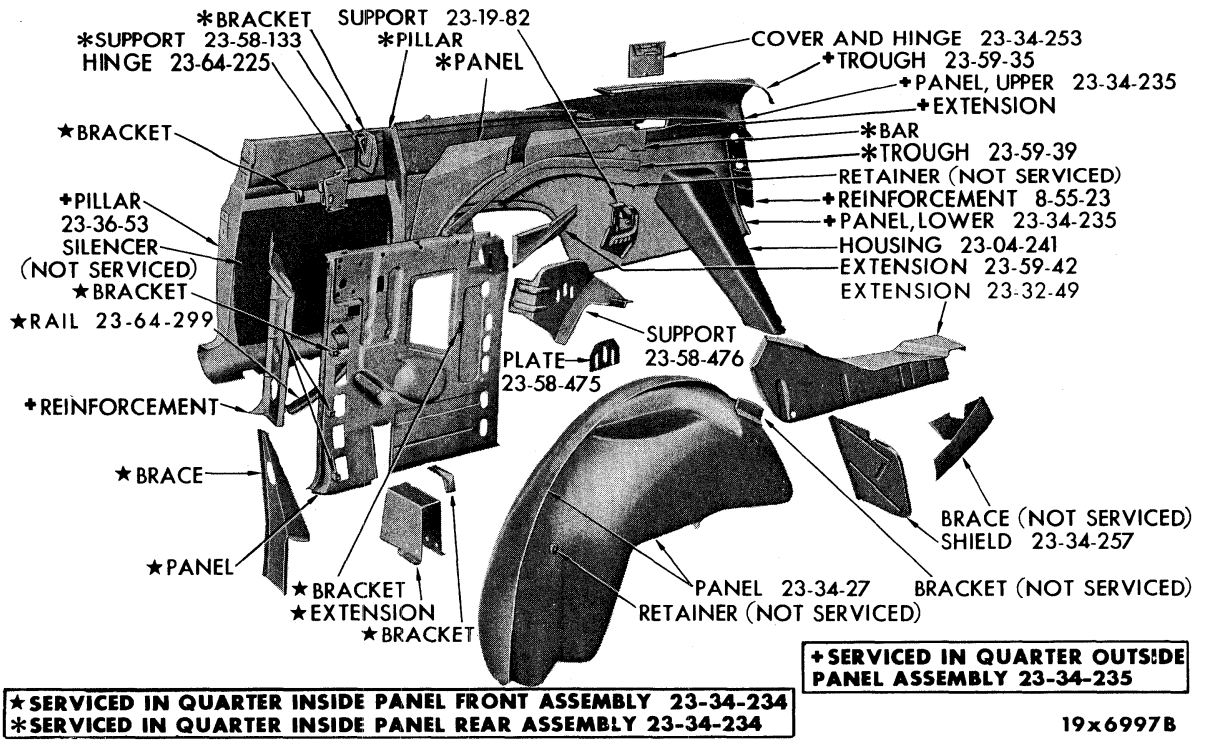


Plate 23-58

REAR QUARTER PANEL - DESOTO S23-24 - CONVERTIBLE COUPE

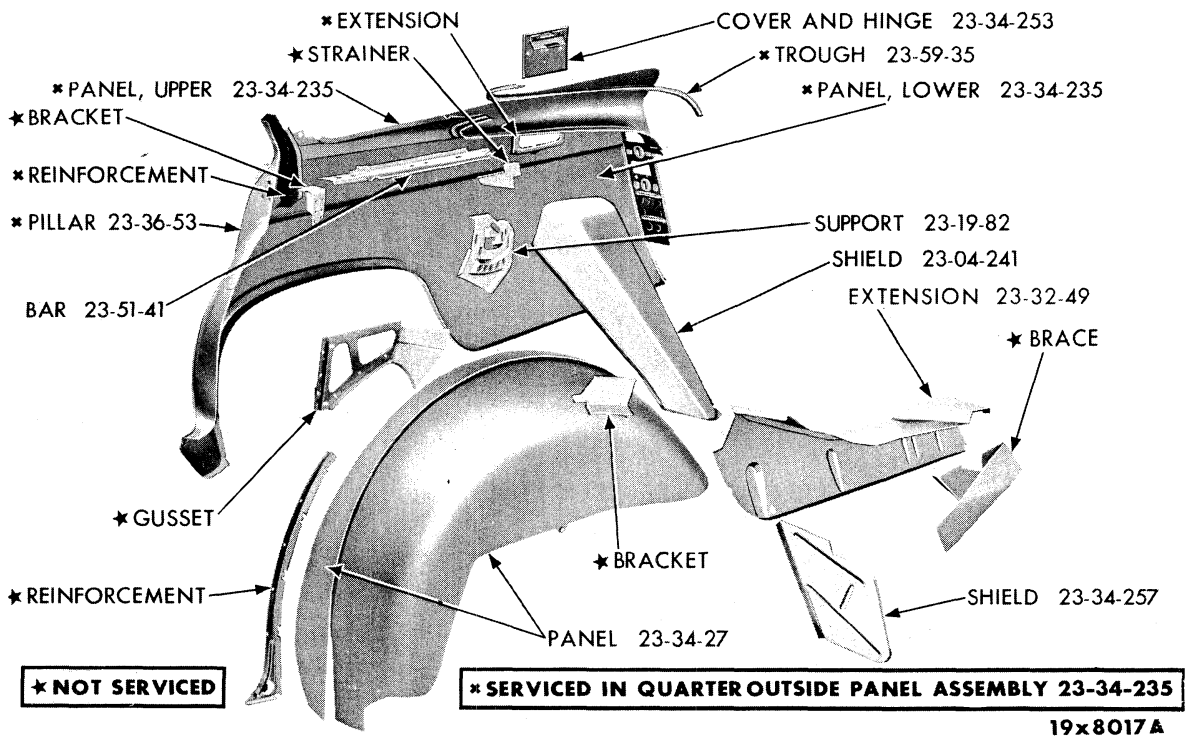


Plate 23-59

REAR QUARTER PANEL - CHRYSLER C71-72 - 4 DOOR SEDAN

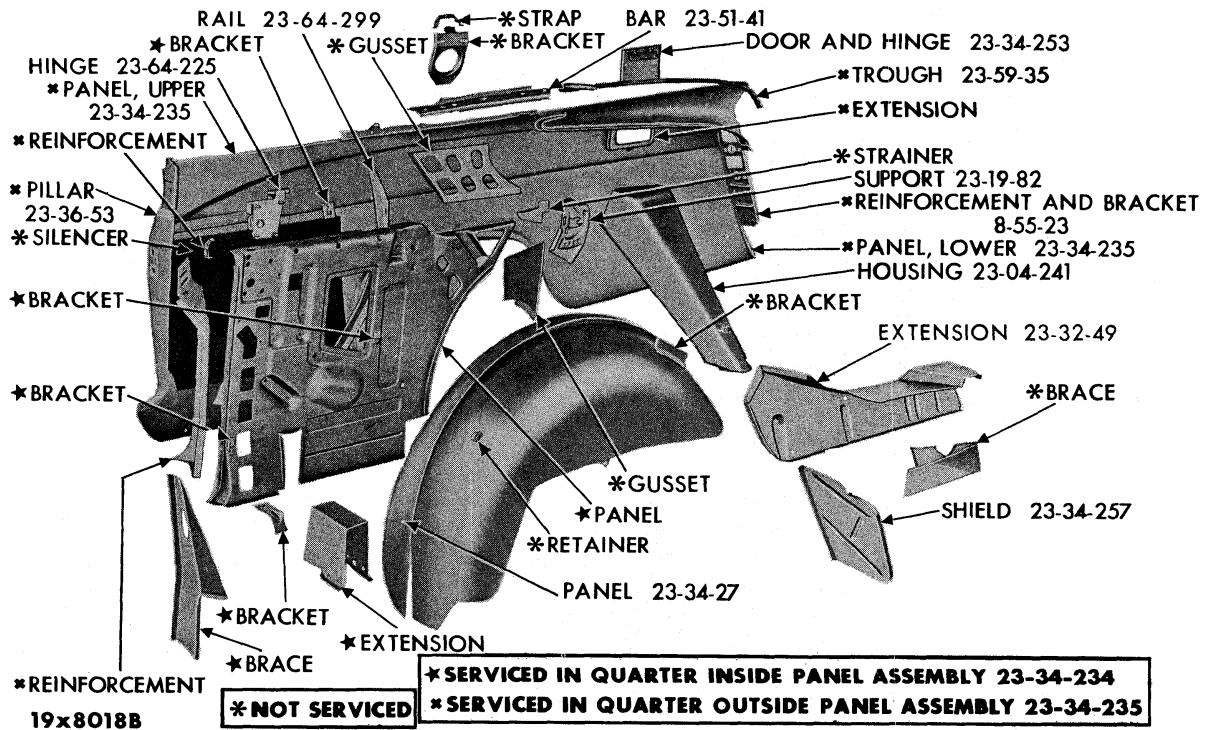


Plate 23-60 REAR QUARTER PANEL - CHRYSLER C71-72 - SPECIAL CLUB COUPE

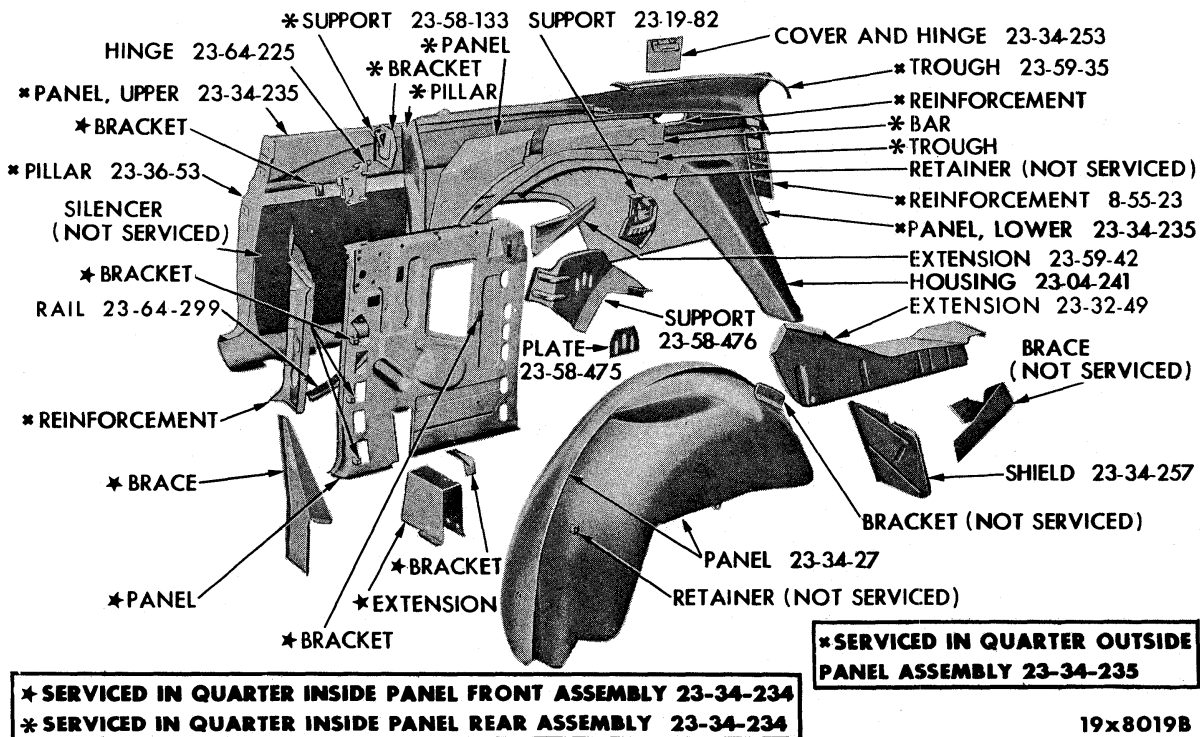


Plate 23-61 REAR QUARTER PANEL - CHRYSLER C71-72 - CONVERTIBLE COUPE

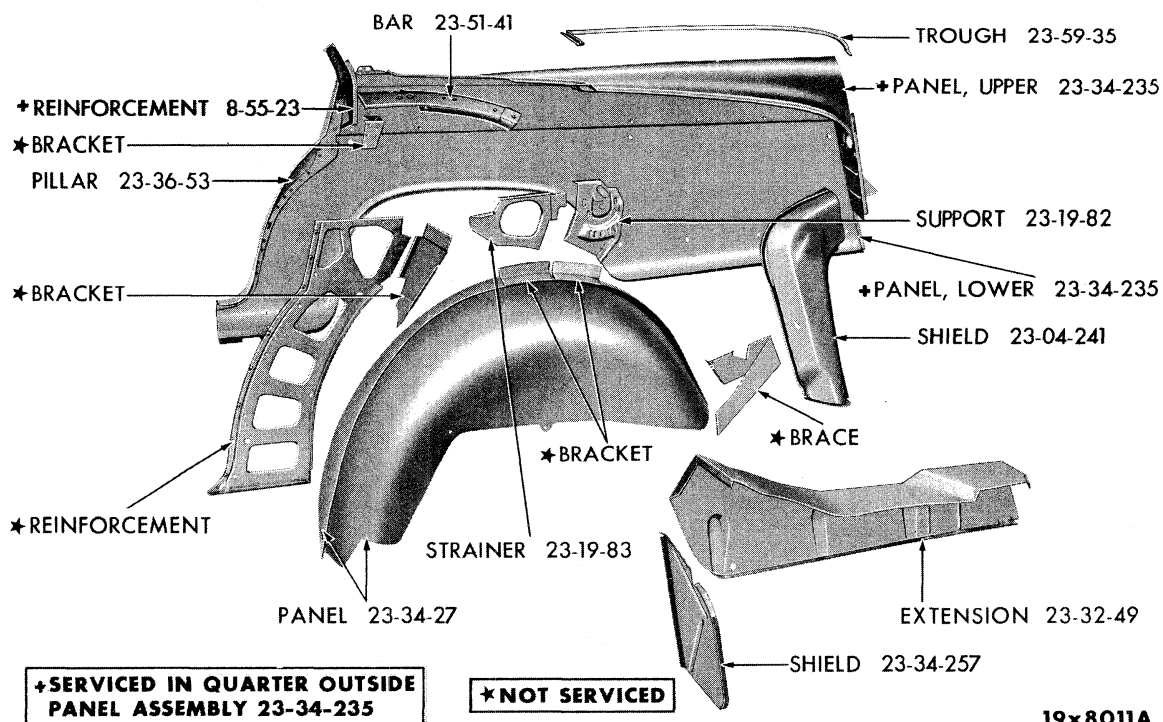
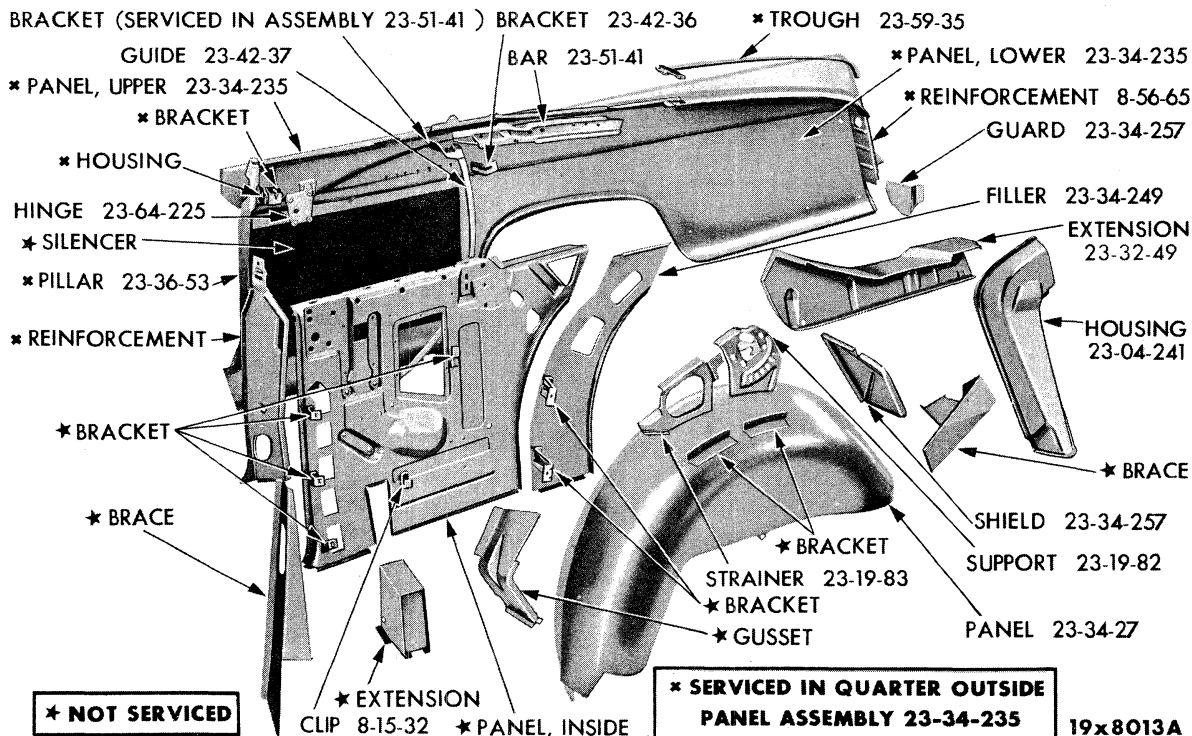
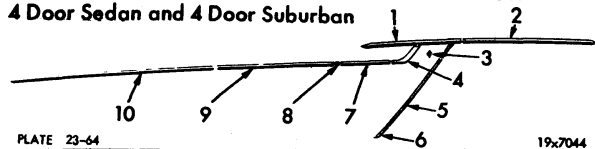


Plate 23-62

REAR QUARTER PANEL - IMPERIAL C73 - 4 DOOR SEDAN



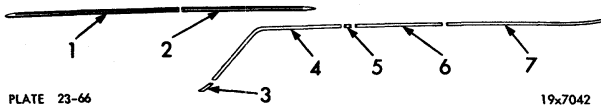
**1955 Type 1 SPORTONE MOULDINGS for PLYMOUTH
4 Door Sedan and 4 Door Suburban**



- PLATE 23-64 19x7044
1. 1592 458-9 MOULDING, Front Door Fender Extension
6 - 1593 564 Clip
2 - 1609 289 Clip
 2. 1599 537-8 MOULDING, Front Fender
12 - 1541 115 Clip and Bolt
12 - 446 059 Nut
 3. 2-1542 314 EMBLEM, Front Door
4 - 1368 283 Clip
 4. 1579 368-9 MOULDING, Front Door Center Front
1608 742-3 Front Retainer and Bolt
2 - 1560 063 Rear Clip and Bolt
4 - 120 361 Nut
 5. 1579 366-7 MOULDING, Front Door Lower
8 - 1608 668 Clip
 6. 1579 372-3 EXTENSION, Side Sill
4 - 145 186 Screw
 7. 2 - 1628 918 MOULDING, Front Door Center Rear
4 - 1628 844 Clip and Seal
 8. 2-1628 834 MOULDING, Center Pillar
2 - 1646 390 Screw
 9. 1628 910-1 MOULDING, Rear Door, 4 D.
1646 822-3 MOULDING, Rear Door, 4 D. Sub.
10 - 1628 844 Clip and Seal
 10. 1645 216-7 MOULDING, Quarter Panel, 4 D.
1647 634-5 MOULDING, Quarter Panel, 4 D. Sub.
6 - 1560 063 Clip and Bolt
6 - 1627 843 Nut and Washer
6 - 1628 844 Clip and Seal

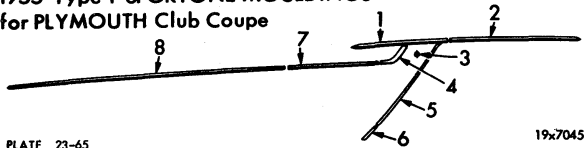
7. 2 - 1579 371 MOULDING, Door Center Rear
6 - 1628 844 Clip and Seal
8. 1593 884-5 MOULDING, Quarter Panel
6 - 1628 844 Clip and Seal
6 - 1560 063 Clip and Bolt
6 - 1627 843 Nut and Washer

**1955 Type 2 SPORTONE MOULDINGS for PLYMOUTH
SAVOY and PLAZA 4 Door Sedan and 4 Door Suburban**



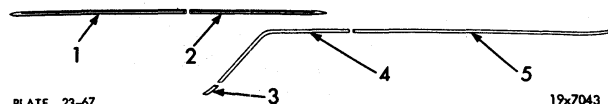
- PLATE 23-66 19x7042
1. 1599 537-8 MOULDING, Front Fender
12 - 1541 115 Clip and Bolt
12 - 446 059 Nut
 2. 1592 458-9 MOULDING, Front Door Upper
6 - 1593 564 Clip
2 - 1609 289 Clip
 3. 1579 372-3 MOULDING, Side Sill Extension
4 - 145 186 Screw
 4. 1657 760-1 MOULDING, Front Door Lower
12 - 1628 844 Clip and Seal
 5. 2-1628 834 MOULDING, Center Pillar
2 - 1646 390 Screw
 6. 1628 910-1 MOULDING, Rear Door Lower 4 D.
1646 822-3 MOULDING, Rear Door Lower 4 D. Sub.
10 - 1628 844 Clip and Seal
 7. 1645 216-7 MOULDING, Quarter Panel Lower, 4 D.
1647 634-5 MOULDING, Quarter Panel Lower, 4 D. Sub.
6 - 1647 749 Retainer and Bolt
6 - 1627 843 Nut and Washer
6 - 1628 844 Clip and Seal

**1955 Type 1 SPORTONE MOULDINGS
for PLYMOUTH Club Coupe**



- PLATE 23-65 19x7045
1. 1592 458-9 MOULDING, Door Fender Extension
6 - 1593 564 Clip
2 - 1609 289 Clip
 2. 1599 537-8 MOULDING, Front Fender
12 - 1541 115 Clip and Bolt
12 - 446 059 Nut
 3. 2-1542 314 EMBLEM, Door
4 - 1368 283 Clip
 4. 1579 368-9 MOULDING, Door Center Front
1608 742-3 Front Retainer and Bolt
2 - 1560 063 Rear Clip and Bolt
4 - 120 361 Nut
 5. 1579 366-7 MOULDING, Door Lower
8 - 1608 668 Clip
 6. 1579 372-3 EXTENSION, Side Sill
4 - 145 186 Screw

**1955 Type 2 SPORTONE MOULDINGS for PLYMOUTH
SAVOY and PLAZA Club Cpe., 3-Cpe and 2 Dr. Suburban**



- PLATE 23-67 19x7043
1. 1599 537-8 MOULDING, Front Fender
12 - 1541 115 Clip and Bolt
12 - 446 059 Nut
 2. 1592 458-9 MOULDING, Door Upper
6 - 1593 564 Clip
2 - 1609 289 Clip
 3. 1579 372-3 MOULDING, Side Sill Extension
4 - 145 186 Screw
 4. 1657 758-9 MOULDING, Door Lower
14 - 1628 844 Clip and Seal
 5. 1593 884-5 MOULDING, Quarter Panel Lower
6 - 1628 844 Clip and Seal
6 - 1647 749 Retainer and Bolt
6 - 1627 843 Nut and Washer

★ Indicates use as required.
 ☐ Indicates parts not listed in any previous parts book.
 Jan. 7, 1957 Supersedes May 31, 1956.

1955 LANCER MOULDINGS for DODGE

D55-3 4 Door Sedan

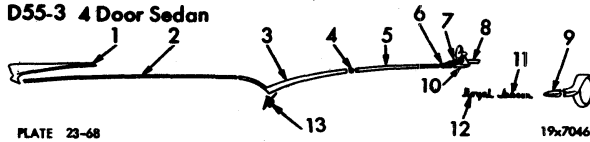


PLATE 23-68

19x7046

1. 1599 680-1 MOULDING, Quarter Panel Top Joint
6 - 1599 699 Stud
6 - 1547 732 Nut and Washer
2. 1646 916-7 MOULDING, Quarter Panel Lower
14 - 1599 728 Clip
3. 1647 738-9 MOULDING, Rear Door Lower
4 - 1599 734 Clip
4 - 1599 728 Clip
2 - 1547 152 Clip
4. 1646 914-5 MOULDING, Center Pillar
2 - 1341 885 Screw
5. 1646 910-1 MOULDING, Front Door Lower
8 - 1599 728 Clip
6. 1599 710-1 ORNAMENT, Front Door
4 - 1476 627 Clip
7. 1599 712-3 BASE, Front Fender Rear View Mirror
6 - 142 407 Screw
8. 1599 697-8 MOULDING, Cowl Belt
2 - 1645 332 Front Clip
1599 718-9 Rear Clip
9. 1599 542-3 MOULDING, Front Fender Side
2 - 1541 851 Stud
2 - 446 059 Nut
10. 2-1599 701 MIRROR, Front Fender
2 - 892 569 Screw
11. 2-1599 758 NAME PLATE, Front Fender "Lancer"
4 - 445 160 Nut
12. 2-1599 757 NAME PLATE, Front Fender "Royal"
4 - 445 160 Nut
13. 2-1599 091 ORNAMENT, Rear Door
4 - 1476 627 Clip

1955 COLOR SWEEP MOULDINGS for DESOTO
4 Door Sedan and Estate Wagon

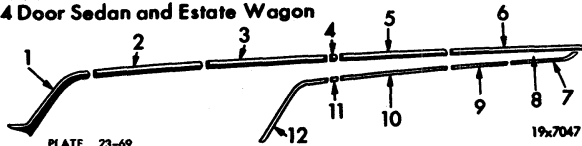


PLATE 23-69

19x7047

1. 1598 538-9 MOULDING, Quarter Panel Upper Rear 4 D.
10 - 1598 060 Nut and Washer
1650 478-9 MOULDING, Quarter Panel Upper Rear 4 D. Sub.
10 - 1598 066 Nut and Washer
2 - 156 972 Screw
2. 2-1621 495 MOULDING, Quarter Panel Upper Front
6 - 1547 102 Clip
4 - 1560 063 Clip and Bolt
4 - 1598 066 Nut and Washer

3. 2-1597 609 MOULDING, Rear Door Upper
8 - 1547 102 Clip
2 - 1598 664 Clip
2 - 151 306 Screw
4. 1620 194 MOULDING, Center Pillar Upper, Right
1598 369 MOULDING, Center Pillar Upper, Left
2 - 159 577 Screw
5. 1597 394-5 MOULDING, Front Door Upper
6 - 1547 102 Clip
4 - 1598 664 Clip
2 - 155 043 Screw, Front
2 - 132 764 Screw, Rear
6. 1541 670-1 MOULDING, Front Fender Upper
14 - 1541 861 Clip
14 - 446 059 Nut
7. 1599 585-6 MOULDING, Front Fender Lower Front
6 - 1541 851 Stud
6 - 120 361 Nut
2 - 969 764 Washer
8. 2-1599 567 INSERT
9. 1599 539-4 MOULDING, Front Fender Lower Rear
8 - 1560 058 Clip and Bolt
8 - 445 160 Nut
10. 2-1621 477 MOULDING, Front Door Lower
6 - 1597 751 Retainer
4 - 1620 255 Clip
4 - 151 306 Screw
11. 1621 480-1 MOULDING, Center Pillar Lower
2 - 159 577 Screw
12. 1621 478-9 MOULDING, Rear Door Lower
8 - 1597 751 Retainer

1956 Type 1 MOULDINGS for PLYMOUTH 4 Door Sedan,
Special 4 Door Sedan and 4 Door Suburban

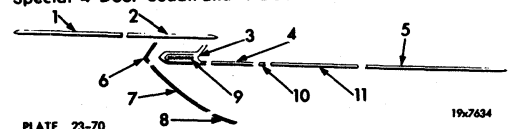


PLATE 23-70

19x7634

1. 1646 324-5 MOULDING, Front Fender
8 - 1624 356 Clip and Seal
2 - 1541 115 Clip and Bolt
10 - 446 059 Nut
2. 1646 790-1 MOULDING, Front Door Upper
8 - 1657 081 Clip
2 - 1655 321 Clip and Seal
3. 1694 338-9 MOULDING, Front Door Center Front, w/BELVEDERE Name
4 - 1647 749 Retainer and Bolt
4 - 151 497 Nut
4. 1647 638-9 MOULDING, Front Door Center Rear
4 - 1647 780 Clip and Seal

★ Indicates use as required.
 □ Indicates parts not listed in any previous parts book.
 * Indicates change or addition.

5. 1646 802-3 MOULDING, Quarter Panel Lower, 4 D., Sp. 4 D.
1646 480-1 MOULDING, Quarter Panel Lower, 4 D. Sub.
8 - 1647 780 Clip and Seal
2 - 1647 749 Retainer and Bolt
2 - 1627 843 Nut and Washer
6. 1646 472-3 MOULDING, Front Door Upper Front
4 - 1647 749 Retainer and Bolt
4 - 151 497 Nut
7. 1646 476-7 MOULDING, Front Door Lower Front
8 - 1647 780 Clip and Seal
8. 1646 482-3 MOULDING, Side Sill Extension
4 - 145 186 Screw
9. 2-1682 615 NAME PLATE, Front Door Moulding (SPORT SUBURBAN) 4 D. Sub.
6 - 1279 416 Clip
10. 1646 800-1 MOULDING, Center Pillar Lower, 4 D., 4 D. Sub.
2 - 168 474 Screw
11. 1646 798-9 MOULDING, Rear Door Lower, 4 D. Sub.
1647 642-3 MOULDING, Rear Door Lower, 4 D.
1657 840-1 MOULDING, Rear Door Lower, Sp. 4 D.
10 - 1647 780 Clip and Seal

1956 Type 1 MOULDINGS for PLYMOUTH
Special Club Coupe and Club Sedan

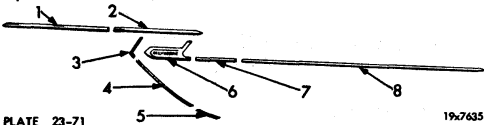


PLATE 23-71

19x7635

1. 1646 324-5 MOULDING, Front Fender
8 - 1624 356 Clip and Seal
2 - 1541 115 Clip and Bolt
10 - 446 059 Nut
2. 1646 790-1 MOULDING, Door Upper
8 - 1657 081 Clip
2 - 1655 321 Clip and Seal
3. 1646 472-3 MOULDING, Door Upper Front
4 - 1647 749 Retainer and Bolt
4 - 151 497 Nut
4. 1646 476-7 MOULDING, Door Lower Front
4 - 1647 780 Clip and Seal
5. 1646 482-3 MOULDING, Side Sill Extension
4 - 145 186 Screw
6. 1694 338-9 MOULDING, Door Center Front, w/BELVEDERE Name
4 - 1647 749 Retainer and Bolt
4 - 151 497 Nut
7. 1647 640-1 MOULDING, Door Center Rear
4 - 1647 780 Clip and Seal

8. 1646 478-9 MOULDING, Quarter Panel Lower
2 - 1657 080 Clip
12 - 1647 780 Clip and Seal
2 - 1647 749 Retainer and Bolt
2 - 1627 843 Nut and Washer

1956 Type 2 MOULDINGS for PLYMOUTH 4 Door Sedan
and 4 Door Suburban

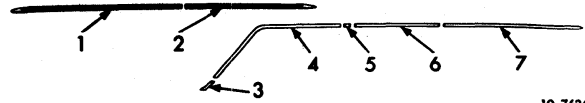


PLATE 23-72

19x7636

1. 1646 324-5 MOULDING, Front Fender
8 - 1624 356 Clip and Seal
2 - 1541 115 Clip and Bolt
10 - 446 059 Nut
2. 1646 790-1 MOULDING, Front Door Upper
8 - 1657 081 Clip
2 - 1655 321 Clip and Seal
3. 1681 282-3 MOULDING, Side Sill Extension
4 - 145 186 Screw
4. 1681 278-9 MOULDING, Front Door Lower
8 - 1657 080 Clip
5. 1646 800-1 MOULDING, Center Pillar Lower
2 - 168 474 Screw
6. 1646 798-9 MOULDING, Rear Door Lower, 4 D. Sub.
1647 642-3 MOULDING, Rear Door Lower, 4 D.
10 - 1647 780 Clip and Seal
7. 1646 480-1 MOULDING, Quarter Panel Lower, 4 D. Sub.
1646 802-3 MOULDING, Quarter Panel Lower, 4 D.
8 - 1647 780 Clip and Seal
4 - 1647 749 Retainer and Bolt
4 - 1627 843 Nut and Washer

1956 Type 2 MOULDINGS for PLYMOUTH
Special Club Coupe, Club Sedan, 3 Passenger Coupe
and 2 Door Suburban

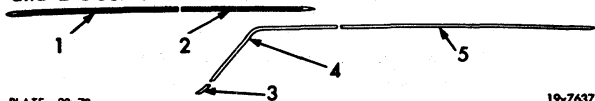


PLATE 23-73

19x7637

1. 1646 324-5 MOULDING, Front Fender
8 - 1624 356 Clip and Seal
2 - 1541 115 Clip and Bolt
10 - 446 059 Nut
2. 1646 790-1 MOULDING, Door Upper
2 - 1655 321 Clip and Seal
8 - 1657 081 Clip
3. 1681 282-3 MOULDING, Side Sill Extension
4 - 145 186 Screw
4. 1681 280-1 MOULDING, Door Lower
14 - 1647 780 Clip and Seal

★ Indicates use as required.

☐ Indicates parts not listed in any previous parts book.
Jan. 7, 1957 Supersedes May 31, 1956.

- 5. 1646 478-9 MOULDING, Quarter Panel Lower
 - 4 - 1657 080 Clip
 - 12 - 1647 780 Clip and Seal
 - 2 - 1647 749 Retainer and Bolt
 - 2 - 1627 843 Nut and Washer

1956 Type 3 MOULDINGS for PLYMOUTH 4 Door Sedan and 4 Door Suburban



PLATE 23-74

19-7638

- 1. 1646 324-5 MOULDING, Front Fender
 - 8 - 1624 356 Clip and Seal
 - 2 - 1541 115 Clip and Bolt
 - 10 - 446 059 Nut
- 2. 2-1645 712 MOULDING, Front Door Lower
 - 8 - 1657 081 Clip
- 3. 1645 892-3 MOULDING, Center Pillar Lower
 - 2 - 168 474 Screw
- 4. 1645 946-7 MOULDING, Rear Door Lower, 4 D.
1646 794-5 MOULDING, Rear Door Lower, 4 D. Sub.
 - 8 - 1657 081 Clip
- 5. 1646 420-1 MOULDING, Quarter Panel Lower, 4 D.
1646 804-5 MOULDING, Quarter Panel Lower, 4 D. Sub.
 - 5 - 1655 264 Clip and Seal
 - 1 - 1541 115 Clip and Bolt
 - 1 - 1627 843 Nut and Washer

1956 Type 3 MOULDINGS for PLYMOUTH Club Sedan, Special Club Coupe and 2 Door Suburban

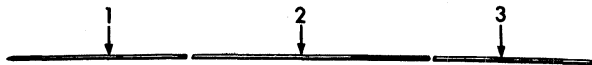


PLATE 23-75

19-7639

- 1. 1646 324-5 MOULDING, Front Fender
 - 8 - 1624 356 Clip and Seal
 - 2 - 1541 115 Clip and Bolt
 - 10 - 446 059 Nut
- 2. 2-1645 714 MOULDING, Door Lower
 - 10 - 1657 081 Clip
- 3. 1645 948-9 MOULDING, Quarter Panel Lower
 - 8 - 1655 264 Clip and Seal
 - 1 - 1541 115 Clip and Bolt
 - 1 - 1627 843 Nut and Washer

1956 Type 4 MOULDINGS for PLYMOUTH Except Special 4 Door Sedan

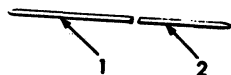


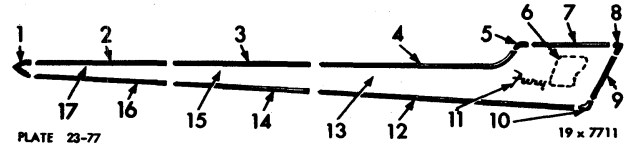
PLATE 23-76

19-7640

- 1. 1646 324-5 MOULDING, Front Fender
 - 8 - 1624 356 Clip and Seal
 - 2 - 1541 115 Clip and Bolt
 - 10 - 446 059 Nut

- 2. 1646 790-1 MOULDING, Front Door Lower
 - 8 - 1657 081 Clip
 - 2 - 1655 321 Clip and Seal

1956 MOULDINGS for PLYMOUTH FURY Special Club Coupe



- 1. 2-1706 517 COVER, Front Fender Moulding Joint, w/STUD
 - 2 - ---- --- Nut
 - 2 - ---- --- Washer
- 2. 1706 534-5 MOULDING, Front Fender Upper
 - 12 - 1706 876 Clip and Seal
- 3. 2-1706 536 MOULDING, Door Upper
 - 12 - 1706 876 Clip and Seal
- 4. 1706 538-9 MOULDING, Quarter Panel Upper Front
 - 20 - 1706 876 Clip and Seal
- 5. 1706 584-5 COVER, Quarter Panel Upper Front Joint, w/STUD
 - 2 - 1598 066 Nut and Washer
- 6. 1-1706 554 PANEL, Fuel Tank Filler Opening Cover, Finish (right side only)
- 7. 2-1706 582 MOULDING, Quarter Panel Upper Rear
 - 4 - 1706 876 Clip and Seal
- 8. 1706 544-5 COVER, Quarter Panel Upper Rear Joint, w/STUD
 - 2 - 1331 850 Clip
 - 2 - 1542 041 Seal
- 9. 1706 542-3 MOULDING, Quarter Panel Rear
 - 6 - 1706 876 Clip and Seal
- 10. 2-1706 546 COVER, Quarter Panel Lower Joint, w/STUD
 - 2 - 1331 850 Clip
 - 2 - 1542 041 Seal
- 11. 2-1707 304 NAME PLATE, Quarter Panel "FURY"
 - 5 - 445 160 Nut
 - 5 - 1542 041 Seal
- 12. 2-1706 541 MOULDING, Quarter Panel Lower
 - 22 - 1706 876 Clip and Seal
- 13. 1706 552-3 PANEL, Quarter Panel Finish
- 14. 2-1706 537 MOULDING, Door Lower
 - 12 - 1706 876 Clip and Seal
- 15. 1706 550-1 PANEL, Door Finish
- 16. 1706 534-5 MOULDING, Front Fender Lower
 - 12 - 1706 876 Clip and Seal
- 17. 1706 548-9 PANEL, Front Fender Finish

★ Indicates use as required.
 ☐ Indicates parts not listed in any previous parts book.
 * Indicates change or addition.

1956 MOULDINGS for DODGE 4 Door Sedan, Special 4 Door Sedan and 4 Door Suburban

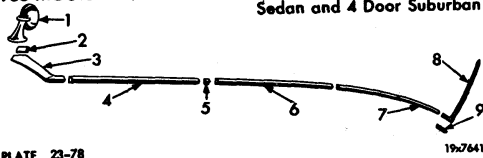


PLATE 23-78

19-7641

1. 1656 105 MIRROR, Left Front Fender
 - 2 - 1656 049 Block
 - 2 - 155 053 Screw
 - 2 - 892 569 Screw
 - 2 - 121 841 Lockwasher
2. 1646 902-3 EXTENSION, Hood Side Moulding to Mirror Base
 - 4 - 1476 627 Clip
3. 1656 506-7 MOULDING, Front Fender, w/o Mirror
1645 862-3 MOULDING, Front Fender and Mirror Base
 - 2 - 1522 621 Clip
 - 4 - 178 451 Screw
 - 4 - 120 217 Lockwasher
 - 4 - 120 385 Plainwasher
4. 1646 498-9 MOULDING, Front Door Lower, 4 D., 4 D. Sub.
2-1657 832 MOULDING, Front Door Lower, Sp. 4 D.
 - 10 - 1695 561 Clip
5. 2-1645 229 MOULDING, Center Pillar Lower, 4 D., 4 D. Sub.
 - 2 - 1646 390 Screw
6. 1645 264-5 MOULDING, Rear Door Lower, D62, D63-1, 4 D., 4 D. Sub.
1681 254-5 MOULDING, Rear Door Lower, D63-2 4 D. Sub.
1657 800-1 MOULDING, Rear Door Lower, Sp. 4 D.
 - 10 - 1695 561 Clip
7. 1646 504-5 MOULDING, Quarter Panel Lower Front, 4 D.
1657 750-1 MOULDING, Quarter Panel Lower Front, Sp. 4 D.
 - 6 - 1695 561 Clip
 - 6 - 1560 063 Clip and Bolt
 - 6 - 1627 843 Nut and Washer
- 1681 256-7 MOULDING, Quarter Panel Lower Front, 4 D. Sub.
 - 6 - 1560 063 Clip and Bolt
 - 6 - 1627 843 Nut and Washer
 - 6 - 1695 561 Clip
 - 2 - 1656 689 Screw
8. 1645 858-9 MOULDING, Quarter Panel Side Rear Upward Diagonal Extension, D63-3 4 D., Sp. 4 D.
 - 2 - 1647 749 Retainer and Bolt
 - 2 - 1627 843 Nut and Washer
9. 1646 894-5 MOULDING, Quarter Panel Side Rear Lower Extension, D62, D63-1, D63-2, 4 D.
 - 2 - 1647 749 Retainer and Bolt
 - 2 - 1627 843 Nut and Washer
- 1682 118-9 MOULDING, Quarter Panel Side Rear Lower Extension, 4 D. Sub.
 - 4 - 162 402 Screw

1956 MOULDINGS for DODGE Club Sedan, Convertible Coupe, Special Club Coupe and 2 Door Suburban

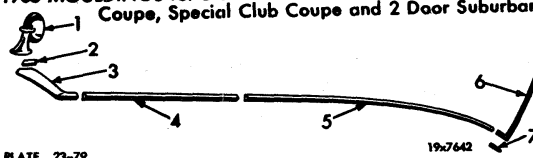


PLATE 23-79

19-7642

1. 1656 105 MIRROR, Left Front Fender
 - 2 - 1656 049 Block
 - 2 - 155 053 Screw
 - 2 - 892 569 Screw
 - 2 - 121 841 Lockwasher
2. 1646 902-3 EXTENSION, Hood Side Moulding to Mirror Base
 - 4 - 1476 627 Clip
3. 1645 862-3 MOULDING, Front Fender and Mirror Base
1656 506-7 MOULDING, Front Fender, w/o Mirror
 - 2 - 1522 621 Clip
 - 4 - 178 451 Screw
 - 4 - 120 217 Lockwasher
 - 4 - 120 385 Plainwasher
4. 1645 854-5 MOULDING, Front Door Lower
 - 12 - 1695 561 Clip
5. 1645 856-7 MOULDING, Quarter Panel Side Front
 - 12 - 1695 561 Clip
 - 6 - 1560 063 Clip and Bolt
 - 6 - 1627 843 Nut and Washer
6. 1645 858-9 MOULDING, Quarter Panel Side Rear Upward Diagonal, D63 Sp. Cl. Cp., Cv. Cp.
 - 2 - 1627 843 Nut and Washer
 - 2 - 1647 749 Retainer and Bolt
7. 1646 894-5 MOULDING, Quarter Panel Lower Rear Extension, D62, D63-1, D63-2, except 2 D. Sub.
1682 118-9 MOULDING, Quarter Panel Lower Rear Extension, 2 D. Sub.
 - 2 - 1627 843 Nut and Washer
 - 2 - 1647 749 Retainer and Bolt
 - 4 - 162 402 Screw

1956 MOULDINGS for DESOTO 4 Door Sedan, Special 4 Door Sedan and Estate Wagon

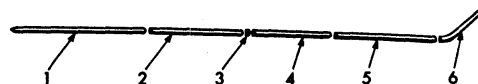


PLATE 23-80

19-7643

1. 1541 670-1 MOULDING, Front Fender
 - 14 - 1541 861 Clip
 - 14 - 446 059 Nut

★ Indicates use as required.

◻ Indicates parts not listed in any previous parts book.
Jan. 7, 1957 Supersedes May 31, 1956.

- 2. 1621 718-9 MOULDING, Front Door, S24
 2-1597 395 MOULDING, Front Door, S23
 1651 178-9 Clip, 4 D.
 2 - 151 306 Screw, 4 D.
 8 - 1690 325 Clip and Bolt, 4 D.
 8 - 1548 092 Nut and Washer, 4 D.
 10 - 1690 325 Clip and Bolt, Sp. 4 D.
 10 - 1548 092 Nut and Washer, Sp. 4 D.
 2 - 1598 664 Clip, S23
 2 - 132 764 Screw, S23
 8 - 1547 102 Clip, S23
 2 - 1691 001 Clip, S23
 2 - 155 113 Bolt, S23
 2 - 151 497 Nut, S23
- 3. 1621 724-5 MOULDING, Center Pillar, S24
 1620 194 MOULDING, Center Pillar, Rt., S23
 1598 369 MOULDING, Center Pillar, Lt., S23
 4 - 159 577 Screw, S24
 2 - 159 577 Screw, S23
- 4. 1621 720-1 MOULDING, Rear Door, S24 4 D.
 1650 990-1 MOULDING, Rear Door, Sp. 4 D.
 2-1597 609 MOULDING, Rear Door, S23
 1651 178-9 Clip, S24
 2 - 151 306 Screw, S24
 8 - 1690 325 Clip and Bolt, 4 D.
 8 - 1548 092 Nut and Washer, 4 D.
 6 - 1690 325 Clip and Bolt, Sp. 4 D.
 6 - 1548 092 Nut and Washer, Sp. 4 D.
 1690 928-9 Clip and Bolt, Sp. 4 D.
 2 - 151 497 Nut, Sp. 4 D.
 2 - 1598 664 Clip, S23
 2 - 151 306 Screw, S23
 8 - 1547 102 Clip, S23
- 5. 1621 722-3 MOULDING, Quarter Panel, S24
 1621 350-1 MOULDING, Quarter Panel, S23 4 D.,
 Sp. 4 D.
 2-1597 467 MOULDING, Quarter Panel,
 S23 Est. Wgn.
 6 - 1651 893 Clip, S24
 4 - 1690 325 Clip and Bolt, S24
 4 - 1598 066 Nut and Washer, S24
 ★ - 1547 102 Clip, S23
 ★ - 1560 063 Clip and Bolt, S23
 ★ - 1598 066 Nut and Washer, S23
 8 - 1650 842 Clip
- 6. 1621 352-3 EXTENSION, Quarter Panel Moulding,
 S24
 4 - 1598 066 Nut and Washer
 4 - 1597 553 Sealing Washer
 4 - 1597 552 Cup Washer
 4 - 151 497 Nut

1956 Two-Tone MOULDINGS for DESOTO 4 Door Sedan,
 Special 4 Door Sedan and Estate Wagon

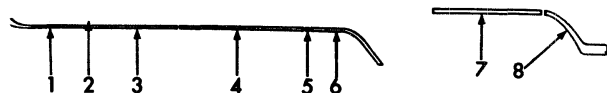


PLATE 23-81

19-7673

NOTE: S24 Sp. 4 D. Std. Equip.
 S23 Sp. 4 D. Sp. Equip.
 S23, S24, 4 D., Est. Wgn. Sp. Equip

- 1. 1599 586-7 MOULDING, Front Fender Lower Front
 6 - 1541 851 Stud
 6 - 151 497 Nut
 2 - 969 764 Washer
- 2. 2-1599 567 INSERT
- 3. 1599 539-40 MOULDING, Front Fender Lower Rear
 8 - 1560 058 Clip and Bolt
 8 - 445 160 Nut
- 4. 2-1621 477 MOULDING, Front Door Lower
 8 - 1597 751 Retainer
 4 - 1620 255 Clip
 4 - 151 306 Screw
- 5. 1621 480-1 MOULDING, Center Pillar Lower
 2 - 159 577 Screw
- 6. 1621 986-7 MOULDING, Rear Door Lower,
 4 D., Sp. 4 D.
 1621 478-9 MOULDING, Rear Door Lower,
 Est. Wgn.
 8 - 1597 751 Retainer
 2 - 1620 255 Clip
 2 - 151 306 Screw
- 7. 2-1621 495 MOULDING, Quarter Panel Front,
 Est. Wgn.
 6 - 1547 102 Clip
 4 - 1560 063 Clip and Bolt
 4 - 1598 066 Nut and Washer
- 8. 1650 478-9 MOULDING, Quarter Panel Rear,
 Est. Wgn.
 8 - 1598 066 Nut
 2 - 156 972 Bolt

1956 MOULDINGS for DESOTO Convertible Coupe and
 Special Club Coupe

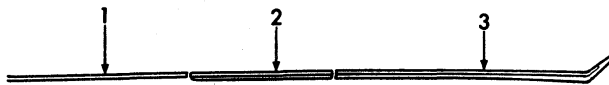


PLATE 23-82

19-7672

- 1. 1541 670-1 MOULDING, Front Fender Lower
 14 - 1541 861 Clip
 14 - 446 059 Nut
- 2. 2-1597 545 MOULDING, Door Lower
 2 - 1598 664 Clip
 2 - 132 764 Screw
 10 - 1547 102 Clip
- 3. 1621 904-5 MOULDING, Quarter Panel Lower
 10 - 1547 102 Clip
 2 - 1560 063 Clip and Bolt
 2 - 1598 066 Nut and Washer
 8 - 1650 842 Clip and Bolt
 8 - 1598 066 Nut and Washer

★ Indicates use as required.
 □ Indicates parts not listed in any previous parts book.
 * Indicates change or addition.

1956 Two-Tone MOULDINGS for DESOTO Convertible Coupe and Special Club Coupe

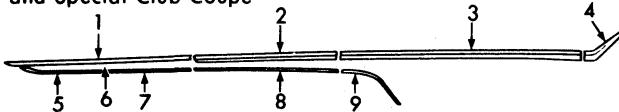


PLATE 23-83

19x7674

NOTE: S24 Nos. 1 thru 9 Std. Equip.
S23 Nos. 5 thru 9 Sp. Equip.

1. 1541 670-1 MOULDING, Front Fender Upper
14 - 1541 861 Clip
14 - 446 059 Nut
2. 1621 726-7 MOULDING, Door Upper
10 - 1690 325 Clip and Bolt
10 - 1548 092 Nut and Washer
1651 178-9 Clip
2 - 155 043 Screw
3. 1621 728-9 MOULDING, Quarter Panel Upper
12 - 1690 325 Clip and Bolt
8 - 1548 092 Nut and Washer
4 - 1598 066 Nut and Washer
6 - 1651 893 Clip
4. 1621 352-3 EXTENSION, Quarter Panel Upper
4 - 1598 066 Nut
4 - 1597 553 Seal
4 - 1597 552 Washer
4 - 151 497 Nut
5. 1599 585-6 MOULDING, Front Fender Lower Front
6 - 1541 851 Stud
6 - 151 497 Nut
2 - 969 764 Washer
6. 2-1599 567 INSERT
7. 1599 539-40 MOULDING, Front Fender Lower Rear
8 - 1560 058 Clip and Bolt
8 - 445 160 Nut
8. 2-1598 541 MOULDING, Door Lower
4 - 1620 255 Clip
4 - 151 306 Screw
8 - 1597 751 Clip
9. 1621 988-9 MOULDING, Quarter Panel Lower
8 - 1597 751 Clip
2 - 164 354 Screw

1956 MOULDINGS for CHRYSLER 4 Door Sedan, Special 4 Door Sedan and Estate Wagon.

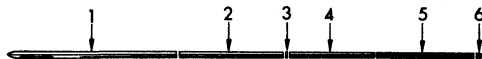


PLATE 23-84

19x7644

1. 1624 179-80 MOULDING, Front Fender Lower, C71
1624 154-55 MOULDING, Front Fender Lower, C72 4 D., Est. Wgn.
14 - 1624 173 Clip and Bolt
14 - 446 059 Nut
1624 439-40 MOULDING, Front Fender Lower, C72 Sp. 4 D.
10 - 1650 786 Clip
2 - 1624 173 Clip and Bolt
2 - 446 059 Nut

2. †*2-1621 314 MOULDING, Front Door Lower, C71
‡*2-1621 316 MOULDING, Front Door Lower, C71, 4D.
2-1621 316 MOULDING, Front Door Lower, C72
10 - 1650 786 Clip

3. †*1621 344-5 MOULDING, Center Pillar Lower, C71
‡*1621 346-7 MOULDING, Center Pillar Lower, C71, 4D.
1621 346-7 MOULDING, Center Pillar Lower, C72
4 - 122 159 Screw

4. †*1621 322-3 MOULDING, Rear Door Lower, C71
4 D., Est. Wgn.
‡*1621 324-5 MOULDING, Rear Door Lower, C71, 4D.
1651 070-1 MOULDING, Rear Door Lower, C71 Sp. 4D.
1621 324-5 MOULDING, Rear Door Lower, C72
4 D., Est. Wgn.
1651 008-9 MOULDING, Rear Door Lower, C72 Sp. 4D.
10 - 1650 786 Clip

5. 1621 330-1 MOULDING, Quarter Panel Lower, C71 4 D., Sp. 4 D.
1650 258-9 MOULDING, Quarter Panel Lower, C71 Est. Wgn.
1650 262-3 MOULDING, Quarter Panel Lower, C72 Est. Wgn.
10 - 1650 786 Clip, 4 D., Sp. 4 D.
8 - 1650 786 Clip, Est. Wgn.
2 - 1624 173 Clip and Bolt
2 - 1598 066 Nut
1621 332-3 MOULDING, Quarter Panel Lower, C72, 4 D., Sp. 4 D.
10 - 1650 786 Clip

6. 1621 618-9 EXTENSION, Quarter Panel Lower, C72
4 - 1621 895 Nut

NOTE: Effective points for C71, 4 D. only. † UP TO and AFTER. ‡ FROM ser. No. W56-56705 to W56-71194 also intermittently from W56-56603.

1956 Two-Tone MOULDINGS for CHRYSLER 4 Door Sedan and Special 4 Door Sedan

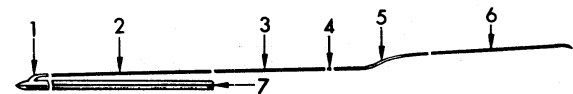


PLATE 23-85

19x7645

1. 1624 422-3 EXTENSION, Front Fender Moulding, C72
2 - 1624 465 Clip
2 - 1624 173 Clip and Bolt
4 - 446 059 Nut
2. 1686 145-6 MOULDING, Front Fender Upper, C71
2-1624 418 MOULDING, Front Fender Upper, C72
12 - 1624 465 Clip, C72
14 - 1624 465 Clip, C71
2 - 1599 870 Clip and Bolt, C71
2 - 271 472 Nut, C71
3. 2-1621 990 MOULDING, Front Door Upper
8 - 1621 991 Clip and Bolt
8 - 1598 066 Nut and Washer
4 - 1620 404 Clip and Bolt
4 - 120 622 Nut
4. 2-1621 995 MOULDING, Center Pillar Upper
2 - 122 159 Screw

★ Indicates use as required.

□ Indicates parts not listed in any previous parts book.
Jan. 7, 1957 Supersedes May 31, 1956.

- 5. 1621 992-3 MOULDING, Rear Door Upper, 4 D.
1650 988-9 MOULDING, Rear Door Upper, Sp. 4 D.
10 - 1621 991 Clip and Bolt
8 - 1598 066 Nut and Washer
4 - 1620 404 Clip and Bolt
4 - 120 622 Nut

- 6. 1621 984-5 MOULDING, Quarter Panel Upper
16 - 1621 991 Clip and Bolt
16 - 1598 066 Nut and Washer

- 7. 1624 439-40 MOULDING, Front Fender Lower, C72
10 - 1650 786 Clip
2 - 1624 173 Clip and Bolt
2 - 446 059 Nut

**1956 MOULDINGS for CHRYSLER
Convertible Coupe and Special Club Coupe**



PLATE 23-86

19:7646

- 1. 1624 179-80 MOULDING, Front Fender Lower, C71
1624 154-5 MOULDING, Front Fender Lower, C72
14 - 1624 173 Clip and Bolt
14 - 446 059 Nut
- 2. 2-1621 317 MOULDING, Door Lower
12 - 1650 786 Clip
- 3. 1621 340-1 MOULDING, Quarter Panel Lower
18 - 1624 173 Clip
- 4. 1621 618-9 EXTENSION, Quarter Panel Lower
4 - 1621 895 Nut

**1956 Two-Tone MOULDINGS for CHRYSLER
Convertible Coupe and Special Club Coupe**

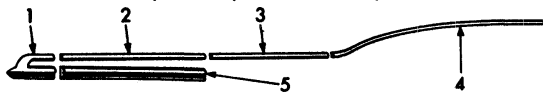


PLATE 23-87

19:7647

- 1. 1624 422-3 EXTENSION, Front Fender Moulding, C72
2 - 1624 465 Clip
2 - 1624 173 Clip and Bolt
4 - 446 059 Nut
- 2. 1686 145-6 MOULDING, Front Fender Upper, C71
2-1624 418 MOULDING, Front Fender Upper, C72
14 - 1624 465 Clip, C71
2 - 1599 870 Clip and Bolt, C71
2 - 271 472 Nut, C71
12 - 1624 465 Clip, C72
- 3. 2-1621 981 MOULDING, Door Upper
8 - 1621 991 Clip and Bolt
8 - 1598 066 Nut and Washer
4 - 1620 404 Clip and Bolt
4 - 120 622 Nut
- 4. 1621 982-3 MOULDING, Quarter Panel Upper
26 - 1621 991 Clip and Bolt
26 - 1598 066 Nut and Washer

- 5. 1624 439-40 MOULDING, Front Fender Lower, C72
10 - 1650 786 Clip
2 - 1624 173 Clip and Bolt
2 - 446 059 Nut

**1956 MOULDINGS for IMPERIAL C73
4 Door Sedan and Special 4 Door Sedan**

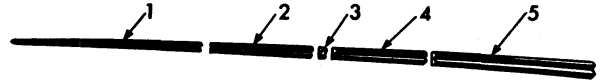


PLATE 23-88

19:7648

- 1. 1624 188-9 MOULDING, Front Fender Lower
4 - 1597 607 Clip
10 - 446 026 Nut
- 2. 1621 318-9 MOULDING, Front Door Lower
2 - 155 113 Screw
6 - 1548 092 Nut and Washer
2 - 120 910 Screw
- 3. 1621 348-9 MOULDING, Center Pillar Lower
4 - 122 159 Screw
- 4. 1621 326-7 MOULDING, Rear Door Lower, 4 D.
1651 064-5 MOULDING, Rear Door Lower, Sp. 4 D.
8 - 1548 092 Nut and Washer
4 - 151 497 Nut
4 - 1597 552 Cup Washer
2 - 155 113 Screw
- 5. 1621 334-5 MOULDING, Quarter Panel Lower
10 - 1598 066 Nut and Washer
6 - 1597 553 Sealing Washer
6 - 151 497 Nut
6 - 1597 552 Cup Washer
6 - 1597 607 Speed Clip

1956 MOULDINGS for IMPERIAL C73 Special Club Coupe

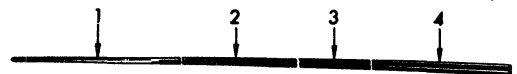


PLATE 23-89

19:7649

- 1. 1624 188-9 MOULDING, Front Fender Lower
4 - 1597 607 Clip
10 - 446 026 Nut
- 2. 1620 652-3 MOULDING, Door Lower
4 - 155 113 Screw
8 - 1548 092 Nut and Washer
- 3. 1621 342-3 MOULDING, Quarter Panel Lower Front
10 - 1548 092 Nut and Washer
4 - 1597 552 Cup Washer
4 - 151 497 Nut
- 4. 1621 334-5 MOULDING, Quarter Panel Lower Rear
10 - 1598 066 Nut and Washer
6 - 1597 552 Cup Washer
6 - 1597 553 Sealing Washer
6 - 151 497 Nut
6 - 1597 607 Speed Clip

★ Indicates use as required.
⊠ Indicates parts not listed in any previous parts book.
* Indicates change or addition.

PASSENGER CAR PARTS LIST 1955-56

CODE	REMARKS	PER CAR	PLYMOUTH	DODGE	DESOTO	CHRYSLER AND IMPERIAL
23-02-0 ASH RECEIVERS						
23-02-1	RECEIVER, Front Seat Back Ash 1955-56 4D., Sp. 4D., 4D. Sub., Est. Wgn., S21, S24, C68, C72	1	1593 683	1593 683	1365 576	1365 576
	1955-56 4D., Sp. 4 D., Est. Wgn., S22, S23, C67, C71	1	----	----	1365 575	1365 575
	1955-56 C70	1	----	----	----	1593 683
	1956 Cl. Sed., 2 D. Sub. Chrome	1	1593 683	----	----	----
23-02-2	RETAINER, Front Seat Back Ash Receiver					
	1955-56 4 D., Sp. 4 D., 4 D. Sub. Screw, No. 8-15 x 1/2"	1	1593 689	1593 689	----	----
		2	125 978	125 978	----	----
	1956 Cl. Sed., 2 D. Sub. Screw, No. 8-15 x 1/2"	1	1593 689	----	----	----
		2	125 978	----	----	----
	1955-56 4D., Sp. 4 D., Est. Wgn., C67, C68, C71, C72 Inner	1	----	----	1365 573	1365 573
	1955-56 4D., Est. Wgn., S21, S24, C68, C72 Use w/Cigar Lighter, Inner	1	----	----	1573 482	1573 482
	1955-56 C70	1	----	----	----	1544 932
	1956 Sp. 4D., S24, C72 Use w/Cigar Lighter, Inner	1	----	----	1573 482	1573 482
23-02-3	KNOB or HANDLE, Front Seat Back Ash Receiver					
	1955-56 4D., Sp. 4D., 4D. Sub., Est. Wgn., S21, S24, C68, C72	1	1593 687	1602 932	1602 380	1602 377
	Screw, No. 10-24 x 1/2"	2	121 832	121 832	----	----
	1955-56 4D., Sp. 4D., Est. Wgn., S22, S24, C67, C71	1	----	----	1332 557	1332 557
	1956 Cl. Sed., 2 D. Sub. Screw, No. 10-24 x 1/2"	1	1593 687	----	----	----
		2	121 832	----	----	----
23-02-4	SPACER, Front Seat Back Ash Receiver					
	1955-56 C70	2	----	----	----	1544 936
23-02-8	FACE PLATE, Front Seat Back Ash Receiver					
	1955-56 4D., 4D. Sub., Est. Wgn., C67, C68, C71, C72 Prime	1	1593 685	1593 685	1528 381	1528 381
	1955-56 C70 Prime	1	----	----	----	1593 685
	Alum. Fin.	1	----	----	----	1646 362
	1956 Cl. Sed. 2 D. Sub. Prime	1	1593 685	----	----	----
	1956 Sp. 4 D. Prime	1	1593 685	1593 685	1528 381	1528 381
23-02-18	RECEIVER, Instrument Panel Ash					
	1955-56 All	1	1579 764	1602 984	1602 824	1575 437
	1955-56 All Complete	1	----	----	1602 820	----
23-02-19	HOUSING, Instrument Panel Ash Receiver					
	1955-56 All	1	----	----	----	1575 438
23-02-27	RETAINER, Instrument Panel Ash Receiver					
	1955-56 All	1	1579 769	1602 982	----	----
23-02-42	KNOB, Instrument Panel Ash Receiver					
	1955-56 All	1	----	1602 986	----	----
23-02-43	SPRING, Instrument Panel Ash Receiver					
	1955-56 All Right	1	----	----	1602 830	----
	Left	1	----	----	1602 831	----
23-02-50	FACE PLATE, Instrument Panel Ash Receiver					
	1955-56 All Prime	1	1579 852	----	----	----
	1955-56 All Chrome	1	----	*1694 299	----	*1575 439
	Screw, No. 8-32 x 1/2"	2	----	----	----	156 771
	Nut	2	----	----	----	120 622
23-02-62	RECEIVER, Rear Quarter Ash					
	1955 2 D. Sub.	2	1433 928	----	----	----
	1955 Cl. Cp.	2	987 294	987 294	----	----
	1956 Cl. Sed.	2	----	987 294	----	----
23-02-63	RETAINER, Rear Quarter Ash Receiver					
	1955 2 D. Sub. Chrome	2	1457 145	----	----	----
	1955 Cl. Cp. Chrome	2	947 483	947 483	----	----
	Screw, No. 6-18 x 1"	4	161 607	----	----	----
	Screw, No. 6-18 x 1/2"	4	----	161 592	----	----
	1956 Cl. Sed. Chrome	2	----	947 483	----	----
	Screw, No. 6-18 x 1"	4	----	161 592	----	----
23-02-66	FACE PLATE, Rear Quarter Ash Receiver					
	1955 2 D. Sub.	2	1380 122	----	----	----
	1955-56 Cl. Cp., Cl. Sed. Prime	2	787 804	787 804	----	----
	1956 Sp. Cl. Cp. Chrome	2	1152 649	----	----	----
	1955-56 Cl. Cp., Cl. Sed. Chrome	2	----	1152 649	----	----

★ Indicates use as required.

☐ Indicates parts not listed in any previous parts book.

* Indicates change or addition.

Printed in U.S.A.

Prices and specifications subject to change without notice.

Nov. 28, 1958 Supersedes Jan. 7, 1957.

1955-56 PASSENGER CAR PARTS LIST

BODY

CODE	REMARKS	PER CAR	PLYMOUTH	DODGE	DESOTO	CHRYSLER AND IMPERIAL
23-02-67	SUPPORT, Rear Quarter Ash Receiver 1955 2 D. Sub. Right	1	1609 420	----	----	----
	Left	1	1609 421	----	----	----
23-02-73	KNOB, Rear Quarter Ash Receiver 1955 2 D. Sub. Cl. Cp. Chrome	2	1497 151	----	----	----
	Screw, No. 6-32 x 1/4"	2	132 688	----	----	----
	1955 Cl. Cp. Chrome	2	----	1497 151	----	----
	Screw, No. 6-32 x 1/4"	2	----	132 688	----	----
23-02-78	RECEIVER, Rear Quarter Arm Rest Ash 1955-56 Cv. Cp., Sp. Cl. Cp., C67, C71, C72 w/LID	2	1607 897	1607 897	1607 897	1607 897
	1955 Cv. Cp., Sp. Cl. Cp., C68, UP TO; Cv. Cp., 1197, Sp. Cl. Cp., C68-1 2221, C68-2 3660,	2	----	----	----	1607 956
	1955 Cv. Cp., Sp. Cl. Cp., C68, AFTER; Cv. Cp. 1197 Sp. Cl. Cp., C68-1 2221, C68-2 3660,	2	----	----	----	1607 897
	w/LID	2	----	----	----	1622 370
	1955 4D, C69, UP TO 7015 Rear Door	2	----	----	----	1648 015
	1955 4D, C69, AFTER 7015 Rear Door Right	1	----	----	----	1648 016
	Left	1	----	----	----	1622 370
	1955 Sp. Cl. Cp., C69 UP TO 3545	2	----	----	----	1648 015
	1955 Sp. Cl. Cp., C69 AFTER 3545	1	----	----	----	1648 016
	Right	1	----	----	----	1648 016
	Left	1	----	----	----	1688 620
	1956 2D. Sub. w/LID	2	----	1607 897	----	1688 621
	1956 C73 Quarter Panel or Door Right	1	----	----	----	1622 372
	Left	1	----	----	----	1622 372
23-02-81	RETAINER, Ash Receiver Bezel 1955 C69	2	----	----	----	1622 372
	RETAINER, Dome Lamp Switch and Cigar Lighter Bezel					
	1955 C70	2	----	----	----	1622 372
23-02-82	SPRING, Rear Quarter Arm Rest Ash Receiver Lid 1955-56 Cv. Cp., Sp. Cl. Cp., C67, C71, C72	2	1623 107	1623 107	1623 107	1623 107
	1955 Cv. Cp., Sp. Cl. Cp., C68, UP TO; Cv. Cp., 1197, Sp. Cl. Cp., C68-1 2221, C68-2 3660	2	----	----	----	1607 952
	1955 Cv. Cp., Sp. Cl. Cp., C68, AFTER; Cv. Cp. 1197, Sp. Cl. Cp., C68-1 2221, C68-2 3660	2	----	----	----	1623 107
	1956 2D. Sub.	2	----	1623 107	----	----
23-02-83	GUIDE, Rear Quarter Arm Rest Ash Receiver 1955 Cv. Cp., Sp. Cl. Cp., C68, UP TO; Cv. Cp. 1197, Sp. Cl. Cp., C68-1 2221, C68-2 3660	2	----	----	----	1607 951
23-02-85	LID, Rear Quarter Arm Rest Ash Receiver 1955 Cv. Cp., Sp. Cl. Cp., C68, UP TO; Cv. Cp. 1197, Sp. Cl. Cp., C68-1 2221, C68-2 3660	2	----	----	----	1607 949
23-02-89	BEZEL, Rear Quarter Arm Rest Ash Receiver 1955-56 Cv. Cp., Sp. Cl. Cp., C67, C71, C72 Chrome	2	1623 104	1623 104	1607 899	1607 899
	1956 2 D. Sub.	2	----	1623 104	----	----
	1955 Cv. Cp., Sp. Cl. Cp., C68 UP TO; Cv. Cp. 1197, Sp. Cl. Cp., C68-1 2221, C68-2 3660 Chrome	2	----	----	----	1607 947
	1955 Cv. Cp., Sp. Cl. Cp., C68 AFTER; Cv. Cp. 1197, Sp. Cl. Cp., C68-1 2221, C68-2 3660 Chrome	2	----	----	----	1607 899
23-02-100	KNOB, Rear Quarter Arm Rest Ash Receiver 1955 Cv. Cp., Sp. Cl. Cp., C68 UP TO; Cv. Cp., 1197, Sp. Cl. Cp., C68-1 2221, C68-2 3660 Chrome	2	----	----	----	1607 950

23-04-0 TOE AND FLOOR BOARDS

23-04-2	COVER, Steering Column Opening 1955-56 All Std. Trans.	1	1645 879	1645 875	----	----
	1955-56 All PowerFlite Trans.	1	1645 881	1645 877	1598 549	1598 549
23-04-4	SCREW, Steering Column Opening Cover Attaching 1955 All	11	1303 701	1303 701	----	----
	1956 Except C70	★	1303 701	1301 779	1301 779	1301 779
	SCREW, Rear Floor Tire Well Cover Finger Ferrule Hole					
	1956 Est. Wgn.	2	----	----	1621 215	1621 215
	SCREW, Rear Floor Tire Well Cover Wing Bolt Hsg. 1956 Est. Wgn.	6	----	----	1621 215	1621 215

★ Indicates use as required.

☐ Indicates parts not listed in any previous parts book.

Nov. 28, 1958 Supersedes Jan 7, 1957.

Printed in U.S.A.
Prices and specifications subject to change without notice.

* Indicates change or addition.

PASSENGER CAR PARTS LIST 1955-56

CODE	REMARKS	PER CAR	PLYMOUTH	DODGE	DESOTO	CHRYSLER AND IMPERIAL
23-04-5	WASHER, Seat Support Retainer Bracket to Seat Board 1955 Est. Wgn.	8	----	----	1334 535	1334 535
	WASHER, Rear Seat Back Hinge Bracket to Floor Board 1955 Est. Wgn.	2	----	----	1334 535	1334 535
	WASHER, Rear Floor Boards to Rear Floor Pan 1955-56 Est. Wgn.	11	----	----	1334 535	1334 535
23-04-15	BOARD, Rear Floor (does not include cover or moulding) 1955-56 Est. Wgn.					
	Front	1	----	----	1620 869	1620 869
	Side Right	1	----	----	1620 724	1620 724
	Left	1	----	----	1620 725	1620 725
	1956 Sub., 2 Seat					
	Front	1	1680 554	1683 098	----	----
	Rear	1	1680 563	1695 560	----	----
	Side Right	1	1680 574	1683 190	----	----
	Left	1	1680 575	1683 191	----	----
	1956 Sub., 3 Seat					
	Front	1	1682 287	1683 230	----	----
	Center	1	1682 223	1682 223	----	----
Rear	1	1695 018	1683 105	----	----	
Side Right	1	1682 546	1683 270	----	----	
Left	1	1682 547	1683 271	----	----	
23-04-23	WASHER, Rear Floor Boards to Rear Floor Pan Shim 1955-56 Est. Wgn.	13	----	----	1364 490	1364 490
23-04-33	COVER, Floor Pan Rear Side Board Body Bolt Access Hole 1956 Sub.	2	1707 927	----	----	----
23-04-62	WASHER, Rear Floor Auxiliary Rear Seat Ferrule 1955 Est. Wgn.	2	----	----	1455 028	1455 028
23-04-84	NUT, Floor Pan Rear Side Board Attaching Tee 1956 4 D. Sub.	4	----	842 691	----	----
23-04-95	PANEL, Under Seat Jack Stowage Cover 1956 4 D. Sub.	1	----	1695 624	----	----
23-04-100	PLUG, Floor Pan Overdrive Access Hole 1955 4D. Sub.	1	----	1476 709	----	----
	1956 All	1	----	1476 211	----	----
23-04-117	BOLT and RETAINER, Floor Pan Pedal Opening Cover 1955-56 All	2	----	----	1475 900	1475 900
	SCREW and WASHER, Cover to Floor 1955 except C70	5	----	----	1301 779	1301 779
	SCREW and WASHER, Cover to Dash 1955 except C70	3	----	----	1301 779	1301 779
	COVER, Rear Floor Pan Front Board Cut Out 1956 4 D. Sub., 2 D. Sub.	1	1680 555	1680 555	----	----
23-04-132	PLUG, Front Floor Transmission Adjusting Access Hole 1955 except C70	1	----	----	1476 211	1476 211
	Plug, Rear Floor Pan to No. 5 Body Bolt Access Hole 1956 4 D. Sub., 2 D. Sub.	2	1476 211	1476 211	----	----
23-04-141	FERRULE, Rear Floor Auxiliary Rear Seat 1955-56 Est. Wgn.	2	----	----	1621 033	1621 033
23-04-147	PLUG, PowerFlite Trans. Adjusting Wrench Hole 1955 All	1	273 215	----	----	----
23-04-204	SCREW, Floor Skid Strip Fastening 1955-56 Est. Wgn.	★	----	----	1621 215	1621 215
23-04-205	STRIP, Floor Board Moulding or Skid 1955-56 Est. Wgn.					
	At Hinges	3	----	----	1620 763	1620 763
	Between Hinges	2	----	----	1620 764	1620 764
	Outer	2	----	----	1621 466	1621 466
	1956 Sub. 2 Seater, Front Board					
	Front	1	1681 888	1681 888	----	----
	Rear	1	1680 556	1705 337	----	----
	Side Right	1	----	1705 328	----	----
	Left	1	----	1705 329	----	----
	1956 Sub. 2 Seater, Rear Board					
	Front	1	1695 017	1683 956	----	----
	Rear	1	1680 562	1683 109	----	----
Side Right	1	1680 560	1705 326	----	----	
Left	1	1680 561	1705 327	----	----	
1956 Sub. 2 Seater, Side Board, Side Right						
Right	1	1680 564	1705 320	----	----	
Left	1	1680 565	1705 321	----	----	
Rear Inner, Right	1	1680 566	----	----	----	
Left	1	1680 567	----	----	----	

★ Indicates use as required.

□ Indicates parts not listed in any previous parts book.

* Indicates change or addition.

1955-56 PASSENGER CAR PARTS LIST

BODY

CODE	REMARKS	PER CAR	PLYMOUTH	DODGE	DESOTO	CHRYSLER AND IMPERIAL
	Rear Center, Right	1	1680 570	----	----	----
	Left	1	1680 571	----	----	----
	Rear Right	1	----	1705 322	----	----
	Left	1	----	1705 323	----	----
1956	Sub. 3 Seater, Front Board, Front	1	1682 273	1695 905	----	----
	Rear	1	1682 521	1682 521	----	----
	Side, Right	1	1682 288	----	----	----
	Left	1	1682 289	----	----	----
	Side, Front, Right	1	----	1705 318	----	----
	Left	1	----	1705 319	----	----
	Side, Rear, Right	1	----	1705 316	----	----
	Left	1	----	1705 317	----	----
1956	Sub. 3 Seater, Center Board, Front	1	1705 338	1705 338	----	----
	Side, Right	1	1705 330	1705 330	----	----
	Left	1	1705 331	1705 331	----	----
1956	Sub. 3 Seater, Rear Board, Front	1	1695 017	1683 956	----	----
	Rear	1	1680 562	1683 109	----	----
	Side, Right	1	1680 560	1705 332	----	----
	Left	1	1680 561	1705 333	----	----
1956	Sub. 3 Seater, Side Board, Side, Right	1	1682 562	1705 320	----	----
	Left	1	1682 563	1705 321	----	----
	Rear Inner, Right	1	1680 566	----	----	----
	Left	1	1680 567	----	----	----
	Rear Center, Right	1	1680 570	----	----	----
	Left	1	1680 571	----	----	----
	Rear, Right	1	----	1705 322	----	----
	Left	1	----	1705 323	----	----
23-04-229	COVER, Rear Floor Tire Well Panel					
	1955-56 3 Cp.	1	1525 732	----	----	----
	1955 Sub.	1	----	1432 548	----	----
	1955-56 4 D. Sub., 2 D. Sub., Est. Wgn., P28-1, P29-1	1	1432 548	----	1620 868	1620 868
23-04-230	STRIP, Rear Floor Tire Well Cover Skid					
	1955-56 Est. Wgn.					
	At Hinges	3	----	----	1620 765	1620 765
	Between Hinges	2	----	----	1620 766	1620 766
	Intermediate	2	----	----	1620 765	1620 765
	Outer	2	----	----	1620 768	1620 768
23-04-232	SCREW, Rear Floor Tire Well Cover					
	1955 Est. Wgn. Wing Bolt Housing	6	----	----	1621 215	1621 215
	Finger Ferrule Hole	2	----	----	1621 215	1621 215
	1955-56 Est. Wgn. Skid Strip	28	----	----	1621 215	1621 215
23-04-233	LATCH, Rear Deck Floor Tire Well Cover					
	1955-56 3 Cp., Est. Wgn.	★	1496 708	----	1476 118	1476 118
	1956 4 D. Sub., 2 D. Sub. Rear	1	1680 572	1680 572	----	----
	Screw	2	161 594	161 594	----	----
23-04-234	CATCH, Rear Deck Floor Tire Well Cover					
	Latch					
	1955-56 3 Cp.	4	1525 319	----	----	----
	1956 4 D. Sub., 2 D. Sub. Front	2	1680 558	1680 558	----	----
	Screw	6	161 594	161 594	----	----
	CATCH, 2nd. Seat Back Floor Board					
	1956 4 D. Amb.	1	----	1705 650	----	----
23-04-236	HINGE, Floor Pan Front Board to Center Board					
	1956 4 D. Sub.	2	1682 618	1682 618	----	----
	1956 4 D. Sub. Center Board to Floor Pan	1	1682 520	1682 520	----	----
	1956 4 D. Amb. Front Board to Extension Board	1	----	1705 678	----	----
23-04-238	BOLT, Rear Floor Fuel Tank Mounting Upper Reinforcement					
	1955-56 except Est. Wgn.	2	----	----	1598 428	----
23-04-241	HOUSING or SHIELD, Fuel Tank Filler Neck					
	1955 except Sub.	1	1608 624	----	----	----
	1955 Sub.	1	*1646 973	*1628 800	----	----
	1955 except Sub.					
	w/Inner HOUSING and BRACKET	1	----	1577 464	----	----
	Inner HOUSING and Bracket Only	1	----	1544 739	----	----
	1955 C67, C68, except Est. Wgn.	1	----	----	1598 386	1598 386
	1955-56 Est. Wgn.	1	----	----	1577 835	1577 835
	1955 C69	1	----	----	----	1598 713

★ Indicates use as required.

⊠ Indicates parts not listed in any previous parts book.
Nov. 28, 1958 Supersedes May 31, 1957.

Printed in U.S.A.
Prices and specifications subject to change without notice.
* Indicates change or addition.

CODE	REMARKS	PER CAR	PLYMOUTH	DODGE	DESOTO	CHRYSLER AND IMPERIAL
1956	4 D. Sub., 2 D. Sub., w/REINFORCEMENT	1	1656 603	1628 800	----	----
1956	except Sub. w/REINFORCEMENT	1	1655 369	1653 648	----	----
1956	C71, C72, except Est. Wgn.	1	----	----	1621 973	1621 973
1956	C73	1	----	----	----	1650 383
1955-56	C70	1	----	----	----	1598 713
1956	C70	1	----	----	----	1598 386
23-04-251	TAPPING PLATE, Stretcher Front Retainer Support					
1956	4 D. Amb.	1	----	1705 889	----	----
23-04-252	SUPPORT, Stretcher Front Retainer					
1956	4 D. Amb.	1	----	1706 802	----	----
23-04-257	STOP, Stretcher Front Retainer					
1956	4 D. Amb.	1	----	1706 994	----	----
23-06-0 GLOVE BOX						
23-06-4	BOX, Glove					
1955-56	All	1	1593 852	1623 130	1623 118	*1575 354
23-06-5	SCREW, Glove Box To Instrument Panel					
1955-56	All	4	----	----	----	1331 768
23-06-10	DOOR, Glove Box					
1955-56	All	1	1593 758	1575 382	1575 422	1575 350
23-06-14	BUMPER, Glove Box Door					
1955-56	All	2	729 152	729 152	729 152	729 152
1955-56	All	1	----	1298 930	----	----
23-06-15	CATCH, Glove Box Door Lock					
1955-56	All	1	1579 632	*6008 016	*6008 016	*6008 016
23-06-16	BRACKET and CLIP, Glove Box Door Lock Catch					
1955-56	All	1	----	1602 869	1331 441	1602 893
23-06-21	HINGE, Glove Box Door					
1955-56	All	1	----	1623 556	----	----
		1	----	1623 557	----	----
1955-56	All	1	----	----	1602 436	1602 405
23-06-22	SPRING, Glove Box Door					
1955-56	All	2	----	----	1623 180	----
23-06-25	KNOB or PULL, Glove Box Door					
1955-56	All	1	1296 072	1602 937	----	----
	Washer, lock	1	----	131 044	----	----
23-06-28	LATCH, Glove Box Door					
1955-56	All	1	1296 074	----	----	----
1955-56	All	1	1296 075	1296 075	1607 877	1607 877
23-06-31	SUPPORT, Glove Box Door Lock					
1955-56	All	1	1579 914	----	----	----
23-06-42	ORNAMENT, Glove Box Door					
1955	All	1	----	----	1623 128	----
1956	All	1	----	----	1685 110	----
23-06-45	WASHER, Glove Box Door Ornament Cup					
1956	All	1	----	----	1685 149	----
23-06-49	MOULDING, Glove Box Door					
1955	All	1	1579 354	----	----	----
	Upper	1	1579 352	----	----	----
	Side Right	1	1579 353	----	----	----
	Left	1	1655 308	----	----	----
1956	All	1	1655 309	----	----	----
	Side Right	1	1655 308	----	----	----
	Left	1	1655 309	----	----	----
23-06-51	CLIP, Glove Box Door Opening Moulding Side					
1955-56	All	★	1609 217	----	----	----
23-06-53	NAME PLATE, Glove Box Door					
1955-56	Sp. Cl. Cp., D55-3, D63-3	1	----	1655 550	----	----
	La	1	----	1655 551	----	----
	Femme	1	----	1705 660	----	----
1956	D63	1	----	1705 660	----	----
	Super 230 Powered	1	----	445 147	----	----
	Nut	3	----	445 147	----	----

23-07-0 BRACES, BRACKETS, STRAINERS, SUPPORTS AND REINFORCEMENTS

23-07-290	STRAINER, Instrument Panel					
1955-56	All	1	----	----	1575 409	1575 346
	Upper	1	----	----	1602 442	1575 347
	Lower	1	----	----	1685 133	----
23-07-291	NUT, Instrument Panel or Strainer Attaching					
1955-56	All	★	----	----	1685 133	----

★ Indicates use as required.

☐ Indicates parts not listed in any previous parts book.

* Indicates change or addition.

Printed in U.S.A.

1955-56 PASSENGER CAR PARTS LIST

BODY

CODE	REMARKS	PER CAR	PLYMOUTH	DODGE	DESOTO	CHRYSLER AND IMPERIAL	
23-07-297	SUPPORT, Front Pillar to Instrument Panel Lower Strainer 1955-56 All	Right Left	1 1	---- ----	---- ----	1597 878 1597 879	1597 880 1597 881
23-07-351	REINFORCEMENT, Rear Quarter Arm Rest 1955 2 D. Sub., P26-1, P27-1		2	904 174	----	----	----
23-07-374	REINFORCEMENT, Floor Pan Center Board Spring 1956 4 D. Sub.	Top	2 2	1682 714 1682 526	1682 714 1682 526	---- ----	---- ----
23-08-0 BUMPERS AND STRIKERS							
23-08-12	BUMPERS or WEDGES, Door 1955-56 Cv. Cp., Sp. Cl. Cp.	Door Half Body Half	2 2	989 513 1544 841	989 513 1544 841	989 513 895 364	989 513 895 364
23-08-54	SPACER, Door Lock Striker Plate 1955 except Cl. Cp., 3 Cp. 2 D., Sub.	Thin Thick	★ ★	1245 871 1245 870	1245 871 1245 870	---- ----	---- ----
1955	Cl. Cp., 3 Cp., 2 D. Sub., UP TO Body Nos. Det. Evans. P26 3 Cp. 3812 1837 P26-1, P27-1, Cl. Cp. 32998 11832 P26-2, P27-2, Cl. Cp. 24438 7800 P26-3, P27-3, Cl. Cp. 47753 13853 P26, P27, 2 D. Sub. 21868 5669 UP TO Ser. Nos., D55 34953327, D56 3222788	Thin	★	1245 871	1245 871	----	----
1955	Cl. Cp., 3 Cp., 2 D. Sub., AFTER Body Nos. Det. Evans. P26 3 Cp. 3812 1837 P26-1, P27-1, Cl. Cp. 32998 11832 P26-2, P27-2, Cl. Cp. 24438 7800 P26-3, P27-3, Cl. Cp. 47753 13853 P26, P27, 2 D. Sub. 21868 5669 AFTER Ser. Nos., D55 34953327, D56 3222788	Thin	★	1650 840	1650 840	----	----
1955	Cl. Cp., 3 Cp., 2D. Sub., UP TO Body Nos. Det. Evans. P26 3 Cp. 3812 1837 P26-1, P27-1, Cl. Cp. 32998 11832 P26-2, P27-2, Cl. Cp. 24438 7800 P26-3, P27-3, Cl. Cp. 47753 13853 P26, P27, 2 D. Sub. 21868 5669 UP TO Ser. Nos., D55 34953327, D56 3222788	Thick	★	1245 870	1245 870	----	----
1955	Cl. Cp., 3 Cp., 2 D. Sub., AFTER Body Nos. Det. Evans. P26 3 Cp. 3812 1837 P26-1, P27-1, Cl. Cp. 32998 11832 P26-2, P27-2, Cl. Cp. 24438 7800 P26-3, P27-3, Cl. Cp. 47753 13853 P26, P27, 2 D. Sub. 21868 5669 AFTER Ser. Nos., D55 34953327, D56 3222788	Thick	★	1650 841	1650 841	----	----
1955	All	Thin	★	----	----	1245 871	1245 871
1956	All	Thick	★	----	----	1245 870	1245 870
1956	All	Thick	★	1650 841	1650 841	1650 841	1650 841
1956	All	Thin	★	1650 840	1650 840	1650 840	1650 840
23-08-56	STUD, Door Lock Dovetail 1955 All		★	----	----	790 332	790 332
23-08-59	STRIKER and GUARD, Door Lock 1955 All	Right Left	★ ★	1843 497 1843 498	1843 497 1843 498	---- ----	---- ----
23-08-60	STRIKER, Door Lock 1955 C70	4 Hole Right	★	----	----	----	1337 096

★ Indicates use as required.

☐ Indicates parts not listed in any previous parts book.
Nov. 28, 1958 Supersedes Jan. 7, 1957.

Printed in U.S.A.
Prices and specifications subject to change without notice.
* Indicates change or addition.

CODE	REMARKS	PER CAR	PLYMOUTH	DODGE	DESOTO	CHRYSLER AND IMPERIAL
1955	except Cl. Cp., 3 Cp., 2 D. Sub.	Right ★	1621 682	1621 682	----	----
		Left ★	1621 683	1621 683	----	----
1955	Cl. Cp., 3 Cp., 2 D. Sub., UP TO Body Nos. Det. Evans. P26 3 Cp. 3812 1837 P26-1, P27-1, Cl. Cp. 32998 11832 P26-2, P27-2, Cl. Cp. 24438 7800 P26-3, P27-3, Cl. Cp. 47753 13853 P26, P27, 2 D. Sub. 21868 5669 UP TO Ser. Nos., D55 34953327, D56 3222788	Right Left	1 1	1621 682 1621 683	1621 682 1621 683	---- ----
1955	Cl. Cp., 3 Cp., 2 D. Sub., AFTER Body Nos. Det. Evans. P26 3 Cp. 3812 1837 P26-1, P27-1, Cl. Cp. 32998 11832 P26-2, P27-2, Cl. Cp. 24438 7800 P26-3, P27-3, Cl. Cp. 47753 13853 P26, P27, 2 D. Sub. 21868 5669 AFTER Ser. No., D55 34953327, D56 3222788	Right Left	1 1	1650 838 1650 839	1650 838 1650 839	---- ----
1955	All	3 Hole Right ★ Left ★	----	----	1621 682 1621 683	1621 682 1621 683
1956	Except Sp. 4 D., C70	Right ★ Left ★	1650 838 1650 839	1650 838 1650 839	1650 838 1650 839	1650 838 1650 839
1956	Sp. 4 D.	Front Right 1 Left 1 Rear Right 1 Left 1	1680 914 1680 915 1650 838 1650 839	1680 914 1680 915 1650 838 1650 839	1650 838 1650 839 1650 838 1650 839	1650 838 1650 839 1650 838 1650 839
23-08-75	PLATE, Door Lock Striker Clinch Nut					
1955-56	All	Right ★ Left ★	*1542 638 1542 639	*1542 638 1542 639	*1542 638 1542 639	*1542 638 1542 639
	Reinforcement, Body Lock Pillar Striker					
1955-56	4 D. Sub., 2 D. Sub.		2	----	1577 268	----
23-08-76	GUARD, Door Lock Striker					
1955	Cl. Cp., 3 Cp., 2 D. Sub., AFTER Body Nos. Det. Evans. P26 3 Cp. 3812 1837 P26-1, P27-1, Cl. Cp. 32998 11832 P26-2, P27-2, Cl. Cp. 24438 7800 P26-3, P27-3, Cl. Cp. 47753 13853 P26, P27, 2 D. Sub. 21868 5669 AFTER Ser. Nos., D55 34953327, D56 3222788		2	1682 599	1682 599	----
1956	All	★	1682 599	1682 599	----	----
1956	All	Right ★ Left ★	----	----	1691 830 1691 831	1691 830 1691 831
23-09-0 GLASS CHANNEL						
23-09-8	CHANNEL, Partition Window Glass Lower					
1955-56	Limo.		1	----	----	1628 492
23-09-9	CHANNEL, Quarter Window Glass Lower					
1955-56	3 Cp.		2	1579 581	----	----
1955-56	Sp. Cl. Cp. Elec. and Manual W/Lift	Right Left	1 1	1593 878 1593 879	----	----
1955-56	Cl. Cp. Elec. W/Lift	Right Left	1 1	1592 968 1592 969	1578 704 1578 705	----
1955-56	Cl. Cp.	Right Left	1 1	1592 736 1592 737	1578 736 1578 737	----
1955-56	Cv. Cp.	Right Left	1 1	1578 386 1578 387	1578 386 1578 387	----
1955-56	Sp. Cl. Cp.	Right Left	1 1	----	1578 206 1578 207	----
1955-56	Cv. Cp., Sp. Cl. Cp.	Right Left	1 1	----	1620 380 1620 381	1620 380 1620 381

★ Indicates use as required.

□ Indicates parts not listed in any previous parts book.

* Indicates change or addition.

Printed in U.S.A.

Prices and specifications subject to change without notice.

Nov. 28, 1956 Supersedes Nov. 15, 1957.

1955-56 PASSENGER CAR PARTS LIST

BODY

CODE	REMARKS	PER CAR	PLYMOUTH	DODGE	DESOTO	CHRYSLER AND IMPERIAL
23-09-10	BUTTON, Quarter Window Guide Slide 1955-56 Cv. Cp., Sp. Cl. Cp. Plastic	4	----	----	*1598 675	*1598 675
23-09-14	RIVET, Rear Door Glass Division Channel Bracket 1955 4D., P26-1, P27-1	★	B6000 143	----	----	----
23-09-15	BRACKET, Quarter Window Guide 1955-56 Cv. Cp., Sp. Cl. Cp.	2	----	----	*1598 674	*1598 674
23-09-17	SLIDE, Quarter Window Guide 1955-56 Cv. Cp.	1	*1628 342	*1628 342	----	----
		1	*1628 343	*1628 343	----	----
	1955-56 Sp. Cl. Cp.	1	*1609 218	*1609 218	----	----
		1	*1609 219	*1609 219	----	----
23-09-21	RETAINER, Front Door Window Regulator Arm Stud 1955 4D.	2	----	----	*6000 305	*6000 305
23-09-22	BRACKET, Door Glass Rear Run Channel Lower 1955 Cv. Cp., Sp. Cl. Cp. UP TO Cv. Cp., S21 1025, C67 1023, C68 1016, Sp. Cl. Cp., S21 1450, S22 1130, C67-1 1358, C67-2 1546, C68-1 1120, C68-2 1352, C69 1025.	2	----	----	1458 225	1458 225
	1955 Cv. Cp., Sp. Cl. Cp. AFTER Cv. Cp., S21 1025, S22 No. 1 Job, C67 1023, C68 1016, Sp. Cl. Cp., S21 1450, S22 1130, C67-1 1358, C67-2 1546, C68-1 1120, C68-2 1352, C69 1025.	2	----	----	1621 487	1621 487
	1956 Cv. Cp., Sp. Cl. Cp.	2	----	----	1621 487	1621 487
	BRACKET, Rear Door Front Glass Front Run Channel 1956 Sp. 4 D.	1	----	----	1650 420	1650 420
		1	----	----	1650 421	1650 421
23-09-29	WASHER, Front Door Window Regulator Stud 1955 4D.	8	----	----	*6000 141	*6000 141
23-09-30	SCREW and WASHER, Rear Door Glass Division Channel Lower Bracket 1955-56 4D. P26-1, P27-1, P28-1, P29-1 1956 4D. Sub.	2	*6000 210	----	----	----
		2	*6000 210	*6000 210	----	----
23-09-35	CHANNEL, Quarter Window Glass Run 1955-56 Cl. Cp., Cl. Sed.	1	----	1578 228	----	----
		1	----	1578 229	----	----
		1	----	1578 238	----	----
		1	----	1578 239	----	----
23-09-36	STUD, Quarter Window Glass Channel Adjusting 1955 Cl. Cp. 1956 Cl. Sed.	4	----	1578 501	----	----
		4	----	1578 501	----	----
		4	----	1683 026	----	----
23-09-47	SUPPORT, Door Glass Rear Run Channel Bracket 1955-56 Cv. Cp., Sp. Cl. Cp.	2	1577 478	1577 478	----	----
		1	1577 476	1577 476	----	----
		1	1577 477	1577 477	----	----
	1956 Sp. 4 D.	2	1577 478	1577 478	----	----
		1	1680 944	1680 944	----	----
		1	1680 945	1680 945	----	----
		1	1680 944	1680 944	----	----
		1	1680 945	1680 945	----	----
23-09-51	CHANNEL, Front Door Window Glass Rear Run 1955-56 Cv. Cp., Sp. Cl. Cp.	1	1578 034	1578 034	1608 712	1608 712
		1	1578 035	1578 035	1608 713	1608 713
	1955-56 4 D., Est. Wgn., 8 Sed., Limo.	2	----	----	1548 234	1548 234
	1956 Sp. 4 D.	1	1680 116	1680 116	1691 248	1691 248
		1	1680 117	1680 117	1691 249	1691 249
23-09-52	CHANNEL, Front Door Window Glass Lower 1956 C71, C72, C73 Elec. w/Lift	1	1592 910	1592 910	1597 184	1597 184
		1	1592 911	1592 911	1597 185	1597 185
	1955-56 4 D., 4 D. Sub., Est. Wgn., C67, C68, C71, C72	1	1592 708	1592 708	1597 183	1597 183
		1	1592 709	1592 709	1597 183	1597 183
	1955-56 Cl. Cp., Cl. Sed., 3 Cp., 2 D. Sub. Elec. w/Lift	1	1592 948	1592 948	----	----
		1	1592 949	1592 949	----	----

★ Indicates use as required.

Ⓟ Indicates parts not listed in any previous parts book.

Nov. 28, 1958 Supersedes May 31, 1957.

Printed in U.S.A.

Prices and specifications subject to change without notice.

* Indicates change or addition.

PASSENGER CAR PARTS LIST 1955-56

CODE	REMARKS	PER CAR	PLYMOUTH	DODGE	DESOTO	CHRYSLER AND IMPERIAL
1955-56	Cl. Cp., Cl. Sed., 3 Cp., 2 D. Sub.					
	Right	1	1592 726	1592 726	----	----
	Left	1	1592 727	1592 727	----	----
1955-56	Cv. Cp., Sp. Cl. Cp. Elec. w/Lift					
	Right	1	1578 064	1578 064	----	----
	Left	1	1578 065	1578 065	----	----
1955	Cv. Cp., Sp. Cl. Cp.					
	Right	1	1578 062	1578 062	----	----
	Left	1	1578 063	1578 063	----	----
1955	Cv. Cp., Sp. Cl. Cp., UP TO or AFTER the following Ser. Nos., S21 50351777, S22 55225442; Body Nos., Sp. Cl. Cp., C67-1 11124, C67-2 6514, C68-1 3880, C68-2 7828, C68-300 1676, C69 2976; Cv. Cp., C67 1603, C68 1544					
	UP TO, Right	1	----	----	1598 202	1598 202
	Left	1	----	----	1598 203	1598 203
	AFTER, Right	1	----	----	1621 256	1621 256
	Left	1	----	----	1621 257	1621 257
1955	4 D., C69					
	Right	1	----	----	----	1597 180
	Left	1	----	----	----	1597 181
1955	C70					
	Right	1	----	----	----	1597 184
	Left	1	----	----	----	1597 185
1956	Sp. 4 D. Elec. w/Lift					
	Right	1	1680 544	1680 544	----	----
	Left	1	1680 545	1680 545	----	----
1956	Sp. 4 D.					
	Right	1	1680 520	1680 520	1651 532	1651 532
	Left	1	1680 521	1680 521	1651 533	1651 533
1956	Cv. Cp., Sp. Cl. Cp.					
	Right	1	1578 062	1578 062	1621 256	1621 256
	Left	1	1578 063	1578 063	1621 257	1621 257
23-09-56	CHANNEL, Rear Door Window Glass Front Run					
1955	C70					
	Right	1	----	----	----	1593 608
	Left	1	----	----	----	1593 609
1956	Sp. 4 D. w/RUN					
	Right	1	1657 700	1657 700	----	----
	Left	1	1657 701	1657 701	----	----
1955-56	4 D., Est. Wgn.					
	Right	1	----	1682 010	1548 249	1548 249
	Left	1	----	1682 011	1548 250	1548 250
23-09-57	CHANNEL, Rear Door Window Front Glass Rear Run					
1955	C70					
1956	Sp. 4 D. w/RUN					
	Right	1	1657 706	1657 706	----	1548 234
	Left	1	1657 707	1657 707	----	----
23-09-58	CHANNEL, Rear Door Window Glass Lower					
1955-56	4 D. Sub. Elec. w/Lift					
	Right	1	1579 472	1579 472	----	----
	Left	1	1579 473	1579 473	----	----
1955-56	4 D. Sub.					
	Right	1	1579 470	1579 470	----	----
	Left	1	1579 471	1579 471	----	----
1955-56	4 D., Est. Wgn. Elec. w/Lift					
	Right	1	1593 790	1578 166	1597 188	1597 188
	Left	1	1593 791	1578 167	1597 189	1597 189
1955	4 D., Est. Wgn., C67, C68					
	Right	1	1592 718	1577 369	1597 186	1597 186
	Left	1	1592 719	1577 369	1597 187	1597 187
1955	C70					
	Right	1	----	----	----	1593 546
	Left	1	----	----	----	1593 547
1956	4 D.					
	Right	1	1592 718	1577 369	----	----
	Left	1	1592 719	1577 369	----	----
1956	Sp. 4 D.					
	Right	1	----	----	1690 214	1690 214
	Left	1	----	----	1690 215	1690 215
1956	4 D., Est. Wgn., C71, C72					
	Right	2	----	----	1597 187	1597 187
23-09-59	CHANNEL, Rear Door Window Front Glass Front and Rear Run w/Diagonal Braces					
1956	Sp. 4 D.					
	Right	1	----	----	1691 142	1691 142
	Left	1	----	----	1691 143	1691 143
23-09-60	GUIDE, Rear Door Front Window Lower Rear					
1956	Sp. 4 D.					
	Right	1	1680 678	1680 678	----	----
	Left	1	1680 679	1680 679	----	----
1956	Sp. 4 D.					
	Right	2	----	----	1690 309	1690 309
23-09-63	SCREW and WASHER, Rear Door Front Glass Front and Rear Run Channel and Bracket Attaching					
1956	Sp. 4 D.					
	Right	8	1592 427	1592 427	----	----
23-09-67	CHANNEL, Tailgate Glass Run					
1955-56	Est. Wgn.					
	Right	1	----	----	1621 458	1621 458
	Left	1	----	----	1621 459	1621 459
	Lower	2	----	----	1577 833	1577 833

★ Indicates use as required.

☐ Indicates parts not listed in any previous parts book.

* Indicates change or addition.

1955-56 PASSENGER CAR PARTS LIST

BODY

CODE	REMARKS	PER CAR	PLYMOUTH	DODGE	DESOTO	CHRYSLER AND IMPERIAL
23-09-84	FILLER, Rear Door Front Glass Lower Channel 1956 Sp. 4 D. Chrome	2	----	----	1690 798	1690 798
23-09-95	CHANNEL, Rear Door Pivot Window Glass Lower, w/BRACKETS 1956 Sp. 4 D.	Right Left	1833 912 1833 913	1833 912 1833 913	1690 206 1690 207	1690 206 1690 207
23-10-0 DOOR CHECK						
23-10-1	ARM, Door Check 1955 All Front 1955 except C70. UP TO; C67 W55-28257, C68 N55-16337, C69 C55-3967.	2 2	1694 440 ----	1694 440 ----	1597 171 ----	---- 1372 429
	1955-56 except Sp. 4 D., C70 Rear 1956 All Front 1956 All UP TO or AFTER Ser. Nos., S23 50301051, S24 50387501 Front, UP TO AFTER	2 2 2 2	1646 570 1591 542 ----	1646 570 1657 903 ----	1548 778 ---- 1650 541 1750 827	1548 778 1650 541 ----
	1956 Sp. 4 D. Rear	2	1646 570	1646 570	1691 168	1691 168
23-10-2	BRACKET, Door Check Arm Body 1955-56 All	★	1432 929	1432 929	*1432 929	*1432 929
23-10-4	PIN, Front Door Check Arm Pivot 1956 Sp. 4 D. PIN, Door Check Arm 1955-56 All	2 ★	---- * 893 923	---- * 893 923	893 923 * 893 923	893 923 * 893 923
23-10-17	GUIDE, Door Check Arm 1955-56 All	★	1476 900	1476 900	1476 900	1476 900
23-11-0 DOORS						
23-11-1	SHELL, Front Door 1955 4 D., 4 D. Sub., Est. Wgn., C67, C68 Right Left	1 1	1592 764 1592 765	1592 764 1592 765	1620 528 1620 529	1620 528 1620 529
	1955 Cl. Cp., 3 Cp., 2 D. Sub., UP TO Body Nos. Det. Evans. P26 3 Cp. 3812 1837 P26-1, P27-1, Cl. Cp. 32998 11832 P26-2, P27-2, Cl. Cp. 24438 7800 P26-3, P27-3, Cl. Cp. 47753 13853 P26, P27, 2 D. Sub. 21868 5669 UP TO Ser. Nos., D55 34953327, D56 3222788	Right Left	1592 768 1592 769	1592 768 1592 769	---- ----	---- ----
	1955 Cl. Cp., 3 Cp., 2 D. Sub., AFTER Body Nos. Det. Evans. P26 3 Cp. 3812 1837 P26-1, P27-1, Cl. Cp. 32998 11832 P26-2, P27-2, Cl. Cp. 24438 7800 P26-3, P27-3, Cl. Cp. 47753 13853 P26, P27, 2 D. Sub. 21868 5669	Right Left	1683 538 1683 539	1683 538 1683 539	---- ----	---- ----
	1955 Cv. Cp., Sp. Cl. Cp.	Right Left	1608 838 1608 839	1608 838 1608 839	1650 598 1650 599	1650 598 1650 599
	1955 Cv. Cp., Sp. Cl. Cp. Elec. w/Lift	Right Left	---- ----	---- ----	1650 594 1650 595	1650 594 1650 595
	1955 4 D., C69	Right Left	---- ----	---- ----	---- ----	1620 526 1620 527
	1955 C70	Right Left	---- ----	---- ----	---- ----	1645 802 1645 803
	1956 4 D., 4 D. Sub., Est. Wgn.	Right Left	1656 458 1656 459	1656 458 1656 459	1651 662 1651 663	1651 662 1651 663
	1956 Sp. 4 D., C71, C72	Right Left	1681 074 1681 075	1681 074 1681 075	1690 672 1690 673	1690 672 1690 673
	1956 Sp. 4 D. Elec. w/Lift	Right Left	---- ----	---- ----	1652 166 1652 167	1652 166 1652 167

★ Indicates use as required.

⊠ Indicates parts not listed in any previous parts book.
Nov. 28, 1958 Supersedes Nov. 15, 1957.

Printed in U.S.A.
Prices and specifications subject to change without notice.
* Indicates change or addition.

CODE	REMARKS	PER CAR	PLYMOUTH	DODGE	DESOTO	CHRYSLER AND IMPERIAL
1956	Cl. Sed., 3 Cp., 2 D. Sub.	Right 1	1657 006	1657 006	----	----
		Left 1	1657 007	1657 007	----	----
1956	Cv. Cp., Sp. Cl. Cp.	Right 1	1657 002	1657 002	1651 076	1651 076
		Left 1	1657 003	1657 003	1651 077	1651 077
1956	Cv. Cp., Sp. Cl. Cp. Elec. w/Lift	Right 1	----	----	1651 078	1651 078
		Left 1	----	----	1651 079	1651 079
1956	C70	Right 1	----	----	----	1686 068
		Left 1	----	----	----	1686 069
23-11-2	Door, Front, Trimmed, includes Hardware and Glass All Codes.					

NOTE: Door assemblies complete, will not longer be listed by part number in the parts book. Door assemblies complete, will be available during the production run of the car model and will be furnished on special order only. The vehicle SERIAL NUMBER must be noted on the order.

23-11-3	SHELL, Rear Door					
1955	4 D.	Right 1	1592 772	1609 590	1620 544	1620 544
		Left 1	1592 773	1609 591	1620 545	1620 545
1955	4 D. Sub., Est. Wgn.	Right 1	1592 788	1592 788	1577 952	1577 952
		Left 1	1592 789	1592 789	1577 953	1577 953
1955	Limo.	Right 1	----	----	----	1593 984
		Left 1	----	----	----	1593 985
1955	8 Sed.	Right 1	----	----	----	1629 400
		Left 1	----	----	----	1629 401
1956	4 D.	Right 1	1657 210	1683 364	1651 226	1651 226
		Left 1	1657 211	1683 365	1651 227	1651 227
1956	Sp. 4 D., C71, C72	Right 1	1681 082	1681 082	1652 190	1652 190
		Left 1	1681 083	1681 083	1652 191	1652 191
1956	Sp. 4 D. Elec. w/Lift	Right 1	----	----	1652 178	1652 178
		Left 1	----	----	1652 179	1652 179
1956	4 D. Sub., Est. Wgn.	Right 1	1657 292	1657 292	1651 674	1651 674
		Left 1	1657 293	1657 293	1651 675	1651 675
1956	8 Sed.	Right 1	----	----	----	1686 082
		Left 1	----	----	----	1686 083
1956	Limo.	Right 1	----	----	----	1686 084
		Left 1	----	----	----	1686 085
23-11-4	Door, Rear, Trimmed, includes Hardware and Glass All Codes.					

NOTE: Door assemblies complete, will no longer be listed by part number in the parts book. Door assemblies complete will be available during the production run of the car model and will be furnished on special order only. The vehicle SERIAL NUMBER must be noted on the order.

23-11-21	LETTERS, Rear Door Name					
1956	Sp. 4D., C73	I 4	----	----	----	1621 385
		M 2	----	----	----	1621 386
		P 2	----	----	----	1621 387
		E 2	----	----	----	1621 388
		R 2	----	----	----	1621 389
		A 2	----	----	----	1621 390
		L 2	----	----	----	1621 391

23-14-0 DOOR REGULATOR AND REMOTE CONTROL HANDLES

23-14-10	HANDLE, Door Outside					
1955	All	Right ★	*1681 850	*1681 850	1597 626	1597 626
		Left ★	*1681 851	*1681 851	1597 627	1597 627
1956	All	Right ★	1682 512	1682 512	1650 612	1650 612
		Left ★	1682 513	1682 513	1650 613	1650 613
1956	4 D. Taxi,	Right 2	----	1682 080	----	----
		Left 2	----	1682 081	----	----
23-14-11	SCREW and WASHER, Door Outside Handle Attaching					
1955-56	4 D., Sp. 4 D., Est. Wgn.	Front 2	----	----	1620 461	1620 461
		Rear 2	----	----	1598 836	1598 836
1955	C70	4	----	----	----	1620 461
1956	C70	4	----	----	----	1598 836
23-14-14	SCREW, Door Outside Handle Escutcheon to Door Panel Rear Attaching					
1955	All	★	----	----	163 210	163 210
23-14-15	RETAINER, Door Outside Handle					
1955	All	★	----	----	1597 698	1597 698

★ Indicates use as required.

⊠ Indicates parts not listed in any previous parts book.

* Indicates change or addition.

Printed in U.S.A.

Prices and specifications subject to change without notice.

Nov. 28, 1958 Supersedes May 31, 1957.

1955-56 PASSENGER CAR PARTS LIST

BODY

CODE	REMARKS	PER CAR	PLYMOUTH	DODGE	DESOTO	CHRYSLER AND IMPERIAL
23-14-17	SPRING, Door Outside Handle					
1955	All Use w/1593 316-7 Handles	★	1593 324	----	----	----
1955	All Use w/1579 644-5 Handles	★	*1681 862	*1681 862	----	----
1955	All Flat	★	----	----	1598 344	1598 344
1955	All Coil	★	----	----	1598 342	1598 342
1956	All	★	1683 588	1683 588	1650 976	1650 976
23-14-18	HANDLE, Window Regulator					
1955-56	All Chrome	★	1593 246	*1602 540	1602 533	1602 529
23-14-19	ESCUTCHEON, Door Remote Control Handle, w/CROWN					
1955	C69 Right	★	----	----	----	1607 918
	Left	★	----	----	----	1607 919
1955	C70 Right	1	----	----	----	1646 556
	Left	1	----	----	----	1646 557
1956	C70, C73 Right	★	----	----	----	1684 302
	Left	★	----	----	----	1684 303
23-14-21	SPRING, Regulator and Remote Control Handle					
1955-56	All	★	1695 431	1695 431	1695 431	1695 431
23-14-23	CLIP, Regulator and Remote Control Handle Retaining					
1955-56	All	★	1602 532	1602 532	1602 532	1602 532
23-14-24	SPACER, Regulator and Remote Control Handle Retaining					
1955-56	All	★	1575 913	1575 913	1575 913	1575 913
23-14-26	PLATE, Door Outside Handle Spring Retaining					
1955	All Use w/1593 316-7 Handles	★	1593 322	----	----	----
23-14-27	HANDLE, Door Remote Control					
1955-56	All Chrome	★	1593 022	1575 917	1575 918	1602 527
23-14-39	HANDLE, Door Vent Wing					
1955-56	All Right Front	1	1597 336	1597 336	1597 336	1597 336
	Left Front	1	1597 337	1597 337	1597 337	1597 337
1955-56	4 D., 4 D. Sub., Est. Wgn. Right Rear	1	1385 505	1385 505	1385 505	1385 505
	Left Rear	1	1385 506	1385 506	1385 506	1385 506
23-14-40	SHAFT and BRACKET, Door Vent Wing Handle					
1955-56	except Sp. 4 D. Front Right	1	1593 212	1593 212	1593 212	1593 212
	Left	1	1593 213	1593 213	1593 213	1593 213
1955-56	4 D., 4 D. Sub., Est. Wgn. Rear	2	1303 899	1303 899	1303 899	1303 899
1956	Sp. 4 D. Front Right	1	1593 212	1593 212	1651 862	1651 862
	Left	1	1593 213	1593 213	1651 863	1651 863
23-14-41	SHAFT, Door Vent Wing Handle					
1955-56	All	★	767 693	767 693	767 693	767 693
23-14-42	RIVET, Vent Wing Handle Shaft Bracket					
1955-56	All Front	6	E6000 157	E6000 157	E6000 157	E6000 157
	Rear	4	E6000 142	E6000 142	E6000 142	E6000 142
23-14-53	HANDLE PACKAGE, Door Vent Wing					
1955-56	All	★	1450 156	1450 156	1450 156	1450 156
23-14-79	HANDLE, Quarter Window Regulator					
1955-56	All	2	*1608 681	*1602 540	*1602 533	*1602 529
23-14-95	HANDLE, Front Quarter Window Sliding Glass					
1955-56	2 D. Sub	2	1246 947	1246 947	----	----
23-14-149	GASKET, Door Outside Handle Internal Sealing					
1955	All	★	1593 321	1593 321	----	----
23-14-150	NUT, Door Outside Handle Attaching					
1955	All	★	1595 986	1595 986	----	----
1956	All	★	----	----	*6010 098	*6010 098
23-14-151	BUTTON, Door Outside Handle Push					
1955	All Use w/1593 316-7 Handles	★	1593 320	----	----	----
1955	All w/Arm and Adjusting Screw	★	1681 862	1681 862	----	----
23-14-152	ROD or SCREW, Door Outside Handle Push Rod Adjusting					
1955	All Use w/1593 316-7 Handles	★	1593 323	----	----	----
23-14-153	BUMPER, Door Outside Handle					
1955	All	★	----	----	1598 347	1598 347
1956	All	★	----	----	1651 493	1651 493
23-14-155	PIN, Door Outside Handle Pivot					
1955-56	All	★	----	----	1598 343	1598 343
1956	All	★	*6000 247	*6000 247	----	----

★ Indicates use as required.

E Indicates parts not listed in any previous parts book.

Nov. 28, 1958 Supersedes Nov. 15, 1957.

Page 23-72

Printed in U.S.A.
Prices and specifications subject to change without notice.

* Indicates change or addition.

CODE	REMARKS	PER CAR	PLYMOUTH	DODGE	DESOTO	CHRYSLER AND IMPERIAL
23-15-0 DOOR HINGES						
23-15-1	HINGE, Door Upper					
1955-56	All					
	Front Right	1	1593 512	1593 512	1597 560	1597 560
	Left	1	1593 513	1593 513	1597 561	1597 561
1955	4 D., 4 D. Sub., Est. Wgn.					
	Rear Right	1	1593 638	1593 638	1548 534	1548 534
	Left	1	1593 639	1593 639	1548 535	1548 535
1955-56	All, w/Elec. w/Lift					
	Front Right	1	----	----	1621 548	1621 548
	Left	1	----	----	1621 549	1621 549
1955-56	C70					
	Rear Right	1	----	----	----	1548 534
	Left	1	----	----	----	1548 535
1956	Sp. 4 D.					
	Rear Right	1	1705 372	1705 372	1690 250	1690 250
	Left	1	1705 373	1705 373	1690 251	1690 251
1956	4 D., 4 D. Sub., Est. Wgn.					
	Rear Right	1	1593 638	1694 266	1548 534	1548 534
	Left	1	1593 639	1694 267	1548 535	1548 535
23-15-3	HINGE, Door Lower					
1955-56	All					
	Front Right	1	1593 518	1593 518	1597 560	1597 560
	Left	1	1593 519	1593 519	1597 561	1597 561
1955-56	C70					
	Rear Right	1	----	----	----	1548 538
	Left	1	----	----	----	1548 539
1955-56	4D., 4D. Sub., Est. Wgn.					
	Rear Right	1	*1593 642	*1593 642	1548 538	1548 538
	Left	1	*1593 643	*1593 643	1548 539	1548 539
1956	Sp. 4 D.					
	Rear Right	1	1705 374	1705 374	1690 252	1690 252
	Left	1	1705 375	1705 375	1690 253	1690 253
23-15-8	COVER, Rear Door Hinge					
1956	Sp. 4 D.					
	Prime Upper Right	1	1681 168	1681 168	----	----
	Left	1	1681 169	1681 169	----	----
	Lower	2	1681 188	1681 188	----	----
23-15-9	PIN, Door Hinge					
1955-56	All					
	Front	4	6000 209	6000 209	1547 551	1547 551
	Rear	4	6006 043	6006 043	1547 615	1547 615
23-15-10	SCREW and WASHER, Door Hinge					
1956	All					
	Front	★	1244 818	1244 818	6006 056	6006 056
1956	except Sp. 4 D.					
	Rear to Door	12	1244 818	1244 818	911 267	911 267
	To Body	12	1592 979	1592 979	6006 242	6006 242
1956	Sp. 4 D.					
	Rear to Door	12	1244 818	1244 818	6006 056	6006 056
	To Body	12	440 074	440 074	1690 332	1690 332
23-15-13	PLATE, Door Hinge Tapping					
1956	Sp. 4 D.					
	Rear	4	----	----	1650 644	1650 644
23-15-21	RETAINER, Rear Door Lower Hinge Tapping Plate					
1956	Sp. 4 D.					
		2	1681 831	1681 831	1650 645	1650 645
23-15-22	GROMMET, Door Hinge					
1955-56	All					
	Front	4	1708 579	1708 579	----	----
1955	All					
	Rear	2	1595 987	1595 987	----	----
1956	All					
	Rear	2	1705 816	1755 431	----	----
	SEAL, Rear Door Hinge to Pillar					
1955-56	4 D.					
		4	----	----	1651 642	----
1955	4 D., 8 Sed., Limo.					
		4	----	----	----	1651 642
1956	All, UP TO or AFTER Ser Nos., C71					
	W56-24694, C72 N56-14024, C73 C56-4656,					
	UP TO	4	----	----	----	1651 642
	C70 No. 1 Job					
	AFTER	4	----	----	----	1691 718
23-15-29	WASHER, Hinge Reinforcement to Front Pillar Sealing					
1955	4 D.					
		12	----	----	1620 081	1620 081
1956	4 D.					
		12	----	----	----	1620 081
23-17-0 LOCK CYLINDER AND KEYS						
23-17-2	CYLINDER and KEYS, Door and Ignition Lock					
1955	All					
		1	*1315 511	*1315 511	*1315 511	*1315 511
1956	except Sp. 4 D.					
		★	1649 536	1649 536	*1649 536	1649 536
1956	Sp. 4 D.					
		★	1685 060	1685 060	1685 060	1685 060
23-17-4	PACKAGE, Deck Lid and Glove Box Door Lock					
	Cylinder and Keys					
1955-56	except Limo					
		1	1520 432	1520 069	1602 861	1602 861
1956	Sp. Cl. Cp., Fury					
	Gold Keys	1	1698 229	----	----	----
23-17-5	CYLINDER and KEYS, Deck Lid Lock					
1955-56	All					
		1	1520 635	1455 721	1455 721	1455 721

★ Indicates use as required.

□ Indicates parts not listed in any previous parts book.

* Indicates change or addition.

1955-56 PASSENGER CAR PARTS LIST

BODY

CODE	REMARKS	PER CAR	PLYMOUTH	DODGE	DESOTO	CHRYSLER AND IMPERIAL
23-17-6	KEY, Deck Lid Lock Cylinder Blank 1955-56 All CB Series.	★	1520 798	1520 798	1520 798	1520 798
23-17-9	GASKET, Deck Lid Lock Cylinder 1955-56 All	1	*1696 695	*1696 695	*1696 695	*1696 695
23-17-10	RETAINER, Deck Lid Lock Cylinder 1955-56 All	1	1455 716	1455 716	1455 716	1455 716
23-17-24	CYLINDER and KEYS, Door Lock 1955 All	★	1315 510	1315 510	1315 510	1315 510
	1956 except Sp. 4 D.	★	1649 537	1649 537	1649 537	1649 537
	1956 Sp. 4 D. Right	★	1685 062	1685 062	1685 062	1685 062
	Left	★	1685 063	1685 063	1685 063	1685 063
23-17-25	KEY, Door and Ignition Lock Cylinder Blank 1955 All CB Series	2	1309 149	1309 149	1309 149	1309 149
	1956 except C70 CJ Series	2	1649 628	1649 628	1649 628	1649 628
	1956 C70 CB Series	2	----	----	----	1309 149
23-17-26	LATCH, Door Lock Cylinder 1955 All	★	1474 744	1474 744	1256 562	1256 562
	1956 All	★	*1649 628	*1649 628	*1649 628	*1649 628
23-17-28	RETAINER, Door Lock Cylinder Latch 1955 All	★	1474 743	1474 743	1256 563	1256 563
	1956 All	★	1256 563	1256 563	1256 563	1256 563
23-17-45	PACKAGE, Tailgate and Glove Box Door Lock Cylinder and Keys 1955-56 4 D. Sub., 2 D. Sub., Est. Wgn.	1	1520 364	1520 364	1623 564	1623 564
23-17-49	CYLINDER and KEYS, Tailgate Handle Lock 1955-56 4 D. Sub., 2 D. Sub., Est. Wgn.	1	1520 460	1520 460	1332 807	1332 807
23-17-50	KEY, Tailgate Handle Lock Cylinder Blank 1955-56 4 D. Sub., 2 D. Sub. G Series	2	910 999	910 999	----	----
	1955-56 Est. Wgn. CB Series	2	----	----	1520 798	1520 798
23-17-59	PACKAGE, Deck Lid, Rear Door and Glove Box Lock Cylinder and Keys 1955 Limo.	1	----	----	----	1649 531
	1956 Limo.	1	----	----	----	1649 585
23-17-62	KEY, Glove Box Door Lock Cylinder Blank 1955-56 4 D. Sub., 2 D. Sub. G Series	1	910 999	910 999	----	----
23-17-66	KEY, Deck Lid and Glove Box Lock Cylinder Blank 1955-56 All CB Series	★	1520 798	1520 798	1520 798	1520 798
23-18-0 DOOR LOCKS AND REMOTE CONTROLS						
23-18-5	LOCK, Door 1955 except Cl. Cp., 3 Cp., 2 D. Sub.					
	Front Right	1	1591 578	1591 578	----	----
	Left	1	1591 579	1591 579	----	----
	Rear Right	1	1591 620	1591 620	----	----
	Left	1	1591 621	1591 621	----	----
	1955 3 Cp., Cl. Cp., 2 D. Sub. UP TO Body Nos. Det. Evans					
	3 Cp., P26		3812	1837		
	Cl. Cp., P26-1, P27-1		32998	11832		
	Cl. Cp., P26-2, P27-2		24438	7800		
	Cl. Cp., P26-3, P27-3		47753	13853		
	2 D. Sub., P26-1, P27-1		21868	5669		
	UP TO Ser. No. D55 34953327, D56 3222788					
	Right	1	1591 578	1591 578	----	----
	Left	1	1591 579	1591 579	----	----
	1955 3 Cp., Cl. Cp., 2 D. Sub., AFTER Body Nos. Det. Evans.					
	3 Cp., P26		3812	1837		
	Cl. Cp., P26-1, P27-1		32998	11832		
	Cl. Cp., P26-2, P27-2		24438	7800		
	Cl. Cp., P26-3, P27-3		47753	13853		
	2 D. Sub., P26-1, P27-1		21868	5669		
	AFTER Ser. No. D55 34953327, D56 3222788					
	Right	1	1694 336	1694 336	----	----
	Left	1	1694 337	1694 337	----	----
	1955 4 D., Est. Wgn., C67, C68 Front Right	1	----	----	1548 259	1548 259
	Left	1	----	----	1548 260	1548 260

★ Indicates use as required.

☐ Indicates parts not listed in any previous parts book.
Nov. 28, 1958 Supersedes Jan. 7, 1957.

Printed in U.S.A.
Prices and specifications subject to change without notice.
* Indicates change or addition.

CODE	REMARKS	PER CAR	PLYMOUTH	DODGE	DESOTO	CHRYSLER AND IMPERIAL
	Rear Right	1	----	----	1548 272	1548 272
	Left	1	----	----	1548 273	1548 273
1955	4 D., C69					
	Front Right	1	----	----	----	1598 514
	Left	1	----	----	----	1598 515
	Rear Right	1	----	----	----	1598 516
	Left	1	----	----	----	1598 517
1955	Cv. Cp., Sp. Cl. Cp., C67, C68				1598 518	1598 518
	Right	1	----	----	1598 519	1598 519
	Left	1	----	----	----	1548 265
1955	Sp. Cl. Cp., C69				----	1548 266
	Right	1	----	----	----	1548 265
	Left	1	----	----	----	1548 266
1955	C70				----	1548 259
	Front Right	1	----	----	----	1548 260
	Left	1	----	----	----	1548 260
1955	8 Sed.				----	1548 272
	Rear Right	1	----	----	----	1548 272
	Left	1	----	----	----	1548 273
1955	Limo.				----	1548 259
	Rear Right	1	----	----	----	1548 259
	Left	1	----	----	----	1548 260
1956	Except Sp 4 D.				----	----
	Front Right	1	1683 528	1683 528	----	----
	Left	1	1683 529	1683 529	----	----
1956	Sp. 4 D.				1651 964	1651 964
	Front Right	1	1683 540	1683 540	1651 965	1651 965
	Left	1	1683 541	1683 541	1650 706	1650 706
1956	4 D., Est. Wgn., C71, C72				1650 706	1650 706
	Front Right	1	----	----	1650 707	1650 707
	Left	1	----	----	1650 708	1650 708
1956	4 D., C73				1650 707	1650 707
	Front Right	1	----	----	1650 708	1650 708
	Left	1	----	----	1650 709	1650 709
1956	Cv. Cp., Sp. Cl. Cp., C71, C72				1650 714	1650 714
	Right	1	----	----	1650 715	1650 715
	Left	1	----	----	----	1650 715
1956	Sp. Cl. Cp., C73				----	1650 716
	Right	1	----	----	----	1650 717
	Left	1	----	----	----	1650 717
1956	C70				----	1624 491
	Front Right	1	----	----	----	1624 491
	Left	1	----	----	----	1624 492
1956	4 D., Sp. 4 D., Sub., Est. Wgn., C71, C72				1650 710	1650 710
	Rear Right	1	1681 872	1681 872	1650 711	1650 711
	Left	1	1681 873	1681 873	1650 711	1650 711
1956	4 D., Sp. 4 D., C73				----	1650 712
	Rear Right	1	----	----	----	1650 713
	Left	1	----	----	----	1650 713
1956	Limo.				----	1624 491
	Rear Right	1	----	----	----	1624 491
	Left	1	----	----	----	1624 492
1956	8 Sed.				----	1686 004
	Rear Right	1	----	----	----	1686 004
	Left	1	----	----	----	1686 005
23-18-6	SPRING, Door Lock Slide Anti-Rattle				1476 778	1476 778
	1955-56 All	★	1476 778	1476 778	1476 778	1476 778
23-18-9	RIVET, Door Lock Slide, Plate and Latch				1433 020	1433 020
	1955-56 All	★	1433 020	1433 020	1433 020	1433 020
	Rivet, Door Lock Remote Control Link to Lever				849 429	849 429
	1955-56 All	★	849 429	849 429	849 429	849 429
23-18-11	LINK, Door Lock Remote Control				1592 673	1592 673
	1955-56 4 D., 4 D. Sub., Est. Wgn., C67, C68, C71, C72				1592 673	1592 673
	Front	2	1591 635	1592 673	1597 900	1597 900
	Rear	2	----	----	----	----
	1955-56 4 D.				1578 039	----
	Rear	2	----	1578 039	----	----
	1955-56 4 D. Sub.				1591 635	----
	Rear	2	----	1591 635	----	----
	1955-56 Except 4 D., 4 D. Sub.				1592 955	----
	Rear	2	1592 955	1592 955	----	----
	1955-56 4 D., Est. Wgn., C67, C68, C71, C72				1597 889	1597 889
	Rear	2	----	----	1597 889	1597 889
	1955-56 Cv. Cp., Sp. Cl. Cp., C67, C68, C71, C72				1548 269	1548 269
	1955 4 D., C69				----	1598 294
	Front Right	1	----	----	----	1598 294
	Left	1	----	----	----	1598 295
	Rear Right	1	----	----	----	1598 279
	Left	1	----	----	----	1598 280
	1955-56 Sp. Cl. Cp., C69, C73				----	1598 286
	Right	1	----	----	----	1598 286
	Left	1	----	----	----	1598 287
	1955-56 C70				----	1597 900
	Front	2	----	----	----	1597 900
	1955-56 8 Sed.				----	1544 956
	Rear	2	----	----	----	1544 956
	1956 Sp. 4 D.				1651 914	1651 914
	Front Right	1	----	----	1651 914	1651 914
	Left	1	----	----	1651 915	1651 915
	1956 4 D., C73				----	1650 460
	Front Right	1	----	----	----	1650 461
	Left	1	----	----	----	1650 461
	Rear Right	1	----	----	----	1598 279
	Left	1	----	----	----	1598 280

★ Indicates use as required.
 ☐ Indicates parts not listed in any previous parts book.
 * Indicates change or addition.

1955-56 PASSENGER CAR PARTS LIST

BODY

CODE	REMARKS	PER CAR	PLYMOUTH	DODGE	DESOTO	CHRYSLER AND IMPERIAL
23-18-13	REMOTE CONTROL, Door Lock 1955-56 C67, C68, C71, C72, except Sp. 4 D.					
	Front Right	1	1608 936	1608 936	1548 261	1548 261
	Left	1	1608 937	1608 937	1548 262	1548 262
	Rear Right	1	1608 940	1608 940	1548 276	1548 276
	Left	1	1608 941	1608 941	1548 277	1548 277
1955	C69					
	Front Right	1	----	----	----	1548 263
	Left	1	----	----	----	1548 264
	Rear Right	1	----	----	----	1620 940
	Left	1	----	----	----	1620 941
1956	Sp. 4 D., C71, C72					
	Front Right	1	1681 196	1681 196	1652 004	1652 004
	Left	1	1681 197	1681 197	1652 005	1652 005
	Rear Right	1	1680 598	1680 598	1651 980	1651 980
	Left	1	1680 599	1680 599	1651 981	1651 981
1956	Sp. 4 D., C73					
	Front Right	1	----	----	----	1652 104
	Left	1	----	----	----	1652 105
	Rear Right	1	----	----	----	1652 176
	Left	1	----	----	----	1652 177
1956	4 D., C73					
	Front Right	1	----	----	----	1690 244
	Left	1	----	----	----	1690 245
	Rear Right	1	----	----	----	1620 940
	Left	1	----	----	----	1620 941
1956	Sp. Cl. Cp., C73					
	Right	1	----	----	----	1548 263
	Left	1	----	----	----	1548 264
1955-56	8 Sed.					
	Front Right	1	----	----	----	1646 776
	Left	1	----	----	----	1646 777
	Rear Right	1	----	----	----	1548 276
	Left	1	----	----	----	1548 277
1955-56	Limo.					
	Front Right	1	----	----	----	1548 261
	Left	1	----	----	----	1548 262
	Rear Right	1	----	----	----	1646 744
	Left	1	----	----	----	1646 745
23-18-14	SCREW and WASHER, Door and Quarter Window Regulator Plate and Remote Control and Link 1955-56 All	★	1592 427	1592 427	----	1592 427
23-18-16	PIN, Front Door Lock Handle Lower Pivot Clevis 1956 Sp. 4 D.	2	----	----	1651 738	1651 738
23-18-18	BRACKET, Front Door Lock Handle Lever 1956 Sp. 4 D.					
	Right	1	1681 836	1681 836	1651 462	1651 462
	Left	1	1681 837	1681 837	1651 463	1651 463
23-18-19	WASHER, Door Lock Locking Control Link and Latch Spring 1955 Use as required	★	893 141	893 141	893 141	893 141
23-18-20	LINK, Front Door Lock Handle Lever 1956 Sp. 4 D.	2	1681 259	1681 259	1751 541	1751 541
23-18-21	SPRING, Door Lock Remote Control Lever 1955-56 All	★	849 517	849 517	849 517	849 517
23-18-24	WASHER, Door Lock Remote Control Link to Lever 1955-56 All	★	*6000 118	*6000 118	*6000 118	*6000 118
23-18-25	CONTROL, Rear Door Lock Locking 1955-56 4 D., Est. Wgn.					
	Right	1	1591 654	1578 018	1548 280	1548 280
	Left	1	1591 655	1578 019	1548 281	1548 281
	1955-56 4 D. Sub.					
	Right	1	1591 654	1591 654	----	----
	Left	1	1591 655	1591 655	----	----
	1955-56 8 Sed.					
	Right	1	----	----	----	1628 710
	Left	1	----	----	----	1628 711
	1956 Sp. 4 D.					
	Right	1	1681 160	1681 160	1652 048	1652 048
	Left	1	1681 161	1681 161	1652 049	1652 049
23-18-26	ROD, Rear Door Lock Locking Control 1955-56 4 D., 4 D. Sub.	2	1591 703	1591 703	----	----
	ROD or LINK, Front Door Lock to Lock Cylinder 1956 Sp. 4 D.					
	Right	1	1696 588	1696 588	1691 590	1691 590
	Left	1	1696 589	1696 589	1691 591	1691 591
23-18-27	KNOB, Rear Door Inside Locking Rod 1955-56 Except Sp. 4 D.					
	Tan	2	1373 954	1373 954	1373 954	1373 954
	1956 Sp. 4 D. w/SCREW	2	1773 525	1773 525	1773 525	1773 525

★ Indicates use as required.

⊠ Indicates parts not listed in any previous parts book.
Nov. 28, 1958 Supersedes May 31, 1957.

PASSENGER CAR PARTS LIST 1955-56

CODE	REMARKS	PER CAR	PLYMOUTH	DODGE	DESOTO	CHRYSLER AND IMPERIAL		
23-18-28	SPRING, Front Door Lock Locking Slide 1955-56 All	Right	1	1458 246	1458 246	1458 246		
		Left	1	1458 247	1458 247	1458 247		
	SPRING, Rear Door Lock Locking Control Rod 1955-56 Limo.	Right	1	----	----	1458 246		
		Left	1	----	----	1458 247		
23-18-30	FERRULE, Rear Door Lock Rod Knob 1955-56 4 D., S21, C68, C69, C71, C72 1955-56 8 Sed.		2	----	----	1602 605		
		Chrome	2	----	----	1645 864		
23-18-32	GUIDE, Rear Door Lock Locking Control Link 1955-56 Except Sp. 4 D., Limo.		2	1433 299	1433 299	1475 001		
23-18-33	LINK, Rear Door Lock Locking Control 1955-56 4 D., 4 D. Sub.		2	1591 662	1591 662	----		
23-18-35	RETAINER, Front Door Lock Remote Control Rod 1955-56 Except Sp. 4 D. 1956 Sp. 4 D., C73	Front	2	----	----	1651 657		
		Rear	2	----	----	1651 657		
23-18-37	WASHER, Rear Door Locking Control Knob 1956 Sp. 4 D.		2	1684 293	1684 293	1684 293		
23-18-38	CLIP, Front Door Lock Cylinder Link Clevis 1956 Sp. 4 D.	Right	1	1652 092	1652 092	1652 092		
		Left	1	1652 093	1652 093	1652 093		
23-18-39	WASHER, Rear Door Lock Locking Control Link to Lever Spring 1956 Sp. 4D.		2	----	----	*6000 118		
						*6000 118		
23-18-40	ANTI-RATTLER, Rear Door Lock Locking Control Link 1956 Sp. 4 D.		2	1695 567	1695 567	----		
23-18-41	RING, Front Door Lock Cylinder Locking Rod or Link Retaining 1956 Sp. 4 D.		2	1651 994	1651 994	1651 994		
23-18-69	SPACER, Door Lock Slide 1956 All	Front	★	1655 469	1655 469	----		
		Rear	★	1655 470	1655 470	----		
23-18-73	ROTOR, Door Lock 1955 All	Right	★	1579 280	1579 280	1579 280		
		Left	★	1579 281	1579 281	1579 281		
23-18-75	STUD, Door Lock Rotor 1955 All 1956 Except C70		★	790 332	790 332	790 332		
			★	----	----	790 332		
23-19-0 DECK LID								
23-19-8	LID, Deck 1955 All 1955-56 C70 1956 All 1956 4 D., Sp. 4 D., C71, C72 1956 4 D., Sp. 4 D., C73 1956 Cv. Cp., Sp. Cl. Cp.		1	1579 545	1578 478	1620 391		
			1	----	----	1620 391		
			1	1579 545	1578 478	----		
			1	----	----	1620 391		
			1	----	----	1652 116		
			1	----	----	1652 116		
			1	----	----	1652 116		
23-19-11	LIFT, Deck Lid 1955 P26 1955 P27 1955 D55 1955 D56 1955 C67 1955 C68 1955-56 Sp. Cl. Cp., C68-300, C72-300 1955-56 C69, C70, C73 1956 P28, D63, C71 1956 P29, D62, C72 1956 Sp. Cl. Cp., C72-300		1	1593 907	----	----	----	
			1	1593 964	----	----	----	
			1	----	1599 466	----	----	
			1	----	1599 483	----	----	
			1	----	----	1598 604	1620 506	
			1	----	----	----	1620 268	
			1	----	----	----	1650 527	
			1	----	----	----	1598 557	
			1	1646 403	1646 496	----	1650 771	
			1	1646 402	1646 497	1621 368	1650 365	
			1	----	----	----	1691 200	
		23-19-12	MEDALLION or INSERT, Deck Lid Lift 1955 C68 1955-56 C69, C70, C73 1956 All		1	----	----	1599 391
					1	----	----	1598 506
	1			----	1646 444	----	----	
23-19-14	NUT, Rear Deck Lid Lift Medallion to Deck Lid Lift Attaching 1955-56 C68, C69, C70, C73		2	----	----	6010 039		

★ Indicates use as required.

☐ Indicates parts not listed in any previous parts book.

* Indicates change or addition.

Printed in U.S.A.

Prices and specifications subject to change without notice.

Nov. 28, 1958 Supersedes Jan. 7, 1957.

1955-56 PASSENGER CAR PARTS LIST

BODY

CODE	REMARKS	PER CAR	PLYMOUTH	DODGE	DESOTO	CHRYSLER AND IMPERIAL
23-19-15	BASE, Deck Lid Medallion					
	1956 All	1	----	1646 497	----	----
23-19-17	WASHER, Deck Lid Lift to Deck Lid Sealing					
	1955 All	★	1542 426	1542 426	1333 095	1333 095
	1955 All Name Plate	3	----	1333 095	----	----
23-19-19	NUT and WASHER, Deck Lid Lift Attaching					
	1955 C67, C68	2	1544 368	----	----	6010 039
	1956 C72	★	1544 368	1621 895	1598 066	1621 895
23-19-38	STUD, Deck Lid Lift					
	1955 C68	5	----	----	----	1244 141
23-19-63	BUMPER, Deck Lid					
	1955-56 All	1	----	----	1621 078	1621 078
23-19-70	CATCH, Deck Lid Lock					
	1955-56 All	1	1548 801	1548 801	1548 801	1548 801
23-19-74	SUPPORT, Deck Lid Lock Catch					
	1955 All w/RETAINER and NUT	1	1593 634	1577 161	1548 811	1548 811
	1956 All	1	1593 634	1577 161	----	----
	1956 4 D., Sp. 4 D., C71, C72	1	----	----	1621 590	1621 590
	1956 4 D., Sp. 4 D., C73	1	----	----	----	1621 589
	1956 Cv. Cp., Sp. Cl. Cp.	1	----	----	1621 589	1621 589
	1956 C70	1	----	----	----	1548 811
23-19-82	SUPPORT, Deck Lid Hinge Body Bracket					
	1955-56 Except Cv. Cp. Right	1	1593 440	1578 077	----	----
	Left	1	1593 441	1578 078	----	----
	1955-56 Cv. Cp. Right	1	1579 694	----	----	----
	Left	1	1579 695	----	----	----
	1955 All Right	1	----	----	1620 296	1620 296
	Left	1	----	----	1620 297	1620 297
	1956 except C70 Right	1	----	----	1620 846	1620 846
	Left	1	----	----	1620 847	1620 847
	1956 C70 Right	1	----	----	----	1620 296
	Left	1	----	----	----	1620 297
23-19-83	STRAINER, Deck Lid Hinge Support to Belt Bar					
	1956 4 D., Sp. 4 D., C73 Right	1	----	----	----	1620 914
	Left	1	----	----	----	1620 915
	1956 Sp. Cl. Cp., C73 Right	1	----	----	----	1620 850
	Left	1	----	----	----	1620 851
23-19-84	HINGE, Deck Lid					
	1955-56 Except Cv. Cp. Right	1	1579 206	1579 206	1579 206	1579 206
	Left	1	1579 207	1579 207	1579 207	1579 207
	1955-56 Cv. Cp. Right	1	1593 814	1593 814	1579 206	1579 206
	Left	1	1593 815	1593 815	1579 207	1579 207
23-19-105	LOCK, Deck Lid					
	1955-56 All	1	⊠1810 046	⊠1810 046	⊠1810 046	⊠1810 046
23-19-114	NAME PLATE, Deck Lid					
	1955-56 All Overdrive	1	1595 998	----	----	----
	1955-56 All Power Flite	1	1593 337	----	----	----
	1955 P27 Plymouth	1	1657 797	----	----	----
	1955 All Dodge	1	----	1599 094	----	----
	1955-56 All Letter D	1	----	----	1599 001	----
	Letter E	1	----	----	1599 002	----
	Letter S	1	----	----	1599 003	----
	Letter O	2	----	----	1599 004	----
	Letter T	1	----	----	1599 005	----
	1955 C67 Chrome, Windsor	1	----	----	----	1620 271
	1955 C67, C68 Chrome, Chrysler	1	----	----	----	1620 270
	1955 C69, C70 Chrome, Imperial	1	----	----	----	1598 056
	1956 All Dodge	1	----	1645 884	----	----
	1956 Sp. Cl. Cp., Cv. Cp., Cl. Sed., D63 Flags	1	----	1599 218	----	----
	Speed Clip	2	----	445 160	----	----
	1956 4 D., Sp. Cl. Cp. Texan	1	----	1706 782	----	----
	1956 C72 Letter C	1	----	----	----	1621 377
	Letter H	1	----	----	----	1621 378
	Letter R	2	----	----	----	1621 379
	Letter Y	1	----	----	----	1621 380
	Letter S	1	----	----	----	1621 381
	Letter L	1	----	----	----	1621 382
	Letter E	1	----	----	----	1621 383

★ Indicates use as required.

⊠ Indicates parts not listed in any previous parts book.
 Nov. 28, 1958 Supersedes Jan. 7, 1957.

Printed in U.S.A.
 Prices and specifications subject to change without notice.
 * Indicates change or addition.

PASSENGER CAR PARTS LIST 1955-56

CODE	REMARKS	PER CAR	PLYMOUTH	DODGE	DESOTO	CHRYSLER AND IMPERIAL
	MEDALLION, Deck Lid					
	1955 All	Lift 1	----	1599 381	----	----
	1955-56 C69, C70	1	----	----	----	1598 388
23-19-115	NUT, Deck Lid Medallion to Base Attaching					
	1955 All	2	----	1494 321	----	----
	NUT, Deck Lid Name Letters Attaching					
	1956 C72, C73	16	----	----	----	1621 895
23-19-118	STUD, Deck Lid Lift or Medallion Base					
	1955 D56	3	----	1244 141	----	----
23-19-122	CLIP, Deck Lid Name Plate or Letters Attaching					
	1955 C67	6	----	----	----	E6006 013
	1956 All Overdrive and PowerFlite	★	445 160	----	----	----
	1955-56 All	★	----	1573 481	E6006 166	----
23-19-124	SEAL, Deck Lid Name Plate					
	1955 All	★	E6000 377	----	----	----
	1955-56 C69, C70	1	----	1599 533	----	1333 095
	1955-56 All	12	----	----	E6000 377	----
	1955 C68, C69	4	----	----	----	1333 095
	1955 C67	6	----	----	----	E6000 377
	1956 All	★	E6000 377	E6000 377	----	----
23-19-177	BAR, Deck Lid Hinge Torsion					
	1955 All	Right 1	1595 964	1595 964	1595 964	1595 964
		Left 1	1595 965	1595 965	1595 965	1595 965
	1956 Except C70	Right 1	1595 964	1595 964	1620 852	1620 852
		Left 1	1595 965	1595 965	1620 853	1620 853
	1956 C70	Right 1	----	----	----	1595 964
		Left 1	----	----	----	1595 965
23-19-178	CLIP or ROLLER, Deck Lid Hinge Torsion Bar					
	1955 All	1	1579 532	1579 532	1579 532	1579 532
	1956 Except Cv. Cp.	1	1579 532	1579 532	1579 532	1579 532
	1956 Cv. Cp.	1	1579 532	1579 532	1621 861	1621 861
	1955-56 All	2	1579 962	1579 962	1579 962	1579 962
23-19-179	FASTENER, Deck Lid Hinge Torsion Bar Center Clip					
	1955 All	2	----	1597 907	----	----
23-19-180	COVER, Deck License Lamp Access Hole					
	1955-56 All	White 1	1593 667	----	----	----
23-20-0 FLOOR MATS						
23-20-8	MAT, Front Floor					
	1955-56 All	Black 1	*1696 858	----	----	----
		Code 407, 713 Turquoise 1	1609 620	----	----	----
		Code 404, 708, 717 Brown 1	1609 845	----	----	----
	1955-56 D55, D56, D62, D63-1	Black 1	----	*1623 268	----	----
	1955 All	Black 1	----	----	*1603 121	*1603 124
	1955 Limo.	Black 1	----	----	----	1646 617
	1955 Est. Wgn., C67	Blue 1	----	----	----	1603 127
	1956 4D., Cl. Sed., Sp. Cl. Cp., P28-2, P29-2	Blue 1	*1655 192	----	----	----
		Reddish Brown 1	1655 194	----	----	----
	1956 S23	Black 1	----	----	1603 121	----
		Green 1	----	----	1649 756	----
	1956 4 D., Est. Wgn., C71	Black 1	----	----	----	1603 124
		Brown 1	----	----	----	1649 752
		Green 1	----	----	----	1649 750
	1956 4 D., C71, UP TO Ser. No. 19515 and					
	AFTER Ser. No. 25683	Blue 1	----	----	----	*1649 749
	1956 4 D., C71, FROM Ser. No. 19515 to					
	Ser. No. 25683	Blue 1	----	----	----	1603 127
	1956 4 D., C71	Gray 1	----	----	----	1649 751
	1956 Sp. Cl. Cp., C71-1	Black 1	----	----	----	1603 124
23-20-11	MAT, Intermediate Floor					
	1955-56 2 D. Sub., P26-1, P27-1, P28-1, P28-2,					
	P29-1, P29-2, D55-1, D56, D62,					
	D63-1	2 Seater Black 1	1629 163	1639 168	----	----
	1955-56 4 D. Sub., P26-1, P27-1, P28-2, P28-3,					
	P29-2, P29-3	2 Seater Black 1	1645 528	1645 529	----	----
	1955 4 D. Sub., D55-2	3 Seater Black 1	----	1628 245	----	----

★ Indicates use as required.

☐ Indicates parts not listed in any previous parts book.

* Indicates change or addition.

1955-56 PASSENGER CAR PARTS LIST

BODY

CODE	REMARKS	PER CAR	PLYMOUTH	DODGE	DESOTO	CHRYSLER AND IMPERIAL
1956	2 D. Sub., P28-2, P29-2	2 Seater Tan Brown	1 1	1695 824 1696 922	----	----
1956	4 D. Sub.	2 Seater Tan Brown	1 1	1682 497 1696 921	----	----
1956	4 D. Sub., P28-3, P29-3	3 Seater, Front Green Rear Green	1 1	1706 343 1706 341	----	----
1956	4 D. Sub.	3 Seater, Front Tan Rear Tan	1 1	1683 798 1683 797	----	----
		Front Brown	1	1696 923	----	----
		Rear Brown	1	1696 924	----	----
1956	4 D. Sub., D63-1	3 Seater, Front Black Rear Black	1 1	1695 898 1683 895	1646 238 1683 895	----
23-20-12	EXTENSION, Front Floor Mat Side					
1955-56	Except P26-2, P27-2, P28-2, P28-3, P29-2, P29-3	Black	2	1609 829	----	----
1955	4 D. Sub., D55-2	Black	2	----	1696 284	----
1955-56	4 D. Sub., 2 D. Sub., D55-1, D56, D62, D63-1	Black	2	----	1609 829	----
1956	4 D., Cl. Sed., Sp. Cl. Cp., P28-2, P29-2,	Green	2	1655 805	----	----
		Blue	2	1655 806	----	----
		Reddish Brown	2	1655 808	----	----
1955-56	Except P26-1, P27-1, P28-1, P29-1	Black	2	1696 284	----	----
1956	4 D. Sub., 2 D. Sub.	Tan	2	1696 295	----	----
1956	4 D. Sub., P28-3, P29-3	Green	2	1655 805	----	----
1956	P28-2, P28-3, P29-2, P29-3	Cocoa Brown	2	1696 920	----	----
23-20-14	PLATE, Door Sill					
1955-56	4D., Est. Wgn.	Front Right	1	*1593 344	*1602 622	*1602 572
		Left	1	1593 345	1602 623	1602 573
1955-56	4 D., 4 D. Sub.	Rear Right	1	1593 266	1602 624	1602 574
		Left	1	1593 267	1602 625	1602 575
1955-56	4 D. Sub.	Front Right	1	1593 344	1595 946	----
		Left	1	1593 345	1595 947	----
1955-56	except 4 D., Sp. 4 D., 4 D. Sub.	Right	1	1593 418	1602 726	1602 576
		Left	1	1593 419	1602 727	1602 577
1955	4 D., C69	Front Right	1	----	----	1602 578
		Left	1	----	----	1602 579
		Rear Right	1	----	----	1602 574
		Left	1	----	----	1602 575
1955-56	Est. Wgn.	Rear Right	1	----	----	1623 953
		Left	1	----	----	1623 954
1955-56	C70	Front Right	1	----	----	1602 572
		Left	1	----	----	1602 573
1955-56	C70	Rear Right	1	----	----	1629 512
		Left	1	----	----	1629 513
1956	Sp. 4 D.	Front Right	1	1682 072	1682 072	1684 264
		Left	1	1682 073	1682 073	1684 265
		Rear Right	1	1681 892	1681 892	1684 266
		Left	1	1681 893	1681 893	1684 267
23-20-17	SUPPORT, Rear Floor Mat at Center Pillar					
1956	Sp. 4 D.	Prime Right	1	1696 572	1696 572	----
		Left	1	1696 573	1696 573	----
23-20-23	NAME PLATE, Front Door Sill Plate Extension					
1955-56	C69	Imperial	2	----	----	1541 418
1955-56	8 Sed.	Imperial	2	----	----	1541 418
23-20-24	EXTENSION, Front Door Sill Plate					
1955	P26-2, P26-3, P27-2, P27-3 except Sub. D55-3		2	1602 626	1602 626	----
1955	S21	DeSoto	2	----	----	1602 583
1955-56	4 D., S22, S24		2	----	----	1602 583
1955-56	C68, C69, C71, C72, C73		2	----	----	1602 584
1955-56	8 Sed.		2	----	----	1602 584
1956	Except Sub.		2	----	1602 626	----
23-20-27	SCREW, Door Sill Plate Attaching					
1955	All		★	1602 821	1602 821	1602 821
1956	All		★	----	----	6000 348

★ Indicates use as required.

□ Indicates parts not listed in any previous parts book.
Nov. 28, 1958 Supersedes May 31, 1957.

Printed in U.S.A.

Prices and specifications subject to change without notice.

* Indicates change or addition.

PASSENGER CAR PARTS LIST 1955-56

BODY

Page 23-81

CODE	REMARKS	PER CAR	PLYMOUTH	DODGE	DESOTO	CHRYSLER AND IMPERIAL
23-20-28	CLIP, Front Door Sill Plate Extension to Sill Plate Attaching					
1955-56	All	10	----	----	1602 643	1602 643
23-20-29	MAT, Rear Deck Floor Pan					
1955	4 D., Cl. Cp., Cl. Sed., P26-1, P27-1	1	1592 346	----	----	----
1955	P26-2, P27-2, P26-3, P27-3, C67 except Sub.	1	1592 347	----	----	1603 134
1955-56	P26-2, P27-2	1	1592 346	----	----	----
1955	except Sub. All Codes Right	1	----	1640 099	----	----
1955-56	All All Codes	1	----	1453 669	----	----
1955-56	3 Cp. Black	1	1609 828	----	----	----
1955	All Gray Right	1	----	----	1623 938	----
		1	----	----	1623 898	----
1956	except Sub., P28-1, P29-1	1	1592 347	----	----	----
1956	Sp. 4 D.	1	----	1640 099	----	----
1956	4 D., Sp. 4 D., C71	1	----	----	1649 990	1649 990
1956	Cv. Cp., Sp. Cl. Cp., C71	1	----	----	1649 992	1649 992
23-20-31	SUPPORT, Front Door Sill Plate Extension					
1955	D55-3	2	----	1579 566	----	----
1955-56	All	2	----	----	1623 377	1623 377
23-20-33	CAP, Door Sill Plate					
1955-56	4D., 4D. Sub.	2	----	*1680 141	----	----
23-20-36	COVER or MAT, Tool Compartment Floor Pan					
1955	4 D. Sub., 2 D. Sub., 2 Seat	1	----	1680 271	----	----
1955-56	4 D. Sub., 2 D. Sub., 2 Seat Upper	1	----	1680 272	----	----
1956	4 D. Sub., 2 D. Sub., 2 Seat	1	----	1696 116	----	----
1956	4 D. Sub.	1	----	1696 130	----	----
23-20-41	MAT, Rear Floor					
1955-56	4 D., P26-1, P26-3, P27-1, P27-3, P28-1, P28-2, P29-1, P29-2	1	*1696 860	----	----	----
1955	4 D. Sub., P26-1, P27-1	1	1628 240	----	----	----
1955-56	2 D. Sub., P28-1, P29-1	1	1628 240	----	----	----
1955	4 D. Sub., P26-2, P27-2 3 Seater					
		1	1628 241	----	----	----
		1	1628 242	----	----	----
		1	1628 243	----	----	----
1955	4 D. Sub., P26-2, P27-2, 2 Seater, UP TO; P26-2 13982389, P27-2 15783310					
		1	1628 241	----	----	----
		1	1628 242	----	----	----
		1	1628 243	----	----	----
1955	4 D. Sub., P26-2, P27-2, 2 Seater AFTER: P26-2 13982389. P27-2 15783310	1	1628 240	----	----	----
1955-56	Cl. Cp., Cl. Sed., except P26-2, P27-2, P28-3, P29-3	1	1609 600	----	----	----
1955-56	3 Cp.	1	1628 055	----	----	----
1955	4 D.	1	----	1623 278	----	----
1955	Cl. Cp.	1	----	1623 279	----	----
1955	Sub. 2 or 3 Seater	1	----	1628 245	----	----
1955	4 D. Sub., D55-2, 3 Seater	1	----	1646 260	----	----
1955-56	Sp. Cl. Cp., D55, D63	1	----	*1640 066	----	----
1955	Est. Wgn., C67	1	----	----	1640 002	1640 002
1955	4 D., C67	1	----	----	----	1603 131
		1	----	----	----	1640 727
1955	Cl. Cp., C67-1	1	----	----	----	1603 136
1956	4 D., P28-2, P29-2	1	1655 195	----	----	----
		1	1655 196	----	----	----
		1	1655 198	----	----	----
		1	1696 919	----	----	----
1956	Cl. Sed., P28-2, P29-2	1	1655 809	----	----	----
		1	1655 810	----	----	----
		1	1655 812	----	----	----
		1	1696 925	----	----	----

★ Indicates use as required.

☐ Indicates parts not listed in any previous parts book.

* Indicates change or addition.

1955-56 PASSENGER CAR PARTS LIST

BODY

CODE	REMARKS	PER CAR	PLYMOUTH	DODGE	DESOTO	CHRYSLER AND IMPERIAL
1956	Sp. Cl. Cp., P28-2, P29-2	Blue	1	1656 979	----	----
		Black	1	1656 980	----	----
		Reddish Brown	1	1656 981	----	----
		Cocoa Brown	1	1696 926	----	----
1956	Sp. 4 D., except D63-3	Black	1	----	1694 872	----
1956	4 D., except D63-3	Black	1	----	1623 278	----
1956	Cl. Sed.	Black	1	----	1623 279	----
1956	Cv. Cp., D63-1	Black	1	----	1696 059	----
1956	Sp. 4 D., S23	Blue	1	----	1649 717	----
		Green	1	----	1649 718	----
		Black	1	----	1649 719	----
1956	Cv. Cp., Sp. Cl. Cp., S23	Blue	1	----	1649 720	----
		Green	1	----	1649 721	----
		Black	1	----	1649 722	----
1956	4 D., S23, C71	Black	1	----	1649 723	1649 741
		Blue	1	----	1649 724	----
		Green	1	----	1649 725	1649 743
		Gray	1	----	----	1649 744
1956	4 D., C71, UP TO Ser. No. 19515 and AFTER Ser. No. 25683	Brown	1	----	----	1649 745
		Blue	1	----	----	1649 742
1956	4 D., C71, FROM Ser. No. 19515 to Ser. No. 25683.	Blue	1	----	----	1603 131
1956	Est. Wgn., C71	Green	1	----	----	1649 782
		Brown	1	----	----	1649 783
		Black	1	----	1640 002	1640 002
1956	Sp. Cl. Cp., C71-1	Black	1	----	----	1649 746

23-21-0 MIRRORS

23-21-3	PACKAGE, Rear View Outside Mirror	1956 All	Right	1	----	1692 714	----	----
			Left	1	----	1692 715	----	----
23-21-8	MIRROR, Rear View Inside	1955-56 All	Chrome	1	*1602 412	*1602 412	*1602 412	*1602 412
23-21-9	NUT, Rear View Inside Mirror to Bracket Attaching Lock	1955 All		1	1640 524	1640 524	1640 524	1640 524
23-21-11	SCREW, Rear View Inside Mirror to Bracket	1955 All		1	1602 848	1602 848	1602 848	1602 848
23-21-14	BRACKET, Rear View Inside Mirror	1955-56 except Sp. 4 D., Cv. Cp., Sp. Cl. Cp.		1	1544 952	1579 348	----	----
		1955-56 Sp. 4D., Cv. Cp., Sp. Cl. Cp.		1	1544 953	*1544 953	----	----
		1955 All	Chrome	1	----	----	1640 659	----
		1955-56 Cv. Cp.	Chrome	1	----	----	1602 910	1602 910
		1955-56 except Cv. Cp.	Chrome	1	----	----	*1640 659	*1640 659
23-21-15	MIRROR, Rear View Outside	1955-56 All		★	*1772 447	*1772 447	*1772 447	*1772 447
		1956 All	Front Fender	★	1697 210	----	----	----
23-21-17	SCREW, Rear View Outside Mirror Mounting Bracket	1955-56 All		1	1331 768	1331 768	1331 768	1331 768
			Front Fender Rear View Outside Mirror Base to Block Attaching	★	----	892 569	----	----
23-21-19	SPACER, Front Fender Rear View Outside Mirror Base Attaching	1955-56 All		★	----	1335 338	----	----
			BLOCK, Front Fender Rear View Outside Mirror	★	----	1656 049	----	----
23-21-23	BRACKET, Rear View Outside Mirror Mounting	1955 All	On fender	★	1609 540	1609 540	----	----
23-21-24	BASE, Front Fender Outside Rear View Mirror	1956 All		★	----	1609 540	1609 540	1609 540
		1955 All	Chrome Right	1	----	1599 712	----	----
23-21-26	CLIP, Rear View Mirror Inside Mounting		Left	1	----	1599 713	----	----
		1956 All		1	1685 189	1685 189	1685 189	1685 189

★ Indicates use as required.

⊔ Indicates parts not listed in any previous parts book.
Nov. 28, 1958 Supersedes Nov. 15, 1957.

Printed in U.S.A.
Prices and specifications subject to change without notice.
* Indicates change or addition.

PASSENGER CAR PARTS LIST 1955-56

CODE	REMARKS	PER CAR	PLYMOUTH	DODGE	DESOTO	CHRYSLER AND IMPERIAL
23-21-40	SCREW, Rear View Mirror Outside Set 1956 All use w/Clamp on	2	----	----	1520 437	1520 437
23-22-0 GARNISH MOULDINGS						
23-22-4	MOULDING, Body Center Pillar Top Garnish 1956 Sp. 4D. Prime Right	1	1682 134	1682 134	----	----
	Left	1	1682 135	1682 135	----	----
NOTE: For DeSoto and Chrysler see Part Type Code 23-26-58.						
23-22-7	MOULDING, Door Garnish 1955-56 4 D., 4 D. Sub. Prime Right Front	1	1593 192	1593 192	----	----
	Left Front	1	1593 193	1593 193	----	----
	Screw, No. 8-15 x 5/8"	8	145 417	145 417	----	----
	Screw, No. 8-15 x 1"	4	148 095	148 095	----	----
1955-56	4 D. Prime Right Rear	1	1593 264	1578 000	----	----
	Left Rear	1	1593 265	1578 001	----	----
	Screw, No. 8-15 x 5/8"	8	162 400	145 417	----	----
	Screw, No. 8-15 x 1", Apron	4	148 095	148 095	----	----
1955-56	Cl. Cp., Cl. Sed., 3 Cp., 2 D. Sub. Prime Right	1	1593 468	1593 468	----	----
	Left	1	1593 469	1593 469	----	----
1955-56	Cv. Cp., Sp. Cl. Cp. Prime Right	1	1680 124	1680 124	----	----
	Left	1	1680 125	1680 125	----	----
1955-56	4 D. Sub. Prime Rear Right	1	1595 972	1595 972	----	----
	Left	1	1595 973	1595 973	----	----
1955	4 D., S22 Prime Front Right	1	----	----	1623 168	----
	Left	1	----	----	1623 169	----
1955	4 D., S21, C67 Prime Right Front	1	----	----	1623 554	1623 168
	Left Front	1	----	----	1623 555	1623 169
1955-56	4 D., C67, C71 Prime Right Rear	1	----	----	1623 172	1623 172
	Left Rear	1	----	----	1623 173	1623 173
1955	Est. Wgn. Prime Right Front	1	----	----	1623 554	1623 168
	Left Front	1	----	----	1623 555	1623 169
	Right Rear	1	----	----	1623 646	1623 646
	Left Rear	1	----	----	1623 647	1623 647
1955	4 D., S21 Coronado, C68 Chrome Upper Right Front	1	----	----	1602 887	1602 887
	Left Front	1	----	----	1602 888	1602 888
1955	4 D., C69 Chrome Upper Right Front	1	----	----	----	1602 889
	Left Front	1	----	----	----	1602 890
1955	4 D., S21 Coronado, C68, C69 Chrome Upper Right Rear	1	----	----	1623 174	1623 174
	Left Rear	1	----	----	1623 175	1623 175
	Screw, No. 8-15 x 5/8"	12	----	----	145 417	145 417
1955-56	C70 Chrome Upper Right Front	1	----	----	----	1602 887
	Left Front	1	----	----	----	1602 888
	Prime Right Rear	1	----	----	----	1628 850
	Left Rear	1	----	----	----	1628 851
1956	Sp. 4 D. Prime Right Front	1	1680 160	1680 160	----	----
	Left Front	1	1680 161	1680 161	----	----
	Right Rear	1	1680 982	1680 982	----	----
	Left Rear	1	1680 983	1680 983	----	----
1956	Sp. Cl. Cp., Fury Chrome Right	1	1706 754	----	----	----
	Left	1	1706 755	----	----	----
1956	4 D., Est. Wgn., S23 Prime Right Front	1	----	----	1623 168	----
	Left Front	1	----	----	1623 169	----
1956	4 D., S24 Prime Right Front	1	----	----	1649 510	----
	Left Front	1	----	----	1649 511	----
1956	Est. Wgn. Prime Right Rear	1	----	----	1623 646	1623 646
	Left Rear	1	----	----	1623 647	1623 647
1956	4 D. Est. Wgn., C71, C72 Chrome Upper Right Front	1	----	----	----	1602 887
	Left Front	1	----	----	----	1602 888
1956	4 D., C73 Chrome Upper Right Front	1	----	----	----	1649 626
	Left Front	1	----	----	----	1649 627
1956	4 D., C72, C73 Chrome Upper Right Rear	1	----	----	----	1623 174
	Left Rear	1	----	----	----	1623 175

★ Indicates use as required.

☐ Indicates parts not listed in any previous parts book.

* Indicates change or addition.

1955-56 PASSENGER CAR PARTS LIST

BODY

CODE	REMARKS	PER CAR	PLYMOUTH	DODGE	DESOTO	CHRYSLER AND IMPERIAL
23-22-13	RETAINER, Front Door Garnish Moulding 1956 except Cv. Cp., Sp. Cl. Cp.	2	1647 791	1647 791	----	----
23-22-53	MOULDING, Quarter Window Garnish 1955-56 3 Cp., Cl. Cp., Cl. Sed. Prime Right	1	1593 796	1578 188	----	----
	Left	1	1593 797	1578 189	----	----
	1955-56 Sp. Cl. Cp. w/CAP Prime Right	1	1578 534	1578 534	----	----
	Left	1	1578 535	1578 535	----	----
	1955-56 Cv. Cp. w/CAP Prime Right	1	1578 536	1578 536	----	----
	Left	1	1578 537	1578 537	----	----
	1955-56 2 D. Sub. Prime Right	1	1593 838	1593 838	----	----
	Left	1	1593 839	1593 839	----	----
	Screw, No. 8-15 x 1"	18	148 095	148 095	----	----
	1955-56 4 D. Sub., Est. Wgn. Prime Right	1	1579 560	1579 560	1623 698	1623 698
	Left	1	1579 561	1579 561	1623 699	1623 699
	1955 C70 Prime Right	1	----	----	----	1628 958
	Left	1	----	----	----	1628 959
	1956 Sp. Cl. Cp., Fury, w/WEATHERSTRIP Chrome Right	1	1706 750	----	----	----
	Left	1	1706 751	----	----	----
	1956 C70, UP TO Body Nos: 8 Sed. Code 47 1024, Code 46, 48 1027, Limo. Code 47 1098, Code 46, 48 1109 Prime Right	1	----	----	----	1628 958
	Left	1	----	----	----	1628 959
	1956 C70, AFTER Body Nos: 8 Sed. Code 47 1024, Code 46, 48 1027, Limo. Code 47 1098, Code 46, 47 1109 Prime Right	1	----	----	----	1685 191
	Left	1	----	----	----	1685 192
23-22-74	CAP, Rear Quarter Window Garnish Moulding Joint					
	1955-56 2 D. Sub. White	2	1579 363	1579 363	----	----
	Screw, No. 8-15 x 1"	2	148 095	148 095	----	----
	1955-56 Cv. Cp. Rear Right	1	1578 532	1598 532	----	----
	Left	1	1578 533	1578 533	----	----
23-22-78	MOULDING, Tailgate Opening Garnish 1955-56 Est. Wgn. Prime	1	----	----	1577 758	1577 758
23-22-85	CAP, Rear Window Garnish Moulding Joint 1955-56 C70	2	----	----	----	1628 589
23-22-86	MOULDING, Rear Window Garnish 1955 4 D., C68, C69 Chrome Upper	1	----	----	----	1623 176
	Side Right	1	----	----	----	1623 177
	Left	1	----	----	----	1623 178
	Lower	1	----	----	----	1623 179
	1955-56 Sp. Cl. Cp., S21, S24, C68, C69, C72, C73 Chrome Upper	1	----	----	1602 286	1602 286
	Side Right	1	----	----	1602 291	1602 291
	Left	1	----	----	1602 292	1602 292
	Lower	1	----	----	1602 288	1602 288
	Screw, No. 8-15 x 3/4", All	18	----	----	162 402	162 402
	1955-56 C70 Prime Right	1	----	----	----	1627 966
	Left	1	----	----	----	1627 967
	1956 Sp. 4 D., S24 Chrome Upper	1	----	----	1623 176	----
	Side Right	1	----	----	1623 177	----
	Left	1	----	----	1623 178	----
	Lower	1	----	----	1623 179	----
	1956 4 D., Sp. 4 D., C72, C73 Chrome Upper	1	----	----	----	1623 176
	Side Right	1	----	----	----	1623 177
	Left	1	----	----	----	1623 178
	Lower	1	----	----	----	1623 179
23-22-87	SUPPORT, Rear Window Garnish Moulding Screw 1955-56 All	★	----	----	*1620 087	*1620 087
23-22-88	FASTENER, Rear Window Garnish Moulding Screw Support					
	1955-56 4 D., Sp. 4 D., S21, S24, C68, C69, C72, C73	★	----	----	1476 079	1476 079
	1955-56 Sp. Cl. Cp., S21, S24, C71-2	36	----	----	1597 907	1476 079
	1955-56 C70	16	----	----	----	1476 079

★ Indicates use as required.

⊠ Indicates parts not listed in any previous parts book.

Nov. 28, 1958 Supersedes Nov. 15, 1957.

Printed in U.S.A.
Prices and specifications subject to change without notice.

* Indicates change or addition.

PASSENGER CAR PARTS LIST 1955-56

CODE	REMARKS	PER CAR	PLYMOUTH	DODGE	DESOTO	CHRYSLER AND IMPERIAL
23-22-145	MOULDING, Windshield Garnish					
1955	except Cv. Cp., Sp. Cl. Cp.					
	Prime Side Right	1	1592 472	----	----	----
	Left	1	1592 473	----	----	----
1955	Cv. Cp., Sp. Cl. Cp. Prime Side Right	1	1593 366	----	----	----
	Left	1	1593 367	----	----	----
1955-56	except Sp. 4 D., Cv. Cp., Sp. Cl. Cp.					
	Prime Upper	1	1592 809	1592 809	----	----
	Side Right	1	----	1602 816	----	----
	Left	1	----	1602 817	----	----
1955-56	All Lower	1	----	1602 387	----	----
1955-56	Sp. 4 D., Cv. Cp., Sp. Cl. Cp. Upper	1	1595 925	1595 925	1620 462	1620 462
	Side Right	1	----	1607 796	----	----
	Left	1	----	1607 797	----	----
1955-56	4 D., Sp. 4 D., Est. Wgn., 8 Sed., Limo.					
	Chrome Upper	1	----	----	1602 815	1602 815
	Side Right	1	----	----	1602 875	1602 875
	Left	1	----	----	1602 876	1602 876
1955-56	Cv. Cp. Header	1	----	----	1620 462	1620 462
	Side Right	1	----	----	1598 598	1598 598
	Left	1	----	----	1598 599	1598 599
1955	Sp. Cl. Cp. Chrome Upper	1	----	----	1602 899	1602 899
	Side Right	1	----	----	1602 894	1602 894
	Left	1	----	----	1602 895	1602 895
1956	except Sp. 4 D., Cv. Cp., Sp. Cl. Cp., Prime UP TO or AFTER the following approx. Ser. Nos.,					
	Det. Evans. Cal.					
	P28 14128069 20822070 25202534					
	P29 15895101 22252432 26554172					
	UP TO, Side Right	1	1592 472	----	----	----
	Left	1	1592 473	----	----	----
	AFTER, Side Right	1	1705 230	----	----	----
	Left	1	1705 231	----	----	----
1956	Sp. 4 D., Cv. Cp., Sp. Cl. Cp., Prime UP TO or AFTER the following approx. Ser. Nos.,					
	Det. Evans. Cal.					
	P28 14128069 20822070 25202534					
	P29 15895101 22252432 26554172					
	UP TO, Side Right	1	1593 366	----	----	----
	Left	1	1593 367	----	----	----
	AFTER, Side Right	1	1705 256	----	----	----
	Left	1	1705 257	----	----	----
1956	Sp. Cl. Cp., Fury Chrome Upper	1	1706 525	----	----	----
	Fin. Side Right	1	1706 826	----	----	----
	Left	1	1706 827	----	----	----
1956	except Cv. Cp., Sp. Cl. Cp. Chrome Side					
	Right	1	----	----	1649 599	1649 599
	Left	1	----	----	1649 600	1649 600
1956	4 D., Sp. 4 D., C72, C73 Chrome Upper	1	----	----	1602 815	1602 815
1956	Sp. Cl. Cp. Chrome Upper	1	----	----	1602 899	1602 899
	Side Right	1	----	----	1649 644	1649 644
	Left	1	----	----	1649 645	1649 645
1956	Est. Wgn. Prime, Side, Right	1	----	----	----	1685 774
	Left	1	----	----	----	1685 775
23-22-150	CLIP, Windshield Garnish Moulding Lower To Instrument Panel					
1955	All UP TO Ser. No. D55 34809760 Det., 42520075 L.A., D56 32201748 Det., 48016056 L.A.	6	----	1607 934	----	----
1955-56	All AFTER Ser. No. D55 34809760 Det., 42520075 L.A., D56 32201748 Det., 48016056 L.A.	6	----	1640 418	----	----
1955-56	except Sp. 4 D., Cv. Cp., Sp. Cl. Cp. Upper	2	----	1646 947	----	----
1955-56	Sp. Cl. Cp. Upper	2	----	1655 350	----	----

★ Indicates use as required.

□ Indicates parts not listed in any previous parts book.

* Indicates change or addition.

1955-56 PASSENGER CAR PARTS LIST

BODY

CODE	REMARKS	PER CAR	PLYMOUTH	DODGE	DESOTO	CHRYSLER AND IMPERIAL
23-22-152	SPACER, Windshield Garnish Upper Moulding					
1956	except Cv. Cp., Sp. Cl. Cp.	2	----	1646 947	----	----
1956	Sp. Cl. Cp.	2	----	1655 350	----	----
23-22-155	EXTENSION, Windshield Garnish Moulding					
1955	All Chrome Right	1	----	----	1602 811	----
	Left	1	----	----	1602 812	----
1955	except C70 UP TO Body Nos. 4 D., C67 40254, C68 24080, C69 6851; Cv. Cp., C67 1950, C68 1772; Sp. Cl. Cp., C67-1 13041, C67-2 7957, C68-1 4613, C68-2 8951, C69 3482; Est. Wgn., C67 2310, C68 1723 Chrome Right	1	----	----	----	1602 809
	Left	1	----	----	----	1602 810
1955	except C70 AFTER Body Nos. 4 D., C67 40254, C68 24080, C69 6851; Cv. Cp., C67 1950, C68 1772; Sp. Cl. Cp., C67-1 13041, C67-2 7956, C68-1 4613, C68-2, 8951, C69 3482; Est. Wgn., C67 2310, C68 1723 Chrome Right	1	----	----	----	1640 510
	Left	1	----	----	----	1640 511
1956	except Cv. Cp., use w/Safety COVER Chrome, Right	1	----	----	1685 014	----
	Left	1	----	----	1685 015	----
1956	Cv. Cp., use w/Safety COVER Chrome Right	1	----	----	1640 510	----
	Left	1	----	----	1640 511	----
1956	except Cv. Cp. Chrome Right	1	----	----	1649 648	----
	Left	1	----	----	1649 649	----
1956	Cv. Cp. Chrome Right	1	----	----	1602 811	1640 510
	Left	1	----	----	1602 812	1640 511
1955-56	C70 Chrome Right	1	----	----	----	1602 809
	Left	1	----	----	----	1602 810
1956	C71 except Cv. Cp., Screw Hole Approx. 2 1/4" From End Prime, Right	1	----	----	----	1685 766
	Left	1	----	----	----	1685 767
1956	C71 except Cv. Cp., Screw Hole Approx. 4 1/4" From End Prime, Right	1	----	----	----	1698 812
	Left	1	----	----	----	1698 813
1956	Est. Wgn., C72, Screw Hole Approx. 2 1/4" From End Prime, Right	1	----	----	----	1685 766
	Left	1	----	----	----	1685 767
1956	Est. Wgn., C72, Screw Hole Approx. 4 1/2" From End Prime, Right	1	----	----	----	1698 812
	Left	1	----	----	----	1698 813
1956	C72, C73, except Cv. Cp., Est. Wgn., Screw Hole Approx. 2 1/4" From End Chrome, Right	1	----	----	----	1685 014
	Left	1	----	----	----	1685 015
1956	C72, C73, except Cv. Cp., Est. Wgn., Screw Hole Approx. 4 1/4" From End Chrome, Right	1	----	----	----	1698 808
	Left	1	----	----	----	1698 809
23-22-156	PAD, Windshield Garnish Moulding Extension					
1955-56	All Gray Right	1	----	1623 635	----	----
	Left	1	----	1623 636	----	----
1955	All Black Right	1	----	----	1649 589	----
	Left	1	----	----	1649 590	----
1955	C67 UP TO; 4 D. 40254, Cv. Cp. 1950, C67-1 Sp. Cl. Cp. 13041, C67-2 Sp. Cl. Cp. 7957, Est. Wgn. 2310 Black Right	1	----	----	----	1623 615
	Left	1	----	----	----	1623 616
1955	C67 AFTER; 4 D. 40254, Cv. Cp. 1950, C67-1 Sp. Cl. Cp. 13041, C67-2 Sp. Cl. Cp. 7957, Est. Wgn. 2310 Black Right	1	----	----	----	1640 490
	Left	1	----	----	----	1640 491
1956	except Cv. Cp., Sp. 4 D. Black Right	1	----	----	1649 660	----
	Left	1	----	----	1649 661	----

★ Indicates use as required.

☐ Indicates parts not listed in any previous parts book.

Nov. 28, 1958 Supersedes Nov. 15, 1957.

Printed in U.S.A.

Prices and specifications subject to change without notice.

* Indicates change or addition.

PASSENGER CAR PARTS LIST 1955-56

CODE	REMARKS	PER CAR	PLYMOUTH	DODGE	DESOTO	CHRYSLER AND IMPERIAL
1956	C71, except Cv. Cp. Black Right	1	----	----	----	1685 000
	Left	1	----	----	----	1685 001
1956	Cv. Cp., C71 Black Right	1	----	----	1649 589	1640 490
	Left	1	----	----	1649 590	1640 491
23-23-0 OUTSIDE FINISH MOULDING						
23-23-2	MOULDING, Body Side Sill Finish					
NOTE: See illustration in front of group for mouldings not listed.						
1955	D55-2, D55-3 Right	1	----	1599 606	----	----
	Left	1	----	1599 607	----	----
	Retainer and Bolt	2	----	1599 658	----	----
	Clip	14	----	1476 591	----	----
	Nut	2	----	120 375	----	----
	Washer	2	----	478 855	----	----
1955	S21, C67, C68 w/RETAINER and BOLT	2	----	----	1621 519	1621 519
	Nut	6	----	----	120 375	120 375
	Washer	6	----	----	478 855	478 855
	Retainer	2	----	----	1597 424	1597 424
1955	C69	2	----	----	----	1548 414
	Clip	14	----	----	----	1597 132
	Retainer and Bolt	4	----	----	----	1597 424
	Nut	4	----	----	----	120 375
	Washer	4	----	----	----	478 855
1955	Sp. Cl. Cp., C67-2	2	----	----	----	1548 413
	Clip	14	----	----	----	1597 131
	Retainer and Bolt Right	2	----	----	----	1597 422
	Left	2	----	----	----	1597 423
	Retainer and Bolt	2	----	----	----	1597 424
	Nut	6	----	----	----	120 375
	Washer	6	----	----	----	478 855
1955	Cv. Cp.	2	----	----	----	1548 413
	Clip	14	----	----	----	1597 131
	Retainer and Bolt Right	2	----	----	----	1597 422
	Left	2	----	----	----	1597 423
	Retainer and Bolt	2	----	----	----	1597 424
	Nut	6	----	----	----	120 375
	Washer	6	----	----	----	478 855
1955-56	C70	2	----	----	----	1627 985
1956	C73	2	----	----	----	1621 692
EXTENSION, Body Side Sill Finish Moulding						
1955	All Under Door Right	1	1579 372	----	----	----
	Left	1	1579 373	----	----	----
	Screw, No. 6-20 x 3/8"	4	145 186	----	----	----
1955-56	C69, C70, C73 w/RETAINER and BOLT Right	1	----	----	----	1597 946
	Left	1	----	----	----	1597 947
	Nut	2	----	----	----	120 375
	Washer, plain	2	----	----	----	120 392
23-23-7	MOULDING, Cowl Top Outside Belt					
1955	except Cv. Cp., Sp. Cl. Cp. Right	1	----	1599 630	----	----
	Left	1	----	1599 631	----	----
	Clip Front	2	----	1628 591	----	----
	Rear	2	----	1599 722	----	----
	Screw, No. 8-18 x 1/4"	2	----	111 196	----	----
1955	Cv. Cp., Sp. Cl. Cp. Right	1	----	1599 697	----	----
	Left	1	----	1599 698	----	----
	Clip Front	2	----	1645 332	----	----
	Rear Right	1	----	1599 718	----	----
	Left	1	----	1599 719	----	----
1956	except Cv. Cp., Sp. Cl. Cp. Right	1	----	1646 398	----	----
	Left	1	----	1646 399	----	----
23-23-12	SPACER, Tail Gate Opening Outside Finish Upper Moulding					
	1955-56 Est. Wgn.	6	----	----	1650 584	1650 584

★ Indicates use as required.

B Indicates parts not listed in any previous parts book.

* Indicates change or addition.

Printed in U.S.A.

Prices and specifications subject to change without notice.

Nov. 28, 1958 Supersedes Jan. 7, 1957.

1955-56 PASSENGER CAR PARTS LIST

BODY

CODE	REMARKS	PER CAR	PLYMOUTH	DODGE	DESOTO	CHRYSLER AND IMPERIAL
23-23-14	MOULDING, Front Pillar Face					
1955	Cv. Cp. Chrome Right	1	----	----	1620 042	1620 392
	Left	1	----	----	1620 043	1620 393
	Screw, No. 6-20 x 3/8"	8	----	----	145 186	145 186
1956	Cv. Cp. Right	1	----	----	1620 392	1620 392
	Left	1	----	----	1620 393	1620 393
23-23-16	MOULDING, Center Pillar Outside Finish					
NOTE: See illustration in front of group for mouldings not listed.						
1955	4 D., 4 D. Sub., P26-2, P26-3, P27-2, P27-3 Lower Right	1	1593 470	----	----	----
	Left	1	1593 471	----	----	----
	Screw, No. 8-15 x 3/8"	2	168 474	----	----	----
1955	4 D., 4 D. Sub. Type 1 Lower	2	1628 834	----	----	----
	Screw	2	1646 390	----	----	----
1955	4 D., 4 D. Sub. Belt	2	1609 275	1599 629	----	----
	Screw, No. 8-18 x 1/4"	4	1646 390	1646 390	----	----
1955	4 D. Lower	2	----	1577 366	----	----
	Screw	2	----	1646 390	----	----
1955-56	4 D., D55-3, D63-3 Header	1	----	1599 636	----	----
	Screw, No. 8-18 x 1/4"	4	----	111 196	----	----
1955	4 D., D55-3 Lancer Type Lower Right	1	----	1646 914	----	----
	Left	1	----	1646 915	----	----
	Screw	2	----	1341 885	----	----
1955	4 D. Sub., D55-2 Lower	2	----	1577 366	----	----
	Screw	2	----	1646 390	----	----
1955	4 D., Est. Wgn., S21, C68 Upper Right	1	----	----	1620 194	1598 886
	Left	1	----	----	1598 369	1598 887
	Screw, No. 8-32 x 5/16"	2	----	----	159 577	----
	Screw, No. 8-32 x 1/4"	2	----	----	----	122 159
	Lower Right	1	----	----	1620 020	1598 898
	Left	1	----	----	1620 021	1598 899
	Screw, No. 8-32 x 5/16"	4	----	----	159 577	----
	Screw, No. 8-32 x 1/4"	2	----	----	----	122 159
1955-56	4 D., Est. Wgn. Color Sweep Upper Right	1	----	----	1620 194	----
	Left	1	----	----	1598 369	----
	Screw	2	----	----	159 577	----
	Lower Right	1	----	----	1621 480	----
	Left	1	----	----	1621 481	----
	Screw, No. 8-32 x 5/16"	2	----	----	159 577	----
1955	4 D., Est. Wgn., S22, C67 Lower Right	1	----	----	1620 194	1598 886
	Left	1	----	----	1598 369	1598 887
	Screw, No. 8-32 x 5/16"	2	----	----	159 577	----
	Screw, No. 8-32 x 1/4"	2	----	----	----	122 159
1955-56	4 D., Est. Wgn. Belt Right	1	----	----	1597 500	1597 500
	Left	1	----	----	1597 501	1597 501
	Screw, No. 8-32 x 5/16"	2	----	----	159 577	----
	Screw, No. 8-32 x 1/4"	2	----	----	----	122 159
1955-56	4 D., Est. Wgn., S21, S23, C68, C69, C72, C73 Header Right	1	----	----	1597 480	1597 480
	Left	1	----	----	1597 481	1597 481
	Screw, No. 8-32 x 5/16"	2	----	----	159 577	----
	Screw, No. 8-32 x 1/4"	2	----	----	----	122 159
1955	4 D., C69 Lower Right	1	----	----	----	1598 334
	Left	1	----	----	----	1598 335
	Screw, No. 8-32 x 1/4"	4	----	----	----	122 159
1955-56	C70 Header Right	1	----	----	----	1597 480
	Left	1	----	----	----	1597 481
	Screw	2	----	----	----	122 159
	Belt Right	1	----	----	----	1597 500
	Left	1	----	----	----	1597 501
	Screw	2	----	----	----	122 159
	Lower Right	1	----	----	----	1621 346
	Left	1	----	----	----	1621 347
1956	4 D., 4 D. Sub. Belt	2	1609 275	----	----	----
	Screw	4	1646 390	----	----	----

★ Indicates use as required.

⊔ Indicates parts not listed in any previous parts book.

Nov. 28, 1958 Supersedes Jan. 7, 1957.

Printed in U.S.A. Prices and specifications subject to change without notice.

* Indicates change or addition.

PASSENGER CAR PARTS LIST 1955-56

BODY

Page 23-89

CODE	REMARKS	PER CAR	PLYMOUTH	DODGE	DESOTO	CHRYSLER AND IMPERIAL
1956	4 D., 4 D. Sub. Belt	2	----	1645 377	----	----
1956	4 D., Est. Wgn., S23 Lower Right	1	----	----	1620 194	----
	Left	1	----	----	1598 369	----
	Screw	2	----	----	159 577	----
1956	4 D. S24, C73 Upper Right	1	----	----	1621 724	1621 348
	Left	1	----	----	1621 725	1621 349
1956	4 D., S24, C72 Upper	2	----	----	1598 369	1621 995
1956	4 D., C71, UP TO and AFTER and FROM Ser. No. W56-56705 to W56-71194 also Intermittently FROM W56-56603					
	UP TO and AFTER Right	1	----	----	----	1621 344
	Left	1	----	----	----	1621 345
	FROM TO Right	1	----	----	----	1621 346
	Left	1	----	----	----	1621 347
1956	Est. Wgn., C71 Right	1	----	----	----	1621 344
	Left	1	----	----	----	1621 345
1956	4 D., Est. Wgn., C72 Right	1	----	----	----	1621 346
	Left	1	----	----	----	1621 347
23-23-19	NUT, Outside Finish Moulding					
1955	All Belt	★	1591 726	----	----	----
1955	D55-3, except Sub. Deck Opening Lower Panel	★	1591 726	1591 726	----	----
1955	except Sub. Deck Opening Lower Panel End	4	1591 726	----	----	----
1955	except Cv. Cp., Sp. Cl. Cp. Rear Window Belt Joint Cap	★	1591 726	1591 726	----	----
		1	1591 726	----	----	----
1955	4 D., S21 Front and Rear Door Lower Header	12	----	----	1548 092	----
1955	Cv. Cp., S21	6	----	----	1591 726	----
1955	Sp. Cl. Cp., S21, S22-2 Roof Front	2	----	----	1591 726	----
1955	Cv. Cp., Sp. Cl. Cp. Body Side	6	----	----	1591 726	----
1955	Est. Wgn. Rear Door Extension	4	----	----	1548 092	----
1955	4 D., Sp. Cl. Cp. Rear Window Belt Joint Cap	10	----	----	1591 726	1591 726
		1	----	----	1591 726	1591 726
NUT, Rear Quarter Outside Finish Moulding						
1955	except Cv. Cp., Sp. Cl. Cp., Sub. Belt	★	1591 726	1591 726	----	----
1955	C67, except 3 Cp., 2 D. Sub., Est. Wgn. Lower	7	1591 726	----	1591 726	1598 066
1955	Sp. Cl. Cp., D55-2, D55-3 Top Ornament	★	----	1547 732	----	----
1955	4 D., Cl. Cp., 4 D. Sub. Fuel Tank Cover	2	1591 726	----	----	----
1955	except Est. Wgn. Upper Rear	★	----	----	1591 726	1591 726
1955	except Est. Wgn. Lower	5	----	----	----	1598 637
1955	4 D., Est. Wgn., C68 Side Extension	10	----	----	----	1591 726
1955	Cv. Cp., Sp. Cl. Cp., C68-1 Side Extension	10	----	----	----	1591 726
1955	Est. Wgn. Side	★	----	----	----	1591 726
23-23-21	FASTENER, Rear Window Outside Belt Moulding Attaching					
1955-56	Cv. Cp.	★	1596 258	1599 725	----	----
FASTENER, Rear Quarter Rear Outside Belt Upper Moulding Attaching						
1955-56	Cv. Cp.	8	----	1599 725	----	----
23-23-22	SUPPORT, Front Door Belt Outside Finish Moulding					
1955-56	4 D., Est. Wgn., C67, C68, C71, C72	2	----	----	1620 111	1620 111
1955-56	Cv. Cp., Sp. Cl. Cp.	2	----	----	1597 565	1597 565
1955	4 D., C69 Right	1	----	----	----	1620 038
	Left	1	----	----	----	1620 039
1955	4 D. Right	1	----	----	1598 630	1598 630
	Left	1	----	----	1598 631	1598 631
1955	C70	2	----	----	----	1620 111
1956	Sp. 4 D. Front	2	----	----	1691 205	1691 205
	w/STRIP, Rear Right	1	----	----	1691 370	1691 370
	Left	1	----	----	1691 371	1691 371
1956	4 D., C73 Right	1	----	----	----	1620 038
	Left	1	----	----	----	1620 039
SUPPORT, Rear Door Belt Outside Finish Moulding						
1955	4 D., Est. Wgn. Right	1	----	----	1598 630	1598 630
	Left	1	----	----	1598 631	1598 631
1955-56	C70 Front Right	1	----	----	----	1628 360
	Left	1	----	----	----	1628 361
	Rear Right	1	----	----	----	1620 038
	Left	1	----	----	----	1620 039

★ Indicates use as required.

⊠ Indicates parts not listed in any previous parts book.

* Indicates change or addition.

1955-56 PASSENGER CAR PARTS LIST

BODY

CODE	REMARKS	PER CAR	PLYMOUTH	DODGE	DESOTO	CHRYSLER AND IMPERIAL
1956	Sp. 4 D. w/WEATHERSTRIP	Front 2 Rear 2	----	----	1650 993 1650 996	1650 993 1650 996
	SUPPORT, Rear Quarter Belt Outside Finish Moulding					
1955	Sp. Cl. Cp.	Right 1 Left 1	----	----	1598 628 1598 629	1598 628 1598 629
1955	Cv. Cp., S21, C68, C69	Right 1 Left 1	----	----	1620 144 1620 145	1620 144 1620 145
1955-56	Est. Wgn.	Right 1 Left 1	----	----	1577 990 1577 991	1577 990 1577 991
1955	C70	Right 1 Left 1	----	----	----	1629 532 1629 533
1956	Sp. Cl. Cp.	2	----	----	1651 357	----
23-23-23	MOULDING, Deck or Tailgate Opening Lower Panel Finish Outside Finish					
1955	P26-2, P27-2 Retainer and Bolt	Center 1 6	1593 853 1579 379	----	----	----
	Nut and Washer	6	1627 843	----	----	----
1955	P26-2, P27-2, D55-3	Right 1 Left 1	1593 892 1593 893	1577 286 1577 287	----	----
	Upper Retainer and Bolt	2	1628 327	----	----	----
	Lower Retainer and Bolt	2	1627 959	----	----	----
	Nut and Washer	4	1627 843	----	----	----
	Clip and Bolt	8	----	1599 729	----	----
	Nut and Washer, w/SEAL	8	----	1598 066	----	----
1955	C67, except Est. Wgn.	Center 1 7	----	----	----	1597 240 1598 132
	Clip					
NOTE:	For end see Part Type Code 23-23-39					
1955	Sp. Cl. Cp., C68-300	Center 1 7	----	----	----	1597 240 1598 132
1955	C69, C70	1 7	----	----	----	1598 067 1597 699
1955-56	Est. Wgn.	Center 1 7	----	----	1597 240 1651 891	1597 240 1651 891
	Clip					
1955-56	Est. Wgn., S22, S23 Color Sweep	1	----	----	1650 555	----
1956	P28-3, P29-3, except Sub.	Center 1	1645 637	----	----	----
1956	D63-3	Right 1 Left 1	----	1577 286 1577 287	----	----
1956	C73	Right 1 Left 1	----	----	----	1650 450 1650 451
23-23-27	SEAL, Outside Finish Moulding Hole					
1955	except Est. Wgn.	Rear Quarter 2	----	----	1499 382	----
1955	C67, C68 T/Lamp Bezel Extension	6	----	----	----	1598 210
23-23-29	NAME PLATE, Door Outside Finish Center Moulding					
1956	4 D. Sub., P28-3, P29-3 Sport Suburban	2	1682 615	----	----	----
23-23-32	MOULDING, Front Door Fender Extension of Lower					
NOTE:	See illustration in front of group for Mouldings not listed.					
1955	except P26-2, P27-2	Right 1 Left 1	1592 458 1592 459	----	----	----
	Clip	2	1609 289	----	----	----
	Clip	6	1593 564	----	----	----
1955	4 D., 4 D. Sub., P26-2, P27-2	2	1591 776	----	----	----
	Clip	10	1593 564	----	----	----
1955	Cv. Cp., Sp. Cl. Cp.	Extension Right 1 Left 1	1592 458 1592 459	----	----	----
	Clip	2	1609 289	----	----	----
	Clip	6	1593 564	----	----	----
1955	Cl. Cp., P26-2, P27-2	2	1591 777	----	----	----
	Clip	12	1593 564	----	----	----
1955	Cv. Cp., Sp. Cl. Cp.	Lower Front Right 1 Left 1	1579 366 1579 367	----	----	----
	Clip	8	1608 668	----	----	----
	Center Front Right	1	1579 368	----	----	----
	Left	1	1579 369	----	----	----

★ Indicates use as required.

⊔ Indicates parts not listed in any previous parts book.
Nov. 28, 1958 Supersedes May 31, 1957.

Printed in U.S.A.

Prices and specifications subject to change without notice.

* Indicates change or addition.

PASSENGER CAR PARTS LIST 1955-56

CODE	REMARKS	PER CAR	PLYMOUTH	DODGE	DESOTO	CHRYSLER AND IMPERIAL
	Front Retainer and Bolt	Right 1	1608 742	----	----	----
		Left 1	1608 743	----	----	----
	Rear Clip and Bolt	2	1560 063	----	----	----
	Nut	4	120 361	----	----	----
		Center Rear 2	1579 371	----	----	----
	Clip and Seal	6	1628 844	----	----	----
1955	4 D., 4 D.Sub., D55-2, D55-3	2	----	1577 381	----	----
	Clip	10	----	1599 721	----	----
1955	4 D., Cl. Cp., 2 D. Sub., 4 D. Sub., D55-1, D56	2	----	1599 605	----	----
	Clip	10	----	1599 721	----	----
1955	Cv. Cp., Sp. Cl. Cp.	Right 1	----	1599 650	----	----
		Left 1	----	1599 651	----	----
	Clip	10	----	1599 728	----	----
1955	4 D., Est. Wgn., S22	2	----	----	1597 395	----
	Clip	6	----	----	1547 102	----
	Clip	4	----	----	1598 664	----
	Screw, No. 8-32 x 1/2"	Front 2	----	----	155 043	----
	Screw, No. 8-32 x 5/8"	Rear 2	----	----	132 764	----
1955	4 D., S21	Upper 2	----	----	1597 395	----
	Clip	6	----	----	1547 102	----
	Clip	4	----	----	1598 664	----
	Screw, No. 8-32 x 1/2"	Front 2	----	----	155 043	----
	Screw, No. 8-32 x 5/8"	Rear 2	----	----	132 764	----
1955	4 D., S21	Lower Right 1	----	----	1620 012	----
		Left 1	----	----	1620 013	----
	Screw, No. 8-32 x 1/4"	4	----	----	122 159	----
	Nut and Washer	6	----	----	1547 394	----
1955	4 D., S21, Color Sweep, S22	Lower 2	----	----	1621 477	----
	Retainer	6	----	----	1597 751	----
	Clip	4	----	----	1620 255	----
	Screw, No. 8-32 x 5/16"	4	----	----	159 577	----
1955	Cv. Cp., Sp. Cl. Cp., S22	2	----	----	1597 545	----
	Clip	10	----	----	1547 102	----
	Clip	4	----	----	1598 664	----
	Screw, No. 8-32 x 1/2"	4	----	----	155 043	----
1955	Cv. Cp., Sp. Cl. Cp.	Upper 2	----	----	1597 545	----
	Clip	10	----	----	1547 102	----
	Clip	4	----	----	1598 664	----
	Screw, No. 8-32 x 1/2"	4	----	----	155 043	----
	Retainer	Lower 2	----	----	1598 541	----
	Clip	8	----	----	1597 751	----
	Clip	4	----	----	1620 255	----
	Screw, No. 8-32 x 5/16"	4	----	----	159 577	----
1955	4 D., Est. Wgn., C67	Wide Lower 2	----	----	----	1598 875
	Clip	10	----	----	----	1476 340
1955	4 D., Est. Wgn., C68	Upper Wide 2	----	----	----	1598 875
	Clip	10	----	----	----	1476 340
		Lower Narrow 2	----	----	----	1598 891
	Clip	8	----	----	----	1435 499
1955	4 D., C69	Right 1	----	----	----	1597 312
		Left 1	----	----	----	1597 313
	Nut and Washer	8	----	----	----	1547 394
	Screw, No. 10-24 x 5/16"	6	----	----	----	132 825
	Screw, No. 10-24 x 1/2"	2	----	----	----	155 113
1955	Cv. Cp., Sp. Cl. Cp., C67	Lower 2	----	----	----	1598 883
	Clip	12	----	----	----	1476 340
1955	Cv. Cp., Sp. Cl. Cp., C68-1	Upper Wide 2	----	----	----	1598 883
	Clip	12	----	----	----	1476 340
		Lower Narrow 2	----	----	----	1620 291
	Clip	10	----	----	----	1435 499
	Clip	2	----	----	----	1620 419
	Nut	2	----	----	----	120 622
1955	Cv. Cp., Sp. Cl. Cp., C68-2	Upper Narrow 2	----	----	----	1598 895
	Clip and Bolt	8	----	----	----	1599 870
	Nut	8	----	----	----	271 472

★ Indicates use as required.

⊠ Indicates parts not listed in any previous parts book.

* Indicates change or addition.

1955-56 PASSENGER CAR PARTS LIST

BODY

CODE	REMARKS	PER CAR	PLYMOUTH	DODGE	DESOTO	CHRYSLER AND IMPERIAL
	Clip and Bolt	4	---	---	---	1620 404
	Nut	4	---	---	---	120 622
	Lower Wide	2	---	---	---	1598 883
	Clip	12	---	---	---	1476 340
1955	Sp. Cl. Cp., C69	1	---	---	---	1597 314
	Right	1	---	---	---	1597 315
	Left	1	---	---	---	1547 394
	Nut and Washer	8	---	---	---	1547 394
	Screw, No. 10-24 x 5/16"	8	---	---	---	132 825
1955	4 D., C67	2	---	---	---	1651 746
1955	Sp. Cl. Cp., C67-2	2	---	---	---	1598 895
1955	C70	1	---	---	---	1646 742
	Upper	1	---	---	---	1646 743
	Lower Right	1	---	---	---	1621 477
	Left	1	---	---	---	1597 395
1956	4 D.	2	---	---	---	1597 395
1956	Sp. 4 D., S23	2	---	---	---	1621 718
1956	4 D., Est. Wgn., S23	2	---	---	---	1621 719
1956	4 D., Sp. 4 D. S24, C73	1	---	---	---	1621 318
	Upper Right	1	---	---	---	1621 319
	Left	1	---	---	---	1621 316
1956	4 D., Sp. 4 D., Est. Wgn., C72	2	---	---	---	1621 990
1956	4 D., Sp. 4 D., C71, C72	2	---	---	---	1621 314
1956	Sp. 4 D., C71, C72	2	---	---	---	1597 545
1956	Cv. Cp., Sp. Cl. Cp., S23, C71	2	---	---	---	1621 315
1956	Est. Wgn., C71	2	---	---	---	1621 314
1956	4 D., C71, UP TO and AFTER and FROM	2	---	---	---	1621 314
	Ser. No. W56-56705 to W56-71194 also	2	---	---	---	1621 316
	Intermittently FROM W56-56603	2	---	---	---	1598 541
	UP TO AFTER	2	---	---	---	1597 751
	FROM to	2	---	---	---	1620 255
1956	Cv. Cp., Sp. Cl. Cp.	2	---	---	---	151 306
	Lower	4	---	---	---	1621 726
	Retainer	8	---	---	---	1621 727
	Clip	4	---	---	---	1621 317
	Screw	4	---	---	---	1621 981
1956	Cv. Cp., Sp. Cl. Cp., S24, C73	1	---	---	---	1621 315
	Upper Right	1	---	---	---	1621 477
	Left	1	---	---	---	1597 751
1956	Cv. Cp., Sp. Cl. Cp., C72	2	---	---	---	1620 255
	Upper	2	---	---	---	151 306
1956	Sp. Cl. Cp., C72-300	3	---	---	---	1621 316
1956	Est. Wgn.	2	---	---	---	1621 316
	Lower	6	---	---	---	1620 255
	Retainer	4	---	---	---	151 306
	Clip	4	---	---	---	1621 316
	Screw	4	---	---	---	1621 316
1956	C70	2	---	---	---	1621 316
	Lower	2	---	---	---	1621 316
23-23-33	MOULDING, Door Outside Finish					
NOTE:	See illustration in front of Group for Mouldings not listed.					
1955-56	except Cv. Cp., Sp. Cl. Cp.					
	Front Door Belt Front Right	1	1593 458	---	---	---
	Left	1	1593 459	---	---	---
	Clip	2	1627 991	---	---	---
1955-56	4 D., 4 D. Sub. Front Door Belt Rear	1	1593 456	---	---	---
	Right	1	1593 457	---	---	---
	Left	1	1593 457	---	---	---
	Clip	8	1579 336	---	---	---
1955-56	except Cv. Cp., Cp., Sp. Cl. Cp., Front Door					
	Vertical					
	Right	1	1593 756	---	---	---
	Left	1	1593 757	---	---	---
	Retainer	6	1628 886	---	---	---
	Washer	6	1439 256	---	---	---
	Screw, No. 8-32 x 1/4"	6	122 159	---	---	---
1955-56	4 D. Rear Door Belt	1	1593 460	---	---	---
	Right	1	1593 461	---	---	---
	Left	1	1593 461	---	---	---
	Clip	8	1579 336	---	---	---
1955	4 D., P26-2, P27-2					
	Rear Door Lower Right	1	1591 792	---	---	---
	Left	1	1591 793	---	---	---
	Clip	*	1593 564	---	---	---
1955-56	4 D. Sub. Rear Door Belt	1	1579 876	---	---	---
	Right	1	1579 877	---	---	---
	Left	1	1579 877	---	---	---
	Clip	8	1579 336	---	---	---

★ Indicates use as required.

⊠ Indicates parts not listed in any previous parts book.

Nov. 28, 1958 Supersedes May 31, 1957.

Prices and specifications subject to change without notice.

* Indicates change or addition.

Printed in U.S.A.

PASSENGER CAR PARTS LIST 1955-56

CODE	REMARKS	PER CAR	PLYMOUTH	DODGE	DESOTO	CHRYSLER AND IMPERIAL
1955	4 D. Sub. Rear Door Lower Right	1	1579 880	---	---	---
	Left	1	1579 881	---	---	---
	Clip	8	1593 564	---	---	---
1955-56	Cl. Cp., 3 Cp., 2 D. Sub. Belt Rear Right	1	1593 482	---	---	---
	Left	1	1593 483	---	---	---
	Clip	8	1579 336	---	---	---
1955-56	Cv. Cp., Sp. Cl. Cp. w/WEATHERSTRIP Belt Right	1	1608 968	---	---	---
	Left	1	1608 969	---	---	---
	Screw, No. 8-32 x 5/16"	2	151 306	---	---	---
	Washer, Lock	2	138 530	---	---	---
	Screw, No. 6-18 x 1/2"	8	161 373	---	---	---
1956	Sp. 4D., w/WEATHERSTRIP Front Door Belt Right	1	1680 624	---	---	---
	Left	1	1680 625	---	---	---
	Rear Door Belt Right	1	1680 686	---	---	---
	Left	1	1680 687	---	---	---
1955	4 D., 4 D. Sub. Front Door Belt Right	1	---	1599 637	---	---
	Left	1	---	1599 638	---	---
	Clip	8	---	1599 692	---	---
1955-56	4D., D55-3, D63-3 Front Door Header Right	1	---	1599 625	---	---
	Left	1	---	1599 626	---	---
	Clip	6	---	1599 690	---	---
	Screw, No. 8-32 x 5/16"	6	---	151 306	---	---
1955	4 D., except D55-3 Rear Door Belt Right	1	---	1599 612	---	---
	Left	1	---	1599 613	---	---
	Clip	10	---	1599 692	---	---
1955-56	4D., D55-3, D63-2 Front Door Vertical Right	1	---	1599 617	---	---
	Left	1	---	1599 618	---	---
	Clip	6	---	1599 690	---	---
	Screw, No. 8-32 x 5/16"	6	---	151 306	---	---
1955	4D., D55-2, D55-3 Rear Door Belt Right	1	---	1599 614	---	---
	Left	1	---	1599 615	---	---
	Clip	8	---	1599 692	---	---
1955-56	4D., D55-2, D55-3, D63-3 Rear Door Header Right	1	---	1599 600	---	---
	Left	1	---	1599 601	---	---
	Clip	12	---	1599 690	---	---
	Screw, No. 8-32 x 5/16"	12	---	151 306	---	---
1955	4 D., D55-2, D55-3 Rear Door Lower Right	1	---	1577 392	---	---
	Left	1	---	1577 393	---	---
	Clip	10	---	1599 721	---	---
1955	Cl. Cp., 2D. Sub. Belt Right	1	---	1599 641	---	---
	Left	1	---	1599 642	---	---
	Clip	10	---	1599 689	---	---
1955	2 D. Sub. Lancer Type, Door Belt Right	1	---	1682 048	---	---
	Left	1	---	1682 049	---	---
1955	4 D. Sub. Rear Door Belt Right	1	---	1579 878	---	---
	Left	1	---	1579 879	---	---
	Clip	8	---	1628 764	---	---
1955	4 D. Sub. Lancer Type, Rear Door Lower Right	1	---	1681 370	---	---
	Left	1	---	1681 871	---	---
1955	4 D. Sub. Lancer Type, Rear Door Belt Right	1	---	1682 048	---	---
	Left	1	---	1682 049	---	---
1956	4D., 4D. Sub. Front Door Belt Right	1	---	1646 356	---	---
	Left	1	---	1646 357	---	---
1956	4D., D63-3 Rear Door Belt Right	1	---	1646 536	---	---
	Left	1	---	1646 537	---	---
1956	4D., except D63-3 Rear Door Belt Right	1	---	1646 352	---	---
	Left	1	---	1646 353	---	---
1956	4D. Sub. Rear Door Belt Right	1	---	1646 860	---	---
	Left	1	---	1646 861	---	---
1956	Cl. Sed., 2D. Sub. Belt Right	1	---	1657 934	---	---
	Left	1	---	1657 935	---	---
1955	4 D., Est. Wgn., S22 Rear Door Lower Front	2	---	---	1597 611	---
	Clip	6	---	---	1547 102	---

★ Indicates use as required.

☐ Indicates parts not listed in any previous parts book.

* Indicates change or addition.

1955-56 PASSENGER CAR PARTS LIST

BODY

CODE	REMARKS	PER CAR	PLYMOUTH	DODGE	DESOTO	CHRYSLER AND IMPERIAL
	Lower Rear Right	1	----	----	1597 397	----
	Left	1	----	----	1597 398	----
	Clip	2	----	----	1598 664	----
	Screw, No. 8-32 x 1/2"	2	----	----	155 043	----
1955	4 D., S21 Rear Door Upper Front	2	----	----	1597 611	----
	Clip	6	----	----	1547 102	----
	Upper Rear Right	1	----	----	1597 397	----
	Left	1	----	----	1597 398	----
	Clip	2	----	----	1598 664	----
	Screw, No. 8-32 x 1/2"	2	----	----	155 043	----
	Lower Right	1	----	----	1620 104	----
	Left	1	----	----	1620 105	----
	Nut and Washer	8	----	----	1547 394	----
	Screw, No. 8-32 x 1/4"	2	----	----	122 159	----
1955-56	4D., Est. Wgn., S21, S23, S24 Rear Door Upper	2	----	----	1597 609	----
	Clip	8	----	----	1547 102	----
	Clip	2	----	----	1598 664	----
	Screw, No. 8-32 x 1/2"	2	----	----	155 043	----
	Lower Right	1	----	----	1621 478	----
	Left	1	----	----	1621 479	----
	Retainer	8	----	----	1597 751	----
1955-56	4 D., Est. Wgn., C67, C68, C71, C72, C73, w/WEATHERSTRIP					
	Front Door Belt Right	1	----	----	1598 718	1598 718
	Left	1	----	----	1598 719	1598 719
	Clip Front	2	----	----	1620 345	1620 345
	Screw, No. 8-32 x 3/8"	2	----	----	121 832	121 832
	Screw, No. 8-15 x 3/8" Center	6	----	----	168 474	168 474
	Clip Rear	2	----	----	620 195	1620 195
	Screw, No. 8-32 x 1/4"	2	----	----	122 159	122 159
1955-56	4 D. Rear Door Belt Right	1	----	----	1598 726	1598 726
	Left	1	----	----	1598 727	1598 727
	Clip Front	2	----	----	1620 195	1620 195
	Screw, No. 8-32 x 1/4"	2	----	----	122 159	122 159
	Screw, No. 8-15 x 3/8" Center	10	----	----	168 474	168 474
	Clip Rear	2	----	----	1620 202	1620 202
	Screw, No. 8-32 x 7/16"	2	----	----	159 587	159 587
1955-56	Est. Wgn., w/WEATHERSTRIP					
	Rear Door Belt Right	1	----	----	1578 936	1578 936
	Left	1	----	----	1578 937	1578 937
1955	4 D., C69 Front Door Belt Right	1	----	----	----	1620 036
	Left	1	----	----	----	1620 037
	Screw, No. 8-32 x 1/4"	4	----	----	----	122 159
	Screw, No. 8-32 x 3/8"	2	----	----	----	121 832
1955-56	Cv. Cp., Sp. Cl. Cp., w/WEATHERSTRIP					
	Belt Right	1	----	----	1598 730	1598 730
	Left	1	----	----	1598 731	1598 731
	Screw No. 8-32 x 3/8	2	----	----	121 832	121 832
	Clip	2	----	----	1620 195	1620 195
	Screw No. 6-18 x 1/2	8	----	----	161 373	----
	Screw No. 8-15 x 3/8	8	----	----	----	168 474
	Retainer	2	----	----	----	1650 508
	Screw No. 8-15 x 1/2	2	----	----	----	125 978
1955-56	4D., Est. Wgn., S21, S24, C68, C72, C73					
	Front Door Header Right	1	----	----	1597 474	1597 474
	Left	1	----	----	1597 475	1597 475
	Clip	8	----	----	1597 790	1597 790
	Screw, No. 8-32 x 5/16"	8	----	----	151 306	151 306
1955	Est. Wgn., S21, C68 Rear Door Upper Right	1	----	----	1577 892	1577 892
	Left	1	----	----	1577 893	1577 893
1955	4 D., C69 Front Door Header Right	1	----	----	----	1597 472
	Left	1	----	----	----	1597 473
	Clip	8	----	----	----	1597 790
	Screw, No. 8-32 x 5/16"	8	----	----	----	151 306

★ Indicates use as required.

⊠ Indicates parts not listed in any previous parts book.

Nov. 28, 1958 Supersedes Jan. 7, 1957.

Printed in U.S.A.

Prices and specifications subject to change without notice.

* Indicates change or addition.

PASSENGER CAR PARTS LIST 1955-56

CODE	REMARKS	PER CAR	PLYMOUTH	DODGE	DESOTO	CHRYSLER AND IMPERIAL
1955	4 D., C69 Front Door Vertical Right	1	----	----	----	1620 032
	Left	1	----	----	----	1620 033
	Screw, No. 8-32 x 1/4"	8	----	----	----	122 159
1955-56	4D., S21, S24, C68, C69, C72, C73 Rear Door Header Right	1	----	----	1597 476	1597 476
	Left	1	----	----	1597 477	1597 477
	Clip	12	----	----	1597 790	1597 790
	Screw, No. 8-32 x 5/16"	12	----	----	151 306	151 306
1955-56	4 D., Est. Wgn., S21, S24, C68, C72, C73 Front Door, Vertical, Right	1	----	----	1620 034	1620 034
	Left	1	----	----	1620 035	1620 035
	Nut	6	----	----	120 622	120 622
1955	4 D., Est. Wgn. C67 Rear Door Lower Right	1	----	----	----	1598 876
	Left	1	----	----	----	1598 877
	Clip	10	----	----	----	1476 340
1955	4 D., Est. Wgn. C68 Wide Rear Door Upper Right	1	----	----	----	1598 876
	Left	1	----	----	----	1598 877
	Clip	10	----	----	----	1476 340
	Narrow Lower Right	1	----	----	----	1598 892
	Left	1	----	----	----	1598 893
	Clip	8	----	----	----	1435 499
	Clip	2	----	----	----	1620 419
1955	4 D., C69 Rear Door Lower Right	1	----	----	----	1597 316
	Left	1	----	----	----	1597 317
	Nut and Washer	14	----	----	----	1548 092
	Screw, No. 10-24 x 5/16"	2	----	----	----	132 825
1955	4 D., C67 Rear Door Upper Narrow Right	1	----	----	----	1598 896
	Left	1	----	----	----	1598 897
1955-56	C70 Belt Front Door Right	1	----	----	----	1598 718
	Left	1	----	----	----	1598 719
1955	C70 Belt Rear Door Right	1	----	----	----	1629 456
	Left	1	----	----	----	1629 457
1955-56	C70 Front Door Vertical Right	1	----	----	----	1620 034
	Left	1	----	----	----	1620 035
	Nut	6	----	----	----	120 622
	Header Right	1	----	----	----	1597 474
	Left	1	----	----	----	1597 475
	Clip	8	----	----	----	1597 790
	Screw	8	----	----	----	151 306
1955-56	C70 Rear Door Header Right	1	----	----	----	1628 878
	Left	1	----	----	----	1628 879
1955	C70 Rear Door Lower Right	1	----	----	----	1646 766
	Left	1	----	----	----	1646 767
1956	Est. Wgn. Rear Door Lower Right	1	----	----	1621 478	----
	Left	1	----	----	1621 479	----
1956	4D., S24 Rear Door Upper Right	1	----	----	1621 720	----
	Left	1	----	----	1621 721	----
1956	4D., Sp. 4D. Rear Door Lower Right	1	----	----	1621 986	----
	Left	1	----	----	1621 987	----
1956	Sp. 4 D., S24 Rear Door Lower Right	1	----	----	1650 990	----
	Left	1	----	----	1650 991	----
1956	Sp. 4D. Belt Front Door Right	1	----	----	1650 754	1650 754
	Left	1	----	----	1650 755	1650 755
	Rear Door Right	1	----	----	1650 702	1650 702
	Left	1	----	----	1650 703	1650 703
1956	Sp. 4 D., S23, C71 Rear Door Lower Right	1	----	----	1651 066	1651 070
	Left	1	----	----	1651 067	1651 071
1956	4 D., C71, UP TO and AFTER Ser. No. W56-56705 also Intermittently FROM W56-56603 Rear Door Lower, UP TO Right	1	----	----	----	1621 322
	Left	1	----	----	----	1621 323
	AFTER Right	1	----	----	----	1621 324
	Left	1	----	----	----	1621 325
1956	Est. Wgn., C71 Rear Door Lower Right	1	----	----	----	1621 322
	Left	1	----	----	----	1621 323

★ Indicates use as required.

⊠ Indicates parts not listed in any previous parts book.

* Indicates change or addition.

1955-56 PASSENGER CAR PARTS LIST

BODY

CODE	REMARKS	PER CAR	PLYMOUTH	DODGE	DESOTO	CHRYSLER AND IMPERIAL
1956	4D., Est. Wgn., C72 Rear Door Lower Right	1	----	----	----	1621 324
	Left	1	----	----	----	1621 325
1956	4D., C71, C72 Rear Door Upper Right	1	----	----	----	1621 992
	Left	1	----	----	----	1621 993
1956	4D., C73 Rear Door Lower Right	1	----	----	----	1621 326
	Left	1	----	----	----	1621 327
1956	Sp. 4D., C71, C72 Rear Door Upper Right	1	----	----	----	1650 988
	Left	1	----	----	----	1650 989
1956	Sp. 4D., C73 Rear Door Lower Right	1	----	----	----	1651 064
	Left	1	----	----	----	1651 065
1956	Est. Wgn., C72 Rear Door Upper Right	1	----	----	----	1577 892
	Left	1	----	----	----	1577 893
1956	C70 UP TO Ser. No. C56-1076 w/WEATHERSTRIP Rear Door Belt Right	1	----	----	----	1686 103
	Left	1	----	----	----	1686 104
1956	C70 UP TO Ser. No. C56-1076 Rear Door Belt Right	1	----	----	----	1629 456
	Left	1	----	----	----	1629 457
1956	C70 AFTER Ser. No. C56-1076 Rear Door Belt Right	1	----	----	----	1686 094
	Left	1	----	----	----	1686 095
1956	C70 Rear Door Lower Right	1	----	----	----	1691 064
	Left	1	----	----	----	1691 065
23-23-36	MOULDING, Door Vent Wing Division Channel					
1955-56	except Sp. 4D. Front Outer	2	1593 236	1593 236	----	----
	Inner	2	1458 038	1458 038	----	----
1955-56	4D., except P26-1, P27-1, P28-1, P29-1 Rear Outer	2	1455 369	1577 494	----	----
	Inner	2	1455 368	1577 493	----	----
1955-56	4 D., P26-1, P27-1, P28-1, P29-1 Rear	4	1455 369	----	----	----
1955-56	4D. Sub., P26-1, P28-1, P29-1, D55, D56 D62, D63-1 Rear	4	1645 258	1645 258	----	----
1955-56	4 D., Sub., P26-2, P27-2, P28-2, P28-3, P29-2, P29-3, D55-2, D63-2 Rear Outer	2	1458 038	1458 038	----	----
	Inner	2	1593 236	1593 236	----	----
1955-56	4D., Est. Wgn. Front Outer	2	----	----	1459 873	1459 873
	Inner	2	----	----	1459 872	1459 872
1955-56	4D. Rear Outer	2	----	----	1597 054	1597 054
	Inner	2	----	----	1597 055	1597 055
1955-56	Est. Wgn. Rear Outer	2	----	----	1380 364	1380 364
	Inner	2	----	----	1380 365	1380 365
1955-56	Cv. Cp., Sp. Cl. Cp. Outer	2	----	----	1380 365	1380 365
	Inner	2	----	----	1380 364	1380 364
1955	C70 Front Outer	2	----	----	----	1459 873
	Inner	2	----	----	----	1459 872
23-23-37	CAP, Quarter Panel Tail Lamps Moulding Joint					
1955	All	2	----	1577 349	----	----
	Clip	2	----	1599 732	----	----
23-23-39	MOULDING, Quarter Panel Outside Finish					
NOTE: See illustration in front of group for mouldings not listed.						
1955	4 D., P26-2, P27-2 Lower Front Right	1	1592 476	----	----	----
	Clip and Bolt	4	1628 783	----	----	----
	Nut and Washer	4	1627 843	----	----	----
	Clip and Seal	4	1624 356	----	----	----
	Lower Rear Right	1	1591 778	----	----	----
	Retainer and Bolt	2	1609 383	----	----	----
	Nut and Washer	2	1627 843	----	----	----
	Lower Left	1	1592 640	----	----	----
	Clip and Bolt	4	1628 783	----	----	----
	Retainer and Bolt	1	1609 383	----	----	----
	Nut and Washer	5	1627 843	----	----	----
	Clip and Seal	4	1624 356	----	----	----
1955-56	4 D. Belt Right	1	1593 862	----	----	----
	Left	1	1593 863	----	----	----
	Screw, Front, P26, P27	2	1608 545	----	----	----

★ Indicates use as required.
 □ Indicates parts not listed in any previous parts book.
 Nov. 28, 1958 Supersedes Jan 7, 1957.

CODE	REMARKS	PER CAR	PLYMOUTH	DODGE	DESOTO	CHRYSLER AND IMPERIAL
1955-56	Screw, Front, P28, P29	2	1645 352	---	---	---
	Retainer and Stud, P26, P27, P28, P29	2	1579 938	---	---	---
	Nut and Washer, P26, P27, P28, P29	2	1627 843	---	---	---
	2 D. Sub. Belt Right	1	1579 860	---	---	---
	Left	1	1579 861	---	---	---
1955-56	Clip, P26, P27	16	1629 504	---	---	---
	Screw, Front, P28, P29	2	1646 390	---	---	---
	Clip, P28, P29	16	1655 507	---	---	---
	4 D. Sub. Belt Right	1	1579 884	---	---	---
	Left	1	1579 885	---	---	---
1955	Clip, P26, P27	10	1629 504	---	---	---
	Screw, Front, P28, P29	2	1646 390	---	---	---
	Clip	10	1655 507	---	---	---
	4 D. Sub. Lower Front Right	1	1579 888	---	---	---
	Clip and Seal	4	1624 356	---	---	---
1955	Lower Rear Right	1	1591 778	---	---	---
	Retainer and Bolt	2	1609 383	---	---	---
	Nut	2	1627 843	---	---	---
	Clip and Seal	4	1624 356	---	---	---
	4 D. Sub. Lower Left	1	1627 889	---	---	---
1955	Retainer and Bolt	1	1609 383	---	---	---
	Nut	1	1627 843	---	---	---
	Cl. Cp., P26-2, P27-2					
	Lower Front Right	1	1592 478	---	---	---
	Clip and Bolt	4	1628 783	---	---	---
1955-56	Nut and Washer	4	1627 843	---	---	---
	Clip and Seal	5	1624 356	---	---	---
	Lower Rear Right	1	1591 778	---	---	---
	Retainer and Bolt	2	1609 383	---	---	---
	Nut and Washer	2	1627 843	---	---	---
1955-56	Lower Left	1	1592 641	---	---	---
	Clip and Bolt	4	1628 783	---	---	---
	Retainer and Bolt	1	1609 383	---	---	---
	Nut and Washer	5	1627 843	---	---	---
	Clip and Seal	5	1624 356	---	---	---
1955-56	Cl. Cp., 3 Cp., Cl. Sed. Belt Front Right	1	1593 910	---	---	---
	Left	1	1593 911	---	---	---
	Clip	8	1655 507	---	---	---
	Cl. Cp., Cl. Sed. Rear Right	1	1579 494	---	---	---
	Left	1	1579 495	---	---	---
1955-56	Retainer and Bolt, Front	2	1579 938	---	---	---
	Retainer, Rear	6	1579 806	---	---	---
	Nut and Washer	8	1627 843	---	---	---
	Sp. Cl. Cp. Belt Right	1	1608 950	---	---	---
	Left	1	1608 951	---	---	---
1955	Screw	2	1645 352	---	---	---
	Screw, No. 6-18 x 1/2"	6	161 373	---	---	---
	Cv. Cp., Sp. Cl. Cp. Lower Right	1	1593 884	---	---	---
	Left	1	1593 885	---	---	---
	Clip and Bolt	6	1560 063	---	---	---
1955-56	Nut and Washer	6	1627 843	---	---	---
	Clip and Seal	6	1628 844	---	---	---
	Cv. Cp. Belt Front Right	1	1608 956	---	---	---
	Left	1	1608 957	---	---	---
	Screw	2	1645 352	---	---	---
1956	Screw, No. 6-18 x 1/2"	6	161 373	---	---	---
	Rear Right	1	1608 532	---	---	---
	Left	1	1608 533	---	---	---
	Screw, No. 6-18 x 3/8"	2	161 371	---	---	---
	4 D. Sub., P28, P29, Upper Front Cap (rear of rear door) Right	1	1657 172	---	---	---
1956	Left	1	1657 173	---	---	---
	Nut and Washer	2	1627 843	---	---	---
	Clip	2	1593 607	---	---	---
	Cl. Sed., P28-3, P29-3 Lower Right	1	1645 948	---	---	---
	Left	1	1645 949	---	---	---
1956	Sp. Cl. Cp., P29-3 Fury Curved, Upper Front Right	1	1706 538	---	---	---
	Left	1	1706 539	---	---	---

★ Indicates use as required.
 B Indicates parts not listed in any previous parts book.
 * Indicates change or addition.

1955-56 PASSENGER CAR PARTS LIST

BODY

CODE	REMARKS	PER CAR	PLYMOUTH	DODGE	DESOTO	CHRYSLER AND IMPERIAL
	Straight, Upper Rear	2	1706 582	----	----	----
	Straight, Lower	2	1706 541	----	----	----
	Diagonal, Rear Right	1	1706 542	----	----	----
	Left	1	1706 543	----	----	----
	Clip	52	1706 876	----	----	----
1955	4 D., except D55-3	Belt Right	1	1599 619	----	----
		Left	1	1599 620	----	----
	Clip and Bolt	4	1560 058	----	----	----
	Nut and Washer, w/SEAL	4	1598 066	----	----	----
1955	4 D., D55-3	Belt Right	1	1599 621	----	----
		Left	1	1599 622	----	----
	Clip and Bolt	2	1560 058	----	----	----
	Nut and Washer, w/SEAL	2	1598 066	----	----	----
1955	4 D., D55-2	Lower Right	1	1599 608	----	----
		Left	1	1599 609	----	----
	Clip	6	1599 721	----	----	----
1955	4 D., D55-3	Lower Right	1	1599 627	----	----
		Left	1	1599 628	----	----
	Clip	4	1609 514	----	----	----
	Clip	2	1609 515	----	----	----
	Clip and Bolt	2	1560 058	----	----	----
	Nut and Washer, w/SEAL	2	1598 066	----	----	----
1955	All	Around Tail Lamps Right	2	1577 290	----	----
		Left	2	1577 291	----	----
	Clip and Bolt	8	1560 058	----	----	----
	Nut and Washer, w/SEAL	8	1598 066	----	----	----
1955-56	Sp. Cl. Cp.	Belt Right	1	1599 665	----	----
		Left	1	1599 666	----	----
	Clip	2	1609 570	----	----	----
1955-56	Sp. Cl. Cp., D55-2, D55-3, D63	On Roof Panel Right	1	1578 224	----	----
		Left	1	1578 225	----	----
1955	Cv. Cp., Sp. Cl. Cp., Cl. Cp.	Lower Front Right	1	1599 735	----	----
		Left	1	1597 736	----	----
	Screw, No. 8-18 x 1/4"	2	111 196	----	----	----
	Clip	4	1599 734	----	----	----
	Clip, Rear	2	1547 152	----	----	----
		Lower Rear Right	1	1599 668	----	----
		Left	1	1599 669	----	----
	Clip	10	1599 728	----	----	----
1955	except Sub.	Top Joint Right	1	1599 680	----	----
		Left	1	1599 681	----	----
	Stud	6	1599 699	----	----	----
	Nut and Washer	6	1547 732	----	----	----
1955	Cl. Cp.	Front Belt Right	1	1599 645	----	----
		Left	1	1599 646	----	----
	Clip	8	1599 694	----	----	----
		Rear Belt Right	1	1599 634	----	----
		Left	1	1599 635	----	----
	Clip	2	1645 616	----	----	----
	Clip and Bolt	2	1560 058	----	----	----
	Nut and Washer	2	1598 066	----	----	----
1955-56	Cv. Cp., D55-3, D63	Front Belt Right	1	1599 678	----	----
		Left	1	1599 679	----	----
	Clip	2	1609 570	----	----	----
1955-56	Cv. Cp.	Rear Belt Upper Right	1	1599 730	----	----
		Left	1	1599 731	----	----
		Lower Right	1	1599 726	----	----
		Left	1	1599 727	----	----
	Clip	2	1599 690	----	----	----
	Screw, No. 8-32 x 1/4"	2	122 159	----	----	----
1955	4 D. Sub.	Belt Right	1	1579 886	----	----
		Left	1	1579 887	----	----
	Screw	2	1645 352	----	----	----
	Clip	10	1628 764	----	----	----

★ Indicates use as required.

⊠ Indicates parts not listed in any previous parts book.
 Nov. 28, 1958 Supersedes Jan. 7, 1957.

Printed in U.S.A.
 Prices and specifications subject to change without notice.
 * Indicates change or addition.

PASSENGER CAR PARTS LIST 1955-56

CODE	REMARKS	PER CAR	PLYMOUTH	DODGE	DESOTO	CHRYSLER AND IMPERIAL
1955	4 D. Sub., D55-2 Lower Right	1	----	1579 890	----	----
	Left	1	----	1579 891	----	----
	Screw, No. 8-18 x 1/4"	2	----	111 196	----	----
	Clip	6	----	1609 514	----	----
	Clip	4	----	1367 819	----	----
1955	4 D. Sub., w/Lancer Mldgs. Side Right	1	----	1681 868	----	----
	Left	1	----	1681 869	----	----
	Clip	*	----	1599 728	----	----
1955	2 D. Sub., w/Lancer Mldgs. Side Front Right	1	----	1599 735	----	----
	Left	1	----	1599 736	----	----
	Rear Right	1	----	1599 668	----	----
	Left	1	----	1599 669	----	----
1955	2 D. Sub. Belt Right	1	----	1579 862	----	----
	Left	1	----	1579 863	----	----
	Screw	2	----	1645 352	----	----
	Clip	16	----	1628 764	----	----
1956	D62, D63 except Sub., Bezel Around Tail Lamp	2	----	1646 883	----	----
	Stud	4	----	1244 141	----	----
	Seal	4	----	1681 183	----	----
	Nut	4	----	120 375	----	----
	Washer, Cup	4	----	1239 285	----	----
	Washer, Lock	4	----	174 916	----	----
1956	Sub., Bezel Around Tail Lamp Stud	4	----	1244 141	----	----
	Seal	4	----	1681 183	----	----
	Nut	4	----	120 375	----	----
	Washer, Cup, Lower	4	----	1239 285	----	----
	Washer, Lock	2	----	174 916	----	----
1956	4 D. Sub. Belt Right	1	----	1646 862	----	----
	Left	1	----	1646 863	----	----
	Clip	*	----	1695 014	----	----
1956	4 D. Sub., D63 Lower Front Right	1	----	1681 256	----	----
	Left	1	----	1681 257	----	----
	Clip	*	----	1560 063	----	----
	Nut and Washer	*	----	1627 843	----	----
1956	Sub., Lower Extension Right	1	----	1682 118	----	----
	Left	1	----	1682 119	----	----
	Screw, No. 8-15 x 1 1/4"	4	----	162 402	----	----
1956	2 D. Sub. Belt Right	1	----	1646 864	----	----
	Left	1	----	1646 865	----	----
	Clip	*	----	1695 014	----	----
1956	4 D. Belt Right	1	----	1646 410	----	----
	Left	1	----	1646 411	----	----
	Clip	*	----	1628 783	----	----
	Nut	*	----	1598 066	----	----
1956	Sp. 4 D., D63-1 Roof Side Rail Extension, Above Belt Right	1	----	1681 206	----	----
	Left	1	----	1681 207	----	----
	Screw	*	----	125 978	----	----
1956	Sp. 4 D., D63-2, D63-3, Roof Side Rail Extension, Above Belt Right	1	----	1682 110	----	----
	Left	1	----	1682 111	----	----
	Screw	2	----	125 978	----	----
1956	Cl. Sed. Belt Front Right	1	----	1680 012	----	----
	Left	1	----	1680 013	----	----
	Clip	*	----	1695 014	----	----
	Rear Right	1	----	1680 594	----	----
	Left	1	----	1680 595	----	----
	Clip	*	----	1655 264	----	----
1956	Cv. Cp., Sp. Cl. Cp. Lower Front Right	1	----	1645 856	----	----
	Left	1	----	1645 857	----	----

★ Indicates use as required.

☐ Indicates parts not listed in any previous parts book.

* Indicates change or addition.

1955-56 PASSENGER CAR PARTS LIST

BODY

CODE	REMARKS	PER CAR	PLYMOUTH	DODGE	DESOTO	CHRYSLER AND IMPERIAL
1956	Cl. Sed., 2 D. Sub., D62, D63-1					
	Lower Front Right	1	----	1645 856	----	----
	Left	1	----	1645 857	----	----
	Clip, Front	12	----	1681 644	----	----
	Retainer, Rear	6	----	1560 063	----	----
	Nut and Washer	6	----	1627 843	----	----
1956	D63-3, except Sub. Top Joint	2	----	1646 808	----	----
	Seal	2	----	1542 813	----	----
	Stud	2	----	1541 851	----	----
	Nut and Washer	2	----	1547 732	----	----
1956	Sub., D63 Top Joint Right	1	----	1655 384	----	----
	Left	1	----	1655 385	----	----
	Nut and Washer	6	----	1547 732	----	----
	Stud	6	----	1599 699	----	----
1956	Sp. 4 D. Lower Front Right	1	----	1657 750	----	----
	Left	1	----	1657 751	----	----
	Clip, Front	6	----	1681 644	----	----
	Clip and Stud, Rear	6	----	1560 063	----	----
	Nut and Washer	6	----	1627 843	----	----
1955	4 D., S22 Lower	2	----	----	1597 467	----
1955	4 D., S21 Upper	2	----	----	1597 467	----
	Lower Right	1	----	----	1620 014	----
	Left	1	----	----	1620 015	----
1955	4 D., S21, Color Sweep Front	2	----	----	1621 495	----
	Rear Right	1	----	----	1598 538	----
	Left	1	----	----	1598 539	----
	Nut and Washer	6	----	----	1598 066	----
	Nut	4	----	----	120 361	----
1955-56	Sp. Cl. Cp. Roof Front Right	1	----	----	1598 418	----
	Left	1	----	----	1598 419	----
	Roof Rear	1	----	----	1598 060	----
1955	Cv. Cp., Spl. Cl. Cp., S22 Lower Front	2	----	----	1597 399	----
	Intermediate Right	1	----	----	1597 397	----
	Left	1	----	----	1597 398	----
	Rear	2	----	----	1597 467	----
1955	Cv. Cp., Sp. Cl. Cp. Upper Front Right	1	----	----	1598 536	----
	Left	1	----	----	1598 537	----
	Upper Rear Right	1	----	----	1598 538	----
	Left	1	----	----	1598 539	----
	Nut and Washer	6	----	----	1598 066	----
	Nut	4	----	----	120 361	----
1955	Cv. Cp., Sp. Cl. Cp., S21, S22 w/Color Sweep Lower Front Right	1	----	----	1598 542	----
	Left	1	----	----	1598 543	----
1955	Sp. Cl. Cp., C67-1 Belt Right	1	----	----	1598 734	1598 734
	Left	1	----	----	1598 735	1598 735
1955	Sp. Cl. Cp., C67-2, C68, C69 Belt Right	1	----	----	----	1598 736
	Left	1	----	----	----	1598 737
1955	Cv. Cp. Belt Right	1	----	----	1620 146	1620 146
	Left	1	----	----	1620 147	1620 147
1955-56	Est. Wgn. Belt Right	1	----	----	1577 764	1577 764
	Left	1	----	----	1577 765	1577 765
	Belt Extension Right	1	----	----	1577 830	1577 830
	Left	1	----	----	1577 831	1577 831
1955-56	Est. Wgn. Tailgate Lower Panel End Right	1	----	----	1597 238	1597 238
	Left	1	----	----	1597 239	1597 239
1955-56	Est. Wgn. Lower	2	----	----	1597 467	----
1955-56	Est. Wgn., C68, C72 Above Quarter Window Upper Right	1	----	----	----	1577 894
	Left	1	----	----	----	1577 895
	Upper Extension Right	1	----	----	----	1621 242
	Left	1	----	----	----	1621 243
1955	Est. Wgn., C67 Lower Right	1	----	----	----	1620 266
	Left	1	----	----	----	1620 267
1955	4 D., C67 Lower Right	1	----	----	----	1598 878
	Left	1	----	----	----	1598 879
	Deck Lower Panel End Right	1	----	----	----	1597 238
	Left	1	----	----	----	1597 239

★ Indicates use as required.

E Indicates parts not listed in any previous parts book.
Nov. 28, 1958 Supersedes Jan. 7, 1957.

PASSENGER CAR PARTS LIST 1955-56

CODE	REMARKS	PER CAR	PLYMOUTH	DODGE	DESOTO	CHRYSLER AND IMPERIAL
1955	4 D., Est. Wgn., C68	Wide Upper Right	1	----	----	1598 880
		Left	1	----	----	1598 881
		Narrow Lower Right	1	----	----	1620 266
		Left	1	----	----	1620 267
		Extension Right	1	----	----	1620 264
1955	4 D., Est. Wgn., C68	Left	1	----	----	1620 265
		Lower Right	1	----	----	1597 320
1955	4 D., C69	Left	1	----	----	1597 321
		Upper Right	1	----	----	1598 884
1955	Cv. Cp., Sp. Cl. Cp., C67	Left	1	----	----	1598 885
		Deck Lower Panel End Right	1	----	----	1597 238
		Left	1	----	----	1597 239
1955	Cv. Cp., Sp. Cl. Cp., C68-1	Wide Upper Right	1	----	----	1620 288
		Left	1	----	----	1620 289
		Narrow Lower Right	1	----	----	1620 292
		Left	1	----	----	1620 293
		Extension Right	1	----	----	1620 264
		Left	1	----	----	1620 265
		Narrow Upper Right	1	----	----	1598 896
1955	Sp. Cl. Cp., C68-2	Left	1	----	----	1598 897
		Wide Lower Right	1	----	----	1598 884
1955	Sp. Cl. Cp., C68-300	Left	1	----	----	1598 885
		Belt Right	1	----	----	1598 734
		Left	1	----	----	1598 735
		Lower Right	1	----	----	1598 884
		Left	1	----	----	1598 885
		Deck Lower Panel End Right	1	----	----	1597 238
1955	Sp. Cl. Cp., C69	Left	1	----	----	1597 239
		Lower Front Right	1	----	----	1597 318
1955	C69, C70	Left	1	----	----	1597 319
		Rear Right	1	----	----	1597 320
		Left	1	----	----	1597 321
		Wheel Opening Right	1	----	----	1597 324
1955	Clip	Left	1	----	----	1597 325
			12	----	----	1255 089
1956	C73	Wheel Opening Right	1	----	----	1621 372
		Left	1	----	----	1621 373
		Clip and Bolt	10	----	----	1650 458
1956	Sp. Cl. Cp., C73	Nut and Washer	10	----	----	1598 066
		Lower Front Right	1	----	----	1621 342
1956	C73	Left	1	----	----	1621 343
		Lower Rear Right	1	----	----	1621 334
1956	Cv. Cp., Sp. Cl. Cp., C71, C72	Left	1	----	----	1621 335
		Narrow Side Upper Right	1	----	----	1621 982
1956	Cv. Cp., Sp. Cl. Cp., S23	Left	1	----	----	1621 983
		Clip and Bolt	26	----	----	1621 991
		Nut and Washer	26	----	----	1598 066
1956	Sp. Cl. Cp., C73	Belt Right	1	----	----	1621 574
		Left	1	----	----	1621 575
1956	Cv. Cp., Sp. Cl. Cp.	Lower Front Right	1	----	1621 988	----
		Left	1	----	1621 989	----
1956	Cv. Cp., Sp. Cl. Cp., S24	Upper Front Right	1	----	1621 728	----
		Left	1	----	1621 729	----
1956	Cv. Cp.	Belt Right	1	----	1621 976	1621 976
		Left	1	----	1621 977	1621 977
1956	Cv. Cp., Sp. Cl. Cp., S23	Lower Right	1	----	1621 904	----
		Left	1	----	1621 905	----
1956	Sp. Cl. Cp., C71-1, C72-300	Belt Right	1	----	1621 578	1621 578
		Left	1	----	1621 579	1621 579
1956	Sp. Cl. Cp., C71-2, C72	Belt Right	1	----	----	1621 580
		Left	1	----	----	1621 581
1956	4 D., Sp. 4D., C71, C72	Narrow, Side Upper Right	1	----	----	1621 984
		Left	1	----	----	1621 985
1956	Est. Wgn., Fender Top Extension	Chrome Right	1	----	1658 140	1658 140
		Left	1	----	1658 141	1658 141

★ Indicates use as required.

☐ Indicates parts not listed in any previous parts book.

* Indicates change or addition

1955-56 PASSENGER CAR PARTS LIST

BODY

CODE	REMARKS	PER CAR	PLYMOUTH	DODGE	DESOTO	CHRYSLER AND IMPERIAL
	Extension Cap Prime Right	1	----	----	1658 146	1658 146
	Left	1	----	----	1658 147	1658 147
1956	Est. Wgn., C71 Side Lower Right	1	----	----	----	1650 258
	Left	1	----	----	----	1650 259
1956	Est. Wgn., C72 Lower Right	1	----	----	----	1650 262
	Left	1	----	----	----	1650 263
1956	4 D., S24 Upper Front Right	1	----	----	1621 722	----
	Left	1	----	----	1621 723	----
1956	Sp. 4 D., S24 Lower Right	1	----	----	1C21 722	----
	Left	1	----	----	1621 723	----
1956	S24 Upper Rear Right	1	----	----	1621 352	----
	Left	1	----	----	1621 353	----
1956	4 D., Sp. 4 D., S23 Lower Right	1	----	----	1621 350	----
	Left	1	----	----	1621 351	----
1956	4 D., C71, see Note 2 Side Right	1	----	----	----	1621 330
	Left	1	----	----	----	1621 331
1956	4 D., C71, see Note 3 Side Right	1	----	----	----	1691 288
	Left	1	----	----	----	1691 289
1956	4 D., C71, see Note 4 Side Right	★	----	----	----	1691 288
	Left	★	----	----	----	1691 289
	Side Right	★	----	----	----	1621 332
	Left	★	----	----	----	1621 333
	Extension, used w/1621332, Side Right	★	----	----	----	1691 334
	Extension, used w/1621333, Left	★	----	----	----	1691 335
1956	4 D., C71, see Note 5 Side Right	1	----	----	----	1621 332
	Left	1	----	----	----	1621 333
	Extension, Side Right	1	----	----	----	1691 334
	Left	1	----	----	----	1691 335
1956	Sp. 4 D., C71 UP TO Note 1 Lower Side Right	1	----	----	----	1621 330
	Left	1	----	----	----	1621 331
1956	Sp. 4 D., C71 AFTER Note 1 Lower Side Right	1	----	----	----	1691 288
	Left	1	----	----	----	1691 289
1956	Cv. Cp., Sp. Cl. Cp., C71, C72-300 UP TO Note 1 Lower Side Right	1	----	----	----	1621 338
	Left	1	----	----	----	1621 339
1956	Cv. Cp., Sp. Cl. Cp., C71, C72-300 AFTER Note 1 Lower Side Right	1	----	----	----	1691 290
	Left	1	----	----	----	1691 291
1956	4 D., Sp. 4 D., C72 Lower Side Front Right	1	----	----	----	1621 332
	Left	1	----	----	----	1621 333
1956	C72 All UP TO Note 1 Lower Side Rear Right	1	----	----	----	1621 618
	Left	1	----	----	----	1621 619
1956	C72 All except Est. Wgn., AFTER Note 1 Lower Side Rear Right	1	----	----	----	1691 334
	Left	1	----	----	----	1691 335
1956	Cv. Cp., Sp. Cl. Cp., C72 UP TO Note 1 Lower Side Front Right	1	----	----	----	1621 340
	Left	1	----	----	----	1621 341

NOTE 1:

C71	Sp. 4 D.	Ser. No. W56-30684
C72	Cv. Cp. and Sp. Cl. Cp. 4 D. and Sp. 4 D.	W56-33444 N56-17852
C72-300	Cv. Cp. and Sp. Cl. Cp. Sp. Cl. Cp.	N56-18089 3N56-1071

NOTE 2:

C71	4 D., UP TO	W56-30684
-----	-------------	-----------

NOTE 3:

C71	4 D., From	W56-30684 to W56-56603; and AFTER W56-71194
-----	------------	---

NOTE 4:

C71	4 D., intermittenly From	W56-56603 to W56-56705
-----	--------------------------	------------------------

NOTE 5:

C71	4 D., From	W56-56705 to W56-71194
-----	------------	------------------------

★ Indicates use as required.

⊠ Indicates parts not listed in any previous parts book.
Nov. 28, 1958 Supersedes Jan. 7, 1957.

CODE	REMARKS	PER CAR	PLYMOUTH	DODGE	DESOTO	CHRYSLER AND IMPERIAL
1956	Cv. Cp., Sp. Cl. Cp. C72 AFTER Note 1 Lower Side Front Right	1	----	----	----	1691 344
	Left	1	----	----	----	1691 345
1955-56	C70 Roof Plate Right	1	----	----	----	1629 438
	Left	1	----	----	----	1629 439
	Clip	*	----	----	----	1628 845
1955-56	C70 Over Quarter Window Right	1	----	----	----	1628 926
	Left	1	----	----	----	1628 927
1955	C70 Belt Front Right	1	----	----	----	1629 470
	Left	1	----	----	----	1629 471
1956	C70 UP TO Approximate Ser. No. 1076 Belt Front Right	1	----	----	----	1629 470
	Left	1	----	----	----	1629 471
1956	C70 AFTER Approximate Ser. No. 1076 Belt Front Right	1	----	----	----	1686 076
	Left	1	----	----	----	1686 077
1956	C70 w/Weatherstrip Belt Front Right	1	----	----	----	1686 109
	Left	1	----	----	----	1686 110
1955-56	C70 Rear Right	1	----	----	----	1629 454
	Left	1	----	----	----	1629 455
1955	C70 Lower Side Front Right	1	----	----	----	1609 508
	Left	1	----	----	----	1609 509
	Rear Right	1	----	----	----	1597 320
	Left	1	----	----	----	1597 321
1956	C70 17.26" long, Side Right	1	----	----	----	1691 066
	Left	1	----	----	----	1691 067
	ORNAMENT, Quarter Panel Outside Finish					
1956	C70 Top Rear or Upper Right	1	----	----	----	1691 004
	Left	1	----	----	----	1691 005
23-23-40	MEDALLION, Rear Window Side Ornamentation Moulding					
1955-56	Sp. Cl. Cp., Sp. 4 D., D55-2, D55-3, D63-2, D63-3	2	----	1599 544	----	----
	Nut	4	----	120 622	----	----
23-23-41	CAP or COVER, Outside Finish Moulding Joint					
1955-56	4 D., Cl. Cp., Cl. Sed., P26-3, P27-3, P28-2, P28-3, P29-2, P29-3					
	Rear Window Upper	*	1579 515	----	----	----
1955-56	4 D., Cl. Cp. except P26-1, P27-1, Cl. Sed. except P28-1, P29-1					
	Rear Window Lower Center	1	1579 633	----	----	----
	Lower Corner Right	1	1579 516	----	----	----
	Left	1	1579 517	----	----	----
1955-56	4 D., Cl. Cp., 3 Cp., Cl. Sed.					
	Rear Window Belt	1	1579 706	----	----	----
1955-56	Cv. Cp. Belt Center	1	1608 534	----	----	----
1955	Sp. Cl. Cp. Rear Window and Belt	1	1608 564	----	----	----
1955-56	4 D., D55-3, D63-3					
	Front Door Upper Right	1	----	1599 623	----	----
	Left	1	----	1599 624	----	----
	Clip	2	----	1599 674	----	----
1955	4 D., D55-2, D55-3					
	Rear Door Belt to Upper Right	1	----	1599 610	----	----
	Left	1	----	1599 611	----	----
1955	4 D. Lancer Type, D55-3					
	Rear Door Belt to Upper Right	1	----	1647 656	----	----
	Left	1	----	1647 657	----	----
1955	4 D. Rear Window Belt	1	----	----	1597 546	1597 546
1955	Sp. Cl. Cp., C67-1, C68-300					
	Rear Window Belt	1	----	----	1597 546	1597 546
1955	Sp. Cl. Cp., C67-2, C68, C69					
	Rear Window Belt	1	----	----	----	1598 800

NOTE 1:

C71 Special 4 D.
Cv. Cp. and Sp. Cl. Cp.
C72 4 D. and Sp. 4 D.
Cv. Cp. and Sp. Cl. Cp.
C72-300 Sp. Cl. Cp.

W56-30684
W56-33444
N56-17852
N56-18089
3N56-1071

★ Indicates use as required.

⊠ Indicates parts not listed in any previous parts book.

* Indicates change or addition.

1955-56 PASSENGER CAR PARTS LIST

BODY

CODE	REMARKS	PER CAR	PLYMOUTH	DODGE	DESOTO	CHRYSLER AND IMPERIAL
1955-56	C70 Rear Quarter Belt Rear Right	1	----	----	----	1597 546
1955-56	C70 Rear Window Joint Upper	2	----	----	----	1628 590
1956	Sp. 4 D., Sp. Cl. Cp. Rear Window	1	1608 564	----	----	----
1956	Sp. Cl. Cp. Fury, Quarter Panel					
	Rear Upper, Right	1	1706 544	----	----	----
	Left	1	1706 545	----	----	----
	Rear Lower	2	1706 546	----	----	----
	Upper Front and Rear, Right	1	1706 584	----	----	----
	Left	1	1706 585	----	----	----
1956	4 D., D63-3					
	Rear Door Belt to Upper Right	1	----	1647 648	----	----
	Left	1	----	1647 649	----	----
	Clip Right	1	----	1599 724	----	----
	Clip Left	1	----	1599 696	----	----
	Screw, No. 8-32 x 5/8"	2	----	151 306	----	----
1956	Sp. 4 D. AFTER Ser. No. 35061692					
	Rear Window Belt	1	----	1705 817	----	----
1956	Sp. Cl. Cp., S23, S24, C71, C72-300					
	Rear Window Belt	1	----	----	1621 738	1621 738
1956	Sp. Cl. Cp., C71-2 w/Windshield Outside					
	Visor, C72-2 Rear Window Belt	1	----	----	----	1621 739
1956	Sp. Cl. Cp., C73					
	Rear Window Belt	1	----	----	----	1621 740
1956	4 D., Sp. 4 D.				1650 224	1650 224
1956	Cv. Cp. Rear Window Belt	1	----	----	1650 971	1650 971
23-23-43	MOULDING, Quarter Window Division Channel					
1955-56	2 D. Sub. Sliding Glass	2	----	1646 946	----	----
23-23-45	MOULDING, Roof Rail Weatherstrip Outside Finish					
NOTE: For Roof Rail Inside and Outside Finish Mouldings see Part Type Code 23-26-41.						
1956	Sp. 4 D.					
	Right	1	----	----	1650 776	1650 776
	Left	1	----	----	1650 777	1650 777
23-23-49	MOULDING, Folding Top Belt Finish					
1955-56	Cv. Cp. Rear Right	1	1608 530	----	----	----
	Left	1	1608 531	----	----	----
23-23-50	PLATE, Roof Outside Finish					
1955	4 D., C67, C68					
	Right	1	----	----	1620 088	1598 788
	Left	1	----	----	1620 089	1598 789
	Screw, No. 8-15 x 1/2"	4	----	----	142 407	----
1955	PLATE, Rear Quarter Panel Outside Ornamental					
1955	C69					
	Right	1	----	----	----	1597 460
	Left	1	----	----	----	1597 461
1955	C69, C70 Extension Inner Right	1	----	----	----	1598 022
	Left	1	----	----	----	1598 023
	Outer Right	1	----	----	----	1597 383
	Left	1	----	----	----	1597 384
1955	C69, C70 Between Wheel Opening and Rear Bumper					
	Right	1	----	----	----	1597 458
	Left	1	----	----	----	1597 459
1956	4 D., Sp. 4 D., C72					
	Right	1	----	----	----	1598 788
	Left	1	----	----	----	1598 789
1956	4 D., Sp. 4 D., w/Windshield Outside					
	Visor, C71					
	Right	1	----	----	----	1598 788
	Left	1	----	----	----	1598 789
	Screw	4	----	----	----	127 853
	Clip	2	----	----	----	1620 352
1956	4 D., Sp. 4 D., w/Custom Mouldings or					
	Windshield Outside Visor					
	Right	1	----	----	1620 088	----
	Left	1	----	----	1620 089	----
1956	Sp. Cl. Cp., S24 Ornamentation Right	1	----	----	1690 258	----
	Left	1	----	----	1690 259	----
1956	Sp. Cl. Cp., w/Custom Mouldings, S23					
	Ornamentation Right	1	----	----	1690 258	----
	Left	1	----	----	1690 259	----
1956	4 D., Sp. 4 D., Sp. Cl. Cp., C73 Panel					
	Between Wheel Opening and Rear Bumper					
	Right	1	----	----	----	1651 884
	Left	1	----	----	----	1651 885

★ Indicates use as required.

⊠ Indicates parts not listed in any previous parts book.
Nov. 28, 1956 Supersedes Jan. 7, 1957.

Prices and specifications subject to change without notice.
* Indicates change or addition.

Printed in U.S.A.

CODE	REMARKS	PER CAR	PLYMOUTH	DODGE	DESOTO	CHRYSLER AND IMPERIAL
	Nut and Washer	8	----	----	----	*6006 024
	Seal	8	----	----	----	1542 185
	Key Bolt	8	----	----	----	1652 006
	Screw	8	----	----	----	164 354
23-23-52	MOULDING, Rear Window Outside Finish					
1955-56	4 D., Cl. Cp., Cl. Sed., P26-3, P27-3, P28-2, P28-3, P29-2, P29-3					
	Upper and Side Right	1	1579 426	----	----	----
	Left	1	1579 427	----	----	----
1955-56	4 D., Cl. Cp., 3 Cp. Belt Right	1	1579 256	----	----	----
	Left	1	1579 257	----	----	----
	Retainer and Bolt	6	1579 806	----	----	----
	Nut and Washer	6	*6006 024	----	----	----
1955-56	4 D., Cl. Cp., Cl. Sed., P26-3, P27-3 P28-2, P28-3, P29-2, P29-3					
	Lower Right	1	1593 832	----	----	----
	Left	1	1593 833	----	----	----
1955	4 D., Cl. Cp., P26-2, P27-2					
	Upper	1	1593 716	----	----	----
	Lower Right	1	1593 832	----	----	----
	Left	1	1593 833	----	----	----
1955	4 D., P26-2, P27-2, D55-3 w/PLATE, Side Right	1	1593 668	*1646 484	----	----
	Left	1	1593 669	1646 485	----	----
	Retainer, Right	1	1590 460	----	----	----
	Retainer, Left	1	1590 461	----	----	----
	Screw	2	1646 390	----	----	----
	Clip	2	----	1599 685	----	----
	Screw, No. 8-18 x 3/8"	4	----	163 158	----	----
1955	Cl. Cp., P26-2, P27-2 Side Right	1	1593 908	----	----	----
	Left	1	1593 909	----	----	----
1955-56	Sp. Cl. Cp., Sp. 4 D. Upper	1	1645 833	----	----	----
1955-56	Sp. Cl. Cp. w/PLATE, Side Right	1	*1595 928	----	----	----
	Left	1	*1595 929	----	----	----
	Retainer, Right	1	1590 460	----	----	----
	Retainer, Left	1	1590 461	----	----	----
	Screw	2	1646 390	----	----	----
1955-56	Sp. Cl. Cp. Lower Right	1	1595 930	----	----	----
	Left	1	1595 931	----	----	----
	Belt Right	1	1595 936	----	----	----
	Left	1	1595 937	----	----	----
1955-56	4 D., Cl. Cp. Upper	1	----	1599 602	----	----
	Lower	1	----	1599 616	----	----
1955	4 D., except D55-3 Side Right	1	----	1599 639	----	----
	Left	1	----	1599 640	----	----
1955	Cp. Cp., D56 Side Right	1	----	1599 639	----	----
	Left	1	----	1599 640	----	----
1955	Cl. Cp., D56 w/PLATE, Side Right	1	----	*1646 484	----	----
	Left	1	----	1646 485	----	----
	Clip	2	----	1599 685	----	----
	Screw, No. 8-18 x 3/8"	4	----	163 158	----	----
1955	4 D., Cl. Cp. Belt	1	----	1599 603	----	----
1955-56	Sp. Cl. Cp., Sp. 4 D. Upper	1	----	1599 652	----	----
	Side Right	1	----	1599 682	----	----
	Left	1	----	1599 683	----	----
	Lower	1	----	1599 653	----	----
1955-56	Sp. Cl. Cp. Belt	1	----	1599 667	----	----
1955-56	Cv. Cp. Belt	1	----	1599 700	----	----
1955-56	4 D., Sp. 4 D. Upper	1	----	----	1597 483	1597 483
	Lower Right	1	----	----	1597 484	1597 484
	Left	1	----	----	1597 485	1597 485
	Upper Corner Right	1	----	----	1597 486	1597 486
	Left	1	----	----	1597 487	1597 487
1955	4 D. Belt Right	1	----	----	1597 488	1597 488
	Left	1	----	----	1597 489	1597 489
	Clip	6	----	----	1598 492	1598 492
	Clip	2	----	----	1598 473	1598 473
1955	Sp. Cl. Cp., C67-1, C68-300 Belt Right	1	----	----	1598 072	1598 072
	Left	1	----	----	1598 073	1598 073
	Clip	8	----	----	1598 409	1598 409

★ Indicates use as required.

☐ Indicates parts not listed in any previous parts book.

* Indicates change or addition.

Printed in U.S.A.

Prices and specifications subject to change without notice.

Nov. 28, 1958 Supersedes Jan. 7, 1957.

1955-56 PASSENGER CAR PARTS LIST

BODY

CODE	REMARKS	PER CAR	PLYMOUTH	DODGE	DESOTO	CHRYSLER AND IMPERIAL
1955	Sp. Cl. Cp., C67-2, C68, C69	Belt Right 1 Left 1 Clip 8	----	----	----	1598 208 1598 209 1598 409
1955	Sp. Cl. Cp.	Side Right 1 Left 1	----	----	1598 136 1598 137	1598 136 1598 137
1955-56	Sp. Cl. Cp.	Lower 1	----	----	1598 074	1598 074
1955-56	Sp. Cl. Cp.	Upper 1	----	----	1598 140	1598 140
1955	Cv. Cp.	Belt Right 1 Left 1	----	----	1598 594 1598 595	1598 594 1598 595
1955-56	C70	Right 1 Left 1	----	----	----	1544 866 1544 867
1956	Sp. 4 D.	Lower Right 1 Left 1	1595 930 1595 931	----	----	----
1956	Sp. 4 D.	Side Right 1 Left 1	1680 602 1680 603	----	----	----
1956	Sp. 4 D.	Belt Right 1 Left 1	1680 604 1680 605	----	----	----
1956	4 D., Cl. Sed.	Side Right 1 Left 1 Lower 1	----	1646 484 1646 485 1646 486	----	----
1956	Sp. 4 D. UP TO Ser. No. 35061692	Belt 1	----	1681 825	----	----
1956	Sp. 4 D. AFTER Ser. No. 35061692	Belt Right 1 Left 1	----	1705 836 1705 837	----	----
1956	Sp. Cl. Cp., S23, S24 w/Custom Mouldings	Side Right 1 Left 1	----	----	1621 830 1621 831	----
1956	Sp. Cl. Cp., S23	Side Right 1 Left 1	----	----	1598 136 1598 137	1598 136 1598 137
1956	Sp. Cl. Cp., C71, C72-300	Belt Right 1 Left 1	----	----	1621 354 1621 355	1621 354 1621 355
1956	Sp. Cl. Cp., C71-2 w/Outside Visor, C72	Belt Right 1 Left 1	----	----	----	1621 360 1621 361
1956	Sp. Cl. Cp., C73	Belt Right 1 Left 1	----	----	----	1621 362 1621 363
1956	4 D., Sp. 4 D., C71, C72	Belt Right 1 Left 1	----	----	1621 364 1621 365	1621 364 1621 365
1956	4 D., Sp. 4 D., C73	Belt Right 1 Left 1	----	----	----	1621 366 1621 367
1956	Cv. Cp.	Belt Right 1 Left 1	----	----	1621 978 1621 979	1621 978 1621 979
23-23-54	PLATE, Rear Quarter Panel Outside Ornament Extension Tie					
1955	C69, C70	2	----	----	----	1598 391
23-23-56	STRAP, Rear Quarter Panel Ornament Extension Tie					
1955	C69, C70	Right 1 Left 1	----	----	----	1598 392 1598 393
23-23-57	SPACER, Windshield Outside Upper Finish Moulding Bolt					
1955-56	All Use w/Wide Moulding	4	1656 056	1656 056	----	----
23-23-60	MOULDING, Tailgate Opening Outside Finish					
1955-56	Est. Wgn. Upper	1 8	----	----	1577 876 162 402	1577 876 162 402
	Screw, No. 8-15 x 3/4"	Side Right 1 Left 1	----	----	1577 872 1577 873	1577 872 1577 873
	Clip	4	----	----	1577 877	1577 877
	Upper Corner	Right 1 Left 1	----	----	1577 874 1577 875	1577 874 1577 875
23-23-61	MOULDING, Tailgate Outside Finish					
1955-56	Est. Wgn.	Belt 1	----	----	1577 759	1577 759
1955	Sub.	Upper Belt 1	1579 867	1579 869	----	----
	Clip	7	1627 875	1609 346	----	----
	Washer, lock	7	138 530	138 530	----	----
	Screw, No. 8-32 x 1/4"	7	122 159	122 159	----	----
	Screw	2	1645 352	----	----	----
1956	Sub.	Upper Belt 1	1579 867	1646 866	----	----
1956	4 D. Sub., P28-3, P29-3	Lower Side 2	1682 552	----	----	----
1956	4 D. Sub., P28-3, P29-3	Lower 7	1682 554	----	----	----

★ Indicates use as required.

⊠ Indicates parts not listed in any previous parts book.
Nov. 28, 1958 Supersedes Jan 7, 1957.

Printed in U.S.A.
Prices and specifications subject to change without notice.
* Indicates change or addition

CODE	REMARKS	PER CAR	PLYMOUTH	DODGE	DESOTO	CHRYSLER AND IMPERIAL
1956	Sub., w/Two Tone Paint					
	Upper Gate Upper	1	1682 555	----	----	----
1956	Sub. w/Two Tone Paint					
	Upper Side Right	1	1682 556	----	----	----
	Left	1	1682 557	----	----	----
23-23-65	MOULDING, Windshield Outside Finish					
1955-56	P26-2, P26-3, P27-2, P27-3, P28-2, P28-3, P29-2, P29-3, except Cv. Cp. Wide Upper	1	1609 254	----	----	----
	Retainer and Bolt	4	1609 256	----	----	----
	Spacer	4	1656 056	----	----	----
	Seal	4	1609 208	----	----	----
	Washer, lock	4	120 217	----	----	----
	Nut	4	120 614	----	----	----
1955	4 D., 4 D.Sub., Cl. Cp., P26-2, P26-3, P27-2, P27-3, use with Wide Upper					
	Side Right	1	1608 556	----	----	----
	Left	1	1608 557	----	----	----
1956	4 D., Sub., Cl. Sed., P28-2, P28-3, P29-2, P29-3, use with Wide Upper					
	Side Right	1	1608 556	----	----	----
	Left	1	1608 557	----	----	----
	Screw	6	1341 885	----	----	----
1955-56	Sp. Cl. Cp., Sp. 4 D., D55, D63-3, use w/Wide Upper					
	Side Right	1	1608 558	1608 860	----	----
	Left	1	1608 559	1608 861	----	----
	Screw	6	1341 885	1341 885	----	----
1955-56	Sp. Cl. Cp., Sp. 4 D., D55-1, D55-2, D63-1, D63-2					
	Narrow Side Right	1	1593 974	1579 680	----	----
	Left	1	1593 975	1579 681	----	----
	Screw	6	1341 885	1341 885	----	----
1955	4 D., 4 D. Sub., Cl. Cp., P26-2, P26-3, P27-2, P27-3					
	Narrow Side Right	1	1593 369	----	----	----
	Left	1	1593 370	----	----	----
1955-56	4 D., P26-1, P27-1, P28-1, P29-1, Export					
	Narrow Side Right	1	1593 369	----	----	----
	Left	1	1593 370	----	----	----
1956	4 D., Sub., Cl. Sed., P28-2, P28-3, P29-2, P29-3					
	Narrow Side Right	1	1593 369	----	----	----
	Left	1	1593 370	----	----	----
	Screw	6	1341 885	----	----	----
1955	4 D., 4 D. Sub., Sp. Cl. Cp., Cl. Cp., P26-2, P26-3, P27-2, P27-3					
	Narrow Upper	1	1593 368	----	----	----
1955	4 D., P26-1, P27-1, Export					
	Narrow Upper	1	1593 368	----	----	----
1956	4 D., Sp. 4 D., 4 D. Sub., 2 D. Sub., Sp. Cl. Cp., Cl. Sed., P28-2, P28-3, P29-2, P29-3					
	Narrow Upper	1	1593 368	----	----	----
1955	4 D., 4D. Sub., 2 D. Sub., Sp. Cl. Cp., Cl. Cp., D55-1, D55-2, D56					
	Narrow Upper	1	----	1593 368	----	----
1956	4 D., Sp. 4 D., 4 D. Sub., 2 D. Sub., Sp. Cl. Cp., Cl. Sed., D62, D63-1					
	Narrow Upper	1	----	1593 368	----	----
1956	4 D., Sp. 4 D., Sp. Cl. Cp., D63-2					
	Narrow Upper	1	----	1593 368	----	----
1955-56	Except Cv. Cp., Sp. Cl. Cp., Sp. 4 D., P26-1, P27-1, P28-1, P29-1					
	Lower Right	1	1595 990	----	----	----
	Left	1	1595 991	----	----	----
1955-56	4 D., P26-1, P27-1, P28-1, P29-1 Export					
	Lower Right	1	1595 990	----	----	----
	Left	1	1595 991	----	----	----
1955-56	Except Cv. Cp., Sp. Cl. Cp., Sp. 4 D.					
	Belt Right	1	1579 248	----	----	----
	Left	1	1579 249	----	----	----
	Retainer and Bolt	2	1579 806	----	----	----
	Nut and Washer	2	*6006 024	----	----	----
	Screw	2	*6000 009	----	----	----
	Center	1	1579 616	----	----	----

★ Indicates use as required.

☐ Indicates parts not listed in any previous parts book.

* Indicates change or addition.

1955-56 PASSENGER CAR PARTS LIST

BODY

CODE	REMARKS	PER CAR	PLYMOUTH	DODGE	DESOTO	CHRYSLER AND IMPERIAL
	Retainer and Bolt	2	1579 806	----	----	----
	Nut and Washer	2	*6006 024	----	----	----
1955-56	Cv. Cp., Sp. Cl. Cp., Sp. 4 D. Lower Right	1	1579 604	----	----	----
	Left	1	1579 605	----	----	----
	Belt Right	1	1579 602	----	----	----
	Left	1	1579 603	----	----	----
	Retainer and Bolt	2	1579 806	----	----	----
	Nut and Washer	2	*6006 024	----	----	----
	Screw	2	*6000 009	----	----	----
	Center	1	1595 926	----	----	----
	Retainer and Bolt	2	1579 806	----	----	----
	Nut and Washer	2	*6006 024	----	----	----
1955-56	Cv. Cp. Upper	1	1579 228	1579 228	----	----
	Screw	5	1341 885	1341 885	----	----
1955-56	Cv. Cp. Side Right	1	1595 940	1579 676	----	----
	Left	1	1595 941	1579 677	----	----
	Screw	6	1341 885	1341 885	----	----
1955	4 D., Sub., Sp. Cl. Cp., Cl. Cp., D55-1, D55-2, D56, with w/Shield Fin. Panels					
	Wide Upper	1	----	1609 254	----	----
1955	4 D., Sp. Cl. Cp., D53	1	----	1609 254	----	----
1956	4 D., Sp. 4 D., Sp. Cl. Cp., D63-3					
	Wide Upper	1	----	1609 254	----	----
1956	Sub., D63-2	1	----	1609 254	----	----
	Retainer and Bolt	4	----	1609 256	----	----
	Spacer	4	----	1656 056	----	----
	Seal	4	----	1609 208	----	----
	Washer, lock	4	----	120 217	----	----
	Nut	4	----	120 614	----	----
1955	4 D., Sub., Sp. Cl. Cp., Cl. Cp., D55-1, D55-2, D56					
	Narrow Upper	1	----	1593 368	----	----
1956	4 D., Sp. 4 D., Sub., Sp. Cl. Cp., Cl. Sed., D62, D63-1					
	Narrow Upper	1	----	1593 368	----	----
1956	4 D., Sp. 4 D., Sp. Cl. Cp., D63-2					
	Narrow Upper	1	----	1593 368	----	----
1955-56	All Lower Right	1	----	1595 992	----	----
	Left	1	----	1595 993	----	----
1955	Cv. Cp. Side Upper Right	1	----	1628 426	----	----
	Left	1	----	1628 427	----	----
1955	4 D., Sub., Cl. Cp., D55, D56, use with					
	Wide Upper Side Right	1	----	1608 664	----	----
	Left	1	----	1608 665	----	----
1956	4 D., D63-3, use with Wide Upper					
	Side Right	1	----	1608 664	----	----
	Left	1	----	1608 665	----	----
1956	Sub., D63-2, use with Wide Upper					
	Side Right	1	----	1608 664	----	----
	Left	1	----	1608 665	----	----
	Screw	6	----	1341 885	----	----
1955	4 D., Cl. Cp., Sub., D55-1, D55-2, D56					
	Narrow Side Right	1	----	1579 674	----	----
	Left	1	----	1579 675	----	----
1956	4 D., Cl. Sed., Sub., D62, D63-1					
	Narrow Side Right	1	----	1579 674	----	----
	Left	1	----	1579 675	----	----
1956	4 D., D63-2					
	Narrow Side Right	1	----	1579 674	----	----
	Left	1	----	1579 675	----	----
	Screw	6	----	1341 885	----	----
1955-56	4 D., S21, S22, S23, S24 use w/o Visor, C67, C71					
	Upper	1	----	----	1597 525	1597 525
1955	Sp. Cl. Cp., C68-300, C71					
	use w/o Visor Upper	1	----	----	----	1597 525
1956	Sp. 4 D., S23, S24, C71					
	use w/o Visor Upper	1	----	----	1597 525	1597 525
1956	Sp. Cl. Cp., S23, C71					
	use w/o Visor Upper	1	----	----	1597 525	1597 525

★ Indicates use as required.

⊠ Indicates parts not listed in any previous parts book.
Nov. 28, 1958 Supersedes Jan. 7, 1957.

Prices and specifications subject to change without notice.
* Indicates change or addition.

Printed in U.S.A.

PASSENGER CAR PARTS LIST 1955-56

CODE	REMARKS	PER CAR	PLYMOUTH	DODGE	DESOTO	CHRYSLER AND IMPERIAL	
1955-56	4 D., C67, C71	Upper Side Right Left	1 1	----	----	1597 530 1597 531	1597 530 1597 531
1956	Sp. 4 D., S23, C71	Upper Side Right Left	1 1	----	----	1597 530 1597 531	1597 530 1597 531
1956	Est. Wgn.	Upper Side Right Left	1 1	----	----	1597 530 1597 531	1597 530 1597 531
1955-56	4D., Sp. 4D., C67, C68, C71, C72, C73, use w/visor	Side Right Left	1 1	----	----	1598 580 1598 581	1598 580 1598 581
1955-56	Sp. Cl. Cp., S22-1, S23, C67, C68-300, C71, C72-300	Side Right Left	1 1	----	----	1597 532 1597 533	1597 532 1597 533
1955-56	Sp. Cl. Cp., use w/visor	Side Right Left	1 1	----	----	1598 590 1598 591	1598 590 1598 591
1955-56	Cv. Cp.	Upper	1	----	----	1598 181	1598 181
1955-56	Cv. Cp. Upper Corner and Side	Right Left	1 1	----	----	1598 596 1598 597	1598 596 1598 597
1955	All	Lower	1	----	----	1597 524	1597 524
	Clip		11	----	----	1598 786	1598 786
	Screw, No. 8-15 x 1/2"		11	----	----	125 978	125 978
	Washer		11	----	----	E6006 031	E6006 031
1955-56	C69 4 D., C70 All	Upper Side Right Left	1 1	----	----	----	1650 634 1650 635
		Lower Side Right Left	1 1	----	----	----	1650 632 1650 633
1956	All	Lower Right Left	1 1	----	----	1691 272 1691 273	1691 272 1691 273
	Clip		5	----	----	1598 786	1598 786
	Clip, End		2	----	----	E6000 407	E6000 407
	Seal		2	----	----	E6006 031	E6006 031
	Screw, No. 8-15 x 1/2"		2	----	----	125 978	125 978
23-23-66	CAP or COVER, Windshield Outside Finish Moulding Joint						
1955	4D., Cl. Cp., 4D. Sub., P26-2, P27-2	Lower Center	1	1579 633	----	----	----
1955	Cv. Cp., Sp. Cl. Cp.	Lower Center	1	1608 536	----	----	----
1955-56	All	Lower Center	1	----	1579 968	----	----
1955	Cv. Cp.	Lower Corner Right Left	1 1	----	1628 428 1628 429	----	----
1955	4 D., Est. Wgn.	Lower Corner Right Left	1 1	----	----	1597 526 1597 527	1597 526 1597 527
1955-56	Cv. Cp.	Lower Corner Right Left	1 1	----	----	1598 606 1598 607	1598 606 1598 607
1955-56	Sp. Cl. Cp., S21, S22-1, S23, S24, C67, C68-300, C71, C72-300	Lower Corner Right Left	1 1	----	----	1598 606 1598 607	1598 606 1598 607
1956	4 D., Cl. Sed., Sub., P28-2, P28-3, P29-2, P29-3		1	1579 633	----	----	----
1956	Sp. 4D., Cv. Cp., Sp. Cl. Cp.	Lower	1	1608 536	----	----	----
1956	All	Lower Center	1	----	1691 274	----	1691 274
1956	4D., Sp. 4D., Est. Wgn., C71	Lower Corner Right Left	1 1	----	----	1597 526 1597 527	1597 526 1597 527
1956	Est. Wgn., C72	Lower Corner Right Left	1 1	----	----	----	1597 526 1597 527
23-23-80	PANEL, Door Outside Finish						
1956	Sp. Cl. Cp., P29-3 Fury	Right Left	1 1	1706 550 1706 551	----	----	----
23-23-85	PANEL, Quarter Outside Finish						
1956	Sp. Cl. Cp., P29-3 Fury	Side Right Left	1 1	*1706 552 1706 553	----	----	----
	On Fuel Tank Opening Cover		1	*1706 554	----	----	----

★ Indicates use as required.

□ Indicates parts not listed in any previous parts book.

* Indicates change or addition.

1955-56 PASSENGER CAR PARTS LIST

BODY

CODE	REMARKS	PER CAR	PLYMOUTH	DODGE	DESOTO	CHRYSLER AND IMPERIAL
23-26-0 TRIM FINISH MOULDINGS						
23-26-2	MOULDING, Rear Quarter Arm Rest					
1955	Sp. Cl. Cp., Cv. Cp. Upper	2	1596 209	----	----	----
1955	Sp. Cl. Cp., Cv. Cp., Combination Trim, D55-2, D55-3 Lower	2	1607 542	1607 542	----	----
1955	Sp. Cl. Cp., Custom Trim	2	----	1640 094	----	----
1955	Sp. Cl. Cp., S22-1 Quarter	2	----	----	1603 158	----
1955-56	Sp. Cl. Cp., Cv. Cp., S21, S24 Lower	2	----	----	1623 323	----
1955-56	C70 Upper	2	----	----	----	1646 003
	Lower	2	----	----	----	1646 000
1956	Sp. Cl. Cp., Cv. Cp., P28-3, P29-3	2	1607 542	----	----	----
1956	Sp. Cl. Cp., P28-2, P29-2 Upper	2	1596 209	----	----	----
1956	Sp. Cl. Cp., Cv. Cp., P28-2, P29-2					
	Combination Trim Lower	2	1680 816	----	----	----
1956	Sp. Cl. Cp., P29-3 Fury Upper	2	1706 041	----	----	----
	Lower	2	1680 332	----	----	----
1956	Sp. Cl. Cp., D63-1, Custom Trim Lower	2	----	1680 204	----	----
1956	Sp. Cl. Cp., D63-2	2	----	1607 542	----	----
1956	Sp. Cl. Cp., D63-2, D63-3, C71-1 Upper	2	----	1640 094	----	1649 496
1956	Sp. Cl. Cp., D63-3, S23-2 Lower	2	----	1705 560	1640 625	----
1956	Cv. Cp., D63-3 Upper	2	----	1640 094	----	----
1956	Cv. Cp., D63-3 UP TO Note 1, C71 Lower	2	----	1680 332	----	1649 488
1956	Cv. Cp., D63-3 AFTER Note 1 Lower	2	----	1705 560	----	----
1956	Sp. Cl. Cp., Cv. Cp., S24 Lower	2	----	----	1623 323	----
1956	Sp. Cl. Cp. w/Custom Mldgs., Cv. Cp., S23 Quarter	2	----	----	1603 158	----
1956	Sp. Cl. Cp., C71-1 Lower	2	----	----	----	1649 488
1956	Sp. Cl. Cp., C73 Upper	2	----	----	----	1649 945
1956	Sp. Cl. Cp., Cv. Cp., C72, C73 Intermediate	2	----	----	----	1649 946
1956	Sp. Cl. Cp., C73 Lower Right	1	----	----	----	1649 947
	Left	1	----	----	----	1649 948
23-26-14	MOULDING, Quarter Lock Pillar Upper Inside Finish					
1955-56	2D. Sub. Right	1	1628 974	1647 604	----	----
	Left	1	1628 975	1647 605	----	----
23-26-15	CAP, Quarter Lock Pillar Upper Inside Finish Moulding Joint					
1955-56	2 D. Sub., D62-2, D63-2 Prime	2	1628 961	1628 961	----	----
23-26-19	MOULDING, Lower Tailgate Inside Panel					
1956	Sub., UP TO Note 2 Upper	1	1680 553	----	----	----
	Lower Center	1	*1705 342	----	----	----
	Check Arm Cutout Right	1	*1705 886	----	----	----
	Left	1	*1705 887	----	----	----
1956	Sub., AFTER Note 2 Upper	1	1683 099	----	----	----
	Lower Center	1	1705 342	----	----	----
1956	Sub., P28-2, P28-3, P29-2, P29-3					
	Side Right	1	1705 884	----	----	----
	Left	1	1705 885	----	----	----
	Check Arm Cutout Right	1	1705 886	----	----	----
	Left	1	1705 887	----	----	----
1956	Sub., D62-1, D63-1 Upper	1	----	1683 099	----	----

NOTE 1: Body Type Code Ser. No.
 Cv. Cp. 833 35076248
 Cv. Cp. 834 35091392
 Cv. Cp. 835 35076192

NOTE 2: DETROIT EVANSVILLE LOS ANGELES
 Body Nos. Body Nos. Ser. Nos.
 P28-2 and P29-2 4D. Sub. 2295 1145
 P28-2 and P29-2 2D. Sub. 2431 except 2437 and 2438 1177
 P28-3 and P29-3 4D. Sub. 4501 1587
 P28-2 and P29-2 2D. Sub. Body Nos.
 2437 and 2438 use UP TO Part Nos.
 P28-2, P28-3, 4D. Sub., 2D. Sub. 25204510
 P29-2, P29-3, 4D. Sub., 2D. Sub. 26561874

★ Indicates use as required.

□ Indicates parts not listed in any previous parts book.

Nov. 28, 1958 Supersedes Jan. 7, 1957.

Printed in U.S.A. Prices and specifications subject to change without notice.

* Indicates change or addition.

PASSENGER CAR PARTS LIST 1955-56

CODE	REMARKS	PER CAR	PLYMOUTH	DODGE	DESOTO	CHRYSLER AND IMPERIAL
1956	2D. Sub., D62-1 UP TO Ser. No. 32240773, 4D. Sub., D63-1 UP TO Ser. No. 35076248 Lower Center	1	----	*1705 342	----	----
	Side Right	1	----	1683 100	----	----
	Left	1	----	1683 101	----	----
1956	2D. Sub., D62-1 AFTER Ser. No. 32240773, 4D. Sub., D63-1 AFTER Ser. No. 35076248 Lower Center	1	----	1705 342	----	----
	Side Right	1	----	1705 340	----	----
	Left	1	----	1705 341	----	----
23-26-20	MOULDING, Cowl Trim Panel Finish					
1955	4D. Coronado, Sp. Cl. Cp., Cv. Cp., S21	2	----	----	1640 113	----
1955	4D., C68, C69	2	----	----	----	1640 165
1955	Sp. Cl. Cp., Cv. Cp., C68, C69	2	----	----	----	1640 156
1956	Sp. 4D., Sp. Cl. Cp., Cv. Cp., S24	2	----	----	1640 113	----
1956	Sp. 4D., Sp. Cl. Cp., Cv. Cp., S23, C72	2	----	----	1684 273	1649 997
1956	4D., C72	2	----	----	----	1649 319
1956	4D., Sp. 4D., Sp. Cl. Cp., C73	2	----	----	----	1649 997
	KICKPLATE, Cowl Trim Panel					
1956	All, C73 Right	1	----	----	----	1649 382
	Left	1	----	----	----	1649 383
23-26-23	MOULDING, Door Trim Panel Finish					
1955	4D., P26-1, P27-1 Front Door	2	1596 091	----	----	----
	Rear Door	2	1596 092	----	----	----
1955	4 D., 4 D. Sub., P28-2, P29-2 Front Door, Lower	2	1607 519	----	----	----
1955	4 D., P28-3, P29-3, Cloth and Imitation Leather Trim Front Door, Lower	2	1607 519	----	----	----
1955	4D. Sub., P26-1, P27-1, Vinyl Trim Front Door	2	1596 091	----	----	----
	Rear Door	2	1596 092	----	----	----
1955	Cl. Cp., P26-1, P27-1, Cloth and Imitation Leather Trim	2	1596 089	----	----	----
1955	2D. Sub., 3Cp., P26-1, P27-1, All Trim	2	1596 089	----	----	----
1956	Sp. Cl. Cp., P28-2, P29-2 Upper Front Right	1	1647 020	----	----	----
	Left	1	1647 021	----	----	----
	Rear Right	1	1647 045	----	----	----
	Left	1	1647 046	----	----	----
1956	Sp. Cl. Cp., P28-3, P29-3, Combination Trim Upper Right	1	1647 027	----	----	----
	Left	1	1647 028	----	----	----
1956	Sp. Cl. Cp., P28-2, P29-2, P29-3 Fury Lower	2	1607 516	----	----	----
1956	Sp. Cl. Cp., P29-3 Fury Code 525	2	1649 402	----	----	----
1956	Sp. Cl. Cp., P29-3 Fury Center Right	1	1706 031	----	----	----
	Left	1	1706 032	----	----	----
	Intermediate Right	1	1706 033	----	----	----
	Left	1	1706 034	----	----	----
1956	Cv. Cp., All Trim Upper Right	1	1647 027	----	----	----
	Left	1	1647 028	----	----	----
1956	Cl. Sed., P28-1, P29-1 Combination Trim Upper Right	1	1647 016	----	----	----
	Left	1	1647 017	----	----	----
1956	Cl. Sed., P28-1, P29-1 Lower	2	1647 083	----	----	----
1956	Cl. Sed., P28-2, P29-2 Upper Front Right	1	1647 020	----	----	----
	Left	1	1647 021	----	----	----
	Rear Right	1	1647 045	----	----	----
	Left	1	1647 046	----	----	----
1956	Cl. Sed., P28-2, P28-3, P29-2, P29-3 Combination Trim Lower	2	1607 516	----	----	----
1956	Cl. Sed., P28-3, P29-3, Combination Trim Upper Right	1	1647 027	----	----	----
	Left	1	1647 028	----	----	----
1956	3 Cp., P28-1, P29-1 Upper Right	1	1647 016	----	----	----
	Left	1	1647 017	----	----	----
1956	3 Cp., P28-1, P29-1 Lower	2	1647 083	----	----	----

★ Indicates use as required.
 □ Indicates parts not listed in any previous parts book.
 * Indicates change or addition.

1955-56 PASSENGER CAR PARTS LIST

BODY

CODE	REMARKS	PER CAR	PLYMOUTH	DODGE	DESOTO	CHRYSLER AND IMPERIAL
1956	4 D., P28-1, P29-1, Front Door, Upper Right	1	1647 014	-----	-----	-----
	Left	1	1647 015	-----	-----	-----
1956	4 D., P28-1, P29-1, Front Door Lower	2	1647 084	-----	-----	-----
	Rear Door, Lower	2	1647 064	-----	-----	-----
1956	4 D., P28-2, P29-2 Front Door					
	Upper Front Right	1	1647 020	-----	-----	-----
	Left	1	1647 021	-----	-----	-----
	Upper Rear, Right	1	1647 022	-----	-----	-----
	Left	1	1647 023	-----	-----	-----
	Lower	2	1607 519	-----	-----	-----
1956	4D., P28-2, P29-2 Rear Door Upper Right	1	1694 022	-----	-----	-----
	Left	1	1694 023	-----	-----	-----
1956	4D., P28-3, P29-3 Rear Door Upper Front	2	1647 087	-----	-----	-----
	Upper Rear Right	1	1647 088	-----	-----	-----
	Left	1	1647 089	-----	-----	-----
	Center	2	1647 092	-----	-----	-----
1956	4D., P28-3, P29-3, w/Electric Window Lifts Rear Door Upper Right	1	1647 090	-----	-----	-----
	Left	1	1647 091	-----	-----	-----
1956	Sp. 4 D., P28-3, P29-3, Front Door					
	Upper Right	1	1647 025	-----	-----	-----
	Left	1	1647 026	-----	-----	-----
	Center Right	1	1680 819	-----	-----	-----
	Left	1	1680 820	-----	-----	-----
	Lower Right	1	1680 821	-----	-----	-----
	Left	1	1680 822	-----	-----	-----
	Rear Door Upper Right	1	1694 036	-----	-----	-----
	Left	1	1694 037	-----	-----	-----
	Lower Right	1	1680 824	-----	-----	-----
	Left	1	1680 825	-----	-----	-----
1956	2 D. Sub., P28-1, P29-1 Upper Right	1	1647 016	-----	-----	-----
	Left	1	1647 017	-----	-----	-----
	Lower	2	1647 083	-----	-----	-----
1956	2 D. Sub., P28-2, P29-2 Upper Right	1	1647 027	-----	-----	-----
	Left	1	1647 028	-----	-----	-----
	Lower Right	1	1680 775	-----	-----	-----
	Left	1	1680 776	-----	-----	-----
1956	4 D. Sub., P28-2, P28-3, P29-2, P29-3, Vinyl Trim Front Door Upper Right	1	1647 025	-----	-----	-----
	Left	1	1647 026	-----	-----	-----
	Vinyl Trim Lower Right	1	1680 769	-----	-----	-----
	Left	1	1680 770	-----	-----	-----
	Rear Door Right	1	1680 771	-----	-----	-----
	Left	1	1680 772	-----	-----	-----
1956	4D. Sub., P28-3, P29-3 Combination Trim Front Door Upper Right	1	1680 748	-----	-----	-----
	Left	1	1680 749	-----	-----	-----
	Rear Door Upper	2	1680 762	-----	-----	-----
	Lower Right	1	1680 763	-----	-----	-----
	Left	1	1680 764	-----	-----	-----
PLATE, Front Door Trim Panel Finish						
1956	Sp. 4D., P28-3, P29-3, Sp. Cl. Cp., P29-3 Fury Top Diagonal Right	1	1680 847	-----	-----	-----
	Left	1	1680 848	-----	-----	-----
MOULDING, Door Trim Panel Finish						
1955	4D., D55-1, D56-1, Combination Trim Front Door Upper	2	-----	1607 519	-----	-----
1955	4 D., D55-2, D55-3, D56-1, Vinyl Trim Front Door Upper Right	1	-----	1607 527	-----	-----
	Left	1	-----	1607 528	-----	-----
1955	4 D., D55-2 All Trim, D55-3, D56-1, Vinyl Trim Front Door Intermediate Right	1	-----	1607 529	-----	-----
	Left	1	-----	1607 530	-----	-----
	Rear Door Upper	2	-----	1607 515	-----	-----
	Intermediate Right	1	-----	1607 556	-----	-----
	Left	1	-----	1607 557	-----	-----

★ Indicates use as required.

☐ Indicates parts not listed in any previous parts book.
Nov. 28, 1958 Supersedes Jan. 7, 1957.

Printed in U.S.A.
Prices and specifications subject to change without notice.
* Indicates change or addition.

PASSENGER CAR PARTS LIST 1955-56

CODE	REMARKS	PER CAR	PLYMOUTH	DODGE	DESOTO	CHRYSLER AND IMPERIAL
1955	4D., D55-3 Combination Trim					
1955	4D., D55-3, Door Arm Rest,					
	Front and Rear	4	----	*1683 844	----	----
	Front Door Upper Right	1	----	1607 512	----	----
	Left	1	----	1607 513	----	----
	Center	2	----	1607 519	----	----
	Lower	2	----	1607 519	----	----
1955	4 D. Custom, D55-1, D56-1 Combination Trim					
	Front Door Upper	2	----	1607 519	----	----
	Intermediate	2	----	1607 519	----	----
	Rear Door Upper	2	----	1607 515	----	----
1955	4D. Sub., D55-1, D56-1 Vinyl Trim					
	Front Door Upper	2	----	1607 519	----	----
1955	4D. Sub. with Carpeted Floors, D55-2,					
	Door Arm Rest Front and Rear	4	----	*1683 844	----	----
1955	Sp. Cl. Cp., Cv. Cp., D55-3, Arm Rest					
1956	Sp. Cl. Cp., D63-1 Texan					
	Door Upper Right	1	----	1705 568	----	----
	Left	1	----	1705 569	----	----
	Center	2	----	1607 516	----	----
	Lower	2	----	1705 576	----	----
1956	Sp. Cl. Cp., D63-1 Texan, Combination Trim					
	Upper	2	----	1607 516	----	----
1956	Sp. Cl. Cp., D62-1, D63-1 except Texan					
	Combination Trim Door Upper	2	----	1607 516	----	----
	Lower	2	----	1705 576	----	----
1956	Sp. Cl. Cp., D62-1, D63-1, Custom Trim					
	Door Upper Right	1	----	1705 568	----	----
	Left	1	----	1705 569	----	----
1956	Sp. Cl. Cp., D63-2 Combination Trim					
	Door Upper Right	1	----	1683 840	----	----
	Left	1	----	1683 841	----	----
	Lower Front Right	1	----	1683 811	----	----
	Left	1	----	1683 812	----	----
	Lower Rear Right	1	----	1683 804	----	----
	Left	1	----	1683 805	----	----
1956	Sp. Cl. Cp., D63-3 Combination Trim					
	Door Upper Right	1	----	1680 340	----	----
	Left	1	----	1680 341	----	----
	Center Right	1	----	1683 814	----	----
	Left	1	----	1683 815	----	----
	Lower	2	----	1607 516	----	----
1956	Cl. Sed., D62-1, D63-1 Combination Trim					
	Door Upper	2	----	1607 516	----	----
1956	Cl. Sed., D62-1, D63-1 Custom Trim					
	Door Upper Right	1	----	1705 568	----	----
	Left	1	----	1705 569	----	----
1956	Cv. Cp., D63-3 Vinyl Trim					
	Door Upper Right	1	----	1680 340	----	----
	Left	1	----	1680 341	----	----
	Center Right	1	----	1683 814	----	----
	Left	1	----	1683 815	----	----
	Lower	2	----	1607 516	----	----
1956	4 D., D62-1, D63-1 except Texan, D63-2					
	Custom Trim Front Door Upper Right	1	----	1705 568	----	----
	Left	1	----	1705 569	----	----
	Lower	2	----	1607 519	----	----
	Rear Door Upper Right	1	----	1705 566	----	----
	Left	1	----	1705 567	----	----
1956	4 D., D62-1, D63-1 except Texan, D63-2					
	Vinyl Trim Front Door Upper Right	1	----	1683 836	----	----
	Left	1	----	1683 837	----	----
	Lower Front Right	1	----	1683 811	----	----
	Left	1	----	1683 812	----	----
	Lower Rear Right	1	----	1683 806	----	----
	Left	1	----	1683 807	----	----
	Rear Door Upper	2	----	1607 519	----	----
	Lower Right	1	----	1683 831	----	----
	Left	1	----	1683 832	----	----

★ Indicates use as required.

☐ Indicates parts not listed in any previous parts book.

* Indicates change or addition.

Printed in U.S.A.

1955-56 PASSENGER CAR PARTS LIST

BODY

CODE	REMARKS	PER CAR	PLYMOUTH	DODGE	DESOTO	CHRYSLER AND IMPERIAL		
1956	4 D., D63-1 Texan Front Door Upper Right Left Door Center Lower Rear Door Upper Right Left Upper Intermediate Right Left Lower Right Left	1	----	1705 568	----	----		
		1	----	1705 569	----	----		
		2	----	*1607 519	----	----		
		2	----	1705 575	----	----		
		1	----	1705 566	----	----		
		1	----	1705 567	----	----		
		1	----	1647 370	----	----		
		1	----	1647 371	----	----		
		1	----	1705 580	----	----		
		1	----	1705 581	----	----		
		1956	4 D., D63-2 Combination Trim Front Door Upper Right Left Lower Front Right Left Lower Rear Right Left Rear Door Upper Lower Right Left Rear Lower Right Left	1	----	1683 836	----	----
1	----			1683 837	----	----		
1	----			1683 811	----	----		
1	----			1683 812	----	----		
1	----			1683 806	----	----		
1	----			1683 807	----	----		
2	----			1647 239	----	----		
1	----			1683 831	----	----		
1	----			1683 832	----	----		
1	----			1683 946	----	----		
1	----			1683 947	----	----		
1956	4 D., D63-3 Front Door Upper Right Left Center Right Left Lower Rear Door Upper Center Right Left Lower Right Left			1	----	1680 338	----	----
				1	----	1680 339	----	----
		1	----	1680 343	----	----		
		1	----	1680 344	----	----		
		2	----	1607 519	----	----		
		2	----	1647 239	----	----		
		1	----	1647 240	----	----		
		1	----	1647 241	----	----		
		1	----	1647 242	----	----		
		1	----	1647 243	----	----		
		1956	Sp. 4 D., D63-1 Front Door Upper Right Left Center Lower Rear Door Upper Front Right Left Stainless Steel, Center, Right Left Lower	1	----	1705 568	----	----
1	----			1705 569	----	----		
2	----			1607 519	----	----		
2	----			1705 574	----	----		
1	----			1705 563	----	----		
1	----			1705 564	----	----		
1	----			1680 247	----	----		
1	----			1680 248	----	----		
2	----			1705 572	----	----		
1956	Sp. 4 D., D63-2 Front Door Upper Right Left Lower Front Right Left Rear Door Upper Lower Front Right Left			1	----	1683 838	----	----
		1	----	1683 839	----	----		
		1	----	1683 811	----	----		
		1	----	1683 812	----	----		
		2	----	1680 246	----	----		
		1	----	1683 829	----	----		
		1	----	1683 830	----	----		
		1	----	1683 830	----	----		
1956	Sp. 4D., D63-3 Front Door Upper Right Left Lower Rear Right Left Combination Trim Lower Rear Door Upper Center Right Left Lower	1	----	1680 348	----	----		
		1	----	1680 349	----	----		
		1	----	1683 808	----	----		
		1	----	1683 809	----	----		
		2	----	1649 967	----	----		
		2	----	1680 246	----	----		
1956	2D. Sub., D62-2, D63-2 Upper Right Left Center Right Left	1	----	1683 863	----	----		
		1	----	1683 864	----	----		
		1	----	1683 852	----	----		
		1	----	1683 853	----	----		
1956	4 D. Sub., D63-2 Combination Trim Front Door Upper Right Left Lower	1	----	1680 348	----	----		
		1	----	1680 349	----	----		
		2	----	1607 519	----	----		

★ Indicates use as required.

☐ Indicates parts not listed in any previous parts book.

Nov. 28, 1958 Supersedes Jan. 7, 1957.

Page 23-114

Printed in U.S.A.
Prices and specifications subject to change without notice.

* Indicates change or addition.

PASSENGER CAR PARTS LIST 1955-56

CODE	REMARKS	PER CAR	PLYMOUTH	DODGE	DESOTO	CHRYSLER AND IMPERIAL
1956	4D. Sub., D63-2 Vinyl Trim					
	Front Door Upper Right	1	----	1680 338	----	----
	Left	1	----	1680 339	----	----
	Center Right	1	----	1680 343	----	----
	Left	1	----	1680 344	----	----
	Rear Door Center Right	1	----	1680 320	----	----
	Left	1	----	1680 321	----	----
	Upper	2	----	1623 903	----	----
	Lower	2	----	1680 322	----	----
MOULDING, Door Trim Panel Finish						
1955	4D., S21, S22 Leather Trim					
	Front Door Upper Right	1	----	----	1602 776	----
	Left	1	----	----	1602 777	----
	Arm Rest	2	----	----	*1683 844	----
	Rear Door, Arm Rest	2	----	----	*1683 844	----
1955	4D., S21 Coronado					
	Front Door Upper	2	----	----	1603 062	----
	Lower	2	----	----	1623 516	----
	Rear Door Upper Right	1	----	----	1649 171	----
	Left	1	----	----	1649 172	----
	Lower	2	----	----	1623 517	----
1955	Cv. Cp., S22					
	Door Upper Front Right	1	----	----	1623 216	----
	Left	1	----	----	1623 217	----
	Upper Rear	2	----	----	1603 143	----
	Arm Rest	2	----	----	*1683 844	----
	Lower	2	----	----	1603 146	----
1955	Cv. Cp., Sp. Cl. Cp., S21					
	Door Upper	2	----	----	1603 154	----
	Arm Rest	2	----	----	*1683 844	----
	Lower	2	----	----	1603 155	----
1955	Sp. Cl. Cp., S22-1					
	Door Upper	2	----	----	1603 154	----
1955	Sp. Cl. Cp., S22-2					
	Door Upper Front Right	1	----	----	1623 216	----
	Left	1	----	----	1623 217	----
	Upper Rear	2	----	----	1603 143	----
1955	Est. Wgn., S21,					
	Front Door, Arm Rest	2	----	----	*1683 844	----
	Arm Rest	2	----	----	*1683 844	----
	Lower	2	----	----	1603 146	----
	Front Door, Arm Rest	2	----	----	*1683 844	----
1955	Est. Wgn.					
	Front Door Lower	2	----	----	1623 516	----
	Rear Door Lower	2	----	----	1623 517	----
1956	4D., S23 Combination Trim					
	Front Door Upper Right	1	----	----	1684 250	----
	Left	1	----	----	1684 251	----
	Rear Door Upper Front	2	----	----	1684 262	----
	Upper Rear Right	1	----	----	1684 248	----
	Left	1	----	----	1684 249	----
1956	4D., S23 Imitation Leather Trim, S24					
	Front Door Upper Right	1	----	----	1649 000	----
	Left	1	----	----	1649 001	----
	Rear Door Upper Right	1	----	----	1640 697	----
	Left	1	----	----	1640 698	----
1956	4 D., Sp. 4 D., S24, Arm Rest with Stainless Steel Mldg.					
	Front and Rear	4	----	----	*1683 844	----
1956	Sp. 4 D., S24					
	Front Door Upper Right	1	----	----	1684 097	----
	Left	1	----	----	1684 098	----
	Intermediate	2	----	----	1603 062	----
	Lower	2	----	----	1623 516	----
	Rear Door Upper Right	1	----	----	1684 133	----
	Left	1	----	----	1684 134	----
	Intermediate Right	1	----	----	1684 141	----
	Left	1	----	----	1684 142	----
1956	Sp. 4 D., S24 w/Electric Window Lifts					
	Rear Door Upper Front	2	----	----	1684 137	----
	Upper Rear Right	1	----	----	1684 135	----
	Left	1	----	----	1684 136	----

★ Indicates use as required.

☐ Indicates parts not listed in any previous parts book.

* Indicates change or addition.

1955-56 PASSENGER CAR PARTS LIST

BODY

CODE	REMARKS	PER CAR	PLYMOUTH	DODGE	DESOTO	CHRYSLER AND IMPERIAL
1956	Sp. 4 D., S 23 w/o Custom Mouldings					
	Front Door Upper Right	1	----	----	1649 964	----
	Left	1	----	----	1649 965	----
	Intermediate Right	1	----	----	1684 387	----
	Left	1	----	----	1684 388	----
	Rear Door Upper	2	----	----	1649 967	----
	Intermediate Front	2	----	----	1684 391	----
	Rear	2	----	----	1684 392	----
	Lower	2	----	----	1649 970	----
1956	Sp. 4 D., S23 w/Custom Mouldings					
	Front Door Upper Right	1	----	----	1684 097	----
	Left	1	----	----	1684 098	----
	Intermediate	2	----	----	1603 062	----
	Lower	2	----	----	1684 285	----
	w/Manual Window Lifts Rear Door Upper	2	----	----	1684 288	----
	Intermediate Right	1	----	----	1684 141	----
	Left	1	----	----	1684 142	----
	Lower	2	----	----	1684 290	----
	w/Electric Window Lifts					
	Rear Door Upper Front	2	----	----	1684 137	----
	Rear	2	----	----	1684 289	----
	Intermediate	2	----	----	1684 393	----
1956	Cv. Cp., S23 12 3/4" long					
	Door Intermediate Right	1	----	----	1684 376	----
	Left	1	----	----	1684 377	----
	42 1/2" long Door Intermediate	2	----	----	1603 154	----
1956	Cv. Cp., Sp. Cl. Cp., S24, Arm Rest with Stainless Steel Moulding.	2	----	----	*1683 844	----
1956	Cv. Cp., S24 Door Intermediate	2	----	----	1603 154	----
	Lower	2	----	----	1603 155	----
1956	Sp. Cv. Cp., S24 Door Upper Right	1	----	----	1684 766	----
	Left	1	----	----	1684 767	----
	Intermediate	2	----	----	1603 154	----
	Lower	2	----	----	1603 155	----
1956	Sp. Cl. Cp., S23 12 3/4" long					
	Door Intermediate Right	1	----	----	1684 376	----
	Left	1	----	----	1684 377	----
	42 1/2" long Door Intermediate	2	----	----	1603 154	----
1956	Sp. Cl. Cp., S24 except Adventurer					
	Door Intermediate	2	----	----	1603 154	----
	Lower	2	----	----	1603 155	----
1956	Sp. Cl. Cp., S24 Adventurer					
	Door Upper Right	1	----	----	1684 766	----
	Left	1	----	----	1684 767	----
	Intermediate	2	----	----	1603 154	----
	Lower	2	----	----	1603 155	----
1956	Est. Wgn., Rear Door Lower	2	----	----	1684 001	----
EXTENSION, Front Door Instrument Panel						
1955	Cv. Cp., Sp. Cl. Cp., S21 w/Manual Window Lifts					
	Right	1	----	----	1602 960	----
	Left	1	----	----	1602 961	----
	w/Electric Window Lifts Left	1	----	----	*1684 007	----
1956	4D., S24 w/Manual Window Lifts					
	Right	1	----	----	1649 186	----
	Left	1	----	----	1649 187	----
	w/Electric Window Lifts Right	1	----	----	1649 188	----
	Left	1	----	----	1649 189	----
1956	4 D., S23 w/Manual Window Lifts Export					
	Right	1	----	----	1649 186	----
	Left	1	----	----	1649 187	----
1956	4D., S23 w/Electric Window Lifts, Export					
	Right	1	----	----	1649 188	----
	Left	1	----	----	1649 189	----
1956	Sp. 4D., Sp. Cl. Cp., Cv. Cp., S23 w/Custom Mouldings, S24 All, w/Manual Window Lifts					
	Right	1	----	----	1684 002	----
	Left	1	----	----	1684 003	----
1956	Sp. 4D., Sp. Cl. Cp., Cv. Cp., S23 w/Custom Mouldings, S24 All, w/Electric Window Lifts					
	Left	1	----	----	1684 007	----

★ Indicates use as required.

☐ Indicates parts not listed in any previous parts book.
Nov. 28, 1958 Supersedes May 31, 1957.

Printed in U.S.A.
Prices and specifications subject to change without notice.
* Indicates change or addition.

PASSENGER CAR PARTS LIST 1955-56

CODE	REMARKS	PER CAR	PLYMOUTH	DODGE	DESOTO	CHRYSLER AND IMPERIAL
MOULDING, Door Trim Panel Finish						
1955	4 D., C67 Front Door Upper Right	1	----	----	----	1602 750
	Left	1	----	----	----	1602 751
	Arm Rest	2	----	----	----	*1683 844
	Lower	2	----	----	----	1602 752
	Rear Door Upper Right	1	----	----	----	1602 753
	Left	1	----	----	----	1602 754
	Arm Rest	2	----	----	----	*1683 844
	Lower	2	----	----	----	1602 755
1955	4 D., C68 Front Door Upper Right	1	----	----	----	1602 677
	Left	1	----	----	----	1602 678
	Lower	2	----	----	----	1602 680
	Rear Door Upper	2	----	----	----	1602 676
	Lower	2	----	----	----	1602 681
1955	4D., C69, 31 27/64" Front Door Upper Right	1	----	----	----	1640 805
	31 27/64" Left	1	----	----	----	1640 806
	40 5/8" Upper	2	----	----	----	1623 489
	Lower	2	----	----	----	1623 489
	29 1/8" Rear Door Upper Right	1	----	----	----	1640 006
	29 1/8" Left	1	----	----	----	1640 007
	34 11/16" Upper	2	----	----	----	1640 807
	Lower	2	----	----	----	1602 681
1955	Cv. Cp., C67 Door Upper Front Right	1	----	----	----	1603 144
	Left	1	----	----	----	1603 145
	Upper Rear	2	----	----	----	1603 143
	Arm Rest	2	----	----	----	*1683 844
	Lower	2	----	----	----	1603 146
1955	Sp. Cl. Cp., C67-2 Door Upper Front Right	1	----	----	----	1603 144
	Left	1	----	----	----	1603 145
	Upper Rear	2	----	----	----	1603 143
	Arm Rest	2	----	----	----	*1683 844
	Lower	2	----	----	----	1603 146
1955	Sp. Cl. Cp., C67-1 Door Upper	2	----	----	----	1623 221
	Arm Rest	2	----	----	----	*1683 844
1955	Est. Wgn., Front Door Lower	2	----	----	----	1623 516
	Arm Rest	2	----	----	----	*1683 844
	Rear Door Lower	2	----	----	----	1623 517
	Arm Rest	2	----	----	----	*1683 844
1955	8 Sed., Limo., C70 Front Door Upper	2	----	----	----	1609 995
	Lower	2	----	----	----	1609 996
	Rear Door Upper	2	----	----	----	1609 997
	Lower	2	----	----	----	1609 998
	Rear Door Lid	2	----	----	----	1646 081
1956	4D., C71, Front Door Upper Right	1	----	----	----	1649 147
	Left	1	----	----	----	1649 148
	Arm Rest	2	----	----	----	*1683 844
	Lower Right	1	----	----	----	1649 149
	Left	1	----	----	----	1649 150
	Rear Door, Arm Rest	2	----	----	----	*1683 844
1956	4 D. Spring Spec., C71 Front Door Upper	2	----	----	----	1766 984
	Lower	2	----	----	----	1766 985
	Rear Door Intermediate Right	1	----	----	----	1766 982
	Left	1	----	----	----	1766 983
	Lower	2	----	----	----	1766 987
1956	4 D., C72, Front Door Upper Right	1	----	----	----	1649 420
	Left	1	----	----	----	1649 421
	Intermediate	2	----	----	----	1609 995
	Lower Right	1	----	----	----	1602 678
	Left	1	----	----	----	1602 677
1956	4 D., C73 Front Door Upper	2	----	----	----	1649 851
	Top of Kick Plate	2	----	----	----	1649 842
	Bottom of Kick Plate	2	----	----	----	1649 848
	Bottom of Arm Rest	2	----	----	----	1649 842
	Rear Door Upper Right	1	----	----	----	1649 852
	Left	1	----	----	----	1649 853
	Top of Kick Plate	2	----	----	----	1649 845
	Bottom of Kick Plate	2	----	----	----	1649 849
	Bottom of Arm Rest Right	1	----	----	----	1649 843
	Left	1	----	----	----	1649 844

★ Indicates use as required.

☐ Indicates parts not listed in any previous parts book.

* Indicates change or addition.

Printed in U.S.A.

Prices and specifications subject to change without notice.
Nov. 28, 1958 Supersedes May 31, 1957.

1955-56 PASSENGER CAR PARTS LIST

BODY

CODE	REMARKS	PER CAR	PLYMOUTH	DODGE	DESOTO	CHRYSLER AND IMPERIAL
1956	Sp. 4 D., C71 Front Door Upper Front Right	1	----	----	----	1603 144
	Left	1	----	----	----	1603 145
	Upper Rear	2	----	----	----	1684 443
	Arm Rest	2	----	----	----	*1683 844
	Lower	2	----	----	----	1684 444
	Rear Door Upper	2	----	----	----	1684 445
	Arm Rest	2	----	----	----	*1683 844
	Lower	2	----	----	----	1684 446
	w/Electric Window Lifts					
	Rear Door Front Upper	2	----	----	----	1684 447
	Rear Door Rear Upper	2	----	----	----	1684 448
1956	Sp. 4 D., C72 Front Door Upper	2	----	----	----	1609 995
	Top of Kick Plate	2	----	----	----	1649 842
	Bottom of Kick Plate	2	----	----	----	1649 848
	Rear Door Upper Right	1	----	----	----	1684 014
	Left	1	----	----	----	1684 015
	Top of Kick Plate	2	----	----	----	1684 016
	Bottom of Kick Plate	2	----	----	----	1649 849
1956	Sp. 4 D., C73 Front Door Upper Right	1	----	----	----	1684 222
	Left	1	----	----	----	1684 223
	Top of Kick Plate	2	----	----	----	1649 842
	Bottom of Kick Plate	2	----	----	----	1649 848
	Bottom of Arm Rest	2	----	----	----	1684 226
	Rear Door Upper Right	1	----	----	----	1684 224
	Left	1	----	----	----	1684 225
	Top of Kick Plate	2	----	----	----	1684 016
	Bottom of Kick Plate	2	----	----	----	1649 849
	Bottom of Arm Rest Right	1	----	----	----	1684 227
	Left	1	----	----	----	*1684 228
1956	Cv. Cp., C71 Door Upper Front Right	1	----	----	----	1603 144
	Left	1	----	----	----	1603 145
	Upper Rear	2	----	----	----	1603 143
	Arm Rest	2	----	----	----	*1683 844
	Lower	2	----	----	----	1603 146
1956	Cv. Cp., Sp. Cl. Cp., C72 Door Upper	2	----	----	----	1603 199
	Top of Kick Plate	2	----	----	----	1649 846
	Bottom of Kick Plate	2	----	----	----	1649 850
1956	Sp. Cl. Cp., C71-1, Door Upper Rear	2	----	----	----	1649 196
	Arm Rest	2	----	----	----	*1683 844
1956	Sp. Cl. Cp., C71-2, C72-300 Door Upper Front Right	1	----	----	----	1603 144
	Left	1	----	----	----	1603 145
	Upper Rear	2	----	----	----	1603 143
	Arm Rest	2	----	----	----	*1683 844
	Lower	2	----	----	----	1603 146
1956	Sp. Cl. Cp., C73 Door Upper Right	1	----	----	----	1649 858
	Left	1	----	----	----	1649 859
	Bottom of Arm Rest	2	----	----	----	1649 846
	Top of Kick Plate	2	----	----	----	1649 846
	Bottom of Kick Plate	2	----	----	----	1649 850
1956	8 Sed., Limo., C70 Front Door Upper	2	----	----	----	1609 995
	Lower	2	----	----	----	1609 996
	Rear Door Upper	2	----	----	----	1609 997
	Lower	2	----	----	----	1609 998
	Rear Door Lid	2	----	----	----	1646 081
1956	Est. Wgn., Front Door, Upper Right	1	----	----	----	1649 147
	Left	1	----	----	----	1649 148
	Arm Rest	2	----	----	----	*1683 844
	Lower Right	1	----	----	----	1649 149
	Left	1	----	----	----	1649 150
	Rear Door, Arm Rest	2	----	----	----	*1683 844
CUP, Door Arm Rest Pull						
1955	4 D., Sp. Cl. Cp., Cv. Cp., 8 Sed., Limo., C68, C69, C70 Front Door	2	----	----	----	*1603 733
1955	4 D., C68, C69 Rear Door	2	----	----	----	*1602 733
1956	4 D., Sp. 4 D., Sp. Cl. Cp., Cv. Cp., C72, C73 Front Door	2	----	----	----	*1684 432
1956	4 D., Sp. 4 D., C72, C73 Rear Door	2	----	----	----	*1684 432

★ Indicates use as required.

□ Indicates parts not listed in any previous parts book.
Nov. 28, 1958 Supersedes Jan. 7, 1957.Printed in U.S.A.
Prices and specifications subject to change without notice.
* Indicates change or addition.

PASSENGER CAR PARTS LIST 1955-56

CODE	REMARKS	PER CAR	PLYMOUTH	DODGE	DESOTO	CHRYSLER AND IMPERIAL
1956	PLATE, Door Trim Panel Finish 4D., C72 Upper Right	1	----	----	----	1649 407
	Left	1	----	----	----	1649 408
1956	Sp. 4D., Cv. Cp., Sp. Cl. Cp., C72 Front Door Upper Right	1	----	----	----	1649 579
	Left	1	----	----	----	1649 580
1956	Sp. 4D., Sp. Cl. Cp., C73 Front Door Upper Right	1	----	----	----	1649 943
	Left	1	----	----	----	1649 944
1956	4D., C73 ₂ Front Door Upper Right	1	----	----	----	1649 642
	Left	1	----	----	----	1649 643
	KICKPLATE, Door Trim Panel					
1956	Sp. 4 D., C72, Front Door Right	1	----	----	----	1649 447
	Left	1	----	----	----	1649 448
1956	4 D., Sp. 4 D., C73 Front Door Right	1	----	----	----	1649 447
	Left	1	----	----	----	1649 448
1956	Sp. Cl. Cp., Cv. Cp., C72, C73 Right	1	----	----	----	1649 292
	Left	1	----	----	----	1649 293
23-26-25	MOULDING, Auxiliary Seat Bottom Trim					
1955	C70	2	----	----	----	1646 641
23-26-26	CLIP or RETAINER, Trim Finish Moulding					
1955-56	Sp. Cl. Cp., Roof Side Rail Finish Cover Spacer Fastener	12	----	----	1597 907	1476 079
1955	Sp. Cl. Cp., C68, C69, Rear Quarter Inside Finish Plate	10	----	----	----	1597 607
1955	4 D., Sp. Cl. Cp., Cv. Cp., Est. Wgn., D55-3, S21, C67, Arm Rest Mldg. Front Door	4	----	*1623 439	*1623 439	*1623 439
1955	4 D., D55-3, S21, C67, Arm Rest Moulding Rear Door	4	----	*1623 439	*1623 439	*1623 439
1955	Sp. Cl. Cp., S22-2, Cv. Cp. S22, Arm Rest Moulding Doors	4	----	----	*1623 439	----
1955	Est. Wg., C68, Arm Rest Moulding Front and Rear Doors	8	----	----	----	*1623 439
1956	4 D., Sp. 4 D., C71, Arm Rest Moulding Front and Rear Doors	16	----	----	----	*1623 439
1956	Est. Wgn., C71, C72, Arm Rest Moulding Front and Rear Doors	16	----	----	----	*1623 439
1956	Sp. Cl. Cp. C71-2, Cv. Cp. C71, Arm Rest Moulding Doors	4	----	----	----	*1623 439
23-26-31	MOULDING, Rear Seat Trim					
1955	4 D. Sub., 2 Seater, P26-2, P27-2, Second Seat Back Panel Upper	1	1682 102	----	----	----
	Upper Corner, Right	1	1682 100	----	----	----
	Left	1	1682 101	----	----	----
1955-56	4 D. Sub., 2 Seater, P26-2, P27-2, P28, P29, Second Seat Back Panel Lower	1	1682 103	----	----	----
1955	C70 Cushion, Rear Seat, Front	1	----	----	----	*1609 999
1956	4 D. Sub., P28, P29, 2 or 3 Seater Second Seat Back Panel Upper Corner Right	1	1682 100	----	----	----
	Left	1	1682 101	----	----	----
1956	4 D. Sub., 2 Seater, P28, P29, w/Full Second Seat Back Panel Upper	1	1682 102	----	----	----
	Side Right	1	1682 544	----	----	----
	Left	1	1682 545	----	----	----
1956	2 D. Sub., P28-2, P29-2 Second Seat Back Panel Upper Corner Right	1	1682 100	----	----	----
	Left	1	1682 101	----	----	----
	Lower	1	1682 103	----	----	----
	Side Right	1	1682 544	----	----	----
	Left	1	1682 545	----	----	----
1956	Sub., 2 Seater, D62-1, D63-1, w/Full Second Seat, Second Seat Back Panel Upper	1	----	1682 102	----	----
1956	4 D. Sub., 2 D. Sub., D63-1, Second Seat Back Panel Upper Corner Right	1	----	1683 250	----	----
	Left	1	----	1683 251	----	----

★ Indicates use as required.

☐ Indicates parts not listed in any previous parts book.

* Indicates change or addition.

1955-56 PASSENGER CAR PARTS LIST

BODY

CODE	REMARKS	PER CAR	PLYMOUTH	DODGE	DESOTO	CHRYSLER AND IMPERIAL
1956	Sub., 2 Seater, D62-1, D63-1 Second Seat Back Panel Lower	2	----	1683 206	----	----
1956	Sub., 2 Seater, D62-1, D63-1, w/Full Second Seat, Second Seat Back Panel					
	Side Right	1	----	1683 236	----	----
	Left	1	----	1683 237	----	----
23-26-32	CUP WASHER, Front Door Trim Panel Finish Plate					
1956	Sp. 4 D., Sp. Cl. Cp., Cv. Cp., C72 Upper	2	----	----	----	1649 607
1956	Sp. 4 D., Sp. Cl. Cp., C73 Rear Upper	2	----	----	----	1649 607
23-26-34	MOULDING, Front Seat Back					
1955-56	Sp. Cl. Cp., D55-3, D63-3, LaFemme Vanity Box	4	----	1680 210	----	----
1955-56	Cv. Cp., Sp. Cl. Cp., C68, C72-300,	2	----	----	----	1623 371
1955-56	C69, C73 Lower	1	----	----	----	1607 795
1955	C70 Top Finish	1	----	----	----	1648 655
23-26-35	CLIP, Front Seat Moulding					
1955-56	C69, C73 Back Lower	5	----	----	----	1597 907
1955-56	Sp. Cl. Cp., C69, C73					
	Back Lower Support Panel	3	----	----	----	1602 427
1955	4D., Cv. Cp., Sp. Cl. Cp., S21 Side Shield	12	----	----	1597 907	----
1955-56	C68, C69, C72, C73 Side Shield	12	----	----	----	1597 907
1955	8 Sed. Side Shield	10	----	----	----	1597 907
1956	Sp. 4 D., Cv. Cp., Sp. Cl. Cp., S24, Side Shield	12	----	----	1597 907	----
1956	Sp. 4 D., 4 D., C73 Back Lower	3	----	----	----	1602 427
23-26-36	PANEL, Front Seat Back Lower Moulding Support					
1955-56	4D., Sp. 4 D., Sp. Cl. Cp., C69, C73	1	----	----	----	1607 784
23-26-38	MOULDING, Roof Inside Finish Panel					
1956	4 D. Sub., D63-2, w/Masonite Headlining					
	No. 1	1	----	1705 502	----	----
	No. 2	1	----	1705 503	----	----
	No. 3	1	----	1705 504	----	----
	No. 4	1	----	1705 595	----	----
	No. 5	1	----	1705 596	----	----
	No. 6	1	----	1705 597	----	----
23-26-40	SCREW, Front Seat Back Lower Moulding					
1955-56	4 D., Sp. 4 D., C69, C73 Clip	3	----	----	----	1331 768
1955-56	C69, C73 Support Panel	3	----	----	----	1331 768
1955-56	Sp. Cl. Cp., C69, C73 Support Clip	3	----	----	----	1331 768
23-26-41	MOULDING or COVER, Roof Rail Finish					
1955-56	2 D. Sub. Over Door Right	1	1629 420	----	----	----
	Left	1	1629 421	----	----	----
	Above Tail Gate Right	1	1628 544	----	----	----
	Left	1	1628 545	----	----	----
1955-56	4 D. Sub. Front Right	1	1629 412	----	----	----
	Left	1	1629 413	----	----	----
	Rear Right	1	1629 416	----	----	----
	Left	1	1629 417	----	----	----
	Over Tail Gate Right	1	1629 528	----	----	----
	Left	1	1629 529	----	----	----
1955	2 D. Sub. Rear Inside Right	1	----	1628 544	----	----
	Left	1	----	1628 545	----	----
1955	4 D. Sub. Rear Inside Right	1	----	1629 528	----	----
	Left	1	----	1629 529	----	----
1956	2 D. Sub., see Note 1 Rear Inside Right	1	----	1655 312	----	----
	Left	1	----	1655 313	----	----
1956	2 D. Sub., see Note 2 Rear Inside Right	1	----	1628 544	----	----
	Left	1	----	1628 545	----	----
1956	4 D. Sub., see Note 1 Rear Inside Right	1	----	1655 312	----	----
	Left	1	----	1655 313	----	----
1956	4 D. Sub., see Note 2 Rear Inside Right	1	----	1629 528	----	----
	Left	1	----	1629 529	----	----

NOTE 1: D62 2 D. Sub., UP TO Serial No. 32229996.
D63 2 D. Sub., and D63 4 D. Sub., UP TO Serial No. 34998476.

NOTE 2: D62 2 D. Sub., AFTER Serial No. 32229996.
D63 2 D. Sub., and D63 4 D. Sub. AFTER Serial No. 34998476.

★ Indicates use as required.

⊠ Indicates parts not listed in any previous parts book.
Nov. 28, 1958 Supersedes May 31, 1957

PASSENGER CAR PARTS LIST 1955-56

CODE	REMARKS	PER CAR	PLYMOUTH	DODGE	DESOTO	CHRYSLER AND IMPERIAL
1956	4 D. Sub., D63-2, w/Masonite Headlining					
	Inside Front Right	1	----	1629 412	----	----
	Left	1	----	1629 413	----	----
	Inside Rear Right	1	----	1629 416	----	----
	Left	1	----	1629 417	----	----
1955	Sp. Cl. Cp., S21, S22, C67, All; UP TO Body Nos: 4192 C68-1; 8364 C68-2; 2220 C69					
	Inside and Outside Side Right	1	----	----	1598 242	1598 242
	Left	1	----	----	1598 243	1598 243
1956	Sp. Cl. Cp., UP TO Approximate Serial Nos: W56-37870 C71; 3N56-1332 C72-300					
	Inside and Outside Side Right	1	----	----	----	1598 242
	Left	1	----	----	----	1598 243
1956	Sp. Cl. Cp., S23, S24, All, AFTER Approximate Serial Nos: W56-37870 C71; 3N56-1332 C72-300					
	Inside and Outside Side Right	1	----	----	1691 814	1691 814
	Left	1	----	----	1691 815	1691 815
1955-56	Sp. Cl. Cp., AFTER Body Nos: 4192 C68-1; 8364 C68-2; 2220 C69; UP TO Body Nos: 22213 C72; 7235 C73					
	Inside and Outside Side Right	1	----	----	----	1621 808
	Left	1	----	----	----	1621 809
1956	Sp. Cl. Cp., AFTER Body Nos: 22213 C72; 7235 C73					
	Inside and Outside Side Right	1	----	----	----	1691 818
	Left	1	----	----	----	1691 819
1955	Sp. Cl. Cp., C67, C68-300 Inside and Outside w/o Visor, Extension					
	Right	1	----	----	1598 806	1598 806
	Left	1	----	----	1598 807	1598 807
1955	Sp. Cl. Cp., Inside and Outside, w/VISOR, Extension					
	Right	1	----	----	1598 808	1598 808
	Left	1	----	----	1598 809	1598 809
1956	Sp. 4 D. Inside Side					
	Right	1	----	1705 774	1650 782	1650 782
	Left	1	----	1705 775	1650 783	1650 783
1956	Sp. Cl. Cp., S24, Inside and Outside w/VISOR, Extension Side					
	Right	1	----	----	1598 808	----
	Left	1	----	----	1598 809	----
1956	Sp. Cl. Cp., S23 Inside and Outside w/o Visor, Extension Side					
	Right	1	----	----	1598 806	1598 806
	Left	1	----	----	1598 807	1598 807
23-26-42	CAP, Roof Rail Rear Inside Finish Moulding Joint					
1955-56	Sub. Prime	1	1629 459	1629 459	----	----
23-26-45	MOULDING, Seat Side Panel Finish					
1955	D55-2, D55-3 Small	1	----	1602 279	----	----
	Right	1	----	1602 280	----	----
	Left	4	----	148 545	----	----
1955	D55-1, D56 Front Small	1	----	1602 279	----	----
	Right	1	----	1602 280	----	----
	Left	1	----	1602 280	----	----
1955	4 D. Coronado Front Side Shield	1	----	----	1602 269	----
1955	Sp. Cl. Cl., S21-2 Front Side Shield	1	----	----	1602 269	----
1955	Cv. Cp., S21 Front Side Shield	1	----	----	1602 269	----
1956	Sp. 4 D., Cv. Cp., Sp. Cl. Cp., S24 Front Side Shield	1	----	----	1602 269	----
	Right	1	----	----	1602 269	----
1955-56	C68, C72, LHD. Front Small	1	----	----	----	1602 269
1955-56	Est. Wgn. Rear Seat Bottom Side	2	----	----	----	1620 670
1955	8 Sed. Front Seat, Side Right	1	----	----	----	1646 874
	Rear Left	1	----	----	----	1646 875
1956	4 D., 4 D. Sub. 2 Seater, Sp. Cl. Cp., D63-2 Front Seat Side					
	Right	1	----	1602 279	----	----
	Left	1	----	1602 280	----	----
1956	4 D., Cv. Cp., Sp. Cl. Cp., D63-3 Front Seat Side					
	Right	1	----	1602 279	----	----
	Left	1	----	1602 280	----	----
23-26-46	PLATE, Rear Quarter Panel Finish					
1955-56	Sp. Cl. Cp., S21, S24, C68, C69, C72, C73 Right	1	----	----	1607 820	1607 824
	Left	1	----	----	1607 821	1607 825

★ Indicates use as required.

□ Indicates parts not listed in any previous parts book.

* Indicates change or addition.

1955-56 PASSENGER CAR PARTS LIST

BODY

CODE	REMARKS	PER CAR	PLYMOUTH	DODGE	DESOTO	CHRYSLER AND IMPERIAL
23-26-47	MOULDING, Rear Quarter Trim Panel Finish					
1955	Cl. Cp., P26-1, P27-1 Cloth and Imitation Leather Trim	2	1596 090	----	----	----
1955-56	Cl. Cp., Cl. Sed., P26-2, P26-3, P27-2, P27-3, P28-2, P29-2 Combination Trim	2	1596 011	----	----	----
1955	Sp. Cl. Cp., Custom, D55-1	2	----	1629 350	----	----
1955-56	Sp. Cl. Cp., S21, S24	1	----	----	1623 100	----
	Plate Right	1	----	----	1623 101	----
	Left	1	----	----	----	----
1955	Cl. Cp., D55-1, D56-1	2	----	1607 517	----	----
1955	Cust. Cl. Cp., D55-1, D56-1 Intermediate	2	----	1607 517	----	----
1955	Cv. Cp., S21	1	----	----	1623 321	----
	Rear Lower Upper Right	1	----	----	1623 322	----
	Left	1	----	----	----	----
1955	Cv. Cp., S22	1	----	----	1623 315	----
	Rear Lower Upper Right	1	----	----	1623 316	----
	Left	1	----	----	1603 156	----
1955	Sp. Cl. Cp., S21, S22-1	2	----	----	1603 158	----
1955	Sp. Cl. Cp., S22-1	2	----	----	1623 218	----
1955	Sp. Cl. Cp., S22-2	2	----	----	----	----
1955	Sp. Cl. Cp., Cv. Cp., C67, Rear Lower, Upper Front	2	----	----	----	1603 147
1955-56	C70	2	----	----	----	1646 081
1956	4 D. Sub., P28-2, P28-3, P29-2, P29-3	1	1680 738	----	----	----
	Rear Right	1	1680 739	----	----	----
	Left	1	----	----	----	----
1956	4 D. Sub., P28-3, P29-3, Combination Trim	1	1680 736	----	----	----
	Rear Right	1	1680 737	----	----	----
	Left	1	1680 814	----	----	----
1956	2 D. Sub., P28-1, P29-1	1	1680 815	----	----	----
	Rear Right	1	1647 194	----	----	----
	Left	1	1647 195	----	----	----
1956	2 D. Sub., P28-2, P29-2 Front Quarter	1	1680 756	----	----	----
	Front Right	1	1680 757	----	----	----
	Left	1	1680 868	----	----	----
1956	Cl. Sed., P28-2, P29-2	1	1680 869	----	----	----
	Upper Right	1	1647 191	----	----	----
	Left	1	1647 192	----	----	----
1956	Cl. Sed., P28-3, P29-3 Combination Trim	1	1680 700	----	----	----
	Upper Front Right	1	1680 701	----	----	----
	Left	1	1596 011	----	----	----
1956	Cl. Sed., P28-3, P29-3 Lower	2	1647 189	----	----	----
1956	Cl. Sed., P28-3, P29-3 w/Electric Window Lifts	1	1647 190	----	----	----
	Upper Right	1	E1706 106	----	----	----
	Left	1	----	----	----	----
1956	Cv. Cp., P29-3	2	1647 066	----	----	----
1953	Sp. Cl. Cp., P28-3, P29-3, Combination Trim, Upper	2	1680 309	----	----	----
1956	Sub., D62-2, D63-2	1	1680 310	----	----	----
	Rear Upper Right	1	1680 328	----	----	----
	Left	1	1680 329	----	----	----
1956	4 D. Sub., D63-2 Front Quarter Center	1	1680 330	----	----	----
	Right	1	1683 849	----	----	----
	Left	2	----	----	----	----
1956	2 D. Sub., D62-2, D63-2 Front Upper	2	----	1705 577	----	----
1956	Cl. Sed., D62-1, D63-1, Custom Combination Trim	2	----	1705 571	----	----
	Upper	2	----	1629 350	----	----
	Lower	2	----	1629 350	1629 350	----
1956	Sp. Cl. Cp., D63-2, D63-3 Combination Trim	2	----	----	1623 321	----
1956	Sp. Cl. Cp., S23 Custom Trim, S24	2	----	----	1623 322	----
1956	Cv. Cp., S24	1	----	----	----	1603 147
	Lower Right	1	----	----	----	1603 147
	Left	1	----	----	----	1603 148
1956	Cv. Cp., C71	2	----	----	----	1603 147
1956	Sp. Cl. Cp., C71-2	2	----	----	----	1603 148
	Front	2	----	----	----	1603 147
	Rear	2	----	----	----	1603 148
1956	Sp. Cl. Cp., C72-300	2	----	----	----	1603 148
	Upper Front	2	----	----	----	1645 845
	Rear	2	----	----	----	----
23-26-48	SCREW, Quarter Lid Moulding Attaching					
1955-56	C70	2	----	----	----	1645 845

★ Indicates use as required.

⊠ Indicates parts not listed in any previous parts book.
Nov. 28, 1958 Supersedes Jan. 7, 1957.

Printed in U.S.A.
Prices and specifications subject to change without notice.
* Indicates change or addition.

CODE	REMARKS	PER CAR	PLYMOUTH	DODGE	DESOTO	CHRYSLER AND IMPERIAL
23-26-50	COVER, Front Seat Moulding Joint 1956 C73	2	----	----	----	1685 082
23-26-54	MOULDING, Second Seat Back Panel 1956 4 D. Sub., 3 Seater, P28-2, P28-3, P29-2, P29-3, D63-1					
	Inner Right Seat	1	1682 724	1682 724	----	----
	Left Seat	1	1682 725	1682 725	----	----
	Side Right	1	1682 686	----	----	----
	Left	1	1682 687	----	----	----
	Upper Corner Right Seat	1	1682 100	----	----	----
	Left Seat	1	1682 101	----	----	----
	Upper Left Seat	1	1682 725	----	----	----
	Upper Center Left Seat	1	1682 682	1682 682	----	----
	Lower Right Seat	1	1682 696	----	----	----
	Left Seat	1	1682 697	----	----	----
	1956 4 D. Sub., 3 Seater, D63-1					
	Lower and Side Right Seat	1	----	1695 912	----	----
	Left Seat	1	----	1695 913	----	----
23-26-57	MOULDING, Second Seat Side Compartment Side Panel					
	1955 2 D. Sub., P26-1, P27-1	2	1629 260	----	----	----
	1956 2 D. Sub., P28-1, P29-1	2	1647 118	----	----	----
	1956 2 D. Sub., D63-2	2	----	1680 324	----	----
	Upper	2	----	1680 331	----	----
	1956 2 D. Sub., D63-2 .50" wide	2	----	1680 331	----	----
	Lower	2	----	1680 331	----	----
23-26-58	CAP, Center Pillar Finish					
	NOTE: For Dodge and Plymouth 1956 models see Part Type Code 23-22-4.					
	1956 Sp. 4 D.					
	Right	1	----	----	1684 268	1684 268
	Left	1	----	----	1684 269	1684 269
23-26-61	SPACER, Door Upper Rear Corner Finish Cap to Door					
	1955-56 Cv. Cp., Sp. Cl Cp.	2	----	----	1621 609	1621 609
	SPACER, Door Trim Panel Finish Cap Attaching Screw					
	1956 Sp. 4 D.					
	Front Door	2	----	----	1684 221	1684 221
	Rear Door	4	----	----	1684 221	1684 221
23-26-62	CAP, Door Inside Finish					
	1955-56 Cv. Cp., Sp. Cl. Cp. Upper Rear Corner					
	Right	1	----	----	1620 090	1620 090
	Left	1	----	----	1620 091	1620 091
	Spacer	2	----	----	1621 609	1621 609
	Screw, No. 8-15 x 5/8"	4	----	----	145 417	145 417
	1956 4 D., P28-1, P28-2, P29-1, P29-2, Code 825 Moulding End	8	1694 182	----	----	----
	1956 Sp. 4 D. Front Door Trim Panel					
	Right	1	----	----	1685 054	1685 054
	Left	1	----	----	1685 055	1685 055
	Rear Door Trim Panel					
	Front Right	1	----	----	1685 056	1685 056
	Left	1	----	----	1685 057	1685 057
	Rear Right	1	----	----	1685 058	1685 058
	Left	1	----	----	1685 059	1685 059
23-26-63	CAP, Quarter Panel Inside Upper Front Corner Finish Lock Face					
	1955-56 Cv. Cp., Sp. Cl. Cp.					
	Chrome Right	1	----	----	1620 092	1620 092
	Left	1	----	----	1620 093	1620 093
23-26-70	MOULDING, Partition Rear					
	1955 C70					
	Upper	1	----	----	----	1646 640
	1955-56 C70 H Series, C70 J Series UP TO Body No. 1090,					
	Lower Outside	2	----	----	----	1646 639
23-26-75	MOULDING, Folding Top Pocket Panel					
	1956 Cv. Cp.	2	----	1680 306	----	----
23-26-80	MEDALLION, Door Trim Panel					
	1956 Sp. 4 D., Sp. Cl. Cp., Cv. Cp., C72					
	Front Door	2	----	----	----	*1684 103
23-31-0 PADS, LINERS, INSULATORS, SEALS, ANTI-SQUEAK						
23-31-3	SEAL, Wood Floor to Underbody 1955 Est. Wgn., plastic (sold by the foot)	★	----	----	1621 091	1621 091
23-31-6	ANTI-SQUEAK 1955-56 All (sold by the foot)	★	----	----	313 073	313 073

★ Indicates use as required.

☐ Indicates parts not listed in any previous parts book.

* Indicates change or addition.

1955-56 PASSENGER CAR PARTS LIST

BODY

CODE	REMARKS	PER CAR	PLYMOUTH	DODGE	DESOTO	CHRYSLER AND IMPERIAL
23-31-33	LINER, Dash					
1955	except C70, w/o Heater	1	1680 446	1680 446	*1684 276	*1684 276
1955	except C70	1	1608 448	1623 860	1607 611	1607 611
1955	C70	1	---	---	---	*1684 276
1956	All	1	1680 446	1656 993	1684 276	1684 276
23-31-36	FASTENER, Dash Liner					
1955	All	★	1623 931	1623 931	---	---
1955-56	All	★	---	---	1623 393	1623 393
1956	D63-2, D63-3 All	★	1524 131	1623 393	---	---
23-31-37	RETAINER, Dash Liner to Floor Mat					
1955-56	All	1	---	---	1602 743	1602 743
1955-56	All	1	---	---	1649 803	1649 803
23-31-51	SEALER, Quarter Panel to Wheelhouse Panel					
1955-56	Sp. 4D., Cv. Cp., Sp. Cl. Cp., D55, D63	2	---	1476 844	---	---
23-31-108	GASKET, Floor Pan Spare Tire Well Cover Panel					
1955	Sub., P26-1, P27-1	1	1432 593	1432 593	---	---
1956	2 D. Sub., P28-1, P29-1	1	1432 593	---	---	---
1956	4 D. Sub., 2 Seater, P28-2, P29-2, D63-1, D63-2	1	1432 593	1432 593	---	---
23-31-119	COLLAR, Steering Post					
1955-56	C67, C68, w/PowerFlite	1	---	---	1602 720	1602 720
1955-56	All w/Power Strg. w/PowerFlite	1	---	---	1602 796	1602 796
23-31-124	PAD, Steering Post Hole					
1955	P26, D56, C67, C68	1	1657 046	1657 046	1575 801	1575 801
1955	P27, D55, w/PowerFlite	1	1657 051	1657 051	---	---
1955	C67 w/oPowerFlite	1	---	---	1575 800	1575 800
1955	All except P26, D56, w/Power Strg. w/PowerFlite	1	1657 051	1657 046	1575 802	1575 802
1956	P28 w/o PowerFlite, D62	1	1657 046	1657 046	---	---
1956	P28 w/PowerFlite	1	1697 664	---	---	---
1956	P29 w/o PowerFlite, D63	1	1657 051	1657 051	---	---
1956	P29 w/PowerFlite	1	1705 151	---	---	---
1956	S23, C71	1	---	---	1649 805	1649 805
1956	C71, C72 w/PowerFlite	1	---	---	1649 806	1649 806
1956	All, w/Power Strg. and PowerFlite	1	---	---	1649 807	1649 807
23-31-128	SCREW and WASHER, Steering Post Hole Pad or Cover					
1955-56	All, Opening Cover to Floor and Dash	8	---	---	*6000 160	*6000 160
1955-56	All, Pad to Pedal Opening Cover	4	---	---	*6000 160	*6000 160
1955-56	All, Pad Center Attaching	2	---	---	1520 652	1602 582
23-31-131	FASTENER, Steering Column Pad					
1956	All	4	1524 131	---	---	---
23-31-145	SEAL, Cowl to Hood					
1955	All	1	1593 380	1593 380	1597 616	1597 616
1956	except S23 Est. Wgn.	1	1593 380	1593 380	1597 616	---
1956	S23, Est. Wgn., C71, C72, C73 All	1	---	---	1690 868	1690 868
23-31-148	STUD, Cowl to Hood Seal					
1955-56	All	★	E6000 180	E6000 180	E6000 180	E6000 180
23-31-150	SEALER, Quarter Panel to Rear Deck Floor Pan Side					
1955-56	Est. Wgn. Floor Pan Extension Side	2	---	---	1621 423	1621 423
	Filler Rear Sill	2	---	---	1621 423	1621 423
23-31-181	SEAL, Door Bottom Drain Hole Dust					
1956	All except Sp. 4D.	★	1609 449	---	---	---
1955-56	All except C70	★	---	---	1620 927	1620 927
23-31-182	SEAL, Rear Door Check Strap and Electric Cable Hole					
1955	4D., Est. Wgn., 8 Sed., Limo.	2	---	---	1621 236	1621 236
23-31-201	SEAL, Windshield Outside Visor to Roof Panel					
1955	4D., C69	2	---	---	---	1690 841
23-31-205	SILENCER, Roof Panel					
1955-56	2 D. Sub., 4 D. Sub.	4	1623 943	1623 943	---	---
1955-56	4D., Sp.4D., 7L.Sed., Cl.Cp., 3Cp., Cl.Sed.	2	1623 519	---	---	---
1955-56	4D., Sp.4D., 7L.Cp., Cl.Sed., Sp.Cl.Cp.	2	---	1623 519	---	---
1955-56	4D., Sp.4D., except Los Angeles Built	2	---	---	1602 685	---
1955-56	4D., Sp.4D., Los Angeles Built Only	2	---	---	1602 684	---
1955-56	4D., Sp.4D.	2	---	---	---	1602 684

★ Indicates use as required.

☐ Indicates parts not listed in any previous parts book.
 Nov. 28, 1958 Supersedes Jan. 7, 1957.

Printed in U.S.A.
 Prices and specifications subject to change without notice.
 * Indicates change or addition.

PASSENGER CAR PARTS LIST 1955-56

CODE	REMARKS	PER CAR	PLYMOUTH	DODGE	DESOTO	CHRYSLER AND IMPERIAL
23-32-0 PANS, PLUGS AND BODY BUMPERS						
23-32-11	NUT and RETAINER, Floor Pan 1955 4 D. Center	2	----	----	*6006 126	*6006 126
1955-56	4 D., Sp. 4 D., Center to Rear Seat Cushion	2	----	----	*6006 126	*6006 126
1955	4D., Cv. Cp., Sp. Cl. Cp., Fuel Tank Filler Tube Clamp	1	----	----	*6006 126	*6006 126
1955	C70, Center, Rear Extension to Rear Seat Back Spring	2	----	----	----	*6006 126
23-32-15	PLUG, Rear Floor Pan to Body Bolt Access Hole					
1955	Sub. No. 5	2	1476 211	1476 211	----	----
	No. 6	2	1695 614	1695 614	----	----
1956	Sub. No. 5	2	1695 614	1695 614	----	----
	No. 6	2	1695 614	1695 614	----	----
	PLUG, Fuel Tank Strap Access Hole					
1955-56	Sub.	1	*1695 614	*1695 614	----	----
	PLUG, Spare Tire Well Panel Drain Hole					
1955-56	except Sub.	★	⊠1810 273	⊠1810 273	----	----
1955-56	Sub.	3	1695 998	1695 998	----	----
1955-56	All	1	----	----	⊠1810 273	⊠1810 273
	PLUG, Transmission Band Adjusting Hole					
1955-56	except C70	1	----	----	⊠1810 273	⊠1810 273
	PLUG, Transmission Adjusting Access Hole					
1955-56	except C70	1	1476 211	1476 211	1476 211	1476 211
	PLUG, Front Floor Pan to Overdrive Access Hole					
1955-56	All	★	1248 673	1597 573	----	----
	PLUG, Center Floor Pan to Rear Seat Cushion Retainer Hole					
1955-56	Cv. Cp., Sp. Cl. Cp.	2	----	----	1598 401	1598 401
	PLUG, Motor Mounting Rear Access Hole					
1956	except C70	1	----	----	⊠1820 273	⊠1820 273
	PLUG, Front Floor Transmission Adjusting Access Hole					
1956	except C70	1	----	----	273 215	273 215
	PLUG, Front Floor Transmission Band Adjusting Hole					
1956	All	1	----	----	⊠1810 273	⊠1810 273
	PLUG, Rear Floor Pan Extension Moulding Access Hole					
1955	S22, C67, C68, C69, C70	2	----	----	⊠1810 273	⊠1810 273
1956	C71 except Est. Wgn.	2	----	----	----	⊠1810 273
23-32-36	COVER, Fuel Tank Gauge Inspection Hole					
1955-56	except Sub., and C70	1	1597 573	1597 573	1597 573	1597 573
1955-56	Sub. White	1	1459 094	1459 094	----	----
23-32-38	GASKET, Fuel Tank Gauge Hole Cover					
1955-56	Sub.	1	1459 255	1459 255	----	----
23-32-47	COVER, Floor Pan Center Pillar					
1956	Sp. 4 D. Right	1	----	----	1684 338	1684 338
	Left	1	----	----	1684 339	1684 339
23-32-48	PAN, Rear Floor					
1955-56	except Sub., Est. Wgn. and C70	1	1545 408	1577 088	1548 028	1548 028
1955-56	Sub., Est. Wgn.	1	1545 409	1545 409	1577 546	1577 546
1955	C70	1	----	----	----	1609 458
1956	C70 UP TO Approx. Serial No. C56-1069	1	----	----	----	1609 458
1956	C70 AFTER Approx. Serial No. C56-1069	1	----	----	----	1548 028
1956	except Sub., Est. Wgn., C70	1	1545 408	1577 088	*1548 028	*1548 028
23-32-49	PAN, Rear Floor Side					
1955	except Sub. Right	1	1591 552	----	----	----
	Left	1	1591 553	----	----	----
1955	Sub. Right	1	1593 612	1579 870	----	----
	Left	1	1593 613	1579 871	----	----
1956	except Sub. Right	1	1629 524	----	----	----
	Left	1	1629 525	----	----	----
1956	Sub. Right	1	1646 400	1579 870	----	----
	Left	1	1646 401	1579 871	----	----

★ Indicates use as required.

⊠ Indicates parts not listed in any previous parts book.

* Indicates change or addition.

1955-56 PASSENGER CAR PARTS LIST

BODY

CODE	REMARKS	PER CAR	PLYMOUTH	DODGE	DESOTO	CHRYSLER AND IMPERIAL
EXTENSION, Rear Floor Pan Side						
1955	4D., Cv. Cp., Sp. Cl. Cp., 8 Sed., Limo.,					
	Right	1	----	----	1548 389	1548 391
	Left	1	----	----	1548 390	1548 392
1956	4D., Sp. 4D., except C73				1620 826	1620 826
	Right	1	----	----	1620 827	1620 827
	Left	1	----	----	1620 824	1620 824
1956	Cv. Cp., Sp. Cl. Cp., except C73				1620 825	1620 825
	Right	1	----	----	1620 824	1620 824
	Left	1	----	----	1620 824	1620 824
1956	C73 All				1620 825	1620 825
	Right	1	----	----	1620 825	1620 825
	Left	1	----	----	1620 825	1620 825
EXTENSION, Quarter Panel to Floor Pan						
1955-56.	4D., Sp. 4D., Cl. Cp., Cl. Sed., Cv. Cp., Sp. Cl. Cp.,					
	Right	1	----	1577 163	----	----
	Left	1	----	1577 164	----	----
1955-56	Est. Wgn., Top and Side, Right	1	----	----	1577 890	1577 890
	Left	1	----	----	1577 891	1577 891
23-32-51	BUMPER, Floor Pan Front Board Bracket					
1956	4 D. Sub., 3 Seater	2	1526 206	1526 206	----	----
23-32-52	BRACKET, Floor Pan Front Board Bumper					
1956	4 D. Sub., 3 Seater	2	1696 479	----	----	----
23-32-53	REINFORCEMENT, Rear Floor Pan Rear Extension					
1956	4D., Sp. 4D., C73					
	Side	2	----	----	----	1620 828
	Center	1	----	----	----	1620 831
1956	Cv. Cp., Sp. Cl. Cp.					
	Side	2	----	----	1620 828	1620 828
	Center	1	----	----	1620 831	1620 831
23-32-54	EXTENSION, Rear Floor Pan Rear					
1956	except Est. Wgn., C70	1	----	----	1620 830	1620 830
23-32-56	FILLER, Rear Deck Floor Pan Right Side					
1955-56	except Sub.	1	1591 798	----	----	----
	FILLER, Floor Pan to Second Seat Back					
1955	4 D. Sub., P26-2, P27-2, 3 Seater					
	Right	1	1645 620	1645 624	----	----
	Left	1	1645 621	1645 625	----	----
23-32-62	REINFORCEMENT, Floor Pan Number 6 Body Bolt					
1955-56	All except Sub.	1	1592 711	----	----	----
	Left	1	1592 711	----	----	----
	REINFORCEMENT and STRAINER, Number 6 Body Bolt					
1955-56	All except Est. Wgn.	1	----	----	----	1598 929
13-32-63	SHIELD or COVER, Electric Window Lift Wiring					
1955	All					
	Front	★	1579 564	1579 564	----	----
	Center	★	1579 566	1579 566	----	----
	Rear	★	1579 568	1579 568	----	----
1956	All, on Side Sill	1	1579 564	1579 564	----	----
1956	Sp. Cl. Cp., Cl. Sed., Cv. Cp. on Side Sill					
	Rear	1	1579 568	----	----	----
1956	4 D., Sp. 4 D., Cl. Sed., 4 D. Sub. on Side Sill					
	Center	1	1579 566	----	----	----
1955	All UP TO Note 1 Floor Side Front Left	1	----	----	1602 737	----
1955	All AFTER Note 1 Floor Side Front Left	1	----	----	1602 739	----
1955-56	All Floor Side Rear Left	1	----	----	1602 739	1602 739
	Floor Side Center Left	1	----	----	1623 377	1623 377
1955-56	All Front Left	1	----	----	----	1602 737
1955	C70 Floor Side Rear	2	----	----	----	1646 971
1956	All Floor Side Front Left	1	----	----	1602 739	----
23-32-70	CROSSMEMBER, Floor Pan Rear					
1955-56	All, except Sub.	1	----	1578 336	----	----
23-32-74	BUMPER, Rear Axle Drive Pinion Carrier					
1955	All except D55, D56, Sub.	1	1535 968	1535 968	1311 417	1311 417
1955-56	Sub.	1	----	1311 417	----	----
1956	except D62, D63, Sub. and C73	1	1311 417	1535 968	1311 417	1311 417
1956	C73	1	----	----	----	1634 102

NOTE 1:

	Ser. No.
S21	DETROIT
	50345851
S22	55216801

	Ser. No.
	LOS ANGELES
	62046257
	64023685

★ Indicates use as required.

□ Indicates parts not listed in any previous parts book.

Nov. 28, 1958 Supersedes May 31, 1957.

Prices and specifications subject to change without notice.

* Indicates change or addition.

Printed in U.S.A.

CODE	REMARKS	PER CAR	PLYMOUTH	DODGE	DESOTO	CHRYSLER AND IMPERIAL
23-32-76	PLATE, Rear Axle Drive Pinion Carrier Bumper 1955-56 All 1955-56 except Sub., Est. Wgn. 1955-56 Sub., Est. Wgn.	1 1 1	1329 371 ---- ----	---- 1311 418 1329 371	---- 1551 679 1329 371	---- 1551 679 1329 371
23-32-79	BOLT, Axle Drive Pinion Carrier Bumper 1955 All 1956 except Sub.	1 1	1311 864 ----	1311 864 1311 864	1311 864 ----	1311 864 ----
23-32-83	BUMPER, Fuel Tank Filler Neck Access Door to Quarter Panel 1956 Sp. 4 D. C73	1	----	----	----	729 152
23-32-98	PLUG, Dash Panel Shift Rod Hole 1955 C67 w/Std. Trans.	1	----	----	1598 528	1598 528
23-32-102	BUMPER, Front Seat Guide Lock Handle 1955 C67, C68	1	----	1607 931	1607 931	1607 931
23-33-0 INSTRUMENT PANEL						
23-33-10	BRACE, Instrument Panel to Pedal Bracket 1955-56 All Right Left	1 1	1608 724 1608 725	1602 953 1602 954	1602 340 1602 341	1579 572 1579 573
23-33-12	PANEL, Instrument Panel Radio Opening 1955 All w/or w/o Radio 1956 All w/or w/o Radio COVER, Instrument Panel Radio Dial Hole 1955-56 All w/o Radio PLATE, Instrument Panel Radio Control 1955-56 All w/o Radio	1 1 1 1	1579 555 1705 926 1579 485 ----	---- ---- ---- ----	---- ---- 1602 997 ----	---- ---- ---- 1607 902
23-33-13	STRAP, Instrument Panel 1955-56 All Right Left	1 1	---- ----	---- ----	---- ----	*1575 393 1575 394
23-33-20	COVER, Instrument Panel Clock Hole 1955-56 All 1955-56 All except C70	1 1	---- ----	1694 300 ----	---- ----	---- 1613 085
23-33-33	GRILLE, Instrument Panel Center or Radio 1955 All Chrome 1955-56 All	1 1	---- 1704 392	1575 370 ----	---- ----	---- ----
23-33-37	CUP WASHER, Instrument Panel Radio Grille 1955 All w/Radio End Right Left 1956 D62, D63 1956 D62, D63, All LHD. Face Plate Mtg. WASHER, Instrument Panel Lower Controls Plate 1956 D62, D63, All LHD. SPACER, Radio Grille Panel Ornament to Grille Panel 1956 C70, C73, All	1 2 2 3 3 2	---- ---- ---- ---- ---- ----	1239 285 1575 996 1575 996 1239 285 1239 285 ----	---- ---- ---- ---- ---- ----	---- ---- ---- ---- ---- 1575 996
23-33-48	BEZEL, Instrument Panel Clock Opening 1955-56 All Chrome	1	----	----	----	1602 403
23-33-56	PLATE, Instrument Panel Lower Controls 1955-56 D55-1, D56, D62, D63 w/o radio or heater w/o heater w/o radio and w/heater 1955-56 D55-2, D55-3, D62, D63 w/o radio 1955-56 All w/Radio Chrome Right	1 1 1 1	---- ---- ---- ----	1623 580 1623 582 1607 863 1607 863 1575 384	---- ---- ---- ----	---- ---- ---- ----
	INSERT, Instrument Panel 1956 P28-3, P29-3 All Radio Opening Panel LHD. Heater Control Right LHD. Instrument Group Left	1 1 1	1705 929 1655 356 1655 359	---- ---- ----	---- ---- ----	---- ---- ----
23-33-65	PLATE, Heater and Defroster Control Hole Cover 1955-56 except C70 COVER, Instrument Panel Heater Control Opening 1955, 56 All D55, D56, D62, D63, w/o Heater or Overdrive	1 1	---- ----	---- 1602 393	---- ----	1604 233 ----
23-33-70	SPACER, Instrument Panel Clock Opening Ornament 1955-56 C67, C71	1	----	----	----	1640 393

★ Indicates use as required.

☐ Indicates parts not listed in any previous parts book.

* Indicates change or addition.

1955-56 PASSENGER CAR PARTS LIST

BODY

CODE	REMARKS	PER CAR	PLYMOUTH	DODGE	DESOTO	CHRYSLER AND IMPERIAL
23-33-86	MOULDING, Instrument Panel					
1955-56	All Upper Right	1	1608 570	----	----	----
1955	All Upper Left	1	1608 571	----	----	----
1955	All P26-1, P26-3, P27-1, P27-3					
	Lower Center	1	1628 416	----	----	----
	Lower End Right	1	1628 420	----	----	----
	Left	1	1628 421	----	----	----
1955	All P26-2, P27-2					
	Center	1	1608 500	----	----	----
	End Right	1	1593 846	----	----	----
	Left	1	1593 847	----	----	----
1956	All Chrome Upper Left	1	1655 271	----	----	----
1956	P28-1, P28-2, P29-1, P29-2, All					
	Center	1	1694 260	----	----	----
	Lower End Right	1	1694 254	----	----	----
	Left	1	1694 255	----	----	----
1956	P28-3, P29-3, All					
	Center	1	1694 366	----	----	----
	Lower End Right	1	1694 364	----	----	----
	Left	1	1694 365	----	----	----
1955-56	All Chrome Upper Right	1	----	1602 833	----	----
	Left	1	----	1602 835	----	----
	Upper Intermediate	1	----	1602 839	----	----
	Lower	1	----	1602 837	----	----
1956	Sub., D63-2, w/PowerFlite LHD.	Lower	1	1695 422	----	----
1956	D63-3, All LHD. w/PowerFlite	Lower	1	1695 422	----	----
1955-56	All Chrome Upper Inner Right	1	----	1602 846	----	----
	Left	1	----	1602 847	----	----
1955-56	All Upper Outer Right	1	----	1602 205	----	----
1955	All Upper Outer Left	1	----	1685 107	----	----
1956	S23 w/PowerFlite, S24	Upper Outer Left	1	----	1685 107	----
1955-56	All Lower Right	1	----	1602 217	----	----
1955	All Lower Left	1	----	1602 218	----	----
1956	S23 Lower Left	1	----	1602 218	----	----
1956	S23 w/PowerFlite, S24	Lower Left	1	----	1685 109	----
1955	C67 Prime	1	----	----	----	1623 566
1955-56	All Horizontal Right	1	----	----	----	1575 355
	Left	1	----	----	----	1685 111
1955-56	All Vertical Right	1	----	----	----	1602 220
	Left	1	----	----	----	1602 221
	Screw No. 10-12 x 1 1/4"	1	----	----	----	162 485
23-33-90	CLIP, Instrument Panel Moulding					
1956	All Lower	9	----	----	1640 488	----
23-33-92	WASHER, Instrument Panel					
1955-56	All, D55-3, D63-3	Lower Moulding	3	----	E6010 047	----
1956	D62, D63, All	Radio Grille	1	----	E6010 047	----
1956	4 D., S23 Export Imitation Leather Trim					
	Extension Upper Attaching	4	----	----	882 923	----
1956	4 D., S24	Extension Upper Attaching	4	----	882 923	----
23-33-93	CUP WASHER, Instrument Panel End Ornament					
1955	All D55-3	Left	2	----	E6008 131	----
1956	Sub., D63-2 w/Std. Trans.	Left	2	----	E6008 131	----
1956	All D63-3 w/Std. Trans.	Left	2	----	E6008 131	----
23-33-94	STUD, Instrument Panel Moulding					
1956	D63-3 All	Upper and Lower Mldgs.	11	----	1640 450	----
1956	Sub., D63-2	Upper and Lower Mldgs.	11	----	1640 450	----
23-33-96	NAME PLATE, Instrument Panel					
1956	All Radio Opening Panel Plymouth	1	1695 421	----	----	----
1956	All LHD. w/PowerFlite, Gear Selector Housing					
	New PowerFlite	1	1695 612	----	----	----
1955	All Radio Grille Dodge	1	----	1575 389	----	----
1956	All except Texan, Radio Speaker Grille Dodge	1	----	1694 341	----	----
1956	4 D., Sp. Cl. Cp., D63-1	Texan	1	----	1706 684	----
1955-56	Fireflite	1	----	----	1607 844	----
1955-56	Firedome	1	----	----	1607 843	----
1956	Sp. Cl. Cp., S24	Adventurer	1	----	1685 786	----
1955-56	except C69, C70, C73	Chrysler	1	----	----	1607 789
1955-56	C69, C70, C73	Imperial	1	----	----	1623 726
	ORNAMENT, Instrument Panel Heater Control Holes					
1955-56	All w/o Heater	2	1579 520	----	----	----

★ Indicates use as required.

⊔ Indicates parts not listed in any previous parts book.
Nov. 28, 1958 Supersedes Jan. 7, 1957

Printed in U.S.A.
Prices and specifications subject to change without notice.
* Indicates change or addition.

PASSENGER CAR PARTS LIST 1955-56

CODE	REMARKS	PER CAR	PLYMOUTH	DODGE	DESOTO	CHRYSLER AND IMPERIAL
	ORNAMENT, Instrument Panel Radio Control Opening Cover End					
1955-56	All w/o Radio	2	1579 520	----	----	----
	ORNAMENT, Instrument Panel End					
1955	D55-3 Left	1	----	1607 932	----	----
1956	Sub., D63-2 w/Std. Trans. Left	2	----	1607 932	----	----
1956	D63-3 All w/Std. Trans. Left	2	----	1607 932	----	----
	MEDALLION, Instrument Panel Clock Hole					
1955-56	All	1	----	----	1623 127	----
	MEDALLION, Instrument Panel					
1956	C72	1	----	----	----	1649 533
1956	C70, C73	1	----	----	----	1649 532
23-33-100	NUT or CLIP, Instrument Panel Name Plate Attaching					
1955	All UP TO Note 1	3	----	----	----	E6008 032
1955	All AFTER Note 1	3	----	----	----	1649 578
1956	All	3	----	----	----	*6000 176
23-33-108	CLIP, Instrument Panel Radio Grille Name Plate Attaching					
1955	All	2	----	1494 321	----	----
	SPEED NUT, Instrument Panel					
1955-56	All Radio Screen	4	----	1494 321	----	----
23-33-109	PANEL, Instrument					
1955	All Prime Upper	1	1608 729	----	----	----
	Lower	1	1579 981	----	----	----
	w/PowerFlite	1	1628 861	----	----	----
1956	All UP TO Note 2 Upper	1	*1705 226	----	----	----
1956	All w/PowerFlite UP TO Note 2 Upper	1	1697 247	----	----	----
1956	All with or w/o PowerFlite AFTER Note 2 Upper	1	*1705 226	----	----	----
1956	P28, P29 All except Fury Lower	1	1656 572	----	----	----
1956	Sp. Cl. Cp., P29-3 Fury Lower	1	1707 892	----	----	----
1955	All Prime	1	----	1681 202	----	----
1956	All w/Std. Trans. Prime	1	----	1681 202	----	----
1956	All w/PowerFlite Prime	1	----	1695 446	----	----
1955-56	All Prime Upper	1	----	----	1607 968	----
1955-56	All Prime Lower Right	1	----	----	1640 530	----
	Left	1	----	----	1640 531	----
1955	C67 UP TO Note 4, Prime Upper Right	1	----	----	----	1602 990
	Left	1	----	----	----	1602 991
1955	C67 AFTER Note 4 Prime Upper	1	----	----	----	1640 597
1955	C67, C68, C69, Specify Trim Code or Vehicle No., Trimmed w/Cover, Upper	1	----	----	----	E1879 465
1955	C68, C69 All AFTER Note 3 Prime Upper	1	----	----	----	1640 597
1955-56	All Prime, Lower Right	1	----	----	----	1607 870
1955-56	All w/Std. Trans. Lower Left	1	----	----	----	1607 865
1955	All except C70 Code 46 UP TO Note 3, Specify Trim Code or Vehicle No. Trimmed w/Cover, Upper	1	----	----	----	E1879 465
1955	All Including C70 Code 46 No. 1 Job AFTER Note 3, Specify Trim Code or Vehicle No. Trimmed w/Cover Upper	1	----	----	----	1584 873

NOTE 1: Approximate Ser. Nos. C67 W55-53434, C68 N55-32761, C69 C55-8065, C70 C55-1011.

NOTE 2: Approximate Ser. Nos.	Detroit Built	Evansville Built	California Built
P28	14128069	20822070	25202534
P29	15895101	22252432	26554172

NOTE 3: Body Nos.	D67	C68	C68-300	C69	C70
4 D.	40254	24080	----	6851	----
Est. Wgn.	2310	1723	----	----	----
Sp. Cl. Cp. -1	13041	4613	----	----	----
Sp. Cl. Cp. -2	7957	8951	----	----	----
Sp. Cl. Cp.	----	----	2232	3482	----
Cv. Cp.	1950	1772	----	----	----
8 Sed.	----	----	----	----	1020
Limo.	----	----	----	----	1039
All C70 Code 46 Use AFTER Part Number.					

NOTE 4: Body Nos: 4 D. 40254, C67-1 Sp. Cl. Cp. 13041, C67-2 Sp. Cl. Cp. 7957, Cv. Cp. 1950.

★ Indicates use as required.

☐ Indicates parts not listed in any previous parts book.

* Indicates change or addition.

Printed in U.S.A.

1955-56 PASSENGER CAR PARTS LIST

BODY

CODE	REMARKS	PER CAR	PLYMOUTH	DODGE	DESOTO	CHRYSLER AND IMPERIAL
1956	C70, C71, C72, Trimmed, All Codes, Specify Trim Code or Vehicle No. Upper	1	----	----	----	1585 550
1956	All except C70 Prime, Upper	1	----	----	----	1640 597
1956	All Prime, Upper	1	----	----	----	1640 597
1956	C73, Trimmed All Codes, Specify Code Upper	1	----	----	----	1585 551
1956	C70, C71 w/PowerFlite, C72, C73 except Est. Wgn. Prime, Lower Left	1	----	----	----	1685 123
23-33-110	SCREW and WASHER, Instrument Panel to Pillar 1955-56 All	2	1244 818	1602 865	----	----
	STUD, Instrument Panel to Hand Brake 1955-56 All	2	----	----	----	1640 528
23-33-111	J Nut, Instrument Panel Attaching 1955 All To Belt Bar Bracket	5	----	6000 234	----	----
	1956 All Upper Panel	2	----	----	E6008 014	----
	NUT an WASHER, Instrument Panel Gear Selector Housing 1956 All w/PowerFlite	2	120 375	----	----	----
23-33-113	WASHER, Instrument Panel Attaching 1955-56 All, Medallion Mounting Nut	4	----	----	1626 972	----
	1955-56 All w/Std. Trans. Lower Panel	4	1616 746	----	----	----
	1955-56 All Lower Center Reinf. to Upper Panel Lower Reinf.	3	1561 065	----	----	----
23-33-116	FRAME, Instrument Panel 1955-56 All	1	----	----	1575 404	----
23-33-122	ANTI-SQUEAK, Instrument Panel 1956 All Sold by The Foot	★	----	----	313 073	----
23-33-132	COLLAR, Instrument Panel Steering Column Opening 1955 All, w/Std. Trans. Gray	1	----	1607 987	----	----
	1955 All, w/PowerFlite Gray	1	----	1607 995	----	----
	1956 All except LaFemme, w/Std. Trans. Gray	1	----	1607 987	----	----
	1956 All except LaFemme, w/PowerFlite Gray	1	----	1607 995	----	----
	1956 Sp. Cl. Cp. LaFemme, D63-3, w/PowerFlite Dark Orchid	1	----	1705 529	----	----
	PLATE, Instrument Panel Steering Column Opening 1955-56 All w/PowerFlite Chrome	1	----	----	----	1575 358
	1955-56 C67, C71 Chrome	1	----	----	----	1602 441
23-33-147	COVER, Lower Instrument Panel End 1955-56 All Prime Right	1	----	----	1602 336	----
	Left	1	----	----	1602 337	----
23-33-167	SCREEN, Instrument Panel Radio Grille 1955 All D55-1, D55-2, D56 w/o Radio	1	----	1623 585	----	----
	1955-56 All w/Radio	1	----	1602 862	1640 516	1602 935
23-33-179	NUT, Instrument Panel Attaching 1955-56 All Lower Panel to Face Plate	2	----	----	1570 825	----
23-33-180	BRACKET, Lower Instrument Panel End Mounting 1956 All Right	1	----	----	1685 041	----
	Left	1	----	----	1685 042	----
23-33-195	KNOB or SCREW, Instrument Panel Radio Control Opening Cover 1955-56 All Chrome	2	----	----	1602 998	----
	Washer, lock	2	----	----	120 380	----
	Nut	2	----	----	120 375	----
23-33-205	PLATE, Instrument Panel Cowl Vent Control 1955 All Chrome	1	----	1602 933	----	1575 348
	1956 All Chrome	1	----	----	----	1575 348
	Screw, No. 10-24 x 7/16"	2	----	----	----	159 913
23-33-207	REINFORCEMENT, Instrument Panel Glove Box Opening 1955-56 All	1	1579 833	----	----	----
23-33-210	HOUSING, Instrument Panel Radio 1955-56 All Prime	1	----	----	1575 418	----
	1955 All Prime	1	----	----	----	1607 867
	1956 C71 w/Std. Trans. Prime	1	----	----	----	1607 867
	1956 All w/Auto. Trans. Prime	1	----	----	----	1685 126

★ Indicates use as required.
 ☐ Indicates parts not listed in any previous parts book.
 Nov. 28, 1958 Supersedes Jan. 7, 1957.

PASSENGER CAR PARTS LIST 1955-56

CODE	REMARKS	PER CAR	PLYMOUTH	DODGE	DESOTO	CHRYSLER AND IMPERIAL
23-33-211	STUD, Radio Housing to Instrument Panel Center Strap 1955-56 All	2	----	----	946 932	----
23-33-215	FACE PLATE, Instrument Panel Radio Speaker 1955-56 All Prime Right	1	----	----	1575 419	----
23-33-216	COVER, Instrument Panel Map Light Opening 1955-56 All Prime	1	----	1602 399	----	----
	1956 D62, D63-1, D63-2, except Cv. Cp. Prime	1	----	1602 399	----	----
23-33-217	HOUSING, Instrument Panel Gear Selector Push Button 1956 All w/PowerFlite Prime Die Cast	1	1694 263	1694 290	----	----
	Nut and Washer	2	120 375	----	----	----
23-33-219	NUT and RETAINER, Instrument Panel Gear Selector 1956 All w/PowerFlite	1	1609 269	----	----	----
23-33-220	COVER, Instrument Panel Heater and Gearshift Lever Opening 1955 C67 w/o PowerFlite	2	----	1602 393	1607 916	1607 815
	BEZEL, Instrument Panel Gearshift Selector 1955 All Chrome	1	1605 392	1622 105	1605 518	1605 371
	1956 S23, C71 w/Std. Trans. w/o Overdrive	1	----	1602 393	1607 916	1607 815
	1956 w/PowerFlite	1	----	----	1685 106	1685 104
	Screw	2	----	----	----	273 551
	Screw, No. 8-32 X 5/16"	1	----	----	156 751	156 751
	C73 w/Auto. 3 Speed Trans.	1	----	----	----	1685 735
	PLATE, Instrument Panel Gear Selector Housing Face 1956 w/PowerFlite	1	1694 371	1694 374	----	----
23-33-221	STUD, Instrument Panel Gear Shift Opening Cover 1955 C67	1	----	----	----	*6008 030
		1	----	----	----	*6010 020
	STUD, Instrument Panel Gear Shift Selector Bezel 1955 All	1	----	----	----	*6008 030
		1	----	----	----	*6010 020
	STUD, Instrument Panel Gear Selector Housing 1956 All	2	1439 612	----	----	----
23-33-222	PLATE, Instrument Panel Gear Shift Selector Bearing 1955 All	1	1605 393	1622 107	1605 521	1605 372
23-33-223	KNOB, Instrument Panel Lighter Hole Dummy 1955 All Chrome	1	----	1602 867	----	----
	Screw, No. 8-32 x 5/8"	1	----	132 764	----	----
23-33-224	ADAPTER, Instrument Panel Lighter Hole Dummy 1956 4 D., Sp. 4 D., Cl. Sed., 2 D. Sub., D62, D63-1	1	----	1602 868	----	----
	w/o Lighter, w/Heater, with or w/o radio	1	----	----	----	----
23-33-225	WASHER, Instrument Panel Dummy Knob Cup 1955-56 All Lighter Hole	1	----	1602 873	----	----
	1955-56 All Blower and Defroster Hole	2	----	1602 873	----	----
23-33-226	KNOB, Instrument Panel Blower and Defroster Dummy 1955-56 All Use w/o Heater, w/Radio Chrome	2	----	1602 867	----	----
	Screw, No. 8-32 x 5/8"	2	----	132 764	----	----
23-33-227	PAD, Instrument Panel Gear Selector Bezel 1956 All w/PowerFlite	1	1706 604	1696 584	1685 155	*1696 584
	C73 w/Auto. 3 Speed Trans.	1	----	----	----	1685 736
23-33-228	PLATE, Instrument Panel Gear Selector Mounting 1956 All, w/PowerFlite, use with 1694 263	1	1694 373	----	----	----
	Housing only	1	----	----	----	----
	1956 All w/PowerFlite	1	----	----	----	1685 112
23-33-229	COVER, Instrument Panel Hand Brake Opening 1955-56 All Prime	1	----	----	1602 841	----
23-33-232	GROMMET, Instrument Panel Gear Selector to Windshield Garnish Moulding 1956 All, w/PowerFlite	1	1695 737	1696 072	----	----
	Black	1	1695 738	1696 073	----	----
	Green	1	1695 739	1696 075	----	----
	Blue	1	1695 740	1696 074	----	----
	Brown	1	1695 741	1696 076	----	----
	Turquoise	1	----	----	----	----
	White	1	----	----	----	----
	Gray	1	----	----	----	----
23-33-234	COVER, Instrument Panel Steering Post Depression 1955 All w/PowerFlite Prime	1	1608 673	----	----	----

★ Indicates use as required.

□ Indicates parts not listed in any previous parts book.

* Indicates change or addition.

Printed in U.S.A.

1955-56 PASSENGER CAR PARTS LIST

BODY

CODE	REMARKS	PER CAR	PLYMOUTH	DODGE	DESOTO	CHRYSLER AND IMPERIAL
23-33-237	PAD, Instrument Panel Gear Selector Bezel 1956 4 D., Sp. 4 D., Sp. Cl. Cp., 8 Sed., Limo., C70, C73 w/Auto. 3 Speed Trans.	1	----	----	----	1685 736
23-34-0 BODY PANELS						
23-34-27	PANEL, Wheelhouse 1955 4 D., 3 Cp., Cl. Cp., Sp. Cl. Cp. except C69	Right 1 Left 1	1544 360 1544 361	1577 091 1577 092	1597 628 1597 629	1597 628 1597 629
1955-56	C69, C70	Right 1 Left 1	----- -----	----- -----	----- -----	1597 632 1597 633
1955	Cv. Cp.	Right 1 Left 1	*1657 034 *1657 035	1578 124 1578 125	1597 630 1597 631	1597 630 1597 631
1955	Sub., Est. Wgn.	Right 1 Left 1	1592 650 1592 651	1628 462 1628 463	1620 586 1620 587	1630 586 1620 587
1956	4 D., 3 Cp., Cl. Sed., Sp. Cl. Cp.	Right 1 Left 1	1646 720 1646 721	1656 438 1656 439	1652 030 1652 031	1652 030 1652 031
1956	Sp. 4D.	Right 1 Left 1	1646 720 1646 721	1656 438 1656 439	1652 030 1652 031	1652 030 1652 031
1956	Cv. Cp.	Right 1 Left 1	1657 034 1657 035	1656 442 1656 443	1690 264 1690 265	1690 264 1690 265
1956	Sub., Est. Wgn.	Right 1 Left 1	1697 220 1697 221	1628 462 1628 463	1620 586 1620 587	1620 586 1620 587
23-34-31	PANEL, Tailgate Opening Lower 1955-56 Sub., Est. Wgn.	1	1545 396	1592 500	1577 518	1577 518
23-34-35	NAME PLATE, Tailgate Opening Lower Panel 1955 Est. Wgn.	PowerFlite 1 Town & Country 1	----- -----	----- -----	1620 010 -----	----- 1620 926
1956	Est. Wgn., C71 _a	Chrysler 1 Windsor 1	----- -----	----- -----	----- -----	1620 270 1691 301
1956	Est. Wgn., C72	Town & Country 1	-----	-----	-----	1620 926
23-34-36	CLIP, Rear Lower Panel Name Plate 1955 Est. Wgn.	Town & Country 3	-----	-----	*6000 176	E6006 013
1956	Est. Wgn., C71	3	-----	-----	-----	*6000 176
1956	Est. Wgn.	3	-----	-----	-----	E6006 013
1956	C71 except Est. Wgn.	6	-----	-----	-----	E6006 013
23-34-80	PANEL, Cowl Side 1955-56 All	Right 1 Left 1	1591 208 1591 209	1591 208 1591 209	1620 592 1620 593	1620 592 1620 593
	PANEL and WINDSHIELD FRAME, Cowl Upper 1955 Except Cv. Cp., Sp. Cl. Cp.	1	1579 809	1579 809	1621 067	1621 067
1955	Cv. Cp.	1	1706 488	1706 488	1621 080	1621 080
1955	Sp. Cl. Cp.	1	1608 662	1608 662	1621 068	1621 068
1956	4 D., 3 Cp., Cl. Sed., Sub., Est. Wgn., 8 Sed., Limo.	1	1579 809	1579 809	1651 837	1651 837
1956	Sp. 4 D.	1	1608 662	1608 662	1651 837	1651 837
1956	Cv. Cp.	1	1706 488	1706 488	1651 888	1651 888
1956	Sp. Cl. Cp.	1	1608 662	1608 662	*1691 990	*1691 990
23-34-99	EXTENSION, Cowl Side Panel 1955-56 All	Right 1 Left 1	----- -----	----- -----	1548 367 1548 368	1548 367 1548 368
23-34-110	PANEL, Dash 1955 All 1956 All	1 1	1682 735 1682 735	1682 735 *1682 735	1620 589 1651 843	1620 589 1651 843
23-34-112	BRACKET, Dash to Front Fender Side Shield 1955-56 D55 AFTER Ser. No. 34926782, D56 AFTER Ser. No. 32218603, D62, D63	2	-----	1624 348	-----	-----
23-34-116	COVER, Dash Panel Heater Hole 1955-56 All	Air Duct 1 Valve 1	1548 444 -----	1548 444 -----	1548 444 1620 634	1548 444 1620 634

★ Indicates use as required.

⊠ Indicates parts not listed in any previous parts book.
Nov. 28, 1958 Supersedes Jan. 7, 1957.

Printed in U.S.A.
Prices and specifications subject to change without notice.
* Indicates change or addition.

PASSENGER CAR PARTS LIST 1955-56

CODE	REMARKS	PER CAR	PLYMOUTH	DODGE	DESOTO	CHRYSLER AND IMPERIAL
23-34-120	PANEL, Door Repair					
1955	4 D., 4 D. Sub., Est. Wgn., Except C69					
	Front Right	1	1544 844	1544 844	1620 532	1620 532
	Left	1	1544 845	1544 845	1620 533	1620 533
1955	C69 4D.					
	Front Right	1	----	----	----	1620 524
	Left	1	----	----	----	1620 525
1955	4 D.					
	Rear Right	1	1544 850	1646 880	1620 555	1620 555
	Left	1	1544 851	1646 881	1620 556	1620 556
1955	3 Cp., Cl. Cp., 2 D. Sub.					
	Right	1	1544 846	1544 846	----	----
	Left	1	1544 847	1544 847	----	----
1955	Cv. Cp., Sp. Cl. Cp.					
	Right	1	1577 124	1577 124	1620 510	1620 510
	Left	1	1577 125	1577 125	1620 511	1620 511
1955	4 D. Sub., Est. Wgn.					
	Rear Right	1	1544 848	1544 848	1620 555	1620 555
	Left	1	1544 849	1544 849	1620 556	1620 556
1956	4 D., 4 D. Sub., Est. Wgn.					
	Front Right	1	1682 232	1682 232	1691 376	1691 376
	Left	1	1682 233	1682 233	1691 377	1691 377
1956	4 D.					
	Rear Right	1	1682 234	1682 238	1651 222	1651 222
	Left	1	1682 235	1682 239	1651 223	1651 223
1956	Sp. 4 D.					
	Front Right	1	1647 770	1647 770	1652 164	1652 164
	Left	1	1647 771	1647 771	1652 165	1652 165
	Rear Right	1	1647 776	1647 776	1652 188	1652 188
	Left	1	1647 777	1647 777	1652 189	1652 189
1956	3 Cp., Cl. Sed., 2 D. Sub.					
	Right	1	1682 230	1682 230	----	----
	Left	1	1682 231	1682 231	----	----
1956	Cv. Cp., Sp. Cl. Cp.					
	Right	1	1682 180	1682 180	1691 304	1691 304
	Left	1	1682 181	1682 181	1691 305	1691 305
1956	4D. Sub., Est. Wgn.					
	Rear Right	1	1682 236	1682 236	1691 374	1691 374
	Left	1	1682 237	1682 237	1691 375	1691 375
23-34-136	COVER, Door Inside Panel Access Hole					
1955	All w/Electric Window Lifts					
	Right	★	1591 624	1591 624	----	----
	Left	★	1591 625	1591 625	----	----
1955	4 D., Est. Wgn.					
	Front Right	1	----	----	1597 271	1597 271
	Left	1	----	----	1597 272	1597 272
1956	except Sp. 4 D.					
	Rear Right	1	1591 624	1591 624	----	----
	Left	1	1591 625	1591 625	----	----
1956	Sp. 4 D.					
	Rear Right	1	1681 156	1681 156	----	----
	Left	1	1681 157	1681 157	----	----
23-34-137	CLIP, Door Access Hole Cover					
1955-56	All w/Electric Window Lifts					
		★	E6000 352	E6000 352	----	----
23-34-139	HINGE, Rear Door Magazine Compartment Lid					
1955	8 Sed., Limo.	2	----	----	----	1645 366
23-34-140	SPRING, Rear Door Magazine Compartment Lid Hinge					
1955	8 Sed., Limo.	4	----	----	----	1645 367
23-34-145	SCREW, Rear Door Magazine Compartment Lid Hinge					
1955	8 Sed., Limo.	20	----	----	----	1645 845
23-34-157	SCREW, Dash Panel Air Duct Cover					
1955-56	except C70	14	----	----	----	925 353
1955-56	except C70 Dash Panel Underhood Heater Outlet Cover	8	----	----	----	925 353
23-34-160	EMBLEM, Door Outside Panel					
1955	Cv. Cp., Sp. Cl. Cp., 4 D. Sub.	2	1542 314	----	----	----
	ORNAMENT, Door Outside Moulding Front					
1955	Cv. Cp., Sp. Cl. Cp.					
	Right	1	----	1599 710	----	----
	Left	1	----	1599 711	----	----
1955	4D., D55-3					
	Front Right	1	----	1599 710	----	----
	Left	1	----	1599 711	----	----
	Rear "V"	2	----	1599 091	----	----
23-34-161	CLIP, Door Outside Emblem or Ornament					
1955	Cv. Cp., Sp. Cl. Cp., 4 D., 4 D. Sub.	★	*6000 020	*6000 050	----	----
23-34-166	PANEL, Deck Opening Upper					
1955	4 D., 3 Cp., Cl. Cp., 8 Sed., Limo.	1	1579 683	1627 945	1620 585	1620 585
1955	Cv. Cp.	1	1579 316	1627 949	----	----
1955	Sp. Cl. Cp., except C69	1	1593 800	1627 947	1620 588	1620 588
1955	C69 Sp. Cl. Cp.	1	----	----	----	1620 584
1956	4 D., 3 Cp., Cl. Sed., except C73	1	1579 683	1627 945	1652 063	1652 063
1956	C73 4 D., Sp. 4 D.	1	----	----	----	1652 131
1956	Sp. 4 D.	1	1657 893	1627 947	1652 063	1652 063
1956	Cv. Cp.	1	1579 316	1627 949	1652 065	1652 065

★ Indicates use as required.

⊠ Indicates parts not listed in any previous parts book.

* Indicates change or addition.

1955-56 PASSENGER CAR PARTS LIST

BODY

CODE	REMARKS	PER CAR	PLYMOUTH	DODGE	DESOTO	CHRYSLER AND IMPERIAL
1956	Sp. Cl. Cp., except C73	1	1593 800	1627 947	1652 064	1652 064
1956	C73 Sp. Cl. Cp.	1	----	----	----	1652 062
1956	8 Sed., Limo.	1	----	----	----	1620 585
23-34-167	PANEL, Deck Opening Lower					
1955	except Sub., Est. Wgn.	1	1590 559	1609 463	1620 740	1620 740
1956	except Sub., Est. Wgn., 8 Sed., Limo.	1	1629 482	1609 463	1652 066	1652 066
1956	8 Sed., Limo.	1	----	----	----	1620 740
23-34-184	NAME PLATE, Deck Opening Lower Panel					
1955	As Required	1	----	----	1620 010	----
	PowerFlite	1	----	----	----	1620 270
	Chrysler	1	----	----	----	1621 069
	Deluxe	1	----	----	----	1620 270
1956	C71 except Est. Wgn.	1	----	----	----	1691 301
	Chrysler	1	----	----	----	1621 385
	Windsor	1	----	----	----	1621 386
	LETTER, Deck Opening Lower Panel Name					
1956	C73	2	----	----	----	1621 387
	"P"	1	----	----	----	1621 388
	"M"	1	----	----	----	1621 388
	"P"	1	----	----	----	1621 389
	"E"	1	----	----	----	1621 390
	"R"	1	----	----	----	1621 391
	"A"	1	----	----	----	1621 391
	"L"	1	----	----	----	
23-34-187	SEAL, Deck Opening Lower Panel Name Plate					
1955	All	4	----	----	E6000 377	1333 095
23-34-189	PANEL, Spare Tire Well					
1955-56	except Sub. and Est. Wgn., 8 Sed., Limo.	1	1459 549	1577 114	1548 824	1548 824
1955-56	Sub., Est. Wgn.	1	1629 563	1629 563	1577 756	1577 756
1955-56	8 Sed., Limo.	1	----	----	----	1609 319
23-34-192	COVER, Dash Panel Under Hood Heater Outlet					
1955-56	All	1	1548 812	1548 812	1548 812	1548 812
23-34-196	PANEL, Rear Seat Underseat Heater Compartment					
1955	8 Sed., Limo.	1	----	----	----	1645 960
23-34-197	COVER, Rear Seat Underseat Heater Compartment Panel					
1955	8 Sed., Limo.	1	----	----	----	1646 468
23-34-199	GASKET, Rear Seat Underseat Heater Tube to Heater Compartment Panel					
1955	8 Sed., Limo.	2	----	----	----	1646 541
23-34-225	COVER, Quarter Inside Panel Access Hole					
1955	Cl. Cp. w/Electric Window Lifts	1	1591 624	----	----	----
	Right	1	1591 625	----	----	----
	Left	1	1591 624	1591 624	----	----
1956	Cl. Sed. w/Electric Window Lifts	1	1591 625	1591 625	----	----
	Right	1	----	----	----	----
	Left	1	----	----	----	----
	COVER, Quarter Trim Panel Tail Light Access Hole					
1955	4 D. Sub.	1	1625 363	----	----	----
	Right	1	1625 364	----	----	----
	Left	1	1625 363	----	----	----
1956	4 D. Sub., except Codes 818-819	1	1625 364	----	----	----
	Right	1	1625 994	----	----	----
	Code 819 Right	1	1625 995	----	----	----
	Left	1	1696 882	----	----	----
	Code 818 Right	1	1696 883	----	----	----
	Left	1	1628 378	----	----	----
1955-56	4 D. Sub., 2 D. Sub., in White	1	1628 379	----	----	----
	Right	1	----	1629 182	----	----
	Left	1	----	1629 183	----	----
1955	4 D. Sub.	1	----	1629 184	----	----
	Code 730 Right	1	----	1629 185	----	----
	Left	1	----	----	----	----
	Code 731 Right	1	----	----	----	----
	Left	1	----	----	----	----
	COVER, Tail Light Access Hole					
1955	4 D. Sub., D55-2 Codes 729-730-731	1	----	1448 420	----	----
	Right	1	----	1448 421	----	----
	Left	1	----	1544 878	----	----
1955-56	Sub.	1	----	1544 879	----	----
	Painted Right	1	----	----	----	----
	Left	1	----	----	----	----
1956	Sub., D62-1, D63-1 Codes 826-827-828	1	----	1454 057	----	----
	Right	1	----	1454 058	----	----
	Left	1	----	----	----	----
1956	Sub., D62-2 D63-2 Codes 833-834-835	1	----	1453 976	----	----
	Right	1	----	1453 977	----	----
	Left	1	----	----	----	----

★ Indicates use as required.

☐ Indicates parts not listed in any previous parts book.
Nov. 28, 1958 Supersedes Nov. 15, 1957.

Prices and specifications subject to change without notice.
* Indicates change or addition.

Printed in U.S.A.

PASSENGER CAR PARTS LIST 1955-56

CODE	REMARKS	PER CAR	PLYMOUTH	DODGE	DESOTO	CHRYSLER AND IMPERIAL
	COVER, Quarter Trim Panel Jack Access Hole					
1955	4 D. Sub. except Code 702	1	1625 362	----	----	----
	Code 702	1	1645 537	----	----	----
1955	4 D. Sub., Codes 412-413-414-415-704-705-706-707	1	1625 504	----	----	----
1955	4 D. Sub., Codes 701-703-716-726-727-728	1	----	1645 470	----	----
	Code 729	1	----	1629 146	----	----
	Code 730	1	----	1629 147	----	----
	Code 731	1	----	1629 148	----	----
23-34-226	CLIP, Quarter Inside Panel Access Hole Cover					
1955	Cl. Cp., 3 Cp.	8	E6000 352	----	----	----
1956	Cl. Sed., Cv. Cp., Sp. Cl. Cp., 3 Cp.	★	E6000 352	E6000 352	----	----
	CLIP, Rear Quarter Trim Panel Jack Access Hole Cover					
1955	Sub.	2	1596 338	1596 338	----	----
23-34-233	PANEL, Quarter Outside Rear					
1955	except Sub.					
		Right	1	1591 106	----	----
		Left	1	1591 107	----	----
1955	Sub.	Right	1	1592 812	----	----
		Left	1	1592 813	----	----
1956	except Sub.	Right	1	1628 760	1628 992	----
		Left	1	1628 761	1628 993	----
1956	Sub.	Right	1	1646 466	1655 378	----
		Left	1	1646 467	1655 379	----
23-34-234	PANEL, Quarter Inside					
1955-56	3 Cp.	Right	1	1627 914	----	----
		Left	1	1627 915	----	----
1955-56	Cl. Cp., Cl. Sed.	Right	1	1591 210	1578 516	----
		Left	1	1591 211	1578 517	----
1955	Cv. Cp.	Front Right	1	1695 908	1578 790	1620 930
		Left	1	1695 909	1578 791	1620 931
		Rear Right	1	----	----	1650 276
		Left	1	----	----	1650 277
1955	Sp. Cl. Cp.	Right	1	1695 906	1578 788	1620 928
		Left	1	1695 907	1578 789	1620 929
1955	C70	Upper Right	1	----	----	1627 974
		Left	1	----	----	1627 975
1956	Cv. Cp.	Right	1	1695 908	1578 790	----
		Left	1	1695 909	1578 791	----
		Front Right	1	----	----	1690 572
		Left	1	----	----	1690 573
		Rear Right	1	----	----	1690 570
		Left	1	----	----	1690 571
1956	Sp. Cl. Cp. except C73	Right	1	1695 906	1578 788	1690 568
		Left	1	1695 907	1578 789	1690 569
1956	Sp. Cl. Cp., C73	Right	1	----	----	1620 928
		Left	1	----	----	1620 929
1956	8 Sed., Limo.	Lower Right	1	----	----	1691 316
		Left	1	----	----	1691 317
23-34-235	PANEL, Quarter Outside					
1955	4 D. except C69	Right	1	1609 336	1609 576	1620 702
		Left	1	1609 335	1609 577	*1620 993
		Front Right	1	1591 078	----	----
		Left	1	1591 079	----	----
1955	4 D., C69	Right	1	----	----	1620 706
		Left	1	----	----	1620 707
1955	3 Cp., Cl. Cp.,	Upper & Lower Right	1	*1609 332	*1609 588	----
		Left	1	*1609 333	*1609 589	----
		Front Lower Right	1	*1545 382	----	----
		Left	1	*1545 383	----	----
1955	Cl. Cp.	Upper Right	1	----	*1577 244	----
		Left	1	----	*1577 245	----
		Lower Right	1	----	*1628 790	----
		Left	1	----	*1628 791	----
1955	Cv. Cp.	Right	1	1609 328	1609 584	1620 714
		Left	1	1609 329	1609 585	1620 715
1955	Sp. Cl. Cp. except C69	Right	1	1609 320	1609 580	1620 998
		Left	1	1609 321	1609 581	1620 999

★ Indicates use as required.

⊠ Indicates parts not listed in any previous parts book.

* Indicates change or addition.

1955-56 PASSENGER CAR PARTS LIST

BODY

CODE	REMARKS	PER CAR	PLYMOUTH	DODGE	DESOTO	CHRYSLER AND IMPERIAL
	Front Right	1	1545 384	-----	-----	-----
	Left	1	1545 385	-----	-----	-----
1955	Sp. Cl. Cp., C69	Right	1	-----	-----	1620 712
		Left	1	-----	-----	1620 713
1955	2 D. Sub.	Right	1	1628 678	1645 850	-----
		Left	1	1628 679	1645 851	-----
	Front Lower	Right	1	1592 492	1545 380	-----
		Left	1	1592 493	1545 381	-----
1955	4 D. Sub.	Right	1	1628 676	1645 852	-----
		Left	1	1628 677	1645 853	-----
	Front Lower	Right	1	1592 490	1592 484	-----
		Left	1	1592 491	1592 485	-----
1955	Est. Wgn. UP TO Body Nos: S22 1055, C67 1022, C68 1031	Right	1	-----	-----	1621 952
		Left	1	-----	-----	1621 953
1955	Est. Wgn. AFTER Body Nos: S22 1055, C67 1022, C68 1031	Right	1	-----	-----	1621 698
		Left	1	-----	-----	1621 699
1955	Est. Wgn. UP TO Body No. 1055,	Lower Right	1	-----	-----	1577 509
		Left	1	-----	-----	1577 510
1955	Est. Wgn. AFTER Body No. 1055	Lower Right	1	-----	-----	*1651 690
		Left	1	-----	-----	*1651 691
1955	Est. Wgn.	Lower Right	1	-----	-----	1577 509
		Left	1	-----	-----	1577 510
1955	8 Sed., Limo.	Right	1	-----	-----	1645 814
		Left	1	-----	-----	1645 815
1956	4 D. except C73	Right	1	1680 040	1694 276	1652 044
		Left	1	1680 041	1694 277	1652 045
	Repair	Right	1	1628 758	1683 266	-----
		Left	1	1628 759	1683 267	-----
	Repair Upper	Right	1	-----	-----	1621 448
		Left	1	-----	-----	1621 449
	Repair Lower	Right	1	-----	-----	1620 782
		Left	1	-----	-----	1620 783
1956	Sp. 4 D. except C73	Right	1	1695 034	1694 324	1652 044
		Left	1	1695 035	1694 325	1652 045
	Repair	Right	1	1655 538	1695 632	-----
		Left	1	1655 539	1695 633	-----
	Repair Upper	Right	1	-----	-----	1621 448
		Left	1	-----	-----	1621 449
	Repair Lower	Right	1	-----	-----	1620 782
		Left	1	-----	-----	1620 783
1956	4 D., Sp. 4 D., C73	Right	1	-----	-----	1652 042
		Left	1	-----	-----	1652 043
1956	4 D., Sp. 4 D., C73	Repair Upper	1	-----	-----	1620 778
		Left	1	-----	-----	1620 779
	Repair Lower	Right	1	-----	-----	1621 286
		Left	1	-----	-----	1621 287
1956	3 Cp., Cl.Sed.	Upper and Lower	1	*1657 132	*1694 312	-----
		Right	1	1657 133	1694 313	-----
	Repair	Right	1	1628 762	1695 626	-----
		Left	1	1628 763	1695 627	-----
1956	Cl.Sed.	Upper	1	-----	*1577 244	-----
		Right	1	-----	*1577 245	-----
1956	Cv. Cp.	Right	1	1657 974	1694 320	1652 022
		Left	1	1657 975	1694 321	1652 023
	Repair	Right	1	1629 446	-----	-----
		Left	1	1629 447	-----	-----
	Repair Upper	Right	1	-----	-----	1621 276
		Left	1	-----	-----	1621 277
	Repair Lower	Right	1	-----	-----	1621 284
		Left	1	-----	-----	1621 285
1956	Sp. Cl. Cp. except C73	Right	1	1680 008	1694 316	1652 026
		Left	1	1680 009	1694 317	1652 027
	Repair	Right	1	1629 446	1695 628	-----
		Left	1	1629 447	1695 629	-----

★ Indicates use as required.

⊠ Indicates parts not listed in any previous parts book.
Nov. 28, 1958 Supersedes Nov. 15, 1957.

Printed in U.S.A.
Prices and specifications subject to change without notice.
* Indicates change or addition.

PASSENGER CAR PARTS LIST 1955-56

CODE	REMARKS	PER CAR	PLYMOUTH	DODGE	DESOTO	CHRYSLER AND IMPERIAL
	Repair Upper Right	1	----	----	1621 274	1621 274
	Left	1	----	----	1621 275	1621 275
	Repair Lower Right	1	----	----	1621 284	1621 284
	Left	1	----	----	1621 285	1621 285
1956	Sp. Cl. Cp., C73 Right	1	----	----	----	1652 038
	Left	1	----	----	----	1652 039
	Repair Lower Right	1	----	----	----	1621 282
	Left	1	----	----	----	1621 283
1956	Sp. Cl. Cp., C73 Repair Upper Right	1	----	----	----	1621 272
	Left	1	----	----	----	1621 273
1956	2 D. Sub. Right	1	1681 296	1694 328	----	----
	Left	1	1681 297	1694 329	----	----
	Lower Right	1	1646 590	1655 374	----	----
	Left	1	1646 591	1655 375	----	----
1956	4 D. Sub., Est. Wgn. Right	1	1681 848	1694 330	1691 520	1691 520
	Left	1	1681 849	1694 331	1691 521	1691 521
	Lower Right	1	1646 456	1655 376	1651 690	1651 690
	Left	1	1646 457	1655 377	1651 691	1651 691
1956	C70 Assembly Right	1	----	----	----	1691 822
	Left	1	----	----	----	1691 823
23-34-238	NAME PLATE, Quarter Panel or Roof					
1956	4 D., P28-1, P29-1 Plymouth	2	1542 261	----	----	----
1956	Except Export 2 D. Sub., P28-1, P29-1 Plaza	2	1599 450	----	----	----
1956	2 D. Sub., Export, P28-1, P29-1 Plaza	2	1683 032	----	----	----
1956	P28-2, P29-2 Savoy	2	1683 033	----	----	----
1956	P28-1, P29-1 Suburban	2	1682 583	----	----	----
1956	P28-2, P29-2 Suburban Custom	2	1694 495	----	----	----
1956	Sp. Cl. Cp., P29-3 Fury	2	1707 304	----	----	----
1955	4 D., Cl. Cp., Sp. Cl. Cp., Cl. Sed., D55-1, D56 Coronet	2	----	1599 374	----	----
1955	4 D., Cv. Cp., Sp. Cl. Cp., D55-2, D55-3 Royal	2	----	1599 369	----	----
1955	4 D. Sub. Sierra	2	----	1627 953	----	----
1955	D55-1, D56 Suburban	2	----	1627 952	----	----
1956	4 D., Cl. Sed., D62-1, D63-1 Coronet	2	----	1646 487	----	----
1956	Sp. 4 D., Sp. Cl. Cp., Cv. Cp., D63-1 UP TO Ser. No. 34988904 Coronet	2	----	1656 118	----	----
1956	Sp. 4 D., Sp. Cl. Cp., Cv. Cp., D63-1 AFTER Ser. No. 34988904 Coronet	2	----	1646 487	----	----
1956	4 D., D63-2 Royal	2	----	1645 990	----	----
1956	Sp. 4 D., Sp. Cl. Cp., D63-2 UP TO Approximate Serial No. 34988904 Royal	1	----	1646 488	----	----
1956	Sp. 4 D., Sp. Cl. Cp., D63-2 AFTER Approximate Serial No. 34988904 Royal	1	----	1645 990	----	----
1956	4 D., Sp. 4 D., Sp. Cl. Cp., Cv. Cp., D63-3 Royal	2	----	1646 488	----	----
1956	4 D., Sp. 4 D., Sp. Cl. Cp., Cv. Cp., D63-3 Custom	2	----	1646 764	----	----
1956	4 D., Sp. Cl. Cp., D63-1 Texan	2	----	1706 731	----	----
1956	2 D. Sub. Suburban	2	----	1627 952	----	----
1956	4 D. Sub. Sierra	2	----	1627 953	----	----
1955	Sp. Cl. Cp., S21, S22-2 on Roof Sportsman	1	----	----	1620 198	----
	Right	1	----	----	1620 199	----
	Left	1	----	----	----	----
1956	Sp. 4 D., Sp. Cl. Cp., S23 Custom, S24 Sportsman	2	----	----	1690 200	----
1956	Sp. 4 D., Sp. Cl. Cp., S23 Seville	2	----	----	1690 328	----
1956	Sp. Cl. Cp., S24 Adventurer	2	----	----	1692 165	----
1955	Sp. Cl. Cp., C67-1 Nassau	2	----	----	----	1620 484
1955	Sp. Cl. Cp., C67-2 Roof Ornament Plate Newport Right	1	----	----	----	1598 308
	Left	1	----	----	----	1598 309
1955	Sp. Cl. Cp., C68-1, C68-2 UP TO Body No. 1882 Roof Ornament Plate Newport Right	1	----	----	----	1598 746
	Left	1	----	----	----	1598 747

★ Indicates use as required.
 ☐ Indicates parts not listed in any previous parts book.
 * Indicates change or addition.

1955-56 PASSENGER CAR PARTS LIST

BODY

CODE	REMARKS	PER CAR	PLYMOUTH	DODGE	DESOTO	CHRYSLER AND IMPERIAL
1955	Sp. Cl. Cp., C68-2 AFTER Body No. 1882 Roof Ornament Plate Newport Right	1	----	----	----	1621 484
	Left	1	----	----	----	1621 485
1955	Sp. Cl. Cp., C68-2 St. Regis Right	1	----	----	----	1621 400
	Left	1	----	----	----	1621 401
1955	4 D., Sp. Cl. Cp., Cv. Cp., C68 New	2	----	----	----	1620 007
	Yorker	2	----	----	----	1620 008
	Deluxe	2	----	----	----	1621 069
1956	Sp. Cl. Cp., C71-1 Nassau	2	----	----	----	1620 484
1956	Sp. Cl. Cp., C71-2 w/Windshield Outside Visor Newport Right	1	----	----	----	1598 308
	Left	1	----	----	----	1598 309
1956	Sp. Cl. Cp., C72-1 Roof Ornament Plate Newport Right	1	----	----	----	1598 746
	Left	1	----	----	----	1598 747
1956	Sp. Cl. Cp., C72-2 Roof Ornament Plate Newport Right	1	----	----	----	1621 484
	Left	1	----	----	----	1621 485
1956	Sp. Cl. Cp., C72-2 St. Regis Right	1	----	----	----	1621 400
	Left	1	----	----	----	1621 401
1956	Sp. 4 D., C71, C72 Newport	2	----	----	----	1691 774
LETTER, Quarter Panel Name						
1955	Sp. Cl. Cp., C68-300	C	2	----	----	1650 534
		H	2	----	----	1650 535
		R	4	----	----	1650 536
		Y	2	----	----	1650 537
		S	2	----	----	1650 538
		L	2	----	----	1650 539
		E	2	----	----	1650 540
1956	Sp. Cl. Cp., C72-300	B	2	----	----	1691 813
		C	2	----	----	1691 804
		H	2	----	----	1691 805
		R	4	----	----	1691 806
		Y	2	----	----	1691 807
		S	2	----	----	1691 808
		L	2	----	----	1691 809
		E	2	----	----	1691 810
1956	Sp. Cl. Cp., C73	I	4	----	----	1621 385
		M	2	----	----	1621 386
		P	2	----	----	1621 387
		E	2	----	----	1621 388
		R	2	----	----	1621 389
		A	2	----	----	1621 390
		L	2	----	----	1621 391
NUMERAL, Quarter Panel						
1955	Sp. Cl. Cp., C68-300	3	2	----	----	1650 531
		0	4	----	----	1650 532
1956	Sp. Cl. Cp., C72-300	3	2	----	----	1691 811
		0	4	----	----	1691 812
1956	C71 w/Power Package	250	2	----	----	1692 008
23-34-239 CLIP, Quarter Panel and Roof Name Plate or Letters Attaching						
1956	Except P29-3 Fury	★	*6000 020	----	----	----
1956	Sp. Cl. Cp., P29-3 Fury	4	1331 850	----	----	----
1955	All	★	----	B6006 030	----	----
1955-56	Sp. Cl. Cp., C67-1, C71-1, Nassau Name Plate Attaching	6	----	----	----	*6000 176
1955-56	All	★	----	----	----	B6006 013
NUT, Quarter Panel Name Plate or Letters Attaching						
1955-56	Name Plate	★	----	B6000 313	----	----
1956	S24 Adventurer	8	----	----	1621 895	----
1956	C73 Name Letters	16	----	----	----	1621 895

★ Indicates use as required.

B Indicates parts not listed in any previous parts book.
Nov. 28, 1958 Supersedes Jan. 7, 1957.

PASSENGER CAR PARTS LIST 1955-56

CODE	REMARKS	PER CAR	PLYMOUTH	DODGE	DESOTO	CHRYSLER AND IMPERIAL
23-34-241	MOULDING, Quarter Panel Joint					
1955	Est. Wgn., UP TO Body Nos: S22-1055, C67-1022, C68-1031					
	Right	1	----	----	1577 678	1577 678
	Left	1	----	----	1577 679	1577 679
	AFTER Body Nos: S22-1055, C67-1022, C68-1031					
	Right	1	----	----	1577 678	1621 522
	Left	1	----	----	1577 679	1621 523
	UP TO Body No. S22-1055 Lower Rear	2	----	----	1577 820	----
	AFTER Body No. S22-1055 Lower Rear	2	----	----	1621 524	----
1955	Est. Wgn., C67, C68 Lower Rear	2	----	----	----	1577 820
1956	Est. Wgn. Right	1	----	----	1577 678	1621 522
	Left	1	----	----	1577 679	1621 523
	Lower Rear	2	----	----	1621 524	1577 820
	Upper to Lower Panel	2	----	----	1651 796	1651 796
23-34-242	EXTENSION, Quarter Outside Panel					
1956	4 D. Sub., 2 D. Sub. Side Rear					
	Right	1	----	1655 380	----	----
	Left	1	----	1655 381	----	----
1956	C73, All, the Opposite of Fuel Tank					
	Filler Door, Left	1	----	----	----	1621 961
23-34-244	WASHER or SEAL, Quarter Panel Name Plate					
	Sealing					
1955	As Required	★	----	E6000 377	----	1333 095
1956	As Required	★	E6000 377	E6000 377	E6000 377	----
23-34-247	FILLER, Quarter Panel to Rear Bumper					
1956	Except Est. Wgn., 8 Sed., Limo., C73					
	Outer Right	1	----	----	----	1650 352
	Left	1	----	----	----	1650 353
	Inner Right	1	----	----	----	1650 348
	Left	1	----	----	----	1650 349
23-34-249	FILLER, Quarter Inside Panel to Wheelhouse					
1956	Sp. Cl. Cp., C73					
	Right	1	----	----	----	1620 796
	Left	1	----	----	----	1620 797
23-34-250	FILLER, Quarter Panel Side					
1956	4 D. Sub. At Belt, Right					
	Left	1	1656 642	----	----	----
		1	1656 643	----	----	----
23-34-253	LID. COVER or DOOR, Fuel Filler Opening or Access					
1955	All	1	1593 952	1577 254	1650 358	1650 358
1956	Except Sp. Cv. Cp., Sub., Est. Wgn., C70 and C73	1	1680 037	1680 142	1650 587	1650 587
1956	Sub.	1	1680 037	1696 795	----	----
1956	Sp. Cv. Cp., S24	1	----	----	1650 587	----
1956	Est. Wgn., 8 Sed., Limo.	1	----	----	1650 358	1650 358
1956	C73	1	----	----	----	1650 430
	NOTE: For C69 and C70 see "Tail Lamp Base Access Door" Part Type Code 8-55-355					
23-34-255	SPRING, Fuel Filler Lid, Cover or Door Hinge					
1955	Except C69 and C70	1	1593 663	1577 258	1598 533	1598 533
1956	Except Est. Wgn., 8 Sed., Limo. and C73	1	1593 663	1593 663	1650 291	1650 291
1956	Est. Wgn., 8 Sed., Limo.	1	----	----	1598 533	1598 533
1956	C73	1	----	----	----	1650 205
23-34-256	PIN, Fuel Filler Access Door Hinge					
1955	Except C69 and C70	1	----	1577 257	1598 654	1598 654
1956	Except Est. Wgn.	2	----	----	1650 294	1650 294
1956	Est. Wgn., 8 Sed., Limo.	1	----	----	1598 654	1598 654
23-34-257	REINFORCEMENT or SPLASH SHIELD, Quarter Panel to Floor Pan Extension					
1955	Except Est. Wgn.					
	Right	1	----	----	1598 578	----
	Left	1	----	----	1598 579	----
	SHIELD, Quarter Panel Splash					
1956	Except Est. Wgn.					
	Right	1	----	----	1620 832	1620 832
	Left	1	----	----	1620 833	1620 833
	GUARD, Quarter Panel Extension Mud					
1956	4 D., Sp. 4 D., Sp. Cl. Cp., Cv. Cp.,					
	Right	1	----	----	----	1691 776
	Left	1	----	----	----	1691 777

★ Indicates use as required.

☐ Indicates parts not listed in any previous parts book.

* Indicates change or addition.

1955-56 PASSENGER CAR PARTS LIST

BODY

CODE	REMARKS	PER CAR	PLYMOUTH	DODGE	DESOTO	CHRYSLER AND IMPERIAL
23-34-259	SEAL, Fuel Filler Lid, Cover or Door Opening					
1955	Except C69 and C70	1	1579 312	1627 930	1621 021	1621 021
1956	Except Est. Wgn.	1	1647 752	1627 930	1651 031	-----
1956	C71 except Est. Wgn. UP TO Approximate Serial No. W56-44569, C72 except Est. Wgn., UP TO Approximate Serial No. N56-25851	1	-----	-----	-----	1651 031
1956	C71 except Est. Wgn., AFTER Approximate Serial No. W56-44569, C72 except Est. Wgn., AFTER Approximate Serial No. N56-25851	1	-----	-----	-----	1691 983
1956	Est. Wgn., 8 Sed., Limo.	1	-----	-----	1621 021	1621 021
23-34-260	HINGE, Fuel Tank Filler Access Door					
1955	C67, C68 Body Half	1	-----	-----	1650 360	1650 360
1956	All except C70 Body Half	1	1705 356	1705 359	1650 293	1650 293
1956	C70 Body Half	1	-----	-----	-----	1650 360
1956	C73 Body Half	1	-----	-----	-----	1650 431
23-34-266	LATCH MECHANISM, Back Up Lamp Gas Filler Door					
1956	C70, C73	8	-----	-----	-----	1648 868
23-34-267	SPRING, Fuel Tank Door Release					
1956	C73 UP TO Body Nos: 4 D. 4859, Sp. 4 D. 1418, Sp. Cl. Cp. 2274	1	-----	-----	-----	*1691 820
1956	C73 AFTER Body Nos: 4 D. 4859, Sp. 4 D. 1418, Sp. Cl. Cp. 2274	1	-----	-----	-----	1691 820
23-34-269	CATCH, Fuel Tank Filler Neck Access Door					
	Locking Plate					
1956	C73	1	-----	-----	-----	1650 355
23-34-301	PANEL, Roof					
1955-56	4 D. except C69	1	1544 355	1695 412	1621 055	1621 055
1955	C69 4 D.	1	-----	-----	-----	1597 738
1955-56	3 Cp., Cl. Cp., Cl. Sed.	1	1544 356	1695 412	-----	-----
1955-56	Sp. Cl. Cp.	1	1544 356	1695 413	1621 054	1621 054
1955-56	Sub., Est. Wgn.	1	1591 645	1591 645	1547 901	1547 901
1955-56	8 Sed., Limo.	1	-----	-----	-----	1645 306
1956	Sp. 4 D.	1	1544 356	1695 413	1621 055	1621 055
23-34-334	ORNAMENT or MEDALLION, Quarter Panel or Roof					
1955	P26 Right	1	1579 940	-----	-----	-----
	Left	1	1579 941	-----	-----	-----
1955	P27 V Right	1	1593 434	-----	-----	-----
	Left	1	1593 435	-----	-----	-----
1956	P28-3, P29-3 Forward Look	2	1682 578	-----	-----	-----
	MEDALLION, Quarter Panel					
1955	4 D., D55-3 Custom	2	-----	1599 413	-----	-----
	ORNAMENT, Quarter Panel					
1955	Sp. Cl. Cp., D55-1, D55-2 on Tail Lamp	2	-----	1599 717	-----	-----
1955	Sp. Cl. Cp., D55-2, D55-3 Side V8	2	-----	1599 091	-----	-----
1955	Cv. Cp., D55-3 Side V8	2	-----	1599 091	-----	-----
1956	4 D., Sp. 4 D., Sp. Cl. Cp., Cv. Cp., D63-2, D63-3 V Right	1	-----	1646 314	-----	-----
	Left	1	-----	1646 315	-----	-----
	EMBLEM, Quarter Panel and Fuel Tank Filler Opening Cover					
1956	4 D., Sp. 4 D., Sp. Cl. Cp., Cv. Cp., D63-2, D63-3 V Right	1	-----	1647 754	-----	-----
	Left	1	-----	1646 316	-----	-----
	MEDALLION, Quarter Panel					
1955	All V	2	-----	-----	1494 218	-----
1956	All V	2	-----	-----	1621 560	-----
	NUMERAL, Quarter Panel					
1955	All	8	-----	-----	1494 215	-----
1956	All	8	-----	-----	1621 672	-----
	ORNAMENT, Quarter Panel					
1956	Sp. Cl. Cp., Sp. Cv. Cp., S24 Forward Look	2	-----	-----	1686 159	-----
	MEDALLION, Roof Outside					
1955-56	Sp. Cl. Cp., S21, S22-1, S23-1 Eagle	2	-----	-----	1598 313	-----
1955-56	Sp. Cl. Cp., S21, S22-2, S23 w/Custom Mldgs., S24 DeS	2	-----	-----	1598 743	-----

★ Indicates use as required.

⊠ Indicates parts not listed in any previous parts book.
Nov. 28, 1958 Supersedes Nov. 15, 1957.

Printed in U.S.A.
Prices and specifications subject to change without notice.
* Indicates change or addition.

PASSENGER CAR PARTS LIST 1955-56

CODE	REMARKS	PER CAR	PLYMOUTH	DODGE	DESOTO	CHRYSLER AND IMPERIAL
	ORNAMENT, Quarter Panel 1955-56 C67, C71	V	2	----	----	1620 575
	ORNAMENT, Roof Outside					
	1955-56 Sp. Cl. Cp., C67-2, C71-2	Star	6	----	----	1598 312
	1955-56 Sp. Cl. Cp., C68-1, C72-1	Bar Right	1	----	----	1598 310
		Left	1	----	----	1598 311
	MEDALLION, Roof Outside					
	1955-56 Sp. Cl. Cp., C69, C73	Crown	2	----	----	1598 389
	LOUVER, Quarter Panel Ornamental					
	1956 All C72	Right	8	----	----	1621 862
		Left	8	----	----	1621 863
23-34-335	NUT and WASHER, Quarter Panel or Roof Medallion or Ornament					
	1955 As Required	Nut and Washer	★	----	1547 732	*6010 098
	1956 Except Sub.	Washer	★	----	*1333 095	*1333 095
	1956 2 D. Sub., Nut-Quarter Panel Top		6	----	1547 732	----
	1956 Except Sub. Nut-Numeral 8 Attaching		2	----	----	*1621 895
23-34-338	PLATE, Rear Quarter Panel Forward Look Emblem Insert					
	1956 Sp. Cv. Cp., S24		2	----	1686 152	----
23-34-341	CLIP, Quarter Panel or Roof Medallion or Ornament					
	1955 Sp. Cl. Cp.		★	1368 283	*6000 050	*6000 050
	1956 4 D. Sub. For Upper Front Cap		2	1593 607	----	----
	1955 4 D., D55-3 For Custom Medallion		4	----	1573 481	----
	1956 All		★	----	*6000 050	*6000 050
	For Numeral 8		2	----	1652 075	----
23-34-342	SEAL or WASHER, Quarter Panel Ornament or Medallion					
	1955 As Required		4	E6000 377	E6000 377	----
	1956 All		★	----	*1333 095	*1333 095
	1956 Except Sub. Tail Lamp Top Ornament		2	----	1547 284	----
	1956 Sub. Tail Lamp Top Ornament		6	----	1707 342	----
	SPACER, Quarter Panel Numerals					
	1956 All For "V" Medallion		6	----	----	1333 095
		For "8" Medallion	4	----	E6000 377	----
	1955 C68-300		6	----	----	1650 223
	SPACER, Quarter Panel Filler Door Ornament					
	1956 C72		1	----	----	1650 223
23-34-343	SHIELD, Second Seat Riser to Wheelhouse					
	1955-56 Sub.	Right	1	1645 250	1645 252	----
		Left	1	1645 251	1645 253	----
23-34-345	ANGLE, Wheelhouse to Quarter Inside Panel					
	1955 Sp. Cl. Cp. Except C69	Right	1	----	----	1548 407
		Left	1	----	----	1548 408
	1955 C69 Sp. Cl. Cp.	Right	1	----	----	1548 409
		Left	1	----	----	1548 410
23-34-350	STUD, Quarter Panel Tail Lamp Top Ornament					
	1955-56 Sp. Cl. Cp., Sp. 4 D.		2	----	*6010 020	----
23-34-351	BASE, Roof or Quarter Panel Medallion					
	1955-56 Sp. Cl. Cp. For DeS Medallion		2	----	----	1598 744
23-34-380	FILLER, Quarter Panel Upper Rear Corner					
	1955 Sub.	Right	1	1544 894	1544 894	----
		Left	1	1544 895	1544 895	----
23-34-405	OUTLET, Roof Air Conditioning					
	1955 Limo., C70		6	----	----	1646 061
23-34-406	DUCT, Roof Panel Air Conditioning Air					
	1955-56 Limo., C70	Right	1	----	----	1609 958
		Left	1	----	----	1609 959
23-34-407	PANEL, Air Conditioning Air Duct Outlet					
	1955-56 8 Sed., Limo., C70		6	----	----	1629 474
23-34-408	SPRING, Air Outlet Cover Slide					
	1955 8 Sed., Limo., C70		12	----	----	1645 870
	1956 8 Sed., Limo., C70		12	----	----	1684 333
23-34-409	SPRING, Air Outlet Cover Operating					
	1955-56 8 Sed., Limo., C70		12	----	----	1645 975

★ Indicates use as required.

⊠ Indicates parts not listed in any previous parts book.

* Indicates change or addition.

1955-56 PASSENGER CAR PARTS LIST

BODY

CODE	REMARKS	PER CAR	PLYMOUTH	DODGE	DESOTO	CHRYSLER AND IMPERIAL
23-35-O PARTITION						
23-35-82	PANEL, Partition Center Cover 1955 Limo.	1	----	----	----	1544 838
23-35-83	NUT and RETAINER, Front Seat Back Spring Bracket on Partition Center Pillar 1955 Limo.	1	----	----	----	*6006 126
23-35-97	PANEL, Partition Cover Side 1955-56 8 Sed., Limo.	1	----	----	----	1628 498
		Right	----	----	----	1628 499
		Left	----	----	----	1628 499
23-35-101	PANEL, Partition Back Upper 1955-56 Limo.	1	----	----	----	1628 836
23-36-O PILLARS						
23-36-5	PILLAR, Body Center 1955 4 D., 4 D. Sub., Est. Wgn., 8 Sed., Limo.					
		Right	1 1657 912	1657 912	1651 392	1651 392
		Left	1 *1657 913	*1657 913	1651 393	1651 393
	1956 4 D., 4 D. Sub., Est. Wgn.	Right	1 1657 912	1657 912	1651 392	1651 392
		Left	1 1657 913	1657 913	1651 393	1651 393
	1956 Sp 4 D.	Right	1 1705 376	1705 376	1690 260	1690 260
		Left	1 1705 377	1705 377	1690 261	1690 261
23-36-6	PANEL, Body Center Pillar, Untrimmed 1955-56 4 D., 4 D. Sub., Est. Wgn.					
		Upper Right	1 1593 606	1593 606	1640 897	1640 897
		Left	1 1593 606	1593 606	1640 898	1603 039
		Lower Right	1 1593 747	1593 747	1640 601	1640 601
		Left	1 1593 747	1593 747	1640 602	1640 602
23-36-9	SPACER, Center Pillar Trim Panel 1955 4D., w/Leather Trim, to Center Pillar Reinf. 1955 4 D., S22, except Leather Trim, to Center Pillar Reinf.	2	----	----	1602 654	----
			6	----	1602 654	----
	1956 4 D. To Center Pillar Reinf.	2	----	----	1684 241	----
	WASHER, Center Pillar Trim Panel Attaching 1955-56 4 D., w/Leather Trim, use 4 for Upper Panel and 4 for Lower Panel	8	----	----	976 961	----
	1955-56 4 D., C67, C71 To Center Pillar Reinf.	6	----	----	----	1602 654
		Upper Trim Panel Lower Hole	2	----	----	1640 732
		Lower Trim Panel Upper Notch	2	----	----	1640 733
23-36-14	PILLAR, Body Front Upper 1955-56 4 D., 3 Cp., Cl.Cp., Sub., Cl. Sed.					
		Right	1 1593 164	1593 164	----	----
		Left	1 1593 165	1593 165	----	----
	1955-56 Sp. 4 D., Sp.Cl.Cp.	Right	1 1592 512	1628 734	----	----
		Left	1 1592 513	1628 735	----	----
	1955-56 Cv. Cp.	Right	1 1592 512	1592 512	----	----
		Left	1 1592 513	1592 513	----	----
23-36-18	PLUG, Pillar Door Automatic Switch Hole 1956 As Required	★	1561 923	1561 923	----	----
23-36-21	COVER, Center Pillar Hinge Depression 1956 Sp. 4 D.					
		Right	1	----	1690 790	1690 790
		Left	1	----	1690 791	1690 791
23-36-29	FILLER, Body Center Pillar 1956 Sp. 4 D.					
		Bottom, Right	1 1697 760	1697 760	----	----
		Left	1 1697 761	1697 761	----	----
23-36-39	PLATE, Partition Pillar Upper Attaching Bolt 1955-56 C70	2	----	----	----	1305 694
23-36-41	BOLT, Partition Pillar Upper Attaching 1955 C70	2	----	----	----	1647 636
	1956 C70	2	----	----	----	1685 745
23-36-53	PILLAR, Body Rear Lock 1955 4 D., Est. Wgn.					
		Right	1	----	1577 165	1548 819
		Left	1	----	1577 166	1548 820
	1955-56 4D. Sub.	Right	1 1579 334	1579 334	----	----
		Left	1 1579 335	1579 335	----	----
	1955-56 8 Sed., Limo.	Right	1	----	----	1579 292
		Left	1	----	----	1579 293

★ Indicates use as required.

☐ Indicates parts not listed in any previous parts book.
Nov. 28, 1958 Supersedes Nov. 15, 1957.

PASSENGER CAR PARTS LIST 1955-56

BODY

CODE	REMARKS	PER CAR	PLYMOUTH	DODGE	DESOTO	CHRYSLER AND IMPERIAL
1956	4 D., Est. Wgn. Right	1	----	1680 954	1548 819	1548 819
	Left	1	----	1680 955	1548 820	1548 820
1956	Sp. 4D. Right	1	----	1655 388	1548 819	1548 819
	Left	1	----	1655 389	1548 820	1548 820
1956	Cl. Sed. Right	1	----	1646 888	-----	-----
	Left	1	----	1646 889	-----	-----
1956	Cv. Cp., Sp. Cl. Cp. Right	1	----	1646 494	1620 946	1620 946
	Left	1	----	1646 495	1620 947	1620 947
23-36-57	BRACE, Body Lock Pillar to Wheelhouse					
1955-56	4D. Lower Right	1	----	1577 174	-----	-----
	Left	1	----	1577 175	-----	-----
1955-56	Cl. Cp., Cl. Sed. Right	1	----	1577 170	-----	-----
	Left	1	----	1577 171	-----	-----
23-36-66	REINFORCEMENT, Body Lock Pillar Panel					
1955-56	4D. Sub. Upper Right	1	1579 442	*1609 400	-----	-----
	Left	1	1579 443	*1609 401	-----	-----
1955-56	Cv. Cp., Sp. Cl. Cp. Right	1	-----	-----	1548 433	1548 433
	Left	1	-----	-----	1548 434	1548 434
23-36-117	SCREW, Rear Upper Pillar Access Hole Cover					
1955-56	Sub.	2	1646 390	-----	-----	-----
23-36-118	PILLAR, Body Rear					
1955	Sub. Upper Right	1	1579 452	1579 434	-----	-----
	Left	1	1579 453	1579 435	-----	-----
1956	Sub. Upper Right	1	1694 350	1695 418	-----	-----
	Left	1	1694 351	1695 419	-----	-----
1955-56	Sub. Lower Right	1	1579 454	1608 696	-----	-----
	Left	1	1579 455	1608 697	-----	-----
23-36-120	PILLAR, Quarter					
1955-56	Cv. Cp. Right	1	1579 670	-----	-----	-----
	Left	1	1579 671	-----	-----	-----
23-36-122	FILLER, Rear Pillar to Floor					
1955	Sub. Lower Right	1	1682 640	-----	-----	-----
	Left	1	1682 641	-----	-----	-----
1956	Sub. Lower Right	1	1705 314	-----	-----	-----
	Left	1	1705 315	-----	-----	-----
23-39-O WINDOW LIFT (MANUAL)						
23-39-2	SPRING, Door Manual Window Regulator					
1955-56	4D., 4D. Sub., Est. Wgn. Front	2	*1249 495	*1249 495	-----	-----
	Rear	2	1256 337	1256 337	1598 487	1598 487
1955-56	Sp. Cl. Cp., Cv. Cp., Cl. Cp., Cl. Sed., 3 Cp., 2 D. Sub.	2	1256 337	1256 337	-----	-----
1956	Sp. 4 D. Rear	2	1706 475	1706 475	1690 329	1690 329
23-39-4	ANTI-RATTLER, Rear Door Manual Window Regulator Pivot Link					
1956	Sp. 4D. Rubber	2	-----	-----	*1691 869	*1691 869
23-39-5	REGULATOR or PLATE and ARM, Door Manual Window					
1955-56	4D., 4D. Sub., Est. Wgn. Front Right	1	*1592 886	*1592 886	*1548 285	*1548 285
	Left	1	1592 887	1592 887	1548 286	1548 286
1955-56	4D., 4D. Sub., Est. Wgn. Rear Right	1	1591 582	-----	1548 513	1548 513
	Left	1	1591 583	-----	1548 514	1548 514
1955-56	4D. Sub. Rear Right	1	-----	1591 582	-----	-----
	Left	1	-----	1591 583	-----	-----
1955	4D. Rear Right	1	-----	1591 582	-----	-----
	Left	1	-----	1591 583	-----	-----
1956	4D. Rear Right	1	-----	1629 522	-----	-----
	Left	1	-----	1629 523	-----	-----
1955-56	Sp. Cl. Cp., Cv. Cp., Cl. Cp., Cl. Sed., 3 Cp., 2 D. Sub. Right	1	1592 936	1592 936	1598 364	1598 364
	Left	1	1592 937	1592 937	1598 365	1598 365
1956	Sp. 4D Front Right	1	1657 802	1657 802	1651 550	1651 550
	Left	1	1657 803	1657 803	1651 551	1651 551
	Rear Right	1	1681 028	1681 028	1651 566	1651 566
	Left	1	1681 029	1681 029	1651 567	1651 567

★ Indicates use as required.

⊞ Indicates parts not listed in any previous parts book.

* Indicates change or addition.

1955-56 PASSENGER CAR PARTS LIST

BODY

CODE	REMARKS	PER CAR	PLYMOUTH	DODGE	DESOTO	CHRYSLER AND IMPERIAL
23-39-6	SCREW and WASHER, Door Window Regulator Attaching 1955-56 All	★	6000 210	6000 210	----	----
	1956 Sp. 4D. Rear Door	10	1707 222	1707 222	----	----
23-39-11	BOLT, Door Window Regulator Arm and Pivot to Door 1955-56 Sp. Cl. Cp., Cv. Cp.	2	----	----	*6006 239	*6006 239
	1956 Sp. 4 D. Front Door	2	----	----	6006 239	6006 239
	Rear Door	2	----	----	790 562	790 562
23-39-12	WASHER, Door Window Regulator Arm and Pivot to Door 1955-56 As Required 7/8 O.D. x 33/64 I.D.	★	6000 165	6000 165	6000 165	6000 165
	1 O.D. x 5/16 I.D., Oblong Hole	★	6000 117	6000 117	6000 117	6000 117
	1 O.D. x 3/8 I.D., w/Teeth	★	6013 067	6013 067	6013 067	6013 067
	1956 Sp. Cl. Cp. 1 1/8 O.D. x 29/64 I.D., Nylon	8	1695 931	1695 931	1695 931	1695 931
	WASHER, Door Window Regulator Arm Stud to Glass Lower Channel 1955-56 As Required Leather	★	6000 141	6000 141	6000 141	6000 141
23-39-13	PIN, Rear Door Window Regulator Arm Stud to Glass Lower Channel 1956 4 D., Sp. 4 D., 4 D. Sub.	4	790 839	790 839	----	----
23-39-18	ARM and PIVOT, Door Manual Window Regulator 1955-56 Sp. Cl. Cp., Cv. Cp., Cl. Cp., Cl. Sed., 3 Cp., 2D. Sub.	Right 1 Left 1	*1592 804 1592 805	*1592 804 1592 805	*1492 864 1492 865	*1492 864 1492 865
	1956 Sp. 4D. Front Right	1	1592 804	1592 804	1651 560	1651 560
	Left	1	1592 805	1592 805	1651 561	1651 561
	Rear Right	1	----	----	1651 576	1651 576
	Left	1	----	----	1651 577	1651 577
23-39-34	REGULATOR, Quarter Manual Window 1955-56 Sp. Cl. Cp.	Right 1 Left 1	*1647 668 1647 669	*1647 668 1647 669	*1548 236 1548 237	*1548 236 1548 237
	1955-56 Cv. Cp.	Right 1 Left 1	1647 670 1647 671	1647 670 1647 671	1548 236 1548 237	1548 236 1548 237
	1955-56 Cl. Cp., Cl. Sed.	Right 1 Left 1	1593 248 1593 249	1593 248 1593 249	----	----
	1955-56 8 Sed., Limo.	Right 1 Left 1	----	----	----	1628 966 1628 967
23-39-36	SCREW and WASHER, Quarter Window Regulator Attaching 1955-56 Sp. Cl. Cp., Cv. Cp.	8	1609 462	1609 462	----	----
	1955-56 Cl. Cp., Cl. Sed.	8	6000 210	6000 210	----	----
23-39-44	SPRING, Quarter Manual Window Regulator 1955-56 Sp. Cl. Cp.	2	*1256 337	*1256 337	*1598 487	*1598 487
	1955-56 Cv. Cp.	2	1598 487	1598 487	1598 487	1598 487
	1955-56 Cl. Cp., Cl. Sed.	2	1249 495	1249 495	----	----
23-39-48	BRACKET, Quarter Manual Window Regulator Pivot 1955 Cl. Cp.	2	----	*1578 893	----	----
23-39-53	RETAINER, Window Regulator Arm Stud 1955-56 All	★	*6000 305	*6000 305	*6000 305	*6000 305
23-40-O ROOF RAIL AND LUGGAGE RACK						
23-40-82	SUPPORT, Roof Headlining Bow 1955-56 4 D., Sp. 4 D., except C69	Front Right 1 Left 1	----	----	1597 768 1597 769	1597 768 1597 769
	1955-56 4 D., Sp. 4 D.	Rear Right 1 Left 1	----	----	1547 929 1547 930	1547 929 1547 930
	1955-56 Sp. Cl. Cp.	Front Right 1 Left 1	----	----	1598 676 1598 677	1598 676 1598 677
		Rear Right 1 Left 1	----	----	1547 935 1547 936	1547 935 1547 936
	1955-56 Est. Wgn.	Front Right 1 Left 1	----	----	1577 527 1577 528	1577 527 1577 528
		Rear Right 1 Left 1	----	----	1578 950 1578 951	1578 950 1578 951
		Intermediate Right 1 Left 1	----	----	1578 948 1578 949	1578 948 1578 949
	1955-56 8 Sed.,	Rear Right 1 Left 1	----	----	----	1627 962 1627 963

★ Indicates use as required.

☐ Indicates parts not listed in any previous parts book.
Nov. 28, 1958 Supersedes Jan. 7, 1957.

Printed in U.S.A.
Prices and specifications subject to change without notice.
* Indicates change or addition.

PASSENGER CAR PARTS LIST 1955-56

CODE	REMARKS	PER CAR	PLYMOUTH	DODGE	DESOTO	CHRYSLER AND IMPERIAL	
23-40-83	EXTENSION, Roof Headlining Bow Support Rear 1955-56 Est. Wgn.	Right Left	1 1	---- ----	---- ----	1577 880 1577 881	1577 880 1577 881
23-40-85	RAIL, Roof Side 1955-56 4D. except C69	Front Right Left	1 1	*1593 166 1593 167	1593 166 1593 167	1548 802 1548 803	1548 802 1548 803
	1955 C69 4D.	Front Right Left	1 1	---- ----	---- ----	---- ----	1598 764 1598 765
	1955-56 4D.	Rear Right Left	1 1	1545 430 1545 431	1577 106 1577 107	1548 804 1548 805	1548 804 1548 805
	1955-56 3Cp., Cl. Cp., Cl. Sed.	Right Left	1 1	1593 170 1593 171	1593 170 1593 171	---- ----	---- ----
	1955-56 Sp. Cl. Cp.	Right Left	1 1	1545 426 1545 427	---- ----	1547 925 1547 926	1547 925 1547 926
		Inner Right Left	1 1	---- ----	1578 134 1578 135	---- ----	---- ----
		Outer Right Left	1 1	---- ----	1577 275 1577 276	---- ----	---- ----
	1955-56 2 D. Sub.	Front Right Left	1 1	1593 170 1593 171	1593 170 1593 171	---- ----	---- ----
	1955-56 4D. Sub., Est. Wgn.	Front Right Left	1 1	1593 166 1593 167	1593 166 1593 167	1577 553 1577 554	1577 553 1577 554
		Center Right Left	1 1	1545 428 1545 429	1545 428 1545 429	---- ----	---- ----
		Rear Right Left	1 1	---- ----	---- ----	1577 551 1577 552	1577 551 1577 552
	1955 Sp. 4 D.	Front Right Left	1 1	1680 016 1680 017	---- ----	1548 802 1548 803	1548 802 1548 803
		Rear Right Left	1 1	1657 936 1657 937	---- ----	1548 804 1548 805	1548 804 1548 805
		Outer Right Left	1 1	---- ----	1690 190 1690 191	---- ----	---- ----
		Inner Right Left	1 1	---- ----	1578 134 1578 135	---- ----	---- ----
	1955 8 Sed., Limo.	Front Right Left	1 1	---- ----	---- ----	---- ----	1627 996 1627 997
		Rear Right Left	1 1	---- ----	---- ----	---- ----	1627 960 1627 961
	RAIL, Roof Rear 1955-56 Sub., Est. Wgn.		1	*1579 458	*1579 458	1577 549	1577 549
23-40-86	REINFORCEMENT, Roof Rear Rail 1955-56 Est. Wgn.		1	----	----	1577 559	1577 559
23-40-89	EXTENSION, Roof Rail to Headlining Bow Support Filler 1955-56 Sp. Cl. Cp.	Right Left	1 1	---- ----	---- ----	1548 318 1548 319	1548 318 1548 319
23-40-90	FILLER, Roof Rail to Headlining Bow Support 1955-56 Sp. Cl. Cp.	Right Left	1 1	---- ----	---- ----	1548 316 1548 317	1548 316 1548 317
23-40-92	EXTENSION, Roof Side Rail Front 1955-56 4D., Sp. 4 D., Est. Wgn., 8 Sed., Limo.	Right Left	1 1	---- ----	---- ----	1597 286 1597 287	1597 286 1597 287
	1955-56 Sp. Cl. Cp.	Right Left	1 1	---- ----	---- ----	1597 290 1597 291	1597 290 1597 291
23-40-150	RAIL, Roof Luggage Rack 1956 Sub.	Side End	4 2	1682 772 1682 773	1682 772 1682 773	---- ----	---- ----
23-40-170	BRACKET, Roof Luggage Rack Rail 1956 Sub.	Center End	2 4	1682 771 1682 770	1682 771 1682 770	---- ----	---- ----
23-40-175	PAD, Roof Luggage Rack Rail Bracket to Roof Panel 1956 Sub.		6	1682 778	1682 778	----	----
23-40-177	CAP, Roof Luggage Rack Rail Bracket End 1956 Sub.	Front Rear	2 2	*1682 777 1682 776	*1682 777 1682 776	---- ----	---- ----
23-40-185	CHANNEL, Roof Luggage Rack 1956 Sub.		3	1682 774	1682 774	----	----
23-40-187	PAD, Roof Luggage Rack Channel to Roof Panel 1956 Sub.		3	1682 779	1682 779	----	----

★ Indicates use as required.

☐ Indicates parts not listed in any previous parts book.

* Indicates change or addition.

1955-56 PASSENGER CAR PARTS LIST

BODY

CODE	REMARKS	PER CAR	PLYMOUTH	DODGE	DESOTO	CHRYSLER AND IMPERIAL
23-40-190	SKID STRIP, Roof Luggage Rack 1956 Sub.	7	1682 775	1682 775	-----	-----
23-40-194	Support, Roof Luggage Rack Skid Strip to Roof Panel 1956 Sub.	28	1682 780	1682 780	-----	-----
23-41-O WINDOW LIFT(ELECTRIC)						
23-41-4	REGULATOR or PLATE and SECTOR, Electric Window 1955-56 4 D., Sp. 4 D., 4 D. Sub., Est. Wgn. Front Door Right	1	1604 450	1604 450	1604 787	1604 787
	Left	1	1604 451	1604 451	1604 788	1604 788
	1955-56 4 D., 4 D. Sub., Est. Wgn. Rear Door Right	1	1604 450	1604 936	1604 787	1604 787
	Left	1	1604 451	1604 937	1604 788	1604 788
	1955-56 Sp. Cl. Cp., Cv. Cp., Cl. Cp., Cl. Sed., 2 D. Sub. Door, Right	1	1604 450	1604 450	1604 787	1604 787
	Left	1	1604 451	1604 451	1604 788	1604 788
	1955-56 Sp. Cl. Cp. Quarter Right	1	1622 339	1622 339	1604 903	1604 903
	Left	1	1622 340	1622 340	1604 904	1604 904
	1955-56 Cv. Cp. Quarter Right	1	1622 346	1622 346	1604 903	1604 903
	Left	1	1622 347	1622 347	1604 904	1604 904
	1955-56 Cl. Cp., Cl. Sed. Quarter Right	1	1604 450	1604 936	-----	-----
	Left	1	1604 451	1604 937	-----	-----
	1956 Sp. 4D. Rear Door Right	1	1658 768	1658 768	1658 416	1658 416
	Left	1	1658 769	1658 769	1658 417	1658 417
23-41-5	BUS BAR, Electric Window Lift Circuit Breaker 1955-56 All 2 Gang	1	1498 776	1498 776	1498 776	1498 776
23-41-7	SPRING, Electric Window Regulator 1955-56 4 D., Sp. Cl. Cp., Cv. Cp., Cl. Sed., Cl. Cp., 3 Cp., Sub., Est. Wgn. Door	★	1440 596	1440 596	1440 596	1440 596
	1956 Sp. 4 D. Front Door	2	1440 596	1440 596	1440 596	1440 596
	Rear Door	4	1706 475	1706 475	1440 596	1440 596
	1955-56 Sp. Cl. Cp., Cv. Cp. Quarter	2	1479 866	1479 866	1479 866	1479 866
	1955-56 Cl. Cp., Cl. Sed. Quarter	2	1440 596	1440 596	-----	-----
	1955-56 Limo., Twn. Sed. Partition	1	-----	-----	-----	1523 217
23-41-11	CIRCUIT BREAKER, Electric Window Lift 1955-56 Except Sp. 4 D. 20 Amp.	★	1566 038	1566 038	1566 038	1566 038
	1955 Sp. Cl. Cp., Cv. Cp. Quarter, 30 Amp.	2	1370 395	1370 395	1370 395	1370 395
	1955-56 8 Sed., Limo. 15 Amp.	3	-----	-----	-----	*1540 427
	1956 Sp. 4 D. 30 Amp.	1	1689 022	1689 022	1689 022	1689 022
23-41-12	BRACKET, Electric Window Lift Circuit Breaker Mounting					
	1955-56 All 3 Gang	1	1479 060	1479 060	1479 060	1479 060
	4 Gang	1	-----	-----	-----	1479 063
23-41-17	REGULATOR or PLATE and SECTOR, Partition Electric Window 1955-56 Limo.	1	-----	-----	-----	1479 757
23-41-25	RETAINER, Electric Window Lift Wiring Conduit 1955-56 4D., Est. Wgn., 8 Sed., Limo. Rear Door to Pillar	2	-----	-----	1598 325	1598 325
	1955-56 All Left Front Door to Hinge	1	-----	-----	1605 498	1605 498
23-41-27	RELAY, Electric Window Lift 1955 Sp. Cl. Cp., Cv. Cp. Quarter	2	1473 791	1473 791	1473 791	1473 791
	1955 8 Sed., Limo. Door Right	2	-----	-----	-----	1627 164
	Left	2	-----	-----	-----	1627 165
	1955-56 Limo. Partition	1	-----	-----	-----	1496 072
23-41-33	MECHANISM, Electric Window Lift 1955-56 4D., Sp. 4D., 4D. Sub. Front Door, Right	1	E1819 167	E1819 167	*1819 169	*1819 169
	Left	1	E1819 166	E1819 166	*1604 888	*1604 888
	1955-56 4D., 4D. Sub. Rear Door, Right	1	E1819 167	E1819 166	*1819 169	*1819 169
	Left	1	E1819 166	E1819 167	*1604 888	*1604 888
	1955-56 Sp. Cl. Cp., Cv. Cp., Cl. Sed. Door, Right	1	E1819 167	E1819 167	*1819 169	*1819 169
	Left	1	E1819 166	E1819 166	*1604 888	*1604 888
	1956 Sp. 4D. Rear Door, Right	1	E1819 167	E1819 167	E1819 167	E1819 167
	Left	1	E1819 166	E1819 166	E1819 166	E1819 166
	1955-56 Sp. Cl. Cp., Cv. Cp. Quarter, Right	1	1605 211	1605 211	1605 211	1605 211
	Left	1	1605 212	1605 212	1605 212	1605 212

★ Indicates use as required.

ⓔ Indicates parts not listed in any previous parts book.
Nov. 28, 1958 Supersedes Nov. 15, 1957.

Printed in U.S.A.
Prices and specifications subject to change without notice.
* Indicates change or addition.

CODE	REMARKS	PER CAR	PLYMOUTH	DODGE	DESOTO	CHRYSLER AND IMPERIAL
	1955-56 Cl. Cp., Cl. Sed. Quarter, Right	1	E1819 167	E1819 166	----	----
	Left	1	E1819 166	E1819 167	----	----
23-41-51	1955-56 Limo. Partition	1	----	----	----	1495 343
	SCREW, Electric Window Lift Circuit Breaker to Cowl Mounting					
	1955-56 All	2	1331 768	1331 768	1331 768	1331 768
	SCREW, Electric Window Lift Relay Mounting					
	1955 8 Sed., Limo.	4	----	----	----	1540 188
		4	----	----	----	*6008 110
23-41-53	SCREW, Electric Partition Window Lift Wiring Shield to Front Seat Frame Mounting					
	1956 Limo.	2	----	----	----	1331 768
	BRACKET, Electric Window Regulator Mounting or Support					
	1955 4 D. Rear Door	2	----	1475 200	1475 200	1475 200
	1955 All Door	★	1593 802	1593 802	----	----
	1955-56 Cl. Cp., Cl. Sed. Quarter	2	1593 802	1577 429	----	----
	1956 All Door	★	1593 802	1593 802	----	----
	Rear Door	2	----	----	1475 200	1475 200
23-41-55	SUPPORT, Front Door Electric Window Regulator Bracket					
	1956 Sp. 4 D.	2	1680 935	1680 935	----	----
	WIRING, Electric Window Lift					
	1955 4 D. except C69; 4 D. Sub., Est. Wgn. Frt. Doors	1	1622 917	1642 228	1622 982	1622 982
	1955 C69 4 D.	1	1622 940	1622 940	1622 964	1622 964
		1	----	----	----	1648 762
	1955 Sp. Cl. Cp., Cv. Cp., Cl. Cp., 2 D. Sub. Doors	1	1622 918	1622 918	1622 963	1622 963
	1955 Sp. Cl. Cp., Cv. Cp.	1	1622 941	1622 941	1622 984	1622 984
	1955 8 Sed.	1	----	----	----	1642 120
	1955 Limo.	1	----	----	----	1642 121
	1956 4 D. except C73; Est. Wgn. Front Doors	1	1642 361	1642 405	1642 362	1642 362
		1	----	1642 363	1642 364	1642 364
	1956 C73 4 D.	1	----	----	----	1642 367
	1956 Sp. 4 D. except C73	1	1688 933	1688 933	1688 932	1688 932
	1956 C73 Sp. 4 D.	1	----	----	----	1689 299
	1956 Sp. Cl. Cp., Cv. Cp., 3 Cp., 2 D. Sub. Doors	1	1642 365	1642 365	1642 366	1642 366
	1956 Sp. Cl. Cp., Cv. Cp.	1	1642 408	1642 408	1642 409	1642 409
	1956 Cl. Sed.	1	1642 219	1642 219	----	----
	1956 8 Sed.	1	----	----	----	1658 986
	1956 Limo.	1	----	----	----	1658 987
23-41-56	BLOCK, Electric Window Lift Wiring Terminal					
	1956 Cv. Cp., Sp. Cl. Cp. Quarter	2	913 297	913 297	913 297	913 297
	1956 Limo. Partition	1	----	----	----	913 297
23-41-62	WASHER, Electric Window Regulator Stud to Glass Lower Channel					
23-41-72	1955-56 All Leather	★	6000 141	6000 141	6000 141	6000 141
	WASHER, Electric Window Regulator Arm Pivot					
	1955-56 As Required 7/8 O.D. x 33/64 I.D.	★	6000 165	6000 165	6000 165	6000 165
	1 O.D. x 5/16 I.D., Oblong Hole	★	6000 117	6000 117	6000 117	6000 117
23-41-80	1 O.D. x 3/8 I.D., w/Teeth	★	6013 067	6013 067	6013 067	6013 067
	ARM and LINK, Partition Electric Window Regulator					
23-41-94	1955-56 Limo.	1	----	----	----	1479 761
	RETAINER, Electric Window Regulator Stud to Glass Channel					
23-41-95	1955-56 All	★	6000 305	6000 305	6000 305	6000 305
	GROMMET, Electric Window Lift Wiring Cable					
23-41-106	1955-56 4D. Rear Door	2	----	*1302 821	----	----
	MOTOR, Electric Window Lift					
	1955 Except 8 Sed., Limo. Door	★	1622 498	1622 498	1622 498	1622 498
	1955 Sp. Cl. Cp., Cv. Cp. Quarter	2	1436 729	1436 729	1436 729	1436 729
	1955 Cl. Cp. Quarter	★	1622 498	1622 498	----	----
	1955 8 Sed., Limo. Door	4	----	----	----	1627 166
	1955-56 8 Sed. Limo. Partition	1	----	----	----	1627 146
	1956 Except Sp. 4D.	4	*1642 434	*1642 434	*1642 434	*1642 434
	1956 Sp. 4D. Front Door	2	*1642 434	*1642 434	*1642 434	*1642 434
	Rear Door	2	*1753 234	*1753 234	*1753 234	*1753 234

★ Indicates use as required.

E Indicates parts not listed in any previous parts book.

* Indicates change or addition.

1955-56 PASSENGER CAR PARTS LIST

BODY

CODE	REMARKS	PER CAR	PLYMOUTH	DODGE	DESOTO	CHRYSLER AND IMPERIAL
23-41-108	WASHER, Electric Window Lift Motor Armature Thrust					
1955-56	All w/AutoLite Motors .015" thick	★	*1436 565	*1436 565	*1436 565	*1436 565
	.023" thick	★	1436 567	1436 567	1436 567	1436 567
	.032" thick	★	1436 566	1436 566	1436 566	1436 566
23-41-115	ARMATURE, Electric Window Lift Motor					
1956	All w/AutoLite Motors EPJ-4001S, 4003	★	*1752 640	*1752 640	*1752 640	*1752 640
	Motors EPK-4002S, 4004, 4005, EPZ-4001	★	1752 642	1752 642	1752 642	1752 642
23-41-120	BRUSH and SPRING PACKAGE, Electric Window Lift Motor					
1955	All	★	1495 533	1495 533	1495 533	1495 533
1956	All w/AutoLite Motors	★	*1688 692	*1688 692	*1688 692	*1688 692
	w/Hupp Motors	★	*1860 778	*1860 778	*1860 778	*1860 778
23-41-121	HOLDER and CIRCUIT BREAKER, Electric Window Lift Motor Brush					
1956	All w/Hupp Motors	★	*1860 777	*1860 777	*1860 777	*1860 777
23-41-128	GROMMET, Electric Window Lift Motor Mounting					
1955-56	All	★	1383 351	1383 351	1382 351	1383 351
23-41-129	WASHER, Electric Window Lift Motor Mounting					
1955-56	All	★	6006 065	6006 065	6006 065	6006 065
23-41-138	SHAFT or COUPLING, Electric Window Lift Mechanism to Motor					
1955-56	Except Sp. 4 D. Door, Autolite	★	1440 489	1440 489	1440 489	1440 489
1956	Sp. 4 D. Front Door, Autolite	2	1440 489	1440 489	1440 489	1440 489
	Rear Door	2	1688 919	1688 919	1688 919	1688 919
	Hupp	★	1627 108	1627 108	1627 108	1627 108
	1955 Cl. Cp. Quarter	2	1440 489	1440 489	----	----
	1955-56 Cv. Cp., Sp. Cl. Cp. Quarter	2	1383 347	1383 347	1383 347	1383 347
	1955-56 Limo. Partition	1	----	----	----	1440 489
23-41-139	SHIELD, Electric Window Lift Motor Shaft					
1956	All	★	1689 167	1689 167	1689 167	1689 167
23-41-140	HEAD, Electric Window Lift Motor Commutator End					
1956	All w/AutoLite Motors EPJ-4001S, 4003	★	*1752 637	*1752 637	*1752 637	*1752 637
	Motor EPK-4002S	★	1752 641	1752 641	1752 641	1752 641
23-41-142	COIL, Electric Window Lift Motor Field					
1956	All w/AutoLite Motor EPJ-4001S	★	*1752 688	*1752 688	*1752 688	*1752 688
	Motor EPJ-4003	★	1752 689	1752 689	1752 689	1752 689
	Motor EPK-4002S	★	1752 687	1752 687	1752 687	1752 687
23-41-157	THRU BOLT, Electric Window Lift Motor					
1955	All w/AutoLite Motors	2	*1499 160	*1499 160	*1499 160	*1499 160
23-41-167	CONDUIT, Front Door Electric Window Lift Wiring					
1955-56	All	2	1622 108	1622 108	----	----
23-41-170	SWITCH, Electric Window Lift, Less Bezel					
1955-56	All Single	★	1622 373	1622 373	1622 373	1622 373
1955-56	All 2 Gang	★	1622 374	1622 374	1622 374	1622 374
1955	Except C69, C70 4 Gang	1	1622 424	1622 424	1622 424	1622 424
1956	Except C70 4 Gang	1	1642 398	1642 398	1642 398	1642 398
	SWITCH and BEZEL, Electric Window Lift					
1955-56	Except C70 Single	★	1622 419	1622 419	1622 419	1622 419
	2 Gang	1	1622 421	1622 421	1622 421	1622 421
1955	Except C69, C70 4 Gang	1	1622 423	1622 423	1622 423	1622 423
1955	C69 on Door Arm Rest, Single	1	----	----	----	1622 377
	4 Gang	1	----	----	----	1622 378
1955-56	C70 Single	★	----	----	----	1692 650
	2 Gang	★	----	----	----	1692 651
	4 Gang	1	----	----	----	1692 652
1956	Except C70 4 Gang	1	1642 399	1642 399	1642 399	1642 399
NOTE: For C69 and C70 4 Gang SWITCH less Bezel, use 2 of 1622 374.						
23-41-174	SPRING, Electric Window Lift Switch Retaining					
1955-56	Except C69, C73	★	1626 532	1626 532	1626 532	1626 532
1955	C69, C70	★	----	----	----	1622 361
		★	----	----	----	1622 362
1956	C73	16	----	----	----	1343 126

★ Indicates use as required.

⊞ Indicates parts not listed in any previous parts book.
Nov. 28, 1958 Supersedes Jan. 7, 1957.

Printed in U.S.A.
Prices and specifications subject to change without notice.
* Indicates change or addition.

CODE	REMARKS	PER CAR	PLYMOUTH	DODGE	DESOTO	CHRYSLER AND IMPERIAL
23-41-184	RETAINER, Electric Window Lift Switch 1955 Except C69, C70 Front Door Single	1	1339 773	1339 773	1339 773	1339 773
	2 Gang	1	1345 572	1345 572	1345 572	1345 572
	4 Gang	1	1339 772	1339 772	1339 772	1339 772
	Rear Door or Quarter Single	2	1383 573	1383 573	1383 573	1383 573
	1955-56 C69, C70 Door Single	★	-----	-----	-----	1622 359
	4 Gang	1	-----	-----	-----	1622 360
	1955 C69 Sp. Cl. Cp. Quarter	2	-----	-----	-----	1383 573
23-41-237	BRACKET, Partition Electric Window Regulator Stop Bumper 1955-56 Limo.	1	-----	-----	-----	1479 765
23-41-245	SUPPORT, Partition Electric Window Stop Bumper Bracket 1955 Limo.	1	-----	-----	-----	1646 845
23-41-255	BRACKET, Door Electric Window Regulator Arm Pivot					
	1955-56 4 D., Sp. 4 D., 4 D. Sub. Front	2	1593 349	1593 349	-----	-----
	1955-56 4 D. Rear	2	1593 349	1578 170	-----	-----
	1955-56 4 D. Sub. Rear	2	1593 349	1593 349	-----	-----
	1955-56 All	★	-----	-----	1474 537	1474 537
23-41-258	BRACKET, Quarter Electric Window Regulator Pivot 1955-56 Cl. Cp., Cl. Sed.	2	1593 349	1593 349	-----	-----
23-41-269	GASKET, Partition Electric Window Lift Mechanism Cover 1956 Limo.	1	-----	-----	-----	1473 042
23-41-275	WASHER, Partition Electric Window Lift Mechanism Worm Gear 1956 Limo.	1	-----	-----	-----	1473 010
23-41-300	BRACKET, Partition Electric Window Regulator Support 1955-56 Limo.	1	-----	-----	-----	*1645 263
23-42-0 WINDOW GLASS RUN						
23-42-13	RUN, Front Door Window Division Channel Glass 1955-56 Except Sp. 4 D., Cv. Cp., Sp. Cl. Cp.	2	1593 244	1593 244	1597 982	1597 982
	1955-56 Cv. Cp., Sp. Cl. Cp.	2	1578 266	1578 266	1598 466	1598 466
	1956 Sp. 4 D.	2	1657 740	1657 740	1651 878	1651 878
23-42-16	RUN, Front Door Window Glass 1955-56 Except Sp. 4 D., Cv. Cp., Sp. Cl. Cp. and C69	2	1593 110	1593 110	1620 321	1620 321
	1955 C69 4 D.	2	-----	-----	-----	1620 324
	1955-56 Sp. Cl. Cp., Cv. Cp.	2	1578 030	1578 030	1620 399	1620 399
23-42-20	SCREW, Rear Door Glass Run Retainer Bracket 1956 4 D., 4 D. Sub.	2	6000 210	6000 210	-----	-----
23-42-23	RUN, Rear Door Window Glass 1955-56 4 D.	2	1593 110	1593 110	1620 325	1620 325
	1955-56 4 D. Sub., Est. Wgn.	2	1593 110	1593 110	1578 929	1578 929
	1955-56 8 Sed., Limo.	2	-----	-----	-----	1645 792
23-42-26	RETAINER, Door Window Glass Run 1955 4 D., Sub., Cl. Cp., 3 Cp. Front Door	2	1592 587	1592 587	-----	-----
	1955-56 4 D., 4 D. Sub. Rear Door Right	1	1682 018	1682 018	-----	-----
	Left	1	1682 019	1682 019	-----	-----
	1956 4 D., Sub., Cl. Sed., 3 Cp. Front Door Right	1	1682 074	1682 074	-----	-----
	Left	1	1682 075	1682 075	-----	-----
23-42-28	RUN, Rear Door Window Division Channel Glass 1955-56 4 D.	2	-----	1577 487	1597 053	1597 053
	1955-56 Est. Wgn.	2	-----	-----	1577 867	1577 867
23-42-35	RUN, Partition Window Glass 1955-56 Limo. w/Air Conditioning	1	-----	-----	-----	1629 443
	1955-56 Limo.	1	-----	-----	-----	1655 583
	w/o Air Conditioning	1	-----	-----	-----	*1655 583

★ Indicates use as required.

□ Indicates parts not listed in any previous parts book.

* Indicates change or addition.

1955-56 PASSENGER CAR PARTS LIST

BODY

CODE	REMARKS	PER CAR	PLYMOUTH	DODGE	DESOTO	CHRYSLER AND IMPERIAL
23-42-38	RUN, Quarter Window Glass 1955-56 Sp. Cl. Cp. Includes Fin. Mldg. RETAINER					
	Right	1	----	1578 734	----	----
	Left	1	----	1578 735	----	----
1955-56	3 Cp.	2	1593 110	----	----	----
1955	Cl. Cp.	Right	1593 614	1578 522	----	----
		Left	1593 615	1655 519	----	----
1955-56	2 D. Sub.	Right	1579 416	1579 416	----	----
		Left	1579 417	1579 417	----	----
1955	8 Sed., Limo.	Front	----	----	----	1645 793
1956	Cl. Sed.	Front Right	1697 352	----	----	----
		Left	1697 353	----	----	----
		Rear Right	1697 354	----	----	----
		Left	1697 355	----	----	----
1956	Cl. Sed.	Right	----	1578 522	----	----
		Left	----	1655 519	----	----
23-42-46	RUN, Tailgate Window Glass 1955-56 Est. Wgn.					
	In Tailgate	2	----	----	1577 972	1577 972
	On Body, Upper	1	----	----	1577 818	1577 818
	On Body, Side Right	1	----	----	1577 816	1577 816
	Left	1	----	----	1577 817	1577 817
23-42-49	RETAINER or MOULDING, Quarter Window Sliding Glass Run					
1955-56	2 D. Sub.	Right	1579 412	1579 412	----	----
		Left	1579 413	1579 413	----	----
23-42-50	COVER, Quarter Window Sliding Glass Run Retainer Moulding Joint					
1955-56	2 D. Sub.	2	1459 607	1459 607	----	----
23-42-56	RETAINER, Quarter Window Glass Run					
1955	Cl. Cp.	Front	1592 587	----	----	----
1955-56	Cl. Cp., Cl. Sed.	Rear Right	1593 508	----	----	----
		Left	1593 509	----	----	----
1956	Cl. Sed.	Front Right	1682 074	----	----	----
		Left	1682 075	----	----	----
23-42-59	BRACKET, Quarter Window Glass Run Retainer					
1955-56	Cl. Cp., Cl. Sed.	Front Right	1593 404	----	----	----
		Left	1593 405	----	----	----
		Rear	1593 501	----	----	----
23-44-0 AUXILIARY SEAT						
23-44-11	SCREW and WASHER, Auxiliary Seat Leg Floor Pan Pivot Support Attaching					
1955-56	8 Sed., Limo.	12	----	----	----	911 267
23-44-54	BRACKET or FOOT, Auxiliary Seat Back Lower Support Pivot					
1955-56	8 Sed., Limo.	Inner Right	1	----	----	1544 496
		Left	1	----	----	1544 497
		Outer Right	1	----	----	1544 498
		Left	1	----	----	1544 499
23-44-80	SUPPORT AND LEG, Auxiliary Seat Bottom					
1955-56	8 Sed., Limo.	Right	2	----	----	1628 822
		Left	2	----	----	1628 823
23-44-127	SUPPORT, Auxiliary Seat Leg Floor Pan Pivot					
1955-56	8 Sed., Limo	Right	1	----	----	1609 366
		Left	1	----	----	1609 367
23-44-155	SCREW, Auxiliary Seat Back Lower Support Pivot					
1955-56	8 Sed., Limo.	4	----	----	----	* 892 400
23-45-0 FRONT SEAT						
23-45-6	PIN, Front Seat Back Outer Hinge Bracket					
1955-56	All w/Split Seats	2	1247 729	1247 729	1247 729	1247 729
23-45-7	RETAINER, Front Seat Back Outer Hinge Bracket Pin					
1955-56	All w/Split Seats	2	1304 333	1304 333	1304 333	1304 333
23-45-8	WASHER, Front Seat Back Outer Hinge Bracket Pin					
1955-56	All w/Split Seats	2	1247 817	1247 817	1247 817	1247 817

★ Indicates use as required.

□ Indicates parts not listed in any previous parts book.
Nov. 28, 1958 Supersedes Jan. 7, 1957.

Page 23-150

Printed in U.S.A.
Prices and specifications subject to change without notice.

* Indicates change or addition.

PASSENGER CAR PARTS LIST 1955-56

BODY

Page 23-151

CODE	REMARKS	PER CAR	PLYMOUTH	DODGE	DESOTO	CHRYSLER AND IMPERIAL
23-45-40	PANEL, Front Seat Back Auxiliary Seat Compartment Front 1955-56 Limo.	1	-----	-----	-----	1646 938
23-45-117	BRACE, Front Seat Riser Board to Auxiliary Seat Compartment Side Board 1955-56 Limo.	1	-----	-----	-----	1628 748
	Right	1	-----	-----	-----	1628 749
	Left	1	-----	-----	-----	1628 749
23-45-118	COVER, Front Seat Riser Wire Hole 1955-56 Limo.	★	-----	-----	-----	1646 987
	In White	★	-----	-----	-----	1649 581
	B. E.	★	-----	-----	-----	1649 581
23-45-330	BEZEL, Front Seat Air Passage Slot 1955-56 Limo.	4	-----	-----	-----	*1646 370

23-47-O SEAT GUIDE OR ADJUSTER

23-47-6	GUIDE or TRACK, Manual Seat 1955-56 All	1	1649 552	1649 552	1649 552	1649 552
	Right	1	1593 195	1593 195	1593 195	1593 195
	UP TO Note 1, Left	1	1649 553	1649 553	1649 553	1649 553
	AFTER Note 1, Left	1	1649 553	1649 553	1649 553	1649 553

NOTE 1: BODY NOS. P26-1, P27-1, P26-2, P27-2, P26-3, P27-3,

DETROIT PLAZA BELVEDERE SAVOY

4 D.	8647	20631	20334
3 Cp.	1106		
Cl. Cp.	4842	4696	7657
Cv. Cp.		2060	
Sp. Cl. Cp.		3725	
Sub.	No. 1 Job		

EVANSVILLE

4 D.	4035	7541	8148
3 Cp.	1086		
Cl. Cp.	2452	2156	2977
Sp. Cl. Cp.		1581	

Serial Nos:	DETROIT	D55 34812021	D56 32202203	S21 FireFlite	50339255	S22 Firedome	55201212
Trim Code:		11 12 13	18 40 41	59	60	61	
C67 Windsor	4 D. Body No:	20520 20531	21065 20571	20971 21277	20509 20976	21277	
	Trim Code:	36 37 38	62 63 64				
C68 New Yorker	4 D. Body No:	10125 9823	10144 9985	10786 9837			
	Trim Code:	35					
C67-1 Nassau	Sp. Cl. Cp. Body No:	5487	14 15 16	51 52 53			
	Trim Code:						
C67-2 NewPort	Sp. Cl. Cp. Body No:	3570 3530	3735 5487	3647 3671			
	Trim Code:	17 20 21	22 39 54	56 57 58	66		
C68-1 NewPort	Sp. Cl. Cp. Body No:	1986 2122	2093 2212	2212 1981	2212 2166	2212 2212	
C68-2 St. Regis	Sp. Cl. Cp. Body No:	3164 3409	3354 3614	3685 3213	3732 3692	3649 3626	
	Trim Code:	23 24 25	64				
C67 Windsor	Est. Wgn. Body No:	----	----	1057			
C68 New Yorker	Est. Wgn. Body No:	1101 1015	1013	----			

All 1956 Models Use AFTER Parts.

★ Indicates use as required.

□ Indicates parts not listed in any previous parts book.

* Indicates change or addition.

1955-56 PASSENGER CAR PARTS LIST

BODY

CODE	REMARKS	PER CAR	PLYMOUTH	DODGE	DESOTO	CHRYSLER AND IMPERIAL
	TRACK or UNIT, Electric Seat					
1955-56	All 2 Way, Right	1	1608 546	----	----	1608 546
	Left	1	1608 547	----	----	1608 547
1955-56	All 4 Way, Right	1	----	1685 039	1685 039	1685 039
	Left	1	----	1685 040	1685 040	1685 040
23-47-8	PANEL, Electric Seat Adjuster Track Cover					
1955-56	All w/4 Way Seat Adjuster					
	Right	1	----	1623 729	1623 729	1623 729
	Left	1	----	1623 730	1623 730	1623 730
23-47-9	STUD, Electric Seat Guide or Track to Seat					
1955-56	All	4	*1574 347	*1574 347	*1574 347	*1574 347
	BOLT, Seat Track to Floor					
1955-56	C69, C73	4	----	----	----	1649 623
23-47-26	SPRING, Manual Seat Guide Tension					
1955	All	2	1455 019	1455 019	1455 019	1455 019
1956	All	2	1455 019	1455 019	1649 557	1649 557
23-47-39	SPRING, Manual Seat Guide Latch Control					
1955	All UP TO Note 1	1	849 517	849 517	849 517	849 517
23-47-52	CONTROL, Manual Seat Guide Latch					
1955	All UP TO Note 1	1	1592 629	1592 629	1592 629	1592 629
23-47-55	HANDLE or KNOB, Manual Seat Guide Latch					
1955	All UP TO Note 1	Handle	1608 679	1607 938	----	----
	S21, C68, UP TO Note 1	Handle	----	----	1607 895	1607 895
	S22, C67, UP TO Note 1	Handle	----	----	1607 938	1607 938
	FROM Note 1 to Note 2	Knob	1645 819	1645 819	1645 819	1645 819
1955-56	All AFTER Note 2	Handle	1640 487	1640 487	1640 487	1640 487

NOTE 1:

BODY NOS.	P26-1, P27-1,	P26-2, P27-2	P26-3, P27-3,
DETROIT	PLAZA	BELVIDERE	SAVOY
4 D.	8647	20631	20334
3 Cp.	1106		
Cl. Cp.	4842	4696	7657
Cv. Cp.		2060	
Sp. Cl. Cp.		3725	
Sub.	No. 1 Job		
EVANSVILLE			
4 D.	4035	7541	8148
3 Cp.	1086		
Cl. Cp.	2452	2156	2977
Sp. Cl. Cp.		1581	

SERIAL NOS:	D55 34812021	S21 FireFlite 50339255							
DETROIT	D56 32202203	S22 Firedome 55201212							
Trim Code:	11 12 13 18 40 41 59 60 61								
C67 Windsor 4 D. Body No:	20520 20531 21065 20571 20971 21277 20509 20976 21277								
Trim Code:	36 37 38 62 63 64								
C68 New Yorker 4 D. Body No:	10125 9823 10144 9985 10786 9837								
Trim Code:	35								
C67-1 Nassau Sp. Cl. Cp. Body No:	5487								
Trim Code:	14 15 16 51 52 53								
C67-2 NewPort Sp. Cl. Cp. Body No:	3570 3530 3735 5487 3647 3671								
Trim Code:	17 20 21 22 39 54 56 57 58 66								
C68-1 NewPort Sp. Cl. Cp. Body No:	1986 2122 2093 2212 2212 1981 2212 2166 2212 2212								
C68-2 St. Regis Sp. Cl. Cp. Body No:	3164 3409 3354 3614 3685 3213 3732 3692 3649 3626								
Trim Code:	23 24 25 64								
C67 Windsor Est. Wgn. Body No:	----	1057							
C68 New Yorker Est. Wgn. Body No:	1101 1015 1013	----							

NOTE 2:

Serial Nos:	DETROIT	CALIFORNIA	EVANSVILLE	Body Nos:	4 D.	Cv. Cp.	Sp. Cl. Cp.	Est. Wgn.
P26 LHD.	13944451	20776364	25187371	C68 New Yorker	20701	1552		1500
P27 LHD.	15772509	22212948	26536308	C67 Windsor	34080	1623		1909
D55	34869424	42521837	-----	C67-1 Nassau			10955	
D56	32209177	48016041	-----	C67-2 Newport			6396	
S21	50349701	-----	-----	C68-1 Newport			3862	
S22	55224401	-----	-----	C68-2 St. Regis			7644	
				C68 "300"			1589	

All 1956 Models Use AFTER Parts.

★ Indicates use as required.

☐ Indicates parts not listed in any previous parts book.
Nov. 28, 1958 Supersedes Jan. 7, 1957.

Printed in U.S.A.
Prices and specifications subject to change without notice.
* Indicates change or addition.

CODE	REMARKS	PER CAR	PLYMOUTH	DODGE	DESOTO	CHRYSLER AND IMPERIAL
23-47-58	SCREW, Manual Seat Guide Latch Handle 1955 All UP TO Note 1	1	1607 925	1607 925	1607 925	1607 925
	1955-56 All AFTER Note 2	1	140 868	140 868	140 868	140 868
23-47-66	WIRE, Manual Seat Guide Latch Connector 1955-56 All	1	1592 654	1607 896	1607 896	1607 896
23-47-75	SPRING, Manual Seat Guide Latch 1955-56 All	2	1645 615	1645 615	1645 615	1645 615
23-47-151	BUSHING or BUMPER, Manual Seat Guide Latch Link 1955 All UP TO Note 1	1	1608 852	1607 931	1607 931	1607 931
23-47-152	LINK and STUD, Manual Seat Guide Latch Control 1955 All UP TO Note 1	1	1602 282	1602 282	1602 282	1602 282
23-47-153	WASHER, Manual Seat Guide Latch Control Link Stud 1955 All UP TO Note 1	1	1593 965	1593 965	1593 965	1593 965

NOTE 1:

BODY NOS.	P26-1, P27-1,	P26-2, P27-2	P26-3, P27-3,
DETROIT	PLAZA	BELVIDERE	SAVOY
4 D.	8647	20631	20334
3 Cp.	1106		
Cl. Cp.	4842	4696	7657
Cv. Cp.		2060	
Sp. Cl. Cp.		3725	
Sub.	No. 1 Job		
EVANSVILLE			
4 D.	4035	7541	8148
3 Cp.	1086		
Cl. Cp.	2452	2156	2977
Sp. Cl. Cp.		1581	

SERIAL NOS:	D55	34812021	S21	FireFlite	50339255
DETROIT	D56	32202203	S22	Firedome	55201212

	Trim Code:	11	12	13	18	40	41	59	60	61
C67 Windsor	4 D. Body No:	20520	20531	21065	20571	20971	21277	20509	20976	21277
	Trim Code:	36	37	38	62	63	64			
C68 New Yorker	4 D. Body No:	10125	9823	10144	9985	10786	9837			
	Trim Code:	35								
C67-1 Nassau	Sp. Cl. Cp. Body No:	5487								
	Trim Code:	14	15	16	51	52	53			
C67-2 NewPort	Sp. Cl. Cp. Body No:	3570	3530	3735	5487	3647	3671			
	Trim Code:	17	20	21	22	39	54	56	57	58
C68-1 NewPort	Sp. Cl. Cp. Body No:	1986	2122	2093	2212	2212	1981	2212	2166	2212
C68-2 St. Regis	Sp. Cl. Cp. Body No:	3164	3409	3354	3614	3685	3213	3732	3692	3649
	Trim Code:	23	24	25	64					
C67 Windsor	Est. Wgn. Body No:	----	----	----	1057					
C68 New Yorker	Est. Wgn. Body No:	1101	1015	1013	----					

NOTE 2:

SERIAL NOS:	DETROIT	CALIFORNIA	EVANSVILLE	Body Nos:	4 D.	Cv. Cp.	Sp. Cl. Cp.	Est. Wgn.
P26 LHD.	13944451	20776364	25187371	C68 New Yorker	20701	1552		1500
P27 LHD.	15772509	22212948	26536308	C67 Windsor	34080	1623		1909
D55	34869424	42521837	-----	C67-1 Nassau			10955	
D56	32209177	48016041	-----	C67-2 Newport			6396	
S21	50349701	-----	-----	C68-1 Newport			3862	
S22	55224401	-----	-----	C68-2 St. Regis			7644	
				C68 "300"			1589	

All 1956 Models Use AFTER Parts.

★ Indicates use as required.

□ Indicates parts not listed in any previous parts book.

* Indicates change or addition.

1955-56 PASSENGER CAR PARTS LIST

BODY

CODE	REMARKS	PER CAR	PLYMOUTH	DODGE	DESOTO	CHRYSLER AND IMPERIAL
23-47-340	BAR, Electric Seat Adjuster Torque					
	1955-56 All 2 Way	1	1608 548	----	----	1608 548
	1955-56 All 4 Way, Horizontal	1	----	1607 922	1607 922	1607 922
	1955 All Vertical	1	----	1607 923	1607 923	1607 923
	1956 All Vertical	1	----	1607 923	1685 081	1685 081
23-47-344	MECHANISM, Electric Seat Adjuster					
	1955 All Horizontal	1	1626 844	1626 844	1626 844	1626 844
		1	----	1626 846	1626 846	1626 846
	1956 except 8 Sed., Limo. Horizontal	1	1648 898	1648 898	1648 898	1648 898
		1	----	1648 897	1648 897	1648 897
	1956 8 Sed. Vertical	1	----	----	----	1648 952
23-47-349	RING or RETAINER, Electric Seat Adjuster Mounting					
	1955-56 All	★	1623 796	1623 796	1623 796	1623 796
	RING, Electric Seat Adjuster Floating and Vertical Torque Link Retaining					
	1955-56 All	2	----	1640 380	----	----
	1955 All 4 Way	2	----	----	1640 380	1640 380
23-47-350	PIN, Electric Seat Vertical Adjuster Mechanism Mounting					
	1955-56 All Vertical	1	----	1626 927	1626 927	1626 927
23-47-358	BOOT, Electric Seat Horizontal Adjuster Screw Shaft					
	1955-56 All	1	1648 007	1648 007	1648 007	1648 007
23-47-360	CLAMP, Electric Seat Horizontal Adjuster Screw Shaft Boot					
	1955-56 All	1	1648 009	1648 009	1648 009	1648 009
23-47-362	WASHER, Electric Seat Horizontal Adjuster Screw Shaft Boot					
	1955-56 All Felt	1	1648 008	1648 008	1648 008	1648 008
23-47-410	WASHER, Electric Seat Adjuster Torque Link Retaining					
	1956 All 4 Way	2	----	----	1685 757	1685 757
23-47-417	BUS BAR, Electric Seat Adjuster Circuit Breaker					
	1955-56 All 2 Gang	1	1498 776	1498 776	1498 776	1498 776
23-47-420	WIRING, Electric Seat Adjuster					
	1955 All 2 Way	1	1642 164	----	----	1622 875
		1	----	1623 007	1623 007	1623 007
	1956 All 2 Way	1	----	----	----	1627 425
		1	----	1627 424	1627 424	1627 424
23-47-422	SCREW, Electric Seat Adjuster Circuit Breaker Mounting Bracket					
	1955-56 All To Cowl	2	1331 768	1331 768	1331 768	1331 768
23-47-423	CIRCUIT BREAKER, Electric Seat Adjuster					
	1955 except 8 Sed., Limo. 30 Amp.	1	1370 395	1370 395	1370 395	1370 395
	1955-56 8 Sed. 15 Amp.	1	----	----	----	*1540 427
	1956 All 20 Amp.	1	1566 038	1566 038	1566 038	1566 038
23-47-424	BRACKET, Electric Seat Adjuster Circuit Breaker Mounting					
	1955-56 All 3 Gang	1	1479 060	1479 060	1479 060	1479 060
23-47-425	RELAY, Electric Seat Adjuster					
	1955 except 8 Sed., Limo.	★	1622 221	1622 221	1622 221	1622 221
	1955 8 Sed.	1	----	----	----	1648 242
23-47-427	SCREW, Electric Seat Adjuster Relay Mounting					
	1955 All - Use 1 each per Assy.	1	1540 188	1540 188	1540 188	1540 188
		1	6008 110	6008 110	6008 110	6008 110
23-47-429	INSULATOR, Electric Seat Adjuster Relay					
	1955 All	1	1527 824	1527 824	1527 824	1527 824
23-47-430	MOTOR, Electric Seat Adjuster					
	1955 except 8 Sed., Limo. Horizontal	1	1626 847	1626 847	1626 847	1626 847
		1	----	1603 324	1603 324	1603 324
	1955 8 Sed.	1	----	----	----	1648 239
	1956 All	★	1648 896	1648 896	1648 896	1648 896
23-47-432	COUPLING, Electric Seat Adjuster Motor to Mechanism					
	1955-56 All	★	1594 834	1594 834	1594 834	1594 834
23-47-440	ARMATURE, Electric Seat Adjuster Motor					
	1956 All	★	1752 653	1752 653	1752 653	1752 653
23-47-441	COIL, Electric Seat Adjuster Motor Field					
	1956 All	★	1752 660	1752 660	1752 660	1752 660

★ Indicates use as required.

□ Indicates parts not listed in any previous parts book.
 Nov. 28, 1958 Supersedes Nov. 15, 1957.

Printed in U.S.A.
 Prices and specifications subject to change without notice.
 * Indicates change or addition.

CODE	REMARKS	PER CAR	PLYMOUTH	DODGE	DESOTO	CHRYSLER AND IMPERIAL
23-47-442	HEAD, Electric Seat Adjuster Motor Commutator End 1956 All	★	1752 652	1752 652	1752 652	1752 652
23-47-446	SWITCH, Electric Seat Adjuster 1955-56 All	★	1622 373	1622 373	1622 373	1622 373
	Less Bezel	1	1622 419	----	----	1622 447
	2 Way, Includes BEZEL	1	----	1622 448	1622 448	1622 448
	4 Way, Includes BEZEL	1	----	----	----	----
23-47-447	SPRING, Electric Seat Adjuster Switch Retaining 1955-56 All	4	1626 532	1622 362	1622 362	1622 362
23-47-448	NUT and WASHER, Electric Seat Adjuster Switch Mounting 1955-56 All	2	1544 368	----	----	----
23-47-452	STUD, Electric Seat Adjuster Switch Escutcheon Mounting 1955-56 All	3	----	----	1648 740	----
23-47-453	SHIELD, Electric Seat Adjuster Wiring 1956 3 Cp., Sub. on Body Side Sill	1	1579 566	----	----	----
23-47-454	BRUSH and SPRING PACKAGE, Electric Seat Adjuster Motor 1955-56 All	★	1495 533	1495 533	1495 533	1495 533
23-48-0 SECOND OR THIRD SEAT						
23-48-6	SPACER or WEDGE, Second Seat Back Upper Inner Corner 1955 Sub. w/Split Seat	2	1645 380	1645 380	----	----
23-48-15	STOP, Second Seat Back Down Position 1955-56 Est. Wgn.	2	----	----	1620 699	1620 699
23-48-19	LATCH or LOCK, Second Seat Back to Wheelhouse 1955-56 Sub., Est. Wgn. on Seat, Right	1	1248 566	1248 566	1476 178	1476 178
	Left	1	1248 566	1248 566	1476 179	1476 179
23-48-20	HANGER and HANDLE, Seat Back 1955-56 Sub. HANDLE, Second Seat Back Pull 1957 Est. Wgn	★	1629 503	1629 503	----	----
		2	----	----	1332 097	1332 097
23-48-21	ESCUTCHEON, Second Seat Back Hanger and Handle 1955-56 Sub.	2	1681 228	1681 228	----	----
23-48-26	HANGER, Second Seat Side Compartment Filler 1955 2 D. Sub. 1956 Sub.	4 4	1609 549 1609 549	1609 549 1681 230	----	----
23-48-27	STUD, Second Seat Back Upper Inner Corner Latch Catch 1955-56 Sub. w/Split Seat	1	1655 541	1655 541	----	----
23-48-28	PLATE or CATCH, Second Seat Back Lock or Latch Striker 1955-56 Sub., Est. Wgn. on Wheelhouse, Right	1	1608 908	1608 853	1621 012	1621 012
	Left	1	1608 909	1608 853	1621 013	1621 013
23-48-29	WASHER, Second Seat Back Latch Attaching 1955-56 Sub.	8	*1305 254	*1305 254	----	----
23-48-30	BOARD, Second Seat Back 1955-56 Est. Wgn. Right	1	----	----	1620 682	1620 682
	Left	1	----	----	1620 683	1620 683
23-48-33	SUPPORT, Seat Back Down Position Hanger 1955-56 Sub. In White	★	1246 553	1246 553	----	----
	Chrome	★	1347 837	1347 837	----	----
23-48-37	CLIP, Seat Back Down Position Hanger 1955-56 Sub.	★	1246 554	1246 554	----	----
23-48-45	ESCUTCHEON, Second Seat Back Latch 1955-56 Sub. w/Split Seat	2	1681 229	1683 212	----	----
23-48-57	COVER, Second Seat Back Latch Striker Plate (on Wheelhouse) 1955-56 Sub. Right	1	1544 868	----	----	----
	Left	1	1544 869	----	----	----
	COVER, Second Seat Back Latch Striker Plate Bracket (on Wheelhouse) 1955 4 D. Sub. Red, Right	1	----	1645 187	----	----
	Left	1	----	1645 188	----	----
	Green, Right	1	----	1645 189	----	----
	Left	1	----	1645 190	----	----

★ Indicates use as required.

□ Indicates parts not listed in any previous parts book.

* Indicates change or addition.

1955-56 PASSENGER CAR PARTS LIST

BODY

CODE	REMARKS	PER CAR	PLYMOUTH	DODGE	DESOTO	CHRYSLER AND IMPERIAL
	Blue, Right	1	----	1645 191	----	----
	Left	1	----	1645 192	----	----
1956	4 D. Sub.			1696 038	----	----
	Blue, Right	1	----	1696 039	----	----
	Left	1	----	1696 040	----	----
	Black, Right	1	----	1696 041	----	----
	Left	1	----	----	----	----
23-48-65	PANEL, Second Seat Back					
1955-56	Sub. w/Full Seat	1	1608 622	1608 632	----	----
1955	Sub. w/Split Seat	1	1627 878	1627 882	----	----
	Right	1	1627 879	1627 883	----	----
	Left	1	1683 575	1683 579	----	----
1956	Sub. w/Split Seat	1	1683 576	1683 580	----	----
	Right	1	----	----	----	----
	Left	1	----	----	----	----
23-48-66	CLAMP, Second Seat Back Pivot					
1955-56	Sub.	★	1459 899	1459 899	----	----
23-48-75	SCREW and WASHER, Second Seat Back Pivot Clamp					
1955-56	Sub.	★	6000 195	6000 195	----	----
23-48-76	SCREW and WASHER, Second Seat Back Outer Hinge Bracket to Floor Pan					
1955-56	Est. Wgn.	4	----	----	6006 218	6006 218
23-48-87	BRACKET or SUPPORT, Second Seat Hinge to Floor Pan					
1955-56	Sub. w/Split Seat	1	1627 862	1627 862	----	----
	Inner	1	1645 203	1645 203	----	----
	Right, Outer	1	----	1705 810	----	----
	BRACKET, Second Seat Back Floor Pan Pivot	1	----	1705 811	----	----
1956	Ambulance	1	----	----	1621 264	1621 264
	Inner, Right	1	----	----	1621 265	1621 265
	Left	1	----	----	1620 888	1620 888
	BRACKET, Second Seat Back Outer Hinge Floor Pan	1	----	----	1620 771	1620 771
1955-56	Est. Wgn.	1	----	----	1620 888	1620 888
	Right	1	----	----	1620 771	1620 771
	Left	1	----	----	1620 888	1620 888
	STANCHION and Pivot PIN, Second Seat Center Hinge Floor Pan	1	----	----	1620 888	1620 888
1955-56	Est. Wgn.	1	----	----	1620 771	1620 771
	Back	1	----	----	1620 888	1620 888
	Bottom	1	----	----	1620 771	1620 771
23-48-88	STRIP, Second Seat Back Board Skid					
1955-56	Est. Wgn.	4	----	----	1620 762	1620 762
	Inner, 21 1/4" Long	2	----	----	1620 761	1620 761
	Intermediate, 18 1/4" Long	2	----	----	1620 760	1620 760
	Outer, 6" Long	2	----	----	1620 760	1620 760
23-48-89	SCREW, Second Seat Back Board Skid Strip					
1955-56	Est. Wgn.	37	----	----	*6000 348	*6000 348
23-48-90	TAPPING PLATE, Second Seat Back Inner Pivot Bracket Floor Pan					
1956	Ambulance	2	----	1705 749	----	----
23-48-93	BUMPER, Second Seat Bottom Panel					
1955-56	Sub.	★	1455 257	1455 257	----	----
1956	Ambulance	2	----	1246 922	----	----
	Right	2	1380 060	1380 060	1246 304	1246 304
	BUMPER, Second Seat Back	2	1380 060	1380 060	1246 304	1246 304
1955-56	Sub., Est. Wgn.	2	1380 060	1380 060	1246 304	1246 304
	On Wheelhouse	2	1380 060	1380 060	1246 304	1246 304
	BUMPER, Second Seat Side Shield	★	1645 812	1645 812	----	----
1955-56	Sub.	★	1645 812	1645 812	----	----
23-48-96	BUMPER, Second Seat Hinge Bracket					
1955-56	Sub. w/Split Seat	1	1645 928	1645 928	----	----
	Right	1	1645 928	1645 928	----	----
23-48-98	HINGE, Second Seat					
1955-56	Sub.	2	1608 849	1608 849	----	----
	w/Split Seat	1	1629 575	1629 575	----	----
	Right, Inner	1	1629 577	1629 577	----	----
	Outer	1	1332 532	1332 532	1475 473	1475 473
1955-56	Est. Wgn.	4	1332 532	1332 532	1475 473	1475 473
	Back	1	1475 473	1475 473	1475 473	1475 473
	Bottom Outer, Right	1	1475 474	1475 474	1475 474	1475 474
	Left	1	1475 474	1475 474	1475 474	1475 474
23-48-101	SUPPORT or LEG, Second Seat Bottom					
1955-56	Sub. w/Split Seat	2	1645 933	1609 427	----	----
23-48-102	CLAMP, Second Seat Bottom Support or Leg					
1955-56	Sub. w/Split Seat	2	1645 934	1629 499	----	----
23-48-103	STRIP, Second Seat Bottom Board Skid					
1955-56	Est. Wgn.	8	----	----	1620 759	1620 759
	16" Long	8	----	----	1620 759	1620 759
23-48-104	SCREW, Second Seat Bottom Board Strip					
1955-56	Est. Wgn.	★	----	----	*6000 348	*6000 348
23-48-110	BEZEL, Rear Seat Air Passage Slot					
1955-56	8 Sed., Limo.	2	----	----	----	1646 370

★ Indicates use as required.

† Indicates parts not listed in any previous parts book.
 Nov. 28, 1958 Supersedes Nov. 15, 1957.

Printed in U.S.A.
 Prices and specifications subject to change without notice.
 * Indicates change or addition.

PASSENGER CAR PARTS LIST 1955-56

CODE	REMARKS	PER CAR	PLYMOUTH	DODGE	DESOTO	CHRYSLER AND IMPERIAL
23-48-112	PANEL, Second Seat Bottom 1955-56 Sub. w/Full Seat w/Split Seat	1	1628 932	1628 932	----	----
	Right	1	1645 219	1645 221	----	----
	Left	1	1645 223	1645 223	----	----
23-48-118	RETAINER, Rear Seat Cushion 1955-56 4 D., Sp. 4 D.	2	----	----	1474 512	----
23-48-123	BRACKET, Third Seat Floor Pan Pivot 1955 Sub.	2	1628 553	1628 555	----	----
	BRACKET, Third Seat to Floor Pan Attaching 1955-56 Est. Wgn.	1	----	----	1607 074	1607 074
23-48-124	WING SCREW, Third Seat to Floor Pan Attaching 1955-56 Est. Wgn.	1	----	----	1607 075	1607 075
23-48-125	WASHER, Third Seat Attaching Screw Floor Pan Finish 1955-56 Est. Wgn.	1	----	----	1687 529	1687 529
23-48-133	SPRING, Third Seat Pivot Anti-Rattler 1955 Sub.	1	1628 556	1628 556	----	----
23-48-136	BRACKET, Second Seat Hinge 1955-56 Sub. w/Split Seat	1	1628 540	1609 532	----	----
	Right	1	1628 540	1609 532	----	----
23-48-144	PLATE, Second Bottom Board Tee Nut Reinforcement 1955-56 Est. Wgn.	★	----	----	1475 591	1475 591
23-48-145	PANEL or SHIELD, Second Seat Bottom Side 1955-56 Est. Wgn.	1	----	----	1620 594	1620 594
	Right	1	----	----	1620 594	1620 594
	Left	1	----	----	1620 595	1620 595
23-48-147	RETAINER, Second Seat Hinge Bracket (on floor) 1955-56 Sub. w/Split Seat	1	1645 648	1645 648	----	----
23-48-148	PIVOT or PIN, Second Seat Back 1955-56 Sub. 3 1/4" Long, 1/2-13 x 1 5/32 Thread	★	1459 637	1459 637	----	----
	PIN, Second Seat Hinge Bracket or Pivot 1955-56 Sub. w/Split Seat	2	1629 578	1629 578	----	----
	45/64" Shaft, W/Groove	3	1609 428	1609 428	----	----
	47/64" Shaft, W/Pin Hole	★	1645 359	1645 359	----	----
	53/64" Shaft, W/Pin Hole	1	1645 358	1645 358	----	----
	1 11/32" Shaft, W/Pin Hole	2	----	----	1386 088	1386 088
	PIN, Second Seat Bottom Outer Hinge Pivot 1955-56 Est. Wgn.	2	----	----	1332 529	1332 529
23-48-149	BOLT, Second Seat Back Outer Hinge Pivot 1955-56 Est. Wgn.	2	----	----	1332 529	1332 529
23-48-149	WASHER, Second Seat Hinge Pin 1955-56 Sub. w/Split Seat	★	1645 636	1645 636	----	----
23-48-152	RETAINER or PIN, Second Seat Hinge Pin 1955-56 Sub. w/Split Seat	★	1609 429	1609 429	----	----
23-48-157	CATCH, Second Seat Back Upper Inner Corner Latch 1955-56 Sub. w/Split Seat	1	1655 535	1655 535	----	----
23-48-160	SEAL, Second Seat Back Lock 1955-56 Est. Wgn.	2	----	----	1476 188	1476 188
23-48-164	SPACER, Second Seat Bottom Support or Leg 1955-56 Sub. w/Split Seat	1	----	1629 498	----	----
23-48-168	CAP, Second Seat Bottom Support Rod 1955-56 Est. Wgn.	4	----	----	1620 732	1620 732
23-48-170	ROD, Second Seat Bottom Support 1955-56 Est. Wgn.	2	----	----	1620 881	1620 881
23-48-176	BRACKET, Second Seat Bottom Support Rod Retaining 1955-56 Est. Wgn.	2	----	----	1620 756	1620 756
	Right	2	----	----	1620 757	1620 757
	Left	2	----	----	1620 757	1620 757
23-48-185	CAP, Second Seat Back Panel Upper Inner Corner 1955 Sub. w/Split Seat	2	1646 772	1646 772	----	----
23-48-188	BOARD, Third Seat Back 1955-56 Est. Wgn.	1	----	----	1455 099	1455 099
23-48-190	PROP, Third Seat Back 1956 Sub.	2	1682 164	1695 562	----	----
23-48-193	REINFORCEMENT, Third Seat Back Prop Guide 1956 Sub.	2	----	1695 565	----	----
23-48-195	CATCH, Third Seat Back Prop Arm 1956 Sub.	2	----	1695 566	----	----

★ Indicates use as required.

□ Indicates parts not listed in any previous parts book.

* Indicates change or addition.

1955-56 PASSENGER CAR PARTS LIST

BODY

CODE	REMARKS	PER CAR	PLYMOUTH	DODGE	DESOTO	CHRYSLER AND IMPERIAL
23-51-O SIDE SILL, BELT BAR						
23-51-5	PANEL, Body Side Sill					
1955-56	4 D. except C69; 4 D. Sub., Est. Wgn.					
	Right	1	1590 552	1577 412	1547 911	1547 911
	Left	1	1590 553	1577 413	1547 912	1547 912
1955	C69 4 D.					
	Right	1	-----	-----	-----	1621 014
	Left	1	-----	-----	-----	1621 015
1955-56	Sp. Cl. Cp. except C69; Cl. Cp., 3 Cp., 2 D. Sub.					
	Right	1	1590 554	1577 358	1547 968	1547 968
	Left	1	1590 555	1577 359	1547 969	1547 969
1955	C69 Sp. Cl. Cp.					
	Right	1	-----	-----	-----	1621 022
	Left	1	-----	-----	-----	1621 023
1955-56	Cv. Cp.					
	Inner Right	1	1593 784	-----	1548 947	1548 947
	Left	1	1593 785	-----	1548 947	1548 947
	Outer Right	1	1681 006	1683 342	1548 943	1548 943
	Left	1	1681 007	1683 343	1548 944	1548 944
1955-56	8 Sed., Limo.					
	Front Right	1	-----	-----	-----	1547 911
	Left	1	-----	-----	-----	1547 912
	Rear Right	1	-----	-----	-----	1591 408
	Left	1	-----	-----	-----	1591 409
1956	Sp. 4 D.					
	Inner Right	1	1593 784	1593 784	-----	-----
	Left	1	1593 785	1593 785	-----	-----
	Outer Right	1	1681 006	1657 864	1547 911	1547 911
	Left	1	1681 007	1657 865	1547 912	1547 912
	PANEL, Body Side Sill Rear Extension					
1956	C73 4 D., Sp. 4 D.					
	Right	1	-----	-----	-----	1620 812
	Left	1	-----	-----	-----	1620 813
1956	C73 Sp. Cl. Cp.					
	Right	1	-----	-----	-----	1620 774
	Left	1	-----	-----	-----	1620 775
23-51-11	FILLER, Body Side Sill Top					
1955	Cv. Cp.					
	Right	1	1657 880	1657 880	-----	-----
	Left	1	1657 881	1657 881	-----	-----
23-51-41	BAR, Quarter Belt Side					
1955-56	4 D., Cl. Cp.					
	Right	1	-----	1577 082	-----	-----
	Left	1	-----	1628 365	-----	-----
1955-56	4 D., Sp. 4 D., 8 Sed., Limo.					
	Right	1	-----	-----	1548 004	1548 004
	Left	1	-----	-----	1548 005	1548 005
1955-56	Sp. Cl. Cp.					
	Right	1	-----	1577 332	1651 682	1651 682
	Left	1	-----	1628 368	1651 683	1651 683
1955-56	Cv. Cp.					
	Right	1	-----	1578 888	-----	-----
	Left	1	-----	1578 889	-----	-----
23-51-43	COVER, Body Side Sill Front End					
1955-56	4 D., Sp. 4 D., Sp. Cl. Cp., Est. Wgn.					
	Right	1	-----	-----	1548 206	1548 206
	Left	1	-----	-----	1548 207	1548 207
1955-56	Cv. Cp.					
	Right	1	-----	-----	1597 154	1597 154
	Left	1	-----	-----	1597 155	1597 155
23-52-O SEAT SPRINGS						
23-52-1	SPRING PACKAGE, Seat Cushion Zig Zag Spring					
	Helper					
1955-56	All	★	-----	1528 905	1528 905	1528 905
23-54-O TAILGATE						
23-54-1	LOCK, Tailgate					
1955-56	Sub.	1	1608 910	1608 910	-----	-----
23-54-3	TAILGATE					
1955-56	Sub.					
	Upper	1	1628 442	1628 442	-----	-----
	Lower	1	1655 301	1696 506	-----	-----
1955-56	Est. Wgn. less Inside Center Panel	1	-----	-----	1621 226	1621 226
23-54-4	HINGE, Tailgate					
1955	Sub.					
	Upper, Right	1	1629 506	1629 506	-----	-----
	Left	1	1629 507	1629 507	-----	-----
1955-56	Sub., Est. Wgn.					
	Lower, Right	1	1609 340	1608 682	-----	-----
	Left	1	1609 341	1608 683	-----	-----
	Right	1	-----	-----	1577 571	1577 571
	Left	1	-----	-----	1577 572	1577 572

★ Indicates use as required.

⊠ Indicates parts not listed in any previous parts book.
Nov. 28, 1958 Supersedes May 31, 1957.

PASSENGER CAR PARTS LIST 1955-56

CODE	REMARKS	PER CAR	PLYMOUTH	DODGE	DESOTO	CHRYSLER AND IMPERIAL
1956	Sub. Upper, Right	1	*1683 316	----	----	----
	Left	1	1683 317	----	----	----
1956	Sub. UP TO Note 1 Upper, Right	1	----	1629 506	----	----
	Left	1	----	1629 507	----	----
	AFTER Note 1 Upper, Right	1	----	1683 316	----	----
	Left	1	----	1683 317	----	----
23-54-5	REINFORCEMENT, Lower Tailgate Hinge (on Body)					
1955-56	Sub. Right	1	1608 746	----	----	----
	Left	1	1608 747	----	----	----
23-54-6	PLATE, Tailgate Lock Striker					
1955-56	Sub.	1	1608 976	1608 976	----	----
23-54-7	HANDLE, Upper Tailgate Lock					
1955-56	Sub.	1	1459 086	1459 086	----	----
23-54-9	RETAINER, Upper Tailgate Hinge Body Bracket					
1955	Sub. Right	1	*1609 356	*1609 356	----	----
	Left	1	1609 357	1609 357	----	----
1956	Sub. UP TO Note 1 Right	1	----	1609 356	----	----
	Left	1	----	1609 357	----	----
Note:	Also see 23-54-136					
23-54-11	NAME PLATE, Tailgate					
1955-56	Sub. PowerFlite	1	1593 337	----	----	----
	Overdrive	1	1595 998	----	----	----
1955	Sub., Est. Wgn. V Plymouth	1	1657 797	----	----	----
	Dodge	1	----	1599 094	----	----
	Chrysler	1	----	----	----	1620 270
	Windsor	1	----	----	----	1620 271
1956	Sub., Est. Wgn. Dodge	1	----	1645 884	----	----
	MEDALLION, Tailgate					
1956	Sub.	1	----	1646 444	----	----
	BASE, Tailgate Medallion					
1956	Sub.	1	----	1646 497	----	----
	LETTER, Tailgate Name					
1955-56	Est. Wgn. "D"	1	----	----	1599 001	----
	"E"	1	----	----	1599 002	----
	"S"	1	----	----	1599 003	----
	"O"	2	----	----	1599 004	----
	"T"	1	----	----	1599 005	----
1956	Est. Wgn. "C"	1	----	----	----	1621 377
	"H"	1	----	----	----	1621 378
	"R"	2	----	----	----	1621 379
	"Y"	1	----	----	----	1621 380
	"S"	1	----	----	----	1621 381
	"L"	1	----	----	----	1621 382
	"E"	1	----	----	----	1621 383
	ORNAMENT or LIFT, Tailgate					
1955	Sub., Est. Wgn., P26 Plymouth	1	1593 907	----	----	----
	P27 "V8"	1	1593 964	----	----	----
	C67	1	----	----	----	1620 506
	C68	1	----	----	----	1620 268
1956	Sub., Est. Wgn., P28	1	1646 403	----	----	----
	P29	1	1646 402	----	----	----
	D63	1	----	1646 496	----	----
	C71	1	----	----	----	1650 771
	MEDALLION, Tailgate Ornament or Lift					
1955	C68 Est. Wgn.	1	----	----	----	1599 391
23-54-14	WASHER, Tailgate Name Plate or Ornament Sealing					
1955-56	Est. Wgn.	★	----	----	*6000 050	1333 095
23-54-16	COVER, Upper Tailgate Hinge					
1955	Sub. Right	1	----	1647 480	----	----
	Left	1	----	1647 481	----	----
1956	Sub. UP TO Note 1 Right	1	----	1647 480	----	----
	Left	1	----	1647 481	----	----

NOTE 1:

SERIAL NOS:	DETROIT	CALIFORNIA
D62	32229996	48016599
D63	34998476	42609516

★ Indicates use as required.

☐ Indicates parts not listed in any previous parts book.

* Indicates change or addition.

1955-56 PASSENGER CAR PARTS LIST

BODY

CODE	REMARKS	PER CAR	PLYMOUTH	DODGE	DESOTO	CHRYSLER AND IMPERIAL
23-54-17	PIN, Lower Tailgate Hinge 1955-56 Sub.	2	1608 945	1608 945	----	----
23-54-18	SPEED NUT, Tailgate Medallion to Ornament Attaching 1955 C68 Est. Wgn.	1	----	----	----	B6010 039
23-54-19	ARM or LINK, Tailgate Check or Support 1955-56 Sub.	1	1608 800	1608 794	----	----
	Cadmium, Right	1	1608 801	1608 795	----	----
	Left	1	----	1608 792	----	----
	Chrome, Right	1	----	1608 793	----	----
	Left	1	----	----	----	----
	1955 Est. Wgn. UP TO Body Nos: S22 2465, C67 2622, C68 1861	1	----	----	1577 800	1577 802
	Right	1	----	----	1577 801	1577 803
	Left	1	----	----	----	----
	1955 Est. Wgn. AFTER Body Nos: S22 2465, C67 2622, C68 1861	1	----	----	1650 626	1650 626
	Right	1	----	----	1650 627	1650 627
	Left	1	----	----	1650 626	1650 626
	1956 Est. Wgn.	1	----	----	1650 627	1650 627
	Right	1	----	----	----	----
	Left	1	----	----	----	----
23-54-21	PLATE, Tailgate Wedge 1955-56 Sub., Est. Wgn.	2	989 513	989 513	1253 796	1253 796
	on gate	2	----	----	705 318	705 318
	on body	2	----	----	----	----
23-54-22	SPRING, Upper Tailgate Hinge 1955 Sub.	2	1629 496	1629 496	----	----
	20 3/4 coils	2	1646 752	1646 752	----	----
	18 1/2 coils	2	1683 329	1683 329	----	----
	1956 Sub.	2	----	1646 752	----	----
	UP TO Note 1	2	----	1683 329	----	----
	AFTER Note 1	2	----	----	----	----
23-54-23	PAD, Tailgate Ornament or Lift 1955-56 Est. Wgn.	1	----	----	----	1621 092
23-54-30	WASHER, Upper Tailgate Hinge Spring 1956 Sub.	4	1683 335	1683 335	----	----
23-54-32	SCREW and WASHER, Lower Tailgate Hinge 1955-56 Sub.	6	1592 979	1592 979	----	----
	To Gate	6	1609 257	1609 257	----	----
	To Body	6	----	----	----	----
	1955 Sub.	6	*1624 098	*1624 098	----	----
	To Gate	6	*6010 105	*6010 105	----	----
	To Body	6	----	----	----	----
	1956 Sub.	4	180 022	180 022	----	----
	To Gate	4	1695 557	1695 557	----	----
	To Body	8	----	----	----	----
	UP TO Note 1	6	----	1609 257	----	----
	To Body	6	----	1695 557	----	----
	AFTER Note 1	8	----	----	----	----
	To Body	8	----	----	----	----
23-54-34	SPRING, Upper Tailgate Lock Cam 1955-56 Sub.	1	1246 809	1246 809	----	----
23-54-37	THUMB SCREW, Upper Tailgate Hinge Locking 1956 Sub.	2	1683 334	1683 334	----	----
23-54-42	SCREW and WASHER, Tailgate Check Arm or Support to Tailgate 1955-56 Sub.	6	911 267	911 267	----	----
	Cadmium	6	1347 576	1695 601	1347 576	1347 576
	Chrome	6	----	----	----	----
23-54-43	WASHER, Lower Tailgate Check Arm to Body Bracket 1955-56 Sub. 1 1/16 O.D. x 17/32 I.D.	2	*1347 571	*1347 571	----	----
	7/8 O.D. x 17/32 I.D. -Spring Type	1	1695 033	1695 033	----	----
	3/8 I.D. -Serrated	2	1609 539	1609 539	----	----
23-54-44	SUPPORT or BRACKET, Tailgate Check Arm or Support Locking Handle Body 1955-56 Sub., Est. Wgn.	1	1608 738	----	1577 998	1577 998
	Right	1	1608 789	----	1577 999	1577 999
	Left	1	----	----	----	----
23-54-47	HANDLE, Tailgate Check Arm or Support Locking 1955-56 Sub., Est. Wgn.	1	1459 960	1459 960	----	----
	In White, Right	1	1459 961	1459 961	----	----
	Left	1	1459 956	1459 956	1386 294	1386 294
	Chrome, Right	1	1459 957	1459 957	1386 295	1386 295
	Left	1	----	----	----	----

NOTE 1: Serial Nos:

DETROIT
D62 3222996
D63 34998476

CALIFORNIA
48016599
42609516

★ Indicates use as required.

☐ Indicates parts not listed in any previous parts book.
Nov. 28, 1958 Supersedes Nov. 15, 1957.

Printed in U.S.A.
Prices and specifications subject to change without notice.
* Indicates change or addition.

PASSENGER CAR PARTS LIST 1955-56

CODE	REMARKS	PER CAR	PLYMOUTH	DODGE	DESOTO	CHRYSLER AND IMPERIAL
23-54-49	BOLT, Tailgate Check Arm or Support Locking Handle Pivot 1955-56 Sub., Est. Wgn.	2	1682 740	1682 740	1386 279	1386 279
23-54-50	BUMPER, Tailgate Support Link or Check Arm 1955-56 Sub. 1955-56 Est. Wgn. 1" Dia.	2 2	1492 627 -----	1492 627 -----	----- 1385 755	----- 1385 755
	BUMPER, Tailgate Filler Board 1955-56 Est. Wgn. 1/2" Dia.	3	-----	-----	1334 844	1334 844
23-54-51	PAD, Tailgate Hinge 1955-56 Est. Wgn. To Gate	2	-----	-----	1621 444	1621 444
	To Body	2	-----	-----	1621 445	1621 445
23-54-52	SPRING, Tailgate 1955-56 Est. Wgn.	2	-----	-----	1577 531	1577 531
23-54-54	SILENCER, Tailgate Spring 1955-56 Est. Wgn.	2	-----	-----	1621 691	1621 691
23-54-55	SCREW, Tailgate Check Arm or Support Link Bumper 1955-56 Est. Wgn.	2	-----	-----	1455 026	1455 026
23-54-57	COVER, Lower Tailgate Check Arm Locking Handle Support 1955-56 Sub. B. E., Right	1	1629 530	1629 520	-----	-----
	Left	1	1629 531	1629 521	-----	-----
	Trimmed, Right	1	1625 368	-----	-----	-----
	Left	1	1625 369	-----	-----	-----
23-54-61	BRACKET, Tailgate Spring 1955-56 Est. Wgn. On Body	2	-----	-----	1577 646	1577 646
	On Gate	2	-----	-----	1577 647	1577 647
23-54-68	FRAME, Tailgate Window 1955-56 Est. Wgn. Upper	1	-----	-----	1577 811	1577 811
	Side, w/Upper Corner, Right	1	-----	-----	1651 716	1651 716
	Left	1	-----	-----	1651 717	1651 717
23-54-72	REGULATOR, Tailgate Window 1955-56 Est. Wgn.	1	-----	-----	1577 635	1577 635
23-54-73	HANDLE, Tailgate Window Regulator 1955-56 Est. Wgn.	1	-----	-----	1332 582	1332 582
23-54-76	BASE, Tailgate Window Regulator Handle 1955-56 Est. Wgn.	1	-----	-----	1577 677	1577 677
23-54-78	ADAPTER, Tailgate Window Regulator Handle Lock Cylinder 1955-56 Est. Wgn.	1	-----	-----	1332 615	1332 615
23-54-80	COVER, Tailgate Body Wedge Plate 1955-56 Est. Wgn.	2	-----	-----	1334 777	1334 777
23-54-82	STRIP, Tailgate Panel Skid 1955-56 Est. Wgn. 16" Long	7	-----	-----	1620 905	1620 905
23-54-85	SPRING, Tailgate Window Regulator Handle Lock Cylinder Dust Cover 1955-56 Est. Wgn.	1	-----	-----	1577 676	1577 676
23-54-87	RETAINER, Tailgate Window Regulator Stud to Glass Lower Channel 1955-56 Est. Wgn.	2	-----	-----	6000 305	6000 305
23-54-88	RETAINER, Tailgate Window Regulator Handle Hub 1955-56 Est. Wgn.	1	-----	-----	1332 618	1332 618
23-54-89	WASHER, Tailgate Window Regulator Handle Hub 1955-56 Est. Wgn.	1	-----	-----	1332 619	1332 619
23-54-91	PANEL, Tailgate Inside Center 1955-56 Est. Wgn.	1	-----	-----	1621 268	1621 268
23-54-92	GASKET, Tailgate Window Regulator Handle Base 1955-56 Est. Wgn.	1	-----	-----	1577 684	1577 684
23-54-93	COVER, Tailgate Window Regulator Handle Lock Cylinder Dust 1955-56 Est. Wgn.	1	-----	-----	1577 673	1577 673
23-54-95	SCREW, Tailgate Panel Skid Strip 1955 Est. Wgn.	21	-----	-----	6000 477	6000 477
23-54-96	CLIP, Tailgate Name Plate or Letters Attaching 1955-56 Sub., Est. Wgn.	★	6000 020	6006 030	6000 050	-----
	1955 Est. Wgn.	★	-----	-----	-----	B6006 013
	1956 Est. Wgn.	★	-----	-----	-----	1621 895

★ Indicates use as required.

□ Indicates parts not listed in any previous parts book.

* Indicates change or addition.

1955-56 PASSENGER CAR PARTS LIST

BODY

CODE	REMARKS	PER CAR	PLYMOUTH	DODGE	DESOTO	CHRYSLER AND IMPERIAL
23-54-99	BOLT, Tailgate Handle Locking 1955-56 Sub., Est. Wgn.	1	1522 601	1522 601	1365 069	1365 069
23-54-103	BUMPER, Tailgate Window Glass Channel Lower Stop 1955-56 Est. Wgn.	1	----	----	1334 844	1334 844
23-54-104	PAD, Upper Tailgate Lock Handle 1955-56 Sub.	1	1381 946	1381 946	----	----
23-54-110	RETAINER, Upper Tailgate Lock Handle 1955-56 Sub.	1	1332 618	1332 618	----	----
23-54-112	WASHER, Upper Tailgate Lock Handle 1955-56 Sub.	1	1332 619	1332 619	----	----
23-54-115	BOARD, Tailgate Filler 1955-56 Est. Wgn.	1	----	----	----	1577 656
23-54-116	HINGE, Tailgate Filler Board 1955-56 Est. Wgn.	2	----	----	----	1385 759
	HINGE, Rear Floor Extension Board Tailgate 1956 Ambulance	2	----	1705 872	----	----
23-54-117	STRIP, Tailgate Filler Board Finish 1955-56 Est. Wgn.	Right Left	1 1	----	----	1620 870 1620 871
	MOULDING, Rear Floor Extension Board 1956 Ambulance	Front Side, Right Left Rear	1 1 1 1	1705 907 1705 908 1705 909 1705 906	----	----
23-54-120	PIN, Tailgate Filler Board Hinge 1955-56 Est. Wgn.	2	----	----	----	1334 445
23-54-122	SPRING, Tailgate Filler Board Catch 1955-56 Est. Wgn.	Right Left	1 1	----	----	1650 492 1650 493
23-54-123	STRIP, Tailgate Filler Board Skid 1955-56 Est. Wgn. 13 3/16" Long	7	----	----	----	1620 767
23-54-124	SCREW, Tailgate Filler Board Strip 1955-56 Est. Wgn.	27	----	----	----	*6000 348
23-54-125	SPACER, Rear Floor Extension Board Tailgate Latch 1956 Ambulance	2	----	1706 642	----	----
23-54-136	PLATE, Tailgate Hinge Tapping 1955-56 Est. Wgn.	2	----	----	1577 593	1577 593
	1956 Sub. Upper, To Body	4	1694 463	----	----	----
	AFTER Note 1 Upper, To Body	4	----	1694 463	----	----
23-54-138	COVER, Lower Tailgate Hinge Screw Access Hole 1955-56 Sub.	2	1609 268	----	----	----
23-54-139	SCREW, Lower Tailgate Hinge Screw Access Hole Cover 1955-56 Sub.	4	1646 390	----	----	----
23-54-140	BAR, Tailgate Hinge Torsion 1955-56 Est. Wgn.	Right Left	1 1	----	1577 920 1577 921	1577 920 1577 921
23-54-141	RETAINER, Tailgate Hinge Torsion Bar 1955-56 Est. Wgn.	2	----	----	1577 918	1577 918
23-54-143	BRACKET, Tailgate Hinge Torsion Bar Retainer 1955-56 Est. Wgn.	2	----	----	1577 917	1577 917
23-54-145	ROLLER, Tailgate Hinge Torsion Bar 1955-56 Est. Wgn.	1	----	----	1577 919	1577 919

NOTE 1: Serial Nos:

DETROIT
D62 32229996
D63 34998476

CALIFORNIA
48016599
42609516

★ Indicates use as required.

☐ Indicates parts not listed in any previous parts book.
Nov. 28, 1958 Supersedes Nov. 15, 1957.

PASSENGER CAR PARTS LIST 1955-56

CODE	REMARKS	PER CAR	PLYMOUTH	DODGE	DESOTO	CHRYSLER AND IMPERIAL
23-58-0 FOLDING TOP						
23-58-3	TOP, Folding 1955-56 Cv. Cp.	1	1591 561	1591 561	----	----
NOTE: Above assemblies less lift Mechanism and Top Trim.						
23-58-75	BOW, Folding Top 1955-56 Cv. Cp.	No. 1 No. 2	1 1	1579 974 1579 976	1579 974 1579 976	1597 926 1597 928
	1955-56 Cv. Cp. except C68, C72, Rear, Less Links, Primed	1	1591 640	1591 640	1598 205	1598 205
	1955-56 Cv. Cp. Rear, Chrome	1	----	----	1598 039	1598 039
	1955-56 C68, C72, Cv. Cp. Rear, Less Links, Chrome	1	----	----	----	1598 207
23-58-76	LINK, Folding Top Rear Bow 1955-56 Cv. Cp.	Right Left	1 1	1591 666 1591 667	1591 666 1591 667	---- ----
23-58-84	BRACKET, Folding Top Side Rail Front Link to Rail 1955-56 Cv. Cp.	Right Left	1 1	1593 114 1593 115	1593 114 1593 115	1598 434 1598 435
	BRACKET, Folding Top No. 1 Bow to Side Rail Link 1955-56 Cv. Cp.	2	----	----	1597 927	1597 927
23-58-133	SUPPORT, Folding Top Folding Pillar 1955-56 Cv. Cp.	Right Left	1 1	----	----	1478 272 1478 273
23-58-140	PLATE, Folding Top Control Prop Support 1955-56 Cv. Cp.	2	1246 193	1246 193	1246 193	1246 193
NOTE: Chrysler and DeSoto - Drill center hole 1/16" deep, diameter of control link attaching stud shoulder.						
23-58-200	CYLINDER, Folding Top Lift 1955-56 Cv. Cp.	Right Left	1 1	1641 529 1641 530	1641 529 1641 530	1622 039 1622 040
23-58-208	BRACKET, Folding Top Lift Cylinder Mounting Floor 1955-56 Cv. Cp.	Right Left	1 1	1593 914 1593 915	1593 914 1593 915	1598 627 1598 627
23-58-220	HEADER, Folding Top 1955-56 Cv. Cp.	1	1609 547	1609 547	1690 650	1690 650
23-58-224	RETAINER, Folding Top Trim, on Belt Bar 1956 Cv. Cp.	1	----	----	1751 021	1751 021
23-58-227	LOCK, Folding Top Header 1955-56 Cv. Cp.	1	1656 166	1656 166	1621 703	1621 703
23-58-230	BRACKET, Folding Top Header to Windshield Locating 1955-56 Cv. Cp.	Female Type, 3 Mounting Holes Male Type, 2 Mounting Holes, Right Left	2 1 1	---- ---- ----	---- ---- ----	1650 452 1691 250 1691 251
23-58-232	COVER, Folding Top Header Lock Access Hole 1955-56 Cv. Cp.	1	1621 705	1621 705	1621 705	1621 705
23-58-240	MOULDING, Folding Top Header Finish 1955-56 Cv. Cp.	Right Left	1 1	----	----	1620 286 1620 287
23-58-243	HANDLE, Folding Top Header Lock 1955-56 Cv. Cp.	1	1598 255	1598 255	1598 255	1598 255
23-58-247	STOP, Folding Top Locking Cam (on Windshield Header) 1955-56 Cv. Cp.	Right Left	1 1	1609 318 1609 318	---- ----	1650 940 1650 941
	1955 Cv. Cp.	2	----	1609 318	----	----
	1956 Cv. Cp. UP TO Ser. No. 35099820 AFTER Ser. No. 35099820	2 Right Left	2 1 1	----	1609 318 1706 890 1706 891	---- ---- ----

★ Indicates use as required.

☐ Indicates parts not listed in any previous parts book.

* Indicates change or addition.

1955-56 PASSENGER CAR PARTS LIST

BODY

CODE	REMARKS	PER CAR	PLYMOUTH	DODGE	DESOTO	CHRYSLER AND IMPERIAL
23-58-253	ESCUTCHEON, Folding Top Header Lock Handle 1955-56 Cv. Cp. ESCUTCHEON, Windshield Opening Frame Top Locking Hole 1955-56 Cv. Cp.	1	1620 406	1620 406	1620 406	1620 406
		Center Side	1628 431 1628 433	1628 431 1628 433	---- ----	---- ----
23-58-255	CLIP, Folding Top Header Lock Handle Escutcheon 1955-56 Cv. Cp.	2	6000 050	6000 050	6000 050	6000 050
23-58-259	SCREW, Windshield Opening Frame Top Locking Hole Escutcheon 1955-56 Cv. Cp.	★	1341 885	1341 885	----	----
23-58-269	LINKS, Folding Top Side Rail 1955-56 Cv. Cp.	Right Left	1628 318 1628 319	1628 318 1628 319	1620 224 1620 225	1620 224 1620 225
23-58-327	LINK, Folding Top Folding Pillar Power 1955-56 Cv. Cp.	2	1593 920	1593 920	1597 993	1597 993
23-58-333	LINK, Folding Top Power Guide 1955-56 Cv. Cp.	Right Left	1579 702 1579 703	1579 702 1579 703	---- ----	---- ----
23-58-335	TAPPING PLATE, Folding Top Power Guide Link Support or Bracket 1955-56 Cv. Cp. on Quarter Inside Panel	2	6000 388	6000 388	6000 388	6000 388
23-58-336	BRACKET or SUPPORT, Folding Top Power Guide Link 1955-56 Cv. Cp.	2	1433 273	1433 273	1598 178	1598 178
23-58-357	MOTOR, Folding Top Lift 1955 Cv. Cp. 1956 Cv. Cp. MOTOR and PUMP, Folding Top Lift 1955 Cv. Cp. 1956 Cv. Cp.	1 1 1 1	1641 587 1648 342 1641 532 1648 340	1641 587 1648 342 1641 532 1648 340	1641 587 1648 342 1641 532 1648 340	1641 587 1648 342 1641 532 1648 340
23-58-359	ARMATURE, Folding Top Lift Motor 1955 Cv. Cp. w/Motor EWM 4003 1956 Cv. Cp.	1 1	1308 472 1818 505	1308 472 1818 505	1308 472 1818 505	1308 472 1818 505
23-58-363	COIL, Folding Top Lift Motor Field 1955 Cv. Cp. 1956 Cv. Cp.	1 1	1605 556 1818 504	1605 556 1818 504	1605 556 1818 504	1605 556 1818 504
23-58-368	THRU BOLT, Folding Top Lift Motor 1955-56 Cv. Cp.	2	1308 465	1308 465	1308 465	1308 465
23-58-370	HEAD, Folding Top Lift Motor Commutator End 1956 Cv. Cp.	1	1818 503	1818 503	1818 503	1818 503
23-58-375	"O" RING, Folding Top Lift Motor Shaft 1955-56 Cv. Cp.	1	1641 590	1641 590	1641 590	1641 590
23-58-379	CIRCUIT BREAKER, Folding Top Lift 1955 Cv. Cp. 1956 Cv. Cp.	1 1	1345 423 1641 999	1345 423 1641 999	1345 423 1641 999	1345 423 1641 999
23-58-380	BRUSH AND SPRING PACKAGE, Folding Top Lift Motor 1955-56 Cv. Cp.	1	1495 533	1495 533	1495 533	1495 533
23-58-381	ROTOR PACKAGE, Folding Top Lift Pump 1955-56 Cv. Cp.	1	1641 650	1641 650	1641 650	1641 650
23-58-393	SUPPORT, Folding Top Motor and Pump to Seat Riser 1955-56 Cv. Cp.	Inner Outer	---- ----	---- ----	1620 055 1620 056	1620 055 1620 056
23-58-394	PILLAR or RAIL, Folding Top Folding 1955-56 Cv. Cp.	Right Left	1592 760 1592 761	1592 760 1592 761	1598 430 1598 431	1598 430 1598 431
23-58-395	PLUG, Folding Top Lift Pump Reservoir Filler 1955-56 Cv. Cp. Includes "O" RING	1	*1641 579	*1641 579	*1641 579	*1641 579
23-58-396	BRACKET, Folding Top Lift Motor Mounting 1955-56 Cv. Cp.	1	1641 578	1641 578	1641 578	1641 578
23-58-430	PLATE, Folding Top Lift Pump Cover 1955-56 Cv. Cp. includes Valve Rocker ARM	1	1641 592	1641 592	1641 592	1641 592
	PLATE, Folding Top Lift Pump End 1955-56 Cv. Cp. includes BUSHING	1	1641 586	1641 586	1641 586	1641 586
23-58-469	PROP or LINK, Folding Top Control 1955-56 Cv. Cp.	Right Left	1593 451 1593 451	1593 451 1593 451	1598 371 1597 919	1598 371 1597 919

★ Indicates use as required.

□ Indicates parts not listed in any previous parts book.
Nov. 28, 1958 Supersedes May 31, 1957.Printed in U.S.A.
Prices and specifications subject to change without notice.
* Indicates change or addition.

PASSENGER CAR PARTS LIST 1955-56

CODE	REMARKS	PER CAR	PLYMOUTH	DODGE	DESOTO	CHRYSLER AND IMPERIAL
23-58-475	PLATE, Folding Top Control Prop or Link Support Plate Adjustment 1955-56 Cv. Cp.	2	1303 767	1303 767	1303 767	1303 767
23-58-476	BRACE or SUPPORT, Folding Top Control Prop or Link 1955-56 Cv. Cp. on Quarter Panel, Right	1	1593 810	1578 398	1598 658	1598 658
	Left	1	1593 811	1578 399	1598 659	1598 659
23-58-486	RAIL, Folding Top Side 1955-56 Cv. Cp. Front, Right	1	1593 086	1593 086	1598 380	1598 380
	Left	1	1593 087	1593 087	1598 381	1598 381
	Rear, Right	1	1593 284	1593 284	1598 510	1598 510
	Left	1	1593 285	1593 285	1598 511	1598 511
23-58-497	CAP, Folding Top Side Rail to Header Joint 1955-56 Cv. Cp. Right	1	1579 298	1579 298	1598 710	1598 710
	Left	1	1579 299	1579 299	1598 710	1598 710
23-58-523	LOOP, Folding Top Strap Retaining 1956 Cv. Cp.	4	----	---	1690 754	1690 754
23-58-525	BRACKET, Folding Top Strap Retaining Loop 1956 Cv. Cp. on Wheelhouse, Right	1	----	---	1690 756	1690 756
	Left	1	----	---	1690 757	1690 757
23-58-532	SWITCH, Folding Top Lift 1955 Cv. Cp.	1	1622 500	1622 500	1622 500	1622 500
	1956 Cv. Cp.	1	1688 339	1688 339	1688 338	1688 773
23-58-533	NUT, Folding Top Lift Switch Mounting 1955-56 Cv. Cp.	1	1439 758	1439 758	1439 758	1439 758
23-58-534	KNOB or LEVER, Folding Top Lift Switch 1955-56 Cv. Cp.	1	1622 685	1622 685	1605 493	1622 702
23-58-540	BRACKET and STUD, Folding Top Lift Switch Mounting 1955-56 D55, D63 UP TO Ser. Nos: 35125608 Detroit - 42613682 California	1	----	1641 748	----	----
	1956 D63 AFTER Ser. Nos: 35125608 Detroit - 42613682 California	1	----	1688 948	----	----
23-58-555	HOSE, Folding Top Lift Pump 1955-56 Cv. Cp. Upper	1	*1622 703	*1605 620	*1605 620	*1605 620
	Lower	1	1622 704	1605 619	1605 619	1605 619
23-58-569	WEATHERSTRIP, Folding Top Header 1955-56 Cv. Cp. Rear	1	1593 945	1593 945	----	----
		1	----	----	1598 269	1598 269
NOTE: Dodge and Plymouth Folding Top Header Front Weatherstrip is Top Trim Material-Order By Description.						
23-58-572	WEATHERSTRIP, Folding Top Side Rail 1955-56 Cv. Cp. Front, Right	1	1609 212	1609 212	1620 246	1620 246
	Left	1	1609 213	1609 213	1620 247	1620 247
	Rear, Right	1	1608 666	1608 666	1620 248	1620 248
	Left	1	1608 667	1608 667	1620 249	1620 249
23-58-575	SCREW, Folding Top Weatherstrip 1955-56 Cv. Cp.	★	----	---	1331 768	1331 768
23-58-590	WEATHERSTRIP, Folding Top Folding Pillar 1955-56 Cv. Cp. Right	1	1608 896	1608 896	1620 250	1620 250
	Left	1	1608 897	1608 897	1620 251	1620 251
23-58-600	STUD, Folding Top 1955-56 Cv. Cp., Side Rail Link to Front Side Rail Bracket	2	*1628 632	*1628 632	*1303 840	*1303 840
	Side Rail Link to Rear Side Rail	2	*1303 838	*1303 838	*1621 669	*1621 669
	Side Rail Link to Folding Pillar, Cadmium	2	*1303 839	*1303 839	*1303 839	*1303 839
	Chrome	2	----	---	----	*1620 138
	Rear Side Rail to Folding Pillar	2	E1705 215	E1705 215	*1620 136	*1620 136
	Folding Pillar to Support	2	*6000 191	*6000 191	*6000 191	*6000 191
	Control Prop or Link to Rear Side Rail	2	*1303 836	*1303 836	*1598 749	*1598 749
	Control Prop or Link to Support and Adjustment Plates	2	*6000 149	*6000 149	*1598 759	*1598 759

★ Indicates use as required.

☐ Indicates parts not listed in any previous parts book.

* Indicates change and addition.

Printed in U.S.A.

Prices and specifications subject to change without notice.

Nov. 28, 1958 Supersedes Nov. 15, 1957.

1955-56 PASSENGER CAR PARTS LIST

BODY

CODE	REMARKS	PER CAR	PLYMOUTH	DODGE	DESOTO	CHRYSLER AND IMPERIAL
	Power Link to Folding Pillar	2	*1303 844	*1303 844	*1598 751	*1598 751
	Rear Bow to Folding Pillar	2	*1303 841	*1303 841	*1598 758	*1598 758
	Power Guide Link to Support or Bracket	2	*1628 732	*1628 732	*1598 755	*1598 755
	SHAFT SHOULDER HEAD THREAD					
	11/16" 19/64" 5/8" hex. 5/16"-18 x 21/64"	2	1303 838	1303 838	----	----
	13/16" 21/24" 7/8" hex. 3/8"-16 x 27/64"	2	1303 836	1303 836	----	----
	7/8" 25/64" 5/8" hex. 5/16"-24 x 27/64"	2	*1303 839	*1303 839	*1303 839	*1303 839
	Same as above except Chrome Plated	2	----	----	----	1620 138
	15/16" 3/16" 7/8" hex. 5/16"-24 x 7/8"	2	1705 215	1705 215	----	----
	31/32" 37/64" 5/8" hex. 5/16"-18 x 5/32"	2	1628 632	1628 632	----	----
	1 3/32" 17/64" 7/8" hex. 3/8"-24 x 49/64"	2	1303 841	1303 841	----	----
	1 5/16" 3/8"-24 x 3/8"	2	1303 844	1303 844	----	----
	1 3/8" 21/64" 1" hex. 7/16"-20 x 9/16"	2	6000 149	6000 149	----	----
	1 17/32" 25/64" 7/8" hex. 3/8"-24 x 15/32"	2	1628 732	1628 732	----	----
	2" 1 17/32" 7/8" hex. 1/2"-20 x 13/32"	2	6000 191	6000 191	*6000 191	*6000 191
	53/64" 27/64" 5/8" hex. 5/16"-18 x 5/16"	2	----	----	1621 669	1621 669
	7/8" 1/2" 7/8" hex. 3/8"-16 x 35/64"	2	----	----	1598 749	1598 749
	1" 17/64" 7/8" hex. 3/8"-24 x 43/64"	2	----	----	1598 758	1598 758
	1 1/16" 17/32" 5/8" hex. 1/4"-20 x 5/16"	2	----	----	1303 840	1303 840
	1 1/8" 1/2"-20 x 1"	2	----	----	1620 136	1620 136
	1 3/16" 5/16" 7/8" hex. 3/8"-24 x 13/16"	2	----	----	1598 755	1598 755
	1 3/16" 3/4" 3/8"-24 x 3/8"	2	----	----	1598 751	1598 751
	1 1/2" 29/64" 1" hex. 7/16"-20 x 11/16"	2	----	----	1598 759	1598 759
23-58-601	SCREW, Folding Top Set 1955-56 Cv. Cp.					
	Headless, No. 10-24 x 1/4"	14	6000 182	6000 182	----	----
	Square Head, 1 1/2" Long	2	102 436	102 436	----	----
	Square Head, 3" Long	2	102 440	102 440	----	----
	Headless, 2" Long	2	----	----	102 825	102 825
	Square Head, 2 1/4" Long	2	----	----	114 537	114 537
	Nut, 1/4"-20	4	120 375	120 375	120 375	120 375
23-58-603	BOLT, Folding Top Torque Link to Lock Handle Cam 1955-56 Cv. Cp.	1	1621 104	1621 104	1621 104	1621 104
	BOLT, Folding Top Lift Cylinder Yoke 1955-56 Cv. Cp.	2	6000 171	6000 171	6000 171	6000 171
	SCREW, Folding Top Side Rail to Header Joint Cap 1955-56 Cv. Cp.	2	6000 223	6000 223	----	----
23-58-605	WASHER or SPACER, Folding Top					
	MATERIAL O. D. I. D. THICKNESS					
	Steel 3/4" 5/16" 1/8"	★	6000 132	6000 132	6000 132	6000 132
	Steel 3/4" 13/32" 1/16"	★	1246 670	1246 670	----	----
	Plastic 3/4" 27/64" 1/16"	★	----	----	*1650 871	*1650 871
	Fibre 3/4" 15/32" 1/16"	★	1246 441	1246 441	----	----
	Steel 3/4" 33/64" 1/16"	★	1303 793	1303 793	1303 793	1303 793
	Brass 13/16" 3/8" 1/16"	★	*6000 197	*6000 197	*6000 197	*6000 197
	Plastic 13/16" 3/8" 13/64"	★	----	----	6006 204	6006 204
	Leather 7/8" 7/16" 7/64"	★	----	----	6000 141	6000 141
	Rubber 7/8" 7/16" 15/64"	★	1249 332	1249 332	1249 332	1249 332
	Nylon 15/16" 19/32" 1/16"	★	----	----	1620 174	1620 174
	Steel 1" 23/32" 1/16"	★	1246 546	1246 546	----	----
	Steel 1 3/8" 17/32" 1/16"	★	----	----	1620 157	1620 157
23-58-606	SPRINGWASHER, Folding Top 1955-56 Cv. Cp.					
	37/64 O. D. x 3/8 I. D.	★	1620 749	1620 749	1620 749	1620 749
	5/8 O. D. x 1/4 I. D.	★	1620 750	1620 750	1620 750	1620 750
	1 O. D. x 3/4 I. D.	2	6000 261	6000 261	----	----
23-58-607	PIN, Folding Top Side Rail Clevis 1955-56 Cv. Cp.					
	Cadmium	2	1433 371	1433 371	1433 371	1433 371
	Chrome	2	----	----	----	1459 269
	PIN, Folding Top Lift Cylinder Mounting Bracket Clevis 1955-56 Cv. Cp.	2	6006 093	6006 093	6006 093	6006 093

★ Indicates use as required.

☐ Indicates parts not listed in any previous parts book.
Nov. 28, 1958 Supersedes May 31, 1957.

Printed in U.S.A.
Prices and specifications subject to change without notice.
* Indicates change or addition.

PASSENGER CAR PARTS LIST 1955-56

CODE	REMARKS	PER CAR	PLYMOUTH	DODGE	DESOTO	CHRYSLER AND IMPERIAL
23-59-0 DRAIN TROUGH AND MOULDING						
23-59-25	TUBE, Folding Top Well Drain 1955-56 Cv. Cp.	1	----	----	1691 886	1691 886
23-59-26	PLATE, Folding Top Well Drain Tube Attaching 1955-56 Cv. Cp.	1	----	----	1691 887	1691 887
23-59-35	TROUGH, Deck Opening Drain 1955-56 Except Sub.,					
	Upper Corner, Right	1	1591 770	----	----	----
	Left	1	1591 771	----	----	----
	Side, Right	1	1591 618	1577 048	----	----
	Left	1	1591 619	1577 049	----	----
	Lower	1	----	1577 046	----	----
1955	Except Est. Wgn. Right	1	----	----	1547 765	1547 765
	Left	1	----	----	1547 766	1547 766
1956	Except Est. Wgn., 8 Sed., Limo. Lower	1	----	----	1620 822	1620 822
1956	4 D., Sp. 4 D., except C73 Side, Right	1	----	----	1621 670	1621 670
	Left	1	----	----	1621 671	1621 671
1956	C73 Side, Right	1	----	----	----	1620 800
	Left	1	----	----	----	1620 801
1956	Sp. Cl. Cp., Cv. Cp. Side, Right	1	----	----	1620 800	1620 800
	Left	1	----	----	1620 801	1620 801
1956	8 Sed., Limo Right	1	----	----	----	1547 765
	Left	1	----	----	----	1547 766
23-59-39	TROUGH, Quarter Belt Bar Side Drain 1955 Cv. Cp.					
	Right	1	----	----	1548 436	*1548 436
	Left	1	----	----	1548 437	1548 437
23-59-42	EXTENSION, Quarter Belt Side Bar Drain Trough 1956 Cv. Cp.					
	Right	1	----	----	1692 004	1692 004
	Left	1	----	----	1692 005	1692 005
23-59-56	TROUGH, Roof Drain 1955-56 4 D. except C69					
	Front	1	1590 783	1590 783	1547 882	1547 882
	Side, Right	1	1591 278	1577 133	1547 880	1547 880
	Left	1	1591 279	1577 134	1547 881	1547 881
1955	C69 4 D. Right	1	----	----	----	1547 939
	Left	1	----	----	----	1547 940
1955-56	Sp. Cl. Cp. Front	1	1590 783	1590 783	1547 946	1547 946
	Side, Right	1	1593 390	1577 158	1547 944	1547 944
	Left	1	1593 391	1577 159	1547 945	1547 945
1955-56	Cl. Cp., 3 Cp. Front	1	1590 783	1590 783	----	----
	Side, Right	1	1591 342	1577 280	----	----
	Left	1	1591 343	1577 281	----	----
1955-56	2 D. Sub. Side, Right	1	1593 388	1593 388	----	----
	Left	1	1593 389	1593 389	----	----
1955-56	Sub., Est. Wgn. Front	1	1590 783	1590 783	1577 550	1577 550
	Rear	1	1593 411	1593 411	1577 516	1577 516
1955-56	4 D. Sub., Est. Wgn. Side, Right	1	1608 526	1608 526	1577 519	1577 519
	Left	1	1608 527	1608 527	1577 520	1577 520
1955-56	8 Sed., Limo Right	1	----	----	----	1591 540
	Left	1	----	----	----	1591 541
1956	Sp. 4D. Front	1	1590 783	1590 783	1547 882	1547 882
	Side, Right	1	1593 390	1577 158	1547 880	1547 880
	Left	1	1593 391	1577 159	1547 881	1547 881
23-59-57	CAP, Roof Drain Trough Cover or Moulding Joint 1955-56 As Required 1955-56 Sub.					
	Front	★	1579 556	1579 556	----	1598 414
	Rear, Right	1	1628 746	1628 746	----	----
	Left	1	1628 747	1628 747	----	----
	CAP or COVER, Roof Drain Trough Joint 1955-56 Except Cv. Cp.	★	1595 919	1595 919	1620 301	1620 301
	1955-56 Sub. Rear	2	1628 928	1628 928	----	----
23-59-61	COVER or MOULDING, Roof Drain Trough 1955 Except Cars w/Windshield Outside Finish Panel					
	Front Right	1	1628 502	1628 502	----	----
	Left	1	1579 544	1579 544	----	----
	1955-56 4D. w/Windshield Outside Finish Panel Side, Right	1	1579 546	1599 632	----	----
	Left	1	1579 547	1599 633	----	----

★ Indicates use as required.

□ Indicates parts not listed in any previous parts book.

* Indicates change or addition.

1955-56 PASSENGER CAR PARTS LIST

BODY

CODE	REMARKS	PER CAR	PLYMOUTH	DODGE	DESOTO	CHRYSLER AND IMPERIAL
1955-56	4D. w/Front Drain Trough Moulding					
	Side, Right	1	1657 846	1657 848	----	----
	Left	1	1657 847	1657 849	----	----
1955-56	Sp. 4 D., Sp. Cl. Cp., w/Windshield Outside Finish Panel					
	Side, Right	1	1579 548	1599 659	----	----
	Left	1	1579 549	1599 660	----	----
1955-56	Sp. 4 D., Sp. Cl. Cp., w/Front Drain Trough Moulding					
	Side, Right	1	1657 852	1657 854	----	----
	Left	1	1657 853	1657 855	----	----
1955-56	Cl. Cp., Cl. Sed., 3 Cp., w/Windshield Outside Finish Panel					
	Side, Right	1	1579 548	----	----	----
	Left	1	1579 549	----	----	----
1955-56	Cl. Cp., Cl. Sed., 3 Cp., w/Front Drain Trough Moulding					
	Side, Right	1	1657 850	----	----	----
	Left	1	1657 851	----	----	----
1955-56	Sub. w/Windshield Outside Finish Panel					
	Side, Right	1	1579 552	1579 552	----	----
	Left	1	1579 553	1579 553	----	----
1955-56	Sub. w/Front Drain Trough Moulding					
	Side, Right	1	1657 856	----	----	----
	Left	1	1657 857	----	----	----
1955-56	Sub.					
	Rear	1	1579 554	1579 554	----	----
1956	Except Cars w/Windshield Outside Finish Panel					
	Front Right	1	1657 844	1657 844	----	----
	Left	1	1657 845	1657 845	----	----
1955-56	4D. w/o Visor					
	Front Right	1	----	----	----	1651 648
	Left	1	----	----	----	1651 649
1955-56	4 D., Sp. 4 D., except C69					
	Side, Right	1	----	----	1598 318	1598 318
	Left	1	----	----	1598 319	1598 319
1955	C69 4 D.					
	Right	1	----	----	----	1598 320
	Left	1	----	----	----	1598 321
1955-56	Sp. Cl. Cp. w/o Visor					
	Front Right	1	----	----	----	1651 650
	Left	1	----	----	----	1651 651
1955-56	Sp. Cl. Cp.					
	Side, Right	1	----	----	1650 560	1650 560
	Left	1	----	----	1650 561	1650 561
1955-56	8 Sed., Limo.					
	Right	1	----	----	----	1629 430
	Left	1	----	----	----	1629 431
	MOULDING, Roof Drain Trough Extension					
1955-56	Sp. Cl. Cp. except C71, C72					
	Right	1	----	----	----	1598 306
	Left	1	----	----	----	1598 307
1956	C71, C72, Sp. Cl. Cp.					
	Right	1	----	----	----	1621 582
	Left	1	----	----	----	1621 583
23-59-62	MOULDING, Roof Drain Trough Bottom					
1955-56	Sp. Cl. Cp. See Note 1					
	Right	1	----	----	1621 024	1621 024
	Left	1	----	----	1621 025	1621 025
23-59-63	CLIP, Roof Drain Trough Extension Moulding					
1955	Sp. Cl. Cp.					
	Front	2	----	----	----	1598 473
	Rear	2	----	----	----	1598 492
1956	C71, C72, Sp. Cl. Cp.					
	Front	2	----	----	----	1691 865
	Rear	2	----	----	----	1691 866
1956	C73 Sp. Cl. Cp.					
	Front	2	----	----	----	1650 578
	Rear	2	----	----	----	1650 577
23-59-66	TROUGH, Body Front Pillar Drain					
1955	Except 8 Sed., Limo.					
	Steel, Right	1	----	----	1598 608	1598 608
	Left	1	----	----	1598 609	1598 609
1955-56	Except Sp. 4D.					
	Rubber, Right	1	----	----	1621 882	1621 882
	Left	1	----	----	1621 716	1621 716
	TROUGH, Upper Corner WEATHERSTRIP and EXTENSION, Body Front Pillar Drain					
1956	Sp. 4D.					
	Right	1	----	----	1692 124	1692 124
	Left	1	----	----	1692 125	1692 125
23-59-69	NUT and SEAL, Roof Drain Trough Extension Moulding Clip					
1955-56	Sp. Cl. Cp.					
		4	----	----	----	E6006 024

NOTE 1:

Some late production cars have these parts split in two, changing the width from 45/64" to half that dimension.

★ Indicates use as required.

☐ Indicates parts not listed in any previous parts book.
Nov. 28, 1958 Supersedes Nov. 15, 1957.

CODE	REMARKS	PER CAR	PLYMOUTH	DODGE	DESOTO	CHRYSLER AND IMPERIAL
23-59-75	TROUGH, Tailgate Drain 1955-56 Est. Wgn. Right	1	----	----	1652 126	1652 126
	Left	1	----	----	1652 127	1652 127
23-59-76	SCREW, Tailgate Drain Trough to Quarter Rear Pillar 1955-56 Est. Wgn.	10	----	----	*6000 348	*6000 348
23-59-80	HOSE, Tailgate Drain Trough Drain 1955-56 Est. Wgn.	2	----	----	1605 270	1605 270
23-61-0 COWL VENT						
23-61-29	LID, Cowl Vent 1955-56 All	1	1591 725	1591 725	1597 933	1597 933
23-61-42	SEAL, Cowl Vent Mechanism Grommet to Dash Panel 1955-56 All AFTER Note 1	1	1628 890	1628 890	----	----
23-61-47	SPRING, Cowl Vent Handle 1955 All	1	1579 778	----	----	----
	1955-56 All AFTER Note 1	1	----	1579 778	----	----
23-61-51	HANDLE, Cowl Vent 1955-56 All 4 3/4 long	1	1593 364	----	----	----
	1955-56 All AFTER Note 1	1	----	1629 429	----	----
	1956 All w/Hi-Fi Radio/Phono 6 long	1	1688 471	----	----	----
23-61-53	KNOB, Cowl Vent 1955 All UP TO Note 1	1	----	1607 794	----	----
	1955-56 All	1	----	----	1607 802	1607 785
23-61-65	HINGE, Cowl Vent Lid 1955-56 All	1	*1591 780	*1591 780	----	----
		2	----	----	*1548 888	*1548 888
23-61-71	GASKET, Cowl Vent Lid Hinge 1955-56 All	2	----	----	1548 844	1548 844
23-61-73	MECHANISM, Cowl Vent 1955 All UP TO Note 1	1	1593 844	1607 872	----	----
	1955-56 All AFTER Note 1	1	1544 765	1629 465	----	----
	1955-56 All	1	----	----	1607 827	1602 219
	1956 All w/Hi-Fi Radio/Phono	1	1688 490	----	----	----
23-61-77	WASHER, Cowl Vent Mechanism 1955-56 All Anti-Rattle	2	*6000 118	*6000 118	*6000 118	*6000 118
	1955 All UP TO Note 1 Link	2	1233 531	1233 531	----	----
23-61-85	PLATE, Cowl Vent Adjustment 1955-56 All	1	1579 775	----	----	----
	1955 All UP TO Note 1	1	----	1602 933	----	----
	All AFTER Note 1	1	----	1579 775	----	----
	1956 All	1	----	1683 083	----	----
23-61-92	CLINCH NUT, Cowl Vent Adjustment Plate to Instrument Panel Spacer 1955-56 All AFTER Note 1	2	----	1646 729	----	----
23-61-94	BOLT, Cowl Vent Mechanism Rear Link to Bracket 1955 All UP TO Note 1	1	1520 924	----	----	----
23-61-95	SPACER, Cowl Vent Adjustment Plate to Instrument Panel 1955-56 All AFTER Note 1	1	----	1629 435	----	----
23-61-98	SCREEN, Cowl Vent 1955-56 All	1	1591 724	1591 724	1597 931	1597 931
23-61-99	SCREW, Cowl Vent Screen Attaching 1955-56 All	3	1646 390	1646 390	1646 390	1646 390
23-61-110	WEATHERSTRIP, Cowl Vent Lid Opening 1955-56 All	1	1593 498	1593 498	1548 863	1548 863
23-61-160	TUBE or ROD, Cowl Vent Control 1955 All UP TO Note 1	1	1579 807	1602 996	----	----
	1955-56 All AFTER Note 1	1	1628 386	1628 386	----	----
	1955-56 All	1	----	----	1575 937	1575 957

NOTE 1:

Serial Nos.

	DETROIT	CALIFORNIA
P26	13994623	-----
P27	15789250	-----
D55	34889868	42523159
D56	32211205	48016171
(P28, P29, D62, D63, use after parts No. 1 job unless otherwise specified)		

★ Indicates use as required.

☐ Indicates parts not listed in any previous parts book.

* Indicates change and addition.

1955-56 PASSENGER CAR PARTS LIST

BODY

CODE	REMARKS	PER CAR	PLYMOUTH	DODGE	DESOTO	CHRYSLER AND IMPERIAL
23-61-164	CLIP, Cowl Vent Control Rod End 1955-56 All AFTER Note 1	1	667 774	667 774	----	----
23-61-171	YOKE, Cowl Vent Control Tube or Rod 1955 All UP TO Note 1 1955-56 All AFTER Note 1 1955-56 All	1 1 1	1490 864 1628 387 ----	1490 864 1628 387 ----	---- ---- 1490 864	---- ---- 1490 864
23-61-172	GROMMET, Cowl Vent Control Rod 1955-56 All AFTER Note 1	1	*1628 381	*1628 381	----	----
23-61-174	TURNBUCKLE, Cowl Vent Control Tube 1955 All UP TO Note 1 1955-56 All	1 1	1520 914 ----	1520 914 ----	---- 1520 914	---- 1520 914
23-61-175	WEATHERSEAL, Cowl Vent Control Tube 1955 All UP TO Note 1 1955-56 All	1 1	1520 575 ----	1520 575 ----	---- 1520 575	---- 1520 575
23-61-179	BOLT, Cowl Vent Control Tube End 1955 All UP TO Note 1 1955-56 All	1 1	1520 924 ----	1520 924 ----	---- 1520 924	---- 1520 924
23-61-180	SCREW, Cowl Vent Control Tube Turnbuckle 1955 All UP TO Note 1 1955-56 All	1 1	1520 915 ----	1520 915 ----	---- 1520 915	---- 1520 915

23-63-0 WEATHERSTRIP

NOTE: FOR WEATHERSTRIPS NOT LISTED IN GROUP 23-63:
 FOLDING TOP WEATHERSTRIPS SEE GROUP 23-58.
 DRAIN TROUGH TYPE WEATHERSTRIPS SEE GROUP 23-59.
 COWL VENT WEATHERSTRIPS SEE GROUP 23-61.
 WINDSHIELD WEATHERSTRIPS SEE GROUP 23-66.

23-63-8	CAP, Roof Side Rail Weatherstrip Retainer Joint 1956 Sp. 4D.	Right Left	1 1	1682 726 1682 727	----	----	----
23-63-14	WEATHERSTRIP, Front Door Window Belt Inner 1955-56 4D. except S21 Coronado; 4D. Sub., Est. Wgn.	Right Left	1 1	1593 250 1593 251	1593 250 1593 251	*1575 597 *1575 596	----
	1955 S21 Coronado	Right Left	1 1	----	----	1640 469 1640 470	----
	1955-56 C67, C71, 4 D.	Right Left	1 1	----	----	----	*1575 597 *1575 596
	1955 C68, C69, 4 D.	Right Left	1 1	----	----	----	1602 711 1640 470
	1955-56 C67, C68, C71, Est. Wgn.	Right Left	1 1	----	----	----	*1575 597 *1575 596
	1955-56 8 Sed., Limo.	Right Left	1 1	----	----	----	1646 374 1646 375
	1956 C72, C73, 4D., Est. Wgn.	Right Left	1 1	----	----	----	1640 469 1640 470
	1956 Sp. 4D.	Right Left	1 1	1646 348 1578 337	1646 348 1578 337	1684 143 1684 143	1684 143 1684 143
	WEATHERSTRIP, Rear Door Window Belt Inner 1955-56 4 D., 4 D. Sub.	Right Left	1 1	1593 251 1593 250	1593 251 1593 250	----	----
	1955-56 S21 except Coronado; S22, S23, S24, C67, C71, 4 D.	Right Left	1 1	----	----	1575 596 1575 597	1575 596 1575 597
	1955-56 S21 Coronado, C68, C69, C72, C73, 4 D.	Right Left	1 1	----	----	1640 469 1640 470	1640 469 1640 470
	1955-56 Est. Wgn.		2	----	----	1577 977	1577 977
	1955-56 8 Sed., Limo.		2	----	----	----	1645 882

NOTE 1: Ser. Nos.

DETROIT

CALIFORNIA

P26	13994623	-----
P27	15789250	-----
D55	34889868	42523159
D56	32211205	48016171

(P28, P29, D62, D63, use after parts No. 1 job unless otherwise specified)

★ Indicates use as required.

⊠ Indicates parts not listed in any previous parts book.
 Nov. 28, 1958 Supersedes Nov. 15, 1957.

1955-56 PASSENGER CAR PARTS LIST

CODE	REMARKS	PER CAR	PLYMOUTH	DODGE	DESOTO	CHRYSLER AND IMPERIAL
1956	Sp. 4 D. Felt, 31 3/4 Long, Right	1	1681 184	1681 184	----	----
	Left	1	1681 185	1681 185	----	----
	Rubber, 9 5/32 Long, Right	1	1695 692	1695 692	----	----
	Left	1	1695 693	1695 693	----	----
	Felt, 36 3/8 Long, Right	1	----	----	1766 528	1766 528
	Left	1	----	----	1766 529	1766 529
	Rubber, 10 1/2 Long	2	----	----	1684 516	1684 516
	WEATHERSTRIP, Door Window Belt Inner					
1955-56	Sp. Cl. Cp., Cv. Cp. Right	1	1646 348	1646 348	1640 831	1640 831
	Left	1	1578 337	1578 337	1640 831	1640 831
1955-56	Cl. Cp., 3 Cp., 2 D. Sub. Right	1	1593 250	1593 250	----	----
	Left	1	1593 251	1593 251	----	----
23-63-15	WEATHERSTRIP, Front Door Window Belt Outer					
1955-56	4 D., 4 D. Sub., Est. Wgn., 8 Sed., Limo. Right	1	*1593 304	*1593 304	----	----
	Left	1	1593 253	1593 253	----	----
		2	----	----	*1598 725	*1598 725
1956	Sp. 4D. Right	1	1681 172	1681 174	1691 370	1691 370
	Left	1	1681 173	1681 175	1691 371	1691 371
	WEATHERSTRIP, Rear Door Window Belt Outer					
1955-56	4D. Right	1	1593 253	1578 024	----	----
	Left	1	1593 304	1578 025	----	----
1955-56	4D., Est. Wgn.	2	----	----	*1598 725	*1598 725
1955-56	4D. Sub. Right	1	1593 252	1593 252	----	----
	Left	1	1593 253	1593 253	----	----
1955-56	8 Sed., Limo. Right	1	----	----	----	1646 542
	Left	1	----	----	----	1646 543
1956	Sp. 4D. Right	1	1681 154	1681 178	1650 993	1650 993
	Left	1	1681 155	1681 179	1650 993	1650 993
	WEATHERSTRIP, Rear Door Pivot Window Belt Outer					
1956	Sp. 4 D. Rubber, 5 5/16 Long, Right	1	1697 766	1697 766	----	----
	Left	1	1697 767	1697 767	----	----
	Includes Moulding SUPPORT, 7 1/2 Long	2	----	----	1650 996	1650 996
	WEATHERSTRIP, Door Window Belt Outer					
1955-56	Sp. Cl. Cp., Cv. Cp. Right	1	1579 920	1579 920	1598 733	1598 733
	Left	1	1579 921	1578 351	1598 733	1598 733
1955-56	Cl. Cp., Cl. Sed., 3 Cp., 2D. Sub. Right	1	1593 252	1593 252	----	----
	Left	1	1593 253	1593 253	----	----
23-63-16	CLIP, Door Window Belt Outer Weatherstrip					
1955-56	All	★	*6006 104	*6006 104	*6006 104	*6006 104
23-63-19	RETAINER, Rear Door Window Belt Inner					
	Weatherstrip					
1956	Sp. 4D. 8 7/16 Long	2	1696 428	1696 428	----	----
	RETAINER, Rear Door Pivot Window Belt Outer					
	Weatherstrip					
1956	Sp. 4D. Right	1	1696 426	1696 426	----	----
	Left	1	1696 427	1696 427	----	----
23-63-20	WEATHERSTRIP, Quarter Window Belt Inner					
1955-56	Sp. Cl. Cp. Right	1	1646 376	1646 376	----	----
	Left	1	1578 393	1578 393	----	----
1955	Sp. Cl. Cp.	2	----	----	1640 832	1640 832
1955-56	Cv. Cp. Right	1	1578 558	1578 558	1640 832	1640 832
	Left	1	1578 559	1578 559	1640 832	1640 832
1955-56	Cl. Cp., Cl. Sed., 3 Cp.	2	1579 215	1578 248	----	----
1955-56	8 Sed., Limo. Right	1	----	----	----	1645 828
	Left	1	----	----	----	1645 829
1956	Sp. Cl. Cp.	2	----	----	1640 831	1640 831
23-63-21	WEATHERSTRIP, Quarter Window Belt Outer					
1955-56	Sp. Cl. Cp. Right	1	1579 918	1646 377	----	----
	Left	1	1579 919	1578 355	----	----
1955	Sp. Cl. Cp., Cv. Cp.	2	----	----	*1620 322	*1620 322
1955-56	Cv. Cp. Right	1	1608 670	1578 420	----	----
	Left	1	1608 671	1578 421	----	----
1955-56	Cl. Cp., Cl. Sed., 3 Cp. Right	1	1579 216	1578 249	----	----
	Left	1	1579 217	1578 249	----	----
1955	8 Sed., Limo. Right	1	----	----	----	1645 830
	Left	1	----	----	----	1645 831
1956	Sp. Cl. Cp., Cv. Cp.	2	----	----	1650 500	1650 500

★ Indicates use as required.

□ Indicates parts not listed in any previous parts book.

* Indicates change or addition.

1955-56 PASSENGER CAR PARTS LIST

BODY

CODE	REMARKS	PER CAR	PLYMOUTH	DODGE	DESOTO	CHRYSLER AND IMPERIAL
23-63-22	CLIP, Quarter Window Belt Outer Weatherstrip					
	1955 As Required	★	*6006 104	*6006 104	*6006 104	*6006 104
	1956 As Required	★	*6006 104	*6006 104	----	----
23-63-28	SHIM, Door Weatherstrip					
	1955-56 All	★	----	----	1690 992	1690 992
		★	----	----	1691 262	1691 262
	SHIM, Door Weatherstrip Lock Pillar Ledge Area					
	1955-56 Sp. Cl. Cp., Cv. Cp.	2	----	----	1492 248	1492 248
23-63-33	WEATHERSTRIP, Door					
	1955-56 4D. except C69; 4D. Sub., Est. Wgn., 8 Sed., Limo.					
	Front Right	1	1579 392	1579 392	1650 514	1650 514
	Left	1	1579 393	1579 393	1650 515	1650 515
	1955 C69 4D.					
	Front Right	1	----	----	----	1650 516
	Left	1	----	----	----	1650 517
	1955-56 4D.					
	Rear Right	1	1579 396	1578 440	1620 319	1620 319
	Left	1	1579 397	1578 441	1620 318	1620 318
	1955-56 Sp. Cl. Cp.					
	Hinge Pillar, Right	1	1627 898	1627 898	----	----
	Left	1	1627 899	1627 899	----	----
	1955-56 Sp. Cl. Cp., Cv. Cp.					
	Lock Pillar, Right	1	1578 764	1578 764	1620 096	1620 096
	Left	1	1578 765	1578 765	1620 097	1620 097
	Bottom, Right	1	1578 442	1578 442	1690 274	1690 274
	Left	1	1578 443	1578 443	1690 275	1690 275
	1955-56 Sp. Cl. Cp. w/Visor					
	Hinge Pillar, Right	1	----	----	1651 984	1651 984
	Left	1	----	----	1651 985	1651 985
	w/o Visor					
	Hinge Pillar, Right	1	----	----	1651 962	1651 962
	Left	1	----	----	1651 963	1651 963
	1955-56 Cv. Cp.					
	Hinge Pillar, Right	1	1578 754	1578 754	1651 962	1651 962
	Left	1	1578 755	1578 755	1651 963	1651 963
	1955-56 Cl. Cp., 3 Cp., 2 D. Sub.					
	Right	1	1579 394	1579 394	----	----
	Left	1	1579 395	1579 395	----	----
	1955-56 4D. Sub., Est. Wgn.					
	Rear Right	1	1579 398	1579 398	1578 939	1578 939
	Left	1	1579 399	1579 399	1578 938	1578 938
	1955-56 8 Sed., Limo.					
	Rear Right	1	----	----	----	1628 888
	Left	1	----	----	----	1628 889
	1956 Sp. 4D					
	Hinge Pillar, Front Right	1	1578 754	1578 754	----	----
	Left	1	1578 755	1578 755	----	----
	Lock Pillar and Bottom, Front Right	1	1682 146	1682 146	----	----
	Left	1	1682 147	1682 147	----	----
	Rear Right	1	1682 078	1682 078	----	----
	Left	1	1682 079	1682 079	----	----
	Hinge Pillar, Front Right	1	----	----	1691 060	1691 060
	Left	1	----	----	1691 061	1691 061
	Lock Pillar, Front Right	1	----	----	1690 896	1690 896
	Left	1	----	----	1690 897	1690 897
	Bottom, Front	2	----	----	1691 259	1691 259
	Hinge Pillar and Bottom, Rear Right	1	----	----	1691 260	1691 260
	Left	1	----	----	1691 261	1691 261
	Lock Pillar, Rear Right	1	----	----	1690 692	1690 692
	Left	1	----	----	1690 693	1690 693
	WEATHERSTRIP, Door Auxiliary					
	1955-56 All, on Door, L - Shaped. 10" x 5", Right	1	----	----	*1690 276	*1690 276
	Left	1	----	----	1690 277	1690 277
	1956 Sp. 4D. Front Pillar, Next to Weathercord	2	----	----	*1750 997	*1750 997
	On Center Pillar	4	----	----	*1690 874	*1690 874
	WEATHERSTRIP and RETAINER or FLIPPER, Door Window Header					
	1955-56 Sp. Cl. Cp.					
	Right	1	1705 784	1705 786	1750 474	1750 474
	Left	1	1705 785	1705 787	1750 475	1750 475
	SEAL, Door and Quarter Window Header Weatherstrip Retainers to Roof Rail (Vinyl)					
	1955 Sp. Cl. Cp.					
	Green, Right	1	1629 472	----	----	----
	Left	1	1629 473	----	----	----
	1956 Sp. Cl. Cp.					
	Turquoise, Right	1	1681 447	----	----	----
	Left	1	1681 448	----	----	----
	Red, Right	1	1681 449	----	----	----
	Left	1	1681 450	----	----	----
	Gray, Right	1	1681 451	----	----	----
	Left	1	1681 452	----	----	----

★ Indicates use as required.

□ Indicates parts not listed in any previous parts book.
Nov. 28, 1958 Supersedes May 31, 1957.

Printed in U.S.A.
Prices and specifications subject to change without notice.
* Indicates change or addition.

CODE	REMARKS	PER CAR	PLYMOUTH	DODGE	DESOTO	CHRYSLER AND IMPERIAL
	Cream, Right	1	1681 453	----	----	----
	Left	1	1681 454	----	----	----
	Green, Right	1	1681 455	----	----	----
	Left	1	1681 456	----	----	----
	Blue, Right	1	1681 457	----	----	----
	Left	1	1681 458	----	----	----
	Tan, Right	1	1706 214	----	----	----
	Left	1	1706 215	----	----	----
	SEAL, Door Window Header Weatherstrip and Quarter Window Glass Run Retainers to Roof Rail (Vinyl)					
1955-56	Sp. Cl. Cp. Black, Right	1	----	1578 438	----	----
	Left	1	----	1578 439	----	----
	WEATHERSTRIP, Door Window Header Weatherstrip Retainer to Roof Rail					
1955-56	Sp. Cl. Cp. 27 13/16 Long	2	----	----	1651 492	1651 492
	30 1/16 Long, Right	1	----	----	1692 056	1692 056
	Left	1	----	----	1692 057	1692 057
	WEATHERSTRIP, Roof Rail					
1956	Sp. 4D. Right	1	1682 564	1680 194	1651 592	1651 592
	Left	1	1682 565	1680 195	1651 593	1651 593
	SEAL or WEATHERSTRIP, Roof Rail and Front Pillar Corner					
1955	Sp. Cl. Cp. Up To Ser. Nos: P26 13985363, P27 15785735, D55 34890508 Detroit-42549320 Los Angeles					
	Right	1	1609 598	1609 598	----	----
	Left	1	1609 599	1609 599	----	----
1955-56	Sp. Cl. Cp. AFTER Ser. Nos: P26 13985363, P27 15785735, D55 34890508 Detroit-42549320 Los Angeles, P28, P29, D63					
	Right	1	1695 666	1695 666	----	----
	Left	1	1695 667	1695 667	----	----
1955-56	Sp. Cl. Cp. Right	1	----	----	1621 100	1621 100
	Left	1	----	----	1621 101	1621 101
1956	Sp. 4D. Right	1	1706 992	1706 992	----	----
	Left	1	1706 993	1706 993	----	----
	SEAL, Door Window Header Flipper to Glass					
1955-56	Sp. Cl. Cp. 24 17/32 Long, Right	1	----	----	1750 378	1750 378
	Left	1	----	----	1750 379	1750 379
23-63-37	SEAL, Door Window Header Weatherstrip Retainer or Flipper					
1955-56	Sp. Cl. Cp. 4 13/16 Long, Right	2	1696 696	1696 696	----	----
	Left	1	----	----	1750 380	1750 380
	SEAL, Door Window Header Weatherstrip Retainer Locking Hinge					
1955-56	Sp. Cl. Cp. w/Single Catch FLIPPER	2	----	1681 053	----	----
23-63-67	PLATE, Roof Rail Weatherstrip Retainer Rear Anchor					
1956	Sp. 4D.	2	1694 293	1694 293	----	----
23-63-70	SCREW, Door Hinge Pillar Weatherstrip Clip to Vent Wing Frame					
1955-56	Sp. 4D., Sp. Cl. Cp., Cv. Cp.	2	----	1646 534	----	----
23-63-85	WEATHERSTRIP or SEAL, Rear Door Window Glass Frame Rear or Division					
1956	Sp. 4 D. Right	1	1695 406	1695 406	----	----
	Left	1	1695 407	1695 407	----	----
	Includes Retainer, Inner Right	1	----	----	1692 030	1692 030
	Left	1	----	----	1750 822	1750 822
	Outer Weatherstrip, Felt	2	----	----	1651 744	1651 744
	Outer Seal, Rubber	2	----	----	1651 745	1651 745
23-63-94	WEATHERSTRIP, Rear Door Window Glass Frame Front					
1956	Sp. 4D. Right	1	1657 874	1657 874	1650 693	1650 693
	Left	1	1657 875	1657 875	1650 693	1650 693

★ Indicates use as required.

☐ Indicates parts not listed in any previous parts book.

* Indicates change or addition

1955-56 PASSENGER CAR PARTS LIST

BODY

CODE	REMARKS	PER CAR	PLYMOUTH	DODGE	DESOTO	CHRYSLER AND IMPERIAL
23-63-97	WEATHERSTRIP, Door Glass Lower Channel					
	1955-56 except Sp. 4 D., Sp. Cl. Cp., Cv. Cp.	★	1432 636	1593 545	1593 545	1593 545
	1955-56 Sp. Cl. Cp. except C69, C73; Cv. Cp.	2	-----	-----	1621 689	1621 689
	1955-56 C69, C73, Sp. Cl. Cp.	2	-----	-----	-----	1650 314
	1956 Sp. 4D.	2	-----	-----	1651 254	1651 254
	Front	2	-----	-----	1652 069	1652 069
	Rear	2	-----	-----	1652 070	1652 070
	Pivot Window	2	-----	-----	-----	-----
23-63-100	WEATHERSTRIP, Quarter Window					
	1955-56 Sp. Cl. Cp. Roof Side Rail, Right	1	1579 828	-----	1620 316	1620 316
	Left	1	1579 829	-----	1620 317	1620 317
	1955-56 Sp. Cl. Cp., Cv. Cp. Lower Channel	2	-----	-----	1621 616	1621 616
	1955-56 Cl. Cp., 3 Cp. Lower Channel	2	1432 636	1578 738	-----	-----
	1955-56 2D. Sub. Front Stationary	2	1459 732	1459 732	-----	-----
	Rear	2	1593 541	1593 541	-----	-----
	1955-56 4D. Sub., Est. Wgn.	2	1579 401	1579 401	1577 987	1577 987
	1955 8 Sed., Limo. Right	2	-----	-----	-----	1645 826
	Left	2	-----	-----	-----	1645 827
	1956 8 Sed., Limo. -Front and Upper Outer, Right	1	-----	-----	-----	1686 131
	Left	1	-----	-----	-----	1686 132
	Upper Inner, Right	1	-----	-----	-----	1686 141
	Left	1	-----	-----	-----	1686 142
23-63-103	SCREW, Quarter Window Roof Rail Moulding or Weatherstrip Retainer					
	1955-56 Sp. Cl. Cp. To Filler	4	-----	-----	6006 063	6006 063
23-63-104	WEATHERSTRIP, Quarter Window Glass Frame Front					
	1955-56 Sp. Cl. Cp., Cv. Cp. Right	1	1578 368	1578 368	1620 166	1620 166
	Left	1	1578 369	1578 369	1620 167	1620 167
23-63-107	WEATHERSTRIP, Front Quarter Window Glass Division					
	1955-56 2 D. Sub.	2	1579 864	1579 864	-----	-----
23-63-112	WEATHERSTRIP, Rear Window					
	1955-56 4 D., Cl. Cp., 3 Cp.	1	1591 263	1577 051	-----	-----
	1955-56 4 D.	1	-----	-----	1620 502	-----
	1956 S24 Sp. 4 D.	1	-----	-----	1620 179	-----
	1955-56 C67, C71, 4 D., Sp. 4 D.	1	-----	-----	-----	1652 113
	1955-56 C68, C69, C72, C73, 4 D., Sp. 4 D.	1	-----	-----	-----	1620 179
	1955-56 Sp. 4 D., Sp. Cl. Cp. Beige	1	1707 146	-----	-----	-----
	Black	1	1592 520	1577 324	-----	-----
	Orchid	1	-----	1706 784	-----	-----
	1955-56 S21, S24, C68, C69, C72, C73, Sp. Cl. Cp.	1	-----	-----	1620 173	1620 173
	1955-56 S22, S23, C67, C71, Sp. Cl. Cp.	1	-----	-----	1620 493	1620 493
	1955-56 8 Sed., Limo.	1	-----	-----	-----	1686 105
23-63-119	FILLER, Rear Window Frame Lower Corner					
	1956 Sp. Cl. Cp.	2	-----	-----	1684 601	-----
23-63-122	WEATHERSTRIP, Door Vent Wing Frame (to door)					
	1955-56 Sp. 4 D., Sp. Cl. Cp., Cv. Cp. Right	1	1609 410	1609 410	-----	-----
	Left	1	1609 411	1609 411	-----	-----
23-63-126	WEATHERSTRIP, Front Door Vent Wing					
	1955-56 except Sp. 4 D., Sp. Cl. Cp., Cv. Cp. Right	1	1593 272	1593 272	1597 758	1597 758
	Left	1	1593 273	1593 273	1597 759	1597 759
	1955-56 Sp. Cl. Cp., Cv. Cp. Right	1	1578 086	1578 086	1597 874	1597 874
	Left	1	1578 087	1578 087	1597 875	1597 875
	1956 Sp. 4 D. Right	1	1655 394	1655 394	1651 852	1651 852
	Left	1	1655 395	1655 395	1651 853	1651 853
	WEATHERSTRIP, Rear Door Vent Wing or Stationary Window					
	1955-56 4 D. Vent Wing, Right	1	1592 996	1578 220	1597 051	1597 051
	Left	1	1592 997	1578 221	1597 052	1597 052
	Stationary, Right	1	1579 802	1578 556	-----	-----
	Left	1	1579 803	1578 557	-----	-----
	1955-56 4D. Sub., Est. Wgn. Vent Wing, Right	1	1579 744	1579 744	1577 854	1577 854
	Left	1	1579 745	1579 745	1577 855	1577 855
	Stationary, Right	1	1645 266	1645 266	-----	-----
	Left	1	1645 267	1645 267	-----	-----

★ Indicates use as required.

⊠ Indicates parts not listed in any previous parts book.
 Nov. 28, 1958 Supersedes May 31, 1957.

PASSENGER CAR PARTS LIST 1955-56

CODE	REMARKS	PER CAR	PLYMOUTH	DODGE	DESOTO	CHRYSLER AND IMPERIAL
23-63-127	RETAINER and Division CHANNEL, Door Vent Wing Weatherstrip 1955-56 Except Sp. 4 D., Sp. Cl. Cp., Cv. Cp.					
	Front Right	1	1593 202	1593 202	1597 974	1597 974
	Left	1	1593 203	1593 203	1597 975	1597 975
1955-56	4 D. Rear Right	1	1592 994	1577 480	1597 028	1597 028
	Left	1	1592 995	1577 481	1597 029	1597 029
1955-56	4 D. Sub., Est. Wgn. Rear Right	1	1579 718	1579 718	1577 848	1577 848
	Left	1	1579 719	1579 719	1577 849	1577 849
23-63-130	WEATHERSTRIP, Door Vent Wing Division Channel					
1955-56	except Sp. 4 D., Cv. Cp., Sp. Cl. Cp. Front	2	1593 218	1593 218	1458 996	1458 996
1955-56	4 D. Rear	2	1593 017	1455 307	1597 050	1597 050
1955-56	Cv. Cp., Sp. Cl. Cp.	2	1433 825	1433 825	1598 468	1598 468
1955-56	4 D. Sub., Est. Wgn. Rear	2	1593 218	1593 218	1459 869	1459 869
1956	Sp. 4D. Right	1	1459 418	1459 418	1651 870	1651 870
	Left	1	1459 418	1459 418	1651 871	1651 871
NOTE: For Door Window to Pivot Window WEATHERSTRIP, see 23-63-85						
23-63-131	CLIP, Door Hinge Pillar Weatherstrip to Vent Wing Frame					
1955-56	Sp. 4 D., Sp. Cl. Cp., Cv. Cp. Right	1	----	*1695 932	----	----
	Left	1	----	1695 933	----	----
23-63-158	WEATHERSTRIP, Partition Window Belt					
1955-56	Limo.	2	----	----	----	1646 535
23-63-171	WEATHERSTRIP, Tailgate					
1955-56	Sub., Est. Wgn. Upper	1	1608 737	1608 737	----	----
	Lower	1	1608 740	1608 741	----	----
	Bottom and Sides	1	----	----	1578 912	1578 912
	Upper Corner Seal, Right	1	----	----	1651 432	1651 432
	Left	1	----	----	1651 433	1651 433
1956	Est. Wgn. Drain Trough, Upper	2	----	----	----	1690 226
	Lower	2	----	----	----	1690 223
23-63-172	WEATHERSTRIP, Deck Lid Opening					
1955	except Sub., Est. Wgn.	1	1591 665	1577 118	1598 201	1598 201
1956	except Sub.	1	1591 665	1577 118	----	----
1956	4 D., Sp. 4 D., except C73	1	----	----	1598 201	1598 201
1956	C73 4 D., Sp. 4 D.	1	----	----	----	1690 997
1956	Sp. Cl. Cp., Cv. Cp.	1	----	----	1690 997	1690 997
23-63-181	WEATHERSTRIP, Tailgate Window					
1955-56	Sub., Est. Wgn. Upper and Sides	1	1608 551	1608 551	----	----
	Lower Channel	1	----	----	1577 869	1577 869
		1	----	----	1577 887	1577 887
23-63-182	RETAINER, Tailgate Window Glass Weatherstrip					
1955-56	Sub.	★	*1304 227	*1304 227	----	----
23-63-188	SUPPORT, Door Window Header Weatherstrip and Retainer					
1955-56	Sp. Cl. Cp.	4	1628 665	1628 665	----	----
23-63-190	SPRING, Door Window Header Weatherstrip and Retainer, or Flipper Over-Center					
1955-56	Sp. Cl. Cp. Right	2	1682 003	1682 003	1621 210	1621 210
	Left	2	1628 752	1628 752	1621 211	1621 211
23-63-193	SPRING, Door Window Header Weatherstrip Flipper Trigger					
1955-56	Sp. Cl. Cp., w/Single Catch Flipper	2	1578 599	1578 599	----	----
	w/Double Catch Flipper, Right	1	1697 214	1697 214	----	----
	Left	1	1697 215	1697 215	----	----
1955-56	Sp. Cl. Cp.	2	----	----	1620 467	1620 467
23-63-201	COVER, Door Window Header Weatherstrip Outer Retainer Catch					
1955-56	Sp. Cl. Cp.	★	1657 001	1657 001	----	----
23-63-204	PIN, Door Window Header Weatherstrip Flipper Trigger					
1955	Sp. Cl. Cp., w/Single Catch Flipper	2	1620 073	1620 073	----	----
1955-56	Sp. Cl. Cp.	2	----	----	1620 073	1620 073
23-63-209	PIN, Door Window Header Weatherstrip Flipper Hinge					
1955	Sp. Cl. Cp., w/Single Catch Flipper	2	*1620 070	*1620 070	----	----
1955-56	Sp. Cl. Cp.	★	----	----	1620 070	1620 070

★ Indicates use as required.

□ Indicates parts not listed in any previous parts book.

* Indicates change or addition.

1955-56 PASSENGER CAR PARTS LIST

BODY

CODE	REMARKS	PER CAR	PLYMOUTH	DODGE	DESOTO	CHRYSLER AND IMPERIAL
23-64-0 WINDOW AND VENT WING						
NOTE: WINDOW GLASS IS SERVICED BY PITTSBURGH PLATE GLASS CO.						
23-64-4	BUMPER, Door Window Down Position Stop					
1955-56	4 D., 4 D. Sub., Est. Wgn. w/Manual Window Lifts	4	1246 304	1246 304	1371 220	1371 220
	w/Electric Window Lifts	4	1381 435	1381 435	1381 435	1381 435
1955-56	Sp. Cl. Cp., Cv. Cp., Cl. Cp., 3 Cp., 2 D. Sub. w/Manual Window Lifts	2	1246 304	1246 304	1381 435	1381 435
	w/Electric Window Lifts	2	1381 435	1381 435	1381 435	1381 435
1956	Sp. 4 D. w/Manual Window Lifts	2	1246 304	1246 304	1381 435	1381 435
	Front	2	1381 435	1381 435	1381 435	1381 435
	Rear	2	1381 435	1381 435	1381 435	1381 435
	w/Electric Window Lifts	4	1381 435	1381 435	1381 435	1381 435
BUMPER,	Quarter Window Down Position Stop					
1955-56	Sp. Cl. Cp., Cv. Cp. w/Manual Window Lifts	2	1459 035	1459 035	1381 435	1381 435
	w/Electric Window Lifts	2	1680 109	1680 109	1381 435	1381 435
1955-56	Cl. Cp. w/Manual Window Lifts	2	1246 304	1246 304	----	----
	w/Electric Window Lifts	2	1381 435	1381 435	----	----
BUMPER,	Partition Window Down Position Stop					
1955-56	Limo.	2	----	----	----	1381 435
23-64-6	CHANNEL, Rear Door Stationary Window Division					
1955-56	4D. Right	1	1595 900	1578 600	----	----
	Left	1	1595 901	1578 601	----	----
1955-56	4D. Sub. Right	1	1645 280	1645 280	----	----
	Left	1	1645 281	1645 281	----	----
NOTE: For jobs with rear door vent wings see 23-63-127						
23-64-12	BRACKET, Window Down Position Stop Bumper					
1955-56	4 D., 4D. Sub., Est. Wgn., 8 Sed., Limo., w/Manual Window Lifts	4	1608 535	1608 535	1372 038	1372 038
	w/Electric Window Lifts	4	1592 444	1592 444	1475 487	1475 487
1955-56	Sp. Cl. Cp., Cv. Cp., Cl. Cp., 3 Cp., 2 D. Sub. w/Manual Window Lifts	2	1591 605	1591 605	1475 487	1475 487
	w/Electric Window Lifts	2	1592 444	1592 444	1475 487	1475 487
1956	Sp. 4D., w/Manual Window Lifts	2	1591 605	1591 605	1475 487	1475 487
	Front	2	1592 444	1592 444	1475 487	1475 487
	w/Electric Window Lifts	2	1683 231	1683 231	1475 487	1475 487
1956	Sp. 4 D., w/Manual Window Lifts	2	1683 231	1683 231	1475 487	1475 487
	Rear	2	1683 231	1683 231	1475 487	1475 487
STOP,	Door Window Up Position					
1956	Sp. 4D. Front Door, Front	2	1578 071	1578 071	----	----
	Front Door, Rear Right	1	1609 562	1609 562	----	----
	Left	1	1609 563	1609 563	----	----
		8	----	----	1690 691	1690 691
1955-56	Sp. Cl. Cp., Cv. Cp. Front	2	1578 071	1578 071	----	----
	Rear Right	1	1609 562	1609 562	----	----
	Left	1	1609 563	1609 563	----	----
		4	----	----	1598 408	1598 408
STOP,	Quarter Window Up Position					
1955-56	Sp. Cl. Cp., Cv. Cp.	2	1578 158	1578 158	1459 072	1459 072
23-64-13	SCREW and WASHER, Window Stop Attaching					
1955-56	As Required	★	6000 210	6000 210	----	----
23-64-16	SPACER, Quarter Window Glass Stop Bracket					
1955-56	Cv. Cp. w/Electric Window Lifts	★	1681 008	----	----	----
23-64-23	SCREW and WASHER, Door Vent Wing					
	Weatherstrip Retainer to Door					
1955-56	Except Sp. 4 D., Sp. Cl. Cp., Cv. Cp.	★	6000 210	6000 210	----	----
SCREW,	Door Vent Wing Frame to Door Lower					
	Front Attaching					
1955-56	Sp. 4 D., Sp. Cl. Cp., Cv. Cp.	★	----	----	1691 821	1691 821
23-64-25	BRACKET, Rear Door Vent Wing Locking					
1955-56	4 D.	2	1433 067	1433 067	1455 303	1455 303
1955-56	4 D. Sub., Est. Wgn.	2	1433 067	1433 067	1433 067	1433 067

★ Indicates use as required.

⊠ Indicates parts not listed in any previous parts book.
Nov. 28, 1958 Supersedes Nov. 15, 1957.

Printed in U.S.A.
Prices and specifications subject to change without notice.
* Indicates change or addition.

CODE	REMARKS	PER CAR	PLYMOUTH	DODGE	DESOTO	CHRYSLER AND IMPERIAL
23-64-32	BRACKET, Rear Door Vent Wing Division Channel Lower 1955-56 4 D. Right	1	----	----	1243 411	1243 411
	Left	1	----	----	1243 412	1243 412
	BRACKET, Door Vent Wing Frame to Division Channel Upper 1956 Sp. 4 D.	2	1655 540	1655 540	----	----
23-64-41	STUD and WASHER, Door Vent Wing Division Channel Adjusting 1955-56 Except Est. Wgn., Rear Door	★	1578 500	1578 500	*6006 155	*6006 155
	1955-56 Est. Wgn. Rear	2	----	----	1243 539	1243 539
23-64-48	FRAME and Division CHANNEL, Door Vent Wing 1955-56 Sp. Cl. Cp. See Note 1, Cv. Cp. Right	1	1578 252	1578 252	1598 460	1598 460
	Left	1	1578 253	1578 253	1598 461	1598 461
	1955-56 Sp. Cl. Cp. See Note 1 Right	1	----	----	1598 522	1598 522
	Left	1	----	----	1598 523	1598 523
	1956 Sp. 4D. w/Rain Deflector Holes, Right	1	1656 026	1656 026	----	1691 580
	Left	1	1656 027	1656 027	----	1691 581
	w/o Rain Deflector Holes, Right	1	----	----	1651 844	1651 844
	Left	1	----	----	1651 845	1651 845
	FRAME, Door Vent Wing Front (Less Weatherstrip RETAINER and Division CHANNEL) 1956 Sp. 4 D. Right	1	1655 362	1655 362	----	----
	Left	1	1655 363	1655 363	----	----
23-64-49	FRAME, Front Door Vent Wing Glass 1955-56 Except Sp. 4 D., Sp. Cl. Cp., Cv. Cp. B. E., Right	1	1593 626	1593 626	----	----
	Left	1	1593 627	1593 627	----	----
	Chrome, Right	1	1593 208	1593 208	1597 976	1597 976
	Left	1	1593 209	1593 209	1597 977	1597 977
	1955-56 Sp. Cl. Cp., Cv. Cp. Right	1	1578 256	1578 256	1598 454	1598 454
	Left	1	1578 257	1578 257	1598 455	1598 455
	1956 Sp. 4 D. Right	1	1656 070	1656 070	1651 846	1651 846
	Left	1	1656 071	1656 071	1651 847	1651 847
	FRAME, Rear Door Vent Wing or Pivot Window Glass 1955-56 4 D. Right	1	1592 988	1577 458	1597 042	1597 042
	Left	1	1592 989	1577 459	1597 043	1597 043
	1955-56 4 D. Sub., Est. Wgn. Right	1	1579 736	1579 736	1577 850	1577 850
	Left	1	1579 737	1579 737	1577 851	1577 851
	1956 Sp. 4 D. Front Right	1	1680 060	1680 076	----	----
	Left	1	1695 408	1695 019	----	----
	Includes Rear Bracket, Rear Right	1	1683 366	1683 370	----	----
	Left	1	1683 367	1683 371	----	----
		2	----	----	1691 233	1691 233
23-64-57	STUD, ROD or BOLT, Door Vent Wing Frame Anchor 1955-56 Sp. 4 D., Sp. Cl. Cp., Cv. Cp. Front	2	1578 268	1578 268	----	----
	Rear	2	1246 001	1246 001	----	----
	1955-56 Sp. Cl. Cp., Cv. Cp. Front	2	----	----	1598 463	1598 463
	Rear	2	----	----	1246 001	1246 001
	1956 Sp. 4 D.	2	----	----	1651 840	1651 840
23-64-59	WASHER, Door Vent Wing Frame Anchor 1955-56 Sp. Cl. Cp., Cv. Cp.	4	----	----	1561 065	1561 065
23-64-61	BRACE, Vent Wing Frame to Door 1955 Sp. Cl. Cp., Cv. Cp.	2	1645 797	1645 797	----	----
	1956 Sp. Cl. Cp., Cv. Cp.	2	1646 908	1646 908	----	----
23-64-63	SCREW, Vent Wing Frame to Door Brace 1955-56 Sp. Cl. Cp., Cv. Cp. To Door	6	1655 373	1655 373	----	----
	To Frame	6	1655 383	1655 383	----	----
23-64-65	REINFORCEMENT, Rear Door Pivot Window Frame Corner Joint 1956 Sp. 4 D. Upper, Front Right	1	1657 888	1657 889	1651 812	1651 812
	Left	1	1696 488	1696 489	1651 812	1651 812
	Lower, Front	2	----	----	1651 813	1651 813

NOTE 1: Identify as follows:

Part Number
1598 460
1598 461
1598 522
1598 523

Number on Frame
1597 996
1597 997
1598 474
1598 475

★ Indicates use as required.

☐ Indicates parts not listed in any previous parts book.

* Indicates change or addition.

1955-56 PASSENGER CAR PARTS LIST

BODY

CODE	REMARKS	PER CAR	PLYMOUTH	DODGE	DESOTO	CHRYSLER AND IMPERIAL
25-64-66	FRAME, Rear Window Opening Upper 1955-56 except Cv. Cp., Sub. FRAME and Roof Rear Side PANEL, Rear Window Opening Side	1	1545 397	----	----	----
	1955-56 4 D. Right	1	1591 280	----	----	----
	Left	1	1591 281	----	----	----
	1955-56 Sp. Cl. Cp. Right	1	1592 690	----	----	----
	Left	1	1592 691	----	----	----
	1955-56 Cl. Cp., Cl. Sed., 3 Cp. Right	1	1591 648	----	----	----
	Left	1	1591 649	----	----	----
	1956 Sp. 4 D. Right	1	1680 590	----	----	----
	Left	1	1680 591	----	----	----
23-64-101	TAPPING PLATE, Door Vent Wing Frame to Door Lower Front Attaching	2	----	----	1651 832	1651 832
23-64-106	1956 Sp. 4 D. NUT, Door Vent Wing Lower Pivot	★	1621 754	1621 754	1621 754	1621 754
23-64-119	1955-56 All STOP or PLATE, Door Vent Wing Lower Pivot	4	1593 245	1593 245	1593 245	1593 245
	1955-56 All Front, .074" thick	★	1621 518	1621 518	1621 518	1621 518
	.148" thick Rear	4	1243 461	1243 461	1243 461	1243 461
23-64-154	DEFLECTOR, Door Vent Wing Rain 1955-56 Except Sp. 4 D., Sp. Cl. Cp., Cv. Cp.	Right 1 Left 1	1608 636 1608 637	1608 636 1608 637	----	----
	1955-56 Sp. Cl. Cp., Cv. Cp. Right	1	1609 450	1609 450	----	----
	Left	1	1609 451	1609 451	----	----
	1956 Sp. 4 D. Right	1	1694 250	1694 250	----	1691 386
	Left	1	1694 251	1694 251	----	1691 387
23-64-156	SCREW, Door Vent Wing Rain Deflector Attaching 1955-56 Sp. 4 D., Sp. Cl. Cp., Cv. Cp.	★	1646 534	1646 534	----	----
23-64-158	BRACKET, Quarter Window Pivot 1955-56 Sp. Cl. Cp., Cv. Cp.	2	1697 367	1697 367	*1697 367	*1697 367
23-64-178	LOCK, Quarter Window Sliding Glass 1955-56 2D. Sub	Right 1 Left 1	1608 502 1608 503	1608 502 1608 503	----	----
23-64-179	BUMPER, Quarter Window Sliding Glass Lock Handle 1955-56 2 D. Sub.	2	1477 825	1477 825	----	----
23-64-220	BUMPER or ANTI-RATTLER, Quarter Window 1955 Sp. Cl. Cp., Cv. Cp.	Outer 2 Inner 2	----	----	1650 217 1621 894	1650 217 1621 894
	1955-56 Sp. Cl. Cp. Outer	2	1656 072	1656 072	----	----
	Inner Right	1	1656 086	1656 086	----	----
	Left	1	1656 087	1656 087	----	----
	1955-56 Cv. Cp. Outer	2	1656 073	1656 073	----	----
	Inner	2	1656 091	1656 091	----	----
	1956 Sp. Cl. Cp., Cv. Cp. Outer	2	----	----	1651 002	1651 002
	Inner	2	----	----	1621 894	1621 894
23-64-222	SCREW, Quarter Window Watershield Attaching 1955-56 2 D. Sub.	6	1646 390	1646 390	----	----
23-64-225	HINGE, Quarter Window 1955-56 Sp. Cl. Cp., Cv. Cp.	Right 1 Left 1	1548 481 1548 482	1548 481 1548 482	1548 481 1548 482	1548 481 1548 482
23-64-228	PIN, Quarter Window Pivot 1955-56 Sp. Cl. Cp., Cv. Cp.	2	1597 408	1597 408	1597 408	1597 408
23-64-229	STUD and WASHER, Quarter Window Hinge to Quarter Panel 1955-56 Sp. Cl. Cp., Cv. Cp.	8	1680 975	1680 975	1597 426	1597 426
23-64-232	LOCKWASHER, Quarter Window Hinge to Quarter Panel 1955-56 Sp. Cl. Cp., Cv. Cp.	8	----	----	1561 065	1561 065
23-64-237	PLATE, Rear Door Vent Wing Upper Pivot 1955-56 Est. Wgn.	2	----	----	1577 865	1577 865
23-64-239	BUSHING NUT, Rear Door Vent Wing Weatherstrip Retainer Upper Bracket 1955-56 4 D., 4 D. Sub.	2	1245 656	1245 656	----	----
23-64-240	PIVOT, Rear Door Vent Wing Upper 1955-56 Est. Wgn.	2	----	----	*1577 866	*1577 866

★ Indicates use as required.

Ⓛ Indicates parts not listed in any previous parts book.
Nov. 28, 1958 Supersedes Nov. 15, 1957.

Printed in U.S.A.
Prices and specifications subject to change without notice.
* Indicates change or addition.

PASSENGER CAR PARTS LIST 1955-56

CODE	REMARKS	PER CAR	PLYMOUTH	DODGE	DESOTO	CHRYSLER AND IMPERIAL
23-64-241	PIVOT, Door Vent Wing Lower 1955-56 Except Sp. 4 D., Sp. Cl. Cp., Cv. Cp.					
	Front Right	1	1593 242	1593 242	1593 242	1593 242
	Left	1	1593 243	1593 243	1593 243	1593 243
	Rear	2	1243 460	1243 460	1243 460	1243 460
	1955-56 Sp. Cl. Cp., Cv. Cp. style="text-align: right;">Right	1	1598 446	1598 446	1598 446	1598 446
	Left	1	1598 447	1598 447	1598 447	1598 447
	1956 Sp. 4 D. style="text-align: right;">Front Right	1	1598 446	1598 446	1651 868	1651 868
	Left	1	1598 447	1598 447	1651 869	1651 869
23-64-242	BRACKET, Door Vent Wing Upper Pivot 1955-56 Except Sp. 4 D., Sp. Cl. Cp., Cv. Cp.					
	Front Right	1	*1593 222	*1593 222	*1593 222	*1593 222
	Left	1	1593 223	1593 223	1593 223	1593 223
	1955-56 Sp. 4 D., Sp. Cl. Cp., Cv. Cp. style="text-align: right;">Right	1	1598 444	1598 444	1598 444	1598 444
	Left	1	1598 445	1598 445	1598 445	1598 445
	BRACKET, Door Vent Wing Lower Pivot 1955-56 Sp. 4 D., Sp. Cl. Cp., Cv. Cp. style="text-align: right;">Right	1	1598 448	1598 448	1598 448	1598 448
	Left	1	1598 449	1598 449	1598 449	1598 449
23-64-244	TAPPING PLATE and SUPPORT, Rear Door Pivot Window Lower Pivot Bracket Body Attaching Bracket					
	1956 Sp. 4 D. style="text-align: right;">Right	1	----	----	1690 866	1690 866
	Left	1	----	----	1690 867	1690 867
23-64-245	SPRING, Door Vent Wing Lower Pivot Tension 1955-56 All	★	* 849 765	* 849 765	* 849 765	* 849 765
23-64-246	SPACER, Door Vent Wing Lower Pivot 1955-56 All	★	1243 462	1243 462	1243 462	1243 462
	SHIM, Door Vent Wing Frame to Door 1955-56 Sp. 4 D., Sp. Cl. Cp., Cv. Cp. 1/16 Thick	★	----	----	1349 190	1349 190
23-64-247	SCREW, Door Vent Wing Upper Pivot or Pivot Bracket					
	1955-56 4 D. style="text-align: right;">Rear	2	* 949 372	*1597 057	*1597 057	*1597 057
	1955-56 Sp. 4 D., Sp. Cl. Cp., Cv. Cp. style="text-align: right;">Bracket Attaching	2	1598 465	1598 465	1598 465	1598 465
	Bracket Attaching	4	*1598 462	*1598 462	*1598 462	*1598 462
	1955-56 4 D. Sub., Est. Wgn. style="text-align: right;">Rear	2	949 372	949 372	1597 057	1597 057
	BOLT or SCREW, Rear Door Pivot Window Front Bracket to Lower Channel 1956 Sp. 4 D. style="text-align: right;">Bracket to Lower Channel	4	1683 296	1683 296	----	----
23-64-249	BRACKET or SUPPORT, Rear Door Pivot Window Lower (or Body) Pivot					
	1956 Sp. 4 D. style="text-align: right;">Right	1	1694 204	1694 204	1650 684	1650 684
	Left	1	1694 205	1694 205	1650 685	1650 685
	BRACKET or SUPPORT, Rear Door Pivot Window Lower Pivot Bracket Body Attaching 1956 Sp. 4 D. style="text-align: right;">Bracket Body Attaching	2	1697 469	1697 469	1651 913	1651 913
23-64-250	BOLT or PIN, Rear Door Pivot Window Pivot 1956 Sp. 4 D. style="text-align: right;">Pivot	2	1657 878	1657 878	1691 347	1691 347
23-64-251	SUPPORT, Partition Window Bumper Bracket 1955 Limo style="text-align: right;">Support	2	----	----	----	1646 834
23-64-252	PANEL, Partition Window Bumper Bracket Support Mounting 1955-56 Limo. style="text-align: right;">Support	1	----	----	----	1646 458
23-64-253	SLEEVE NUT, Rear Door Pivot Window Front Bracket to Lower Channel 1956 Sp. 4 D. style="text-align: right;">Bracket to Lower Channel	4	6000 163	6000 163	----	----
23-64-254	TRACK, Rear Door Pivot Window Pivoting Control 1956 Sp. 4 D. style="text-align: right;">Control	1	----	----	1650 694	1650 694
	Control	1	----	----	1650 695	1650 695
23-64-255	FRAME, Front Door Window Glass 1956 Sp. 4 D. style="text-align: right;">Glass	2	1657 909	1657 909	1651 487	1651 487
	Glass	1	1657 910	1657 910	1651 468	1651 468
	Glass	1	1657 911	1657 911	1651 469	1651 469
	FRAME, Rear Door Window Glass 1956 Sp. 4D. Includes Lower CHANNEL, Front BRACKET and WEATHERSTRIP, style="text-align: right;">Glass	1	1705 366	1705 366	----	----
	Glass	1	1705 367	1705 367	----	----

★ Indicates use as required.

□ Indicates parts not listed in any previous parts book.

* Indicates change or addition

1955-56 PASSENGER CAR PARTS LIST

BODY

CODE	REMARKS	PER CAR	PLYMOUTH	DODGE	DESOTO	CHRYSLER AND IMPERIAL
	Includes Slide GUIDE, Upper and Rear, Right	1	1775 922	1775 924	----	----
	Left	1	1775 923	1775 925	----	----
	Right	1	----	----	1691 328	1691 328
	Left	1	----	----	1691 329	1691 329
	FRAME, Door Window Glass					
	1955-56 Sp. Cl. Cp., Cv. Cp.	Upper	2 1577 274	1577 274	1598 050	1598 050
		Rear Right	1 1577 282	1577 282	1598 220	1598 220
		Left	1 1577 283	1577 283	1598 221	1598 221
23-64-257	REINFORCEMENT, Front Door Window Glass Frame					
	Upper Joint					
	1955-56 Sp. Cl. Cp., Cv. Cp.	2	1380 210	1380 210	1620 323	1620 323
	1956 Sp. 4 D.	2	1680 503	1680 503	1620 323	1620 323
	REINFORCEMENT, Rear Door Window Glass Frame					
	Joint					
	1956 Sp. 4 D.	Upper Front	2 1681 182	1681 182	1651 808	1651 808
		Upper Rear Left	1 1696 486	1696 487	----	----
		Lower Right	1 1683 526	1683 526	----	----
		Left	1 1683 527	1683 527	----	----
23-64-258	CAP, Rear Door Window Glass Frame Upper Rear					
	1956 Sp. 4 D.	Right	1 ----	----	1651 938	1651 938
		Left	1 ----	----	1651 939	1651 939
23-64-261	SCREW, Front Door Window Glass Frame to Channel					
	1956 Sp. 4 D.	4	1657 944	1657 944	----	----
23-64-266	ANTI-RATTLER, Rear Door Window					
	1956 Sp. 4 D.	2	1682 042	1682 042	----	----
	BUMPER, Rear Door Pivot Window Upper					
	1956 Sp. 4 D.	2	----	----	1750 101	1750 101
23-64-280	FRAME, Quarter Window Glass					
	1955 Sp. Cl. Cp., Cv. Cp.	Front	2 1578 723	1578 723	1620 116	1620 116
	1955-56 Sp. Cl. Cp.	Upper and Rear	2 1579 855	1578 156	1620 004	1620 004
	1955-56 Cv. Cp.	Upper and Rear	2 1578 251	1578 251	1620 004	1620 004
	1956 Sp. Cl. Cp., Cv. Cp.	Front Right	1 1578 723	1578 723	1692 134	1692 134
		Left	1 1578 723	1578 723	1692 135	1692 135
23-64-281	REINFORCEMENT, Quarter Window Glass Frame					
	1955-56 Sp. Cl. Cp., Cv. Cp.	Upper Front	2 1578 094	1578 094	1492 271	1492 271
	1955-56 Sp. Cl. Cp.	Rear	2 ----	1578 037	1620 101	1620 101
	1955-56 Cv. Cp.	Rear	2 1578 250	1578 250	1620 101	1620 101
23-64-283	REINFORCEMENT, Quarter Window Guide Slide					
	1955-56 Sp. Cl. Cp., Cv. Cp.	2	1609 567	1609 567	----	----
23-64-284	SCREW or BOLT, Quarter Window Pivot Bracket to					
	Lower Channel					
	1955-56 Sp. Cl. Cp.	4	6000 164	6000 164	----	----
23-64-297	SLEEVE NUT, Quarter Window Pivot Bracket to					
	Lower Channel					
	1955-56 Sp. Cl. Cp.	4	6000 163	6000 163	----	----
23-64-299	GUIDE or RAIL, Quarter Window					
	1955-56 Sp. Cl. Cp.	Right	1 *1579 822	*1578 456	*1598 078	*1598 078
		Left	1 *1579 823	*1578 457	*1598 079	*1598 079
	1955-56 Cv. Cp.	Right	1 *1578 460	*1578 460	*1598 078	*1598 078
		Left	1 *1578 461	*1578 461	*1598 079	*1598 079
23-64-305	GLASS, Partition Window					
	1955-56 Limo.	1	----	----	----	1655 557
	w/Air Conditioning	1	----	----	----	1628 744
23-64-306	GLASS, Front Door Vent Wing					
	1955-56 Except Sp. 4 D., Sp. Cl. Cp., Cv. Cp.	2	1593 234	1593 234	1597 983	1597 983
		Solex	2 1593 235	1593 235	1598 008	1598 008
	1955-56 Sp. Cl. Cp., Cv. Cp.	2	1578 264	1578 264	1598 443	1598 443
		Solex	2 1578 568	1578 568	1598 493	1598 493
	1956 Sp. 4 D.	2	1656 046	1656 046	1651 857	1651 857
		Solex	2 1656 047	1656 047	1651 882	1651 882
	GLASS, Rear Door Vent Wing, Pivot or Stationary					
	Window					
	1955-56 4 D.	Vent	2 1592 990	1577 396	1597 049	1597 049
		Vent, Solex	2 1592 991	1577 397	1597 225	1597 225
		Stationary	2 1593 970	1578 576	----	----
		Stationary, Solex	2 1593 969	1578 634	----	----
	1955-56 4 D. Sub., Est. Wgn.	Vent	2 1579 740	1579 740	1577 852	1577 852
		Vent, Solex	2 1579 741	1579 741	1577 853	1577 853

★ Indicates use as required.

ⓑ Indicates parts not listed in any previous parts book.

Nov. 28, 1958 Supersedes Nov. 15, 1957.

Printed in U.S.A.

Prices and specifications subject to change without notice.

* Indicates change or addition.

PASSENGER CAR PARTS LIST 1955-56

CODE	REMARKS	PER CAR	PLYMOUTH	DODGE	DESOTO	CHRYSLER AND IMPERIAL
	Stationary	2	1645 225	1645 225	----	----
	Stationary, Solex	2	1645 226	1645 226	----	----
1956	Sp. 4 D	2	1680 924	1680 926	1651 480	1651 480
	Pivot, Solex	2	1680 925	1680 927	1651 481	1651 481
23-64-308	GLASS, Front Door Window					
1955-56	4 D. except C69, C73	2	1591 634	1591 634	1547 892	1547 892
	Solex	2	1591 637	1591 637	1547 893	1547 893
1955-56	C69, C73, 4 D.	2	----	----	----	1548 054
	Solex	2	----	----	----	1548 303
1955-56	4 D. Sub., Est. Wgn.	2	1591 634	1591 634	1547 892	1547 892
	Solex	2	1591 637	1591 637	1547 893	1547 893
1955-56	8 Sed., Limo	2	----	----	----	1547 835
	Solex	2	----	----	----	1547 891
1956	Sp. 4 D.	2	1656 596	1656 596	1651 424	1651 424
	Solex	2	1656 597	1656 597	1651 425	1651 425
	GLASS, Rear Door Window					
1955-56	4 D. except C69, C73	2	1591 631	1577 110	1547 897	1547 897
	Solex	2	1591 643	1577 111	1547 898	1547 898
1955-56	C69, C73, 4 D.	2	----	----	----	1547 783
	Solex	2	----	----	----	1547 896
1955-56	4 D. Sub., Est. Wgn.	2	1579 337	1579 337	1577 505	1577 505
	Solex	2	1579 338	1579 338	1577 506	1577 506
1955-56	8 Sed., Limo.	2	----	----	----	1593 524
	Solex	2	----	----	----	1593 525
1956	Sp. 4 D.	2	1680 098	1680 102	1651 472	1651 472
	Solex	2	1680 099	1680 103	1651 473	1651 473
	GLASS, Door Window					
1955-56	Sp. Cl. Cp., Cv. Cp.	2	1578 044	1578 044	----	----
	Solex	2	1577 270	1577 270	----	----
1955	Sp. Cl. Cp. except C69; Cv. Cp.					
	15 3/8 High	1	----	----	1548 784	1548 784
	15 3/8 High, Solex	1	----	----	1548 785	1548 785
1955-56	Sp. Cl. Cp. except C69, C73; Cv. Cp.					
	14 3/8 High	1	----	----	1621 624	1621 624
	14 3/8 High, Solex	1	----	----	1621 625	1621 625
1955	C69 Sp. Cl. Cp.	2	----	----	----	1548 777
	15 3/8 High, Solex	2	----	----	----	1548 783
1955-56	C69, C73, Sp. Cl. Cp.	1	----	----	----	1621 622
	14 3/8 High, Solex	1	----	----	----	1621 623
1955-56	Cl. Cp., Cl. Sed., 3 Cp., 2D. Sub.	2	1591 560	1591 560	----	----
	Solex	2	1591 594	1591 594	----	----
23-64-311	GLASS, Quarter Window					
1955-56	Sp. Cl. Cp.	2	1579 539	1578 176	1597 281	1597 281
	Solex	2	1579 540	1578 177	1597 282	1597 282
1955-56	Cv. Cp.	2	1578 243	1578 243	1597 281	1597 281
	Solex	2	1578 244	1578 244	1597 282	1597 282
1955-56	3Cp., Cl. Cp., Cl. Sed.	2	1592 741	1577 122	----	----
	Solex	2	1592 742	1577 123	----	----
1955-56	2 D. Sub.					
	Front, Stationary	2	1579 276	1579 276	----	----
	Front, Stationary, Solex	2	1579 277	1579 277	----	----
	Front, Sliding	2	1579 271	1579 271	----	----
	Front, Sliding, Solex	2	1579 272	1579 272	----	----
	Rear	2	1593 539	1593 539	----	----
	Rear, Solex	2	1593 540	1593 540	----	----
1955-56	4 D. Sub., Est. Wgn.	2	1593 670	1593 670	1577 514	1577 514
	Solex	2	1593 671	1593 671	1577 515	1577 515
1955-56	8 Sed., Limo.	2	----	----	----	1627 977
	Solex	2	----	----	----	1627 978
23-64-314	GLASS, Rear Window					
1955-56	4D., Cl. Cp., Cl. Sed., 3 Cp.	1	1545 418	1577 045	1547 675	1547 675
	Solex	1	1591 783	1577 050	1547 769	1547 769
1955-56	Sp. Cl. Cp.	1	1545 419	1577 130	1547 640	1547 640
	Solex	1	1592 920	1577 172	1547 560	1547 560
1955-56	8 Sed., Limo.	1	----	----	----	1628 468
	Solex	1	----	----	----	1628 469
1956	Sp. 4 D.	1	1545 419	1577 130	1547 675	1547 675
	Solex	1	1592 920	1577 172	1547 769	1547 769

★ Indicates use as required.

□ Indicates parts not listed in any previous parts book.

* Indicates change or addition.

1955-56 PASSENGER CAR PARTS LIST

BODY

CODE	REMARKS	PER CAR	PLYMOUTH	DODGE	DESOTO	CHRYSLER AND IMPERIAL
	GLASS, Tailgate Window					
	1955-56 Sub., Est. Wgn.	1	1608 549	1608 549	1577 532	1577 532
	Solex	1	1608 550	1608 550	1620 894	1620 894
	LIGHT, Folding Top Rear Curtain (VINYLITE Plastic-Serviced by Chrysler)					
	1955 Cv. Cp.	1	1331 354	1331 354	1331 354	1331 354
	1956 Cv. Cp.	1	1331 354	1331 354	1684 399	1684 399
23-64-323	SLIDE, Rear Door Window and Pivot Window Locking					
	1956 Sp. 4 D.					
	Right	1	1695 000	1695 000	----	----
	Left	1	1695 001	1695 001	----	----
23-64-324	GUIDE, Rear Door Pivot Window Locking Slide					
	1956 Sp. 4 D.					
	Right	1	1694 388	1695 008	----	----
	Left	1	1694 389	1695 009	----	----
23-64-345	SCREW, Rear Door Pivot Window Locking Slide Guide					
	1956 Sp. 4 D.	2	1695 552	1695 552	----	----
23-64-350	SCREW and WASHER, Rear Door Pivot Window Slide Guide Pivot Bracket Attaching					
	1956 Sp. 4 D.	2	1657 961	1657 961	----	----
23-66-0 WINDSHIELD						
NOTE: WINDSHIELD GLASS IS SERVICED BY PITTSBURGH PLATE GLASS CO.						
23-66-4	VISOR, Windshield Outside					
	1955-56 4 D. except C69; Sp. 4 D.					
	Right	1	----	----	1598 582	1598 582
	Left	1	----	----	1598 583	1598 583
	1955 C69 4 D., C70					
	Upper Right	1	----	----	----	1597 770
	Left	1	----	----	----	1597 771
	Lower Right	1	----	----	----	1597 772
	Left	1	----	----	----	1597 773
	1955 Sp. Cl. Cp.					
	Right	1	----	----	1598 584	1598 584
	Left	1	----	----	1598 585	1598 585
	1956 Sp. Cl. Cp.					
	Right	1	----	----	1691 236	1691 236
	Left	1	----	----	1691 237	1691 237
23-66-7	CAP, Windshield Outside Visor Center					
	1955-56 4 D. except C69, Sp. 4 D.					
	1955 C69 4 D., C70					
	Upper	1	----	----	1598 830	1598 830
	Lower	1	----	----	----	1620 099
	1955-56 Sp. Cl. Cp.	1	----	----	1620 098	1620 098
23-66-9	WASHER, Windshield Outside Visor Sealing					
	1955-56 As Required	★	----	----	1620 386	1620 386
23-66-11	BRACKET, Windshield Outside Visor Attaching					
	1955-56 4 D. except C69, Sp. 4 D.					
	Center	1	----	----	1620 294	1620 294
	Outer	4	----	----	1620 295	1620 295
	1955-56 C69 4 D., C70					
	Upper End, Right	1	----	----	----	1650 972
	Left	1	----	----	----	1650 973
	Center	2	----	----	----	1620 418
	1955-56 Sp. Cl. Cp.					
	Center	1	----	----	1620 207	1620 207
	Outer	4	----	----	1620 302	1620 302
23-66-67	ANGLE, Windshield Opening Side Frame					
	1955-56 4D., Cl. Cp., 3 Cp., Sub					
	Right	1	1593 158	1593 158	----	----
	Left	1	1593 159	1593 159	----	----
23-66-129	FASTENER, Windshield Defroster Deflector					
	1955 All	★	----	1597 907	1597 907	1597 907
	1956 All	★	----	B6000 234	1597 907	1597 907
23-66-133	DEFLECTOR, Windshield Defroster					
	1955-56 All					
	End, Right	1	1646 575	1607 892	----	----
	Left	1	----	----	1598 868	1598 868
	Center	1	----	----	1598 869	1598 869
	Center	1	----	----	1598 867	1598 867
23-66-135	GLASS, Windshield					
	1955-56 4 D., Cl. Cp., Cl. Sed., 3 Cp., Sub., Est. Wgn., 8 Sed., Limco.					
	Solex	1	1545 417	1545 417	1548 620	1548 620
	Solex	1	1591 273	1591 273	1548 736	1548 736
	1955-56 Sp. 4 D., Sp. Cl. Cp.					
	Solex	1	1592 470	1592 470	1548 620	1548 620
	Solex	1	1592 672	1592 672	1548 736	1548 736
	1955-56 Cv. Cp.					
	Solex	1	1592 470	1592 470	1597 177	1597 177
	Solex	1	1592 672	1592 672	1597 570	1597 570

★ Indicates use as required.

Ⓚ Indicates parts not listed in any previous parts book. Nov. 28, 1958 Supersedes Nov. 15, 1957.

Printed in U.S.A. Prices and specifications subject to change without notice.

* Indicates change or addition.

PASSENGER CAR PARTS LIST 1955-56

CODE	REMARKS	PER CAR	PLYMOUTH	DODGE	DESOTO	CHRYSLER AND IMPERIAL
23-66-235	WEATHERSTRIP, Windshield Glass					
1955-56	4 D., Cl. Cp., Cl. Sed., 3 Cp., Sub. w/o Windshield Mouldings	1	1579 641	1579 641	----	----
	w/Windshield Mouldings	1	1645 941	1645 941	----	----
	w/Windshield Mouldings and Upper Finish Panel	1	1645 943	1645 943	----	----
1955-56	Sp. Cl. Cp., Sp. 4D., Cv. Cp.	1	1592 517	1592 517	----	----
	w/Windshield Outside Finish Panel	1	1579 972	1579 972	----	----
1955-56	except Cv. Cp.	1	----	----	1598 828	1598 828
	w/Windshield Outside Visor	1	----	----	1598 829	1598 829
1955-56	Cv. Cp	1	----	----	1620 382	1620 382
	WEATHERSTRIP, Windshield Header Outer Corner					
1955-56	Cv. Cp.	2	----	----	1621 881	1621 881
23-67-0 WINDSHIELD WIPER						
23-67-5	ARM, Windshield Wiper					
1955-56	Except Sp. 4 D., Sp. Cl. Cp., Cv. Cp.					
	Right	1	1622 457	1622 457	----	----
	Left	1	1622 458	1622 458	----	----
1955-56	Sp. 4 D., Sp. Cl. Cp., Cv. Cp.					
	Right	1	1622 459	1622 459	----	----
	Left	1	1622 460	1622 460	----	----
1955	Except Cv. Cp.					
	Right	1	----	----	1622 452	1622 452
	Left	1	----	----	1622 453	1622 453
1955	Cv. Cp.					
	Right	1	----	----	1622 459	1622 459
	Left	1	----	----	1622 460	1622 460
1956	Except Cv. Cp.					
	Right	1	----	----	1688 925	1688 925
	Left	1	----	----	1688 926	1688 926
1956	Cv. Cp.					
	Right	1	----	----	1688 923	1688 923
	Left	1	----	----	1688 924	1688 924
23-67-10	GEAR and Drive End Cover Plate GASKET PACKAGE, Windshield Wiper Motor					
1955-56	All	1	E1879 601	E1879 601	E1879 601	E1879 601
23-67-16	BRUSH AND SPRING PACKAGE, Windshield Wiper Motor					
1955	Except 8 Sed., Limo., and Motor EMU 4101A	1	1605 574	1605 574	1605 574	1605 574
1955	All w/Motor EMU 4101A	1	1627 268	1627 268	----	----
1955	8 Sed., Limo.	1	----	----	----	1627 273
1956	All w/One Speed Motor	1	1658 593	1658 593	----	----
	w/Variable Speed Motor	1	1627 273	1627 273	1627 273	1627 273
23-67-18	BRACKET, Windshield Wiper Motor Mounting					
1955-56	All	1	1594 990	1594 990	1594 990	1594 990
23-67-20	GROMMET, Windshield Wiper Motor Mounting Bracket					
1955-56	All	3	1594 992	1594 992	1594 992	1594 992
23-67-25	BLADE, Windshield Wiper					
1955-56	All	2	1688 310	1688 310	1688 310	1688 310
23-67-61	GEAR, Windshield Wiper Motor					
1955-56	All	1	1594 973	1594 973	1594 973	1594 973
23-67-62	KEY, Windshield Wiper Motor Gear					
1955-56	All	1	1604 243	1604 243	1604 243	1604 243
23-67-76	LEVER or ARM, Windshield Wiper Link Crank					
1955-56	All w/One Speed Wipers	1	1626 946	1626 946	----	----
	w/Variable Speed Wipers	1	1648 064	1648 064	----	----
1955	All	1	----	----	1605 601	1605 601
1956	All	1	----	----	1642 086	1642 086
23-67-79	LINK, Windshield Wiper Crank Arm to Pivot					
1955	All w/Variable Speed Wipers					
	Right	1	1622 009	1622 009	1605 609	1605 609
	Left	1	1622 010	1622 010	1605 610	1605 610
	w/One Speed Wipers					
	Right	1	1622 011	1622 011	----	----
	Left	1	1622 012	1622 012	----	----
1956	All w/Variable Speed Wipers					
	Right	1	1622 009	1622 009	1658 348	1658 348
	Left	1	1658 757	1658 757	1658 349	1658 349
	w/One Speed Wipers					
	Right	1	1622 011	1622 011	----	----
	Left	1	1658 486	1658 486	----	----
23-67-80	RETAINER, Windshield Wiper Link					
1955-56	All To Crank Lever	1	1642 029	1642 029	1642 029	1642 029
	To Pivot	2	1605 299	1605 299	1605 299	1605 299
23-67-81	WASHER, Windshield Wiper Link to Crank Lever (Felt)					
1955-56	All w/One Speed Wipers	4	1540 383	1540 383	----	----

★ Indicates use as required.

☐ Indicates parts not listed in any previous parts book.

* Indicates change or addition.

Printed in U.S.A.

Prices and specifications subject to change without notice.

Nov. 28, 1958 Supersedes Nov. 15, 1957.

1955-56 PASSENGER CAR PARTS LIST

BODY

CODE	REMARKS	PER CAR	PLYMOUTH	DODGE	DESOTO	CHRYSLER AND IMPERIAL
23-67-82	WASHER, Windshield Wiper Link to Pivot 1955-56 All	4	1605 604	1605 604	1605 604	1605 604
	WASHER, Windshield Wiper Link to Crank Lever (Steel)					
	1955-56 All w/Variable Speed Wipers Spring Type Plain	2	1605 606	1605 606	1605 606	1605 606
		2	1605 607	1605 607	1605 607	1605 607
23-67-85	GASKET, Windshield Wiper Arm Pivot Mounting 1955 All	2	1622 525	1605 522	1605 426	1605 426
	1956 All	2	1689 605	1605 522	1658 424	1658 424
23-67-86	PIVOT, Windshield Wiper Arm 1955-56 Except Sp. 4D., Sp. Cl. Cp., Cv. Cp.	2	1622 435	----	----	----
	1955-56 Sp. 4D., Sp. Cl. Cp., Cv. Cp.	2	1622 436	----	----	----
	1955-56 All	2	----	1605 524	----	----
	1955 All	2	----	----	1605 425	1605 425
	1956 All	1	----	----	1658 420	1658 420
		1	----	----	1658 421	1658 421
		1	----	----	1658 421	1658 421
23-67-91	SCREW and WASHER, Windshield Wiper Pivot Mounting 1955-56 All	4	6006 218	6006 218	6006 218	6006 218
23-67-94	CLAMP, Windshield Wiper Arm Pivot Mounting 1955-56 All	1	1605 523	1605 523	----	----
23-67-96	WASHER, Windshield Wiper Motor Crank Arm Thrust 1955-56 All	1	1604 242	1604 242	1604 242	1604 242
		1	1527 937	1527 937	1527 937	1527 937
23-67-98	MOTOR, Windshield Wiper 1955 except 8 Sed., Limo.	1	1622 403	1622 403	----	----
		1	1595 003	1595 003	1595 003	1595 003
	1955 8 Sed., Limo.	1	----	----	----	1627 384
	1956 All	1	1627 380	1627 380	----	----
		1	1627 384	1627 384	1627 384	1627 384
23-67-100	SPACER, Windshield Wiper Motor Mounting Bracket					
	1955-56 All	3	1594 995	1594 995	1594 995	1594 995
23-67-102	WASHER, Windshield Wiper Motor Mounting Bracket 1955-56 All	3	1594 993	1594 993	1594 993	1594 993
23-67-106	ARMATURE, Windshield Wiper Motor 1955 All - See Note 1	1	1605 570	1605 570	----	----
	See Note 2	1	1605 576	1605 576	1605 576	1605 576
	1955-56 All - See Note 3	1	1627 272	1627 272	1627 272	1627 272
	See Note 4	1	1658 592	1658 592	----	----
23-67-111	COIL, Windshield Wiper Motor Field 1955-56 All - See Note 3	1	1752 665	1752 665	1752 665	1752 665
	See Note 4	1	1752 667	1752 667	----	----
23-67-113	GASKET, Windshield Wiper Motor End Cover or Switch Plate 1955-56 All	1	1605 572	1605 572	1605 572	1605 572
23-67-115	COVER, Windshield Wiper Motor Drive End or Switch Plate 1955-56 All - See Notes 2 and 3	1	1752 662	1752 662	1752 662	1752 662
23-67-120	HEAD, Windshield Wiper Motor Commutator End 1955-56 All - See Note 3	1	1752 666	1752 666	1752 666	1752 666
	1956 All - See Note 4	1	1752 668	1752 668	1752 668	1752 668
23-67-121	DISC, Windshield Wiper Motor Armature Thrust (Nylon) 1955-56 All	1	1752 663	1752 663	1752 663	1752 663
23-67-122	SCREW, Windshield Wiper Motor Armature Thrust Adjusting Lock 1955-56 All	1	1752 661	1752 661	1752 661	1752 661
23-67-124	HEAD, Windshield Wiper Motor Drive End 1955-56 All	1	1752 664	1752 664	1752 664	1752 664

Used in Wiper Motor Stamped:

NOTE 1

NOTE 2

NOTE 3

NOTE 4

(One Speed - 6 Volt)

EMU 4101

EMU 4101A

(Variable Speed - 6 Volt)

EMZ 4001

EMZ 4001A

(Variable Speed - 12 Volt)

EPF 4001

EPF 4001A

(One Speed - 12 Volt)

EPH 4101

EPH 4101A

★ Indicates use as required.

☐ Indicates parts not listed in any previous parts book.
Nov. 28, 1958 Supersedes May 31, 1957.

Page 23-184

Printed in U.S.A.
Prices and specifications subject to change without notice.
* Indicates change or addition.

PASSENGER CAR PARTS LIST 1955-56

CODE	REMARKS	PER CAR	PLYMOUTH	DODGE	DESOTO	CHRYSLER AND IMPERIAL
23-67-141	PLATE and CONTACT, Windshield Wiper Motor Drive End Cover.					
1955-56	All w/One Speed Motor	1	1818 890	1818 890	----	----
23-67-160	SWITCH, Windshield Wiper					
1955	All 1 Speed	1	1605 461	1605 462	----	----
1955	Except 8 Sed., Limo. Variable Speed	1	1604 458	1604 463	1604 401	1604 466
1955	8 Sed., Limo.	1	----	----	----	1626 681
1956	All 1 Speed	1	1627 473	1627 474	----	----
	Variable Speed	1	1658 758	1658 759	1688 512	1658 761
23-67-161	NUT, Windshield Wiper Switch Mounting					
1955-56	All	1	*1439 758	*1439 758	*1439 758	*1439 758
23-67-163	CIRCUIT BREAKER, Windshield Wiper					
1955	Except 8 Sed., Limo. Variable Speed	1	1383 213	1383 213	1383 213	1383 213
1955	8 Sed., Limo.	1	----	----	----	1658 366
1956	All Variable Speed	1	1658 366	1658 366	1658 366	1658 366
	NOTE: One Speed Wiper Circuit Breaker Serviced in Switch.					
23-67-164	Switch CONTACT, Drive End Cover PLATE and GASKET PACKAGE, Windshield Wiper Moter (AutoLite)					
1955-56	All w/One Speed Motor	1	E1879 602	E1879 602	E1879 602	E1879 602
23-67-194	KNOB or LEVER, Windshield Wiper Switch					
1955-56	All	1	1595 264	1595 258	1595 264	1595 241
23-67-195	BEZEL, Windshield Wiper Switch Knqb Recess					
1955-56	All	1	----	----	----	1604 273
23-67-202	SPRING, Windshield Wiper Link					
1955-56	All w/Variable Speed Wipers	2	1605 602	1605 602	1605 602	1605 602
23-67-203	TRIP, Windshield Wiper Link Spring					
1955	All w/Variable Speed Wipers	2	1605 605	1605 605	1605 605	1605 605
1956	All w/Variable Speed Wipers	2	1605 605	1605 605	1658 351	1658 351
23-67-204	CAM, Windshield Wiper Link					
1955	All w/Variable Speed Wipers	2	1605 603	1605 603	1605 603	1605 603
1956	All w/Variable Speed Wipers	2	1605 603	1605 603	1658 350	1658 350

NOTES

1955-56 PASSENGER CAR PARTS LIST

BODY

CODE	REMARKS	PER CAR	PLYMOUTH	DODGE	DESOTO	CHRYSLER AND IMPERIAL
------	---------	------------	----------	-------	--------	-----------------------------

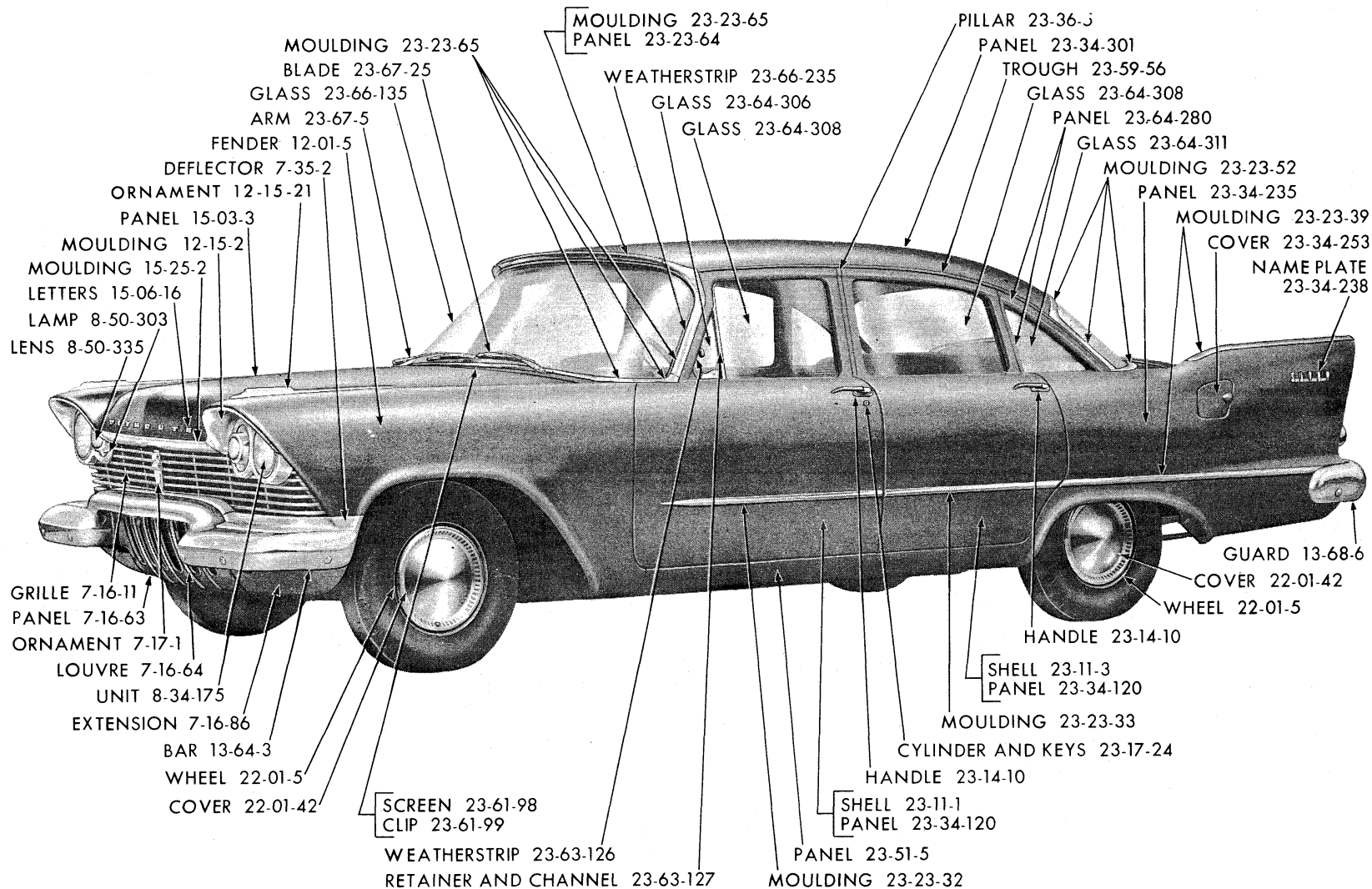
- NOTE -

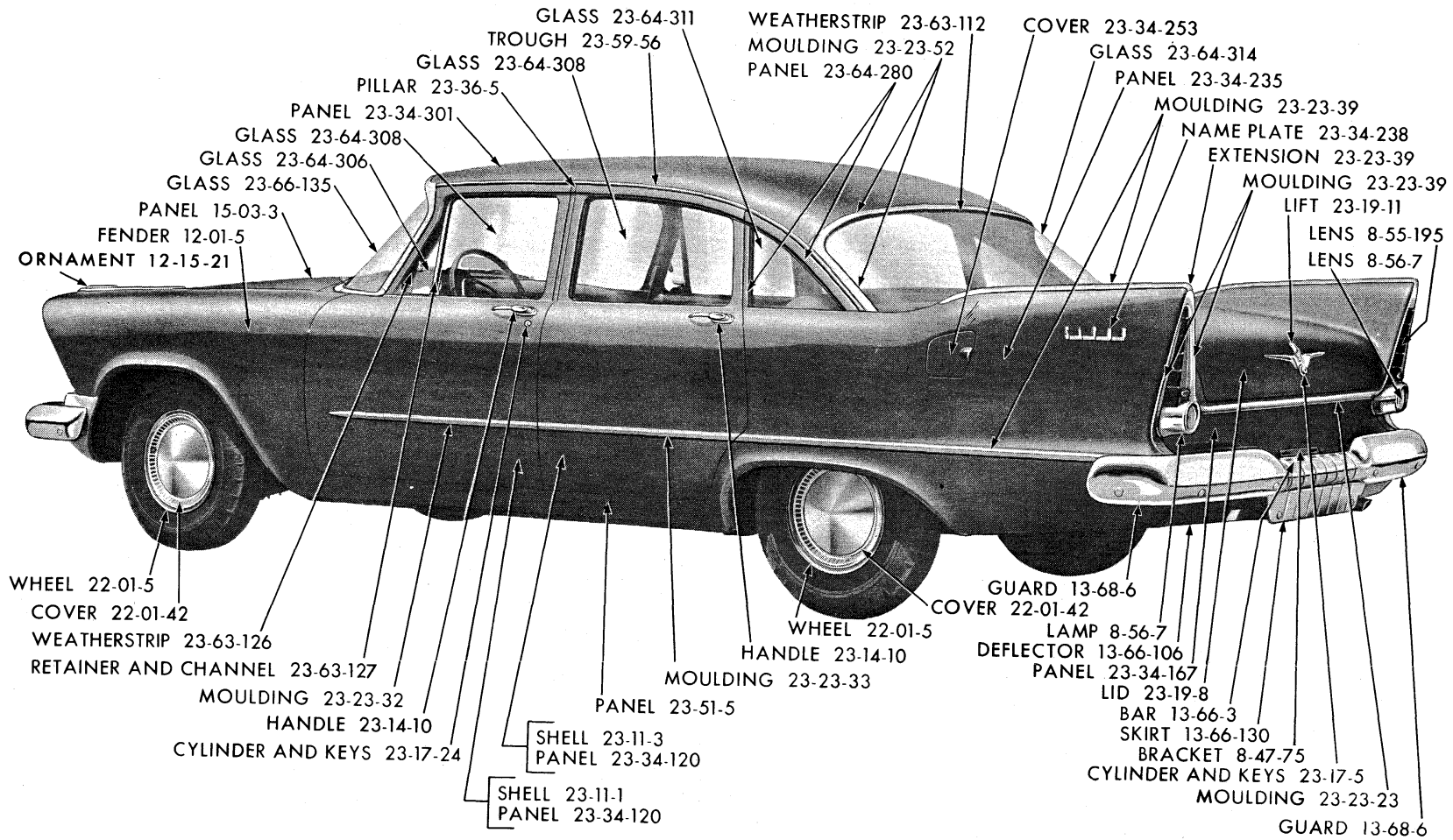
PAGE NUMBERS - 23-187 through 23-204

have been eliminated from this group.

Remove and destroy these pages.

★ Indicates use as required.
 ☐ Indicates parts not listed in any previous parts book.
 Nov. 28, 1958 Supersedes May 31, 1957.

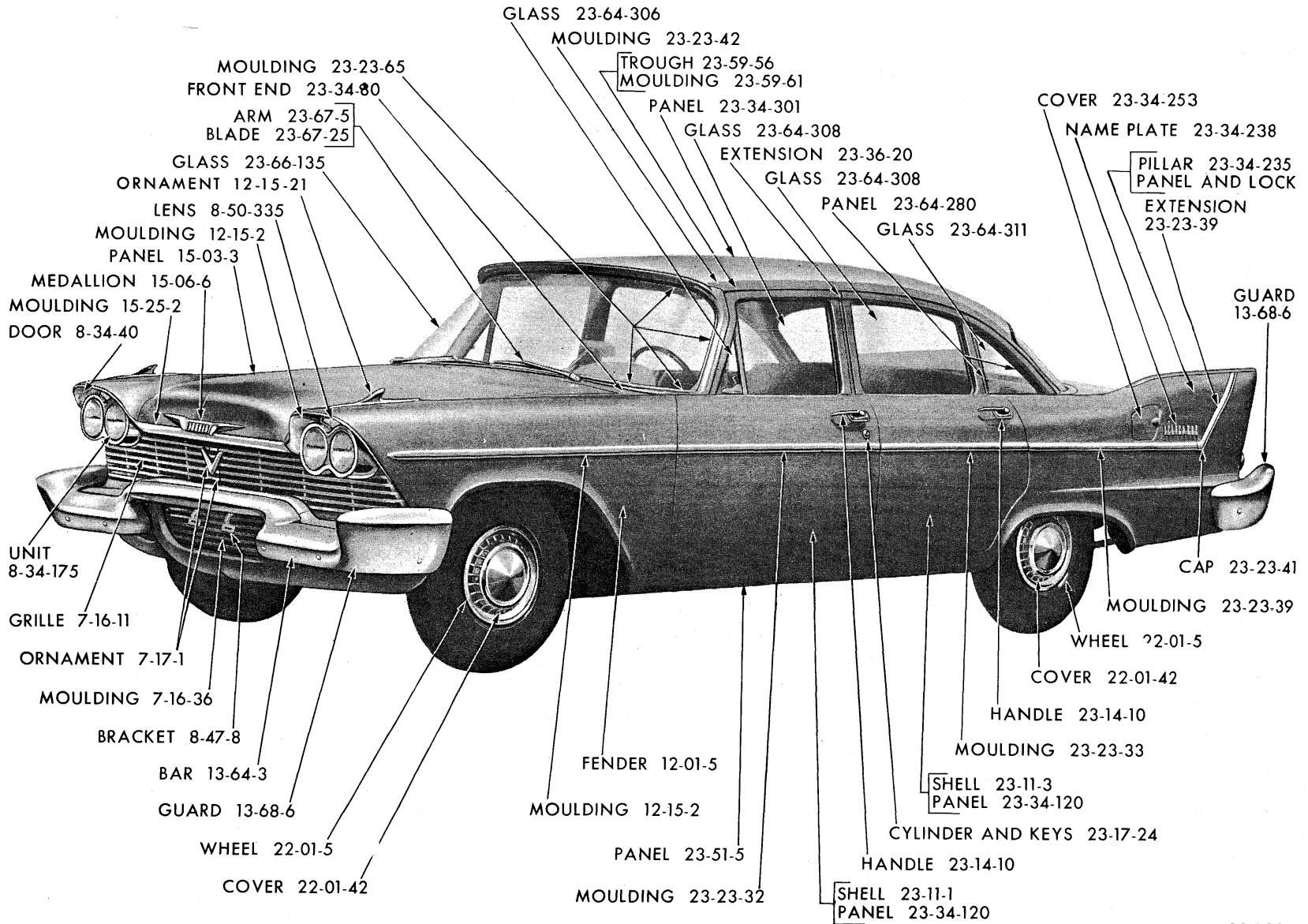


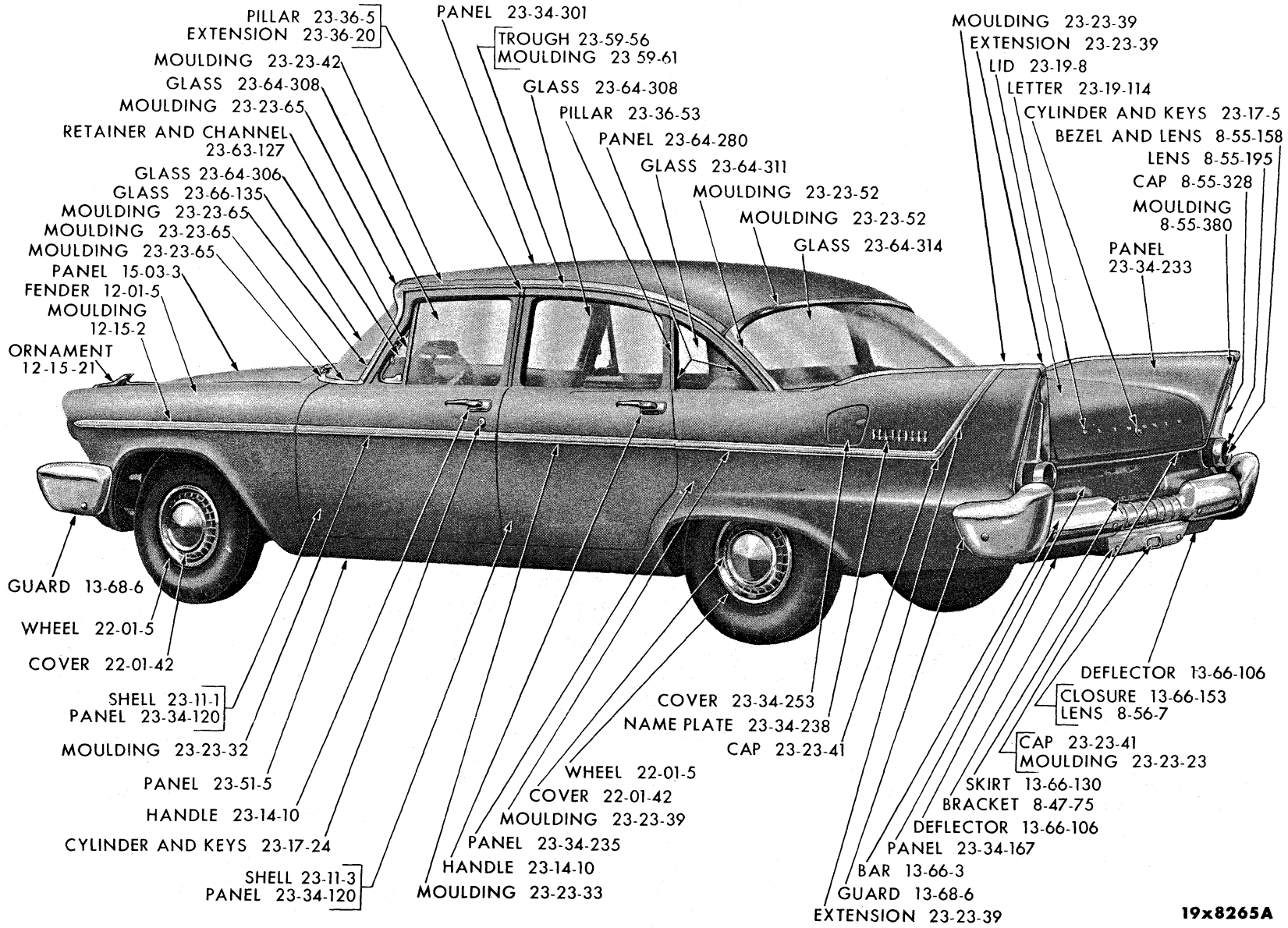


19x8037B

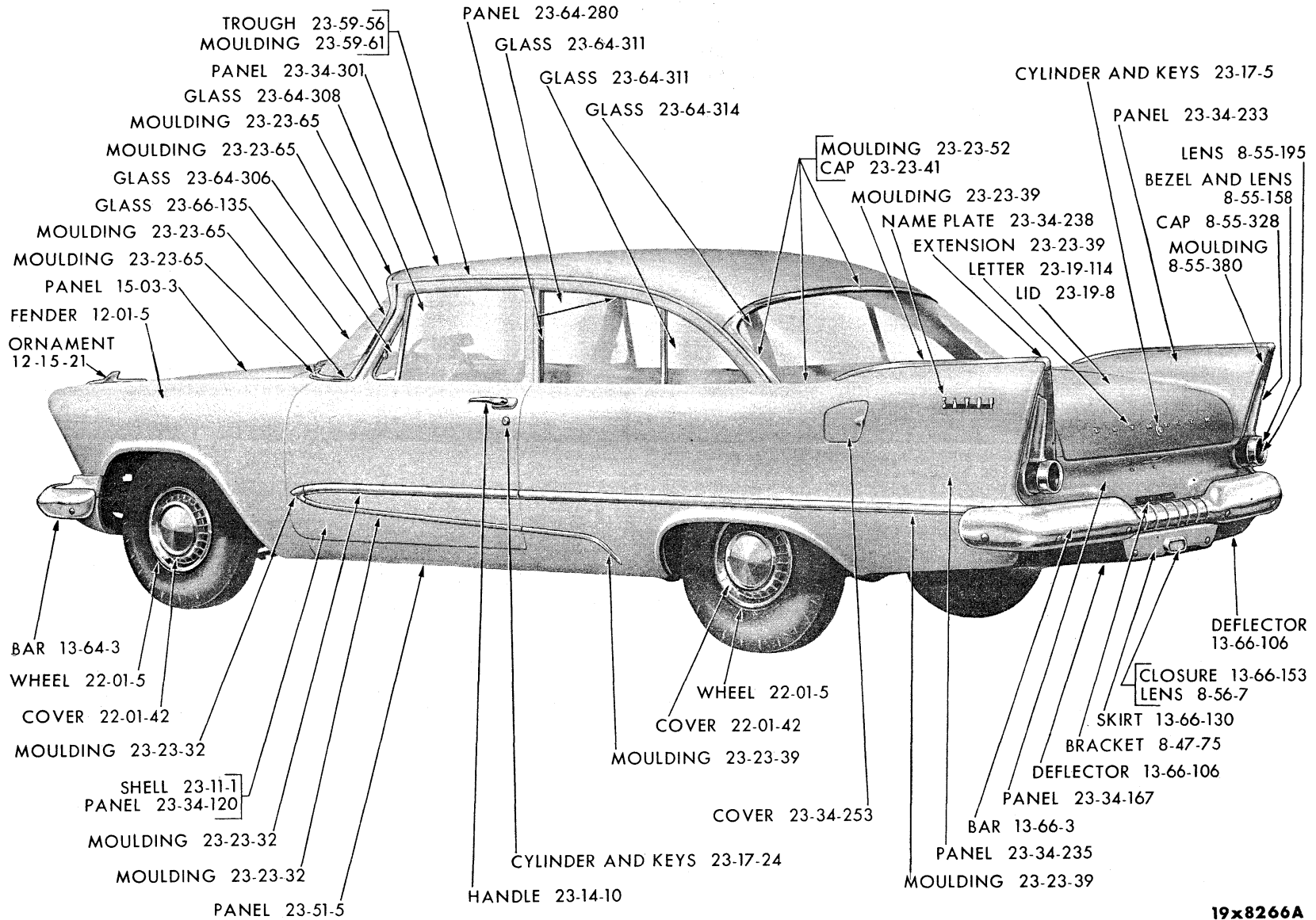
Plate 23-91

REAR EXTERIOR - PLYMOUTH P30-31

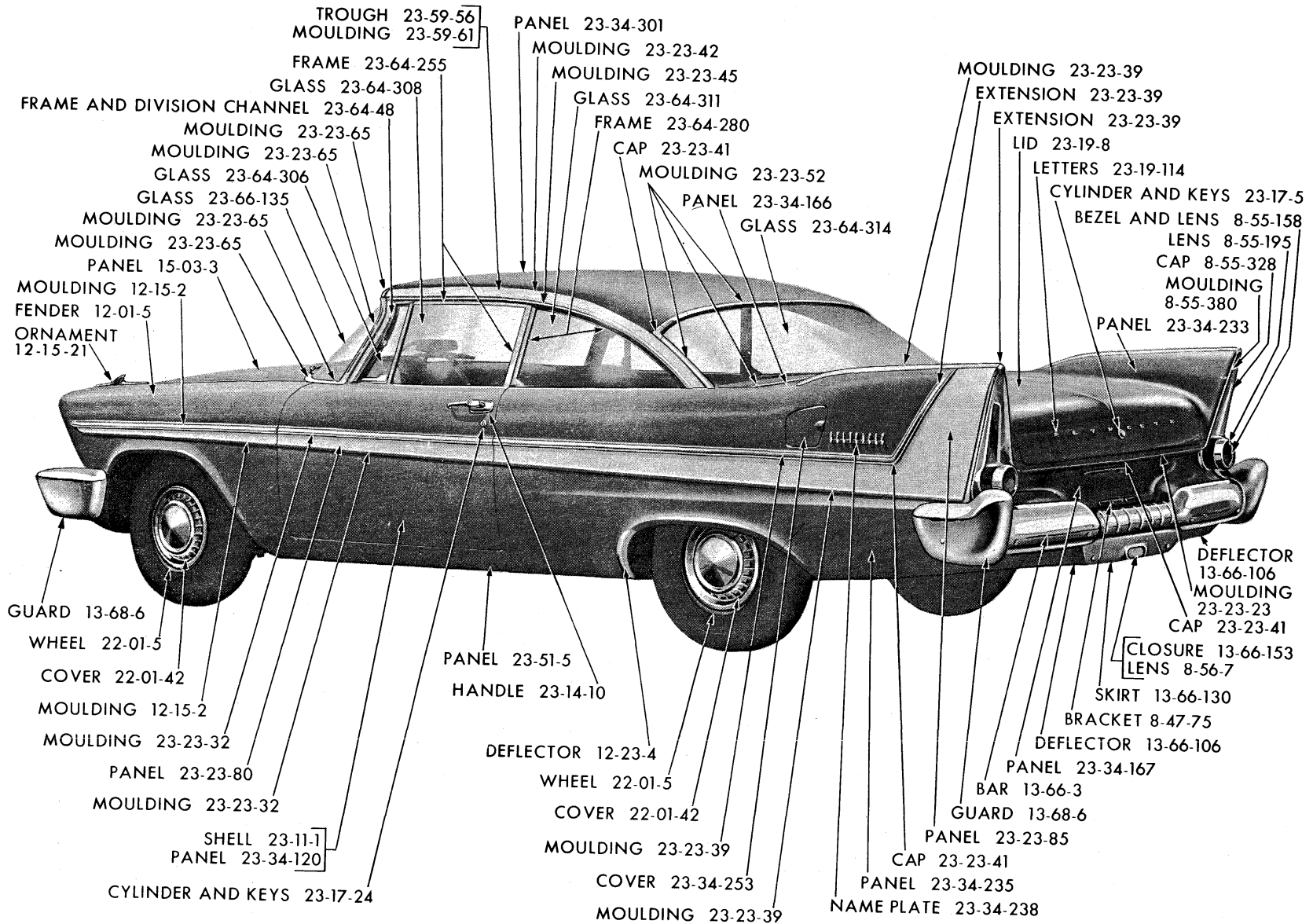




19x8265A



19x8266A



19x8267A

Plate 23-95

REAR EXTERIOR - PLYMOUTH LP1-2 SPECIAL CLUB COUPE

TROUGH 23-59-56
MOULDING 23-59-61

FRAME 23-64-255

GLASS 23-64-308

FRAME AND DIVISION CHANNEL 23-64-48

MOULDING 23-23-65

MOULDING 23-23-65

GLASS 23-64-306

GLASS 23-66-135

MOULDING 23-23-65

MOULDING 23-23-65

PANEL 15-03-3

MOULDING 12-15-2

FENDER 12-01-5

ORNAMENT 12-15-21

PANEL 23-34-301

MOULDING 23-23-42

MOULDING 23-23-45

GLASS 23-64-311

FRAME 23-64-280

CAP 23-23-41

MOULDING 23-23-52

PANEL 23-34-166

GLASS 23-64-314

MOULDING 23-23-39

EXTENSION 23-23-39

EXTENSION 23-23-39

LID 23-19-8

LETTERS 23-19-114

CYLINDER AND KEYS 23-17-5

BEZEL AND LENS 8-55-158

LENS 8-55-195

CAP 8-55-328

MOULDING 8-55-380

PANEL 23-34-233

GUARD 13-68-6

WHEEL 22-01-5

COVER 22-01-42

MOULDING 12-15-2

MOULDING 23-23-32

PANEL 23-23-80

MOULDING 23-23-32

SHELL 23-11-1

PANEL 23-34-120

CYLINDER AND KEYS 23-17-24

PANEL 23-51-5

HANDLE 23-14-10

DEFLECTOR 12-23-4

WHEEL 22-01-5

COVER 22-01-42

MOULDING 23-23-39

COVER 23-34-253

MOULDING 23-23-39

NAME PLATE 23-34-238

DEFLECTOR 13-66-106

MOULDING 23-23-23

CAP 23-23-41

CLOSURE 13-66-153

LENS 8-56-7

SKIRT 13-66-130

BRACKET 8-47-75

DEFLECTOR 13-66-106

PANEL 23-34-167

BAR 13-66-3

GUARD 13-68-6

PANEL 23-23-85

CAP 23-23-41

PANEL 23-34-235

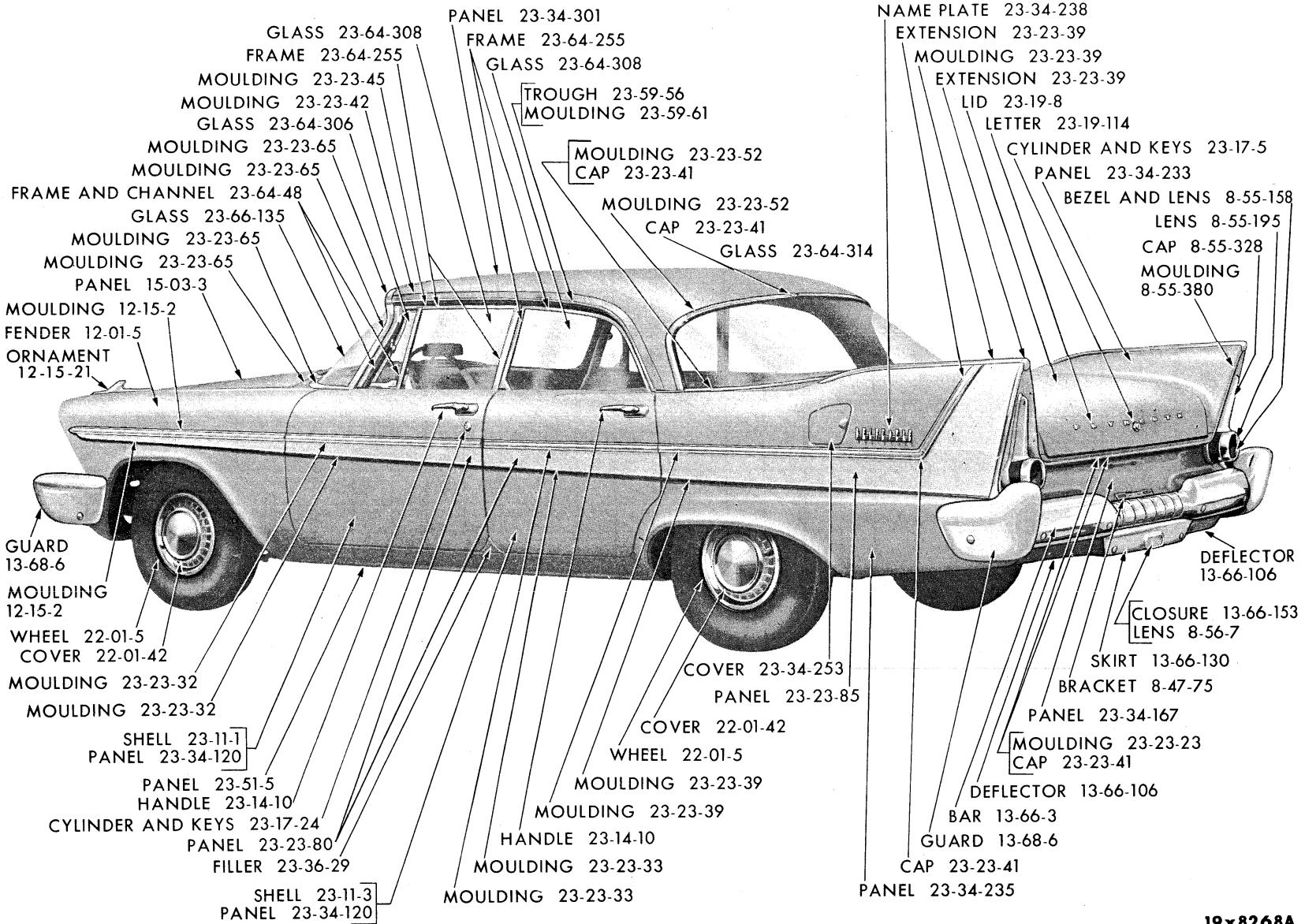
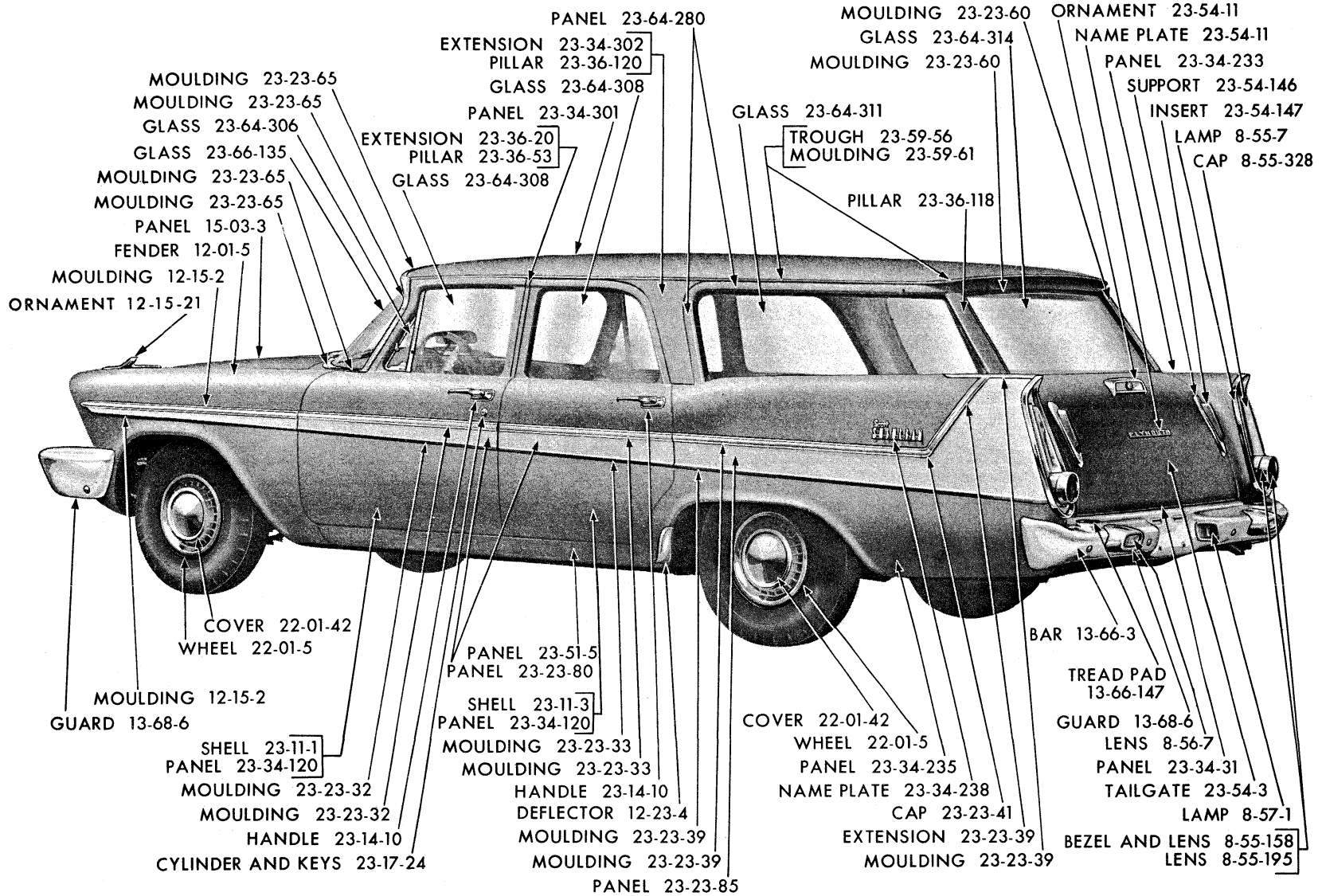


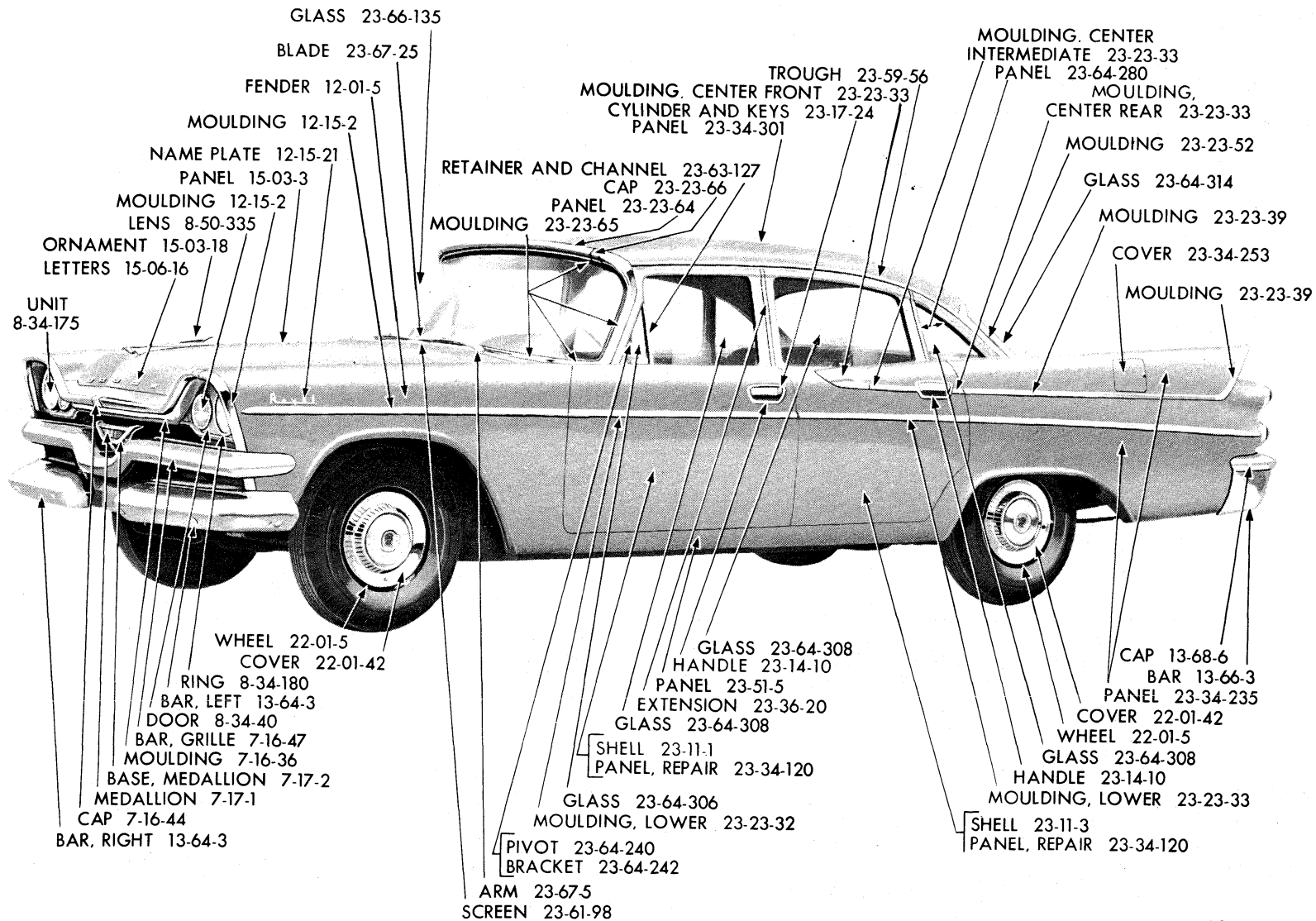
Plate 23-96

REAR EXTERIOR - PLYMOUTH LP1-2 SPECIAL 4 DOOR SEDAN

19x8268A



19x8269A



19x8038A

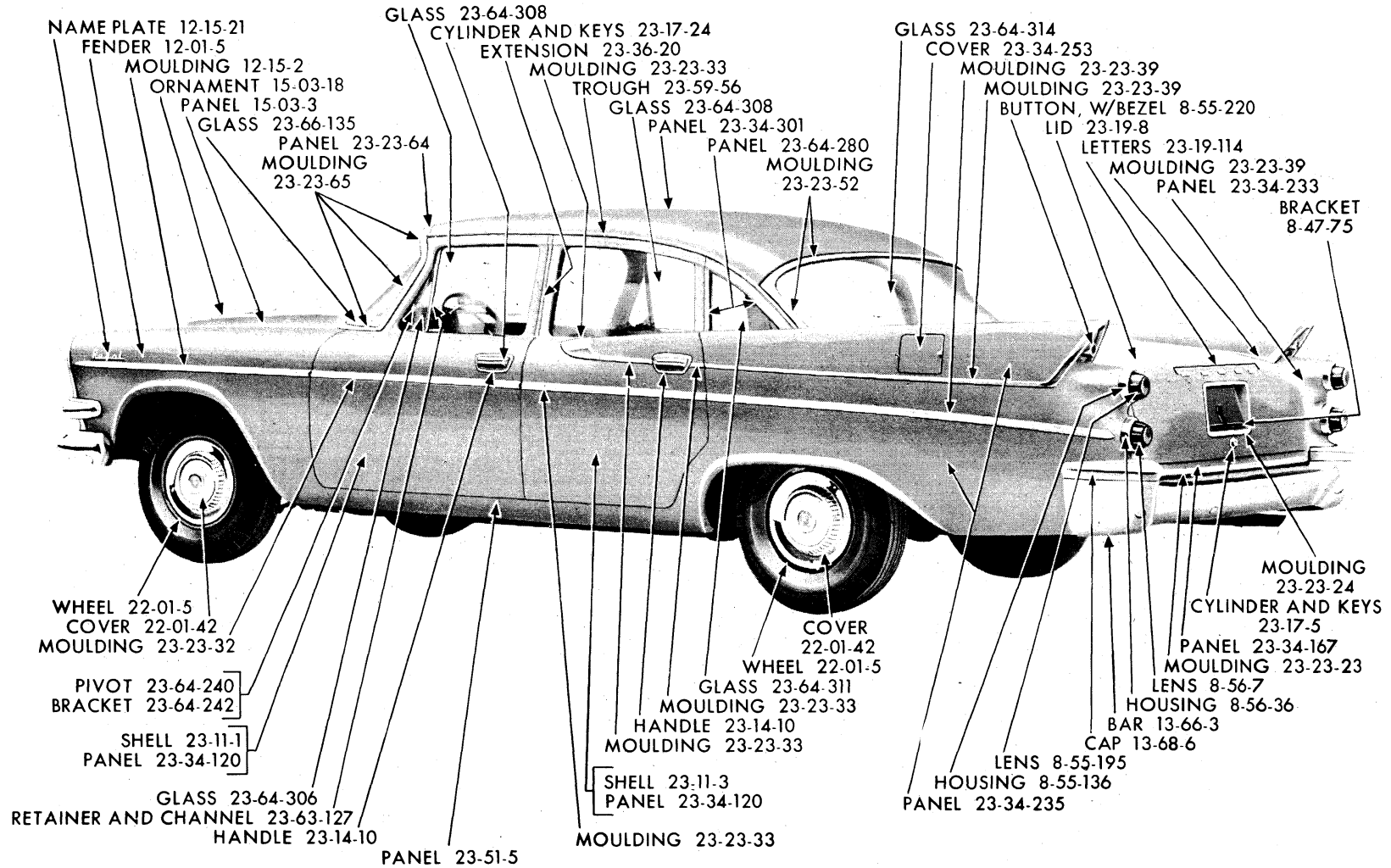


Plate 23-100

REAR EXTERIOR - DODGE D66-67-72

19x8039A

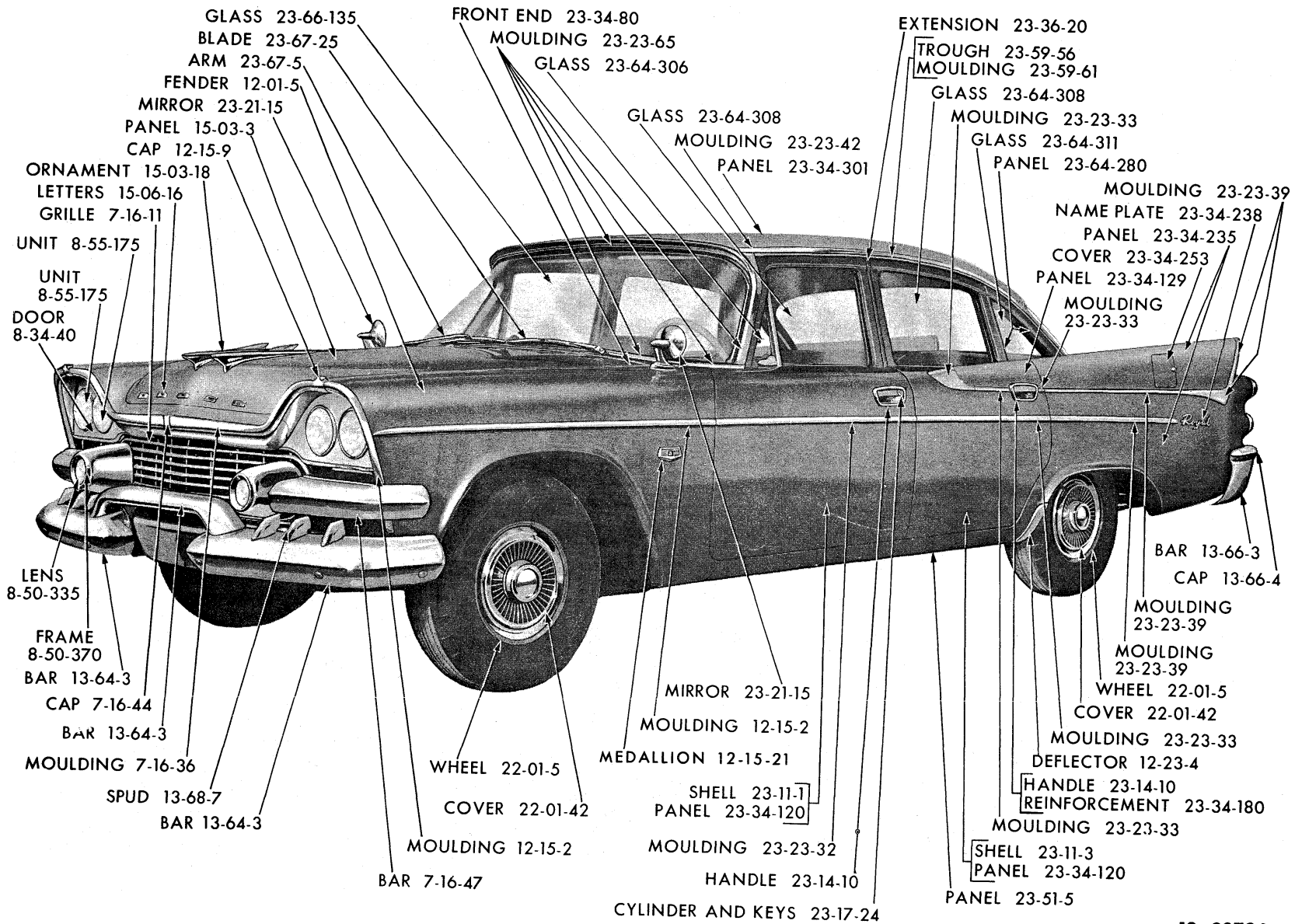
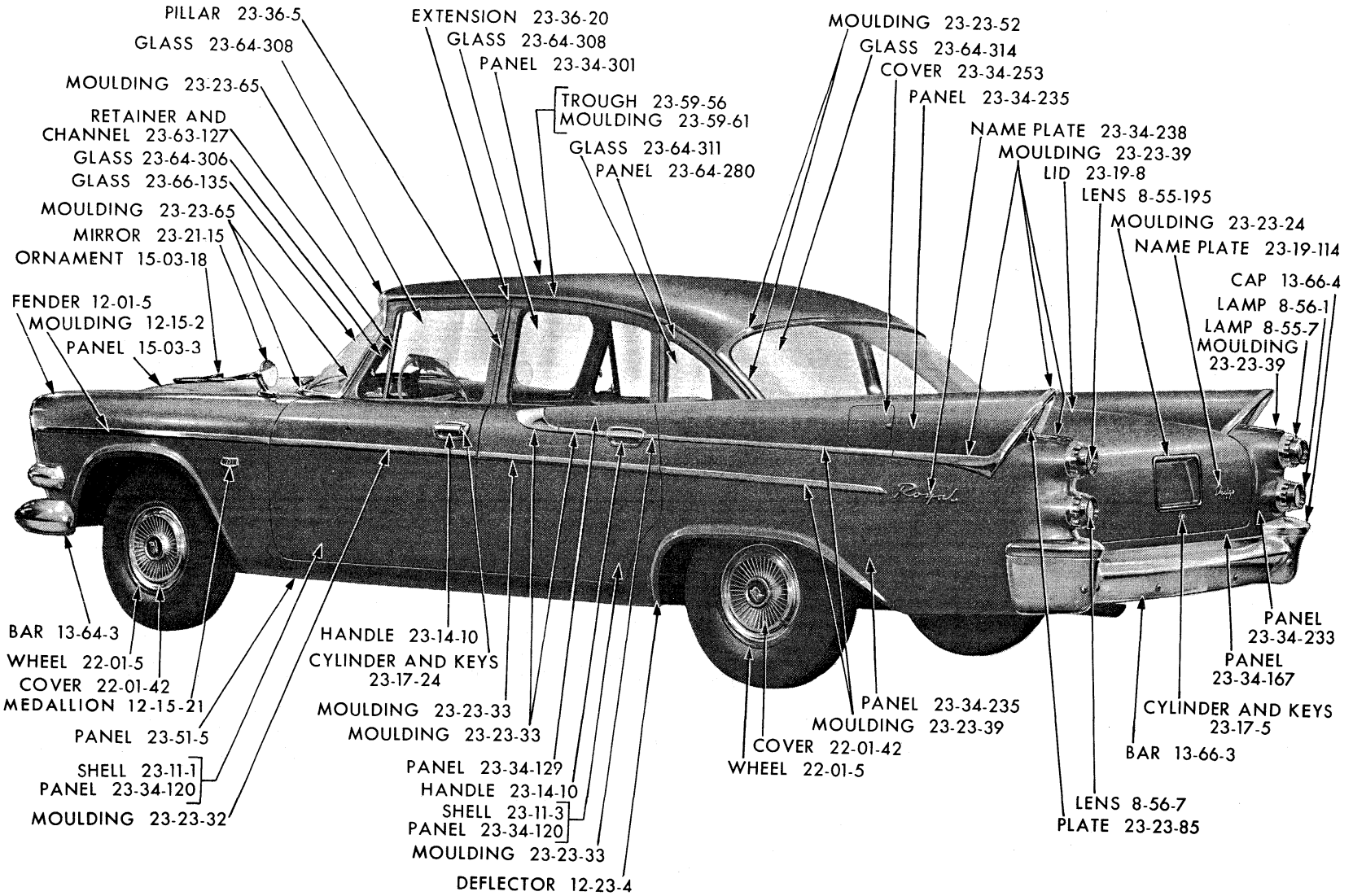


Plate 23-101

FRONT EXTERIOR - DODGE LD1-2-3 4 DOOR SEDAN

19x8272A

1957-58 PASSENGER CAR PARTS LIST



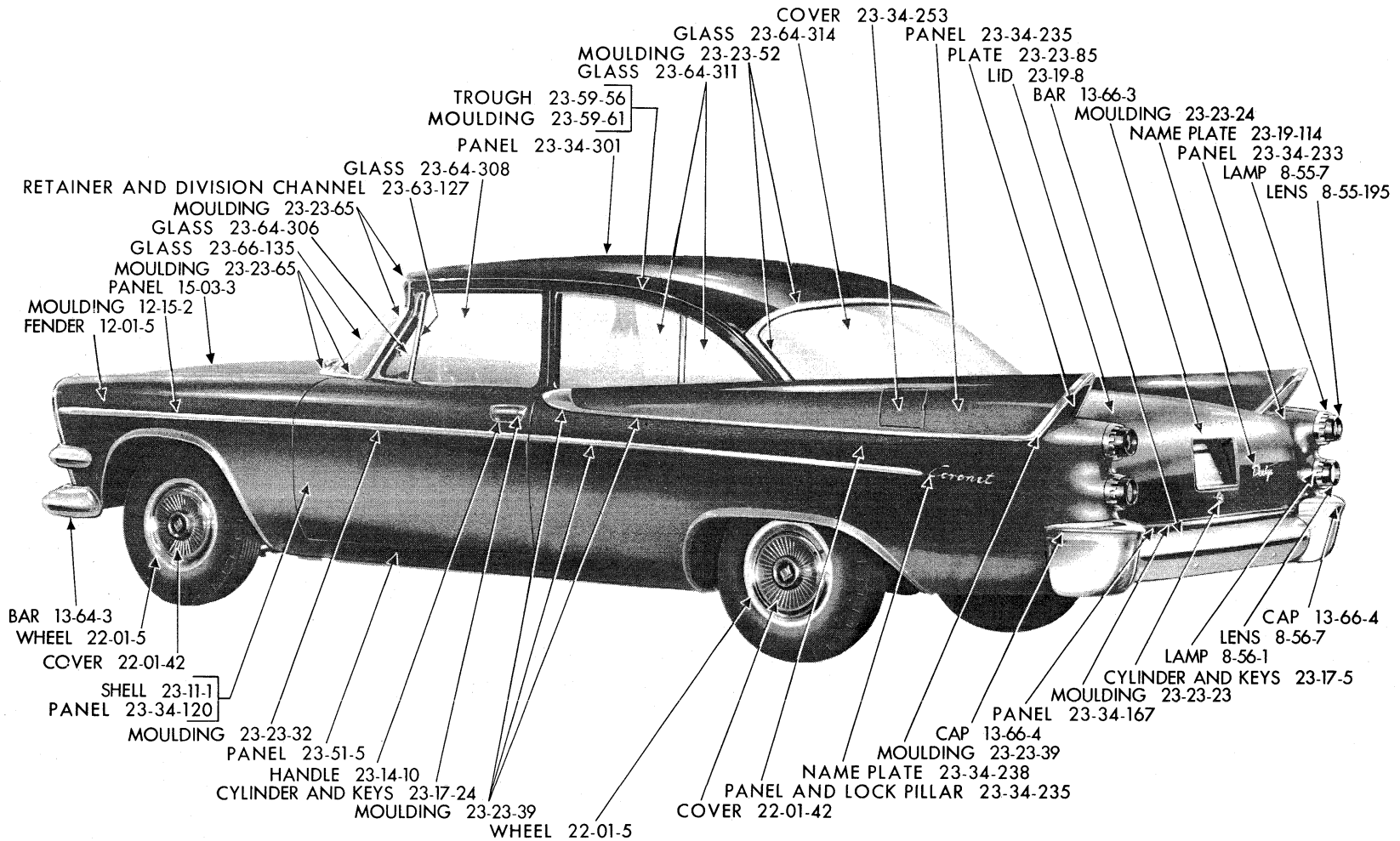
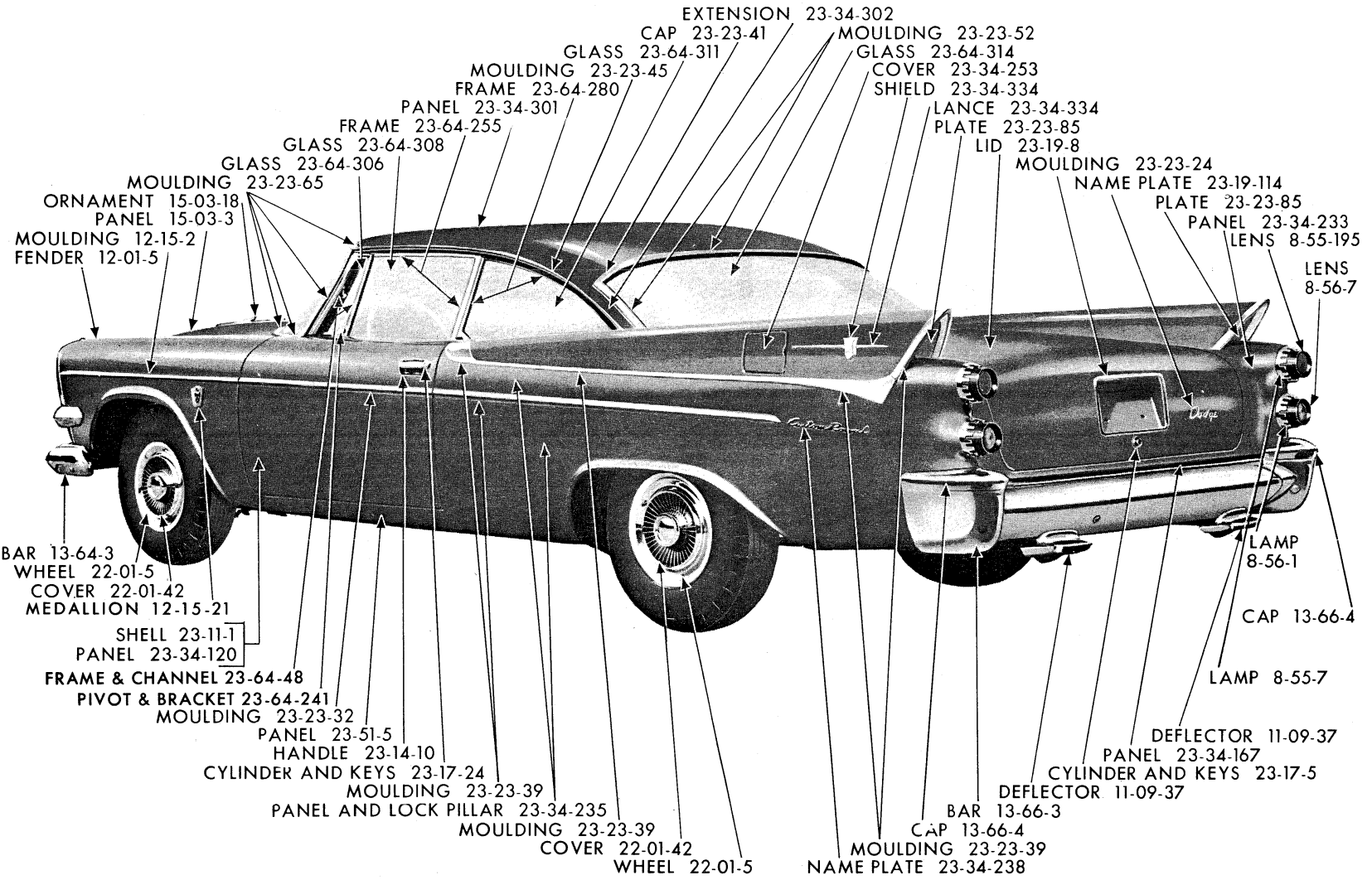


Plate 23-103

REAR EXTERIOR - DODGE LD1-2 CLUB SEDAN

19x8294A

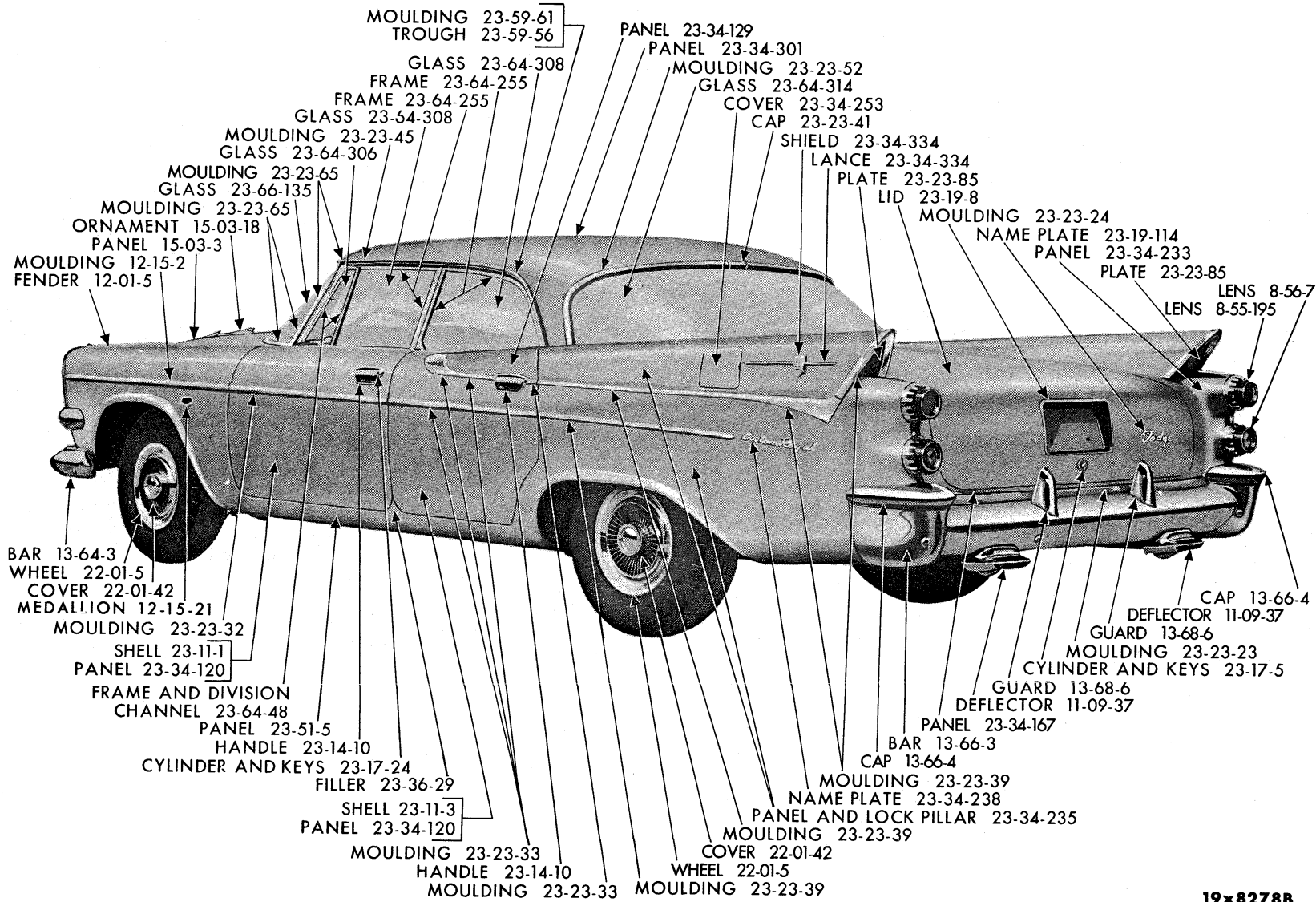


BAR 13-64-3
 WHEEL 22-01-5
 COVER 22-01-42
 MEDALLION 12-15-21
 SHELL 23-11-1
 PANEL 23-34-120
 FRAME & CHANNEL 23-64-48
 PIVOT & BRACKET 23-64-241
 MOULDING 23-23-32
 PANEL 23-51-5
 HANDLE 23-14-10
 CYLINDER AND KEYS 23-17-24
 MOULDING 23-23-39
 PANEL AND LOCK PILLAR 23-34-235
 MOULDING 23-23-39
 COVER 22-01-42
 WHEEL 22-01-5

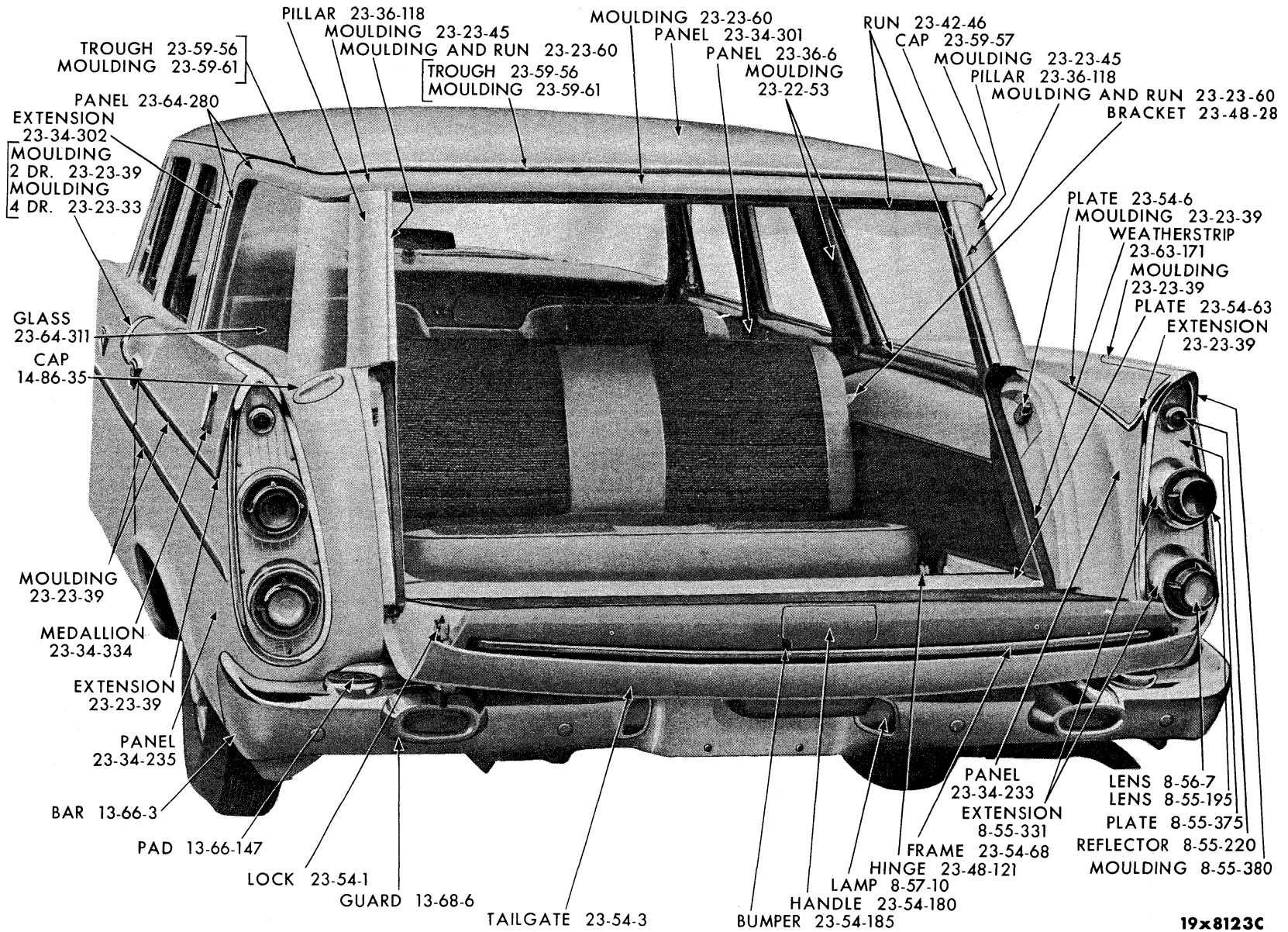
EXTENSION 23-34-302
 CAP 23-23-41
 GLASS 23-64-311
 MOULDING 23-23-45
 FRAME 23-64-280
 PANEL 23-34-301
 FRAME 23-64-255
 GLASS 23-64-308
 GLASS 23-64-306
 MOULDING 23-23-65
 ORNAMENT 15-03-18
 PANEL 15-03-3
 MOULDING 12-15-2
 FENDER 12-01-5
 MOULDING 23-23-52
 GLASS 23-64-314
 COVER 23-34-253
 SHIELD 23-34-334
 LANCE 23-34-334
 PLATE 23-23-85
 LID 23-19-8
 MOULDING 23-23-24
 NAME PLATE 23-19-114
 PLATE 23-23-85
 PANEL 23-34-233
 LENS 8-55-195
 LENS 8-56-7
 CAP 13-66-4
 LAMP 8-55-7
 DEFLECTOR 11-09-37
 PANEL 23-34-167
 CYLINDER AND KEYS 23-17-5
 DEFLECTOR 11-09-37
 BAR 13-66-3
 CAP 13-66-4
 MOULDING 23-23-39
 NAME PLATE 23-34-238

MOULDING 23-23-52
 GLASS 23-64-314
 COVER 23-34-253
 SHIELD 23-34-334
 LANCE 23-34-334
 PLATE 23-23-85
 LID 23-19-8
 MOULDING 23-23-24
 NAME PLATE 23-19-114
 PLATE 23-23-85
 PANEL 23-34-233
 LENS 8-55-195
 LENS 8-56-7
 LAMP 8-56-1
 CAP 13-66-4
 LAMP 8-55-7
 DEFLECTOR 11-09-37
 PANEL 23-34-167
 CYLINDER AND KEYS 23-17-5
 DEFLECTOR 11-09-37
 BAR 13-66-3
 CAP 13-66-4
 MOULDING 23-23-39
 NAME PLATE 23-34-238

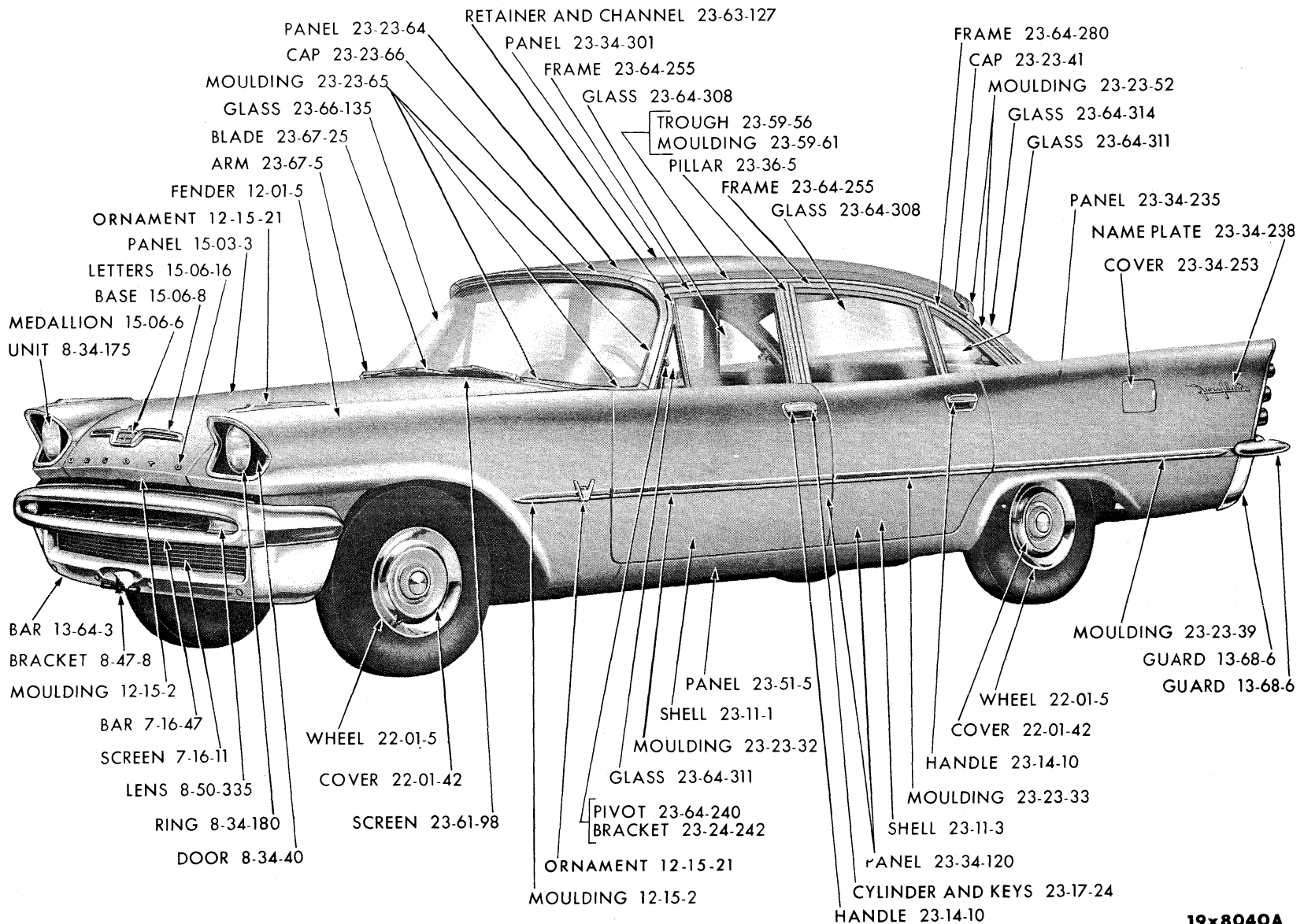
19x8281 C



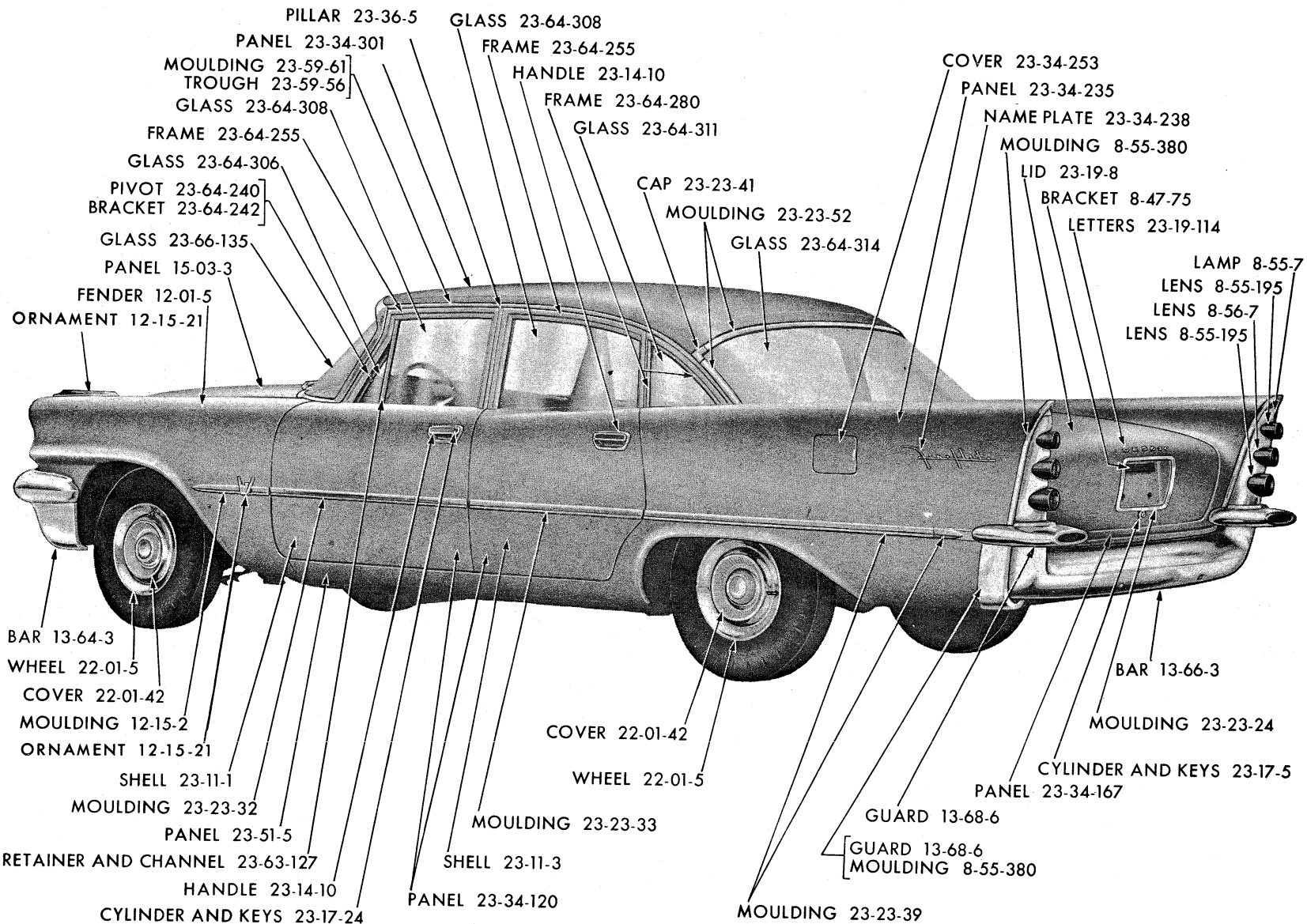
19x8278B



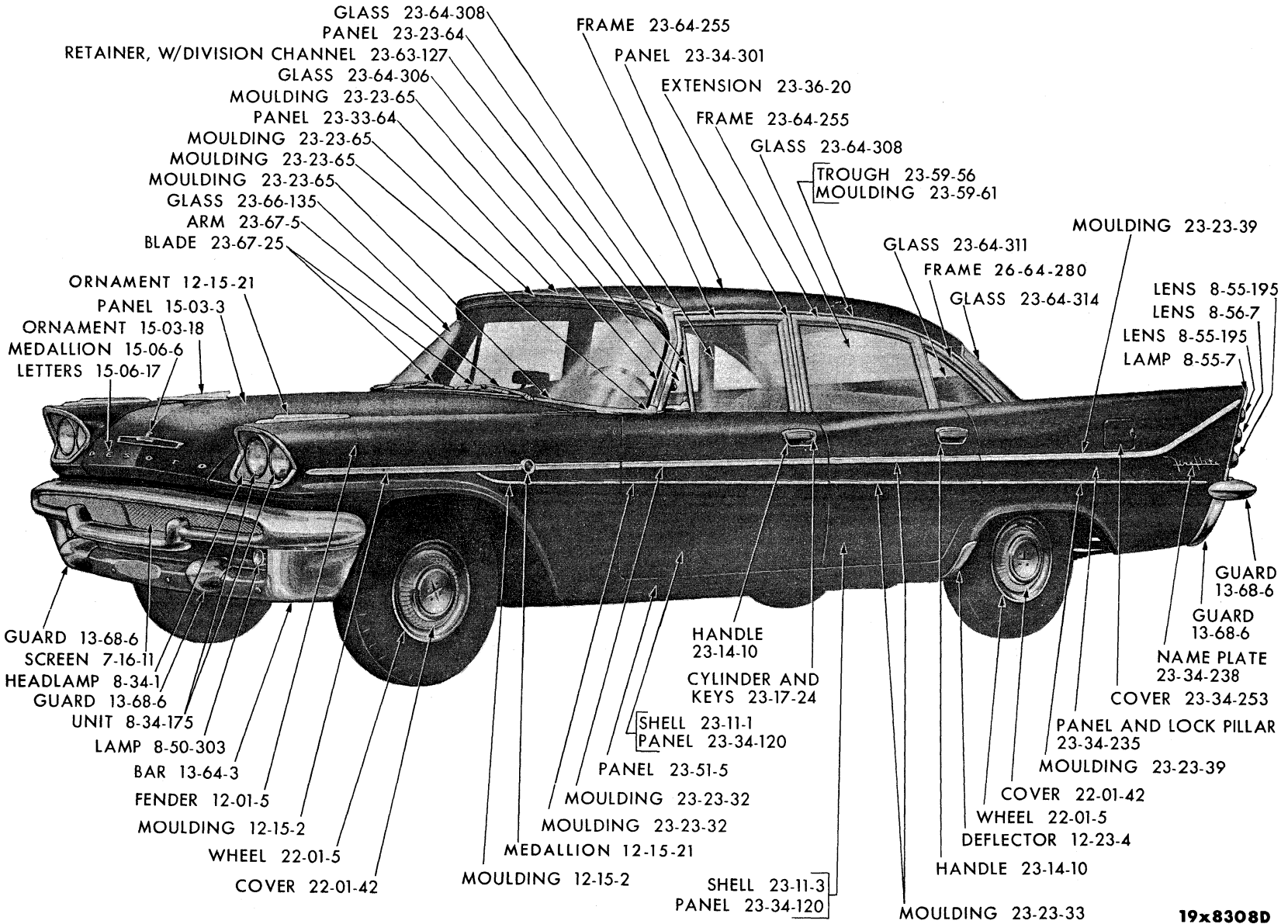
19x8123C

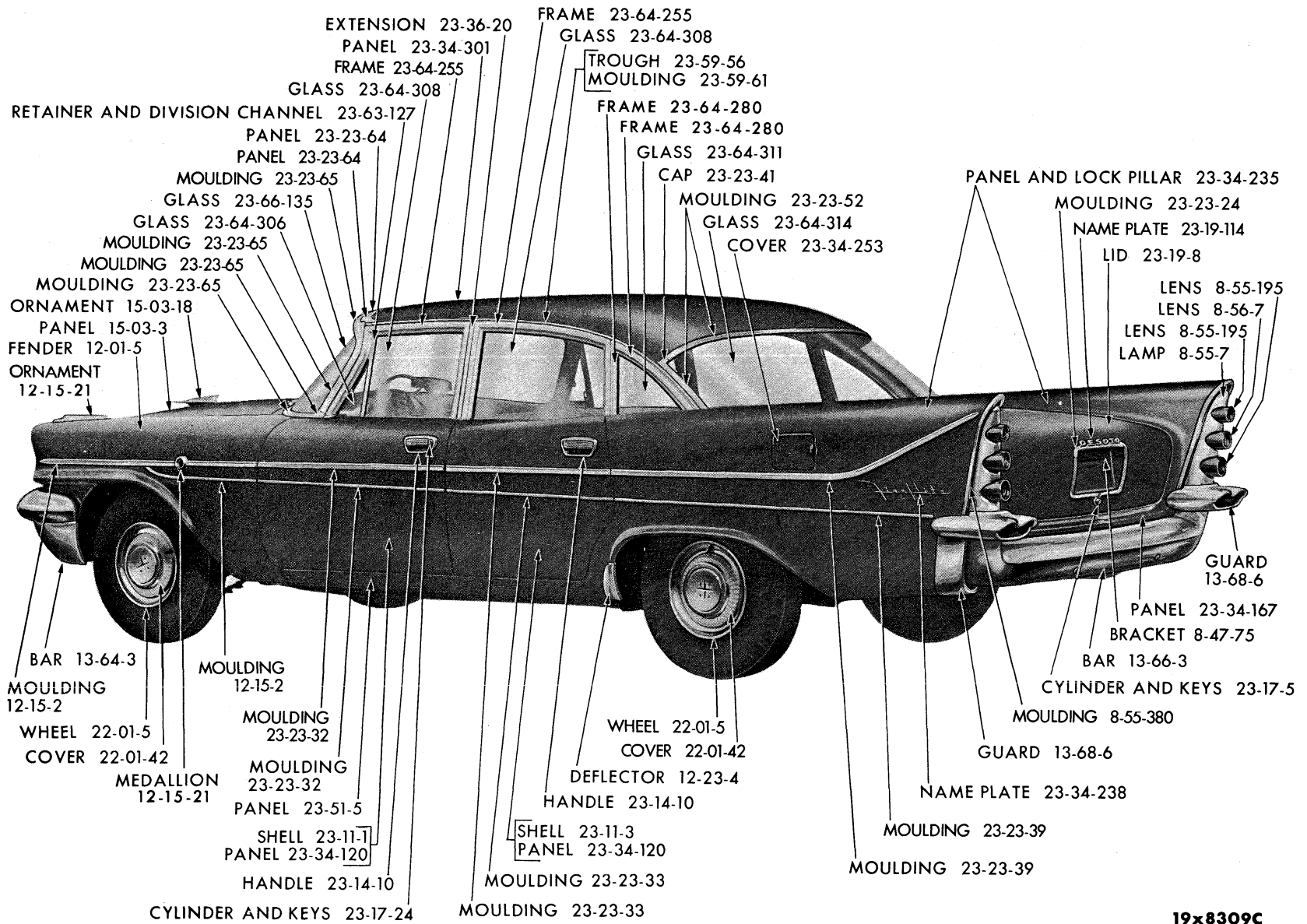


19x8040A



19x8041B





19x8309C

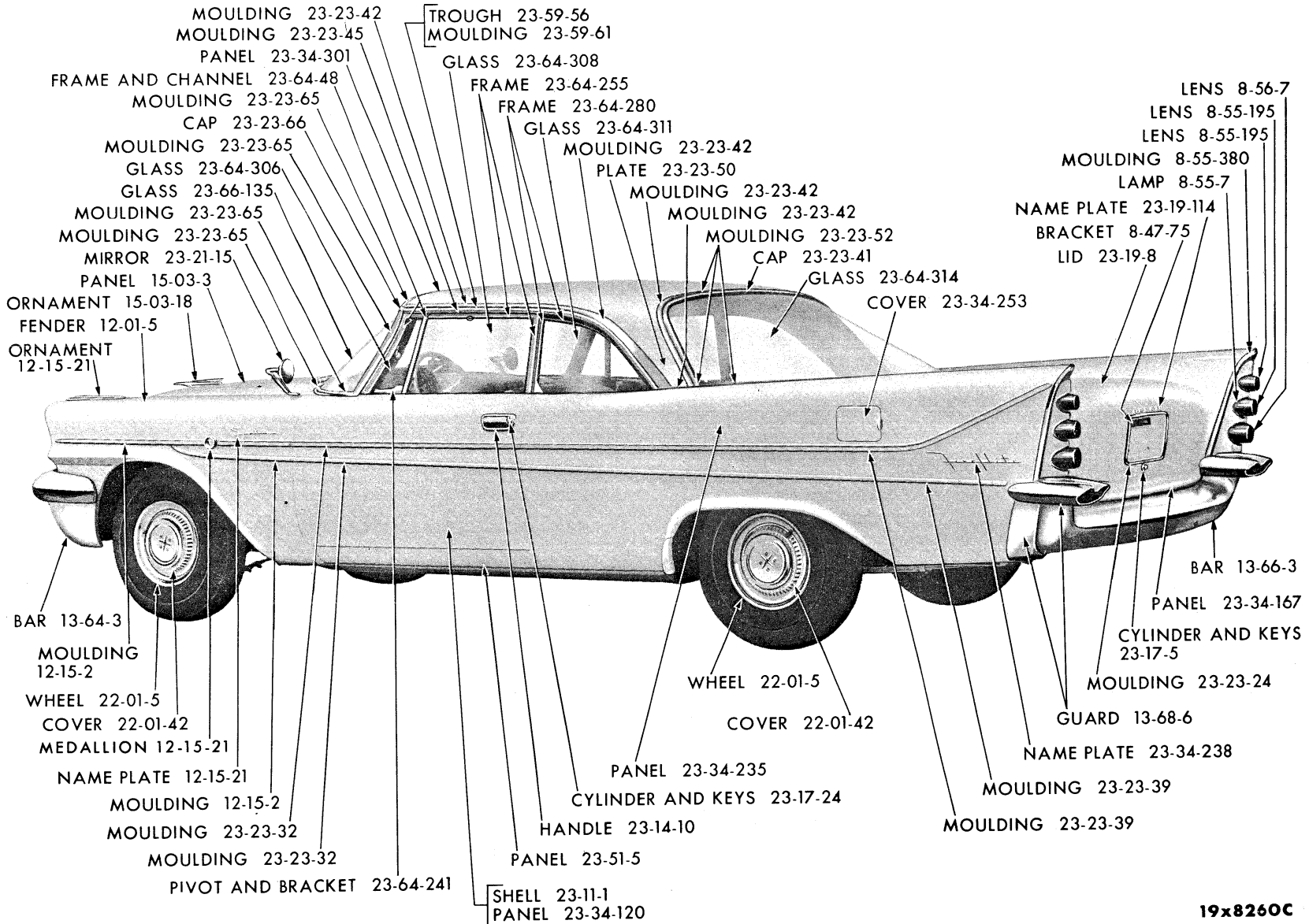


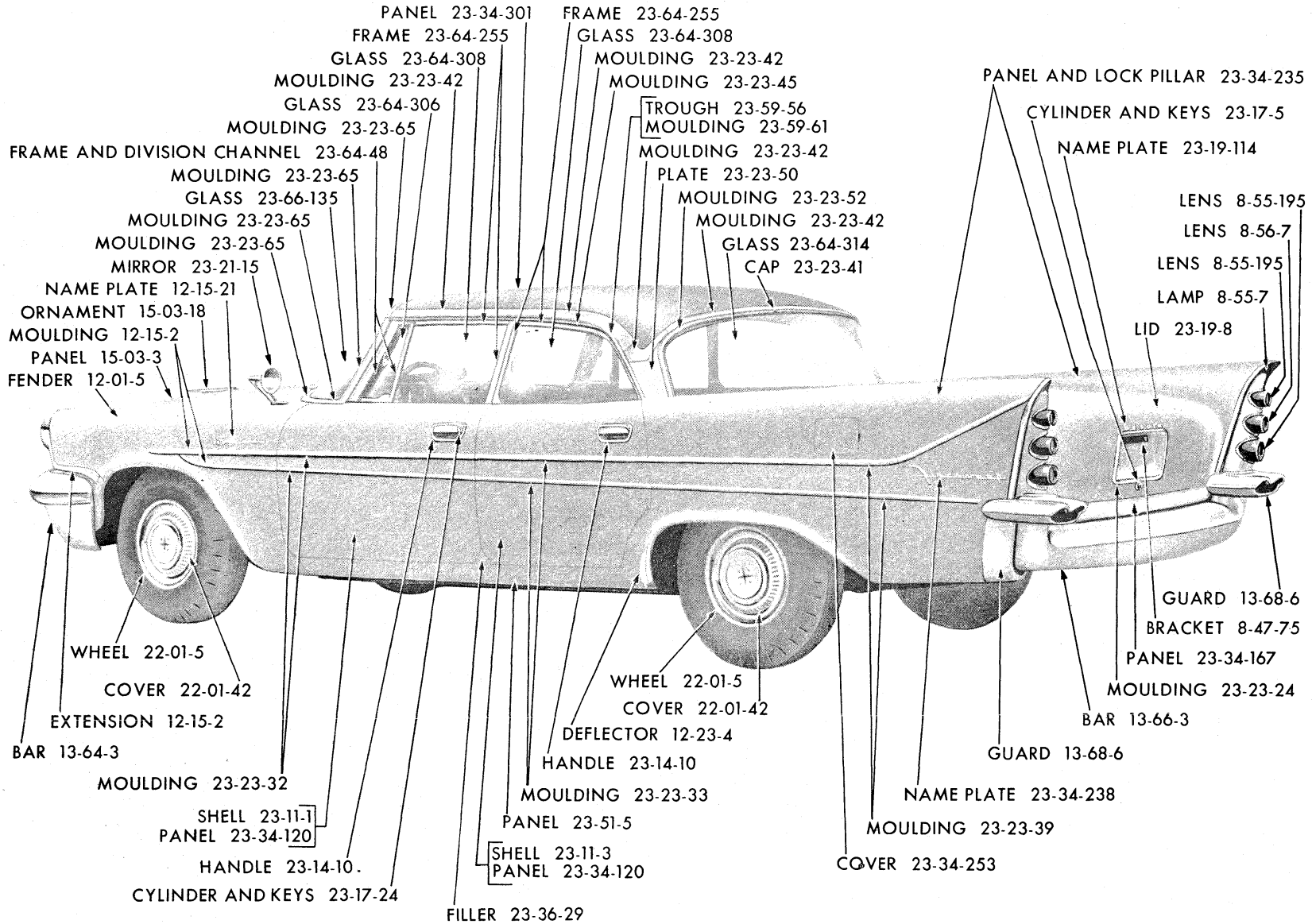
Plate 23-112

REAR EXTERIOR - DESOTO LS1-2-3 SPECIAL CLUB COUPE

19x8260C

1957-58 PASSENGER CAR PARTS LIST

BODY



19x8310

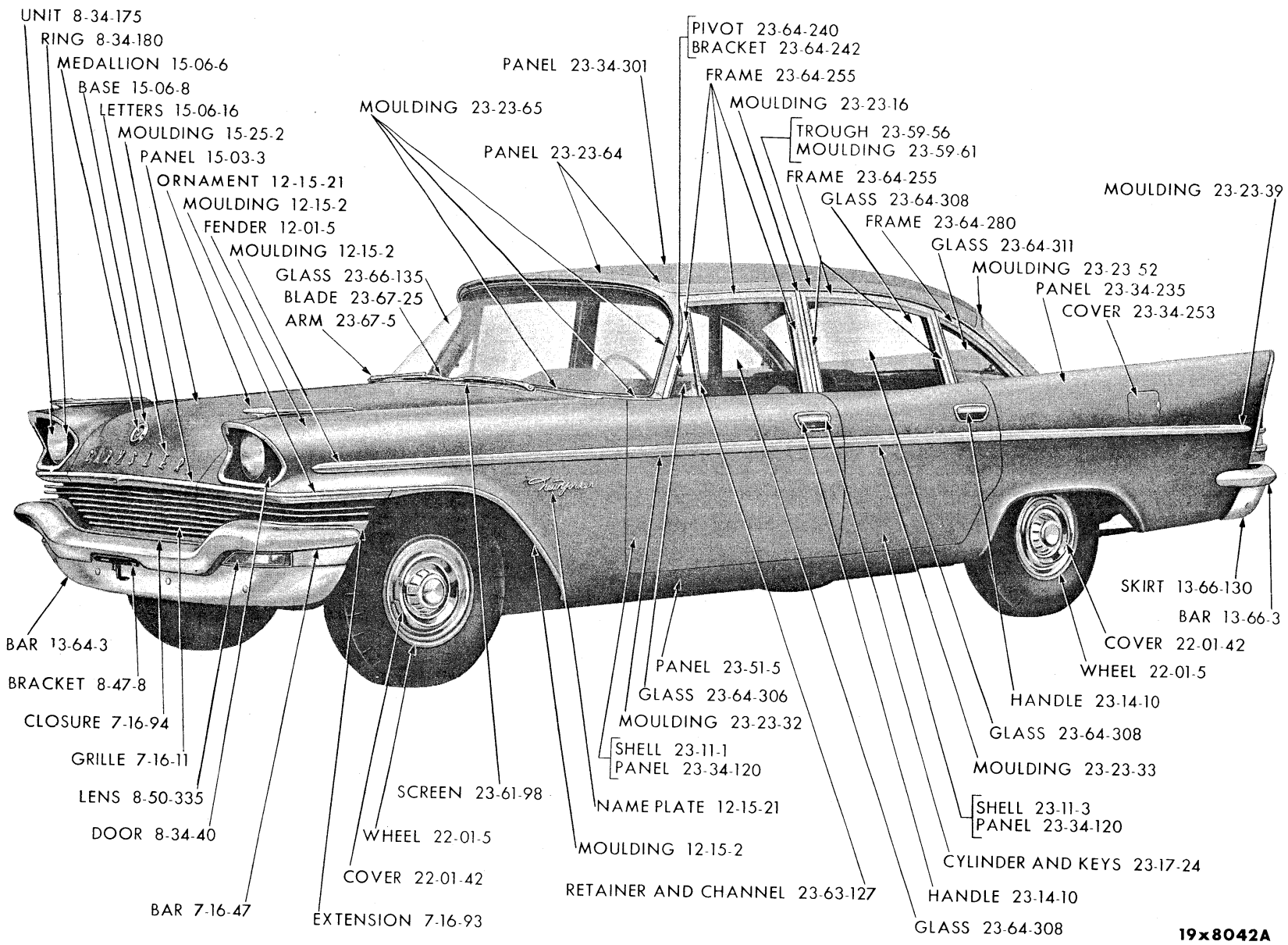
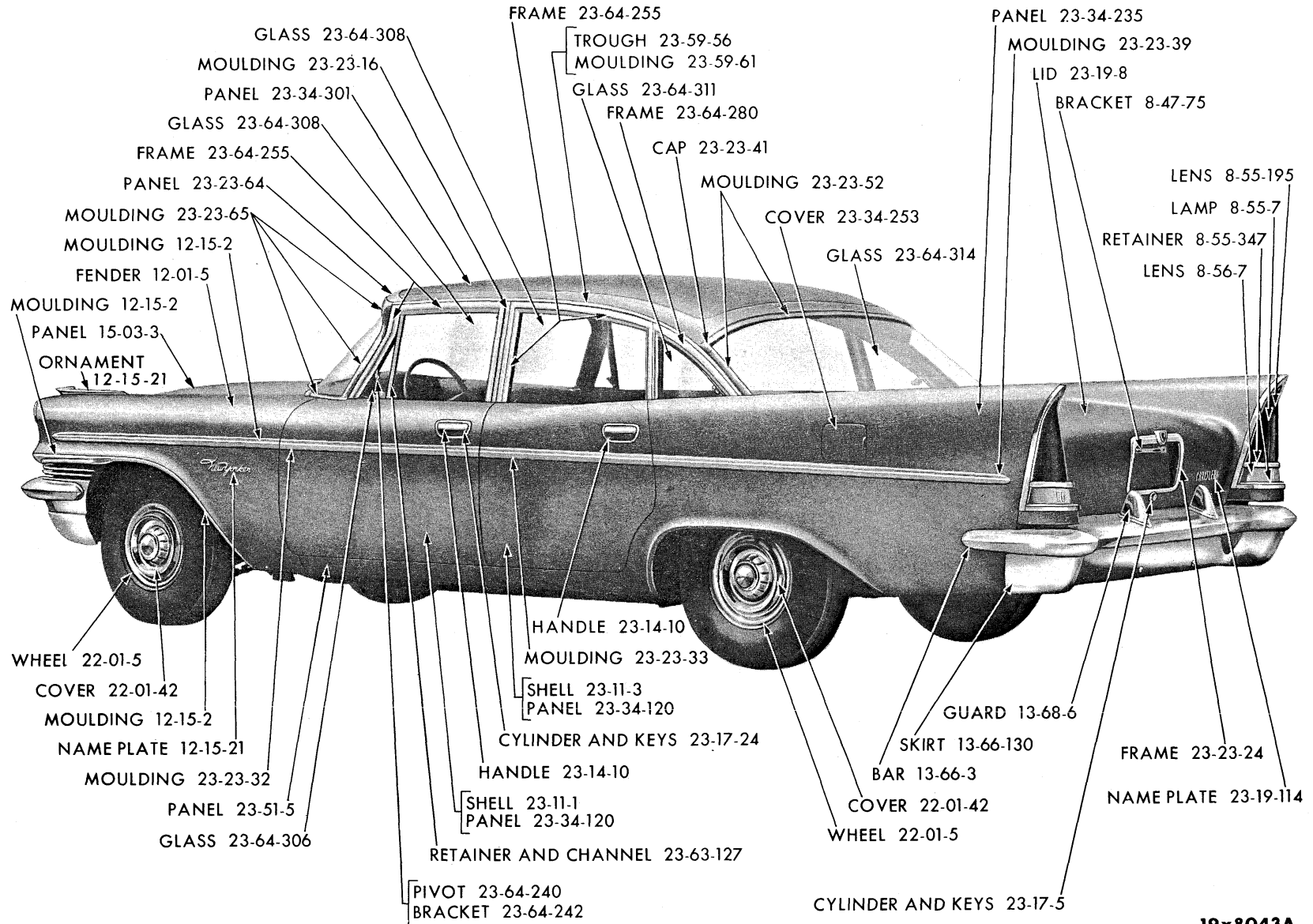


Plate 23-114

FRONT EXTERIOR - CHRYSLER C75-76

19x8042A



19x8043A

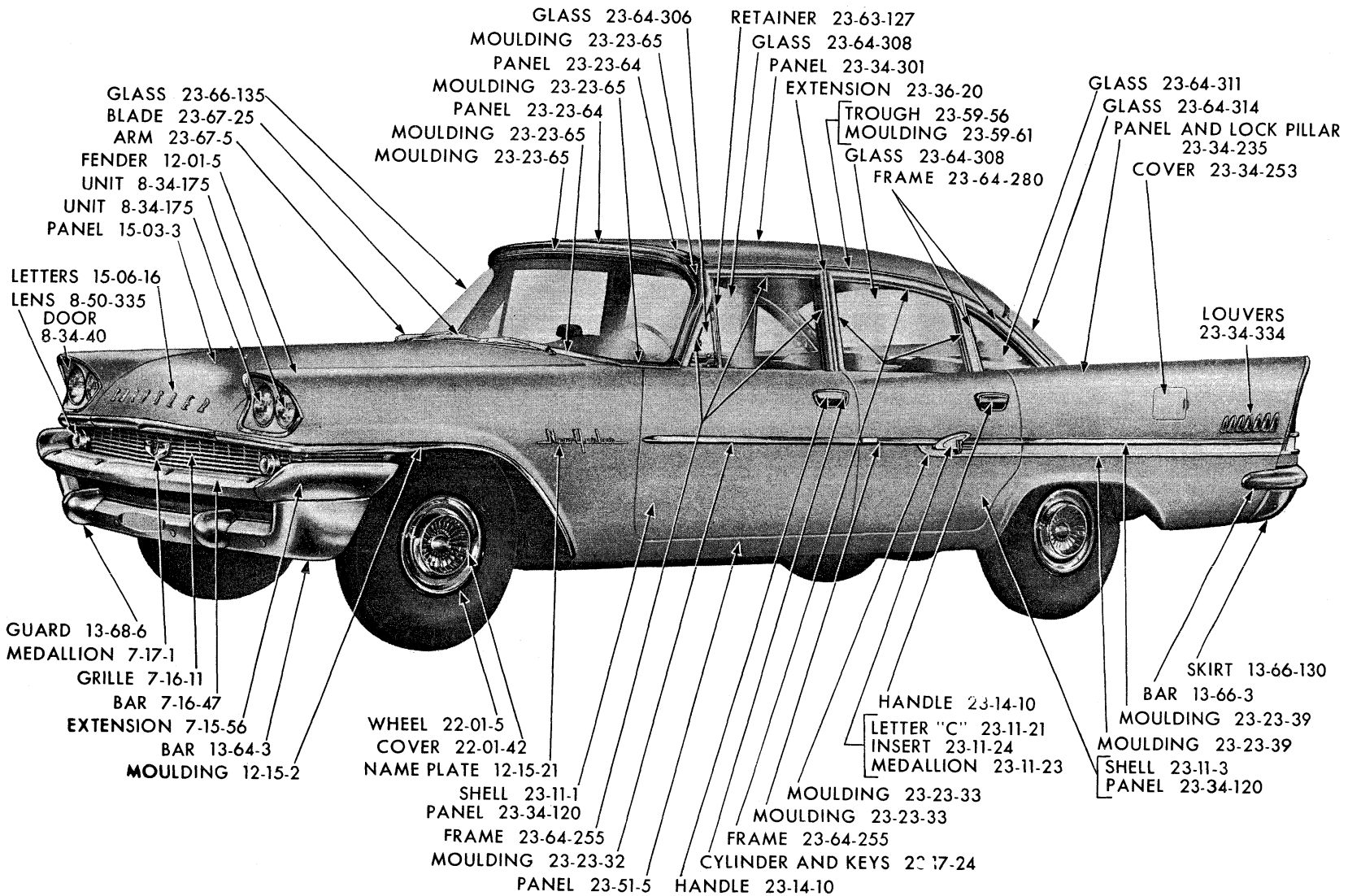
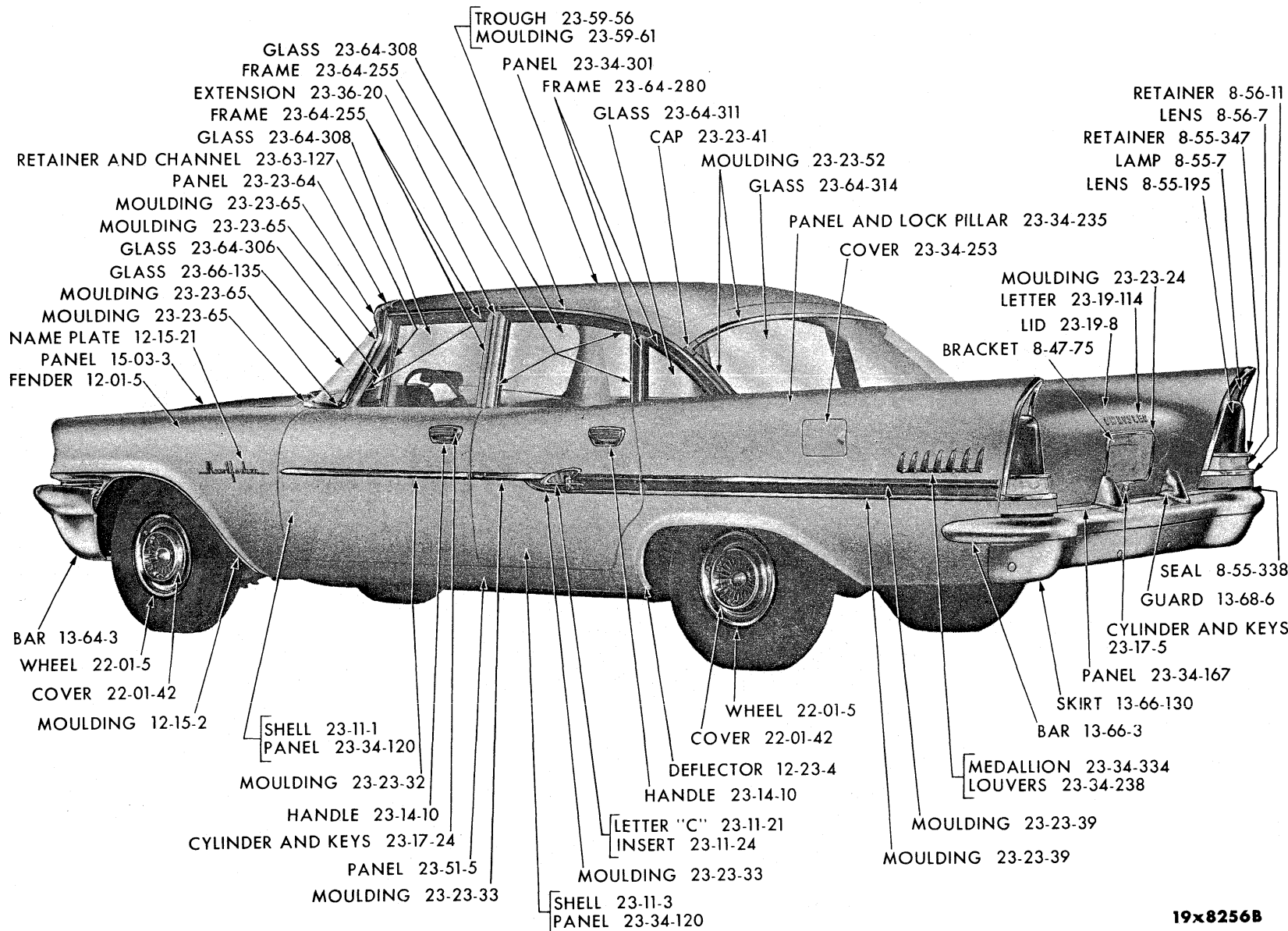


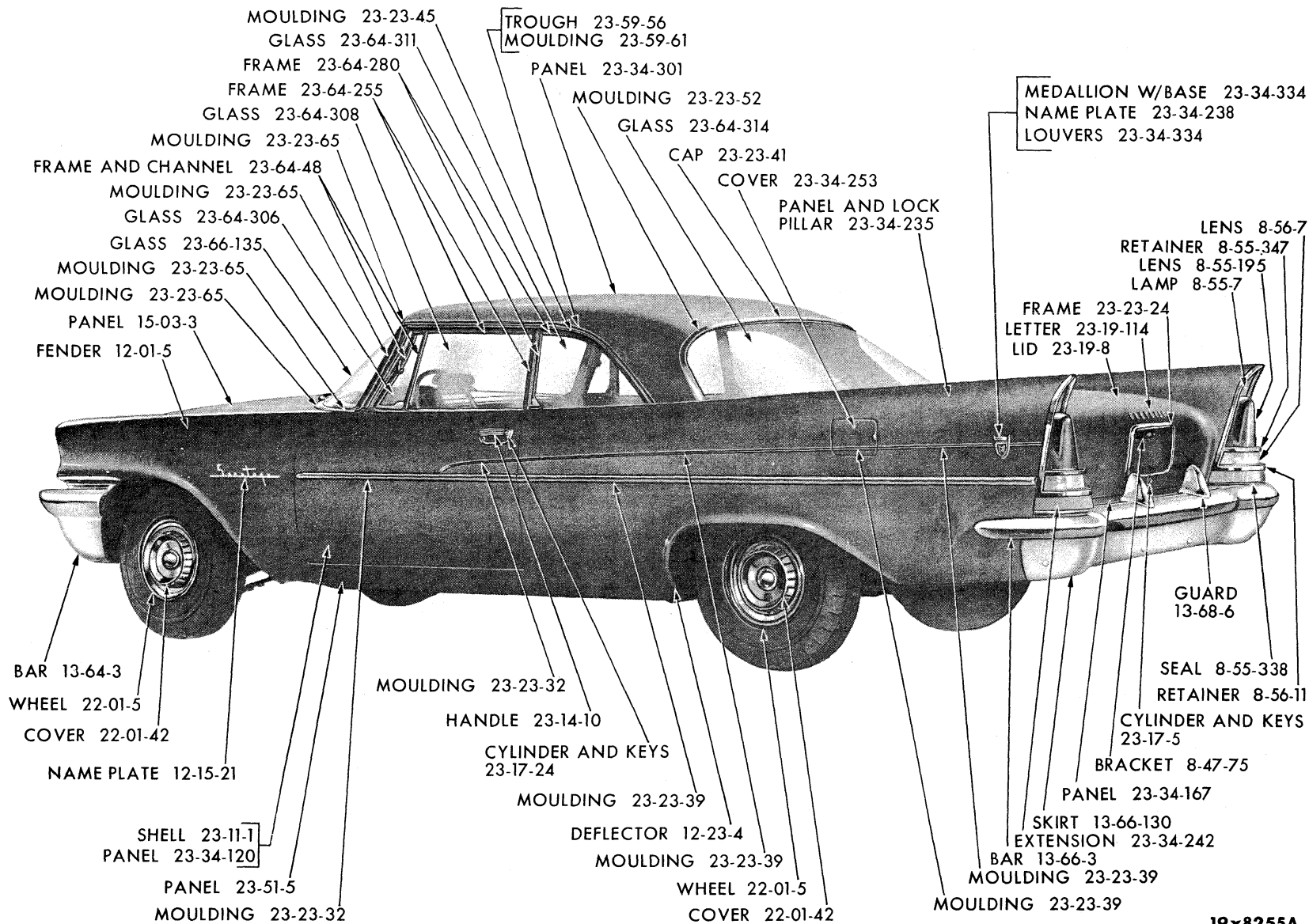
Plate 23-116

FRONT EXTERIOR - CHRYSLER LC1-2-3 4 DOOR SEDAN

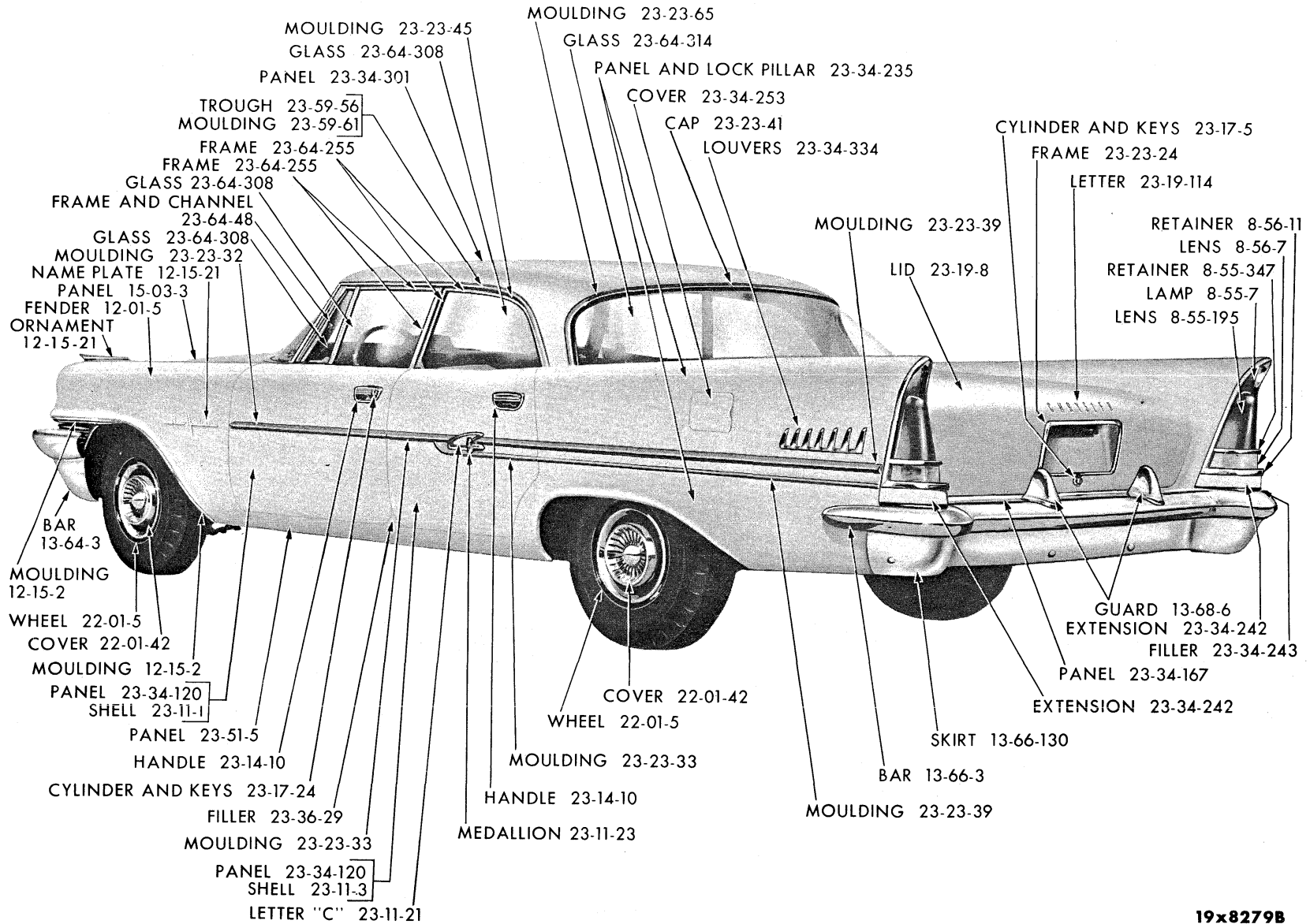
19x8258A



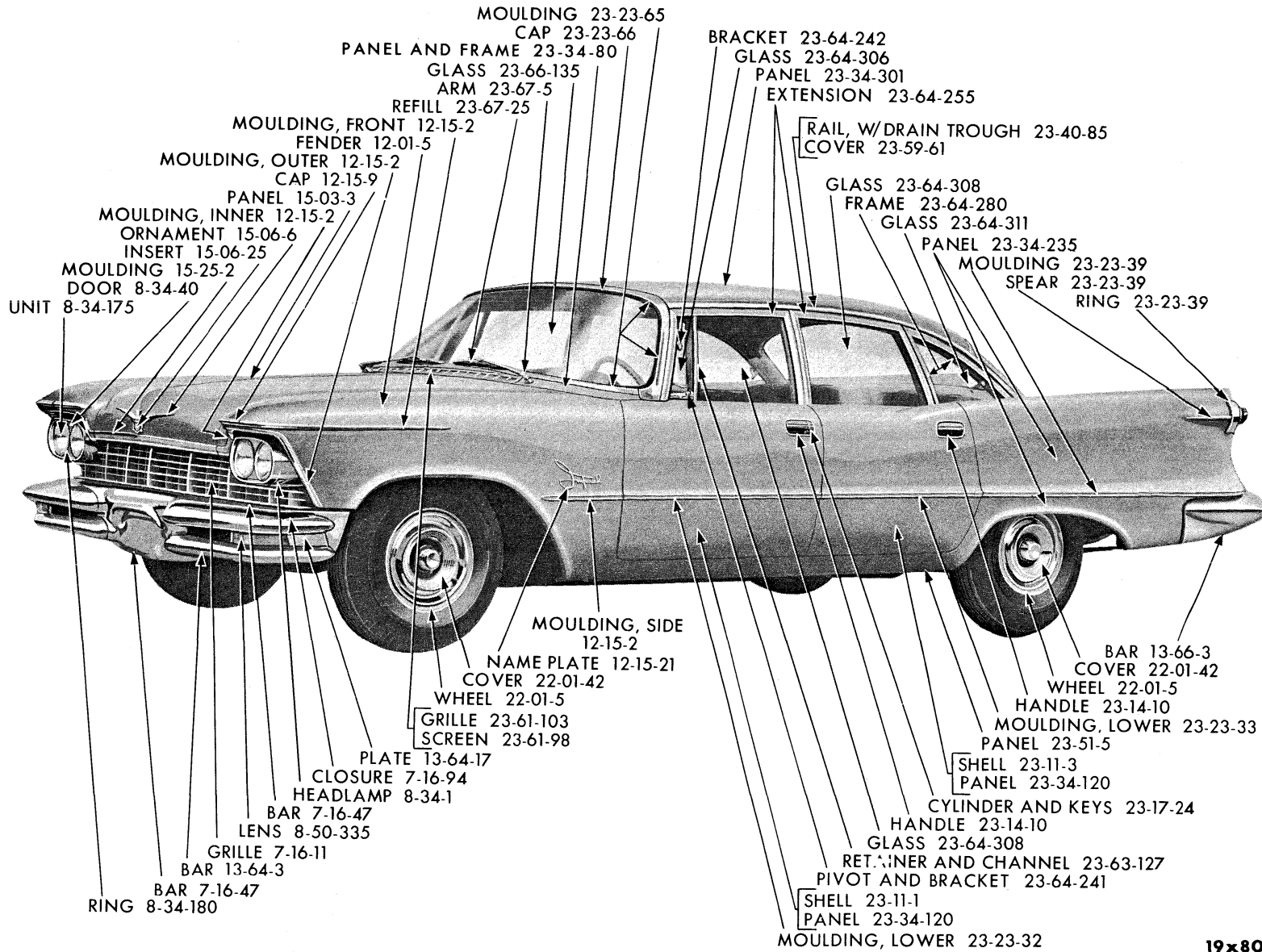
19x8256B

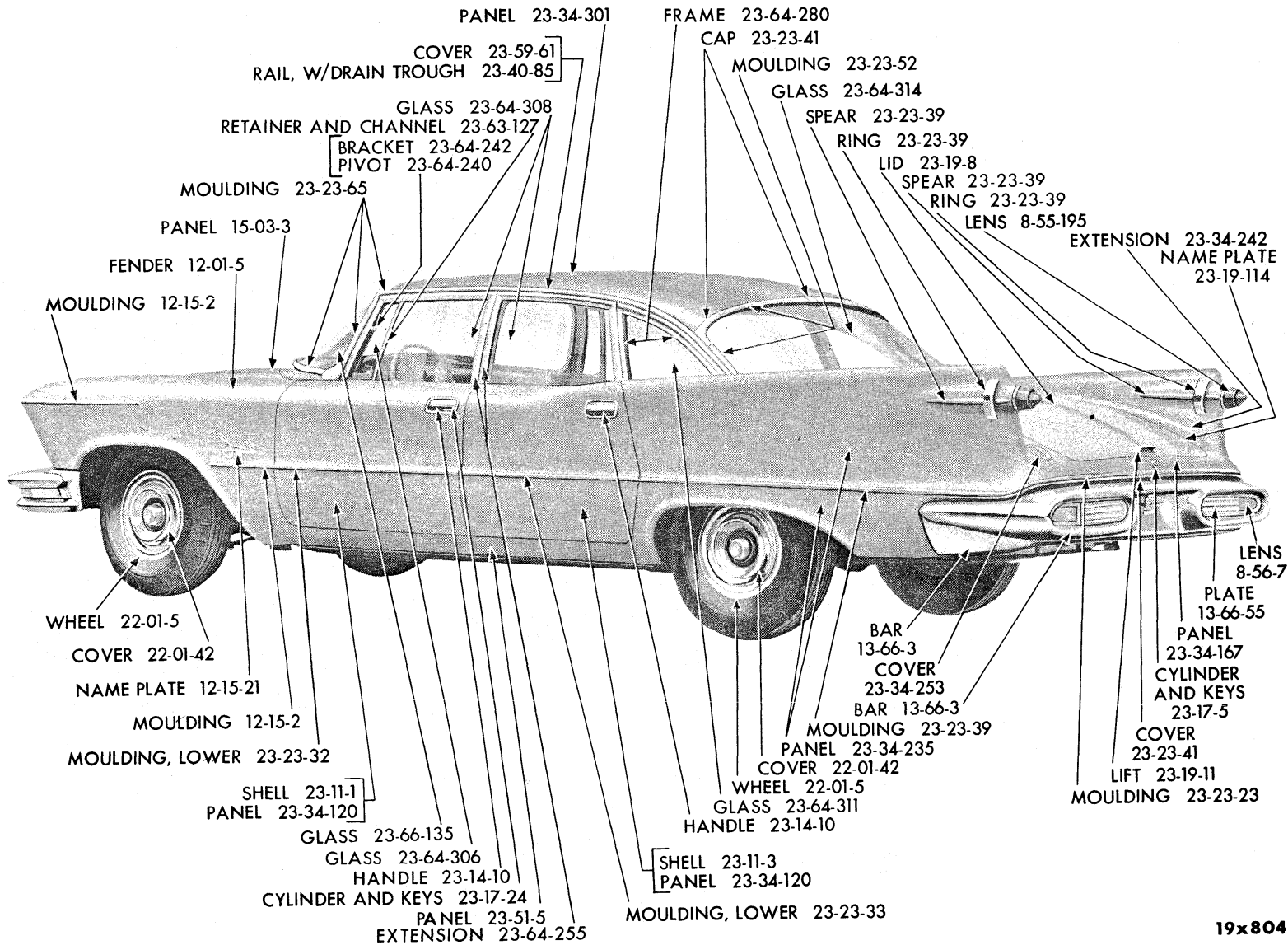


19x8255A



19x8279B





19x8045A

REAR EXTERIOR - IMPERIAL IM-1

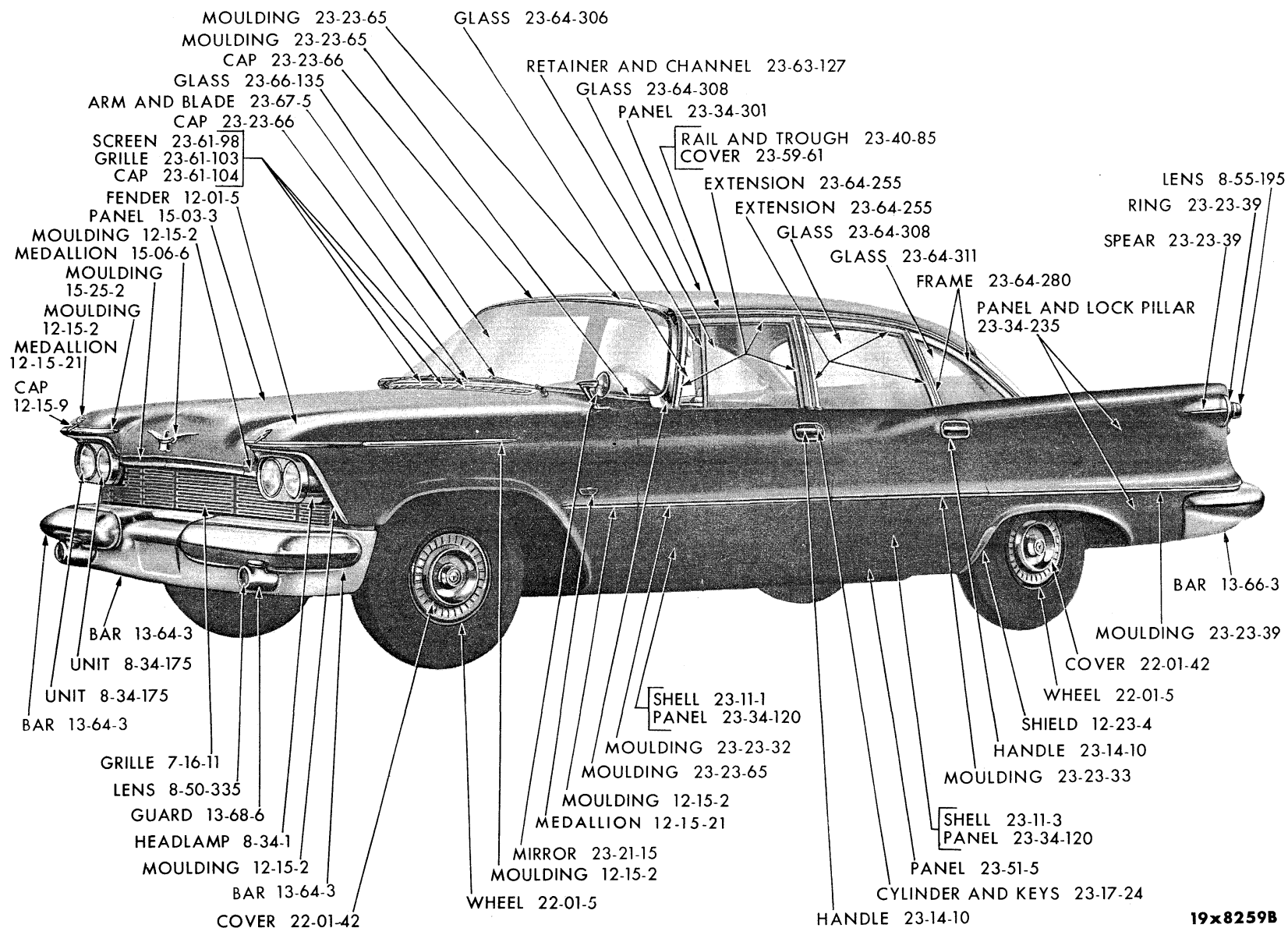
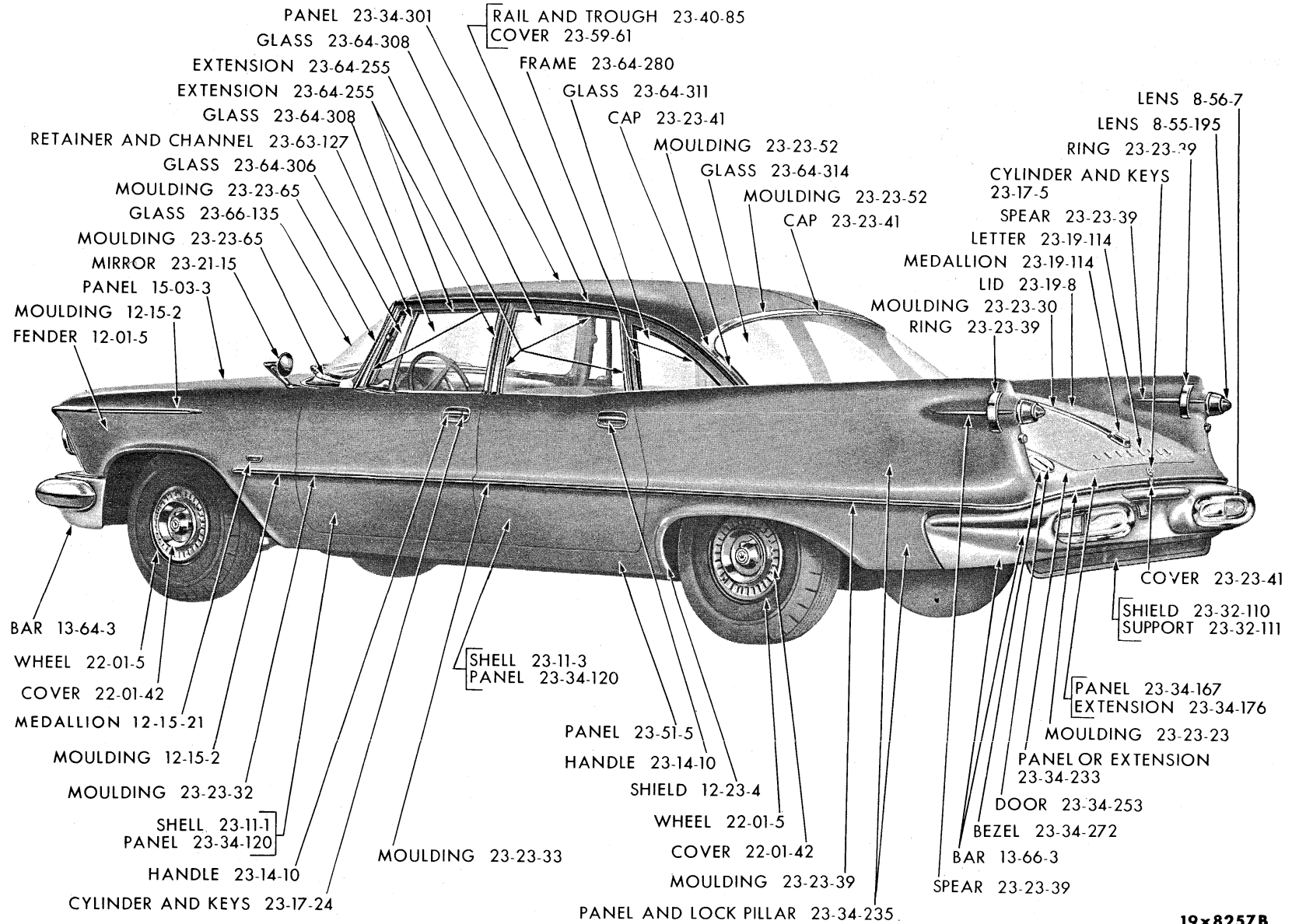


Plate 23-122

FRONT EXTERIOR - IMPERIAL LY1 4 DOOR SEDAN

19x8259B



19x8257B

Plate 23-123

REAR EXTERIOR - IMPERIAL LY1 4 DOOR SEDAN

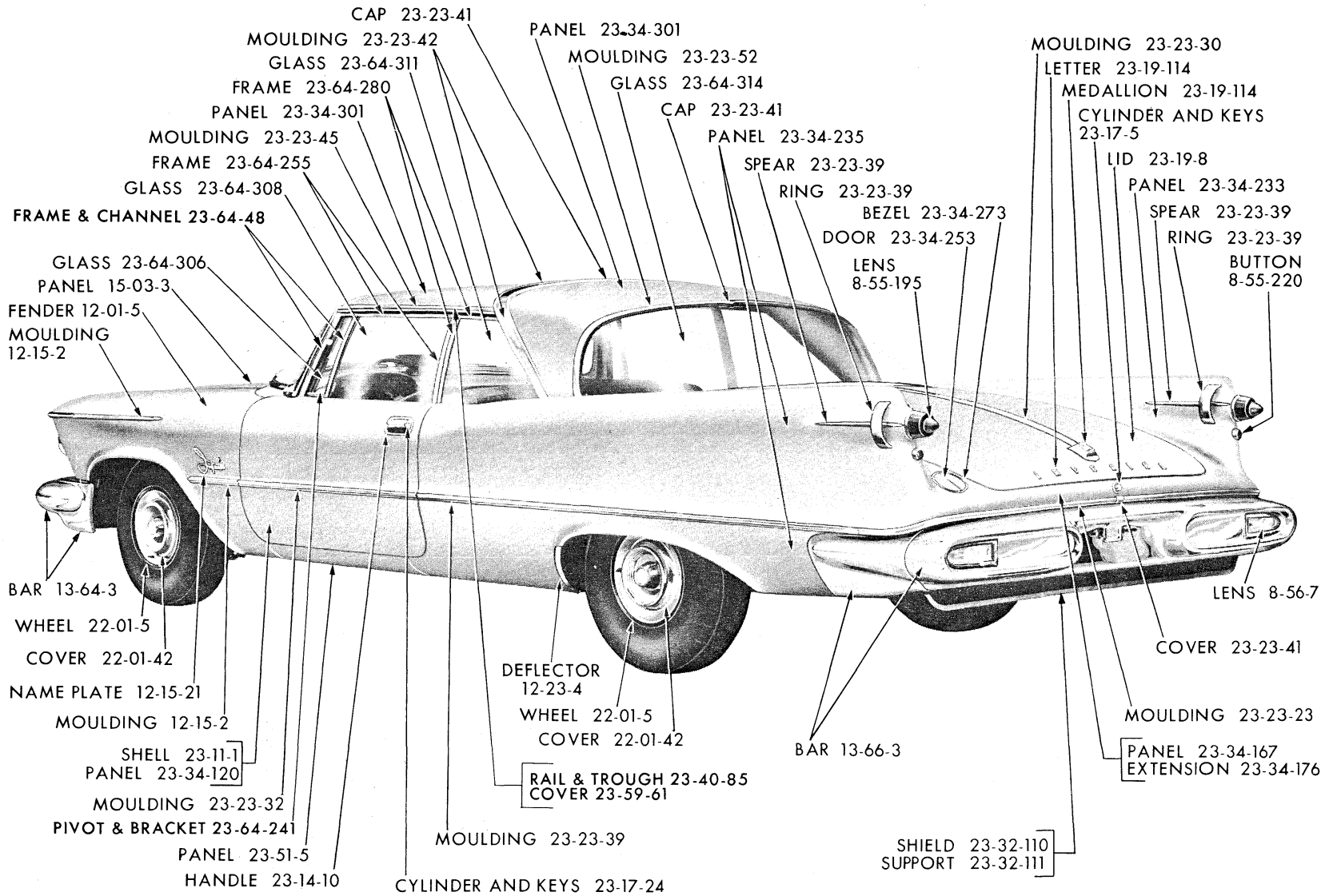


Plate 23-124

REAR EXTERIOR - IMPERIAL LY1 SPECIAL CLUB COUPE

19x8280A

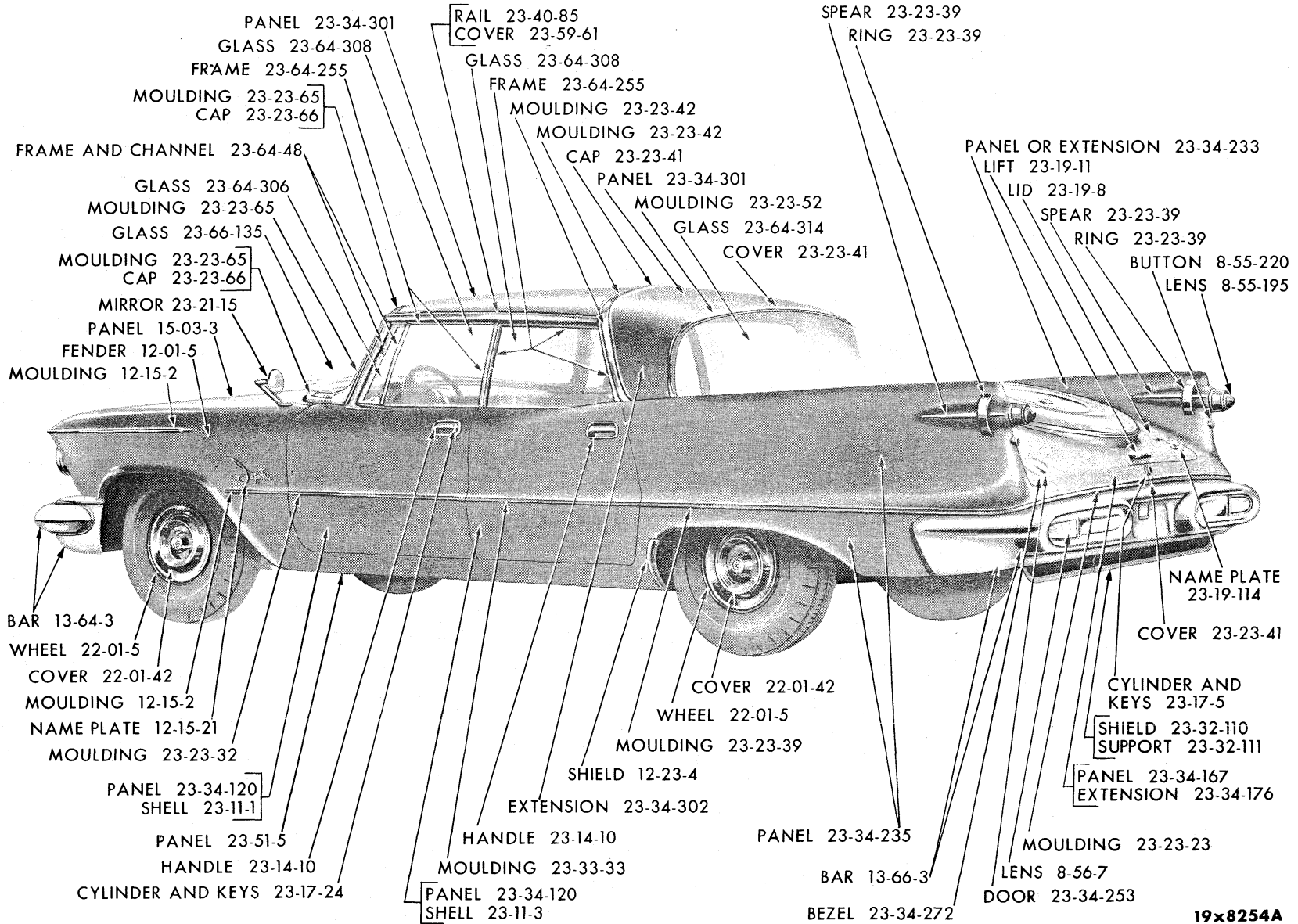
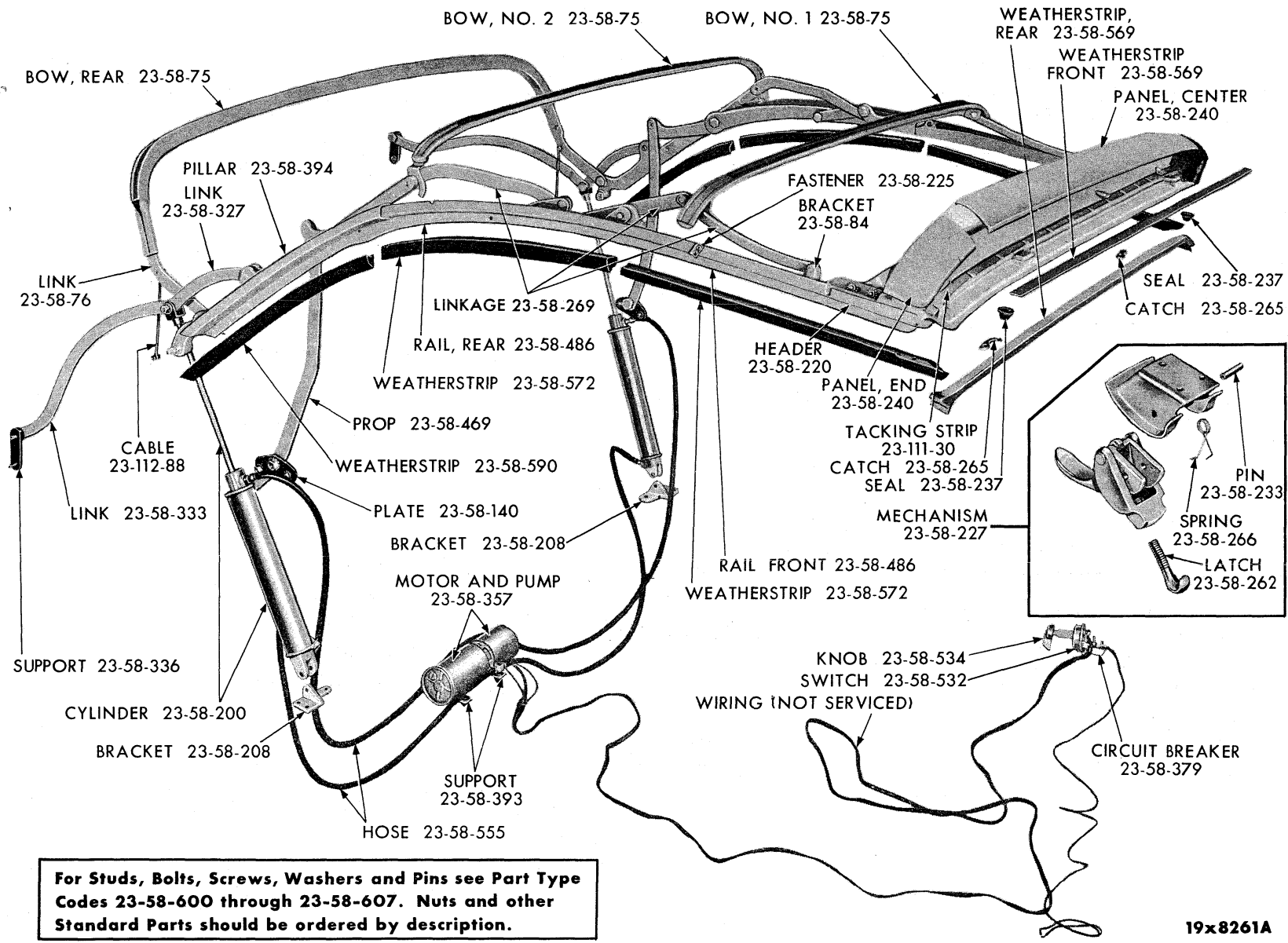


Plate 23-125

REAR EXTERIOR - IMPERIAL LY1 SPECIAL 4 DOOR SEDAN

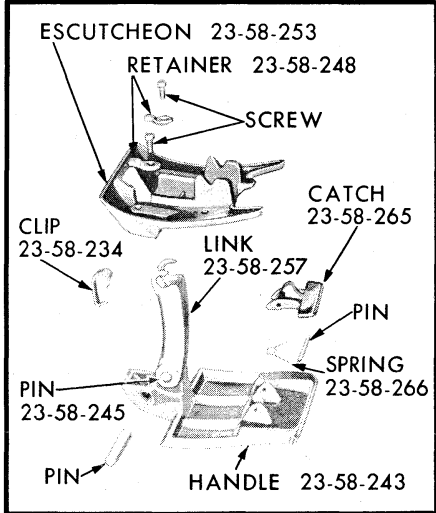
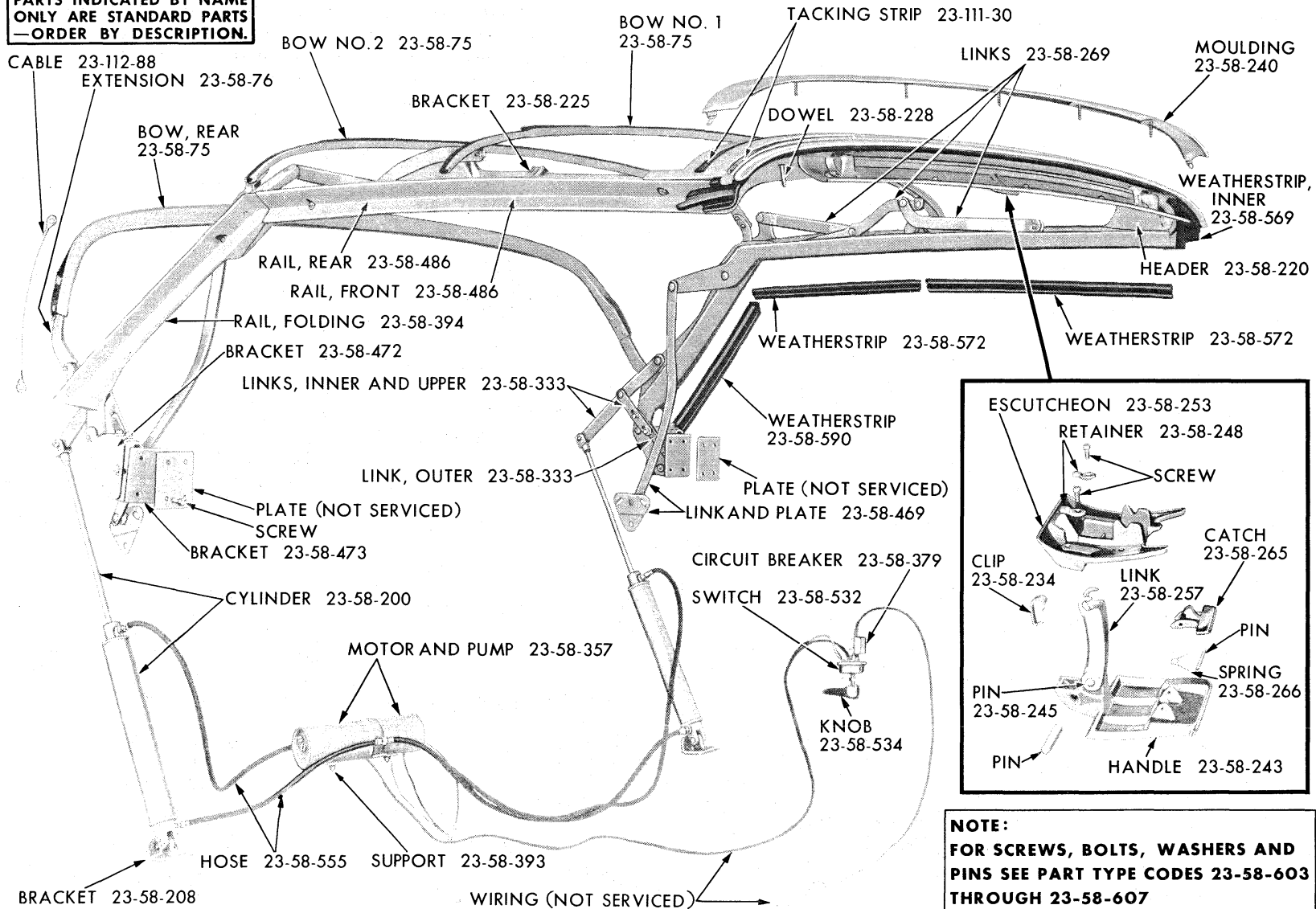
19x8254A



For Studs, Bolts, Screws, Washers and Pins see Part Type Codes 23-58-600 through 23-58-607. Nuts and other Standard Parts should be ordered by description.

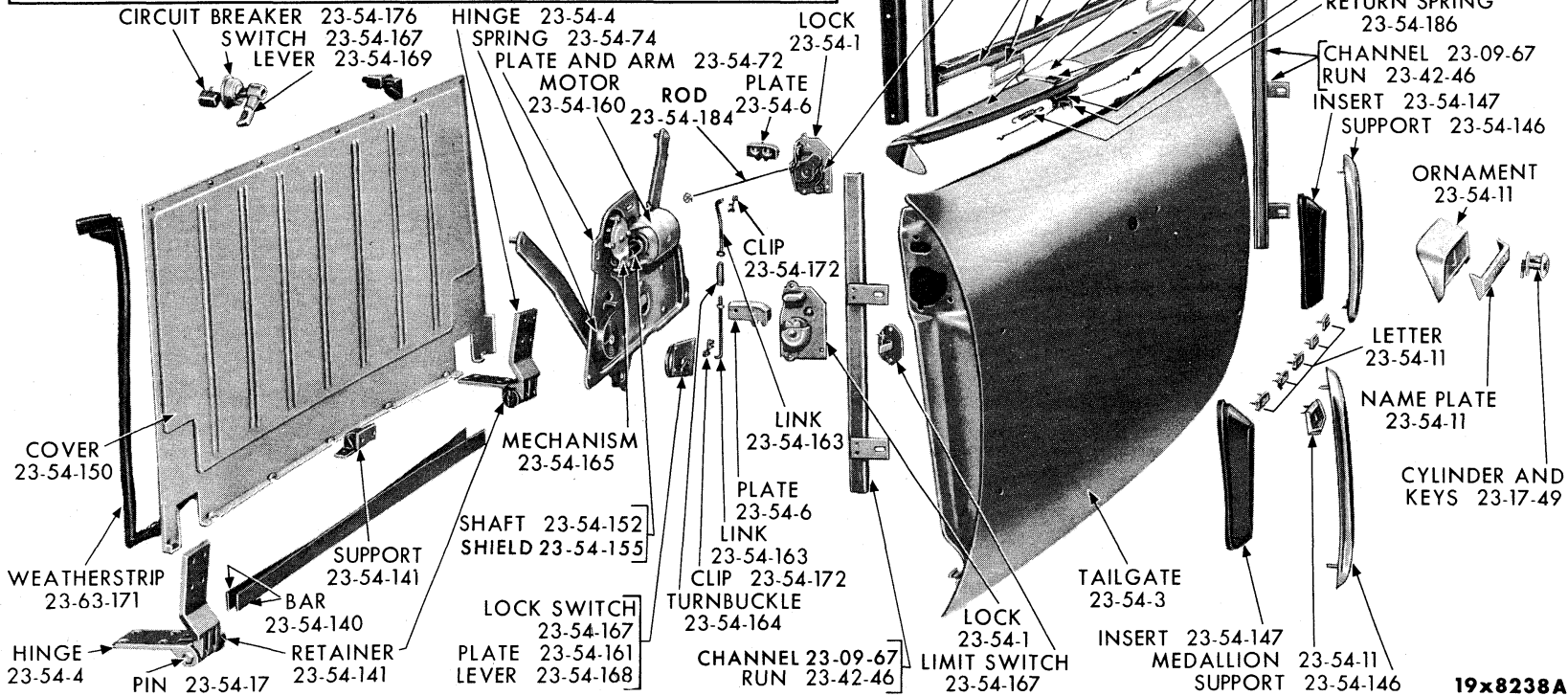
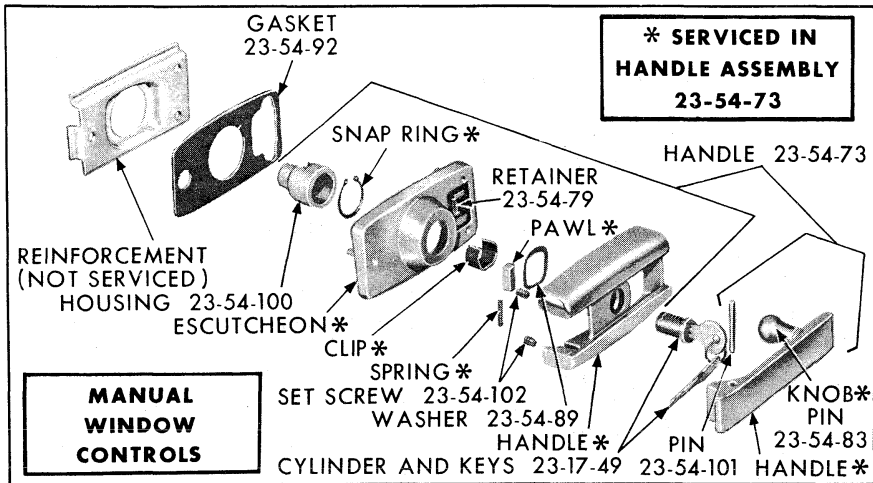
19x8261A

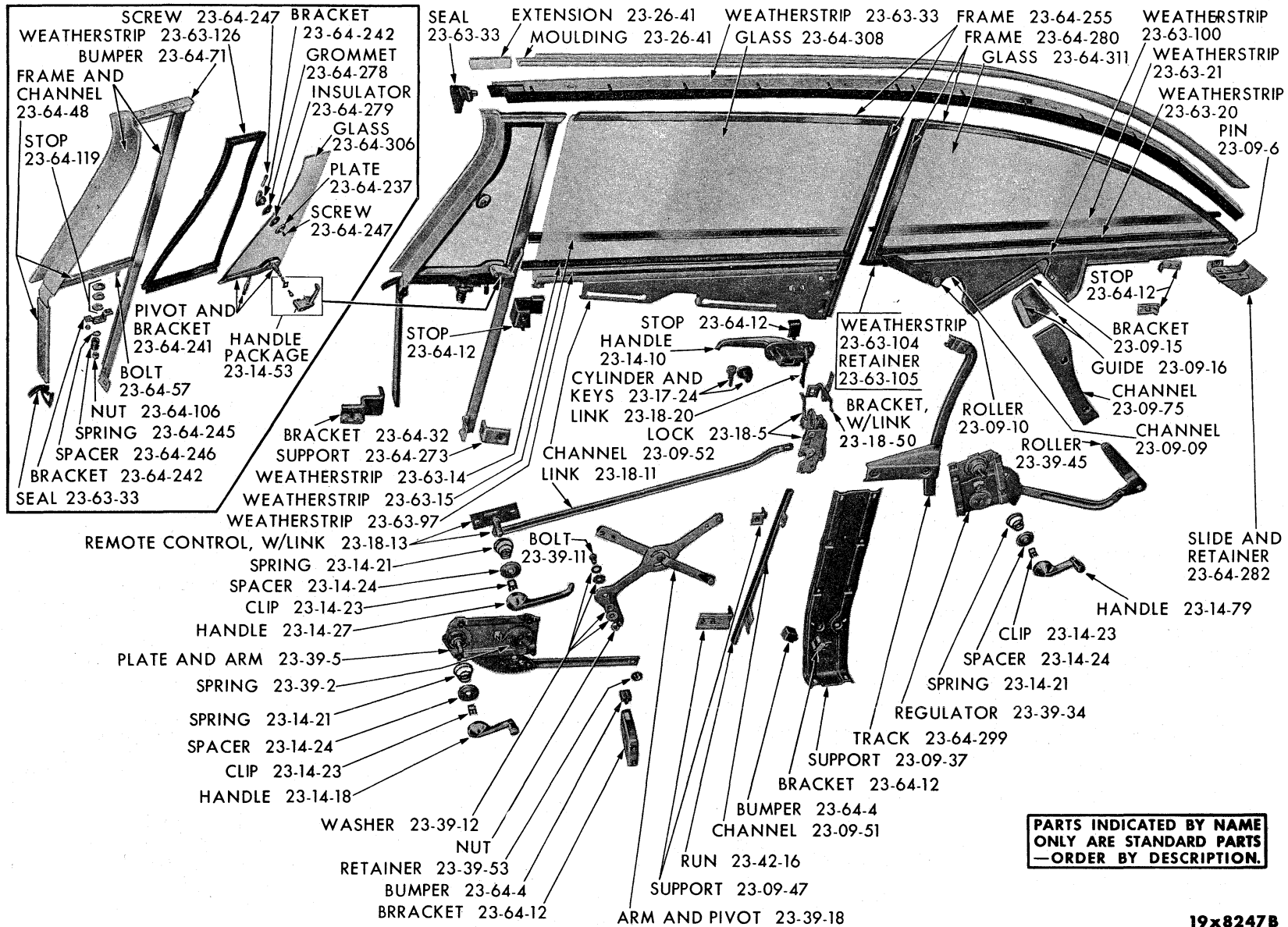
**PARTS INDICATED BY NAME
ONLY ARE STANDARD PARTS
—ORDER BY DESCRIPTION.**

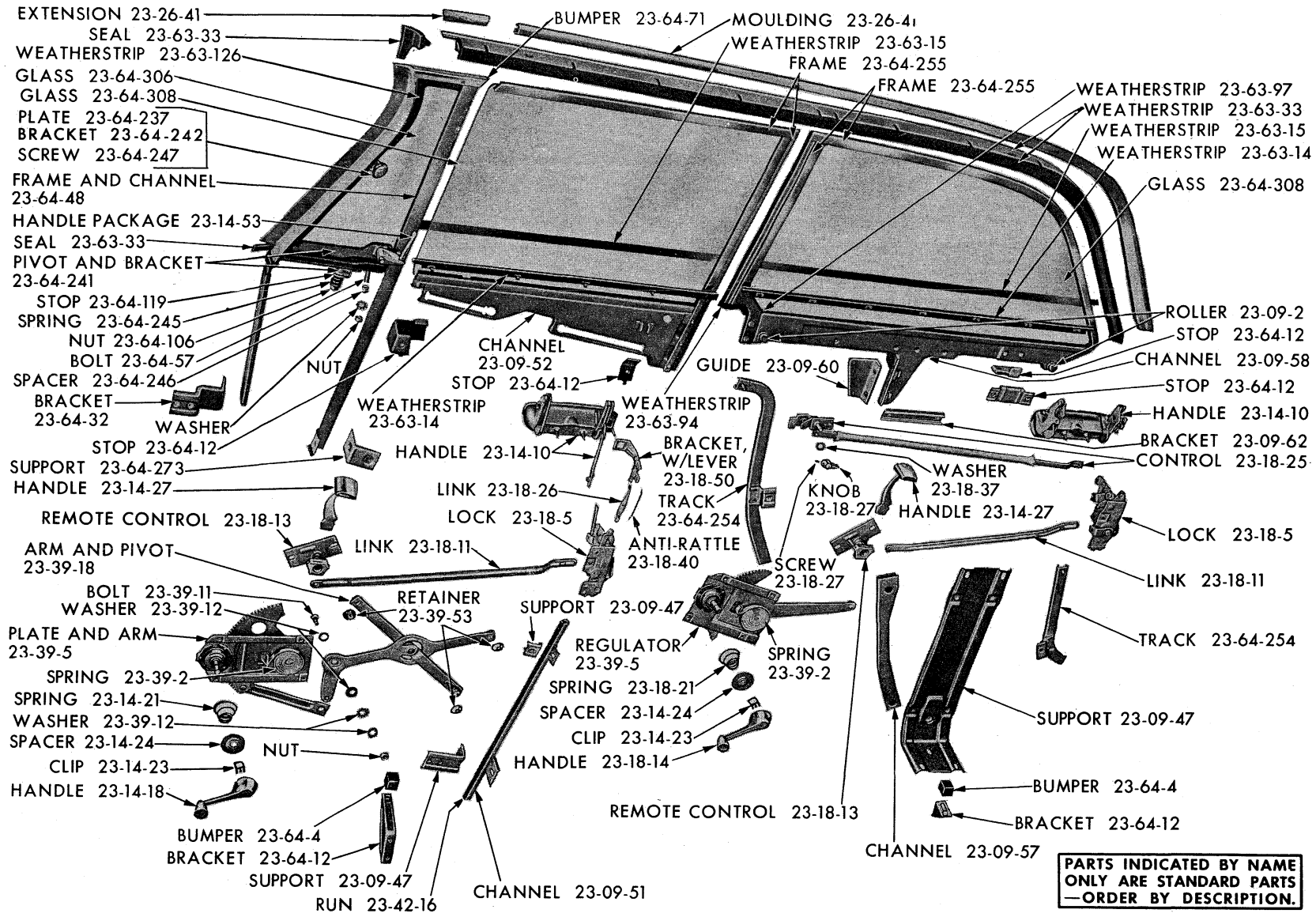


NOTE:
**FOR SCREWS, BOLTS, WASHERS AND
PINS SEE PART TYPE CODES 23-58-603
THROUGH 23-58-607**

19x8248

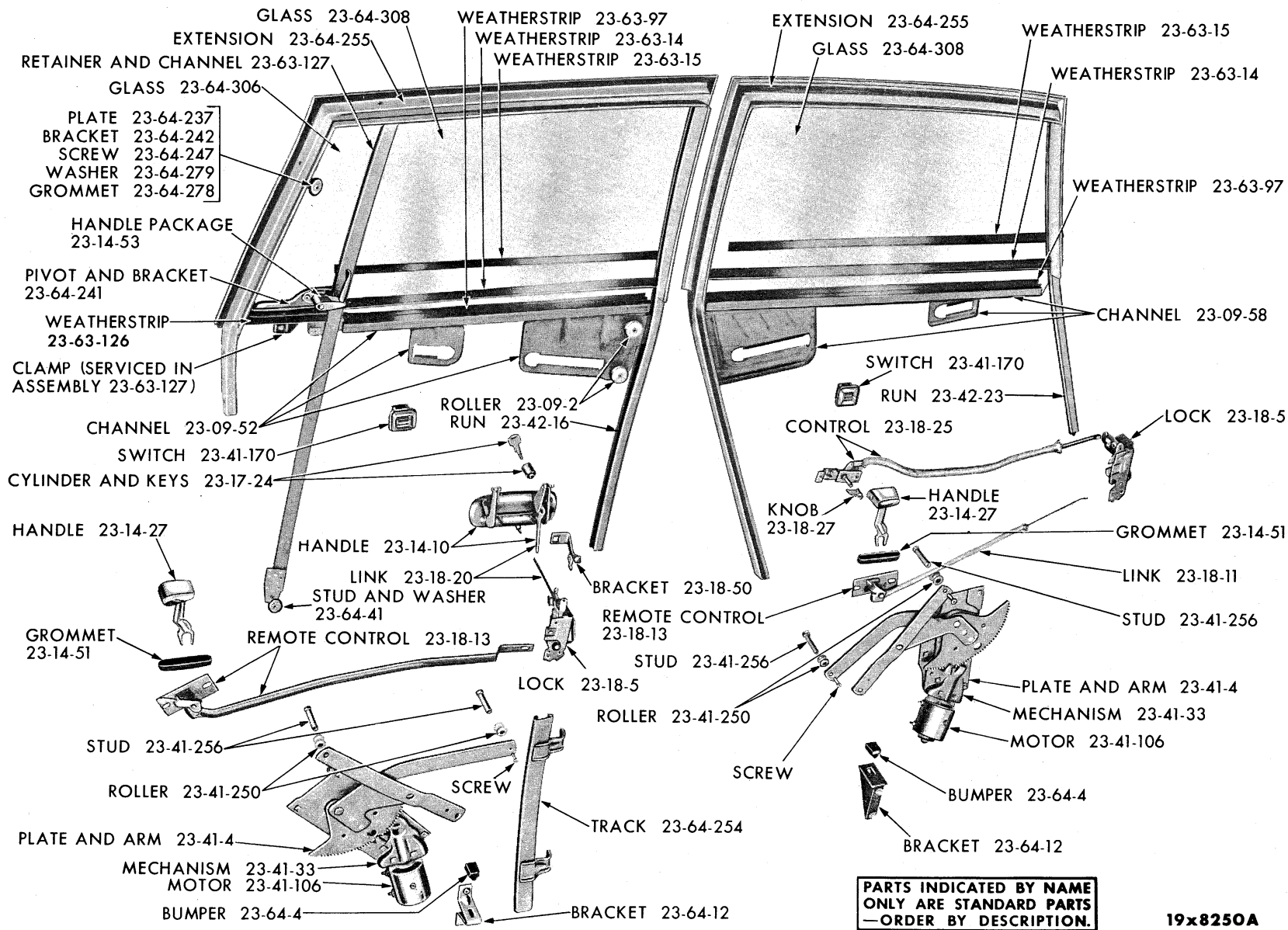






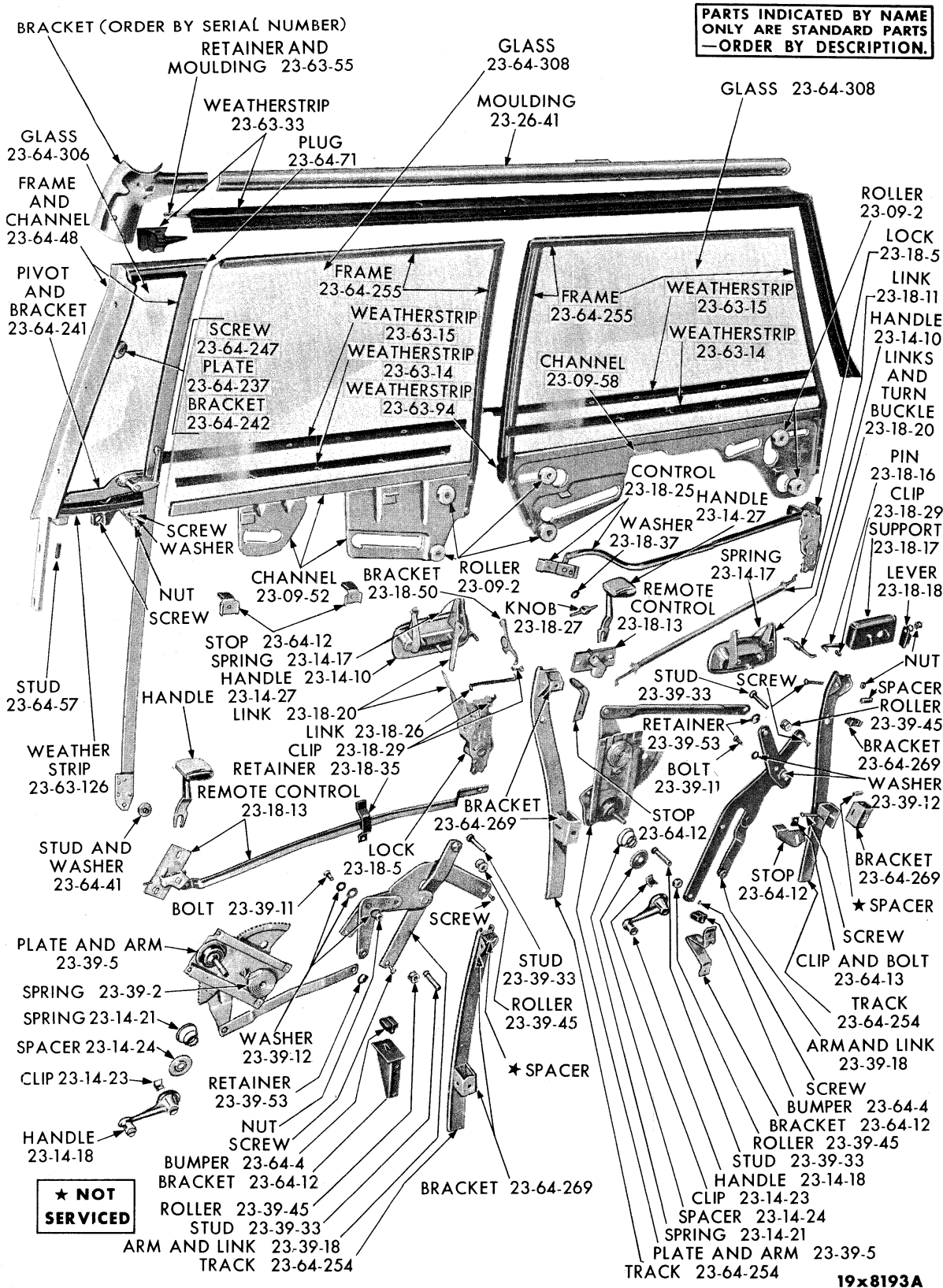
PARTS INDICATED BY NAME
ONLY ARE STANDARD PARTS
—ORDER BY DESCRIPTION.

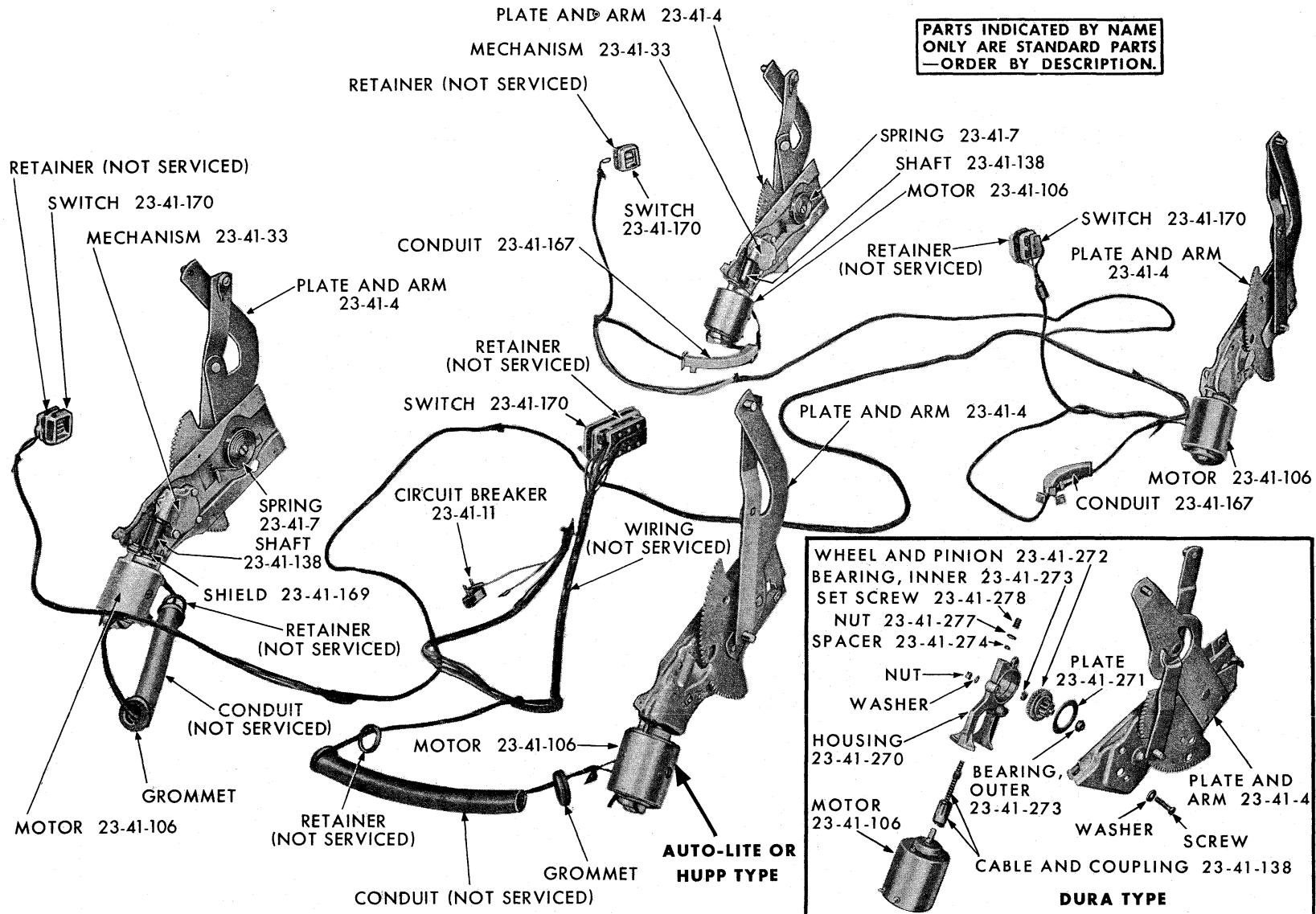
19x8174C



PARTS INDICATED BY NAME ONLY ARE STANDARD PARTS - ORDER BY DESCRIPTION.

19x8250A

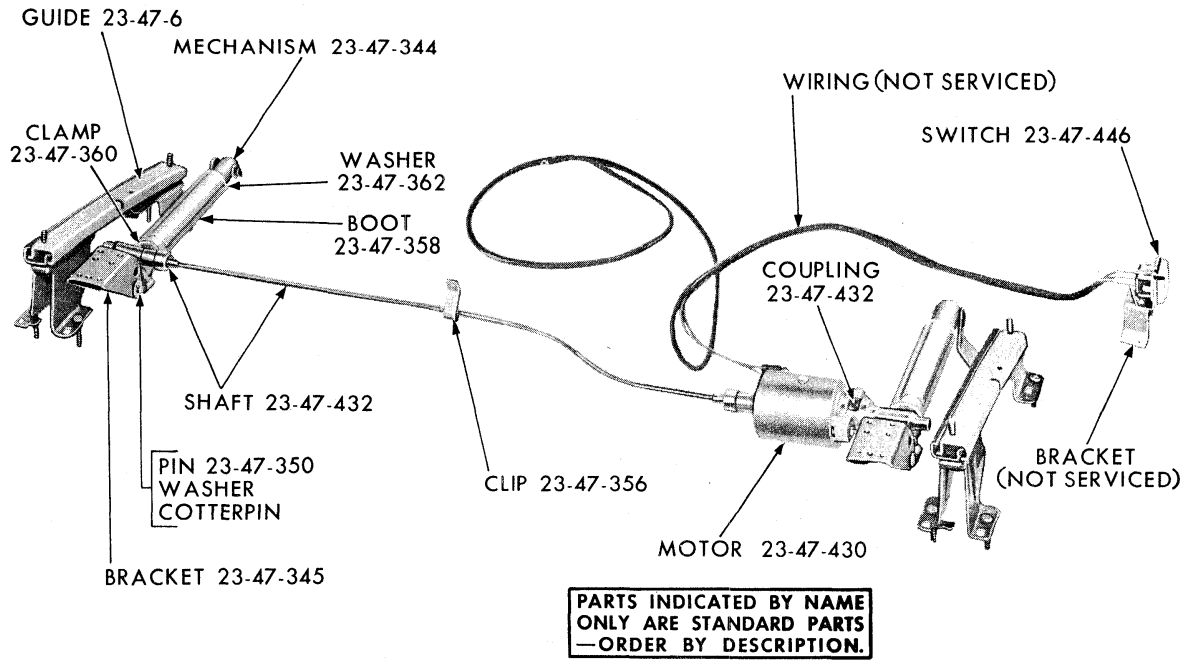




19x8262A

Plate 23-133

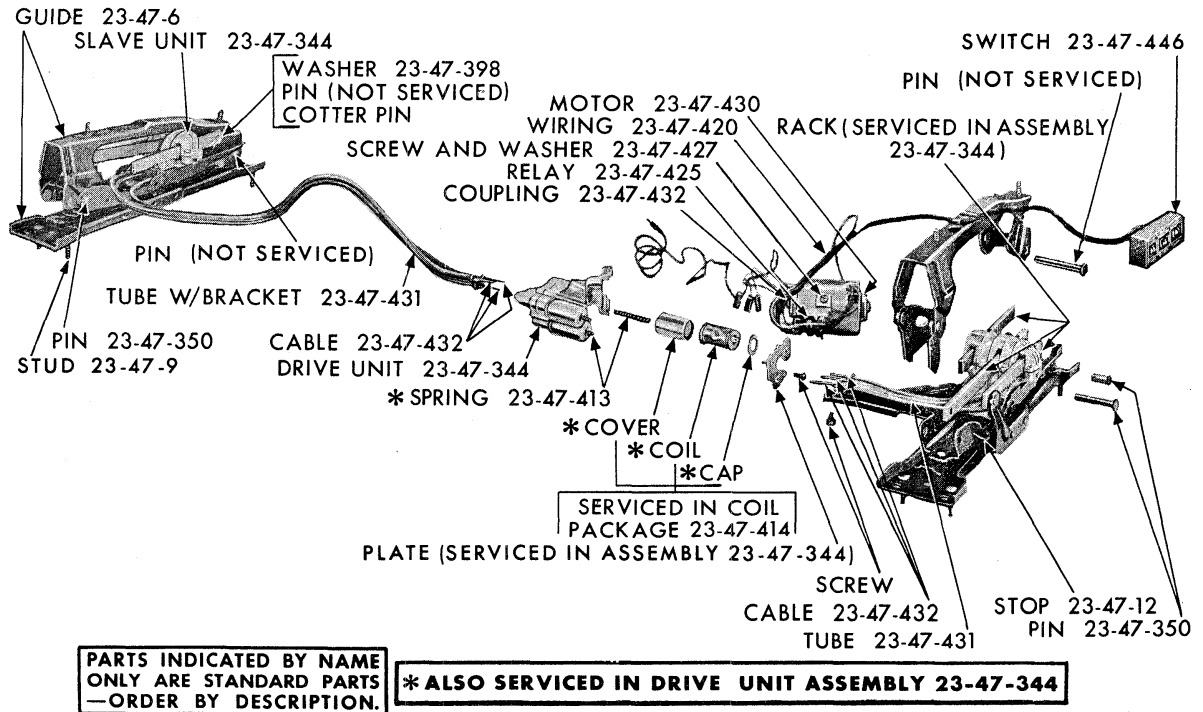
ELECTRIC WINDOW LIFT SYSTEM - 4 DOOR SEDANS



19x8246

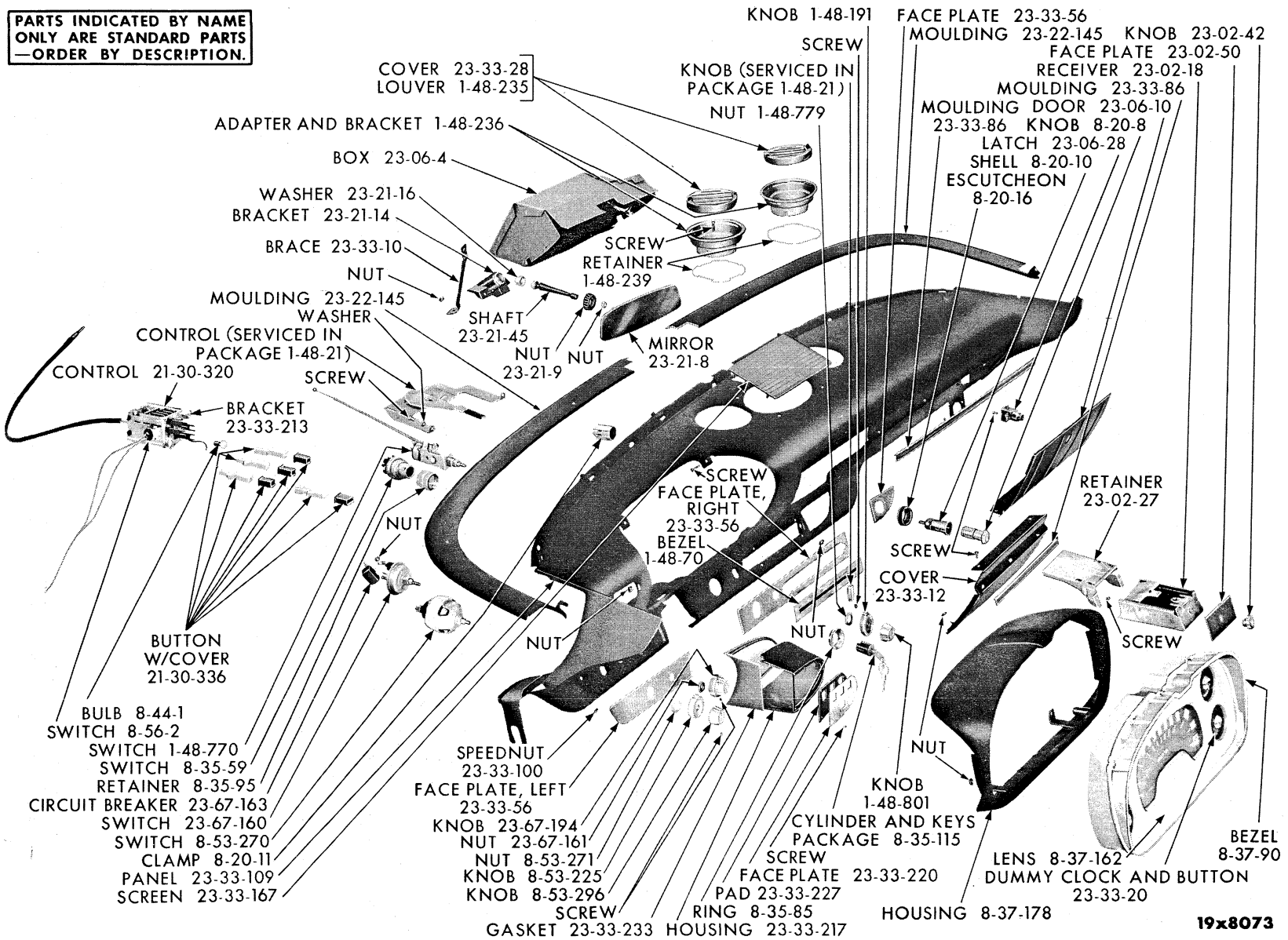
Plate 23-134

SEAT GUIDE - ELECTRIC, 2-WAY



19x8243B

PARTS INDICATED BY NAME ONLY ARE STANDARD PARTS —ORDER BY DESCRIPTION.



19x8073

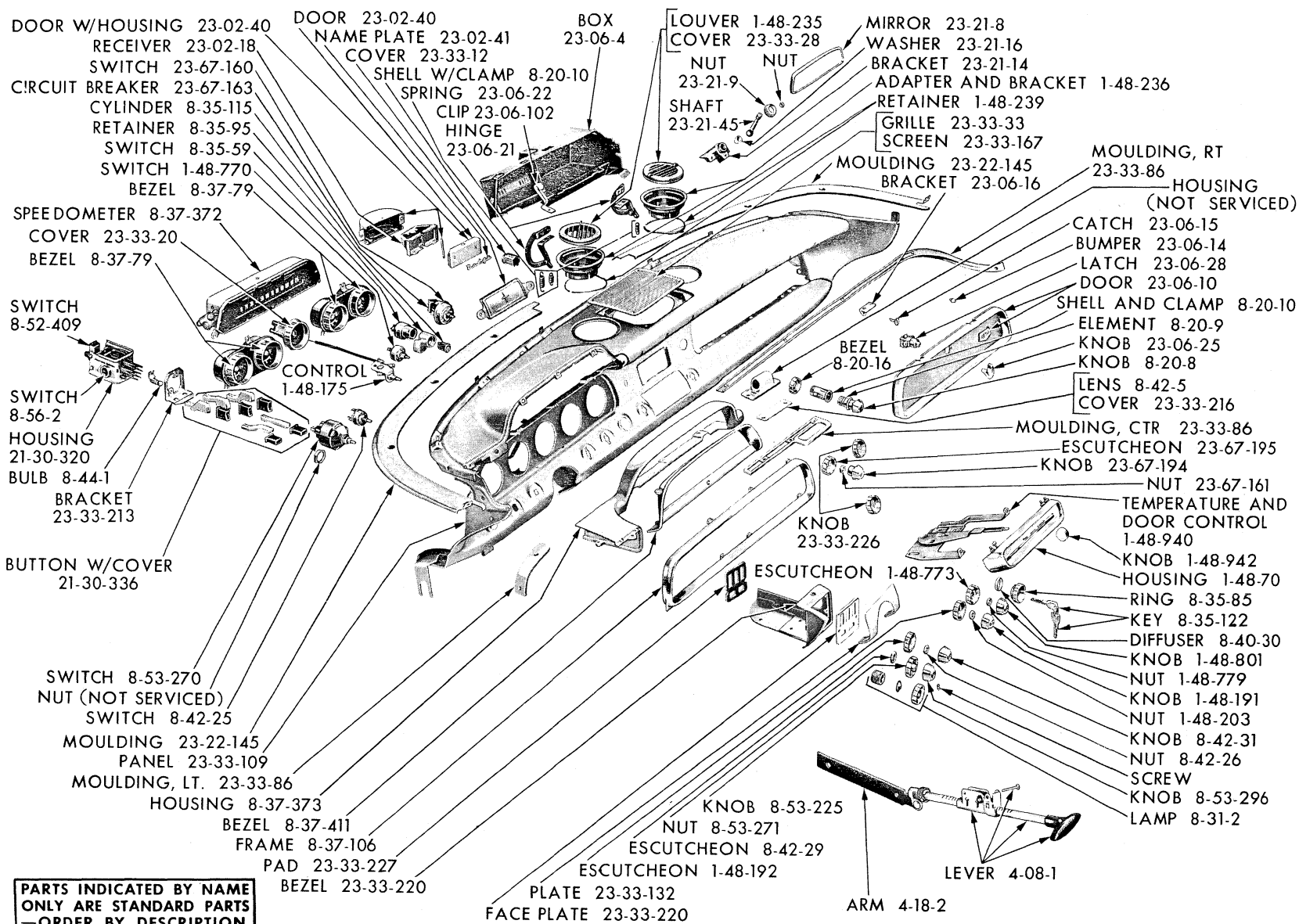
Nov. 15, 1957 Supersedes May 31, 1957.

Page 23-250

Printed in U.S.A.

Plate 23-136

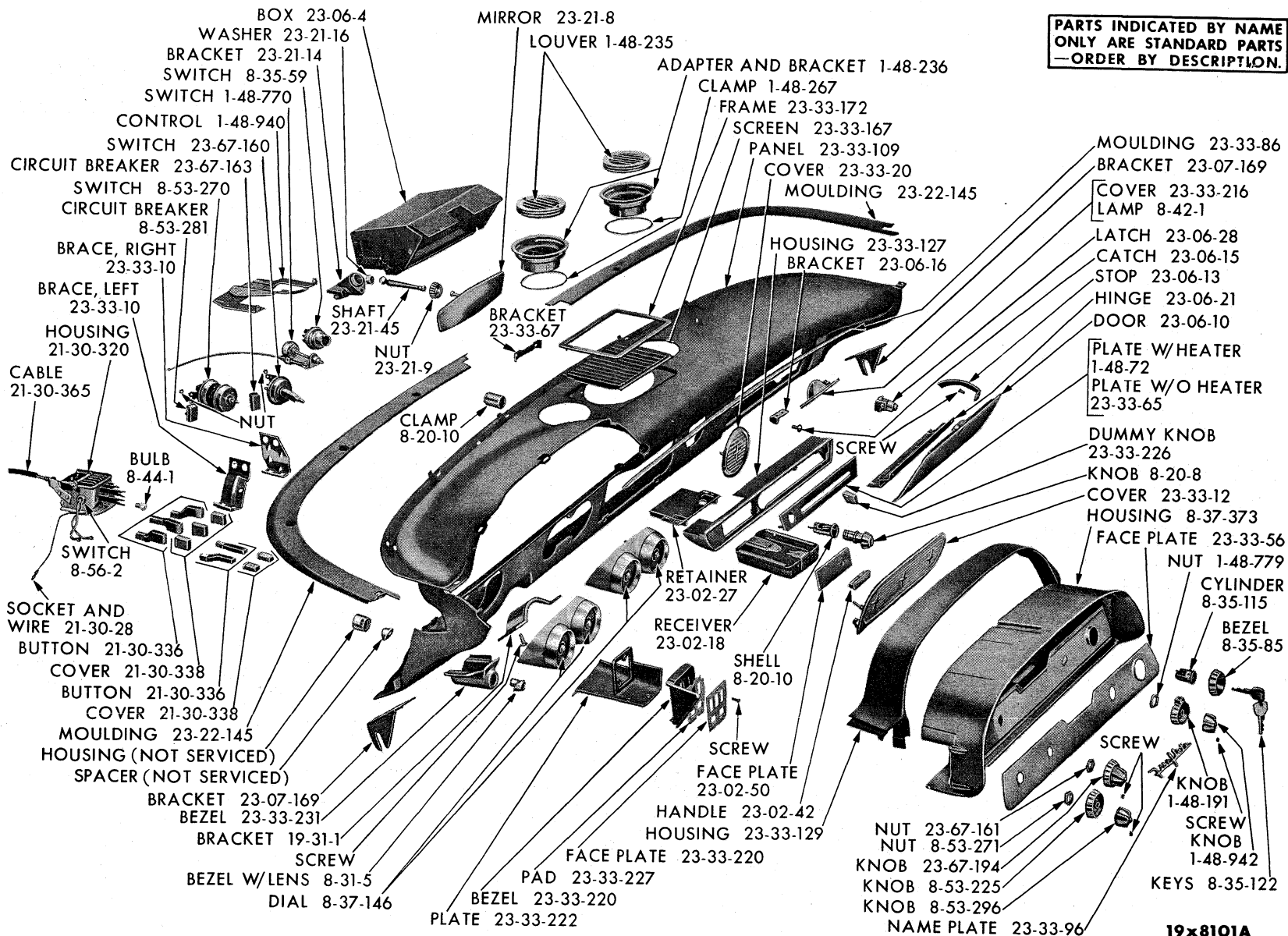
INSTRUMENT PANEL - PLYMOUTH P30-31



**PARTS INDICATED BY NAME
ONLY ARE STANDARD PARTS
—ORDER BY DESCRIPTION.**

19x8119

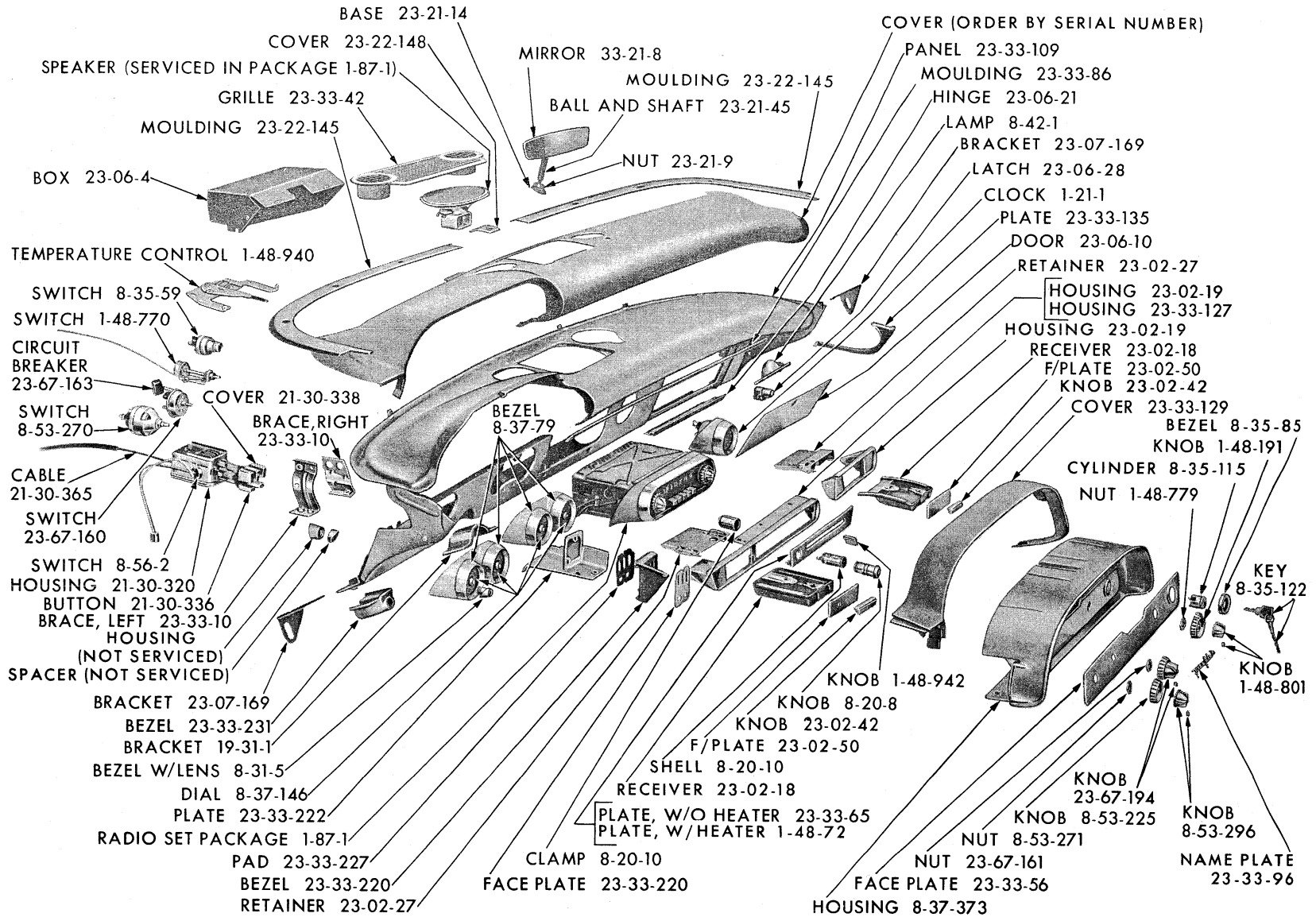
**PARTS INDICATED BY NAME
ONLY ARE STANDARD PARTS
—ORDER BY DESCRIPTION.**



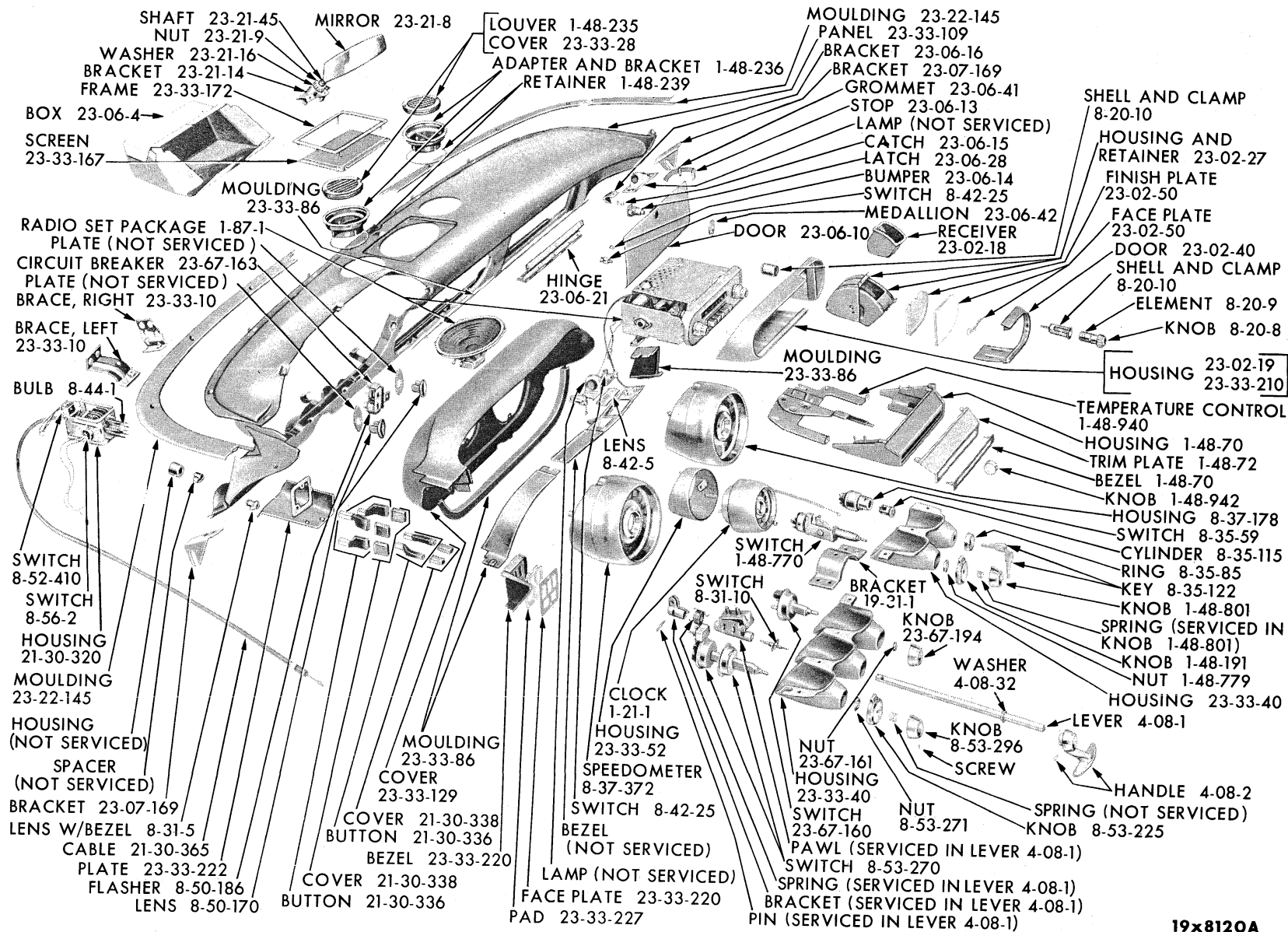
19x8101A

Plate 23-138

INSTRUMENT PANEL - DESOTO S25-26-27



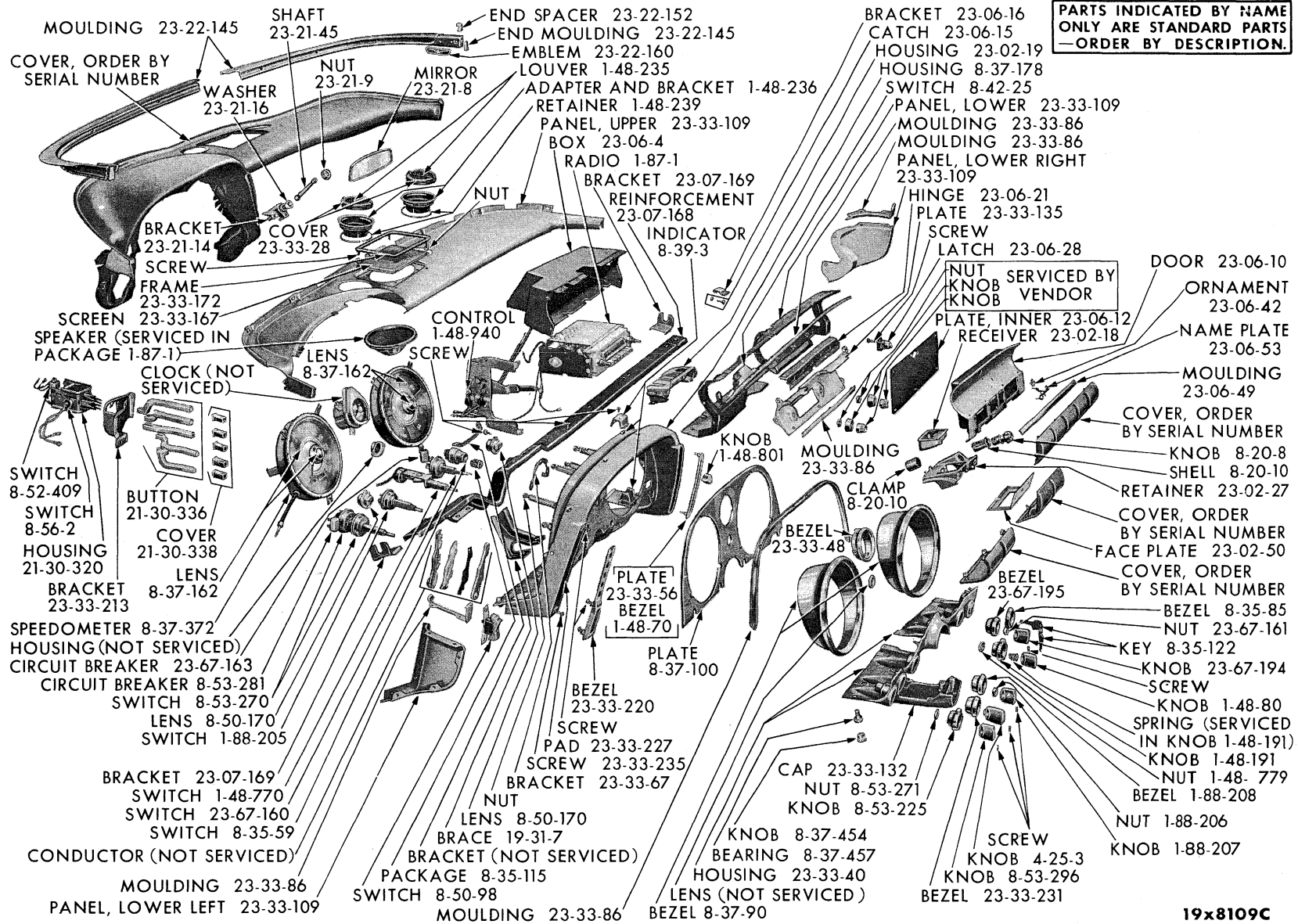
19x8350



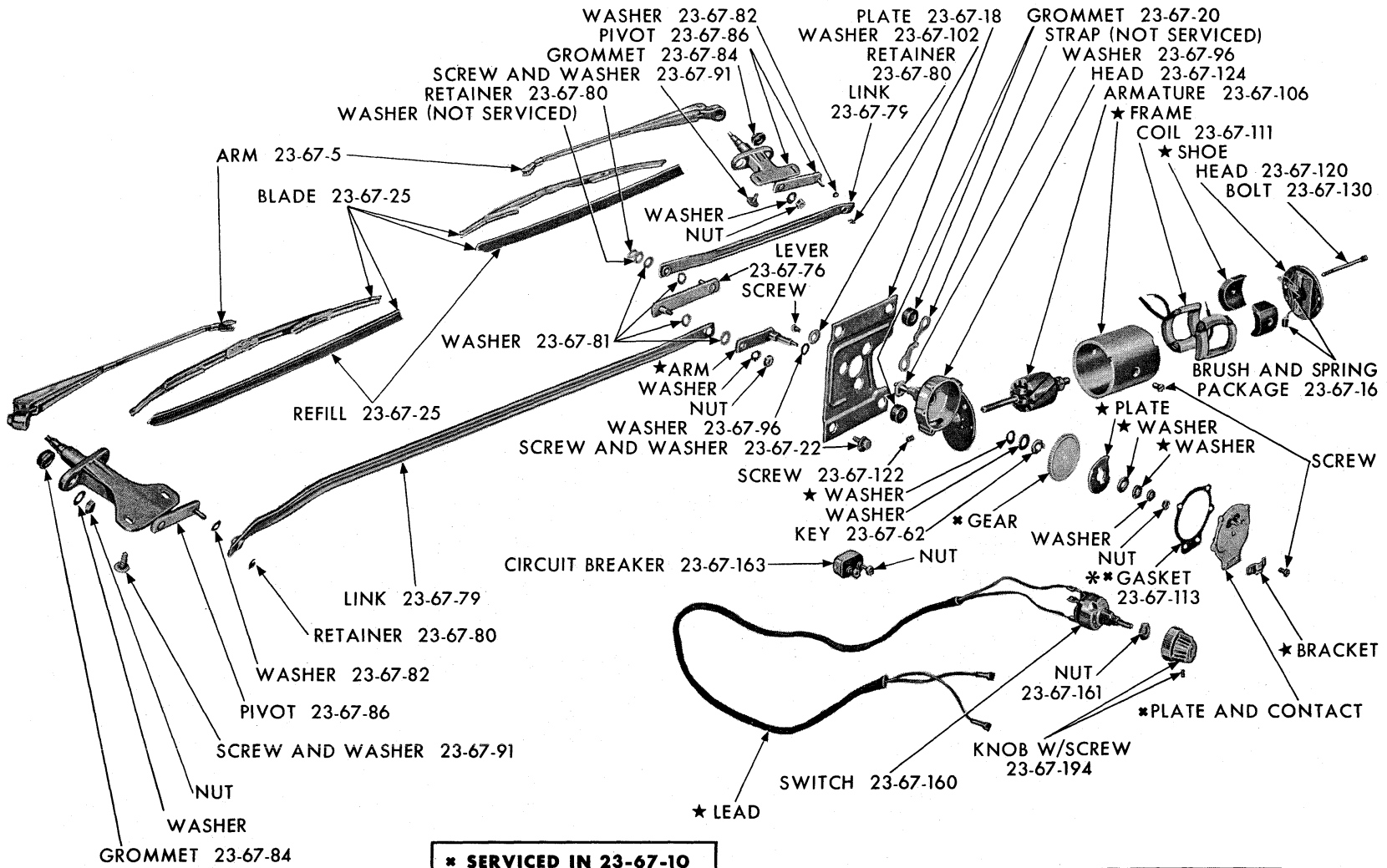
19x8120A

Plate 23-139

INSTRUMENT PANEL - CHRYSLER C75-76



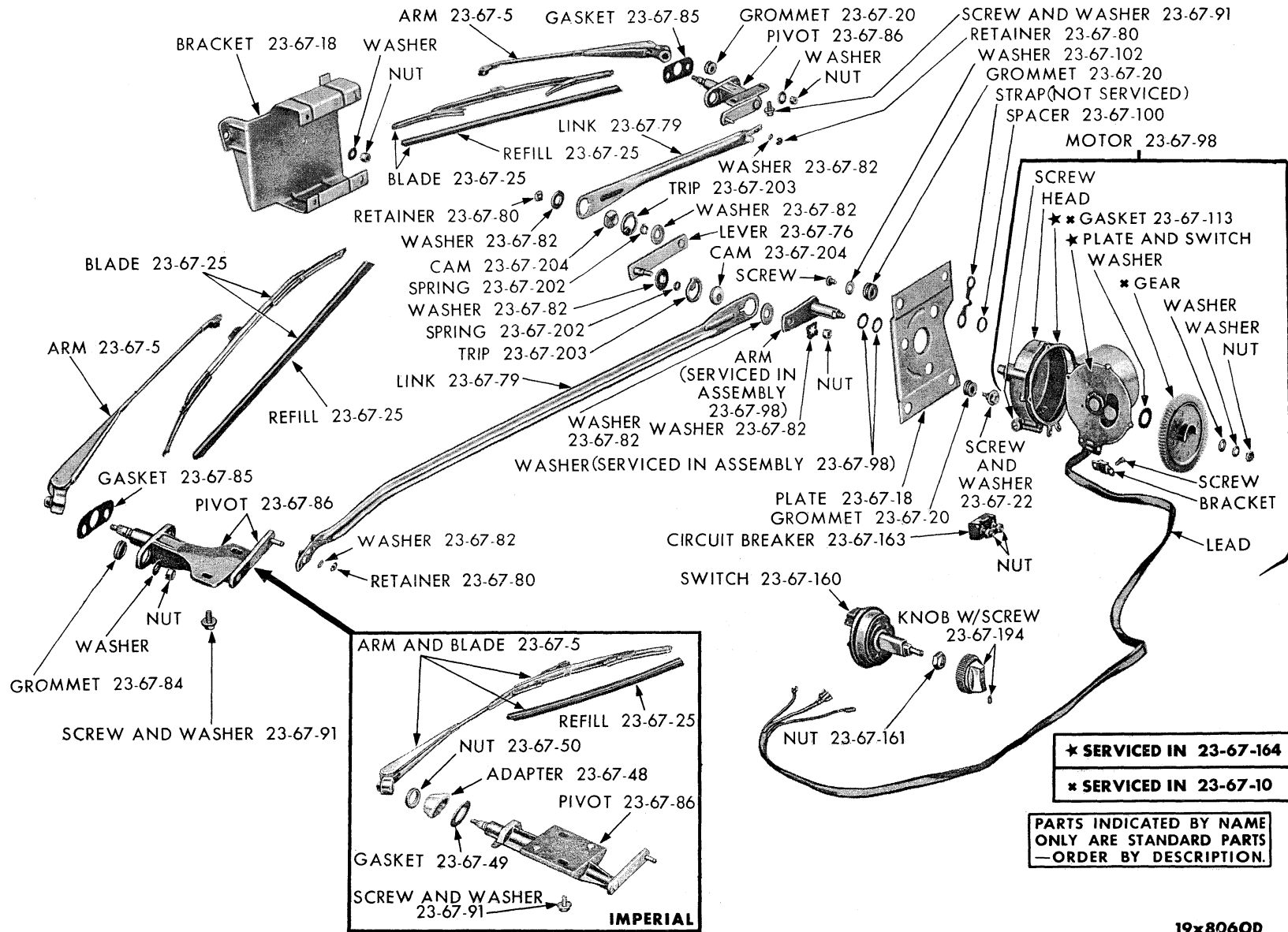
19x8109C



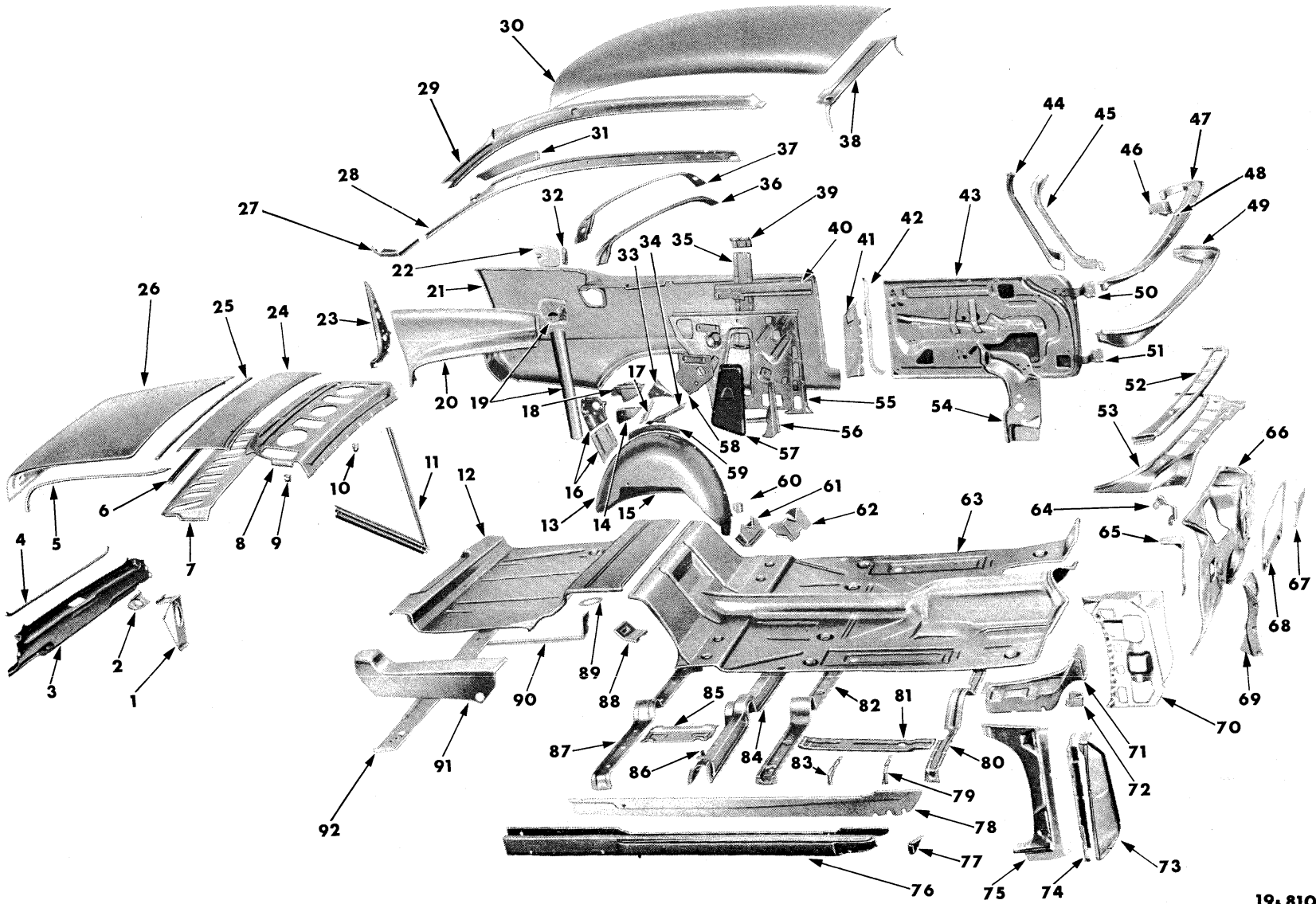
* SERVICED IN 23-67-10
* SERVICED IN 23-67-164
* SERVICED IN 23-67-98

PARTS INDICATED BY NAME ONLY ARE STANDARD PARTS — ORDER BY DESCRIPTION.

19x8140B



19x8060D



19-8106

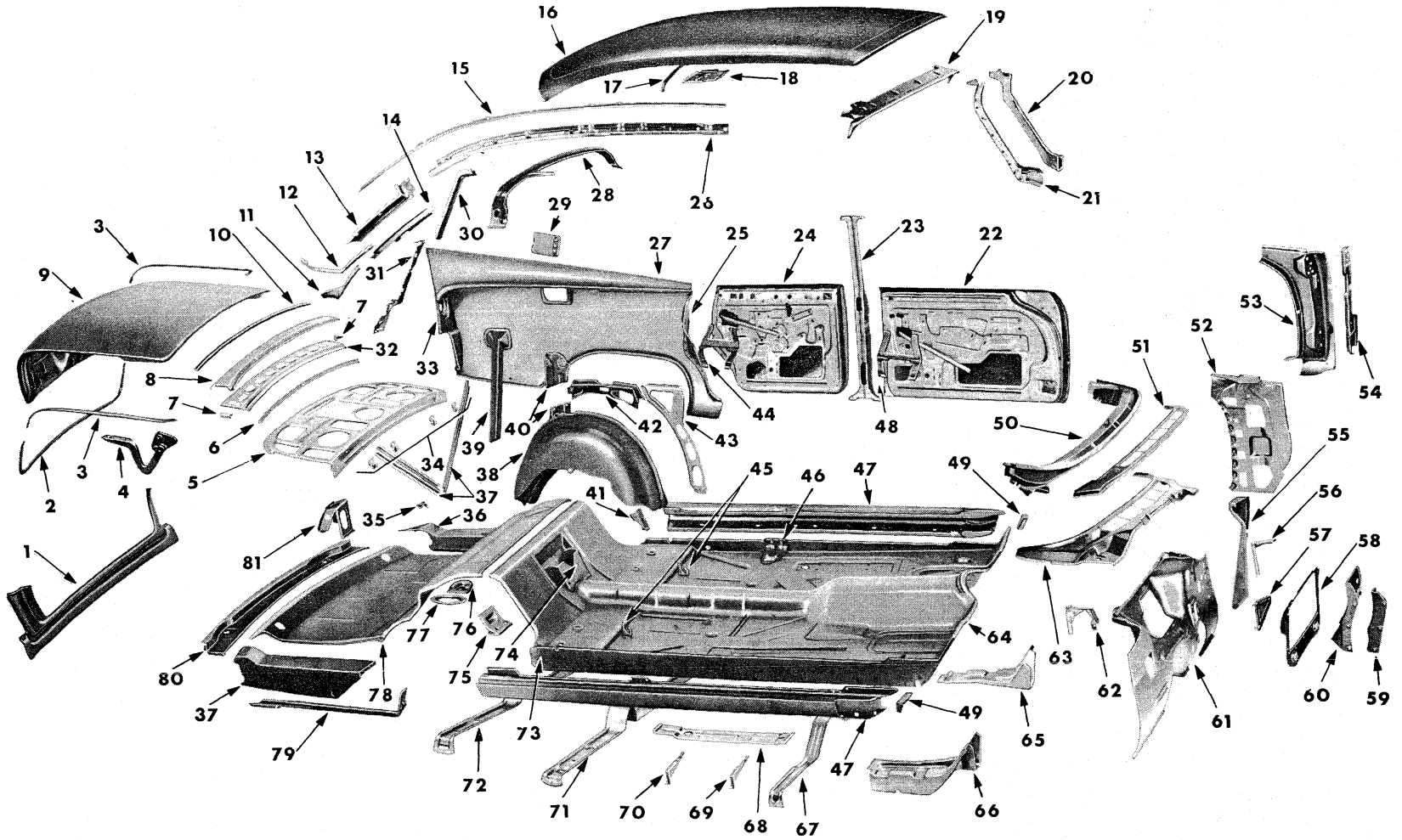
BODY - PLYMOUTH P30-31 SPECIAL CLUB COUPE

Plate 23-143

Plate 23-143

BODY - PLYMOUTH P30-31 SPECIAL CLUB COUPE

Ref. No.	Name	Part Type Code	Ref. No.	Name	Part Type Code
1	Deck Lid Lock Catch Support	23-19-74	48	Windshield Opening Lower Frame Re-	
2	Deck Opening Lower Panel License			inforcement Rear View Mirror Sup-	
	Lamp Bracket	Not Serviced		port	23-34-80
3	Deck Opening Lower Panel Ser. in Assy.	23-34-167	49	Windshield Opening Lower Frame	
4	Deck Opening Weatherstrip Lower Re-			Ser. in Assy.	23-34-80
	tainer, also Ser. in Assy. 23-34-167	23-63-173	50	Door Upper Hinge	23-15-1
5	Deck Opening Weatherstrip Side		51	Door Lower Hinge	23-15-3
	Retainer	23-63-173	52	Cowl Top Panel Fresh Air Opening	
6	Rear Window Opening Lower Center			Panel	23-34-80
	Frame	Ser. in Assy. 23-34-166	53	Cowl Top Panel	Ser. in Assy. 23-34-80
7	Deck Opening Upper Panel Reinforce-		54	Door Inside Panel Hinge Reinforce-	
	ment	Ser. in Assy. 23-34-166		ment	Ser. in Assy. 23-11-1
8	Shelf Panel	Not Serviced	55	Quarter Inside Panel	Ser. in Assy. 23-34-234
9	Deck lid Hinge Torsion Bar Center		56	Quarter Inside Panel to Seat Riser	
	Clip	23-19-178		Brace	Ser. in Assy. 23-34-234
10	Rear Seat Back Hanger	Not Serviced	57	Quarter Inside Panel Access Hole	
11	Shelf Panel to Seat Pan Diagonal			Cover	23-34-225
	Brace Assy.	Not Serviced	58	Quarter Inside Panel Regulator Pivot	
12	Rear Floor Pan	23-32-48		Bracket Reinforcement . Ser. in Assy.	23-34-234
13	Wheelhouse Inner Panel . . Ser. in Assy.	23-34-27	59	Quarter Panel Water Deflector Drain	
14	Rear Window Opening Frame to Wheel-			Trough	23-59-39
	house Panel Side Support Ser. in Assy.	23-64-67	60	Rear Seat Back Retainer Bracket.	23-76-79
15	Wheelhouse Outer Panel. . Ser. in Assy.	23-34-27	61	Shelf Panel Diagonal Brace Floor Pan	
16	Deck Lid Hinge Body Bracket Support. .	23-19-82		Bracket	Not Serviced
17	Wheelhouse Inner Panel to Rear Window		62	Shelf Panel Diagonal Brace to Floor	
	Opening Frame Side Brace	Not Serviced		Pan Bracket Spacer	Not Serviced
18	Rear Window Opening Frame to Wheel-		63	Front Floor Pan	Not Serviced
	house Panel Rear Support		64	Hand Brake Lever Support Assy.	
	Ser. in Assy.	23-64-67		Ser. in Assy.	23-34-80
19	Fuel Tank Filler Tube Housing	23-04-241	65	Cowl Top Panel Hood Hinge Bracket	
20	Quarter Outside Rear Panel, also			Ser. in Assy.	23-34-80
	Ser. in Assy. 23-34-235	23-34-233	66	Dash Panel and Drain Trough Assy.	
21	Quarter Outside Side Panel	23-34-235		Ser. in Assy.	23-34-80
22	Quarter Fuel Tank Filler Opening		67	Dash Panel Windshield Wiper Motor	
	Cover	Ser. in Assy. 23-34-253		Mounting Reinforcement Assy.	
23	Tail Lamp Opening Reinforcement,			Ser. in Assy.	23-34-80
	also	Ser. in Assy. 23-34-235	68	Dash Panel Underhood Heater	
		8-55-23		Outlet Cover	Ser. in Assy. 23-34-80
24	Deck Opening Upper Panel Ser. in Assy.	23-34-166	69	No. 1 and No. 2 Body Bolt Bracket to	
25	Deck Opening Weatherstrip Upper Re-			Dash Reinforcement and Nut Assy.	
	tainer also Ser. in Assy. 23-34-166	23-63-173		Ser. in Assy.	23-34-80
26	Deck Lid.	23-19-8	70	Cowl Inside Panel Assy. Ser. in Assy.	23-34-80
27	Rear Window Opening Side Frame	23-64-66	71	No. 1 Body Bolt Bracket	Not Serviced
28	Roof Side Drain Trough	23-59-56	72	No. 1 Body Bolt Right Reinforcement	Not Serviced
29	Roof Side Rail	23-40-85	73	Cowl Inside Panel to Body Front	
30	Roof Panel	23-34-301		Pillar Brace	Ser. in Assy. 23-34-80
31	Roof Panel Side Extension	23-34-302	74	Front Hinge Pillar to Cowl Inside	
32	Quarter Fuel Tank Filler Opening Cover			Panel Reinforcement Assy.	
	Hinge Mounting Plate and Clinch Nut			Ser. in Assy.	23-34-80
	Assy.	Ser. in Assy. 23-34-253	75	Body Front Hinge Pillar Lower and	
33	Rear Quarter Water Deflector	23-34-20		Check Arm Bracket Assy.	
34	Roof Side Rail to Wheelhouse Brace . .	23-40-97		Ser. in Assy.	23-34-80
35	Quarter Window Guide Channel		76	Body Side Sill Outer Panel	23-51-5
	Support	23-09-37	77	Body Side Sill Front Cap	Not Serviced
36	Rear Window Opening Upper Frame		78	Body Side Sill Inner Panel	23-51-5
	Ser. in Assy.	23-64-66	79	Floor Pan Seat Guide Reinforcement to	
37	Rear Window Opening Upper Frame Re-			Sill Inner Panel Front Support . . .	Not Serviced
	inforcement	Ser. in Assy. 23-64-66	80	Floor Pan to Seat Guide Front	
38	Windshield Opening Upper Frame Assy.			Reinforcement	Not Serviced
	Ser. in Assy.	23-34-80	81	Floor Pan Seat Guide Reinforcement	Not Serviced
39	Quarter Window Guide Channel Support		82	Floor Pan No. 3 and No. 3A Body	
	Bracket	23-09-82		Bolt Reinforcement	Not Serviced
40	Quarter Inside Panel Belt Reinforce-		83	Floor Pan Seat Guide Reinforcement	
	ment	Ser. in Assy. 23-34-234		to Sill Inner Panel Rear Support . .	Not Serviced
41	Body Lock Pillar Reinforcement		84	Floor Pan Rear Seat Riser	Not Serviced
	Ser. in Assy.	23-36-53	85	Muffler Heat Shield	Not Serviced
42	Body Lock Pillar, also,		86	Quarter Arm Rest Panel to Seat	
	Ser. in Assy. 23-34-235	23-36-53		Riser Bracket	Not Serviced
43	Door Shell	23-11-1	87	No. 4 Body Bolt Reinforcement . .	Not Serviced
44	Windshield Opening Side Frame Rein-		88	Axle Drive Pinion Carrier Bumper	
	forcement Assy.	Ser. in Assy. 23-34-80		Reinforcement	Not Serviced
45	Windshield Opening Side Frame,		89	Fuel Tank Filler Tube Lower Seal	
	Ser. in Assy.	23-34-80		Retainer	23-04-250
46	Windshield Opening Lower Frame Re-		90	Fuel Tank Underbody Upper Rein-	
	inforcement to Cowl Inside Panel			forcement Assy.	Not Serviced
	Brace	Ser. in Assy. 23-34-80	91	Rear Floor Pan Side Extension . .	23-32-49
47	Windshield Opening Lower Frame Re-		92	Floor Pan No. 6 Body Bolt Rein-	
	inforcement	Ser. in Assy. 23-34-80		forcement	Not Serviced



19L8190

BODY - DESOTO S25-26 4 DOOR SEDAN

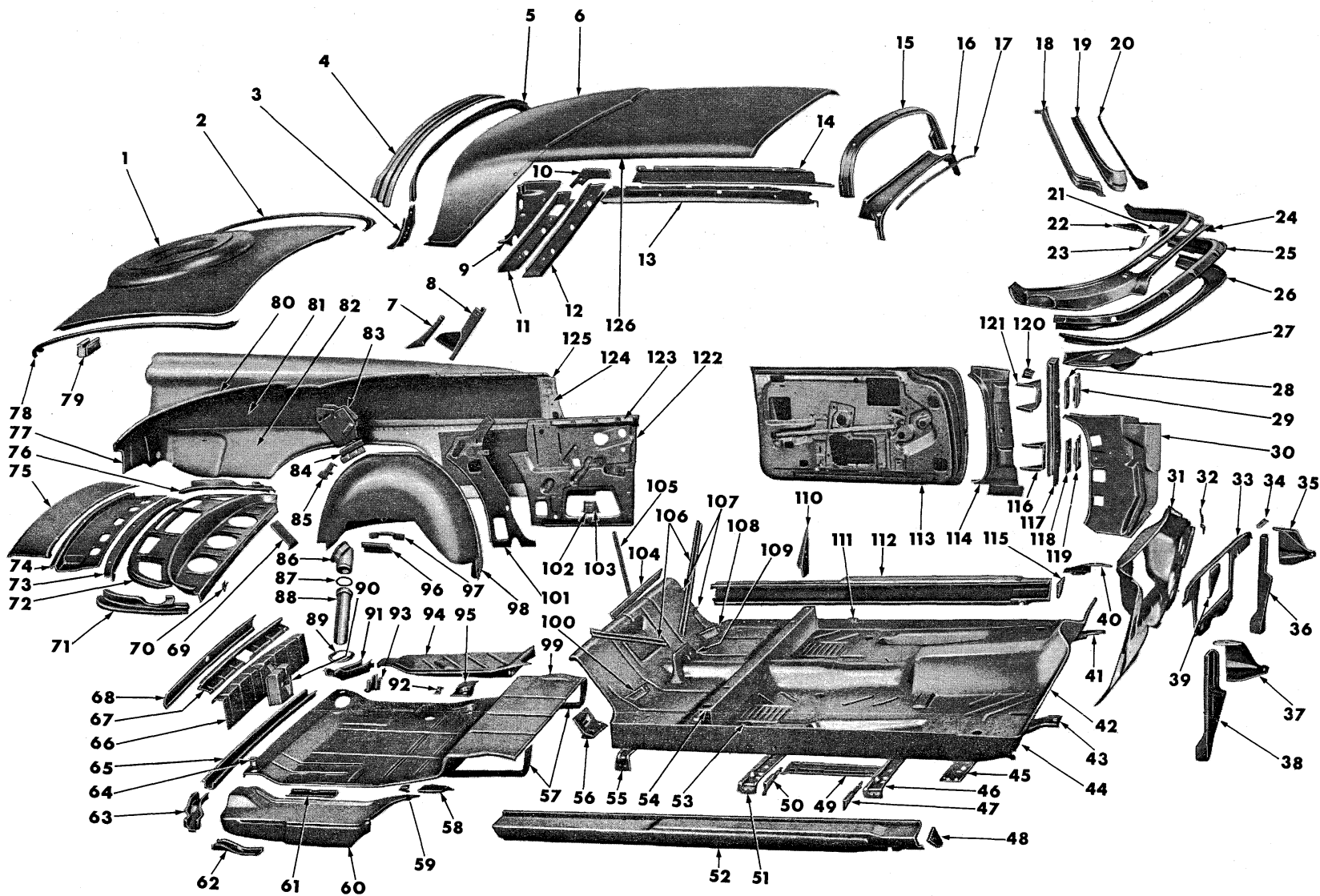
Plate 23-144

Plate 23-144

BODY - DESOTO S25-26 - 4 DOOR SEDAN

Ref. No.	Name	Part Type Code	Ref. No.	Name	Part Type Code
1	Deck Opening Lower Panel, w/Weatherstrip Lower Retainer.	23-34-167	44	Rear Door Arm Rest Support Assy.	23-76-64
2	Deck Lid Opening Weatherstrip Retainer, Lower	23-63-173	45	Rear Seat Cushion Retainer	Not Serviced
3	Deck Lid Opening Weatherstrip Retainer, Side	23-63-173	46	Body Center Pillar to Floor Pan No. 3 Body Bolt Brace	Not Serviced
4	Deck Lid Hinge	23-19-84	47	Body Side Sill Outer Panel	23-51-5
5	Shelf Panel	Not Serviced	48	Front Door Arm Rest Bracket Support Assy.	23-76-12
6	Rear Window Opening Lower Center Frame Ser. in Assy.	23-34-166	49	Body Side Sill Front Cap	Not Serviced
7	Deck Opening Upper Panel Reinforcement to Hinge Support Brace	Not Serviced	50	Windshield Opening Lower Frame and Reinforcement Assy. Ser. in Assy.	†23-34-80
8	Deck Opening Upper Panel Ser. in Assy.	23-34-166	51	Cowl Top Panel Fresh Air Opening Panel Ser. in Assy.	†23-34-80
9	Deck Lid	23-19-8	52	Cowl Inside Panel Ser. in Assy.	††23-34-80
10	Deck Lid Opening Upper Weatherstrip Retainer	23-63-173	53	Body Front Hinge Lower Pillar Ser. in Assy.	††23-34-80
11	Roof Side Rail to Wheelhouse Brace.	Not Serviced	54	Body Front Hinge Pillar to Cowl Inside Panel Reinforcement Ser. in Assy.	††23-34-80
12	Rear Window Opening Lower Side Frame	23-64-66	55	Cowl Inside Panel to Body Front Pillar Lower Brace Ser. in Assy.	††23-34-80
13	Rear Window Opening Side Frame	23-64-66	56	Cowl Top Panel Hood Hinge Bracket and Clinch Nut Assy. Ser. in Assy.	†23-34-80
14	Roof Side Rail, Rear	23-40-85	57	Dash Panel Windshield Wiper Motor Reinforcement Assy. Ser. in Assy.	†23-34-80
15	Roof Side Drain Trough	23-59-56	58	Dash Panel Underhood Heater Outlet Cover Ser. in Assy.	†23-34-80
16	Roof Panel.	23-34-301	59	No. 2 Body Bolt Bracket to Dash Reinforcement Extension and Clinch Nut Assy. Ser. in Assy.	†23-34-80
17	Dome Lamp Support Bow	23-86-10	60	No. 2 Body Bolt Bracket to Dash Reinforcement Ser. in Assy.	†23-34-80
18	Dome Lamp Support	Not Serviced	61	Dash Panel and Filler Assy. Ser. in Assy.	†23-34-80
19	Windshield Opening Upper Frame, Complete Assy.. . . . Ser. in Assy.	†23-34-80	62	Hand Brake Lever Support Assy. Ser. in Assy.	†23-34-80
20	Body Front Upper Pillar	23-36-14	63	Cowl Top Panel. Ser. in Assy.	†23-34-80
21	Windshield Opening Side Frame Assy. Ser. in Assy.	†23-34-80	64	Front Floor Pan Assy.	Not Serviced
22	Front Door Shell	23-11-1	65	No. 2 Body Bolt Bracket	Not Serviced
23	Front Door Outside Repair Panel.	23-34-120	66	No. 1 Body Bolt Bracket	Not Serviced
24	Body Center Pillar	23-36-5	67	Floor Pan to Seat Guide Reinforcement	Not Serviced
25	Body Center Pillar Outside Extension	23-36-20	68	Floor Pan Seat Guide Reinforcement.	Not Serviced
26	Rear Door Shell.	23-11-3	69	Floor Pan Seat Guide Reinforcement to Sill Inner Panel Front Support	Not Serviced
27	Rear Door Outside Repair Panel	23-34-120	70	Floor Pan Seat Guide Reinforcement to Sill Inner Panel Rear Support	Not Serviced
28	Body Rear Lock Lower Pillar	23-36-53	71	Floor Pan No. 3 and No. 3A Body Bolt Reinforcement	Not Serviced
29	Roof Side Rail, Front	23-40-85	72	No. 4 Body Bolt Reinforcement	Not Serviced
30	Quarter Outside Panel, w/Lock Pillar and Tail Lamp Reinforcement Assy.	23-34-235	73	Body Side Sill Inner Panel	23-51-5
31	Rear Window Opening Upper Frame Assy.	23-64-66	74	Shelf Panel Brace to Floor Pan Bracket	Not Serviced
32	Quarter Fuel Tank Filler Opening Cover	23-34-253	75	Axle Drive Pinion Carrier Bumper Reinforcement.	Not Serviced
33	Body Rear Lock Upper Pillar	23-36-53	76	No. 5 Body Bolt Bracket	Not Serviced
34	Body Lock Pillar Upper Reinforcement	23-36-66	77	Fuel Tank Filler Tube Lower Seal Retainer	23-04-250
35	Deck Opening Upper Panel Reinforcement Ser. in Assy.	23-34-166	78	Rear Deck Floor Pan	23-32-48
36	Tail Lamp Reinforcement Assy.	8-55-23	79	Fuel Tank Underbody Reinforcement.	Not Serviced
37	Rear Seat Back Hanger	Not Serviced	80	No. 6 Body Bolt Reinforcement	Not Serviced
38	Shelf Panel Brace to Floor Pan Bracket Nut and Retainer Assy.	23-34-331	81	Deck Lid Lock Catch Support	23-19-74
39	Rear Floor Pan Side Extension	23-32-49			
40	Shelf Panel to Seat Pan Diagonal Brace	Not Serviced			
41	Wheelhouse Inner and Outer Panel Assy.	23-34-27			
42	Fuel Tank Filler Neck Housing	23-04-241			
43	Deck Lid Hinge Body Bracket Support	23-19-82			
44	Rear Seat Back Retainer and Clinch Nut Assy.	Not Serviced			
45	Rear Window Opening Frame to Wheelhouse Support Assy.	23-64-67			
46	Body Rear Lock Pillar to Wheelhouse Brace	Not Serviced			

† Parts Serviced in Front End Assembly - 23-34-80
 †† Parts Serviced in Cowl Side Panel Assembly - 23-34-80



19L 8385

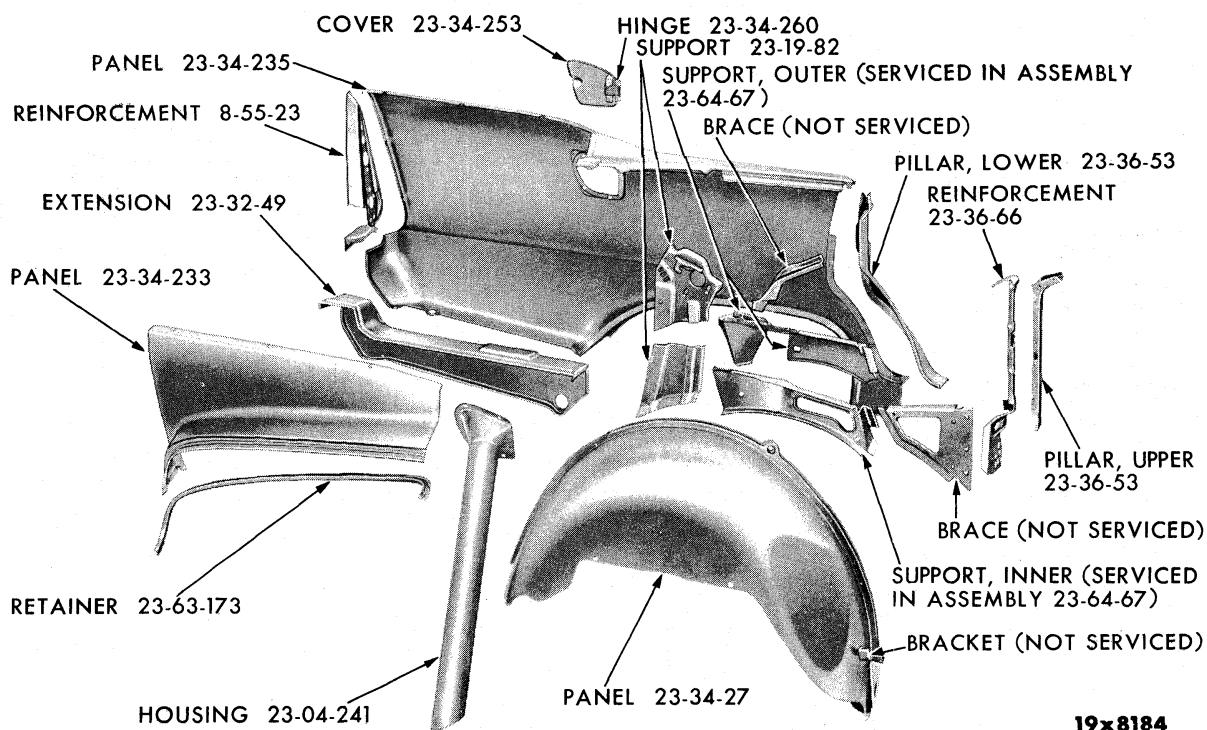
BODY - IMPERIAL LY1 SPECIAL CLUB COUPE

Plate 23-144A

Plate 23-144A

BODY - IMPERIAL LY1 SPECIAL CLUB COUPE

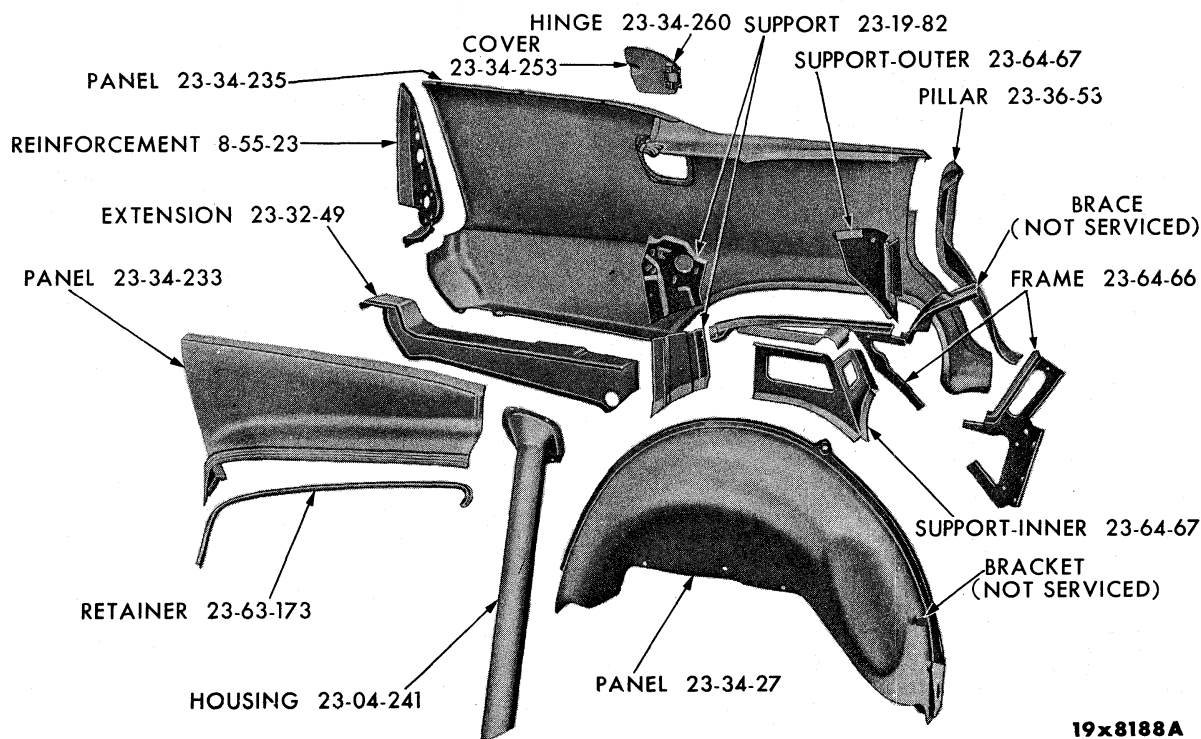
Ref. No.	Name	Part Type Code	Ref. No.	Name	Part Type Code
1	Deck Lid	23-19-8	63	No. 6 Body Bolt Floor Pan Reinforcement Extension Rt.	Not Serv.
2	Deck Opening Side Drain Trough, Lt.	23-59-35	64	No. 6 Body Bolt Reinforcement to Floor Pan Spacer	23-05-36
3	Rear Window Frame Reinforcement Extension	23-64-68	65	No. 6 Body Bolt Floor Pan Reinforcement	Not Serv.
4	Rear Window Frame Reinforcement	23-64-67	66	Deck Opening Lower Panel Extension	Serv. in Assy. 23-34-167
5	Rear Window Upper Frame	23-64-66	67	Deck Opening Lower Panel Reinforcement	Serv. in Assy. 23-34-167
6	Roof Rear Panel	23-34-301	68	Deck Opening Lower Panel	Serv. in Assy. 23-34-167
7	Rear Window Side Frame to Wheelhouse extension.	Not Serv.	69	Shell Panel to Wheelhouse Gusset	Not Serv.
8	Roof Side Inner Rear Rail to Wheelhouse Extension	23-40-92	70	Rear Seat Back Hanger	Not Serv.
9	Rear Window Side Frame	23-64-66	71	Belt Side Bar, Rt.	23-51-41
10	Roof Side Inner Front Rail to Roof Side Rear Rail Gusset	Not Serv.	72	Shelf Panel	Not Serv.
11	Roof Side Rear Outer Rail	Not Serv.	73	Belt Center Bar	Serv. in Assy. 23-34-166
12	Roof Side Rear Inner Rail	Not Serv.	74	Deck Opening Upper Panel Reinforcement	Serv. in Assy. 23-34-166
13	Roof Side Front Inner Rail	23-40-85	75	Deck Opening Upper Panel	Serv. in Assy. 23-34-166
14	Roof Side Front Outer Rail	23-40-85	76	Belt Side Bar, Lt.	23-51-41
15	Windshield Opening Upper Frame Reinforcement	23-66-77	77	Deck Opening Lower Panel Side Extension	23-34-176
16	Windshield Opening Upper Frame	23-34-80	78	Deck Opening Side Drain Trough, Rt.	23-59-35
17	Windshield Header Trim Retainer	Serv. in Assy. 23-34-80	79	Deck Lid Lock Catch Support	23-19-74
18	Front Pillar Extension	23-36-15	80	Quarter Outside Rear Panel or Extension	23-34-233
19	Windshield Opening Side Frame	Serv. in Assy. 23-34-80	81	Quarter Outside Upper Panel	23-34-235
20	Cowl Top Panel Extension	Serv. in Assy. 23-34-80	82	Quarter Outside Lower Panel	23-34-235
21	Dash Panel Brake Bellows Reinforcement Assembly	Not Serv.	83	Deck Lid Hinge Support	23-19-82
22	Dash Panel Hood Hinge Support to Front Pillar Cowl Filler Reinforcement and Clinch Nuts, Lt.	Not Serv.	84	Deck Lid Hinge Support to Wheelhouse Lower Bracket	Not Serv.
23	Front Pillar to Fender Support Upper Bracket	23-36-33	85	Wheelhouse Jack Stowage Bracket	Not Serv.
24	Cowl Top Panel	Serv. in Assy. 23-34-80	86	Fuel Tank Filler Tube Housing Extension	23-04-248
25	Windshield Opening Lower Frame	Serv. in Assy. 23-34-80	87	Fuel Tank Filler Tube Housing Extension Seal	23-04-249
26	Windshield Opening Lower Frame Reinforcement	Serv. in Assy. 23-34-80	88	Fuel Tank Filler Tube Housing	23-04-241
27	Front Pillar to Cowl Side Filler	Serv. in Assy. 23-34-80	89	Fuel Tank Filler Tube Housing to Floor Pan Collar	23-04-247
28	Front Pillar Door Hinge Tapping Plate	23-15-13	90	Deck Opening Lower Panel Lock Support	23-19-74
29	Front Pillar Door Hinge Tapping Plate Retainer - Upper	Serv. in Assy. 23-34-80	91	No. 6 Body Bolt Floor Pan Reinforcement Extension, Lt.	Not Serv.
30	Cowl Side Panel and Clinch Nut Assembly	Serv. in Assy. 23-34-80	92	Space Wheel Anchor Stud Bracket	Not Serv.
31	Dash Panel	Not Serv.	93	Rear Floor Pan Jack Stowage Bracket	Not Serv.
32	Dash to Cowl Top Seal Retainer	Not Serv.	94	Rear Floor Pan Side Extension, Lt.	23-32-49
33	Dash Panel Air Duct Cover	23-34-116	95	No. 5 Body Bolt Floor Pan Reinforcement	Not Serv.
34	Cowl Top Panel Hood Seal Support	Serv. in Assy. 23-34-80	96	Deck Lid Hinge Support to Wheelhouse Lower Bracket	Not Serv.
35	Hood Hinge Support and Clinch Nut Assembly, Lt.	Serv. in Assy. 23-34-80	97	Deck Lid Hinge Support to Wheelhouse Bracket	23-19-76
36	Dash Panel No. 1 Body Bolt Brace and Clinch Nut Assy. Lt.	Not Serv.	98	Wheelhouse Panel Assembly	23-34-27
37	Hood Hinge Support and Clinch Nut Assembly, Rt.	Serv. in Assy. 23-34-80	99	Rear Floor Pan	23-32-48
38	Dash Panel No. 1 Body Bolt Brace and Clinch Nut Assy. Rt.	Not Serv.	100	Seat Back to Floor Pan Bracket and Clinch Nut Assembly	Not Serv.
39	Dash Panel Windshield Wiper Motor Mounting Reinforcement and Bolts Assembly	Not Serv.	101	Quarter Inside Panel to Wheelhouse Reinforcement	23-34-249
40	Dash Panel Hood Hinge Support to Front Pillar Cowl Filler Reinforcement and Clinch Nut Assy.	Not Serv.	102	Quarter Window Stop Support Lower Bracket and Clinch Nut Assembly	23-64-12
41	No. 1 to No. 2 Body Bolt Strainer, Lt.	Not Serv.	103	Quarter Window Lower Stop Support	23-64-12
42	Front Floor Pan	Not Serv.	104	Shelf Panel to Floor Center Brace Support	Not Serv.
43	No. 1 to No. 2 Body Bolt Strainer, Rt.	Not Serv.	105	Shelf Panel to Floor Center Brace	Not Serv.
44	Side Sill Inner Panel	23-51-5	106	Shelf Panel to Floor Brace	Not Serv.
45	No. 2 and No. 2B Body Bolt floor Pan Reinforcement	Not Serv.	107	Front Floor Pan at Wheelhouse Wiring Clip	Not Serv.
46	Front Floor Pan Reinforcement	Not Serv.	108	Seat Back to Floor Pan Bracket and Clinch Nut Assembly	Not Serv.
47	Front Floor Seat Track Reinforcement to Side Sill inner front gusset	Not Serv.	109	Front Floor Pan to Diagonal Brace Bracket	Not Serv.
48	Body Side Sill Front End Cover and Clinch Nut Assembly, Rt.	Not Serv.	110	Quarter Inside Panel to Seat Riser Brace	Not Serv.
49	Front Floor Seat Track Reinforcement	Not Serv.	111	Quarter Panel Arm Rest Front Lower Bracket, Lt.	Not Serv.
50	Front Floor Seat Track Reinforcement to Sill Inner Rear Gusset	Not Serv.	112	Body Side Sill Outer Panel, Lt.	23-51-5
51	No. 3 and No. 3A Body Bolt Floor Pan Reinforcement	Not Serv.	113	Door Shell, Lt.	23-11-1
52	Body Side Sill Outer Panel, Rt.	23-51-5	114	Front Pillar, Rear Half	Serv. in Assy. 23-34-80
53	Quarter Panel Arm Rest Front Lower Bracket, Rt.	Not Serv.	115	Body Side Sill Front End Cover and Clinch Nut Assembly, Lt.	Not Serv.
54	Rear Seat Riser	Not Serv.	116	Front Pillar Lower Hinge Reinforcement	Serv. in Assy. 23-34-80
55	No. 4 Body Bolt Floor Pan Reinforcement	Not Serv.	117	Front Pillar, Front Half and Clinch Nut Assembly	Serv. in Assy. 23-34-80
56	Axle Drive Pinion Carrier Bumper Reinforcement	Not Serv.	118	Front Pillar Door Hinge Tapping Plate	23-15-13
57	Fuel Tank Rear Floor Pan Reinforcement	Not Serv.	119	Front Pillar Door Hinge Tapping Plate retainer, lower	Serv. in Assy. 23-34-80
58	No. 5 Body Bolt Floor Pan Reinforcement	Not Serv.	120	Windshield Frame to Upper Steering Column Brace Bracket	Serv. in Assy. 23-34-80
59	Fuel Tank Hanger	Not Serv.	121	Front Pillar Upper Hinge Reinforcement	Serv. in Assy. 23-34-80
60	Rear Floor Pan Side Extension, Rt.	23-32-49	122	Quarter Inner Panel Assembly	23-34-234
61	Floor Pan Spare Wheel Bracket Reinforcement	Not Serv.	123	Quarter Inner Panel Upper Extension	23-34-236
62	Fuel Tank Rear Floor Pan Reinforcement Extension	Not Serv.	124	Quarter Inside Panel to Lock Pillar Extension "D" Nut Assembly	Serv. in Assy. 23-34-235
			125	Body Lock Pillar	23-36-53
			126	Roof Front Panel	23-34-301



19x8184

Plate 23-145

REAR QUARTER PANEL - PLYMOUTH P30-31, LP1-2 4 DOOR SEDAN



19x8188A

Plate 23-146

REAR QUARTER PANEL - PLYMOUTH P30-31, LP1-2 SPECIAL 4 DOOR SEDAN

March 5, 1958 Supersedes Nov. 15, 1957.

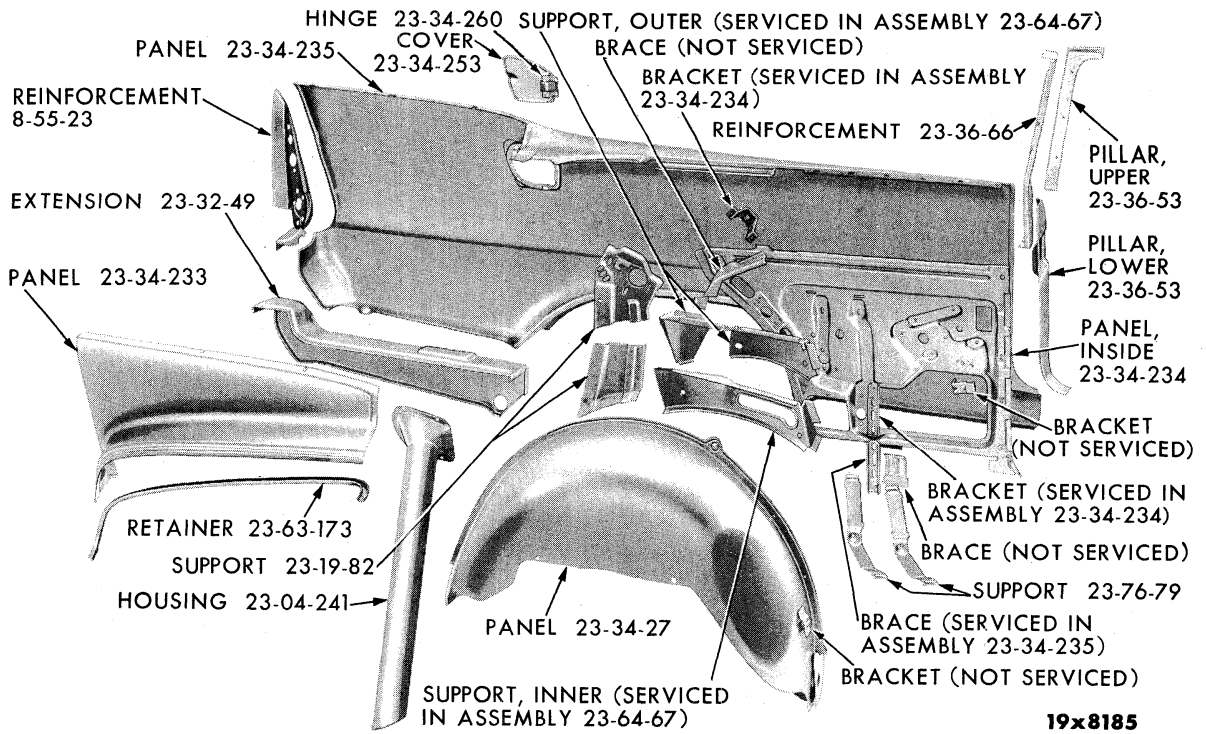


Plate 23-147

REAR QUARTER PANEL - PLYMOUTH P30-31, LPI-2 CLUB SEDAN

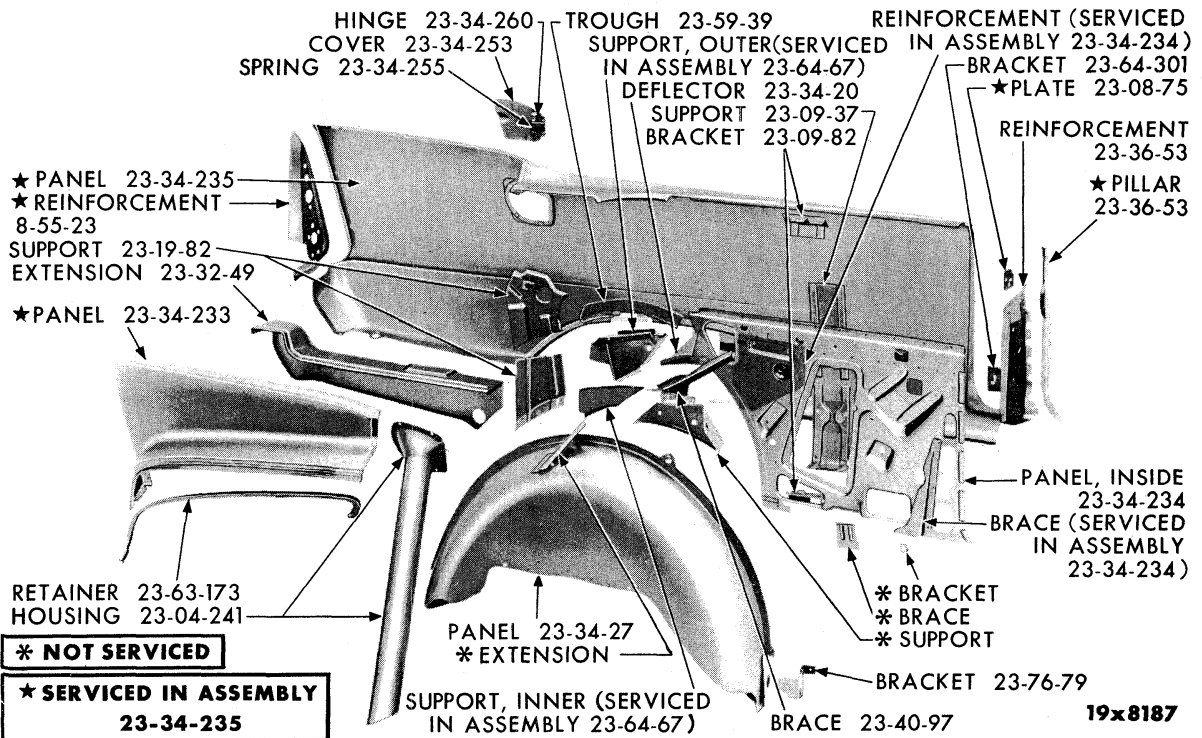
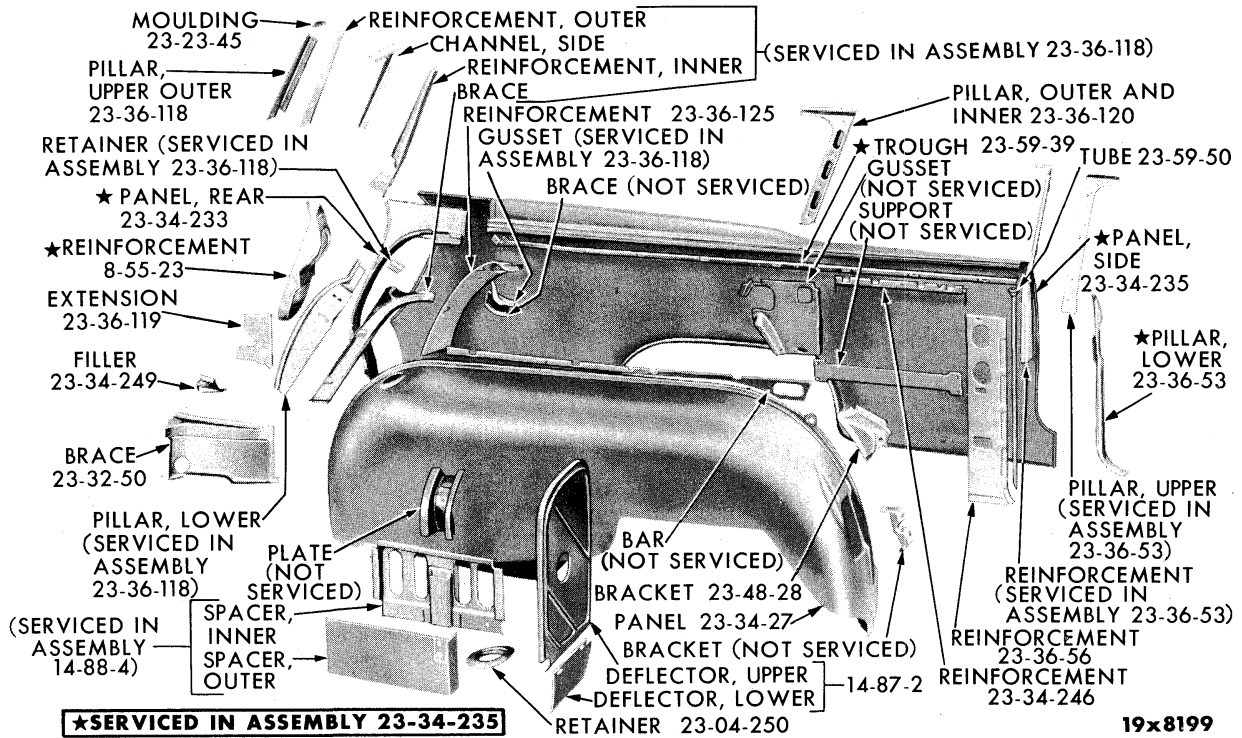


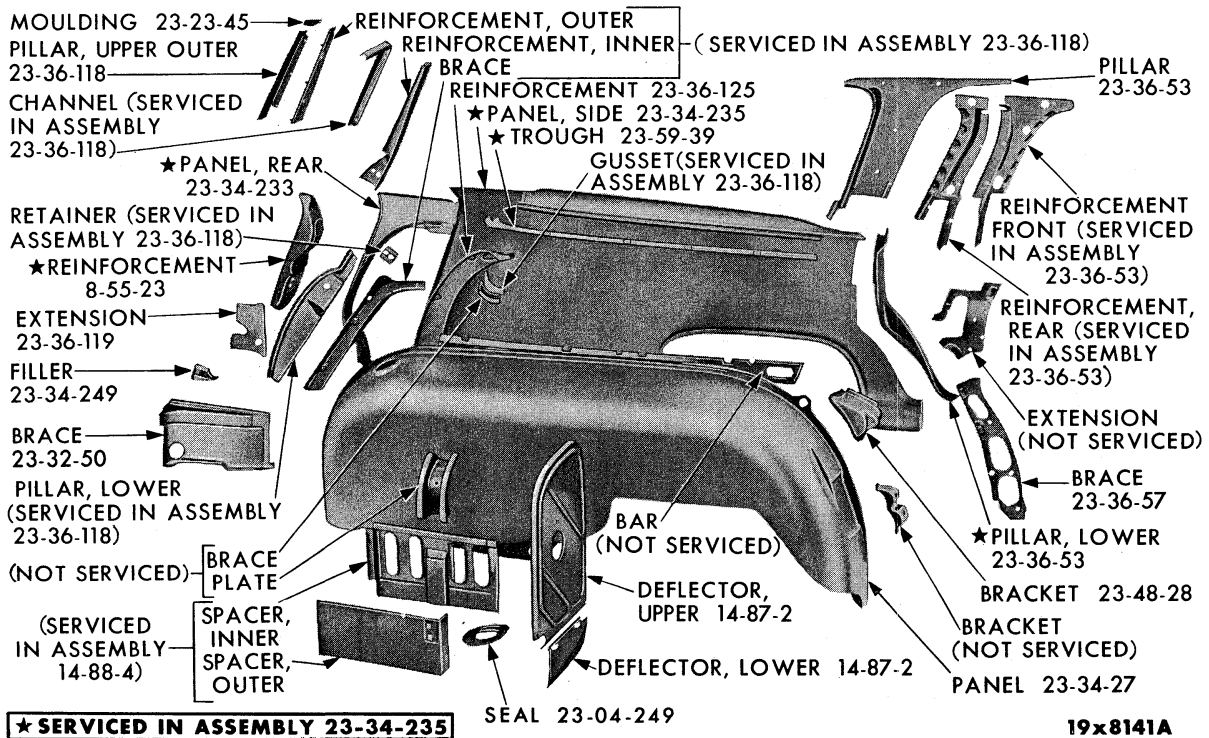
Plate 23-148

REAR QUARTER PANEL - PLYMOUTH P30-31, LPI-2 SPECIAL CLUB COUPE



REAR QUARTER PANEL - PLYMOUTH P30-31, LP1-2, DODGE D70-71, LD2-3 2 DOOR SUBURBAN

Plate 23-149



REAR QUARTER PANEL - PLYMOUTH P30-31, LP1-2, DODGE D70-71, LD2-3 4 DOOR SUBURBAN

Plate 23-150

March 5, 1958 Supersedes Nov. 15, 1957.

Page 23-264

Printed in U.S.A.

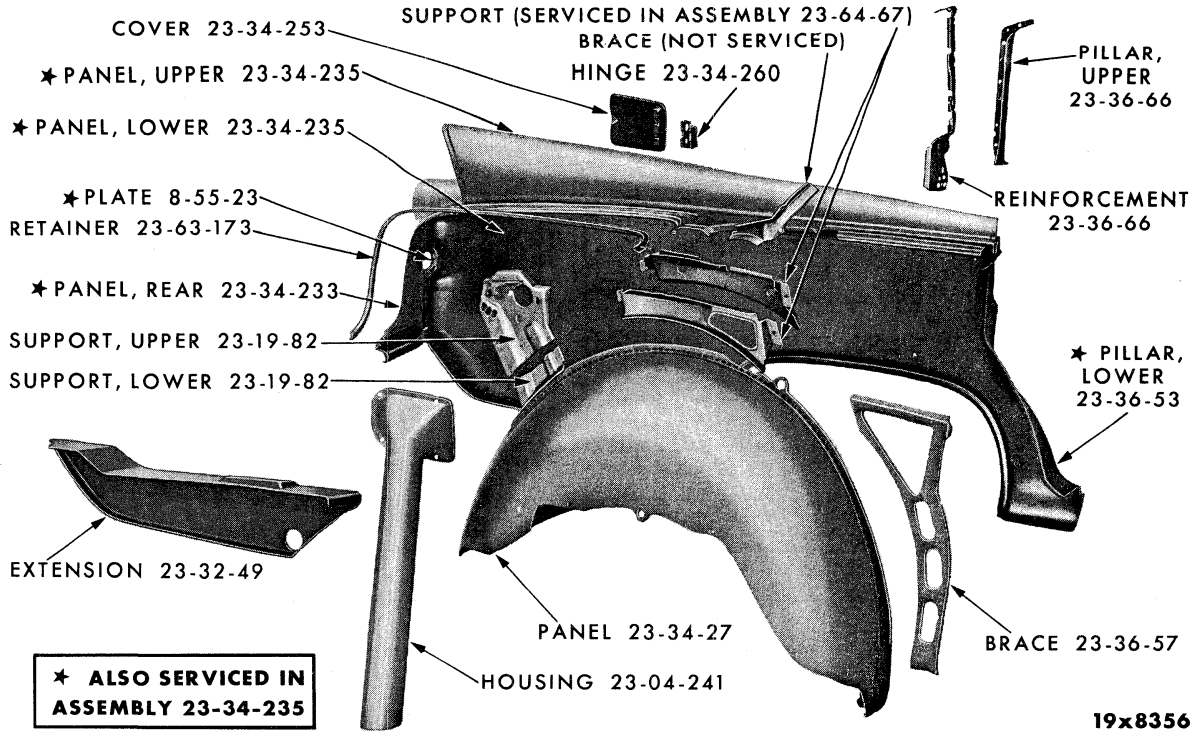
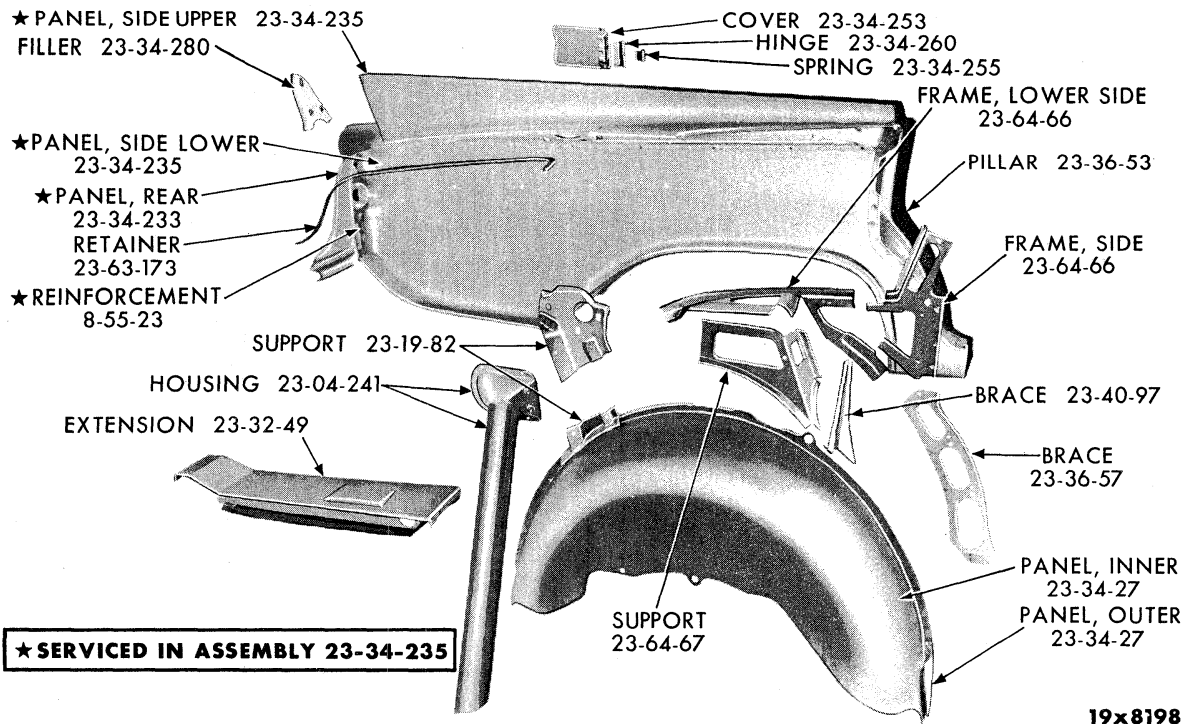


Plate 23-150A

REAR QUARTER PANEL - DODGE LD1-2-3 4 DOOR SEDAN

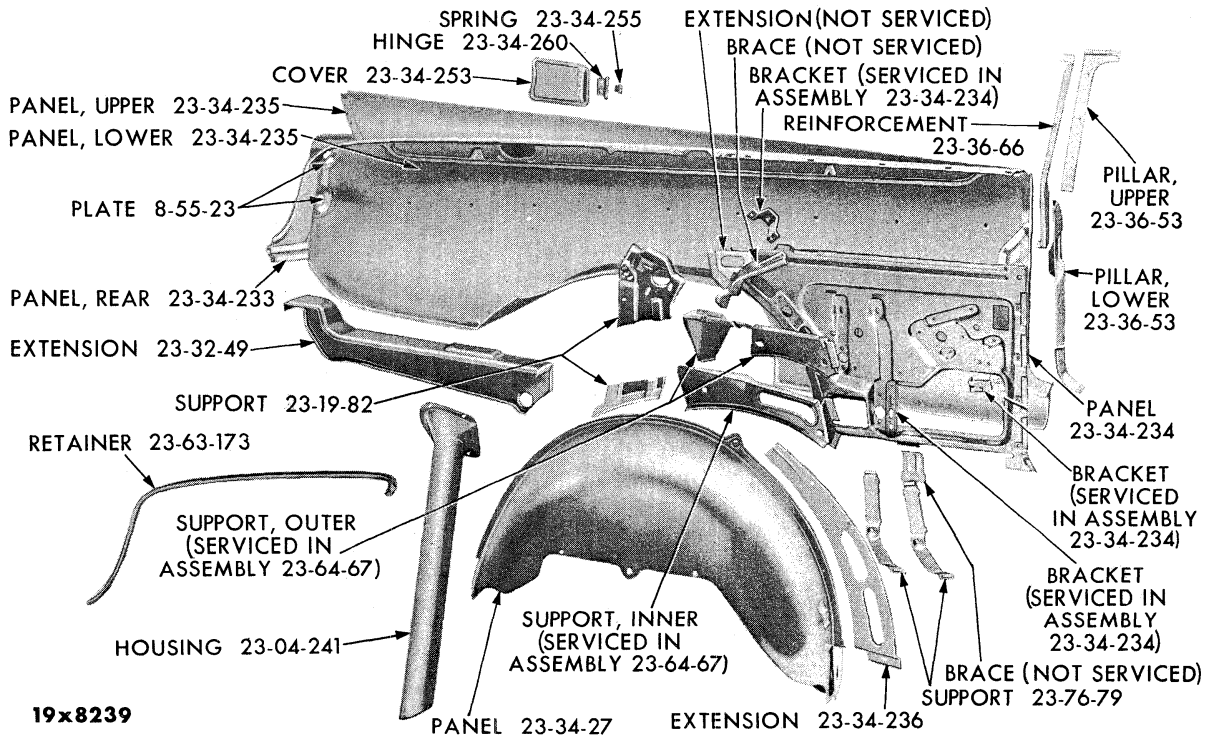
NOTES



19x8198

Plate 23-151

REAR QUARTER PANEL - DODGE D66-67, LD2-3 SPECIAL 4 DOOR SEDAN



19x8239

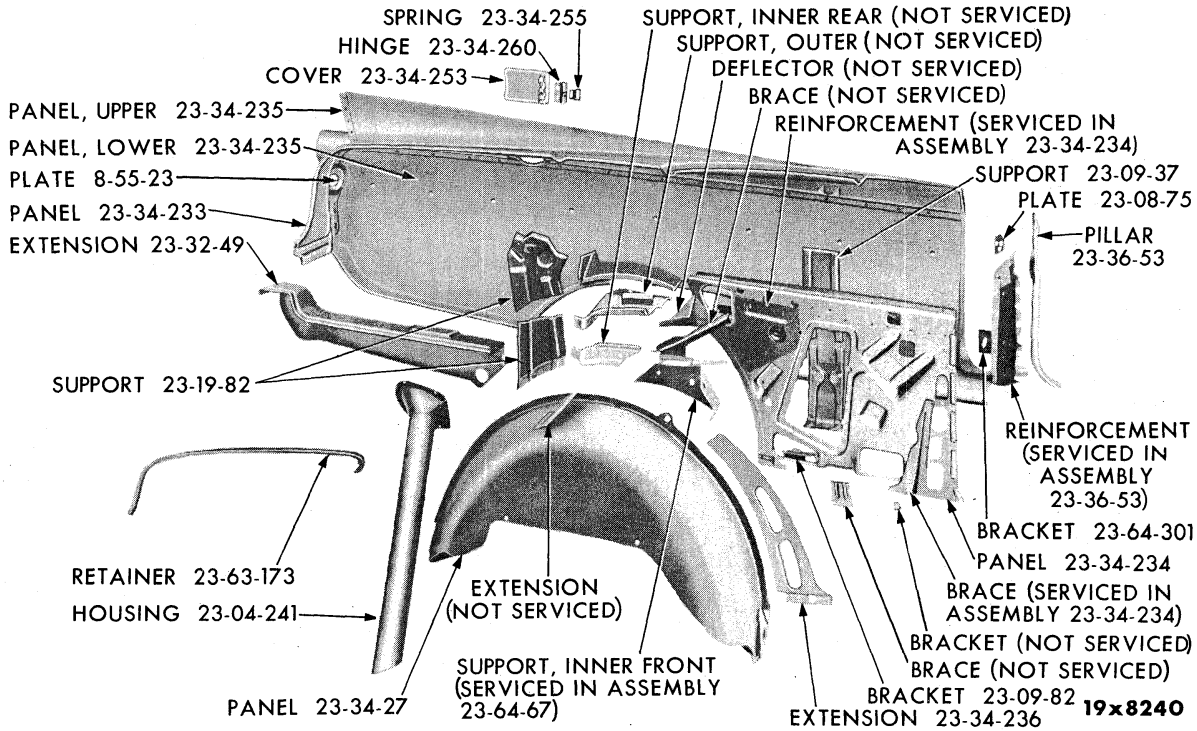


Plate 23-153

REAR QUARTER PANEL - DODGE D66-67, LD2-3 SPECIAL CLUB COUPE

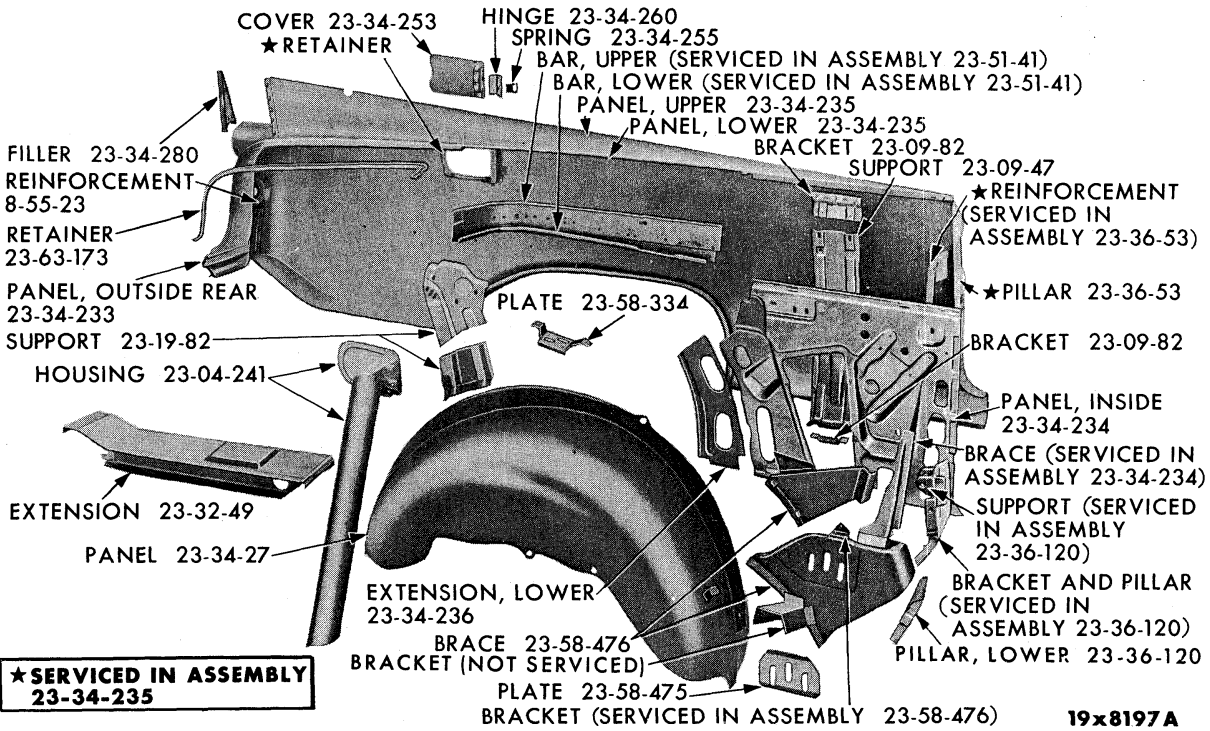
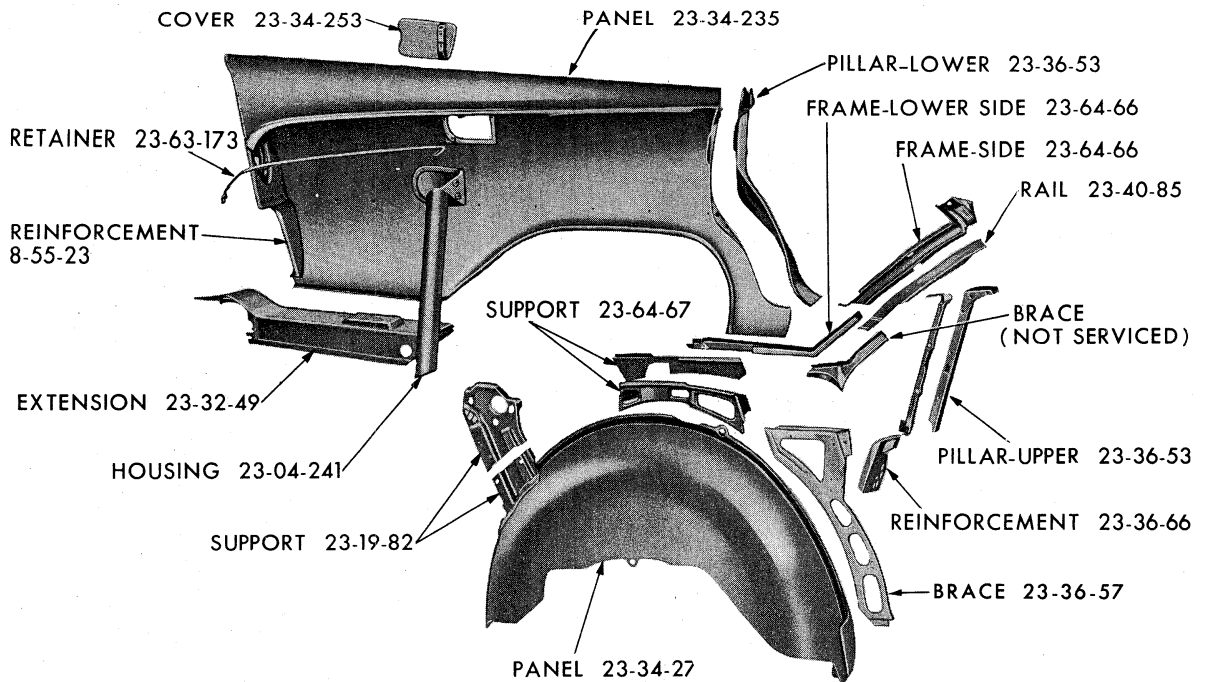


Plate 23-154

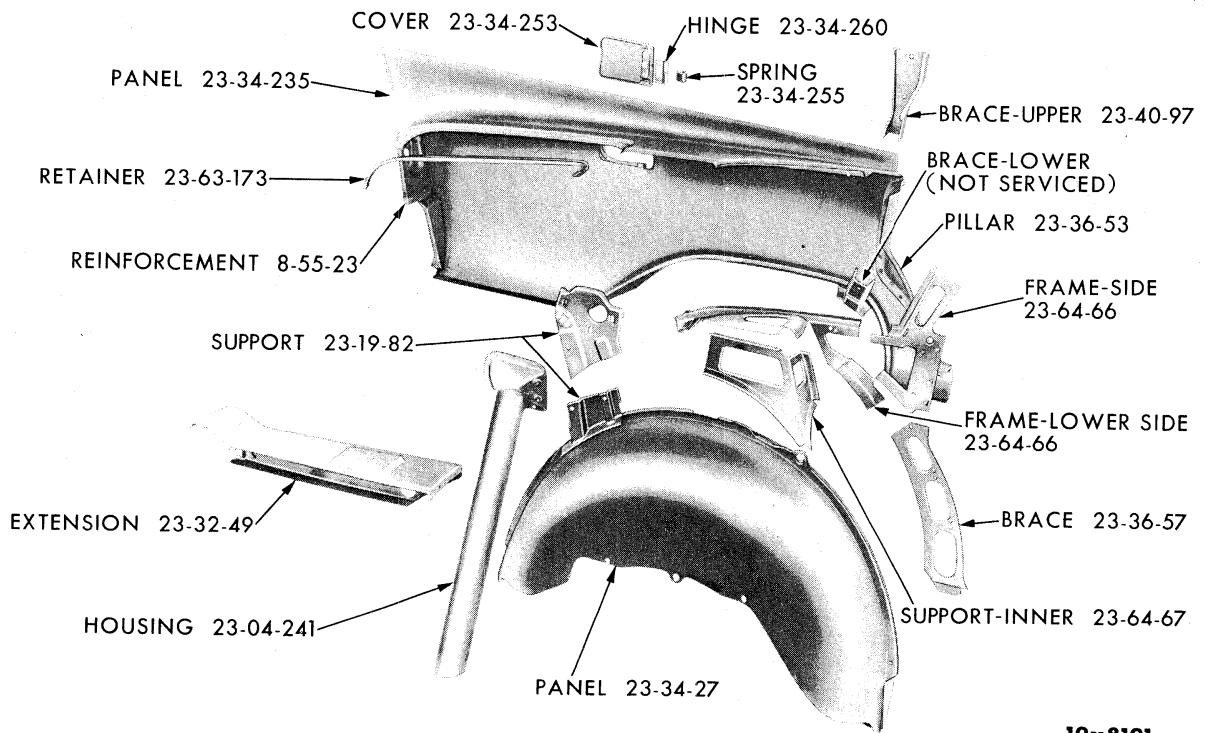
REAR QUARTER PANEL - DODGE D66-67, LD2-3 CONVERTIBLE COUPE



19x8189A

Plate 23-155

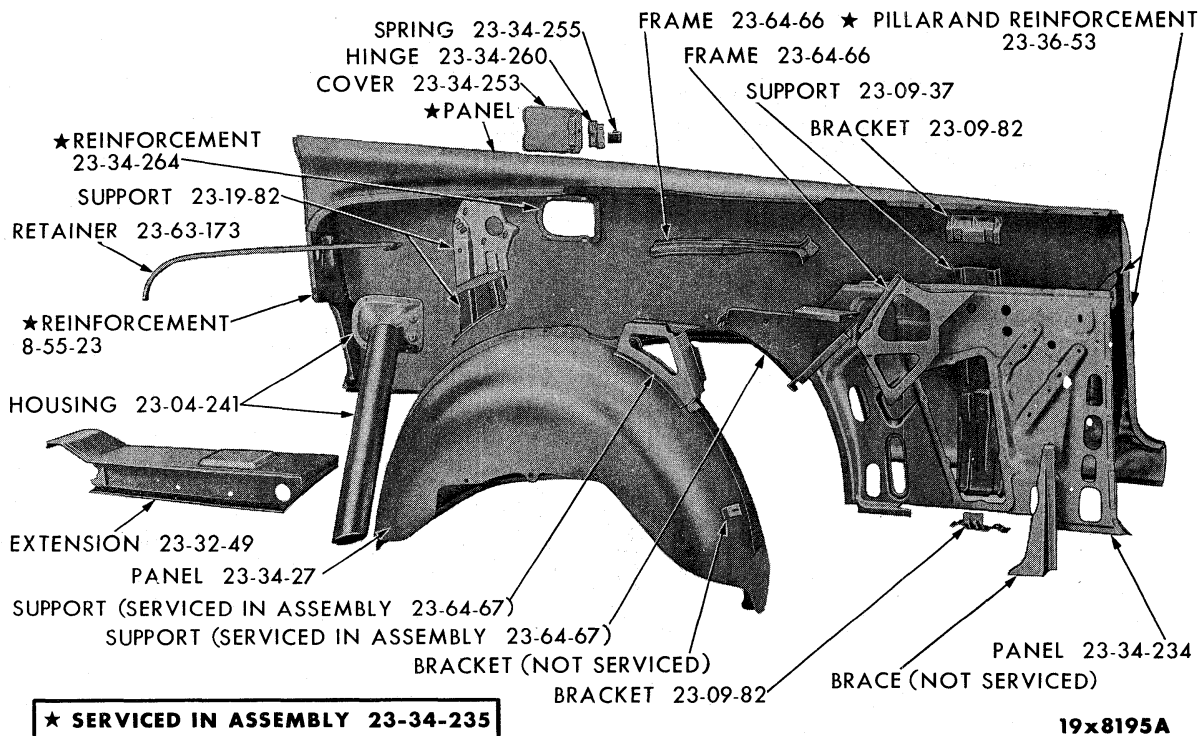
REAR QUARTER PANEL - DESOTO S25-26, LS2-3,
CHRYSLER C75-76, LC2-3 4 DOOR SEDAN



19x8191

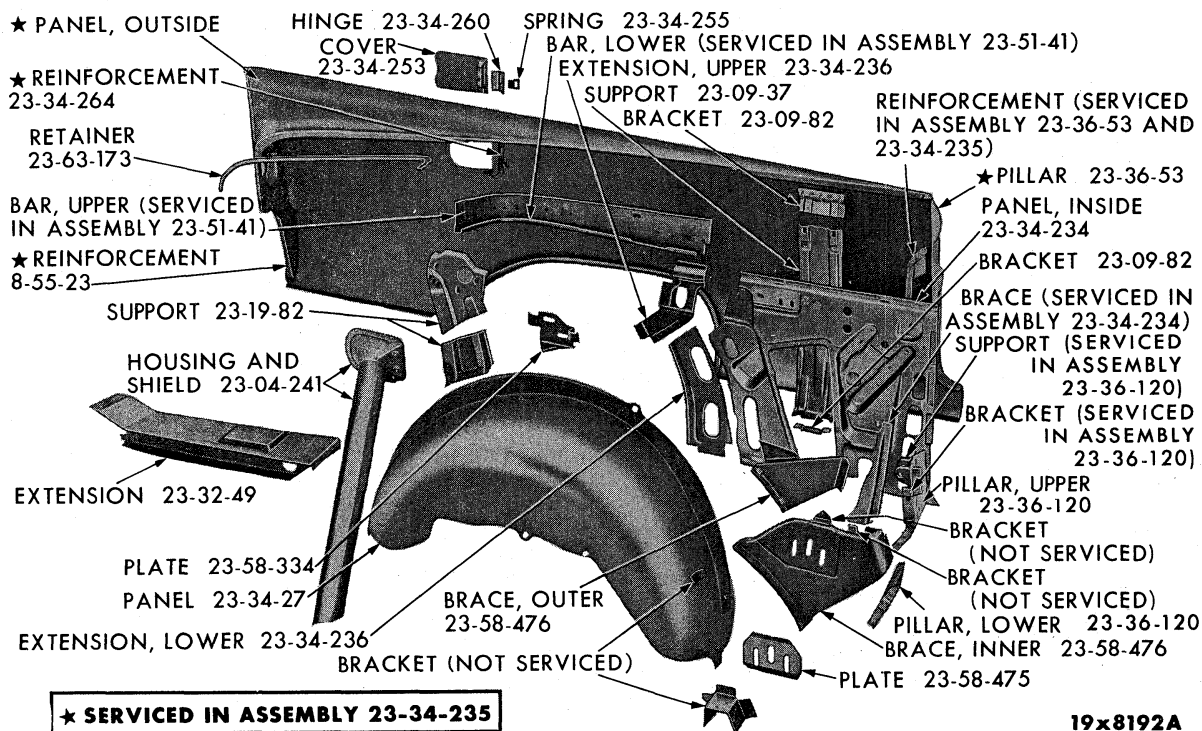
Plate 23-156
Printed in U.S.A.

REAR QUARTER PANEL - DESOTO S25-26, LS2-3,
CHRYSLER C75-76, LC2-3 SPECIAL 4 DOOR SEDAN



REAR QUARTER PANEL - DESOTO S25-26, LS2-3, CHRYSLER C75-76, LC2-3 SPECIAL CLUB COUPE

Plate 23-157



REAR QUARTER PANEL - DESOTO S25-26, LS2-3, CHRYSLER C76, LC3 CONVERTIBLE COUPE

Plate 23-158

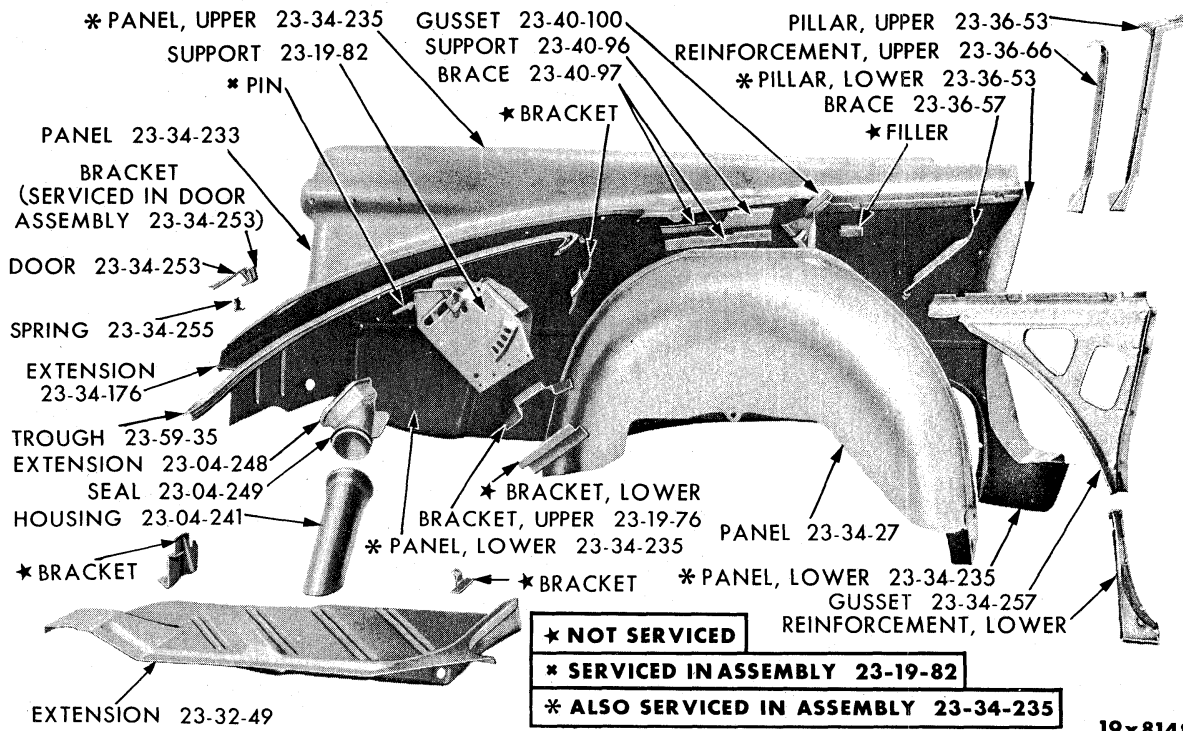


Plate 23-159

REAR QUARTER PANEL - IMPERIAL IM-1, LY1 4 DOOR SEDAN

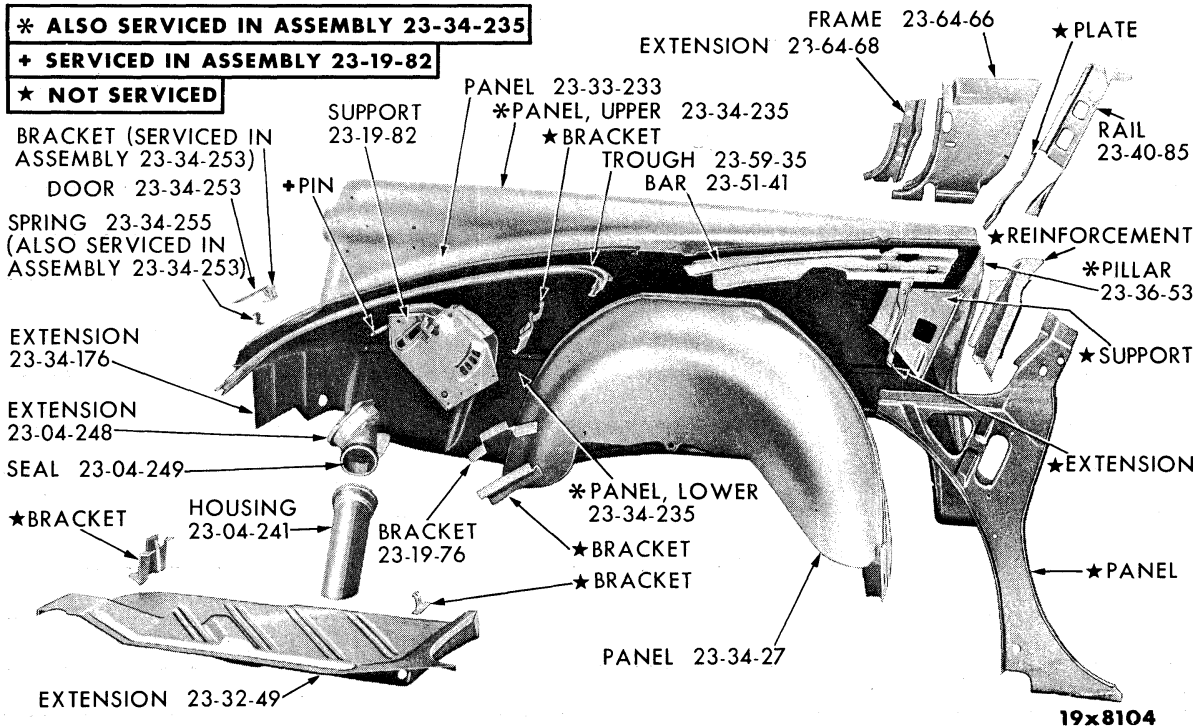


Plate 23-160

REAR QUARTER PANEL - IMPERIAL IM-1, LY1 SPECIAL 4 DOOR SEDAN

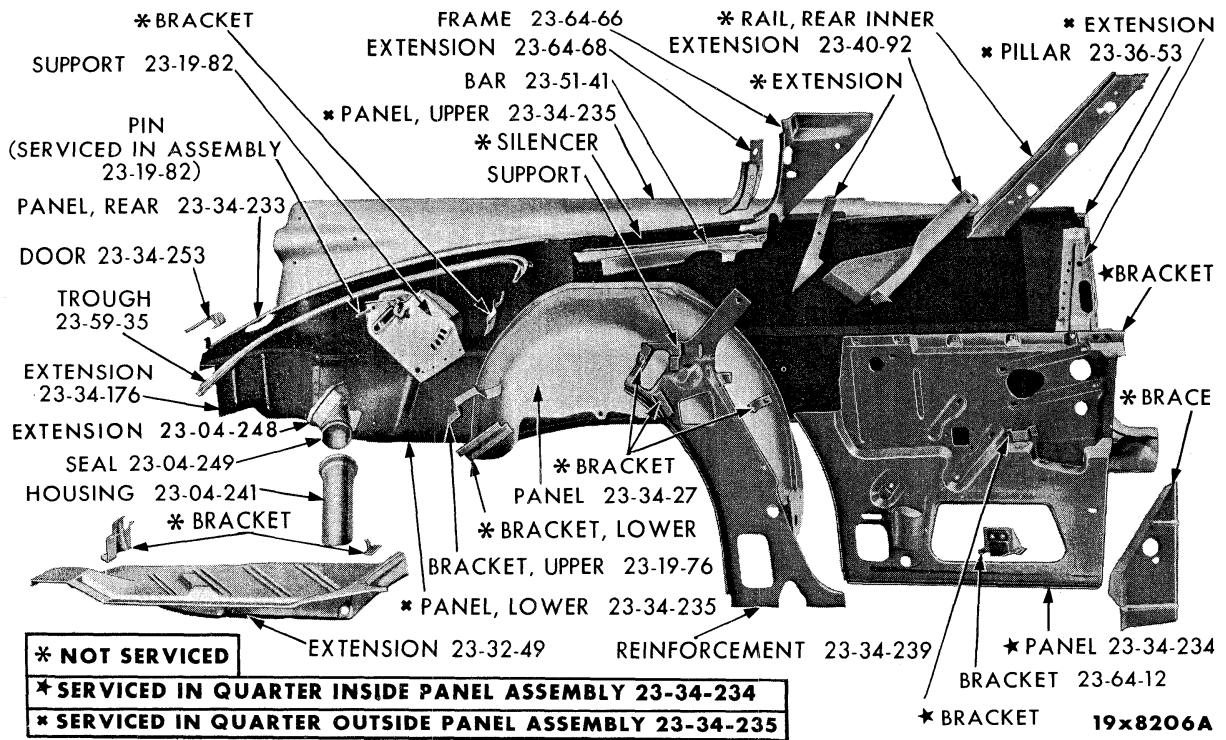
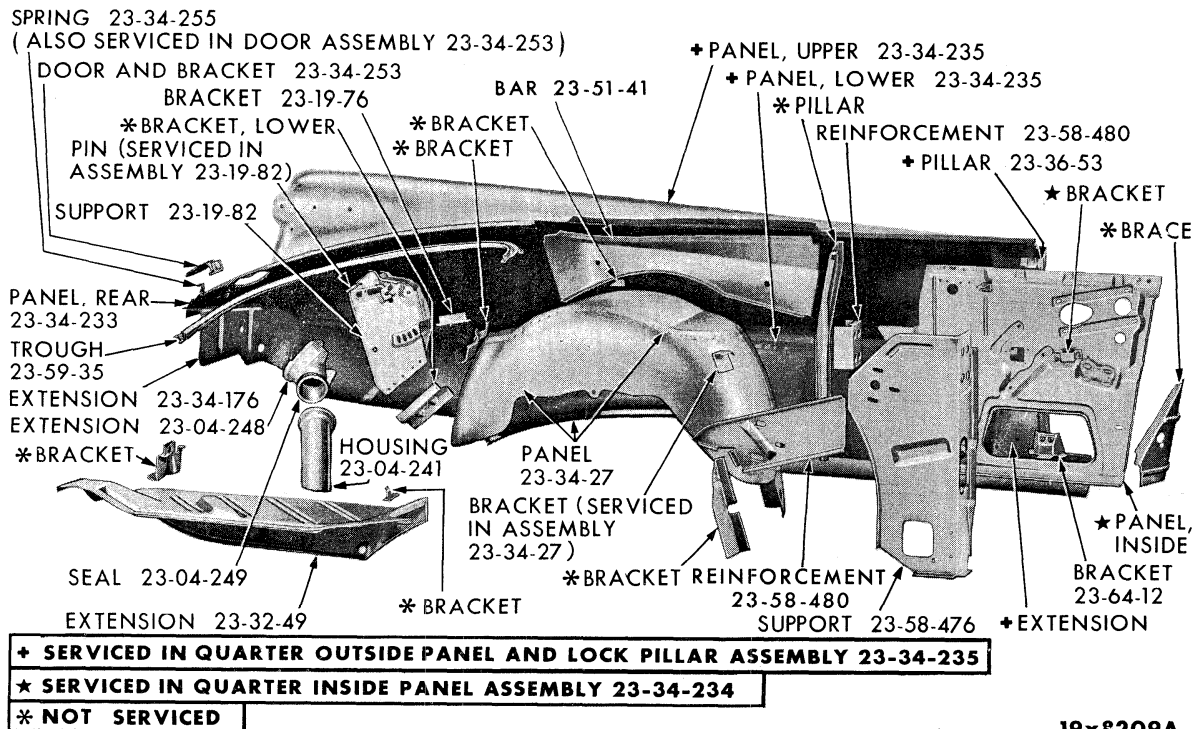


Plate 23-161 REAR QUARTER PANEL - IMPERIAL IM-1, LY1 SPECIAL CLUB COUPE



19x8209A

1957 PLYMOUTH Belvedere MOULDINGS for
Special Club Coupes, Club Sedans
and Convertible Coupes

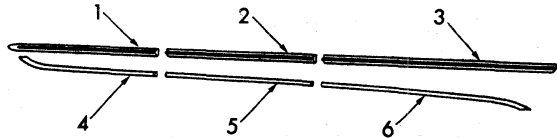


PLATE 23-163

19x7764

† Standard Equipment

‡ Special Equipment

† 1. 1624 760-1 MOULDING, Front Fender Upper

- 10 - *6010 030 Clip
- 2 - 1621 895 Nut
- 2 - *6010 002 Clip

† 2. 1696 642-3 MOULDING, Door Upper

- 10 - *6000 401 Clip and Seal

† 3. 1696 654-5 MOULDING, Quarter Panel Upper

- 4 - *6000 401 Clip and Seal
- 10 - *6000 029 Retainer and Bolt
- 10 - *6000 028 Nut
- 2 - *6000 223 Screw

‡ 4. 1624 792-3 MOULDING, Front Fender Lower

- 10 - *6010 094 Clip
- 2 - 1621 895 Nut
- 2 - *6010 093 Clip

‡ 5. 2- 1757 100 MOULDING, Door Lower

- 12 - *6010 094

‡ 6. 1757 102-3 MOULDING, Quarter Panel Lower

- 10 - 1599 870 Clip
- 6 - *6000 028 Nut
- 6 - 1706 829 Clip
- 2 - *6000 223 Screw

1957 PLYMOUTH Belvedere MOULDINGS for
4 Door Sedans, Special 4 Door Sedans
and 4 Door Suburbans

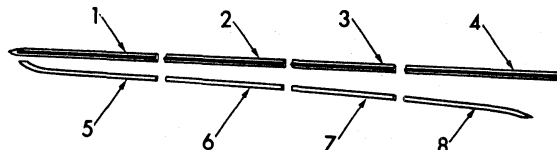


PLATE 23-164

19x7765

† Standard Equipment.

‡ Special Equipment.

† 1. 1624 760-1 MOULDING, Front Fender Upper

- 10 - *6010 030 Clip
- 2 - 1621 895 Nut
- 2 - *6010 002 Clip

† 2. 1696 634-5 MOULDING, Front Door Upper

- 12 - *6000 401 Clip and Seal

† 3. 1696 644-5 MOULDING, Rear Door Upper

- 10 - *6000 401 Clip and Seal

† 4. 1696 648-9 MOULDING, Quarter Panel Upper,
4 D., Sp. 4 D.

- 6 - *6000 401 Clip and Seal
- 10 - *6000 029 Retainer and Bolt
- 10 - *6000 028 Nut and Seal
- 2 - *6000 023 Screw

1759 216-7 MOULDING, Quarter Panel Upper,
4 D. Sub.

- 2 - *6000 022 Screw
- 12 - *6000 074 Clip
- 6 - 1560 063 Clip and Bolt
- 6 - *6006 024 Nut and Washer

‡ 5. 1624 792-3 MOULDING, Front Fender Lower

- 10 - *6010 094 Clip
- 2 - *6010 093 Clip and Bolt
- 2 - 446 059 Nut

‡ 6. 2- 1755 394 MOULDING, Front Door Lower

- 12 - *6010 094 Clip

‡ 7. 1755 396-7 MOULDING, Rear Door Lower

- 10 - *6010 094 Clip

‡ 8. 1755-398-9 MOULDING, Quarter Panel Lower,
4 D., Sp. 4 D.

- 10 - 1599 870 Clip and Bolt
- 10 - *6000 029 Nut
- 2 - *6000 223 Screw

1759 232-3 MOULDING, Quarter Panel Lower,
4 D. Sub.

- 2 - *6000 022 Screw
- 14 - *6000 078 Clip
- 20 - *6010 093 Clip
- 20 - *6006 024 Nut and Washer
- 14 - 1598 707 Washer

1957 PLYMOUTH Plaza and Savoy MOULDINGS for
Special Club Coupes, Club Sedans, 3-Passenger Coupes
and 2-Door Suburbans

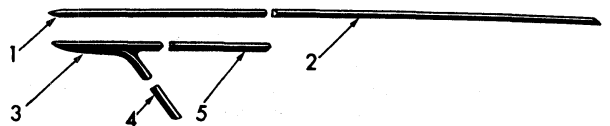


PLATE 23-165

19x7762

† Standard Equipment on SAVOY, Special
Equipment on PLAZA.

‡ Special Equipment.

† 1. 1757 008-9 MOULDING, Door

- 2 - *6000 352 Clip
- 8 - *6000 457 Clip and Seal

† 2. 1756 576-7 MOULDING, Quarter Panel,
Sp. Cl. Cp., Cl. Sed., 3 Cp.

- 2 - *6000 023 Screw
- 4 - *6000 457 Clip and Seal
- ★ - *6000 029 Retainer and Bolt
- ★ - *6006 024 Nut and Washer

1759 248-9 MOULDING, Quarter Panel,
2 D. Sub.

- 2 - *6000 022 Screw
- ★ - *6006 074 Clip

★ Indicates use as required.

☐ Indicates parts not listed in any previous parts book.

* Indicates change or addition.

- ‡ 3. 1756 562-3 MOULDING, Door Front
 - 4 - 6000 457 Clip and Seal
 - 2 - 6000 459 Clip
- ‡ 4. 1756 566-7 MOULDING, Door Lower, Sp. Cl. Cp., Cl. Sed., 3 Cp.
1759 246-7 MOULDING, Door Lower, 2 D. Sub.
 - 4 - 6000 457 Clip and Seal
- ‡ 5. 1756 574-5 MOULDING, Door Rear
 - 6 - 6000 457 Clip and Seal

1957 PLYMOUTH Plaza and Savoy MOULDINGS for 4 Door Sedans and 4 Door Suburbans

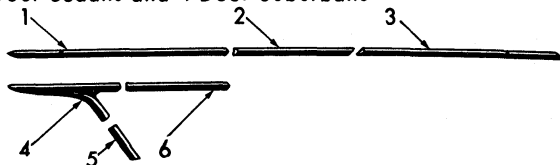


PLATE 23-166

19x7763

† Standard Equipment on SAVOY, Special Equipment on PLAZA.
‡ Special Equipment.

- † 1. 1757 006-7 MOULDING, Front Door
 - 2 - 6000 352 Clip
 - 8 - 6000 457 Clip and Seal
- † 2. *1756 570-1 MOULDING, Rear Door, 4D., Sp. 4D.
1759 264-5 MOULDING, Rear Door, 4 D. Sub.
 - 8 - 6000 457 Clip and Seal
- † 3. *1756 572-3 MOULDING, Quarter Panel, 4D., Sp. 4D.
 - 8 - 6000 029 Retainer and Bolt
 - 8 - 1598 066 Nut and Washer
 - 4 - 6000 457 Clip and Seal
 - 2 - 6000 022 Screw
 1759 250-1 MOULDING, Quarter Panel, 4 D. Sub.
 - ★ - *6000 486 Clip and Seal
- ‡ 4. 1756 562-3 MOULDING, Front Door Front
 - 2 - 6000 459 Clip
 - 4 - 6000 457 Clip and Seal
- ‡ 5. *1756 566-7 MOULDING, Front Door Lower, 4D., Sp. 4D.
1759 246-7 MOULDING, Front Door Lower, 4 D. Sub.
 - 4 - 6000 457 Clip and Seal
- ‡ 6. 1756 564-5 MOULDING, Front Door Rear
 - 6 - 6000 457 Clip and Seal

1957 PLYMOUTH Fury MOULDINGS for Special Club Coupes

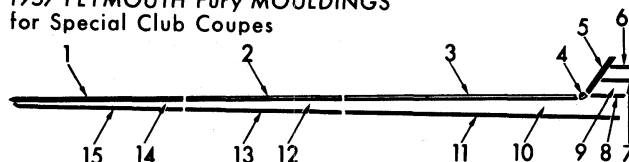


PLATE 23-167

19 x 7819

- 1. 1624 760-1 MOULDING, Front Fender Upper
 - 10 - 6010 030 Clip
 - 2 - 6010 002 Clip and Bolt
 - 2 - 1621 895 Nut
- 2. 1696 642-3 MOULDING, Door Upper
 - 10 - 6000 401 Clip
- 3. 2-*1835 400 MOULDING, Quarter Panel Upper
 - 4 - 6000 401 Clip
 - 10 - 6000 029 Retainer and Bolt
 - 10 - 6000 028 Nut and Seal
 - 2 - 6000 223 Screw
- 4. 2- 1834 970 CAP, w/BOLT
2- 6000 029 NUT AND SEAL
- 5. 1835 402-3 MOULDING, Quarter Panel Upper Extension
 - 4 - 6000 029 Retainer and Bolt
 - 4 - 6000 028 Nut and Seal
 - 2 - 1646 390 Screw
- 6. 1834 964-5 MOULDING, Quarter Panel Rear End Upper
 - 4 - 6000 134 Clip
- 7. 1834 966-7 MOULDING, Quarter Panel Rear End Center
 - 4 - 6000 134 Clip
- 8. 1834 968-9 MOULDING, Quarter Panel Rear End Lower
 - 4 - 6000 134 Clip
- 9. 1834 972-3 PANEL, Quarter Panel Upper End Finish
- 10. 1833 976-7 PANEL, Quarter Panel Finish
- 11. 1833 992-3 MOULDING, Quarter Panel Lower
 - 8 - 6010 094 Clip
 - 12 - 1706 829 Clip and Seal
 - 2 - 6010 093 Clip and Bolt
 - 2 - 6000 028 Nut and Seal
 - 2 - 6000 223 Screw
- 12. 1833 978-9 PANEL, Door Finish
- 13. 2- 1757 100 MOULDING, Door Lower
 - 12 - 6010 094 Clip
- 14. 1754 148-9 INSERT, Front Fender Finish
- 15. 1624 792-3 MOULDING, Front Fender Lower
 - 10 - 6010 094 Clip
 - 2 - 6010 093 Clip and Bolt
 - 2 - 1621 895 Nut

★ Indicates use as required.

☐ Indicates parts not listed in any previous parts book.
Feb. 27, 1959 Supersedes Nov. 15, 1957.

1957 DODGE MOULDINGS for Special Club Coupes,
Club Sedans, Convertible Coupes
and 2 Door Suburbans

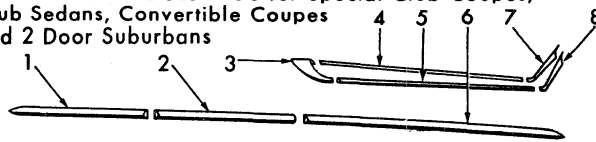


PLATE 23-168

19x7786

1. 1624 860-1 MOULDING, Frt. Fender Lower
12 - 6010 103 Clip
12 - 446 059 Nut
2. 2- 1696 720 MOULDING, Door Lower
14 - 6000 032 Clip
3. 1696 726-7 MOULDING, Qtr. Panel Side Front
Center, Sp.Cl.Cp., Cv.Cp.,
Cl.Sed., D66, D67-1, D72
★ - 6000 258 Clip
2 - 145 417 Screw
1708 198-9 MOULDING, Qtr. Panel Side Front
Center, Sp.Cl.Cp., Cv.Cp., D67-2
★ - 6000 258 Clip
2 - 145 417 Screw
1757 196-7 MOULDING, Qtr. Panel Side Front
Center, 2 D. Sub.
★ - 6000 258 Clip
2 - 145 417 Screw
4. 1707 940-1 MOULDING, Qtr. Panel Side Upper,
Sp.Cl.Cp., Cl.Sed.
★ - 6000 134 Clip
1775 206-7 MOULDING, Qtr. Panel Side Upper
Front, Cv.Cp.
★ - 6000 134 Clip
1775 208-9 MOULDING, Qtr. Panel Side Upper
Rear, Cv.Cp.
★ - 6000 134 Clip
1777 052-3 MOULDING, Qtr. Panel Side Upper,
2D. Sub.
★ - 6000 134 Clip
5. 2-*1696 734 MOULDING, Qtr. Panel Side Center,
Sp.Cl.Cp., Cv.Cp., Cl.Sed., All
★ - 6000 033 Clip
★ - 6000 032 Retainer and Stud
★ - 6000 028 Nut and Seal
1708 204-5 MOULDING, Qtr. Panel Side Center
Lower, Sp.Cl.Cp., Cv.Cp., D67-2
★ - 6000 441 Clip with Stud
★ - 6000 028 Nut and Seal
1759 258-9 MOULDING, Qtr. Panel Side Center
2D. Sub.
★ - 6000 155 Clip
6. 1707 774-5 MOULDING, Qtr. Panel Side Lower,
Sp.Cl.Cp., Cv.Cp., Cl.Sed.
★ - 6000 032 Clip
★ - 6000 029 Retainer and Stud
★ - 6000 028 Nut and Seal
2 - 6000 022 Screw

- 1708 276-7 MOULDING, Qtr. Panel Side Lower,
2D. Sub.
2 - 6000 022 Screw
★ - 6000 447 Clip
★ - 111 196 Screw
★ - 6000 029 Clip and Stud
★ - 1598 664 Nut and Washer

7. 1776 646-7 EXTENSION, Qtr. Panel Upper
Moulding, 2D. Sub.
4 - 1776 645 Speed Clip
8. 1696 736-7 MOULDING, Qtr. Panel Rear,
except 2 D. Sub.
★ - 6000 028 Nut and Seal
1757 890-1 EXTENSION, Qtr. Panel Center
Moulding, 2D. Sub.
★ - 6000 258 Speed Clip

1957 DODGE MOULDINGS for 4 Door Sedans,
Special 4 Door Sedans and 4 Door Suburbans

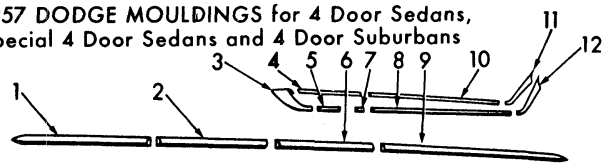


PLATE 23-169

19x7787

1. 1624 860-1 MOULDING, Frt. Fender Lower
12 - 6010 103 Clip
12 - 446 059 Nut
2. 2- 1696 718 MOULDING, Frt. Door Lower
12 - 6000 032 Clip
3. 1696 726-7 MOULDING, Rr. Door Center Frt.,
4D.
1708 198-9 MOULDING, Rr. Door Center Frt.,
Sp. 4D.
1757 196-7 MOULDING, Rr. Door Center Frt.,
4D. Sub.
4 - 6000 258 Clip
2 - 145 417 Screw
4. 1707 936-7 MOULDING, Rr. Door Upper Rr.,
4D., Sp. 4D.
1776 648-9 MOULDING, Rr. Door Upper Rr.,
4D. Sub.
6 - 6000 134 Clip
5. 1708 502-3 MOULDING, Rr. Door Center,
4D., Sp. 4D.
6 - 6000 033 Clip
1708 200-1 MOULDING, Rr. Door Center, Sp. 4D.
6 - 1758 040 Clip
★ - 145 417 Screw
1836 390-1 MOULDING, Rr. Door Center,
4D. Sub.
6 - 6000 155 Clip
6. *1866 516-7 MOULDING, Rr. Door Lower
10 - 6000 032 Clip

★ Indicates use as required.
□ Indicates parts not listed in any previous parts book.
* Indicates change or addition.

- 7. 1696 728-9 MOULDING, Rr. Door Center Rr., 4D., Sp. 4D.
2 - 6000 155 Clip
1777 054-5 MOULDING, Rr. Door Center Rr., 4D. Sub.
4 - 6000 258 Clip
- 8. 1696 732-3 MOULDING, Qtr. Panel Center, 4D., Sp. 4D.
★ - 6000 033 Clip
★ - 6000 028 Nut and Seal
★ - 6000 035 Retainer and Bolt
1708 202-3 MOULDING, Qtr. Panel Center Lower, Sp. 4D., D67-2
★ - 6000 441 Retainer and Bolt
★ - 6000 028 Nut and Seal
2 - 6000 022 Screw
1757 888-9 MOULDING, Qtr. Panel Center, 4D. Sub.
★ - 6000 155 Clip
- 9. 1696 738-9 MOULDING, Qtr. Panel Lower, 4D., Sp. 4D.
★ - 6000 032 Clip
2 - 6000 022 Screw
★ - 6000 029 Retainer and Bolt
★ - 6000 028 Nut and Washer
1757 892-3 MOULDING, Qtr. Panel Lower, 4D. Sub.
★ - 6000 447 Clip
★ - 111 196 Screw
★ - 6000 029 Clip
★ - 1598 664 Nut and Washer
2 - 6000 022 Screw
- 10. 1707 938-9 MOULDING, Qtr. Panel Upper, 4D., Sp. 4D.
1777 050-1 MOULDING, Qtr. Panel Upper, 4D. Sub.
★ - 6000 134 Clip
- 11. 1776 646-7 EXTENSION, Qtr. Panel Upper Mldg., 4D. Sub.
4 - 1776 645 Speed Clip
- 12. 1696 736-7 MOULDING, Qtr. Panel Rear, 4 D., Sp. 4 D.
★ - 6000 028 Nut and Seal
1757 890-1 EXTENSION, Qtr. Panel Center Mldg., 4D. Sub.
★ - 6000 258 Speed Clip

1957 DESOTO MOULDINGS for Special Club Coupes and Convertible Coupes

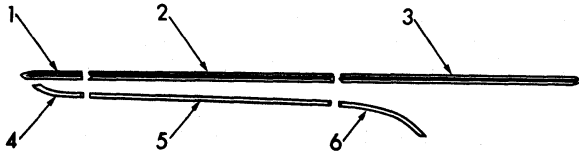


PLATE 23-170

19x7761

- 1. 2- 1624 960 MOULDING, Frt. Fender Upper, S25 Spec. Equip., S26 Std. Equip.
1686 760-1 MOULDING, Frt. Fender Upper, S27 Spec. Equip.
4 - 6010 001 Clip
4 - 446 059 Nut

- 2. 2- 1707 976 MOULDING, Door Upper, S25, S27, Spec. Equip., S26 Std. Equip.
12 - 1655 264 Clip
2- 1708 600 MOULDING, Door, S25, S27, Std. Equip.
8 - 1655 264 Clip
2 - 6013 066 Clip and Bolt
2 - 6006 024 Nut and Washer
- 3. 2- 1707 990 MOULDING, Qtr. Panel, All Std. Equip.
★ - 1655 264 Clip
2 - 6013 066 Clip and Bolt
2 - 6006 024 Nut and Washer
- 4. 2- 1624 938 MOULDING, Frt. Fender Lower, S25 Spec. Equip., S26 Std. Equip.
1686 738-9 MOULDING, Frt. Fender Lower, S27, Spec. Equip.
★ - 446 059 Nut
- 5. 1708 496-7 MOULDING, Door Lower, S25 S27, Spec. Equip., S26 Std. Equip.
12 - 6006 039 Clip
- 6. 1708 008-9 MOULDING, Qtr. Panel Lower, S25 S27, Spec. Equip. S26 Std. Equip.
★ - 6006 039 Clip
2 - 443 716 Screw

1957 DESOTO MOULDINGS for 4 Door Sedans, Special 4 Door Sedans and Suburbans

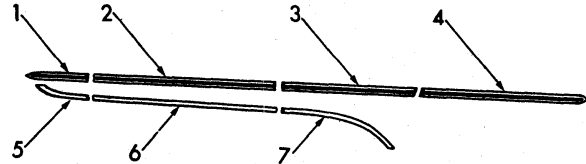


PLATE 23-171

19x7760

- 1. 2- 1624 960 MOULDING, Frt. Fender Upper, S25 Spec. Equip., S26 Std. Equip.
1686 760-1 MOULDING, Frt. Fender Upper, S27 Spec. Equip.
4 - 6010 001 Clip
4 - 446 059 Nut
- 2. 2- 1707 988 MOULDING, Frt. Door Upper, S25, S27 Spec. Equip., S26 Std. Equip.
12 - 1655 264 Clip
2- 1696 782 MOULDING, Frt. Door Upper, S25, S27, Std. Equip.
8 - 1655 264 Clip
2 - 6013 006 Clip and Bolt
2 - 6006 024 Nut and Washer
- 3. 1696 784-5 MOULDING, RR. Door Upper, Std. Equip.
10 - 1655 264 Clip
- 4. *1696 786-7 MOULDING, Qtr. Panel Upper, Std. Equip., 4D., Sp. 4D.
*1757 898-9 MOULDING, Qtr. Panel., Sub.
★ - 1655 264 Clip
2 - 6013 066 Clip and Bolt
2 - 6006 024 Nut and Washer

★ Indicates use as required.

⊠ Indicates parts not listed in any previous parts book.
Feb. 27, 1959 Supersedes Mar. 5, 1958.

- 5. 1624 938-9 MOULDING, Frt. Fender Lower, S25 Spec. Equip., S26 Std. Equip.
1686 738-9 MOULDING, Frt. Fender Lower, S27 Spec. Equip.
4 - 446 059 Nut
- 6. 2- 1708 002 MOULDING, Frt. Door Lower, S25, S27 Spec. Equip., S26 Std. Equip.
12 - 6006 039 Clip
- 7. 1708 004-5 MOULDING, RR. Door Lower, S25, S27, Spec. Equip. S26 Std. Equip.
10 - 6006 039 Clip

1957 CHRYSLER MOULDINGS for Special Club Coupes and Convertible Coupes

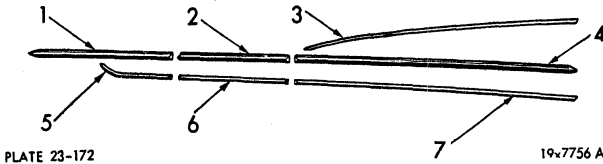


PLATE 23-172

19x7756 A

- 1. 1686 546-7 MOULDING, Front Fender, C75-2, C76
10 - 6006 039 Clip
2 - 6010 001 Clip
2 - 446 059 Nut
- 2. 1697 104-5 MOULDING, Door, C75-2, C76
1843 864-5 MOULDING, Door, C75-1
10 - 1755 312 Clip
- 3. *1777 978-9 MOULDING, Quarter Panel, C75-2
22 - 1757 194 Clip
- 4. *1697 110-1 MOULDING, Quarter Panel, C75, C76
20 - 1755 312 Clip
2 - 6013 066 Clip and Bolt
2 - 6006 024 Nut and Washer
- 5. 1754 170-1 MOULDING, Front Fender Lower, C76
6 - 6006 039 Clip
2 - 446 059 Nut
- 6. 1777 982-3 MOULDING, Door, Lower, C76
12 - 6006 039 Clip
- 7. 1777 980-1 MOULDING, Quarter Panel, Lower, C76
20 - 6006 039 Clip

1957 CHRYSLER MOULDINGS for 4 Door Sedans, Special 4 Door Sedans and Suburbans

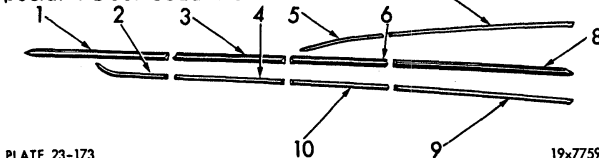


PLATE 23-173

19x7759

- 1. 1686 546-7 MOULDING, Front Fender, C75-2, C76
10 - 6006 039 Clip
2 - 6010 001 Clip
2 - 446 059 Nut

- 2. 1754 170-1 MOULDING, Front Fender Lower, C76
6 - 6006 039 Clip
2 - 446 059 Nut
- 3. 1697 102-3 MOULDING, Front Door, C75-2, C76
1843 862-3 MOULDING, Front Door, C75-1
12 - 1755 312 Clip
- 4. 1777 098-9 MOULDING, Front Door Lower, C76
12 - 6006 039 Clip
- 5. 1777 976-7 MOULDING, Rear Door Upper, C75-2, 4 D., Sp. 4 D.
10 - 1757 194 Clip and Seal
- 6. 1697 106-7 MOULDING, Rear Door
10 - 1755 312 Clip
- 7. 1759 242-3 MOULDING, Quarter Panel Upper, C75-2, 4 D., Sp. 4 D.
16 - 1757 194 Clip and Seal
- 8. 1697 108-9 MOULDING, Quarter Panel, C75, C76, 4 D., Sp. 4 D.
1759 214-5 MOULDING, Quarter Panel, C75-1, C76, Sub.
10 - 1755 312 Clip
2 - 6013 066 Clip and Bolt
2 - 6006 024 Nut and Washer
- 9. 1777 102-3 MOULDING, Quarter Panel Lower, C76, 4 D., Sp. 4 D.
1777 996-7 MOULDING, Quarter Panel, C76 Sub.
10 - 1755 318 Clip
- 10. 1777 100-1 MOULDING, Rear Door Lower, C76
10 - 1755 318 Clip

1957 CHRYSLER C75-1 Special Equipment MOULDINGS for 4 Door Sedans, Special 4 Door Sedans, and Suburbans

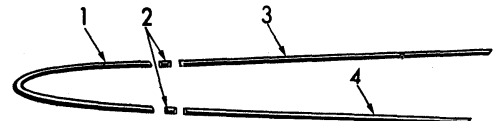


PLATE 23-174

19x7758

- 1. 1759 240-1 MOULDING, Rear Door, 4 D., Sp. 4 D.
14 - 1757 194 Clip and Seal
1759 278-9 MOULDING, Quarter Panel Front, Sp. Cl. Cp.
12 - 1757 194 Clip and Seal
- 2. 4- 1759 284 CAP, Quarter Panel Moulding Joint, Sp. Cl. Cp.
- 3. 1759 242-3 MOULDING, Quarter Panel Upper, 4 D., Sp. 4 D.
1759 280-1 MOULDING, Quarter Panel Upper Rear Sp. Cl. Cp.
16 - 1757 194 Clip and Seal
- 4. 1759 254-5 MOULDING, Quarter Panel Lower 4 D., Sp. 4 D.
16 - 1757 194 Clip and Seal
1759 282-3 MOULDING, Quarter Panel Lower, Rear, Sp. Cl. Cp.
14 - 1757 194 Clip and Seal

★ Indicates use as required.

☐ Indicates parts not listed in any previous parts book.

* Indicates change or addition.

1957 CHRYSLER C76-300 MOULDINGS for Special Club Coupes

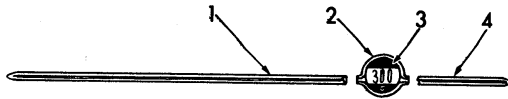


PLATE 23-175

19x7757

1. 2- 1759 295 MOULDING, Quarter Panel Front
1655 264 Clip
2. 2- 1759 286 BASE, Medallion
4 - *6006 024 Nut and Washer
3. 2-1776 633 MEDALLION
4. 2- 1759 294 MOULDING, Quarter Panel Rear
★ - *6013 066 Clip and Bolt
★ - *6006 024 Nut and Washer

2. 2- 1690 816 MOULDING, Door Lower
12 - *6000 311 Clip
3. 1691 828-9 MOULDING, Qtr. Panel Lower
24 - *6006 073 Clip
2 - *6006 187 Clip
2 - *6006 024 Nut

1957 IMPERIAL MOULDINGS for Special Club Coupes and Convertible Coupes

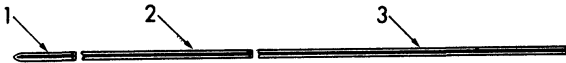


PLATE 23-176

19x7778

1. 1624 560-1 MOULDING, Frt. Fender Lower
4 - *6000 311 Clip
2 - *6006 187 Clip
2 - *6010 098 Nut

1957 IMPERIAL MOULDINGS for 4 Door Sedans and Special 4 Door Sedans

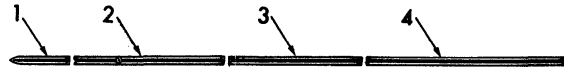


PLATE 23-177

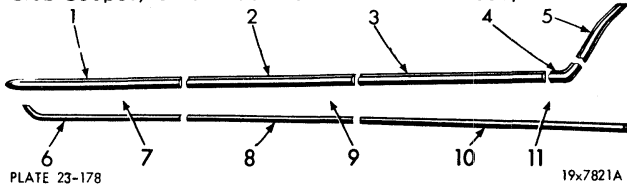
19x7777

1. 1624 560-1 MOULDING, Frt. Fender Lower
4 - *6000 311 Clip
2 - *6006 187 Clip
2 - *6010 098 Nut
2. 2- 1690 818 MOULDING, Frt. Door Lower
10 - *6000 311 Clip
3. 1690 822-3 MOULDING, RR. Door Lower
10 - *6000 311 Clip
4. 1690 824-5 MOULDING, Qtr. Panel Lower
16 - *6006 073 Clip
2 - *6006 187 Clip
2 - *6006 024 Nut

NOTES

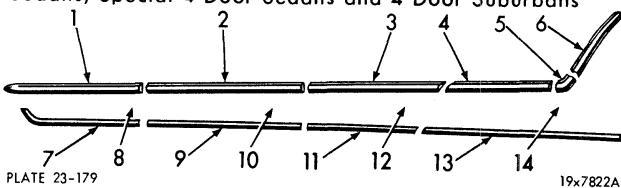
★ Indicates use as required.
 ☒ Indicates parts not listed in any previous parts book.
 Nov. 15, 1957 Supersedes July 31, 1957.

1958 PLYMOUTH Belvedere MOULDINGS for Special Club Coupes, Club Sedans and Convertible Coupes



1. 1624 760-1 MOULDING, Front Fender
 - 10 - 6010 030 Clip
 - 2 - 6010 002 Clip
 - 2 - 1621 895 Nut
2. 1696 642-3 MOULDING, Door
 - ★ - 6000 063 Clip and Seal
3. 2-1835 400 MOULDING, Quarter Panel
 - 2 - 6000 223 Screw
 - ★ - 6000 063 Clip and Seal
 - ★ - 6013 066 Clip and Bolt
 - ★ - 6000 028 Nut and Seal
4. 2- 1834 970 CAP, Quarter Panel Moulding Joint, w/Bolt
 - 2 - 6000 028 Nut and Seal
5. 1835 402-3 EXTENSION, Quarter Panel
 - ★ - 6013 066 Clip and Bolt
 - ★ - 6000 028 Nut and Seal
6. 1624 792-3 MOULDING, Front Fender
 - 10 - 6010 094 Clip
 - 2 - 6010 093 Clip and Bolt
 - 2 - 6000 028 Nut and Seal
7. 1754 442-3 INSERT, Front Fender, Gold
1832 174-5 INSERT, Front Fender, Alum.
8. 2- 1757 100 MOULDING, Door
 - ★ - 6000 070 Clip
9. 1846 460-1 PANEL, Door, Gold
1867 900-1 PANEL, Door, Alum.
10. 1833 992-3 MOULDING, Quarter Panel
 - 2 - 6000 223 Screw
 - ★ - 6000 137 Clip and Seal
 - 2 - 6010 093 Clip and Bolt
 - 2 - 6000 028 Nut and Seal
11. 1867 690-1 PANEL, Quarter Panel, Gold
1867 688-9 PANEL, Quarter Panel, Alum.
 - 2 - 6000 529 Retainer and Bolt
 - 2 - 6000 028 Nut and Seal

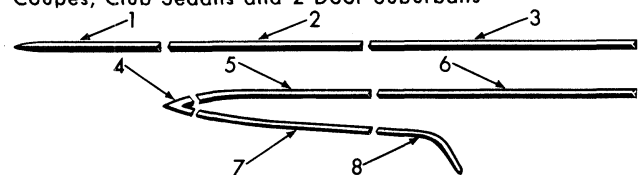
1958 PLYMOUTH Belvedere MOULDINGS for 4 Door Sedans, Special 4 Door Sedans and 4 Door Suburbans



1. 1624 760-1 MOULDING, Front Fender
 - 10 - 6010 030 Clip
 - 2 - 6010 002 Clip
 - 2 - 1621 895 Nut
2. 1696 634-5 MOULDING, Front Door
 - 12 - 6000 063 Clip and Seal
3. 1696 644-5 MOULDING, Rear Door
 - 10 - 6000 063 Clip and Seal

4. 1835 524-5 MOULDING, Quarter Panel
 - 2 - 6000 223 Screw
 - 6 - 6000 063 Clip and Seal, 4 D., Sp. 4 D.
 - 2 - 3000 028 Nut and Seal, 4 D., Sp. 4 D.
 - 2 - 6013 066 Clip and Bolt, 4 D., Sp. 4 D.
 - ★ - 6000 074 Clip and Seal, Sub.
5. 2- 1834 970 CAP, Quarter Panel Moulding Joint, w/Bolt
 - 2 - 6000 028 Nut and Seal, 4 D., Sp. 4 D.
 - 2 - 6006 057 Clip, Sub.
6. 1835 402-3 EXTENSION, Quarter Panel Moulding, 4 D., Sp. 4 D.
1846 468-9 EXTENSION, Quarter Panel Moulding, Sub.
 - 6 - 6013 066 Clip and Bolt, 4 D., Sp. 4 D.
 - 6 - 6000 028 Nut and Seal, 4 D., Sp. 4 D.
 - ★ - 6000 074 Clip and Seal, Sub.
7. 1624 792-3 MOULDING, Front Fender
 - 10 - 6010 094 Clip
 - 2 - 6010 093 Clip
8. 1832 174-5 INSERT, Front Fender
9. 2- 1755 394 MOULDING, Front Door
 - 12 - 6000 070 Clip
10. 1866 900-1 PANEL, Front Door
11. 1755 396-7 MOULDING, Rear Door
 - 10 - 6000 070 Clip
12. 1866 902-3 PANEL, Rear Door
13. 1835 520-1 MOULDING, Quarter Panel, 4 D., Sp. 4 D.
1759 232-3 MOULDING, Quarter Panel, Sub.
 - 2 - 6000 223 Screw
 - 2 - 6010 093 Clip and Bolt
 - 2 - 6000 028 Nut and Seal
 - 14 - 6000 137 Clip and Seal, 4 D., Sp. 4 D.
 - ★ - 6000 078 Clip and Seal, Sub.
14. 1867 686-7 PANEL, Quarter Panel, 4 D., Sp. 4 D.
1867 648-9 PANEL, Quarter Panel, Sub.
 - 2 - 6000 529 Retainer and Bolt
 - 2 - 6000 028 Nut and Seal

1958 PLYMOUTH Savoy MOULDINGS for Special Club Coupes, Club Sedans and 2 Door Suburbans



1. 1624 760-1 MOULDING, Front Fender
 - 10 - 6010 030 Clip
 - 2 - 6010 002 Clip
 - 2 - 1621 895 Nut
2. 1696 642-3 MOULDING, Door
 - ★ - 6000 063 Clip and Seal
3. 1696 654-5 MOULDING, Quarter Panel, Cl. Sed., Sp. Cl. Cp.
1835 508-9 MOULDING, Quarter Panel, 2 D. Sub.
 - ★ - 6000 063 Clip and Seal
 - 2 - 6013 066 Clip and Bolt
 - 2 - 6000 028 Nut and Seal
 - 2 - 6000 223 Screw

★ Indicates use as required.
 ☐ Indicates parts not listed in any previous parts book.
 * Indicates change or addition.

- 4. 1834 088-9 MOULDING, Door
★ - 6000 079 Clip
- 5. 1834 098-9 MOULDING, Door
★ - 6000 063 Clip
- 6. *1834 086-7 MOULDING, Quarter Panel,
Cl. Sed., Sp. Cl. Cp., Square End.
*1952 156-7 MOULDING, Quarter Panel, Cl. Sed.,
Sp. Cl. Cp., Pointed End.
1834 152-3 MOULDING, Quarter Panel,
2 D. Sub.
★ - 6000 063 Clip and Seal
2 - 6013 066 Clip and Bolt
2 - 6000 028 Nut and Seal
2 - 6000 223 Screw
- 7. 1834 100-1 MOULDING, Door
★ - 6000 070 Clip
- 8. 1834 102-3 MOULDING, Quarter Panel,
Cl. Sed., Sp. Cl. Cp.
★ - 6000 070 Clip
2 - 6000 223 Screw
1834 204-5 MOULDING, Quarter Panel,
2 D. Sub.
★ - 6000 137 Clip and Seal
2 - 6000 223 Screw

1958 PLYMOUTH Savoy MOULDINGS for 4 Door Sedans,
Special 4 Door Sedans and 4 Door Suburbans

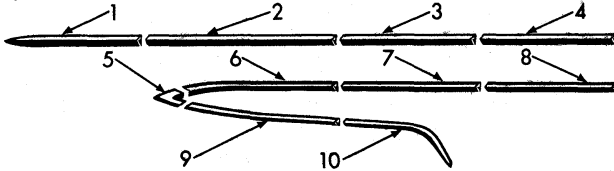


PLATE 23-181

19x7824

- 1. 1624 760-1 MOULDING, Front Fender
10 - 6010 030 Clip
2 - 6010 002 Clip
2 - 1621 895 Nut
- 2. 1696 634-5 MOULDING, Front Door
★ - 6000 063 Clip and Seal
- 3. 1696 644-5 MOULDING, Rear Door
★ - 6000 063 Clip and Seal
- 4. 1696 648-9 MOULDING, Quarter Panel,
4 D., Sp. 4 D.
1759 216-7 MOULDING, Quarter Panel,
4 D. Sub.
★ - 6000 063 Clip and Seal
★ - 6013 066 Clip and Bolt
★ - 6000 028 Nut and Seal
2 - 6000 223 Screw
- 5. 1834 088-9 MOULDING, Front Door
★ - 6000 079 Clip
- 6. 1834 090-1 MOULDING, Front Door
★ - 6000 063 Clip and Seal
- 7. 1834 080-1 MOULDING, Rear Door, 4 D.,
Sp. 4 D.
1834 146-7 MOULDING, Rear Door, 4 D. Sub.
★ - 6000 063 Clip and Seal
- 8. *1834 082-3 MOULDING, Quarter Panel,
4D., Sp. 4D., Square End.
*1952 158-9 MOULDING, Quarter Panel, 4D.,
Sp. 4D., Pointed End.
1834 148-9 MOULDING, Quarter Panel,
4 D. Sub.
★ - 6000 063 Clip and Seal
★ - 6010 029 Clip and Bolt
★ - 6000 028 Nut and Seal
2 - 6000 223 Screw
- 9. 1834 092-3 MOULDING, Front Door
★ - 6000 070 Clip

- 10. 1834 108-9 MOULDING, Rear Door, 4 D.,
Sp. 4 D.
1834 200-1 MOULDING, Rear Door, 4 D. Sub.
★ - 6000 070 Clip

1958 PLYMOUTH Plaza MOULDINGS for Club Sedans,
3-Passenger Coupes and 2 Door Suburbans

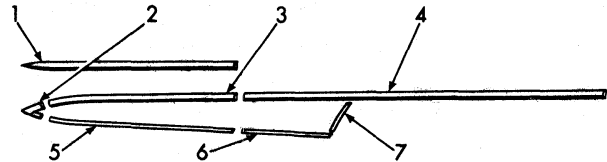


PLATE 23-182

19x7825

- 1. 1834 084-5 MOULDING, Door
★ - 6000 063 Clip and Seal
- 2. 1834 088-9 MOULDING, Door
★ - 6000 079 Clip
- 3. 1834 098-9 MOULDING, Door
★ - 6000 063 Clip and Seal
- 4. *1834 086-7 MOULDING, Quarter Panel,
3 Cp., Cl. Sed., Square End.
*1952 156-7 MOULDING, Quarter Panel, 3 Cp.,
Cl. Sed., Pointed End.
★ - 6000 063 Clip and Seal
★ - 6010 029 Clip and Bolt
★ - 6000 028 Nut and Seal
2 - 6000 223 Screw
1834 152-3 MOULDING, Quarter Panel,
2 D. Sub.
★ - 6000 074 Clip and Seal
2 - 6013 066 Clip and Bolt
2 - 6000 028 Nut and Seal
2 - 6000 223 Screw
- 5. 1834 100-1 MOULDING, Door
★ - 6000 070 Clip
- 6. 1834 104-5 MOULDING, Quarter Panel
★ - 6000 137 Clip and Seal
2 - 6000 223 Screw
- 7. 1835 832-3 MOULDING, Quarter Panel
★ - 6000 137 Clip and Seal

1958 PLYMOUTH Plaza MOULDINGS for 4 Door Sedans
and 4 Door Suburbans

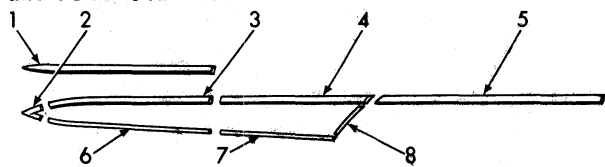


PLATE 23-183

19x7826A

- 1. 1834 078-9 MOULDING, Front Door
★ - 6000 063 Clip and Seal
- 2. 1834 088-9 MOULDING, Front Door
2 - 6000 079 Clip
- 3. 1834 090-1 MOULDING, Front Door
★ - 6000 063 Clip and Seal
- 4. *1834 080-1 MOULDING, Rear Door, 4D.
*1834 146-7 MOULDING, Rear Door, 4D. Sub.
★ - 6000 063 Clip and Seal
- 5. *1834 082-3 MOULDING, Quarter Panel, 4D.
*1834 148-9 MOULDING, Quarter Panel, 4D. Sub.
★ - 6000 063 Clip and Seal
★ - 6013 066 Clip and Bolt
★ - 6000 028 Nut and Seal
2 - 6000 223 Screw
- 6. 1834 092-3 MOULDING, Front Door
★ - 6000 063 Clip and Seal
- 7. 1834 106-7 MOULDING, Rear Door
★ - 6000 063 Clip and Seal

★ Indicates use as required.

⊠ Indicates parts not listed in any previous parts book.
Feb. 27, 1959 Supersedes Mar. 5, 1958.

- 8. 1835 832-3 MOULDING, Rear Door
 - 4 - 6000 076 Clip
 - ★ - 6000 082 Screw

1958 DODGE MOULDINGS for Special Club Coupes and Convertible Coupes

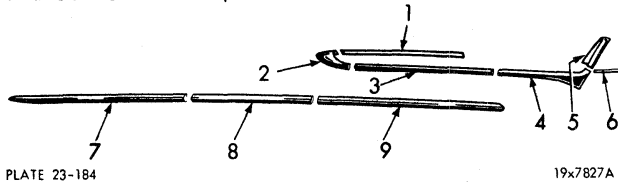


PLATE 23-184

19x7827A

- 1. 2- 1835 424 MOULDING, Quarter Panel, Cv. Cp.
1834 214-5 MOULDING, Quarter Panel, Sp. Cl. Cp.
 - ★ - 6000 084 Clip
 - ★ - 6000 134 Clip and Seal
- 2. 1696 726-7 MOULDING, Quarter Panel
 - ★ - 6000 258 Clip
 - 2 - 145 417 Screw
- 3. 2-*1696 734 MOULDING, Quarter Panel, LD2
1834 164-5 MOULDING, Quarter Panel, LD3
 - ★ - 6000 033 Clip and Seal
 - ★ - 6000 035 Retainer and Bolt
 - ★ - 6006 024 Nut and Seal
- 4. 1834 168-9 MOULDING, Quarter Panel, LD2-M, LD3
 - ★ - *6000 044-5 Retainer and Bolt
 - 2 - 6000 042 Retainer and Bolt
 - 2 - 6000 043 Retainer and Bolt
 - 6 - 6000 028 Nut and Seal
- 5. 1834 222-3 MOULDING, Quarter Panel, LD2-L
1835 814-5 MOULDING, Quarter Panel, LD2-M, LD3
 - ★ - 6006 024 Nut and Seal
- 6. 2-*1834 216 MOULDING, Quarter Panel
 - ★ - *6000 527 Clip
- 7. *1624 806-1 MOULDING, Front Fender
 - 12 - 6010 103 Clip
 - 12 - 446 059 Nut
- 8. 2-*1696 720 MOULDING, Door
 - ★ - 6000 031 Clip and Seal
- 9. *1834 220-1 MOULDING, Quarter Panel
 - ★ - 6000 031 Clip and Seal
 - 2 - 6000 029 Clip and Bolt
 - 2 - 6000 028 Nut and Seal

1958 DODGE MOULDINGS for "Regal Lancer" Special Club Coupe

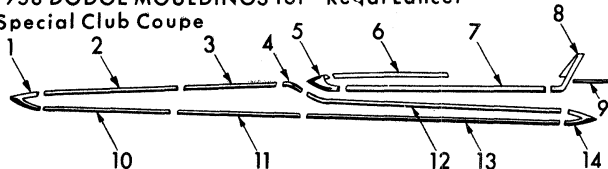


PLATE 23-184A

19x7871

- 1. 1863 444-5 MOULDING, Front Fender
 - 4 - 446 059 Nut
- 2. 1863 446-7 MOULDING, Front Fender
 - 12 - 6010 186 Clip and Bolt
 - 12 - 446 059 Nut
- 3. 1884 762-3 MOULDING, Door
 - 12 - 6000 595 Clip

- 4. 1884 764-5 MOULDING, Door
 - 2 - 6000 595 Clip
 - 1 - 6000 592-3 Clip
 - 2 - 151 306 Screw
- 5. 1696 726-7 MOULDING, Quarter Panel
 - ★ - 6000 258 Clip
 - 2 - 134 417 Screw
- 6. 1834 214-5 MOULDING, Quarter Panel
 - ★ - 6000 084 Clip
 - ★ - 6000 134 Clip and Seal
- 7. 2 - 1696 734 MOULDING, Quarter Panel
 - 18 - 6000 033 Clip and Seal
 - 4 - 6000 035 Retainer and Bolt
 - 4 - 6006 024 Nut and Seal
- 8. 1834 222-3 MOULDING, Quarter Panel
 - ★ - 6006 024 Nut and Seal
- 9. 2- *1834 216 MOULDING, Quarter Panel
 - ★ - *6000 527 Clip
- 10. *1863 448-9 MOULDING, Front Fender
 - 12 - 6010 186 Clip and Bolt
 - 12 - 446 059 Nut
- 11. *1884 766-7 MOULDING, Door
 - 14 - 6000 595 Clip
- 12. *1884 768-9 MOULDING, Quarter Panel
 - ★ - 6000 058 Clip
- 13. *1884 770-1 MOULDING, Quarter Panel
 - ★ - 6000 031 Clip and Seal
 - ★ - 6000 022 Screw
- 14. *1884 772-3 MOULDING, Quarter Panel
 - 6 - 6000 028 Nut and Seal

1958 DODGE MOULDINGS for Club Sedans and 2 Door Suburbans

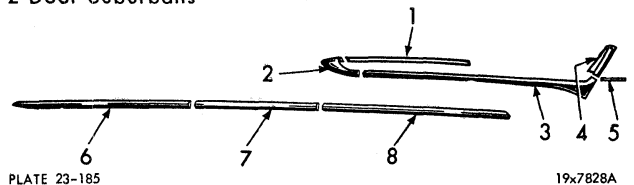


PLATE 23-185

19x7828A

- 1. 1835 822-3 MOULDING, Quarter Panel, Cl. Sed.
1836 060-1 MOULDING, Quarter Panel, 2 D. Sub.
 - 8 - 6000 134 Clip and Seal
- 2. 1696 726-7 MOULDING, Quarter Panel, Cl. Sed.
1757 196-7 MOULDING, Quarter Panel, 2 D. Sub.
 - ★ - 6000 258 Clip
- 3. 2-*1696 734 MOULDING, Quarter Panel, Cl. Sed.
 - 18 - 6000 033 Clip and Seal
 - 4 - 6000 035 Retainer and Bolt
 - 4 - 6006 024 Nut and Seal
- 1759 258-9 MOULDING, Quarter Panel, 2 D. Sub.
 - 18 - 6000 155 Clip and Seal
- 4. 1834 222-3 MOULDING, Quarter Panel, Cl. Sed.
1757 890-1 MOULDING, Quarter Panel, 2 D. Sub.
 - 2 - 6000 258 Clip
 - 2 - 6000 112 Washer

★ Indicates use as required.
 □ Indicates parts not listed in any previous parts book.
 * Indicates change or addition.

- 5. 2-*1834 216 MOULDING, Quarter Panel, Cl. Sed.
★ - *6000 527 Clip
- 6. *1624 860-1 MOULDING, Front Fender
12 - 6010 103 Clip
12 - 446 059 Nut
- 7. 2-*1696 720 MOULDING, Door
14 - 6000 031 Clip and Seal
- 8. *1834 220-1 MOULDING, Quarter Panel
10 - 6000 031 Clip and Seal
2 - 6000 029 Clip and Bolt
2 - 6000 028 Nut and Seal

1958 DODGE MOULDINGS for 4 Door Suburbans

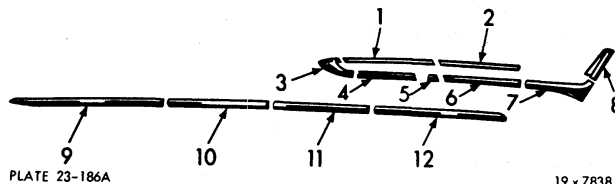


PLATE 23-186A

19 x 7838

1958 DODGE MOULDINGS for 4 Door Sedans and Special 4 Door Sedans

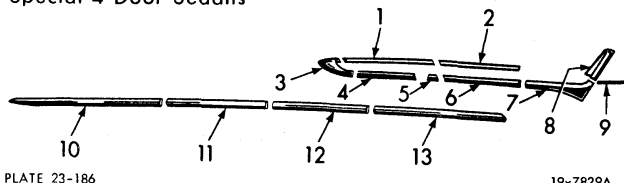


PLATE 23-186

19x7829A

- 1. 1836 392-3 MOULDING, Rear Door
★ - 6000 134 Clip and Seal
- 2. 1836 058-9 MOULDING, Quarter Panel
★ - 6000 134 Clip and Seal
- 3. 1757 196-7 MOULDING, Rear Door
★ - 6000 258 Clip
★ - 145 417 Screw
- 4. 1836 390-1 MOULDING, Rear Door
★ - 6000 058 Clip
- 5. 1777 054-5 MOULDING, Rear Door
★ - 6000 355 Clip
- 6. *1834 162-3 MOULDING, Quarter Panel, LD2-M, LD3-H
*1696 732-3 MOULDING, Quarter Panel, LDL
★ - 6000 155 Clip and Seal
- 7. 1834 168-9 MOULDING, Quarter Panel
6 - 6006 057 Clip
2 - 6000 043 Retainer and Bolt
2 - 6000 042 Retainer and Bolt
★ - *6000 044-5 Retainer and Bolt
6 - 6000 028 Nut and Seal
- 8. 1835 592-3 EXTENSION, Quarter Panel Moulding, LD3-H
1757 890-1 EXTENSION, Quarter Panel Moulding, LD3-L
2 - 6000 258 Clip
2 - 6000 128 Washer
2 - 151 497 Nut
- 9. 1624 860-1 MOULDING, Front Fender
12 - 6010 103 Clip
12 - 446 059 Nut
- 10. 2- 1696 718 MOULDING, Front Door
★ - 6000 031 Clip and Seal
- 11. 1866 516-7 MOULDING, Rear Door
★ - 6000 031 Clip and Seal
- 12. *1834 218-9 MOULDING, Quarter Panel, Short
*1696 738-9 MOULDING, Quarter Panel, Long
★ - 6000 031 Clip and Seal
★ - 6000 447 Clip
★ - 111 196 Screw
2 - 6000 029 Retainer and Bolt
2 - 6000 028 Nut and Seal
2 - 6000 025 Screw
- 1. 1707 936-7 MOULDING, Rear Door
★ - 6000 084 Clip
- 2. 1834 212-3 MOULDING, Quarter Panel
★ - 6000 134 Clip and Seal
- 3. 1696 726-7 MOULDING, Rear Door
★ - 6000 258 Clip
- 4. 1708 502-3 MOULDING, Rear Door
★ - 6000 058 Clip
- 5. 1696 726-9 MOULDING, Rear Door
★ - 6000 496 Clip
★ - 127 853 Screw
- 6. 1696 732-3 MOULDING, Quarter Panel, LD2-L
1834 162-3 MOULDING, Quarter Panel, LD2-M, LD3
★ - 6000 033 Clip and Seal
★ - 6000 035 Retainer and Bolt
★ - 6006 024 Nut and Seal
- 7. 1834 168-9 MOULDING, Quarter Panel, LD2-M, LD3
6 - 6006 057 Clip
2 - 6000 043 Retainer and Bolt
2 - 6000 042 Retainer and Bolt
★ - *6000 044-5 Retainer and Bolt
6 - 6000 028 Nut and Seal
- 8. 1834 222-3 MOULDING, Quarter Panel, LD2-L
1835 814-5 MOULDING, Quarter Panel, LD2-M, LD3
★ - 6006 024 Nut and Seal
- 9. 2-*1834 216 MOULDING, Quarter Panel
★ - *6000 527 Clip
- 10. *1624 860-1 MOULDING, Front Fender
12 - 6010 103 Clip
12 - 446 059 Nut
- 11. 2-*1696 718 MOULDING, Front Door
★ - 6000 031 Clip and Seal
- 12. *1866 516-7 MOULDING, Rear Door
★ - 6000 031 Clip and Seal
- 13. *1834 218-9 MOULDING, Quarter Panel
★ - 6000 031 Clip and Seal
2 - 6000 029 Retainer and Bolt
2 - 6000 028 Nut and Seal

★ Indicates use as required.

□ Indicates parts not listed in any previous parts book.
Feb. 27, 1959 Supersedes Mar. 5, 1958.

1958 DESOTO MOULDINGS for Special Club Coupes and Convertible Coupes

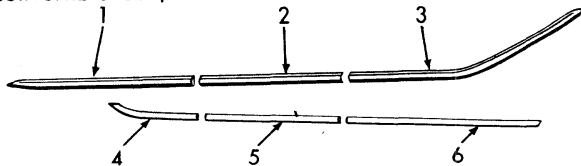


PLATE 23-187

19x7830

1. 1754 640-1 MOULDING, Front Fender, LS1
1754 738-9 MOULDING, Front Fender, LS2
1754 740-1 MOULDING, Front Fender, LS3
★ - 6010 046 Clip
★ - 446 059 Nut
2. 1810 334-5 MOULDING, Door
★ - *6000 542 Clip
3. 1810 336-7 MOULDING, Quarter Panel
★ - *6000 542 Clip
2 - 6010 029 Clip and Bolt
2 - 6006 024 Nut and Seal
2 - 6000 022 Screw
4. 1754 744-5 MOULDING, Front Fender, LS2, LS3
8 - 6010 029 Clip
8 - 446 059 Nut
5. 2- 1810 338 MOULDING, Door
★ - *6006 039 Clip and Seal
6. 1810 340-1 MOULDING, Quarter Panel
★ - *6006 039 Clip and Seal
2 - 6010 029 Clip and Bolt
2 - 6006 024 Nut and Seal
2 - 6000 022 Screw

1958 DESOTO MOULDINGS for 4 Door Sedans, Special 4 Door Sedans and Suburbans

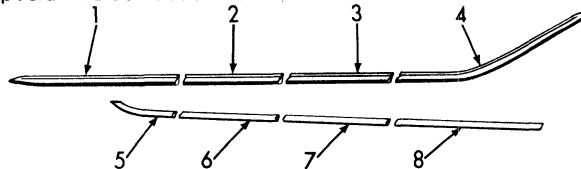


PLATE 23-188

19x7831

1. 1754 640-1 MOULDING, Front Fender, LS1
1754 738-9 MOULDING, Front Fender, LS2
1754 740-1 MOULDING, Front Fender, LS3
★ - 6010 046 Clip
★ - 446 059 Nut
2. 1810 322-3 MOULDING, Front Door
★ - *6000 542 Clip
3. 1810 324-5 MOULDING, Rear Door
★ - *6000 542 Clip
4. 1810 326-7 MOULDING, Quarter Panel, 4 D., Sp. 4 D.
1834 824-5 MOULDING, Quarter Panel, Sub.
★ - *6000 542 Clip
2 - 6010 029 Clip and Bolt
2 - 6006 024 Nut and Seal
2 - 6000 022 Screw
5. 1754 744-5 MOULDING, Front Fender
8 - 6010 029 Clip
8 - 446 059 Nut
6. 2- 1810 328 MOULDING, Front Door
★ - *6006 039 Clip and Seal
7. 1810 330-1 MOULDING, Rear Door
★ - *6006 039 Clip and Seal

8. 1810 332-3 MOULDING, Quarter Panel, 4 D., Sp. 4 D.
1834 826-7 MOULDING, Quarter Panel, Sub.
★ - *6006 039 Clip and Seal
2 - 6010 029 Clip and Bolt
2 - 6006 024 Nut and Seal
2 - 6000 022 Screw

1958 CHRYSLER Windsor MOULDINGS for Special Club Coupes

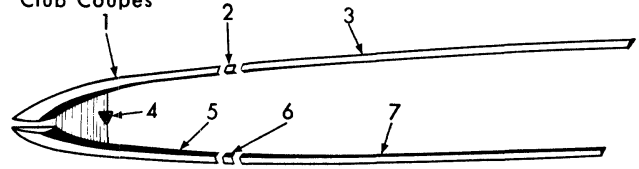


PLATE 23-189

19x7832

1. 1810 866-7 MOULDING, Quarter Panel
★ - 6006 116 Clip
★ - 6006 057 Clip
★ - 6010 003 Clip
★ - 127 853 Screw
★ - 6006 078 Clip
★ - 6010 094 Clip
★ - 6000 030 Clip
2. 2- 1759 284 COVER, Quarter Panel Moulding Joint
2 - 6000 030 Clip
3. 1810 286-7 MOULDING, Quarter Panel
★ - 6000 030 Clip
4. 1835 816-7 INSERT, Quarter Panel Moulding
2- 1810 441 MEDALLION, Quarter Panel
4 - 6006 030 Clip
5. 1810 868-9 MOULDING, Quarter Panel
★ - 6006 116 Clip
★ - 6006 057 Clip
★ - 6010 003 Clip
★ - 127 853 Screw
★ - 6006 078 Clip
★ - 6010 094 Clip
★ - 6000 030 Clip
6. 2- 1759 284 COVER, Quarter Panel Moulding Joint
2 - 6000 030 Clip
7. 1810 584-5 MOULDING, Quarter Panel
★ - 6000 030 Clip

1958 CHRYSLER Windsor MOULDINGS for 4 Door Sedans and Special 4 Door Sedans

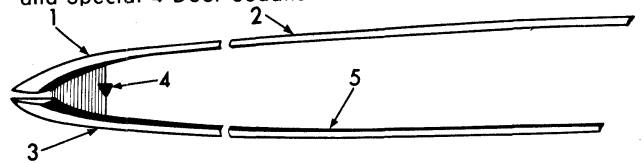


PLATE 23-189A

19X7837

1. 1810 276-7 MOULDING, Rear Door
★ - 6006 116 Retainer and Bolt
★ - 6006 057 Clip
★ - 6010 003 Clip
★ - 127 853 Screw
★ - 6006 078 Clip
★ - 6010 094 Clip
★ - 6000 030 Clip
2. 1759 242-3 MOULDING, Quarter Panel
★ - 6000 030 Clip

★ Indicates use as required.
☐ Indicates parts not listed in any previous parts book.
* Indicates change or addition.

- 3. 1810 354-5 MOULDING, Rear Door
 - ★ - 6006 116 Retainer and Bolt
 - ★ - 6006 057 Clip
 - ★ - 6010 003 Clip
 - ★ - 127 853 Screw
 - ★ - 6006 078 Clip
 - ★ - 6010 094 Clip
 - ★ - 6000 030 Clip
- 4. 2- 1810 441 MEDALLION, Rear Door
 - 4 - 6006 030 Clip
- 5. 1759 254-5 MOULDING, Quarter Panel
 - ★ - 6000 030 Clip

1958 CHRYSLER Windsor MOULDINGS for 4 Door Sedans, Special 4 Door Sedans and Suburbans

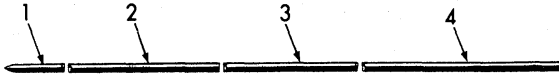


PLATE 23-189B

19x7842

- 1. 1754 996-7 MOULDING, Front Fender
 - 2 - 6010 046 Clip
 - 2 - 6006 262 Retainer
- 2. 2-*1860 880 MOULDING, Front Door
 - ★ - 6006 262 Retainer
- 3. 1810 290-1 MOULDING, Rear Door
 - ★ - 6006 262 Retainer
 - ★ - 6000 029 Clip and Bolt
 - ★ - 151 497 Nut
- 4. 1810 292-3 MOULDING, Quarter Panel, 4 D., Sp. 4 D.
1834 854-5 MOULDING, Quarter Panel, Sub.
 - ★ - 6006 262 Retainer

1958 CHRYSLER Windsor MOULDINGS for Special Club Coupes



PLATE 23-189C

19x7843

- 1. 1754 996-7 MOULDING, Front Fender
 - 2 - 6010 046 Clip
 - 2 - 6006 262 Retainer
- 2. 1860 878-9 MOULDING, Door
 - ★ - 6006 262 Retainer
- 3. 1810 296-7 MOULDING, Quarter Panel
 - ★ - 6006 262 Retainer

1958 CHRYSLER Saratoga MOULDINGS for Special Club Coupes

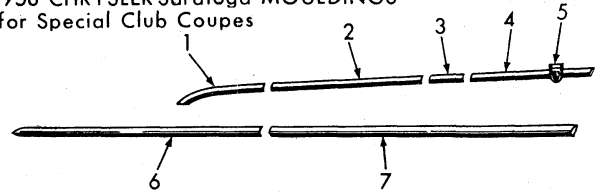


PLATE 23-190

19x7833

- 1. 1810 310-1 MOULDING, Door
 - ★ - 6000 030 Clip
- 2. 1810 312-3 MOULDING, Quarter Panel
 - ★ - 6000 030 Clip
- 3. 1810 304 MOULDING, Quarter Panel Fuel Tank Filler Door
 - ★ - 6006 032 Clip
 - ★ - 120 622 Nut
- 4. 1810 307 MOULDING, Quarter Panel, Lt.
 - ★ - 6000 030 Clip
- 5. 2- 1810 420 MEDALLION, Quarter Panel
2- 1810 421 MEDALLION, Quarter Panel, w/Two Tone
 - 4 - 6000 037 Nut and Seal
- 6. 1810 294-5 MOULDING, Door
 - ★ - 6006 262 Retainer
- 7. 1810 296-7 MOULDING, Quarter Panel
 - ★ - 6006 262 Retainer

1958 CHRYSLER Saratoga MOULDINGS for 4 Door Sedans and Special 4 Door Sedans

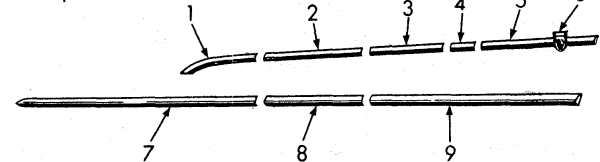


PLATE 23-191

19x7834

- 1. 1810 298-9 MOULDING, Front Door
 - ★ - 6000 030 Clip
- 2. 1810 300-1 MOULDING, Rear Door
 - ★ - 6000 030 Clip
- 3. *1810 302-3 MOULDING, Quarter Panel
 - ★ - 6000 030 Clip
- 4. 1810 304 MOULDING, Quarter Panel Fuel Tank Filler Door
 - ★ - 6006 032 Clip
 - ★ - 120 622 Nut
- 5. 1810 307 MOULDING, Quarter Panel, Lt.
 - ★ - 6000 030 Clip
- 6. 2- 1810 420 MEDALLION, Quarter Panel
2- 1810 421 MEDALLION, Quarter Panel, w/Two Tone
 - 4 - 6000 037 Nut and Seal
- 7. 1810 288-9 MOULDING, Front Door
 - ★ - 6006 262 Retainer
- 8. 1810 290-1 MOULDING, Rear Door
 - ★ - 6006 262 Retainer
- 9. 1810 292-3 MOULDING, Quarter Panel
 - ★ - 6006 262 Retainer

★ Indicates use as required.

□ Indicates parts not listed in any previous parts book.
Feb. 27, 1959 Supersedes Mar. 5, 1958.

1958 CHRYSLER New Yorker MOULDINGS for Special Club Coupes and Convertible Coupes

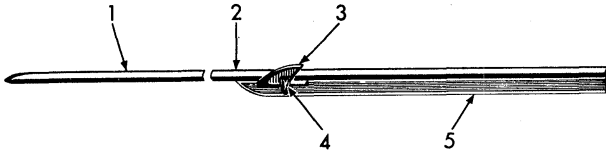


PLATE 23-192

19x7835

1958 CHRYSLER New Yorker MOULDINGS for 4 Door Sedans, Special 4 Door Sedans and Suburbans

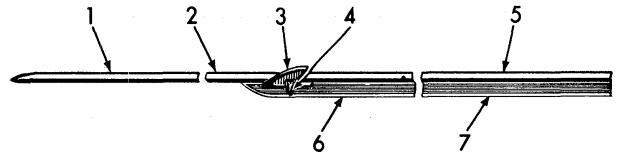


PLATE 23-193

19x7836

- 1. 1810 294-5 MOULDING, Door
★ - 6006 262 Retainer
- 2. 1810 296-7 MOULDING, Quarter Panel
★ - 6006 262 Retainer
- 3. 2- 1810 595 INSERT, Quarter Panel Moulding Letter C
★ - 6006 055 Clip
- 2- 1810 320 LETTER C, Quarter Panel Moulding
★ - 161 430 Screw
- 4. 2- 1810 733 MEDALLION, Quarter Panel Moulding Letter C
- 5. 1810 318-9 MOULDING, Quarter Panel
★ - 6006 162 Clip
★ - 6006 143 Retainer and Bolt
★ - 6006 024 Nut and Washer

- 1. 1810 288-9 MOULDING, Front Door
★ - 6006 262 Retainer
- 2. 1810 290-1 MOULDING, Rear Door
★ - 6006 262 Retainer
- 3. 2- 1810 595 INSERT, Rear Door Moulding Letter C
★ - 6006 055 Clip
- 2- 1810 320 LETTER C, Rear Door Moulding
★ - 161 430 Screw
- 4. 2- 1810 733 MEDALLION, Rear Door Moulding Letter C
- 5. 1810 292-3 MOULDING, Quarter Panel, 4 D., Sp. 4 D.
1834 854-5 MOULDING, Quarter Panel, Sub.
★ - 6006 262 Retainer
- 6. 1810 314-5 MOULDING, Rear Door
★ - 6006 162 Clip
- 7. 1810 316-7 MOULDING, Quarter Panel, 4 D., Sp. 4 D.
1834 856-7 MOULDING, Quarter Panel, Sub.
★ - 6006 143 Retainer and Bolt
★ - 6006 024 Nut and Washer
★ - 6006 162 Clip

NOTES

★ Indicates use as required.
 □ Indicates parts not listed in any previous parts book.
 * Indicates change or addition.

NOTES

A series of horizontal lines for writing notes, consisting of 26 lines.

★ Indicates use as required.

☐ Indicates parts not listed in any previous parts book.
February 27, 1959.

CODE	REMARKS	PER CAR	PLYMOUTH	DODGE	DESOTO	CHRYSLER	IMPERIAL
23-02-0 ASH RECEIVER							
23-02-1	RECEIVER, Front Seat Back Ash						
1957-58	S27, LS1 w/Face PLATE	1	1833 688	1833 688	1833 688	-----	-----
1957-58	S25, S26, LS2, C75, LC1, LC2, except Cv. Cp., Sp. Cl. Cp.	1	-----	-----	1365 575	1365 575	-----
1957-58	S25, S26, LS2, LS3, C76, LC3, except Cv. Cp., Sp. Cl. Cp.	1	-----	-----	*1365 576	*1365 576	*1365 576
23-02-2	RETAINER, Front Seat Back Ash Receiver						
1957-58	S27, LS1	1	1775 047	1775 047	1775 047	-----	-----
1957-58	S25, S26, LS2, LS3, except Cv. Cp., Sp. Cl. Cp.	1	-----	-----	1365 573	1365 573	1365 573
1957-58	S25, S26, LS3, C76, LC3, except Cv. Cp., Sp. Cl. Cp., w/Cigar Lighter Inner	1	-----	-----	1573 482	1573 482	1573 482
23-02-3	KNOB or HANDLE, Front Seat Back Ash Receiver						
1957-58	S25, LS2, C75, LC1, LC2, except Cv. Cp., Sp. Cl. Cp.	1	-----	-----	1332 557	1332 557	-----
1957-58	S26, LS3, C76, LC3, except Cv. Cp., Sp. Cl. Cp.	1	-----	-----	1602 380	1602 377	1602 377
23-02-8	FACE PLATE, Front Seat Back Ash Receiver						
1957-58	except Cv. Cp., Sp. Cl. Cp., S27, LS1	★	-----	-----	1528 381	1528 381	1528 381
23-02-18	RECEIVER, Instrument Panel Ash						
1957-58	All	1	1685 214	1830 242	1698 579	1698 768	1698 630
1958	All Right	1	-----	-----	1839 233	-----	-----
23-02-19	HOUSING, Instrument Panel Ash Receiver						
1957	S25, S26	1	-----	-----	1698 146	1698 319	1698 631
1958	All	1	-----	-----	1839 272	1830 773	1698 631
1958	All Right	1	-----	-----	1839 236	-----	-----
23-02-27	RETAINER, Instrument Panel Ash Receiver						
1957-58	All	1	1685-213	-----	1698 580	1698 910	1698 629
1958	All Right	1	-----	-----	1839 234	-----	-----
23-02-38	BUMPER, Instrument Panel Ash Receiver						
1957	All	1	-----	-----	-----	729 152	1698 868
23-02-40	DOOR, Instrument Panel Ash Receiver						
1957-58	All w/HSG.	1	-----	*1830 179	-----	-----	-----
1957	All	1	-----	-----	-----	1698 317	-----
1958	All	1	-----	-----	-----	1830 784	-----
23-02-41	NAME PLATE, Instrument Panel Ash Receiver Door						
1957-58	All Nut	1	-----	1698 673	-----	-----	-----
		2	-----	* 445 148	-----	-----	-----
23-02-42	KNOB or PULL, Instrument Panel Ash Receiver						
1957-58	All	★	1698 919	-----	1698 140	-----	-----
23-02-43	SPRING, Instrument Panel Ash Receiver						
1957-58	All	1	-----	-----	-----	1830 056	-----
23-02-50	FACE PLATE, Instrument Panel Ash Receiver						
1957	All	1	1685 212	-----	1771 606	1698 769	1698 628
1957	All Door	1	-----	-----	-----	1698 191	-----
	Screw	5	-----	-----	-----	121 839	-----
1958	All	★	1830 513	-----	1771 606	1698 769	1698 628
1958	All Fin. Plate	1	-----	-----	-----	*1830 626	-----
23-02-54	WASHER, Instrument Panel Ash Receiver Retainer						
1958	All	1	-----	-----	-----	-----	6008 059
23-02-62	RECEIVER, Rear Quarter Ash						
1957-58	Cv. Cp., Sp. Cl. Cp., S25, S26, LS2, LC3	2	-----	-----	1365 576	1365 576	-----
1957-58	Cv. Cp., Sp. Cl. Cp. Right	1	-----	-----	-----	-----	1698 564
	Left	1	-----	-----	-----	-----	1698 565
23-02-67	SUPPORT, Rear Quarter Ash Receiver						
1957	2 D. Sub. Right	1	1609 420	-----	-----	-----	-----
	Left	1	1609 421	-----	-----	-----	-----

★ Indicates use as required.

□ Indicates parts not listed in any previous parts book.

* Indicates change or addition.

1957-58 PASSENGER CAR PARTS LIST

BODY

CODE	REMARKS	PER CAR	PLYMOUTH	DODGE	DESOTO	CHRYSLER	IMPERIAL
23-02-73	HANDLE, Rear Quarter Ash Receiver 1957-58 Cv. Cp., Sp. Cl. Cp., S25, S26, LS2, LS3	2	----	----	1758 097	1758 097	----
23-02-78	RECEIVER, Rear Door Ash 1957-58 All	Right Left 1 1	----	----	----	----	1771 706 1771 707
23-02-81	RETAINER, Rear Quarter Ash Receiver 1957-58 Sp. Cl. Cp., Cv. Cp., S25, S26, LS2, LS3	2	----	----	1833 692	1833 692	----
23-02-82	SPRING, Rear Quarter Arm Rest Ash Receiver Cover 1957-58 Cv. Cp., Sp. Cl. Cp., S25, S26, LS2, LS3	2	----	----	1758 098	1758 098	----
23-02-85	COVER, Rear Quarter Arm Rest Ash Receiver 1957-58 Cv. Cp., Sp. Cl. Cp., S25, S26, LS2, LS3	2	----	----	1758 094	1758 094	----
23-02-145	RECEIVER, Third Seat Ash Receiver, w/LID 1957 4 D. Sub.	1	1607 897	1607 897	1607 897	----	----
23-02-146	BEZEL, Third Seat Ash Receiver 1957 4 D. Sub.	1	1778 818	1778 818	1778 818	----	----
23-02-147	SPRING, Third Seat Ash Receiver 1957 4 D. Sub.	1	1623 107	1623 107	1623 107	----	----
23-02-148	KNOB, Third Seat Ash Receiver 1957 4 D. Sub.	1	1834 867	1834 867	1834 867	----	----
23-04-0 TOE AND FLOOR BOARDS							
23-04-2	COVER, Steering Column Opening 1957 •S27 w/Power Strg. and Std. Trans. 1957 S27 Auto. Trans. 1957 S25, C75-1 Std. Trans. 1957 S25, S26 Auto. Trans. 1958 LS1, LC1 Auto. Trans. 1857-58 S27, LS1 Power Strg. Std. Trans. 1958 except LS1, LC1 Std. Strg. Std. Trans. Auto. Trans.	1 1 1 1 1 1 1 1	1708 903 ---- ---- 1708 176 1708 176 1846 276 1846 275	1708 903 ---- ---- 1708 176 1846 276 1846 277 1846 275	1708 903 1708 176 1708 923 1708 923 1846 276 1846 277 1846 275	---- ---- 1708 923 1708 926 1708 176 1846 277 ----	---- ---- ---- 1815 857 ---- ---- ----
23-04-4	SCREW and WASHER, Steering Column Opening Cover 1957-58 All	★	6000 139	----	----	6000 160	6000 160
23-04-6	GASKET, Steering Column Opening Cover 1957-58 All	Right Left Rear 1 1 1	----	----	----	----	1750 830 1750 829 1750 831
23-04-117	BOLT and RETAINER, Steering Column Opening Cover 1957-58 All	3	----	----	----	----	1475 900
23-04-205	MOULDING, Rear Floor Pan 1958 Sub.	1	----	----	----	1846 581	----
23-04-229	PANEL, Spare Tire Cover 1957-58 except Sub. Washer Wing Nut	1 1 1	----	----	1708 248 120 394 126 032	1708 248 120 394 126 032	1708 248 120 394 126 032
23-04-241	HOUSING or SHIELD, Fuel Tank Filler Neck 1957-58 except Sub. 1957-58 Sub.	1 1	1707 228 1759 160	1707 231 1759 160	1707 234 1759 160	1707 234 1759 160	1690 415 ----
23-04-247	COLLAR, Fuel Tank Filler Tube Housing to Floor Pan 1957-58 All	1	----	----	----	----	1756 171
23-04-248	EXTENSION, Fuel Tank Filler Tube Housing 1957-58 All	1	----	----	----	----	1690 426
23-04-249	SEAL, Fuel Tank Filler Tube 1957-58 except Sub. 1957-58 Sub.	Lower 1 1	1707 302 1776 461	1707 302 1776 461	1707 302 1776 461	1707 302 1776 461	---- ----
		Qtr. Panel 1	1833 900	1833 900	1833 900	1833 900	----
		Extension 1	----	----	----	----	1750 170
		Collar 1	----	----	----	----	1750 599
		Qtr. Panel 1	----	----	----	----	1751 495

★ Indicates use as required.

☐ Indicates parts not listed in any previous parts book.
Nov. 28, 1958 Supersedes March 5, 1958.

Printed in U.S.A.
Prices and specifications subject to change without notice.
* Indicates change or addition.

CODE	REMARKS	PER CAR	PLYMOUTH	DODGE	DESOTO	CHRYSLER	IMPERIAL
23-04-250	RETAINER, Fuel Tank Filler Tube Lower Seal 1957-58 except Sub.	1	1707 303	1707 303	1707 303	1707 303	----
23-04-253	BRACKET, Fuel Tank Filler Tube to Housing Extension 1957-58 All	1	----	----	----	----	1810 159
23-06-0 GLOVE BOX							
23-06-4	BOX, Glove 1957-58 All	1	1685 218	1685 816	1698 950	1698 950	1685 321
23-06-10	DOOR, Glove Box 1957-58 All	1	1685 886	----	1698 322	1698 322	1698 952
	1957-58 All Prime	1	----	E1839 531	----	----	----
	1957-58 All Fin.	1	----	E1830 607	----	----	----
23-06-12	1958 Sp. Cl. Cp., Regal Lancer PLATE, Glove Box Door Inner	1	----	E1901 833	----	----	----
	1957-58 All Prime	1	----	----	----	----	1698 277
23-06-13	STOP, Glove Box Door 1957-58 All	2	----	1830 783	----	----	----
	1957-58 All	1	----	----	1698 794	1698 794	----
23-06-14	BUMPER, Glove Box Door 1957 All	2	729 152	729 152	----	----	729 152
	1957-58 All w/o Light	1	----	1298 930	----	----	----
	1958 All	2	----	----	----	----	729 152
23-06-15	CATCH, Glove Box Door Lock 1957-58 All	1	6008 037	6008 016	6008 016	6008 016	6008 016
	Screw	2	----	127 650	127 650	127 650	127 650
	Nut	1	----	120 614	120 614	120 614	120 614
23-06-16	BRACKET and CLIP, Glove Box Door Lock Latch 1957-58 All	1	----	1685 797	1685 782	1685 782	1772 307
	Screw	2	----	155 194	132 696	132 696	----
23-06-17	FACE PLATE, Glove Box Door 1957-58 All	1	----	----	----	----	1698 168
23-06-21	HINGE, Glove Box Door 1957-58 All	1	1685 220	----	1685 777	1685 777	1698 253
	1957-58 All Right	1	----	1698 038	----	----	----
	1957-58 All Left	1	----	1698 039	----	----	----
23-06-22	SPRING, Glove Box Door Hinge 1957 All	2	----	1698 073	----	----	----
	1957-58 All	1	----	1830 749	----	----	----
23-06-25	HANDLE, Glove Box Door Pull 1957-58 All	1	----	1830 264	----	----	----
	Screw	2	----	274 484	----	----	----
23-06-28	LATCH, Glove Box Door 1957-58 All w/o Lock	1	1698 072	----	----	----	----
	1957-58 except Sub. w/LOCK	1	1607 877	1607 877	1607 877	1607 877	1698 993
	1957-58 Sub. w/SLEEVE, w/LOCK	1	1830 043	1830 415	1830 043	1830 043	----
23-06-41	GROMMET, Glove Box Door Stop 1957-58 All	1	----	----	1698 791	1698 791	----
23-06-42	MEDALLION or ORNAMENT, Glove Box Door 1957-58 All use w/Lance	1	----	1698 156	----	----	----
	w/Letter D, use w/o Lance	1	----	1698 917	----	----	----
	w/Helmet, use w/o Lance	1	----	1698 916	----	----	----
	Lance	1	----	1698 157	----	----	----
	Nut, All	★	----	445 147	----	----	----
	1957-58 All	1	----	----	----	1772 295	1685 828
	1957-58 C76-300, LC3-300	1	----	----	----	1759 293	----
	w/BASE	1	----	----	----	1772 480	----
23-06-49	MOULDING, Glove Box Door 1957-58 All	1	----	----	----	----	1698 884
23-06-53	NAME PLATE, Glove Box Door 1957 All Texan	1	----	*1839 216	----	----	----
	1958 All Texan	1	----	E1830 183	----	----	----
	Nut	3	----	* 445 147	----	----	----
	1957-58 All Imperial	1	----	----	----	----	1685 827
	Nut	4	----	----	----	----	E6008 032

★ Indicates use as required.

⊠ Indicates parts not listed in any previous parts book.

* Indicates change or addition.

1957-58 PASSENGER CAR PARTS LIST

BODY

CODE	REMARKS	PER CAR	PLYMOUTH	DODGE	DESOTO	CHRYSLER	IMPERIAL
23-06-68	RETAINER, Glove Box Door Hinge Rivet 1957-58 All	2	----	6008 041	----	----	----
23-06-71	CLIP, Glove Box Tubular 1958 All	2	----	----	----	6008 052	----
23-06-102	CLIP, Glove Box Door Road Map 1957-58 All	1	----	1698 948	----	----	----

23-07-0 BRACES, BRACKETS, STRAINERS, SUPPORTS AND REINFORCEMENTS

23-07-168	REINFORCEMENT, Instrument Panel Lower 1957-58 All	1	----	----	----	----	1698 918
23-07-169	BRACKET, Instrument Panel Lower Reinforcement to Pillar 1957-58 All	1	----	----	1685 792	1685 792	----
	Right	1	----	----	1685 793	1685 793	----
	Left	1	----	----	----	----	----

23-08-0 BUMPERS AND STRIKERS

23-08-12	BUMPERS OR WEDGES, Door 1957-58 Cv. Cp., Sp. Cl. Cp.	2	989 513	989 513	989 513	989 513	989 513
	Door	2	1544 841	1544 841	1544 841	1544 841	1750 995
	Body	2	1544 841	1544 841	1544 841	1544 841	1750 995
	1957-58 4 D., Sp. 4 D., 4 D. Sub. Large, Front	2	*1836 147	*1836 147	*1836 147	*1836 147	*1836 147
23-08-54	SPACER, Door Lock Striker 1957-58 All	★	1650 840	1650 840	1650 840	1650 840	1650 840
23-08-60	STRIKER, Door Lock 1957-58 All	★	1650 838	1650 838	1650 838	1650 838	1650 838
	Right	★	1650 839	1650 839	1650 839	1650 839	1650 839
	Left	★	1650 839	1650 839	1650 839	1650 839	1650 839
23-08-66	RETAINER, Front Door Lock Striker Tapping Plate 1957-58 4 D., Sp. 4 D., 4 D. Sub.	1	6000 411	6000 411	6000 411	6000 411	----
	Right	1	6000 412	6000 412	6000 412	6000 412	----
	Left	1	6000 412	6000 412	6000 412	6000 412	----
23-08-75	PLATE, Door Lock Striker Clinch Nut 1957-58 All	★	6000 404	6000 404	6000 404	6000 404	6006 050
	Right	★	6000 405	6000 405	6000 405	6000 405	6006 051
	Left	★	6000 405	6000 405	6000 405	6000 405	6006 051

23-09-0 GLASS CHANNELS

23-09-2	ROLLER, Door Glass Lower Channel 1957-58 Sp. 4 D. Single Groove	★	1697 607	1697 607	1697 607	1697 607	----
	1957-58 All Single Groove	★	----	----	----	----	1750 490
	1957-58 Sp. 4 D. Rr. Door, Double Groove	6	----	----	----	----	1750 491
23-09-6	PIN, Quarter Window Glass Frame Slide to Lower Channel 1957-58 Sp. Cl. Cp.	2	6000 314	6000 314	----	----	----
	Set Screw	2	140 893	140 893	----	----	----
23-09-9	CHANNEL, Quarter Window Glass Lower 1957 Cl. Sed., w/BRACKETS, Manual,	1	1707 330	1707 330	----	----	----
	Right	1	1707 331	1707 331	----	----	----
	Left	1	1707 331	1707 331	----	----	----
	1957-58 Cl. Sed. Electric, Right	1	1707 214	1707 214	----	----	----
	Left	1	1707 215	1707 215	----	----	----
	1957 Cv. Cp. Right	1	1697 682	1697 682	1708 608	1708 608	1691 086
	Left	1	1697 683	1697 683	1708 609	1708 609	1691 087
	1957 Sp. Cl. Cp. Right	1	1708 910	1708 910	1708 608	1708 608	1691 086
	Left	1	1708 911	1708 911	1708 609	1708 609	1691 087
	1958 Cl. Sed. Man. Right	1	1834 180	1834 180	----	----	----
	Left	1	1834 181	1834 181	----	----	----
	1958 Sp. Cl. Cp. Right	1	1844 732	1844 732	1708 608	1708 608	1691 086
	Left	1	1844 733	1844 733	1708 609	1708 609	1691 087
	1958 Cv. Cp. Right	1	1844 792	1844 792	1708 608	1708 608	1691 086
	Left	1	1844 793	1844 793	1708 609	1708 609	1691 087
	1958 Cv. Cp. w/Roller, Right	1	----	----	*1950 202	*1950 202	----
	Left	1	----	----	*1950 203	*1950 203	----
	1958 Cv. Cp., Sp. Cl. Cp., w/Roller, Right	1	----	----	*1950 202	*1950 202	----
	Left	1	----	----	*1950 203	*1950 203	----
23-09-10	ROLLER, Quarter Window Frame and Channel 1957-58 Cv. Cp., Sp. Cl. Cp.	★	1697 607	1697 607	1697 607	1697 607	1697 607

★ Indicates use as required.

⊠ Indicates parts not listed in any previous parts book.
Nov. 28, 1958 Supersedes Nov. 15, 1957.

CODE	REMARKS	PER CAR	PLYMOUTH	DODGE	DESOTO	CHRYSLER	IMPERIAL
23-09-12	CHANNEL, Quarter Window Glass Hinge, w/BRACKETS 1957-58 4 D.	Right 1 Left 1	----	----	----	----	1751 448 1751 449
23-09-15	BRACKET, Quarter Window Glass Lower Channel 1957-58 Cv. Cp. 1957-58 Sp. Cl. Cp.	2 2	1774 333 1774 332	1774 333 1774 332	1774 333 1774 333	1774 333 1774 333	---- ----
23-09-16	GUIDE, Quarter Window Glass Lower Channel, w/Plastic SLIDES 1957-58 Cv. Cp. 1957-58 Sp. Cl. Cp.	2 Right 1 Left 1	1756 594 1755 998 1755 999	1756 594 1755 998 1755 999	---- ---- ----	---- ---- ----	---- ---- ----
23-09-17	SLIDE, Quarter Window Lower Channel Guide (Nylon) 1957-58 Cv. Cp., Sp. Cl. Cp.	2 8	---- ----	---- ----	1756 594 ----	1756 594 ----	---- 1690 950
23-09-18	BOLT, Window Frame Lower Channel Roller Attaching 1957 Sp. 4 D. Rear Door 1957 Cv. Cp., Sp. Cl. Cp. Qtr. Window	4 4	6000 263 6000 263	6000 263 6000 263	6000 263 5000 263	6000 263 6000 263	---- ----
23-09-22	BRACKET, Door Glass Rear Run Channel 1957-58 4 D., Sub., except S27, C75-1, LS1, LC1 Front Lower	2	----	----	*1706 654	*1706 654	----
23-09-33	CHANNEL, Quarter Window Glass Division 1957-58 Cl. Sed.	Right 1 Left 1	1758 822 1758 823	1758 822 1758 823	---- ----	---- ----	---- ----
23-09-36	SCREW and WASHER, Quarter Window Vent Wing Division Channel Bracket Attaching 1957 Cl. Sed. SCREW and WASHER, Quarter Window Rear Glass Run Channel to Roof Rail Attaching 1957 Sp. Cl. Cp. SCREW and WASHER, Quarter Inside Panel to Guide Channel Lower Bracket 1957 Cv. Cp., Sp. Cl. Cp.	2 8 2	6000 291 ---- ----	6000 291 ---- ----	---- ---- ----	---- ---- ----	---- 1751 770 6006 082
23-09-37	SUPPORT, Quarter Window Guide Channel, w/Clinch NUT 1957-58 Cv. Cp.	Right 1 Left 1	1758 712 1758 713	1758 712 1758 713	1758 712 1758 713	1758 712 1758 713	---- ----
	1957-58 Sp. Cl. Cp.	Right 1 Left 1	1757 590 1757 591	1757 590 1757 591	1758 712 1758 713	1758 712 1758 713	---- ----
23-09-47	SUPPORT, Door Glass Rear Run Channel Bracket 1957-58 Sp. 4 D., Cv. Cp., Sp. Cl. Cp.	Front Upper 2 Lower 2 Rear Right 1 Left 1	1577 478 1707 549 1708 380 1708 381	1577 478 1707 549 1708 380 1708 381	1577 478 1707 549 1708 380 1708 381	1577 478 1707 549 1708 380 1708 381	---- ---- ---- ----
	BRACKET, Rear Door Window Guide Channel Support Upper 1957-58 Sp. 4 D.	2	1708 379	1708 379	1708 379	1708 379	----
23-09-51	CHANNEL, Front Door Window Glass Rear Run 1957-58 4 D., 4 D. Sub., S25, S26, LS2, LS3, LC2, LC3 Lower LS2, LS3 Lower 1957-58 Sp. 4 D., Cv. Cp., Sp. Cl. Cp. Right Left	2 2 1 1	---- ---- 1708 842 1708 843	---- ---- 1708 842 1708 843	*1707 310 1707 310 1708 842 1708 843	*1707 310 1707 310 1708 842 1708 843	---- ---- ---- ----
23-09-52	CHANNEL, Front Door Window Glass Lower 1957-58 Cl. Sed., 3 Cp., 2 D. Sub., Man., Right Left Electric, Right Left 1957-58 4 D., 4 D. Sub., except S27, C75-1, LS1, LC1 Man., Right Left	1 1 1 1 1 1	1707 016 1707 017 1707 018 1707 019 1706 854 1706 855	1707 016 1707 017 1707 018 1707 019 1706 854 1706 855	---- ---- ---- ---- 1707 486 1707 487	---- ---- ---- ---- 1707 486 1707 487	---- ---- ---- ---- ---- ----

★ Indicates use as required.

□ Indicates parts not listed in any previous parts book.

* Indicates change or addition.

Printed in U.S.A.

Prices and specifications subject to change without notice.

Nov. 28, 1958 Supersedes Nov. 15, 1957.

1957-58 PASSENGER CAR PARTS LIST

BODY

CODE	REMARKS	PER CAR	PLYMOUTH	DODGE	DESOTO	CHRYSLER	IMPERIAL
1957-58	4 D., 4 D. Sub. Elec., Right	1	1706 856	1706 856	1706 856	1706 856	----
	Left	1	1706 857	1706 857	1706 857	1706 857	----
1957-58	Sp. 4 D. Right	1	1707 360	1707 360	1707 360	1707 360	1750 578
	Left	1	1707 361	1707 361	1707 361	1707 361	1750 579
1957-58	Cv. Cp., Sp. Cl. Cp. Right	1	1708 504	1708 504	1708 504	1708 504	1751 056
	Left	1	1708 505	1708 505	1708 505	1708 505	1751 057
1957-58	4 D., 4 D. Sub., S27, C75-1 LS1, LC1 Man., Right	1	----	----	1706 854	1706 854	----
	Left	1	----	----	1706 855	1706 855	----
1957-58	4 D. Right	1	----	----	----	----	1750 816
	Left	1	----	----	----	----	1750 817
23-09-57	CHANNEL, Rear Door Window Guide						
1957-58	Sp. 4 D. Right	1	1757 954	1757 954	1757 954	1757 954	----
	Left	1	1757 955	1757 955	1757 955	1757 955	----
23-09-58	CHANNEL, Rear Door Window Glass Lower, w/BRACKETS						
1957-58	4D., 4D. Sub. Man., Right	1	1707 204	1707 204	1707 204	1707 204	----
	Left	1	1707 205	1707 205	1707 205	1707 205	----
	Elec., Right	1	1707 206	1707 206	1707 206	1707 206	----
	Left	1	1707 207	1707 207	1707 207	1707 207	----
1957-58	4D. Right	1	----	----	----	----	1751 040
	Left	1	----	----	----	----	1751 041
1957-58	Sp. 4D. Right	1	1844 906	1844 906	1844 906	1844 906	1692 152
	Left	1	1844 907	1844 907	1844 907	1844 907	1692 153
1958	Sp. 4 D. w/Roller, Right	1	*1950 196	*1950 196	*1950 196	*1950 196	----
	Left	1	*1950 197	*1950 197	*1950 197	*1950 197	----
23-09-60	GUIDE, Rear Door Glass Lower Channel, w/Plastic SLIDES						
1957-58	Sp. 4 D. Right	1	1758 310	1758 310	1758 310	1758 310	----
	Left	1	1758 311	1758 311	1758 311	1758 311	----
23-09-62	BRACKET, Rear Door Glass Lower Channel						
1957-58	Sp. 4 D. Man.	2	1708 399	1708 399	1708 399	1708 399	----
	Elec.	2	1774 331	1774 331	1774 331	1774 331	----
	BRACKET, Rear Door Window Guide Channel Support Lower						
1957-58	Sp. 4 D.	2	1777 673	1777 673	1777 673	1777 673	----
23-09-67	CHANNEL, Tailgate Glass Run						
1957-58	Sub. Upper	1	1709 907	1709 907	1709 907	1709 907	----
	Side Lower, Right	1	1775 096	1775 096	1775 096	1775 096	----
	Left	1	1775 097	1775 097	1775 097	1775 097	----
1957	Sub. Lower	1	1758 972	1758 972	1758 972	1758 972	----
1958	Sub. Lower	1	1867 843	1867 843	1867 843	1867 843	----
23-09-75	CHANNEL, Quarter Window Guide						
1957-58	Cv. Cp. Right	1	1758 088	1758 088	1758 088	1758 088	----
	Left	1	1758 089	1758 089	1758 089	1758 089	----
1957-58	Sp. Cl. Cp. Right	1	1757 986	1757 986	1758 088	1758 088	----
	Left	1	1757 987	1757 987	1758 089	1758 089	----
23-09-82	BRACKET, Quarter Inside Panel to Lower Rear Run Channel Support						
1957	Cv. Cp., Sp. Cl. Cp.	2	----	----	----	----	1750 801
	BRACKET, Quarter Window Guide Channel Support						
1957-58	Cv. Cp., Sp. Cl. Cp. Upper	2	1757 921	1757 921	1757 921	1757 921	----
1957-58	Sp. Cl. Cp. Lower	2	1757 920	1757 920	1774 073	1774 073	----
1957-58	Cv. Cp. Lower	2	1774 073	1774 073	1774 073	1774 073	----
23-10-0 DOOR CHECK							
23-10-1	ARM, Door Check						
1957-58	All Front	2	1759 426	1759 426	1759 426	1759 426	----
	Rear	2	1834 943	1834 943	1834 943	1834 943	1751 887
NOTE:	For IM Front Door Check Arm see Part Type Code 23-15-1, which includes Check ARM and SPRING.						
23-10-2	BRACKET, Door Check Arm						
1957-58	All Front	2	1432 929	1432 929	1432 929	1432 929	----
1957-58	4 D., 4 D. Sub. Rear, Right	1	1707 036	1707 036	1707 036	1707 036	----
	Left	1	1707 037	1707 037	1707 037	1707 037	----
1957-58	Sp. 4 D. Rear, Right	1	1707 120	1707 120	1707 120	1707 120	----

★ Indicates use as required.

☐ Indicates parts not listed in any previous parts book.
Nov. 28, 1958 Supersedes March 5, 1958.

CODE	REMARKS	PER CAR	PLYMOUTH	DODGE	DESOTO	CHRYSLER	IMPERIAL
23-10-4	1957-58 4 D., Sp. 4 D. PIN, Door Check Arm	Left	1 1707 121	1707 121	1707 121	1707 121	----
		Rear	2 -----	-----	-----	-----	1750 686
23-10-17	1957-58 All GUIDE, Door Check Arm		* 893 923	* 893 923	* 893 923	* 893 923	* 893 923
			* 1758 076	1758 076	1758 076	1758 076	-----
	1957-58 All	Rear	2 -----	-----	-----	-----	1476 900
23-11-0 DOORS							
23-11-1	SHELL, Front Door 1957-58 4 D., 4 D. Sub., except S27, C75-1, LS1, LC1	Right	1 1775 256	1755 708	1759 078	1759 078	1751 352
		Left	1 1775 257	1755 709	1759 079	1759 079	1810 344
		Right	1 1775 450	1758 852	1758 852	1758 852	1750 314
		Left	1 1775 451	1758 853	1758 853	1758 853	1810 345
		Right	1 *1837 912	1837 922	1837 922	1837 922	1750 152
		Left	1 *1837 913	*1867 923	*1867 923	*1867 923	1810 346
		Right	1 1775 434	1758 982	-----	-----	-----
		Left	1 1775 435	1758 983	-----	-----	-----
		Right	1 -----	*1775 256	-----	-----	-----
		Left	1 -----	*1775 257	-----	-----	-----
		Right	1 -----	-----	1755 708	1755 708	-----
		Left	1 -----	-----	1755 709	1755 709	-----
23-11-2	DOOR, Front, Trimmed, Includes HARDWARE and GLASS. All Codes.						
NOTE: Door assemblies complete, will no longer be listed by part number in the parts book. Door assemblies complete will be available during the production run of the car model and will be furnished on special order only. The vehicle SERIAL NUMBER must be noted on the order.							
23-11-3	SHELL, Rear Door 1957-58 4D., except S27, LS1, C75-1 LC1	Right	1 1755 712	1759 084	1759 088	1759 088	1751 216
		Left	1 1755 713	1759 085	1759 089	1759 089	1751 217
		Right	1 1758 976	1759 094	1759 110	1759 110	1751 218
		Left	1 1758 977	1759 095	1759 111	1759 111	1751 219
		Right	1 1775 898	1758 992	1759 098	1759 098	-----
		Left	1 1775 899	1758 993	1759 099	1759 099	-----
		Right	1 -----	*1755 712	-----	-----	-----
		Left	1 -----	*1755 713	-----	-----	-----
		Right	1 -----	-----	1759 104	1759 104	-----
		Left	1 -----	-----	1759 105	1759 105	-----
		Right	1 -----	-----	1758 992	1758 992	-----
		Left	1 -----	-----	1758 993	1758 993	-----
23-11-4	DOOR, Rear, Trimmed, Includes HARDWARE and GLASS. All Codes.						
NOTE: Door assemblies complete, will no longer be listed by part number in the parts book. Door assemblies complete will be available during the production run of the car model and will be furnished on special order only. The vehicle SERIAL NUMBER must be noted on the order.							
23-11-21	LETTER, Rear Door 1958 LC3 1958 LC3	"C"	2 -----	-----	-----	1810 320	-----
		w/INSERT	2 -----	-----	-----	E1881 863	-----
23-11-22	CLIP, Rear Door Medallion 1958 4 D., Sp. 4 D., LC1 1958 LC3		4 -----	-----	-----	*6006 030	-----
			2 -----	-----	-----	6006 055	-----
23-11-23	Medallion, Rear Door 1958 4 D., Sp. 4 D., LC1 1958 LC3		2 -----	-----	-----	1810 441	-----
			2 -----	-----	-----	1810 733	-----
23-11-24	INSERT, Rear Door Medallion or Letter 1958 4 D., Sp. 4 D., LC1 1958 LC3	Right	1 -----	-----	-----	1835 816	-----
		Left	1 -----	-----	-----	1835 817	-----
			2 -----	-----	-----	*1810 595	-----

★ Indicates use as required.

☐ Indicates parts not listed in any previous parts book.

* Indicates change or addition.

1957-58 PASSENGER CAR PARTS LIST

BODY

CODE	REMARKS	PER CAR	PLYMOUTH	DODGE	DESOTO	CHRYSLER	IMPERIAL
------	---------	---------	----------	-------	--------	----------	----------

23-14-O DOOR, REGULATOR AND REMOTE CONTROL HANDLES

23-14-10	HANDLE, Door Outside 1957-58 Except Sp. 4 D.	Front, Right	1	*1882 326	1708 556	1696 796	1696 796	----
		Left	1	1775 337	1708 557	1696 797	1696 797	----
	1957-58 All	Rear, Right	1	1775 338	----	----	----	----
		Left	1	1775 339	----	----	----	----
	1957-58 Sp. 4 D.	Front, Right	1	1775 346	1756 598	1756 602	1756 602	*1877 776
		Left	1	1775 347	1756 599	1756 603	1756 603	*1877 777
	1958 Taxi	Front, Right	1	----	*1882 325	----	----	----
		Left	1	----	*1882 327	----	----	----
		Rear, Right	1	----	*1775 338	----	----	----
		Left	1	----	*1775 339	----	----	----
	1957-58 4 D. Sub.	Rear, Right	1	----	1755 600	1755 614	1755 614	----
		Left	1	----	1755 601	1755 615	1755 615	----
	1957-58 4 D., Sp. 4 D.	Rear, Right	1	----	1708 560	1696 798	1696 798	1750 440
		Left	1	----	1708 561	1696 799	1696 799	1750 441
	1957-58 4 D.	Front, Right	1	----	----	----	----	*1877 776
		Left	1	----	----	----	----	*1877 777
	1957 Cv. Cp., Sp. Cl. Cp., UP TO Ser. No. 13932	Right	1	----	----	----	----	1750 438
		Left	1	----	----	----	----	1750 439
	1957-58 Cv. Cp., Sp. Cl. Cp., AFTER Ser. No. 13932, 1958 No. 1 Job	Right	1	----	----	----	----	*1877 778
		Left	1	----	----	----	----	*1877 779
	1958 Except Sp. 4 D., w/SCREW,	Front, Right	1	E1881 851	E1881 855	E1881 859	E1881 859	----
		Left	1	E1881 852	E1881 856	E1881 860	E1881 860	----
	1958 Sp. 4 D., w/SCREW,	Front, Right	1	E1881 853	E1881 857	E1881 861	E1881 861	----
		Left	1	E1881 854	E1881 858	E1881 862	E1881 862	----
23-14-13	RIVET, Door Outside Handle Spring Attaching 1957-59 All		★	----	6000 283	6000 283	6000 283	6000 283
23-14-15	RETAINER or BRACKET, Door Outside Handle							
	1957-58 All	Front	2	----	1707 314	1707 314	1707 314	----
	1957-58 Except Sub.	Rear	2	----	1709 975	*1709 975	*1709 975	----
	1957-58 Sub.	Rear	2	----	1707 314	1707 314	1707 314	----
	1957-58 All	Right	★	----	----	----	----	1750 332
		Left	★	----	----	----	----	1750 333
23-14-17	SPRING, Door Outside Handle							
	1957-58 All		★	1683 588	----	----	----	----
	1958 Taxi		4	----	*1683 588	----	----	----
	1957-58 All	Right	★	----	*1882 232	*1881 232	*1882 232	*1882 232
		Left	★	----	*1882 233	*1882 233	*1882 233	*1882 233
23-14-18	HANDLE, Door Window Regulator 1957-58 S27, LS1		★	----	----	*1602 540	----	----
	1957-58 S25, S26, LS2, LS3		★	*1608 681	*1602 540	*1602 533	*1602 529	*1602 529
23-14-19	ESCUTCHEON, Quarter Window Regulator Handle 1957-58 Cv. Cp., Sp. Cl. Cp.		2	*1830 194	*1830 194	1830 194	1830 194	*1830 194
23-14-21	SPRING, Regulator and Remote Control Handle 1957-58 All		★	1695 431	1695 431	1695 431	1695 431	1695 431
23-14-23	CLIP, Regulator and Remote Control Handle 1957-58 All		★	1602 532	1602 532	1602 532	1602 532	1602 532
23-14-24	SPACER, Regulator and Remote Control Handle 1957-58 All	Steel	★	*1575 913	*1575 913	*1575 913	*1575 913	*1575 913
		Plastic	★	*1684 831	*1684 831	*1684 831	*1684 831	*1684 831
23-14-27	HANDLE, Door Remote Control 1957-58 S27, LS1, C75, LC1, LC2 1958 Taxi		★	1593 022	1575 917	1575 917	1602 527	----
			4	----	*1593 022	----	----	----
	1957-58 S25, LS2		★	----	----	1575 918	----	----
	1957-58 S26, LS3, except Sub.	Right	★	----	----	*1772 208	----	----
		Left	★	----	----	1772 209	----	----
	1957-58 Sub., S26, LS3	Right	4	----	----	1575 918	----	----
	1957-58 C76, LC3	Right	★	----	----	----	*1772 208	*1772 128
		Left	★	----	----	----	1772 209	1772 129
23-14-39	HANDLE, Front Door Vent Wing NOTE: See Part Type Code 23-14-53.							

★ Indicates use as required.

E Indicates parts not listed in any previous parts book.
Nov. 28, 1958 Supersedes Nov. 15, 1957.Printed in U.S.A.
Prices and specifications subject to change without notice.
* Indicates change or addition.

CODE	REMARKS	PER CAR	PLYMOUTH	DODGE	DESOTO	CHRYSLER	IMPERIAL
23-14-46	WASHER, Rear Door Lock Actuating Lever 1957 All	2	----	----	----	----	6000 110
23-14-51	GROMMET, Door Remote Control Handle, w/CLIP 1957 C76 1958 LC3	★ ★	----	----	----	*1773 412 *1840 986	*1773 412 *1840 986
23-14-52	PIN, Front Door Vent Wing Handle to Shaft 1957-58 All	2	*6000 116	*6000 116	*6000 116	*6000 116	*6000 116
23-14-53	HANDLE PACKAGE, Front Door Vent Wing 1957-58 Except Sp. 4 D., Sp. Cl. Cp., Cv. Cp.						
	Right	1	1833 481	1833 481	1833 481	1833 481	1833 503
	Left	1	1833 675	1833 675	1833 675	1833 675	1833 674
	1957-58 Sp. 4 D., Sp. Cl. Cp., Cv. Cp.						
	Right	1	1833 503	1833 503	1833 503	1833 503	1833 503
	Left	1	1833 674	1833 674	1833 674	1833 674	1833 674
23-14-70	HANDLE, Quarter Window 1957 4 D., S26, C76						
	Right	1	----	----	1708 912	1708 912	1751 361
	Left	1	----	----	1708 913	1708 913	1751 360
23-14-77	NUT, Quarter Window Handle to Glass Attaching 1957 4 D., S26, C76	2	----	----	6000 302	6000 302	6000 302
23-14-78	WASHER, Quarter Window Handle to Glass 1957 4 D., S26, C76						
	Inner	2	----	----	6006 080	6006 080	6006 080
	Outer	2	----	----	1750 877	1750 877	1750 877
23-14-79	HANDLE, Quarter Window Regulator 1957-58 Cl. Cp., Cv. Cp., Sp. Cl. Cp., S25, S26, LS2, LS3	2	1608 681	1602 540	1602 533	1602 529	1602 529
	1957-58 Cv. Cp., Sp. Cl. Cp., S27, LS1	2	----	----	1602 540	----	----
23-14-95	HANDLE, Front Quarter Window Sliding Glass 1957-58 2 D. Sub.						
	Right	1	1776 526	1776 526	----	----	----
	Left	1	1776 527	1776 527	----	----	----
23-14-99	PLATE, Front Quarter Window Sliding Glass Handle 1957-58 2 D. Sub.						
	Right	1	6000 266	6000 266	----	----	----
	Left	1	6000 267	6000 267	----	----	----
23-14-100	GASKET or SEAL, Front Quarter Window Sliding Glass Handle 1957-58 2 D. Sub.						
	Inner	2	1776 534	1776 534	----	----	----
	Outer, Right	1	1776 530	1776 530	----	----	----
	Left	1	1776 531	1776 531	----	----	----
23-14-153	BUMPER, Door Outside Handle 1957-58 All	★	----	1707 384	1707 384	1707 384	1707 384
23-14-155	PIN, Door Outside Handle Pivot Attaching 1957-58 All 1958 Taxi	★ 4	6000 247	----	----	----	----
			----	*6000 247	----	----	----
23-15-0 DOOR HINGE							
23-15-1	HINGE, Door Upper 1957-58 All						
	Front, Right	1	1707 244	1707 244	1707 244	1707 244	1651 394
	Left	1	1707 245	1707 245	1707 245	1707 245	1651 395
	1957-58 4 D., 4 D. Sub.						
	Rear, Right	1	1697 596	1697 596	1697 596	1697 596	1651 400
	Left	1	1697 597	1697 597	1697 597	1697 597	1750 565
	1957-58 Sp. 4 D.						
	Rear, Right	1	1697 600	1697 600	1697 600	1697 600	1651 400
	Left	1	1697 601	1697 601	1697 601	1697 601	1750 565
23-15-3	HINGE, Door Lower 1957-58 All						
	Front, Right	1	1697 594	1697 594	1697 594	1697 594	1651 396
	Left	1	1697 595	1697 595	1697 595	1697 595	1651 397
	1957-58 4 D., 4 D. Sub.						
	Rear, Right	1	1697 598	1697 598	1697 598	1697 598	1651 400
	Left	1	1697 599	1697 599	1697 599	1697 599	1750 565
	1957-58 Sp. 4 D.						
	Rear, Right	1	1697 602	1697 602	1697 602	1697 602	1651 400
	Left	1	1697 603	1697 603	1697 603	1697 603	1750 565
23-15-9	PIN, Door Hinge 1957-58 All						
	Front	4	6000 209	6000 209	6000 209	6000 209	6006 043
	Rear	4	6000 282	6000 282	6000 282	6000 282	6006 047

★ Indicates use as required.

☐ Indicates parts not listed in any previous parts book.

* Indicates change or addition.

1957-58 PASSENGER CAR PARTS LIST

BODY

CODE	REMARKS	PER CAR	PLYMOUTH	DODGE	DESOTO	CHRYSLER	IMPERIAL
23-15-10	SCREW and WASHER, Door Hinge 1957-58 All						
	Front	★	1244 818	1244 818	1244 818	1244 818	----
	Rear to Door	★	1244 818	1244 818	1244 818	1244 818	----
	To Body	★	1592 979	1592 979	1592 979	1592 979	----
	4D., 4D.Sub.	4	6000 146	6000 146	6000 146	6000 146	----
	Sp. 4D. Rear to Body, Upper	6	1592 979	1592 979	1592 979	1592 979	----
	Lower	★	----	----	----	----	6006 056
23-15-13	PLATE, Rear Door Hinge Tapping, w/REINFORCEMENT 1958 Except LS1, LC1						
	Right	1	----	----	*1777 044	*1777 044	----
	Left	1	----	----	*1777 045	*1770 045	----
	PLATE, Front Pillar Door Hinge Tapping 1957-58 All	4	----	----	----	----	6006 086
23-15-21	RETAINER, Center Pillar Rear Door Hinge Tapping Plate 1957-58 4D., Sp. 4D.						
	Upper, Right	1	----	----	----	----	1750 602
	Left	1	----	----	----	----	1750 603
	Lower	2	----	----	----	----	1750 484
23-15-22	GROMMET, Door Hinge 1957-58 All						
	Front, Lower	2	1758 813	1758 813	1758 813	1758 813	----
	Rear	4	1759 484	1759 484	1759 484	1759 484	----
23-17-0 LOCK CYLINDER AND KEYS							
23-17-2	CYLINDER AND KEYS, Door and Ignition Lock 1957-58 All	1	1698 638	1698 986	1698 986	1698 986	1698 668
	1957-58 Taxi	1	----	*1839 207	----	----	----
	CYLINDER AND KEYS, Door, Ignition and Electric Tailgate Window Lift Lock 1957-58 Sub.	1	----	----	----	1838 985	----
23-17-4	PACKAGE, Deck Lid and Glove Box Door Lock Cylinder and Keys 1957-58 All	1	----	----	----	----	1698 586
23-17-5	CYLINDER AND KEYS, Deck Lid Lock 1957-58 All	1	1830 769	1830 769	1830 769	1830 769	1698 992
23-17-6	KEY, Deck Lid Lock Cylinder Blank 1957-58 All CB. Series	2	1520 798	1520 798	1520 798	1520 798	1520 798
23-17-9	GASKET, Deck Lid Lock Cylinder 1957-58 All	1	1698 590	1698 590	1698 590	1698 590	1698 590
23-17-10	RETAINER, Deck Lid Lock Cylinder 1957-58 All	1	1455 716	1455 716	1455 716	1455 716	1455 716
23-17-17	KEY, Tire Well Cover Lock Cylinder Blank 1957-58 Sub. G Series	★	910 999	910 999	910 999	910 999	----
23-17-18	RETAINER, Rear Floor Pan Lock Cylinder 1957-58 Sub.	1	1866 686	1866 686	1866 686	1866 686	----
23-17-24	CYLINDER AND KEYS, Door Lock 1957-58 All						
	Right	1	1772 432	1698 988	1698 988	1698 988	1698 990
	Left	1	1772 433	1698 989	1698 989	1698 989	1698 991
	Screw	2	----	140 908	140 908	140 908	----
23-17-25	KEY, Door and Ignition Lock Cylinder Blank 1957-58 All CJ Series	2	*1649 628	*1649 628	*1649 628	*1649 628	*1698 845
23-17-26	LATCH, Front Door Lock Cylinder 1957-58 All	2	1256 562	----	----	----	----
	1958 Taxi	2	----	*1256 562	----	----	----
23-17-28	RETAINER, Front Door Lock Cylinder Latch 1957-58 All	2	1256 563	----	----	----	----
	1958 Taxi	2	----	*1256 563	----	----	----
23-17-49	CYLINDER and KEYS, Tail Gate Lock 1957-58 Sub.						
	Manual	1	1830 041	1830 041	1830 041	1830 041	----
	Electric	1	1819 404	1819 404	1819 404	1819 404	----
23-17-50	KEY, Tail Gate Lock Cylinder Blank 1957-58 Sub. G Series	★	910 999	910 999	910 999	910 999	----
23-17-51	GASKET, Electric Tailgate Lock Cylinder Mounting 1957-58 Sub.	1	1819 316	1819 316	1819 316	1819 316	----
23-17-52	RETAINER, Electric Tailgate Lock Cylinder Mounting 1957-58 Sub.	1	1819 317	1819 317	1819 317	1819 317	----

★ Indicates use as required.

⊂ Indicates parts not listed in any previous parts book.
Nov. 28, 1958 Supersedes March 5, 1958.

Prices and specifications subject to change without notice.

* Indicates change or addition.

Printed in U.S.A.

CODE	REMARKS	PER CAR	PLYMOUTH	DODGE	DESOTO	CHRYSLER	IMPERIAL
23-17-62	KEY, Glove Box Door Lock Cylinder Blank						
	1957-58 Except Sub. CB Series	★	1520 798	1520 798	1520 798	1520 798	1520 798
	1957-58 Sub. G Series	★	910 999	910 999	910 999	910 999	----
23-17-66	KEY, Deck Lid and Glove Box Door Lock Cylinder Blank						
	1957-58 All CB Series	2	1520 798	1520 798	1520 798	1520 798	1520 798
23-17-72	CYLINDER and KEYS, Tire Well Cover Lock						
	1957-58 Sub.	1	*1830 044	*1830 044	*1830 044	*1830 044	----
23-18-0 DOOR LOCKS AND REMOTE CONTROLS							
23-18-5	LOCK, Door						
	1957-58 All						
	Front, Right	1	1709 984	1709 984	1709 984	1709 984	----
	Left	1	1709 985	1709 985	1709 985	1709 985	----
	1957 4 D., Sp. 4 D.						
	Front, Right	1	----	----	----	----	1751 160
	Left	1	----	----	----	----	*1861 465
	1957 Cv. Cp., Sp. Cl. Cp., UP TO Ser. No. 13241						
	Right	1	----	----	----	----	1751 160
	Left	1	----	----	----	----	1861 465
	1957 Cv. Cp., Sp. Cl. Cp., AFTER Ser. No. 13241						
	Right	1	----	----	----	----	1810 536
	Left	1	----	----	----	----	*1861 461
	1957-58 All						
	Rear, Right	1	*1775 168	*1709 986	*1709 986	*1709 983	*1860 876
	Left	1	1775 169	1709 987	1709 987	1709 987	1860 877
	1958 4D., Sp. 4D.						
	Front, Right	1	----	----	----	----	*1861 465
	Left	1	----	----	----	----	1860 871
	1958 Cv. Cp., Sp. Cl. Cp.						
	Right	1	----	----	----	----	1861 460
	Left	1	----	----	----	----	*1861 461
23-18-9	RIVET, Door Lock Remote Control Link to Lever						
	1957-58 All	★	6000 120	6000 120	6000 120	6000 120	6000 120
	RIVET, Door Lock Release Lever, Plate and Latch						
	1957-58 All	★	6000 181	6000 181	6000 181	6000 181	6000 181
23-18-11	LINK, Door Lock Remote Control						
	1957-58 Sp. 4D.						
	Front	2	1707 609	1707 609	1707 609	1707 609	----
	1957-58 4D., 4D.Sub.						
	Front	2	1706 874	1706 874	1706 874	1706 874	----
	1957-58 Except 4D., Sp. 4D., 4D.Sub.						
	Rear	2	1706 875	1706 875	1706 875	1706 875	----
	1957-58 All						
	Rear	2	1706 938	1706 938	1706 938	1706 938	1810 122
23-18-13	REMOTE CONTROL, Door Lock, w/LINK						
	1957-58 4D., 4D.Sub., S27, LS1, C75-1, LC1						
	Front, Right	1	1697 612	1697 612	1697 612	1697 612	----
	Left	1	1697 613	1697 613	1697 613	1697 613	----
	Rear, Right	1	1697 618	1697 618	1697 618	1697 618	----
	Left	1	1697 619	1697 619	1697 619	1697 619	----
	1957-58 Sp. 4 D., S27, LS1						
	Front, Right	1	1759 040	1759 040	1759 040	----	----
	Left	1	1759 041	1759 041	1759 041	----	----
	Rear, Right	1	1697 618	1697 618	1697 618	----	----
	Left	1	1697 619	1697 619	1697 619	----	----
	1957-58 Cl. Cp., 3 Cp., 2D.Sub.						
	Right	1	1697 614	1697 614	----	----	----
	Left	1	1697 615	1697 615	----	----	----
	1957-58 Sp. Cl. Cp., Cv. Cp., S27, LS1						
	Right	1	1697 614	1697 614	1697 614	----	1751 186
	Left	1	1697 615	1697 615	1697 615	----	1751 187
	1957-58 4D., Sp. 4D.						
	Front, Right	1	----	----	----	----	1751 184
	Left	1	----	----	----	----	1751 185
	REMOTE CONTROL, Door Lock						
	1957-58 Sub., S26, LS3, C76, LC3						
	Front, Right	1	----	----	1775 218	1755 878	----
	Left	1	----	----	1775 219	1755 879	----
	Rear, Right	1	----	----	1775 220	1755 876	----
	Left	1	----	----	1775 221	1755 877	----
	1957-58 S25, LS2, C75-2, LC2						
	Front, Right	1	----	----	1775 218	1775 218	----
	Left	1	----	----	1775 219	1775 219	----
	Rear, Right	1	----	----	1775 220	1775 220	----
	Left	1	----	----	1775 221	1775 221	----

★ Indicates use as required.

☐ Indicates parts not listed in any previous parts book.

* Indicates change or addition.

1957-58 PASSENGER CAR PARTS LIST

BODY

CODE	REMARKS	PER CAR	PLYMOUTH	DODGE	DESOTO	CHRYSLER	IMPERIAL
1957-58	S26, LS3, C76, LC3, except Sub.						
	Front, Right	1	----	----	1755 878	1765 878	----
	Left	1	----	----	1755 879	1755 879	----
	Rear, Right	1	----	----	1755 876	1755 876	----
	Left	1	----	----	1755 877	1755 877	----
1957-58	Sp. 4 D., Sp. Cl. Cp., C75-1, LC1						
	Front, Right	1	----	----	----	1775 218	----
	Left	1	----	----	----	1775 219	----
	Rear, Right	1	----	----	----	1775 220	----
	Left	1	----	----	----	1775 221	----
1957-58	All						
	Front, Right	1	----	----	----	----	1751 224
	Left	1	----	----	----	----	1751 225
	Rear, Right	1	----	----	----	----	1751 222
	Left	1	----	----	----	----	1751 223
23-18-14	SCREW and WASHER, Door Lock Remote Control and Link						
1957-58	All	★	6000 291	6000 291	6000 291	6000 291	6000 291
	SCREW and WASHER, Rear Door Lock Locking Control						
1957	All	★	6000 210	6000 210	6000 210	6000 210	----
1958	All	★	6000 291	6000 291	6000 291	6000 291	6000 291
23-18-16	PIN, Rear Door Actuating Lock Lever						
1957-58	All						
	Right	1	----	----	----	----	1751 171
	Left	1	----	----	----	----	1810 538
23-18-17	SUPPORT, Rear Door Lock Actuating Lever						
1957-58	All						
	Right	1	----	----	----	----	1751 204
	Left	1	----	----	----	----	1751 205
23-18-18	LEVER, Rear Door Lock Actuating						
1957-58	All						
	Right	1	----	----	----	----	1751 176
	Left	1	----	----	----	----	1751 177
23-18-19	WASHER, Door Lock Locking Control Link, Latch Spring and Lock						
1957-58	All	★	6000 128	6000 128	6000 128	6000 128	6000 128
	WASHER, Rear Door Lock Actuator Lever						
1958	All	2	----	----	----	----	6006 154
23-18-20	LINK, Door Outside Handle to Lock						
1957-58	All						
	Front	2	1775 178	----	----	----	----
1958	Taxi	2	----	*1882 305	----	----	----
1957-58	4 D., Sp. 4 D.						
	Front, Upper	2	----	----	----	----	1751 426
	Rear w/Turn BUCKLE	2	----	----	----	----	1751 427
1957-58	Cv. Cp., Sp. Cl. Cp.						
	Lower	2	----	----	----	----	1751 433
1957-58	4 D., Sp. 4 D., † Pkg., Front, Right						
	Left	1	----	----	----	----	1878 296
	Left	1	----	----	----	----	1878 297
1957-58	Cv. Cp., Sp. Cl. Cp., † Pkg., Right						
	Left	1	----	----	----	----	1878 298
	Left	1	----	----	----	----	1878 299
	† Pkg. Consists of: 2 Links, Upper and Lower 1 Adj. Screw 2 Rivets						
23-18-21	SPRING, Door Lock Remote Control Lever						
1957-58	All	★	849 517	849 517	849 517	849 517	849 517
23-18-23	CLIP, Door Lock Remote Control Link						
1957-58	S25, S26, LS2, LS3	★	----	----	6000 094	6000 094	----
23-18-24	WASHER, Door Lock Remote Control Link to Lever						
1957-58	All	★	6000 118	6000 118	6000 118	6000 118	6000 118
23-18-25	CONTROL, Rear Door Lock Locking, w/LINK						
1957-58	All						
	Right	1	1697 608	1697 608	1697 608	1697 608	1751 192
	Left	1	1697 609	1697 609	1697 609	1697 609	1751 193
23-18-26	LINK, Front Door Lock to Lock Cylinder						
1957-58	Sp. 4D.						
	2	2	----	1755 797	1755 797	1755 797	----
1957-58	4D., Sp. 4D.						
	2	2	----	----	----	----	1750 748
1957-58	Cv. Cp., Sp. Cl. Cp.						
	2	2	----	----	----	----	1751 123
23-18-27	KNOB, Rear Door Inside Locking Rod						
1957-58	All	2	*1879 539	*1879 539	*1879 539	*1879 539	*1879 539
	w/Set SCREW						
23-18-28	SPRING, Door Lock Locking Slide						
1957-58	All						
	Right	1	1458 246	1458 246	1458 246	1458 246	1458 246
	Left	1	1458 247	1458 247	1458 247	1458 247	1458 247

★ Indicates use as required.

⊠ Indicates parts not listed in any previous parts book.
Nov. 28, 1958 Supersedes March 5, 1958.

Prices and specifications subject to change without notice.
* Indicates change or addition.

Printed in U.S.A.

PASSENGER CAR PARTS LIST 1957-58

CODE	REMARKS	PER CAR	PLYMOUTH	DODGE	DESOTO	CHRYSLER	IMPERIAL
23-18-29	CLIP, Front Door Cylinder Actuating Lever to Lock Link 1957-58 All	Right	2	---	---	---	6006 114
		Left	2	---	---	---	6006 115
	CLIP, Rear Door Lock Link Clevis 1957-58 All	Right	1	---	---	---	6006 114
		Left	1	---	---	---	6006 115
23-18-31	SHIM, Front Door Lock Remote Control 1958 All		4	---	---	---	E6010 049
23-18-35	RETAINER, Front Door Lock Remote Control Rod 1957-58 except Cv. Cp., Sp. Cl. Cp. 1957-58 Cv. Cp., Sp. Cl. Cp.	★	6000 446	6000 446	6000 446	6000 446	1751 006
		★	6000 446	6000 446	6000 446	6000 446	1751 019
23-18-37	WASHER, Rear Door Locking Knob 1957-58 All		2	6000 330	6000 330	6000 330	6000 330
23-18-40	ANTI-RATTLE, Front Door Lock Cylinder Locking Lever Link 1957 Sp. 4 D.		2	1755 796	1755 796	1755 796	1755 796
23-18-44	CAP, Rear Door Lock Release Lever 1957-58 All		2	---	---	---	1751 118
23-18-50	BRACKET, Front Door Lock Cylinder, w/LEVER 1957-58 Sp. 4D.	Right	1	1775 482	---	---	---
		Left	1	1775 483	---	---	---
	1957-58 except Sp. 4D.	Right	1	1775 436	1708 462	1708 462	1708 462
		Left	1	1775 437	1708 463	1708 463	1708 463
	1957-58 Sp. 4D.		2	---	1755 794	1755 794	---
	1958 Taxi	Right	1	---	*1775 436	---	---
		Left	1	---	*1775 437	---	---
	1957 4D., Sp. 4D.	Right	1	---	---	---	1751 424
		Left	1	---	---	---	1751 425
	1957 Sp. Cl. Cp., Cv. Cp.	Right	1	---	---	---	1751 430
		Left	1	---	---	---	1751 431
	1958 4D., Sp. 4D.	Right	1	---	---	---	1860 896
Left		1	---	---	---	1860 897	
1958 Cv. Cp., Sp. Cl. Cp.	Right	1	---	---	---	1860 888	
	Left	1	---	---	---	1860 889	
23-18-100	LOCK, Electric Door 1958 4D., Sp. 4D	Front, Right	1	---	---	---	1860 870
		Left	1	---	---	---	1860 871
	Rear, Right	Right	1	---	---	---	1860 876
		Left	1	---	---	---	1860 877
	1958 Cv. Cp., Sp. Cl. Cp.	Right	1	---	---	---	1861 460
		Left	1	---	---	---	*1861 461
23-18-101	LEVER, Electric Front Door Lock Cylinder w/SUPPORT 1958 4D., Sp. 4D.	Right	1	---	---	---	1860 896
		Left	1	---	---	---	1860 897
	1958 Cv. Cp., Sp. Cl. Cp.	Right	1	---	---	---	1860 888
		Left	1	---	---	---	1860 889
23-18-103	SWITCH, Electric Door Lock 1958 All		2	---	---	---	1770 509
		w/BEZEL	2	---	---	---	1841 866
23-18-104	SPRING, Electric Door Lock Switch Retaining 1958 All		8	---	---	---	1769 327
23-18-105	WIRING, Electric Door Lock 1958 4D. 1958 Sp. 4D. 1958 Cv. Cp., Sp. Cl. Cp.		1	---	---	---	1842 269
			1	---	---	---	1842 270
			1	---	---	---	1842 268
			1	---	---	---	---
23-18-106	RELAY, Electric Door Lock 1958 All		1	---	---	---	*1886 451
23-18-107	LINK, Electric Door Lock Solenoid to Lock 1958 4D., Sp. 4D. 1958 Cv. Cp., Sp. Cl. Cp. 1958 All 1958 All	Front Upper	2	---	---	---	1819 191
		Upper	2	---	---	---	1841 864
		Front Lower	2	---	---	---	1841 860
		Rear	2	---	---	---	1841 857

★ Indicates use as required.

☐ Indicates parts not listed in any previous parts book.

* Indicates change or addition.

1957-58 PASSENGER CAR PARTS LIST

BODY

CODE	REMARKS	PER CAR	PLYMOUTH	DODGE	DESOTO	CHRYSLER	IMPERIAL
23-18-108	TURNBUCKLE, Electric Front Door Lock Solenoid to Lock Link 1958 All	2	----	----	----	----	1819 190
23-18-109	CLIP, Electric Door Lock Solenoid to Lock Link 1958 All	★	----	----	----	----	*6015 106
	Right	★	----	----	----	----	*6015 107
	Left	★	----	----	----	----	
23-18-115	SOLENOID, Electric Door Lock, w/BRACKET 1958 4 D., Sp. 4 D.	1	----	----	----	----	1841 856
	Front Right	1	----	----	----	----	1841 855
	Left	1	----	----	----	----	1841 855
	Rear Right	1	----	----	----	----	1841 856
	Left	1	----	----	----	----	1841 856
	1958 Cv. Cp., Sp. Cl. Cp.	1	----	----	----	----	1841 861
	Right	1	----	----	----	----	1841 862
	Left	1	----	----	----	----	
23-18-116	SCREW, Electric Door Lock Solenoid Mounting 1958 All	★	----	----	----	----	6015 005
23-18-120	PACKAGE, Electric Door Lock Solenoid Terminal and Insulator 1958 All	★	----	----	----	----	1843 226
23-19-0 DECK LID							
23-19-8	LID, Deck 1957-58 All	1	1758 702	1758 704	1758 489	1758 489	1691 562
	1957-58 All w/False Spare Wheel COVER	1	----	----	----	----	1750 671
23-19-11	LIFT, Deck Lid 1957 All	1	1696 630	----	----	----	1750 840
	1958 All	1	1835 549	----	----	----	1750 840
23-19-12	MEDALLION or ORNAMENT, Deck Lid Lift 1957 All	1	1707 593	----	----	----	----
23-19-15	BASE, Deck Lid Medallion 1957-58 C76-300, LC3-300	1	----	----	----	1776 634	----
	Outer	1	----	----	----	1759 293	----
	Inner, w/300	1	----	----	----	----	----
23-19-19	NUT, Deck Lid Lift Attaching 1957 All	4	6000 313	----	----	----	----
	1957 All	★	----	----	----	----	6006 024
	Medallion	1	----	----	----	----	1548 092
	Ornament	1	----	----	----	----	
23-19-45	MOULDING, False Spare Wheel Cover Ring 1957 All	1	----	----	----	----	1690 838
	1957-58 All	1	----	----	----	----	1690 839
	Inner	1	----	----	----	----	
	Outer	1	----	----	----	----	
23-19-46	CLIP, False Spare Wheel Cover Ring Moulding 1957 All	7	----	----	----	----	6006 194
	Inner	9	----	----	----	----	6006 187
	Outer	9	----	----	----	----	
23-19-50	COVER, False Spare Wheel Ring Moulding Joint 1957 All	1	----	----	----	----	1691 844
	1957-58 All	1	----	----	----	----	1691 863
	Inner	1	----	----	----	----	
	Outer	1	----	----	----	----	
23-19-53	MEDALLION, Deck Lid False Spare Wheel Cover 1957 All	1	----	----	----	----	1690 840
	1958 All	1	----	----	----	----	1860 773
	w/ORNAMENT	1	----	----	----	----	1860 813
23-19-54	BASE, Deck Lid False Spare Wheel Cover Medallion 1957 All	1	----	----	----	----	1751 584
23-19-57	INSERT or RING, Deck Lid False Spare Wheel Cover 1957 All	1	----	----	----	----	1691 607
	1958 All	1	----	----	----	----	1860 767
23-19-63	BUMPER, Deck Lid 1957-58 All	2	1836 185	1836 185	1836 185	1836 185	1751 120
23-19-70	CATCH, Deck Lid Lock 1957-58 All	1	1706 560	1706 560	1706 560	1706 560	1706 560
23-19-71	SCREW and WASHER, Deck Lid Lock Catch 1957-58 All	2	6000 190	6000 190	6000 190	6000 190	6000 190

★ Indicates use as required.

□ Indicates parts not listed in any previous parts book.
Nov. 26, 1958 Supersedes March 5, 1958.

Printed in U.S.A.
Prices and specifications subject to change without notice.

* Indicates change or addition.

CODE	REMARKS	PER CAR	PLYMOUTH	DODGE	DESOTO	CHRYSLER	IMPERIAL
23-19-74	SUPPORT, Deck Lid Lock Catch 1957-58 All	1	1706 555	1706 981	1707 273	1707 273	1692 003
	SUPPORT, Deck Opening Lower Panel Lock 1957-58 All	1	----	----	----	----	1751 220
23-19-76	BRACKET, Deck Lid Hinge Support to Wheelhouse						
	1957-58 except Cv. Cp. Upper	1	----	----	----	----	1750 991
	1957-58 Cv. Cp. Right	1	----	----	----	----	1751 130
		Left	1	----	----	----	1751 131
23-19-82	SUPPORT, Deck Lid Hinge Body Bracket 1957-58 All						
		Upper, Right	1	1706 830	1706 830	1706 830	1706 830
		Left	1	1706 831	1706 831	1706 831	1706 831
	1957-58 except Cv. Cp. Lower, Right	1	1695 280	1695 282	1695 284	1695 284	1695 284
		Left	1	1695 281	1695 283	1695 285	1695 285
	1957-58 Cv. Cp. Lower, Right	1	1695 280	1708 084	1708 918	1708 918	1708 918
		Left	1	1695 281	1708 085	1708 919	1708 919
	1957-58 except Cv. Cp. Right	1	----	----	----	----	1692 120
		Left	1	----	----	----	1692 121
	1957-58 Cv. Cp. Right	1	----	----	----	----	1692 166
		Left	1	----	----	----	1692 167
23-19-84	HINGE, Deck Lid						
	1957-58 All	Right	1	1707 110	1707 110	1707 110	1691 992
		Left	1	1707 111	1707 111	1707 111	1691 993
23-19-85	PIN, Deck Lid Hinge 1957-58 All	2	----	----	----	----	1691 899
23-19-89	BOLT or SCREW and WASHER, Deck Lid Hinge						
	1957-58 All	★	6000 190	6000 190	6000 190	6000 190	1750 983
23-19-95	BUSHING, Deck Lid Hinge 1957-58 All	2	1706 601	1706 601	1706 601	1706 601	----
23-19-105	LOCK, Deck Lid 1957-58 All	1	1706 524	1706 524	1706 524	1706 524	1692 020
23-19-108	SCREW and WASHER, Deck Lid Lock 1958 All	3	6000 291	6000 291	6000 291	6000 291	----
23-19-114	NAME PLATE, Deck Lid						
	1957 D67-2 Gold, Letter "D"	2	----	1624 835	----	----	----
		"O"	1	----	1624 836	----	----
		"G"	1	----	1624 838	----	----
		"E"	1	----	1624 839	----	----
	1957 Except D67-2, Chrome, Letter "D"	2	----	1686 832	----	----	----
		"O"	1	----	1686 833	----	----
		"G"	1	----	1686 835	----	----
		"E"	1	----	1686 836	----	----
	1957 Except Cv. Cp. Texan	1	----	1778 976	----	----	----
	1957 All Letter "D"	1	----	----	1708 131	----	----
		"E"	1	----	1708 132	----	----
		"S"	1	----	1708 133	----	----
		"O"	2	----	1708 134	----	----
		"T"	1	----	1708 135	----	----
	1957 All Chrysler	1	----	----	----	1708 128	----
	1957-58 All Imperial	1	----	----	----	----	1750 173
	1958 All Letter "P"	1	1866 651	----	----	----	----
		"L"	1	1866 652	----	----	----
		"Y"	1	1866 653	----	----	----
		"M"	1	1866 654	----	----	----
		"O"	1	1866 655	----	----	----
		"U"	1	1866 656	----	----	----
		"T"	1	1866 657	----	----	----
		"H"	1	1866 658	----	----	----
	1958 All Texan	1	----	1844 711	----	----	----
	Clip	3	----	6000 490	----	----	----
		Dodge, Chrome	1	----	1810 918	----	----
		Gold	1	----	1865 623	----	----
	1958 All	1	----	----	1810 321	----	----

★ Indicates use as required.

☐ Indicates parts not listed in any previous parts book.

* Indicates change or addition.

1957-58 PASSENGER CAR PARTS LIST

BODY

CODE	REMARKS	PER CAR	PLYMOUTH	DODGE	DESOTO	CHRYSLER	IMPERIAL
1958	All Letter C	1	----	----	----	1810 399	----
	Letter H	1	----	----	----	1810 400	----
	Letter R	2	----	----	----	1810 401	----
	Letter Y	1	----	----	----	1810 402	----
	Letter S	1	----	----	----	1810 403	----
	Letter L	1	----	----	----	1810 404	----
	Letter E	1	----	----	----	1810 405	----
1958	All Letter I	2	----	----	----	----	1751 880
	Letter M	1	----	----	----	----	1751 881
	Letter P	1	----	----	----	----	1751 882
	Letter E	1	----	----	----	----	1751 883
	Letter R	1	----	----	----	----	1751 884
	Letter A	1	----	----	----	----	1751 885
	Letter L	1	----	----	----	----	1751 886
MEDALLION or ORNAMENT, Deck Lid							
1957	All	1	----	1707 869	----	----	----
1957	D66, D67 D-500	1	----	1777 089	----	----	----
1957-58	All	1	----	----	----	----	1598 388
1957	All License Frame	1	----	----	----	1757 193	----
1958	All D-500	1	----	1843 792	----	----	----
	Clip	3	----	6000 490	----	----	----
1958	All Center Mldg.	1	----	----	----	----	1598 506
	Nut	1	----	----	----	----	6010 039
23-19-115	NUT and WASHER, Deck Lid						
1957	All Medallion	1	----	----	----	----	6006 024
1957	All Name Plate	7	----	----	----	----	6006 193
23-19-124	SEAL, Deck Lid Lift or Medallion						
1957	All	★	6000 377	----	----	----	----
23-19-177	BAR, Deck Lid Hinge Torsion						
1957-58	All	2	1707 116	1756 610	1756 610	1756 610	----
1957-58	All Right	1	----	----	----	----	1690 482
	Left	1	----	----	----	----	1690 483
23-19-178	CLIP or SUPPORT, Deck Lid Hinge						
	Torsion Bar						
1957-58	All Center	1	*1708 187	*1708 187	*6006 184	*6006 184	*6006 184
1957-58	All End Support	2	*1759 971	*1759 971	*1759 971	*1759 971	*6006 243
23-19-185	LINK, Deck Lid Hinge to Torsion Bar						
1957-58	Cv. Cp.	2	----	----	----	----	1692 042
23-20-0 FLOOR MATS							
23-20-8	MAT, Front Floor						
1957	P30-2, P31-2						
	Black	1	1758 226	----	----	----	----
	Green	1	1758 245	----	----	----	----
	Brown	1	1758 246	----	----	----	----
	Blue	1	1758 227	----	----	----	----
1957	4 D. Sub., P30-3, P31-3						
	Black	1	1758 226	----	----	----	----
	Green	1	1758 245	----	----	----	----
1957	4D. Sub., P30-3, P31-3						
	Brown	1	1758 246	----	----	----	----
1957	P30-1, P31-1, D66-1, D70, D72-1 Sub.						
	Black	1	1758 226	1756 844	----	----	----
1957	D66-2, D67-1, D72-2, S27						
	Black	1	----	1776 340	1776 340	----	----
	Blue	1	----	1776 341	1776 341	----	----
	Green	1	----	1776 342	1776 342	----	----
1957	S25						
	Gray	1	----	----	1767 478	----	----
	Blue	1	----	----	1767 482	----	----
	Green	1	----	----	1767 480	----	----
1957	Sub., C75-1						
	Green	1	----	----	----	1767 488	----
	Black	1	----	----	----	1767 484	----
	Blue	1	----	----	----	1767 486	----
1958	All						
	Blue	1	*1843 671	----	----	----	----
	Green	1	1843 672	----	----	----	----
	Black	1	*1758 226	----	----	----	----
	Gray	1	⊠1868 908	----	----	----	----
1958	LD2-L1, LD2-L2, LD3-L						
	Black	1	----	1756 844	----	----	----
1958	4 D, LD1-L1, LD2-L1						
	Black	1	----	1776 340	----	----	----
1958	LS1, except Sub.						
	Blue	1	----	----	*1876 214	----	----
	Green	1	----	----	1876 215	----	----

★ Indicates use as required.

⊠ Indicates parts not listed in any previous parts book.
Nov. 28, 1958 Supersedes March 5, 1958.

Printed in U.S.A.
Prices and specifications subject to change without notice.
* Indicates change or addition.

CODE	REMARKS	PER CAR	PLYMOUTH	DODGE	DESOTO	CHRYSLER	IMPERIAL
1958	LS1	Black	1	----	----	*1876 216	----
1958	Sub, LC1	Blue	1	----	----	1876 219	----
		Green	1	----	----	1876 221	----
		Beige	1	----	----	1876 223	----
		Gray	1	----	----	1876 225	----
23-20-11	MAT, Intermediate Floor						
1957	Sub., P30-2, P31-2, D70, S27, C75-1	Black	1	1778 952	1778 072	1778 072	1778 199
		Blue	1	1833 033	----	----	1778 197
		Green	1	1833 034	----	----	1778 198
		Brown	1	1833 032	----	----	----
1957	4D. Sub., P30-3, P31-3	Brown	1	1833 032	----	----	----
		Black	1	1778 952	----	----	----
1957	2 D. Sub., P30-1, P31-1	Black	1	1778 952	----	----	----
1958	Sub., LS1	Black	1	1778 952	1778 072	1778 072	----
1958	Sub	Blue	1	1844 297	----	----	----
		Green	1	1844 298	----	----	----
1958	Sub., LC1	Blue	1	----	----	----	1867 000
		Green	1	----	----	----	1867 001
		Beige	1	----	----	----	1867 002
		Gray	1	----	----	----	1867 003
23-20-12	EXTENSION, Front Floor Mat Side						
1957	P30-1, P30-2, P31-1, P31-2	Black, Right	1	1775 598	----	----	----
		Left	1	1775 599	----	----	----
		Green, Right	1	1775 594	----	----	----
		Left	1	1775 595	----	----	----
		Brown, Right	1	1775 596	----	----	----
		Left	1	1775 597	----	----	----
		Blue, Right	1	1775 592	----	----	----
		Left	1	1775 593	----	----	----
1957	4D. Sub., P30-3, P31-3, Green,	Right	1	1775 594	----	----	----
		Left	1	1775 595	----	----	----
		Brown, Right	1	1775 596	----	----	----
		Left	1	1775 597	----	----	----
		Black, Right	1	1775 598	----	----	----
		Left	1	1775 599	----	----	----
1957	Sub., C75-1	Black, Right	1	----	----	----	1773 298
		Left	1	----	----	----	1773 299
		Blue, Right	1	----	----	----	1773 300
		Left	1	----	----	----	1773 301
		Green, Right	1	----	----	----	1773 302
		Left	1	----	----	----	1773 303
1958	LP1-M, LP2-M	Blue, Right	1	1844 247	----	----	----
		Left	1	1844 248	----	----	----
		Green, Right	1	1844 249	----	----	----
		Left	1	1844 250	----	----	----
1958	except LP1-H, LP2-H	Black, Right	1	1775 598	----	----	----
		Left	1	1775 599	----	----	----
		Gray, Right	1	E1868 909	----	----	----
		Left	1	E1868 910	----	----	----
1958	LP1-H, LP2-H	Black, Right	1	*1775 598	----	----	----
		Left	1	1775 599	----	----	----
		Green, Right	1	1844 249	----	----	----
		Left	1	1844 250	----	----	----
		Blue, Right	1	1844 247	----	----	----
		Left	1	1844 248	----	----	----
	EXTENSION, Intermediate Floor Mat Side						
1957	4 D. Sub.	Brown, Right	1	1836 416	----	----	----
		Left	1	1836 417	----	----	----
		Blue, Right	1	1836 418	----	----	----
		Left	1	1836 419	----	----	----
		Green, Right	1	1836 420	----	----	----
		Left	1	1836 421	----	----	----
1957-58	Sub.	Black, Right	1	1836 422	----	----	----
		Left	1	1836 423	----	----	----
1958	Sub.	Blue, Right	1	*1847 147	----	----	----
		Left	1	1847 148	----	----	----

★ Indicates use as required.
 □ Indicates parts not listed in any previous parts book.
 * Indicates change or addition.

1957-58 PASSENGER CAR PARTS LIST

BODY

CODE	REMARKS	PER CAR	PLYMOUTH	DODGE	DESOTO	CHRYSLER	IMPERIAL
	Green, Right	1	1847 149	----	----	----	----
	Left	1	1847 150	----	----	----	----
23-20-14	PLATE, Door Sill Scuff						
	1957-58 4D., 4D.Sub.						
	Front, Right	1	1697 428	1697 438	1697 448	1697 458	1685 510
	Left	1	1697 429	1697 439	1697 449	1697 459	1685 511
	Rear, Right	1	1697 430	1697 440	1697 440	1697 440	1685 512
	Left	1	1697 431	1697 441	1697 441	1697 441	1685 513
	1957-58 Sp. 4D.						
	Front, Right	1	1697 434	1697 444	1697 454	1697 464	1685 518
	Left	1	1697 435	1697 445	1697 455	1697 465	1685 519
	Rear, Right	1	1697 436	1697 436	1697 436	1697 436	1685 520
	Left	1	1697 437	1697 437	1697 437	1697 437	1685 521
	1957-58 except 4 D., Sp. 4 D., 4 D.Sub.						
	Right	1	1697 432	1697 442	1697 452	1697 462	1685 514
	Left	1	1697 433	1697 443	1697 453	1697 463	1685 515
	1957-58 C76-300, LC3-300						
	Right	1	----	----	----	1777 460	----
	Left	1	----	----	----	1777 461	----
	PLATE, Rear Floor Scuff						
	1957-58 4 D.						
	Right	1	----	----	----	----	1698 556
	Left	1	----	----	----	----	1698 557
	1957-58 Sp. 4 D.						
	Right	1	----	----	----	----	1772 514
	Left	1	----	----	----	----	1772 515
23-20-16	INSERT, Door Sill Plate Tread						
	1957-58 All	★	----	----	----	----	1766 986
23-20-19	SUPPORT, Door Sill Plate						
	1957-58 All						
	B. E.	★	1707 530	1707 530	1707 530	1707 530	----
	1957-58 Cv. Cp.	2	1708 605	1708 605	1708 605	1708 605	----
	Screw	★	125 978	125 978	125 978	125 978	----
	1957-58 4 D., Sp. 4 D.						
	Front	2	----	----	----	----	1692 173
	Rear, Right	1	----	----	----	----	1692 172
	1957-58 Cv. Cp., Sp. Cl. Cp.	2	----	----	----	----	1690 742
23-20-23	NAME PLATE, Front Door Sill Plate						
	1957-58 All						
	Imperial	2	----	----	----	----	1698 316
23-20-27	SCREW, Door Sill Plate Attaching						
	1957-58 S25, S26, LS2, LS3	★	6000 310	6000 310	6000 364	6000 364	6000 348
	1957-58 S27, LS1	★	----	----	6000 310	----	----
23-20-29	MAT, Rear Deck Floor Pan						
	1957-58 except Cv. Cp.						
	Black	1	1778 394	1833 891	----	----	----
	1958 Cv. Cp.	1	1778 394	1835 601	----	----	----
	1957 S25, S26	1	----	----	1772 713	----	----
	1957-58 C75, LC1, LC2	1	----	----	1773 428	1773 697	----
	1958 All, used w/o Spare Tire,	1	----	----	ⓔ1900 401	ⓔ1900 401	ⓔ1900 401
	1958 LC2	1	----	----	----	ⓔ1900 172	----
23-20-31	SUPPORT, Door Sill Plate Extension						
	1957 4 D., 4 D. Sub.	4	1708 583	1708 583	1708 583	1708 583	----
23-20-32	PLATE, Front Floor Carpet to Floor						
	1957-58 All	2	----	1830 051	1830 051	1830 051	1830 051
23-20-41	MAT, Rear Floor						
	1957 except Sp. 4 D., Sp. Cl. Cp., 3 Cp.,						
	Sub., P30-3, P31-3						
	Black	1	1758 234	----	----	----	----
	1957-58 3 Cp.	1	*1755 248	----	----	----	----
	1957 3 Cp.	1	*1778 348	----	----	----	----
	1957-58 Sub., 2 Seat	1	*1777 278	----	----	----	----
	1957 4D., Cl. Sed., P30-2, P31-2						
	Blue	1	1758 231	----	----	----	----
	Green	1	1758 247	----	----	----	----
	Brown	1	1758 248	----	----	----	----
	1957-58 4D., D66-2, D67-1, D72-2,						
	LD1-L1						
	Black	1	----	1776 343	----	----	----
	1957 4D., D66-2, D67-1, D72-2	1	----	1776 344	----	----	----
	1957 Sp. Cl. Cp., P30-2, P31-2						
	Blue	1	1758 235	----	----	----	----
	Green	1	1758 236	----	----	----	----
	Brown	1	1758 237	----	----	----	----
	Black	1	1758 238	----	----	----	----
	1957 Sp. 4D., P30-2, P31-2, D66-2,						
	D67-1, S27						
	Black	1	1834 652	1776 349	1776 349	----	----
	Blue	1	1834 649	1776 350	1776 350	----	----
	Green	1	1834 650	1776 351	1776 351	----	----
	1957 Sp. 4D., P30-2, P31-2,						
	Brown	1	1834 651	----	----	----	----

★ Indicates use as required.

ⓔ Indicates parts not listed in any previous parts book.

Nov. 28, 1958 Supersedes March 5, 1958.

Page 23-300

Prices and specifications subject to change without notice.

* Indicates change or addition.

Printed in U.S.A.

PASSENGER CAR PARTS LIST 1957-58

CODE	REMARKS	PER CAR	PLYMOUTH	DODGE	DESOTO	CHRYSLER	IMPERIAL
1957-58	4 D., D66-1, D72-1, LD2-L1	Black	1	----	1756 845	----	----
1957-58	Sub., Paint as Required						
1957	3rd. Seat Well, Gray		1	1778 074	1778 074	----	1778 074
1957	Sp. Cl. Cp., D66-2, D67-1, S27,	Black	1	----	1776 352	1776 352	----
		Blue	1	----	1776 353	1776 353	----
		Green	1	----	1776 354	1776 354	----
1957-58	Cl. Sed., D66-1, D72-1, LD1-L1,						
	LD2-L1	Black	1	----	1776 261	----	----
1957-58	Cl. Sed., D66-2, D72-2, LD1-L2,						
	LD2-L2	Black	1	----	1776 346	----	----
		Blue	1	----	1776 347	----	----
		Green	1	----	1776 348	----	----
1957	S25, except Sub.	Blue	1	----	----	1772 708	----
		Green	1	----	----	1772 705	----
		Gray	1	----	----	1772 702	----
1957	4 D., D66-2, D67-1, D72-2, S27						
		Green	1	----	1776 345	1776 345	----
		Black	1	----	----	1776 343	----
		Blue	1	----	----	1776 344	----
1958	except Sub., Sp. 4D., LP1-H, LP2-H						
		Black	1	*1758 234	----	----	----
1958	4 D., LP1-M, LP2-M	Blue	1	1844 239	----	----	----
		Green	1	1844 240	----	----	----
1958	Sp. 4 D., LP1-M, LP2-M	Black	1	1834 652	----	----	----
		Blue	1	1844 245	----	----	----
		Green	1	1844 246	----	----	----
1958	Sp. Cl. Cp., LP1-M, LP2-M	Blue	1	1844 243	----	----	----
		Green	1	1844 244	----	----	----
1958	Cl. Sed., LP1-M, LP2-M	Blue	1	1844 241	----	----	----
		Green	1	1844 242	----	----	----
1958	4D., except LP1-H, LP2-H,	Gray	1	*1868 911	----	----	----
1958	Cl. Sed., except LP1-H, LP2-H,	Gray	1	*1868 912	----	----	----
1958	3 Cp.	Gray	1	*1868 913	----	----	----
1958	4 D., Sp. 4 D., LS1	Black	1	----	----	1773 619	----
		Blue	1	----	----	1840 506	----
		Green	1	----	----	1840 509	----
1958	Cv. Cp., Sp. Cl. Cp., LD2-L1, LS1						
		Black	1	----	*1756 845	*1840 505	----
		Blue	1	----	----	1840 508	----
		Green	1	----	----	1840 511	----
1958	Sub., LC1 3rd. Seat Well,	Blue	1	----	----	1868 247	----
		Green	1	----	----	1868 248	----
		Beige	1	----	----	1868 249	----
		Gray	1	----	----	1868 250	----
23-20-65	PLATE, Center Pillar Scuff						
1957-58	4 D.	Right	1	----	----	----	1698 552
		Left	1	----	----	----	1698 553
23-21-0 MIRRORS							
23-21-8	MIRROR, Rear View Inside						
1957	All		1	1771 896	1771 896	1771 896	1771 896
		Prismatic	1	1772 436	1772 436	1772 436	1772 436
1957	All	Off Set Type	1	----	1876 331	----	----
		Prismatic	1	----	1876 332	----	----
1958	All		1	1876 331	1876 331	1876 331	1876 331
		Prismatic	1	1876 332	1876 332	1876 332	1876 332
23-21-9	NUT, Rear View Inside Mirror Shaft to Bracket or Base Locking						
1957	All		1	1698 921	1698 921	1698 921	1698 921
1957	All	Off Set Type	1	----	*1900 139	----	----
1958	All	Chrome	1	*1900 139	*1900 139	*1900 139	*1900 139

★ Indicates use as required.

☐ Indicates parts not listed in any previous parts book.

* Indicates change or addition.

1957-58 PASSENGER CAR PARTS LIST

BODY

CODE	REMARKS	PER CAR	PLYMOUTH	DODGE	DESOTO	CHRYSLER	IMPERIAL
23-21-14	BRACKET or BASE, Rear View Inside Mirror						
1957	All	1	1771 795	1771 798	1771 798	1771 798	1685 436
1957	All Off Set Type	1	----	1839 123	----	----	----
	w/PAD	1	----	1839 124	----	----	----
1958	All	1	1876 046	1839 123	1839 111	1839 111	----
	w/PAD	1	----	1839 124	1839 110	1839 112	1876 061
	Nut	1	145 507	----	----	----	----
	Screw w/or w/o Pad	1	----	133 049	120 628	120 583	120 583
	Washer w/or w/o Pad	1	----	121 753	121 753	121 753	121 753
23-21-15	MIRROR, Rear View Outside						
1957-58	except Sp. 4 D., Cv. Cp., Sp. Cl. Cp.						
	Door Top	1	1698 798	1698 798	1698 798	1698 798	1698 798
1957-58	All Double Strut	★	1773 071	1773 071	1773 071	1773 071	1773 071
	Head	★	1773 072	1773 072	1773 072	1773 072	1773 072
1957-58	All Single Strut	1	1772 447	1772 447	1772 447	1772 447	1772 447
1957-58	All Hood Type, Fender	★	1830 501	1830 501	1830 501	1830 501	1830 501
23-21-16	WASHER, Rear View Inside Mirror Shaft to						
	Bracket or Base						
1957-58	All Plastic Cup	1	1698 923	1698 923	1698 923	1698 923	1698 923
1957	All Off Set Type, Steel	1	----	6008 006	----	----	----
1958	All Steel	1	6008 006	6008 006	6008 006	6008 006	6008 006
1958	All, use w/1900 139 Nut	1	*1839 794	*1839 794	*1839 794	*1839 794	*1839 794
23-21-17	SCREW, Rear View Outside Mirror Attaching						
1957-58	All, use w/1773 071	1	1331 768	1331 768	1331 768	1331 768	1331 768
23-21-18	ANTI-SQUEAK, Rear View Outside Mirror Base						
1957-58	All	★	*1839 670	*1839 670	*1839 670	*1839 670	*1839 670
23-21-23	BRACKET, Rear View Outside Mirror Attaching						
1957-58	All	1	*1609 540	*1609 540	*1609 540	*1609 540	*1609 540
23-21-40	SET SCREW, Rear View Outside Mirror						
1957-58	except Sp. 4 D., Cv. Cp., Sp. Cl. Cp.	2	1698 756	1698 756	1698 756	1698 756	1698 756
23-21-45	BALL and SHAFT, Rear View Inside Mirror						
1957	All	1	1830 273	1830 273	1830 273	1830 273	1830 273
1957	All Off Set Type	1	----	1876 065	----	----	----
1958	All	1	1876 065	1876 065	1876 065	1876 065	1876 065
23-21-48	REINFORCEMENT, Rear View Inside Mirror						
	Base						
1958	All	1	Ⓜ1830 945	----	----	----	----
23-22-0 GARNISH MOULDINGS							
23-22-7	MOULDING, Door Garnish						
1957-58	4 D., 4D. Sub., S25, S26, LS2, LS3, C75-2, LC2, LC3						
	Front, Right	1	1697 262	1697 262	1697 286	1697 286	----
	Left	1	1697 263	1697 263	1697 287	1697 287	----
1957-58	Sp. 4 D., S25, S27, LS1, LS2, C75, LC1, LC2						
	Front, Right	1	1697 270	1697 270	1697 270	1697 270	----
	Left	1	1697 271	1697 271	1697 271	1697 271	----
1957-58	4D., S25, S26, LS2, LS3, C75-2, LC2, LC3						
	Rear, Right	1	1697 282	1697 282	1697 298	1697 298	----
	Left	1	1697 283	1697 283	1697 299	1697 299	----
1957-58	Sp. 4D., S25, S27, LS1, LS2, C75, LC2, LC3						
	Rear, Right	1	1697 278	1697 278	1697 278	1697 278	----
	Left	1	1697 279	1697 279	1697 279	1697 279	----
1957-58	4D. Sub., S25, S26, LS2, LS3, C76, LC2, LC3						
	Rear, Right	1	1709 934	1709 934	1708 050	1708 050	----
	Left	1	1709 935	1709 935	1708 051	1708 051	----
1957-58	Cv. Cp., Sp. Cl. Cp., S25, S27, LS1, LS2, C75, LC1, LC2						
	Right	1	1697 274	1697 274	1697 274	1697 274	----
	Left	1	1697 275	1697 275	1697 275	1697 275	----
1957-58	Cl. Sed., 3 Cp., 2 D. Sub.						
	Right	1	1697 266	1697 266	----	----	----
	Left	1	1697 267	1697 267	----	----	----
1957-58	Sp. Cl. Cp., Fury						
	Right	1	1835 140	----	----	----	----
	Left	1	1835 141	----	----	----	----
1957-58	4D., 4D. Sub., S27, C75-1, LS1, LC1						
	Front, Right	1	----	----	1697 262	1697 262	----
	Left	1	----	----	1697 263	1697 263	----
1957-58	4 D., S27, LS1, C75-1, LC1						
	Rear, Right	1	----	----	1697 282	1697 282	----
	Left	1	----	----	1697 283	1697 283	----

★ Indicates use as required.

Ⓜ Indicates parts not listed in any previous parts book.
Nov. 28, 1958 Supersedes March 5, 1958.

Printed in U.S.A.
Prices and specifications subject to change without notice.
* Indicates change or addition.

CODE	REMARKS	PER CAR	PLYMOUTH	DODGE	DESOTO	CHRYSLER	IMPERIAL
1957-58	4D. Sub., S27, LS1, C75, LC1						
	Rear, Right	1	----	----	1709 934	1709 934	----
	Left	1	----	----	1709 935	1709 935	----
23-22-9	SUPPORT, Garnish Moulding						
1957	Sp. 4 D., S25, S27, C75	8	1776 487	1776 487	1776 487	1776 487	----
1957	except Sp. 4 D.	★	1757 174	1757 174	1757 174	1757 174	----
23-22-27	CAP, Door Garnish Moulding End						
1957	4 D., Sub., S25, S26, C75-2						
	Front Door, Front, Right	1	----	----	1759 840	1759 840	----
	Left	1	----	----	1759 841	1759 841	----
	Rear, Right	1	----	----	1759 842	1759 842	----
	Left	1	----	----	1759 843	1759 843	----
	Rear Door, Front, Right	1	----	----	1759 844	1759 844	----
	Left	1	----	----	1759 845	1759 845	----
1957	4 D., S25, S26, C75-2						
	Rear Door, Rear, Right	1	----	----	1759 846	1759 846	----
	Left	1	----	----	1759 847	1759 847	----
1957	Sub., S26						
	Rear Door, Rear, Right	1	----	----	1759 880	----	----
	Left	1	----	----	1759 881	----	----
1957	4 D., C76						
	Front Door, Front, Right	1	----	----	----	1759 882	----
	Left	1	----	----	----	1759 883	----
	Rear, Right	1	----	----	----	1759 884	----
	Left	1	----	----	----	1759 885	----
	Rear Door, Front, Right	1	----	----	----	1759 886	----
	Left	1	----	----	----	1759 887	----
	Rear, Right	1	----	----	----	1759 888	----
	Left	1	----	----	----	1759 889	----
1957	Sub., C76						
	Front Door, Front, Right	1	----	----	----	1759 840	----
	Left	1	----	----	----	1759 841	----
	Rear, Right	1	----	----	----	1759 842	----
	Left	1	----	----	----	1759 843	----
	Rear Door, Front, Right	1	----	----	----	1759 844	----
	Left	1	----	----	----	1759 845	----
	Rear, Right	1	----	----	----	1759 880	----
	Left	1	----	----	----	1759 881	----
23-22-53	MOULDING, Quarter Window Garnish						
1957-58	Cl. Sed., 3 Cp.						
	Upper and Front, Right	1	1697 310	1697 310	----	----	----
	Left	1	1697 311	1697 311	----	----	----
	Lower, Right	1	1708 190	1708 190	----	----	----
	Left	1	1708 191	1708 191	----	----	----
1957-58	4D., except S27, C75-1, LS1, LC1						
	Upper and Front, Right	1	1697 306	1697 306	1705 834	1705 834	----
	Left	1	1697 307	1697 307	1705 835	1705 835	----
	Lower, Rear Right	1	1707 554	1707 554	1708 766	1708 766	----
	Left	1	1707 555	1707 555	1708 767	1708 767	----
1957-58	4 D. Sub.						
	Upper Right	1	1697 334	1697 334	1697 334	1697 334	----
	Left	1	1697 335	1697 335	1697 335	1697 335	----
	Upper Front, Right	1	1777 644	1777 644	1777 664	1777 664	----
	Left	1	1777 645	1777 645	1777 645	1777 645	----
	Lower Front, Right	1	1697 346	1697 346	1697 346	1697 346	----
	Left	1	1697 347	1697 347	1697 347	1697 347	----
	Lower Rear	2	1775 466	1775 466	1775 466	1775 466	----
1957-58	2 D. Sub.						
	Front, Right	1	1775 456	1775 456	----	----	----
	Left	1	1775 457	1775 457	----	----	----
	Upper, Front	2	1775 704	1775 704	----	----	----
	Upper Rear, Right	1	1775 708	1775 708	----	----	----
	Left	1	1775 709	1775 709	----	----	----
1957-58	2 D. Sub.						
	Belt	1	1697 338	1697 338	----	----	----
1957-58	Sp. 4D						
	Belt, Right	1	1757 958	1757 962	1757 962	1757 962	----
	Left	1	1757 959	1757 963	1757 963	1757 963	----
1957-58	Sp. Cl. Cp.						
	Right	1	1697 314	1697 314	----	----	----
	Left	1	1697 315	1697 315	----	----	----
1957-58	Sp. Cl. Cp., Fury						
	Right	1	1835 144	----	----	----	----
	Left	1	1835 145	----	----	----	----

★ Indicates use as required.

☐ Indicates parts not listed in any previous parts book.

* Indicates change or addition.

Printed in U.S.A.

Prices and specifications subject to change without notice.

Nov. 28, 1958 Supersedes March 5, 1958.

1957-58 PASSENGER CAR PARTS LIST

BODY

CODE	REMARKS	PER CAR	PLYMOUTH	DODGE	DESOTO	CHRYSLER	IMPERIAL
1957-58	Sp. Cl. Cp., except S26, C76, LS3, LC3 Belt, Front, Right	1	----	----	1697 326	1697 326	----
	Left	1	----	----	1697 327	1697 327	----
	Rear, Right	1	----	----	1774 356	1774 356	----
	Left	1	----	----	1774 357	1774 357	----
1957-58	Cv. Cp., S25, LS1, LS2	Right	1697 318	1697 318	1697 330	1697 330	----
	Left	1	1697 319	1697 319	1697 331	1697 331	----
1957-58	4 D., S27, LS1, C75-1, LC1 Upper and Front, Right	1	----	----	1697 306	1697 306	----
	Left	1	----	----	1697 307	1697 307	----
	Lower, Right	1	----	----	1758 016	1758 016	----
	Left	1	----	----	1758 017	1758 017	----
1957	4 D.	Front, Right	----	----	----	----	1750 984
		Left	----	----	----	----	1750 985
	Upper Front, Right	1	----	----	----	----	1751 052
	Left	1	----	----	----	----	1751 053
	Upper Rear, Right	1	----	----	----	----	1751 070
	Left	1	----	----	----	----	1751 071
1957-58	4D., Sta. Type	Upper, Right	----	----	----	----	1860 602
		Left	----	----	----	----	1860 603
23-22-55	SUPPORT, Quarter Window Garnish Moulding						
1957-58	Cv. Cl. Cp., Sp. Cl. Cp., except S26, C76, LS3, LC3	4	1707 395	1707 395	1707 395	1707 395	----
1957-58	4 D., Cl. Sed., S27, LS1, C75-1, LC1 Lower	2	1833 490	1833 490	1833 490	1833 490	----
23-22-77	MOULDING, Tail Gate Belt Garnish						
1957-58	Sub.	1	*1775 769	*1775 769	*1775 769	*1775 769	----
23-22-78	MOULDING, Tailgate Opening Garnish						
1957-58	Sub.	Upper	1	1697 343	1697 343	1697 343	----
		Side, Upper, Right	1	1755 838	1755 838	1755 838	----
		Left	1	1755 839	1755 839	1755 839	----
1957-58	4 D. Sub.	Side, Lower, Right	1	1775 712	1775 712	1775 712	----
		Left	1	1775 713	1775 713	1775 713	----
1957-58	2 D. Sub.	Side, Lower, Right	1	1777 756	1777 756	----	----
		Left	1	1777 757	1777 757	----	----
23-22-79	SUPPORT, Tailgate Garnish Moulding						
1957-58	Sub.	Side, Rear	4	1775 993	1775 993	1775 993	----
		Side, Front	4	1778 860	1778 860	1778 860	----
		Belt	2	1775 994	1775 994	1775 994	----
23-22-85	CAP, Rear Window Garnish Moulding Upper						
1957-58	Sp. Cl. Cp., S26, LS3, C76, LC All	1	----	----	1758 488	1758 488	----
1957	All	1	----	----	----	----	1685 927
23-22-86	MOULDING, Rear Window Garnish						
1957-58	Sp. Cl. Cp., S27, LS1	Upper	1	1757 452	1757 452	1777 833	----
		Side, Right	1	1757 448	1757 448	1777 838	----
		Left	1	1757 449	1757 449	1777 839	----
		Upper Corner, Right	1	1757 450	1757 450	----	----
		Left	1	1757 451	1757 451	----	----
1957-58	Sp. 4D., P30-3, P31-3, S27, LS1	Upper	1	1777 821	1777 821	1777 821	----
		Side, Right	1	1777 826	1777 826	1777 826	----
		Left	1	1777 827	1777 827	1777 827	----
1957-58	Sp. Cl. Cp., Fury, C75-2 LC2	Upper	1	1835 131	----	1777 831	----
		Side, Right	1	1835 134	----	1777 834	----
		Left	1	1835 135	----	1777 835	----
		Upper Corner, Right	1	1835 132	----	----	----
		Left	1	1835 133	----	----	----
1958	Sp. Cl. Cp., Regal Lancer,	Upper	1	----	*1835 131	----	----
	Upper Corner, Right	1	----	----	*1835 132	----	----
		Left	1	----	*1835 133	----	----
		Side, Right	1	----	*1835 134	----	----
		Left	1	----	*1835 135	----	----
1957-58	Sp. 4D., S26, LS3, C75-2, C76, LC2, LC3	Upper	1	----	1777 819	1777 819	----
		Side, Right	1	----	1777 822	1777 822	----
		Left	1	----	1777 823	1777 823	----

★ Indicates use as required.

⊠ Indicates parts not listed in any previous parts book.
Nov. 28, 1958 Supersedes March 5, 1958.

Printed in U.S.A.
Prices and specifications subject to change without notice.
* Indicates change or addition.

PASSENGER CAR PARTS LIST 1957-58

CODE	REMARKS	PER CAR	PLYMOUTH	DODGE	DESOTO	CHRYSLER	IMPERIAL
1957-58	Sp. Cl. Cp., S26, LS3, C76, LC All Upper and Side, Right	1	----	----	1758 024	1758 024	----
	Left	1	----	----	1758 025	1758 025	----
1957-58	4D., C75-2, C76, LC2, LC3 Upper	1	----	----	----	1758 893	----
	Upper Corner, Right	1	----	----	----	1759 176	----
	Left	1	----	----	----	1759 177	----
	Side, Right	1	----	----	----	1759 372	----
	Left	1	----	----	----	1759 373	----
1957-58	4D. Chrome, Upper	1	----	----	----	----	1685 926
	Side, Right	1	----	----	----	----	1685 934
	Left	1	----	----	----	----	1685 935
1957-58	Sp. 4 D., Sp. Cl. Cp. Chrome, Right	1	----	----	----	----	1698 068
	Left	1	----	----	----	----	1698 069
23-22-87	SUPPORT, Rear Window Side Garnish Moulding						
1957-58	Sp. 4 D., Sp. Cl. Cp.	★	1777 891	1777 891	1777 891	1777 891	----
23-22-145	MOULDING, Windshield Garnish						
1957-58	Except Sp. 4 D., Sp. Cl. Cp., Cv. Cp.						
	Upper	1	1697 242	1697 242	1697 242	1697 242	----
	Side, Right	1	1697 250	1697 250	1697 250	1697 250	----
	Left	1	1697 251	1697 251	1697 251	1697 251	----
1957	Sp. 4 D., Sp. Cl. Cp.						
	Upper	1	1697 246	1697 246	1697 246	1697 246	----
	Side, Right	1	1697 258	1697 258	1697 258	1697 258	----
	Left	1	1697 259	1697 259	1697 259	1697 259	----
1957	Cv. Cp. Prime, Upper	1	1697 244	1697 244	1697 244	1697 244	----
1957-58	Cv. Cp. Prime, Side, Right	1	1697 254	1697 254	1697 254	1697 254	----
	Left	1	1697 255	1697 255	1697 255	1697 255	----
1957	Cv. Cp. Chrome, Upper	1	----	----	1757 576	1757 576	----
1957-58	Cv. Cp. Side, Right	1	----	----	1758 078	1758 078	----
	Left	1	----	----	1758 079	1758 079	----
1957	All Prime, Lower, Right	1	1772 200	1772 206	1772 206	1772 206	----
	Left	1	1772 201	1772 207	1772 207	1772 207	----
1957	All use w/Off Set Mirror						
	Prime, Lower, Right	1	----	1830 966	----	----	----
	Left	1	----	1830 967	----	----	----
1957-58	Sp. Cl. Cp., Fury Chrome, Upper	1	1834 172	----	----	----	----
	Side, Right	1	1834 170	----	----	----	----
	Left	1	1834 171	----	----	----	----
1957	Sp. 4D., Sp. Cl. Cp., S26,						
	Chrome, Upper	1	----	----	1834 172	----	----
	Side, Right	1	----	----	1834 170	----	----
	Left	1	----	----	1834 171	----	----
1957-58	Except Cv. Cp. Chrome, Upper	1	----	----	----	----	1685 901
	Side, Right	1	----	----	----	----	1685 912
	Left	1	----	----	----	----	1685 913
1957-58	Cv. Cp. Chrome, Upper	1	----	----	----	----	1750 919
	Side, Right	1	----	----	----	----	1685 920
	Left	1	----	----	----	----	1685 921
1957	All Lower, Blue, Right	1	----	----	----	----	1772 410
	Left	1	----	----	----	----	1772 411
	Green, Right	1	----	----	----	----	1772 412
	Left	1	----	----	----	----	1772 413
	Gray, Right	1	----	----	----	----	1772 414
	Left	1	----	----	----	----	1772 415
	Brown, Right	1	----	----	----	----	1772 416
	Left	1	----	----	----	----	1772 417
	Black, Right	1	----	----	----	----	1876 150
	Left	1	----	----	----	----	1876 151
1957-58	All End Finish Plate, Chrome, Right	1	----	----	----	----	1771 866
	Left	1	----	----	----	----	1771 867
1958	Sp. 4D., Sp. Cl. Cp. Prime, Upper	1	1697 246	*1833 335	*1833 335	*1833 335	----
	Side, Right	1	1697 258	1833 338	1833 338	1833 338	----
	Left	1	1697 259	1833 339	1833 339	1833 339	----
1958	All Lower, Right	1	1830 922	1830 966	1830 966	1830 966	----
	Left	1	1830 923	1830 967	1830 967	1830 967	----

★ Indicates use as required.

□ Indicates parts not listed in any previous parts book.

* Indicates change or addition.

CODE	REMARKS	PER CAR	PLYMOUTH	DODGE	DESOTO	CHRYSLER	IMPERIAL
1958	Sp. 4D., Sp. C1 Cp., LS3						
	Chrome, Upper	1	----	----	*1835 580	----	----
	Side, Right	1	----	----	*1835 432	----	----
	Left	1	----	----	*1835 433	----	----
1958	Cv. Cp. Prime, Upper	1	1846 559	1846 559	1846 559	1846 559	----
1958	Cv. Cp. Chrome, Upper	1	----	----	1846 558	1846 559	----
1958	All Lower, Blue, Right	1	----	----	----	----	1900 308
	Left	1	----	----	----	----	1900 309
	Green, Right	1	----	----	----	----	1900 310
	Left	1	----	----	----	----	1900 311
	Beige, Right	1	----	----	----	----	1900 312
	Left	1	----	----	----	----	1900 313
	Gray, Right	1	----	----	----	----	⊠1900 314
	Left	1	----	----	----	----	⊠1900 315
	Black, Right	1	----	----	----	----	1900 316
	Left	1	----	----	----	----	1900 317
23-22-148	COVER, Windshield Lower Garnish Moulding Joint						
1957	All, use w/Off Set Mirror	1	----	1830 941	----	----	----
1958	All	1	1830 928	1830 941	1830 941	1830 941	1830 942
23-22-151	SUPPORT, Windshield Garnish Moulding						
1957	All Side	★	1758 889	1758 889	1758 889	1758 889	----
1958	All Inner	4	----	----	----	----	1839 246
	Outer	2	----	----	----	----	1839 245
	Side	4	1758 889	1758 889	1758 889	1758 889	----
23-22-152	SPACER, Windshield Lower Garnish Moulding End						
1957	All Right	1	----	----	----	----	1772 434
	Left	1	----	----	----	----	1772 435
1958	All Right	1	----	----	----	----	1839 176
	Left	1	----	----	----	----	1839 177
23-22-160	MEDALLION, Windshield Lower Garnish Moulding						
1957-58	All w/Base, Right	2	----	----	----	----	1751 566
	Left	1	----	----	----	----	1772 468
		1	----	----	----	----	1772 469
23-22-161	CLIP, Medallion Base to Lower Garnish Moulding						
1958	All	4	----	----	----	----	6008 052
23-23-0 OUTSIDE FINISH MOULDING							
23-23-2	MOULDING, Body Side Sill Outside Finish						
1958	LP1-H, LP2-H, LS1, LC1, except Sub. Right	1	⊠1950 096	----	⊠1950 098	⊠1950 098	----
	Left	1	⊠1950 097	----	⊠1950 099	⊠1950 099	----
1958	4D.Sub., LP1-H, LP2-H, LS1, LC1, Right	1	⊠1950 100	----	⊠1950 176	⊠1950 176	----
	Left	1	⊠1950 101	----	⊠1950 177	⊠1950 177	----
1958	LS2, LS3, LC2, LC3, except Sub., Right	1	----	----	*1950 102	*1950 102	----
	Left	1	----	----	*1950 103	*1950 103	----
1958	Sub., LS3, LC3 Right	1	----	----	*1950 080	*1950 080	----
	Left	1	----	----	*1950 081	*1950 081	----
23-23-14	MOULDING, Front Pillar Face						
1957-58	Cv. Cp. Right	1	----	----	----	----	1691 932
	Left	1	----	----	----	----	1691 933
23-23-16	MOULDING, Center Pillar Outside Finish						
1957-58	4D., 4D.Sub., except S27, LS1, LC1 Right	1	----	----	1707 682	1845 464	----
	Left	1	----	----	1707 683	1845 465	----
23-23-21	FASTENER, Folding Top Belt Outside Finish Rear Moulding Stud						
1957-58	Cv. Cp.	23	6000 433	6000 433	6000 433	6000 433	6000 433
23-23-22	SUPPORT, Windshield Outside Finish Moulding Upper Screw						
1958	Sp. 4D.	2	*1834 903	1834 903	----	----	----
1958	Sp. 4D., Sp. C1 Cp.	2	----	----	1834 903	1834 903	----

★ Indicates use as required.

⊠ Indicates parts not listed in any previous parts book.
Nov. 28, 1958 Supersedes March 5, 1958

CODE	REMARKS	PER CAR	PLYMOUTH	DODGE	DESOTO	CHRYSLER	IMPERIAL
23-23-23	MOULDING, Deck Opening Lower Panel						
1957	P30-3, P31-3, D67-2	1	1696 631	1707 776	----	----	----
	Nut and Washer	★	6006 024	6006 024	----	----	----
	Clip	8	----	6010 029	----	----	----
1957-58	All	1	----	----	----	----	1690 858
		Right					
		Left					1690 859
1958	LP1-H, LP2-H	2	1865 720	----	----	----	----
1958	LD3	1	----	1707 776	----	----	----
23-23-24	MOULDING or FRAME, Deck Lid License Plate Well						
1957-58	All	1	----	1696 741	1708 014	1708 014	----
1957-58	All	1	----	----	----	1833 601	----
1957	C76-300	1	----	----	----	1708 014	----
	Retainer, All	★	----	1777 994	----	----	----
1958	All	1	----	⊠1950 110	----	----	----
23-23-30	MOULDING, Deck Lid						
1957-58	Cv. Cp., Sp. Cl. Cp., S26, LS3	5	----	----	1778 975	----	----
	Clip	25	----	----	6000 239	----	----
	Seal	25	----	----	6006 031	----	----
	Screw, No. 8-1/2	25	----	----	125 978	----	----
	Screw, No. 6-1/2	25	----	----	127 853	----	----
1958	All, Spring Special	8	----	----	⊠1878 938	----	----
	Clip	16	----	----	*6000 239	----	----
	Washer	16	----	----	*6006 031	----	----
1958	All, Spring Special	6	----	----	----	⊠1878 914	----
	Clip	12	----	----	----	⊠6006 303	----
1958	All	1	----	----	----	----	1810 170
23-23-32	MOULDING, Front Door Fender Extension or Lower						
	NOTE: See illustration in front of group for Mouldings not listed.						
1957	4 D., Sp. 4 D., S25, S27	Center	2	----	1696 782	----	----
1957	4 D., Sp. 4 D., S26	Center	2	----	1707 988	----	----
1957	except Cv. Cp., Sp. Cl. Cp.	Lower	2	----	1708 002	----	----
1957	Cv. Cp., Sp. Cl. Cp.	Lower, Right	1	----	1708 496	----	----
		Left	1	----	1708 497	----	----
1957	4 D., Sp. 4 D.	Right	1	----	----	1697 102	----
		Left	1	----	----	1697 103	----
1957	Cv. Cp., Sp. Cl. Cp.	Lower, Right	1	----	----	1697 104	----
		Left	1	----	----	1697 105	----
1957-58	4 D., Sp. 4 D.		2	----	----	----	1690 818
	Clip		10	----	----	----	6006 074
1957-58	Cv. Cp., Sp. Cl. Cp.		2	----	----	----	1690 816
	Clip		10	----	----	----	6006 074
1958	All, Silver Special, Right		1	⊠1950 094	----	----	----
		Left	1	⊠1950 095	----	----	----
	Clip		8	⊠6000 063	----	----	----
1958	Sp. Cl. Cp., Cv. Cp., Cl. Sed., Spring Special	Upper, Right	1	----	⊠1950 084	----	----
		Left	1	----	⊠1950 085	----	----
	Clip		★	----	⊠6000 613	----	----
1958	4 D., Sp. 4 D., Spring Special,	Right	1	----	⊠1950 082	----	----
		Left	1	----	⊠1950 083	----	----
1958	LC1, Spring Special, Upper Front,	Right	1	----	----	⊠1878 916	----
		Left	1	----	----	⊠1878 917	----
	Clip		8	----	----	⊠6006 262	----
		Upper Rear, Right	1	----	----	⊠1878 918	----
		Left	1	----	----	⊠1878 919	----
	Clip		2	----	----	⊠6006 265	----
23-23-33	MOULDING, Rear Door Outside Finish						
	NOTE: See illustration in front of group for Mouldings not listed.						
1957	4 D., Sp. 4 D.	Upper, Right	1	----	1707 936	----	----
		Left	1	----	1707 937	----	----

★ Indicates use as required.

⊠ Indicates parts not listed in any previous parts book.

* Indicates change or addition.

Printed in U.S.A.

Prices and specifications subject to change without notice.

Nov. 28, 1958 Supersedes March 5, 1958.

1957-58 PASSENGER CAR PARTS LIST

BODY

CODE	REMARKS	PER CAR	PLYMOUTH	DODGE	DESOTO	CHRYSLER	IMPERIAL
1957	4 D. Center Front, Right	1	----	1696 726	----	----	----
	Left	1	----	1696 727	----	----	----
1957	Sp. 4 D., D66 Center Front, Right	1	----	1696 726	----	----	----
	Left	1	----	1696 727	----	----	----
1957	Sp. 4 D., D67 Center Front, Right	1	----	1708 198	----	----	----
	Left	1	----	1708 199	----	----	----
1957	4 D., Sp. 4 D. Center Intermediate, Right	1	----	1708 502	----	----	----
	Left	1	----	1708 503	----	----	----
	Center Rear, Right	1	----	1696 728	----	----	----
	Left	1	----	1696 729	----	----	----
1957	4 D., Sp. 4 D. Right	1	----	----	*1696 784	----	----
	Left	1	----	----	1696 785	----	----
23-23-33	1958 Taxi Upper, Right	1	----	*1836 392	----	----	----
	Left	1	----	*1836 393	----	----	----
	Center, Front, Right	1	----	⊠1757 196	----	----	----
	Left	1	----	⊠1757 197	----	----	----
	Rear, Right	1	----	⊠1866 692	----	----	----
	Left	1	----	⊠1866 693	----	----	----
1958	4 D., Sp. 4 D., Spring Special Right	1	----	⊠1950 086	----	----	----
	Left	1	----	⊠1950 087	----	----	----
23-23-36	MOULDING, Front Door Vent Wing Division Channel						
1957	S27, C75-1 except Sp. 4 D., Cv. Cp., Sp. Cl. Cp. Inner, Right	1	1757 948	1757 948	1757 948	1757 948	----
	Left	1	1757 949	1757 949	1757 949	1757 949	----
	Outer, Right	1	1757 950	1757 950	1757 950	1757 950	----
	Left	1	1708 967	1708 967	1708 967	1757 951	----
1957-58	Sp. 4 D., Cv. Cp., Sp. Cl. Cp. Inner	2	1755 371	1755 371	1755 371	1755 371	----
	Outer	2	1755 370	1755 370	1755 370	1755 370	----
1957-58	4 D., 4 D. Sub., except S27, LS1, C75-1, LC1 Inner, Right	1	----	----	1757 914	1756 634	----
	Left	1	----	----	1757 915	1756 635	----
	Outer, Right	1	----	----	1757 916	1756 636	----
	Left	1	----	----	1757 917	1756 637	----
1957-58	All Inner	2	----	----	----	----	1751 325
	Outer	2	----	----	----	----	1751 323
1958	LS1, LC1, except Sp. 4 D., Cv. Cp., Sp. Cl. Cp. Inner, Right	1	1757 948	1757 948	1757 948	1757 948	----
	Left	1	1757 949	1757 949	1757 949	1757 949	----
23-23-39	MOULDING, Quarter Panel Outside Finish						
	NOTE: See illustration in front of group for		Mouldings not listed.				
1957-58	All except Sub. Top	2	*1696 662	----	----	----	----
	Retainer, w/STUD	8	⊠6010 003	----	----	----	----
	Nut	8	273 329	----	----	----	----
1957	P30-1, P31-1, except Sub. Rear Inner Rear, Right	1	1707 714	----	----	----	----
	Left	1	1707 715	----	----	----	----
	Screw	4	1775 460	----	----	----	----
	Rear Outer Rear, Right	1	1707 726	----	----	----	----
	Left	1	1707 727	----	----	----	----
	Screw	6	1775 460	----	----	----	----
1957	P30-2, P31-2, except Sub. Rear Inner Rear, Right	1	1776 574	----	----	----	----
	Left	1	1776 575	----	----	----	----
	Screw	4	1775 460	----	----	----	----
	Rear Outer Rear, Right	1	1696 660	----	----	----	----
	Left	1	1696 661	----	----	----	----
	Screw	6	1775 460	----	----	----	----

★ Indicates use as required.

⊠ Indicates parts not listed in any previous parts book.
 Nov. 28, 1958 Supersedes March 5, 1958.

Prices and specifications subject to change without notice.
 * Indicates change or addition.

Printed in U.S.A.

CODE	REMARKS	PER CAR	PLYMOUTH	DODGE	DESOTO	CHRYSLER	IMPERIAL
1957	P30-3, P31-3, except Sub. Rear Inner Rear, Right	1	1696 656	----	----	----	----
	Left	1	1696 657	----	----	----	----
	Screw	4	1775 460	----	----	----	----
	Rear Outer Rear, Right	1	1696 660	----	----	----	----
	Left	1	1696 661	----	----	----	----
	Screw	6	1775 460	----	----	----	----
1957	4 D., P30-1, P31-1, w/Sportone Slash Mldgs., Lower, Right	1	1756 572	----	----	----	----
	Left	1	1756 573	----	----	----	----
1957	Cl. Sed., 3 Cp., P30-1, P31-1, w/Body Side Mouldings, Lower, Right	1	1756 576	----	----	----	----
	Left	1	1756 577	----	----	----	----
1957	4D., P30-2, P31-2, Lower, Right	1	1756 572	----	----	----	----
	Left	1	1756 573	----	----	----	----
1957	Cl. Sed., Sp. Cl. Cp., P30-2, P31-2, Lower, Right	1	1756 576	----	----	----	----
	Left	1	1756 577	----	----	----	----
1957	4 D., Sp. 4 D., P30-3, P31-3, Wide, Upper Side, Right	1	1696 648	----	----	----	----
	Left	1	1696 649	----	----	----	----
	w/Sportone Mouldings, Narrow, Lower Side, Right	1	1755 398	----	----	----	----
	Left	1	1755 399	----	----	----	----
1957	Cl. Sed., Cv. Cp., Sp. Cl. Cp., P30-3, P31-3, Wide, Upper Side, Right	1	1696 654	----	----	----	----
	Left	1	1696 655	----	----	----	----
	w/Sportone Mouldings Narrow Lower Side, Right	1	1757 102	----	----	----	----
	Left	1	1757 103	----	----	----	----
1957	4D. Sub., 2D. Sub., Top, Right	1	1775 800	----	----	----	----
	Left	1	1775 801	----	----	----	----
1957	4D. Sub., P30-2, P31-2, Side, Right	1	1759 250	----	----	----	----
	Left	1	1759 251	----	----	----	----
1957	2D. Sub., P30-1, P31-1, w/Savoy Type Mouldings, Side, Right	1	1759 248	----	----	----	----
	Left	1	1759 249	----	----	----	----
1957	2D. Sub., P30-2, P31-2, Side, Right	1	1759 248	----	----	----	----
	Left	1	1759 249	----	----	----	----
1957	4D. Sub., P30-3, P31-3, Side Upper, Right	1	1759 216	----	----	----	----
	Left	1	1759 217	----	----	----	----
1957	4D. Sub., P30-3, P31-3, w/Sportone Mouldings, Side Lower, Right	1	1759 232	----	----	----	----
	Left	1	1759 233	----	----	----	----
EXTENSION or CAP, Quarter Panel Outside							
Finish Moulding Rear Top							
1957	except Sub. Right	1	1755 388	----	----	----	----
	Left	1	1755 389	----	----	----	----
	Screw, No. 10-12 x 5/8"	2	1775 460	----	----	----	----
1958	except Sub. Right	1	----	E1810 592	----	----	----
	Left	1	----	E1810 593	----	----	----
	Screw	★	----	E6006 053	----	----	----
MOULDING, Quarter Panel Outside Finish							
1957	4D., Sp. 4D. Upper, Right	1	----	1707 938	----	----	----
	Left	1	----	1707 939	----	----	----
	Lower, Right	1	----	1696 738	----	----	----
	Left	1	----	1696 739	----	----	----
	Center Front, Right	1	----	1696 732	----	----	----
	Left	1	----	1696 733	----	----	----
	Over Tail Lamp - Center Rear, Right	1	----	1696 736	----	----	----
	Left	1	----	1696 737	----	----	----
	Clip, Upper Moulding	4	----	E6000 031	----	----	----
1957	Cl. Sed., Cv. Cp., Sp. Cl. Cp. Upper, Right	1	----	1707 940	----	----	----
	Left	1	----	1707 941	----	----	----
	Clip	10	----	E6000 031	----	----	----

★ Indicates use as required.

E Indicates parts not listed in any previous parts book.

* Indicates change or addition.

1957-58 PASSENGER CAR PARTS LIST

BODY

CODE	REMARKS	PER CAR	PLYMOUTH	DODGE	DESOTO	CHRYSLER	IMPERIAL
	Lower Right	1	----	1707 774	----	----	----
	Left	1	----	1707 775	----	----	----
	Center Intermediate	2	----	*1696 734	----	----	----
	Over Tail Lamp - Center Rear, Right	1	----	1696 736	----	----	----
	Left	1	----	1696 737	----	----	----
1957	Cl. Sed., Cv. Cp., Sp. Cl. Cp., D66, D67-1, D72 Center Front, Right	1	----	1696 726	----	----	----
	Left	1	----	1696 727	----	----	----
	Clip	4	----	⊠6000 258	----	----	----
1957	Cv. Cp., Sp. Cl. Cp., D67-2 Center Front, Right	1	----	1708 198	----	----	----
	Left	1	----	1708 199	----	----	----
	Clip	4	----	⊠6000 258	----	----	----
1957	Cv. Cp., D66, D67, Upper Front, Right	1	----	1775 206	----	----	----
	Left	1	----	1775 207	----	----	----
	Upper Rear, Right	1	----	1775 208	----	----	----
	Left	1	----	1775 209	----	----	----
1957	Cv. Cp., Sp. Cl. Cp., D67-2, Lower Center, Right	1	----	1708 204	----	----	----
	Left	1	----	1708 205	----	----	----
1957	4D. Sub., 2D. Sub., D70, D71, Top, Right	1	----	1775 800	----	----	----
	Left	1	----	1775 801	----	----	----
1957	4D. Sub., D70, D71, Side Upper, Right	1	----	1777 050	----	----	----
	Left	1	----	1777 051	----	----	----
	Side Center, Right	1	----	1757 888	----	----	----
	Left	1	----	1757 889	----	----	----
	Side Lower, Right	1	----	1757 892	----	----	----
	Left	1	----	1757 893	----	----	----
EXTENSION, Quarter Panel Side Moulding							
1957	4D. Sub., 2D. Sub. Upper, Right	1	----	1776 646	----	----	----
	Left	1	----	1776 647	----	----	----
	Center, Right	1	----	1757 890	----	----	----
	Left	1	----	1757 891	----	----	----
MOULDING, Quarter Panel Outside Finish							
1957	4D., Sp. 4D., C76 Right	1	----	----	1696 786	1697 108	----
	Left	1	----	----	1696 787	1697 109	----
1957	Cv. Cp., Sp. Cl. Cp., S25, S27, w/Two Tone Paint, S26 Lower, Right	1	----	----	1708 008	----	----
	Left	1	----	----	1708 009	----	----
1957	Cv. Cp., Sp. Cl. Cp., C76 Right	1	----	----	1707 990	1697 110	----
	Left	1	----	----	1707 990	1697 111	----
1957	Sub. Top, Right	1	----	----	1775 800	1775 800	----
	Left	1	----	----	1775 801	1775 801	----
1957	4 D., Sp. 4 D., 4 D. Sub., C75-1, w/Two Tone Paint, Upper, Right	1	----	----	----	1759 242	----
	Left	1	----	----	----	1759 243	----
	Lower, Right	1	----	----	----	1759 254	----
	Left	1	----	----	----	1759 255	----
	Clip	12	----	----	----	1757 194	----
1957	Sp. Cl. Cp., C75-1, w/Two Tone Paint Front, Right	1	----	----	----	1759 278	----
	Left	1	----	----	----	1759 279	----
	Rear Upper, Right	1	----	----	----	1759 280	----
	Left	1	----	----	----	1759 281	----
	Rear Lower, Right	1	----	----	----	1759 282	----
	Left	1	----	----	----	1759 283	----
1957	Cv. Cp., Sp. Cl. Cp., C76-300 Front	2	----	----	----	1759 295	----
	Rear	2	----	----	----	1759 294	----
1957	4D. Sub., C76 Upper, Right	1	----	----	----	1759 214	----
	Left	1	----	----	----	1759 215	----
1957-58	4 D., Sp. 4 D Right	1	----	----	----	----	1690 824
	Left	1	----	----	----	----	1690 825
	Clip and Seal	16	----	----	----	----	⊠6006 073

★ Indicates use as required.

⊠ Indicates parts not listed in any previous parts book.
Nov. 28, 1958 Supersedes Nov. 15, 1957.

Printed in U.S.A.
Prices and specifications subject to change without notice.
* Indicates change or addition.

CODE	REMARKS	PER CAR	PLYMOUTH	DODGE	DESOTO	CHRYSLER	IMPERIAL
	Clip	2	----	----	----	----	⊠6006 187
	Nut, w/Washer	2	----	----	----	----	⊠6006 024
1957-58	Cv. Cp., Sp. Cl. Cp. Right	1	----	----	----	----	1691 828
	Left	1	----	----	----	----	1691 829
	Clip and Seal	24	----	----	----	----	⊠6006 073
	Clip	2	----	----	----	----	⊠6006 187
	Nut, w/Washer	2	----	----	----	----	⊠6006 024
1957-58	Cv. Cp. Belt, Right	1	----	----	----	----	*1810 854
	Left	1	----	----	----	----	*1810 855
1957-58	All Ring, Inner, Right	1	----	----	----	----	1690 828
	Left	1	----	----	----	----	1690 829
	Outer, Right	1	----	----	----	----	1690 830
	Left	1	----	----	----	----	1690 831
	Nut, w/Washer	8	----	----	----	----	⊠6006 024
1957-58	All Spear	4	----	----	----	----	1690 832
	Nut	4	----	----	----	----	151 497
	Nut, w/Washer	8	----	----	----	----	⊠6006 024
	Seal	4	----	----	----	----	1597 553
	Washer	4	----	----	----	----	⊠6006 208
1958	All Top Joint	2	*1696 662	----	----	----	----
1958	except Sub. Above Tail Lamp	2	----	⊠1834 216	----	----	----
	Clip	★	----	⊠6000 527	----	----	----
1958	4 D., Sp. 4 D. Spring Special, Front	1	----	⊠1950 088	----	----	----
	Right	1	----	⊠1950 089	----	----	----
	Left	1	----	----	----	----	----
1958	Cl. Sed., Sp. Cl. Cp., Cv. Cp. Spring Special Front, Right	1	----	⊠1950 090	----	----	----
	Left	1	----	⊠1950 091	----	----	----
1958	All, Spring Special Rear, Right	1	----	⊠1950 208	----	----	----
	Left	1	----	⊠1950 209	----	----	----
1958	Cv. Cp., Sp. Cl. Cp. Adventure, Upper	2	----	----	⊠1810 792	----	----
	Lower	2	----	----	⊠1810 794	----	----
23-23-41	CAP, Outside Finish Moulding Joint						
1957-58	4 D., Sp. 4 D., Cl. Sed., 3 Cp. Rear Window, Lower	1	1707 580	1707 580	----	----	----
1957-58	4 D., Rear Window Upper to Side, Right	1	----	----	1755 674	1755 674	----
	Left	1	----	----	1755 675	1755 675	----
1957-58	Sp. 4 D. Rear Window, Upper	1	1708 350	1708 350	1708 350	1708 350	----
	Lower	1	----	----	1707 580	1707 580	----
1957-58	Cv. Cp. Folding Top Belt, Rear	1	1755 785	1755 785	1755 785	1755 785	----
1957-58	Sp. Cl. Cp., Rear Window Upper to Side, Right	1	1755 672	1755 672	----	----	----
	Left	1	1755 673	1755 673	----	----	----
1957	Sp. Cl. Cp., P31-3 Fury, Quarter Panel Side to Extension Mldg., w/STUD	2	1834 970	----	----	----	----
1958	4 D., Sp. 4 D., Cl. Sed., Sp. Cl. Cp., Cv. Cp., LP1-M, LP2-M, w/Belvedere Mldgs., LP1-H, LP2-H, Quarter Panel Side to Extension Mldg., w/STUD	2	1834 970	----	----	----	----
1957-58	Sp. Cl. Cp. Rear Window, Upper	1	----	----	1708 350	1708 350	----
1957-58	Sp. Cl. Cp., Roof Panel Top, Center Nut	1	----	----	----	----	1750 957
	Nut	1	----	----	----	----	6006 035
1957-58	Sp. 4 D. Roof Panel, Top	1	----	----	----	----	1750 956
	Nut	1	----	----	----	----	6006 035
	Washer	1	----	----	----	----	1751 549
1957-58	except Cv. Cp., Rear Window, Upper, Center	1	----	----	----	----	1690 803
	Clip	2	----	----	----	----	6006 201
1957-58	4 D., Rear Window, Upper Corner, Right	1	----	----	----	----	1690 852
	Left	1	----	----	----	----	1690 853
	Clip	4	----	----	----	----	6006 201
	Nut, w/Washer	2	----	----	----	----	6006 024

★ Indicates use as required.

⊠ Indicates parts not listed in any previous parts book.

* Indicates change or addition.

1957-58 PASSENGER CAR PARTS LIST

BODY

CODE	REMARKS	PER CAR	PLYMOUTH	DODGE	DESOTO	CHRYSLER	IMPERIAL
1957	Cv. Cp., Folding Top Trim						
	Retainer Moulding, Center	1	----	----	----	----	1750 627
	Belt, Center	1	----	----	----	----	1750 626
	Quarter Window Belt, Right	1	----	----	----	----	1750 634
	Left	1	----	----	----	----	1750 635
1958	4 D., Sp. 4 D., Sp. Cl. Cp., Cv. Cp., Cl. Sed., LP1-H, LP2-H, Deck						
	Opening Lower Panel Moulding	1	1865 741	----	----	----	----
1958	Sp. Cl. Cp., Cv. Cp., LS3 Adventurer, Quarter Panel Ornamentation						
	Plate Moulding	2	----	----	1810 796	----	----
COVER,	Outside Finish Moulding Joint						
1957-58	Sp. Cl. Cp., C75-1, LC1, w/Two Tone Paint, Quarter Panel						
	Outside Moulding	4	----	----	----	1759 284	----
1957-58	Sp. 4 D., Sp. Cl. Cp., Rear Window Belt, Center	1	----	----	----	----	1750 990
	Nut, w/Washer	1	----	----	----	----	6006 024
1957-58	All, Deck Opening Lower Panel, Center	1	----	----	----	----	1692 109
	Nut	1	----	----	----	----	6010 098
23-23-42	MOULDING, Roof Panel Outside Finish						
1957-58	4 D., Cl. Sed., P30-3, P31-3, LP1-H, LP2-H, D67-2, LD3						
	Side, Right	1	1775 242	1775 894	----	----	----
	Left	1	1775 243	1775 895	----	----	----
1957	Sp. 4D., P30, P31, D67-2, Side, Right	1	1775 244	1775 810	----	----	----
	Left	1	1775 245	1775 811	----	----	----
1958	Sp. 4 D., LP1-H, LP2-H, Side, Right	1	*1775 244	----	----	----	----
	Left	1	*1775 245	----	----	----	----
1958	Sp. 4 D., LD3-H UP TO Note 1, Side, Right	1	----	*1834 130	----	----	----
	Left	1	----	*1834 131	----	----	----
1958	Sp. 4 D., LD3-H AFTER Note 1, Side, Right	1	----	*1866 594	----	----	----
	Left	1	----	*1866 595	----	----	----
1957	Sp. Cl. Cp., P30-3, P31-3, D67-2, Side, Right	1	1696 664	1708 196	----	----	----
	Left	1	1696 665	1708 197	----	----	----
	Clip	20	1758 478	----	----	----	----
1958	Sp. Cl. Cp., LP1-H, LP2-H, Side, Right	1	*1696 664	----	----	----	----
	Left	1	*1696 665	----	----	----	----
1958	Sp. Cl. Cp., LD3-H UP TO Note 1, Side, Right	1	----	*1834 132	----	----	----
	Left	1	----	*1834 133	----	----	----
1958	Sp. Cl. Cp., LD3-H AFTER Note 1, Side, Right	1	----	*1866 592	----	----	----
	Left	1	----	*1866 593	----	----	----
1957	Sp. 4 D., S25, S27, w/Roof Mldgs., S26, Side Front, Right	1	----	----	1757 032	----	----
	Left	1	----	----	1757 033	----	----
	Clip and Seal	8	----	----	1756 511	----	----
1958	Sp. 4 D., LS1, LS2, w/Roof Mldgs., LS3, Side Front, Right	1	----	----	1835 422	----	----
	Left	1	----	----	1835 423	----	----
1957-58	Sp. 4D., S25, S27, LS1, LS2, w/Roof Mldgs., S26, LS3, Side Rear, Right	1	----	----	1708 754	----	----
	Left	1	----	----	1708 755	----	----
	Side Corner Outer, Right	1	----	----	1708 750	----	----
	Left	1	----	----	1708 751	----	----

NOTE 1:

MODEL

Body Type

Det. Blt. Serial No.

L. A. Blt. Serial No.

LD3-H

Sp. 4 D.

19202

3591

LD3-H

Sp. Cl. Cp.

19202

3589

★ Indicates use as required.

☐ Indicates parts not listed in any previous parts book.
Nov. 28, 1958 Supersedes March 5, 1958.

PASSENGER CAR PARTS LIST 1957-58

CODE	REMARKS	PER CAR	PLYMOUTH	DODGE	DESOTO	CHRYSLER	IMPERIAL
1957	Sp. 4 D., S25, S27, w/Roof Mldgs., S26, Rear, Upper	1	---	---	1756 501	---	---
	Clip	7	---	---	1756 511	---	---
	Washer	7	---	---	6006 031	---	---
	Screw	7	---	---	161 798	---	---
1958	Sp. 4 D., LS1, LS2, w/Roof Mldgs., LS3, Rear Upper	1	---	---	1861 472	---	---
	Clip	7	---	---	6000 221	---	---
	Seal	7	---	---	6006 031	---	---
	Screw	7	---	---	161 798	---	---
1957	Sp. Cl. Cp., S25, S27, w/Roof Mouldings, S26, Side Front, Right	1	---	---	1757 034	---	---
	Left	1	---	---	1757 035	---	---
1958	Sp. Cl. Cp., LS1, LS2, w/Roof Mldgs., LS3 Side Front, Right	1	---	---	1835 420	---	---
	Left	1	---	---	1835 421	---	---
1957-58	Sp. Cl. Cp., S25, S27, LS1, LS2, w/Roof Mldgs., S26, LS3, Side Rear, Right	1	---	---	1755 460	---	---
	Left	1	---	---	1755 461	---	---
1957-58	Sp. Cl. Cp., S26, LS3, Side Corner, Right	1	---	---	1756 508	---	---
	Left	1	---	---	1756 509	---	---
1957	Sp. Cl. Cp., S26 Rear Upper	1	---	---	1756 505	---	---
	Clip	9	---	---	1756 511	---	---
	Seal	9	---	---	6006 031	---	---
	Screw	9	---	---	161 798	---	---
1958	Sp. Cl. Cp., LS3 Rear Upper	1	---	---	1861 471	---	---
	Clip	9	---	---	6000 221	---	---
	Seal	9	---	---	6006 031	---	---
	Screw	9	---	---	161 798	---	---
1957-58	Sp. Cl. Cp., S25, S27, LS1, LS2, w/Roof Mldgs., Side Corner, Right	1	---	---	1756 516	---	---
	Left	1	---	---	1756 517	---	---
	Screw	6	---	---	161 798	---	---
1957-58	Sp. Cl. Cp., S25, S27, LS1 UP TO Serial No. 11178, w/Roof Mldgs. Rear Upper	1	---	---	*1756 504	---	---
	Clip	9	---	---	1756 511	---	---
	Seal	9	---	---	3006 031	---	---
	Screw	9	---	---	161 798	---	---
1958	Sp. Cl. Cp., LS1 AFTER Serial No. 11178, LS2, w/Roof Mldgs., Rear Upper	1	---	---	*1861 470	---	---
	Clip	9	---	---	6000 221	---	---
	Seal	9	---	---	6006 031	---	---
	Screw	9	---	---	161 798	---	---
1957-58	Sub., w/MEDALLION Side, Right	1	---	---	---	1777 998	---
	Left	1	---	---	---	1777 999	---
1958	Sp. 4 D., LC1 w/Two Tone Paint and Spring Special, LC2, LC3, Spring Special, Side Right	1	---	---	---	*1834 130	---
	Left	1	---	---	---	*1834 131	---
	Clip	18	---	---	---	⊠6000 236	---
	Screw	18	---	---	---	*6000 238	---
	Washer	18	---	---	---	⊠6006 031	---
1958	Sp. Cl. Cp., Spring Special, Side Right	1	---	---	---	⊠1878 926	---
	Left	1	---	---	---	⊠1878 927	---
	Clip	20	---	---	---	⊠6000 236	---
	Screw	20	---	---	---	*6000 238	---
	Washer	20	---	---	---	⊠6006 031	---

★ Indicates use as required.

⊠ Indicates parts not listed in any previous parts book.

* Indicates change or addition.

1957-58 PASSENGER CAR PARTS LIST

BODY

CODE	REMARKS	PER CAR	PLYMOUTH	DODGE	DESOTO	CHRYSLER	IMPERIAL
	MOULDING, Roof Panel						
1957-58	Sp. 4 D. Top, Right	1	----	----	----	----	1690 834
	Left	1	----	----	----	----	1690 835
	Nut and Seal	6	----	----	----	----	6010 048
	Side, Right	1	----	----	----	----	1690 836
	Left	1	----	----	----	----	1690 837
	Washer	2	----	----	----	----	1810 111
	Nut and Seal	4	----	----	----	----	6010 048
1957-58	Sp. Cl. Cp. Top, Right	1	----	----	----	----	1750 910
	Left	1	----	----	----	----	1750 911
	Side, Right	1	----	----	----	----	1750 908
	Left	1	----	----	----	----	1750 909
	Nut and Seal Top and Sides	12	----	----	----	----	6010 048
23-23-43	MOULDING, Quarter Window Glass Division Channel						
1957-58	Cl. Sed.	2	*1758 824	*1758 824	----	----	----
23-23-45	MOULDING, Roof Rail Weatherstrip Outside Finish						
1957	Sp. 4 D. Right	1	1755 792	1755 792	1755 792	1755 792	*1751 752
	Left	1	1755 793	1755 793	1755 793	1755 793	*1751 753
1958	Sp. 4 D., LD2, Right	1	1755 792	1836 260	1836 260	1836 260	*1751 752
	Left	1	1755 793	1836 261	1836 261	1836 261	*1751 753
1958	Sp. 4D., LD3 UP TO Note 1 Right	1	----	*1836 260	----	----	----
	Left	1	----	*1836 261	----	----	----
1957	Sp. Cl. Cp. Right	1	1774 058	1774 058	1755 790	1755 790	1750 788
	Left	1	1774 059	1774 059	1755 791	1755 791	1750 789
1958	Sp. Cl. Cp., LD2, Right	1	*1774 058	*1836 218	*1836 234	*1836 234	*1750 788
	Left	1	1774 059	1836 219	1836 235	1836 235	1750 789
1958	Sp. Cl. Cp., LD3 UP TO Note 1 Right	1	----	*1836 218	----	----	----
	Left	1	----	*1836 219	----	----	----
1957	Sub., S26, Rear Corner Right	1	----	----	1777 516	1777 516	----
	Left	1	----	----	1777 517	1777 517	----
1957	Sub., S27 Rear Corner Right	1	1776 560	1776 560	1776 560	----	----
	Left	1	1776 561	1776 561	1776 561	----	----
23-23-49	MOULDING, Folding Top Belt Outside Finish Rear						
1957-58	Cv. Cp. Right	1	1755 786	1755 786	1758 484	1758 484	----
	Left	1	1755 787	1755 787	1758 485	1758 485	----
	MOULDING, Folding Top Trim Retainer						
1957	Cv. Cp. Right	1	----	----	----	----	1750 402
	Left	1	----	----	----	----	1750 403
	Retainer Screw	20	----	----	----	----	1691 922
							168 626
23-23-50	PLATE, Roof Ornamentation						
1957-58	Sp. 4 D., S25, S27, LS1, LS2, w/Roof Mldgs., S26, LC3 Right	1	----	----	1758 060	----	----
	Left	1	----	----	1758 061	----	----
1957-58	Sp. Cl. Cp., S25, S27, LS1, LS2, w/Roof Mldgs., S26, LC3 Right	1	----	----	1757 184	----	----
	Left	1	----	----	1757 185	----	----
	Screw	4	----	----	178 812	----	----
23-23-52	MOULDING, Rear Window Outside Finish						
1957-58	4 D., Cl. Sed., 3 Cp. Upper	1	1696 666	1696 666	1696 790	1696 790	----
1957-58	4 D. Upper, Right	1	----	----	----	----	1690 810
	Left	1	----	----	----	----	1690 811
	Clip	12	----	----	----	----	6006 201
1957-58	4 D., Cl. Sed., 3 Cp. Side, Right	1	1696 668	1696 668	1696 792	1696 792	1690 814
	Left	1	1696 669	1696 669	1696 793	1696 793	1690 815
	Clip	6	----	----	----	----	6006 201

NOTE 1:	MODEL	Body Type	Det. Bit. Serial No.	L. A. Bit. Serial No.
	LD3	Sp. 4 D.	19202	3591
	LD3	Sp. Cl. Cp.	19202	3589

★ Indicates use as required.

☐ Indicates parts not listed in any previous parts book.
Nov. 28, 1958 Supersedes March 5, 1958.

Prices and specifications subject to change without notice.
* Indicates change or addition.

Printed in U.S.A.

CODE	REMARKS	PER CAR	PLYMOUTH	DODGE	DESOTO	CHRYSLER	IMPERIAL
1957	4 D., Cl. Sed., 3 Cp. Lower, Right	1	1696 670	-----	-----	-----	-----
	Left	1	1696 671	-----	-----	-----	-----
1957	4 D., Cl. Sed., UP TO Note 1, Lower Right	1	-----	1696 670	-----	-----	-----
	Left	1	-----	1696 671	-----	-----	-----
1957	4 D., Cl. Sed., AFTER Note 1, Lower, Right	1	-----	1834 862	-----	-----	-----
	Left	1	-----	1834 863	-----	-----	-----
1958	4 D., Cl. Sed., 3 Cp., Lower Center, Right	1	*1834 862	*1843 784	-----	-----	-----
	Left	1	1834 863	1843 785	-----	-----	-----
1957-58	4 D. Lower, Center	1	-----	-----	1708 656	1708 656	1751 457
	Nut, w/Washer	5	-----	-----	-----	-----	6006 024
	Lower End, Right	1	-----	-----	1707 994	1707 994	1751 420
	Left	1	-----	-----	1707 995	1707 995	1751 421
	Nut, w/Washer	4	-----	-----	-----	-----	6006 024
1957-58	Sp. 4 D. Upper and Side, Right	1	1708 614	1708 614	1708 614	1708 614	1690 846
	Left	1	1708 615	1708 615	1708 615	1708 615	1690 847
	Clip	16	-----	-----	-----	-----	6006 201
	Lower Center, Right	1	1708 616	1708 616	1708 616	1708 616	1690 854
	Lower Center, Left	1	1755 983	1755 983	1755 983	1755 983	1690 855
	Nut, w/Washer	8	-----	-----	-----	-----	6006 024
1957	Sp. 4 D., P30-2, P31-2, D66, D67, S25, S27 Lower End, Right	1	1758 324	1758 324	1758 324	-----	-----
	Left	1	1758 325	1758 325	1758 325	-----	-----
1957	Sp. 4 D., P30-3, P31-3, S26, Lower End, Right	1	1707 998	-----	1707 998	1707 998	-----
	Left	1	1707 999	-----	1707 999	1707 999	-----
1957	Sp. 4 D., S25, S27, w/Roof Mldgs., Lower End, Right	1	-----	-----	1707 998	-----	-----
	Left	1	-----	-----	1707 999	-----	-----
1958	Sp. 4 D. Lower End, Right	1	1758 324	1758 324	1758 324	1758 324	-----
	Left	1	1758 325	1758 325	1758 325	1758 325	-----
1957-58	Sp. 4 D., Sp. Cl. Cp., Lower Corner, Right	1	-----	-----	-----	-----	1690 860
	Left	1	-----	-----	-----	-----	1690 861
	Clip, Front	2	-----	-----	-----	-----	6006 203
	Clip, Front Upper	2	-----	-----	-----	-----	6006 200
	Nut, w/Washer	4	-----	-----	-----	-----	6006 024
1957	Sp. Cl. Cp. Upper	1	1696 676	1696 676	-----	-----	-----
	Side, Right	1	1696 678	1696 678	-----	-----	-----
	Left	1	1696 679	1696 679	-----	-----	-----
1958	Sp. Cl. Cp. Upper	1	1696 676	1696 676	-----	-----	-----
	Side, Right	1	1696 678	1696 792	-----	-----	-----
	Left	1	1696 679	1696 793	-----	-----	-----
1957-58	Sp. Cl. Cp., S25, S27, LS1, LS2, C75, LC1, LC2 Upper and Side, Right	1	-----	-----	1708 346	1708 346	-----
	Left	1	-----	-----	1708 347	1708 347	-----
1957-58	Sp. Cl. Cp., S26, LS3, C76, LC3, Upper and Side, Right	1	-----	-----	1708 348	1708 348	1690 846
	Left	1	-----	-----	1708 349	1708 349	1690 847
	Clip	16	-----	-----	-----	-----	6006 201
1957-58	Sp. Cl. Cp. Lower Center	1	1696 677	1696 677	1708 488	1708 488	-----
1957-58	Sp. Cl. Cp. Lower Center, Right	1	-----	-----	-----	-----	1690 854
	Left	1	-----	-----	-----	-----	1690 855
	Nut, w/Washer	8	-----	-----	-----	-----	6006 024
1957	Sp. Cl. Cp., P30, P31, D66, D67, Long Type Lower End, Right	1	1707 582	1707 582	-----	-----	-----
	Left	1	1707 583	1707 583	-----	-----	-----
1957	Sp. Cl. Cp., P30, P31, D66, D67, Short Type Lower End, Right	1	1834 810	1834 810	-----	-----	-----
	Left	1	1834 811	1834 811	-----	-----	-----

NOTE 1: MODEL Serial No. MODEL Serial No.
 D66 35214920 D72 32264460
 D67 37275254

★ Indicates use as required.
 □ Indicates parts not listed in any previous parts book.
 * Indicates change or addition.

1957-58 PASSENGER CAR PARTS LIST

BODY

CODE	REMARKS	PER CAR	PLYMOUTH	DODGE	DESOTO	CHRYSLER	IMPERIAL
1958	Sp. Cl. Cp. UP TO, Lower End, Right	1	*1834 810	*1834 810	----	----	----
	Left	1	1834 811	1834 811	----	----	----
1958	Sp. Cl. Cp. AFTER, Lower End, Right	1	*1884 718	*1884 718	----	----	----
	Left	1	*1884 719	*1884 719	----	----	----
1957-58	Sp. Cl. Cp., S25, S27, LS1, LS2, C75, LC1, LC2, Lower End, Right	1	----	----	1707 996	1707 996	----
	Left	1	----	----	1707 997	1707 997	----
1957-58	Sp. Cl. Cp., S26, LS3, C76, LC3 Lower End, Right	1	----	----	1708 490	1708 490	----
	Left	1	----	----	1708 491	1708 491	----
1958	Sp. Cl. Cp., LC1, LC2, Spec. Equip., Upper and Side, Right	1	----	----	----	1708 348	----
	Left	1	----	----	----	1708 349	----
	Lower End, Right	1	----	----	----	1708 490	----
	Left	1	----	----	----	1708 491	----
23-23-60	MOULDING, Tailgate Opening Outside Finish						
1957	Sub., S27 Upper	1	1776 408	1776 408	1776 408	----	----
1958	Sub., LS1 Upper	1	1846 229	1846 229	1846 229	----	----
1957-58	Sub. Upper Side w/Run, Right	1	1776 570	1776 570	1776 570	1776 570	----
	Left	1	1776 571	1776 571	1776 571	1776 571	----
23-23-64	PANEL, Windshield Outside Finish						
1957-58	Cv. Cp. Header	1	1707 572	1707 572	1707 572	1758 818	----
	Screw	5	145 417	145 417	145 417	145 417	----
1957-58	4 D. Upper Center	1	----	----	1708 832	1757 965	----
	Upper End Right	1	----	----	1708 830	1758 006	----
	Left	1	----	----	1708 831	1758 007	----
1957-58	4 D. Sub. Upper Center	1	----	----	1707 566	1755 677	----
	Upper End Right	1	----	----	1756 684	1755 992	----
	Left	1	----	----	1756 685	1755 993	----
1957	Sp. 4 D., Sp. Cl. Cp. Upper Center	1	----	----	1697 120	1757 055	----
	Upper End Right	1	----	----	1756 686	1833 354	----
	Left	1	----	----	1756 687	1833 355	----
23-23-65	MOULDING, Windshield Outside Finish						
1957	4 D., Cl. Sed., 3 Cp., Sub., use w/Cap 1707 564 Upper	1	1834 948	1834 948	----	----	----
1957	4 D., Cl. Sed., 3 Cp., Sub., use w/o Cap 1707 564, UP TO Note 1, Upper	1	1834 948	1834 948	----	----	----
1957	4 D., Cl. Sed., 3 Cp., Sub. use w/o Cap 1707 564, AFTER Note 1 Upper	1	1836 724	1836 724	----	----	----
	Clip	1	6000 257	6000 257	----	----	----
	Screw	4	152 223	152 223	----	----	----
1957	4 D., Cl. Sed., 3 Cp., Sub., use w/Cap Side Right	1	1834 946	1834 946	----	----	----
	Left	1	*1836 735	*1836 735	----	----	----
1957	4 D., Cl. Sed., 3 Cp., Sub., use w/o Cap 1707 564, UP TO Note 1 Side, Right	1	1834 946	1834 946	----	----	----
	Left	1	*1836 735	*1836 735	----	----	----
1957	4 D., Cl. Sed., 3 Cp., Sub., use w/o Cap 1707 564, AFTER Note 1 Side, Right	1	1836 734	1836 734	----	----	----
	Left	1	1836 735	1836 735	----	----	----
	Screw	8	1341 885	1341 885	----	----	----
1957	4 D., Cl. Sed., 3 Cp., Sub. Lower End, Right	1	1708 322	1708 322	----	----	----
	Left	1	1708 323	1708 323	----	----	----
	Screw	*	1341 885	1341 885	----	----	----
1957	Sp. 4 D., used w/Cap 1708 318, Upper	1	1835 436	1835 436	----	----	----
	Clip	2	6000 270	6000 270	----	----	----
	Screw	4	152 223	152 223	----	----	----

NOTE 1:	MODEL	Approx. Ser. No.	MODEL	Approx. Ser. No.
	P30	14361893	D70	38014863
	P31	16256725	D71	38537510
	D66	35245765	D72	32267234
	D67	37298378		

* Indicates use as required.

☐ Indicates parts not listed in any previous parts book.

Nov. 28, 1958 Supersedes March 5, 1958.

Prices and specifications subject to change without notice.

* Indicates change or addition.

Printed in U.S.A.

CODE	REMARKS	PER CAR	PLYMOUTH	DODGE	DESOTO	CHRYSLER	IMPERIAL
1957	Sp. 4 D., used w/o Cap 1708 318, UP TO Note 1 Upper	1	1835 435	1835 435	----	----	----
	Clip	2	6000 270	6000 270	----	----	----
	Screw	4	152 223	152 223	----	----	----
1957	Sp. 4 D., AFTER Note 1 Upper	1	1844 612	1844 612	----	----	----
	Clip	2	6000 270	6000 270	----	----	----
1957	Sp. 4 D., used w/Cap 1708 318, Side, Right	1	1696 686	1696 686	----	----	----
	Left	1	1696 687	1696 687	----	----	----
	Screw	8	1341 885	1341 885	----	----	----
1957	Sp. 4 D., used w/o Cap 1708 318, UP TO Note 1 Side, Right	1	1835 442	1835 442	----	----	----
	Left	1	1835 443	1835 443	----	----	----
	Screw	8	1341 885	1341 885	----	----	----
	Screw	2	274 109	274 109	----	----	----
1957	Sp. 4 D., AFTER Note 1, Side, Right	1	1844 608	1844 608	----	----	----
	Left	1	1844 609	1844 609	----	----	----
	Screw	8	1341 885	1341 885	----	----	----
	Screw	2	274 109	274 109	----	----	----
1957	Sp. Cl. Cp., used w/Cap 1708 338, UP TO Note 1 Upper	1	1696 682	1696 682	----	----	----
	Clip	2	6000 227	6000 227	----	----	----
	Screw	2	166 277	166 277	----	----	----
1957	Sp. Cl. Cp., used w/o Cap, AFTER Note 1 Upper	1	1846 032	1846 032	----	----	----
	Clip	2	6000 227	6000 227	----	----	----
	Screw	2	274 109	274 109	----	----	----
1957	Sp. Cl. Cp., used w/Cap 1708 338, UP TO Note 1 Side, Right	1	1696 688	1696 688	----	----	----
	Left	1	1696 689	1696 689	----	----	----
	Screw	2	166 277	166 277	----	----	----
	Screw	8	1341 885	1341 885	----	----	----
1957	Sp. Cl. Cp., used w/o Cap, AFTER Note 1 Side, Right	1	1846 030	1846 030	----	----	----
	Left	1	1846 031	1846 031	----	----	----
	Screw	2	274 109	274 109	----	----	----
	Screw	8	1341 885	1341 885	----	----	----
1957	All Lower	1	1696 683	1696 683	----	----	----
1957	Sp. 4 D., Sp. Cl. Cp., Cv. Cp. Lower End, Right	1	1708 344	1708 344	----	----	----
	Left	1	1708 345	1708 345	----	----	----
1957	Cv. Cp. Side, Right	1	1707 570	1707 570	1707 570	1759 190	----
	Left	1	1707 571	1707 571	1707 571	1759 191	----
	Screw, to Pillar	8	1341 885	1341 885	1341 885	1341 885	----
1957	4 D., use w/Cap Upper	1	----	----	1697 115	1755 471	----
	Screw	2	----	----	166 303	166 303	----
	Screw	4	----	----	152 223	152 223	----
1957	4 D., S25, S26, C75-2, C76, use w/Cap Side, Right	1	----	----	*1755 472	1755 472	----
	Left	1	----	----	*1755 473	1755 473	----
	Screw	6	----	----	1341 885	1341 885	----
1957	4 D., S27, C75-1, use w/Cap Side, Right	1	----	----	1835 450	1835 450	----
	Left	1	----	----	1757 023	1759 401	----
	Screw	6	----	----	1341 885	----	----
1957	Sp. 4 D., Sp. Cl. Cp., use w/o Cap Upper	1	----	----	1844 612	1844 612	----
	Screw	2	----	----	166 303	166 303	----
	Screw	4	----	----	152 223	152 223	----
1957	All except Sub., Lower Center	1	----	----	*1696 683	*1755 606	----
1957	Sub., Lower Center	1	----	----	*1696 683	*1696 683	----

NOTE 1:

MODEL	Sp. 4 D. Approx. Ser. No.	Sp. Cl. Cp. Approx. Ser. No.
P30	14361593	14361593
P31	16256493	16256493
D66	35293688	35280635
D67	37319209	37314595

★ Indicates use as required.

☐ Indicates parts not listed in any previous parts book.

* Indicates change or addition.

1957-58 PASSENGER CAR PARTS LIST

BODY

CODE	REMARKS	PER CAR	PLYMOUTH	DODGE	DESOTO	CHRYSLER	IMPERIAL
1957	4D. Lower End, Right	1	----	----	1697 116	1757 454	----
	Left	1	----	----	1697 117	1757 455	----
1957	Sp. 4 D., Sp. Cl. Cp., use w/Cap						
	Upper	1	----	----	1835 436	1835 436	----
1957	4 D., use w/o Cap	1	----	----	1835 437	1835 438	----
	Screw	2	----	----	166 303	166 303	----
	Screw	4	----	----	152 223	152 223	----
1957	4 D., S25, S26, C75-2, C76, use w/o Cap						
	Side Right	1	----	----	1835 446	1835 448	----
	Left	1	----	----	1835 447	*1835 447	----
	Screw	6	----	----	1341 885	1341 885	----
1957	4 D., S27, C75-1, use w/o Cap						
	Side, Right	1	----	----	1835 450	1835 450	----
	Left	1	----	----	1835 451	1835 451	----
	Screw	6	----	----	1341 885	1341 885	----
1957	Sp. 4D., Sp. Cl. Cp., Cv. Cp.						
	Lower End, Right	1	----	----	1708 344	1757 928	----
	Left	1	----	----	1708 345	1757 929	----
1957	Sp. 4 D., Sp. Cl. Cp., use w/Cap						
	Side, Right	1	----	----	1696 686	1709 920	----
	Left	1	----	----	1696 687	1709 921	----
1957	Sp. 4 D., Sp. Cl. Cp., use w/o Cap						
	Side Right	1	----	----	1835 442	1835 444	----
	Side Left	1	----	----	1835 443	1835 445	----
	Screw	8	----	----	1341 885	1341 885	----
1957	4 D. Sub., S26, S27, use w/Cap						
	Upper	1	----	----	1834 948	----	----
1957	4 D. Sub., S26, S27, C75, C76, use w/o Cap						
	Upper	1	----	----	1834 948	1834 948	----
	Screw	2	----	----	166 303	166 303	----
	Screw	4	----	----	152 223	152 223	----
1957	4 D. Sub., S27, use w/Cap						
	Side, Right	1	----	----	1834 946	----	----
	Left	1	----	----	*1836 735	----	----
1957	4 D. Sub., S26, use w/Cap						
	Side, Right	1	----	----	1757 036	----	----
	Left	1	----	----	1757 037	----	----
1957	4 D. Sub., S27, C75, use w/o Cap						
	Side Right	1	----	----	1834 946	*1834 946	----
	Left	1	----	----	*1836 735	*1836 735	----
1957	4 D. Sub., S26, C76, use w/o Cap						
	Side, Right	1	----	----	1836 190	1836 190	----
	Left	1	----	----	1836 191	1836 191	----
	Screw	4	----	----	1341 885	1341 885	----
1957	4 D. Sub., S26, S27, C75, C76						
	Lower End, Right	1	----	----	1708 322	1758 044	----
	Left	1	----	----	1708 323	1758 045	----
1957-58	4D., Sp. 4D., Sp. Cl. Cp.						
	Upper, Right	1	----	----	----	----	1750 130
	Left	1	----	----	----	----	1750 131
	Retainer	6	----	----	----	----	6006 206
	Nut, w/Washer	6	----	----	----	----	6006 024
	Washer	6	----	----	----	----	1692 190
1957	4 D., Sp. 4 D., Sp. Cl. Cp., IM1-1						
	Side, Right	1	----	----	----	----	1690 808
	Left	1	----	----	----	----	1690 809
1958	4 D., Sp. 4 D., Sp. Cl. Cp.,						
	Side, Right	1	----	----	----	----	1690 808
	Left	1	----	----	----	----	1690 809
1957	4 D., Sp. 4 D., Sp. Cl. Cp., IM1-2, IM1-4, w/Medallion						
	Side, Right	1	----	----	----	----	1751 564
	Left	1	----	----	----	----	1751 565
	Screw, No. 8-18 x 1/4"	4	----	----	----	----	111 196
	Screw	10	----	----	----	----	151 785
1957-58	All Lower, Right	1	----	----	----	----	1750 128
	Left	1	----	----	----	----	1750 129
	Clip	20	----	----	----	----	6006 020

★ Indicates use as required.

□ Indicates parts not listed in any previous parts book.
Nov. 28, 1958 Supersedes March 5, 1958.

Prices and specifications subject to change without notice.

* Indicates change or addition.

Printed in U.S.A.

CODE	REMARKS	PER CAR	PLYMOUTH	DODGE	DESOTO	CHRYSLER	IMPERIAL
1957-58	Cv. Cp. Upper	1	----	----	----	----	1691 904
	Retainer	5	----	----	----	----	6006 175
	Stud	5	----	----	----	----	6006 176
	Header Upper Corner, Right	1	----	----	----	----	1751 088
	Left	1	----	----	----	----	1751 089
	Retainer	5	----	----	----	----	6006 175
	Stud	5	----	----	----	----	6006 176
1957	Cv. Cp., UP TO Approximate	1	----	----	----	----	1751 684
	Ser. No. 29435 Side, Right	1	----	----	----	----	1751 685
	Left	8	----	----	----	----	6000 000
	Screw	8	----	----	----	----	6000 000
1957-58	Cv. Cp., IM1, AFTER Approximate	1	----	----	----	----	1860 788
	Ser. No. 29435, LY1 Side, Right	1	----	----	----	----	1860 789
	Left	1	----	----	----	----	1860 789
NOTE: 1958 Windshield Mouldings with "Type 1" remark are with exposed attaching Screw 274 109 at upper end of side Moulding; "Type 2" are without.							
1958	4 D., Cl. Sed., 3 Cp., Type 1, Upper	1	1836 724	1836 724	1844 920	1844 920	----
	Clip	3	6000 257	6000 257	6000 226	6000 226	----
1958	4 D., Cl. Sed., 3 Cp., Type 2, Upper	1	1882 005	1882 005	1882 312	1882 312	----
	Clip	4	6000 257	6000 257	6000 226	6000 226	----
1958	4 D., Cl. Sed., 3 Cp., LS1, LC1, Type 1, Side, Right	1	1836 734	1836 734	1846 014	1846 014	----
	Left	1	1836 735	1836 735	1846 015	1846 015	----
	Screw, Upper	2	274 109	274 109	274 109	274 109	----
	Screw	6	6000 009	6000 009	6000 000	6000 000	----
1958	4 D., Cl. Sed., 3 Cp., LS1, LC1, Type 2 Side, Right	1	1882 006	1882 006	1882 314	1882 314	----
	Left	1	1882 007	1882 007	1882 315	1882 315	----
	Screw	6	6000 009	6000 009	6000 000	6000 000	----
1958	4 D., LS2, LS3, LC2, LC3, Type 1 Side, Right	1	----	----	1845 484	1845 484	----
	Left	1	----	----	1845 485	1845 485	----
	Screw, Upper	2	----	----	274 109	274 109	----
	Screw	6	----	----	6000 000	6000 000	----
1958	4 D., LS2, LS3, LC2, LC3, Type 2 Side, Right	1	----	----	1882 318	1882 318	----
	Left	1	----	----	1882 319	1882 319	----
	Screw	6	----	----	6000 000	6000 000	----
1958	4 D., Cl. Sed., 3 Cp. Lower End, Right	1	1708 322	1708 322	1697 116	1757 454	----
	Left	1	1708 323	1708 323	1697 117	1757 455	----
1958	All except Sub., Lower Center	1	*1696 683	*1696 683	*1696 683	*1755 606	----
1958	Sub., Lower Center	1	*1696 683	*1696 683	*1696 683	*1696 683	----
1958	4 D. Sub., 2 D. Sub., Type 1 Upper	1	1836 724	1836 724	1836 724	1836 724	----
	Clip	3	6000 257	6000 257	6000 257	6000 257	----
1958	4 D. Sub., 2 D. Sub., Type 2 Upper	1	1882 005	1882 005	1882 005	1882 005	----
	Clip	4	6000 257	6000 257	6000 257	6000 257	----
1958	4 D. Sub., 2 D. Sub., LS1, LC1, Type 1 Side, Right	1	1836 734	1836 734	1836 734	1836 734	----
	Left	1	1836 735	1836 735	1836 735	1836 735	----
	Screw, Upper	2	274 109	274 109	274 109	274 109	----
	Screw	6	6000 009	6000 009	6000 000	6000 000	----
1958	4 D. Sub., 2 D. Sub., LS1, LC1, Type 2 Side, Right	1	1882 006	1882 006	1882 006	1882 006	----
	Left	1	1882 007	1882 007	1882 007	1882 007	----
	Screw	6	6000 009	6000 009	6000 000	6000 000	----
1958	4 D. Sub., LS3, LC3, Type 1 Side, Right	1	----	----	1843 730	1843 730	----
	Left	1	----	----	1843 731	1843 731	----
	Screw, Upper	2	----	----	274 109	274 109	----
	Screw	6	----	----	6000 000	6000 000	----
1958	4 D. Sub., LS3, LC3, Type 2 Side, Right	1	----	----	1882 056	1882 056	----
	Left	1	----	----	1882 057	1882 057	----
	Screw	6	----	----	6000 000	6000 000	----

★ Indicates use as required.

□ Indicates parts not listed in any previous parts book.

* Indicates change or addition.

1957-58 PASSENGER CAR PARTS LIST

BODY

CODE	REMARKS	PER CAR	PLYMOUTH	DODGE	DESOTO	CHRYSLER	IMPERIAL
1958	4 D. Sub., 2 D. Sub., Lower End, Right	1	1708 322	1708 322	1708 322	1708 322	----
	Left	1	1708 323	1708 323	1708 323	1708 323	----
1958	Sp. 4 D., Type 1 Clip	Upper 3	1844 612 6000 270	----	----	----	----
1958	Sp. 4 D., Type 2 Clip	Upper 4	1882 168 6000 270	----	----	----	----
1958	Sp. 4 D., Type 1 Side, Right	1	1844 608	----	----	----	----
	Left	1	1844 609	----	----	----	----
	Screw, Upper	2	274 109	----	----	----	----
	Screw	6	6000 009	----	----	----	----
1958	Sp. 4 D., Type 2 Side, Right	1	1882 174	----	----	----	----
	Left	1	1882 175	----	----	----	----
	Screw	6	6000 009	----	----	----	----
1958	Sp. 4 D. Upper	1	----	1834 113	1834 113	1834 956	----
	Side, Right	1	----	1834 110	1834 110	1835 198	----
	Left	1	----	1834 111	1834 111	1835 199	----
1958	Sp. 4 D. Lower End, Right	1	1708 344	1834 126	1834 126	1834 126	----
	Left	1	1708 345	1834 127	1834 127	1834 127	----
1958	Sp. Cl. Cp., Type 1 Clip	Upper 3	*1846 032 B6000 227	----	----	----	----
	Side, Right	1	*1846 030	----	----	----	----
	Left	1	*1846 031	----	----	----	----
	Screw, Upper	2	*274 109	----	----	----	----
	Screw	6	*6000 009	----	----	----	----
1958	Sp. Cl. Cp., Type 2 Clip	Upper 4	B1882 171 B6000 227	----	----	----	----
	Side, Right	1	B1882 180	----	----	----	----
	Left	1	B1882 181	----	----	----	----
	Screw	6	*6000 009	----	----	----	----
1958	Sp. Cl. Cp. Upper	1	----	1834 114	1834 113	1834 956	----
	Side, Right	1	----	1834 124	1834 110	1835 198	----
	Left	1	----	1834 125	1834 111	1835 199	----
	Lower End, Right	1	1708 344	1834 128	1834 126	1836 394	----
	Left	1	1708 345	1834 129	1834 127	1836 395	----
1958	Cv. Cp. Side, Right	1	1707 570	1707 570	1707 570	1759 190	----
	Left	1	1707 571	1707 571	1707 571	1759 191	----
	Lower End, Right	1	1708 344	1708 344	1708 344	1757 928	----
	Left	1	1708 345	1708 345	1708 345	1757 929	----
23-23-66	CAP, Windshield Outside Finish Moulding Joint Cover						
1957	4D., Cl. Sed., 3 Cp., Sub.	Upper	2	1707 564	1707 564	----	----
1957	Sp. 4D.	Upper	2	1708 318	1708 318	----	----
1957	Sp. Cl. Cp., UP TO Note 1	Upper	2	1708 338	1708 338	----	----
1957	Sp. 4D., Sp. Cl. Cp.	Upper	2	----	----	1708 318	1709 918
1957	4 D.	Upper	2	----	----	1755 470	1755 470
1957	4 D. Sub.	Upper to Side	2	----	----	1707 564	----
1957-58	4D., Sp. 4D., Sp. Cl. Cp.	Upper Center	1	----	----	----	*1750 754
	Nut, w/Washer		1	----	----	----	6006 024
	Washer		1	----	----	----	1692 190
1957-58	All	Lower Center	1	----	----	----	*1692 191
23-23-67	MEDALLION, Windshield Opening Side Moulding						
1957	All		2	----	----	----	1751 566
23-23-80	PANEL, Door Outside Finish						
1957	Sp. Cl. Cp., P31-3 Fury	Right	1	1833 978	----	----	----
		Left	1	1833 979	----	----	----
1958	4 D., LP1-L, LP2-L, w/Insert PANELS,	Front, Right	1	B1950 120	----	----	----
		Left	1	B1950 121	----	----	----
		Rear, Right	1	B1950 122	----	----	----
		Left	1	B1950 123	----	----	----

NOTE 1:	MODEL	Approx. Ser. No.	MODEL	Approx. Ser. No.
	P30	14361593	D66	35280635
	P31	16256493	D67	37314595

★ Indicates use as required.

⊞ Indicates parts not listed in any previous parts book.
Nov. 28, 1958 Supersedes March 5, 1958.

Printed in U.S.A.
Prices and specifications subject to change without notice.

* Indicates change or addition.

CODE	REMARKS	PER CAR	PLYMOUTH	DODGE	DESOTO	CHRYSLER	IMPERIAL
1958	Cl. Sed., LP1-L, LP2-L, w/Insert PANELS, Right	1	⊠1950 124	----	----	----	----
	Left	1	⊠1950 125	----	----	----	----
1958	4 D., Sp. 4 D., 4 D. Sub., LP1-H, LP2-H, Spec. Equip. Front, Right	1	1866 900	----	----	----	----
	Left	1	1866 901	----	----	----	----
	Rear, Right	1	1866 902	----	----	----	----
	Left	1	1866 903	----	----	----	----
1958	Sp. Cl. Cp., Cv. Cp., Cl. Sed., LP1-H, LP2-H, Spec. Equip., Right	1	1867 900	----	----	----	----
	Left	1	1867 901	----	----	----	----
1958	Sp. Cl. Cp., LP2 Fury Right	1	1846 460	----	----	----	----
	Left	1	1846 461	----	----	----	----
PLATE, Door Outside Finish Insert							
1958	4 D., Sp. 4 D., Sub., Spring Special, Front Right	1	----	----	⊠1878 928	----	----
	Left	1	----	----	⊠1878 929	----	----
	Rear Right	1	----	----	⊠1878 932	----	----
	Left	1	----	----	⊠1878 933	----	----
1958	Sp. Cl. Cp., Cv. Cp., Spring Special, Right	1	----	----	⊠1878 936	----	----
	Left	1	----	----	⊠1878 937	----	----
1958	4 D., Sp. 4 D., Sp. Cl. Cp., Sub., LC1 Spring Special, Front Door Right	1	----	----	----	⊠1878 920	----
	Left	1	----	----	----	⊠1878 921	----
23-23-85 PANEL, Quarter Outside Finish							
1957	Sp. Cl. Cp., P31-3 Fury Side, Right	1	1833 976	----	----	----	----
	Left	1	1833 977	----	----	----	----
	Rear Upper End, Right	1	1834 972	----	----	----	----
	Left	1	1834 973	----	----	----	----
1958	Screw, 18 x 3/8" Cl. Sed., LP1-L, LP2-L, w/Insert PANELS, Right	4	6000 238	----	----	----	----
	Left	1	⊠1950 126	----	----	----	----
		1	⊠1950 127	----	----	----	----
1958	4 D., Sp. 4 D., LP1-H, LP2-H, Spec. Equip. Side, Right	1	1867 686	----	----	----	----
	Left	1	1867 687	----	----	----	----
1958	4 D. Sub., LP1-H, LP2-H, Spec. Equip. Side, Right	1	1867 648	----	----	----	----
	Left	1	1867 649	----	----	----	----
1958	Sp. Cl. Cp., Cv. Cp., Cl. Sed., LP1-H, LP2-H, Spec. Equip. Side, Right	1	1867 688	----	----	----	----
	Left	1	1867 689	----	----	----	----
	Retainer, w/Stud	2	⊠6000 529	----	----	----	----
	Nut, w/Seal	2	*6000 028	----	----	----	----
1958	Sp. Cl. Cp., LP2 Fury Side, Right	1	1867 690	----	----	----	----
	Left	1	1867 691	----	----	----	----
PLATE, Lower Quarter Upper Panel Rear Filler Finish							
1957-58	D66, D67-1, D72, LD1, LD2 Right	1	----	1835 824	----	----	----
	Left	1	----	1835 825	----	----	----
1957	D67-2 Right	1	----	1707 942	----	----	----
	Left	1	----	1707 943	----	----	----
	Screw	4	----	154 959	----	----	----
1958	All except Sub., LD3 Right	1	----	1835 826	----	----	----
	Left	1	----	1835 827	----	----	----
ORNAMENT, Lower Quarter Upper Panel Filler Finish Plate							
1958	All except Sub., Spec. Equip., Rear Right	1	----	⊠1950 078	----	----	----
	Left	1	----	⊠1950 079	----	----	----

★ Indicates use as required.

⊠ Indicates parts not listed in any previous parts book.

* Indicates change or addition.

1957-58 PASSENGER CAR PARTS LIST

BODY

CODE	REMARKS	PER CAR	PLYMOUTH	DODGE	DESOTO	CHRYSLER	IMPERIAL
1958	PLATE, Quarter Panel Ornamentation Sp. Cl. Cp., Cv. Cp., LS3 Adventurer	Right 1 Left 1	---	---	1810 790 1810 791	---	---
1958	4 D., Sp. 4 D., Spring Special,	Right 1 Left 1	---	---	⊠1878 934 ⊠1878 935	---	---
1958	Screw, Lower Rear Sub., Spring Special	Right 1 Left 1	---	---	* 273 682 ⊠1879 002 ⊠1879 003	---	---
1958	Sp. Cl. Cp., Cv. Cp., Spring Special	Right 1 Left 1	---	---	⊠1878 940 ⊠1878 941	---	---
23-26-0 TRIM FINISH MOULDINGS							
23-26-2	MOULDING, Rear Quarter Arm Rest Panel Cv. Cp., Sp. Cl. Cp., P30-3, P31-3, D67-2	2	1756 286	1756 286	---	---	---
1958	Cv. Cp., Sp. Cl. Cp., LD2, LD3, Combination Trim	2	---	1837 023	---	---	---
1957-58	MOULDING, Arm Rest Finish Cv. Cp., Sp. Cl. Cp. Upper, Right	1 Left 1	---	---	---	---	*1766 690 1766 691
1957-58	Sp. Cl. Cp., IM1-1, LY1-L Lower	2	---	---	---	---	*1766 870
1957	Cv. Cp., IM1 Lower	2	---	---	---	---	*1766 870
1958	Sp. Cl. Cp., Cv. Cp., LY1-M Lower	2	---	---	---	---	*1840 382
23-26-3	CLIP, Arm Rest Moulding						
1957	4 D., Sp. 4 D., Sp. Cl. Cp., C75 Front Door	4	---	---	---	1623 439	---
1957	4 D., Sp. 4 D., C75 Rear Door	4	---	---	---	1623 439	---
23-26-7	GROMMET, Door Arm Rest Moulding						
1957	All, Gray Plastic Front and Rear	4	---	---	---	---	1772 929
23-26-23	MOULDING, Door Trim Panel Finish						
1957	4 D., P30-1, P31-1, Front Door, except Codes 425, 426	2	1774 579	---	---	---	---
	Codes 425, 426	2	1774 692	---	---	---	---
	Rear Door, except Codes 425, 426	2	1774 582	---	---	---	---
	Codes 425, 426	2	1774 693	---	---	---	---
1957	4 D., P30-2, P31-2, Front Door, except Codes 425, 426	2	1774 575	---	---	---	---
	Codes 425, 426	2	1774 692	---	---	---	---
	Rear Door, except Codes 425, 426	2	1774 581	---	---	---	---
	Codes 425, 426	2	1774 693	---	---	---	---
1957	4 D., P30-3, P31-3, Front Door, Right	1	1706 174	---	---	---	---
	Left	1	1706 175	---	---	---	---
	Rear Door, Upper, Right	1	1756 093	---	---	---	---
	Left	1	1756 094	---	---	---	---
1957	Sp. 4D., P30-2, P31-2, Front Door, Special Equipment Upper Right	1	1778 601	---	---	---	---
	Left	1	1778 602	---	---	---	---
	Special Equipment Lower Right	1	1778 603	---	---	---	---
	Left	1	1778 604	---	---	---	---
	Rear Door Special Equipment Center Right	1	1778 605	---	---	---	---
	Left	1	1778 606	---	---	---	---
1957	Sp. 4 D., P30-3, P31-3, Front Door, Assembly, Right	1	1706 176	---	---	---	---
	Left	1	1706 177	---	---	---	---
	Rear Door, Upper	2	1756 140	---	---	---	---
	Lower	2	1756 142	---	---	---	---
1957	4 D. Sub., P30-2, P31-2, Front Door	2	1774 575	---	---	---	---
	Rear Door	2	1774 581	---	---	---	---
1957	4 D. Sub., P30-3, P31-3, Front Door Right	1	1706 174	---	---	⊠	---
	Left	1	1706 175	---	---	---	---

★ Indicates use as required.

⊠ Indicates parts not listed in any previous parts book.
Nov. 28, 1958 Supersedes Nov. 15, 1957.

CODE	REMARKS	PER CAR	PLYMOUTH	DODGE	DESOTO	CHRYSLER	IMPERIAL
	Vinyl Trim	2	1774 575	---	---	---	---
	Rear Door	Right 1	1756 093	---	---	---	---
		Left 1	1756 094	---	---	---	---
	Vinyl Trim	2	1774 581	---	---	---	---
1957	2 D. Sub., P30-1, P31-1	2	1774 577	---	---	---	---
1957	Cl. Sed., P30-1, P31-1, except Code 425	2	1774 577	---	---	---	---
	Code 425	2	1778 529	---	---	---	---
1957	Cl. Sed., P30-2, P31-2, except Code 425	2	1774 578	---	---	---	---
	Code 425	2	1778 529	---	---	---	---
1957	Cl. Sed., P30-3, P31-3	Right 1	1756 081	---	---	---	---
		Left 1	1756 082	---	---	---	---
1957	3 Cp., P30-1, P31-1, except Code 425	2	1774 577	---	---	---	---
	Code 425	2	1778 529	---	---	---	---
1957	Cv. Cp., P31-3 Assembly, Right	1	1756 174	---	---	---	---
		Left 1	1756 175	---	---	---	---
1957	Sp. Cl. Cp., P30-2, P31-2, Upper	Right 1	1756 222	---	---	---	---
		Left 1	1756 223	---	---	---	---
		Lower 2	1756 212	---	---	---	---
1957	Sp. Cl. Cp., P30-3, P31-3, Assembly, Right	1	1756 174	---	---	---	---
		Left 1	1756 175	---	---	---	---
1957	Sp. Cl. Cp., P31-3 Fury	Right 1	1778 547	---	---	---	---
		Left 1	1778 548	---	---	---	---
	PLATE, Door Trim Panel Finish						
1957	Sp. Cl. Cp., P31-3 Fury	Right 1	1778 540	---	---	---	---
		Left 1	1778 541	---	---	---	---
	MOULDING, Door Trim Panel Finish						
1958	4 D., LP1-L, LP2-L, Front Door	Right 1	1835 260	---	---	---	---
		Left 1	1835 261	---	---	---	---
	Code 225 Vinyl Trim	2	1774 692	---	---	---	---
	Rear Door	2	1835 209	---	---	---	---
	Code 225 Vinyl Trim	2	1774 693	---	---	---	---
1958	4 D., LP1-M, LP2-M, Front Door, Right	1	1835 273	---	---	---	---
		Left 1	1835 274	---	---	---	---
	Code 225 Vinyl Trim	2	1774 692	---	---	---	---
	Rear Door	Right 1	1835 292	---	---	---	---
		Left 1	1835 293	---	---	---	---
	Code 225 Vinyl Trim	2	1774 693	---	---	---	---
1958	4 D., LP1-H, LP2-H, Front Door, Assembly	2	1835 214	---	---	---	---
	Rear Door	Front, Upper 2	1835 232	---	---	---	---
		Rear, Upper 2	1835 233	---	---	---	---
		Right 1	1835 229	---	---	---	---
		Left 1	1835 230	---	---	---	---
1958	Sp. 4D., LP1-M, LP2-M, Front Door	Right 1	1835 275	---	---	---	---
		Left 1	1835 276	---	---	---	---
	Rear Door	Right 1	1835 292	---	---	---	---
		Left 1	1835 293	---	---	---	---
1958	Sp. 4 D., LP1-H, LP2-H, Front Door	Upper, Right 1	1835 299	---	---	---	---
		Left 1	1835 300	---	---	---	---
		Lower Rear, Right 1	1835 226	---	---	---	---
		Left 1	1835 227	---	---	---	---
	Rear Door	Upper, Right 1	1835 242	---	---	---	---
		Left 1	1835 243	---	---	---	---
		Front Lower, Right 1	1835 220	---	---	---	---
		Left 1	1835 221	---	---	---	---
		Lower 2	1835 240	---	---	---	---
1958	4 D. Sub., LP1-M, LP2-M, Front Door	Right 1	1835 273	---	---	---	---
		Left 1	1835 274	---	---	---	---

★ Indicates use as required.

☐ Indicates parts not listed in any previous parts book.

* Indicates change or addition.

1957-58 PASSENGER CAR PARTS LIST

BODY

CODE	REMARKS	PER CAR	PLYMOUTH	DODGE	DESOTO	CHRYSLER	IMPERIAL
	Rear Door Right	1	1835 292	----	----	----	----
	Left	1	1835 293	----	----	----	----
1958	4 D. Sub., LP1-H, LD2-H, Front Door Assembly	2	1835 214	----	----	----	----
	Rear Door Front, Upper	2	1835 232	----	----	----	----
	Rear, Upper	2	1835 233	----	----	----	----
	Right	1	1835 229	----	----	----	----
	Left	1	1835 230	----	----	----	----
1958	2 D. Sub., LP1-L, LP2-L Right	1	1835 313	----	----	----	----
	Left	1	1835 314	----	----	----	----
1958	2 D. Sub., LP1-M, LP2-M Right	1	1835 271	----	----	----	----
	Left	1	1835 272	----	----	----	----
1958	Cl. Sed., LP1-L, LP2-L Right	1	1835 313	----	----	----	----
	Left	1	1835 314	----	----	----	----
	Code 225	2	1778 529	----	----	----	----
1958	Cl. Sed., LP1-M, LP2-M Right	1	1835 271	----	----	----	----
	Left	1	1835 272	----	----	----	----
	Code 225	2	1778 529	----	----	----	----
1958	Cl. Sed., LP1-H, LP2-H, Assembly	2	1835 216	----	----	----	----
1958	3 Cpe., LP1-L, LP2-L Right	1	1835 313	----	----	----	----
	Left	1	1835 314	----	----	----	----
	Code 225	2	1778 529	----	----	----	----
1958	Sp. Cl. Cp., LP1-M, LP2-M Right	1	1835 271	----	----	----	----
	Left	1	1835 272	----	----	----	----
1958	Sp. Cl. Cp., LP1-H, LP2-H, Upper, Right	1	1835 218	----	----	----	----
	Left	1	1835 219	----	----	----	----
	Front Lower, Right	1	1835 220	----	----	----	----
	Left	1	1835 221	----	----	----	----
	Rear Lower, Right	1	1835 222	----	----	----	----
	Left	1	1835 223	----	----	----	----
1958	Sp. Cl. Cp., LP2 Fury Upper, Assembly, Right	1	1835 360	----	----	----	----
	Left	1	1835 361	----	----	----	----
	Lower	2	1774 577	----	----	----	----
1958	Cv. Cp., LP2-H Upper, Right	1	1835 218	----	----	----	----
	Left	1	1835 219	----	----	----	----
	Front Lower, Right	1	1835 220	----	----	----	----
	Left	1	1835 221	----	----	----	----
	Rear Lower, Right	1	1835 222	----	----	----	----
	Left	1	1835 223	----	----	----	----
MOULDING, Door Trim Panel Finish							
1957	4 D., D67-1, Front Door Combination Trim Right	1	----	1709 329	----	----	----
	Left	1	----	1709 330	----	----	----
	Vinyl Trim Upper Front, Right	1	----	1709 373	----	----	----
	Left	1	----	1709 374	----	----	----
	Upper Rear Right	1	----	1709 384	----	----	----
	Left	1	----	1709 385	----	----	----
	Rear Door, Combination Trim, Upper Right	1	----	1709 300	----	----	----
	Left	1	----	1709 301	----	----	----
	Combination Trim Lower Right	1	----	1709 303	----	----	----
	Left	1	----	1709 304	----	----	----
	Rear Door, Vinyl Trim Upper Front Right	1	----	1709 396	----	----	----
	Left	1	----	1709 397	----	----	----
	Upper Rear Right	1	----	1709 394	----	----	----
	Left	1	----	1709 395	----	----	----
1957	4 D., D67-2, Front Door, Combination Trim, Vinyl Trim, Upper Front, Right	1	----	1709 373	----	----	----
	Left	1	----	1709 374	----	----	----
	Upper Rear Right	1	----	1709 384	----	----	----
	Left	1	----	1709 385	----	----	----

★ Indicates use as required.

⊠ Indicates parts not listed in any previous parts book.
Nov. 28, 1958 Supersedes Nov. 15, 1957.

Printed in U.S.A.
Prices and specifications subject to change without notice.
* Indicates change or addition.

CODE	REMARKS	PER CAR	PLYMOUTH	DODGE	DESOTO	CHRYSLER	IMPERIAL
	Rear Door, Combination Trim, Vinyl Trim, Upper Front, Right	1	----	1709 396	----	----	----
	Left	1	----	1709 397	----	----	----
	Upper Rear Right	1	----	1709 394	----	----	----
	Left	1	----	1709 395	----	----	----
	Combination Trim Lower	2	----	1684 714	----	----	----
1957	Sp. 4 D., D67-1, Front Door, Combination Trim, Right	1	----	1709 331	----	----	----
	Left	1	----	1709 332	----	----	----
	Rear Door, Combination Trim, Upper Right	1	----	1709 300	----	----	----
	Left	1	----	1709 301	----	----	----
	Lower Right	1	----	1709 303	----	----	----
	Left	1	----	1709 304	----	----	----
1957	Sp. 4 D., D67-2, Front Door, Combination Trim Right	1	----	1709 331	----	----	----
	Left	1	----	1709 332	----	----	----
	Rear Door, Combination Trim, Upper Right	1	----	1709 300	----	----	----
	Left	1	----	1709 301	----	----	----
	Lower Right	1	----	1709 303	----	----	----
	Left	1	----	1709 304	----	----	----
1957	Cv. Cp., D67-2, Combination Trim, Right	1	----	*1709 333	----	----	----
	Left	1	----	1709 334	----	----	----
1957	Sp. Cl. Cp., D67-1, D67-2, Combination Trim Right	1	----	1709 333	----	----	----
	Left	1	----	1709 334	----	----	----
1958	4 D., LD2-M, Vinyl Trim, Front Door Front Upper, Right	1	----	1837 003	----	----	----
	Left	1	----	1837 004	----	----	----
	Rear Upper, Right	1	----	1837 005	----	----	----
	Left	1	----	1837 006	----	----	----
	Lower	2	----	1756 394	----	----	----
	Rear Door, Upper, Right	1	----	1837 009	----	----	----
	Left	1	----	1837 010	----	----	----
	Lower, Right	1	----	1837 095	----	----	----
	Left	1	----	1837 096	----	----	----
1958	4 D., LD2-M, Combination Trim, Front Door, Upper Assembly Right	1	----	1837 000	----	----	----
	Left	1	----	1837 001	----	----	----
	Lower	2	----	1837 002	----	----	----
	Rear Door, Lower, Right	1	----	1837 092	----	----	----
	Left	1	----	1837 093	----	----	----
1958	4 D., LD3-H, Vinyl Trim Front Door, Front Upper, Right	1	----	1837 003	----	----	----
	Left	1	----	1837 004	----	----	----
	Rear Upper, Right	1	----	1837 005	----	----	----
	Left	1	----	1837 006	----	----	----
	Lower	2	----	1756 394	----	----	----
	Rear Door, Upper, Right	1	----	1837 009	----	----	----
	Left	1	----	1837 010	----	----	----
	Lower, Right	1	----	1837 095	----	----	----
	Left	1	----	1837 096	----	----	----
1958	4 D., LD3-H, Combination Trim Front Door, Front Upper, Right	1	----	1837 003	----	----	----
	Left	1	----	1837 004	----	----	----
	Rear Upper, Right	1	----	1837 005	----	----	----
	Left	1	----	1837 006	----	----	----
	Lower	2	----	1756 394	----	----	----
	Rear Door Upper, Right	1	----	1837 009	----	----	----
	Left	1	----	1837 010	----	----	----
	Lower, Right	1	----	1837 095	----	----	----
	Left	1	----	1837 096	----	----	----

★ Indicates use as required.

☐ Indicates parts not listed in any previous parts book.

* Indicates change or addition.

1957-58 PASSENGER CAR PARTS LIST

BODY

CODE	REMARKS	PER CAR	PLYMOUTH	DODGE	DESOTO	CHRYSLER	IMPERIAL
1958	Sp. 4 D., LD2-M, Combination Trim, Front Door, Upper Assembly,						
	Right	1	----	1837 013	----	----	----
	Left	1	----	1837 014	----	----	----
	Lower, Right	1	----	1837 067	----	----	----
	Left	1	----	1837 068	----	----	----
	Rear Door Upper, Right	1	----	1837 097	----	----	----
	Left	1	----	1837 098	----	----	----
	Center	2	----	1837 029	----	----	----
	Lower	2	----	1756 142	----	----	----
1958	Sp 4 D., LD3-H, Combination Trim, Front Door, Upper Assembly,						
	Right	1	----	1837 013	----	----	----
	Left	1	----	1837 014	----	----	----
	Rear Door Upper, Right	1	----	1837 097	----	----	----
	Left	1	----	1837 098	----	----	----
	Center	2	----	1837 029	----	----	----
1958	4 D. Sub., LD3-H, Combination Trim Front Door Lower	2	----	1756 394	----	----	----
	Rear Door Upper, Right	1	----	1837 009	----	----	----
	Left	1	----	1837 010	----	----	----
	Lower, Right	1	----	1837 095	----	----	----
	Left	1	----	1837 096	----	----	----
1958	Sp. Cl. Cp., LD2-M, Combination Trim Upper Assembly, Right	1	----	1837 072	----	----	----
	Left	1	----	1837 073	----	----	----
	Lower	2	----	1837 022	----	----	----
1958	Sp. Cl. Cp., LD3-H, Combination Trim, Upper Assembly, Right	1	----	1837 072	----	----	----
	Left	1	----	1837 073	----	----	----
1958	Sp. Cl. Cp., LD3 Regal Lancer, Upper Assembly, Right	1	----	E1837 198	----	----	----
	Left	1	----	E1837 199	----	----	----
	Lower	2	----	*1840 299	----	----	----
1958	Cv. Cp. LD3-H, Combination Trim Upper Assembly, Right	1	----	1837 072	----	----	----
	Left	1	----	1837 073	----	----	----
1957	4 D., S25 Front Door, Right	1	----	----	1684 710	----	----
	Left	1	----	----	1684 711	----	----
	Imitation Leather Trim, Upper Right	1	----	----	1772 732	----	----
	Left	1	----	----	1772 733	----	----
	Lower	2	----	----	1767 172	----	----
	Rear Door, Lower	2	----	----	1684 714	----	----
	Imitation Leather Trim Upper	2	----	----	1766 742	----	----
	Imitation Leather Trim Lower	2	----	----	1684 810	----	----
1957	Sp. 4 D., S25 Front Door Upper, Right	1	----	----	1766 650	----	----
	Left	1	----	----	1766 651	----	----
	Rear Door, Upper	2	----	----	1766 742	----	----
	Lower	2	----	----	1684 810	----	----
1957	Cv. Cp., S25 Upper, Right	1	----	----	1766 770	----	----
	Left	1	----	----	1766 771	----	----
1957	Sp. Cl. Cp., S25 Upper, Right	1	----	----	1766 770	----	----
	Left	1	----	----	1766 771	----	----
PLATE, Door Trim Panel Finish							
1957	4 D., S26 Front Door, Right	1	----	----	1767 052	----	----
	Left	1	----	----	1767 053	----	----
PANEL, Door Trim Panel Arm Rest Recess							
1957-58	4 D., Sp. 4 D., Sp. Cl. Cp., Cv. Cp., S26, LS3, Front and Rear Doors,						
	Right	★	----	----	*1772 820	----	----
	Left	★	----	----	*1772 821	----	----
MOULDING, Door Trim Panel Finish							
1957	4 D., S26, Front Door, Upper Front, Right	1	----	----	1766 778	----	----
	Left	1	----	----	1766 779	----	----
	Upper Rear, Right	1	----	----	1767 096	----	----
	Left	1	----	----	1767 097	----	----

★ Indicates use as required.

E Indicates parts not listed in any previous parts book.
Nov. 28, 1958 Supersedes Nov. 15, 1957.

Prices and specifications subject to change without notice.
* Indicates change or addition.

Printed in U.S.A.

CODE	REMARKS	PER CAR	PLYMOUTH	DODGE	DESOTO	CHRYSLER	IMPERIAL
	Arm Rest Recess Lower, w/Plastic GROMMET, UP TO, Right	1	----	----	*1767 234	----	----
	Left	1	----	----	*1767 235	----	----
	Arm Rest Recess Lower, w/o Grommet, AFTER, Right	1	----	----	*1766 788	----	----
	Left	1	----	----	*1766 789	----	----
	Cloth Trim, Intermediate Front Right	1	----	----	1766 780	----	----
	Left	1	----	----	1766 781	----	----
	Cloth Trim, Intermediate Rear Right	1	----	----	1766 782	----	----
	Left	1	----	----	1766 783	----	----
	Imitation Leather Trim, Intermediate Front, Right	1	----	----	1766 794	----	----
	Left	1	----	----	1766 795	----	----
	Imitation Leather Trim, Intermediate Rear	2	----	----	1772 928	----	----
	Imitation Leather Trim, Diagonal, Right	1	----	----	1766 796	----	----
	Left	1	----	----	1766 797	----	----
	Imitation Leather Trim, Lower Right	1	----	----	1772 910	----	----
	Left	1	----	----	1772 911	----	----
	Rear Door, Arm Rest Recess Lower w/Plastic GROMMET, UP TO, Right	1	----	----	*1767 234	----	----
	Left	1	----	----	*1767 235	----	----
	Arm Rest Recess Lower w/o Grommet, AFTER, Right	1	----	----	*1766 788	----	----
	Left	1	----	----	*1766 789	----	----
	Intermediate Front	2	----	----	*1766 790	----	----
	Imitation Leather Trim, Lower	2	----	----	1684 810	----	----
1957	Sp. 4 D., S26, Front Door, Upper Right	1	----	----	*1766 792	----	----
	Left	1	----	----	*1766 793	----	----
	Arm Rest Recess Lower, w/Plastic GROMMET, UP TO, Right	1	----	----	*1767 234	----	----
	Left	1	----	----	*1767 235	----	----
	Arm Rest Recess Lower w/o Grommet, AFTER, Right	1	----	----	*1766 788	----	----
	Left	1	----	----	*1766 789	----	----
	Intermediate Front Right	1	----	----	*1766 794	----	----
	Left	1	----	----	*1766 795	----	----
	Intermediate Front Diagonal Right	1	----	----	*1766 796	----	----
	Left	1	----	----	*1766 797	----	----
	Intermediate Rear Right	1	----	----	*1766 952	----	----
	Left	1	----	----	*1766 953	----	----
	Diagonal Lower Right	1	----	----	*1766 798	----	----
	Left	1	----	----	*1766 799	----	----
	Rear Door, Upper Front	2	----	----	*1767 065	----	----
	Upper Rear Right	1	----	----	*1766 800	----	----
	Left	1	----	----	*1766 801	----	----
	Arm Rest Recess Lower w/Plastic GROMMET, UP TO, Right	1	----	----	*1767 234	----	----
	Left	1	----	----	*1767 235	----	----
	Arm Rest Recess Lower w/o Grommet, AFTER, Right	1	----	----	*1766 788	----	----
	Left	1	----	----	*1766 789	----	----
	Intermediate Front	2	----	----	*1766 790	----	----
	Lower	2	----	----	*1684 810	----	----
1957	4 D. Sub., S26, Front Door, Upper Right	1	----	----	1772 732	----	----
	Left	1	----	----	1772 733	----	----
	Lower	2	----	----	1767 172	----	----
	Rear Door, Upper	2	----	----	1766 742	----	----
	Lower	2	----	----	1684 810	----	----
1957	Sp. Cl. Cp., Cv. Cp., S26, Upper Right	1	----	----	*1766 806	----	----
	Left	1	----	----	*1766 807	----	----

★ Indicates use as required.

⊠ Indicates parts not listed in any previous parts book.

* Indicates change or addition.

1957-58 PASSENGER CAR PARTS LIST

BODY

CODE	REMARKS	PER CAR	PLYMOUTH	DODGE	DESOTO	CHRYSLER	IMPERIAL
	Arm Rest Recess Lower w/Plastic GROMMET, UP TO,	Right 1	----	----	*1767 234	----	----
		Left 1	----	----	*1767 235	----	----
	Arm Rest Recess Lower w/o Grommet, AFTER,	Right 1	----	----	*1766 788	----	----
		Left 1	----	----	*1766 789	----	----
	Intermediate Front	Right 1	----	----	*1766 794	----	----
		Left 1	----	----	*1766 795	----	----
	Intermediate Front Diagonal	Right 1	----	----	*1766 796	----	----
		Left 1	----	----	*1766 797	----	----
	Intermediate Rear	2	----	----	*1766 808	----	----
	Diagonal Lower	Right 1	----	----	*1766 810	----	----
		Left 1	----	----	*1766 811	----	----
1957	Sp. Cl. Cp., Cv. Cp., S26 Adventurer,						
	Upper Right	1	----	----	1773 332	----	----
	Left	1	----	----	1773 333	----	----
	Lower Right	1	----	----	1773 328	----	----
	Left	1	----	----	1773 329	----	----
	Intermediate	2	----	----	1766 808	----	----
1957	4 D., S27, Front Door, with S25 Trim						
	Right	1	----	----	1684 710	----	----
	Left	1	----	----	1684 711	----	----
1957	Sp. 4 D., S27, Front Door, with S25 Trim,						
	Upper Right	1	----	----	1766 650	----	----
	Left	1	----	----	1766 651	----	----
	Rear Door with S25 Trim,	Upper 2	----	----	1766 742	----	----
1957	Sp. Cl. Cp., S27, with S25 Trim,						
	Upper Right	1	----	----	1766 770	----	----
	Left	1	----	----	1766 771	----	----
1958	4 D., LS2-M, Front Door						
	Upper Assembly, Right	1	----	----	1773 496	----	----
	Left	1	----	----	1773 497	----	----
	Rear Door	Upper 2	----	----	1773 576	----	----
1958	4 D., LS3, Front Door Arm Rest						
	Recess Lower	Right 1	----	----	*1766 788	----	----
		Left 1	----	----	*1766 789	----	----
		Front 2	----	----	*1773 506	----	----
		Rear 2	----	----	1773 502	----	----
		Lower 2	----	----	1773 508	----	----
	Rear Door Arm Rest Recess	Lower					
		Right 1	----	----	*1766 788	----	----
		Left 1	----	----	*1766 789	----	----
		Front 2	----	----	*1773 512	----	----
	Lower, Right	1	----	----	1773 514	----	----
	Left	1	----	----	1773 515	----	----
1958	Sp. 4 D., LS1 w/Custom Trim, Front Door,						
	Upper Right	1	E1876 344	----	----	----	----
	Left	1	E1876 345	----	----	----	----
	Rear Door,	Upper 2	*1756 204	----	----	----	----
1958	Sp. 4 D., LS2, Front Door						
	Right	1	----	----	1773 580	----	----
	Left	1	----	----	1773 581	----	----
1958	Sp. 4 D., LS3, Front Door,						
	Upper and Lower	Right 1	----	----	*1773 594	----	----
		Left 1	----	----	*1773 595	----	----
	Arm Rest Recess Lower,	Right 1	----	----	*1766 788	----	----
		Left 1	----	----	*1766 789	----	----
	Lower Intermediate	Right 1	----	----	*1773 596	----	----
		Left 1	----	----	*1773 597	----	----
	Upper Intermediate Rear, UP TO	2	----	----	*1773 604	----	----
	Rear Door,	Upper Front 2	----	----	*1773 593	----	----
		Upper Rear Right 1	----	----	*1773 602	----	----
		Left 1	----	----	*1773 603	----	----
	Arm Rest Recess Lower	Right 1	----	----	*1766 788	----	----
		Left 1	----	----	*1766 789	----	----
	Intermediate Front, UP TO	2	----	----	*1773 599	----	----
	Intermediate Lower, Straight	2	----	----	*1773 598	----	----
	Lower, Curved, Right	1	----	----	*1773 600	----	----
	Left	1	----	----	*1773 601	----	----

★ Indicates use as required.

⊠ Indicates parts not listed in any previous parts book.
Nov. 28, 1958 Supersedes Nov. 15, 1957.

Printed in U.S.A.
Prices and specifications subject to change without notice.
* Indicates change or addition.

CODE	REMARKS	PER CAR	PLYMOUTH	DODGE	DESOTO	CHRYSLER	IMPERIAL
1958	4 D. Sub., LS3 Front Door						
	Upper Assembly, Right	1	----	----	E1876 104	----	----
	Left	1	----	----	E1876 105	----	----
	Rear Door						
	Upper	2	----	----	1773 576	----	----
	Lower	2	----	----	1840 267	----	----
1958	Sp. Cl. Cp., LS1 w/Custom Trim,						
	Upper Right	1	----	----	*1876 336	----	----
	Left	1	----	----	*1876 337	----	----
1958	Sp. Cl. Cp., Cv. Cp., LS3 except						
	Adventurer, Upper and Lower						
	Right	1	----	----	E1773 542	----	----
	Left	1	----	----	E1773 543	----	----
	Arm Rest Recess						
	Lower Right	1	----	----	*1766 788	----	----
	Left	1	----	----	*1766 789	----	----
	Intermediate Lower						
	Right	1	----	----	*1773 546	----	----
	Left	1	----	----	*1773 547	----	----
Upper Intermediate Rear, UP TO,							
Right	1	----	----	*1773 544	----	----	
Left	1	----	----	*1773 545	----	----	
1958	Sp. Cl. Cp., Cv. Cp. LS3 Adventurer,						
	Upper, Right	1	----	----	1840 394	----	----
	Left	1	----	----	1840 395	----	----
	Arm Rest Recess						
Lower Right	1	----	----	*1766 788	----	----	
Left	1	----	----	*1766 789	----	----	
1958	Cv. Cp. LS1-L						
	Upper, Right	1	----	----	1876 336	----	----
	Left	1	----	----	1876 337	----	----
1957	4 D., C75-1, Arm Rest, w/Stainless						
	Steel MOULDING,						
	Front and Rear Door	4	----	----	----	*1683 844	----
1957	4 D., C75-2, Front Door,						
	Cloth Trim,						
	Upper Right	1	----	----	----	1772 942	----
	Left	1	----	----	----	1772 943	----
	Intermediate	2	----	----	----	1756 394	----
	Arm Rest,						
	w/MOULDING	2	----	----	----	*1683 844	----
	Lower	2	----	----	----	1767 172	----
	Combination Trim						
	Upper, Right	1	----	----	----	1767 168	----
	Left	1	----	----	----	1767 169	----
	Arm Rest,						
	w/MOULDING	2	----	----	----	*1683 844	----
	Lower	2	----	----	----	1767 172	----
	Rear Door, Cloth Trim, Upper, Right	1	----	----	----	1772 946	----
	Left	1	----	----	----	1772 947	----
Intermediate Right	1	----	----	----	1772 948	----	
Left	1	----	----	----	1772 949	----	
Arm Rest,							
w/MOULDING	2	----	----	----	*1683 844	----	
Rear Door, Combination Trim							
Upper	2	----	----	----	1766 742	----	
Arm Rest,							
w/MOULDING	2	----	----	----	*1683 844	----	
Rear Door, Vinyl Trim							
Upper	2	----	----	----	1766 742	----	
Arm Rest,							
w/MOULDING	2	----	----	----	*1683 844	----	
1957	4D., Sub., C76, Front Door,						
	Recess Panel						
	Upper Right	1	----	----	----	*1772 726	----
	Left	1	----	----	----	*1772 727	----
	Recess Panel						
	Lower Right	1	----	----	----	*1766 840	----
	Left	1	----	----	----	*1766 841	----
	Arm Rest Front						
	Right	1	----	----	----	1772 860	----
	Left	1	----	----	----	1772 861	----
	Arm Rest						
Rear Right	1	----	----	----	*1766 908	----	
Left	1	----	----	----	*1766 909	----	
Lower	2	----	----	----	1772 871	----	
Rear Door, Recess Panel							
Upper Right	1	----	----	----	*1772 730	----	
Left	1	----	----	----	*1772 731	----	
Recess Panel							
Lower Right	1	----	----	----	*1766 840	----	
Left	1	----	----	----	*1766 841	----	
Arm Rest Front							
Right	1	----	----	----	1772 860	----	
Left	1	----	----	----	1772 861	----	
Front Intermediate							
Right	1	----	----	----	*1772 728	----	
Left	1	----	----	----	*1772 729	----	
Lower	2	----	----	----	1756 142	----	

★ Indicates use as required.

⊠ Indicates parts not listed in any previous parts book.

* Indicates change or addition.

Printed in U.S.A.

Prices and specifications subject to change without notice.

Nov. 28, 1958 Supersedes March 5, 1958.

1957-58 PASSENGER CAR PARTS LIST

BODY

CODE	REMARKS	PER CAR	PLYMOUTH	DODGE	DESOTO	CHRYSLER	IMPERIAL
1957	Sp. 4 D., C75-1, Arm Rest, w/MOULding, Front and Rear Door	4	----	----	----	*1683 844	----
1957	Sp. 4 D., C75-2, Front Door						
	Upper, Right	1	----	----	----	1766 820	----
	Left	1	----	----	----	1766 821	----
	Arm Rest, w/MOULding	2	----	----	----	*1683 844	----
	Lower	2	----	----	----	1766 737	----
	Rear Door, Upper	2	----	----	----	1766 742	----
	Arm Rest, w/MOULding	2	----	----	----	*1683 844	----
	Lower	2	----	----	----	1684 810	----
1957	Sp. 4 D., C76, Front Door						
	Upper, Right	1	----	----	----	1766 844	----
	Left	1	----	----	----	1766 845	----
	Recess Panel Lower Right	1	----	----	----	*1766 840	----
	Left	1	----	----	----	*1766 841	----
	Arm Rest Front Right	1	----	----	----	1772 860	----
	Left	1	----	----	----	1772 861	----
	Lower, Right	1	----	----	----	1766 846	----
	Left	1	----	----	----	1766 847	----
	Rear Door Upper, Right	1	----	----	----	1766 848	----
	Left	1	----	----	----	1766 849	----
	Recess Panel Lower Right	1	----	----	----	*1766 840	----
	Left	1	----	----	----	*1766 841	----
	Arm Rest Front Right	1	----	----	----	1772 860	----
	Left	1	----	----	----	1772 861	----
	Lower, Right	1	----	----	----	1766 850	----
	Left	1	----	----	----	1766 851	----
1957	Sp. Cl. Cp., C75-1, Arm Rest, w/MOULding	2	----	----	----	*1683 844	----
1957	Sp. Cl. Cp., C75-2 Upper Right	1	----	----	----	1766 830	----
	Left	1	----	----	----	1766 831	----
	Arm Rest, w/MOULding	2	----	----	----	*1683 844	----
	Lower	2	----	----	----	1766 832	----
1957	Sp. Cl. Cp., Cv. Cp., C76						
	Upper, Right	1	----	----	----	1766 852	----
	Left	1	----	----	----	1766 853	----
	Recess Panel Lower Right	1	----	----	----	*1766 840	----
	Left	1	----	----	----	*1766 841	----
	Arm Rest Front Right	1	----	----	----	1772 860	----
	Left	1	----	----	----	1772 861	----
	Lower, Right	1	----	----	----	1766 854	----
	Left	1	----	----	----	1766 855	----
1958	4 D., LC2-M, Front Door, Upper Assembly, Right	1	----	----	----	1840 260	----
	Left	1	----	----	----	1840 261	----
	Rear Door Upper, Rear	2	----	----	----	1840 266	----
	Lower	2	----	----	----	1840 267	----
1958	4 D., Sub., LC3-H, Front Door, Upper, Right	1	----	----	----	*1773 652	----
	Left	1	----	----	----	1773 653	----
	Intermediate Front Right	1	----	----	----	*1772 860	----
	Left	1	----	----	----	*1772 861	----
	Arm Rest Recess Lower, w/Curved Inner Side, UP TO, Right	1	----	----	----	*1766 840	----
	Left	1	----	----	----	*1766 841	----
	w/Straight Inner Side, AFTER, Right	1	----	----	----	E1876 282	----
	Left	1	----	----	----	E1876 283	----
	Lower, Right	1	----	----	----	1773 654	----
	Left	1	----	----	----	1773 655	----
	Rear Door Upper	2	----	----	----	1773 660	----
	Intermediate Front Right	1	----	----	----	*1772 860	----
	Left	1	----	----	----	*1772 861	----
	Arm Rest Recess Lower, w/Curved Inner Side, UP TO, Right	1	----	----	----	*1766 840	----
	Left	1	----	----	----	*1766 841	----

★ Indicates use as required.

E Indicates parts not listed in any previous parts book.

Nov. 28, 1958 Supersedes Nov. 15, 1957.

Page 23-330

Prices and specifications subject to change without notice.

* Indicates change or addition.

Printed in U.S.A.

PASSENGER CAR PARTS LIST 1957-58

CODE	REMARKS	PER CAR	PLYMOUTH	DODGE	DESOTO	CHRYSLER	IMPERIAL
	w/Straight Inner Side, AFTER, Right	1	----	----	----	EI1876 282	----
	Left	1	----	----	----	EI1876 283	----
	Lower	2	----	----	----	1773 662	----
1958	Sp. 4 D., LC1-L, Vinyl Trim						
	Front Door Right	1	----	----	----	1709 331	----
	Left	1	----	----	----	1709 332	----
	Rear Door Upper, Right	1	----	----	----	1876 260	----
	Left	1	----	----	----	1876 261	----
	Lower, Right	1	----	----	----	1876 262	----
	Left	1	----	----	----	1876 263	----
1958	Sp. 4 D., LC2-M, Vinyl Trim						
	Front Door Right	1	----	----	----	1709 331	----
	Left	1	----	----	----	1709 332	----
	Rear Door Upper, Right	1	----	----	----	1876 260	----
	Left	1	----	----	----	1876 261	----
	Lower, Right	1	----	----	----	1876 262	----
	Left	1	----	----	----	1876 263	----
1958	Sp. 4 D., LC2-M, Cloth Trim						
	Front Door, Upper Assembly, Right	1	----	----	----	1840 274	----
	Left	1	----	----	----	1840 275	----
	Rear Door Upper, Rear	2	----	----	----	1840 266	----
	Lower	2	----	----	----	1840 267	----
1958	Sp. 4 D., LC3, Vinyl Trim						
	Front Door Upper, Right	1	----	----	----	1766 844	----
	Left	1	----	----	----	1766 845	----
	Intermediate Front, Right	1	----	----	----	1772 860	----
	Left	1	----	----	----	1772 861	----
	Arm Rest Recess Lower, w/Curved Inner Side, UP TO, Right	1	----	----	----	*1766 840	----
	Left	1	----	----	----	*1766 841	----
	w/Straight Inner Side, AFTER, Right	1	----	----	----	EI1876 282	----
	Left	1	----	----	----	EI1876 283	----
	Lower, Right	1	----	----	----	1766 846	----
	Left	1	----	----	----	1766 847	----
	Rear Door, Approx. 28 3/4" Long, Upper	2	----	----	----	*1840 414	----
	Approx. 29 3/8" Long, Upper	2	----	----	----	EI900 306	----
	Intermediate Front, Right	1	----	----	----	1772 860	----
	Left	1	----	----	----	1772 861	----
	Arm Rest Recess Lower, w/Curved Inner Side, UP TO, Right	1	----	----	----	*1766 840	----
	Left	1	----	----	----	*1766 841	----
	w/Straight Inner Side, AFTER, Right	1	----	----	----	EI1876 282	----
	Left	1	----	----	----	EI1876 283	----
	Lower	2	----	----	----	1773 245	----
1958	Sp. 4 D., LC3, Combination Trim						
	Front Door, Upper, Right	1	----	----	----	1773 670	----
	Left	1	----	----	----	1773 671	----
	Intermediate Front, Right	1	----	----	----	1772 860	----
	Left	1	----	----	----	1772 861	----
	Arm Rest Recess Lower, w/Curved Inner Side, UP TO, Right	1	----	----	----	*1766 840	----
	Left	1	----	----	----	*1766 841	----
	w/Straight Inner Side, AFTER, Right	1	----	----	----	EI1876 282	----
	Left	1	----	----	----	EI1876 283	----
	Lower, Right	1	----	----	----	1773 672	----
	Left	1	----	----	----	1773 673	----
	Rear Door Upper	2	----	----	----	1773 660	----
	Intermediate Front, Right	1	----	----	----	1772 860	----
	Left	1	----	----	----	1772 861	----
	Arm Rest Recess Lower, w/Curved Inner Side, UP TO, Right	1	----	----	----	*1766 840	----
	Left	1	----	----	----	*1766 841	----
	w/Straight Inner Side, AFTER, Right	1	----	----	----	EI1876 282	----
	Left	1	----	----	----	EI1876 283	----
	Lower	2	----	----	----	1773 662	----

★ Indicates use as required.

⊠ Indicates parts not listed in any previous parts book.

* Indicates change or addition.

1957-58 PASSENGER CAR PARTS LIST

BODY

CODE	REMARKS	PER CAR	PLYMOUTH	DODGE	DESOTO	CHRYSLER	IMPERIAL
1958	Sp. Cl. Cp., LC1, Vinyl Trim, Right	1	----	----	----	1709 333	----
	Left	1	----	----	----	1709 334	----
1958	Sp. Cl. Cp., LC2, Vinyl Trim, Right	1	----	----	----	1709 333	----
	Left	1	----	----	----	1709 334	----
1958	Sp. Cl. Cp., LC2, Combination Trim, Upper Assembly, Right	1	----	----	----	1840 278	----
	Left	1	----	----	----	1840 279	----
1958	Sp. Cl. Cp., Cv. Cp., LC3, Vinyl Trim, Upper, Right	1	----	----	----	*1766 852	----
	Left	1	----	----	----	1766 853	----
	Intermediate Front, Right	1	----	----	----	1772 860	----
	Left	1	----	----	----	1772 861	----
	Arm Rest Recess Lower, w/Curved Inner Side, UP TO, Right	1	----	----	----	*1766 840	----
	Left	1	----	----	----	*1766 841	----
	w/Straight Inner Side, AFTER, Right	1	----	----	----	Ⓔ1876 282	----
	Left	1	----	----	----	Ⓔ1876 283	----
	Lower, Right	1	----	----	----	1766 854	----
	Left	1	----	----	----	1766 855	----
1958	Sp. Cl. Cp., Cv. Cp., LC3 Combination Trim, Upper, Right	1	----	----	----	*1840 232	----
	Left	1	----	----	----	1840 233	----
	Intermediate Front Right	1	----	----	----	*1772 860	----
	Left	1	----	----	----	*1772 861	----
	Arm Rest Recess Lower, w/Curved Inner Side, UP TO, Right	1	----	----	----	*1766 840	----
	Left	1	----	----	----	*1766 841	----
	w/Straight Inner Side, AFTER, Right	1	----	----	----	Ⓔ1876 282	----
	Left	1	----	----	----	Ⓔ1876 283	----
	Lower, Right	1	----	----	----	1840 234	----
	Left	1	----	----	----	1840 235	----
1958	Cv. Cp., LC3, Vinyl Trim Upper, Right	1	----	----	----	1766 852	----
	Left	1	----	----	----	1766 853	----
	Intermediate, Right	1	----	----	----	1772 860	----
	Left	1	----	----	----	1772 861	----
	Lower, Right	1	----	----	----	1766 854	----
	Left	1	----	----	----	1766 855	----
1958	Cv. Cp. LC3, Combination Trim Upper, Right	1	----	----	----	1840 232	----
	Left	1	----	----	----	1840 233	----
	Intermediate, Right	1	----	----	----	1772 860	----
	Left	1	----	----	----	1772 861	----
	Lower, Right	1	----	----	----	1840 234	----
	Left	1	----	----	----	1840 235	----

NOTE: 4D. w/Leather Trim, IM1-1, uses same Mouldings and Plates as IM1-2 and IM1-4 4D.

1957	4 D. except Leather Trim, Sp. 4 D., IM1-1, Front Door, Arm Rest Recess						
	Upper Right	1	----	----	----	----	*1684 964
	Left	1	----	----	----	----	1684 965
	Arm Rest Front Right	1	----	----	----	----	*1766 638
	Left	1	----	----	----	----	1766 639
	Arm Rest Recess Lower Right	1	----	----	----	----	*1840 224
	Left	1	----	----	----	----	*1840 225
	Arm Rest Rear Right	1	----	----	----	----	*1684 972
	Left	1	----	----	----	----	1684 973
	Lower, Right	1	----	----	----	----	1766 636
	Left	1	----	----	----	----	1766 637
	Rear Door, Arm Rest Recess Upper	2	----	----	----	----	*1684 933
	Arm Rest Front Right	1	----	----	----	----	*1766 642
	Left	1	----	----	----	----	1766 643
	Arm Rest Recess Lower Right	1	----	----	----	----	*1840 226
	Left	1	----	----	----	----	*1840 227
	Lower	2	----	----	----	----	1766 644

★ Indicates use as required.

Ⓔ Indicates parts not listed in any previous parts book.
Nov. 28, 1958 Supersedes March 5, 1958.

Prices and specifications subject to change without notice.

* Indicates change or addition.

Printed in U.S.A.

CODE	REMARKS	PER CAR	PLYMOUTH	DODGE	DESOTO	CHRYSLER	IMPERIAL
1957	4D., Sp. 4D., IM1-2, 4D., IM1-4, Front Door, Arm Rest Recess						
	Upper Right	1	----	----	----	----	*1767 060
	Left	1	----	----	----	----	*1767 061
	Arm Rest Front Right	1	----	----	----	----	*1766 872
	Left	1	----	----	----	----	*1766 873
	Arm Rest Recess Lower Right	1	----	----	----	----	*1840 224
	Left	1	----	----	----	----	*1840 225
	Arm Rest Rear Right	1	----	----	----	----	*1767 162
	Left	1	----	----	----	----	*1767 163
	Arm Rest Front Diagonal Right	1	----	----	----	----	*1766 874
	Left	1	----	----	----	----	*1766 875
	Arm Rest Rear Diagonal Right	1	----	----	----	----	*1766 876
	Left	1	----	----	----	----	*1766 877
	Kick Plate Upper Right	1	----	----	----	----	*1766 636
	Left	1	----	----	----	----	*1766 637
	Kick Plate Lower	2	----	----	----	----	*1773 050
	Rear Door, Arm Rest Recess Upper	2	----	----	----	----	*1767 161
	Arm Rest Front Right	1	----	----	----	----	*1766 886
	Left	1	----	----	----	----	*1766 887
	Arm Rest Recess Lower Right	1	----	----	----	----	*1840 226
	Left	1	----	----	----	----	*1840 227
	Arm Rest Front Diagonal Right	1	----	----	----	----	*1766 874
	Left	1	----	----	----	----	*1766 875
	Arm Rest Lower Rear	2	----	----	----	----	*1766 890
Kick Plate Upper	2	----	----	----	----	*1766 644	
Kick Plate Lower	2	----	----	----	----	*1773 051	
1957	Sp. Cl. Cp., IM1-1, Arm Rest Recess						
	Upper Right	1	----	----	----	----	*1684 964
	Left	1	----	----	----	----	*1684 965
	Arm Rest Front Right	1	----	----	----	----	*1766 638
	Left	1	----	----	----	----	*1766 639
	Arm Rest Recess Lower Right	1	----	----	----	----	*1840 224
	Left	1	----	----	----	----	*1840 225
	Arm Rest Rear Right	1	----	----	----	----	*1766 862
	Left	1	----	----	----	----	*1766 863
	Lower	2	----	----	----	----	*1773 061
1957	Sp. Cl. Cp. IM1-2, Cv. Cp. IM1, Arm Rest Recess						
	Upper Right	1	----	----	----	----	*1767 060
	Left	1	----	----	----	----	*1767 061
	Arm Rest Front Right	1	----	----	----	----	*1766 872
	Left	1	----	----	----	----	*1766 873
	Arm Rest Recess Lower Right	1	----	----	----	----	*1840 224
	Left	1	----	----	----	----	*1840 225
	Arm Rest Rear Right	1	----	----	----	----	*1766 894
	Left	1	----	----	----	----	*1766 895
	Arm Rest Front Diagonal Right	1	----	----	----	----	*1766 874
	Left	1	----	----	----	----	*1766 875
	Arm Rest Rear Diagonal Right	1	----	----	----	----	*1766 876
	Left	1	----	----	----	----	*1766 877
	Kick Plate Lower	2	----	----	----	----	*1773 060
Kick Plate Upper	2	----	----	----	----	*1773 061	
PLATE, Door Trim Recess Panel Finish							
1957	4 D., Sp. 4 D., Sp. Cl. Cp., Cv. Cp., IM1-1 4D. w/Lea. Trim, IM1-2, IM-4, Type 1, Plastic with 1/8" Criss-Cross Pattern						
	Front Door, Right	1	----	----	----	----	1773 046
	Left	1	----	----	----	----	1773 047
	Rear Door	2	----	----	----	----	1773 045
	Type 2, Cover Type 3 with Sheet Plastic. Type 3, Anodized Alum. with 1/8" Squares Pattern, Front Door,						
	Right	1	----	----	----	----	1840 860
	Left	1	----	----	----	----	1840 861
	Rear Door	2	----	----	----	----	1840 860

★ Indicates use as required.
 ☐ Indicates parts not listed in any previous parts book.
 * Indicates change or addition.

1957-58 PASSENGER CAR PARTS LIST

BODY

CODE	REMARKS	PER CAR	PLYMOUTH	DODGE	DESOTO	CHRYSLER	IMPERIAL
	Type 4, Anodized Alum. with 3/16" Squares Pattern, Front Door, Right	1	----	----	----	----	1840 782
	Left	1	----	----	----	----	1840 783
	Rear Door	2	----	----	----	----	1840 782
1958	PLATE, Door Trim Panel Arm Rest Recess 4D., Sp. 4D., Sp. Cl. Cp., Cv. Cp., LY1-M, LY1-H, Plastic						
	Front Door Right	1	----	----	----	----	⊠1840 344
	Left	1	----	----	----	----	⊠1840 345
	Rear Door	2	----	----	----	----	⊠1840 354
1958	PLATE, Door Trim Panel Finish 4 D., Sp. 4 D., Sp. Cl. Cp., Cv. Cp., LY1-M, LY1-H, Plastic, Front Door, Intermediate Front Lower,						
	Right	1	----	----	----	----	1840 348
	Left	1	----	----	----	----	1840 349
1957	KICK PLATE, Door Trim Panel 4 D., IM1-1 w/Leather Trim,						
	Front Door Right	1	----	----	----	----	1773 000
	Left	1	----	----	----	----	1773 001
	Rear Door Right	1	----	----	----	----	1773 062
	Left	1	----	----	----	----	1773 063
1957	4 D., Sp. 4 D., IM1-2, IM1-4,						
	Front Door Right	1	----	----	----	----	1773 000
	Left	1	----	----	----	----	1773 001
	Rear Door Right	1	----	----	----	----	1773 062
	Left	1	----	----	----	----	1773 063
1957	Sp. Cl. Cp., IM 1-2, Cv. Cp.,						
	Lower Right	1	----	----	----	----	1773 010
	Left	1	----	----	----	----	1773 011
1958	MOULDING, Door Trim Panel Finish 4D., Sp. 4D., LY1-L, Front Door, Arm Rest Recess						
	Upper Right	1	----	----	----	----	*1684 964
	Left	1	----	----	----	----	*1684 965
	Arm Rest Front Right	1	----	----	----	----	*1766 638
	Left	1	----	----	----	----	*1766 639
	Arm Rest Recess Lower Right	1	----	----	----	----	*1840 224
	Left	1	----	----	----	----	*1840 225
	Arm Rest Rear Right	1	----	----	----	----	*1684 972
	Left	1	----	----	----	----	*1684 973
	Intermediate Lower Right	1	----	----	----	----	*1840 316
	Left	1	----	----	----	----	*1840 317
	Lower	4	----	----	----	----	*1840 299
	Rear Door, Arm Rest Recess Upper	2	----	----	----	----	*1684 933
	Arm Rest Front Right	1	----	----	----	----	*1766 642
	Left	1	----	----	----	----	*1766 643
	Arm Rest Recess Lower Right	1	----	----	----	----	*1840 226
	Left	1	----	----	----	----	*1840 227
	Intermediate Lower Right	1	----	----	----	----	*1840 330
	Left	1	----	----	----	----	*1840 331
	Lower	4	----	----	----	----	*1840 299
1958	4 D., Sp. 4D., LY1-M, LY1-H, Front Door, w/Elec. Door Lock,						
	Upper Rear Right	1	----	----	----	----	*1876 198
	Left	1	----	----	----	----	*1876 199
	w/o Elec. Door Lock, Upper Rear Right	1	----	----	----	----	*1876 200
	Left	1	----	----	----	----	*1876 201
	Upper Front Right	1	----	----	----	----	*1840 340
	Left	1	----	----	----	----	*1840 341
	Arm Rest Recess Upper Right	1	----	----	----	----	*1840 198
	Left	1	----	----	----	----	*1840 199
	Intermediate Front Right	1	----	----	----	----	*1840 346
	Left	1	----	----	----	----	*1840 347
	Arm Rest Recess Lower Right	1	----	----	----	----	*1840 224
	Left	1	----	----	----	----	*1840 225

★ Indicates use as required.

⊠ Indicates parts not listed in any previous parts book.

Nov. 28, 1958 Supersedes Nov. 15, 1957.

Printed in U.S.A. Prices and specifications subject to change without notice.

* Indicates change or addition.

CODE	REMARKS	PER CAR	PLYMOUTH	DODGE	DESOTO	CHRYSLER	IMPERIAL
	Intermediate Lower Right	1	----	----	----	----	*1840 350
	Left	1	----	----	----	----	*1840 351
	Lower	2	----	----	----	----	*1840 352
	Rear Door Upper Front Right	1	----	----	----	----	*1840 334
	Left	1	----	----	----	----	*1840 335
	Upper Rear Right	1	----	----	----	----	*1840 336
	Left	1	----	----	----	----	*1840 337
	Arm Rest Recess Upper	2	----	----	----	----	*1840 197
	Arm Rest Front Right	1	----	----	----	----	*1840 338
	Left	1	----	----	----	----	*1840 339
	Arm Rest Recess Lower Right	1	----	----	----	----	*1840 226
	Left	1	----	----	----	----	*1840 227
	Lower	2	----	----	----	----	*1840 356
1958	Sp. Cl. Cp., LY1-L, Arm Rest Recess Upper Right	1	----	----	----	----	*1684 964
	Left	1	----	----	----	----	*1684 965
	Arm Rest Front Right	1	----	----	----	----	*1766 638
	Left	1	----	----	----	----	*1766 639
	Arm Rest Recess Lower Right	1	----	----	----	----	*1840 224
	Left	1	----	----	----	----	*1840 225
	Arm Rest Rear Right	1	----	----	----	----	*1766 862
	Left	1	----	----	----	----	*1766 863
	Intermediate Lower Right	1	----	----	----	----	*1840 296
	Left	1	----	----	----	----	*1840 297
	Lower	6	----	----	----	----	*1840 299
1958	Sp. Cl. Cp., Cv. Cp., LY1-M, w/Elec. Door Lock, Upper Rear Right	1	----	----	----	----	*1876 204
	Left	1	----	----	----	----	*1876 205
	w/o Elec. Door Lock, Upper Rear Right	1	----	----	----	----	*1876 206
	Left	1	----	----	----	----	*1876 207
	Upper Front Right	1	----	----	----	----	*1840 340
	Left	1	----	----	----	----	*1840 341
	Arm Rest Recess Upper Right	1	----	----	----	----	*1840 198
	Left	1	----	----	----	----	*1840 199
	Intermediate Front Right	1	----	----	----	----	*1840 346
	Left	1	----	----	----	----	*1840 347
	Arm Rest Recess Lower Right	1	----	----	----	----	*1840 224
	Left	1	----	----	----	----	*1840 225
	Intermediate Rear Right	1	----	----	----	----	*1840 364
	Left	1	----	----	----	----	*1840 365
	Lower	2	----	----	----	----	*1840 366
23-26-24	MEDALLION, Door Trim Panel						
1957	Cv. Cp., C76	2	----	----	----	1599 436	----
23-26-26	CLIP, Trim Finish Moulding						
1957	Sp. Cl. Cp., P31-3 Fury, Name Plate to Door Trim Panel Attaching	5	⊕6000 252	----	----	----	----
1957	Sp. 4D., Sp. Cl. Cp., 2D. Sub., 4D. Sub., Roof Finish Panel, w/Curved Support Hook	20	*1756 361	*1756 361	*1756 361	*1756 361	----
	w/Straight Support Hook	20	⊕6000 373	⊕6000 373	⊕6000 373	⊕6000 373	----
1958	Sp. 4D., Sp. Cl. Cp., 2D. Sub., 4D. Sub., Roof Finish Panel	20	⊕6000 373	⊕6000 373	⊕6000 373	⊕6000 373	----
1957	4D., Sp. 4D., S24, Door Arm Rest Moulding, Front and Rear	16	----	----	*1623 439	----	----
1957	Sp. Cl. Cp., Cv. Cp., S24, Door Arm Rest Moulding	8	----	----	*1623 439	----	----
1957	4D., Sp. 4D., C75, Door Arm Rest Moulding, Front and Rear	8	----	----	----	*1623 439	----
1957	Sp. Cl. Cp., Cv. Cp., C75, Door Arm Rest Moulding	4	----	----	----	*1623 439	----
1957	4 D., Sp. 4 D., Cv. Cp., Sp. Cl. Cp., S25, S27 Front Door Center	2	----	----	*6013 066	----	----
1957	4 D., Sp. 4 D., Cv. Cp., Sp. Cl. Cp., Quarter Panel Center	2	----	----	*6013 066	----	----
	NUT, Trim Panel Finish Moulding Attaching						
1958	All, LY1-M, LY1-H Front Door	12	----	----	----	----	6010 128

★ Indicates use as required.

⊕ Indicates parts not listed in any previous parts book.

* Indicates change or addition.

Printed in U.S.A.

Prices and specifications subject to change without notice.
Nov. 28, 1958 Supersedes Nov. 15, 1957.

1957-58 PASSENGER CAR PARTS LIST

BODY

CODE	REMARKS	PER CAR	PLYMOUTH	DODGE	DESOTO	CHRYSLER	IMPERIAL
23-26-29	SCREW, Door Trim Panel Moulding Attaching 1958 All, Front Door, Recess Moulding to Support	4	----	----	----	----	6006 063
23-26-30	NAME PLATE, Rear Seat Back Notch						
1957-58	Sp. 4 D., Sp. Cl. Cp., S26 FireFlite	1	----	----	1685 820	----	----
1957-58	Sp. Cl. Cp., S26, LS3 Adventurer	1	----	----	1698 903	----	----
1957	Sp. 4 D., Sp. Cl. Cp., C76 Chrysler	1	----	----	----	1607 789	----
23-26-32	CUP WASHER, Trim Panel Finish Moulding or Plate Attaching						
1957	4 D., S26, Vinyl Trim, Front Door, Upper Rear Moulding Attaching	2	----	----	1649 607	----	----
1957	4 D., Sp. 4 D., Sp. Cl. Cp., S26 Front Door	2	----	----	1649 607	----	----
1957	4 D., Sp. 4 D., S26 Rear Door	2	----	----	1649 607	----	----
1957	4 D., Sp. Cl. Cp., S26 Quarter	2	----	----	1649 607	----	----
23-26-34	MOULDING, Front Seat Back Trim Finish						
1957-58	4 D., IM1-4, LY1-H	1	----	----	----	----	1773 241
1957-58	Sp. 4 D., IM1-2, LY1-M, LY1-H	1	----	----	----	----	1773 241
1957-58	Sp. Cl. Cp., IM1-2, LY1-M Right	1	----	----	----	----	1773 244
	Left	1	----	----	----	----	1773 245
1957-58	Cv. Cp. Right	1	----	----	----	----	1773 244
	Left	1	----	----	----	----	1773 245
23-26-37	COVER, Roof Inside Finish Panel Section No. 4 Joint						
1957-58	4 D. Sub., S27, LS1 White	2	1833 081	1833 081	1833 081	----	----
1957	4 D. Sub., P30-2, P31-2 Blue	2	1833 083	----	----	----	----
1957	4 D. Sub., P30-2, P30-3, P31-2, P31-3 Green	2	1833 085	----	----	----	----
1957	Sub., S26, Code 623 Beige	2	----	----	1778 133	----	----
1957	Sub., C75, Code 72 Beige	2	----	----	----	1778 133	----
1957	Sub., C75, Code 71 Green	2	----	----	----	1778 137	----
1957	Sub., C75, Code 70 White	2	----	----	----	1778 135	----
1957	Sub., C76, Codes 30, 98 Green	2	----	----	----	1778 137	----
1957	Sub., C76, Codes 31, 32, 99 Beige	2	----	----	----	1778 133	----
1957	Sub., C76, Codes 29, 97 White	2	----	----	----	1778 135	----
1958	4 D. Sub., LC1, LC3 Blue	2	----	----	----	1865 375	----
	Green	2	----	----	----	1865 376	----
	Beige	2	----	----	----	1865 377	----
	Gray	2	----	----	----	1865 378	----
1958	4 D. Sub., LC3 Turquoise	2	----	----	----	1865 379	----
23-26-41	MOULDING, Roof Rail Side Inside Finish						
NOTE:	For Roof Rail Moulding w/Vinyl Cover see Part Type Code 23-86-35						
1957-58	Sp. 4 D., S27, LS1, LC1 Right	1	*1775 968	*1775 968	*1775 968	*1775 968	----
	Left	1	1775 969	1775 969	1775 969	*1775 969	----
	Screw, 6-18 x 1/2"	20	161 798	161 798	161 798	----	----
1957-58	Sp. 4 D., S25, S26, LS1 w/Custom Trim, LS2, LS3, C75-2, C76, LC2, LC3 Right	1	----	----	*1755 780	*1755 780	----
	Left	1	----	----	1755 781	1755 781	----
	Screw	20	----	----	127 853	127 853	----
1957	Sp. 4 D. Right	1	----	----	----	----	1685 916
	Left	1	----	----	----	----	1685 917
1958	Sp. 4 D. Right	1	----	----	----	----	1830 686
	Left	1	----	----	----	----	1830 687
1957-58	Sp. Cl. Cp. except Fury and Regal Lancer, S27, LS1, LC1 Right	1	*1755 474	*1755 474	*1776 418	*1776 418	----
	Left	1	1755 475	1755 475	1776 419	*1776 419	----
	Screw, 6-18 x 1/2"	20	161 798	161 798	161 798	----	----
1957-58	Sp. Cl. Cp., P31-3 and LP2 Fury, LD3 Regal Lancer, Chrome, Right	1	*1834 192	*1834 192	----	----	----
	Left	1	1834 193	*1834 193	----	----	----
1957-58	Sp. Cl. Cp., S25, S26, LS1 w/Custom Trim, LS2, LS3, C75-2, C76, LC2, LC3 Right	1	----	----	*1755 740	*1755 740	----
	Left	1	----	----	1755 741	1755 741	----
	Screw, 6-18 x 1/2"	20	----	----	161 798	161 798	----

★ Indicates use as required.

☐ Indicates parts not listed in any previous parts book.
Nov. 28, 1958 Supersedes March 5, 1958.

Prices and specifications subject to change without notice.
* Indicates change or addition.

Printed in U.S.A.

CODE	REMARKS	PER CAR	PLYMOUTH	DODGE	DESOTO	CHRYSLER	IMPERIAL
1957	Sp. Cl. Cp. Right	1	----	----	----	----	1685 918
	Left	1	----	----	----	----	1685 919
1958	Sp. Cl. Cp. Right	1	----	----	----	----	1830 684
	Left	1	----	----	----	----	1830 685
1957-58	4 D. Sub. Front Right	1	1775 470	1775 470	1775 470	1775 470	----
	Left	1	1775 471	1775 471	1775 471	1775 471	----
	Rear Right	1	1775 474	1775 474	1775 474	1775 474	----
	Left	1	1775 475	1775 475	1775 475	1775 475	----
1957-58	2 D. Sub. Right	1	1775 478	1775 478	----	----	----
	Left	1	1775 479	1775 479	----	----	----
EXTENSION, Roof Rail Inside Finish Moulding							
1957-58	Sp. 4 D., Sp.Cl.Cp. except Fury, w/Painted Mouldings						
	In White, Right	1	1776 422	----	----	----	----
	Left	1	1776 423	----	----	----	----
	Screw, 6-18 x 1/2"	4	161 798	----	----	----	----
1957-58	Sp.Cl.Cp., P31-3 and LP2 Fury, Side Front Right	1	1834 800	----	----	----	----
	Left	1	1834 801	----	----	----	----
1957	Sp. 4 D., Sp.Cl.Cp., D66, D67, S27 Side Front Right	1	----	1776 422	1776 422	----	----
	Left	1	----	1776 423	1776 423	----	----
1958	Sp. 4 D., Sp.Cl.Cp., LS1 except Custom Trim, Side Front Right	1	----	*1836 338	*1836 338	----	----
	Left	1	----	1836 339	1836 339	----	----
1958	Sp.Cl.Cp. LD3 Regal Lancer, Side Front, Right	1	----	*1836 334	----	----	----
	Left	1	----	*1836 335	----	----	----
1957	Sp. 4 D., Sp.Cl.Cp., S25, S26, C75, C76 Side Front Right	1	----	----	*1755 654	*1755 654	----
	Left	1	----	----	1755 655	1755 655	----
1958	Sp.4D., Sp.Cl.Cp., LS1 w/Custom Trim, LS2, LS3, LC2, LC3 Side Front Right	1	----	----	*1836 334	*1836 334	----
	Left	1	----	----	1836 335	1836 335	----
1957-58	Sub. Front Right	1	1778 762	1778 762	1778 762	1778 762	----
	Left	1	1778 763	1778 763	1778 763	1778 763	----
23-26-43	MOULDING, Shelf Trim Panel Extension						
1957-58	Sp.Cl.Cp., C76-300, LC3-300	1	----	----	----	*1773 410	----
MOULDING, Shelf Panel Finish							
1957-58	Sp. 4 D., Sp.Cl.Cp., LY1-M, LY1-H	1	----	----	----	----	1685 900
23-26-45	MOULDING, Front Seat Side Shield						
1957	4 D., IM 1-1 w/Leather Trim and Power Seat Adjuster Right	1	----	----	----	----	1698 682
	Left	1	----	----	----	----	1698 683
1957	4 D., Sp. 4 D., IM 1-2, IM 1-4 Right	1	----	----	----	----	1698 682
	Left	1	----	----	----	----	1698 683
1958	4 D., Sp. 4 D., LY1-M, LY1-H, Right	1	----	----	----	----	1772 368
	Left	1	----	----	----	----	1772 369
1957-58	Cv.Cp., Sp.Cl.Cp., IM1-2, LY1-M Right	1	----	----	----	----	1698 792
	Left	1	----	----	----	----	1698 793
23-26-47	MOULDING, Quarter Trim Panel Finish						
1957	Cl. Sed., P30-1, P31-1, except Code 425	2	1774 576	----	----	----	----
1957	Cl. Sed., P30-2, P31-2, except Code 425	2	1774 580	----	----	----	----
1957	Cl. Sed., P30-1, P30-2, P31-1, P31-2 Code 425	2	1778 530	----	----	----	----
1957	Cl. Sed., P30-3, P31-3 Right	1	1756 170	----	----	----	----
	Left	1	1756 171	----	----	----	----
1957	Sp.Cl.Cp., P30-2, P31-2 Front	2	1756 397	----	----	----	----
	Rear	2	1756 398	----	----	----	----
1957	Sp.Cl.Cp., P30-3, P31-3, except Fury Upper	2	1756 204	----	----	----	----

★ Indicates use as required.

☐ Indicates parts not listed in any previous parts book.

* Indicates change or addition.

1957-58 PASSENGER CAR PARTS LIST

BODY

CODE	REMARKS	PER CAR	PLYMOUTH	DODGE	DESOTO	CHRYSLER	IMPERIAL
1957	Sp. Cl. Cp., P31-3 Fury, Upper Right	1	1778 549	----	----	----	----
	Left	1	1778 550	----	----	----	----
1957	Cv. Cp., P31-3 Right	1	1756 239	----	----	----	----
	Left	1	1756 240	----	----	----	----
1957	Cv. Cp., D67-2, Combination Trim Right	1	----	1756 239	----	----	----
	Left	1	----	1756 240	----	----	----
1957	Sp. Cl. Cp., D67, Combination Trim, Right	1	----	1709 410	----	----	----
	Left	1	----	1709 411	----	----	----
1957	Cv. Cp., S25 Upper	2	----	----	*1840 239	----	----
1957	Cv. Cp., S26 Upper	2	----	----	1684 806	----	----
	Lower	2	----	----	1766 815	----	----
	Clip, Lower Moulding Cv. Cp., 26 Adventurer Upper	6	----	----	E6006 039	----	----
1957	Upper	2	----	----	1773 219	----	----
	Lower	2	----	----	1766 815	----	----
1957	Sp. Cl. Cp., S26 Upper, Front	2	----	----	1767 230	----	----
	Upper Rear, Right	1	----	----	1766 812	----	----
	Left	1	----	----	1766 813	----	----
	Lower	2	----	----	1766 814	----	----
	Screw	6	----	----	159 549	----	----
	Washer	4	----	----	178 364	----	----
	Cup Washer	2	----	----	1649 607	----	----
	Clip, Lower Moulding	6	----	----	E6006 039	----	----
1957	Sp. Cl. Cp., S26 Adventurer Upper	2	----	----	1773 195	----	----
1957	Sp. Cl. Cp., C75-2 Upper	2	----	----	----	1766 836	----
1957	Sp. Cl. Cp., Cv. Cp., C76 Upper, Right	1	----	----	----	1766 856	----
	Left	1	----	----	----	1766 857	----
1957	Sp. Cl. Cp., C76-300 Upper	2	----	----	----	1773 195	----
1957	Cv. Cp., C76-300 Upper	2	----	----	----	1773 219	----
1957	Cv. Cp. Lower Right	1	----	----	----	----	1766 900
	Left	1	----	----	----	----	1766 901
1957-58	Sp. Cl. Cp., IM1-1, LY1-L Upper Right	1	----	----	----	----	1766 866
	Left	1	----	----	----	----	1766 867
	Lower Right	1	----	----	----	----	1766 868
	Left	1	----	----	----	----	1766 869
1957	Sp. Cl. Cp., IM 1-2 Lower Right	1	----	----	----	----	1766 900
	Left	1	----	----	----	----	1766 901
1958	Cl. Sed., LP1-L, LP2-L, LP1-M, LP2-M Code 225	2	1778 530	----	----	----	----
1958	Cl. Sed., LP1-L, LP2-L	2	1835 315	----	----	----	----
1958	Cl. Sed., LP1-M, LP2-M	2	1835 235	----	----	----	----
1958	Cl. Sed., LP1-H, LP2-H Upper Front	2	1835 236	----	----	----	----
	Upper Rear	2	1835 324	----	----	----	----
	Lower	2	1835 239	----	----	----	----
1958	Sp. Cl. Cp., Cv. Cp., LP1-H, LP2-H Right	1	1835 237	----	----	----	----
	Left	1	1835 238	----	----	----	----
1958	Sp. Cl. Cp., LD3 Regal Lancer, Upper Front	2	----	E1837 190	----	----	----
	Upper Rear	2	----	E1837 192	----	----	----
1958	Sp. Cl. Cp., LD2M, LD3-H, UP TO Upper Rear	2	----	*1837 120	----	----	----
1958	Sp. Cl. Cp., LD2-M, LD3-H, AFTER, Upper Front	2	----	E1837 190	----	----	----
	Upper Rear	2	----	E1837 192	----	----	----
1958	Cv. Cp., LD3 UP TO Upper Rear Right	1	----	*1837 118	----	----	----
	Left	1	----	*1837 119	----	----	----
1958	Cv. Cp., LD3 AFTER Upper Front	2	----	E1837 190	----	----	----
	Upper Rear	2	----	E1837 191	----	----	----
1958	Sp. Cl. Cp., LS1, w/Custom Trim	2	----	----	*1876 338	----	----
1958	Sp. Cl. Cp., LS2	2	----	----	1772 945	----	----
1958	Sp. Cl. Cp., LS3	2	----	----	1773 562	----	----

★ Indicates use as required.

E Indicates parts not listed in any previous parts book.

Nov. 28, 1958 Supersedes Nov. 15, 1957.

Printed in U.S.A.
Prices and specifications subject to change without notice.

* Indicates change or addition.

CODE	REMARKS	PER CAR	PLYMOUTH	DODGE	DESOTO	CHRYSLER	IMPERIAL
1958	Sp. Cl. Cp., LS3 Adventurer Upper	2	----	----	1840 414	----	----
1958	Cv. Cp., LS1	2	----	----	1876 338	----	----
1958	Cv. Cp., LS2	2	----	----	1773 533	----	----
1958	Cv. Cp., LS3	2	----	----	1773 563	----	----
1958	Cv. Cp., LS3 Adventurer Upper	2	----	----	1773 219	----	----
1958	Sp. Cl. Cp., LC1, LC2, Vinyl Trim						
	Right	1	----	----	----	1709 410	----
	Left	1	----	----	----	1709 411	----
1958	Sp. Cl. Cp., LC3	2	----	----	----	1840 238	----
	Imitation Leather Trim	2	----	----	----	1773 195	----
1958	Cv. Cp., LC3	2	----	----	----	1840 239	----
	Imitation Leather Trim	2	----	----	----	1773 219	----
1958	4 D., LY1-L, w/Leather Trim,						
	Upper Right	1	----	----	----	----	1840 336
	Left	1	----	----	----	----	1840 337
1958	4 D., Sp. 4 D., LY1-M, LY1-H						
	Upper Right	1	----	----	----	----	1840 336
	Left	1	----	----	----	----	1840 337
1958	Sp. Cl. Cp., LY1-M	2	----	----	----	----	1876 028
	Lower	2	----	----	----	----	1840 374
1958	Cv. Cp., LY1-M	2	----	----	----	----	1840 380
	Lower	2	----	----	----	----	1840 374
23-26-55	MOULDING, Body Center Pillar inside Finish						
1957-58	4D., IM 1-1, except Leather Trim						
	Panel Upper	2	----	----	----	----	1766 646
1957	4 D., IM1-1, w/Leather Trim						
	Upper, Right	1	----	----	----	----	1766 882
	Left	1	----	----	----	----	1766 883
1957	4 D., IM 1-1, Trim Panel						
	Lower, Right	1	----	----	----	----	1766 640
	Left	1	----	----	----	----	1766 641
1958	4D., LY1-L, Trim Panel						
	Lower, Right	1	----	----	----	----	1840 516
	Left	1	----	----	----	----	1840 517
1957	4D., IM 1-2, IM 1-4						
	Upper, Right	1	----	----	----	----	1766 882
	Left	1	----	----	----	----	1766 883
1958	4D., LY1-M, LY1-H,						
	Upper Right	1	----	----	----	----	1840 350
	Left	1	----	----	----	----	1840 351
	Intermediate	2	----	----	----	----	1840 195
	Lower	2	----	----	----	----	1840 448
	MOULDING, Center Pillar Trim Panel Kick						
	Plate						
1957	4 D., IM 1-1, w/Leather Trim						
	Right	1	----	----	----	----	1766 640
	Left	1	----	----	----	----	1766 641
1957	4 D., IM 1-2, IM 1-4						
	Right	1	----	----	----	----	1766 640
	Left	1	----	----	----	----	1766 641
	KICK PLATE, Center Pillar Trim Panel						
1957	4 D., IM 1-1, w/Leather Trim						
	Right	1	----	----	----	----	1773 064
	Left	1	----	----	----	----	1773 065
1957	4 D., IM 1-2, IM 1-4						
	Right	1	----	----	----	----	1773 064
	Left	1	----	----	----	----	1773 065
23-26-58	CAP, Body Center Pillar Top						
1957	Sp. 4D						
	in White, Right	1	1756 616	1756 616	1756 616	1756 616	----
	Left	1	1756 617	1756 617	1756 617	1756 617	----
1958	Sp. 4D., All Codes except as						
	Follows, in White, Right	1	1756 616	1756 616	1756 616	1756 616	----
	Left	1	1756 617	1756 617	1756 617	1756 617	----
1958	Sp. 4D., LS2-M Codes 633, 635, 636,						
	733, 735, 736, LS3-H Codes 643, 645,						
	646, 743, 745, 746, LC1-L Codes 12,						
	13, 14, 15, 17, 101, LC2-M Codes 18,						
	25, 26, 27, 28, 105, LC3-H Codes 33,						
	34, 35, 36, 37, 38, 109 Plastic, Right	1	----	----	E1876 616	E1876 616	----
	Left	1	----	----	E1876 617	E1876 617	----
1957-58	Sp. 4D. Chrome, Right	1	----	----	----	----	1698 876
	Left	1	----	----	----	----	1698 877

★ Indicates use as required.

⊠ Indicates parts not listed in any previous parts book.

* Indicates change or addition.

1957-58 PASSENGER CAR PARTS LIST

BODY

CODE	REMARKS	PER CAR	PLYMOUTH	DODGE	DESOTO	CHRYSLER	IMPERIAL
23-26-62	CAP, Door Trim Moulding End						
1957	4 D., P30-1, P30-2, P31-1, P31-2, Codes 425, 426 Front and Rear Doors	8	1694 182	----	----	----	----
1957	Cl. Sed., 3 Cp., P30-1, P30-2, P31-1, P31-2 Code 425	4	1694 182	----	----	----	----
1958	4D., LP1-L, LP1-M, LP2-L, LP2-M, Code 225, Front and Rear Doors	8	1694 182	----	----	----	----
1958	Cl. Sed., 3 Cp., LP1-L, LP1-M, LP2-L, LP2-M Code 225	4	1694 182	----	----	----	----
CAP, Door Trim Panel Finish							
1957	Sp. 4 D., S26, C76, IM1-2, Front Door Rear, Right	1	----	----	*1698 954	*1698 954	----
	Left	1	----	----	1698 955	1698 955	----
	Rear Door Front, Right	1	----	----	1698 956	1698 956	----
	Left	1	----	----	1698 957	1698 957	----
	Rear Door Rear, Right	1	----	----	1698 962	1698 962	*1830 498
	Left	1	----	----	1698 963	1698 963	*1830 499
1958	Sp. 4 D., LS3-H, LC3-H Front Door Rear, Right	1	----	----	1830 558	1830 558	----
	Left	1	----	----	1830 559	1830 559	----
	Rear Door Front, Right	1	----	----	1830 640	1830 640	----
	Left	1	----	----	1830 641	1830 641	----
	Rear Door Rear, Right	1	----	----	1830 594	1830 594	1830 498
	Left	1	----	----	1830 595	1830 595	1830 499
23-26-63	CAP, Quarter Trim Moulding End						
1957	Cl. Sed., P30-1, P31-1, P31-2 Code 425	4	1694 182	----	----	----	----
1958	Cl. Sed., LP1-L, LP1-M, LP2-L, LP2-M, Code 225	4	1694 182	----	----	----	----
CAP, Quarter Trim Panel Finish Front							
1957	Sp. Cl. Cp., Cv. Cp., C76 Chrome, Right	1	----	----	----	*1830 794	----
	Left	1	----	----	----	1830 795	----
1958	Sp. Cl. Cp. LD3 Regal Lancer Chrome Right	1	----	*1830 794	----	----	----
	Left	1	----	*1830 795	----	----	----
23-26-80	NAMEPLATE, Door Trim Panel						
1957	Sp. Cl. Cp., P31-3 Fury Clip	Fury 10	1707 304 6000 252	----	----	----	----
	Numbers, Door Trim Panel						
1957	Cv. Cp., Sp. Cl. Cp., C76-300 "3"	1	----	----	----	1773 179	----
	"0"	2	----	----	----	1773 181	----
	Speed Nut	14	----	----	----	445 160	----
23-26-85	MOULDING, Belt Bar Folding Top Inside						
1957	Cv. Cp. Right	1	----	----	----	----	1810 104
	Left	1	----	----	----	----	1810 105
23-26-86	CAP, Belt Bar Folding Top Inside Moulding						
1957-58	Cv. Cp.	1	----	----	----	----	1810 106
23-31-0 PADS, LINERS, INSULATORS, SEALS, ANTI-SQUEAK							
23-31-1	SHIM/TAPE, Windshield and Rear Window Area						
1958	All 15 Foot Roll	★	1878 062	1878 062	1878 062	1878 062	1878 062
23-31-6	ANTI-SQUEAK, Roof Bow to Rail						
1957-58	4D.	★	----	----	----	----	313 073
23-31-33	LINER, Dash						
1957	All With or w/o Heater	1	1767 461	1767 461	1767 461	1767 461	1767 459
1958	All, LP1-L, LP2-L, LP1-M, LP2-M With or w/o Heater	1	1767 461	⊖1868 156	⊖1868 156	⊖1847 437	1767 459
1958	All, LP1-H, LP2-H	1	1847 437	----	----	----	----
23-31-36	FASTENER, Dash Liner						
1957	All except S27	★	1757 398	1757 398	6008 109	6008 109	6008 109
1957	All S27	★	----	----	6000 096	----	----
1958	All, LS1, LC1, 1 3/8" Long	★	*6000 096	*6000 096	*6000 096	*6000 096	----
1958	All, LS2, LS3, LC2, LC3, 1 7/8" Long	★	----	----	*6008 109	*6008 109	*6008 109

★ Indicates use as required.

⊖ Indicates parts not listed in any previous parts book.
Nov. 28, 1958 Supersedes March 5, 1958.

CODE	REMARKS	PER CAR	PLYMOUTH	DODGE	DESOTO	CHRYSLER	IMPERIAL
23-31-119	PAD, Steering Column Floor Covering Finish						
1957	All, S27	1	1766 673	1766 673	1766 673	----	----
1957	All, S25, S26, C75, w/Manual Strg.	1	----	----	1773 008	1773 008	----
1958	All, LS1, LC1, w/Std. Strg. and Std. Trans.	1	1766 673	1839 181	1839 181	1839 181	----
1958	All, LS1, LC1, w/Std. Strg. and Auto. Trans.	1	----	1839 181	1839 181	1839 181	----
1958	All, LS1, LC1, w/Power Strg. and Auto. Trans.	1	1773 634	1773 634	1773 634	1773 634	----
1958	All, LS1, w/Power Strg. and Std. Trans.	1	1773 634	1773 634	1773 634	----	----
1958	All, LS2, LS3, w/Std. Strg. and Auto. Trans.	1	----	----	1773 008	----	----
1958	All, LS2, LS3, LC2, LC3, w/Power Strg. and Auto. Trans.	1	----	----	1840 222	1840 222	1773 635
23-31-124	SEAL, Steering Column to Floor						
1957	All, S27, w/Manual Strg. and Std. Trans.	1	1766 659	1766 659	1766 659	----	----
	w/Power Strg. and Std. Trans.	1	1766 655	1766 655	1766 655	----	----
	w/PowerFlite and Auto. 3 Speed Trans.	1	1766 654	1766 654	1766 654	----	----
1957	All, S25, C75-1, w/Std. Trans.	1	----	----	1766 657	1766 657	----
	w/Power Strg. and PowerFlite	1	----	----	1685 540	----	----
	w/Power Strg. and Auto. 3 Speed Trans.	1	----	----	1685 540	1685 540	----
1957	All, S26, C75-2, C76, w/Std. Trans.	1	----	----	1685 540	1685 540	----
	w/Power Strg. and PowerFlite	1	----	----	1685 540	1685 540	----
1957	All	1	----	----	----	----	1830 452
1958	All, LS1, w/Std. Strg. and Std. Trans.	1	1766 659	1766 659	1766 659	----	----
	w/Power Strg. and Std. Trans.	1	1766 655	1766 655	1766 655	----	----
	w/Constant Control Strg. and Std. Trans.	1	1830 449	1830 449	1830 449	----	----
1958	All, w/Auto. Trans. Only, UP TO Note 1	1	*1766 654	----	----	----	----
1958	All, w/Auto. Trans. Only, AFTER Note 1	1	*1902 083	----	----	----	----
1958	All, w/Std. Strg. and Auto. Trans.	1	----	*1839 156	*1839 156	----	----
1958	All, LS1, LC1, w/Power Strg. and Auto. Trans.	1	*1830 450	*1830 450	*1830 450	*1830 450	----
1958	All, LS2, w/Std. Strg. and Std. Trans.	1	----	----	1766 657	----	----
1958	All, LS2, LS3, w/Power Strg. and Auto. Trans.	1	----	----	1685 540	----	----
1958	All, LC1, w/Std. Strg. and Auto. Trans.	1	----	----	----	1766 654	----
1958	All, LC2, LC3, w/Power Strg. and Auto. Trans.	1	----	----	----	1685 540	1830 452
1958	All, LS2, LS3, LC2, LC3, w/Constant Control Strg. and Auto. Trans.	1	----	----	1830 451	1830 451	1830 452
23-31-125	SILENCER, Steering Column Opening Cover						
1957-58	All	1	----	----	----	----	1767 102
23-31-127	RETAINER, Steering Column to Floor Seal						
1958	All, LP1, LP2, w/Auto. Trans. Only, AFTER Note 1	1	*1876 304	----	----	----	----
1958	All, LP1, LP2, w/Auto. Trans. and Power Strg., AFTER Note 2	1	*1876 304	----	----	----	----
23-31-128	SCREW and WASHER, Steering Column Seal to Floor						
1957	All	★	1766 568	1766 568	6000 160	1766 568	1766 568
1958	All	★	6000 160	6000 160	6000 160	6000 160	6008 010

NOTE 1: Serial Nos.

MODELS	Det. Blt.	L. A. Blt.
LP1	20774	6301
LP2	63937	38844

NOTE 2: Serial Nos.

MODELS	Det. Blt.	L. A. Blt.
LP1	20774	
LP2	63937	15642

★ Indicates use as required.

Ⓑ Indicates parts not listed in any previous parts book.

* Indicates change or addition.

1957-58 PASSENGER CAR PARTS LIST

BODY

CODE	REMARKS	PER CAR	PLYMOUTH	DODGE	DESOTO	CHRYSLER	IMPERIAL
23-31-150	SEAL, Rear Floor Pan Extension to Quarter Panel 1957-58 All	2	----	----	----	----	1752 016
23-31-205	SILENCER, Roof Panel 1957-58 All, 1/2 x 25.5 x 67	★	1774 621	1774 621	1774 621	1774 621	1774 621

23-32-0 PANS, PLUGS AND BODY BUMPERS

23-32-11	CLINCH NUT, Seat Back to Floor Pan Bracket 1957 Sp. Cl. Cp., Cv. Cp. Floor Pan to Diagonal Brace Bracket 1957 All	2 1	----	----	----	----	327 072 327 072
23-32-14	SCREW, Filler and Floor Pan 1958 4 D.Sub., LD3, Rear of Second Seat 1958 4 D.Sub. 3 Seater, LS1, Rear of Second Seat 1958 4 D.Sub. 2 Seater, LS1, with Second Seat Back Panel Insert, Rear of Second Seat Rear Floor Pan Insert Filler 1957 Sub., C76 see Note 1 1958 4 D.Sub. 3 Seater, LS1 1958 4 D.Sub. 2 Seater, LS1 with Second Seat Back Panel Insert 1958 4 D.Sub. 3 Seater, LC3	12 12 12 12 12 12 15 15 12	----	6000 523 ----	----	6000 523 ----	----
23-32-15	PLUG or BUTTON, Floor Pan 1957 All, P30, D72 Front Floor Pan 1957 Sub. Rear Floor Pan 1957-58 All except Sub., Rear Deck, Side Extension 1957 All except Sub., S27, See Note 2, Rear Deck, Side Extension 1957 All except Sub., S27, see Note 3, Rear Deck, Side Extension 1957 All except Sub., S25, S26, Rear Deck, Side Extension 1957 All except Sub. No. 6 Body Bolt 1957 All, Extension Bumper Stabilizer Support Bracket Access Hole No. 2 Body Bolt Hole No. 3 Body Bolt Hole No. 3A Body Bolt Hole Rear Extension Drain Hole Seat Regulator Depression Drain Hole UP TO Serial No. C57-2172 FROM Serial No. C57-2172 to C57-12642 AFTER Serial No. C57-12642 Rear Floor Drain Hole 1958 All, LPI, LD1 Front Floor 1958 Sub., Rear Floor Pan, 1 1/16" Hole Rubber 1" Hole Plastic 1 3/4" Hole 2 Piece Type Body Rear Pillar Extension, Left	2 1 2 2 2	1695 998 1695 998 1810 273 ----	1695 998 1695 998 1810 273 1836 797 1810 273 1759 945 ----	----	1695 998 ----	1695 998 ----

NOTE 1:	AFTER Body No.	Code No.	AFTER Body No.	Code No.
	20277	29	21190	30
	20275	31	22222	32
	20676	97	21831	98
	20282	99		

NOTE 2:	UP TO Serial No.	MODEL	Serial No.	MODEL	Serial No.
	D66		35255479	D72	32267945
	D67		37304250	S27	58029474

NOTE 3:	AFTER Serial No.	MODEL	Serial No.	MODEL	Serial No.
	D66		35255479	D72	32267945
	D67		37304250	S27	58029474

★ Indicates use as required.

☐ Indicates parts not listed in any previous parts book.
Nov. 28, 1958 Supersedes March 5, 1958.

CODE	REMARKS	PER CAR	PLYMOUTH	DODGE	DESOTO	CHRYSLER	IMPERIAL
1958	Cv. Cp., Front Floor Pan, No. 4A Body Bolt Hole	2	1695 998	1695 998	1695 998	1695 998	----
1958	All except Suburban Rear	2	----	1759 945	1759 945	1759 945	1759 945
1958	All except Sub., LS1, Rear Floor Pan Side Extension	2	----	1836 797	1836 797	----	----
1958	All, Rear Floor Pan Side Extension	2	----	----	----	----	1652 067
1958	All, Seat Regulator Depression Drain Hole	2	----	----	----	----	*1810 273
	PLUG, Wheelhouse Outer Panel						
1958	Sub. 2 Seater	2	*1882 735	*1882 735	----	----	----
1958	Sub. 3 Seater	1	*1882 735	*1882 735	----	----	----
1958	Sub. 3 Seater	2	----	----	*1882 735	*1882 735	----
23-32-16	TEE-NUT, Rear Floor Pan Filler Frame						
1957	Sub.	2	6000 468	6000 468	6000 468	6000 468	----
1958	4D. Sub. 2 Seater, 2D. Sub.	2	6000 468	6000 468	6000 468	6000 468	----
1958	4D. Sub. 3 Seater	2	----	----	6000 468	6000 468	----
23-32-36	COVER, Fuel Gauge Inspection Hole						
1957	4D. Sub., 2D. Sub.	1	1597 573	1597 573	1597 573	1597 573	----
1958	4D. Sub., 2D. Sub.	1	1846 668	1846 668	1846 668	1846 668	----
23-32-38	GASKET, Rear Floor Pan Fuel Injector Pump Access Hole Cover						
1958	All LP2 except Subs., LP2 Fury, LD2 D500, LD3 D-500, LS3 Adventurer, LC3 300, w/Fuel Injector	1	1844 717	1844 717	1844 717	1844 717	----
23-32-48	PAN, Rear Deck Floor						
1957-58	All except Sub.	1	1681 663	1681 665	1681 666	1681 666	1651 332
1957-58	Sub.	1	1681 664	1681 664	1681 664	1681 664	----
23-32-49	EXTENSION, Rear Floor Pan Side						
1957-58	All except Sub. Right	1	1707 180	1705 604	1705 806	1705 806	1651 268
	Left	1	1707 181	1705 605	1705 807	1705 807	1651 269
1957-58	Sub. Right	1	1705 362	1705 362	1705 362	1705 362	----
	Left	1	1705 363	1705 363	1705 363	1705 363	----
23-32-50	BRACE, Wheelhouse Inner Panel to Rear Floor Pan Side Extension						
1957-58	4D. Sub., 2D. Sub. Right	1	1707 764	1707 764	1707 764	1707 764	----
	Left	1	1707 765	1707 765	1707 765	1707 765	----
23-32-51	BUMPER, Floor Filler						
1957	4 D. Sub., 2 D. Sub., 2 Seater	2	1380 060	1380 060	1380 060	1380 060	----
23-32-56	FILLER, Rear Floor Pan						
1957	4 D. Sub. 2 Seater, 2 D. Sub., w/o Hinges	1	*1844 930	*1844 930	*1844 930	*1844 930	----
1958	4 D. Sub. 2 Seater, 2 D. Sub., w/HINGES	1	*1882 257	*1882 257	*1882 257	*1882 257	----
23-32-58	CATCH, Floor Pan Filler Lock						
1957	4 D. Sub., 2 D. Sub., 2 Seater, w/Tire Well Lock Cylinder, Attached to Tailgate Opening	1	1777 128	1777 128	----	1777 128	----
	Lower Panel Reinforcement						
1957-58	4 D. Sub. 2 Seater, 2 D. Sub. Screw	4	6000 160	6000 160	----	6000 160	----
23-32-59	LATCH, Rear Floor Pan Filler Catch						
1957	4D. Sub., 2D. Sub. 2 Seater	2	1777 127	1777 127	1777 127	1777 127	----
23-32-62	REINFORCEMENT, No. 6 Body Bolt						
1957-58	All except Sub.	1	*1707 770	----	*1695 388	*1695 388	----
23-32-64	BOLT, Rear Floor Pan Filler Lock						
1957	4D. Sub., 2D. Sub. 2 Seater	1	1777 126	1777 126	----	1777 126	----
1957-58	4D. Sub. 2 Seater, 2D. Sub., w/Tire Well Lock	1	1866 685	1866 685	----	1866 685	----
23-32-65	HINGE, Floor Filler						
1957	4 D. Sub., 2 Seater, 2 D. Sub., w/BEARING, Filler Half, Right	1	*1774 382	*1774 382	*1774 382	*1774 382	----
	Left	1	1774 383	1774 383	1774 383	1774 383	----
	w/BOLT, Body Half Right	1	1774 390	1774 390	1774 390	1774 390	----
	Left	1	1774 391	1774 391	1774 391	1774 391	----

★ Indicates use as required.

☐ Indicates parts not listed in any previous parts book.

* Indicates change or addition

1957-58 PASSENGER CAR PARTS LIST

BODY

CODE	REMARKS	PER CAR	PLYMOUTH	DODGE	DESOTO	CHRYSLER	IMPERIAL
	Connecting Parts Plain washer, 3/8"	2	120 394	120 394	120 394	120 394	----
	Lockwasher, 3/8"	2	138 489	138 489	138 489	138 489	----
	Nut, No. 10-24	2	151 497	151 497	151 497	151 497	----
23-32-66	SPRING, Rear Floor Pan Filler Lock Bolt 1957 4 D. Sub., 2 D. Sub. 2 Seater	1	1833 644	1833 644	----	1833 644	----
	SPRING, Rear Floor Pan Filler Lock Latch 1957-58 4 D. Sub. 2 Seater, 2 D. Sub., w/Tire Well Lock	1	1866 682	1866 682	----	1866 682	----
23-32-67	SUPPORT, Rear Compartment or Filler 1957-58 4 D. Sub., 2 D. Sub. 2 Seater, on Wheel/House	2	1836 037	1836 037	1836 037	1836 037	----
	Screw and Washer	8	6006 056	6006 056	6006 056	6006 056	----
23-32-68	PLUG, Door Access Hole						
	1957 All, Front Door Inside Panel Vent Wing	2	*1755 450	*1755 450	*1755 450	*1755 450	----
	1957 All, Front Door Inside Panel Lock Linkage	2	*1755 450	*1755 450	*1755 450	*1755 450	----
	1958 All, Front Door Inside Panel, Round Rubber	★	*1755 450	*1755 450	*1755 450	*1755 450	----
	1958 All, Front Door Inside Panel, Round Black Plastic	★	*1950 477	*1950 477	*1950 477	*1950 477	----
	1958 Sp. 4 D., Sp. Cl. Cp., Cv. Cp., Front Door Inside Panel Hinge Pillar, Plastic	2	*1883 195	*1883 195	----	----	----
	1957 4 D., Sp. 4 D., Front Door Inside Panel Lock Linkage	2	----	----	----	----	1757 131
	1957-58 4D., Front Door Upper Extension Bracket Access Hole	4	----	----	----	----	1751 764
	1957-58 Cv. Cp., Sp. Cl. Cp., Door Inside Panel Lock Linkage	2	----	----	----	----	1751 763
	1957-58 4D., Rear Door Upper Extension Bracket, .75" dia. Hole, Front Upper	2	----	----	----	----	*1751 763
	1" dia. Hole, Upper	2	----	----	----	----	*1751 762
	1 1/4" dia. Hole, Lower	4	----	----	----	----	*1751 764
	.75" dia. Hole, Center	2	----	----	----	----	*1751 763
23-32-70	REINFORCEMENT, Tailgate Opening Lower Panel						
	1957-58 Sub.	1	1758 350	1758 350	1758 350	1758 350	----
23-32-71	ROD, Floor Pan Filler Support 1957 4 D. Sub., 2 D. Sub., 2 Seater	1	1620 681	1620 681	1620 681	1620 681	----
	1957-58 Sub. 2 Seater, w/BRACKET	1	Ⓛ1777 884	Ⓛ1777 884	Ⓛ1777 884	Ⓛ1777 884	----
23-32-72	WASHER, Floor Pan Filler Support Rod Spring						
	1957 4 D. Sub. 2 Seater, 2 D. Sub.	1	6000 128	6000 128	6000 128	6000 128	----
23-32-75	BRACKET, Rear Floor Pan Filler Lock 1958 4 D. Sub. 2 Seater, 2 D. Sub., with Tire Well Lock	1	1866 683	1866 683	----	1866 683	----
	Nut, 10-24	2	151 497	151 497	----	151 497	----
	Step/Bolt, 10-24 x 1 1/2"	2	128 356	128 356	----	128 356	----
23-32-77	BOLT, Rear Floor Pan Filler Lock Bracket Attaching						
	1958 4 D. Sub. 2 Seater, 2 D. Sub., w/Tire Well Lock, Chrome	2	*1883 654	*1883 654	*1883 654	*1883 654	----
23-32-98	PLUG, PowerFlite and Overdrive Cable Hole in Dash Panel						
	1957-58 All with Std. Trans.	1	1774 076	1774 076	1774 076	1774 076	----
	PLUG, Dash Panel Windshield Washer Pump Holes						
	1957-58 All	1	1774 076	1774 076	1774 076	1774 076	----
23-32-110	SHIELD, Rear Under Body 1957-58 All	1	----	----	----	----	1737 404
	Bolt, 1/4-20x5/8, to Crossmember	5	----	----	----	----	180 018
23-32-111	SUPPORT, Rear Under Body Shield 1957-58 All	1	----	----	----	----	1737 406

★ Indicates use as required.

Ⓛ Indicates parts not listed in any previous parts book.
Nov. 28, 1958 Supersedes March 5, 1958.

Printed in U.S.A.
Prices and specifications subject to change without notice.
* Indicates change or addition.

CODE	REMARKS	PER CAR	PLYMOUTH	DODGE	DESOTO	CHRYSLER	IMPERIAL
23-33-0 INSTRUMENT PANEL							
23-33-10	BRACE, Instrument Panel to Pedal Bracket 1957-58 All	1	1685 882	1698 999	----	----	----
	1957-58 All Right	1	----	----	1685 286	1685 286	----
	Left	1	----	----	1830 088	1830 088	----
	BRACE, Instrument Panel to Windshield Wiper 1957-58 All	1	1771 631	----	----	----	----
	Housing	1	----	----	1772 509	----	----
23-33-12	COVER, Instrument Panel Radio Control Opening 1957-58 All	1	1772 486	----	----	----	----
	w/o Radio	1	----	----	----	----	----
	COVER, Instrument Panel Radio Opening 1957-58 All	1	----	1685 248	1698 112	----	1685 326
	w/o Radio	2	----	----	----	----	1698 758
	1957-58 All w/o Radio, Knob Hole	2	----	----	----	----	----
	PLATE, Instrument Panel Radio Control Opening Finish	1	----	----	----	1685 824	----
	1957 All w/o Radio	1	----	----	----	----	----
	PLATE, Instrument Panel Radio Control Opening Face	1	----	----	----	1698 239	----
	1958 All w/o Radio, Plastic	1	----	----	----	1830 624	----
	1957-58 All w/o Radio, Aluminum	1	----	----	----	----	1685 485
	1957-58 All w/ Radio	1	----	----	----	----	----
23-33-20	DUMMY CLOCK, w/Trim BUTTON 1957-58 All	1	1779 548	----	----	----	----
	COVER, Instrument Panel Clock Hole 1957-58 All, C75	1	----	1698 879	1698 733	1698 328	----
23-33-28	COVER, Instrument Panel Defroster Outlet 1957 All, w/Trim Pads and w/o Heater	2	*1771 784	*1771 784	*1771 784	*1771 784	*1771 784
	1958 All, w/Trim Pads and w/o Heater and w/o Air Cond.	2	*1771 784	----	----	----	----
	1958 All, w/o Heater	2	----	----	----	*1771 784	----
	1957 All, P30, P31, S25, S26, C75, w/o Trim Pads and w/o Heater and w/o Air Cond.	2	*1771 789	----	*1771 789	*1771 789	----
	1958 All, LP1, LP2, LS2, LS3, w/o Trim Pad and w/o Heater and w/o Air Cond.	2	*1771 789	----	*1771 789	----	----
23-33-29	RETAINER, Instrument Panel Defroster Outlet Cover						
	1957 All w/Trim Pads and w/o Heater and w/o Air Cond.	2	1771 788	1771 788	1771 788	1771 788	1771 788
	1958 All w/Trim Pad and w/o Heater	2	1771 788	----	----	----	----
23-33-33	GRILLE, Instrument Panel Radio Speaker 1957 All	1	----	*1685 815	----	----	----
23-33-40	HOUSING, Instrument Panel Control 1957 All	1	----	----	----	1698 260	----
	Right	1	----	----	----	1698 262	----
	Left	1	----	----	----	----	1830 187
	1957 All w/Cap	1	----	----	----	----	1839 193
	1958 All w/Cap	1	----	----	----	----	----
23-33-42	GRILLE, Instrument Panel Radio and Defroster Opening						
	1958 w/o Air Conditioning	1	----	1830 706	*1830 787	1839 269	1839 269
	1958 All w/Air Conditioning	1	----	1830 821	1830 801	1830 801	1830 801
23-33-48	BEZEL, Instrument Panel Clock 1957-58 All	1	----	----	----	----	1698 286
23-33-52	HOUSING, Instrument Panel Clock 1957-58 All	1	----	----	----	1698 177	----
23-33-56	FACE PLATE, Instrument Panel Controls 1957 All	1	1685 202	----	----	----	----
	w/Heater, Right	1	1698 750	----	----	----	----
	w/o Heater, Right	1	1772 408	----	----	----	----
	w/Cigar Lighter Right of Ash Receiver	1	1698 048	----	----	----	----
	w/o Cigar Lighter Right of Ash Receiver	1	1685 203	----	----	----	----
	w/o Overdrive, Left	1	1772 554	----	----	----	----
	w/Overdrive Only, Left	1	*1830 506	----	----	----	----
	1958 All w/Heater or Air Cond., Right	1	*1830 508	----	----	----	----
	w/o Heater or Air Cond., Right	1	1830 511	----	----	----	----
	w/Cigar Lighter, Right of Ash Receiver	1	----	----	----	----	----

★ Indicates use as required.

ⓑ Indicates parts not listed in any previous parts book.

* Indicates change or addition.

1957-58 PASSENGER CAR PARTS LIST

BODY

CODE	REMARKS	PER CAR	PLYMOUTH	DODGE	DESOTO	CHRYSLER	IMPERIAL
	w/o Cigar Lighter, Right of Ash Receiver	1	1830 510	----	----	----	----
	w/o Overdrive, Left	1	*1830 507	----	----	----	----
	w/Overdrive, Left	1	*1830 509	----	----	----	----
	Spring/Nut, Attaching	★	445 153	----	----	----	----
1957	All Speedometer and Control Housing	1	----	----	1753 209	----	----
1958	All, Speedometer and Control Housing, w/1.28" dia. Ignition Lock Hole	1	----	----	*1838 281	----	----
	w/1" dia. Ignition Lock Hole	1	----	----	⊠1885 463	----	----
23-33-65	COVER or PLATE, Instrument Panel Heater Control Opening						
1957-58	All w/o Heater	1	----	----	1698 805	----	1698 926
23-33-67	BRACKET, Instrument Panel Clock Hole Cover or Bezel						
1957-58	All	1	----	----	1698 258	----	1698 297
23-33-84	FASTENER, Instrument Panel Moulding						
1957-58	All P30-1, P31-1, LP1-L, LP2-L, w/Trim Pad						
	Horizontal Moulding	4	6008 031	----	----	----	----
1957-58	All, P30-2, P30-3, P31-2, P31-3, LP1-M, LP2-M, LP1-H, LP2-H	4	6008 031	----	----	----	----
1957-58	All, P30-1, P31-1, LP1-L, LP2-L, w/Trim Pad and w/o Radio, Radio Control Opening Cover	3	6008 031	----	----	----	----
1957-58	All, P30-2, P30-3, P31-2, P31-3, LP1-M, LP2-M, LP1-H, LP2-H, w/o Radio, Radio Control Opening Cover	3	6008 031	----	----	----	----
23-33-86	MOULDING, Instrument Panel Finish						
1957-58	All w/Radio, Horizontal	1	1685 240	----	----	----	----
1957-58	All, P30-1, P31-1, LP1-L, LP2-L, w/Padded Instrument Panel Radio Control Opening Cover	1	1698 302	----	----	----	----
1957-58	All, P30-2, P30-3, P31-2, P31-3, LP1-M, LP2-M, LP1-H, LP2-H, w/o Radio Radio Opening Cover	1	1698 302	----	----	----	----
1957-58	All, Trim Pad						
	Around Map Lamp, Trim Pad Center	1	----	1698 752	----	----	----
	Right	1	----	1685 265	----	----	----
	Left	1	----	1685 266	----	----	----
	Screw	10	----	148 545	----	----	----
1957-58	All Horizontal	1	----	----	1685 821	1772 568	----
	Screw	4	----	----	148 545	148 545	----
1957-58	All, C75 Instrument Housing, Primed, Upper, Right	1	----	----	----	1772 564	----
	Left	1	----	----	----	1772 565	----
	Lower	1	----	----	----	1772 563	----
	Screw	4	----	----	----	180 181	----
1957-58	All, C76, Instrument Housing						
	Chrome, Upper, Right	1	----	----	----	1772 560	----
	Left	1	----	----	----	1772 561	----
	Lower	1	----	----	----	1698 669	----
	Screw	4	----	----	----	180 181	----
1957-58	All Housing	1	----	----	----	----	1685 316
1957-58	All Upper Horizontal, Center	1	----	----	----	----	1685 317
	Right	1	----	----	----	----	1698 000
	Left	1	----	----	----	----	1698 001
	Screw	5	----	----	----	----	128 247
	J/Nut	5	----	----	----	----	445 358
	Lower Horizontal	1	----	----	----	----	1698 883
1957-58	All, Instrument Housing Outer						
	Right Side Only	1	----	----	----	----	1830 492

★ Indicates use as required.

⊠ Indicates parts not listed in any previous parts book.
 Nov. 28, 1958 Supersedes Nov. 15, 1957.

Printed in U.S.A.
 Prices and specifications subject to change without notice.
 * Indicates change or addition.

CODE	REMARKS	PER CAR	PLYMOUTH	DODGE	DESOTO	CHRYSLER	IMPERIAL
23-33-94	STUD, Instrument Panel						
1957	All, w/Std. Trans., Gear Selector Housing to Panel	3	6008 030	----	----	----	----
1957-58	All, w/PowerFlite or 3 Speed Automatic Trans., Gear Selector Housing to Panel	3	6010 020	----	----	----	----
1957-58	All, Upper Panel to Speedometer Housing	2	----	6010 020	----	----	----
1957-58	All, Heater Control Opening Cover Plate w/o Heater	2	----	----	6010 020	----	6010 020
1957	All, Clock Hole Cover, w/o Clock	2	----	----	6010 020	----	----
1957-58	All, Radio Opening Cover w/o Radio	2	----	----	6010 020	----	----
1957-58	All Clock Housing	2	----	----	----	946 932	----
1957-58	All, Gear Selector Mounting Bracket	3	----	----	----	----	6008 030
1958	All, Clock Hole Cover	2	----	----	662 274	----	----
1958	All, Radio Speaker Screen Frame	4	----	----	----	6008 012	6008 012
1958	All, Radio Housing to Instrument Panel	2	----	----	----	6010 020	----
1958	All, Instrument Housing Instrument	3	----	----	----	----	6010 020
1958	All, Instrument Housing Clock	3	----	----	----	----	6010 020
23-33-96	NAME PLATE, Instrument Panel						
1957-58	All, S25 Firedome	1	----	----	1685 819	----	----
1957-58	Sp. Cl. Cp., Cv. Cp., S26, LS3, Adventurer	1	----	----	*1698 903	----	----
1957-58	All, S26 FireFlite	1	----	----	1685 820	----	----
1957-58	All, S27 Firesweep	1	----	----	1698 753	----	----
23-33-109	PANEL, Instrument						
1957	All w/Std. Trans.	1	1772 488	----	----	----	----
1957	All, w/PowerFlite and Auto. 3 Speed Trans.	1	1772 490	----	----	----	----
1957	All, w/Std. Trans. and Auto. Trans. and Center Rear View Mirror	1	----	1698 900	----	----	----
1957	All, w/Std. Trans. and Auto. Trans. and Off-set Rear View Mirror	1	----	1830 816	----	----	----
1958	All, w/Std. Trans., also specify 1 piece each of 1830 922 Rt., 1830 923 Lt. Moulding	1	1839 374	----	----	----	----
1958	All, w/PowerFlite and Auto. 3 Speed Trans. also specify 1 piece each of 1830 922 Rt. and 1830 923 Lt. Moulding	1	1839 376	----	----	----	----
1958	All w/Std. Trans.	1	----	1830 816	1830 891	----	----
1958	All, w/PowerFlite and Auto. 3 Speed Trans.	1	----	1830 816	1830 891	1830 897	----
1957	All	1	----	----	1698 623	1698 633	----
1957-58	All Upper	1	----	----	----	----	*1830 901
1957-58	All Lower	1	----	----	----	----	1772 162
1957-58	All Lower End, Right	1	----	----	----	----	1685 303
1957-58	All Lower End, Left	1	----	----	----	----	1685 304
23-33-110	SCREW and WASHER, Instrument Panel						
1957-58	All, S27, LS1 To Pillar	2	6008 017	6008 017	6008 017	----	----
1957-58	All, S25, S26, LS2, LS3 To Pillar	2	----	----	6008 018	6008 018	----
1957	All, except S25, S26, Lower Reinforcement To Pillar	2	6008 017	6008 017	6008 017	----	----
1957	All except S25, S26, to Windshield Lower Reinforcement	4	6008 013	155 053	6008 013	----	----
1957	All, S27, Upper Panel to Cowl	4	----	----	6008 013	----	----
1958	All, w/Center Placed Rear View Mirror to Windshield Lower Reinforcement	4	6008 013	155 053	----	----	----
1958	All, w/Off-set Rear View Mirror to Windshield Lower Reinforcement	5	6008 013	----	----	----	----
1957-58	SCREW, Instrument Panel Pillar Bracket to Pillar	2	----	----	----	6008 018	6000 190

★ Indicates use as required.
 □ Indicates parts not listed in any previous parts book.
 * Indicates change or addition.

1957-58 PASSENGER CAR PARTS LIST

BODY

CODE	REMARKS	PER CAR	PLYMOUTH	DODGE	DESOTO	CHRYSLER	IMPERIAL
	SCREW, Instrument Panel						
1957	All, IM1, Lower Right End to Upper Panel	2	----	----	----	----	1331 768
	Lower Right End Panel to Lower Panel	3	----	----	----	----	1331 768
	Lower Left End Panel to Upper Panel	2	----	----	----	----	1331 768
23-33-111	NUT, Instrument Panel Attaching Speed Nut, Face Plate						
1957	All, Control Face Plate Attaching	★	6008 032	----	----	----	----
1958	All, Control Face Plate Attaching	★	445 153	----	----	----	----
1957	All, w/PowerFlite and Auto. 3 Speed Trans., Gear Selector Housing to Panel Attaching	3	6006 144	----	----	----	----
1958	All, w/PowerFlite and Auto. 3 Speed Trans., Gear Selector Housing to Panel Attaching	3	6008 043	----	----	----	----
	J/NUT						
1958	All, Gear Selector Bezel to Extension Panel Lower	1	----	6008 015	----	----	----
1957	All, Hand Brake Bezel to Lower Panel	2	----	----	6008 014	----	----
1958	All, Hand/Brake Bezel	2	----	----	6008 014	----	----
1957	All, Gear Selector Lower Plate to Lower Panel	2	----	----	6008 014	6008 014	----
1958	All, Gear Selector Lower Plate to Lower Panel	2	----	----	6008 014	6008 014	----
1957	All, Left End Cover Support to Gear Selector Lower Plate	1	----	----	6008 015	6008 015	----
1958	All, Left End Cover Support to Gear Selector Lower Plate	1	----	----	6008 015	6008 015	----
	NUT						
1957	All, w/o Clock, Clock Hole Cover	2	----	----	662 274	----	----
1957-58	All, Defroster Dummy Knob Adapter	1	----	----	----	6008 070	----
1957	All, Heater Control Dummy Knob Adapter	1	----	----	----	----	1439 758
23-33-113	WASHER, Instrument Panel to Pillar						
1957	All	2	----	----	669 896	----	----
	WASHER, Instrument Panel Pillar Bracket to Pillar						
1957	All	2	----	----	----	669 896	----
1958	All, Upper Panel to Cowl Bar	6	----	----	----	1823 543	----
23-33-127	HOUSING, Instrument Panel Heater Control and Ash Receiver						
1957	All	1	----	----	1698 146	----	----
1958	All	1	----	----	1839 272	----	----
23-33-129	COVER, Instrument Panel Housing						
1957	All	1	----	----	1698 301	1698 137	----
1958	All	1	----	----	1830 936	1839 120	----
23-33-132	PLATE, Instrument Panel Steering Column						
1957	All w/Std. Trans.	1	----	1685 884	----	----	----
1958	All w/Std. Trans.	1	----	1839 172	----	----	----
1957	All, w/PowerFlite and Auto. 3 Speed Trans.	1	----	1685 883	----	----	----
1958	All, w/PowerFlite and Auto. 3 Speed Trans.	1	----	1839 173	----	----	----
	CAP, Instrument Panel Steering Column						
1957-58	All	1	----	----	----	----	1772 551
23-33-135	PLATE, Instrument Panel Finish						
1957-58	All, w/Trim Pad Upper Panel End, Right only	1	----	----	1698 570	1698 570	----

★ Indicates use as required.

⊠ Indicates parts not listed in any previous parts book.
Nov. 28, 1958 Supersedes March 5, 1958.

CODE	REMARKS	PER CAR	PLYMOUTH	DODGE	DESOTO	CHRYSLER	IMPERIAL
23-33-147	COVER, Instrument Panel End						
	1957-58 All	1	----	----	----	----	1698 142
		1	----	----	----	----	1698 143
	Right	6	----	----	----	----	179 030
	Left	6	----	----	----	445 329	
	Screw						
	J/Nut						
23-33-167	SCREEN, Instrument Panel Radio Speaker						
1957-58 All		1	1685 211	1698 969	1698 080	1698 082	1698 110
23-33-172	FRAME, Instrument Panel Radio Speaker						
Screen							
1957-58 All		1	----	----	1698 084	1698 084	1698 079
	Screw, No. 8-32 x 3/8"	4	----	----	121 832	121 832	121 832
	Nut	4	----	----	120 622	120 622	120 622
	Washer	4	----	----	121 744	121 744	121 744
23-33-210	HOUSING, Instrument Panel Radio and Ash Receiver						
1957 All		1	----	----	----	1698 319	----
1958 All		1	----	----	----	1830 773	----
23-33-213	BRACKET, Instrument Panel Gear Selector Mounting						
1957-58 All, w/PowerFlite and Auto. 3 Speed Trans.		1	1698 189	1698 728	----	----	----
1957-58 All, w/Light Conductor Mounting Bracket		1	----	----	----	----	1772 544
23-33-216	COVER, Instrument Panel Map Light Opening						
1957 All, S27	w/o Map Lamp	1	----	----	1698 909	----	----
1958 All	w/o Map Lamp	1	----	----	1698 909	----	----
23-33-217	HOUSING and STUD, Instrument Panel Gear Selector						
1957 All		1	1698 050	----	----	----	----
1958 All, w/PowerFlite and Auto. 3 Speed Trans.		1	1698 050	----	----	----	----
23-33-220	FACE PLATE, Instrument Panel Gear Selector						
1957 All	w/Std. Trans.	1	----	1698 251	1698 225	----	----
1958 All	w/Std. Trans.	1	----	1698 251	1830 544	----	----
1957 All	w/PowerFlite	1	1698 188	1698 250	1698 224	----	----
1958 All	w/PowerFlite	1	1830 515	1698 250	*1830 691	----	----
1957 All	w/Auto. 3 Speed Trans.	1	1685 808	1698 249	1698 016	1698 220	----
1958 All	w/Auto. 3 Speed Trans.	1	1830 514	1698 249	1830 545	1830 629	----
	BEZEL, Instrument Panel Gear Selector						
1957-58 S27, LS1, w/Std. Trans. and PowerFlite		1	----	1698 363	1698 614	----	----
1957-58 All	w/Auto. 3 Speed Trans.	1	----	1698 363	1698 612	1698 612	1698 150
	Screw	2	----	----	155 857	155 857	155 857
23-33-222	PLATE, Instrument Panel Gear Selector						
1957-58 All		1	----	----	1698 616	----	----
	Screw, No. 10-12 x 5/8"						
	to lower panel	2	----	----	107 261	107 261	----
	Screw, No. 10-24 x 7/16" to Bezel	1	----	----	156 960	156 960	----
23-33-224	ADAPTER, Instrument Panel Dummy Knob						
1957-58 All, w/o Heater	Heater Control	1	----	----	1819 197	----	1772 542
1957-58 All	Defroster	1	----	----	----	1771 708	----
23-33-226	KNOB, Instrument Panel Dummy						
1957-58 All, w/o Hand Brake Warning Light Washer		1	----	1698 777	----	----	----
		1	----	617 115	----	----	----
	Nut and Washer	1	----	151 497	----	----	----
1957-58 All, w/o Radio	Radio Control	2	----	1698 777	----	----	----
1957-58 All, w/o Heater	Defroster Switch	1	----	1698 777	----	1704 425	----
	Blower Switch	1	----	1698 777	----	----	----
	Nut and Washer	2	----	151 497	----	----	----
1957-58 All w/o Heater	Heater Control	1	----	----	1770 909	----	1770 456
1958 All w/o Power Antenna,	Antenna Switch	1	----	----	----	----	1770 456
23-33-227	PAD, Instrument Panel Gear Selector						
1957-58 All w/PowerFlite		1	1698 745	1698 331	1698 275	----	----
1957-58 All w/Auto. 3 Speed Trans.		1	1698 744	1698 330	1698 276	1698 276	1698 152

★ Indicates use as required.

⊞ Indicates parts not listed in any previous parts book.

* Indicates change or addition.

1957-58 PASSENGER CAR PARTS LIST

BODY

CODE	REMARKS	PER CAR	PLYMOUTH	DODGE	DESOTO	CHRYSLER	IMPERIAL
23-33-231	BEZEL, Instrument Panel Hand Brake 1957-58 All	1	----	----	1698 100	----	1772 482
	Screw, No. 10-12 x 3/4"	2	----	----	161 904	----	----
	J/Nut	2	----	----	6008 014	----	----
	1958 All, w/Auto. Pilot	1	----	----	----	----	1885 988
23-33-233	GASKET, Instrument Panel Gear Selector to Instrument Panel						
	1957 All w/PowerFlite or 3 Speed Auto. Trans.						
	Blue	1	1830 000	----	----	----	----
	Green	1	1830 001	----	----	----	----
	Black	1	1830 002	----	----	----	----
	Brown	1	1830 004	----	----	----	----
	Gold	1	1830 005	----	----	----	----
	1958 All w/PowerFlite and 3 Speed Auto. Trans.	1	1830 002	----	----	----	----
23-33-238	WELT, Gear Selector Bezel						
	1957-58 All, Plastic, 3.5" long,	1	----	1830 444	----	----	----
23-34-0 BODY PANELS							
23-34-20	DEFLECTOR, Rear Quarter Water						
	1957-58 Sp. Cl. Cp.	Right Left	1 1	1836 254 1836 255	----	----	----
23-34-27	PANEL, Wheelhouse						
	1957-58 4D., Sp. 4D., Cl. Sed., 3 Cp., Sp. Cl. Cp.	Right Left	1 1	1697 162 1697 163	1709 702 1709 703	1709 702 1709 703	1750 976 1750 977
	Plug, outer panel		2	178 026	178 026	----	----
	1957-58 Cv. Cp.	Right Left	1 1	1708 312 1708 313	1709 704 1709 705	1709 704 1709 705	1750 978 1750 979
	Plug, outer panel		2	178 026	178 026	----	----
	1957-58 4D. Sub. 2 Seater, 2D. Sub.	Right Left	1 1	1708 314 1708 315	1708 314 1708 315	1708 314 1708 315	----
	Plug, outer panel		2	178 026	178 026	----	----
	1957-58 4D. Sub. 3 Seater	Right Left	1 1	1835 467 1708 315	1835 467 1708 315	1708 314 1708 315	----
	1957-58 4D. Sub. 2 Seater, 2D. Sub., w/Spare Tire in Quarter Panel	Right	1	1835 467	1835 467	----	----
23-34-29	EXTENSION, Outer Wheelhouse Panel						
	1957-58 4D. Sub. 2 Seater, 2D. Sub., with Spare Tire in Quarter Panel,	Right Only	1	1759 970	1759 970	----	----
	1957-58 4D. Sub. 3 Seater, w/Spare Tire Opening Panel Locking Rod Catch,	Right Only	1	1844 708	1844 708	----	----
	1957-58 4D. Sub. 2 Seater, 2D. Sub., w/Spare Tire in Quarter Panel, w/Spare Tire Opening Panel Locking Rod Catch,	Right Only	1	1844 708	1844 708	----	----
	1957 4 D. Sub., 3 Seater Only, D71	Right Only	1	1759 970	1759 970	----	----
23-34-31	PANEL, Tailgate Opening Lower						
	1957-58 4D. Sub., 2D. Sub.		1	1681 778	1681 778	1681 778	1681 778
23-34-80	PANEL, Cowl Side						
	1957-58 All	Right Left	1 1	1697 168 1697 169	1697 168 1697 169	1697 168 1697 169	1750 974 1750 975
	END, Front Includes Dash PANEL, Cowl TOP, Windshield Side and Header FRAMES						
	1957-58 4D., Cl. Sed., 3 Cp., 4D. Sub., 2D. Sub.		1	1835 104	1835 104	1835 104	1835 104
	1957-58 4D. Taxi		1	1835 104	----	----	----
	1957 Sp. 4D.		1	1835 107	1835 107	1835 107	1835 107
	1958 Sp. 4 D., LS1		1	*1835 107	*1835 002	*1835 002	----
	1957-58 Cv. Cp.		1	1777 621	1777 621	1777 621	1777 621
	1957 Sp. Cl. Cp.		1	1835 106	1835 106	1835 107	1835 107
	1958 Sp. Cl. Cp., LS1		1	*1835 106	*1835 002	*1835 002	----

★ Indicates use as required.

E Indicates parts not listed in any previous parts book.
Nov. 28, 1958 Supersedes March 5, 1958.

PASSENGER CAR PARTS LIST 1957-58

CODE	REMARKS	PER CAR	PLYMOUTH	DODGE	DESOTO	CHRYSLER	IMPERIAL
	FRAME, Windshield, includes COWL TOP PANEL, EXTENSIONS, REINFORCEMENT, BRACKETS, SUPPORTS and RETAINER						
	1957-58 4 D., Sp. 4 D., Sp. Cl. Cp.	1	----	----	----	----	1831 973
	1957-58 Cv. Cp.	1	----	----	----	----	1750 023
	COWL TOP and Windshield FRAME						
	1958 Sp. 4 D., Sp. Cl. Cp., LS2, LS3, LC2, LC3	1	----	----	*1831 851	*1831 851	----
23-34-85	COVER, Cowl Upper Panel to Body Front Pillar Joint						
	1958 All, LD1 AFTER Serial No. 2879, LD2 AFTER Serial No. 29369, LD3 AFTER Serial No. 15913,						
	Right	1	----	*1884 652	----	----	----
	Left	1	----	*1884 653	----	----	----
23-34-110	PANEL, Dash	1	----	----	----	----	*1750 020
	1957-58 All	1	----	----	----	----	
23-34-116	COVER, Dash Panel Heater Hole						
	1957-58 All, Without Heater, Air Duct Heater Blower	1	1750 445	1750 445	1750 445	1750 445	1750 445
	Screw, 1/4"-20 x 5/8"	3	----	----	----	180 018	180 018
	1957 All, w/Heater, see Note 1						
	Air Duct Drain	2	----	1810 565	1810 565	1810 565	1810 565
	1958 All, w/Heater, Air Duct Drain	2	1810 565	1810 565	1810 565	1810 565	1810 565
	1957-58 All Heater Valve	1	----	----	----	----	1751 074
	Screw, No. 10-12 x 1/2"	2	----	----	----	----	161 895
	Air Duct	1	----	----	----	----	1690 344
23-34-119	GASKET, Dash Panel Heater Hole Cover						
	1957 All Heater Blower	1	1751 128	1751 128	1751 128	1751 128	1751 128
	1958 All Heater Blower	1	----	1751 128	1751 128	1751 128	1751 128
	1957-58 All Heater Valve	1	----	----	----	----	1751 127
23-34-120	PANEL, Door Outside Repair						
	1957-58 4 D. except Dodge Taxi, 4 D. Sub.						
	Front Right	1	*1777 500	*1778 766	*1681 754	*1681 754	*1651 342
	Left	1	1777 501	1778 767	1681 755	1681 755	1651 343
	1957-58 4 D. Taxi						
	Front Right	1	----	*1777 500	----	----	----
	Left	1	----	*1777 501	----	----	----
	1957-58 4 D. except Dodge Taxi, Rear						
	Right	1	*1777 502	*1755 442	*1681 764	*1681 764	*1651 362
	Left	1	1777 503	1755 443	1681 765	1681 765	1651 363
	1957-58 4D. Sub., S27, LS1, C75, LC1						
	Rear Right	1	1778 862	1778 888	1778 888	1778 888	----
	Left	1	1778 863	1778 889	1778 889	1778 889	----
	1957-58 4D. Sub., S26, LS3, C76, LC3,						
	Rear Right	1	----	----	1695 682	1695 682	----
	Left	1	----	----	1695 683	1695 683	----
	1957-58 Sp. 4D.						
	Front Right	1	1775 120	1681 752	1681 752	1681 752	1651 344
	Left	1	1775 121	1681 753	1681 753	1681 753	1651 345
	Rear Right	1	1775 128	1708 158	1683 012	1683 012	1651 368
	Left	1	1775 129	1708 159	1683 013	1683 013	1651 369
	1957-58 Cl. Sed., 3 Cp., 2 D. Sub.						
	Right	1	1777 504	*1681 758	----	----	----
	Left	1	1777 505	1681 759	----	----	----
	1957-58 Cv. Cp., Sp. Cl. Cp.						
	Right	1	1775 124	1681 758	1681 758	1681 758	1651 358
	Left	1	1775 125	1681 759	1681 759	1681 759	1651 359
23-34-129	PANEL, Rear Door Outside Extension						
	1957-58 4D., Sp. 4D.						
	Right	1	----	1696 496	----	----	----
	Left	1	----	1696 497	----	----	----
23-34-136	COVER, Door Inside Panel Access Hole						
	1957-58 All Front Door, Upper, Front	2	----	----	----	----	1751 033

NOTE 1: For UP TO Part Number see Part Type Code 23-61-132.

AFTER:
MODEL

MODEL	Serial No.
D66	35241448
D67	37295502
D70	38013886
D71	38537109
D72	32266871
S27	58026204

MODEL	Serial No.
S25	55363335
S26	50417536
C75-1	W57-33388
C75-2	L57-20882
C76	N57-22960
IM1	C57-20147

★ Indicates use as required.

⊔ Indicates parts not listed in any previous parts book.

* Indicates change or addition.

Printed in U.S.A.

Prices and specifications subject to change without notice.

Nov. 28, 1958 Supersedes March 5, 1958.

1957-58 PASSENGER CAR PARTS LIST

BODY

CODE	REMARKS	PER CAR	PLYMOUTH	DODGE	DESOTO	CHRYSLER	IMPERIAL
23-34-166	PANEL, Deck Opening Upper 1957-58 4D., Cl.Sed., 3 Cp. 1957-58 Sp.4D. 1957-58 Cv.Cp. 1957-58 Sp.Cl.Cp.	1 1 1 1	1758 304 1757 058 1757 060 1757 059	1758 304 1757 058 1757 060 1757 059	1757 061 1757 062 1757 063 1775 815	1757 061 1757 062 1757 063 1775 815	1750 968 1750 969 1750 971 1750 970
23-34-167	PANEL, Deck Opening Lower 1957-58 4D., Sp.4D., Cl.Sed., 3 Cp., Cv.Cp., Sp.Cl.Cp.	1	1757 013	1757 014	1757 015	1757 015	1750 972
23-34-170	BUMPER, Deck Opening Lower Panel 1957 All except Sub.	2	729 152	729 152	-----	-----	-----
23-34-176	EXTENSION, Deck Opening Lower Panel 1957-58 All	1 1	----- -----	----- -----	----- -----	----- -----	1691 538 1691 539
23-34-178	BUMPER, Deck Opening Lower Panel Extension Bumper Bar 1957-58 All PLUG, Deck Opening Lower Panel Side Extension Bumper Access Hole 1957-58 All	2 2	----- -----	----- -----	----- -----	----- -----	1751 018 1810 076
23-34-212	DOOR, Quarter Panel Spare Tire Opening, w/Lower Stone Deflector, Tapping Plate and Locking Rod 1957-58 4D. Sub. 3 Seater, Right Only 1957-58 4D. Sub. 2 Seater, 2D. Sub., w/Spare Tire Door Right Only	1 1	1836 233 1836 233	1836 233 1836 233	----- -----	----- -----	----- -----
23-34-213	SEAL, Quarter Panel Spare Tire Opening Door 1957-58 4D. Sub. 3 Seater, Right Only 1957-58 4D. Sub. 2 Seater, 2D. Sub., w/Spare Tire Door in Quarter Panel SEAL, Wheelhouse Panel Spare Wheel Stone Deflector 1958 4 D. Sub. 3 Seater, Flat, Upper Rear Curved, Upper Front 1958 4 D. Sub. 2 Seater, 2 D. Sub. w/Spare Tire Door in Quarter Panel Flat, Upper Rear Curved, Upper Front	1 1 1 1 1 1	1833 982 1833 982 ----- ----- ----- -----	1833 982 1833 982 E1882 149 E1882 150 E1882 150 -----	----- ----- ----- ----- ----- -----	----- ----- ----- ----- ----- -----	----- ----- ----- ----- ----- -----
23-34-215	ROD, Quarter Panel Spare Tire Opening Door Locking 1957 4 D. Sub. 3 Seater, D71	1	1774 348	1774 348	-----	-----	-----
23-34-216	PIN, Quarter Panel Spare Tire Opening Door Inside Panel Guide 1957-58 4D. Sub. 3 Seater 1957-58 4D. Sub. 2 Seater, 2D. Sub., with Quarter Panel Spare Tire Door	3 3	6000 340 6000 340	6000 340 *6000 340	----- -----	----- -----	----- -----
23-34-220	DEFLECTOR, Wheelhouse Panel Spare Wheel Stone 1957-58 4D. Sub. 3 Seater, Upper Right In Door Assembly Lower Right 1957-58 4D. Sub. 2 Seater, 2D. Sub., w/Quarter Panel Spare Tire Door, Upper Right In Door Assembly Lower Right	1 1 1 1	1759 180 1759 181 1759 180 1759 181	1759 180 1759 181 1759 180 1759 181	----- ----- ----- -----	----- ----- ----- -----	----- ----- ----- -----
23-34-222	RETAINER, Wheelhouse Panel Spare Wheel Stone Deflector Seal 1958 4 D. Sub. 3 Seater, Upper Front 1958 4 D. Sub. 2 Seater, 2 D. Sub., w/Spare Tire Door in Quarter Panel Upper Front	1 1	----- -----	E1882 151 E1882 151	----- -----	----- -----	----- -----
23-34-225	COVER, Quarter Inside Panel Access Hole 1957-58 Cv. Cp., Sp. Cl. Cp. with or w/o Electrical Window Lifts	1 1	1777 724 1777 725	1777 724 1777 725	1777 724 1777 725	1777 724 1777 725	1691 107 1691 107
23-34-233	PANEL, Quarter Outside Rear 1957-58 All except Sub. 1957-58 Sub.	Right Left Right Left	1 1 1 1	1683 194 1683 195 1705 728 1705 729	1683 566 1683 567 1705 728 1705 729	----- ----- 1705 728 1705 729	----- ----- ----- -----

★ Indicates use as required.

⊠ Indicates parts not listed in any previous parts book.
Nov. 28, 1958 Supersedes March 5, 1958.

CODE	REMARKS	PER CAR	PLYMOUTH	DODGE	DESOTO	CHRYSLER	IMPERIAL
23-34-234	PANEL, Quarter Inside 1957-58 Cl.Sed., 3 Cp., Lower	Right Left	1 1	1697 188 1697 189	1697 188 1697 189	----	----
	1957-58 Cv. Cp.	Right Left	1 1	1755 612 1755 613	1755 612 1755 613	1755 612 1755 613	1751 002 1751 003
	1957-58 Sp. Cl. Cp., Manual w/Lifts	Right Left	1 1	1707 470 1707 471	1707 470 1707 471	----	----
	1957-58 Sp. Cl. Cp., Electric w/Lifts	Right Left	1 1	1833 356 1833 357	----	----	----
	1957-58 Sp. Cl. Cp.	Right Left	1 1	----	----	1681 746 1681 747	1681 746 1681 747 1751 000 1751 001
23-34-235	PANEL, Quarter Outside Repair						
	1957-58 4D.	Right Left	1 1	1681 612 1681 613	----	----	----
	1957-58 Sp. 4D.	Right Left	1 1	1681 614 1681 615	----	----	----
	1957-58 Cl. Sed., 3 Cp.	Right Left	1 1	1681 616 1681 617	----	----	----
	1957-58 Cv. Cp.	Right Left	1 1	1681 620 1681 621	----	----	----
	1957-58 Sp. Cl. Cp.	Right Left	1 1	1681 618 1681 619	----	----	----
	1957-58 4D. Sub. 2 Seater Lower,	Right Left	1 1	1681 624 1681 625	1681 624 1681 625	1681 624 1681 625	1681 624 1681 625
	1957-58 4D. Sub. 2 Seater, w/Quarter Panel Spare Tire Door, Lower	Right Left	1 1	1758 352 1681 625	1758 352 1681 625	----	----
	1957-58 4D. Sub. 3 Seater Lower,	Right Left	1 1	1758 352 1681 625	1758 352 1681 625	1681 624 1681 625	----
	1957-58 2D. Sub. Lower,	Right Left	1 1	1681 622 1681 623	1681 622 1681 623	----	----
	1957-58 2D. Sub. w/Spare Tire Door, Lower,	Right	1	1836 182	1836 182	----	----
	1957-58 4D. Lower Side Upper,	Right Left	1 1	----	1683 568 1758 008	----	1691 048 1691 049
	Side Lower,	Right Left	1 1	----	1681 626 1681 627	----	1690 910 1690 911
	1957-58 Sp. 4 D. Lower Side Upper,	Right Left	1 1	----	1695 416 1758 011	----	1690 792 1690 793
	Side Lower,	Right Left	1 1	----	1681 626 1681 627	----	1690 910 1690 911
	1957-58 Cl. Sed. Lower Side Upper,	Right Left	1 1	----	1694 342 1758 009	----	----
	Side Lower,	Right Left	1 1	----	1681 630 1882 439	----	----
	1957-58 Cv. Cp. Lower Side Upper,	Right Left	1 1	----	1681 634 1758 010	----	1691 058 1691 059
	Side Lower,	Right Left	1 1	----	1681 630 1882 439	----	1690 904 1690 905
	1957-58 Sp. Cl. Cp. Lower Side Upper,	Right Left	1 1	----	1681 632 1758 012	----	1691 056 1691 057
	Side Lower,	Right Left	1 1	----	1681 630 1882 439	----	1690 904 1690 905
	PANEL and Lock PILLAR, Quarter Outside, Assembly						
	1957 4 D.	Right Left	1 1	1708 326 1708 327	1775 858 1775 859	1757 468 1757 469	1757 574 1757 575
	1958 4D. except Dodge Taxi	Right Left	1 1	1846 092 1846 093	1844 736 1844 737	1757 468 1757 469	1757 574 1757 575
	1958 4D. Taxi, LD1, LD2	Right Left	1 1	----	1882 042 1882 043	----	----
	1957 Sp. 4 D.	Right Left	1 1	1708 290 1708 291	*1844 738 1775 865	1757 472 1757 473	1757 580 1757 581
	1958 Sp. 4 D.	Right Left	1 1	⊠1846 298 ⊠1846 299	1844 738 1844 739	1757 472 1757 473	1757 580 1757 581
	1957 Cl. Sed., 3 Cp.	Right Left	1 1	1708 328 1708 329	*1844 740 1775 861	----	----

★ Indicates use as required.
 ⊠ Indicates parts not listed in any previous parts book.
 * Indicates change or addition.

1957-58 PASSENGER CAR PARTS LIST

BODY

CODE	REMARKS	PER CAR	PLYMOUTH	DODGE	DESOTO	CHRYSLER	IMPERIAL
1958	Cl. Sed., 3 Cp.	Right 1	1846 094	1844 740	----	----	----
		Left 1	1846 095	1844 741	----	----	----
1957	Cv. Cp.	Right 1	1708 762	1775 862	1757 470	1757 578	1751 114
		Left 1	1708 763	1775 863	1757 471	1757 579	1751 115
1958	Cv. Cp.	Right 1	1877 189	1844 744	1757 470	1757 578	1751 114
		Left 1	1877 190	1844 745	1757 471	1757 579	1751 115
1957	Sp. Cl. Cp.	Right 1	1755 804	1844 742	1757 474	1757 542	1751 106
		Left 1	1755 805	1844 743	1757 475	1757 543	1751 107
1958	Sp. Cl. Cp.	Right 1	1846 096	1844 742	1757 474	----	1751 106
		Left 1	1869 597	1844 743	1757 475	----	1751 107
1958	Sp. Cl. Cp. UP TO Note 1,	Right 1	----	----	----	*1757 542	----
		Left 1	----	----	----	*1757 543	----
1958	Sp. Cl. Cp. AFTER Note 1,	Right 1	----	----	----	1869 524	----
		Left 1	----	----	----	1869 525	----
1957	4 D. Sub. 2 Seater	Right 1	1694 438	1694 438	1694 438	1694 438	----
1957	4D. Sub. 2 Seater, w/Quarter Panel Spare Tire Door	Right 1	1774 098	----	----	----	----
1958	4D. Sub. 2 Seater	Right 1	1846 120	1846 120	1846 120	1846 120	----
1958	4D. Sub. 2 Seater, w/Quarter Panel Spare Tire Door	Right 1	1846 122	1846 122	----	----	----
1957	4 D. Sub. 3 Seater	Right 1	1774 098	1774 098	----	----	----
1958	4D. Sub. 3 Seater	Right 1	1846 122	1846 122	1846 120	1846 120	----
1957-58	4 D. Sub.	Left 1	*1846 121	*1846 121	*1846 121	*1846 121	----
1957	2 D. Sub.	Right 1	1694 430	1694 430	----	----	----
1958	2D. Sub.	Right 1	1846 124	1846 124	----	----	----
1957	2 D. Sub. w/Spare Tire Door,	Right 1	1836 184	----	----	----	----
1958	2D. Sub. w/Spare Tire Door,	Right 1	1846 123	----	----	----	----
1957	2 D. Sub.	Left 1	1694 431	1694 431	----	----	----
1958	2D. Sub.	Left 1	1846 125	1846 125	----	----	----
23-34-236	EXTENSION, Quarter Inside Panel						
1957-58	Cv. Cp. Lower Rear,	Right 1	1706 778	1706 780	1706 780	1706 780	----
		Left 1	1706 779	1706 781	1706 781	1706 781	----
1957-58	Cl. Sed. Lower Rear,	Right 1	----	1705 664	----	----	----
		Left 1	----	1705 665	----	----	----
1957-58	Sp. Cl. Cp. Lower Rear,	Right 1	----	1706 776	----	----	----
		Left 1	----	1706 777	----	----	----
1957-58	Cv. Cp. Upper,	Right 1	----	----	1708 270	1708 270	1750 188
		Left 1	----	----	1708 271	1708 271	1750 189
1957-58	Sp. Cl. Cp. Upper,	Right 1	----	----	----	----	1692 142
		Left 1	----	----	----	----	1692 143
23-34-237	SCREW and WASHER, Quarter Panel to Rear Bumper Stabilizer Bracket						
1958	All except Sub.	2	*6012 023	----	----	----	----
23-34-238	NAME PLATE, Quarter Panel						
1957-58	4D., Cl. Sed., 3 Cp., P30-1, P31-1, LP1-L, LP2-L Plaza	2	1686 248	----	----	----	----
1957-58	4D., Sp. 4D., Cl. Sed., Sp. Cl. Cp., P30-2, P31-2, LP1-M, LP2-M Savoy	2	1686 247	----	----	----	----
1957-58	4D., Sp. 4D., Cl. Sed., Cv. Cp., Sp. Cl. Cp., P30-3, P31-3, LP1-H, LP2-H Belvedere	2	1686 246	----	----	----	----
1957	Sp. Cl. Cp., P31-3 Fury	2	1707 304	----	----	----	----
1958	Sp. Cl. Cp., LP2 Fury	2	1846 318	----	----	----	----
1957-58	4 D. Taxi, P30, P31, LP1, LP2 Plymouth	2	*1542 261	----	----	----	----
1957-58	Sub., P30, P31, LP1, LP2 Suburban	2	1686 261	----	----	----	----
1957-58	Sub., P30-2, P31-2, LP1-M, LP2-M Custom	2	1686 259	----	----	----	----
1957-58	Sub., P30-3, P31-3, LP1-H, LP2-H Sport	2	1686 260	----	----	----	----
1957	4 D., D67 Royal	2	----	1624 817	----	----	----
1957	4D., Sp. 4D., Sp. Cl. Cp., Cl. Sed., D66-2, D72-2 "Texan"	2	----	1833 948	----	----	----
1958	4D., Cl. Sed., LD1-L1, LD1-L2, Coronet	2	----	1834 224	----	----	----

NOTE 1: Serial No. LC1-L-2501, LC2-M-2148, LC3-H-2603.

★ Indicates use as required.

☐ Indicates parts not listed in any previous parts book.
Nov. 28, 1958 Supersedes March 5, 1958

Printed in U.S.A.
Prices and specifications subject to change without notice.
* Indicates change or addition.

CODE	REMARKS	PER CAR	PLYMOUTH	DODGE	DESOTO	CHRYSLER	IMPERIAL
1958	4D., Sp. 4D., Cl. Sed., Sp. Cl. Cp., Cv. Cp., LD2-L1, LD2-L2 Coronet	2	----	1834 224	----	----	----
1958	4D., Sp. 4D., Cl. Sed., Sp. Cl. Cp., Cv. Cp., LD1-L2, LD2-L2 Custom	2	----	1845 429	----	----	----
1958	4D., Sp. 4D., Cl. Sed., Sp. Cl. Cp., Cv. Cp., LD2-L1, LD2-L2 Texan	2	----	1844 712	----	----	----
1958	4D., Sp. 4D., Sp. Cl. Cp., LD2-M Royal	2	----	1834 227	----	----	----
1958	4 D., Sp. 4 D., Sp. Cl. Cp. Cv. Cp., LD3-H, Custom Royal	2	----	1834 226	----	----	----
1958	4 D. Sub., LD3-H, Custom	2	----	1883 178	----	----	----
1958	4D. Sub., LD3-H Sierra	2	----	1834 228	----	----	----
1958	4D. Sub., 2D. Sub., LD3-L Suburban	2	----	1834 229	----	----	----
1957-58	4D., Sp. 4D., Cv. Cp., Sp. Cl. Cp., S25, LS2 Fire Dome	2	----	----	1599 034	----	----
	Nut	8	----	----	445 160	----	----
1957-58	4D., Sp. 4D., Cv. Cp., Sub., Sp. Cl. Cp., S26, LS3 FireFlite	2	----	----	1599 759	----	----
	Nut	8	----	----	445 160	----	----
1957-58	4D., Sp. 4D., Sp. Cl. Cp., Sub., S27, LS1 Fire Sweep	2	----	----	1755 430	----	----
	Nut	8	----	----	445 160	----	----
1957-58	Sp. Cl. Cp., Cv. Cp., S26, LS3 Adventurer	2	----	----	1692 165	----	----
1957	4 D., Sp. 4 D., Sp. Cl. Cp., Sub., C75-1 Windsor	2	----	----	----	1624 678	----
1958	All LC1-L Windsor	2	----	----	----	1810 361	----
23-34-239	NUT or SPEED-NUT, Quarter Panel Outside Name Plate Attaching						
1957	All except Suburbans and Fury	★	6000 437	----	----	----	----
1957	4D. Sub., 2D. Sub.	★	6000 020	----	----	----	----
1957	Sp. Cl. Cp., P31-3 Fury	10	6000 037	----	----	----	----
1957	4D., Sp. 4D., Cl. Sed., D66, D72	8	----	6000 313	----	----	----
1957	All except Sub. and Adventurer	8	----	----	6000 015	----	----
1957	Sp. Cl. Cp., Cv. Cp., S26 Adventurer	8	----	----	6010 008	----	----
1957	All C75-1	14	----	----	----	1778 962	----
	CLIP and SEAL, Quarter Panel Name Plate						
1958	All except Sub.	★	6000 037	6000 037	*6000 490	----	----
	CLIP, Quarter Panel Name Plate						
1958	4D. Sub., 2D. Sub.	★	6000 020	6000 050	6000 050	----	----
	NUT and SEAL, Quarter Panel Name Plate						
1958	All LS3 Adventurer	8	----	----	6010 008	----	----
1958	All LC1	8	----	----	----	6000 492	----
23-34-242	EXTENSION, Tail Lamp Opening Filler						
1957-58	All except Suburbans	Right	1	----	----	1758 848	----
		Left	1	----	----	1758 849	----
23-34-243	FILLER, Tail Lamp Opening Extension						
1957-58	All except Suburbans	Right	1	----	----	1758 998	----
		Left	1	----	----	1758 999	----
23-34-244	SEAL, Quarter Panel Name Plate						
1957	4 D. Taxi, P30-1, P30-2, P31-1, P31-2	6	6000 377	----	----	----	----
1957	All	8	----	----	6000 377	----	----
23-34-246	REINFORCEMENT, Quarter Panel to Belt Bar Trough						
1957-58	2D. Sub.	2	1758 316	1758 316	----	----	----
23-34-249	FILLER, Quarter Panel to Wheelhouse Bottom Rear						
1957-58	4D. Sub., 2D. Sub.	Right	1	1757 440	1757 440	1757 440	----
		Left	1	1757 441	1757 441	1757 441	----
	REINFORCEMENT, Quarter Inside Panel to Wheelhouse						
1957-58	Sp. Cl. Cp.	Right	1	----	----	----	1810 056
		Left	1	----	----	----	1810 057
23-34-251	J/NUT, Quarter Panel to Rear Bumper Stabilizer Bolt						
1957	All UP TO Serial No. C57-10939	2	----	----	----	----	1730 300
1958	All	2	----	----	----	----	1730 300

★ Indicates use as required.

☐ Indicates parts not listed in any previous parts book.

* Indicates change or addition.

1957-58 PASSENGER CAR PARTS LIST

BODY

CODE	REMARKS	PER CAR	PLYMOUTH	DODGE	DESOTO	CHRYSLER	IMPERIAL
23-34-253	COVER, Quarter Fuel Tank Filler Opening 1957-58 4D., Sp. 4D., Cl. Sed., 3 Cp., Cv. Cp., Sp. Cl. Cp.	1	1708 552	1756 593	1757 934	1757 934	---- --
	DOOR, Fuel Tank Filler Tube Access 1957-58 All, w/Bracket, Pin, Spring and Screws	1	---- --	---- --	---- --	---- --	1750 824
23-34-255	SPRING, Quarter Fuel Tank Filler Opening Cover						
	1957 All except Sub. 7/8" wide	1	*1707 504	*1707 504	*1707 504	*1707 504	---- --
	1 1/4" wide	1	⊠1884 689	⊠1884 689	⊠1884 689	⊠1884 689	---- --
	1957-58 All	1	---- --	---- --	---- --	---- --	*1750 169
	1958 All except Sub. 7/8" wide	1	*1707 504	*1707 504	*1707 504	*1707 504	---- --
23-34-257	GUSSET, Quarter Panel to Wheelhouse 1957-58 4D.						
	Right	1	---- --	---- --	---- --	---- --	1690 980
	Left	1	---- --	---- --	---- --	---- --	1690 981
23-34-259	SEAL, Fuel Tank Filler Tube Upper Housing to Quarter Panel	1	1755 732	1755 733	1755 734	1755 734	---- --
23-34-260	HINGE, Quarter Fuel Tank Filler Opening Cover						
	1957-58 4D., Sp. 4D., Cl. Sed., 3Cp., Cv. Cp., Sp. Cl. Cp.	1	1708 168	1708 168	1708 168	1708 168	---- --
	Screw and Washer	2	---- --	---- --	423 545	423 545	---- --
23-34-261	HINGE and SPRING PACKAGE, Quarter Panel Fuel Opening Cover						
	1957 All P30, P31, D66, D72, except Sub.	1	*1879 538	*1879 538	---- --	---- --	---- --
	1958 All except Sub.	1	*1879 538	*1879 538	*1879 538	*1879 538	---- --
23-34-264	REINFORCEMENT, Quarter Panel Fuel Tank Filler Opening Flange	1	---- --	---- --	1835 164	1835 164	---- --
23-34-270	BUMPER, Fuel Tank Filler Tube Access Door						
	1957 All except Sub.	2	* 729 152	* 729 152	* 729 152	* 729 152	---- --
	1958 All except Sub., w/Half Round Head	2	* 729 152	* 729 152	* 729 152	* 729 152	---- --
	1958 All except Sub., w/Cone Shape Head	2	*1882 429	*1882 429	*1882 429	*1882 429	---- --
	1957-58 All	1	---- --	---- --	---- --	---- --	1750 604
23-34-271	SHIM, Fuel Tank Filler Tube Access Door Pivot Bracket						
	1957-58 All	★	---- --	---- --	---- --	---- --	1750 429
23-34-272	BEZEL, Fuel Tank Filler Tube Access Door Opening	1	---- --	---- --	---- --	---- --	1751 728
23-34-280	FILLER, Lower Quarter Upper Panel						
	1957-58 All except Sub.	Right	1	1696 574	---- --	---- --	---- --
		Left	1	1696 575	---- --	---- --	---- --
23-34-301	PANEL, Roof						
	1957-58 4D., Cl. Sed., 3 Cp.	1	1681 600	1681 600	1681 604	1681 604	1651 096
	1957 Sp. 4 D.	1	1681 601	1681 601	1681 601	1681 601	---- --
	1958 Sp. 4D.	1	1681 601	1777 828	1777 828	1777 828	---- --
	1957 Sp. Cl. Cp., S25, S27, C75	1	1681 602	1681 602	1683 019	1683 019	---- --
	1958 Sp. Cl. Cp., LS1, LS2, LC1, LC2	1	1681 602	1776 896	1778 807	1778 807	---- --
	1958 Sp. Cl. Cp., LC1, LC2, Special Equipment	1	---- --	---- --	---- --	1778 806	---- --
	1957 Sp. Cl. Cp., S26, C76	1	---- --	---- --	1681 605	1681 605	---- --
	1958 Sp. Cl. Cp., LS3, LC3	1	---- --	---- --	1778 806	1778 806	---- --
	1957-58 Sub., S27, LS1	1	1681 603	1681 603	1681 603	---- --	---- --
	1957-58 4D. Sub., S26, LS3	1	---- --	---- --	1696 412	1696 412	---- --
	1957-58 Sp. 4D.	Front	1	---- --	---- --	---- --	1651 098
		Rear	1	---- --	---- --	---- --	1690 278
	1957-58 Sp. Cl. Cp.	Front	1	---- --	---- --	---- --	1651 099
		Rear	1	---- --	---- --	---- --	1690 349
23-34-302	EXTENSION, Roof Panel Side						
	1957-58 Sp. Cl. Cp.	Right	1	1696 492	1696 492	---- --	---- --
		Left	1	1696 493	1696 493	---- --	---- --
	1957-58 4 D. Sub., S27, LS1	Right	1	*1776 964	*1776 964	*1776 964	---- --
		Left	1	1776 965	1776 965	1776 965	---- --

★ Indicates use as required.

⊠ Indicates parts not listed in any previous parts book.

Nov. 28, 1958 Supersedes Nov. 15, 1957.

Prices and specifications subject to change without notice.

* Indicates change or addition.

Printed in U.S.A.

CODE	REMARKS	PER CAR	PLYMOUTH	DODGE	DESOTO	CHRYSLER	IMPERIAL
1957-58	4D. Sub., S26, LS3	Right 1 Left 1	----	----	1696 494 1696 495	1696 494 1696 495	----
1957-58	Sp. 4D.	Rear, Right 1 Left 1	----	----	----	----	1691 532 1691 533
23-34-331	NUT and RETAINER, Shelf Panel Brace to Floor Pan Bracket						
1957	4D.	1	----	----	6000 123	6000 123	----
23-34-334	MEDALLION, LANCE, LOUVER, SHIELD, ORNAMENT, Quarter Panel and Roof MEDALLION, Roof Panel Side Moulding						
1957	Sub., C75, C76	2	----	----	----	1757 193	----
1957	4 D., 4 D. Sub., 2 D. Sub., D67-1, D70	2	----	1756 510	----	----	----
1957	4 D., 4 D. Sub., D67-2, D71	2	----	1757 189	----	----	----
1957	Sp. Cl. Cp., Cv. Cp., C76-300 C-300	2	----	----	----	1776 633	----
1958	4 D. LD2-M, Sub. LD3-L, w/Dress Up Mouldings	2	----	*1756 510	----	----	----
	Nut w/Seal, 4 D.	6	----	*6000 490	----	----	----
	Clip, Sub.	6	----	*6000 050	----	----	----
1958	4 D. LD3-H, w/Dress Up Mouldings	2	----	*1757 189	----	----	----
1958	Sp. Cl. Cp., Cv. Cp., LC3-300 300-D	2	----	----	----	1810 692	----
1958	Sp. Cl. Cp., Cv. Cp., LC3-300 w/Fuel Injection, Fuel Injection 300-D	2	----	----	----	1860 650	----
1958	Sp. Cl. Cp., Cv. Cp., LC3, Letter C Insert	2	----	----	----	1810 733	----
1958	Sp. Cl. Cp., LC1 w/Two Tone Paint	2	----	----	----	1810 441	----
1958	4D., Sp. 4D., Sp. Cl. Cp. LC2-M	2	----	----	----	1810 388	----
	Medallion Only	2	----	----	----	1810 420	----
	Medallion w/BASE	2	----	----	----	1810 421	----
	w/Two Tone Paint, Medallion w/BASE	2	----	----	----	1810 421	----
LANCE, Quarter Panel Medallion							
1957-58	Sp. 4D., Cv. Cp., Sp. Cl. Cp., D66, D67, LD2, LD3	2	----	1707 956	----	----	----
1958	Sp. Cl. Cp., LD3 Regal Lancer	2	----	⊠1883 530	----	----	----
	Seal	4	----	*6000 377	----	----	----
	S/Clip	4	----	*6000 037	----	----	----
SHIELD, Quarter Panel Medallion							
1957-58	Sp. 4D., Cv. Cp., Sp. Cl. Cp., D66, D67, LD2, LD3	Right 1 Left 1	----	1707 954 1707 955	----	----	----
1958	Sp. Cl. Cp., LD3 Regal Lancer, Right	1	----	⊠1883 528	----	----	----
	Left	1	----	⊠1883 529	----	----	----
	Seal	6	----	*6000 377	----	----	----
	S/Clip	6	----	*6000 037	----	----	----
ORNAMENT, Quarter Panel							
1957	Sp. Cl. Cp., Cv. Cp., S26 Adventurer	2	----	----	1686 159	----	----
	Washer	6	----	----	6000 377	----	----
	Clip	6	----	----	445 160	----	----
1958	4D., Cl. Sed., LP1-L and LP2-L	2	*1682 578	----	----	----	----
	Silver Special, Forward Look	6	*6000 050	----	----	----	----
Clip							
LOUVER, Quarter Panel Ornamental							
1957-58	All C76, LC3	Right 1 Left 1	----	----	----	1759 218 1759 219	----
	Nut and Seal	10	----	----	----	6010 008	----
LETTER, Quarter Panel Outside Side Moulding							
1959	Sp. Cl. Cp., Cv. Cp., LC3 UP TO Serial No. LC3-12127 "C"	2	----	----	----	*1810 320	----
1959	Sp. Cl. Cp., Cv. Cp., LC3 AFTER Serial No. LC3-12127 "C"	2	----	----	----	⊠1878 288	----
	Screw, 8-15 x 1"	4	----	----	----	161 430	----

★ Indicates use as required.

⊠ Indicates parts not listed in any previous parts book.

* Indicates change or addition.

1957-58 PASSENGER CAR PARTS LIST

BODY

CODE	REMARKS	PER CAR	PLYMOUTH	DODGE	DESOTO	CHRYSLER	IMPERIAL
23-34-338	PLATE, Quarter Panel Ornament 1957 Sp.Cl.Cp., Cv.Cp., S26 Adventurer used in 1686 159 Ornament	2	----	----	1686 152	----	----
	INSERT, Quarter Panel Outside Side Moulding 1958 Sp.Cl.Cp., LC1 w/Two Tone Paint, Right	1	----	----	----	1835 816	----
	Left	1	----	----	----	1835 817	----
	Screw, 6 x 1/2"	4	----	----	----	127 853	----
1958	Sp.Cl.Cp., Cv.Cp., LC3 UP TO Serial No. 12127, for Letter "C"	2	----	----	----	*1810 595	----
1958	Sp.Cl.Cp., Cv. Cp., LC3 AFTER Serial No. 12127, for Letter "C"	2	----	----	----	☐1878 302	----
	Clip	6	----	----	----	*6000 050	----
23-34-340	BASE, Quarter Panel Medallion 1957-58 Sp.Cl.Cp., Cv.Cp., C76-300, LC3-300 Nut, w/Washer	2 4	----	----	----	1759 286 6006 024	----
23-34-341	CLIP, Quarter Panel or Roof Ornament Medallion, Emblem or Numeral 1957 4 D., Sp. 4 D., Cl. Sed., Cv. Cp., Sp. Cl. Cp., Medallion, Lance or Shield Attaching	10	----	6000 037	----	----	----
1958	Sp. 4D., Sp. Cl. Cp., Cv. Cp., LD2, LD3, LC2 Medallion Shield	6	----	6000 037	----	6000 037	----
1958	Sp. 4D., Sp. Cl. Cp., Cv. Cp., LD2, LD3, Medallion Lance	4	----	6000 037	----	----	----
1958	Sp. Cl. Cp., LC1 w/Two Tone Paint, Medallion Stud	2	----	6006 030	----	----	----
	NUT and SEAL, Quarter Panel Side Medallion Attaching						
1958	4D., Sub., LD2-M, LD3-L, LD3-H w/Dress Up Mouldings	6	----	*6000 490	----	----	----
23-34-342	SEAL, Quarter Panel Ornament 1957 Sp. Cl. Cp., Cv. Cp., S26 Adventurer 1957 Sub., Medallion Attaching	6 6	6000 377 ----	----	----	----	----
23-34-345	BRACE, Wheelhouse Inner to Outer Panel 1957-58 4D. Sub. 2 Seater, 2 D. Sub., Right Side Only	1	1833 345	1833 345	1833 345	1833 345	----
23-36-0 PILLARS							
23-36-5	PILLAR, Body Center 1957-58 4D., 4D. Sub.	Right Left	1 1	1697 164 1697 165	1697 164 1697 165	1697 164 1697 165	1691 564 1691 565
	1957-58 Sp. 4D.	Right Left	1 1	1705 958 1705 959	1705 958 1705 959	1705 958 1705 959	1691 566 1691 567
23-36-6	PANEL, Center Pillar Trim						
NOTE:	For Center Pillar Trimmed Panels See Part Type Code 23-99-3.						
1957-58	4D., S25, S27, C75-1, C75-2 Cloth Trim, LS1, LS2, LC1, LC2 Primed, Upper Right	1	1708 860	1708 860	1708 860	1708 860	----
	Left	1	1708 861	1708 861	1708 861	1708 861	----
1957	4D., 4D. Sub. Alum., Lower	2	1708 708	1708 708	1708 708	1708 708	----
1958	4D., 4D. Sub. Alum., Lower	2	*1708 708	*1867 896	----	----	----
1958	4D., 4D. Sub., UP TO Note 1, Alum., Lower	2	----	----	*1708 708	*1708 708	----

NOTE 1: Serial No.

MODEL	Det. Blt.	L. A. Blt.
LS1	6526	----
LC1	4518	1249
LC2	3847	1241
LC3	4427	1225

Effective Points are not yet available on other Models, however part number 1708708 is attached by 2 - Std. Part Screws.

★ Indicates use as required.

☐ Indicates parts not listed in any previous parts book.
Nov. 28, 1958 Supersedes Nov. 15, 1957.

PASSENGER CAR PARTS LIST 1957-58

BODY

CODE	REMARKS	PER CAR	PLYMOUTH	DODGE	DESOTO	CHRYSLER	IMPERIAL
1958	4 D., 4 D. Sub., AFTER Note 1, Alum., Lower	2	----	----	*1867 896	*1867 896	----
1957	4D. Sub. Upper, Right	1	1708 860	1708 860	1708 860	1708 860	----
	Left	1	1708 861	1708 861	1708 861	1708 861	----
1957-58	4D., IM1-1, IM1-2, LY1 Alum., Upper	2	----	----	----	----	1766 514
23-36-9	WASHER, Front Body Pillar Reinforcement Sealing						
1958	All	16	----	----	1620 081	1620 081	----
23-36-10	REINFORCEMENT, Body Center Pillar						
1957-58	Sp. 4D., Front and Rear Right	1	1707 540	1707 540	1707 540	1707 540	----
	Left	1	1707 541	1707 541	1707 541	1707 541	----
23-36-12	BRACE, Center Pillar						
1957-58	Sp. 4D Right	1	----	----	----	----	1651 170
	Left	1	----	----	----	----	1651 171
23-36-14	PILLAR, Body Front						
1957-58	4D., Cl. Sed., 3 Cp., Sub. Upper, Right	1	1683 310	1683 310	1683 310	1683 310	----
	Left	1	1683 311	1683 311	1683 311	1683 311	----
1957	Sp. 4 D., Sp. Cl. Cp. Upper, Right	1	1694 272	1694 272	1694 272	1694 272	----
	Left	1	1694 273	1694 273	1694 273	1694 273	----
1958	Sp. 4 D., Sp. Cl. Cp. Upper Right	1	1694 272	*1694 272	*1776 550	*1776 550	----
	Left	1	1694 273	*1694 273	*1776 551	*1776 551	----
23-36-15	EXTENSION, Front Pillar						
1957-58	4D. Right	1	----	----	----	----	1651 144
	Left	1	----	----	----	----	1651 145
1957-58	Sp. 4D., Sp. Cl. Cp. Right	1	----	----	----	----	1690 786
	Left	1	----	----	----	----	1690 787
1957-58	Cv. Cp. Right	1	----	----	----	----	1651 152
	Left	1	----	----	----	----	1651 153
23-36-16	SHIM, Center Pillar Brace to Floor Pan						
1958	Sp. 4D. *		----	----	----	----	6010 025
23-36-18	PLUG, Pillar Automatic Switch Hole						
1957-58	All Front	★	1561 923	1561 923	----	----	----
1957-58	4D., Sp. 4D., 4D. Sub., S27 Center	2	1561 923	1561 923	1561 923	----	----
23-36-19	SCREW, Center Pillar Brace Attaching						
1958	Sp. 4 D., LY1 to Floor	4	----	----	----	----	⊠1878 906
23-36-20	EXTENSION, Body Center Pillar Outside						
1957	4 D., 4 D. Sub., S27, C75-1 Right	1	1707 886	1707 886	1707 886	1707 886	----
	Left	1	1707 887	1707 887	1707 887	1707 887	----
1958	4D., 4D. Sub., LS1, LC1 Right	1	1866 770	1866 770	1866 770	1866 770	----
	Left	1	1866 771	1866 771	1866 771	1866 771	----
23-36-21	COVER, Pillar Hinge						
1957-58	4 D., Sp. 4D., IM1, LY1, Center	4	----	----	----	----	1751 793
23-36-29	FILLER, Body Center Pillar Bottom						
1957-58	Sp. 4D. Right	1	1705 628	1705 628	1705 628	1705 628	----
	Left	1	1705 629	1705 629	1705 629	1705 629	----
23-36-33	BRACKET, Front Pillar to Fender Support						
1957-58	All Upper Right	1	----	----	----	----	1751 154
	Left	1	----	----	----	----	1751 155
23-36-53	PILLAR, Body Lock, Rear						
1957-58	4 D. Upper, Right	1	1706 454	1706 454	1706 454	1706 454	1690 746
	Left	1	1706 455	1706 455	1706 455	1706 455	1690 747
1957-58	4D., Sp. 4D. Lower, Right	1	1697 500	1681 878	1683 014	1683 014	1651 240
	Left	1	1697 501	1681 879	1683 015	1683 015	1651 241
1958	4 D. Taxi, LD1, LD2 Lower, Right	1	----	1697 500	----	----	----
	Left	1	----	1697 501	----	----	----
1957-58	Sp. Cl. Cp., Cv. Cp., w/REINFORCEMENT Right	1	1707 260	1707 260	1707 260	1707 260	----
	Left	1	1707 261	1707 261	1707 261	1707 261	----

NOTE 1: Serial No.

Model	Det. Blt.	L. A. Blt.
LS1	6526	----
LC1	4518	1249
LC2	3847	1241
LC3	4427	1225

Effective Points are not yet available on other Models, however part number 1708708 is attached by 2 - Std. Part Screws

★ Indicates use as required.
 ⊠ Indicates parts not listed in any previous parts book.
 * Indicates change or addition.

1957-58 PASSENGER CAR PARTS LIST

BODY

CODE	REMARKS	PER CAR	PLYMOUTH	DODGE	DESOTO	CHRYSLER	IMPERIAL
	Pillar Only, Right	1	1681 882	1681 882	1681 882	1681 882	1651 588
	Left	1	1681 883	1681 883	1681 883	1681 883	1651 589
1957-58	Cl. Sed., 3 Cp. Upper, Right	1	1706 458	1706 453	----	----	----
	Left	1	1706 459	1706 459	----	----	----
	Lower, Right	1	1681 882	1681 882	----	----	----
	Left	1	1681 883	1681 883	----	----	----
1957-58	2 D. Sub., w/REINFORCEMENT						
	Upper, Right	1	1757 172	1757 172	----	----	----
	Left	1	1757 173	1757 173	----	----	----
	Lower, Right	1	1681 882	1681 882	----	----	----
	Left	1	1681 883	1681 883	----	----	----
1957-58	4D. Sub., w/REINFORCEMENT						
	Upper, Right	1	1757 154	1757 154	1757 154	1757 154	----
	Left	1	1757 155	1757 155	1757 155	1757 155	----
1957	4 D. Sub., S27, Pillar Only, Upper, Right	1	1695 210	1695 210	1695 210	----	----
	Left	1	1695 211	1695 211	1695 211	----	----
1957	4 D. Sub., S26, Pillar Only, Upper, Right	1	----	----	1706 706	1706 706	----
	Left	1	----	----	1706 707	1706 707	----
1958	4D. Sub., Pillar Only, Upper, Right	1	1695 210	1695 210	1695 210	1695 210	----
	Left	1	1695 211	1695 211	1695 211	1695 211	----
1957-58	4D. Sub. Lower, Right	1	1705 644	1705 644	1705 644	1705 644	----
	Left	1	1705 645	1705 645	1705 645	1705 645	----
23-36-57	BRACE, Body Rear Lock Pillar to Wheelhouse						
1957-58	4 D. Right	1	----	*1706 818	*1706 818	*1706 818	*1750 656
	Left	1	----	1706 819	1706 819	1706 819	1750 657
1957-58	4D. Sub. Right	1	1695 236	1695 236	1695 236	1695 236	----
	Left	1	1695 237	1695 237	1695 237	1695 237	----
1957-58	Sp. 4D. Right	1	----	1708 228	1708 228	1708 228	----
	Left	1	----	1708 229	1708 229	1708 229	----
23-36-66	REINFORCEMENT, Body Lock Pillar						
1957-58	4 D. Upper, Right	1	1706 456	1706 456	1706 456	1706 456	----
	Left	1	1706 457	1706 457	1706 457	1706 457	----
1957-58	Cl. Sed., 3 Cp. Upper, Right	1	1706 460	1706 460	----	----	----
	Left	1	1706 461	1706 461	----	----	----
1957-58	2D. Sub. Panel Lower, Right	1	1759 194	1759 194	----	----	----
	Left	1	1759 195	1759 195	----	----	----
1957-58	4D. Rear Upper, Right	1	----	----	----	----	1690 750
	Left	1	----	----	----	----	1690 751
1957-58	4D., to Wheelhouse Rear Lower, Right	1	----	----	----	----	1690 744
	Left	1	----	----	----	----	1690 745
23-36-118	PILLAR, Body Rear						
1957	Sub., P30-1, P30-2, P31-1, P31-2, D70, S27, in White, Upper Outer, Right	1	1707 670	1707 670	1707 670	----	----
	Left	1	1707 671	1707 671	1707 671	----	----
1957	Sub., P30-3, P31-3, D71, Stainless Steel Upper Outer, Right	1	1776 984	1776 984	----	----	----
	Left	1	1776 985	1776 985	----	----	----
1957	Sub., S26, Aluminum Anodized, Upper Outer, Right	1	----	----	1777 904	1777 904	----
	Left	1	----	----	1777 905	1777 905	----
1958	4D. Sub., 2D. Sub., LP1-L, LP1-M, LP2-L, LP2-M, LD3-L In White, Upper Outer, Right	1	1846 076	1846 076	1846 076	1846 076	----
	Left	1	1846 077	1846 077	1846 077	1846 077	----
1958	4 D. Sub., LP1-H, LP2-H, LD3-H, Stainless Steel, Upper Outer, Right	1	1846 078	1846 078	----	----	----
	Left	1	1846 079	1846 079	----	----	----
1957-58	Sub., w/REINFORCEMENT and CHANNEL Rear, Right	1	1775 222	1775 222	1775 222	1775 222	----
	Left	1	1775 223	1775 223	1775 223	1775 223	----

★ Indicates use as required.

⊠ Indicates parts not listed in any previous parts book.
Nov. 28, 1958 Supersedes March 5, 1958.

Printed in U.S.A.
Prices and specifications subject to change without notice.
* Indicates change or addition.

CODE	REMARKS	PER CAR	PLYMOUTH	DODGE	DESOTO	CHRYSLER	IMPERIAL
23-36-119	EXTENSION, Body Rear Pillar Lower 1957-58 4D. Sub., 2D. Sub. Right	1	1706 620	1706 620	1706 620	1706 620	----
	Left	1	1706 621	1706 621	1706 621	1706 621	----
23-36-120	PILLAR, Quarter Inside Panel 1957-58 Cv. Cp., Upper, w/SUPPORT and BRACKET Right	1	1755 456	1755 456	1758 909	1758 909	----
	Left	1	1755 457	1755 457	1758 910	1758 910	----
	Upper, Right	1	1757 080	1757 080	----	----	----
	Left	1	1757 081	1757 081	----	----	----
	Lower, Right	1	1695 216	1705 288	1705 290	1705 290	----
	Left	1	1695 217	1705 289	1705 291	1705 291	----
	PILLAR, Body Quarter Upper 1957-58 2D. Sub., Between Quarter Windows Inner and Outer Right	1	1776 952	1776 952	----	----	----
	Left	1	1776 953	1776 953	----	----	----
23-36-125	REINFORCEMENT, Body Rear Lower Pillar 1957-58 Sub. Right	1	1695 238	1695 238	1695 238	1695 238	----
	Left	1	1695 239	1695 239	1695 239	1695 239	----
23-36-126	BRACE, Body Rear Lower Pillar to Wheelhouse 1957-58 Sub. Right	1	1707 676	1707 676	1707 676	1707 676	----
	Left	1	1707 677	1707 677	1707 677	1707 677	----
23-39-O WINDOW LIFT (MANUAL)							
NOTE:	For Tailgate Window Lift see Group 23-54						
23-39-2	SPRING, Door Manual Window Regulator 1957-58 4 D., 4 D. Sub. Front	2	1249 495	1249 495	1249 495	1249 495	1256 337
	Rear	2	1256 337	1256 337	1256 337	1256 337	----
	1957-58 Sp. 4 D. Front	2	1256 337	1256 337	1256 337	1256 337	1256 337
	Rear	2	1706 475	1706 475	1706 475	1706 475	----
	1957-58 Sp. Cl. Cp., Cv. Cp., Cl. Sed., 3 Cp., 2 D. Sub.	2	1256 337	1256 337	1256 337	1256 337	----
23-39-5	REGULATOR or PLATE and ARM, Door Manual Window 1957-58 4 D., 4 D. Sub. Front Right	1	1697 414	1697 414	----	----	1692 150
	Left	1	1697 415	1697 415	----	----	1810 271
	Rear Right	1	1697 422	1697 422	1697 422	1697 422	1750 422
	Left	1	1697 423	1697 423	1697 423	1697 423	1750 423
	Except FireSweep, Windsor Front Right	1	----	----	1707 270	1707 270	----
	Left	1	----	----	1707 271	1707 271	----
	FireSweep, Windsor Front Right	1	----	----	1697 414	1697 414	----
	Left	1	----	----	1697 415	1697 415	----
	1957-58 Sp. 4 D. Front Right	1	1707 414	1707 414	1707 414	1707 414	1692 150
	Left	1	1707 415	1707 415	1707 415	1707 415	1810 271
	Rear Right	1	1697 426	1697 426	1697 426	1697 426	1750 422
	Left	1	1697 427	1697 427	1697 427	1697 427	1750 423
	1957-58 Sp. Cl. Cp., Cv. Cp. Right	1	1708 252	1708 252	1708 252	1708 252	1750 452
	Left	1	1708 253	1708 253	1708 253	1708 253	1810 272
	1957-58 Cl. Sed., 3 Cp., 2 D. Sub. Right	1	1707 052	1707 052	----	----	----
	Left	1	1707 053	1707 053	----	----	----
23-39-6	SCREW and WASHER, Door Window Regulator Attaching 1957-58 All	★	6000 291	6000 291	6000 291	6000 291	*6000 291
23-39-11	BOLT, Manual Window Regulator Arm and Link to Door Pivot 1957-58 As Req'd.	★	6000 172	6000 172	6000 172	6000 172	6006 239
23-39-12	WASHER, Window Regulator Arm Stud to Glass Lower Channel 1957-58 4 D., 4 D. Sub. Leather	4	6000 141	6000 141	6000 141	6000 141	----
	WASHER, Window Regulator Arm and Pivot or Link to Door 1957-58 As Req'd.	★	6000 165	6000 165	6000 165	6000 165	6000 165
	7/8" O. D. x 33/64" I. D., Dished	★	6013 067	6013 067	6013 067	6013 067	6013 067
	1" O. D. x 3/8" I. D., Dished, w/Teeth	★	6000 117	6000 117	6000 117	6000 117	6000 117
	1" O. D. x 5/16" I. D., Oblong Hole	★					

★ Indicates use as required.

⊠ Indicates parts not listed in any previous parts book.

* Indicates change or addition.

1957-58 PASSENGER CAR PARTS LIST

BODY

CODE	REMARKS	PER CAR	PLYMOUTH	DODGE	DESOTO	CHRYSLER	IMPERIAL
23-39-15	STOP, Rear Door Manual Window Regulator Pivot Arm 1957 Sp. 4 D.	2	----	----	----	----	1751 732
23-39-18	ARM and PIVOT or LINK, Door Manual Window Regulator 1957-58 4 D., Sp. 4 D.						
	Front Right	1	----	----	----	----	1692 154
	Left	1	----	----	----	----	1692 155
	Rear Right	1	----	----	----	----	1750 426
	Left	1	----	----	----	----	1750 427
	1957-58 Sp. 4 D. Front Right	1	1707 370	1707 370	1707 370	1707 370	----
	Left	1	1707 371	1707 371	1707 371	1707 371	----
	1957-58 Sp. Cl. Cp., Cv. Cp. Right	1	1707 370	1707 370	1707 370	1707 370	1750 466
	Left	1	1707 371	1707 371	1707 371	1707 371	1750 467
	1957-58 Cl. Sed., 3 Cp., 2 D. Sub. Right	1	1592 804	1592 804	----	----	----
	Left	1	1592 805	1592 805	----	----	----
23-39-32	BRACKET and SUPPORT, Rear Door Manual Window Regulator Arm Pivot, on Inside Panel 1957-58 4 D., 4 D. Sub.	2	1707 396	1707 396	1707 396	1707 396	----
23-39-33	STUD, Window Regulator Arm Glass Lower Channel Roller 1957-58 All	8	----	----	----	----	*1691 100
23-39-34	REGULATOR, Quarter Manual Window 1957-58 Sp. Cl. Cp.						
	Right	1	1697 402	1697 402	1697 406	1697 406	1651 416
	Left	1	1697 403	1697 403	1697 407	1697 407	1651 417
	1957-58 Cv. Cp. Right	1	1697 406	1697 406	1697 406	1697 406	----
	Left	1	1697 407	1697 407	1697 407	1697 407	----
	1957-58 Cl. Sed. Right	1	1697 422	1697 422	----	----	----
	Left	1	1697 423	1697 423	----	----	----
23-39-36	SCREW and WASHER, Quarter Window Regulator Attaching 1957-58 Sp. Cl. Cp., Cv. Cp., Cl. Sed.	8	6000 210	6000 291	6000 291	6000 291	----
23-39-44	SPRING, Quarter Manual Window Regulator 1957-58 Sp. Cl. Cp., Cl. Sed.	2	1256 337	1256 337	1706 475	1706 475	----
	1957-58 Cv. Cp.	2	1706 475	1706 475	1706 475	1706 475	----
23-39-45	ROLLER, Window Regulator Arm Glass Lower Channel 1957-58 All						
	Plastic	8	----	----	----	----	*1690 937
23-39-47	ARM and LINK, Quarter Manual Window Regulator 1957-58 Sp. Cl. Cp.						
	Right	1	----	----	----	----	1691 966
	Left	1	----	----	----	----	1691 967
23-39-53	RETAINER, Window Regulator Arm Stud 1957-58 All	★	6000 305	6000 305	6000 305	6000 305	6000 305

23-40-0 ROOF RAIL AND LUGGAGE RACK

23-40-85	RAIL, Roof Side 1957-58 4 D.						
	Front Right	1	1681 790	1681 790	1681 790	1681 790	----
	Left	1	1681 791	1681 791	1681 791	1681 791	----
	Rear Right	1	1755 980	1755 980	1755 980	1755 980	----
	Left	1	1755 981	1755 981	1755 981	1755 981	----
	w/Drain TROUGH, Outer Right	1	----	----	----	----	1651 110
	Left	1	----	----	----	----	1651 111
	Inner, Right	1	----	----	----	----	1810 198
	Left	1	----	----	----	----	1810 199
	1957 Sp. 4 D. Right	1	1681 792	1681 792	1681 792	1681 792	----
	Left	1	1681 793	1681 793	1681 793	1681 793	----
	1958 Sp. 4 D. Right	1	1681 792	1833 374	1833 374	1833 374	----
	Left	1	1681 793	1833 375	1833 375	1833 375	----
	1957-58 Sp. 4 D. w/Drain TROUGH, Front Outer Right	1	----	----	----	----	1651 114
	Left	1	----	----	----	----	1651 115
	Rear Outer Right	1	----	----	----	----	1690 784
	Left	1	----	----	----	----	1690 785
	Front Inner Right	1	----	----	----	----	1690 782
	Left	1	----	----	----	----	1690 783

★ Indicates use as required.

⊗ Indicates parts not listed in any previous parts book.
Nov. 28, 1958 Supersedes March 5, 1958.

Printed in U.S.A.
Prices and specifications subject to change without notice.
* Indicates change or addition.

CODE	REMARKS	PER CAR	PLYMOUTH	DODGE	DESOTO	CHRYSLER	IMPERIAL
	Rear Inner Right	1	----	----	----	----	1651 106
	Left	1	----	----	----	----	1651 107
1957	Sp. Cl. Cp. Right	1	1681 796	1681 796	1681 798	1681 798	----
	Left	1	1777 036	1777 036	1681 799	1681 799	----
1958	Sp. Cl. Cp. Right	1	1681 796	1833 370	1833 372	1833 372	----
	Left	1	1777 036	1833 371	1833 373	1833 373	----
1957-58	Sp. Cl. Cp. w/Drain TROUGH, Front Outer Right	1	----	----	----	----	1651 116
	Left	1	----	----	----	----	1651 117
	Rear Outer Right	1	----	----	----	----	*1690 352
	Left	1	----	----	----	----	*1690 353
	Front Inner Right	1	----	----	----	----	1651 644
	Left	1	----	----	----	----	1651 645
1957-58	Cl. Sed., 3 Cp. Right	1	1681 794	1681 794	----	----	----
	Left	1	1681 795	1681 795	----	----	----
1957-58	4 D. Sub. except FireSweep Right	1	1708 238	1708 238	1758 792	1758 792	----
	Left	1	1708 239	1708 239	1758 793	1758 793	----
	FireSweep Right	1	----	----	1708 238	----	----
	Left	1	----	----	1708 239	----	----
1957-58	4 D. Sub. Front Right	1	1695 634	1695 634	1695 634	1695 634	----
	Left	1	1695 635	1695 635	1695 635	1695 635	----
1957-58	2 D. Sub. Front Right	1	1695 636	1695 636	----	----	----
	Left	1	1695 637	1695 637	----	----	----
1957-58	Sub. Rear Right	1	1708 882	1708 882	1708 882	1708 882	----
	Left	1	1708 883	1708 883	1708 883	1708 883	----
	RAIL, Roof Rear						
1957-58	Sub.	1	1681 800	1681 800	1681 800	1681 800	----
23-40-86	REINFORCEMENT, Roof Side Rail to Rear Window Frame						
1957-58	4 D. Right	1	----	----	----	----	*1750 680
	Left	1	----	----	----	----	1750 681
	REINFORCEMENT, Roof Side Inner Rail Rear						
1957-58	4 D. Right	1	----	----	----	----	1751 888
	Left	1	----	----	----	----	1751 889
23-40-90	FILLER, Roof Side Rail to Rear Window Upper Frame						
1957-58	4 D. Right	1	----	----	----	----	1751 802
	Left	1	----	----	----	----	1751 803
23-40-92	EXTENSION, Roof Side Inner Rail Rear						
1957-58	4 D. Right	1	----	----	----	----	1751 800
	Left	1	----	----	----	----	1751 801
1957-58	Sp. Cl. Cp. to Wheelhouse, Right	1	----	----	----	----	1810 058
	Left	1	----	----	----	----	1810 059
23-40-96	SUPPORT, Roof Side Rail to Wheelhouse Brace						
1957-58	4 D. Right	1	----	----	----	----	1750 928
	Left	1	----	----	----	----	1750 929
23-40-97	BRACE, Roof Side Rail to Wheelhouse						
1957-58	4 D. Inner	2	----	----	----	----	*1750 958
	Outer Right	1	----	----	----	----	1750 966
	Left	1	----	----	----	----	1750 967
1957-58	Sp. 4 D. Right	1	----	1777 780	----	----	----
	Left	1	----	1777 781	----	----	----
	FireSweep Right	1	----	----	1777 780	----	----
	Left	1	----	----	1777 781	----	----
	Except FireSweep Upper Right	1	----	----	1777 626	1777 626	----
	Left	1	----	----	1777 627	1777 627	----
1957-58	Sp. Cl. Cp. Right	1	1775 722	----	----	----	----
	Left	1	1775 723	----	----	----	----
23-40-150	RAIL, Roof Luggage Rack						
1957-58	Sub. Side	4	1774 074	1774 074	1774 074	1774 074	----
	End	2	1774 075	1774 075	1774 075	1774 075	----
23-40-170	BRACKET, Roof Luggage Rack Rail						
1957-58	Sub. End	4	1682 770	1682 770	1682 770	1682 770	----
	Center	2	1682 771	1682 771	1682 771	1682 771	----
23-40-171	SCREW, Roof Luggage Rack Rail Bracket to Roof Panel						
1957-58	Sub.	12	6000 318	6000 318	6000 318	6000 318	----

★ Indicates use as required.

⊠ Indicates parts not listed in any previous parts book.

* Indicates change or addition.

1957-58 PASSENGER CAR PARTS LIST

BODY

CODE	REMARKS	PER CAR	PLYMOUTH	DODGE	DESOTO	CHRYSLER	IMPERIAL
23-40-175	PAD, Roof Luggage Rack Rail Bracket to Roof Panel 1957-58 Sub.	6	1682 778	1682 778	1682 778	1682 778	----
23-40-177	CAP, Roof Luggage Rack Rail Bracket End 1957-58 Sub.	Front	2 1682 777	1682 777	1682 777	1682 777	----
		Rear	2 1682 776	1682 776	1682 776	1682 776	----
23-40-185	CHANNEL, Roof Luggage Rack 1957-58 Sub.	3	1775 076	1775 076	1775 076	1775 076	----
23-40-187	PAD, Roof Luggage Rack Channel to Roof Panel 1957-58 Sub.	3	1775 077	1775 077	1775 077	1775 077	----
23-40-190	SKID STRIP, Roof Luggage Rack 1957-58 Sub.	8	1775 075	1775 075	1775 075	1775 075	----
23-40-194	SUPPORT, Roof Luggage Rack Skid Strip to Roof Panel 1957-58 Sub.	21	1697 627	1697 627	1697 627	1697 627	----

NOTE: For Roof Luggage Rack Installation Package see 1-74-1

23-41-O WINDOW LIFT(ELECTRIC)

NOTE: For Tailgate Window Lift see Group 23-54.

23-41-4	REGULATOR or PLATE and ARM, Electric Window (AutoLite or Hupp) 1957 4 D., 4 D. Sub.	Right	2 1704 714	1704 714	1704 714	1704 714	----
		Left	2 1704 715	1704 715	1704 715	1704 715	----
1957	Sp. 4 D.	Front Right	1 *1704 715	*1704 715	*1704 715	*1704 715	----
		Left	1 1704 714	1704 714	1704 714	1704 714	----
		Rear Right	1 *1753 836	*1753 836	*1753 836	*1753 836	----
		Left	1 1753 837	1753 837	1753 837	1753 837	----
1957	Sp. Cl. Cp., Cv. Cp., Cl. Sed.	Door, Right	1 1704 715	1704 715	1704 715	1704 715	----
		Left	1 1704 714	1704 714	1704 714	1704 714	----
1957	Sp. Cl. Cp.	Quarter, Right	1 1770 032	1770 032	1770 024	1770 024	----
		Left	1 1770 033	1770 033	1770 025	1770 025	----
1957	Cv. Cp.	Quarter, Right	1 1770 024	1770 024	1770 024	1770 024	----
		Left	1 1770 025	1770 025	1770 025	1770 025	----
1957	Cl. Sed.	Quarter, Right	1 1704 714	1704 714	----	----	----
		Left	1 1704 715	1704 715	----	----	----
1957-58	4 D., Sp. 4 D.	Front Right	1 ----	----	----	----	1753 238
		Left	1 ----	----	----	----	1753 239
		Rear Right	1 ----	----	----	----	1753 240
		Left	1 ----	----	----	----	1753 241
1957-58	Sp. Cl. Cp., Cv. Cp.	Door, Right	1 ----	----	----	----	1753 241
		Left	1 ----	----	----	----	1753 240
		Quarter, Right	1 ----	----	----	----	1753 706
		Left	1 ----	----	----	----	1753 707
1958	4 D., 4 D. Sub.,	Front Right	1 *1879 230	*1879 230	*1879 230	*1879 230	----
		Left	1 *1879 231	*1879 231	*1879 231	*1879 231	----
		Rear Right	1 *1810 764	*1810 764	*1810 764	*1810 764	----
		Left	1 *1810 765	*1810 765	*1810 765	*1810 765	----
1958	Sp. 4 D.	Front Right	1 1810 765	1810 765	1810 765	1810 765	----
		Left	1 1810 764	1810 764	1810 764	1810 764	----
		Rear Right	1 1810 898	1810 898	1810 898	1810 898	----
		Left	1 1810 899	1810 899	1810 899	1810 899	----
1958	Sp. Cl. Cp., Cv. Cp., Cl. Sed.	Door, Right	1 1810 765	1810 765	1810 765	1810 765	----
		Left	1 1810 764	1810 764	1810 764	1810 764	----
1958	Sp. Cl. Cp.	Quarter, Right	1 1810 906	1810 906	1810 892	1810 892	----
		Left	1 1810 907	1810 907	1810 893	1810 893	----
1958	Cv. Cp.	Quarter, Right	1 1810 892	1810 892	1810 892	1810 892	----
		Left	1 1810 893	1810 893	1810 893	1810 893	----
1958	Cl. Sed.	Quarter, Right	1 1810 764	1810 764	----	----	----
		Left	1 1810 765	1810 765	----	----	----

★ Indicates use as required.

☐ Indicates parts not listed in any previous parts book.
Nov. 28, 1958 Supersedes Nov. 15, 1957.

CODE	REMARKS	PER CAR	PLYMOUTH	DODGE	DESOTO	CHRYSLER	IMPERIAL
	REGULATOR or PLATE and Arm Electric Window (Dura) (use with Delco Motor)						
1957-58	4 D., 4 D. Sub. Front Right	1	*1879 228	*1879 228	*1879 228	*1879 228	----
	Left	1	*1879 229	*1879 229	*1879 229	*1879 229	----
	Rear Right	1	*1860 808	*1860 808	*1860 808	*1860 808	----
	Left	1	*1860 809	*1860 809	*1860 809	*1860 809	----
1957-58	Sp. 4 D. Front Right	1	1860 809	1860 809	1860 809	1860 809	----
	Left	1	1860 808	1860 808	1860 808	1860 808	----
	Rear Right	1	1860 804	1860 804	1860 804	1860 804	----
	Left	1	1860 805	1860 805	1860 805	1860 805	----
1957-58	Sp. Cl. Cp., Cv. Cp., Cl. Sed., Door, Right	1	1860 809	1860 809	1860 809	1860 809	----
	Left	1	1860 808	1860 808	1860 808	1860 808	----
1957-58	Sp. Cl. Cp. Quarter, Right	1	1860 782	1860 782	1860 780	1860 780	----
	Left	1	1860 783	1860 783	1860 781	1860 781	----
1957-58	Cv. Cp. Quarter, Right	1	1860 780	1860 780	1860 780	1860 780	----
	Left	1	1860 781	1860 781	1860 781	1860 781	----
1957-58	Cl. Sed. Quarter, Right	1	1860 808	1860 808	----	----	----
	Left	1	1860 809	1860 809	----	----	----
23-41-5	BUS BAR, Electric Window Lift Circuit Breaker						
1957-58	All	1	1498 776	1498 776	1498 776	1498 776	1498 776
23-41-7	SPRING, Electric Window Regulator						
1957-58	All AutoLite or Hupp	★	1440 596	1440 596	1440 596	1440 596	1440 596
23-41-11	CIRCUIT BREAKER, Electric Window Lift						
1957-58	All 30 Amp.	1	1689 022	1689 022	1689 022	1689 022	1689 022
23-41-12	CLIP, Electric Window Lift Circuit Breaker Mounting						
1957-58	All	1	1753 684	1753 684	1753 684	1753 684	----
	BRACKET, Electric Window Lift Circuit Breaker Mounting						
1957-58	All	1	----	----	----	----	1479 060
23-41-33	MECHANISM, Electric Window Lift (AutoLite or Hupp)						
1957	4 D., 4 D. Sub. Right	2	E1819 167	E1819 167	E1819 167	E1819 167	----
	Left	2	E1819 166	E1819 166	E1819 166	E1819 166	----
1957	Sp. 4D. Front Right	1	E1819 166	E1819 166	E1819 166	E1819 166	----
	Left	1	E1819 167	E1819 167	E1819 167	E1819 167	----
	Rear Right	1	E1819 167	E1819 167	E1819 167	E1819 167	----
	Left	1	E1819 166	E1819 166	E1819 166	E1819 166	----
1957	Sp. Cl. Cp., Cv. Cp., Cl. Sed., Door, Right	1	E1819 166	E1819 166	E1819 166	E1819 166	----
	Left	1	E1819 167	E1819 167	E1819 167	E1819 167	----
	Quarter, Right	1	E1819 167	E1819 167	E1819 167	E1819 167	----
	Left	1	E1819 166	E1819 166	E1819 166	E1819 166	----
1957-58	4 D., Sp. 4 D. Right	2	----	----	----	----	1753 350
	Left	2	----	----	----	----	1753 351
1957-58	Sp. Cl. Cp., Cv. Cp. Door, Right	1	----	----	----	----	1753 351
	Left	1	----	----	----	----	1753 350
	Quarter, Right	1	----	----	----	----	1819 169
	Left	1	----	----	----	----	1604 888
1958	4D., 4D. Sub. Right	2	1810 786	1810 786	1810 786	1810 786	----
	Left	2	1810 787	1810 787	1810 787	1810 787	----
1958	Sp. 4 D. Front Right	1	1810 787	1810 787	1810 787	1810 787	----
	Left	1	1810 786	1810 786	1810 786	1810 786	----
	Rear Right	1	1810 786	1810 786	1810 786	1810 786	----
	Left	1	1810 787	1810 787	1810 787	1810 787	----
1958	Sp. Cl. Cp., Cv. Cp. Right	2	1810 787	1810 787	1810 787	1810 787	----
	Left	2	1810 786	1810 786	1810 786	1810 786	----
1958	Cl. Sed. Door, Right	1	1810 787	1810 787	----	----	----
	Left	1	1810 786	1810 786	----	----	----
	Quarter, Right	1	1810 786	1810 786	----	----	----
	Left	1	1810 787	1810 787	----	----	----
23-41-53	BRACKET, Quarter Electric Window Regulator Mounting						
1957-58	Sp. Cl. Cp.	2	1755 850	1755 850	----	----	----

★ Indicates use as required.

E Indicates parts not listed in any previous parts book.

* Indicates change or addition.

1957-58 PASSENGER CAR PARTS LIST

BODY

CODE	REMARKS	PER CAR	PLYMOUTH	DODGE	DESOTO	CHRYSLER	IMPERIAL
SUPPORT, Rear Door Electric Window Regulator to Door							
23-41-55	1957 4 D., Sp. 4 D.	2	----	----	----	----	1751 144
WIRING, Electric Window Lift							
23-41-55	1957-58 All	1	1842 202	1842 202	1842 202	1842 202	----
23-41-55	1957-58 All w/o Electric Door Locks	1	----	----	----	----	1842 202
23-41-55	1958 4 D. w/Electric Door Locks, UP TO Note 1	1	----	----	----	----	*1842 269
23-41-55	1958 AFTER Note 1	1	----	----	----	----	*1885 688
23-41-55	1958 Sp. 4 D. w/Electric Door Locks, UP TO Note 1	1	----	----	----	----	*1842 270
23-41-55	1958 AFTER Note 1	1	----	----	----	----	*1885 687
23-41-55	1958 Sp. Cl. Cp., Cv. Cp. w/Electric Door Locks, UP TO Note 1	1	----	----	----	----	*1842 268
23-41-55	1958 AFTER Note 1	1	----	----	----	----	*1885 689
TERMINAL BLOCK, Electric Window Lift Rear Quarter							
23-41-62	1957-58 Cv. Cp., Sp. Cl. Cp.	2	----	----	----	----	913 297
WASHER, Electric Window Regulator Arm Stud to Glass Lower Channel							
23-41-72	1957-58 All Leather	★	*6000 141	*6000 141	*6000 141	*6000 141	*6000 141
WASHER, Electric Window Regulator Arm Pivot Bolt							
23-41-94	1957-58 As Req'd., 7/8" O. D. x 33/64" I. D.	★	*6000 165	*6000 165	*6000 165	*6000 165	*6000 165
23-41-94	1" O. D. x 5/16" I. D., Oblong Hole	★	*6000 117	*6000 117	*6000 117	*6000 117	*6000 117
23-41-94	1" O. D. x 3/8" I. D., w/Teeth	★	*6013 067	*6013 067	*6013 067	*6013 067	*6013 067
RETAINER, Electric Window Regulator Arm Stud to Glass Lower Channel							
23-41-106	1957-58 All	★	*6000 305	*6000 305	*6000 305	*6000 305	----
MOTOR, Electric Window Lift (Autolite)							
23-41-106	1957 Except Sp. 4 D.	4	1642 434	1642 434	1642 434	1642 434	----
23-41-106	1957 Sp. 4 D. Front	2	1642 434	1642 434	1642 434	1642 434	----
23-41-106	1957 Sp. 4 D. Rear	2	1753 234	1753 234	1753 234	1753 234	----
23-41-106	1957-58 4 D.	4	----	----	----	----	1753 856
23-41-106	1957-58 Sp. 4 D. Front	2	----	----	----	----	1753 856
23-41-106	1957-58 Sp. 4 D. Rear	2	----	----	----	----	1753 870
23-41-106	1957-58 Sp. Cl. Cp., Cv. Cp. Door	2	----	----	----	----	1753 856
23-41-106	1957-58 Sp. Cl. Cp., Cv. Cp. Quarter	2	----	----	----	----	1642 434
23-41-106	1958 4 D., Cv. Cp., Cl. Sed., 4 D. Sub.	4	1810 758	1810 758	1810 758	1810 758	----
23-41-106	1958 Sp. 4 D. Front	2	1810 758	1810 758	1810 758	1810 758	----
23-41-106	1958 Sp. 4 D. Rear	2	1810 759	1810 759	1810 759	1810 759	----
23-41-106	1958 Sp. Cl. Cp. Door	2	*1810 758	*1810 758	*1810 758	*1810 758	----
23-41-106	1958 Sp. Cl. Cp. Quarter	2	1810 759	1810 759	1810 758	1810 758	----
MOTOR, Electric Window Lift (Delco)							
23-41-108	1957-58 4 D., Cv. Cp., Cl. Sed., 4 D. Sub.	4	1810 640	1810 640	1810 640	1810 640	----
23-41-108	1957-58 Sp. 4 D. Front	2	1810 640	1810 640	1810 640	1810 640	----
23-41-108	1957-58 Sp. 4 D. Rear	2	1810 682	1810 682	1810 682	1810 682	----
23-41-108	1957-58 Sp. Cl. Cp. Door	2	1810 640	1810 640	1810 640	1810 640	----
23-41-108	1957-58 Sp. Cl. Cp. Quarter	2	1810 682	1810 682	1810 640	1810 640	----
NOTE: AutoLite Motors serviced for Hupp, Delco for Dura Assemblies.							
WASHER, Electric Window Lift Motor Armature Drive End Thrust							
23-41-108	1957-58 All, w/AutoLite Motors, 1/64" thick	★	*1436 565	*1436 565	*1436 565	*1436 565	*1436 565
23-41-108	1/32" thick	★	1436 566	1436 566	1436 566	1436 566	1436 566
23-41-108	.023" thick	★	1436 567	1436 567	1436 567	1436 567	1436 567
ARMATURE, Electric Window Lift Motor							
23-41-115	1957-58 All, w/AutoLite Motors EPJ-4003, 4004, 4005, 4008	★	*1752 640	*1752 640	*1752 640	*1752 640	*1752 640
23-41-115	1957-58 Motors EPZ-4001, 4002, 4003	★	1752 642	1752 642	1752 642	1752 642	----
23-41-115	1957-58 Motors EPJ-4102, 4103	★	----	----	----	----	1818 870
23-41-115	1957-58 Motors EPZ-4101, 4102	★	----	----	----	----	1818 863
NOTE 1: Body Nos:							
	LYI-L Imperial		4 D. Sed. 9587	Sp. 4 D. 9768	Sp. Cl. Cp. 9857	Cv. Cp. 8979	
	LYI-M Crown Imperial		9808	9959	9788		
	LYI-H LeBaron Imperial		9700	9446			

★ Indicates use as required.

⊔ Indicates parts not listed in any previous parts book.
Nov. 28, 1958 Supersedes Nov. 15, 1957

Prices and specifications subject to change without notice.
* Indicates change or addition.

Printed in U.S.A.

CODE	REMARKS	PER CAR	PLYMOUTH	DODGE	DESOTO	CHRYSLER	IMPERIAL
23-41-120	BRUSH and SPRING PACKAGE, Electric Window Lift Motor 1957-58 All, w/AutoLite Motors w/Hupp Motors w/Delco Motors	★ ★ ★	*1688 692 *1860 778 *1860 771	*1688 692 *1860 778 *1860 771	*1688 692 *1860 778 *1860 771	*1688 692 *1860 778 *1860 771	*1688 692 *1860 778 -----
23-41-121	HOLDER and CIRCUIT BREAKER, Electric Window Lift Motor Brush 1957-58 All, w/Hupp Motor	★	*1860 777	*1860 777	*1860 777	*1860 777	*1860 777
23-41-126	BUMPER, Electric Window Lift Motor to Door Panel 1957-58 All	★	-----	-----	-----	-----	*1860 619
23-41-128	GROMMET, Electric Window Lift Motor Mounting 1957 All	★	1383 351	1383 351	1383 351	1383 351	1383 351
23-41-129	SCREW and WASHER, Electric Window Lift Motor Mounting 1957 All	16	6006 070	6006 070	6006 070	6006 070	6006 070
	SCREW and WASHER, Electric Window Regulator Mounting 1957-58 All	16	6000 291	6000 291	6000 291	6000 291	6000 291
23-41-130	LOCKWASHER, Electric Window Regulator Mounting 1957 All	16	6013 031	6013 031	6013 031	6013 031	6013 031
23-41-138	SHAFT, Electric Window Lift Motor to Mechanism (AutoLite or Hupp) 1957-58 4D., Sp. Cl. Cp., Cv. Cp., Cl. Sed., Sub. Door, AutoLite Hupp 1957-58 4 D., Sp. 4 D. 1957-58 Sp. 4 D. Front, AutoLite Hupp 1957-58 Sp. Cl. Cp. Quarter 1957-58 Sp. Cl. Cp., Cv. Cp. Quarter, AutoLite Hupp 1957-58 Cv. Cp., Cl. Sed. Quarter, AutoLite Hupp	★ ★ 4 2 2 2 2 2 2 2	*1440 489 *1627 108 ----- *1440 489 *1627 108 *1688 919 *1688 919 ----- ----- *1440 489 *1627 108 *1440 489 *1627 108	*1440 489 *1627 108 ----- *1440 489 *1627 108 *1688 919 *1688 919 ----- ----- *1440 489 *1627 108 *1440 489 *1627 108	*1440 489 *1627 108 ----- *1440 489 *1627 108 *1688 919 *1688 919 ----- ----- *1440 489 *1627 108 *1440 489 *1627 108	*1440 489 *1627 108 ----- *1440 489 *1627 108 *1688 919 *1688 919 ----- ----- *1440 489 *1627 108 *1440 489 *1627 108	----- ----- *1753 285 ----- ----- *1688 919 ----- ----- *1440 489 *1627 108 ----- ----- ----- -----
	COUPLING and Drive CABLE, Electric Window Lift Motor to Mechanism (Dura) 1957-58 All	4	1810 641	1810 641	1810 641	1810 641	-----
23-41-139	SHIELD, Electric Window Lift Motor Drive Shaft (AutoLite or Hupp) 1957-58 All	4	*1689 167	*1689 167	*1689 167	*1689 167	*1689 167
23-41-140	HEAD, Electric Window Lift Motor Commutator End 1957-58 All, w/AutoLite Motors, Motors EPJ-4003, 4004, 4005 Motor EPJ-4008 Motor EPZ-4003 Motors EPJ-4102, 4103 Motors EPZ-4101, 4102	★ ★ ★ ★ ★	*1752 637 1879 262 1879 264 ----- -----	*1752 637 1879 262 1879 264 ----- -----	*1752 637 1879 262 1879 264 ----- -----	*1752 637 1879 262 1879 264 ----- -----	*1752 637 ----- ----- 1818 871 1818 862
23-41-142	COIL, Electric Window Lift Motor Field 1957-58 All, w/AutoLite Motors, Motor EPJ-4003 Motors EPJ-4004, 4103 Motors EPJ-4005, 4008, 4102 Motors EPZ-4002, 4102 Motors EPZ-4003, 4101	★ ★ ★ ★ ★	*1752 689 1818 868 1818 869 1818 865 1818 864	*1752 689 1818 868 1818 869 1818 865 1818 864	*1752 689 1818 868 1818 869 1818 865 1818 864	*1752 689 1818 868 1818 869 1818 865 1818 864	*1752 689 1818 868 1818 869 1818 865 1818 864
23-41-167	CONDUIT, Body Front Pillar to Door Wiring 1957-58 All CONDUIT, Body Center Pillar to Rear Door Wiring 1957-58 4 D., Sp. 4 D., 4 D Sub. Right Left	2 1 1	----- *1769 492 *1769 491	----- *1769 492 *1769 491	----- *1769 492 *1769 491	----- *1769 492 *1769 491	*1779 251 ----- -----

★ Indicates use as required.

⊔ Indicates parts not listed in any previous parts book.

* Indicates change or addition.

1957-58 PASSENGER CAR PARTS LIST

BODY

CODE	REMARKS	PER CAR	PLYMOUTH	DODGE	DESOTO	CHRYSLER	IMPERIAL
23-41-170	SWITCH, Electric Window Lift						
	1957-58 All Single, w/BEZEL	3	1770 503	1770 503	1770 503	1770 503	1770 503
	w/o Bezel	3	1770 509	1770 509	1770 509	1770 509	1770 509
	4 Gang, w/BEZEL	1	1770 507	1770 507	1770 507	1770 507	1770 507
	w/o Bezel	1	1770 513	1770 513	1770 513	1770 513	1770 513
23-41-174	SPRING or CLIP, Electric Window Lift Switch Retaining						
1957-58 All		16	1769 327	1769 327	1769 327	1769 327	1769 327
23-41-176	CONNECTOR, Electric Window Lift Switch Wiring						
	1957-58 All 4 Gang	1	1779 276	1779 276	1779 276	1779 276	1779 276
	Single	3	1779 268	1779 268	1779 268	1779 268	1779 268
23-41-250	ROLLER, Electric Window Regulator Arm Glass Lower Channel						
	1957-58 All	8	----	----	----	----	*1690 937
23-41-255	BRACKET, Electric Window Regulator Arm Pivot						
	1957-58 4 D., 4 D. Sub. Door	4	1706 892	1706 892	1706 892	1706 892	----
	1957-58 Cl. Sed. Quarter	2	1706 892	1706 892	----	----	----
23-41-256	STUD, Electric Window Regulator Arm Glass Lower Channel Roller						
	1957-58 All	*	----	----	----	----	1691 100
23-41-270	HOUSING, Electric Window Lift Mechanism (Dura)						
	1957-58 4 D., 4 D. Sub. Right	2	*1810 647	*1810 647	*1810 647	*1810 647	----
	Left	2	1810 646	1810 646	1810 646	1810 646	----
	1957-58 Sp. 4 D. Front Right	1	*1810 646	*1810 646	*1810 646	*1810 646	----
	Left	1	1810 647	1810 647	1810 647	1810 647	----
	Rear Right	1	*1810 647	*1810 647	*1810 647	*1810 647	----
	Left	1	1810 646	1810 646	1810 646	1810 646	----
	1957-58 Sp. Cl. Cp., Cv. Cp. Right	2	1810 646	1810 646	1810 646	1810 646	----
	Left	2	1810 647	1810 647	1810 647	1810 647	----
	1957-58 Cl. Sed. Door, Right	1	1810 646	1810 646	----	----	----
	Left	1	1810 647	1810 647	----	----	----
	Quarter, Right	1	1810 647	1810 647	----	----	----
	Left	1	1810 646	1810 646	----	----	----
23-41-271	PLATE, Electric Window Lift Mechanism Housing Grease Retaining (Dura)						
	1957-58 All	4	1810 654	1810 654	1810 654	1810 654	----
23-41-272	WORM WHEEL and PINION, Electric Window Lift Mechanism (Dura)						
	1957-58 All	4	1810 649	1810 649	1810 649	1810 649	----
23-41-273	BEARING, Electric Window Lift Mechanism Worm Wheel and Pinion (Dura)						
	1957-58 All Outer	4	1810 635	1810 635	1810 635	1810 635	----
	Inner	4	1810 648	1810 648	1810 648	1810 648	----
23-41-274	SPACER, Electric Window Lift Mechanism Drive Cable Bearing (Dura)						
	1957-58 All	4	1810 656	1810 656	1810 656	1810 656	----
23-41-277	LOCK NUT, Electric Window Lift Mechanism Drive Cable Set Screw (Dura)						
	1957-58 All	4	6006 128	6006 128	6006 128	6006 128	----
23-41-278	SET SCREW, Electric Window Lift Mechanism Drive Cable (Dura)						
	1957-58 All	4	6006 129	6006 129	6006 129	6006 129	----
23-41-280	SPACER or BRACKET, Electric Window Regulator Mounting						
	1957-58 All Door, Front	*	*1706 975	*1706 975	*1706 975	*1706 975	----
	Door, Rear	2	1706 925	1706 925	1706 925	1706 925	----
	1957-58 Cl. Sed. Quarter, Front	2	*1706 975	*1706 975	----	----	----
	Quarter, Rear	2	*1707 038	1707 038	----	----	----

★ Indicates use as required.

⊠ Indicates parts not listed in any previous parts book.
 Nov. 28, 1958 Supersedes Nov. 15, 1957.

Printed in U.S.A.
 Prices and specifications subject to change without notice.
 * Indicates change or addition.

CODE	REMARKS	PER CAR	PLYMOUTH	DODGE	DESOTO	CHRYSLER	IMPERIAL
23-42-0 WINDOW GLASS RUN							
23-42-6	SCREW and WASHER, Rear Door Window Glass Run Retainer Attaching 1957-58 FireSweep, Windsor, 4 D., 4 D. Sub.						
	Front	2	6000 291	6000 291	6000 291	6000 291	----
	Rear	2	6000 210	6000 210	6000 210	6000 210	----
23-42-13	RUN, Door Window Glass Division Channel 1957-58 4 D., Cl. Sed., 3 Cp., Sub. Except FireSweep, Windsor FireSweep, Windsor						
		2	1759 923	1759 923	----	----	----
		2	----	----	1774 407	1774 407	----
		2	----	----	1759 923	1759 923	----
	Right	1	----	----	----	----	1751 350
	Left	1	----	----	----	----	1751 351
	1957-58 Sp. 4 D., Sp. Cl. Cp., Cv. Cp.	2	1755 361	1755 361	1755 361	1755 361	----
	Right	1	----	----	----	----	1751 524
	Left	1	----	----	----	----	1751 525
23-42-16	RUN, Front Door Window Glass 1957-58 4 D., 4 D. Sub. Except FireSweep, Windsor FireSweep, Windsor						
		2	*1707 492	*1707 492	----	----	----
		2	----	----	1708 847	1708 847	----
		2	----	----	1707 492	1707 492	----
	Upper	2	----	----	----	----	1751 539
	Rear	2	----	----	----	----	1751 538
	1957-58 Sp. 4 D.	2	1697 796	1697 796	1697 796	1697 796	----
	RUN, Door Window Glass 1957-58 Sp. Cl. Cp., Cv. Cp.						
	Rear	2	1697 796	1697 796	1697 796	1697 796	----
	1957-58 Cl. Sed., 3 Cp., 2 D. Sub.	2	*1707 492	*1707 492	----	----	----
23-42-23	RUN, Rear Door Window Glass 1957-58 4 D., 4 D. Sub. Except FireSweep, Windsor FireSweep, Windsor						
		2	1707 490	1707 490	----	----	----
		2	----	----	1708 849	1708 849	----
		2	----	----	1707 490	1707 490	----
	Upper	2	----	----	----	----	1751 665
	Front	2	----	----	----	----	1751 666
	Rear	2	----	----	----	----	1751 667
23-42-26	RETAINER, Front Door Window Glass Run 1957-58 4 D., 4 D. Sub.						
	Right	1	*1776 610	*1776 610	*1776 610	*1776 610	----
	Left	1	1776 611	1776 611	1776 611	1776 611	----
	RETAINER, Rear Door Window Glass Run 1957-58 4 D., 4 D. Sub.						
	Front Right	1	*1708 550	*1708 550	*1708 550	*1708 550	----
	Left	1	*1708 551	*1708 551	*1708 551	*1708 551	----
	1957-58 4 D.						
	Rear Right	1	*1776 608	*1776 608	*1776 608	*1776 608	----
	Left	1	1776 609	1776 609	1776 609	1776 609	----
	1957-58 4 D. Sub.						
	Rear Right	1	*1755 448	*1755 448	*1755 448	*1755 448	----
	Left	1	*1755 449	*1755 449	*1755 449	*1755 449	----
	RETAINER, Door Window Glass Run 1957-58 Cl. Sed., 3 Cp., 2 D. Sub.						
	Rear Right	1	*1776 612	*1776 612	----	----	----
	Left	1	*1776 613	*1776 613	----	----	----
NOTE: Glass Run RETAINERS listed above for DeSoto and Chrysler apply only to Windsor and FireSweep - not used on jobs with aluminum window frames.							
23-42-38	RUN, Quarter Window Glass 1957-58 Sp. Cl. Cp.						
	Right	1	----	----	----	----	1751 722
	Left	1	----	----	----	----	1751 723
	1957-58 Cl. Sed.						
	Upper and Front	2	1707 492	1707 492	----	----	----
	Division Channel	2	1758 825	1758 825	----	----	----
	1957-58 2 D. Sub.						
	Upper and Front	2	1777 042	1777 042	----	----	----
	Lower Right	1	1775 872	1775 872	----	----	----
	Left	1	1775 873	1775 873	----	----	----
23-42-46	RUN, Tailgate Window Glass 1957-58 Sub.						
	In Tailgate	2	1755 638	1755 638	1755 638	1755 638	----
	On Body, Upper	1	1755 659	1755 659	1755 659	1755 659	----
	On Body, Side	2	1776 568	1776 568	1776 568	1776 568	----
23-42-49	RETAINER, Quarter Window Sliding Glass Run 1957-58 2 D. Sub.						
	Right	1	1775 782	1775 782	----	----	----
	Left	1	1775 783	1775 783	----	----	----

★ Indicates use as required.

⊠ Indicates parts not listed in any previous parts book.

* Indicates change or addition.

CODE	REMARKS	PER CAR	PLYMOUTH	DODGE	DESOTO	CHRYSLER	IMPERIAL
23-42-56	RETAINER, Quarter Window Glass Run 1957-58 Cl. Sed.	Right Left	1 1	1776 604 1776 605	1776 604 1776 605	----- -----	----- -----
25-42-57	FILLER, Quarter Window Glass Run to Roof Rail 1957-58 Sp. Cl. Cp.	Rubber, Right Left	1 1	----- -----	----- -----	----- -----	1751 766 1751 767

23-45-0 FRONT SEAT

23-45-30	BUMPER, Front Seat Back Stop 1957-58 Sp. Cl. Cp., Cv. Cp., Cl. Sed., 3 Cp., 2 D. Sub.		2	1815 328	1815 328	1815 328	1815 328	1815 328
23-45-31	WASHER, Front Seat Back Stop Bumper 1957-58 Sp. Cl. Cp., Cv. Cp., Cl. Sed., 3 Cp., 2 D. Sub.		2	6008 077	6008 077	6008 077	6008 077	6008 077
23-45-60	ORNAMENT, Front Seat Side 1957-58 Sp. Cl. Cp., Cv. Cp.	Upper, Right Left	1 1	----- -----	----- -----	----- -----	----- -----	1698 686 1698 687
	1958 LC1, LC2, w/Electric Seat Adjuster, LC3, LY1-L	Lower, Right	1	-----	-----	-----	*1839 290	*1839 290
	1958 LC3, LY1-L, w/Manual Seat Adjuster	Lower, Left	1	-----	-----	-----	*1839 291	*1839 291

NOTE: Ornament on left side of seat replaced by SWITCH and BEZEL ASSEMBLY on LC3, LY1-L, with Electric Seat Adjuster.

23-47-0 SEAT GUIDE OR ADJUSTER

23-47-6	GUIDE, Manual Seat 1957 4 D., Cl. Sed., 3 Cp., Sub.	Right Left	1 1	1777 002 1777 003	1777 002 1777 003	1777 002 1777 003	1777 002 1777 003	1771 748 1772 715
	1958 4D., Cl. Sed., 3 Cp., Sub.	Right Left	1 1	1830 516 1830 517	1830 516 1830 517	1830 516 1830 517	1830 516 1830 517	1771 748 1772 715
	1957-58 Sp. 4 D., Sp. Cl. Cp., Cv. Cp.	Right Left	1 1	1777 004 1777 005	1777 004 1777 005	*1777 004 *1777 005	1777 004 1777 005	1771 748 1772 715

NOTE: Seat GUIDES listed above were used intermittently - to identify, check height at seat attaching studs as follows:

Part Numbers	Height of seat from floor	
	at front bracket	at rear bracket
1777 002-3	5"	3"
1777 004-5	4"	2"
1830 516-7	4 1/2"	2 1/2"

	GUIDE or TRACK, Electric Seat 1957 4 D., Cl. Sed., 3 Cp., Sub.	Right Left	1 1	1770 291 1770 292	----- -----	----- -----	----- -----	----- -----
	1958 4D., Cl. Sed., 3 Cp., Sub.	Right Left	1 1	1830 542 1830 543	----- -----	----- -----	----- -----	----- -----
	1957-58 Sp. 4 D., Sp. Cl. Cp., Cv. Cp.	Right Left	1 1	1779 084 1779 085	----- -----	----- -----	----- -----	----- -----
	1957-58 All	Right Left	1 1	----- -----	1819 236 1819 235	1819 236 1819 235	1819 236 1819 235	1819 236 1819 235
23-47-8	COVER, Electric Seat Adjuster Track 1957 All	Right Left	1 1	----- -----	*1772 524 1772 525	*1772 524 1772 525	*1772 524 1772 525	*1772 522 1772 523
	1958 All	Right Left	1 1	----- -----	1876 298 1876 299	1876 298 1876 299	1876 298 1876 299	1876 298 1876 299
	COVER, Electric Seat Adjuster Track Floor Pan Well							
	1957-58 All	9 1/2" Long	2	-----	*1830 057	*1830 057	*1830 057	-----
	1958 All	27" Long	2	-----	*1839 612	*1839 612	*1839 612	-----

★ Indicates use as required.

⊠ Indicates parts not listed in any previous parts book.

Nov. 28, 1958 Supersedes Nov 15, 1957.

Prices and specifications subject to change without notice.

* Indicates change or addition.

Printed in U.S.A.

CODE	REMARKS	PER CAR	PLYMOUTH	DODGE	DESOTO	CHRYSLER	IMPERIAL
23-47-9	STUD, Electric Seat Guide Base to Floor Pan 1957-58 All	8	----	6008 111	6008 111	6008 111	6008 111
23-47-11	WASHER, Electric Seat Adjuster Floor Pan Well Rear Cover 1957-58 All	2	----	6008 077	6008 077	6008 077	----
23-47-12	STOP, Electric Seat Guide Horizontal 1957-58 All	1	----	1830 236	1830 236	*1830 236	*1830 236
	Right	1	----	1830 237	1830 237	*1830 237	*1830 237
	Left	1	----				
23-47-15	SPACER, Seat Guide to Floor Pan 1957 Sp. 4 D., Sp. Cl. Cp., Cv. Cp.	4	1755 407	1755 407	1755 407	1755 407	----
23-47-22	ROLLER, Electric Seat Guide 1957-58 All	4	1520 675	----	----	----	----
23-47-26	SPRING, Manual Seat Guide Tension 1957-58 All	2	1649 557	1649 557	1649 557	1649 557	1649 557
23-47-35	NUT and WASHER, Seat Guide Floor Pan Stud 1957-58 All	8	6008 000	6008 000	6008 000	6008 000	6008 000
23-47-55	KNOB, Manual Seat Guide Latch 1957-58 All	1	*1775 739	*1775 739	*1775 739	*1775 739	*1775 739
	Gray	1	*1900 176	*1900 176	*1900 176	----	----
	Black	1	----	----	----	*1776 941	*1776 941
	Chrome	1	----	----	----	----	----
23-47-66	WIRE, Manual Seat Guide Latch Connector 1957 4 D., Sp. 4 D., 4 D. Sub.	1	1697 396	1697 396	1697 396	1697 396	----
	1957 Sp. Cl. Cp., Cv. Cp., Cl. Sed., 2 D Sub.	1	1815 149	1815 149	1815 149	1815 149	1815 149
	1958 All	1	1815 149	1815 149	1815 149	1815 149	1815 149
23-47-75	SPRING, Manual Seat Guide Latch 1957-58 All	2	1645 615	1645 615	1645 615	1645 615	1645 615
23-47-344	MECHANISM, Electric Seat Adjuster 1957-58 All	1	1769 457	----	----	----	----
	Right	1	1769 458	----	----	----	----
	Left	1	----	----	----	----	----
	UNIT or MECHANISM, Electric Seat Adjuster Drive 1957-58 All	1	----	1819 228	1819 228	1819 228	1819 228
	UNIT or MECHANISM, Electric Seat Adjuster Slave 1957-58 All	1	----	1819 240	1819 240	1819 240	1819 240
	Right	1	----	1819 239	1819 239	1819 239	1819 239
	Left	1	----				
23-47-345	BRACKET, Electric Seat Adjuster Mechanism Front Mounting 1957-58 All	2	1769 463	----	----	----	----
23-47-346	SPACER, Electric Seat Adjuster Mechanism Front Mounting Pin 1957-58 All	2	1769 468	----	----	----	----
23-47-350	PIN, Electric Seat Adjuster Mechanism Front Mounting 1957-58 All	2	1769 466	----	----	----	----
	PIN, Electric Seat Adjuster Slave Unit Front Adjusting Rack to Track Lever 1957-58 All	2	----	6008 106	6008 106	6008 106	6008 106
	PIN, Electric Seat Guide Track Lever to Base 1957-58 All	2	----	6008 050	6008 050	6008 050	6008 050
	Front	2	----				
	DOWEL PIN, Electric Seat Adjuster Drive Unit 1957-58 All	2	----	6008 051	6008 051	6008 051	6008 051
23-47-352	SCREW and WASHER, Electric Seat Adjuster Drive Unit 1957-58 All	6	----	*6008 126	*6008 126	*6008 126	*6008 126
	SCREW, Electric Seat Adjuster Slave Unit Cap or Cover 1957-58 All	16	----	6008 027	6008 027	6008 027	6008 027
23-47-353	LEVER and SHAFT, Electric Seat Adjuster Drive Unit Gear Selector 1957-58 All	3	----	1830 289	1830 289	1830 289	1830 289
23-47-356	CLIP, Electric Seat Adjuster Motor to Mechanism Shaft and Tube Mounting 1957-58 All	1	*1779 775	----	----	----	----
23-47-358	BOOT, Electric Seat Adjuster Screw Shaft 1957-58 All	2	1648 007	----	----	----	----

★ Indicates use as required.

☐ Indicates parts not listed in any previous parts book.

* Indicates change or addition.

1957-58 PASSENGER CAR PARTS LIST

BODY

CODE	REMARKS	PER CAR	PLYMOUTH	DODGE	DESOTO	CHRYSLER	IMPERIAL
23-47-360	CLAMP, Electric Seat Adjuster Screw Shaft Boot 1957-58 All	2	1648 009	-----	-----	-----	-----
23-47-362	WASHER, Electric Seat Adjuster Screw Shaft Boot, Felt 1957-58 All	2	1648 008	-----	-----	-----	-----
23-47-398	WASHER, Electric Seat Adjuster Slave Unit Rack to Track Pin 1957-58 All	6	-----	1819 242	1819 242	1819 242	1819 242
23-47-413	SPRING, Electric Seat Adjuster Drive Unit Gear Selector Lever Shaft 1957-58 All	3	-----	*1819 230	*1819 230	*1819 230	*1819 230
23-47-414	COIL PACKAGE, Electric Seat Adjuster Solenoid 1957-58 All	3	-----	*1830 290	*1830 290	*1830 290	*1830 290
23-47-417	BUS BAR, Electric Seat Adjuster Circuit Breaker 1957-58 All	2 Gang	★ 1498 776	1498 776	1498 776	1498 776	1498 776
23-47-420	WIRING, Electric Seat Adjuster 1957-58 All	1	-----	1819 022	1819 022	1819 022	1819 022
23-47-423	CIRCUIT BREAKER, Electric Seat Adjuster 1957-58 All	2	1689 022	1769 967	1769 967	1769 967	1769 967
23-47-424	CLIP, Electric Seat Adjuster Circuit Breaker Mounting 1957-58 All	1	1753 684	1753 684	1753 684	1753 684	-----
	BRACKET, Electric Seat Adjuster Circuit Breaker Mounting 1957-58 All	2 Gang	1	-----	-----	-----	1479 060
23-47-425	RELAY, Electric Seat Adjuster 1957-58 All	1	-----	1779 890	1779 890	1779 890	1779 890
23-47-427	SCREW and WASHER, Electric Seat Adjuster Relay Mounting 1957-58 All	2	-----	6008 110	6008 110	6008 110	6008 110
23-47-430	MOTOR, Electric Seat Adjuster 1957-58 All	1	1769 459	1779 055	1779 055	1779 055	1779 055
23-47-431	TUBE or HOUSING, Electric Seat Adjuster Drive Unit to Slave Unit Cable 1957-58 All						
	Front Control, Short	1	-----	1830 216	1830 216	1830 216	1830 216
	Rear Control, Short	1	-----	1830 218	1830 218	1830 218	1830 218
	Horizontal Control, Short	1	-----	1830 217	1830 217	1830 217	1830 217
	Long, w/BRACKETS	1	-----	*1830 212	*1830 212	*1830 212	*1830 212
23-47-432	COUPLING, Electric Seat Adjuster Motor to Mechanism or Drive Unit 1957-58 All	1	1594 834	1594 834	1594 834	1594 834	1594 834
	SHAFT and TUBE, Electric Seat Adjuster Motor to Mechanism 1957-58 All	1	1769 460	-----	-----	-----	-----
	CABLE, Electric Seat Adjuster Drive Unit to Slave Unit 1957-58 All						
	Front Control, Right, 50 5/16"	1	-----	1830 344	1830 344	1830 344	*1830 344
	Left, 10 25/32"	1	-----	1830 345	1830 345	1830 345	1830 345
	Rear Control, Right, 48"	1	-----	1830 346	1830 346	1830 346	*1830 346
	Left, 10"	1	-----	1830 347	1830 347	1830 347	1830 347
	Horizontal Control, Right, 50 13/16"	1	-----	1830 348	1830 348	1830 348	*1830 348
	Left, 12 5/32"	1	-----	1830 349	1830 349	1830 349	1830 349
23-47-434	THRU BOLT, Electric Seat Adjuster Motor 1957-58 All w/AutoLite Motor	2	*1818 889	*1818 904	*1818 904	*1818 904	*1818 904
23-47-440	ARMATURE, Electric Seat Adjuster Motor 1957-58 All w/AutoLite Motor	1	*1818 875	*1818 907	*1818 907	*1818 907	*1818 907
23-47-441	COIL, Electric Seat Adjuster Motor Field 1957-58 All w/AutoLite Motor						
	Right	1	*1818 874	-----	-----	-----	-----
	Left	1	-----	1818 906	1818 906	1818 906	1818 906
		1	-----	1818 905	1818 905	1818 905	1818 905
23-47-442	HEAD, Electric Seat Adjuster Motor Commutator End 1957-58 All w/AutoLite Motor	1	*1818 873	*1818 908	*1818 908	*1818 908	*1818 908

★ Indicates use as required.

☐ Indicates parts not listed in any previous parts book.
Nov. 28, 1958 Supersedes March 5, 1958.

CODE	REMARKS	PER CAR	PLYMOUTH	DODGE	DESOTO	CHRYSLER	IMPERIAL
23-47-446	SWITCH, Electric Seat Adjuster 1957-58 All Less Bezel	1	1770 509	1779 859	1779 859	1779 859	1779 859
	1957 All Includes Bezel	1	1770 503	1779 845	1779 845	1779 845	1779 845
	1958 except LY1-L Includes Bezel	1	*1770 503	*1842 723	*1842 723	*1842 723	*1779 845
	LY1-L Includes Bezel	1	----	----	----	----	*1842 723
23-47-447	SPRING, Electric Seat Adjuster Switch Retaining 1957-58 All	4	1769 327	1779 901	1779 901	1779 901	1779 901
23-47-450	FILLER, Electric Seat Adjuster Switch Bezel to Seat Side Shield Mounting 1957 All	1	----	1770 215	1770 215	1770 215	----
	1957-58 Except LY1-L	1	----	----	----	----	1770 215
23-47-454	BRUSH and SPRING PACKAGE, Electric Seat Adjuster Motor 1957-58 All w/AutoLite Motor	1	*1495 533	*1495 533	*1495 533	*1495 533	*1495 533
	w/Redmond Motor	1	----	*1830 326	*1830 326	*1830 326	*1830 326
23-47-456	BRACKET and RETAINER, Electric Seat Adjuster Switch Mounting 1957-58 All	1	⊠1819 147	----	----	----	----
23-48-O SECOND AND THIRD SEAT							
23-48-5	TEE NUT, Seat Frame 1957-58 Sub.	★	*6000 468	*6000 468	*6000 468	*6000 468	----
23-48-6	SPACER, Seat Back to Cushion, Down Position 1957-58 Sub. Plastic	★	*1884 737	*1884 737	*1884 737	*1884 737	----
23-48-19	STRIKER, Seat Back Up Position Latch 1957 Sub. on Seat	★	1775 752	1775 752	1775 752	1775 752	----
	1958 Sub. on Seat	★	1846 604	1846 604	1846 604	1846 604	----
	LATCH, Third Seat Back Up Position 1957-58 All on Wheelhouse Bracket	2	*1775 440	*1775 440	*1775 440	*1775 440	----
23-48-20	HANDLE, Seat Lift 1957-58 Sub. in Prime	★	*1775 891	----	----	----	----
	Chrome	★	1833 596	1833 596	1833 596	1833 596	----
23-48-21	ESCUTCHEON, Seat Lift Handle 1957-58 Sub. in Prime	★	*1775 814	----	----	----	----
	Chrome	★	1833 597	1833 597	1833 597	1833 597	----
23-48-28	BRACKET, Second Seat Back Up Position Latch 1957-58 Sub. on Wheelhouse, Right	1	*1758 320	*1758 320	*1758 320	*1758 320	----
	Left	1	1758 321	1758 321	1758 321	1758 321	----
	BRACKET, Third Seat Back Up Position Latch and Bumper 1957-58 Sub on Wheelhouse	2	*1759 800	*1759 800	*1759 800	*1759 800	----
23-48-65	PANEL, Second Seat Back 1957-58 Sub.	1	1777 743	1777 743	1777 743	1777 743	----
23-48-66	CLAMP, Second Seat Back Pivot 1957-58 Sub.	2	1459 899	1459 899	1459 899	1459 899	----
23-48-75	SCREW and WASHER, Second Seat Back Pivot Clamp Attaching 1957-58 Sub.	2	6000 195	6000 195	6000 195	6000 195	----
23-48-76	SCREW and WASHER, Seat Hinge 1957-58 Second Seat Cushion	★	6000 055	6000 055	6000 055	6000 055	----
	Second Seat Back	4	6000 322	6000 322	6000 322	6000 322	----
	Third Seat Cushion, Seat Half	4	6000 322	6000 322	6000 322	6000 322	----
	Body Half	8	6006 056	6006 056	6006 056	6006 056	----
23-48-78	SPRING, Second Seat Cushion Leg 1957-58 Sub. Right	1	1775 762	1775 762	1775 762	1775 762	----
	Left	1	1775 763	1775 763	1775 763	1775 763	----
23-48-87	SUPPORT, Second Seat Cushion Hinge 1957-58 Sub. Right	1	*1833 926	*1833 926	*1833 926	*1833 926	----
	Left	1	1833 927	1833 927	1833 927	1833 927	----
23-48-93	BUMPER, Seat Down Position 1957-58 Sub.	★	1380 060	1380 060	1380 060	1380 060	----
	BUMPER, Third Seat Back Up Position 1957-58 Sub. on Wheelhouse Bracket	2	1835 109	1835 109	1835 109	1835 109	----

★ Indicates use as required.

⊠ Indicates parts not listed in any previous parts book.

* Indicates change or addition.

1957-58 PASSENGER CAR PARTS LIST

BODY

CODE	REMARKS	PER CAR	PLYMOUTH	DODGE	DESOTO	CHRYSLER	IMPERIAL
23-48-94	RETAINER, Third Seat Back Up Position Latch and Bumper Mounting Screw 1957-58 Sub.	2	*6000 177	*6000 177	*6000 177	*6000 177	---- --
23-48-98	HINGE, Second Seat Back 1957-58 Sub.	Right 1 Left 1	1833 586 1833 587	1833 586 1833 587	1833 586 1833 587	1833 586 1833 587	---- -- ---- --
	HINGE, Second Seat Cushion 1957 Sub.	Right 1 Left 1	1776 524 1776 525	1776 524 1776 525	1776 524 1776 525	1776 524 1776 525	---- -- ---- --
	1958 Sub.	Right 1 Left 1	*1883 806 *1883 807	*1883 806 *1883 807	*1883 806 *1883 807	*1883 806 *1883 807	---- -- ---- --
23-48-101	LEG, Second Seat Cushion 1957-58 Sub.	Right 1 Left 1	1834 932 1834 933	1834 932 1834 933	1834 932 1834 933	1834 932 1834 933	---- -- ---- --
23-48-106	CAM or CATCH, Second Seat Cushion Leg Up Position Stop 1957-58 Sub.	Right 1 Left 1	1775 730 1775 731	1775 730 1775 731	1775 730 1775 731	1775 730 1775 731	---- -- ---- --
23-48-112	PANEL, Second Seat Cushion Bottom 1957-58 Sub.	1	1777 744	1777 744	1777 744	1777 744	---- --
23-48-114	BOLT, Second Seat Cushion Leg 1957-58 Sub.	2	6000 349	6000 349	6000 349	6000 349	---- --
23-48-115	BUSHING, Second Seat Cushion Leg Bolt 1957-58 Sub.	2	1775 765	1775 765	1775 765	1775 765	---- --
23-48-121	HINGE, Third Seat Back 1957-58 Sub.	Body Half, Right 1 Left 1 Seat Half, Right 1 Left 1	1774 390 1774 391 1774 382 1774 383	1774 390 1774 391 1774 382 1774 383	1774 390 1774 391 1774 382 1774 383	1774 390 1774 391 1774 382 1774 383	---- -- ---- -- ---- -- ---- --
	HINGE, Third Seat Cushion 1957 Sub.	Body Half, Right 1 Left 1 Seat Half, Right 1 Left 1	1777 920 1777 921 1777 918 1777 919	1777 920 1777 921 1777 918 1777 919	1777 920 1777 921 1777 918 1777 919	1777 920 1777 921 1777 918 1777 919	---- -- ---- -- ---- -- ---- --
	1958 Sub.	Body Half, Right 1 Left 1 Seat Half, Right 1 Left 1	1835 834 1835 835 1835 836 1835 837	1835 834 1835 835 1835 836 1835 837	1835 834 1835 835 1835 836 1835 837	1835 834 1835 835 1835 836 1835 837	---- -- ---- -- ---- -- ---- --
NOTE:	For late 1958 jobs with hinges welded to panels see PANEL and HINGE ASSEMBLIES, 23-48-180 and 23-48-188.						
23-48-148	PIVOT, Second Seat Back 1957-58 Sub.	2	1459 637	1459 637	1459 637	1459 637	---- --
23-48-149	WASHER, Second Seat Cushion 1957-58 Sub.	2	6000 097	6000 097	6000 097	6000 097	---- --
23-48-161	SPRING, Second Seat Back Up Position Latching Bolt Tension 1957-58 Sub.	★	*1775 797	*1775 797	*1775 797	*1775 797	---- --
23-48-162	BRACKET, Second Seat Back Up Position Latching Bolt, on Wheelhouse Bracket 1957-58 Sub.	Right 1 Left 1	*1777 660 1777 661	*1777 660 1777 661	*1777 660 1777 661	*1777 660 1777 661	---- -- ---- --
23-48-163	BOLT, Second Seat Back Up Position Latching 1957-58 Sub.	2	*6000 350	*6000 350	*6000 350	*6000 350	---- --
23-48-180	PANEL, Third Seat Cushion Bottom 1957-58 Sub.	w/HINGES 1	*1882 248	*1882 248	*1882 248	*1882 248	---- --
23-48-188	PANEL, Third Seat Back 1957-58 Sub.	w/HINGES 1	*1882 254	*1882 254	*1882 254	*1882 254	---- --
23-51-O SIDE SILL, BELT BAR							
23-51-5	PANEL, Body Side Sill Outer 1957-58 4 D., 4 D. Sub.	Right 1 Left 1	1681 810 1681 811	1681 810 1681 811	1681 810 1681 811	1681 810 1681 811	1651 154 1651 155
	1957-58 Sp. 4D.	Right 1 Left 1	1683 016 1683 017	1683 016 1683 017	1683 016 1683 017	1683 016 1683 017	1651 154 1651 155

★ Indicates use as required.

☐ Indicates parts not listed in any previous parts book.
Nov. 28, 1958 Supersedes March 5, 1958.

Printed in U.S.A.
Prices and specifications subject to change without notice.
* Indicates change or addition.

CODE	REMARKS	PER CAR	PLYMOUTH	DODGE	DESOTO	CHRYSLER	IMPERIAL
1957-58	Sp. Cl. Cp., Cl. Sed., 3 Cp., 2 D. Sub.	Right 1 Left 1	1681 808 1681 809	1681 808 1681 809	1681 808 1681 809	1681 808 1681 809	1651 160 1651 161
1957-58	Cv. Cp.	Right 1 Left 1	1681 814 1681 815	1681 812 1681 813	1681 812 1681 813	1681 812 1681 813	1651 160 1651 161
PANEL, Body Side Sill Inner							
1957-58	All	Right 1 Left 1	1695 102 1695 103	1695 102 1695 103	1695 102 1695 103	1695 102 1695 103	---- ----
1957-58	4D., Sp. 4D.	Right 1 Left 1	---- ----	---- ----	---- ----	---- ----	1750 780 1750 781
1957-58	Sp. Cl. Cp., Cv. Cp.	Right 1 Left 1	---- ----	---- ----	---- ----	---- ----	1690 964 1690 965
23-51-6 REINFORCEMENT, Body Side Sill Panel							
1957-58	Cv. Cp.	Right 1 Left 1	1695 110 1695 111	1695 110 1695 111	1695 110 1695 111	1695 110 1695 111	---- ----
23-51-41 BAR, Quarter Belt Side							
1957-58	Sp. 4D.	Right 1 Left 1	---- ----	---- ----	---- ----	---- ----	1690 978 1690 979
1957-58	Sp. Cl. Cp.	Right 1 Left 1	---- ----	---- ----	---- ----	---- ----	1651 280 1651 281
1957-58	Cv. Cp.	Right 1	1776 452	1776 452	1777 882	1777 882	*1651 282
1957-58	Cv. Cp.	Left 1	1776 453	1776 453	1777 883	1777 883	*1651 283
23-52-O SEAT SPRING							
23-52-1 SPRING PACKAGE, Seat Cushion Helper							
1957-58	Except Integral Front Seats	★	*1860 353	*1860 353	*1860 353	*1860 353	*1860 353
1957-58	Integral Front Seats	★	⊠1872 552	⊠1872 552	⊠1872 552	⊠1872 552	⊠1872 552
23-52-17 MOUNT, Front Integral Seat Cushion Spring							
1957-58	All	14	1757 806	----	----	----	----
1957	Sp. Cl. Cp., Cv. Cp., Cl. Sed., 2 D. Sub.	14	----	1757 806	1757 806	1757 806	----
1958	All	14	----	1757 806	1757 806	1757 806	----
23-52-18 CAP, Front Integral Seat Cushion Spring Mount							
1957-58	All	14	1860 363	----	----	----	----
1957	Sp. Cl. Cp., Cv. Cp., Cl. Sed., 2 D. Sub.	14	----	1860 363	⊠1860 363	⊠1860 363	----
1958	All	14	----	1860 363	⊠1860 363	⊠1860 363	----
23-52-31 SPEED NUT, Second and Third Seat Spring							
1957-58	Sub.	★	6000 234	6000 234	6000 234	6000 234	----
23-54-O TAILGATE							
NOTE: TAILGATE ELECTRIC WINDOW LIFT IS STANDARD EQUIPMENT ON 3 SEATER SUBURBANS.							
23-54-1 LOCK, Tailgate							
1957-58	Sub.	Right 1 Left 1	1758 312 1758 313	1758 312 1758 313	1758 312 1758 313	1758 312 1758 313	---- ----
23-54-3 TAILGATE							
1957-58	Sub. w/Manual Window Lift	1	1759 928	1759 928	1759 928	1759 928	----
	w/Electric Window Lift	1	1834 273	1834 273	1834 273	1834 273	----
23-54-4 HINGE, Tailgate							
1957-58	Sub.	Right 1 Left 1	1759 500 1759 501	1759 500 1759 501	1759 500 1759 501	1759 500 1759 501	---- ----
23-54-6 PLATE, Tailgate Lock Striker							
1957-58	Sub.	Right 1 Left 1	1774 024 1774 025	1774 024 1774 025	1774 024 1774 025	1774 024 1774 025	---- ----
23-54-11 NAME PLATE, Tailgate							
1957-58	Sub.		1338 836	----	----	----	----
			"Plymouth"	1708 264	----	----	----
			"Spectator"	1810 918	----	----	----
1958	Sub.		Chrome, "Dodge"	1865 623	----	----	----
			Gold, "Dodge"	----	----	----	----
LETTER, Tailgate Name							
1957	Sub., D70 Sierra	D 2 O 1 G 1 E 1	---- ---- ---- ----	*1686 832 1686 833 1686 835 1686 836	---- ---- ---- ----	---- ---- ---- ----	---- ---- ---- ----

★ Indicates use as required.

⊠ Indicates parts not listed in any previous parts book.

* Indicates change or addition.

1957-58 PASSENGER CAR PARTS LIST

BODY

CODE	REMARKS	PER CAR	PLYMOUTH	DODGE	DESOTO	CHRYSLER	IMPERIAL
	D71 Sierra Custom	D 2 O 1 G 1 E 1	----	*1624 835 1624 836 1624 838 1624 839	----	----	----
1957-58	Sub.	D 1 E 1 S 1 O 2 T 1	----	----	1686 641 1686 642 1686 643 1686 644 1686 645	----	----
1957	Sub.	C 1 H 1 R 2 Y 1 S 1 L 1 E 1	----	----	----	1621 377 1621 378 1621 379 1621 380 1621 381 1621 382 1621 383	----
1958	Sub.	C 1 H 1 R 2 Y 1 S 1 L 1 E 1	----	----	----	1754 951 1754 952 1754 953 1754 954 1754 955 1754 956 1754 957	----
	MEDALLION, Tailgate						
	1957-58 Sub., Sierra	1	----	*1756 510	----	----	----
	Sierra Custom	1	----	*1757 189	----	----	----
	ORNAMENT, Tailgate						
	1957 Sub. "500"	1	----	*1777 089	----	----	----
	1958 Sub. "500"	1	----	Ⓡ1843 792	----	----	----
	ORNAMENT, Tailgate Lift						
	1957-58 Sub. w/Electric Window Lift	1	*1777 037	*1777 037	*1777 037	*1777 037	----
23-54-17	PIN, Tailgate Hinge						
	1957-58 Sub.	2	6000 327	6000 327	6000 327	6000 327	----
23-54-27	SPACER, Tailgate Lock Striker						
	1957-58 Sub.	★	1777 926	1777 926	1777 926	1777 926	----
23-54-31	SPRING, Tailgate Lock Lever						
	1957-58 Sub.	2	1777 458	1777 458	1777 458	1777 458	----
23-54-32	SCREW and WASHER, Tailgate Hinge						
	1957-58 Sub. to Body	8	6000 136	6000 136	6000 136	6000 136	----
	to Tailgate	8	6000 146	6000 146	6000 146	6000 146	----
23-54-50	BUMPER, Tailgate Opening						
	1957-58 Sub. 1" Dia. 15/64" Thick	2	1777 881	1777 881	1777 881	1777 881	----
	1" Dia. 19/64" Thick	2	1755 630	1755 630	1755 630	1755 630	----
	1" Dia. 23/64" Thick	2	1777 880	1777 880	1777 880	1777 880	----
	BUMPER, Tailgate Opening Lower Scuff Plate						
	1957-58 Sub.	4	1380 060	1380 060	1380 060	1380 060	----
23-54-59	BRACKET, Tailgate Window Down Position						
	Stop Bumper						
	1957-58 Sub.	2	1777 811	1777 811	1777 811	1777 811	----
	STOP, Tailgate Window Up Position, on						
	Tailgate Inside Panel						
	1957-58 Sub. Right	1	1759 168	1759 168	1759 168	1759 168	----
	Left	1	1759 169	1759 169	1759 169	1759 169	----
23-54-63	PLATE, Tailgate Opening Lower Scuff						
	1957-58 Sub. Inner Center, 24" x 5/8"	1	----	*1833 513	*1833 513	*1833 513	----
	Inner End, 7" x 5/8"	2	----	1833 512	1833 512	1833 512	----
	Outer, 49 3/8" x 5/8"	1	----	1833 511	1833 511	1833 511	----
	Outer, 49 3/4" x 3 to 5"	1	----	*1834 039	*1834 039	*1834 039	----
	PLATE, Wheelhouse Cover Lower Rear						
	Retainer						
	1957-58 Sub. 4 3/4" x 5/8"	2	*1833 514	*1833 514	*1833 514	*1833 514	----
23-54-68	FRAME, Tailgate Window Glass						
	1957 Sub.	1	1758 843	1758 843	1758 843	1758 843	----
	1958 Sub.	1	1867 844	1867 844	1867 844	1867 844	----
23-54-72	REGULATOR or PLATE and ARM, Tailgate Window						
	1957-58 Sub. Manual	1	1697 412	1697 412	1697 412	1697 412	----
	Electric	1	1779 596	1779 596	1779 596	1779 596	----

★ Indicates use as required.

Ⓡ Indicates parts not listed in any previous parts book.
Nov. 28, 1958 Supersedes March 5, 1958.

Printed in U.S.A.
Prices and specifications subject to change without notice.
* Indicates change or addition.

CODE	REMARKS	PER CAR	PLYMOUTH	DODGE	DESOTO	CHRYSLER	IMPERIAL
23-54-73	HANDLE, Tailgate Manual Window Regulator 1957-58 Sub.	1	1775 847	1775 847	1775 847	1775 847	----
23-54-74	SPRING, Tailgate Window Regulator 1957-58 Sub.	1	1779 645	1779 645	1779 645	1779 645	----
23-54-79	RETAINER, Tailgate Manual Window Regulator Handle Knob 1957-58 Sub.	1	1775 164	1775 164	1775 164	1775 164	----
23-54-83	PIN, Tailgate Manual Window Regulator Handle Knob Attaching 1957-58 Sub.	1	6000 173	6000 173	6000 173	6000 173	----
23-54-86	WASHER, Tailgate Window Regulator Stud to Glass Lower Channel 1957-58 Sub.	4	6000 141	6000 141	6000 141	6000 141	----
23-54-87	RETAINER, Tailgate Window Regulator Stud to Glass Lower Channel 1957-58 Sub.	2	6000 305	6000 305	6000 305	6000 305	----
23-54-89	SPRINGWASHER, Tailgate Manual Window Regulator Handle 1957-58 All	1	6000 061	6000 061	6000 061	6000 061	----
23-54-92	GASKET, Tailgate Manual Window Regulator Handle Escutcheon 1957-58 Sub.	1	1775 840	1775 840	1775 840	1775 840	----
23-54-94	SCREW and WASHER, Tailgate Window Regulator to Mounting Plate 1957-58 Sub.	4	6000 353	6000 353	6000 353	6000 353	----
23-54-96	CLIP or NUT, Tailgate Medallion, Name Plate or Letters 1957-58 Sub.	★	6000 176	6000 050	6000 050	6000 176	----
23-54-100	HOUSING, Tailgate Manual Window Regulator Handle Shaft 1957-58 Sub.	1	1775 838	1775 838	1775 838	1775 838	----
23-54-101	PIN, Tailgate Manual Window Regulator Handle Pivot 1957-58 Sub.	1	6000 004	6000 004	6000 004	6000 004	----
23-54-102	SET SCREW, Tailgate Manual Window Regulator Handle Pivot Pin 1957-58 Sub.	2	6000 003	6000 003	6000 003	6000 003	----
23-54-103	BUMPER, Tailgate Window Down Position Stop 1957-58 Sub.	2	*1459 035	1381 435	1381 435	1381 435	----
23-54-140	BAR, Tailgate Hinge Torsion 1957-58 Sub.	2	1757 507	1757 507	1757 507	1757 507	----
23-54-141	RETAINER, Tailgate Hinge Torsion Bar, on Hinges 1957-58 Sub.	2	1777 791	1777 791	1777 791	1777 791	----
23-54-141	SUPPORT, Tailgate Hinge Torsion Bar to Inside Panel Center 1957-58 Sub.	1	1833 905	1833 905	1833 905	1833 905	----
23-54-146	SUPPORT, Tailgate Down Position Insert or Bumper 1957-58 Sub.	2	1757 181	1757 181	1757 181	1757 181	----
23-54-147	INSERT or BUMPER, Tailgate Down Position 1957-58 Sub.	2	1757 182	1757 182	1757 182	1757 182	----
23-54-150	COVER, Tailgate Inside 1957-58 Sub.	1	1708 909	1708 909	1708 909	1708 909	----
23-54-151	PLATE, Tailgate Inside Access Hole 1957-58 Sub.	2	1777 901	1777 901	1777 901	1777 901	----
23-54-152	SHAFT, Tailgate Electric Window Lift Motor to Mechanism 1957-58 Sub.	1	1688 919	1688 919	1688 919	1688 919	----
23-54-153	LOCKWASHER, Tailgate Electric Window Regulator Mounting 1957-58 Sub.	4	6013 031	6013 031	6013 031	6013 031	----
23-54-154	SCREW and WASHER, Tailgate Electric Window Lift Motor Mounting 1957-58 Sub.	2	6006 070	6006 070	6006 070	6006 070	----

★ Indicates use as required.

□ Indicates parts not listed in any previous parts book.

* Indicates change or addition.

1957-58 PASSENGER CAR PARTS LIST

BODY

CODE	REMARKS	PER CAR	PLYMOUTH	DODGE	DESOTO	CHRYSLER	IMPERIAL
23-54-155	SHIELD, Tailgate Electric Window Lift Motor Drive Shaft, Plastic 1957-58 All	1	*1689 167	*1689 167	*1689 167	*1689 167	-----
23-54-158	BRUSH and SPRING PACKAGE, Tailgate Electric Window Lift Motor 1957-58 Sub.	1	1688 692	1688 692	1688 692	1688 692	-----
23-54-160	MOTOR, Tailgate Electric Window Lift 1957-58 Sub.	1	1779 595	1779 595	1779 595	1779 595	-----
23-54-161	PLATE, Tailgate Electric Window Lift Lock Switch Mounting 1957-58 Sub.	1	1819 181	1819 181	1819 181	1819 181	-----
23-54-162	BRACKET, Tailgate Electric Window Lift Instrument Panel Switch Mounting 1957-58 Sub.	1	-----	-----	-----	1769 515	-----
23-54-163	LINK, Tailgate Electric Window Lift Lock Switch 1957-58 Sub.	1	1819 191	1819 191	1819 191	1819 191	-----
	Switch End	1	1819 191	1819 191	1819 191	1819 191	-----
	Lock End	1	1819 192	1819 192	1819 192	1819 192	-----
23-54-164	TURNBUCKLE, Tailgate Electric Window Lift Lock Switch Links 1957-58 Sub.	1	1819 190	1819 190	1819 190	1819 190	-----
23-54-165	MECHANISM, Tailgate Electric Window Lift 1957-58 Sub.	1	1779 233	1779 233	1779 233	1779 233	-----
23-54-167	SWITCH, Tailgate Electric Window Lift 1957-58 Sub.	1	1688 339	1769 677	1769 344	1769 486	-----
	On Instrument Panel	1	1770 503	1770 503	1770 503	1770 503	-----
	Rear Compartment, Includes Bezel Less Bezel	1	1770 509	1770 509	1770 509	1770 509	-----
	Lock, in Tailgate	1	1819 183	1819 183	1819 183	1819 183	-----
	Limit, on Tailgate	1	1819 859	1819 859	1819 859	1819 859	-----
23-54-168	LEVER, Tailgate Electric Window Lift Lock Switch Link 1957-58 Sub.	1	1819 182	1819 182	1819 182	1819 182	-----
23-54-169	KNOB or LEVER, Tailgate Electric Window Lift Instrument Panel Switch 1957-58 Sub.	1	1753 692	1605 493	1769 341	1769 524	-----
23-54-171	NUT, Tailgate Electric Window Lift Switch Mounting 1957-58 Sub.	★	1439 758	1439 758	1439 758	1439 758	-----
23-54-172	CLIP, Tailgate Electric Window Lift Lock Switch Link Mounting 1957-58 Sub.	2	1652 093	1652 093	1652 093	1652 093	-----
	SPRING, Tailgate Electric Window Lift Rear Compartment Switch Retaining 1957-58 Sub.	4	1769 327	1769 327	1769 327	1769 327	-----
23-54-173	CONNECTOR, Tailgate Electric Window Lift Rear Compartment Switch 1957-58 Sub.	1	1779 268	1779 268	1779 268	1779 268	-----
23-54-176	CIRCUIT BREAKER, Tailgate Electric Window Lift 1957-58 Sub.	1	1689 022	1689 022	1689 022	1689 022	-----
	30 Amp.	1	1689 022	1689 022	1689 022	1689 022	-----
23-54-177	CLIP, Tailgate Electric Window Lift Circuit Breaker Mounting 1957-58 Sub.	1	1753 684	1753 684	1753 684	1753 684	-----
23-54-178	WIRING, Tailgate Electric Window Lift Body 1957-58 3 Seater Sub.	1	Ⓜ1838 683	Ⓜ1838 683	Ⓜ1838 683	Ⓜ1838 683	-----
23-54-180	HANDLE, Tailgate Lock Remote Control 1957-58 Sub.	1	1844 585	1844 585	1844 585	1844 585	-----
23-54-181	CATCH, Tailgate Lock Remote Control Handle Safety Latch, on Belt Garnish Moulding 1957-58 Sub.	1	1844 588	1844 588	1844 588	1844 588	-----
23-54-183	CAM, Tailgate Lock Remote Control 1957-58 Sub.	1	1835 463	1835 463	1835 463	1835 463	-----

★ Indicates use as required.

Ⓜ Indicates parts not listed in any previous parts book.
Nov. 28, 1958 Supersedes March 5, 1958.

CODE	REMARKS	PER CAR	PLYMOUTH	DODGE	DESOTO	CHRYSLER	IMPERIAL	
23-54-184	WIRE, Tailgate Lock Remote Control Cam to Lock Connector 1957 Sub. UP TO Note 1 Inner Right, 16 1/8" Long Left, 18 1/2 Long Outer, 6 3/4 Long	1 1 2	1777 048 1777 049 1833 965	1777 048 1777 049 1833 965	1777 048 1777 049 1833 965	1777 048 1777 049 1833 965	---- ---- ----	
	ROD, Tailgate Lock Remote Control Cam to Lock Connector 1957-58 Sub. AFTER Note 1 Inner Right, 7" Long Left, 9 3/8 Long Outer, w/Adjusting LINK, 15 1/2 Long	1 1 2	*1835 460 1835 462 1835 457	*1835 460 1835 462 1835 457	1835 460 1835 462 1835 457	1835 460 1835 462 1835 457	---- ---- ----	
23-54-185	BUMPER, Tailgate Lock Remote Control Handle 1957-58 Sub.	1	1777 356	1777 356	1777 356	1777 356	----	
23-54-186	SPRING, Tailgate Lock Remote Control Cam Anti-Rattle 1957-58 Sub. SPRING, Tailgate Lock Remote Control Handle Return 1957-58 Sub.	1 1	1775 462 1835 464	1775 462 1835 464	1775 462 1835 464	1775 462 1835 464	---- ----	
23-54-187	GUIDE, Tailgate Lock Remote Control Wire 1957 Sub. UP TO Note 1	2	1778 809	1778 809	1778 809	1778 809	----	
23-54-188	NUT, Tailgate Lock Remote Control Inner Rod to Adjusting Link 1957-58 Sub. AFTER Note 1	2	6000 049	6000 049	6000 049	6000 049	----	
23-54-189	CLIP, Tailgate Lock Remote Control Rod End Retaining, w/BRACKET 1957-58 SUB. AFTER Note 1 CLIP, Tailgate Lock Remote Control Inner Rod to Adjusting Link 1958 Sub.	4 2	6000 394 6000 551	6000 394 6000 551	6000 394 6000 551	6000 394 6000 551	---- ----	
23-54-200	ARMATURE, Tailgate Electric Window Lift Motor 1957-58 Sub.	1	1818 900	1818 900	1818 900	1818 900	----	
23-54-201	WASHER, Tailgate Electric Window Lift Motor Armature Thrust 1957-58 Sub.		1/64 Thick .023 Thick 1/32 Thick	★ ★ ★	1436 565 1436 567 1436 566	1436 565 1436 567 1436 566	1436 565 1436 567 1436 566	---- ---- ----
23-54-206	HEAD, Tailgate Electric Window Lift Motor Commutator End 1957-58 Sub.	1	1818 866	1818 866	1818 866	1818 866	----	
23-54-212	COIL, Tailgate Electric Window Lift Motor Field 1957-58 Sub.	1	1818 864	1818 864	1818 864	1818 864	----	

NOTE 1:	Body Numbers	2 Door Sub.	4 Door Sub.
			2-Seater 3-Seater
	P30, P31, Plaza	10443	-
	Savoy	6065	4069 17224
	Belvedere	-	3192 7190
	S26 FireFlite, w/Manual Gate	-	1457 1526
	w/Electric Gate	-	1470 1469
	C75 Windsor w/Manual Gate	-	35596 35596
	w/Electric Gate	-	35901 35901
	C76 New Yorker, w/Manual Gate	-	26526 26526
	w/Electric Gate	-	26620 26620

Serial Numbers
 D70 Sierra 38019919
 D71 Sierra Custom 38539520
 S27 Firesweep 58032016
 1958 Cars use AFTER Parts No. 1 Job.

★ Indicates use as required.
 ☐ Indicates parts not listed in any previous parts book.
 * Indicates change or addition.

CODE	REMARKS	PER CAR	PLYMOUTH	DODGE	DESOTO	CHRYSLER	IMPERIAL
23-58-0 FOLDING TOP							
23-58-3	TOP, Folding 1957-58 Cv. Cp.	1	1708 186	1708 186	1707 771	1707 771	1651 437
NOTE: Above assemblies less lift Mechanism and Top Trim							
23-58-75	BOW, Folding Top 1957-58 Cv. Cp.	No. 1 1	1846 598	1846 598	1846 598	1846 598	1691 415
	1957 Cv. Cp. UP TO Note 1	No. 2 1	1846 599	1846 599	-----	-----	-----
	1957-58 Cv. Cp. AFTER Note 1	No. 2 1	1866 298	1866 298	-----	-----	-----
	1957-58 Cv. Cp.	No. 2 1	-----	-----	1846 600	1846 600	1691 397
	1957-58 Cv. Cp.	Rear 1	1705 881	1705 881	1705 881	1705 881	1691 400
23-58-76	LINK or EXTENSION, Folding Top Rear Bow 1957-58 Cv. Cp.	Right 1	1755 866	1755 866	1705 870	1705 870	1691 902
		Left 1	1755 867	1755 867	1705 871	1705 871	1691 903
23-58-84	BRACKET, Folding Top Side Rail Front Link to Rail 1957-58 Cv. Cp.	Right 1	1707 568	1707 568	1707 568	1707 568	-----
		Left 1	1707 569	1707 569	1707 569	1707 569	-----
23-58-140	PLATE, Folding Top Main Control Prop Support 1957-58 Cv. Cp.	2	1246 193	1246 193	1246 193	1246 193	-----
23-58-195	TERMINAL BLOCK, Folding Top Lift Wiring 1957-58 Cv. Cp. on Floor Pan	1	* 913 297	* 913 297	* 913 297	* 913 297	* 913 297
23-58-200	CYLINDER, Folding Top Lift 1957-58 Cv. Cp.	Right 1	1769 518	1769 518	1769 518	1769 518	1770 552
		Left 1	1769 519	1769 519	1769 519	1769 519	1770 553
23-58-208	BRACKET, Folding Top Lift Cylinder Floor Pan Mounting 1957-58 Cv. Cp.	Right 1	1707 550	1707 550	1707 550	1707 550	1598 627
		Left 1	1707 551	1707 551	1707 551	1707 551	1598 627
23-58-220	HEADER, Folding Top 1957-58 Cv. Cp.	1	1759 406	1759 406	1759 406	1759 406	1751 094
23-58-224	RETAINER, Folding Top Trim, on Belt Bar 1957-58 Cv. Cp.	Right 1	1776 898	1776 898	1776 902	1776 902	-----
		Left 1	1776 899	1776 899	1776 903	1776 903	-----
	Inner, 6 1/2" x 1"	2	-----	-----	*1778 861	*1778 861	-----
	1957 Cv. Cp.	1	-----	-----	-----	-----	*1691 922
	1958 Cv. Cp.	Right 1	-----	-----	-----	-----	*1878 164
		Left 1	-----	-----	-----	-----	*1878 165
23-58-225	FASTENER, Folding Top Trim, on Front Side Rail 1957-58 Cv. Cp.	2	-----	-----	6006 180	6006 180	-----
	BRACKET, Folding Top Trim to Front Side Rail Fastener 1957-58 Cv. Cp.	Right 1	-----	-----	-----	-----	1810 588
		Left 1	-----	-----	-----	-----	1810 589
23-58-227	MECHANISM, Folding Top Header Locking 1957-58 Cv. Cp.	2	1756 586	1756 586	1756 586	1756 586	-----
23-58-228	DOWEL, Folding Top Header 1957-58 Cv. Cp.	2	1758 839	1758 839	1758 839	1758 839	6006 235
23-58-229	RETAINER, Folding Top Header Dowel Lock Nut 1957-58 Cv. Cp.	2	-----	-----	-----	-----	1691 911
23-58-232	COVER, Folding Top Header Lock Access Hole 1957-58 Cv. Cp. 7 3/8 Long, Right	1	-----	-----	-----	-----	1750 854
		Left 1	-----	-----	-----	-----	1750 855
	COVER, Folding Top Header Lock Mechanism Access Hole 1957-58 Cv. Cp. 6 7/16 Long	1	-----	-----	-----	-----	1750 777

NOTE 1: Serial Numbers:

MODEL	Serial No.
P31	2242466
D66	35269673

MODEL	Serial No.
D67	37310516
19) Cars use AFTER Parts No. 1 Job.	

★ Indicates use as required.

⊔ Indicates parts not listed in any previous parts book.
Nov. 28, 1958 Supersedes March 5, 1958.

CODE	REMARKS	PER CAR	PLYMOUTH	DODGE	DESOTO	CHRYSLER	IMPERIAL
23-58-233	PIN, Folding Top Header Locking Mechanism Tension Spring 1957-58 Cv. Cp.	2	6000 231	6000 231	6000 231	6000 231	---- --
23-58-234	CLIP, Folding Top Header Lock Torsion Bar to Link 1957-58 Cv. Cp.	1	---- --	---- --	---- --	---- --	6006 221
23-58-237	SEAL, Folding Top Header Dowel 1957-58 Cv. Cp.	2	1836 171	1836 171	1836 171	1836 171	---- --
23-58-240	PANEL, Folding Top Header Finish 1957-58 Cv. Cp.	1	1707 573	1707 573	1707 573	1707 573	---- --
		1	1755 752	1755 752	1755 752	1755 752	---- --
		1	1755 753	1755 753	1755 753	1755 753	---- --
	MOULDING, Folding Top Header Finish 1957-58 Cv. Cp.	1	---- --	---- --	---- --	---- --	1750 630
23-58-242	CLIP, Folding Top Header Finish Panel 1957-58 Cv. Cp.	6	6000 452	6000 452	6000 452	6000 452	---- --
		2	6000 453	6000 453	6000 453	6000 453	---- --
23-58-243	HANDLE, Folding Top Header Lock 1957-58 Cv. Cp.	1	---- --	---- --	---- --	---- --	1751 156
23-58-245	PIN, Folding Top Header Lock Handle to Torsion Bar Link 1957-58 Cv. Cp.	1	---- --	---- --	---- --	---- --	6006 222
23-58-248	RETAINER, Folding Top Header Lock Handle to Escutcheon Pin 1957-58 Cv. Cp.	2	---- --	---- --	---- --	---- --	1750 724
23-58-253	ESCUTCHEON, Folding Top Header Lock Handle 1957-58 Cv. Cp.	1	---- --	---- --	---- --	---- --	1751 173
23-58-257	LINK, Folding Top Header Lock Handle to Torsion Bar 1957-58 Cv. Cp.	1	---- --	---- --	---- --	---- --	1750 619
23-58-262	LATCH, Folding Top Header Locking 1957-58 Cv. Cp.	2	1756 590	1756 590	1756 590	1756 590	---- --
23-58-265	CATCH, Folding Top Header Locking Latch 1957-58 Cv. Cp.	2	1759 837	1759 837	1759 837	1759 837	---- --
	CATCH, Folding Top Header Lock Safety 1957-58 Cv. Cp.	1	---- --	---- --	---- --	---- --	1751 264
23-58-266	SPRING, Folding Top Header Locking Mechanism Tension 1957-58 Cv. Cp.	1	1759 368	1759 368	1759 368	1759 368	---- --
	SPRING, Folding Top Header Lock Safety Catch to Handle 1957-58 Cv. Cp.	1	---- --	---- --	---- --	---- --	1751 262
23-58-269	LINKAGE, Folding Top Side Rail 1957 Cv. Cp. UP TO Note 1	Right Left	1846 594 1846 595	1846 594 1846 595	---- -- ---- --	---- -- ---- --	---- -- ---- --
	1957-58 Cv. Cp. AFTER Note 1	Right Left	1866 518 1866 519	1866 518 1866 519	---- -- ---- --	---- -- ---- --	---- -- ---- --
	1957-58 Cv. Cp.	Right Left	---- -- ---- --	---- -- ---- --	1846 596 1846 597	1846 596 1846 597	1751 206 1751 207
23-58-327	LINK, Folding Top Power 1957-58 Cv. Cp.	2	1758 003	1758 003	1755 682	1755 682	---- --
23-58-333	LINK, Folding Top Power Guide 1957-58 Cv. Cp.	Right Left	1758 004 1758 005	1758 004 1758 005	1755 680 1755 681	1755 680 1755 681	---- -- ---- --
	Inner, Includes Power LINK	2	---- --	---- --	---- --	---- --	1751 210
	Outer	2	---- --	---- --	---- --	---- --	1750 400

NOTE 1: Serial Numbers:

MODEL	Serial No.
P31	22422466
D66	35269673

MODEL	Serial No.
D67	37310516
1958 Cars use AFTER Parts No. 1 Job.	

★ Indicates use as required.
 Ⓜ Indicates parts not listed in any previous parts book.
 * Indicates change or addition.

CODE	REMARKS	PER CAR	PLYMOUTH	DODGE	DESOTO	CHRYSLER	IMPERIAL
23-58-334	PLATE, Folding Top Power Guide Link Support Adjustment 1957-58 Cv. Cp. on Body, Right	1	1709 912	1709 914	1709 988	1709 988	----
	Left	1	1709 913	1709 915	1709 989	1709 989	----
23-58-335	TAPPING PLATE, Folding Top Power Guide Link Support 1957-58 Cv. Cp.	2	6000 388	6000 388	6000 388	6000 388	----
23-58-336	SUPPORT, Folding Top Power Guide Link 1957-58 Cv. Cp.	2	1708 914	1708 914	1708 914	1708 914	----
23-58-357	MOTOR, Folding Top Lift 1957-58 Cv. Cp.	1	1648 342	1648 342	1648 342	1648 342	1648 342
	w/PUMP	1	1648 340	1648 340	1648 340	1648 340	1648 340
23-58-359	ARMATURE, Folding Top Lift Motor 1957-58 Cv. Cp.	1	1818 505	1818 505	1818 505	1818 505	1818 505
23-58-363	COIL, Folding Top Lift Motor Field 1957-58 Cv. Cp.	1	1818 504	1818 504	1818 504	1818 504	1818 504
23-58-370	HEAD, Folding Top Lift Motor Commutator End 1957-58 Cv. Cp.	1	1818 503	1818 503	1818 503	1818 503	1818 503
23-58-375	"O" RING, Folding Top Lift Motor Pump Drive Shaft 1957-58 Cv. Cp.	1	1641 590	1641 590	1641 590	1641 590	1641 590
23-58-379	CIRCUIT BREAKER, Folding Top Lift 1957-58 Cv. Cp.	1	1689 022	1689 022	1689 022	1689 022	1689 022
23-58-380	BRUSH and SPRING PACKAGE, Folding Top Lift Motor 1957-58 Cv. Cp.	1	1495 533	1495 533	1495 533	1495 533	1495 533
23-58-381	ROTOR PACKAGE, Folding Top Lift Pump 1957-58 Cv. Cp.	1	1641 650	1641 650	1641 650	1641 650	1641 650
23-58-393	SUPPORT, Folding Top Lift Motor and Pump Floor Pan 1957-58 Cv. Cp.	1	1757 153	1757 153	1757 153	1757 153	1690 508
23-58-394	PILLAR or RAIL, Folding Top Folding 1957-58 Cv. Cp. Right	1	1708 586	1708 586	1706 982	1706 982	1691 946
	Left	1	1708 587	1708 587	1706 983	1706 983	1691 947
23-58-395	PLUG, Folding Top Lift Pump Reservoir Filler 1957-58 Cv. Cp. Includes "O" RING	1	*1641 579	*1641 579	*1641 579	*1641 579	*1641 579
23-58-396	BRACKET, Folding Top Lift Motor Mounting 1957-58 Cv. Cp.	1	1641 578	1641 578	1641 578	1641 578	1641 578
23-58-430	PLATE, Folding Top Lift Pump Cover 1957-58 Cv. Cp. Includes Valve Rocker ARM	1	1641 592	1641 592	1641 592	1641 592	1641 592
	PLATE, Folding Top Lift Pump End 1957-58 Cv. Cp. Includes BUSHING	1	1641 586	1641 586	1641 586	1641 586	1641 586
23-58-469	PROP or LINK, Folding Top Main Control 1957-58 Cv. Cp. Right	1	1755 824	1755 824	1706 576	1706 576	1751 208
	Left	1	1755 825	1755 825	1706 577	1706 577	1751 209
23-58-472	BRACKET, Folding Top Folding Rail Pivot 1957-58 Cv. Cp. Right	1	----	----	----	----	1691 948
	Left	1	----	----	----	----	1691 949
23-58-473	BRACKET, Folding Top Folding Rail Pivot Bracket to Body Mounting Support 1957-58 Cv. Cp. Right	1	----	----	----	----	1750 406
	Left	1	----	----	----	----	1750 407
23-58-475	PLATE, Folding Top Main Control Prop Support Plate Adjustment 1957-58 Cv. Cp.	2	1303 767	1303 767	1303 767	1303 767	---
23-58-476	BRACE, Folding Top Main Control Prop Body 1957 Cv. Cp. Inner Right	1	1833 396	1695 158	1755 624	1755 324	----
	Left	1	1833 397	1695 159	1755 625	1755 625	----
	Outer Right	1	1776 424	1776 426	1775 926	1775 926	----
	Left	1	1776 425	1776 427	1775 927	1775 927	----
	SUPPORT, Folding Top Main Control Link and Pivot Bracket Mounting Bracket Body Right	1	----	----	----	----	1691 924
	Left	1	----	----	----	----	1691 925

★ Indicates use as required.

□ Indicates parts not listed in any previous parts book.
Nov. 28, 1958 Supersedes March 5, 1958.

CODE	REMARKS	PER CAR	PLYMOUTH	DODGE	DESOTO	CHRYSLER	IMPERIAL	
23-58-480	REINFORCEMENT, Folding Top Folding Rail Pivot Bracket Mounting Bracket to Body Mounting Support 1957-58 Cv. Cp.	2	----	----	----	----	1751 810	
	REINFORCEMENT, Folding Top Main Control Link Adjustment Plate Body Mounting Support 1957-58 Cv. Cp.	Right Left	1 1	----	----	----	1751 806 1751 807	
23-58-486	RAIL, Folding Top Side 1957-58 Cv. Cp.	Front Right Left Rear Right Left	1 1 1 1	1755 422 1755 423 1755 424 1755 425	1755 422 1755 423 1755 424 1755 425	1707 474 1707 475 1707 362 1707 363	1707 474 1707 475 1707 362 1707 363	1751 710 1751 711 1751 718 1751 719
23-58-487	BUSHING, Folding Top Folding Rail to Body Pivot Bracket Pin 1957-58 Cv. Cp.	2	----	----	----	----	*1810 440	
	BUSHING, Folding Top Side Rail Link to Rear Rail Pin 1957-58 Cv. Cp.	2	----	----	----	----	*1750 647	
23-58-497	CAP, Folding Top Side Rail to Header Joint 1957-58 Cv. Cp.	Right Left	1 1	1708 698 1708 699	1708 698 1708 699	1708 698 1708 699	1708 698 1708 699	---- ----
23-58-532	SWITCH, Folding Top Lift 1957-58 Cv. Cp.	1	1688 339	1769 677	1769 344	1769 486	1779 802	
23-58-533	NUT, Folding Top Lift Switch Mounting 1957-58 Cv. Cp.	1	1439 758	1439 758	1439 758	1439 758	1439 758	
23-58-534	KNOB or LEVER, Folding Top Lift Switch 1957-58 Cv. Cp.	1	1753 692	1605 493	1769 341	1769 524	1769 470	
23-58-540	BRACKET, Folding Top Lift Switch Mounting 1957-58 Cv. Cp.	1	----	----	----	1769 515	----	
23-58-555	HOSE, Folding Top Lift Pump to Cylinders 1957-58 Cv. Cp.	Upper Lower	1 1	1878 134 1753 554	1878 134 1753 554	1878 134 1753 554	1878 134 1753 554	1753 557 1753 554
23-58-569	WEATHERSTRIP, Folding Top Header 1957-58 Cv. Cp.	Front	1	1775 262	1775 262	1775 262	1775 262	----
	1957 Cv. Cp.	Rear	1	1775 038	1775 038	1775 038	1775 038	----
	1958 Cv. Cp.	Rear	1	1866 896	1866 896	1866 896	1866 896	----
	1957-58 Cv. Cp.	Inner	1	----	----	----	----	1751 733
		Outer	1	----	----	----	----	1751 734
	Upper Corner Moulding, Right	1	----	----	----	----	----	1861 334
	Left	1	----	----	----	----	----	1861 335
23-58-572	WEATHERSTRIP, Folding Top Side Rail 1957-58 Cv. Cp.	Front, Right Left Rear, Right Left	1 1 1 1	1757 414 1757 415 1846 006 1846 007	1757 414 1757 415 1846 006 1846 007	1756 658 1756 659 1846 004 1846 005	1756 658 1756 659 1846 004 1846 005	1810 002 1810 003 1810 004 1810 005
23-58-575	SCREW, Folding Top Weatherstrip 1957 Cv. Cp.	*	----	----	1331 768	1331 768	1331 768	
23-58-590	WEATHERSTRIP, Folding Top Folding Pillar or Rail 1957-58 Cv. Cp.	Right Left	1 1	*1757 078 1757 079	*1757 078 1757 079	*1755 668 1755 669	*1755 668 1755 669	*1810 006 1810 007
	WEATHERSTRIP, Folding Top Folding Pillar Support Bracket, at Belt 1957-58 Cv. Cp.	2	*1846 265	1846 265	1846 265	1846 265	1846 265	----
23-58-600	STUD, Folding Top 1957-58 Cv. Cp.	Side Rail Link to Front Side Rail Bracket Side Rail Link to Rear Rail Side Rail Link to Folding Pillar and No. 2 Bow Bracket Rear Side Rail to Folding Pillar Main Control Prop to Rear Side Rail	2 2 2 2 2	1303 839 6000 273 6000 356 6000 326 6000 279	1303 839 6000 273 6000 356 6000 326 6000 279	1303 839 6000 273 6000 356 6000 326 6000 279	1303 839 6000 273 6000 356 6000 326 6000 279	---- ---- ---- ---- ----

★ Indicates use as required.

☐ Indicates parts not listed in any previous parts book.

* Indicates change or addition.

Printed in U.S.A.

1957-58 PASSENGER CAR PARTS LIST

BODY

CODE	REMARKS	PER CAR	PLYMOUTH	DODGE	DESOTO	CHRYSLER	IMPERIAL
	Main Control Prop to Support Plate	2	6000 149	6000 149	6000 149	6000 149	----
	Power Link to Folding Pillar	2	1303 844	1303 844	1303 844	1303 844	----
	Rear Bow Link to Folding Pillar	2	6000 274	6000 274	6000 274	6000 274	----
	Folding Pillar to Support	2	6000 191	6000 191	6000 191	6000 191	----
	SHAFT SHOULDER HEAD THREAD						
	13/16 1/4 7/8 hex. 3/8-24 x 1/2"	2	*6000 274	*6000 274	*6000 274	*6000 274	----
	53/64 11/32 3/4 diam. 3/8-24 x 27/64"	2	6000 356	6000 356	6000 356	6000 356	----
	7/8 25/64 5/8 hex. 5/16-24 x 27/64"	4	1303 839	1303 839	1303 839	1303 839	----
	7/8 25/64 3/4 hex. 3/8-24 x 27/64"	4	6000 273	6000 273	6000 273	6000 273	----
	1 1/8 7/16 7/8 hex. 3/8-16 x 5/8"	2	6000 279	6000 279	6000 279	6000 279	----
	1 1/4 1/8 7/8 hex. 3/8-24 x 1 5/64"	★	6000 326	6000 326	6000 326	6000 326	----
	1 3/8 21/64 1 hex. 7/16-20 x 9/16"	2	6000 149	6000 149	6000 149	6000 149	----
	1 5/16 - - 3/8-24 x 3/8"	2	1303 844	1303 844	1303 844	1303 844	----
	2 1 17/32 7/8 hex. 1/2-20 x 13/32"	2	6000 191	6000 191	6000 191	6000 191	----
23-58-601	SET SCREW, Folding Top						
	1957-58 Cv. Cp. Headless, No. 10-24 x 1/4	10	*6000 182	*6000 182	*6000 182	*6000 182	----
	Square Head, 1/4-20 x 1	2	107 345	107 345	107 345	107 345	----
	Square Head, 1/4-20 x 2	2	102 438	102 438	102 438	102 438	----
23-58-603	SCREW, Folding Top Side Rail to Header Joint Cap						
	1957-58 Cv. Cp.	2	6000 223	6000 223	6000 223	6000 223	----
	SCREW, Folding Top Power Guide Link to Support						
	1957-58 Cv. Cp.	2	6000 299	6000 299	6000 299	6000 299	----
	BOLT, Folding Top Lift Cylinder Yoke						
	1957-58 Cv. Cp.	2	6000 171	6000 171	6000 171	6000 171	----
	SCREW, Folding Top Header Lock Torsion Bar Adjusting						
	1957-58 Cv. Cp.	2	----	----	----	----	1750 726
	BOLT, Folding Top Control Link Adjusting Plate						
	1957-58 Cv. Cp.	2	----	----	----	----	6006 224
23-58-605	SPACER or WASHER, Folding Top						
	1957-58 Cv. Cp.						
	O.D. I.D. THICKNESS MATERIAL						
	5/8 25/64 1/16 Steel	2	6000 320	6000 320	6000 320	6000 320	----
	3/4 5/16 1/8 Oilite	2	*6000 132	*6000 132	*6000 132	*6000 132	----
	3/4 15/32 1/16 Fibre	4	1246 441	1246 441	*1246 441	*1246 441	----
	13/16 3/8 1/16 Brass	2	6000 197	6000 197	6000 197	6000 197	----
	7/8 7/16 15/64 Rubber	4	1249 332	1249 332	1249 332	1249 332	----
	1 17/32 1/16 Fibre	2	1706 470	1706 470	1706 470	1706 470	----
	1 9/16 1/8 Fibre	2	*1706 879	*1706 879	*1706 879	*1706 879	----
	1 3/16 23/32 1/16 Steel	2	1707 679	1707 679	1707 679	1707 679	----
	13/16 3/8 13/64 Plastic	4	----	----	----	----	6006 204
	7/8 7/16 7/64 Leather	4	----	----	----	----	6000 141
	X-WASHER, Folding Top						
	1957-58 Cv. Cp.	★	----	----	----	----	6006 052
23-58-606	SPRING WASHER, Folding Top						
	1957-58 Cv. Cp. 1" O.D. x 3/4" I.D.	2	6000 261	6000 261	6000 261	6000 261	----
	3/4" O.D. x 25/64" I.D.	★	----	----	----	----	*6006 216
23-58-607	PIN, Folding Top						
	1957-58 Cv. Cp.						
	Lift Cylinder Mounting Bracket	2	6006 093	6006 093	6006 093	6006 093	6006 093
	Front to Rear Side Rail	2	6000 319	6000 319	6000 319	6000 319	6006 229
	Side Rail Link to No. 1 Bow Bracket	2	6000 460	6000 460	6000 460	6000 460	----
	Side Rail Link to Front Rail	2	----	----	----	----	6006 205
	Side Rail Link to Rear Rail	2	----	----	----	----	6006 223
	Side Rail Link to Folding Rail	2	----	----	----	----	*6006 205
	No. 2 Bow to Folding Rail	2	----	----	----	----	6006 230
	Rear Bow to Folding Rail	2	----	----	----	----	6006 237
	Power Link to Folding Rail	2	----	----	----	----	6006 227
	Power Guide Link to Body Bracket	2	----	----	----	----	6006 228

★ Indicates use as required.

⊞ Indicates parts not listed in any previous parts book.
Nov. 28, 1958 Supersedes March 5, 1958.

Printed in U.S.A.
Prices and specifications subject to change without notice.
* Indicates change or addition.

CODE	REMARKS	PER CAR	PLYMOUTH	DODGE	DESOTO	CHRYSLER	IMPERIAL
	Main Control Link to Rear Side Rail	2	----	----	----	----	6006 230
	Rear Side to Folding Rail	2	----	----	----	----	6006 231
	Folding Rail to Body Bracket	2	----	----	----	----	6006 226
23-59-0 DRAIN TROUGH AND MOULDING							
23-59-25	TUBE, Folding Top Well Drain 1957-58 Cv. Cp.	1	1691 886	1691 886	1691 886	1691 886	1691 886
23-59-26	PLATE, Folding Top Well Drain Tube Attaching 1957-58 Cv. Cp.	1	1691 887	1691 887	1691 887	1691 887	1691 887
23-59-35	TROUGH, Deck Lid Opening Drain 1957-58 All	1	----	----	----	----	1651 318
	Side, Right	1	----	----	----	----	1651 319
	Left	1	----	----	----	----	
Note: Also see 23-63-173							
23-59-39	TROUGH, Quarter Belt Side Bar Drain 1957-58 4 D. Sub.	1	1708 486	1708 486	1708 486	1708 486	----
	Right	1	1708 487	1708 487	1708 487	1708 487	----
	Left	1	1708 484	1708 484	----	----	----
	1957-58 2 D. Sub.	1	1708 485	1708 485	----	----	----
	Right	1	----	----	----	----	----
	Left	1	----	----	----	----	----
	TROUGH, Quarter Panel Water Deflector Drain 1957-58 Sp. Cl. Cp.	1	1836 256	----	----	----	----
	Right	1	1836 257	----	----	----	----
	Left	1	----	----	----	----	----
23-59-50	TUBE, Quarter Panel Drain 1957-58 2 D. Sub.	2	1751 434	1751 434	----	----	----
	TUBE, Rear Window Drain 1957-58 4 D.	1	----	----	----	----	1751 434
23-59-56	TROUGH, Roof Side Drain 1957-58 4 D., Cl. Sed., 3 Cp.	1	1683 396	1683 396	----	----	----
	Right	1	1683 397	1683 397	----	----	----
	Left	1	----	----	1697 136	1697 136	----
	Except LS1, LC1	1	----	----	1697 137	1697 137	----
	Right	1	----	----	1836 614	1836 614	----
	Left	1	----	----	1836 615	1836 615	----
	LS1, LC1	1	----	----	1695 144	1695 144	----
	Right	1	1695 145	1695 145	1695 145	1695 145	----
	Left	1	1695 144	1833 380	1833 380	1833 380	----
	1957 Sp. 4 D.	1	1695 145	1832 381	1833 381	1833 381	----
	Left	1	1695 146	1695 146	1694 288	1694 288	----
	1958 Sp. 4 D.	1	1695 147	1695 147	1694 289	1694 289	----
	Left	1	1695 146	1833 376	1833 378	1833 378	----
	1957 Sp. Cl. Cp.	1	1695 147	1833 377	1833 379	1833 379	----
	Left	1	*1695 148	*1695 148	*1758 796	*1758 796	----
	1958 Sp. Cl. Cp.	1	1695 149	1695 149	1758 797	1758 797	----
	Left	1	----	----	*1695 148	----	----
	1957-58 Sub. except FireSweep	1	----	----	*1695 149	----	----
	Right	1	----	----	----	----	----
	Left	1	----	----	----	----	----
	FireSweep	1	----	----	----	----	----
	Right	1	----	----	----	----	----
	Left	1	----	----	----	----	----
	TROUGH, Roof Side Extension Drain 1957-58 Sub. except FireSweep	1	----	----	*1774 480	*1774 480	----
	Front	1	----	----	1774 481	1774 481	----
	Right	1	----	----	1774 482	1774 482	----
	Left	1	----	----	1774 483	1774 483	----
	TROUGH, Roof Rear Drain 1957-58 Sub.	1	1695 131	1695 131	1695 131	1695 131	----
Note: Roof Side Drain Trough Formed as Part of Roof Side Rail on Imperial Bodies, See 23-40-85.							
23-59-57	CAP, Roof Drain Trough Moulding Front End 1957-58 As Req'd Plain Type	2	*1833 917	*1833 917	----	----	----
	1957-58 4 D., Cl. Sed., Sub.	1	*1834 926	*1834 926	*1834 926	*1834 926	----
	w/Rounded End, Right	1	*1834 927	*1834 927	*1834 927	*1834 927	----
	Left	1	*1882 714	*1882 714	*1882 714	*1882 714	----
	1957-58 Sp. 4 D., Sp. Cl. Cp.	1	*1882 715	*1882 715	*1882 715	*1882 715	----
	w/Rounded End, Right	1	----	----	----	----	----
	Left	1	----	----	----	----	----

★ Indicates use as required.

□ Indicates parts not listed in any previous parts book.

* Indicates change or addition.

CODE	REMARKS	PER CAR	PLYMOUTH	DODGE	DESOTO	CHRYSLER	IMPERIAL
	CAP, Roof Drain Trough Moulding to Rear Window Moulding						
1957	Sp. 4 D. Right	1	1755 772	----	1755 772	1755 772	----
	Left	1	1755 773	----	1755 773	1755 773	----
	CAP, Roof Side to Rear Drain Trough Moulding Joint						
1957-58	Sub. Right	1	1756 680	1756 680	1756 680	1756 680	----
	Left	1	1756 681	1756 681	1756 681	1756 681	----
	CAP, Roof Drain Trough Side and Rear Joint						
1957-58	Sub.	★	1776 481	1776 481	1776 481	1776 481	----
	CAP, Roof Drain Trough Front End						
1957-58	As Req'd Plain Type, 13/32 Long	2	*1758 407	*1758 407	*1758 407	----	----
1957-58	4 D., Cl.Sed., 3 Cp., Sub. w/Rounded End, Right	1	*1834 924	*1834 924	*1834 924	----	----
	Left	1	*1834 925	*1834 925	*1834 925	----	----
1957-58	Sp. 4 D. w/Rounded End, Right	1	*1882 712	*1882 712	*1882 712	----	----
	Left	1	*1882 713	*1882 713	*1882 713	----	----
1957-58	Sp.C1.Cp. w/Rounded End, Right	1	*1882 712	*1882 712	*1882 712	----	----
	Left	1	*1882 713	*1882 713	*1882 713	----	----
	w/Pointed End, 5 5/8 Long, Right	1	----	*1882 474	----	----	----
	Left	1	----	*1882 475	----	----	----
23-59-61	MOULDING or COVER, Roof Drain Trough						
1957-58	4 D., Cl.Sed., 3 Cp. Right	1	1836 760	1836 760	1836 760	1836 760	1690 804
	Left	1	1836 761	1836 761	1836 761	1836 761	1690 805
1957	Sp. 4 D. Right	1	1696 706	----	1696 706	1696 706	1750 104
	Left	1	1696 707	----	1696 707	1696 707	1750 105
	D66, D67 UP TO Serial No. 37271850, Right	1	----	1696 706	----	----	----
	Left	1	----	1696 707	----	----	----
	D67 AFTER Serial No. 37271850, Right	1	----	1836 398	----	----	----
	Left	1	----	1836 399	----	----	----
1958	Sp. 4 D. Right	1	1836 398	----	1836 398	1836 398	1750 104
	Left	1	1836 399	----	1836 399	1836 399	1750 105
	See Note 1 Right	1	----	*1836 398	----	----	----
	Left	1	----	*1836 399	----	----	----
1957	Sp. Cl. Cp. Right	1	1696 708	1696 708	1757 900	1757 900	1750 102
	Left	1	1696 709	1696 709	1757 901	1757 901	1750 103
1958	Sp.C1.Cp. Right	1	1696 708	----	1834 934	1834 934	1750 102
	Left	1	1696 709	----	1834 935	1834 935	1750 103
	See Note 1 Right	1	----	*1834 922	----	----	----
	Left	1	----	*1834 923	----	----	----
1957-58	Sub. except FireFlite Side, Right	1	1696 710	1696 710	1696 710	----	----
	Left	1	1696 711	1696 711	1696 711	----	----
1957-58	Sub. Rear	1	1696 712	1696 712	1696 712	1696 712	----
	MOULDING, Roof Panel Side Extension Drain Trough						
1957-58	Sub. except FireSweep Front Right	1	----	----	1756 672	1756 672	----
	Left	1	----	----	1756 673	1756 673	----
	Rear Right	1	----	----	1756 678	1756 678	----
	Left	1	----	----	1756 679	1756 679	----
23-59-67	TUBE, Windshield Opening Lower Frame Drain						
1957-58	All	2	----	----	----	----	1751 434
23-61-0 COWL VENT OR AIR INTAKE							
23-61-20	SUPPORT, Cowl Fresh Air Opening Panel						
1957-58	All 5/8" Dia., Rubber	2	----	*1775 994	----	----	----
23-61-39	PANEL, Dash Panel Cowl Air Intake Water Deflector						
1957-58	All w/o Heater	1	1777 885	1777 885	1777 885	1777 885	1777 885
1957-58	All w/o Air Conditioning	1	1810 088	1810 088	1810 088	1810 088	1810 088

NOTE 1: SERIAL NUMBERS
 LD3 Custom Royal DETROIT LOS ANGELES
 Sp. 4 D., Sp.C1.Cp. 19202 3591
 Custom Royal after jobs have trough covered by Roof Panel Finish Moulding - see 23-23-42.

CODE	REMARKS	PER CAR	PLYMOUTH	DODGE	DESOTO	CHRYSLER	IMPERIAL
23-61-98	SCREEN, Cowl Fresh Air Opening 1957-58 All	In White	1 1836 357	1836 357	1836 357	-----	-----
		Stainless Steel	1 1708 714	1708 714	1708 714	1708 714	-----
		Chrome	1 -----	-----	1755 886	1755 886	-----
23-61-99	SCREEN, Cowl Vent 1957-58 All	Right	1 -----	-----	-----	-----	1751 008
		Left	1 -----	-----	-----	-----	1751 009
23-61-99	CLIP, Cowl Vent Grille Attaching 1957-58 All		12 6000 439	6000 439	6000 439	6000 439	-----
			6 -----	-----	-----	-----	6006 261
23-61-103	GRILLE, Cowl Vent 1957-58 All UP TO Note 1	Right	1 -----	-----	-----	-----	*1750 114
		Left	1 -----	-----	-----	-----	1750 115
		Right	1 -----	-----	-----	-----	⊠1861 346
		Left	1 -----	-----	-----	-----	⊠1861 347
23-61-104	CAP, Cowl Vent Grille 1957-58 All UP TO Note 1		1 -----	-----	-----	-----	*1750 116
			1 -----	-----	-----	-----	*1861 345
23-61-105	CUP WASHER, Cowl Vent Grille and Cap Attaching 1957-58 All		6 -----	-----	-----	-----	6008 035
			6 -----	-----	-----	-----	6008 035
23-61-110	SEAL, Cowl Top Panel to Air Intake Panel 1957-58 All		1 1775 772	1775 772	1775 772	1775 772	-----
23-61-132	TUBE, Dash Panel or Cowl Plenum Chamber Drain 1957 All		2 1708 026	1708 026	1708 026	1708 026	1708 026
			2 1708 026	1708 026	1708 026	1708 026	1708 026

23-63-0 WEATHERSTRIP

NOTE: FOR WEATHERSTRIP NOT LISTED IN GROUP 23-63
FOLDING TOP WEATHERSTRIPS SEE GROUP 23-58
WINDSHIELD WEATHERSTRIPS SEE GROUP 23-66

23-63-14	WEATHERSTRIP, Front Door Window Belt Inner 1957-58 4 D., 4 D. Sub.	Right	1 1705 046	1705 046	-----	-----	-----		
		Left	1 1705 047	1705 047	-----	-----	-----		
			2 -----	-----	1707 756	1707 756	-----		
		Right	1 -----	-----	1705 046	1705 046	-----		
		Left	1 -----	-----	1705 047	1705 047	-----		
		2 -----	-----	-----	1767 002	1767 244	-----		
		Right	1 *1705 052	*1705 502	*1705 502	*1705 502	-----		
		Left	1 1705 053	1705 053	1705 053	1705 053	-----		
		2 -----	-----	-----	1640 832	1640 832	1767 246		
		23-63-14	WEATHERSTRIP, Rear Door Window Belt Inner 1957-58 4 D.		2 1707 428	1707 428	-----	-----	-----
	2 -----			-----	1707 756	1707 756	-----		
	2 -----			-----	1707 428	1707 428	-----		
	2 -----			-----	-----	1767 003	1767 245		
	2 1705 054			1705 054	1705 054	1705 054	1767 247		
	2 -----			-----	1767 166	1767 166	-----		
	2 1705 056			1705 056	1705 056	1705 056	-----		
	2 -----			-----	1707 756	1767 003	-----		
23-63-14	WEATHERSTRIP, Door Window Belt Inner 1957-58 Sp. Cl. Cp., Cv. Cp., except FireFlite, New Yorker			Right	1 1705 052	1705 052	1705 052	1705 052	-----
				Left	1 *1705 053	*1705 053	*1705 053	*1705 053	-----

NOTE 1:	SERIAL NUMBERS:	4 D. Sed.	Sp. 4 D.	Sp. Cl. Cp.	Cv. Cp.
	LY1-L Imperial	2563	2439	2416	-----
	LY1-M Crown Imperial	2286	2803	2492	2068
	LY1-H Le Baron Imperial	2817	2733	-----	-----
	1957 Cars used Up To Parts.				

★ Indicates use as required.

⊠ Indicates parts not listed in any previous parts book.

* Indicates change or addition.

1957-58 PASSENGER CAR PARTS LIST

BODY

CODE	REMARKS	PER CAR	PLYMOUTH	DODGE	DESOTO	CHRYSLER	IMPERIAL
	FireFlite, New Yorker, Imperial	2	----	----	1767 284	1767 284	1772 797
1957-58	Cl. Sed., 3 Cp., 2 D. Sub. Right	1	1705 050	1705 050	----	----	----
	Left	1	1705 051	1705 051	----	----	----
23-63-15	WEATHERSTRIP, Front Door Window Belt Outer						
1957-58	4 D., 4 D. Sub. Right	1	1776 876	1776 876	----	----	----
	Left	1	1776 877	1776 877	----	----	----
	FireSweep, Windsor Right	1	----	----	1776 876	1776 876	----
	Left	1	----	----	1776 877	1776 877	----
1957	4 D., 4 D. Sub., FireDome, Saratoga	2	----	----	1708 092	1708 092	----
	FireFlite, New Yorker	2	----	----	1778 802	1778 802	----
1958	4 D., 4 D. Sub., except FireSweep, Windsor	2	----	----	*1778 802	*1778 802	----
1957-58	4 D.	2	----	----	----	----	1751 704
1957-58	Sp. 4 D. Right	1	1705 103	1705 103	1705 103	1705 103	1751 706
	Left	1	1705 102	1705 102	1705 102	1705 102	1705 102
	WEATHERSTRIP, Rear Door Window Belt Outer						
1957-58	4 D. Right	1	1833 972	1833 972	----	----	----
	Left	1	1833 973	1833 973	----	----	----
1957-58	4 D. except FireSweep, Windsor	2	----	----	1778 802	1778 802	1751 714
	FireSweep, Windsor Right	1	----	----	1833 972	1833 972	----
	Left	1	----	----	1833 973	1833 973	----
1957-58	Sp. 4 D. Right	1	1705 088	1705 088	1705 088	1705 088	1751 724
	Left	1	1705 088	1705 088	1705 088	1705 088	1751 725
1957-58	4 D. Sub. except FireFlite, New Yorker	2	1776 882	1776 882	1776 882	1776 882	----
	FireFlite, New Yorker	2	----	----	1778 802	1778 802	----
	WEATHERSTRIP, Door Window Belt Outer						
1957-58	Sp. Cl. Cp., Cv. Cp. Right	1	1705 103	1705 103	1705 103	1705 103	1751 708
	Left	1	1705 102	1705 102	1705 102	1705 102	1751 709
1957-58	Cl. Sed., 3 Cp., 2 D. Sub. Right	1	1776 586	1776 586	----	----	----
	Left	1	1776 587	1776 587	----	----	----
23-63-16	CLIP, Door Window Belt Outer Weatherstrip						
1957-58	All	★	1775 089	1775 089	1775 089	1775 089	6006 104
23-63-20	WEATHERSTRIP, Quarter Window Belt Inner						
1957-58	Sp. Cl. Cp. except FireFlite, New Yorker Right	1	1705 098	1705 098	1705 074	1705 074	----
	Left	1	1705 099	1705 099	1705 075	1705 075	----
	FireFlite, New Yorker, Imperial	2	----	----	1767 285	1767 285	1772 798
1957-58	Cv. Cp. except FireFlite Right	1	1705 072	1705 072	1757 064	----	----
	Left	1	1705 073	1705 073	1757 065	----	----
	FireFlite, New Yorker, Imperial	2	----	----	1767 285	1767 285	1772 799
1957-58	Cl. Sed.	2	1705 096	1705 096	----	----	----
23-63-21	WEATHERSTRIP, Quarter Window Belt Outer						
1957	4 D	2	----	----	----	----	1751 778
1957-58	Sp. Cl. Cp. Right	1	1705 102	1705 102	1757 104	1757 104	1810 000
	Left	1	1705 103	1705 103	1757 105	1757 105	1810 001
1957-58	Cv. Cp. Right	1	1705 066	1705 066	1705 068	1705 068	1810 000
	Left	1	1705 067	1705 067	1705 069	1705 069	1810 001
1957-58	Cl. Sed.	2	1776 914	1776 914	----	----	----
23-63-22	CLIP, Quarter Window Belt Outer Weatherstrip						
1957-58	4 D., Sp. Cl. Cp., Cv. Cp., Cl. Sed.	★	1775 089	1775 089	1775 089	1775 089	6006 104
23-63-33	WEATHERSTRIP, Door						
1957-58	4 D., 4 D. Sub. Upper, Front Right	1	1759 460	1759 460	----	----	----
	Left	1	1759 461	1759 461	----	----	----
	FireSweep, Windsor, Upper, Front Right	1	----	----	*1759 460	*1759 460	----
	Left	1	----	----	1759 461	1759 461	----
	Except FireSweep, Windsor, Upper, Front Right	1	----	----	*1833 966	*1833 966	*1751 638
	Left	1	----	----	1833 967	1833 967	*1751 639
1957-58	4 D., 4 D. Sub. Bottom, Front Right	1	1759 456	1759 456	1759 456	1759 456	1751 742
	Left	1	1759 457	1759 457	1759 457	1759 457	1751 743
1957-58	4 D. Upper, Rear Right	1	1759 466	1759 466	----	----	----
	Left	1	1759 467	1759 467	----	----	----

★ Indicates use as required.

☐ Indicates parts not listed in any previous parts book.
 Nov. 28, 1958 Supersedes March 5, 1958.

CODE	REMARKS	PER CAR	PLYMOUTH	DODGE	DESOTO	CHRYSLER	IMPERIAL
	FireSweep, Windsor, Upper, Rear Right	1	----	----	1759 466	1759 466	----
	Left	1	----	----	1759 467	1759 467	----
	Except FireSweep, Windsor, Upper, Rear Right	1	----	----	1833 968	1833 968	1751 682
	Left	1	----	----	1833 969	1833 969	1751 683
1957-58	4 D., 4 D. Sub., w/Manual Window Lifts Bottom, Rear Right	1	1759 462	1759 462	1759 462	1759 462	1751 774
	Left	1	1759 463	1759 463	1759 463	1759 463	1751 775
	w/Electric Window Lifts Bottom, Rear Right	1	1775 258	1775 258	1775 258	1775 258	1751 774
	Left	1	1775 259	1775 259	1775 259	1775 259	1751 775
1957	4 D. Sub. Upper, Rear Right	1	1758 366	1758 366	1758 366	1758 366	----
	Left	1	1758 367	1758 367	1758 367	1758 367	----
1958	4 D. Sub. except FireSweep, Windsor Upper, Rear Right	1	1758 366	1758 366	1833 970	1833 970	----
	Left	1	1758 367	1758 367	1833 971	1833 971	----
	FireSweep, Windsor, Upper, Rear Right	1	----	----	1758 366	1758 366	----
	Left	1	----	----	1758 367	1758 367	----
1957-58	Sp. 4 D. Front Right	1	1705 006	1705 006	----	----	----
	Left	1	1705 007	1705 007	----	----	----
1957	Sp. 4 D. Front Right	1	----	----	1705 006	1705 006	----
	Left	1	----	----	1705 007	1705 007	----
1958	Sp. 4 D. Front Right	1	----	----	1867 894	1867 894	----
	Left	1	----	----	1867 895	1867 895	----
1957-58	Sp. 4 D. w/Manual Window Lifts, Rear Right	1	1705 008	1705 008	1705 008	1705 008	----
	Left	1	1705 009	1705 009	1705 009	1705 009	----
	w/Electric Window Lifts,Rear Right	1	1775 260	1775 260	1775 260	1775 260	----
	Left	1	1775 261	1775 261	1775 261	1775 261	----
	Hinge Pillar, Front Right	1	----	----	----	----	1810 704
	Left	1	----	----	----	----	1810 705
	Lock Pillar,Front Right	1	----	----	----	----	1751 620
	Left	1	----	----	----	----	1751 621
	Bottom, Front Right	1	----	----	----	----	1751 742
	Left	1	----	----	----	----	1751 743
	Hinge Pillar, Rear Right	1	----	----	----	----	1751 618
	Left	1	----	----	----	----	1751 619
	Lock Pillar, on Door, Rear Right	1	----	----	----	----	1751 654
	Left	1	----	----	----	----	1751 655
	Lock Pillar, on Body, Rear	2	----	----	----	----	1690 874
	Bottom, Rear Right	1	----	----	----	----	1751 774
	Left	1	----	----	----	----	1751 775
1957-58	Sp. Cl. Cp. Hinge Pillar, Right	1	1775 002	1775 002	----	----	----
	Left	1	1775 003	1775 003	----	----	----
1957	Sp. Cl. Cp. Hinge Pillar, Right	1	----	----	1775 002	1775 002	----
	Left	1	----	----	1775 003	1775 003	----
1958	Sp. Cl. Cp. Hinge Pillar, Right	1	----	----	1867 892	1867 892	----
	Left	1	----	----	1867 893	1867 893	----
1957-58	Sp. Cl. Cp. Hinge Pillar, Right	1	----	----	----	----	1810 704
	Left	1	----	----	----	----	1810 705
1957-58	Sp. Cl. Cp., Cv. Cp. Lock Pillar and Bottom, Right	1	1705 010	1705 010	1705 010	1705 010	----
	Left	1	1705 011	1705 011	1705 011	1705 011	----
	Lock Pillar, Right	1	----	----	----	----	1751 646
	Left	1	----	----	----	----	1751 647
	Lock Pillar Upper, Right	1	----	----	----	----	1810 014
	Left	1	----	----	----	----	1810 015
	Bottom, Right	1	----	----	----	----	1751 744
	Left	1	----	----	----	----	1751 745
1957-58	Cv. Cp. Hinge Pillar, Right	1	1759 996	1759 996	----	----	1810 706
	Left	1	1759 997	1759 997	----	----	1810 707
1957	Cv. Cp. Hinge Pillar, Right	1	----	----	1759 996	1759 996	----
	Left	1	----	----	1759 997	1759 997	----
1958	Cv. Cp. Hinge Pillar, Right	1	----	----	1867 854	1867 854	----
	Left	1	----	----	1867 855	1867 855	----

★ Indicates use as required.

⊠ Indicates parts not listed in any previous parts book.

* Indicates change or addition.

Printed in U.S.A.

Prices and specifications subject to change without notice.

1957-58 PASSENGER CAR PARTS LIST

BODY

CODE	REMARKS	PER CAR	PLYMOUTH	DODGE	DESOTO	CHRYSLER	IMPERIAL
1957-58	Cl. Sed., 3 Cp., 2 D. Sub.						
	Upper, Right	1	1759 938	1759 938	----	----	----
	Left	1	1759 939	1759 939	----	----	----
	Bottom, Right	1	1774 066	1774 066	----	----	----
	Left	1	1774 067	1774 067	----	----	----
WEATHERSTRIP, Front Door Hinge Pillar							
Auxiliary or Secondary							
1957-58	All on Door, L-Shaped, Right	1	----	⊠1869 778	----	----	*1751 570
	Left	1	----	⊠1869 779	----	----	1751 571
	on Body Front Pillar	2	----	⊠1950 659	----	⊠1750 997	----
WEATHERSTRIP, Roof Side Rail							
1957-58	Sp. 4 D. Right	1	1866 242	1866 242	1866 242	1866 242	1751 674
	Left	1	1866 243	1866 243	1866 243	1866 243	1751 675
1957-58	Sp. Cl. Cp. Right	1	1866 234	1866 234	1866 238	1866 238	1751 676
	Left	1	1866 235	1866 235	1866 239	1866 239	1751 677
WEATHERSTRIP, Roof Side Rail Front Extension							
1957-58	Sp. 4 D., Sp. Cl. Cp. Right	1	----	----	----	----	1751 690
	Left	1	----	----	----	----	1751 691
SEAL, Door Vent Wing Frame Front Corner							
1957	Sp. 4 D., Sp. Cl. Cp. Upper, Right	1	1759 838	1759 838	1759 838	1759 838	----
	Left	1	1759 839	1759 839	1759 839	1759 839	----
1958	Sp. 4 D., Sp. Cl. Cp. Upper, Right	1	1759 838	1836 070	1836 070	1836 070	----
	Left	1	1759 839	1836 071	1836 071	1836 071	----
1957-58	Sp. 4 D., Sp. Cl. Cp., Cv. Cp. Lower, Right	1	1758 108	1758 108	1758 108	1758 108	----
	Left	1	1758 109	1758 109	1758 109	1758 109	----
1957-58	Cv. Cp. Upper, Right	1	1844 926	1844 926	1844 926	1844 926	----
	Left	1	1844 927	1844 927	1844 927	1844 927	----
23-63-89	RETAINER, Rear Door Window Front Frame Weatherstrip						
1957-58	Sp. 4 D. Lower	2	1708 539	1708 539	1708 539	1708 539	----
23-63-94	WEATHERSTRIP, Rear Door Window Front Frame						
1957-58	Sp. 4 D. Right	1	1705 240	1705 240	1705 240	1705 240	1810 016
	Left	1	1705 241	1705 241	1705 241	1705 241	1810 017
23-63-97	WEATHERSTRIP, Door Window Glass Lower Channel						
1957-58	4 D., Sub., except FireSweep Front	2	----	----	1755 891	1755 891	1751 035
	Rear	2	----	----	1755 892	1755 892	1751 035
1957-58	Sp. 4 D. Front	2	1775 808	1775 808	1775 808	1775 808	1750 517
1957-58	Sp. Cl. Cp., Cv. Cp. Front	2	1775 808	1775 808	1775 808	1775 808	----
WEATHERSTRIP, Rear Door Window Glass to Frame and Channel							
1957-58	Sp. 4 D.	2	1776 497	1776 497	1776 497	1776 497	----
23-63-100	WEATHERSTRIP, Quarter Window Glass						
1957-58	4 D. except S26, C76 Right	1	1834 958	1834 958	1834 958	1834 958	----
	Left	1	1834 959	1834 959	1834 959	1834 959	----
1957	4 D., S26, C76 Right	1	----	----	1705 042	1705 042	----
	Left	1	----	----	1705 043	1705 043	----
	Front	2	----	----	----	----	1750 734
	w/Vent Type Windows, Rear Right	1	----	----	----	----	1750 924
	Left	1	----	----	----	----	1750 925
	w/Stationary Windows, Rear Right	1	----	----	----	----	1860 600
	Left	1	----	----	----	----	1860 779
1958	4 D. Right	1	----	----	----	----	1860 760
	Left	1	----	----	----	----	1860 761
1957-58	Cl. Sed. Right	1	1758 814	1758 814	----	----	----
	Left	1	1758 815	1758 815	----	----	----
1957-58	3 Cp. Right	1	1758 878	----	----	----	----
	Left	1	1758 879	----	----	----	----
1957	Sub. Right	1	1776 440	1776 440	1776 440	1776 440	----
	Left	1	1776 441	1776 441	1776 441	1776 441	----
1958	Sub. UP TO Serial Nos: LD3-16820, LD3N-6440, LS1-8605 Right	2	1866 515	----	----	----	----
	Left	1	----	*1776 440	*1776 440	----	----
	Left	1	----	*1776 441	*1776 441	----	----

★ Indicates use as required.

⊠ Indicates parts not listed in any previous parts book.
 Nov. 28, 1958 Supersedes March 5, 1958.

Printed in U.S.A.
 Prices and specifications subject to change without notice.
 * Indicates change or addition.

CODE	REMARKS	PER CAR	PLYMOUTH	DODGE	DESOTO	CHRYSLER	IMPERIAL
	AFTER Serial Nos: LD3-16820, LD3N-6440, LS1-8605	2	----	*1882 072	*1882 072	----	----
	Except FireSweep Right	1	----	----	*1835 574	*1835 574	----
	Left	1	----	----	1835 575	1835 575	----
	WEATHERSTRIP, Quarter Window Glass to Frame and Channel						
	1957-58 Sp. Cl. Cp.	2	1776 498	1776 498	1776 500	1776 500	----
	1957-58 Cv. Cp.	2	1776 499	1776 499	1776 500	1776 500	----
	WEATHERSTRIP, Quarter Window Glass Lower Channel						
	1957-58 Sp. Cl. Cp., Cv. Cp.	2	----	----	----	----	*1691 343
	WEATHERSTRIP, Quarter Window Glass to Pivot						
	1957 FireFlite, New Yorker, 4D. Right	1	----	----	1836 364	1836 364	----
	Left	1	----	----	1836 365	1836 365	----
	SEAL, Quarter Window Weatherstrip Retainer to Body						
	1957 FireFlite, New Yorker, 4D.	2	----	----	1774 351	1774 351	----
23-63-104	WEATHERSTRIP, Quarter Window Glass Front Frame						
	1957-58 Sp. Cl. Cp. Right	1	1705 044	1705 044	1708 840	1708 840	1751 610
	Left	1	1705 045	1705 045	1708 841	1708 841	1751 611
	1957-58 Cv. Cp. Right	1	1708 840	1708 840	1708 840	1708 840	1751 610
	Left	1	1708 841	1708 841	1708 841	1708 841	1751 611
23-63-105	RETAINER, Quarter Window Glass Front Frame Weatherstrip Lower						
	1957-58 Sp. Cl. Cp., Cv. Cp.	2	1708 539	1708 539	1708 539	1708 539	----
23-63-107	WEATHERSTRIP, Quarter Window Glass Division						
	1957-58 2 D. Sub. Right	2	1844 668	1844 668	----	----	----
	Left	2	1844 669	1844 669	----	----	----
23-63-112	WEATHERSTRIP, Rear Window Glass						
	1957-58 4 D., Cl. Sed., 3 Cp.	1	1756 652	1756 652	----	----	----
	1957 4 D. Trim Codes						
	FireDome, FireFlite,						
	501-531-651-661 Blue	1	----	----	1772 150	----	----
	502-532 Green	1	----	----	1772 151	----	----
	503 Beige	1	----	----	1772 152	----	----
	533-653-663 Gray	1	----	----	1772 153	----	----
	534 Copper	1	----	----	1772 154	----	----
	FireSweep, 131-606 Black	1	----	----	1705 021	----	----
	504-551-604 Blue	1	----	----	1772 370	----	----
	505-552-605 Green	1	----	----	1772 371	----	----
	506 Gray	1	----	----	1772 372	----	----
	553-583 Beige	1	----	----	1772 152	----	----
	Windsor, 53-94 Blue	1	----	----	----	1772 155	----
	54-95 Green	1	----	----	----	1772 156	----
	55-96 Beige	1	----	----	----	1772 157	----
	1957-58 4D. except Windsor	1	----	----	----	*1774 429	*1751 604
	1958 4 D. Trim Codes						
	501-611 Blue	1	----	----	1840 625	----	----
	502-612 Green	1	----	----	1840 626	----	----
	503-613-703-713 Gray	1	----	----	1840 627	----	----
	601-651-701-711-721 Blue	1	----	----	1840 621	----	----
	602-652-702-712-722 Green	1	----	----	1840 622	----	----
	603-653 Beige	1	----	----	1840 623	----	----
	723 Ivory	1	----	----	1840 624	----	----
	Windsor, 11-71 Blue	1	----	----	----	1840 625	----
	12-72 Green	1	----	----	----	1876 041	----
	13-73 Beige	1	----	----	----	1840 629	----
	14-74 Gray	1	----	----	----	1840 630	----
	1957-58 Sp. 4 D. Black	1	1705 019	1705 019	1705 019	1705 019	1751 613
	S25, C75-1, Codes 53-511-611 Blue	1	----	----	1772 104	1830 417	----
	Codes 54-512-612 Green	1	----	----	1772 316	1830 418	----
	Codes 55-513-613 Beige	1	----	----	1840 639	1830 419	----
	Codes 56-517-614 White	1	----	----	1830 222	1830 222	----

★ Indicates use as required.

⊠ Indicates parts not listed in any previous parts book.

* Indicates change or addition.

Printed in U.S.A.

Prices and specifications subject to change without notice.

Nov. 28, 1958 Supersedes March 5, 1958.

1957-58 PASSENGER CAR PARTS LIST

BODY

CODE	REMARKS	PER CAR	PLYMOUTH	DODGE	DESOTO	CHRYSLER	IMPERIAL
	LS2	1	----	----	1840 636	----	----
	LC1, Codes 11-100	Blue	1	----	----	*1840 637	----
	Code 12	Green	1	----	----	1876 043	----
	Codes 13-101	Beige	1	----	----	*1840 639	----
	Codes 14-15	Gray	1	----	----	1840 640	----
	Code 17	Turquoise	1	----	----	1876 323	----
	Codes 102-103	Black	1	----	----	1876 325	----
1957-58	Sp. Cl. Cp.		1	1705 020	1705 020	----	1751 613
	S25, C75-1, Codes 53-511-611	Blue	1	----	----	1772 100	1830 277
	Codes 54-512-612	Green	1	----	----	1772 313	1830 278
	Codes 55-513-613	Beige	1	----	----	1772 102	1830 279
	Codes 56-517-614	White	1	----	----	1830 221	1830 221
	FireFlite, New Yorker		1	----	----	1705 023	1705 023
	S27, C75, LS1, LC2	Black	1	----	----	1705 022	1705 022
	LS2		1	----	----	1840 631	----
	LC1, Codes 11-100	Blue	1	----	----	*1840 632	----
	Code 12	Green	1	----	----	1876 042	----
	Codes 13-101	Beige	1	----	----	*1840 634	----
	Codes 14-15	Gray	1	----	----	1840 635	----
	Code 17	Turquoise	1	----	----	1876 322	----
	Codes 102-103	Black	1	----	----	1876 324	----

NOTE: New Yorker Type Rear Window is Special Equipment for Windsor and Saratoga Special Club Coupes.
 Maximum height of Standard Glass is 23 1/2", New Yorker Type is approximately 32" high at center.

23-63-126	WEATHERSTRIP, Door Vent Wing Glass						
1957-58	4 D., Cl. Sed., 3 Cp., Sub., except FireSweep, Windsor	Right	1	*1708 978	*1708 978	*1757 552	*1757 552 *1751 310
		Left	1	1708 979	1708 979	1757 553	1757 553 1751 311
	FireSweep, Windsor	Right	1	----	----	1708 978	1708 978
		Left	1	----	----	1708 979	1708 979
1957	Sp. 4D., Sp. Cl. Cp.	Right	1	1755 764	1755 764	1755 764	1755 764 1751 332
		Left	1	1755 765	1755 765	1755 765	1755 765 1751 333
1958	Sp. 4 D., Sp. Cl. Cp.	Right	1	1755 764	1755 880	1755 880	1755 880 1751 332
		Left	1	1755 765	1755 881	1755 881	1755 881 1751 333
1957-58	Cv. Cp.	Right	1	1755 880	1755 880	1755 880	1755 880 1751 332
		Left	1	1755 881	1755 881	1755 881	1755 881 1751 333
23-63-127	RETAINER and DIVISION CHANNEL, Door Vent Wing Glass Weatherstrip						
1957-58	4 D., Cl. Sed., 3 Cp., Sub. except FireSweep, Windsor, UP TO Note 1	Right	1	*1708 962	*1708 962	*1757 970	*1757 970
		Left	1	1708 963	1708 963	1757 971	1757 971
	AFTER Note 1	Right	1	1777 390	1777 390	1777 368	1777 368
		Left	1	1777 391	1777 391	1777 369	1777 369
	FireSweep, Windsor, UP TO Note 1	Right	1	----	----	1708 962	1757 942
		Left	1	----	----	1708 963	1757 943
	AFTER Note 1	Right	1	----	----	1777 390	1777 390
		Left	1	----	----	1777 391	1777 391
	Includes Upper PIVOT,	Right	1	----	----	----	1751 386
		Left	1	----	----	----	1751 387
23-63-131	CLIP, Door Weatherstrip						
1958	All		2	----	----	*1643 721	----
23-63-136	RETAINER, Quarter Window Glass Division Weatherstrip						
1957-58	2 D. Sub.	Right	1	1776 912	1776 912	----	----
		Left	1	1776 913	1776 913	----	----
	RETAINER, Quarter Window Opening Weatherstrip						
1957	4D. except S25, S27, C75	Right	1	----	----	1755 848	1755 848 *1860 768
		Left	1	----	----	1755 849	1755 849 *1860 769
	RETAINER, Quarter Window Lower Seal						
1958	4 D.	Right	1	----	----	----	1860 756
		Left	1	----	----	----	1860 757
23-63-171	WEATHERSTRIP, Tailgate Opening						
1957-58	Sub.		1	1705 035	1705 035	1705 035	1705 035

NOTE 1: 1957 Effective Points not available, 1958 Cars use AFTER Parts No. 1 Job. UP TO Parts used with Assemblies having Threaded Lower Pivot, Tension Spring and Nut. AFTER Parts used with assemblies having Lower Pivot Tension Clamp.

★ Indicates use as required.

Ⓚ Indicates parts not listed in any previous parts book.

Nov. 28, 1958 Supersedes March 5, 1958.

Printed in U.S.A.
 Prices and specifications subject to change without notice.

* Indicates change or addition

CODE	REMARKS	PER CAR	PLYMOUTH	DODGE	DESOTO	CHRYSLER	IMPERIAL
23-63-172	WEATHERSTRIP, Deck Lid Opening 1957-58 Except Sub.	1	1706 610	1705 025	1705 026	1705 026	1705 026
23-63-173	RETAINER, Deck Lid Opening Weatherstrip 1957-58 Except Sub.	1	1706 503	1706 503	1706 504	1706 504	----
	Upper	1	1705 302	1705 304	1705 306	1705 306	----
	Side, Right	1	1705 303	1705 305	1705 307	1705 307	----
	Left	1	1706 500	1706 501	1706 502	1706 502	----
	Lower	1					
NOTE: Imperial see 23-59-35.							
23-63-181	WEATHERSTRIP, Tailgate Window Glass Lower Channel 1957-58 Sub.	1	1775 263	1775 263	1775 263	1775 263	----
23-64-0 WINDOW AND VENT WING							
NOTE: WINDOW AND VENT WING GLASS IS SERVICED BY PITTSBURGH PLATE GLASS CO.							
23-64-4	BUMPER, Window Down Position Stop 1957-58 4D., Cl. Sed., 3 Cp., Sub.	4	*1459 035	1381 435	1381 435	1381 435	1381 435
	1957-58 Sp. 4 D., Sp. Cl. Cp., Cv. Cp.	4	1680 109	1680 109	1381 435	1381 435	1381 435
	BUMPER, Quarter Window Up Position Stop 1957-58 Sp. Cl. Cp., Cv. Cp.	2	----	----	----	----	* 985 563
	1957-58 Cv. Cp.	2	----	----	----	----	* 985 563
23-64-12	BRACKET, Door Window Down Position Stop Bumper						
	1957 Except Sp. 4D.	★	1708 456	1708 456	1708 456	1708 456	----
	1957 Sp. 4D.	2	1708 456	1708 456	1708 456	1708 456	----
		2	1776 601	1776 601	1776 601	1776 601	----
	1958 Except Sp. 4D.	★	1836 602	1836 602	1836 602	1836 602	----
	1958 Sp. 4D.	2	1836 602	1836 602	1836 602	1836 602	----
		2	1776 601	1776 601	1776 601	1776 601	----
	1957-58 4D.	2	----	----	----	----	*1475 487
		2	----	----	----	----	*1750 606
	1957-58 Sp. 4D	4	----	----	----	----	*1750 606
	1957-58 Sp. Cl. Cp., Cv. Cp.	2	----	----	----	----	*1475 487
	BRACKET OR SUPPORT, Quarter Window Down Position Stop Bumper, on Body,						
	1957-58 Sp. Cl. Cp.	2	1757 994	1757 994	1776 601	1776 601	1750 537
	1957-58 Cv. Cp.	2	1776 601	1776 601	1776 601	1776 601	1750 537
	1957 Cl. Sed.	2	1708 456	1708 456	----	----	----
	1958 Cl. Sed.	2	1836 602	1836 602	----	----	----
	BRACKET, Quarter Window Down Position Stop Bumper Support to Body Side Sill						
	1957-58 Sp. Cl. Cp., Cv. Cp.	2	----	----	----	----	1750 806
	STOP, Quarter Window Down Position, on Glass Lower Channel						
	1957 Sp. Cl. Cp. w/Electric Window Lifts	2	1835 900	1835 900	----	----	----
	STOP, Door Window Up Position, on Door Inside Panel						
	1957-58 Sp. 4 D. Front Door, Front Right	1	1708 266	1708 266	1708 266	1708 266	----
	Left	1	1708 267	1708 267	1708 267	1708 267	----
	Front Door, Rear Right	1	1776 966	1776 966	1776 966	1776 966	----
	Left	1	1776 967	1776 967	1776 967	1776 967	----
	Rear Door	2	1708 565	1708 565	1708 565	1708 565	----
	Front Door	4	----	----	----	----	1750 609
	Rear Door, Front Right	1	----	----	----	----	1751 698
	Left	1	----	----	----	----	1751 699
	1957-58 Sp. Cl. Cp., Cv. Cp. Front Right	1	1708 266	1708 266	1708 266	1708 266	----
	Left	1	1708 267	1708 267	1708 267	1708 267	----
	Rear	2	1708 162	1708 162	1708 162	1708 162	----
		4	----	----	----	----	1750 609
	STOP, Rear Door Window Up Position, on Glass Lower Channel						
	1957-58 Sp. 4 D. Right	1	1705 727	1705 727	1705 727	1705 727	----
	Left	1	1775 094	1775 094	1775 094	1775 094	----

★ Indicates use as required.

☐ Indicates parts not listed in any previous parts book.

* Indicates change or addition.

1957-58 PASSENGER CAR PARTS LIST

BODY

CODE	REMARKS	PER CAR	PLYMOUTH	DODGE	DESOTO	CHRYSLER	IMPERIAL
	STOP, Rear Door Window Up Position, on Rear Track						
	1957-58 Sp. 4 D. Rear Right	1	-----	-----	-----	-----	1751 692
	Left	1	-----	-----	-----	-----	1751 693
	STOP, Quarter Window Up Position, on Quarter Inside Panel						
	1957-58 Sp. Cl. Cp. w/Manual Window Lifts	2	1833 479	1833 479	-----	-----	-----
	w/Electric Window Lifts, Right	1	1835 894	1835 894	-----	-----	-----
	Left	1	1835 895	1835 895	-----	-----	-----
		2	-----	-----	1757 998	1757 998	-----
	1957-58 Cv. Cp.	2	1757 998	1757 998	1757 998	1757 998	-----
	STOP, Quarter Window Up Position on Glass Lower Channel						
	1957-58 Sp. Cl. Cp. w/Manual Window Lifts	2	1774 462	1774 462	-----	-----	-----
	w/Electric Window Lifts, Right	1	1835 852	1835 852	-----	-----	-----
	Left	1	1835 853	1835 853	-----	-----	-----
	1957-58 Sp. Cl. Cp., Cv. Cp. Right	1	-----	-----	1705 727	1705 727	-----
	Left	1	-----	-----	1775 094	1775 094	-----
	1957-58 Cv. Cp. Right	1	1705 727	1705 727	-----	-----	-----
	Left	1	1775 094	1775 094	-----	-----	-----
	SUPPORT, Quarter Window Up Position Stop Bumper, on Glass Lower Channel						
	1957-58 Sp. Cl. Cp., Cv. Cp. Front Right	1	-----	-----	-----	-----	1750 658
	Left	1	-----	-----	-----	-----	1750 659
	1957-58 Cv. Cp. Rear Right	1	-----	-----	-----	-----	*1691 104
	Left	1	-----	-----	-----	-----	*1691 105
23-64-13	SCREW and WASHER, Quarter Window Down Position Stop Bumper Bracket						
	1957-58 Sp. Cl. Cp.	2	6000 530	6000 530	-----	-----	-----
	SCREW and WASHER, Quarter Window Up Position Stop to Panel						
	1957-58 Sp. Cl. Cp., Cv. Cp.	4	6000 530	6000 530	6000 530	-----	-----
	SCREW and WASHER, Door Window Stop to Door Panel						
	1957-58 Sp. 4D., Sp. Cl. Cp., Cv. Cp.	★	-----	-----	*6000 291	6000 291	*6006 082
	CLIP and BOLT, Rear Door Window Up Position Stop to Track						
	1957-58 Sp. 4 D.	2	-----	-----	-----	-----	6006 130
23-64-15	REINFORCEMENT, Window Down Position Stop Bumper Bracket						
	1957 4 D., 4 D. Sub. Rear Door	2	1833 916	1833 916	1833 916	1833 916	-----
	1957 Cl. Sed. Quarter	2	1833 344	1833 344	-----	-----	-----
23-64-23	SCREW and WASHER, Door Vent Wing Division Channel Bracket to Door						
	1957-58 4 D., Cl. Sed., 3 Cp., Sub.	2	6000 210	6000 210	6000 210	6000 291	-----
	1957-58 Sp. 4 D., Sp. Cl. Cp., Cv. Cp.	2	6000 530	6000 530	6000 530	6000 530	-----
23-64-32	BRACKET, Door Vent Wing Frame to Door						
	1957-58 Sp. 4 D., Sp. Cl. Cp., Cv. Cp.	2	1708 102	1708 102	1708 102	1708 102	-----
23-64-41	STUD and WASHER, Door Vent Wing Division Channel Adjusting						
	1957-58 All	2	-----	-----	-----	-----	*6006 155
23-64-48	FRAME and Division CHANNEL, Door Vent Wing						
	1957 Sp. 4 D., Sp. Cl. Cp., see Note 1						
	Right	1	1836 624	1836 624	1836 624	1836 624	-----
	Left	1	1836 625	1836 625	1836 625	1836 625	-----
	1958 Sp. 4 D., Sp. Cl. Cp. Right	1	1846 622	1836 612	1836 612	1836 612	-----
	Left	1	1846 623	1836 613	1836 613	1836 613	-----
	1957-58 Sp. 4 D., Sp. Cl. Cp., Cv. Cp. Right	1	-----	-----	-----	-----	1751 546
	Left	1	-----	-----	-----	-----	1751 547
	1957 Cv. Cp., see Note 1 Right	1	1846 384	1846 384	1846 384	1846 384	-----
	Left	1	1846 385	1846 385	1846 385	1846 385	-----
	1958 Cv. Cp. Right	1	1865 718	1865 718	1865 718	1865 718	-----
	Left	1	1865 719	1865 719	1865 719	1865 719	-----

NOTE 1: Also specify:
 For 1836 624 or 1846 384 - 1776 504 Clamp, 1836 722 Pivot and Bracket, 2 of 132 825 Screw.
 For 1836 625 or 1846 385 - 1776 505 Clamp, 1836 723 Pivot and Bracket, 2 of 132 825 Screw.

★ Indicates use as required.

☐ Indicates parts not listed in any previous parts book.

Nov. 28, 1958 Supersedes March 5, 1958.

Printed in U.S.A. Prices and specifications subject to change without notice.

* Indicates change or addition.

CODE	REMARKS	PER CAR	PLYMOUTH	DODGE	DESOTO	CHRYSLER	IMPERIAL
23-64-57	BOLT or STUD, Door Vent Wing Frame Anchor						
1957-58	Sp. 4 D., Sp. Cl. Cp., Cv. Cp.	2	6000 024	6000 024	6000 024	6000 024	1651 840
23-64-66	FRAME, Rear Window Opening Upper						
1957-58	4D., Cl. Sed., 3 Cp.	1	*1867 890	*1867 890	1707 096	1707 096	1651 536
1957-58	Sp. 4 D.	1	1705 264	1708 905	1708 905	1708 905	1651 537
1957-58	Sp. Cl. Cp. except FireFlite, New Yorker	1	1705 265	1705 265	1707 097	1707 097	1651 537
	FireFlite, New Yorker	1	----	----	1707 098	1707 098	----
	FRAME, Rear Window Opening Side						
1957-58	4 D., Cl. Sed., 3 Cp. Right	1	1695 080	1695 080	1695 082	1695 082	1651 538
	Left	1	1695 081	1695 081	1695 083	1695 083	1651 539
1957-58	Sp. 4 D. Right	1	1695 972	1695 972	1695 972	1695 972	1691 530
	Left	1	1695 973	1695 973	1695 973	1695 973	1691 531
1957-58	Sp. Cl. Cp. except FireFlite, New Yorker Right	1	1695 974	1695 974	1695 084	1695 084	1651 540
	Left	1	1695 975	1695 975	1695 085	1695 085	1651 541
	FireFlite, New Yorker Right	1	----	----	1695 086	1695 086	----
	Left	1	----	----	1695 087	1695 087	----
	FRAME, Rear Window Opening Lower Side						
1957-58	4 D., Cl. Sed., 3 Cp. Right	1	1705 750	1705 750	1705 752	1705 752	----
	Left	1	1705 751	1705 751	1705 753	1705 753	----
1957-58	Sp. 4 D. Right	1	1706 956	1705 700	1705 700	1705 700	----
	Left	1	1706 957	1705 701	1705 701	1705 701	----
1957-58	Sp. Cl. Cp. except FireFlite, New Yorker Right	1	----	----	1708 152	1708 152	----
	Left	1	----	----	1708 153	1708 153	----
	FireFlite, New Yorker Right	1	----	----	1706 692	1706 692	----
	Left	1	----	----	1706 693	1706 693	----
23-64-67	SUPPORT, Rear Window Opening Frame to Wheelhouse Panel						
1957-58	4 D., Cl. Sed., 3 Cp. Right	1	1706 840	----	1693 198	1693 198	----
	Left	1	1706 841	----	1693 199	1693 199	----
1957	4 D., Cl. Sed. Right	1	----	1709 772	----	----	----
	Left	1	----	1709 773	----	----	----
1958	4 D., Cl. Sed. Right	1	----	1777 610	----	----	----
	Left	1	----	1777 611	----	----	----
1957-58	Sp. 4D. to Inner Panel, Right	1	1705 164	1705 166	1705 166	1705 166	----
	Left	1	1705 165	1705 167	1705 167	1705 167	----
	to Outer Panel, Right	1	1705 168	----	----	----	----
	Left	1	1705 169	----	----	----	----
1957-58	Sp. Cl. Cp. Right	1	1707 404	1709 774	1693 202	1693 202	----
	Left	1	1707 405	1709 775	1693 203	1693 203	----
	REINFORCEMENT, Rear Window Opening Frame to Roof Panel						
1957-58	Sp. 4 D., Sp. Cl. Cp.	1	----	----	----	----	1810 052
23-64-68	EXTENSION, Rear Window Opening Frame to Roof Panel Reinforcement						
1957-58	Sp. 4 D., Sp. Cl. Cp. Right	1	----	----	----	----	1810 068
	Left	1	----	----	----	----	1810 069
23-64-71	BUMPER or PLUG, Door Glass Upper Corner, on Division Channel						
1957	Sp. 4 D., Sp. Cl. Cp., Cv. Cp.	2	1755 375	1755 375	1755 375	1755 375	1751 142
1958	Sp. 4D., Sp. Cl. Cp., Cv. Cp.	1	1846 326	1846 326	1846 326	1846 326	1751 142
23-64-106	NUT, Door Vent Wing Lower Pivot						
1957	All, UP TO Note 1	2	1621 754	1621 754	1621 754	1621 754	----
23-64-119	STOP, Door Vent Wing Lower Pivot						
1957	Sp 4 D., Sp. Cl. Cp., Cv. Cp., UP TO Note 1 .149 thick	★	1755 369	1755 369	1755 369	1755 369	----

NOTE: New Yorker Type Rear Window is Special Equipment for Windsor and Saratoga Special Club Coupes. Maximum height of Standard Glass is 23 1/2", New Yorker Type is approximately 32" high at center.

NOTE 1: 1957 UP TO Assemblies having threaded pivot, used Tension Spring and Nut. 1957 AFTER Assemblies used Tension Clamp (1958 cars No. 1 job).

★ Indicates use as required.

⊠ Indicates parts not listed in any previous parts book.

* Indicates change or addition.

1957-58 PASSENGER CAR PARTS LIST

BODY

CODE	REMARKS	PER CAR	PLYMOUTH	DODGE	DESOTO	CHRYSLER	IMPERIAL
23-64-157	PIVOT, Quarter Window 1957 4 D. S26, C76	2	----	----	1709 994	1709 994	----
23-64-181	LATCH, Quarter Window Sliding Glass Locking 1957-58 2 D. Sub.						
		Right	1 1776 532	1776 532	----	----	----
		Left	1 1776 533	1776 533	----	----	----
23-64-183	SPACER, Quarter Window Sliding Glass Locking Latch Screw 1957-58 2 D. Sub.	2	*1776 535	*1776 535	----	----	----
23-64-184	SPRING, Quarter Window Sliding Glass Locking Latch 1957-58 2 D. Sub.						
		Right	1 1776 536	1776 536	----	----	----
		Left	1 1834 995	1834 995	----	----	----
23-64-185	SCREW, Quarter Window Sliding Glass Lock Latch to Glass 1957-58 2 D. Sub.	2	6000 363	6000 363	----	----	----
23-64-186	STOP, Quarter Window Sliding Glass, Rubber 1957-58 2 D. Sub. 1/2" Square	2	1833 454	1833 454	----	----	----
23-64-189	FERRULE or CATCH, Quarter Window Sliding Glass Locking Latch 1957-58 2 D. Sub. on Garnish Moulding	2	1777 404	1777 404	----	----	----
23-64-213	FILLER, Quarter Window Opening Upper Front Corner 1957-58 2 D. Sub. Aluminum	2	1777 420	1777 420	----	----	----
23-64-215	CAP, Quarter Window Opening Rear Lower Corner 1957-58 Sub.	2	1836 763	1836 763	1836 763	1836 763	----
23-64-237	CLAMP or Anchor PLATE, Door Vent Wing Upper Pivot Bracket to Glass 1957-58 4 D., Cl. Sed., 3 Cp., Sub. 1957-58 Sp. 4 D., Sp. Cl. Cp., Cv. Cp. 1957 All 1958 All	2 2 2 2	*1708 998 1755 366 ----- -----	*1708 998 1755 366 ----- -----	*1708 998 1755 366 ----- -----	1708 998 1755 366 ----- -----	----- ----- 1690 951 1755 366
23-64-239	SLEEVE NUT, Door Vent Wing Lower Pivot Bracket to Glass 1957-58 All	2	----	----	----	----	6006 157
23-64-240	PIVOT, Door Vent Wing Upper, on Weatherstrip Retainer 1957 4 D., Cl. Sed., 3 Cp., Sub., UP TO Note 1						
		Right	1 1708 990	1708 990	1708 990	1708 990	----
		Left	1 1708 991	1708 991	1708 991	1708 991	----
	PIVOT and SPACER, Door Vent Wing Upper, on Weatherstrip Retainer 1957-58 4 D., Cl. Sed., 3 Cp., Sub., AFTER Note 1						
		Right	1 1834 928	1834 928	----	----	----
		Left	1 1834 929	1834 929	----	----	----
	Except FireSweep, Windsor	Right	1 -----	-----	1834 868	1834 868	----
		Left	1 -----	-----	1834 869	1834 869	----
	FireSweep, Windsor	Right	1 -----	-----	1834 928	1834 928	----
		Left	1 -----	-----	1834 929	1834 929	----
23-64-241	PIVOT and Handle BRACKET, Door Vent Wing Lower 1957-58 4 D., Cl. Sed., 3 Cp., Sub. UP TO Note 1						
		Right	1 *1708 942	*1708 942	----	----	----
		Left	1 1708 943	1708 943	----	----	----
	AFTER Note 1	Right	1 1777 402	1777 402	----	----	----
		Left	1 1777 403	1777 403	----	----	----
	Except FireSweep, Windsor UP TO Note 1	Right	1 -----	-----	1757 932	1757 932	----
		Left	1 -----	-----	1757 933	1757 933	----
	AFTER Note 1	Right	1 -----	-----	1777 378	1777 378	----
		Left	1 -----	-----	1777 379	1777 379	----
	FireSweep, Windsor, UP TO Note 1	Right	1 -----	-----	1708 942	1708 942	----
		Left	1 -----	-----	1708 943	1708 943	----

NOTE 1: 1957 UP TO Assemblies having Threaded Pivot, used Tension Spring and Nut.
1957 AFTER Assemblies used Tension Clamp (1958 cars No. 1 job).

★ Indicates use as required.

□ Indicates parts not listed in any previous parts book.
Nov. 28, 1958 Supersedes March 5, 1958.

CODE	REMARKS	PER CAR	PLYMOUTH	DODGE	DESOTO	CHRYSLER	IMPERIAL	
	AFTER Note 1	Right	1	----	----	1777 402	1777 402	----
		Left	1	----	----	1777 403	1777 403	----
		Right	1	----	----	----	----	1751 474
		Left	1	----	----	----	----	1751 475
1957-58	Sp. 4 D., Sp.Cl.Cp., Cv.Cp. UP TO Note 1	Right	1	1836 720	1836 720	1836 720	1836 720	----
		Left	1	1836 721	1836 721	1836 721	1836 721	----
	AFTER Note 1	Right	1	1836 722	1836 722	1836 722	1836 722	----
		Left	1	1836 723	1836 723	1836 723	1836 723	----
		Right	1	----	----	----	----	1751 490
		Left	1	----	----	----	----	1751 491
23-64-242	BRACKET, Door Vent Wing Upper Pivot, on Glass							
1957-58	4 D., Cl. Sed., 3 Cp., Sub.	Right	2	1708 994	1708 994	1708 994	1708 994	----
		Left	1	----	----	----	----	1751 328
		Right	1	----	----	----	----	1751 329
1957-58	Sp. 4D., Sp. Cl. Cp., Cv. Cp.	Right	1	*1755 364	*1755 364	*1755 364	*1755 364	1690 952
		Left	1	*1755 365	*1755 365	*1755 365	*1755 365	1690 953
	BRACKET, Door Vent Wing Lower Pivot, on Frame							
1957	Sp. 4 D., Sp. Cl. Cp., Cv. Cp.	Right	1	1708 734	1708 734	1708 734	1708 734	----
		Left	1	1708 735	1708 735	1708 735	1708 735	----
	CLAMP, Door Vent Wing Lower Pivot Tension, on Frame							
1957-58	Sp. 4 D., Sp. Cl. Cp., Cv. Cp., AFTER Note 1	Right	1	1776 504	1776 504	1776 504	1776 504	----
		Left	1	1776 505	1776 505	1776 505	1776 505	----
23-64-245	SPRING, Door Vent Wing Lower Pivot Tension							
1957	All, UP TO Note 1		2	849 765	849 765	849 765	849 765	----
23-64-246	SPACER, Door Vent Wing Lower Pivot							
1957	All, UP TO Note 1		2	1243 462	1243 462	1243 462	1243 462	----
	SPACER, Door Vent Wing Frame to Body Support Bracket							
1957-58	Sp. 4 D., Sp. Cl. Cp., Cv. Cp.		2	1777 797	1777 797	1777 797	1777 797	----
	SHIM, Door Vent Wing Frame to Door							
1957-58	Sp. 4 D., Sp. Cl. Cp., Cv. Cp.		4	----	----	----	----	1349 190
23-64-247	SCREW or STUD, Door Vent Wing Upper Pivot Bracket to Frame							
1957-58	Sp. 4D., Sp. Cl. Cp., Cv. Cp.		2	*6000 027	*6000 027	*6000 027	*6000 027	*6006 158
	SCREW, Door Vent Wing Upper Pivot Bracket Anchor Plate or Clamp							
1957-58	4D., Cl. Sed., 3 Cp., Sub.		2	*6000 374	*6000 374	*6000 374	*6000 374	*6000 374
1957-58	Sp. 4 D., Sp. Cl. Cp., Cv. Cp.		2	6000 379	6000 379	6000 379	6000 379	6000 374
	SCREW, Door Vent Wing Lower Pivot Tension Clamp Adjusting							
1957-58	All, AFTER Note 1		2	6006 244	6006 244	6006 244	6006 244	6006 244
23-64-254	TRACK, Door Window Roller							
1957-58	4 D.	Front Door, Right	1	----	----	----	----	1750 614
1957-58	Sp. 4 D.	Rear Door, Front Right	1	1708 610	1708 610	1708 610	1708 610	----
		Left	1	1708 611	1708 611	1708 611	1708 611	----
		Rear Door, Rear Right	1	1708 612	1708 612	1708 612	1708 612	----
		Left	1	1708 613	1708 613	1708 613	1708 613	----
1957-58	Sp. 4 D. UP TO Note 2							
		Front Door, Right	1	----	----	----	----	1750 566
		Left	1	----	----	----	----	1750 567
	AFTER Note 2	Front Door, Right	1	----	----	----	----	1810 850
		Left	1	----	----	----	----	1810 851
	UP TO Note 2							
		Rear Door, Front Right	1	----	----	----	----	1750 506
		Left	1	----	----	----	----	1750 507
	AFTER Note 2							
		Rear Door, Front Right	1	----	----	----	----	1810 836
		Left	1	----	----	----	----	1810 837

NOTE 1: 1957 UP TO Assemblies having Threaded Pivot, used Tension Spring and Nut.
1957 AFTER Assemblies used Tension Clamp (1958 cars No. 1 job).

NOTE 2: 1957 UP TO Type used Separate Attaching Bracket, AFTER Type (1958 cars No. 1 job) used Studs.

★ Indicates use as required.

☐ Indicates parts not listed in any previous parts book.

* Indicates change or addition.

1957-58 PASSENGER CAR PARTS LIST

BODY

CODE	REMARKS	PER CAR	PLYMOUTH	DODGE	DESOTO	CHRYSLER	IMPERIAL
	UP TO Note 1						
	Rear Door, Rear Right	1	----	----	----	----	1750 508
	Left	1	----	----	----	----	1750 509
	AFTER Note 1						
	Rear Door, Rear Right	1	----	----	----	----	1810 838
	Left	1	----	----	----	----	1810 839
1957-58	Sp. Cl. Cp., Cv. Cp., UP TO Note 1						
	Right	1	----	----	----	----	1750 566
	Left	1	----	----	----	----	1750 567
	AFTER Note 1						
	Right	1	----	----	----	----	1810 850
	Left	1	----	----	----	----	1810 851
23-64-255	FRAME or EXTENSION, Door Window Opening, Aluminum						
1957-58	4 D., Sub., except FireSweep, Windsor						
	Front Right	1	----	----	1705 272	1705 272	1651 346
	Left	1	----	----	1705 273	1705 273	1651 347
1957-58	4 D. except FireSweep, Windsor						
	Rear Right	1	----	----	1705 274	1705 274	1651 370
	Left	1	----	----	1705 275	1705 275	1651 371
1957-58	Sub. except FireSweep, Windsor						
	Rear Right	1	----	----	1708 068	1708 068	----
	Left	1	----	----	1708 069	1708 069	----
	FRAME, Front Door Window Glass						
1957	Sp. 4D.						
	Right	1	1707 366	1707 366	1707 366	1707 366	1750 534
	Left	1	1707 367	1707 367	1707 367	1707 367	1750 535
1958	Sp. 4 D.						
	Right	1	1846 368	1846 368	1846 368	1846 368	1750 534
	Left	1	1846 369	1846 369	1846 369	1846 369	1750 535
	FRAME, Rear Door Window Glass						
1957-58	Sp. 4 D.						
	Front Right	1	*1843 736	*1843 736	*1843 736	*1843 736	----
	Left	1	1843 737	1843 737	1843 737	1843 737	----
	Upper and Rear	2	1836 756	1836 756	1836 756	1836 756	----
NOTE:	For 1957 Cars, 1843736 or 1843737 and 1836756 should be installed together for proper matching.						
	Upper and Front Right	1	----	----	----	----	1691 842
	Left	1	----	----	----	----	1691 843
	Rear Right	1	----	----	----	----	1691 788
	Left	1	----	----	----	----	1691 789
	FRAME, Door Window Glass						
1957	Sp. Cl. Cp.						
	Right	1	1708 728	1708 728	1708 674	1708 674	----
	Left	1	1708 729	1708 729	1708 675	1708 675	----
1958	Sp. Cl. Cp.						
	Right	1	1846 344	1846 344	1846 334	1846 334	----
	Left	1	1846 345	1846 345	1846 335	1846 335	----
1957-58	Sp. Cl. Cp., Cv. Cp.						
	Right	1	----	----	----	----	1751 092
	Left	1	----	----	----	----	1751 093
1957	Cv. Cp.						
	Right	1	1708 674	1708 674	1708 674	1708 674	----
	Left	1	1708 675	1708 675	1708 675	1708 675	----
1958	Cv. Cp.						
	Right	1	1846 334	1846 334	1846 334	1846 334	----
	Left	1	1846 335	1846 335	1846 335	1846 335	----
23-64-259	BRACKET, Front Door Window Opening						
	Frame Front						
1957-58	4 D., Sub., except FireSweep, Windsor	2	----	----	1707 220	1707 220	----
	SUPPORT, Rear Door Window Opening						
	Frame Rear						
1957-58	4 D., Sub., except FireSweep, Windsor						
	Right	1	----	----	1707 132	1707 132	----
	Left	1	----	----	1707 133	1707 133	----
	BRACKET, Rear Door Upper Extension						
	Rear Upper						
1957-58	4 D.						
	Right	1	----	----	----	----	1751 418
	Left	1	----	----	----	----	1751 419
23-64-261	BOLT and WASHER, Door Upper Extension or Window Opening Frame Attaching						
1957-58	4 D., Sub., except FireSweep, Windsor						
	5/16-18 x 3/8	★	----	----	*6000 324	*6000 324	*6000 324
	5/16-18 x 5/8	★	----	----	6000 325	6000 325	*6000 325

NOTE 1: 1957 UP TO Type used Separate Attaching Bracket, AFTER Type (1958 cars No. 1 Job) used Studs.

★ Indicates use as required.

□ Indicates parts not listed in any previous parts book.
Nov. 28, 1958 Supersedes March 5, 1958.

CODE	REMARKS	PER CAR	PLYMOUTH	DODGE	DESOTO	CHRYSLER	IMPERIAL
23-64-262	NUT, Door Upper Extension or Window Opening Frame Attaching 1957-58 4 D., Sub., except FireSweep, Windsor	★	----	----	*6006 005	*6006 005	*6006 005
23-64-263	LOCKWASHER, Window Roller Track 1957-58 Sp. 4 D., Sp. Cl. Cp., Cv. Cp. WASHER, Window Roller Track Adjusting Stud to Panel 1957-58 All	★	*6000 185	*6000 185	*6000 185	*6000 185	----
23-64-264	GROMMET, Front Door Window Opening Frame to Door Panel, Vinyl 1957-58 4 D., Sub., except FireSweep, Windsor						
	Front Right	1	----	----	*1757 976	*1757 976	----
	Left	1	----	----	1757 977	1757 977	----
	Rear Right	1	----	----	1757 978	1757 978	----
	Left	1	----	----	1757 979	1757 979	----
	GROMMET, Rear Door Window Opening Frame to Door Panel, Vinyl 1957-58 4 D. except FireSweep, Windsor						
	Right	2	----	----	*1757 978	*1757 978	----
	Left	2	----	----	1757 979	1757 979	----
	1957-58 Sub. except FireSweep, Windsor						
	Front Right	1	----	----	*1757 978	*1757 978	----
	Left	1	----	----	1757 979	1757 979	----
	Rear Right	1	----	----	1757 984	1757 984	----
	Left	1	----	----	1757 985	1757 985	----
23-64-267	BEZEL, Front Door Upper Extension to Door Panel, Aluminum 1957-58 4 D.						
	Front Right	1	----	----	----	----	1810 430
	Left	1	----	----	----	----	1810 431
	Rear Right	1	----	----	----	----	1810 528
	Left	1	----	----	----	----	1810 529
	BEZEL, Rear Door Upper Extension to Door Panel, Aluminum 1957-58 4 D.						
	Front Right	1	----	----	----	----	1810 432
	Left	1	----	----	----	----	1810 433
	Rear Right	1	----	----	----	----	1810 442
	Left	1	----	----	----	----	1810 443
	FILLER, Front Door Window Opening Frame to Door Panel, Aluminum 1957-58 4 D., Sub., except FireSweep, Windsor						
	Front Right	1	----	----	*1834 976	*1834 976	----
	Left	1	----	----	1834 977	1834 977	----
	Rear Right	1	----	----	1834 978	1834 978	----
	Left	1	----	----	1834 979	1834 979	----
	FILLER, Rear Door Window Opening Frame to Door Panel, Aluminum 1957-58 4 D., Sub., except FireSweep, Windsor						
	Front Right	1	----	----	*1834 980	*1834 980	----
	Left	1	----	----	1834 981	1834 981	----
	1957-58 4 D. except FireSweep, Windsor						
	Rear Right	1	----	----	*1834 982	*1834 982	----
	Left	1	----	----	1834 983	1834 983	----
	1957-58 Sub. except FireSweep, Windsor						
	Rear Right	1	----	----	*1834 984	*1834 984	----
	Left	1	----	----	1834 985	1834 985	----
23-64-269	BRACKET, Door Window Roller Track to Door Attaching and Adjusting 1957 Sp. 4 D. UP TO Note 1						
	Upper	6	----	----	----	----	1750 523
	Front, Lower	2	----	----	----	----	1750 526
	Rear, Lower	4	----	----	----	----	1750 524
	1957 Sp. Cl. Cp., Cv. Cp. UP TO Note 1						
	Upper	2	----	----	----	----	1750 523
	Lower	2	----	----	----	----	1750 526
23-64-273	SUPPORT, Door Vent Wing Division Channel Lower Bracket to Door 1957-58 Sp. 4 D., Sp. Cl. Cp., Cv. Cp.						
		2	1707 548	1707 548	1707 548	1707 548	----

★ Indicates use as required.

□ Indicates parts not listed in any previous parts book.

*Indicates change or addition.

Printed in U.S.A.

Page 23-400 1957-58 PASSENGER CAR PARTS LIST

BODY

CODE	REMARKS	PER CAR	PLYMOUTH	DODGE	DESOTO	CHRYSLER	IMPERIAL
23-64-275	STUD, Window Roller Track Attaching and Adjusting 1957-58 Sp. 4 D., Sp. Cl. Cp., Cv. Cp. AFTER Note 1 Upper	★	----	----	----	----	6006 186
	Lower	★	----	----	----	----	6006 185
23-64-278	GROMMET, Door Vent Wing Upper Pivot Bracket to Glass 1957-58 4 D., Cl. Sed., 3 Cp., Sub.	2	1708 996	1708 996	*1708 996	*1708 996	1751 492
	1957-58 Sp. 4 D., Sp. Cl. Cp., Cv. Cp.	2	1755 367	1755 367	1755 367	1755 367	1751 492
23-64-279	INSULATOR or WASHER, Door Vent Wing Upper Pivot Bracket Anchor Plate or Clamp to Glass 1957-58 4 D., Cl. Sed., 3 Cp., Sub.	2	6000 295	6000 295	6000 295	6000 295	1751 489
	1957-58 Sp. 4 D., Sp. Cl. Cp., Cv. Cp.	2	1755 368	1755 368	1755 368	1755 368	1751 489
23-64-280	PANEL, Quarter Window Opening, Steel 1957-58 4 D. except FireDome, FireFlite, Saratoga, New Yorker Front Right	1	1695 192	1695 192	1695 192	1695 192	----
	Left	1	1695 193	1695 193	1695 193	1695 193	----
	Upper Right	1	1695 188	1695 188	1756 584	1756 584	----
	Left	1	1695 189	1695 189	1756 585	1756 585	----
	1957-58 Cl. Sed., 3 Cp. Front Right	1	1695 196	1695 196	----	----	----
	Left	1	1695 197	1695 197	----	----	----
	Upper Right	1	1681 610	1681 610	----	----	----
	Left	1	1681 611	1681 611	----	----	----
	1957 4 D. Sub. Front Right	1	1695 198	1695 198	1695 198	1695 198	----
	Left	1	1695 199	1695 199	1695 199	1695 199	----
	Upper Right	1	1681 608	1681 608	1681 608	1681 608	----
	Left	1	1681 609	1681 609	1681 609	1681 609	----
	1958 4 D. Sub., except LS3 Front Right	1	1695 198	1695 198	1695 198	----	----
	Left	1	1695 199	1695 199	1695 199	----	----
	Upper Right	1	1846 070	1846 070	1846 070	----	----
	Left	1	1846 071	1846 071	1846 071	----	----
	1957-58 2 D. Sub. Front Right	1	1695 202	1695 202	----	----	----
	Left	1	1695 203	1695 203	----	----	----
	Upper Front Right	1	1681 606	1681 606	----	----	----
	Left	1	1681 607	1681 607	----	----	----
	Upper Rear Right	1	1775 750	1775 750	----	----	----
	Left	1	1775 751	1775 751	----	----	----
	FRAME, Quarter Window Opening, Outer, Aluminum 1957-58 4 D. except FireSweep, Windsor Front Right	1	----	----	1834 998	1834 998	1750 762
	Left	1	----	----	1834 999	1834 999	1750 763
	Upper Right	1	----	----	1834 996	1834 996	*1860 592
	Left	1	----	----	1834 997	1834 997	*1860 593
	FRAME, Quarter Window Glass 1957-58 Sp. Cl. Cp. Front Right	1	1774 358	1774 358	1774 360	1774 360	1751 890
	Left	1	1774 359	1774 359	1774 361	1774 361	1751 891
	Upper and Rear Right	1	1834 038	1834 038	1774 363	1774 363	1691 616
	Left	1	1834 038	1834 038	1774 363	1774 363	1691 617
	1957-58 Cv. Cp. Front Right	1	1774 360	1774 360	1774 360	1774 360	1751 890
	Left	1	1774 361	1774 361	1774 361	1774 361	1751 891
	Upper and Rear Right	1	1774 362	1774 362	1774 363	1774 363	1691 616
	Left	1	1774 362	1774 362	1774 363	1774 363	1691 617
23-64-282	SLIDE and RETAINER, Quarter Window Rear 1957-58 Sp. Cl. Cp. Right	1	1755 868	1755 868	----	----	----
	Left	1	1755 869	1755 869	----	----	----
23-64-284	SCREW, Quarter Window Glass Front Frame to Lower Channel Attaching 1957-58 Sp. Cl. Cp., Cv. Cp.	4	6000 164	6000 164	6000 164	6000 164	----
23-64-285	COVER, Quarter Window Opening Frame Joint, Aluminum 1958 Sub. except FireSweep	2	----	----	*1867 868	*1867 868	----

NOTE 1: 1957 UP TO Type used Separate Attaching Bracket, AFTER Type (1958 cars No. 1 job) used Studs.

★ Indicates use as required.

⊘ Indicates parts not listed in any previous parts book.
Nov. 28, 1958 Supersedes March 5, 1958.

Printed in U.S.A.

Prices and specifications subject to change without notice.

CODE	REMARKS	PER CAR	PLYMOUTH	DODGE	DESOTO	CHRYSLER	IMPERIAL
23-64-297	NUT, Quarter Window Glass Front Frame to Lower Channel Attaching Screw 1957-58 Sp. Cl. Cp., Cv. Cp.	2	6000 163	6000 163	6000 163	6000 163	----
23-64-299	TRACK, Quarter Window Roller 1957 Sp. Cl. Cp. w/Manual Window Lifts	Right 1	1757 508	1757 508	----	----	----
		Left 1	1757 509	1757 509	----	----	----
	W/Electric Window Lifts	Right 1	1835 932	1835 932	----	----	----
		Left 1	1835 933	1835 933	----	----	----
1958	Sp. Cl. Cp.	Right 1	1844 598	1844 598	----	----	----
		Left 1	1844 599	1844 599	----	----	----
1957-58	Sp. Cl. Cp., Cv. Cp.	Front Right 1	----	----	1844 654	1844 654	----
		Left 1	----	----	1844 655	1844 655	----
		Rear Right 1	----	----	*1774 320	*1774 320	----
		Left 1	----	----	*1774 321	*1774 321	----
	UP TO Note 1	Front Right 1	----	----	----	----	1691 112
		Left 1	----	----	----	----	1691 113
	AFTER Note 1	Front Right 1	----	----	----	----	1810 860
		Left 1	----	----	----	----	1810 861
	UP TO Note 1	Rear Right 1	----	----	----	----	1691 114
		Left 1	----	----	----	----	1691 115
	AFTER Note 1	Rear Right 1	----	----	----	----	1810 862
		Left 1	----	----	----	----	1810 863
1957-58	Cv. Cp.	Front Right 1	1844 654	1844 654	----	----	----
		Left 1	1844 655	1844 655	----	----	----
		Rear Right 1	*1774 320	*1774 320	----	----	----
		Left 1	*1774 321	*1774 321	----	----	----
23-64-301	BRACKET, Quarter Window Roller Track Support to Body Lock Pillar 1957-58 Sp. Cl. Cp.	Right 1	*1774 426	*1774 426	----	----	----
		Left 1	1774 427	1774 427	----	----	----
23-64-302	SCREW and WASHER, Window Roller Track Attaching 1957-58 Sp. 4 D., Sp. Cl. Cp., Cv. Cp.	★	*6000 194	*6000 194	*6000 194	*6000 194	*6006 082
23-64-306	GLASS, Door Vent Wing 1957-58 4 D., Cl. Sed., 3 Cp., Sub.	2	1708 956	1708 956	----	----	----
		Solex 2	1708 957	1708 957	----	----	----
	Except FireSweep, Windsor	2	----	----	1756 630	1756 630	----
		Solex 2	----	----	1756 631	1756 631	----
	FireSweep, Windsor	2	----	----	1708 956	1708 956	----
		Solex 2	----	----	1708 957	1708 957	----
		Right 1	----	----	----	----	1690 954
		Left 1	----	----	----	----	1690 955
		Solex, Right 1	----	----	----	----	1692 160
		Solex, Left 1	----	----	----	----	1692 161
1957	Sp. 4D., Sp. Cl. Cp.	2	1755 373	1755 373	1755 373	1755 373	----
		Solex 2	1755 374	1755 374	1755 374	1755 374	----
1958	Sp. 4 D., Sp. Cl. Cp.	2	1755 373	1755 882	1755 882	1755 882	----
		Solex 2	1755 374	1755 883	1755 883	1755 883	----
1957-58	Sp. 4 D., Sp. Cl. Cp. Cv. Cp.	Right 1	----	----	----	----	1690 956
		Left 1	----	----	----	----	1690 957
		Solex, Right 1	----	----	----	----	1692 162
		Solex, Left 1	----	----	----	----	1692 163
1957-58	Cv. Cp.	2	1755 882	1755 882	1755 882	1755 882	----
		Solex 2	1755 883	1755 883	1755 883	1755 883	----
23-64-308	GLASS, Front Door Window 1957-58 Taxi 1957-58 4 D., 4 D. Sub.	1	1706 624	----	----	----	----
		2	1697 685	1697 685	----	----	----
		Solex 2	1697 686	1697 686	----	----	----
	Except FireSweep, Windsor	2	----	----	1706 628	1706 628	----
		Solex 2	----	----	1706 629	1706 629	----
	FireSweep, Windsor	2	----	----	1697 685	1697 685	----
		Solex 2	----	----	1697 686	1697 686	----
		Right 1	----	----	----	----	1691 154
		Left 1	----	----	----	----	1691 155

NOTE 1: 1957 Effective Points not available. 1958 Cars use AFTER Parts No. 1 Job.

★ Indicates use as required.

☐ Indicates parts not listed in any previous parts book.

* Indicates change or addition.

1957-58 PASSENGER CAR PARTS LIST

BODY

CODE	REMARKS	PER CAR	PLYMOUTH	DODGE	DESOTO	CHRYSLER	IMPERIAL
	Solex, Right	1	----	----	----	----	1691 202
	Solex, Left	1	----	----	----	----	1691 203
1957-58	Sp. 4 D.	2	1697 693	1697 693	1697 693	1697 693	----
	Solex	2	1697 694	1697 694	1697 694	1697 694	----
	Right	1	----	----	----	----	1691 156
	Left	1	----	----	----	----	1691 157
	Solex, Right	1	----	----	----	----	1691 196
	Solex, Left	1	----	----	----	----	1691 197
GLASS, Rear Door Window							
1957	Taxi	1	1706 608	----	----	----	----
	Solex	1	1706 609	----	----	----	----
1957-58	4 D.	2	1706 606	1706 606	----	----	----
	Solex	2	1706 607	1706 607	----	----	----
	Except FireSweep, Windsor	2	----	----	1697 699	1697 699	----
	Solex	2	----	----	1697 700	1697 700	----
	FireSweep, Windsor	2	----	----	1706 606	1706 606	----
	Solex	2	----	----	1706 607	1706 607	----
	Right	1	----	----	----	----	1691 150
	Left	1	----	----	----	----	1691 151
	Solex, Right	1	----	----	----	----	1691 176
	Solex, Left	1	----	----	----	----	1691 177
1957-58	Sp. 4D.	2	1697 695	1697 695	1697 695	1697 695	----
	Solex	2	1697 696	1697 696	1697 696	1697 696	----
	Right	1	----	----	----	----	1691 152
	Left	1	----	----	----	----	1691 153
	Solex, Right	1	----	----	----	----	1691 174
	Solex, Left	1	----	----	----	----	1691 175
1957-58	4 D. Sub.	2	1697 689	1697 689	----	----	----
	Solex	2	1697 690	1697 690	----	----	----
	FireFlite, New Yorker	2	----	----	1697 701	1697 701	----
	Solex	2	----	----	1697 702	1697 702	----
	FireSweep, Windsor	2	----	----	1697 689	1697 689	----
	Solex	2	----	----	1697 690	1697 690	----
GLASS, Door Window							
1957-58	Sp. Cl. Cp.	2	1707 653	1707 653	1697 691	1697 691	----
	Solex	2	1707 654	1707 654	1697 692	1697 692	----
1957-58	Sp. Cl. Cp., Cv. Cp.	1	----	----	----	----	1691 076
	Left	1	----	----	----	----	1691 077
	Solex, Right	1	----	----	----	----	1691 078
	Solex, Left	1	----	----	----	----	1691 079
1957-58	Cv. Cp.	2	1697 691	1697 691	1697 691	1697 691	----
	Solex	2	1697 692	1697 692	1697 692	1697 692	----
1957-58	Cl. Sed., 3 Cp., 2 D. Sub.	2	1695 985	1695 985	----	----	----
	Solex	2	1695 986	1695 986	----	----	----
23-64-311	GLASS, Quarter Window						
1957-58	4 D.	2	1697 703	1697 703	----	----	----
	Solex	2	1697 704	1697 704	----	----	----
	FireSweep	2	----	----	1697 703	----	----
	Solex	2	----	----	1697 704	----	----
	FireDome	2	----	----	*1697 715	----	----
	Solex	2	----	----	*1697 716	----	----
1957	FireFlite, New Yorker	2	----	----	*1697 717	*1697 717	----
	Solex	2	----	----	*1697 718	*1697 718	----
1958	FireFlite, New Yorker	2	----	----	*1697 715	*1697 715	----
	Solex	2	----	----	*1697 716	*1697 716	----
1957-58	Windsor, Saratoga, L. A. Built	2	----	----	----	*1697 703	----
	Solex	2	----	----	----	*1697 704	----
	Except L. A. Built	2	----	----	----	*1697 715	----
	Solex	2	----	----	----	*1697 716	----
1957	4 D.	1	----	----	----	----	1691 242
	Left	1	----	----	----	----	1691 243
	Solex, Right	1	----	----	----	----	1750 348
	Solex, Left	1	----	----	----	----	1750 349
1958	4 D.	1	----	----	----	----	1860 728
	Right	1	----	----	----	----	1860 729
	Left	1	----	----	----	----	1860 730
	Solex, Right	1	----	----	----	----	1860 731
	Solex, Left	1	----	----	----	----	1860 731

★ Indicates use as required.

☐ Indicates parts not listed in any previous parts book.
Nov. 28, 1958 Supersedes March 5, 1958.

CODE	REMARKS	PER CAR	PLYMOUTH	DODGE	DESOTO	CHRYSLER	IMPERIAL
1957-58	Sp. Cl. Cp. Solex	2 2	1697 709 1697 710	1697 709 1697 710	1697 713 1697 714	1697 713 1697 714	---- ----
1957-58	Sp. Cl. Cp., Cv. Cp. Right Left Solex, Right Solex, Left	1 1 1 1	---- ---- ---- ----	---- ---- ---- ----	---- ---- ---- ----	---- ---- ---- ----	1691 238 1691 239 1691 240 1691 241
1957-58	Cv. Cp. Solex	2 2	1697 711 1697 712	1697 711 1697 712	1697 713 1697 714	1697 713 1697 714	---- ----
1957-58	Cl. Sed. Front Front, Solex Stationary Stationary, Solex	2 2 2 2 2	1707 068 1707 069 1758 467 1758 481	1707 068 1707 069 1758 467 1758 481	---- ---- ---- ----	---- ---- ---- ----	---- ---- ---- ----
1957-58	3 Cp. Solex	2 2	1755 632 1755 633	---- ----	---- ----	---- ----	---- ----
1957-58	2 D. Sub. Front, Sliding Front, Sliding, Solex Rear, Stationary, Right Left Rear, Stationary, Right, Solex Left, Solex	2 2 2 1 1 1 1	1775 080 1775 081 1708 594 1708 595 1708 596 1708 597	1775 080 1775 081 1708 594 1708 595 1708 596 1708 597	---- ---- ---- ---- ---- ----	---- ---- ---- ---- ---- ----	---- ---- ---- ---- ---- ----
1957-58	4 D. Sub. Right Left Solex, Right Solex, Left	1 1 1 1 1	1708 594 1708 595 1708 596 1708 596 1708 597	1708 594 1708 595 1708 596 1708 596 1708 597	1708 594 1708 595 1708 596 1708 596 1708 597	1708 594 1708 595 1708 596 1708 596 1708 597	---- ---- ---- ---- ----
23-64-314	GLASS, Rear Window 1957-58 4 D., Cl. Sed., 3 Cp. Solex	1 1	1681 682 1681 683	1681 682 1681 683	1681 694 1681 695	1681 694 1681 695	1651 452 1691 300
1957-58	Sp. 4 D. Solex Solex and Shaded	1 1 1	1681 686 1681 687 ----	1681 686 1681 687 ----	1681 686 1681 687 ----	1681 686 1681 687 ----	1651 454 1691 199 1810 114
1957-58	Sp. Cl. Cp. Solex Except FireFlite, New Yorker Solex FireFlite, New Yorker, Imperial Solex Solex and Shaded	1 1 1 1 1 1 1	1681 690 1681 691 ---- ---- ---- ----	1681 690 1681 691 ---- ---- ---- ----	---- ---- 1695 443 1695 444 1681 702 1681 703 1777 523	---- ---- 1695 443 1695 444 1681 702 1681 703 1777 523	---- ---- ---- ---- 1651 454 1691 199 1810 114
1957-58	GLASS, Tailgate Window Sub. Solex	1 1	1697 727 1697 728	1697 727 1697 728	1697 727 1697 728	1697 727 1697 728	---- ----
1957-58	LIGHT, Folding Top Rear Curtain Cv Cp., except FireSweep FireSweep	1 1	*1774 594 ----	*1774 594 ----	*1774 729 *1774 594	*1774 729 ----	*1773 232 ----

NOTE: Curtain LIGHT is Plastic - Serviced by Chrysler.

NOTE: Rear Window Glass in some 1958 Windsor and Saratoga Special Club Coupes will be found to have been Replaced by New Yorker Type as Special Equipment. Maximum height of Standard Glass is 23 1/2"; New Yorker Type is approximately 32" at center.

23-66-0 WINDSHIELD

NOTE: WINDSHIELD GLASS IS SERVICED BY PITTSBURGH PLATE GLASS CO.

23-66-74	BRACE, Windshield Frame to Pedal Bracket 1957-58 All	1	1698 905	1698 905	1698 905	1698 905	----
23-66-77	REINFORCEMENT, Windshield Opening Upper Frame 1957-58 Except Cv. Cp.	1	----	----	----	----	*1691 857
23-66-135	GLASS, Windshield 1957-58 4 D., Cl. Sed., 3 Cp., Sub. Solex Solex and Shaded 1957-58 Sp. 4 D., Sp. Cl. Cp. Solex Solex and Shaded	1 1 1 1 1 1	1681 706 1681 707 1775 045 1681 710 1681 711 1775 046	1681 706 1681 707 1775 045 ---- ---- ----	1681 706 1681 707 1775 045 ---- ---- ----	1681 706 1681 707 1775 045 ---- ---- ----	1651 431 ---- 1690 871 ---- ---- ----

★ Indicates use as required.

□ Indicates parts not listed in any previous parts book.

* Indicates change or addition.

CODE	REMARKS	PER CAR	PLYMOUTH	DODGE	DESOTO	CHRYSLER	IMPERIAL
1957	Sp. 4 D., Sp.Cl.Cp., Cv.Cp.	1	----	1681 710	1681 710	1681 710	1651 431
	Solex	1	----	1681 711	1681 711	1681 711	----
	Solex and Shaded	1	----	1775 046	1775 046	1775 046	1690 871
1958	Sp. 4 D., Sp.Cl.Cp., Cv.Cp.	1	----	1695 690	1695 690	1695 690	1651 431
	Solex	1	----	1695 691	1695 691	1695 691	----
	Solex and Shaded	1	----	1759 485	1759 485	1759 485	1690 871
1957-58	Cv. Cp.	1	1695 690	----	----	----	----
	Solex	1	1695 691	----	----	----	----
	Solex and Shaded	1	1759 485	----	----	----	----
23-66-235	WEATHERSTRIP, Windshield Glass						
1957-58	4 D., Cl. Sed., 3 Cp., Sub.	1	1775 041	1775 041	1775 041	1775 041	1751 568
1957	Sp. 4 D., Sp.Cl.Cp.	1	1775 040	1775 040	1775 040	1775 040	1751 568
1958	Sp. 4 D., Sp. Cl. Cp.	1	1775 040	*1866 511	*1866 511	*1866 511	1751 568
1957-58	Cv. Cp.	1	*1866 511	*1866 511	*1866 511	*1866 511	*1751 568
23-67-0 WINDSHIELD WIPER							
23-67-5	ARM, Windshield Wiper						
1957-58	Except FireSweep	Right	1 1704 768	1704 768	1779 992	1779 992	----
		Left	1 1704 769	1704 769	1779 993	1779 993	----
	FireSweep	Right	1 ----	----	1704 768	----	----
		Left	1 ----	----	1704 769	----	----
	ARM and BLADE, Windshield Wiper						
1957-58	All	Right	1 ----	----	----	----	1753 214
		Left	1 ----	----	----	----	1753 215
23-67-10	GEAR and Drive End Cover Plate GASKET PACKAGE, Windshield Wiper Motor						
1957-58	All w/Single Speed AutoLite Motor w/Variable Speed Motor	1	E1879 601	E1879 601	E1879 601	----	----
		1	E1879 598	E1879 598	E1879 598	E1879 598	E1879 598
23-67-16	BRUSH and SPRING PACKAGE, Windshield Wiper Motor						
1957-58	All w/Single Speed Motor, Auto Lite	1	*1752 518	*1752 518	*1752 518	----	----
	General Industries	1	*1886 558	*1886 558	*1886 558	----	----
1957-58	All w/Variable Speed Motor	1	*1627 273	*1627 273	*1627 273	*1627 273	*1627 273
23-67-18	PLATE, Windshield Wiper Motor to Dash Bracket Mounting						
1957-58	All w/Single Speed Motor, Auto Lite	1	*1704 438	*1704 438	*1704 438	----	----
	General Industries	1	E1842 447	E1842 447	E1842 447	----	----
1957-58	All w/Variable Speed Motor	1	*1704 440	*1704 440	*1704 440	*1704 440	----
	BRACKET, Windshield Wiper Motor Mounting Plate to Dash						
1957-58	All	1	1704 437	1704 437	1704 437	1704 437	----
23-67-20	GROMMET, Windshield Wiper Motor Mounting Plate						
1957-58	All to Motor	3	1594 992	1594 992	1594 992	1594 992	1594 992
	to Dash Bracket	4	1769 565	1769 565	1769 565	1769 565	1769 565
23-67-22	SCREW and WASHER, Windshield Wiper Motor Mounting Plate to Dash Bracket						
1957-58	All	4	1769 564	1769 564	1769 564	1769 564	1769 564
23-67-25	BLADE, Windshield Wiper						
1957-58	All	2	*1879 499	*1879 499	*1879 499	*1879 499	----
	REFILL, Windshield Wiper Blade						
1957-58	All	2	1818 892	1818 892	1818 892	1818 892	1818 892
23-67-37	INSULATOR, Windshield Wiper Motor Cable Terminal, Plastic						
1957-58	All w/Variable Speed Motor w/Single Speed Motor	1	1770 402	1770 402	1770 402	1770 402	1770 402
		2	1753 860	1753 860	1753 860	----	----
23-67-48	ADAPTER, Windshield Wiper Pivot						
1957-58	All	Right	1 ----	----	----	----	1704 062
		Left	1 ----	----	----	----	1704 063
23-67-49	GASKET, Windshield Wiper Pivot Adapter						
1957-58	All	2	----	----	----	----	1704 066
23-67-50	NUT, Windshield Wiper Pivot Adapter Mounting						
1957-58	All	2	----	----	----	----	1770 140

★ Indicates use as required.

⊠ Indicates parts not listed in any previous parts book.
Nov. 28, 1958 Supersedes March 5, 1958.

CODE	REMARKS	PER CAR	PLYMOUTH	DODGE	DESOTO	CHRYSLER	IMPERIAL
23-67-61	GEAR, Windshield Wiper Motor 1957-58 All w/Single Speed Motor, Auto Lite General Industries w/Variable Speed Motor	1 1 1	*1594 973 *1886 557 1818 685	*1594 973 *1886 557 1818 685	*1594 973 *1886 557 1818 685	---- ---- 1818 685	---- ---- 1818 685
23-67-62	KEY, Windshield Wiper Motor Gear 1957-58 All w/Single Speed AutoLite Motor	1	*1604 243	*1604 243	*1604 243	----	----
23-67-76	LEVER or ARM, Windshield Wiper Link Crank 1957-58 All w/Single Speed Wipers w/Variable Speed Wipers	1 1	1770 870 1704 744	1770 870 1704 744	1770 870 1704 744	---- 1704 744	---- 1704 072
23-67-79	LINK, Windshield Wiper Crank Lever Pivot 1957-58 All w/Single Speed Wipers Right Left w/Variable Speed Wipers Right Left	1 1 1 1	*1770 707 1704 743 1770 698 1704 711	*1770 707 1704 743 1770 698 1704 711	*1770 707 1704 743 1770 698 1704 711	---- ---- 1770 698 1704 711	---- ---- 1704 067 1704 068
23-67-80	RETAINER, Windshield Wiper Link 1957-58 All to Crank Lever to Pivot	1 2	1642 029 1605 299	1642 029 1605 299	1642 029 1605 299	1642 029 1605 299	1642 029 1605 299
23-67-81	WASHER, Windshield Wiper Link to Crank Lever, Felt 1957-58 All w/Single Speed Wipers	4	1540 383	1540 383	1540 383	----	----
23-67-82	WASHER, Windshield Wiper Link to Pivot 1957-58 All WASHER, Windshield Wiper Link to Crank Lever, Steel 1957-58 All w/Variable Speed Wipers, Plain Spring Type Nut	2 2 2 2 1	1605 604 1770 289 1770 290 1770 296	1605 604 1770 289 1770 290 1770 296	1605 604 1770 289 1770 290 1770 296	1605 604 1770 289 1770 290 1770 296	1605 604 1770 289 1770 290 1770 296
23-67-84	GROMMET, Windshield Wiper Pivot Mounting 1957-58 All	4	1769 703	1769 703	1769 703	1769 703	----
23-67-85	GASKET, Windshield Wiper Pivot Mounting 1957 All 1958 All	2 2	*1769 704 E1887 000	*1769 704 E1887 000	*1769 704 E1887 000	*1769 704 E1887 000	*1770 145 *1704 066
23-67-86	PIVOT, Windshield Wiper Arm 1957-58 All Right Left	1 1	1770 555 1704 421	1770 555 1704 421	1770 555 1704 421	1770 555 1704 421	1704 064 1704 065
23-67-91	SCREW and WASHER, Windshield Wiper Pivot Mounting 1957-58 All	4	6006 218	6006 218	6006 218	6006 218	1704 061
23-67-96	WASHER, Windshield Wiper Motor Crank Arm Thrust 1957-58 All w/Single Speed AutoLite Motor Inner w/Variable Speed Motor Inner Spring Type	1 1 1 1 1	*1527 937 1604 242 1818 807 1818 806 1818 808	*1527 937 1604 242 1818 807 1818 806 1818 808	*1527 937 1604 242 1818 807 1818 806 1818 808	---- ---- 1818 807 1818 806 1818 808	---- ---- 1818 807 1818 806 1818 808
23-67-98	MOTOR, Windshield Wiper 1957-58 All Single Speed Variable Speed	1 1	1770 882 1770 337	1770 882 1770 337	1770 882 1770 337	---- 1770 337	---- 1770 336
23-67-100	SPACER, Windshield Wiper Motor to Mounting Plate Grommet 15/32" Hole	3	1594 995	1594 995	1594 995	1594 995	1594 995
23-67-102	WASHER, Windshield Wiper Motor to Mounting Plate Screw 1957-58 All 9/32" Hole	3	1594 993	1594 993	1594 993	1594 993	1594 993
23-67-106	ARMATURE, Windshield Wiper Motor 1957-58 All w/Single Speed AutoLite Motor w/Variable Speed Motor	1 1	*1818 878 1818 813	*1818 878 1818 813	*1818 878 1818 813	---- 1818 813	---- 1818 813
23-67-111	COIL, Windshield Wiper Motor Field 1957-58 All w/Single Speed AutoLite Motor w/Variable Speed Motor	1 1	*1818 876 1818 810	*1818 876 1818 810	*1818 876 1818 810	---- *1818 810	---- *1818 810
23-67-113	GASKET, Windshield Wiper Motor Drive End Cover Plate 1957-58 All w/Single Speed AutoLite Motor w/Variable Speed Motor	1 1	*1605 572 1752 513	*1605 572 1752 513	*1605 572 1752 513	---- 1752 513	---- 1752 513
23-67-119	HOLDER, Windshield Wiper Motor Brush 1958 All w/General Industries Motor	2	*1495 160	*1495 160	*1495 160	----	----

★ Indicates use as required.

⊠ Indicates parts not listed in any previous parts book.

* Indicates change or addition.

Printed in U.S.A.

Prices and specifications subject to change without notice.

Nov. 23, 1958 Supersedes March 5, 1958.

1957-58 PASSENGER CAR PARTS LIST

BODY

CODE	REMARKS	PER CAR	PLYMOUTH	DODGE	DESOTO	CHRYSLER	IMPERIAL
23-67-120	HEAD, Windshield Wiper Motor Commutator End						
	1957-58 All w/Single Speed AutoLite Motor w/Variable Speed Motor	1 1	*1818 877 1818 811	*1818 877 1818 811	*1818 877 1818 811	---- 1818 811	---- 1818 811
23-67-121	DISC, Windshield Wiper Motor Armature Thrust (Nylon)						
	1957-58 All w/Single Speed AutoLite Motor w/Variable Speed Motor	1 1	*1752 663 1818 809	*1752 663 1818 809	*1752 663 1818 809	---- 1818 809	---- 1818 809
23-67-122	SCREW, Windshield Wiper Motor Armature Thrust Adjusting Lock						
	1957-58 All w/Single Speed AutoLite Motor w/Variable Speed Motor	1 1	*1752 661 1818 815	*1752 661 1818 815	*1752 661 1818 815	---- 1818 815	---- 1818 815
23-67-124	HEAD, Windshield Wiper Motor Drive End						
	1957-58 All w/Single Speed AutoLite Motor w/Variable Speed Motor	1 1	*1752 664 1818 812	*1752 664 1818 812	*1752 664 1818 812	---- 1818 812	---- 1818 812
23-67-130	THRU BOLT, Windshield Wiper Motor						
	1957-58 All w/Single Speed AutoLite Motor	2	*1818 814	*1818 814	*1818 814	----	----
23-67-141	PLATE and CONTACT, Windshield Wiper Motor Drive End Cover						
	1957-58 All w/Single Speed AutoLite Motor	1	*1818 890	*1818 890	*1818 890	----	----
23-67-160	SWITCH, Windshield Wiper						
	1957-58 All Single Speed	1	1752 233	1752 234	1752 352	----	----
	Variable Speed	1	1779 109	1779 108	----	1779 105	1779 110
	1957 All Variable Speed	1	----	----	1779 107	----	----
	1958 All Variable Speed	1	----	----	1819 818	----	----
23-67-161	NUT, Windshield Wiper Switch Mounting						
	1957-58 All	1	1439 758	1439 758	1439 758	1439 758	1439 758
23-67-163	CIRCUIT BREAKER, Windshield Wiper						
	1957-58 All	1	1770 661	1770 661	1770 661	1770 661	1770 661
23-67-164	CONTACT, Cover PLATE and GASKET PACKAGE, Windshield Wiper Motor Drive End Switch						
	1957-58 All w/Single Speed AutoLite Motor w/Variable Speed Motor	1 1	⊠1879 602 ⊠1879 599	⊠1879 602 ⊠1879 599	⊠1879 602 ⊠1879 599	---- ⊠1879 599	---- ----
23-67-167	CLIP, Windshield Wiper Circuit Breaker Mounting						
	1957-58 All	1	1753 684	1753 684	1753 684	1753 684	----
23-67-194	KNOB, Windshield Wiper Switch						
	1957-58 All	1	1704 214	1769 741	1770 909	1704 427	1753 845
23-67-195	ESCUTCHEON or BEZEL, Windshield Wiper Switch Knob						
	1957-58 All	1	----	1769 693	----	----	1604 273
23-67-202	SPRING, Windshield Wiper Link						
	1957-58 All w/Variable Speed Wipers	2	1605 602	1605 602	1605 602	1605 602	1605 602
23-67-203	TRIP, Windshield Wiper Link Spring						
	1957-58 All w/Variable Speed Wipers	2	1753 712	1753 712	1753 712	1753 712	1753 712
23-67-204	CAM or BUSHING, Windshield Wiper Link						
	1957-58 All w/Variable Speed Wipers	2	1753 711	1753 711	1753 711	1753 711	1753 711

NOTES

★ Indicates use as required.

⊠ Indicates parts not listed in any previous parts book.
Nov. 28, 1958 Supersedes March 5, 1958.

Printed in U.S.A.
Prices and specifications subject to change without notice.
* Indicates change or addition.